

Owner's Manual  
Instrukcja obsługi  
Návod k použití  
Navodila za uporabo  
Használati útmutató  
Upute za upotrebu  
Lietošanas instrukcija

Instrucțiune de deservire  
Инструкция за употреба  
Οδηγίες χρήσης  
Kasutusjuhend  
Naudojimo instrukcijos  
Uživatelská příručka



*Enjoy it.*

Internet radio with Bluetooth



### Important Safety Instructions


**CAUTION**


RISK OF ELECTRIC SHOCK DO NOT OPEN

#### Caution:

To reduce the risk of electric shock, do not remove cover (or back). No user serviceable parts inside. Refer servicing to qualified service personnel.

#### Explanation of Graphical Symbols:



The lightning flash within an equilateral triangle is intended to alert you to the presence of uninsulated dangerous voltage within the product's enclosure that may be of sufficient magnitude to constitute an electric shock to a person or persons.



The exclamation point within an equilateral triangle is intended to alert you to the presence of important operating and maintenance (servicing) instructions in the literature accompanying the product.

To achieve the utmost in enjoyment and performance, and in order to become familiar with its features, please read this manual carefully before attempting to operate this product. This will assure you years of trouble free performance and listening pleasure.

#### Important Notes

- This safety and operating instruction should be retained for future reference.
- The apparatus should not be exposed to dripping or splashing or placed in a humid atmosphere such as a bathroom.
- Do not install the product in the following areas:
- Places exposed to direct sunlight or close to radiators.
- On top of other stereo equipment that radiate too much heat.
- Blocking ventilation or in a dusty area.
- Areas where there is constant vibration.
- Humid or moist places.
- Do not place near candles or other naked flames.
- Operate the product only as instructed in this manual.
- Before turning on the power for the first time, make sure the power adaptor is properly connected.
- Plug-in the USB stick directly or use a USB-extension cable which is not longer than 25 cm.

For safety reasons, do not remove any covers or attempt to gain access to the inside of the product. Refer any servicing to qualified personnel.

Do not attempt to remove any screws, or open the casing of the unit; there are no user serviceable parts inside. Refer all servicing to qualified service personnel.

#### SAFETY INSTRUCTIONS

1. Read Instructions - All the safety and operating instructions must be read before the product is operated.
2. Retain Instructions - The safety and operating instructions should be kept with the product for future reference.
3. Heed warnings - All warnings on the product and in the operating instructions should be adhered to.
4. Follow instructions - All operating and users' instructions should be followed.
5. Installation - Install in accordance with the manufacturer's instructions.
6. Power sources - This product should be operated only from the type of power source indicated by the marking adjacent to the power cord entry. If you are not sure of the type of power supply to your home, consult your product dealer or local power company.
7. Grounding or polarization - the product is not required to be grounded. Ensure that the plug is fully inserted into the wall outlet or extension cord receptacle to prevent blade or pin exposure. Some versions of the product are equipped with a power cord fitted with a polarized alternating line plug (a plug having one blade wider than the other). This plug will fit onto the power outlet only one way. This is a safety feature. If you are unable to insert the plug fully into the outlet, try reversing the plug. If the plug should still fail to fit, contact your electrician to replace your obsolete outlet. Do not defeat the safety purpose of the polarized plug. When using an extension power-supply cord or a power-supply cord other than that supplied with the appliance, it should be fitted with the appropriate molded plugs and carry safety approval appropriate to the country of use.
8. Power cord protection - Power-supply cords should be routed so that they are not likely to be walked on, kinked or pinched by items placed on or against them, paying particular attention to cords from plugs, receptacles and the point where they exit from the product.
9. Overloading - Do not overload wall outlets, extension cords, or multiple sockets, as this can result in a risk of fire or electric shock.
10. Ventilation - The product must be properly ventilated. Do not place the product on a bed, sofa, or other similar surface. Do not cover the product with any items such as tablecloths, newspapers, etc.
11. Heat - The product should be situated away from heat sources such as radiators, heat registers, stoves, or other products, including amplifiers that produce heat. No naked flame sources, such as lighted candles, should be placed on the apparatus.
12. Water and moisture - To reduce the risk of fire or electric shock, do not expose the product to rain, dripping, splashing or excessive moisture such as in a sauna or bathroom. Do not use this product near water, for example, near a bathtub, washbowl, kitchen sink, laundry tub, in a wet basement or near a swimming pool (or similar).

13. Object and Liquid Entry - Never push objects of any kind into this product through openings, as they may touch dangerous voltage points or short-circuit parts that could result in a fire or electric shock. Never spill liquid of any kind on the product. Do not place any object containing liquid on top of the product.
14. Cleaning - Unplug the product from the wall outlet before cleaning. Dust in the woofer may be cleaned with a dry cloth. If you wish to use an aerosol cleaning spray, do not spray directly on the cabinet; spray onto the cloth. Be careful not to damage the drive units.
15. Attachments - Do not use attachments not recommended by the product manufacturer, as they may cause hazards.
16. Accessories - Do not place this product on an unstable cart, stand, tripod, bracket or table. The product may fall, causing serious injury to a child or adult, and serious damage to the product. Use only with a cart, stand, tripod, bracket or table recommended by the manufacturer or sold with the product. Any mounting of the product should follow the manufacturer's instructions and should use a mounting accessory recommended by the manufacturer.
17. Moving the product - A product and cart combination should be moved with care. Quick stops, excessive force and uneven surfaces may cause the product and cart combination to overturn.
18. Unused periods - The power cord of the appliance should be unplugged from the outlet during lightning storms or when the apparatus is left unused for a long period of time.
19. Servicing - Do not attempt to service this product yourself, as opening or removing covers may expose you to dangerous voltage or other hazards. Refer all servicing to qualified service personnel.
20. Please remove the power plug from the main power source or wall power source when not in use. When plugged in to a power source, the system is in standby mode, so the power is not entirely cut off.
21. Replacement parts - When replacement parts are required, ensure that the service technician has used replacement parts specified by the manufacturer or have the same characteristics as the original part. Unauthorized substitutions may result in fire, electric shock or other hazards.
22. Mains fuses - For continued protection against fire hazard, use fuses only of the correct type and rating. The correct fuse specification for each voltage range is marked on the product.
23. Do not turn up the volume while listening to a section with very low level inputs or no audio signals. If you do, the speaker may be damaged when a peak level section is suddenly played.
24. The only means of completely disconnecting the product from the power supply is by removing the power cord from the wall outlet or the product. The wall outlet or the power cord entry to the product must remain freely accessible at all times while the product is in use.
25. Try to install the product near a wall socket or extension cord and shall be easily accessible.
26. The highest environmental temperature suitable for this product is 35°C.
27. ESD hints - If the product maybe reset or not reset to operation of control due to electrostatic discharge, just switch off and reconnect again, or move the product to another location.
28. Battery
  - a. The batteries must not be exposed to excessive heat such as sunshine, fire or the like.
  - b. The batteries should be drawn to the environmental aspects of battery disposal.
  - c. Battery usage CAUTION-to prevent battery leakage which may result in body injuries, property damage, or damage to the apparatus:
    - . Install all batteries correctly, + and – as marked on the apparatus.
    - . Do not mix batteries (old and new or carbon and alkaline, etc.)
    - . Remove batteries when the unit is not used for a long time.

#### **ERP2 (Energy Related Products) note**

This product with ecodesign complies with the stage 2 requirements of Commission Regulation (EC) NO. 1275/2008 implementing Directive 2009/125/EC regard to standby and off mode electric power consumption of electronic household and office equipment. After 30 minutes without any audio input, the device will automatically switch into standby mode. Follow up the instruction manual to resume the operation.

#### **Important note:**

This device is equipped with an energy saving mode: if no signal is given during 30 minutes the device will switch automatically into standby mode in order to save energy (ERP 2 standard). Please note that low volume setting in the audio source may be recognized as "no audio signal": this will affect the capability of signal detection from the device and can also originate an automatic switch into standby mode. If this happens please reactivate the audio signal transmission or increase the volume setting on the audio source player (MP3 player, etc.), in order to resume playback. Please contact the local service center if the problem remains.

#### **WARNING**

This appliance is not intended for use by persons (including children) with reduced physical sensory or mental capabilities, or lack of experience and knowledge, unless they have been given supervision or instruction concerning use of the appliance by a person responsible for their safety. Children should be supervised to ensure that they do not play with the appliance.

1. Never use the device unsupervised! Switch off the device whenever you are not using it, even if this only for a short while.
2. The appliance is not intended to be operated by means of an external timer or separate remote control system.
3. If the supply cord is damaged, it must be replaced by the manufacturer, its service agent or similarly qualified persons in order to avoid a hazard.
4. Before operating this system, check the voltage of this system to see if it is identical to the voltage of your local power supply.

5. The unit should not be impeded by covering the ventilation opening with items such as newspaper, table-cloths, curtains etc. Make sure that there are at least 20 cm of space above and at least 5 cm of space on each side of the unit.
6. The apparatus must not be exposed to dripping or splashing and that objects filled with liquids, such as vases, must not be placed on the apparatus.
7. To prevent fire or shock hazard, do not expose this equipment to hot places, rain, moisture or dust.
8. Do not locate this unit near any water sources e.g. taps, bathtubs, washing machines or swimming pools. Ensure that you place the unit on a dry, stable surface.
9. Do not place this unit close to a strong magnetic field.
10. Do not place the unit on an amplifier or receiver.
11. Do not place this unit in a damp area as the moisture will affect the life of electric components.
12. If the system is brought directly from a cold to a warm location, or is placed in a very damp room, moisture may condense on the lens inside the player. If this occurs, the system will not operate properly. Please leave the system turned on for about an hour until the moisture evaporates.
13. Do not attempt to clean the unit with chemical solvents as this might damage the finish. Wipe with a clean, dry or slightly damp cloth.
14. When removing the power plug from the wall outlet, always pull directly on the plug, never pull on the cord.
15. Depending on the electromagnetic waves used by a television broadcast, if a TV is turned on near this unit while it is also on, lines might appear on the TV screen. Neither this unit nor the TV is malfunctioning. If you see such lines, keep this unit well away from the TV set.
16. The mains plug is used as the disconnect device, the disconnect device must remain readily operable.
17. To prevent possible hearing damage, do not listen at high volume levels for long periods.



#### NOTICE



Hereby, Blaupunkt Competence Center 2N-Everpol Sp. z o.o., declares that this equipment is in compliance with the essential requirement and other relevant provisions of Directive 2014/53/EU. Declaration of conformity can be obtained from the product page at [www.blaupunkt.com](http://www.blaupunkt.com).

Responsible party: 2N-Everpol Sp. z o.o., Puławska 403A, 02-801 Warsaw, Poland, Phone: +48 22 331 99 59, E-mail:

[info@everpol.pl](mailto:info@everpol.pl)



Your products is designed a manufactured with high quality materials and components, which can be recycled and reused.



When this crossed-out wheeled bin symbol is attached to a product it means that the product is covered by the European Directive 2012/19/EU. Please inform yourself about the local separate collection system for electrical and electronic products. Please act according to your local rules and do not dispose of your old products with your normal household waste. Correct disposal of your old product helps to prevent potential negative consequences for the environment and human health.



Your product contains batteries covered by the European Directive 2006/66/EC, which cannot be disposed with normal household waste. Please inform yourself about the local rules on separate collection of batteries because correct disposal helps to prevent negative consequences for the environmental and human health.

Environmental information

All unnecessary packaging has been omitted. We have tried to make the packaging easy to separate into three materials: cardboard (box), polystyrene foam (buffer) and poly ethylene (bags, protective foam sheet). Your system consists of material which can be recycled and reused if disassembled by a specialized company. Please observe the local regulations regarding the disposal of packaging materials, exhausted batteries and old equipment.

Recording and playback of material might require consent. See Copyright Act 1956 and The Performer's Protection Acts 1958 to 1972.



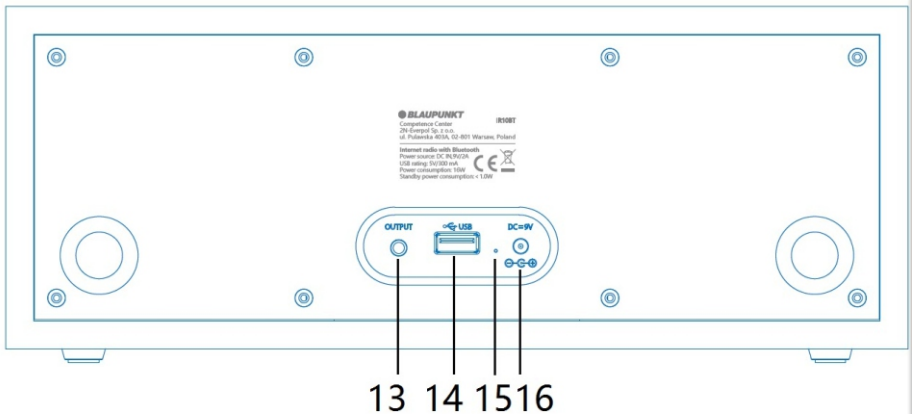
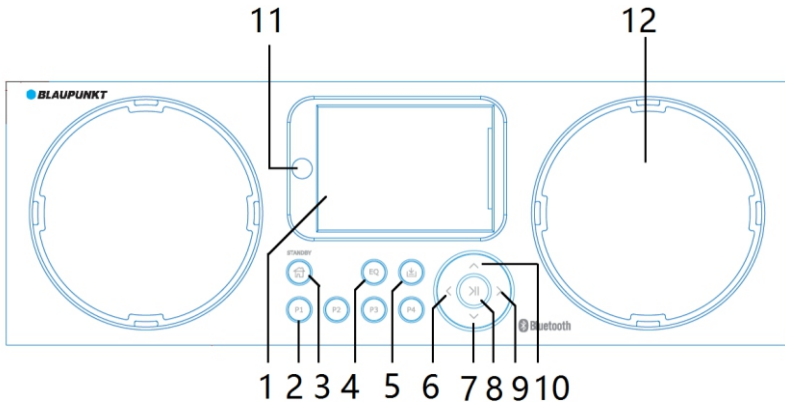
The Bluetooth® wordmark and logos are registered trademarks owned by Bluetooth SIG, Inc. and any use of such marks by us is under license. Other trademarks and trade names are those of their respective owners.

Many thanks to select our model, please read and reference this manual carefully before operation. Please keep the manual for future operation reference.

The product include below main features:

- Internet radio
- Bluetooth playback
- USB playback
- Spotify connect
- Podcast
- Audio line-out
- Clock, Alarm, Sleep

**Control locations**



**1- Colorful display;**

**2- Radio preset P1~P4 button**

Short press it pick up relevant preset stations, and play it.

Long press(2seconds) it to save the current station as preset 1~4.

**3- Standby/Home button;**

Long press it to enter standby mode.

Short press it to turn on the unit, or enter to home interface or main menu.

In alarm mode, short press it to cancel the alarm sounding and enter to standby.

**4- EQ button**

Press it repeatedly to switch preset EQ between normal/flat/Jazz/Rock/Soundtracks/Classical/POP/News/my EQ.

**5- Radio preset button;**

Short press it to call out the preset station interface.

Long press it to save the current station.

**6- Left button;**

Short press it to move and delete the letter while you use it to key-in letters like for network password.

Short press it to quit and enter upper menu.

Long press it skip to last track in USB mode.

**7- Down button;**

Short press it to reduce the volume; press and hold it to reduce the volume continuously.

Short press it to move down in the menu for selection.

**8- Play/pause, enter button;**

Short press it to play or pause the music playback in USB mode.

Short press it to confirm the selection.

**9- Right button;**

Short press it to move and add the letters when you key-in letters like for network password.

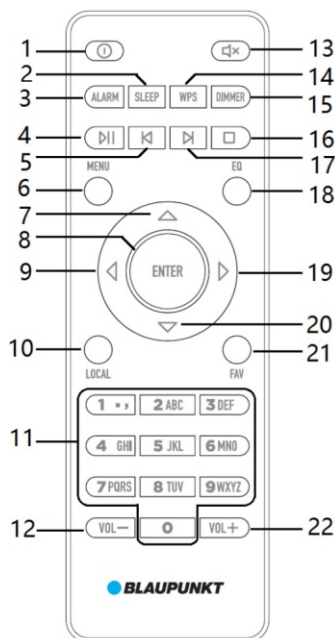
Short press it to quit and enter sub-menu.

Long press it skip to next track in USB mode.

**10- Up button;**

Short press it to increase the volume; press and hold it to increase the volume continuously.

Short press it to move up in the menu for selection.

**11- Remote control IR sensor;****12- Speaker;****13- Line out jack;****14- USB port;****15- LED power indicator;****16- DC IN power jack;****Remote controller**

**1- Standby on/off button:** short press it to power on/off the unit.

**2- Sleep button:** short press it repeatedly to adjust sleep time.

**3- Alarm button:** Short press it to enter alarm setup interface.

**4- Play/pause button:** short press it to play/pause music playback in USB mode.

**5- Previous button:** Short press it skip to last track in USB mode.

**6- Menu button:** short press it to enter main/home menu.

**7- Up button:** press it to shift up in the menu.

**8- Enter button:** Short press it to confirm selection.

**9- Left button:** press it to quit, but skip to upper menu.

**10- Local button:** short press it to enter local internet radio mode.

**11- Digits and character button:** short press it repeatedly to select relevant number and letter.

**12- Volume down button:** press it to decrease volume.

**13- Mute button:** press it to silence the unit, press it again to resume playback.

**14- WPS button:** quick network button, if your Wi-Fi router has WPS button as well, short press it enter into quick connection network mode.

**15- Dimmer button:** press it to adjust the brightness of display.

**16- Stop button:** press it to stop the current track music playback in USB mode, press the enter button to resume and start the playback from beginning.

**17- Nexus button:** Short press it skip to next track in USB mode.

**18- EQ button.**

**19- Right button:** press it to enter the sub-menu.

**20- Down button:** press it to shift down in the menu list.

**21- Favorite button:** short press it to enter preset station interface, long press it to save current station.

**22- Volume up button:** press it to increase volume.

### Unit power on:

Insert the DC connector of supplied power adaptor into the DC power jack on the rear panel, then plug on another terminal of power adaptor to household AC power sourcing(230V,50/60Hz) in order to get the power. The display will light up and show BLAUPUNKT welcome screen in case of get power successfully. Short press standby button to power on the unit, long press it enter to standby mode. The unit is ready for operation.

**Menu operation:** to operate the menu on display like selection, quit, shift, enter etc., please try to combine short press up/down, left/right and enter button from remote control, or up/down, left/right and play/pause button on front panel.

### Wi-Fi Network connection

The unit built-in Wi-Fi network module, which is able to connect with wireless network. In order to listen Internet radio, you have to set up and connect internet with your Wi-Fi router first. Please follow up between steps:

- At first time using, the unit will show BLAUPUNKT welcome screen, then ask you to choose operation language(default language: Polish). You can use up and down button to shift selection on the menu list, and press enter button to confirm it. Then the screen will show privacy information, press enter button to "Enable"check network when power on?"
- Press left or right button to shift yes or no, press enter button to confirm it.
- If you select yes, then the unit will enter and ask you "would like to configure network now?" select yes, the unit will search the nearby available wireless network, and show a Wi-Fi name list on display.
- Press up or down button to shift on the network name list, press the enter button to confirm the selection. Then it requires you to key-in the wireless network password.
- We recommend using digits and character button from remote control to key in the password faster. For example, keep pressing the button can show the relevant letter (small or capital type) and number on display repeatedly. In case of you find the proper letter for password, short press right button to confirm and skip to next password input. In case of you key in a wrong password letter, short press the left button can delete it.
- When you finished the wireless network password input, press the enter button directly, then the unit will connect with the network accordingly. And the unit will enter to main interface after successful connect with wireless network.
- In case fail to connect network, short press menu button from remote controller to enter main interface, select configuration >network>wireless network configuration>enable to search available network again.

#### Notes:

- Connecting the Wi-Fi network manually by APP or WPS is also available; when you connect the Wi-Fi network through APP, please make sure the device and radio is at same location.
- You can also finish the wireless network setting from front panel by combine using up/down, left/right, play/pause button.
- The connected Wi-Fi Network can be remember and auto connected next time in case the network is still available. Sometimes it requires key-in the password again. Please kindly note this is not mal-function.

### Internet radio operation

In case you connect the Wi-Fi internet ready, enter to the main interface, using left and right button to shift and select Internet radio icon on screen, press enter button to enter into internet radio mode.

**Station selection and broadcasting:** Combine using up/down or enter button to select the option on the menu list. For example, radio station >country/location>Europe>Poland> Poland/top 10>Radio Norwy Swiat. Then the radio will connect relevant station via Wi-Fi, and get the broadcasting.

Short press enter button to stop the playing and back to upper menu. Using up/down button to shift and select other station on list, press enter button for playing; you also can press up/down button to switch to other internet radio station directly. During Internet radio listening, short press right button to enlarge the screen's picture information, short press left button return to normal. Long press left/right button to switch to last or next radio station.

Press volume up/down button to adjust the output volume level, press mute to silence the sound.

**Preset favorite internet radio station:** when you turned a favorite station, long press favorite(on remote controller) or preset button(on front panel) enter to the station preset interface. By using up/down button to shift and select your desired preset station number on list, press enter button to confirm it.

Short press the favorite or preset button to enter the preset station list, using up/down button to shift and select preset station, press enter button for playing. You also can quick pick up the preset station by press the P1~P4 button on front panel, or short press digits button from remote control while the unit is in the radio playing interface.

Short press the favorite or preset button to enter the preset station list, press the right button to manage the preset station like shift up/down/delete/rename/play.

### Local internet radio listening

**a. Setup location:** Enter to configuration>local radio setup >set location> options(Auto detect country/manual setup(country)/ manual setup(state)/ manual setup(city)/ manual setup(US Zip code). By using up/down and enter button to select and confirm your selection. In case you finished the location setting, the radio will search and skip to the set local internet radio interface.

**b. After setup location ready,** you also can press local button from remote control, or from main interface to enter local internet folder. Choose any radio on the category list for listening. The other operation is same as above introduced internet radio chapter.

#### Notes:

- It may take a bit long time or different connection speed to access and get the radio station due to Wi-Fi connection or radio sever in different location etc., which is not mal-function. We suggestion to switch to other station for listening in case of intermittent sound due to signal or sever reason etc.



2. When the radio is in the network station name list menu (a sub-menu), using up/down button to shift the station, short press right button can enter options "add to my favorite/auto scan/play" interface, by using up/down and enter button can also save the selected current station.

3. The internet radio is categorized like sleep radio, global top 20, genre, country/location, highlight etc., which is available on the menu. You can try to select and enjoy them.

4. You can manage your favorite station list on media U website. Firstly, please setup by main interface > configuration > manage my media U > Enable; then you can see folder "favorite station" "favorite location/genre" "Local radio(city)" manually on the radio. Click "my media U" on the website can manage the synchronized folder.

#### Podcast operation

The radio includes Podcast function; the operation is similar as Internet radio. For example, Power on unit, enter main interface > Podcast > country/location/Poland, then you can find the category folder, choose and open one of them for listening.

**DAB Wi-Fi:** you also can listen the local DAB station by this Internet radio if the DAB is broadcasting in the Internet. Please enter main face > configuration > local radio setup > DAB Wi-Fi (enable) to turn on it. Other operation is same as Internet radio.

#### My media U

a. Firstly, you have to register an account at "<http://www.mediayou.net>. And log in successfully. Then click "radio" and output the name of the machine you want in the "name your radio here" Column.

b. Key-in the serial number in the "serial number" column. (How to get serial number? Enter main face > configuration > device > system information > wireless info, then you will find MAC address.

c. In case you input the serial number and enter, you will find "favorite station" "favorite location/genre" "Local radio" manually add "folder. Click my media U on the website to manage these folders.

d. Power on the internet radio, enter main face > configuration > manage my media U > enable. Enter media U, then you will find "favorite station" "favorite location/genre" "Local radio" manually add "folder, which is synchronized with your media U account managed on the website.

#### Bluetooth operation

This product includes Bluetooth function which can wireless playback the music with other Bluetooth device (like smart phone, tablet etc.).

1. Power on the unit, press home button enter to main interface, by using left and right button to get the Bluetooth icon, press enter button to Bluetooth mode. And the radio will ready for Bluetooth pairing.

2. Enable the Bluetooth function on your device, and search the available device (please reference your device manual for operation), then check the available Bluetooth device on the list. Select "BP IR10" for pairing

3. Select and play the music from your Bluetooth device, adjust the volume level on your device and radio side, then the sound will wireless play and come out from the speaker.

4. Long press left/right button to switch last or next track for playing; short press left/right button to zoom in or out the song's picture information due to it is able to get the song's relative information from internet. Short press enter button to play/pause the music; long press enter button to get "pair another device" interface, press enter button again to disconnect the Bluetooth. Long press enter button again can get the previous paired Bluetooth device name list, you can choose one of them for pairing if the device turn on Bluetooth function and in the Bluetooth's working range.

5. You can press up/down button to adjust the volume while in the music playback interface; it also can achieve EQ and mute function in Bluetooth mode.

#### Notices:

1. All Bluetooth devices are not guaranteed for pairing successfully due to different design and brand.

2. The best working distance of Bluetooth is within 10 meters without any obstacle in between.

3. The unit only can pair and work with one Bluetooth device in one time.

4. In case of an incoming phone call during Bluetooth playback; the music will stop temporary, and resume to playback after end the phone call.

5. It requires repairing the Bluetooth device in case of the power off the unit, or switching play mode.

#### USB playback operation.

The unit includes USB MP3 playback function. Please prepare an empty USB stick and copy music file in it first. Plug the USB stick on USB port properly on the rear panel. Press home button enter to main interface > media center > USB. Then you can see the MP3 music file is on the list. Choose any file to playback, and get sound output from the radio.

While in the music playback interface, short press enter button on front panel to play/pause the playback. Press up/down button to increase or decrease volume; long press left/right button to switch previous or next track. Short press left/right button to zoom in or out the song's picture information due to it is able to get such information from internet. It also can achieve EQ, mute, stop function in USB playback mode.

Enter to main interface > configuration > playback setup to choose and get playback mode between off/repeat all/repeat one/shuffle.

#### Notes:

a. Please do not use any extent USB cable for connection and playing, because that will affect signal transfer from device, an intermittent sound will happen.

b. The unit support WAV/WMA/MP3/FLAC/AAC format, but not guarantee it; Support max USB device up to 64 GB capacity.

### UPnP playback operation

The model includes UPnP function, which can connect wireless network, but use Windows system, APPLE Mac or Linux system as a music playback platform. By sharing the song on the platform, but get the wireless music playback from the Internet radio. Here we take Windows Media Player 12 as an example:

- a. Click and open the Window media player software on your PC, add your favorite music to the media library( please reference the Microsoft's Window media player instruction for operation.)
- b. Click " media stream", select " auto-allow device to play my media", then accept" automatically allow all computers and multimedia devices". So you can quickly open UPnP for music sharing and playback.
- c. You can also rename the media stream name and allow/block the device to play you music through the UPnP. Click " other streaming options" in the Windows Media Player. The name of the media library can be customized, in order to facilitate the user to quickly identify the knowledge, in the display device column, you can also customize whether to allow a specific device to play music of the media stream through UPnP.
- d. Power on the radio, main interface>media center>UPnP> enter, check the list available list and select your UPnP playback device(for example, UPnP: KENT-PC), short press enter button to confirm it.( Caution: there may take ten or more seconds to search the UPnP device, if there cannot find UPnP device, there will return to Media Center menu.
- e. When the radio found the UPnP device" KENT-PC" as example, enter it and find the music folder in behind, select one of the music for playback.
- f. While the music is playing, you try to use up/down, left/right button to get the relevant operation, which is similar to USB playback.

### Important note:

- a. Both the PC and Internet radio device should connect same Wi-Fi network during UPnP operation
- b. Because there have many different PC system/source in the market, it may fail to connection for UPnP playback, which is not include in our service warranty.

### Spotify connect

1. The Spotify Software is subject to third party licenses found here: <https://www.spotify.com/connect/third-party-licenses>.
2. Use your phone, tablet or computer as a remote control for Spotify. Go to [www.spotify.com/connect](http://www.spotify.com/connect) to learn how.

### Internet radio APP operation

- a. For iOS device, search and download " AirMusic Control" in APP store (download and install " AirMusic control" for Android device).
- b. Power on the unit, enter main face>configuration>device>APP, a QR code will appear on the display, scan it by your mobile phone.
- c. select and open up the "AirMusic control" APP on your mobile phone, the APP can scan and connect with Internet radio automatically in case both mobile phone and Internet radio device connect and use the same Wi-Fi network. (BP IR10 will show in the device name list of configuration menu in AirMusic Control APP after connected).
- d. then you can use the APP on your mobile phone to control the internet radio remotely.

### Important note:

1. We suggestion do not use the front button or remote control to control the unit at same time or frequently while you use APP for controlling, which may cause synchronization issue due to Internet server/speed etc. It is not include in our warranty service. In case happens, please remains the unit without further operation for listening a while in order to get recovery.

### Line out and headphone

The unit provides line out jack which allow to wire connect with other active speaker or headphone. Using the supplied 3.5mm stereo audio cable plug into the line out jack on rear panel, and the other terminal connect to other relative audio player. Power on the unit and get audio playing, then the sound will output from outsourcing audio player, but mute on radio side. Plug on the headphone connector into the lineout jack, you can get the sound output from headphone, but mute on radio side. During line out playing, you can adjust the volume output level both on radio and outsourcing player, but major on radio side.

### Time & alarm setting

**Time/Calendar:** enter main face>configuration>date & time>set date and time, get option for manual setup and auto detect. If you select the auto detect, the time and date information will be updated once Wi-Fi network is connected. You can set up the date and time manually in case of you select manual setup. To set up time or date format option is also available.

**Alarm setting:** Enter main face>configuration> alarm interface. Then you can set up the alarm time, NAP(Snooze) time, alarm volume, alarm source etc. according to the options on display.

1. When the setup alarm time is being, the radio will wake up accordingly. Short press the standby button to cancel the alarm voice. In addition, the alarm will wake up at same time next day.
2. Dual alarm is available for setting.
3. When the alarm is activated, short press other button (except standby) to active snooze function. In addition, the alarm will wake up again when the snooze time is being.
4. The alarm function is only workable when the main power is connected and available.
5. While the snooze function is working, the remaining snooze time will show on display at same time. Short press standby function to cancel the snooze.

#### Sleep

In playing mode(like internet radio, Bluetooth, USB playback mode etc), short press the sleep button repeatedly on remote controller can switch and select the sleep time between 15/30/60/90/120/150/180/off mode. And the radio will off and switch to standby mode automatically when the sleep time is being.

#### Others

For further operation like dimmer, software version, factory default etc., please reference below tree diagram in configuration setting.

#### Trouble shooting

1. The speaker cannot turn on.
  - a. Please check if the power connection is correct.
2. No sound output.
  - a. Please try to adjust the volume knob, and check the play source.
  - b. please contact service center for support if the issue remained.
3. Intermittent sound output in Bluetooth mode
  - a. Please try to move your Bluetooth device more close to the radio.
  - b. Please reference the manual for re-pairing.
5. The sound output is too small in Bluetooth mode.
  - a. Please check the volume level your Bluetooth device and radio both.

#### Specification

Power source: DC IN 9V/2A

TFT 2.4 inch colorful display

Bluetooth version: V5.0

USB 2.0, support music file: MP3/WMA/ WAV/FLAC/AAC(Not guaranteed)

RMS output: 2 x 5W

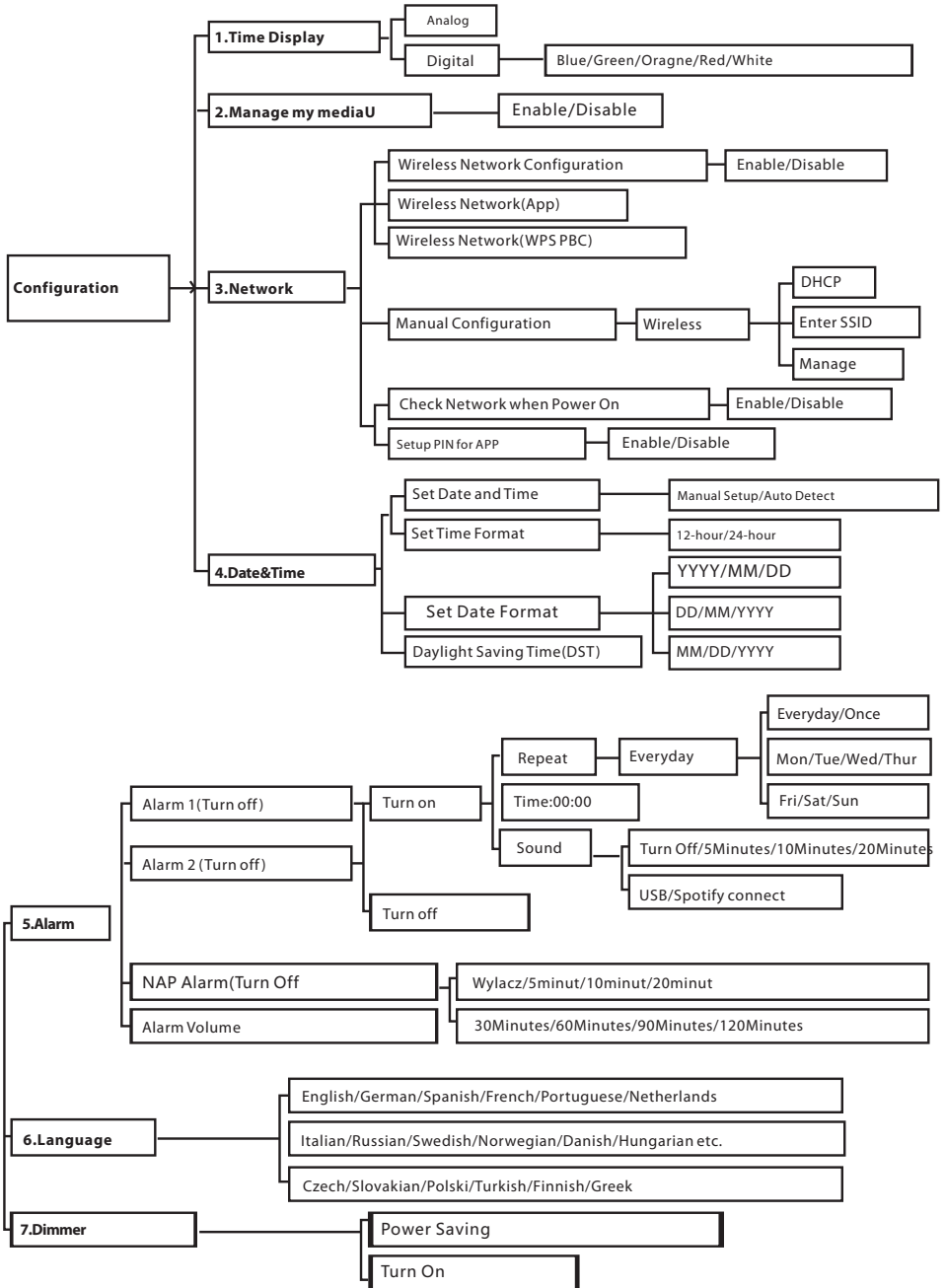
Power consumption: 16W

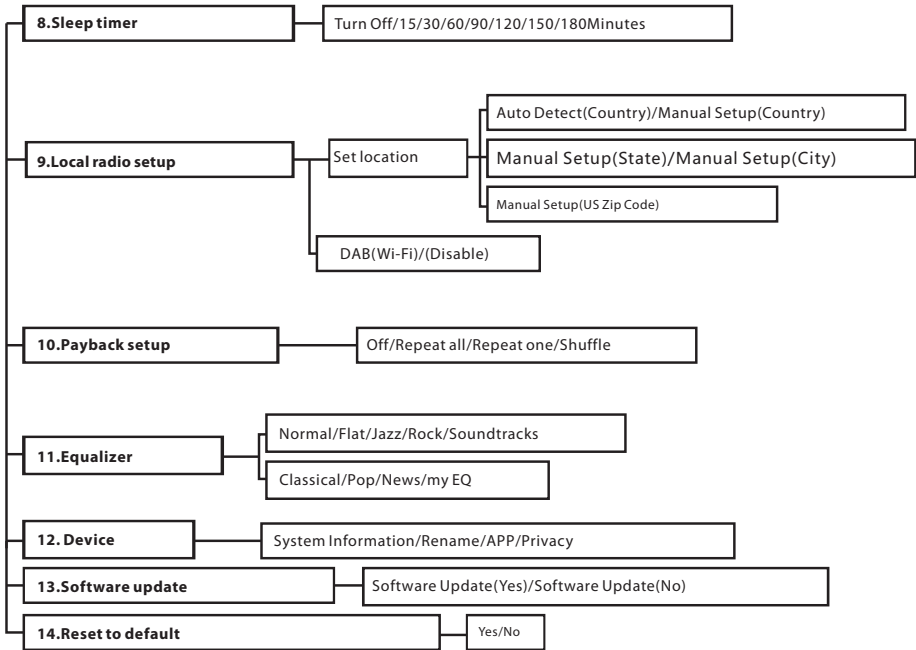
Standby power consumption: <1W

(The above spec may update without priority notice.)

#### Others

For further operation like dimmer, software version, factory default etc., please reference below tree diagram in configuration setting. Please enjoy it.





<b>Power adaptor information</b>		
<b>Information published</b>	<b>Value and precision</b>	<b>Unit</b>
Manufacturer's name or trade mark Commercial registration number Address	Shenzhen Fushigang Technology Co., Ltd Building 8, Shiguan Industrial Park, Shangcun Community, Gongming Street, Guangming District, Shenzhen, GuangDong, China, Guangdong, China	
Model identifier	AS1801A-0902000EU	
Input voltage	100-240	V
Input AC frequency	50/60	Hz
Output voltage	DC9	V
Output current	2	A
Output power	18.0	W
Average active efficiency	≥85	%
Efficiency at low load (10%)	75.45%	%
No-load power consumption	≤0.1	W

### Ważne instrukcje dotyczące bezpieczeństwa



**PRZESTROGA**



ZAGROŻENIE PORAZIENIEM ELEKTRYCZNYM  
NIE OTWIERAĆ

#### Przeostroga:

Aby zmniejszyć ryzyko porażenia prądem, nie wolno demontować pokrywy ani tylnej części urządzenia. Wewnątrz urządzenia nie znajdują się elementy przeznaczone do samodzielnej naprawy przez użytkownika. Konserwacją i naprawą sprzętu zajmują się wyłącznie wykwalifikowani pracownicy serwisu.

#### Objaśnienie symboli graficznych:



Symbol błyskawicy zakończonyj strzałką umieszczonej w trójkącie równobocznym ostrzega użytkownika przed nieizolowanym, „niebezpiecznym napięciem” w obrębie obudowy urządzenia, które może osiągnąć wielkość grożącą porażeniem prądem elektrycznym.



Znak wykrzyknika w trójkącie równobocznym ostrzega użytkownika, że w tym momencie przedstawione są ważne informacje dotyczące obsługi i konserwacji sprzętu w dokumentacji, dołączonej do urządzenia.

Prosimy o przeczytanie tej instrukcji przed przystąpieniem do obsługi urządzenia, aby zapoznać się z jego funkcjami i wykorzystać je zgodnie z przeznaczeniem. Zapewni to długotrwałą, bezawaryjną obsługę urządzenia i przyjemność z użytkowania.

#### Ważne informacje

- Należy zachować instrukcję obsługi oraz informacje dotyczące bezpieczeństwa w celu wykorzystania ich w przyszłości.
- Nie należy dopuszczać do tego, aby na urządzenie kapala lub wylewała się ciecz. Nie wolno też używać go w wilgotnych miejscach, jak np. łazienka.
- Nie wolno instalować tego urządzenia w następujących miejscach:
  - Wystawionych na bezpośrednie działanie promieni słonecznych lub w pobliżu grzejników.
  - Kłaść go na wierzchu innego sprzętu stereofonicznego który wydziela ciepło.
  - Blokując wentylację lub w zapyłonym miejscu.
  - W miejscach narażonych na ciągłe drgania.
  - W miejscach o wysokiej wilgotności.
- Nie wolno stawiać urządzenia w pobliżu świec lub otwartego ognia.
- Urządzenia można używać wyłącznie w sposób opisany w niniejszej instrukcji.
- Przed pierwszym włączeniem zasilania należy upewnić się, że zasilacz został prawidłowo podłączony.
- Pamięć USB podłącza się bezpośrednio lub przy użyciu przedłużacza USB o długości do 25 cm

Ze względów bezpieczeństwa nie należy demontować obudów ani uzyskiwać dostępu do wnętrza urządzenia. Urządzenie powinno być naprawiane przez wykwalifikowany personel serwisu.

Nie wolno rozkręcać urządzenia ani otwierać jego obudowy, gdyż wewnątrz nie ma żadnych części, które mogłyby być naprawiane przez użytkownika. Konserwacją i naprawą sprzętu zajmują się wyłącznie wykwalifikowani pracownicy serwisu.

#### INSTRUKCJE DOTYCZĄCE BEZPIECZEŃSTWA

- Przeczytać instrukcję — przed korzystaniem z urządzenia należy przeczytać całość instrukcji obsługi oraz informacje o bezpieczeństwie.
- Zachować instrukcje — należy zachować instrukcje użytkowania i obsługi w celu wykorzystania ich w przyszłości.
- Przestrzegać ostrzeżeń — należy postępować zgodnie z wszystkimi ostrzeżeniami zamieszczonymi na urządzeniu oraz zgodnie z instrukcją obsługi.
- Przestrzegać instrukcji — należy postępować zgodnie z instrukcją obsługi oraz wskazówkami dla użytkownika.
- Instalacja — należy ustawić urządzenie zgodnie z instrukcjami producenta.
- Źródła zasilania – urządzenie powinno być zasilane wyłącznie ze źródeł o parametrach podanych na oznaczeniach na kablu zasilania. Jeżeli użytkownik nie jest pewien, jakiego rodzaju zasilaniem dysponuje w domu, powinien skontaktować się ze sprzedawcą urządzenia lub lokalnym dostawcą energii elektrycznej.
- Uziemienie lub polaryzacja zasilania — urządzenie nie musi być uziemione. Należy upewnić się, że wtyczka jest do końca włożona do gniazdka sieciowego lub przedłużacza, aby nie dopuścić do odślonienia bolców lub styków. Niektóre wersje urządzenia mogą być wyposażone w spolaryzowaną wtyczkę prądu przemiennego (z jednym bolcem szerszym). Tę wtyczkę można włożyć do gniazdka sieciowego tylko w jeden sposób. Jest to funkcja zabezpieczająca. Jeśli nie można włożyć wtyczki do gniazdka, należy spróbować ją odwrócić. Jeśli wtyczka nadal nie pasuje do gniazdka, należy zlecić elektrykowi jego wymianę. Nie wolno zdejmować z zabezpieczeń z wtyczki spolaryzowanej. Gdy korzysta się z przedłużacza lub kabla zasilania innego niż dostarczony razem z urządzeniem, powinny mieć właściwe wtyczki oraz atest bezpieczeństwa wymagany w danym kraju.
- Zabezpieczenie kabla zasilania — kable zasilania należy poprowadzić w taki sposób, aby nie można było po nich chodzić, przycisnąć lub przyciąć postawionymi przedmiotami. Zwrócić szczególną uwagę na wtyczki, gniazdka sieciowe i miejsca, w którym kable są wyprowadzone z urządzenia.
- Przeciążenie — nie wolno przeciążać gniazdek ściennych, przedłużaczy i rozdzielaczy elektrycznych, ponieważ grozi to wybuchem pożaru lub porażeniem prądem elektrycznym.
- Wentylacja — urządzenie musi być poprawnie wentylowane. Nie wolno ustawiać urządzenia na łóżku, sofie lub podobnych powierzchniach. Nie wolno przykrywać urządzenia obrusami, serwetkami, gazetami itd.

11. Ciepło — nie ustawiać urządzenia w pobliżu źródeł ciepła, takich jak grzejniki, promienniki, piece lub innych urządzeń (również wzmacniacze) wytwarzających ciepło. Nie stawiać na urządzeniu zapalonych świeci i innych źródeł otwartego ognia.
12. Woda i wilgoć — aby zmniejszyć zagrożenie pożarem lub porażeniem elektrycznym, nie wolno narażać urządzenia na bezpośrednie działanie deszczu, wody i wilgoci, jak np. w saunie czy w łazience. Nie używać niniejszego urządzenia w pobliżu wody, na przykład obok wanny, umywalki, zlewu kuchennego lub balii, w wilgotnej piwnicy lub w pobliżu basenu (lub w podobnych miejscach).
13. Przedmioty i ciecz w urządzeniu — nie należy wciskać jakichkolwiek przedmiotów przez otwory urządzenia, ponieważ mogą one zetknąć się z punktami niebezpiecznego napięcia i podzielić pożar lub porażenie prądem. Pod żadnym pozorem nie należy rozlewać jakichkolwiek cieczy na powierzchni urządzenia. Nie wolno kłaść na wierzchu urządzenia przedmiotów zawierających ciecz.
14. Czyszczenie — należy zawsze odłączyć urządzenie od gniazdka sieciowego przed czyszczeniem. Kurz dookoła głośnika można usunąć suchą szmatką. Jeśli do czyszczenia ma być użyty aerozol, nie należy kierować rozpylanego strumienia bezpośrednio na urządzenie, ale na szmatkę. Należy uważać, aby nie uszkodzić jednostek napędowych.
15. Wyposażenie dodatkowe — nie wolno używać akcesoriów, które nie są dopuszczone przez producenta, gdyż mogą stwarzać zagrożenie.
16. Akcesoria — nie wolno ustawiać urządzenia na niestabilnym wózku, stojaku, statywie, wsporniku czy stole. Urządzenie może ulec przewróceniu i uszkodzeniu oraz spowodować poważne obrażenia u dziecka lub osoby dorosłej. Należy używać wyłącznie wózków, stojaków, statywów, wsporników i stołów określonych przez producenta albo sprzedawanych wraz z urządzeniem. Montaż urządzenia należy przeprowadzać zgodnie z instrukcjami producenta, przy użyciu zestawu montażowego zalecanego przez producenta.
17. Przenoszenie urządzenia — urządzenie umieszczone na wózku należy przesuwać bardzo ostrożnie. Gwałtowne zatrzymanie, zbyt duża siła lub nierówne powierzchnie mogą spowodować przewrócenie wózka wraz z urządzeniem.
18. Okres nieużywania urządzenia — kabel zasilania urządzenia należy odłączyć od gniazdka sieciowego w trakcie burz z wyładowaniami atmosferycznymi lub gdy urządzenie nie będzie używane przez dłuższy czas.
19. Serwisowanie — nie należy próbować własnoręcznie przeglądać urządzenia. Otwieranie pokryw może spowodować kontakt z niebezpiecznym napięciem i narazić użytkownika na inne niebezpieczeństwa. Konserwacją i naprawą sprzętu zajmują się wyłącznie wykwalifikowani pracownicy serwisu.
20. Gdy urządzenie nie jest używane, należy odłączyć jego wtyczkę zasilania od gniazdka sieciowego. Gdy urządzenie jest podłączone do źródła zasilania, znajduje się w trybie czuwania i nie jest całkowicie wyłączone.
21. Części zamienne — przy wymianie części należy sprawdzić, czy pracownik serwisu użył części zamiennych zalecanych przez producenta lub też czy części są identyczne jak część oryginalna. Dokonywanie wymiany na niezatwierdzone części grozi wybuchem pożaru, porażeniem prądem elektrycznym lub innymi niebezpieczeństwami.
22. Główne bezpieczniki — aby zabezpieczyć w sposób ciągły urządzenie przed pożarem, należy używać bezpieczników właściwego typu i parametrów. Parametry bezpieczników w danym zakresie napięcia są zaznaczone na urządzeniu.
23. Nie wolno zwiększać głośności przy słuchaniu części utworu o małej głośności lub przy braku wejściowego sygnału audio. W innym wypadku może dojść do uszkodzenia głośnika przy gwałtownym wzroście natężenia sygnału.
24. Jedynym sposobem całkowitego odłączenia urządzenia od źródła zasilania jest odłączenie kabla zasilania z gniazdka zasilania lub z urządzenia. Gniazdko sieciowe lub wejście kabla zasilania do urządzenia muszą być zawsze dostępne w trakcie używania produktu.
25. Urządzenie powinno się ustawić w pobliżu gniazdka sieciowego lub przedłużacza i w taki sposób, aby zawsze było dostępne.
26. Maksymalna temperatura otoczenia urządzenia wynosi 35°C.
27. Wskazówki dotyczące wyładowań elektrostatycznych — jeśli działanie urządzenia jest zakłócone wyładowaniami elektrostatycznymi, należy go wyłączyć i ponownie włączyć lub przenieść urządzenie w inne miejsce.
28. Bateria
  - a. Bateria nie mogą być narażone na działanie nadmiernego ciepła, jak np. promieni słonecznych, ognia itp.
  - b. Podczas utylizacji baterii należy zwrócić uwagę na aspekty ochrony środowiska.
  - c. Przestroga dotycząca używania baterii: aby nie dopuścić do rozszczelnienia baterii, które może spowodować obrażenia ciała bądź uszkodzenie urządzenia:
    - Podczas wkładania baterii zwrócić uwagę na jej polaryzację (+ i -).
    - Nie wolno jednocześnie używać różnych baterii — starych i nowych baterii standardowych i alkalicznych itd.
    - Należy wyjąć baterie z urządzenia, gdy nie będą one używane przez dłuższy czas.

#### **Uwaga dotycząca ERP2 (urządzeń związanych z energią)**

Niniejsze urządzenie z ekoprojektem spełnia wymagania etapu 2 Rozporządzenia Komisji (WE) nr 1275/2008 wprowadzającego dyrektywę 2009/125/WE dotyczącą poboru energii przez wyłączone i znajdujące się w trybie czuwania urządzenia elektroniczne do zastosowań biurowych i domowych.

Po upływności 30 minut bez wejściowego sygnału audio urządzenie automatycznie przejdzie w tryb czuwania. Informacje na temat przywrócenia normalnego działania można znaleźć w instrukcji obsługi.



**Ważne informacje:**

Niniejsze urządzenie jest wyposażone w funkcję trybu oszczędzania energii: jeśli w ciągu 15 minut nie jest podawany do niego żaden sygnał wejściowy, urządzenie automatycznie przejdzie w tryb czuwania w celu oszczędzania energii (norma ERP 2). Należy zauważyć, że ustawienie niskiego poziomu głośności w źródle sygnału audio może zostać rozpoznane jako stan „braku sygnału audio”: może to mieć wpływ na zdolność wykrywania sygnału z urządzenia oraz spowodować automatycznie przejście w tryb czuwania. W takim wypadku należy przywrócić transmisję sygnału audio lub zwiększyć poziom głośności w źródle sygnału audio (odtwarzaczu MP3 itp.) w celu wznowienia odtwarzania. Jeśli problem nie ustąpi, prosimy o kontakt z lokalnym serwisem.

**OSTRZEŻENIE**

Urządzenie nie powinno być używane przez osoby (w tym dzieci) o obniżonej sprawności fizycznej, sensorycznej lub umysłowej oraz osoby z niewystarczającą wiedzą i doświadczeniem, jeśli nie znajdują się one pod nadzorem osoby odpowiedzialnej za ich bezpieczeństwo i nie zostały poinstruowane jak bezpiecznie używać urządzenia. Obecność osób dorosłych jest wymagana, jeśli urządzenie obsługują dzieci; pozwoli to zapewnić bezpieczne korzystanie z urządzenia.

1. Nie wolno pozostawić pracującego urządzenia bez nadzoru! Należy wyłączać urządzenie, gdy nie jest ono używane, nawet przez krótką chwilę.
2. Urządzenia nie wolno obsługiwać za pośrednictwem zewnętrznego zegara z układem czasowym ani za pomocą oddzielnego układu ze zdalnym sterowaniem.
3. Aby uniknąć zagrożenia w przypadku uszkodzenia przewodu zasilania, wymianę powinien wykonać producent, autoryzowany punkt serwisowy lub inna osoba posiadająca odpowiednie kwalifikacje.
4. Przed przystąpieniem do obsługi urządzenia należy sprawdzić, czy jego napięcie odpowiada napięciu występującemu w lokalnej sieci zasilającej.
5. Nie wolno zakrywać otworów wentylacyjnych urządzenia np. gazetami, obrusem, zasłonami itp. Należy upewnić się, że nad urządzeniem jest co najmniej 20 cm wolnego miejsca, a z każdej jego strony — co najmniej 5 cm.
6. Nie należy dopuszczać do tego, aby na urządzenie kapąła lub wylewała się ciecz, ani nie należy stawiać na nim przedmiotów wypełnionych cieczami, takich jak wazony.
7. Aby uniknąć pożaru lub porażenia prądem elektrycznym, należy chronić urządzenie przed gorącymi miejscami, działaniem deszczu, wilgoci i pyłu.
8. Nie wolno ustawiać urządzenia w pobliżu jakichkolwiek źródeł wody, np. kranów, wanien, pralek lub basenów pływackich. Urządzenie należy ustawić na równym i stabilnym podłożu.
9. Nie wolno narażać urządzenia na silne pole magnetyczne.
10. Nie wolno stawiać urządzenia bezpośrednio na wzmacniaczu lub amplitunerze.
11. Nie wolno stawiać urządzenia w wilgotnym miejscu, gdyż wilgoć ma szkodliwy wpływ na podzespoły elektryczne.
12. Po wniesieniu urządzenia z zimnego do ciepłego miejsca lub do wilgotnego miejsca może dojść do kondensacji wilgoci na soczewce wewnątrz odtwarzacza. W takiej sytuacji urządzenie nie będzie działać prawidłowo. Należy pozostawić włączone urządzenie na około jedną godzinę, aby umożliwić odparowanie wilgoci.
13. Nie wolno czyścić urządzenia rozpuszczalnikami chemicznymi, gdyż mogą one zniszczyć lakier obudowy. Urządzenie wyciera się czystą, suchą lub nieznacznie zwilżoną ściereczką.
14. Podczas wyciągania wtyczki z gniazdka ściennego należy zawsze ciągnąć za wtyczkę, nigdy za kabel zasilania.
15. Gdy włączone urządzenie jest używane w pobliżu włączonego telewizora, może to być źródłem zakłóceń obrazu w postaci linii na ekranie. Zależy to od pasma fal transmisji TV. Nie oznacza to nieprawidłowego działania urządzenia ani telewizora. Jeśli są widoczne takie linie, należy odsunąć urządzenie od telewizora.
16. Wtyczka sieciowa jest używana do odłączania napięcia zasilającego i powinna być zawsze dostępna.
17. Aby nie dopuścić do ewentualnej utraty słuchu, nie wolno słuchać głośno muzyki przez dłuższy czas.



**UWAGA**

Deklaracja



Niniejszym Blaupunkt Competence Center 2N-Everpol Sp. z o.o. oświadcza, że to urządzenie jest zgodne z wymogami i innymi odpowiednimi postanowieniami dyrektywy 2014/53 / UE. Pełną deklarację zgodności można uzyskać na stronie [www.blaupunkt.com](http://www.blaupunkt.com) w zakładce produktu.

Podmiot odpowiedzialny: 2N-Everpol Sp. z o.o., Puławska 403A, 02-801 Warszawa, Polska, Telefon: +48 22 331 99 59, e-mail: [info@everpol.pl](mailto:info@everpol.pl)



Produkt został wyprodukowany z wysokiej jakości materiałów i podzespołów, które można poddać recyklingowi i ponownie użyć.



Jeśli na urządzeniu znajduje się znak przekreślonego kosza na śmieci, oznacza to, że produkt jest objęty postanowieniami dyrektywy europejskiej 2012/19/EU. Należy zapoznać się z wymaganiami dotyczącymi lokalnego systemu zbiórki odpadów elektrycznych i elektronicznych. Należy postępować zgodnie z lokalnymi przepisami. Nie wolno wyrzucać tego produktu razem ze zwykłymi odpadami domowymi. Prawidłowe usunięcie starego produktu zapobiegnie potencjalnym negatywnym skutkom dla środowiska naturalnego i zdrowia ludzkiego.



Urządzenie jest wyposażone w baterie objęte dyrektywą europejską 2006/66/WE. Baterii nie wolno wyrzucać razem z odpadami gospodarstwa domowego. Należy zapoznać się z lokalnymi przepisami dotyczącymi oddzielnej zbiórki baterii, ponieważ prawidłowa utylizacja zapobiegnie potencjalnym negatywnym skutkom dla środowiska naturalnego i zdrowia ludzkiego.

**Informacje o ochronie środowiska naturalnego**

Opakowanie zawiera tylko niezbędne elementy. Dokończono wszelkich starań, aby trzy materiały składowe opakowania były łatwe do oddzielenia: karton (pudełko), pianka polistyrenowa (zabezpieczenia wewnątrz) i polietylen (torebki, arkusz ochronny). Urządzenie wyprodukowano z materiałów, które można poddać recyklingowi i użyć ponownie po ich demontażu przez wyspecjalizowaną firmę. Należy przestrzegać lokalnych przepisów dotyczących utylizacji materiałów opakowaniowych, zużytych baterii i niepotrzebnych urządzeń.

Nagrywanie i odtwarzanie materiałów może wymagać uzyskania zgody. Patrz ustawa o prawach autorskich i prawach wykonawców/artystów.



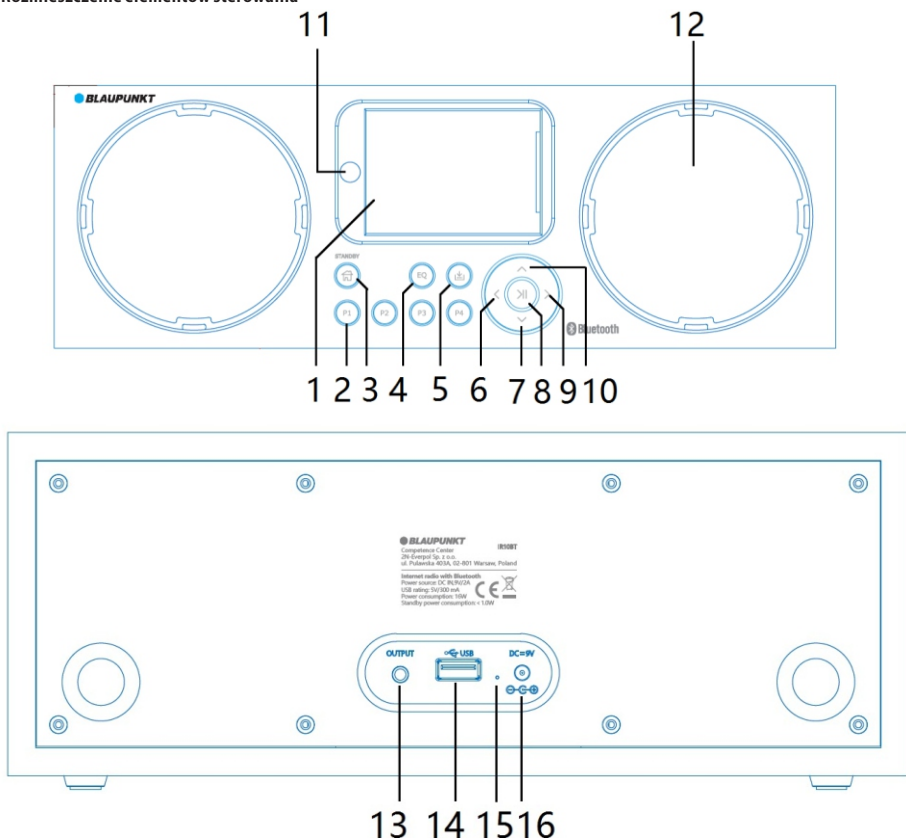
Właścicielem znaków towarowych i logo Bluetooth® jest firma Bluetooth SIG, Inc. USA. Użycie tych znaków i logo podlega licencji. Inne znaki i nazwy handlowe należą do odpowiednich właścicieli.

Dziękujemy za wybór naszego modelu, prosimy o uważne przeczytanie i zapoznanie się z niniejszą instrukcją przed rozpoczęciem użytkowania. Należy zachować instrukcję do wykorzystania w przyszłości.

#### Urządzenie posiada następujące główne funkcje:

Radio internetowe  
 Odtwarzanie za pomocą modułu Bluetooth  
 Odtwarzanie USB  
 Obsługa Spotify Connect  
 Obsługa Podcastów  
 Wyjście liniowe audio  
 Zegar, budzik, wyłącznik czasowy

#### Roźmieszczenie elementów sterowania



#### 1- Kolorowy wyświetlacz;

#### 2- Przyciski do programowania stacji radiowych P1 ~ P4

Krótko naciśnij, aby wybrać odpowiednie zaprogramowane stacje i odtworzyć je.

Naciśnij i przytrzymaj (2 sekundy) przycisk P1 ~ P4, aby zapisać bieżącą stacją w pamięci.

#### 3- Przycisk gotowości/menu głównego;

Naciśnij i przytrzymaj, aby przejść do trybu czuwania.

Krótko naciśnij, aby włączyć urządzenie lub wejść do głównego menu.

W trybie alarmu naciśnij go krótko, aby anulować dźwięk alarmu i przejść do trybu gotowości.

#### 4- Przycisk korektora dźwięku EQ.

Naciśnij go kilkakrotnie, aby przełączyć korektor pomiędzy zaprogramowanymi ustawieniami:

NORMAL/FLAT/JAZZ/ROCK/SOUNDTRACK/CLASSIC/POP/NEWS/MY EQ.

**5- Przycisk programowania stacji radiowych;**

Naciśnij go krótko, aby wywołać interfejs zaprogramowanej stacji.

Naciśnij i przytrzymaj, aby zapisać aktualną stację.

**6- Przycisk „w lewo”;**

Naciśnij go krótko, aby przenieść i usunąć literę, podczas wprowadzania liter do hasła sieciowego.

Krótko naciśnij, aby wyjść i wejść do górnego menu.

Długie naciśnięcie powoduje przejście do poprzedniego utworu w trybie USB.

**7- Przycisk „w dół”;**

Krótko naciśnij, aby zmniejszyć głośność;

Naciśnij i przytrzymaj, aby stale zmniejszać głośność.

Naciśnij go krótko, aby przejść w dół menu w celu wyboru.

**8- Przycisk odtwarzanie/pauza, przycisk ENTER – zatwierdzenie wyboru;**

Krótko naciśnij, aby odtworzyć lub wstrzymać odtwarzanie muzyki w trybie USB.

Naciśnij go krótko, aby potwierdzić wybór.

**9- Przycisk „w prawo”;**

Naciśnij go krótko, aby przenieść i dodać literę podczas wprowadzania liter do hasła sieciowego.

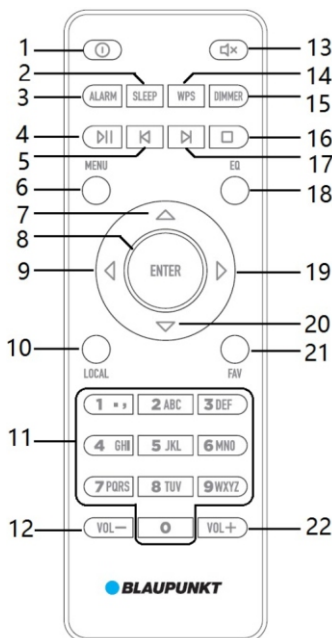
Krótko naciśnij, aby wejść do podmenu.

Długie naciśnięcie powoduje przejście do następnego utworu w trybie USB.

**10- Przycisk „w górę”;**

Krótko naciśnij, aby zwiększyć głośność; naciśnij i przytrzymaj, aby stale zwiększać głośność.

Naciśnij go krótko, aby przejść w górę menu w celu wyboru.

**11- Czujnik podczerwieni pilota zdalnego sterowania;**
**12- Głośnik;**
**13- Gniazdo wyjścia liniowego;**
**14- Port USB;**
**15- Wskaźnik zasilania LED;**
**16- Gniazdo zasilania DC IN;**
**Pilot zdalnego sterowania**


**1- Przycisk włączania/wyłączania trybu gotowości:** naciśnij go krótko, aby włączyć/wyłączyć urządzenie.

**2- Przycisk wyłącznika czasowego:** naciśnij go kilkakrotnie, aby ustawić czas wyłączenia urządzenia.

**3- Przycisk alarmu:** naciśnij go krótko, aby przejść do interfejsu konfiguracji alarmu.

**4- Przycisk odtwarzania/pauzy:** naciśnij go krótko, aby odtworzyć/wstrzymać odtwarzanie muzyki w trybie USB.

**5- Przycisk poprzedni:** krótko naciśnij, aby przejść do poprzedniego utworu w trybie USB.

**6- Przycisk MENU:** naciśnij go krótko, aby wejść do głównego menu.

**7- Przycisk „w górę”:** naciśnij go, aby przejść w górę w menu.

**8- Przycisk ENTER – zatwierdzenie wyboru:** naciśnij go krótko, aby potwierdzić wybór.

**9- Przycisk „w lewo”:** naciśnij, aby wyjść lub przejść w górę menu.

**10- Przycisk LOCAL:** naciśnij go krótko, aby przejść do trybu lokalnego radia internetowego.

**11- Przyciski cyfr i znaków:** naciśnij go kilkakrotnie, aby wybrać odpowiednią cyfrę i literę.

**12- Przycisk zmniejszania głośności:** naciśnij go, aby zmniejszyć głośność.

**13- Przycisk wyciszenia:** naciśnij go, aby wyciszyć urządzenie, naciśnij ponownie, aby wznowić odtwarzanie.

**14- Przycisk WPS:** przycisk szybkiego połączenia sieciowego, jeśli router Wi-Fi ma również przycisk WPS, naciśnij krótko, aby przejść do trybu szybkiego połączenia sieciowego.

**15- Przycisk ściemniacza:** naciśnij go, aby wyregulować jasność wyświetlacza

**16- Przycisk Stop:** naciśnij go, aby zatrzymać odtwarzanie bieżącego utworu w trybie USB, naciśnij przycisk ENTER, aby wznowić i rozpocząć odtwarzanie od początku.

**17- Przycisk następny:** naciśnij krótko, aby przejść do następnego utworu w trybie USB.

**18- Przycisk EQ:** naciskaj w celu wybrania odpowiedniego trybu korektora dźwięku.

**19- Przycisk „w prawo”:** naciśnij go, aby wejść do podmenu.

**20- Przycisk „w dół”:** naciśnij go, aby przejść w dół listy menu.

**21- Przycisk Ulubione FAV:** naciśnij krótko, aby przejść do interfejsu zaprogramowanej stacji, naciśnij długo, aby zapisać bieżącą stację.

**22- Przycisk zwiększania głośności:** naciśnij go, aby zwiększyć głośność.

### Podłączanie zasilania:

Włóż złącze DC dostarczonego zasilacza do gniazda zasilania DC na tylnym panelu urządzenia, a następnie podłącz zasilacz do gniazda prądu przemianowego (230 V, 50/60 Hz), aby uzyskać zasilanie. W przypadku pomyślnego podłączenia zasilania, wyświetlacz zaświeci się i pokaże ekran powitalny BLAUPUNKT. Naciśnij krótko przycisk gotowości, aby wyłączyć urządzenie, naciśnij długo, aby przejść do trybu gotowości. Urządzenie jest gotowe do pracy.

### Obsługa menu:

W celu obsługi menu używaj przycisków „w górę”, „w dół”, „w lewo”, „w prawo” oraz przycisk ENTER na pilocie zdalnego sterowania lub przycisków „w górę”, „w dół”, „w lewo”, „w prawo” oraz przycisk odtwarzanie/pauza/ENTER (8) na przednim panelu urządzenia.

### Połączenie z siecią Wi-Fi

Urządzenie posiada wbudowany moduł sieciowy Wi-Fi, który jest w stanie połączyć się z siecią bezprzewodową. Aby słuchać radia internetowego, musisz najpierw skonfigurować i połączyć się z Internetem za pomocą routera Wi-Fi. Postępuj zgodnie z poniższymi krokami:

- Przy pierwszym użyciu urządzenie wyświetli ekran powitalny BLAUPUNKT, a następnie poprosi o wybór języka obsługi (domyślny język: polski). Możesz użyć przycisków „w górę” i „w dół”, aby przesunąć wybór na liście menu i naciśnij przycisk ENTER, aby to potwierdzić. Następnie na ekranie pojawiają się informacje o prywatności, naciśnij przycisk ENTER, aby „włączyć” opcję „sprawdź sieć po włączeniu?”
- Naciśnij przycisk „w lewo” lub „w prawo”, aby wybrać „tak” lub „nie”, naciśnij przycisk ENTER, aby potwierdzić wybór.
- Jeśli wybierzesz „tak”, na ekranie pojawi się pytanie: „Czy chcesz teraz skonfigurować sieć?” wybierz „tak”, urządzenie przeszuka dostępne w pobliżu sieci bezprzewodowe i wyświetli listę nazw Wi-Fi na wyświetlaczu.
- Naciśnij przycisk „w górę” lub „w dół”, aby wyszukać swoją sieć na liście dostępnych sieci, po znalezieniu naciśnij przycisk ENTER, aby potwierdzić wybór. Następnie urządzenie poprosi o wprowadzenie hasła wybranej sieci bezprzewodowej.
- Zalecamy używanie cyfr i znaków na pilocie zdalnego sterowania, aby szybciej wprowadzić hasło. Kilukrotnie naciśnięcie przycisku na klawiaturze numerycznej pilota pozwala wybrać odpowiednią cyfrę oraz małą lub dużą literę. W przypadku znalezienia właściwej litery hasła, naciśnij krótko przycisk „w prawo”, aby potwierdzić wybór i przejść do wprowadzania kolejnego znaku hasła. W przypadku, gdy wprowadzisz błędny znak hasła, krótkie naciśnięcie przycisku „w lewo” może go usunąć.
- Po zakończeniu wprowadzania hasła sieci bezprzewodowej naciśnij przycisk ENTER, a następnie urządzenie połączy się z siecią Wi-Fi i przejdzie do głównego interfejsu.
- W przypadku nieudanego połączenia z siecią, krótko naciśnij przycisk menu na pilocie, aby wejść do głównego interfejsu, wybierz Ustawienia>Sieć>Konfiguracja sieci bezprzewodowej>włącz ponowne wyszukiwanie dostępnej sieci.

### Uwagi:

- Dostępne jest również ręczne łączenie sieci Wi-Fi za pomocą aplikacji lub WPS; W przypadku łączenia sieci Wi-Fi za pośrednictwem aplikacji upewnij się, że urządzenie obsługujące aplikację i radio znajdują się w zasięgu tej samej sieci.
- Możesz również dokonać ustawienia sieci bezprzewodowej, używając przycisków „w górę”/„w dół”, „w lewo”/„w prawo”, odtwarzanie/pauza/ENTER z panelu przedniego urządzenia.
- Połączona sieć Wi-Fi może zostać zapamiętana i automatycznie połączona następnym razem, jeśli sieć będzie nadal dostępna. Czasami połączenie wymaga ponownego wpisania hasła. Należy pamiętać, że nie jest to usterka.

### Obsługa radia internetowego

Po prawidłowym połączeniu się z Internetem, wejdź do głównego menu, używając przycisków „w lewo” lub „w prawo” wyszukaj ikonę radia internetowego, następnie naciśnij przycisk ENTER, aby przejść do trybu radia internetowego.

### Wybór stacji internetowych:

Za pomocą przycisków „w górę”/„w dół” oraz przycisku ENTER, wybierz odpowiednią opcję z listy menu. Po wejściu do menu radia internetowego wybierz np.

**stacja radiowa>kraj/lokalizacja>Europa>Polska>Polska/top10>Nazwa stacji radiowej.** Następnie radio połączy się z wybraną stacją i zacznie ją odtwarzać.

Krótko naciśnij przycisk ENTER, aby zatrzymać odtwarzanie i wrócić do wyższego menu. Użyj przycisków „w górę”/„w dół”, aby wybrać inną stację z listy, naciśnij przycisk ENTER, aby odtworzyć; Podczas słuchania radia internetowego krótko naciśnij przycisk „w prawo”, aby powiększyć informacje na wyświetlaczu, krótkie naciśnięcie przycisku „w lewo” przywróci wyświetlacz do poprzedniego trybu. Naciśnij i przytrzymaj przycisk „w lewo”/„w prawo”, aby przejść do poprzedniej lub następnej stacji radiowej dostępnej na liście.

Naciśnij przycisk „w górę”/„w dół” na przednim panelu urządzenia lub przycisk zwiększania lub zmniejszania głośności na pilocie, aby dostosować poziom głośności wyjściowej. Naciśnij przycisk wyciszenia, aby wyciszyć dźwięk.

**Programowanie ulubionych stacji internetowych:** po włączeniu ulubionej stacji, naciśnij i przytrzymaj przycisk Ulubione (na pilocie FAV) lub przycisk programowania stacji radiowych (5 na panelu przednim) i przejdź do interfejsu ustawień stacji.

Używając przycisku „w górę”/„w dół”, przesuń i ustaw wybraną stację pod właściwym numerem pamięci na liście, naciśnij przycisk ENTER, aby potwierdzić swój wybór.

Krótko naciśnij przycisk Ulubione (FAV na pilocie) lub przycisk programowania stacji radiowych (5 na panelu przednim), aby przejść do listy zaprogramowanych stacji, użyj przycisku „w górę”/„w dół”, aby wybrać zaprogramowaną stację, naciśnij przycisk ENTER, aby ją odtworzyć. Możesz również szybko wybrać zaprogramowaną stację, naciskając przycisk P1~P4 na przednim panelu lub krótko naciskając odpowiedni przycisk na klawiaturze numerycznej na pilocie, gdy urządzenie jest w trybie odtwarzania radia.

Krótko naciśnij przycisk Ulubione (FAV na pilocie) lub przycisk programowania stacji radiowych (5 na panelu przednim), aby przejść do listy zaprogramowanych stacji, naciśnij przycisk „w prawo”, aby zarządzić zaprogramowaną stacją, np. Przesuń w górę/w dół/usuń/zmień nazwę/odtwarzaj.

### Lokalne radio internetowe

a. Konfiguracja lokalnego radia internetowego: w menu głównym wejdź do interfejsu ustawienia>ustawienie radia lokalnego>ustawienie lokalizacji>opcje (automatyczne wykrywanie kraju/konfiguracja ręczna (kraj)/konfiguracja ręczna (województwo)/konfiguracja ręczna (miasto)/konfiguracja ręczna (kod pocztowy USA). Za pomocą przycisków „w górę”/”w dół” wybierz odpowiednią opcję i potwierdź za pomocą przycisku ENTER. W przypadku zakończenia ustawiania lokalizacji, radio wyszuka i przejdzie do ustawionego lokalnego interfejsu radia internetowego.

b. Po poprawnej konfiguracji lokalnego radia internetowego możesz również nacisnąć przycisk LOCAL z pilota lub w menu głównym radia internetowego wybierz „stacja lokalna”, aby przejść do listy lokalnych stacji radiowych i odtworzyć wybraną stację.

#### Uwagi:

1. Uzyskanie dostępu do stacji radiowej może zająć trochę czasu ze względu na prędkość połączenia internetowego lub lokalizację serwera radiowego itp., co nie jest usterką. W przypadku pojawienia się problemów z odbiorem, wynikających z powyższych powodów, sugerujemy wybór innej stacji radiowej.
2. Gdy radio znajduje się w trybie wyświetlania listy dostępnych stacji radiowych, za pomocą przycisków „w górę”/”w dół”, można zmienić stację, po zaznaczeniu danej stacji krótkie naciśnięcie przycisku „w prawo” umożliwi przejście do interfejsu opcji „dodaj do ulubionych/auto skanowanie/odtwórzaj”.
3. Radio internetowe jest podzielone na kategorie, takie jak „Radio do snu”, „Globalne top 20”, „Gatunek”, „Kraj/Lokalizacja”, „Wyróżnione” itp., które są dostępne w menu radia internetowego. Dzięki nim możesz szybciej wybrać odpowiednią stację i cieszyć się z jej odbioru.
4. Możesz również zarządzać swoją listą ulubionych stacji na stronie mediaU ([www.mediayou.net](http://www.mediayou.net)). Najpierw w głównym menu włącz funkcję „my mediaU” przechodząc po kolei do: Ustawienia> Zarządzanie My mediaU> Włącz; następnie w radiu można wyświetlić folder „Ulubiona stacja”, „Ulubiona lokalizacja/gatunek”, „Moja lokalna stacja (miasto)”, „Dodaj ręcznie”. Na stronie internetowej ([www.mediayou.net](http://www.mediayou.net)) kliknij w zakładkę „my mediaU”, aby zarządzać powyższymi folderami. Więcej informacji na temat tej funkcji znajduje się w dalszej części niniejszej instrukcji.

### Obsługa podcastów:

Radio posiada funkcję odtwarzania podcastów; zasada działania jest podobna do radia internetowego. Włącz urządzenie, przejdź do menu głównego i kolejno wybierz: Podcast>Kraj/Lokalizacja>Kraj docelowy>Folder kategorii, a następnie wybierz i otwórz interesującą cię podcast.

**Odbiór lokalnych stacji DAB poprzez Wi-Fi:** Możliwy jest odbiór lokalnych stacji DAB, które jednocześnie nadają sygnał jako radio internetowe. Aby uzyskać do nich dostęp, przejdź do głównego menu i kolejno wybierz: Ustawienia> Ustawienia radia lokalnego> DAB (Wi-Fi)>Włącz. Aby przejść do listy dostępnych stacji DAB (Wi-Fi), w menu głównym wybierz kolejno: Radio internetowe>Stacja lokalna>DAB (Wi-Fi) a następnie wybierz interesującą cię stację.

### Obsługa funkcji My mediaU

- a. W pierwszej kolejności należy utworzyć konto na stronie „<http://www.mediayou.net>” i pomyślnie się zalogować. Zmień język a następnie kliknij w zakładkę „Urządzenie”. Wpisz nazwę swojego urządzenia w okienku „Podaj tutaj nazwę urządzenia”.
- b. Wprowadź numer seryjny w okienku „numer seryjny”. (Jak uzyskać numer seryjny? Wejdź do głównego menu swojej urządzenia i kolejno wybierz: Ustawienia>Urządzenie>Informacje o systemie>Informacje o sieci bezprzewodowej, a następnie znajdziesz Adres MAC.
- c. Przepisz adres MAC w okienko „numer seryjny” i kliknij „Dodaj”. Następnie przejdź do zakładki „my mediaU” aby zarządzać folderami „Ulubiona stacja”, „Ulubiona lokalizacja/gatunek”, „Stacja lokalna”, „Dodaj ręcznie”.
- d. Włącz radio internetowe, wejdź do głównego menu i kolejno wybierz: Ustawienia>Zarządzanie My mediaU>Włącz. Następnie wróć do menu głównego i wybierz ikonę my mediaU, następnie wyświetlą się dostępne foldery „Ulubiona stacja”, „Ulubiona lokalizacja/gatunek”, „Stacja lokalna”, „Dodaj ręcznie”, które są zsynchronizowane z folderami skonfigurowanymi na twoim koncie, na stronie internetowej <http://www.mediayou.net>.

### Obsługa Bluetooth

To urządzenie posiada funkcję Bluetooth, która umożliwia bezprzewodowe odtwarzanie muzyki z innego urządzenia Bluetooth (takiego jak smartfon, tablet itp.).

1. Włącz urządzenie, naciśnij przycisk menu głównego (3) na przednim panelu lub przycisk MENU na pilocie i przejdź do głównego interfejsu, za pomocą przycisków „w lewo” lub „w prawo” wybierz ikonę Bluetooth, następnie naciśnij przycisk ENTER, aby przejść do trybu Bluetooth. Urządzenie będzie gotowe do parowania Bluetooth.
2. Włącz funkcję Bluetooth w zewnętrznym urządzeniu (smartfon, tablet itp.). Należy zapoznać się z instrukcją obsługi urządzenia zewnętrznego, a następnie sprawdź na liście dostępne do sparowania urządzenia Bluetooth. Wybierz „BP IR10”, aby sparować urządzenia.
3. Wybierz i odtwórz muzykę na zewnętrznym urządzeniu Bluetooth, dostosuj poziom głośności zarówno po stronie zewnętrznego urządzenia Bluetooth, jak i niniejszego radia, dźwięk będzie odtwarzany bezprzewodowo za pomocą głośników niniejszego urządzenia.
4. Długo naciśnij przyciski „w lewo” lub „w prawo”, aby przełączyć poprzedni lub następny utwór do odtwarzania; krótkie naciśnięcie przycisku „w lewo” lub „w prawo”, pozwala powiększyć lub pomniejszyć informacje o obrazie utworu. Krótko naciśnij przycisk ENTER, aby odtworzyć lub wstrzymać odtwarzanie; długo naciśnij przycisk ENTER, aby uzyskać interfejs „Sparuj inne urządzenie”, naciśnij ponownie przycisk ENTER, aby rozłączyć bieżące połączenie Bluetooth. Ponownie długie naciśnięcie przycisku ENTER pozwala uzyskać listę nazw poprzednio sparowanych urządzeń Bluetooth, możesz wybrać jedno z nich do ponownego parowania, pod warunkiem, że posiada ono włączoną funkcję Bluetooth i znajduje się w zasięgu roboczym Bluetooth niniejszego urządzenia.
5. W trybie odtwarzania Bluetooth naciśnij przycisk „w górę” lub „w dół”, aby dostosować poziom głośności; dostępne są również ustawienia korektora dźwięku EQ i wyciszania.

**Uwagi:**

1. Nie gwarantujemy się pomyślnego parowania wszystkich urządzeń Bluetooth ze względu na różne konstrukcje i rozwiązania
2. Najlepsza odległość robocza Bluetooth to 10 metrów bez żadnych przeszkód pomiędzy urządzeniami.
3. Niniejszy produkt może być sparowany i działać w tym samym czasie tylko z jednym urządzeniem zewnętrznym Bluetooth.
4. W przypadku połączenia przychodzącego podczas odtwarzania Bluetooth; muzyka zostanie chwilowo zatrzymana i wznowiona po zakończeniu połączenia telefonicznego.
5. Wymagane jest ponowne parowanie urządzenia Bluetooth w przypadku wyłączenia urządzenia lub przełączenia trybu odtwarzania.

**Obsługa odtwarzacza USB.**

Urządzenie posiada funkcję odtwarzania USB MP3. W pierwszej kolejności przygotuj sformatowaną pamięć USB i skopijuj do niej pliki w formacie MP3. Podłącz prawidłowo pamięć USB do portu USB na tylnym panelu. Naciśnij przycisk menu głównego na przednim panelu lub MENU na pilocie, aby przejść do głównego interfejsu, następnie wybierz kolejno: Centrum medialne> USB. Następnie możesz zobaczyć listę plików MP3 zapisanych na podłączonej pamięci USB. Wybierz dowolny plik i odtwórz go za pomocą niniejszego urządzenia.

W trybie odtwarzania muzyki z pamięci USB, naciśnij krótko przycisk ENTER na panelu przednim lub pilocie, aby odtworzyć plik lub wstrzymać odtwarzanie. Naciśnij przycisk „w górę” lub „w dół” na przednim panelu lub VOL+ /VOL- na pilocie, aby zwiększyć lub zmniejszyć głośność; długie naciśnięcie przycisku „w lewo” lub „w prawo”, pozwala przełączyć poprzedni lub następny utwór. Krótko naciśnij przycisk „w lewo” lub „w prawo”, aby powiększyć lub pomniejszyć informacje o obrazie utworu. Dostępne są również ustawienia korektora dźwięku EQ oraz funkcja wyciszania.

Aby wybrać tryb odtwarzania przejdź do głównego menu i wybierz kolejno: Ustawienia> Ustawienia odtwarzania, a następnie wybierz między Wyłącz/Powtórz wszystkie/Powtórz jedną/Losowe.

**Uwagi:**

- a. Nie zaleca się używania przedłużaczy USB do podłączenia pamięci USB, ponieważ może to wpływać na jakość przesyłanego sygnału do urządzenia, a w konsekwencji niestabilne odtwarzanie.
- b. Urządzenie obsługuje formaty WAV/WMA/MP3/FLAC/AAC (ze względu na różnice w zapisie, nie gwarantuje się odtwarzania wszystkich plików zapisanych w powyższych formatach; Urządzenie obsługuje pamięci USB o pojemności maksymalnej do 64 GB.

**Obsługa funkcji UPnP**

Urządzenie posiada funkcję UPnP, która może łączyć się z siecią bezprzewodową i używać systemu Windows, APPLE Mac lub Linux jako platformy odtwarzania muzyki. Utwory muzyczne udostępnione w odtwarzaczu komputera, mogą być bezprzewodowo odtwarzane za pomocą głośników niniejszego radia internetowego.

Przykładowa obsługa aplikacji Windows Media Player 12:

- a. Kliknij i otwórz oprogramowanie odtwarzacza multimedialnego Windows na swoim komputerze, dodaj ulubioną muzykę do biblioteki multimediiów (proszę zapoznać się z instrukcją odtwarzacza multimedialnego Windows firmy Microsoft w celu obsługi).
- b. Kliknij w zakładkę „Strumień” w lewej górnej części okna aplikacji, wybierz „Automatycznie zezwalaj urządzeniom na odtwarzanie moich multimediiów”, a następnie zaakceptuj „Automatycznie zezwalaj na wszystkie komputery i urządzenia multimedialne”. Teraz możesz użyć UPnP do udostępniania i odtwarzania muzyki.
- c. Kliknij „Więcej opcji przesyłania strumieniowego” w programie Windows Media Player aby zmienić nazwę biblioteki multimediiów i zezwolić/zablokować urządzeniu na odtwarzanie muzyki przez UPnP. Nazwę biblioteki multimediiów można dostosować (np. wprowadzając nazwę BIBLIOTEKA BLAUPUNKT), aby ułatwić użytkownikowi szybką jej identyfikację na liście dostępnych multimediiów w menu UPnP niniejszego radia. Można również zezwolić określone urządzeniu na strumieniowe odtwarzanie muzyki z biblioteki multimediiów przez UPnP.
- d. Włącz radio, wybierz ikonę Centrum medialne> UPnP i sprawdź listę dostępnych bibliotek multimedialnych, wybierz swoją bibliotekę UPnP (na przykład UPnP: BIBLIOTEKA BLAUPUNKT), naciśnij krótko przycisk ENTER, aby potwierdzić. (Uwaga: wyszukiwanie odpowiedniej biblioteki może zająć nawet 10 sekund lub więcej, jeśli urządzenie nie znajdzie biblioteki multimedialnej nastąpi powrót do menu Centrum medialne.
- e. Po wybraniu biblioteki np. UPnP „BIBLIOTEKA BLAUPUNKT”, wyszukaj i wybierz folder z muzyką, następnie wybierz folder jednej z dostępnych kategorii, w kolejnym kroku przejdź do wyboru odtwarzania muzyki.
- f. Podczas odtwarzania muzyki używaj przycisków „w górę”, „w dół”, „w lewo”, „w prawo” i ENTER, aby uzyskać odpowiednią operację. Sposób obsługi odtwarzania UPnP jest podobny do obsługi odtwarzania z pamięci USB.

**Ważne uwagi:**

- a. Zarówno komputer, jak i radio internetowe powinny łączyć się z tą samą siecią Wi-Fi podczas działania UPnP.
- b. Ponieważ na rynku dostępnych jest wiele różnych systemów/konfiguracji PC, połączenie w celu odtwarzania UPnP może się nie powieść, czego nie obejmuje nasza gwarancja.

**Obsługa Spotify Connect**

Niniejsze urządzenie posiada funkcję Spotify Connect, która umożliwia bezprzewodowe przesyłanie dźwięku z aplikacji Spotify.

- a. Włącz urządzenie i przejdź do głównego menu, następnie wybierz kolejno: ikona aplikacji Spotify> kod QR pojawia się na wyświetlaczu (przy pierwszym użyciu).
- b. Zeskanuj kod QR za pomocą smartfona, wejdź automatycznie na oficjalną stronę Spotify. Znajdź i pobierz aplikację Spotify na swojego smartfona.
- c. Otwórz i wejdź do aplikacji Spotify za pomocą zarejestrowanego konta, wejdź w „Ustawienia” aplikacji i przejdź do zakładki „Urządzenia” następnie wybierz „BP IR10” z listy. Aplikacja na smartfonie połączy się z radiem po około 30 sekundach. Wybierz i odtwórz muzykę w aplikacji Spotify, a dźwięk będzie odtwarzany za pomocą niniejszego urządzenia.

**Ważne uwagi:**

1. Oprogramowanie Spotify podlega licencjom stron trzecich, które można znaleźć tutaj: <https://www.spotify.com/connect/third-party-licenses>.
2. Instrukcje obsługi Spotify znajdziesz tutaj: <https://spotify.box.com/s/7m8g1j260xt8zlh5cult0gmknu6t>.
3. Użyj smartfona, tabletu lub komputera jako pilota do Spotify. Przejdź do [www.spotify.com/connect](http://www.spotify.com/connect), aby dowiedzieć się, jak to zrobić.
4. Podczas używania funkcji Spotify Connect zarówno aplikacja Spotify, jak i niniejsze radio internetowe powinny być połączone z tą samą siecią Wi-Fi.

**Obsługa radia internetowego za pomocą aplikacji mobilnej**

- a. W przypadku urządzenia z systemem iOS wyszukaj i pobierz „AirMusic Control” w sklepie App Store (pobierz i zainstaluj „AirMusic Control” dla urządzenia z systemem Android).
- b. Włącz urządzenie, wejdź do głównego menu i po kolei wybierz: Ustawienia>Urządzenie>APP, na wyświetlaczu pojawi się kod QR, zeskanuj go za pomocą smartfona.
- c. Wybierz i otwórz aplikację „AirMusic Control” na smartfonie, aplikacja może automatycznie skanować i łączyć się z radiem internetowym w przypadku, gdy smartfon i radio internetowe korzystają z tej samej sieci Wi-Fi. (BP IR10 pojawi się na liście nazw urządzeń w menu konfiguracji w aplikacji AirMusic Control po podłączeniu).
- d. Następnie możesz użyć aplikacji na smartfonie do zdalnego sterowania radiem internetowym.

**Ważna uwaga:**

Sugerujemy, aby podczas korzystania z aplikacji do sterowania radiem w tym samym czasie nie używać przycisków na panelu przednim lub używać pilota do sterowania urządzeniem, ponieważ może to powodować problemy z synchronizacją ze względu na działanie serwera i prędkość połączenia internetowego. Problemy z synchronizacją nie są objęte gwarancją. W takim przypadku należy na chwilę pozostawić urządzenie bez dalszych operacji, do momentu aż działanie ustabilizuje się.

**Wyjście liniowe/słuchawkowe**

Urządzenie posiada wyjście liniowe, które umożliwia przewodowe połączenie z innym aktywnym głośnikiem, wzmacniaczem lub słuchawkami. Używając dostarczonego stereofonicznego przewodu audio 3,5 mm, podłącz go do gniazda wyjścia liniowego na tylnym panelu, a drugi terminal podłącz do innego zewnętrznego urządzenia audio. Włącz niniejsze urządzenie i rozpocznij odtwarzanie, a następnie dźwięk będzie odtwarzany z zewnętrznego urządzenia audio. Głośniki niniejszego urządzenia zostaną wyciszone.

Podłącz słuchawki do gniazda wyjścia liniowego, aby uzyskać możliwość dyskretnego odsłuchu dźwięku. Głośniki niniejszego urządzenia zostaną wyciszone.

Podczas odtwarzania z podłączonym do wyjścia liniowego urządzeniem lub słuchawkami, możliwa jest regulacja poziomu głośności zarówno w niniejszym urządzeniu, jak i urządzeniu zewnętrznym.

**Ustawienie zegara i budzika**

**Ustawienie zegara/daty:** Wejdź do głównego menu i kolejno wybierz: Ustawienia> Data i godzina> Ustaw datę i godzinę W tym miejscu dostępne są dwie opcje: „Konfiguracja ręczna” i „Wykryj automatycznie”. Jeśli wybierzesz „Wykryj automatycznie”, informacje o aktualnej godzinie i dacie zostaną zaktualizowane automatycznie po podłączeniu sieci Wi-Fi. Możesz ustawić datę i godzinę ręcznie w przypadku wyboru „Konfiguracja ręczna”. W podmenu „Data i godzina” dostępne są również opcje „Ustaw format czasu” i „Ustaw format daty” – wybierz je aby dostosować format czasu (12 lub 24 godzinny) oraz format daty (dostępne są 3 opcje).

**Ustawienie budzika:** Wejdź do głównego menu i kolejno wybierz: Ustawienia> Budzik. Następnie możesz ustawić czas dla Budzik 1, Budzik 2, Czas drzemki, Głośność budzika. Po wejściu w tryb ustawienia Budzik 1 i 2, dostępne są opcje wyboru powtarzania budzika (Codziennie, Raz, w poszczególne dni tygodnia), ustawienia czasu i wyboru źródła alarmu (Sygnał dźwiękowy, Melodia, Radio internetowe, USB)

1. Gdy ustawiony jest czas budzenia, radio automatycznie włączy się o wybranej wcześniej godzinie. Krótko naciśnij przycisk gotowości (3), aby anulować dźwięk alarmu.
2. Dostępne są dwa alarmy, które można skonfigurować oddzielnie.
3. Gdy alarm jest włączony, krótko naciśnij dowolny przycisk (z wyjątkiem przycisku gotowości(3)), aby aktywować funkcję drzemki. Alarm zostanie ponownie uruchomiony, po upływie czasu drzemki.
4. Funkcja alarmu działa tylko wtedy, gdy główne zasilanie jest podłączone i dostępne.
5. Gdy funkcja drzemki jest aktywna, pozostały czas drzemki pojawia się na wyświetlaczu. Krótkie naciśnięcie przycisku gotowości pozwala anulować drzemkę.

**Wyłącznik czasowy**

W trybie odtwarzania (takim jak radio internetowe, Bluetooth, tryb odtwarzania USB itp.), krótkie naciśnięcie przycisku SLEEP na pilocie zdalnego sterowania pozwala ustawić czas wyłącznika. Dostępne są następujące przedziały czasu (w minutach): 15/30/60/90/120/150/180/wyłączony. Po upływie wybranego przedziału czasu urządzenie automatycznie wyłączy odtwarzanie i przejdzie w tryb gotowości.

**Inne**

Do wykonania innych operacji, takich jak ustawienie jasności wyświetlacza, wersja oprogramowania, przewrócenie ustawień fabrycznych itp., proszę postępować zgodnie z informacjami zawartymi na poniższym diagramie.



**Rozwiązywanie problemów**

1. Głośnik nie może się włączyć.

a. Sprawdź, czy zasilanie jest prawidłowo podłączone.

**2. Brak dźwięku.**

a. Spróbuj wyregulować poziom głośności i sprawdź źródło odtwarzania.

b. Skontaktuj się z centrum serwisowym w celu uzyskania pomocy, jeśli problem nadal występuje.

**3. Przerwywany dźwięk w trybie Bluetooth**

a. Spróbuj przesunąć urządzenie Bluetooth bliżej niniejszego urządzenia.

b. Zapoznaj się z instrukcją w celu wykonania ponownego parowania.

**4. W trybie Bluetooth poziom dźwięku jest zbyt niski.**

a. Sprawdź poziom głośności zarówno urządzenia Bluetooth, jak i niniejszego urządzenia.

**Specyfikacja:**

Źródło zasilania: DC IN 9V/2A

Kolorowy wyświetlacz TFT 2,4"

Wersja Bluetooth: V5.0

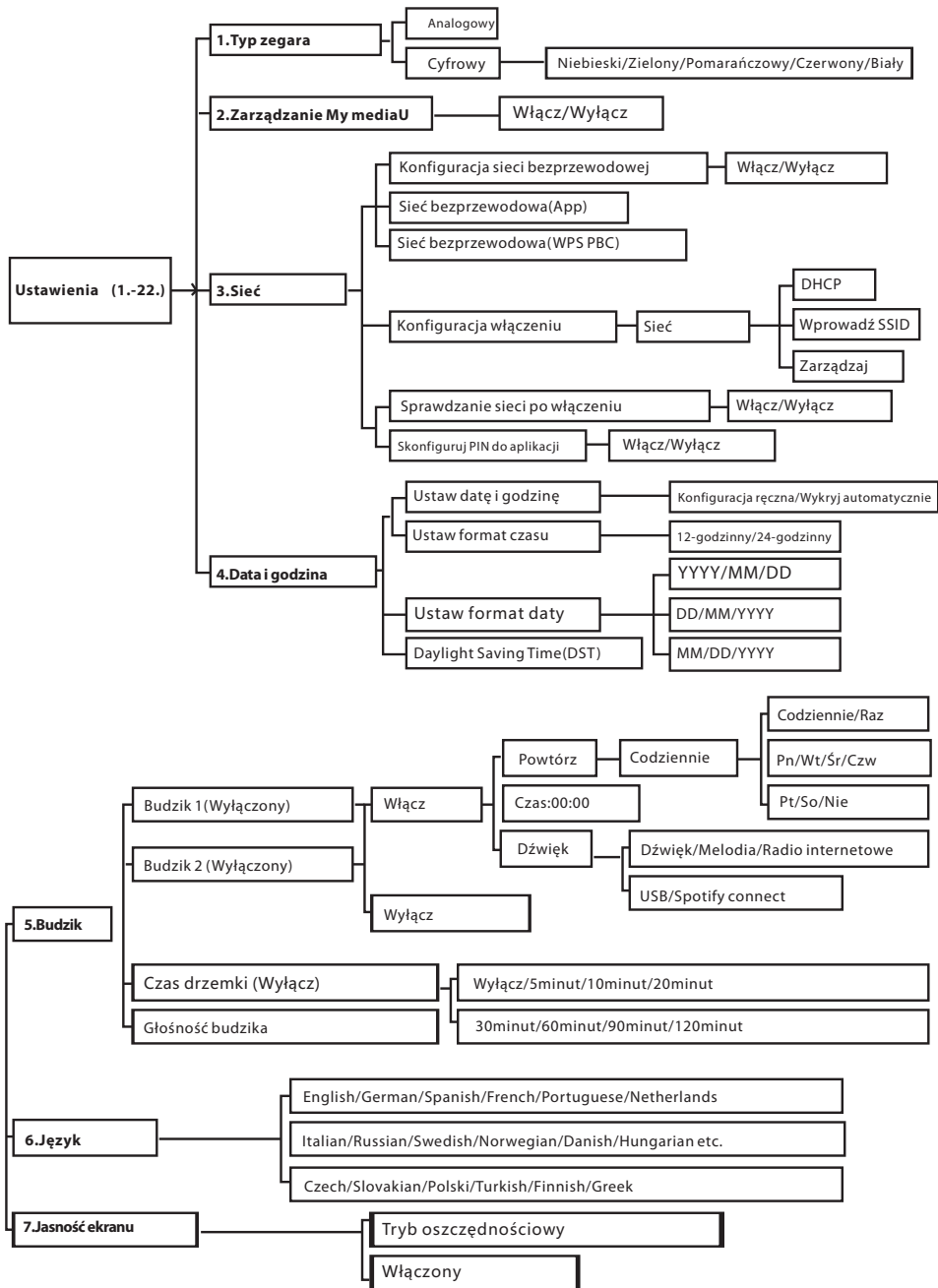
USB 2.0, obsługa plików muzycznych: MP3/WMA/WAV/FLAC/AAC (nie gwarantuje się odtwarzania wszystkich formatów)

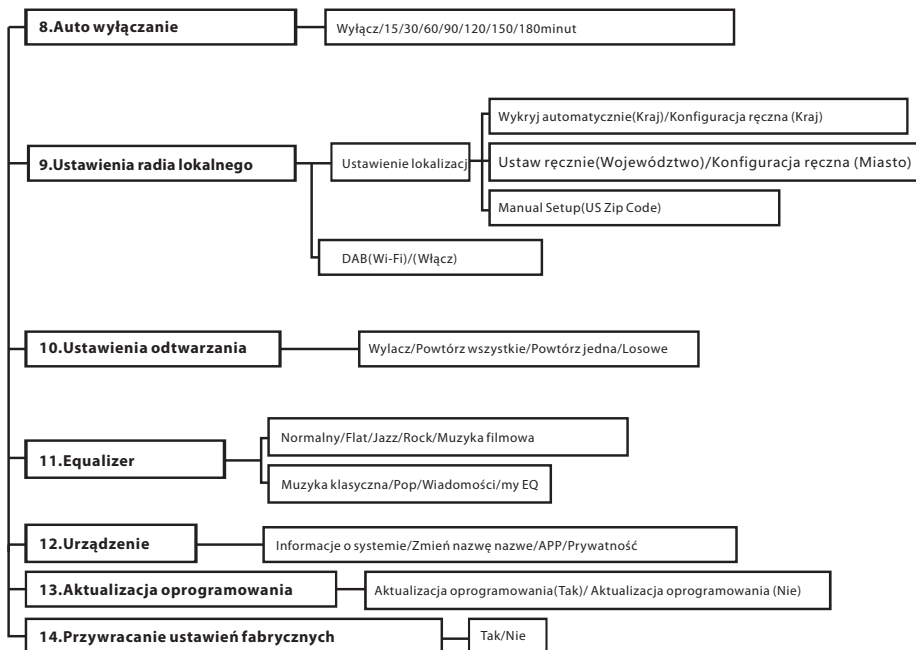
Wyjście RMS: 2 x 5W

Pobór mocy: 16W

Pobór mocy w trybie czuwania: <1W

(Powyższa specyfikacja może zostać zaktualizowana bez wcześniejszego powiadomienia.)





Informacje o zasilaczu		
Informacje opublikowane	Wartości i dane	Jednostka
Nazwa producenta lub znak towarowy Numer rejestru handlowego Adres	Shenzhen Fushigang Technology Co., Ltd Building 8, Shiguan Industrial Park, Shangcun Community, Gongming Street, Guangming District, Shenzhen, GuangDong, China	
Identyfikator modelu	AS1801A-0902000EU	
Napięcie wejściowe	100-240	V
Wejściowa częstotliwość prądu przemienneego	50/60	Hz
Napięcie wyjściowe	DC9	V
Wyjściowe natężenie prądu	2.0	A
Moc wyjściowa	18.0	W
Średnia wydajność czynna	≥85	%
Wydajność przy niskim obciążeniu (10 %)	75.45%	%
Pobór mocy bez obciążenia	≤0.1	W

**DŮLEŽITÉ BEZPEČNOSTNÍ POKYNY**

**Upozornění:**

Chcete-li snížit riziko úrazu elektrickým proudem, neodstraňujte kryt nebo zadní část zařízení. Uvnitř nejsou žádné prvky určené pro opravu uživatelem. Údržbou a opravami zařízení se zabývá kvalifikovaný servisní personál.

**Vysvětlení grafických symbolů:**


Symbol blesku se šipkou umístěn v trojúhelníku upozorňuje uživatele na přítomnost neizolovaného "nebezpečného napětí" v prostoru krytu zařízení, které může dosáhnout velikost hrozcí nebezpečí úrazu elektrickým proudem.



Symbol vykřičníku uvnitř rovnostranného trojúhelníku upozorňuje uživatele, že v této části jsou popsány důležité informace týkající se provozu a údržby zařízení v dokumentaci dodané se zařízením.

Před použitím přístroje si přečtěte tento návod, abyste se seznámili s jeho funkcemi a využili je, jak bylo zamýšleno pro zajištění dlouhé životnosti, bezporuchového provozu zařízení a radosti s používáním.

**Důležité informace**

- Uchovejte tento návod a bezpečnostní informace pro jejich použití v budoucnu.
- Nedovolte, aby na přístroj kapala nebo se lila tekutina.
- Nepoužívejte ve vlhkých místech, jako např. koupelny.
- Neumísťujte tento přístroj na následujících místech:
- Vystavených přímému slunečnímu záření nebo blízko radiátorů.
- Na jiná stereofonní zařízení, která generují teplo.
- Blokovat větrání nebo umísťovat v prašném prostředí.
- V prostorech vystavených otřesům.
- V prostorech s vysokou vlhkostí.
- Neumísťujte zařízení v blízkosti otevřeného ohně nebo svíčky.
- Zařízení lze použít pouze tak, jak je popsáno v tomto návodu.
- Před prvním zapnutím se ujistěte, že napájení bylo řádně připojeno.
- USB paměť se připojuje přímo nebo přes prodlužovací USB kabel s délkou do 25 cm.

Z bezpečnostních důvodů neodstraňujte kryty a nesaňte se dostat dovnitř zařízení. Přístroj by měl být opravován pouze kvalifikovaným servisním personálem. Nerozebírejte zařízení ani neotevírejte kryt, protože uvnitř nejsou žádné díly, které mohou být opraveny vlastními silami. Údržbou a opravami zařízení se zabývá výhradně kvalifikovaný servisní personál.

**BEZPEČNOSTNÍ POKYNY**

1. Přečtěte si pokyny - před použitím zařízení si přečtěte celý návod a bezpečnostní informace.
2. Tyto pokyny uschovejte - uschovejte návod k použití pro použití v budoucnu.
3. Dodržujte varování - dodržujte veškerá varování umístěná na zařízení a v souladu s pokyny.
4. Dodržujte pokyny - postupujte podle pokynů a návodu pro uživatele.
5. Instalace - nastavte zařízení podle pokynů výrobce.
6. Napájecí zdroj - tento produkt by měl být napájen pouze ze zdrojů uvedených na označení na napájecím kabelu. Pokud si nejste jisti, jaký typ napájení máte doma, měli byste se obrátit na svého prodejce nebo místního dodavatele elektrické energie.
7. Uzemnění nebo polarizace napájení - zařízení nemusí být uzemněno. Ujistěte se, že je zástrčka zcela zasunuta do zásuvky ve zdi nebo do prodlužovacího kabelu, aby se zabránilo odhalení kolíků a kontaktů. Některé verze zařízení mohou být vybaveny polarizovanou zástrčkou AC (s kolíkem). Tuto zástrčku lze zasunout do síťové zásuvky pouze jedním způsobem. Toto je bezpečnostní funkce. Pokud nelze vložit zástrčku do zásuvky, zkuste ji otočit. Pokud zástrčka stále nepasuje do zásuvky, požádejte elektrikáře, aby ji vyměnil. Neodstraňujte zabezpečení polarizované zástrčky. Pokud používáte prodlužovací kabel nebo kabel jiný než dodávaný s zařízením, měl/a byste mít odpovídající zástrčky a bezpečnostní osvědčení požadované ve vaší zemi.
8. Zajištění napájecího kabelu - napájecí kabely by měly být vedeny tak, aby nikdo po nich nešlapal, nestiskal a aby nedošlo k odřiznutí části zařízení předměty umístěnými vedle. Věnujte zvláštní pozornost zástrčkám, zásuvkám a místům vyznačujícím se tím, že kabely jsou vyvedeny ven ze zařízení.
9. Přetížení - Nepřetěžujte zásuvky ve zdi, prodlužovací šňůry a elektrické rozvaděče, může to mít za následek poruchu nebo úraz elektrickým proudem.
10. Větrání - Přístroj musí být řádně větran. Nepokládejte výrobek na postel, pohovku, nebo podobný povrch. Nezakrývejte zařízení ubrusy, ubrusky, novinami, atd.
11. Teplo - Neumísťujte zařízení blízko zdrojů tepla jako jsou radiátory, kamna nebo jiné přístroje (včetně zesilovačů), které produkují teplo. Nepokládejte na zařízení zapálené svíčky a jiné otevřené zdroje ohně.
12. Voda a vlhkost - aby se snížilo riziko poruchy nebo úrazu elektrickým proudem, nevystavujte přístroj působení deště, vody a vlhkosti, jako například v sauně, nebo v koupelně. Nepoužívejte toto zařízení v blízkosti vody, například u vany, umyvadla, kuchyňského dřezu nebo prádelní vany, ve vlhkém sklepě nebo v blízkosti bazénu (nebo na podobných místech).
13. Objekty a kapaliny v zařízení - Nevkládejte objekty přes otvory, protože mohou přijít do styku s body nebezpečného napětí a komponenty, které mohou způsobit poruchu nebo úraz elektrickým proudem. Tekutiny by za žádných okolností neměly vniknout na povrch přístroje. Nepokládejte žádné předměty obsahující kapaliny na horní část zařízení.

14. Čištění – před čištěním vždy odpojte přístroj od elektrické zásuvky. Prach kolem reproduktoru lze odstranit jen suchým hadříkem. Pokud je třeba použít čisticí sprej, nesměřujte postřik ne přímo na přístroj, ale na hadřík. Dávejte pozor, aby nedošlo k poškození pohonné jednotky
15. Přídavná zařízení - nepoužívejte příslušenství, která nejsou schválena výrobcem, protože mohou představovat hrozbu.
16. Příslušenství - neumísťujte přístroj na nestabilní vozík, stojan, stativ, držák nebo stůl. Přístroj může spadnout, poškodit se a způsobit vážné zranění dětem nebo dospělým. Použití pouze s vozíkem, stojanem, trojnožkou, držákem nebo stolem, stanoveným výrobcem nebo prodáváním se zařízením. Instalace zařízení by měla být provedena v souladu s pokyny výrobce, za použití montážních sad doporučených výrobcem.
17. Stěhování zařízení - zařízení umístěné na vozíku pohybujte velmi pečlivě. Rychlé zastavení, nadměrné použití síly a nerovné povrchy mohou způsobit převrácení vozíku se zařízením.
18. Období mimo provoz - napájecí šňůra musí být odpojena od zásuvky během bouřky nebo kdy přístroj není používán po dlouhou dobu.
19. Servis - Nepokoušejte se o vlastnoruční prohlídky zařízení. Otevření krytu může způsobit nebezpečné napětí a vystavit uživatele na nebezpečí. Údržbu a opravy zařízení se zabývá výhradně kvalifikovaný servisní personál.
20. Pokud nepoužíváte zařízení, odpojte napájecí kabel od zásuvky ve zdi. Pokud je zařízení připojeno ke zdroji napájení, je v pohotovostním režimu a není zcela vyloučeno.
21. Náhradní díly - při výměně dílů, zkontrolujte, zda zaměstnanec servisu použil náhradní díly specifikované výrobcem, nebo díly stejné jako původní. Výměna za neschválené díly hrozí poruchou, úrazem elektrickým proudem nebo jiným nebezpečím.
22. Hlavní pojistky - pro kontinuální zabezpečení zařízení před ohněm, použijte pojistky správného typu a parametrů. Parametry pojistky v rozsahu napětí jsou vyznačeny na přístroji.
23. Nezvyšujte hlasitost při poslechu skladby malé hlasitosti nebo v nepřítomnosti vstupního zvukového signálu. V opačném případě může dojít k poškození reproduktoru při rychlém zvýšení síly signálu.
24. Jediným způsobem, odpojení zařízení od zdroje elektrické energie je odpojení napájecího kabelu od elektrické zásuvky nebo od zařízení. Zásuvka nebo vstupní napájecí kabel k zařízení musí být vždy k dispozici při používání výrobku.
25. Zařízení by mělo být instalováno v blízkosti elektrické zásuvky nebo prodlužovačky a to takovým způsobem, aby bylo vždy k dispozici.
26. Maximální okolní teplota zařízení je 35 °C
27. Pokyny týkající se elektrostatických výbojů - v případě, že činnost zařízení je narušena elektrostatickými výboji, vypněte jej a opětovně zapnete nebo přemístíte přístroj do jiného místa.
28. Baterie
  - A. Baterie nesmí být vystaveny nadměrnému teplu, jako je sluneční záření, oheň atd.
  - B. Při likvidaci baterie, věnujte pozornost environmentálním aspektům.
  - C. Upozornění týkající se používání baterií: aby se zabránilo úniku baterie, což může mít za následek zranění nebo poškození zařízení:
    - Při vkládání baterií dbejte na správnou polaritu (+ a -).
    - Nepoužívejte různé baterie najednou - staré a nové baterie, standardní a alkalické apod.
    - Vyjměte baterie z přístroje, když není používán po delší dobu

#### Poznámka o ERP2 (zařízení související se spotřebou energie)

Toto zařízení s ekodesignem je v souladu s požadavky části 2 nařízení Komise (ES) 1275/2008 ke směrnicí 2009/125/ES o spotřebě energie kterým se provádí směrnice Evropského parlamentu a Rady 2005/32/ES, pokud jde o požadavky na ekodesign z hlediska spotřeby elektrické energie elektrických a elektronických zařízení určených pro domácnosti a kanceláře v pohotovostním režimu a ve vypnutém stavu. Po uplynutí 30 minut bez vstupního audio signálu zařízení se automaticky přepne do pohotovostního režimu. Informace o obnovení normálního provozu lze nalézt v příručce.

#### Důležité informace:

Tento přístroj je vybaven režimem pro úsporu energie: pokud v rámci 15 minut nebude automaticky podán žádný vstupní signál, přístroj přejde do pohotovostního režimu, aby šetřil energii (ERP standard 2). Je třeba poznamenat, že nízké nastavení hlasitosti ve zdroji audio signálu může být rozpoznáno jako stav "bez zvuku", což může ovlivnit vaši schopnost detekování signálu ze zařízení a způsobit automaticky posun do pohotovostního režimu. V tomto případě, obnovte přenos zvuku a zvýšete hlasitost zdroje zvuku (MP3 přehrávač atd.), pro obnovení přehrávání. Pokud problém přetrvává, obraťte se na místní servisní středisko.

#### VAROVÁNÍ

Přístroj by neměl být používán osobami (včetně dětí) s fyzickým, smyslovým nebo mentálním postižením a osobami s nedostatečnými znalostmi a zkušenostmi, pokud nejsou pod dohledem osoby odpovědné za jejich bezpečnost a nebyly poučeny, jak bezpečně používat zařízení. Přítomnost dospělých je nutná v případě, že zařízení obsluhuje děti; to umožní zajištění bezpečného provozu zařízení.

1. Nikdy nenechávejte zařízení běžet bez dozoru! Vypněte zařízení, pokud jej nepoužíváte, a to i na krátkou dobu.
2. Neprovodujte přístroj přes externí časovač nebo samostatný systém dálkového ovládní.
3. Aby se zabránilo nebezpečí, v případě poškození napájecího kabelu výměnu by měl dělat výrobce, autorizovaný poskytovatel služeb nebo jiná osoba, mající příslušné kvalifikace.
4. Před použitím zařízení zkontrolujte, zda napětí odpovídá napětí vyskytujícímu se v místní síti.
5. Nezakrývejte větrací otvory novinami, ubrusy, záclonami, atd. Ujistěte se, že nad přístrojem je alespoň 20 cm volného prostoru, a z každé strany - nejméně 5 cm.
6. Nedovolte, aby na přístroj kapaly nebo se lily tekutiny a nepokládejte na něj předměty naplněné kapalinami, jako například vazy.

7. Aby nedošlo k poruše nebo k úrazu elektrickým proudem, nevystavujte zařízení na horká místa, na dešť, vlhkost a prach.
8. Nepokládejte zařízení do blízkosti zdrojů vody, jako jsou kohoutky, vany, pračky nebo bazény. Umístěte zařízení na plochy stabilní povrch.
9. Nevystavujte silnému magnetickému poli.
10. Nepokládejte zařízení přímo na zesilovači nebo přijímači.
11. Nepokládejte přístroj na vlhka místa, protože vlhkost poškozuje elektrické součásti.
12. Přenos zařízení z chladného do teplého prostředí nebo do vlhkého prostoru může vést ke kondenzaci vlhkosti na čočce uvnitř přehrávače. V takové situaci, přístroj nebude pracovat správně. Nechte součásti v přístroji po dobu jedné hodiny pro odpařování vlhkosti.
13. Nečistěte zařízení chemickými rozpouštědly, protože mohou zničit lak skříně. Přístroj se čistí čistým, suchým nebo mírně vlhkým hadříkem.
14. Při odpojování ze zásuvky vždy tahejte za zástrčku, ne za kabel.
15. Když se zapnutý přístroj používá v blízkosti zapnutého televizoru, může být zdrojem narušení obrazu v podobě čar na obrazovce. Kvalita obrazu závisí na vlnovém pásmu TV vysílání. Tento jev neznamena poruchu zařízení nebo televizoru. Vidíte-li tyto čáry, umístěte přístroj do větší vzdálenosti od televizoru.
16. Síťová zástrčka se používá k odpojení napájení a měla by být vždy k dispozici.
17. Chcete-li zabránit možné ztrátě sluchu, neposlouchejte hudbu delší dobu nahlas.

**POZOR**

Prohlášení o shodě

Blaupunkt Competence Center 2N-Everpol Sp. z o.o. tímto prohlašuje, že je toto zařízení v souladu se základními požadavky a dalšími příslušnými ustanoveními směrnice 2014/53 / EU. Prohlášení o shodě lze získat ze stránky produktu na [www.blaupunkt.com](http://www.blaupunkt.com).

Odpovědná strana: 2N-Everpol Sp. z o.o., Puławska 403A, 02-801 Varšava, Polsko, Tel: +48 22 331 99 59, E-mail: [info@everpol.pl](mailto:info@everpol.pl)



Naše produkty jsou navrženy a vyrobeny z vysoce kvalitních materiálů a komponent, které jsou recyklovatelné a znovu použitelné.



Je-li tento symbol přeškrtnutého kontejneru uveden na výrobku, znamená to, že výrobek podléhá směrnici 2012/19/EU. Informujte se prosím o místní systém sběru tříděného odpadu pro elektrické a elektronické výrobky. Prosím řiďte se místními pravidly a nelikvidujte staré produkty spolu s běžným komunálním odpadem. Správnou likvidaci starého výrobku pomůžete předejít možným negativním dopadům na životní prostředí a lidské zdraví.



Výrobek obsahuje baterie podléhající směrnici 2006/66/EC, které nelze vyhazovat do běžného domovního odpadu. Informujte se prosím o místních pravidlech o sběru baterií, neboť správnou likvidací pomůžete předcházet negativním důsledkům pro ČESKÝ životní prostředí a lidské zdraví.

#### **Informace týkající se životního prostředí**

Výrobek je zabalen pouze v nezbytném obalu pro jeho ochranu. Snahou naší firmy je, aby byl obalový materiál snadno rozdělitelný na tři materiály: lepenku (krabice), polystyrén (ochranné balení) a polyethylen (sáčky, ochranné fólie z lehčeného plastu). Výrobek se skládá z materiálů, které lze recyklovat a znovu použít v případě demontáže odbornou firmou. Dodržujte prosím místní předpisy týkající se likvidace obalových materiálů, vybitých baterií a starého zařízení.

Na nahrávání a přehrávání materiálů může být vyžadován souhlas. Viz Zákon o Copyrightu Act 1956 a Zákon na ochranu umělců Sk 1958-1972.



Bluetooth® název i logo jsou registrované obchodní známky společnosti Bluetooth SIG, Inc. a její použití je zatíženo licencí. Ostatní obchodní známky a jména jsou vlastněny jejich vlastníky.

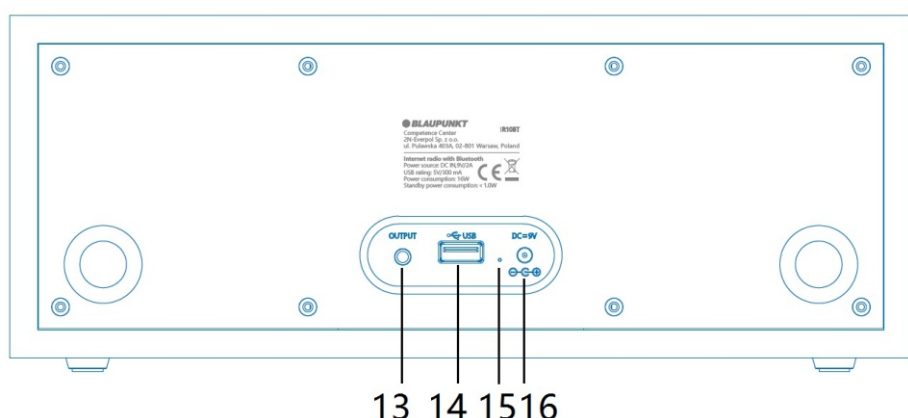
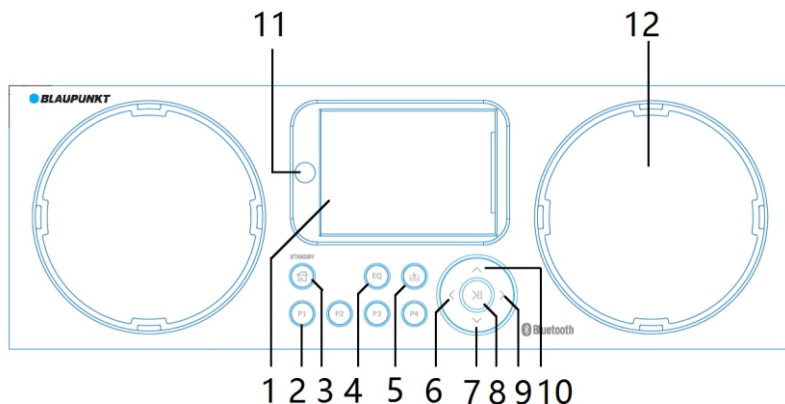


Děkujeme Vám, že jste si vybrali právě náš model. Před použitím si prosím pečlivě přečtete tento návod k použití. Návod si uschovejte pro budoucí použití.

#### Zařízení má následující základní funkce:

Internetové rádio  
 Přehrávání prostřednictvím modulu Bluetooth  
 USB přehrávání  
 Obsluha Spotify Connect  
 Obsluha Podcastů  
 Lineární audio výstup  
 Hodiny, budík, časovač

#### Umístění ovládacích prvků



#### 1 - Barevný displej;

#### 2 - Tlačítka pro programování rozhlasových stanic P1 ~ P4

Přednastavené stanice si pro přehrávání můžete zvolit krátkým stisknutím zvoleného tlačítka  
 Pro uložení aktuální stanice tlačítko P1 ~ P4 stiskněte a přidržte (2 sekundy)

#### 3 - Tlačítko pohotovostního režimu/hlavní menu;

Pro přechod do pohotovostního režimu tlačítko stiskněte a přidržte

Krátkým stisknutím tlačítka zařízení zapnete i nebo přejdete do hlavního menu.

V režimu budíku krátkým stisknutím tlačítka zrušíte zvuk budíku a přejdete do pohotovostního režimu.

#### 4- Tlačítko ekvalizéru EQ

Opakováním stisknutím budete přepínat ekvalizér mezi přednastavenými nastaveními: NORMAL/FLAT/JAZZ/ROCK/SOUNDTRACK/CLASSIC/POP/NEWS/MY EQ.

#### 5- Tlačítko programování rozhlasových stanic;

Krátkým stisknutím tohoto tlačítka vyvoláte rozhraní naprogramované stanice. Stisknutím a přidržením tlačítka aktuální stanici uložíte.

#### 6- Tlačítko „vlevo“;

Při zadávání písmen do síťového hesla můžete krátkým stisknutím tohoto tlačítka písmeno přesunout nebo odstranit. Krátkým stisknutím tlačítka toto menu opustíte a přejdete do nadřazeného menu. Dlouhým stisknutím v režimu USB přejdete na předchozí skladbu.

#### 7- Tlačítko „dolů“;

Krátkým stisknutím snížíte hlasitost; Stisknutím a přidržením tlačítka budete hlasitost plynule snižovat. Krátkým stisknutím toto menu opustíte a v menu se posunete dolů na další volbu.

#### 8- Tlačítko přehrávání/pauza, tlačítko ENTER - potvrzení volby;

Krátkým stisknutím můžete v režimu USB přehrávat hudbu nebo přehrávání pozastavit. Volbu potvrdíte krátkým stisknutím.

#### 9- Tlačítko „vpravo“;

Krátkým stisknutím můžete během zadávání písmen do síťového hesla přesunout a přidat písmeno. Pro vstup do menu nižší úrovně tlačítko krátce stiskněte. Dlouhým stisknutím přejdete v režimu USB na následující skladbu.

#### 10- Tlačítko „nahoru“;

Krátkým stisknutím zvýšíte hlasitost, pro plynulé zvyšování hlasitosti tlačítko krátce stiskněte a přidržte. Krátkým stisknutím přejdete do menu vyšší úrovně.

#### 11- Infračervený senzor dálkového ovládání;

#### 12- Reproduktor;

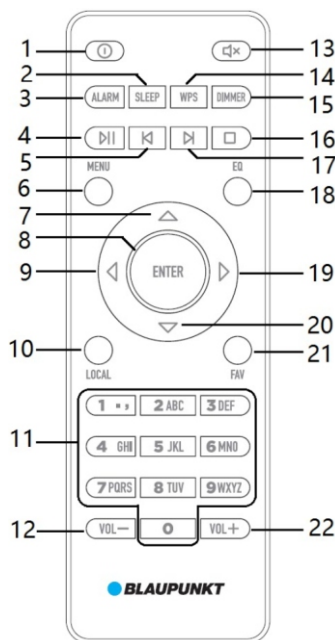
#### 13- Konektor lineárního výstupu;

#### 14- Port USB;

#### 15- LED indikátor napájení;

#### 16- Zásuvka pro napájení DC IN;

#### Dálková ovladač



**1- Tlačítko zapnutí/vypnutí pohotovostního režimu:** krátkým stisknutím zařízení zapnete/vypnete zařízení.

**2- Tlačítko časového spínače:** čas vypnutí zařízení nastavíte opakováním stisknutím.

**3- Tlačítko budíku:** krátkým stisknutím přejdete do rozhraní konfigurace budíku.

**4- Tlačítko přehrávání/pauza:** v režimu USB krátce stisknete pro přehrávání/pozastavení přehrávání hudby.

**5- Předchozí tlačítko:** krátkým stisknutím přejdete v režimu USB na předchozí skladbu.

**6- Tlačítko MENU:** krátkým stisknutím vstoupíte do hlavního menu.

**7- Tlačítko „nahoru“:** stisknutím tlačítka se v menu přesunete směrem nahoru.

**8- Tlačítko ENTER - potvrzení volby:** krátkým stisknutím volbu potvrdíte.

**9- Tlačítko „vlevo“:** stisknete pro opuštění menu nebo pro přechod v menu směrem nahoru

**10- Tlačítko LOCAL:** krátkým stisknutím přejdete do režimu místního internetového rádia.

**11- Tlačítka čísel a znaků:** opakováním stisknutím zvolíte příslušnou číslici a písmeno.

**12- Tlačítko snížení hlasitosti:** stisknutím tohoto tlačítka snížíte hlasitost.

**13- Tlačítko ztlumit:** stisknutím tlačítka zařízení ztlumíte, dalším stisknutím přehrávání obnovíte.

**14- Tlačítko WPS:** pokud má Wi-Fi router tlačítko WPS, (Wifi Protected Setup), přejdete jeho krátkým stisknutím do režimu rychlého připojení k síti.

**15- Tlačítko stmívače:** stisknutím tlačítka upravíte jas displeje

**16- Tlačítko Stop:** stisknutím zastavíte přehrávání aktuální skladby v režimu USB, stisknutím klávesy ENTER obnovíte a spustíte přehrávání od začátku.

**17- Tlačítko Další:** krátkým stisknutím přejdete na další skladbu v režimu USB.

**18- Tlačítko EQ:** stisknutím zvolíte odpovídající režim ekvalizéru.

**19- Tlačítko „vpravo“:** stisknutím vstoupíte do menu nižší úrovně.

**20- Tlačítko „dolů“:** stisknutím přejdete na nižší položku v seznamu menu.

**21- Tlačítko Oblíbené FAV:** krátce stisknete pro přechod na rozhraní přednastavené stanice, dlouze stisknete pro uložení aktuální stanice.

**22- Tlačítko pro zvýšení hlasitosti:** stisknete tlačítko pro zvýšení hlasitosti.

### Připojení napájení:

Zasuňte DC konektor dodaného napájecího adaptéru do DC zásuvky na zadním panelu zařízení, potom zapojte napájecí adaptér do síťové zásuvky (230 V, 50/60 Hz).

Po úspěšném připojení napájení se displej rozsvítí a zobrazí uvítací obrazovku BLAUPUNKT. Pro zapnutí zařízení krátce stiskněte tlačítko pohotovostního režimu, dlouhým stisknutím tohoto tlačítka vstoupíte do pohotovostního režimu. Zařízení je připraveno k provozu.

### Obsluha menu:

Pro práci s menu použijte tlačítka „nahoru“, „dolů“, „vlevo“, „vpravo“ a tlačítko ENTER na dálkovém ovladači nebo tlačítek „nahoru“, „dolů“, „vlevo“, „vpravo“ a tlačítko play/pauza/ENTER (8) na předním panelu zařízení.

### Připojení k síti Wi-Fi

Zařízením má vestavěný síťový modul Wi-Fi, který je schopen se připojit k bezdrátové síti. Chcete-li poslouchat internetové rádio, musíte nejprve připojení nakonfigurovat a přes Wi-Fi router se připojit se k Internetu. Postupujte podle následujících kroků:

- Při prvním použití zařízení zobrazí uvítací obrazovku BLAUPUNKT a vyzve Vás k volbě jazyka obsluhy (výchozí jazyk: polština). Pro přesun volby v seznamu menu můžete použít tlačítka „nahoru“ a „dolů“ a stisknutím tlačítka ENTER volbu potvrdit. Na obrazovce objeví informace o ochraně soukromí, stisknutím tlačítka ENTER „zapnete“ možnost „zkontrolovat síť při zapnutí“
- Stisknutím tlačítka „vlevo“ nebo „vpravo“ vyberte „ano“ nebo „ne“ a stisknutím tlačítka ENTER volbu potvrdte.
- Pokud zvolíte „ano“, na obrazovce se objeví otázka: „Chcete nyní nakonfigurovat síť?“ zvolte „ano“, zařízení vyhledá bezdrátové síť dostupné v okolí a na displeji zobrazí seznam názvů Wi-Fi.
- Stisknutím tlačítka „nahoru“ nebo „dolů“ vyhledejte Vaši síť v seznamu dostupných sítí, po jejím nalezení potvrďte volbu stisknutím tlačítka ENTER. Zařízení Vás potom požádá o zadání hesla zvolené bezdrátové sítě.
- Pro rychlejší zadání hesla doporučujeme používat na dálkovém ovladači čísla a písmena. Opakovaným stisknutím tlačítka na numerické klávesnici dálkového ovladače můžete zvolit odpovídající číslo a malé nebo velké písmeno. Pokud jste našli správné písmeno hesla, pro potvrzení volby krátce stiskněte tlačítko „vpravo“ a přejděte na zadání dalšího symbolu hesla. V případě, že jste zadali nesprávný symbol hesla, můžete ho odstranit krátkým stisknutím tlačítka „vlevo“.
- Po dokončení zadání hesla bezdrátové sítě stiskněte tlačítko ENTER, zařízení se připojí k síti Wi-Fi a přejde do hlavního rozhraní.
- V případě neúspěšného připojení k síti stiskněte krátce tlačítko menu na dálkovém ovladači pro vstup do hlavního rozhraní, zvolte možnost Nastavení > Síť > Nastavení bezdrátové sítě > zapnout opětovně vyhledávání dostupné sítě.

### Upozornění:

- K dispozici je rovněž ruční připojení k síti Wi-Fi pomocí aplikace nebo WPS; Pokud se připojujete k Wi-Fi přes aplikaci, zkontrolujte, zda se zařízení obsluhující aplikaci a rádio se nachází ve stejné síti.
- Bezdrátovou síť můžete také nastavit tlačítky „nahoru“/„dolů“, „vlevo“/„vpravo“, přehrávání/pauza/ENTER na předním panelu zařízení.
- Pokud je síť stále k dispozici, může se připojená síť Wi-Fi uložit a automaticky připojit příště. Někdy připojení vyžaduje opětovné zadání hesla. Mějte prosím na paměti, že to není závada.

### Obsluha internetového rádia

Po úspěšném připojení k internetu přejděte do hlavní nabídky pomocí tlačítek „vlevo“ nebo „vpravo“, vyhledejte ikonu internetového rádia a stisknutím tlačítka ENTER přejdete do režimu internetového rádia.

### Výběr internetových stanic:

Pomocí tlačítek „nahoru“/„dolů“ a tlačítka ENTER zvolte ze seznamu menu požadovanou možnost. Po vstupu do nabídky internetového rádia zvoltenapř.

**rozhlasová stanice > země/lokalizace > Evropa > Polsko > Polsko/top10 > Název rozhlasové stanice.** Rádio se potom připojí k vybrané stanici a začne ji přehrávat.

Krátkým stisknutím tlačítka ENTER zastavíte přehrávání a vrátíte se na vyšší úroveň menu. Pomocí tlačítek „nahoru“/„dolů“ zvolte jinou stanici ze seznamu, pro její přehrávání stiskněte tlačítko ENTER. Během poslechu internetového rádia krátkým stisknutím tlačítka „vpravo“ zveřejníte zobrazení informací na displeji, krátkým stisknutím tlačítka „vlevo“ se displej vrátí do předchozího režimu. Stisknutím a přidržení tlačítka „vlevo“/„vpravo“ přejdete na předchozí nebo další rozhlasovou stanici v seznamu.

Pro zvýšení nebo snížení hlasitosti stiskněte tlačítko „nahoru“/„dolů“ na přední straně zařízení nebo tlačítko na dálkovém ovladači pro nastavení úrovně hlasitosti vstupu. Stisknutím tohoto tlačítka zvuk ztlumíte.

**Programování oblíbených internetových stanic:** Během přehrávání oblíbené stanice stiskněte a přidržte tlačítko Oblíbené (FAV na dálkovém ovladači) nebo tlačítko programování rozhlasových stanic (5 na předním panelu) a přejděte do rozhraní nastavení stanic. Pomocí tlačítka „nahoru“/„dolů“ přetáhněte a nastavte vybranou stanici na správné číslo paměti v seznamu, volbu potvrdíte stisknutím klávesy ENTER.

Krátkým stisknutím tlačítka Oblíbené (FAV na dálkovém ovladači) nebo tlačítka programování rozhlasových stanic (5 na předním panelu) vstoupíte do seznamu předvoleb stanic, pomocí tlačítka „nahoru“/„dolů“, vyberete předvolenou stanici, stisknutím tlačítka ENTER zahájíte její přehrávání. Pokud je zařízení v režimu přehrávání rádi, můžete předvolenou stanici také rychle vybrat stisknutím tlačítka P1 ~ P4 na předním panelu nebo krátkým stisknutím odpovídajícího tlačítka na numerické klávesnici dálkového ovladače.

Krátkým stisknutím tlačítka Oblíbené (FAV na dálkovém ovladači) nebo tlačítka programování rozhlasových stanic (5 na předním panelu) přejdete do seznamu předvolených stanic; stisknutím tlačítka „vpravo“ můžete spravovat přednastavené stanice, např. přesunout nahoru/dolů/odstranit/přejmenovat/přehrát.

### Místní internetové rádio

a. Konfigurace místního internetového rádia: Z hlavní nabídky přejděte do rozhraní nastavení > nastavení místního rádia > nastavení lokalizace > možnosti (automatická detekce země/ruční konfigurace (země)/ruční konfigurace (kraj)/ruční konfigurace (město)/ruční konfigurace (PSČ USA). Pomocí tlačítek „nahoru“/„dolů“ vyberte příslušnou možnost a potvrďte stisknutím tlačítka ENTER. Po dokončení nastavení lokalizace rádio vyhledá a přejde do přednastaveného rozhraní místního internetového rádia.

b. Po správné konfiguraci místního internetového rádia můžete rovněž stisknout tlačítko LOCAL na dálkovém ovládacím nebo v hlavní nabídce internetového rádia vybrat „místní stanice“, přejít tak na seznam místních rozhlasových stanic a vybranou stanicí přehrávat.

#### Upozornění:

1. V závislosti na rychlosti internetového připojení nebo lokalizaci rádiového serveru atd. může přístup k rozhlasové stanici může nějakou dobu trvat, což není závada. V případě problémů s přijemem, vyplývajících z výše uvedených důvodů, doporučujeme zvolit jinou rozhlasovou stanicí.
2. Jakmile je rádio v režimu zobrazení seznamu dostupných rozhlasových stanic, můžete pomocí tlačítek „nahoru“/„dolů“ stanic změnit, po zvýraznění stanice krátkým stisknutím tlačítka „vpravo“ přejdete na rozhraní možnosti „přidat k oblíbeným/automatické skenování/přehrávat“.
3. Internetové rádio je rozděleno do kategorií, jako jsou „Rádio pro usínání“, „Globální Top 20“, „Žánr“, „Země/Lokalizace“, „Zvolené“ atd., které jsou dostupné v nabídce internetového rádia. S jejich pomocí můžete vhodnou stanicí rychle vybrat a vychutnat si její příjem.
4. Seznam oblíbených stanic můžete rovněž spravovat na webových stránkách mediaU ([www.mediayou.net](http://www.mediayou.net)). Nejprve v hlavní nabídce povolte funkci „my mediaU“ tak, že budete postupně přecházet přes: Nastavení > Správa My mediaU > Zapnout; potom v menu rádio můžete zobrazit složku „Oblíbená stanice“, „Oblíbená lokalizace/žánr“, „Moje místní stanice (město)“, „Přidat ručně“. Na webových stránkách ([www.mediayou.net](http://www.mediayou.net)) můžete spravovat výše uvedené složky kliknutím na záložku „my mediaU“. Podrobnější informace o této funkci naleznete v další části této příručky.

### Obsluha podcastů:

Rádio má funkci přehrávání podcastů; princip fungování je podobný jako v případě internetového rádia. Zapněte zařízení, přejděte do hlavního menu, do části Podcast > Země/Lokalizace > Cílová země > Složka kategorie, a zvolte a otevřete podcast, který Vás zajímá.

**Přijem místních stanic DAB prostřednictvím Wi-Fi:** Je možné přijímat místní stanice DAB, které současně vysílají signál jako internetové rádio. Chcete-li k nim získat přístup, přejděte do hlavní nabídky a následně zvolte: Nastavení > Nastavení místního rádia > DAB (Wi-Fi) > Zapnout. Chcete-li přejít na seznam dostupných stanic DAB (Wi-Fi), v hlavním menu zvolte: Internetové rádio > Místní stanice > DAB (Wi-Fi) a zvolte stanicí, která Vás zajímá.

### Obsluha funkce My mediaU

a. Nejprve je třeba vytvořit účet na webové stránce „<http://www.mediayou.net>“ a přihlásit se. Změňte jazyk a klikněte na kartu „Zařízení“. Zadejte název zařízení do okénka „Zde zadejte název zařízení“.

b. Do okénka „sériové číslo“ zadejte sériové číslo Jak získat sériové číslo? Přejděte do hlavní nabídky zařízení a postupně zvolte: Nastavení > Zařízení > Informace o systému > Informace o bezdrátové síti a najdete Adresu MAC.

c. Přepište MAC adresu do okénka „sériové číslo“ a klikněte na „Přidat“. Přejděte na kartu „my mediaU“ pro správu složek „Oblíbená stanice“, „Oblíbená lokalizace/žánr“, „Místní stanice“, „Přidat ručně“.

d. Zapněte internetové rádio, přejděte do hlavního menu a postupně volte: Nastavení > Správa My mediaU > Zapnout. Nyní se vraťte do hlavního menu a zvolte ikonu my mediaU, zobrazí se dostupné složky „Oblíbená stanice“, „Oblíbená lokalizace/žánr“, „Místní stanice“, „Přidat ručně“, které se synchronizují se složkami nastavenými ve Vašem účtu na webu <http://www.mediayou.net>.

### Obsluha Bluetooth

Toto zařízení je vybaveno funkcí Bluetooth, která umožňuje bezdrátové přehrávání hudby z jiného zařízení Bluetooth (např. chytrého telefonu, tabletu atd.).

1. Zzařízení zapněte, stiskněte tlačítko hlavní nabídky (3) na předním panelu nebo tlačítko MENU na dálkovém ovládacím a přejděte k hlavnímu rozhraní, pomocí tlačítek „vlevo“ nebo „vpravo“ zvolte ikonu Bluetooth, pro přechod do režimu Bluetooth nyní stiskněte tlačítko ENTER. Zařízení bude připraveno pro párování Bluetooth.

2. Na externím zařízení (chytrý telefon, tablet atd. podle návodu k obsluze externího zařízení) zapněte funkci Bluetooth a zkontrolujte seznam Bluetooth zařízení, která jsou k dispozici pro párování. Pro spárování zařízení zvolte „BP IR10“.

3. na externím zařízení Bluetooth můžete zvolit a přehrávate hudbu, upravit hlasitost externího zařízení Bluetooth i tohoto rádia, zvuk se bude přehrávat bezdrátově prostřednictvím reproduktorů tohoto zařízení.

4. Dlouhým stisknutím tlačítka „vlevo“ nebo „vpravo“ přepnete na předchozí nebo další skladbu; krátké stisknutí tlačítka „vlevo“ nebo „vpravo“ umožňuje přiblížit nebo oddálit obrazové informace o skladbě. Krátkým stisknutím tlačítka ENTER spustíte nebo pozastavíte přehrávání; dlouhým stisknutím tlačítka ENTER přejdete do rozhraní „Spárovat jiné zařízení“, dalším stisknutím tlačítka ENTER aktuální připojení Bluetooth odpojíte. Opětovným dlouhým stisknutím tlačítka ENTER zobrazíte seznam názvů dříve spárovaných zařízení Bluetooth. Pro opětovné spárování můžete zvolit jedno z nich za předpokladu, že má zapnuté Bluetooth a je v pracovním dosahu Bluetooth tohoto zařízení.

5. Pro nastavení úrovně hlasitosti stiskněte v režimu přehrávání Bluetooth tlačítko „nahoru“ nebo „dolů“; k dispozici je rovněž nastavení ekvalizéru EQ a ztlumení zvuku.

**Upozornění:**

1. Úspěšné spárování všech zařízení Bluetooth není zaručeno vzhledem k různým konstrukcím a řešením.
2. Nejlepší pracovní vzdálenost pro Bluetooth je 10 metrů bez překážek mezi zařízeními.
3. Tento produkt lze spárovat a provozovat současně pouze s jedním externím zařízením Bluetooth.
4. Při přichozím hovoru během přehrávání Bluetooth bude hudba dočasně pozastavena a obnovena po ukončení telefonního hovoru.
5. Pokud je zařízení vypnuto nebo je přepnut režim přehrávání, je nutné zařízení Bluetooth znovu spárovat.

**Obsluha USB přehrávače.**

Zařízení má funkci přehrávání USB MP3. Nejprve si naformátujte USB paměť a soubory ve formátu MP3 na ni zkopírujte. Do USB portu na zadním panelu zapojte paměť USB. Stisknutím tlačítka hlavního menu na předním panelu nebo tlačítka MENU na dálkovém ovladači přejdete do hlavního rozhraní, npostupně zvolte: Centrum multimédií > USB. Zde můžete vidět seznam souborů MP3 uložených v připojené USB paměti. Zvolte libovolný soubor a přehrávejte ho pomocí tohoto zařízení. Krátkým stisknutím tlačítka ENTER na předním panelu nebo na dálkovém ovladači můžete v režimu přehrávání hudby z USB paměti přehrávat soubor nebo pozastavit přehrávání. Pro zvýšení nebo snížení hlasitosti stiskněte tlačítka „nahoru“ nebo „dolů“ na předním panelu nebo VOL+/VOL - na dálkovém ovladači; dlouhé stisknutí tlačítka „vlevo“ nebo „vpravo“ umožňuje přepnutí na předchozí nebo následující skladbu. Pro zvětšení nebo zmenšení obrazové informace o skladbě stiskněte krátce tlačítka „vlevo“ nebo „vpravo“. K dispozici je také nastavení ekvalizéru EQ a funkce ztlumení. Chcete-li vybrat režim přehrávání, přejděte do hlavního menu a postupně zvolte: Nastavení> Nastavení přehrávání a zvolte si možnost Vypnuto/Opakovat vše/Opakovat jednu/Náhodně.

**Upozornění:**

- a. Nedoporučuje se používat k připojení paměťového zařízení USB prodlužovací kabely USB, jelikož to může ovlivnit kvalitu signálu přenášeného do zařízení, a dále nestabilní přehrávání.
- b. Zařízení podporuje formáty WAV/WMA/MP3/FLAC/AAC (vzhledem k rozdílům v zápisu není zaručeno přehrávání všech souborů ve výše uvedených formátech; Zařízení podporuje USB paměť s maximální kapacitou 64 GB.)

**Obsluha funkce UPnP**

Zařízení má funkci UPnP (Universal Plug and Play), která se může připojit k bezdrátové síti a používat systém Windows, APPLE Mac nebo Linux jako platformu pro přehrávání hudby. Hudební skladby poskytované v přehrávači počítače lze bezdrátově přehrávat prostřednictvím reproduktorů tohoto internetového rádia.

Příklad obsluhy aplikace Windows Media Player 12:

- a. Klikněte a otevřete ve svém počítači na softwaru multimediálního přehrávače Windows, přejděte do knihovny médií svou oblíbenou hudbu (návod najdete v příručce k multimediálnímu přehrávači Windows společnosti Microsoft).
- b. Klikněte na kartu „Streamování“ v levé horní části okna aplikace, zvolte „Automaticky povolit zařízením přehrávat moje média“ a potvrďte „Automaticky povolit všechny počítače a multimediální zařízení“. Nyní můžete použít UPnP ke sdílení a přehrávání hudby.
- c. Kliknutím na „Více možností streamování“ v programu Windows Media Player můžete prostřednictvím UPnP přejmenovat knihovnu médií a povolit/zablokovat zařízení v přehrávání hudby. Název knihovny médií můžete přizpůsobit (např. zadáním názvu KNIHOVNA BLAUPUNKT), aby ji uživatel v seznamu dostupných multimédií v menu UPnP tohoto rádia snáze a rychle identifikoval. Službou UPnP můžete rovněž povolit streamování hudby konkrétnímu zařízení z knihovny médií.
- d. Zapněte rádio, zvolte ikonu Centrum multimédií> UPnP a zkontrolujte seznam dostupných multimediálních knihoven, vyberte svou knihovnu UPnP (například UPnP: KNIHOVNA BLAUPUNKT), krátkým stisknutím tlačítka ENTER volbu potvrďte. (Poznámka: vyhledání příslušné knihovny může trvat až 10 sekund nebo déle, pokud zařízení knihovnu médií nenajde, vrátí se do nabídky Centrum multimédií.
- e. Po výběru knihovny, např. UPnP „KNIHOVNA BLAUPUNKT“, vyhledejte a vyberte složku s hudbou, následně vyberte složku jedné z dostupných kategorií, v dalším kroku přejděte k výběru přehrávání hudby.
- f. Při přehrávání hudby k provádění odpovídající činnosti použijte tlačítka „nahoru“, „dolů“, „vlevo“, „vpravo“ a ENTER, způsob obsluhy přehrávání UPnP je podobný způsobu přehrávání z USB paměti.

**Důležité upozornění:**

- a. Počítač i internetové rádio musí být během používání UPnP připojeny ke stejné síti Wi-Fi.
- b. Jelikož je na trhu dostupné velké množství různých počítačových systémů/konfigurací, připojení za účelem přehrávání UPnP může selhat, na což se naše záruka nevztahuje.

**Obsluha Spotify Connect**

Toto zařízení má funkci Spotify Connect, která umožňuje bezdrátové streamování zvuku z aplikace Spotify.

- a. Zapněte zařízení a přejděte do hlavního menu, postupně vyberte: Ikona aplikace Spotify> Na displeji se zobrazí QR kód (při prvním použití).
- b. Naskenujte QR kód pomocí smartphonu, automaticky přejdete na oficiální web Spotify. Vyhledejte a do svého chytrého telefonu si stáhněte si aplikaci Spotify.
- c. Otevřete aplikaci Spotify a vstupte do ní pomocí zaregistrovaného účtu, přejděte na „Nastavení“ aplikace a na kartu „Zařízení“, potom v seznamu zvolte „BP IR10“. Aplikace ve Vašem chytrém telefonu se připojí k rádiu asi po 30 sekundách. V aplikaci Spotify můžete zvolit a přehrávat hudbu a zvuk se bude přehrávat pomocí tohoto zařízení.

**Důležité upozornění:**

1. Software Spotify je regulován licencemi třetích stran, které naleznete zde: <https://www.spotify.com/connect/third-party-licenses>.
2. Návod k obsluze Spotify najdete zde: <https://spotify.box.com/s/7m8g1ij260xt8lhy5cult0gmkknu6t>.

3. Jako dálkové ovládání pro Spotify můžete použít svůj chytrý telefon, tablet nebo počítač, informace k tomuto procesu najdete na [www.spotify.com/connect](http://www.spotify.com/connect).

4. Během používání funkce Spotify Connect musí být aplikace Spotify a toto internetové rádio připojeny ke stejné síti Wi-Fi.

#### **Obsluha internetového rádia pomocí mobilní aplikace**

a. U zařízení se systémem iOS vyhledejte a stáhněte si „AirMusic Control“ z App Store (pro zařízení se systémem Android si stáhněte a nainstalujte „AirMusic control“).

b. Zapněte zařízení, vstupte do hlavní nabídky a postupně volte: Nastavení > Zařízení > APP, na displeji se zobrazí QR kód, naskenujte ho pomocí chytrého telefonu.

c. V případě, že Váš chytrý telefon a internetové rádio používají stejnou síť Wi-Fi, zvolte a otevřete aplikaci „AirMusic control“ na chytrém telefonu, aplikace může automaticky skenovat, a připojit se k internetovému rádiu. (po připojení se BP IR10 se objeví v seznamu názvů zařízení v menu nastavení aplikace AirMusic Control.)

d. Nyní můžete pomocí aplikace pro chytré telefony internetové rádio dálkově ovládat.

#### **Důležité upozornění:**

Při používání aplikace k ovládání rádia nedoporučujeme k ovládání zařízení používat tlačítka na předním panelu ani dálkové ovládání, jelikož to může způsobit problémy se synchronizací v důsledku provozu serveru a rychlosti internetového připojení. Na problémy se synchronizací se nevztahuje záruka. V takovém případě ponechte zařízení na chvíli bez dalších operací, dokud se operace nestabilizuje.

#### **Lineární/sluchátkový výstup**

Zařízení má lineární výstup, který umožňuje kabelové připojení k jinému aktivnímu reproduktoru, zesilovači nebo sluchátkům. Pomocí dodaného 3,5 mm stereofonního zvukového kabelu ho připojte ke konektoru lineárního výstupu na zadním panelu a druhý konektor k jinému externímu zvukovému zařízení. Zapněte toto zařízení a spusťte přehrávání, zvuk se začne přehrávat z externího zvukového zařízení. Reproduktry tohoto zařízení budou ztlumeny.

Pro možnost diskrétního poslechu zvuku zapojte ke konektoru lineárního výstupu sluchátka. Reproduktry tohoto zařízení budou ztlumeny.

Při přehrávání se zařízením připojeným k lineárnímu výstupu nebo ke sluchátkům můžete nastavovat hlasitost jak na tomto zařízení, tak na externím zařízení.

#### **Nastavení hodin a budíku**

**Nastavení hodin/data:** Vstupte do hlavního menu a zvolte možnost Nastavení > Datum a čas > Nastavit datum a čas. Na tomto místě máte dvě možnosti: „Ruční nastavení“ a „Automatická detekce“. Pokud vyberete možnost „Automatická detekce“, informace o aktuálním čase a datu se po připojení k síti Wi-Fi automaticky aktualizují. Datum a čas můžete nastavit ručně v případě volby „Ruční nastavení“. V podnabídce „Datum a čas“ jsou k dispozici rovněž možnosti „Nastavit formát času“ a „Nastavit formát data“ – jejich volbou upravíte formát času (12 nebo 24 hodin) a formát data (k dispozici jsou 3 možnosti).

**Nastavení budíku:** Vstupte do hlavního menu a zvolte Nastavení > Budík. Následně můžete nastavit čas pro Budík 1, Budík 2, Čas odložení, Hlasitost budíku. Po vstupu do režimu nastavení Budíku 1 a 2 jsou k dispozici možnosti volby opakovaní budíku (Denně, Jednou, ve vybraných dnech týdne), nastavení času a volby zdroje budíku (Zvukový signál, Melodie, Internetové rádio, USB)

1. Jakmile je nastaven čas buzení, rádio se automaticky zapne v předem zvolený čas. Pro zrušení zvuku budíku krátce stiskněte tlačítko pohotovostního režimu (3).

2. K dispozici jsou dva budíky, které lze nakonfigurovat samostatně.

3. Jakmile je budík zapnutý, aktivujte funkci odložení krátkým stisknutím libovolného tlačítka (kromě tlačítka pohotovostního režimu (3)). Budík se znovu spustí, jakmile doba odložení uplyne.

4. Funkce budíku funguje pouze tehdy, je-li hlavní napájení k dispozici a je připojeno.

5. Pokud je funkce odložení aktivní, na displeji se zobrazí zbývající čas odložení. Krátké stisknutí tlačítka pohotovostního režimu umožníje odložení zrušit.

#### **Časovač vypnutí**

V režimu přehrávání (jako je internetové rádio, Bluetooth, režim přehrávání USB atd.) nastavte čas vypnutí krátkým stisknutím tlačítka SLEEP na dálkovém ovladači. K dispozici jsou následující časové intervaly (v minutách):

15/30/60/90/120/150/180/vypnuto. Po uplynutí zvolené doby zařízení automaticky vypne přehrávání a přejde do pohotovostního režimu.

#### **Jiné**

Pro provádění jiných operací, jako je nastavení jasu displeje, verze softwaru, obnovení továrního nastavení atd., postupujte podle informací obsažených v níže uvedeném diagramu.

**Řešení problémů**

1. Reproduktor nelze zapnout.
  - a. Zkontrolujte, zda je napájení správně připojeno.
2. Není slyšet žádný zvuk.
  - a. Zkuste upravit hlasitost a zkontrolujte zdroj přehrávání.
  - b. Pokud problém přetrvává, požádejte o pomoc servisní středisko.
3. Přerušovaný zvuk v režimu Bluetooth
  - a. Zkuste přesunout zařízení Bluetooth blíže k tomuto zařízení.
  - b. Seznamte se s návodem pro provedení opětovného spárování.
4. V režimu Bluetooth je úroveň zvuku příliš nízká.
  - a. Zkontrolujte úroveň hlasitosti zařízení Bluetooth i tohoto zařízení.

**Specifikace:**

Zdroj napájení: DC IN 9V/2A

Barevný TFT displej 2,4"

Verze Bluetooth: V5.0

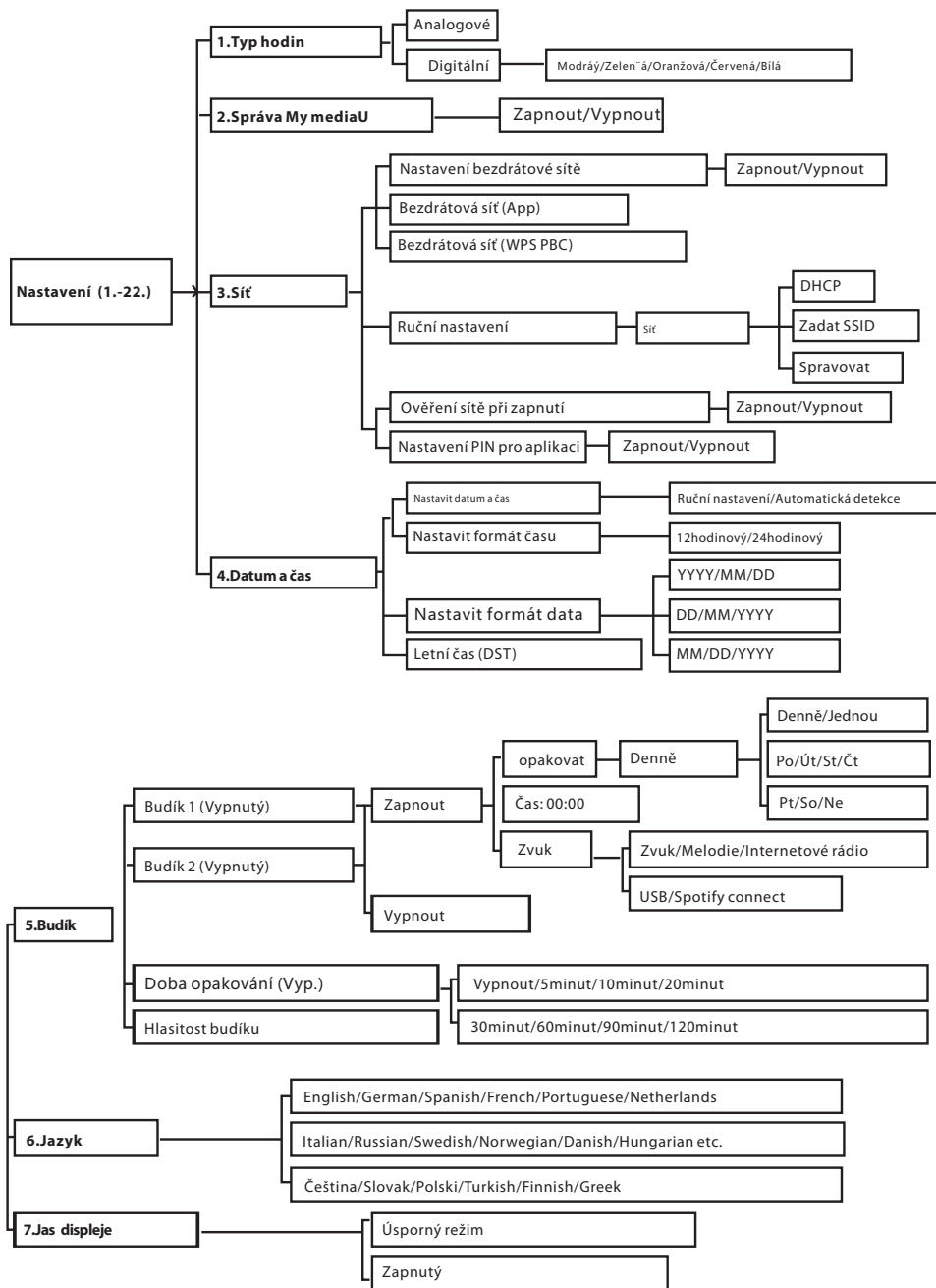
USB 2.0, podpora hudebních souborů: MP3/WMA/WAV/FLAC/AAC (není zaručeno přehrávání všech formátů)

Výstup RMS: 2 X 5 W

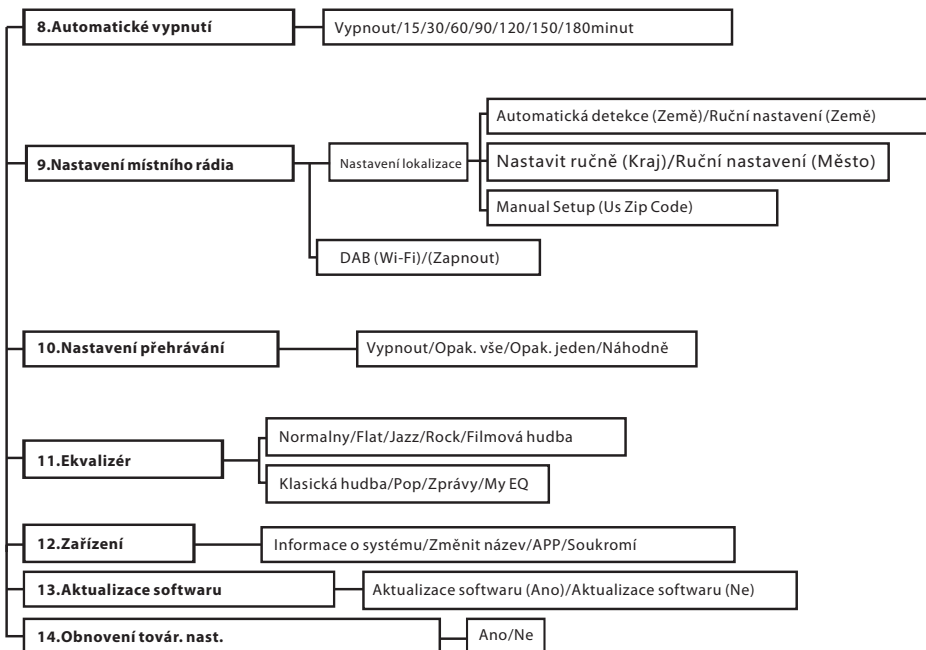
Spotřeba energie: 16 W

Spotřeba energie v pohotovostním režimu: <1 W

(Výše uvedená specifikace může být aktualizována bez předchozího upozornění.)







Informace o napájecím zdroji		
Informace zveřejněny	Hodnoty a údaje	Jednotka
Název výrobce nebo ochranná známka Číslo obchodního rejstříku Adresa	Shenzhen Fushigang Technology Co., Ltd Building 8, Shiguan Industrial Park, Shangcun Community, Gongming Street, Guangming District, Shenzhen, GuangDong, China	
Identifikátor modelu	AS1801A-0902000EU	
Vstupní napětí	100-240	V
Vstupní frekvence střídavého proudu	50/60	Hz
Výstupní napětí	DC9	V
Výstupní proud	2.0	A
Výstupní výkon	18.0	W
Průměrný aktivní výkon	≥85	%
Výkon při nízkém zatížení (10%)	75.45%	%
Spotřeba energie bez zatížení	≤0.1	W

**DŮLEŽITÉ BEZPEČNOSTNÉ POKYNY**

**Upozornenie:**

Ak chcete znížiť riziko úrazu elektrickým prúdom, neodstraňujte kryt alebo zadnú časť zariadenia. Vnútri nie sú žiadne prvky určené na opravu používateľom. Údržbou a opravami zariadení sa zaoberá len kvalifikovaný servisný personál.

**Vysvetlenie grafických symbolov:**


Symbol blesku so šípkou umiestnený v trojuholníku upozorňuje užívateľa na prítomnosť neizolovaného "nebezpečného napätia" v priestore krytu zariadenia, ktoré môže dosiahnuť veľkosť hroziacu nebezpečenstvo úrazu elektrickým prúdom.



Výkričník vo vnútri rovnostranného trojuholníka upozorňuje užívateľa, že v tejto časti sú popísané dôležité informácie týkajúce sa prevádzky a údržby zariadení v dokumentácii dodanej so zariadením.

Pred použitím prístroja si prečítajte tento návod, aby ste sa oboznámili s jeho funkciami a využili je, ako bolo zamýšľané pre zaistenie dlhšej životnosti, bezporuchovej prevádzky zariadenia a radosti s použitia.

**Dôležité informácie**

- Ušchovajte tento návod a bezpečnostné informácie pre ich použitie v budúcnosti.
- Nedovoľte, aby na prístroj kvapkala alebo sa lila tekutina.
- Nepoužívajte vo vlhkých miestach, ako napr kúpeľne.
- Neumiestňujte tento prístroj na nasledujúcich miestach:
- Vystavených priamemu slnečnému žiareniu alebo blízko radiátorov.
- Na iné stereofónne zariadenie, ktoré generujú teplo.
- Blokovať vetranie alebo umiestňovať v prašnom prostredí.
- V priestoroch vystavených otrasom.
- V priestoroch s vysokou vlhkosťou.
- Neumiestňujte zariadenie v blízkosti otvoreného ohňa alebo sviečky.
- Zariadenie je možné použiť iba tak, ako je popísané v tomto návode.
- Pred prvým zapnutím sa uistite, že napájanie bolo správne pripojené.
- USB pamäť sa pripája priamo alebo cez predlžovací USB kábel s dĺžkou do 25 cm.

Z bezpečnostných dôvodov neodstraňujte kryty a nesnažte sa dostať dovnútra zariadenia. Prístroj by mal byť opravovaný iba kvalifikovaným servisným personálom. Nerozoberajte zariadenie ani neotvárajte kryt, pretože vo vnútri nie sú žiadne diely, ktoré môžu byť opravené vlastnými silami. Údržbou a opravami zariadení sa zaoberá výhradne kvalifikovaný servisný personál.

**BEZPEČNOSTNÉ POKYNY**

1. Prečítajte si pokyny - pred použitím zariadenia si prečítajte celý návod a bezpečnostné informácie.
2. Tieto pokyny uschovajte - uschovajte návod na použitie pre použitie v budúcnosti.
3. Dodržiavajte varovanie - dodržujte všetky varovania umiestnené na zariadení a v súlade s pokynmi.
4. Dodržiavajte pokyny - postupujte podľa pokynov a návodu pre užívateľa.
5. Inštalácia - nastavte zariadenie podľa pokynov výrobcu.
6. Napájacie zdroje - tento produkt by mal byť napájaný iba zo zdrojov uvedených na označenie na napájacom kábli. Ak si nie ste istí, aký typ napájania máte doma, mali by ste sa obrátiť na svojho predajcu alebo miestneho dodávateľa elektrickej energie.
7. Uzemnenie alebo polarizácia napájania - zariadenie nemusí byť uzemnené. Uistite sa, že je zástrčka úplne zasunutá do zásuvky v stene alebo do predlžovacieho kábla, aby sa zabránilo odhaleniu kolíkov a kontaktov. Niektoré verzie zariadenia môžu byť vybavené polarizovanou zástrčkou AC (s kolíkom). Túto zástrčku je možné zasunúť do sieťovej zásuvky iba jedným spôsobom. Toto je bezpečnostná funkcia. Ak nie je možné vložiť zástrčku do zásuvky, skúste ju otočiť. Ak zástrčka stále nepasuje do zásuvky, požiadajte elektrikára, aby ju vymenil. Neodstraňujte zabezpečenia polarizovanej zástrčky. Ak používate predlžovací kábel alebo kábel iný ako dodávaný s zariadením, mal / a by ste mať zodpovedajúce zástrčky a bezpečnostné osvedčenie požadované vo vašej krajine.
8. Zaistenie napájacieho kábla - napájacie káble by mali byť vedené tak, aby nikto po po nich nešliapal, nestiskal a aby nedošlo k odrezanie časti zariadenia predmetami umiestnenými vedľa. Venujte zvláštnu pozornosť zástrčkám, zásuvkám a miestam vyznačujúcim sa tým, že káble sú vyvedené von zo zariadenia.
9. Preťaženie - nepreťažujte zásuvky, predlžovacie šnúry a elektrické rozvážače, môže to mať za následok poruchu alebo úraz elektrickým prúdom.
10. Vetranie - Prístroj musí byť riadne vetranie. Nekladte výrobok na posteľ, pohovku, alebo podobný povrch. Nezakrývajte zariadenie obrusy obrúsky, novinami, atď
11. Teplo - Neumiestňujte zariadenie blízko zdrojov tepla ako sú radiátory, kachle alebo iné prístroje (vrátane zosilňovačov), ktoré produkujú teplo. Nekladte na zariadenie zapálené sviečky a iné otvorené zdroje ohňa.
12. Voda a vlhkosť - aby sa znížilo riziko poruchy alebo úrazu elektrickým prúdom, nevystavujte prístroj pôsobeniu dažďa, vody a vlhkosti, ako napríklad v saune, alebo v kúpeľni. Nepoužívajte toto zariadenie v blízkosti vody, napríklad pri vani, umývadle, kuchynského drezu alebo vane, vo vlhkej pivnici alebo v blízkosti bazéna (alebo na podobných miestach).
13. Objekty a kvapaliny v zariadení - Nevkladajte objekty cez otvory, pretože môžu prísť do styku s bodmi nebezpečného napätia a komponenty, ktoré môžu spôsobiť poruchu alebo úraz elektrickým prúdom. Tekutiny by za žiadnych okolností nemali vniknúť na povrch prístroja. Nekladte žiadne predmety obsahujúce kvapaliny na hornú časť zariadenia.

14. Čistenie - pred čistením vždy odpojte prístroj od elektrickej zásuvky. Prach okolo reproduktora možno odstrániť len suchou handričkou. Ak je potrebné použiť čistiaci sprej, nesmerujte postrek nie priamo na prístroj, ale na handričku. Dávajte pozor, aby nedošlo k poškodeniu pohonnej jednotky
15. Prídavné zariadenia - nepoužívajte príslušenstvo, ktoré nie sú schválené výrobcom, pretože môžu predstavovať hrozbu.
16. Príslušenstvo - neumiestňujte prístroj na nestabilný vozík, stojan, statív, držiak alebo stôl. Prístroj môže spadnúť, poškodiť sa a spôsobiť vážne zranenie deťom alebo dospelým. Použitie iba s vozíkom, stojanom, trojnožkou, držiakom alebo stolom, stanoveným výrobcovia alebo predávajúci sa so zariadením. Inštalácia zariadenia by mala byť vykonaná v súlade s pokynmi výrobcu, za použitia montážnych sád odporúčaných výrobcom.
17. Sťahovanie zariadenia - zariadenie umiestnené na vozíku pohybuje veľmi starostlivo. Rýchle zastavenie, použitie nadmernej sily a nerovné povrchy môžu spôsobiť prevrátenie vozíka so zariadením.
18. Obdobie mimo prevádzky - napájací šnúra musí byť odpojená od zásuvky počas búrky alebo keď prístroj nie je používaný po dlhú dobu.
19. Servis - Nepokúšajte sa o vlastnoručný prehľadky zariadení. Otvorenie krytu môže spôsobiť nebezpečné napätie a vystaviť užívateľa na nebezpečenstvo. Údržbu a opravy zariadení sa zaoberá výhradne kvalifikovaný servisný personál.
20. Ak nepoužívate zariadenie, odpojte napájací kábel od zásuvky v stene. Ak je zariadenie pripojené k zdroju napájania, je v pohotovostnom režime a nie je úplne vylúčené.
21. Náhradné diely - pri výmene dielov, kontrolujte, či zamestnanec servisu použil náhradné diely špecifikované výrobcom, alebo diely rovnaké ako pôvodné. Výmena za neschválené diely hrozi poruchou, úrazom elektrickým prúdom alebo iným nebezpečenstvom.
22. Hlavné poistky - pre kontinuálne zabezpečení zariadenia pred ohňom, použite poistky správneho typu a parametrov. Parametre poistky v rozsahu napätia sú vyznačené na prístroji.
23. Nezvyšujte hlasitosť pri počúvaní skladby malej hlasitosti alebo v neprítomnosti vstupného zvukového signálu. V opačnom prípade môže dôjsť k poškodeniu reproduktora pri rýchlom zvýšení sily signálu.
24. Jediným spôsobom odpojenia zariadenia od zdroja elektrickej energie je odpojenie napájacieho kábla od elektrickej zásuvky alebo od zariadenia. Zásuvka alebo vstupný napájací kábel k zariadeniu musí byť vždy k dispozícii pri používaní výrobku.
25. Zariadenie by malo byť inštalované v blízkosti elektrickej zásuvky alebo predlžovačky a to takým spôsobom, aby bolo vždy k dispozícii.
26. Maximálna okolitá teplota zariadenia je 35 ° C
27. Pokyny týkajúce sa elektrostatických výbojov - v prípade, že činnosť zariadenia je narušená elektrostatickými výbojmi, vypnite ho a opätovne zapnete alebo premiestnite prístroj do iného miesta.
28. Batérie
  - A. Batérie nesmú byť vystavené nadmernému teplu, ako je slnečné žiarenie, oheň atď
  - B. Pri likvidácii batérie, venujte pozornosť environmentálnym aspektom.
  - C. Upozornenia týkajúce sa používania batérií: aby sa zabránilo úniku batérie, čo môže mať za následok zranenie alebo poškodenie zariadenia:
    1. Pri vkladaní batérií dbajte na správnu polaritu (+ a -).
    2. Nepoužívajte rôzne batérie naraz - staré a nové batérie, štandardné a alkalické atď
    3. Vyberte batérie z prístroja, keď nie je používaný po dlhšiu dobu

#### Poznámka o ERP2 (zariadenia súvisiace so spotrebou energie)

Toto zariadenie s ekodizajnom je v súlade s požiadavkami časti 2 nariadenia Komisie (ES) 1275/2008 k smernici 2009/125/ES o spotrebe energie ktorými sa vykonáva smernica Európskeho parlamentu a Rady 2005/32/ES, pokiaľ ide o požiadavky na ekodizajn z hľadiska potreby elektrickej energie elektrických a elektronických zariadení v domácnosti a kancelárii v pohotovostnom režime a vo vypnutom stave. Po uplynutí 15 minút bez vstupného audio signálu zariadenie sa automaticky prepne do pohotovostného režimu. Informácie o obnovenie normálnej prevádzky možno nájsť v príručke.

#### Dôležité informácie:

Tento prístroj je vybavený režimom pre úsporu energie: ak v rámci 30 minút nebude automaticky podaný žiadny vstupný signál, prístroj prejde do pohotovostného režimu, aby šetril energiu (ERP štandard 2). Je potrebné poznamenať, že nízke nastavenie hlasitosti v zdroji audio signálu môže byť rozpoznané ako stav "bez zvuku", čo môže ovplyvniť vašu schopnosť detekovanie signálu zo zariadenia a spôsobiť automaticky posun do pohotovostného režimu. V tomto prípade, obnovte prenos zvuku a zvýšte hlasitosť zdroja zvuku (MP3 prehrávač atď), pre obnovenie prehrávania. Ak problém pretrváva, obráťte sa na miestne servisné stredisko.

#### VAROVANIE

Prístroj by nemal byť používaný osobami (vrátane detí) s fyzickým, zmyslovým alebo mentálnym postihnutím a osobami s nedostatočnými znalosťami a skúsenosťami, pokiaľ nie sú pod dohľadom osoby zodpovednej za ich bezpečnosť a neboli poučené, ako bezpečne používať zariadenie. Prítomnosť dospelých je nutná v prípade, že zariadenie obsluhujú deti; to umožní zabezpečenie bezpečnej prevádzky zariadenia.

1. Nikdy nenechávajte zariadenie bežať bez dozoru! Vypnite zariadenie, ak ho nepoužívate, a to aj na krátku dobu.
2. Nepoužívajte prístroj cez externý časovač alebo samostatný systém diaľkového ovládania.
3. Aby sa zabránilo nebezpečenstvu, v prípade poškodenia napájacieho kábla výmenu by mal robiť výrobca, autorizovaný poskytovateľ služieb alebo iná osoba, majúca príslušné kvalifikácie.
4. Pred použitím zariadenia skontrolujte, či napätie zodpovedá napätiu vyskytujúcemu sa v miestnej sieti.
5. Nezakrývajte vetracie otvory novinami, obrusmi, záclonami, atď Uistite sa, že nad prístrojom je aspoň 20 cm voľného priestoru, az každej strany - najmenej 5 cm.
6. Nedovoľte, aby na prístroj kvapkali alebo sa lily tekutiny a nekladte naň predmety naplnené kvapalinami, ako napríklad vázy.

7. Aby nedošlo k poruche alebo k úrazu elektrickým prúdom, nevystavujte zariadenie na horúčavy miesta, na dážď, vlhkosť a prach.
8. Nepokladajte zariadenie do blízkosti zdrojov vody, ako sú kohútiky, vane, práčky alebo bazény. Umiestnite zariadenie na rovný stabilný povrch.
9. Nevystavujte silnému magnetickému poľu.
10. Nekladte zariadenie priamo na zosilňovači alebo prijímači.
11. Nekladte prístroj na vlhka miesta, pretože vlhkosť poškodzuje elektrické súčasti.
12. Prenos zariadení z chladného do teplejšieho prostredia alebo do vlhkejšieho priestoru môže viesť ku kondenzácii vlhkosti na šošovke vo vnútri prehrávača. V takejto situácii, prístroj nebude pracovať správne. Nechajte súčasťou v prístroji po dobu jednej hodiny pre odparovanie vlhkosti.
13. Nečistite zariadenie chemickými rozpúšťadlami, pretože môžu zničiť lak skrinky. Prístroj sa čistí čistým suchým alebo mierne vlhkou handričkou.
14. Pri odopájaní zo zásuvky vždy ťahajte za zástrčku, nie za kábel.
15. Keď sa zapnutý prístroj používa v blízkosti zapnutého televízora, môže byť zdrojom narušenia obrazu v podobe čiar na obrazovke. Kvalita obrazu záleží na vlnovom pásme TV vysielania. Tento jav neznamená poruchu zariadenia alebo televízora. Vidíte-li tieto čiary, umiestnite prístroj do väčšej vzdialenosti od televízora.
16. Sietová zástrčka sa používa na odpojenie napájania a mala by byť vždy k dispozícii.
17. Ak chcete zabrániť novej strate sluchu, nepočúvajte hudbu dlhšiu dobu nahlas.



### POZNÁMKA



Prehlásenie o zhode

Blaupunkt Competence Center 2N-Everpol Sp. z o.o. týmto prehlasuje, že je toto zariadenie v súlade so základnými požiadavkami a ďalšími príslušnými ustanoveniami smernice 2014/53 / EU. Prehlásenie o zhode je možné získať zo stránky produktu na [www.blaupunkt.com](http://www.blaupunkt.com). Zodpovedná strana: 2N-Everpol Sp. z o.o., Puławska 403A, 02-801 Varšava, Poľsko, Tel: +48 22 331 99 59, E-mail: [info@everpol.pl](mailto:info@everpol.pl)



Naše produkty sú navrhnuté a vyrobené z vysoko kvalitných materiálov a komponentov, ktoré sú recyklovateľné a znovu použiteľné.



Ak je na výrobku uvedený symbol preškrtnutého kontajneru, znamená to, že výrobok podlieha smernici 2012/19/EU. Informujte sa prosím o miestnom systéme separovaného zberu pre elektrické a elektronické výrobky. Prosím riadte sa miestnymi pravidlami a nelikvidujte staré produkty spolu s bežným komunálnym odpadom. Správnu likvidáciu pomôžete znížiť negatívne následky na životné prostredie a ľudské zdravie.



Výrobok obsahuje batérie, ktoré smernicu 2006/66 / EC nemožno vyhadzovať do bežného domového odpadu. Informujte sa prosím o miestnych pravidlách separovaného zberu batérií, pretože správnu likvidáciu pomôžete predchádzať negatívnym dôsledkom pre životné prostredie a ľudské zdravie.

### INFORMÁCIE TÝKAJÚCE SA ŽIVOTNÉHO PROSTREDIA

Výrobok je zabalený len v nevyhnutnom obale pre jeho ochranu. Snahou našej firmy je, aby bol obalový materiál ľahko rozdeliteľný na tri materiály: kartón (krabica), polystyrénová pena (vypodloženie) a polyetylén (vrecká, ochranná penová pokrývka). Výrobok sa skladá z materiálov, ktoré je možné recyklovať a znovu použiť v prípade demontáže odbornou firmou. Dodržujte prosím miestne predpisy týkajúce sa likvidácie obalových materiálov, vybitých batérií a starého zariadenia. Na nahrávanie a prehrávanie materiálov môže byť vyžadovaný súhlas. Pozri Zákon o copyrightu Act 1956 a Zákon na ochranu umelcov Sk 1958-1972.



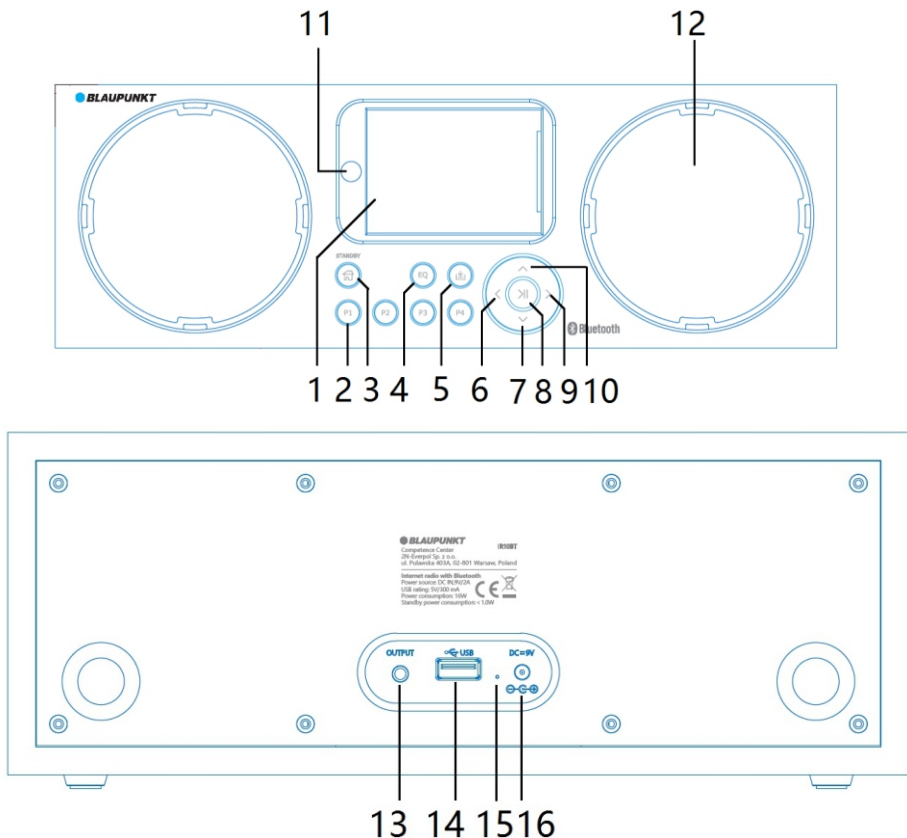
Známka a logo Bluetooth® sú registrované obchodné známky spoločnosti Bluetooth SIG, Inc. a jej použitie je zaťažené licenciou. Ostatné obchodné známky a mená sú vlastnené ich vlastníkami.

Ďakujeme, že ste si vybrali náš model. Predtým, než začnete toto zariadenie používať, dôkladne si prečítajte a oboznámte sa s touto príručkou. Príručku uchovajte pre prípadnú potrebu v budúcnosti.

#### Zariadenie má nasledujúce hlavné funkcie:

Internetové rádio  
 Prehrávanie cez modul Bluetooth  
 USB prehrávanie  
 Podpora Spotify Connect  
 Podpora podcastov  
 Výstup zvukovej linky  
 Hodiny, budík, časovač

#### Rozmiestnenie ovládacích prvkov



#### 1- Farebný displej;

#### 2- Tlačidlá pre programovanie rozhlasových staníc P1 ~ P4

Krátko stlačte, aby ste vybrali príslušné naprogramované stanice a prehrali ich.

Stlačením a podržaním (2 sekundy) tlačidla P1 ~ P4 uložíte aktuálnu stanicu do pamäte.

#### 3- Tlačidlo pripravenosti/hlavnej ponuky;

Stlačením a podržaním prejdete do pohotovostného režimu.

Krátko stlačte pre zapnutie zariadenia alebo vstup do hlavného menu.

V režime budíka krátkym stlačením zrušíte zvuk budíka a prejdete do pohotovostného režimu.

#### 4- Tlačidlo EQ sound ekvalizér

Stlačte ho niekoľkokrát, aby ste prepli ekvalizér medzi naprogramovanými nastaveniami: NORMAL/FLAT/JAZZ/ROCK/SOUNDTRACK/CLASSIC/POP/NEWS/MY EQ.

#### 5- Tlačidlo programovania rozhlasových staníc;

Krátkym stlačením vyvoláte rozhranie naprogramovanej stanice.

Stlačením a podržaním uložte aktuálnu stanicu.

#### 6- Tlačidlo „vľavo“;

Krátko ho stlačte, aby ste posunuli a odstránili písmeno pri zadávaní písmen do sieťového hesla.

Krátko stlačte pre vstup do a opustenie horného menu.

Dlhým stlačením prejdete na predchádzajúcu skladbu v režime USB.

#### 7- Tlačidlo „dole“;

Krátko stlačte, aby sa znížila hlasitosť;

Stlačte a podržte, aby sa hlasitosť nepretržite znižovala.

Krátkym stlačením sa pohybujete v menu smerom dole pre výber.

#### 8- Tlačidlo prehrať/pauza, tlačidlo ENTER – potvrdenie výberu;

Krátko ho stlačte, keď chcete spustiť alebo pozastaviť prehrávanie hudby v režime USB.

Krátkym stlačením potvrdíte svoju voľbu.

#### 9- Tlačidlo „vpravo“;

Krátko ho stlačte, aby ste posunuli a pridalí písmeno pri zadávaní písmen do sieťového hesla.

Krátko stlačte pre vstup do podmenu.

Dlhým stlačením prejdete na ďalšiu skladbu v režime USB.

#### 10- Tlačidlo „hore“;

Krátko stlačte na zvýšenie hlasitosti; stlačte a podržte, aby sa hlasitosť nepretržite zvyšovala.

Krátko ho stlačte, aby ste sa posunuli v menu nahor kvôli výberu.

#### 11-Infračervený senzor diaľkového ovládača;

#### 12- Reprodukotor;

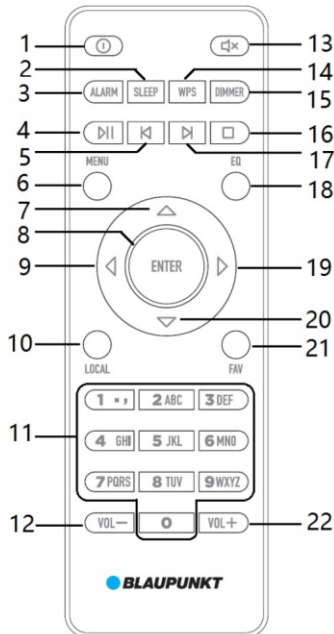
#### 13- Zásuvka s lineárnym výstupom;

#### 14- USB port;

#### 15- LED ukazovateľ napájania

#### 16- Zásuvka napájania DC IN;

#### Diaľkový ovládač



#### 1- Tlačidlo zapínania/vypínania pohotovostného režimu;

krátkym stlačením zapnete/vypnete zariadenie.

#### 2- Tlačidlo časovača:

stlačením ho niekoľkokrát nastavíte čas vypnutia zariadenia.;

#### 3- Tlačidlo budíka:

krátkym stlačením vstúpite do konfiguračného rozhrania budíku.

#### 4- Tlačidlo prehrávanie/pauzy:

stlačte ho krátko, keď chcete spustiť/pozastaviť prehrávanie hudby v režime USB.

#### 5- Tlačidlo predchádzajúce:

krátkym stlačením prejdete na predchádzajúcu skladbu v režime USB.

#### 6- Tlačidlo MENU:

krátkym stlačením vstúpite do hlavného menu.

#### 7- Tlačidlo „hore“:

stlačte ho, aby ste sa dostali hore v menu.

#### 8- Tlačidlo ENTER – potvrdenie výberu:

krátkym stlačením potvrdíte výber.

#### 9- Tlačidlo „vľavo“:

stlačte pre ukončenie alebo postup v menu smerom nahor.

#### 10- Tlačidlo LOCAL:

krátkym stlačením prejdete do režimu miestneho internetového rádia.

#### 11- Tlačidlá čísla a znaky:

stlačte ho niekoľkokrát, aby ste vybrali príslušné číslo a písmeno.

#### 12- Tlačidlo pre zníženie hlasitosti:

stlačením tohto tlačidla znížite hlasitosť.

#### 13- Tlačidlo stíšenia:

stlačením stlmíte zariadenie, opätovným stlačením prehrávanie obnovíte.

#### 14- Tlačidlo WPS:

tlačidlo rýchleho pripojenia k sieti, ak má Wi-Fi router aj tlačidlo WPS, krátkym stlačením prejdete do režimu rýchleho pripojenia k sieti.

#### 15- Tlačidlo stmievača:

jeho stlačením nastavíte jas displeja

#### 16- Tlačidlo Stop:

stlačte ho pre zastavenie prehrávania aktuálnej skladby v režime USB, stlačte tlačidlo ENTER pre obnovenie prehrávania a spustenie prehrávania od začiatku.

#### 17- Tlačidlo nasledujúce:

krátkym stlačením prejdete na ďalšiu stopu v režime USB.

#### 18- Tlačidlo EQ:

stlačte pre výber vhodného režimu ekvalizéra.

#### 19- Tlačidlo „vpravo“:

stlačte ho pre vstup do podmenu.

#### 20- Tlačidlo „dole“:

stlačením tlačidla prejdete do zoznamu menu.

#### 21- Tlačidlo FAV (Obľúbené):

krátko stlačenie pre vstup do rozhrania naprogramovanej stanice, dlhé stlačenie pre uloženie aktuálnej stanice.

#### 22- Tlačidlo zvýšenia hlasitosti:

stlačením ho zvýšite hlasitosť.

### Pripojenie napájania:

Do zásuvky jednosmerného prúdu na zadnom paneli zariadenia zapojte konektor jednosmerného prúdu dodaného zdroja napájania, a potom napájanie pripojte k zásuvke striedavého prúdu (230 V, 50/60 Hz), aby ste získali napájanie. Ak je napájanie pripojené úspešne, displej sa rozsvieti a zobrazí úvodnú obrazovku BLAUPUNKT. Krátkym stlačením tlačidla pohotovostného režimu zariadenie zapnete, dlhým stlačením prepnete do pohotovostného režimu. Zariadenie je pripravené na použitie.

### Obsluha menu:

Pomocou tlačidiel „hore“, „dole“, „vľavo“, „vpravo“ a ENTER na diaľkovom ovládači alebo tlačidiel „hore“, „dole“, „vľavo“, „vpravo“ a tlačidla prehrávania/pauza/ENTER (8) na prednom paneli zariadenia môžete ovládať menu.

### Wi-Fi pripojenie

Zariadenie má zabudovaný modul Wi-Fi siete, ktorý je schopný sa pripojiť k bezdrôtovej sieti. Ak chcete počúvať internetové rádio, musíte sa najprv nastaviť a pripojiť k internetu pomocou Wi-Fi routeru. Postupujte podľa nasledujúcich krokov:

- Pri prvom použití zariadenie zobrazí úvodnú obrazovku BLAUPUNKT a potom vás požiada o výber jazyka obsluhy (predvolený jazyk: poľština). Pomocou tlačidiel „hore“ a „dole“ môžete presunúť výber v zozname menu a stlačením tlačidla ENTER ho potvrdiť. Potom sa na obrazovke zobrazia informácie o ochrane súkromia, stlačením tlačidla ENTER „zapnete“ možnosť „skontrolovať sieť po zapnutí?“
- Stlačením tlačidla „vľavo“ alebo „vpravo“ vyberte možnosť „áno“ alebo „nie“, stlačením tlačidla ENTER potvrdíte výber.
- Ak vyberiete možnosť „áno“, na obrazovke sa zobrazí otázka: „Chcete nakonfigurovať sieť teraz?“, vyberte „áno“, zariadenie prehľadá dostupné bezdrôtové siete a zobrazí zoznam názvov Wi-Fi na displeji.
- Stlačením tlačidla „hore“ alebo „dole“ vyhladajte svoju sieť v zozname dostupných sietí, po nájdení stlačte tlačidlo ENTER a potvrdte svoju voľbu. Zariadenie vás potom požiada o zadanie hesla k vybranej bezdrôtovej sieti.
- Ak chcete heslo zadať rýchlejšie, odporúčame použiť čísla a znaky na diaľkovom ovládači. Opakovaným stlačením tlačidla na numerickej klávesnici diaľkového ovládača môžete vybrať príslušné číslo a malé alebo veľké písmeno. Ak nájdete správne písmeno heslo, krátkym stlačením tlačidla „vpravo“ potvrdíte svoju voľbu a prejdíte k zadaniu ďalšieho znaku hesla. Ak zadáte nesprávny znak hesla, krátkym stlačením tlačidla „vľavo“ ho môžete odstrániť.
- Po zadaní hesla k bezdrôtovej sieti stlačte tlačidlo ENTER, potom sa zariadenie pripojí k sieti Wi-Fi a vstúpi do hlavného rozhrania.
- Ak je sieťové pripojenie neúspešné, krátkym stlačením tlačidla menu na diaľkovom ovládači vstúpte do hlavného rozhrania, vyberte položky Nastavení > Sieť > Konfigurácia bezdrôtovej siete > znovu zapnúť vyhľadávanie dostupnej siete.

### Poznámky:

- Môžete tiež manuálne pripojiť Wi-Fi siete cez aplikáciu alebo WPS; Pri pripájaní Wi-Fi sietí cez aplikáciu sa uistite, že zariadenie, ktoré aplikáciu podporuje, a rádio sú v tej istej sieti.
  - Bezdrôtovú sieť môžete nastaviť aj pomocou tlačidiel „hore“/„dole“/„vľavo“/„vpravo“, prehrávanie/pozastavenie/ENTER na prednom paneli zariadenia.
  - Pripojenú sieť Wi-Fi si môžete zapamätať a nabhudíte ju môžete automaticky pripojiť, pokiaľ bude naďalej dostupná.
- Pripojenie niekedy vyžaduje opätovné zadanie hesla. Pripomíname, že to nie je chyba/porucha.

### Používanie internetového rádia

Po správnom pripojení k internetu prejdite do hlavného menu pomocou tlačidiel „vľavo“ alebo „vpravo“, aby ste vyhladali ikonu internetového rádia, potom stlačte tlačidlo ENTER a prejdite do režimu internetového rádia.

### Výber internetových staníc:

Pomocou tlačidiel „hore“/„dole“ a tlačidla ENTER vyberte príslušnú možnosť zo zoznamu menu. Po vstupe do menu internetového rádia vyberte napr.

rozhlasová stanica > krajina/poloha > Európa > Poľsko > Poľsko/top10 > Názov rozhlasovej stanice. Potom sa rádio pripojí k vybranej stanici a začne ju prehrávať.

Krátkym stlačením tlačidla ENTER pozastavíte prehrávanie a vrátite sa do vyššieho menu. Pomocou tlačidiel „hore“/„dole“ vyberte zo zoznamu inú stanicu, stlačením tlačidla ENTER ju začnete prehrávať; Pri počúvaní internetového rádia krátkym stlačením tlačidla „vpravo“ zväčšíte informácie na displeji, krátkym stlačením tlačidla „vľavo“ sa displej vráti do predchádzajúceho režimu. Stlačením a podržaním tlačidla „vľavo“/„vpravo“ prejdete na predchádzajúcu alebo nasledujúcu rozhlasovú stanicu, ktorá je k dispozícii v zozname.

Stlačením tlačidla „hore“/„dole“ na prednom paneli zariadenia alebo tlačidla zvýšenia alebo zníženia hlasitosti na diaľkovom ovládači nastavíte úroveň hlasitosti výstupu. Stlačením tlačidla stlmenia stlmíte zvuk.

**Programovanie vašich obľúbených internetových staníc:** keď zapnete svoju obľúbenú stanicu, stlačte a podržte tlačidlo Obľúbené (na diaľkovom ovládači FAV) alebo tlačidlo programovania rozhlasových staníc (5 na prednom paneli) a prejdite do rozhrania nastavení stanice. Pomocou tlačidla „hore“/„dole“ presuňte a nastavte vybranú stanicu na správne číslo pamäte v zozname, stlačením tlačidla ENTER potvrdíte svoju voľbu.

Krátkym stlačením tlačidla Obľúbené (FAV na diaľkovom ovládači) alebo tlačidla programovania rozhlasových staníc (5 na prednom paneli) prejdete na zoznam naprogramovaných staníc, stlačením tlačidla „hore“/„dole“ vyberiete naprogramovanú stanicu, stlačením tlačidla ENTER ju prehráte. Naprogramovanú stanicu môžete tiež rýchlo vybrať stlačením tlačidla P1~P4 na prednom paneli alebo krátkym stlačením príslušného tlačidla na numerickej klávesnici na diaľkovom ovládači, keď je zariadenie v režime prehrávania rádia.

Krátkym stlačením tlačidla Obľúbené (FAV na diaľkovom ovládači) alebo programovacieho tlačidla rádiostanice (5 na prednom paneli) prejdete na zoznam naprogramovaných staníc, stlačením tlačidla „vpravo“ spravujete naprogramovanú stanicu, napr. pohyb nahor/nadol/mazanie/premenovanie/prehrávanie.



### Miestne internetové rádio

a. Konfigurácia miestneho internetového rádia: v hlavnom menu prejdite do rozhrania nastavenia > nastavenie miestneho rádia > nastavenie polohy > možnosti (automatická detekcia krajiny/manuálne nastavenie (krajina)/manuálne nastavenie (kraj)/manuálne nastavenie (mesto)/manuálne nastavenie (PSČ USA)). Pomocou tlačidiel „hore“/„dole“ vyberte príslušnú možnosť a potvrdte tlačidlom ENTER. Po dokončení nastavenia polohy rádio vyhľadá a prejde do nastaveného lokálneho rozhrania internetového rádia.

b. Po správnom nakonfigurovaní miestneho internetového rádia môžete tiež stlačiť tlačidlo LOCAL na diaľkovom ovládači alebo zvoliť možnosť „miestna stanica“ v hlavnom menu internetového rádia pro prechod na zoznam miestnych rozhlasových staníc a prehrávať vybranú stanicu.

### Poznámky:

1. Prístup k rozhlasovej stanici môže trvať určitý čas z dôvodu rýchlosti pripojenia k internetu alebo polohy rádiového servera atď., čo nie je porucha. V prípade problémov s príjmom vyplývajúcich z vyššie uvedených dôvodov odporúčame zvoliť inú rozhlasovú stanicu.
2. Keď je rádio v režime zobrazovania zoznamu dostupných rozhlasových staníc pomocou tlačidiel „hore“/„dole“, môžete zmeniť stanicu, po označení danej stanice krátko stlačenie tlačidla „vpravo“ umožní prejsť na rozhranie možnosti „pridať do obľúbených/automatické skenovanie/prehrávať“.
3. Internetové rádio je rozdelené do kategórií ako „Rádio pre spanie“, „Globálne top 20“, „Žáner“, „Krajina/Poloha“, „Odporúčané“ atď., ktoré sú k dispozícii v menu internetového rádia. Vďaka nim si môžete rýchlo vybrať tú správnu stanicu a vychutnať si jej príjem.
4. Svoj zoznam obľúbených staníc môžete spravovať aj na webovej stránke mediaU ([www.mediayou.net](http://www.mediayou.net)). Najprv v hlavnom menu aktivujte funkciu „my mediaU“ tak, že prejdete na: Nastavenia > Spravovať My MediaU > Zapnúť; potom rádio môže zobraziť priečinko „Obľúbená stanica“, „Obľúbená lokalita/žáner“ „Moja miestna stanica (mesto)“ „Pridať manuálne“. Na webovej stránke ([www.mediayou.net](http://www.mediayou.net)) kliknite na záložku „my mediaU“ a spravujte vyššie uvedené položky. Viac informácií o tejto funkcii nájdete ďalej v tejto príručke.

### Podpora podcastov:

Rádio má funkciu prehrávania podcastov; princíp fungovania je podobný ako pri internetovom rádiu. Zapnite zariadenie, prejdite do hlavnej ponuky a vyberte: Podcast>Krajina/Poloha> Cieľová krajina >Zložka kategórie, potom vyberte a otvorte podcast, ktorý vás zaujíma.

**Príjem lokálnych DAB staníc cez Wi-Fi:** Je možné prijímať lokálne stanice DAB, ktoré súčasne vysielajú signál ako internetové rádio. Ak k nim chcete získať prístup, prejdite do hlavnej ponuky a vyberte: Nastavenia> Nastavenia miestneho rozhlasu > DAB (Wi-Fi)>Zapnúť. Ak chcete prejsť na zoznam dostupných staníc DAB (Wi-Fi), v hlavnom menu vyberte: Internetové rádio > Miestna stanica >DAB (Wi-Fi) a potom vyberte stanicu, ktorá vás zaujíma.

### Podpora funkcie My mediaU

- a. V prvom rade si musíte vytvoriť účet na stránke „<http://www.mediayou.net>“ a úspešne sa prihlásiť. Zmeňte jazyk a potom kliknite na záložku „Zariadenie“. Zadajte názov zariadenia do poľa „Zadajte názov zariadenia“.
- b. Zadajte sériové číslo do políčka „sériové číslo“. (Ako získam sériové číslo? Vstúpte do hlavného menu vášho zariadenia a vyberte: Nastavenia>Zariadenie> Systémové informácie >Informácie o bezdrôtovej sieti a nájdete adresu MAC.
- c. Do políčka „sériové číslo“ napíšte adresu MAC a kliknite na tlačidlo „Pridať“. Potom prejdite na záložku „my mediaU“ a spravujte položky „Obľúbená stanica“, „Obľúbené umiestnenie/žáner“, „Miestna stanica“, „Pridať manuálne“.
- d. Zapnite internetové rádio, vstúpte do hlavného menu a vyberte: Nastavenia>Správa My mediaU> Zapnúť. Potom sa vráťte do hlavného menu a vyberte ikonu my mediaU, následne sa zobrazia dostupné položky „Obľúbená stanica“, „Obľúbená lokalita/žáner“, „Miestna stanica“, „Pridať manuálne“, ktoré sú synchronizované s priečinkami nakonfigurovanými vo vašom účte na webových stránkach <http://www.mediayou.net>.

### Používanie Bluetooth

Toto zariadenie má funkciu Bluetooth, ktorá umožňuje bezdrôtovo prehrávať hudbu z iného zariadenia Bluetooth (ako je smartfón, tablet ap.).

1. Zapnite zariadenie, stlačte tlačidlo hlavného menu (3) na prednom paneli alebo tlačidlo MENU na diaľkovom ovládači a prejdite na hlavné rozhranie, pomocou tlačidiel „vľavo“ alebo „vpravo“ vyberte ikonu Bluetooth a potom stlačte tlačidlo ENTER pre vstup do režimu Bluetooth. Zariadenie bude pripravené na spárovanie Bluetooth.
2. Zapnite funkciu Bluetooth na externom zariadení (smartfón, tablet atď. Pozrite si príručku externého zariadenia) a potom skontrolujte zoznam dostupných zariadení Bluetooth na účely párovania. Vyberte „BP IR10“ a spárujte zariadenie.
3. Vyberte a prehrajte hudbu z externého zariadenia Bluetooth, upravte úroveň hlasitosti na tomto aj externom zariadení Bluetooth, zvuk sa bude prehrávať bezdrôtovo pomocou reproduktora tohto zariadenia.
4. Dlhým stlačením tlačidiel „vľavo“ alebo „vpravo“ prepnete predchádzajúcu alebo nasledujúcu skladbu na prehrávanie; krátkym stlačením tlačidla „vľavo“ alebo „vpravo“ zväčšíte alebo zmenšíte informácie o obraze skladby. Krátkym stlačením tlačidla ENTER prehrávate alebo pozastavujete prehrávanie; dlhým stlačením tlačidla ENTER získate rozhranie „Párovací s iným zariadením“, opätovným stlačením tlačidla ENTER odpojíte aktuálne pripojenie Bluetooth. Opätovným dlhým stlačením tlačidla ENTER získate zoznam mien predtým spárovaných zariadení Bluetooth. Môžete vybrať jedno z nich, ktoré sa má spárovať znova, pokiaľ má povolené rozhranie Bluetooth a je v pracovnom rozsahu Bluetooth tohto zariadenia.
5. V režime prehrávania cez Bluetooth nastavte hlasitosť stlačením tlačidla „hore“ alebo „dole“; k dispozícii sú aj nastavenia ekvalizéru a stlmenia.

### Poznámky:

1. Nedá sa zaručiť, že sa zariadenie dokáže spárovať so všetkými Bluetooth zariadeniami, vzhľadom na rozličné konštrukcie a riešenia
2. Najlepší dosah Bluetooth je do cca 10 metrov, bez prekážok medzi zariadeniami.
3. Tento produkt môže byť v jednej chvíli spárovaný iba s jedným externým zariadením Bluetooth.

4. Keď počas prehrávania prostredníctvom Bluetooth prijmete prichádzajúci hovor; hudba sa dočasne zastaví a obnoví sa po ukončení hovoru.
5. Pri vypnutom zariadení alebo pri zapnutom režime prehrávania je potrebné zariadenie Bluetooth znova spárovať.

### Používanie USB prehrávača

Zariadenie má funkciu prehrávania USB MP3. Najprv si pripravte naformátovaný USB kľúč a skopírujte doň súbory vo formáte MP3. Pripojte USB kľúč k USB portu na zadnom paneli správne. Stlačením tlačidla hlavného menu na prednom paneli alebo tlačidla MENU na diaľkovom ovládači vstúpite do hlavného rozhrania a potom zvolíte: Mediálne centrum > USB. Potom môžete vidieť zoznam súborov MP3 uložených na pripojenom USB kľúči. Vyberte ľubovoľný súbor a prehrajte ho s týmto zariadením. V režime prehrávania hudby z USB kľúča krátko stlačte tlačidlo ENTER na prednom paneli alebo na diaľkovom ovládači na prehrávanie súboru alebo pozastavenie prehrávania. Stlačením tlačidla „hore“ alebo „dole“ na prednom paneli alebo VOL+ /VOL- na diaľkovom ovládači zväčšíte alebo znížite hlasitosť; dlhým stlačením tlačidla „vľavo“ alebo „vpravo“ prepnete predchádzajúcu alebo nasledujúcu skladbu. Krátkym stlačením tlačidla „vľavo“ alebo „vpravo“ zväčšíte alebo zmenšíte informácie o obraze skladby. K dispozícii sú aj nastavenia ekvalizéra zvuku EQ a funkcia stlmenia. Ak chcete vybrať režim prehrávania, prejdite do hlavného menu a vyberte: Nastavenia > Nastavenia prehrávania a potom vyberte z Zakázat/Opakovať všetko/Opakovať jednu/Náhodné.

#### Poznámky:

- a. Na pripojenie USB kľúča sa neodporúča používať USB predlžovacie káble, pretože to môže ovplyvniť kvalitu prenášaného signálu do zariadenia a následne nestabilné prehrávanie.
- b. Zariadenie podporuje formáty WAV/WMA/MP3/FLAC/AAC (z dôvodu rozdielov v ukladaní nie je zaručené, že bude prehrávať všetky súbory uložené vo vyššie uvedených formátoch; Zariadenie podporuje USB disky s maximálnou kapacitou 64 GB.

### Podpora funkcie UPnP

Zariadenie má funkciu UPnP, ktorá umožňuje pripojenie k bezdrôtovej sieti a použitie systému Windows, APPLE Mac alebo Linux ako platformy na prehrávanie hudby. Hudbu prístupnú v počítačovom prehrávači je možné prehrávať bezdrôtovo pomocou reproduktorov tohto internetového rádia.

Príklad podpory programu Windows Media Player 12:

- a. Kliknite a otvorte softvér prehrávača multimédií systému Windows vo svojom počítači a pridajte svoju obľúbenú hudbu do knižnice multimédií (podporu nájdete v príručke prehrávača multimédií Windows firmy Microsoft).
- b. Kliknite na kartu „Stream“ v ľavej hornej časti okna aplikácie, vyberte možnosť „Automaticky povoliť prehrávanie mojich médií zariadeniami“ a potom prijmite možnosť „Automaticky povoliť prehrávanie všetkých počítačov a mediálnych zariadení“. Teraz môžete používať UPnP na zdieľanie a prehrávanie hudby.
- c. Ak chcete premenovať svoju knižnicu multimédií a povoliť/zablokovať prehrávanie hudby cez UPnP, kliknite na položku „Ďalšie možnosti streamovania“ v programe Windows Media Player. Názov knižnice multimédií je možné prispôbiť (napr. zadaním názvu BLAUPUNKT KNIŽNICA), aby ho používateľ mohol ľahko identifikovať v zozname dostupných médií v menu UPnP tohto rádia. Môžete tiež povoliť konkrétnemu zariadeniu streamovať hudbu z knižnice multimédií cez UPnP.
- d. Zapnite rádio, vyberte Mediálne centrum > UPnP a skontrolujte zoznam dostupných multimediálnych knižníc, vyberte svoju knižnicu UPnP (napríklad UPnP: KNIŽNICA BLAUPUNKT), krátkym stlačením tlačidla ENTER potvrdte. (Poznámka: nájdenie príslušnej knižnice môže trvať až 10 sekúnd alebo viac, ak zariadenie knižnicu multimédií nenájde, nasleduje návrat do menu Mediálne centrum.)
- e. Po výbere knižnice, napr. UPnP „KNIŽNICA BLAUPUNKT LIBRARY“, vyhľadajte a vyberte priečinok s hudbou, potom vyberte priečinok z jednej z dostupných kategórií, v ďalšom kroku prejdite na výber prehrávania hudby.
- f. Pri prehrávaní hudby použite tlačidlá „hore“, „dole“, „vľavo“, „vpravo“ a ENTER pre dosiahnutie príslušnej operácie. Spôsob prehrávania UPnP je podobný prehrávaniu z USB disku.

#### Dôležité poznámky:

- a. Počítač aj internetové rádio by sa mali počas prevádzky UPnP pripojiť k rovnakej sieti Wi-Fi.
- b. Keďže na trhu je k dispozícii mnoho rôznych počítačových systémov/konfigurácií, pripojenie na prehrávanie UPnP môže zlyhať, na čo sa nevzťahuje naša záruka.

### Podpora Spotify Connect

Toto zariadenie je vybavené funkciou Spotify Connect, ktorá umožňuje bezdrôtovo prenášať zvuk z aplikácie Spotify.

- a. Zapnite zariadenie a prejdite do hlavného menu, potom vyberte: ikona aplikácie Spotify > QR kód, ktorý sa zobrazí na displeji (pri prvom použití).
- b. Naskenujte QR kód pomocou svojho smartfónu, vstúpte na oficiálnu webovú stránku Spotify automaticky. Nájdite a stiahnite si aplikáciu Spotify pre svoj smartfón.
- c. Otvorte a vstúpte do aplikácie Spotify pomocou registrovaného účtu, prejdite do časti „Nastavenia“ v aplikácii, prejdite na kartu „Zariadenia“ a zo zoznamu vyberte možnosť „BP IR10“. Aplikácia pre smartfóny sa k rádiu pripojí približne za 30 sekúnd. V aplikácii Spotify vyberte a prehrajte hudbu a zvuk sa bude prehrávať na tomto zariadení.

#### Dôležité poznámky:

1. Softvér Spotify podlieha licenciam tretích strán, ktoré nájdete tu: <https://www.spotify.com/connect/third-party-licenses>.
2. Pokyny na používanie služby Spotify nájdete tu: <https://spotify.box.com/s/7m8g1ij260xt8zlh5cult0gmknu6t>.
3. Použite svoj smartfón, tablet alebo počítač ako diaľkový ovládač pre Spotify. Prejdite na stránku [www.spotify.com/connect](http://www.spotify.com/connect) a zistite, ako to urobiť.
4. Ak používate funkciu Spotify Connect, Spotify aj toto internetové rádio by mali byť pripojené k rovnakej sieti Wi-Fi.

### Obsluha internetového rádia pomocou mobilnej aplikácie

a. Pre zariadenia so systémom iOS vyhľadajte a stiahnite si „AirMusic Control“ v App Store (stiahnite a nainštalujte „AirMusic control“ pre zariadenia so systémom Android).

- b. Zapnite zariadenie, vstúpte do hlavného menu a vyberte: Nastavenia>Zariadenie>APP, na displeji sa zobrazí QR kód, naskenuje sa pomocou smartfónu.
- c. V smartfóne vyberte a otvorte aplikáciu „AirMusic Control“, ktorá automaticky skenuje a pripája sa k vášmu internetovému rádiu, ak váš smartfón a internetové rádio používajú rovnakú sieť Wi-Fi. (BP IR10 sa po pripojení zobrazí v zozname názvov zariadení v ponuke konfigurácie v aplikácii AirMusic Control).
- d. Aplikáciu pre smartfóny potom môžete používať na diaľkové ovládanie internetového rádia.

#### Dôležitá poznámka:

Odporúčame, aby ste nepoužívali tlačidlá na prednom paneli alebo diaľkové ovládanie na ovládanie zariadenia pri súčasnom používaní aplikácie pre ovládanie rádia, pretože to môže spôsobiť problémy so synchronizáciou v dôsledku výkonu servera a rýchlosti internetového pripojenia. Na problémy so synchronizáciou sa záruka nevzťahuje. V takom prípade by sa zariadenie malo ponechať bez zásahu, kým sa nestabilizuje.

#### Lineárny/slúchadlový výstup

Zariadenie má lineárny výstup, ktorý umožňuje káblové pripojenie k inému aktívnemu reproduktoru, zosilňovaču alebo slúchadlám. Pomocou dodaného 3,5 mm stereoфонného zvukového kábla ho pripojte k zásuvke lineárneho výstupu na zadnom paneli a druhý terminál pripojte k inému externému audio zariadeniu. Zapnite toto zariadenie a spustíte prehrávanie, potom sa zvuk bude prehrávať z externého audio zariadenia. Reprodukory tohto zariadenia budú stlmené. Zapojte slúchadlá do lineárneho výstupu pre diskrétnu počúvanie zvuku. Reprodukory tohto zariadenia budú stlmené. Počas prehrávania so zariadením alebo slúchadlami pripojenými k lineárnemu výstupu je možné upraviť úroveň hlasitosti v tomto zariadení aj na vonkajšom zariadení.

#### Nastavenie času a budíka

**Nastavenie hodín/dátumu:** Vstúpte do hlavného menu a vyberte: Nastavenia> Dátum a čas> Nastavenie dátumu a času Tu máte dve možnosti: „Ručné nastavenie“ a „Automatická detekcia“. Ak vyberiete možnosť „Automatická detekcia“, aktuálne informácie o čase a dátume sa po pripojení k sieti Wi-Fi automaticky aktualizujú. Dátum a čas môžete nastaviť manuálne, ak vyberiete možnosť „Ručné nastavenie“. V podmenu „Dátum a čas“ sú tiež možnosti „Nastaviť formát času“ a „Nastaviť formát dátumu“ – vyberte ich pre úpravu formátu času (12 alebo 24 hodín) a formátu dátumu (3 možnosti sú k dispozícii).

**Nastavenie budíka:** Vstúpte do hlavného menu a vyberte: Nastavenia> Budík. Potom môžete nastaviť čas pre Budík 1, Budík 2, Odloženie budíka, Hlasitosť budíka. Po vstupe do režimu nastavenia Budík 1 a 2 sú tu možnosti výberu opakovania budíku (Denne, Raz, v konkrétnych dňoch týždňa), nastavenia času a výberu zdroja budíka (Zvukový signál, Melódia, Internetové rádio, USB)

1. Keď je nastavený čas budenia, rádio sa automaticky zapne vo vopred určenom čase. Krátkym stlačením tlačidla pohotovostného režimu (3) zrušíte zvuk alarmu.
2. Sú dostupné dva budíky, ktoré možno nakonfigurovať samostatne.
3. Keď sa budík aktivuje, krátkym stlačením ľubovoľného tlačidla (okrem tlačidla pohotovostného režimu(3)) sa aktivuje funkcia odloženia budenia. Budík sa spustí znova po uplynutí času odloženia.
4. Funkcia budíka funguje iba vtedy, keď je pripojený a k dispozícii hlavný zdroj napájania.
5. Keď je funkcia odloženia budíka aktívna, na displeji sa zobrazí zostávajúci čas odloženia Krátkym stlačením tlačidla pohotovostného režimu sa odloženie budenia zruší.

#### Časovač

V režime prehrávania (ako je internetové rádio, Bluetooth, režim prehrávania USB atď.) vám krátke stlačenie tlačidla SLEEP na diaľkovom ovládači umožní nastaviť čas prepnutia. K dispozícii sú nasledujúce časové intervaly (v minútach): 15/30/60/90/120/150/180/vypnutý. Keď uplynie zvolený časový interval, zariadenie sa automaticky vypne a prejde do pohotovostného režimu.

#### Iné

Ak chcete vykonať ďalšie operácie, ako je nastavenie jasu displeja, verzia softvéru, obnovenie továrenských nastavení atď., postupujte podľa pokynov na diagrame nižšie.

#### Riešenie problémov

1. Reproduktor sa nechce zapnúť.
  - a. Skontrolujte, či napájanie je správne pripojené.
2. Žiadny zvuk.
  - a. Skúste nastaviť hlasitosť a skontrolujte zdroj prehrávania.
  - b. Ak sa problém nepodarilo vyriešiť, obráťte sa na servisné centrum, ktoré vám poskytne potrebnú pomoc.
3. Prerušovaný zvuk cez Bluetooth
  - a. Skúste presunúť zariadenie Bluetooth bližšie k zariadeniu.
  - b. Prečítajte si pokyny na opätovné spárovanie.
4. V režime Bluetooth je úroveň zvuku príliš nízka.
  - a. Skontrolujte úroveň hlasitosti zariadenia Bluetooth aj tohto zariadenia.

Špecifikácia:

Zdroj el. napätia: DC IN 9V/2A

2,4" farebný TFT displej

Verzia Bluetooth: V5.0

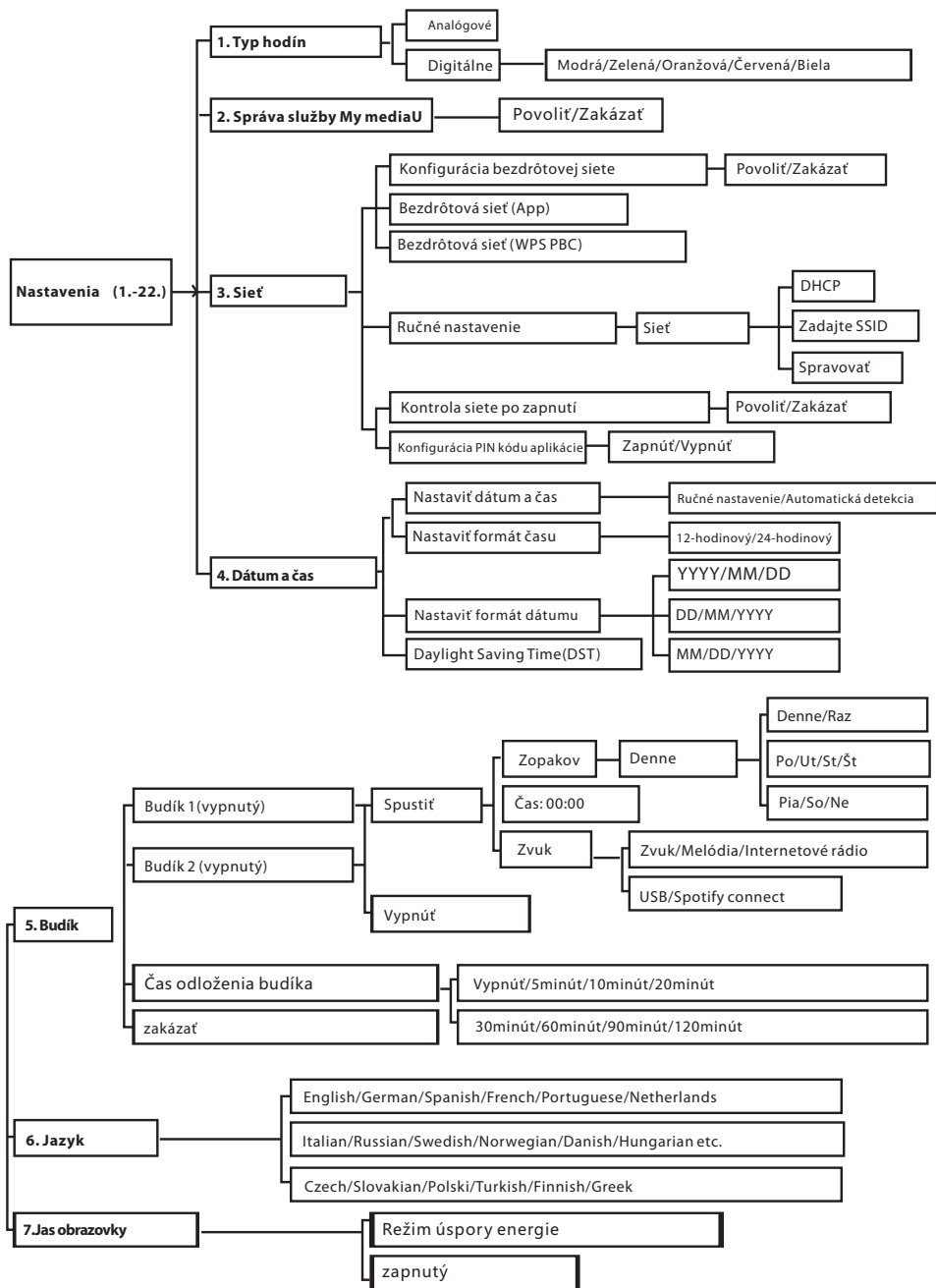
USB 2.0, podpora hudobných súborov: MP3/WMA/WAV/FLAC/AAC (výrobca nezaručuje, že sa budú dať prehrať všetky formáty)

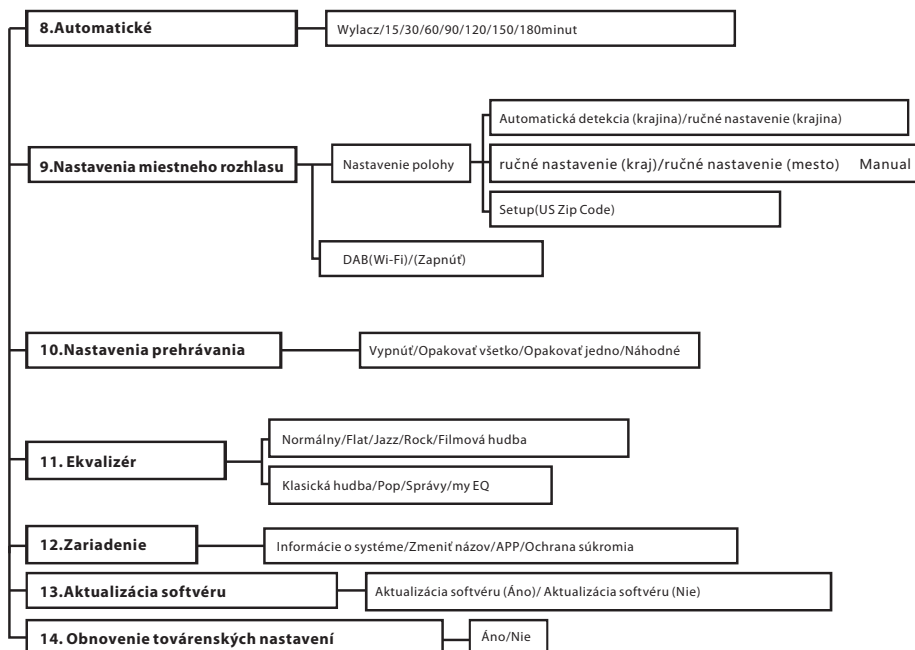
Výstup RMS: 2 x 5 W

Príkion: 16 W

Odber prúdu v pohotovostnom režime: < 1 W

(Vyššie uvedená špecifikácia sa môže zmeniť bez predchádzajúceho upozornenia.)





Informácie o napájacom zdroji		
Zverejnené informácie	Hodnoty a údaje	Jednotka
Názov výrobcu alebo tovarový znak Číslo zápisu v obchodnom registri Adresa	Shenzhen Fushigang Technology Co., Ltd Building 8, Shiguan Industrial Park, Shangcun Community, Gongming Street, Guangming District, Shenzhen, GuangDong, China	
Identifikátor modelu	AS1801A-0902000EU	
Vstupné napätie	100-240	V
Frekvencia vstupného striedavého prúdu	50/60	Hz
Výstupné napätie	DC9	V
Výstupný prúd	2.0	A
Výstupný výkon	18.0	W
Priemerný aktívny výkon	≥85	%
Výkon pri nízkej záťaži (10 %)	75.45%	%
Spotreba bez záťaže	≤0.1	W

**FONTOS BIZTONSÁGI UTASÍTÁSOK**


**FIGYELEM!**  
ÁRAMÜTÉS VESZÉLYE  
NE NYISSA KI!


**Figyelem:**

Az áramütés kockázatának csökkentése érdekében, ne távolítsa el a fedelet vagy hátra alkatrészeket. A készülékben nincs felhasználó által javítható alkatrészek. Forduljon képzett szakemberhez

**A szimbólumok magyarázata:**


Villám szimbólum elhelyezett egyenlő oldalú háromszögben figyelmezteti a felhasználót a szigetetlen "veszélyes feszültségre" a készülékben, amely elérheti a fenyegető áramütés méretét.ü



Felkiáltójel szimbólum elhelyezett egyenlő oldalú háromszögben figyelmezteti a felhasználót, hogy most az üzemeltetési és karbantartásról információk megjelennek a dokumentációban, a készülékhez hozzáadott.

Kérjük, figyelmesen olvassa el az alábbi biztonsági utasításokat, és ezeket a későbbiekben felmerülő kérdések esetére is tartsa meg. Vegye figyelembe a használati utasításban és a készülék hátoldalán található figyelmeztetéseket és utasításokat.

**Fontos információk**

- Tartsa meg a használati útmutatók későbbi kérdések esetében
- Kerülje a készülék vízzel vagy nedvességgel történő érintkezését
- Ne telepítse a készüléket az alábbi helyeken:
- Kerülje a berendezés közvetlen napfényvel vagy szokatlanul sok porral történő érintkezését.
- Ne helyezzen semmilyen más melegítő készülékek a berendezés mellett.
- A készülék helye ne legyen folyamatosan rezgő helyeken.
- A készülék helye ne legyen magas páratartalmú helyiségben.
- Ne helyezzen nyílt láng vagy gyertyák mellett.
- Berendezések csak kézikönyv szerint használható.
- A berendezés bekapcsolása előtt, győződjön meg róla, hogy az áramellátás megfelelően csatlakozik.
- USB memóriát közvetlenül bekapcsolható, 25 cm-es kábellel.

A hátoldalon és a készülék oldalán található légnyelések maradjanak szabadon. Soha ne próbálja meg a hibás készüléket megjavítani, minden esetben forduljon ügyfélszolgálatához. Ne nyissa fel a készüléket - ezt csak szakember teheti meg.

**BIZTONSÁGI UTASÍTÁSOK**

1. Olvassa el az utasításokat - figyelmesen olvassa el a biztonsági utasításokat.
2. Tartsa meg az útmutatót - későbbiekben felmerülő kérdések esetére tartsa meg a biztonsági utasításokat.
3. Vegye figyelembe a figyelmeztetéseket - Vegye figyelembe a használati figyelmeztetéseket és utasításokat.
4. Vegye figyelembe az utasításokat - Vegye figyelembe a használati figyelmeztetéseket és utasításokat.
5. Üzembevétel - Utasítások szerint ügyeljen.
6. Áramforrás - A készüléket csatlakoztassa csak a normál hálózati feszültséghez. Ha a felhasználó nem biztos abban, milyen típusú tápegysége van a házban, akkor forduljon a forgalmazóhoz vagy a helyi áramszolgáltatóhoz.
7. Földelés vagy teljesítmény polarizációja – a földelésre nincs szükség. Győződjön meg arról, hogy a csatlakozó teljesen be van helyezve a fali csatlakozóba vagy kiterjesztésbe. A berendezés egyes verziói egy polarizált csatlakozója van (az egyik pótus szélesebb). Ez a dugó lehet illeszteni a fali aljzatba csak egyféle képpen. Ez egy biztonsági funkció. Ha nem lehet bedugni a dugót a konnektorba, próbálja fordítani őt. Ha a dugó még mindig nem illeszkedik az aljzatba, forduljon villanyszerelőhöz, hogy cseréltesse ki. Ne távolítsa el a biztonságot a polarizált dugóról. Amikor használ hosszabbítót vagy a hálózati kábel ami nem mellékelte a készülékhez, megfelelő dugaszolhatóra és az adott országban biztonsági ellenőrzésre szüksége van.
8. Tápkábel biztosítása - Úgy helyezze el a hálózati kábelt, hogy abban senki ne botoljon meg. Fordítson különös figyelmet a dugaszolhatóra, a hálózati csatlakozóra és ezekre a helyekre ahol a kábelek vezetik ki a készüléket.
9. Túlterhelés - ne terhelje túl a konnektorokat, hosszabbítót, és elektromos elosztók, mivel ez tüzet vagy áramütést okozhat.
10. Szellőzés - A készüléket szellőztetni kell. Ne tegye a készüléket puha felületre, pl. takaróra, szőnyegre vagy függönyök, falikárpit közelébe, mert a szellöző nyílások takarásba kerülhetnek, ezáltal a szükséges levegőcsere nem valósul meg.
11. Hőség - Ne helyezze a készüléket fűtőtestek vagy más hőt sugárzó források közelébe. Kerülje a berendezés közvetlen napfényvel. Nyílt láng, például gyertyák ne kerüljenek a készülékre.
12. Víz és nedvesség - Tűzveszély és egy esetleges áramütés elkerülése végett, a készüléket ne tegye ki esőnek vagy nedvességnek. A berendezést ne használja fürdőkádak, úszómedencék vagy fröcskölő vízforrás közelében.
13. Tárgyak és folyadékok a készülék - Idegen tárgyak ne tegyen be a készülékbe mert feszültség alatt lévő pontokat és alkatrészeket érinthetnek, ami tüzet vagy áramütést okozhat. Ne helyezzen folyadékkal telt tárolóedényeket a készülékre.
14. Tisztítás - A tisztítás előtt mindig húzza ki a készüléket a fali csatlakozóból. Port száraz ruhával távolítsa el. Ha a tisztításhoz aeroszolt használ, ne irányítsa közvetlenül a készülékre, de a ruhára. Ügyeljen arra, hogy ne sértse meg a meghajtó egységeket.
15. Kiegészítő berendezések - Ne használjon olyan tartozékokat, amelyek nem a gyártó által jóváhagyott, mivel azok veszélyt jelentenek.
16. Tartozékok - Ne helyezze a készüléket instabil kocsira, állványra, konzolra vagy asztalra. A készüléket megsérülheti és súlyos sérülést okozhat egy gyermek vagy egy felnőtt számára. Csak a gyártó által jóváhagyott vagy készülékkel eladó kocsit, állványt, konzolt vagy használható. A készüléket gyártói útmutató szerint felszerelhető.



17. A berendezés áthelyezése - a kocsin levő készüléket nagyon óvatosan mozdulni kell. Gyors fékezés, túlzott erőltetés és az egyenetlen felületek miatt felborulhat a készülék.
18. A berendezést nem használata - Ha a berendezést hosszabb ideig nem használja, áramtalanítsa azt.
19. Szerviz - Soha ne próbálja meg a hibás készüléket megjavítani, minden esetben forduljon ügyfélszolgálatához. Ne nyissa fel a készüléket - ezt csak szakember teheti meg. A karbantartási munkákat hagyja szakképzett személyezetre. Egyéb esetekben magát és másokat is veszélyeztet.
20. Ha a berendezést hosszabb ideig nem használja, áramtalanítsa azt. Ha a készülék csatlakoztatva van egy áramforráshoz, ez készenléti üzemmódban, és nem teljesen kizár.
21. Pótkatrészek - Alkatrészek cseréjekor ellenőrizze, hogy a szolgálati munkavállaló használt pótkatrészeket a gyártó által meghatározott, vagy ugyanilyenek, mint az eredeti rész. Nem engedélyezett részek esetében tűz, áramütés vagy egyéb veszély veszélyeztet.
22. Főbiztosítékok - Állandó készülék biztosításához megfelelő típusú és paraméterű biztosítékokat használni kell. Biztosítékok paramétereit a készüléken vannak.
23. Ne növelje a hangerőt a kis hangerőjű dal vagy a bemenő audiojel hiányában mellett. Ellenkező esetben maradandó halláskárosodáshoz vezethet.
24. A villázzal történő kicsatlakoztatás az a villás dugót teljesen nyomja ki a konnektorból. A aljzat vagy kábel bemeneti teljesítmény a készülék mindig elérhetőnek kell lenni a használat során a termék.
25. A készüléket a konnektor vagy hosszabbító közelében el kell helyezni, oly módon, hogy mindig rendelkezésre áll.
26. A készülék maximális környezeti hőmérséklete 35 °C.
27. Irányelvek az elektrosztatikus kislésről - ha a készülék működése zavarban van az elektrosztatikus kislés miatt, ki kell kapcsolni és újrapcsolni vagy más helyre mozdulni.
28. Elem
  - a. Ne helyezze a készüléket fűtőtestek vagy más hő sugárzó források közelébe. Kerülje a berendezés közvetlen napfényel.
  - b. Az akkumulátor kidobása alatt, fordítson figyelmet a környezetvédelemre.
  - c. Vigyázat elemek használatára vonatkozó: annak érdekében, hogy megakadályozza az elem szivárgását amely sérülést vagy kárt okozhat:
    - az elemek elhelyezése alatt, fordítson figyelmet a polaritásra (+ és -)
    - ne használjon különböző elemeket egyszerre - régi és új normál és alkalikus stb.
    - Vegye ki az elemeket a készülékből, ha nem használja hosszabb időre.

#### ERP2-ről megjegyzések (energiával kapcsolatos eszközök)

Ez a készülék okprojekttel megfelel a 2. szakasz biztonsági rendelet (EC) No 1275/2008 irányelvet átültető 2009/125/EK energiafogyasztásról a fogatékkal élő és működő készenléti üzemmódban elektronikus eszközökről irodában és házbán. 15 perc a bevételi jel nélkül után, a készülék automatikusan készenléti üzemmódba átkapcsol.

Információk a normál működésbe helyreállításáról az útmutatóban megtalálható.

#### Fontos információk

Ez a készülék fel van szerelve egy energiatakarékos üzemmóddal: 30 perc a bevételi jel nélkül után, a készülék automatikusan készenléti üzemmódba átkapcsol (ERP2 szabvány). Meg kell jegyezni, hogy az alacsony hangerő az lehet ismerni "nincs hangként": ez befolyásolhatja a jel elismerésére és automatikusan készenléti üzemmódba kapcsolására. Ebben az esetben vissza kell állítani az audiójel adása vagy növelni a hangerőt a hangforrásban (MP3-lejátszó, stb). Ha a probléma továbbra is fennáll, lépjen kapcsolatba a helyi márkaszervizzel.

#### FIGYELEM

A készüléket nem használhatják olyan személyek (beleértve a gyerekeket), akik testi, érzékszervi vagy szellemi fogyatékoságtól szenvednek és az elégtelen tudású és tapasztalatú is, ha a felelős személy nem felügyeli és nem kapta meg elég információt a készülékről. Felnőttek jelenlétre szüksége van ha a gyerekek használják a készüléket. Ez biztosítja a biztonságos használatát.

1. Soha ne hagyja a gépet felügyelet nélkül! Kapcsolja ki készüléket, ha nem használ, bár egy rövid ideig.
2. Ne használja a készüléket egy külső órajel időzítővel, vagy egy külön távvezérlő rendszerrel.
3. Kockázatának elkerülése érdekében a a tápkábel megsérülése esetében, a cserét gyártónak kell végezni, meghatalmazott szolgáltató, vagy más személy aki rendelkezik megfelelő képesítéssel.
4. Mielőtt használatba venné a készüléket, ellenőrizze, hogy a hálózati feszültség megegyezik a feszültséggel előforduló helyi hálózatban.
5. Ne tegye a készüléket puha felületre, pl. takaróra, szőnyegre vagy függönyök, falikárpit közelébe, mert a szellőző nyílások takarásba kerülhetnek, ezáltal a szükséges levegőcseré nem valósul meg. Győződjön meg arról, hogy a készüléktől legalább 20 cm szabad hely, és a két oldalán - legalább 5 cm-t.
6. Amennyiben a készülékbe idegen anyag, test vagy folyadék kerül, ne helyezzen folyadékkal telt tárolóedényeket, pl. vírágvázat a készülékre.
7. Tűzveszély és egy esetleges áramütés elkerülése végett, a készüléket ne tegye ki esőnek vagy nedvességnek.
8. A berendezést ne használja fürdőakádak, úszómedencék vagy fröcskölő vízfórás közelében. Tartsa meg stabil helyeken.
9. Ne tegye ki erős mágneses mezőre.
10. Ne helyezze a készüléket közvetlenül az erősítőn vagy vevőn.
11. Ne helyezze a készüléket párás helyen, mert a nedvességnek hátrányos hatása van az elektromos alkatrészekre.
12. A készülék hozása a hideg helyről meleg vagy nedves helyre páralecsapódás a lencsén a lejátszó belsejében történhet. Ebben az esetben a készülék nem helyesen működhet. Hagyja a gépet bekapcsolva körülbelül egy óráig, hogy lehetővé tegye a nedvesség párolgást.
13. Ne tisztítsa a készüléket kémiai oldószerekkel, a készülék lakk megsemmisítése miatt. Az eszköz tiszta, száraz vagy enyhén nedves ruhával tisztítható.

14. A konnektorból történő kihúzás esetén ne a kábelt, hanem a villásdugót húzza ki.
15. A készülék működik a bekapcsolt tévé mellett, ez a zaj a képernyőn forrása lehet. A TV adás hullámaintól függő. Azt nem jelenti hibás se tévé se rádió működését. Ebben az esetben távolítsa a készüléket a tévétől.
16. A hálózati csatlakozó a hálózatról kihúzásához használható. Fontos, hogy mindig elérhető.
17. Hogy megakadályozzák az esetleges halláskárosodást, ne hallgass hangosan zenét egy hosszú ideig.



#### FIGYELEM

##### Megfelelőség

A Blaupunkt Competence Center 2N-Everpol Sp. z o.o. kijelenti, hogy ez a készülék megfelel a 2014/53/EU irányelv alapvető követelményeink és más vonatkozó rendelkezéseinek. A megfelelőségi nyilatkozat a termék honlapjáról szerezhető be: [www.blaupunkt.com](http://www.blaupunkt.com).

Felelős fél: 2N-Everpol Sp. z o.o, Puławska 403A, 02-801 Varsó, Lengyelország, telefon: +48 22 331 99 59, e-mail: [info@everpol.pl](mailto:info@everpol.pl)



A termék kiváló minőségű anyagokból és alkatrészekből áll, újrahasznosíthatók és újra felhasználhatók.



Ha a készüléken az áthúzott szeméttároló van, azt jelenti, hogy a termék 2012/19/EU számú európai uniós irányelv megkívánja. Kérjük, olvassa el a követelmények a helyi rendszerről a hulladék elektromossal és elektronikus berendezésekkel kapcsolatos. Helyi követelmények szerint csinálni kell. Ne dobja a terméket a normál háztartási szeméttel. Megfelelő a régi termék ártalmatlanítása segít megelőzni a lehetséges negatív következményeket a környezetre és az emberi egészségre.



A készülék fel van szerelve akkumulátorral ami megfelel a 2006/66/EC európai irányelv követelményeinek. Ne dobja az elemet a normál háztartási szeméttel. Kérjük, olvassa el a követelmények a helyi rendszerről a hulladék elektromossal és elektronikus berendezésekkel kapcsolatos. Helyi követelmények szerint csinálni kell. Ne dobja a terméket a normál háztartási szeméttel.

#### Információk a környezetvédelemről

A csomag csak a szükséges elemeket tartalmaz. Minden erőfeszítést tettek, hogy a csomagolóanyag három összetevője könnyen elkülönített legyen: karton (doboz), polisztirol (belső biztonság) és polietilén (zacskó, védő lap). A készülék olyan anyagból készült, melyek újrahasznosíthatók és szétszerelhetők. Kérjük, olvassa el a követelmények a helyi rendszerről a hulladék elektromossal és elektronikus berendezésekkel kapcsolatos.

Felvételhez és lejátszáshoz engedélyre van szükség. Lásd a szerzői jogi törvényt, valamint az előadók / művészek jogairól.



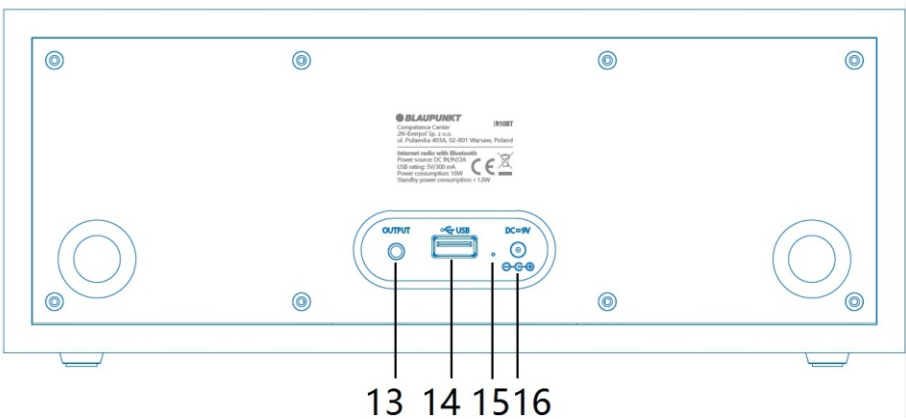
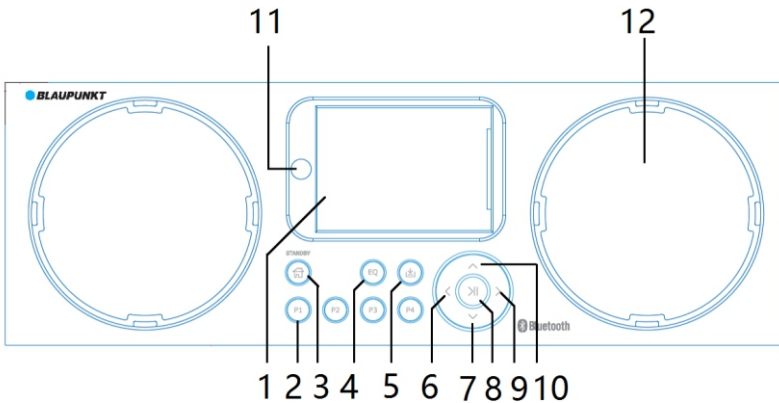
A Bluetooth® szó márkajelzés és logó a Bluetooth SIG, Inc. bejegyzett védjegyei, és ezen márkajelzéseket engedéllyel használjuk. Más védjegyek és márkanevek a vonatkozó tulajdonoshoz tartoznak.

Köszönjük, hogy a mi modellünket választotta, kérjük, a használatbavétele előtt olvassa el figyelmesen és ismerje meg ezt az útmutatót. A használati útmutatót későbbi igénybevétel céljából őrizze meg.

**A készülék fő funkciói a következők:**

- Internetes rádió
- Lejátszás Bluetooth modul segítségével
- USB lejátszás
- Spotify Connect támogatása
- Podcastok támogatása
- Vezetékes audió kimenet
- Óra, ébresztőóra, időzítő

**A kezelő elemek elhelyezése**



**1- Színes kijelző;**

**2- A P1 ~ P4 gombok a rádióállomások elmentéséhez**

Nyomja meg röviden a gombot a kívánt előre beállított állomások kiválasztásához és lejátszásához.

Nyomja meg és tartsa lenyomva (2 másodpercig) a P1 ~ P4 gombot az aktuális állomás mentéséhez a memóriába.

**3- Üzemkész/Főmenü gomb;**

A készenléti állapotba lépéshez tartsa nyomva a gombot.

A készülék bekapcsolásához vagy a főmenübe való belépéshez röviden nyomja meg a gombot.

Ébresztés üzemmódban nyomja meg röviden a gombot a hangjelzés törléséhez és a készenléti állapotba lépéshez.

HUNGARIAN

#### 4- EQ hangszínszabályozó gomb

Nyomja meg többször a hangszínszabályozó gombot a beprogramozott beállítások közötti váltáshoz: NORMAL/FLAT/JAZZ/ROCK/SOUNDTRACK/CLASSIC/POP/NEWS/MY EQ.

#### 5- Rádiócsatornák mentése nyomógomb;

Nyomja meg röviden az előre beállított állomásfelületet előhívásához. Nyomja meg, és tartsa lenyomva az aktuális állomás mentéséhez.

#### 6- „Balra” gomb;

A hálózati jelszó betűinek beírásakor nyomja meg röviden egy betű áthelyezéséhez és törléséhez. Nyomja meg röviden a gombot a kilépéshez és a felső menübe való belépéshez. USB módban hosszan nyomja meg az előző számra lépéshez.

#### 7- „Lefelé” gomb;

A hangerő csökkentéséhez röviden nyomja meg a gombot; Nyomja meg, és tartsa lenyomva a gombot a hangerő folyamatos csökkentéséhez. Nyomja meg röviden a lefelé lépéshez a menüben a megfelelő opció kiválasztásához.

#### 8- Lejátszás/szünet gomb, ENTER gomb a kiválasztás megerősítéséhez;

USB módban nyomja meg röviden a zene lejátszásához vagy szüneteltetéséhez. Nyomja meg röviden a gombot a választás megerősítéséhez.

#### 9- „Jobbra” gomb;

Nyomja meg röviden a gombot a betű mozgatáshoz és hozzáadásához, amikor beírja a betűket a hálózati jelszóba. Nyomja meg röviden az almenübe való belépéshez. USB módban hosszan nyomja meg a gombot a következő számra lépéshez.

#### 10- „Fel” gomb;

A hangerő növeléséhez röviden nyomja meg a gombot; nyomja meg és tartsa lenyomva a hangerősség folyamatos növeléséhez. Rövid megnyomásával feljebb léphet a kiválasztandó menüben.

#### 11- A távirányító infravörös érzékelője;

#### 12- Hangszóró;

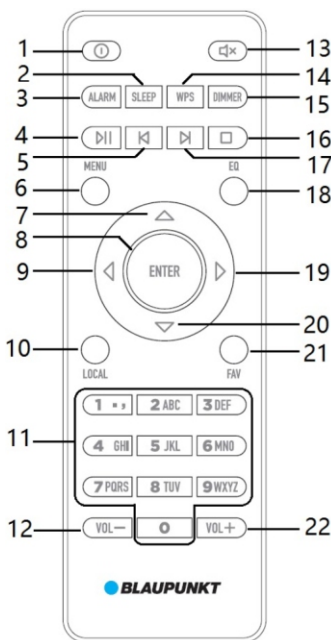
#### 13- Lineáris kimeneti dugaszolóaljzata;

#### 14- USB port;

#### 15- LED tápfeszültség visszajelző;

#### 16- DC IN tápfeszültség csatlakozó;

#### Távirányító



**1- BE/KI gomb készenlét üzemmódban:** nyomja meg röviden a készülék bekapcsolásához/kikapcsolásához.

**2- Időzítő gomb:** nyomja meg többször a készülék kikapcsolási idejének beállításához.

**3- Riasztás gomb:** nyomja meg röviden a riasztás konfigurációs felületének megnyitáshoz.

**4- Lejátszás/szünet gomb:** nyomja meg röviden a zene Bluetooth vagy USB módban való lejátszásához vagy szüneteltetéséhez;

**5- Előző gomb:** nyomja meg röviden az előző számra lépéshez USB módban.

**6- MENÜ gomb:** nyomja meg röviden a főmenübe való belépéshez.

**7- „Fel” gomb:** nyomja meg a felfelé lépéshez a menüben.

**8- ENTER gomb – a kiválasztás megerősítése:** nyomja meg röviden a kiválasztás megerősítéséhez.

**9- „Balra” gomb:** nyomja meg a kilépéshez, vagy a lefelé lépéshez a menüben.

**10- LOCAL gomb:** nyomja meg röviden az internetes rádió helyi üzemmódjába való belépéshez.

**11- Számok és karakterek gombok:** nyomja meg többször egymás után a megfelelő szám és betű kiválasztásához.

**12- Hangerő-csökkentő gomb:** nyomja meg a hangerő csökkentéséhez.

**13- Némitás gomb:** nyomja meg a gombot a készülék elnémítéséhez, majd nyomja meg ismét a hangerő visszaállításához.

**14- WPS gomb:** gyors hálózati kapcsolat gomb, ha a Wi-Fi routeren is van WPS gomb, nyomja meg röviden a gyors hálózati kapcsolat módba való belépéshez.

**15- Fényerő-szabályozó gomb:** nyomja meg a kijelző fényerőjének beállításához

**16- Leállítás gomb:** az aktuális szám lejátszásának leállításához nyomja meg USB módban, a folytatáshoz és a lejátszás megkezdéséhez nyomja meg az ENTER gombot.

**17- Következő gomb:** nyomja meg röviden a következő számra lépéshez USB módban.

**18- EQ gomb:** nyomja meg a megfelelő hangszínszabályozó mód kiválasztásához.

**19- „Jobbra” gomb:** nyomja meg az almenübe való belépéshez.

**20- „Le” gomb:** nyomja meg a menülista megnyitáshoz.

**21- FAV kedvencek gomb:** rövid megnyomásával beléphet a beprogramozott állomás felületére, hosszan nyomja meg, ha az aktuális állomást akarja elmenteni.

**22- Hangerő növelése gomb:** nyomja meg a gombot a hangerő növeléséhez.

### Tápfeszültség csatlakoztatása:

Csatlakoztassa a tápegység egyenáramú csatlakozóját a készülék hátsó paneljén található egyenáramú aljzatba, majd csatlakoztassa a tápegységet a váltakozó áramú dugaszolóaljzatba (230 V, 50/60 Hz). Ha a tápfeszültség csatlakoztatása sikeres, a kijelző kigyullad, és a BLAUPUNKT üdvözlő képernyőt jeleníti meg. A készülék bekapcsolásához nyomja meg röviden a készenléti gombot. A készenléti állapotba lépéshez nyomja meg hosszan a gombot. Az így beállított készülék használatra kész.

### A menü gomb használata:

A menü használatához használja a „fel”, „le”, „balra”, „jobbra” és ENTER gombokat a távirányítón vagy a készülék előlapján található „fel”, „le”, „balra”, „jobbra” és a Play/PAUSE/Enter gombokat (8).

### Wi-Fi kapcsolat

A készülék beépített Wi-Fi hálózati moduldal rendelkezik, amely képes vezeték nélküli hálózathoz kapcsolódni. Az internetes rádió hallgatásához először Wi-Fi routert kell beállítani és csatlakoztatni az internethez. Kövesse az alábbi lépéseket:

- Amikor először használja, a készülék megjeleníti a BLAUPUNKT üdvözlő képernyőt, majd megkéri, hogy válassza ki a készülék nyelvét (alapértelmezett nyelv: lengyel). A „fel” és „le” gombokkal mozoghat a menülistánban, a kiválasztás megerősítéséhez pedig nyomja meg az ENTER gombot. Ezután megjelenik a képernyőn az adatvédelmi információ, nyomja meg az ENTER gombot, hogy „engedélyezze” a hálózatot ellenőrzése bekapcsolás után? opciót.
- Nyomja meg a „balra” vagy „jobbra” gombot az „igen” vagy „nem” kiválasztásához, majd nyomja meg az ENTER gombot a kiválasztás megerősítéséhez.
- Ha az „igen” választja, a képernyőn megjelenik egy kérdés: „Beállítja most a hálózatot?” válassza az „igen” lehetőséget, az eszköz megkeresi az elérhető vezeték nélküli hálózatokat, és megjeleníti a Wi-Fi nevek listáját a kijelzőn.
- Nyomja meg a „fel” vagy „le” gombot a hálózat kereséséhez az elérhető hálózatok listájában, miután megtalálta, nyomja meg az „ENTER” gombot a választás megerősítéséhez. A készülék ezután felkéri, hogy adja meg a kiválasztott vezeték nélküli hálózat jelszavát.
- Javasoljuk, hogy a jelszó gyorsabb megadásához használja a távirányítón található számokat és karaktereket. A távirányító számbillentyűzetén található gomb többszöri megnyomásával kiválaszthatja a megfelelő számot, valamint a kis- és nagybetűket. Ha megtalálta a helyes jelszót szükséges betűt, röviden nyomja meg a „jobbra” gombot a választás megerősítéséhez, és folytassa a következő jelszó karakterének beírásával. Ha helytelen karaktert ad meg, a „balra” gomb rövid megnyomásával eltávolíthatja azt.
- Ha befejezte a vezeték nélküli hálózat jelszavának megadását, nyomja meg az ENTER gombot, ekkor az eszköz csatlakozik a Wi-Fi hálózathoz, és belép a fő kezelőfelületre.
- Ha a hálózati kapcsolat sikertelen, röviden nyomja meg a távirányító Menü gombját a fő kezelőfelületre való belépéshez, majd válassza a Beállítások > Hálózat > Vezeték nélküli hálózat konfigurálása > Az elérhető hálózat újbóli keresése lehetőséget.

### Megjegyzések:

- A Wi-Fi hálózatokat manuálisan is csatlakoztathatja az alkalmazáson vagy a WPS-en keresztül; Ha Wi-Fi hálózatot csatlakoztat az alkalmazáson keresztül, győződjön meg arról, hogy az alkalmazást támogató eszköz és a rádió azonos hálózaton van.
- A vezeték nélküli hálózatot a készülék előlapján található „fel”/„le”, „balra”/„jobbra”, Play/PAUSE/Enter gombokkal is beállíthatja.
- Ha a hálózat továbbra is elérhető, a készülék megjegyzi a csatlakoztatott Wi-Fi hálózatot, és a legközelebbi alkalommal automatikusan csatlakozik hozzá. Néha a kapcsolat megköveteli a jelszó újbóli megadását. Ez a jelenség nem minősül meghibásodásnak.

### Az internetes rádió kezelése

Miután megfelelően csatlakozott az internethez, a „balra” vagy „jobbra” gombokkal lépjen be a főmenübe az Internet rádió ikon kereséséhez, majd nyomja meg az ENTER gombot az Internetes rádió módba való belépéshez.

### Internetes rádióállomások kiválasztása:

A „fel”/„le” gombok és az ENTER gomb segítségével válassza ki a megfelelő opciót a menülísből. Az Internetes rádió menübe való belépés után válassza ki pl. a

**rádióállomás>ország/hely>Európa>Lengyelország>Lengyelország/top10>rádióállomás neve opciót.** Ezután a rádió csatlakozik a kiválasztott állomáshoz, és elindítja a lejátszást.

A lejátszás szüneteltetéséhez és a magasabb szintű menübe való visszatéréshez nyomja meg röviden az ENTER gombot. A „fel”/„le” gombokkal válasszon másik állomást a listáról, majd nyomja meg az ENTER gombot a lejátszásához; Az internetes rádió hallgatása közben röviden nyomja meg a „jobbra” gombot a kijelzőn megjelenő információk nagytításához, röviden megnyomva a „balra” gombot, a kijelző visszatér az előző módba. Nyomja meg és tartsa lenyomva a „bal”/„jobb” gombot, hogy a listában elérhető előző vagy következő rádióállomásra lépjen.

Nyomja meg a készülék előlapján a „fel”/„le” gombot, vagy a távirányítón a hangerő fel vagy le gombot a kimeneti hangerő beállításához. A hang elnémitásához nyomja meg az elnémitás gombot.

**Kedvenc internetes rádióállomások programozása:** amikor bekapcsolja a kedvenc állomását, nyomja meg és tartsa lenyomva a Kedvencek gombot (a FAV távirányítón) vagy a rádióállomás mentésére szolgáló gombot (5-ös az előlapon), és lépjen az állomás beállítási kezelőfelületére. A „fel”/„le” gombbal mozgassa és állítsa a kiválasztott állomást a megfelelő memóriaszáma a listában, majd nyomja meg az ENTER gombot a választás megerősítéséhez.

Röviden nyomja meg a Kedvencek gombot (FAV a távirányítón) vagy a rádióállomás mentésére szolgáló gombot (5-ös az előlapon) a mentett állomások listájának megnyitásához, használja a „fel”/„le” gombot a a mentett állomás kiválasztásához, majd nyomja meg az ENTER gombot a lejátszásához. A beprogramozott állomást a kezelőpanel P1-P4 gombjainak megnyomásával vagy a távirányító számbillentyűzetén található megfelelő gomb rövid megnyomásával is gyorsan kiválaszthatja, ha a készülék rádiólejátszási módban van.

Röviden nyomja meg a Kedvencek gombot (FAV a távirányítón) vagy a rádióállomás mentésére szolgáló gombot (5-ös a kezelőpanelen) a mentett állomások listájának megnyitásához, nyomja meg a „jobbra” gombot a mentett állomás kezeléséhez, pl. fel/le/törlés/átnevezés/lejátszás.

### Helyi internet rádió

a. A helyi webrádió konfigurálása: A főmenüben válassza a Beállítások> Helyi rádió beállítása > Helybeállítás> Beállítások (Automatikusan országfelismerés/Kézi beállítás (ország)/Kézi beállítás (állam)/Kézi beállítás (város)/Kézi beállítás (amerikai irányítószám)) menüpontot. A „fel”/„le” gombokkal válassza ki a megfelelő opciót, és erősítse meg ezt az ENTER gombbal.

b. A helyi webrádió helyes konfigurálása után a távirányító HELYI gombját is megnyomhatja, vagy a webrádió főmenüjében kiválaszthatja a „helyi állomás” lehetőséget a helyi rádióállomások listájának megnyitásához és a kiválasztott állomás lejátszásához.

### Megjegyzések:

1. A rádióállomás elérése az internetkapcsolat sebessége vagy a szerver helye stb. miatt eltarthat egy ideig, ami nem hiba. A fenti okok miatt fellépő vételi problémák esetén javasoljuk, hogy válasszon másik rádióállomást.
2. Amikor a rádió a rendelkezésre álló rádióállomások listájának megjelenítési módjában van, a „fel”/„le” gombok segítségével megváltoztathatja az állomást egy adott állomás kijelölése után, a „jobbra” gomb rövid megnyomásával a „Kedvencekhez adás/automatikusan keresés/lejátszás” opció kezelőfelületére léphet.
3. Az internetrádió olyan kategóriákba sorolható, mint az „Rádió alváshoz”, a „Globális top 20”, a „Műfaj”, az „Ország/hely”, a „Kiemelt” stb., amelyek az internetrádió menüjében érhetők el. Nekik köszönhetően gyorsan kiválaszthatja a megfelelő állomást, és élvezheti az adását.
4. A kedvenc állomások listáját a MediaU weboldalon ([www.mediayou.net](http://www.mediayou.net)) is kezelheti. Először is, a főmenüben engedélyezze a „my mediaU” funkciót a következő módon: Beállítások> Saját médiaegység kezelése> Engedélyezés; akkor a rádió megjelenítheti a „Kedvenc állomás” „Kedvenc hely/műfaj” „Saját helyi állomás (város)” „Hozzáadás kézzel” mappát. A weboldalon ([www.mediayou.net](http://www.mediayou.net)) kattintson a „my mediaU” fülre a fenti mappák kezeléséhez. A funkcióval kapcsolatos további tudnivalókat a jelen útmutató későbbi részében találja.

### Podcastok támogatása:

A rádió podcast-lejátszási funkcióval rendelkezik; a működésük elve hasonló az internetes rádiózás elvéhez. Kapcsolja be a készüléket, nyissa meg a főmenüt, és válassza a következőket: Podcast>Ország/Hely> Célország/ Kategória mappa, majd válassza ki, és nyissa meg a podcastot, amely érdekli.

**Helyi DAB állomások fogadása Wi-Fi-n:** Lehetőség van helyi DAB állomások vételére, amelyek egyidejűleg internetes rádióként is sugározzák a jelet. Az elérésükhöz nyissa meg a főmenüt, és válassza a következőket: Beállítások> Helyi rádió beállítás> DAB (Wi-Fi)>Engedélyezés. Az elérhető DAB állomások (Wi-Fi) listájának megnyitásához a főmenüben válasszuk a következőket: Internetrádió> Helyi állomás >DAB (Wi-Fi), majd válassza ki az Önt érdeklő állomást.

### A My MediaU támogatása

a. Először is létre kell hoznia egy fiókot a „<http://www.mediayou.net>” weboldalon, és be kell jelentkeznie. Módosítsa a nyelvet, majd kattintson az „Eszköz” fülre. Írja be az eszköz nevét az „Adja meg az eszköz nevét itt” mezőbe.

b. Írja be a sorozatszámot a „Sorozatszám” mezőbe. (Hogyan kaphatok sorozatszámot? Lépjen be a készülék főmenüjébe, és válassza a következőt: Beállítások>Eszköz>Rendszerinformáció> Vezeték nélküli hálózati információk, és meg fogja találni a MAC-CÍMET.

c. Írja be a MAC címet a „sorozatszám” mezőbe, majd kattintson a „Hozzáadás” gombra. Ezután lépjen a „my mediaU” fülre a „Kedvenc állomás” „Kedvenc hely/műfaj” „Helyi állomás” „Hozzáadás kézzel” mappák kezeléséhez.

d. Kapcsolja be az internetes rádiót, lépjen be a főmenübe, és válassza a következőt: Beállítások> Saját médiaegység kezelése>Engedélyezés. Ezután térjen vissza a főmenübe, és válassza ki a my mediaU ikont, a <http://www.mediayou.net> webhelyen megtekintheti a rendelkezésre álló „Kedvenc állomás” „Kedvenc hely/Műfaj” „Helyi állomás” „Hozzáadás manuálisan” mappákat, amelyek szinkronizálva vannak a fiókjában beállított mappákkal.

### Bluetooth kezelése

A termék Bluetooth funkcióval rendelkezik, mely lehetővé teszi a vezeték nélküli zenelejátszást egy másik Bluetooth eszközzel (pl. okostelefon, táblagép stb.).

1. Kapcsolja be a készüléket, nyomja meg a főmenü gombot (3) a kezelőpanelen vagy az távirányítón, és lépjen a fő interfészre, a „balra” vagy „jobbra” gombokkal válassza ki a Bluetooth ikont, majd nyomja meg a Bluetooth módba való belépéshez. Az eszköz készen áll a Bluetooth párosításra.

2. Aktiválja a Bluetooth funkciót a külső eszközön, és keresse ki az elérhető készülékeket (lásd külső eszköz használati útmutatója), majd tekintse meg a találati listát. A párosításhoz válassza a „BP IR10” lehetőséget.

3. Válassza ki és indítsa el a zene lejátszását a külső Bluetooth eszközön, állítsa be a hangerőt mind a rádión, mind a külső eszközön, a hang a rádiókészülék hangszóróján keresztül lesz hallható.

4. Nyomja meg hosszan a „balra” vagy a „jobbra” gombot az előző vagy következő szám lejátszásához; röviden nyomja meg a „balra” vagy „jobbra” gombot a szám képadatainak nagyításához vagy kicsinyítéséhez. Röviden nyomja meg az ENTER gombot a lejátszásához vagy szüneteltetéshez; nyomja meg hosszan az ENTER gombot a „Másik eszköz párosítása” kezelőfelület eléréséhez, majd nyomja meg ismét az ENTER gombot az aktuális Bluetooth kapcsolat megszakításához. A korábban párosított Bluetooth eszközök nevének lekéréséhez nyomja meg hosszan az ENTER gombot, és válasszon ki egyet közülük, ha engedélyezve van a Bluetooth, és az eszköz Bluetooth működési tartományán belül van.

5. Bluetooth lejátszás üzemmódban nyomja meg a „fel” vagy „le” gombot a hangerő beállításához; elérhetők még az EQ hangszínszabályozó és a némítás beállítások is.

### Megjegyzések:

1. A márkák közötti konstrukciós különbségek miatt nem garantálható az összes Bluetooth eszköz sikeres párosítása.

2. A Bluetooth leghatékonyabb működési távolsága 10 méter, amennyiben nincs akadály a készülékek között.

3. A készüléket egyszerre csak egy külső Bluetooth eszközzel lehet párosítani.

4. Ha bejövő hívás érkezik a Bluetooth lejátszás közben; a zene ideiglenesen szünetel, és folytatódik, amikor a telefonhívás befejeződik.

5. A Bluetooth eszközt újra kell párosítani abban az esetben, ha kikapcsolja a készüléket, vagy átkapcsolja lejátszási üzemmódba.

### USB lejátszó kezelése

A készülék rendelkezik USB MP3 lejátszási funkcióval. Először készítsen elő egy formázott USB kulcsot, és másolja rá az MP3 fájlokat. Csatlakoztassa megfelelően az USB kulcsot a hátsó panelen található USB porthoz. Nyomja meg a főmenü gombot a kezelőpanelen, vagy a távirányítón a MENÜT a fő interfészre való belépéshez, majd válassza a következőt: Médiaközpont > USB. Ezután megjelenik a csatlakoztatott USB kulcson tárolt MP3 fájlok listája. Válasszon ki egy fájlt, és játssza le ezzel az eszközzel. Zene USB kulcsról üzemmódban a fájl lejátszáshoz vagy a lejátszás szüneteltetéséhez nyomja meg röviden az ENTER gombot az előlő panelen vagy a távirányítón. Nyomja meg a „fel” vagy „le” gombot az előlapon vagy a VOL+ / VOL- gombot a távirányítón a hangerő növeléséhez vagy csökkentéséhez; hosszan nyomja meg a „balra” vagy a „jobbra” gombot az előlő vagy a következő számla lépéshez. Röviden nyomja meg a „balra” vagy „jobbra” gombot a szám képadatáinak nagyításához vagy kicsinyítéséhez. EQ hangszínszabályozó beállítások és némitás funkció is rendelkezésre áll.

A lejátszási mód kiválasztásához nyissa meg a főmenüt, és válassza a következőt: Beállítások > Lejátszási beállítások, majd válassza a Letiltás/Összes ismétlése/Egy ismétlése/Véletlenszerű lejátszás lehetőségeket valamelyikét.

### Megjegyzések:

a. Az USB kulcs csatlakoztatásához USB hosszabbítók használata nem ajánlott, mivel ez befolyásolhatja az eszközre továbbított jel minőségét, és következésképpen instabil lejátszást eredményezhet.

b. A készülék a WAV/WMA/MP3/FLAC/AAC formátumokat támogatja (a mentési eltérések miatt nem garantált, hogy a fenti formátumokban mentett összes fájl lejátszható); A készülék maximum 64 GB méretű USB kulcsot képes kezelni.

### UPnP funkció kezelése

A készülék rendelkezik UPnP funkcióval, amely csatlakozni tud a vezeték nélküli hálózathoz, és zenelejátszási platformként a Windows, APPLE Mac vagy Linux operációs rendszer használhatja. A számítógép lejátszójában található zene vezeték nélküli lejátszható az internetes rádió hangszóróival.

#### Példa a Windows Media Player 12 támogatására:

a. Kattintson és nyissa meg a Windows médialejátszó szoftvert a számítógépen, adja hozzá kedvenc zenéit a médiatárhoz (támogatásért tekintse meg a Microsoft Windows médialejátszó kezelési útmutatóját).

b. Kattintson az alkalmazás ablakának bal felső sarkában található "Adatfolyam" föltre, válassza az "Eszközök automatikus lejátszása" lehetőséget, majd fogadja el az "Összes számítógép és médiaeszköz automatikus engedélyezése" lehetőséget. Mostantól az UPnP segítségével megoszthat és lejátszhat zenét.

c. Kattintson a Windows Media Player „További adatfolyam-beállítások” elemére a médiatár átnevezéséhez, és engedélyezze/tiltsa le az UPnP-n keresztül történő zenelejátszást az eszközön. A médiatár neve testreszabható (pl. a BLAUPUNKT KÖNYVTÁR név beírásával), hogy a felhasználó könnyebben azonosíthassa a rádió UPnP menüjében. Azt is engedélyezheti, hogy egy adott eszköz zenét streameljen a médiakönyvtárból az UPnP-n keresztül.

d. Kapcsolja be a rádiót, válassza a Médiaközpont > UPnP ikont, és ellenőrizze az elérhető multimédiás könyvtárak listáját, majd válassza ki az UPnP könyvtárat (például UPnP: BLAUPUNKT KÖNYVTÁR), és nyomja meg röviden az ENTER-t a megerősítéshez. (Megjegyzés: a megfelelő könyvtár megkeresése akár 10 vagy több másodpercet is igénybe vehet, ha pedig az eszköz nem találja meg a médiakönyvtárat, visszatér a Médiaközpont menübe.

e. Miután kiválasztotta pl. UPnP "BLAUPUNKT KÖNYVTÁRAT", keressen és válasszon ki egy zenés mappát, majd válasszon egy mappát a rendelkezésre álló kategóriák közül, a következő lépésben menjen a zenelejátszás kiválasztásához.

f. Zenelejátszás közben használja a „fel”, „le”, „balra”, „jobbra” és ENTER gombokat a megfelelő műveletekhez. Az UPnP lejátszási mód hasonló az USB kulcsról történő lejátszáshoz.

### Fontos megjegyzések:

a. UPnP művelet közben a számítógépnek és az internetrádióknak azonos Wi-Fi hálózathoz kell kapcsolódnia.

b. Mivel számos különböző számítógépes rendszer/konfiguráció található a piacon, előfordulhat, hogy az UPnP lejátszási kapcsolat nem működik, amire a jótállásunk nem terjed ki.

### Spotify Connect támogatása

Ez az eszköz rendelkezik Spotify Connect funkcióval, amely lehetővé teszi a Spotify alkalmazásból történő vezeték nélküli hangátvitelt.

a. Kapcsolja be a készüléket, és nyissa meg a főmenüt, majd válassza a Spotify alkalmazás ikont > QR kód jelenik meg a kijelzőn (az első használatkor).

b. Olvassa be a QR kódot az okostelefonjával, és automatikusan lépjen be a Spotify hivatalos webhelyére. Keresse meg és töltsse le a Spotify alkalmazást az okostelefonjára.

c. Nyissa meg és lépjen be a Spotify alkalmazásba a regisztrált fiókjával, menjen az alkalmazás "Beállítások" részébe, majd az "Eszközök" fülön válassza ki a "BP IR10" lehetőséget a listából. Az okostelefonos alkalmazás körülbelül 30 másodpercen belül csatlakozik a rádióhoz. Válassza ki a zenét, és indítsa el a lejátszást a Spotify alkalmazásban. A hang ennek a készüléknek a hangszórójából fog szólni.

### Fontos megjegyzések:

1. A Spotify szoftverre harmadik féltől származó licencket vonatkoznak, amelyek itt találhatók:

<https://www.spotify.com/connect/third-party-licenses>.

2. A Spotify használatára vonatkozó utasítások itt találhatók: <https://spotify.box.com/s/7m8g1ij260xt82lhy5cult0gmkknu6t>.

3. Használja okostelefonját, táblagépet vagy számítógépet a Spotify távirányítójaként. További információért látogasson el a [www.spotify.com/connect.cimre](http://www.spotify.com/connect.cimre).

4. A Spotify Connect használatakor a Spotifyt és az internetes rádiót ugyanahhoz a Wi-Fi hálózathoz kell csatlakoztatni.

### Internetes rádió használata mobilalkalmazás használatával

a. IOS eszközök esetén keresse meg és töltsse le az „AirMusic Control” alkalmazást az App Store áruházból (Android eszközök esetén töltsse le és telepítse az „AirMusic Control” alkalmazást).

b. Kapcsolja be a készüléket, lépjen be a főmenübe, és válassza a következőt: Beállítások > Eszköz > alkalmazás, a kijelzőn megjelenik a QR kód, szkennelje be okostelefonjával.

c. Válassza ki és nyissa meg az „AirMusic Control” alkalmazást az okostelefonján, és az alkalmazás automatikusan átvizsgálja az internetes rádiót, ha az okostelefonja és az internetes rádiója ugyanazt a Wi-Fi hálózatot használja. (A csatlakozás után a BP IR10 megjelenik az AirMusic Control alkalmazás konfigurációs menüjében az eszköznevek listáján).  
d. Ezután az okostelefonos alkalmazással távolról vezérelheti az internetes rádiót.

#### **Fontos megjegyzés:**

Javasoljuk, hogy ne használja a kezelőpanel gombjait vagy a távvezérlőt a készülék vezérlésére, ha egyidejűleg használja a rádióvezérlő alkalmazást, mivel ez a szerver teljesítménye és az internetkapcsolat sebessége miatt szinkronizálási problémákat okozhat. A garancia nem terjed ki a szinkronizálási problémákra. Ebben az esetben a készüléket hagyja egy ideig működni, anélkül, hogy valamilyen műveletet hajtana végre, amíg a működése nem stabilizálódik.

#### **Vezetékes/fejhallgató-kimenet**

A készülék vonali kimenete lehetővé teszi a vezetékes kapcsolatot egy másik aktív hangszóróval, erősítővel vagy fejhallgatóval. A mellékelt 3,5 mm-es sztereó audio kábel segítségével csatlakoztassa azt a hátsó panel vonali kimeneti aljzatához, a másik terminált pedig a másik, külső audio készülékhez. Kapcsolja be az eszközt, és indítsa el a lejátszást. A hang egy külső hangeszközzel fog szólni. Az egység hangszórói elnémulnak.  
Csatlakoztassa a fejhallgatót a lineáris kimeneti aljzatba a diszkrét hallgatás érdekében. Az egység hangszórói elnémulnak. A vonali kimenethez csatlakoztatott eszközzel vagy fejhallgatóval történő lejátszás során a hangerőt mind ebben a készülékben, mind a külső eszközben módosíthatja.

#### **Óra és ébresztő beállítása**

Óra/dátum beállítás: Lépjen be a főmenübe, és válassza a következőt: Beállítások> Dátum és idő> Dátum és idő beállítás. Itt két lehetőség van: „Kézi beállítás” és az „Automatikus észlelés”. Ha az „Automatikus észlelés” lehetőséget választja, az aktuális idő- és dátumadatok automatikusan frissülnek a Wi-Fi hálózathoz való csatlakozáskor. A dátumot és az időt manuálisan is beállíthatja, ha a „Kézi beállítás” lehetőséget választja. A „Dátum és idő” almenüben az „Időformátum beállítása” és a „Dátumformátum beállítása” opciók is megtalálhatók – válassza ki őket az időformátum (12 vagy 24 óra) és a dátumformátum beállításához (3 opció áll rendelkezésre).

Ébresztő beállítás: Lépjen be a főmenübe, és válassza a következőt: Beállítások> Ébresztőóra. Ezután beállíthatja az 1. ébresztés, a 2. ébresztés, a Szundi idejét és az Ébresztés hangerőjét. Az 1. és 2. ébresztés beállítási módba való belépés után lehetőség van az ébresztés ismétlésének kiválasztására (naponta, egyszer, a hét bizonyos napjain), az idő beállítására és az ébresztés forrásának kiválasztására (hangjelzés, dallam, internetrádió, USB)

1. Ha be van állítva az ébresztési, a rádió automatikusan bekapcsol az előre meghatározott időpontban. Nyomja meg röviden az ébresztés gombot (3) a hang némitásához.
2. Kétféle riasztás állítható be, amelyeket egymástól függetlenül lehet konfigurálni.
3. Az ébresztés be van kapcsolva, a szundi funkció bekapcsolásához röviden nyomja meg bármelyik gombot (a készlet gomb (3) kivételével). A szundi letétel után az ébresztés újraindul.
4. A riasztási funkció csak akkor működik, ha a fő áramforrás csatlakoztatva van és elérhető.
5. Amikor a szundi funkció be van kapcsolva, a kijelzőn megjelenik a szundi hátralévő ideje. A készlet gomb rövid megnyomása megszakítja a szundit.

#### **Időzített kikapcsoló**

Lejátszás üzemmódban (pl. internetrádió, Bluetooth, lejátszás USB üzemmódban stb.) a távirányító SLEEP gombjának rövid megnyomásával beállíthatja a kikapcsolás idejét. A következő időintervallumok állnak rendelkezésre (percben): 15/30/60/90/120/150/180/kikapcsolva. A kiválasztott időszak letelése után a készülék automatikusan kikapcsolja a lejátszást, és készenléti állapotba lép.

#### **Egyéb**

Egyéb műveletek, például a kijelző fényerejének beállítása, szoftververzió, a gyári beállítások megváltoztatása stb. elvégzéséhez kövesse az alábbi ábrán látható információkat.

#### **Problémamegoldás**

##### **1. A hangszóró nem kapcsol be.**

a. Ellenőrizze, hogy a tápegység megfelelően van csatlakoztatva.

##### **2. Nincs hang.**

- a. Állítsa be a hangerőt, és ellenőrizze a hangforrást.
- b. Ha a probléma továbbra is fennáll, forduljon szervizhez.

##### **3. Szakadozó hang Bluetooth üzemmódban**

- a. Próbálja közelebb helyezni a Bluetooth eszközt a rádióhoz.
- b. Kérjük, olvassa el az útmutatót újrapárosításhoz.

##### **4. Bluetooth üzemmódban a hangerő túl alacsony.**

a. Ellenőrizze a hangerőt a Bluetooth eszközön és a készüléken.

#### **Műszaki adatok**

Áramforrás: DC IN 9V/2A

Színe TFT 2,4" kijelző

Bluetooth verzió: V5.0

USB 2.0, támogatott zenefájlok: MP3/WMA/WAV/FLAC/AAC (nem garantált az összes formátum lejátszása)

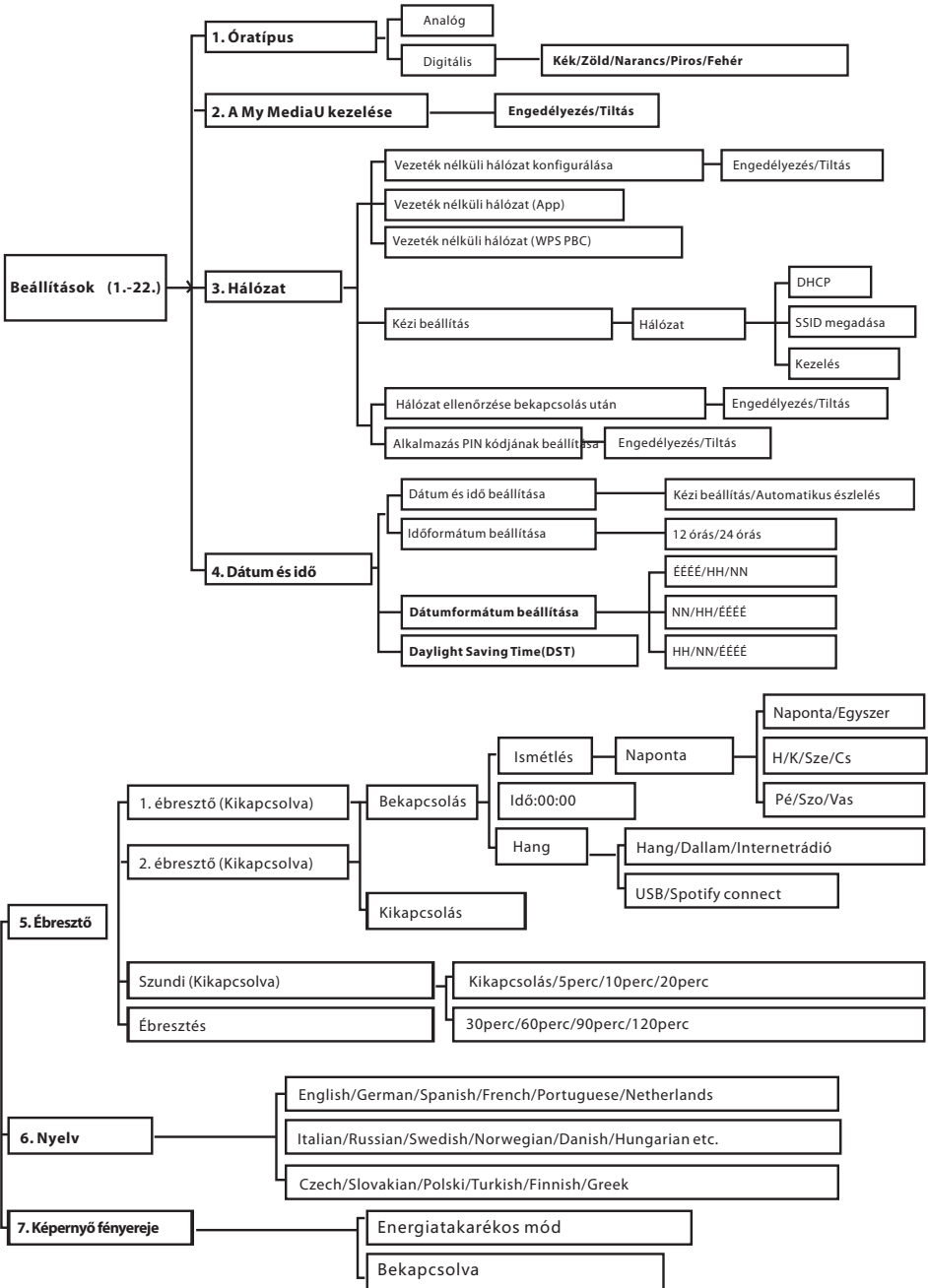
RMS kimenet: 2 x 5W

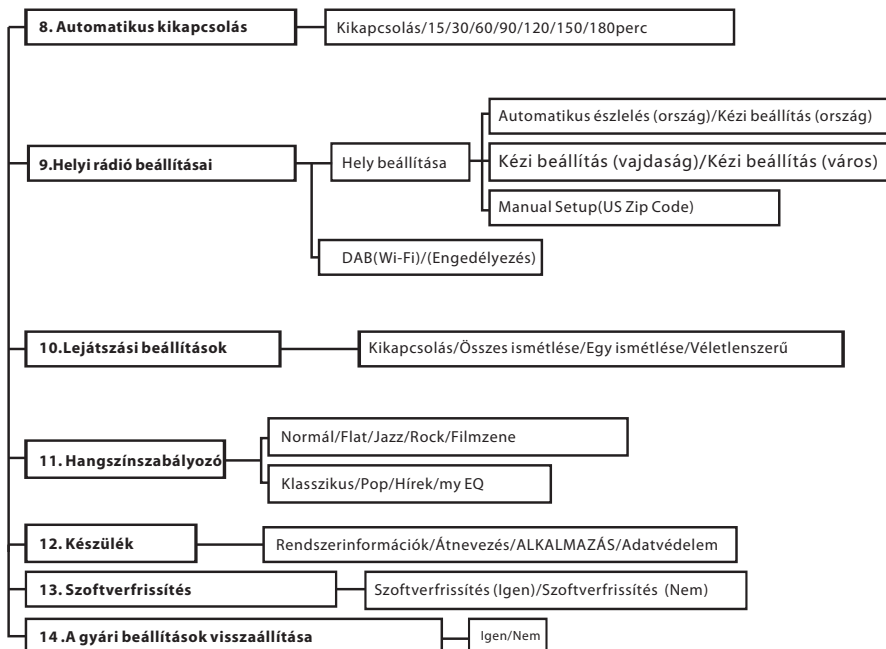
Áramfelvétel: 16W

Áramfelvétel készenléti állapotban: <1W

(A fenti adatok előzetes értesítés nélkül módosulhatnak).







Tápegységgel kapcsolatos információk		
Publikált információk	Értékek és adatok	Mértékegység
Gyártó neve vagy védjegye Kereskedelmi nyilvántartási szám Cím	Shenzhen Fushigang Technology Co., Ltd Building 8, Shiguan Industrial Park, Shangcun Community, Gongming Street, Guangming District, Shenzhen, GuangDong, China	
Modell azonosítója	AS1801A-0902000EU	
Bemeneti feszültség	100-240	V
Váltakozó áram bemeneti frekvenciája	50/60	Hz
Kimeneti feszültség	DC9	V
Kimeneti áramerősség	2.0	A
Kimeneti teljesítmény	18.0	W
Átlagos aktív teljesítmény	≥85	%
Teljesítmény alacsony terhelés mellett (10 %)	75.45%	%
Áramfelvétel terhelés nélkül	≤0.1	W

## VAŽNE SIGURNOSNE UPUTE



# OPREZ



UGROŽENJE OD ELEKTRIČNOG  
UDARA NEMOJTE OTVARATI

### Oprez:

Kako bi se smanjila opasnost od električnog udara, nemojte skidati poklopac niti stražnj dio uređaja. Unutar uređaja ne postoje komponente za popravak od strane korisnika. Održavanje i popravak opreme izvršava isključivo kvalificirano servisno osoblje.

### Objašnjenje grafičkih simbola:



Simbol munje sa sa strelicom koji se nalazi u jednakostraničnom trokutu upozorava na prisutnost neizoliranog, opasnog napona unutar kućišta uređaja koja može postići veličinu uzrokujuću strujni udar.



Uskličnik unutar jednakostraničnog trokuta upozorava korisnika da ovdje su prezentirane važne poruke za rad i održavanje opreme u dokumentaciji priloženoj uređaju.

Pročitajte ovaj priručnik prije uporabe uređaja da se upoznate sa značajkama i kako koristiti uređaj sukladno namjeni. Ovo će osigurati dugotrajan, besprijekoran rad uređaja i zadovoljstvo uz korištenje.

### Važne informacije

- Sačuvajte operativne upute i sigurnosne informacije kako bi se ih moglo koristiti u budućnosti.
- Nemojte dopustiti da na uređaj kapa ili proliva se bilo koja tekućina.
- Ne smijete se također koristiti na vlažnim mjestima, kao što su npr. kupaoonica.
- Ne postavljajte uređaj na sljedećim mjestima:
- Izložen suncu ili blizu grijalica.
- Na vrh druge stereo opreme koja generira toplinu.
- Tako da blokira ventilaciju ili u prašnjavom mjestu.
- U okruženju izloženom neprekidnim vibracijama.
- U područjima visoke vlage.
- Ne postavljajte uređaj blizu otvorenog plamena ili otvorene vatre.
- Uređaj se može koristiti samo na način opisan u ovim uputama.
- Prije prvog uključivanja napajanja, pobrinete se da je napajanje ispravno pripojeno.
- USB memoriju se pripaja neposredno ili preko produžnog USB kabela s dužinom do 25 cm.

Iz sigurnosnih razloga, nemojte skidati poklopce ili pristupiti unutrašnjosti uređaja. Uređaj smije popravljeti samo kvalificirano servisno osoblje.

Nemojte rastavljati uređaj ili otvarati njegovo kućište, jer unutra nema dijelova koje bi se moglo popraviti od strane korisnika. ržavanje i popravak opreme izvrši isključivo kvalificirano servisno osoblje.

### Sigurnosne upute

1. Pročitajte upute - prije uporabe stroja, pročitajte sve upute i informacije o sigurnosti.
2. Sačuvajte ove upute - zadržite upute za upotrebu i održavanje kako bi se ih moglo koristiti u budućnosti.
3. Poštujte upozorenja - slijedite sva upozorenja objavljena na uređaju te koje se nalaze u uputama.
4. Slijedite upute - slijedite upute i preporuke za korisnike.
5. Montaža - montirajte uređaj prema uputama proizvođača.
6. Izvori energije - uređaj treba napajati samo iz izvora koji je naveden na naljepnicama na kabelu napajanja. Ako niste igurni koju vrstu napajanja ima vaša kuća, obratite se prodavatelju ili lokalnoj energetskoj tvrtki.
7. Uzemljenje ili polarizacija napajanja - uređaj ne mora biti uzemljen. Provjerite je li utikač potpuno umetnut u utičnicu ili u produžni kabel, kako bi se spriječio otkriće igle ili kontakata. Neke verzije stroja mogu biti opremljene polariziranim utikačem izmjenične struje (jedna lopatica je šira). Ovaj utikač se može umetnuti u utičnicu samo na jedan način. Ovo je sigurnosna značajka. Ako ne možete staviti utikač u utičnicu, pokušajte ga okrenuti. Ako utikač i dalje ne odgovara utičnici, pozovite električara da to promijeni. Ne skidajte zaštitu polariziranog utikača. Kada koristite produžni kabel ili kabel za napajanje osim isporučenog s uređajem morate imati odgovarajuće čepove i potvrdu o sigurnosti potrebnu za određenu zemlju upotrebe.
8. Osiguranje kabela za napajanje - energetski kabeli moraju biti preusmjereni na takav način kako ne bi se moglo kroz njih hoditi, pritiskivati ili obrezivati bilo kojim postavljenim objektima. Obratite posebnu pozornost na utikače, utičnice i mreže, gdje kabeli izlaze iz uređaja.
9. Preopterećenja - nemojte preopteretiti zidne utičnice, produžne kabele i električne distributere, jer ovo baš može dovesti do požara ili strujnog udara.
10. Ventilacija - uređaj mora biti pravilno provjetran. Ne postavljajte uređaj na krevet, kauč ili drugu sličnu površinu. Nemojte prekrivati stroj stolnjakom, salvetom, novinama i sl.
11. Vrućina - nemojte postavljati uređaj u blizini izvora topline kao što su grijači, radijatori, peći i ostali uređaji (pojačala) koji stvaraju toplinu. Ne stavljajte na uređaj upaljenih svijeća i drugog otvorenog plamena.
12. Voda i vlaga - kako bi se smanjio rizik od požara ili električnog udara, nemojte izlagati uređaj kiši, vlazi i vodi, na primjer u sauni ili u kupaonici. Ne koristite ovaj proizvod u blizini vode, primjerice blizu kade, umivaonika, sudopera ili kade za pranje rublja, u vlažnom podrumu ili blizu bazena (ili u drugim sličnim mjestima).

14. Čišćenje - uvijek prije čišćenja isključite uređaj iz zidne utičnice. Prašinu oko zvučnika se može ukloniti suhom krpom. Ako za čišćenje će se koristiti sredstvo u obliku aerosola, sprej ne bi se smjelo da bude usmjeren izravno na stroj, ali tkaninu. Budite oprezni da ne oštetiti pogonske jedinice.
15. Dodatna oprema - nemojte koristiti pribore koji nisu odobreni od strane proizvođača, jer mogu predstavljati prijetnju za rad uređaja i za samog korisnika.
16. Pribori - nemojte postavljati uređaj na nestabilne kolice, stalku, tronožcu, nosaču ili stolu. Uređaj se može kotrljati i oštetiti se ili uzrokovati ozbiljne ozljede djeci ili odraslim osobama. Koristite samo kolice, stakle, tronožce, nosače ili stolove kojih preporučuje proizvođač ili se ih prodaje zajedno s uređajem. Montažu uređaja se mora provesti u skladu s uputama proizvođača, koristite pribore za ugradnju oobrene od strane proizvođača.
17. Premještanje stroj - uređaj postavljen na kolicama mora se premješati vrlo pažljivo. Naglo zaustavljanje, previša sila i neravne površine mogu uzrokovati da kolica s uređajem prevrne.
18. Vrijeme bez korištenja uređaja – kabel napajanja mora biti isključen iz zidne utičnice tijekom grmljavinskog nevremena ili ako se ga ne koristi duže vrijeme.
19. Servisiranje - ne pokušavajte pogledati unutrašnjost uređaja sami. Otvaranje poklopca može uzrokovati opasne napone i izložiti vas drugim opasnostima. Održavanje i popravak opreme vrši isključivo kvalificirano servisno osoblje.
20. Kada stroj nije u uporabi, izvucite mrežni utikač iz zidne utičnice. Kad je uređaj pripojen na izvor napajanja, uređaj je u stanju čekanja i nije u potpunosti isključen.
21. Rezervni dijelovi – tijekom zamjene dijelova, treba provjeriti dla li serviser je koristio rezervne dijelove koje preporučuje proizvođač ili dijelove koje su identične originalnim dijelom. Izrada zamjene neodobrenih rezervnih dijelova ugrožava od požara, strujnog udara ili drugih opasnosti.
22. Glavni osigurači – da bi se konstantno osiguralo uređaj od požara, koristite osigurače samo odgovarajuće vrstu i određenih parametara. Parametri osigurača u rasponu napona su označeni na uređaju.
23. Ne smije se da se poveća glasnoća dijela kad se sluša dio s niskom glasnoćom ili u slučaju odsutnosti ulaznog audio signala. Inače, s naglim porastom snage signala možete oštetiti zvučnik.
24. Jedini način da isključite uređaj iz izvora napajanja je takav da odspojite mrežni kabel iz zidne utičnice ili uređaja. Električna utičnica ili kabel ulazne snaga na uređaju mora biti uvijek na raspolaganju kada koristite proizvod.
25. Uređaj bi trebao biti instaliran u blizini utičnice napajanja ili produžnog kabela na takav način su oni uvijek na raspolaganju.
26. Maksimalna temperatura okoline uređaja je 35°C
27. Savjeti za elektrostatička pražnjenja - ako se rad prekine zbog elektrostatičkog pražnjenja, isključite uređaj ponovno ili premjestiti ga na drugo mjesto.
28. Baterija
  - a. Baterije se ne smije izlagati pretjeranoj toplini, npr. suncu, vatri i sličnim uvjetima.
  - b. Kod zbrinjavanja baterije, obratite pažnju na aspekte okoliša.
  - c. Ponašajte se oprezno tijekom korištenjem baterija: kako bi se spriječio curenje baterije, koje može uzrokovati ozljede ili oštećenja na uređaju:
    - Pri umetanju baterija obratite pažnju na polaritet (+ i -).
    - Nemojte koristiti različite baterije u isto vrijeme - stare i nove, alkalne baterije, standardne itd.
    - Izvadite baterije iz uređaja kad se ga neće koristiti duže vrijeme.

## UPOZORENJE

Uređaj ne smije biti korišten od strane osoba (uključujući djecu) sa smanjenim fizičkim, osjetilnim ili mentalnim sposobnostima te osoba s nedovoljnim znanjem i iskustvom, ako nisu one pod nadzorom osobe odgovorne za njihovu sigurnost i nisu obučeni o tome kako sigurno koristiti uređaj. Prisutnost odraslih je potrebna ako uređaj koriste djeca; ovo će osigurati sigurnu uporabu uređaja.

1. Nikada ne ostavljajte stroj da radi bez nadzora! Isključite uređaj kada nije u uporabi, čak i za kratko vrijeme.
2. Uređaj se ne može upravljati putem vanjskog sata s timerom, ili posebnim sustavom daljinskog upravljanja.
3. Da bi se izbjegla opasnost u slučaju štete za zamjenu kabela napajanja treba se obratiti proizvođaču, ovlaštenom servisu ili drugim stručnim osobama.
4. Prije uporabe uređaja, provjerite je li napon odgovara naponu koji je nastao u mrežnom naponu.
5. Nemojte prekrivati ventilacijske otvore uređaja, npr. papirom, tkaninama, zavjesama, itd. Uvjerite se da uređaj ima najmanje 20 cm slobodnog prostora, a na svakoj strani - najmanje 5 cm.
6. Nemojte dopustiti da na uređaj kapaju ili prolivaju tekućine, te nemojte stavljati posude s tekućinom, poput vaza.
7. Kako biste spriječili požar ili strujni udar, uređaj mora biti zaštićen od žarišta, kiše, vlage i prašine.
8. Ne postavljajte uređaj blizu izvora vode, npr. slavine, kade, bazena ili perlice rublja. Staviti uređaj na ravnu i stabilnu površinu.
9. Nemojte da uređaj izlažite jakim magnetskim poljima.
10. Nemojte da uređaj stavljajte izravno na pojačalu ili prijammiku.
11. Ne postavljajte uređaj na vlažnom mjestu, jer vlaga ima štetan učinak na električne komponente.
12. Dovodjenje uređaja iz hladnog u toplo vlažnom mjestu može uzrokovati kondenzaciju na leći unutar playera. U ovom slučaju, uređaj neće raditi ispravno. Uređaj se mora ostaviti uključen oko jedan sat kako bi se omogućilo isparavanje vlage.
13. Izbjegavajte korištenje kemijskih otapala, jer mogu oštetiti boju kućišta. Uređaj se obriše čistom, suhom ili vlažnom krpom.
14. Prilikom uklanjanja utikača iz zidne utičnice, uvijek povucite utikač, a ne kabel.
15. Kada uređaj se koristi u blizini uključenog televizora, ovo može biti izvor buke ili slike u obliku linije na zaslonu uređaja. Ovo ovisi o propusnosti emitiranja valova. To ne označava kvar uređaja ili televizora, ako vidite takve linije, pomaknite uređaj dalje od TV prijammika.
16. Mrežni utikač se upotrebljava za isključivanje napajanja zato mora biti uvijek na raspolaganju.
17. Da biste spriječili moguću gubitak sluha, ne slušajte glasno glazbu kroz duže vrijeme.



## NAPOMENA



Izjava

Niže navedenim Blaupunkt Competence Center 2N-Everpol Sp. z o.o. izjavljuje da je ovaj proizvod u skladu sa zahtjevima i drugim relevantnim odredbama Direktive 2014/53/EU. Za potpunu Izjavu o sukladnosti posjetite stranicu [www.blaupunkt.com](http://www.blaupunkt.com) na kartici proizvoda.

Odgovorni subjekt: 2N-Everpol Sp. Z o.o.

Puławska 403A, 02-801 Varšava, Poljska

Telefon: +48 22 331 99 59, e-mail: [info@everpol.pl](mailto:info@everpol.pl)



Proizvod je izrađen od visokokvalitetnih materijala i dijelova koji se mogu reciklirati i ponovo upotrijebiti.



Ako vaš uređaj ima znak prekrížene kante za otpatke, ovo označava da je proizvod pokriven odredbama Europske direktive 2012/19/EU. Molimo poštuje zahtjeve lokalnog sustava za prikupljanje električnog otpada i elektroničke opreme. Radite u skladu s lokalnim propisima. Ne bacajte ovaj proizvod zajedno s kućnim otpadom. Ispravnim odlaganjem starog proizvoda spriječit ćete potencijalne negativne posljedice na okoliš i zdravlje ljudi.



Uređaj je opremljen sa baterijama obuhvaćenim Europskom direktivom 2006/66/EC. Baterije se ne smije odlagati zajedno s komunalnim otpadom. Molimo pogledajte lokalne propise o zasebnom prikupljanju baterija jer ispravnim odlaganjem spriječit ćete potencijalne negativne posljedice na okoliš i zdravlje ljudi.

**Informacije o zaštiti okoliša**

Paket uključuje samo nužne komponente. Svaki napor je napravljen da bit tri sastavni komponenti paketa lako odvojili: karton (kutija), polistirenska pjena (zaštita unutra) i polietilen (vrećica, zaštitna folija). Uređaj je izrađen od materijala koje se može reciklirati i ponovo upotrijebiti nakon demontaže od strane specijalizirane tvrtke. Poštujte lokalne propise o raspolaganju iskorištenih ambalažnih materijala, baterija i nepotrebne opreme.

Snimanje i reprodukcija materijala može zahtijevati pristanak. Vidi Zakon o autorskim pravima i prava izvođača/umjetnika.

**Napomena o ERP2 (oprema koja se odnosi na energiju)**

Ovaj ekodizajnirani uređaj zadovoljava zahtjeve 2. faze Uredbe Komisije (EZ) br. 1275/2008 kojom se provodi Direktivu 2009/125/EZ o potrošnji energije od strane isključenih i elektroničkih uređaja ili uređaja u modu čekanja za uredsku i kućnu uporabu.



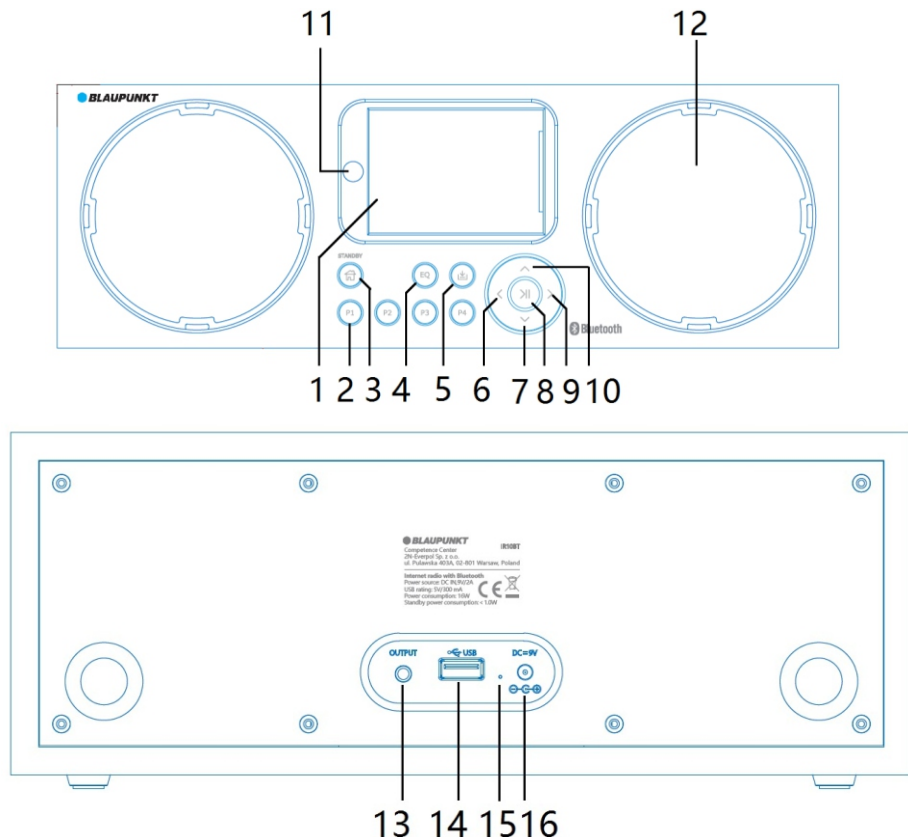
Vlasnik zaštitnog znaka i logotipa Bluetooth® je tvrtka Bluetooth SIG, Inc. USA. Upotreba tih znakova i logotipa podliježe licenciji. Ostali zaštitni znakovi i trgovački nazivi su u vlasništvu određenih vlasnika.

Zahvaljujemo što ste izabrali naš model. Molimo Vas da prije upotrebe pažljivo pročitate i upoznate se s ovim uputama. Ove upute zadržite da biste ih koristili u budućnosti.

**Uređaj ima sljedeće glavne funkcije:**

- Internetski radio
- Reprodukcija u Bluetooth modulu
- Reprodukcija USB
- Pristup usluzi Spotify Connect
- Pristup podcastovima
- Linijiski audio izlaz
- Sat, budilica, odgođeno isključivanje

**Položaj upravljačkih elemenata**



HRVATSKA

**1- Zaslon u boji;**

**2- Tipka za programiranje radijskih postaja P1 ~ P4**

Kratko je pritisnute da biste odabrali programiranu postaju i slušali je.  
Pritisnite i 2 sekunde zadržite tipku P1 ~ P4 da biste memorirali trenutnu postaju.

**3- Tipka za pripravnost/glavni izbornik;**

Pritisnite i zadržite je da biste prešli u režim pripravnosti.  
Kratko je pritisnute da biste uključili uređaj ili ušli u glavni izbornik.  
U režimu alarma kratko je pritisnute da biste poništili zvuk alarma i prešli u režim pripravnosti.

#### 4- Tipka za korektor zvuka EQ

Pritisnite je nekoliko puta da biste korektor prebacivali između programiranih postavki: NORMAL/FLAT/JAZZ/ROCK/SOUNDTRACK/CLASSIC/POP/NEWS/MY EQ.

#### 5- Tipka za programiranje radijskih postaja;

Kratko je pritisnite da bi se prikazalo sučelje programirane postaje. Pritisnite i zadržite je da biste spremili trenutnu postaju.

#### 6- Tipka „lijevo“

Kratko je pritisnite da biste prenijeli i obrisali slovo prilikom unošenja slova za mrežnu zaporku. Kratko je pritisnite da biste izašli i ušli u gornji izbornik. Dužim pritiskanjem prelazite na prethodnu pjesmu u USB režimu.

#### 7- Tipka „dolje“

Kratko je pritisnite da biste stišali zvuk. Pritisnite i zadržite da biste stalno stišali zvuk. Kratko je pritisnite da biste prešli na dno izbornika radi izbora.

#### 8- Tipka za reprodukciju/pauzu, tipka ENTER – potvrđivanje izbora;

Kratko je pritisnite za reprodukciju ili pauziranje reprodukcije glazbe u USB režimu. Kratko je pritisnite da biste potvrdili izbor.

#### 9- Tipka „desno“

Kratko je pritisnite da biste prenijeli i dodali slovo prilikom unošenja slova za mrežnu zaporku. Kratko je pritisnite da biste ušli u podizbornik. Dužim pritiskanjem prelazite na sljedeću pjesmu u USB režimu.

#### 10- Tipka „gore“

Kratko je pritisnite da biste pojačali zvuk; pritisnite i zadržite da biste stalno pojačavali zvuk. Kratko je pritisnite da biste prešli na vrh izbornika radi izbora.

#### 11- Senzor infracrvenog svjetla daljinskog upravljača;

#### 12- Zvučnik;

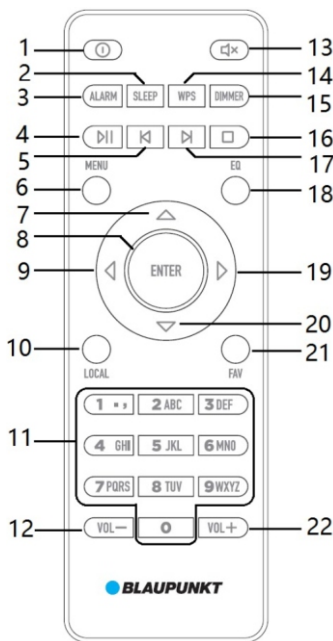
#### 13- Utičnica za linijski izlaz;

#### 14- USB port;

#### 15- LED pokazatelj napajanja;

#### 16- Utičnica za napajanje DC IN;

#### Daljinski upravljač



**1- Tipka za uključivanje/isključivanje režima pripravnosti:** kratko je pritisnite da biste uključili/isključili uređaj.

**2- Tipka za odgođeno isključivanje:** pritisnite je nekoliko puta da biste postavili vrijeme isključivanja uređaja.

**3- Tipka za alarm:** kratko je pritisnite da biste prešli u sučelje za konfiguraciju alarma.

**4- Tipka za reprodukciju/pauzu:** kratko je pritisnite za reprodukciju/pauziranje reprodukcije glazbe u USB režimu.

**5- Tipka „prethodna“:** kratko je pritisnite da biste prešli na prethodnu pjesmu u USB režimu.

**6- Tipka MENU:** kratko je pritisnite da biste ušli u glavni izbornik.

**7- Tipka „gore“:** pritisnite je da biste prešli na vrh izbornika.

**8- Tipka ENTER – potvrđivanje izbora:** kratko je pritisnite da biste potvrdili izbor.

**9- Tipka „lijevo“:** pritisnite je da biste izašli ili prešli na vrh izbornika.

**10- Tipka LOCAL:** kratko je pritisnite da biste prešli u režim lokalnog internetskog radija.

**11- Tipke brojki i znakova:** pritisnite je nekoliko puta da biste odabrali odgovarajuću brojku ili slovo.

**12- Tipka za stišavanje zvuka:** pritisnite je da biste stišali zvuk.

**13- Tipka za potpuno stišavanje:** pritisnite je da biste u potpunosti stišali uređaj; pritisnite je ponovo da biste uključili reprodukciju.

**14- Tipka WPS:** tipka za brzo povezivanje na internet ako i ruter ima tipku WPS; kratko je pritisnite da biste prešli u režim za brzo povezivanje na internet.

**15- Tipka za zatamnivanje:** pritisnite je da biste postavili jačinu svjetla na zaslonu.

**16- Tipka Stop:** pritisnite je da biste zaustavili reprodukciju trenutne pjesme u USB režimu, pritisnite tipku ENTER da biste se vratili na reprodukciju i uključili reprodukciju ispočetka.

**17- Tipka „sljedeća“:** kratko je pritisnite da biste prešli na sljedeću pjesmu u USB režimu.

**18- Tipka EQ:** pritisnite je da biste izabrali odgovarajući režim korektora zvuka.

**19- Tipka „desno“:** pritisnite je da biste ušli u podizbornik.

**20- Tipka „dolje“:** pritisnite je da biste prešli na dno liste izbornika.

**21- Tipka „Omiljeno FAV“:** kratko je pritisnite da biste prešli u sučelje programirane postaje, duže pritisnite da biste memorirali trenutnu postaju.

**22- Tipka za pojačavanje zvuka:** pritisnite je da biste pojačali zvuk.



### Priključivanje na napajanje:

Umetnite DC utikač priložene jedinice za napajanje u utičnicu za DC napajanje na stražnjoj ploči uređaja, a zatim priključite jedinicu za napajanje na utičnicu izmjenične struje (230 V, 50/60 Hz) da bi uređaj imao pristup napajanju.

U slučaju uspješnog priključivanja napajanja, upalite će se zaslon, a na njemu će se pokazati početna obavijest BLAUPUNKT. Kratko pritisnite tipku za pripravnost da biste uključili uređaj, duže je pritisnite da biste prešli u režim pripravnosti. Uređaj je spreman za rad.

### Korištenje izbornika:

Za upotrebu izbornika koristite tipke „gore“, „dolje“, „lijevo“, „desno“ i tipku ENTER na daljinskom upravljaču ili tipke „gore“, „dolje“, „lijevo“, „desno“ i tipku reprodukcija/pauza/ENTER (8) na prednjoj ploči uređaja.

### Povezivanje na Wi-Fi mrežu

Uređaj ima ugrađen mrežni modul Wi-Fi koji se može povezati s bežičnom mrežom. Za slušanje internetskog radija prvo napravite konfiguraciju i povežite se na internet pomoću Wi-Fi rutera. Slijedite donje upute:

- Prilikom prve upotrebe uređaja na zaslonu će se pojaviti početna obavijest BLAUPUNKT, a zatim morate odabrati jezik za podršku (zadani je jezik poljski jezik). Možete koristiti tipke „gore“ i „dolje“ da biste se kretali po listi izbornika, a tipku ENTER pritisnite da biste potvrdili izbor. Zatim se na zaslonu pojavljuju informacije o privatnosti, pritisnite tipku ENTER da biste „uključili“ opciju „verificirati mrežu nakon uključivanja?“
- Pritisnite tipku „lijevo“ ili „desno“ da biste izabrali „da“ ili „ne“; pritisnite tipku ENTER da biste potvrdili izbor.
- Ako izaberete „da“, na zaslonu se pojavljuje pitanje: „Želite li sada konfigurirati mrežu?“, izaberite „da“ – uređaj će pretražiti dostupne bežične mreže i na zaslonu prikazati listu naziva Wi-Fi-a.
- Pritisnite tipku „gore“ ili „dolje“ da biste pronašli svoju mrežu na listi dostupnih mreža. Nakon što je pronađete, pritisnite tipku ENTER da biste potvrdili izbor. Zatim će vas uređaj pitati za zaporku odabrane bežične mreže.
- Preporučujemo da koristite brojke i znakove na daljinskom upravljaču da biste brže ukucali zaporku. Nekoliko puta pritisnite tipku na numeričkoj tipkovnici na daljinskom upravljaču da biste odabrali odgovarajuću brojku i malo ili veliko slovo. Kad pronađete odgovarajuće slovo zaporse, kratko pritisnite tipku „desno“ da biste potvrdili izbor i prešli na upisivanje sljedećeg znaka zaporse. Ako ukucate pogrešni znak zaporse, kratko pritisnite tipku „lijevo“ da biste ga obrisali.
- Kad završite s upisivanjem zaporse za bežičnu mrežu, pritisnite tipku ENTER, tada će se uređaj povezati s Wi-Fi mrežom i prijeći u glavni izbornik.
- U slučaju neuspješnog povezivanja s mrežom, kratko pritisnite tipku za izbornik na daljinskom upravljaču da biste ušli u glavno sučelje; izaberite Postavke>Mreža>Konfiguracija bežične mreže> ponovo uključite pretragu dostupnih mreža.

### Napomene:

- Moguće je i ručno povezivanje s Wi-Fi mrežom pomoću aplikacije ili WPS-a. U slučaju povezivanja s Wi-Fi mrežom preko aplikacije, provjerite nalazi li se uređaj koji podržava aplikaciju i radio u dometu iste mreže.
- Možete podešavati bežičnu mrežu pomoću tipki „gore/dolje“, „lijevo/desno“, reprodukcija/pauza/ENTER na prednjoj ploči uređaja.
- Priključena Wi-Fi mreža može se memorirati – uređaj će se sljedeći put automatski povezati s njom, ako će mreža biti dalje dostupna. Ponekad je za povezivanje potrebno ponovno unošenje zaporse. Treba imati na umu da to nije kvar.

### Korištenje internetskog radija

Nakon uspješnog povezivanja s internetom uđite u glavni izbornik i pomoću tipki „lijevo“ i „desno“ pronađite ikonu internetskog radija; zatim pritisnite tipku ENTER da biste prešli u režim internetskog radija.

### Izbor internetske postaje:

Pomoću tipki „gore“ ili „dolje“ i tipke ENTER izaberite odgovarajuću opciju s liste izbornika. Nakon što uđete u izbornik internetskog radija izaberite npr.

**radijska postaja>zemlja/lokacija>Europa>Hrvatska>Hrvatska/top 10>Naziv radijske postaje.** Zatim će se radio povezati s odabranom postajom i početi je reproducirati.

Kratko pritisnite tipku ENTER da biste zaustavili reprodukciju i vratili se na višu razinu izbornika. Pomoću tipki „gore/dolje“ možete s liste izabrati drugu postaju; pritisnite tipku ENTER da biste je reproducirali. Tijekom slušanja internetskog radija kratko pritisnite tipku „desno“ da biste povećali informaciju na zaslonu, kratkim pritiskanjem tipke „lijevo“ možete vratiti prethodni režim zaslona. Pritisnite i zadržite tipku „lijevo/desno“ da biste prešli na prethodnu ili sljedeću radijsku postaju koja je dostupna na listi.

Pritisnite tipku „gore/dolje“ na prednjoj ploči uređaja ili tipku za pojačavanje ili stišavanje zvuka na daljinskom upravljaču da biste prilagodili izlaznu glasnoću. Pritisnite tipku za stišavanje da biste isključili zvuk.

**Programiranje omiljenih internetskih postaja:** nakon uključivanja omiljene postaje, pritisnite i zadržite tipku Omiljeno (na daljinskom upravljaču: FAV) ili tipku za programiranje radijskih postaja (5 na prednjoj ploči) i prijedite u sučelje za postavke postaje. Korištenjem tipke „gore/dolje“ pomaknite i spremite odabranu stanicu pod odgovarajućim brojem memorije na listi, pritisnite tipku ENTER da biste potvrdili izbor.

Kratko pritisnite tipku Omiljeno (FAV na daljinskom upravljaču) ili tipku za programiranje radijskih postaja (5 na prednjoj ploči) da biste prešli na listu programiranih postaja; da biste izabrali programiranu postaju koristite tipku „gore“/„dolje“, pritisnite tipku ENTER da biste je reproducirali. Ako je uređaj u režimu reprodukcije radija, možete i brzo izabrati programiranu postaju pomoću tipke P1–P4 na prednjoj ploči ili kratkim pritiskanjem odgovarajuće tipke na numeričkoj tipkovnici na daljinskom upravljaču.

Kratko pritisnite tipku Omiljeno (FAV na daljinskom upravljaču) ili tipku za programiranje radijskih postaja (5 na prednjoj ploči) da biste prešli na listu programiranih postaja; pritisnite tipku „desno“ da biste upravljali programiranom postajom, npr.

Pomakni gore/dolje/obriši/promijeni naziv/reproduciraj.

### Lokalni internetski radio

a. Konfiguracija lokalnog internetskog radija: u glavnom izborniku uđite u sučelje postavki>postavke za lokalni radio>postavljanje lokacije>opcije (automatsko detektiranje zemlje/ručno postavljanje (zemlja)/ručno postavljanje (županija)/ručno postavljanje (mjesto)/ručno postavljanje (poštanski broj SAD). Pomoću tipki „gore/dolje“ izaberite odgovarajuću opciju i potvrdite je pomoću tipke ENTER. Kad se završi postavljanje lokacije, radio će pretražiti i prijeći na postavljeno lokalno sučelje internetskog radija.

b. Nakon uspješne konfiguracije lokalnog internetskog radija možete također pritisnuti tipku LOCAL na daljinskom upravljaču ili u glavnom izborniku internetskog radija izaberite „lokalna postaja“ da biste prešli na listu lokalnih radijskih postaja i reproducirali izabranu postaju.

#### Napomene:

1. Povezivanje s radijskom postajom može malo potrajati ovisno o brzini internetske veze ili lokacije radijskog servera i sl. To nije kvar. Ako se pojave problemi s prijemom nastali zbog gore navedenih razloga, preporučujemo da izaberete drugu radio postaju.
2. Kad je radio u režimu prikaza liste dostupnih radijskih postaja, pomoću tipki „gore/dolje“ možete promijeniti postaju; kad označite određenu postaju kratkim pritiskanjem tipke „desno“ možete prijeći na sučelje opcije „dodaj u omiljene/automatsko skeniranje/reprodukcija“.
3. Internetski radio podijeljen je u kategorije koje su dostupne u izborniku internetskog radija: „Radio za spavanje“, „Globalnih top 20“, „Žanr“, „Zemlja/Lokacija“, „Posebne“ i sl. Zahvaljujući njima možete brže odabrati željenu postaju i uživati u slušanju.
4. Možete i upravljati svojom listom omiljenih postaja na stranici mediaU ([www.mediayou.net](http://www.mediayou.net)). Prvo u glavnom izborniku uključite funkciju „my mediaU“ i prijedite po redu u: Postavke> Upravljanje My mediaU> Uključiti; zatim se u radiju mogu vidjeti mape „Omiljena postaja“, „Omiljena lokacija/žanr“, „Moja lokalna postaja (mjesto)“, „Dodaj ručno“. Na internetskoj stranici ([www.mediayou.net](http://www.mediayou.net)) kliknite karticu „my mediaU“, da biste upravljali gornjim mapama. Više informacija o toj funkciji nalazi se u nastavku ovih uputa.

#### Pristup podcastovima:

Radio ima funkciju reprodukcije podcastova; princip rada sličan je internetskom radiju. Uključite uređaj, pređite u glavni izbornik i izaberite po redu: Podcast>Zemlja/Lokacija>Ciljana zemlja>Mapa kategorija, a zatim izaberite i otvorite podcast koji vas zanima.

**Prijem lokalnih DAB postaja preko Wi-Fija:** Mogući je prijem lokalnih DAB postaja koje istodobno odašilju signal kao internetski radio. Da biste imali pristup njima, pređite u glavni izbornik i izaberite po redu: Postavke> Postavke lokalnog radija> DAB (Wi-Fi)>Uključiti. Da biste prešli na listu dostupnih DAB postaja (Wi-Fi) u glavnom izborniku izaberite po redu: Internetski radio>Lokalna postaja>DAB (Wi-Fi) a zatim izaberite postaju koja vas zanima.

#### Korištenje funkcije My mediaU

- a. Prvo stvorite račun na stranici <http://www.mediayou.net> i prijavite se. Promijenite jezik, a zatim kliknite na karticu „Uređaj“. Upišite naziv svojeg uređaja u prozorčić „Ovdje upišite naziv uređaja“.
- b. Unesite serijski broj u prozorčić „serijski broj“. (Kako pronaći serijski broj? Uđite u glavni izbornik svojeg uređaja i izaberite redom: Postavke>Uređaj>Informacije o sustavu>Informacije o bežičnoj mreži, a zatim čete naći MAC adresu).
- c. Upišite MAC adresu u prozorčić „serijski broj“ i kliknite „Dodaj“. Zatim prijedite na karticu „my mediaU“ da biste mogli upravljati mapama „Omiljena postaja“, „Omiljena lokacija/žanr“, „Lokalna postaja“, „Dodaj ručno“.
- d. Uključite internetski radio, uđite u glavni izbornik i izaberite redom: Postavke>Upravljanje My mediaU>Uključiti. Zatim se vratite u glavni izbornik i izaberite ikonu my mediaU – prikazat će se dostupne mape „Omiljena postaja“, „Omiljena lokacija/žanr“, „Lokalna postaja“, „Dodaj ručno“ koje su sinkronizirani s mapama konfiguriranim na vašem račun u internetskoj stranici <http://www.mediayou.net>.

#### Korištenje Bluetootha

Ovaj proizvod ima Bluetooth funkciju koja omogućuje bežičnu reprodukciju glazbe s drugog Bluetooth uređaja (kao što je pametni telefon, tablet i sl.).

1. Uključite uređaj, pritisnite tipku za glavni izbornik (3) na prednjoj ploči ili tipku MENU na daljinskom upravljaču i prijedite na glavno sučelje, pomoću tipki „lijevo“ ili „desno“ izaberite ikonu Bluetooth, zatim pritisnite tipku ENTER da biste prešli u režim Bluetooth. Uređaj će biti spreman za Bluetooth uparivanje.
2. Uključite funkciju Bluetooth na vanjskom uređaju (pametni telefon, tablet i sl. Upoznajte se s uputama za upotrebu vanjskog uređaja) i potražite na listi Bluetooth uređaje koji su dostupni za uparivanje. Izaberite „BP IR10“ da biste povezali uređaje.
3. Izaberite i reproducirajte glazbu na vanjskom Bluetooth uređaju, prilagodite jačinu zvuka na vanjskom Bluetooth uređaju i na ovom radiju, zvuk će se bežično reproducirati na zvučnicima ovog uređaja.
4. Duže pritisnite tipke „lijevo“ ili „desno“ da biste prešli i reproducirali prethodnu ili sljedeću pjesmu; kratkim pritiskanjem tipke „lijevo“ ili „desno“ možete povećati ili smanjiti informacije o slici pjesme. Kratko pritisnite tipku ENTER da biste reproducirali ili zaustavili reprodukciju; duže pritisnite tipku ENTER da biste prešli u sučelje „Uparivanje s drugim uređajem“, ponovno pritisnite tipku ENTER da biste prekinuli trenutnu Bluetooth vezu. Ako ponovno duže pritisnete tipku ENTER možete pogledati listu naziva Bluetooth uređaja koji su prethodno uparivani; možete odabrati jedan od njih za ponovno uparivanje pod uvjetom da taj uređaj ima uključenu Bluetooth funkciju i nalazi se u radnom dometu Bluetootha ovog uređaja.
5. U režimu reprodukcije Bluetooth pritisnite tipku „gore“ ili „dolje“ da biste prilagodili jačinu zvuka; dostupne su i postavke korektora zvuka EQ i potpuno stišavanje.

#### Napomene:

1. Nije zajamčena mogućnost uspješnog povezivanja svih Bluetooth uređaja zbog raznolikosti konstrukcija i rješenja.
2. Najbolji radni razmak Bluetootha iznosi 10 metara bez ikakvih prepreka između uređaja.
3. Ovaj proizvod se može povezati i djelovati u isto vrijeme samo s jednim vanjskim Bluetooth uređajem.
4. U slučaju dolaznog poziva za vrijeme Bluetooth reprodukcije glazba će se na trenutak zaustaviti i ponovno pokrenuti nakon završetka telefonskog poziva.
5. U slučaju isključivanja uređaja ili promjene režima reprodukcije potrebna je ponovno uparivanje Bluetooth uređaja.

#### Podrška za USB player

Uređaj ima funkciju reprodukcije USB MP3. Prvo pripremite formatiranu USB memoriju i kopirajte na nju datoteke u MP3 formatu. Pravilno priključite USB memoriju na USB port na stražnjoj ploči. Pritisnite tipku za glavni izbornik na prednjoj ploči ili MENU na daljinskom upravljaču da biste prešli u glavno sučelje; zatim izaberite redom: Centar za medije> USB. Zatim možete pogledati listu MP3 datoteka koje su spremljene na priključenoj USB memoriji. Izaberite željenu datoteku i reproducirajte je na ovom uređaju.

U režimu reprodukcije glazbe s USB memorije kratko pritisnite tipku ENTER na prednjoj ploči ili na daljinskom upravljaču da

biste reproducirali datoteku ili zaustavili reprodukciju. Pritisnite tipku „gore“ ili „dolje“ na prednjoj ploči ili VOL+/VOL- na daljinskom upravljaču da biste pojačali ili stišali zvuk; dužim pritiskanjem tipke „lijevo“ ili „desno“ možete prijeći na prethodnu ili sljedeću pjesmu. Kratko pritisnite tipku „lijevo“ ili „desno“ da biste povećali ili smanjili informacije o slici pjesme. Dostupne su i postavke korektora zvuka EQ i funkcija potpunog stišavanja.

Da biste izabrali režim reprodukcije prijedite u glavni izbornik i izaberite redom: Postavke> Postavke reprodukcije, a zatim izaberite jednu od opcija: Isključiti/Ponovi sve/Ponovi jednu/Nasumično.

#### Napomene:

- Ne preporučuje se korištenje USB kablova za priključivanje USB memorije jer to može utjecati na kvalitetu signala koji se prenosi na uređaj, što može dovesti do nestabilne reprodukcije.
- Uređaj podržava formate WAV/WMA/MP3/FLAC/AAC (zbog razlika kod zapisa, nije garantirana reprodukcija svih datoteka spremljenih u navedenim formatima). Uređaj podržava USB memoriju maksimalnog kapaciteta do 64 GB.

#### Korištenje funkcije UPnP

Uređaj ima funkciju UPnP koja se može povezivati na bežičnu mrežu i koristiti sustav Windows, APPLE Mac ili Linux kao platformu za reprodukciju glazbe. Pjesme dostupne u playeru računala mogu se bežično reproducirati na zvučnicima ovog internetskog radija.

#### Primjer korištenja aplikacije Windows Media Player 12:

- Kliknite i otvorite softver multimedijskog Windows playera na svojem računalu, dodajte omiljenu glazbu u multimedijisku biblioteku (prije korištenja upoznajte se s uputama multimedijskog Windows playera tvrtke Microsoft).
- Kliknite na karticu „Internetski prijenos“ u lijevom gornjem dijelu prozora aplikacije, izaberite „Automatski dozvoli uređajima da reproduciraju moju multimediju“, a zatim potvrdite „Automatski dozvoli za sva računala i multimedijske uređaje“. Sada možete koristiti UPnP za proslijeđivanje i reprodukciju glazbe.
- Kliknite „Više opcija za internetski prijenos“ u programu Windows Media Player da biste promijenili naziv multimedijske biblioteke i dozvolili/blokirali reprodukciju glazbe na uređaju preko UPnP. Naziv multimedijske biblioteke možete prilagoditi (npr. upisati naziv BLAUPUNKT BIBLIOTEKA) da je korisnik može lakše naći na listi dostupne multimedije u izborniku UPnP ovog radija. Također možete dozvoliti određenom uređaju da preko UPnP reproducira glazbu iz multimedijske biblioteke pomoću internetskog prijenosa.
- Uključite radio, izaberite ikonu Centra za medije> UPnP i provjerite listu dostupnih multimedijških biblioteka, izaberite svoju UPnP biblioteku (npr. UPnP: BLAUPUNKT BIBLIOTEKA), kratko pritisnite tipku ENTER da biste potvrdili. (Napomena: pretraga odgovarajuće biblioteke može potrajati i 10 sekundi ili više, ako uređaj ne pronađe multimedijšku biblioteku, vratit će se na izbornik Centra za medije).
- Nakon što izaberete biblioteku, npr. UPnP „BLAUPUNKT BIBLIOTEKA“, potražite i izaberite mapu s glazbom, zatim izaberite mapu jedne od dostupnih kategorija, u sljedećem koraku prijedite na izbor reprodukcije glazbe.
- Tijekom reprodukcije glazbe koristite tipke „gore“, „dolje“, „lijevo“, „desno“ i ENTER da biste izveli odgovarajuću operaciju. Upravljanje reprodukcijom UPnP slično je upravljanju reprodukcijom s USB memorije.

#### Važne napomene:

- Tijekom korištenja UPnP računalo i internetski radio moraju biti povezani s istom Wi-Fi mrežom.
- S obzirom na to da su na tržištu dostupni različiti sustavi/konfiguracije PC-a, možda reprodukcija preko UPnP neće uspjeti, ali to nije obuhvaćeno našom garancijom.

#### Pristup usluzi Spotify Connect

Ovaj uređaj ima funkciju Spotify Connect koja omogućuje bežični prijenos zvuka iz aplikacije Spotify.

- Uključite uređaj i prijedite u glavni izbornik, zatim izaberite redom: ikona aplikacije Spotify> QR kod pojavit će se na zaslonu (prilikom prve upotrebe).
  - Pametnim telefonom skenirajte QR kod, automatski uđite na službenu stranicu Spotify. Pronađite i preuzmite aplikaciju Spotify na svoj pametni telefon.
  - Otvorite i uđite u aplikaciju Spotify pomoću registriranog računa, uđite u „Postavke“ aplikacije i prijedite na karticu „Uređaji“; zatim izaberite s liste „BP IR10“. Aplikacija na pametnom telefonu povezat će se s radijem nakon otprilike 30 sekundi. Izaberite i reproducirajte glazbu u aplikaciji Spotify, a zvuk će se reproducirati na zvučnicima ovog uređaja
- Važne napomene:
- Softver Spotify obuhvaća licence trećih stranaka koje su dostupne ovdje: <https://www.spotify.com/connect/third-party-licenses>.
  - Upute za korištenje softvera Spotify naći ćete ovdje: <https://spotify.box.com/s/7m8g1ij260xot8zlh5cult0gmkknu6t>.
  - Koristite pametni telefon, tablet ili računalo kao daljinski upravljač za Spotify. Uđite na [www.spotify.com/connect](http://www.spotify.com/connect), da biste saznali kako to učiniti.
  - Tijekom korištenja funkcije Spotify Connect aplikacija Spotify i ovaj internetski radio moraju biti povezani na istu Wi-Fi mrežu.

#### Korištenje internetskog radija pomoću mobilne aplikacije

- Kod uređaja s iOS sustavom pretražite i izaberite „AirMusic Control“ u trgovini App Store (preuzmite i instalirajte „AirMusic control“ kod uređaja s Android sustavom).
- Uključite uređaj, uđite u glavni izbornik i izaberite redom: Postavke>Uređaj>APP, na zaslonu će se pojaviti QR kod skenirajte ga pametnim telefonom.
- Izaberite i otvorite aplikaciju „AirMusic control“ na pametnom telefonu; ako pametni telefon i internetski radio koriste istu Wi-Fi mrežu, aplikacija može automatski skenirati i povezivati se s internetskim radijem. (Nakon priključivanja BP IR10 pojavit će se na listi naziva uređaja u izborniku za konfiguraciju u aplikaciji AirMusic Control).
- Zatim možete koristiti aplikaciju na pametnom telefonu za daljinsko upravljanje internetskim radijem.

**Važne napomena:**

Preporučujemo da tijekom korištenja aplikacije za upravljanje radijem istodobno ne koristite tipke za prednjoj ploči ili daljinskom upravljaču uređaja jer to može uzrokovati probleme sa sinkronizacijom zbog rada servera i brzine internetske veze. Garancija ne obuhvaća probleme sa sinkronizacijom. U tom slučaju malo pričekajte i nemojte na uređaju izvoditi nikakve daljnje operacije dok se njegov rad ne stabilizira.

**Linijski izlaz/za slušalice**

Uređaj ima linijski izlaz koji omogućuje povezivanje preko kabla s drugim aktivnim zvučnikom, pojačalom ili slušalicama. Priključite priloženi stereofonski kabl audio 3,5 mm na utičnicu za linijski izlaz na stražnjoj ploči, a drugi terminal priključite na drugi vanjski audio uređaj. Uključite ovaj uređaj i pokrenite reprodukciju, a zvuk će se reproducirati na vanjskom audio uređaju. Zvučnici ovog uređaja će se stišati. Priključite slušalice na utičnicu za linijski izlaz za diskretno slušanje zvuka. Zvučnici ovog uređaja će se stišati. Tijekom reprodukcije s povezanog na linijski izlaz uređaja ili slušalica jačinu zvuka možete podešavati i na ovom uređaju i na vanjskom uređaju.

**Podešavanje sata i budilice**

**Podešavanje sata/datuma:** Uđite u glavni izbornik i izaberite redom: Postavke> Datum i vrijeme> Podesi datum i sat. Na tom su mjestu dostupne dvije opcije: „Ručno postavljanje“ i „Postavi automatski“. Ako izaberete „Postavi automatski“, informacije o trenutnom datumu i vremenu automatski će se ažurirati nakon povezivanja s Wi-Fi mrežom. Ručno možete postaviti i datum i sat, ako izaberete opciju „Ručno postavljanje“. U podizborniku „Datum i vrijeme“ dostupne su opcije: „Postavi format vremena“ i „Postavi format datuma“ – pomoću njih možete prilagoditi format vremena (12 ili 24-satni) i format datuma (dostupne su 3 opcije).

**Postavljanje budilice:** Uđite u glavni izbornik i izaberite redom: Postavke> Budilica. Zatim možete postaviti vrijeme za Budilicu 1, Budilicu 2, Odgodu buđenja, Glasnoću alarma. Nakon što uđete u režim postavljanja Budilice 1 i 2, dostupne su opcije ponavljanja alarma (Svaki dan, Jednom, u određene dane u tjednu), postavljanje vremena i izbor izvora alarma (Zvučni signal, Melodija, Internetski radio, USB).

1. Kada je postavljeno vrijeme buđenja, radio će se automatski uključiti u odabrano vrijeme. Kratko pritisnite tipku za pripravnost (3) da biste poništili zvuk alarma.
2. Dostupna su dva alarma koja se mogu postavljati odvojeno.
3. Kada je alarm uključen, kratko pritisnite bilo koju tipku (osim tipke za pripravnost (3)) da biste aktivirali funkciju odgode. Alarm će se ponovo uključiti nakon određenog vremena odgode.
4. Funkcija alarma radi samo ako je priključeno i dostupno glavno napajanje.
5. Kada je funkcija odgode buđenja aktivna, na zaslonu će se pojaviti obavijest o preostalom vremenu odgode. Kratkim pritiskom na tipku za pripravnost možete poništili odgodu.

**Odgodeno isključivanje**

U režimu reprodukcije (kao što je internetski radio, Bluetooth, reprodukcija USB itd.) kratko pritisnite tipku SLEEP na daljinskom upravljaču da biste podesili vrijeme odgodenog isključivanja. Dostupni su sljedeći vremenski intervali (u minutama): 15/30/60/90/120/150/180/isključeno. Nakon isteka zabranog vremenskog intervala, uređaj će automatski isključiti reprodukciju i prijeći u režim pripravnosti.

**Ostalo**

Za izvođenje drugih operacija, kao što je postavljanje svjetline zaslona, inačice softvera, vraćanje na tvorničke postavke i sl. postupajte u skladu s informacijama koje sadrži donji dijagram.

**Rješavanje problema**

1. Zvučnik se ne uključuje.
  - a. Provjerite je li napajanje pravilno priključeno.
2. Nema zvuka
  - a. Pokušajte podesiti jačinu zvuka i provjerite izvor reprodukcije.
  - b. Ako problem i dalje postoji, kontaktirajte servisni centar da biste dobili pomoć.
3. Isprekidani zvuk u Bluetooth režimu
  - a. Pomaknite Bluetooth uređaj bliže ovom uređaju.
  - b. Upoznajte se s uputama da biste ponovno izveli uparivanje.
4. Jačina zvuka u Bluetooth režimu je preniska
  - a. Provjerite razinu glasnoće i na Bluetooth uređaju i na ovom uređaju.

**Specifikacija:**

Izvor napajanja: DC IN 9V/2A

Zaslon u boji TFT 2,4"

Bluetooth inačica: V5.0

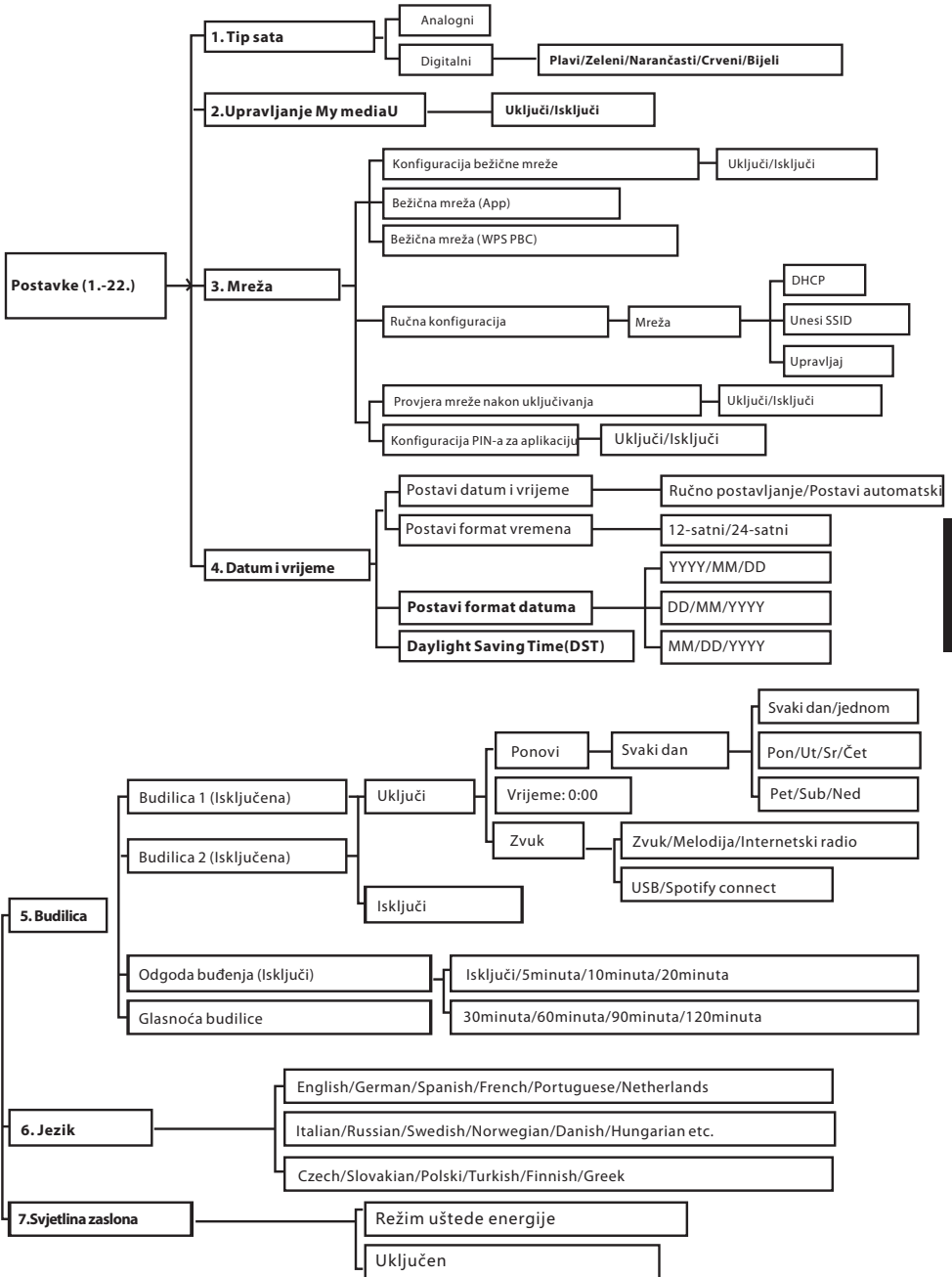
USB 2.0, podržava glazbene datoteke: MP3/WMA/WAV/FLAC/AAC (ne jamčimo reprodukciju svih datoteka)

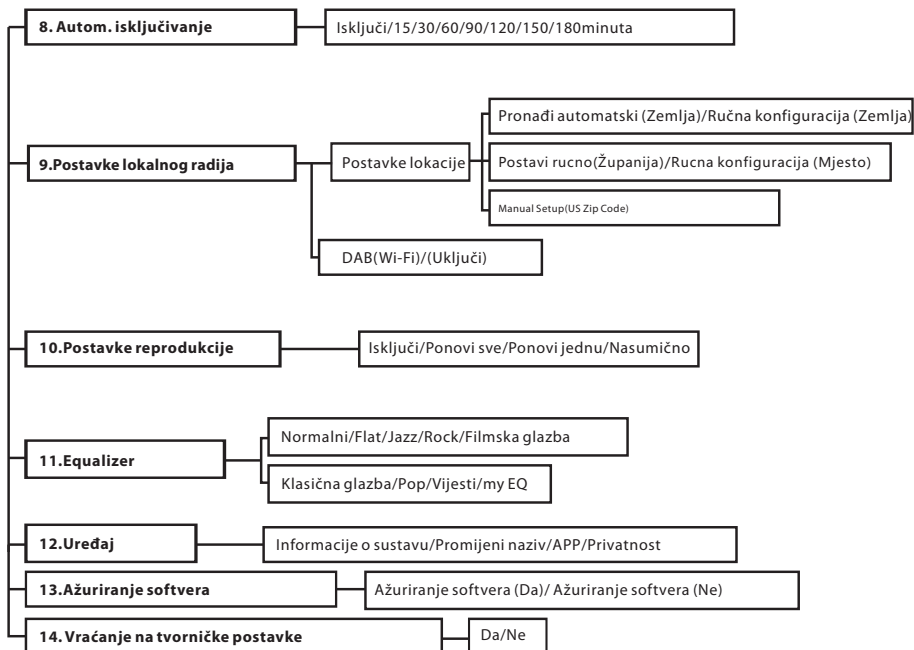
RMS izlaz 2 x 5W

Potrošnja energije: 16 W

Potrošnja energije u režimu pripravnosti: < 1 W

(Gore navedena specifikacija može se ažurirati bez prethodne obavijesti).





Informacije o punjaču		
Objavljene informacije	Vrijednosti i podaci	Jedinica
Naziv proizvođača ili zaštitni znak Broj trgovačkog registra Adresa	Shenzhen Fushigang Technology Co., Ltd Building 8, Shiguan Industrial Park, Shangcun Community, Gongming Street, Guangming District, Shenzhen, GuangDong, China	
Identifikator modela	AS1801A-0902000EU	
Ulazni napon	100-240	V
Ulazna frekvencija izmjenične struje	50/60	Hz
Izlazni napon	DC9	V
Izlazni intenzitet struje	2.0	A
Izlazna snaga	18.0	W
Prosječni aktivni učinak	≥85	%
Učinkovitost pri malom opterećenju (10 %)	75.45%	%
Potrošnja energije bez opterećenja	≤0.1	W

## INSTRUCȚIUNI IMPORTANTE REFERITOARE LA SIGURANȚĂ



### Avertisment:

Pentru a diminua riscul de electrocutare, nu demontați capacul sau partea din spate a dispozitivului. În interiorul dispozitivului nu există elemente care să poată fi reparate de utilizator. De mentenanța și reparația echipamentului se ocupă exclusiv angajații calificați ai service-ului.

### Explicarea simbolurilor grafice:



Simbolul fulgerului terminat cu o săgeată, plasat într-un triunghi echilateral, avertizează utilizatorul împotriva unei „tensiuni periculoase” neizolate în carcasa dispozitivului, care poate atinge dimensiunea pericolului de electrocutare.



Semnul exclamării într-un triunghi echilateral avertizează utilizatorul că în acest moment sunt prezentate informații importante referitoare la operarea și mentenanța echipamentului în documentația anexată la dispozitiv.

Rugăm să citiți aceste instrucțiuni înainte de a trece la operarea dispozitivului, să vă familiarizați cu funcțiile acestuia și să le folosiți conform destinației. Acest lucru va asigura o operare de lungă durată și fără avarii a dispozitivului, precum și plăcerea de a-l utiliza.

### Informații importante

- Instrucțiunile de operare și informațiile referitoare la siguranță trebuie păstrate în scopul folosirii lor în viitor.
- Nu permiteți ca pe dispozitiv să picure sau să se verse vreun lichid.
- Nu îl folosiți în locuri umede, cum ar fi de ex. sala de baie.
- Dispozitivul nu poate fi montat în următoarele locuri:
- Expus la lumina directă a soarelui sau în apropierea caloriferelor.
- Plasat deasupra unui alt dispozitiv stereofonic care emite căldură.
- Blocând ventilația sau într-un loc prăfuit.
- În locuri expuse la vibrații constante.
- În locuri cu umiditate ridicată.
- Nu așezați dispozitivul în apropierea lumânărilor sau a focului deschis.
- Dispozitivul poate fi folosit exclusiv în modul descris în instrucțiunile de mai jos.
- Înainte de prima pornire, asigurați-vă că sursa de alimentare este conectată în mod corespunzător.
- Stick-urile USB se conectează direct sau folosind un prelungitor USB cu lungime de până la 25 cm.

Din motive de securitate, nu demontați carcasa, deoarece în interior nu există elemente ce ar putea fi reparate de utilizator. De mentenanța și repararea echipamentului se ocupă exclusiv angajații calificați ai service-ului.

Nu demontați și nu deschideți carcasa, deoarece în interior nu există elemente ce ar putea fi reparate de utilizator. De mentenanța și repararea echipamentului se ocupă exclusiv angajații calificați ai service-ului.

### INSTRUCȚIUNI REFERITOARE LA SIGURANȚĂ

1. Citiți instrucțiunile – înainte de utilizarea dispozitivului, citiți în întregime instrucțiunile de utilizare, precum și informațiile referitoare la siguranță.
2. Urmați instrucțiunile – păstrați instrucțiunile de utilizare și operare în scopul folosirii lor în viitor.
3. Respectați avertismentele – procedați conform tuturor avertismentelor plasate pe dispozitiv, precum și conform instrucțiunilor de utilizare.
4. Urmați instrucțiunile – procedați conform instrucțiunilor de operare și indicațiilor pentru utilizator.
5. Instalare – setați dispozitivul conform instrucțiunilor producătorului.
6. Surse de alimentare – dispozitivul trebuie alimentat exclusiv de la surse cu parametrii indicați în marjele de pe cablu de alimentare. Dacă utilizatorul nu este sigur de tipul de alimentare de care dispune acasă, trebuie să contacteze vânzătorul dispozitivului sau furnizorul local de energie electrică.
7. Impănăntarea sau polarizarea alimentării – dispozitivul nu trebuie să fie împănăntat. Trebuie să vă asigurați că ștecherul este introdus complet în priză sau în prelungitor pentru a nu permite expunerea bolțurilor sau a contactelor. Unele versiuni ale dispozitivului pot fi echipate cu ștecher polarizat de curent alternativ (cu un singur bolt mai larg). Acest ștecher poate fi introdus în priză de rețea doar într-un singur mod. Aceasta este o funcție de protecție. Dacă ștecherul nu poate fi introdus în priză, trebuie încercată rotirea acestuia. Dacă ștecherul în continuare nu se potrivește la priză, trebuie solicitată înlocuirea acestui ștecher de către un electrician. Nu scoateți elementele de protecție din ștecherul polarizat. Când utilizați un prelungitor sau un cablu de alimentare altul decât cel furnizat împreună cu dispozitivul, acestea trebuie să aibă ștecherele corespunzătoare, precum și atestatul de securitate necesar în țara dată.
8. Protecția cablului de alimentare – cablurile de alimentare trebuie plasate astfel încât să nu poată fi călcate, presate sau tăiate de obiectele din jur. Acordați o atenție deosebită ștecherelor, prizelor de rețea și locurilor în care cablurile sunt direcționate de la dispozitiv.
9. Supraîncărcare – Nu supraîncărcați prizele de perete, prelungitoarele și repartitoarele electrice, deoarece acest lucru poate provoca incendii sau electrocutări.
10. Ventilație – dispozitivul trebuie să fie corect ventilat. Dispozitivul nu poate fi pus pe pat, sofa sau suprafețe similare. Nu acoperiți dispozitivul cu fețe de masă, șervețele, ziare, ș.a..
11. Căldură – nu plasați dispozitivul în apropierea unor surse de căldură, precum calorifere, radiatoare, sobe sau alte dispozitive (de asemenea amplificatoare) care generează căldură. Nu puneți pe dispozitiv lumânări aprinse și alte surse de foc deschis.



12. Apă și umezeală – pentru a reduce riscul de incendiu sau electrocutare, nu expuneți dispozitivul la ploaie, apă și umiditate directă, ca de ex. în saună sau baie. Nu folosiți dispozitivul în apropierea apei, de exemplu lângă cadă, lavoar, chiuveta de bucătărie, într-o pivniță umedă sau în apropierea unei piscine (sau în locuri similare).
13. Obiecte și lichide în dispozitiv – nu trebuie forțate niciun fel de obiecte prin deschiderile dispozitivului, deoarece acestea pot să intre în contact cu punctele de tensiune periculoasă și cu componentele, ceea ce poate provoca incendiu sau electrocutare. În niciun caz nu vărsați niciun fel de lichide pe suprafața dispozitivului. Nu puneți pe suprafața dispozitivului obiecte ce conțin lichide.
14. Curățarea – scoateți întotdeauna dispozitivul din priză înaintea de curățare. Praful din jurul difuzorului poate fi îndepărtat cu o cârpă uscată. Dacă se utilizează un aerosol pentru curățare, nu îndreptați jetul de pulverizare direct spre dispozitiv, ci spre cârpă. Aveți grijă să nu deteriorați unitățile de comandă.
15. Echipare suplimentară – nu folosiți accesorii care nu sunt aprobate de producător, deoarece pot constitui un pericol.
16. Accesorii – nu așezați dispozitivul pe un cărucior, postament, stativ, suport sau masă instabile. Dispozitivul se poate răsturna sau deteriora și poate provoca vătămări grave copiilor sau persoanelor adulte. Folosiți numai cărucioare, postamente, stativ, suporturi și mese specificate de producător sau vândute împreună cu dispozitivul. Montarea dispozitivului trebuie efectuată în conformitate cu instrucțiunile producătorului, folosind setul de montaj recomandat de producător.
17. Mutarea dispozitivului – dispozitivul plasat pe cărucior trebuie deplasat cu multă grijă. Oprirea bruscă, forța prea mare sau suprafețele neuniforme pot provoca răsturnarea căruciorului împreună cu dispozitivul.
18. Perioada de nefolosire a dispozitivului – cablul de alimentare al dispozitivului trebuie deconectat de la priza de rețea în timpul furtunilor cu descărcări atmosferice sau când dispozitivul nu va fi folosit pentru o perioadă mai lungă de timp.
19. Servisare – nu încercați să servișați singur dispozitivul. Deschiderea capacului poate duce la contactul cu o tensiune periculoasă și poate expune utilizatorul la alte pericole. De mentenanță și repararea echipamentului se ocupă exclusiv angajații calificați ai service-ului.
20. Când dispozitivul nu este utilizat, ștecherul de alimentare trebuie deconectat de la priza de rețea. Când dispozitivul este conectat la sursa de alimentare, se află în regim de stand by și nu este complet închis.
21. Piese de schimb – la înlocuirea pieselor, trebuie verificat dacă angajatul service-ului a folosit piesele de schimb recomandate de producător sau dacă aceste piese sunt identice cu cele originale. Înlocuirea cu piese neaprobate poate duce la incendii, electrocutare sau alte pericole.
22. Siguranțele principale – pentru a proteja în mod continuu dispozitivul împotriva incendiului, trebuie folosite siguranțe de tip și parametri corecți. Parametrii siguranțelor în acest interval sunt marcați pe dispozitiv.
23. Nu măriți volumul când ascultați o parte dintr-un cântec înregistrat cu volum redus sau în cazul lipsei semnalului audio de început. În caz contrar se poate ajunge la deteriorarea difuzorului în momentul creșterii rapide a intensității semnalului.
24. Singurul mod de a deconecta complet dispozitivul de la sursa de alimentare este deconectarea cablului de alimentare din priza de alimentare sau din dispozitiv. Priza de rețea sau intrarea cablului de alimentare în dispozitiv trebuie să fie mereu accesibile în timpul utilizării produsului.
25. Dispozitivul trebuie amplasat în apropierea unei prize de perete sau a unui cablu prelungitor și astfel încât să fie mereu accesibil.
26. Temperatura maximă ambiantă pentru dispozitiv este de 35°C.
27. Instrucțiuni referitoare la descărcările electrostatice – dacă funcționarea dispozitivului este perturbată de descărcări electrostatice, acesta trebuie oprit și repornit sau mutat în alt loc.
28. Bateria
  - a. Bateriile nu pot fi expuse la căldură excesivă, cum ar fi razele de soare, foc, ș.a.
  - b. Când aruncați bateriile, acordați atenție aspectelor legate de protecția mediului.
  - c. Avertisment referitor la folosirea bateriei: pentru a nu permite pierderea etanșeității bateriei, ceea ce poate provoca vătămări corporale sau deteriorarea a dispozitivului:
    - În timpul introducerii bateriei, respectați polaritatea acesteia (+ și -).
    - Nu folosiți în același timp baterii diferite — vechi și noi, baterii standard și alcaline, ș.a.
    - Scoateți bateriile din dispozitiv, atunci când acesta nu este folosit pentru o perioadă mai lungă.

#### ATENȚIE

Dispozitivul nu trebuie folosit de persoanele (inclusiv copiii) cu capacități fizice, senzoriale sau mentale reduse, precum și de persoanele cu cunoștințe și experiență insuficiente, în cazul în care nu se află sub supravegherea unei persoane responsabile pentru siguranța lor și nu au fost instruite cum să folosească dispozitivul în condiții de siguranță. Prezența persoanelor adulte este necesară, dacă dispozitivul este folosit de copii; aceasta va permite o folosire în condiții de siguranță a dispozitivului.

1. Nu lăsați dispozitivul nesupravegheat în timpul funcționării! Dispozitivul trebuie închis când nu este folosit, chiar și pentru o perioadă scurtă de timp.
2. Dispozitivul nu poate fi folosit prin intermediul unui temporizator extern și nici cu ajutorul unui sistem separat cu comandă de la distanță.
3. Pentru evitarea pericolului în cazul deteriorării cablului de alimentare, înlocuirea trebuie efectuată de producător, de punctul autorizat de service sau de o altă persoană calificată în acest sens.
4. Înainte de a începe deservirea dispozitivului, trebuie verificat dacă tensiunea acestuia corespunde tensiunii din rețeaua locală de alimentare.
5. Nu acoperiți orificiile de ventilație ale dispozitivului cu ziare, fețe de masă, draperii, ș.a. Trebuie să vă asigurați că deasupra dispozitivului există cel puțin 20 cm de spațiu liber, iar pe fiecare parte a acestuia – cel puțin 5 cm.
6. Nu permiteți ca pe dispozitiv să picure sau să se verse vreun lichid, nu plasați pe acesta obiecte pline cu lichid, cum ar fi vasele.
7. Pentru a evita incendiile sau electrocutarea, dispozitivul trebuie protejat împotriva locurilor fierbinți, ploii, umezelii și prafului.
8. Nu așezați dispozitivul în apropierea oricărei surse de apă, de ex. robinete, căzi, mașini de spălat sau piscine. Dispozitivul trebuie plasat pe o suprafață dreaptă și stabilă.
9. Nu expuneți dispozitivul la câmpuri magnetice puternice.

10. Nu așezați dispozitivul direct pe amplificator sau amplituner.
11. Nu așezați dispozitivul într-un loc umed, deoarece umiditatea are efect dăunător asupra componentelor electrice.
12. După mutarea dispozitivului dintr-un loc rece către un loc cald sau un loc umed, se poate forma condens pe lentila din interiorul playerului. În această situație dispozitivul nu va funcționa corect. Lăsați dispozitivul să funcționeze aproximativ o oră pentru a permite evaporarea umidității.
13. Nu curățați dispozitivul cu solvenți chimici, deoarece aceștia pot distruge lacul carcasi. Dispozitivul se curăță cu o cârpă curată, uscată sau ușor umezită.
14. Când scoateți ștecherul din priză, trageți întotdeauna de ștecher, niciodată de cablul de alimentare.
15. Când dispozitivul pornit este folosit în apropierea televizorului care funcționează, acesta poate fi o sursă de interferență în imagine, sub forma de linii pe ecran. Aceasta depinde de benzile de unde ale transmisiei tv. Aceasta nu înseamnă o funcționare defectuoasă a dispozitivului sau televizorului. Dacă astfel de linii sunt vizibile, dispozitivul trebuie îndepărtat de televizor.
16. Ștecherul de rețea este folosit pentru deconectarea de la tensiunea de alimentare și trebuie să fie mereu accesibil.
17. Pentru a preveni eventuala pierdere de auz, nu ascultați muzică la volum ridicat pentru perioade lungi de timp.



ATENȚIE



Declarație

Prin prezenta Blaupunkt Competence Center 2N-Everpol Sp. z o.o. [SRL] declara că acest dispozitiv este în conformitate cu cerințele și alte dispoziții corespunzătoare ale directivei 2014/53 / UE. Declarația completă de conformitate poate fi obținută pe pagina [www.blaupunkt.com](http://www.blaupunkt.com) în secția produsului.

Entitate responsabilă: 2N-Everpol Sp. Z o.o.  
Puławska 403A, 02-801 Varșovia, Polonia  
Telefon: +48 22 331 99 59, e-mail: [info@everpol.pl](mailto:info@everpol.pl)



Produsul a fost realizat din materiale și componente de înaltă calitate, ce pot fi reciclate și reutilizate.



Dacă pe dispozitiv se află semnul coșului de gunoi tăiat, aceasta înseamnă că produsul se înscrie în dispozițiile directivei europene 2012/19/EU. Trebuie citite cerințele referitoare la sistemul local de colectare a deșeurilor electrice și electronice. Respectați reglementările locale. Nu aruncați acest produs împreună cu deșeurile menajere obișnuite. Eliminarea corectă a produsului vechi va preveni potențialele consecințe negative pentru mediu și sănătatea umană.



Dispozitivul este echipat cu baterii care fac obiectul directivei europene 2006/66/EC. Bateriile nu pot fi aruncate împreună cu deșeurile menajere. Consultați reglementările locale privind colectarea separată a bateriilor, deoarece eliminarea corectă va împiedica potențialele consecințe negative pentru mediul natural și sănătatea umană.

#### Informații privind protecția mediului înconjurător

Ambalajul conține doar elementele necesare. S-au făcut toate eforturile ca cele trei materiale componente ale ambalajului să fie ușor de separat: cutia de carton (cutia), spuma de polistiren (protecție interioară) și polietilena (pungi, folie protectoare). Dispozitivul a fost produs din materiale ce pot fi reciclate și reutilizate după demontarea lor de către o firmă specializată. Trebuie respectate reglementările locale referitoare la eliminarea materialelor de ambalare, bateriilor folosite și a echipamentelor inutile.

Înregistrarea și redarea materialelor poate necesita obținerea unei autorizații. Consultați legea referitoare la drepturile de autor și drepturile executorilor / artiștilor.

#### Remarcă referitoare la ERP2 (dispozitive legate de energie)

Prezentul dispozitiv cu ecoproiect îndeplinește cerințele etapei 2 din Regulamentul Comisiei (CE) nr 1275/2008 care introduce directiva 2009/125/CE referitoare la consumul de energie al dispozitivelor electronice de birou și de uz casnic, închise sau aflate în regim de stand by.



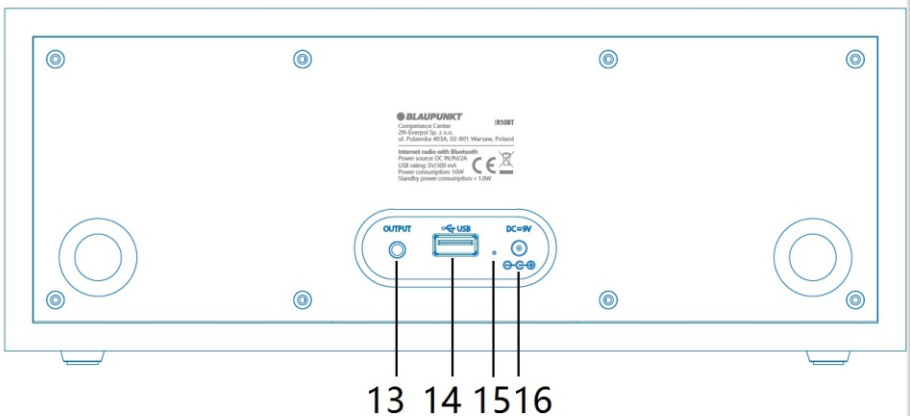
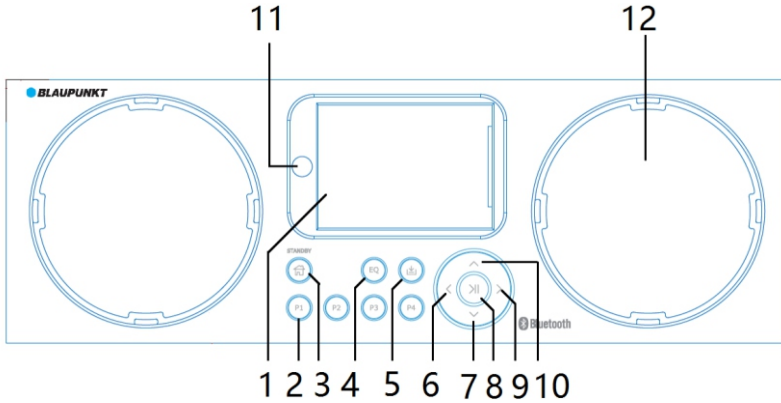
Proprietarul mărcilor comerciale și siglei Bluetooth® este compania Bluetooth SIG, Inc. USA. Folosirea acestor mărci și sigle este supusă unei licențe. Alte mărci și denumiri comerciale aparțin respectivilor proprietari.

Vă mulțumim că ați ales modelul nostru, vă rugăm să citiți cu atenție și să vă familiarizați cu prezentele instrucțiuni înainte de utilizare. Păstrați instrucțiunile pentru a le putea folosi în viitor.

**Dispozitivul are următoarele funcții principale:**

- Radio online
- Redare prin modulul Bluetooth
- Redare USB
- Suportul Spotify Connect
- Utilizarea Podcast-urilor
- leșire liniară audio
- Ceas, deșteptător, temporizator

**Amplasarea elementelor de comandă**



ROMANIA

**1- Afișaj color;**

**2- Taste pentru programarea posturilor radio P1 ~ P4**

Apăsăți scurt pentru a selecta posturile programate corespunzător și redați-le.  
Țineți apăsată (2 secunde) tasta P1 ~ P4 pentru a salva postul curent în memorie.

**3- Tastă standby/meniul principal;**

Țineți apăsată pentru a intra în modul standby.  
Apăsăți scurt pentru a porni dispozitivul sau pentru a accesa meniul principal.  
În modul de alarmă, apăsați scurt tasta pentru a anula sunetul de alarmă și a intra în modul standby.

#### 4- Tastă de egalizare a sunetului EQ

Apăsați-o de mai multe ori pentru a comuta egalizatorul între setările programate: NORMAL/PLAT/JAZZ/ROCK/SOUNDTRACK/CLASIC/POP/NEWS/EQ-UL MEU.

#### 5- Tastă programare posturi radio;

Apăsați-o scurt pentru a accesa interfața postului programat. Țineți-o apăsată pentru a salva postul curent.

#### 6- Tastă "stânga";

Apăsați-o scurt pentru a muta și șterge litera atunci când introduceți literele în parola de rețea. Apăsați scurt pentru a ieși și a intra în meniul superior. Apăsați lung pentru a merge la piesa anterioară în modul USB.

#### 7- Tastă "jos";

Apăsați-o scurt pentru a reduce volumul; Țineți apăsată pentru a reduce în mod continuu volumul. Apăsați-o scurt pentru a merge în jos în meniul pentru selectare.

#### 8- Tastă redare/pauză, tasta ENTER - confirmarea alegerii;

Apăsați-o scurt pentru a reda sau intrerupe muzica în modul USB. Apăsați-o scurt pentru a confirma alegerea.

#### 9- Tastă "dreapta";

Apăsați-o scurt pentru a muta și a adăuga o literă atunci când introduceți literele în parola de rețea. Apăsați scurt pentru a intra în submeniul. Apăsați lung pentru a trece la următoarea piesă în modul USB.

#### 10-Tastă "sus";

Apăsați scurt pentru a crește volumul; țineți apăsată pentru a mări în mod continuu volumul. Apăsați scurt pentru a muta în sus meniul de selectare.

#### 11- Senzor de infraroșu al telecomenzii;

#### 12- Difuzor;

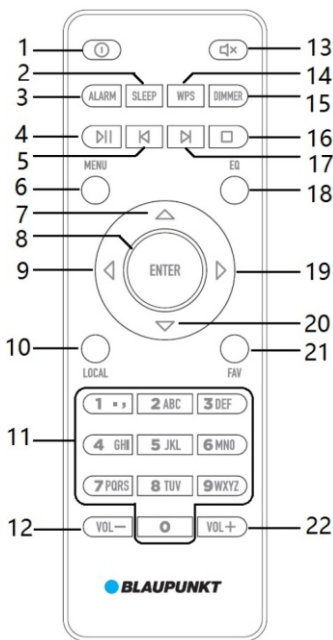
#### 13- Priză de ieșire liniară;

#### 14- Port USB;

#### 15- Indicator de alimentare LED;

#### 16- Priză de alimentare DC IN;

#### Telecomandă



1- Tastă pornire/oprire modul standby: apăsați scurt pentru a porni/opri dispozitivul.

2- Tastă temporizator: apăsați de câteva ori pentru a seta ora de oprire a dispozitivului.

3- Tastă de alarmă: apăsați-o scurt pentru a intra în interfața de configurare a alarmei.

4- Tastă redare/pauză: apăsați-o pentru a reda sau intrerupe redarea muzicii în modul USB.

5- Tastă Anterioară: apăsați scurt pentru a trece la piesa anterioară în modul USB.

6- Tastă MENU: apăsați-o scurt pentru a intra în meniul principal.

7- Tastă „sus”: apăsați-o pentru a trece sus în meniul.

8- Tastă ENTER – confirmarea alegerii: apăsați-o scurt pentru a confirma selecția.

9- Tastă "stânga": apăsați pentru a ieși sau pentru a trece sus în meniul.

10-Tastă LOCAL: apăsați-o scurt pentru a intra în modul local radio online.

11-Tastă cifre și caractere: apăsați-o de mai multe ori pentru a selecta cifra și litera corespunzătoare.

12-Tastă micșorare volum: apăsați-o pentru a micșora volumul.

13- Tastă amortizare sunet: apăsați-o pentru a opri sunetul, apăsați din nou pentru a reactiva redarea.

14- Tastă WPS: buton de conectare rapidă la rețea; dacă routerul Wi-Fi are și o tastă WPS, apăsați-o scurt pentru a intra în modul de conectare rapidă la rețea.

15- Tastă estompare: apăsați-o pentru a regla luminozitatea afișajului

16- Tastă oprire: apăsați-o pentru a opri redarea piesei curente în modul USB, apăsați tasta ENTER pentru a relua și începe redarea de la început.

17- Tastă următoarea: apăsați scurt pentru a trece la următoarea piesă în modul USB.

18- Tastă EQ: apăsați pentru a selecta modul corespunzător de egalizare a sunetului.

19- Tastă "dreapta": apăsați-o pentru a intra în submeniul.

20- Tastă „jos”: apăsați-o pentru a merge în josul listei de meniul.

21- Tastă Preferate FAV: apăsați scurt pentru a intra în interfața postului programat, apăsați lung pentru a salva postul curent.

22- Tastă mărire volum: apăsați-o pentru a mări volumul.

### Conectarea alimentării:

Introduceți conectorul DC al sursei de alimentare furnizate în priză de alimentare DC de pe panoul din spate al dispozitivului, apoi conectați sursa de alimentare la priză de curent alternativ (230 V, 50/60 Hz) pentru a obține alimentarea. Dacă alimentarea este conectată cu succes, afișajul se va aprinde și va afișa ecranul de întâmpinare BLAUPUNKT. Apăsăți scurt butonul standby pentru a porni dispozitivul, apăsați lung pentru a intra în modul standby. Aparatul este gata de funcționare.

### Utilizarea meniului:

Pentru a opera meniul, utilizați tastele „sus”, „jos”, „stânga”, „dreapta” și tasta ENTER de pe telecomandă sau tastele „sus”, „jos”, „stânga”, „dreapta” și tasta redare/pauză/Enter (8) de pe panoul frontal al dispozitivului.

### Conexiune cu rețeaua Wi-Fi

Dispozitivul are modulul de rețea Wi-Fi încorporat, care se poate conecta la o rețea wireless. Pentru a asculta radioul online, trebuie mai întâi să configurați și să vă conectați la internet utilizând un router Wi-Fi. Procedați în conformitate cu pașii de mai jos:

- Când utilizați dispozitivul pentru prima dată, acesta va afișa ecranul de întâmpinare BLAUPUNKT, apoi vă va cere să selectați limba de operare (limba implicită: polonă). Puteți utiliza tastele „sus” și „jos” pentru a muta selecția pe lista din meniu și apăsați tasta ENTER pentru a confirma acest lucru. Apoi, informațiile de confidențialitate vor apărea pe ecran, apăsați tasta ENTER pentru a „activa” opțiunea „verificarea rețelei după pornire”
- Apăsăți tasta „stângă” sau „dreaptă” pentru a selecta „da” sau „nu”, apăsați tasta ENTER pentru a confirma selecția.
- Dacă selectați „da”, pe ecran va apărea întrebarea: „Doriți să configurați rețeaua acum?” selectați „da”, dispozitivul va căuta rețelele wireless disponibile în apropiere și va afișa lista cu numele rețelelor Wi-Fi pe ecran.
- Apăsăți tasta „sus” sau „jos”, pentru a căuta rețeaua dvs. în lista de rețele disponibile, după ce ați găsit, apăsați tasta ENTER, pentru a vă confirma alegerea. Apoi, dispozitivul vă va cere să introduceți parola rețelei wireless selectate.
- Vă recomandăm să utilizați cifrele și caracterele de pe telecomandă pentru a introduce parola mai rapid. Apăsarea repetată a tastei de pe tastatură numerică a telecomenzii permite selectarea cifrei și literei mici sau mari corespunzătoare. Dacă găsiți litera corectă a parolei, apăsați scurt tasta „dreaptă” pentru a vă confirma alegerea și continuați să introduceți următorul caracter al parolei. Dacă introduceți un caracter de parolă incorect, puteți să îl eliminați apăsând scurt tasta „stângă”.
- După ce ați terminat de introdus parola rețelei wireless, apăsați tasta ENTER, apoi dispozitivul se va conecta la rețeaua Wi-Fi și va intra în interfața principală.
- Dacă conexiunea la rețea nu a reușit, apăsați scurt tasta de meniu de pe telecomandă pentru a intra în interfața principală, selectați Setări>Rețea>Configurare rețea wireless> activați din nou căutarea unei rețele disponibile.

### Note:

- De asemenea, puteți conecta manual rețeaua Wi-Fi prin intermediul aplicației sau WPS; În cazul în care vă conectați la rețeaua Wi-Fi prin intermediul aplicației, asigurați-vă că dispozitivul care acceptă aplicația și radioul se află în raza aceluiași rețele.
- De asemenea, puteți seta rețeaua wireless utilizând tastele „sus”/„jos”, „stângă”/„dreaptă”, „redare/pauză/ENTER” de pe panoul frontal al dispozitivului.
- Rețeaua Wi-Fi conectată poate fi memorată și conectată automat data viitoare dacă rețeaua va mai fi disponibilă. Uneori, conexiunea necesită reintroducerea parolei. Rețineți, că aceasta nu este o defecțiune.

### Utilizarea radioului online

După ce v-ați conectat corect la internet, accesați meniul principal utilizând tastele „stângă” sau „dreaptă” pentru a căuta pictograma radioului online, apoi apăsați tasta ENTER pentru a intra în modul radio online.

### Selectarea posturilor de internet:

Folosind tastele „sus”/„jos” și tasta ENTER, selectați opțiunea corespunzătoare din lista de meniu. După ce intrați în meniul radioului online, selectați de ex.

**postul radio>tară/locație>Europa>Polonia>Polonia/top10>Denumirea postului radio.** Apoi, radioul se va conecta la postul selectat și va începe să-l redea.

Apăsăți scurt tasta ENTER pentru a întrerupe redarea și a reveni la meniul superior. Utilizați butoanele „sus”/„jos” pentru a selecta un alt post din listă, apăsați tasta ENTER pentru a-l reda; În timp ce ascultați radioul online, apăsați scurt tasta „dreaptă” pentru a mări informațiile de pe afișaj, prin apăsarea scurtă a tastei „stânga” afișajul va reveni la modul anterior. Țineți apăsată tasta „stângă”/„dreapta” pentru a trece la postul radio anterior sau următor, disponibil în listă. Apăsăți tasta „sus”/„jos” de pe panoul frontal al dispozitivului sau tasta de mărire sau micșorare a volumului de pe telecomandă pentru a regla nivelul volumului de ieșire. Apăsăți tasta silențios pentru a opri sunetul.

**Programarea posturilor online preferate:** după ce porniți postul preferat, apăsați și mențineți apăsată tasta Preferate (de pe telecomandă FAV) sau tasta de programare a posturilor radio (5 de pe panoul frontal) și accesați interfața de setări ale posturilor. Folosind tasta „sus”/„jos”, mutați și setați postul selectat sub numărul corespunzător de memorie de pe listă, apăsați tasta ENTER pentru a confirma alegerea.

Apăsăți scurt tasta Preferate (FAV pe telecomandă) sau tasta de programare a posturilor radio (5 pe panoul frontal) pentru a accesa lista posturilor programate, utilizați tasta „sus”/„jos” pentru a selecta postul programat, apăsați tasta ENTER pentru a-l reda. De asemenea, puteți selecta rapid un post programat apăsând tasta P1~P4 de pe panoul frontal sau apăsând scurt tasta corespunzătoare de pe tastatură numerică de pe telecomandă atunci când dispozitivul este în modul de redare radio.

Apăsăți scurt tasta Preferate (FAV de pe telecomandă) sau tasta de programare a posturilor radio (5 de pe panoul frontal) pentru a accesa lista posturilor programate, apăsați tasta „dreaptă” pentru a gestiona postul programat, de ex. Mutați în sus/in jos/ștergere/schimbarea denumirii/redare.

### Radio local online

a. Configurarea radioului local online: în meniul principal, accesați interfața setări>setarea radioului local >setarea locației>opțiuni (detectare automată a țării/configurare manuală (țară)/configurare manuală (județ)/configurare manuală (oraș)/configurare manuală (cod poștal SUA). Utilizând tastele „sus”/„jos” selectați opțiunea corespunzătoare și confirmați cu tasta ENTER. După ce ați terminat de setat locația, radioul va căuta și va trece la interfața setată a radioului local online.

b. După ce ați configurat corect radioul local online, puteți, de asemenea, să apăsați tasta LOCAL de pe telecomandă sau să selectați „postul local” în meniul principal al radioului online pentru a accesa lista posturilor radio locale și a reda postul selectat.

**Note:**

1. Obținerea accesului la un post radio poate dura ceva timp din cauza vitezei conexiunii la internet sau a locației serverului radio etc., ceea ce nu este o defecțiune. În cazul unor probleme de recepție rezultate din motivele de mai sus, vă sugerăm să alegeți un alt post de radio.
2. În cazul în care radioul este în modul de afișare a listei de posturi de radio disponibile, utilizând tastele „sus”/„jos”, puteți schimba postul, după marcarea unui anumit post printr-o scurtă apăsare a tastei „dreapta”, puteți accesa interfața opțiunii „Adăugare la favorite/scanare automată/redare”.
3. Radioul online este împărțit în categorii precum „Radio pentru somn”, „Global top 20”, „Gen”, „Țară/Locație”, „Recomandate” etc., care sunt disponibile în meniul radioului online. Datorită lor, puteți alege mai rapid postul dorit și să vă puteți bucura de ascultarea acestuia.
4. De asemenea, puteți gestiona lista posturilor preferate pe site-ul mediaU (www.mediayou.net). În primul rând, în meniul principal, activați funcția „my mediaU” mergând pe rând la: Setări> Gestionare My MediaU> Activare; apoi, radioul poate afișa dosarul „Postul preferat” „Locație/gen preferat” „Postul meu local (oraș)” „Adăugați manual”. Pe site-ul web (www.mediayou.net), faceți clic pe fila „my mediaU” pentru a gestiona dosarele de mai sus. Pentru mai multe informații despre această funcție, consultați în continuare aceste instrucțiuni.

**Utilizarea podcast-urilor:**

Radioul are o funcție de redare a podcast-urilor; principiul de funcționare este similar cu cel al radioului online. Porniți dispozitivul, accesați meniul principal și selectați pe rând: Podcast>Țară/Locație>Țară de destinație>Dosar categorie, apoi selectați și deschideți podcast-ul care vă interesează.

**Recepția posturilor locale DAB prin Wi-Fi:** Este posibil să recepționați posturile DAB locale, care transmit simultan semnalul cu un radio online. Pentru a le accesa, accesați meniul principal și selectați pe rând: Setări> Setări radio local> DAB (Wi-Fi)>Activare. Pentru a accesa lista de posturi DAB (Wi-Fi) disponibile, în meniul principal, selectați pe rând: Radio online>Post local>DAB (Wi-Fi) și apoi selectați postul care vă interesează.

**Utilizarea funcției My mediaU**

- a. În primul rând, trebuie să creați un cont la „http://www.mediayou.net.” și să vă conectați cu succes. Schimbați limba și apoi faceți clic pe fila „Dispozitiv”. Introduceți numele dispozitivului dvs. în fereaștră „Introduceți numele dispozitivului aici”.
- b. Introduceți numărul de serie în fereaștră „număr de serie”. (Cum obțin numărul de serie? Accesați meniul principal al dispozitivului dvs. și selectați pe rând: Setări>Dispozitiv>Informații despre sistem>Informații despre rețeaua wireless, și apoi veți găsi Adresa MAC.
- c. Transcrieți adresa MAC în fereaștră „număr de serie” și faceți clic pe „Adăugați”. Apoi accesați fila „my mediaU” pentru a gestiona dosarele „Postul preferat”, „Locație/gen preferat”, „Postul local”, „Adăugați manual”.
- d. Porniți radioul online, intrați în meniul principal și selectați: Setări>Gestionare My MediaU>Activare. Apoi, reveniți la meniul principal și selectați pictograma my mediaU, apoi se vor afișa dosarele disponibile „Postul preferat”, „Locație/gen preferat”, „Stație locală”, „Adăugare manuală”, care sunt sincronizate cu dosarele configurate în contul dvs., pe site-ul web <http://www.mediayou.net>.

**Utilizare Bluetooth**

Acest dispozitiv este prevăzut cu funcția Bluetooth care permite să redați fără fir muzică de pe un alt dispozitiv Bluetooth (cum ar fi un smartphone, o tabletă etc.).

1. Porniți dispozitivul, apăsați tasta meniului principal (3) de pe panoul frontal sau tasta MENU de pe telecomandă și accesați interfața principală, utilizând tastele „stânga” sau „dreapta” selectați pictograma Bluetooth, apoi apăsați tasta ENTER pentru a intra în modul Bluetooth. Dispozitivul va fi gata să asocieze Bluetooth.
2. Activați funcția Bluetooth pe un dispozitiv extern (smartphone, tabletă etc. Consultați instrucțiunile dispozitivului extern), apoi identificați pe lista dispozitivele Bluetooth disponibile pentru asociere. Selectați „BP IR10” pentru a asocia dispozitivele.
3. Selectați și redați muzică de pe dispozitivul Bluetooth extern, potriviți nivelul volumului atât de pe dispozitivul Bluetooth extern, cât și de pe acest radio, sunetul va fi redat fără fir utilizând difuzoarele acestui dispozitiv.
4. Apăsați lung tastele „stânga” sau „dreapta” pentru a comuta piesa anterioară sau următoare pentru redare; apăsați scurt tasta „stânga” sau „dreapta” pentru a mări sau a micșora informațiile despre imaginea piesei. apăsați scurt tasta ENTER pentru a reda sau întrerupe redarea; apăsați lung tasta ENTER pentru a obține interfața „Asociați un alt dispozitiv”, apăsați din nou tasta ENTER pentru a deconecta conexiunea Bluetooth curentă. Apăsați din nou lung tasta ENTER pentru a obține lista cu denumirile dispozitivelor Bluetooth asociate anterior, puteți selecta unul dintre ele pentru reasociere, cu condiția să aibă funcția Bluetooth activată și să se afle în raza de lucru Bluetooth a acestui dispozitiv.
5. În modul de redare Bluetooth, apăsați tasta „sus” sau „jos”, pentru a adapta volumul sunetului; sunt disponibile, de asemenea, setările egalizatorului EQ și de amortizare a sunetului.

**Note:**

1. Posibilitatea de a asocia cu succes toate dispozitivele Bluetooth nu este garantată din cauza varietății modelelor și soluțiilor.
2. Cea mai bună distanță de lucru a telecomenzii este de 10 metri fără obstacole între dispozitive.
3. Prezentul produs poate fi asociat și poate funcționa în același timp numai cu un singur dispozitiv Bluetooth extern.
4. În cazul unui apel telefonic primit în timpul redării Bluetooth; muzica va fi întreruptă temporar și reluată după terminarea legăturii telefonice.
5. Este necesar să se asocieze din nou dispozitivul Bluetooth în cazul opririi dispozitivului sau comutării modului de redare.

**Utilizarea player-ului USB.**

Dispozitivul este prevăzut cu funcția de redare USB MP3. Mai întâi, pregătiți o memorie USB formatată și copiați fișiere MP3 pe aceasta. Conectați corect memoria USB la portul USB de pe panoul din spate. Apăsați tasta meniului principal de pe panoul frontal sau tasta MENU de pe telecomandă pentru a intra în interfața principală, apoi selectați pe rând: Centru media> USB. Apoi, puteți vedea o listă de fișiere MP3 salvate pe memoria USB conectată. Selectați orice fișier și redați-l cu acest dispozitiv. În modul de redare a muzicii de la memoria USB, apăsați scurt tasta ENTER de pe panoul frontal sau de pe telecomandă pentru a reda fișierul sau pentru a întrerupe redarea. Apăsați tasta „sus” sau „jos” de pe panoul frontal sau VOL+ /VOL- de pe telecomandă,

pentru a mări sau micșora volumul; apăsați lung tasta "stânga" sau "dreapta" pentru a comuta piesa anterioară sau următoare. Apăsați scurt tasta „stânga” sau „dreapta”, pentru a mări sau micșora informațiile despre imaginea piesei. Sunt disponibile, de asemenea, setările egalizatorului EQ și funcția silențios.

Pentru a selecta modul de redare, accesați meniul principal și selectați pe rând: Setări> Setări de redare, apoi alegeți între Oprire/Repetare toate/Repetare una/Aleatoriu.

**Note:**

a. Nu este recomandat să se utilizeze prelungitoare USB pentru a conecta memoria USB, deoarece acest lucru poate afecta calitatea semnalului transmis către dispozitiv și, în consecință, o redare instabilă.

b. Dispozitivul acceptă formate WAV/WMA/MP3/FLAC/AAC (din cauza diferențelor de înregistrare, nu este garantată redarea tuturor fișierelor salvate în formatele de mai sus); Dispozitivul acceptă memoriile USB cu o capacitate maximă de 64 GB.

**Utilizarea funcției UPnP**

Dispozitivul este prevăzut cu funcția UPnP care se poate conecta la o rețea wireless și poate utiliza sistemele Windows, APPLE Mac sau Linux ca platformă de redare a muzicii. Piesele muzicale furnizate în player-ul computerului pot fi redate fără fir, folosind difuzoarele acestui radio online.

**Exemplu de utilizare a aplicației Windows Media Player 12:**

a. Faceți clic și deschideți software-ul player-ului Windows multimedia de pe computerul deținut, adăugați muzica preferată din biblioteca multimedia (consultați instrucțiunile playerului multimedia Microsoft Windows pentru utilizare).

b. Faceți clic pe fila „Flux” în partea stângă sus a ferestrei aplicației, selectați „Acceptă automat dispozitivele mele de redare multimedia”, apoi acceptați „Acceptă automat toate computere și dispozitive multimedia”. Acum puteți utiliza UPnP pentru a partaja și reda muzică.

c. Faceți clic pe „Mai multe opțiuni de redare în flux” în programul Windows Media Player pentru a redenumi biblioteca multimedia și pentru a permite/bloca redarea muzicii prin UPnP de dispozitiv. Denumirea bibliotecii multimedia poate fi personalizată (de exemplu, prin introducerea numelui BIBLIOTECA BLAUPUNKT) pentru a facilita identificarea rapidă a acesteia de către utilizator în lista de multimedia disponibile în meniul UPnP al acestui radiou. De asemenea, puteți permite unui anumit dispozitiv să transmită în flux muzică din biblioteca multimedia prin UPnP.

d. Porniți radioul, selectați pictograma Media Center > UPnP și verificați lista bibliotecilor multimedia disponibile, selectați biblioteca dvs. UPnP (de exemplu, UPnP: BIBLIOTECA BLAUPUNKT), apăsați scurt tasta ENTER pentru a confirma. (Notă: căutarea bibliotecii corespunzătoare poate dura până la 10 secunde sau mai mult, dacă dispozitivul nu găsește biblioteca multimedia, veți reveni la meniul Media Center.

e. După selectarea unei bibliotecii, de ex. UPnP „BIBLIOTECA BLAUPUNKT”; căutați și selectați dosarul cu muzică, apoi selectați dosarul uneia dintre categoriile disponibile, în pasul următor mergeți la selectarea redării muzicii.

f. În timp ce redați muzică, utilizați tastele "sus", "jos", "stânga", "dreapta" și tasta ENTER pentru a obține operația corectă. Modul de utilizare a redării UPnP este similar cu utilizarea redării din memoria USB.

**Note importante:**

a. Atât computerul, cât și radioul online trebuie conectate la aceeași rețea Wi-Fi în timpul funcționării UPnP.

b. Deoarece există multe sisteme/configurații diferite de PC-uri disponibile pe piață, conexiunea de redare UPnP poate eșua, caz care nu este acoperit de garanția noastră.

**Sprijinul Spotify Connect**

Acest dispozitiv dispune de Spotify Connect, care vă permite să transferați fără fir sunet din aplicația Spotify.

a. Porniți dispozitivul și accesați meniul principal, apoi selectați pe rând: pictograma aplicației Spotify> codul QR apare pe afișaj (la prima utilizare).

b. Scanați codul QR cu un smartphone, intrați automat pe site-ul oficial Spotify. Găsiți și descărcați aplicația Spotify pe smartphone-ul dvs.

c. Deschideți și accesați aplicația Spotify utilizând contul înregistrat, accesați „Setări” din aplicație și treceți la fila „Dispozitive”, apoi selectați „BP IR10” din listă. Aplicația pe smartphone se va conecta la radio în aproximativ 30 de secunde. Selectați și redați muzică în aplicația Spotify și sunetul va fi redat utilizând acest dispozitiv.

**Note importante:**

1. Software-ul Spotify face obiectul unor licențe care aparțin terților, care pot fi găsite aici:

<https://www.spotify.com/connect/third-party-licenses>.

2. Instrucțiunile de utilizare a Spotify pot fi găsite aici: <https://spotify.box.com/s/7m8g1j260xt82hly5cult0gmkknu6t>.

3. Utilizați smartphone-ul, tableta sau computerul ca telecomandă pentru Spotify. Accesați [www.spotify.com/connect](http://www.spotify.com/connect) pentru a afla cum să faceți acest lucru.

4. În timp ce utilizați funcția Spotify Connect, atât aplicația Spotify, cât și acest radio online trebuie să fie conectate la aceeași rețea Wi-Fi.

**Utilizarea radioului online folosind o aplicație mobilă**

a. Pentru dispozitivele cu sistemul iOS, căutați și descărcați „AirMusic Control” din magazinul App Store (descărcați și instalați „AirMusic control” pentru dispozitivele cu sistemul Android).

b. Porniți dispozitivul, intrați în meniul principal și selectați pe rând: Setări>Dispozitiv>APP, afișajul va arăta codul QR, scanați-l cu smartphone-ul.

c. Selectați și deschideți aplicația „AirMusic control” pe smartphone, aplicația poate scana automat și se poate conecta la radioul online dacă smartphone-ul și radioul online utilizează aceeași rețea Wi-Fi. (După conectare, BP IR10 va apărea pe lista denumirilor de dispozitive în meniul de configurare din aplicația AirMusic Control).

d. Apoi, puteți utiliza aplicația pe smartphone pentru a controla de la distanță radioul online.

**Notă importantă:**

Vă sugerăm să nu utilizați tastele de pe panoul frontal sau telecomanda pentru a controla dispozitivul, atunci când utilizați aplicația pentru a controla radioul, în același timp, deoarece acest lucru poate provoca probleme de sincronizare din cauza funcționării serverului și a vitezei conexiunii la internet. Problemele de sincronizare nu sunt acoperite de garanție. În acest caz, dispozitivul trebuie lăsat pentru un timp fără să se efectueze alte operațiuni până când funcționarea serverului se stabilizează.

### Îeșire liniară/cășți

Dispozitivul are o ieșire liniară care permite conectarea prin cablu la un alt difuzor activ, amplificator sau căști. Folosind cablul audio stereo de 3,5 mm furnizat, conectați-l la priza de ieșire liniară de pe panoul din spate, iar celălalt terminal conectați-l la un alt dispozitiv audio extern. Porniți acest dispozitiv și începeți redarea, apoi sunetul va fi redat de pe un dispozitiv audio extern. Difuzoarele acestui dispozitiv vor fi amortizate.

Conectați căștile la o priză de ieșire liniară pentru ascultare discretă. Difuzoarele acestui dispozitiv vor fi amortizate.

În timpul redării cu dispozitivul sau căștile conectate la ieșirea liniară, este posibilă reglarea nivelului volumului atât pe acest dispozitiv, cât și pe dispozitivul extern.

### Setarea ceasului și alarmei

Setarea ceasului/datei: Intrați în meniul principal și selectați pe rând: Setări> Dată și oră> Setări data și ora Aici aveți două opțiuni disponibile: "Configurare manuală" și "Detectare automată". Dacă selectați „Detectare automată”, informațiile privind ora și data curentă vor fi actualizate automat după ce vă conectați la rețeaua Wi-Fi. Puteți seta manual data și ora dacă selectați „Configurare manuală”. În submeniul "Dată și oră" sunt disponibile și opțiuni "Setați formatul orei" și "Setați formatul datei" – selectați-le pentru a ajusta formatul orei (12 sau 24 de ore) și formatul datei (sunt disponibile 3 opțiuni).

Setarea alarmei: Intrați în meniul principal și selectați pe rând: Setări> Alarmă. Apoi, puteți seta timpul pentru Alarma 1, Alarma 2, Timpul de amânare, Volumul alarmei. După intrarea în modul de setare Alarma 1 și 2, există opțiuni pentru selectarea repetării alarmei (Zilnic, O dată, În fiecare zi a săptămânii), setarea orei și selectarea sursei alarmei (Semnal sonor, Melodie, Radio online, USB)

1. Dacă ora alarmei este setată, radioul va porni automat la ora prestabilită. Apăsăți scurt tasta standby (3) pentru a anula sunetul alarmei.
2. Există două alarme care pot fi configurate separat.
3. Când alarma este activată, apăsați scurt orice tastă (cu excepția butonului standby (3) pentru a activa funcția de amânare. Alarma va fi activată din nou după ce timpul de amânare s-a scurs.
4. Funcția de alarmă este activă numai atunci când sursa de alimentare principală este conectată și disponibilă.
5. Dacă funcția de amânare este activă, timpul de amânare rămas va apărea pe afișaj. Apăsarea scurtă a tastei standby permite anularea timpului de amânare.

### Temporizator

În modul de redare (cum ar fi radio online, Bluetooth, modul de redare USB etc.), o apăsare scurtă a tastei SLEEP de pe telecomandă vă permite să setați temporizatorul. Sunt disponibile următoarele intervale de timp (în minute): 15/30/60/90/120/150/180/dezactivat. Dacă intervalul de timp selectat s-a scurs, dispozitivul va dezactiva automat redarea și va intra în modul standby.

### Altele

Pentru a efectua alte operațiuni, cum ar fi setarea luminozității afișajului, versiunea de software, restabilirea setărilor din fabrică etc., vă rugăm să urmați informațiile din diagrama de mai jos.

### Soluționarea problemelor

1. Difuzorul nu poate porni.
  - a. Verificați dacă sursa de alimentare este conectată corect.
2. Lipsă sunet.
  - a. Încercați să reglați volumul de sunet și verificați sursa de redare.
  - b. Dacă problema persistă, contactați un centru de service pentru asistență.
3. Redarea sunetului intermitentă în modul Bluetooth
  - a. Încercați să mutați dispozitivul Bluetooth mai aproape de acest dispozitiv.
  - b. Consultați instrucțiunile pentru a efectua reasocierea.
4. În modul Bluetooth, nivelul de sunet este prea mic.
  - a. Verificați atât volumul de sunet al dispozitivului Bluetooth, cât și al acestui dispozitiv.

### Specificație:

Sursă de alimentare: DC IN 9V/2A

Afișaj color TFT 2,4"

Versiunea Bluetooth: V5.0

USB 2.0, utilizarea fișierelor muzicale: WMA/WAV/FLAC /AAC (redarea tuturor formatelor nu este garantată).

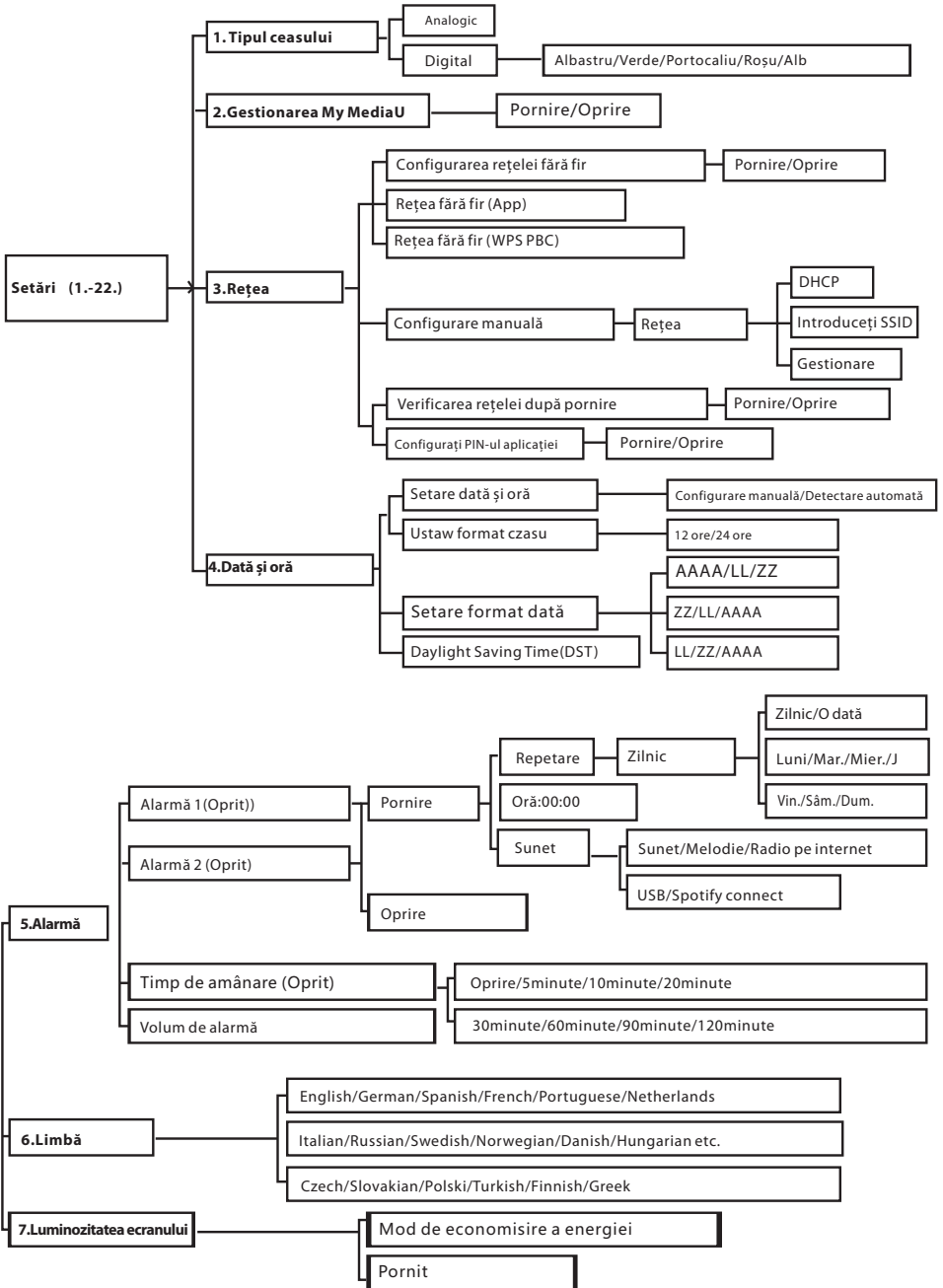
Ieșire RMS: 2 x 5W

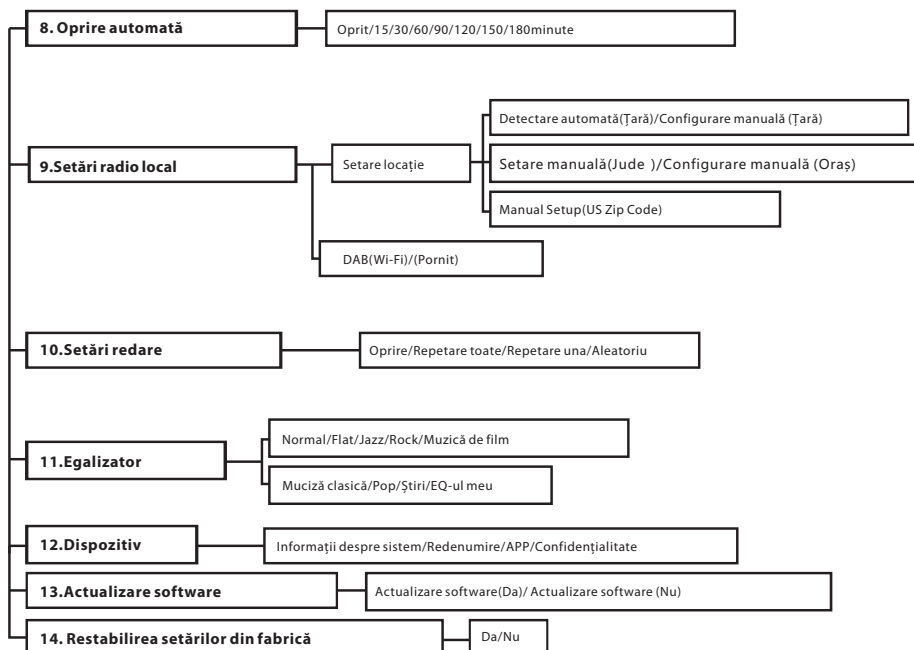
Consumul de energie: 16W

Consumul de energie în modul standby: <1W.

(Specificația de mai sus poate fi actualizată fără o notificare prealabilă.)







Informații despre alimentator		
Informații publicate	Valori și date	Unitate
Numele producătorului sau marca comercială Numărul registrului comercial Adresa	Shenzhen Fushigang Technology Co., Ltd Building 8, Shiguan Industrial Park, Shangcun Community, Gongming Street, Guangming District, Shenzhen, Guangdong, China	
Identificatorul modelului	AS1801A-0902000EU	
Identificatorul modelului	100-240	V
Frecvența curentului alternativ la intrare	50/60	Hz
Tensiune de ieșire	DC9	V
Intensitatea curentului la ieșire	2.0	A
Putere de ieșire	18.0	W
Randament activ mediu	≥85	%
Randament la încărcare medie (10%)	75.45%	%
Consum putere la funcționare în gol	≤0.1	W

## ВАЖНИ ИНСТРУКЦИИ ЗА БЕЗОПАСНОСТ



**ОПАСНОСТ ОТ ТОКОВ**



УДАР  
НЕ ОТВАРЯЙ

### Внимание:

За да се намали рискът от токов удар, не се разрешава демонтиране на капака, дори и на задната част на устройството. В самото устройство няма елементи, предназначени за самостоятелно ремонтване от потребителите. С обслужване и ремонтване на оборудването се занимават единствено квалифицирани служители на сервиса.

### Обяснение на графичните символи:



Светкавица, завършваща със стрелка, в равностранен триъгълник предупреждава потребителя за неизолотирано, „опасно“ напрежение около устройството, което напрежение може да има размери, заплашващи с токов удар.



Удивителният знак в равностранен триъгълник предупреждава потребителя, че в този момент в документацията, прикачена към устройството, се предоставя важна информация за обслужването и запазването на оборудването.

Моля, прочетете тази инструкция, преди да пристъпите към обслужване на устройството, за да се запознаете с неговите функции и да го използвате съгласно неговото предназначение. Това ще Ви осигури дълготрайно, безаварийно обслужване на устройството и удоволствие от използването му.

### Важна информация

- Запазете инструкцията за ползване, както и информацията за безопасност, с цел използване в бъдеще.
- Да не се допуска прокапване или протичане на течност върху устройството.
- Също да не се използва на влажни места като например в баня.
- Да не се инсталира това устройство на следните места:
- Изложени на непосредствено действие на слънчеви лъчи или близо до радиатори.
- Да не се поставя на повърхността на друго стереофично оборудване, което отделя топлина.
- Ако ще блокира вентилация или в прашно помещение.
- На места, изложени на постоянна вибрация.
- На места с висока влажност.
- Да не се поставя устройството близо до свещи или открит огън.
- Устройството може да се използва единствено по начина, описан в настоящата инструкция.
- Преди първото включване на захранването трябва да се уверите, че зарядното устройство е включено правилно.
- USB паметта се свързва непосредствено или с помощта на USB кабел с дължина до 25 см.

От съображения за сигурност да не се демонтират конструкциите, както и да не се осигурява достъп до вътрешността на устройството. Забранено е отварянето на устройството, както и отварянето на неговата конструкция, тъй като вътре няма части, които биха могли да бъдат поправени от потребителя. С обслужването и поправката на оборудването се занимават единствено квалифицирани служители на сервиса.

### ИНСТРУКЦИИ ЗА БЕЗОПАСНОСТ

1. Прочетете инструкцията – преди употреба прочетете цялата инструкция за обслужване, както и информацията за безопасност.
2. Запазете инструкцията – запазете инструкцията за употреба и обслужване с цел по-нататъшно използване.
3. Спазвайте предупрежденията – постъпвайте съгласно с всички предупреждения, поместени на устройството и съгласно с инструкцията за употреба.
4. Спазвайте инструкциите – постъпвайте съгласно с инструкцията за употреба и насоките за потребителя.
5. Инсталация - настройвайте устройството в съответствие с инструкциите на производителя.
6. Източници на захранване - захранвайте устройството само от източници с параметри, посочени на захранващия кабел. Ако не сте сигурни каква енергия имате въкъси, трябва да се свържете с продавача на устройството или местния доставчик на електрическа енергия.
7. Заземяване или поляризация на захранването – устройството не трябва да бъде заземявано. Уверете се, че щепселът е изцяло пъхнат в електрическата мрежа или удължителния кабел, за да не се откриват щифтовете или контактите. Някои версии на устройството могат да бъдат оборудвани с поляризиран адаптер за променлив ток (с по-широк щифт). Този щепсел може да бъде вкаран в гнездото само по един начин. Това е функция за обезопасяване. Ако не можете да поставите щепсела в гнездото, опитайте да го обърнете. Ако щепселът все още не се побира в гнездото, поискайте от електротехник да го смените. Не изваждайте предизпителите от поляризиращ щепсел. Ако използвате удължителен кабел или захранващ кабел, различен от тези, предоставени с устройството, той трябва да има съответните щепсели и одобрения за безопасност, изисквани в дадената страна.
8. Обезопасяване на захранващия кабел - Захранващите кабели трябва да бъдат насочвани така, че да не може да се стъпва по тях, да не бъдат притискани или прерязани от поставени върху тях предмети. Обърнете специално внимание на щепселите, контактите и мястото, където кабелите се извеждат от устройството.
9. Претоварване - Не претоварвайте стенните контакти, удължителите и електро-разпределителите, тъй като това може да доведе до пожар или токов удар.
10. Вентилация - устройството трябва да бъде охлаждаемо правилно. Не поставяйте устройството на легло, диван или подобни повърхности. Не покривайте уреда с покривки, салфетки, вестници и др.
11. Топлина - не поставяйте устройството в близост до източници на топлина като радиатори, лъчеви нагреватели, печки или други уреди (включително топлинни генератори), които произвеждат топлина. Не поставяйте запалени свещи или друг открит огън върху устройството.

12. Вода и влага - За да намалите риска от пожар или токов удар, не излагайте устройството на пряк дъжд, вода или влага, например в сауната или в банята. Не използвайте това устройство близо до вода като вана, мивка, кухненска мивка или вана, в мокро помещение или в близост до плувен басейн (или на подобни места).
13. Предмети и течности в устройството - не вкарвайте предмети през отворите на устройството, тъй като могат да влязат в контакт с опасни точки и компоненти на напрежение, което може да доведе до пожар или токов удар. При никакви обстоятелства не трябва да разливате течности по повърхността на устройството. Не поставяйте върху устройството предмети, съдържачи течности.
14. Почистяване - Преди почистяване винаги изключвайте устройството от контакта. Прахът около високоговорителя може да премахнете с помощта на суха кърпа. Ако за почистяването ще използвате аерозол, не насочвайте пръскачката директно към устройството, а към кърпата. Внимавайте да не повредите задвижващите устройства.
15. Допълнително оборудване - Не използвайте аксесоари, които не са одобрени от производителя, тъй като те могат да представляват риск.
16. Аксесоари - Не поставяйте устройството върху нестабилна количка, стойка, статив, конзола или маса. Устройството може да се преобръне и повреди, както и може да причини сериозни наранявания у деца или възрастни. Използвайте само колички, стойки, стативи, конзоли и маси, определени от производителя или продавани заедно с устройството. Сглобете уреда съгласно инструкциите на производителя, като използвате монтажния комплект, препоръчан от производителя.
17. Преместване на устройството - устройството, поставено на количката, трябва да се премества много внимателно. Внезапно спиране, твърде голяма сила или неравна повърхност може да доведе до преобръщане на количката заедно с устройството.
18. Период на неизползване на устройството - Изключете захранващия кабел от контакта по време на гръмотевични бури, или когато не използвате уреда за по-дълъг период от време.
19. Обслужване - не се опитвайте самостоятелно да правите преглед на устройството. Отварянето на капака може да доведе до опасно напрежение и да изложи потребителя на други опасности. С консервация и ремонтниране на оборудването се занимават единствено квалифицирани служители на сервиса.
20. Когато устройството не е в употреба, извадете захранващия кабел от контакта. Когато устройството е свързано към източник на захранване, то е в режим на готовност и не е напълно изключено.
21. Резервни части - при подмяна на части се уверете, че техникът е използвал препоръчаните от производителя резервни части или също, че частите са идентични с оригиналните. Подмяната с неодобрени части може да доведе до пожар, токов удар или други опасности.
22. Главни предпазители - за да предпазите устройството за постоянно от пожар, използвайте предпазители от съответния тип и параметри. Параметрите на предпазителите в даден обхват на напрежение са обозначени на устройството.
23. Не увеличавайте силата на звука, когато слушате част от песен с ниска сила на звука или при липсата на входен аудио сигнал. В противен случай при бързото увеличаване на силата на сигнала може да се стигне до повреда на високоговорителя.
24. Единственият начин за напълно изключване на устройството от източника на захранване е да изключите захранващия кабел от контакта или от устройството. Винаги, когато използвате устройството, трябва да има достъпен захранващ контакт или захранващ кабел.
25. Устройството трябва да се постави близо до контакт или удължителен кабел и така, че да е винаги достъпно.
26. Максималната температура на околната среда на устройството е 35 ° C.
27. Инструкции за електростатично разреждане - ако работата на устройството е прекъсната от електростатичен разряд, изключете уреда и повторно включете устройството или го преместете на друго място.
28. Батерия
  - a. Не излагайте батериите на прекомерна топлина като например слънчеви лъчи, огън и др.
  - b. Когато използвате батериите, обърнете внимание на изискванията за опазване на околната среда.
- в. Предупреждение за използване на батерията: За да не се стигне до изтичане на батерията, което може да доведе до нараняване или повреда на устройството:
  - , При поставяне на батерията, обърнете внимание на нейните полюси (+ и -).
  - , Не използвайте едновременно различни батерии - стари и нови, стандартни и алкални и др.
  - , Извадете батериите от устройството, ако няма да го използвате за по-дълъг период от време.

## ВНИМАНИЕ

Устройството не трябва да се използва от хора (включително деца) с намалени физически, сензорни или психически способности и лица с недостатъчни познания и опит, освен ако не са под наблюдението на лице, отговорно за тяхната безопасност и не са инструктирани как безопасно да използват устройството. Необходимо е присъствие на възрастни, ако устройството се използва от деца; това ще осигури безопасно използване на устройството.

1. Не оставяйте устройството без надзор! Изключвайте устройството, когато не го използвате, дори и за кратко време.
2. Не включвайте устройството чрез възнен часовник, нито чрез отделна система за дистанционно управление.
3. За да избегнете опасност при повреда на захранващия кабел, подмяната трябва да се извърши от производителя, от упълномощен сервизен център или от друго квалифицирано лице.
4. Преди да използвате уреда се уверете, че напрежението му съответства на напрежението на местното захранване.
5. Не покривайте вентилационните изходи, например с вестници, покривки, завеси и др. Уверете се, че над устройството има най-малко 20 см свободно пространство и от всяка страна на уреда - най-малко 5 см.
6. Не допускайте да капят или да се разливат течности или не поставяйте предмети, съдържачи течности като например вази.
7. За да избегнете пожар или токов удар, предпазвайте устройството от горещи места, дъжд, влага и прах.
8. Не поставяйте устройството близо до водоизточници като кранове, вани, перални машини или плувни басейни. Поставете устройството на равна и стабилна повърхност.
9. Не излагайте устройството на силни магнитни полета.
10. Не поставяйте устройството директно върху усилвателя или приемника.
11. Не поставяйте устройството на влажно място, тъй като влагата има вреден ефект върху електрическите компоненти.
12. При внасяне на устройството от студено на топло или на влажно място, може да се образува конденз върху обектива въртре в плетъра. В този случай устройството няма да работи правилно. Оставете включения уред в продължение на около един час, за да може влагата да се изпари.

13. Не почиствайте устройството с химически разтворители, тъй като те могат да повредят лаковото покритие на конструкцията. Избършете устройството с чиста, суха или леко влажна кърпа.

14. Когато изваждате щепсела от контакта, винаги издърпвайте щепсела, а не захранващия кабел.

15. Когато устройството е включено в близост до телевизор, то може да е източник на смущения под формата на линии на екрана. Това зависи от дължината на телевизионната вълна. Не означава неизправност на устройството или телевизора. Ако видите такива линии, преместете устройството далеч от телевизора.

16. Захранващият щепсел се използва за изключване на захранващото напрежение и трябва да е винаги на разположение.

17. За да предотвратите евентуална загуба на слух, не слушайте силна музика в продължение на дълги периоди от време.



#### ВНИМАНИЕ



#### Декларация

С настоящото Blaupunkt Competence Center 2N-Everpol Sp. z o.o. декларира, че това устройство отговаря на изискванията и други приложими разпоредби на Директива 2014/53 / на ЕС. Пълната декларация за съответствие може да бъде намерена на [www.blaupunkt.com](http://www.blaupunkt.com) в раздела за продукти.

Отговорно лице: 2N-Everpol Sp. Z o.o.

Puławska 403A, 02-801 Warszawa, Polska

Телефон: +48 22 331 99 59, e-mail: [info@everpol.pl](mailto:info@everpol.pl)



Продуктът е произведен от висококачествени материали и компоненти, които могат да бъдат рециклирани и повторно използвани.



Ако на устройството има знак със задраскано кошче за отпадъци, това означава, че продуктът е обхванат от Европейската директива 2012/19 / ЕС. Запознайте се с изискванията на местната система за събиране на електрически и електронни отпадъци. Следвайте местните разпоредби. Не изхвърляйте този продукт заедно с обикновените битови отпадъци. Правилното изхвърляне на стария продукт ще предотврати потенциални негативни последици за околната среда и човешкото здраве.



Устройството е оборудвано с батерии, които са част от европейска директива 2006/66/ЕС. Не изхвърляйте батериите заедно с битови отпадъци. Запознайте се с изискванията на местната система за събиране на батерии, тъй като правилната употреба на стария продукт ще предотврати потенциални негативни последици за околната среда и човешкото здраве.

#### Информация за опазване на околната среда

**Пакетът съдържа само необходимите елементи.** Положени са всички усилия, за да се гарантира, че трите компонента на опаковката са лесни за разделяне: картонена кутия, полистиролова пяна (вътрешна защита) и полиетилен (торбички, защитен лист). Устройството е изработено от материали, които могат да бъдат рециклирани и повторно използвани, след като се демонтират от специализирана фирма. Спазвайте местните разпоредби за изхвърляне на опаковъчни материали, отпадъчни батерии и ненужно оборудване.

Записването и възпроизвеждането на материали може да изисква съгласие. Вижте Закона за авторските права и правата на изпълнителите/ артистите.

#### Забележка относно ERP2 (на устройства, свързани с енергопотребление)

Настоящото устройство с екопроект отговаря на изискванията на етап 2 от Регламента на Комисията (ЕО) № 1275/2008 за прилагане на Директива 2009/125 / ЕО относно консумацията на енергия от електроуреди за офиса и дома.



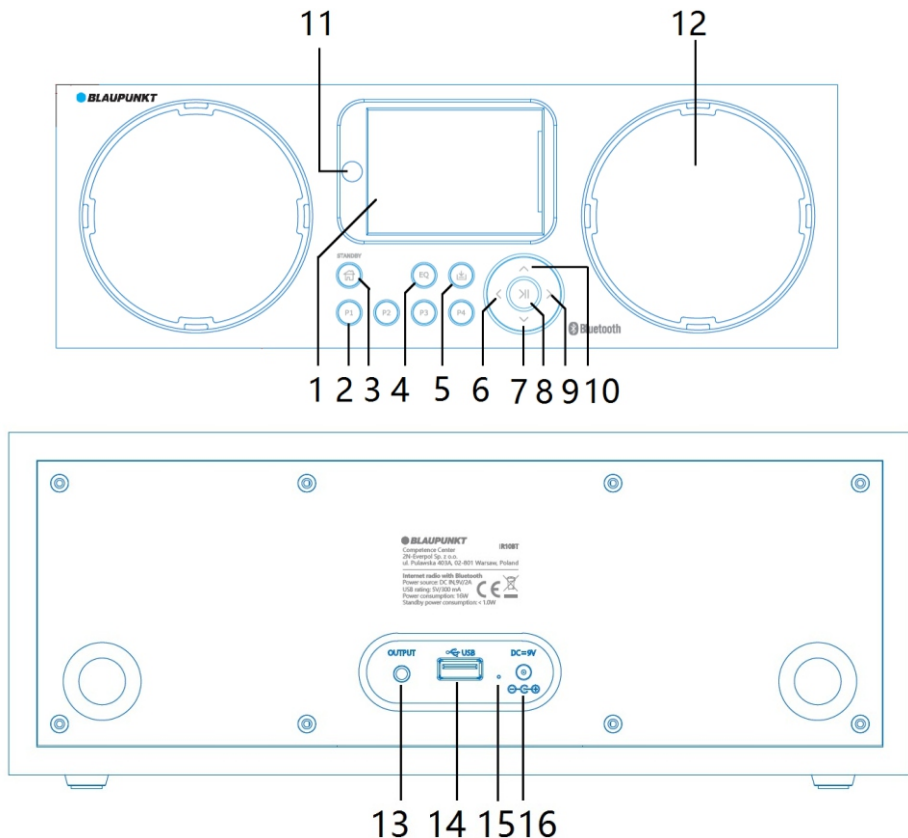
Собственик на търговските знаци и логото Bluetooth® е фирма Bluetooth SIG, Inc. USA. Използването на тези знаци и логото подлежи на лицензиране. Другите знаци и търговски названия принадлежат на съответните собственици.

Благодарим Ви, че избрахте нашия модел, моля, запознайте се внимателно с настоящата инструкция, преди да започнете да го използвате. Съхранявайте инструкцията за бъдещи справки.

**Устройството има следните основни функции:**

- Интернет радио
- Възпроизвеждане чрез модул Bluetooth
- Възпроизвеждане USB
- Обслужване на Spotify Connect
- Обслужване на подкастове
- Изход аудио линейен
- Часовник, будилник, таймер

**Разположение на елементите за управление**



**1- Цветен дисплей;**

**2- Бутони за програмиране на радиостанции P1 ~ P4**

Натиснете краткотрайно, за да изберете съответните програмирани станции и да ги възпроизведете. Натиснете и задръжте (за 2 секунди) бутон P1 ~ P4, за да запишете текущата станция в паметта.

**3- Бутон готовност/Главно меню;**

Натиснете и задръжте, за да преминете в режим готовност.

Натиснете за кратко, за да включите устройството или да влезете в главното меню.

В режим аларма натиснете за кратко бутона, за да отмените звука на алармата и да преминете в режим готовност.

BULGARIA

#### 4- Бутон на еквалайзера EQ

Натиснете го няколко пъти, за да превключите еквалайзера между програмираните настройки: NORMAL/FLAT/JAZZ/ROCK/SOUNDTRACK/CLASSIC/POP/NEWS/MY EQ.

#### 5- Бутон за програмиране на радиостанции;

Натиснете го за кратко, за да извикате интерфейса на програмираната станция. Натиснете и задръжте, за да запишете текущата станция.

#### 6- Бутон „наляво“;

Натиснете за кратко, за да преместите и изтриете буква, когато въведете парола за мрежата. Натиснете за кратко, за да излезете и да преминете в горното меню. Натиснете продължително, за да преминете към предишното произведение в режим USB.

#### 7- Бутон „надолу“;

Натиснете за кратко, за да намалите силата на звука; Натиснете и задръжте, за да намалявате непрекъснато силата на звука. Натиснете за кратко, за да отидете надолу в менюто с цел избор.

#### 8- Бутон възпроизвеждане/пауза, бутон ENTER - потвърждаване на избора;

Натиснете за кратко, за да възпроизведете или да спрете възпроизвеждането на музика в режим USB. Натиснете го за кратко, за да потвърдите избора си.

#### 9- Бутон „надясно“;

Натиснете го за кратко, за да преместите и добавите буква, когато въведете паролата за мрежата. Натиснете за кратко, за да влезете в подменюто. Натиснете продължително, за да преминете към следващото произведение в режим USB

#### 10- Бутон „нагоре“;

Натиснете за кратко, за да увеличите силата на звука; натиснете и задръжте, за да увеличавате непрекъснато силата на звука. Натиснете за кратко, за да преминете нагоре в менюто с цел избор.

#### 11- Инфрачервен сензор на дистанционно управление

#### 12- Високоговорител;

#### 13- Гнездо на линееен изход;

#### 14- USB порт;

#### 15- LED индикатор на захранването;

#### 16- Гнездо за захранване DC IN;

**1- Бутон за включване/изключване на режим готовност:** натиснете за кратко, за да включите/изключите устройството.

**2- Бутон на таймера:** натиснете го няколко пъти, за да зададете времето за изключване на устройството.

**3- Бутон на алармата:** натиснете го за кратко, за да влезете в интерфейса за настройка на алармата.

**4- Бутон за възпроизвеждане/пауза:** натиснете го за кратко, за да възпроизведете/спрете музиката в режим USB.

**5- Бутон предишно произведение:** натиснете за кратко, за да преминете към предишното произведение в USB режим.

**6- Бутон МЕНЮ:** натиснете го за кратко, за да влезете в главното меню.

**7- Бутон „нагоре“:** натиснете го, за да преминете нагоре в менюто.

**8- Бутон ENTER – потвърждаване на избора:** натиснете го за кратко, за да потвърдите избора.

**9- Бутон „наляво“:** натиснете, за да излезете или да преминете нагоре в менюто.

**10- Бутон LOCAL:** натиснете го за кратко, за да влезете в режим местно интернет радио.

**11- Бутони с цифри и знаци:** натиснете го няколко пъти, за да изберете съответна цифра и буква.

**12- Бутон за намаляване на силата на звука:** натиснете го, за да намалите силата на звука.

**13- Бутон за изключване на звука:** натиснете го, за да изключите звука на устройството, натиснете го отново, за да възобновите възпроизвеждането.

**14- Бутон WPS:** бутон за бързо свързване с мрежа, ако Wi-Fi рутерът също има бутон WPS, натиснете го за кратко, за да влезете в режим на бързо свързване с мрежа.

**15- Бутон димер:** натиснете го, за да регулирате яркостта на дисплея

**16- Бутон Stop:** натиснете го, за да спрете възпроизвеждането на текущия запис в USB режим, натиснете бутон ENTER, за да продължите и да започнете да възпроизвеждате от самото начало.

**17- Бутон следващо произведение:** натиснете го за кратко, за да преминете към следващия запис в USB режим.

**18- Бутон EQ:** натиснете го, за да изберете подходящия режим на еквалайзера.

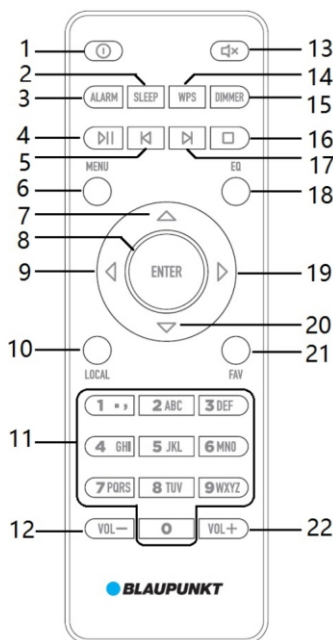
**19- Бутон „надясно“:** натиснете го, за да влезете в подменюто.

**20- Бутон „надолу“:** натиснете го, за да преминете надолу в списъка на менюто.

**21- Бутон Любими FAV:** натиснете за кратко, за да влезете в интерфейса на програмираната станция, натиснете продължително, за да запишете текущата станция.

**22- Бутон за увеличаване на силата на звука:** натиснете го, за да увеличите силата на звука.

#### Дистанционно управление





### Свързване на захранването:

Поставете конектора DC на приложеното захранващо устройство в гнезодото DC на задния панел на устройството, след което свържете захранващото устройство към контакта за променлив ток (230 V, 50/60 Hz), за да включите захранването. Ако захранването е свързано успешно, дисплей ще светне и ще покаже екранът за добре дошли на BLAUPUNKT. Натиснете за кратко бутона за готовност, за да включите устройството, натиснете продължително, за да влезете в режим готовност. Устройството е готово за работа.

### Обслужване на менюто:

За обслужване на менюто използвайте бутоните „нагоре“, „надолу“, „наляво“, „надясно“ и ENTER на дистанционното управление или „нагоре“, „надолу“, „наляво“, „надясно“ и бутона за възпроизвеждане/пауза/ENTER (8) на предния панел на устройството.

### Свързване към Wi-Fi мрежа

Устройството има вграден Wi-Fi модул, който може да се свързва към безжична мрежа. За да слушате интернет радио, първо трябва да конфигурирате и да се свържете с интернет с помощта на Wi-Fi рутер. Следвайте инструкциите, представени по-долу:

- При първото използване устройството ще покаже екрана за добре дошли на BLAUPUNKT, след което ще поиска да изберете език на обслужване (език по подразбиране: полски). Можете да използвате бутоните „нагоре“ и „надолу“, за да преместите избора в списъка в менюто и да натиснете бутон ENTER, за да го потвърдите. След това на екрана ще се появи информация за поверителност, натиснете бутон ENTER, за да „включите“ опцията за „проверка на мрежата след включване?“
- Натиснете бутона „наляво“ или „надясно“, за да изберете „да“ или „не“, натиснете бутон „ENTER“, за да потвърдите избора си.
- Ако изберете „да“, върху екрана ще се появи въпрос: „Искате ли да конфигурирате мрежата сега?“ изберете „да“, устройството ще търси наличните безжични мрежи и ще покаже списък с имената на Wi-Fi.
- Натиснете бутон „нагоре“ или „надолу“, за да намерите Вашата мрежа в списъка с налични мрежи, след като я намерите, натиснете бутон ENTER, за да потвърдите избора си. След това устройството ще поиска да въведете паролата за избраната безжична мрежа.
- Препоръчваме да използвате номерата и знаците на дистанционното управление, за да въведете паролата по-бързо. Няколкократно натискане на бутона на цифровата клавиатура на дистанционното управление Ви позволява да изберете съответна цифра и малка или главна буква. Когато намерите правилната буква на паролата, натиснете за кратко бутона „надясно“, за да потвърдите избора си и продължете, за да въведете следващия символ на паролата. Ако въведете неправилен знак на паролата, с кратко натискане на бутон „наляво“ можете да го изтриете.
- Когато приключите с въвеждането на паролата за безжичната мрежа, натиснете бутон ENTER, след което устройството ще се свърже с Wi-Fi мрежата и ще влезе в главния интерфейс.
- Ако свързването с мрежа е неуспешно, натиснете за кратко бутона на менюто на дистанционното управление, за да влезете в главния интерфейс, изберете Настройки>Мрежа>Конфигурация на безжична мрежа> включете отново търсене на наличната мрежа.

### Забележки:

- Можете също така ръчно да свързвате Wi-Fi мрежи чрез приложението или WPS; Когато свързвате Wi-Fi мрежата чрез приложението, трябва да се уверите, че устройството, което обслужва приложението, и радиото се намират в обсега на една и съща мрежа.
- Можете също да настроите безжичната мрежа, като използвате бутоните „нагоре“/„надолу“/„наляво“/„надясно“, възпроизвеждане/пауза/ENTER от предния панел на устройството.
- Свързаната Wi-Fi мрежа може да бъде запазена и автоматично свързана следващия път, ако мрежата все още е налична. Понякога връзката изисква да въведете отново паролата. Трябва да се отбележи, че това не е дефект на устройството.

### Обслужване на интернет радио

След като се свържете правилно с интернет, влезте в главното меню с помощта на бутоните „наляво“ или „надясно“, намерете иконата на интернет радио, след което натиснете бутон ENTER, за да влезете в режим интернет радио.

### Избор на интернет станции:

С помощта на бутоните „нагоре“/„надолу“ и ENTER изберете подходящата опция от списъка на менюто. След като влезете в менюто на интернет радио, изберете напр.

**радиостанция>държава/местоположение>Европа>Полша>Полша/топ10>Име на радиостанция.** След това радиото ще се свърже с избраната станция и ще започне да я възпроизвежда.

Натиснете за кратко бутон ENTER, за да спрете възпроизвеждането и да се върнете към по-високо меню. Използвайте бутоните „нагоре“/„надолу“, за да изберете друга станция от списъка, натиснете бутон ENTER, за да я възпроизведете; Докато слушате интернет радио, натиснете за кратко бутон „надясно“, за да увеличите информацията на дисплея, кратко натискане на бутона „наляво“ ще върне дисплея в предишния режим. Натиснете и задръжте бутона „наляво“/„надясно“, за да преминете към предишната или следващата радиостанция, налична в списъка. Натиснете бутона „нагоре“/„надолу“ на предния панел на устройството или бутона за увеличаване или намаляване на силата на звука на дистанционното управление, за да регулирате изходното ниво на звука. Натиснете бутона за изключване на звука, за да изключите звука.

**За да програмирате любимите си интернет станции:** когато включите любимата си станция, натиснете и задръжте бутон Любими (FAV на дистанционното управление) или бутона за програмиране на радиостанции (5 на предния панел) и преминете към интерфейса за настройки на станцията. С помощта на бутон „нагоре“/„надолу“ преместете и настройте избраната станция за правилния номер на паметта в списъка, натиснете бутон ENTER, за да потвърдите избора си. Натиснете за кратко бутон Любими (FAV на дистанционното управление) или бутона за програмиране на радиостанции (5 на предния панел), за да отидете в списъка с програмирани станции, използвайте бутона „нагоре“/„надолу“, за да

изберете програмираната станция, натиснете бутон ENTER, за да я възпроизведете. Можете също така бързо да изберете програмирана станция, като натиснете бутон P1~P4 на предния панел или като натиснете за кратко съответния бутон на цифровата клавиатура на дистанционното управление, когато устройството е в режим на възпроизвеждане на радио. Натиснете за кратко бутон Любими (FAV на дистанционното управление) или бутона за програмиране на радиостанции (5 на предния панел), за да отидете в списъка с програмирани станции, натиснете бутона „надаясно“, за да управлявате програмираната станция, например да се движите нагоре/надолу/да изтривате/преименувате/възпроизведете.

### Местно интернет радио

а. За да конфигурирате местното си интернет радио: в главното меню отворете настройки>настройки на локалното радио>настройки на местоположението>опции (автоматично откриване на държава/ръчно настройване (държава)/ръчно настройване (област)/ръчно настройване (град)/ръчно настройване (пощенски код на САЩ). Използвайте бутоните „нагоре“/„надолу“, за да изберете подходящата опция и да потвърдите с бутон ENTER. Когато завършите настройката на местоположението, радиото ще търси и ще преминае към зададения веб интерфейс на местното радио.

б. След като конфигурирате правилно местното си интернет радио, можете също да натиснете бутон LOCAL от дистанционното управление или да изберете „местна станция“ в главното меню на интернет радиото, за да отидете в списъка с локални радиостанции и да възпроизведете избраната станция.

### Забележки:

1. Достъпът до радиостанция може да отнеме известно време поради скоростта на интернет връзката или местоположението на радио сървъра и т.н., което не е грешка. В случай на проблеми с приемането, произтичащи от горните причини, предлагаме да изберете друга радиостанция.

2. Когато радиото е в режим на показване на списъка с наличните радиостанции, с помощта на бутоните „нагоре“/„надолу“, можете да промените станцията, след като изберете дадена станция, кратко натискане на бутона „надаясно“ Ви позволява да отидете към интерфейса на опцията „добави към любими“/автоматично сканиране/възпроизвеждане“.

3. Интернет радиото е разделено на категории като „Радио за сън“, „Глобални топ 20“, „Жанр“, „Държава/Локализация“, „Отличени“ и др., които са достъпни в менюта на интернет радиото. Благодарение на тях, можете бързо да изберете правилната станция и да се насладите на възпроизвеждането ѝ.

4. Можете също така да управлявате списъка си с любими станции в уебсайта на mediaU ([www.mediayou.net](http://www.mediayou.net)). Първо, в главното меню активирайте функцията „my mediaU“, като отидете на: Настройки>Управление на My mediaU> Включи; след това радиото може да покаже папката „любима станция“, „любимо местоположение/жанр“, „Местна станция (град)“, „Ръчно добавяне“. В уебсайта ([www.mediayou.net](http://www.mediayou.net)) кликнете върху таб „my mediaU“, за да управлявате горните папки. Повече информация за тази функция ще намерите по-нататък в тази инструкция.

### Обслужване на подкастове:

Устройството е оборудвано с функция за възпроизвеждане на подкастове, принципът на действие е подобен на този на интернет радиото. Включете устройството, отидете в главното меню и изберете поредно:

Подкаст>Държава/Местоположение>Държава Дестинация>Папка на категорията, след което изберете и отворете подкаста, който Ви интересува.

**Приемане на местни DAB станции чрез Wi-Fi:** Възможно е да слушате местни DAB станции, които едновременно излъчват сигнала като интернет радио. За да получите достъп до тях, отворете главното меню и изберете поредно: Настройки> Настройки на местното радио> DAB (Wi-Fi)>Включи. За да преминаете към списъка с налични DAB станции (Wi-Fi), в главното меню изберете: Интернет радио>Местна станция>DAB (Wi-Fi) и след това изберете станцията, която Ви интересува.

### Обслужване на функция My mediaU

а. Първо трябва да създадете профил на адрес <http://www.mediayou.net>, и успешно да се логнете. Променете езика и след това кликнете върху таб „Устройство“. Въведете името на Вашето устройство в полето „Въведете тук име на устройството“.

б. Въведете серийния номер в полето „серийн номер“. (Как да намерите серийния номер? Влезте в главното меню на Вашето устройство и изберете: Настройки>Устройство>Информация за системата>Информация за безжичната мрежа и ще намерите MAC адреса.

в. Запишете MAC адреса в полето „серийн номер“ и кликнете върху „Добави“. След това отворете панела „my mediaU“, за да управлявате папките „Любима станция“, „Любимо местоположение/жанр“, „Местна станция“, „Ръчно добавяне“.

г. Включете интернет радиото, влезте в главното меню и изберете: Настройки>Управление на My mediaU>Включи. След това се върнете в главното меню и изберете иконата my mediaU, ще се появят достъпните папки „Любима станция“, „Любимо местоположение/жанр“, „Местна станция“, „Ръчно добавяне“, които са синхронизирани с папките, конфигурирани в профила Ви в уебсайта <http://www.mediayou.net>.

### Обслужване на Bluetooth

Това устройство е оборудвано с функция Bluetooth, която позволява безжично възпроизвеждане на музика от друго Bluetooth устройство (като смартфон, таблет и др.).

1. Включете устройството, натиснете бутона на главното меню (3) на предния панел или бутон MENU на дистанционното управление и преминаете в главния интерфейс, използвайте бутоните „наляво“ или „надаясно“, за да изберете иконата на Bluetooth, след което натиснете бутон ENTER, за да влезете в Bluetooth режим. Устройството ще бъде готово за съдвяване Bluetooth.

2. Включете функция Bluetooth във външното устройство (смартфон, таблет и др. запознайте се с инструкцията за обслужване на външното устройство), след което проверете списъка с готовите за съдвяване устройства Bluetooth. Изберете „BP IR10“ за съдвяване.

3. Изберете и възпроизведете музика от външно Bluetooth устройство, настройте нивото на силата на звука, както във външното устройство Bluetooth, така и в това радио, звукът ще бъде възпроизвеждан безжично от високоговорителя на това устройство.

4. Натиснете продължително бутоните „наляво“ или „надаясно“, за да преклучите предишното или следващото произведение; натиснете за кратко бутона „наляво“ или „надаясно“, за да увеличите или намалите информацията за

изображението на произведението. Натиснете за кратко бутон ENTER, за да възпроизведете или да спрете възпроизвеждането; натиснете продължително бутон ENTER, за да преиниете към интерфейса. Сдвояване на друго устройство\*, натиснете отново бутон ENTER, за да прекъснете текущата Bluetooth връзка. Натиснете отново продължително бутон ENTER, за да получите списък с имена на предишно сдвоени Bluetooth устройства, можете да изберете едно от тях, което да бъде сдвоено отново, стига то да има активирана функция Bluetooth и да се намира в работния обхват на Bluetooth на това устройство.

5. В Bluetooth режим на възпроизвеждане натиснете бутон „нагоре“ или „надолу“, за да регулирате силата на звука; достъпни са и настройки на коректора на звука EQ и за изключване на звука.

#### **Забележки:**

1. Не се гарантира успешно сдвояване на всички устройства Bluetooth поради разлики в конструкциите на устройствата.
2. Най-доброто работно разстояние за Bluetooth е 10 метра без препятствия между устройствата.
3. Този продукт може да бъде сдвоен и да работи едновременно само с едно външно Bluetooth устройство.
4. В случай на телефонно обаждане по време на възпроизвеждане Bluetooth: музиката временно ще бъде спряна и възобновена, когато телефонното обаждане приключи.
5. Необходимо е да сдвоите Bluetooth устройството отново, когато устройството е изключено или, когато режимът на възпроизвеждане е прекъснат.

#### **Обслужване на възпроизвеждане от USB.**

Устройството е оборудвано с функция за възпроизвеждане USB MP3. Първо, подгответе форматирана USB памет и копирайте върху нея MP3 файловете. Свържете правилно USB паметта към USB порта на задния панел. Натиснете бутона на главното меню на предния панел или бутон MENU на дистанционното управление, за да влезете в главния интерфейс, след което изберете: Мултимедия център > USB. След това можете да видите списък с MP3 файлове, съхранени в съвразната USB памет. Изберете файл и го възпроизведете посредством това устройство.

В режим на възпроизвеждане на музика от USB натиснете за кратко бутон ENTER на предния панел или дистанционното управление, за да възпроизведете файла или да спрете възпроизвеждането. Натиснете бутон „нагоре“ или „надолу“ на предния панел или VOL+ /VOL- на дистанционното управление, за да увеличите или намалите силата на звука; натиснете продължително бутон „наляво“ или „надясно“, за да превключите предишната или следващата песен. Натиснете за кратко бутон „наляво“ или „надясно“, за да увеличите или намалите информацията за изображението на песента. Налични са и настройки за коректора на звука EQ и функция за изключване на звука.

За да изберете режим на възпроизвеждане, влезте в главното меню и изберете: Настройки > Настройки за възпроизвеждане, след което изберете Изключи/Повторение на всички/Повторение на една песен/Случаен принцип.

#### **Забележки:**

- a. Не се препоръчва да използвате удължителни USB кабели, за да свържете USB паметта, тъй като това може да повлияе на качеството на предавания сигнал към устройството и да се получи нестабилно възпроизвеждане.
- б. Устройството обслужва формати WAV/WMA/MP3/FLAC/AAC (поради разлики в записа не се гарантира възпроизвеждане на всички файлове, записани в горните формати; Устройството обслужва памети USB с максимален капацитет до 64 GB.

#### **Обслужване на функция UPnP**

Устройството е оборудвано с функция UPnP, която може да се свърже с безжична мрежа и да използва Windows, APPLE Mac или Linux като платформа за възпроизвеждане на музика. Музикалните произведения, предоставени в плейъра на компютъра, могат да бъдат възпроизведени безжично чрез високоговорителите на това интернет радио.

#### **Примерно обслужване на приложение Windows Media Player 12:**

a. Кликнете и отворете приложението Windows Media Player в компютъра си, добавете любимата си музика към медийната библиотека (моля, вижте ръководството за употреба на Microsoft Media Player).

б. Кликнете върху панела „Стийминг“ в горния ляв ъгъл на прозореца на приложението, изберете „Автоматично разрешаване на устройствата да възпроизвеждат моите носители“ и след това приемете „Автоматично разрешаване на всички компютри и медийни устройства“. Сега можете да използвате UPnP за споделяне и възпроизвеждане на музика.

в. Кликнете върху „Повече опции за стийминг“ в Windows Media Player, за да преименувате медийната си библиотека и да разрешите/блокирате възпроизвеждането на музика чрез UPnP. Името на медийната библиотека може да бъде персонализирано (напр. чрез въвеждане на името БИБЛИОТЕКА BLAUPUNKT), за да се улесни на потребителя бързото идентифициране в списъка с достъпни медийни устройства в менюто UPnP на това радио. Можете също така да разрешите на конкретно устройство стийминг възпроизвеждане на музика от медийната библиотека чрез UPnP.

г. Включете радиото, изберете иконка Мултимедия център > UPnP и проверете списъка с налични мултимедийни библиотеки, изберете Вашата UPnP библиотека (например UPnP: БИБЛИОТЕКА BLAUPUNKT), натиснете за кратко бутон ENTER, за да потвърдите. (Забележка: търсенето на съответната библиотека може да отнеме до 10 секунди или повече, ако устройството не намери медийната библиотека, ще се върне в меню Мултимедия център.

д. След като изберете библиотека, напр. UPnP: БИБЛИОТЕКА BLAUPUNKT, потърсете и изберете папка с музика, след това изберете папка от една от наличните категории, в следващата стъпка преиниете към избора на произведение.

е. Когато възпроизвеждате музика, използвайте бутоните „нагоре“, „надолу“, „наляво“ и ENTER, за да изберете съответна операция. Обслужването на възпроизвеждане UPnP е подобно на възпроизвеждане от USB.

#### **Важни забележки:**

- a. По време на UPnP режим, както компютърът, така и интернет радиото трябва да се свържат към една и съща Wi-Fi мрежа.
- б. Тъй като на пазара има много различни компютърни системи/PC конфигурации, връзката с цел възпроизвеждане в режим UPnP може да не бъде успешна, което не е обхванато от нашата гаранция.

#### **Обслужване на Spotify Connect**

Това устройство е оборудвано с функция Spotify Connect, която позволява безжично изпращане на звук от приложението Spotify.

a. Включете устройството и преиниете в главното меню, след което поредно изберете: иконата на приложението Spotify > на екрана ще се покаже QR кодът (при първо използване).

б. Сканирайте QR кода със смартфона си, влезте автоматично в официалния уебсайт на Spotify. Намерете и изгледете приложението Spotify на смартфона си.

в. Отворете и влезте в приложението Spotify, като използвате регистриран профил, преминете в секция „Настройки“ на приложението и отидете в таб „Устройства“, след което изберете от списъка, „BP IR10“. Приложението в смартфона ще се свърже с радиото след около 30 секунди. Изберете и възпроизведете музика в приложението Spotify, а звукът ще се възпроизвежда от високоговорителите на това устройство.

#### **Важни забележки:**

1. Софтуерът Spotify подлежи на лицензи от трети страни, които можете да намерите тук:

<https://www.spotify.com/connect/third-party-licenses>.

2. Инструкции за обслужване на Spotify можете да намерите тук:

<https://spotify.box.com/s/7m8g1ij260xht8zlh5cult0gmkknu6t>.

3. Използвайте смартфона, таблета или компютъра си като дистанционно управление за Spotify. Посетете

[www.spotify.com/connect](http://www.spotify.com/connect), за да научите как.

4. Когато използвате функция Spotify Connect, както приложението Spotify, така и това интернет радио трябва да бъдат свързани към една и съща Wi-Fi мрежа.

#### **Обслужване на интернет радио с помощта на мобилно приложение**

а. За устройства със система iOS потърсете и изгледете „AirMusic Control“ в App Store (изгледете и инсталирайте „AirMusic Control“ за устройства със система Android).

б. Включете устройството, влезте в главното меню и изберете: Настройки>Устройство>APP, дисплеят ще покаже QR кода, сканирайте го със смартфона си.

в. Изберете и отворете приложението „AirMusic control“ във Вашия смартфон, приложението може автоматично да сканира и да се свързва с интернет радиото, ако смартфонът и интернет радиото използват една и съща Wi-Fi мрежа. (След свързване в списъка с имена на устройства в менюто за конфигуриране в приложението AirMusic Control ще се появи BP IR10).

г. След това можете да използвате приложението в смартфона за дистанционно управление на интернет радиото.

#### **Важна забележка:**

Препоръчваме Ви да не използвате бутоните на предния панел или дистанционното управление, за да управлявате устройството, когато използвате приложението за управление на радиото, тъй като това може да причини проблеми със синхронизацията поради ефективността на сървъра и скоростта на интернет връзката. Проблемите със синхронизацията не са обхванати от гаранцията. В този случай устройството трябва да се остави за известно време без по-нататъшни дейности, докато действието се стабилизира.

#### **Линейн изход/за слушалки**

Устройството има изход, който позволява кабелна връзка с друг активен високоговорител, усилвател или слушалки. С помощта на предоставения стерео аудио кабел 3,5 mm, свържете устройството към друго външно аудио устройство. Включете това устройство и започнете да възпроизвеждате, след което музиката ще се възпроизвежда от външното аудио устройство. Говорителите на това устройство ще бъдат изключени.

Включете слушалките в линейното изходно гнездо за дискретно слушане. Говорителите на това устройство ще бъдат изключени.

По време на възпроизвеждане с устройство или слушалките, свързани към линейния изход, е възможно да регулирате нивото на силата на звука както в това устройство, така и във външното устройство.

#### **Настройка на часовника и будилника**

**Настройка на часовника/датата:** Влезте в главното меню и изберете: Настройки> Дата и час> Настройка на дата и час. Тук са достъпни две опции: „Ръчна настройка“ и „Автоматично откриване“. Ако изберете „Автоматично откриване“, информацията за текущия час и датата ще бъде актуализирана автоматично, когато се свържете към Wi-Fi мрежа. Можете да настроите датата и часа ръчно, ако изберете „Ръчна настройка“. В подменюто „Дата и час“ има и опции „Настройка на формата на времето“ и „Настройка на формата на датата“ – изберете ги, за да коригирате формата на времето (12 или 24 часа) и формата на датата (достъпни са 3 опции).

**Настройка на будилника:** Влезте в главното меню и изберете: Настройки> Будилник. След това можете да настроите времето за Аларма 1, Аларма 2, Време на дрямка, Сила на звука на будилника. След като влезете в режим настройки на Аларма 1 и 2 са достъпни опции за избор на повторение на алармата (Ежедневно, Еднократно, в определени дни от седмицата), настройка на времето и избор на източника на алармата (Звуков сигнал, Мелодия, Интернет радио, USB).

1. Когато е зададен часът на включване на алармата, радиото автоматично ще се включи в предварително зададеното време. Натиснете за кратко бутона за готовност (3), за да изключите звука на алармата.

2. Достъпни са две аларми, които могат да бъдат конфигурирани отделно.

3. След включване на алармата натиснете за кратко произволен бутон (с изключение на бутона за готовност (3)), за да активирате функцията дрямка. Алармата ще се задейства отново след изтичане на времето за дрямка.

4. Функцията за аларма действа само, когато основното захранване е свързано и достъпно.

5. Когато функцията за дрямка е активна, оставащото време за дрямка ще се показва на дисплея. Краткотрайното натискане на бутона за готовност отменя дрямката.

#### **Изключване с времезакъснение**

Краткото натискане на бутон SLEEP на дистанционното управление в режим на възпроизвеждане (като интернет радио, Bluetooth, режим на възпроизвеждане USB и т.н.) позволява настройка на времето на изключване. На разположение са следните времеви интервали (в минути): 15/30/60/90/120/150/180/изключено. След изтичане на избрания времеви интервал, устройството автоматично ще изключи възпроизвеждането и ще премине в режим готовност.

#### **Други**

За да извършите други операции като настройка на яркостта на дисплея, версия на софтуера, възстановяване на фабричните настройки и т.н., моля, следвайте информацията в диаграмата по-долу.

## Решаване на проблеми

1. Високоговорителят не може да се включи.
  - а. Проверете дали захранването е правилно свързано.
2. Липса на звук.
  - а. Опитайте да регулирате силата на звука и проверете източника на възпроизвеждане.
  - б. Свържете се със сервизен център, ако проблемът продължава.
3. Прекъсване на звука в режим Bluetooth
  - а. Преместете устройството Bluetooth по-близо до това устройство.
  - б. Моля, вижте инструкцията за повторно сдвояване.
4. В режим Bluetooth нивото на звука е твърде ниско.
  - а. Проверете нивото на звука, както в Bluetooth устройството, така и в това устройство.

## Спецификация:

Източник на захранване: DC IN 9V/2A

Цветен TFT дисплей 2,4"

Версия Bluetooth: V5.0

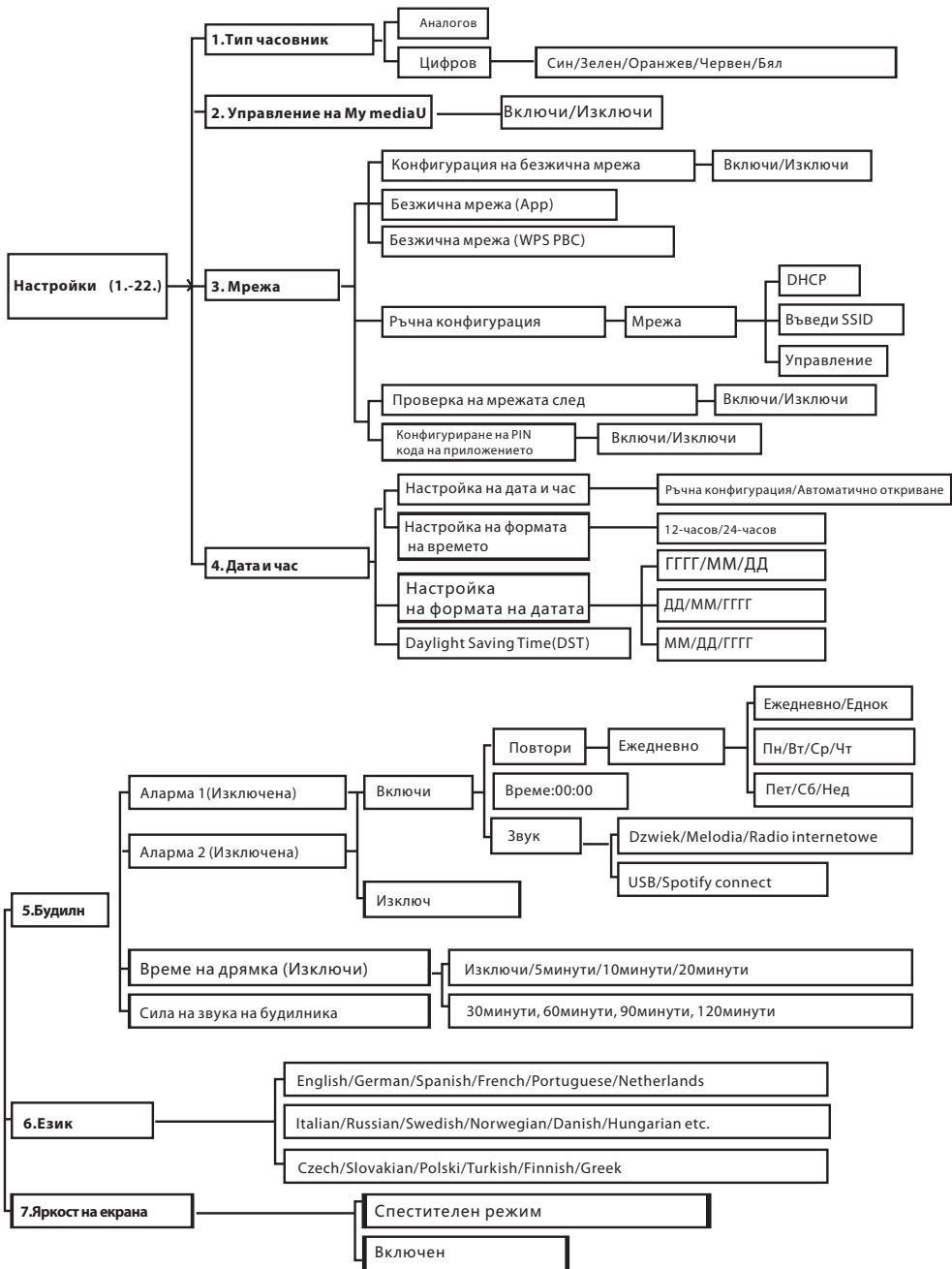
USB 2.0, обслужване на музикални файлове: MP3/WMA/WAV/FLAC/AAC (не се гарантира възпроизвеждане на всички формати)

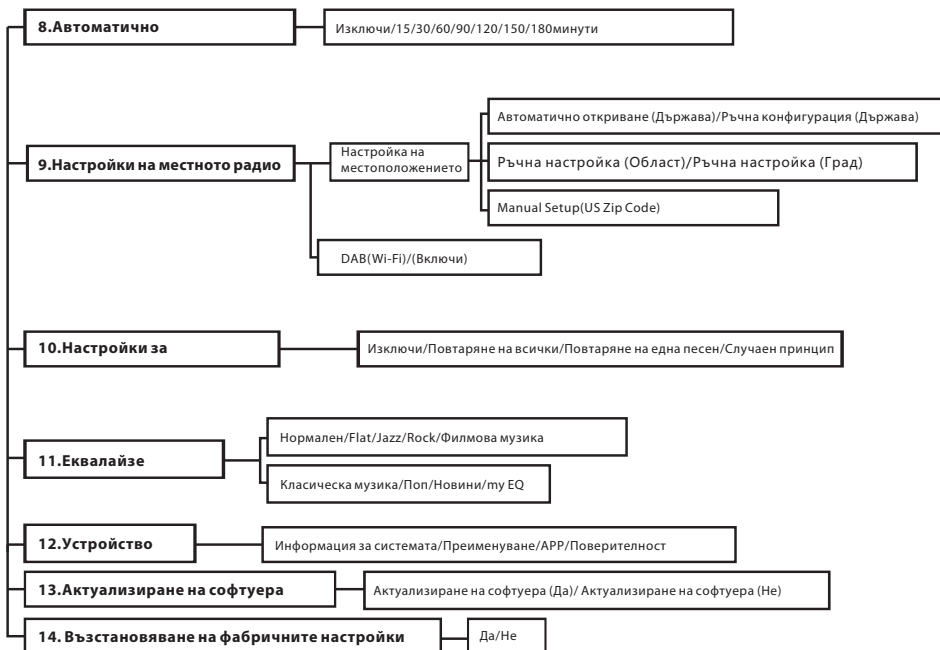
Изход RMS: 2 x 5W

Консумация на мощност: 16W

Консумация на мощност в режим готовност: < 1W

(Настоящата спецификация може да бъде актуализирана без предизвестие.)





<b>Информация за захранващото устройство</b>		
<b>Публикувана информация</b>	<b>Стойности и данни</b>	<b>Единица</b>
Наименование на производителя или търговска марка Номер на търговския регистър Адрес	Shenzhen Fushigang Technology Co., Ltd Building 8, Shiguan Industrial Park, Shangcun Community, Gongming Street, Guangming District, Shenzhen, Guangdong, China	
Идентификационен номер на модела	AS1801A-0902000EU	
Входно напрежение	100-240	V
Входна честота на променливия ток	50/60	Hz
Изходно напрежение	DC9	V
Изходящ ток	2.0	A
Изходна мощност	18.0	W
Средна активна ефективност	≥85	%
Ефективност при ниско натоварване (10 %)	75.45%	%
Разход на мощност без натоварване	≤0.1	W



## ΣΗΜΑΝΤΙΚΕΣ ΠΛΗΡΟΦΟΡΙΕΣ ΣΧΕΤΙΚΑ ΜΕ ΤΗΝ ΑΣΦΑΛΕΙΑ



**ΠΡΟΕΙΔΟΠΟΙΗΣΗ**



**ΚΙΝΔΥΝΟΣ ΗΛΕΚΤΡΟΠΛΗΞΙΑΣ  
ΜΗΝ ΑΝΟΙΓΕΤΕ**

### Προειδοποίηση:

Για να μειώσετε τον κίνδυνο ηλεκτροπληξίας, δεν επιτρέπεται να αποσυναρμολογήσετε το κάλυμμα ούτε το οπίσθιο μέρος της συσκευής. Μέσα στη συσκευή δεν υπάρχουν εξαρτήματα προορισμένα για επισκευή από τον χρήστη. Η συντήρηση και η επισκευή του εξοπλισμού εκτελείται αποκλειστικά από τους εξουσιοδοτημένους υπάλληλους σέρβις.

### Εξήγηση γραφικών συμβόλων



Το σύμβολο αστραπής με το βέλος στην άκρη της μέσα στο ισόπλευρο τρίγωνο προειδοποιεί τον χρήστη από μη μονωμένη, "επικίνδυνη ηλεκτρική τάση" στο περίβλημα της συσκευής που μπορεί να έχει την τιμή η οποία προκαλεί ηλεκτροπληξία.



Το σύμβολο θαυμαστικού στο ισόπλευρο τρίγωνο προειδοποιεί τον χρήστη ότι σε αυτό τον τόπο των τεκμηρίωσης που συνάπτεται στη συσκευή, παρουσιάζονται σημαντικές πληροφορίες σχετικά με τον χειρισμό και τη συντήρηση της συσκευής.

Παρακαλούμε να διαβάσετε αυτές τις οδηγίες χρήσης πριν αρχίσετε να χειρίζεστε τη συσκευή, για να γνωρίσετε τις λειτουργίες της και για τη χρησιμοποίησή της σύμφωνα με τον προορισμό της. Έτσι διασφαλίζετε τον διαρκή χειρισμό της συσκευής χωρίς βλάβες και απόλαυση από τη χρήση της συσκευής.

### Σημαντικές πληροφορίες

- Πρέπει να κρατήσετε τις οδηγίες χρήσης και τις πληροφορίες σχετικά με την ασφάλεια με σκοπό τη μελλοντική χρήση τους.
- Μην επιτρέψετε κανένα υγρό να στάξει ή να χυθεί στη συσκευή.
- Δεν επιτρέπεται να χρησιμοποιήσετε τη συσκευή σε μέρη με υγρασία όπως π.χ. μπάνιο.
- Δεν επιτρέπεται να εγκαταστήσετε αυτή τη συσκευή στα ακόλουθα μέρη:
  - Μέρη εκτεθειμένα στην άμεση ακτινοβολία ή κοντά σε θερμάστρες.
  - Μην τοποθετείτε πάνω στη συσκευή άλλο εξοπλισμό στερεό που εκπέμπει θερμότητα.
- Όπου μπλοκάρεται ο εξαερισμός ή σε μέρος με σκόνη.
- Σε μέρη εκτεθειμένα σε συνεχείς δονήσεις.
- Σε μέρη με μεγάλη υγρασία.
- Δεν επιτρέπεται να τοποθετήσετε τη συσκευή δίπλα σε κερία και ανοιχτή φλόγα.
- Μπορείτε να χρησιμοποιήσετε τη συσκευή με τον τρόπο που περιγράφεται στις παρούσες οδηγίες χρήσης.
- Πριν από την πρώτη ενεργοποίηση, πρέπει να βεβαιωθείτε ότι το τροφοδοτικό είναι κατάλληλα συνδεδεμένο.
- Η μήνη USB συνδεδεμένη άμεσα ή με επέκταση USB μήκους έως 25 cm.

Για λόγους ασφαλείας δεν επιτρέπεται να αποσυναρμολογήσετε το περίβλημα ούτε να έχετε πρόσβαση στο μέσο της συσκευής. Η συσκευή πρέπει να επισκευαστεί από το εξειδικευμένο προσωπικό του σέρβις.

Δεν επιτρέπεται να ξεβιδώσετε τη συσκευή ούτε να ανοίξετε το περίβλημά της, γιατί μέσα δεν υπάρχουν εξαρτήματα που μπορεί να επισκευαστούν από τον χρήστη. Η συντήρηση και η επισκευή του εξοπλισμού εκτελείται αποκλειστικά από τους εξουσιοδοτημένους υπάλληλους σέρβις.

## ΣΗΜΑΝΤΙΚΕΣ ΠΛΗΡΟΦΟΡΙΕΣ ΣΧΕΤΙΚΑ ΜΕ ΤΗΝ ΑΣΦΑΛΕΙΑ

1. Διαβάστε τις οδηγίες χρήσης – πριν χρησιμοποιήσετε τη συσκευή πρέπει να διαβάσετε όλες τις οδηγίες χρήσης και τις πληροφορίες για την ασφάλεια.
2. Φυλάξτε τις οδηγίες χρήσης – πρέπει να φυλάξετε τις οδηγίες χρήσης και χειρισμού με σκοπό να τις χρησιμοποιήσετε στο μέλλον.
3. κολουθήστε τις προειδοποιήσεις – πρέπει να ακολουθήσετε όλες τις προειδοποιήσεις που είναι τοποθετημένες πάνω στη συσκευή και να ακολουθήσετε τις οδηγίες χρήσης.
4. Ακολουθήστε τις οδηγίες χρήσης – πρέπει να ακολουθήσετε τις οδηγίες χρήσης και τις συμβουλές για τον χρήστη.
5. Εγκατάσταση – πρέπει να τοποθετήσετε τη συσκευή σύμφωνα με τις οδηγίες του κατασκευαστή.
6. Πηγή τροφοδοσίας – η συσκευή πρέπει να τροφοδοτηθεί αποκλειστικά από τις πηγές με τις παραμέτρους που αναφέρονται στις επισημανσεις του καλωδίου τροφοδοσίας. Αν ο χρήστης δεν είναι σίγουρος ποιαου τύπου τροφοδοσία έχει στο σπίτι του, πρέπει να επικοινωνήσει με τον πωλητή της συσκευής ή τον τοπικό προμηθευτή ηλεκτρικής ενέργειας.
7. Γείωση και πόλωση της συσκευής – η συσκευή πρέπει να έχει γείωση. Πρέπει να βεβαιωθείτε ότι το φως είναι τελικά τοποθετημένο στην πρίζα ηλεκτρικού δικτύου ή της επέκτασης, για να μην αφήσετε τους πεύρους ή τους επαφές το φως χωρίς κάλυμμα. Κάποιες εκδόγες της συσκευής μπορεί να είναι εξοπλισμένες με πολωμένο φως εναλασσόμενο ρεύματος (με έναν πείρο πλατύτερο). Μπορείτε να βάλετε αυτό το φως στην πρίζα μόνο με έναν τρόπο. Αυτό είναι η λειτουργία προστασίας. Αν δεν μπορείτε να βάλετε το φως στην πρίζα, πρέπει να το περιστρέψετε. Αν το φως εξακολουθεί να μην ταιριάζει στην πρίζα, πρέπει να δώσετε εντολή στον ηλεκτρολόγο να αντικαταστήσει την πρίζα. Δεν επιτρέπεται να βγάλετε τα προστατευτικά του πολωμένου φως. Όταν χρησιμοποιείτε επέκταση ή καλώδιο τροφοδοσίας διαφορετικό από αυτό που παραδίδεται μαζί με τη συσκευή, αυτά πρέπει να έχουν κατάλληλα φως και το πιστοποιητικό ασφαλείας.
8. Προστασία του καλωδίου τροφοδοσίας – τα καλώδια τροφοδοσίας πρέπει να δρομολογούνται έτσι, ώστε να μην τα πατάτε, να μην τα πιέζετε και μην τα κόβετε με τοποθετημένα πάνω τους αντικείμενα. Δώστε ειδική σημασία στα φως, τις πρίζες ηλεκτρικού δικτύου και του τόπου όπου τα καλώδια είναι τοποθετημένα μέσα στη συσκευή.
9. Υπερφόρτωση – Δεν επιτρέπεται να υπερφορτώσετε τις ηλεκτρικές πρίζες τοίχου, τις επεκτάσεις και τους διαχωριστές, γιατί αυτό προκαλεί κίνδυνο πυρκαγιάς ή ηλεκτροπληξίας.
10. Εξαερισμός – η συσκευή πρέπει να έχει κατάλληλο εξαερισμό. Δεν επιτρέπεται να τοποθετήσετε τη συσκευή πάνω σε ένα κρεβάτι, έναν καναπέ ή σε παρόμοιες επιφάνειες. Δεν επιτρέπεται να καλύψετε τη συσκευή με τραπέζιματλητα, πετσέτες, εφημερίδες κλπ.

12. Νερό και υγρασία – για να μειώσετε τον κίνδυνο πυρκαγιάς ή ηλεκτροπληξίας, δεν επιτρέπεται να εκθέτετε τη συσκευή στην άμεση επίδραση βροχής, νερού και υγρασίας όπως π.χ. στη σάουνα ή το μπάνιο. Μην χρησιμοποιείτε την παρούσα συσκευή δίπλα σε νερό, π.χ. δίπλα σε μια μπανιέρα, νιπτήρα, νεροχύτη κουζίνας ή σκάφη, σε ένα υπόγειο με υγρασία ή δίπλα σε πισίνα (ή σε παρόμοιους τόπους).
13. Αντικείμενα και υγρά μέσα στη συσκευή – δεν επιτρέπεται να πιέσετε οποιοδήποτε αντικείμενο μέσα από τα ανοίγματα της συσκευής, γιατί αυτά μπορεί να έχουν επαφή με τα σημεία της επικίνδυνης ηλεκτρικής τάσης και τα υποστήματα και αυτό μπορεί να προκαλέσει πυρκαγιά. Σε καμία περίπτωση μη χύσετε οποιοδήποτε υγρό δίπλα στη συσκευή. Δεν επιτρέπεται να βάζετε πάνω στη συσκευή τα αντικείμενα που περιέχουν υγρά.
14. Καθαρισμός – πάντα πρέπει να αποσυνδέετε τη συσκευή από την πρίζα ηλεκτρικού δικτύου πριν από καθαρισμό. Η σκόνη γύρω από το ηχείο μπορεί να αφαιρεθεί με ένα ύφασμα. Αν χρησιμοποιήσετε ένα αερόβλυστο για καθαρισμό, μην κατευθύνετε τη ροή ψεκασμού άμεσα στη συσκευή, αλλά σε ένα πανί. Πρέπει να προσέχετε να μη χαλάσετε τις μονάδες μετάδοσης κίνησης.
15. Πρόσθετος εξοπλισμός – μη χρησιμοποιήσετε αξεσουάρ που δεν επιτρέπονται από τον κατασκευαστή, γιατί αυτά μπορούν να προκαλέσουν κίνδυνο.
16. Αξεσουάρ – μην τοποθετείτε τη συσκευή σε ασταθές καροτσάκι, υποστήριγμα, τρίποδο, βάση ή τραπέζι. Η συσκευή μπορεί να ανατραπεί και να χαλάσει καθώς και να προκαλέσει σοβαρά τραύματα σε παιδιά και σε ηλικιωμένα πρόσωπα. Πρέπει να χρησιμοποιήσετε αποκλειστικά καροτσάκια, υποστήριγματα, τρίποδα, βάσεις ή τραπέζια που ορίζονται από τον κατασκευαστή ή που πωλούνται μαζί με τη συσκευή. Εκτελέστε τη συναρμολόγηση της συσκευής σύμφωνα με τις οδηγίες του κατασκευαστή με χρήση του σετ συναρμολόγησης που προτείνεται από τον κατασκευαστή.
17. Μεταφορά της συσκευής – πρέπει να μεταφέρετε τη συσκευή τοποθετημένη σε καροτσάκι πολύ προσεκτικά. Ξαφνικό σταμάτημα, υπερβολική δύναμη ή ανώμαλες επιφάνειες μπορεί να προκαλέσουν ανατροπή στο καροτσάκι μαζί με τη συσκευή.
18. Περίοδος όταν η συσκευή δεν χρησιμοποιείται – πρέπει να αποσυνδέσετε το καλώδιο τροφοδοσίας από την πρίζα ηλεκτρικού δικτύου κατά τις καταιγίδες με κεραυνούς ή όταν δεν χρησιμοποιείτε τη συσκευή πολλή ώρα.
19. Σέρβις – μην δοκιμάσετε να εκτελέσετε επιθεωρήσεις της συσκευής μόνοι σας. Το να ανοίξετε το κάλυμμα μπορεί να προκαλέσει επαφή με επικίνδυνη ηλεκτρική τάση και να εκτεθεί ο χρήστης σε άλλους κινδύνους. Η συντήρηση και η επισκευή του εξοπλισμού εκτελείται αποκλειστικά από τους εξουσιοδοτημένους υπάλληλους σέρβις.
20. Όταν δεν χρησιμοποιείτε τη συσκευή, πρέπει να αποσυνδέσετε το φως της από την πρίζα ηλεκτρικού δικτύου. Όταν η συσκευή είναι συνδεδεμένη στην πηγή ηλεκτρικής ενέργειας, είναι στον τρόπο λειτουργίας αναμονής ή δεν είναι απολύτως απενεργοποιημένη.
21. Ανταλλακτικά – όταν αντικαθιστάτε εξαρτήματα πρέπει να ελέγχετε αν ο υπάλληλος του σέρβις έχει χρησιμοποιήσει τα ανταλλακτικά που προτείνονται από τον κατασκευαστή ή τα εξαρτήματα είναι ίδια όπως τα γνήσια εξαρτήματα. Η αντικατάσταση εξαρτημάτων με μην εγκεκριμένα προκαλεί κίνδυνο πυρκαγιάς, ηλεκτροπληξίας και άλλους κινδύνους.
22. Κύριες ηλεκτρικές ασφάλειες – για να προστατέψετε με συνεχή τρόπο τη συσκευή από πιθανή πυρκαγιά, πρέπει να χρησιμοποιήσετε τις ασφάλειες κατάλληλου τύπου και παραμέτρων. Οι παράμετροι των ασφαλειών του ορισμένου φάσματος της ηλεκτρικής τάσης επισημαίνονται πάνω στη συσκευή.
23. Δεν επιτρέπεται να αυξήσετε την ένταση ήχο όταν ακούτε ένα κομμάτι το οποίο έχει χαμηλή ένταση ήχο ή όταν δεν υπάρχει σήμα ήχου εισόδου. Σε αντίθετη περίπτωση, ενδέχεται να χαλάσετε το ηχείο με την ξαφνική αύξηση της έντασης του σήματος.
24. Η μοναδική λύση να αποσυνδέσετε πλήρως τη συσκευή από την πηγή ηλεκτρικής ενέργειας είναι η αποσύνδεση του καλωδίου τροφοδοσίας από την πρίζα ηλεκτρικής ενέργειας ή από τη συσκευή. Η πρίζα ηλεκτρικού δικτύου ή η υποδοχή του καλωδίου τροφοδοσίας στη συσκευή πάντα πρέπει να είναι διαθίσιμες κατά τη χρήση της συσκευής.
25. Η συσκευή πρέπει να τοποθετηθεί δίπλα σε πρίζα ηλεκτρικού δικτύου ή επέκταση έτσι ώστε να είναι πάντα διαθέσιμες.
26. Η μέγιστη θερμοκρασία περιβάλλοντος πρέπει είναι 35°C.
27. Οδηγίες σχετικά με τις ηλεκτροστατικές εκκινήσεις – αν η λειτουργία της συσκευής διαταράσσεται με τις ηλεκτροστατικές εκκινήσεις, πρέπει να την απενεργοποιήσετε και να την ενεργοποιήσετε ξανά ή να μεταφέρετε τη συσκευή σε άλλο τόπο.
28. Μπαταρία
- Δεν επιτρέπεται να εκθέτετε τις μπαταρίες στη δράση υπερβολικής ζέστης όπως π.χ. ηλιακή ακτινοβολία.
  - Κατά τη διάθεση των μπαταριών, πρέπει να δώσετε σημασία στις παραμέτρους της προστασίας του περιβάλλοντος.
  - Προειδοποίηση σχετικά με χρήση των μπαταριών: για να μην επιρρέψετε απροσφράγιστη των μπαταριών που μπορεί να προκαλέσει τραύματα ή να χαλάσει τη συσκευή:
    - Όταν βάζετε τη μπαταρία δώστε σημασία στην πόλωση της (+ και -).
    - Δεν επιτρέπεται να χρησιμοποιήσετε ταυτόχρονα διαφορετικές μπαταρίες - καινούργιες και μεταχειρισμένες, τις μπαταρίες στάνταρ και αλκαλικές κλπ.
    - Πρέπει να βγάλετε τις μπαταρίες από τη συσκευή δεν τη χρησιμοποιείτε πολλή ώρα.

## ΠΡΟΕΙΔΟΠΟΙΗΣΗ

Η συσκευή δεν επιτρέπεται να χρησιμοποιηθεί από πρόσωπα (συμπεριλαμβανόμενων των παιδιών) με μειωμένη φυσική και αισθητηριακή ικανότητα και τα πρόσωπα με ανεπαρκή γνώση και εμπειρία, αν δεν είναι υπό την εποπτεία του προσώπου που είναι υπεύθυνο για την ασφάλειά τους και δεν έχουν εκπαιδευθεί πως να χρησιμοποιούν τη συσκευή με ασφαλή τρόπο. Η παρουσία των ενηλίκων απαιτείται όταν τα παιδιά χειρίζονται τη συσκευή· έτσι θα διασφαλιστεί την ασφαλή χρήση της συσκευής.

- Δεν επιτρέπεται να αφήνετε τη συσκευή όταν λειτουργεί χωρίς καμία εποπτεία! Πρέπει να απενεργοποιείτε τη συσκευή όταν δεν τη χρησιμοποιείτε, ακόμη για ένα σύντομο διάστημα.
- Δεν επιτρέπεται να μεταχειρίζεστε τη συσκευή μέσα από ένα εξωτερικό ρολόι με χρονικό σύστημα ούτε με ξεχωριστό σύστημα τηλεχειρισμού.
- Για να αποφύγετε κίνδυνο σε περίπτωση βλάβης του καλωδίου τροφοδοσίας, η αντικατάστασή του πρέπει να εκτελείτε από τον κατασκευαστή, την εξουσιοδοτημένη υπηρεσία σέρβις ή άλλο πρόσωπο που διαθέτει τα κατάλληλα προσόντα.
- Πριν αρχίσετε να χειρίζεστε τη συσκευή, πρέπει να ελέγξετε αν η τάση της είναι συμβατή με την τάση του τοπικού ηλεκτρικού δικτύου.
- Δεν επιτρέπεται να καλύψετε τα ανοίγματα εξαερισμού π.χ. με εφημερίδες, τραπέζομάντηλα, κουρτίνες κλπ.. Πρέπει να βεβαιωθείτε ότι πάνω από τη συσκευή υπάρχει ένας ελεύθερο χώρος τουλάχιστον 20 cm και από κάθε πλευρά της - τουλάχιστον 5 cm.
- Δεν επιτρέπεται να στάξει ή να χυθεί κανένα υγρό στη συσκευή και δεν επιτρέπεται να βάζετε πάνω στη συσκευή κανένα αντικείμενο γεμάτο με υγρό όπως π.χ. ένα βάζο.
- Για να αποφύγετε πυρκαγιά ή ηλεκτροπληξία, πρέπει να προστατεύετε τη συσκευή από ζεστούς τόπους, τη δράση της βροχής, της υγρασίας και της σκόνης.
- Δεν επιτρέπεται να τοποθετείτε τη συσκευή κοντά σε οποιαδήποτε πηγή νερού όπως π.χ. βρύσες, μπανιέρες, πλυντήρια ή πισίνες κολύμβησης. Η συσκευή πρέπει να τοποθετηθεί σε μια ίσια και σταθερή βάση.

9. Δεν επιτρέπεται να εκθέτετε τη συσκευή σε ισχυρό μαγνητικό πεδίο.
10. Δεν επιτρέπεται να βάζετε τη συσκευή αμέσως στον ενισχυτή, δέκτη ή διακόπτη.
11. Δεν επιτρέπεται να βάζετε τη συσκευή σε ένα μέρος με υγρασία, γιατί η υγρασία έχει αρνητική επίδραση στα ηλεκτρικά συστήματα.
12. Μετά από μεταφορά της συσκευής από κρύο σε ζεστό τόπο ή σε τόπο με υγρασία, μπορεί να προκληθεί υγρασία της υγρασίας πάνω στον φακό μέσα στη συσκευή αναπαραγωγής. Σε μια τέτοια περίπτωση η συσκευή δεν θα λειτουργήσει σωστά. Πρέπει να αφήσετε τη συσκευή απενεργοποιημένη για περίπου μια ώρα, για να επιτρέψετε την εξάτμιση της υγρασίας.
13. Δεν επιτρέπεται να καθαρίζετε τη συσκευή με χημικούς διαλύτες, γιατί μπορεί να χαλάσουν το βερνίκι του περιβλήματος. Σκουπίζετε τη συσκευή με ένα καθαρό, στεγνό ή λίγο μουσκεμένο πανί.
14. Όταν βγάξετε το φως από την πρίζα τοίχου, πάντα πρέπει να τραβάτε το φως και όχι το καλώδιο.
15. Όταν η ενεργοποιημένη συσκευή χρησιμοποιείται δίπλα σε ενεργοποιημένη τηλεόραση, μπορεί να είναι πηγή διαταραχών όρασης με τη μορφή γραμμών στην οθόνη. Αυτό εξαρτάται από τη ζώνη κυμάτων μετάδοσης της TV. Αυτό δεν σημαίνει ότι η συσκευή ή η τηλεόραση δεν λειτουργούν κατάλληλα. Αν αυτές γραμμές είναι ορατές, πρέπει να απομακρύνετε τη συσκευή από την τηλεόραση.
16. Το φως ηλεκτρικού δικτύου χρησιμοποιείται για αποσύνδεση της ηλεκτρική τάσης τροφοδοσίας και πάντα πρέπει να είναι διαθέσιμο.
17. Για να μην επιτρέψετε πιθανή απώλεια ακοής, δεν επιτρέπεται να ακούτε μουσική πολύ δυνατά για πολλή ώρα.



#### ΠΡΟΣΟΧΗ



#### Δήλωση

Δια το παρόντος η εταιρεία Blaupunkt Competence Center 2N-Everpol Sp. z o.o. δηλώνει ότι η παρούσα συσκευή είναι συμβατή με τις προϋποθέσεις και τις λοιπές σχετικές προβλέψεις της οδηγίας 2014/53 / EE. Μπορείτε να λάβετε την πλήρη δήλωση συμβατότητας από την ιστοσελίδα [www.blaupunkt.com](http://www.blaupunkt.com) στην καρτέλα του προϊόντος.

Κάτοχος άδειας κυκλοφορίας: 2N-Everpol Sp. z o.o.  
Puławska 403A, 02-801 Warszawa, Πολωνία  
Τηλέφωνο: +48 22 331 99 59, e-mail: [info@everpol.pl](mailto:info@everpol.pl)



Το προϊόν κατασκευάστηκε από υλικά υψηλής ποιότητας και τα συστήματα, τα οποία μπορούν να ανακυκλωθούν και να χρησιμοποιηθούν ξανά.



Αν πάνω στη συσκευή υπάρχει το σύμβολο του διαγραμμένου κάδου, αυτό σημαίνει ότι το προϊόν καλύπτεται από τις προβλέψεις της ευρωπαϊκή οδηγίας 2012/19/EE. Πρέπει να εξοικειωθείτε με τις απαιτήσεις του τοπικού συστήματος συλλογικής απορριπτόμενων εξοπλισμού και υπολειμμάτων υλικού διάλυσης. Πρέπει να ακολουθήσετε τους τοπικούς κανονισμούς. Μην απορρίψετε το προϊόν μαζί με τα κανονικά οικιακά απορρίμματα. Η σωστή διάθεση του παλαιού προϊόντος προστατεύει από αρνητικά αποτελέσματα για το φυσικό περιβάλλον και την ανθρώπινη υγεία.



Η συσκευή είναι εξοπλισμένη με μπαταρίες οι οποίες ορίζονται με την ευρωπαϊκή οδηγία 2006/66/EC. Δεν επιτρέπεται να απορρίψετε τις μπαταρίες μαζί με τα οικιακά απορρίμματα. Πρέπει να εξοικειωθείτε με τους τοπικούς κανονισμούς για την ξεχωριστή συγκέντρωση των μπαταριών, διότι η κατάλληλη διάθεση προστατεύει από πιθανά αρνητικά αποτελέσματά της για το φυσικό περιβάλλον και την ανθρώπινη ζωή.

#### Πληροφορίες για την προστασία του περιβάλλοντος

Η συσκευασία περιέχει μόνο τα απαραίτητα στοιχεία. Έχει καταβληθεί κάθε δυνατή προσπάθεια ώστε τα τρία συστατικά της συσκευασίας να διαχωριστούν εύκολα: χαρτί (κουτί), αφρός πολυστερίνης (προστατευτικά μέσα στη συσκευασία) και πολυαιθυλένιο (σακούλες, προστατευτικό φύλλο). Η συσκευή κατασκευάστηκε από υλικά τα οποία μπορούν να ανακυκλωθούν και να χρησιμοποιηθούν ξανά μετά την αποσυρμολόγησή τους. Πρέπει να ακολουθήσετε τους τοπικούς κανονισμούς σχετικά με τη διάθεση των υλικών συσκευασίας, των μεταχειρισμένων μπαταριών και των περιττών συσκευών.

Η εγγραφή και αναπαραγωγή υλικού μπορεί να απαιτήσει σχετική άδεια. Βλέπε το περι-πνευματικών δικαιωμάτων και των δικαιωμάτων/δημιουργιών/καλλιτεχνών νόμο.

#### Παράρτημα σχετικά με τις ERP2 (Συσκευές σχετικά με την ενέργεια)

Η παρούσα συσκευή είναι οικολογικού σχεδιασμού και πληροί τις απαιτήσεις της φάσης 2 του Κανονισμού (ΕΚ) αριθ. 1275/2008 της Επιτροπής περί εφαρμογής της οδηγίας 2009/125/ΕΚ σχετικά με την κατανάλωση ενέργειας σε κατάσταση απενεργοποίησης και αναμονής του ηλεκτρικού και ηλεκτρονικού εξοπλισμού γραφείου και οικιακού εξοπλισμού.



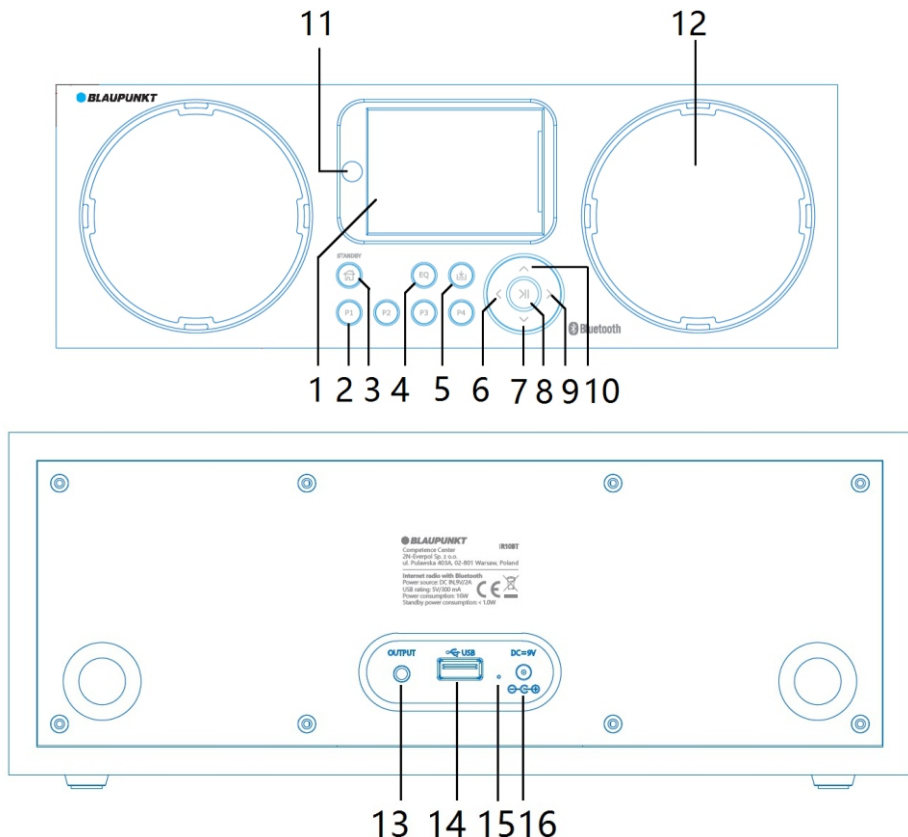
Ο κάτοχος των εμπορικών σημάτων και του λογότυπου Bluetooth® είναι η εταιρεία Bluetooth SIG, Inc. USA. Η εκμετάλλευση αυτών των σημάτων και του λογότυπου καλύπτεται από την άδεια χρήσεως. Άλλα σήματα και εμπορικές ονομασίες αποτελούν κυριότητα σχετικών ιδιοκτητών.

Σας ευχαριστούμε που αγοράσατε το δικό μας μοντέλο, πριν ξεκινήσετε να χρησιμοποιείτε τη συσκευή, παρακαλούμε να διαβάσετε προσεκτικά τις οδηγίες χρήσης. Κρατήστε αυτές τις οδηγίες χρήσης για μελλοντική αναφορά.

#### Η συσκευή έχει τις ακόλουθες κύριες λειτουργίες:

Ραδιόφωνο Διαδικτύου  
Αναπαραγωγή μέσω Bluetooth  
Αναπαραγωγή USB  
Υποστήριξη Spotify Connect  
Υποστήριξη podcast  
Εξόδος γραμμής audio  
Ρολόι, ξυπνητήρι, χρονοδιακόπτης

#### Διάταξη στοιχείων ελέγχου



#### 1- Έγχρωμη οθόνη·

#### 2- Κομπιά για τον προγραμματισμό ραδιοφωνικών σταθμών P1 ~ P4

Πιέστε σύντομα για να επιλέξετε τους κατάλληλους προγραμματισμένους σταθμούς και να τους αναπαράγετε. Πατήστε και κρατήστε πατημένο (2 δευτερόλεπτα) το κομπιά P1 ~ P4 για να αποθηκεύσετε τον τρέχοντα σταθμό στη μνήμη.

#### 3- Κομπιά αναμονής/κύριου μενού·

Πατήστε παρατεταμένα για να εισέλθετε στη λειτουργία αναμονής.

Πατήστε σύντομα για να ενεργοποιήσετε τη συσκευή ή να μπειτε στο κύριο μενού.

Στη λειτουργία συναγερμού, πιέστε το για να ακυρώσετε τον ήχο συναγερμού και να εισέλθετε στη λειτουργία αναμονής.

#### 4- Κουμπί εξισορρόπησης ήχου EQ

Πατήστε το αρκετές φορές για να αλλάξετε τον ισοσταθμιστή μεταξύ των προγραμματισμένων ρυθμίσεων: NORMAL/FLAT/JAZZ/ROCK/SOUNDTRACK/CLASSIC/POP/NEWS/MY EQ.

#### 5- Κουμπί προγραμματισμού ραδιοφωνικών σταθμών

Πατήστε το για να καλέσετε τη διασύνδεση του προγραμματισμένου σταθμού.

Πατήστε και κρατήστε πατημένο για να αποθηκεύσετε τον τρέχοντα σταθμό.

#### 6- Κουμπί «αριστερά»

Πατήστε το σύντομα για να μετακινήσετε και να διαγράψετε το γράμμα κατά την εισαγωγή των γραμμάτων στον κωδικό πρόσβασης δικτύου.

Πιέστε σύντομα για να βγείτε και να μπειτε στο πάνω μενού.

Πατήστε παρατεταμένα για μετάβαση στο προηγούμενο κομμάτι στη λειτουργία USB.

#### 7- Κουμπί «κάτω»

Πιέστε σύντομα για να μειώσετε την ένταση.

Πατήστε και κρατήστε πατημένο το κουμπί για να μειώνετε συνεχώς την ένταση ήχου.

Πατήστε το σύντομα για να μεταβείτε στο μενού για να επιλέξετε.

#### 8- Κουμπί αναπαραγωγή/παύση, κουμπί ENTER για επιβεβαίωση της επιλογής

Πατήστε σύντομα για αναπαραγωγή ή παύση μουσικής στη λειτουργία USB.

Πατήστε το σύντομα για να επιβεβαιώσετε την επιλογή σας.

#### 9- Κουμπί «δεξιά»

Πατήστε το σύντομα για να μετακινήσετε και να προσθέσετε ένα γράμμα κατά την εισαγωγή των γραμμάτων στον κωδικό πρόσβασης δικτύου.

Πατήστε σύντομα για να μπειτε στο υπομενού.

Πατήστε παρατεταμένα για να μεταβείτε στο επόμενο κομμάτι στη λειτουργία USB.

#### 10- Κουμπί «πάνω»

Πατήστε σύντομα για να αυξήσετε την ένταση· πατήστε και κρατήστε πατημένο για να αυξάνετε συνεχώς την ένταση του ήχου.

Πατήστε το σύντομα για να μετακινήθείτε προς τα επάνω στο μενού για να επιλέξετε.

#### 11- Διορθητής υπέρυθρου τηλεχειριστηρίου στο τηλεχειριστήριο

#### 12- Ηχείο

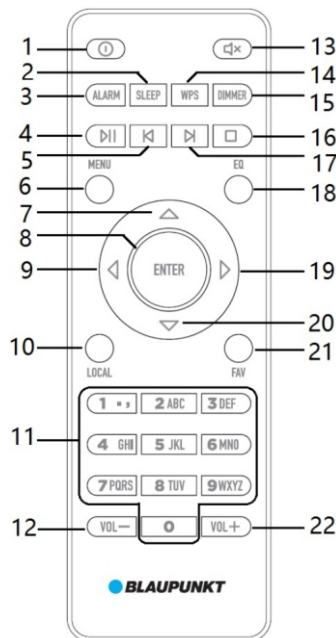
#### 13- Υποδοχή γραμμικής εξόδου

#### 14- Θύρα USB

#### 15- Ένδειξη ισχύος LED

#### 16- Υποδοχή τροφοδοσίας DC IN

#### Τηλεχειριστήριο



**1- Κουμπί ενεργ. απενεργ. αμαμονής:** πατήστε το για να

ενεργοποιήσετε/απενεργοποιήσετε τη συσκευή.

**2- Κουμπί χρονοδιακόπτη:** Πιέστε το αρκετές φορές για να ρυθμίσετε την ώρα απενεργοποίησης της συσκευής.

**3- Κουμπί συναγερμού:** πατήστε το σύντομα για να εισέλθετε στη διεπαφή ρύθμισης παραμέτρων συναγερμού.

**4- Κουμπί αναπαραγωγής/παύσης:** πατήστε το για αναπαραγωγή ή παύση μουσικής στη λειτουργία USB.

**5- Προηγούμενο κουμπί:** Πατήστε σύντομα για να μεταβείτε στο προηγούμενο κομμάτι στη λειτουργία USB.

**6- Κουμπί MENOY:** πατήστε το σύντομα για να μπειτε στο κύριο μενού.

**7- Κουμπί «πάνω»:** πατήστε το για να ανεβείτε στο μενού.

**8- Κουμπί ENTER – για να επιβεβαιώσετε την επιλογή:** πατήστε το σύντομα για να επιβεβαιώσετε την επιλογή.

**9- Κουμπί «αριστερά»:** πατήστε το για να βγείτε ή να ανεβείτε το μενού.

**10- Κουμπί LOCAL:** πατήστε το σύντομα για να μπειτε στη λειτουργία ραδιοφώνου.

**11- Κουμπιά αριθμών και χαρακτήρων:** Πατήστε το αρκετές φορές για να επιλέξετε τον κατάλληλο αριθμό και γράμμα.

**12- Κουμπί μείωσης έντασης ήχου:** Πατήστε το για να μειώσετε την ένταση ήχου.

**13- Κουμπί σίγασης:** πατήστε το για σίγαση της συσκευής, πατήστε το ξανά να συνεχίσετε την αναπαραγωγή.

**14- Κουμπί WPS:** κουμπί γρήγορης σύνδεσης δικτύου, εάν ο δρομολογητής Wi-Fi διαθέτει επίσης κουμπί WPS, πατήστε σύντομα για να εισέλθετε στη λειτουργία γρήγορης σύνδεσης δικτύου.

**15- Κουμπί ροοστάτη:** πατήστε το για να ρυθμίσετε τη φωτεινότητα της οθόνης

**16- Κουμπί Stop:** πατήστε το για να διακόψετε την αναπαραγωγή του τρέχοντος κομματιού στη λειτουργία USB, πατήστε το κουμπί ENTER για να συνεχίσετε και ξεκινήσετε την αναπαραγωγή από την αρχή.

**17- Κουμπί επόμενο:** πατήστε σύντομα για να μεταβείτε στο επόμενο κομμάτι στη λειτουργία USB.

**18- Κουμπί EQ:** πατήστε για να επιλέξετε την κατάλληλη λειτουργία εξισορρόπησης ήχου.

**19- Κουμπί «δεξιά»:** πατήστε το για να μπειτε στο υπομενού.

**20- Κουμπί «κάτω»:** πατήστε το για να πάει προς τα κάτω τη λίστα μενού.

**21- Κουμπί Αγαπημένα FAV:** πατήστε για να μπειτε στη διεπαφή του προγραμματισμένου σταθμού και πατήστε παρατεταμένα για να αποθηκεύσετε τον τρέχοντα σταθμό.

**22- Κουμπί αύξησης έντασης ήχου:** Πατήστε το για να αυξήσετε την ένταση ήχου.

### Σύνδεση τροφοδοσίας:

Εισαγάγετε τον σύνδεσμο συνεχούς ρεύματος του παρεχόμενου τροφοδοτικού στην πρίζα συνεχούς ρεύματος στον πίσω πίνακα της συσκευής και, στη συνέχεια, συνδέστε την παροχή ρεύματος στην πρίζα εναλλασσόμενου ρεύματος (230 V, 50/60 Hz) για να αποκτήσετε την τροφοδοσία.

Εάν η τροφοδοσία συνδεθεί επιτυχώς, η οθόνη θα ανάψει και θα εμφανίσει την οθόνη εκκίνησης BLAUPUNKT. Πατήστε στιγμιαία το κουμπί αναμονής για να ενεργοποιηστεί η συσκευή, πατήστε παρατεταμένα για να εισέλθετε στη λειτουργία αναμονής. Η συσκευή είναι έτοιμη για λειτουργία.

### Χρήση μενού:

Για να χειριστείτε το μενού, χρησιμοποιήστε τα κουμπιά «πάνω», «κάτω», «αριστερά», «δεξιά» και το κουμπί ENTER στο τηλεχειριστήριο ή τα «πάνω», «κάτω», «αριστερά», «δεξιά» και Κουμπί αναπαραγωγής / παύσης/ENTER (8) στον μπροστινό πίνακα της μονάδας.

### Σύνδεση Wi-Fi

Η συσκευή διαθέτει ενσωματωμένη μονάδα δικτύου Wi-Fi που είναι σε θέση να συνδεθεί σε ασύρματο δίκτυο. Για να ακούσετε το ραδιόφωνο του Διαδικτύου, θα πρέπει πρώτα να ρυθμίσετε και να συνδεθείτε στο Διαδίκτυο χρησιμοποιώντας ένα δρομολογητή Wi-Fi. Ακολουθήστε τα παρακάτω βήματα:

a. Κατά την πρώτη χρήση, η συσκευή θα εμφανίσει την οθόνη εκκίνησης BLAUPUNKT και στη συνέχεια θα σας ζητήσει να επιλέξετε τη γλώσσα λειτουργίας (προεπιλεγμένη γλώσσα: Αγγλικά). Μπορείτε να χρησιμοποιήσετε τα κουμπιά «πάνω» και «κάτω» για να μετακινήσετε την επιλογή στη λίστα μενού και να πατήσετε το κουμπί ENTER για επιβεβαίωση. Στη συνέχεια, θα εμφανιστούν στην οθόνη οι πληροφορίες απορρήτου, πατήστε το κουμπί ENTER για να «ενεργοποιηθεί» την επιλογή «ελέγξτε το δίκτυο μετά την ενεργοποίηση»

b. Πατήστε το κουμπί «αριστερά» ή «δεξιά» για να επιλέξετε «ναι» ή «όχι», πατήστε το κουμπί «ENTER» για να επιβεβαιώσετε την επιλογή σας.

c. Εάν επιλέξετε «ναι», η οθόνη θα σας ρωτήσει: «Θέλετε να ρυθμίσετε το δίκτυο τώρα;» επιλέξτε «ναι», η συσκευή θα αναζητήσει τα διαθέσιμα ασύρματα δίκτυα και θα εμφανίσει μια λίστα ονομάτων Wi-Fi στην οθόνη.

d. Πατήστε το κουμπί «πάνω» ή «κάτω» για να αναζητήσετε το δίκτυο σας στην λίστα των διαθέσιμων δικτύων. Αφού το βρείτε, πατήστε το κουμπί ENTER για να επιβεβαιώσετε την επιλογή σας. Στη συνέχεια, η συσκευή θα σας ζητήσει να εισαγάγετε τον κωδικό πρόσβασης του επιλεγμένου ασύρματου δικτύου.

e. Σας συνιστούμε να χρησιμοποιήσετε τους αριθμούς και τους χαρακτήρες στο τηλεχειριστήριο για να εισαγάγετε τον κωδικό πρόσβασης σας πιο γρήγορα. Με το πάτημα του κουμπιού στο αριθμητικό πληκτρολόγιο του τηλεχειριστηρίου, μπορείτε να επιλέξετε τον κατάλληλο αριθμό και πεζά ή κεφαλαία γράμματα. Αν βρείτε το σωστό γράμμα κωδικού πρόσβασης, πατήστε σύντομα το κουμπί «δεξιά» για να επιβεβαιώσετε την επιλογή σας και προχωρήστε για να εισάγετε τον επόμενο χαρακτήρα κωδικού πρόσβασης. Εάν εισαγάγετε λανθασμένο χαρακτήρα κωδικού πρόσβασης, μπορείτε να τον αφαιρέσετε με το πάτημα του κουμπιού «αριστερά».

f. Όταν ολοκληρώσετε την εισαγωγή του κωδικού πρόσβασης του ασύρματου δικτύου σας, πατήστε το κουμπί ENTER, στη συνέχεια η συσκευή θα συνδεθεί στο δίκτυο Wi-Fi και θα εισέλθει στην κύρια διεσπαφή.

g. Εάν η σύνδεση δικτύου δεν είναι επιτυχής, πατήστε σύντομα το κουμπί μενού στο τηλεχειριστήριο για να μετέιτε στην κύρια διεσπαφή, επιλέξτε Ρυθμίσεις>Δίκτυο>Ρύθμιση ασύρματου δικτύου > ενεργοποιήστε ξανά την αναζήτηση διαθέσιμου δικτύου.

### Σημειώσεις:

1. Μπορείτε επίσης να συνδέσετε χειροκίνητα δίκτυα Wi-Fi μέσω της εφαρμογής ή του WPS. Κατά τη σύνδεση δικτύων Wi-Fi μέσω της εφαρμογής, βεβαιωθείτε ότι η συσκευή που υποστηρίζει την εφαρμογή και το ραδιόφωνο βρίσκονται εντός του ίδιου δικτύου.

2. Μπορείτε επίσης να ρυθμίσετε το ασύρματο δίκτυο χρησιμοποιώντας τα κουμπιά «τα πάνω»/«κάτω», «αριστερά»/«δεξιά», αναπαραγωγής/παύσης/ENTER στον μπροστινό πίνακα της συσκευής.

3. Το συνδεδεμένο δίκτυο Wi-Fi μπορεί να αποημιονευθεί και να συνδεθεί αυτόματα την επόμενη φορά, εάν το δίκτυο είναι ακόμα διαθέσιμο. Μερικές φορές η σύνδεση απαιτεί να εισαγάγετε ξανά τον κωδικό πρόσβασης σας. Λάβετε υπόψη ότι δεν πρόκειται για σφάλμα.

### Λειτουργία ραδιοφώνου διαδικτύου

Αφού συνδεθείτε σωστά στο Διαδίκτυο, εισάγετε το κύριο μενού με τα κουμπιά «αριστερά» ή «δεξιά» για να αναζητήσετε το εικονίδιο του διαδικτυακού ραδιοφώνου και, στη συνέχεια, πατήστε το κουμπί ENTER για να εισέλθετε στη λειτουργία διαδικτυακού ραδιοφώνου.

### Επιλογή διαδικτυακών σταθμών:

Χρησιμοποιώντας τα κουμπιά «πάνω»/«κάτω» και το κουμπί ENTER, επιλέξτε την κατάλληλη επιλογή από τη λίστα μενού. Αφού πείτε στο μενού διαδικτυακού ραδιοφώνου, επιλέξτε π.χ.

**ραδιοφωνικός σταθμός > χώρα/τοποθεσία > Ευρώπη > Πολωνία > Πολωνία/top 10 > Όνομα ραδιοφωνικού σταθμού.** Στη συνέχεια, το ραδιόφωνο θα συνδεθεί με τον επιλεγμένο σταθμό και θα ξεκινήσει την αναπαραγωγή του.

Πατήστε σύντομα το κουμπί ENTER για να διακόψετε προσωρινά την αναπαραγωγή και να επιστρέψετε στο μενού.

Χρησιμοποιήστε τα κουμπιά «πάνω»/«κάτω» για να επιλέξετε έναν άλλο σταθμό από τη λίστα, πατήστε το κουμπί ENTER για την αναπαραγωγή. Κατά την ακρόαση του διαδικτυακού ραδιοφώνου, πιέστε σύντομα το κουμπί «δεξιά» για να μεγεθύνετε τις πληροφορίες στην οθόνη, πιέστε σύντομα το κουμπί «αριστερά» για να επαναφέρετε την οθόνη στην προηγούμενη λειτουργία. Πατήστε και κρατήστε πατημένο το κουμπί «αριστερά»/«δεξιά» για να μεταβείτε στον προηγούμενο ή τον επόμενο ραδιοφωνικό σταθμό που είναι διαθέσιμος στη λίστα.

Πατήστε το κουμπί «πάνω»/«κάτω» στον μπροστινό πίνακα της συσκευής ή το κουμπί αύξησης ή μείωση έντασης στο τηλεχειριστήριο για να ρυθμίσετε το επίπεδο έντασης εξόδου. Πατήστε το κουμπί σίγασης για σίγαση του ήχου.

**Για να προγραμματίσετε τους αγαπημένους σας διαδικτυακούς σταθμούς:** μετά την ενεργοποίηση του αγαπημένου σας σταθμού, πατήστε και κρατήστε πατημένο το κουμπί Αγαπημένα (στο τηλεχειριστήριο FAV) ή το κουμπί προγραμματισμού ραδιοφωνικού σταθμού (5 στον μπροστινό πίνακα) και μεταβείτε στη διαεπαφή ρυθμίσεων σταθμού. Χρησιμοποιώντας τα κουμπιά «πάνω»/«κάτω», μετακινήστε και ρυθμίστε τον επιλεγμένο σταθμό στον σωστό αριθμό μνήμης στη λίστα, πατήστε το κουμπί ENTER για να επιβεβαιώσετε την επιλογή σας.

Πατήστε σύντομα το κουμπί Αγαπημένα (FAV στο τηλεχειριστήριο) ή το κουμπί προγραμματισμού ραδιοφωνικού σταθμού (5 στον μπροστινό πίνακα) για να μεταβείτε στη λίστα των προγραμματισμένων σταθμών, χρησιμοποιήστε το κουμπί «πάνω»/«κάτω» για να επιλέξετε τον προγραμματισμένο σταθμό, πατήστε το κουμπί ENTER για να τον αναπαράγετε. Μπορείτε επίσης να επιλέξετε γρήγορα έναν προγραμματισμένο σταθμό πατώντας το κουμπί P1–P4 στον μπροστινό πίνακα ή πατώντας σύντομα το αντίστοιχο κουμπί στο αριθμητικό πληκτρολόγιο στο τηλεχειριστήριο όταν η συσκευή βρίσκεται σε λειτουργία αναπαραγωγής ραδιοφώνου.

Πατήστε σύντομα το κουμπί Αγαπημένα (FAV στο τηλεχειριστήριο) ή το κουμπί προγραμματισμού ραδιοφωνικού σταθμού (5 στον μπροστινό πίνακα) για να μεταβείτε στη λίστα των προγραμματισμένων σταθμών, πατήστε το κουμπί «δεξιά» για να διαχειριστείτε τον προγραμματισμένο σταθμό, π.χ. μετακίνηση πάνω/κάτω/διαγραφή/μετονομασία/αναπαραγωγή.

### Τοπικό διαδικτυακό ραδιόφωνο

α. Για να διαμορφώσετε το τοπικό σας διαδικτυακό ραδιόφωνο: στο κύριο μενού, μεταβείτε στις Ρυθμίσεις> Ρύθμιση τοπικού ραδιοφώνου > Ρύθμιση τοποθεσίας> Επιλογές (αυτόματος εντοπισμός χώρας/χειροκίνητη διαμόρφωση (χώρα)/χειροκίνητη διαμόρφωση (βοεβοδάτο)/χειροκίνητη διαμόρφωση (πόλη)/χειροκίνητη διαμόρφωση (ταχυδρομικός κώδικας ΗΠΑ). Χρησιμοποιήστε τα κουμπιά «πάνω»/«κάτω» για να επιλέξετε την κατάλληλη επιλογή και να επιβεβαιώσετε με το κουμπί ENTER. Όταν ολοκληρώσετε τη ρύθμιση της τοποθεσίας, το ραδιόφωνο θα αναζητήσει και θα περάσει στην προκαθορισμένη τοπική διεπαφή διαδικτυακού ραδιοφώνου.

β. Αφού διαμορφώσετε ουσά το τοπικό σας διαδικτυακό ραδιόφωνο, μπορείτε επίσης να πατήσετε το κουμπί LOCAL στο τηλεχειριστήριο ή να επιλέξετε «τοπικός σταθμός» στο κύριο μενού του ραδιοφώνου ιστού για να μεταβείτε στη λίστα των τοπικών ραδιοφωνικών σταθμών και να παίξετε τον επιλεγμένο σταθμό.

### Σημειώσεις:

1. Η πρόσβαση σε ραδιοφωνικό σταθμό μπορεί να διαρκέσει κάποιο χρόνο λόγω της ταχύτητας σύνδεσης στο διαδίκτυο ή της τοποθεσίας του δικαμοστή ραδιοεπικοινωνιών κ.λπ., πράγμα που δεν αποτελεί δυσλειτουργία. Σε περίπτωση προβλημάτων λήψης που προκύπτουν από τους παραπάνω λόγους, προτείνουμε την επιλογή άλλου ραδιοφωνικού σταθμού.
2. Όταν το ραδιόφωνο είναι στη λειτουργία εμφάνισης της λίστας των διαθέσιμων ραδιοφωνικών σταθμών, χρησιμοποιώντας τα κουμπιά «πάνω»/ «κάτω», μπορείτε να αλλάξετε το σταθμό, μετά την επιλογή ενός δεδομένου σταθμού, ένα σύντομο πάτημα του κουμπιού «δεξιά» σας επιτρέπει να μεταβείτε στη διεπαφή της επιλογής «προσθήκη» στα αγαπημένα/αυτόματη σάρωση/αναπαραγωγή».
3. Το διαδικτυακό ραδιόφωνο χωρίζεται σε κατηγορίες όπως «Ραδιόφωνο για ύπνο», «Global top 20», «Είδος», «Χώρα/Τοποθεσία», «Προτεινόμενα» κ.λπ., οι οποίες είναι διαθέσιμες στο μενού διαδικτυακού ραδιοφώνου. Χάρη σε αυτές, μπορείτε να επιλέξετε γρήγορα το ουσό σταθμό και να απολαύσετε τη λήψη του.
4. Μπορείτε επίσης να διαχειριστείτε τη λίστα των αγαπημένων σας σταθμών στην ιστοσελίδα mediaU ([www.mediau.net](http://www.mediau.net)). Πρώτα, στο κύριο μενού, ενεργοποιήστε τη λειτουργία «my mediaU» μεταβαίνοντας στις: Ρυθμίσεις> Διαχείριση του My MediaU>Ενεργοποίηση- τότε το ραδιόφωνο μπορεί να εμφανίσει το φάκελο «Αγαπημένος σταθμός» «Αγαπημένη τοποθεσία/είδος» «Τοπικός σταθμός μου (πόλη)» «Προσθήκη χειροκίνητα». Στην ιστοσελίδα ([www.mediau.net](http://www.mediau.net)), κάντε κλικ στην καρτέλα «my mediaU» για να διαχειριστείτε τους παραπάνω φακέλους. Για περισσότερες πληροφορίες σχετικά με αυτή τη λειτουργία, δείτε παρακάτω σε αυτές οδηγίες χρήσης.

### Υποστήριξη podcast:

Το ραδιόφωνο διαθέτει λειτουργία αναπαραγωγής podcast- η αρχή της λειτουργίας είναι παρόμοια με εκείνη του διαδικτυακού ραδιοφώνου. Ενεργοποιήστε τη συσκευή, μεταβείτε στο κύριο μενού και επιλέξτε: Podcast>Χώρα/Τοποθεσία>Χώρα προορισμού>Φάκελος κατηγορίας, στη συνέχεια επιλέξτε και ανοίξτε το podcast που σας ενδιαφέρει.

**Λήψη τοπικών σταθμών DAB μέσω Wi-Fi:** Είναι δυνατή η λήψη τοπικών σταθμών DAB, οι οποίοι μεταδίδουν ταυτόχρονα το σήμα ως διαδικτυακό ραδιόφωνο. Για να αποκτήσετε πρόσβαση σε αυτά, μεταβείτε στο κύριο μενού και επιλέξτε: Ρυθμίσεις> Ρυθμίσεις τοπικού ραδιοφώνου > DAB (Wi-Fi)>Ενεργοποίηση. Για να μεταβείτε στη λίστα των διαθέσιμων σταθμών DAB (Wi-Fi), στο κύριο μενού, επιλέξτε: Διαδικτυακό ραδιόφωνο> Τοπικός σταθμός >DAB (Wi-Fi) και στη συνέχεια επιλέξτε το σταθμό που σας ενδιαφέρει.

### Υποστήριξη λειτουργίας My mediaU

α. Πρώτα, πρέπει να δημιουργήσετε έναν λογαριασμό στο <http://www.mediau.net>. και να συνδεθείτε με επιτυχία. Αλλάξτε τη γλώσσα και στη συνέχεια κάντε κλικ στην καρτέλα «Συσκευή». Εισαγάγετε το όνομα της συσκευής σας στο πλαίσιο «Εισαγωγή του ονόματος της συσκευής εδώ».

β. εισαγάγετε τον σειριακό αριθμό στο πλαίσιο «σειριακός αριθμός». (Πώς μπορώ να βρω τον σειριακό αριθμό; Μεταβείτε στο κύριο μενού της συσκευής σας και επιλέξτε: Ρυθμίσεις>Συσκευή>Πληροφορίες συστήματος>Πληροφορίες ασύρματου δικτύου και θα βρείτε τη Διεύθυνση MAC.

γ. Γράψτε τη διεύθυνση MAC στο πλαίσιο «σειριακός αριθμός» και κάντε κλικ στην επιλογή «Προσθήκη». Στη συνέχεια, μεταβείτε στην καρτέλα «my mediaU» για να διαχειριστείτε τους φακέλους «Αγαπημένος σταθμός» «Αγαπημένη τοποθεσία/είδος» «Τοπικός σταθμός» «Χειροκίνητη προσθήκη».

δ. Ενεργοποιήστε το διαδικτυακό ραδιόφωνο, μπειτε στο κύριο μενού και επιλέξτε: Ρυθμίσεις> Διαχείριση του My MediaU>Ενεργοποίηση. Στη συνέχεια, επιστρέψτε στο κύριο μενού και επιλέξτε το εικονίδιο my mediaU, θα δείτε τους διαθέσιμους φακέλους «Αγαπημένος σταθμός» «Αγαπημένη τοποθεσία/είδος» «Τοπικός σταθμός» «Χειροκίνητη προσθήκη», οι οποίοι συγχρονίζονται με τους φακέλους που έχουν διαμορφωθεί στον λογαριασμό σας, στην ιστοσελίδα <http://www.mediau.net>.

### Λειτουργία Bluetooth

Αυτή η μονάδα διαθέτει τη λειτουργία Bluetooth που σας επιτρέπει να αναπαράγετε μουσική ασύρματα από άλλη συσκευή Bluetooth (όπως smartphone, tablet κ.λπ.).

1. Ενεργοποιήστε τη συσκευή, πατήστε το κουμπί κύριου μενού (3) στον μπροστινό πίνακα ή το κουμπί MENU στο τηλεχειριστήριο και μεταβείτε στην κύρια διεπαφή με τα κουμπιά «αριστερά» ή «δεξιά» για να επιλέξετε το εικονίδιο Bluetooth και, στη συνέχεια, πατήστε το κουμπί ENTER για να εισέλθετε στη λειτουργία Bluetooth. Η συσκευή θα είναι έτοιμη να ζευχτεί με Bluetooth.

2. Ενεργοποιήστε τη λειτουργία Bluetooth σε μια εξωτερική συσκευή (smartphone, tablet κ.λπ. Ανατρέξτε στις οδηγίες χρήσης της εξωτερικής συσκευής) και, στη συνέχεια, ελέγξτε τη λίστα των συσκευών Bluetooth που είναι διαθέσιμες για τη ζεύξη.

Επιλέξτε «BP IR10» για να αντιστοιχίσετε συσκευές.

3. Επιλέξτε και αναπαράγετε μουσική στην εξωτερική συσκευή Bluetooth, ρυθμίστε το επίπεδο έντασης τόσο στην εξωτερική συσκευή Bluetooth όσο και σε αυτό το ραδιόφωνο. Ο ήχος θα αναπαραχθεί ασύρματα χρησιμοποιώντας τα ηχεία αυτής της συσκευής.
4. Πατήστε παρατεταμένα τα κουμπιά «αριστερά» ή «δεξιά» για να αλλάξετε το προηγούμενο ή το επόμενο κομμάτι που θέλετε να παίξετε. Πατήστε το κουμπί «αριστερά» ή «δεξιά» για να κάνετε μεγέθυνση ή σμίκρυνση των πληροφοριών για την εικόνα κομματιού. Πατήστε σύντομα το κουμπί ENTER για αναπαραγωγή ή παύση αναπαραγωγής. Πιέστε παρατεταμένα το κουμπί ENTER για να αποκτήσετε τη διεπαφή «Κάντε ζευξη άλλης συσκευής», πιέστε ξανά το κουμπί ENTER για να απασυνδέσετε την τρέχουσα σύνδεση Bluetooth. Πατήστε παρατεταμένα το κουμπί ENTER ξανά για να λάβετε μια λίστα με τα ονόματα των συσκευών Bluetooth που έχουν ζευγαρωθεί προηγουμένως, μπορείτε να επιλέξετε μία από αυτές για να ζευγαρωθεί ξανά, εφόσον έχει ενεργοποιημένο το Bluetooth και είναι εντός της περιοχής λειτουργίας Bluetooth αυτής της συσκευής.
5. Στη λειτουργία αναπαραγωγής Bluetooth, πατήστε το κουμπί «πάνω» ή «κάτω», για να ρυθμίσετε την ένταση του ήχου. διατίθενται επίσης ρυθμίσεις EQ και σίγασης.

#### Σημειώσεις:

1. Η σύζευξη δεν είναι εγγυημένη για όλες τις συσκευές Bluetooth λόγω διαφορετικών σχεδίων και λύσεων.
2. Η καλύτερη απόσταση εργασίας για Bluetooth είναι 10 μέτρα χωρίς εμπόδιο μεταξύ συσκευών.
3. Αυτό το προϊόν μπορεί να συζευχθεί και να λειτουργήσει ταυτόχρονα με μόνο μία εξωτερική συσκευή Bluetooth.
4. Στην περίπτωση εισερχόμενης κλήσης κατά την αναπαραγωγή Bluetooth, η μουσική θα διακοπεί προσωρινά και θα συνεχιστεί μετά την ολοκλήρωση της τηλεφωνικής κλήσης.
5. Απαιτείται η σύζευξη της συσκευής Bluetooth ξανά όταν η συσκευή είναι απενεργοποιημένη ή όταν η λειτουργία αναπαραγωγής είναι ενεργοποιημένη.

#### Λειτουργία της συσκευής αναπαραγωγής USB

Η συσκευή διαθέτει τη λειτουργία αναπαραγωγής USB MP3. Πρώτα, προετοιμάστε μια μορφοποιημένη μνήμη USB και αντιγράψτε ο' αυτήν αρχεία MP3. Συνδέστε σωστά τη συσκευή USB στη θύρα USB στον πίσω πίνακα. Πατήστε το κουμπί του κύριου μενού στον μπροστινό πίνακα ή το κουμπί MENU στο τηλεχειριστήριο για να μπείτε στην κύρια διεπαφή και, στη συνέχεια, επιλέξτε: Κέντρο πολυμέσων> USB. Στη συνέχεια, μπορείτε να δείτε μια λίστα με αρχεία MP3 που είναι αποθηκευμένα στη συνδεδεμένη μνήμη USB. Επιλέξτε οποιοδήποτε αρχείο και κάντε την αναπαραγωγή του με αυτήν τη συσκευή. Στη λειτουργία αναπαραγωγής μουσικής από τη μνήμη USB, πατήστε σύντομα το κουμπί ENTER στον μπροστινό πίνακα ή το τηλεχειριστήριο για να αναπαράξετε το αρχείο ή να διακόψετε προσωρινά την αναπαραγωγή. Πατήστε το κουμπί «πάνω» ή «κάτω» στον μπροστινό πίνακα ή το κουμπί VOL+/VOL- στο τηλεχειριστήριο για να αυξήσετε ή να μειώσετε την ένταση, πιέστε παρατεταμένα το κουμπί «αριστερά» ή «δεξιά» για να αλλάξετε το προηγούμενο ή το επόμενο κομμάτι. Πατήστε σύντομα το κουμπί «αριστερά» ή «δεξιά» για να κάνετε μεγέθυνση ή σμίκρυνση των πληροφοριών για εικόνα κομματιού. Είναι επίσης διαθέσιμες ρυθμίσεις του ισοσταθμιστή ήχου EQ και λειτουργία σίγασης.

Για να επιλέξετε τη λειτουργία αναπαραγωγής, μεταβείτε στο κύριο μενού και επιλέξτε: Ρυθμίσεις> Ρυθμίσεις αναπαραγωγής και, στη συνέχεια, επιλέξτε Απενεργοποίηση/Επανάληψη όλων/Επανάληψη ενός/Τυχαία.

#### Σημειώσεις:

- α. Δεν συνιστάται η χρήση καλωδίων επέκτασης USB για τη σύνδεση μιας μνήμης USB, καθώς αυτό μπορεί να επηρεάσει την ποιότητα του μεταδιδόμενου σήματος στη συσκευή και, κατά συνέπεια, την ασταθή αναπαραγωγή.
- β. Η συσκευή υποστηρίζει μορφές WAV/WMA/MP3/FLAC/AAC (λόγω διαφορών στο τρόπο αποθήκευσης, δεν είναι εγγυημένη η αναπαραγωγή όλων των αρχείων που αποθηκεύονται στις παραπάνω μορφές. Η συσκευή υποστηρίζει μονάδες USB μέγιστης χωρητικότητας 64 GB.

#### Υποστηρίζει της λειτουργίας UPnP

Η συσκευή διαθέτει λειτουργία UPnP που μπορεί να συνδεθεί σε ασύρματο δίκτυο και να χρησιμοποιήσει Windows, APPLE Mac ή Linux ως πλατφόρμα αναπαραγωγής μουσικής. Η μουσική που παρέχεται στην συσκευή μπορεί να παιχτεί ασύρματα μέσω των ηχείων αυτού του διαδικτυακού ραδιοφώνου.

#### Παράδειγμα υποστηρίξεις της εφαρμογής Windows Media Player 12:

- α. Κάντε κλικ και ανοίξτε το λογισμικό αναπαραγωγής πολυμέσων των Windows στον υπολογιστή σας, προσθέστε την αγαπημένη σας μουσική στη βιβλιοθήκη πολυμέσων (ανατρέξτε στις οδηγίες χρήσης του προγράμματος αναπαραγωγής πολυμέσων των Microsoft Windows για υποστήριξη).
- β. Κάντε κλικ στην καρτέλα «Ροή» στην επάνω αριστερή γωνία του παραθύρου της εφαρμογής, επιλέξτε «Αυτόματη αναπαραγωγή των πολυμέσων μου από τις συσκευές» και, στη συνέχεια, αποδεχτείτε την «Αυτόματη αναπαραγωγή όλων των υπολογιστών και συσκευών πολυμέσων». Τώρα μπορείτε να χρησιμοποιήσετε UPnP για να μοιραστείτε και να παίξετε μουσική. γ. Κάντε κλικ στην επιλογή «Περισσότερες επιλογές ροής» στο Windows Media Player για να μετονομάσετε τη βιβλιοθήκη πολυμέσων σας και να επιτρέψετε/αποκλείσετε την αναπαραγωγή μουσικής από τη συσκευή σας μέσω της λειτουργίας UPnP. Το όνομα της βιβλιοθήκης πολυμέσων μπορεί να προσαρμοστεί (π.χ. εισάγοντας το όνομα ΒΙΒΛΙΟΘΗΚΗ BLAUPUNKT) για να διευκολύνει τον χρήστη να το αναγνωρίσει γρήγορα στη λίστα των διαθέσιμων πολυμέσων στο μενού UPnP αυτού του ραδιοφώνου. Μπορείτε επίσης να επιτρέψετε σε μια συγκεκριμένη συσκευή να μεταδίδει μουσική από τη βιβλιοθήκη πολυμέσων μέσω της UPnP.
- δ. Ενεργοποιήστε το ραδιόφωνο, επιλέξτε το εικονίδιο Κέντρο πολυμέσων> UPnP και ελέγξτε τη λίστα των διαθέσιμων βιβλιοθηκών πολυμέσων, επιλέξτε τη δικιά σας βιβλιοθήκη UPnP (για παράδειγμα, UPnP:ΒΙΒΛΙΟΘΗΚΗ BLAUPUNKT), πατήστε σύντομα το κουμπί ENTER για επιβεβαίωση. (Σημείωση: μπορεί να χρειαστούν έως και 10 δευτερόλεπτα ή περισσότερα για να βρεθεί η κατάλληλη βιβλιοθήκη εάν η συσκευή δεν βρει τη βιβλιοθήκη πολυμέσων και θα επιστρέψετε στο μενού Κέντρο πολυμέσων.
- ε. Αφού επιλέξετε μια βιβλιοθήκη, π.χ. «ΒΙΒΛΙΟΘΗΚΗ BLAUPUNKT» UPnP, αναζητήστε και επιλέξτε ένα φάκελο με μουσική, στη συνέχεια, επιλέξτε ένα φάκελο από μια από τις διαθέσιμες κατηγορίες, «αριστερά», «δεξιά» και ENTER για να λάβετε τη σωστή αναπαραγωγής μουσικής.
- στ. Όταν παίξετε μουσική, χρησιμοποιήστε τα κουμπιά «πάνω», «κάτω», «αριστερά», «δεξιά» και ENTER για να λάβετε τη σωστή λειτουργία. Η μέθοδος αναπαραγωγής UPnP είναι παρόμοια με την αναπαραγωγή μιας μνήμης USB.

#### Σημαντικές σημειώσεις:

- α. Τόσο ο υπολογιστής όσο και το διαδικτυακό ραδιόφωνο θα πρέπει να συνδέονται στο ίδιο δίκτυο Wi-Fi κατά τη διάρκεια της λειτουργίας UPnP.
- β. Δεδομένου ότι υπάρχουν πολλά διαφορετικά συστήματα/διαμορφώσεις υπολογιστών διαθέσιμα στην αγορά, η σύνδεση αναπαραγωγής UPnP μπορεί να αποτύχει, αυτό όμως δεν καλύπτεται από την εγγύησή μας.



### Υποστήριξη Spotify Connect

Αυτή η συσκευή διαθέτει τη λειτουργία Spotify Connect, η οποία σας επιτρέπει να μεταφέρετε ασύρματα ήχο από την εφαρμογή Spotify.

- α. Ενεργοποιήστε τη συσκευή και μεταβείτε στο κύριο μενού, έπειτα επιλέξτε: Εικονίδιο εφαρμογής Spotify > ο κωδικός QR εμφανίζεται στην οθόνη (την πρώτη φορά που τον χρησιμοποιείτε).
- β. Σαρώστε τον κωδικό QR με το smartphone σας, εισέλθετε αυτόματα στον επίσημο ιστότοπο Spotify. Βρείτε και κατεβάστε την εφαρμογή Spotify στο smartphone σας.
- γ. Ανοίξτε και εισαγάγετε την εφαρμογή Spotify χρησιμοποιώντας έναν εγγεγραμμένο λογαριασμό, μεταβείτε στην ενότητα «Ρυθμίσεις» της εφαρμογής και μεταβείτε στην καρτέλα «Συσκευές» και, στη συνέχεια, επιλέξτε «BP IR10» από τη λίστα. Η εφαρμογή smartphone θα συνδεθεί στο ραδιόφωνο σε περίπου 30 δευτερόλεπτα. Επιλέξτε και αναπαραγάγετε τη μουσική στην εφαρμογή Spotify και ο ήχος θα αναπαραχθεί με τη χρήση αυτής της συσκευής.

### Σημαντικές σημειώσεις:

1. Το λογισμικό Spotify υπόκειται σε άδειες χρήσης από τρίτους, τις οποίες μπορείτε να βρείτε εδώ: <https://www.spotify.com/connect/third-party-licenses>.
2. Οδηγίες για τη χρήση του Spotify μπορείτε να βρείτε εδώ: <https://spotify.box.com/s/7m8g1ij2600xt8zlh5cult0gmkku6t>.
3. Χρησιμοποιήστε το smartphone, το tablet ή τον υπολογιστή σας ως τηλεχειριστήριο για το Spotify. Μεταβείτε στη διεύθυνση [www.spotify.com/connect](http://www.spotify.com/connect) για να μάθετε πώς να το κάνετε.
4. Όταν χρησιμοποιείτε το Spotify Connect, τόσο το Spotify όσο και αυτό το διαδικτυακό ραδιόφωνο θα πρέπει να είναι συνδεδεμένα στο ίδιο δίκτυο Wi-Fi.

### Υποστήριξη διαδικτυακού ραδιοφώνου με χρήση εφαρμογής για φορητές συσκευές

- α. Για συσκευές iOS, αναζητήστε και κατεβάστε το «AirMusic Control» στο App Store (κατεβάστε και εγκαταστήστε το «AirMusic control» για συσκευές Android).
- β. Ενεργοποιήστε τη συσκευή, πμείτε στο κύριο μενού και επιλέξτε: Ρυθμίσεις > Συσκευή > Εφαρμογή, η οθόνη εμφανίζει τον κωδικό QR, σαρώστε τον με το smartphone σας.
- γ. Επιλέξτε και ανοίξτε την εφαρμογή «AirMusic Control» στο smartphone σας, η εφαρμογή μπορεί να σαρώσει αυτόματα και να συνδεθεί στο ραδιόφωνο του διαδικτύου, εάν το smartphone και το ραδιόφωνο χρησιμοποιούν το ίδιο δίκτυο Wi-Fi. (Το BP IR10 θα εμφανιστεί στη λίστα των ονομάτων συσκευών στο μενού διαμόρφωσης στην εφαρμογή AirMusic Control μετά τη σύνδεση).
- δ. Στη συνέχεια, μπορείτε να χρησιμοποιήσετε την εφαρμογή στο smartphone για να ελέγξετε εξ αποστάσεως το διαδικτυακό σας ραδιόφωνο.

### Σημαντική σημείωση:

Σας συνιστούμε να μην χρησιμοποιείτε τα κουμπιά στον μπροστινό πίνακα ή το τηλεχειριστήριο για να ελέγχετε τη συσκευή όταν χρησιμοποιείτε την εφαρμογή ραδιοελέγχου ταυτόχρονα, καθώς αυτό μπορεί να προκαλέσει προβλήματα συγχρονισμού λόγω της λειτουργίας του διακομιστή και της ταχύτητας σύνδεσης στο διαδίκτυο. Τα ζητήματα συγχρονισμού δεν καλύπτονται από την εγγύηση. Σε αυτή την περίπτωση, η συσκευή θα πρέπει να παραμείνει για λίγο χωρίς περαιτέρω λειτουργία μέχρι να σταθεροποιηθεί η λειτουργία.

### Έξοδος γραμμική/ακουστικών

Η συσκευή έχει μια γραμμική έξοδο που επιτρέπει την ενσύρματη σύνδεση με άλλο ενεργό ηχείο, ενισχυτή ή ακουστικό. Χρησιμοποιώντας το παρεχόμενο στερεοφωνικό καλώδιο ήχου 3,5 mm, συνδέστε το στην υποδοχή της γραμμικής εξόδου στον πίσω πίνακα και συνδέστε το άλλο τερματικό σε άλλη εξωτερική συσκευή ήχου. Ενεργοποιήστε αυτήν τη συσκευή και ξεκινήστε την αναπαραγωγή και, στη συνέχεια, ο ήχος θα αναπαραχθεί από μια εξωτερική συσκευή ήχου. Τα ηχεία αυτής της μονάδας θα απενεργοποιηθούν.

Συνδέστε τα ακουστικά σε μια πρίζα γραμμικής εξόδου για διακριτική ακρόαση ήχου. Τα ηχεία αυτής της μονάδας θα απενεργοποιηθούν.

Κατά την αναπαραγωγή με τη συσκευή ή τα ακουστικά συνδεδεμένα στη γραμμική έξοδο, είναι δυνατή η ρύθμιση του επιπέδου έντασης ήχου τόσο σε αυτή τη συσκευή όσο και στην εξωτερική συσκευή.

### Ρύθμιση ρολογιού και ζυπηνητρίου

**Ρύθμιση ρολογιού/ημερομηνίας:** Εισάγετε το κύριο μενού και επιλέξτε στη σειρά: Ρυθμίσεις > Ημερομηνία και ώρα > Ορισμός ημερομηνίας και ώρας Εδώ υπάρχουν δύο επιλογές: «Χειροκίνητη διαμόρφωση» και «Αυτόματη ανίχνευση». Εάν επιλέξετε «Αυτόματη ανίχνευση», οι τρέχουσες πληροφορίες ώρας και ημερομηνίας θα ενημερωθούν αυτόματα όταν συνδέσετε το δίκτυο Wi-Fi. Μπορείτε να ορίσετε την ημερομηνία και την ώρα με μη αυτόματο τρόπο, εάν επιλέξετε «Χειροκίνητη διαμόρφωση». Στο υπομενού «Ημερομηνία και ώρα» υπάρχουν επίσης επιλογές «Ορισμός της μορφής ώρας» και «Ορισμός της μορφής ημερομηνίας» – επιλέξτε τις για να προσαρμόσετε τη μορφή ώρας (12 ή 24 ώρες) και τη μορφή ημερομηνίας (είναι διαθέσιμες 3 επιλογές).

**Ρύθμιση ζυπηνητρίου:** Εισάγετε το κύριο μενού και επιλέξτε στη σειρά: Ρυθμίσεις > Ζυπηνητήρι. Στη συνέχεια, μπορείτε να ρυθμίσετε την ώρα για το Ζυπηνητήρι 1, το Ζυπηνητήρι 2, τον Χρόνο αναβολής, την ένταση ήχου του Ζυπηνητρίου. Μετά την είσοδο στη λειτουργία ρύθμισης Ζυπηνητρίου 1 και 2, υπάρχουν επιλογές για την επιλογή της επανάληψης Ζυπηνητρίου (Καθημερινά, Μία φορά, σε συγκεκριμένες ημέρες της εβδομάδας), τη ρύθμιση της ώρας και την επιλογή της πηγής ζυπηνητρίου (Ηχητικό σήμα, Μελωδία, Διαδικτυακό Ραδιόφωνο, USB)

1. Όταν ρυθμιστεί η ώρα αφύπνισης, το ραδιόφωνο θα ενεργοποιηθεί αυτόματα την προκαθορισμένη ώρα. Πατήστε σύντομα το κουμπί αναμονής (3) για να ακυρώσετε τον ήχο ζυπηνητρίου.
2. Υπάρχουν δύο ζυπηνητρία που μπορούν να ρυθμιστούν ξεχωριστά.
3. Όταν το ζυπηνητήρι είναι ενεργοποιημένο, πατήστε σύντομα οποιοδήποτε κουμπί (εκτός από το κουμπί αναμονής (3)) για να ενεργοποιηθεί η λειτουργία αναβολής. Ο συναγερμός θα ενεργοποιηθεί ξανά μετά το πέρας του χρόνου αναβολής.
4. Η λειτουργία συναγερμού λειτουργεί μόνο όταν η κύρια παροχή ρεύματος είναι συνδεδεμένη και διαθέσιμη.
5. Όταν η λειτουργία αναβολή είναι ενεργή, ο χρόνος αναβολής που απομένει εμφανίζεται στην οθόνη. Με το σύντομο πάτημα του κουμπιού αναμονής ακυρώνεται η αναβολή.

**Χρονοδιακόπτης**

Στη λειτουργία αναπαραγωγής (όπως διαδικτυακό ραδιόφωνο, Bluetooth, λειτουργία αναπαραγωγής USB κ.λπ.), ένα σύντομο πάτημα του κουμπιού SLEEP στο τηλεχειριστήριο σας επιτρέπει να ρυθμίσετε την ώρα του χρονοδιακόπτη. Τα ακόλουθα χρονικά διαστήματα (σε λεπτά) είναι διαθέσιμα: 15/30/60/90/120/150/180/απενεργοποιημένος. Όταν παρέλθει το επιλεγμένο χρονικό διάστημα, η συσκευή θα απενεργοποιηθεί αυτόματα την αναπαραγωγή και θα τεθεί σε κατάσταση αναμονής.

**Άλλα**

Για να εκτελέσετε άλλες λειτουργίες, όπως η ρύθμιση της φωτεινότητας της οθόνης, η έκδοση λογισμικού, η επιστροφή των εργοστασιακών ρυθμίσεων κ.λπ., ακολουθήστε τις πληροφορίες στο παρακάτω διάγραμμα.

**Αντιμετώπιση προβλημάτων**

1. Το ηχείο δεν μπορεί να ενεργοποιηθεί.

α. Ελέγξτε εάν η παροχή ρεύματος είναι σωστά συνδεδεμένη.

2. Δεν υπάρχει ήχος.

α. Δοκιμάστε να ρυθμίσετε την ένταση του ήχου και ελέγξτε την πηγή αναπαραγωγής.  
β. Επικοινωνήστε με το κέντρο σέρβις για βοήθεια εάν το πρόβλημα παραμένει.

3. Διαλείπων ήχος στη λειτουργία Bluetooth

α. Δοκιμάστε να μετακινήσετε τη συσκευή Bluetooth πιο κοντά σε αυτή τη συσκευή.  
β. Ανατρέξτε στις οδηγίες για τον επαναζεύξη.

4. Στη λειτουργία Bluetooth, η στάθμη ήχου είναι πολύ χαμηλή.

α. Ελέγξτε την ένταση τόσο της συσκευής Bluetooth όσο και αυτής της συσκευής.

**Προδιαγραφές:**

Πηγή τροφοδοσίας: DC IN 9V/2A

Έγχρωμη οθόνη TFT 2,4"

Έκδοση Bluetooth: V5.0

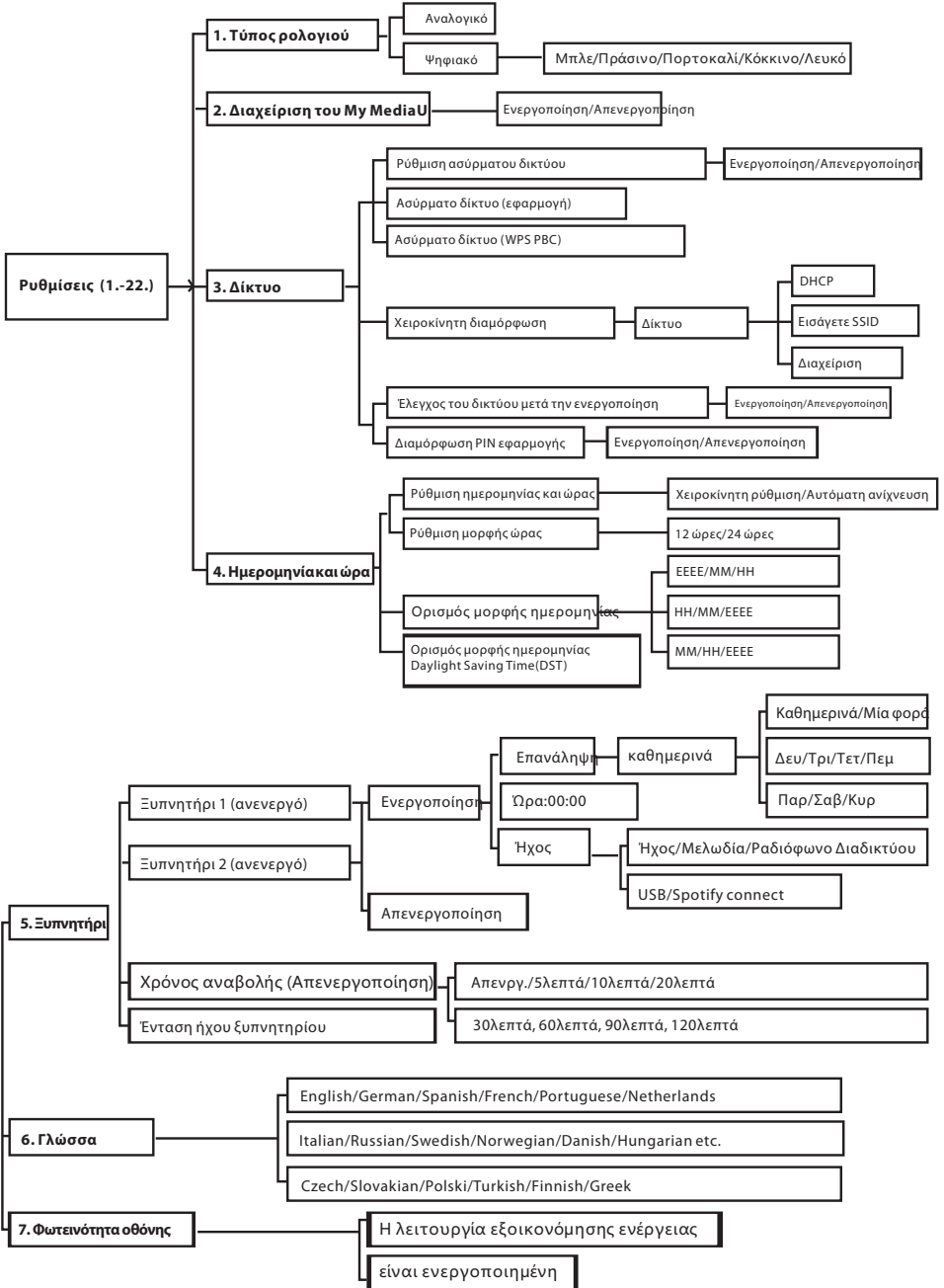
USB 2.0, υποστήριξη αρχείων μουσικής: MP3/WMA/WAV/FLAC/AAC (δεν εγγυάται την αναπαραγωγή όλων των αρχείων)

Έξοδος RMS: 2 x 5W

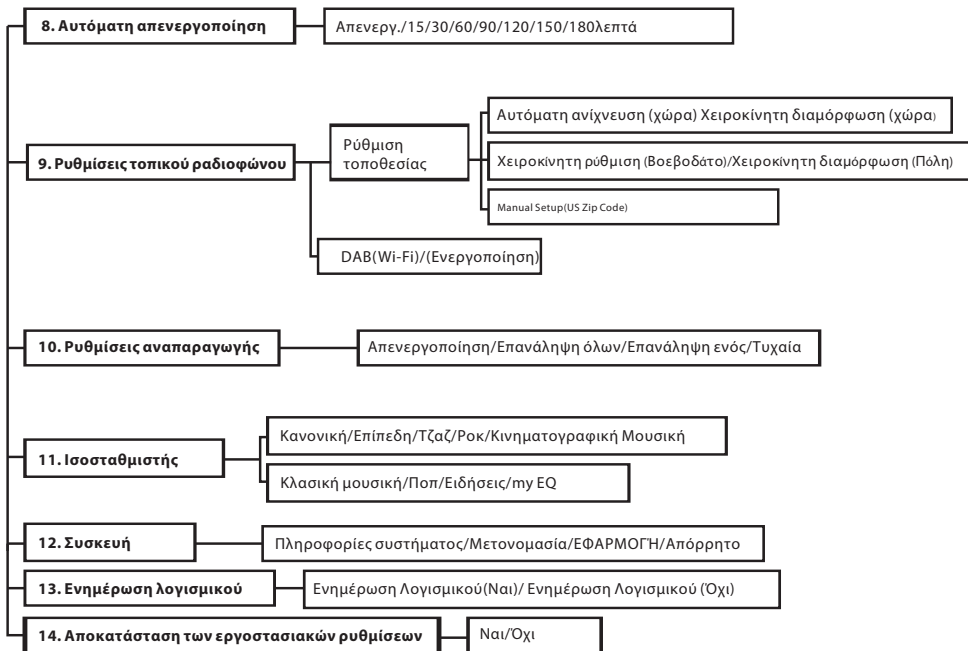
Κατανάλωση ισχύος: 16W

Κατανάλωση ισχύος σε κατάσταση αναμονής: <1W

(Η παραπάνω προδιαγραφή μπορεί να ενημερωθεί χωρίς προηγούμενη ειδοποίηση.)



GREEK



Πληροφορίες για το τροφοδοτικό		
Δημοσιευμένες πληροφορίες	Τιμές και στοιχεία	Μονάδα
Όνομασία κατασκευαστή ή εμπορικό σήμα Αριθμός εμπορικού μητρώου Διεύθυνση	Shenzhen Fushigang Technology Co., Ltd Building 8, Shiguan Industrial Park, Shangcun Community, Gongming Street, Guangming District, Shenzhen, GuangDong, China	
Αναγνωριστικό μοντέλου	AS1801A-0902000EU	
Τάση εισόδου	100-240	V
Συχνότητα εισόδου του εναλλασσόμενου ρεύματος	50/60	Hz
Τάση εξόδου	DC9.0	V
Ρεύμα εξόδου	2.0	A
Ισχύς εξόδου	18.0	W
Μέση ενεργή απόδοση	≥85	%
Απόδοση σε χαμηλό φορτίο (10 %)	75.45%	%
Κατανάλωση ενέργειας χωρίς φορτίο	≤0.1	W

## HOIATUS



HOIATUS

ELEKTRILÖÖGIOHT  
MITTE AVADA**Hoiatus:**

Elektrilöögi ohu vähendamiseks ei tohi seadme katet ega tagumist osa lahti monteerida. Seadmes ei ole kasutajapoolseks iseseisvaks parandamiseks ette nähtud elemente. Seadme hoolduse ja parandamisega tegelevad ainult teeninduse kvalifitseeritud töötajad.

**Graafiliste sümbolite selgitus:**

Välgunool e sümbol võrdkõlgses kolmnurgas hoiatab kasutajat seadme sees esinevast isoleerimata „ohtlikust pingest“, mis võib saavutada elektrilöögi ohuga ähvardava tugevuse.



Hüüumärk võrdkõlgses kolmnurgas hoiatab kasutajat sellest, et antud hetkel edastatakse seadmega kaasas olevas dokumendis seadme teenindust ja hooldust käsitlevat olulist teavet.

Enne seadme teenindamise alustamist palume käesolev juhend, selle funktsioonidega tutvumiseks ja sihtotstarbeliseks kasutamiseks, läbi lugeda. See tagab seadme kauakestva, riketeta teeninduse ja kasutusrõõmu.

**Oluline informatsioon.**

- Teenindusjuhend ja ohutust käsitlev teave tuleb edaspidiseks kasutuseks säilitada.
- Ei tohi lasta tekkida olukorral, kui seadmele või selle sissepoole tilgub vesi.
- Samuti ei tohi seadet kasutada niisketes kohtades, nagu nt vannituba.
- Antud seadet ei tohi paigaldada järgnevatesse kohtadesse:
- Mis on avatud päikesekiirguse vahetule toimele või radiaatorite läheduses.
- Asetada muu, soojust eraldava, stereofoonilise varustuse peale.
- Blokeerides ventilatsiooni või tolmusesse kohta.
- Pidevale vibratsioonile allutatud kohtadesse.
- Kõrge niiskustasemega kohtadesse.
- Seadet ei tohi asetada küünalde või avatud tule lähedusse.
- Seadet võib kasutada ainult käesolevas juhendis kirjeldatud viisil.
- Enne toite esimest sisselülitamist tuleb veenduda, et toide oleks õigesti ühendatud.
- USB mälu ühendatakse vahetult või kuni 25 cm pikkuse USB pikendusjuhtmega.

Ohutuse seisukohalt ei tohi korpusi lahti võtta ega üritada seadme sissepoole tungida. Seadet võivad parandada ainult teeninduse kvalifitseeritud töötajad.

Seadet ei tohi lahti keerata ega selle korpusi avada, sest selles ei ole kasutaja poolt parandatavaid osi. Seadme hoolduse ja parandamisega tegelevad ainult teeninduse kvalifitseeritud töötajad.

**OHUTUST KÄSITLEV OLULINE TEAVE**

1. Lugeda juhend läbi – enne seadme kasutamist alustamist tuleb kogu teenindusjuhend ja ohutust käsitlev teave läbi lugeda.
2. Säilitada juhend – kasutus- ja teenindusjuhend tuleb edaspidiseks kasutuseks säilitada.
3. Järgida hoiatusi – toimida kooskõlas kõikide seadmel paiknevate hoiatuste ja teenindusjuhendiga.
4. Järgida juhiseid – toimida kooskõlas teenindusjuhendi ja kasutajale mõeldud juhistega.
5. Paigaldus – paigaldada seade kooskõlas tootja juhistega.
6. Toiteallikad – seadme toiteks peab kasutama ainult toitekaabli märgistustel antud parameetritega allikaid. Juhul kui kasutaja ei ole kindel kodus oleva toite liigis, peab ta ühendust võtma seadme müüja või kohaliku elektrienenergia tarnijaga.
7. Toite maandus ja polaarsus – seade ei pea olema maandatud. Vältimaks tihvtide või klemmide paljastumist veenduda, et pistik oleks võrgupessa või pikendusese sissestatud lõpuni. Mõned seadme versioonid võivad olla varustatud vahelduvvoolu polaarse pistikuga (üks tihvt laiem). Selliseid pistikuid võib sissestada võrgupessa ainult ühel viisil. See on kaitsefunktsioon. Kui pistikut ei saa pessa sissestada tuleb proovida seda pöörata. Kui pistik ei sobi ka siis pesaga tuleb elektrikul tellida selle väljavahetamine. Polaarselt pistikut ei tohi kaitseid eemaldada. Kasutades muud pikendusjuhet või toitekaablit, kui seadmega koos tarnitavat, peavad neil olema asjakohased pistikute, võrgupesadele ja kohtadele, kus kaabel läbi veetakse.
8. Toitekaabli kaitse – toitekaabel tuleb vedada nii, et selle peal ei oleks võimalik kõndida, seda suruda või asetada esemetega vigastada. Pöörata erilist tähelepanu pistikutele, võrgupesadele ja kohtadele, kus kaabel läbi veetakse.
9. Ülekormamine – seinakontakte, pikendusjuhtmeid ja vargapesasid ei tohi üle koormata, sest see ohustab tulekahju puhkemise või elektrilöögi.
10. Ventilatsioon – seadet tuleb korralikult ventileerida. Seadet ei tohi asetada voodile, diivanile või muudele sarnastele pindadele. Seadet ei tohi katta laulainade, salvrätikute, ajalehtede jms.
11. Soojus – mitte asetada seadet soojusallikate, nagu radiaatorid, kiirgurid, ahjud või muud soojust eritavad seadmed (ka võimendid), lähedale. Mitte asetada seadmele põlevaid künnlaid ja muid avatud tule allikaid.
12. Vesi ja niiskus – tulekahju või elektrilöögi ohu vähendamiseks ei tohi seadet vihma, vee ja niiskuse vahetule toimele, nagu nt saunas või vannitoas, allutada. Mitte kasutada käesolevat seadet vee, näiteks vanni, kraanikausi, köögivalamu või pesupali, läheduses, niiskes keldris või basseini juures (või sarnastes kohtades).
13. Esemed ja vedelikud seadmes – läbi seadme avade ei tohi sisse suruda mingeid esemeid, sest need võivad kokku puutuda ohtliku pinge punktidega, mis omakorda võib põhjustada tulekahju või elektrilöögi. Mitte mingil juhul ei tohi seadme pindadele mingeid vedelikke kallata. Seadmele ei tohi asetada vedelikke sisaldavaid esemeid.
14. Puhastamine – enne puhastamist tuleb seade alati võrgupesast lahti ühendada. Kõlari ümbruses võib tolmu eemaldada kuiva lapiga. Kasutades puhastamiseks aerosooli ei tohi pritsimisvoogu suunata vahetult seadmele vaid lapile. Tuleb jälgida, et ajamiüksused kahjustusi ei saaks.
15. Täiendav varustus – keelatud on kasutada tarvikuid, mis ei ole tootja poolt lubatud, sest võivad osutada ohuallikateks.

16. Tarvikud – seadet ei tohi asetada ebastabiilsele kärule, alusraamile, statiivile, tugialusele või lauale. Seade võib ümber kukkuda ja saada kahjustusi ning vigastada tõsiselt last või täiskasvanut. Kasutada ainult tootja poolt määratud või koos seadmega müüdavaid kärusid, alusraame, statiive, tugialuseid või laudu. Seadme paigaldust tuleb teostada kooskõlas tootja juhistega, kasutades tootja poolt soovitatud paigalduskomplekti.
17. Seadme teistsaldamine – kärule paigutatud seadet tuleb sõidutada väga ettevaatlikult. Äkiline pidurdamine, ülemäärane jõud või ebatasane pind võivad põhjustada käruga ja seadme ümberminekku.
18. Seadme mittekasutamise periood – toitekaabel tuleb äikesetormide ajal või kui seadet pikema aja jooksul ei kasutata võrgupesast lahti ühendada.
19. Teenindus – keelatud on seadme ülevaltust omakäeliselt läbi viia. Avatud katted võivad põhjustada kokkupuudet ohtliku pingega ja osutada ohtlikuks. Seadme hoolduse ja parandamisega tegelevad ainult teeninduse kvalifitseeritud töötajad.
20. Kui seadet ei kasutata, tuleb selle pistik võrgupesast lahti ühendada. Toiteallikaga ühendatuna on seade ooterežiimis ja ei ole täielikult välja lülitatud.
21. Varuosad – osade väljavahetamisel tuleb kontrollida kas teeninduse töötaja on kasutanud tootja poolt soovitatud varuosid või kas osad on originaalosadega identsed. Väljavahetamine kinnitamata osade vastu ohustab tulekahju puhkemise, elektrilöögi ja muude turvariskidega.
22. Peakaitsmed – seadme alalise tulekahjuvastaseks kaitseks tuleb kasutada õiget tüüpi ja asjakohaste parameetritega kaitsmeid. Antud pingela kaitsmete parameetrid on märgitud seadmele.
23. Helitugevust ei tohi muusikapala valitse osaga kuulamisel või audio sisendsignaali puudumisel tõsta. Vastasel juhul võib signaali äkiline tugevnemine kõlarit kahjustada.
24. Seadme toiteallikast täieliku lahtiühendamise ainsaks viisiks on toitekaabli toitesepast või seadme eemaldamine. Võrgupesast või toitekaabli seadme sisend peavad toote kasutamise käigus alati juurdepääsetavad olema.
25. Seade tuleb paigutada võrgupesast või pikendusjuhtme lähedusse nii, et need oleks alati juurdepääsetavad.
26. Seadme keskkonna maksimaalne temperatuur võib olla kuni 35°C.
27. Elektrostaatilisest laadusest puudutavad juhised – kui seadme töö on häiritud elektrostaatilisest laadusest tuleb see välja lülitada ja seejärel uuesti sisse lülitada või teise kohta ümber tõsta.
28. Patareid
  - a. Patareid ei tohi allutada ülemäärase soojuse, nagu nt päikesekiired, tuli jms, toimele.
  - b. Patareide utiliseerimisel tuleb pöörata tähelepanu keskkonnakaitse aspektidele.
- c. Patareide kasutamist puudutav hoiatus: patareidel ei tohi lasta kuluda kuni lekkimiseni, mis võib põhjustada kehavigastusi ja seadme kahjustusi:
  - Patareide sisestamisel pöörata tähelepanu nende polaarusele (+ ja -).
  - Ei tohi kasutada samaaegselt erinevaid patareid — vanu ja uusi, standardseid ja alkaalipatareid, jne.
  - Kui seadet pikema aja jooksul ei kasutata, tuleb patareid välja võtta.

## HOIATUS

- Seadet ei tohi kasutada piiratud füüsiliste, sensoorsete ja psüühiliste võimete või seadme töötmise kogemusi või teadmisi mitte omavad inimesed (sealhulgas lapsed), kui nad ei viibi nende ohtuse eest vastutavate isikute järelevalve all või kui neid ei ole seadme ohutu kasutamise teemal instrueeritud. Kui seadet teenindavad lapsed, on nõutav täiskasvanute kohaolek; see võimaldab tagada seadme ohutu kasutuse.
1. Keelatud on töötav seadet järelevalveta jätta! Kui seadet isegi lühikese aja jooksul ei kasutata, tuleb see välja lülitada.
  2. Seadet ei tohi teenindada taimeriga välise kella vahendusel ega eraldiastseva kaugjuhtimisega süsteemi abil.
  3. Toitejuhtme kahjustuste korral ohtude vältimiseks peab väljavahetamist teostama tootja, autoriseeritud teeninduspunkt või muu, asjakohast kvalifikatsiooni omav isik.
  4. Enne seadme teenindamise juurde asumist tuleb veenduda, et selle pinge vastab kohalikus toitevõrgus esinevale pingele.
  5. Seadme ventilatsiooniväändid ei tohi kinni katta, nt ajalehtede, laualina, kardinatega, jms. Tuleb veenduda, et seadme kohal on vähemalt 20 cm vaba ruumi ja sellel igal küljel — vähemalt 5 cm.
  6. Ei tohi lasta tekkida olukorral kui seadmele või selle sisemusse tilgub või voolab vedelik ega tohi sellele asetada vedelikega täidetud esemeid, selliseid nagu vaasid.
  7. Tulekahju või elektrilöögi vältimiseks tuleb seadet kaitsta kuumade kohtade, vihma, niiskuse ja tolmu toime eest.
  8. Seadet ei tohi paigutada mingite veeallikate, nt kraanide, vannide, pesumasinate või ujumisbasseinide lähedusse. Seade tuleb asetada tasasele ja stabiilsele aluspinnale.
  9. Seadet ei tohi allutada tugevate magnetväljade toimele.
  10. Vahetult võimendile või vastuvõtjale seadet asetada ei tohi.
  11. Seadet ei tohi viia niiskesse kohta, sest niiskusel on elektrilistele allüksustele kahjulik mõju.
  12. Peale seadme külmast sooja või niiskesse kohta toomist võib möngija sees olevale läätsele tekkida niiskuse kondensatsioon. Sellises olukorras seade korralikult tööle ei hakka. Niiskuse aurumise vältimiseks tuleb sisselülitatud seade jätta umbes tunniks ajaks seisma.
  13. Seadet ei tohi puhastada keemiliste lahustitega, sest need võivad kahjustada korpuse lakikihti. Seadet pühitakse puhta, kuiva või vähesel määral niisutatud lapiga.
  14. Pistiku seinakontaktist eemaldamisel tuleb alati tõmmata pistikut, mitte aga toitekaablit.
  15. Kui sisselülitatud seadet kasutatakse sisselülitatud teleri läheduses võib see osutada ekraanil joontena nähtavate häirete allikaks. Sõltub TV ülekande laineribast. See ei tähenda aga ei seadme ega teleri väärat töötamist. Selliste häirete vältimiseks tuleb seade telerist eemale nihutada.
  16. Võrgupistikut kasutatakse toitepinge lahtiühendamiseks ja see peab alati juurdepääsetav olema.
  17. Võimalike kuulmiskahjustuste vältimiseks ei tohi muusikat pikemat aega valjult kuulata.



## TÄHELEPANU



## Deklaratsioon

Blaupunkt Competence Center 2N-Everpol Sp. z o.o. teavitab käesolevaga, et seade vastab direktiivi 2014/53 / EL nõuetele ja selle muudele asjakohastele sätetele. Täielik vastavusdeklaratsioon asub leheküljel [www.blaupunkt.com](http://www.blaupunkt.com) toote järjehoidjas.

Vastutav ettevõtte: 2N-Everpol Sp. z o.o.

Puławska 403A, 02-801 Varssavi, Poola

Telefon: +48 22 331 99 59, e-mail: [info@everpol.pl](mailto:info@everpol.pl)



Toode on toodetud kõrgkvaliteetsetest taastootmisesse suunatavatest ja taaskasutatavatest materjalidest ning allüksustest.



Seadmel paiknev läbitõmmatud prügikorvi sümbol tähendab, et toode on hõlmatud Euroopa direktiivi 2012/19/EU sätetega. Tutvuda kohaliku süsteemi elektriliste ja elektrooniliste jäätmete käitlemist puudutavate nõuetega. Toimida kooskõlas kehtivate eeskirjadega. Käesolevat toodet ei tohi ära visata koos tavaliste olmejäätmetega. Vana toote õige kõrvaldamine väldib potentsiaalseid looduskeskkonnale ja inimtervisele kahju tekitavaid tagajärgi.



Seade on varustatud Euroopa direktiiviga 2006/66/EC hõlmatud patareidega. Patareide äraviskamine koos kodumajapidamisjäätmetega on keelatud. Tutvuda patareide eraldiasetsevalt kogumist käsitlevate kohalike eeskirjadega, sest õige utiliseerimine väldib potentsiaalseid looduskeskkonnale ja inimtervisele kahju tekitavaid tagajärgi.

**Looduskeskkonna kaitset käsitlev teave**

Pakend sisaldab ainult vajalikke elemente. Tehtud on kõik endast olenev, et kolm koostismaterjali oleks hõlpsasti eraldatavad: papp (kast), polüstüreenvaht (seesmine kaitse) ja polüetüleen (kotid, kaitsepoogen). Toode on toodetud materjalidest, mida saab suunata taastootmisesse ja peale nende eriotstarbelise ettevõtte poolt demonteerimist, uuesti kasutada. Järgida pakendmaterjalide, patareide ja kasutatud seadmete utiliseerimist käsitlevaid kohalikke ettekirjutusi. Materjalide salvestamiseks ja esitamiseks võib vaja minna nõusolekut. Tutvuge autoriõiguse ja esinejate/kunstnike õiguste seadusega.

**ERP2 (elektrienergiaga seotud seadmed) puudutav märkus**

Käeolev ökoprojektiga seade vastab vastab ökoprojektide nõudeid käsitleva KOMISJONI (EÜ) MÄÄRUSE nr 1275/2008 kontori- ja kodukasutuseks mõeldud seadmete väljalülitatuna ja ooterežiimis energiatarbimist puudutava direktiivi 2009/125/WE jõustava 2. etapi nõuetele.



Kaubamärgi ja logo Bluetooth® omanik on ettevõtte Bluetooth SIG, Inc. USA. Asjaomaste kaubamärkide ja logo kasutamine on litsentseeritud. Muud märgid ja kaubanimed kuuluvad asjakohastele omanikele.

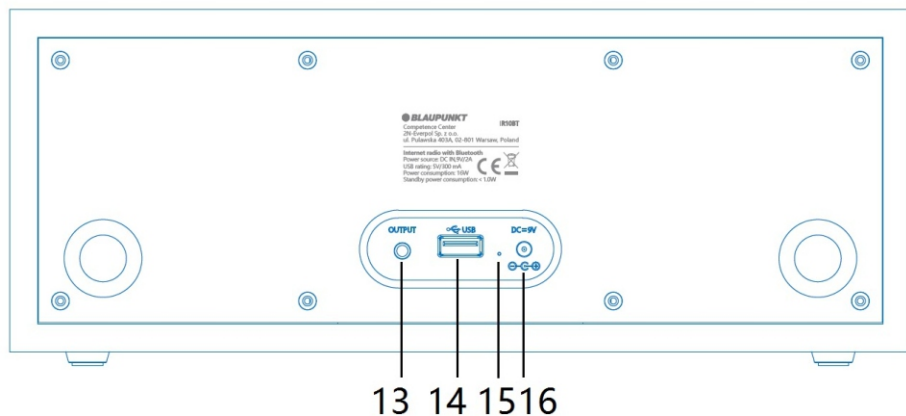
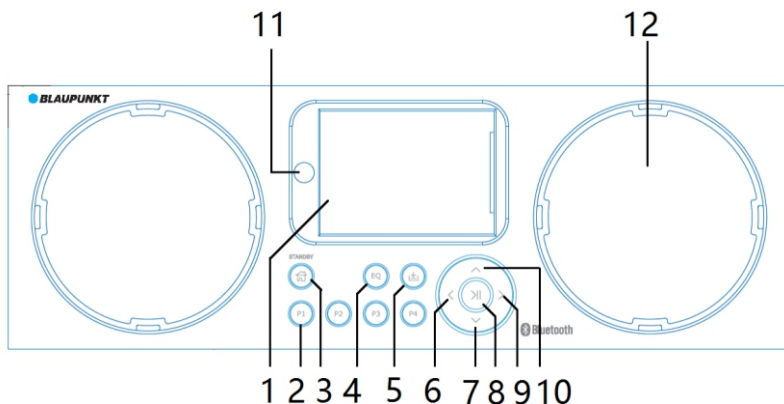


Täname meie toote valimise eest, palume enne seadme kasutamise alustamist käesolev juhend hoolikalt läbi lugeda ja sellega tutvuda. Säilitada juhend tulevikus kasutamiseks.

**Seadmel on järgnevad põhifunktsioonid:**

- Veebiraadio
- Esitamine Bluetooth mooduli abil
- USB esitamine
- Spotify Connect kasutamine
- Podcastide teenindamine
- Audio liiniväljund
- Kell, äratuskell, taimer

**Juhtelementide paigutus**



**1- Värviline kuvar;**

**2- Raadiojaamade programmeerimise nupud P1 ~ P4**

Vajuta lühidalt nõuetekohaselt programmeeritud jaamade valimiseks ja avamiseks.  
Jooksva jaama mälu salvestamiseks vajuta ja hoi a (2 sekundit) nuppu P1 ~ P4.

**3- Valmisoleku/peamenüü nupp;**

Vajuta ja hoi ooterežiimi minekuks.  
Vajuta lühidalt seadme sisselülitamiseks ja peamenüüle minemiseks.  
Vajuta alarmi režiimis lühidalt alarmi helina tühistamiseks ja valmisoleku režiimi minekuks.

#### 4- Heli korrektori EQ nupp

Vajuta seda korduvalt, et lülitada korrektor ümber programmeeritud seadete vahel: NORMAL/FLAT/JAZZ/ROCK/SOUNDTRACK/CLASSIC/POP/NEWS/MY EQ.

#### 5- Raadiojaamade programmeerimise nupp:

Vajuta seda lühidalt, et kuvada programmeeritava jaama ekraan. Vajuta ja hoiä käesoleva jaama salvestamiseks.

#### 6- Nupp „vasakule“:

Vajuta seda lühidalt, et teisaldada ja kõrvaldada tähti võrguparooli tähtede sisestamise ajal. Vajuta lühidalt ülemisse menüüsse minekuks. USB režiimis põhjustab pikk vajutus liikumise eelmisele muusikapalale.

#### 7- Nupp „alla“:

Vajuta lühidalt helitugevuse vähendamiseks; Vajuta ja hoiä helitugevuse pidevaks vähenemiseks. Vajuta seda lühidalt valimiseks menüüsse alla minekuks.

#### 8- Esitamise/pausi nupp, nupp ENTER – valiku kinnitamine;

Vajuta lühidalt USB režiimis muusika esitamiseks või peatamiseks. Vajuta seda lühidalt valiku kinnitamiseks.

#### 9- Nupp „paremale“:

Vajuta seda lühidalt, et teisaldada ja lisada tähti võrguparooli tähtede sisestamise ajal. Vajuta lühidalt allmenüüsse minekuks. USB režiimis põhjustab pikk vajutus liikumise järgmisele muusikapalale.

#### 10- Nupp „üles“:

Vajuta lühidalt helitugevuse suurendamiseks; Vajuta ja hoiä helitugevuse pidevaks suurendamiseks. Vajuta seda lühidalt valimiseks menüüsse üles minekuks.

#### 11- Kaugjuhtimispuldi infrapunaandur;

#### 12- Kõlar;

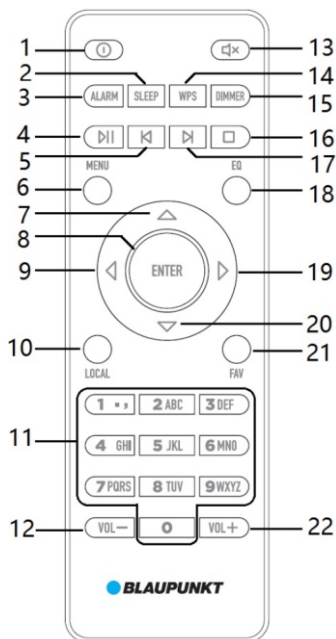
#### 13- Liiniväljundi pesa;

#### 14- USB port;

#### 15- Toite LED näidik;

#### 16- Toite pesa DC IN;

#### Kaugjuhtimispult



**1- Valmisoleku režiimi sisse/väljalülitamise nupp:** vajuta seda lühidalt seadme sisse/väljalülitamiseks.

**2- Taimeri nupp:** vajuta seda korduvalt seadme väljalülitamise aja määramiseks.

**3- Alarmi nupp:** vajuta seda lühidalt alarmi konfigureerimise ekraanile minekuks.

**4- Esitamise/pausi nupp:** vajuta seda lühidalt USB režiimis muusika esitamiseks/peatamiseks.

**5- Nupp eelmine:** vajuta lühidalt USB režiimis eelmisele muusikapalale minekuks.

**6- Nupp MENU:** vajuta seda lühidalt peamenüüsse minekuks.

**7- Nupp „üles“:** vajuta seda menüüsse ülespoole liikumiseks.

**8- Nupp ENTER – valiku kinnitamine:** vajuta seda lühidalt valiku kinnitamiseks.

**9- Nupp „vasakule“:** vajuta väljumiseks või menüüsse üles liikumiseks.

**10- Nupp LOCAL:** vajuta seda lühidalt kohaliku veebiraadio režiimi minekuks.

**11- Numbrite ja märkide nupud:** vajuta seda korduvalt sobiva numbriga või tähega valimiseks.

**12- Helitugevuse vähendamise nupp:** vajuta seda helitugevuse vähendamiseks.

**13- Vaigistamise nupp:** vajuta seadme vaigistamiseks, esituse taastamiseks vajuta seda uuesti.

**14- Nupp WPS:** kiire võrguühenduse nupp, kui Wi-Fi ruuteril on samuti WPS nupp, vajuta lühidalt kiire võrguühenduse režiimi minekuks.

**15- Dimmeri nupp:** vajuta seda kuvari heleduse reguleerimiseks

**16- Nupp Stop:** vajuta seda USB režiimis jooksva muusikapala esituse peatamiseks, vajuta nuppu ENTER esituse taastamiseks ja otsast alustamiseks.

**17- Nupp järgmine:** vajuta lühidalt USB režiimis järgmisele muusikapalale minekuks.

**18- Nupp EQ:** vajuta heli korrektori sobiva režiimi valimiseks.

**19- Nupp „paremale“:** vajuta seda allmenüüsse minekuks.

**20- Nupp „alla“:** vajuta seda menüüsse allapoole liikumiseks.

**21- Nupp Lemmikud FAV:** vajuta lühidalt programmeeritud jaamade ekraanile minekuks, vajuta pikalt jooksva jaama salvestamiseks.

**22- Helitugevuse suurendamise nupp:** vajuta seda helitugevuse suurendamiseks.

### Toite ühendamine:

Sisesta kaasasoleva DC toiteploki ühendus seadme tagapaneelil olevasse DC toitepesa ja ühenda seejärel toite saamiseks toiteplokk vahelduvvoolu pesaga (230V, 50/60 Hz).  
Toite õnnestunud ühendamise korral kuvab süttib ja näitab BLAUPUNKT tervitusekraani. Vajuta valmisoleku nuppu lühidalt seadme sisselülitamiseks, vajuta seda pikalt valmisoleku režiimi minekuks. Seade on töös valmis.

### Menüü kasutamine:

Menüü teenindamiseks kasuta nuppe „üles”, „alla”, „vasakule”, „paremale” ja kaugjuhtimispuhli nuppu ENTER või nuppe „üles”, „alla”, „vasakule”, „paremale” ning nuppu esitamine/paus/ENTER (8) seadme esipaneelil.

### Wi-Fi võrguga ühendamine

Seadmel on sisseehitatud Wi-Fi võrgumoodul, mis on võimeline juhtmevaba võrguga ühenduma. Veebiraadio kuulamiseks pead kõigepealt selle konfigurerima ja Wi-Fi ruuteri abil veebiga ühendama. Järgi alltoodud samme:

- Seadme esimesel kasutusel kuvatakse BLAUPUNKT tervitusekraan ja seejärel palutakse määrata kasutamise keel (vaikimisi keel: poola). Menüü loendis valiku liigutamiseks võid kasutada nuppe „üles” ja „alla” ning selle kinnitamiseks nuppu ENTER. Seejärel ilmub ekraanile privaatsust puudutav teave, vajuta valiku „kontrollida võrku pärast sisselülitamist?”, sisselülitamiseks nuppu ENTER
- „Jah” või „ei” valimiseks vajuta nuppe „vasakule” või „paremale”, vajuta valiku kinnitamiseks nuppu ENTER.
- „Jah” valimise korral ilmub ekraanile küsimus: „Kas soovid võrgu praegu konfigurierida?” vali „jah”, seade otsib läheduses saadaolevaid juhtmevabade võrgude ja kuvab Wi-Fi nimetuste loendi kuvariil.
- Saadaolevate võrkude seast oma võrgu leidmiseks vajuta nuppu „üles” või „alla”, pärast leidmist vajuta kinnitamiseks ENTER. Seejärel palub seade sisestada valitud juhtmevaba võrgu parool.
- Parooli kiiremaks sisestamiseks soovitate kasutada kaugjuhtimispuhli numbreid ja märke. Puhli numbrilisel klaviatuuril nupu mitmekordne vajutamine võimaldab asjakohase numbrilise ja väikese või suure tähe valida. Parooli õige tähe leidmisel vajuta valiku kinnitamiseks ja järgmise parooli tähe sisestamiseks kiiresti nuppu „paremale”. Parooli vale märgi sisestamise korral võib nupu „vasakule” lühike vajutus selle eemaldada.
- Pärast juhtmevaba võrgu parooli sisestamise lõpetamist vajuta nuppu ENTER ja seejärel ühendub seade Wi-Fi võrguga ning liigub peamiselt ekraanile.
- Võrguga ühendamine ebaõnnestumise korral vajuta peakekraani minekuks puhli lühidalt nuppu menu, vali Seaded>Võrk>Juhtmevaba võrgu konfigurierimine> lülita uuesti sisse saadaolevate võrkude otsing.

### Märkused:

- Samuti on saadaval rakenduse või WPS abil Wi-Fi võrgu käsitsi ühendamine; Rakenduse vahendusel Wi-Fi võrgu ühendamise korral veendu, et seade rakendust teenindab ja raadio asub sama võrgu alas.
- Samuti võid juhtmevaba võrgu seadistada kasutades nuppe „üles”, „alla”, „vasakule”, „paremale”, ning nuppu esitamine/paus/ENTER seadme esipaneelil
- Ühendatud Wi-Fi võrk võidakse meelde jätta ja järgmisel korral, endiselt saadaval olemisel, automaatselt ühendada. Mõnikord nõuab ühendamine parooli uuesti sisestamist. Tuleb meeles pidades, et see ei ole viga.

### Veebiraadio kasutamine

Pärast veebiga õigesti ühendamist sisene nuppe „vasakule”, „paremale” kasutades peamenüüsse, leia veebiraadio ikoon ja vajuta seejärel veebiraadio režiimi minekuks nuppu ENTER.

### Veebijaamade valimine:

Vali Menüü loendist nuppude „üles”/„alla” ja nupu ENTER abil sobiv valik. Pärast veebiraadio menüüsse sisenemist vali nt raadiojaam>riik/asukoht>Euroopa>Poola>Poola/top10>Raadiojaama nimetus. Seejärel ühendub raadio valitud jaamaga ja hakkab seda mängima.

Esitamise peatamiseks ja ülemisele menüüle minekuks vajuta lühidalt nuppu ENTER. Loendist muu jaama valimiseks kasuta nuppe „üles”/„alla”, selle mängimiseks vajuta nuppu ENTER; Veebiraadio kuulamisel vajuta kuvariil teabe suurendamiseks lühidalt nuppu „paremale”, nupu „vasakule” lühike vajutamine toob kuvariil eelmisesse režiimi. Loendis saadaolevale eelmisele või järgmisele raadiojaamale minekuks vajuta ja hoi nuppu „vasakule”/„paremale”. Väljundheli valjuste taseme kohandamiseks vajuta esipaneelil nuppe „üles”/„alla” või helitugevuse suurendamise või vähendamise nuppu puhli. Heli vaigistamiseks vajuta vaigistamise nuppu.

**Lemmikveebijaamade programmeerimine:** pärast lemmikjaama sisselülitamist vali ja hoi nuppu Lemmik (puldil FAV) või nuppu raadiojaamade programmeerimine (5 esipaneelil) ja mine jaamade seadistuste ekraanile. Kasutades nuppe „üles”/„alla” teisald ja seadista valitud jaam loendis sobiva mäluumbri alla, oma valiku kinnitamiseks vajutada nuppu ENTER. Programmeeritud jaamade loendile minekuks vajuta lühidalt nuppu Lemmik (FAV puldil) või raadiojaamade programmeerimise nuppu (5 esipaneelil), kasuta programmeeritud jaama valimiseks nuppu „üles”/„alla”, vajuta selle esitamiseks nuppu ENTER. Kui seade on juba raadio mängimise režiimis, võid programmeeritud jaama kiiresti valida ka esipaneelil nuppu P1~P4 või puldi numbrilisel klaviatuuril asjakohast nuppu vajutades. Programmeeritud jaamade loendile minekuks vajuta lühidalt nuppu Lemmik (FAV puldil) või raadiojaamade programmeerimise nuppu (5 esipaneelil), vajuta programmeeritud jaama haldamiseks nuppu „paremale”, nt liigu üles/allu/eemalda/muuda nimetust/esita.

### Kohalik veebiraadio

- Kohaliku veebiraadio konfigurierimine: liigu peamenüüs ekraanile seaded>kohaliku raadio seaded>asukoha seaded>valikud (riigi automaatne tuvastamine/käsitsi konfigurierimine (riik)/käsitsi konfigurierimine (maakond)/käsitsi konfigurierimine (linn)/ käsitsi konfigurierimine (postindeks USA). Vali nuppude „üles”/„alla” abil sobiv valik ja kinnita nupuga ENTER. Asukoha seadistamise lõpetamise korral otsib raadio üles ja läheb veebiraadio määratletud kohalikule ekraanile.
- Samuti võid pärast õigesti teostatud kohaliku veebiraadio konfigurierimist kohalike raadiojaamade loendile minekuks ja valitud jaama mängimiseks vajutada puldil nuppu LOCAL või valida veebiraadio peamenüüs „kohalik jaam”.

### Märkused:

- Seoses internetiühenduse kiirusega või raadioserveri asukohaga jne, võib raadiojaamale juurdepääsu hankimine natuke aega võtta, mis ei ole viga. Ülaltoodud põhjustest tulenevate vastuvõtuprobleemide ilmnemisel soovitate valida muu raadiojaam.

- Kui raadio on saadaolevate raadiojaamade kuvamise režiimis, võib nuppude „üles“/„alla“ abil jaama muuta, pärast antud jaama tähistamist võimaldab nupu „paremale“ lühike vajutus liikuda valiku „Lisa lemmikutesse/autoskanerimine/esita“ ekraniile.
- Veebirraadio on jaotatud kategooriatesse, nagu „Uneraadio“, „Globaalne top 20“, „Stiil“, „Riik/Asukoht“, „Erilised“ jms, mis on saadaval veebirraadio menüüs. Tänu nendele võid asjakohase jaama kiiremini leida ja selle mängimisest rõõmu tunda.
- Oma lemmikjaamade loendit võid hallata ka leheküljel mediaU ([www.mediayou.net](http://www.mediayou.net)). Kõigepealt lülita peamenüüs sisse funktsioon „my mediaU“ liikudes järjestikku: Seaded> My mediaU haldamine> Lülita sisse; seejärel võib raadio kuvada faili „Lemmikjaam“, Lemmik asukoht/stiil“, Minu kohalik jaam (linn)“, Lisa käsitsi“. Ülaltoodud failide haldamiseks klõpsa veebileheküljel ([www.mediayou.net](http://www.mediayou.net)) järjehojdaj, my mediaU“. Rohkem teavet selle funktsiooni kohta leiad käesoleva juhendi edasises osas.

#### Podcastide teenindamine:

Raadiol on podcastide esitamise funktsioon; tööpõhimõtte sarnaneb veebirraadiole. Lülita seade sisse, liigu peamenüüle ja vali järjestikku: Podcast>Riik/Asukoht>Sihtriik>Kategooria fail ja vali ning esita seejärel huvi pakkuv podcast.

**Wi-Fi vahendusel kohalike DAB jaamade vastuvõtmine:** Võimalik on kohalike, samaaegselt veebirraadioga signaali väljastavate, DAB jaamade vastuvõtt. Nendele juurdepääsu saamiseks liigu peamenüüle ja vali järjestikku: Seaded> Kohaliku raadio seaded> DAB (Wi-Fi)>Lülita sisse. Saadaolevate DAB (Wi-Fi) jaamade loendile liikumiseks vali peamenüüs järjestikku: Veebirraadio>Kohalik jaam>DAB (Wi-Fi) ja vali seejärel huvipakkuv jaam.

#### Funktsiooni My mediaU kasutamine

- Esmajärjekorras tuleb luua konto leheküljel, <http://www.mediayou.net>. ja sellesse vaikimisi sisse logida. Muuda keel ja klõpsa seejärel järjehojdaj, „Seade“. Sisesta oma seadme nimetus aknasse „Sinu seadme nimetus“.
- Sisesta seerianumber aknasse „seerianumber“. (Kust seerianumber leida? Liigu oma seadme peamenüüle ja vali järjestikku: Seaded>Seade>Süsteeminfo>Juhtmevaba võrgu info ja leiad seejärel MAC aadressi.)
- Sisesta MAC aadress aknasse „seerianumber“ ja klõpsa „Lisa“. Seejärel liigu järjehojdajele „my mediaU“, et hallata faile „Lemmikjaam“, Lemmik asukoht/stiil“, „Kohalik jaam“, Lisa käsitsi“.
- Lülita veebirraadio sisse, liigu peamenüüle ja vali järjestikku: Seaded> My mediaU haldamine> Lülita sisse. Seejärel naase peamenüüle ja vali ikoon my mediaU, seejärel kuvatakse saadaolevad failid „Lemmikjaam“, Lemmik asukoht/stiil“, „Kohalik jaam“ „Lisa käsitsi“, mis on sünkronitud sinu kontol konfigureeritud failidega veebileheküljel <http://www.mediayou.net>.

#### Bluetooth kasutamine

Käesoleval seadmel on Bluetooth funktsioon, mis võimaldab teiselt Bluetooth seadmelt (nagu nutitelefon, tahvelarvuti, jne) muusika juhtmevaba esitamist.

- Lülita seade sisse, vajuta esipaneelil peamenüü nuppu (3) või puldil MENU nuppu ja liigu peakraanile, vali nuppude „vasakule“ või „paremale“ abil ikoon Bluetooth, seejärel vajuta Bluetooth režiimi minekuks nuppu ENTER. Seade on Bluetooth pairimiseks valmis.
- Lülita välisel seadmel (nutitelefon, tahvelarvuti jms. Tutvuda välise seadme kasutusjuhendiga) sisse Bluetooth funktsioon ja kontrolli seejärel pairimiseks valmis Bluetooth seadmete loendit. Vali seadmete pairimiseks „BP IR10“.
- Vali ja esita muusikat välisel Bluetooth seadmelt, kohanda helitugevuse tase nii välise seadme kui käesolevalt raadio poolel, heli hakatakse juhtmevabalt esitada käesoleva seadme kõlarite abil.
- Eelmise või järgmise muusikapala esitamisele ümberlülitamiseks vajuta pikalt nuppu „vasakule“ või „paremale“; nuppude „vasakule“ või „paremale“ lühike vajutamine võimaldab muusikapala kujutise kohta teavet suurendada või vähendada. Esitamise alustamiseks või peatamiseks vajuta lühidalt nuppu ENTER; ekrani „Paari muu seade“ saavutamiseks vajuta pikalt nuppu ENTER, jooksva Bluetooth ühenduse katkestamiseks vajuta nuppu ENTER uuesti. Nupu ENTER uuesti pikalt vajutamine võimaldab esitada eelnevalt pairitud Bluetooth seadmete loendi, võid ühe neist uuesti pairimiseks valida, tingimusel, et sellel on Bluetooth funktsioon sisse lüüritatud ja asub käesoleva seadme Bluetooth tööulatuses.
- Bluetooth esitamise režiimis helitugevuse kohandamiseks vajuta nuppu „üles“ või „alla“; samuti on saadaval heli korrektori EQ ja vaigistuse seaded.

#### Märkused:

- Seoses erinevate konstruktsioonide ja lahendustega kõikide Bluetooth seadmete vaikimisi paarimist ei tagata
- Bluetooth parim tööulatus on seadmete vaheliste tõkete puudumisel 10 meetrit.
- Käesolev toode võib olla samaaegselt paaritud ja töötada ainult ühe välise Bluetooth seadmega.
- Bluetooth esituse ajal sissetuleva ühenduse korral; muusika peatub hetkeks ja taastab esitamise pärast telefonikõne lõppemist.
- Seadme väljalülitamise või esitamise režiimi muutmise korral on nõutav Bluetooth seadme uuesti paarimine.

#### USB mängija kasutamine

Seadmel on USB MP3 mängimise funktsioon. Esmajärjekorras valmista ette vormindatud USB mälu ja kopeeri sellesse MP3 formaadis failid. Ühenda USB mälu õigesti tagapaneelil olevasse USB porti. Vajuta peakraanile minekuis esipaneelil peamenüü nuppu või puldil MENU nuppu, seejärel vali järjestikku: Meediakeskus> USB. Seejärel võid näha ühendatud USB mälusse salvestatud MP3 failide loendit. Vali suvaline fail ja esita see käesoleva seadme abil.

USB mälust muusika esitamise režiimis faili esitamiseks või esitamise peatamiseks vajuta esipaneelil või puldil lühidalt nuppu ENTER. Vajuta helitugevuse suurendamiseks või vähendamiseks esipaneelil nuppu „üles“ või „alla“ või puldil VOL+/VOL-; nupu „vasakule“ või „paremale“ pikalt vajutamine võimaldab eelmise või järgmise muusikapala esitamist. Muusikapala kujutise kohta teabe suurendamiseks või vähendamiseks vajuta lühidalt nuppu „vasakule“ või „paremale“. Samuti on saadaval heli korrektori EQ seadete ja vaigistuse funktsioon.

Esitamise režiimi valimiseks mine peamenüüle ja vali järjestikku: Seaded> Esitamise seaded ja vali seejärel valikute Lülita välja/Korda kõik/Korda üks/Juhuesitus vahel.

#### Märkused:

- USB mälu ühendamiseks ei ole soovitatav kasutada USB pikendusjuhet, sest see võib mõjutada seadmesse edastatava signaali kvaliteeti ja tagajärjena anda ebastabiilse esituse.
- Seade teenindab formaate WAV/WMA/MP3/FLAC/AAC (seoses salvestuste erinevusega ei ole kõikides ülaltoodud formaatides salvestatud failide esitamine tagatud; Seade teenindab USB mälust maksimaalse mahuga kuni 64GB.

### UPnP funktsiooni kasutamine

Seadmel on UPnP funktsioon, mis võib juhtmevaba võrguga ühenduda ja süsteeme Windows, APPLE Mac või Linux muusika esitamise platvormidena kasutada. Arvuti mängijas mängitavaid muusikaväliseid saab juhtmevabalt esitada käesoleva veebiraadio kõlarite läbi.

#### Rakenduse Windows Media Player 12 kasutamise näide:

- Klõpsa ja ava oma arvutis Windows multimeedia mängija tarkvara, lisa lemmikmuusika multimeedia raamatukokku (kasutamiseks palun tutvuda ettevõtte Microsoft Windows multimeedia mängija juhendiga).
- Klõpsa rakenduse akna vasakus ülaoasas paiknevas järjehoidjas „Voogedastus“, vali „Luba seadmel minu multimeedia automaatset esitamist“ ja aktsepteeri seejärel „Luba automaatselt kõikidel arvutitel ja multimeedia seadmetel“. Nüüd võid UPnP-i muusika avaldamiseks või mängimiseks kasutada.
- Multimeedia raamatukogu nimetuse muutmiseks ja seadmel UPnP läbi muusika esitamise lubamiseks/blokeerimiseks klõpsa programmis Windows Media Player „Rohkem voogedastuse valikuid“. Käesoleva raadio UPnP menüüs saadaolevate multimeedia teade loendis kasutajale multimeedia raamatukogu kiirema tuvastamise lihtsustamiseks võib selle nimetust muuta (nt sisestades nimetuse BLAUPUNKT RAAMATUKOGU). Samuti võib määratletud seadmele UPnP läbi multimeedia raamatukogust muusika voogedastamist lubada.
- Lülita raadio sisse, vali ikoon Meediakeskus > UPnP ja kontrolli saadaolevaid multimeedia raamatukogusid, vali oma UPnP raamatukogu (näiteks UPnP: BLAUPUNKT RAAMATUKOGU), vajuta kinnitamiseks lühidalt nuppu ENTER. (Tähelepanu: asjakohase raamatukogu otsing võib kesta isegi 10 sekundit või rohkem, kui seade multimeedia raamatukogu ei leia, naasetakse menüüsse Meediakeskus.
- Pärast raamatukogu, nt UPnP „BLAUPUNKT RAAMATUKOGU“ valimist leia ja vali muusikafail, seejärel vali ühe saadaoleva kategooria fail, järgmise sammuna mine muusika esitamise valiku juurde.
- Muusika esitamise käigus kasuta asjakohase toimingu rakendamiseks nuppe „üles“, „alla“, „vasakule“, „paremale“ ja ENTER. UPnP esitamise kasutusviis on sarnane USB mälust mängimisega.

#### Olulised märkused:

- Nii arvuti kui veebiraadio peavad UPnP töötamise ajal ühenduses olema sama Wi-Fi võrguga.
- Kuna turul on saadaval palju arvutisüsteeme/konfiguratsioone, võib UPnP esitamiseks ühendumine ebaõnnestuda, mida meie garantii ei hõlma.

### Spotify Connect kasutamine

Käesoleval seadmel on funktsioon Spotify Connect, mis võimaldab rakendusest Spotify heli juhtmevaba esitamist.

- Lülita seade sisse ja mine peamenüüle, seejärel vali järjestikku: rakendus Spotify ikoon > kuvariile ilmub QR kood (esimesel kasutusel).
- Skaneeri nutitelefoni abil QR kood, sisene automaatselt Spotify ametlikule leheküljele. Leia ja lae rakendus Spotify oma telefoni.
- Ava rakendus Spotify ja sisene sellesse registreeritud konto abil, sisene rakenduse „Seadetes“ ning liigu järjehoidjale „Seadmed“, seejärel vali loendist „BP IR10“. Telefoni rakendus ühendub raadioga umbes 30 sekundi möödudes. Vali ja mängi muusikat rakenduses Spotify ning heli hakatakse esitama käesoleva seadme abil.

Olulised märkused:

- Spotify tarkvara allub kolmandate poolte litsentsidele, mis võib leida siin: <https://www.spotify.com/connect/third-party-licenses>.
- Spotify kasutusjuhendi leiad siin: <https://spotify.box.com/s/7m8g1ij260xrt8zly5cult0gmkknu6t>.
- Kasuta Spotify juhtpuldina nutitelefoni, tahvelarvutit või arvutit. Selleks, et teada saada, kuidas seda teha, mine leheküljele [www.spotify.com/connect](http://www.spotify.com/connect).
- Funktsiooni Spotify Connect kasutamise ajal peavad nii rakendus Spotify kui käesolev veebiraadio olema ühendatud sama Wi-Fi võrguga.

### Veebiraadio kasutamine mobiilse rakenduse abil

iOS süsteemiga seadme korral leia kaupluses App Store ja lae alla „AirMusic Control“ (lae alla ja paigalda „AirMusic control“ Android süsteemiga seadmele).

- Lülita seade sisse, liigu peamenüüle ja vali järjestikku: Seaded > Seade > APP, kuvariile ilmub QR kood, skaneeri see nutitelefoni abil.
- Vali ja ava rakendus „AirMusic control“ nutitelefoni, rakendus võib automaatselt skaneerida ja veebiraadioga ühenduda juhul, kui nutitelefoni ja veebiraadio kasutavad sama Wi-Fi võrku. (pärast ühendumist ilmub BP IR10 rakenduse AirMusic Control konfigureerimise menüüs seadmete nimetuste loendis).
- Seejärel võid telefoni rakendust kasutada veebiraadio kaugjuhtimiseks.

#### Oluline märkus:

Soovitame, et raadio juhtimise rakenduse kasutamisega samal ajal ei kasutataks seadme juhtimiseks esipaneeli nuppe või pulti, sest see võib seoses serveri töö ja veebiühenduse kiirusega sünkronimise probleeme põhjustada. Sünkronimise probleeme garantii ei hõlma. Sellisel juhul tuleb töö stabiiliseerumiseni seadme edasised toimingud hetkeks katkestada.

### Audio liini/kõlarite väljund

Seadmel on liiniväljund, mis võimaldab muu aktiivkõlari, võimendi või kulaaritega ühendamist. Kasutades kaasasolevat audio stereojuhet 3,5 mm, ühendage see tagapaneelil paikneva liiniväljundi pesa ja teine ots muu välise audioseadmega. Lülita käesolev seade sisse ja pane muusika mängima, seejärel esitatakse heli välisest audioseadmest. Käesoleva seadme kõlarid vaigistatakse.

Helidiskreetselt kuulamise võimaluse saamiseks ühenda liiniväljundi pesa kulaarid. Käesoleva seadme kõlarid vaigistatakse. Liiniväljundiga ühendatud seadme või kulaaritega muusika mängimise ajal saab helitugevuse taset reguleerida nii käesolevas kui välises seadmes.

**Kellaaja ja äratuskella määramine**

**Kellaaja/kuupäeva määramine:** Liigu peamenüüsse ja vali järjestikku: Seaded> Kuupäev ja kellaage> Määra kuupäev ja kellaage Siinkohal on kaks võimalust: „Käitsi konfigureerimine” ja „Tuvasta automaatselt”. Valides „Tuvasta automaatselt”, värskendatakse teavet käesoleva kellaaja ja kuupäeva kohta pärast Wi-Fi võrguga ühendamist. Valides „Käitsi konfigureerimise” võid kuupäeva ja kellaaja käsitsi määrata. Allmenüüs „Kuupäev ja kellaage” on saadaval ka valikud „Määra kellaaja formaat” ja „Määra kuupäeva formaat” – vali need kellaaja formaadi (12 või 24 tunnine) ning kuupäeva formaadi (saadaval 3 valikut) määramiseks.

**Äratuse määramine:** Liigu peamenüüsse ja vali järjestikku: Seaded> Äratuskell. Järgnevalt võid määrata aja Äratuskellale 1, Äratuskellale 2, Uinaku aja, Äratuse valjuse. Pärast Äratuskella 1 ja 2 määramise režiimi minekut on saadaval äratuse korduste valimise võimalused (Igapäevane, Üks kord, erinevatel nädalapäevadel), kellaaja ja alarmi allika (Helisignaal, Meloodia, Veebiraadio, USB) valikud

1. Kui äratuse aeg on määratud, lülitub raadio eelnevalt valitud kellaajal automaatselt sisse. Alarmi heli tühistamiseks vajuta lühidalt valmisoleku nuppu (3).
2. Saadaval on kaks eraldi konfigureeritavat alarmi.
3. Kui alarm on sisse lülitatud, vajuta uinaku režiimi aktiveerimiseks suvalist nuppu (valmisoleku nupp (3) välja arvatud). Alarm lülitub uuesti sisse pärast uinaku aja möödumist.
4. Alarmi funktsioon töötab ainult siis, kui peatoide on ühendatud ja saadaval.
5. Aktiveeritud uinaku funktsiooni ajal ilmub alles jäänud uinaku aeg kuvariile. Valmisoleku nupu lühike vajutus võimaldab uinaku tühistada.

**Taimer**

Esitamise režiimis (nagu veebiraadio, Bluetooth, USB mängimise režiim jms) võimaldab kaugjuhtimispuldi nupu SLEEP lühike vajutus määrata taimeri aja. Saadaval on järgnevad ajavahemikud (minutites): 15/30/60/90/120/150/180/väljalülitatud. Pärast valitud ajavahemiku möödumist lülitab seade esitamise automaatselt välja ja läheb üle valmisoleku režiimi.

**Muu**

Muude toimingute, nagu kuvari heleduse, tarkvara versiooni määramine, tehaseseadete taastamine jms, teostamiseks palume järgida alltoodud graafikus antud juhiseid.

**Probleemide lahendamine**

1. Kõlarit ei saa sisse lülitada.

a. Kontrolli, kas toide on õigesti ühendatud.

2. Puudub heli.

a. Proovi reguleerida helitugevuse taset ja kontrolli esituse allikat.

b. Probleemi jätkuva esinemise korral võta abi saamiseks ühendust teeninduskusega.

3. Katkev heli Bluetooth režiimis

a. Proovi Bluetooth seade käesolevale seadmele lähemale asetada.

b. Uuesti paarimiseks tutvju juhendiga.

4. Bluetooth režiimis on helitugevuse tase liiga madal.

a. Kontrolli nii Bluetooth seadme kui käesoleva seadme helitugevuse taset.

**Spetsifikatsioon:**

Toiteallikas: DC IN 9 V/2A

Värviline TFT kuvar 2,4"

Bluetooth versioon: V5.0

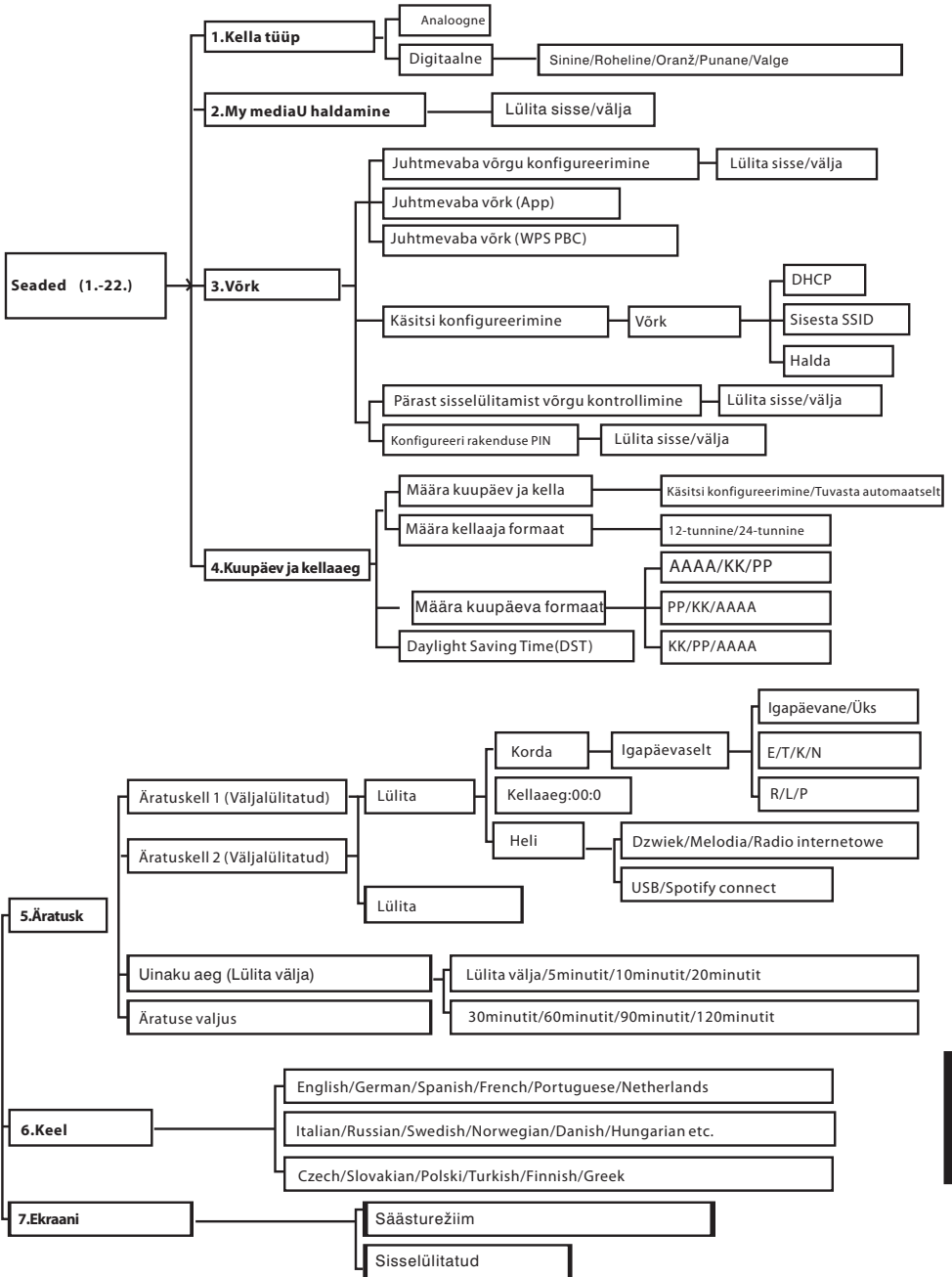
USB 2.0, teenindab muusikafaili: MP3/WMA/WAV/FLAC/AAC (kõikide formaatide esitamine ei ole garanteeritud)

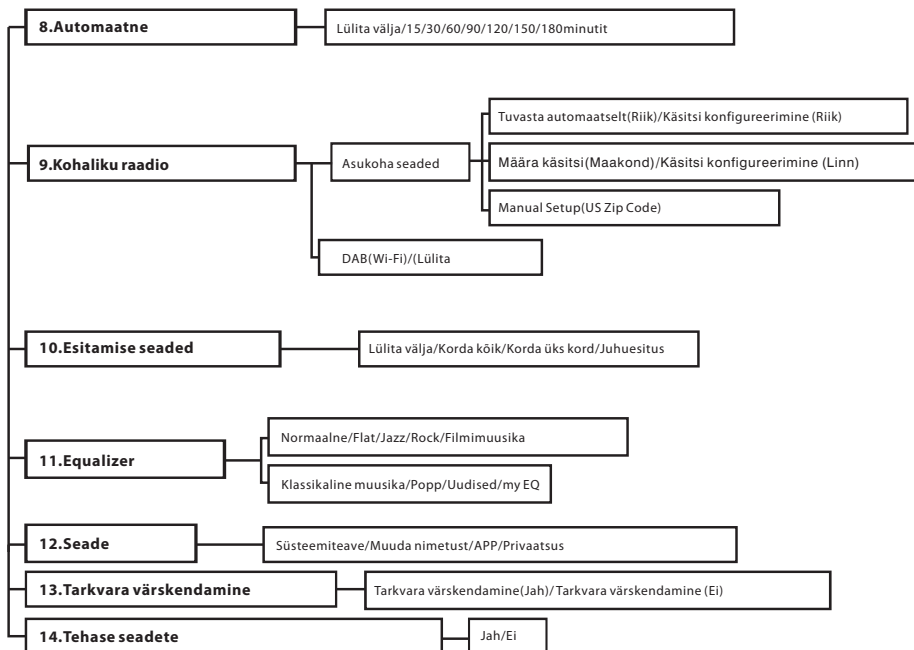
RMS väljund: 2 x 5W

Võimsustarbimine: 16W

Võimsustarbimine ooterežiimis: <1W

(Ülaltoodud spetsifikatsiooni võidakse ilma eelneva hoiatamiseta uuendada)







Πληροφορίες για το τροφοδοτικό		
Δημοσιευμένες πληροφορίες	Τιμές και στοιχεία	Μονάδα
Όνομασία κατασκευαστή ή εμπορικό σήμα Αριθμός εμπορικού μητρώου Διεύθυνση	Shenzhen Fushigang Technology Co., Ltd Building 8, Shiguan Industrial Park, Shangcun Community, Gongming Street, Guangming District, Shenzhen, GuangDong, China	
Αναγνωριστικό μοντέλου	AS1801A-0902000EU	
Τάση εισόδου	100-240	V
Συχνότητα εισόδου του εναλλασσόμενου ρεύματος	50/60	Hz
Τάση εξόδου	DC9.0	V
Ρεύμα εξόδου	2.0	A
Ισχύς εξόδου	18.0	W
Μέση ενεργή απόδοση	≥85	%
Απόδοση σε χαμηλό φορτίο (10 %)	75.45%	%
Κατανάλωση ενέργειας χωρίς φορτίο	≤0.1	W

**SVARBIOS SAUGOS INSTRUKCIJOS**

**ELEKTROS SMŪGIO GRĖSMĖ  
DRAUDŽIAMA ATIDARYTI**
**Išpėjimas:**

Kad sumažintumėte elektros smūgio riziką, draudžiama išmontuoti įrenginio dangtelį ar galinę dalį. Įrenginyje nėra komponentų skirtų vartotojui savarankiškai taisyti. Techninė priežiūra ir remontas aptarnaujami tik kvalifikuoto techninio personalo.

**Grafinių simbolių paaiškinimas:**


Žaibo simbolis užbaigtas rodykle lygiakraščiame trikampyje įspėja vartotoją apie neizoliuotą "pavojingą įtampą" esančią įrenginio korpusė, kuri gali pasiekti dydį sukeltą elektros smūgio pavojų.



Šauktuko ženklas lygiakraščiame trikampyje įspėja vartotoją, kad šiame punkte pateikiama svarbi informacija apie įrangos veikimą ir techninę priežiūrą dokumentuose pateikiamuose su įrenginiu.

Prašome perskaityti šias instrukcijas prieš pradėdant įrenginio naudojimą, kad susipažinti su jo funkcijomis ir naudoti jį taip, kaip numatyta. Tai užtikrins ilgalaikį įrenginio veikimą be gedimų ir jo naudojimo malonumą.

**Svarbi informacija**

- Privaloma išsaugoti šias naudojimo instrukcijas ir saugos informaciją būsimam naudojimui.
- Neleiskite skysčiams lašėti ar išsilieti ant įrenginio.
- Draudžiama taip pat naudoti jį drėgnose vietose, pvz. vonios kambarėje.
- Draudžiama įrengti šį įrenginį tokiose vietose:
- Vietos neapsaugotos nuo tiesioginių saulės spindulių ar šalia radiatorių.
- Dėti jį ant viršaus kitos stereofoninės įrangos, kuri išleidžia šilumą.
- Blokuojant ventiliaciją arba dulkėtoje vietoje.
- Vietose, kuriose vyksta nuolatinė vibracija.
- Vietose, kur yra didelė drėgmė.
- Draudžiama dėti įrenginį arti žvakių ar atviros liepsnos.
- Įrenginys gali būti naudojamas tik šiame vadove aprašytu būdu.
- Prieš jungdami maitinimą pirmą kartą, įsitikinkite, kad srovės adapteris yra tinkamai prijungtas.
- USB atmintinė jungiami tiesiogiai arba su USB pratęsimo laidu iki 25 cm ilgio.

Dėl saugumo priežasčių, draudžiama gautų išmontavimas bei įrenginio vidaus atskleidimas. Įrenginio remontas turėtų būti aptarnaujamas kvalifikuoto techninio personalo.

Draudžiama ardyti įrenginį bei atidarinėti jo korpusą, nes jo viduje nėra jokių dalių, kurias galėtų naudotojas pataisyti. Techninė priežiūra ir remontas aptarnaujami tik kvalifikuoto techninio personalo.

**SAUGOS INSTRUKCIJOS**

1. Perskaitykite instrukcijas – prieš naudodami įrenginį perskaitykite visą naudojimo instrukciją ir saugos informaciją.
2. Išsaugokite instrukcijas – privaloma išsaugoti naudojimo ir valdymo instrukcijas būsimam naudojimui.
3. Laikykitės išpėjimų – privaloma laikytis visų prietaiso išpėjimų pateiktų ant įrenginio ir vadovautis naudojimo instrukcijomis.
4. Laikykitės instrukcijų – privaloma vadovautis naudojimo instrukcijomis bei nurodymais vartotojų.
5. Diegimas – nustatykite įrenginį pagal gamintojo instrukcijas.
6. Maitinimo šaltiniai – įrenginys turi būti maitinamas tik iš šaltinių, kurių parametrai nurodyti maitinimo laido žymenyse. Jei vartotojas nėra tikras, kokios energijos tipą turi namuose, turėtų susisiekti su savo įrenginio platintoju arba vietiniu elektros energijos tiekėju.
7. Maitinimo šaltinio įžeminimas arba poliarizacija – įrenginys neturi būti įžemintas. Privaloma įsitikinti, kad kištukas yra visiškai įdėtas į elektros tinklo lizdą arba pratęsimo laidą, kad išvengtų kaiščių ar kontaktų ekspozicijos. Kai kuriose įrenginio versijose gali būti polarizuotas kintamosios srovės maitinimo kaiščių (su vienu platesniu kaiščiu). Šis kištukas gali būti įjungtas į elektros tinklo lizdą tik vienu būdu. Tai apsaugos funkcija. Jei negalite įkišti kištuko į lizdą, pabandykite jį apsukti. Jei kištukas vis dar netelpa į lizdą, elektrikas turėtų jį pakeisti. Draudžiama nuimti apsaugos priemonės nuo polarizuoto kištuko. Jeigu naudojamas pratęsimo laidas ar maitinimo laidas kitokie nei pateikti kartu su įrenginiu, jie turėtų turėti tinkamus kištukus ir saugos sertifikatus reikalaujamas tam tikroje šalyje.
8. Maitinimo laido apsaugos priemonės – maitinimo kabeliai turi būti nuvesti taip, kad po juos negalėtų vaikščioti, jų prispausti ar prikirsti padėtais objektais. Atkreipkite ypatingą dėmesį į kištukus, maitinimo lizdus ir vietas, kuriose laidai išvesti iš įrenginio.
9. Perkrovimas – draudžiama perkrauti sieninius lizdus, pratęsimo lizdus ir elektros skirstytuvus, nes tai gali sukelti gaisrą arba elektros smūgį.
10. Vėdinimas – įrenginys turi būti tinkamai vėdinamas. Draudžiama dėti įrenginį ant lovos, sofos ar ant panašių paviršių. Draudžiama pridengti įrenginį staltiesėmis, servetlėmis, laikraščiais ir pan.
11. Šiluma – nedėkite įrenginio arti šilumos šaltinių, tokių kaip šildytuvai, radiatoriai, krosnys ar kiti prietaisai (įskaitant stipriklus), kurie gamina šilumą. Nedėkite ant įrenginio uždegtų žvakių ar kitokių atviros ugnies šaltinių.
12. Vanduo ir drėgmė – norėdami sumažinti gaisro ar elektros smūgio pavojų, saugokite įrenginį nuo tiesioginio lietaus, vandens ir drėgmės poveikio, tokio kaip pvz. saunoje ar vonioje. Nenaudokite šio įrenginio šalia vandens, pavyzdžiui, prie vonios, kriauklės, virtuvės ar kubelio, šlapiame rūšyje arba prie baseino (ar panašiose vietose).
13. Objektai ir skysčiai įrenginyje – draudžiama kišti bet kokius daiktus per įrenginio angas, nes jie gali liestis su pavojingomis įtampomis taškais ir komponentais, dėl ko gali kilti gaisras arba įvykti elektros smūgis. Griežtai draudžiama išpilti bet kokius skysčius ant įrenginio paviršiaus. Draudžiama dėti ant įrenginio viršaus objektus, kuriuose yra skysčių.

14. Valymas – prieš valydamis visada išjunkite įrenginį iš elektros tinklo lizdo. Dulkes aplink garsiakalbį galima nuvalyti sausu skudurėliu. Jei valymui naudojamas aerosolis, nepartartina kreipti purškimo srauto tiesiai į prietaisą, bet ant skudurėlio. Būkite atsargūs, kad nesugadintumėte pavaro šaltus.
15. Papildoma įranga – draudžiama naudoti priedus, kurie nėra patvirtinti gamintojo, nes jie gali kelti pavojų.
16. Priedai – draudžiama statyti įrenginį ant nestabilius vežimėlio, stovo, trikojo, atramos ar stalo. Prietaisas gali apsversti ir susigadinti, bei sunkiai sužeisti vaiką ar suaugusį asmenį. Privaloma naudoti tik gamintojo nurodytus vežimėlius, stovus, trikojus, atramas ar stalus arba paruošamus kartu su įrenginiu. Įrenginio surinkimą privaloma atlikti pagal gamintojo instrukcijas naudojant gamintojo rekomenduojamą surinkimo komplektą.
17. Prietaiso perkėlimas – ant vežimėlio padėti įrenginį būtina stumti labai atsargiai. Staigus stabdymas, per didelė jėga arba netolygūs paviršiai gali sukelti vežimėlio išsivertimą kartu su įrenginiu.
18. Įrenginio nenaudojimo laikas – atjunkite maitinimo laidą nuo elektros lizdo audros su žaibais metu arba jeigu įrenginys nebus naudojamas ilgą laiką.
19. Techninis aptarnavimas – draudžiama savarankiškai bandyti asmeniškai naršyti įrenginį. Dangčio atidarymas gali sukelti kontaktą su pavojinga įtampa ir sukelti vartotojui kitus pavojus. Techninė priežiūra ir remontas aptarnaujami tik kvalifikuoto techninio personalo.
20. Kai įrenginys nenaudojamas, atjunkite jo maitinimo kištuką nuo elektros lizdo. Kai prietaisas prijungtas prie maitinimo šaltinio, jis veikia budėjimo režime ir nėra visiškai išjungtas.
21. Atsarginės dalys – keičiant dalis, įsitikinkite, kad techninės priežiūros darbuotojas panaudojo gamintojo rekomenduotas atsargines dalis arba kad dalys yra identiškos originalioms dalims. Nepatvirtintų dalių panaudojimas sukelia gaisro, elektros smūgio pavojų ar kitus pavojus.
22. Pagrindiniai saugikliai – kad prietaisas būtų nuolat apsaugotas nuo gaisro, naudokite tinkamo tipo ir parametrų saugiklius. Saugiklių parametrai tam tikrame įtampos diapazone yra pažymėti ant įrenginio.
23. Draudžiama didinti garsumą klausydami nedidelio garsumo kūrinių dalies arba nesant įvesties audio signalui. Kitaip garsiakalbis gali sugesti jei signalo stiprumas sparčiai padidėja.
24. Vienintelis būdas visiškai atjungti įrenginį nuo maitinimo šaltinio tai ištraukti maitinimo laidą iš elektros srovės lizdo arba iš įrenginio. Naudojant įrenginį, visada turi būti prieinamas elektros tinklo lizdas arba maitinimo laido įėjimas į įrenginį.
25. Įrenginys turi būti dedamas šalia maitinimo tinklo lizdo arba pratęsimo laido taip, kad jis visada būtų prieinamas.
26. Didžiausia įrenginio aplinkos temperatūra tai 35°C.
27. Patarimai dėl elektrostatinių iškrovų - jei prietaiso veiksmingumas yra veikiamas elektrostatinių iškrovimų, išjunkite jį ir vėl įjunkite arba perkelkite įrenginį į kitą vietą.
28. Baterija
  - a. Baterijos negali būti veikiamos per didelės temperatūros, pavyzdžiui, saulės spindulių, ugnies ir t.
  - b. Išmesdami baterijas, atkreipkite dėmesį į aplinkosaugos aspektus.
  - c. Įspėjimas dėl baterijų naudojimo: norėdami išvengti baterijų nutekėjimo, dėl kurio galite sužaloti savo kūną ar sugadinti įrenginį:
    - Įdėdami bateriją atkreipkite dėmesį į jos poliarizaciją (+ ir -).
    - Nenaudokite skirtingų baterijų tuo pačiu laiku - senų ir naujų, standartinių ir šarminių baterijų ir kt.
    - Ilgesnį laiką nesinaudojant įrenginiu, išimkite iš jo baterijas.

## ĮSPĖJIMAS

Įrenginiu neturėtų naudotis asmenys (įskaitant vaikus), turintys mažesnes fizines, juslines ar psichines galimybes, ir asmenys, neturintys pakankamai žinių ir patirties, jei jie nėra prižiūrimi asmenų atsakingų už jų saugą, ir nebuvo jiems įnurodyta, kaip saugiai naudoti įrenginį. Suaugusių asmenų buvimas reikalingas, jei vaikai naudoja prietaisą; tai užtikrins saugų įrenginio naudojimą.

1. Niekada nepalikite veikiančio įrenginio be priežiūros. Išjunkite prietaisą, kai jis nenaudojamas, net trumpą laiką.
2. Prietaiso negalima valdyti per išorinį laikrodį su sinchronizavimo grandinėmis arba per atskirą nuotolinio valdymo sistemą.
3. Norėdami išvengti pavojaus maitinimo laido sužalojimo atveju, jį pakeisti turėtų gamintojas, įgaliotas aptarnavimo centras ar kitas kvalifikuotas asmuo.
4. Prieš pradėdami įrenginio naudojimą patikrinkite, ar jo įtampa atitinka vietos maitinimo įtampą.
5. Draudžiama uždengti prietaiso ventiliacijos angas, pvz. laikraščiais, staltiese, užuolaidomis ir pan. Įsitikinkite, kad virš įrenginio yra ne mažiau kaip 20 cm laisvos vietos ir bent 5 cm iš kiekvienos jo pusės.
6. Neleiskite, kad ant įrenginio nutekėtų ar išsilietų skystis, be to, nedėkite ant jo pripildytų skysčiais objektų, tokių kaip vazos.
7. Norėdami išvengti gaisro ar elektros smūgio, apsaugokite prietaisą nuo karštų vietų, lietaus, drėgmės ir dulkių poveikio.
8. Draudžiama statyti įrenginį arti bent kokių vandens šaltinių, pvz. čiaupų, vonių, skalbimo mašinų ar plaukiojimo baseinų. Įrenginį dėkite ant lygaus ir stabilaus paviršiaus.
9. Saugokite įrenginį nuo stipraus magnetinio lauko.
10. Draudžiama statyti įrenginį tiesiai ant stiprintuvo ar AV imtuvo.
11. Draudžiama statyti įrenginį drėgnoje vietoje, nes drėgmė neigiamai veikia elektrinius komponentus.
12. Kai įrenginys atnešamas iš šaltos į šiltą vietą arba į drėgną vietą, ant objektyvo, esančio grotuvo viduje, gali įvykti drėgmės kondensacija. Tokiu atveju įrenginys dirbs netinkamai. Palikite įrenginį maždaug vienai valandai, kad drėgmė išgaruotų.
13. Draudžiama valyti įrenginį cheminiais tirpikliais, nes jie gali pažeisti dengiamąjį laką. Prietaisą valykite švariu, sausu arba šiek tiek drėgnu skudurėliu.
14. Ištraukdami kištuką iš sieninio lizdo, visada traukite už kištuko, niekadus už maitinimo laido.
15. Jeigu įjungtas įrenginys naudojamas šalia įjungto televizoriaus, jis gali sukelti vaizdo iškraipymą linijos ekrane pavidalu. Tai priklauso nuo TV transliacijos bangų juostos. Tai nereiškia, kad įrenginys arba televizorius yra sutrikę. Jei matote tokias linijas, atitolinkite įrenginį nuo televizoriaus.
16. Maitinimo kištukas naudojamas maitinimo įtampos atjungimui ir visada turėtų būti prieinamas.
17. Norėdami išvengti galimo klausos praradimo, ilgai neklusykite garsios muzikos.



## DĚMESIO



## Deklaracija

Šiuo Blaupunkt Competence Center 2N-Everpol Sp. z o.o. deklaruoja, kad šis įrenginys atitinka Direktyvos 2014/53 / ES reikalavimus ir kitas atitinkamas nuostatas. Visą atitiktą deklaraciją galite rasti interneto svetainėje [www.blaupunkt.com](http://www.blaupunkt.com) gaminio skyriuje.

Atsakingas subjektas 2N-Everpol Sp. Z o.o.

Puławska 403A, 02-801 Warszawa, Polska

Telefonas: +48 22 331 99 59, e. paštas: info@everpol.pl



Produktas pagamintas iš aukštos kokybės medžiagų ir komponentų, kuriuos galima perdirbti ir pakartotinai naudoti.



Jei ant jūsų įrenginio randasi išbrauktas šiukšliadėžės žymeklis, tai reiškia, kad gaminį reglamentuoja Europos direktyvos 2012/19 /ES nuostatos. Privaloma susipažinti su vietos elektros ir elektroninių atliekų surinkimo sistemos reikalavimais. Privaloma laikytis vietinių taisyklių. Draudžiama išmesti šį įrenginį kartu su įprastomis buitinėmis atliekomis. Tinkamas senojo produkto pašalinimas užtikrins galimų neigiamų pasekmių aplinkai ir žmonių sveikatai prevenciją.



Šiame įrenginyje yra baterijos, kurioms taikoma Europos direktyva 2006/66/EC. Baterijas draudžiama išmesti kartu su buitinėmis atliekomis. Privaloma susipažinti su vietos atskirų medžiagų rinkimo reglamentus, nes dėl teisingo šalinimo bus išvengta galimų neigiamų pasekmių aplinkai ir žmonių sveikatai.

**Informacija apie aplinkos apsaugą**

Pakuotėje yra tik būtini elementai. Buvo imtasi visų pastangų, kad būtų galima lengvai atskirti tris pakuotės sudedamąsias dalis: kartoną (dėžę), polistirolo putplastį (apsauginė dangą) ir polietileno (krepšeliai, apsauginis lakštas). Prietaisas pagamintas iš medžiagų, kurios gali būti perdirbamos ir pakartotinai panaudotos, kai jas išmontuoja specializuota įmonė. Privaloma laikytis vietinių pakavimo medžiagų, sunaudotų baterijų ir nereikalingų įrenginių šalinimo taisyklių. Medžiagų įrašymui ir atkūrimui gali reikėti sutikimo. Žr. autorių teisių ir atliekų/artistų teisių įstatymą.

**Pastaba apie ERP2 (su energija susijusių įrangą)**

Šis ekologinio projektavimo įrenginys atitinka Komisijos reglamento (EB) Nr. 1275/2008, kuriuo įgyvendinama Direktyva 2009/125/EB dėl nenaudojamų ir budėjimo režimo elektroninių prietaisų energijos vartojimo biure ir buities reikmėms, 2 etapui.



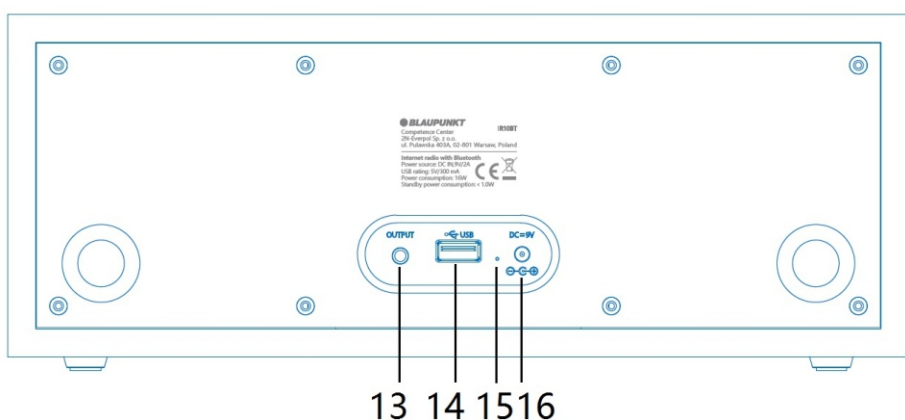
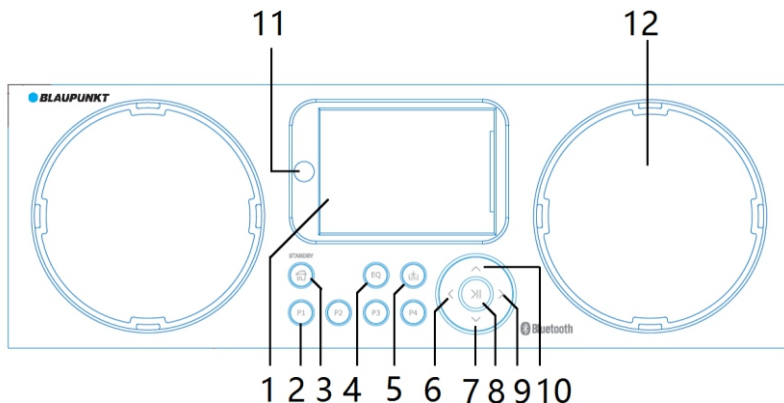
Bluetooth® prekės ženklai ir logotipai priklauso įmonei Bluetooth SIG, Inc. JAV. Šių ženklų ir logotipų naudojimas pagal licenciją. Kiti prekių ženklai ir prekių pavadinimai priklauso atitinkamiems savininkams.

Dėkojame, kad pasirinkote mūsų gaminį. Prieš pradėdami naudotis, atidžiai perskaitykite šią instrukciją. Išsaugokite instrukciją, kad galėtumėte peržiūrėti ateityje.

**Prietaisas turi šias pagrindines funkcijas:**

- interneto radiją;
- atkūrimą su „Bluetooth“ modulių;
- USB atkūrimą;
- „Spotify Connect“ valdymą;
- tinklalaidžių valdymą;
- linijinę garso išvestį;
- laikrodį, žadintuvą, laikrodinį jungiklį.

**Valdymo elementų išdėstymas**



**1- Spalvotas ekranas**

**2- Radijo stočių programavimo mygtukai P1~P4**

Trumpai spustelėdami pasirinkite atitinkamas užprogramuotas stotis ir jas paleiskite. Paspauskite ir palaikykite (2 sekundes) mygtuką P1~P4, kad išsaugotumėte esamą stotį atmintyje.

**3- Parengties / pagrindinio meniu mygtukas**

Paspauskite ir palaikykite, kad pereitumėte į budėjimo režimą.

Trumpai spustelėdami įjunkite prietaisą arba įjunkite į pagrindinį meniu.

Pavojaus signalo režimu trumpai spustelėkite, kad atšauktumėte pavojaus signalo garsą ir pereitumėte į budėjimo režimą.

#### 4- EQ garso korektorius mygtukas

Spustelėkite kelis kartus, kad perjungtumėte korektorių tarp užprogramuotų nuostatų: NORMAL / FLAT / JAZZ / ROCK / SOUNDTRACK / CLASSIC / POP / NEWS / MY EQ.

#### 5- Radijo stočių programavimo mygtukas

Trumpai spustelėkite, kad iškvietumėte užprogramuotos stoties sąsają. Paspauskite ir palaikykite, kad išsaugotumėte esamą stotį.

#### 6- Mygtukas „Kairėn“

Trumpai spustelėkite, kad perkeltumėte ir pašalintumėte raidę, kai įvedate raides į tinklo slaptažodį. Trumpai spustelėkite, kad išeitumėte ir patektumėte į viršutinį meniu. Ilgai spauskite, kad pereitumėte prie ankstesnio įrašo USB režimu.

#### 7- Mygtukas „Žemyn“

Trumpai spustelėkite, kad sumažintumėte garsumą. Norėdami nuolat mažinti garsumą, laikykite nuspaudę. Trumpai spustelėkite, kad slinktumėte parinkties meniu žemyn.

#### 8- Mygtukas „Paleisti / pristabdyti“, mygtukas ENTER – parinkties patvirtinimas

Trumpai spustelėkite, kad paleistumėte arba pristabdytumėte muziką USB režimu. Trumpai spustelėkite, kad patvirtintumėte parinktį.

#### 9- Mygtukas „Dešinėn“

Trumpai spustelėkite, kad perkeltumėte ir pridėtumėte raidę, kai įvedate raides į tinklo slaptažodį. Trumpai spustelėdami įeikite į submeniu. Ilgai spauskite, kad pereitumėte prie kito kūrinio USB režimu.

#### 10- Mygtukas „Aukštyn“

Trumpai spustelėkite, kad padidintumėte garsumą. Paspauskite ir palaikykite, kad nepertraukiamai didintumėte garsumą. Trumpai spustelėkite, kad slinktumėte parinkties meniu aukštyn.

#### 11- Infraraudonųjų spindulių nuotolinio valdymo pulto jutiklis

#### 12- Garsiakalbis

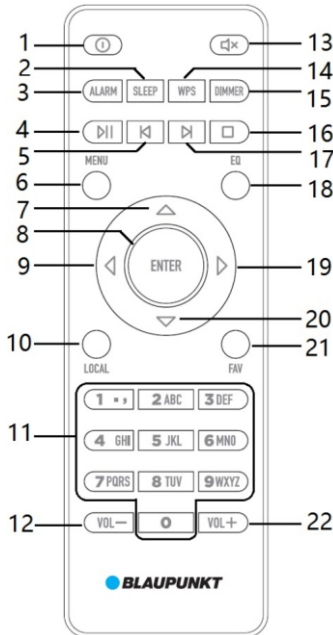
#### 13- Linijinės išvesties lizdas

#### 14- USB prievadas

#### 15- Šviesos diodų maitinimo indikatorius

#### 16- NS IN maitinimo lizdas

#### Nuotolinio valdymo pultelis



**1- Budėjimo režimo įjungimo / išjungimo mygtukas:** trumpai spustelėkite, kad įjungtumėte / išjungtumėte prietaisą.

**2- Laikrodinio jungiklio mygtukas:** paspauskite kelis kartus, kad nustatytumėte prietaiso išjungimo laiką.

**3- Pavojaus signalo mygtukas:** trumpai spustelėkite, kad patektumėte į pavojaus signalo konfigūravimo sąsają.

**4- Mygtukas „Paleisti / pristabdyti“:** spustelėkite, kad paleistumėte / sustabdytumėte muziką USB režimu.

**5- Mygtukas „Ankstesnis“:** trumpai spustelėkite, kad pereitumėte prie ankstesnio įrašo USB režimu.

**6- Mygtukas MENU:** trumpai spustelėkite, kad patektumėte į pagrindinį meniu.

**7- Mygtukas „Aukštyn“:** spustelėkite, kad meniu sąrašą pereitumėte aukštyn.

**8- Mygtukas ENTER – parinkties patvirtinimas:** trumpai spustelėkite, kad patvirtintumėte parinktį.

**9- Mygtukas „Kairėn“:** spustelėkite, kad išeitumėte arba pereitumėte meniu aukštyn.

**10- Mygtukas LOCAL:** trumpai spustelėkite, kad įjungtumėte vietinio interneto radijo režimą.

**11- Skaičių ir simbolių mygtukai:** spustelėkite kelis kartus, kad pasirinktumėte atitinkamą skaičių ir raidę.

**12- Garsumo sumažinimo mygtukas:** spustelėkite, kad sumažintumėte garsumą.

**13- Nutildymo mygtukas:** spustelėkite, kad nutildytumėte prietaisą, dar kartą spustelėkite, kad atkurtumėte.

**14- Mygtukas WPS:** sparčiojo tinklo ryšio mygtukas, jei belaidžio ryšio tinklo maršrutizatorius taip pat turi WPS mygtuką, trumpai spustelėkite, kad įjungtumėte sparčiojo tinklo ryšio režimą.

**15- Pritemdymo mygtukas:** spustelėkite, kad sureguliuotumėte ekrano ryškumą

**16- Mygtukas „Stop“:** spustelėkite, kad sustabdytumėte įrašo atkūrimą USB režimu; spustelėkite mygtuką ENTER, kad atnaujintumėte ir paleistumėte atkūrimą nuo pradžios.

**17- Mygtukas „Kitas“:** trumpai spustelėkite, kad pereitumėte prie kito įrašo USB režimu.

**18- Mygtukas EQ:** spustelėkite, kad pasirinktumėte tinkamą garso ekvalaizerio režimą.

**19- Mygtukas „Dešinėn“:** spustelėkite, kad patektumėte į submeniu.

**20- Mygtukas „Žemyn“:** spustelėkite, kad pereitumėte meniu sąrašą į apačią.

**21- Mygtukas „Mėgstamiausias“ (FAV):** trumpai spustelėkite, kad patektumėte į užprogramuotos stoties sąsają; ilgai spauskite, kad išsaugotumėte esamą stotį.

**22- Garsumo didinimo mygtukas:** spustelėkite, kad padidintumėte garsumą.

### Maitinimo prijungimas

Ikiškite tiekiamo maitinimo šaltinio nuolatinės srovės (NS) adapterį į prietaiso užpakaliniam skydelyje esantį nuolatinės srovės (NS) lizdą, tada prijunkite maitinimo adapterį prie kintamosios srovės lizdo (230 V, 50/60 Hz), kad gautumėte energijos. Jei maitinimas prijungtas keičiamai, ekranas užsidegs ir bus rodomas BLAUPUNKT pasisveikinimo ekranas. Trumpai spustelėkite budėjimo režimo mygtuką, kad įjungtumėte prietaisą; ilgai spauskite, kad įjungtumėte budėjimo režimą. Įrenginys paruoštas naudoti.

### Meniu valdymas

Naudokite mygtukus „Aukštyn“, „Žemyn“, „Kairėn“, „Dešinėn“ ir ENTER nuotolinio valdymo pulte arba mygtukus „Aukštyn“, „Žemyn“, „Kairėn“, „Dešinėn“ ir mygtuką „Atkurti / pristabdyti / ENTER“ (8) prietaiso priekiniame skydelyje, kad valdytumėte meniu.

### Prisijungimas prie belaidžio ryšio tinklo

Prietaisą įmontuotas belaidžio ryšio tinklo modulis, galintis prisijungti prie belaidžio ryšio tinklo. Norėdami klausytis interneto radijo, pirmiausia turite nustatyti ir prisijungti prie interneto naudodami belaidžio ryšio tinklo maršrutizatorių. Atlikite toliau nurodytus veiksmus.

- Kai naudojate pirmą kartą, prietaisas parodys BLAUPUNKT pasisveikinimo ekraną ir paprašys pasirinkti valdymo kalbą (numatytoji kalba yra lenkų). Galite naudoti mygtukus „Aukštyn“ ir „Žemyn“, kad perkeltumėte parinktį meniu sąrašė, ir spustelėkite mygtuką ENTER, kad patvirtintumėte. Tada ekrane pasirodys privatumo informacija. Spustelėkite mygtuką ENTER, kad įjungtumėte parinktį „Ar patikrinti tinklą įjungus?“
- Spustelėkite mygtuką „Kairėn“ arba „Dešinėn“, kad pasirinktumėte „Taip“ arba „Ne“. Spustelėkite mygtuką ENTER, kad patvirtintumėte parinktį.
- Jei pasirinksite „Taip“, ekrane pasirodys klausimas: „Ar norite dabar sukonfigūruoti tinklą?“. Pasirinkus „Taip“, prietaisas ieškos galimų belaidžio ryšio tinklų ir rodys belaidžio ryšio tinklo pavadinimų sąrašą.
- Spustelėkite mygtuką „Aukštyn“ arba „Žemyn“, kad rastumėte savo tinklą galimų tinklų sąrašė. Kai bus rastas, spustelėkite mygtuką ENTER, kad patvirtintumėte savo parinktį. Tada prietaisas paprašys įvesti pasirinkto belaidžio ryšio tinklo slaptažodį.
- Rekomenduojame naudoti nuotolinio valdymo pulte esančius skaičius ir simbolius, kad galėtumėte greičiau įvesti slaptažodį. Pakartotinai paspaudę nuotolinio valdymo pulto skaičių klaviatūros mygtuką, galite pasirinkti atitinkamą skaičių ir mažąsias arba didžiąsias raides. Jei rasti reikiamą slaptažodžio raidę, trumpai spustelėkite mygtuką „Dešinėn“, kad patvirtintumėte parinktį, ir įveskite kitą slaptažodžio simbolį. Jei įvesite neteisingą slaptažodžio simbolį, trumpai spustelėdami mygtuką „Kairėn“ galėsite jį pašalinti.
- Įvedę belaidžio ryšio tinklo slaptažodį, spustelėkite mygtuką ENTER, tada prietaisas prisijungs prie belaidžio ryšio tinklo ir pateks į pagrindinę sąsają.
- Jei tinklo ryšio rasti nepavyksta, trumpai spustelėkite nuotolinio valdymo pulto meniu mygtuką, kad patektumėte į pagrindinę sąsają. Pasirinkite „Nuostatos“ > „Tinklas“ > „Belaidžio ryšio tinklo konfigūracija“ ir vėl ieškokite galimo tinklo.

### Pastabos

- Taip pat galite rankiniu būdu prijungti belaidžio ryšio tinklą per programėlę arba WPS. Kai belaidžio ryšio tinklus jungiate per programėlę, įsitinkite, kad programėlė ir radiją palaikantis prietaisas yra tame pačiame tinkle.
- Belaidžio ryšio tinklą taip pat galite nustatyti prietaiso priekiniame skyde esančiais mygtukais „Aukštyn“ / „Žemyn“, „Kairėn“ / „Dešinėn“, „Paleisti / pristabdyti / ENTER“.
- Prijungtą belaidžio ryšio tinklą galima išsaugoti ir automatiškai prijungti kitą kartą, jei tinklas vis dar veikia. Kartais dėl ryšio reikia iš naujo įvesti slaptažodį. Atkreipiame dėmesį, kad tai nėra gedimas.

### Interneto radijo valdymas

Tinkamai prisijungę prie interneto, mygtukais „Kairėn“ arba „Dešinėn“ įeikite į pagrindinį meniu, kad rastumėte interneto radijo piktogramą. Tada spustelėkite mygtuką ENTER, kad įjungtumėte interneto radijo režimą.

### Interneto stočių pasirinkimas

Mygtukais „Aukštyn“ / „Žemyn“ ir ENTER pasirinkite atitinkamą parinktį iš meniu sąrašo. Įėję į interneto radijo meniu, pasirinkite, pavyzdžiui,

Radijo stotis > Šalis / vieta > Europa > Lenkija > Lenkija / „Top 10“ > Radijo stoties pavadinimas. Tada radijas prisijungs prie pasirinktos stoties ir pradės ją atkurti.

Trumpai spustelėkite mygtuką ENTER, kad pristabdytumėte atkūrimą ir grįžtumėte į aukštesnį meniu. Mygtukais „Aukštyn“ / „Žemyn“ pasirinkite iš sąrašo kitą stotį, spustelėkite mygtuką ENTER, kad prasidėtų atkūrimas. Klausydami interneto radijo, trumpai spustelėkite mygtuką „Dešinėn“, kad padidintumėte ekrane rodomą informaciją. Trumpai spustelėkite mygtuką „Kairėn“, kad grįžtumėte į ankstesnį režimą. Norėdami pereiti į ankstesnę arba kitą sąrašė esančią radijo stotį, palaikykite nuspaudę mygtuką „Kairėn“ / „Dešinėn“.

Norėdami reguliuoti išvesties garsumą lygi, spustelėkite prietaiso priekiniame skyde esantį mygtuką „Aukštyn“ / „Žemyn“ arba nuotolinio valdymo pulte esantį garsumą didinančią arba mažinančią mygtuką. Norėdami nutildyti garšą, spustelėkite nutildymo mygtuką.

**Mėgstamiausių interneto stočių programavimas:** įjungę mėgstamiausią stotį, paspauskite ir laikykite nuspaudę mygtuką „Mėgstamiausios“ (FAV nuotolinio valdymo pulte) arba radijo stoties programavimo mygtuką (5 priekiniame pulte) ir eikite į stoties nuostatų sąsają. Mygtuku „Aukštyn“ / „Žemyn“ perkelkite pasirinktą stotį ir nustatykite tinkamą atminties numerį sąrašė. Spustelėkite mygtuką ENTER, kad patvirtintumėte parinktį.

Trumpai spustelėkite mygtuką „Mėgstamiausios“ (FAV nuotolinio valdymo pulte) arba radijo stoties programavimo mygtuką (5 priekiniame skyde), kad pereitumėte į užprogramuotų stočių sąrašą; spustelėkite mygtuką „Aukštyn“ / „Žemyn“, kad pasirinktumėte užprogramuotą stotį; spustelėkite mygtuką ENTER, kad ją paleistumėte. Taip pat galite greitai pasirinkti užprogramuotą stotį spustelėdami priekinio skydo mygtuką P1~P4 arba trumpai spustelėdami atitinkamą mygtuką nuotolinio valdymo pulto skaičių klaviatūroje, kai prietaisas veikia radijo atkūrimo režimu.

Trumpai spustelėkite mygtuką „Mėgstamiausios“ (FAV nuotolinio valdymo pulte) arba radijo stoties programavimo mygtuką (5 priekiniame skyde), kad pereitumėte į užprogramuotų stočių sąrašą; spustelėkite mygtuką „Dešinėn“, kad valdytumėte užprogramuotą stotį, pavyzdžiui, perkeltumėte aukštyn arba žemyn / pašalintumėte / pakeistumėte pavadinimą / atkurtumėte.

### Vietinis interneto radijas

a. Norėdami konfigūruoti vietinį interneto radiją: pagrindiniame meniu eikite į „Nuostatos“ > „Vietinio radijo nuostatos“ > „Vietos nuostatos“ > „Parinktis“ („Automatinis šalis aptikimas“ / „Rankinis nustatymas (šalis)“ / „Rankinis nustatymas (rajonas)“ / „Rankinis nustatymas (miestas)“ / „Rankinis nustatymas (JAV pašto kodas)“). Mygtukais „Aukštyn“ / „Žemyn“ galite pakeisti stotį, pasirinkite reikiama parinktį ir patvirtinkite mygtuku ENTER. Kai nustatysite vietą, radijas ieškos ir pereis į nustatytą vietinio interneto radijo sąsają.

b. Tinkamai sukonfigūravę vietinį interneto radiją, taip pat galite spustelėti nuotolinio valdymo pultelio mygtuką LOCAL arba interneto radijo pagrindiniame meniu pasirinkite „Vietinė stotis“, kad patektumėte į vietinių radijo stočių sąrašą ir grotumėte pasirinktą stotį.

### Pastabos

1. Prieiga prie radijo stoties gali šiek tiek užtrukti dėl interneto ryšio greičio, radijo serverio vietos ir pan., tai nėra gedimas. Jei kils problemų priimant signalą dėl pirmiau nurodytų priežasčių, siūlome rinktis kitą radijo stotį.
2. Kai radijas veikia laisvų radijo stočių sąrašo rodymo režimu, mygtukais „Aukštyn“ / „Žemyn“ galite pakeisti stotį, pasirinkę tam tikrą stotį; trumpai spustelėję mygtuką „Dešinien“, galite pereiti prie parinkčių „Pridėti prie mėgstamiausių / automatinis nuskaitymas / atkūrimas“ sąsajos.
3. Interneto radijas skirstomas į tokias kategorijas kaip „Miego radijas“, „Global top 20“, „Žanras“, „Šalis / vieta“, „Populiarus“ ir t. t.; šios kategorijos pasiekiamos interneto radijo meniu. Jomis naudodamiesi, galite greitai išsirinkti tinkamą stotį ir ją mėgautis.
4. Taip pat galite tvarkyti mėgstamiausių stočių sąrašą „mediaU“ svetainėje ([www.mediayou.net](http://www.mediayou.net)). Pirmiausia pagrindiniame meniu įjunkite funkciją „my mediaU“, pasirinkite „Nuostatos“ > „My MediaU“ valdymas > „Įjungti“. Tada radijas gali rodyti aplanką „Mėgstamiausia stotis“, „Mėgstamiausia vieta / žanras“, „Mano vietinė stotis (miestas)“, „Pridėti rankiniu būdu“. Svetainėje ([www.mediayou.net](http://www.mediayou.net)) spustelėkite skirtuką „my mediaU“, kad galėtumėte tvarkyti pirmiau nurodytus aplankus. Daugiau informacijos apie šią funkciją ieškokite toliau šioje instrukcijoje.

### Tinklalaidžių valdymas

Radijas turi tinklalaidžių atkūrimo funkciją; veikia panašiai kaip interneto radijas. Įjunkite prietaisą, eikite į pagrindinį meniu ir pasirinkite „Tinklalaidė“ > „Šalis / vieta“ > „Tikslinė šalis“ > „Kategorijos aplankas“, tada pasirinkite ir atverkite dominančią tinklalaidę.

Vietinių DAB stočių priėmimas per belaidžio ryšio tinklą Galima priimti vietines DAB stotis, kurios tuo pat metu siunčia signalą kaip interneto radijas. Norėdami jas pasiekti, eikite į pagrindinį meniu ir pasirinkite „Nuostatos“ > „Vietinio radijo nuostatos“ > „DAB (belaidžio ryšio tinklas)“ > „Įjungti“. Norėdami pereiti prie galimų DAB stočių (belaidžio ryšio tinklo) sąrašo, pagrindiniame meniu pasirinkite „Interneto radijas“ > „Vietinė stotis“ > „DAB (belaidžio ryšio tinklas)“ ir pasirinkite norimą stotį.

### Funkcijos „My mediaU“ valdymas

- a. Pirmiausia reikia sukurti paskyrą svetainėje <http://www.mediayou.net> ir sėkmingai prisijungti. Pakeiskite kalbą ir spustelėkite skirtuką „Prietaisas“. Lauke „Įveskite čia prietaiso pavadinimą“ įveskite prietaiso pavadinimą.
- b. Lauke „Serijos numeris“ įveskite serijos numerį. Kaip gauti serijos numerį? Įeikite į pagrindinį savo įrenginio meniu ir iš eilės pasirinkite: „Nuostatos“ > „Įrenginys“ > „Sistemos informacija“ > „Belaidžio ryšio tinklo informacija“ ir raskite MAC adresą.
4. Įrašykite MAC adresą į langelį „Serijos numeris“ ir spustelėkite „Pridėti“. Tada eikite į skirtuką „my mediaU“ ir tvarkykite aplankus „Mėgstamiausia stotis“, „Mėgstamiausia vieta / žanras“, „Vietinė stotis“, „Pridėti rankiniu būdu“.
- d. Įjunkite interneto radiją, įeikite į pagrindinį meniu ir pasirinkite: „Nuostatos“ > „My MediaU“ valdymas > „Įjungti“. Tada grįžkite į pagrindinį meniu ir pasirinkite piktogramą „my mediaU“ – pamatysite galimus aplankus „Mėgstamiausia stotis“, „Mėgstamiausia vieta / žanras“, „Vietinė stotis“, „Pridėti rankiniu būdu“, kurie sinchronizuoti su jūsų paskyroje sukonfigūruotais aplankais, svetainėje <http://www.mediayou.net>.

### Bluetooth® valdymas

Šis įrenginys turi „Bluetooth“ funkciją, leidžiančią belaidžiu ryšiu atkurti muziką iš kito „Bluetooth“ įrenginio (išnamiojo telefono, planšetinio kompiuterio ir pan.).

1. Įjunkite prietaisą, spustelėkite priekiniame skyde pagrindinio meniu mygtuką (3) arba nuotolinio valdymo pulto mygtuką MENU ir eikite į pagrindinę sąsają, mygtukais „Kairėn“ arba „Dešinien“ pasirinkite „Bluetooth“ piktogramą, tada spustelėkite mygtuką ENTER, kad įjungtumėte „Bluetooth“ režimą. Prietaisas bus pasirengęs susieti su „Bluetooth“.
2. Įjunkite „Bluetooth“ funkciją išoriniame prietaise ir pradėkite ieškoti prienamų „Bluetooth“ prietaisų (išnamiojo telefono, planšetinio kompiuterio; susipažinkite su išorinio prietaiso naudojimo instrukcija), tada patikrinkite paruoštų susieti „Bluetooth“ prietaisų sąrašą. Pasirinkite BP IR10 susietį.
3. Pasirinkite ir atkurkite muziką iš išorinio „Bluetooth“ prietaiso. Sureguliuokite garsumo lygį tiek išoriniame „Bluetooth“ prietaise, tiek šiame radijuje; garsumas bus atkuriamas belaidžiu būdu per šio išorinio prietaiso garsiakalbį.
4. Ilgai spauskite mygtukus „Kairėn“ arba „Dešinien“, norėdami perjungti ankstesnį arba kitą kūrinių; trumpai spustelėkite mygtuką „Kairėn“ arba „Dešinien“, kad sumažintumėte arba padidintumėte kūrinio vaizdo informaciją. Trumpai spustelėkite mygtuką ENTER, kad įjungtumėte arba sustabdytumėte atkūrimą; ilgai spauskite mygtuką ENTER, kad gautumėte sąsają „Susieti kitą prietaisą“, dar kartą spustelėkite mygtuką ENTER, kad atjungtumėte esamą „Bluetooth“ ryšį. Jei norite gauti anksčiau susietų „Bluetooth“ prietaisų pavadinimų sąrašą, galite pasirinkti vieną iš jų susieti dar kartą, jei jame įjungtas „Bluetooth“ ir jei jis yra šio prietaiso „Bluetooth“ veikimo diapazone.
5. „Bluetooth“ atkūrimo režimu spustelėkite mygtuką „Aukštyn“ arba „Žemyn“, kad sureguliuotumėte garsumą. Taip pat galimos EQ garso ekvalaizerio ir nutildymo nuostatos.

### Pastabos

1. Dėl skirtingų sprendimų ir prekių ženklų negarantuojama, kad visus „Bluetooth“ įrenginius pavyks sėkmingai susieti.
2. Geriausias „Bluetooth“ darbinis atstumas yra 10 metrų be jokių kliūčių tarp prietaisų.
3. Šis gaminytis gali būti susietas ir vienu metu gali veikti tik su vienu išoriniu „Bluetooth“ prietaisu.
4. Jei atkuriant įjungus „Bluetooth“ gaunamas skambutis, muzika bus laikinai sustabdyta ir atnaujinta, kai telefono skambutis bus baigtas.
5. Reikia vėl susieti „Bluetooth“ prietaisą, kai jis išjungtas arba kai įjungtas atkūrimo režimas.



### USB grotovu valdymas

Įrenginys turi USB MP3 atkūrimo funkciją. Pirmiausia paruoškite suformatuotą USB atmintuką ir jį nukopijuokite MP3 failus. Tinkamai prijunkite USB atmintuką prie užpalkiniamie skyde esančio USB prievado. Spustelėkite pagrindinio meniu mygtuką priekiniame skyde arba nuotolinio valdymo pultelio mygtuką MENU, kad patektumėte į pagrindinę sąsają, tada pasirinkite: „Terpės centras“ > „USB“. Prijungtame USB atmintuke matysite saugomų MP3 failų sąrašą. Pasirinkite bet kurį failą ir paleiskite jį su šiuo prietaisu.

Muzikos atkūrimo iš USB atmintuko režimu trumpai spustelėkite mygtuką ENTER priekiniame skyde arba nuotolinio valdymo pulte, jei norite paleisti failą arba pristabdyti atkūrimą. Spustelėkite mygtuką „Aukštyn“ arba „Žemyn“, esantį priekiniame skydelyje, arba +/-, esantį nuotolinio valdymo pulte, kad padidintumėte arba sumažintumėte garsumą; ilgai spauskite mygtuką „Kairėn“ arba „Dešinėn“, kad perjungtumėte ankstesnį arba kitą kūrinių. Trumpai spustelėkite mygtuką „Kairėn“ arba „Dešinėn“, kad sumažintumėte arba padidintumėte kūrinio vaizdo informaciją. Taip pat galimos EQ garso ekvalaizerio ir nutildymo nuostatos.

Norėdami pasirinkti atkūrimo režimą, eikite į pagrindinį meniu ir pasirinkite: „Nuostatos“ > „Atkūrimo nuostatos“, tada pasirinkite „Išjungti“ / „Kartoti viską“ / „Kartoti vieną“ / „Atsitiktinai“.

### Pastabos

- Prijungiant USB atmintuką nerekomenduojama naudoti USB ilginamųjų laidų, nes tai gali turėti įtakos prietaiso perduodamo signalo kokybei, todėl atkūrimas gali būti nestabilus.
- Prietaisas palaiko WAV / WMA / MP3 / FLAC / AAC formatus (dėl rašymo skirtumų negarantuojama, kad bus atkurti visi pirmiau nurodytais formatais įrašyti failai). Įrenginys palaiko iki 64 GB USB atmintis.

### Funkcijos „UPnP“ valdymas

Prietaisas turi funkciją „UPnP“, galinčią prisijungti prie belaidžio tinklo ir naudoti „Windows“, „APPLE Mac“ arba „Linux“ sistemas kaip muzikos atkūrimo platformą. Kompiuterio grotuve pateiktą muziką galima leisti belaidžiu ryšiu naudojant šio interneto radijo garsiakalbius.

#### „Windows Media Player 12“ valdymo pavyzdys

- Kompiuteryje spustelėkite ir atverkite „Windows“ medijos leistuvo programinę įrangą, įrašykite mėgstamą muziką medijos bibliotekoje (pagalbos ieškokite „Microsoft Windows“ medijos leistuvo instrukcijoje).
- Spustelėkite skirtuką „Srautas“, esantį viršutiniame kairiajame programėlės lango kampe. Pasirinkite „Automatiškai leisti prietaisams atkurti mano mediją“, tada sutikite su „Automatiškai leisti visus kompiuterius ir medijos prietaisus“. Dabar galite naudoti „UPnP“ bendrinti ir leisti muziką.
- „Windows Media Player“ spustelėkite „Daugiau srautinių perdavimo parinkčių“, kad pervardytumėte medijos biblioteką ir leistumėte prietaisui atkurti muziką per „UPnP“ arba neleistumėte to padaryti. Medijos bibliotekos pavadinimas gali būti pritaikytas (pavyzdžiui, įvedant pavadinimą „BLAUPUNKT“ BIBLIOTEKA), kad naudotojui būtų lengviau jį greitai identifikuoti šio radijo „UPnP“ meniu galimų medijų sąrašė. Taip pat galite leisti konkrečiam prietaisui atkurti muziką iš medijos bibliotekos per „UPnP“.
- Įjunkite radiją, pasirinkite piktogramą „Medijos centras“ > „UPnP“ ir patikrinkite galimų medijos bibliotekų sąrašą. Pasirinkite „UPnP“ biblioteką (pavyzdžiui, „UPnP“, „BLAUPUNKT“ BIBLIOTEKA), trumpai spustelėkite ENTER, kad patvirtintumėte. (Pastaba: jei prietaisas neranda medijos bibliotekos, gali užtrukti iki 10 sekundžių ar ilgiau, kol bus rasta atitinkama biblioteka ir grįšite į meniu „Medijos centras“.)
- Pasirinkę biblioteką, pavyzdžiui, „UPnP“, „BLAUPUNKT“ BIBLIOTEKA, ieškokite ir pasirinkite aplanką su muzika, tada pasirinkite aplanką iš vienos iš galimų kategorijų, kitame žingsnyje pasirinkite atkurti muziką.
- Grojančią muziką naudokite mygtukus „Aukštyn“, „Žemyn“, „Kairėn“, „Dešinėn“ ir ENTER, kad atliktumėte tinkamą veiksmą. „UPnP“ atkūrimo būdas panašus į atkūrimą iš USB atmintuko.

### Svarbios pastabos

- Veikiant „UPnP“, prie to paties belaidžio ryšio tinklo turi prisijungti ir kompiuteris, ir interneto radijas.
- Kadangi rinkoje yra daug skirtingų kompiuterinių sistemų / konfigūracijų, „UPnP“ atkūrimo ryšys gali nepasisekti, o tam mūsų garantija netaikoma.

### „Spotify Connect“ valdymas

Šis prietaisas turi funkciją „Spotify Connect“, leidžiančią belaidžiu ryšiu perduoti garsą iš programėlės „Spotify“.

- Įjunkite prietaisą ir eikite į pagrindinį meniu, tada pasirinkite programos „Spotify“ piktogramą ir ekrane rodomą QR kodą (naudojant pirmą kartą).
- Nuskaitykite QR kodą išmaniuoju telefonu ir automatiškai apsilankykite oficialioje „Spotify“ svetainėje. Išmaniajame telefone raskite ir atsisiųskite programėlę „Spotify“.
- Atverkite programėlę „Spotify“ ir įjunkite naudodami registruotąją paskyrą. Eikite į „Nuostatos“ ir skirtuką „Prietaisai“, tada sąrašė pasirinkite BP IR10. Išmaniojo telefono programėlė prie radijo prisijungs maždaug per 30 sekundžių. Pasirinkite ir paleiskite muziką programėlėje „Spotify“, o garsas bus skleidžiamas per šį prietaisą.

### Svarbios pastabos

- „Spotify“ programinei įrangai taikomos trečiųjų šalių licencijos; jas galima rasti svetainėje <https://www.spotify.com/connect/third-party-licenses>.
- „Spotify“ naudojimo instrukcijas rasite svetainėje <https://spotify.box.com/s/7m8g1j260x0t8zly5cult0gmkn6t>.
- Naudokite išmanųjį telefoną, planšetinį kompiuterį ar kompiuterį kaip programėlės „Spotify“ nuotolinio valdymo pultą. Eikite į [www.spotify.com/connect](http://www.spotify.com/connect) ir sužinokite, kaip tai padaryti.
- Naudojant funkciją „Spotify Connect“, programėlė „Spotify“ ir šis interneto radijas turi būti prijungti prie to paties belaidžio ryšio tinklo.

### Interneto radijo valdymas naudojant mobiliąją programėlę

- Prietaise su „iOS“ sistema „App Store“ parduotuvėje ieškokite ir atsisiųskite „AirMusic Control“ (prietaise su „Android“ sistema atsisiųskite ir įdiekite „AirMusic Control“).
- Įjunkite prietaisą, įeikite į pagrindinį meniu ir pasirinkite: „Nuostatos“ > „Įrenginys“ > „Programėlė“; ekrane rodomas QR kodas, nuskaitykite jį išmaniuoju telefonu.

c. Išmaniajame telefone pasirinkite ir atverkite programėlę „AirMusic Control“. Programėlė gali automatiškai nuskaityti ir prisijungti prie interneto radijo, jei jūsų išmanusis telefonas ir interneto radijas naudoja tą patį belaidžio ryšio tinklą. (Prijungus „AirMusic Control“ programėlės konfigūracijos meniu prietaisų pavadinimų sąrašą atsiras BP IR10.)  
d. Tada galite naudoti išmaniojo telefono programėlę, kad nuotoliniu būdu valdytumėte interneto radiją.

### Svarbi pastaba

Siūlome nenaudoti mygtukų ant priekinio skydo ar nuotolinio valdymo pulto prietaisui valdyti, kai naudojate radijo valdymo programą, nes tai gali sukelti sinchronizavimo problemų dėl serverio veiklos ir interneto ryšio greičio. Garantija netaikoma sinchronizavimo problemoms. Tokiu atveju prietaisą kurį laiką reikia palikti ir jo nebenaudoti, kol vėl pradės normaliai veikti.

### Linijinė / ausinių išvestis

Prietaisas turi linijinę išvestį, kuri leidžia prietaisą su laidu prijungti prie kito aktyvaus garsiakalbio, stiprintuvo ar ausinių. Naudodami 3,5 mm stereofoninį garso kabelį, prijunkite jį prie linijinės išvesties lizdo užpakaliniame skyde ir prijunkite kitą terminalą prie kito išorinio garso prietaiso. Įjunkite šį prietaisą ir pradėkite atkurti, tada garsas bus grojamas iš išorinio garso prietaiso. Šio prietaiso garsiakalbiai bus nutildyti.  
Įjunkite ausines į linijinės išvesties lizdą, kad galėtumėte diskretiškai klausytis garso. Šio prietaiso garsiakalbiai bus nutildyti. Atkuriant, kai prietaisas arba ausinės prijungtos prie linijinės išvesties, galima reguliuoti garsumo lygį šiame prietaise ir išoriniame prietaise.

### Laikrodžio ir žadintuvo nustatymas

**Laikrodžio / datos nustatymas:** eikite į pagrindinį meniu ir pasirinkite: „Nuostatos“ > „Data ir laikas“ > „Nustatyti datą ir laiką“. Čia yra dvi parinktys: „Rankinis nustatymas“ ir „Automatinis aptikimas“. Jei pasirinksite „Automatinį aptikimą“, prijungus belaidžio ryšio tinklą dabartinę laiką ir datos informaciją bus atnaujinta automatiškai. Datą ir laiką galite nustatyti rankiniu būdu, jei pasirinksite „Rankinis nustatymas“. Submenu „Data ir laikas“ taip pat yra parinktys „Laiko formato nustatymas“ ir „Datos formato nustatymas“ – pasirinkite jas, kad pakoreguotumėte laiko formatą (12 arba 24 valandų) ir datos formatą (galimos 3 parinktys).

**Žadintuvo nustatymai:** eikite į pagrindinį meniu ir pasirinkite: „Nuostatos“ > „Žadintuvas“. Tada galite nustatyti 1 žadintuvą, 2 žadintuvą, snaudimo laiką, žadintuvo garsumą. Įjungus 1 ir 2 nuostatų žadintuvo režimą, galima pasirinkti žadintuvo kartojimą (kasdien, kartą, tam tikromis savaitės dienomis), laiką ir pavojaus signalo šaltinį (garsinis signalas, melodija, interneto radijas, USB).

1. Nustačius pabudimo laiką, radijas automatiškai įsijungs iš anksto nustatytu laiku. Trumpai spustelėkite budėjimo režimo mygtuką (3), kad atšauktumėte pavojaus signalo garsą.
2. Yra du pavojaus signalai, kuriuos galima konfigūruoti atskirai.
3. Kai pavojaus signalas įjungtas, trumpai spustelėkite bet kurį mygtuką (išskyrus budėjimo režimo mygtuką (3), kad suaktyvintumėte snaudimo funkciją. Pavojaus signalas vėl įsijungs pasibaigus snaudimo laikui.
4. Pavojaus signalo funkcija veikia tik tada, kai pagrindinis maitinimo šaltinis yra prijungtas ir pasiekiamas.
5. Kai snaudimo funkcija aktyvi, ekrane bus rodomas likęs snaudimo laikas. Trumpai spustelėjus budėjimo režimo mygtuką, snaudimas atšaukiamas.

### Laikrodis jungiklis

Kai įjungtas atkūrimo režimas (pavyzdžiui, interneto radijas, „Bluetooth“, USB atkūrimo režimas ir t. t.), trumpai spustelėjus nuotolinio valdymo pulto mygtuką SLEEP, galima nustatyti jungiklio veikimo laiką. Galimi tokie laiko intervalai (minutėmis): 15 / 30 / 60 / 90 / 120 / 150 / 180 / išjungta. Pasibaigus pasirinktam laiko intervalui, prietaisas automatiškai išjungs atkūrimą ir pereis į budėjimo režimą.

### Kita

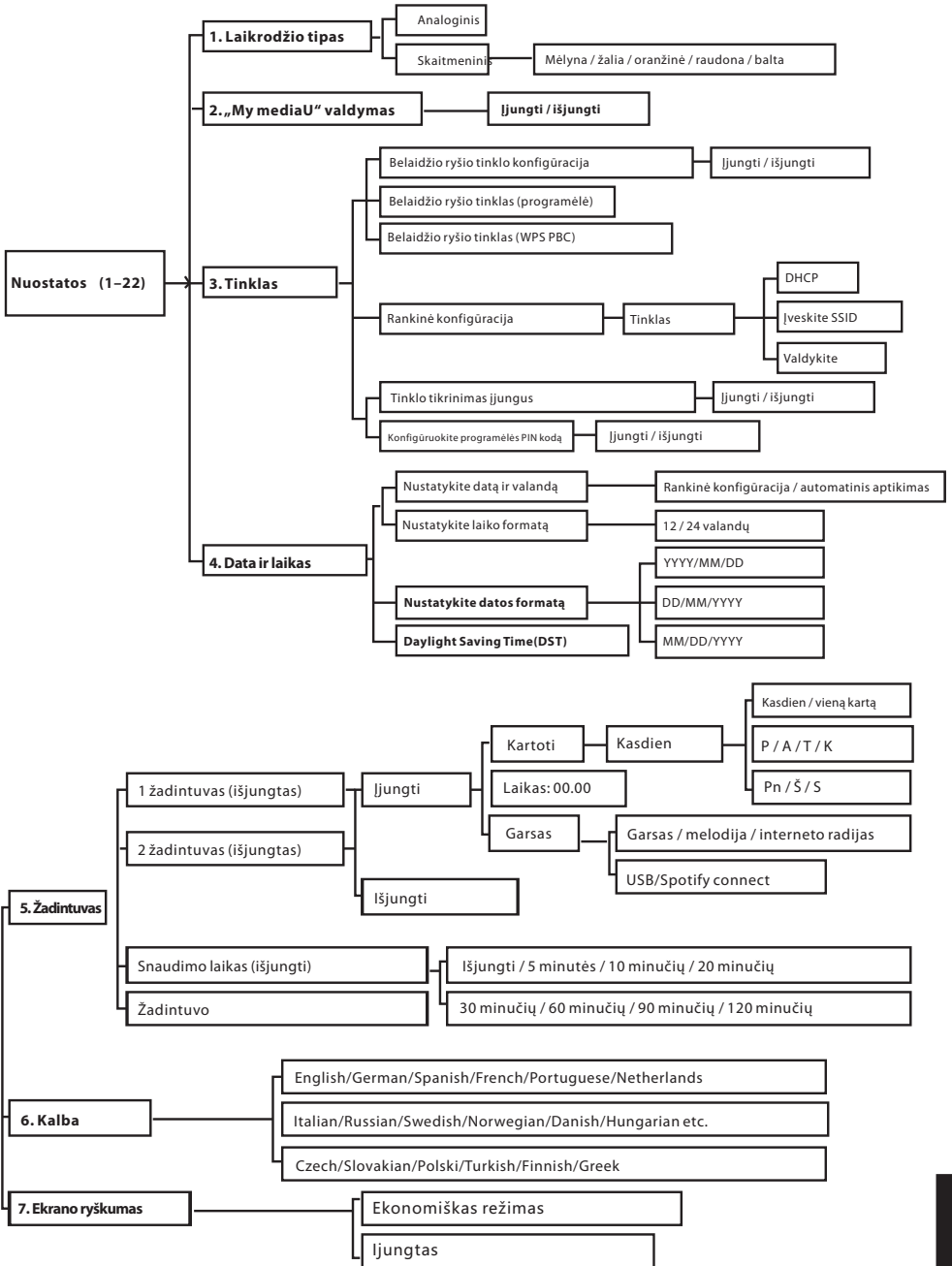
Norėdami atlikti kitus veiksmus, pavyzdžiui, nustatyti ekrano ryškumą, programines įrangos versiją, pakeisti gamyklines nuostatas ir pan., vadovaukitės toliau esančioje schemoje pateikta informacija.

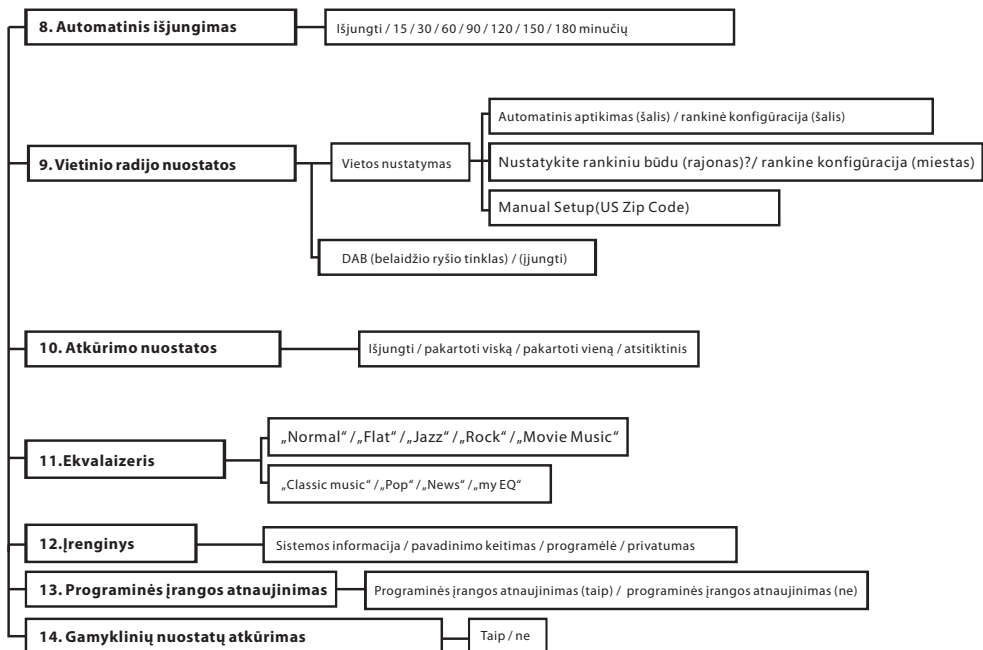
### Problemų sprendimas

1. Garsiakalbis neįsijungia.
  - a. Patikrinkite, ar maitinimas tinkamai įjungtas.
2. Nėra garso.
  - a. Pabandykite reguliuoti garsumo lygį ir patikrinti atkūrimo šaltinį.
  - b. Jei problema išlieka, kreipkitės į techninės priežiūros centrą, kad išspręstų problemą.
3. Pertraukiamas garsas „Bluetooth“ režimu.
  - a. Pabandykite „Bluetooth“ prietaisą pastatyti arčiau šio prietaiso.
  - b. Peržiūrėkite instrukciją, kaip pakartotinai suporuoti.
4. „Bluetooth“ režimu garso lygis yra per žemas.
  - a. Patikrinkite „Bluetooth“ prietaiso ir šio prietaiso garsumo lygius.

### Specifikacija

Maitinimo šaltinis: NS IN 9 V / 2 A  
Spalvotas TFT 2,4 colio ekranas  
„Bluetooth“ versija: V5.0  
USB 2.0, muzikos failų valdymas: MP3 / WMA / WAV / FLAC / AAC (visų formatų failų atkūrimas negarantuotas)  
RMS išvestis: 2 x 5 W  
Naudojamoji galia: 16 W  
Energinis suvartojimas budėjimo režimu: < 1 W  
(Pirmiau nurodyta specifikacija gali būti atnaujinta iš anksto neįspėjus.)





Informacija apie maitinimo šaltinį - įkroviklį		
Paskelbta informacija	Paskelbta informacija	Vienetas
Tiekėjo pavadinimas arba prekės ženklas Komerčio registro numeris Adresas	Shenzhen Fushigang Technology Co., Ltd Building 8, Shiguan Industrial Park, Shangcun Community, Gongming Street, Guangming District, Shenzhen, GuangDong, China	
Modelio identifikatorius	AS1801A-0902000EU	
Įėjimo įtampa	100-240	V
Kintamojo įėjimo srovės dažnis	50/60	Hz
Išėjimo įtampa	DC9	V
Išėjimo srovės įtampa	2.0	A
Išėjimo galia	18.0	W
Vidutinis aktyvus efektyvumas	≥85	%
Efektyvumas esant mažai apkrovai (10%)	75.45%	%
Energijos sąnaudos be apkrovos	≤0.1	W

**POMEMBNA POROČILA O VARNOSTI**

**Pozor:**

Da bi zmanjšali nevarnost električnega udara, ne razstavljajte pokrova in zadnjega dela naprave. Znotraj naprave ni elementov, ki bi jih lahko uporabnik samostojno popravil. Vzdrževalna dela in popravila lahko opravljajo le usposobljeni servisjeri.

**Razlaga grafičnih simbolov:**


Simbol strele s puščico na koncu, v enakostraničnem trikotniku opozarja uporabnika na neizolirano »nevarno napetost« v ohišju naprave. Napetost lahko doseže vrednost, ki predstavlja tveganje električnega udara.



Klicaj v enakostraničnem trikotniku opozarja uporabnika na pomembne informacije o uporabi in vzdrževanju naprave, ki jih vsebuje dokumentacija, priložena napravi.

Prosimo, da pred uporabo naprave preberete ta navodila, da bi se seznanili s funkcijami naprave in jo uporabljali skladno z namenom. S tem lahko zagotovite dolgotrajno, nemoteno in prijetno uporabo naprave.

**Pomembni podatki**

- Shranite ta navodila za uporabo in poročila o varnosti, ker jih boste lahko potrebovali v prihodnosti.
- Ne dovolite, da se na napravo razlije oziroma nanjo kaplja tekočina.
- Naprave ne uporabljajte v vlažnih prostorih, kot je na primer kopalnica.
- Naprave ne smete namestiti na naslednji način:
- Naprava ne sme biti izpostavljena neposrednemu vplivu sončnih žarkov oz. se ne sme nahajati v bližini grelcev.
- Naprava se ne sme postaviti na drugo stereofonsko napravo, ki oddaja toploto.
- Naprava ne sme ovirati prezračevanja oz. se ne sme nahajati v zaprašenem prostoru.
- Naprava ne sme biti izpostavljena stalnim vibracijam.
- Naprava se ne sme nahajati v prostorih z visoko vlažnostjo.
- Naprava se ne sme nahajati v bližini sveč ali odprtega ognja.
- Napravo uporabljajte le na način, opisan v teh navodilih.
- Pred prvim vklopom napajanja se je treba prepričati, da je napajalnik pravilno prikljopljen.
- USB-spomin se priklopi neposredno oz. s pomočjo USB-podaljška dolžino do 25 cm.

Zaradi varnosti ni dovoljeno razstavljanje ohišja oz. pronicanje v notranjost naprave. Napravo lahko popravi le usposobljeno servisno osebje.

Ne razstavljajte in ne odpirajte ohišja naprave, kajti noter ni delov, ki bi jih lahko popravil uporabnik. Vzdrževalna dela in popravila lahko opravljajo le usposobljeni servisjeri.

**POROČILA O VARNOSTI**

1. Preberite navodila za uporabo – pred uporabo naprave je treba prebrati vsa navodila za uporabo in poročila o varnosti.
2. Shranite navodila za uporabo – navodila za uporabo je treba shraniti za primer kasnejše uporabe.
3. Upošteвайте opozorila – ukrepajte skladno z vsemi opozorili, ki jih vidite na napravi ter z opozorili, omenjenimi v navodilih za uporabo.
4. Sledite navodilom – ukrepajte skladno z navodili za uporabo in navseti za uporabnika.
5. Namestitev – napravo postavite skladno s proizvajalčevimi navodili.
6. Viri napajanja – napravo napajajte izključno iz virov, ki odgovarjajo parametrom, navedenim na napajalnem kablu. Če niste prepričani, kakšno napajanje imate doma, obrnite se na prodajalca naprave oz. lokalnega dobavitelja električne energije.
7. Ozemljitev in polarizacija napajanja – napravo lahko uporabljate brez ozemljitve. Prepričajte se, da je vtič v celoti nameščen v omrežni vtičnici oz. podaljšku, tako da se stiki ne vidijo. Nekatere različice naprave so lahko opremljene s polariziranim vtičem za izmenični tok (en stik je debelejši). Takšen vtič lahko vklopite v omrežno vtičnico le na en način. To je zavarovalna funkcija. Če vtiča ne morete vklopiti v vtičnico, ga poskusite obrniti. Če se vtič še vedno ne ujema z vtičnico, naj vam jo električar zamenja. Zavarovanje iz polariziranega vtiča ne smete odstranjevati. Če uporabljate podaljšek ali napajalni kabel, ki nista priložena napravi, se prepričajte, da imata ustrezne vtiče in potrdilo o varnosti, ki se zahteva v določeni državi.
8. Zavarovanje napajalnega kabla – napajalni kabel je treba namestiti na način, ki omejuje nevarnost potepanja, pritiskanja oz. naključnega razrezanja. Bodite posebej pozorni na vtiče, omrežne vtičnice in mesta, kjer kabli izhajajo iz naprave.
9. Preobremenitev – preobremenitev zidnih vtičnic, podaljškov in električnih razdelilnikov ni dovoljena, saj lahko to privede do požara ali električnega udara.
10. Prezračevanje – napravo je treba pravilno prezračevati. Ne postavite je na posteljo, kavč ali podobne površine. Ne prekrivajte je s prti, robci, revijami idr.
11. Toplota – naprave ne postavite v bližino virov toplote, kot so grelci, sevalniki, peči in druge naprave (tudi ojačevalniki), ki oddajajo toploto. Na napravo ne postavite gorečih svečk in drugih virov odprtega ognja.
12. Voda in vlaga – da bi zmanjšali tveganje požara ali električnega udara, naprave ne izpostavite neposrednemu vplivu dežja, vode in vlage, na primer ne postavite je v savni ali kopalnici. Te naprave ne smete uporabljati v bližini vode, na primer zavrni kadi, umivalnika, korita oz. škafo, v vlažni kleti oz. v bližini bazena (in podobnih mest).
13. Predmeti in tekočine v napravi – skozi odprtine v napravi ne potiskajte nobenih predmetov, saj se tisti predmeti lahko dotaknejo točk z nevarno napetostjo in s komponentami, kar lahko privede do požara oz. električnega udara. Nikakor ne razlize nobenih tekočin na površino naprave. Na napravo ne smete postaviti predmetov, ki vsebujejo tekočine.

14. Čiščenje – preden začnete s čiščenjem, napravo vedno odklopite iz omrežne vtičnice. Prah, ki je okoli zvočnika, lahko obrišete s suho krpo. Če za čiščenje uporabljate aerosol, razpršilo usmerite na krpo, ne pa neposredno na napravo. Pazite, da se ne poškodujejo pogonske enote.
15. Dodatna oprema – ne uporabljajte pripomočkov, ki jih proizvajalec ne potrdi, ker lahko predstavljajo nevarnost.
16. Pripomočki – naprave ne postavite na nestabilen voziček, stojalo, stativo, konzolo ali mizo. Naprava se lahko prevrne in poškoduje, lahko tudi hudo poškoduje otroka ali odraslo osebo. Uporabite le vozičke, stojala, stative, konzole in mize, ki jih priporoča proizvajalec oz. ki se prodajajo skupaj z napravo. Namestitvev naprave mora potekati skladno z navodili proizvajalca, ob uporabi montažnega seta, ki ga priporoča proizvajalec.
17. Prestavljanje naprave – napravo postavite na voziček in zelo previdno prestavite. Nenadna ustavitve vozička, prevelika moč oz. neravne površine lahko pripeljejo do prevrnitve vozička z napravo.
18. Obdobje mirovanja naprave – napajalni kabel je treba odklopiti iz omrežne vtičnice v primeru neviht s strelami oz. ko naprave ne boste dlje časa uporabljali.
19. Servisiranje - naprave ne smete servisirati samostojno. Po odpiranju ohišja je uporabnik izpostavljen visoki napetosti in drugi nevarnosti. Vzdrževalna dela in popravila lahko opravljajo le usposobljeni serviserji.
20. Ko naprave ne uporabljate, odklopite njen vtič iz omrežne vtičnice. Ko je naprava priključena na vir napajanja, ni nikoli popolnoma izklopljena, vendar je v stanju pripravljenosti.
21. Nadomestni deli – ob zamenjavi delov je treba preveriti, ali je serviser uporabil nadomestne dele proizvajalca oz. ali nadomestni deli ustrezajo originalnim delom. Uporaba nepotrjenih delov lahko privede do požara, električnega udara oz. drugih nevarnih razmer.
22. Glavne varovalke – da bi napravo trajno zavarovali pred požarom, uporabite varovalke ustrezne vrste in parametrov. Parametri varovalk glede napetosti so označeni na napravi.
23. Ne povečajte glasnosti ob poslušanju tihega posnetka oz. ko ni vhodnega zvočnega signala. Z nenadnim povečanjem intenzitete signala lahko poškodujete zvočnik.
24. Edini način popolnega odklopa naprave iz vira napajanja je odklop napajalnega kabla iz omrežne vtičnice oz. iz naprave. Omrežna vtičnica oz. vhod za napajalni kabel morata biti vedno dostopna med uporabo naprave.
25. Napravo je treba postaviti v bližini omrežne vtičnice oz. podaljška, na tak način, da je vtičnica vedno dostopna.
26. Maksimalna temperatura v prostoru, kje je naprava, je 35 °C.
27. Nasveti glede električnih razelektritev – če delovanje naprave motijo električne razelektritve, je treba napravo izklopiti in ponovno vklopiti oz. jo prestaviti na drugo mesto.
28. Baterija
- a. Baterije ne smejo biti izpostavljene vplivu prekomerne toplote, npr. sončnih žarkov, ognja idr.
- b. Pri odstranjevanju baterij je treba biti posebno pozoren na okoljevarstvena vprašanja.
- c. Opozorilo glede uporabe baterije: da se prepreči puščanje baterije, ki lahko privede do poškodb telesa oz. naprave:
- Ob namestitvi baterij pazite na polarizacijo (+ in -).
  - Skupaj ne smete uporabljati novih in starih baterij, standardnih in alkalnih idr.
  - Če naprave več časa ne uporabljate, odstranite baterije.

#### OPOZORILO

- Naprave ne smejo uporabljati osebe (vključno z otroki) z zmanjšano fizično, senzorično ali mentalno sposobnostjo ali brez izkušenj oz. znanja, razen če so pod nadzorom osebe, ki je odgovorna za njihovo varnost, oz. če so se poučile z navodili o varni uporabi naprave. Prisotnost odraslih je obvezna, če napravo uporabljajo otroci. S tem se lahko zagotovi varna uporaba naprave.
1. Vključene naprave ne smete pustiti brez nadzora! Napravo izklopite, tudi če naprava le nekaj časa počiva.
  2. Naprave ne smete uporabljati preko zunanje ure s časovnim sistemom oz. preko ločenega sistema z daljinskim upravljanjem.
  3. Da bi se izognili nevarnosti v primeru poškodovanja napajalnega kabla, zamenjave lahko opravi le proizvajalec, pooblaščen servisno podjetje oz. ustrezno usposobljen strokovnjak.
  4. Pred začetkom uporabe naprave je treba preveriti, ali napetost naprave ustreza napetosti lokalnega električnega omrežja.
  5. Prezračevalni odprtini ne prekrivajte, npr. z revijami, prti, zavesami idr. Prepričajte se, da je nad napravo ohranjenega najmanj 20 cm prostega prostora, na straneh pa vsaj 5 cm.
  6. Ne dovolite, da na napravo kaplja oz. da se nanjo razlije tekočina, na napravo ne postavite predmetov s tekočino, npr. vaz.
  7. Da se prepreči nastajanje požara ali nevarnost električnega udara, napravo zaščitite pred vročino, vplivom dežja, vlage in praha.
  8. Naprave ne postavite v bližini katerih koli virov vode, npr. umivalnikov, kadi, pralnih strojev oz. bazenov. Napravo postavite na ravno in stabilno podlago.
  9. Naprave ne izpostavite močnemu magnetnemu polju.
  10. Naprave ne postavite neposredno na ojačevalnik ali sprejemnik.
  11. Naprave ne postavite na vlažno mesto, ker ima vlaga negativni vpliv na električne komponente.
  12. Ko napravo prestavite iz hladnega prostora v toplej oz. vlažen prostor, lahko pride do kondenzacije vlage na leči znotraj predvajalnika. To lahko povzroči nepravilno delovanje naprave. Napravo pustite vklopljeno vsaj na eno uro, da vlaga izpari.
  13. Naprave ne čistite s kemijskimi topili, ker se lahko na ta način poškoduje lakirana površina ohišja. Napravo obrišite s čisto, suho oz. rahlo navlaženo krpicco.
  14. Med odklopom vtiča iz omrežne vtičnice je treba vedno vleči za vtič, nikoli za napajalni kabel.
  15. Ko se vklopljena naprava uporablja v bližini vklopljenega TV-ja, lahko pride do motenj slike v obliki črt na zaslonu. To je odvisno od valov TV-prenosa. To ne pomeni, da naprava oz. TV ne delujeta pravilno. Če se vidijo črte, premaknite napravo stran od TV-ja.
  16. Omrežni vtič se uporablja za odklop napajanja in zato mora biti vedno dostopen.
  17. Da bi preprečili nevarnost izgube sluha, glasne glasbe ne poslušajte dlje časa.



**POZOR****Izjava**

S tem Blaupunkt Competence Center 2N-Everpol Sp. z o.o. izjavlja, da je ta naprava v skladu z zahtevami in drugimi ustreznimi določili uredbe 2014/53/EU. Celotno izjavo o skladnosti si lahko ogledate na spletni strani [www.blaupunkt.com](http://www.blaupunkt.com) v zavihku izdelka.

Odgovorni subjekt: 2N-Everpol Sp. Z o.o.

Puławska 403A, 02-801 Warszawa, Polska

Telefon: +48 22 331 99 59, e-naslov: [info@everpol.pl](mailto:info@everpol.pl)



Naprava je izdelana iz visokokakovostnih materialov ter komponent, ki se lahko reciklirajo in ponovno uporabijo.



Če je na napravi oznaka prekrižan zabojnik za odpadke, to pomeni, da za izdelek veljajo določila evropske smernice 2012/19/EU. Seznaniti se je treba z lokalnimi zahtevami za zbiranje električnih ter elektronskih odpadkov. Ukrepiti je treba v skladu z lokalnimi predpisi. Izdelek se ne sme odstranjevati skupaj z navadnimi odpadki. Ustrezno odstranjevanje starega izdelka pomaga izključiti morebitne negativne učinke na okolje in človekovo zdravje.



Naprava je opremljena z baterijo, ki jo določa evropska smernica 2006/66/EC. Baterija se ne sme odstranjevati skupaj z gospodinjstskimi odpadki. Treba se je seznaniti z lokalnimi predpisi za ločeno zbiranje odpadnih baterij, ker le ustrezna odstranitev preprečuje morebitne negativne učinke za okolje in človekovo zdravje.

**Podatki za varovanje okolja**

Komplet vsebuje samo potrebne elemente. Prizadevali smo si, da bodo vsi trije elementi embalaže lahko odstranljivi: karton (škafka), polistirenska pena (zunanj zaščita) in polietilen (vreče, zaščitna plast). Naprava je izvedena iz materialov, ki se lahko reciklirajo, ter jih lahko po demontaži s strani strokovnega podjetja ponovno uporabljamo. Upoštevati je treba lokalne predpise za odstranjevanje embalaž, porabljenih baterij ter nepotrebnih naprav.

Za zapisovanje in predvajanje je treba obvezno pridobiti soglasje. Glej Zakon o avtorskih pravicah in pravicah izvajalcev/umetnikov.

**Opomba glede ERP2 (naprav, povezanih z energijo)**

Ta naprava z ekonačrtom izpolnjuje zahteve 2. etape Uredbe Komisije (ES) št. 1275/2008 o izvajanju Uredbe 2009/125/ES glede porabe energije o vzpostavitvi okvira za določanje zahtev za primerno okoljsko zasnovane izdelke, povezane z energijo.



Podjetje Bluetooth SIG, Inc. USA je lastnik blagovnih znamk in logotipa Bluetooth®. Za uporabo teh znamk in logotipa se zahteva licenca. Druge znamke in trgovska imena so v lasti ustreznih lastnikov.

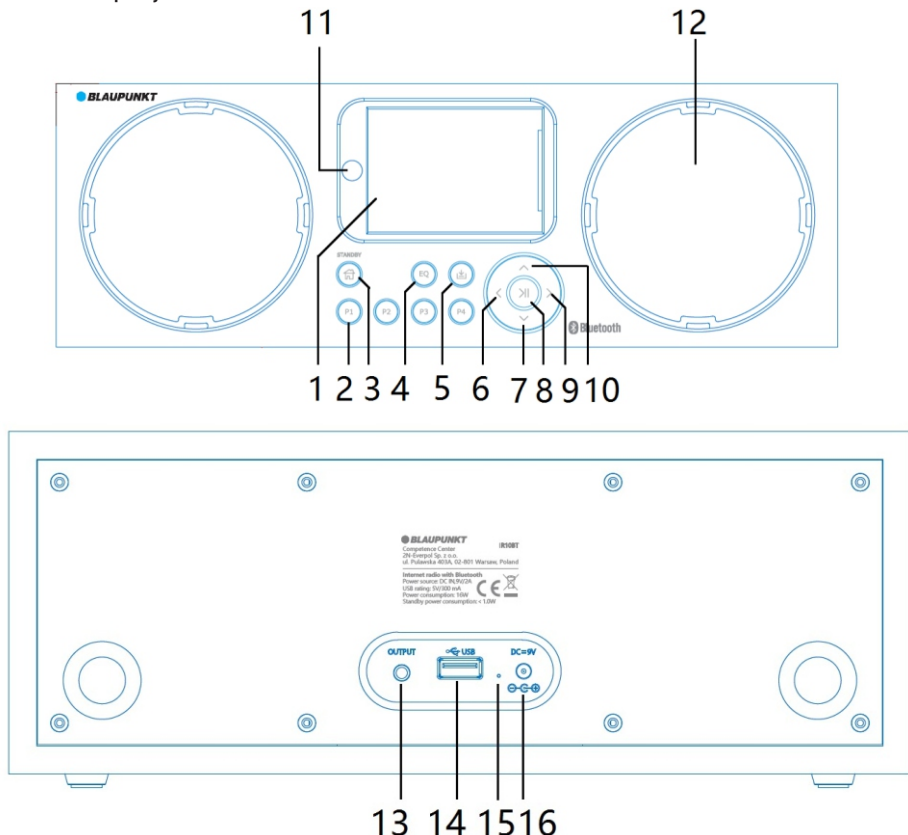


Hvala, ker ste izbrali naš model, prosimo, da pred začetkom uporabe natančno preberete ta navodila. Navodila shranite za morebiti potrebno kasnejšo uporabo.

#### Naprava ima naslednje glavne funkcije:

Internetni radio  
 Predvajanje prek modula Bluetooth  
 Predvajanje USB  
 Podpora za Spotify Connect  
 Podpora za podkaste  
 Linijski avdio izhod  
 Ura, budilka, časovni izklop

#### Razmeščenoost upravljajalnih elementov



#### 1- Barvni zaslon;

#### 2- Gumbi za nastavitve radijskih postaj P1 ~ P4

Na kratko ga pritisnete za izbor in predvajanje ustrezne prednastavljene postaje.

Pritisnite in držite pritisnjen (2 sekundi) gumb P1 ~ P4, da shranite trenutno postajo v pomnilnik.

#### 3- Gumb stanja pripravljenosti / glavnega menija;

Pritisnite in pridržite ga za vstop v stanje pripravljenosti.

Na kratko pritisnite za vklop naprave ali vstop v glavni meni.

V načinu alarma ga na kratko pritisnite za anuliranje zvoka alarma in prehod v stanje pripravljenosti.

#### 4- Gub izenačevalnika zvoka EQ

Večkrat ga pritisnite, da preklopite izenačevalnik med nastavljenimi prednastavitvami:

NORMAL/FLAT/JAZZ/ROCK/SOUNDTRACK/CLASSIC/POP/NEWS/MY EQ.

**5- Gumb za nastavitve radijskih postaj;**

Na kratko ga pritisnite za priklic vmesnika prednastavljene postaje.  
Pritisnite in pridržite ga, da shranite trenutno postajo.

**6- Gumb "levo";**

Na kratko ga pritisnite za prenos in brisanje črke pri vnosu črk za geslo za omrežje.  
Na kratko ga pritisnite za izhod in vstop v zgornji meni.  
Dolg pritisk povzroči prehod na prejšnjo skladbo v načinu USB.

**7- Gumb „dol“;**

Na kratko ga pritisnite, da zmanjšate glasnost;  
Pritisnite in pridržite ga za kontinuirano zmanjševanje glasnosti.  
Na kratko ga pritisnite, da se pomaknete po meniju navzdol za izbor.

**8- Gumb za predvajanje/premor, gumb ENTER - potrditev izbire;**

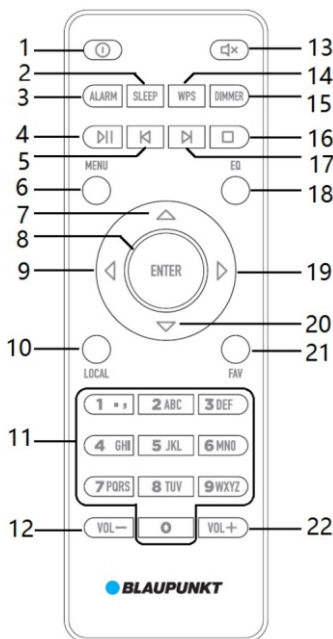
Na kratko ga pritisnite za predvajanje ali prekinitev predvajanja glasbe v načinu USB.  
Na kratko ga pritisnite, da potrdite svoj izbor.

**9- Gumb "desno";**

Na kratko ga pritisnite za prenos in brisanje črke pri vnosu črk za geslo za omrežje  
Na kratko ga pritisnite za vstop v podmeni.  
Dolg pritisk povzroči prehod na naslednjo skladbo v načinu USB.

**10-Gumb „gor“;**

Na kratko ga pritisnite za povečanje glasnosti; pritisnite in pridržite ga za kontinuirano povečevanje glasnosti.  
Na kratko pritisnite za pomik po meniju navzgor za opravitev izbora.

**11- Infrardeči senzor daljinskega upravljanika;**
**12-Zvočnik;**
**13- Vtičnica linijskega izhoda;**
**14- Port USB;**
**15-Indikator napajanja LED;**
**16- Vtičnica napajanja DC IN;**
**Daljinski upravljalnik**


**1- Gumb za vklop/izklop stanja pripravljenosti:** na kratko ga pritisnite za vklop / izklop naprave.

**2- Gumb časovnega izklopa:** pritisnite ga nekajkrat, da nastavite čas izklopa naprave.

**3- Gumb za alarm:** na kratko ga pritisnite za prehod na vmesnik konfiguracije alarma.

**4- Gumb za predvajanje/premor:** na kratko ga pritisnite za predvajanje/prekinitev predvajanja glasbe v načinu USB.

**5- Gumb prejšnja:** na kratko ga pritisnite za prehod na prejšnjo skladbo v načinu USB.

**6- Gumb MENI:** na kratko ga pritisnite za vstop v glavni meni.

**7- Gumb „gor“:** pritisnite ga za pomik po meniju navzgor.

**8- Gumb ENTER - potrditev izbora:** na kratko ga pritisnite za potrditev izbora.

**9- Gumb „levo“:** pritisnite ga za izhod ali prehod v zgornji del menija.

**10- Gumb LOCAL:** na kratko ga pritisnite za prehod v način lokalnega internetnega radia.

**11- Številčni in znakovni gumbi:** pritisnite nanje nekajkrat, da izberete ustrezno številko in črko.

**12- Gumb za zmanjšanje glasnosti:** pritisnite ga za zmanjšanje glasnosti.

**13- Gumb za izklop zvoka:** pritisnite ga, da izklopite zvok naprave, pritisnite nanj ponovno za nadaljevanje predvajanja.

**14- Gumb WPS:** gumb za hitro povezavo z omrežjem, če ima gumb WPS tudi usmerjevalnik Wi-Fi - s kratkim pritiskom nanj vstopite v način hitre povezave z omrežjem.

**15- Gumb svetlosti zaslona:** pritisnite ga, da prilagodite svetlost zaslona.

**16- Gumb Stop:** pritisnite ga, če želite ustaviti predvajanje trenutno poslušane skladbe v načinu USB, pritisnite gumb ENTER za nadaljevanje in začetek predvajanja od začetka.

**17- Gumb naslednja:** na kratko pritisnite za prehod na naslednjo skladbo v načinu USB.

**18- Gumb EQ:** pritisnite ga, da izberete želeni način izenačevalnika zvoka.

**19- Gumb „desno“:** pritisnite ga za vstop v podmeni.

**20- Gumb „dol“:** pritisnite ga za pomik navzdol po menijskem seznamu.

**21- Gumb Priljubljene FAV:** na kratko pritisnite za prehod na vmesnik prednastavljene postaje, dolg pritisk povzroči shranitev trenutne postaje.

**22- Gumb za povečanje glasnosti:** pritisnite ga, da povečate glasnost.

### Priključitev napajanja:

Vstavite priključek DC dostavljenega napajalnika v vtičnico za enosmerni tok (DC) na zadnji strani naprave, nato vklopite napajalnik v vtičnico izmeničnega toka (230 V, 50/60 Hz) za priključitev na napajanje.

Če je napajanje uspešno priključeno, se bo zaslon zasvetil in in prikazal začetno pozdravno predstavitev BLAUPUNKT. Na kratko pritisnite gumb pripravljenosti za vklop naprave, z dolgim pritiskom gumba opravite prehod v stanje pripravljenosti. Naprava je pripravljena za delo.

### Delovanje menija:

Za upravljanje menija uporabljajte gumbе "gor", "dol", "levo", "desno" ter gumb ENTER na daljinskem upravljalniku ali gumbе "gor", "dol", "levo", "desno" in gumb za predvajanje/premor/ENTER (8) na sprednji strani naprave.

### Povezava z omrežjem Wi-Fi

Naprava ima vgrajen omrežni modul Wi-Fi, ki se lahko poveže z brezžičnim omrežjem. Če želite poslušati internetni radio, morate najprej nastaviti in se povezati z internetom prek usmerjevalnika Wi-Fi. Sledite spodnjim korakom:

- Ob prvi uporabi bo naprava na zaslonu najprej prikazala začetni pozdrav BLAUPUNKT in nato zahtevala, da izberete jezik delovanja (privzeti jezik: poljščina). Z gumboma „gor“ in „dol“ se lahko pomikate po menijskem seznamu in opravite izbor, za potrditev pritisnite gumb ENTER. Nato se na zaslonu prikažejo informacije o zasebnosti. Pritisnite ENTER za "vklop" opcije "preveriti omrežje po vklopu?"
- Pritisnite gumb „levo“ ali „desno“, da izberete „da“ ali „ne“, pritisnite gumb ENTER za potrditev izbora.
- Če izberete "da", se bo na zaslonu prikazalo vprašanje "Želite zdaj konfigurirati omrežje?" - izberite "da" in naprava bo poiskala brezžična omrežja, ki so v bližini, in na zaslonu prikazala seznam imen Wi-Fi.
- Pritisnite gumb „gor“ ali „dol“, da poiščete svoje omrežje na seznamu razpoložljivih omrežij; ko ga najdete, pritisnite ENTER za potrditev svoje izbire. Naprava vas bo nato prosila, da za izbrano brezžično omrežje vnesete geslo.
- Za hitrejši vnos gesla priporočamo uporabo števil in znakov na daljinskem upravljalniku. Nekajkratni pritisk gumba na številski tipkovnici daljinskega upravljalnika vam omogoča izbrati ustrezno številko ter veliko ali majhno črko. Ko najdete pravilno črko gesla, na kratko pritisnite gumb "desno" za potrditev izbora, nato nadaljujete z vnosom naslednjega znaka gesla. Če vnesete napačen znak gesla, ga lahko s kratkim pritiskom na gumb "levo" odstranite.
- Ko ste vnesli geslo za brezžično povezavo, pritisnite gumb ENTER in naprava se bo povezala z omrežjem Wi-Fi ter prešla na glavni vmesnik.
- V primeru neuspeha pri povezovanju z omrežjem na kratko pritisnite gumb menija na daljinskem upravljalniku, da vstopite v glavni vmesnik, izberite Nastavitve>Omrežje>Konfiguracija brezžičnega omrežja> ter ponovno vklopite iskanje razpoložljivega omrežja.

### Opombe in dodatna navodila:

- Na voljo je tudi možnost ročne povezave z omrežjem Wi-Fi prek aplikacije ali WPS. V primeru vzpostavljanja povezave z omrežjem Wi-Fi prek aplikacije se prepričajte, da sta naprava, ki podpira to aplikacijo, in radio v zasegu istega omrežja.
- Brezžično omrežje lahko nastavite tudi z uporabo gumbov „gor“/„dol“/„levo“/„desno“, predvajanje/premor/ENTER na sprednji strani naprave.
- Povezano omrežje Wi-Fi se lahko spravi v spomin, tako da bo samodejno povezano naslednjikrat, če bo še vedno na voljo. Včasih je za vzpostavitev povezave potrebno ponovno vnesti geslo. Upoštevajte, da to ne pomeni napake.

### Podpora za internetni radio

Po uspešni povezavi z internetom, z uporabo gumbov "levo" ali "desno" vstopite v glavni meni ter poiščite ikono internetnega radia, nato pritisnite ENTER za vstop v način internetnega radia.

### Izbor internetnih postaj:

Z gumboma „gor“/„dol“ in gumbom ENTER izberite zeleno opcijo s seznama menija. Po vstopu v meni internetnega radia izberite npr.

**radijska postaja>država>lokacija>Evropa>Poljska>Poljska/top10>Ime radijske postaje.** Radio se nato poveže z izbrano postajo in jo začne predvajati.

Na kratko pritisnite gumb ENTER, da ustavite predvajanje in se vrnete v višjo stopnjo menija. Z gumboma „gor“/„dol“ izberite seznam drugo postajo, pritisnite ENTER za predvajanje. Med poslušanjem internetnega radia s kratkim pritiskom na gumb "desno" povečate informacije na zaslonu, s kratkim pritiskom na gumb "levo" zaslon povrne prejšnji način prikaza. Pritisnite in držite pritisnjen gumb „levo“/„desno“ za prehod na prejšnjo ali naslednjo radijsko postajo na seznamu.

Pritisnite gumb „gor“/„dol“ na sprednji strani naprave ali gumb za povečanje ali zmanjšanje glasnosti na daljinskem upravljalniku, da prilagodite izhodno glasnost. Za izklop zvoka pritisnite gumb za izklop zvoka.

**Nastavitve najljubših internetnih postaj:** Po vklopu priljubljene postaje pritisnite in pridržite gumb Priljubljene (na daljinskem upravljalniku FAV) ali gumb za nastavitve radijskih postaj (5 na sprednji strani naprave) ter vstopite v vmesnik za nastavitve postaj. Z gumbom „gor“/„dol“ premaknite in nastavite izbrano postajo pod ustrezno številko spomina na seznamu, pritisnite gumb ENTER za potrditev izbora.

Na kratko pritisnite gumb Priljubljene (FAV na daljinskem upravljalniku) ali gumb za prednastavitve radijskih postaj (5 na sprednji strani naprave), da vstopite v seznam prednastavljenih postaj, s tipko „gor“/„dol“ izberite prednastavljeno postajo, pritisnite ENTER gumb za predvajanje. Prednastavljeno postajo lahko tudi hitro izberete s pritiskom na gumb P1~P4 na sprednji strani naprave ali s kratkim pritiskom na ustrezen gumb na številski tipkovnici daljinskega upravljalnika, ko je naprava v načinu radijskega predvajanja.

Kratko pritisnite gumb Priljubljene (FAV na daljinskem upravljalniku) ali gumb za prednastavitve radijskih postaj (5 na sprednji strani naprave), da odprete seznam prednastavljenih postaj, pritisnite gumb "desno" za upravljanje prednastavljene postaje, npr. premakni gor/dol/briši/preimenuj/predvajaj.

### Lokalni internetni radii

a. Konfiguracija lokalnega internetnega radia: v glavnem meniju vstopite v vmesnik za nastavitve>nastavitev lokalnega radia>nastavitve lokacije>opcije (samodejna zaznava države/ročna konfiguracija (država)/ročna konfiguracija (regija)/ročna

konfiguracija (mesto) /ročna konfiguracija (poštna številka). Z gumboma „gor“/„dol“ izberite ustrezno opcijo in potrdite s tipko ENTER. Ko končate z nastavitvijo lokacije, radio najde in vstopi v prednastavljeni lokalni vmesnik interneta radia.

b. Ko je lokalni internetni radio pravilno konfiguriran, lahko pritisnete tudi gumb LOCAL na daljinskem upravljalniku ali pa v glavnem meniju interneta radia izberete "lokalna postaja" za prehod na seznam lokalnih radijskih postaj in začetek predvajanja izbrane postaje.

#### Opombe in dodatna navodila:

1. Dostopanje do radijske postaje lahko traja nekaj časa zaradi hitrosti internetne povezave ali lokacije radijskega strežnika ipd., kar ne pomeni napake. V zvezi z morebitnimi primeri problemov s sprejemom zaradi katerega od zgornjih razlogov predlagamo, da izberete drugo radijsko postajo.
2. Ko je radio v načinu prikaza seznama razpoložljivih radijskih postaj, je možno z gumboma "gor"/„dol“ spremeniti postajo, po izbiri postaje omogoča kratek pritisk gumba "desno" prehod v vmesnik opcije "dodaj priljubljenim/samodejno iskanje /predvajaj".
3. Internetni radio je razdeljen na kategorije, kot so "Radio za spanec", "Global Top 20", "Zvrsti", "Država/Lokacija", "Izbrane" ipd., ki so na voljo v meniju interneta radia. Njim zahvaljujoč lahko hitreje izberete ustrezno postajo in uživate v njenem sprejemu.
4. Lahko tudi upravljate s svojim seznamom priljubljenih postaj na spletnem mestu mediaU ([www.mediayou.net](http://www.mediayou.net)). Najprej v glavnem meniju omogočite funkcijo "my mediaU" tako, da izbirate po vrsti: Nastavitve>Upravljanje My mediaU>Vklopi; nato lahko na zaslonu radia prikazete mapo „Priljubljena postaja“, „Priljubljena lokacija/zvrst“, „Moja lokalna postaja (mesto)“, „Dodaj ročno“. Na spletnem mestu ([www.mediayou.net](http://www.mediayou.net)) kliknite v zavihek "my mediaU" za upravljanje zgornjih map. Več informacij o tej funkciji najdete kasneje v teh navodilih.

#### Podpora podcastov:

Radio ima funkcijo predvajanja podcastov; princip delovanja je podoben kot pri internetnem radiu. Vključite napravo, pojdite v glavni meni in izberite po vrsti: Podcast>Država/Lokacija>Ciljna država>Mapa kategorij, nato izberite in odprite podcast, ki vas zanima.

**Sprejemanje lokalnih postaj DAB prek Wi-Fi:** Lahko sprejemate lokalne postaje DAB, ki hkrati oddajajo signal kot internetni radio. Za dostop do njih vstopite v glavni meni in izberite po vrsti: Nastavitve>Upravljanje lokalnega radia>DAB (Wi-Fi)>Vklopi. Če želite vstopiti v seznam razpoložljivih postaj DAB (Wi-Fi), v glavnem meniju izberite po vrsti: Internetni radio> Lokalna postaja>DAB (Wi-Fi) in nato izberite postajo, ki vas zanima.

#### Podpora funkcije My mediaU

- a. Najprej morate ustvariti račun na spletni strani <http://www.mediayou.net> in se uspešno prijaviti. Spremenite jezik in nato kliknite zavihek „Naprava“. Vnesite ime svoje naprave v okence „Vpiši tu ime svoje naprave“.
- b. Vnesite serijsko številko v polje "serijska številka". (Kako dobiti serijsko številko? Vstopite v glavni meni svoje naprave in izberite po vrsti: Nastavitve>Naprava>Informacije o sistemu>Informacije o brezžičnem omrežju, nato boste našli naslov MAC.
- c. Vnesite naslov MAC v okence "serijska številka" in kliknite "Dodaj". Nato pojdite na zavihek "my mediaU" za upravljanje map "Priljubljena postaja", "Priljubljena lokacija/zvrst", "Lokalna postaja", "Dodaj ročno".
- d. Vključite internetni radio, vstopite v glavni meni in izberite po vrsti: Nastavitve>Upravljanje My mediaU>Vklopi. Nato se vrnite v glavni meni in izberite ikono my mediaU, nato se prikažejo razpoložljive mape „Priljubljena postaja“, „Priljubljena lokacija/zvrst“, „Lokalna postaja“, „Dodaj ročno“, ki so sinhronizirane z mapami, nastavljenimi v tvojem računu, na spletnem mestu <http://www.mediayou.net>.

#### Podpora Bluetooth

Ta naprava ima funkcijo Bluetooth, ki omogoča brezžično predvajanje glasbe iz druge naprave Bluetooth (na primer pametnega telefona, tabličnega računalnika ipd.).

1. Vključite napravo, pritisnite gumb glavnega menija (3) na sprednji strani naprave ali gumb MENU na daljinskem upravljalniku ter vstopite v glavni vmesnik, z gumbom „levo“ ali „desno“ izberite ikono Bluetooth, nato pritisnite ENTER za prehod na način Bluetooth. Naprava bo pripravljena za seznanitev z Bluetooth.
2. Vključite funkcijo Bluetooth v zunanji napravi (pametni telefon, tablični računalnik ipd. - glejte navodila za uporabo zunanje naprave), nato preverite na seznamu Bluetooth, ki je na voljo za seznanitev. Izberite "BP IR10" za seznanitev naprave.
3. Izberite in predvajajte glasbo na zunanji napravi Bluetooth, prilagodite glasnost tako na zunanji napravi Bluetooth, kot tudi na tem radiu, zvok se bo predvajal brezžično prek zvočnikov te naprave.
4. Na dolgo pritisnite gumb „levo“ ali „desno“ za prehod na predvajanje prejšnje ali naslednje skladbe; s kratkim pritiskom na gumb „levo“ ali „desno“ lahko povečate ali zmanjšate velikost informacije o sliki skladbe. Na kratko pritisnite gumb ENTER za predvajanje ali prekinitev predvajanja; na dolgo pritisnite gumb ENTER za dostop do vmesnika "Seznani drugo napravo", ponovno pritisnite gumb ENTER, da prekinete trenutno povezavo Bluetooth. Ponovno pritisnite in pridržite pritisnjen gumb ENTER za vstop v seznam imen predhodno seznanjenih naprav Bluetooth, lahko izberete eno izmed njih za ponovno seznanitev, pod pogojem, da ima vključeno funkcijo Bluetooth in je v delovnem zasedu Bluetooth te naprave.
5. V načinu predvajanja Bluetooth pritisnite gumb „gor“ ali „dol“, da prilagodite glasnost; na voljo so tudi nastavitve izenačevalnika EQ in utišanja zvoka.

#### Opombe in dodatna navodila:

1. Ne garantom uspešnosti seznanitve vseh naprav Bluetooth zaradi njihovih različnih modelov in konstrukcijskih rešitev.
2. Najboljša delovna oddaljenost Bluetooth je 10 metrov brez kakršnih koli med napravama.
3. Ta izdelek je lahko istočasno seznanjen in lahko hkrati deluje samo z eno zunanjo napravo Bluetooth.
4. V primeru dohodnega klica med predvajanjem Bluetooth: predvajanje glasbe se začasno ustavi in nadaljuje po zaključku telefonske komunikacije.
5. V primeru izklopa naprave ali preklopa načina predvajanja je potrebno ponovno seznaniti napravo Bluetooth.

#### Podpora predvajalnika USB

Naprava ima funkcijo predvajanja USB MP3. Najprej pripravite formatiran pomnilnik USB in kopirajte vanj datoteke MP3. Pomnilnik USB pravilno vključite v port USB na zadnji strani naptave. Pritisnite gumb glavnega menija na sprednji strani naprave ali gumb MENU na daljinskem upravljalniku, da odprete glavni vmesnik, nato izberite po vrsti: Medijski center> USB.

Nato si lahko ogledate seznam datotek MP3, shranjenih v priključenem pomnilniku USB. Izberite katero koli datoteko in jo predvajajte z uporabo te naprave.

V načinu predvajanja glasbe iz pomnilnika USB na kratko pritisnite gumb ENTER na sprednji strani naprave ali daljinskem upravljalniku, če želite predvajati datoteko ali začasno ustaviti njeno predvajanje. Pritisnite gumb „gor“ ali „dol“ na sprednji strani naprave ali VOL+ /VOL- na daljinskem upravljalniku, da povečate ali zmanjšate glasnost; z dolgim pritiskom gumba „levo“ ali „desno“ preidete na prejšnjo ali naslednjo skladbo. Na kratko pritisnite gumb „levo“ ali „desno“, da povečate ali zmanjšate velikost informacije o sliki skladbe. Na voljo so tudi nastavitve izenačevalnika EQ in funkcija utišanja zvoka. Če želite izbrati način predvajanja, pojdite v glavni meni in izberite po vrsti: Nastavitve>Nastavitve predvajanja, nato pa izberite med Izklopi/Ponovi vse/Ponovi eno/Naključno.

#### **Opombe in dodatna navodila:**

- Odsvetuje se uporabo podaljševalnih kablov USB za priključevanje pomnilnikov USB, saj lahko to negativno vpliva na kakovost signala, ki se prenaša na napravo, in povzroči nestabilno predvajanje.
- Naprava podpira formate WAV/WMA/MP3/FLAC/AAC (zaradi razlik v zapisu ne zagotavljamo, da bo možno predvajanje vseh datotek z zgornjih oblikah; naprava podpira pomnilnike USB z zmogljivostjo do največ 64 GB).

#### **Podpora funkcije UPnP**

Naprava ima funkcijo UPnP, ki se lahko poveže z brezžičnim omrežjem in lahko uporablja sistem Windows, APPLE Mac ali Linux kot platformo za predvajanje glasbe. Glasbene skladbe, ki so na voljo na predvajalniku računalnika, se lahko brezžično predvajajo prek zvočnikov tega internetnega radia.

#### **Primer podpore aplikacije Windows Media Player 12:**

- Kliknite in odprite programsko opremo multimedijskega predvajalnika Windows na vašem računalniku, dodajte priljubljeno glasbo v knjižnico multimedijev (prosimo, seznanite se z navodili za uporabo multimedijskega predvajalnika Windows podjetja Microsoft).
- Kliknite v zavihek "tok" v zgornjem levem delu okna aplikacije, izberite "Avtomatsko dovoljuj napravam predvajati moje multimedije" in nato potrdite "Avtomatsko dovoljuj na vse računalnike in multimedijske naprave". Zdjaj lahko uporabite UPnP za skupno rabo in predvajanje glasbe.
- Kliknite na "Več opcij" tokovnega pošiljanja v programu Windows Media Player, če želite spremeniti ime knjižnice multimedijev in dovoliti/blokirati napravi predvajanje glasbe prek UPnP. Ime knjižnice multimedijev lahko prilagodite (npr. s preimenovanjem v KNJIZNICA BLAUPUNKT), da jo bo tako uporabnik lažje hitro identificiral na seznamu razpoložljivih multimedijev v meniju UPnP tega radia. Lahko tudi dovolite določeni napravi prek UPnP izvajati tokovno predvajanje glasbe iz knjižnice multimedijev.
- Vklopite radio, izberite ikono Medijski center> UPnP in preverite seznam razpoložljivih multimedijskih knjižnic, izberite svojo knjižnico UPnP (na primer UPnP: KNJIZNICA BLAUPUNKT), za potrditev na kratko pritisnite ENTER. (Vedite: Iskanje ustreznih knjižnic lahko traja tudi do 10 sekund in več. Če naprava ne najde multimedijske knjižnice, se vrne v meni Medijske centra.
- Po izbiri knjižnice, npr. UPnP„KNJIZNICA BLAUPUNKT“, poiščite in izberite mapo z glasbo, nato izberite mapo ene izmed razpoložljivih kategorij, na koncu pristopite k izbiri predvajanja glasbe.
- Tekom predvajanja glasbe uporabljajte gumba „gor“, „dol“, „levo“, „desno“ in ENTER za predvajanje, kot si želite. Način upravljanja s predvajanjem UPnP je podoben kot pri predvajanju glasbe iz pomnilnika USB.

#### **Pomembne opombe:**

- Med delovanjem UPnP morata biti tako računalnik kot internetni radio povezana v isto omrežje Wi-Fi.
- Ker je na trgu veliko različnih računalniških sistemov/konfiguracij, lahko povezava za predvajanje UPnP ne uspe, vendar tega naša garancija ne obsega.

#### **Uporaba Spotify Connect**

Ta naprava je opremljena s funkcijo Spotify Connect, ki omogoča brezžično oddajanje zvoka iz aplikacije Spotify.

- Vklopite napravo in pojdite v glavni meni, nato izberite po vrsti: ikona aplikacije Spotify> na zaslonu se prikaže koda QR (pri prvi uporabi).
- S pametnim telefonom skenirajte kodo QR in samodejno vstopite na uradno spletno mesto Spotify. Poiščite in naložite aplikacijo Spotify na svoj pametni telefon.
- Odprite in vstopite v aplikacijo Spotify na podlagi registriranega računa, pojdite na "Nastavitve" aplikacije in potem na zavihek "Naprave", nato s seznama izberite "BP IR10". Aplikacija na pametnem telefonu se bo približno 30 sekundah povezala z radijem. Izberite in predvajajte glasbo v aplikaciji Spotify, zvok se bo predvajal s pomočjo te naprave.

#### **Pomembne opombe:**

- Programska oprema Spotify je predmet licenc tretjih oseb, ki jih najdete tukaj: <https://www.spotify.com/connect/third-party-licenses>.
- Navodila za uporabo Spotify najdete tukaj: <https://spotify.box.com/s/7m8g1ij260xt8zlhly5cult0gmkknu6t>.
- Uporabite pametni telefon, tablični računalnik ali računalnik kot daljinski upravljalnik za Spotify. Za to opcijo najdete informacije na [www.spotify.com/connect](http://www.spotify.com/connect).
- Tekom uporabe funkcije Spotify Connect morata biti aplikacija Spotify in ta internetni radio povezana v isto omrežje Wi-Fi.

#### **Uporaba internetnega radia prek mobilne aplikacije**

- V primeru naprave s sistemom iOS poiščite in si prenesite »AirMusic Control« v trgovini App Store (prenesite si in namestite »AirMusic Control« za naprave s sistemom Android).
- Vklopite napravo, vstopite v glavni meni in nato po vrsti izberite: Nastavitve>Naprava>APP, na zaslonu se prikaže koda QR, ki jo skenirajte s pametnim telefonom.
- Izberite in odprite aplikacijo "AirMusic Control" na pametnem telefonu, aplikacija lahko samodejno skenira in se poveže z internetnim radijem, če pametni telefon in internetni radio uporabljata isto omrežje Wi-Fi. (BP IR10 se prikaže na seznamu imen naprav v meniju konfiguracij v aplikaciji AirMusic Control po priklopu.)
- Nato lahko z aplikacijo v pametnem telefonu daljinsko upravljate z internetnim radijem.

#### **Pomembna opomba:**

Predlagamo, da tekom uporabe aplikacije za upravljanje z radijem istočasno ne uporabljate gumbov na sprednji strani naprave ali daljinskega upravljalnika za upravljanje naprave, saj lahko to povzroči težave s sinhronizacijo zaradi delovanja strežnika in hitrosti internetne povezave. Težave pri sinhronizaciji niso zajete v garanciji. V primeru takih težav pustite napravo nekaj časa brez poseganj vanjo, dokler se njeno delovanje ne stabilizira.

### Linijski izhod/izhod za slušalke

Naprava ima linijski izhod, ki omogoča žično povezavo z drugim aktivnim zvočnikom, ojačevalnikom ali slušalkami. S priloženim 3,5-milimetrskim stereo zvočnim kablom ga priključite na vtičnico linijskega izhoda na zadnji strani naprave, drugi konec pa vklopite v drugo zunanjo avdio napravo. Vključite to napravo in začnite s predvajanjem, nato se bo zvok predvajal iz zunanje avdio naprave. Zvočniki te naprave ne bodo oddajali zvoka. Priključite slušalke na vtičnico linijskega izhoda za diskretno poslušanje. Zvočniki te naprave ne bodo oddajali zvoka. Tekom predvajanja z napravo ali slušalkami priključenimi na linijski izhod je možno prilagajevanje glasnosti tako prek te naprave, kot tudi prek zunanje naprave.

### Nastavitev ure in budilke

**Nastavitev časa/datuma:** Vstopite v glavni meni in po vrsti izberite: Nastavitve> Datum in čas> Nastavi datum in čas. Na tem mestu sta na voljo dve opciji: „Ročna konfiguracija“ in „Zaznaj samodejno“. Če izberete „Zaznaj samodejno“, se bodo podatki o trenutnem času in datumu samodejno posodobili po povezavi z omrežjem Wi-Fi. Datum in čas lahko nastavite ročno z izborom opcije "Ročna nastavitve". V podmeniju "Datum in čas" sta na voljo tudi opciji "Nastavi obliko zapisa časa" in "Nastavi obliko zapisa datuma" - izberite ju, da prilagodite obliko časa (12- ali 24-urno) in obliko datuma (na voljo so 3 možnosti). Nastavitev budilke: Vstopite v glavni meni in izberite po vrsti: Nastavitve> Budilka. Nato lahko nastavite čas za Budilka 1, Budilka 2, Čas drežeža, Glasnost budilke. Po vstopu v način nastavitve Budilka 1 in 2 so na voljo opcije za izbiro ponavljanja aktiviranja budilke (vsakodnevno, enkrat, ob posameznih dneh v tednu), nastavitve časa ter izbiro vira alarma (pisk, melodija, internetni radio, USB)

1. Ko je nastavljen čas bujenja, se bo radio samodejno vklopil ob vnaprež izbranem času. Na kratko pritisnite gumb za pripravljenost (3), da prekinete zvok bujenja.
2. Na voljo sta dva alarma, ki ju je možno konfigurirati ločeno.
3. Ko je alarm vklopljen, na kratko pritisnite kateri koli gumb (razen gumba za pripravljenost (3)), da aktivirate funkcijo drežeža. Alarm se bo znova oglasil, ko preteče čas drežeža.
4. Alarmna funkcija deluje le tedaj, ko je glavno napajanje priključeno in na voljo.
5. Ko je funkcija drežeža aktivna, je na zaslonu prikazan preostali čas drežeža. Za preklic drežeža na kratko pritisnite gumb za pripravljenost.

### Časovni izklop

V načinu predvajanja (na primer internetni radio, Bluetooth, način predvajanja USB ipd.) lahko s kratkim pritiskom gumba SLEEP na daljinskem upravljalniku nastavite časovni izklopno stikalo. Na voljo so naslednji časovni intervali (v minutah): 15/30/60/90/120/150/180/izklopljen. Po preteku izbranega časovnega intervala bo naprava samodejno prekinila predvajanje in prešla v stanje pripravljenosti.

### Drugo

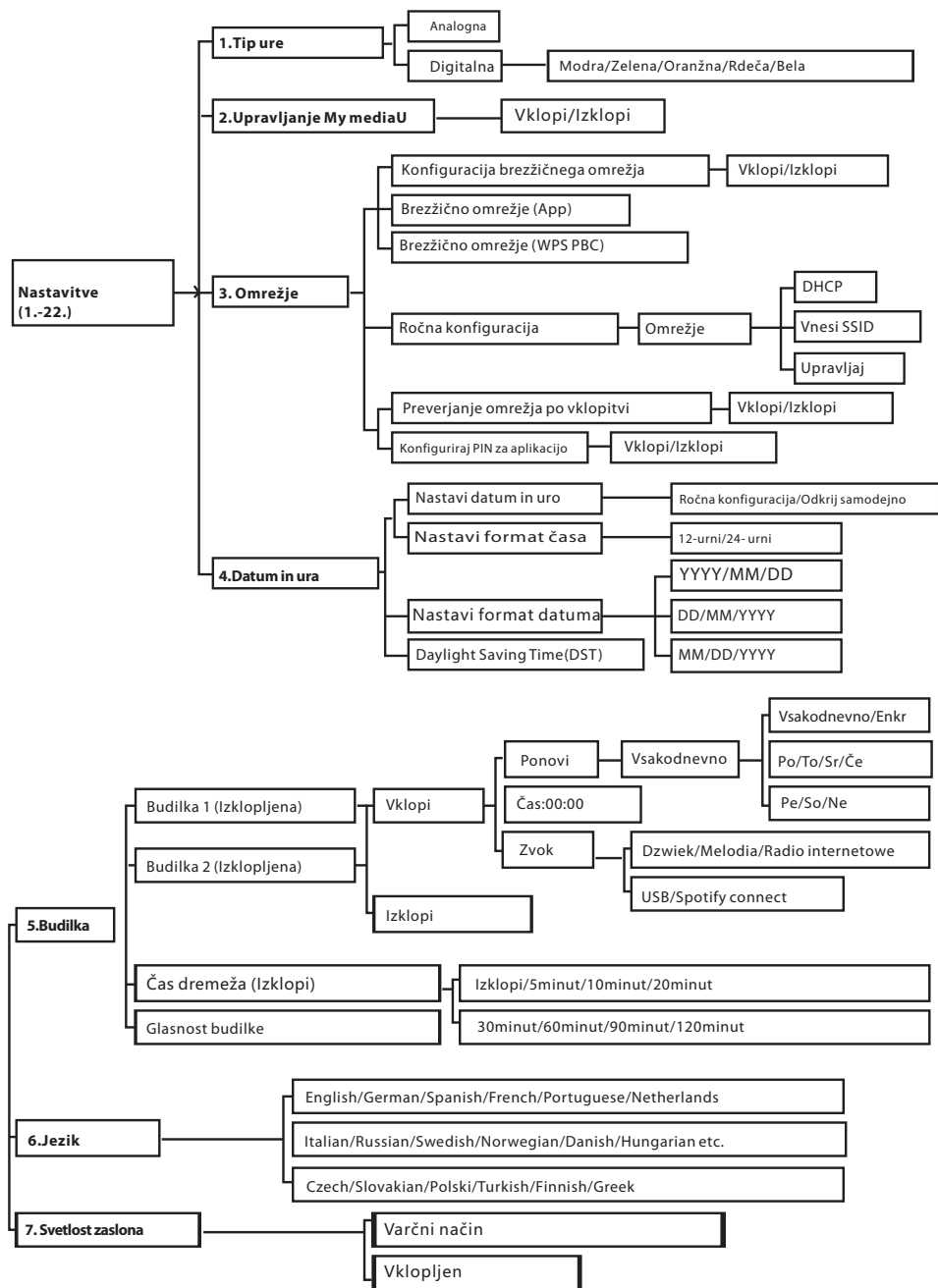
Za izvajanje drugih upravljaljskih opravil, kot so nastavitev svetlosti zaslona, različica programske opreme, povrnitev tovarniških nastavitve ipd. prosimo, ravnajte skladno z informacijami v spodnjem diagramu.

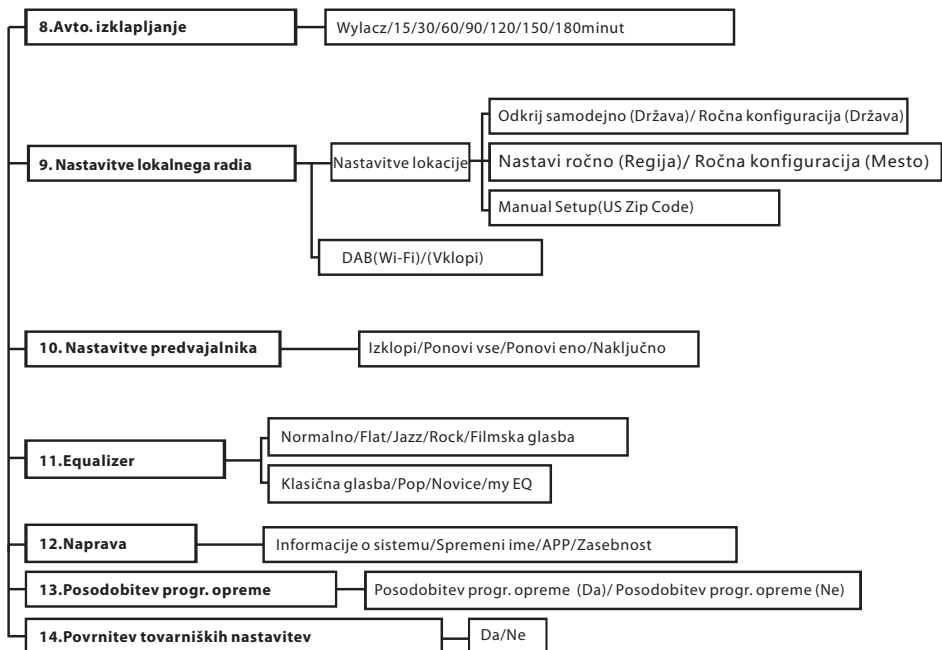
### Odpravljanje težav

1. Ni možno vklopiti zvočnika.
  - a. Preverite, ali je napajanje pravilno priključeno.
  2. Ni zvoka.
    - a. Poskusite prilagoditi glasnost in preverite vir predvajanja.
    - b. Če s tem težave ne odpravite, se obrnite na servisni center.
  3. Prekinjanje zvoka v načinu Bluetooth
    - a. Poskusite napravo Bluetooth pomakniti bliže tej napravi.
    - b. Oglejte si navodila za ponovno izvedbo seznanitve.
  4. V načinu Bluetooth je raven zvoka prenizka.
    - a. Preverite raven glasnosti tako naprave Bluetooth, kot tudi te enote.

### Specifikacija:

Vir napajanja: DC IN 9 V/2A  
Barvni zaslon TFT 2,4"  
Različica Bluetooth: V5.0  
USB 2.0, podpora za glasbene datoteke: MP3/WMA/WAV/FLAC/AAC (predvajanje vseh formatov ni zagotovljeno)  
Izhod RMS: 2 x 5W  
Poraba moči: 16W  
Poraba moči v načinu pripravljenosti: < 1W







Informacije o napajalniku		
Objavljene informacije	Vrednosti in podatki	Enota
Ime proizvajalca ali blagovni znak Številka vpisa v trgovskem registru Naslov	Shenzhen Fushigang Technology Co., Ltd Building 8, Shiguan Industrial Park, Shangcun Community, Gongming Street, Guangming District, Shenzhen, GuangDong, China	
Identifikator modela	AS1801A-0902000EU	
Vhodna napetost	100-240	V
Vhodna tokovna frekvenca	50/60	Hz
Izhodna napetost	DC9	V
Izhodna jakost toka	2.0	A
Izhodna moč	18.0	W
Povprečna aktivna zmogljivost	≥85	%
Učinkovitost pri nizki obremenitvi (10%)	75.45%	%
Poraba moči brez obremenitve	≤0.1	W

## Svarīgas drošības instrukcijas



### Brīdinājums:

Lai samazinātu elektrošoka risku, nedrīkst demontēt ierīces vāku un tās aizmugurējo daļu. Ierīces iekšā nav elementu, ko lietotājs var patstāvīgi remontēt. Ierīces tehnisko apkopi un remontu var veikt tikai kvalificēti servisa centra darbinieki.

### Grafisko simbolu paskaidrojums:



Zibens simbols ar bultīņu galā vienādmalu trijstūrī brīdina lietotāju par neizolētu "bīstamu spriegumu" ierīces korpusa iekšā, kas var sasniegt līmeni, radot elektrošoka risku.



Izsaukuma zīme vienādmalu trijstūrī brīdina lietotāju, ka šajā brīdī tiek sniegta svarīga informācija par ierīces lietošanu un tehnisko apkopi, kas ietverta ierīcei pievienotajā dokumentācijā.

Izlasiet šo instrukciju pirms ierīces lietošanas sākšanas, lai iepazītos ar ierīces funkcijām un izmantotu tās atbilstoši paredzētajam mērķim. Tas nodrošinās ilglaicīgu un nevainojamu ierīces darbību un patikamu lietošanu.

### Svarīga informācija

- Saglabājiet lietošanas instrukciju un informāciju par drošību turpmākai izmantošanai.
- Nepieļaujiet šķidruma pilēšanu vai izliešanu uz ierīces. Ierīci nedrīkst arī lietot mitrās vietās, piemēram, vannas istabā.
- Šo ierīci nedrīkst uzstādīt šādās vietās:
- vietās, kas pakļautas tiešai saules staru iedarbībai, vai radiatoru tuvumā;
- novietojot to uz cita stereoaprikojuma, kas rada siltumu;
- bloķējot ventilāciju vai putekljainā vietā;
- vietās, kas pakļautas nepārtrauktām vibrācijām;
- vietās ar augstu mitruma līmeni.
- Ierīci nedrīkst uzstādīt sveču vai atklātas uguns tuvumā.
- Ierīci var lietot tikai šajā instrukcijā aprakstītajā veidā.
- Pirms ierīces pirmās ieslēgšanas reizes pārliecinieties, ka barošanas bloks ir pareizi pievienots.
- Pievienojiet USB atmiņu tiešā veidā vai izmantojot 25 cm garu USB pagarinātāju.

Drošības apsvērumu nedrīkst demontēt korpusus un iekļūt ierīces iekšpusē. Ierīces remonts jāveic kvalificētam servisa centra personālam.

Neizjauciet ierīci un neatveriet tās korpusu, jo tas iekšā nav nekādu elementu, ko lietotājs var remontēt patstāvīgi. Ierīces tehnisko apkopi un remontu var veikt tikai kvalificēti servisa centra darbinieki.

## DROŠĪBAS INSTRUKCIJAS

- 1. Izlasiet instrukcijas** — pirms ierīces lietošanas sākšanas izlasiet visu lietošanas instrukciju un informāciju par drošību.
- 2. Saglabājiet instrukcijas** — saglabājiet lietošanas instrukcijas turpmākai izmantošanai.
- 3. Ievērojiet brīdinājumus** — ievērojiet visus brīdinājumus, kas sniegti uz ierīces, un lietošanas instrukcijas.
- 4. Ievērojiet instrukciju** — ievērojiet lietošanas instrukciju un norādījumus lietotājam.
- 5. Uzstādīšana** — uzstādiet ierīci atbilstoši ražotāja instrukcijām.
- 6. Barošanas avoti** — ierīcei ir jābūt barotai tikai no avotiem ar parametriem, kas norādīti marķējumā uz barošanas kabeļa. Ja lietotājs nav pārliecināts, kāda veida barošanas avots ir viņa mājās, viņam ir jāsazinās ar ierīces pārdevēju vai vietējo elektroenerģijas piegādātāju.
- 7. Barošanas avota izemēšana vai polarizācija** — ierīcei nav jābūt izemētai. Pārliecinieties, ka kontaktdakša ir pilnībā ievietota elektrotīkla kontaktligzdā vai pagarinātājā, lai nepieļautu kontakttapu vai kontaktu atklāšanu. Dažas ierīces versijas var būt aprīkotas ar polarizētu mainstrāvas kontaktdakšu (ar vienu platāku kontakttapu). Šo kontaktdakšu var pievienot elektrotīkla kontaktligzdai tikai vienā veidā. Tā ir aizsardzības funkcija. Ja kontaktdakšu nav iespējams ievietot kontaktligzdā, mēģiniet to apgriezti otrādi. Ja kontaktdakša joprojām neatbilst kontaktligzdai, uzdodiet tās nomainīt elektrīķim. Nenovietojiet aizsargus no polarizētās kontaktdakšas. Izmantojot pagarinātāju vai citu barošanas vadu, kas neietilpst ierīces komplektā, tiem ir jābūt atbilstošām kontaktdakšām un drošības sertifikātam, kas nepieciešams noteiktā valstī.
- 8. Barošanas kabeļa aizsargs** — novietojiet barošanas kabeļus tā, lai nebūtu iespējams staigāt pa tiem, saspiest vai sagriezt tos ar citiem priekšmetiem. Pievērsiet īpašu uzmanību kontaktdakšām, elektrotīkla kontaktligzdām un vietām, kur kabeļi tiek izvadīti no ierīces.
- 9. Pārslodze** — nepārslogojiet sienas kontaktligzdas, pagarinātājus un elektriskos sadalītājus, jo tas var izraisīt ugunsgrēku vai elektrošoku.
- 10. Ventilācija** — ierīcei jābūt atbilstoši vēdinātai. Ierīci nedrīkst uzstādīt uz gultas, dīvāna vai līdzīgām virsmām. Ierīci nedrīkst aizseg ar galdautiem, salvetēm, avizēm utt.
- 11. Siltums** — neuzstādiet ierīci siltuma avotu, piemēram, radiatoru, sildītāju, krāšņu vai citu ierīču (tostarp pastiprinātāju), kas rada siltumu, tuvumā. Neuzstādiet aizdegta sveces un citus atklātas uguns avotus uz ierīces.
- 12. Ūdens un mitrums** — lai samazinātu ugunsgrēka vai elektrošoka risku, nepakļaujiet ierīci tiešai lietus, ūdens un mitruma iedarbībai, piemēram, pirti vai vannas istabā. Nelietojiet šo ierīci ūdens tuvumā, piemēram, vannas, izlietnes, virtuves izlietnes vai veļas tvera tuvumā, mitrā pagrabā vai pelnbāseina tuvumā (vai līdzīgās vietās).
- 13. Priekšmeti un šķidrums ierīcē** — neievietojiet nekādus priekšmetus cauri ierīces atverēm, jo tie var saskarties ar vietām zem bīstamā sprieguma un detaļām, kas var izraisīt ugunsgrēku vai elektrošoku. Nekādā gadījumā nedrīkst izliet nekādus šķidrumus uz ierīces virsmas. Uz ierīces augšpusē nedrīkst novietot priekšmetus, kas satur šķidrumus.

**14. Tīrīšana** — pirms ierices tīrīšanas vienmēr atvienojiet to no elektrotīkla kontaktligzdas. Putekļus ap skaļruni var ņemt ar sausu lupatīņu. Ja tīrīšanai ir jāizmanto aerosols, nevērsiet izsmidzināmo strūklu tieši pret ierīci, bet gan uz lupatīņu. Pievērsiet uzmanību tam, lai nesabojātu piedziņas vienības.

**15. Papildaprīkojums** — nedrīkst lietot piederumus, ko ražotājs nav apstiprinājis, jo tie var radīt risku.

**16. Piederumi** — ierīci nedrīkst uzstādīt uz nestabiliem ratiņiem, statīva, balsta vai galdā. Ierīce var apgāzties, sabojāties un radīt nopietnas traumas bērnam vai pieaugušajam. Izmantojiet tikai ratiņus, statīvus, balstus un galdus, ko norādījis ražotājs vai kas tiek pārdoti kopā ar ierīci. Ierīces salikšana ir jāveic atbilstoši ražotāja instrukcijām, izmantojot ražotāja ieteikto montāžas komplektu.

**17. Ierīces pārvietošana** — pārvietojiet ierīci, kas novietota uz ratiņiem, ļoti piesardzīgi. Pēkšņa apstāšanās, pārmērīgs spēks vai nelīdzsvarotība var izraisīt ratiņu ar ierīces apgāšanos.

**18. Ierīces nelietošanas laiks** — atvienojiet barošanas kabeli no elektrotīkla kontaktligzdas pērkona negaisa laikā vai ja ierīce netiks lietota ilgāku laiku.

**19. Tehniskā apkope un remonts** — nemēģiniet patstāvīgi veikt ierīces apskati. Vāka atvēršana var izraisīt saskari ar bīstamu spriegumu un citā veidā apdraudēt lietotāju. Ierīces tehnisko apkopi un remontu var veikt tikai kvalificēti servisa centra darbinieki.

**20. Ja ierīce netiek lietota**, atvienojiet tās kontaktakšus no elektrotīkla kontaktligzdas. Ja ierīce ir pievienota barošanas avotam, tā ir gaidstāves režīmā un nav pilnīgi izslēgta.

**21. Rezerves daļas** — nomainiet ierīces daļas pret jaunām, pārliecinieties, ka servisa centra darbinieks ir izmantojis ražotāja ieteiktās rezerves daļas vai ka tās ir identiskas oriģinālajām daļām. Daļas nomaina pareizi veikt, izmantojot neapstiprinātas daļas, var izraisīt ugunsgrēku, elektrošoku vai citus riskus.

**22. Galvenie drošinātāji** — lai nodrošinātu nepārtrauktu ierīces aizsardzību pret uguni, izmantojiet drošinātājus ar atbilstošu tipu un parametriem. Drošinātāju parametri noteiktā sprieguma diapazonā ir norādīti uz ierīces.

**23. Nepaaugstiniet skaļumu**, klausoties dziesmas fragmentu ar zemu skaļumu vai ja nav ieejas audio signāla. Pretējā gadījumā signāla intensitātes straujā paaugstināšanās var izraisīt skaļruņa bojājumu.

**24. Vienīgais veids**, kā pilnībā atvienot ierīci no barošanas avota, ir atvienot barošanas kabeli no barošanas kontaktligzdas vai ierīces. Elektrotīkla kontaktligzdai vai barošanas kabeļa ieejai ierīcē ir vienmēr jābūt pieejamām ierīces lietošanas laikā.

**25. Ierīce ir jānovieto elektrotīkla kontaktligzdas vai pagarinātāja tuvumā** tā, lai tie vienmēr būtu pieejami.

**26. Maksimālā temperatūra ierīces apkārtnē** ir 35 °C.

**27. Norādījumi par elektrostatiskajām izlādēm** — ja ierīces darbību traucē elektrostatiskās izlādes, izslēdziet ierīci un atkārtoti ieslēdziet to vai pārvietojiet ierīci citā vietā.

## 28. Baterija

a. Baterijas nedrīkst pakļaut pārmērīga siltuma, piemēram, saules staru, uguns un tml. iedarbībai.

b. Utilizējot baterijas, pievērsiet uzmanību apkārtējās vides aizsardzības aspektiem.

c. Brīdinājums par bateriju lietošanu: lai novērstu baterijas noplūdi, kas var izraisīt traumas vai ierīces bojājumus:

- ievietojot bateriju, ņemiet vērā tā polaritāti (+ un -);
- nedrīkst vienlaicīgi lietot dažāda veida baterijas — vecās un jaunās, standart un sārma baterijas utt.;
- izņemiet baterijas no ierīces, kad tā netiek lietota ilgāku laiku.

## Piezīme par ERP2 (ar enerģiju saistītām iekārtām)

Šī ekodizaina ierīce atbilst Komisijas Regulas (EK) Nr. 1275/2008, ar ko īsteno Eiropas Parlamenta un Padomes Direktīvu 2005/32/EK iestrādātās ekodizaina prasības attiecībā uz elektrisko, elektronisko mājaisaiņniecības un biroja iekārtu elektroenerģijas patēriņu gatavības un izslēgtā režīmā, 2. posma prasībām.

Pēc 30 minūtēm bez ieejas audio signāla ierīce automātiski pāriet gaidstāves režīmā. Informāciju par normālas darbības atjaunošanu var atrast lietošanas instrukcijā.

## Svarīga informācija

Šī ierīce ir aprīkota ar enerģijas taupīšanas režīma funkciju: ja 15 minūšu laikā tai netiek nosūtīts ieejas signāls, ierīce automātiski pāriet gaidstāves režīmā, lai taupītu enerģiju (ERP 2 standarts). Ņemiet vērā, ka zema skaļuma līmeņa iestāšana audio signāla avotā var tikt atzīta par stāvokli "nav audio signāla": tas var ietekmēt ierīces spēju uztvert signālu no ierīces un izraisīt automātisku pāreju gaidstāves režīmā. Šādā gadījumā ir jāatjauno audio signāla avotā uztraide vai jāpaaugstina skaļuma līmenis audio signāla avotā (MP3 atskaņotājā u. tml.), lai atsāktu atskaņošanu. Ja problēma joprojām pastāv, sazinieties ar vietējo servisa centru.

**BRĪDINĀJUMS** Ierīci nedrīkst lietot personas (tostarp bērni) ar samazinātām fiziskām, maņu vai garīgām spējām un personas ar nepietiekamām zināšanām un pieredzi, ja vien viņas neatrodas personas, kas atbilst par viņu drošību, uzraudzību un nav apmācītas, kā droši lietot ierīci. Pieaugušo klātbūtnē ir nepieciešama, ja ierīci lieto bērni, lai nodrošinātu drošu ierīces lietošanu.

1. Neatstājiet ierīci darbības laikā bez uzraudzības! Izslēdziet ierīci, ja tā netiek lietota, pat īsu brīdi.

2. Ierīci nedrīkst apkalpot, izmantojot ārējo taimerī vai atsevišķu sistēmu ar tālvadību.

3. Lai izvairītos no riska, kas rodas barošanas kabeļa bojājuma gadījumā, tās nomaina ir jāveic ražotājam, pilnvarotam servisa centram vai citai personai ar atbilstošu kvalifikāciju.

4. Pirms ierīces lietošanas sākšanas pārliecinieties, ka tās spriegums atbilst spriegumam vietējā barošanas tīklā.

5. Neaizsedziet ierīces ventilācijas atveres, piemēram, ar avīzēm, galdautu, aizkariem u. tml. Pārliecinieties, ka virs ierīces ir vismaz 20 cm brīvas vietas un vismaz 5 cm katrā tās pusē.

6. Nepieļaujiet šķidruma pilēšanu vai izliešanu uz ierīces un nenovietojiet uz tās priekšmetus, kas piepildīti ar šķidrumiem, piemēram, vāzes.

7. Lai izvairītos no ugunsgrēka vai elektrošoka, aizsargājiet ierīci no karstām vietām, lietus, mitruma un putekļu iedarbības.

8. Novietojiet ierīci nekādā ūdens avotā, piemēram, krānu, vannu, veļas mazgājamo mašīnu vai peldbaseinu tuvumā.

9. Uzstādiet ierīci uz līdzenas un stabilas pamatnes.

9. Nepakļaujiet ierīci spēcīga magnētiskā lauka iedarbībai.

10. Nenovietojiet ierīci tieši uz pastiprinātāja vai resivera.
11. Nenovietojiet ierīci mitrā vietā, jo mitrums negatīvi ietekmē elektriskās detaļas.
12. Pēc ierīces pārvietošanas no aukstas siltā vietā vai mitrā vietā mitrums var kondensēties uz atskaņotāja lēcas. Šādā gadījumā ierīce nedarbosies pareizi. Atstājiet ierīci ieslēgtu uz aptuveni vienu stundu, lai mitrums iztvaikotu.
13. Ierīci nedrīkst tīrīt ar ķīmiskiem šķīdinātājiem, jo tie var sabojāt korpusa lakas pārklājumu. Noslaukiet ierīci ar tīru, sausu vai nedaudz samitrinātu lupatiņu.
14. Izvelkot kontaktdakšu no sienas kontaktligzdas, vienmēr velciet aiz kontaktdakšas, nevis aiz barošanas kabeļa.
15. Ja ieslēgtā ierīce tiek lietota ieslēgta televizora tuvumā, tas var radīt attēla traucējumus liniju uz ekrāna veidā. Tas ir atkarīgs no TV pārraides viļņu joslas. Tas nenozīmē, ka ierīce vai televizors darbojas nepareizi. Ja ir redzamas šādas linijas, attāliniet ierīci no televizora.
16. Elektrotīkla kontaktdakša ir paredzēta atvienošanai no barošanas sprieguma, un tai ir vienmēr jābūt pieejamai.
17. Lai izvairītos no iespējamās dzirdes zaudēšanas, neklausieties mūziku skaļi pārāk ilgi.



#### PIEZĪME

Deklarācija



Ar šo uzņēmums Blaupunkt Competence Center 2N-Everpol Sp. z o.o. apliecina, ka šī ierīce atbilst Direktīvas 2014/53/ES prasībām un citiem attiecīgajiem noteikumiem. Pilnu atbilstības deklarāciju var iegūt produkta cilnē timeklajā vietnē [www.blaupunkt.com](http://www.blaupunkt.com).

Reģistrācijas apliecības īpašnieks: 2N-Everpol Sp. z o.o., Puławska 403A, 02-801 Warszawa, Polija, tālrunis: +48 22 331 99 59, e-pasts: [info@everpol.pl](mailto:info@everpol.pl)



Produkts ir izgatavots no augstas kvalitātes materiāliem un sastāvdaļām, ko var nodot otrreizējai pārstrādei un izmantot atkārtoti.



Ja uz ierīces ir pārsvitrotas atkritumu tvertnes zīme, tas nozīmē, ka produktam piemēro Eiropas direktīvas 2012/19/ES prasības. Iepazīstieties ar prasībām par vietējo elektrisko un elektronisko iekārtu atkritumu savākšanas sistēmu. Rīkojieties atbilstoši vietējo tiesību aktu noteikumiem. Šo produktu nedrīkst izmest kopā ar parastiem mājāsaimniecības atkritumiem. Vecā produkta pareiza likvidēšana īpašnieka iespējamās negatīvās sekas apkārtējai videi un cilvēku veselībai.



Ierīce ir aprīkota ar baterijām, kurām piemēro Eiropas direktīvu 2006/66/EK. Baterijas nedrīkst izmest kopā ar mājāsaimniecības atkritumiem. Iepazīstieties ar vietējo tiesību aktu noteikumiem par bateriju atsevišķu savākšanu, jo to pareiza utilizācija novērš iespējamās negatīvās sekas apkārtējai videi un cilvēku veselībai.

Informācija par apkārtējās vides aizsardzību

Iepakojums ietver tikai nepieciešamus elementus. Ir izdarīts viss iespējams, lai trīs materiāli, no kuriem izgatavots iepakojums, būtu viegli atdalāmi: kartons (kastīte); polistirola putas (iekšējie aizsargelementi) un polietilēns (maisiņi, aizsargplēve). Ierīce ir izgatavota no materiāliem, ko var nodot otrreizējai pārstrādei un izmantot atkārtoti pēc to demontāžas specializētā uzņēmumā. Ievērojiet vietējo tiesību aktu noteikumus par iepakojuma materiālu, nolietoto bateriju un nevajadzīgu ierīču utilizāciju. Materiālu ierakstīšanai un atskaņošanai var būt nepieciešama atļaujas iegūšana. Skatīt likumu par autortiesībām un izpildītāju/mākslinieku tiesībām.



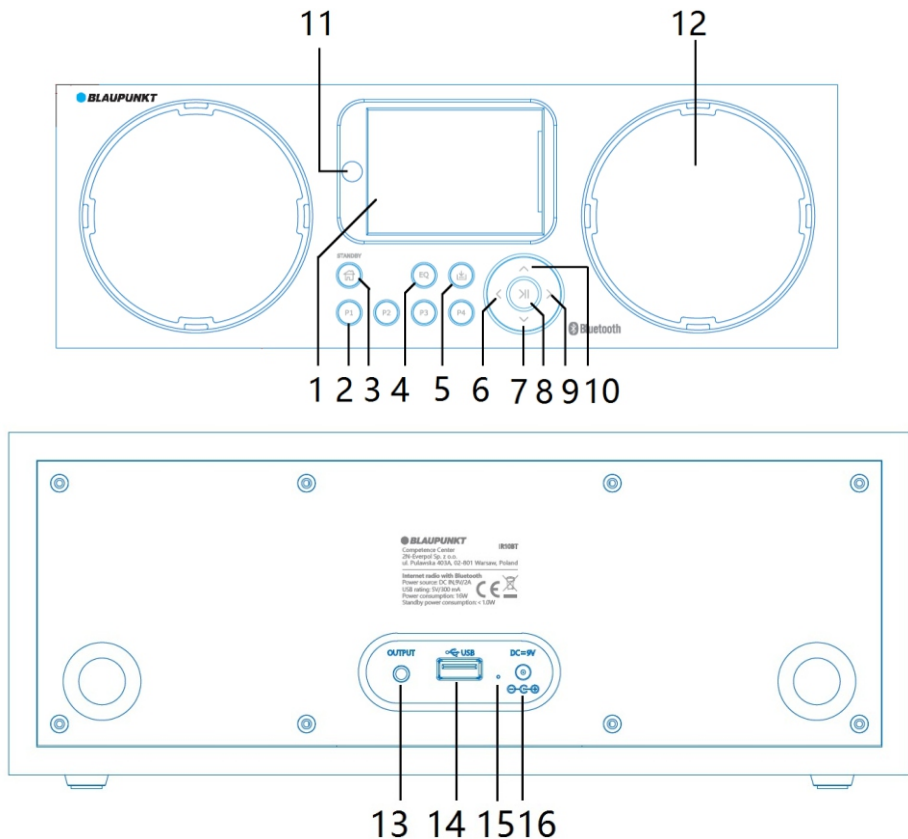
Preču zīmju un logotipa Bluetooth® īpašnieks ir uzņēmums Bluetooth SIG, Inc. USA. Šo preču zīmju un logotipu izmantošanai ir vajadzīga licence. Citas preču zīmes un tirdzniecības nosaukumi pieder to attiecīgajiem īpašniekiem.

Paldies, ka izvēlējāties mūsu modeli. Pirms sākat lietot ierīci, uzmanīgi izlasiet šo instrukciju un iepazīstieties ar to. Saglabājiet instrukciju turpmākai izmantošanai.

#### Ierīce ir aprīkota ar šādām galvenajām funkcijām:

internetradio;  
atskaņošana ar Bluetooth moduli;  
USB atskaņošana;  
Spotify Connect atbalsts;  
raidierakstu atbalsts;  
lineārā audio izeja;  
pulkstenis, modinātājs, taimeris.

#### Vadības elementu izvietojums



#### 1- Krāsains displejs

#### 2- Pogas radiostaciju P1~P4 programmēšanai

Nospiediet un atļaidiet pogu, lai izvēlētos atbilstošas ieprogramētās radiostacijas un atskaņotu tās.

Nospiediet pogu P1~P4 un turiet to nospiestu (divas sekundes), lai saglabātu pašreizējo radiostaciju atmiņā.

#### 3- Gaidstāves režīma/galvenās izvēlnes poga

Nospiediet to un turiet nospiestu, lai pārietu gaidstāves režīmā.

Nospiediet to un atļaidiet, lai ieslēgtu ierīci vai pārietu uz galveno izvēlni.

Nospiediet to un atļaidiet modinātāja režīmā, lai atceltu modinātāja skaņu un pārietu uz gaidstāves režīmu.

#### 4- EQ skaņas izlīdzinātāja poga

Nospiediet to vairākas reizes, lai pārslēgtu izlīdzinātāju starp ieprogramētajiem iestatījumiem:

NORMAL/FLAT/JAZZ/ROCK/SOUNDTRACK/CLASSIC/POP/NEWS/MY EQ.

### 5- Radiostaciju programmēšanas poga

Nospiediet to un atļaidiet, lai atvērtu ieprogramētās radiostacijas saskarni.  
Nospiediet to un turiet nospiestu, lai saglabātu pašreizējo radiostaciju.

### 6- Poga "pa kreisi"

Nospiediet to un atļaidiet, lai pārnestu un dzēstu burtu, ievadot tikla paroles burtus.  
Nospiediet to un atļaidiet, lai izietu un ieietu augšējā izvēlnē.  
Nospiediet to un turiet nospiestu, lai pārietu uz iepriekšējo dziesmu USB režīmā.

### 7- Poga "uz leju"

Nospiediet to un atļaidiet, lai samazinātu skaļuma līmeni.  
Nospiediet to un turiet nospiestu, lai nepārtraukti samazinātu skaļuma līmeni.  
Nospiediet to un atļaidiet, lai virzītos lejup pa izvēlni un veiktu izvēli.

### 8- Atskaņošanas/pauzes poga, poga "ENTER" — izvēles apstiprināšana

Nospiediet to un atļaidiet, lai atskaņotu mūziku vai apturētu tās atskaņošanu USB režīmā.  
Nospiediet to un atļaidiet, lai apstiprinātu izvēli.

### 9- Poga "pa labi"

Nospiediet to un atļaidiet, lai pārnestu un pievienotu burtu, ievadot tikla paroles burtus.  
Nospiediet to un atļaidiet, lai ieietu apakšizvēlnē.  
Nospiediet to un atļaidiet, lai pārietu uz nākamo dziesmu USB režīmā.

### 10- Poga "uz augšu"

Nospiediet to un atļaidiet, lai paaugstinātu skaļuma līmeni. Nospiediet to un turiet nospiestu, lai nepārtraukti paaugstinātu skaļuma līmeni.  
Nospiediet to un atļaidiet, lai virzītos augšup pa izvēlni un veiktu izvēli.

### 11- Tālvadības pults infrasarkano staru sensors

### 12- Skaļrunis

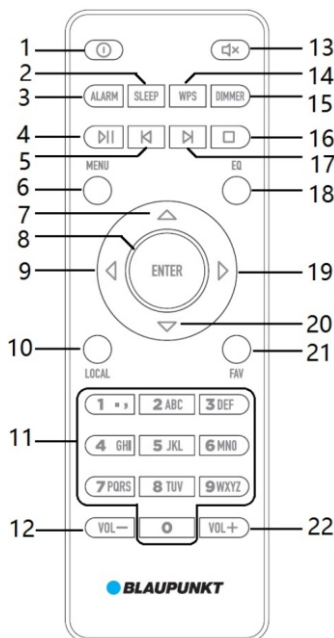
### 13- Lineārās izejas ligzda

### 14- USB pieslēgvietā

### 15- Barošanas LED indikators

### 16- Barošanas ligzda DC IN (līdzstrāvas ieeja)

### Tālvadības pults



**1- Gaidstāves režīma ieslēgšanas/izslēgšanas poga:** nospiediet to un atļaidiet, lai ieslēgtu/izslēgtu ierīci.

**2- Taimera poga:** nospiediet to vairākas reizes, lai iestatītu ierīces izslēgšanas laiku.

**3- Modinātāja poga:** nospiediet to un atļaidiet, lai pārietu uz modinātāja konfigurācijas interfeisu.

**4- Atskaņošanas/pauzes poga:** nospiediet to un atļaidiet, lai atskaņotu mūziku/apturētu tās atskaņošanu USB režīmā.

**5- Poga "Iepriekšējā":** nospiediet to un atļaidiet, lai pārietu uz iepriekšējo dziesmu USB režīmā.

**6- Poga "IZVĒLNĒ":** nospiediet to un atļaidiet, lai ieietu galvenajā izvēlnē.

**7- Poga "uz augšu":** nospiediet to, lai virzītos augšup pa izvēlni.

**8- Poga "ENTER" — izvēles apstiprināšana:** nospiediet to un atļaidiet, lai apstiprinātu izvēli.

**9- Poga "pa kreisi":** nospiediet to un atļaidiet, lai izietu vai virzītos augšup pa izvēlni.

**10- Poga "LOCAL":** nospiediet to un atļaidiet, lai pārietu uz vietējā internetradio režīmu.

**11- Skaitļu un rakstzīmju pogas:** nospiediet to vairākas reizes, lai izvēlētos atbilstošu ciparu un burtu.

**12- Skaļuma līmeņa samazināšanas poga:** nospiediet to, lai samazinātu skaļuma līmeni.

**13- Skaņas izslēgšanas poga:** nospiediet to, lai izslēgtu skaņu, nospiediet to atkārtoti, lai atsāktu atskaņošanu.

**14- Poga "WPS":** ātrā tikla savienojuma poga. Ja Wi-Fi maršrutētājs arī ir aprīkots ar pogu "WPS", nospiediet to un atļaidiet, lai pārietu uz ātrā tikla savienojuma režīmu.

**15- Gaismaiņa poga:** nospiediet to, lai noregulētu displeja spilgtumu.

**16- Poga "Stop":** nospiediet to, lai apturētu pašreizējās dziesmas atskaņošanu USB režīmā, nospiediet pogu "ENTER", lai atsāktu atskaņošanu un sāktu to no sākuma.

**17- Poga "Nākamā":** nospiediet to un atļaidiet, lai pārietu uz nākamo dziesmu USB režīmā.

**18- Poga "EQ":** nospiediet to, lai izvēlētos atbilstošu skaņas izlīdzinātāja režīmu.

**19- Poga "pa labi":** nospiediet to, lai ieietu apakšizvēlnē.

**20- Poga "uz leju":** nospiediet to, lai virzītos lejup pa izvēlnes sarakstu.

**21- Poga "Izlase":** nospiediet to un atļaidiet, lai pārietu uz ieprogramētās radiostacijas saskarni, nospiediet to un turiet nospiestu, lai saglabātu pašreizējo radiostaciju.

**22- Skaļuma līmeņa paaugstināšanas poga:** nospiediet to, lai paaugstinātu skaļuma līmeni.

### Barošanas avota pievienošana:

pievienojiet barošanas bloka, kas ietilpst komplektā, līdzstrāvas spraudni līdzstrāvas barošanas ligzdai uz ierīces aizmugures paneļa, pēc tam pievienojiet barošanas bloku mainstrāvas kontaktligzdai (230 V, 50/60 Hz), lai pieslēgtu strāvu. Ja barošanas avots ir veiksmīgi pieslēgts, iedegas displejs un parādās BLAUPUNKT uzplaiksnijuma ekrāns. Nospiediet un atlaidiet gaidstāves režīma pogu, lai ieslēgtu ierīci, un nospiediet to un turiet nospiestu, lai pārietu uz gaidstāves režīmu. Ierīce ir gatava darbībai.

### Izvēlnes apkalpošana

Izvēlnes apkalpošanai izmantojiet pogas "uz augšu", "uz leju", "pa kreisi", "pa labi" un "ENTER" uz tālvadības pults vai pogas "uz augšu", "uz leju", "pa kreisi", "pa labi" un pogu "Atskaņošana/pauze/ENTER" (8) uz iepriekšējā paneļa.

### Savienojums ar Wi-Fi tīklu

Ierīce ir aprīkota ar iebūvētu Wi-Fi tīkla moduli, kas spēj savienoties ar bezvadu tīklu. Lai klausītos internetradio, vispirms ir jāveic konfigurācija un jāsavienojas ar internetu, izmantojot Wi-Fi maršrutētāju. Rīkojieties atbilstoši tālāk sniegtajam instrukcijām.

- Lietojot ierīci pirmo reizi, parādās BLAUPUNKT uzplaiksnijuma ekrāns, pēc tam ir jāizvēlas apkalpošanas valoda (noklusējuma valoda: poļu). Izmantojiet pogas "uz augšu" un "uz leju", lai pārvietotos pa izvēlnes iespējam izvēlnes sarakstā, un nospiediet pogu "ENTER", lai to apstiprinātu. Pēc tam uz ekrāna parādās informācija par privātumu. Nospiediet pogu "ENTER", lai "ieslēgtu" opciju vai pārbaudītu tīklu pēc ieslēgšanas?".
- Nospiediet pogu "pa kreisi" vai "pa labi", lai izvēlētos "jā" vai "nē", nospiediet pogu "ENTER", lai apstiprinātu izvēli.
- Izvēloties "jā", uz ekrāna parādās jautājums: "Vai vēlaties tagad konfigurēt tīklu?". Izvēloties "jā", ierīce meklē bezvadu tīklus, kas pieejami tuvumā, un uz displeja parādās Wi-Fi tīklu nosaukumu saraksts.
- Nospiediet pogu "uz augšu" vai "uz leju", lai sameklētu savu tīklu pieejamo tīklu sarakstā, un, kad tas atrasts, nospiediet pogu "ENTER", lai apstiprinātu izvēli. Pēc tam ierīce lūdz ievadīt izvēlēto bezvadu tīkla paroli.
- Ieteicams izmantot ciparus un rakstzīmes uz tālvadības pults, lai ātrāk ievadītu paroli. Nospiežot vairākas reizes pogu uz tālvadības pults ciparu tastatūras, var izvēlēties atbilstošu ciparu un mazo vai lielo burtu. Kad atrasts atbilstošs paroles burts, nospiediet un atlaidiet pogu "pa labi", lai apstiprinātu izvēli, un pārejiet uz nākamās paroles zīmes ievadīšanu. Nepareizas paroles zīmes ievadīšanas gadījumā nospiediet un atlaidiet pogu "pa kreisi", lai to dzēstu.
- Kad pabeigta bezvadu tīkla paroles ievadīšana, nospiediet pogu "ENTER", pēc tam ierīce savienojas ar Wi-Fi tīklu un pāriet uz galveno saskarni.
- Ja tīkla savienojums neizdodas, nospiediet un atlaidiet izvēlnes pogu uz tālvadības pults, lai ieiētu galvenajā saskarnē, un izvēlēties "Iestatījumi" > "Tīkls" > "Bezvadu tīkla konfigurācija" > "Ieslēgt pieejamā tīkla atkārtotu meklēšanu".

### Piezīmes

- Wi-Fi tīklu var arī savienot manuāli, izmantojot lietotni vai WPS. Savienojot Wi-Fi tīklus, kamēr izmantojat lietotni, pārlicinieties, ka ierīce, kas atbalsta lietotni un radio, ir tā paša tīkla pārklājuma zonā.
- Bezvadu tīklu var arī iestatīt, izmantojot pogas "uz augšu"/"uz leju", "pa kreisi"/"pa labi", "Atskaņošana/pauze/ENTER" uz ierīces priekšējā paneļa.
- Savienotais Wi-Fi tīkls var tikt saglabāts un automātiski savienots nākamajā reizē, ja tīkls joprojām ir pieejams. Dažreiz savienojuma nolūkos atkārtoti jāievada parole. Ņemiet vērā, ka tas neliecina par avārijas situāciju.

### Internetradio apkalpošana

Pēc veiksmīgas savienošanās ar internetu, ieejiet galvenajā izvēlnē, izmantojot pogas "pa kreisi" vai "pa labi", sameklējiet internetradio ikonu un nospiediet pogu "ENTER", lai pārietu uz internetradio režīmu.

### Interneta radiostacijas izvēle

Izmantojot pogas "uz augšu"/"uz leju" un "ENTER", izvēlieties atbilstošu opciju no izvēlnes saraksta. Internetradio izvēlnē izvēlieties, piemēram:

**radiostacija > valsts/atrašāns vieta > Eiropa > Polija > Polija/top10 > Radiostacijas nosaukums.** Pēc tam radio savienojas ar izvēlēto radiostaciju un sāk to atskaņot.

Nospiediet un atlaidiet pogu "ENTER", lai atpūrtu atskaņošanu un atgrieztos augstākajā izvēlnē. Izmantojiet pogas "uz augšu"/"uz leju", lai izvēlētos citu staciju sarakstā. Nospiediet pogu "ENTER", lai atskaņotu. Klausoties internetradio, nospiediet un atlaidiet pogu "pa labi", lai palielinātu informāciju uz displeja. Nospiediet un atlaidiet pogu "pa kreisi", lai displejs atgrieztos iepriekšējā režīmā. Nospiediet pogu "pa kreisi"/"pa labi" un turiet to nospiestu, lai pārietu uz iepriekšējo vai nākamo sarakstā pieejamo radiostaciju.

Nospiediet pogu "uz augšu"/"uz leju" uz ierīces priekšējā paneļa vai skaļuma līmeņa paaugstināšanas vai samazināšanas pogu uz tālvadības pults, lai pielāgotu izejas skaļuma līmeni. Pēc tam nospiediet skaņas izslēgšanas pogu, lai izslēgtu pogu.

**Izlases interneta radiostacijas programmēšana:** kad izslēgta izlases radiostacija, nospiediet un turiet nospiestu pogu "Izlase" ("FAV" uz tālvadības pults) vai radiostaciju programmēšanas pogu ("5" uz priekšējā paneļa) un pārejiet uz radiostaciju iestatījumu saskarni. Izmantojot pogu "uz augšu"/"uz leju", pārvietojiet izvēlēto radiostaciju un uzstādiet to sarakstā ar pareizu atmiņas numuru un nospiediet pogu "ENTER", lai apstiprinātu izvēli.

Nospiediet un atlaidiet pogu "Izlase" ("FAV" uz tālvadības pults) vai radiostaciju programmēšanas pogu ("5" uz priekšējā paneļa), lai pārietu uz ieprogrammēto radiostaciju sarakstu, izmantojiet pogu "uz augšu"/"uz leju", lai izvēlētos ieprogrammēto staciju, un nospiediet pogu "ENTER", lai to atskaņotu. Ieprogrammēto staciju var arī ātri izvēlēties, nospiežot pogu P1~P4 uz priekšējā paneļa vai nospiežot un atlaizot atbilstošu pogu uz tālvadības pults ciparu tastatūras, kad ierīce ir radio atskaņošanas režīmā. Nospiediet un atlaidiet pogu "Izlase" ("FAV" uz tālvadības pults) vai radiostaciju programmēšanas pogu ("5" uz priekšējā paneļa), lai pārietu uz ieprogrammēto staciju sarakstu, un nospiediet pogu "pa labi", lai pārvaldītu ieprogrammēto radiostaciju, piemēram, "Pārvietot augšup/lejup/dzēst/izmainīt nosaukumu/atkaņot".

### Vietējais internetradio

a. Vietējais internetradio konfigurācija: galvenajā izvēlnē ieejiet saskarnē "Iestatījumi" > "Vietējais radio iestatīšana" > "Atrašanās vietas iestatīšana" > "Opcijas" (automātiska valsts atklāšana/manuālā konfigurācija (valsts)/manuālā konfigurācija (vojevodiste)/manuālā iestatīšana (pilsēta)/manuālā konfigurācija (ASV pasta indekss)). Izmantojot pogu "uz augšu"/"uz leju", izvēlieties atbilstošu opciju un apstipriniet izvēli ar pogu "ENTER". Ja pabeigta atrašanās vietas iestatīšana, radio sameklē un pāriet uz iestatīto vietējo internetradio saskarni.

b. Pēc vietējā internetradio pareizas konfigurācijas var arī nospiegt pogu "LOCAL" uz tālvadības pults vai "vietējā radiostacija" internetradio galvenajā izvēlnē, lai pārietu uz vietējo radiostaciju sarakstu un atskaņotu izvēlēto radiostaciju.

#### Piezīmes

1. Interneta savienojuma ātruma vai radio servera atrašanās vietas dēļ piekļūšana radiostacijai var aizņemt nedaudz laika. Tas neliecina par avārijas situāciju. Ja iepriekš minēto iemeslu dēļ ir radušās problēmas ar uztveršanu, ieteicams izvēlēties citu radiostaciju.
2. Ja radio darbojas pieejamo radiostaciju saraksta parādīšanas režīmā, var izmainīt radiostaciju, izmantojot pogas "uz augšu"/"uz leju". Nospiežot un atlaižot pogu "pa labi", kad atzīmēta noteikta radiostacija, var pāriet uz opcijas "pievienot izlasei/automātiskā skenēšana/atkaņot" saskarni.
3. Internetradio ir sadalīts tādās kategorijās kā "Radio gulētiešanai", "Globālais top 20", "Žanrs", "Valsts/atrašanās vieta", "Izceltās u. tml., kas ir pieejamas internetradio izvēlnē. Tas ļauj ātrāk izvēlēties atbilstošu radiostaciju un baudīt to.
4. Savu izlases radiostaciju sarakstu var arī pārvaldīt MediaU tīmekļa vietnē ([www.mediayou.net](http://www.mediayou.net)). Vispirms galvenajā izvēlnē ieslēdziet funkciju "my mediaU", secīgi pārējot uz: "Iestatījumi" > "My mediaU pārvaldība" > "Ieslēgt"; pēc tam radio var tikt parādīta mapē "Izlases radiostacija", "Izlases atrašanās vieta/žanrs", "Mana vietējā radiostacija (pilsēta)", "Pievienot manuāli". Tīmekļa vietnē ([www.mediayou.net](http://www.mediayou.net)) noklikšķiniet uz cilnes "my mediaU", lai pārvaldītu iepriekš minētās mapes. Vairāk informācijas par šo funkciju atrodams tālāk šajā rokasgrāmātā.

#### Raidierakstu atbalsts

Radio ir aprīkots ar raidierakstu atskaņošanas funkciju; darbības princips ir līdzīgs internetradio. Ieslēdziet ierīci, pārējiet uz galveno izvēlni un secīgi izvēlieties: "Raidieraksts" > "Valsts/atrašanās vieta" > "Mērķa valsts" > "Kategorijas mapes", pēc tam izvēlieties un atveriet Jums interesējošo raidierakstu.

**Vietējo DAB radiostaciju uztveršana, izmantojot Wi-Fi:** var uztvert arī vietējās DAB radiostācijas, kas vienlaicīgi pārraida signālu kā internetradio. Lai gūtu tiem piekļuvi, pārējiet uz galveno izvēlni un secīgi izvēlieties: "Iestatījumi" > "Vietējā radio iestatījumi" > "DAB (Wi-Fi)" > "Ieslēgt". Lai pārietu uz pieejamo DAB (Wi-Fi) radiostaciju sarakstu, secīgi izvēlieties galvenajā izvēlnē: "Internetradio" > "Vietējā radiostacija" > "DAB (Wi-Fi)", pēc tam izvēlieties Jums interesējošo radiostaciju.

#### Funkcijas My MediaU atbalsts

- a. Vispirms izveidojiet kontu tīmekļa vietnē <http://www.mediayou.net> un veiksmīgi piesakieties. Izmainiet valodu un pēc tam noklikšķiniet uz cilnes "Ierīce". Ievadiet savas ierīces nosaukumu lodziņā "Ievadīt šeit ierīces nosaukumu".
- b. Ievadiet sērijas numuru lodziņā "Sērijas numurs". (Kā iegūt sērijas numuru? Ieejiet savas ierīces galvenajā izvēlnē un secīgi izvēlieties: "Iestatījumi" > "Ierīce" > "Informācija par sistēmu" > "Informācija par bezvadu tīklu", un pēc tam Jūs atradīsiet MAC adresi.
- c. Pārakkstiet MAC adresi lodziņā "Sērijas numurs" un noklikšķiniet uz "Pievienot". Pēc tam pārējiet uz cilni "my mediaU", lai pārvaldītu mapes "Izlases stacija", "Izlases atrašanās vieta/žanrs", "Vietējā radiostacija", "Pievienot manuāli".
- d. Ieslēdziet internetradio, ieejiet galvenajā izvēlnē un secīgi izvēlieties: "Iestatījumi" > "My mediaU pārvaldība" > "Ieslēgt". Pēc tam atgriezieties galvenajā izvēlnē un izvēlieties my mediaU ikonu; tiek parādītas pieejamās mapes "Izlases radiostacija", "Izlases atrašanās vieta/žanrs", "Vietējā radiostacija", "Pievienot manuāli", kas ir sinhronizētas ar Jūsu kontā konfigurētajām mapēm, tīmekļa vietnē <http://www.mediayou.net>.

#### Bluetooth atbalsts

Šī ierīce ir aprīkota ar Bluetooth funkciju, kas ļauj atskaņot mūziku no citas Bluetooth ierīces (piemēram, viedtālruni, planšetdatoru u. tml.) bez vada.

1. Ieslēdziet ierīci, nospiežot galvenās izvēlnes pogu (3) uz priekšējā panela vai pogu "IZVĒLNĒ" uz tālvadības pults un pārējiet uz galveno saskarni; izmantojiet pogas "pa kreisi" vai "pa labi", lai izvēlētos Bluetooth ikonu, pēc tam nospiediet pogu "ENTER", lai pārietu uz Bluetooth režīmu. Ierīce ir gatava Bluetooth savienošanai pāri.
2. Ieslēdziet Bluetooth funkciju ārējā ierīcē (viedtālruni, planšetdatorā utt. Iepazīstieties ar ārējās ierīces lietošanas instrukciju), un pēc tam pārbaudiet sarakstā Bluetooth ierīces, kas pieejamas savienošanai pāri. Izvēlieties "BP IR10", lai savienotu ierīci pāri.
3. Izvēlieties un atskaņojiet mūziku Bluetooth ārējā ierīcē, pielāgojiet skaļuma līmeni gan Bluetooth ārējās ierīces, gan šī radio pusē, skaņa tiek atskaņota bezvadu režīmā ar šīs ierīces skaļruniem.
4. Nospiediet un turiet nospiestu pogu "pa kreisi" vai "pa labi", lai pārslēgtu iepriekšējo vai nākamo atskaņojamo dziesmu; nospiediet un atlaižiet pogu "pa kreisi" vai "pa labi", lai paaugstinātu vai samazinātu informāciju par dziesmas attēlu. Nospiediet un atlaižiet pogu "ENTER", lai atskaņotu vai apturētu atskaņošanu; nospiediet un turiet nospiestu pogu "ENTER", lai iegūtu saskarni "Savieno pāri citu ierīci", atkārtoti nospiežot pogu "ENTER", lai atceltu pašreizējo Bluetooth savienojumu. Nospiežot un turot nospiestu pogu "ENTER", var iegūtu iepriekš savienoto pāri Bluetooth ierīču nosaukumu sarakstu. Var izvēlēties vienu no tām, lai to atkārtoti savienotu pāri, ja vien ierīce ir ieslēgta Bluetooth funkcija un tā atrodas šīs ierīces Bluetooth darbības zonā.
5. Bluetooth atskaņošanas režīmā nospiediet pogu "uz augšu" vai "uz leju", lai pielāgotu skaļuma līmeni; ir pieejami arī EQ skaņas izlīdzinātāja un skaņas izslēgšanas iestatījumi.

#### Piezīmes

1. Atšķirīgu konstrukciju un risinājumu dēļ netiek garantēta visu Bluetooth ierīču savienošana pāri.
2. Labākais Bluetooth darba attālums ir 10 metri bez nekādiem šķēršļiem starp ierīcēm.
3. Šī ierīce var tikt savienota pāri un darboties tikai ar vienu ārējo Bluetooth ierīci vienlaikus.
4. Ienākošā zvana Bluetooth atskaņošanas laikā gadījumā mūzika tiek apturēta uz laiku un atjaunota pēc zvana beigām.
5. Ierīces izslēgšanas vai atskaņošanas režīma pārslēgšanas gadījumā Bluetooth ierīce ir atkārtoti jāsavieno pāri.

#### USB atskaņotāja apkalpošana

Ierīce ir aprīkota ar USB MP3 atskaņošanas funkciju. Vispirms sagatavojiet formatētu USB zibatmiņu un kopējiet tajā failus MP3 formātā. Pareizi pievienojiet USB zibatmiņu USB pieslēgvietai uz aizmugurējā panela. Nospiediet galvenās izvēlnes pogu uz priekšējā panela vai pogu "IZVĒLNĒ" uz tālvadības pults, lai pārietu uz galveno saskarni, pēc tam secīgi izvēlieties: "Multivides centrs" > "USB". Pēc tam var redzēt MP3 failu sarakstu, kas saglabāti pievienotajā USB zibatmiņā. Izvēlieties jebkuru failu un atskaņojiet to ar šo ierīci.



Mūzikas atskaņošanas no USB zibatmiņas režīmā nospiediet un atlaidiet pogu "ENTER" uz priekšējā panela vai tālvadības pults, lai atskaņotu failu vai apturētu atskaņošanu. Nospiediet "uz augšu" vai "uz leju" pogu uz priekšējā panela vai pogu "VOL+/VOL-" uz tālvadības pults, lai paaugstinātu vai samazinātu skaļuma līmeni; nospiediet un turiet nospiektu "pa kreisi" vai "pa labi", lai pārslēgtu iepriekšējo vai nākamā dziesmu. Nospiediet un atlaidiet pogu "pa kreisi" vai "pa labi", lai palielinātu vai samazinātu informāciju par dziesmas attēlu. Ir pieejami arī skaņas EQ skaņas izlīdzinātāja iestatījumi un skaņas izslēgšanas funkcija. Lai izvēlētos atskaņošanas režīmu, pārejiet uz galveno izvēlni un secīgi izvēlieties: "Iestatījumi" > "Atskaņošanas iestatījumi", pēc tam izvēlieties "Izslēgt/atkārtot visas/atkārtot vienu/nejausi".

#### Piezīmes

- Nav ieteicams lietot USB pagarinātājus USB zibatmiņas pievienošanai, jo tas var ietekmēt ierīcē pārraidītā signāla kvalitāti un rezultāti arī izraisīs nestabilu atskaņošanu.
- Ierīce atbalsta WAV/WMA/MP3/FLAC/AAC formātus (ieraksta atšķirību dēļ nav garantēta visu iepriekš minētajos formātos saglabāto failu atskaņošana; ierīce atbalsta USB zibatmiņas ar maksimālo ietilpību 64 GB.

#### UPnP funkcijas atbalsts

Ierīce ir aprīkota ar UPnP funkciju, kas var savienoties ar bezvadu tīklu un izmantot sistēmu Windows, APPLE Mac vai Linux kā mūzikas atskaņošanas platformu. Dziesmas, kas kopīgotas datora atskaņotājā, var tikt atskaņotas bezvadu režīmā, izmantojot šī internetaudio skaļruņus.

#### Lietotnes Windows Media Player 12 apkalpošanas piemērs

- Noklikšķiniet un atveriet Windows multivides atskaņotāja programmatūru savā datorā, pievienojiet savu izlases mūziku multivides bibliotēkai (iepažīstieties ar Microsoft Windows multivides atskaņotāja lietošanas instrukciju).
- Noklikšķiniet uz cilnes "Straume" lietotnes loga kreisā augšējā daļā, izvēlieties "Automātiski atļaut ierīcēm atskaņot manu multividi", pēc tam apstipriniet vienumu "Automātiski atļaut piekļuvi visiem datoriem un multivides ierīcēm". Tagad var izmantot UPnP mūzikas kopīgošanai un atskaņošanai.
- Noklikšķiniet uz "Straumēšanas papildu opcijas" programmā Windows Media Player, lai izmainītu multivides bibliotēkas nosaukumu un atļautu/bloķētu mūzikas atskaņošanu ierīcē, izmantojot UPnP. Multivides bibliotēkas nosaukumu var pielāgot (piemēram, ievadot nosaukumu "BLAUPUNKT BIBLIOTĒKA"), lai atvieglotu lietotājam tās ātru identifikāciju pieejamās multivides sarakstā, kas atrodas šī radio UPnP izvēlnē. Var arī atļaut noteiktai ierīcei straumēt mūziku no multivides bibliotēkas, izmantojot UPnP.
- Ieslēdziet radio, izvēlieties ikonu "Multivides centrs" > "UPnP" un pārbaudiet pieejamo multivides bibliotēku sarakstu, izvēlieties savu UPnP bibliotēku (piemēram, UPnP "BLAUPUNKT BIBLIOTĒKA"), nospiediet un atlaidiet pogu "ENTER", lai apstiprinātu izvēli. (Piezīme. Attiecīgas bibliotēkas meklēšana var ilgst līdz pat 10 sekundēm. Ja ierīce neatrod multivides bibliotēku, tā atgriežas izvēlnē "Multivides centrs".)
- Pēc bibliotēkas (piemēram, UPnP "BLAUPUNKT BIBLIOTĒKA") izvēles veikšanas sameklējiet un izvēlieties mapi ar mūziku, pēc tam izvēlieties mapi vienā no pieejamajām kategorijām un pārejiet uz mūzikas atskaņošanas izvēli.
- Mūzikas atskaņošanas laikā izmantojiet pogas "uz augšu", "uz leju", "pa kreisi", "pa labi" un "ENTER", lai iegūtu atbilstošu darbību. UPnP atskaņošanas apkalpošanas veids ir līdzīgs USB zibatmiņas atskaņošanas apkalpošanai.

#### Svarīgas piezīmes

- UPnP darbības laikā gan datoram, gan internetradio ir jāsavienojas ar to pašu Wi-Fi tīklu.
- Tā kā tirgū ir pieejamas daudzas atšķirīgas datoru sistēmas/konfigurācijas, savienojuma UPnP atskaņošana var nebūt veiksmīga, uz ko neattiecas mūsu garantija.

#### Spotify Connect atbalsts

Šī ierīce ir aprīkota ar Spotify Connect funkciju, kas ļauj pārraidīt skaņu no lietotnes Spotify bezvadu režīmā.

- Ieslēdziet ierīci un pārejiet uz galveno izvēlni, pēc tam secīgi izvēlieties: Spotify lietotnes ikonu > uz displeja parādās QR kods (pirms lietošanas reizes gadījumā).
- Ieskenējiet QR kodu ar viedtālruni, automātiski ieejiet oficiālajā Spotify tīmekļa vietnē. Atrodiet un lejupielādējiet lietotni Spotify savā viedtālrunī.
- Atveriet lietotni Spotify un ieejiet tajā, izmantojot reģistrētu kontu, ieejiet lietotnes sadaļā "Iestatījumi" un pārejiet uz cilni "Ierīces", pēc tam no saraksta izvēlieties "BP IR10". Lietotne viedtālruni savienojas ar radio pēc aptuveni 30 sekundēm. Izvēlieties un atskaņojiet mūziku lietotnē Spotify, un skaņa tiek atskaņota, izmantojot šo ierīci.

#### Svarīgas piezīmes

- Uz Spotify programmatūru attiecas trešo pušu licences, kas atrodamas šeit: <https://www.spotify.com/connect/third-party-licenses>.
- Spotify lietošanas instrukcijas ir atrodamas šeit: <https://spotify.box.com/s/7m8g1ij260oxT8zlhy5cult0gmkknu6t>.
- Izmantojiet viedtālruni, planšetdatoru vai datoru kā Spotify tālvadības pulti. Apmeklējiet tīmekļa vietni [www.spotify.com/connect](http://www.spotify.com/connect), lai uzzinātu, kā to izdarīt.
- Izmantojot funkciju Spotify Connect, gan lietotne Spotify, gan šis internetradio ir jāsavieno ar to pašu Wi-Fi tīklu.

#### Tīmekļa radio apkalpošana, izmantojot mobilo lietotni

- Ierīci ar sistēmu iOS gadījumā sameklējiet un lejupielādējiet "AirMusic Control" veikalā App Store (ierīcei ar sistēmu Android lejupielādējiet un uzstādiet "AirMusic Control").
- Ieslēdziet ierīci, ieejiet galvenajā izvēlnē un secīgi izvēlieties: "Iestatījumi" > "Ierīce" > "APP", uz displeja parādās QR kods, ieskenējiet to ar viedtālruni.
- Izvēlieties un atveriet viedtālruna lietotni "AirMusic Control". Lietotne var automātiski skenēt un savienoties ar internetradio, ja viedtālrunis un internetradio izmanto to pašu Wi-Fi tīklu. (Pēc savienošanas BP IR10 parādās lietotnes AirMusic Control konfigurācijas izvēlnes ierīču nosaukumu sarakstā).
- Pēc tam var izmantot lietotni viedtālrunī, lai atālināti vadītu internetradio.

### Svarīga piezīme

Izmantojot lietotni radio vadībai, ieteicams nelielot pogas uz priekšējā paneļa vai izmantot tālvadības pulti ierīces vadībai, jo tas var izraisīt problēmas ar sinhronizāciju servera darbības un interneta savienojuma ātruma dēļ. Garantija neattiecas uz problēmām ar sinhronizāciju. Šādā gadījumā atstājiet ierīci bez turpmākas darbības līdz brīdim, kad tās darbība stabilizējas. Lineārā/austiņu izeja

Ierīce ir aprīkota ar lineāro izeju, kas ļauj izveidot vadu savienojumu ar citu aktīvu skaļruni, pastiprinātāju vai austiņām. Izmantojot 3,5 mm stereofonisko audio kabeli, kas ietilpst ierīces komplektā, pievienojiet to lineārajai izejai uz aizmugures paneļa, un otru terminālu pievienojiet citai ārējai audio ierīcei. Ieslēdziet šo ierīci un sāciet atskaņošanu, un pēc tam skaņa tiek atskaņota no ārējās audio ierīces. Šīs ierīces skaļruni tiek izslēgti.

Pievienojiet austiņas lineārās izejas ligzdai, lai iegūtu iespēju diskrēti klausīties skaņu. Šīs ierīces skaļruni tiek izslēgti. Atskaņojot lineārajai izejai pievienotu ierīci vai austiņas, skaļuma līmeni var regulēt gan šajā ierīcē, gan ārējā ierīcē.

### Pulksteņa un modinātāja iestatīšana

**Pulksteņa/datuma iestatīšana:** ieejiet galvenajā izvēlnē un secīgi izvēlieties: "Iestatījumi" > "Datums un laiks" > "Iestatīt datumu un laiku". Šeit ir pieejamas divas opcijas: "Manuālā konfigurācija" un "Atklāt automātiski". Izvēloties opciju "Atklāt automātiski", informācija par pašreizējo laiku un datumu tiek automātiski atjaunināta pēc Wi-Fi tīkla pievienošanas. Datumu un laiku var iestatīt manuāli, izvēloties opciju "Manuālā konfigurācija". Apakšizvēlnē "Datums un laiks" ir arī pieejamas opcijas "Iestatīt laika formātu" un "Iestatīt datuma formātu" — izvēlieties tās, lai pielāgotu laika (12 vai 24 stundu) un datuma (ir pieejamas 3 opcijas) formātu.

**Modinātāja iestatīšana:** Ieejiet galvenajā izvēlnē un secīgi izvēlieties: "Iestatījumi" > "Modinātājs". Pēc tam var iestatīt laiku opcijām "Modinātājs 1", "Modinātājs 2", "Snauda laiks", "Modinātāja skaļums". Iestatīšanas režīmā "Modinātājs 1"/"Modinātājs 2" ir pieejama modināšanas atkārtēšanas opcijas ("Katru dienu", "Vienu reizi", noteiktās nedēļas dienās), laika iestatījumi un modinātāja avota izvēles opcijas ("Skaņas signāls", "Melodija", "Internetrādio", "USB").

1. Ja ir iestatīts modināšanas laiks, radio automātiski ieslēdzas iepriekš noteiktajā laikā. Nospiediet un atļaidiet gaidstāves režīma pogu (3), lai atceltu modinātāja skaņu.
2. Ir pieejami divi modinātāji, kurus var konfigurēt atsevišķi.
3. Ja modinātājs ir ieslēgts, nospiediet un atļaidiet jebkuru pogu (izņemot gaidstāves režīma pogu (3)), lai aktivizētu snaudas funkciju. Modinātājs tiek atkārtoti iedarbināts pēc snaudas laika beigām.
4. Modinātāja funkcija darbojas tikai tad, ja ir pievienots un pieejams galvenais barošanas avots.
5. Ja snaudas funkcija ir aktīva, uz ekrānā parādās atlikušais snaudas laiks. Nospiežot un atļaidot gaidstāves režīma pogu, var atcelt snaudi.

### Taimeris

Nospiežot un atļaidot pogu "SLEEP" uz tālvadības pults atskaņošanas režīmā (piemēram, internetrādio, Bluetooth, USB atskaņošanas režīmā utt.), var iestatīt taimera laiku. Ir pieejami šādi laika intervāli (minūtēs): 15/30/60/90/120/150/180/izslēgts. Pēc iestatītā laika intervāla beigām ierīce automātiski izslēdz atskaņošanu un pāriet gaidstāves režīmā.

### Citas funkcijas

Lai veiktu citas darbības, piemēram, displeja spilgtuma iestatīšana, programmatūras versija, sākotnējo iestatījumu atjaunošana u. tml., rīkojieties atbilstoši informācijai, kas ietverta tālāk sniegtajā tabulā.

### Problēmu risināšana

1. Neieslēdzas skaļrunis.
  - a. Pārlicinieties, ka barošanas avots ir pareizi pievienots.
2. Nav skaņas.
  - a. Mēģiniet noregulēt skaļuma līmeni un pārbaudiet atskaņošanas avotu.
  - b. Ja problēma joprojām pastāv, sazinieties ar servisa centru, lai saņemtu palīdzību.
3. Pārtraukta skaņa Bluetooth režīmā.
  - a. Mēģiniet pārvietot Bluetooth ierīci tuvāk šai ierīcei.
  - b. Iepazīstieties ar instrukciju, lai veiktu atkārtotu savienošanu pāri.
4. Bluetooth režīmā skaņas līmenis ir pārāk zems.
  - a. Pārbaudiet gan Bluetooth, gan šīs ierīces skaļuma līmeni.

### Specifikācija

Barošanas avots: Līdzstrāvas ieeja 9 V/2 A

Krāsains 2,4" TFT displejs

Bluetooth versija: V5.0

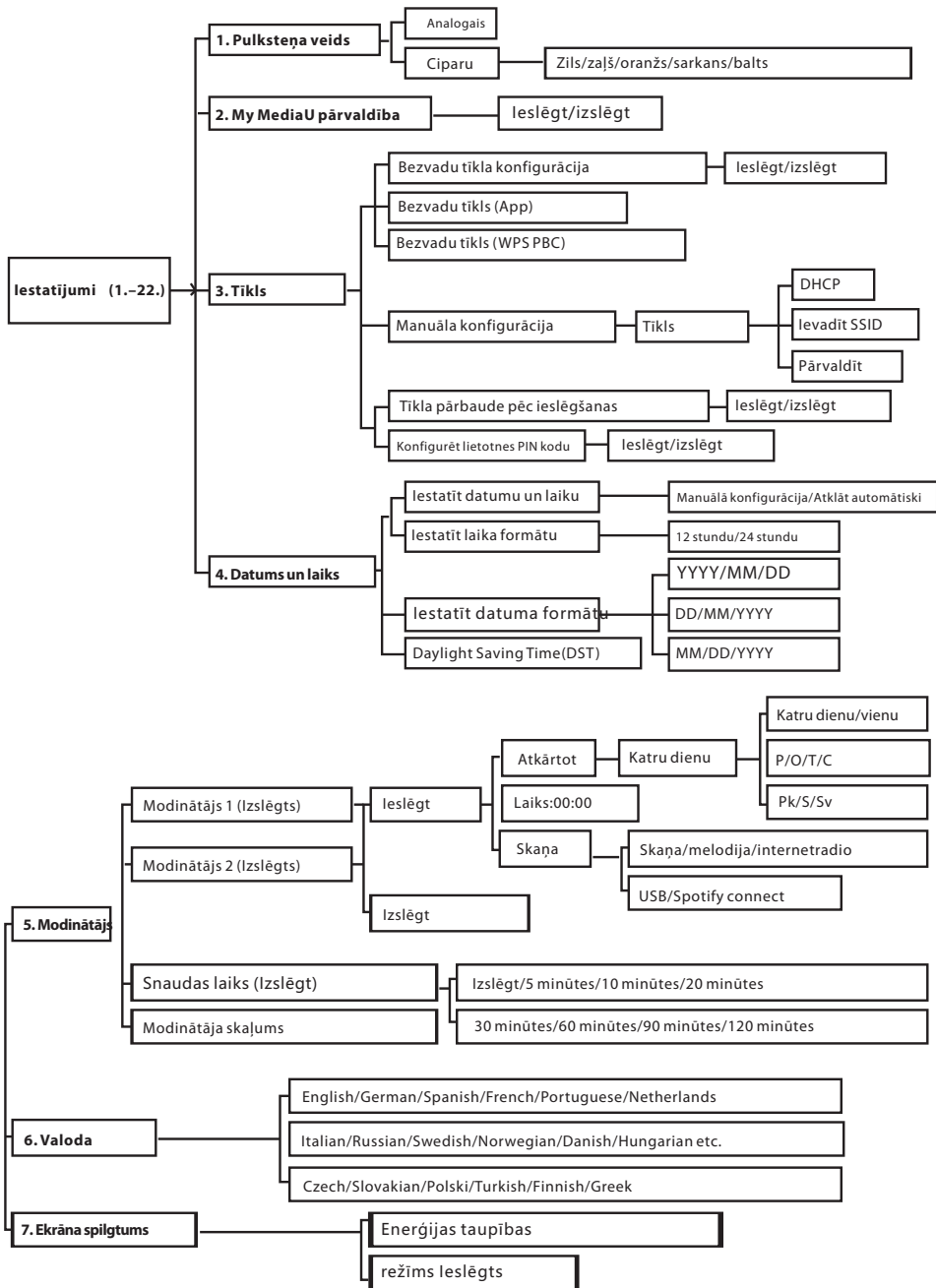
USB 2.0, mūzikas failu atbalsts: MP3/WMA/WAV/FLAC/AAC (nav garantēta visu formātu atskaņošana)

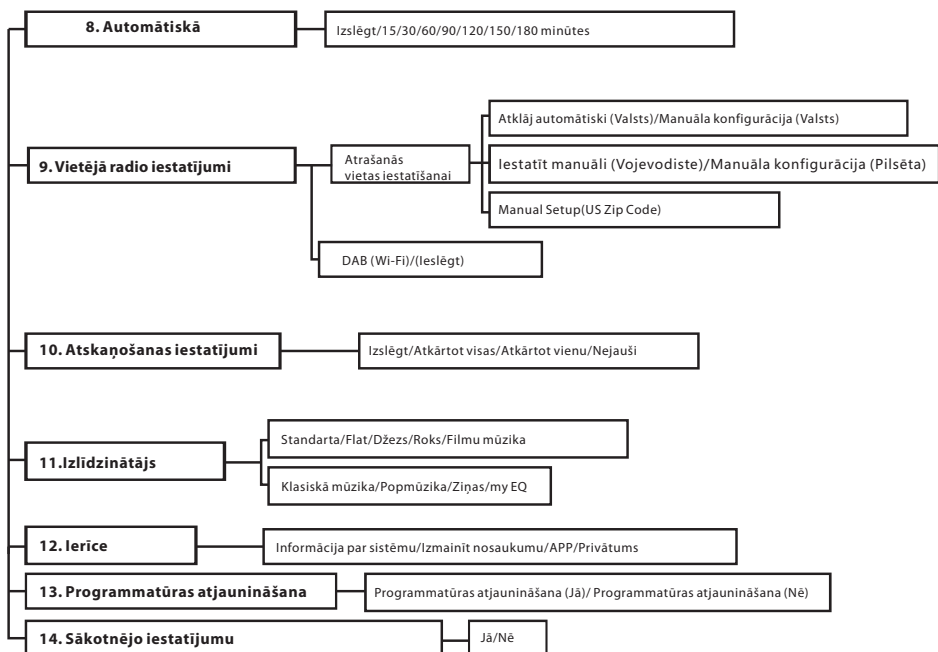
RMS izeja: 2 × 5 W

Jaudas patēriņš: 16 W

Jaudas patēriņš gaidstāves režīmā: < 1 W

(Šī specifikācija var tikt atjaunināta bez iepriekšējas paziņošanas.)





Ārējā barošana		
Informācija publicēta	Vērtība un precizitāte	Vienība
Ražotāja nosaukums vai preču zīme, komercreģistrācijas numurs un adrese	Shenzhen Fushigang Technology Co., Ltd Building 8, Shiguan Industrial Park, Shangcun Community, Gongming Street, Guangming District, Shenzhen, GuangDong, China	
Modeļa identifikators	AS1801A-0902000EU	
leejas spriegums	100-240	V
leejas maiņstrāvas frekvence	50/60	Hz
Izejas spriegums	DC9	V
Izejas strāva	2.0	A
Izejas jauda	18.0	W
Vidējā aktīvā efektivitāte	≥85	%
Efektivitāte pie mazas slodzes (10%)	75.45%	%
Enerģijas patēriņš bez slodzes	≤0.1	W



#### Competence Center

2N-Everpol Sp. z o.o.  
ul. Puławska 403A  
02-801 Warsaw, Poland  
phone: +48 22 331 99 59  
e-mail: [info@everpol.pl](mailto:info@everpol.pl)  
[www.blaupunkt.com](http://www.blaupunkt.com)

W przypadku pytań lub problemów  
prosimy o kontakt z naszym serwisem.  
In case of questions or problems  
please contact our service.  
Tel. 00 48 22 331 99 53  
E-mail: [info@blaupunkt-audio.pl](mailto:info@blaupunkt-audio.pl)

Wszelkie prawa zastrzeżone. Wszystkie nazwy marek są zarejestrowanymi  
znakami towarowymi należącymi do odpowiednich podmiotów.  
Dane i parametry techniczne mogą ulec zmianie bez wcześniejszego uprzedzenia.

All rights reserved. All brand names are registered trademarks of their  
respective owners. Specifications are subject to change without prior notice.

A dark blue horizontal bar containing the slogan "Enjoy it." in a white, italicized, sans-serif font.

*Enjoy it.*