

USER MANUAL

G-MASTER

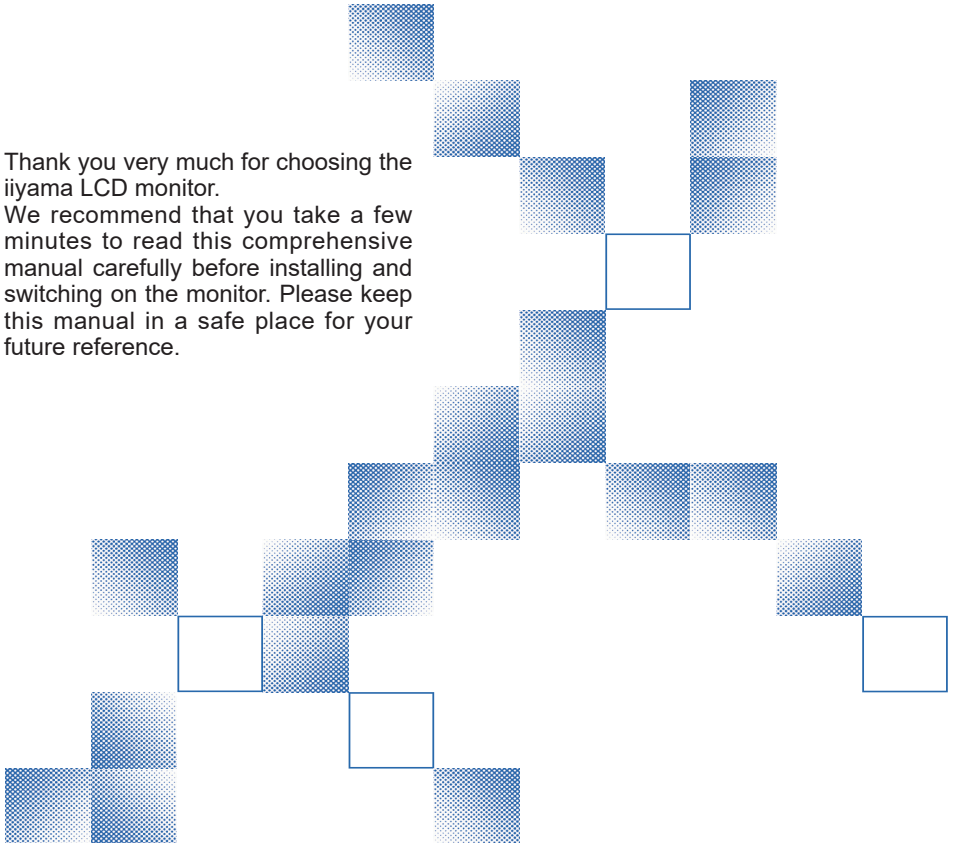
LCD Monitor

ENGLISH

G-MASTER GCB2784HSU
G-MASTER GCB2781HSU
G-MASTER GC2784HSU
G-MASTER GC2781HSU

Thank you very much for choosing the iiyama LCD monitor.

We recommend that you take a few minutes to read this comprehensive manual carefully before installing and switching on the monitor. Please keep this manual in a safe place for your future reference.





Dear user, we congratulate you on the purchase of your iiyama LCD.

For details on warranty and locally used pixel policies that apply directly after installation of your product please check the iiyama website.

To report a fault, please contact your local support centre found at <https://iiyama.com>

Things to check before you call the iiyama information line

- | if the power cable is connected securely and turned on?
- | if the display has been turned on?
- | if the signal cable is connected securely and the correct input selected?
- | if the computer has been restarted with the display connected?
- | if the graphics card is correctly installed with the latest drivers possible?
- | if the correct native resolution has been selected via 'Display Properties'?
- | If the R/G/B signal configuration is correct?
- | if the displays On Screen Menu is shown?
- | if the correct brightness and contrast settings have been set?
- | if given display tolerances and compatibility have been considered?
- | if via the On Screen Menu you have performed a Factory Reset/Recall?

Before reporting the screen defect, please prepare the following information/evidence:

- | model number *
- | purchase receipt and serial number *
- | name and address for collection
- | telephone/fax number, for availability during the day
- | convenient collection date (date, time)
- | short description of the defect

Important Note:

If there is no fault found in the collected equipment after inspection, the transferring party shall incur charges for transport and administration.

If you have checked all of the above and there is still no picture, call our information line for assistance in your country.

Feedback on health and safety issues

If you have any health and safety concerns or questions about the product (including when using the product), please contact iiyama support through our website. You can also contact us by calling +31 204460404. After receiving your feedback, we will ask the responsible unit to handle it as soon as possible and a dedicated person will get back to you. Your feedback will also be recorded and incorporated into our evaluation for improvements

* see the identification plate on the back of the case.

CE MARKING DECLARATION OF CONFORMITY

This LCD monitor complies with the requirements of the EC/EU Directive 2014/30/EU "EMC Directive", 2014/35/EU "Low Voltage Directive", 2009/125/EC "ErP Directive" and 2011/65/EU "RoHS Directive".

The electro-magnetic susceptibility has been chosen at a level that gives correct operation in residential areas, business and light industrial premises and small-scale enterprises, inside as well as outside of the buildings. All places of operation are characterised by their connection to the public low voltage power supply system.

IYYAMA CORPORATION: Taurusavenue 187, 2132 LS Hoofddorp, The Netherlands

Model No. : PL2784H, PL2781H



We recommend recycling of used product. Please contact your dealer or iiyama service center. Recycle information is obtained via the Internet, using the address: <https://iiyama.com>

You can access the Web page of different countries from there.

- We reserve the right to change specifications without notice.
- All trademarks used in this user manual are the property of their respective owners.
- The font used in the OSD menu is licensed under the Apache License, Version 2.0. You may obtain a copy of the License at <http://www.apache.org/licenses/LICENSE-2.0>
- Eprel registration number

GCB2784HSU-B1	2579196	GC2784HSU-B1	2579249
GCB2781HSU-B1	2584068	GC2781HSU-B1	2584027

TABLE OF CONTENTS

FOR YOUR SAFETY.....	1
SAFETY PRECAUTIONS.....	1
SPECIAL NOTES ON LCD MONITORS.....	3
CUSTOMER SERVICE.....	3
CLEANING.....	4
BEFORE YOU OPERATE THE MONITOR.....	5
FEATURES.....	5
CHECKING THE CONTENTS OF THE PACKAGE.....	5
USING ARM OR STAND.....	6
FITTING AND REMOVAL OF STAND :	
G-MASTER GCB2784HSU, GCB2781HSU.....	8
FITTING AND REMOVAL OF STAND :	
G-MASTER GC2784HSU, GC2781HSU.....	11
CONTROLS AND CONNECTORS : G-MASTER GCB2784HSU..	13
CONTROLS AND CONNECTORS : G-MASTER GCB2781HSU..	14
CONTROLS AND CONNECTORS : G-MASTER GC2784HSU....	15
CONTROLS AND CONNECTORS : G-MASTER GC2781HSU....	16
CONNECTING YOUR MONITOR :	
G-MASTER GCB2784HSU, GCB2781HSU.....	17
CONNECTING YOUR MONITOR :	
G-MASTER GC2784HSU, GC2781HSU.....	19
COMPUTER SETTING.....	21
ADJUSTING THE HEIGHT AND THE VIEWING ANGLE :	
G-MASTER GCB2784HSU, GCB2781HSU.....	21
ADJUSTING THE VIEWING ANGLE :	
G-MASTER GC2784HSU, GC2781HSU.....	22
OPERATING THE MONITOR.....	23
MENU CONTENTS.....	24
STANDBY FEATURE.....	38
TROUBLE SHOOTING.....	39
RECYCLING INFORMATION.....	40
APPENDIX.....	41
SPECIFICATIONS : G-MASTER GCB2784HSU-B1.....	41
SPECIFICATIONS : G-MASTER GCB2781HSU-B1.....	42
SPECIFICATIONS : G-MASTER GC2784HSU-B1.....	43
SPECIFICATIONS : G-MASTER GC2781HSU-B1.....	44
DIMENSIONS : G-MASTER GCB2784HSU, GCB2781HSU.....	45
DIMENSIONS : G-MASTER GC2784HSU, GC2781HSU.....	45
COMPLIANT TIMING.....	46

FOR YOUR SAFETY

SAFETY PRECAUTIONS

WARNING

STOP OPERATING THE MONITOR WHEN YOU SENSE TROUBLE

If you notice any abnormal phenomena such as smoke, strange sounds or fumes, unplug the monitor and contact your dealer or iiyama service center immediately. Further use may be dangerous and can cause fire or electric shock.

NEVER REMOVE THE CABINET

High voltage circuits are inside the monitor. Removing the cabinet may expose you to the danger of fire or electric shock.

DO NOT PUT ANY OBJECT INTO THE MONITOR

Do not put any solid objects or liquids such as water into the monitor. In case of an accident, unplug your monitor immediately and contact your dealer or iiyama service center. Using the monitor with any object inside may cause fire, electric shock or damage.

INSTALL THE MONITOR ON A FLAT, STABLE SURFACE

The monitor may cause an injury if it falls or is dropped.

DO NOT USE THE MONITOR NEAR WATER

Do not use where water may be splashed or spilt onto the monitor as it may cause fire or electric shock.

OPERATE UNDER THE SPECIFIED POWER SUPPLY

Be sure to operate the monitor only with the specified power supply. Use of an incorrect voltage will cause malfunction and may cause fire or electric shock.

PROTECT THE CABLES

Do not pull or bend the power cable and signal cable. Do not place the monitor or any other heavy objects on the cables. If damaged, the cables may cause fire or electric shock.

ADVERSE WEATHER CONDITIONS

It is advisable not to operate the monitor during a heavy thunder storm as the continual breaks in power may cause malfunction. It is also advised not to touch the plug in these circumstances as it may cause electric shock.

CAUTION

INSTALLATION LOCATION

Do not install the monitor where sudden temperature changes may occur, or in humid, dusty or smoky areas as it may cause fire, electric shock or damage. You should also avoid areas where the sun shines directly on the monitor.

DO NOT PLACE THE MONITOR IN A HAZARDOUS POSITION

The monitor may topple and cause injury if not suitably located. Please also ensure that you do not place any heavy objects on the monitor, and that all cables are routed such that children may not pull the cables and possibly cause injury.

CAUTION

MAINTAIN GOOD VENTILATION

Ventilation slots are provided to keep the monitor from overheating. Covering the slots may cause fire. To allow adequate air circulation, place the monitor at least 10cm (or 4 inches) from any walls. When removing the tilt stand, the ventilation slots on the back side of the monitor can be blocked. This may overheat the monitor and may cause fire or damage. Make sure to allow enough ventilation when removing the tilt stand. Operating the monitor on its back, side, upside down or on a carpet or any other soft material may also cause damage.

DISCONNECT THE CABLES WHEN YOU MOVE THE MONITOR

When you move the monitor, turn off the power switch, unplug the monitor and be sure the signal cable is disconnected. If you do not disconnect them, it may cause fire or electric shock.

UNPLUG THE MONITOR

If the monitor is not in use for a long period of time it is recommended that it is left unplugged to avoid accidents.

HOLD THE PLUG WHEN DISCONNECTING

To disconnect the power cable or signal cable, always pull it by the plug. Never pull on the cable itself as this may cause fire or electric shock.

DO NOT TOUCH THE PLUG WITH WET HANDS

Pulling or inserting the plug with wet hands may cause electric shock.

WHEN YOU INSTALL THE MONITOR ON YOUR COMPUTER

Be sure the computer is strong enough to hold the weight of the monitor, otherwise, you may damage your computer.

CAREFUL! PROTECT YOUR HANDS AND FINGERS

- Careful attention is required not to pinch your fingers or hands into the moving part of the stand when you change the angle.
- When adjusting the height, do not lower the monitor vigorously while keeping your hand between the lower part of the monitor and the base. (Just for height adjustable model)

REMARK FOR 24/7 USAGE

This product is not specifically designed for 24/7 usage in all environments.

REMARK SPECIFIC TO DESKTOP USE

This product is designed for desktop use, not for digital signage (electronic signboard) applications such as ceiling hanging or wall mounting.

DO NOT TILT THE MONITOR DOWNWARD TOO FAR

To avoid potential screen damage such as LCD panel peeling from the bezel, ensure that the monitor does not tilt downward beyond its adjustable range.

DO NOT USE ALCOHOL OR DISINFECTANTS ON THE MONITOR

Do not spray alcohol or disinfectants directly onto the monitor or use them near the monitor. Also, do not wipe the monitor with a cloth or sheet that contains alcohol or disinfectants. These may cause discoloration, deterioration, or cracking of the cabinet, damage to the surface treatment of the LCD panel, and deterioration of components.

OTHERS

ERGONOMIC RECOMMENDATIONS

To eliminate eye fatigue, do not operate the monitor against a bright background or in a dark room. For optimal viewing comfort, the monitor should be just below eye level and 40-60cm (16-24 inches) away from your eyes. When using the monitor over a prolonged time, a ten minute break every hour is recommended as looking at the screen continuously can cause eye strain.

SPECIAL NOTES ON LCD MONITORS

The following symptoms are normal with LCD monitors and do not indicate a problem.

NOTE

- When you first turn on the LCD monitor, the picture may not fit in the display area because of the type of computer that is used. In this case, adjust the picture position to the correct position.
- You may find slightly uneven brightness on the screen depending on the desktop pattern you use.
- Due to the nature of the LCD screen, an afterimage of the previous screen may remain after switching the image, when the same image is displayed for hours. In this case, the screen can be recovered slowly by changing the image or turning off the Power Switch for some hours.

CUSTOMER SERVICE

NOTE

If you have to return your unit for service and the original packaging has been discarded, please contact your dealer or iiyama service center for advice or replacement packaging.

CLEANING

WARNING

- If you drop any materials or liquids such as water into the monitor when cleaning, unplug the power cable immediately and contact your dealer or iiyama service center.
- For safety reasons, turn off the power switch and unplug the monitor before you clean it.

CAUTION

- Do not spray alcohol or disinfectants directly onto the monitor or use them near the monitor. Also, do not wipe the monitor with a cloth or sheet that contains alcohol or disinfectants. These may cause discoloration, deterioration, or cracking of the cabinet, damage to the surface treatment of the LCD panel, and deterioration of components.
- To avoid potential damage on the monitor (LCD panel / cabinet / connector terminals) or accessories, never use the following strong solvents or cleaning sheets. These may cause discoloration, deterioration, or cracking of the cabinet, damage to the surface treatment of the LCD panel, and deterioration of components.

Benzine	Hypochlorous acid water
Thinner	Acidic or alkaline solvents
Alcohol	Wax
Bleach	Abrasives
Peroxide	Office equipment cleaner
Acetone	Glass cleaner
Methylene chloride	Tissue paper
Toluene	Wet tissue
Ammonia	Chemical cloth
Sodium hypochlorite solution (Chlorine bleach)	Cleaning paper
	etc.

NOTE

- To protect the LCD panel, do not scratch or rub the screen with a hard object.
- Do not leave the LCD panel wet. If water droplets or the like get on it, immediately wipe it off with a dry, soft cloth. Leaving it on may cause discoloration or stains on the LCD panel. In addition, if moisture gets inside the monitor, it may cause damage.
- Touching the cabinet with any product made from rubber or plastic for a long time may cause degeneration or loss of paint on the cabinet.

Regular care

Gently wipe the cabinet with a soft, dry and clean cloth. If your monitor is particularly dirty, soak the cloth in a mild detergent thoroughly diluted with water, wring it out tightly, and then wipe the dirt off. Then immediately wipe it with a soft, dry cloth.

Alcohol disinfection

Alcohol disinfection may cause discoloration, deterioration, or cracking of the cabinet, damage to the surface treatment of the LCD panel, and deterioration of components. Instead, we recommend disinfecting your hands away from the monitor before and after use.

If you absolutely must disinfect the monitor with alcohol, please understand above warnings and cautions in advance. Also, avoid frequent alcohol disinfection.

BEFORE YOU OPERATE THE MONITOR

FEATURES

- ◆ Supports Resolutions up to 1920 × 1080
- ◆ High Contrast 4000:1 (Typical), Advanced Contrast Function Available, Brightness 350cd/m² (Typical)
- ◆ Moving Picture Response Time 0.7ms *G-MASTER GCB2784HSU, GC2784HSU*
1ms *G-MASTER GCB2781HSU, GC2781HSU*
- ◆ Flicker - Free
- ◆ Blue Light Reducer
- ◆ Digital Character Smoothing
- ◆ 2 × 2W Stereo Speakers
- ◆ Standby Feature
- ◆ VESA Mounting Standard (100mm×100mm) Compliant
- ◆ Keyhole for Security Lock

CHECKING THE CONTENTS OF THE PACKAGE

The following accessories are included in your package. Check to see if they are enclosed with the monitor. If anything is missing or damaged, please contact your local iiyama dealer or regional iiyama office.

- | | | |
|------------------------------|---|----------------------------|
| ■ Power Cable ^{*1} | ■ HDMI Cable | ■ USB Cable |
| ■ VESA Plate ^{*2} | ■ Screwdriver (Located on the back of the VESA Plate) ^{*2} | |
| ■ Stand-Neck | ■ Stand-Base with a screw ^{*2} | ■ Stand-Base ^{*3} |
| ■ Cable Holder ^{*3} | ■ Safety Guide | ■ Quick Start Guide |

CAUTION

^{*1} All guarantees and warranties are void for any problems or damage caused by a power cable not supplied by iiyama.

An approved power cable greater or equal to H05VVf, 3G, 0.75mm² must be used.

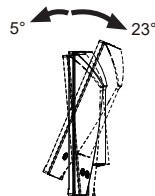
^{*2} Accessory for [G-MASTER GCB2784HSU](#), [GCB2781HSU](#)

^{*3} Accessory for [G-MASTER GC2784HSU](#), [GC2781HSU](#)

USING ARM OR STAND

CAUTION

- This product is designed for desktop use, not for digital signage (electronic signboard) applications such as ceiling hanging or wall mounting.
- Before installation, make sure the display arm or desk arm stand is strong enough to hold the necessary weight of the monitor and the mount.
- The monitor angle should be within 23° upward and 5° downward. This product cannot be used facing upward or downward beyond this range.
- If the monitor is used (installed) at an angle more than 5° downward, the LCD may peel off from the bezel and fall, resulting in damage. In addition, such cases will not be covered by support or warranty.
- Regularly check the tightness of the screws. If the screws are not tight enough, the monitor may come off and cause injury or damage.

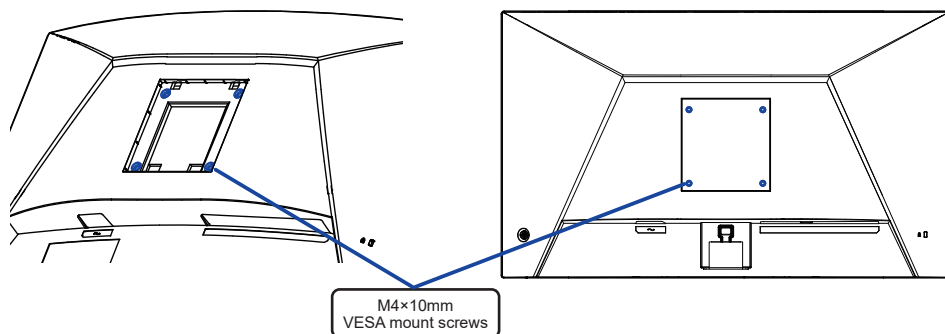


< INSTALLATION OF THE DISPLAY ARM OR DESK ARM STAND >

You can attach the display arm or desk arm stand using the pre-installed VESA mount screws or screws of an appropriate length.

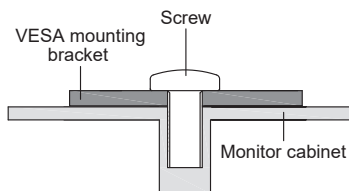
• G-MASTER GCB2784HSU, GCB2781HSU

• G-MASTER GC2784HSU, GC2781HSU



CAUTION

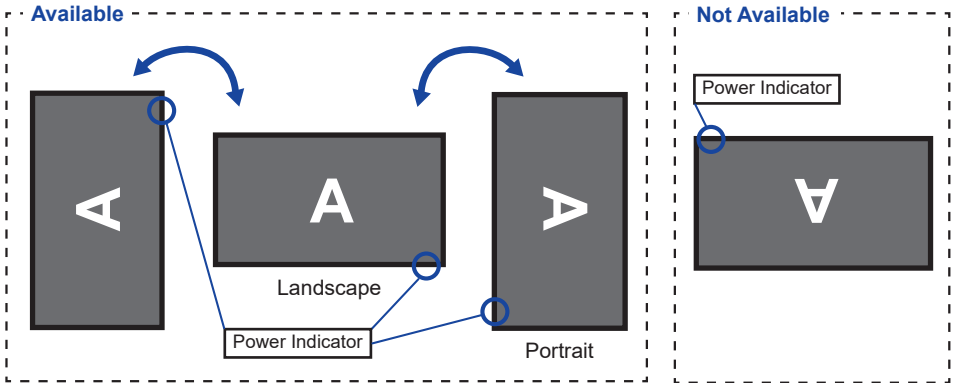
When using a display arm or desk arm stand, consider the thickness of the VESA mounting bracket and use four M4×10mm screws to secure it to the monitor. Ensure all screws are tightened and secured properly. Using screws longer than this may cause electric shock or damage by contacting the electrical parts inside the monitor. For this product, the thickness of the VESA mounting bracket is assumed to be approx. 2.5mm.



< ROTATING THE MONITOR >

● G-MASTER GCB2784HSU, GCB2781HSU

The monitor is designed to be compatible with both landscape and portrait modes. Portrait display must be adjusted using the display settings of the connected device.



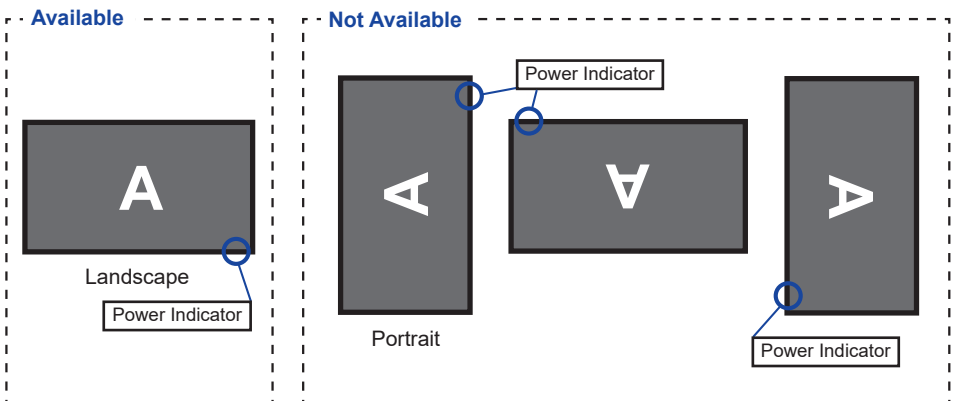
With Stand:

NOTE

- Adjust the monitor's height before panel rotation.
- Attempting to rotate the panel forcibly without adjusting the stand height may cause damage to the panel or the stand.

● G-MASTER GC2784HSU, GC2781HSU

The monitor is designed to be compatible in landscape mode.



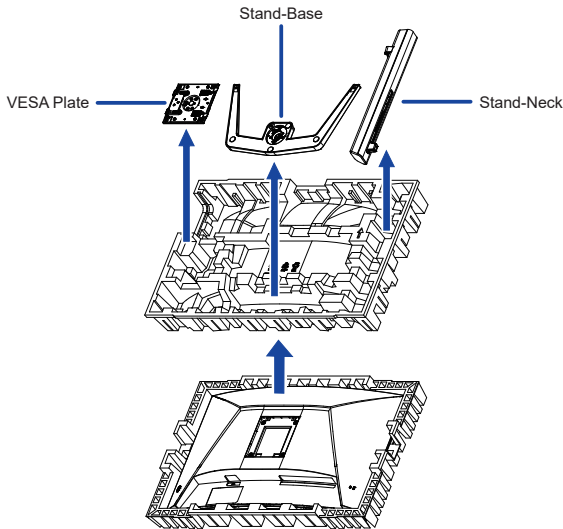
FITTING AND REMOVAL OF STAND : G-MASTER GCB2784HSU, GCB2781HSU

CAUTION

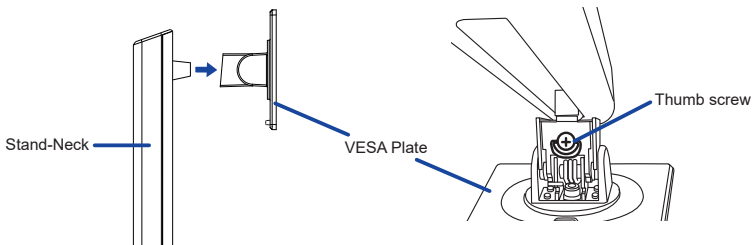
- Put the monitor on a stable surface. The monitor may cause injury or damage if it falls or is dropped.
- Do not give a strong impact to the monitor. It may cause damage.
- Unplug the monitor before removal or installation to avoid an electric shock or a damage.
- Regularly check the tightness of the screws. If the screws are not tight enough, the monitor may come off and cause injury or damage.

<Installation>

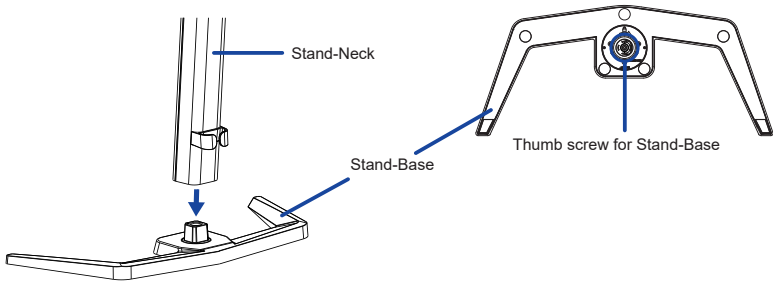
- ① As shown below, place all the contents taken out from the carton box on a flat surface with the monitor front face down.
- ② Take off the rear cushion, VESA Plate, Stand-Neck and Stand-Base.



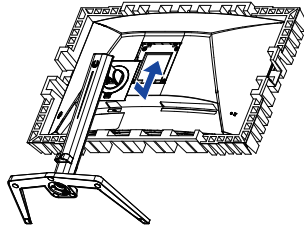
- ③ Attach the Stand-Neck to the VESA Plate and then tighten the thumb screw with the provided screwdriver to secure them.



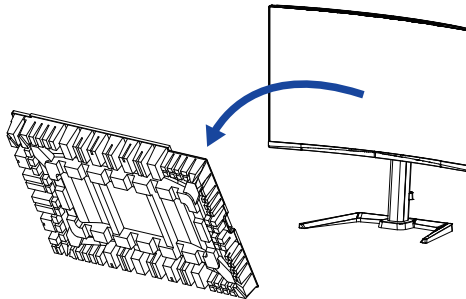
- ④ Install the Stand-Neck to the Stand-Base and then tighten the thumb screw to secure them.



- ⑤ Install the assembled stand to the monitor until it clicks to secure.

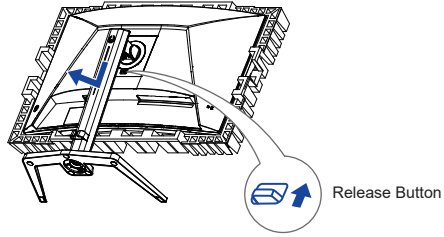


- ⑥ Stand the monitor and then remove the front cushion.



<Removal>

- ① Put the front cushion on a flat surface and place the monitor with face down on it.
- ② Press the release button to remove the stand.



- ③ Loosen the thumb screw with the provided screwdriver to remove the VESA Plate from the stand.
- ④ Loosen the thumb screw to remove the Stand-Neck from the Stand-Base.

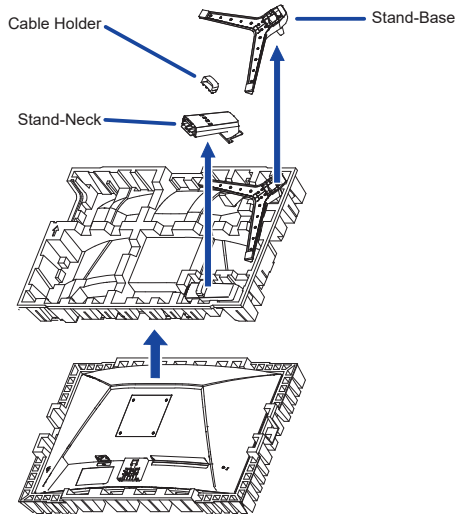
FITTING AND REMOVAL OF STAND : G-MASTER GC2784HSU, GC2781HSU

CAUTION

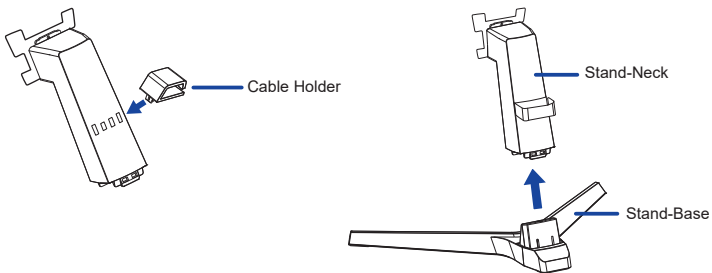
- Put the monitor on a stable surface. The monitor may cause injury or damage if it falls or is dropped.
- Do not give a strong impact to the monitor. It may cause damage.
- Unplug the monitor before removal or installation to avoid an electric shock or a damage.

<Installation>

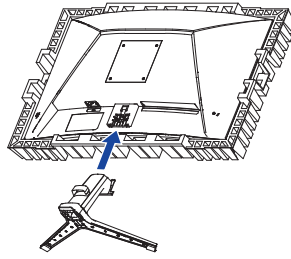
- ① As shown below, place all the contents taken out from the carton box on a flat surface with the monitor front face down.
- ② Take off the rear cushion, Stand-Neck, Cable Holder and Stand-Base.



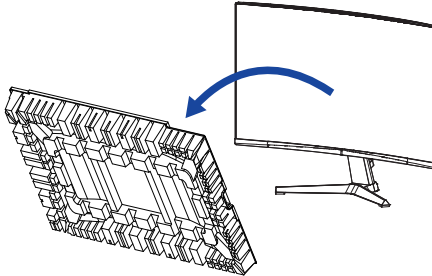
- ③ Attach the Cable Holder to the Stand-Neck in the correct orientation shown below.
- ④ Assemble the Stand-Neck and the Stand-Base.



⑤ Hold the monitor and install the assembled stand to the monitor until it clicks to secure.

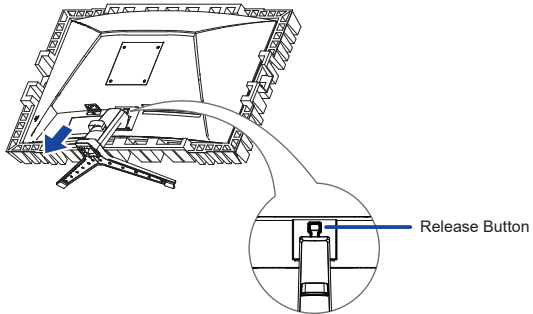


⑥ Stand the monitor and then remove the front cushion.

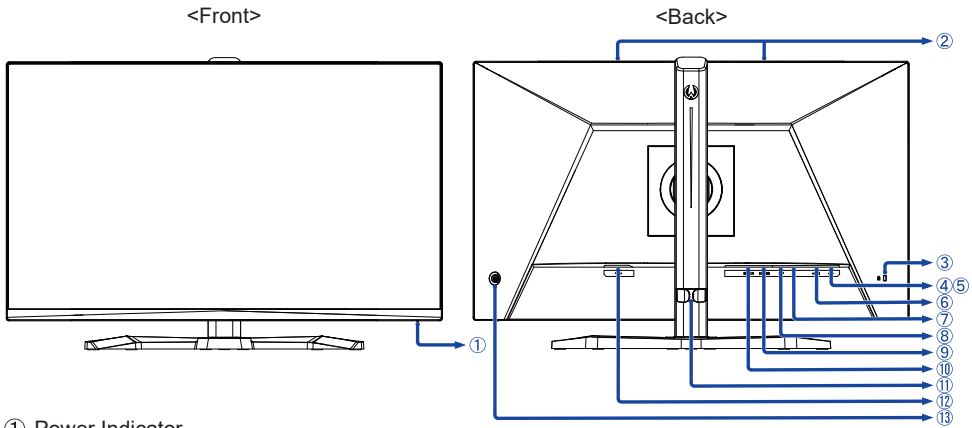


<Removal>

- ① Put the front cushion on a flat surface and place the monitor with face down on it.
- ② Press the release button and remove the Stand-Neck along with the Stand-Base.



CONTROLS AND CONNECTORS : G-MASTER GCB2784HSU



ENGLISH

① Power Indicator

NOTE Blue: Normal operation
Orange: Standby Mode

② Speakers

③ Keyhole for Security Lock (🔒)

NOTE You can fasten a security lock and cable to prevent the monitor from being removed without your permission.

④ USB Downstream Connector (🖱️ USB2.0: 5V, 500mA)

⑤ USB Downstream Connector (🖱️ USB2.0: 5V, 500mA)

⑥ USB Upstream Connector (🖱️📁)

⑦ Headphone Connector (🎧)

NOTE Proper operation of connected external devices other than headphones is not guaranteed.

⑧ DisplayPort Connector (DP)

⑨ HDMI Connector (HDMI 2)

⑩ HDMI Connector (HDMI 1)

⑪ Cable Holder

⑫ AC Connector (~ : Alternating current)

⑬ Joystick / Power Button (⏻)

[Center] Power / Menu

NOTE A short press turns ON the monitor.
A long press for 4 seconds turns OFF the monitor.

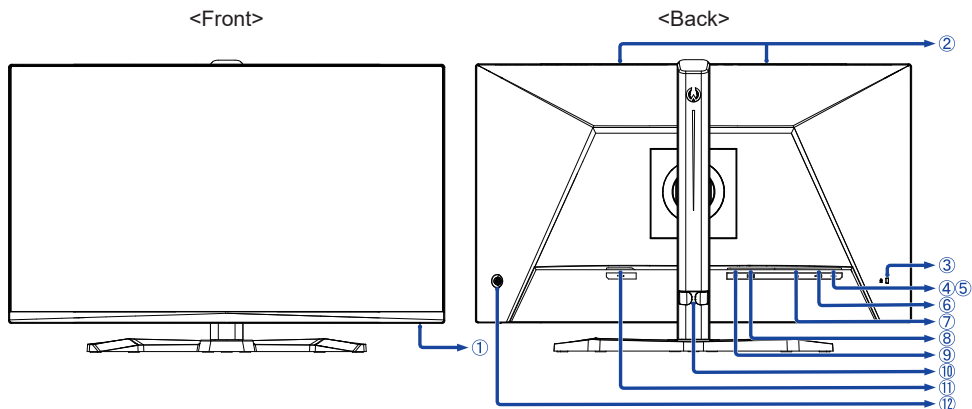
[⬆️] Up / Input Select **Direct**

[⬇️] Down

* [➡️] Right / Volume **Direct**

* [⬅️] Left / Sub-menu **Shortcut**

* Direction when viewing the screen from the front



① Power Indicator

NOTE Blue: Normal operation
Orange: Standby Mode

② Speakers

③ Keyhole for Security Lock (🔒)

NOTE You can fasten a security lock and cable to prevent the monitor from being removed without your permission.

④ USB Downstream Connector (🔌 USB2.0: 5V, 500mA)

⑤ USB Downstream Connector (🔌 USB2.0: 5V, 500mA)

⑥ USB Upstream Connector (🔌📡)

⑦ Headphone Connector (🎧)

NOTE Proper operation of connected external devices other than headphones is not guaranteed.

⑧ HDMI Connector (HDMI)

⑨ DisplayPort Connector (DP)

⑩ Cable Holder

⑪ AC Connector (⚡ : Alternating current)

⑫ Joystick / Power Button (🕹️)

[Center] Power / Menu

NOTE A short press turns ON the monitor.
A long press for 4 seconds turns OFF the monitor.

[↑] Up / Input Select **Direct**

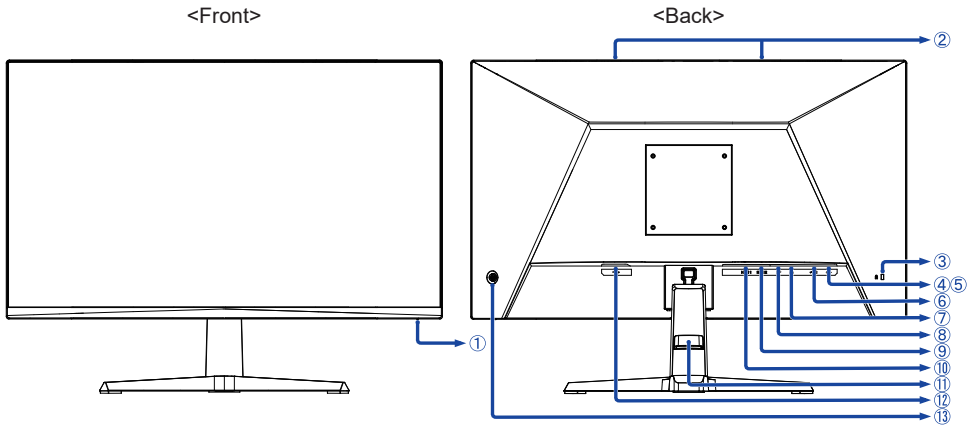
[↓] Down

* [→] Right / Volume **Direct**

* [←] Left / Sub-menu **Shortcut**

* Direction when viewing the screen from the front

CONTROLS AND CONNECTORS : G-MASTER GC2784HSU



① Power Indicator

NOTE Blue: Normal operation
Orange: Standby Mode

② Speakers

③ Keyhole for Security Lock (🔒)

NOTE You can fasten a security lock and cable to prevent the monitor from being removed without your permission.

④ USB Downstream Connector (🔌 USB2.0: 5V, 500mA)

⑤ USB Downstream Connector (🔌 USB2.0: 5V, 500mA)

⑥ USB Upstream Connector (🔌📡)

⑦ Headphone Connector (🎧)

NOTE Proper operation of connected external devices other than headphones is not guaranteed.

⑧ DisplayPort Connector (DP)

⑨ HDMI Connector (HDMI 2)

⑩ HDMI Connector (HDMI 1)

⑪ Cable Holder

⑫ AC Connector (⚡ : Alternating current)

⑬ Joystick / Power Button (🕹)

[Center] Power / Menu

NOTE A short press turns ON the monitor.
A long press for 4 seconds turns OFF the monitor.

[↑] Up / Input Select **Direct**

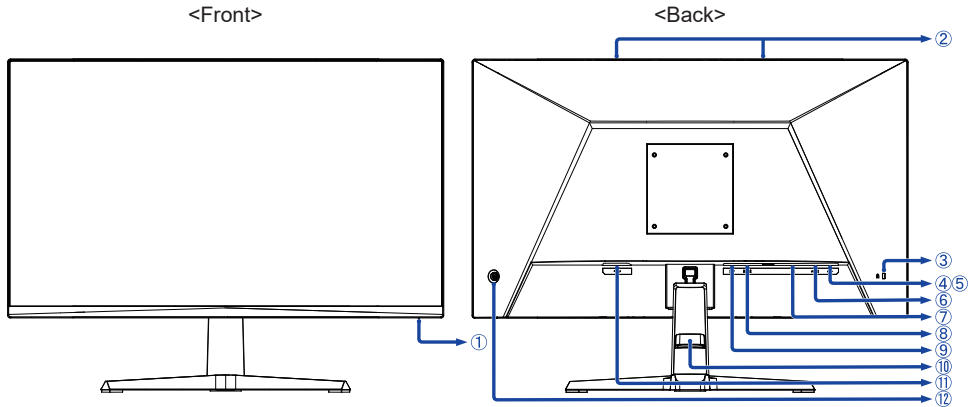
[↓] Down

* [→] Right / Volume **Direct**

* [←] Left / Sub-menu **Shortcut**

* Direction when viewing the screen from the front

CONTROLS AND CONNECTORS : G-MASTER GC2781HSU



- ① Power Indicator

NOTE Blue: Normal operation
Orange: Standby Mode

- ② Speakers

- ③ Keyhole for Security Lock (🔒)

NOTE You can fasten a security lock and cable to prevent the monitor from being removed without your permission.

- ④ USB Downstream Connector (🔌 USB2.0: 5V, 500mA)

- ⑤ USB Downstream Connector (🔌 USB2.0: 5V, 500mA)

- ⑥ USB Upstream Connector (🔌🔄)

- ⑦ Headphone Connector (🎧)

NOTE Proper operation of connected external devices other than headphones is not guaranteed.

- ⑧ HDMI Connector (HDMI)

- ⑨ DisplayPort Connector (DP)

- ⑩ Cable Holder

- ⑪ AC Connector (~ : Alternating current)

- ⑫ Joystick / Power Button (🕹)

[Center] Power / Menu

NOTE A short press turns ON the monitor.
A long press for 4 seconds turns OFF the monitor.

[↑] Up / Input Select **Direct**

[↓] Down

* [→] Right / Volume **Direct**

* [←] Left / Sub-menu **Shortcut**

* Direction when viewing the screen from the front

CONNECTING YOUR MONITOR : G-MASTER GCB2784HSU, GCB2781HSU

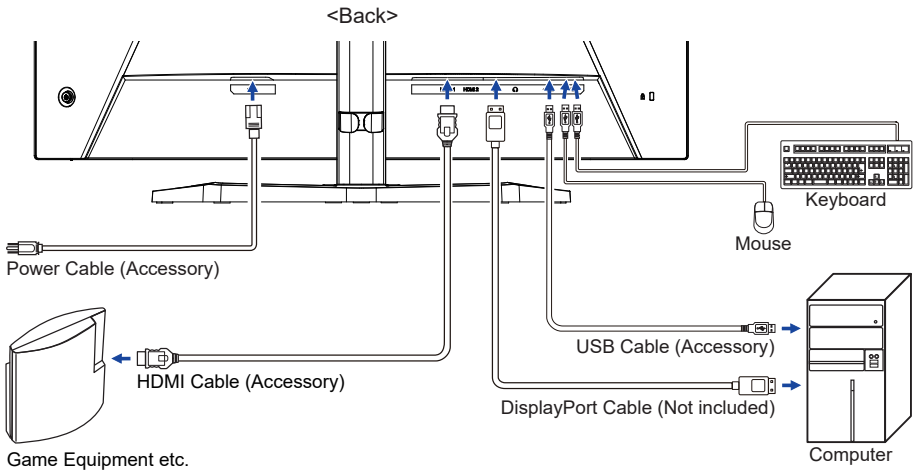
- ① Ensure that both the computer and the monitor are switched off.
- ② Connect the computer to the monitor with the signal cable.
- ③ Connect the computer to the monitor with the USB Cable.
- ④ Connect the Power Cable to the monitor first and then to the power source.
- ⑤ Turn on your monitor and computer.

NOTE

- Make sure that the building installation has a circuit breaker of 120/240V, 20A (maximum).
- The signal cables used for connecting the computer and monitor may vary with the type of computer used. An incorrect connection may cause serious damage to both the monitor and the computer. The cable supplied with the monitor is for a standard connector. If a special cable is required please contact your local iiyama dealer or regional iiyama office.
- The Class I pluggable equipment Type A must be connected to protective earth.
- The socket-outlet shall be installed near the equipment and shall be easily accessible.
- Excessive sound pressure from ear-/headphones can cause hearing damage/hearing loss.

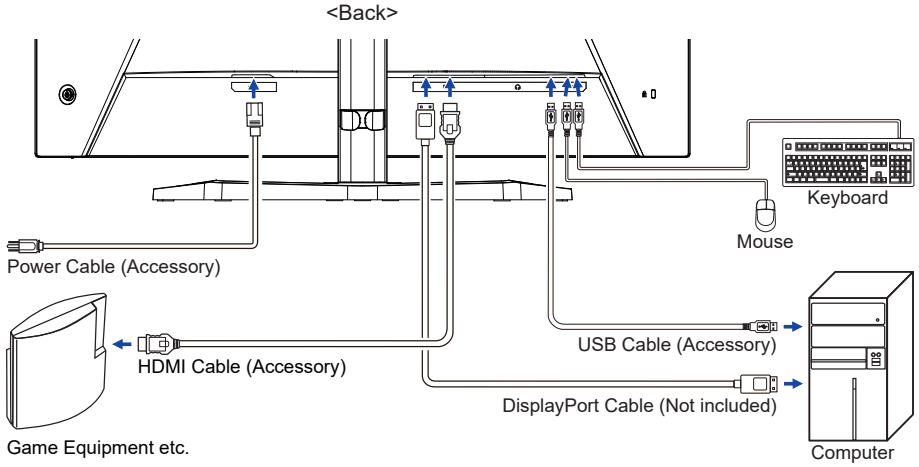
[Example of Connection]

● G-MASTER GCB2784HSU



● G-MASTER GCB2781HSU

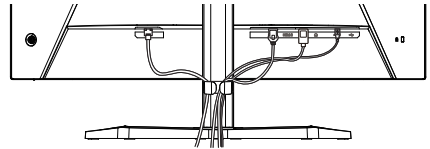
ENGLISH



[Collect Cables]

Put the cables through the Cable Holder to bundle them.

Ex. G-MASTER GCB2784HSU



CONNECTING YOUR MONITOR : G-MASTER GC2784HSU, GC2781HSU

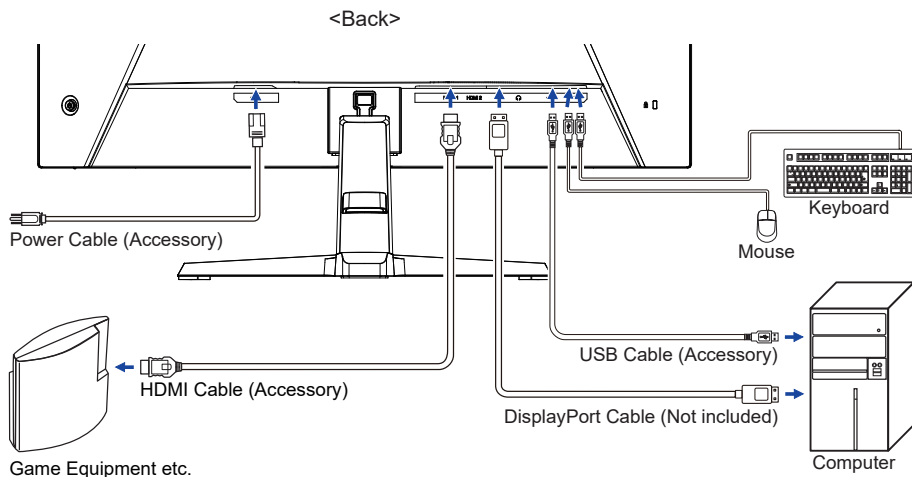
- ① Ensure that both the computer and the monitor are switched off.
- ② Connect the computer to the monitor with the signal cable.
- ③ Connect the computer to the monitor with the USB Cable.
- ④ Connect the Power Cable to the monitor first and then to the power source.
- ⑤ Turn on your monitor and computer.

NOTE

- Make sure that the building installation has a circuit breaker of 120/240V, 20A (maximum).
- The signal cables used for connecting the computer and monitor may vary with the type of computer used. An incorrect connection may cause serious damage to both the monitor and the computer. The cable supplied with the monitor is for a standard connector. If a special cable is required please contact your local iiyama dealer or regional iiyama office.
- The Class I pluggable equipment Type A must be connected to protective earth.
- The socket-outlet shall be installed near the equipment and shall be easily accessible.
- Excessive sound pressure from ear-/headphones can cause hearing damage/hearing loss.

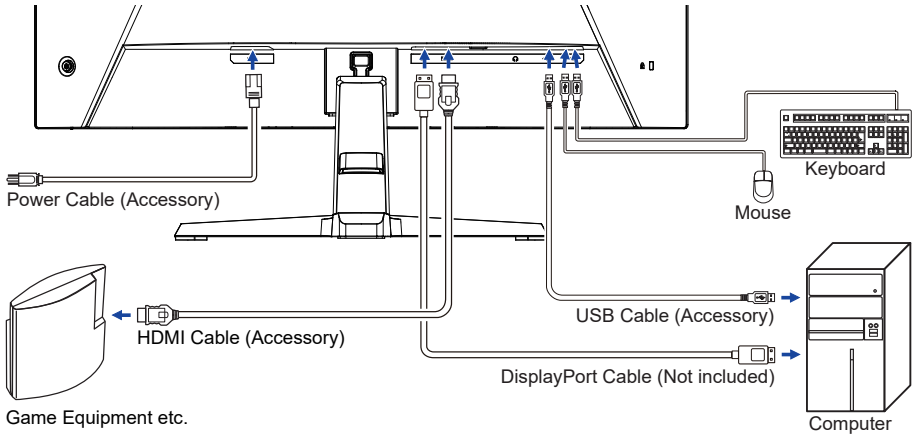
[Example of Connection]

● G-MASTER GC2784HSU



● G-MASTER GC2781HSU

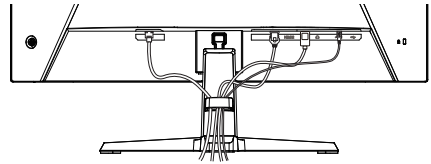
<Back>



[Collect Cables]

Put the cables through the Cable Holder to bundle them.

Ex. **G-MASTER GC2784HSU**



COMPUTER SETTING

■ Signal Timing

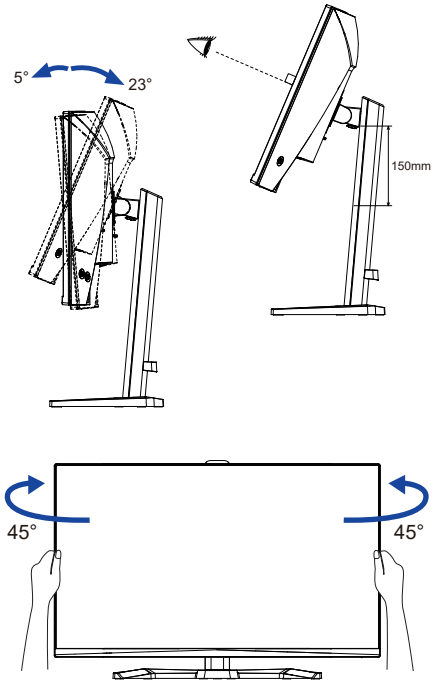
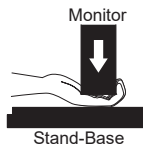
Change to the desired signal timing listed on page 46: COMPLIANT TIMING.

ADJUSTING THE HEIGHT AND THE VIEWING ANGLE : G-MASTER GCB2784HSU, GCB2781HSU

- For optimal viewing it is recommended to position yourself directly opposite to the full face of the monitor, then adjust the monitor's height and angle to your own preference.
- Hold the panel so that the monitor does not topple when you change the monitor's height or angle.
- You are able to adjust the monitor's height up to 150mm, angle up to 45° right and left, 23° upward and 5° downward.

NOTE

- Do not touch the LCD screen when you change the height or the angle. It may cause damage or break the LCD screen.
- Careful attention is required not to pinch your fingers or hands into the moving part of the stand when you change the angle.
- When adjusting the height, do not lower the monitor vigorously while keeping your hand between the lower part of the monitor and the base.

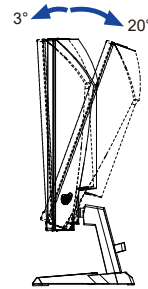
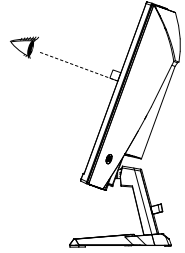


ADJUSTING THE VIEWING ANGLE : G-MASTER GC2784HSU, GC2781HSU

- For optimal viewing it is recommended to look at the full face of the monitor.
- Hold the stand so that the monitor does not topple when you change the monitor's angle.
- You are able to adjust the monitor's angle up to 20° upward, 3° downward.
- In order to ensure a healthy and relaxed body position when using the monitor at visual display workstations, it is recommended that the adjusted tilt angle should not exceed 10°. Adjust the monitor's angle to your own preference.

NOTE

- Do not touch the LCD screen when you change the angle. It may cause damage or break the LCD screen.
- Careful attention is required not to pinch your fingers or hands into the moving part of the stand when you change the angle.



OPERATING THE MONITOR

To create the best picture, your iiyama LCD monitor has been preset at the factory with the COMPLIANT TIMING shown on page 46. You are also able to adjust the picture by following the operation shown below.

- 1 Press the Joystick [Center] on the monitor to start the On Screen Display (OSD) feature. There are additional Menu items which can be switched by tilting the Joystick [↔/↕].



EXIT: ▲/▼ SELECT: ◀/▶/PUSH

- 2 Select the main menu icon related to your desired adjustment or setting. Press the Joystick. Then, tilt the Joystick [↕/↔] to highlight the desired sub-menu.
- 3 Press the Joystick again. Tilt the Joystick [↔/↕] to make the appropriate adjustment or setting.
- 4 Press the Joystick and then tilt it [↔] to leave the menu, and the settings you just made would be automatically saved.

For example, to correct for OSD vertical position, select **OSD Setup Menu** in the main menu and press the Joystick. Then, select **OSD Vertical Position** by tilting the Joystick [↕/↔]. An adjustment scale becomes active after you press the Joystick. Then, tilt the Joystick [↔/↕] to change the OSD vertical position settings. The OSD vertical position of the overall display should be changing accordingly while you are doing this.



Press the Joystick and finally tilt it [↔] to close the On Screen Display feature. All changes are saved in the memory.

- NOTE**
- When the Joystick operations are aborted during adjustment, On-Screen Display disappears when the time set for the **OSD Time** has passed. Also, tilting the Joystick [↔] can be used to return to the previous step and turn off the On Screen Display.
 - Any changes are automatically saved in the memory when the On Screen Display disappears. Turning off the power should be avoided while using the Menu.

MENU CONTENTS



Picture Adjust *1



Sub-menu	Problem / Option		Joystick
Contrast	Too dull		
	Too intense		
Brightness *2	Too dark		
	Too bright		
Overdrive	Off / 1 / 2 / 3 / 4 / 5		
	Improve the gray level response time of the LCD panel. A higher level results in a faster response time.		
HDR *3	On	For HDR (High Dynamic Range) signal	
	Off	For normal signal	
Adaptive Sync	On	Enable Adaptive Sync function.	
	Off	Disable Adaptive Sync function.	
Adv. Contrast	On	Increased Contrast Ratio	
	Off	Typical Contrast Ratio	
Night Mode Shortcut	Off	Normal	
	Mode1	Brightness of back-light is reduced.	
	Mode2	Brightness of back-light is reduced more than Mode1.	
	Mode3	Brightness of back-light is reduced more than Mode2.	
Blue Light Reducer Shortcut	Off	Normal	
	Mode1	Blue light is reduced.	
	Mode2	Blue light is reduced more than Mode1.	
	Mode3	Blue light is reduced more than Mode2.	
Motion Blur Reduction	Off / 1 / 2 / 3 / 4 / 5 / 6 / 7		
	Reduce motion blur on the LCD panel. Available only when the refresh rate is 75Hz or more.		
Gamma	1.8	High contrast	
	2.2	Normal	
	2.6	Dark	

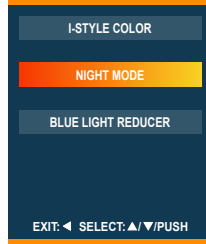
*1 Selected adjustments and settings may not be possible due to other items that are enabled. See page 26 **Functional Interaction Matrix 1** for more details.

*2 Adjust the brightness when you are using the monitor in a dark room and feel the screen is too bright.

*3 For **G-MASTER GCB2784HSU** and **G-MASTER GC2784HSU** only

Shortcut

When you tilt the Joystick [↔] while no menu is displayed, a sub-menu will appear. Select the desired menu from there.




■ Functional Interaction Matrix 1

Selected menu		Picture Adjust									
Active menu	Contrast	Brightness	Overdrive	HDR	Adaptive Sync	Adv. Contrast	Night Mode	Blue Light Reducer	Motion Blur Reduction	Gamma	
Picture Adjust	HDR *	-	✓		✓	-	✓	-	-	-	
	Adaptive Sync	✓	✓	✓		-	✓	✓	✓	✓	
	Adv. Contrast	-	-	✓		-	-	-	-	✓	
	Night Mode	✓	-	✓		-	-	-	-	✓	
	Blue Light Reducer	✓	✓	✓		-	-	-	-	✓	
	Motion Blur Reduction	✓	-	-		✓	-	-	-	✓	
Color Settings	Color Temperature : sRGB	-	✓	✓		-	-	-	-	-	
	i-Style Color (Except for User Mode 1/2/3)	-	-	-		✓	-	-	✓	✓	
Image Adjust	X-Res Technology	✓	✓	✓		✓	✓	✓	✓	✓	
	Direct Drive Mode	✓	✓	✓		✓	✓	✓	✓	✓	


* For **G-MASTER GCB2784HSU** and **G-MASTER GC2784HSU** only

✓ : Available
 - : Not available



Input Select

Direct



Sub-menu	Option		
Input Source	Auto	Search for an available input source and select automatically.	
	Manual	HDMI1 *1	Select the HDMI1 input.
		HDMI2 *1	Select the HDMI2 input.
		HDMI *2	Select the HDMI input.
		DP	Select the DisplayPort input.

NOTE Auto option enables automatic selection of the input sources available. The input source from the computer in standby mode can not be selected. If you manually select one of the input sources, the other source is not automatically selected.

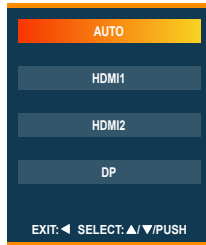
*1 For **G-MASTER GCB2784HSU** and **G-MASTER GC2784HSU** only

*2 For **G-MASTER GCB2781HSU** and **G-MASTER GC2781HSU** only

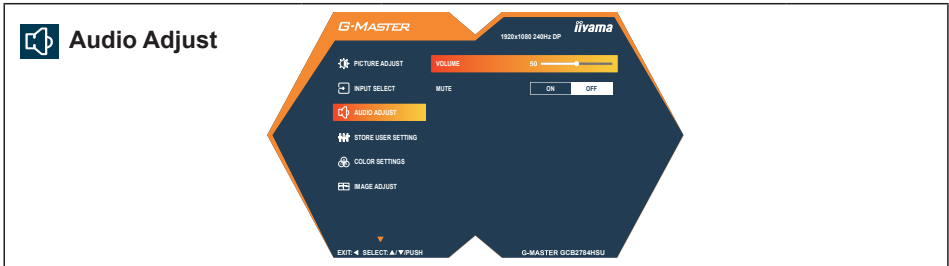
Direct



Input Select

Tilting the Joystick [⇄] with no menu displayed will directly show the Input Select screen.



Ex. **G-MASTER GCB2784HSU / GC2784HSU**

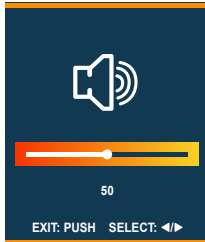


Sub-menu	Problem / Option	Joystick
Volume Direct	Too soft Too loud	 
Mute *	On	Turn off the sound temporarily.
	Off	Return the sound volume to the previous level.

* When the menu is not displayed, you can also toggle mute on and off by tilting the Joystick [⇄] for 2 seconds each time.

Direct Volume

Tilting the Joystick [⇄] with no menu displayed will directly show the Volume adjustment screen.





Store User Setting *1



Sub-menu	Option																					
User Modes	User Mode 1	Save the settings of the screen adjustment.																				
	User Mode 2																					
	User Mode 3																					
<p>NOTE The monitor memorizes your customized settings below. Those settings can be retrieved from i-Style Color options later.</p> <table border="0" data-bbox="336 542 840 861"> <tr> <td>Contrast</td> <td>Brightness</td> </tr> <tr> <td>Overdrive</td> <td>HDR *2</td> </tr> <tr> <td>Adaptive Sync</td> <td>Adv. Contrast</td> </tr> <tr> <td>Night Mode</td> <td>Motion Blur Reduction</td> </tr> <tr> <td>Gamma</td> <td>Volume</td> </tr> <tr> <td>Mute</td> <td>6-Axis</td> </tr> <tr> <td>Color Temperature</td> <td>User Preset</td> </tr> <tr> <td>Black Tuner</td> <td>X-Res Technology</td> </tr> <tr> <td>Sharpness</td> <td>HDMI Range</td> </tr> <tr> <td>Direct Drive Mode</td> <td>Video Mode Adjust</td> </tr> </table>			Contrast	Brightness	Overdrive	HDR *2	Adaptive Sync	Adv. Contrast	Night Mode	Motion Blur Reduction	Gamma	Volume	Mute	6-Axis	Color Temperature	User Preset	Black Tuner	X-Res Technology	Sharpness	HDMI Range	Direct Drive Mode	Video Mode Adjust
Contrast	Brightness																					
Overdrive	HDR *2																					
Adaptive Sync	Adv. Contrast																					
Night Mode	Motion Blur Reduction																					
Gamma	Volume																					
Mute	6-Axis																					
Color Temperature	User Preset																					
Black Tuner	X-Res Technology																					
Sharpness	HDMI Range																					
Direct Drive Mode	Video Mode Adjust																					

*1 Disabled when sRGB is selected for Color Temperature.

*2 For **G-MASTER GCB2784HSU** and **G-MASTER GC2784HSU** only



Color Settings *1



Sub-menu	Problem / Option		Joystick	
6-Axis	Hue	Red	Too weak Too strong	
		Yellow		
		Green		
		Cyan		
		Blue		
		Magenta		
	Saturation	Red	Too weak Too strong	
		Yellow		
		Green		
		Cyan		
		Blue		
		Magenta		
Color Temperature	Cool	Cool color		
	Normal	Normal color		
	Warm	Warm color		
	sRGB	sRGB-based color		
User Preset	Red	Too weak Too strong		
	Green			
	Blue			
Black Tuner *2	From -5 to +5 You can adjust Dark shades.			

*1 Selected adjustments and settings may not be possible due to other items that are enabled. See page 31 **Functional Interaction Matrix 2** for more details.

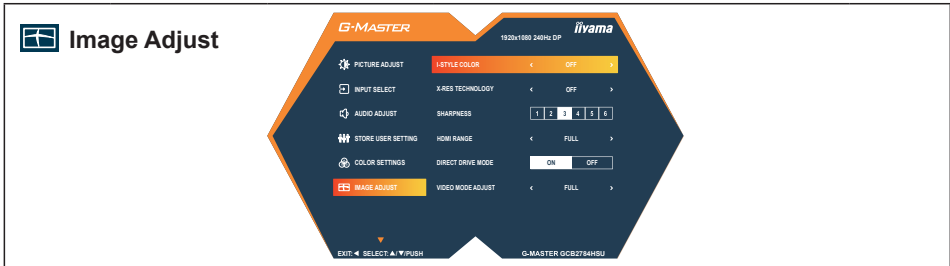
*2 Disabled when sRGB is selected for Color Temperature.

■ Functional Interaction Matrix 2

Selected menu / Active menu		Color Settings			
		6-Axis	Color Temperature	User Preset	Black Tuner
Picture Adjust	HDR *	–	–	–	–
	Adaptive Sync	✓	✓	✓	✓
	Adv. Contrast	✓	✓	✓	✓
	Night Mode	✓	✓	✓	✓
	Blue Light Reducer	–	–	–	✓
	Motion Blur Reduction	✓	✓	✓	–
Image Adjust	i-Style Color (Except for User Mode 1/2/3)	✓	✓	✓	–
	X-Res Technology	✓	✓	✓	✓
	Direct Drive Mode	✓	✓	✓	✓

* For **G-MASTER GCB2784HSU** and **G-MASTER GC2784HSU** only

- ✓ : Available
- : Not available



Sub-menu	Option	Joystick
i-Style Color * ¹ Shortcut	Off	Return to a state set by color adjustment except i-Style Color.
	Standard	For general windows environment and monitor default setting
	Sport Game	For Sports game environment
	FPS Game	For FPS game environment
	Strategy Game	For Strategy game environment
	Text	For text editing and viewing in a word processing environment
	User Mode 1	Apply customized monitor settings.
	User Mode 2	Apply customized monitor settings.
	User Mode 3	Apply customized monitor settings.
X-Res Technology * ²	Off	Normal
	Soft	Enhance the picture edge.
	Middle	Enhance the picture edge more than Soft option.
	Hard	Enhance the picture edge more than Middle option.
Sharpness	1 / 2 / 3 / 4 / 5 / 6 You can change the picture quality from 1 to 6 (sharp to soft). Tilt [⇌] to change the picture quality in numerical order. Tilt [↔] to change the picture quality in reverse numerical order.	
HDMI Range * ³	Full	For full-range color scale signal
	Limited	For limited color scale signal
Direct Drive Mode * ⁴	On	Reduce the input-lag.
	Off	Typical

NOTE Changing Resolution and Refresh rate or turning Power Off/On might disable the Direct Drive Mode function.

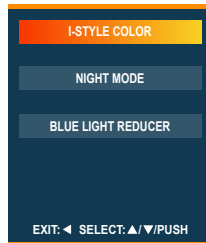
*¹ Disabled when sRGB is selected for Color Temperature.
 *² Disabled when HDR is active.
 *³ Available for HDMI input only. This may not function depending on the device you connect.
 *⁴ Disabled when any of i-Style Color preset is active.

Image Adjust		
Sub-menu	Option	
Video Mode Adjust	Full	Full screen display
	Aspect	Expansion display of Aspect
	Dot by Dot * ⁵	Display the picture dot by dot.
	17inch * ⁵	Display the picture as 17 inch screen (5 : 4).
	19inch * ⁵	Display the picture as 19 inch screen (5 : 4).
	19.5inch * ⁵	Display the picture as 19.5 inch screen (16 : 9).
	21.5inch * ⁵	Display the picture as 21.5 inch screen (16 : 9).
	23inch * ⁵	Display the picture as 23 inch screen (16 : 9).
	23.6inch * ⁵	Display the picture as 23.6 inch screen (16 : 9).
	23.8inch * ⁵	Display the picture as 23.8 inch screen (16 : 9).
	24inch * ⁵	Display the picture as 24 inch screen (16 : 9).
	24.5inch * ⁵	Display the picture as 24.5 inch screen (16 : 9).

*⁵ For **G-MASTER GCB2784HSU** and **G-MASTER GC2784HSU** only
Disabled when Direct Drive Mode is active.

Shortcut

When you tilt the Joystick [\leftarrow] while no menu is displayed, a sub-menu will appear. Select the desired menu from there.





Language



Option

English	English	Nederlands	Dutch
Deutsch	German	Polski	Polish
Español	Spanish	Русский	Russian
Français	French	Česky	Czech
Italiano	Italian	Українська	Ukrainian
日本語	Japanese		



Setup Menu




Sub-menu	Problem / Option	Joystick
OSD Horizontal Position	OSD is too left	
	OSD is too right	
OSD Vertical Position	OSD is too low	
	OSD is too high	
OSD Rotate	Rotate the OSD. 0° / +90° / -90°	
OSD Time	You can set the OSD display duration from 5 to 30 seconds.	
Opening Logo	On	G-MASTER logo is displayed when the monitor is turned on.
	Off	G-MASTER logo is not displayed when the monitor is turned on.
Power LED	On	The Power Indicator is turned On.
	Off	The Power Indicator is turned Off.

NOTE Turn Off the Power Indicator when you are bothered by the light.

DDC/CI Control	On	Enables the computer to control the monitor using DDC/CI-compatible software.
	Off	Disable DDC/CI Control function.
USB Charge	On	USB devices can be charged even when the monitor is in the standby mode.
	Off	USB devices can not be charged when the monitor is in the standby mode.

NOTE When the monitor is turned off, USB devices cannot be charged even if the USB Charge function is On. While this function is Off, USB devices do not operate even when the monitor is in standby mode to save standby electricity. When operating USB devices, turn this function On.

	
Sub-menu	Option
Display Information	Display the information regarding the current input signal coming from the graphic card in your computer.
<p>NOTE See your graphic card user guide for more information about changing the resolution and refresh rate.</p>	

	
Sub-menu	Option
Reset All?	Yes Factory-preset data is restored.

■ Lock Mode

<OSD Menu>

The OSD can be locked to avoid an accidental setting change.

1. Make sure the monitor is turned ON.
2. The OSD lock will be activated by tilting the Joystick [↕] for about 10 seconds. If you try to access the OSD by the Joystick, a message "OSD LOCKED" will appear on the screen.
3. The OSD lock will be deactivated by tilting the Joystick [↕] again for about 10 seconds.

<Power Button Function>

The Power Button function can be locked to avoid an accidental power operation.

1. Make sure the monitor is turned ON.
2. The Power Button function will be locked by tilting the Joystick [↕] for about 10 seconds. If you try to turn off the monitor by pressing the Joystick, a message "POWER BUTTON LOCKED" will appear on the screen.
3. The Power Button function will be unlocked by tilting the Joystick [↕] again for about 10 seconds.

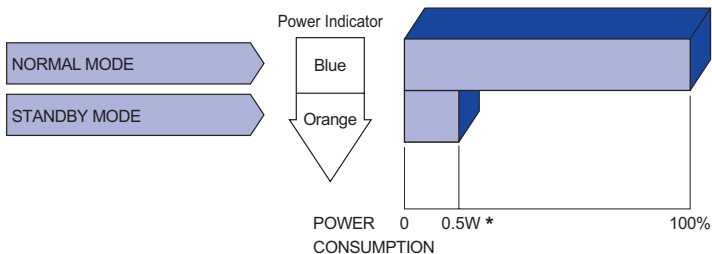
STANDBY FEATURE

This product features the standby function. When activated, it automatically reduces unnecessary power consumption of the monitor when your computer is not in use.

There is a standby step the monitor takes as described below. The standby function, including any timer settings is configured by the operating system. Check your operating system manual for information on how this can be configured.

■ Standby Mode

When the video signal from the computer is off, the monitor enters into Standby Mode which reduces the power consumption to 0.5W or less*. The screen becomes dark, and the power indicator turns to orange. From Standby Mode, the image reappears in several seconds when either the keyboard or the mouse are touched again.



* When the USB devices are not connected.

TROUBLE SHOOTING

If the monitor fails to operate correctly, please follow the steps below for a possible solution.

1. Perform the adjustments described in OPERATING THE MONITOR, depending on the problem you have. If the monitor does not get a picture, skip to 2.
2. Consult the following items if you cannot find an appropriate adjustment item in OPERATING THE MONITOR or if the problem persists.
3. If you are experiencing a problem which is not described below or you cannot correct the problem, discontinue using the monitor and contact your dealer or iiyama service center for further assistance.

	Problem	Check
①	The picture does not appear.	
	(Power indicator does not light up.)	<input type="checkbox"/> The Power Cable is firmly seated in the socket. <input type="checkbox"/> The Power Button is turned ON. <input type="checkbox"/> The AC socket is live. Please check with another piece of equipment.
	(Power indicator is blue.)	<input type="checkbox"/> If the blank screen saver is in active mode, touch the keyboard or the mouse. <input type="checkbox"/> Increase the Contrast and/or Brightness. <input type="checkbox"/> The computer is ON. <input type="checkbox"/> The Signal Cable is properly connected. <input type="checkbox"/> The signal timing of the computer is within the specification of the monitor.
	(Power indicator is orange.)	<input type="checkbox"/> If the monitor is in standby mode, touch the keyboard or the mouse. <input type="checkbox"/> The computer is ON. <input type="checkbox"/> The Signal Cable is properly connected. <input type="checkbox"/> The signal timing of the computer is within the specification of the monitor.
②	The screen is not synchronized.	<input type="checkbox"/> The Signal Cable is properly connected. <input type="checkbox"/> The signal timing of the computer is within the specification of the monitor.
③	The screen position is not in the center.	<input type="checkbox"/> The signal timing of the computer is within the specification of the monitor.
④	The screen is too bright or too dark.	<input type="checkbox"/> The video output level of the computer is within the specification of the monitor.
⑤	The screen is shaking.	<input type="checkbox"/> The power voltage is within the specification of the monitor. <input type="checkbox"/> The signal timing of the computer is within the specification of the monitor.
⑥	No sound.	<input type="checkbox"/> The audio equipment (computer etc.) is ON. <input type="checkbox"/> The Volume is turned up. <input type="checkbox"/> The Mute is OFF. <input type="checkbox"/> The audio output level of the audio equipment is within the specification of the monitor.
⑦	The sound is too loud or too quiet.	<input type="checkbox"/> The audio output level of the audio equipment is within the specification of the monitor.

RECYCLING INFORMATION

For better environment protection please don't dispose your monitor.
Please visit our web site: <https://iiyama.com> for monitor recycling.

APPENDIX

Design and specifications are subject to change without prior notice.

SPECIFICATIONS : G-MASTER GCB2784HSU-B1

Size Category		27"
LCD Panel	Panel technology	VA
	Size	Diagonal: 27" (68.6cm)
	Curvature	1500R
	Pixel pitch	0.311mm H × 0.311mm V
	Brightness	350cd/m ² (Typical), 180cd/m ² (Default / Energy Saving)
	Contrast ratio	4000 : 1 (Typical), Adv. Contrast Function Available
	Viewable angle	Right / Left: 89° each, Up / Down: 89° each (Typical)
	MPRT	0.7ms
Display Colors		Approx. 16.7M (8bit)
Sync Frequency	HDMI	Horizontal: 30.0-300.0kHz, Vertical: 48-240Hz
	DisplayPort	Horizontal: 30.0-300.0kHz, Vertical: 48-240Hz
Native Resolution		1920 × 1080, 2.1 MegaPixels
Support Max. Resolution		1920 × 1080 240Hz
Input Connector		HDMI ×2, DisplayPort ×1
Input Video Signal		HDMI, DisplayPort
USB Standard		USB2.0 (DC5V, 500mA)
Number of USB Ports		1 Upstream: Type-B
Connector Shape		2 Downstream: Type-A
Headphone Connector *1		ø 3.5mm mini jack (Stereo)
Speakers		2W × 2 (Stereo speakers)
Maximum Screen Size		597.9mm W × 336.3mm H / 23.5" W × 13.2" H
Power Source		100-240VAC, 50/60Hz, 1.5A
Power Consumption *2		21W (Typical) Standby mode: 0.5W maximum, Off mode: 0.3W maximum
Dimensions		610.5 × 409.0 - 553.0 × 213.0mm / 24.0 × 16.1 - 21.8 × 8.4" (W×H×D)
Net Weight		5.4kg / 11.9lbs
Height Adjustment Range		150mm
Angle		Tilt: Upward: 23°, Downward: 5° Swivel: Left / Right: 45° each Rotation: Clockwise / Counterclockwise: 90° each
Environmental Considerations		Operating: Temperature 0 to 40°C / 32 to 104°F Humidity 10 to 90% (No condensation) Storage: Temperature -20 to 60°C / -4 to 140°F Humidity 10 to 90% (No condensation)
Approvals		CE, UKCA, TÜV-Bauart, EAC, VCCI, PSE

NOTE *1 Proper operation of connected external devices other than headphones is not guaranteed.

*2 When the USB devices are not connected.

SPECIFICATIONS : G-MASTER GCB2781HSU-B1

Size Category		27"
LCD Panel	Panel technology	VA
	Size	Diagonal: 27" (68.6cm)
	Curvature	1500R
	Pixel pitch	0.311mm H × 0.311mm V
	Brightness	350cd/m ² (Typical), 180cd/m ² (Default / Energy Saving)
	Contrast ratio	4000 : 1 (Typical), Adv. Contrast Function Available
	Viewable angle	Right / Left: 89° each, Up / Down: 89° each (Typical)
	MPRT	1ms
Display Colors		Approx. 16.7M (6bit+FRC)
Sync Frequency	HDMI	Horizontal: 30.0-160.0kHz, Vertical: 48-144Hz
	DisplayPort	Horizontal: 30.0-160.0kHz, Vertical: 48-144Hz
Native Resolution		1920 × 1080, 2.1 MegaPixels
Support Max. Resolution		1920 × 1080 144Hz
Input Connector		HDMI ×1, DisplayPort ×1
Input Video Signal		HDMI, DisplayPort
USB Standard		USB2.0 (DC5V, 500mA)
Number of USB Ports		1 Upstream: Type-B
Connector Shape		2 Downstream: Type-A
Headphone Connector *1		ø 3.5mm mini jack (Stereo)
Speakers		2W × 2 (Stereo speakers)
Maximum Screen Size		597.9mm W × 336.3mm H / 23.5" W × 13.2" H
Power Source		100-240VAC, 50/60Hz, 1.5A
Power Consumption *2		17W (Typical) Standby mode: 0.5W maximum, Off mode: 0.3W maximum
Dimensions		610.5 × 409.0 - 553.0 × 213.0mm / 24.0 × 16.1 - 21.8 × 8.4" (W×H×D)
Net Weight		5.4kg / 11.9lbs
Height Adjustment Range		150mm
Angle		Tilt: Upward: 23°, Downward: 5° Swivel: Left / Right: 45° each Rotation: Clockwise / Counterclockwise: 90° each
Environmental Considerations		Operating: Temperature 0 to 40°C / 32 to 104°F Humidity 10 to 90% (No condensation) Storage: Temperature -20 to 60°C / -4 to 140°F Humidity 10 to 90% (No condensation)
Approvals		CE, UKCA, TÜV-Bauart, EAC, VCCI, PSE

NOTE *1 Proper operation of connected external devices other than headphones is not guaranteed.
*2 When the USB devices are not connected.

SPECIFICATIONS : G-MASTER GC2784HSU-B1

Size Category		27"
LCD Panel	Panel technology	VA
	Size	Diagonal: 27" (68.6cm)
	Curvature	1500R
	Pixel pitch	0.311mm H × 0.311mm V
	Brightness	350cd/m ² (Typical), 180cd/m ² (Default / Energy Saving)
	Contrast ratio	4000 : 1 (Typical), Adv. Contrast Function Available
	Viewable angle	Right / Left: 89° each, Up / Down: 89° each (Typical)
	MPRT	0.7ms
Display Colors		Approx. 16.7M (8bit)
Sync Frequency	HDMI	Horizontal: 30.0-300.0kHz, Vertical: 48-240Hz
	DisplayPort	Horizontal: 30.0-300.0kHz, Vertical: 48-240Hz
Native Resolution		1920 × 1080, 2.1 MegaPixels
Support Max. Resolution		1920 × 1080 240Hz
Input Connector		HDMI ×2, DisplayPort ×1
Input Video Signal		HDMI, DisplayPort
USB Standard		USB2.0 (DC5V, 500mA)
Number of USB Ports Connector Shape		1 Upstream: Type-B 2 Downstream: Type-A
Headphone Connector *1		ø 3.5mm mini jack (Stereo)
Speakers		2W × 2 (Stereo speakers)
Maximum Screen Size		597.9mm W × 336.3mm H / 23.5" W × 13.2" H
Power Source		100-240VAC, 50/60Hz, 1.5A
Power Consumption *2		21W (Typical) Standby mode: 0.5W maximum, Off mode: 0.3W maximum
Dimensions		610.5 × 466.5 × 192.5mm / 24.0 × 18.4 × 7.6" (W×H×D)
Net Weight		4.0kg / 8.8lbs
Tilt Angle		Upward: 20°, Downward: 3°
Environmental Considerations		Operating: Temperature 0 to 40°C / 32 to 104°F Humidity 10 to 90% (No condensation) Storage: Temperature -20 to 60°C / -4 to 140°F Humidity 10 to 90% (No condensation)
Approvals		CE, UKCA, TÜV-Bauart, EAC, VCCI, PSE

NOTE

*1 Proper operation of connected external devices other than headphones is not guaranteed.

*2 When the USB devices are not connected.

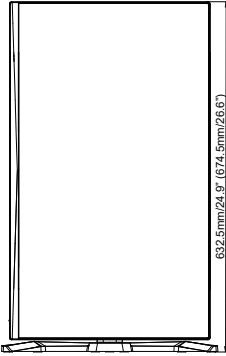
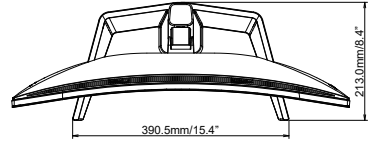
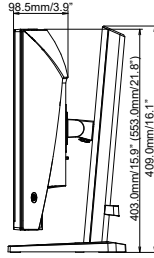
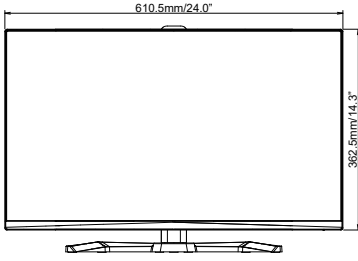
SPECIFICATIONS : G-MASTER GC2781HSU-B1

Size Category		27"
LCD Panel	Panel technology	VA
	Size	Diagonal: 27" (68.6cm)
	Curvature	1500R
	Pixel pitch	0.311mm H × 0.311mm V
	Brightness	350cd/m ² (Typical), 180cd/m ² (Default / Energy Saving)
	Contrast ratio	4000 : 1 (Typical), Adv. Contrast Function Available
	Viewable angle	Right / Left: 89° each, Up / Down: 89° each (Typical)
	MPRT	1ms
Display Colors		Approx. 16.7M (6bit+FRC)
Sync Frequency	HDMI	Horizontal: 30.0-160.0kHz, Vertical: 48-144Hz
	DisplayPort	Horizontal: 30.0-160.0kHz, Vertical: 48-144Hz
Native Resolution		1920 × 1080, 2.1 MegaPixels
Support Max. Resolution		1920 × 1080 144Hz
Input Connector		HDMI ×1, DisplayPort ×1
Input Video Signal		HDMI, DisplayPort
USB Standard		USB2.0 (DC5V, 500mA)
Number of USB Ports		1 Upstream: Type-B
Connector Shape		2 Downstream: Type-A
Headphone Connector *1		ø 3.5mm mini jack (Stereo)
Speakers		2W × 2 (Stereo speakers)
Maximum Screen Size		597.9mm W × 336.3mm H / 23.5" W × 13.2" H
Power Source		100-240VAC, 50/60Hz, 1.5A
Power Consumption *2		17W (Typical) Standby mode: 0.5W maximum, Off mode: 0.3W maximum
Dimensions		610.5 × 466.5 × 192.5mm / 24.0 × 18.4 × 7.6" (W×H×D)
Net Weight		4.0kg / 8.8lbs
Tilt Angle		Upward: 20°, Downward: 3°
Environmental Considerations		Operating: Temperature 0 to 40°C / 32 to 104°F Humidity 10 to 90% (No condensation) Storage: Temperature -20 to 60°C / -4 to 140°F Humidity 10 to 90% (No condensation)
Approvals		CE, UKCA, TÜV-Bauart, EAC, VCCI, PSE

NOTE *1 Proper operation of connected external devices other than headphones is not guaranteed.

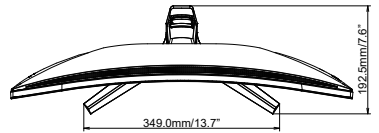
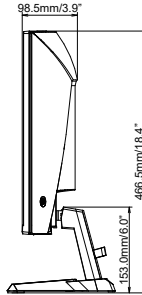
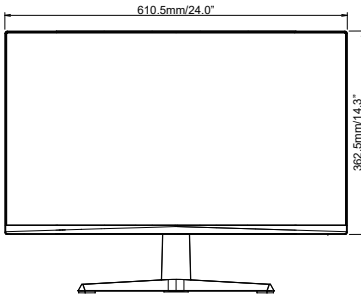
*2 When the USB devices are not connected.

DIMENSIONS : G-MASTER GCB2784HSU, GCB2781HSU



() : Maximum adjustment range

DIMENSIONS : G-MASTER GC2784HSU, GC2781HSU



COMPLIANT TIMING

Video Mode	Horizontal Frequency	Vertical Frequency	Dot Clock
800 × 600	37.879kHz	60.317Hz	40.000MHz
	46.875kHz	75.000Hz	49.500MHz
1024 × 768	48.363kHz	60.004Hz	65.000MHz
	60.023kHz	75.029Hz	78.750MHz
1280 × 1024	63.981kHz	60.020Hz	108.000MHz
	79.976kHz	75.025Hz	135.000MHz
1920 × 1080	67.500kHz	60.000Hz	148.500MHz
	135.000kHz	120.000Hz	297.000MHz
	159.980kHz	143.997Hz	332.760MHz
	166.605kHz	144.000Hz	346.540MHz
	283.197kHz	240.000Hz	589.050MHz

*1

*2

*2

Console	1080p (1920×1080)
PS5	60 / 120Hz
Xbox Series X/S	60 / 120Hz

NOTE *1 Available for [G-MASTER GCB2781HSU](#) and [G-MASTER GC2781HSU](#) only.

*2 Available for [G-MASTER GCB2784HSU](#) and [G-MASTER GC2784HSU](#) only.