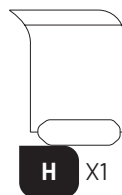
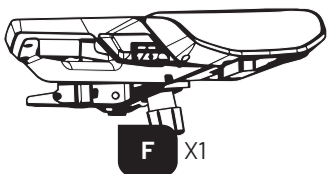
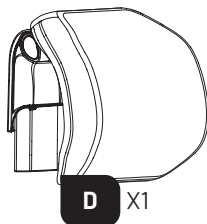
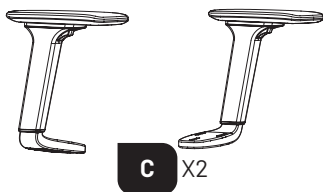
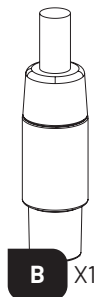
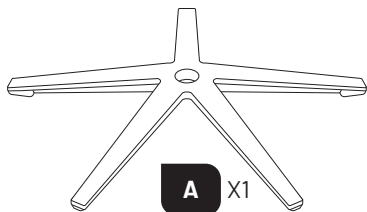
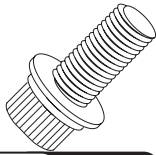
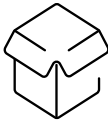
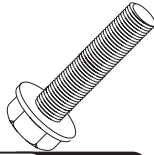
 **FLASH**
BY DIABLO CHAIRS

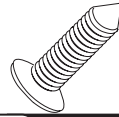




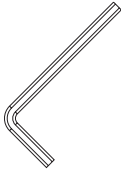
SR1 M8X20 X3



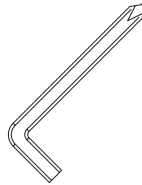
SR2 M6X25 X6



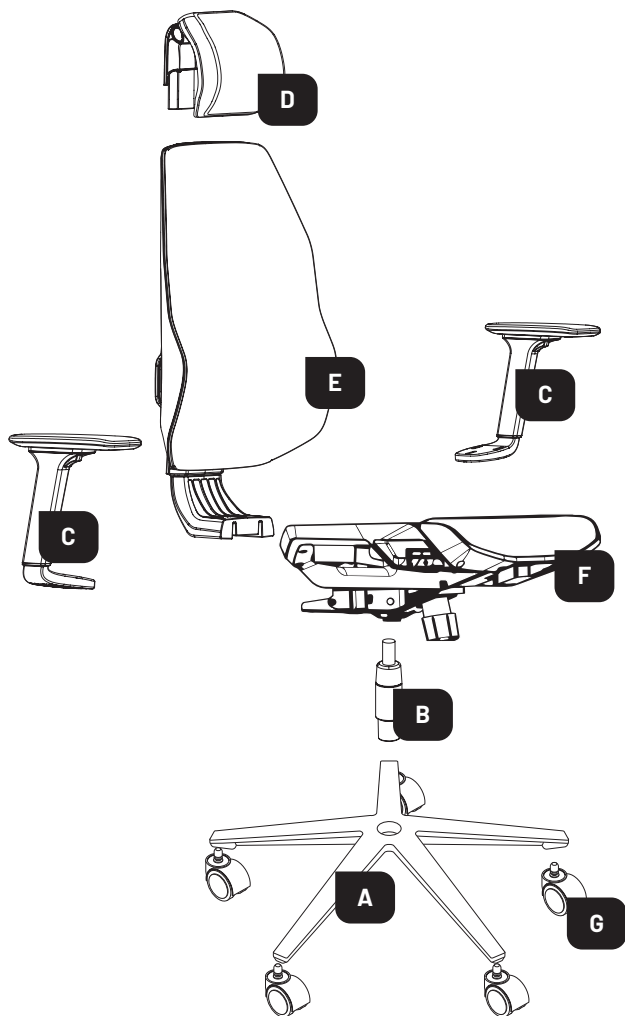
SR3 4X14 X1



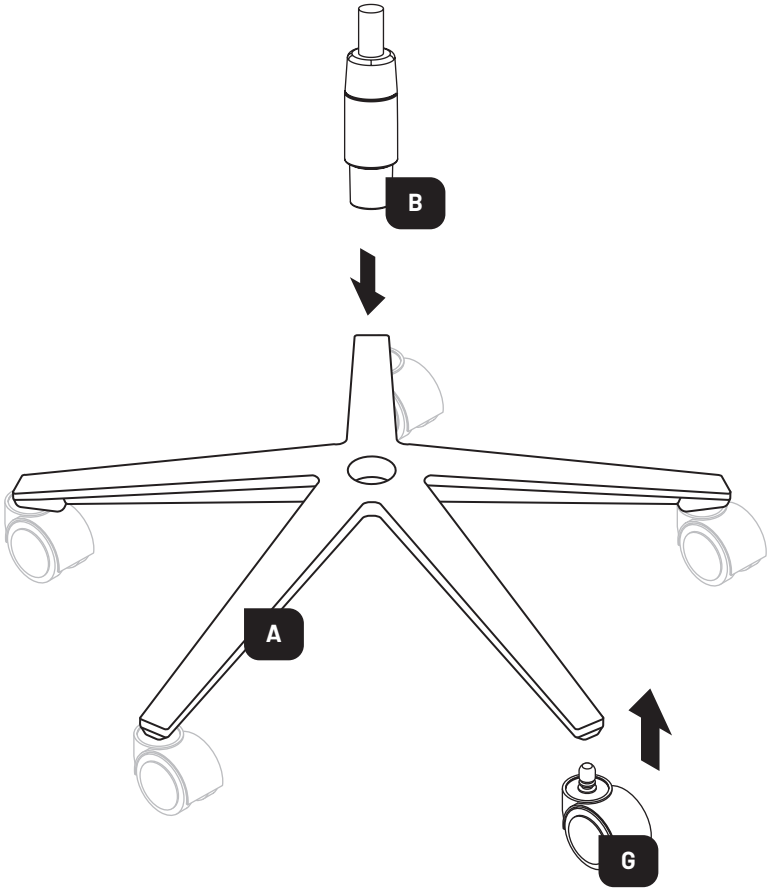
SR4 4mm X1



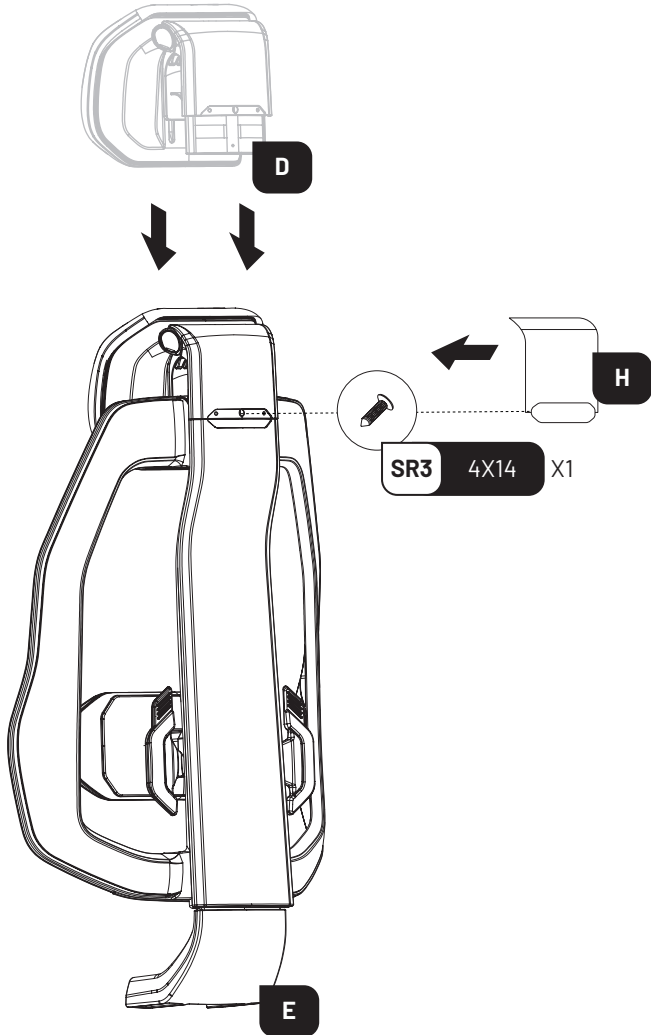
SR5 6mm X1



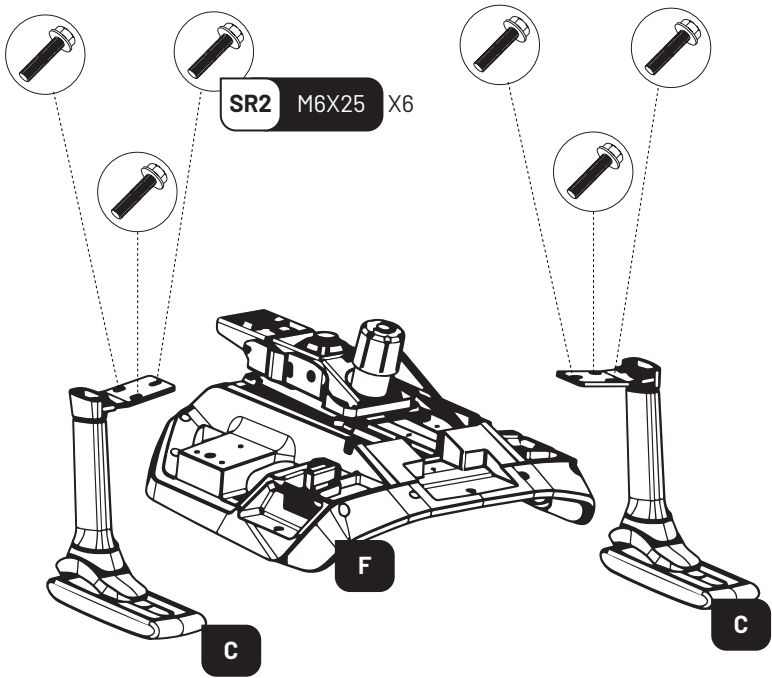
1



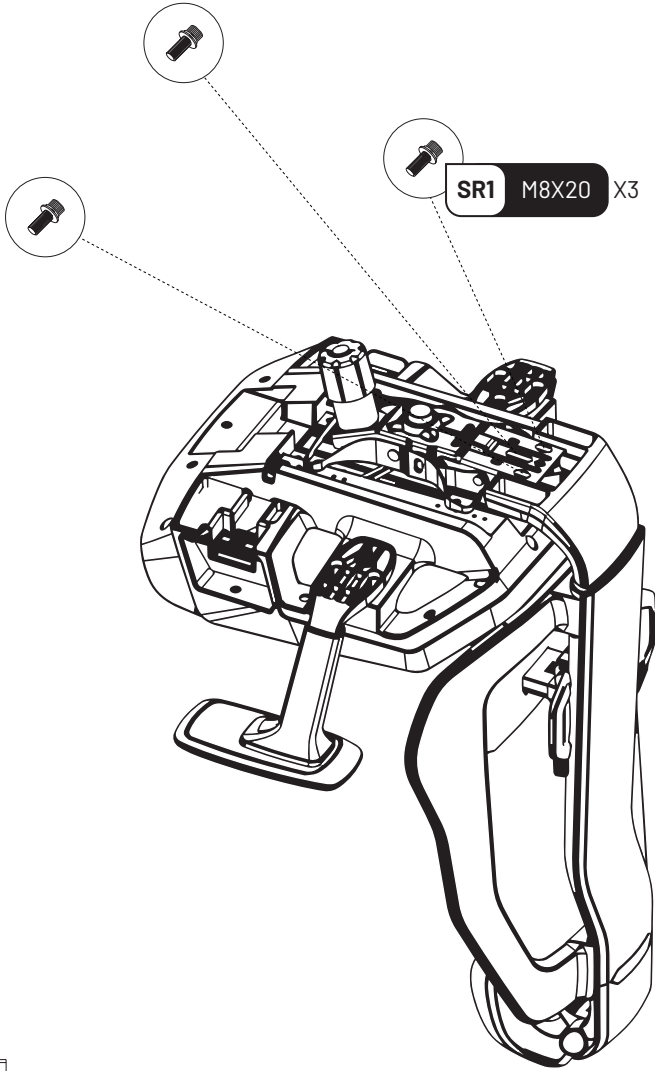
2



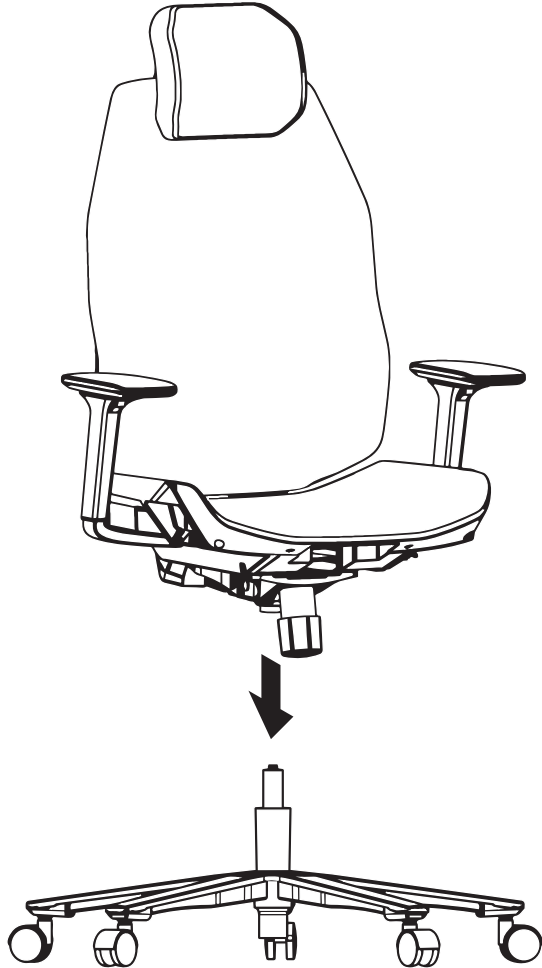
3



4



5



6





FLASH

BY DIABLO CHAIRS

MANUFACTURER:
DOMATOR24 SP. Z O.O.
85-155 ZIELONA GÓRA, POLAND
UL. DEKORACYJNA 8
NIP 829-207-22-63
SUPPORT@DIABLOCHAIRS.COM
WWW.DIABLOCHAIRS.COM



FR

Pensez à
donner
ou recycler.



Association

ou



Magasin

ou



Déchèterie

0167486868@ECHOIETL.FR



Separate waste
correctly

