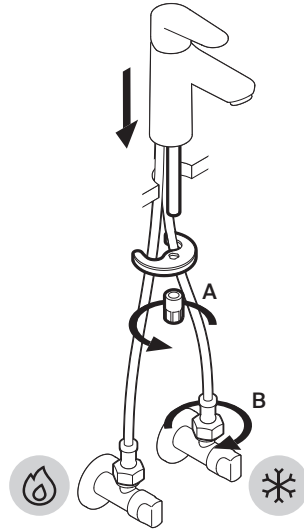
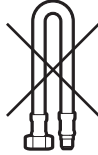
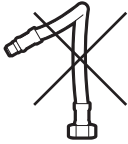
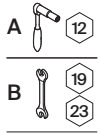


# Monodin





**P**

bar



10 Max



Min 1



5 Max



3



**T**

°C



80 Max



65  
50



**Q**

(3 bar)

L/min



5

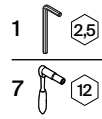
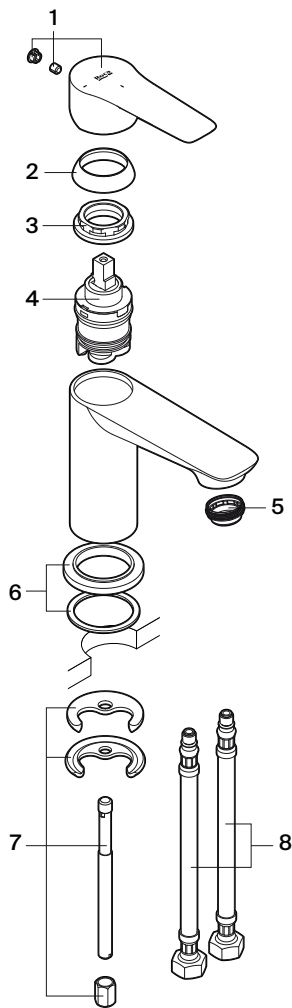
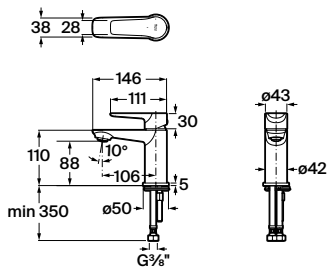


5

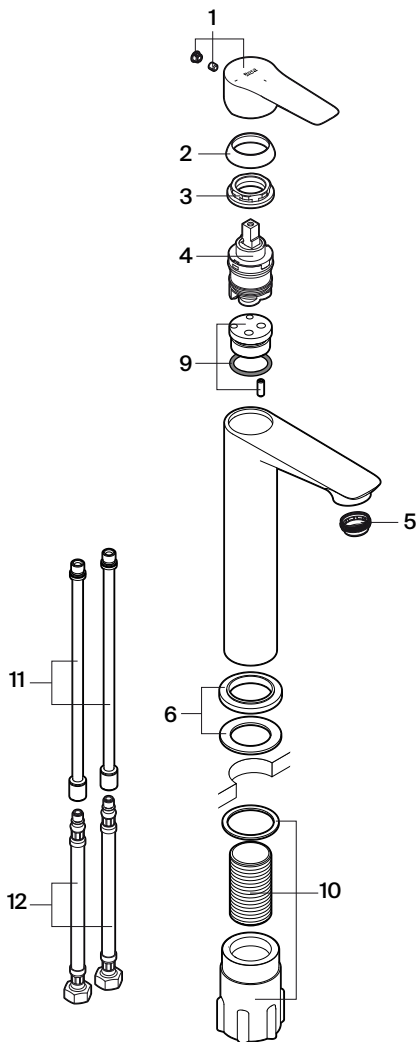
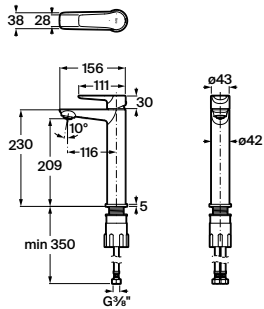


20

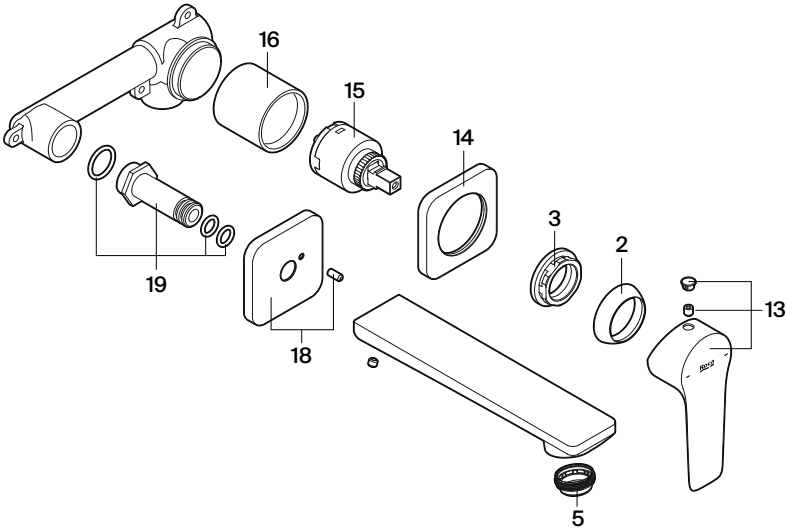
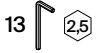
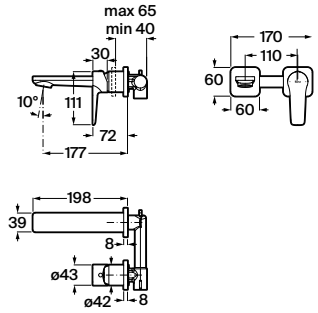
A5A328G..0



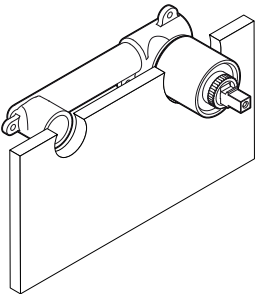
A5A348G..0



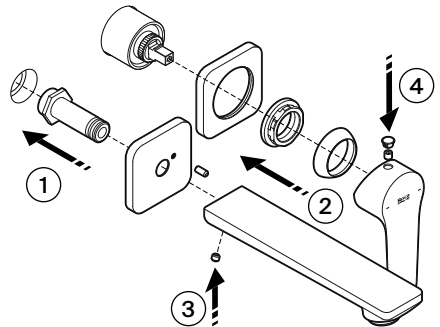
A5A358G..0

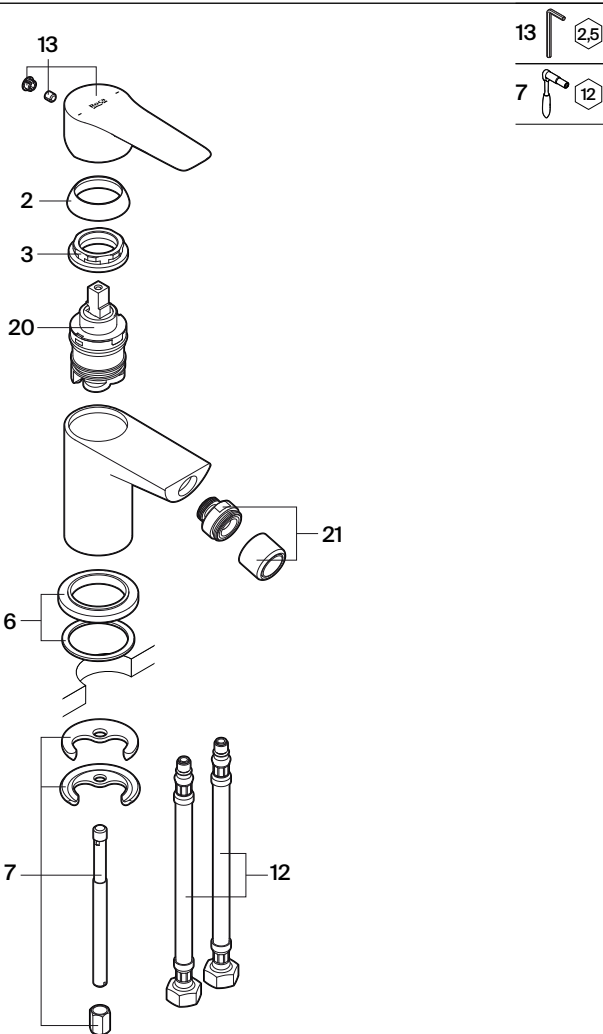
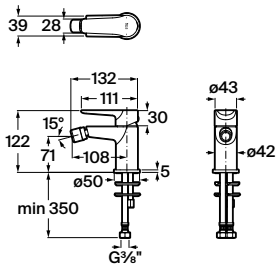


1.

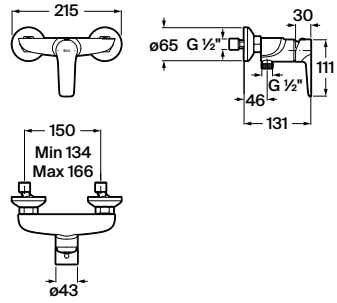


2.

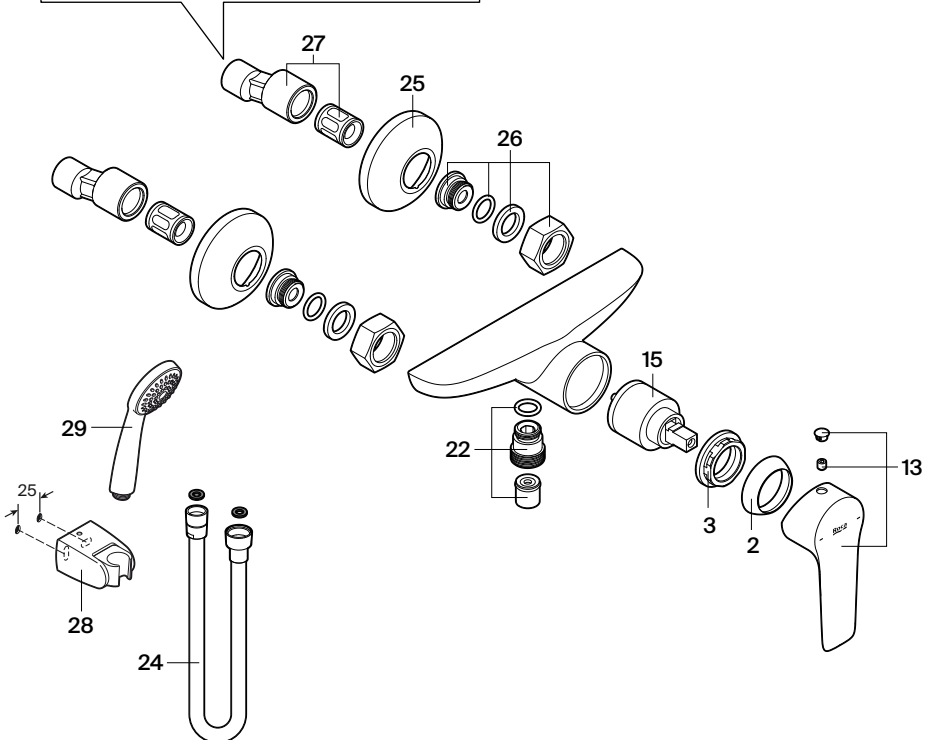
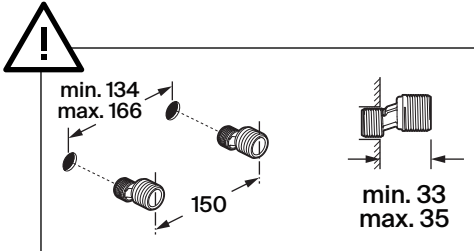


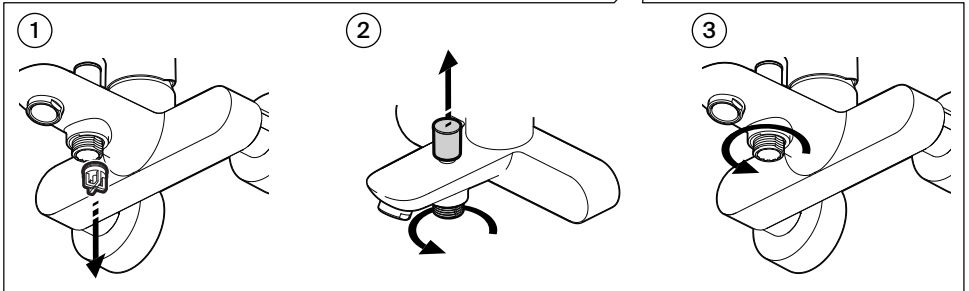
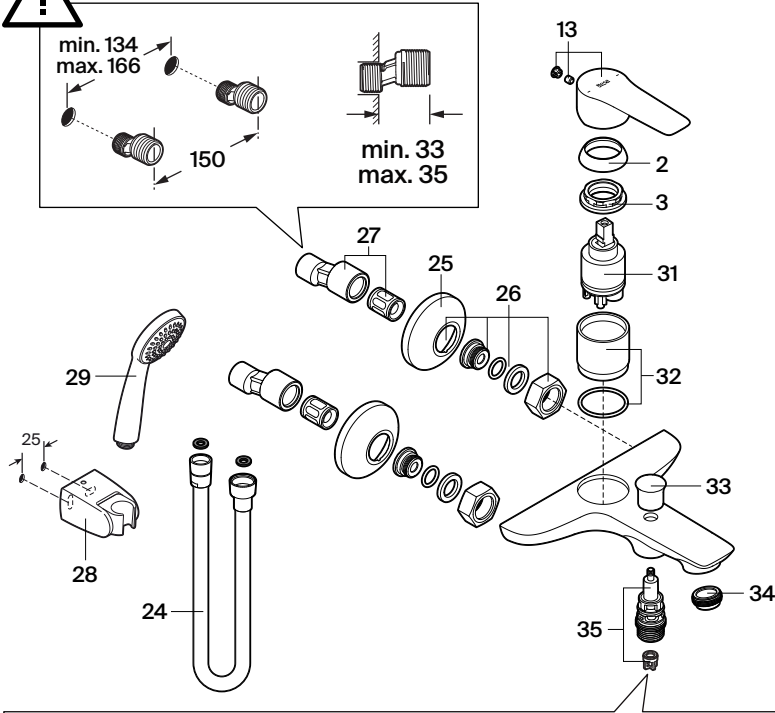
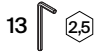
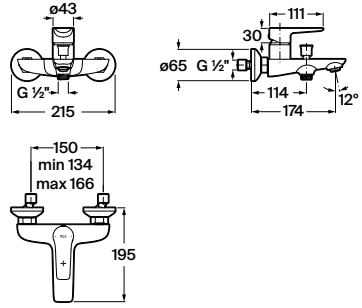


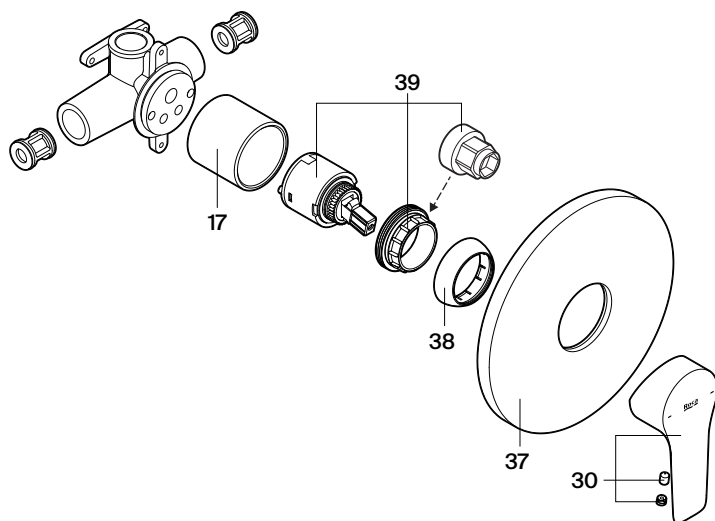
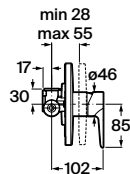
A5A208G..0



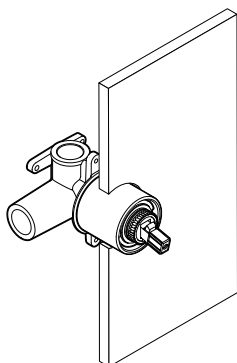
13  



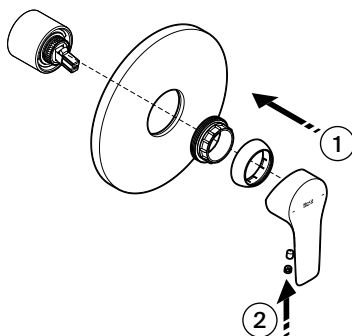


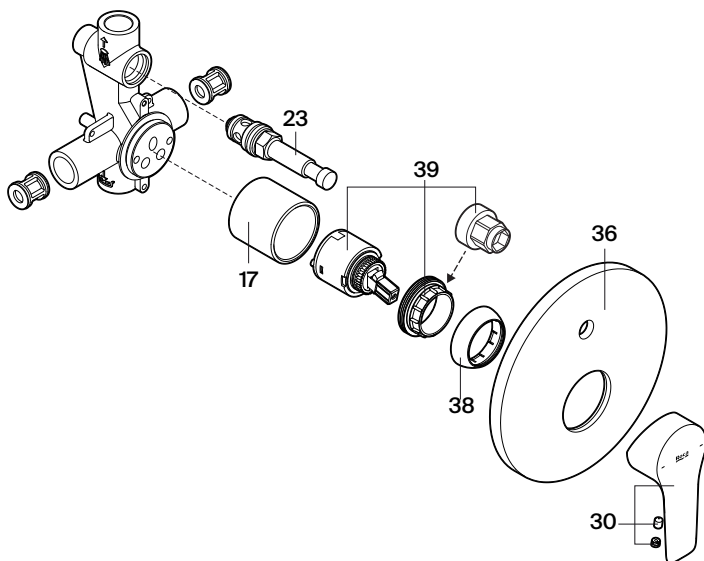
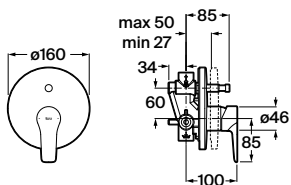


1.

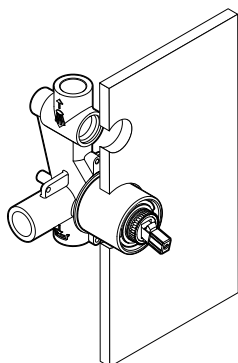


2.

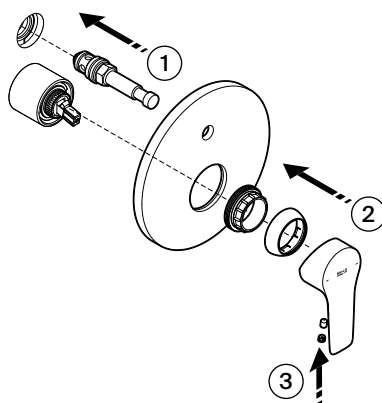




1.

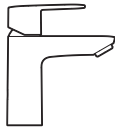


2.





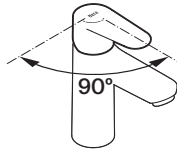
0%



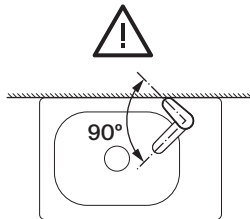
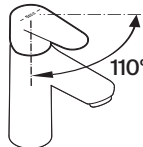
100%



### Cold start



### Mixer



|    |            |      |
|----|------------|------|
| 1  | AG02803..R |      |
| 2  | AG02810..R |      |
| 3  | AG0281100R |      |
| 4  | AG0280600R |      |
| 5  | AG0129507R |      |
| 6  | AG02812..R |      |
| 7  | A525025303 |      |
| 8  | AG0282600R | 3/8" |
| 9  | AG0281300R |      |
| 10 | AG0225400R |      |
| 11 | AG0281400R |      |
| 12 | AG0282500R | 3/8" |
| 13 | AG02804..R |      |
| 14 | AG02816..R |      |
| 15 | AG0280700R |      |

|    |            |    |
|----|------------|----|
| 16 | AG02815..R |    |
| 17 | AG02189..R |    |
| 18 | AG02818..R |    |
| 19 | AG0281700R |    |
| 20 | AG0280800R |    |
| 21 | AG02819..R |    |
| 22 | AG02820..R |    |
| 23 | AG02186..R |    |
| 24 | AG02853..R |    |
| 25 | AG02821..R | x2 |
| 26 | AG02131..R | x2 |
| 27 | AG0103908R | x2 |
| 28 | AG01059..R |    |
| 29 | AG00827..R |    |
| 30 | AG02805..R |    |

|    |            |  |
|----|------------|--|
| 31 | AG0280900R |  |
| 32 | AG02823..R |  |
| 33 | AG02822..R |  |
| 34 | AG0187500R |  |
| 35 | AG01165..R |  |
| 36 | AG01196..R |  |
| 37 | AG01195..R |  |
| 38 | AG00853..R |  |
| 39 | AG0110607R |  |

CÓDIGO / CODE

0000000 0

ACABADO / FINISH  
→ [www.roca.com](http://www.roca.com)

