



Installation instructions

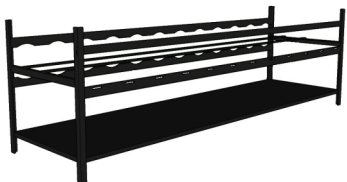
1. The base plate
2. Power supply holder
3. HDD/SSD holder
4. Leg - back
5. Leg - front
6. Crossbar - left / right
7. Supporting crossbarbar
8. Riser ledge
9. Crossbar - card locker



Frame for cryptocurrency excavator
6GPU
model: **AKM061**

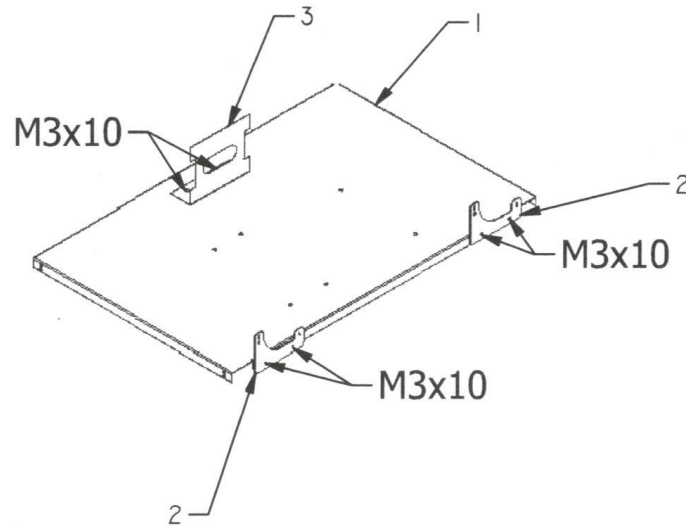


Frame for cryptocurrency excavator
8GPU
model: **AKM081**

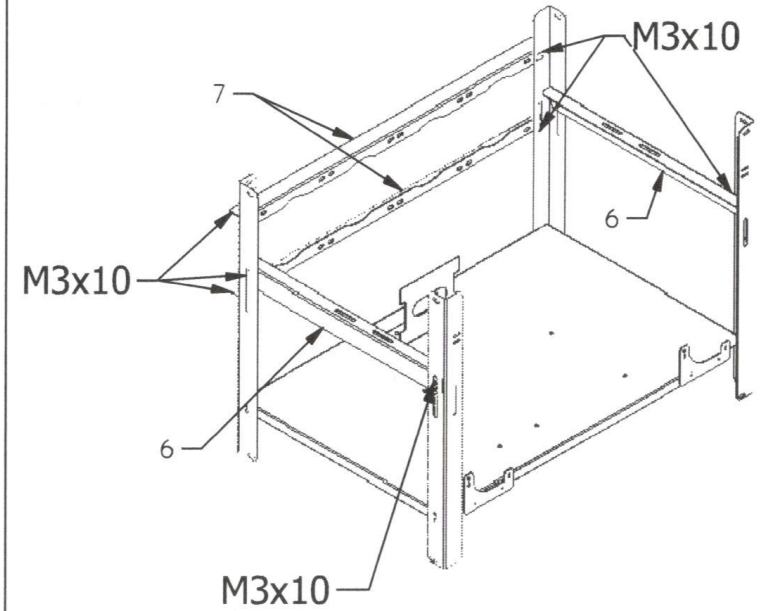


Frame for cryptocurrency excavator
12GPU
model: **AKM121**

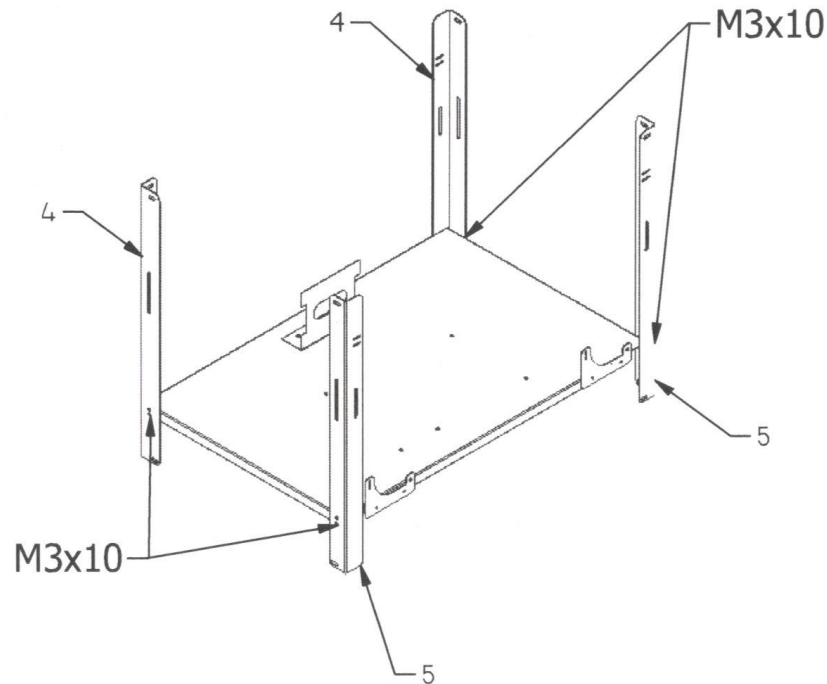
I



II



II



IV

