

# Fully Automatic Espresso Machine

User Manual



CEG5311X

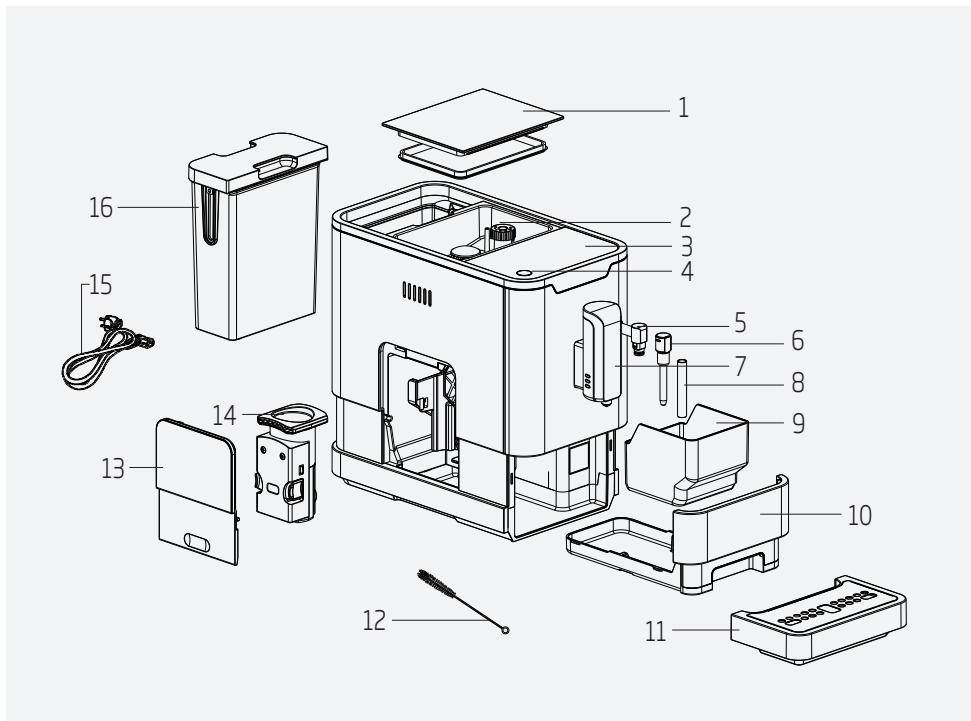
EN | DE | FR | TR | ES | CS  
IT | PL | RO | SL | AR

01M-8813573200-2918-01

**beko**

## CONTENTS

<b>ENGLISH</b>	<b>5-20</b>
<b>DEUTSCH</b>	<b>21-39</b>
<b>FRANÇAIS</b>	<b>40-57</b>
<b>TÜRKÇE</b>	<b>58-75</b>
<b>ESPAÑOL</b>	<b>76-95</b>
<b>ČESKY</b>	<b>96-113</b>
<b>ITALIANO</b>	<b>114-133</b>
<b>POLSKI</b>	<b>134-155</b>
<b>SLOVAK</b>	<b>156-175</b>
<b>ROMÂNĂ</b>	<b>176-193</b>



1. Coffee Beans Container Cover
2. Coffee Bean Container
3. Control Panel
4. On/Off button
5. Steam Nozzle
6. Nozzle cover
7. Adjustable coffee spout
8. Metal tube
9. Coffee Grounds Container
10. Internal Drip Tray
11. External Drip Tray
12. Cleanness brush
13. Service Door
14. Brewer
15. Power cord
16. Water Tank

## Technical data

### Power supply:

220-240 V~, 50-60 Hz

### Power: 1350 W

Technical and design modifications reserved.

All declared values on the product and on the printed leaflets are picked up after laboratory measurements performed according to related standards. These values may differ upon usage and ambient conditions.

# Please read this user manual first!

Dear Customers,

Thank you for selecting an Beko product. We hope that you get the best results from your product which has been manufactured with high quality and state-of-the-art technology. Therefore, please read this entire user manual and all other accompanying documents carefully before using the product and keep it as a reference for future use. If you handover the product to someone else, give the user manual as well. Follow all warnings and information in the user manual.

## Meanings of the symbols

Following symbols are used in the various section of this manual:



Important information or useful hints about usage.



**DANGER:** Warning for hazardous situations with regard to life and property.



**WARNING:** Warning indicates a potentially dangerous situation.



**CAUTION:** Warning indicates potential material damage.



This product has been produced in environmentally-friendly, state-of-the-art facilities.

Complies with the WEEE Directive.



It does not contain PCB.

# 1 Important instructions for safety and environment

This section includes the safety instructions that will help providing protection against personal injury and material loss risks. Failure to follow these instructions invalidates the granted warranty.

## 1.1 Danger of electric current

Danger to life by electric current! Contact with live wires or components could lead to serious injury or even death!

Observe the following safety precautions to avoid electric shocks:

- Do not use the coffee machine if the connecting cable or mains plug are damaged.
- Before reusing the coffee machine, the mains cable must be renewed by a qualified electrician.

- Do not open the housing of the coffee machine. Danger of electric shock if live connections are touched and/or the electrical and mechanical configuration is changed.
- Before cleaning the bean container, pull the mains plug of the appliance out of the socket. Danger from rotating coffee mill!

## 1.2 Danger of burning or scalding

Parts of the coffee machine can become very hot during operation! Dispensed drinks and escaping steam are very hot!

Observe the following safety precautions to avoid burning/scalding yourself and/or others:

- Do not touch either of the metal sleeves on both coffee spouts.

# 1 Important instructions for safety and environment

- Avoid direct contact of the skin with escaping steam or hot rinsing, cleaning and descaling water.
- Repairs to the coffee machine must only be carried out by an authorised specialist or by the works customer service. Unqualified repairs can lead to considerable danger for the user. They will also void the warranty.

## 1.3 Fundamental safety precautions

Observe the following safety precautions to ensure safe handling of the coffee machine:

- Never play with packaging material. Risk of suffocation.
- Inspect the coffee machine for visible signs of damage before use. Do not use a damaged coffee machine.
- If the connecting cable is damaged, it should only be replaced by a service agent recommended by the manufacturer in order to prevent any danger! Please contact the manufacturer or his customer service.
- Repairs to the coffee machine during the warranty period may only be carried out by service centres authorised by the manufacturer, otherwise the warranty will become void in the event of subsequent damage.
- Defective parts may only be replaced with original spare parts. Only original spare parts guarantee that the safety requirements are met.

# 1 Important instructions for safety and environment

- This appliance can be used by children from the age of 8 up as well as by persons with reduced physical, sensory or mental abilities or with lacking experience and/or knowledge, if these persons are supervised or have been instructed how to use the appliance in a safe way and have understood the hazards which could arise from using it. Children must not play with the appliance. Cleaning and user maintenance shall not be made by children unless they are older than 8 and supervised.
- This appliance is intended to be used in household and similar applications such as:
  - staff kitchen areas in shops, offices and other working environments,
  - farm houses,
  - by clients in hotels, motels and other residential type environments,
  - bed and breakfast type environments.
- Protect the coffee machine against the effects of weather such as rain, frost and direct sunlight. Do not use the coffee machine outdoors.
- Never immerse the coffee machine itself, the mains cable or the mains plug into water or other liquids.
- Do not clean the coffee machine or accessories in a dish washer.
- Do not pour any other liquids apart from water or place foodstuffs into the water tank.

# 1 Important instructions for safety and environment

- Do not fill the water tank beyond the maximum mark (lower edge of the filling hole) (1.5 litres).
- Only operate the machine when the waste container, drip tray and the cup grate are fitted.
- Do not pull the cable to remove the plug from the mains socket or touch with wet hands.
- Do not hold the coffee machine with the mains cable.
- Keep the appliance and its cord out of reach of children aged less than 8 years.
- Do not operate the hot water function continuously for more than one tank of water.

## 1.4 Intended use

The fully automatic coffee machine Beko is intended for use in homes and similar applications, for instance in staff kitchens, shops, offices and similar areas or by customers in bed & breakfast, hotels, motels and other living accommodation. This coffee machine is not intended for commercial use. The machine is only intended for preparing coffee and heating milk and water. Any other use other than previously stated is considered as improper use.

### **Danger resulting from improper use!**

If not used for its intended purpose or used in any other way, the coffee machine may be or become a source of danger.



**WARNING:** Therefore, the coffee machine may only be used for its intended purpose.



**WARNING:** Observe the procedures described in this user manual.

No claims of any kind will be accepted for damage or injury resulting from use of the coffee machine for other than its intended purpose.

The risk has to be borne solely by the machine owner.



# 1 Important instructions for safety and environment

## 1.5 Limitation of liability

All technical information, data and instructions on installation, operation and maintenance of the coffee machine contained in these operating instructions represent the current status at the time of printing and are based on the best possible knowledge gained by experience and knowhow.

No claims can be derived from the information, illustrations and descriptions in this user manual.

The manufacturer assumes no liability for damage or injury resulting from failure to observe the user manual, use for other than the intended purpose, unprofessional repairs, unauthorised modifications or use of non-approved spare parts.

## 1.6 Compliance with the WEEE Directive and Disposing of the Waste Product:

This product complies with EU WEEE Directive (2012/19/EU). This product bears a classification symbol for waste electrical and electronic equipment (WEEE).



This product has been manufactured with high quality parts and materials which can be reused and are suitable for recycling. Do not dispose of the waste product with normal domestic and other wastes at the end of its service life. Take it to the collection center for the recycling of electrical and electronic equipment. Please consult your local authorities to learn about these collection centers.

## 1.7 Compliance with RoHS Directive

The product you have purchased complies with EU RoHS Directive (2011/65/EU). It does not contain harmful and prohibited materials specified in the Directive.












## 1.8 Package information



Packaging materials of the product are manufactured from recyclable materials in accordance with our National Environment Regulations. Do not dispose of the packaging materials together with the domestic or other wastes. Take them to the packaging material collection points designated by the local authorities.

## 2 Display

### 2.1 Control Panel

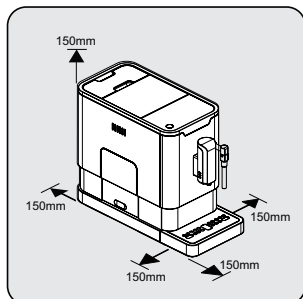
	Flashing: Low water level/ Water tank missing
	Lack of bean
	Lights up stably: coffee grounds container is full Flashing: Internal Drip Tray/coffee grounds container is missing
	Lights up stably: Brewer is missing/ installed improperly Flashing: Service door is opened / installed improperly
	Lights up stably: Requires to do descaling Flashing: Descaling is under process
	Empty System Function is running
	Power ON/OFF Button
	Steam Button
	Hot Water Button
	Strong Espresso Button
	Mild Espresso Button

In the box, three packs of cleaning agents are included for the process of self-cleaning.

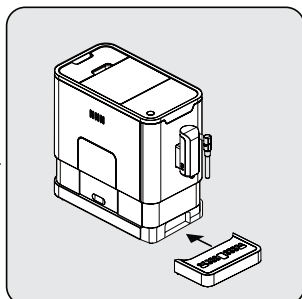
# 3 Preparation

## 3.1 Installation

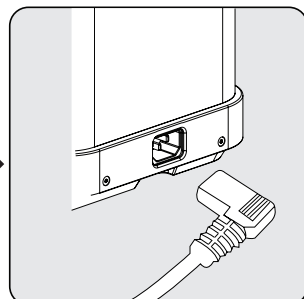
**i** Remove any protective films, stickers and any other packing material on the appliance.



Choose a safe and stable surface with an easily reachable power supply and allow minimum distance from the sides of the machines.




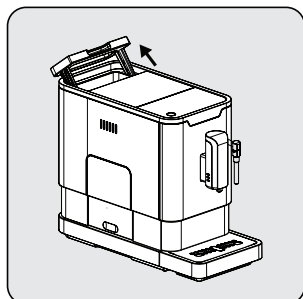
Insert the external drip tray. Make sure it is inserted correctly.



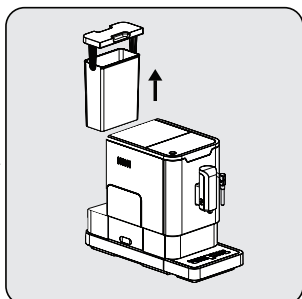
Unwind and straighten the power cord and insert the plug into the socket located on the back of the machine. Insert the other end of the power cord into a wall socket with suitable power voltage.

## 3.3 Filling the water tank

**!** **WARNING:** When  is flashing, the water tank is in low water level and requires filling the water tank.



Lift the water tank by using the lid as the handle.



Take the water tank out.



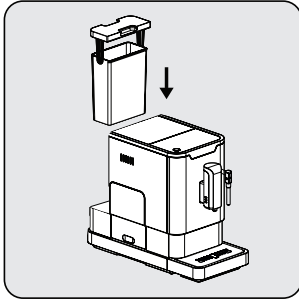
Rinse the water tank with fresh water and then fill the tank to the Max level and place it back into the machine. Make sure it is fully inserted.

**i** To prevent overflow of water from the water tank, do not add water directly into the appliance with another container.

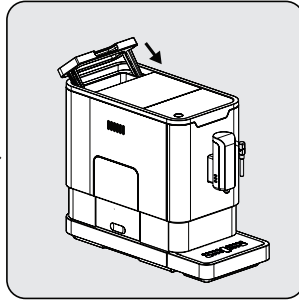
## 3 Preparation



**WARNING:** Never fill the water tank with warm, hot, sparkling water or any other liquid which might damage the water tank and the machine.



Place the water tank back by using the lid as the handle.

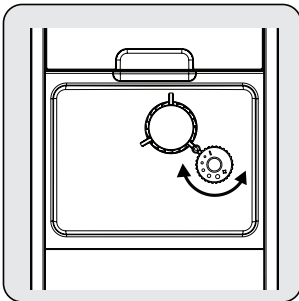


Close the water tank by using the lid.

## 4 Operation

### 4.1 Grinding Adjustment

You can adjust the grinder to suit the roast of your coffee by turning adjuster knob in the bean container:



When the grinder is grinding the coffee bean when it is making the coffee, you can turn the adjust knob to do the adjustment.



**WARNING:** Never do the grinding adjustment when the grinder is not operating. It may damage the grinder.

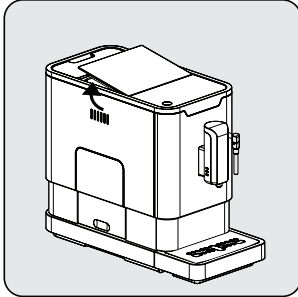


The dots on the adjuster knob indicate the fineness of the grind.

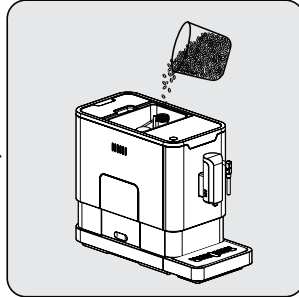
## 4 Operation

### 4.2 Filling the bean container

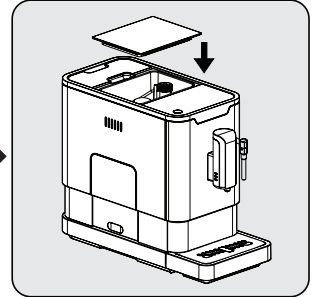
**i** When  is flashing, the appliance needs to be filled with coffee bean.



Remove the bean container lid.



Slowly pour in the coffee beans.



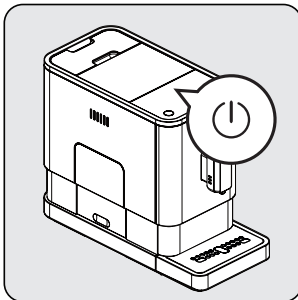
Place the container lid back.



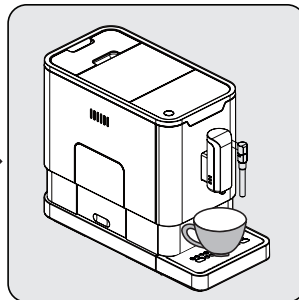
**WARNING:** Fill the coffee bean container only with coffee beans. Grounded coffee, instant coffee, caramelized coffee and any other objects may damage the machine.

**i** Press the hot water button to clean inside of the coffee maker before first use.

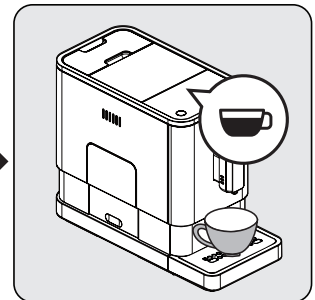
### 4.3 Making Your Coffee



Switch on the appliance by pressing the power on/off button. The appliance is then in the standby condition.



Place a cup under the coffee spout and adjust the height of the spout to fit the cup.



The espresso button being pressed will light on and the illumination will light up indicates that the appliance is preparing the cup of coffee.

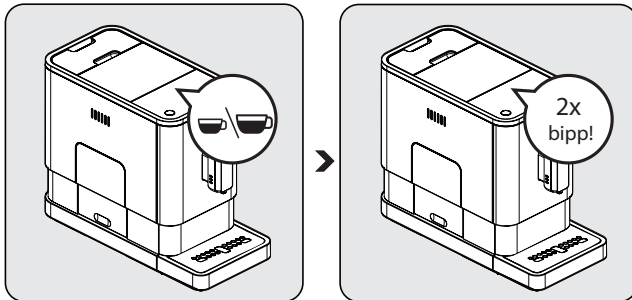
When the appliance is back to standby condition, the coffee is ready to serve.

## 4 Operation

- i** Switch off the appliance by pressing the power on/off button.
- i** Depending on the taste of coffee you would like to have, press strong espresso button or mild espresso button .
- i** Press the hot water button to clean inside of the coffee maker before first use.
- i** The Appliance is equipped with auto-shut off. Depending on the mode you have selected the appliance will have different auto-shut off timing.

### 4.4 Adjustiing The Volume Of Your Coffee/Hot Water

You can memorize your desired volume of coffee for both strong espresso and mild espresso and also the hot water from 25ml to 250ml.



When making your coffee (either strong espresso or mild espresso) or dispensing hot water, press and hold the button you selected. The appliance will continue to make the cup of coffee.

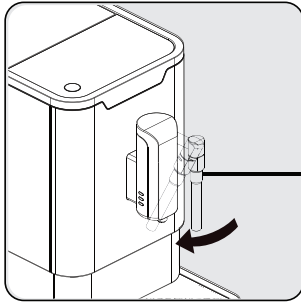
When the volume of coffee meets your desired volume, release the button. Two beep sounds will be heard indicates that the volume of coffee is being memorized.

- i** You can reset the volume of coffee back to the factory setting by selecting the default setting.

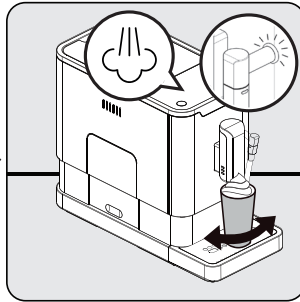
## 4 Operation

### 4.5 Preparing Frothy Milk for Coffee

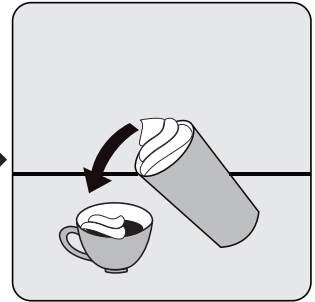
**i** As the temperature of steam is higher than the temperature of espresso, so espresso should be prepared before making frothy milk; otherwise the espresso might be burnt.



Prepare the espresso coffee with larger cup. Turn the steam nozzle toward to the Drip tray.



Press the steam button. Steam indicator light will flash. Then the appliance is heating up and draining the residual water into the Drip Tray or another container. After the steam indicator light stop flashing and stay on, place a container with milk under the steam nozzle and immerse the steam nozzle about 5cm deep into the container. Swivel the container while the hot steam comes out.



Pour the hot frothy milk into the espresso. Now you can enjoy your coffee.

### 4.6 Hot Water

The appliance can dispense hot water by simply pressing the hot water button. The hot water button and the illumination will lights up indicates that the appliance is heating up the water. When the hot water button and the illumination turn off, the water is ready to serve.

# 4 Operation



## 4.7 Mode Selection




The machine has two different setting: default setting, ECO mode and speed mode. In ECO mode, the appliance helps to save more energy. In speed mode, the user can make their coffee faster than in default setting.


	ECO Mode	Speed Mode	Default Setting
Illumination Light	No	Yes	Yes
Pre-brewing*	Yes	No	Yes
Auto shut off time	10mins	30mins	20mins
Cup Volume memory	Yes	Yes	Yes



The pre-brewing function moistens the grounded beans in the brewer with a small amount of water before full extraction. This expands the coffee grounds to build up a greater pressure in the brewer which help extraction of all the oils and full flavor from the grounded beans.

1. When the machine is in standby condition, press and holds the  for 5 seconds.
2. The  will then be flashing and the following button will have the following indications for different settings:

	Hot water button 	Strong espresso button 	Mild espresso button 
In ECO Mode	Lights ON	Flashing	Flashing
In Speed Mode	Yes	No	Flashing
In Default Setting	Flashing	Flashing	Lights On

3. Press the hot water button for ECO mode, strong espresso button for speed mode and mild espresso button for default setting. Two Beep sound will be heard indicates that the mode is being selected. (Note: If you are pressing the relative lights on button for each mode, the machine will not response).
4. If you would like to remain the setting unchanged, press  again or wait for 5 seconds for the machine to return to the standby condition



## 5 Cleaning

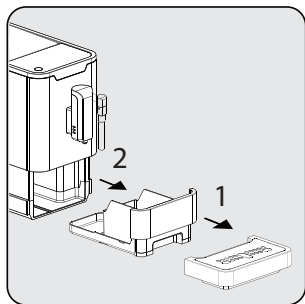
### 5.1 Cleaning of the appliance

1. Disconnect the power cord from the mains supply outlet.
2. Pour away all the water in the internal and external drip tray
3. Use a damp cloth or non-scratching cleaner to clean the water stains on the appliance.

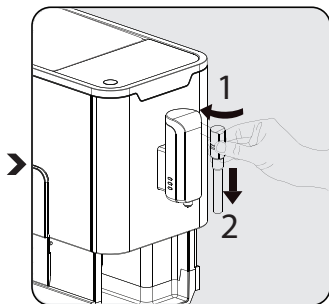


**WARNING:** Never use any abrasive, vinegar or descaling agents not included in the box to clean the appliance.

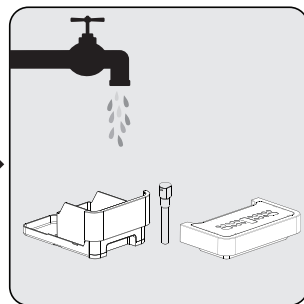
Timely cleaning and maintenance of the appliance is very important in prolonging the life of the appliance.



Remove the external drip tray. Slides open the internal drip tray and the coffee grounds container.



Unlock the nozzle cover by turning it to left. Then pull it downward to remove. Pull the metal tube downward to disassemble the nozzle cover and metal tube.



Empty the coffee grounds container, external drip tray, nozzle cover and metal tube wash it with fresh water. Dry it afterwards.

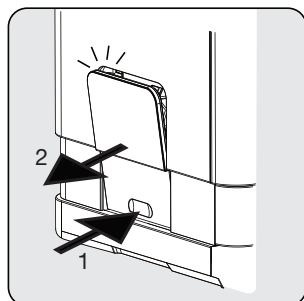


Assembly the metal tube back to the nozzle cover. Then push upward to place the nozzle cover back. And turn it to right to lock it.

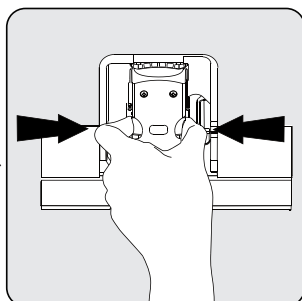


When  lights up, the coffee grounds container needs to be empty.

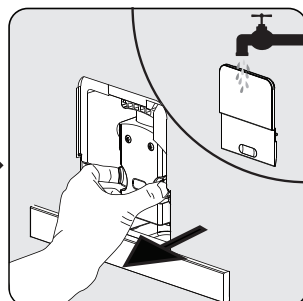
## 5 Cleaning



Pull down the service door and remove it.



Press the release knob.



Remove the brewer. Wash the brewer with fresh water. Dry the brewer afterwards.



When  lights up stably, it indicates that the brewer is missing / installed improperly. When  is flashing, it indicates that the service door is missing/installed improperly.

### 5.2 Self-Cleaning






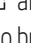

**WARNING:** Please wait for finishing the self cleaning process and then switch off the machine.

When  is flashing, it indicates that the appliance needs to undergo self-cleaning. The appliance will remain in the best condition if this function is performed at least once a month or more regularly depending on the hardness of water used. It is also suggested that to

1. Fully fill the water tank.
2. Adding one pack of cleaning agent included in the box to the water tank.



**WARNING:** Do not use vinegar or other cleaning agent to do self-cleaning of this appliance. The cleaning agent might damage the appliance.




3. Plug in the appliance.
4. Place a sufficient large container under the coffee spout.
5. In standby condition, press and hold  and strong espresso button  for 5 seconds. A beep sound will be heard with  and strong espresso button  will be flashing.
6. Press strong espresso button to confirm undergoing the self-cleaning process. To resume back to the standby condition, press .

## 5 Cleaning

7. Will be flashing indicates that the appliance is undergoing the self-cleaning process.





**WARNING:** Keep skin/body away from the hot water.

8. When all the water in the water tank is being dispensed out,  and strong espresso button  will be flashing. Remove all the remaining solution in the water tank and fill the tank with normal tap water until the max position. When water is filled into the water tank,  will go off. Then the appliance will continue the self-cleaning process.


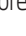
9. When the self-cleaning process is completed, the appliance will switch off automatically.

### 5.3 Empty System Function

The empty system function is recommended to be used before long period of non-use, frost protection and before talking to repair agent.

1. In standby condition, press and hold the  and mild espresso button  together for 5 seconds.

2.  will then be flashing.

3. Remove the water tank from the appliance.  will light up stably indicates that the empty system is under process. You can press  before removing the water tank to resume back to the standby condition.

4. When the empty system function is completed, the appliance will switch off automatically.



**WARNING:** After perform EMPTY SYSEM FUNCTION; press the hot water button until water can come out from spout when the coffee maker is reused again.

### 5.4 Manual Rinsing

You can perform a manual rinsing cycle to clean the coffee nozzle after use. It is also suggested to perform a manual rinsing if the appliance has not been used for a long period of time.

1. In standby condition, press and hold the  and hot water button  together.


2. The hot water button , strong espresso button  and mild espresso button  will then goes off. The coffee nozzle will then dispense a small amount of water which is used for the rinsing.



**WARNING:** Water comes out of the coffee nozzle is hot and is collected in the drip tray underneath. Avoid contact with splashes of water.

3. After rinsing, the appliance will return to the standby condition.

## 6 Troubleshooting

Problem	Cause	Solution
The appliance does not work.	The appliance is not connected to the mains.	Plug in and press the switch. Check the cable and the Plug
No or delayed response in several trials of pressing on function key on the panel	Appliance is under an electromagnetic interference Dirt over the panel	Unplug the appliance. Restart after few minutes Clean the panel with the cloth provided
The coffee is not hot enough.	The cups have not been preheated. The brewing unit is too cold.	Rinse the appliance at least 3 times before making the coffee.
The coffee cannot come out from spout.	Empty system function maybe used before.	Press the hot water button until water can come out from spout.
The first cup of coffee is poor quality.	The first run of grinder does not pour sufficient quantity coffee power into the brewing unit.	Throw the coffee away. The other coffees will always be of good quality.
The touch buttons are not sensitive	Excessive scale has built up.	Descale the appliance.
The water tank is removed / the water level is very low in the water tank but  have no alert.	The area near the water tank connector is wet.	Wipe the water around the water tank connector
Internal drip tray is filled with a lot of water.	Coffee powder too fine which block the water to come out.	Adjust the coffee fineness to bigger dot during grinder operation.
Coffee is delivered too slowly or a drop at a time.	Coffee powder too fine which block the water to come out.	Adjust the coffee fineness to bigger dot during grinder operation.
Lack of bean indicator flashes but there is still a lot of coffee bean inside the container.	Internal coffee powder outlet is blocked.	To follow the steps of section E (V. Cleaning coffee powder outlet).
The brewer or the coffee ground tray is impossible to remove.	The appliance did not finish the self-cleaning process and was switched off .	Please switch on the machine again and let it finish its auto cleaning process.

# Bitte lesen Sie zunächst diese Anleitung!

Sehr geehrte Kundin, sehr geehrter Kunde,

Danke, dass Sie sich für ein Produkt der Marke Beko entschieden haben. Wir hoffen, dass Sie mit diesem Produkt, das mitdenhöchstenQualitätsanforderungen und der modernsten Technologie hergestellt wurde, beste Ergebnisse erzielen. Bitte lesen Sie die gesamte Bedienungsanleitung und alle anderen Begleitdokumente aufmerksam, bevor Sie das Produkt verwenden; bewahren Sie sie zum künftigen Nachschlagen sicher auf. Wenn Sie das Produkt an einen Dritten weitergeben, händigen Sie bitte auch diese Anleitung aus. Befolgen Sie alle Warnhinweise und Informationen in dieser Anleitung.

1. Abdeckung des Kaffeebohnenbehälters
2. Kaffeebohnenbehälter
3. Bedienfeld
4. Ein-/Austaste
5. Dampfdüse
6. Düsenabdeckung
7. Anpassbare Kaffeedüse
8. Metallrohr
9. Kaffeesatzbehälter
10. Interne Tropfschale
11. Externe Tropfschale
12. Reinigungspinsel
13. Serviceklappe
14. Brühgruppe
15. Netzkabel
16. Wassertank

# Erklärung der Symbole

In dieser Anleitung werden die folgenden Symbole verwendet:



Wichtige Informationen oder nützliche Tipps zur Verwendung.



**GEFAHR:** Warnung vor Situationen, die Körper- und Sachschäden zur Folge haben können.



**Warnung:** Warnung zeigt eine potenziell gefährliche Situation.



**Achtung:** Warnung zeigt potenzielle Materialschäden.

## Technische Daten

### Spannungsversorgung:

220-240 V Wechselspannung,  
50 bis 60 Hz

**Leistung:** 1350 W

Technische und optische Änderungen vorbehalten.

Alle angegebenen Werte am Produkte und im Dokument wurden unter Laborbedingungen entsprechend den zutreffenden Standards ermittelt. Diese Werte können je nach Nutzung und Umgebungsbedingungen variieren.



Dieses Produkt wurde in umweltfreundlichen, modernen Einrichtungen hergestellt

Das Gerät erfüllt die Vorgaben der WEEE-Richtlinie.



Es enthält kein PCB.

# 1 Wichtige Anweisungen zu Sicherheit und Umwelt

In diesem Kapitel erhalten Sie wichtige Sicherheitshinweise im Umgang mit dem Gerät. Dieses Gerät entspricht den vorgeschriebenen Sicherheitsbestimmungen. Ein unsachgemäßer Gebrauch kann jedoch zu Personen und Sachschäden führen.

## 1.1 Gefahr durch elektrischen Strom

Lebensgefahr durch elektrischen Strom!

Beim Kontakt mit unter Spannung stehenden Leitungen oder Bauteilen besteht Lebensgefahr! Beachten Sie die folgenden Sicherheitshinweise, um eine Gefährdung durch elektrischen Strom zu vermeiden:

- Benutzen Sie das Gerät nicht, wenn das Anschlusskabel oder der Netzstecker beschädigt sind.

- Lassen Sie vor der Weiterbenutzung des Gerätes eine neue Anschlussleitung durch eine autorisierte Fachkraft installieren.
- Öffnen Sie auf keinen Fall das Gehäuse des Gerätes. Werden spannungsführende Anschlüsse berührt und der elektrische und mechanische Aufbau verändert, besteht Stromschlaggefahr.
- Gefahr bei drehendem Mahlwerk! Ziehen Sie vor dem Reinigen des Bohnenbehälters den Netzstecker des Gerätes aus der Steckdose.

## 1.2 Verbrennungs- und Verbrühungsgefahr

Teile des Gerätes können während des Betriebes sehr heiß werden! Die ausgegebenen Getränke und austretender Dampf sind sehr heiß!

# 1 Wichtige Anweisungen zu Sicherheit und Umwelt

Beachten Sie die folgenden Sicherheitshinweise, um sich und/oder andere nicht zu verbrennen/verbrühen:

- Berühren Sie nicht die Metallhülsen an den beiden Kaffeeausläufen.
- Vermeiden Sie direkten Hautkontakt mit austretendem Dampf und mit herauslaufendem, heißen Spül-, Reinigungs-, und Entkalkungswasser.

## 1.3 Grundlegende Sicherheitshinweise

Beachten Sie für einen sicheren Umgang mit dem Gerät die folgenden Sicherheitshinweise:

- Kontrollieren Sie das Gerät vor der Verwendung auf äußere sichtbare Schäden. Nehmen Sie ein beschädigtes Gerät nicht in Betrieb.

- Lassen Sie Reparaturen am Gerät nur von autorisierten Fachhändlern oder vom Werkskundendienst durchführen. Durch unsachgemäße Reparaturen können erhebliche Gefahren für den Benutzer entstehen. Zudem erlischt der Garantieanspruch.
- Bei Beschädigung des Netzkabels darf dieses nur durch eine vom Hersteller benannte Reparaturwerkstatt ersetzt werden, um eine Gefährdung zu vermeiden! Bitte wenden Sie sich an den Hersteller oder seinen Kundendienst.
- Eine Reparatur des Gerätes während der Garantiezeit darf nur von einem vom Hersteller autorisierten Kundendienst vorgenommen werden, sonst besteht bei nachfolgenden Schäden kein Garantieanspruch mehr.

# 1 Wichtige Anweisungen zu Sicherheit und Umwelt

- Defekte Bauteile dürfen nur gegen Original-Ersatzteile ausgetauscht werden. Nur bei diesen Teilen ist gewährleistet, dass sie die Sicherheitsanforderungen erfüllen werden.
- Dieses Gerät kann von Kindern ab 8 Jahren und darüber und von Personen mit reduzierten physischen, sensorischen oder mentalen Fähigkeiten oder Mangel an Erfahrung und/oder Wissen benutzt werden, wenn sie überwacht oder unterwiesen wurden, bezüglich des sicheren Gebrauchs des Gerätes und die daraus resultierenden Gefahren verstanden haben. Kinder dürfen nicht mit dem Gerät spielen. Reinigung und Benutzerwartung dürfen nicht durch Kinder durchgeführt werden, Kinder ohne Überwachung durchgeführt werden.
- Gestatten Sie Kindern die Benutzung des Gerätes nur unter Aufsicht um sicherzustellen, dass sie nicht mit dem Gerät spielen.
- Dieses Gerät ist dazu bestimmt, im Haushalt und ähnlichen Anwendungen verwendet zu werden, wie beispielsweise:
  - - in Küchen für Mitarbeiter in Läden, Büros und anderen gewerblichen Bereichen,
  - - in landwirtschaftlichen Anwesen,
  - - von Kunden in Hotels, Motels und anderen gewerblichen Bereichen,
  - - in Frühstückspensionen.
- Schützen Sie das Gerät vor Witterungseinflüssen wie Regen, Frost und direkter Sonneneinstrahlung. Benutzen Sie das Gerät nicht im Freien.



# 1 Wichtige Anweisungen zu Sicherheit und Umwelt

- Tauchen Sie das Gerät, das Anschlusskabel oder den Netzstecker niemals in Wasser oder andere Flüssigkeiten.
- Reinigen Sie das Gerät oder die Zubehörteile nicht im Geschirrspüler.
- Füllen Sie außer Wasser keine anderen Flüssigkeiten oder Lebensmittel in den Wassertank.
- Befüllen Sie den Wassertank nicht über die Max-Markierung (unterer Rand der Einfüllöffnung) hinaus mit Wasser (1,5 Liter).
- Betreiben Sie das Gerät nur, wenn der Kaffeesatzbehälter, die Tropfschale und das Tassenrost eingesetzt sind.
- Die Anschlussleitung immer am Netzstecker aus der Steckdose ziehen, nicht am Anschlusskabel und nicht mit nassen Händen anfassen.
- Tragen Sie das Gerät nicht am Anschlusskabel.
- Das Gerät und seine Anschlussleitungen sind von Kindern jünger als 8 Jahre fernzuhalten.
- Verwenden Sie die Heißwasserfunktion nicht kontinuierlich für mehr als einen Tank Wasser.

## 1.4 Bestimmungsgemäße Verwendung

Der Kaffeevollautomat Beko ist dazu bestimmt, im Haushalt und ähnlichen Anwendungen genutzt zu werden, beispielsweise in Mitarbeiterküchen, Läden, Büros und vergleichbaren Bereichen oder von Kunden in Frühstückspensionen, Hotels, Motels und anderen Wohneinrichtungen. Dieses Gerät ist nicht für den gewerblichen Gebrauch bestimmt. Das Gerät ist nur zur Kaffeezubereitung und dem Erwärmen von Milch und Wasser bestimmt. Eine andere oder darüber hinausgehende Benutzung gilt als nicht bestimmungsgemäß.

### Gefahr durch nicht bestimmungsgemäße Verwendung!

Bei nicht bestimmungsgemäßer Verwendung und/oder andersartiger Nutzung können von dem Gerät Gefahren ausgehen.



**WARNUNG:** Deshalb darf das Gerät ausschließlich bestimmungsgemäß verwendet werden.



**WARNUNG:** Die in dieser Bedienungsanleitung beschriebenen Vorgehensweisen einhalten.

# 1 Wichtige Anweisungen zu Sicherheit und Umwelt

Ansprüche jeglicher Art wegen Schäden aus nicht bestimmungsgemäßer Verwendung sind ausgeschlossen.

Das Risiko trägt allein der Betreiber.

## 1.5 Haftungsbeschränkung

Alle in dieser Bedienungsanleitung enthaltenen technischen Informationen, Daten und Hinweise für die Installation, Betrieb und Pflege entsprechen dem letzten Stand bei Drucklegung und erfolgen unter Berücksichtigung unserer bisherigen Erfahrungen und Erkenntnisse nach bestem Wissen.

Aus den Angaben, Abbildungen und Beschreibungen in dieser Anleitung können keine Ansprüche hergeleitet werden.

Der Hersteller übernimmt keine Haftung für Schäden aufgrund von Nichtbeachtung der Anleitung, nicht bestimmungsgemäßer Verwendung, unsachgemäßen Reparaturen, unerlaubt vorgenommener Veränderungen oder Verwendung nicht zugelassener Ersatzteile.

## 1.6 Entsorgung von Altgeräten:

Dieses Produkt erfüllt die Vorgaben der EU-WEEE-Direktive (2012/19/EU). Das Produkt wurde mit einem Klassifizierungssymbol für elektrische und elektronische Altgeräte (WEEE) gekennzeichnet.



Dieses Gerät wurde aus hochwertigen Materialien hergestellt, die wiederverwendet und recycelt werden können. Entsorgen Sie das Gerät am

Ende seiner Einsatzzeit nicht mit dem regulären Hausmüll; geben Sie es stattdessen bei einer Sammelstelle zur Wiederverwertung von elektrischen und elektronischen Altgeräten ab. Ihre Stadtverwaltung informiert Sie gerne über geeignete Sammelstellen in Ihrer Nähe.

## 1.7 Einhaltung von RoHS-Vorgaben:

Das von Ihnen erworbene Produkt erfüllt die Vorgaben der EU-RoHS Direktive (2011/65/EU). Es enthält keine in der Direktive angegebenen gefährlichen und unzulässigen Materialien.



## 1.8 Informationen zur Verpackung



Die Verpackung des Produkts wurde gemäß unserer nationalen Gesetzgebung aus recyclingfähigen Materialien hergestellt. Entsorgen Sie die Verpackungsmaterialien nicht mit dem Hausmüll oder anderem Müll. Bringen Sie sie zu einer von der Stadtverwaltung bereitgestellten Sammelstelle für Verpackungsmaterial.

## 2 Anzeige

### 2.1 Control Panel

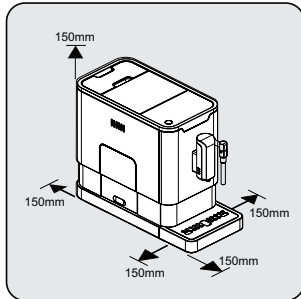
	Blinkt: Geringer Wasserstand / Wassertank fehlt
	Keine oder zu wenig Bohnen
	Leuchtet: Kaffeesatzbehälter ist voll Blinkt: Interne Tropfschale / Kaffeesatzbehälter fehlt
	Leuchtet: Brühgruppe fehlt / falsch installiert Blinkt: Serviceklappe ist geöffnet / falsch installiert
	Leuchtet: Entkalkung erforderlich Blinkt: Entkalkung läuft
	Systementleerung läuft
	Dampfstoßtaste
	Ein-/Austaste
	Heißwasser-Taste
	Starker-Espresso-Taste
	Schwacher-Espresso-Taste

Im Lieferumfang sind drei Beutel mit Reinigungsmittel für die Selbstreinigung enthalten.

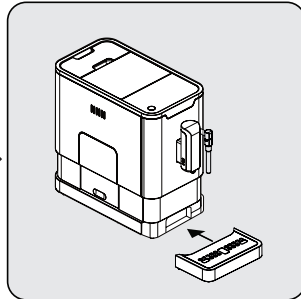
## 3 Vorbereitung

### 3.1 Montage

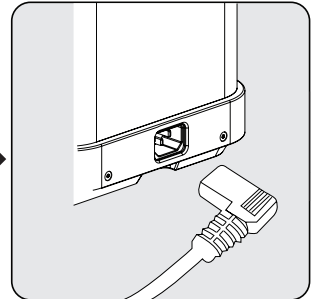
**i** Entfernen Sie jegliche Schutzfolien, Aufkleber und andere Verpackungsmaterialien am Gerät.



Wählen Sie einen sicheren und stabilen Untergrund mit einer leicht erreichbaren Steckdose und halten Sie den Mindestabstand an den Seiten von Geräten ein.



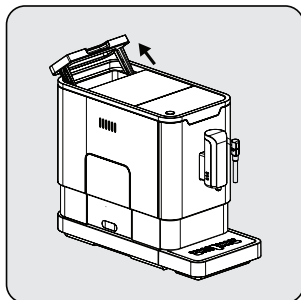
Setzen Sie die externe Tropfschale ein. Vergewissern Sie sich, dass sie richtig sitzt.



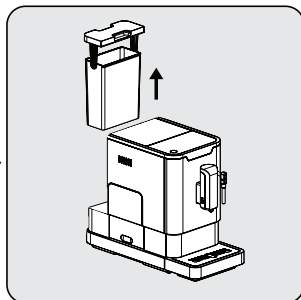
Wickeln Sie das Netzkabel ab und begründen Sie es. Schließen Sie den Stecker an der Rückseite des Gerätes an. Stecken Sie das andere Ende des Netzkabels in eine Steckdose mit geeigneter Versorgungsspannung.

### 3.2 Wassertank füllen

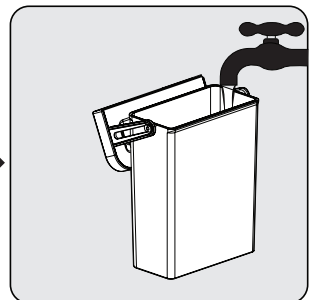
**!** **Warnung:** Wenn  blinkt, ist der Wasserstand im Wassertank zu gering und es muss Wasser nachgefüllt werden.



Heben Sie den Wassertank an, indem Sie die Abdeckung als Griff verwenden.



Nehmen Sie den Wassertank heraus.



Spülen Sie den Wassertank mit sauberem Wasser aus, füllen Sie ihn dann bis zu Max-Markierung und setzen Sie ihn wieder in das Gerät ein. Vergewissern Sie sich, dass er richtig sitzt.

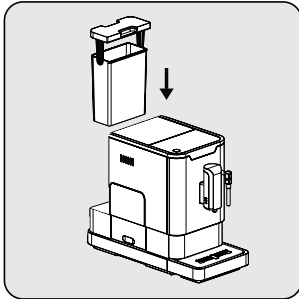
## 3 Vorbereitung



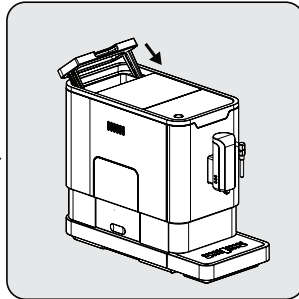
Geben Sie nicht direkt mit einem anderen Behälter Wasser in das Gerät; andernfalls könnte der Wassertank überlaufen.



**Warnung:** Füllen Sie den Wassertank niemals mit warmem, heißem, oder kohlenstoffhaltigem Wasser oder anderen Flüssigkeiten, die Wassertank und Gerät beschädigen könnten.



Setzen Sie den Wassertank wieder ein; verwenden Sie dabei die Abdeckung als Griff.

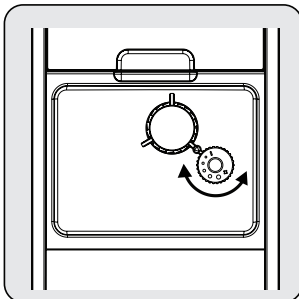


Schließen Sie den Wassertank mit der Abdeckung.

## 4 Bedienung

### 4.1 Mahleinstellung

Sie können das Mahlwerk anpassen, indem Sie den Einstellknopf am Bohnenbehälter drehen:



Wenn das Mahlwerk bei der Kaffeezubereitung Kaffee mahlt, können Sie den Mahlgrad über den Einstellknopf anpassen.

## 4 Bedienung



**Warnung:** Nehmen Sie niemals Änderungen an der Mahleinstellung vor, wenn das Mahlwerk nicht in Betrieb ist. Andernfalls könnte das Mahlwerk beschädigt werden.

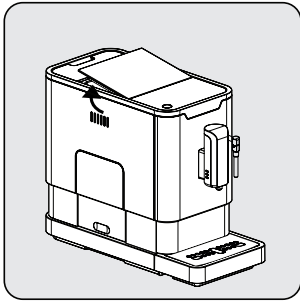


Die Punkte am Einstellknopf zeigen den Mahlgrad.

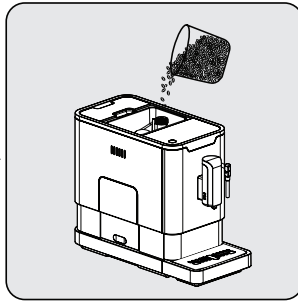
### 4.2 Bohnenbehälter auffüllen



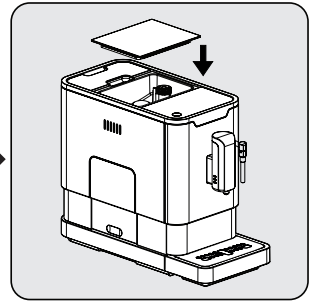
Wenn  blinkt, muss das Gerät mit Kaffeebohnen aufgefüllt werden.



Entfernen Sie die Abdeckung des Bohnenbehälters.



Geben Sie langsam die Kaffeebohnen hinein.



Bringen Sie die Abdeckung des Behälters wieder an.



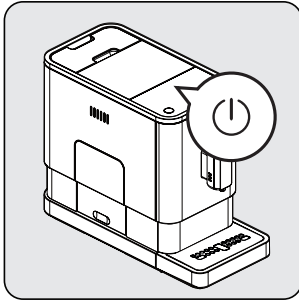
**Warnung:** Füllen Sie den Kaffeebohnenbehälter nur mit Kaffeebohnen. Gemahlener Kaffee, Instantkaffee, karamellierter Kaffee und andere Objekte können die Maschine beschädigen.



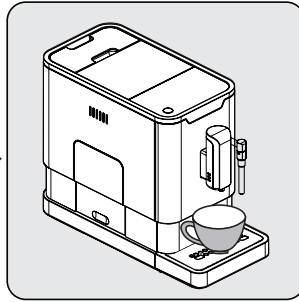
Reinigen Sie vor der ersten Benutzung das Innere der Kaffeemaschine, indem Sie die Heißwassertaste drücken (siehe Seite 9, Abschnitt IV).

## 4 Bedienung

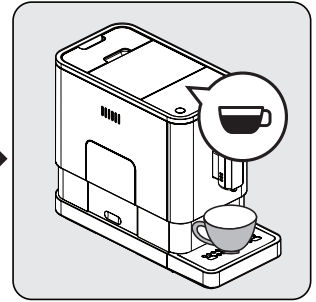
### 4.3 Kaffee zubereiten



Schalten Sie das Gerät über die Ein-/Aus-taste ein. Das Gerät befindet sich dann im Bereitschaftsmodus.



Stellen Sie eine Tasse unter die Kaffeedüse und passen Sie die Höhe der Düse entsprechend der Tasse an.



Betätigte Espresso-Taste und Leuchte leuchten auf. Dies zeigt an, dass das Gerät eine Tasse Kaffee zubereitet. Wenn sich das Gerät wieder im Bereitschaftsmodus befindet, ist der Kaffee servierbereit.

**i** Schalten Sie das Gerät über die Ein-/Austaste aus.

**i** Je nach Geschmack können Sie die Starker-Espresso- oder Schwacher-Espresso-Taste drücken.

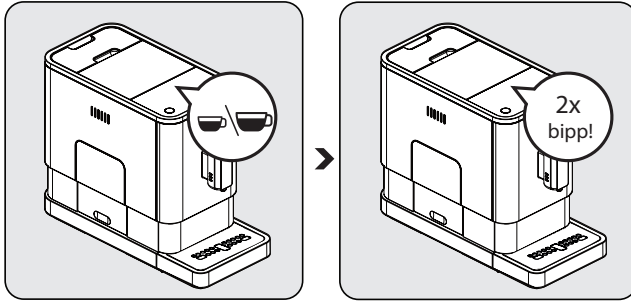
**i** Reinigen Sie vor der ersten Benutzung das Innere der Kaffeemaschine, indem Sie die Heißwassertaste drücken.

**i** Das Gerät ist mit einer automatischen Abschaltung ausgestattet. Je nach ausgewähltem Modus hat das Gerät verschiedene Zeiten zur automatischen Abschaltung.

## 4 Bedienung

### 4.4 Menge an Kaffee/heiem Wasser anpassen

Sie knnen die gewnschte Menge (25 bis 250 ml) fr starken sowie schwachen Espresso und heies Wasser speichern.



Halten Sie bei der Kaffeezubereitung (starker oder schwacher Espresso) oder bei der Ausgabe von heiem Wasser die gewnschte Taste gedrckt. Das Gert setzt die Kaffeezubereitung fort.

Lassen Sie die Taste los, sobald Sie die gewnschte Menge Kaffee haben. Die Ausgabe von zwei Signaltonen zeigt an, dass die Kaffeemenge gespeichert wurde.



Sie knnen das Kaffeevolumen auf die Werkseinstellung zurcksetzen, indem Sie die Standardeinstellung whlen.

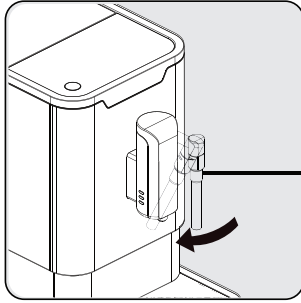


## 4 Bedienung

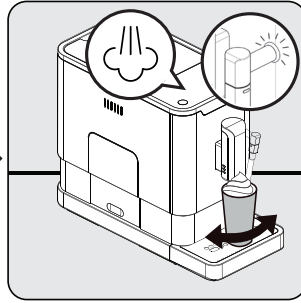
### 4.5 Milchschaum für Kaffee zubereiten



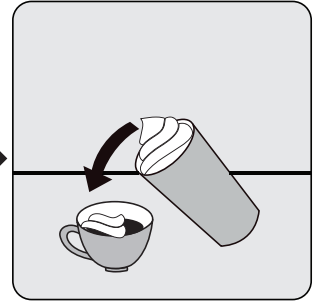
Da die Temperatur von Dampf höher als die Temperatur des Espressos ist, sollte der Espresso vor dem Milchschaum zubereitet werden. Andernfalls könnte der Espresso verbrennen.



Bereiten Sie den Espresso in einer größeren Tasse zu. Drehen Sie die Dampfdüse nach unten zur Tropfschale.



Drücken Sie die Dampfstoßtaste. Die Dampfindikatorleuchte blinkt. Anschließend heizt das Gerät auf und lässt das Restwasser in die Tropfschale oder einen anderen Behälter ab. Nachdem die Dampfindikatorleuchte aufgehört hat zu leuchten und dauerhaft blinkt, platzieren Sie einen Behälter mit Milch unter der Dampfdüse und tauchen Sie die Dampfdüse etwa 5 cm tief in den Behälter. Schwenken Sie den Behälter, während der heiße Dampf ausgegeben wird.



Gießen Sie den heißen Milchschaum in den Espresso. Nun können Sie Ihren Kaffee genießen.

### 4.6 Heißes Wasser

Das Gerät kann durch einfache Betätigung der Heißwasser-Taste heißes Wasser ausgeben. Heißwasser-Taste und Leuchte leuchten auf. Dies zeigt an, dass das Gerät das Wasser erhitzt. Wenn Heißwasser-Taste und Leuchte erlöschen, ist das Wasser servierbereit.

## 4 Bedienung


### 4.7 Modusauswahl

Das Gerät hat zwei verschiedene Einstellungen: Standardeinstellung, Ökomodus und Geschwindigkeitsmodus. Im Ökomodus hilft Ihnen das Gerät dabei, mehr Energie zu sparen. Im Geschwindigkeitsmodus erhalten Sie Ihren Kaffee schneller als mit der Standardeinstellung.


	Ökomodus	Geschwindigkeitsmodus	Standardeinstellung
Leuchte	Nein	Ja	Ja
Vorbrühen*	Ja	Nein	Ja
Zeit der automatischen Abschaltung	10 min	30 min	20 min
Tassenmengenspeicher	Ja	Ja	Ja



Das Vorbrühen feuchtet die gemahlene Bohne in der Brühgruppe vor der vollständigen Extraktion mit etwas Wasser an. Dadurch dehnt sich der Kaffeesatz stärker aus, wodurch sich mehr Druck in der Brühgruppe aufbaut, was die Extraktion sämtlicher Öle und des vollen Aromas der gemahlene Bohne unterstützt.

1. Halten Sie 5 Sekunden  gedrückt, wenn das Gerät im Bereitschaftsmodus ist.
2.  blinkt dann und die folgende Taste hat folgende Anzeigen für verschiedene Einstellungen:

	Heißwasser-Taste 	Starker-Espresso-Taste 	Schwacher-Espresso-Taste 
Ökomodus	Leuchtet	Blinkt	Blinkt
Geschwindigkeitsmodus	Ja	Nein	Blinkt
Standardeinstellung	Blinkt	Blinkt	Leuchtet

3. Drücken Sie die Heißwasser-Taste für den Ökomodus, die Starker-Espresso-Taste für den Geschwindigkeitsmodus und die Schwacher-Espresso-Taste für die Standardeinstellung. Die Ausgabe von zwei Signaltönen zeigt an, dass der Modus ausgewählt ist. (Hinweis: Wenn Sie die entsprechenden Leuchten an der Taste für jeden Modus drücken, reagiert das Gerät nicht.)
4. Wenn Sie die Einstellung nicht ändern möchten, drücken Sie erneut  oder warten Sie 5 Sekunden, bis das Gerät in den Bereitschaftsmodus zurückkehrt.

# 5 Reinigung

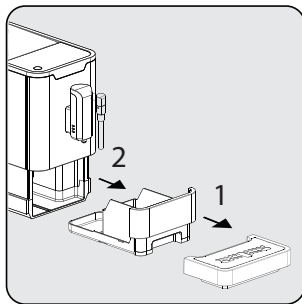
## 5.1 Gerät reinigen

1. Ziehen Sie den Netzstecker aus der Steckdose.
2. Gießen Sie das gesamte Wasser in der internen und externen Tropfschale weg.
3. Entfernen Sie Wasserflecken am Gerät mit einem angefeuchteten Tuch oder einem nicht scheuernden Reiniger.

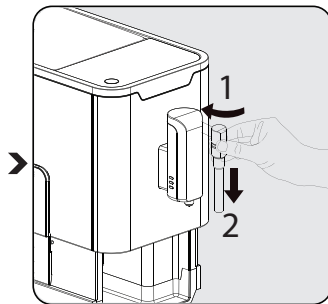


**Warnung:** Reinigen Sie das Gerät niemals mit Scheuermitteln, Essig oder nicht im Lieferumfang enthaltenen Entkalkungsmitteln.

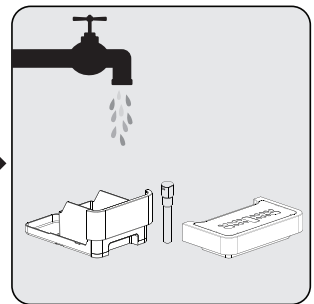
Zur Verlängerung der Lebensdauer des Gerätes sind eine zeitnahe Reinigung und Wartung sehr wichtig.



Entfernen Sie die externe Tropfschale.



Schieben Sie die interne Tropfschale und den Kaffeesatzbehälter auf.



Leeren Sie den Kaffeesatzbehälter und reinigen Sie ihn mit sauberem Wasser. Anschließend trocknen.

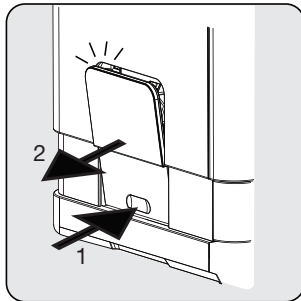


Bringen Sie das Metallrohr wieder an der Düsenabdeckung an. Bringen Sie die Düsenabdeckung dann wieder an, indem Sie sie nach oben drücken. Drehen Sie sie zum Verriegeln nach rechts.

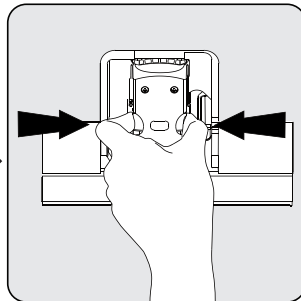


Wenn  aufleuchtet, muss der Kaffeesatzbehälter geleert werden.

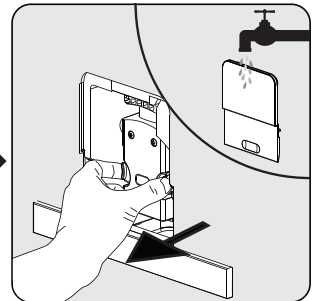
## 5 Reinigung



Pull down the service door and remove it.





Press the release knob.



Remove the brewer. Wash the brewer with fresh water. Dry the brewer afterwards.




Wenn  dauerhaft leuchtet, zeigt dies an, dass die Brühgruppe fehlt / falsch installiert ist.  
Wenn  blinkt, weist dies darauf hin, dass die Serviceklappe fehlt / falsch installiert ist.

### 5.2 Selbstreinigung




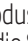

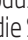
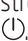
**Warnung:** Bitte auf Fertigstellung der Selbstreinigung warten, dann das Gerät abschalten.

Wenn  blinkt, weist dies darauf hin, dass das Gerät die Selbstreinigung durchläuft. Der optimale Zustand des Gerätes bleibt erhalten, wenn diese Funktion mindestens einmal im Monat durchgeführt wird. Je nach Wasserhärte empfiehlt sich ein kürzeres Intervall. Außerdem sollten Sie den

1. Wassertank vollständig füllen.
2. Geben Sie einen Beutel des mitgelieferten Reinigungsmittels in den Wassertank.






**Warnung:** Verwenden Sie für die Selbstreinigung dieses Gerätes weder Essig noch andere Reinigungsmittel. Reinigungsmittel könnten das Gerät beschädigen.

3. Schließen Sie das Netzkabel an.
4. Stellen Sie einen ausreichend großen Behälter unter die Kaffeedüse.
5. Halten Sie im Bereitschaftsmodus  und die Starker-Espresso-Taste  5 Sekunden lang gedrückt. Ein Signal ertönt mit  und die Starker-Espresso-Taste  blinkt.
6. Drücken Sie zur Bestätigung der Selbstreinigung die Starker-Espresso-Taste. Drücken Sie zum Zurückkehren zum Bereitschaftsmodus .
7. Blinkt und zeigt so an, dass die Selbstreinigung durchgeführt wird.

## 5 Reinigung




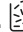



**Warnung:** Halten Sie Körperteile von heißem Wasser fern.

8. Wenn der Wassertank vollständig leer ist, blinken  und Starker-Espresso-Taste . Entfernen Sie die gesamte verbleibende Lösung im Wassertank und füllen Sie den Tank bis zur Max-Markierung mit normalem Leitungswasser. Wenn der Wassertank aufgefüllt ist, erlischt . Anschließend setzt das Gerät die Selbstreinigung fort.
9. Wenn die Selbstreinigung abgeschlossen ist, schaltet sich das Gerät automatisch aus.

### 5.3 Systementleerung

Die Systementleerung sollte vor längerer Nichtbenutzung, für Frostschutz und vor Übergabe zur Reparatur verwendet werden.

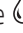

1. Halten Sie im Bereitschaftsmodus  und die Schwacher-Espresso-Taste  gleichzeitig 5 Sekunden lang gedrückt.
2. Anschließend blinkt .
3. Entfernen Sie den Wassertank aus dem Gerät.  zeigt durch dauerhaftes Leuchten an, dass die Systementleerung läuft. Sie können vor Entfernen des Wassertanks mit  in den Bereitschaftsmodus zurückkehren.
4. Wenn die Systementleerung abgeschlossen ist, schaltet sich das Gerät automatisch aus.



**Warnung:** Drücken Sie bei der nächsten Benutzung der Kaffeemaschine nach Durchführung der Systementleerung die Heißwassertaste, bis Wasser aus der Düse kommt.

### 5.4 Manuelle Spülung

Mit der manuellen Spülung können Sie nach der Benutzung die Kaffeedüse reinigen. Sie sollten die manuelle Spülung auch durchführen, wenn Sie das Gerät voraussichtlich längere Zeit nicht benutzen.


1. Halten Sie im Bereitschaftsmodus  und die Heißwasser-Taste  gleichzeitig gedrückt.
2. Heißwasser-Taste , Starker-Espresso-Taste  und Schwacher-Espresso-Taste  erlöschen anschließend. Die Kaffeedüse gibt dann zum Spülen etwas Wasser aus.



**Warnung:** Das aus der Kaffeedüse laufende Wasser ist heiß und wird in der Tropfschale darunter aufgefangen. Kontakt mit heißem Spritzwasser meiden.

3. Nach dem Spülen kehrt das Gerät in den Bereitschaftsmodus zurück.

## 6 Fehlerbehebung

Problem	Ursache	Lösung
Gerät funktioniert nicht.	Gerät ist nicht an die Stromversorgung angeschlossen.	Anschließen und einschalten. Kabel und Stecker prüfen.
Keine oder verzögerte Reaktion bei mehreren Betätigungen einer Funktionstaste am Bedienfeld.	Gerät ist elektromagnetischen Störungen ausgesetzt. Schmutz über dem Bedienfeld.	Ziehen Sie den Netzstecker. Nach einigen Minuten neu starten. Bedienfeld mit dem bereitgestellten Tuch reinigen.
Kaffee ist nicht heiß genug.	Die Tassen wurden nicht vorehitzt. Brühgruppe ist zu kalt.	Gerät vor der Kaffeezubereitung mindestens dreimal spülen.
Es kommt kein Kaffee aus der Düse.	Systementleerung kann vorher genutzt werden.	Heißwasser-Taste drücken, bis Wasser aus der Düse kommt.
Die erste Tasse Kaffee ist von schlechter Qualität.	Beim ersten Betrieb des Mahlwerks gelangt nicht genügend Kaffeepulver in die Brühgruppe.	Kaffee wegschütten. Der nächste Kaffee ist von guter Qualität.
Die Berührungstasten reagieren kaum.	Es hat sich zu viel Kalk gebildet.	Gerät entkalken.
Wassertank ist entfernt / Wasserstand ist sehr gering, aber  gibt keinen Alarm aus.	Der Bereich in der Nähe des Wassertanksockels ist feucht.	Wasser rund um den Wassertanksockel abwischen.
Viel Wasser in der internen Tropfschale.	Kaffeepulver ist zu fein, blockiert das Wasser.	Mahlgrad während des Mahlens anpassen (grober).
Kaffee wird zu langsam ausgegeben oder tropft.	Kaffeepulver ist zu fein, blockiert das Wasser.	Mahlgrad während des Mahlens anpassen (grober).
Bohnenmangel-Anzeige blinkt, obwohl sich viele Kaffeebohnen im Behälter befinden.	Interner Kaffeepulverauslass ist blockiert.	Befolgen Sie die Schritte in Abschnitt E (Kaffeepulverauslass reinigen).
Brühvorrichtung oder Kaffeemehlfach lassen sich nicht entfernen.	Das Gerät hat die Selbstreinigung nicht abgeschlossen und wurde ausgeschaltet.	Bitte schalten Sie das Gerät erneut ein und lassen Sie es die Selbstreinigung abschließen.

Vertriebsniederlassung Österreich für Beko Kleingeräte:

Elektra Bregenz AG  
Pfarrgasse 77  
A-1230, Wien

<http://at.beko.com/>



Sehr geehrter Kunde!

Vielen Dank, dass Sie sich für ein Qualitätsprodukt von Beko entschieden haben!

Unsere Geräte werden nach den neuesten technischen Erkenntnissen entwickelt, produziert und geprüft.

Sollte trotzdem eine Störung auftreten, so bitten wir Sie, sich mit Ihrem **Fachhändler** bzw. mit der Verkaufsstelle in Verbindung zu setzen.

Gewährleistungsansprüche können **nicht direkt bei Beko** geltend gemacht werden! Behalten Sie deshalb immer Ihre Verkaufsquittung als Beleg.

Wir danken Ihnen, für Ihr Vertrauen und wünschen Ihnen viel Freude mit Ihrem neuen Produkt!

# Veillez d'abord lire ce manuel d'utilisation !

Chère cliente, cher client,

Nous vous remercions d'avoir porté votre choix sur un produit BEKO. Nous espérons que ce produit vous apportera entière satisfaction. Tous nos produits sont fabriqués dans une usine moderne et ont fait l'objet d'un contrôle de qualité minutieux.

A cet effet, veuillez lire en intégralité le présent manuel avant d'utiliser cet appareil, et conservez-le soigneusement pour une utilisation ultérieure. Si vous cédez ce produit à une tierce personne, n'oubliez pas de lui fournir le manuel d'utilisation également. Veillez à bien respecter les consignes et les instructions figurants dans le manuel d'utilisation.

1. Couverture du réservoir à grains
2. Réservoir à grains
3. Panneau de commande
4. Bouton Marche/Arrêt
5. Buse vapeur
6. Tige de la buse vapeur
7. Bec verseur café (hauteur réglable)
8. Tube en métal
9. Bac récupérateur du marc de café
10. Égouttoir interne
11. Égouttoir externe
12. Brosse de nettoyage
13. Volet de service
14. Infuseur
15. Cordon d'alimentation
16. Réservoir d'eau

# Signification des pictogrammes

Vous trouverez les symboles suivants dans ce manuel d'utilisation :



Informations importantes et conseils utiles sur l'utilisation de l'appareil.



**DANGER :** Avertissement à propos des situations dangereuses pour les personnes et les biens.



**AVERTISSEMENT :** L'avertissement indique une situation potentiellement dangereuse.



**ATTENTION :** L'avertissement indique d'éventuels dommages matériels.

## Données techniques

### Alimentation électrique :

220-240 V~, 50-60 Hz

**Puissance :** 1 350 W

Sous réserve de modification technique ou conceptuelle.

Toutes les valeurs déclarées sur le produit et sur les livrets imprimés sont le résultat d'analyses en laboratoire effectuées conformément aux normes associées. Ces valeurs peuvent varier en fonction de l'utilisation et des conditions environnantes.



Cet appareil a été fabriqué dans des usines modernes respectueuses de l'environnement et sans causer des dommages à la nature.

Conforme à la Directive DEEE.



It does not contain  
PCB, contain PCB.



# 1 Instructions importantes en matière de sécurité et d'environnement

Ce chapitre contient les instructions de sécurité qui vous aideront à éviter les risques de blessures corporelles ou de dégâts matériels. Le non-respect de ces instructions entraînera l'annulation de toute garantie.

## 1.1 Danger lié au courant électrique

Danger mortel lié au courant électrique ! Danger mortel en cas de contact avec des lignes ou des composants sous tension ! Respectez les consignes de sécurité suivantes pour éviter tout danger lié au courant électrique :

- N'utilisez pas l'appareil lorsque le câble d'alimentation ou la fiche est endommagé(e).
- Faites installer un nouveau câble d'alimentation par un spécialiste agréé avant de réutiliser l'appareil.

- N'ouvrez en aucun cas le boîtier de l'appareil. Il existe un risque de choc électrique si les raccords conducteurs de courant sont touchés et si l'installation électrique et mécanique est modifiée.
- Danger lorsque le broyeur est en rotation ! Avant de nettoyer le réservoir à grains, débrancher l'appareil de la prise secteur.

## 1.2 Risque de brûlures

Des pièces de l'appareil peuvent être très chaudes lors du fonctionnement !

Respectez les consignes de sécurité suivantes afin de ne pas vous brûler ou de brûler d'autres personnes :

- Ne touchez pas les douilles métalliques sur les deux orifices d'écoulement de café.

# 1 Instructions importantes en matière de sécurité et d'environnement

- Eviter tout contact de la peau avec la vapeur sortante et de l'eau de rinçage, de nettoyage et de détartrage chaude sortante.
- En cas d'endommagement du cordon d'alimentation, le faire impérativement remplacer par un centre de réparation agréé par le fabricant afin de prévenir tout danger! Veuillez vous adresser au fabricant ou à son service clientèle.

## 1.3 Consignes de sécurité fondamentales

Pour une utilisation en toute sécurité de l'appareil, respectez les consignes de sécurité suivantes :

- Les emballages ne doivent pas être utilisés pour jouer. Risque d'étouffement.
- Avant utilisation, vérifiez que l'appareil ne présente pas de dommages extérieurs visibles. N'utilisez pas un appareil endommagé.
- Faites effectuer les réparations sur l'appareil uniquement par des revendeurs spécialisés agréés ou par le service après-vente. Des réparations non conformes peuvent engendrer des risques considérables pour l'utilisateur. De plus, le droit à garantie ne pourra s'appliquer.
- Une réparation de l'appareil durant la période de garantie doit être effectuée uniquement par l'un des SAV agréés par le fabricant, dans le cas contraire les dommages consécutifs ne sont plus couverts par la garantie.

# 1 Instructions importantes en matière de sécurité et d'environnement

- Les composants défectueux doivent être remplacés uniquement par des pièces de rechange d'origine. Seules ces pièces garantissent que les exigences de sécurité sont remplies.
- Cet appareil ne doit pas être utilisé par des personnes et des enfants ayant des capacités psychophysiques sensorielles ou mentale réduites, dénuées d'expérience ou de connaissances, sans la surveillance vigilante et les instructions d'un responsable de leur sécurité. Surveillez les enfants pour vous assurer qu'ils ne jouent pas avec l'appareil.
- Cet appareil est destiné à un usage domestique ou pour d'autres applications semblables, par exemple:
  - dans des cuisinettes pour employés de magasins, bureaux et autres domaines professionnels
  - dans des propriétés agricoles
  - par les clients dans les hôtels, motels et autres domaines industriels
  - dans des chambres d'hôte
- Tenir l'appareil à l'écart de la pluie, de l'humidité et des sources de chaleur.
- Ne plongez jamais l'appareil, le câble d'alimentation ou la fiche dans l'eau ou d'autres liquides.
- Ne nettoyez pas l'appareil ou les accessoires au lave-vaisselle.
- Ne mettez pas d'autres liquides ou aliments que de l'eau dans le réservoir à eau.

# 1 Instructions importantes en matière de sécurité et d'environnement

- Ne remplissez pas le réservoir à eau au-delà du repère Max. (bord inférieur de l'orifice de remplissage) avec de l'eau (1,5 litres).
- N'utilisez l'appareil qu'après avoir installé le bac à marc de café, le bac d'écoulement et la grille support de tasses.
- Débranchez toujours le câble d'alimentation en tirant la fiche de la prise et non en tirant le câble et évitez d'avoir les mains humides.
- Ne portez pas l'appareil par le câble d'alimentation.
- Gardez l'appareil et ses câbles d'alimentation hors de portée des enfants de moins de 8 ans.
- Évitez d'utiliser la fonction Eau chaude continuellement pour plus d'un réservoir d'eau.

## 1.4 Utilisation conforme

Cet appareil Beko est destiné uniquement à un usage

domestique ou similaire :

- les cuisinettes d'employés
- bureaux
- les chambres meublées

Cet appareil n'est pas approprié pour les utilisations commerciales.

Le fabricant ne répond pas d'éventuels dégâts découlant d'un usage impropre de l'appareil.

Cette cafetière Beko est fabriquée pour préparer du café et réchauffer des boissons. Toute autre utilisation n'est pas conforme.

### **Danger lié à une utilisation non conforme !**

En cas d'utilisation non conforme et/ou d'une utilisation autre, des dangers peuvent émaner de l'appareil.



**Avertissement:** Utiliser l'appareil uniquement de façon conforme.



**Avertissement:** Respecter les procédures décrites dans ce mode d'emploi.

Le fabricant ne répond pas d'éventuels dégâts découlant d'une utilisation non conforme.

# 1 Instructions importantes en matière de sécurité et d'environnement

## 1.5 Limites de la responsabilité

Toutes les données, indications et informations techniques concernant l'installation, le fonctionnement et l'entretien contenues dans ce manuel correspondent aux informations et connaissances détenues au moment de l'impression du présent manuel.

Aucune exigence ne peut donc être revendiquée sur la base des indications, illustrations ou descriptions contenues dans ce mode d'emploi.

Le fabricant ne peut être tenu responsable des dommages liés au non respect du mode d'emploi, de réparations non conformes, de modifications non autorisées ou de l'utilisation de pièces de rechange non admises.

## 1.6 Conformité avec la directive DEEE et mise au rebut des déchets :

Ce produit est conforme à la directive DEEE (2012/19/UE) de l'Union européenne). Ce produit porte un symbole de classification pour la mise au rebut des équipements électriques et électroniques (DEEE).



Le présent produit a été fabriqué avec des pièces et du matériel de qualité supérieure susceptibles d'être réutilisés et adaptés au recyclage. Par conséquent, nous vous conseillons de

ne pas le mettre au rebut avec les ordures ménagères et d'autres déchets à la fin de sa durée de vie. Au contraire, rendez-vous dans un point de collecte pour le recyclage de tout matériel électrique et électronique. Veuillez vous rapprocher des autorités de votre localité pour plus d'informations concernant le point de collecte le plus proche.

## 1.7 Conformité avec la directive LdSD :

L'appareil que vous avez acheté est conforme à la directive LdSD (65/2011/UE) de l'Union européenne. Il ne comporte pas les matériels dangereux et interdits mentionnés dans la directive.












## 1.8 Information sur l'emballage



L'emballage du produit est composé de matériaux recyclables, conformément à notre réglementation nationale. Ne jetez pas les éléments d'emballage avec les déchets domestiques et autres déchets. Déposez-les dans un des points de collecte d'éléments d'emballage que vous indiquera l'autorité locale dont vous dépendez.

## 2 Afficheur

### 2.1 Panneau de commande

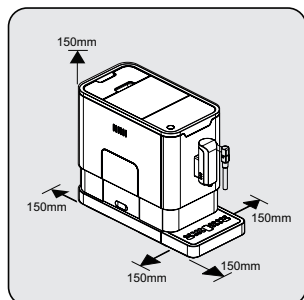
	Clignotement : Faible niveau d'eau / Réservoir d'eau manquant
	Insuffisance de grains
	Voyant fixe : le réservoir de marc à café est plein Voyant clignotant : Égouttoir interne / bac récupérateur du marc manquant
	Voyant fixe: Infuseur manquant ou mal positionné Voyant clignotant: porte de service ouverte ou mal fermée"
	Voyant fixe : Besoin d'un détartrage Voyant clignotant : Détartrage en cours
	Exécution de la fonction Systeme vide
	Bouton Marche/Arrêt
	Bouton vapeur
	Bouton d'eau chaude
	Bouton Espresso fort
	Bouton Espresso léger

Dans le carton, trois jeux de produits de nettoyage sont inclus pour le processus d'auto-nettoyage.

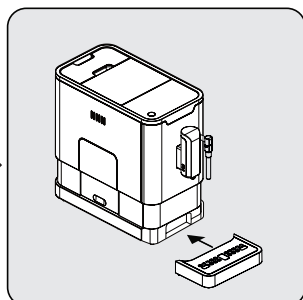
## 3 Préparation

### 3.1 Installation

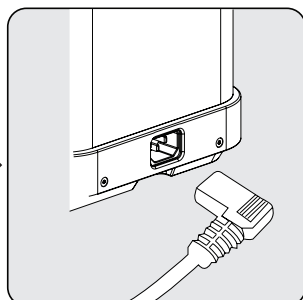
**i** Enlevez les films de protection, les autocollants et tout autre matériau d'emballage sur l'appareil.



Choisissez une surface sécurisée et stable avec une source d'alimentation électrique facilement accessible et laissez une distance minimale sur les côtés de la machine.



Insérez l'égouttoir externe. Assurez-vous qu'il est correctement inséré.

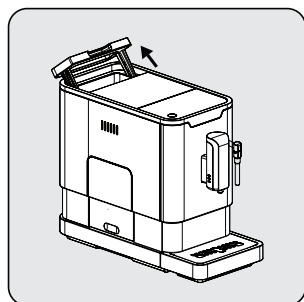


Déroulez et redressez le câble d'alimentation et branchez le connecteur dans la prise située à l'arrière de la machine. Branchez l'autre extrémité du câble d'alimentation dans la prise murale avec une tension d'alimentation suffisante.

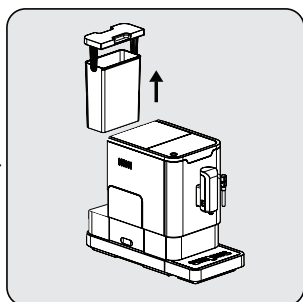
### 3.2 Remplissage du réservoir d'eau



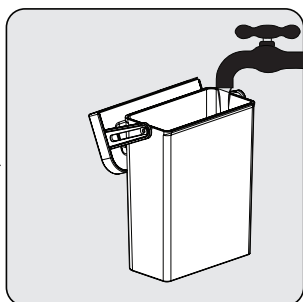
**AVERTISSEMENT :** Lorsque le symbole  clignote, le niveau d'eau du réservoir d'eau est faible et il doit être rempli.



En utilisant le couvercle comme poignée, soulevez le réservoir d'eau.



Retirez le réservoir d'eau.



Rincez le réservoir d'eau à l'eau courante et remplissez-le au niveau Max. Ensuite, fixez-le à nouveau dans la machine. Assurez-vous qu'il est correctement inséré.

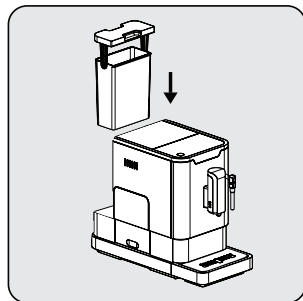
## 3 Préparation



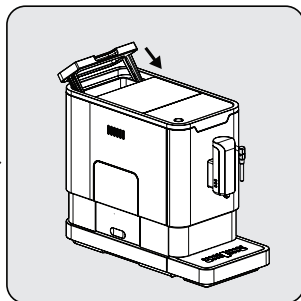
Pour éviter que l'eau ne déborde du réservoir d'eau, n'en ajoutez pas directement dans l'appareil avec un autre récipient.



**AVERTISSEMENT :** Ne remplissez jamais le réservoir avec de l'eau chaude, tiède ou pétillante, ou tout autre liquide qui pourrait endommager le réservoir d'eau et la machine.



En utilisant le couvercle comme poignée, remettez le réservoir d'eau.



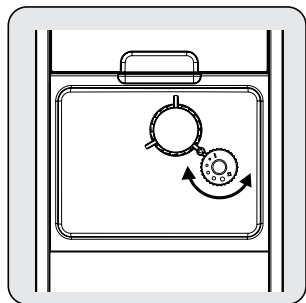
À l'aide du couvercle, fermez le réservoir d'eau.



## 4 Fonctionnement

### 4.1 Réglage de la mouture

Vous pouvez régler le broyeur au degré de torréfaction souhaité en tournant le bouton de réglage situé dans le réservoir à grains.



Lorsque le broyeur moule les grains de café pendant la préparation du café, vous pouvez tourner le bouton de réglage pour ajuster votre réglage.



**AVERTISSEMENT :** Ne réglez jamais la mouture lorsque le broyeur est hors tension. Cela pourrait l'endommager.

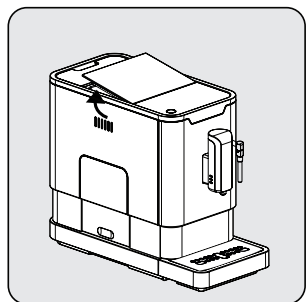


Les points sur le bouton de réglage indiquent la finesse de la mouture.

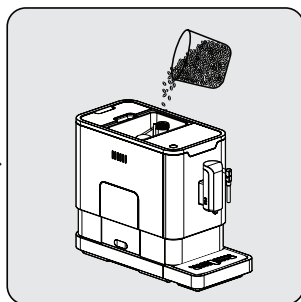
### 4.2 Remplissage du réservoir à grains de café



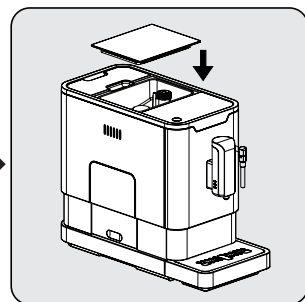
Lorsque le symbole  clignote, l'appareil doit être rempli avec des grains de café.



Enlevez le couvercle du réservoir à grains de café.



Versez lentement les grains de café.



Remettez le couvercle du récipient.

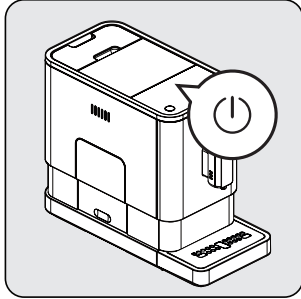


**AVERTISSEMENT :** Remplissez le récipient à grains de café uniquement avec les grains de café. Le café moulu, le café instantané, le café caramélisé et tout autre objet peuvent endommager la machine.

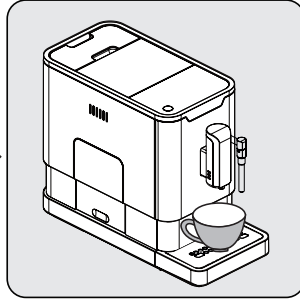
## 4 Fonctionnement

**i** Appuyez sur le bouton d'eau chaude  pour nettoyer l'intérieur de la cafetière avant la première utilisation.

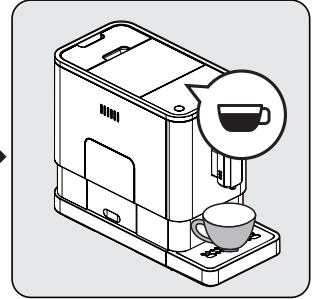
### 4.3 Préparation de votre café



Mettez votre appareil en marche en appuyant sur le bouton Marche/Arrêt. L'appareil bascule en mode Veille.



Placez une tasse sous le bec verseur et réglez le bec à la hauteur de la tasse.



Appuyez sur le bouton Expresso. Celui-ci s'allume, indiquant que la machine prépare un café. Le café est prêt à être servi une fois l'appareil retourné en mode Veille.

**i** Mettez votre appareil hors tension en appuyant sur le bouton Marche/Arrêt.

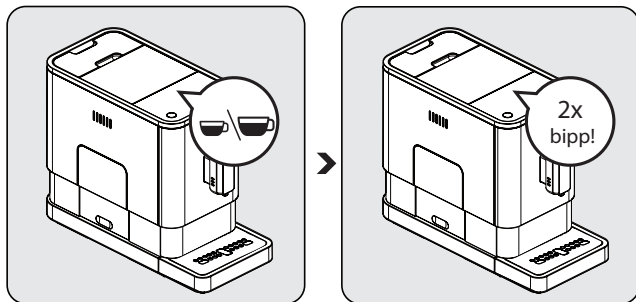
**i** En fonction du goût du café que vous aimeriez obtenir, appuyez sur les boutons Expresso fort ou Expresso léger.

**i** L'appareil est équipé d'une fonction Arrêt Automatique. En fonction du mode que vous avez sélectionné, l'appareil s'éteindra automatiquement en plus ou moins de temps.

## 4 Fonctionnement

### 4.4 Réglage du volume de votre café / eau chaude

Vous pouvez enregistrer votre longueur de café favorite pour les modes Espresso Fort et Espresso Léger. Vous pouvez également le faire pour l'eau chaude de 25 ml à 250 ml.



Lors de la préparation de votre café (expresso fort ou expresso léger) ou la distribution de l'eau chaude, appuyez sur le bouton que vous avez sélectionné et maintenez-le enfoncé. L'appareil va continuer à préparer une tasse de café.

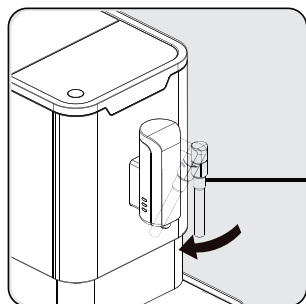
Lorsque le volume de café atteint votre volume souhaité, relâchez le bouton. Un bip sonore retentira alors deux fois pour indiquer que le volume de café a été enregistré.

**i** Vous pouvez réinitialiser le volume du café au réglage d'usine en sélectionnant le réglage par défaut.

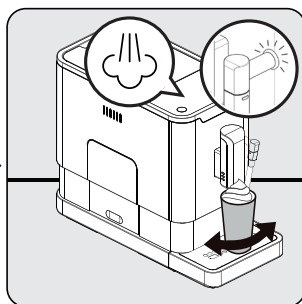
### 4.5 Préparation du lait mousseux pour le café

**i** La vapeur étant plus chaude que l'expresso, vous devez préparer l'expresso avant de préparer le lait mousseux, car autrement l'expresso pourrait sortir brûlant.

## 4 Fonctionnement

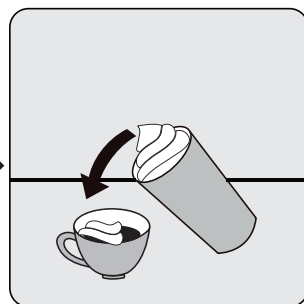


Préparez le café expresso dans une grande tasse. Tournez la buse à vapeur vers l'égouttoir.



Appuyez sur le bouton vapeur. Le voyant de l'indicateur de vapeur clignote. L'appareil chauffe et redirige l'eau résiduelle dans l'égouttoir ou dans un autre récipient.

Une fois que le voyant de l'indicateur de vapeur cesse de clignoter et émet une lumière fixe, placez un récipient contenant du lait sous la buse à vapeur et immergez celle-ci d'environ 5 cm dans ce récipient. Pendant la production de la vapeur, faites pivoter le récipient.



Versez le lait mousseux chaud dans l'expresso. Vous pouvez maintenant déguster votre café.

### 4.6 Eau chaude

Il suffit d'appuyer sur le bouton de l'eau chaude pour que l'appareil en distribue. Le bouton de l'eau chaude et le voyant s'allument pour indiquer que l'appareil chauffe de l'eau. Lorsque le bouton de l'eau chaude et l'ampoule s'éteignent, l'eau est alors prête à servir.

## 4 Fonctionnement

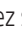

### 4.7 Sélection du mode




La machine a deux réglages différents : le réglage par défaut mode ECO et le mode rapide. En mode ECO, l'appareil permet d'économiser encore plus d'énergie. En mode rapide, l'utilisateur peut préparer son café plus rapidement que le réglage par défaut.

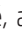
	Mode ECO	Mode rapide	Réglage par défaut
Témoin lumineux	Non	Oui	Oui
Préinfusion*	Oui	Non	Oui
Durée de l'arrêt automatique	10 min	30 min	20 min
Mémoire du volume de la tasse	Oui	Oui	Oui



La fonction de préinfusion humecte les grains moulus dans le broyeur avec une petite quantité d'eau avant l'extraction totale. Cette pré-saturation en eau permet de donner à la galette de café moulu une plus grande résistance à la pression d'infusion, ce qui permet une extraction des arômes plus importante.

1. Lorsque la machine est en mode Veille, appuyez sur le bouton  et maintenez-le enfoncé pendant 5 secondes.
2. Le symbole  clignote et le bouton suivant affiche les indications ci-après pour les différents réglages :

	Bouton d'eau chaude 	Bouton Espresso fort 	Bouton Espresso léger 
En mode ECO	Témoin allumé	Clignotement	Clignotement
En mode Vitesse	Oui	Non	Clignotement
Réglage par défaut	Clignotement	Clignotement	Témoin allumé

3. Appuyez sur le bouton d'eau chaude pour le mode ECO, le bouton Espresso fort pour le mode rapide et le bouton Espresso léger pour le réglage par défaut. Un bip sonore retentira alors deux fois pour indiquer que le mode a été sélectionné. (Remarque : Si vous appuyez sur les témoins respectifs des boutons de chaque mode, la machine ne réagira pas).
4. Si vous souhaitez laisser le réglage inchangé, appuyez à nouveau sur  ou patientez pendant 5 secondes pour que la machine retourne en mode Veille

## 5 Entretien

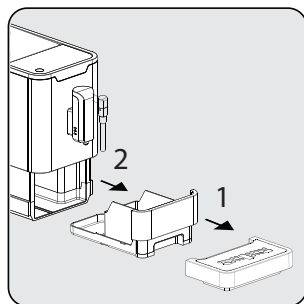
### 5.1 Nettoyage de l'appareil

1. Débranchez le cordon d'alimentation de la prise secteur.
2. Versez dans votre évier l'eau recueillie dans les égouttoirs interne et externe
3. À l'aide d'un chiffon humide ou d'un produit de nettoyage anti-rayures, nettoyez les taches sur l'appareil.

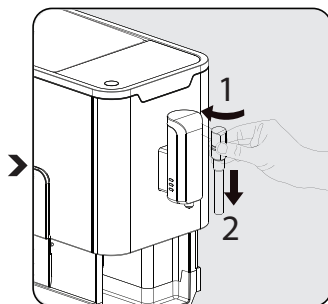


**AVERTISSEMENT :** N'utilisez jamais des produits abrasifs, du vinaigre ou des détartrants qui ne sont pas inclus dans le carton pour nettoyer l'appareil.

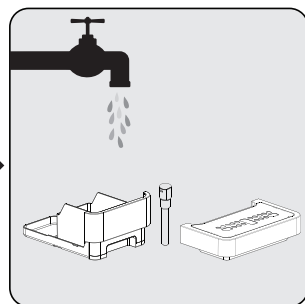
Le nettoyage et l'entretien en temps opportun de l'appareil sont des opérations très importantes parce qu'elles prolongent la durée de vie de l'appareil.



Retrait du plateau d'égouttement externe. Faites glisser l'égouttoir interne et le récipient à marc de café.



Détachez le tube en métal protecteur de buse puis la tige de la buse



Videz le réservoir à marc de café. Lavez à l'eau courante les 2 égouttoirs, le réservoir à marc ainsi que les deux parties de la buse vapeur. Ensuite, séchez-les.

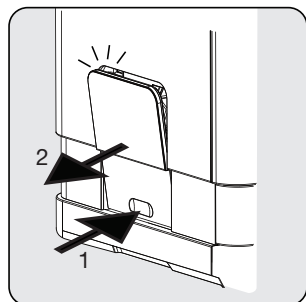


Remettez la tige de la buse à sa place puis tournez-la légèrement vers la droite pour la verrouiller. Replacez ensuite le tube en métal protecteur de la buse.

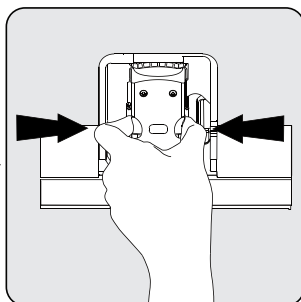


Lorsque le symbole  s'allume, le réservoir à marc de café doit être vidé.

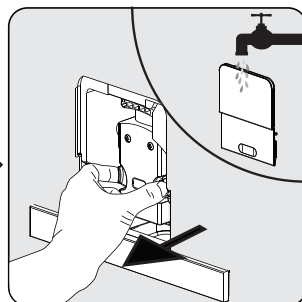
## 5 Entretien



Appuyez et tirez le volet de service afin de l'enlever.





Appuyez sur les boutons de déverrouillage.



Enlevez l'infuseur, lavez-le avec de l'eau puis séchez-le.




Lorsque le symbole  s'allume de manière fixe, il indique que l'infuseur est manquant ou mal installé. Lorsque le symbole  clignote, il indique que le volet de service est manquant ou mal installé.

### 5.2 Auto-nettoyage









**AVERTISSEMENT :** Veuillez attendre la fin du processus d'auto-nettoyage pour arrêter la machine.

Lorsque le symbole  clignote, cela indique que l'appareil va passer en mode d'auto-nettoyage. L'appareil restera dans un état optimal si cette fonction est exécutée au moins une fois par mois ou plus souvent en fonction de la dureté de l'eau utilisée. Il est conseillé de

1. Remplir entièrement le réservoir d'eau.
2. Ajouter un paquet de produit de nettoyage inclus dans le carton dans le réservoir.






**AVERTISSEMENT :** N'utilisez ni du vinaigre ni un autre produit de nettoyage pour réaliser le nettoyage automatique de cet appareil. Ceci pourrait endommager l'appareil.

3. Brancher l'appareil.
4. Placer un récipient suffisamment grand sous le bec verseur du café.
5. En mode Veille, appuyez sur le bouton  et sur le bouton Espresso fort  pendant simultanément 5 secondes. Un bip sonore retentit avec  et le bouton Espresso fort  clignote.
6. Appuyez sur le bouton Espresso fort pour confirmer le processus d'auto-nettoyage en cours. Pour revenir au mode Veille, appuyez sur le bouton .
7.  clignote pour indiquer que l'appareil est soumis à un processus d'auto-nettoyage.

## 5 Entretien








**AVERTISSEMENT :** Restez éloigné (votre peau/corps) de l'eau chaude.

8. Lorsque toute l'eau du réservoir d'eau s'est écoulée, le bouton  et le bouton Espresso fort  clignotent. Videz le réservoir d'eau de toute la solution restante et remplissez-le avec de l'eau courante jusqu'à la position maximale. Lorsque le réservoir d'eau est rempli d'eau, le bouton  s'éteint. Ensuite, l'appareil va continuer le processus de nettoyage automatique.
9. À la fin du processus de nettoyage automatique, l'appareil s'éteint automatiquement.

### 5.3 Fonction de système vide

Il est recommandé d'utiliser la fonction de système vide avant une longue période de non-utilisation, pour une protection contre le gel et avant de contacter un agent de réparation.

1. En mode Veille, appuyez simultanément sur le bouton  et sur le bouton Espresso doux  et maintenez-les enfoncés pendant 5 secondes.
2.  va alors clignoter.
3. Démontez le réservoir d'eau de l'appareil.  le témoin émet une lumière stable pour indiquer que l'exécution du système vide est en cours. Vous pouvez appuyer sur  avant d'enlever le réservoir d'eau pour revenir au mode Veille.






À la fin de l'exécution de la fonction de système vide, l'appareil s'éteint automatiquement.



**AVERTISSEMENT :** Après avoir exécuté la FONCTION DE SYSTÈME VIDE ; appuyez sur le bouton d'eau chaude jusqu'à ce que l'eau s'écoule du bec lorsque la cafetière est réutilisée.

### 5.4 Rinçage manuel

Vous pouvez exécuter un cycle de rinçage manuel pour nettoyer l'embout à café après utilisation. Il est conseillé d'effectuer un rinçage manuel si l'appareil n'a pas été utilisé pendant une longue période.

1. En mode Veille, appuyez simultanément sur le bouton  et sur le bouton d'eau chaude  et maintenez-les enfoncés.
2. Le bouton d'eau chaude , le bouton Espresso fort  et le bouton Espresso léger  s'éteignent par la suite. L'embout à café rejette une petite quantité d'eau qui a été utilisée pour le rinçage.




**AVERTISSEMENT :** L'eau qui ressort de l'embout à café est chaude et est recueillie en-dessous dans un plateau d'égouttement. Évitez de toucher aux éclaboussures d'eau.

3. Après le rinçage, l'appareil retourne en mode Veille.



## 6 Dépannage

Problème	Cause	Solution
L'appareil ne fonctionne pas.	L'appareil n'est pas branché au secteur.	Branchez et tournez le commutateur. Vérifiez le câble et la fiche
Aucune réaction ou réaction retardée après avoir appuyé plusieurs fois sur la touche de fonction du panneau	L'appareil est soumis à des interférences électromagnétiques La poussière s'est accumulée sur le panneau	Débranchez l'appareil. Redémarrez après quelques minutes Nettoyez le panneau à l'aide du chiffon fourni
Le café n'est pas assez chaud.	Les tasses n'ont pas été préchauffées. L'infuseur est trop froid.	Rincez l'appareil au moins 3 fois avant de préparer le café.
Le café ne ressort pas du bec verseur.	La fonction de système vide a été utilisée auparavant.	Appuyez sur le bouton d'eau chaude jusqu'à ce que l'eau s'écoule du bec prévu à cet effet.
La première tasse de café est de mauvaise qualité.	Le premier cycle du broyeur ne déverse pas une quantité suffisante de poudre de café.	Jetez ce café. Les autres tasses de café seront de meilleure qualité.
Les touches tactiles ne fonctionnent pas.	Une quantité excessive de tartre s'est accumulée.	Détartrez l'appareil.
Le réservoir d'eau a été enlevé / le niveau d'eau est très faible dans le réservoir d'eau mais  aucun signal n'est émis.	La zone à proximité du raccord du réservoir d'eau est mouillée.	Essuyez l'eau autour du raccord du réservoir d'eau
Le plateau d'égouttement interne est rempli d'une grande quantité d'eau.	La mouture du café est trop fine.	Régalez la finesse du café pour obtenir de grosses pastilles pendant le fonctionnement du broyeur.
Le café sort trop lentement ou bien goutte à goutte.	La mouture du café est trop fine.	Régalez la finesse du café pour obtenir de grosses pastilles pendant le fonctionnement du broyeur.
Le témoin d'absence de grains de café clignote mais une grande quantité de grains de café se trouve encore à l'intérieur du récipient.	La sortie de poudre de café interne est bloquée.	Suivre les étapes de la section E (V. Nettoyage de la sortie de poudre de café).
L'infuseur ou le bac récupérateur de marc est impossible à extraire.	La machine n'a pas terminé son processus d'auto-nettoyage et a été éteinte.	Rallumez la machine et laissez-la terminer son processus d'auto-nettoyage.

# Lütfen önce bu kılavuzu okuyun!

Değerli Müşterimiz,

Bu Beko ürününü tercih ettiğiniz için teşekkür ederiz. Yüksek kalite ve teknoloji ile üretilmiş olan ürününüzün size en iyi verimi sunmasını istiyoruz. Bunun için, ürünü kullanmadan önce bu kılavuzun tamamını ve verilen diğer belgeleri dikkatlice okuyun ve ileride başvurmak üzere saklayın. Ürünü başka birisine vererseniz kullanım kılavuzunu da birlikte verin. Kullanım kılavuzunda yer alan tüm uyarıları ve bilgileri dikkate alın.

1. Kahve Çekirdeği Haznesi Kapağı
2. Kahve Çekirdeği Haznesi
3. Kontrol Paneli
4. Buhar Nozülü
5. Nozül kapağı
6. Ayarlanabilir Kahve Musluğu
7. Metal boru
8. Atık Kahve Haznesi
9. İç Damlama Tepsisi
10. Dış Damlama Tepsisi
11. Temizlik Fırçası
12. Servis Kapağı
13. Demlik
14. Güç kablosu
15. Su Haznesi
16. Açma/Kapatma tuşu

## Semboller ve açıklamaları

Kullanma kılavuzunda şu semboller yer almaktadır:



Önemli bilgiler veya kullanımla ilgili faydalı ipuçları.



**TEHLİKE:** Can ve mal açısından tehlikeli durumlara karşı uyarı.



**UYARI:** Uyarı, potansiyel olarak tehlikeli durumları belirtir.



**DİKKAT:** Uyarı, maddi hasar potansiyeli belirtir.

## Teknik veriler

### Güç beslemesi:

220-240 V~, 50-60 Hz

**Güç:** 1350 W

Teknik ve tasarım değişiklikleri yapma hakkı saklıdır.

Ürün üzerinde ve yanında verilen kitapçıklarda belirtilen tüm değerler ilgili standartlara göre yapılan laboratuvar ölçümlerinden alınmıştır. Bu değerler kullanıma ve ortam koşullarına bağlı olarak farklılık gösterebilir.



Bu ürün çevre dostu modern tesislerde üretilmiştir.

# 1 Önemli güvenlik ve çevre talimatları

Bu bölümde, yaralanma ya da maddi hasar tehlikelerini önlemeye yardımcı olacak güvenlik talimatları yer almaktadır. Bu talimatlara uyulmaması halinde her türlü garanti geçersiz hale gelir.

## 1.1 Elektrik akımı tehlikesi

Elektrik akımı dolayısıyla hayati tehlike!

Akımlı tellerle veya bileşenlerle temas etmek ciddi yaralanmalara ve ölüme neden olabilir!

Elektrik çarpması riskini önlemek için aşağıdaki güvenlik önlemlerine uyun:

- Bağlantı kablosu veya elektrik fişi hasar görmüşse kahve makinesini kullanmayın.
- Ürün tekrar kullanılmadan önce elektrik fişi kalifiye bir elektrikçi tarafından değiştirilmelidir.

- Kahve makinesinin muhafazasını açmayın. Akımlı bağlantılara dokunulursa ve/veya elektriksel ve mekanik yapılandırma değiştirilirse elektrik çarpması riski ortaya çıkar.
- Kahve çekirdeği haznesini temizlemeden önce cihazın fişini prizden çekin. Kahve öğütücünün dönmesinden doğan tehlike!

## 1.2 Yanma veya haşlanma tehlikesi

Kahve makinesinin bazı parçaları çalışma sırasında çok fazla ısınabilir! Makineden alınan içecekler ve çıkan buhar çok sıcaktır!

Kendinizi ve başkalarını yakmaktan/haşlamaktan kaçınmak için aşağıdaki güvenlik önlemlerine uyun:

- Her iki kahve musluğunda yer alan metal manşonlara dokunmayın.

# 1 Önemli güvenlik ve çevre talimatları

- Cildinizin makineden çıkan buharla veya sıcak durulama, temizleme ya da kireç çözme suyuyla doğrudan temas etmesini engelleyin.
- Kahve makinesinin onarım işlemleri yetkili servis veya müşteri hizmetleri yetkilisi tarafından yapılmalıdır. Yetkisiz kişilerin yaptığı onarım işlemleri kullanıcı için ciddi tehlikelere yol açabilir. Ayrıca, bu işlemler garantiyi geçersiz kılar.

## 1.3 Temel güvenlik önlemleri

Kahve makinesini güvenli bir şekilde kullanmak için aşağıdaki güvenlik önlemlerine uyun:

- Ambalaj malzemeleriyle oynamayın. Boğulma riski vardır.
- Makineyi kullanmadan önce üzerinde gözle görülür hasar olup olmadığını kontrol edin. Kahve makinesini hasarlıysa kullanmayın.
- Bağlantı kablosu hasarlıysa olası tehlikeleri önlemek adına yalnızca üreticinin tavsiye ettiği bir servis yetkilisi tarafından değiştirilmelidir! Lütfen üreticiyle ya da üreticinin müşteri hizmetleri yetkilisiyle iletişime geçin.
- Garanti süresi içerisinde kahve makinesinde yapılacak onarım işlemleri, yalnızca üretici tarafından yetkilendirilen servis merkezleri tarafından yapılmalıdır. Aksi takdirde, sonradan ortaya çıkan hasarlar durumunda garanti geçersiz kalacaktır.
- Kusurlu parçalar yalnızca orijinal yedek parçalarla değiştirilebilir. Güvenlik gerekliliklerine uyulması ancak orijinal yedek parça kullanımıyla sağlanabilir.

# 1 Önemli güvenlik ve çevre talimatları

- Bu ürün, denetim altında tutulmaları ya da ürünün güvenli kullanımına dair bilgilendirilmeleri ve ürünün kullanımından doğabilecek tehlikeleri anlamaları koşuluyla 8 yaşından büyük çocuklar ile fiziksel, duyuşal ya da zihinsel kapasiteleri azalmış ve bilgi ve/veya tecrübe eksikliği olan kişiler tarafından kullanılabilir. Çocuklar ürünle oynamamalıdır. Temizleme ve kullanıcı bakımı, 8 yaşının üzerinde olmadıkları ve gözetim altında tutulmadıkları sürece çocuklar tarafından yapılmamalıdır.
- Bu cihaz, evde ve aşağıdakiler gibi uygulamalarda kullanılmak üzere tasarlanmıştır:
  - Dükkanların, ofislerin ve diğer çalışma ortamlarının personel mutfaklarında;
  - Çiftlik evlerinde;
  - Otel, motel ve diğer konaklama mekanlarında müşteriler tarafından;
  - Pansiyon türü mekanlarda.
- Kahve makinesini yağmur, don ve doğrudan güneş ışığı gibi hava etmenlerinden koruyun. Kahve makinesini açık alanda kullanmayın.
- Kahve makinesini, elektrik kablosunu ya da fişini kesinlikle suya veya başka sıvılara batırmayın.
- Kahve makinesini ya da aksesuarlarını bulaşık makinesinde yıkamayın.
- Su haznesine sudan başka sıvı dökmeyin, gıda malzemeleri koymayın.
- Su haznesini maksimum işaretinden (doldurma deliğinin alt kenarı) fazla doldurmayın (1,5 litre).
- Makineyi sadece atık kahve haznesi, damlama tepsisi ve fincan ızgarası takılı durumdayken kullanın.

# 1 Önemli güvenlik ve çevre talimatları

- Fişi prizden çıkarmak için kabloyu çekmeyin ve ıslak elle dokunmayın.
- Kahve makinesini elektrik kablosundan tutmayın.
- Ürünü ve ürün kablosunu 8 yaşından küçük çocukların erişemeyeceği bir yerde saklayın.
- Sıcak su fonksiyonunu, suyla dolu bir haznedan fazla olacak şekilde sürekli olarak çalıştırmayın.

## 1.4 Kullanım amacı

Beko tam otomatik kahve makinesi, evlerde ve benzeri yerlerde (örneğin personel mutfakları, ofisler ve benzeri alanlar ya da pansiyon, otel, motel ve diğer konaklama mekanlarında müşteriler tarafından kullanılmak üzere) tasarlanmıştır. Bu kahve makinesi ticari kullanıma uygun değildir. Yalnızca kahve hazırlamak, süt ve su ısıtmak için tasarlanmıştır. Bunun dışında kullanımlar, uygunsuz kullanım olarak değerlendirilir.

### Uygunsuz kullanımdan kaynaklanan tehlike!

Kahve makinesi, kullanım amacı doğrultusunda kullanılmazsa tehlike kaynağı haline gelebilir.



**UYARI:** Dolayısıyla, kahve makinesi kullanım amacına uygun olarak kullanılmalıdır.



**UYARI:** Bu kullanım kılavuzunda yer alan prosedürlere uyun.

Kahve makinesinin amacı dışında kullanılmasından kaynaklanan hasar ve yaralanmalar için hiçbir sorumluluk kabul edilmeyecektir.

Risk, sadece makinenin sahibi tarafından ortaya çıkarılmış olmalıdır.

# 1 Önemli güvenlik ve çevre talimatları

## 1.5 Sorumluluk sınırlaması

Bu kullanım kılavuzunda yer alan ve kahve makinesinin kurulumuna, kullanımına ve bakımına yönelik olan tüm teknik bilgiler, veriler ve talimatlar makinenin baskı sırasındaki güncel durumunu yansıtmakta, deneyim ve uzmanlık ile kazanılan olası en iyi bilgilere dayanmaktadır.

Bu kullanım kılavuzundaki bilgilerden, çizimlerden ve açıklamalardan hiçbir iddia/talep çıkarımında bulunulamaz.

Üretici, kullanım kılavuzuna uyulmamasından, ürünün kullanım amacı dışında kullanılmasından, amatör onarımlardan, yetkisiz şekilde yapılan değişikliklerden ve onaylı olmayan yedek parçaların kullanılmasından kaynaklanan hasar ve yaralanmalar için sorumluluk kabul etmemektedir.

## 1.6 AEEE Direktifine Uygunluk ve Atık Ürünün Elden Çıkarılması:

Bu ürün, AB AEEE Direktifine (2012/19/AB) uygundur. Bu ürün, atık elektrikli ve elektronik ekipman (AEEE) sınıflandırma sembolü taşımaktadır.



Bu ürün, tekrar kullanılabilir ve geri dönüşüme uygun yüksek kaliteli parçalardan ve malzemelerden üretilmiştir. Kullanım ömrünün sonunda, atık ürünü normal evsel ve diğer atıklarla birlikte atmayın. Elektrikli ve elektronik ekipmanların yeniden dönüşümü için toplama merkezine götürün. Söz konusu toplama merkezleri hakkında bilgi sahibi olmak için lütfen yerel mercilere başvurun.

## 1.7 RoHS Direktifine Uygunluk

Satin almış olduğunuz ürün, AB RoHS Direktifine (2011/65/AB) uygundur. Direktifte belirtilen tehlikeli ve yasaklanmış malzemeleri içermez.


## 1.8 Ambalaj bilgileri



Ürünün ambalajı, Ulusal Çevre Mevzuatımız gereği geri dönüştürülebilir malzemelerden üretilmiştir. Ambalaj malzemelerini evsel veya diğer atıklarla birlikte atmayın. Bu malzemeleri yerel mercilerce görevlendirilen ambalaj malzemesi toplama noktalarına götürün.

## 2 Ekran

### 2.1 Kontrol Paneli

	Yanıp sönüyor: Su seviyesi düşük/Su haznesi yerinde değil
	Kahve çekirdeği eksik
	Sürekli yanan ışıklar: atık kahve haznesi dolu Yanıp sönüyor: İç Damlama Tepsisi/atık kahve haznesi yerinde değil
	Sürekli yanan ışıklar: Demlik yerinde değil/yanlış takılmış Yanıp sönüyor: Servis kapağı açık/yanlış takılmış
	Sürekli yanan ışıklar: Kireç çözme işlemi gerekiyor Yanıp sönüyor: Kireç çözme işlemi yapılıyor
	Sistem Boşaltma Fonksiyonu çalışıyor
	Güç Açma/Kapatma Düğmesi
	Buhar Düğmesi
	Sıcak Su Düğmesi
	Sert Espresso Düğmesi
	Yumuşak Espresso Düğmesi

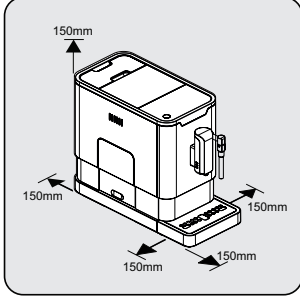
Kendi kendini temizleme (self-cleaning) işlemi için kutuda üç paket temizlik maddesi yer almaktadır.



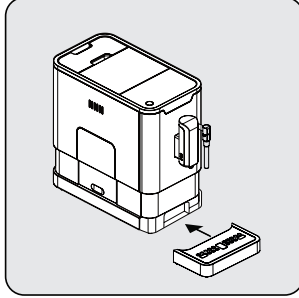
## 3 Hazırlık

### 3.1 Kurulum

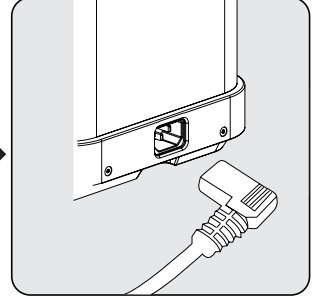
**i** Cihazın üzerindeki tüm koruyucu filmleri, yapışkanları ve diğer ambalaj malzemelerini sökün.



Kolayca erişilebilir güç kaynağına sahip güvenli ve dengeli bir yüzey belirleyip makinenin kenarlarında gereken minimum boşluğu bırakmaya dikkat edin.




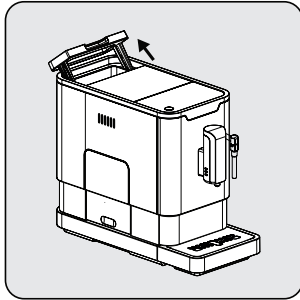
Dış damlama tepsisini takın. Doğru yerleştirdiğinizden emin olun.



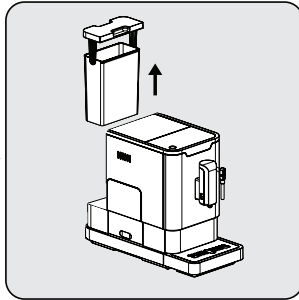
Güç kablosunu açık düz hale getirin ve fişi, makinenin arkasında yer alan sokete takın. Güç kablosunun diğer ucunu, uygun gerilime sahip duvar prizine takın.

### 3.2 Su haznesinin doldurulması

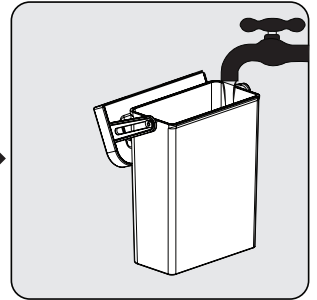
**! UYARI:**  Yanıp sönüyorsa su haznesindeki su seviyesi düşüktür ve su haznesinin doldurulması gerekir.



Su haznesini, kapağı tutacak olarak kullanarak kaldırın.



Su haznesini dışarı çıkarın.



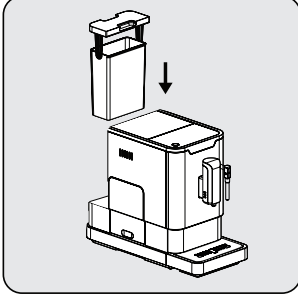
Temiz suyla yıkadığınız su haznesini maksimum seviyeye kadar doldurup tekrar makineye takın. Tamamen yerleştirdiğinizden emin olun.

**i** Su haznesinin taşmasını önlemek için, cihaza başka bir kapla doğrudan su eklemeyin.

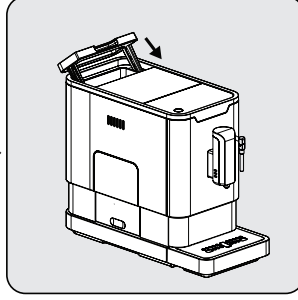
## 3 Hazırlık



**UYARI:** Su haznesine ılık su, sıcak su, maden suyu veya su haznesine ve makineye zarar verebilecek başka bir sıvı doldurmayın.



Su haznesini, kapağı tutacak olarak kullanarak tekrar yerine takın.

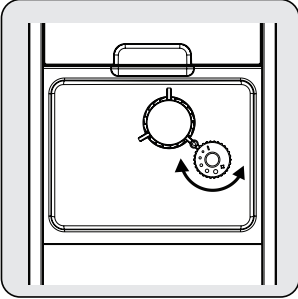


Kapağı kullanarak su haznesini kapatın.

## 4 Kullanım

### 4.1 Öğütme Ayarı

Öğütücüyü, kahve çekirdeği haznesindeki ayar düğmesini çevirerek kahvenizin öğütülme derecesine uyacak şekilde ayarlayabilirsiniz.



Öğütücü, kahve yapma sırasında kahve çekirdeklerini öğütürken ayar düğmesini çevirerek ayar yapabilirsiniz.



**UYARI:** Öğütücü çalışmıyorken öğütme ayarı yapmayın. Aksi takdirde, öğütücü zarar görebilir.

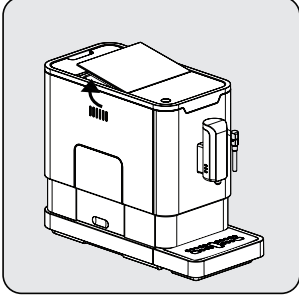


Ayar düğmesinin üzerinde yer alan düğmeler, kahve çekirdeklerinin öğütülme inceliğini gösterir.

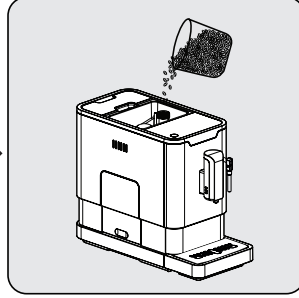
## 4 Kullanım

### 4.2 Kahve çekirdeği haznesinin doldurulması

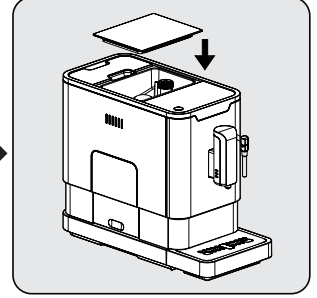
**i**  Yanıp sönyorsa cihaza kahve çekirdeği ilave etmeniz gerekir.



Kahve çekirdeği haznesinin kapağını çıkarın.



Kahve çekirdeklerini yavaşça hazneye ilave edin.



Kahve çekirdeklerini yavaşça hazneye ilave edin.



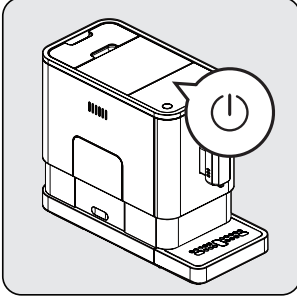
**UYARI:** Kahve çekirdeği haznesine sadece kahve çekirdeği koyun. Öğütülmüş kahve, hazır kahve, karamelize edilmiş kahve ve diğer türler makineye zarar verebilir.



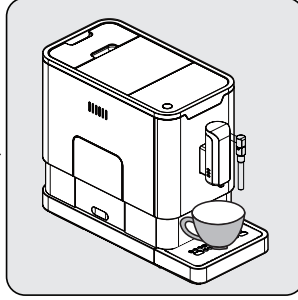
İlk kullanımdan önce sıcak su düğmesine basarak kahve makinesinin içini temizleyin.

## 4 Kullanım

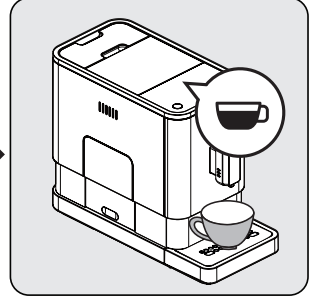
### 4.3 Kahve Hazırlama



Güç açma/kapama düğmesine basarak cihazı açın. Cihaz bekleme modunda açılır ve kahve musluğundan bir miktar sıcak su akarak kullanıma hazır olacaktır.



Kahve musluğunun altına bir fincan yerleştirip musluğun yüksekliğini fincana göre ayarlayın.



Basılan espresso düğmesinin ışığı yanar ve ışıklar, cihazın kahveyi hazırlamakta olduğunu belirtir. Cihaz tekrar bekleme durumuna geçtiğinde kahve hazır demektir.



Güç açma/kapama düğmesine basarak cihazı kapatın. Kapatma düğmesine basıldığında kahve musluğunun temizlenmesi için otomatik olarak bir miktar su akacaktır.



Damak zevkinize bağlı olarak sert espresso düğmesine veya yumuşak espresso düğmesine basın.



İlk kullanımdan önce sıcak su düğmesine basarak kahve makinesinin içini temizleyin.

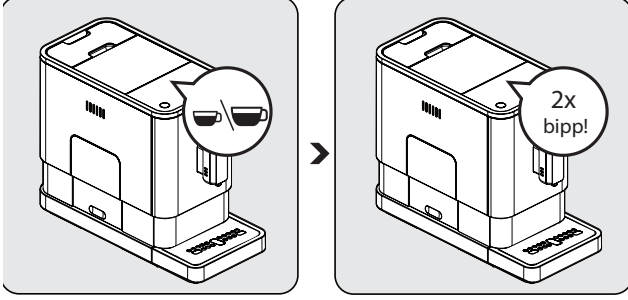


Cihaz, otomatik kapanma özelliğine sahiptir. Otomatik kapanma süreleri, seçtiğiniz moda bağlı olarak değişir.

## 4 Kullanım

### 4.4 Kahve/Sıcak Su Hacminin Ayarlanması

Hem sert ve yumuşak espresso hem de sıcak su hacmini 25 ml ile 250 ml arasında istediğiniz bir değere ayarlayıp bunu makinenin belleğine kaydedebilirsiniz.



Kahvenizi (sert veya yumuşak espresso) hazırlarken veya sıcak su alırken, seçtiğiniz düğmeye basılı tutun. Cihaz, kahveyi hazırlamaya devam edecektir.

Kahve hacmi istediğiniz seviyeye ulaştığında düğmeye basmayı bırakın. Makineden iki bip sesi gelecektir. Bu sesler, kahve hacminin belleğe kaydedilmekte olduğunu belirtir.



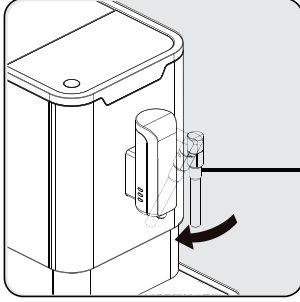
Varsayılan ayarı seçerek kahve hacmini tekrar fabrika ayarına getirebilirsiniz.

### 4.5 Kahve için Köpüklü Süt Hazırlama

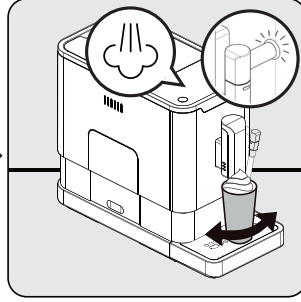


Buhar sıcaklığı, espresso sıcaklığından daha yüksek olduğu için espresso, köpüklü süttten önce hazırlanmalıdır. Aksi takdirde espresso yanabilir.

## 4 Kullanım

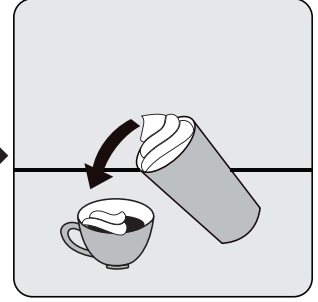


Espresso'yu daha büyük bir fincan ile hazırlayın. Buhar nozülünü Damlama tepsisine doğru çevirin.



Buhar düğmesine basın. Buhar göstergesi ışığı yanıp söner ve cihaz ısınır. Su kalıntısını damlama tepsisine veya başka bir kaba boşaltın. Su kalıntısı boşaldıktan sonra buhar işlemi duracak ve tekrar buhar düğmesine basmanız gerekecektir.

Buhar gösterge ışığı yanıp sönmeyi durdurduğunda ve sabit olarak yandığında sütle dolu bir kabi buhar nozülünün altına yerleştirin ve buhar nozülünü kabin 5 cm kadar içine daldırın. Sıcak buhar gelmeye başladığında kabı döndürün.



Sıcak köpüklü sütü espresso'ya ekleyin. Artık kahvenizi keyifle yudumlayabilirsiniz.

### 4.6 Sıcak Su

Cihazdan sıcak su almak için sıcak su düğmesine basmanız yeterlidir. Sıcak su düğmesi ve ışık yanarak cihazın suyu ısıtmakta olduğunu belirtir. Sıcak su düğmesi ve ışık söndüğünde, sıcak suyunuz hazır demektir.

### 4.7 Mod Seçimi



Makinenin üç farklı ayarı vardır: Varsayılan ayar, ECO (Ekonomi) modu ve hızlı mod. ECO (Ekonomi) modunda, cihaz daha fazla enerji tasarrufu yapar. Hızlı modda ise kullanıcı, kahvesini varsayılan ayarda olduğundan daha hızlı şekilde hazırlayabilir.




	ECO Modu	Hızlı Mod	Varsayılan Ayar
Aydınlatma ışığı	Hayır	Evet	Evet
Ön demleme*	Evet	Hayır	Evet
Otomatik kapanma süresi	10 dakika	30 dakika	20 dakika
Bardak Hacmi belleği	Evet	Evet	Evet




Ön demleme fonksiyonu, tam ekstraksiyon öncesinde demlikteki öğütülmüş çekirdekleri az miktarda suyla nemlendirir. Bu, öğütülmüş kahveyi şişirerek demlikte daha fazla basınç yaratır. Bu sayede, öğütülmüş çekirdeklerin yağının ve aromasının tamamını ortaya çıkarır.

## 4 Kullanım

1. Makine bekleme modundayken  düğmesine 5 saniye basılı tutun.
2.  yanıp söner ve aşağıdaki düğmeler, farklı ayarlar için şu göstergeleri verir:

	Sıcak su düğmesi 	Sert espresso düğmesi 	Yumuşak espresso düğmesi 
ECO Modunda	Işıklar açık	Yanıp sönüyor	Yanıp sönüyor
Hızlı Modda	Evet	Hayır	Yanıp sönüyor
Varsayılan Ayarda	Yanıp sönüyor	Yanıp sönüyor	Işıklar Açık

3. ECO modu için sıcak su düğmesine, hızlı mod için sert espresso düğmesine, varsayılan ayar içinse yumuşak espresso düğmesine basın. Makineden iki bip sesi gelir. Bu sesler, modun seçilmekte olduğunu belirtir. (Not: Her mod için düğmedeki ilgili ışıklara basarsanız makine yanıt vermez).
4. Ayarın değişmesini istemiyorsanız  düğmesine tekrar basın ya da makinenin bekleme moduna dönmesi için 5 saniye bekleyin.

## 5 Temizlik

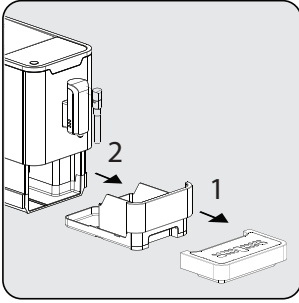
### 5.1 Cihazın temizlenmesi

1. Güç kablosunu prizden çekin.
2. İç ve dış damlama tepsilerindeki tüm suyu boşaltın.
3. Nemli bir bez veya aşındırmayan bir temizlik malzemesi kullanarak cihazın üzerindeki su lekelerini temizleyin.

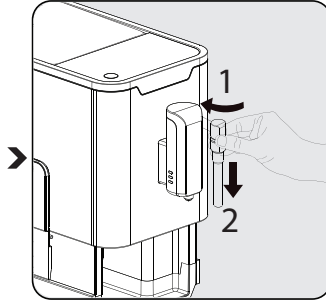


**UYARI:** Cihazı temizlemek için kutuda yer almayan; aşındırıcı, sirke içerikli veya kireç çözücü ürünler kullanmayın.

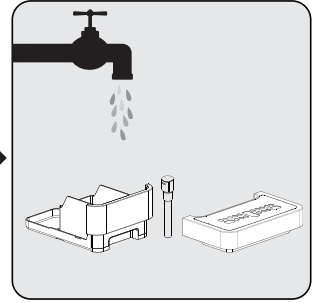
Cihazın kullanım ömrünü uzatmak için zamanında temizlik ve bakım yapmak çok önemlidir.



Dış damlama tepsisini çıkarın.  
İç damlama tepsisini ve sonrasında da atık kahve haznesini kaydırarak çıkarın.



Metal boruyu aşağıya doğru çekerek çıkarın. Nozul kapağını saat yönüne ( sola) doğru çevirerek çıkarın ve temiz su ile süt kalıntılarını temizleyin.



Atık kahve haznesini boşaltıp temiz suyla yıkayın. Sonrasında kurulayın.



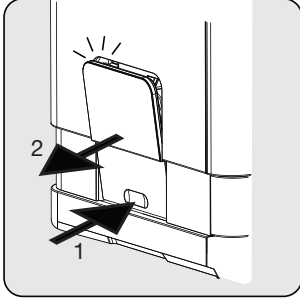
Metal boruyu tekrardan nozul kapağına takın. Daha sonra yukarı doğru bastırarak nozul kapağını yerine takın. Kilitlemek için sağa doğru çevirin.



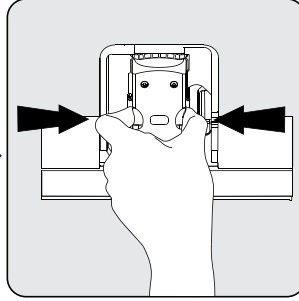
Yanıyorsa atık kahve haznesinin boşaltılması gerekir.



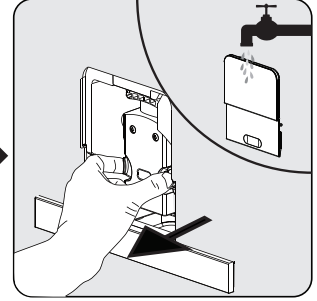
## 5 Temizlik



Servis kapağını aşağı çekerek çıkarın.



Çıkarma düğmesine basın. Kahve demleyicinin her iki tarafında bulunan düğmelere basarak dışa doğru çekin.



Kahve demleyici çıkarın ve temiz suyla yıkayın. Ardından kurulayın.



⚠️ sabit yanıyorsa kahve demleyici yerinde değildir/yanlış takılmıştır. ⚠️ yanıp sönüyorsa servis kapağı yerinde değildir/yanlış takılmıştır.

### 5.2 Kendi Kendini Temizleme (Self-Cleaning) Fonksiyonu

☺️ yanıp sönüyorsa cihazın kendi kendini temizleme fonksiyonunun çalıştırılması gerekir. Bu fonksiyon en az ayda bir kez ya da kullanılan suyu sertliğine bağlı olarak daha düzenli bir şekilde kullanılırsa cihaz en iyi durumunda kalır. Ayrıca:

1. Su haznesini tamamen doldurmanız,
2. Ürünün kutusunda verilen bir paket temizlik malzemesini su haznesine eklemeniz önerilir.






**UYARI:** Bu cihazın kendi kendini temizleme fonksiyonunu çalıştırmak için sirke veya başka temizlik maddeleri kullanmayın. Temizlik maddeleri cihaza zarar verebilir.

3. Cihazın fişini prize takın.
4. Kahve musluğunun altına yeterli büyüklükte bir kap koyun.
5. Bekleme modundayken ☺️ ve sert espresso düğmesine ☺️ 5 saniye basılı tutun. ☺️ ile bir bip sesi duyulur ve sert espresso düğmesi ☺️ yanıp söner.
6. Sert espresso düğmesine basarak cihazın kendi kendini temizleme işlemi yapması için onay verin. Bekleme moduna dönmek için ☺️ düğmesine basın.
7. Yanıp sönerek cihazın kendi kendini temizleme işlemine girmekte olduğunu belirtir.



**UYARI:** Sıcak suyu cildinizden/vücudunuzdan uzak tutun.

## 5 Temizlik


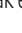


8. Su haznesindeki suyun tamamı tahliye edilirken  ve sert espresso düğmesi  yanıp söner. Su haznesinde kalan solüsyonun tamamını temizleyip hazneyi maksimum seviyeye kadar normal musluk suyuyla doldurun. Su haznesine su doldurulduğunda  söner. Ardından, cihaz kendi kendini temizlemeye devam eder.
9. Kendi kendini temizleme işlemi tamamlandıktan sonra cihaz otomatik olarak kapanır.



**UYARI:** Lütfen kendi kendini temizleme işleminin bitmesini bekleyin, ardından makineyi kapatın.

### 5.3 Sistem Boşaltma Fonksiyonu

Cihaz uzun süre kullanım dışı bırakılmadan, donma koruması uygulanmadan ve onarım görevlisiyle konuşulmadan önce sistem boşaltma fonksiyonunun kullanılması önerilir.






1. Bekleme modundayken  ve yumuşak espresso düğmesine  aynı anda 5 saniye basılı tutun.
2.  yanıp söner.
3. Su haznesini cihazdan çıkarın.  ışığı sürekli yanarak sistem boşaltma işlemini sürdürdüğünü belirtir. Cihazın nozulünden su gelmeye başlayacak ve bittiğinde kendiliğinden duracaktır.
4. Sistem boşaltma işlemi tamamlandıktan sonra cihaz otomatik olarak kapanır.



**UYARI:** SİSTEM BOŞALTMA FONKSİYONU kullanıldıktan sonra, kahve makinesini tekrar kullanırken, sıcak su düğmesine basın ve su gelene kadar bekleyin.

### 5.4 Manuel Yıkama

Makineyi kullandıktan sonra kahve ağzını temizlemek için manuel yıkama işlemi gerçekleştirebilirsiniz. Ayrıca, cihaz uzun süre kullanılmadıktan sonra da manuel yıkama yapmanız tavsiye edilir.


1. Bekleme modundayken  ve sıcak su düğmesine  aynı anda basılı tutun.
2. Sıcak su düğmesi , sert espresso düğmesi  ve yumuşak espresso düğmesi  söner. Kahve ağzından, yıkama için kullanılan yaklaşık bir bardak su gelir.



**UYARI:** Kahve ağzından yaklaşık bir bardak sıcak su gelerek damlama tepsisinde toplanır. Su sıçratmamaya dikkat etin.

3. Yıkamadan sonra, cihaz bekleme moduna döner.

## 6 Sorun giderme

Sorun	Neden	Çözüm
Cihaz çalışmıyor.	Cihaz şebekeye bağlı değildir.	Cihazın fişini prize takıp düğmesine basın. Kabloyu ve fişi kontrol edin.
Paneldeki fonksiyon tuşuna birkaç kez basılmasına rağmen cihaz yanıt vermiyor veya geç yanıt veriyor	Cihaz elektromanyetik parazit altındadır. Panel kirlidir.	Cihazın fişini çekin. Birkaç dakika sonra cihazı yeniden başlatın. Ürünle birlikte verilen bezi kullanarak paneli temizleyin.
Kahve yeterince sıcak değil.	Fincanlarda ön ısıtma yapılmamıştır. Demleme ünitesi çok soğuk.	Kahveyi yapmadan önce cihazı en az 3 kez yıkayın (çalkalayın). Kahve yapmadan önce fincanınızı buhar fonksiyonu kullanarak ısıtın. Su haznesindeki suyun çok soğuk olamamasına dikkat edin.
Kahve ağızdan kahve gelmiyor.	Sistem boşaltma fonksiyonu önceden kullanılmış olabilir. Kahve çıkış ucu temizlenmemiş ve kahve kalıntıları ile tıkanmış olabilir.	Ağızdan su gelene kadar sıcak su düğmesine basın. Kahve çıkış ucunu temizleyin
Hazırlanan ilk kahvenin kalitesi düşük.	Öğütücü, ilk çalışmasında demleme ünitesinde yeterli düzeyde güç vermiyor olabilir.	Kahveyi atın. Diğer kahvelerin kalitesi her zaman yüksek olacaktır.
Dokunmatik düğmeler hassas olmayabilir.	Dokunmatik düğmeler kirlenmiş olabilir	Cihazın dokunmatik düğmelerini temizleyin.
Su haznesi yerinde değil su haznesindeki su seviyesi çok düşük fakat  cihaz uyarı vermiyor.	Su haznesi konnektörünün yakınındaki alan ıslak olabilir.	Su haznesi konnektörünün çevresindeki suyu silin.
İç damlama tepsisinde çok fazla su var.	Toz kahve çok ince olduğu için suyun çıkmasını engelliyor olabilir.	Öğütme işlemi sırasında kahve inceliğini daha büyük bir noktaya ayarlayın.
Kahve çok yavaş ya da damla damla çıkıyor.	Toz kahve çok ince olduğu için suyun çıkmasını engelliyor olabilir.	Öğütme işlemi sırasında kahve inceliğini daha büyük bir noktaya ayarlayın.
Çekirdek yok göstergesi yanıp sönüyor fakat haznede hâlâ çok miktarda kahve çekirdeği var.	İçerideki toz kahve çıkışı tıkanmış olabilir.	E bölümünde verilen adımları izleyin (Temizlik Bölümü).
Demlik ya da öğütülmüş kahve tepsisinin çıkarılması mümkün değildir.	Cihaz kendi kendini temizleme işlemini bitirmedi ve kapatıldı.	Lütfen makineyi tekrar açıp kendi kendini temizleme işlemini bitirmesini bekleyin.

# ¡Lea el manual del usuario antes de utilizar el aparato!

Estimado cliente:

Gracias por elegir un producto Beko. Esperamos que obtenga los mejores resultados de nuestro producto ya que ha sido fabricado con gran calidad y con tecnología de última generación. Por tanto, le aconsejamos que lea este manual del usuario con atención y todos los demás documentos adjuntos antes de utilizar el aparato y que lo guarde para futuras consultas. Si va a entregar este aparato a otra persona, proporciónese también el manual del usuario. Siga todas las advertencias e instrucciones incluidas en este manual.

1. Cubierta del contenedor de granos de café
2. Contenedor de granos de café
3. Panel de control
4. Botón de Encendido/Apagado
5. Boquilla de vapor
6. Cubierta de la boquilla
7. Boquilla de salida de café ajustable
8. Tubo de metal
9. Contenedor de posos de café
10. Bandeja antigoteo interna
11. Bandeja antigoteo externa
12. Cepillo de limpieza
13. Puerta de servicio
14. Unidad de preparación
15. Cable de alimentación
16. Depósito de agua

## Explicación de los símbolos

En este manual se utilizan los siguientes símbolos:



Información importante o consejos útiles sobre el uso.



**PELIGRO:** Advertencia para situaciones de riesgo con respecto a la vida y la propiedad.



**ADVERTENCIA:** La advertencia indica una situación potencialmente peligrosa.



**PRECAUCIÓN:** La advertencia indica posibles daños materiales.

## Datos técnicos

### Fuente de alimentación:

220-240 V~, 50-60 Hz

**Potencia:** 1350 W

Modificaciones técnicas y de diseño reservadas.

Todos los valores declarados en el producto y en los folletos impresos se recogen después de las mediciones de laboratorio realizadas según las normas correspondientes. Estos valores pueden variar según el uso y las condiciones ambientales.



Este producto se ha fabricado en plantas de fabricación modernas y que hacen uso de procesos respetuosos con el medio ambiente

Cumple con la Directiva RAEE.



El producto no contiene PCB.

# 1 Instrucciones importantes para la seguridad y el medio ambiente

Esta sección incluye las instrucciones de seguridad que ayudarán a proporcionar protección contra lesiones personales y los riesgos de pérdida de material. El incumplimiento de estas instrucciones causará la pérdida de la garantía.

## 1.1 Peligro de corriente eléctrica

¡Peligro de muerte por corriente eléctrica!

¡El contacto con cables o componentes bajo tensión puede provocar lesiones graves e incluso la muerte!

Observe las siguientes precauciones de seguridad para evitar descargas eléctricas:

- No utilice la cafetera si el cable de conexión o el enchufe de red están dañados.
- Antes de volver a utilizar la cafetera, el cable de red debe ser sustituido por un electricista cualificado.

- No abra la carcasa de la cafetera. Peligro de descarga eléctrica si se tocan las conexiones eléctricas y/o se cambia la configuración eléctrica y mecánica.
- Antes de limpiar el contenedor de granos de café, desenchufe el aparato de la toma de corriente. ¡Peligro por rotación del molino de café!

## 1.2 Peligro de quemaduras o escaldaduras

¡Las partes de la cafetera pueden calentarse mucho durante el funcionamiento! ¡Las bebidas dispensadas y el vapor de escape están muy calientes! Observe las siguientes precauciones de seguridad para evitar quemarse/escaldarse a sí mismo y/o a otros:

- No toque ninguno de los manguitos metálicos de las dos boquillas de salidas del café.

# 1 Instrucciones importantes para la seguridad y el medio ambiente

- Evitar el contacto directo de la piel con el vapor de escape o el agua caliente de lavado, limpieza y descalcificación.
- La reparación de la cafetera sólo debe ser realizada por un especialista autorizado o por el servicio de asistencia técnica. Las reparaciones no cualificadas pueden suponer un peligro considerable para el usuario. También anularán la garantía.

## 1.3 Precauciones básicas de seguridad

Observe las siguientes precauciones de seguridad para garantizar una manipulación segura de la cafetera:

- Nunca juegue con el material de embalaje. Peligro de asfixia.
- Inspeccione la cafetera para detectar signos visibles de daños antes de usarla. No utilice una cafetera dañada.
- Si el cable de conexión está dañado, sólo debe sustituirse por un agente de mantenimiento recomendado por el fabricante para evitar cualquier peligro. Póngase en contacto con el fabricante o con su servicio de atención al cliente.
- Las reparaciones de la máquina de café durante el período de garantía sólo pueden ser realizadas por los centros de servicio autorizados por el fabricante, de lo contrario la garantía quedará anulada en caso de daños posteriores.
- Las piezas defectuosas sólo deben sustituirse por piezas de repuesto originales. Sólo las piezas de repuesto originales garantizan el cumplimiento de los requisitos de seguridad.

# 1 Instrucciones importantes para la seguridad y el medio ambiente

- Este aparato puede ser utilizado por niños a partir de los 8 años, así como por personas con capacidades físicas, sensoriales o mentales reducidas o con poca experiencia y/o conocimientos, si estas personas son supervisadas o han sido instruidas sobre el uso del aparato de forma segura y han entendido los peligros que pueden derivarse de su uso. Los niños no deben jugar con el aparato. La limpieza y el mantenimiento del usuario no deben ser realizados por niños a menos que sean mayores de 8 años y estén supervisados.
- Este aparato está destinado al uso doméstico y aplicaciones similares tales como:
  - - cocinas para uso del personal de tiendas, oficinas y otros entornos laborales,
  - - casa rurales,
  - - a través de clientes en hoteles, hostales o cualquier otro tipo de entorno residencial,
  - - entornos de tipo "habitación y desayuno".
- Proteja la cafetera de los efectos del clima, como la lluvia, las heladas y la luz solar directa. No utilice la cafetera al aire libre.
- No sumerja nunca la cafetera, el cable de alimentación o el enchufe de red en agua u otros líquidos.
- No limpie la cafetera o los accesorios en un lavavajillas.
- No vierta ningún otro líquido aparte del agua o coloque productos alimenticios en el tanque de agua.
- No llenar el depósito de agua por encima de la marca máxima (borde inferior del orificio de llenado) (1,5 litros).

# 1 Instrucciones importantes para la seguridad y el medio ambiente

- Utilice la máquina únicamente cuando estén instalados el depósito de residuos, la bandeja de goteo y la rejilla para vasos.
- No tire del cable para retirar el enchufe de la toma de corriente ni lo toque con las manos mojadas.
- No sostenga la cafetera con el cable de red.
- Mantenga el aparato y el cable fuera del alcance de niños menores de 8 años.
- No ponga continuamente la función de agua caliente para más de un depósito de agua.

## 1.4 Uso previsto

La cafetera completamente automática Beko está diseñada para su uso en el hogar y aplicaciones similares, por ejemplo en cocinas de personal, tiendas, oficinas y áreas similares o por clientes en habitaciones de huéspedes, hoteles, moteles y otros alojamientos. Esta máquina de café no está diseñada para uso comercial. La máquina sólo está diseñada para preparar café y calentar leche y agua. Cualquier otro uso distinto del indicado anteriormente se considera como uso indebido.

### ¡Peligro por uso inadecuado!

Si no se utiliza para el uso previsto o se usa de cualquier otra manera, la cafetera puede ser o convertirse en una fuente de peligro.



**ADVERTENCIA:** Por lo tanto, la máquina de café sólo puede utilizarse para el uso previsto.



**ADVERTENCIA:** Observe los procedimientos descritos en este manual de instrucciones.

No se aceptarán reclamaciones de ningún tipo por daños o lesiones como consecuencia del uso de la máquina de café para fines distintos a los previstos.

El riesgo tiene que ser asumido exclusivamente por el propietario de la máquina.



# 1 Instrucciones importantes para la seguridad y el medio ambiente

## 1.5 Limitación de responsabilidad

Toda la información técnica, los datos y las instrucciones de instalación, funcionamiento y mantenimiento de la cafetera que se encuentran en estas instrucciones de servicio representan el estado actual en el momento de la impresión y se basan en los mejores conocimientos y experiencias adquiridas.

Las informaciones, ilustraciones y descripciones contenidas en este manual de instrucciones no son susceptibles de reclamación.

El fabricante no asume ninguna responsabilidad por daños o lesiones que resulten del incumplimiento del manual de usuario, uso para fines distintos al previsto, reparaciones no profesionales, modificaciones no autorizadas o el uso de piezas de repuesto no autorizadas.

## 1.6 Conformidad con la Directiva RAEE y eliminación del producto al final de su vida útil:

Este producto cumple con la Directiva RAEE de la UE (2012/19/UE). Este producto lleva un símbolo de clasificación para residuos de aparatos eléctricos y electrónicos (RAEE).



En la fabricación de este producto se han empleado piezas y materiales de alta calidad, que pueden reutilizarse y reciclarse. Por lo tanto, no arroje este aparato a la basura junto con residuos domésticos normales al final de su vida útil. Llévelo a un punto de recogida para el reciclado de componentes eléctricos y electrónicos. Por favor, consulte a las autoridades locales para conocer estos puntos de recogida.

## 1.7 Conformidad con la Directiva RoHS

El producto que ha adquirido cumple con la directiva RoHS de la UE (2011/65/UE). No contiene materiales peligrosos ni prohibidos especificados en la Directiva.












## 1.8 Información de embalaje



El embalaje del producto está fabricado a partir de material reciclable de acuerdo con la Normativa nacional sobre medio ambiente. No se deshaga de los materiales de embalaje junto con los desechos domésticos o de otro tipo. Llévelos a los puntos de recogida de material de embalaje designados por las autoridades locales.

## 2 Pantalla

### 2.1 Panel de control

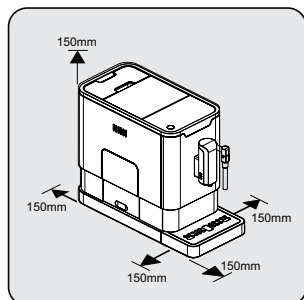
	Parpadeo: Nivel de agua bajo/ Falta tanque de agua
	Falta de granos de café
	Se ilumina de forma estable: el contenedor de posos de café está lleno Parpadeo: Falta el contenedor de posos de cafe/bandeja antigoteo interna
	Se ilumina de forma estable: Falta la unidad de preparación o está instalada incorrectamente Parpadeo: La puerta de servicio está abierta o instalada incorrectamente
	Se ilumina de forma estable: Requiere la descalcificación Parpadeo: La descalcificación está bajo proceso
	La función de vaciar el sistema está en marcha
	Pulse el botón de Encendido/Apagado
	Botón de vapor
	Botón de agua caliente
	Botón de Espresso fuerte
	Botón de Espresso suave

En la caja se incluyen tres paquetes de productos de limpieza para el proceso de autolimpieza.

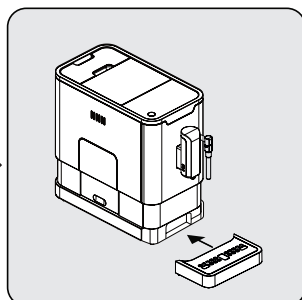
## 3 Preparación

### 3.1 Instalación

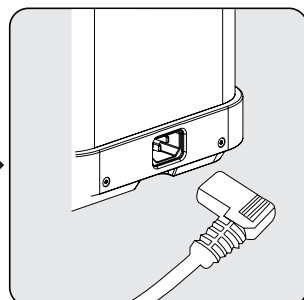
**i** Retire las láminas protectoras, pegatinas y cualquier otro material de embalaje del aparato.



Elija una superficie segura y estable con una fuente de alimentación fácilmente accesible y deje una distancia mínima a los lados de las máquinas.



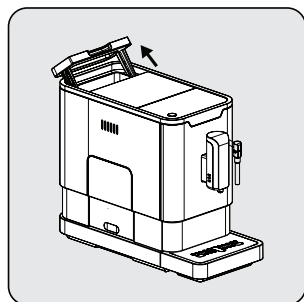
Introduzca la bandeja antigoteo externa. Asegúrese de que está insertada correctamente.



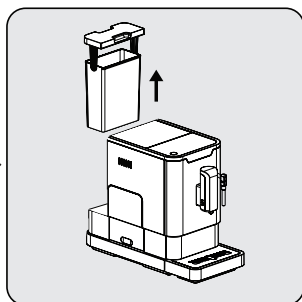
Desenrolle y enderece el cable de alimentación e inserte el enchufe en la toma situada en la parte posterior de la máquina. Inserte el otro extremo del cable de alimentación en un enchufe de pared con la tensión de alimentación adecuada.

### 3.2 Vacíe el depósito de agua

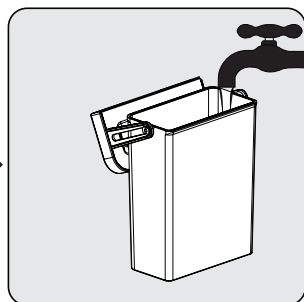
**!** **ADVERTENCIA:** Cuando  está parpadeando, el tanque de agua está en un nivel bajo y requiere llenar el tanque de agua.



Levante el depósito de agua utilizando la tapa como asa.



Saque el depósito de agua.



Enjuague el depósito de agua con agua potable y, a continuación, llene el depósito al nivel máximo y vuelva a colocarlo en la máquina. Asegúrese de que esté completamente insertado.

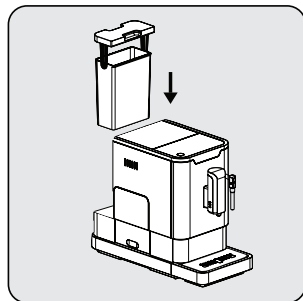
### 3 Preparación



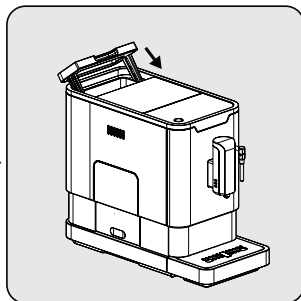
Para evitar el desbordamiento del agua del depósito de agua, no añada agua directamente al aparato con otro recipiente.



**ADVERTENCIA:** Nunca llene el depósito de agua con agua tibia, caliente, con gas o cualquier otro líquido que pueda dañar el depósito de agua y la máquina.



Vuelva a colocar el depósito de agua utilizando la tapa como asa.

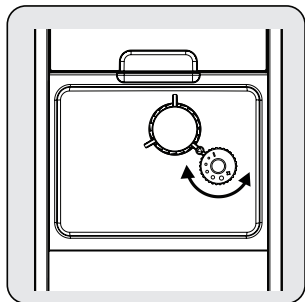


Cierre el depósito de agua con la tapa.

## 4 Funcionamiento

### 4.1 Ajuste de la molienda

Puede ajustar el molinillo para que se adapte a la torrefacción de su café girando la perilla de ajuste en el contenedor de granos de café:



Cuando el molinillo esté moliendo el grano de café o mientras está haciendo el café, puede girar la perilla de ajuste para hacer el ajuste.



**ADVERTENCIA:** Nunca realice el ajuste del molido cuando la rectificadora no esté funcionando. Puede dañar el molinillo.

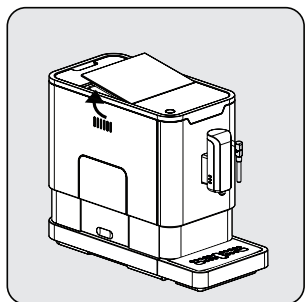


Los puntos en la perilla de ajuste indican la finura de la molienda.

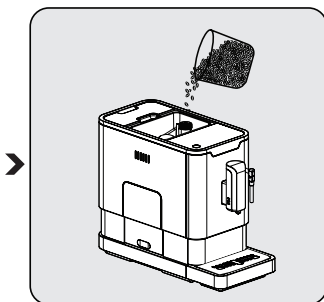
### 4.2 Llenado del contenedor de granos de café



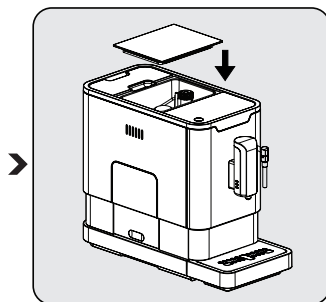
Cuando  parpadea significa que la máquina necesita llenarse con granos de café.



Retire la tapa del recipiente de granos de café.



Vierta lentamente los granos de café.



Vuelva a colocar la tapa del recipiente.

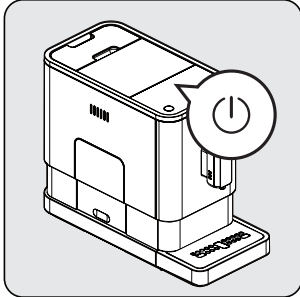


**ADVERTENCIA:** Llene el recipiente de granos de café solo con granos de café. Café molido, café instantáneo, café caramelizado y cualquier otro objeto puede dañar la máquina.

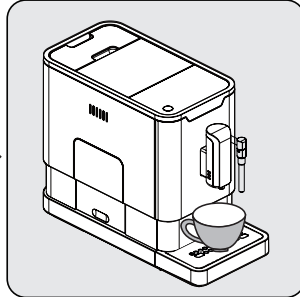
## 4 Funcionamiento

**i** Pulse el botón de agua caliente (véase página 9, sección IV) para limpiar el interior de la cafetera antes del primer uso.

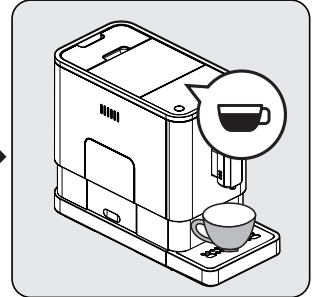
### 4.3 Cómo preparar su café



Encienda el aparato pulsando el botón de encendido/apagado. El aparato pasa luego al modo de espera.



Coloque una taza debajo del caño de café y ajuste la altura de la boquilla de salida del café.



El botón de espresso que se está presionando se encenderá y la iluminación se encenderá indicando que el aparato está preparando la taza de café. Cuando el aparato vuelva a la posición de espera, el café estará listo para servirse.

**i** Apague el aparato pulsando el botón de encendido/apagado.

**i** Dependiendo del gusto del café que le gustaría tomar, presione el botón de espresso fuerte o el botón de espresso suave.

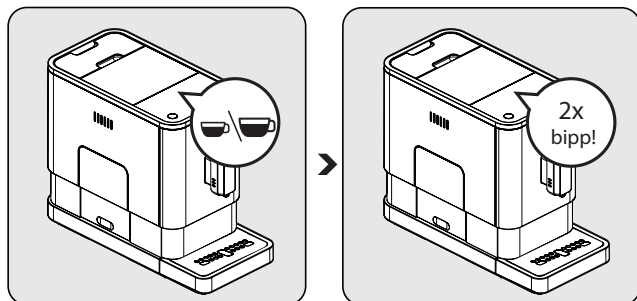
**i** Pulse el botón de agua caliente para limpiar el interior de la cafetera antes del primer uso.

**i** El aparato está equipado con apagado automático. Dependiendo del modo que haya seleccionado, el aparato tendrá diferentes temporizaciones de apagado automático.

## 4 Funcionamiento

### 4.4 Ajuste del volumen de su café/agua caliente

Usted puede memorizar su volumen deseado de café tanto para el café espresso fuerte y espresso suave, así como agua caliente de 25ml a 250ml.



Cuando prepare su café (ya sea un espresso fuerte o un espresso suave) o al dispensar agua caliente, presione y mantenga pulsado el botón seleccionado. El aparato continuará haciendo la taza de café.

Cuando el volumen del café se ajuste al volumen deseado, suelte el botón. Se escucharán dos pitidos que indican que se está memorizando el volumen del café.



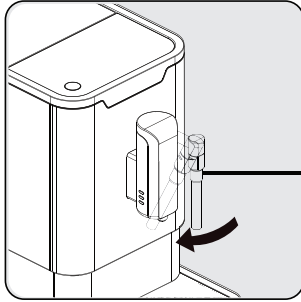
Puede restablecer el volumen del café al ajuste de fábrica seleccionando la configuración predeterminada.

### 4.5 Preparación de la leche espumosa para el café

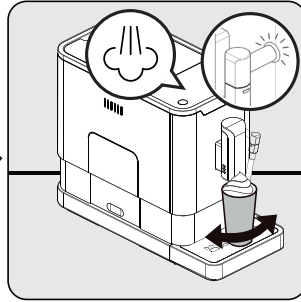


Como la temperatura del vapor es más alta que la temperatura del espresso, el espresso debe prepararse antes de hacer la leche espumosa, de lo contrario el espresso puede quemarse.

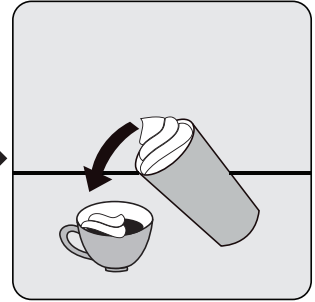
## 4 Funcionamiento



Prepare el café espresso con una taza más grande. Gire la boquilla de vapor hacia la bandeja de goteo.



Presione el botón de vapor. La luz indicadora de vapor parpadeará. A continuación, el aparato se calienta y drena el agua residual en la bandeja de goteo o en otro recipiente. Después de que la luz indicadora de vapor deje de parpadear y permanezca encendida, coloque un recipiente con leche debajo de la boquilla de vapor y sumerja la boquilla de vapor a unos 5 cm de profundidad en el recipiente. Gire el recipiente mientras sale el vapor caliente.



Vierta la leche caliente y espumosa en el espresso. Ahora puede disfrutar su café.

### 4.6 Agua caliente

El aparato puede dispensar agua caliente simplemente presionando el botón de agua caliente. El botón de agua caliente y la iluminación se iluminará para indicar que el aparato está calentando el agua. Cuando el botón de agua caliente y la iluminación se apagan, el agua estará lista para servir.

### 4.7 Selección del modo

La máquina tiene dos ajustes diferentes: ajuste por defecto, modo ECO y modo velocidad. En el modo ECO, el aparato ayuda a ahorrar más energía. En el modo Rápido, el usuario puede hacer su café más rápido que en la configuración predeterminada.



	Modo ECO	Modo Rápido	Ajuste predeterminado
Luz de iluminación	No	Sí	Sí
Preparación previa*	Sí	No	Sí
Tiempo de apagado automático	10 mins	30 mins	20 mins
Memoria del volumen de la taza	Sí	Sí	Sí







La función de preparación previa humedece los granos molidos en la cafetera con una pequeña cantidad de agua antes de la extracción completa. Esto expande los granos de café para crear una mayor presión en la cafetera que ayuda a extraer todos los aceites y el sabor de los granos molidos.



## 4 Funcionamiento

1. Cuando la máquina esté en modo de espera, pulse y mantenga pulsada la tecla  durante 5 segundos.
2. El símbolo  parpadeará y el siguiente botón tendrá las siguientes indicaciones para diferentes ajustes:

	Botón de agua caliente 	Botón de Espresso fuerte 	Botón de Espresso suave 
En modo ECO	Luces ENCENDIDAS	Parpadeo	Parpadeo
En modo Rápido	Sí	No	Parpadeo
En ajuste predeterminado	Parpadeo	Parpadeo	Luces Encendidas

3. Presione el botón de agua caliente para el modo ECO, el botón de espresso fuerte para el modo Rápido y el botón de espresso suave para el ajuste predeterminado. Se escucharán dos pitidos que indican que se está seleccionando el modo. (Nota: Si está pulsando el botón de luces relativas para cada modo, la máquina no responderá).
4. Si desea no modificar el ajuste, vuelva a pulsar  o espere 5 segundos hasta que la máquina vuelva a la posición de espera.

# 5 Limpieza

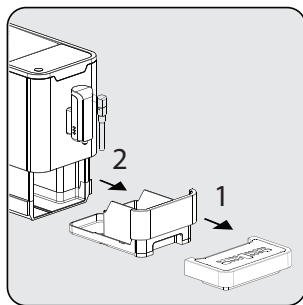
## 5.1 Limpieza de la máquina

1. Desenchufe el cable de la toma de red eléctrica.
2. Vierta toda el agua en la bandeja de goteo interna y externa.
3. Limpie las manchas de agua del aparato con un paño humedecido o un limpiador anti arañazos.

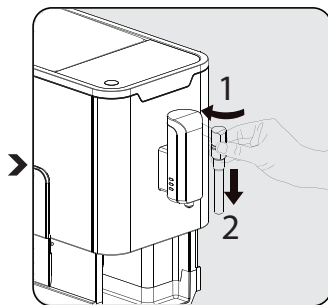


**ADVERTENCIA:** No utilice nunca productos abrasivos, vinagre o desincrustantes no incluidos en la caja para limpiar el aparato.

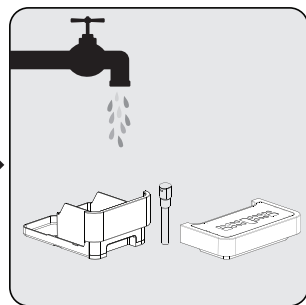
La limpieza y el mantenimiento oportunos del aparato son muy importantes para prolongar su vida útil.



Quite la bandeja antigoteo externa.



Las correderas abren la bandeja interna de goteo y el depósito de posos de café.



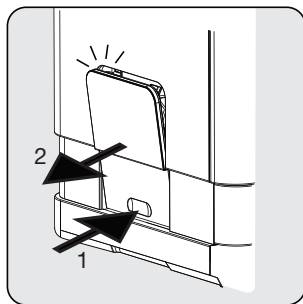
Vacíe el recipiente de posos de café y lávelo con agua dulce. Secarlo después.



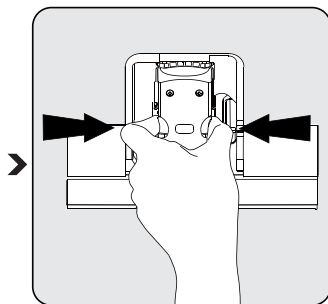
Vuelva a montar el tubo metálico en la tapa de la boquilla. Luego empuje hacia arriba para volver a colocar la tapa de la boquilla. Y gírela a la derecha para cerrarla.



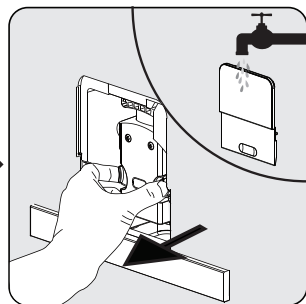
Cuando  se enciende, el contenedor de café tiene que estar vacío.



Bajar la puerta de servicio y retirarla.




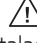
Presione el botón de liberación.



Retirar la cafetera. Lavar la cafetera con agua potable. Secar la cafetera después.

## 5 Limpieza




Cuando  se ilumina de forma estable, indica que la cafetera no está instalada correctamente.  
Cuando  parpadea de forma estable, esto indica que la puerta de servicio falta o no está instalada correctamente.

### 5.2 Autolimpieza








**ADVERTENCIA:** Espere a que finalice el proceso de autolimpieza y, a continuación, apague la máquina.

Cuando  parpadea, esto indica que el aparato necesita autolimpieza. El aparato permanecerá en las mejores condiciones si esta función se realiza al menos una vez al mes o más regularmente dependiendo de la dureza del agua utilizada. También se sugiere que

1. llene completamente el depósito de agua.
2. Añadir un paquete de detergente incluido en la caja al depósito de agua.





**ADVERTENCIA:** No utilice vinagre u otro producto de limpieza para autolimpiar este aparato. El producto de limpieza puede dañar el aparato.

3. Enchufe el aparato.
4. Coloque un recipiente suficientemente grande debajo de la salida del café.
5. En estado de espera, pulse y mantenga pulsado  el botón del espresso durante  5 segundos. Se escuchará un sonido de pitido con  y el botón de Espresso fuerte  parpadeará.
6. Pulse el botón fuerte del espresso para confirmar el proceso de autolimpieza. Para volver a la condición de espera, pulse .
7. parpadeará indica que el aparato está en proceso de autolimpieza.





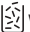


**ADVERTENCIA:** Mantenga la piel y el cuerpo alejados del agua caliente.

8. Cuando toda el agua en el tanque de agua se está distribuyendo hacia fuera,  y el botón fuerte del espresso parpadeará. Retire toda la solución restante en el depósito de agua y llene el depósito con agua normal del grifo hasta la posición máxima. Cuando el agua se llena en el tanque de agua,  se apaga. A continuación, el aparato continuará el proceso de autolimpieza.
9. Una vez finalizado el proceso de autolimpieza, el aparato se apagará automáticamente.

## 5 Limpieza

### 5.3 La función de vaciar el sistema está en marcha

Se recomienda utilizar la función de vaciado del sistema antes de un largo periodo de tiempo de no utilización, protección contra las heladas y antes de hablar con el agente reparador.






1. En estado de espera, pulse y mantenga pulsado  el botón del espresso suave durante  5 segundos.
2.  va alors clignoter.
3. Retire el depósito de agua del aparato.  se iluminará de forma estable indica que el sistema vacío está en proceso. Puede presionar  antes de retirar el tanque de agua para regresar a la condición de espera.
4. Una vez finalizada la función de vaciado del sistema, el aparato se apagará automáticamente.



**ADVERTENCIA:** Después de realizar la FUNCIÓN DE VACIAR EL SISTEMA; presione el botón de agua caliente hasta que salga agua de la boquilla y la cafetera vuelva a ser utilizada.

### 5.4 Enjuague manual

Puede realizar un ciclo de lavado manual para limpiar la boquilla del café después de su uso. También se recomienda realizar un lavado manual si el aparato no se ha utilizado durante un largo período de tiempo.


1. En estado de espera, pulse y mantenga pulsado  y el botón de agua caliente  conjuntamente.
2. El botón de agua caliente , el botón de espresso fuerte , y el botón de café expreso suave  se apagará entonces. A continuación, la boquilla de café dosifica una pequeña cantidad de agua que se utiliza para el acabado.



**ADVERTENCIA:** El agua que sale de la boquilla del café está caliente y se recoge en la bandeja de goteo debajo. Evite el contacto con salpicaduras de agua.

3. Después del lavado, el aparato volverá a la posición de espera.

## 6 Resolución de problemas

Problema	Causa	Solución
El aparato no funciona	El aparato no está conectado a la red eléctrica.	Enchufe y pulse el interruptor. Compruebe el cable y el enchufe
Ausencia o demora en la respuesta en varias pruebas de pulsación de la tecla de función del panel.	El aparato está sometido a una interferencia electromagnética Suciedad sobre el panel	Desenchufe el aparato. Reinicio en pocos minutos Limpie el panel con el paño suministrado
El café no está lo suficientemente caliente.	Las copas no han sido precalentadas. La unidad de preparación está demasiado fría.	Enjuague el aparato por lo menos 3 veces antes de hacer el café.
El café no puede salir de la boquilla.	La función de vaciado del sistema puede usarse antes.	Presione el botón de agua caliente hasta que salga agua de la boquilla.
La primera taza de café es de mala calidad.	La primera pasada del molinillo no vierte suficiente cantidad de café en la unidad de colado.	Tire el café. Los otros cafés siempre serán de buena calidad.
Los botones táctiles no son sensibles	Se ha acumulado demasiada cal.	Descalcifique el aparato.
Se ha retirado el depósito de agua / el nivel de agua está demasiado bajo en el depósito de agua, pero  no hay alerta.	La zona cercana al conector del depósito de agua está húmeda.	Limpie del aguar alrededor del conector del depósito de agua
La bandeja de goteo interna se llena con mucha agua.	El polvo de café demasiado fino bloquea la salida del agua.	Ajuste la finura del café a un punto más grande durante la operación de molienda.
El café sale demasiado despacio o una gota a la vez.	El polvo de café demasiado fino bloquea la salida del agua.	Ajuste la finura del café a un punto más grande durante la operación de molienda.
El indicador de falta de grano parpadea, pero todavía hay mucho grano de café dentro del contenedor.	La salida interna del polvo de café está bloqueada.	Seguir los pasos de la sección E (V. Limpieza de la salida de polvo de café).
La cafetera o la bandeja de café molido es imposible de quitar.	El dispositivo no ha terminado el proceso de autolimpieza y se ha apagado.	Vuelva a encender la máquina y deje que termine su proceso de autolimpieza.



**Contacto para asistencia técnica:  
902 877 665/ 932 992 581**

#### **CONDICIONES DE GARANTIA - ESPAÑA**

El presente certificado cubre la garantía de reparación de su electrodoméstico durante dos años, a partir de la fecha de venta, contra todo defecto de funcionamiento proveniente de fabricación o materiales; o de sustitución del aparato, salvo que una de estas opciones resulte imposible o desproporcionada respecto de la otra. Cuando usted detecte un defecto o anomalía en el aparato contacte de forma inmediata con nosotros, un plazo de dos meses es el límite para informarnos de la falta de conformidad. El cargo de desplazamiento está incluido en la reparación, excepto para pequeños electrodomésticos que pueden ser transportados al taller del servicio oficial de la marca. En caso de sustitución, el plazo de garantía se suspende y el nuevo aparato mantendrá el periodo de vigencia del aparato sustituido, y como mínimo 6 meses de garantía.

La presente garantía sólo será válida si se presenta factura, ticket de compra o el albarán de entrega del producto correspondiente si éste fuera posterior a la fecha de factura. La presente garantía es válida en el territorio español y portugués para los aparatos distribuidos por Beko Electronics España S.L. La garantía sólo tendrá validez sobre el primer comprador o adquirente del producto. La garantía será válida para aparatos adecuados a las condiciones climáticas y medioambientales en que estén ubicados.

#### **EXCLUSIONES DE LA GARANTIA**

El coste de la reparación será a cargo del usuario en los siguientes casos:

- Los aparatos utilizados para uso profesional o no exclusivamente doméstico, en establecimientos públicos, industriales o comerciales.
- Los aparatos desmontados o manipulados por personas ajenas a los servicios técnicos expresamente autorizados.
- Las instalaciones, transporte, sustitución de aparatos, puestas en marcha, cambio de sentido de puertas.
- Intervenciones de mantenimiento o de información sobre el uso de los aparatos.
- Cambio de inyectores en aparatos de gas.
- Las averías provocadas por falta de mantenimiento o limpieza o aquellas provocadas por un uso indebido, sobrecarga, abandono o de manera no conforme a las instrucciones de uso o de instalación de los aparatos.
- Las averías producidas por causas fortuitas, siniestros de fuerza mayor o derivados de instalación incorrecta y en general, averías por causas ajenas al propio aparato.
- Las averías provocadas por conexiones que puedan presentar fluctuaciones, irregularidades o falta de uniformidad en el suministro, por ejemplo: suministro de agua impulsado por grupos de presión, energía solar, energía eólica, generadores eléctricos, u otro tipo de suministro no normalizado.
- La sustitución de materiales rotos o deteriorados por desgaste o uso normal del aparato tales como juntas, plásticos, gomas, correas, cristales, escobillas, bombillas, asas, tiradores, tapas de quemadores, filtros, rejillas, ánodos de sacrificio (magnesio o similares) de calentadores o calderas, etc.
- Los aparatos que presenten oxidación, o daños por corrosión en esmaltes o pinturas, que puedan ser provocados por efectos químicos o electroquímicos del agua o cualquier otra sustancia, o aceleradas por circunstancias ambientales o climáticas no propicias.
- Defectos estéticos en serigrafía o pintura.
- Los daños de transporte o manipulación, golpes, etc.
- Los aparatos deben instalarse de forma accesible para su reparación, debiendo asumir el usuario los costes necesarios para el acceso al aparato para su reparación y sustitución.

La presente garantía no afecta a los derechos de que dispone el consumidor conforme a lo previsto en el Real Decreto 1/2007, de 16 de noviembre, por el que se aprueba el texto refundido de la Ley General para la Defensa de los Consumidores y Usuarios y otras leyes complementarias, y la Ley 3/2014 que la modifica.

El Servicio Oficial de Asistencia Técnica resolverá cualquier incidencia que pudiera precisar su electrodoméstico siempre que el aparato esté instalado de forma accesible.

Para asegurarse que su electrodoméstico va a ser intervenido por un técnico oficial autorizado, rogamos solicite el carnet avalado por ANFEL (Asociación Nacional de Fabricantes de Electrodomésticos) a nuestros técnicos.

Las marcas BEKO, ALTUS, ARDEM, BLOMBERG, NORTLINE y GRUNDIG se distribuyen por Beko Electronics España S.L.

#### **DATOS APARATO (a rellenar por el Distribuidor):**

Titular:		Sello Establecimiento:
Modelo:	Núm. serie:	
Establecimiento:	Fecha de compra:	

**El garante e importador de su electrodoméstico es: BEKO ELECTRONICS ESPAÑA S.L. Calle Provenza nº 388 3º Barcelona 08025, España. El producto ha sido fabricado por ARÇELIK A.S (Arçelik A.S.Sütlüce Karaağaç Cad. No:2-6 34445 Beyoğlu, Istanbul, Turkey).**

**Conózanos mejor en nuestra página: [www.beko.es](http://www.beko.es). Conserve este documento, es importante para usted.**



**Contacte a assistência técnica:  
00351 225191300/  
00351 225191309**

### **CONDIÇÕES DE GARANTIA - PORTUGAL**

Este certificado cobre a garantia de reparação do seu eletrodoméstico por dois anos a contar da data de compra, contra defeitos de funcionamento provenientes do fabrico ou dos materiais; ou de substituição do dispositivo, a menos que uma dessas opções seja impossível ou desproporcionada em relação à outra. Quando detetar um defeito ou anomalia no aparelho entre imediatamente em contacto connosco, existe um prazo limite de dois meses para nos informar sobre a falta de conformidade. O valor da deslocação está incluído na reparação, com exceção de pequenos aparelhos que podem ser transportados para a oficina do serviço oficial da marca. Em caso de substituição, o período de garantia fica suspenso e o aparelho irá manter o prazo de validade do aparelho substituído e no mínimo 6 meses de garantia.

Esta garantia só será válida se a fatura, recibo de venda ou a entrega do produto em questão for posterior à data da fatura. Esta garantia é válida em território espanhol e português para aparelhos distribuído pela Beko Electronics Espanha S.L. A garantia só é válida para o primeiro comprador ou adquirente do produto. A garantia é válida para dispositivos adaptados às condições climáticas e ambientais em que se situam.

### **EXCLUSÕES DA GARANTIA**

O custo da reparação será pago pelo utilizador nos seguintes casos:

- Aparelhos utilizados para uso profissional ou não exclusivamente doméstico, em estabelecimentos comerciais, industriais ou públicos.
- O equipamento desmontado ou adulterado por alguém que não seja expressamente autorizado pelos serviços técnicos.
- A instalação, transporte, substituição de equipamento, colocação em funcionamento, alteração do sentido das portas.
- Intervenções de manutenção ou informações sobre a utilização dos aparelhos.
- Alteração de injetores em aparelhos a gás.
- As avarias causadas pela falta de manutenção ou limpeza, ou aquelas causadas por um uso inadequado, sobrecarga, abandono ou de forma a não respeitar as instruções de uso ou instalação dos aparelhos.
- As avarias provocadas por causas acidentais, sinistros de força maior ou resultantes de instalação inadequada e em geral, avarias por razões não relacionadas com o produto.
- As avarias causadas por ligações que podem apresentar flutuações, irregularidades ou falta de uniformidade no fornecimento, por exemplo: abastecimento de água, impulsionado por pressão, energia solar, energia eólica, geradores de energia elétrica ou outro tipo de fornecimento não-padrão.
- Os materiais quebrados ou danificados por desgaste ou uso normal do aparelho tais como juntas, plásticos, borracha, correias, vidros, pincéis, lâmpadas, asas, puxadores, tampas de queimadores, filtros, grades, etc.
- Os aparelhos que apresentem oxidação, ou danos por corrosão em esmaltes ou tintas, que possam ter sido causados por efeitos químicos ou eletroquímicos da água ou de qualquer outra substância, ou aceleradas por circunstâncias ambientais ou climáticas não propícias.
- Defeitos estéticos em serigrafia ou pintura.
- Os danos causados por transporte ou manuseio, colisões, etc.
- Os aparelhos devem ser instalados de forma acessível em caso de reparação e o utilizador deve assumir os custos necessários para aceder ao aparelho para reparação e substituição.

As marcas BEKO, ALTUS, ARDEM, BLOMBERG, NORTLINE e GRUNDIG são distribuídas por Beko Electronics Espanha S.L.

### **DADOS DO APARELHO (a ser preenchido pelo Distribuidor):**

Detentor:		Carimbo do estabelecimento:
Modelo:	N.º série:	
Estabelecimento:	Data de compra:	

**O fiador e o importador do seu eletrodoméstico é: BEKO ELECTRONICS ESPAÑA S.L. Calle Provenza nº 388 3º Barcelona 08025, Espana. O produto foi fabricado por ARÇELIK A.S (Arçelik A.S.Sütluce Karaağaç Cad. No:2-6 34445 Beyoğlu, Istanbul, Turquia).**

**Conheça-nos melhor na nossa página: [www.beko.es](http://www.beko.es). Conserve este documento, é importante para si.**

# Nejprve si přečtěte tento návod k použití!

Vážený zákazníku,

Děkujeme, že jste si vybrali výrobek značky Beko. Doufáme, že s tímto výrobkem, který byl vyroben s využitím vysoce kvalitní a moderní technologie, dosáhnete těch nejlepších výsledků. Proto si před použitím výrobku pečlivě přečtěte celý návod k použití a jakékoli doplňující dokumenty, a uchovejte je pro budoucí použití. Pokud výrobek předáte další osobě, rovněž jí předejte návod k použití. Dodržujte veškerá varování a informace uvedené v návodu k použití.

1. Kryt zásobníku zrnkové kávy
2. Zásobník na zrnkovou kávu
3. Ovládací panel
4. Tlačítko zapnutí/vypnutí
5. Parní tryska
6. Víčko trysky
7. Nastavitelný výpusť kávy
8. Kovová trubice
9. Zásuvka na kávovou sedlinu
10. Vnitřní odkapávací miska
11. Vnější odkapávací miska
12. Čisticí kartáč
13. Provozní dvířka
14. Filtr
15. Napájecí kabel
16. Nádržka na vodu

## Vysvětlení symbolů

V celém návodu k použití jsou použity následující symboly:



Důležité informace nebo užitečné rady k používání.



**NEBEZPEČÍ:** Varování před nebezpečnými situacemi pro život a majetek.



**VAROVÁNÍ:** Varování upozorňuje na potenciálně nebezpečnou situaci.



**POZOR:** Varování upozorňuje na možné materiální škody.

## Technické údaje

### Napájení:

220-240 V~, 50-60 Hz

**Výkon:** 1350 W

Technické a konstrukční změny vyhrazeny.

Všechny hodnoty uvedené na výrobku a na tištěných letáčích jsou určeny laboratorním měřením prováděným podle příslušných norem. Tyto hodnoty se mohou lišit podle použití a okolních podmínek.



Tento výrobek byl vyroben v ekologicky šetrných, moderních závodech.



# 1 Důležité pokyny pro bezpečnost a životní prostředí

Tento oddíl obsahuje bezpečnostní pokyny, které pomohou zajistit ochranu před rizikem zranění a materiálních škod. Nedodržení těchto pokynů způsobí neplatnost záruky.

## 1.1 Nebezpečí související s elektrickým proudem

Nebezpečí ohrožení života elektrickým proudem!

Dotyk s vodiči nebo částmi pod napětím může vést k vážnému úrazu nebo dokonce smrti!

Dodržujte následující bezpečnostní opatření k zabránění úrazu elektrickým proudem:

- Nepoužívejte kávovar v případě, že je poškozený spojovací kabel nebo zástrčka.
- Před opětovným použitím kávovaru, musí být síťový kabel obnoven kvalifikovaným elektrikářem.

- Neotvírejte opláštění kávovaru. Nebezpečí úrazu elektrickým proudem v případě dotyku s částmi pod napětím a / nebo změn elektrické a mechanické konfigurace.
- Před čištěním zásobníku na zrnkovou kávu vytáhněte zástrčku přístroje ze zásuvky. Nebezpečí ze strany rotujících kávomlýnku!

## 1.2 Nebezpečí popálení nebo opaření

Během provozu se mohou určité části spotřebiče zahřát na vysokou teplotu! Vydané nápoje a unikající pára jsou velmi horké!

Dodržujte následující bezpečnostní opatření k zabránění popálení / opaření sebe a / nebo ostatních osob:

- Nedotýkejte se kovových pouzder na obou výpustích kávy.

# 1 Důležité pokyny pro bezpečnost a životní prostředí

- Vyhněte se přímému kontaktu pokožky s unikající párou nebo horkou oplachovací, čisticí a odvápnovací vodou.
- Opravy kávovaru smí provádět pouze autorizovaný odborník nebo zákaznický servis. Nekvalifikované opravy mohou vést ke vzniku značného nebezpečí pro uživatele. Způsobí rovněž ztrátu záruky.

## 1.3 Základní bezpečnostní opatření

Dodržujte následující bezpečnostní opatření pro zajištění bezpečné manipulace s kávovarem:

- Nikdy si nehrajte s obalovým materiálem. Riziko udušení.
- Před použitím zkontrolujte kávovar na viditelné známky poškození. Nepoužívejte poškozený kávovar.
- Je-li poškozený připojovací kabel, jeho výměnu smí provádět pouze zástupce servisu doporučeného výrobcem, aby se zabránilo jakémukoli nebezpečí! Obráťte se, prosím, na výrobce nebo jeho zákaznický servis.
- Opravy kávovaru během záruční doby smí provádět pouze servisní centra autorizovaná výrobcem, jinak dojde k zániku záruky v případě následného poškození.
- Vadné díly je možné vyměnit pouze za originální náhradní díly. Pouze originální náhradní díly zaručují, že jsou splněny požadavky na bezpečnost.

# 1 Důležité pokyny pro bezpečnost a životní prostředí

- Tento spotřebič mohou používat děti starší 8 let a osoby s omezenými tělesnými, smyslovými nebo mentálními schopnostmi anebo osoby bez příslušných znalostí a zkušeností, pokud jsou pod dozorem nebo byly poučeny o bezpečném užívání tohoto přístroje a chápou nebezpečí, které mohou vzniknout při jeho používání. Děti si nesmí se spotřebičem hrát. Čištění a uživatelskou údržbu nesmí vykonávat děti, ledaže jsou starší 8 let a jsou pod dohledem.
- Tento spotřebič je určen pouze pro použití v domácnosti a podobných prostředích, jako jsou například:
  - kuchyňky pro zaměstnance v obchodech, kancelářích a jiných pracovních prostředích,
  - na farmách,
  - klienty v hotelích, motelech a dalších obytných prostředích;
  - v prostředí ubytování typu Bed and Breakfast.
- Chraňte kávovar před vlivy počasí, jako je déšť, mráz a přímé sluneční záření. Nepoužívejte kávovar ve venkovním prostředí.
- Nikdy neponořujte kávovar, síťový kabel nebo zástrčku do vody nebo jiných kapalin.
- Nemyjte kávovar ani jeho příslušenství v myčce na nádobí.
- Nelijte žádné jiné tekutiny kromě vody ani nevkládejte potraviny do nádržky na vodu.
- Neplňte nádržku na vodu nad značku maximální hladiny (spodní hrana plnicího otvoru) (1,5 litru).
- Přístroj používejte pouze tehdy, je-li vložena odpadní nádoba, odkapávací miska a mřížka na šálky.

# 1 Důležité pokyny pro bezpečnost a životní prostředí

- Netahejte za kabel pro vytažení zástrčky ze zásuvky a nedotýkejte se jí mokřkýma rukama.
- Nedržte kávovar za síťový kabel.
- Udržujte spotřebič a jeho kabel mimo dosah dětí mladších 8 let.
- Nepoužívejte nepřetržitě funkci horké vody pro více než jednu nádržku vody.

## 1.4 Zamýšlené použití

Plně automatický kávovar Beko je určen pro použití v domácnostech a podobných prostředích, například v kuchyňkách pro zaměstnance, obchodech, kancelářích a podobných oblastech nebo zákazníkům v ubytovnách typu bed & breakfast, hotelích, motelech a jiných typech ubytování. Tento kávovar není určen ke komerčnímu využití. Stroj je určen pouze pro přípravu kávy a horké mléko a vodu. Jakékoliv jiné použití, než uvedené dříve, je považováno za nesprávné použití.

### Nebezpečí vyplývající z nesprávného použití!

Není-li použit k zamýšlenému účelu nebo je-li používán jakýmkoli jiným způsobem, kávovar může být nebo se může stát zdrojem nebezpečí.



**VAROVÁNÍ:** Proto kávovar může být použit pouze k zamýšlenému účelu.



**VAROVÁNÍ:** Dodržujte postupy popsané v tomto návodu k použití.

Žádné nároky jakéhokoliv druhu nebudou přijaty za škody nebo zranění vyplývající z použití kávovaru pro jiný než zamýšlený účel.

Riziko musí nést pouze majitel přístroje.

# 1 Důležité pokyny pro bezpečnost a životní prostředí

## 1.5 Omezení odpovědnosti

Všechny technické informace, údaje a pokyny k instalaci, obsluze a údržbě kávovaru obsažené v tomto návodu k použití představují aktuální stav v době tisku a jsou založeny na nejlepších možných znalostech získaných zkušeností a know-how.

Žádné nároky nelze odvodit z informací, ilustrací a popisů v tomto návodu k použití.

Výrobce nepřijímá žádnou odpovědnost za škody nebo zranění vzniklé nedodržením návodu k použití, použitím k jiným než zamýšleným účelům, neodbornými opravami, nepovolené úpravami nebo použitím neschválených náhradních dílů.

## 1.6 Dodržování směrnice WEEE a o likvidaci odpadů:

Tento produkt splňuje směrnici EU WEEE (2012/19/EU). Tento výrobek nese symbol pro třídění, platný pro elektrický a elektronický odpad (WEEE).



Tento produkt byl vyroben z vysoce kvalitních součástí a materiálů, které lze znovu použít a které jsou vhodné pro recyklaci. Produkt na konci životnosti nevyhazujte do běžného domácího odpadu. Odveďte ho do sběrného místa pro recyklaci elektrických a elektronických zařízení. Informace o těchto sběrných místech získáte na místních úřadech.

## 1.7 Dodržování směrnice RoHS:

Produkt, který jste zakoupili splňuje směrnicí EU RoHS (2011/65/EU). Neobsahuje žádné škodlivé ani zakázané materiály, které jsou směrnicí zakázané.

## 1.8 Informace o balení



Balení produktu je vyrobeno z recyklovatelných materiálů, v souladu s naší národní legislativou. Obalové materiály nelikvidujte s domácím nebo jiným druhem odpadu. Odveďte je na sběrné místo balíčního materiálu, které má pověření místních orgánů.

## 2 Displej

### 2.1 Ovládací panel

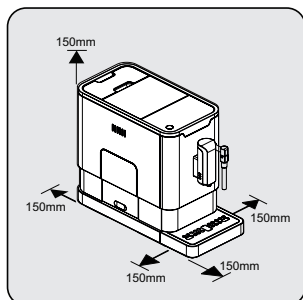
	Blikající kontrolka: Nízká hladina vody/ Chybí nádržka na vodu
	Nedostatek kávových zrn
	Rozsvítí se stabilně: zásobník kávové sedliny je plný Blikající kontrolka: Vnitřní odkapávací miska/ zásobník kávové sedliny chybí
	Rozsvítí se stabilně: Chybí filtr/ není instalován správně Blikající kontrolka: Provozní dvířka jsou otevřena / instalována nesprávně
	Rozsvítí se stabilně: Nutné odvápnit Blikající kontrolka: Probíhá odvápnování
	Probíhá funkce vyprazdňování systému
	Tlačítko zapnutí/vypnutí
	Tlačítko napařování
	Tlačítko horké vody
	Tlačítko silné espresso
	Tlačítko slabé espresso

Krabice zahrnuje 3 balení čistících prostředků pro samočištění.

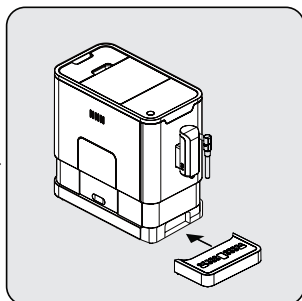
## 3 Příprava

### 3.1 Instalace

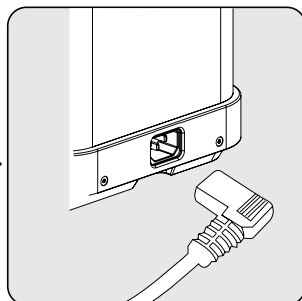
**i** Ostraňte všechny ochranné fólie, nálepky a další balící materiál spotřebiče.



Zvolte bezpečný a stabilní povrch se snadno dostupným napájením a umožňujícím minimální vzdálenost po stranách stroje.



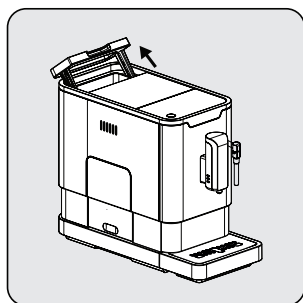
Vložte vnitřní odkapávací misku. Ověřte, zda je vložena správně.



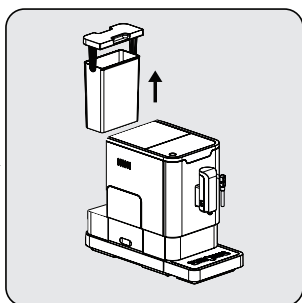
Vložte nabíjecí konektor do zdičky v zadní části nabíjecího stojanu. Vložte druhý konec napájecího kabelu do zásuvky s odpovídajícím napětím.

### 3.2 Plnění nádržky vodou

**!** **VAROVÁNÍ:** Pokud  bliká, nádržka na vodu má málo vody a potřebuje doplnit.



Zvedněte nádržku na vodu za použití víka jako rukojeti.



Nádržku na vodu vyjměte.



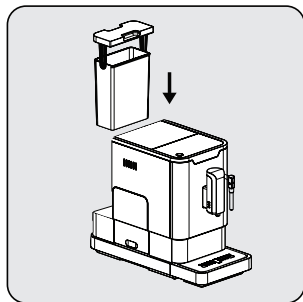
Vypláchněte nádržku na vodu čerstvou vodou a poté naplňte nádržku po rysku Max a vložte zpět do přístroje. Ověřte, zda je vložena správně.

**i** Aby nepřetekla voda z nádržky na vodu, nepřidávejte vodu pomocí jiné nádržky přímo do spotřebiče.

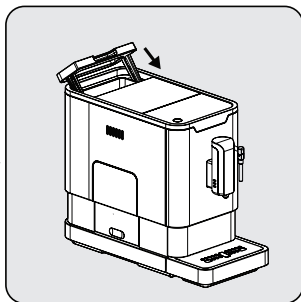
## 3 Příprava



**VAROVÁNÍ:** Nikdy nenaplňujte nádržku na vodu teplou, horkou, perlivou vodou nebo žádnou další tekutinou, která by mohla poškodit vodní nádržku a stroj.



Umístěte nádržku na vodu za použití vika jako rukojeti.

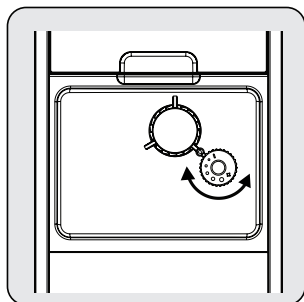


Přiklopte nádržku na vodu za použití víka.

## 4 Obsluha

### 4.1 Nastavení mletí

Můžete nastavit mlýnek tak, aby vyhovoval pražení Vaší kávy, otočením nastavovacího knoflíku v nádržce na kávová zrna:



Během procesu mletí kávy je možné provést nastavení otočením nastavovacího knoflíku.



**VAROVÁNÍ:** Nikdy nenastavujte mletí, pokud mlýnek není v chodu. Může poškodit mlýnek.



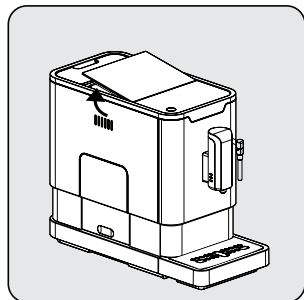
Tečky na nastavovacím knoflíku značí jemnost mletí.



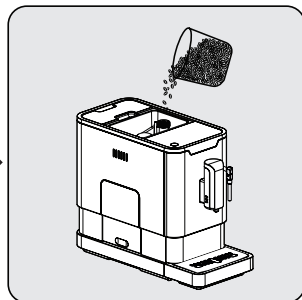
## 4 Obsluha

### 4.2 Plnění nádržky na kávová zrna

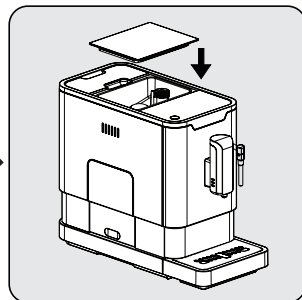
**i** Pokud  bliká, spotřebič potřebuje doplnit kávová zrna.



Sejměte víko z nádržky na kávová zrna.



Pomale vsypte kávová zrna.



Nasad'te víko zpět.



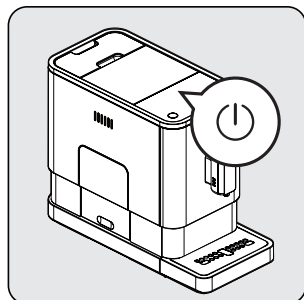
**VAROVÁNÍ:** Naplňte nádržku na kávová zrna pouze kávovými zrny. Mletá káva, instantní káva, karamelizovaná káva a další předměty mohou stroj poškodit.



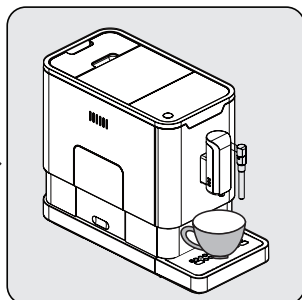
Zmáčkněte tlačítko horká voda (viz strana 9 sekce IV) k vnitřnímu vyčištění kávovaru před prvním použitím.

## 4 Obsluha

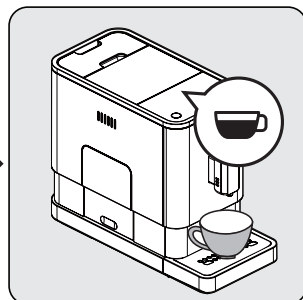
### 4.3 Příprava kávy



Spotřebič zapněte stiskem spínače Zap./ Vyp. . Spotřebič je poté v pohotovostním režimu.



Pod výpusť kávy umístěte šálek a nastavte výšku výpusťi tak, aby vyhovovala šálku.



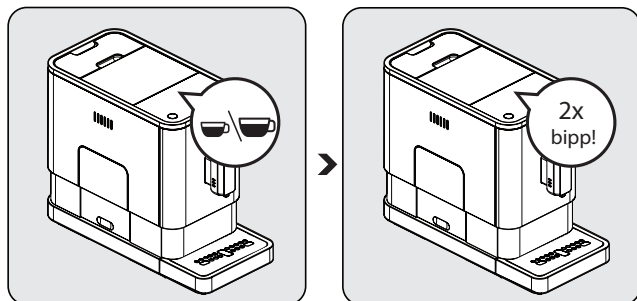
Zmáčknutím se tlačítka espresso rozsvítí a osvětlení znamená, že se šálek kávy připravuje. Jakmile je přístroj zpět v pohotovostním režimu, káva je připravena.

- i** Vypněte přístroj zmáčknutím tlačítka zapnout/vypnout.
- i** Podle chuti kávy, kterou si přejete, zmáčkněte tlačítka silné nebo slabé espresso.
- i** Zmáčkněte tlačítka horká voda k vnitřnímu vyčištění kávovaru před prvním použitím.
- i** Spotřebič je vybaven funkcí samovypnutí. V závislosti na zvoleném režimu se časování samovypínání u spotřebiče různí .

## 4 Obsluha

### 4.4 Nastavení množství kávy/ horké vody

Můžete si zapamatovat Vaše požadované množství kávy jak pro silné, tak pro slabé espresso, a také množství horké vody od 25 ml do 250 ml.



Zatímco připravujete Vaši kávu (ať silné, či slabé espresso) nebo dávkujete horkou vodu, zmáčknete a držete zvolené tlačítko. Přístroj bude pokračovat v přípravě šálku kávy.

Jakmile jste spokojeni s množstvím kávy, uvolněte tlačítko. Dvě pípnutí znamenají, že množství kávy bylo uloženo do paměti.



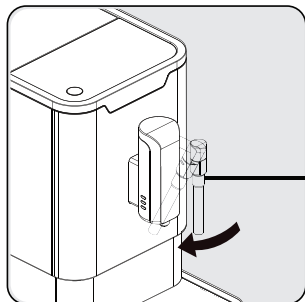
Lze resetovat množství kávy zpět do továrního nastavení zvolením původního nastavení.

### 4.5 Příprava zpěněného mléka do kávy

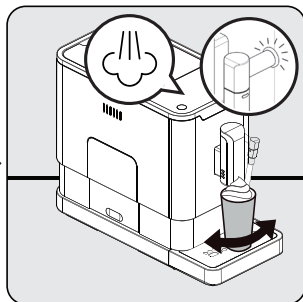


Protože teplota páry je vyšší než teplota espressa, espresso je nutné připravit před přípravou zpěněného mléka, aby se espresso nespálilo.

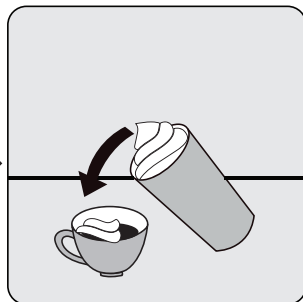
## 4 Obsluha



Připravte espresso ve větším hrnku. Otočte parní trysku směrem k odkapávací misce.



Stiskněte tlačítko napařování. Kontrolka páry se rozsvítí. Potom se spotřebič zahřívá a vypouští zbytkovou vodu do odkapávací misky nebo do jiné nádoby. Poté, co kontrolka páry přestane blikat a zůstane rozsvícená, umístěte kontejner s mlékem pod parní trysku a ponořte parní trysku asi 5 cm hluboko do nádoby. Otočte nádobu, jakmile horká pára vyjde.



Nalijte horké zpeněné mléko do espressa. Teď si na kávě můžete pochutnat.

### 4.6 Horoká voda

Přístroj může dávkovat horkou vodu pouhým stlačením tlačítka horká voda. Zmáčknutím se tlačítko horká voda rozsvítí a osvětlení znamená, že voda se ohřívá. Jakmile tlačítko a osvětlení zhasne, voda je připravena.

## 4 Obsluha

### 4.7 Volba režimu




Stroj má dvě různá nastavení: výchozí nastavení, ECO režim a rychlý režim. Režim ECO šetří více energie. V rychlém režimu se káva připraví rychleji než při výchozím nastavení.

	ECO režim	Rychlý režim	Výchozí nastavení
Osvětlení zapnout	Ne	Ano	Ano
Předfiltrace*	Ano	Ne	Ano
Čas automatického vypnutí	10minut	30minut	20minut
Zapamatovat velikost šálku	Ano	Ano	Ano



Funkce předfiltrování zvlhčuje zrna ve filtru malým množstvím vody před úplným vytažením. To rozšíří kávovou sedimentu a vytvoří větší tlak ve filtru, což napomáhá vytěžení veškerých olejů a plné chuti z kávových zrn.

1. Pokud je stroj v pohotovostním režimu, zmáčkněte a držte ☹ po dobu 5 sekund.
2. ☹ Poté bude blikat a následující tlačítko bude mít následující označení pro jiné nastavení:

	Tlačítko horké vody 	Tlačítko silné espresso 	Tlačítko slabé espresso 
V ECO režimu	Světla jsou zapnutá	Blikající kontrolka	Blikající kontrolka
Rychlý režim	Ano	Ne	Blikající kontrolka
Ve výchozím nastavení	Blikající kontrolka	Blikající kontrolka	Světla jsou zapnutá

3. Zmáčkněte tlačítko horká voda pro ECO režim, tlačítko silné espresso pro rychlý režim a tlačítko slabé espresso pro výchozí nastavení. Dvě pípnutí znamenají, že režim byl zvolen. (Poznámka: Pokud stisknete odpovídající světla na tlačítku pro každý režim, stroj nebude reagovat).
4. Pokud chcete nastavení zachovat, stiskněte opět ☹ a čekejte 5 sekund, dokud se stroj nevrátí do pohotovostního režimu.

## 5 Čištění

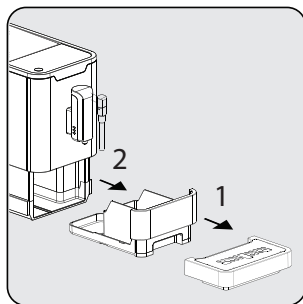
### 5.1 Čištění spotřebiče

1. Odpojte napájecí kabel ze síťové zásuvky.
2. Vylijte všechnu vodu z vnitřní a vnější odkapávací misky.
3. Pro odstranění skvrn od vody na přístroji, použijte navlhčený hadřík nebo jemný čisticí prostředek.

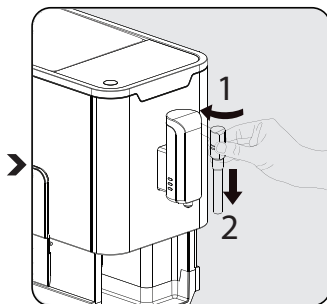


**VAROVÁNÍ:** Nikdy nepoužívejte brusný materiál, ocet nebo odvápnovací prostředky, které nejsou součástí balení, k čištění přístroje.

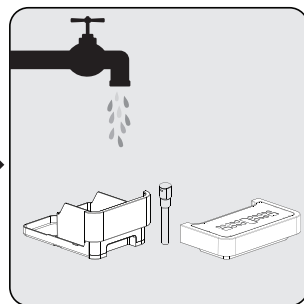
Pravidelné čištění a údržba přístroje jsou velmi důležité pro prodloužení životnosti přístroje.



Odstraňte vnější odkapávací misku.



Po stranách otevřete vnitřní odkapávací misku a zásuvku na kávovou sedlinu.



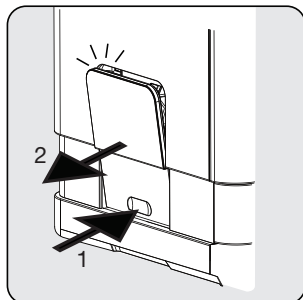
Vyprázdněte zásuvku na kávovou sedlinu and vypláchněte vodou. Potom osušte.



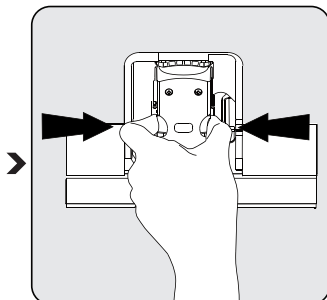
Namontujte kovovou trubici zpět na víčko trysky. Poté zatlačte nahoru a umístěte víčko trysky zpět. A otočte jím doprava, dokud nezacvakne na místo.



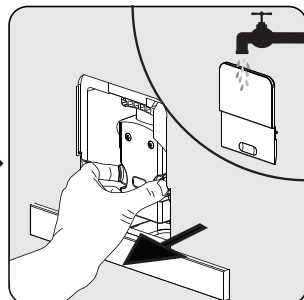
Pokud  svítí, nádržka na kávová zrna musí být vyprázdněna.



Stlačte provozní dvířka a odstraňte.



Stiskněte uvolňovací knoflík.



Vyjměte filtry. Vypláchněte filtr vodou. Poté osušte filtr.

## 5 Čištění



Pokud svítí, znamená to, že chybí filtr/ není instalován správně. Pokud bliká, znamená to, že provozní dvířka chybí/ nejsou instalována správně.

### 5.2 Samočištění



**VAROVÁNÍ:** Vyčkejte prosím, až se dokončí proces automatického čištění, a poté spotřebič vypněte.

Pokud bliká, znamená to, že spotřebič potřebuje samočištění. Pokud proběhne tato funkce alespoň jednou měsíčně nebo častěji v závislosti na tvrdosti vody, zachováte si spotřebič v nejlepším stavu. Doporučuje se

1. Zcela naplnit nádržku na vodu.
2. Přidat jedno balení čistícího prostředku zahrnutého v krabici do nádržky s vodou.



**VAROVÁNÍ:** Nepoužívejte ocet nebo jiný čistící prostředek pro samočištění spotřebiče. Čistící prostředek může spotřebič poškodit.

3. Zapojte spotřebič do zásuvky.
4. Umístěte dostatečně velkou nádržku pod výpusť kávy.
5. V pohotovostním režimu stiskněte a držte tlačítko silné espresso po dobu 5 sekund. Ozve se pípnutí a tlačítko silné espresso bude blikat.
6. Stiskněte tlačítko silné espresso a potvrďte proces samočištění. K návratu zpět do pohotovostního režimu, stiskněte .
7. bude blikat, což znamená, že spotřebič provádí proces samočištění.



**VAROVÁNÍ:** Vyhněte se kontaktu svého těla/pokožky s horkou vodou.

8. Jakmile všechna voda z nádržky na vodu zmizí, tlačítko silné espresso bude blikat. Ostraňte zbytek roztoku z vodní nádržky a naplňte ji kohoutkovou vodou po rysku max. Jakmile je nádržka naplněna vodou, blikání přestane. Pak bude spotřebič pokračovat v samočištěním procesu.
9. Jakmile je proces hotov, spotřebič se automaticky vypne.

## 5 Čištění

### 5.3 Funkce vyprazdňování systému

Funkce vyprazdňování systému se doporučuje, pokud spotřebič nebyl dlouho používán, před protimrazovou ochranou a před diskuzí s opravářem.

1. V pohotovostním režimu stiskněte a držte ☹ tlačítko slabé espresso ☹ po dobu 5 sekund.
2. ☹ bude blikat.
3. Vyjměte nádržku na vodu ze spotřebiče. ☹ stále světlo značí, že vyprazdňování systému probíhá. Můžete stisknout ☹ předtím, než vyjmete nádržku na vodu k návratu do pohotovostního režimu.
4. Jakmile je proces vyprazdňování systému hotov, spotřebič se automaticky vypne.



**VAROVÁNÍ:** Po provedení FUNKCE VYPRAZDŇOVÁNÍ SYSTÉMU; zmáčkněte tlačítko horká voda, dokud voda nevyteče z výpustí, před znovupoužitím kávovaru.

### 5.4 Manuální vyplachování

Lze provést cyklus manuálního vyplachování k vyčištění kávové trysky po použití. Manuální vyplachování je také doporučeno, nebude-li spotřebič používán delší dobu.

1. V pohotovostním režimu stiskněte a držte ☹ tlačítko horká voda ☹ po dobu 5 sekund.
2. Tlačítko horká voda ☹, tlačítko silné espresso ☹ a tlačítko slabé espresso ☹ pak zhasne. Kávová tryska poté vypustí malé množství vody, které je použito pro vyplachování.




**VAROVÁNÍ:** Voda, která vychází z kávové trysky, je horká a shromažďuje se v misce ve spod. Vyhněte kontaktu s proudem vody.

3. Po vyplachování se spotřebič vrátí do pohotovostního režimu.



## 6 Odstraňování problémů

Problém	Příčina	Řešení
Spotřebič nefunguje.	Spotřebič není zapojen do sítě.	Zapojte a stiskněte vypínač. Zkontrolujte kabel a zapojte.
Žádná nebo opožděná reakce při opakovaném pokusu o stisknutí funkčního klíče na panelu	Spotřebič je pod elektromagnetickým rušením. Špinavý panel.	Spotřebič odpojte ze zásuvky. Po několika minutách restartujte Vyčistěte panel utěrkou.
Káva není dostatečně horká.	Šálky byly nahřívány. Spařovací jednotka je příliš studená.	Před přípravou kávy vypláchněte přístroj nejméně 3krát
Káva nemůže vyjít z kávové výpusti.	Funkce vyprazdňování systému možná použita předtím.	Tiskněte tlačítko horká voda, dokud voda nepoteče z výpusti.
První šálek kávy není kvalitní.	První mletí nevsype dostatečné množství kávového prášku do spařovací jednotky.	Vyhod'te kávu. Další káva bude vždy kvalitní.
Tlačítka nejsou citlivá.	Byla vypudována nadměrná míra.	Odstraňování vodního kamene ze zařízení.
Nádržka na vodu je vyjmuta /úroveň vody v nádržce na vodu je velmi nízká ale  není žádné upozornění.	Oblast u konektoru vodní nádrčky je mokrá.	Setřete vodu kolem konektoru vodní nádrčky.
Vnitřní odkapávací miska is naplněna množstvím vody.	Kávový prášek moc jemný, což brání vodě vyjít ven.	Nastavte jemnost kávy na vyšší během mletí.
Káva vytéká moc pomalu nebo občas kape.	Kávový prášek moc jemný, což brání vodě vyjít ven.	Nastavte jemnost kávy na vyšší během mletí.
Indikátor nedosatku kávových zrn bliká, ale v nádržce je stále spousta zrn.	Je zablokovaná vnitřní odvod kávového prášku.	Postupovat podle kroků sekce E (V. Čištění odvodu kávového prášku).
Filtr nebo zásobník na kávovou sedlinu nejde vyjmout.	Zařízení nedokončilo proces automatického čištění a bylo vypnuto.	Zapněte prosím spotřebič znovu a nechte ho dokončit automatické čištění.

# Si prega di leggere questo manuale prima dell'uso!

Gentile Cliente,

Grazie per aver scelto un prodotto Beko. Ci auguriamo che riesca ad ottenere i risultati migliori da questo prodotto, realizzato con tecnologia all'avanguardia e di alta qualità. Pertanto, prima di utilizzare il prodotto, La preghiamo di leggere con attenzione e per intero il presente manuale e ogni altro documento allegato, conservandoli come riferimento per impieghi futuri. Nel caso cedesse il prodotto ad altre persone, consegni loro anche queste istruzioni. Segua tutte le avvertenze e le informazioni riportate nel manuale utente.

1. Coperchio del contenitore del caffè in grani
2. Contenitore del caffè in grani
3. Pannello di controllo
4. Pulsante ON/OFF
5. Ugello vapore
6. Copertura ugello
7. Beccuccio del caffè regolabile
8. Tubo metallico
9. Contenitore del caffè in grani
10. Vassoio per sgocciolamento interno
11. Vassoio per sgocciolamento esterno
12. Spazzola pulente
13. Sportello per manutenzione
14. Birraio
15. Cavo di alimentazione
16. Serbatoio dell'acqua

## Spiegazione dei simboli

In questo manuale utente si utilizzano i seguenti simboli:



Informazioni importanti o suggerimenti utili sull'utilizzo.



**PERICOLO:** Avviso in merito a situazioni pericolose per persone e cose.



**AVVERTENZA:** Avviso che indica una situazione di potenziale pericolo.



**ATTENZIONE:** Avviso che indica una possibilità di danno materiale.

## Dati tecnici

### Alimentazione:

220-240 V~, 50-60 Hz

**Potenza:** 1350 W

Modifiche agli aspetti tecnici e progettuali riservate.

Tutti i valori esposti sul prodotto e sui documenti stampati sono stati rilevati attraverso misurazioni in laboratorio realizzate in accordo ai relativi standard. Tali valori possono variare a seconda dell'utilizzo e delle condizioni ambientali.



Questo prodotto è stato realizzato in moderni impianti rispettosi dell'ambiente.

# 1 Istruzioni importanti per la sicurezza e l'ambiente

La presente sezione include delle istruzioni relative alla sicurezza che vi aiuteranno a proteggervi dal rischio di lesioni personali e di perdite materiali. L'inosservanza di tali istruzioni invalida la garanzia concessa.

## 1.1 Rischio elettrico

Danni vitali provocati dalla corrente elettrica!

Il contatto con cavi o componenti scoperti potrebbe provocare lesioni gravi o persino la morte!

Osservare le seguenti misure di sicurezza per evitare scosse elettriche:

- Non utilizzare la macchina da caffè se si notano danni al cavo o alla presa di corrente.
- Prima di utilizzare di nuovo il dispositivo, il cavo di alimentazione deve essere sostituito da un elettricista qualificato.

- Non aprire l'alloggiamento della macchina da caffè. Toccando connessioni scoperte e/o cambiando la configurazione elettrica e meccanica del dispositivo, si corre il pericolo di scossa elettrica.

- Prima di effettuare la pulizia del contenitore dei chicchi di caffè, estrarre la spina dalla presa. Pericolo derivante dalla rotazione del macinacaffè!

## 1.2 Rischio di scottatura o ustione

Durante il funzionamento, alcune parti della macchina da caffè possono diventare molto calde! Le bevande erogate e le fuoriuscite di vapore sono molto calde!

Osservare le seguenti misure di sicurezza per evitare scottature/ustioni a se stessi e/o ad altri:

- Non toccare le parti metalliche dei beccucci che erogano il caffè.

# 1 Istruzioni importanti per la sicurezza e l'ambiente

- Evitare il contatto diretto della pelle con fuoriuscite di vapore o acqua calda di risciacquo, pulizia e decalcificazione.
- Se il cavo di alimentazione risulta danneggiato, dovrebbe essere sostituito esclusivamente da un servizio di assistenza consigliato dal produttore, in modo da evitare qualsiasi pericolo! Si prega di contattare il fabbricante o il servizio clienti dedicato.

## 1.3 Precauzioni fondamentali per la sicurezza

Osservare le seguenti misure di sicurezza per assicurare una corretta gestione della macchina da caffè:

- Non giocare mai con il materiale di imballaggio. Rischio di soffocamento.
- Prima dell'uso, esaminare il dispositivo alla ricerca di danni visibili. Non utilizzare una macchina da caffè danneggiata.
- La riparazione della macchina da caffè deve avvenire esclusivamente ad opera di un tecnico autorizzato o tramite il servizio clienti. Le riparazioni compiute in maniera non professionale possono apportare considerevoli rischi all'utente. In aggiunta, invalideranno la garanzia.

# 1 Istruzioni importanti per la sicurezza e l'ambiente

- Durante il periodo di garanzia, le riparazioni del dispositivo possono essere compiute solamente da centri di assistenza autorizzati dal produttore. Altrimenti, nel caso di danni successivi, la garanzia risulterà priva di validità.
- I componenti difettosi possono essere sostituiti esclusivamente da parti di ricambio originali. Solamente i ricambi originali garantiscono il mantenimento dei requisiti di sicurezza.
- Questo apparecchio può essere utilizzato da bambini a partire dagli 8 anni e da persone con capacità fisiche, sensoriali o mentali ridotte o prive di esperienza e/o conoscenze, qualora siano poste sotto supervisione oppure vengano istruite in merito all'uso sicuro del dispositivo, comprendendone i pericoli implicati. I bambini non devono giocare con il dispositivo. I bambini minori di 8 anni e privi di supervisione non devono pulire né effettuare operazioni di manutenzione.

# 1 Istruzioni importanti per la sicurezza e l'ambiente

- Questo dispositivo è concepito per l'uso domestico e impieghi affini, come:
  - aree ristoro per il personale in negozi, uffici ed altri ambienti di lavoro;
  - agriturismi;
  - clienti di hotel, motel e altri contesti di tipo residenziale;
  - strutture tipo bed & breakfast.
- Proteggere la macchina da caffè da agenti atmosferici quali pioggia, gelo e luce solare diretta. Non utilizzare il dispositivo in ambienti esterni.
- Non immergere mai in acqua o altro liquido la macchina da caffè, né il cavo di alimentazione né la spina.
- Non lavare la macchina da caffè né gli accessori in lavastoviglie.
- Non versare altro liquido che non sia acqua nell'apposito contenitore e neanche inserirvi del cibo.
- Non riempire il contenitore dell'acqua oltre il limite massimo indicato (bordo inferiore del foro di riempimento) (1,5 litri).
- Non utilizzare in maniera continua la funzione acqua calda per più di un serbatoio di acqua.
- Impiegare la macchina solamente dopo aver inserito il contenitore dei residui, la vaschetta di raccolta e la griglia di supporto alla tazza.
- Non toccare con le mani bagnate e non rimuovere la spina tirando il cavo.
- Non reggere la macchina da caffè dal cavo di alimentazione.
- Tenere il dispositivo e il suo cavo fuori dalla portata dei bambini di età inferiore agli 8 anni.

# 1 Istruzioni importanti per la sicurezza e l'ambiente

## 1.4 Uso previsto

La macchina da caffè superautomatica Beko è concepita per l'uso domestico e impieghi simili, ad esempio per il personale di cucine, negozi, uffici e contesti analoghi, oppure per i clienti di bed & breakfast, hotel, motel e altri tipi di alloggio. Questa macchina da caffè non è destinata all'uso commerciale. Il dispositivo è pensato esclusivamente per la preparazione del caffè e per riscaldare latte ed acqua. Ogni altro utilizzo differente da quanto elencato in precedenza sarà considerato come uso improprio.

### Danno derivante da uso improprio!

Se impiegata per uno scopo diverso da quello previsto, la macchina da caffè può risultare pericolosa.



**AVVERTENZA:** Pertanto, la macchina da caffè deve essere utilizzata esclusivamente per lo scopo previsto.



**AVVERTENZA:** Rispettare le procedure descritte in questo manuale utente.

Non sarà accettato alcun tipo di reclamo per danni o lesioni provocate da un utilizzo del dispositivo diverso dal suo scopo previsto.

Il rischio è da intendersi in capo unicamente al proprietario della macchina.

## 1.5 Limitazione di responsabilità

Ogni informazione, dato o indicazione di natura tecnica presente in queste istruzioni e riguardante l'installazione, il funzionamento e la manutenzione della macchina da caffè è da intendersi aggiornato al momento della stampa e basato sulla miglior conoscenza possibile derivante da esperienza e competenze.

Non potrà sorgere alcun reclamo dalle informazioni, illustrazioni e descrizioni ivi presenti. Il produttore non si assume alcuna responsabilità per danni o lesioni risultanti da una mancata osservanza del manuale utente, come anche dall'uso diverso dallo scopo previsto, da riparazioni realizzate in maniera non professionale, modifiche non autorizzate o impiego di ricambi non autorizzati.

## 1.6 Conformità alla direttiva WEEE e allo smaltimento dei rifiuti:

Questo apparecchio è conforme alla Direttiva UE WEEE (2012/19/EU). Questo apparecchio riporta il simbolo di classificazione per i rifiuti delle apparecchiature elettriche ed elettroniche (WEEE).



Questo apparecchio è stato realizzato con parti e materiali di alta qualità che possono essere riutilizzati e sono adatti ad essere riciclati. Non smaltire i rifiuti dell'apparecchio con i normali rifiuti domestici e gli altri rifiuti alla fine della vita di servizio. Portarlo al centro di raccolta per il riciclaggio di apparecchiature elettriche ed elettroniche. Consultare le autorità locali per conoscere la collocazione di questi centri di raccolta.

# 1 Istruzioni importanti per la sicurezza e l'ambiente

## 1.7 Conformità alla Direttiva

### RoHS:

L'apparecchio acquistato è conforme alla Direttiva UE RoHS (2011/65/EU). Non contiene materiali pericolosi o proibiti specificati nella Direttiva.

## 1.8 Informazioni di imballaggio














L'imballaggio del prodotto è fatto di materiali riciclabili in conformità con la normativa nazionale. Non smaltire i materiali di imballaggio con i rifiuti domestici o altri rifiuti. Portarli ai punti di raccolta per materiali di imballaggio previsti dalle autorità locali.



## 2 Display

### 2.1 Pannello di controllo

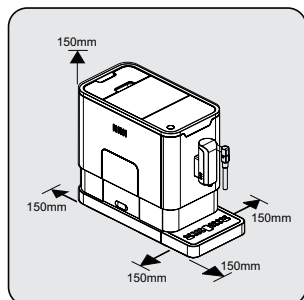
	Lampeggiante: Basso livello dell'acqua/serbatoio dell'acqua assente
	Grani assenti
	Accensione fissa: il contenitore del caffè in grani è pieno Lampeggiante: Vassoio per sgocciolamento interno/contenitore del caffè in grani assente
	Accensione fissa: Il birraio è assente/non correttamente installato Lampeggiante: Lo sportello per la manutenzione è aperto / non è installato correttamente
	Accensione fissa: Necessaria decalcificazione Lampeggiante: Decalcificazione in corso
	Funzione svuota sistema in corso
	Pulsante ON/OFF
	Pulsante per il vapore
	Pulsante acqua bollente
	Pulsante per espresso forte
	Pulsante per espresso medio

Nella confezione, sono inclusi tre pacchetti di detergenti per pulire l'apparecchio.

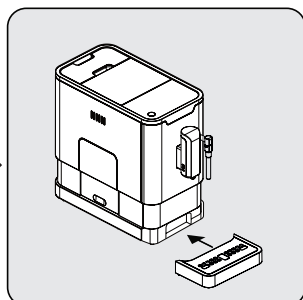
## 3 Preparazione

### 3.1 Installazione

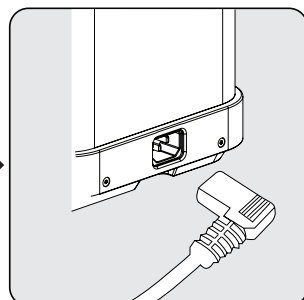
**i** Rimuovere pellicole protettive, adesivi e altri materiali da imballaggio sull'apparecchio.



Selezionare una superficie sicura e stabile con una alimentazione facilmente raggiungibile e lasciare una distanza minima sui lati delle macchine.




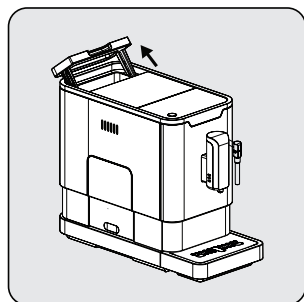
Inserire il vassoio per sgocciolamento esterno. Assicurarsi sia correttamente inserito.



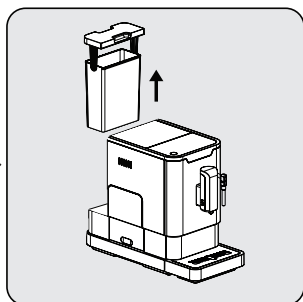
Svolgere e raddrizzare il cavo di alimentazione e inserire la spina nella presa situata sulla parte posteriore della macchina. Inserire l'altra estremità del cavo di alimentazione nella presa della parete con una tensione idonea.

### 3.2 Riempire il serbatoio dell'acqua.

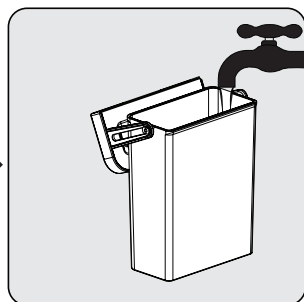
**!** **AVVERTENZA:** Quando  lampeggia, il serbatoio dell'acqua si trova nel livello basso dell'acqua e richiede il riempimento del serbatoio dell'acqua.



Sollevare il serbatoio dell'acqua usando il coperchio come maniglia.



Estrarre il serbatoio per l'acqua.

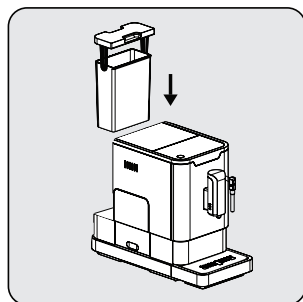


Sciacquare il serbatoio per l'acqua con acqua fresca e quindi riempire il serbatoio al massimo livello e collocarlo nella macchina. Assicurarsi che sia perfettamente in posizione.

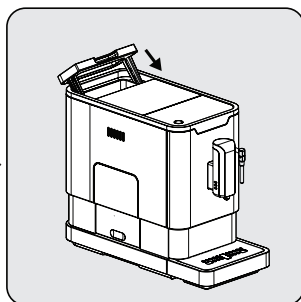
## 3 Preparazione

**i** Per impedire la fuoriuscita di acqua dal serbatoio dell'acqua, non aggiungere direttamente acqua nell'apparecchio con un altro contenitore.

**!** **AVVERTENZA:** Non riempire in alcun caso il serbatoio dell'acqua con acqua calda, acqua gassata o altri liquidi che potrebbero danneggiare il serbatoio dell'acqua e la macchina.



Collocare il serbatoio dell'acqua usando il coperchio come maniglia.

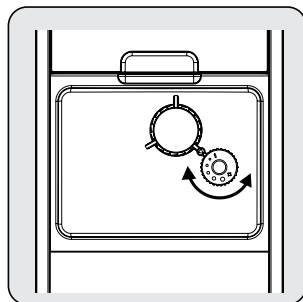


Chiudere il serbatoio dell'acqua usando il coperchio.

## 4 Funzionamento

### 4.1 Regolazioni per la macinazione

È possibile regolare la macinatrice per adattare il grado di tostatura del caffè ruotando la manopola di regolazione nel contenitore dei grani del caffè:



Quando la macinatrice macina i grani del caffè durante la preparazione del caffè, è possibile ruotare la manopola di regolazione per effettuare la regolazione.

## 4 Funzionamento



**AVVERTENZA:** Non effettuare la regolazione della macinazione quando la macinatrice non è in funzione. Ciò potrebbe danneggiare la macinatrice.

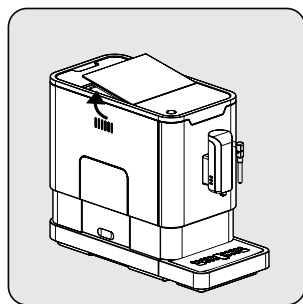


I punti sulla manopola del regolatore indicano la finezza della macinazione.

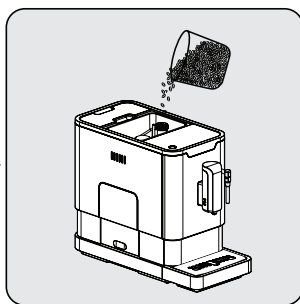
### 4.2 Riempire il contenitore dei grani del caffè



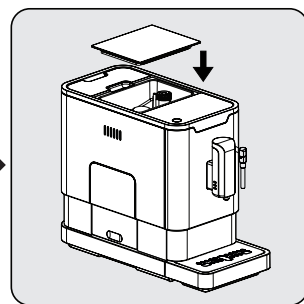
Quando  lampeggia, l'apparecchio deve essere riempito di grani di caffè.



Rimuovere il coperchio dei grani del caffè.



Versare lentamente i grani del caffè.



Collocare nuovamente il coperchio.



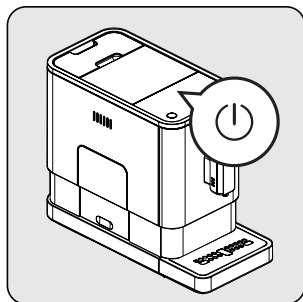
**AVVERTENZA:** Riempire il contenitore del caffè in grani esclusivamente con semplici chicchi di caffè. Caffè macinato, caffè istantaneo, caffè caramellato e altri prodotti possono danneggiare la macchina.



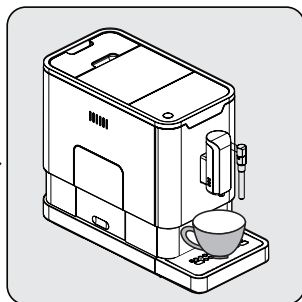
Premere il pulsante dell'acqua calda (vedere pagina 9 sezione IV) per pulire l'interno della caffettiera prima di usarla la prima volta.

## 4 Funzionamento

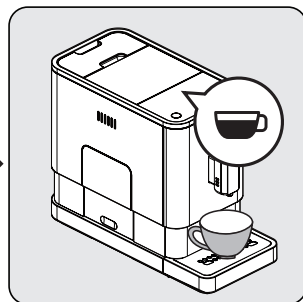
### 4.3 Preparare il caffè



Accendere l'apparecchio premendo il pulsante ON/OFF. L'apparecchio passa allo stato di standby.



Collocare una tazzina sotto il beccuccio del caffè e regolare l'altezza del beccuccio per adattarlo alla tazzina.



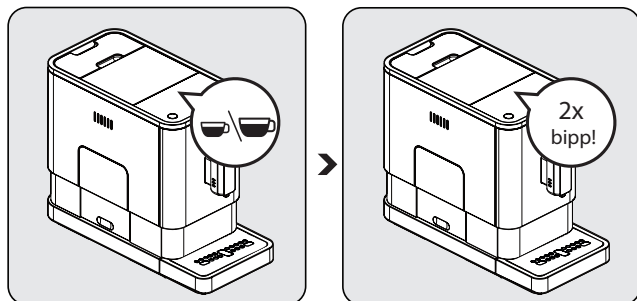
Il pulsante espresso quando viene premuto si illumina e le spie si accendono per indicare che l'apparecchio sta preparando la tazzina del caffè. Quando l'apparecchio è in stato di standby, il caffè è pronto per essere servito.

- i** Spegnere l'apparecchio premendo il pulsante ON/OFF.
- i** A seconda del gusto desiderato per il proprio caffè, premere il pulsante espresso forte o leggero.
- i** Premere il pulsante dell'acqua calda all'interno della caffettiera prima di usarla la prima volta.
- i** L'apparecchio è dotato di un sistema di autospegnimento. A seconda della modalità selezionata l'apparecchio avrà tempistiche di spegnimento automatiche differenti.

## 4 Funzionamento

### 4.4 Regolare il volume del caffè/dell'acqua calda

È possibile memorizzare il volume desiderato del caffè per un espresso forte o leggero e l'acqua calda da 25ml a 250ml.



Quando si prepara il caffè (un espresso forte o leggero) o si eroga acqua calda, tenere premuto il pulsante selezionato. L'apparecchio continua a preparare la tazza del caffè.

Quando il volume del caffè raggiunge quello desiderato, rilasciare il pulsante. Due segnali acustici indicano che il volume del caffè viene memorizzato.



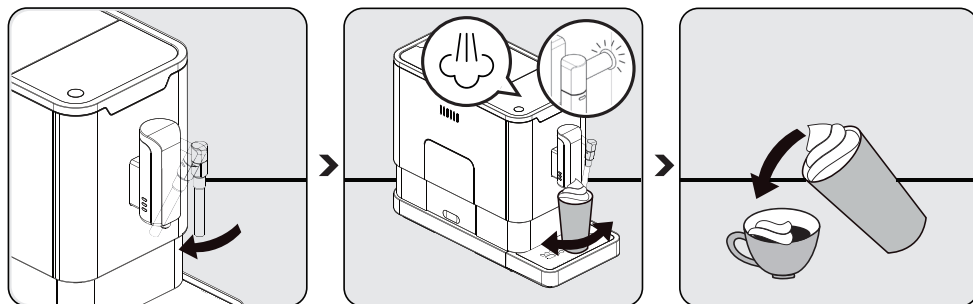
È possibile azzerare il volume del caffè alle impostazioni di fabbrica selezionando le impostazioni predefinite.

### 4.5 Preparazione di latte montato per caffè



La temperatura del vapore è superiore a quella del caffè: di conseguenza, è necessario preparare il caffè prima di montare il latte. In caso contrario, si rischia di bruciare il caffè.

## 4 Funzionamento



Preparare il caffè con una tazza più grande. Dirigere l'ugello del vapore verso la vaschetta raccogliogocce.

Premere il pulsante del vapore. L'indicatore del vapore lampeggia. L'apparecchio si riscalda e scarica l'acqua residua nella vaschetta raccogliogocce o in un altro contenitore.

Quando l'indicatore del vapore smette di lampeggiare e rimane fisso, posizionare un contenitore con il latte sotto l'ugello del vapore e immergerlo per circa 5 cm nel contenitore. Far ruotare il contenitore fino a quando non il vapore caldo non fuoriesce.

Versare il latte montato caldo sopra il caffè. Adesso potete gustare la vostra bevanda.

### 4.6 Acqua calda

L'apparecchio può erogare acqua calda con la semplice pressione del pulsante dell'acqua calda. Il pulsante dell'acqua calda e l'illuminazione si accendono per indicare che l'apparecchio sta riscaldando l'acqua. Quando il pulsante dell'acqua calda e l'illuminazione si spengono, l'acqua è pronta per essere servita.

### 4.7 Selezione modalità



La macchina ha due impostazioni differenti: impostazioni predefinite, modalità ECO e modalità veloce. In modalità ECO, l'apparecchio consente di risparmiare energia. In modalità veloce, l'utente può preparare il caffè più rapidamente che con le impostazioni predefinite.




	Modalità ECO	Modalità veloce	Impostazioni predefinite
Spia illuminazione	No	Sì	Sì
Predistillazione*	Sì	No	Sì
Tempo di spegnimento automatico:	10min	30min	20min
Memoria Volume tazzina	Sì	Sì	Sì




La funzione di predistillazione bagna i grani nel distillatore con una piccola quantità d'acqua prima dell'estrazione completa. Questo espande il caffè macinato applicando una pressione maggiore nel distillatore e aiutando l'estrazione di tutti gli oli e l'aroma dei grani.

## 4 Funzionamento

1. Quando la macchina è in stato di standby, tenere premuto  per 5 secondi.
2.  lampeggia e il seguente pulsante ha le seguenti indicazioni per impostazioni differenti:

	Pulsante acqua calda 	Pulsante espresso forte 	Pulsante espresso leggero 
In modalità ECO	Luci ON	Lampeggiante	Lampeggiante
In modalità veloce	Sì	No	Lampeggiante
In impostazioni predefinite	Lampeggiante	Lampeggiante	Luci ON

3. Premere il pulsante dell'acqua calda per la modalità ECO, il pulsante espresso forte per la modalità veloce e il pulsante espresso leggero per le impostazioni predefinite. Vengono emessi due segnali acustici che indicano che la modalità viene selezionata. (Nota: se si premono le spie relative sul pulsante per ciascuna modalità, la macchina non risponde).
4. Se non si desidera modificare le impostazioni, premere nuovamente  o attendere 5 secondi che la macchina ritorni nello stato di standby.



## 5 Temizlik

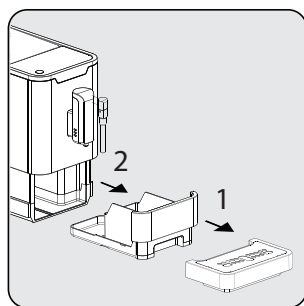
### 5.1 Pulizia dell'apparecchiatura

1. Scollegare il cavo di alimentazione dall'alimentazione elettrica.
2. Versare tutta l'acqua del vassoio di sgocciolamento interno ed esterno
3. Usare un panno umido o un detergente non abrasivo per pulire le macchie d'acqua sull'apparecchio.

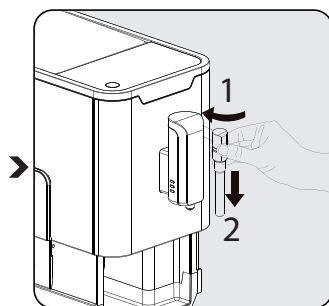


**AVVERTENZA:** Non usare agenti abrasivi, aceto o disincrostanti non inclusi nella confezione per pulire l'apparecchio.

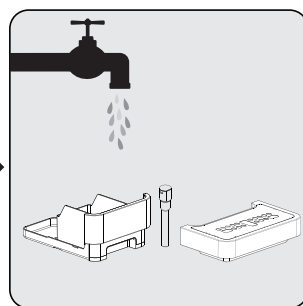
La pulizia e la manutenzione tempestive dell'apparecchio sono molto importanti per prolungare la vita dell'apparecchio.



Rimuovere il vassoio di sgocciolamento esterno.



Fare scorrere il vassoio per sgocciolamento interno e il contenitore del caffè in grani.



Svuotare il contenitore del caffè in grani e lavarlo con acqua fresca. Poi asciugare bene.

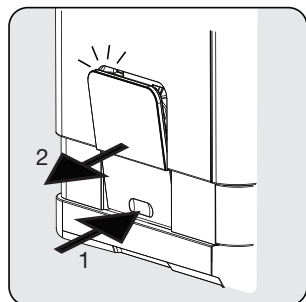


Assemblare nuovamente il tubo di metallo sulla copertura dell'ugello. Spingere quindi verso l'alto per riposizionare la copertura dell'ugello. Ruotare quindi verso destra per fissarlo.

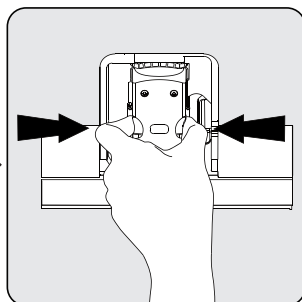


Quando  si illumina, il contenitore del caffè macinato deve essere vuoto.

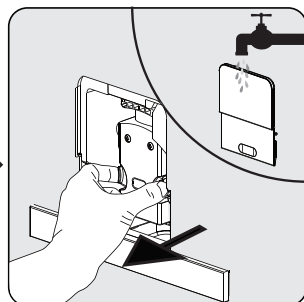
## 5 Pulizia



Tirare in basso lo sportello per la manutenzione e rimuoverlo.



Premere la manopola di rilascio.



Rimuovere il distillatore. Lavare il distillatore con acqua fresca. Asciugare il distillatore.




Quando  si illumina in modo costante, indica che il distillatore è assente / non correttamente installato. Quando  lampeggia, indica che lo sportello per la manutenzione è assente / non correttamente installato.

### 5.2 Auto-pulitura





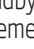


**AVVERTENZA:** Attendere che il processo di pulizia automatica sia completato e poi spegnere la macchina.

Quando  lampeggia, indica che l'apparecchio sta eseguendo l'auto-pulitura. L'apparecchio resta nelle migliori condizioni se questa funzione viene eseguita almeno una volta al mese o più di frequente a seconda della durezza dell'acqua usata. Si raccomanda anche di

1. Riempire completamente il serbatoio dell'acqua.
2. Agguingere un pacchetto di detergente incluso nella confezione al serbatoio dell'acqua.






**AVVERTENZA:** Non usare aceto o altri agenti per pulire l'apparecchio. Il detergente potrebbe danneggiare l'apparecchio.

3. Collegare il cavo di alimentazione.
4. Collocare un contenitore sufficientemente grande sotto il beccuccio del caffè.
5. In standby, tenere premuto  e il pulsante per l'espresso forte  per 5 secondi. Un segnale acustico viene emesso con  e il pulsante per l'espresso forte  lampeggia.
6. Premere il pulsante per l'espresso forte per confermare l'esecuzione del processo di auto-pulitore. Per ritornare allo stato di standby, premere .
7. lampeggia per indicare che l'apparecchio sta eseguendo il processo di auto-pulitura.

## 5 Pulizia








**AVVERTENZA:** Tenere il corpo/la pelle lontani dall'acqua calda.

8. Quando tutta l'acqua nel serbatoio dell'acqua viene erogata,  e il pulsante per l'espresso forte  lampeggiano. Rimuovere la soluzione restante nel serbatoio dell'acqua e riempire il serbatoio con normale acqua di rubinetto fino alla posizione massima. Quando l'acqua viene versata nel serbatoio per l'acqua,  viene spento. Quindi l'apparecchio continua il processo di auto-pulitura.
9. Quando il processo di auto-pulitura viene completato, l'apparecchio si spegne automaticamente.

### 5.3 Funzione svuota sistema

La funzione svuota sistema viene raccomandata prima di lunghi periodi di mancata utilizzazione, protezione antigelo e prima di consultare un responsabile della manutenzione.






1. In stato di standby, tenere premuto il pulsante  e dell'espresso leggero  per 5 secondi.
2.  lampeggia.
3. Rimuovere il serbatoio per l'acqua dall'apparecchio.  lampeggia in modo continuo indicando che la funzione svuota sistema è in corso. Premere  prima di rimuovere il serbatoio dell'acqua per ritornare allo stato di standby.
4. Quando il processo di svuota sistema viene completato, l'apparecchio si spegne automaticamente.



**AVVERTENZA:** Dopo avere eseguito la FUNZIONE SVUOTA SISTEMA; premere il pulsante dell'acqua calda fino a che l'acqua non riesca a fuoriuscire dal beccuccio quando la macchina viene nuovamente utilizzata.

### 5.4 Risciacquo manuale

È possibile eseguire un ciclo di risciacquo manuale per pulire l'ugello del caffè dopo dell'uso. Si raccomanda inoltre di eseguire un risciacquo manuale se l'apparecchio non è stato usato per molto tempo.


1. In stato di standby, tenere premuto il pulsante  e dell'acqua calda  insieme.
2. Il pulsante dell'acqua calda , il pulsante espresso forte  e il pulsante espresso leggero  si spengono. L'ugello del caffè eroga una piccola quantità d'acqua usata per il risciacquo.



**AVVERTENZA:** L'acqua che fuoriesce dall'ugello del caffè è calda ed è raccolta dal vassoio di sgocciolamento in basso. Evitare il contatto con gli schizzi d'acqua.

3. Dopo il risciacquo, l'apparecchio ritorna allo stato di standby.

## 6 Ricerca e risoluzione dei problemi

Problema	Causa	Soluzione
L'apparecchio non funziona.	L'apparecchio non è connesso alla rete elettrica.	Collegare e premere l'interruttore. Controllare il cavo e la spina.
Riposta assente o in ritardo dopo molte prove di pressione del tasto di funzione sul pannello	L'apparecchio è sotto influenza elettromagnetica Il pannello è sporco	Scollegare l'apparecchio. Riavviare dopo qualche minuto. Pulire il pannello con il panno in dotazione.
Il caffè non è abbastanza caldo.	Le tazzine non sono state preriscaldate. L'unità di distillazione è troppo fredda.	Sciquare l'apparecchio almeno 3 volte prima di preparare il caffè.
Il caffè non fuoriesce dal beccuccio.	La funzione svuota sistema è stata usata in precedenza.	Premere il pulsante dell'acqua calda fino a che l'acqua non fuoriesce dal beccuccio.
La prima tazzina di caffè è di bassa qualità.	La prima passata del macinatore non eroga caffè con potenza sufficiente nell'unità del distillatore.	Gettare il caffè. Gli altri caffè saranno sempre di buona qualità.
I pulsanti tattili non sono sensibili	Formazione di incrostazioni.	Disincrostare l'apparecchio.
Il serbatoio dell'acqua viene rimosso / il livello dell'acqua è molto basso nel serbatoio dell'acqua ma  non ci sono avvisi.	L'area vicina al connettore del serbatoio dell'acqua è asciutta.	Spazzare l'acqua intorno al connettore del serbatoio dell'acqua
Il vassoio per sgocciolamento interno è pieno d'acqua.	Polvere del caffè troppo fine che blocca la fuoriuscita dell'acqua.	Aumentare la finezza del caffè al punto maggiore durante la macinazione.
Il caffè viene erogato troppo lentamente o una goccia per volta.	Polvere del caffè troppo fine che blocca la fuoriuscita dell'acqua.	Aumentare la finezza del caffè al punto maggiore durante la macinazione.
L'indicatore di assenza di grani lampeggia ma all'interno del contenitore sono presenti ancora molti grani di caffè.	L'uscita della polvere di caffè interna è bloccata.	Per seguire i passaggi della sezione E (V. Pulizia uscita polvere di caffè).
Impossibile rimuovere l'infusore o il vassoio del caffè macinato.	L'apparecchio non ha terminato la procedura di auto-pulizia ed è stato spento.	Accendere nuovamente l'apparecchio e lasciar terminare la procedura di auto-pulizia.



## CERTIFICATO DI GARANZIA

La presente garanzia commerciale si intende aggiuntiva e non sostitutiva di ogni altro diritto di cui gode il consumatore, intendendo per consumatore esclusivamente colui che utilizza il bene per scopi estranei all'attività imprenditoriale o professionale eventualmente svolta e pertanto per uso domestico/privato, e in particolare non pregiudica in alcun modo i diritti del consumatore stabiliti dal Dlgs 206/05. BEKO Italy S.r.l. in conformità alla facoltà prevista dalla legge, offre al consumatore una garanzia commerciale aggiuntiva, nei termini e nei modi di seguito indicati.

Questo certificato non deve essere spedito per la convalida. È valido e operante solo se conservato assieme alla ricevuta fiscale o altro documento reso fiscalmente obbligatorio.

### Condizioni di Garanzia

1. BEKO Italy S.r.l. garantisce l'apparecchio per un periodo di 2 anni dalla data di acquisto (12 mesi se acquistato con fattura di vendita e non con scontrino fiscale).
2. La garanzia è valida esclusivamente sul territorio italiano compresa la Repubblica di San Marino e la città del Vaticano e deve essere comprovata da scontrino fiscale o fattura, che riporti il nominativo del Rivenditore, la data di acquisto dell'apparecchio nonché gli estremi identificativi dello stesso (tipo, modello).
3. Per garanzia s'intende la sostituzione o riparazione gratuita delle parti componenti l'apparecchio che sono risultate difettose all'origine, per vizi di fabbricazione.
4. L'utente decade dai dritti di garanzia se non denuncia il difetto di conformità entro 2 mesi dalla scoperta dello stesso.
5. Diritto di Chiamata: gratuita per i primi 12 mesi di garanzia, a pagamento per gli altri 12 mesi nel caso l'utente non sia in grado di provare che il difetto sia dovuto a vizio di conformità del prodotto.
6. Manodopera e ricambi gratuiti per i 24 mesi del periodo di garanzia.
7. L'intervento di riparazione viene effettuato presso il centro di assistenza reperibile presso il call centre e sul sito [www.beko.it](http://www.beko.it), fatto salvo i casi di impossibilità oggettiva o di forza maggiore.
8. La riparazione o sostituzione dei componenti o dell'apparecchio stesso, non estendono la durata della garanzia.
9. Tutte le parti asportabili e tutte le parti estetiche, non sono coperte da garanzia.
10. Tutti i materiali soggetti ad usura non sono coperti da garanzia a meno che venga dimostrata la difettosità risalente a vizio di fabbricazione delle stesse.
11. La BEKO Italy S.r.l. declina ogni responsabilità per eventuali danni che possano derivare, direttamente od indirettamente, a persone e cose come conseguenza del mancato rispetto delle istruzioni tutte, incluse nell'apposito Manuale per l'uso dell'apparecchio allegato a ciascuno apparecchio, da parte dell'utente ed in particolare modo per quanto concerne le avvertenze relative alla installazione, all'uso ed alla manutenzione dell'apparecchio stesso.
12. La garanzia non diventa operante e l'assistenza sarà effettuata totalmente a pagamento nei seguenti casi:
  - a. Danni dovuti al trasporto o alla movimentazione delle merci.
  - b. Interventi di installazione e montaggio, così come l'errata connessione o errata erogazione dalle reti di alimentazione, mancanza di allacciamento alla presa di terra.
  - c. Installazione errata, imperfetta o incompleta, per incapacità d'uso da parte dell'Utente, se mancano gli spazi necessari ad operare attorno ai prodotti, per eccessiva o scarsa temperatura dell'ambiente.
  - d. Interventi nei quali non è stato riscontrato il difetto lamentato, o per generici problemi di funzionamento causati da errata impressione del cliente
  - e. Danni causati da agenti atmosferici ( fulmini, terremoti, incendi, alluvioni, ecc.)
  - f. Se il numero di matricola risulta asportato, cancellato o manomesso.
  - g. Riparazioni, modifiche o manomissioni effettuate da persone non autorizzate dal produttore o comunque per cause non dipendenti dal prodotto. Per guasti dovuti a mancanza di regolare manutenzione ( pulizia e manutenzione del prodotto.).
  - h. Mancanza dei documenti fiscali o se gli stessi risultano contraffatti o non inerenti al prodotto.
  - i. L'uso improprio dell'apparecchio, non di tipo domestico o diverso da quanto stabilito dal produttore, fa decadere il diritto alla Garanzia.
  - j. Per tutte le circostanze esterne che non siano riconducibili a difetti di fabbricazione dell'elettrodomestico.
  - k. Si intendono a pagamento anche tutti gli eventuali trasporti necessari per lo svolgimento degli interventi legati ai casi citati.

Il Servizio Assistenza di BEKO Italy S.r.l. è l'unico autorizzato a riparare i prodotti a marchio BEKO. Per ogni controversia è competente il foro di Milano.

Durante e dopo il periodo di garanzia, vi consigliamo di rivolgervi sempre ai nostri centri di assistenza autorizzati. Per contattare il Centro di Assistenza Tecnica Autorizzato operante nella sua zona chiami il numero unico per l'Italia:

**02.03.03**

Prima di contattare l'assistenza tecnica, al fine di agevolare la gestione della chiamata, è necessario avere a portata di mano il modello del prodotto e il documento fiscale di acquisto.

# Przed rozpoczęciem użytkowania należy zapoznać się z instrukcją obsługi!

Szanowny Kliencie, dziękujemy za wybór wyrobu marki Beko. Mamy nadzieję, że wyrób ten, wyprodukowany z zapewnieniem wysokiej jakości przy użyciu najnowszych technologii, okaże się w pełni zadowalający. Przed użyciem urządzenia należy uważnie przeczytać całą instrukcję obsługi oraz towarzyszące jej dokumenty i zachować ją do wglądu na przyszłość. Przekazując wyrób innemu użytkownikowi, należy dołączyć również niniejszą instrukcję. Proszę przestrzegać wszystkich ostrzeżeń i informacji zawartych w tej instrukcji obsługi.

1. Pokrywa pojemnika na ziarna kawy
2. Pojemnik na ziarna kawy
3. Panel sterowania
4. Przycisk WŁ./WYŁ. zasilania
5. Wylot pary
6. Pokrywa wylotu
7. Regulowany dziubek kawy
8. Metalowa rurka
9. Pojemnik na zmieloną kawę
10. Wewnętrzna taca ociekowa
11. Zewnętrzna taca ociekowa
12. Szczoteczka do czyszczenia
13. Drzwiczki serwisowe
14. Jednostka parzenia
15. Przewód zasilający
16. Zbiornik na wodę

## Objaśnienie symboli

W niniejszej instrukcji obsługi stosuje się następujące symbole:



Ważne informacje i przydatne wskazówki dotyczące użytkowania.



### **NIEBEZPIECZEŃSTWO:**

Ostrzeżenie o zagrożeniach dla życia i mienia.



### **OSTRZEŻENIE:**

Ostrzeżenie sygnalizuje potencjalnie niebezpieczną sytuację.



**PRZESTROGA:** Ostrzeżenie sygnalizuje potencjalne straty materialne.

## Dane techniczne

### Zasilanie:

220-240 V~, 50-60 Hz

**Moc:** 1350 W

Zastrzega się prawo do wprowadzania modyfikacji konstrukcji i danych technicznych.

Wszystkie zadeklarowane wartości na produkcie oraz na ulotkach drukowanych podano na podstawie pomiarów laboratoryjnych wykonanych zgodnie z właściwymi normami. Wartości te mogą się różnić w zależności od sposobu użytkowania i warunków otoczenia.



Urządzenie zostało wyprodukowane w nowoczesnych, bezpiecznych dla środowiska zakładach.

Wyrób zgodny z Dyrektywą WEEE.



Nie zawiera polichlorowanych bifenyli (PCB).

# 1 Ważne instrukcje dotyczące bezpieczeństwa i ochrony środowiska naturalnego

W niniejszej części zawarto zalecenia dotyczące bezpieczeństwa mające na celu ochronę przed ryzykiem poniesienia uszczerbku na zdrowiu lub straty materialnej. Nieprzestrzeganie tych zaleceń skutkuje utratą gwarancji.

## 1.1 Niebezpieczeństwo porażenia prądem elektrycznym

Niebezpieczeństwo śmiertelnego porażenia prądem elektrycznym!

Dotknięcie przewodów lub elementów pod napięciem może spowodować poważny uszczerbek na zdrowiu, a nawet śmierć!

## 1.2 Niebezpieczeństwo oparzenia

Podczas pracy ekspresu do kawy niektóre części urządzenia mogą silnie się nagrzewać. Przygotowywane napoje i emitowana para są bardzo gorące!

Aby uniknąć oparzenia siebie i/lub innych, należy przestrzegać poniższych zasad bezpieczeństwa:

- Nie należy dotykać metalowych rurek żadnego z dwóch wylotów kawy.
- Należy unikać bezpośredniego kontaktu skóry z emitowaną parą wodną lub gorącą wodą wydostającą się z urządzenia podczas płukania, czyszczenia lub odkamieniania.

## 1.3 Podstawowe zasady bezpieczeństwa

Aby zagwarantować bezpieczne użytkowanie ekspresu do kawy, należy przestrzegać poniższych zasad bezpieczeństwa:

- Opakowanie urządzenia nie może służyć do zabawy. Ryzyko uduszenia.

# 1 Ważne instrukcje dotyczące bezpieczeństwa i ochrony środowiska naturalnego

- Przed użyciem ekspresu do kawy należy upewnić się, że nie ma na nim widocznych uszkodzeń. Nie należy korzystać z uszkodzonego ekspresu do kawy.
- Jeśli kabel zasilania jest uszkodzony, może go wymienić jedynie pracownik serwisu rekomendowanego przez producenta, aby uniknąć niebezpiecznych sytuacji. Prosimy o kontakt z producentem lub centrum serwisowym.
- Napraw ekspresu do kawy mogą dokonywać wyłącznie upoważnieni specjaliści lub firmowe centrum serwisowe. Naprawy dokonane przez niewykwalifikowane osoby mogą stwarzać bardzo niebezpieczne sytuacje dla użytkownika. Takie naprawy skutkują również utratą gwarancji.
- Naprawy ekspresu do kawy w okresie gwarancji mogą być wykonywane wyłącznie przez centra serwisowe upoważnione przez producenta. W przeciwnym razie gwarancja nie obejmuje naprawy kolejnego uszkodzenia.
- Wadliwe części należy zastępować wyłącznie oryginalnymi częściami zamiennymi. Tylko oryginalne części zamienne gwarantują spełnienie wymogów bezpieczeństwa.



# 1 Ważne instrukcje dotyczące bezpieczeństwa i ochrony środowiska naturalnego

- To urządzenie może być obsługiwane przez dzieci powyżej 8 roku życia oraz przez osoby o ograniczonej sprawności fizycznej, sensorycznej lub umysłowej, a także przez osoby bez doświadczenia ani wiedzy, jeśli korzystanie z urządzenia odbywa się pod nadzorem lub jeśli osobom tym wyjaśniono, jak bezpiecznie korzystać z urządzenia i zrozumiały one zagrożenia, które mogą wynikać z korzystania z urządzenia. Dzieci nie mogą bawić się urządzeniem. Dzieci mogą czyścić i konserwować urządzenie tylko pod nadzorem i po ukończeniu 8. roku życia.
- W pełni automatyczny ekspres do kawy Beko przeznaczony jest tylko do użytku domowego.
- To urządzenie nie jest przeznaczone do użytkowania profesjonalnego i do zastosowania w kuchniach zakładowych, sklepach, biurach, hotelach, motelach, placówkach bed & breakfast oraz innych podobnych obszarach zastosowania.
- Ekspres do kawy należy chronić przed czynnikami atmosferycznymi, takimi jak deszcz, mróz i bezpośrednie nasłonecznienie. Z ekspresu do kawy nie należy korzystać na zewnątrz budynków.
- Nie wolno zanurzać ekspresu do kawy ani kabli czy wtyczek zasilających w wodzie ani w innych płynach.
- Nie wolno czyścić ekspresu do kawy ani dołączonych akcesoriów w zmywarce.

# 1 Ważne instrukcje dotyczące bezpieczeństwa i ochrony środowiska naturalnego

- Do zbiornika na wodę nie wolno nalewać żadnych innych płynów z wyjątkiem wody, ani umieszczać tam żywności.
- Przy napełnianiu zbiornika wodą nie należy przekraczać oznaczenia maksymalnego poziomu wody (dolna krawędź otworu do napełniania - 1,5 l).
- Z urządzenia można korzystać tylko wówczas, gdy pojemnik na fusy, taca ociekowa i kratka na filiżanki są na swoim miejscu.
- Nie wolno ciągnąć za kabel, aby wyjąć wtyczkę z gniazdka ani dotykać jej mokrymi rękami.
- Nie wolno ciągnąć ekspresu do kawy za kabel zasilający.
- Urządzenie i kabel zasilający należy umieścić w miejscu niedostępnym dla dzieci poniżej 8. roku życia.
- Nie wolno włączać funkcji gorącej wody w trybie ciągłym na więcej niż jeden zbiornik wody.

## 1.4 Korzystanie zgodne z przeznaczeniem

Automatyczny ekspres do kawy Beko jest przeznaczony do wykorzystywania w domu. Ten ekspres do kawy nie jest przeznaczony do użytku komercyjnego. Urządzenie przeznaczone jest wyłącznie do przygotowywania kawy oraz podgrzewania mleka i wody. Każdy przypadek użycia go do innych celów, niż wyżej wymienione, uznaje się za nieprawidłowe korzystanie z urządzenia.

### Nieprawidłowe korzystanie z urządzenia może być niebezpieczne!

Ekspres do kawy, jeśli będzie używany w sposób niezgodny z przeznaczeniem, może być przyczyną niebezpieczeństwa.



**OSTRZEŻENIE:** W związku z powyższym ekspresu do kawy można używać tylko zgodnie z przeznaczeniem.



**OSTRZEŻENIE:** Należy przestrzegać procedur opisanych w niniejszej instrukcji obsługi.

Nie będą rozpatrywane żadne roszczenia w związku ze szkodą lub uszczerbkiem na zdrowiu spowodowanymi korzystaniem z ekspresu do kawy w sposób niezgodny z przeznaczeniem. Ryzyko ponosi wówczas wyłącznie właściciel urządzenia.

# 1 Ważne instrukcje dotyczące bezpieczeństwa i ochrony środowiska naturalnego

## 1.5 Ograniczenie odpowiedzialności



Wszelkie informacje techniczne, dane i zalecenia dotyczące instalacji, obsługi i konserwacji ekspresu do kawy zawarte w niniejszej instrukcji obsługi są aktualne w momencie drukowania i bazują na najlepszej wiedzy uzyskanej dzięki doświadczeniu i know-how.

Informacje, ilustracje i opisy zawarte w niniejszej instrukcji obsługi nie stanowią podstawy do wnoszenia żadnych roszczeń.

Producent nie ponosi odpowiedzialności za szkody ani uszczerbek na zdrowiu wynikłe z nieprzestrzegania instrukcji, korzystania z urządzenia do celów niezgodnych z przeznaczeniem, dokonywania nieprofesjonalnych napraw, nieuprawnionych modyfikacji lub stosowania niezatwierdzonych części zamiennych.

## 1.6 Zgodność z rozporządzeniem WEEE i utylizacja produktu po zakończeniu eksploatacji

Ten produkt nie zawiera szkodliwych ani zabronionych materiałów wyszczególnionych w „Rozporządzeniu dotyczącym nadzoru nad utylizacją urządzeń elektrycznych i elektronicznych” wydanym przez Ministerstwo Środowiska i Planowania Przestrzennego. To urządzenie jest zgodne z wymogami rozporządzenia WEEE. Produkt ten został wyprodukowany z elementów i materiałów wysokiej jakości nadających się do recyklingu i ponownego wykorzystania. Po zakończeniu eksploatacji nie należy zatem wyrzucać produktu wraz ze zwykłymi odpadami domowymi. Urządzenie należy zanieść do punktu zbiórki sprzętu elektrycznego i elektronicznego do recyklingu. Informacji o punktach zbiórki w swojej okolicy należy zasięgnąć u lokalnych władz.

Zanosząc zużyte produkty do punktów recyklingu przyczyniają się Państwo do ochrony środowiska i zasobów naturalnych.

## 1.7 Informacje o opakowaniu














Opakowanie produktu wykonano z materiałów nadających się do powtórnego użycia zgodnie z krajowym ustawodawstwem. Nie należy wyrzucać opakowania wraz z odpadami domowymi ani innymi odpadami. Należy zanieść je do punktu zbiórki opakowań wyznaczonego przez lokalne władze.

## 1.8 Zgodność z dyrektywą RoHS

Zakupiony produkt jest zgodny z unijną dyrektywą RoHS (2011/65/UE). Nie zawiera on szkodliwych ani zabronionych materiałów wyszczególnionych w dyrektywie.

## 2 Wyświetlacz

### 2.1 Panel sterowania

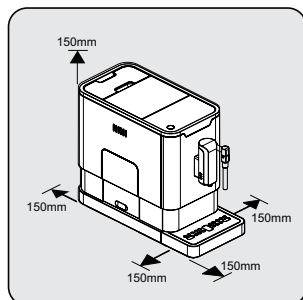
	Miganie: niski poziom wody / brak zbiornika na wodę
	Brak ziaren
	Świeci się ciągle: pojemnik na zmieloną kawę jest pełny Miganie: brak wewnętrznej tacki ociekowej / pojemnika na zmieloną kawę
	Świeci się ciągle: brak jednostki parzenia / zamontowana nieprawidłowo Miganie: drzwiczki serwisowe są otwarte / nieprawidłowo zamontowane
	Świeci się ciągle: wymagane usunięcie kamienia Miganie: trwa usuwanie kamienia
	Uruchomiona funkcja opróżniania systemu
	Przycisk WŁ./WYŁ. zasilania
	Przycisk pary
	Przycisk gorącej wody
	Przycisk mocnego espresso
	Przycisk łagodnego espresso

W pudełku znajdują się trzy opakowania środków czyszczących służących do samoczyszczenia.

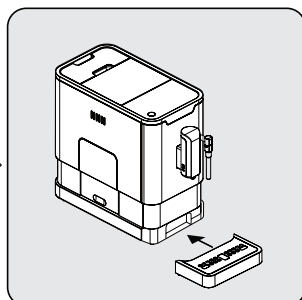
## 3 Przygotowanie

### 3.1 Instalacja

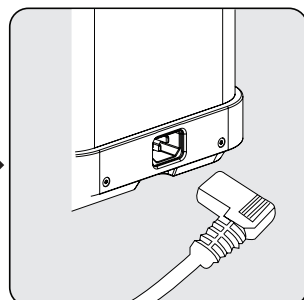
**i** Usuń wszystkie powłoki ochronne, naklejki oraz inne materiały opakowaniowe z urządzenia.



Wybierz bezpieczną i stabilną powierzchnię z łatwo dostępnym źródłem zasilania oraz zachowaj minimalną odległość od boków urządzeń.



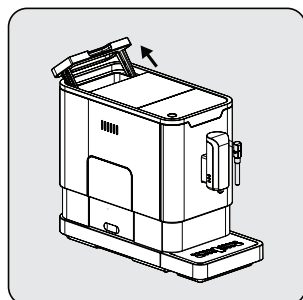
Włóż zewnętrzną tackę ociekową. Upewnij się, że została włożona prawidłowo.



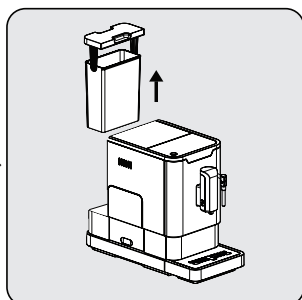
Odwróć i rozprostuj przewód zasilania i włóż wtyczkę do gniazda znajdującego się z tyłu urządzenia. Włóż drugi koniec kabla zasilania w gniazdko ściennie z odpowiednim napięciem.

### 3.2 Napełnianie zbiornika na wodę

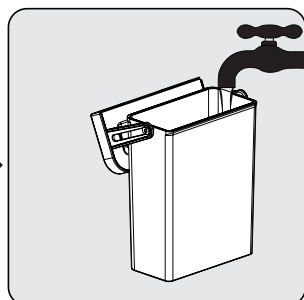
**!** **OSTRZEŻENIE:** gdy  miga, oznacza to, że w zbiorniku na wodę jest za mało wody i trzeba jej dolać.



Podnieś zbiornik na wodę, używając pokrywki jako uchwytu.



Wymij zbiornik na wodę.



Przełucz zbiornik świeżą wodą, a następnie napełnij go do poziomu maksymalnego i włóż z powrotem do urządzenia. Upewnij się, że jest całkowicie włożony.

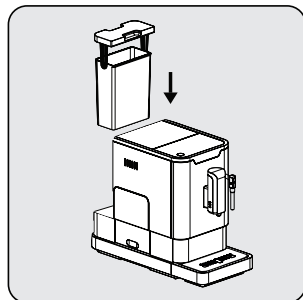
## 3 Przygotowanie



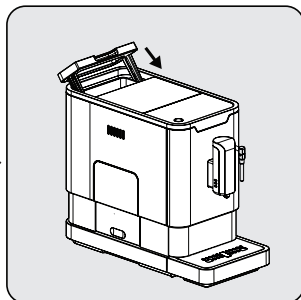
Aby nie dopuścić do wylewania wody ze zbiornika, nie dolewaj wody bezpośrednio do urządzenia za pomocą innego pojemnika.



**OSTRZEŻENIE:** nigdy nie wlewaj do zbiornika ciepłej, gorącej lub gazowanej wody ani innej cieczy, która może spowodować uszkodzenia zbiornika na wodę i urządzenia.



Su haznesini, kapaği tutacak olarak kullanarak tekrar terine takın.

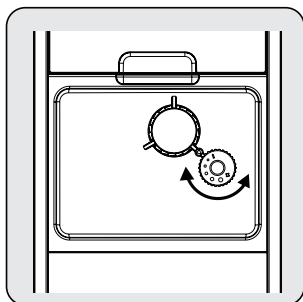


Kapaği kullanarak su haznesini kapatın.

## 4 Obsługa

### 4.1 Regulacja mielenia

Młynek można wyregulować tak, aby pasował do parzonej kawy poprzez obrócenie pokrętki regulacyjnego w pojemniku na ziarna:



Gdy młynek miele ziarna kawy podczas przygotowywania kawy, można obrócić pokrętkę regulacyjną, aby wykonać regulację.



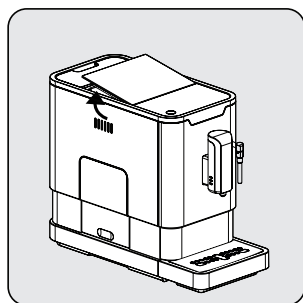
**OSTRZEŻENIE:** nigdy nie reguluj mielenia, gdy młynek nie działa. Może to spowodować uszkodzenie młynka.

## 4 Obsługa

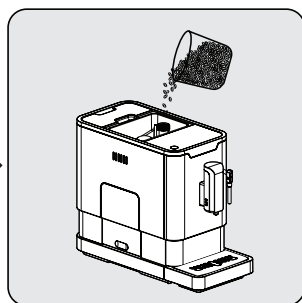
**i** Kroki na pokrętle regulacyjnym wskazują poziom rozdrobnienia mielonego ziarna.

### 4.2 Napełnianie zbiornika na ziarna

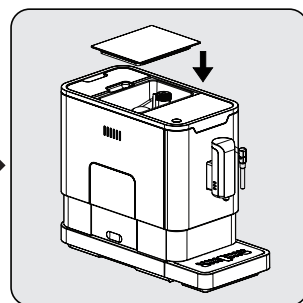
**i** Gdy  miga, oznacza to, że do urządzenia należy wsypać ziarna kawy.



Zdejmij pokrywkę pojemnika na ziarna kawy.



Powoli wsyp ziarna kawy.



Ponownie załóż pokrywkę pojemnika.

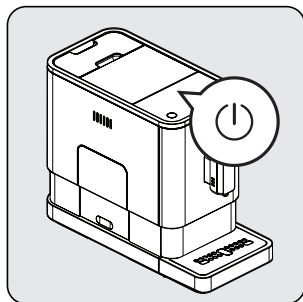


**OSTRZEŻENIE:** do pojemnika na ziarna kawy należy wsypywać tylko ziarna kawy. Kawa zmielona, kawa rozpuszczalna, kawa skarmelizowana oraz inne przedmioty mogą uszkodzić urządzenie.

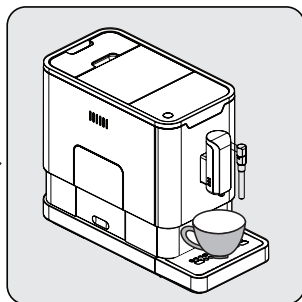
**i** Naciśnij przycisk gorącej wody (patrz strona 9, punkt IV), aby wyczyścić wnętrze ekspresu do kawy przed pierwszym użyciem.

## 4 Obsługa

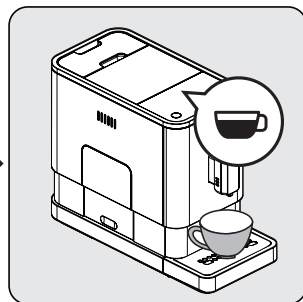
### 4.3 Parzenie kawy



Włącz urządzenie, naciskając przycisk wł./wył. zasilania. Urządzenie znajduje się w trybie gotowości.



Ustaw filiżankę pod dziubkiem kawy i wyreguluj wysokość dziubka tak, aby pasował do filiżanki.



Naciśnięty przycisk espresso zaświeci się oraz zapali się podświetlenie, sygnalizując, że urządzenie przygotowuje filiżankę kawy. Gdy urządzenie wróci do trybu gotowości, kawa jest gotowa do podania.

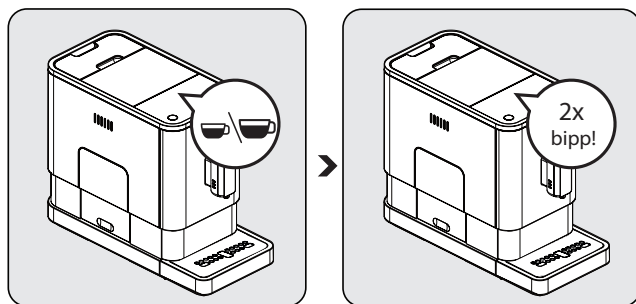
- i** Wyłącz urządzenie, naciskając przycisk wł./wył. zasilania.
- i** W zależności od pożądanego smaku kawy naciśnij przycisk mocnego espresso lub przycisk łagodnego espresso.
- i** Naciśnij przycisk gorącej wody, aby wyczyścić wnętrze ekspresu do kawy przed pierwszym użyciem.
- i** Urządzenie wyposażone jest w automatyczne wyłączenie. W zależności od wybranego trybu czas automatycznego wyłączenia urządzenia będzie się różnił.



## 4 Obsługa

### 4.4 Regulacja ilości kawy / gorącej wody

Wybraną ilość kawy na mocne i łagodne espresso oraz ilość gorącej wody od 25 ml do 250 ml można zapisać.



Podczas parzenia kawy (mocnego lub łagodnego espresso) lub dozowania gorącej wody naciśnij i przytrzymaj wybrany przycisk. Urządzenie będzie dalej przygotowywać filiżankę kawy.

Jeżeli ilość kawy osiągnie pożądaną objętość, puść przycisk. Rozlegną się dwa sygnały dźwiękowe wskazujące, że zapisała ilość kawy.



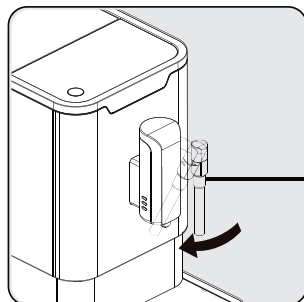
Ilość kawy można cofnąć do ustawień fabrycznych poprzez wybranie ustawienia domyślnego.

### 4.5 Przygotowanie spienionego mleka do kawy

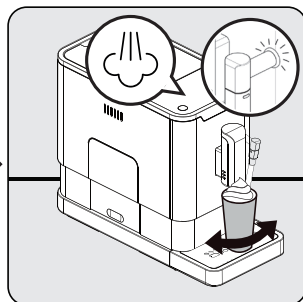


Temperatura pary jest wyższa niż temperatura espresso, więc espresso należy przyrządzić przed spienieniem mleka, aby uniknąć przypalenia espresso.

## 4 Obsługa

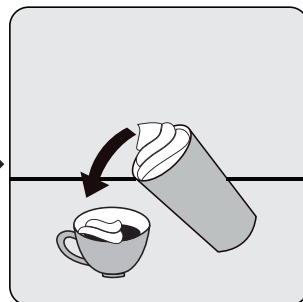


Przyrządź kawę espresso w większej filiżance. Skieruj wylot pary w dół, w stronę tacki ociekowej.



Naciśnij przycisk pary. Lampka wskaźnika pary zacznie migać. Następnie urządzenie zacznie się nagrzewać i odprowadzi pozostałości wody do tacki ociekowej lub innego pojemnika.

Gdy lampka wskaźnika pary przestanie migać i zacznie świecić światłem stałym, ustaw pojemnik z mlekiem pod wylotem pary i zanurz wylot pary w pojemniku na głębokość około 5 cm. Gdy z wylotu zacznie wydobywać się gorąca para, obracaj pojemnik.



Wlej gorące, spienione mleko do espresso. Rozkoszuj się smakiem kawy.

### 4.6 Gorąca woda

Urządzenie może dozować gorącą wodę poprzez zwykłe naciśnięcie przycisku gorącej wody. Przycisk gorącej wody i podświetlenie zaświecą się, sygnalizując, że urządzenie podgrzewa wodę. Gdy przycisk gorącej wody i podświetlenie zgasną, woda będzie gotowa do podania.

### 4.7 Wybór trybu



Maszyna ma dwa różne ustawienia: ustawienie domyślne, tryb ECO oraz tryb szybki. W trybie ECO urządzenie pomaga oszczędzać prąd. W trybie szybkim użytkownik może przygotować kawę szybciej niż w przypadku ustawienia domyślnego.




	Tryb ECO	Tryb szybki	Ustawienie domyślne
Podświetlenie	Nie	Tak	Tak
Parzenie wstępne*	Tak	Nie	Tak
Czas automatycznego wyłączenia	10 minut	30 minut	20 minut
Pamięć pojemności filiżanki	Tak	Tak	Tak




Funkcja wstępnego parzenia powoduje nasiąkanie zmielonych ziaren niewielką ilością wody w jednostce parzenia przed pełnym naciągnięciem. Powoduje to, że zmielona kawa wytwarza większe ciśnienie w jednostce parzenia, co pomaga w wyciągnięciu wszystkich olejków oraz pełnego zapachu mielonych ziaren.

## 4 Obsługa

1. Gdy maszyna znajduje się w trybie gotowości, naciśnij  i przytrzymaj przez 5 sekund.
2.  zacznie migać, a poniższy przycisk będzie miał podane niżej wskazania dla różnych ustawień:

	przycisk gorącej wody 	przycisk mocnego espresso 	przycisk łagodnego espresso 
W trybie ECO	lampki świecą	miga	miga
W trybie szybkim	Tak	Nie	miga
W ustawieniu domyślnym	miga	miga	lampki świecą

3. Naciśnij przycisk gorącej wody dla trybu ECO, przycisk mocnego espresso dla trybu szybkiego oraz przycisk łagodnego espresso dla ustawienia domyślnego. Rozlegną się dwa sygnały dźwiękowe wskazujące, że wybrano tryb. (Uwaga: jeżeli naciskasz przycisk podświetlany odpowiedni dla każdego trybu, maszyna nie zareaguje).
4. Jeżeli nie chcesz zmieniać ustawień, naciśnij  ponownie lub poczekaj 5 sekund, aż maszyna wróci do stanu gotowości.

# 5 Czyszczenie

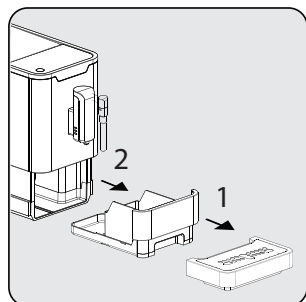
## 5.1 Czyszczenie urządzenia

1. Odłącz przewód zasilania od gniazdka elektrycznego.
2. Wylej całą wodę z zewnętrznej i wewnętrznej tacki ociekowej.
3. Zwilżoną ściereczką lub nieściernym środkiem czyszczącym wyczyść plamy wody znajdujące się na urządzeniu.

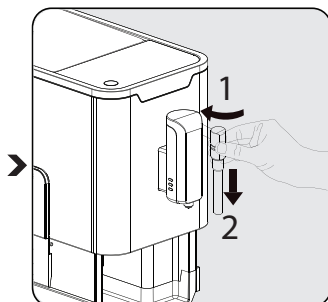


**OSTRZEŻENIE:** do czyszczenia urządzenia nigdy nie używaj octu ani środków ściernych lub odkamieniających, które nie znajdują się w opakowaniu.

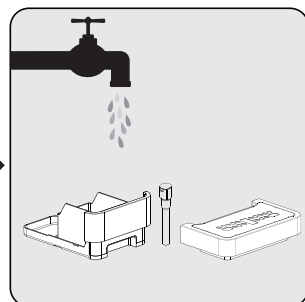
Czyszczenie i konserwacja urządzenia we właściwym czasie jest bardzo ważna dla wydłużenia jego okresu eksploatacji.



Wymij zewnętrzną tackę ociekową.



Wysuń wewnętrzną tackę ociekową i pojemnik na zmieloną kawę.



Opróżnij pojemnik na zmieloną kawę i umyj go świeżą wodą. Następnie wysusz.

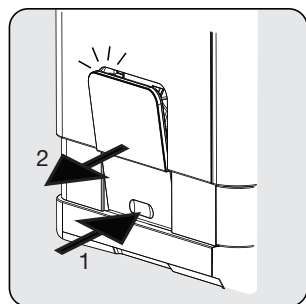


Zamontuj metalową rurkę z powrotem w pokrywie wylotu. Następnie pchnij pokrywę wylotu w górę na jej miejsce. Obróć ją w prawo, aby ją zamknąć.

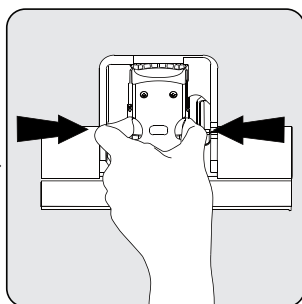


Gdy  świeci, oznacza to, że należy opróżnić pojemnik na zmieloną kawę.

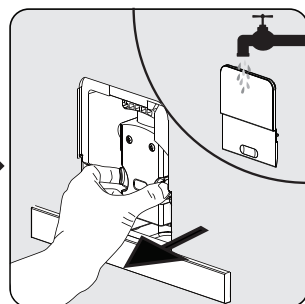
## 5 Czyszczenie



Opuść drzwiczki serwisowe i wyjmij je.




Naciśnij przycisk zwalniający.



Wyjmij jednostkę parzenia. Umyj jednostkę parzenia świeżą wodą. Następnie wysusz jednostkę parzenia.




Gdy  świeci ciągle, oznacza to, że nie ma jednostki parzenia / jest ona zamontowana nieprawidłowo. Gdy  miga, oznacza to, że nie ma drzwiczek serwisowych / są one zamontowane nieprawidłowo.

### 5.2 Samoczyszczenie



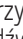




**OSTRZEŻENIE:** Zaczekaj na zakończenie procesu samoczyszczenia, a następnie wyłącz urządzenie.

Jeżeli  miga, oznacza to, że urządzenie musi wykonać samoczyszczenie. Urządzenie pozostanie w najlepszym stanie, jeżeli ta procedura będzie wykonywana co najmniej raz w miesiącu lub częściej w zależności od twardości stosowanej wody. Jest to również zalecane

1. Napełnij całkowicie zbiornik na wodę.
2. Dodaj jedno opakowanie środka czyszczącego dołączonego do pudełka do zbiornika na wodę.



**OSTRZEŻENIE:** nie używaj octu ani innego środka czyszczącego do samoczyszczenia tego urządzenia. Środek czyszczący może uszkodzić urządzenie.




3. Podłącz urządzenie do zasilania.
4. Podstaw pojemnik o odpowiednim rozmiarze pod dziubek kawy.
5. W trybie gotowości naciśnij przycisk  oraz przycisk mocnego espresso  i przytrzymaj przez 5 sekund. Rozlegnie się sygnał dźwiękowy, a przycisk  oraz przycisk mocnego espresso  będą migać.
6. Naciśnij przycisk mocnego espresso, aby potwierdzić wykonanie procesu samoczyszczenia. Aby wrócić do stanu gotowości, naciśnij .

## 5 Czyszczenie

7. będzie migać, wskazując, że urządzenie wykonuje proces samoczyszczenia.








**OSTRZEŻENIE:** nie zbliżać skóry/ciała do gorącej wody.

8. Jeżeli cała woda ze zbiornika zostanie wydana, przycisk  i przycisk mocnego espresso  będą migać. Usuń cały pozostały roztwór ze zbiornika na wodę i wlej do zbiornika zwykłą wodę kranową do pozycji maks. Po wlaniu wody do zbiornika  zgaśnie. Urządzenie będzie kontynuować proces samoczyszczenia.

9. Po zakończeniu procesu samoczyszczenia urządzenie wyłączy się automatycznie.

### 5.3 Funkcja opróżniania systemu

Stosowanie funkcji opróżniania systemu jest zalecane przed długim okresem nieużywania, w celu ochrony przed mrozem oraz przed konsultacją z pracownikiem punktu napraw.

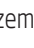



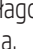
1. W trybie gotowości naciśnij razem przycisk  oraz przycisk łagodnego espresso  i przytrzymaj przez 5 sekund.
2.  będzie migać.
3. Wyjmij zbiornik na wodę z urządzenia.  będzie świecić ciągle, sygnalizując, że trwa opróżnianie systemu. Można nacisnąć  przed wyjęciem zbiornika na wodę, aby wrócić do stanu gotowości.
4. Po zakończeniu funkcji opróżniania systemu urządzenie wyłączy się automatycznie.



**OSTRZEŻENIE:** po wykonaniu OPRÓŻNIANIA SYSTEMU; naciśnij przycisk gorącej wody, aż woda wycieknie z dziubka podczas ponownego użycia ekspresu do kawy.

### 5.4 Płukanie ręczne

Cykl płukania ręcznego można wykonać w celu wyczyszczenia dyszy kawy po użyciu. Wykonanie płukania ręcznego zaleca się również wtedy, gdy urządzenie nie było używane przez dłuższy czas.


1. W trybie gotowości naciśnij razem przycisk  oraz przycisk gorącej wody .
2. Przycisk gorącej wody , mocnego espresso  i łagodnego espresso  zgaśnie. Z dyszy kawy wycieknie niewielka ilość wody używanej do płukania.



**OSTRZEŻENIE:** woda wyciekająca z dyszy kawy jest gorąca i zbiera się na tacce ociekowej poniżej. Unikaj kontaktu z pryskającą wodą.

3. Po wypłukaniu urządzenie wróci do trybu gotowości.

## 6 Rozwiązywanie problemów

Problem	Przyczyna	Rozwiązanie
Urządzenie nie działa.	Urządzenie nie jest podłączone do prądu.	Podłącz do prądu i naciśnij przełącznik. Sprawdź przewód i wtyczkę.
Brak reakcji lub reakcja opóźniona w kilku próbach naciśnięcia przycisku funkcyjnego na panelu	Na urządzenie oddziałuje pole elektromagnetyczne. Brud na panelu	Odłącz urządzenie od prądu. Uruchom ponownie po kilku minutach. Wyczyść panel dostarczoną ściereczką.
Kawa nie ma wystarczająco wysokiej temperatury.	Filizanki nie zostały podgrzane. Jednostka parzenia jest za zimna.	Przepłucz urządzenie przynajmniej 3 razy przed parzeniem kawy.
Kawa nie wypływa z dziubka.	Wcześniej mogła zostać użyta funkcja opróżniania systemu.	Naciśnij przycisk gorącej wody, aż woda wycieknie z dziubka.
Pierwsza filizanka kawy jest słabej jakości.	Po pierwszym uruchomieniu młynka do jednostki parzenia wysypuje się niedostateczna ilość kawy.	Wyrzuć kawę. Następna kawa zawsze będzie dobrej jakości.
Przyciski nie reagują.	Nagromadził się duży osad kamienia.	Usuń kamień z urządzenia.
Zbiornik na wodę jest wyjęty / poziom wody jest bardzo niski w zbiorniku, ale  nie ma powiadomienia.	Miejsce obok zbiornika na wodę jest wilgotne.	Wytrzyj wodę wokół złącza zbiornika na wodę.
Na wewnętrznej tacce ociekowej jest dużo wody.	Kawa mielona jest zbyt drobna, co blokuje wypływanie wody.	Wyreguluj rozmiar kawy na większy podczas mielenia.
Kawa jest doprowadzana za wolno lub skapuje.	Kawa mielona jest zbyt drobna, co blokuje wypływanie wody.	Wyreguluj rozmiar kawy na większy podczas mielenia.
Wskaźnik braku ziarna miga, ale nadal jest dużo ziaren kawy w pojemniku.	Zablokowany wewnętrzny wylot kawy mielonej.	Postępuj według kroków podanych w punkcie E (V. Czyszczenie wylotu kawy mielonej).
Nie można usunąć jednostki parzenia lub pojemnika na fusy.	Urządzenie nie zakończyło procesu samoczyszczenia i wyłączyło się.	Włącz urządzenie ponownie i zaczekać na zakończenie procesu samoczyszczenia.

## **Warunki gwarancji Beko S.A- (małe urządzenia AGD)**

BEKO spółka akcyjna z siedzibą w Warszawie (02-819), przy ulicy Puławskiej 366, wpisana do rejestru przedsiębiorców prowadzonego przez Sąd Rejonowy dla m.st. Warszawy w Warszawie, XIII Wydział Gospodarczy Krajowego Rejestru Sądowego, pod numerem: 0000078147 (dalej: „BEKO”) udziela gwarancji jakości (dalej: „Gwarancja”) na wprowadzone przez BEKO do obrotu na terenie Polski produkty marki BEKO (dalej: „Urządzenia”) osobom, które nabyły te produkty („Użytkownik”) na następujących warunkach:

### **I. ZAKRES OCHRONY.**

1. BEKO gwarantuje, że Urządzenie zakupione przez Użytkownika jest wolne od wad produkcyjnych lub materiałowych, powstałych z przyczyn tkwiących w tym Urządzeniu (dalej: „Wada”), które ujawnią się w ciągu terminu określonego w części II. niniejszych Warunków Gwarancji (dalej: „Okres Gwarancyjny”).
2. W razie ujawnienia się Wady Produktu w trakcie Okresu Gwarancyjnego, zostanie ona usunięta na koszt BEKO w sposób uzależniony od właściwości wady, na zasadach i w zakresie określonym w niniejszych Warunkach Gwarancji.
3. BEKO zobowiązuje się do usunięcia Wady poprzez dokonanie nieodpłatnej naprawy lub wymiany Urządzenia, bądź też reklamacja zgłoszona na podstawie niniejszych Warunków Gwarancji zostanie rozpoznana w inny sposób uzgodniony przez BEKO i Użytkownika.
4. Udzielona gwarancja jest ważna na terytorium Rzeczypospolitej Polskiej.

### **II. CZAS TRWANIA GWARANCJI.**

1. Okres Gwarancyjny wynosi 24 miesiące licząc od daty zakupu Urządzenia przez pierwszego Użytkownika, z zastrzeżeniem wynikającym z punktu 2 poniżej.
2. Udzielona gwarancja nie obejmuje Urządzeń zakupionych później niż 36 miesięcy licząc od daty produkcji Urządzenia zgodnie z numerem seryjnym znajdującym się na tabliczce znamionowej Urządzenia.



### **III. PROCEDURA ZGŁOSZENIA REKLAMACYJNEGO.**

1. Wady Urządzenia ujawnione w Okresie Gwarancyjnym będą usuwane pod warunkiem przedstawienia przez Użytkownika dowodu zakupu tego Urządzenia zawierającego oznaczenia niezbędne do jego identyfikacji ( model, datę zakupu).
2. Uprawnienia wynikające z niniejszych Warunków Gwarancji mogą być zrealizowane przez Użytkownika wyłącznie w Autoryzowanych Punktach Serwisowych BEKO (dalej: „Serwis”) po uprzednim dokonaniu zgłoszenia na Infolinii BEKO pod numerem telefonu: 62 766 77 70. Lista wszystkich lokalizacji Serwisu dostępna jest na stronie internetowej BEKO [www.beko.pl](http://www.beko.pl)
3. Urządzenie powinno być odpowiednio zapakowane i zabezpieczone przez Użytkownika na czas transportu do punktu serwisowego Beko.
4. Urządzenie do zabudowy meblowej powinno być udostępnione do naprawy przez Użytkownika lub Sprzedawcę w sposób umożliwiający przystąpienie do jego naprawy przez pracowników Serwisu Beko.
5. Wady Urządzenia będą usunięte w terminie 21 dni od daty zgłoszenia Wady na Infolinii BEKO.
6. Jeżeli część zamienna wymieniana w ramach uprawnień wynikających z niniejszych Warunków Gwarancji Urządzenia jest sprowadzana z zagranicy, termin naprawy, o którym mowa w punkcie 5 powyżej, może ulec wydłużeniu jednak, nie więcej niż do 30 dni licząc odpowiednio od daty zgłoszenia Wady na Infolinii BEKO. BEKO zastrzega, że w wyjątkowych przypadkach, gdy Wada nie wpływa na funkcjonowanie Urządzenia, dopuszczalne jest przekroczenie terminu 30 dni opisanego w zdaniu poprzedzającym. Informacje o spodziewanych terminach napraw dostępne są na Infolinii BEKO pod numerem 62 766 77 70.
7. Po usunięciu Wady, Urządzenie zostanie dostarczone Użytkownikowi na koszt BEKO.

### **IV. WYŁĄCZENIA.**

1. Warunkiem skorzystania z niniejszych Warunków Gwarancji jest:
  - a. użytkowanie Urządzenia zgodnie z Instrukcją Obsługi dołączoną do tego Urządzenia i jego przeznaczeniem, jak również odpowiednie czyszczenie i konserwację Urządzenia;

- b. użytkowanie w warunkach indywidualnego gospodarstwa domowego. Urządzenie nie jest używane do celów prowadzenia działalności gospodarczej lub w zastosowaniach eksploatacji masowej, w szczególności w gastronomicznej działalności hoteli, restauracji i innych obiektów turystyczno-rekreacyjnych lub zbiorowego żywienia.
- c. stosowanie osprzętu zalecanego przez producenta;
- d. brak ingerencji w Urządzenie przez osoby do tego nieupoważnione;
- e. brak ingerencji w tabliczkę znamionową z numerem seryjnym Urządzenia.

2. Udzielona przez Beko Gwarancja nie obejmuje:

- a. wad powstałych z przyczyn innych niż tkwiące w Urządzeniu;
- b. czynności przewidzianych w Instrukcji Obsługi, do wykonania których zobowiązany jest Użytkownik Urządzenia we własnym zakresie i na swój koszt, w tym: instruktażu dotyczącego obsługi Urządzenia, instalacji oraz regulacji urządzenia.
- c. usterek powstałych w wyniku nieprawidłowego lub niewłaściwego użytkowania, niedbalstwa, przypadkowego uszkodzenia Urządzenia, nieodpowiedniego napięcia prądu lub dokonania jakichkolwiek zmian, które mają wpływ na niewłaściwe działanie Urządzenia, i które naprawiane były przez osoby nieupoważnione, używania instalacji niezgodnych z odpowiednimi Polskimi Normami i innych niż wymienione w Instrukcji Obsługi Urządzenia;
- d. uszkodzeń mechanicznych, termicznych, chemicznych, korozji, innych uszkodzeń spowodowanych działaniem lub zaniedbaniem Użytkownika lub powstałych na skutek działania sił zewnętrznych (do których zalicza się w szczególności wyładowania atmosferyczne, skoki napięcia, wszystkiego rodzaju awarie domowej instalacji wodno-kanalizacyjnej, itp.), a także powstałych na skutek przedostania się zanieczyszczeń lub ciał obcych do Urządzenia.
- e. zakamienienia (proces odkamieniania musi być przeprowadzany zgodnie z instrukcją obsługi z użyciem odpowiednich środków czyszczących)
- f. elementów ze szkła, plastiku oraz porcelany;
- g. odbarwień Urządzenia lub poszczególnych jego części;
- h. usterek powstałych w wyniku niewłaściwego montażu Urządzenia w zabudowie meblowej, niezgodnego z Instrukcją Obsługi Urządzenia lub innymi wytycznymi dotyczącymi montażu sprzętu w zabudowie meblowej określonymi przez Producenta;

- i. usterek powstałych na skutek przechowywania i użytkowania Urządzenia w warunkach, które są niezgodne z normalnymi warunkami domowymi określonymi wymaganiami powszechnie obowiązujących przepisów prawa i odpowiednich Polskich Norm.

#### **V. POZOSTAŁE POSTANOWIENIA.**

Niniejsze warunki gwarancji mają zastosowanie do Urządzeń zakupionych od dnia 25.12.2014 r. Gwarant oświadcza, że niniejsza Gwarancja jest udzielana Użytkownikowi dodatkowo i nie wyłącza, nie ogranicza ani nie zawiesza uprawnień Użytkownika wynikających z przepisów o rękojmi za wady rzeczy sprzedanej na podstawie Kodeksu cywilnego.

# Vă rugăm să citiți mai întâi acest manual de utilizare!

Stimate client,

Vă mulțumim pentru că ați ales un produs Beko. Sperăm să obțineți cele mai bune rezultate de la produsul dumneavoastră, care este fabricat la o calitate înaltă folosind tehnologii performante. În acest scop, vă rugăm să citiți cu grijă și în întregime acest manual de utilizare și toate celelalte documente însoțitoare înainte de a utiliza produsul și să le păstrați pentru consultări ulterioare. Dacă predați produsul altei persoane, oferiți-i și manualul de utilizare. Respectați toate avertismentele și informațiile din manualul de utilizare.

1. Capacul recipientului pentru boabe
2. Recipient pentru boabe
3. Panou de comandă
4. Butonul Pornit/Oprit
5. Duză pentru abur
6. Capac duză
7. Duză reglabilă pentru cafea
8. Tub metalic
9. Recipient pentru cafeaua măcinată
10. Tavă de scurgere internă
11. Tavă de scurgere externă
12. Perie pentru curățare
13. Ușa de serviciu
14. Infuzor
15. Cablu de alimentare
16. Rezervor de apă

## Semnificația simbolurilor

În acest manual de utilizare sunt folosite următoarele simboluri:



Informații importante sau sfaturi utile privind utilizarea.



**PERICOL:** Avertisment privind situații periculoase la adresa vieții sau a bunurilor materiale.



**AVERTISMENT:** Avertismentul indică o situație potențial periculoasă.



**ATENȚIE:** Avertismentul indică o posibilă deteriorare fizică.

## Date tehnice

### Tensiune de alimentare:

220-240 V~, 50-60 Hz

**Putere:** 1350 W

Modificări tehnice și de proiectare rezervate.

Toate valorile declarate pe produs și pe pliantele tipărite sunt rezultate în urma măsurărilor în laborator realizate conform standardelor aplicabile. Aceste valori pot diferi în funcție de modul de utilizare și de condițiile ambientale.



Acest produs a fost fabricat în unități moderne care sunt prietenoase cu mediul înconjurător.

Respectă Directiva DEEE.



Nu conține PCB.

# 1 Instrucțiuni importante privind siguranța și mediul

Această secțiune include instrucțiuni privind siguranța care contribuie la protecția împotriva riscurilor de răni-re a persoanelor sau de pierderi materiale. Nerespectarea acestor instrucțiuni anulează garanția furnizată.

## 1.1 Pericol de curen-tare

Pericol mortal din cauza curen-tului electric!

Contactul cu firele electrice sau componentele poate duce la răni-ri grave sau chiar la deces! Respectați următoarele mă-suri de siguranță pentru a evita șocurile electrice:

- Nu utilizați cafetiera în cazul în care cablul de alimentare sau ștecherul de conectare la rețea este deteriorat.
- Înainte de reutilizarea cafeti-erei, cablul de alimentare tre-buie înlocuit de un electrician calificat.

- Nu deschideți carcasa cafe-tierei. Există pericolul de șoc electric dacă atingeți conexi-unile electrice și/sau modifi-cați configurația electrică sau mecanică.
- Înainte de curățarea recipi-entului pentru boabe, scoa-teți ștecherul de conectare la rețea din priză. Pericole le-gate de râșnița de cafea!

## 1.2. Pericol de arsură sau opărire

Componentele cafetierei se pot încălzi foarte tare în timpul utilizării! Băuturile și aburul eli-berat sunt foarte fierbinți!

Respectați următoarele mă-suri de siguranță pentru a evita ar-surile sau opărirea dvs. sau a altor persoane:

- Nu atingeți niciuna dintre marginile metalice de pe cele două duze de cafea.

# 1 Instrucțiuni importante privind siguranța și mediul

- Evitați contactul direct al pielii cu aburul sau cu apa fierbinte de clătire, curățare sau decalcifiere.

## 1.3 Măsuri de siguranță esențiale

Respectați următoarele măsuri de siguranță pentru a asigura manevrarea corectă a cafetierei:

- Nu vă jucați niciodată cu materialele ambalajului. Există risc de sufocare.
- Verificați cafetiera să nu aibă semne vizibile de deteriorare înainte de utilizare. Nu utilizați o cafetieră deteriorată.
- În cazul în care cablul de alimentare este deteriorat, trebuie înlocuit doar de un agent de service recomandat de către producător pentru a evita orice pericol! Contactați producătorul sau serviciul clienți al acestuia.
- Reparațiile cafetierei trebuie realizate numai de către un specialist autorizat sau de reprezentanții serviciului clienți. Reparațiile necalificate pot genera pericole considerabile pentru utilizator. Acestea vor anula și garanția.
- Reparațiile cafetierei în timpul perioadei de garanție pot fi realizate numai de centre de service autorizate de către producător, altfel garanția va deveni nulă în cazul unor deteriorări ulterioare.
- Componentele defecte pot fi înlocuite numai cu piese de schimb originale. Numai utilizarea de piese de schimb originale garantează respectarea cerințelor privind siguranța.

# 1 Instrucțiuni importante privind siguranța și mediul

- Acest produs poate fi utilizat de copii începând cu vârsta de 8 ani, precum și de către persoane cu abilități fizice, senzoriale sau mentale reduse sau care nu au experiența și/sau cunoștințele necesare, dacă persoanele respective sunt supravegheate sau au fost instruite despre cum să utilizeze aparatul în siguranță și au înțeles pericolele ce ar putea apărea în momentul utilizării lui. Copiii nu trebuie să se joace cu produsul. Lucrările de curățare și de întreținere nu trebuie să fie efectuate de către copii exceptând cazul în care aceștia au o vârstă mai mare de 8 ani și sunt supravegheați.
- Acest produs este destinat utilizării în scop casnic și cu aplicații similare cum ar fi:
  - bucătării pentru personalul din magazine, birouri sau alte medii de lucru;
  - ferme;
  - de către clienți în hoteluri, moteluri sau alte medii de tip rezidențial;
  - medii de tip pensiune.
- Protejați cafetiera de efectele fenomenelor meteorologice cum ar fi ploaia, înghețul și lumina solară directă. Nu utilizați cafetiera în aer liber.
- Nu introduceți niciodată cafetiera, cablul de alimentare sau ștecherul de alimentare în apă sau în alte lichide.
- Nu curățați cafetiera sau accesoriile ei în mașina de spălat vase.
- Nu turnați niciun alt lichid în afară de apă și nu introduceți alimente în rezervorul pentru apă.

# 1 Instrucțiuni importante privind siguranța și mediul

- Nu umpleți rezervorul pentru apă peste marcajul nivelului maxim (marginea de jos a orificiului de umplere) (1,5 litri).
- Utilizați cafetiera doar atunci când recipientul pentru reziduuri, tava de scurgere și grătarul pentru cană sunt montate.
- Nu trageți de cablu pentru a deconecta ștecherul de la priză și nu îl atingeți cu mâinile umede.
- Nu țineți cafetiera de cablul de alimentare.
- Nu utilizați funcția de apă fierbinte în mod continuu mai mult decât durează un rezervor de apă plin.
- Mențineți produsul și cablul său de alimentare departe de copiii sub vârsta de 8 ani.

## 1.4 Scopul utilizării

Cafetiera complet automată de la Beko a fost concepută pentru utilizarea casnică și aplicații similare, de exemplu în bucătăriile pentru personal, în magazine, birouri și spații similare sau de către clienți în pensiuni, hoteluri, moteluri și alte spații de cazare. Cafetiera nu a fost concepută pentru utilizare în scopuri comerciale. Cafetiera este utilizată numai pentru prepararea cafelei și încălzirea laptelui și a apei. Orice altă utilizare decât cea menționată mai sus este considerată necorespunzătoare.

### Utilizarea necorespunzătoare poate genera pericole!

Dacă nu este utilizată pentru scopul propus sau este utilizată în alte moduri, cafetiera poate reprezenta sau deveni o sursă de pericole.



**AVERTISMENT:** Așadar, cafetiera poate fi utilizată numai pentru scopul propus.



**AVERTISMENT:** Respectați procedurile descrise în acest manual de utilizare.

Nu se vor accepta reclamații de niciun fel pentru daunele sau rănilor cauzate în urma utilizării cafetierei altfel decât în scopul propus.

Riscul va fi suportat numai de proprietarul cafetierei.



# 1 Instrucțiuni importante privind siguranța și mediul

## 1.5 Limitarea răspunderii

Toate informațiile tehnice, datele și instrucțiunile privind instalarea, utilizarea și întreținerea cafetierei cuprinse în acest manual de utilizare sunt actualizate la data tipăririi lui și se bazează pe informațiile cele mai bune posibil obținute prin prisma experienței și expertizei.

Nicio reclamație nu poate decurge din informațiile, ilustrațiile și descrierile din prezentul manual de utilizare.

Producătorul nu își asumă nicio răspundere pentru daunele sau răniile rezultate ca urmare a nerespectării manualului de utilizare, a utilizării în alte moduri decât pentru scopul propus, a reparațiilor neprofesionale, a modificărilor neautorizate sau a utilizării de piese de schimb neaprobate.

## 1.6 Conformitate cu Directiva DEEE și cu eliminarea deșeurilor:

Acest produs este conform cu Directiva DEEE a UE (2012/19/UE). Acest produs a fost marcat cu simbolul de clasificare pentru deșeuri de echipamente electrice și electronice (DEEE).



Acest produs a fost fabricat cu piese și materiale de înaltă calitate, care pot fi refolosite și reciclate. Nu eliminați acest produs împreună cu deșeurile menajere sau cu alte deșeuri la sfârșitul perioadei sale de utilizare. Transportați-l la un punct de colectare pentru reciclarea echipamentelor electrice și electronice. Vă rugăm să contactați autoritățile locale pentru a afla unde se află aceste puncte de colectare.

## 1.7 Conformitatea cu Directiva RoHS

Produsul pe care l-ați achiziționat este conform cu Directiva RoHS UE (2011/65/UE). Acesta nu conține materiale periculoase și interzise, specificate în această Directivă.











## 1.8 Informații despre ambalaj



Ambalajele produsului sunt fabricate din materiale reciclabile, conform reglementărilor noastre naționale de mediu. Materialele utilizate pentru ambalaj nu trebuie să fie eliminate împreună cu deșeurile menajere sau cu vreun alt tip de deșeuri. Transportați-le la punctele de colectare pentru ambalaje, amenajate de autoritățile locale.

## 2 Afișaj

### 2.1 Panoul de comandă

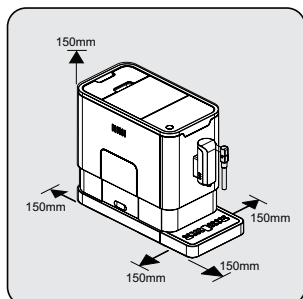
	Aprindere intermitentă: Nivel de apă scăzut / Rezervorul pentru apă este scos
	Lipsă boabe
	Iluminare stabilă: recipientul pentru cafea măcinată este plin Aprindere intermitentă: Tava de scurgere internă / Recipientul pentru cafea măcinată este scos
	Iluminare stabilă: Infuzorul este scos / montat necorespunzător Aprindere intermitentă: Ușa de serviciu este deschisă / montată necorespunzător
	Iluminare stabilă: Este necesară decalcifierea Aprindere intermitentă: Decalcifiere în curs
	Funcția Sistem gol este activă
	Butonul Pornit/Oprit
	Buton de abur
	Butonul Apă Fierbinte
	Butonul Espresso tare
	Butonul Espresso slab

În cutie sunt incluse trei pachete de agenți de curățare pentru procesul de autocurățare.

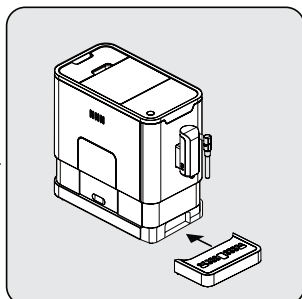
## 3 Pregătirea

### 3.1 Montarea

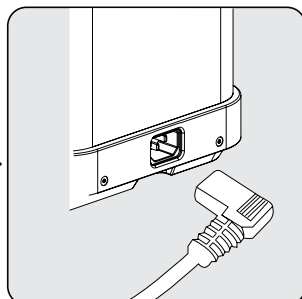
**i** Înlăturați orice folie de protecție, abțibilduri sau alte materiale de ambalare de pe produs.



Alegeți o suprafață sigură și stabilă cu alimentare la îndemână și lăsați o distanță minimă de marginile cafetierei.



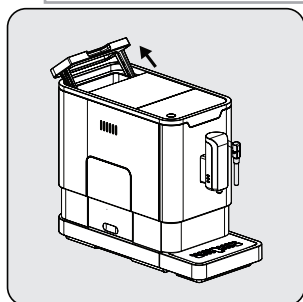
Introduceți tava de scurgere externă. Asigurați-vă că este introdusă corect.



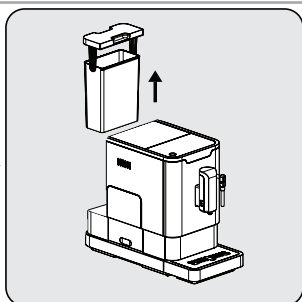
Derulați și îndreptați cablul de alimentare și introduceți ștecherul în priza localizată pe spatele mașinii. Introduceți celălalt capăt al cablului de alimentare într-o priză cu tensiune de alimentare corespunzătoare.

### 3.2 Umplerea rezervorului de apă

**!** **AVERTISMENT:** Atunci când  clipește, nivelul din rezervorul de apă este scăzut și acesta trebuie umplut cu apă.



Ridicați rezervorul de apă utilizând capacul drept mână.



Scoateți rezervorul de apă.



Clătiți rezervorul de apă cu apă proaspătă și apoi umpleți rezervorul până la nivelul Max și puneți-l la loc în aparat. Aveți grijă să fie introdus complet.

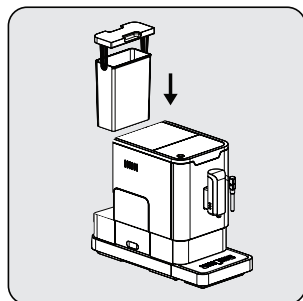
## 3 Pregătirea



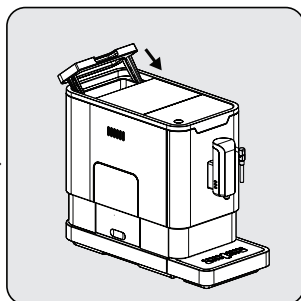
Pentru a împiedica scurgerea apei din rezervorul de apă, nu adăugați apă direct în produs cu un alt recipient.



**AVERTISMENT:** Nu umpleți niciodată rezervorul cu apă caldă, fierbinte, minerală sau orice alt lichid care ar putea deteriora rezervorul de apă și produsul.



Puneți rezervorul de apă la locul lui utilizând capacul drept mâner.

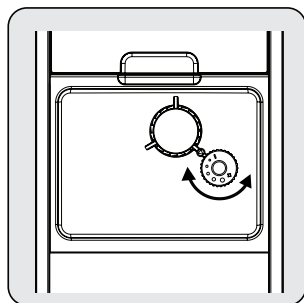


Închideți rezervorul de apă utilizând capacul.

## 4 Funcționarea

### 4.1 Reglarea măcinării

Puteți regla râșnița pentru a se potrivi cu nivelul de prăjire al boabelor de cafea rotind butonul de reglare din recipientul pentru boabe:



Atunci când râșnița macină boabele de cafea în timpul preparării, puteți roti butonul de reglare pentru a realiza reglajul.



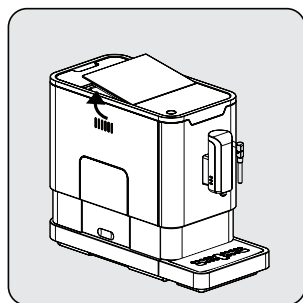
**AVERTISMENT:** Nu reglați niciodată măcinarea atunci când râșnița nu este în funcțiune. Râșnița se poate deteriora.

## 4 Funcționarea

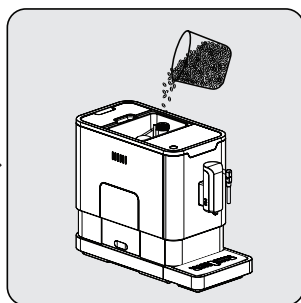
**i** Punctele de pe butonul de reglare arată cât de fină este măcinarea.

### 4.2 Umplerea recipientului pentru boabe

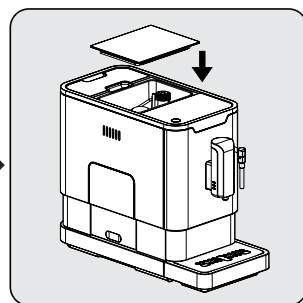
**i** Atunci când  clipește, produsul trebuie umplut cu boabe de cafea.



Scoateți capacul recipientului pentru boabe.



Vărsați încet boabele de cafea.



Puneți la loc capacul recipientului.



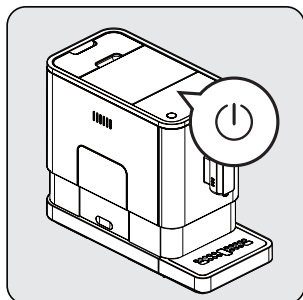
**AVERTISMENT:** Umpleți recipientul pentru boabe de cafea numai cu boabe. Cafeaua măcinată, cafeaua instant, cafeaua caramelizată sau orice alte obiecte pot deteriora cafetiera.



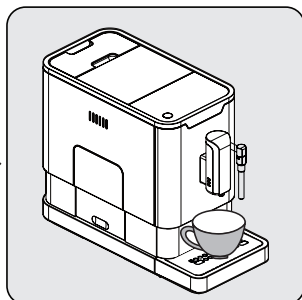
Apăsați butonul pentru apă fierbinte (consultați pagina 9, secțiunea IV) pentru a curăța interiorul cafetierei înainte de prima utilizare.

## 4 Funcționarea

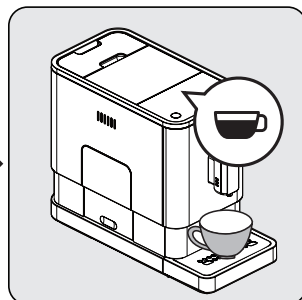
### 4.3 Prepararea cafelei



Porniți produsul prin apăsarea butonului Pornit/Oprit. Produsul se va afla atunci în stare de așteptare.



Puneți o ceașcă sub duza pentru cafea și reglați înălțimea duzei în funcție de ceașcă.



Dacă apăsați butonul espresso acesta se va aprinde, iar luminile vor indica faptul că produsul prepară cafeaua. Atunci când produsul revine în starea de așteptare, cafeaua poate fi servită.

**i** Opriți produsul prin apăsarea butonului Pornit/Oprit.

**i** În funcție de aroma cafelei pe care o doriți, apăsați butonul pentru espresso tare sau butonul pentru espresso slab.

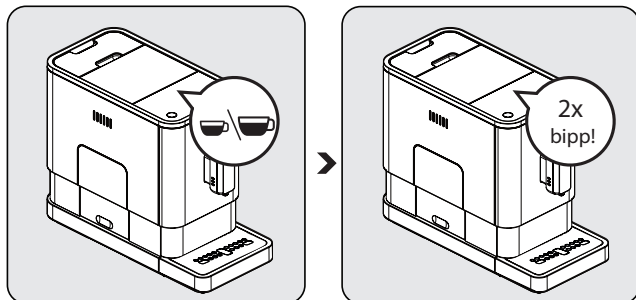
**i** Apăsați butonul pentru apă fierbinte pentru a curăța interiorul cafetierei înainte de prima utilizare.

**i** Produsul este dotat cu funcția de stingere automată. În funcție de modul pe care l-ați selectat, produsul va avea o temporizare de stingere automată diferită.

## 4 Funcționarea

### 4.4 Reglarea volumului cafelei/apă fierbinți

Puteți memora volumul dorit de cafea atât pentru espresso tare cât și pentru espresso slab, precum și cantitatea de apă fierbinte, între 25ml și 250ml.



Atunci când preparați cafeaua (espresso tare sau espresso slab) sau când mașina eliberează apă fierbinte, apăsați și mențineți butonul pe care l-ați selectat. Produsul va continua să prepare cafeaua.

Atunci când volumul cafelei este cel dorit, eliberați butonul. Se vor auzi două bip-uri ce indică faptul că volumul cafelei este memorat.

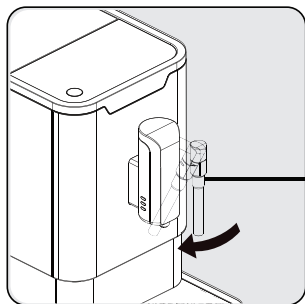


Puteți readuce volumul cafelei la setările din fabrică prin selectarea setărilor predefinite.

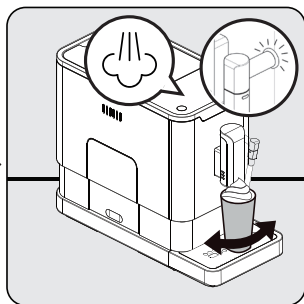
## 4 Funcționarea

### 4.5 Pregătirea spumei de lapte pentru cafea

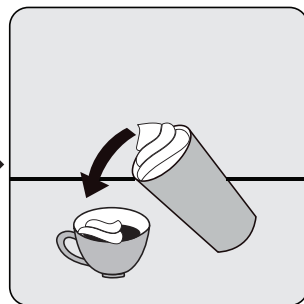
**i** Întrucât temperatura aburului este mai ridicată decât temperatura espresso-ului, espresso-ul trebuie preparat înainte de a prepara spuma de lapte; altfel, espresso-ul s-ar putea arde.



Preparați cafeaua espresso cu ceașca mai mare. Răsuciți duza de abur către tava de scurgere.



Apăsăți butonul de abur. Indicatorul luminos pentru abur va clipi. Apoi aparatul se încălzește și scurge apa rămasă în tava de scurgere sau în alt recipient. După ce indicatorul luminos pentru abur încetează să mai clipească și rămâne aprins, așezați un recipient cu lapte sub duza de abur și scufundați duza de abur aproximativ la 5 cm adâncime în recipient. Rotiți recipientul în timp ce iese aburul fierbinte.



Turnați spuma de lapte fierbinte în espresso. Acum vă puteți savura cafeaua.

### 4.6 Apa fierbinte

Produsul poate elibera apă fierbinte prin simpla apăsare a butonului de apă fierbinte. Butonul de apă fierbinte și luminile se vor aprinde pentru a indica faptul că produsul încălzește apa. Atunci când butonul pentru apă fierbinte și luminile se sting, apa poate fi servită.

### 4.7 Selectarea modului

Produsul are două setări diferite: setarea predefinită, modul ECO și modul viteză. În modul ECO, produsul economisește mai multă energie. În modul viteză, utilizatorul își poate prepara cafeaua mai repede decât în modul predefinit.

	Modul ECO	Modul viteză	Setări predefinite
Lampa de iluminare	Nu	Da	Da
Preinfuzare*	Da	Nu	Da
Timp stingere automată	10 min	30 min	20 min
Memorie volum ceașcă	Da	Da	Da






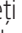
## 4 Funcționarea



Funcția de preinfuzare umezește boabele măcinate în infuzor cu o cantitate mică de apă înainte de a le extrage complet. Astfel, cafeaua măcinată se dilată exercitând o presiune și mai mare în infuzor, ceea ce ajută la extragerea tuturor uleiurilor și întregii arome a boabelor măcinate.

1. Atunci când produsul este în starea de așteptare, apăsați și mențineți  timp de 5 secunde.
2.  va clipi și următorul buton va avea următoarele indicații pentru setări diferite:

	Butonul Apă Fierbinte 	Butonul Espresso tare 	Butonul Espresso slab 
Modul ECO	Lumini PORNITE	Aprindere intermitentă	Aprindere intermitentă
În Modul viteză	Da	Nu	Aprindere intermitentă
În Setări predefinite	Aprindere intermitentă	Aprindere intermitentă	Lumini pornite

3. Apăsați butonul apă fierbinte pentru modul ECO, butonul espresso tare pentru modul viteză și butonul espresso slab pentru setarea predefinită. Se vor auzi două bipuri ce indică selectarea modului. (Notă: Dacă apăsați luminile de pe buton pentru fiecare mod, produsul nu va răspunde).
4. Dacă doriți să mențineți neschimbate setările, apăsați din nou  sau așteptați timp de 5 secunde ca produsul să revină la starea de așteptare.

## 5 Curățarea

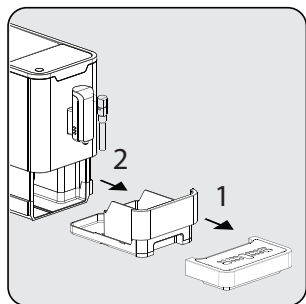
### 5.1 Curățarea produsului

1. Deconectați cablul de alimentare de la priză.
2. Vărsați toată apa din tava de scurgere internă și externă.
3. Utilizați o cârpă umedă sau un agent de curățare neabraziv pentru a curăța petele de apă de pe produs.

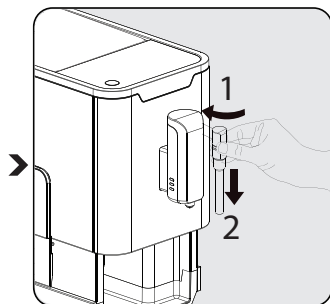


**AVERTISMENT:** Nu utilizați niciodată agenți abrazivi, oțet sau agenți pentru decalcifiere care nu au fost incluși în cutie pentru curățarea produsului.

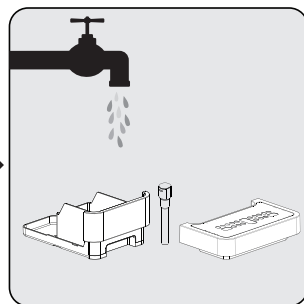
Curățarea și întreținerea la timp a produsului este foarte importantă pentru prelungirea duratei de utilizare a acestuia.



Scoateți tava de scurgere externă.



Glisați pentru a scoate tava de scurgere internă și recipientul pentru cafeaua măcinată.



Goliți recipientul pentru cafeaua măcinată și spălați-l cu apă proaspătă. Apoi uscați-l.

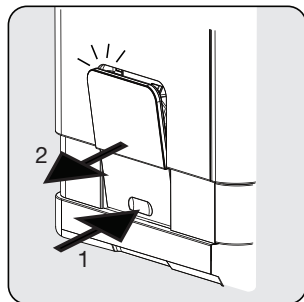


Montați tubul metallic la loc pe capacul duzei. Apoi împingeți în sus pentru a pune la loc capacul duzei. Iar apoi răsuțiți-l spre dreapta pentru a-l bloca.

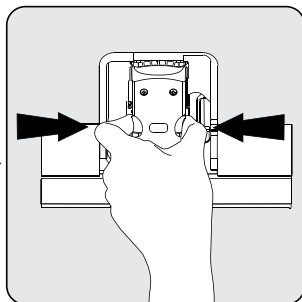


Când se iluminează , recipientul pentru cafeaua măcinată trebuie golit.

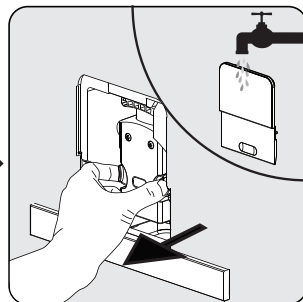
## 5 Curățarea



Trageți ușa de serviciu în jos și scoateți acest recipient.





Apăsați butonul de eliberare.



Îndepărtați infuzorul. Spălați infuzorul cu apă proaspătă. Apoi uscați-l.



Atunci când  rămâne iluminat, înseamnă că infuzorul este scos / a fost montat necorespunzător. Atunci când  clipește, înseamnă că ușa de serviciu este scoasă / a fost montată necorespunzător.

### 5.2 Autocurățare








**AVERTISMENT:** Vă rugăm așteptați terminarea procesului de auto-curățare și pe urmă opriți mașina.

Atunci când  clipește, înseamnă că produsul trebuie să se autocurețe. Produsul va rămâne într-o stare foarte bună dacă rulați această funcție cel puțin o dată pe lună sau la intervale mai regulate, în funcție de duritatea apei utilizate. Este recomandabil de asemenea să

1. Umpleți complet rezervorul de apă.
2. Adăugați un pachet de agent de curățare inclus în cutie în rezervorul de apă.



**AVERTISMENT:** Nu utilizați oțet sau alt agent de curățare pentru efectuarea autocurățării produsului. Agentul de curățare poate deteriora produsul.

3. Conectați produsul.
4. Puneți un recipient suficient de larg sub duza pentru cafea.
5. În starea de așteptare, apăsați și mențineți  și butonul Espresso tare  timp de 5 secunde. Se va auzi un bip cu  iar butonul Espresso tare  va clipi.
6. Apăsați butonul Espresso tare pentru a confirma că procesul de autocurățare este în curs. Pentru a reveni la starea de așteptare, apăsați .
7. Va clipi indicând că produsul rulează procesul de autocurățare.

## 5 Curățarea



**AVERTISMENT:** Nu atingeți pielea/corpul cu apa fierbinte.

8. Când toată apa din rezervorul pentru apă a fost eliberată, și butonul Espresso tare vor clipi. Eliminați toată soluția rămasă din rezervorul pentru apă și umpleți-l cu apă obișnuită de la robinet până la nivelul max. Când rezervorul de apă este plin cu apă, se va aprinde . Atunci produsul va continua procesul de autocurățare.
9. Când procesul de autocurățare este finalizat, produsul se va stinge automat.

### 5.3 Funcția Sistem gol

Funcția Sistem gol se recomandă a fi utilizată înainte de perioadele mai lungi de neutilizare, pentru protecția împotriva înghețului și înainte de a duce produsul la reparat.

1. În starea de așteptare, apăsați și mențineți și butonul Espresso slab simultan timp de 5 secunde.
2. va clipi.
3. Scoateți rezervorul de apă din produs. se va aprinde și va rămâne aprins, ceea ce indică faptul că golirea sistemului este în curs. Puteți apăsa înainte de a goli rezervorul de apă pentru a relua starea de așteptare.
4. Când funcția Sistem gol este finalizată, produsul se va stinge automat.



**AVERTISMENT:** După rularea FUNCȚIEI GOLIRE SISTEM, apăsați butonul pentru apă fierbinte până ce începe să iasă apă din duză atunci când refoșiți cafetiera.

### 5.4 Clătirea manuală

Puteți realiza un ciclu de clătire manuală pentru a curăța orificiul pentru cafea după utilizare. Se recomandă de asemenea o clătire manuală dacă produsul nu a fost utilizat o perioadă lungă de timp.


1. În starea de așteptare, apăsați și mențineți și butonul de apă fierbinte simultan.
2. Butonul de apă fierbinte , butonul Espresso tare și butonul Espresso slab se vor stinge. Orificiul pentru cafea va elibera o cantitate mică de apă, care este utilizată la clătire.



**AVERTISMENT:** Apa care iese din orificiul pentru cafea este fierbinte și este colectată în tava de scurgere de dedesubt. Evitați contactul cu picăturile de apă.

3. După clătire, produsul va reveni în starea de așteptare.

## 6 Depanarea

Problemă	Cauză	Soluție
Produsul nu funcționează.	Produsul nu este conectat la alimentarea cu curent electric.	Băgați-l în priză și apăsați comutatorul. Verificați cablul și ștecherul.
Lipsă răspuns sau răspuns întârziat după mai multe încercări de apăsare a tastei pentru funcții pe panou	Produsul interferează electromagnetic Panoul este murdar	Scoateți produsul din priză. Reporniți după câteva minute. Curățați panoul cu cârpa din dotare.
Cafeaua nu este suficient de fierbinte.	Ceștile nu au fost preîncălzite. Unitatea de infuzare este prea rece.	Clătiți produsul de cel puțin 3 ori înainte de a prepara cafeaua.
Cafeaua nu iese din duză.	Este posibil ca funcția Sistem gol să fi fost utilizată anterior.	Apăsați butonul apă fierbinte până ce iese apă din duză.
Prima ceașcă de cafea are o calitate slabă.	Prima tură a rășniței nu eliberează suficientă cantitate de cafea în unitatea de infuzare.	Aruncați cafeaua. Următoarele cafele vor avea întotdeauna o calitate bună.
Butoanele tactile nu sunt sensibile	S-a depus calcar excesiv.	Curățați de calcar produsul.
Rezervorul de apă este scos / nivelul apei este foarte scăzut în rezervorul de apă, însă  nu indică nicio alertă.	Zona din apropierea conectorului rezervorului de apă este umedă.	Ștergeți apa din jurul conectorului rezervorului de apă.
Tava de scurgere internă este plină cu multă apă.	Cafeaua măcinată este prea fină și blochează eliberarea apei.	Reglați granulația cafelei să fie mai mare în timpul funcționării rășniței.
Cafeaua iese prea încet sau curge picătură cu picătură.	Cafeaua măcinată este prea fină și blochează eliberarea apei.	Reglați granulația cafelei să fie mai mare în timpul funcționării rășniței.
Indicatorul lipsă boabe clipește, dar în recipient mai sunt multe boabe de cafea.	Orificiul de evacuare a cafelei măcinate este blocat.	Pentru a urma pașii din secțiunea E (V. Curățarea orificiului de evacuare a cafelei măcinate).
Infuzorul sau tava pentru cafeaua măcinată nu pot fi îndepărtate.	Aparatul nu a finalizat procesul de autocurățare și a fost oprit.	Vă rugăm porniți din nou aparatul și lăsați procesul de curățare să se termine.



# CERTIFICAT DE GARANȚIE

Tensiune de alimentare/frecvență: 230V/50Hz

Importator: ARCTIC S.A., Găești, Dâmbovița, str. 13 Decembrie nr. 210, email: office@arctic.ro

TIP:  **Electrocasnice mici de bucătărie - 3 ani**  **Cuptor cu microunde - 3 ani**  
 **Aspirator - 2 ani**  **Fier de călcat - 2 ani**  **Stație de călcat - 2 ani**  
Model / Serie: .....

## VÂNZĂTOR

Nr. factură: .....Data: .....

Vânzător (firma, localitatea): .....

## CUMPĂRĂTOR

Nume .....Localitatea .....

Str. ....Nr. ....Bloc .....Sc. ....Et. ....Ap. ....

Județ .....Telefon .....E-mail .....

S-a efectuat proba de funcționare a aparatului, s-a prezentat modul de folosire, s-au predat instrucțiunile de utilizare și toate accesoriile. Am primit aparatul în perfectă stare de funcționare.

Stimați clienți,

La cumpărare vă recomandăm să solicitați efectuarea probei de funcționare și să verificați existența instrucțiunilor de utilizare și a accesoriilor.

Pentru a putea beneficia de toate avantajele produselor și serviciilor noastre vă rugăm:

- să citiți cu atenție și să respectați recomandările prezentate în "Instrucțiunile de utilizare".
- să păstrați cu grijă acest certificat pentru a-l putea prezenta (împreună cu documentul fiscal de achiziție), personalului SERVICE ARCTIC, la orice sesizare efectuată în perioada de garanție.

Vă mulțumim că ați optat pentru cumpărarea unui produs Beko!

**Durata medie de utilizare a produselor BEKO este de 5 ani!**

**Perioada de garanție legală de conformitate este de 2 ani de la intrarea produsului în posesia consumatorului.**

**Perioada de garanție comercială este de 3 ani de la intrarea produsului în posesia consumatorului , include și perioada de garanție legală de conformitate și se acordă pentru următoarele categorii: Electrocasnice mici de bucătărie și Cuptoare cu microunde.**

Art. 22, alin. 3-6, din L449/2013, modificata de OG 9/2016:

- (3) Timpul de nefuncționare din cauza lipsei de conformitate apărute în cadrul termenului de garanție prelungeste termenul de garanție legală de conformitate și cel al garanției comerciale și curge, după caz, din momentul la care a fost adusă la cunoștință vânzătorului lipsa de conformitate a produsului sau din momentul prezentării produsului la vânzător/unitatea service până la aducerea produsului în stare de utilizare normală și, respectiv, al notificării în scris în vederea ridicării produsului sau predării efective a produsului către consumator.

- (4) Produsele de folosință îndelungată care înlocuiesc produsele defecte în cadrul termenului de garanție vor beneficia de un nou termen de garanție care curge de la data preschimbării produsului.

- (5) Produsele de folosință îndelungată defectate în termenul de garanție legală de conformitate, atunci când nu pot fi reparate sau când durata cumulată de nefuncționare din cauza deficiențelor apărute în termenul de garanție legală de conformitate depășește 10% din durata acestui termen, la cererea consumatorului, vor fi înlocuite de vânzător sau acesta va restitui consumatorului contravaloarea produsului respectiv.

- (6) Termenul de garanție curge de la data intrării bunului respectiv în posesia consumatorului, inclusiv pentru bunurile noi de folosință îndelungată, obținute prin tragere la sorți la tombole, câștigate la concursuri și similare sau acordate cu reducere de preț ori gratuit de către operatori economici.

Garanția oferită de producător nu exclude garanția de viciu ascuns, conform OG 21/1992 (R2) privind protecția consumatorului și Codul Civil.

**beko**

Service-ul acestui produs este asigurat de ARCTIC S.A. cu sediul în Găești, Dâmbovița, str. 13 Decembrie nr. 210.  
\*9010 • www.arctic.ro • e-mail: service@arctic.ro • Program Call Center: Luni - Vineri 08:30 - 20:00;  
Sâmbătă 09:00 - 17:00

## UNITĂȚILE SERVICE ALE ARCTIC S.A. EXECUTĂ REPARAȚII ÎN TERMENUL DE GARANȚIE ȘI ÎN AFARA ACESTUIA

Nr. crt.	Data Reclamației	Data primirii în reparație	Reparat		Prelungirea termenului de garanție	Efectuarea verificării	
			Programat	Data ridicării aparatului		Cauza întârzierii	REPARAT

### CONDIȚIILE DE GARANȚIE LEGALĂ DE CONFORMITATE ȘI GARANȚIE COMERCIALĂ:

- Garanția se aplică numai dacă documentul fiscal de achiziție împreună cu acest certificat sunt prezentate împreună cu produsul reclamat. Pentru orice defecțiune aparută în perioada de garanție sau post garanție, apeleți la magazinul de unde a fost achiziționat produsul sau direct la Call Center Arctic. Termenul de garanție se prelungește cu timpul scurs de la data semnării defectului și până la data repunerii aparatului în stare de funcționare. Prelungirea termenului de garanție se va înscrice în certificatul de garanție de către unitatea SERVICE care a efectuat reparația.
- Garanția acoperă repararea și/sau înlocuirea pieselor constatate ca defecte (necauzate de consumator) de către tehnicienii Service Arctic.
- La cumpărare vă recomandăm să solicitați efectuarea probei de funcționare și să verificați existența tuturor accesoriilor și a instrucțiunilor de utilizare. Produsul trebuie să funcționeze corespunzător și să nu prezinte defecte vizibile ale pieselor și accesoriilor.
- Termenul de realizare a operațiilor de reparare, înlocuire sau întreținere este de 15 zile calendaristice de la data la care cumpărătorul a sesizat defecțiunea la magazinul de unde a achiziționat produsul sau direct la Call Center Arctic.

### Reclamațiile referitoare la aspectele prevăzute mai jos, se rezolvă numai contra cost:

- reînlocuirea lămpilor de iluminare;
- accesoriile care nu au defecte asurnse de material constatate de tehnicienii Service Arctic;
- piesele și accesoriile care prezintă lovituri, zgârieturi, spărturi sau deformări.

### PRODUSUL NU BENEFICIAZĂ DE GARANȚIE LEGALĂ DE CONFORMITATE ȘI DE GARANȚIE COMERCIALĂ ÎN URMĂTOARELE CAZURI:

- Nu au fost respectate instrucțiunile de transport, manipulare, instalare, utilizare și întreținere prescise.
- Subansamblurile și accesoriile casabile care se deteriorează în timpul transportului vor fi înlocuite de vânzător (în cazul în care asigură transportul).
- Garanția nu se acordă subansamblor și accesoriilor casabile ale produselor care suferă deteriorări din vina consumatorului.
- Tensiunea de alimentare are valori care nu se încadrează în limitele prevăzute de standarde (SR EN 50160).
- Instalația electrică a utilizatorului prezintă improvizații sau neconformități.
- Produsul a fost folosit în alte scopuri decât cele pentru care a fost proiectat.
- Produsul a suportat intervenții (reparații, modificări) din partea unor persoane neautorizate de producător.

Drepturile consumatorului sunt cele prevăzute în **Legea 449/2003 (R1)**, modificată și completată de **OG 9/2016**, și **OG 21/1992 (R2)**, Drepturile consumatorului nu sunt afectate prin garanția comercială oferită.

## Najprv si prečítajte tento návod na použitie!

Vážený zákazník,

Ďakujeme, že ste si vybrali výrobok značky Beko. Dúfame, že sa dočkáte tých najlepších výsledkov od výrobu vyrobeného vo vysokej kvalite a s najmodernejšími technológiami. Z tohto dôvodu si pred použitím produktu pozorne prečítajte celú túto používateľskú príručku a všetky ostatné sprievodné dokumenty a uschovajte ich pre referenciu do budúcnosti. Ak produkt dáte niekomu inému, dajte mu tiež používateľskú príručku. Dodržujte všetky varovania a informácie v používateľskej príručke.

1. Kryt zásobníku na zrnkovú kávu
2. Zásobník na zrnkovú kávu
3. Ovládací panel
4. Tlačidlo zapnutia/vypnutia
5. Parna šoba
6. Pokrov šobe
7. Nastaviteľný výpusť kávy
8. Kovinská cevka
9. Zásobník na kávovú usadeninu
10. Vnútorňá odkvapkávacia miska
11. Vonkajšia odkvapkávacia miska
12. Čistiaca kefka
13. Servisné dvierka
14. Prekvapávač
15. Napájací kábel
16. Nádržka na vodu

## Vysvetlenie symbolov

V celej používateľskej príručke sa používajú nasledujúce symboly:



Dôležité informácie alebo užitočné tipy pre používanie.



**NEBEZPEČENSTVO:** Varovanie pre nebezpečné situácie s ohľadom na život a majetok.



**VAROVANIE:** Varovanie upozorňuje na potenciálne nebezpečnú situáciu.



**POZOR:** Varovanie upozorňuje na možné materiálne škody.

## Technické údaje

### Napájanie:

220-240 V~, 50-60 Hz

**Výkon:** 1350 W

Výrobca si vyhradzuje právo na zavádzanie technických a dizajnových modifikácií.

Všetky hodnoty uvedené na výrobku a na tlačenej letáku sú určené laboratórnym meraním uskutočneným podľa príslušných noriem. Tieto hodnoty sa môžu líšiť podľa použitia a okolitých podmienok.



Tento produkt bol vyrobený v ekologicky šetrných a moderných zariadeniach



# 1 Dôležité pokyny pre bezpečnosť a životné prostredie

Tento oddiel obsahuje bezpečnostné pokyny, ktoré pomôžu zabezpečiť ochranu pred rizikom zranenia a materiálnych škôd. Nedodržanie týchto pokynov zruší platnosť záruky.

## 1.1 Nebezpečenstvo súvisiace s elektrickým prúdom

Nebezpečenstvo ohrozenia života elektrickým prúdom!

Dotyk s vodičmi alebo časťami pod napätím môže viesť k vážnemu úrazu alebo dokonca smrti!

Dodržujte nasledujúce bezpečnostné opatrenia na zabránenie úrazu elektrickým prúdom:

- Nepoužívajte kávovar v prípade, že je poškodený spojovací kábel alebo zástrčka.
- Pred opätovným použitím kávovaru musí byť sieťový kábel obnovený kvalifikovaným elektrikárom.

- Neotvárajte opláštenie kávovaru. Nebezpečenstvo úrazu elektrickým prúdom v prípade dotyku s časťami pod napätím a/alebo zmien elektrickej a mechanickej konfigurácie.
- Pred čistením zásobníka na zrnkovú kávu vytiahnite zástrčku prístroja zo zásuvky. Nebezpečenstvo zo strany rotujúceho kávomlynčeka!

## 1.2 Nebezpečenstvo popálenia alebo obarenia

Počas prevádzky sa môžu určité časti spotrebiča zahriať na vysokú teplotu! Vydané nápoje a unikajúca para sú veľmi horúce! Dodržujte nasledujúce bezpečnostné opatrenia na zabránenie popálenia/obarenia seba a/alebo iných osôb:

- Nedotýkajte sa kovových puzdier na oboch výpustoch kávy.

# 1 Dôležité pokyny pre bezpečnosť a životné prostredie

- Vyhnite sa priamemu kontaktu pokožky s unikajúcou parou alebo horúcou oplachovacou, čistiacou a odvápnovacou vodou.
- Opravy kávovaru smie vykonávať len autorizovaný odborník alebo zákaznícky servis. Nekvalifikované opravy môžu viesť k vzniku značného nebezpečenstva pre užívateľa. Spôsobí tiež stratu záruky.

## 1.3 Základné bezpečnostné opatrenia

Dodržiujte nasledujúce bezpečnostné opatrenia pre zaistenie bezpečnej manipulácie s kávovarom:

- Nikdy sa nehrajte s obalovým materiálom. Riziko udusenía.
- Pred použitím skontrolujte kávovar, či nemá viditeľné známky poškodenia. Nepoužívajte poškodený kávovar.
- Ak je poškodený pripojovací kábel, jeho výmenu smie vykonávať iba zástupca servisu odporúčaného výrobcom, aby sa zabránilo akémukoľvek nebezpečenstvu! Obráťte sa, prosím, na výrobcu alebo jeho zákaznícky servis.
- Opravy kávovaru počas záručnej lehoty smú vykonávať len servisné centrá autorizované výrobcom, inak dôjde k zániku záruky v prípade následného poškodenia.
- Chybné diely je možné vymeniť len za originálne náhradné diely. Iba originálne náhradné diely zaručujú, že sú splnené požiadavky na bezpečnosť.

# 1 Dôležité pokyny pre bezpečnosť a životné prostredie

- Tento spotrebič môžu používať deti staršie ako 8 rokov a osoby s obmedzenými telesnými, zmyslovými alebo mentálnymi schopnosťami alebo osoby bez príslušných znalostí a skúseností, ak sú pod dozorom alebo boli poučené o bezpečnom používaní tohto prístroja a chápu nebezpečenstvá, ktoré môžu vzniknúť pri jeho používaní. Deti sa nesmú so spotrebičom hrať. Čistenie a používateľskú údržbu nesmú vykonávať deti, pokiaľ nie sú staršie ako 8 rokov a sú pod dohľadom.
- Tento spotrebič je určený len na použitie v domácnosti a podobných prostrediach, ako sú napríklad kuchynky:
  - pre zamestnancov v obchodoch, kanceláriách a iných pracovných prostrediach,
  - na farmách,
  - klientov v hoteloch, motelloch a ďalších obytných prostrediach,
  - v prostredí ubytovania typu Bed and Breakfast.
- Chráňte kávovar pred vplyvmi počasia, ako je dážď, mráz a priame slnečné žiarenie. Nepoužívajte kávovar vo vonkajšom prostredí.
- Nikdy neponárajte kávovar, sieťový kábel alebo zástrčku do vody alebo iných kvapalín.
- Neumývajte kávovar ani jeho príslušenstvo v umývačke riadu.
- Nelejte žiadne iné tekutiny okrem vody ani nevkladajte potraviny do nádržky na vodu.

# 1 Dôležité pokyny pre bezpečnosť a životné prostredie

- Neplňte nádržku na vodu nad značku maximálnej hladiny (spodná hrana plniaceho otvoru) (1,5 litra).
- Prístroj používajte iba vtedy, ak je vložená odpadová nádoba, odkvapkávacia miska a mriežka na šálky.
- Neťahajte za kábel pre vytiahnutie zástrčky zo zásuvky a nedotýkajte sa ho mokrými rukami.
- Nedržte kávovar za sieťový kábel.
- Udržujte spotrebič a jeho kábel mimo dosahu detí mladších ako 8 rokov.
- Funkcie v ročte vode neupravujte neprekinjeno dlje kot z enim rezervoarjem vode.

## • 1.4 Zamýšľané použitie

Plne automatický kávovar Beko je určený na použitie v domácnostiach a podobných prostrediach, napríklad v kuchynkách pre zamestnancov, obchodoch, kanceláriách a podobných oblastiach alebo zákazníkmi v ubytovaní typu bed & breakfast, hoteloch, motelloch a iných typoch ubytovania. Tento kávovar nie je určený na komerčné použitie. Stroj je určený iba na prípravu kávy a ohrievanie mlieka a vody. Akékoľvek iné použitie, než je uvedené predtým, je považované za nesprávne použitie.

### **Riziká vyplývajúce z nesprávneho použitia!**

Ak nie je použitý na určený účel alebo ak sa používa akýmkoľvek iným spôsobom, kávovar môže byť alebo sa môže stať zdrojom nebezpečenstva.



**VAROVANIE:** Preto kávovar môže byť použitý na plánovaný účel.



**VAROVANIE:** Dodržujte postupy opísané v tomto návode na použitie.

Žiadne nároky akéhokoľvek druhu nebudú prijaté za škody alebo zranenia vyplývajúce z použitia kávovaru na iný ako určený účel.

Riziko musí nieš iba majiteľ prístroja.

# 1 Dôležité pokyny pre bezpečnosť a životné prostredie

## 1.5 Obmedzenie zodpovednosti

Všetky technické informácie, údaje a pokyny na inštaláciu, obsluhu a údržbu kávovaru uvedené v tomto návode na použitie predstavujú aktuálny stav v čase tlače a sú založené na najlepších možných znalostiach získaných skúsenosťou a know-how.

Žiadne nároky nie je možné získať na základe informácií, ilustrácií a popisov v tomto návode na použitie.

Výrobca neprijíma žiadnu zodpovednosť za škody alebo zranenia vzniknuté nedodržaním návodu na použitie, použitím na iný ako určený účel, neodbornými opravami, nepovolenými úpravami alebo použitím nepovolených náhradných dielov.

## 1.6 Súlad s nariadením WEEE a likvidácia vyradeného produktu:

Tento produkt spĺňa smernicu EU WEEE (2012/19/EÚ). Tento výrobok je označený symbolom pre triedenie elektrického a elektronického odpadu (WEEE).



Tento produkt sa vyrobil z vysokokvalitných dielov a materiálov, ktoré sa dajú opätovne použiť a sú vhodné na recykláciu. Produkt na konci životnosti nevyhadzujte do bežného domáceho odpadu. Odvezte ho do zberného miesta pre recykláciu elektrických a elektronických zariadení. Umiestnenie najbližšieho zberného miesta vám oznámi miestne úrady.

## 1.7 Dodržiavanie smernice RoHS

Produkt, ktorý ste zakúpili spĺňa smernicu EÚ RoHS (2011/65/EÚ). Neobsahuje škodlivé ani zakázané materiály špecifikované v smernici.











## 1.8 Informácie o balení



Baliace materiály produktu sa vyrobili z recyklovateľných materiálov v súlade s našimi národnými nariadeniami na ochranu životného prostredia. Baliaci materiál nelikvidujte spolu s komunálnym alebo iným odpadom. Zoberťe ho na zberné miesto baliaceho materiálu, ktoré vytvorili miestne úrady.

## 2 Displej

### 2.1 Ovládací panel

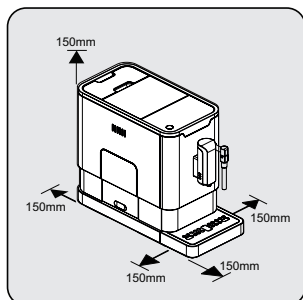
	Blikanie: Nízka hladina vody/ Chýba nádrž na vodu
	Nedostatok kávových zŕn
	Svieti trvalo: zásobník na kávovú usadeninu je plný Blikanie: Vnútorná odkvapkávacia miska/chýba zásobník na kávovú usadeninu
	Rozsvieti sa stabilne: Prekvapkávač chýba/ je nesprávne nainštalovaný Blikanie: Servisné dvierka sú otvorené / nesprávne nainštalované
	Rozsvieti sa stabilne: Je nutné vykonať odvápnenie Blikanie: Prebieha odvápnenie
	Je spustená funkcia vyprázdenia systému
	Tlačidlo zapnutia/vypnutia
	Gumb za paro
	Tlačidlo horúca voda
	Tlačidlo silné espresso
	Tlačidlo slabé espresso

V balení sa nachádzajú tri balíčky čistiacich prostriedkov pre proces samočistenia.

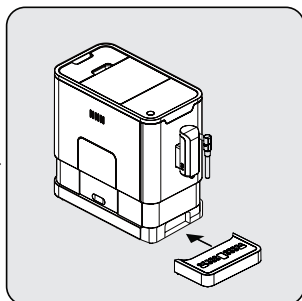
## 3 Príprava

### 3.1 Inštalácia

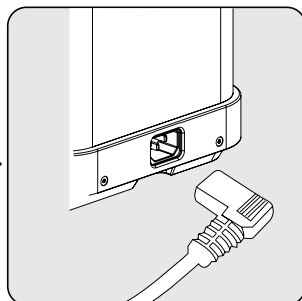
**i** Odstráňte zo spotrebiča ochranné fólie, nálepky aj akýkoľvek iný obalový materiál.



Vyberte si bezpečný a stabilný povrch s ľahko dosiahnuteľným zdrojom napájania a ponechajte bezprostredné okolie spotrebiča po oboch stranách prázdne.




Vložte vonkajšiu odkvapkavicu misku. Uistite sa, že je vložená správne.

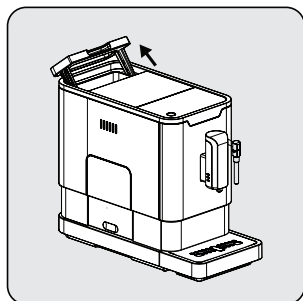


Rozmotajte a vyrovnajte napájací kábel a zastrčte ho do zásuvky na zadnej strane prístroja. Druhý koniec napájacieho kábla zastrčte do zásuvky v stene s vhodným napájacím napätím.

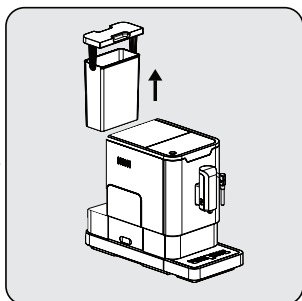
### 3.2 Plnenie nádrčky na vodu



**VAROVANIE:** Keď bliká , hladina vody v nádrčke je v nízka a je potrebné nádrčku na vodu naplniť.



Zdvihnite nádrčku na vodu a použite prítom veko ako držadlo.



Vyberte nádrčku na vodu.



Opláchnite zásobník na vodu čerstvou vodou. Potom naplňte nádrž až po úroveň Max a vložte ju naspäť do prístroja. Uistite sa, že je úplne zasunutá.

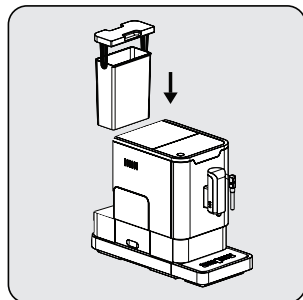
### 3 Príprava



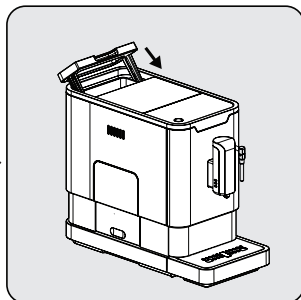
Aby ste predišli pretečeniu vody z nádržky na vodu, neprilievajte vodu priamo do spotrebiča pomocou inej nádoby.



**VAROVANIE:** Nikdy neplňte nádržku na vodu teplou, horúcou, ani perlivou vodou či inou kvapalinou, pretože by mohla poškodiť nádržku na vodu a spotrebič.



Umiestnite nádržku na vodu späť a použite pritom veko ako držadlo.



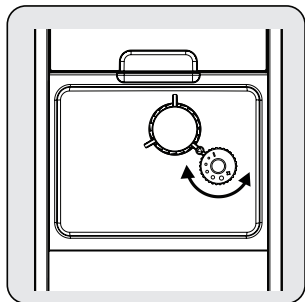
Zatvorte pomocou veka nádržku na vodu.



## 4 Prevádzka

### 4.1 Nastavenie mletia

Môžete nastaviť mlynček tak, aby vyhovoval typu vašej kávy otočením nastavovacieho gombíka v zásobníku kávových zŕn:



Keď mlynček melie kávové zrná počas prípravy kávy, môžete otočením nastavovacieho gombíka vykonať nastavenie.



**VAROVANIE:** Nikdy nenastavujte mletie, keď mlynček nefunguje. Mohlo by dôjsť k poškodeniu mlynčeka.

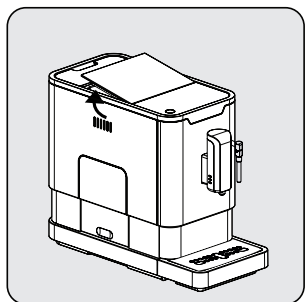


Bodky na nastavovacom gombíku indikujú jemnosť mletia.

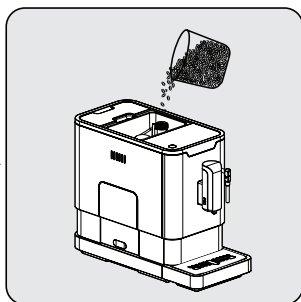
### 4.2 Plnenie zásobníka kávových zŕn



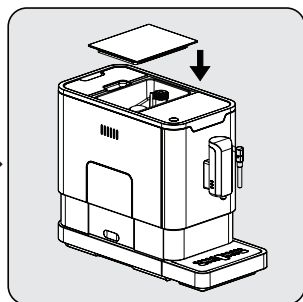
Keď  bliká, spotrebič je potrebné naplniť zrnkovou kávou.



Odstráňte veko na zásobníku kávových zŕn.



Pomaly nasypťe kávové zrná.



Umiestnite veko zásobníka naspäť.

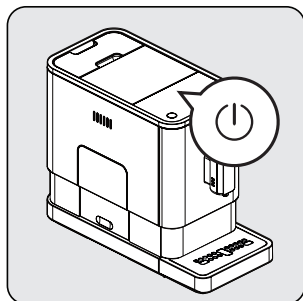


**VAROVANIE:** Naplňte zásobník na zrnkovú kávu iba zrnkovou kávou. Mletá káva, instantná káva, karamelizovaná káva, ako aj akékoľvek iné predmety môžu prístroj poškodiť.

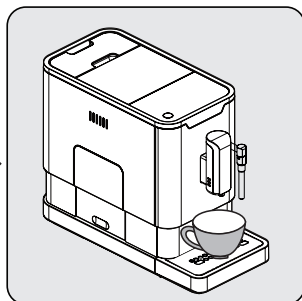
## 4 Prevádzka

**i** Stlačte tlačidlo horúca voda (pozri strana 9, časť IV), aby ste vyčistili vnútro kávovaru pred prvým použitím.

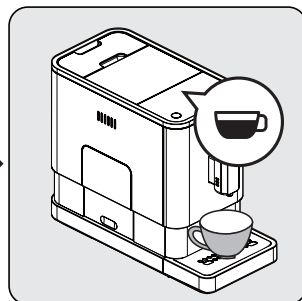
### 4.3 Príprava Vašej kávy



Zapnite spotrebič stlačením tlačidla on/off. Spotrebič je v pohotovostnom režime.



Umiestnite šálku pod výpusť kávy a nastavte výšku výpustu tak, aby vyhovoval vašej šálke.



Tlačidlo espresso sa po stlačení rozsvieti a rozsvietené svetlo znamená, že spotrebič pripravuje kávu. Keď je spotrebič späť v pohotovostnom režime, je káva pripravená na servírovanie.

**i** Vypnite spotrebič stlačením tlačidla Zap./Vyp.

**i** V závislosti od želanej chuti kávy, stlačte tlačidlo silné espresso alebo tlačidlo slabé espresso.

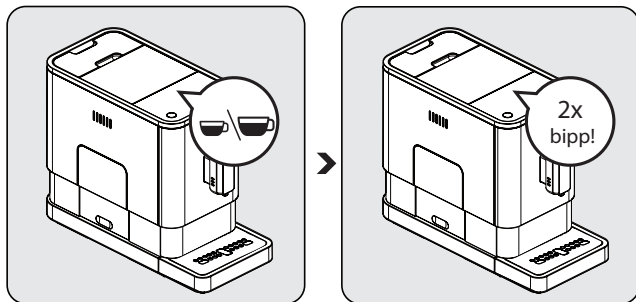
**i** Stlačte tlačidlo horúca voda, aby ste vyčistili vnútro kávovaru pred prvým použitím.

**i** Spotrebič je vybavený funkciou automatického vypnutia. V závislosti od zvoleného režimu sa bude časovanie automatického vypnutia na spotrebiči líšiť.

## 4 Prevádzka

### 4.4 Nastavenie objemu Vašej kávy / horúcej vody

Môžete uložiť do pamäti požadovaný objem kávy pre silné aj slabé espresso, a taktiež požadovaný objem horúcej vody od 25 do 250 ml.



Prí príprave kávy (silného alebo slabého espressa) alebo výdaji horúcej vody, stlačte a podržte tlačidlo, ktoré ste si zvolili. Spotrebič bude pokračovať v príprave kávy.

Keď objem kávy zodpovedá Vami požadovanému objemu, tlačidlo uvoľnite. Dve pípnutia znamenajú, že zvolený objem kávy sa uloží do pamäte.

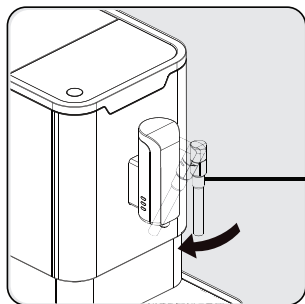


Zvolený objem kávy môžete vrátiť naspäť na továrenské nastavenie výberom predvoleného nastavenia.

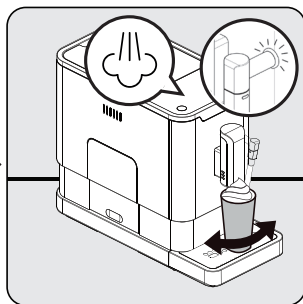
## 4 Prevádzka

### 4.5 Priprava spenjenega mleka za kavo

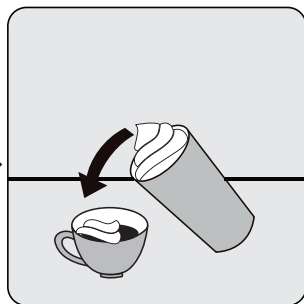
**i** Ker je temperatura pare višja od temperature ekspresne kave, morate slednjo pripraviti pred pripravo spenjenega mleka. V nasprotnem primeru je lahko ekspresna kava vroča.



Ekspresno kavo pripravite z veliko škodelico. Parno šobo usmerite proti zbiralnemu pladnju.



Pritisnite gumb za paro. Lučka indikatorja za paro bo zasvetila. Potem se naprava segreva in odvaja preostalo vodo v zbiralni pladenj ali drugo posodo. Ko indikatorna lučka za paro preneha utripati in neprekinjeno sveti, posodo z mlekom postavite pod parno šobo ter parno šobo za 5 cm potopite v posodo. Pri izhajanju vroče pare posodo vrtite.



Vročje spenjeno mleko nalijte v ekspresno kavo. Sedaj lahko uživate v svoji kavi.

### 4.6 Horúca voda

Spotrebič môže vydávať horúcu vodu jednoduchým stlačením tlačidla horúca voda. Keď je zapnuté osvetlenie a tlačidlo horúca voda, znamená to, že spotrebič ohrieva vodu. Keď sa tlačidlo horúca voda aj osvetlenie vypne, voda je pripravená servírovanie.

### 4.7 Výber režimu




Stroj má dve rôzne nastavenia: predvolené nastavenie, režim ECO a rýchlostný režim. V režime ECO pomáha prístroj šetriť viac energie. V rýchlostnom režime môže užívateľ pripraviť kávu rýchlejšie ako pri predvolenom nastavení.

	Režim ECO	Rýchlostný režim	Predvolené nastavenie
Osvetlenie	Nie	Áno	Áno
Predspracovanie*	Áno	Nie	Áno
Čas automatického vypnutia	10min	30min	20min
Objemová pamäť	Áno	Áno	Áno

**i** Funkcia predspracovania navlhčí namleté zrná v predkvapkávači malým množstvom vody pred ich úplnou extrakciou. Toto umožňuje kávovým zrnám vytvoriť v predkvapkávači väčší tlak, ktorý pomáha pri extrakcii všetkých olejov a plnej chuti z kávových zrn.

## 4 Prevádzka

1. Keď je prístroj v pohotovostnom stave, stlačte tlačidlo a držte ho ☹ po dobu 5 sekúnd.
2. ☹ Potom bude blikať a toto tlačidlo bude mať nasledujúce indikácie pre rôzne nastavenia:

	Tlačidlo horúca voda 	Tlačidlo silné espresso 	Tlačidlo slabé espresso 
V režime ECO	Svetlá svietia	Blikanie	Blikanie
V rýchlostnom režime	Áno	Nie	Blikanie
V predvolenom nastavení	Blikanie	Blikanie	Svetlá svietia

3. Stlačte tlačidlo horúca voda pre režim ECO, tlačidlo silné espresso pre rýchlostný režim a tlačidlo slabé espresso pre predvolené nastavenie. Dve pípnutia signalizujú, že režim bol úspešne zvolený. (Poznámka: Ak stláčate relatívne svetlá na tlačidlá pre každý režim, prístroj nebude reagovať).
4. Ak by ste chceli zostať bez zmeny nastavenia, stlačte znovu ☹ alebo počkajte 5 sekúnd, a prístroj sa vracia do pohotovostného stavu.

## 5 Čistenie

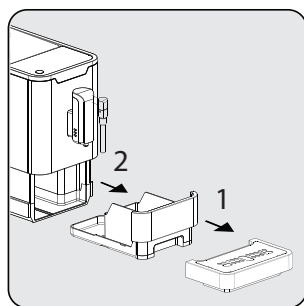
### 5.1 Čistenie spotrebiča

1. Odpojte napájací kábel od hlavného zdroja napájania.
2. Vylejte všetku vodu z vnútorného aj vonkajšieho odkvapkávača
3. Použite navlhčenú handričku alebo čistič brániaci poškriabaniu, aby ste vyčistili spotrebič od vodných škvŕn.

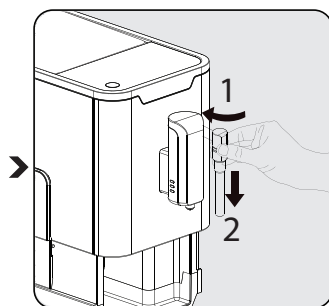


**VAROVANIE:** Nikdy nepoužívajte žiadne abrazívne, ocotové ani odvápnovacie činidlá, ktoré nie sú súčasťou balenia na čistenie spotrebiča.

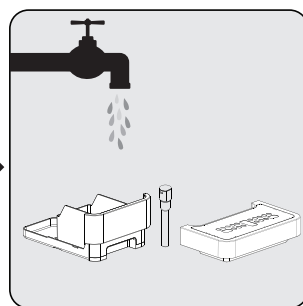
Včasná čistenie a údržba zariadenia je veľmi dôležitá pre predĺženie jeho životnosti.



Vyberte vonkajšiu odkvapkávaciu misku.



Odkryje sa vnútorná odkvapkávacia misku and zásobník na kávovú usadeninu.



Vyprázdňte zásobník na kávovú usadeninu a umyte ho čistou vodou. Následne vysušte.

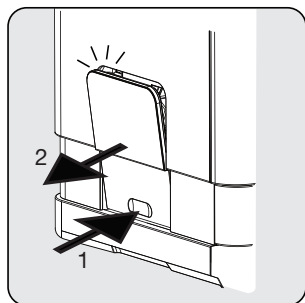


Kovinsko cevko pritrďte nazaj na pokrov šobe. Nato namestite pokrov šobe, tako da ga potisnete navzgor. Zasučíte ga desno, da se zaklene.

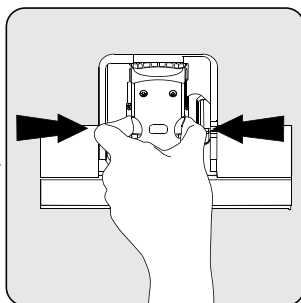


Keď sa ☺ rozsvieti, nádoba na kávovú usadeninu musí byť prázdna.

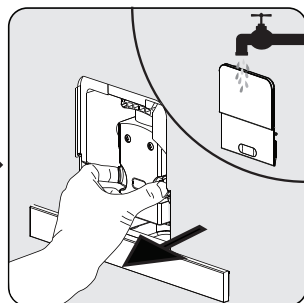
## 5 Čistenie



Stiahnite servisné dverka smerom dolu vyberte ich zo spotrebiča.



Stlačte uvoľňovací gombík.



Vyberte predkvapávač. Umyte ho čistou vodou. Následne ho vysušte.




Keď  trvalo svieti, znamená to, že predkvapávač chýba / je nesprávne nainštalovaný. Keď  bliká, znamená to, že servisné dverka chýbajú / sú nesprávne nainštalované.

### 5.2 Samočistenie



**VAROVANIE:** Ko se postopek samočišćenja zaključi, napravo izklopite.

Keď  bliká, znamená to, že zariadenie musí vykonať samočistenie. Spotrebič zostane v dobrom stave, ak sa táto funkcia vykonáva najmenej raz mesačne alebo častejšie, v závislosti od tvrdosti používanej vody. Taktiež sa odporúča

1. Naplniť nádržku na vodu.

2. Pridajte jeden balíček čistiaceho prostriedku obsiahnutého v balení do nádržky na vodu.



**UYARI:** Bu cihazın kendi kendini temizleme fonksiyonunu çalıştırmak için sirke veya başka temizlik maddeleri kullanmayın. Temizlik maddeleri cihaza zarar verebilir.

3. Zapojte prístroj.

4. Umiestnite dostatočný veľkú nádobu pod výpust kávy.

5. V pohotovostnom režime stlačte a podržte  a tlačidlo silné espresso  po dobu 5 sekúnd. Budete počuť zvukový signál  a tlačidlo silné espresso  začne blikáť.

6. Stlačením tlačidla silné espresso potvrdíte proces samočistenia. Ak chcete obnoviť stav pohotovostného režimu, stlačte .

7. Bude blikáť, čo znamená, že spotrebič prechádza samočistiacim procesom.

## 5 Čistenie



**VAROVANIE:** Vyvarujte sa horúcej vody.

- Keď sa vypustí všetka voda z nádržky na vodu, tlačidlo silné tlačidlo espresso začne blikať. Odstráňte všetok zvyšný roztok v nádržke na vodu a naplňte nádržku čistou vodou z vodovodu až do polohy max. Keď sa plní nádržka na vodu, zhasne. Potom spotrebič pokračuje v procese samočistenia.
- Po ukončení samočistiaceho procesu sa spotrebič automaticky vypne.

### 5.3 Funkcia vyprázdnenia systému

Funkciu vyprázdnenia systému sa odporúča vykonať pred dlhým obdobím nepoužívania, ako ochrana pred mrazom a predtým, než kontaktujete servis.

- V pohotovostnom režime súčasne stlačte a podržte tlačidlo a tlačidlo slabé espresso po dobu 5 sekúnd.
- potom bliká.
- Odoberte zo spotrebiča nádržku na vodu. bude trvalo svietiť čo znamená, že prebieha vyprázdnenie systému. Môžete stlačiť tlačidlo pred vybratím nádržky na vodu, aby ste sa vrátili do pohotovostného režimu.
- Keď je funkcia vyprázdnenie systému dokončená, spotrebič sa automaticky vypne.



**VAROVANIE:** Po vykonaní FUNKCIE VYPRÁZDNIENIE SYSTÉMU; stlačte tlačidlo horúca voda, pokým voda nevytečie z výpustu. Potom je možné ďalšie použitie kávovaru.

### 5.4 Ručné opláchnutie

Môžete vykonať ručné oplachovanie, aby ste vyčistili kávovú trysku po použití. Vykonanie ručného oplachovania sa odporúča aj vtedy, ak sa spotrebič dlhší čas nepoužíval.

- V pohotovostnom režime súčasne stlačte a držte a tlačidlo horúca voda .
- Tlačidlo horúca voda , tlačidlo silné espresso a tlačidlo slabé espresso sa potom vypnú. Kávová tryska potom dávkuje malé množstvo vody, ktorá sa používa na oplachovanie.




**VAROVANIE:** Voda vychádzajúca z kávovej trysky je horúca a hromadí sa v odkvapkávacej miske pod tryskou. Zabráňte kontaktu so striekajúcou vodou.

- Po opláchnutí sa zariadenie vráti do pohotovostného režimu.



## 6 Odstraňovanie problémov

Problém	Príčina	Riešenie
Spotrebič nefunguje.	Prístroj nie je pripojený k sieti.	Pripojte ho a stlačte spínač. Skontrolujte kábel a zástrčku
Žiadna alebo oneskorená odpoveď po niekoľkých stlačeniach funkčného tlačidla na paneli	Zariadenie je vystavené elektromagnetickému rušeniu Nečistota na paneli	Odpojte spotrebič. Po niekoľkých minútach reštartujte Panel vyčistite pomocou priloženej handričky
Káva nie je dostatočne horúca.	Šálky neboli predhriate. Naparovacia jednotka je príliš studená.	Vypláchnite prístroj aspoň 3 krát, než začnete s prípravou kávy.
Káva nesmie vytekať z výpustu.	Mohla byť predtým použitá funkcia vyprázdnenia systému.	Stlačte tlačidlo horúca voda, kým voda nezačne tiecť z výtoku.
Prvá šálka kávy má zlú kvalitu.	Pri prvom chode mlynček nevypustí dostatočný objem kávového prášku do naparovacej jednotky.	Kávu vyhod'te. Všetky ďalšie kávy budú mať vysokú kvalitu.
Dotykové tlačidlá nie sú citlivé	Nadbytočná miera sa zvýšila.	Odvápnite spotrebič.
Nádržka na vodu je vybratá / hladina vody je veľmi nízka v nádržke na vodu, ale neukazuje žiadne upozornenie. 	Oblasť v okolí prípojky nádržky na vodu je mokrá.	Utrite vodu v okolí prípojky nádržky na vodu
Vnútrotná odkvapkávacia miska je plná vody.	Príliš jemný kávový prášok, ktorý zabraňuje vytekaniu vody.	Upravte jemnosť kávy na väčšiu bodku počas mletia.
Káva sa pripravuje príliš pomaly alebo po kvapkách.	Príliš jemný kávový prášok, ktorý zabraňuje vytekaniu vody.	Upravte jemnosť kávy na väčšiu bodku počas mletia.
Bliká kontrolka nedostatok kávových zŕn, ale v nádobe je ešte veľa kávových zŕn.	Vnútrotný výstup pre namletú kávu je zablokovaný.	Postupujte podľa krokov v časti E (V. Čistenie výstupu namletej kávy).
Mešalného dela ali pladnja za mieto kavo ni mogoče odstraniti.	Naprava ni zaključila postopka samočiščenja in je bila izklopljena.	Napravo ponovno vklopite in pustite, da zaključí postopek samočiščenja.






المشكلة	السبب	الحل
الجهاز لا يعمل.	عدم توصيل الجهاز بمصدر التيار الكهربائي.	وصل الجهاز بيقبس التيار واضغط على المفتاح. افحص الكابلات والقابس
غياب الاستجابة أو تأخرها في عدة محاولات للضغط على أحد المفاتيح الوظيفية في اللوحة	تأثر الجهاز بتداخل كهرومغناطيسي وجود أوساخ على اللوحة	انزع قابس الجهاز. أعد التشغيل بعد بضع دقائق نظف اللوحة بالقطعة القماشية المرفقة
القهوة ليست بالسخونة الكافية.	لم يتم التسخين المسبق للأكواب. وحدة التخمير باردة أكثر من اللازم.	اشطف الجهاز 3 مرات على الأقل قبل صنع القهوة.
تعذر خروج القهوة من الفوهة.	قد تكون وظيفة النظام الفارغ قد استخدمت من قبل.	اضغط على زر الماء الساخن حتى يمكن خروج الماء من الفوهة.
رداء جودة أول كوب من القهوة	أول تشغيل للمطحنة لا يؤدي إلى صب كمية كافية من القهوة في وحدة التخمير.	تلخص من القهوة. ستكون باقي أكواب القهوة بجودة طيبة.
عدم حساسية الأزرار للمسسية	تراكم كمية زائدة من الرواسب.	أزل الرواسب من الجهاز.
خزان المياه غير موجود /مستوى المياه منخفض للتغاية في الخزان ولكن لا يظهر أي تحذير.	بلل المنطقة القريبة من موصل خزان المياه.	امسح الماء الموجود حول موصل خزان المياه
امتلاء صينية التقطر الداخلية بكمية كبيرة من الماء.	التعومة الزائدة لمسحوق القهوة. مما يعيق خروج الماء.	اضبط تعومة القهوة على نقطة أكبر أثناء عمل المطحنة.
بطء خروج القهوة أو خروجها نقطة تلو الأخرى.	التعومة الزائدة لمسحوق القهوة. مما يعيق خروج الماء.	اضبط تعومة القهوة على نقطة أكبر أثناء عمل المطحنة.
وميض مؤشر نقص حبوب البن بالرغم من وجود الكثير من البن بداخل الحاوية.	انسداده منفذ مسحوق القهوة.	اتباع الخطوات الواردة في القسم E (5) تنظيف منفذ مسحوق القهوة.
لا يمكن فتح وعاء تخمير القهوة أو درج مسحوق القهوة لإزالته	لم يُنهِ الجهاز من عملية التنظيف الذاتي وتم إيقاف تشغيله	يُرجى تشغيل الماكينة مرة أخرى وتركها حتى الانتهاء من عملية التنظيف الذاتي

تحذير: بعد إجراء وظيفة النظام الفارغ: اضغط على زر الماء الساخن حتى يمكن خروج الماء من الفوهة عند إعادة استخدام صانعة القهوة.



#### 5.4 الشطف اليدوي

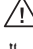
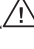
يمكنك إجراء دورة شطف يدوية لتنظيف فوهة القهوة بعد الاستخدام. كما يُقترح أيضًا إجراء شطف يدوي في حالة عدم استخدام الجهاز لفترة طويلة.

1. في حالة الاستعداد، اضغط باستمرار على  و زر الماء الساخن  معًا.
2. سينطفئ زر الماء الساخن ، و زر الأسبريسو القوي ، و زر الأسبريسو الخفيف  عندئذ. عندئذ ستخرج فوهة القهوة كمية بسيطة من الماء المستخدم للشطف.


تحذير: يكون الماء الخارج من فوهة القهوة ساخنًا، ويتجمع في صينية التقطر بالأسفل. تجنب ملامسة رذاذ المياه.




3. بعد الشطف، سيعود الجهاز إلى حالة الاستعداد.


عند إضاءة  بثبات، فإن ذلك يشير إلى عدم وجود وحدة التخمير/تركيبها بصورة غير صحيحة. عند وميض ، فإن ذلك يشير إلى عدم وجود باب الصيانة/تركيبه بصورة غير صحيحة.






## 5.2 التنظيف الذاتي


تحذيرة: يُرجى الانتظار ريثما يتم إنهاء عملية التنظيف الذاتي. ثم أغلق الآلة. 




عند وميض ، فإن ذلك يشير إلى حاجة الجهاز للخضوع إلى التنظيف الذاتي. سيظل الجهاز في أفضل حالاته في حالة إجراء هذه الوظيفة مرة واحدة شهريًا على الأقل أو أكثر بمعدل منتظم بناءً على فساوة الماء المستخدم. كما يُفتح أيضًا

1. ملء خزان المياه بالكامل.
2. إضافة عبوة واحدة من محلول التنظيف المرفق في العلبة إلى خزان المياه.

تحذيرة: لا تستخدم الخل أو محلول تنظيف آخر لإجراء التنظيف الذاتي لهذا الجهاز. حيث قد يؤدي محلول التنظيف إلى تلف الجهاز. 




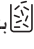

3. وصل قابس الجهاز.
4. ضع حاوية كبيرة بدرجة كافية أسفل فوهة القهوة.
5. في حالة الاستعداد، اضغط باستمرار على ، ووزر الأسبريسو القوي  لمدة 5 ثوانٍ، سيصدر صوت صافرة مع ، وسيومض زر الأسبريسو القوي .
6. اضغط على زر الأسبريسو القوي لتأكيد إجراء عملية التنظيف الذاتي. لاستئناف حالة الاستعداد مرة أخرى، اضغط على .
7. سيومض مشيرًا إلى أن الجهاز يخضع إلى عملية التنظيف الذاتي.

تحذيرة: احرص على إبعاد بشرتك/جسمك عن الماء الساخن. 

8. أثناء تصريف كل الماء الموجود في خزان المياه، سيومض كل من  ووزر الأسبريسو القوي . تخلص من المحلول المتبقي في خزان المياه بالكامل، واملأ الخزان بماء الصنبور العادي حتى الحد الأقصى. عند ملء الخزان بالماء، سينطفئ . ثم سيتابع الجهاز عملية التنظيف الذاتي.
9. عند اكتمال عملية التنظيف الذاتي، سيتوقف تشغيل الجهاز تلقائيًا.

## 5.3 وظيفة النظام الفارغ

يوصى باستخدام وظيفة النظام الفارغ قبل عدم الاستخدام لفترة طويلة، والحماية من الصقيع، وقبل الاتصال بوكيل الإصلاح.

1. في حالة الاستعداد، اضغط باستمرار على  ووزر الأسبريسو الخفيف  معًا لمدة 5 ثوانٍ.
2. عندئذ سيومض .
3. انزع خزان المياه من الجهاز، سيضيء  بثبات للإشارة إلى أن النظام الفارغ قيد العمل. يمكنك الضغط على  قبل نزع خزان المياه لاستئناف حالة الاستعداد مرة أخرى.
4. عند اكتمال وظيفة النظام الفارغ، سيتوقف تشغيل الجهاز تلقائيًا.

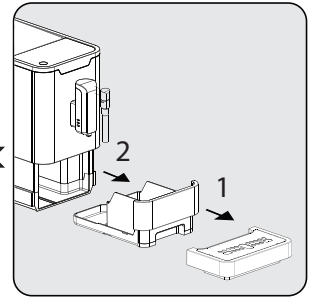
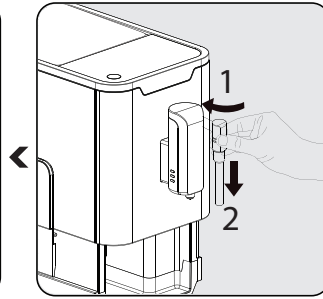
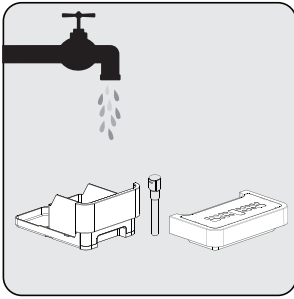
## 5.1 تنظيف الجهاز

1. افصل سلك الطاقة عن منفذ التيار الكهربائي.
2. أفرغ كل الماء الموجود في صينيتي التقطر الداخلية والخارجية
3. استخدم قطعة قماش مبللة أو منظفًا غير كاشط لتنظيف بقع الماء الموجودة على الجهاز.

تحذير: تجنب تمامًا استخدام المنظفات الكاشطة، أو الخل، أو مزيلات الترسبات غير المرفقة في العلبة لتنظيف الجهاز.



يُعد إجراء التنظيف والصيانة للجهاز في الوقت المناسب أمرًا في غاية الأهمية لإطالة عمُر الجهاز.




أفرغ حاوية نفل القهوة، واغسلها بماء عذب، وجففها بعد ذلك.

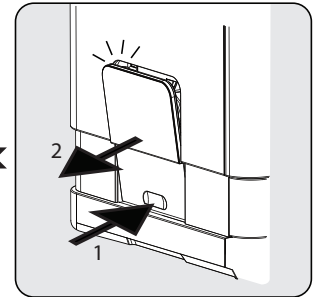
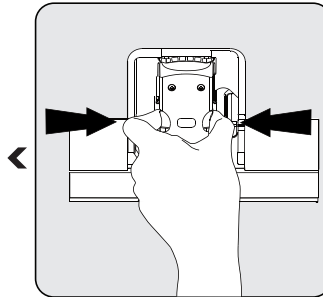
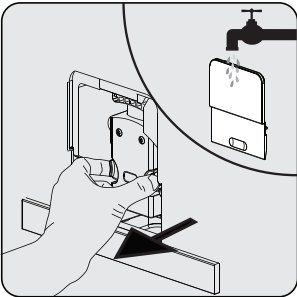
أزح صينية التقطر الداخلية وحاوية نفل القهوة لفتحهما.

انزع صينية التقطر الخارجية.

قم بتركيب الأنبوب المعدني في غطاء الفتحة. ثم ادفع لأعلى ليعود غطاء الفتحة مكانه. ثم أدر اليمين لقفله.



عند إضاءة  تكون حاوية نفل القهوة بحاجة إلى التفرغ.



انزع وحدة التخمير، اغسل وحدة التخمير بماء عذب، جفّف وحدة التخمير بعد ذلك.

اضغط على زر التحرير.

اسحب باب الصيانة للأسفل لإزالته.

## 4.6 الماء الساخن

يمكن صب الماء الساخن من الجهاز بمجرد الضغط على زر الماء الساخن. سيضيء كل من زر الماء الساخن والإضاءة للإشارة إلى عمل الجهاز على تسخين الماء. عند انطفاء زر الماء الساخن والإضاءة. يكون الماء جاهزاً للاستخدام.



## 4.7 تحديد الوضع

تحتوي الماكينة على إعدادين مختلفين: الإعداد الافتراضي، والوضع الاقتصادي، والوضع السريع. في الوضع الاقتصادي، يساعد الجهاز على توفير الطاقة بدرجة أكبر. في الوضع السريع، يستخدم صنع قهوته بصورة أسرع مقارنة بالوضع الافتراضي.


الإعداد الافتراضي	الوضع السريع	الوضع الاقتصادي	
نعم	نعم	لا	مصباح الإضاءة
نعم	لا	نعم	التخمير المسبق*
20 دقيقة	30 دقيقة	10 دقائق	زمن الإيقاف التلقائي
نعم	نعم	نعم	ذاكرة حجم الكوب

تعمل وظيفة التخمير المسبق على ترطيب حبوب البن المطحونة في وحدة التخمير بكمية قليلة من الماء قبل الاستخراج الكامل. حيث يؤدي ذلك إلى تمديد ثفل القهوة لتكوين ضغط أكبر في وحدة التخمير، مما يساعد على استخراج جميع الزيوت والنكهة بالكامل من البن المطحون.



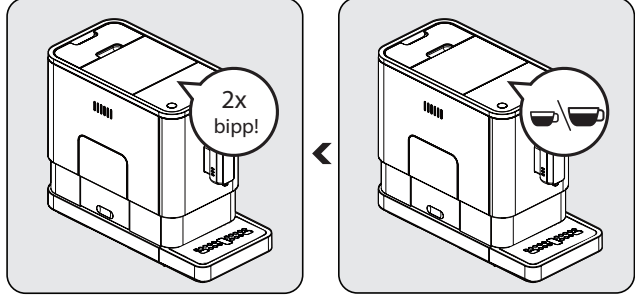
1. عندما تكون الماكينة في حالة الاستعداد، اضغط باستمرار على  لمدة 5 ثوانٍ.
2. عندئذٍ سيومض ، وسيعرض الزر التالي المؤشرات التالية للإعدادات المختلفة:

زر الأسبريسو الخفيف	زر الأسبريسو القوي	زر الماء الساخن	
			في الوضع الاقتصادي
يومض	يومض	بضيء	في الوضع السريع
يومض	لا	نعم	في الإعداد الافتراضي
بضيء	يومض	يومض	

3. اضغط على زر الماء الساخن للوضع الاقتصادي، وزر الأسبريسو القوي للوضع السريع، وزر الأسبريسو الخفيف للإعداد الافتراضي. ستصدر صافرانان للإشارة إلى اختيار الوضع. (ملاحظة: إذا ضغطت على المصباح ذات الصلة الموجودة على الزر الخاص بكل وضع، فلن تستجيب الماكينة).
4. إذا كنت ترغب في الإبقاء على الإعداد دون تغيير، فاضغط على  مرة أخرى أو انتظر لمدة 5 ثوانٍ حتى تعود الماكينة إلى حالة الاستعداد.

## 4.4 ضبط كمية القهوة/الماء الساخن

يمكنك حفظ كمية القهوة المرغوبة لكل من الأسبريسو القوي والأسبريسو الخفيف. وكذلك الماء الساخن من 25 مل إلى 250 مل.



عندما تصل كمية القهوة إلى الكمية المرغوبة، اترك الزر. ستصدر صفارتان للإشارة إلى حفظ كمية القهوة.

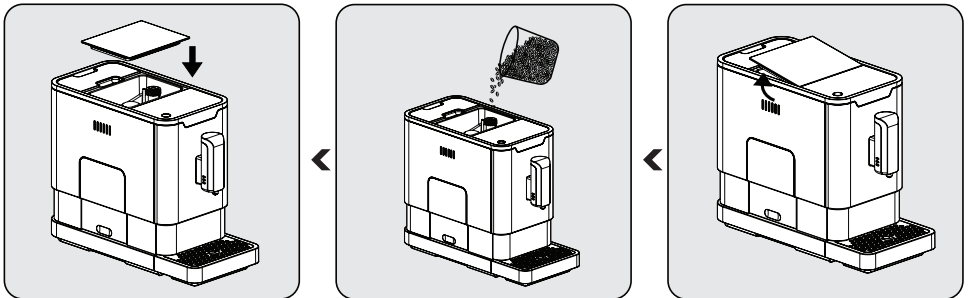
عند صنع قهونك (سواء الأسبريسو القوي أو الأسبريسو الخفيف) أو صب الماء الساخن، اضغط باستمرار على الزر الذي حددته، سيتابع الجهاز صنع كوب القهوة.

يمكنك إعادة تعيين كمية القهوة إلى إعداد المصنع عن طريق تحديد الإعداد الافتراضي.



## 4.5 تحضير الحليب المخفوق للقهوة

نظراً لارتفاع درجة حرارة البخار عن درجة حرارة الإسبريسو، لذا ينبغي تحضير الإسبريسو قبل تحضير اللبن المخفوق؛ وإلا فقد يحترق الإسبريسو.



اسكب اللبن المخفوق الساخن في الإسبريسو يمكنك الاستمتاع بالقهوة.

اضغط على زر البخار، سيومض مصباح مؤشر البخار، ثم ترتفع درجة حرارة الجهاز ويتم تصريف الماء المتبقي في صينية التقطير أو في حاوية أخرى.

بعد توقف مصباح مؤشر البخار عن الوميض ويقائه مضاعفاً، ضع حاوية اللبن أسفل فتحة البخار وانمرفتحة البخار حوالي 5 سم في الحاوية، أدر الحاوية أثناء خروج البخار الساخن.

قم بتحضير قهوة الإسبريسو في كوب كبير، وقم بتدوير فوهة البخار اتجاه صينية التقطير.

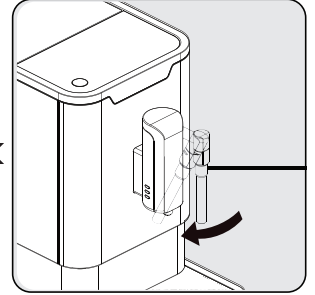
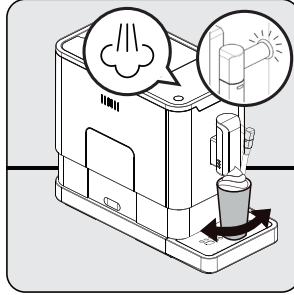
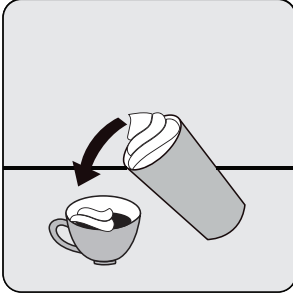
تحذير: لا تعبئ حاوية حبوب البن بأي شيء آخر سوى حبوب البن. حيث قد يؤدي البن المطحون، أو القهوة سريعة التحضير، أو القهوة بالكرايميل، أو أي أشياء أخرى إلى تلف الماكينة.



اضغط على زر الماء الساخن (انظر صفحة 9 القسم الرابع) لتنظيف الجزء الداخلي لصانعة القهوة قبل أول استخدام.



### 4.3 صنع القهوة



سيضيء زر الاسبريسو المضغوط وكذلك الإضاءة للإشارة إلى عمل الجهاز على تحضير كوب القهوة عندما يعود الجهاز إلى حالة الاستعداد. تكون القهوة جاهزة للتقديم.

ضع كوباً أسفل فوهة القهوة واضبط ارتفاع الفوهة لتناسب الكوب.

شغل الجهاز بالضغط على زر تشغيل/إيقاف الطاقة. عندئذ يكون الجهاز في حالة الاستعداد.

أوقف تشغيل الجهاز بالضغط على زر تشغيل/إيقاف الطاقة.



بناءً على مذاق القهوة الذي تريده، اضغط على زر الاسبريسو القوي أو زر الاسبريسو الخفيف.



اضغط على زر الماء الساخن لتنظيف الجزء الداخلي لصانعة القهوة قبل أول استخدام.



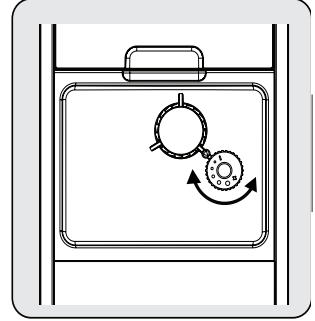
الجهاز مجهز بخاصية الإيقاف التلقائي. بناءً على الوضع المحدد، سيحدد الجهاز توقيتاً مختلفاً للإيقاف التلقائي.





## 4.1 ضبط الطحن

يمكنك ضبط المطحنة لتناسب قهوتك عن طريق إدارة زر الضبط الموجود في حاوية حبوب البن:



أثناء عمل المطحنة على طحن حبوب البن عند صنع القهوة، يمكنك إدارة زر الضبط لإجراء الضبط.


تحذيرة: تجنب تمامًا إجراء ضبط الطحن أثناء عدم عمل المطحنة، حيث قد يؤدي ذلك إلى تلف المطحنة.

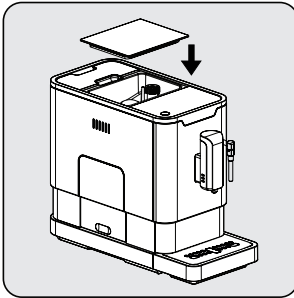


تشير النقاط الموجودة على زر الضبط إلى نعومة البن الطحون.

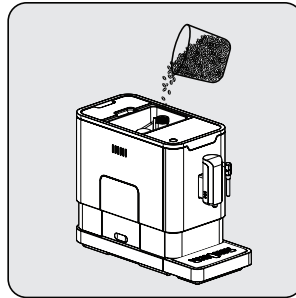


## 4.2 ملء حاوية حبوب البن

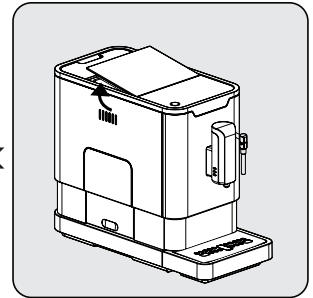
أثناء وميض ، يكون الجهاز بحاجة إلى التعبئة بحبوب البن.



ضع غطاء الحاوية مرة أخرى.

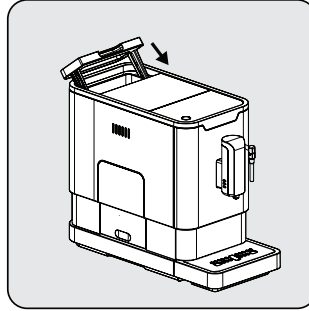


صب حبوب البن ببطء

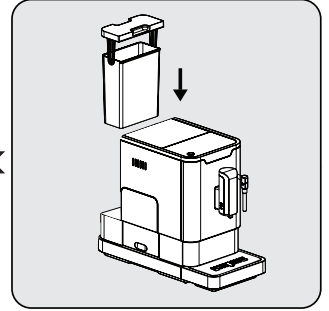


أزل غطاء حاوية حبوب البن.

تحذيرة: تجنب تمامًا ملء خزان المياه بماء دافئ أو ساخن أو فوار. أو أي سائل آخر قد يتسبب في تلف الخزان والماكينة.



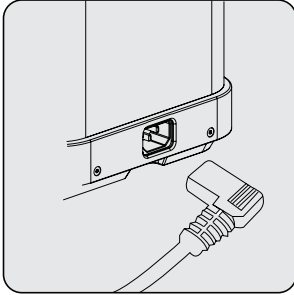
أغلق خزان المياه باستخدام الغطاء.



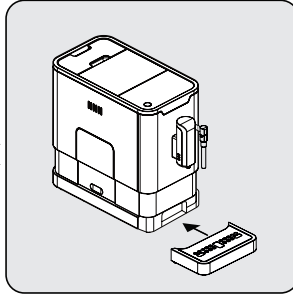
ضع خزان المياه في مكانه مرة أخرى مستخدمًا الغطاء  
كمقبض.

### 3.1 التركيب

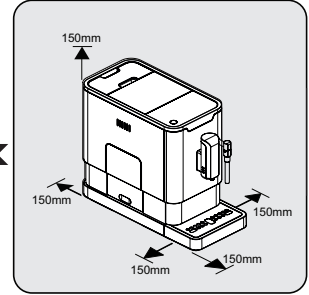
انزع أي طبقات واقية، أو ملسقات، أو مواد تغليف أخرى موجودة على الجهاز.



حل سلك الطاقة واجعله منبسطًا وأدخل القابس في المقبس الموجود في ظهر الماكينة. أدخل الطرف الآخر من سلك الطاقة في أحد مقابس الحائط ذات الجهد الكهربائي المناسب.




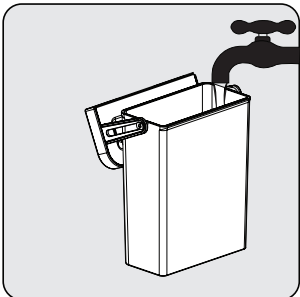
أدخل صينية التقطر الخارجية، تأكد من إدخالها بطريقة صحيحة



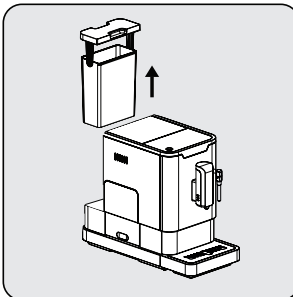
اختر مكانًا آمنًا ومستقرًا بتوفيره مصدر إمداد بالطاقة سهل الوصول إليه، مع توفير الحد الأدنى من المسافة الخالية حول جوانب الماكينة.

### 3.2 ملء خزان المياه

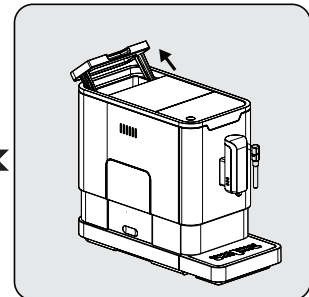
تحذير: أثناء وميض  يكون مستوى الماء الموجود في خزان المياه منخفضًا، ويلزم ملء خزان المياه.



اشطف خزان المياه بماء عذب، ثم املاه إلى أقصى مستوى، وضعه مرة أخرى في الماكينة، تأكد من إدخاله بالكامل.



أخرج خزان المياه.



ارفع خزان المياه باستخدام الغطاء كمقبض.

لتجنب التدفق الزائد للمياه من الخزان، لا تضيف الماء مباشرة في الجهاز باستخدام حاوية أخرى.



2.1 لوحة التحكم

الوميض: انخفاض مستوى الماء/عدم وجود خزان الماء	
نقص حبوب البن	
الإضاءة الثابتة: امتلاء حاوية ثفل القهوة الوميض: عدم وجود صينية التقطر الداخلية/حاوية ثفل القهوة	
الإضاءة الثابتة: عدم وجود وحدة التخمير/تركيبها بطريقة غير صحيحة الوميض: باب الصيانة مفتوح/مركب بطريقة غير صحيحة	
الإضاءة الثابتة: تلزم إزالة الترسبات الوميض: جار إزالة الترسبات	
وظيفة النظام الفارغ قيد التشغيل	
زر تشغيل/إيقاف الطاقة	
زر البخار	
زر الماء الساخن	
زر الاسبريسو القوي	
زر الاسبريسو الخفيف	

تحتوي العلبة على ثلاث عبوات منظفات من أجل عملية التنظيف الذاتي.

# 1 تعليمات هامة للسلامة والبيئة

## 1.5 تحديد المسؤولية

جميع المعلومات الفنية، والبيانات، والتعليمات المتعلقة بتركيب، وتشغيل، وصيانة ماكينة القهوة الواردة في تعليمات التشغيل هذه تمثل الحالة الحالية في وقت الطباعة، وتستند إلى أفضل معرفة ممكنة مكتسبة عبر الخبرة والدراسة.

لا يمكن استناد أي مطالبات إلى المعلومات والرسوم التوضيحية والأوصاف الواردة في هذا الدليل.

لا تتحمل جهة التصنيع أية مسؤولية عن الضرر أو الإصابة الناتجة عن عدم مراعاة دليل المستخدم، أو الاستخدام لغير الغرض المخصص، أو أعمال الإصلاح غير الاحترافية، أو التعديلات غير المصرح بها، أو استخدام قطع غيار غير معتمدة.

## 1.6 الالتزام بالتشريعات الخاصة بنفايات المعدات الكهربائية والإلكترونية والتخلص من نفايات المنتجات:

يتوافق هذا المنتج مع التشريعات الخاصة بنفايات المعدات الكهربائية والإلكترونية للاتحاد الأوروبي (2012/19/EU). يحمل هذا المنتج رمزاً تصنيفياً لنفايات المعدات الكهربائية والإلكترونية (WEEE).

تم تصنيع الجهاز من أجزاء و مواد عالية الجودة يمكن إعادة استخدامها وهي مناسبة لإعادة التدوير. لا تتخلص من المنتج الذي تنوي التخلص منه مع النفايات المنزلية أو غيرها من النفايات في نهاية فترة استخدامه. بل عليك أخذه إلى مركز التجميع لإعادة تدوير الأجهزة الكهربائية والإلكترونية. يرجى استشارة السلطات المحلية لديك لمعرفة مراكز التجميع هذه.



## 1.7 التوافق مع توجيه RoHS

المنتج الذي اشترينته متوافق مع توجيه الاتحاد الأوروبي RoHS (2011/65/EU). هذا المنتج لا يحتوي على مواد مؤذية أو محظورة من تلك المشار إليها في التوجيه.

## 1.8 معلومات التعبئة

تم تصنيع مواد التعبئة للمنتج من مواد قابلة لإعادة التدوير وفقاً لتشريعات البيئة الوطنية لدينا. لا تتخلص من مواد التعبئة مع النفايات المنزلية أو غيرها من النفايات. خذها إلى نقاط تجميع مواد التعبئة المخصصة التابعة للسلطات المحلية.



## 1 تعليمات هامة للسلامة والبيئة



- يمكن استخدام هذا الجهاز بواسطة الأطفال الذين لا تقل أعمارهم عن 8 سنوات، وكذلك بواسطة الأشخاص محدودي القدرات البدنية أو الحسية أو الذهنية، أو محدودي الخبرة و/أو المعرفة، بشرط توافر الإشراف لهؤلاء الأشخاص، أو توجيههم بشأن كيفية استخدام الجهاز بطريقة آمنة، وإدراكهم للأخطار التي قد تنشأ عن استخدامه. لا يجوز للأطفال اللعب بالجهاز. لا يجوز إجراء التنظيف والصيانة من قبل أطفال يقل عمرهم عن 8 أعوام فيما فوق، بدون رقابة عليهم.

### 1.4 الاستخدام المقصود

ماكينة القهوة Beko الآلية بالكامل مخصصة للاستخدام المنزلي أو الاستخدامات المشابهة، مثل مطابخ الموظفين والمحلات التجارية، والمكاتب، والمناطق المشابهة، أو الاستخدام بواسطة العملاء في أماكن النوم والإفطار، والفنادق، ونزل الإقامة، وأماكن الإقامة الأخرى. ماكينة القهوة غير معدة للاستخدام التجاري. الماكينة مخصصة فقط لتحضير القهوة وتسخين الحليب والماء. يدخل أي استخدام آخر بخلاف الاستخدامات السابق ذكرها في نطاق الاستخدامات غير الملائمة.

⚠️ الخطر الناتج عن الاستخدام غير الملائم

في حالة استخدام ماكينة القهوة في غير الغرض المخصص لها بأي طريقة من الطرق. قد تمثل أو تصبح مصدراً للخطر

تحذيرة: وبالتالي يجب عدم استخدام ماكينة القهوة إلا للغرض المخصص لها.	
تحذيرة: يجب مراعاة الإجراءات المذكورة في هذا الدليل.	

لن يتم قبول أي مطالبات من أي نوع بخصوص الأضرار أو الإصابات الناتجة عن استخدام ماكينة القهوة في غرض آخر بخلاف الغرض المخصص لها. حيث يجب أن يتحمل مالك الماكينة وحده هذا الخطر

- هذا الجهاز مُعد للاستخدام المنزلي والاستخدامات المشابهة مثل:

- مناطق المطابخ في المحلات والمقاهي وبيئات العمل الأخرى،

- بيوت المزارع،

- الاستخدام بواسطة العملاء في الفنادق أو نزل الإقامة أو بيئات أنواع الإقامة الأخرى،

- في غرف النوم وبيئات الإفطار.

- يجب توفير الحماية لماكينة القهوة من آثار الطقس مثل الأمطار، والصقيع، وأشعة الشمس المباشرة. لا تستخدم ماكينة القهوة في الأماكن المفتوحة.

- تجنب تماماً غمر ماكينة القهوة نفسها، أو كابل التيار الكهربائي، أو قابس التيار الكهربائي في الماء أو غيره من السوائل.

- لا تنظف ماكينة القهوة أو ملحقاتها في غسالة الأطباق.

- لا تصب أي سوائل أخرى بخلاف الماء في خزان الماء ولا تضع فيه أي مواد غذائية.

- لا تملأ خزان الماء بكمية تتعدى علامة الحد الأقصى (الحافة السفلية لفتحة الماء) (1.5 لتر).

- لا تشغل الماكينة إلا أثناء تركيب حاوية النفايات، وصينية التقطير، وشبكة الأكواب.

## 1 تعليمات هامة للسلامة والبيئة

- لا تلمس أياً من الكُميين المعدنيين الموجودين على فوهتي القهوة.
- تجنب التلامس المباشر للبشرة مع البخار المنبعث، أو المياه الساخنة المستخدمة للشطف، والتنظيف، وإزالة الترسبات.

### 1.3 احتياطات السلامة الأساسية

- يجب مراعاة احتياطات السلامة التالية لضمان التعامل الآمن مع ماكينة القهوة:
  - تجنب تماماً العبث بمواد التغليف. خطر الاختناق.
  - افحص ماكينة القهوة لاكتشاف أي إشارات ظاهرة للتلف قبل الاستخدام. لا تستخدم ماكينة القهوة التالفة.
  - في حالة تلف كابل التوصيل، يجب عدم استبداله إلا بمعرفة أحد وكلاء الخدمة الموصي بهم من قِبل جهة التصنيع لتجنب أي خطر! يُرجى الاتصال بجهة التصنيع أو خدمة العملاء التابعة لها.
  - يجب عدم إجراء أعمال إصلاح ماكينة القهوة إلا بمعرفة أحد المتخصصين المعتمدين أو بمعرفة خدمة العملاء المختصة بأعمال الإصلاح. حيث قد تؤدي أعمال الإصلاح غير المؤهلة إلى تعرض المستخدم إلى خطر بالغ. كما أنها ستؤدي إلى إبطال الضمان.
  - لا يُسمح بإجراء أعمال إصلاح ماكينة القهوة أثناء فترة الضمان إلا بمعرفة مراكز الخدمة المعتمدة من جهة التصنيع، وإلا فسيبطل الضمان في حالة التلف اللاحق.
  - يجب عدم استبدال القطع المعيبة إلا بقطع غير أصلية. حيث إن قطع الغيار الأصلية هي فقط التي تضمن تلبية متطلبات السلامة.

يشتمل هذا القسم على تعليمات السلامة التي ستساعد على توفير الحماية ضد مخاطر الإصابة الشخصية والخسائر الجسيمة. يؤدي عدم اتباع هذه التعليمات إلى إبطال الضمان الممنوح.

### 1.1 خطر التيار الكهربائي

خطر يهدد الحياة بسبب التيار الكهربائي! قد تؤدي ملامسة الأسلاك أو المكونات ذات الشحنات الكهربائية إلى التعرض لإصابة خطيرة أو الوفاة!

يجب مراعاة احتياطات السلامة التالية لتجنب الصدمات الكهربائية:

- لا تستخدم ماكينة القهوة في حالة تلف كابل التوصيل أو قابس التيار الكهربائي.
- قبل إعادة استخدام ماكينة القهوة، يجب تجديد كابل التيار الكهربائي بمعرفة فني كهربائي مؤهل.
- لا تفتح الهيكل الخارجي لماكينة القهوة. خطر التعرض لصدمة كهربائية في حالة ملامسة التوصيلات النشطة كهربائياً و/أو تغيير التكوين الكهربائي أو الميكانيكي.
- قبل تنظيف الحاوية، اسحب قابس التيار الكهربائي الخاص بالجهاز من مقبس التيار. خطر ناتج عن مطحنة القهوة الدوارة!

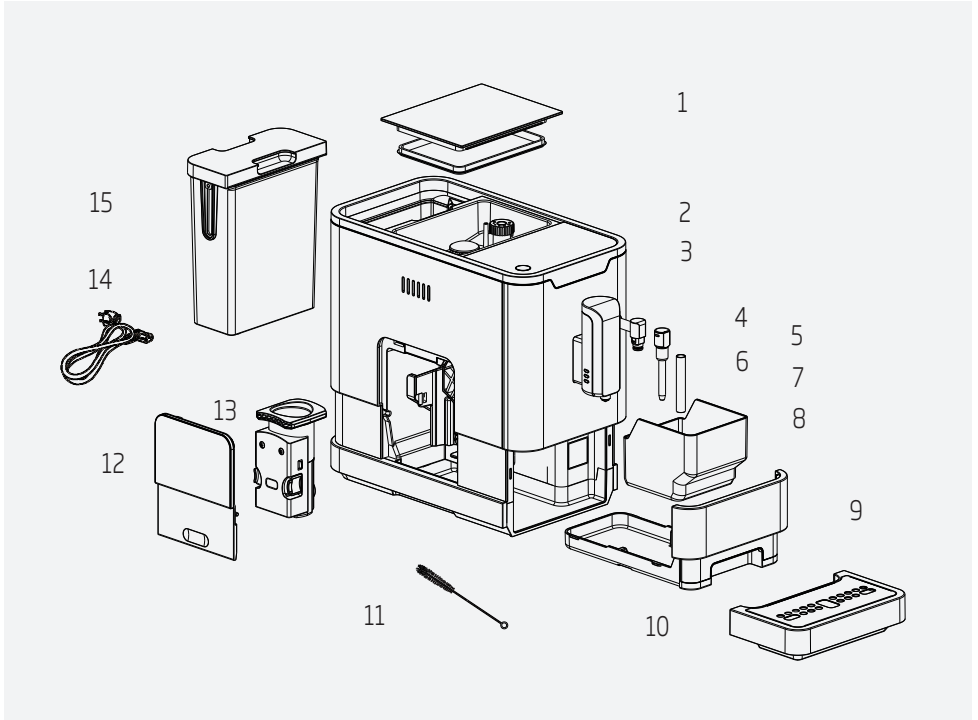
### 1.2 خطر الإصابة بالحرق أو السمط

قد تصبح أجزاء ماكينة القهوة ساخنة جداً أثناء التشغيل! تكون حرارة المشروبات المُنْتَجَة والبخار المنبعث عالية جداً!

يجب مراعاة احتياطات السلامة التالية لتجنب تعريض نفسك أو غيرك للحرق أو السمط:

3	البيانات الفنية
5.1	خطر التيار الكهربائي
5.2	خطر الإصابة بالحرق أو السمط
5.3	احتياطات السلامة الأساسية
6.1	الاستخدام المقصود
7.1	تحديد المسؤولية
7.2	الالتزام بالتشريعات الخاصة بنفايات المعدات الكهربائية والإلكترونية والتخلص من نفايات المنتجات:
7.3	التوافق مع توجيه RoHS
7.4	معلومات التعبئة
8	2 شاشة العرض
8.1	لوحة التحكم
9	3 الإعداد
9.1	التركيب
9.2	ملء خزان المياه
11.1	ضبط الطحن
11.2	ملء حاوية حبوب البن
11	4 التشغيل
12.1	صنع القهوة
13.1	ضبط كمية القهوة/الماء الساخن
13.2	تحضير الحليب المخفوق للقهوة
14.1	الماء الساخن
14.2	تحديد الوضع
15	5 التنظيف
15.1	تنظيف الجهاز
16.1	التنظيف الذاتي
16.2	وظيفة النظام الفارغ
17.1	الشطف اليدوي
18	6 حل المشكلات





### البيانات الفنية

مزود الطاقة:

220-240 فولت، 50-60 هرتز

الطاقة: 1350 واط

نم الاحتفاظ بالتعديلات الفنية وتعديلات التصميم.

1. غطاء حاوية حبوب البن
2. حاوية حبوب البن
3. لوحة التحكم
4. زر تشغيل/إيقاف الطاقة
5. فتحة البخار
6. غطاء الفتحة
7. فوهة القهوة القابلة للتعديل
8. أنبوب معدني
9. حاوية ثفل القهوة
10. صينية التقطر الداخلية
11. صينية التقطر الخارجية
12. فرشاة التنظيف
13. باب الصيانة
14. وحدة التخميم
15. كابل الطاقة
16. خزان المياه

أفقر مبقلا مزمه فالنخذة دة ،ألمصلا نأاز ريباعملا أفقر أقملمعملا نأاسابقلا ءارجا دعبا اءاداعا مة ءعوبملا نأاروشنملا في فوج تنملا لءءءلمعلا مبقلا مع مبع ءمطبعملا فررظلاو ما ءءنسلالا

يرجى قراءة هذا الدليل أولاً!

عزيزي العميل،

شكراً لك على تفضيل منتجات Beko. نأمل أن تحصل على أفضل النتائج من جهازك والذي قد تم تصنيعه بأعلى جودة وبأحدث التقنيات. وعلى ذلك، يرجى قراءة دليل المستخدم بالكامل بالإضافة إلى جميع المستندات المصاحبة له بعناية قبل استخدام المنتج، واحتفظ بها للرجوع إليها مستقبلاً. إذا قمت بتسليم الجهاز لشخص آخر، فأعطه دليل المستخدم أيضاً. اتبع التحذيرات والمعلومات الواردة في دليل المستخدم.

## توضيح للرموز

خلال دليل المستخدم هذا سيتم استخدام الرموز التالية:

معلومات هامة أو ملاحظات مفيدة عن الاستخدام.



خطرة: تحذيرات عن مواقف خطيرة فيما يتعلق بالحياة أو الممتلكات.



تحذير: تحذير يشير إلى موقف خطر محتمل.



تنبيه: تحذير يشير إلى احتمال الإضرار بالممتلكات.



تم إنتاج هذا المنتج في منشآت حديثة، وصديقة للبيئة

وسيربسا ةنيكام  
لمالكاب ةيلآ  
مدختس ملاليلد



CEG5311X

**AR**

**beko**

01M-8813573200-2918-01