

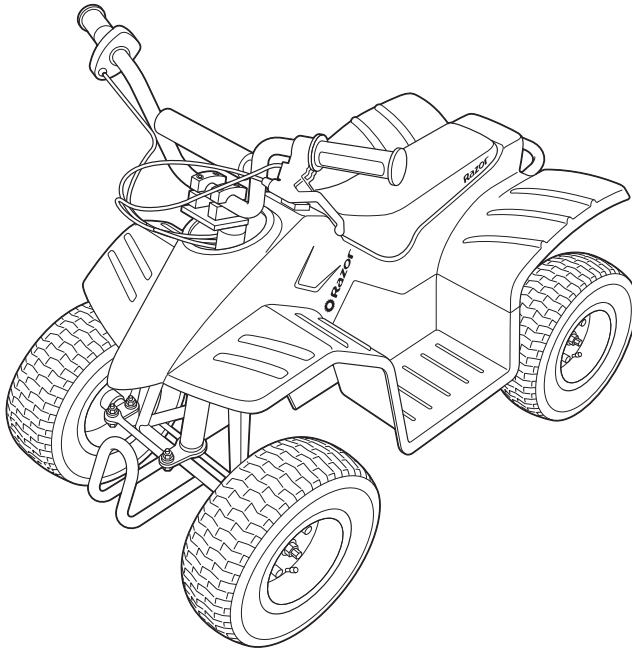


- EN** Read and understand this guide before using product.
FR Lire et assimiler ce manuel avant d'utiliser le produit.
ES Es imprescindible leer y comprender esta guía antes de usar el producto.
DE Lesen Sie diesen Leitfaden vor Benutzung des Produktes aufmerksam.
IT Leggere e comprendere tutti i punti del presente manuale prima di utilizzare questo prodotto.
NL Lees deze instructies goed door voordat je het product gaat gebruiken.
PT Leia e compreenda este guia antes de utilizar o produto.
PL Przed użyciem produktu należy przeczytać ze zrozumieniem niniejszą instrukcję.
HU A termék használatá elött olvasd el és értsd meg ezt a használati útmutatót.

- RU** Необходимо прочесть и понять эту инструкцию перед использованием продукции.
SV Läs och förstå denna bruksanvisning innan du använder produkten.
NO Les og forstå denne veiledningen før du bruker dette produktet.
DA Læs og forstå hele denne vejledning før du lader nogen bruge produktet.
FI Lue nämä ohjeet huolellisesti ennen tuotteen käyttöönottoa.
RO Consultați acest ghid înainte de a utiliza produsul.
SK Pre použitím tohto výrobku si prečítajte a pochopte tento návod.
CS Před použitím tohoto výrobku si řádně prostudujte návod k použití.
BG Прочетете и разберете това ръководство преди да използвате продукта.
TR Ürünü kullanmadan önce kılavuzu okuyun anlayınız.
UK Необхідно прочитати й зрозуміти цю інструкцію перед використанням продукції.
KO 제품을 사용하기 전에 이 안내서를 읽고 이해하십시오.
ZH 請在使用產品之前細心閱讀和瞭解此使用指南。
ZH 使用产品前请阅读并理解本指南。



Razor®



DIRT QUAD SPORT

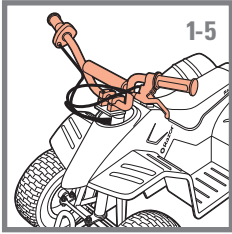
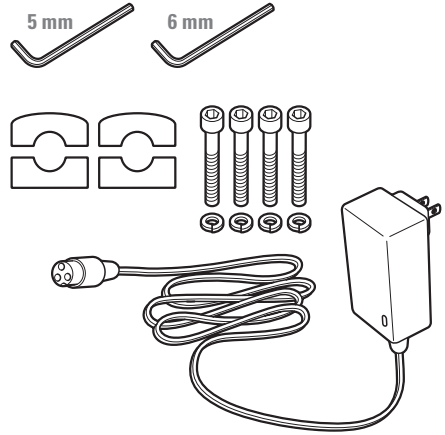
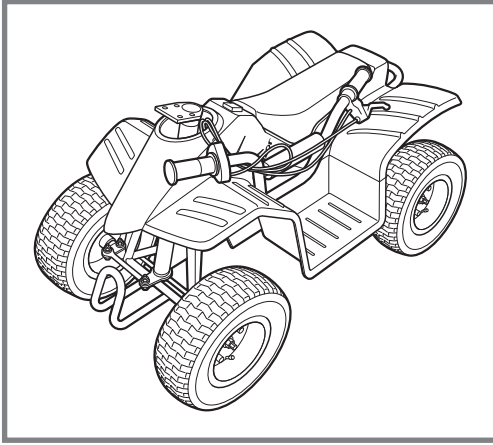


1-30

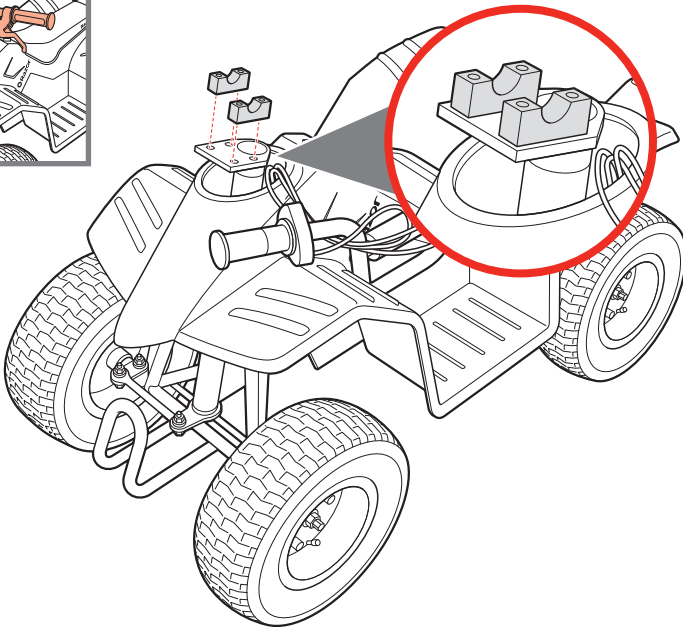


31-76

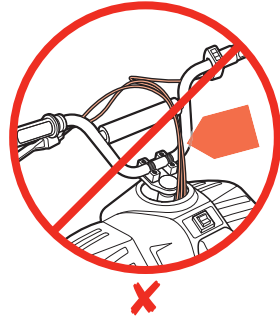
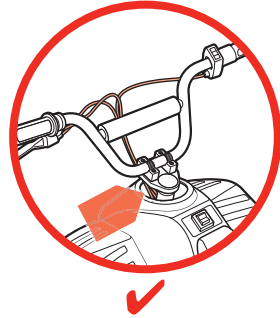
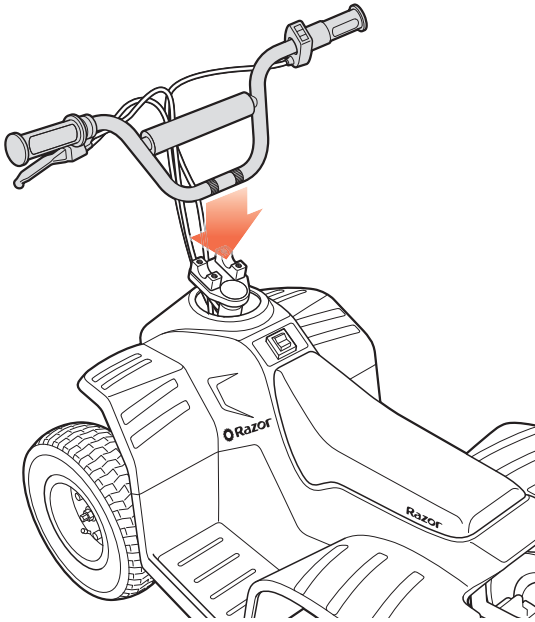
www.razor.com



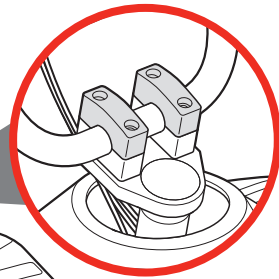
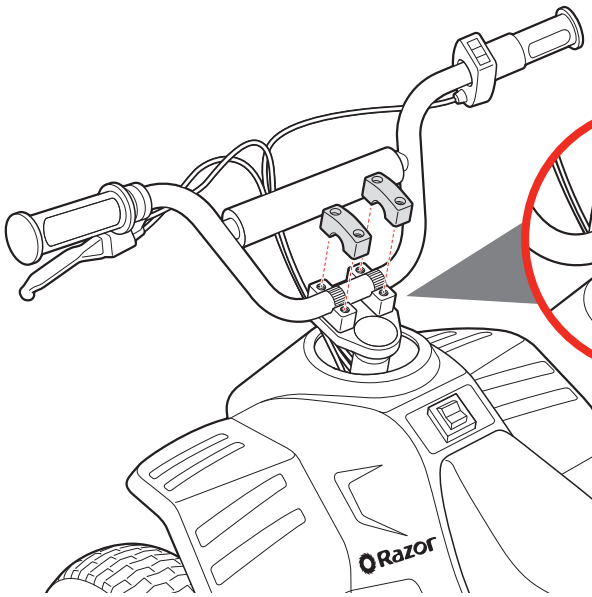
1



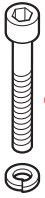
2



3



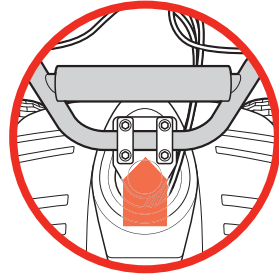
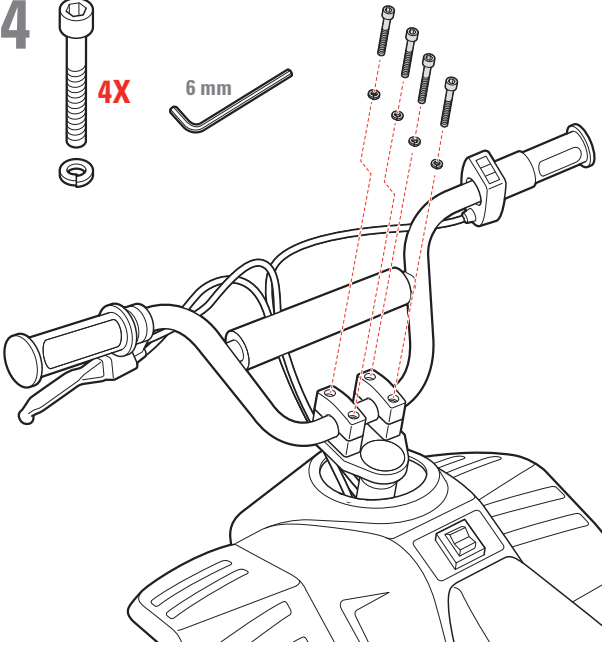
4



4X



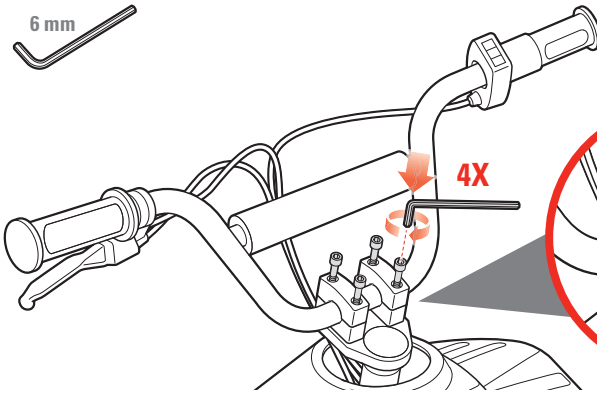
6 mm



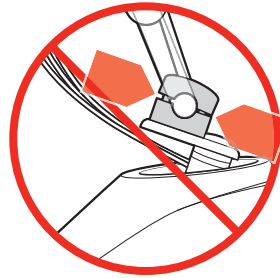
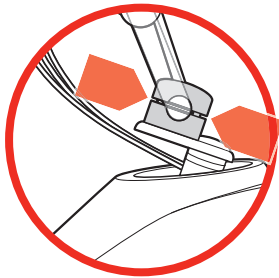
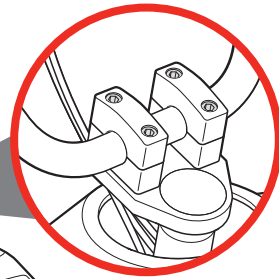
5



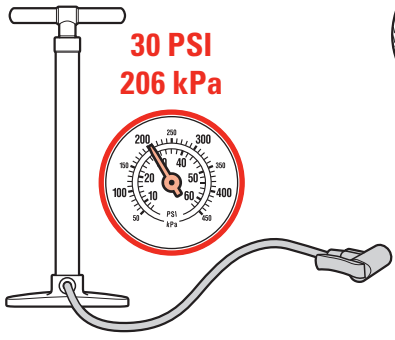
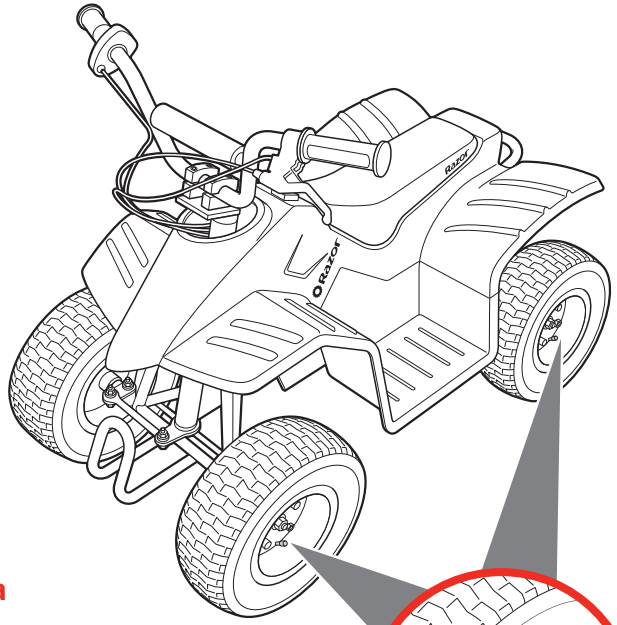
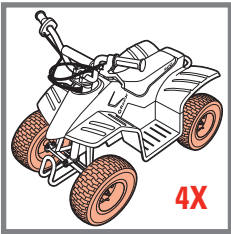
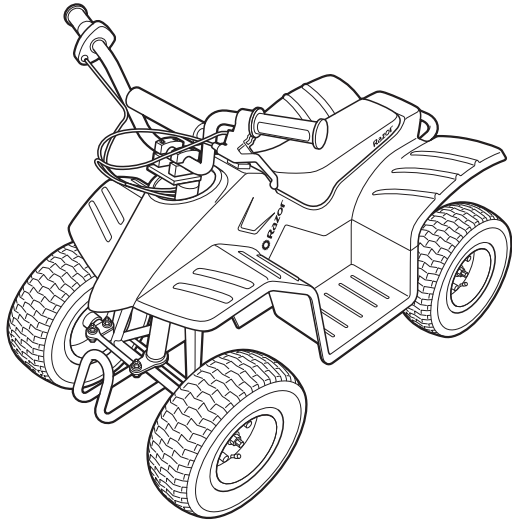
6 mm

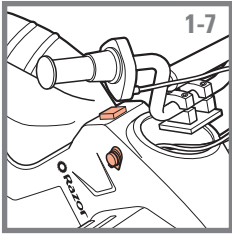


4X

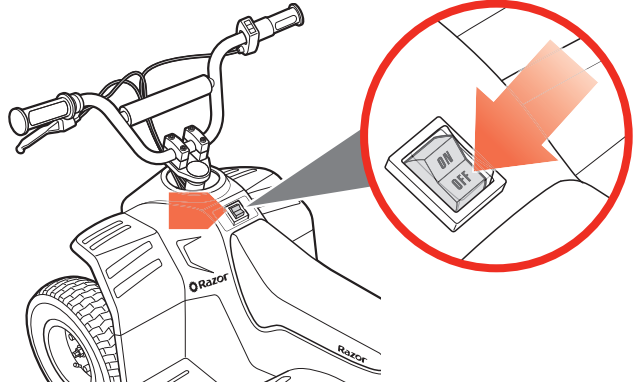


3

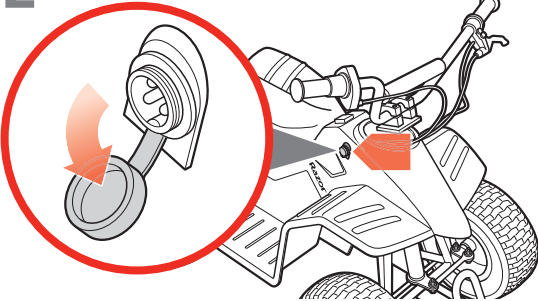




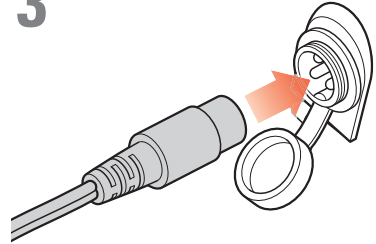
1



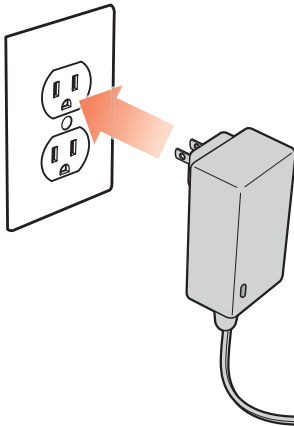
2



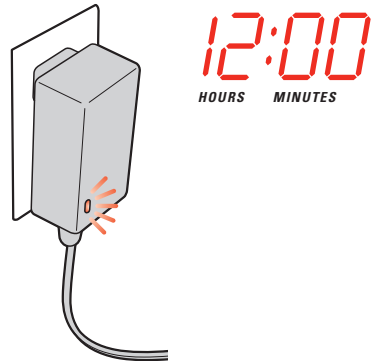
3



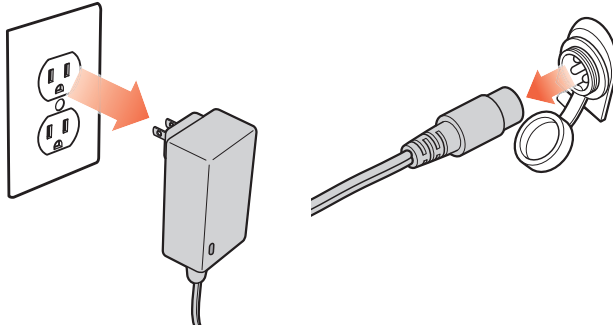
4



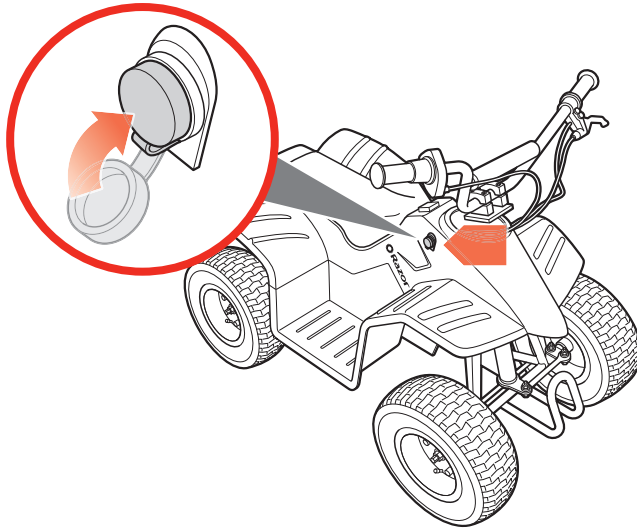
5



6

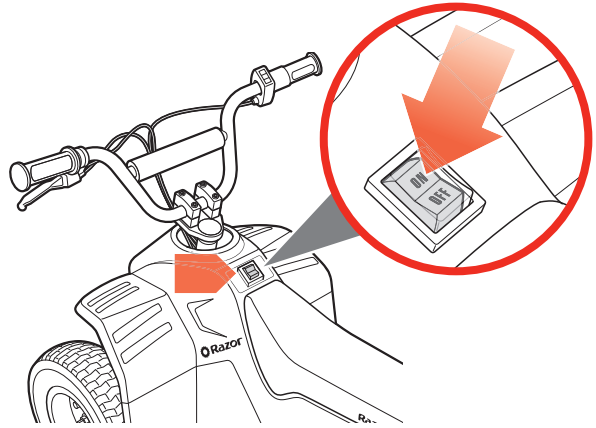


7

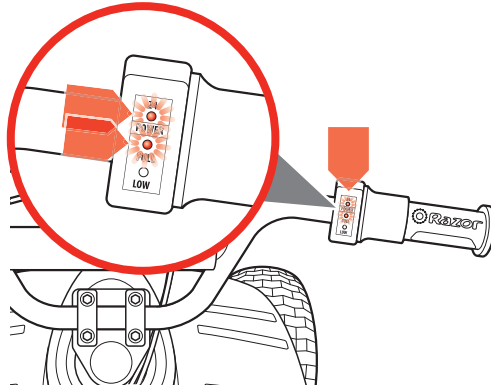




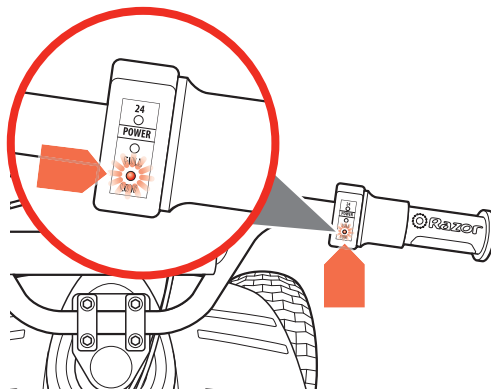
1



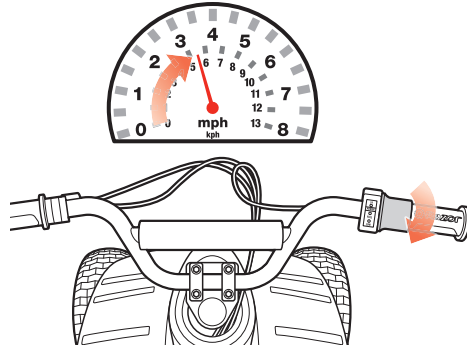
2



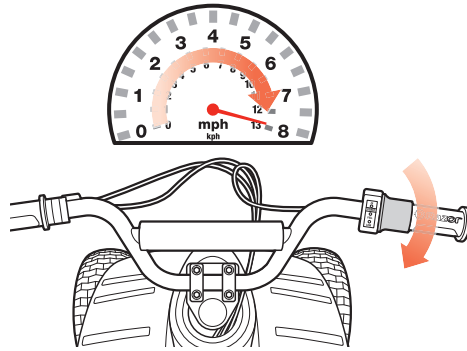
3



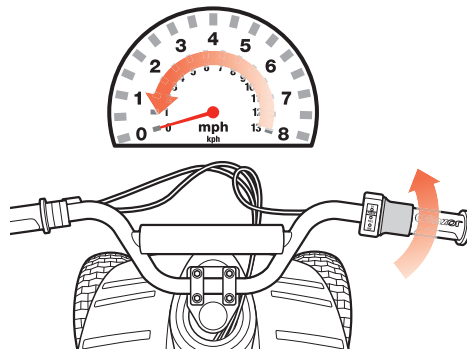
4



5

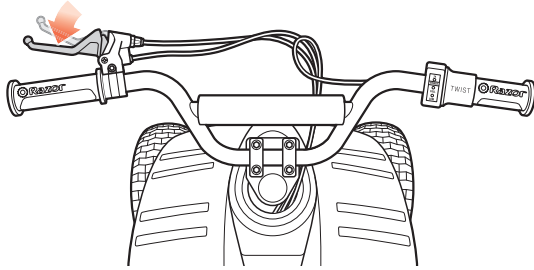


6

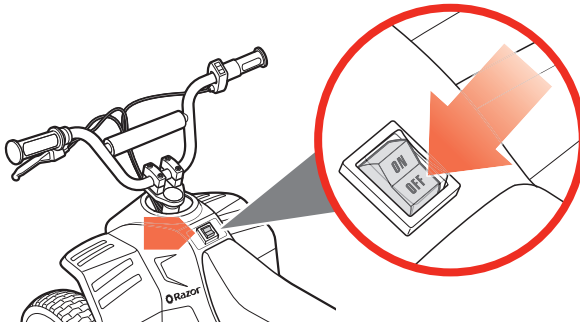




1



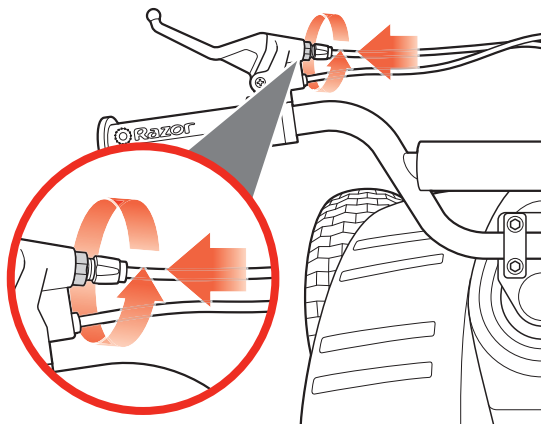
2



- EN Tighten brakes at cable.
- FR Serrer les freins au niveau du câble.
- ES Ajustar los frenos mediante el cable.
- DE Bremsen am Kabel festziehen.
- IT Serrare i freni sul cavo.
- NL Remmen vaster afstellen bij de kabel.
- PT Aperte os travões no cabo.
- PL Zaciśnięcie hamulca po stronie linki.

- HU Fékek feszesebbre állítása a kábelnél.
- RU Затяните тормоза на кабеле.
- SV Dra åt bromsen på kabeln.
- NO Stram bremsene på kabelen.
- DA Stram bremserne på kablet.
- FI Kiristä jarruja kaapelista.
- RO Strângeți lanțul frânei.
- SK Utiahnite brzdy na kábli.

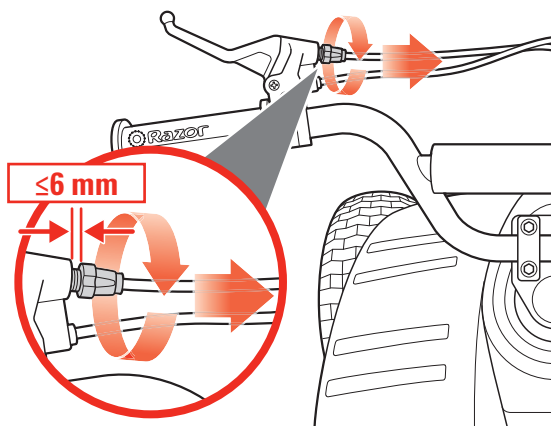
- CS Utáhněte brzdy na kabelu.
- BG Затегнете спиралките от кабела.
- TR Kablodaki Frenleri Sıkıştırınız.
- UK Затягніть гальма на кабелі.
- KO 케이블에 위치한 브레이크들을 조이십시오.
- ZH 緊固線管處的剎車。
- ZH 緊固線管處的剎車。



- EN Loosen brakes at cable.
- FR Desserrer les freins au niveau du câble.
- ES Aflojar los frenos mediante el cable.
- DE Bremsen am Kabel lösen.
- IT Allentare i freni sul cavo.
- NL Remmen losser afstellen bij de kabel.
- PT Afrouxe os travões no cabo.
- PL Poluzowanie hamulca po stronie linki.

- HU Fékek lazítása a kábelnél.
- RU Ослабьте тормоза на кабеле.
- SV Lossa bromsen på kabeln.
- NO Løsne bremsene på kabelen.
- DA Løsn bremserne på kablet.
- FI Löysää jarruja kaapelista.
- RO Slăbiți lanțul frânei.
- SK Uvoľnite brzdy na kábli.

- CS Uvolněte brzdy na kabelu.
- BG Разхлабете спиралките от кабела.
- TR Kablodaki Frenleri Gevşetiniz.
- UK Послабте гальма на кабелі.
- KO 케이블에 위치한 브레이크들을 느슨하게 하십시오.
- ZH 鬆開線管處的剎車。
- ZH 鬆開線管處的剎車。

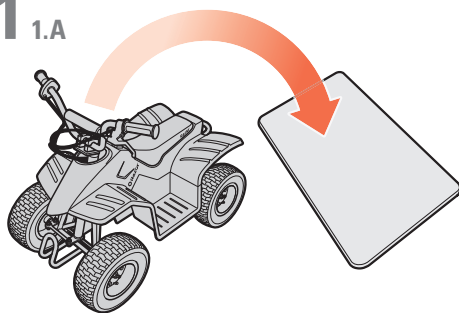


EN Tighten brakes at wire.
FR Serrer les freins au niveau du fil.
ES Ajustar los frenos mediante el alambre.
DE Bremsen am Draht festziehen.
IT Serrare i freni sul filo.
NL Remmen vaster afstellen bij de draad.
PT Aperte os travões no arame.
PL Zaciśnięcie hamulca po stronie przewodu.

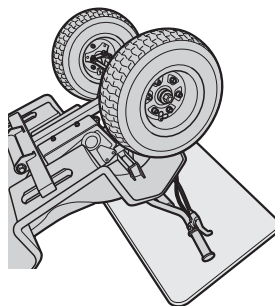
HU Fékek feszesebbre állítása a huzalnál.
RU Затяните тормоза на проводе.
SV Dra åt bromsen på vajern.
NO Stram bremsene på vaieren.
DA Stram bremsene på wieren.
FI Kiristä jarruja vaijerista.
RO Strângeți cablul frânei.
SK Utiahnite brzdy na lanku.

CS Utáhněte brzdy na lank.
BG Затегнете спирачките от жиловта.
TR Teldeki Frenleri Sıkıştırınız.
UK Затягніть гальма на дроті.
KO 전선에 위치한 브레이크들을 이십시오.
ZH 紧固線芯處的剎車。
ZH 紧固线芯处的刹车。

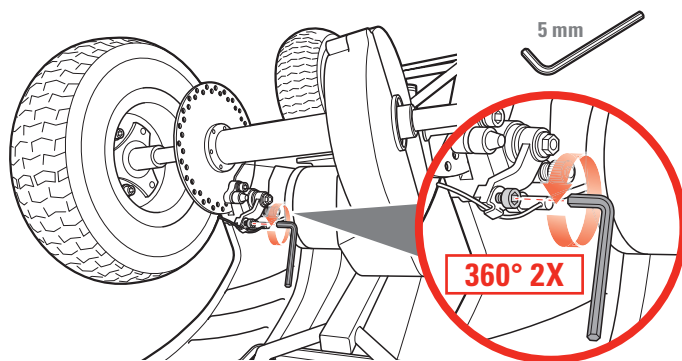
1 1.A



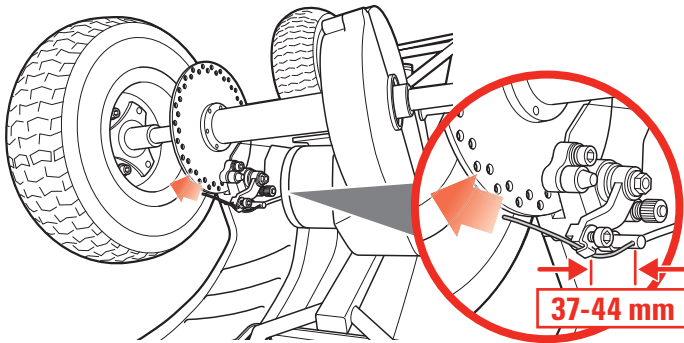
1.B



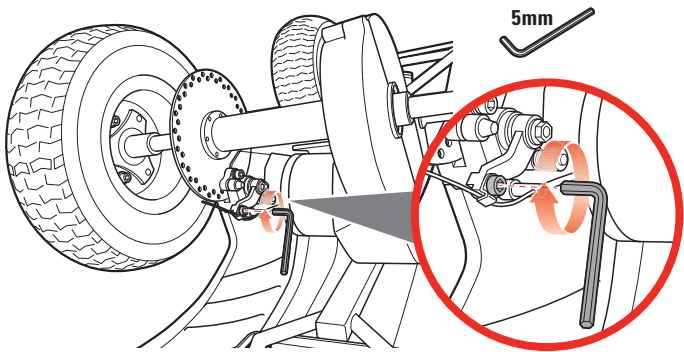
2



3



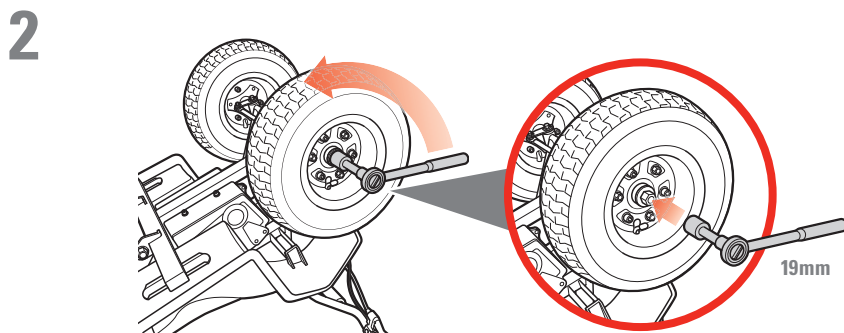
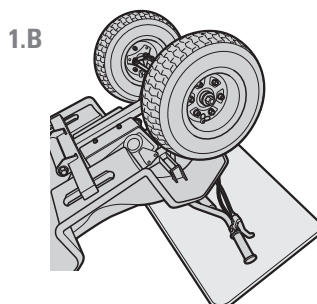
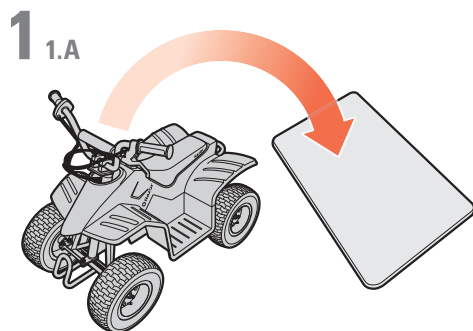
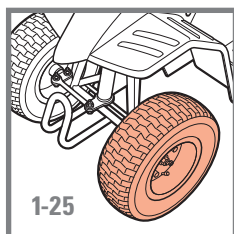
4



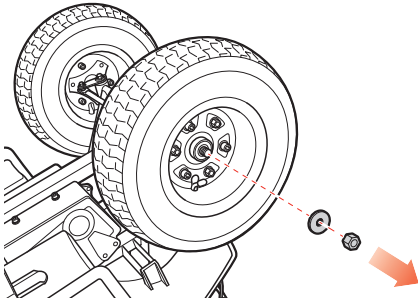
EN Front wheel replacement
FR Remplacement de la roue avant
ES Cambio de la llanta delantera
DE Vorderrad ersetzen
IT Sostituire la ruota anteriore
NL Voorwiel vervangen
PT Substituir a roda da frente
PL Wymiana przedniego koła

HU Első kerék cseréje
RU Замена переднего колеса
SV Byte av framhjul
NO Skifte av forhjul
DA Udskiŧning af forhjul
FI Etupyörän vaihtaminen
RO Înlocuirea roŧii din faŧă
SK Výmena predného kolesa

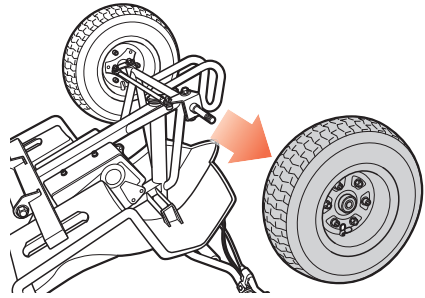
CS Výměna předního kola
BG Смяна на предното колело
TR Ön tekerleğin deęiřtirilmesi
UK Заміна переднього колеса
KO 앞바퀴 교체
ZH 更換前輪
ZH 前輪更換



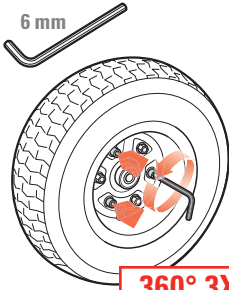
3



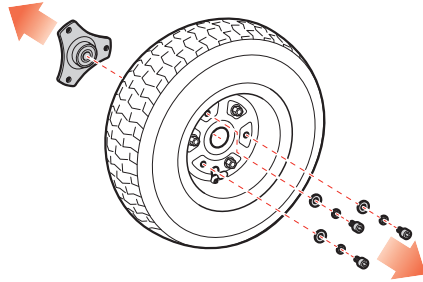
4



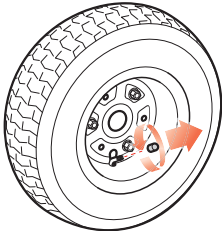
5



6

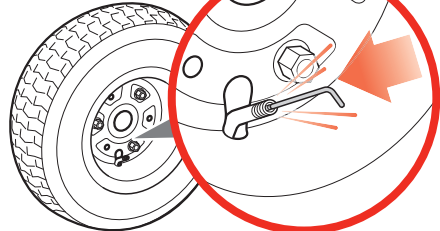
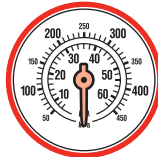


7

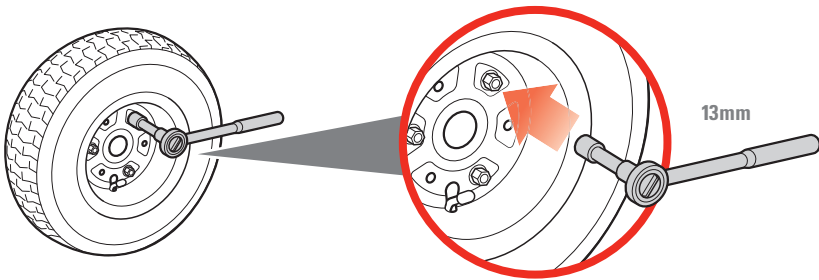


8

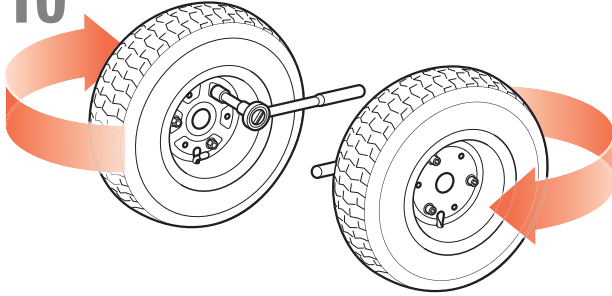
0 PSI/0 kPa



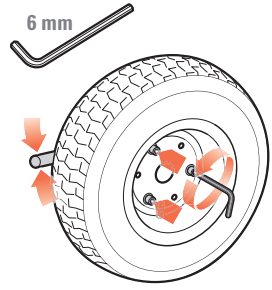
9



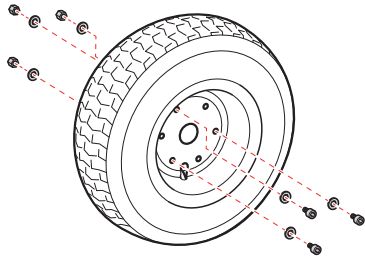
10



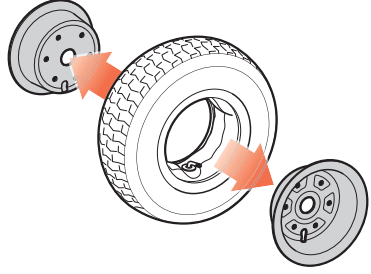
11



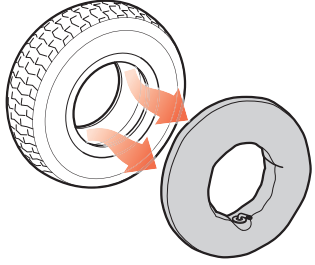
12



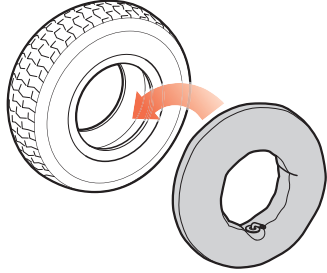
13



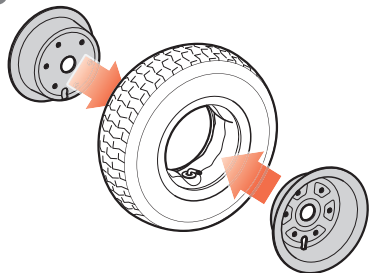
14



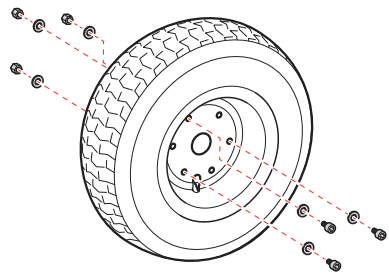
15



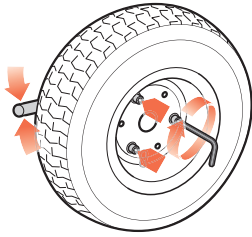
16



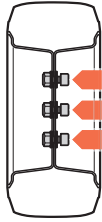
17



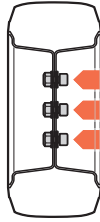
18



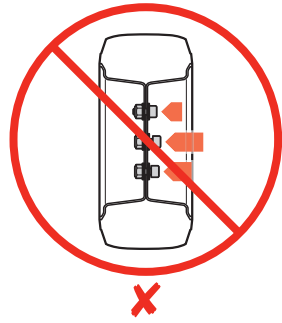
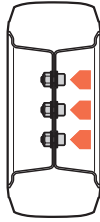
18.A



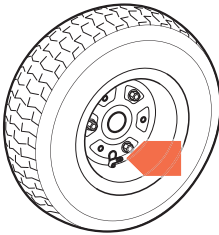
18.B



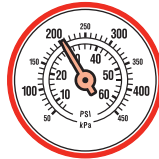
18.C



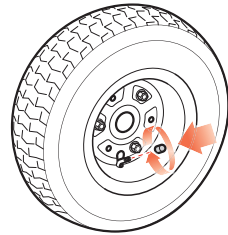
19



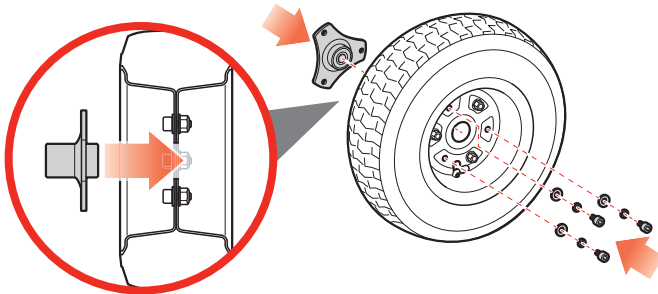
30 PSI/206 kPa



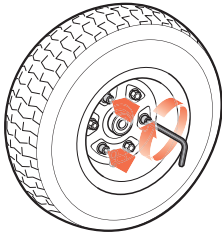
20



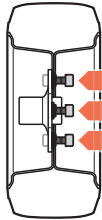
21



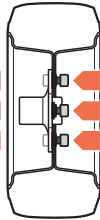
22



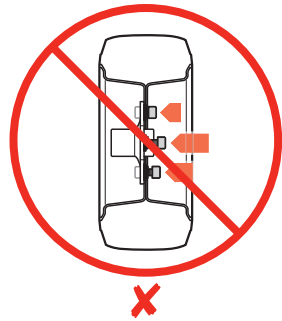
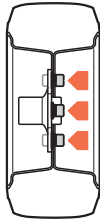
18.A



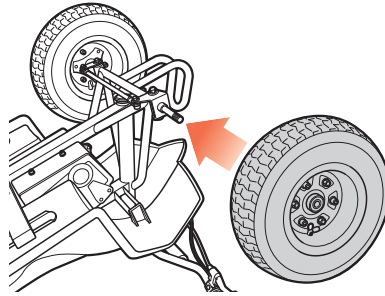
18.B



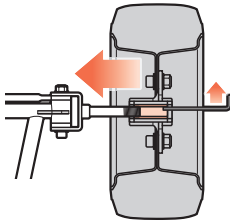
18.C



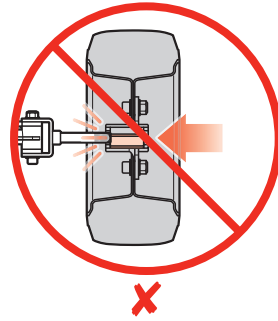
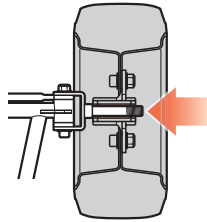
23



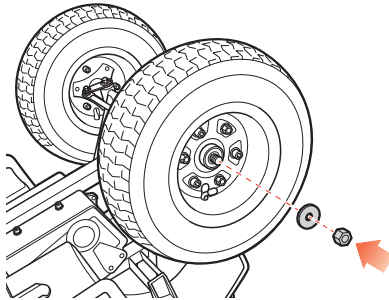
23.A



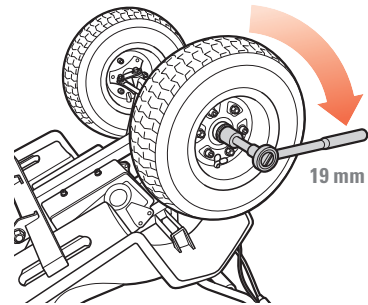
23.B



24



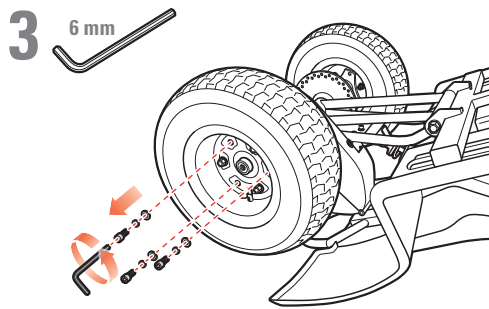
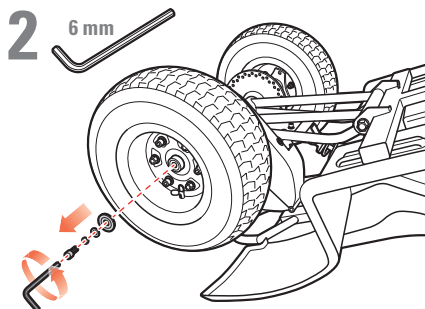
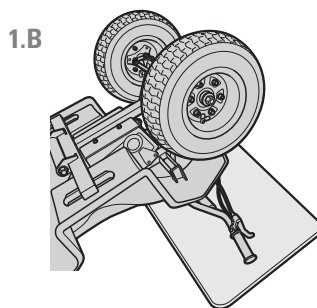
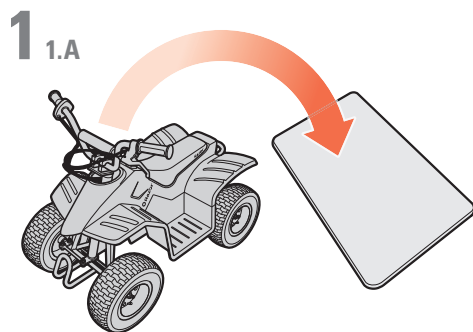
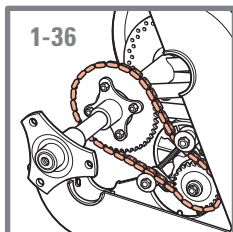
25



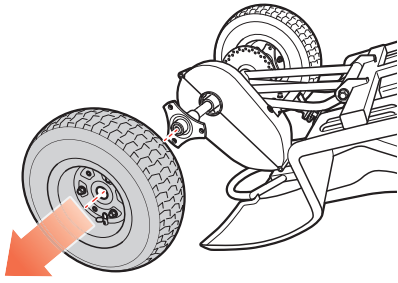
EN Chain and rear wheel replacement
FR Remplacement de la chaîne et de la roue arrière
ES Cambio de la llanta trasera y la cadena
DE Kette und Hinterrad ersetzen
IT Sostituire la catena e della ruota posteriore
NL Ketting en achterwiel vervangen
PT Substituir a corrente e a roda traseira
PL Wymiana łańcucha i tylnego koła

HU Lánc és hátsó kerék cseréje
 Замена цепи и заднего колеса
SV Byte av kedja och bakhjul
NO Skifte av kjede og bakhjul
DA Udsiftning af kæde og baghjul
FI Ketjun ja takapyörän vaihtaminen
RO Înlocuirea lanțului și a roții din spate
SK Výmena reťaze a zadného kola

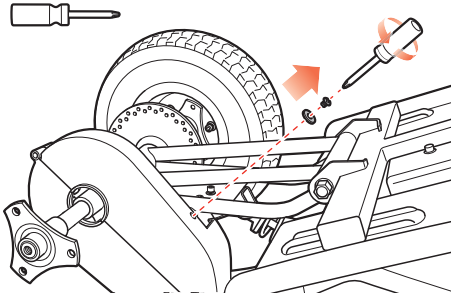
CS Výměna řetězu a zadního kola
BG Смяна на веригата и задното колело
TR Zincirin ve arka tekerleğin değiştirilmesi
UK Заміна ланцюга і заднього колеса
KO 체인과 뒷바퀴 교체
ZH 更換鏈條和後輪
ZH 链条和后轮更换



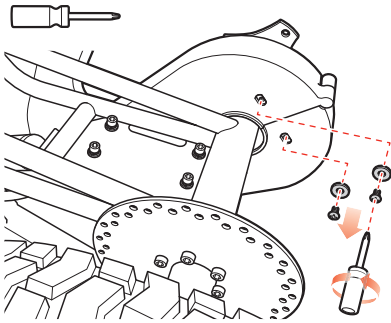
4



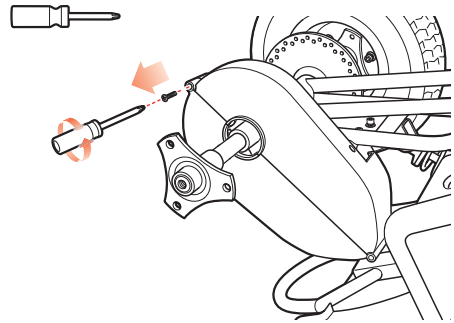
5



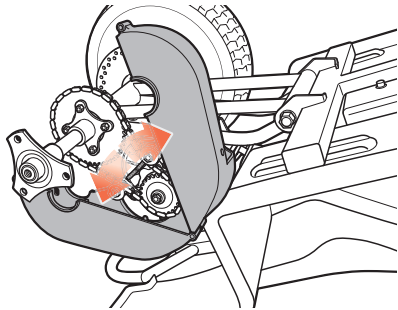
6



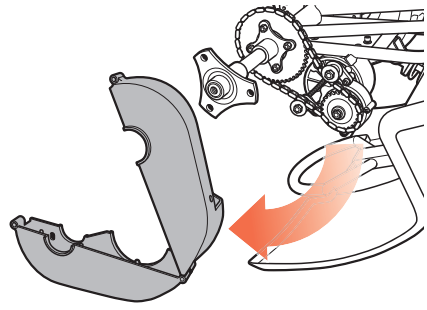
7



8

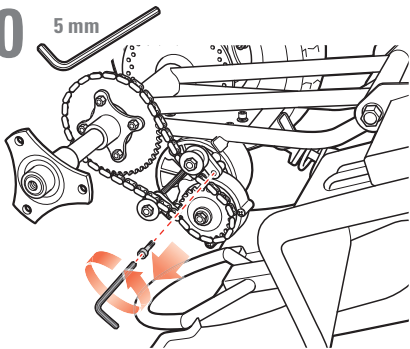


9

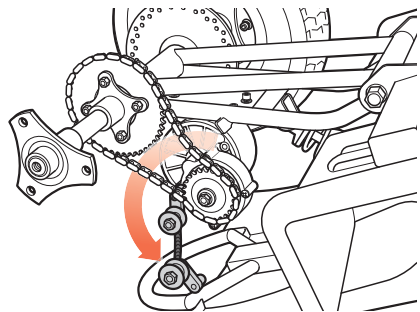


10

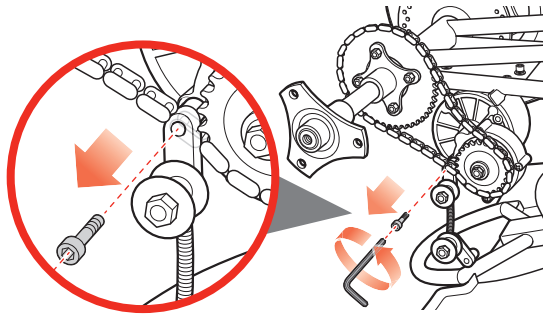
5 mm



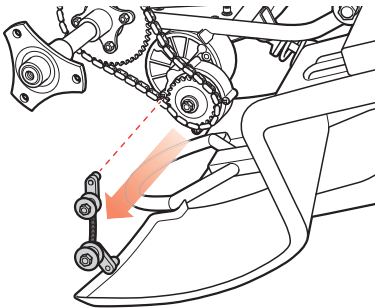
11



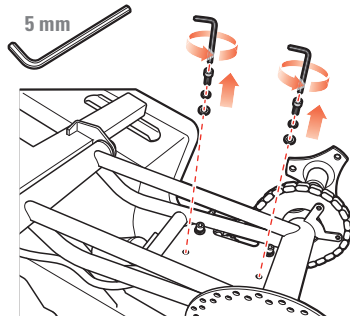
12 5 mm



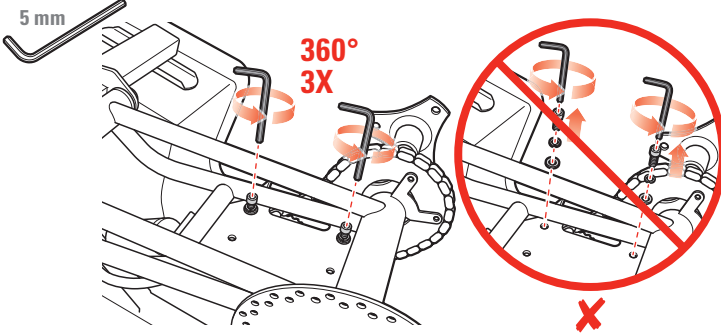
13



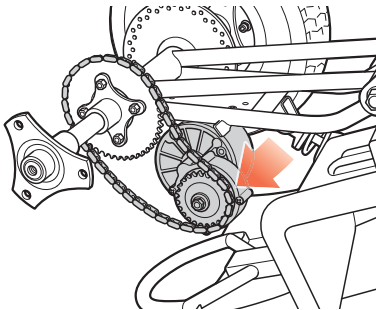
14 5 mm



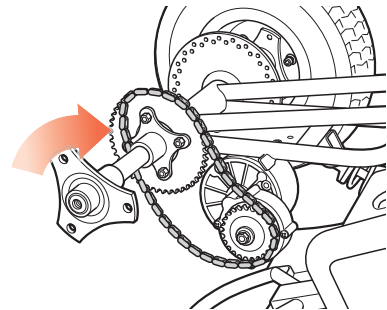
15 5 mm



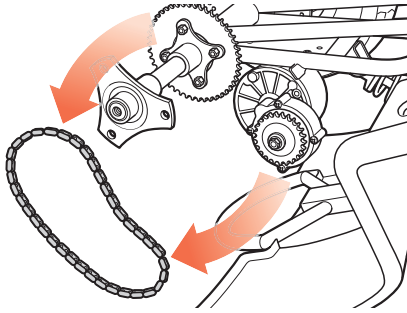
16



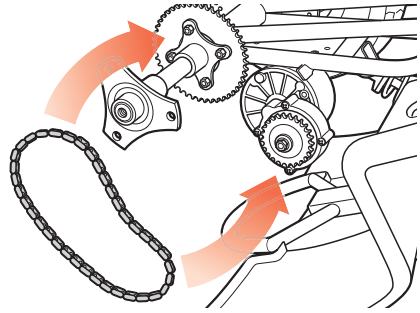
17



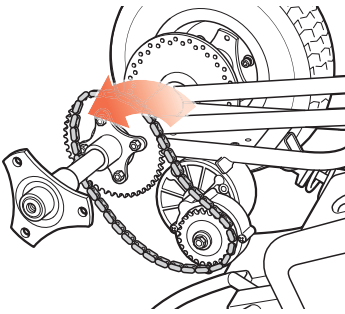
18



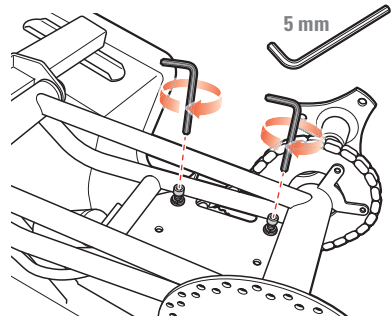
19



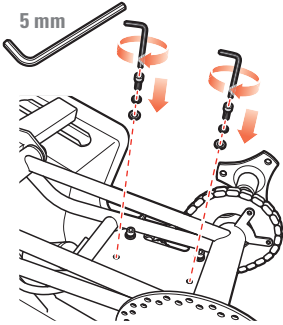
20



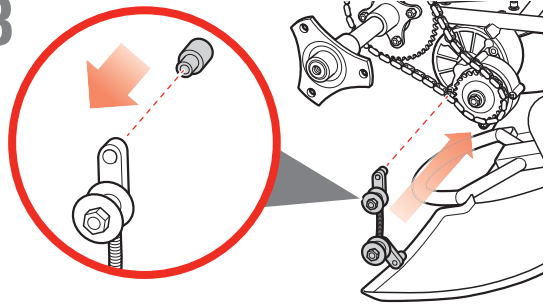
21



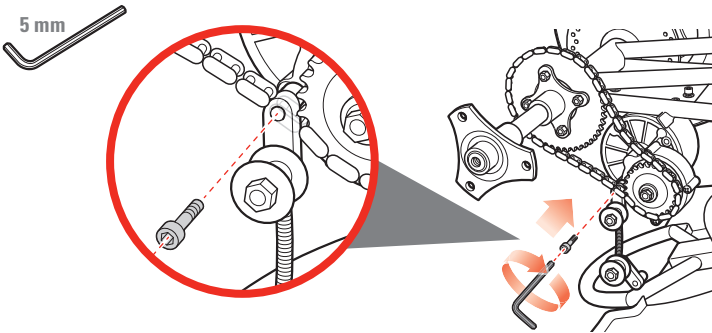
22



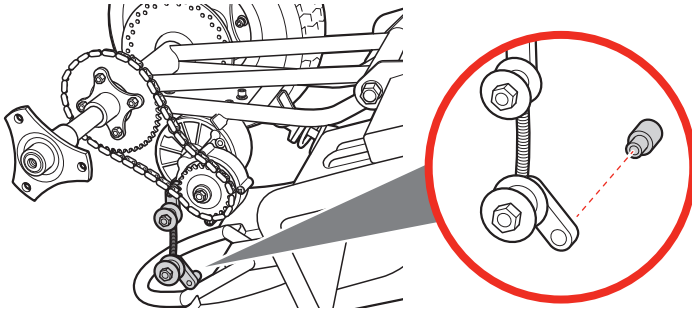
23



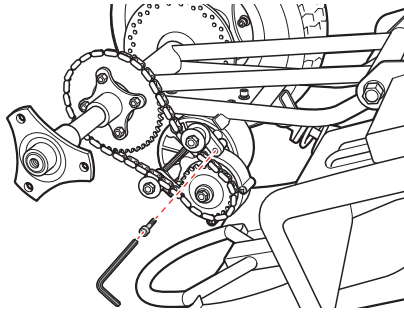
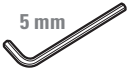
24



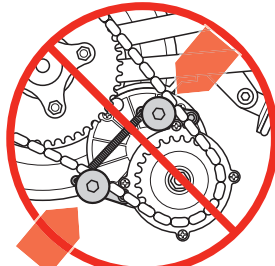
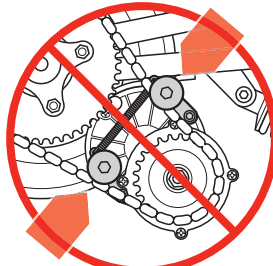
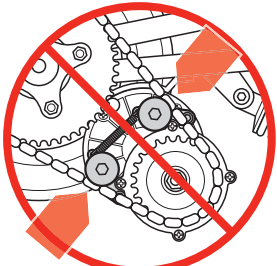
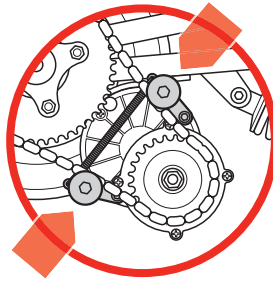
25



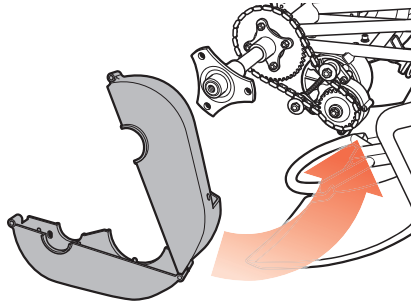
26 5 mm



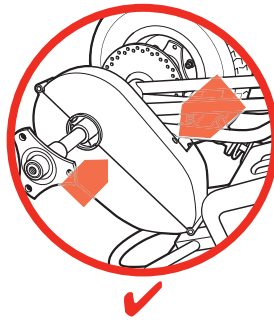
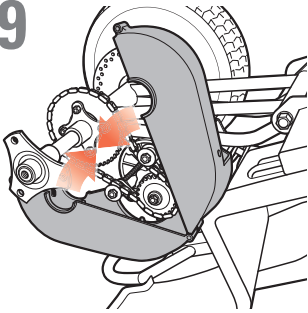
27



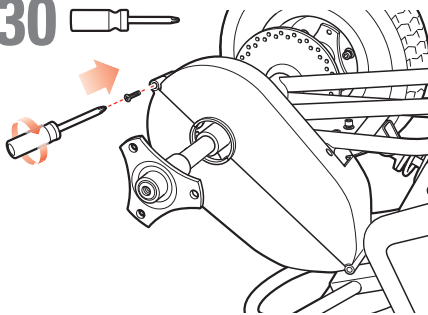
28



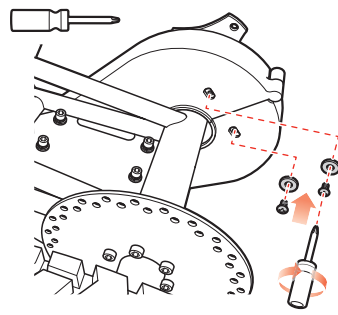
29



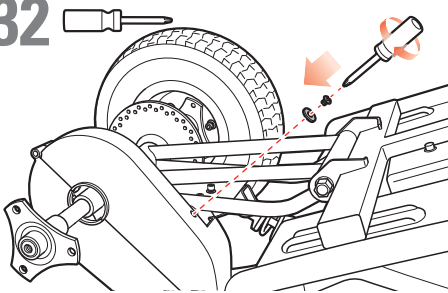
30



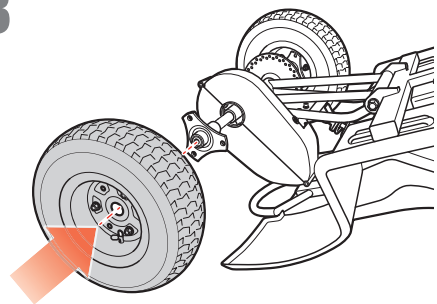
31



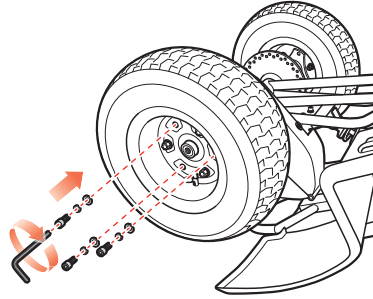
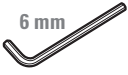
32



33



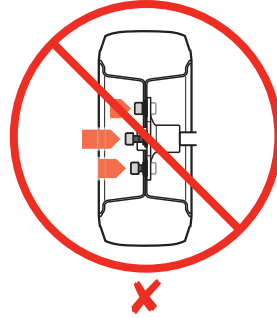
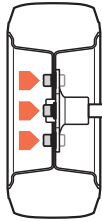
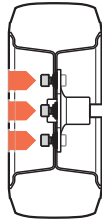
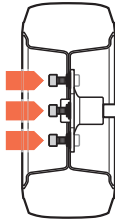
34 6 mm



20.A

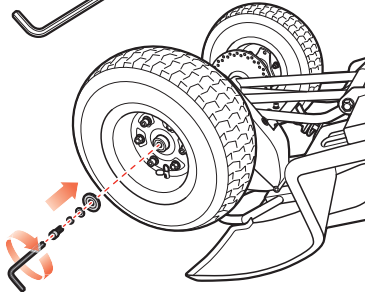
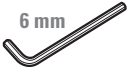
20.B

20.C

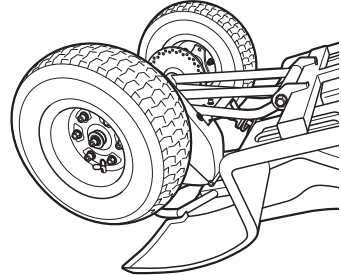


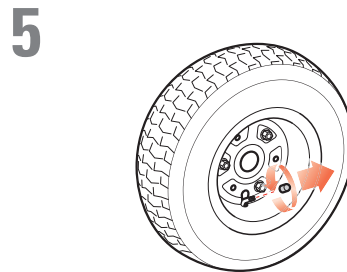
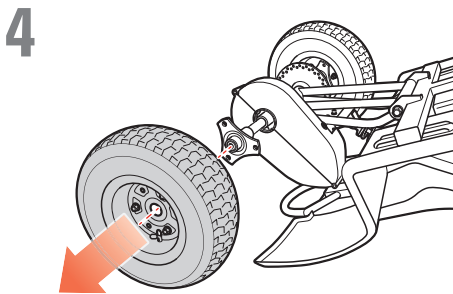
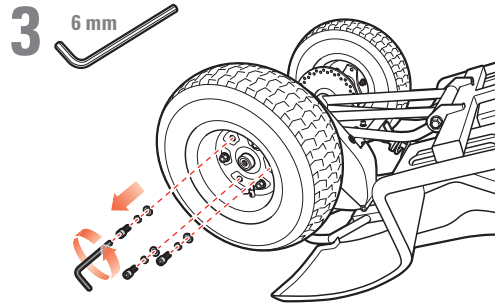
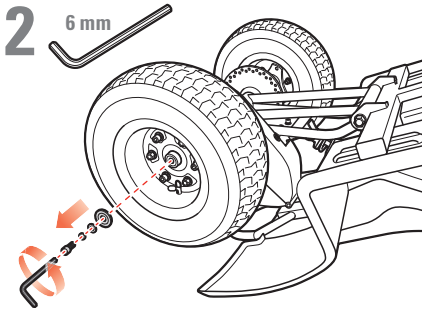
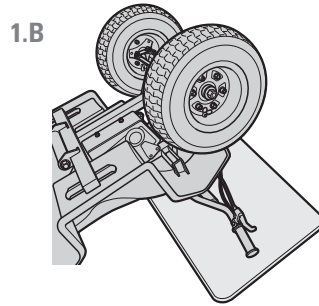
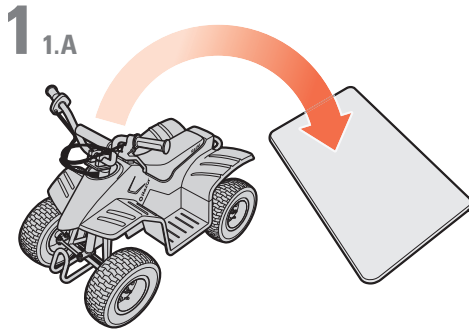
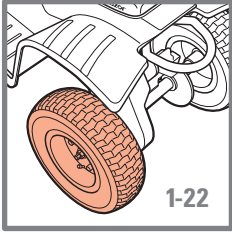
X

35 6 mm



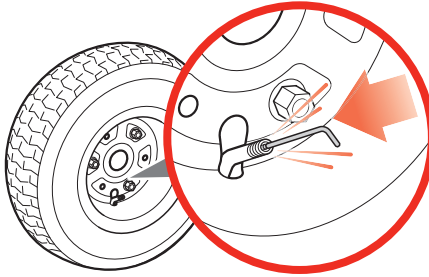
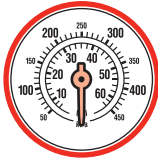
36



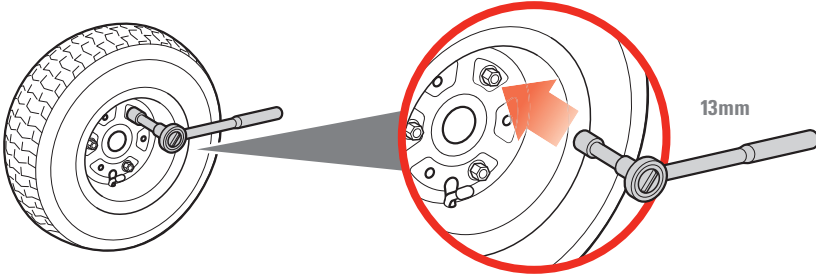


6

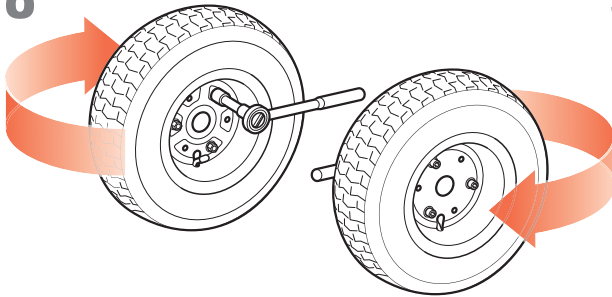
0 PSI/0 kPa



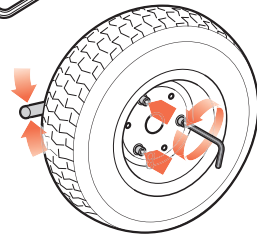
7



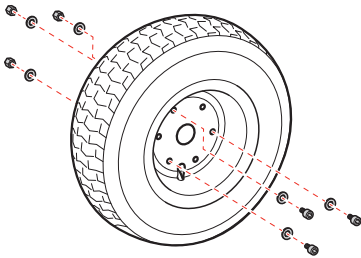
8



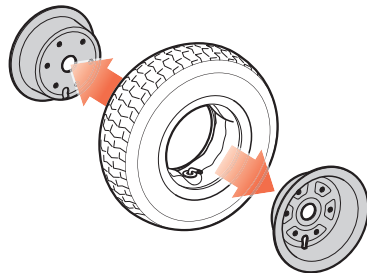
9



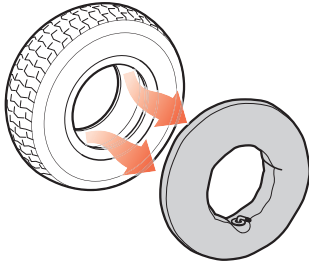
10



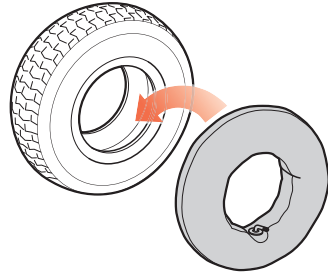
11



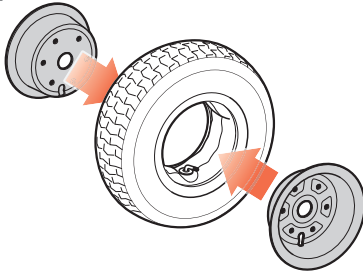
12



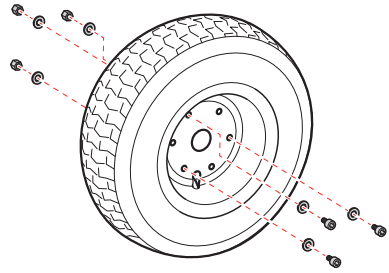
13



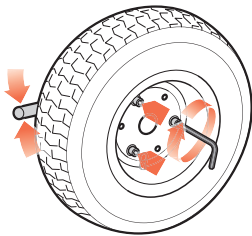
14



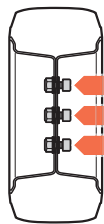
15



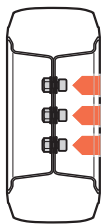
16



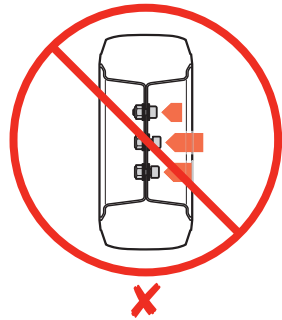
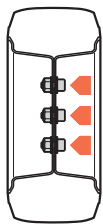
18.A



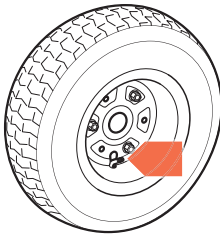
18.B



18.C



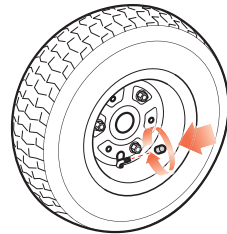
17



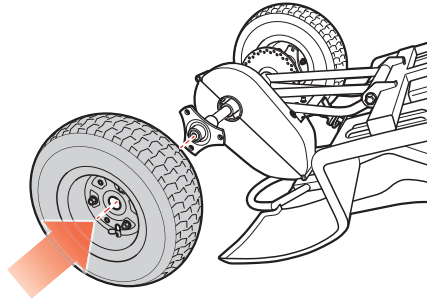
30 PSI/206 kPa



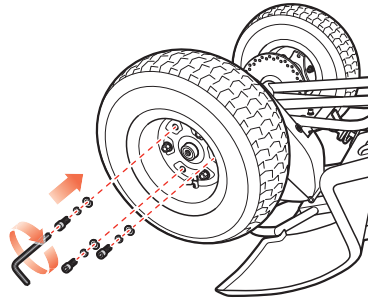
18



19



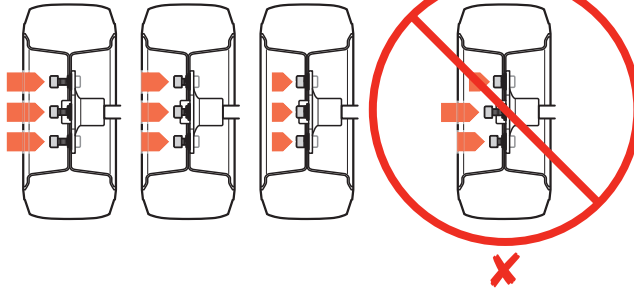
20  6 mm



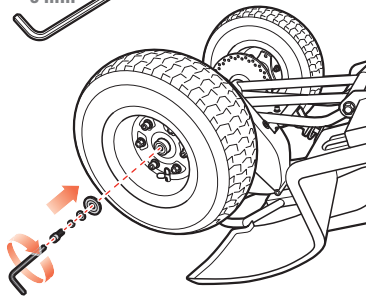
20.A

20.B

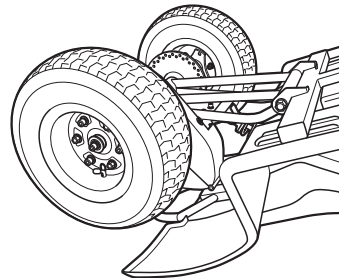
20.C

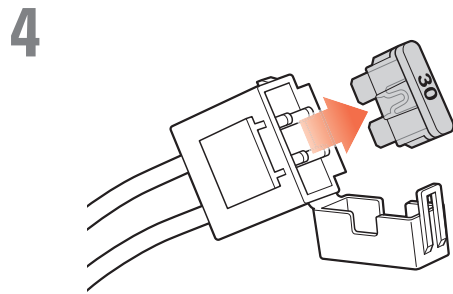
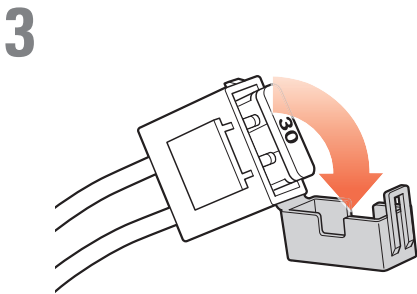
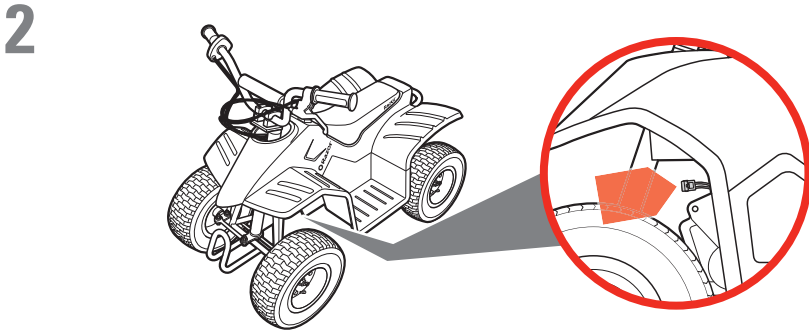
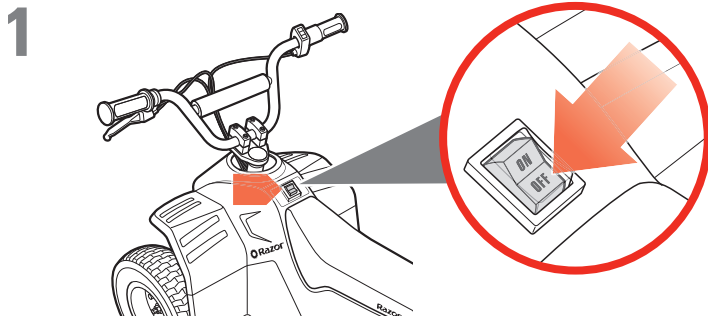
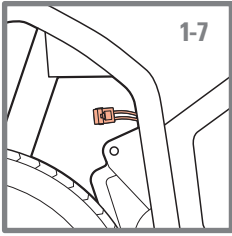


21  6 mm

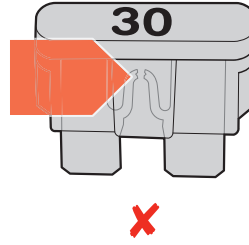
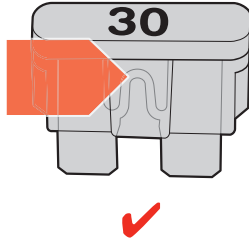


22

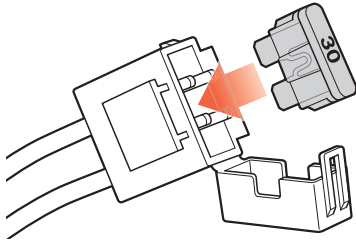




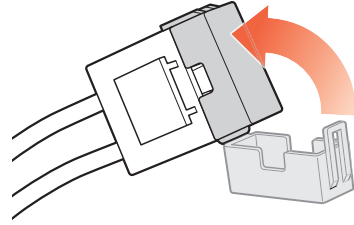
5



6



7





WARNING. To avoid serious injury:
SAFETY PRECAUTIONS during operation and maintenance
Parents/adult supervisors read this page first

PARENTS/SUPERVISING ADULTS MUST TEACH CHILDREN HOW TO SAFELY RIDE THIS DIRT QUAD. If the rider fails to use common sense and heed these warnings, there is an increased risk of damage, serious injury or possibly death.

Riding this Product Presents Potential Risks.

- This electrically driven product is not a toy (Annex I of Directive 2009/48/EC). Like any four wheeled riding product, an electric Dirt Quad can be hazardous (for example, falling off or riding into a hazardous situation). Electric Dirt Quads are, of course, meant to move and it is therefore possible for a rider to lose control or otherwise get into dangerous situations.
- Both children and adults responsible for supervising them must recognize that if such things occur, a rider can be seriously injured or possibly die, even when using safety equipment and taking other safety precautions.



WARNING: PARENTAL AND ADULT RESPONSIBILITY AND SUPERVISION NECESSARY: This manual contains important safety information. It is your responsibility to review this information and make sure that all riders understand all warnings, cautions, instructions and safety topics, and assure that young riders are able to safely and responsibly use this product. Razor USA recommends that you periodically review and reinforce the information in this manual with younger riders, and that you inspect and maintain your children's product to insure their safety.



WARNING: NOT FOR CHILDREN UNDER AGE 8 OR HEAVIER THAN 54 KG. Because products, like the Dirt Quad, can and do present potential hazards plainly associated with their use, it is well recognized THE NEED FOR EXERCISE OF PARENTAL RESPONSIBILITY IN SELECTING RIDING PRODUCTS APPROPRIATE TO THE AGE OF A CHILD, OR PARENTAL SUPERVISION IN SITUATIONS IN WHICH CHILDREN OF VARIOUS AGES MAY HAVE ACCESS TO THE SAME RIDING PRODUCTS, IS IMPORTANT. Not every product is appropriate for every age or size of child, and different age recommendations are found within this category of product which are intended to reflect the nature of the hazards and the expected mental or physical ability, or both, of a rider to cope with the hazards.

- **Razor recommends that children under the age of 8 not be permitted to use the Dirt Quad. This recommendation is based not just on age or weight or height – it reflects consideration of expected maturity and skills as well as physical size. The recommended rider age of 8 years or older is only an estimate and can be affected by the rider's size, weight or skills – not every child 8 years old will be suited to the product. Certainly, any rider unable to fit comfortably on the Dirt Quad should not attempt to ride it, but parent's decision to allow his or her child to ride this product should be based on the child's maturity, skill, and ability to follow rules. Razor emphasizes that adults are strongly advised not to choose to disregard Razor's recommendations or permit younger children to ride the Dirt Quad.**
- **DO NOT EXCEED THE WEIGHT LIMIT OF 54 kg.** Rider weight alone also does not necessarily mean a person's size is appropriate to fit or maintain control of the Dirt Quad. Keep this product away from small children and remember that this product is intended for use only by persons who are, at a minimum, completely comfortable and competent while operating the product.
- **Persons with any mental or physical conditions that may make them susceptible to injury, impair their physical dexterity or mental capabilities to recognize, understand, and follow safety instructions and to be able to understand the hazards inherent in Dirt Quad use, should not use or be permitted to use products inappropriate for their abilities. Persons with heart conditions, head, back or neck ailments (or prior surgeries to these areas of the body), or pregnant women, should be cautioned not to operate such products.**

Proper Riding Equipment, Clothes, Shoes

- Always wear proper protective equipment, such as an approved safety helmet (with chin strap securely buckled), elbow pads and kneepads. A helmet may be legally required by local law or regulation in your area. In addition, a long-sleeved shirt, long pants, and gloves are recommended.
- Always wear athletic shoes (lace-up shoes with rubber soles), never ride barefoot or in sandals, and keep shoelaces tied and away from the wheels, motor and drive system.

Check Dirt Quad Before Use – Maintain After Use

- Before use, check that the brake is functioning properly, and that tires are properly inflated and have sufficient tread remaining.
- After use, maintain and repair Dirt Quad in accordance with the manufacturer's specifications in this manual. Use only the manufacturer's authorised replacement parts. Do not modify this Dirt Quad from the manufacturer's original design and configuration.
- Acceptable Riding Practices and Conditions – Parents/adults should discuss these rules with their children.
- Protective equipment should be worn. Not to be used in traffic.

Where to Ride the Dirt Quad

- Always check and obey any local laws or regulations which may affect the locations where the electric Dirt Quad may be used. Keep safety away from autos and motor vehicle traffic at all times and only use where allowed and with caution.
- The Dirt Quad is meant to be used on private property and on closed courses and not on public streets or sidewalks. Do not ride your electric four wheeler in any areas where pedestrian or vehicle traffic are present.
- Ride defensively. Be careful to avoid pedestrians, skaters, skateboards, bikes, children or animals who may enter your path. Respect the rights and property of others.
- Wet, slick, bumpy, uneven or rough surfaces may lessen traction and increase the risk of accidents.
- Do not ride your Dirt Quad in mud, ice, puddles or water.
- Avoid sharp bumps, drainage grates, and sudden surface changes.
- Do not ride your Dirt Quad in wet or icy weather and never immerse the Dirt Quad in water, as the electrical and drive components could be damaged by water or create other possibly unsafe conditions.
- Never risk damaging surfaces such as carpet or flooring by use of an electric Dirt Quad indoors.
- Never use near steps or swimming pools.

How to Ride the Dirt Quad

- Do not use the speed control (twist grip throttle) on the hand grip unless you are fully seated on the Dirt Quad and in a safe, outdoor environment suitable for riding.
- Hold the handlebars at all times while you are riding.
- Do not touch the brakes or motor on your Dirt Quad when in use or immediately after riding as these parts can become very hot.
- Avoid high speeds, as you might have on downhill rides, where you might lose control.
- Do not ride at night or when visibility is limited.
- Do not attempt or do stunts or tricks on your electric Dirt Quad. The Dirt Quad is not strong enough to withstand misuse and abuse such as jumping, curb grinding or any other type of stunts. Racing, stunt riding, or other maneuvers also increase the risk of loss of control, or may cause uncontrolled rider actions or reactions. All of these could result in serious injury or possibly death.
- Never allow more than one person at a time ride the Dirt Quad.
- Do not allow hands, feet, hair, body parts, clothing, or similar articles to come in contact with moving parts, wheels, disc brakes or drivetrain.
- Never use headphones or a cell phone to talk or text when riding.
- Never hitch a ride with a vehicle.

Using the Charger

- Never modify the electric system. Alteration could cause a fire. Use of the wrong type of battery or charger could cause an explosion.
- BEFORE EACH USE: Charge the battery for AT LEAST 12 hours and inflate the tires to the correct PSI.
- Turn off after each ride. The battery may be unable to recharge if left "ON" without use.
- Do NOT store in freezing or below freezing temperatures! Freezing temperatures will permanently damage the battery.
- The charger supplied with the electric Dirt Quad should be regularly examined for damage to the cord, plug, enclosure and other parts. In the event of such damage, the Dirt Quad must not be charged until the charger has been repaired or replaced.
- Use only a charger recommended by Razor.
- The charger is not a toy. Charger should only be operated by an adult.
- Do not operate charger near flammable materials or an open flame.
- Unplug charger and disconnect from Dirt Quad when not in use.
- Do not exceed charging time.
- Always disconnect Dirt Quad from charger prior to wiping it down or cleaning with a damp cloth.

Limited Warranty:

This Limited Warranty is the only warranty for this product. There is no other express or implied warranty. The manufacturer warrants this product to be free of manufacturing defects for a period of 90 days from date of purchase.

This Limited Warranty will be void if the product is ever:

- used in a manner other than for recreation or transportation;
- modified in any way;
- rented.



**CONTAINS SEALED NON-SPILLABLE LEAD ACID BATTERIES.
BATTERIES MUST BE RECYCLED.**



AVERTISSEMENT. Pour éviter de graves blessures :
PRÉCAUTIONS DE SÉCURITÉ pendant l'utilisation et la maintenance
Les parents et les adultes surveillant les enfants doivent tout d'abord lire cette page

LES PARENTS ET LES ADULTES SURVEILLANT LES ENFANTS DOIVENT LEUR ENSEIGNER COMMENT UTILISER SANS DANGER CE DIRT QUAD. Si l'utilisateur ne fait pas usage de bon sens et ne respecte pas ces avertissements, il y a un risque accru de dommages ou de blessures graves, voire mortelles.

L'utilisation d'un Dirt Quad électrique présente des risques potentiels.

- Ce produit électrique n'est pas un jouet (Annexe I, cl. 6 de la Directive 2009/48/CE). Comme tout autre produit mobile à quatre roues, un Dirt Quad électrique peut être dangereux (par exemple, on peut tomber ou être confronté à une situation dangereuse). Il va de soi que les Dirt Quads électriques sont conçues pour se déplacer; il est donc possible que l'utilisateur perde la maîtrise ou soit confronté à des situations dangereuses.
- Les enfants et les adultes chargés de les surveiller doivent comprendre que si une telle situation se présente, un utilisateur peut subir des blessures graves, voire mortelles, s'il utilise l'équipement de sécurité et qu'il respecte les autres précautions de sécurité.



AVERTISSEMENT : LA RESPONSABILITÉ ET LA SUPERVISION D'UN PARENT ET D'UN ADULTE SONT NÉCESSAIRES : Ce manuel contient des informations de sécurité importantes. Il est de votre responsabilité d'étudier ces informations et de vous assurer que tous les utilisateurs comprennent tous les avertissements, mises en garde, instructions et consignes de sécurité. Vous devez également vous assurer que les jeunes usagers sont capables d'utiliser ce produit en toute sécurité et de façon responsable. Avec de jeunes usagers, Razor USA recommande de reprendre régulièrement les informations contenues dans ce manuel et d'en souligner de nouveau l'importance ; vous êtes également tenu d'inspecter et d'entretenir le produit de votre enfant pour assurer sa sécurité.



AVERTISSEMENT : NE CONVIENT PAS AUX ENFANTS DE MOINS DE 8 ANS OU DONT LE POIDS EXCÈDE 54 KG. Parce que les produits comme le Dirt Quad présentent des risques pleinement associés à leur utilisation, LA RESPONSABILITÉ D'UN PARENT DANS LE CHOIX D'UN PRODUIT ROULANT APPROPRIÉ À L'ÂGE DE L'ENFANT OU LA SUPERVISION D'UN PARENT DANS LES SITUATIONS OÙ DES ENFANTS D'ÂGES DIFFÉRENTS PEUVENT AVOIR ACCÈS AUX MÊMES PRODUITS ROULANTS EST NÉCESSAIRE ET IMPORTANTE. Tout produit n'est pas approprié aux enfants de tout âge ou de toute taille, il existe différentes recommandations relatives à l'âge dans cette catégorie de produits, qui ont pour but de refléter la nature des dangers et les capacités physiques ou mentales prévues, ou les deux, qu'un utilisateur possède pour faire face aux dangers.

- **Razor recommande d'interdire l'utilisation d'un Dirt Quad aux enfants de moins de 8 ans. Cette recommandation ne repose pas uniquement sur l'âge, le poids ou la grandeur, mais également sur des considérations de maturité et d'aptitude, ainsi que sur la taille physique. L'âge recommandé de 8 ans ou plus est seulement une estimation, et il peut être affecté par la taille, le poids ou les capacités de l'utilisateur. Le produit ne convient pas à tous les enfants de 8 ans. Toute personne ne se sentant pas à l'aise sur le Dirt Quad ne doit pas essayer de l'utiliser, mais les parents doivent décider de permettre ou non à leur enfant d'utiliser ce produit en fonction de sa maturité, de ses capacités et de son aptitude à respecter les consignes. Razor recommande fortement aux adultes de ne pas ignorer les recommandations de Razor ou de permettre à un enfant plus jeune d'utiliser un Dirt Quad.**
- **NE PAS DÉPASSER LA LIMITE DE POIDS DE 54 kg.** Le poids seul de l'utilisateur ne signifie pas forcément que la taille de la personne est appropriée pour convenir au Dirt Quad ou en maintenir le contrôle. Tenez ce produit hors de portée des enfants en bas âge et rappelez-vous qu'il est exclusivement destiné à des personnes qui, au minimum, se sentent totalement à l'aise et compétentes pour utiliser le produit.
- **Toute personne présentant des problèmes mentaux ou physiques qui l'exposent aux blessures ou qui risquent de nuire à sa dextérité ou à sa capacité mentale de reconnaître, comprendre et suivre les directives de sécurité et à sa capacité de comprendre le danger relatif à l'utilisation d'un Dirt Quad ne doit pas utiliser ou avoir la permission d'utiliser des produits dont ils ne peuvent avoir la maîtrise. Il faut prévenir les personnes souffrant de maladies cardiaques, de douleurs à la tête, au dos ou au cou (ou ayant subi des chirurgies à ces parties du corps) et les femmes enceintes de ne pas utiliser ces produits.**

Équipement de protection, vêtement, chaussures appropriés

- Toujours porter un équipement de protection approprié, tel qu'un casque homologué (avec la sangle correctement bouclée), des protections pour coudes et genoux. Les lois et règlements locaux peuvent obliger le port du casque. De plus, il est recommandé de porter un vêtement à manches longues, un pantalon et des gants.
- Toujours porter des chaussures de sport (des chaussures à lacets avec des semelles caoutchouc); ne jamais rouler pieds nus ou en sandales, et s'assurer que vos lacets restent noués et à distance des roues, du moteur et du système d'entraînement.

Vérifier le Dirt Quad avant l'utilisation – Effectuer un entretien après l'utilisation

- Avant l'utilisation, vérifier que le frein fonctionne correctement, que les pneus sont suffisamment gonflés et que la bande de roulement n'est pas trop usée.
- Après l'utilisation, entretenir et réparer le Dirt Quad conformément aux spécifications du fabricant incluses dans le présent guide. Utiliser uniquement les pièces de rechange homologuées par le fabricant. Ne pas modifier la conception et la configuration d'origine de ce Dirt Quad.
- Pratiques et conditions d'utilisation acceptables – Les parents ou les adultes doivent discuter de ces règles avec leurs enfants.
- Porter un équipement de protection Ne pas utiliser au sein de la circulation (routière).

À quel endroit utiliser le Dirt Quad

- Vérifiez et respectez toujours les lois ou réglementations locales qui peuvent s'appliquer aux endroits où le Dirt Quad électrique peut être utilisé. Maintenir constamment une distance de sécurité avec les véhicules motorisés et utiliser le produit avec précaution uniquement aux endroits autorisés.
- Le Dirt Quad est prévu pour être utilisé sur des propriétés privées et des circuits fermés, mais pas sur les voies publiques ou les trottoirs. Ne roulez pas avec votre quad électrique dans des secteurs où un trafic piéton ou mécanique est présent.
- Adopter une conduite défensive. Il faut veiller à éviter les piétons, les skaters, les skateboards/planches à roulettes, les vélos, les enfants ou les animaux qui pourraient couper votre trajectoire. Respecter les droits et la propriété d'autrui.
- Les surfaces humides, glissantes, bosselées, inégales ou rugueuses peuvent réduire l'adhérence et augmenter les risques d'accident.
- Ne pas utiliser le Dirt Quad dans la boue, sur la glace, dans les flaques ou l'eau.
- Éviter les bosses, les bouches d'égoût et les changements brusques de surfaces.
- Ne pas conduire le Dirt Quad par temps humide ou en présence de verglas et ne jamais immerger le Dirt Quad dans l'eau, car les éléments électriques et les organes de transmission pourraient être endommagés par l'eau ou créer d'autres conditions potentiellement dangereuses.
- Ne jamais risquer d'endommager des surfaces comme de la moquette ou du revêtement de sol en utilisant un Dirt Quad électrique à l'intérieur.
- Ne jamais utiliser à proximité de marches ou de piscines.

Comment conduire le Dirt Quad

- Ne pas utiliser la commande de vitesse (poignée rotative d'accélération) sur le guidon tant que vous n'êtes pas bien assis sur le Dirt Quad et dans un environnement extérieur sans danger et approprié pour rouler.
- Tenir le guidon en tout temps lorsque vous roulez.
- Ne pas toucher aux freins ou au moteur du Dirt Quad lorsqu'il est en marche ou immédiatement après son utilisation, car ces pièces peuvent être très chaudes.
- Éviter les vitesses élevées que vous pourriez atteindre dans une descente, car vous risquez de perdre le contrôle.
- Ne pas rouler de nuit ou lorsque la visibilité est limitée.
- Ne pas tenter de faire ou ne pas faire d'acrobaties ou de figures sur le Dirt Quad électrique. Le Dirt Quad n'est pas suffisamment solide pour résister à une mauvaise utilisation ou à des abus comme sauter, grimper sur des trottoirs ou toute autre acrobatie. Les courses et l'exécution d'acrobaties ou de tout autre manœuvre augmentent également les risques de perte de contrôle ou peuvent entraîner des actions ou des réactions non maîtrisées de l'utilisateur. Tous ces comportements peuvent entraîner des blessures graves, voire mortelles.
- Ne jamais laisser plus d'une personne à la fois monter sur le Dirt Quad.
- Ne jamais laisser de mains, de pieds, de cheveux, de parties du corps, de vêtements ou d'autres articles semblables entrer en contact avec les organes mobiles, les roues, les freins à disque ou la transmission.
- Ne jamais utiliser d'écouteurs ou de téléphone portable pour parler ou texter en roulant.
- Ne jamais s'accrocher à un véhicule.

Utilisation du chargeur

- Ne jamais modifier le système électrique. Une modification peut entraîner un incendie. L'utilisation du mauvais type de batterie ou de chargeur peut provoquer une explosion.
- AVANT CHAQUE UTILISATION : Charger la batterie pendant AU MOINS 12 heures et gonfler les pneus à la pression appropriée.
- Mettre hors tension après chaque utilisation. La batterie pourrait ne plus se charger si elle est laissée « sous tension » sans être utilisée.
- NE PAS entreposer à ou sous la température de gel. Les températures de gel endommageront la batterie de façon permanente.
- Le chargeur fourni avec le Dirt Quad électrique doit être régulièrement examiné pour vérifier si le câble, la prise, le boîtier et les autres pièces sont endommagés. Si un des composants est endommagé, le Dirt Quad ne doit pas être chargé tant que le chargeur n'a pas été réparé ou remplacé.
- Utiliser uniquement un chargeur recommandé par Razor.
- Le chargeur n'est pas un jouet. Le chargeur doit uniquement être utilisé par un adulte.
- Ne pas utiliser le chargeur près de matériaux inflammables ou d'une flamme nue.
- Débrancher le chargeur et le déconnecter du Dirt Quad lorsque vous ne l'utilisez pas.
- Ne pas dépasser le temps de charge.
- Toujours débrancher le Dirt Quad du chargeur avant de l'essuyer ou de le nettoyer avec un linge humide.

Garantie limitée:

Cette garantie limitée est la seule garantie couvrant ce produit. Il n'existe aucune autre garantie explicite ou tacite.

Le fabricant garantit que ce produit est exempt de défauts de fabrication pour une durée de 90 jours à compter de la date d'achat.

Cette garantie limitée s'éteindra si le produit est :

- utilisé autrement qu'à des fins de loisirs ou de transport ;
- modifié de quelque manière que ce soit ;
- loué.



**"CONTIENT DES BATTERIES PLOMB-ACIDE ÉTANCHES (SANS ENTRETIEN).
LES BATTERIES DOIVENT ÊTRE RECYCLÉES."**

ES



ADVERTENCIA. Para evitar lesiones graves:
PRECAUCIONES DE SEGURIDAD durante el uso y el mantenimiento
Padres/supervisores adultos, lean esta hoja primero

LOS PADRES/ADULTOS SUPERVISORES DEBERÁN ENSEÑAR A LOS NIÑOS CÓMO CONDUCIR ESTE DIRT QUAD DE MANERA SEGURA. Si el conductor no sigue el sentido común y no tiene presente estas advertencias, hay mayor riesgo de daños, lesiones graves o incluso la muerte.

Conducir un Dirt Quad eléctrico entraña algunos riesgos potenciales.

- Este producto eléctrico no es un juguete (Anexo I de la Directiva 2009/48/EC). Como cualquier otro producto eléctrico de conducción de cuatro ruedas, un Dirt Quad eléctrico puede resultar peligroso (por ejemplo, pueden producirse caídas o generarse situaciones peligrosas). Los Dirt Quad eléctricos han sido diseñados, por supuesto, para desplazarse y, por lo tanto, es posible que el conductor pierda el control o que se vea implicado en otras situaciones peligrosas.
- Tanto los niños como los adultos responsables de su supervisión deben entender que si se diera alguna de las anteriores situaciones, el conductor puede resultar gravemente herido o incluso morir, aunque se haya hecho uso del equipo de seguridad y se hayan tomado otras medidas de seguridad.



ADVERTENCIA: SE REQUIERE LA SUPERVISIÓN Y RESPONSABILIDAD DE PADRES O ADULTOS: Este manual contiene importante información sobre seguridad. Es su responsabilidad examinar esta información y asegurarse de que todos los usuarios entiendan todas las advertencias, precauciones, instrucciones y pautas sobre seguridad, así como garantizar que los conductores jóvenes sean capaces de usar este producto de forma segura y responsable. Razor USA le recomienda releer y reforzar periódicamente la información de este manual con los conductores más jóvenes y realizar la inspección y mantenimiento del producto de sus niños, a fin de garantizar su seguridad.



ADVERTENCIA: NO INDICADO PARA NIÑOS MENORES DE 8 AÑOS O QUE PESEN MENOS DE 54 KG. Debido a que los productos como el Dirt Quad pueden presentar, y de hecho presentan, peligros potenciales directamente relacionados con su uso, ES IMPORTANTE EL EJERCICIO DE LA RESPONSABILIDAD PARENTAL A LA HORA DE SELECCIONAR LOS PRODUCTOS DE CONDUCCIÓN APROPIADOS SEGÚN LA EDAD DEL NIÑO, O LA SUPERVISIÓN DE LOS PADRES EN SITUACIONES EN LAS QUE NIÑOS DE DIFERENTES EDADES PUEDAN TENER ACCESO A LOS MISMOS PRODUCTOS DE CONDUCCIÓN. Dado que no todos los productos son apropiados para todas las edades ni tamaños de conductores, se han fijado diferentes recomendaciones de edad en esta categoría de producto, que pretenden reflejar el tipo de peligros y la capacidad física o mental esperadas, o ambas, de un conductor para poder hacer frente a posibles peligros.

- **Razor recomienda no permitir el uso del Dirt Quad a niños menores de 8 años. Esta recomendación se fundamenta, no sólo en la edad, el peso o la altura, sino también en el nivel de madurez y habilidad esperables para la edad, además del tamaño físico del conductor. La edad recomendada de 8 años del conductor es sólo una estimación, pudiendo variar según el tamaño, el peso y la habilidad del conductor – no todos los niños de 8 años estarán capacitados para utilizar este producto. En cualquier caso, un conductor que no se sienta cómodo en el Dirt Quad no debería tratar de conducirlo; no obstante, la decisión de los padres de permitir que su hijo/a conduzca este producto debe basarse en el nivel de madurez, habilidad y capacidad de cumplir las normas del conductor. Razor insiste encarecidamente en que los adultos no desoigan las recomendaciones de Razor y no permitan a niños más pequeños conducir el Dirt Quad.**
- **EL PESO DEL CONDUCTOR NO DEBE EXCEDER EL LÍMITE DE 54 kg.** El peso del conductor no necesariamente significa que el tamaño de la persona sea apropiado para estar cómodo o mantener el control del Dirt Quad. Mantenga este producto alejado de los niños pequeños y recuerde que está previsto solo para ser usado por personas que, como mínimo, pueden manejar el producto de forma totalmente cómoda y competente.
- **Aquellas personas cuyas condiciones psíquicas o físicas puedan hacerlas susceptibles de sufrir daños, o ver sus habilidades físicas o capacidades mentales afectadas a la hora de reconocer, comprender y seguir las instrucciones de seguridad y ser capaces de entender los riesgos inherentes a la utilización del Dirt Quad no deberían utilizar o no se les debería permitir utilizar productos inapropiados. Las personas con problemas de corazón, cabeza, espalda o cuello (o que hayan sido sometidas a cirugías de estas áreas corporales), o mujeres embarazadas, deberán ser advertidas de no usar este tipo de productos.**

Equipamiento, ropa y calzado adecuado para conducir

- Lleve siempre equipo de protección adecuado, como casco de seguridad homologado (con el barboquejo bien abrochado), coderas y rodilleras. Es posible que las leyes o reglamentaciones locales de su área exijan el uso de casco. Se aconseja llevar una camiseta de manga larga, pantalones largos y guantes.
- Llevar siempre calzado deportivo (zapatos con cordones y suela de goma); no conducir nunca descalzo ni con sandalias y tener siempre los cordones atados y alejados de las ruedas, del motor y del sistema de tracción.

Comprobación del Dirt Quad antes del uso – Mantenimiento después del uso

- Antes de utilizarlo, compruebe que el freno funciona de manera correcta, que los neumáticos están debidamente inflados y que estos aún tienen suficiente banda de rodadura.
- Después del uso, realice el mantenimiento y repare el Dirt Quad de acuerdo con las especificaciones del fabricante que se describen este manual. Utilice únicamente piezas de repuesto autorizadas por el fabricante. No modifique este Dirt Quad, manténgalo de acuerdo con el diseño y configuración originales del fabricante.
- Prácticas y condiciones aceptables para la conducción – Los padres/adultos deberán comentar estas reglas con los niños.
- Se recomienda utilizar equipo de protección. No debe utilizarse en medio del tráfico.

Dónde conducir el Dirt Quad

- Infórmese y respete siempre las leyes y reglamentaciones locales, que puedan determinar los lugares permitidos para circular con el Dirt Quad eléctrico. Manténgalo siempre alejado del tráfico de automóviles y otros vehículos motorizados y utilícelo con precaución dónde esté permitido.
- El Dirt Quad está diseñado para ser usado en sitios de propiedad privada y en áreas cerradas, pero no en la vía pública ni en la acera. No circular con el cuatriciclo eléctrico en zonas con presencia de peatones o tráfico vehicular.
- Úselo a la defensiva. Tengan cuidado con peatones, patinadores, bicicletas, niños o animales que puedan cruzarse en su camino. Respeten los derechos y las propiedades de los demás.
- Las superficies húmedas, con baches, irregulares o rugosas pueden afectar la tracción y propiciar posibles accidentes.
- No conduzca el Dirt Quad sobre lodo, hielo, charcos ni agua.
- Evitar irregularidades de borde cortante, rejillas de drenaje y cambios bruscos de superficie.
- No circule con el Dirt Quad con lluvia o heladas y nunca sumerja el Dirt Quad en agua, ya que los componentes eléctricos y de propulsión podrían dañarse o crear otras condiciones de posible inseguridad.
- No se arriesgue a dañar superficies como alfombras o pisos, usando el Dirt Quad eléctrico en interiores.
- No circule nunca cerca de peldaños ni piscinas.

Cómo conducir el Dirt Quad

- No active el control de velocidad en la empuñadura, excepto cuando esté completamente sentado en el Dirt Quad y en un ambiente exterior adecuado y seguro para circular.
- Mantenga las manos en el manillar en todo momento mientras conduce.
- No tocar los frenos ni el motor del Dirt Quad cuando se esté en uso o inmediatamente después de usarlo, ya que estas piezas podrían calentarse mucho.
- Evite alcanzar velocidades elevadas, como p.ej. cuando descienda pendientes, ya que cabe el riesgo de que pierda el control.
- No circule de noche ni con visibilidad limitada.
- No intente hacer piruetas o trucos con el Dirt Quad eléctrico. El Dirt Quad no ha sido diseñado para soportar un uso indebido, por ejemplo, hacer saltos, hacer equilibrios en los bordillos de las aceras u otro tipo de piruetas. Hacer carreras, hacer piruetas u otras maniobras también aumentan el riesgo de perder el control u ocasionar acciones o reacciones incontroladas por parte del conductor. Todo esto podría ocasionar graves lesiones o incluso la muerte.
- Nunca permita que más de una persona a la vez conduzca el Dirt Quad.
- No deje que manos, pies, pelo, partes del cuerpo, ropa o artículos similares entren en contacto con partes móviles, ruedas, discos de freno o transmisión.
- Nunca use auriculares ni teléfonos móviles para hablar o enviar mensajes de texto mientras circula.
- Nunca se haga remolcar por otro vehículo.

Uso del cargador

- Nunca modifique el sistema eléctrico. Cualquier alteración puede causar un incendio. El uso del tipo incorrecto de baterías o carga puede causar una explosión.
- ANTES DE CADA USO: Cargue la batería durante AL MENOS 12 horas e infle los neumáticos con la PSI correcta.
- Apáguelo después de cada uso. Es posible que la batería no pueda recargarse si se deja en modo "ON" y no se utiliza.
- ¡NO guardar nunca a temperaturas de congelación o bajo cero! Las temperaturas de congelación dañarán permanentemente la batería.
- Deberá comprobarse periódicamente que el cargador suministrado con el Dirt Quad eléctrico no presenta daños en el cable, el enchufe, la carcasa u otras partes. En caso de daños, no deberá cargarse el Dirt Quad hasta que el cargador sea reparado o sustituido.
- Utilice únicamente el cargador recomendado por Razor.
- El cargador no es un juguete. El cargador debe ser utilizado por un adulto.
- No utilice el cargador cerca de materiales inflamables o de fuego.
- Desenchufe el cargador y desconéctelo del Dirt Quad, cuando no lo utilice.
- No exceda el tiempo de carga.
- Desconecte siempre el Dirt Quad del punto de carga antes de limpiarlo o pasarle un paño húmedo.

Garantía Limitada:

Esta garantía limitada es la única garantía para el presente producto. No existe ninguna otra garantía explícita o implícita. El fabricante garantiza que este producto no presenta defectos de fabricación durante un período de 6 meses a partir de la fecha de compra. Esta garantía se anulará si, en algún momento, el producto:

- se utilice con otros fines que no sean recreativos o de transporte;
- se modifique de alguna forma;
- se alquile.



**CONTIENE BATERÍAS SELLADAS A PRUEBA DE DERRAMES CON PLOMO-ACIDO.
LAS BATERÍAS DEBEN RECICLARSE.**



**WARNUNG. Um ernsthafte Verletzungen zu vermeiden:
SICHERHEITSVORKEHRUNGEN bei Betrieb und Wartung
Eltern/erwachsene Aufsichtspersonen – erst diese Seite lesen**

ELTERN/ERWACHSENE AUFSICHTSPERSONEN HABEN KINDERN BEIZUBRINGEN, WIE MAN DIESES DIRT QUAD SICHER FÄHRT. Wenn der Benutzer nicht vernünftig genug ist, diese Warnhinweise zu befolgen, besteht eine erhöhte Gefahr von Beschädigungen und schweren Verletzungen, u.U. mit Todesfolge.

Das Fahren eines Dirt Quads ist potenziell riskant.

- Das Fahren eines Dirt Quads ist potenziell riskant. Dieses elektrisch angetriebene Produkt ist kein Spielzeug (Anhang I der Richtlinie 2009/48/EG). Wie jedes Fahrzeug kann ein Dirt Quad gefährlich sein (z.B. Herunterfallen oder damit in eine gefährliche Situation geraten). Dirt Quads sind natürlich zur Fortbewegung gedacht, und es ist daher möglich, dass ein Fahrer die Kontrolle verlieren oder anderweitig in gefährliche Situationen geraten kann.
- Sowohl Kindern als auch den für ihre Beaufsichtigung verantwortlichen Erwachsenen muss es klar sein, dass der Fahrer in solchen Fällen schwere Verletzungen, u.U. mit Todesfolge, erleiden kann – selbst wenn Sicherheitsausrüstung verwendet wird und andere Sicherheitsvorkehrungen getroffen werden.



WARNUNG: DIE ÜBERWACHUNG DURCH ELTERN ODER ANDERE ERWACHSENE BETREUUNGSPERSONEN IST UNERLÄSSLICH: Diese Anleitung enthält wichtige Informationen zur Sicherheit. Es liegt in Ihrer Verantwortung diese Information zu lesen und sicherzustellen, dass alle Fahrer alle Warnungen, Vorsichtshinweise, Anweisungen und Sicherheitsaspekte befolgen. Vergewissern Sie sich, dass die jungen Fahrer dieses Produkt sicher und verantwortungsbewusst nutzen können. Razor USA empfiehlt die regelmäßige Überprüfung und Vertiefung der Kenntnisse der Hinweise in dieser Anweisung bei jüngeren Fahrern sowie Ihrerseits die Inspektion und Wartung des Produkts Ihrer Kinder, um deren Sicherheit zu gewährleisten.



WARNUNG: NICHT FÜR KINDER UNTER 8 JAHREN ODER SCHWERER ALS 54 KG. Da bereits die Nutzung von Produkten wie das Dirt Quad mögliche Gefahren darstellt, sind die ELTERLICHE SORGFALT BEI DER AUSWAHL VON AN DAS ALTER DES KINDES ANGEMESSENEN FAHRZEUGE UND DIE ELTERLICHE AUFSICHT IN SITUATIONEN, IN DENEN DAS KIND IM UNTERSCHIEDLICHEN ALTER AUF DASSELBE FAHRZEUG ZUGRIFF HABEN KÖNNEN, NOTWENDIG. Nicht jedes Produkt ist für Kinder jeden Alters bzw. jeder Größe geeignet, daher findet man in dieser Produktgruppe unterschiedliche Altersempfehlungen, welche die Gefahrenarten und die zu erwartende geistigen und/oder körperlichen Fähigkeiten eines Fahrers im Umgang mit diesen Gefahren berücksichtigen.

- **Razor empfiehlt, Kindern unter 8 Jahren den Gebrauch des Dirt Quad nicht zu erlauben. Diese Empfehlung basiert nicht nur auf dem Alter, dem Gewicht oder der Höhe – sie spiegelt auch die erwartete Reife und Fahrfähigkeit sowie die physische Größe wieder. Die empfohlene Altersangabe für den Fahrer ab 8 Jahren ist nur eine Schätzung und hängt ab von Größe, Gewicht oder Können des Fahrers – das Produkt ist nicht für jedes Kind mit einem Alter von 8 Jahren geeignet. Wenn ein Fahrer nicht bequem auf das Dirt Quad passt, sollte er nicht versuchen zu fahren, die Entscheidung der Eltern, ihrem Kind das Fahren auf diesem Produkt zu erlauben, sollte jedoch auf der Reife, der Fahrfähigkeit und der Fähigkeit zum Befolgen von Regeln basieren. Razor betont ausdrücklich, dass Erwachsene die Empfehlungen von Razor nicht ignorieren sollten und jüngeren Kindern das Fahren mit dem Dirt Quad nicht erlauben sollten.**
- **EIN GEWICHT VON 54 kg NICHT ÜBERSCHREITEN.** Das Gewicht des Fahrers ist nicht gleichbedeutend damit, dass eine Person die geeignete Größe hat oder das Dirt Quad sicher handhaben kann. Dieses Produkt von Kleinkindern fernhalten und daran denken, dass es nur für den Gebrauch durch Personen bestimmt ist, die das Produkt uneingeschränkt sicher und kompetent handhaben können.
- **Personen, deren geistiger oder körperlicher Zustand eine Verletzungsgefahr darstellt oder sie an ihrer körperlichen Geschicklichkeit oder geistigen Fähigkeiten die Sicherheitsanweisungen zu erkennen, zu verstehen und zu befolgen sowie die mit der Benutzung des Dirt Quads verbundenen Gefahren zu verstehen, dürfen das für ihre Fähigkeiten nicht geeignete Produkt nicht benutzen bzw. die Erlaubnis zu dessen Benutzung nicht erhalten. Personen mit Herzerkrankungen, Kopf-, Rücken- oder Nackenbeschwerden (oder vorangegangenen chirurgischen Eingriffen in diesen Bereichen) sowie Schwangere sollten darauf hingewiesen werden, derartige Produkte nicht zu benutzen.**

Vorschriftsmässige Ausrüstung, Kleidung, Schuhe zum Fahren

- Stets vorschriftsmässige Schutzausrüstung wie z.B. einen zugelassenen Sturzhelm (mit fest angezogenem Riemen), Ellbogen- und nieschützer tragen. Bei Ihnen kann durch örtlich geltendes Recht oder eine Vorschrift ein Helm gesetzlich vorgeschrieben sein. Außerdem sind ein langärmeliges Hemd, lange Hosen und Handschuhe empfehlenswert.
- Stets Turnschuhe (geschnürt und mit Gummisohlen) tragen, nie barfuß oder in Sandalen fahren, und die Schnürsenkel verschnürt und außerhalb der Reichweite von Rädern, Motor und Antriebssystem halten.

Dirt Quad vor der Verwendung kontrollieren – nach der Benutzung warten

- Vor Gebrauch prüfen, dass die Bremse einwandfrei funktioniert und dass die Reifen ordnungsgemäß aufgepumpt sind und ausreichend Profil haben.
- Den Dirt Quad nach Gebrauch entsprechend den erstelleranweisungen in diesem Handbuch warten und reparieren. Nur die vom Hersteller autorisierten Ersatzteile verwenden. Die ursprüngliche Auslegung und Ausführung des Dirt Quads vom Hersteller nicht verändern.
- Zulässige Fahrpraktiken und -bedingungen – Eltern/Erwachsene haben diese Regeln mit ihren Kindern zu besprechen
- Das Tragen von Schutzausrüstung ist empfehlenswert. Keine Benutzung im Straßenverkehr!

Wo man den Dirt Quad fahren darf

- Gesetze und Regelungen vor Ort immer befolgen, da diese gegebenenfalls bestimmen, wo das elektrische Dirt Quad gefahren werden darf. Stets einen sicheren Abstand zu Autos und zum Straßenverkehr wahren und nur da, wo es erlaubt ist, und mit Vorsicht benutzen.
- Das Dirt Quad ist nur zur Benutzung auf Privatgelände und in einer gesicherten Umgebung gedacht und nicht auf öffentlichen Straßen oder Bürgersteigen. Das Elektro-Vierrad nicht in Gegenden mit Fußgänger- oder Fahrzeugaufkommen fahren.
- Defensiv verhalten. Auf Fußgänger, Skater, Skateboarder, Fahrräder, Kinder und Tiere achten, die im Weg sein können. Die Rechte und das Eigentum anderer respektieren.
- Auf nassen, rutschigen, holprigen, unebenen oder rauen Flächen verringert sich die Traktion, und das Unfallrisiko ist höher.
- Das Dirt Quad nicht durch Matsch, Eis, Pfützen oder Wasser fahren.
- Steile Bodenwellen, Abwassergitter und plötzliche Oberflächenwechsel vermeiden.
- Das Dirt Quad nicht bei nassem Wetter oder Eis fahren und das Dirt Quad nie unter Wasser setzen, da dies die Elektro- und Antriebskomponenten beschädigen oder zu anderen möglichen unsicheren Zuständen führen kann.
- Dirt Quad nicht drinnen benutzen, da Teppich- oder andere Bodenbeläge durch einen elektrische Dirt Quad beschädigt werden können.
- Nie in der Nähe von Treppenstufen oder Schwimmbecken benutzen.

So fährt man das Dirt Quad

- Das Geschwindigkeitsbedienelement (den Gasdrehgriff) am Handgriff erst bedienen, wenn Sie ganz auf dem Dirt Quad sitzen und sich draußen in einer sicheren, zum Fahren geeigneten Umgebung befinden.
- Sich beim Fahren stets mit den Händen an der Lenkstange festhalten.
- Beim Gebrauch Ihres Dirt Quad und unmittelbar danach weder die Bremsen noch den Motor berühren, da diese Teile sehr heiß werden können.
- Hohe Geschwindigkeiten wie z.B. auf Bergabfahrten vermeiden, da Sie die Kontrolle verlieren können.
- Nachts bzw. bei beschränkter Sicht nicht fahren.
- Auf dem elektrischen Dirt Quad keine Stunts und Tricks versuchen bzw. ausführen. Das Dirt Quad ist nicht stabil genug, solchen Missbrauch wie Sprünge, Grinds oder sonstigen Stunts auszuhalten. Wettrennen, Stunts und sonstige Manöver erhöhen auch das Risiko, die Kontrolle zu verlieren, und sie können zu unkontrollierten Handlungen und Reaktionen des Benutzers führen. All dies kann in schweren Verletzungen, u.U. mit Todesfolge, resultieren.
- Nie mehr als eine Person auf dem Dirt Quad fahren lassen.
- Dafür sorgen, dass Hände, Füße, Haare, Körperteile, Kleidung oder Ähnliches nicht in Kontakt mit sich bewegenden Teilen, Rädern, Scheibenbremsen oder dem Antriebsstrang kommen.
- Beim Fahren nie Kopfhörer oder Handys zum Telefonieren oder Simsen benutzen.
- Sich nie an ein anderes Fahrzeug anhängen.

Verwenden des Ladegeräts

- Die elektrische Anlage nie modifizieren! Änderungen können zu Bränden führen. Bei Verwendung eines falschen Batterietyps besteht Explosionsgefahr.
- VOR JEDEM GEBRAUCH: Die Batterie für MINDESTENS 12 Stunden aufladen und Reifen auf korrekten Druck aufpumpen.
- Nach jedem Fahren ausschalten. Nach dem Stehenlassen in der Stellung „ON“ (EIN) kann die Batterie möglicherweise nicht mehr aufgeladen werden.
- NIEMALS bei Temperaturen in Nähe oder unterhalb des Gefrierpunktes lagern!
- Das mit dem elektrischen Dirt Quad mitgelieferte Ladegerät sollte regelmäßig auf Schäden hin untersucht werden an Kabel, Stecker, Gehäuse und andere Teile. Im Falle eines solchen Schadens darf das Dirt Quad bis zur Reparatur bzw. Ersatz des Ladegerätes nicht geladen werden.
- Nur ein von Razor empfohlenes Ladegerät verwenden.
- Das Ladegerät ist kein Spielzeug. Benutzung des Ladegerätes nur durch Erwachsene.
- Ladegerät nicht in der Nähe brennbarer Materialien oder von offenem Feuer betreiben.
- Netzstecker des Ladegeräts und Ladekabel am Dirt Quad abziehen, wenn es nicht im Gebrauch ist.
- Ladezeit nicht überschreiten.
- Das Dirt Quad stets erst vom Ladegerät abnehmen, bevor es nass abgewischt oder mit einem feuchten Tuch gereinigt wird.

Begrenzte Gewährleistung:

Diese begrenzte Gewährleistung ist die einzige Gewährleistung für das Produkt. Es gibt keine weitere ausdrückliche oder stillschweigende Gewährleistung. Der Hersteller gewährleistet 90 Tage lang ab Kaufdatum, dass dieses Produkt frei von Herstellungsmängeln ist. Ein Verlust dieser begrenzten Gewährleistung ergibt sich falls dieses Produkt jemals:

- zu einem anderen Zweck als dem der Freizeitbeschäftigung oder des Transports genutzt wird;
- wie auch immer modifiziert wird;
- bei Verleih.



**ENTHÄLT VERSIEGELTE UND AUSLAUFGESCHÜTZTE BLEI-SÄURE-BATTERIEN.
BATTERIEN MÜSSEN RECYCLET WERDEN.**



AVVERTENZE. Consigli per evitare di incorrere in lesioni gravi:
PRECAUZIONI da seguire per il corretto funzionamento e la manutenzione
I genitori/adulti devono leggere prima questa pagina

I GENITORI/GLI ADULTI DEVONO INSEGNARE AI BAMBINI COME GUIDARE IN SICUREZZA QUESTO DIRT QUAD. Se il guidatore manca di buon senso e non tiene conto di queste avvertenze aumenta il rischio di incorrere in danni, lesioni personali fino ad arrivare al decesso.

Guidare un Dirt Quad elettrico presenta rischi potenziali

- Questo prodotto elettrico non è un giocattolo (Allegato I della Direttiva 2009/48/CE). Come ogni mezzo in movimento, un Dirt Quad elettrico può rivelarsi pericoloso (ad esempio cadere o guidare in una condizione di pericolo). I Dirt Quad elettrici sono, ovviamente, progettati per il movimento ed è quindi possibile che il conducente possa perdere il controllo o incorrere in situazioni di pericolo.
- Sia i bambini che gli adulti, preposti alla loro supervisione, devono essere consapevoli che se si verifica una di queste condizioni, il conducente può ferirsi gravemente o perfino morire anche se si indossano gli opportuni indumenti protettivi e si sono prese le dovute precauzioni.



AVVERTENZE: LA SUPERVISIONE E LA RESPONSABILITÀ DEI GENITORI E DEGLI ADULTI SONO NECESSARIE: Il presente manuale contiene importanti informazioni sulla sicurezza. È responsabilità dei genitori leggere queste informazioni ed assicurarsi che chi guida il prodotto sia consapevole di tutte le avvertenze, precauzioni, istruzioni e argomenti relativi alla sicurezza. Assicurarsi anche che il conducente del prodotto sia capace di utilizzare questo veicolo in modo sicuro e responsabile. Razor USA consiglia che periodicamente si rileggano e si confermino le informazioni contenute in questo manuale con i giovani utilizzatori e che si effettuino i controlli e la necessaria manutenzione per garantire la sicurezza dei bambini.



AVVERTENZE: NON ADATTO AI BAMBINI DI ETÀ INFERIORE A 8 ANNI O CHE PESANO PIÙ DI 54 KG. Poiché i prodotti, come il Dirt Quad, possono presentare pericoli potenziali legati al loro utilizzo, I GENITORI HANNO LA RESPONSABILITÀ DI SCEGLIERE IL PRODOTTO ADATTO ALL'ETÀ DEL BAMBINO OVVERO LA LORO SUPERVISIONE È IMPORTANTE IN SITUAZIONI IN CUI I BAMBINI DI DIVERSE ETÀ POSSONO ACCEDERE AL PRODOTTO STESSO. Non tutti i prodotti sono adatti alle varie età o al diverso peso dei bambini, in questa categoria di prodotti sono indicate le avvertenze per le diverse età allo scopo di riflettere al meglio la natura dei pericoli e l'abilità auspicabile mentale o fisica, o entrambe, di un conducente di affrontare i pericoli.

- **Razor consiglia che ai bambini di età inferiore a 8 anni sia impedito di usare il Dirt Quad. Questo consiglio non si basa solo sull'età o sul peso ma riflette anche le valutazioni sulla maturità, l'abilità e la corporatura. L'età minima consigliata di 8 anni è solo indicativa e può essere condizionata dalla corporatura, dal peso e dall'abilità del conducente. Non tutti i bambini di 8 anni possono guidare questo prodotto. Ovviamente, qualsiasi guidatore che non si senta a proprio agio sul Dirt Quad, non deve cercare di guidarlo, ma il consenso dei genitori all'impiego del veicolo da parte dei bambini dovrebbe basarsi sulla valutazione della loro maturità, abilità e capacità nel seguire le regole. Razor pone l'accento sul fatto che gli adulti non devono in alcun caso trascurare i consigli di Razor o consentire ai bambini più piccoli di guidare il Dirt Quad.**
- **NON SUPERARE IL PESO MASSIMO DI 54 Kg.** Il peso del conducente non è indicativo del fatto che la sua corporatura sia adatta a guidare e mantenere il controllo del Dirt Quad. Tenere questo prodotto lontano dalla portata dei bambini piccoli e ricordare che l'uso del veicolo è riservato esclusivamente a persone che abbiano, come requisito minimo, familiarità con il veicolo e siano in grado di utilizzarlo con competenza.
- **Persone che soffrono di problemi fisici o mentali, che potrebbero incorrere in lesioni personali o pregiudicare la propria abilità fisica o capacità mentale di riconoscere, comprendere e seguire le istruzioni di sicurezza con i rischi potenziali inerenti all'uso del Dirt Quad, non devono usare, o deve essere loro impedito di usare prodotti inadatti per le loro capacità. Persone affette da problemi cardiaci, disturbi a testa, schiena o collo (o che sono state sottoposte a interventi chirurgici in queste zone del corpo in passato), o donne in gravidanza devono essere avvertite di non usare questi prodotti.**

Equipaggiamento alla guida, abbigliamento, scarpe adatte

- Indossare sempre l'equipaggiamento protettivo, come un casco di sicurezza omologato (con il sottogola debitamente allacciato), gomitiere e ginocchiere. L'utilizzo del casco può essere richiesto da leggi o regolamenti locali della vostra zona. Inoltre, si raccomanda l'uso di una maglietta a maniche lunghe, pantaloni lunghi e guanti.
- Indossare sempre le scarpe di ginnastica (scarpe allacciate con soles in gomma), non guidare a piedi nudi o con i sandali e tenere i lacci delle scarpe sempre legati e lontani dalle ruote, dal motore e dal sistema di trasmissione.

Controllare il Dirt Quad prima dell'uso – Effettuare la manutenzione dopo l'uso

- Prima dell'uso controllare che i freni funzionino correttamente, che gli pneumatici siano debitamente gonfiati e ci sia sufficiente battistrada.
- Dopo l'uso, effettuare le dovute operazioni di manutenzione e riparazione del Dirt Quad seguendo le istruzioni del produttore indicate nel presente manuale. Utilizzare solo pezzi di ricambio autorizzati dal produttore. Non modificare il design e la struttura originale del produttore di questo Dirt Quad.
- Pratiche e condizioni di guida accettabili – I genitori/gli adulti devono informare i propri figli di queste indicazioni
- Consigliamo di indossare sempre gli indumenti protettivi. Da non usare nel traffico.

Dove guidare il Dirt Quad.

- Controllare e rispettare sempre le leggi e normative locali che potrebbero interessare i luoghi in cui il Dirt Quad elettrico è utilizzato. Tenersi sempre lontano dal traffico di autovetture e veicoli a motore e utilizzare solo dove permesso e con prudenza.
- Il Dirt Quad è destinato ad essere utilizzato su proprietà private o circuiti chiusi e non su strade pubbliche o marciapiedi. Non guidare il quad elettrico in zone dove sono presenti pedoni o traffico di veicoli.
- Guidare con prudenza. Fare attenzione a evitare pedoni, pattinatori, monopattini, biciclette, bambini o animali che potrebbero trovarsi sul percorso. Rispettare i diritti e le proprietà altrui.
- Le superfici bagnate, scivolose, accidentate, irregolari o ruvide possono diminuire la trazione e aumentare il rischio di incidenti.
- Non guidare il Dirt Quad su fango, ghiaccio, pozzanghere o acqua.
- Evitare dossi irregolari, griglie per il drenaggio e cambi improvvisi di superficie.
- Non guidare il Dirt Quad quando piove o la temperatura esterna è gelida e non immergere mai il Dirt Quad in acqua, poiché i componenti elettrici e di guida potrebbero essere danneggiati dall'acqua o generare altre condizioni pericolose.
- Evitare di danneggiare superfici come tappeti o pavimenti utilizzando il Dirt Quad elettrico in ambienti al chiuso.
- Non utilizzare in prossimità di gradini o piscine.

Come guidare il Dirt Quad

- Utilizzare la manopola dell'acceleratore (accelerazione tramite manopola) solo quando si è sul Dirt Quad e in un ambiente esterno sicuro e adatto alla guida di questo veicolo.
- Tenere sempre le mani sul manubrio alla guida.
- Non toccare i freni o il motore del Dirt Quad quando è in funzione o subito dopo una corsa perché la loro temperatura potrebbe essere troppo elevata.
- Evitare le alte velocità come le corse in discesa dov'è possibile perdere il controllo.
- Non utilizzare di notte o quando la visibilità è limitata.
- Non cercare di guidare in modo spericolato o fare acrobazie sul Dirt Quad elettrico. Il Dirt Quad non è abbastanza resistente per l'uso scorretto o il cattivo uso causato da salti, cordoli o da qualsiasi altro tipo di guida spericolata. Anche la corsa, la guida spericolata e altre manovre aumentano il rischio di perdita del controllo o possono provocare azioni o reazioni incontrollate da parte del guidatore. Tutto questo può provocare gravi lesioni o condurre alla morte.
- Non consentire mai l'utilizzo del Dirt Quad a più bambini contemporaneamente.
- Fare attenzione affinché mani, piedi, parti del corpo, abbigliamento o similari non entrino in contatto con parti in movimento, ruote e gruppo motore.
- Non utilizzare cuffie o telefoni cellulari alla guida.
- Non gareggiare con altri veicoli.

Utilizzo del caricabatteria

- Non modificare il sistema elettrico. Le modifiche potrebbero causare incendi. L'utilizzo di una batteria o di un caricabatteria non adatto potrebbe provocare un'esplosione.
- PRIMA DI OGNI UTILIZZO: Caricare la batteria per ALMENO 12 ore prima di ogni utilizzo e gonfiare gli pneumatici secondo la corretta pressione in PSI.
- Spegnerne dopo ogni corsa. La batteria potrebbe non caricarsi se lasciata su "ON" senza essere utilizzata.
- NON conservare a temperature uguali o sotto lo zero! Temperature uguali allo zero danneggiano irrimediabilmente la batteria.
- Il caricabatteria in dotazione con il Dirt Quad elettrico deve essere controllato periodicamente per rilevare eventuali danni del cavo, della spina, dell'involucro e di altre parti. In caso di danno, il Dirt Quad non deve essere caricato fino ad avvenuta riparazione o sostituzione del caricabatteria.
- Utilizzare solo il caricabatteria consigliato da Razor.
- Il caricabatteria non è un giocattolo. Il caricabatteria deve essere utilizzato solo da un adulto.
- Non utilizzare il caricabatteria in prossimità di materiali infiammabili o di fiamme aperte.
- Rimuovere il caricabatteria e scollegarlo dal Dirt Quad quando non viene utilizzato.
- Non superare il tempo di ricarica richiesto.
- Disconnettere sempre il caricabatteria prima di effettuare le operazioni di pulizia del Dirt Quad con un panno umido.

Garanzia Limitata:

Questa garanzia limitata è l'unica garanzia per questo prodotto. Non esiste nessun'altra garanzia esplicita o implicita. Il produttore garantisce che questo prodotto è privo di difetti di produzione per un periodo di 90 giorni dalla data di acquisto.

- Questa Garanzia Limitata sarà invalidata se il prodotto è:
- utilizzato per scopi diversi dal divertimento o dal trasporto;
 - modificato in qualsiasi sua parte;
 - prestato.



**CONTIENE BATTERIE AL PIOMBO-ACIDO ERMETICHE.
LE BATTERIE DEVONO ESSERE RICICLATE.**



WAARSCHUWING Zo kun je ernstig letsel voorkomen:
VEILIGHEIDSMATREGELEN tijdens gebruik en onderhoud
 Ouders en volwassen begeleiders moeten eerst deze pagina lezen

ouders en volwassen begeleiders moeten kinderen uitleggen hoe ze veilig op deze dirt quad kunnen rijden. Als de bestuurder niet zijn/haar gezond verstand gebruikt en niet deze waarschuwingen in acht neemt, is er een grotere kans op beschadigingen en ernstig of zelfs dodelijk letsel.

Het rijden op een elektrische Dirt Quad brengt mogelijke risico's met zich mee

- Dit elektrisch aangedreven voertuig wordt niet als speelgoed beschouwd (zie Annex I van Richtlijn 2009/48/EG). Het kan gevaarlijk zijn om op een elektrische Dirt Quad te rijden, zoals dat het geval is bij al dergelijke vierwielige voertuigen (je kunt er bijvoorbeeld vanaf vallen of ermee verzeild raken in een gevaarlijke situatie). Elektrische Dirt Quads zijn uiteraard bedoeld om erop te rijden en het kan daarom gebeuren dat de berijder er de controle over verliest of op een andere manier er in een gevaarlijke situatie mee belandt.
- Zowel de kinderen als de volwassenen die ervoor verantwoordelijk zijn om toezicht op hen te houden, moeten inzien dat een berijder ernstig of zelfs dodelijk letsel kan oplopen als zoiets gebeurt, zelfs bij gebruik van beschermers of het treffen van andere veiligheidsmaatregelen.



WAARSCHUWING: HET IS NOODZAKELIJK DAT OUDERS OF ANDERE VOLWASSENEN HUN VERANTWOORDELIJKHEID NEMEN EN TOEZICHT HOUDEN: In deze handleiding staat belangrijke veiligheidsinformatie. Het is uw verantwoordelijkheid om deze informatie door te nemen en ervoor te zorgen dat alle berijders alle waarschuwingen, redenen tot voorzichtigheid, instructies en punten over veiligheid begrijpen en om te waarborgen dat jonge berijders dit product op een veilige en verantwoordelijke manier kunnen gebruiken. Razor USA raadt u aan dat u de informatie in deze handleiding met regelmatige tussenpozen met uw jongere berijders doorneemt en opnieuw bij hen onder de aandacht brengt en dat u het product van uw kinderen controleert en onderhoudt om hun veiligheid te garanderen.



WAARSCHUWING: DIT PRODUCT IS NIET BEDOELD VOOR KINDEREN ONDER DE LEEFTIJD VAN 8 JAAR EN DIE MEER DAN 54 KG WEGEN. Omdat het duidelijk is dat gebruik van producten zoals de Dirt Quad mogelijke gevaren vertegenwoordigt, geldt algemeen dat ouders hun verantwoordelijkheid moeten nemen om een voertuig om op te rijden uit te kiezen dat overeenstemt met de leeftijd van het kind of dat ouderlijk toezicht belangrijk is in situaties waarin kinderen van diverse leeftijden gebruik kunnen maken van dezelfde voertuigen om op te rijden. Niet elk product is geschikt voor kinderen van alle leeftijden en grootte en bij dit soort producten kunnen de aanbevelingen per leeftijd verschillen. Bij deze aanbevelingen is geprobeerd rekening te houden met de aard van de gevaren en de mate waarin een berijder naar verwachting geestelijk en/of lichamenlijk in staat is om met deze gevaren om te gaan.

- Razor raadt aan om kinderen onder de leeftijd van 8 jaar geen toestemming te geven voor gebruik van de Dirt Quad. Deze aanbeveling is niet alleen maar op leeftijd, gewicht of lengte gebaseerd – er is zowel met de lichamenlijke afmetingen als met het waarschijnlijke ontwikkelingsniveau rekening gehouden. De voor de berijder aanbevolen leeftijd van 8 jaar of ouder is slechts een richtwaarde en kan afhangen van de grootte, het gewicht of de vaardigheid van de berijder – niet ieder kind van 8 jaar zal geschikt zijn voor het product. Het is duidelijk dat een berijder die op geen enkele manier goed op de Dirt Quad past niet moet proberen om erop te gaan rijden, maar de beslissing van een ouder om zijn/haar kind op dit product te laten rijden, moet gebaseerd zijn op het ontwikkelingsniveau van het kind, zijn vaardigheid en het vermogen om regels op te volgen. Razor wil volwassenen nadrukkelijk en ten sterkste ontzamen om ervoor te kiezen de aanbevelingen van Razor te verontachtzamen of jongere kinderen toe te staan op de Dirt Quad te rijden.
- DE GEWICHTSLIMIET VAN 54 KG MAG NIET WORDEN OVERSCHREDEN. Als het gewicht van een kind toereikend is, wil dat nog niet zeggen dat de grootte van het kind zodanig is dat het op de Dirt Quad past of die onder controle kan houden. Zorg ervoor dat kleine kinderen niet bij dit product kunnen komen en vergeet niet dat het alleen mag worden gebruikt door personen die zich in ieder geval volledig op hun gemak voelen en aan de vereiste vaardigheden voldoen tijdens het gebruik van het product.
- Personen met een geestelijke of lichamenlijke aandoening waardoor ze mogelijk een grotere kans lopen op letsel of waarbij er sprake is van een geringere lichamenlijke behendigheid of een geringer geestelijk vermogen om veiligheidsinstructies tot zich door te laten dringen, te begrijpen en op te volgen en de gevaren die inherent zijn aan het gebruik van de Dirt Quad in te zien, dienen geen producten te gebruiken of geen toestemming te krijgen voor het gebruik van producten die niet overeenstemmen met hun vermogens. Personen met een hartaandoening, of een hoofd-, rug- of nekaandoening (of bij wie eerder een operatieve ingreep is verricht in deze regio's), of zwangere vrouwen, moet worden afgeraden dergelijke producten te gebruiken.

De juiste beschermers, kleding en schoenen voor het rijden

- Draag altijd geschikte beschermers, zoals een goedgekeurde veiligheidshelm (met een kinband met vergrendeling) en elleboog- en kniestukken. Het is mogelijk dat je wettelijk verplicht bent een veiligheidshelm te dragen. Verder raden we aan een shirt met lange mouwen, een lange broek en handschoenen te dragen.
- Draag altijd sportschoenen (met veters en rubberzolen), rijd nooit blootsvoets of met sandalen en knoop je veters goed vast, zodat ze niet verstrikt kunnen raken in de wielen, de motor of het aandrijfsysteem.

Controleer de Dirt Quad voorafgaand aan gebruik – voer het nodige onderhoud uit na gebruik

- Controleer voorafgaand aan gebruik of de rem goed functioneert en of de banden goed zijn opgepompt en nog voldoende profiel hebben.
- Voer na gebruik in overeenstemming met de specificaties van de fabrikant in deze handleiding onderhoud of reparaties van de Dirt Squad uit. Gebruik voor vervanging uitsluitend onderdelen die door de fabrikant zijn goedgekeurd. Verander niets aan de wijze waarop de Dirt Quad oorspronkelijk door de fabrikant is uitgevoerd en samengesteld.
- Toegestane manier van besturen en omstandigheden voor gebruik – ouders/volwassenen moeten deze regels met hun kinderen bespreken
- Draag altijd beschermers. Niet in het verkeer gebruiken.

Waar op de Dirt Quad mag worden gereden

- Controleer altijd de lokale wetten en regels die betrekking kunnen hebben op de plaatsen waar de elektrische Dirt Quad mag worden gebruikt en handel dienovereenkomstig. Blijf altijd op veilige afstand van auto's en andere motorvoertuigen, gebruik de step alleen waar dat mag en wees voorzichtig.
- De Dirt Quad is bedoeld voor gebruik op particulier terrein of routes in een gecontroleerde of veilige omgeving en niet voor gebruik op de openbare weg of trottoirs. Rijd niet op de elektrische vierwieler op plaatsen waar zich voetgangers- of voertuigverkeer bevindt.
- Rijd defensief. Let goed op, zodat je voetgangers, skaters, skateboards, fietsen, kinderen of dieren die op je pad kunnen komen, kunt ontwijken. Respecteer de rechten en eigendommen van anderen.
- Op natte, gladde, hobbelige, ongelijkmatige of ruwe oppervlakken hebben de banden mogelijk minder grip, waardoor de kans op ongelukken groter is.
- Rijd op de Dirt Quad niet in modder, op ijs, door plassen of in water.
- Rijd niet over scherpe hobbels, drainageroosters en plotselinge wijzigingen van het grondoppervlak.
- Rijd op de Dirt Quad niet in nat weer of bij vorst en dompel de Dirt Quad nooit onder in water. De elektrische componenten en de aandrijvingsonderdelen kunnen door water worden beschadigd en er kunnen andere, mogelijk gevaarlijke omstandigheden door ontstaan.
- Gebruik de Dirt Quad nooit binnenshuis; hierdoor kan de vloerbedekking worden beschadigd.
- Gebruik de step nooit in de buurt van trappen of zwembaden.

Hoe er op de Dirt Quad kan worden gereden.

- Gebruik de snelheidsregeling (draaihandgreep voor gas geven) alleen wanneer je helemaal op de Dirt Quad zit en buiten bent in een veilige omgeving die geschikt is om erin te rijden.
- Houd tijdens het rijden altijd de handgrepen vast.
- Raak de remmen of de motor van je Dirt Quad tijdens of direct na gebruik niet aan; deze onderdelen kunnen zeer heet worden.
- Vermijd hoge snelheden, zoals de snelheid die je misschien hebt als je van een helling afrijdt, je zou de controle kunnen verliezen.
- Rijd niet 's nachts of bij slecht zicht.
- Probeer geen stunts of kunstjes te doen op je elektrische Dirt Quad. De Dirt Quad is niet sterk genoeg om verkeerd gebruik of misbruik, zoals ermee springen, tegen stoepanden op rijden of andere stunts, te kunnen weerstaan. Ook bij racen en het doen van tricks of andere manoeuvres bestaat de kans dat je de controle verliest of ongecontroleerde acties of reacties veroorzaakt. Deze kunnen allemaal ernstig of zelfs dodelijk letsel als gevolg hebben.
- Er mag nooit meer dan één persoon tegelijk op de Dirt Quad rijden.
- Voorkom dat handen, voeten, haar, andere lichaamsdelen, kleding of vergelijkbare voorwerpen in aanraking komen met bewegende delen, de wielen, de schijfremmen of de aandrijflijn.
- Gebruik nooit een oortelefoon of een mobielte tijdens het rijden.
- Laat je nooit voorttrekken door een ander voertuig.

De oplader gebruiken

- Never modify the electric system. >> Het elektrisch systeem mag niet worden aangepast. Use of the wrong type of battery or charger could cause an explosion. >> Het verkeerde type batterij of oplader kan een explosie veroorzaken.
- VOORAFGAAND AAN ELK GEBRUIK: Laad de accu MINIMAAL 12 uur op en pomp de banden op tot de juiste druk.
- Na ieder gebruik uitzetten. Als je dat niet doet, kan de accu mogelijk niet worden opgeladen.
- NIET bewaren op plekken waar het heel koud is of vriest! De accu kan dan namelijk blijvende schade oplopen.
- De oplader die bij de elektrische Dirt Quad wordt geleverd, moet regelmatig worden gecontroleerd op beschadigingen van het snoer, de stekker, de behuizing en andere onderdelen. Mocht er sprake zijn van dergelijke beschadigingen, dan mag de Dirt Quad pas worden opgeladen nadat de oplader is gerepareerd of vervangen.
- Gebruik uitsluitend een oplader die door Razor wordt aanbevolen.
- De oplader is geen speelgoed. De oplader mag alleen door volwassenen worden gebruikt.
- Gebruik de oplader nooit in de buurt van brandbare materialen of open vuur.
- Haal de stekker van de oplader uit het stopcontact en koppel de oplader los van de Dirt Quad wanneer die buiten gebruik is.
- Overschrijd de voorgeschreven oplaadtijd niet.
- Koppel de oplader altijd los van de Dirt Quad alvorens die af te vegen of met een vochtige doek schoon te maken.

Beperkte garantie:

Deze beperkte garantie is de enige garantie voor dit product. Er is geen andere uitdrukkelijke of impliciete garantie. De fabrikant geeft vanaf de datum van aankoop 90 dagen garantie op eventuele productiefouten. De geldigheid van deze beperkte garantie vervalt als het product:

- voor iets anders wordt gebruikt dan recreatie of transport;
- op de een of andere manier wordt aangepast;
- wordt verhuurd.



**BEVAT EEN AFGESLOTEN, LEKVRIJE ACCU OP BASIS VAN LOODZWAVELZUUR.
DE ACCU MOETEN WORDEN GERECYCLED.**



AVISO: Para evitar ferimentos graves:

PRECAUÇÕES DE SEGURANÇA durante a operação e a manutenção
Pais/adultos responsáveis leiam primeiro esta página

OS PAIS/RESPONSÁVEIS ADULTOS TÊM QUE ENSINAR AS CRIANÇAS A ANDAR EM SEGURANÇA NESTA DIRT QUAD. Se o utilizador não usar o bom senso e desrespeitar estes avisos, aumenta o risco de danos, ferimentos graves ou até de morte.

Andar numa Dirt Quad eléctrica envolve potenciais riscos.

- Este produto com motor eléctrico não é um brinquedo (Anexo I da Directiva 2009/48/CE). Como qualquer produto móvel de quatro rodas, uma Dirt Quad eléctrica pode ser perigosa (por exemplo causar quedas ou a utilização numa situação perigosa). As Dirt Quad eléctricas destinam-se, naturalmente, a deslocar-se e é por isso possível que o utilizador perca o controlo ou se envolva, de outra forma, em situações perigosas.
- As crianças e os adultos responsáveis pela sua supervisão devem reconhecer que se tais situações se verificarem, o utilizador pode ferir-se gravemente e até morrer mesmo se usar equipamento de segurança e tomar outras precauções de segurança.



AVISO: É NECESSÁRIA A RESPONSABILIDADE E A SUPERVISÃO DOS PAIS E ADULTOS: Este manual contém informações de segurança importantes. É sua responsabilidade analisar estas informações e certificar-se de que todos os utilizadores compreendem todos avisos, precauções, instruções, tópicos de segurança e assegurar-se de que os utilizadores mais jovens têm capacidade de utilizar este produto em segurança e de forma responsável. A Razor dos EUA recomenda a análise e o reforço periódico das informações deste manual com os utilizadores mais jovens e a inspecção e manutenção do produto dos seus filhos de modo a garantir a sua segurança.



AVISO: NÃO ADEQUADO PARA CRIANÇAS COM MENOS DE 8 ANOS OU COM MAIS DE 54 KG. Uma vez que os produtos como a Dirt Quad representam claramente perigos potenciais associados à sua utilização, é reconhecida a IMPORTÂNCIA E A NECESSIDADE DA RESPONSABILIDADE DOS PAIS NA SELECÇÃO DOS PRODUTOS MÓVEIS APROPRIADOS PARA A IDADE DE UMA CRIANÇA OU SUPERVISÃO DOS PAIS EM SITUAÇÕES EM QUE CRIANÇAS COM VÁRIAS IDADES POSSAM TER ACESSO AOS MESMOS PRODUTOS. Nem todos os produtos são apropriados para todas as idades e tamanhos das crianças, sendo que nesta categoria de produto encontram-se recomendações para diferentes idades que se destinam a reflectir a natureza dos perigos e as capacidades mentais e físicas, ou ambas, esperadas de uma criança para lidar com os perigos.

- A Razor recomenda que as crianças com menos de 8 anos não utilizem a Dirt Quad. Esta recomendação não é apenas baseada na idade, peso ou altura – reflecte a consideração sobre maturidade, habilidades e tamanho. A idade de 8 anos ou superior é a idade recomendada do utilizador e é apenas uma estimativa, podendo esta ser afectada pelo tamanho, peso ou habilidades do utilizador – nem todas as crianças de 8 anos devem utilizar o produto. É certo que qualquer utilizador incapaz de se adaptar confortavelmente à Dirt Quad não deve tentar utilizá-la, mas a decisão dos pais para permitir que os filhos andem neste produto deve basear-se na maturidade da criança, na sua habilidade e capacidade para seguir regras. A Razor salienta que os adultos são fortemente aconselhados a não desrespeitar as recomendações da Razor ou permitir que a Dirt Quad seja utilizada por crianças mais novas.
- **NÃO EXCEDA O PESO LIMITE DE 54 kg.** O peso do utilizador não significa necessariamente que o tamanho da pessoa seja adequado para se adaptar ou manter o controlo da Dirt Quad. Mantenha este produto afastado de crianças pequenas e lembre-se que ele se destina a ser usado apenas por pessoas que estão, no mínimo, totalmente à vontade e apresentam competência durante a utilização do produto.
- Pessoas que apresentem condições mentais ou físicas que as tornem susceptíveis a lesões ou que impeçam a sua destreza física ou mental para reconhecer, entender e seguir as instruções de segurança e ter capacidade para compreender os perigos inerentes à utilização da Dirt Quad não devem usar ou ter permissão para usar produtos inapropriados às suas capacidades. Pessoas que sofram de problemas cardíacos, de desordens psíquicas ou de problemas na coluna, pescoço (ou que tenham sido submetidas anteriormente a cirurgias nas referidas zonas do corpo), ou mulheres grávidas, devem ser advertidas para não usar tais produtos.

Equipamento, vestuário e sapatos adequados

- Use sempre equipamento de protecção adequado, como um capacete de segurança aprovado (com a tira do queixo bem apertada), cotoveleiras e joelheiras. Na sua área, a legislação ou a regulamentação local pode exigir a utilização de capacete. Além disso, recomenda-se o uso de camisolas de manga comprida, calças compridas e luvas.
- Use sempre calçado desportivo (sapatos com atacadores com sola de borracha), nunca ande descalço ou com sandálias, e mantenha os atacadores apertados e afastados das rodas, motor e do sistema da transmissão.

Verificar a Dirt Quad antes da utilização – manutenção após a utilização.

- Antes de utilizar, verifique se o travão está a funcionar correctamente e se os pneus estão bem cheios e se não estão demasiado gastos.
- Após a utilização, proceda à manutenção e repare a Dirt Quad de acordo com as especificações dadas neste manual. Use apenas as peças de substituição autorizadas pelo fabricante. Não modifique esta Dirt Quad da concepção e a configuração originais do fabricante.
- Práticas e condições aceitáveis de utilização – Pais/adultos devem discutir estas regras com os seus filhos
- Deve ser usado equipamento de protecção. Não utilizar na via pública.

Onde andar com a Dirt Quad

- Verifique sempre e obedeça às leis ou regulamentos locais que possam afectar os locais onde a Dirt Quad eléctrica pode ser usada. Mantenha sempre uma distância segura de automóveis e do tráfego de veículos a motor e utilize apenas em locais permitidos e com precaução.
- A Dirt Quad foi concebida para ser utilizada em propriedade privada e em circuitos fechados, não em passeios ou ruas públicas. Não utilize o seu produto eléctrico de quatro rodas em áreas onde existam peões ou trânsito.
- Ande com cuidado. Tenha cuidado para evitar peões, utilizadores de skate, skateboards, ciclistas, crianças ou animais que possam atravessar-se no seu caminho. Respeite os direitos e a propriedade dos outros.
- Superfícies molhadas, lisas, irregulares ou ásperas podem diminuir a tracção e aumentar o risco de acidentes.
- Não ande com a Dirt Quad na lama, gelo ou poças de água.
- Evite colisões bruscas, grelhas de escoamento e mudanças súbitas de superfície.
- Não ande de Dirt Quad com chuva ou gelo e nunca mergulhe a Dirt Quad em água, porque os componentes eléctricos e motores podem ficar danificados pela água ou criar outras condições eventualmente pouco seguras.
- Nunca ande de com a Dirt Quad eléctrica dentro de casa correndo o risco de danificar superfícies tais como tapetes ou o pavimento.
- Nunca ande próximo de degraus ou piscinas.

Como andar com a Dirt Quad

- Não use o controlo de velocidade (manípulo do acelerador) no punho se não estiver em cima da Dirt Quad e num local seguro e adequado no exterior para se deslocar.
- Segure sempre o guiador quando se deslocar.
- Não toque nos travões ou no motor da Dirt Quad enquanto a estiver a usar ou imediatamente a seguir a ter andado porque estes componentes podem estar muito quentes.
- Evite velocidades elevadas que poderão ser atingidas em descidas onde poderá perder o controlo.
- Não ande de noite ou quando a visibilidade for reduzida.
- Não tente ou faça acrobacias ou habilidades na Dirt Quad eléctrica. A Dirt Quad não é suficientemente resistente para suportar a utilização incorrecta e abusiva tal como saltos, derrapagens ou outro tipo de acrobacias. Fazer corridas, fazer acrobacias ou outras manobras também pode aumentar o risco de perda de controlo ou dar origem a actos e reacções descontrolados. Todos estes actos podem resultar em ferimentos graves ou possivelmente a morte.
- Não permita a presença de mais do que uma pessoa na Dirt Quad.
- Não deixe que as mãos, pés, cabelo, partes do corpo, vestuário ou outros artigos semelhantes entrem em contacto com peças móveis, rodas, discos de travões ou a transmissão.
- Nunca utilize auscultadores ou telemóveis quando se deslocar.
- Nunca ande à boleia de outro veículo.

Usar o carregador

- Nunca modifique o sistema eléctrico. As alterações podem originar um incêndio. A utilização de um tipo de bateria ou carregador incorrectos pode causar uma explosão.
- ANTES DE CADA UTILIZAÇÃO: Carregue a bateria durante PELO MENOS 12 horas e encha os pneus até à PSI correcta.
- Desligue após cada utilização. Pode tornar-se impossível recarregar a bateria se a deixar "LIGADA"sem utilizá-la.
- NÃO armazenar a temperaturas negativas! As temperaturas negativas irão danificar a bateria permanentemente.
- Deve verificar regularmente se existem danos no cabo, na ficha, no revestimento e em outras peças do carregador fornecido com a Dirt Quad eléctrica. No caso de existirem tais danos, a Dirt Quad não deverá ser recarregada até que o carregador tenha sido reparado ou substituído.
- Utilize apenas um carregador recomendado pela Razor.
- O carregador não é um brinquedo. O carregador deve apenas ser usado por um adulto.
- Não use o carregador perto de materiais inflamáveis ou chamas expostas.
- Desligue o carregador da corrente e da Dirt Quad quando não estiver a ser usado.
- Não exceda o tempo de carga.
- Desligue sempre a Dirt Quad do carregador antes de a limpar ou passar um pano húmido.

Garantia Limitada:

Esta Garantia Limitada é a única garantia para este produto. Não existem outras garantias expressas ou implícitas. O fabricante garante a isenção de defeitos de fabrico deste produto por um período de 90 dias a contar da data da compra. Esta Garantia Limitada sera anulada se o produto for alguma vez:

- utilizado de uma forma que não para o lazer ou transporte;
- modificado de alguma forma;
- alugado.



**CONTÉM PILHAS SELADAS DE ÁCIDO DE CHUMBO NÃO DERRAMÁVEIS.
AS PILHAS DEVEM SER RECICLADAS.**

**! OSTRZEŻENIE. Aby uniknąć poważnego urazu:
ŚRODKI OSTROŻNOŚCI podczas obsługi i konserwacji**
Rodzice i dorośli opiekunowie powinni zacząć od przeczytania tej strony

RODZICE LUB DOROŚLI OPIEKUNOWIE MUSZĄ NAUCZYĆ DZIECI BEZPIECZNEJ JAZDY NA PRODUKCIE DIRT QUAD.
Nieprzestrzeganie podczas jazdy zasad zdrowego rozsądku i tych ostrzeżeń może pociągnąć za sobą uszkodzenia, poważny uraz ciała lub nawet śmierć.

Jazda na elektrycznym produkcie Dirt Quad jest potencjalnie niebezpieczna.

- Ten napędzany elektrycznie produkt nie jest zabawką (aneks I, dyrektywy 2009/48/WE). Tak jak każdy czterokołowy produkt do jazdy, elektryczny produkt Dirt Quad może być niebezpieczny (np. można z niego spaść lub wjechać w niebezpieczne miejsce). Elektryczne produkty Dirt Quad służą do przemieszczania się i dlatego osoba jeżdżąca może stracić kontrolę lub znaleźć się w niebezpiecznej sytuacji.
- Dzieci i dorośli odpowiedzialni za opiekę nad dziećmi muszą wiedzieć, że jeśli taka sytuacja ma miejsce, osoba jeżdżąca może doznać poważnego urazu ciała lub może nawet umrzeć nawet w przypadku używania sprzętu ochronnego i podjęcia środków bezpieczeństwa.

! OSTRZEŻENIE: ODPOWIEDZIALNOŚĆ I NADZÓR MUSZĄ PRZEJĄĆ NA SIEBIE RODZICE I OSOBY DOROSŁE: Ta instrukcja zawiera ważne informacje dotyczące bezpieczeństwa. Użytkownik powinien przejrzeć te informacje i dopilnować, aby wszystkie osoby jeżdżące znały wszystkie ostrzeżenia, uwagi, instrukcje i tematy bezpieczeństwa, a także zapewnić bezpieczne i odpowiedzialne używanie tego produktu przez młode osoby jeżdżące. Razor USA zaleca okresowe przeglądanie i przypomnienie informacji zawartych w tej instrukcji młodym osobom jeżdżącym, a także kontrolowanie i konserwowanie produktu używanego przez dziecko w celu zapewnienia bezpieczeństwa.

! OSTRZEŻENIE: NIE DLA DZIECI PONIŻEJ 8 LAT LUB WAŻĄCYCH WIĘCEJ NIŻ 54 KG. Ponieważ użytkowanie produktów takich jak Dirt Quad może być niebezpieczne, należy podkreślić ODPOWIEDZIALNOŚĆ RODZICÓW ZA DOBÓR PRODUKTÓW DO JAZDY ODPOWIEDNICH DO WIEKU DZIECKA LUB NADZÓR RODZICIELSKI W SYTUACJACH, GDY DZIECI W RÓŻNYM WIEKU MOGĄ MIEĆ DOSTĘP DO TYCH SAMYCH PRODUKTÓW DO. Nie każdy produkt jest odpowiedni dla każdego wieku i wielkości dziecka – w przypadku tej kategorii produktów występują różne zalecenia w zależności od wieku, które odzwierciedlają naturę zagrożeń oraz możliwości psychoruchowe osoby jeżdżącej.

- **Razor zaleca, aby nie zezwalać dzieciom w wieku do lat 8 na używanie produktu Dirt Quad. To zalecenie jest oparte nie tylko na wieku, ale także dotyczy wagi i wzrostu – uwzględnia oczekiwaną dojrzałość i umiejętności oraz wzrost dziecka. Zalecany wiek osoby jeżdżącej, czyli co najmniej 8 lat, jest jedynie szacowany i mogą na to zalecenie wpłynąć wzrost, waga i umiejętności dziecka – nie każde dziecko w wieku lat 8 będzie mogło używać tego produktu. Osoba, która nie mieści się wygodnie w produkcie Dirt Quad, nie powinna próbować nim jeździć, a decyzja rodzica o zezwoleniu dziecku na jazdę tym produktem powinna być oparta na dojrzałości dziecka, jego umiejętnościach i zdolności do przestrzegania zasad. Razor podkreśla, że osoby dorosłe nie powinny ignorować zaleceń firmy lub pozwalać młodszym dzieciom na jazdę produktem Dirt Quad.**
- **NIE PRZEKRACZAĆ LIMITU WAGI 54 kg.** Sama waga osoby jeżdżącej nie oznacza, że wielkość dziecka jest odpowiednia do jazdy i kontrolowania produktu Dirt Quad. Trzymać produkt z dala od małych dzieci i pamiętać, że jest przeznaczony do użycia przez osoby, które mogą co najmniej całkowicie swobodnie i pewnie obsługiwać ten produkt.
- **Osoby o stanie mentalnym lub fizycznym, który może narazić je na uraz ciała lub obniżyć ich zręczność fizyczną albo zdolność do rozpoznawania, rozumienia i przestrzegania instrukcji i zrozumienia zagrożeń związanych z używaniem produktu Dirt Quad, nie powinny używać produktów nieodpowiednich do ich umiejętności. Osoby z chorobami serca, dolegliwościami związanymi z głową, plecami lub szyją (lub przed operacjami związanymi z tymi częściami ciała) oraz kobiety w ciąży nie powinny używać tych produktów.**

Prawidłowy sprzęt, odzież i buty do jazdy

- Zawsze nosić odpowiedni sprzęt ochronny, tj. zatwierdzony kask bezpieczeństwa (z bezpiecznie zapiętym paskiem), ochronnik łokci i kolan. Kask może być wymagany przez przepisy lokalne lub miejscowe uregulowania. Ponadto zaleca się noszenie koszuli z długimi rękawami, długich spodni i rękawic.
- Zawsze nosić buty sportowe (buty związane sznurowadłami z gumowymi podeszwami), nigdy nie jeździć boso lub w sandałach, mieć związane sznurowadła i trzymać je z dala od kół, silnika i napędu.

Sprawdzać produkt Dirt Quad przed użyciem – konserwować po użyciu

- Przed użyciem sprawdzić, czy hamulec działa prawidłowo i czy przednie opony mają wystarczający bieżnik.
- Po użyciu konserwować i naprawiać produkt Dirt Quad zgodnie ze specyfikacjami producenta przedstawionymi w tej instrukcji. Używać wyłącznie oryginalnych części zamiennych. Nie zmieniać konstrukcji lub konfiguracji produktu Dirt Quad.
- Dopuszczalne sposoby i warunki jazdy – rodzice/osoby dorosłe powinny omówić te zasady z dziećmi
- Należy nosić wyposażenie ochronne. Nie należy używać w ruchu ulicznym.

Gdzie jeździć produktem Dirt Quad

- Zawsze sprawdzać i przestrzegać lokalnych przepisów i uregulowań, które mogą obowiązywać w miejscach używania elektrycznego produktu Dirt Quad. Zawsze trzymać się z dala od samochodów i ruchu pojazdów i używać tylko w miejscach dozwolonych z zachowaniem uwagi.
- Produkt Dirt Quad jest przeznaczony do używania na terenie prywatnym i zamkniętych trasach, a nie na drogach publicznych czy chodnikach. Nie jeździć elektrycznym pojazdem czterokołowym w miejscach, w których występuje ruch pieszych lub pojazdów.
- Jeździć z zachowaniem ostrożności. Omijać pieszych, wrotkarzy, deskorolkarzy, rowerzystów, dzieci i zwierząt, które mogą znaleźć się na drodze. Szanować prawa i własność innych.
- Mokre, śliskie, nierówne lub chropowate powierzchnie mogą zmniejszyć przyczepność i zwiększyć ryzyko wypadku.
- Nie jeździć produktem Dirt Quad po błocie, lodzie, bajorach lub wodzie.
- Unikać ostrych wybojów, kratek ściekowych i nagłych zmian powierzchni.
- Nie jeździć produktem Dirt Quad w warunkach mokrych lub śnieżnych i nigdy nie zanurzać produktu Dirt Quad w wodzie, ponieważ podzespoły elektryczne i napędowe mogą zostać uszkodzone przez wodę lub spowodować inne potencjalnie niebezpieczne sytuacje.
- Nigdy nie ryzykować uszkodzenia powierzchni takich jak dywan czy podłoga poprzez użycie elektrycznego produktu Dirt Quad wewnątrz budynku.
- Nigdy nie używać w pobliżu schodów lub basenu.

Jak jeździć produktem Dirt Quad

- Nie używać kontroli prędkości (obrotowej rękojeści) w kierownicy, dopóki jeździec nie zajmie miejsca na produkcie Dirt Quad. Funkcji tej można używać jedynie w bezpiecznym, odpowiednim do jazdy miejscu na zewnątrz budynku.
- Podczas jazdy przez cały czas trzymać kierownicę.
- Nie dotykać hamulców ani silnika produktu Dirt Quad podczas używania produktu lub bezpośrednio po jeździe, ponieważ te części mogą być bardzo gorące.
- Unikać dużych prędkości, np. podczas zjazdu z góry, ponieważ można wtedy utracić kontrolę nad jazdą.
- Nie jeździć nocą ani gdy widoczność jest obniżona.
- Nie próbować ani nie wykonywać akrobacji ani trików na elektrycznym produkcie Dirt Quad. Konstrukcja produktu Dirt Quad nie jest na tyle mocna, aby wytrzymała skoki, jazdę po krawężniku lub inne tricki. Jazda wyścigowa, kaskaderska i inne manewry mogą także zwiększyć ryzyko utraty kontroli lub mogą spowodować niekontrolowane działania lub reakcje jeźdźcy. Może to spowodować poważny uraz ciała lub nawet śmierć.
- Produktem Dirt Quad nigdy nie może jeździć więcej niż jedna osoba.
- Nie próbować, aby dłonie, stopy, włosy, części ciała, odzież lub inne elementy stykały się z ruchomymi częściami, kołami, tarczami hamulców lub napędem.
- Nigdy nie używać słuchawek ani telefonu komórkowego do rozmowy lub SMS-owania podczas jazdy.
- Podczas jazdy nigdy nie podcepiać się do innego pojazdu.

Używanie ładowarki

- Zakaz modyfikacji układów elektrycznych. Modyfikacja może być przyczyną pożaru. Użycie nieprawidłowego typu akumulatora lub ładowarki może spowodować eksplozję.
- PRZED KAŻDYM UŻYCIEM: ładować akumulator przez CO NAJMNIEJ 12 godzin i napompować opony do odpowiedniego ciśnienia.
- Wyłączyć po każdej jeździe. Akumulator może nie zostać naładowany, gdy urządzenie jest włączone, a nie używane.
- NIE przechowywać w temperaturze równej lub niższej niż zero stopni! Ujemne temperatury trwale uszkodzą akumulator.
- Ładowarka dostarczona wraz z elektrycznym produktem Dirt Quad powinna być regularnie sprawdzana pod kątem uszkodzeń przewodu, wtyczki, obudowy i innych części. W przypadku takiego uszkodzenia nie można ładować produktu Dirt Quad aż do naprawy lub wymiany ładowarki.
- Używać tylko ładowarkę zalecaną przez firmę Razor.
- Ładowarka nie jest zabawką. Powinna być obsługiwana przez osobę dorosłą.
- Nie używać ładowarki w pobliżu materiałów palnych lub otwartego ognia.
- Wyjąć ładowarkę z gniazda i odłączyć od produktu Dirt Quad, gdy nie jest używana.
- Nie przekraczać czasu ładowania.
- Zawsze odłączyć produkt Dirt Quad od ładowarki przed przetarciem jej lub czyszczeniem wilgotną szmatką.

Ograniczona gwarancja:

- Ta ograniczona gwarancja jest jedyną gwarancją na ten produkt. Nie obowiązuje żadna inna jawna lub dorozumiana gwarancja. Producent gwarantuje, że ten produkt będzie wolny od wad produkcyjnych przez okres 90 dni od zakupu. Ta ograniczona gwarancja zostaje unieważniona, gdy produkt:
- zostanie użyty w sposób inny niż do rekreacji lub transportu;
 - zostanie w jakikolwiek sposób zmodyfikowany;
 - zostanie wypożyczony.



**ZAWIERA SZCZELNE, BEZWYCIĘKOWE AKUMULATORY KWASOWO-OLÓWOWE.
AKUMULATORY MUSZĄ ZOSTAĆ Poddane RECYKLINGOWI.**

FIGYELMEZTETÉS. Súlyos sérülés elkerülése érdekében:
BIZTONSÁGI UTASÍTÁSOK a használathoz és karbantartáshoz
Szülők/felnőtt felügyelők először olvassák el ezt az oldalt

A SZÜLŐKNEK/FELÜGYELŐ FELNŐTTEKNEK MEG KELL TANÍTANI A GYERMEKEKET A DIRT QUAD BIZTONSÁGOS HASZNÁLATÁRA. Ha a használó nem ésszerűen használja, és figyelmen kívül hagyja ezeket a figyelmeztetéseket, megnő az anyagi kár, komoly sérülés vagy esetlegesen a halál kockázata.

Az elektromos Dirt Quad használata lehetséges kockázatokat jelent.

- Ez az elektromos meghajtású termék nem egy játékszer (a 2009/48/EK irányelv I. melléklete). Bármilyen más négykerekű járműhöz hasonlóan az elektromos Dirt Quad is veszélyes lehet (például leesel, vagy veszélyes helyzetbe kerülés). Természetesen az elektromos Dirt Quadok mozgásra készültek, és emiatt előfordulhat, hogy a használó elveszíti az uralmat felettük, vagy más veszélyes helyzetbe kerül.
- A gyermekeknek és a felügyeletükért felelős felnőtteknek is tisztában kell lenni azzal, hogy ha ilyen esetek bekövetkeznek, a használó súlyosan megsérülhet vagy esetleg meghalhat még a biztonsági felszerelés használata és egyéb biztonsági utasítás betartása mellett is.

FIGYELMEZTETÉS: SZÜLŐI ÉS FELNŐTT FELELŐSSÉG ÉS FELÜGYELET SZÜKSÉGES: Ez a kézikönyv fontos biztonsági információkat tartalmaz. A te felelősséged az információ áttekintése, és meg kell győződnöd arról, hogy valamennyi használó megértett minden figyelmeztetést, óvintézkedést, utasítást és biztonsági kérdést, továbbá gondoskodnod kell arról, hogy a fiatalok képesek legyenek a termék biztonságos és felelősségteljes használatára. A Razor USA javasolja, hogy időközönként tekintsd át és erősítsd meg a kézikönyvben található információkat a fiatalabbakkal, valamint ellenőrizd és tartsd karban a gyermekek járművét a biztonságuk érdekében.

FIGYELMEZTETÉS: NEM 8 ÉVEN ALULI VAGY 54 KG-NÁL NEHEZEBB GYERMEKEK SZÁMÁRA. Mivel az olyan termékek, mint a Dirt Quad, a használatukhoz egyértelműen kapcsolódó lehetséges veszélyeket jelenthetnek és jelentenek, nyilvánvaló a SZÜLŐI FELELŐSSÉG GYAKORLÁSÁNAK SZÜKSÉGESÉGE A GYERMEK KORÁNAK MEGFELELŐ JÁRMŰVEK KIVÁLASZTÁSÁBAN, ILLETVE FONTOS A SZÜLŐI FELÜGYELET OLYAN HELYZETEKBE, AMIKOR A KÜLÖNBÖZŐ KORÚ GYERMEKEK UGYANAHHOZ A JÁRMŰHÖZ FÉRHETNEK HOZZÁ. Nem mindegyik termék felel meg minden korú és méretű gyermeknek, és a termékkategórián belül különböző kornak megfelelő ajánlatok találhatóak, amelyek tükrözní kívánják a veszélyek természetét, és a használó várható szellemi vagy fizikai, vagy mindkét képességét, hogy megbirkózzon a veszélyekkel.

- A Razor azt javasolja, hogy 8 éven aluli gyermekeknek ne engedjék használni a Dirt Quadot. Ez a javaslat nemcsak a koron vagy súlyon, illetve magasságon alapul, hanem tükrözi a várható érettség és készségek, valamint a fizikai méret figyelembevételét is. Az ajánlott 8 éves vagy annál idősebb használói életkor csak egy becslés, amit befolyásolhat a használó mérete, súlya vagy készségei – nem minden 8 éves gyermek lesz alkalmas a termék használatára. Magától értetődően az, aki nem ül kényelmesen a Dirt Quadon, ne próbálkozzon a használatával, azonban a szülőnek a gyermek érettségére, készségére és a szabályok betartásának képességére kell alapoznia a döntését, hogy engedi-e gyermekének használni a terméket. A Razor hangsúlyozza, hogy a felnőtteknek nem tanácsos figyelmen kívül hagyni a Razor javaslatait, vagy fiatalabb gyermekeknek megengedni a Dirt Quad használatát.
- **NE LÉPD TÚL A 100 kg-os SÚLYHATÁRT.** A használó súlya önmagában nem feltétlenül jelenti azt, hogy a testmérete megfelelő a Dirt Quadhoz vagy annak irányításához. Tartsd kisgyermekedtől távol a terméket, és ne felejtssd el, hogy csak azok használatára szánták, akik legalábbis teljesen kényelmesen és hozzáértően tudják használni a terméket.
- Azok, akik bármilyen olyan szellemi vagy fizikai állapotban vannak, amely sérülésre hajlamosá teszi őket, rontja ügyességüket vagy az arra vonatkozó szellemi képességüket, hogy felismerjék, megértsék és kövessék a biztonsági utasításokat, és hogy képesek legyenek megérteni a Dirt Quad használatában rejlő veszélyeket, ne használják, vagy nem megengedhető számukra a képességeiknek nem megfelelő termékek használata. Szívbeteg, fej-, hát- vagy nyaki panaszokkal rendelkező személyeket (vagy azokat, akiket ezeken a testrészeken korábban műtöttek), illetve a terhes nőket figyelmeztetni kell, hogy ne használjanak ilyen termékeket.

A használathoz megfelelő felszerelés, ruházat, cipő

- Viselj mindig megfelelő védőfelszerelést, mint például jóváhagyott biztonsági védősisakot (bekapcsolt rögzítőpánttal), könyök- és térdvédőt. A védősisak a helyi jogszabályok és rendelkezések előírásai szerint kötelező lehet a környéken. Ezen kívül hosszú ujjú ing, hosszúnadrág és kesztyű is ajánlott.
- Viselj mindig sportcipőt (gumitalpú fűzős cipő), soha ne használj meztaláb vagy szandálban, a cipőfűzőt kösd be és tartsd távol a kerekektől, motortól és a hajtásrendszerrel.

Ellenőrizd a Dirt Quadot a használat előtt – tartsd karban a használat után

- Használat előtt ellenőrizd, hogy a fék megfelelően működik, valamint a gumik megfelelően fel vannak fújva és elegendő futófelülettel rendelkeznek.
- Használat után végezd el a Dirt Quad karbantartását és javítását a gyártó ebben a kézikönyvben található előírásainak megfelelően. Csak a gyártó által engedélyezett cserealkatrészeket használj. Ne módosítsd a Dirt Quadot a gyártó eredeti tervéhez és beállításához képest!
- Elfogadható használat és feltételek – Szülőknek/felnőtteknek meg kell beszélni ezeket a szabályokat a gyermekekkel
- Védőfelszerelést kell viselni. Közúti forgalomban nem használható.

Hol használd a Dirt Quadot?

- Mindig ellenőrizd és tarts be minden olyan helyi jogszabályt vagy rendelkezést, amely befolyásolhatja, hogy hol használható az elektromos Dirt Quad. Maradj mindig biztonságos távolságban a gépjárműforgalomtól, óvatosan használd, és csak ott, ahol megengedett.
- A Dirt Quadot magánterületen és zárt pályákon, nem pedig nyílt utcákon vagy a járdán kell használni. Ne használd az elektromos négykerekűket olyan helyeken, ahol gyalogos- vagy gépkocsiforgalom van.
- Az esetleges veszélyekre figyelve vezess. Igyekezz elkerülni a gyalogosokat, görkorcsolyázókat, gördeszkákat, bicikliket, az utadba kerülő gyermekeket vagy állatokat. Tiszteled mások jogait és tulajdonát.
- A vizes, csúszós, egyenetlen vagy durva felület csökkentheti a tapadást és növeli a balesetveszélyt.
- Ne használd a Dirt Quadot sárban, jégen, tócsákban vagy vízben.
- Kerüld a kemény döccenőket, csatornarácsokat és váratlan felületváltozásokat.
- Ne használd a Dirt Quadot esős vagy jeges időben, és soha ne mártsd vízbe a Dirt Quadot, mivel a víztől az elektromos és hajtóelemek megsérülhetnek, vagy egyéb veszélyes helyzet alakulhat ki.
- Soha ne kockáztasd, hogy megrongárod a felületet, például a szőnyeget vagy padlót az elektromos Dirt Quad benti használatával.
- Soha ne használd lépcső vagy úszómedence közelében.

Hogyan vezesd a Dirt Quadot?

- Ne használd a fogantyún a sebességszabályozót (gázadagoló), hacsak nem ülsz teljesen rajta a Dirt Quadon és a használatára megfelelő biztonságos, szabadtéri körülmények között vagy.
- Mindig fogd a kormányt használat közben.
- Ne érintsd meg a Dirt Quadon a fékeket vagy a motort használat közben vagy közvetlenül használat után, mivel ezek a részek nagyon felmelegedhetnek.
- Kerüld a nagy sebességet, amit lefelé a lejtőn érhetnél el, ahol elveszítheted az irányítást.
- Ne használd éjszaka vagy amikor a látási viszonyok korlátozottak.
- Ne próbálj vagy ne végezz mutatványokat, trükköket az elektromos Dirt Quadon. A Dirt Quad nem elég erős ahhoz, hogy kibírja a helytelen használatot és rongálást, mint például ugratás, járdaszegélyhez dörzsölés vagy más típusú mutatvány. Versenyzés, mutatványozás vagy egyéb manőver szintén fokozza a jármű feletti uralom elvesztésének a kockázatát, vagy irányíthatatlan mozdulatokat, reakciókat válthat ki. Mindezek komoly sérüléseket vagy esetlegesen halált eredményezhetnek.
- Soha ne engedj egyszerre egynél több személynek használni a Dirt Quadot.
- Ne engedj, hogy a kéz, láb, haj, testrészek, ruházat vagy hasonló tárgyak érintkezésbe kerüljenek a mozgó részekkel, a kerekekkel, tárcsafékekkel vagy a hajtásláncal.
- Soha ne használd fejhallgatót vagy mobiltelefont, hogy használat közben beszéljess vagy SMS-ezz.
- Soha ne húzasd magad egy másik járművel.

A töltő használata

- Soha ne módosítsd az elektromos rendszert. A változtatás tüzet okozhat. Nem megfelelő típusú akkumulátor vagy töltő használata robbanást okozhat.
- MINDEN EGYES HASZNÁLAT ELŐTT: LEGALÁBB 12 órát töltsd az akkumulátort, és fújd fel a gumikat a megfelelő nyomásra.
- Mindegyik használat után kapcsold ki. Az akkumulátor esetleg nem tud feltöltődni, ha használaton kívül „ON” (bekapcsolva) marad.
- Ne tárold fagyponton vagy fagypont alatti hőmérsékleten! A fagypont alatti hőmérséklet tartósan károsítja az akkumulátort.
- Az elektromos Dirt Quadhoz biztosított töltőt rendszeresen meg kell vizsgálni, hogy a kábel, dugó, burkolat és más részek nem sérültek-e meg. Ilyen károsodás esetén a Dirt Quadot nem szabad tölteni addig, amíg a töltőt meg nem javítják vagy ki nem cserélik.
- Csak a Razor által ajánlott töltőt használj.
- A töltő nem játékszer. A töltőt csak felnőtt működtetheti.
- Ne használd a töltőt gyúlékony anyag vagy nyílt láng közelében.
- Húzd ki a töltőt az áramból és kapcsold le a Dirt Quadról, amikor nincs használatban.
- Ne lépd túl a töltési időt.
- Mindig húzd ki a Dirt Quadot a töltőből, mielőtt nedves ruhával letöröld vagy megtisztítod.

Korlátozott garancia:

- Ez a korlátozott jótállás az egyedüli garancia erre a termékre. Nincs semmilyen más kifejezett vagy feltételezett garancia. A gyártó garantálja, hogy a termék a vásárlás időpontjától számított 90 napig gyártási hibáktól mentes. Ez a korlátozott garancia megszűnik, amennyiben a termék bármikor:
- szabadidősporton vagy közlekedésen kívül más célra lett használva;
 - bármilyen formában módosítva lett;
 - bérbeadásra került.



**LEZÁRT, FRÖCCSENÉSMENTES SAVAS ÓLOMAKKUMULÁTOROKAT TARTALMAZ.
AZ AKKUMULÁTOROKAT ÚJRA KELL HASZNOSÍTANI.**



ПРЕДУПРЕЖДЕНИЕ. Чтобы избежать серьезных травм:
МЕРЫ ПРЕДОСТОРОЖНОСТИ во время использования и обслуживания
Родителям/присматривающим взрослым необходимо сначала прочесть эту страницу

РОДИТЕЛИ ИЛИ ПРИСМАТРИВАЮЩИЕ ВЗРОСЛЫЕ ДОЛЖНЫ СНАЧАЛА НАУЧИТЬ ДЕТЕЙ БЕЗОПАСНО КАТАТЬСЯ НА DIRT QUAD.
Если ездки не будут рассудительными и не будут обращать внимания на данные предупреждения, существует повышенный риск повреждения самоката, серьезных травм и возможной смерти.

Езда на электрическом Dirt Quad представляет потенциальные риски.

- Эта электрическая продукция не является игрушкой (Приложение I к Директиве 2009/48/ЕС). Как и любое другое транспортное средство, электрический Dirt Quad может быть опасным (например, падение или опасные ситуации). Конечно, электрические Dirt Quad предназначены для передвижения, поэтому ездки может потерять управление или попасть в другую опасную ситуацию.
- Дети и взрослые, которые за ними присматривают, должны осознавать, что если такое произойдет, ездки может быть серьезно травмирован или даже умереть, даже если использовать защитное оснащение и следовать мерам предосторожности.



ПРЕДУПРЕЖДЕНИЕ: НЕОБХОДИМА ОТВЕТСТВЕННОСТЬ И ПРИСМОТР РОДИТЕЛЕЙ И ВЗРОСЛЫХ: Это руководство содержит важную информацию по безопасности. Вы должны просмотреть эту информацию и убедиться в том, что все пользователи понимают все предостережения, предупреждения, инструкции и вопросы безопасности, а также удостовериться в том, что все пользователи могут безопасно и ответственно использовать данную продукцию. Razor USA рекомендует периодически просматривать и вспоминать информацию в этом руководстве с детьми и проводить проверку и техническое обслуживание продукции, чтобы обеспечить безопасность детей.



ПРЕДУПРЕЖДЕНИЕ: НЕ ДЛЯ ДЕТЕЙ ВОЗРАСТОМ ДО 8 ЛЕТ И ВЕСОМ БОЛЕЕ 54 КГ. Так как продукция, подобная Dirt Quad, может представлять и представляет потенциальную опасность, связанную с использованием, принято считать, что ВАЖНА РОДИТЕЛЬСКАЯ ОТВЕТСТВЕННОСТЬ ПРИ ВЫБОРЕ ДВИЖУЩЕЙСЯ ПРОДУКЦИИ, СООТВЕТСТВУЮЩЕЙ ВОЗРАСТУ РЕБЕНКА, ИЛИ РОДИТЕЛЬСКОЕ НАБЛЮДЕНИЕ В СИТУАЦИЯХ, КОГДА ДЕТИ РАЗЛИЧНОГО ВОЗРАСТА МОГУТ ИМЕТЬ ДОСТУП К ДВИЖУЩЕЙСЯ ПРОДУКЦИИ. Не каждая продукция подходит для любого возраста или размера ребенка и для этой категории продукции представлены рекомендации для разных возрастов, которые предназначены для описания природы риска и ожидаемых умственных и физических способностей (или того и другого) пользователя, чтобы избежать опасности.

- Razor рекомендует не разрешать детям до 8 лет пользоваться Dirt Quad. Эта рекомендация основана не только на возрасте, весе или росте – она отражает ожидаемую зрелость и навыки, а также физические размеры. Рекомендуемый возраст пользователя – 8 лет или старше – является оценочным и может зависеть от размеров, веса и навыков пользователя, не каждый ребенок 8 лет может кататься. Конечно, если пользователю неудобно кататься на Dirt Quad, не нужно этого делать, но решение родителей разрешить своему ребенку кататься на продукции должно основываться на зрелости, навыках и умении следовать правилам. Razor подчеркивает, что взрослым настойчиво рекомендуется не игнорировать советы Razor и не давать младшим детям кататься на Dirt Quad.
- **НЕ ПРЕВЫШАЙТЕ ОГРАНИЧЕНИЕ ПО ВЕСУ В 54 кг.** Вес пользователя не означает, что размер человека отвечает требованиям по управлению Dirt Quad. Не давайте продукцию маленьким детям и помните, что она предназначена для использования людьми, которые, как минимум, удобно себя чувствуют во время управления продукцией и знают, как это делать.
- Люди с умственными и физическими особенностями, которые делают их восприимчивыми к травмам или влияют на физическую способность управлять или умственную способность воспринимать, понимать и соблюдать инструкции безопасности и способность понимать риски, связанные с использованием Dirt Quad, не должны использовать или допускать к использованию продукции, которая не соответствует их возможностям. Людям с болезнями сердца, заболеваниями головы, спины или шеи (или операциями на этих частях тела) или беременным женщинам нужно предупредить, что им нельзя управлять продукцией.

Необходимое оснащение для катания, одежда, обувь

- Всегда надевайте необходимое защитное оснащение, такое как утвержденный защитный шлем (с надежно закрепленным подбородочным ремнем), налокотники и наколенники. Наличие шлема может требоваться в соответствии с местным законом или нормами в вашем регионе. Кроме того, рекомендуется рубашка с длинным рукавом, длинные брюки и перчатки.
- Всегда надевайте спортивную обувь (шнурованную обувь с резиновой подошвой), никогда не катайтесь босиком или в сандалиях и всегда завязывайте шнурки, чтобы они не попали в колеса, двигатель и систему привода.

Проверьте Dirt Quad перед использованием – проведите работы по обслуживанию после использования

- Перед использованием проверьте нормальное функционирование тормозов и достаточное количество воздуха в шинах, а также оставшееся количество цепи.
- После использования проводите обслуживание и ремонт Dirt Quad в соответствии с рекомендациями производителя в этой инструкции. Используйте только разрешенные производителем запчасти. Не изменяйте первоначальную конструкцию и конфигурацию этого Dirt Quad.
- Допустимая практика и условия езды – родители/взрослые должны обсудить эти правила со своими детьми
- Необходимо надевать защитное оснащение. Не для использования среди автомобилей.

Где кататься на Dirt Quad

- Всегда узнавайте и соблюдайте местные законы или нормы, которые могут повлиять на места использования электрического Dirt Quad. Всегда остерегайтесь автомобилей и транспортного движения и используйте самокат осторожно и в разрешенных местах.
- Dirt Quad должен использоваться на частной территории и на закрытых площадках, а не на улицах и тротуарах. Не катайтесь на электрическом квадроцикле в местах движения пешеходов и автомобилей.
- Следует ездить аккуратно. Избегайте пешеходов, роллеров, скейтбордистов, мотоциклов, детей и животных, которые могут встать у вас на пути. Уважайте права и частную собственность окружающих.
- Мокрые, скользкие, ухабистые, неровные или грубые поверхности могут уменьшить тягу и увеличить риск несчастных случаев.
- Не катайтесь на Dirt Quad по грязи, льду, лужам или воде.
- Избегайте резких ударов, дренажных решеток и неожиданных изменений поверхности.
- Не катайтесь на Dirt Quad во время влажной или снежной погоды и никогда не погружайте Dirt Quad в воду, так как электрические компоненты и привод может повредить вода, а также могут возникнуть другие опасные условия.
- Никогда не рискуйте повреждением таких поверхностей, как ковер или настил, используя электрический Dirt Quad в помещении.
- Никогда не используйте вблизи ступенек или бассейнов.

Как кататься на Dirt Quad

- Не используйте регулятор скорости (дроссель на поворотной ручке) на рукоятке, если самокат не находится в безопасном месте на открытом воздухе, подходящем для катания.
- Всегда держитесь за руль во время езды.
- Не касайтесь тормозов или мотора на Dirt Quad во время использования или сразу же после катания, так как эти части очень нагреваются.
- Избегайте высоких скоростей, таких как езда с горы, где вы можете потерять управление.
- Не катайтесь ночью или с ограниченным освещением.
- Не пытайтесь и не выполняйте трюки на Dirt Quad. Dirt Quad недостаточно крепок для неправильного использования, такого как прыжки, езда по кромке и другие виды трюков. Гонки, трюки и прочие маневры также увеличивают риск потери управления и могут привести к неуправляемым действиям или реакциям. Все это может привести к серьезным травмам или возможной смерти.
- Никогда не позволяйте нескольким людям кататься на Dirt Quad.
- Руки, ноги, волосы, части тела, одежда и подобные вещи не должны соприкасаться с движущимися частями, колесами или приводом.
- Во время езды никогда не используйте наушники или мобильный телефон.
- Никогда не катайтесь с другим транспортом.

Использование зарядного устройства

- Никогда не модифицируйте электрическую систему. Изменения могут привести к пожару. Использование неправильного типа батареи или зарядного устройства может привести к взрыву.
- ПЕРЕД КАЖДЫМ ИСПОЛЬЗОВАНИЕМ: Заряжайте батарею МИНИМУМ 12 часов и накачивайте шины до необходимого давления.
- Выключайте после каждой поездки. Если оставить включенным без использования, батарея может не заряжаться.
- Не храните устройство при температуре заморозания или ниже. Температура заморозания может полностью повредить батарею.
- Зарядное устройство, которое поставляется с электрическим Dirt Quad, необходимо регулярно проверять на наличие повреждений шнура, вилки, кобуха и других деталей. В случае повреждений Dirt Quad не нужно заряжать, пока зарядное устройство не будет отремонтировано или заменено.
- Используйте только зарядное устройство, рекомендованное Razor.
- Зарядное устройство – это не игрушка. Зарядное устройство могут использовать только взрослые.
- Не используйте зарядное устройство возле легковоспламеняемых материалов и открытого огня.
- Выключайте зарядное устройство и отключайте его от Dirt Quad, если оно не используется.
- Не превышайте время зарядки.
- Всегда отключайте Dirt Quad от зарядного устройства перед тем, как протереть его сухой или влажной тканевой салфеткой.

Ограниченная гарантия:

Эта ограниченная гарантия является единственной гарантией для продукции. Других явно выраженных или подразумеваемых гарантий нет. Производитель гарантирует, что эта продукция не имеет производственных дефектов на протяжении 90 дней с даты покупки. Данная ограниченная гарантия будет аннулирована, если продукция:

- использовалась не для развлечения или катания;
- каким-либо способом изменялась;
- сдавалась в прокат.



СОДЕРЖИТ ГЕРМЕТИЧНЫЕ АККУМУЛЯТОРНЫЕ СВИНЦОВО-КИСЛОТНЫЕ БАТАРЕИ. БАТАРЕИ ДОЛЖНЫ ПЕРЕРАБАТЫВАТЬСЯ.



VARNING. Så här undviker du allvarliga skador: FÖREBYGGANDE SÄKERHETSÅTGÄRDER under användning och vid underhåll
Föräldrar och vuxna ska läsa denna sida först.

FÖRÄLDRAR OCH ÖVERVAKANDE VUXNA MÅSTE LÄRA BARNEN ATT KÖRA DETTA DIRT QUAD-FORDON PÅ ETT SÄKERT SÄTT. Om förären inte använder sunt förnuft och iakttar dessa varningar ökar risken för skador, allvarliga personskador eller eventuellt dödsfall.

Att köra ett elektriskt Dirt Quad-fordon medför vissa potentiella risker.

- Denna eldrivna produkt är inte en leksak (bilaga I i direktiv 2009/48/EG). Precis som för andra fyrhjuliga åkprodukter kan ett elektriskt Dirt Quad-fordon vara farligt (till exempel, om man faller av eller åker in i en farlig situation). Elektriska Dirt Quad-fordon är naturligtvis till för att röra på sig och det kan därför hända att en förare förlorar kontrollen eller på annat sätt hamnar i farliga situationer.
- Både barn och de vuxna som är ansvariga för att övervaka dem måste erkänna att om sådant inträffar kan en förare bli allvarligt skadad eller möjligtvis avlida, även om förären använder säkerhetsutrustning och vidtar andra säkerhetsåtgärder.



VARNING: ANSVAR OCH ÖVERVAKNING SOM KRÄVS AV FÖRÄLDRAR OCH VUXNA: Denna manual innehåller viktig säkerhetsinformation. Det är ditt ansvar att granska denna information och säkerställa att alla förare förstär alla varningar, instruktioner och säkerhetsfrågor och att unga förare kan använda denna produkt på ett säkert och ansvarsfullt sätt. Razor USA rekommenderar att du emellanåt granskar informationen i den här manualen och går igenom den noggrant med yngre förare samt att du inspekterar och underhåller dina barns produkt för att säkerställa deras säkerhet.



VARNING: EJ AVSEDD FÖR BARN UNDER 8 ÅR ELLER TYNGRE ÄN 54 KG. Eftersom produkter som Dirt Quad medför potentiella risker direkt förknippade med deras användning är det ett väl erkänt faktum att **DET ÄR VIKTIGT ATT FÖRÄLDRAR VÄLJER ÅKPRODUKTER PÅ ETT ANSVARSFULLT SÄTT SOM ÄR LÄMPLIGA FÖR BARNETS ÅLDER OCH ATT FÖRÄLDRARNA ÖVERVAKAR BARNEN I SITUATIONER DÄR BARN I OLIKA ÅLDRAR KAN HA TILLGÅNG TILL SAMMA ÅKPRODUKTER.** Alla produkter är inte lämpliga för alla åldrar eller barnstorlekar, och det finns olika åldersrekommendationer inom denna produktkategori som är menade att återspegla riskernas karaktär och en föräres förväntade mentala eller fysiska förmåga (eller bådadera) som krävs för att hantera riskerna.

- Razor rekommenderar att barn under 8 år inte tillåts att använda ett Dirt Quad-fordon. Denna rekommendation utgår inte bara från barnets ålder, vikt eller höjd utan återspeglar ett övervägande av barnets förmodade mognadsgrad och färdigheter liksom fysiska storlek. Den rekommenderade föråldern på 8 år eller äldre är endast en uppskattning och kan påverkas av förärens storlek, vikt eller färdigheter – inte alla 8-åriga barn är lämpade för produkten. Förare som inte kan sitta bekvämt på Dirt Quad-fordonet ska aldrig försöka att åka på fordonet, och en förälders beslut att tillåta sitt barn att åka på produkten ska baseras på barnets mognadsgrad, färdigheter och förmåga att lyda regler. Razor betonar att vuxna tillråds mycket bestämt att inte välja att ignorera Razors rekommendationer eller att tillåta yngre barn att åka på ett Dirt Quad-fordon.
- **FÖRÄREN FÅR INTE ÖVERSTIGA VIKTGRÄNSEN PÅ 54 kg.** Endast förarvikten betyder inte heller nödvändigtvis att en persons storlek är lämplig för att använda eller hålla kontrollen över ett Dirt Quad-fordon. Håll denna produkt på avstånd från mindre barn och kom ihåg att produkten endast är avsedd att användas av personer som (som minimum) använder produkten på ett fullständigt bekvämt sätt och med fullständig kompetens.
- Personer med mentala eller fysiska problem som gör att de lätt kan komma till skada eller som försämrar deras fysiska rörlighet eller mentala förmåga att erkänna, förstå och följa säkerhetsinstruktioner och att förstär de risker som användningen av Dirt Quad-fordonet innebär ska inte använda eller tillåtas att använda produkter som inte är lämpade för deras förmågor. Personer med hjärtproblem eller med krämpor i huvud, rygg eller nacke (eller som tidigare har opererats i dessa delar av kroppen) samt gravida kvinnor ska varnas för att använda sådana produkter.

Passande åkutrustning, kläder, skor

- Använd alltid lämplig skyddsutrustning, såsom godkänd skyddshjälm (med hakremmen säkert fastspänd), armbågsskydd och knäskydd. En hjälm kan vara obligatorisk enligt lokal lag eller lokala föreskrifter i ditt område. Dessutom rekommenderas långärmad skjorta, långbyxor och handskar.
- Använd alltid gymnastikskor (med skosnöre och gummisulor), åk aldrig barfota eller i sandaler och håll alltid skosnörena knutna och på avstånd från hjulen, motorn och drivsystemet.

Kontrollera Dirt Quad-fordonet före användning – Underhåll efter användning

- Innan fordonet används ska du kontrollera att bromsen fungerar rätt och att däckerna är rätt uppblåsta och har tillräcklig slitbana kvar.
- Efter användningen ska Dirt Quad-fordonet underhållas och repareras i enlighet med tillverkarens specifikationer i den här manualen. Använd endast tillverkarens auktoriserade reservdelar. Utför inte några ändringar på Dirt Quad-fordonet så att det avviker från tillverkarens ursprungliga design och konfiguration.
- Godtagbara körbeteenden och körförhållanden – Föräldrar och vuxna ska diskutera dessa regler med sina barn
- Skyddsutrustning måste användas. Produkten får inte användas i trafiken.

Var man kan köra på ett Dirt Quad-fordon

- Kontrollera och lyd alltid eventuella lokala lagar och bestämmelser som kan påverka vilka platser du kan använda ett elektriskt Dirt Quad-fordon på. Håll dig alltid på säkert avstånd från bilar och motorfordonstrafik och använd endast fordonet med stor försiktighet och på tillåtna platser.
- Dirt Quad-fordonet är till för att användas på privat egendom och slutna banor och får inte användas på offentliga gator eller trottoarer. Använd inte din elektriska fyrhjuling på platser med fotgängare eller fordonstrafik.
- Kör defensivt. Var noggrann med att undvika fotgängare, rullskridskoåkare, skateboardar, cyklar, barn och djur som kommer i din väg. Respektera andra personers rättigheter och egendom.
- Fuktiga, glatta, guppiga, ojämna eller skrovliga underlag kan försämra dragkraften och öka risken för olyckor.
- Kör inte med Dirt Quad-fordonet över lera, is, pölar eller vatten.
- Undvik skarpa gupp, avloppsgaller och plötsliga förändringar i underlaget.
- Använd inte ditt Dirt Quad-fordon i fuktigt eller isigt väder, och låt det aldrig doppas i vatten eftersom de elektriska komponenterna och drivkomponenterna kan ta skada av vatten eller eventuellt orsaka andra osäkra förhållanden.
- Använd aldrig ett elektriskt Dirt Quad-fordon inomhus eftersom underlag som mattor och golv då riskerar att skadas.
- Använd aldrig produkten i närheten av trappor eller simbassänger.

Hur man kör med ett Dirt Quad-fordon

- Använd inte hastighetskontrollen (gashandtag) på handtaget förrän du sitter ordentligt på Dirt Quad-fordonet och befinner dig i en säker utomhusmiljö som är lämplig för körning.
- Håll hela tiden i styret medan du kör.
- Rör inte vid bromsarna eller motorn på ditt Dirt Quad-fordon medan den används eller omedelbart efter körning eftersom dessa delar kan bli mycket varma.
- Undvik höga hastigheter, som kan inträffa i nedförsbackar, eftersom du lätt kan förlora kontrollen.
- Kör inte när det är mörkt eller om sikten är begränsad.
- Försök dig inte på eller gör några stunttrick eller andra trick på ditt elektriska Dirt Quad-fordon. Ett Dirt Quad-fordon är inte tillräckligt starkt för att tåla missbruk som hoppning, körning mot trottoarkanter eller andra typer av stunttrick. Kappkörning, stuntkörning och andra manövrar ökar också risken för att man förlorar kontrollen eller kan leda till okontrollerade handlingar eller reaktioner hos föraren. Allt detta kan leda till allvariga personsador eller eventuellt dödsfall.
- Tillåt aldrig mer än en person åt gången att köra på Dirt Quad-fordonet.
- Låt inte händer, fötter, hår, kroppsdelar, kläder eller liknande föremål komma i kontakt med rörliga delar, hjul, skivbromsar eller drivlina.
- Använd aldrig hörlurar eller prata eller texta på mobiltelefon samtidigt som du kör.
- Försök aldrig att åka bakom ett fordon genom att hålla fast i det.

Använda laddaren

- Ändra aldrig på det elektriska systemet. Eventuella ändringar kan orsaka brand. Användning av fel typ av batteri eller laddare kan leda till explosion.
- FÖRE VARJE ANVÄNDNING: Ladda batteriet i MINST 12 timmar och pumpa upp däcken till rätt PSI.
- Stäng av efter varje åktur. Batteriet kan förlora sin uppladdningsförmåga om fordonet lämnas påslaget utan att användas.
- Förvara INTE i frysgarder eller under frysgarder! Frysgarder skadar batteriet permanent.
- Den laddare som medföljer det elektriska Dirt Quad-fordonet ska undersökas regelbundet för eventuella skador på sladd, stickkontakt, skyddskåpa och övriga delar. Om sådana skador finns får Dirt Quad-fordonet inte laddas förrän laddaren har reparerats eller bytts ut.
- Använd endast en laddare som rekommenderas av Razor.
- Laddaren är inte en leksak. Laddaren får endast hanteras av en vuxen.
- Använd inte laddaren i närheten av lättantändliga material eller en öppen låga.
- Dra ur laddaren och koppla ur den från Dirt Quad-fordonet när den inte används.
- Överskrid inte laddningstiden.
- Koppla alltid ur Dirt Quad-fordonet från laddaren innan du torkar av fordonet eller rengör det med en fuktig trasa.



**INNEHÅLLER FÖRSEGLADE, LÄCKAGEFRIA BLYBATTERIER.
FÖRBRUKADE BATTERIER SKA ÅTERVINNAS.**

NO



ADVARSEL. Slik unngår du alvorlige ulykker: SIKKERHETSFORANSTALTNINGER under bruk samt vedlikehold Foreldre/voksne som har tilsyn med brukeren må lese denne siden først

FORELDRE / VOKSNE FORSØRGERE MÅ LÆRE BARN HVORDAN DE KJØRER DIRT QUADEN. Hvis kjøreren ikke bruker sunn fornuft eller følger disse advarslene, er det en økt risiko for skade, personskade og muligens dødsfall.

Å kjøre en elektrisk Dirt Quad har potensiell risiko.

- Dette elektronisk drevne produktet er ikke et leketøy (Vedlegg I av direktiv 2009/48/EC). Som med alle firehjuls kjøreprodukt, kan en elektrisk Dirt Quad være farlig (for eksempel kan man falle av eller kjøre inn i en farlig situasjon). Elektriske Dirt Quader skal, selvfølgelig, bevege seg, og det er derfor mulig for en kjører å miste kontroll eller på andre måter havne i farlige situasjoner.
- Både barn og voksne som er ansvarlige for oppsyn må anerkjenne at hvis slike ting skjer, kan en fører bli alvorlig skadet eller muligens dø, selv når de bruker sikkerhetsutstyr og tar andre sikkerhetsforanstaltninger.



ADVARSEL: ANSVAR OG OPPSYN FRA FORELDRE OG VOKSNE ER NØDVENDIG: Denne håndboken inneholder viktig sikkerhetsinformasjon. Det er ditt ansvar å gå gjennom denne informasjonen og sørge for at alle kjørere forstår alle advarsler, varslor, instruksjoner og sikkerhetsmerker og sørge for at unge kjørere er i stand til å bruke dette produktet sikkert og ansvarlig. Razor USA anbefaler at du går gjennom og styrker informasjonen i denne håndboken med yngre kjørere med jevne mellomrom, og at du inspiserer og vedlikeholder barnas produkt for å sikre sikkerheten deres.



ADVARSEL: IKKE FOR BARN UNDER 8 ÅR GAMMEL ELLER SOM ER TYNGRE ENN 54 KG. Fordi produkter som Dirt Quad utgjør potensielle farer i forbindelse med bruken, er det anerkjent at BEHOVET FOR Å UTØVE FORELDREANSVAR VED VALG AV KJØREPRODUKT SOM ER PASSENDE FOR BARNETS ALDER OG FORELDREOPPSYN I SITUASJONER HVOR BARN I FORSKJELLIGE ALDRE KAN HA TILGANG TIL SAMME KJØREPRODUKT ER VIKTIG. Alle produkter er ikke passende for hver alder eller størrelse, og forskjellige aldersanbefalinger finnes i denne produktkategorien som skal gjenspeile farens natur og forventede mentale og fysiske evner en kjører trenger for å takle farene.

- Razor anbefaler at barn under 8 år ikke får tillatelse til å bruke Dirt Quad. Denne anbefalingen er ikke kun basert på alder, vekt og høyde – den gjenspeiler vurdering av forventet modenhet og ferdigheter samt fysisk størrelse. Den anbefalte alderen for kjøreren på 8 år eller eldre er kun en beregning og kan påvirkes av kjøreren størrelse, vekt eller ferdigheter – produktet vil ikke være passende for alle barn på 8 år. Enhver kjører som ikke klarer å passe komfortabelt i Dirt Quaden bør virkelig ikke forsøke å kjøre den, men foreldres avgjørelse om å la barnet kjøre dette produktet skal være basert på barnets modenhet, ferdigheter og emne til å følge regler. Razor legger vekt på at voksne rådes på det sterkeste til å ikke velge å overse Razors anbefalinger eller la yngre barn kjøre Dirt Quad.
- IKKE OVERSKRID VEKTGRENSEN PÅ 54 kg. Det er ikke kun kjøreren vekt som betyr at en persons størrelse passer for å passe eller holde kontroll over Dirt Quaden. Hold dette produktet unna små barn og husk at dette produktet kun er tilsiktet bruk av personer som er, som et minimum, fullstendig komfortable og kompetente når de bruker produktet.
- Personer med eventuelle mentale eller fysiske tilstander som kan gjøre dem følsomme for skader, hemmer den fysiske dyktigheten eller mentale evner til å gjenkjenne, forstå og følge sikkerhetsinstruksjoner og til å være i stand til å forstå farene i forbindelse med bruk av Dirt Quaten kan ikke bruke eller få tillatelse til å bruke produkter som er upassende for evnene deres. Personer med hjerteproblemer, lidelse i nakke, rygg eller hode (eller før kirurgi på noen av de stedene) og gravide kvinner bør advares mot å betjene slike produkter.

Riktig kjøreutstyr, klær, sko

- Bruk alltid riktig beskyttelsesutstyr sånn som en godkjent hjelm (med hakestropp godt spent), albue- og knebeskyttelse. En hjelm kan være påbudt ifølge lokale lover eller forskrifter i området ditt. I tillegg anbefales en langmermet skjorte, langbukser og hansker.
- Bruk alltid sportsko (snøreko med gummiåler), kjør aldri barbeint eller i sandaler og hold skollisser knyttet og unna hjulene, motoren og drivverket.

Sjekk Dirt Quad før bruk – Vedlikehold etter bruk

- Sjekk at bremsene fungerer skikkelig og at dekk er riktig oppblåst og har nok dekkbane før bruk.
- Vedlikehold og reparer Dirt Quaden etter bruk i henhold til produsentens spesifikasjoner i denne håndboken. Bruk kun produsentens autoriserte reservedeler. Ikke modifier denne Dirt Quaden fra produsentens opprinnelige design og konfigurasjon.
- Akseptabel kjørepraksis og -forhold – Foreldre/voksne bør diskutere disse reglene med barna
- Beskyttelsesutstyr skal brukes. Skal ikke brukes i trafikken.

Hvor Dirt Quaden kan kjøres

- Sjekk og overhold alltid lokale lover og forskrifter som kan påvirke stedene den elektriske Dirt Quaden kan brukes. Hold en trygg avstand fra biler og biltrafikk til enhver tid og bruk kun forsiktig der det er tillatt.
- Dirt Quad er ment til å brukes på privat eiendom og på lukkede baner, ikke på offentlige gater og fortau. Ikke kjør den elektriske firhjulingen i områder der det er fotgjengere og kjøretøytrafikk.
- Kjør forsiktig. Vær forsiktig så du unngår fotgjengere, rullebrett, sykler, barn og dyr som kan komme i veien. Respekter andres rettigheter og eiendeler.
- Våte, glatte, humpete eller ujevne overflater kan minke veigrepet og øke faren for ulykker.
- Ikke kjør Dirt Quad i gjørme, is, sølepytter eller vann.
- Unngå skarpe humper, avløpsrister og plutselige endringer i overflate.
- Ikke kjør Dirt Quaden i vått eller iskaldt vær og senk aldri Dirt Quaden i vann siden de elektriske komponentene og drivverket kan skades av vann eller skape andre usikre forhold.
- Risiker aldri å skade overflater som tepper eller gulv ved å bruke en elektrisk Dirt Quad innendørs.
- Bruk aldri i nærheten av trapper eller svømmebasseng.

Hvordan Dirt Quaden skal kjøres

- Ikke bruk fartskontrollen (gasshåndtak) på håndtaket med mindre du er helt nedsatt på Dirt Quaden og i et sikkert utendørsmiljø som passer for kjøring.
- Hold styret til enhver tid mens du kjører.
- Ikke rør bremsene eller motoren til Dirt Quaden når den er i bruk eller umiddelbart etter bruk ettersom disse delene kan bli veldig varme.
- Unngå stor fart, som du kan få når du kjører i nedoverbakke, siden du kan miste kontroll.
- Ikke kjør om natten eller med begrenset sikt.
- Ikke prøv å utføre stunt eller triks på den elektriske Dirt Quaden. Dirt Quaden er ikke sterk nok til å tåle misbruk og mishandling sånn som hopping, kjøring på fortauskant eller andre stunt. Kappkjøring, stuntkjøring eller andre manøvre øker også faren for å miste kontroll eller kan føre til ukontrollert handlinger eller reaksjoner fra føreren. Alle disse kan resultere i alvorlig skade eller muligens dødsfall.
- Tillatt aldri at mer enn én person kjører Dirt Quaden om gangen.
- Ikke la hender, føtter, hår, kroppsdel, klær eller lignende komme i kontakt med bevegelige deler, hjul, skrivebrems eller drivverk.
- Bruk aldri hodetelefoner eller en mobiltelefon for å snakke eller sende meldinger når du kjører.
- Får aldri haik fra et kjøretøy.

Bruk av laderen

- Modifiser aldri det elektriske systemet. Endringer kan forårsake brann. Bruk av feil batteritype eller lader kan forårsake en eksplosjon.
- FØR HVER BRUK: Lad batteriet i MINST 12 timer og fyll dekkene til riktig PSI.
- Slå av etter hver tur. Det kan bli umulig å lade batteriet hvis den blir stående "PÅ" uten bruk.
- IKKE lagre i frysetemperatur eller under frysetemperaturer! Frysetemperaturer vil skade batteriet permanent.
- Laderen som følger med den elektriske Dirt Quaden skal regelmessig sjekkes for skade på ledningen, pluggen, innkapslingen og andre deler. I tilfelle slik skade, må ikke Dirt Quaden lades før laderen har blitt reparert eller byttet ut.
- Bruk kun en lader som anbefales av Razor.
- Laderen er ikke et leketøy. Lader skal kun betjenes av en voksen.
- Ikke bruk laderen i nærheten av brennbare materialer eller en åpen flamme.
- Plugg ut laderen og koble den fra Dirt Quaden når den ikke er i bruk.
- Ikke overskrid ladetid.
- Koble alltid Dirt Quaden fra laderen før den tørkes eller rengjøres med en fuktig klut.



**"INNEHOLDER FORSEGLEDE, LEKKASJEFRIE BLYBATTERIER.
BATTERIENE MÅ RESIRKULERES."**

DA



**ADVARSEL: Sådan undgår du alvorlige ulykker:
SIKKERHEDSFORANSTALTNINGER under brug og vedligeholdelse
Forældre/voksne skal læse denne side inden brug**

FORÆLDRE/VOKSNE SKAL UNDERVISE BØRN OM HVORDAN MAN KØRER SIKKERT PÅ DENNE DIRT QUAD. Hvis føreren ikke bruger sund fornuft og adlyder disse advarsler, er der stor risiko for uheld, alvorlig personskade eller død.

At betjene en elektrisk Dirt Quad er forbundet med fare.

- Dette elektriske køretøj er ikke legetøj (Bilag 1 til Direktiv 2009/48/EC). Som ethvert andet køretøj på fire hjul, kan en elektrisk Dirt Quad være farlig (man kan for eksempel falde af under kørslen eller komme ud for en farlig situation). En elektrisk Dirt Quad er naturligvis beregnet til at kunne køre og derfor er det muligt, at føreren kan miste herredømmet eller komme ud for en farlig situation.
- Både børn og voksne der er ansvarlige for dem, skal være klar over at hvis der sker et uheld, kan føreren blive alvorligt kvæstet eller dø selvom vedkommende bruger sikkerhedsudstyr og følger sikkerhedsforanstaltningerne.



ADVARSEL: NØDVENDIGHEDEN AF FORÆLDER- OG VOKSENANSVAR OG SUPERVISION: Denne manual indeholder vigtige sikkerhedsoplysninger. Det er dit ansvar at gennemgå denne information og sørge for at alle førere forstår samtlige advarsler, sikkerhedsforanstaltninger, instruktioner og sikkerhedsemner og at de yngste førere er i stand til at betjene køretøjet på en forsvarlig måde. Razor USA anbefaler at du jævnligt gennemgår og fremhæver betydningen af disse oplysninger i denne manual med de yngste førere og at du kontrollerer og vedligeholder produktet for at sikre førerens sikkerhed.



ADVARSEL: IKKE EGNET TIL BØRN UNDER 8 ÅR ELLER SOM VEJER OVER 54 KG. Eftersom produkter som Dirt Quad udgør potentielle risici i forbindelse med betjeningen, er det vigtigt AT EN VOKSEN ER ANSVARLIG FOR AT UDVÆLGE ET KØRETØJ DER PASSER TIL BARNETS ALDER, ELLER AT EN VOKSEN HOLDER ØJE MED BARNET I SITUATIONER HVOR BØRN PÅ FORSKELLIGE ALDERSTRIN HAR ADGANG TIL DET SAMME KØRETØJ. Det er ikke alle produkter der passer til ethvert alderstrin eller barnets størrelse, derfor findes der forskellige anbefalinger i denne produktkategori der er beregnet til at afspejle farens karakter og den forventede mentale eller fysiske evne eller begge, når det gælder førerens evner til at håndtere farlige situationer.

- Razor fraråder at børn under 8 år bruger en Dirt Quad. Denne anbefaling er ikke alene baseret på barnets alder, vægt eller højde men den afspejler en overvejelse der handler om modenhed og evner såvel som fysik. Den anbefalede minimumsalder på 8 år er blot en vejledning og den varierer afhængig af førerens størrelse, vægt og evner. Det er ikke alle børn på 8 år som vil være egnede til dette køretøj. Der er indlysende, at en fører som ikke passer ordentligt i en Dirt Quad ikke burde betjene den men den voksnes afgørelse skal baseres på om hvorvidt barnet er modent, har evner og er i stand til at overholde regler. Razor lægger vægt på, at den ansvarlige voksen ikke tilsidesætter Razors anbefalinger og tillader et yngre barn at bruge en Dirt Quad.
- UNDLAD AT OVERSKRIDE VÆGTGRÆNSEN PÅ 54 kg. Førerens vægt alene betyder ikke nødvendigvis at den pågældende person er egnet til at betjene en Dirt Quad. Opbevar dette produkt utilgængeligt for små børn og husk at dette køretøj udelukkende er beregnet til personer, der som minimum er fuldstændig komfortable og kompetente under betjening af udstyret.
- Personer med et mentalt eller fysisk handicap, der kan betyde at de er mere udsat for skader, eller som påvirker deres fysiske behændighed eller mentale evner til at erkende, forstå og følge sikkerhedsforanstaltninger og være i stand til at forstå de implicerede risici i forbindelse med betjeningen af en Dirt Quad, bør ikke anvende eller få lov til at betjene produkter der er uegnede for dem. Personer med hjertesygdomme, hoved-, ryg- eller nakkelidelser (eller som tidligere har gennemgået operation for disse lidelser), eller gravide kvinder skal frarådes at betjene køretøjet.

Passende udstyr, tøj, sko

- Anvend altid passende sikkerhedsudstyr indbefattet en godkendt styrthjelm (med hagestrop fastgjort), albuebeskyttere og knæbeskyttere. Det kan være lovpålagt at bruge en styrthjelm i dit område. Derudover anbefales det at bruge en langærmet bluse, lange bukser og handsker.
- Brug altid gummisko (sko med snørebånd og gummisåler), kød aldrig barfodet eller med sandaler og sørg for at holde snørebånd væk fra hjulene, motoren og drivmekanismen.

Kontroller Dirt Quad inden brug - Vedligehold efter brug

- Inden brug bedes du kontrollere, om bremsen fungerer ordentligt og om dækkene er oppumpede og om der er tilstrækkelig slidbane på dem.
- Efter brug skal du sørge for at vedligeholde og reparere din Dirt Quad i henhold til producentens anvisninger i denne manual. Anvend udelukkende producentens autoriserede reservedele. Du må ikke foretage ændringer på det oprindelige design eller udformning fra producenten.
- Acceptable kørerutiner og betingelser - Forældre/voksne bør drøfte disse regler med barnet
- Anvend altid beskyttelsesudstyr. Må ikke anvendes i trafik.

Hvor man må anvende en Dirt Quad

- Du skal altid kontrollere og adlyde lokale love og vedtægter der kan påvirke anvendelsesmulighederne af en Dirt Quad. Hold altid produktet på sikker afstand af biler og motorkøretøjer og anvend kun hvor det er tilladt og med forsigtighed.
- Din Dirt Quad er beregnet til brug på privat ejendom og på lukkede steder og ikke på offentlige veje eller fortove. Du må ikke bruge dit elektriske køretøj på steder hvor der er forgængere eller køretøjer til stede.
- Kør forsvarligt. Vær forsigtig og undgå steder hvor fodgængere, skatere, skateboards, cykler, børn og hunde kan komme i vejen. Respekter andre personers rettigheder og ejendom.
- Våde, glatte, ujævne eller rå overflader kan nedsætte friktionen og øger risikoen for uheld.
- Du skal ikke bruge din Dirt Quad i mudder, på is, eller i vandpytter.
- Undgå store bump, kloakker og pludselige ujævnheder på overfladen.
- Du må ikke bruge din Dirt Quad i regnvej eller frostvej og du skal aldrig nedsænke din Dirt Quad i vand da de elektriske dele kan tage skade af vand eller forårsage andre usikre situationer.
- Du skal aldrig risikere at beskadige overflader såsom gulvtæpper eller gulvbælgninger med en Dirt Quad indendørs.
- Må aldrig anvendes i nærheden af trapper eller en swimmingpool.

Hvor man betjener en Dirt Quad

- Du må ikke bruge gashåndtaget på styret med mindre du sidder i sædet og befinder dig i et sikkert, udendørs miljø der er egnet til at køre med Dirt Quad.
- Hold begge hænder på styret så længe du kører.
- Du må ikke røre ved bremserne eller motoren på din Dirt Quad under kørslen eller umiddelbart efter fordi disse dele kan blive meget varme.
- Undgå høje hastigheder som kan forekomme når du kører ned ad bakker fordi du kan miste herredømmet over køretøjet.
- Du må ikke køre om aftenen eller under forhold med ringe sigtbarhed.
- Du må ikke forsøge at lave stunts eller tricks med din elektriske Dirt Quad. Din Dirt Quad er ikke tilstrækkelig robust til at kunne tåle misbrug eller forkert brug, eksempelvis at hoppe, køre på to hjul i sving eller andre former for stunts. Væddeløb, udførelse af stunts og andre manøvre øger risikoen for at miste herredømmet eller kan resultere i ukontrollerede handlinger eller reaktioner. Alle disse kan resultere i alvorlig personskade eller død.
- Lad aldrig mere end én person ad gangen køre på din Dirt Quad.
- Sørg for at hænder, fødder, hår, kroppsdele, tøj og lignende ikke kommer i kontakt med de bevægelige dele, hjulene, skivebremser eller transmissionen.
- Anvend aldrig headset eller mobiltelefon under kørsel.
- Du må ikke være passager på et køretøj.

Brug af oplader

- Foretag aldrig ændringer på det elektriske system. Ændringer kan udgøre brandrisiko. Brug af den forkerte batteritype eller oplader kan resultere i en eksplosion.
- INDEN BRUG HVER GANG: Oplad batteriet i MINDST 12 timer og oppump dækkene til det korrekte dæktryk.
- Sluk efter hver kørsel. Batteriet kan måske ikke oplades igen hvis det bliver efterladt tændt uden af være i brug.
- UNDLAD at opbevare i frostvej eller ved meget lave temperaturer! Frostvej vil permanent beskadige batteriet.
- Den medfølgende oplader bør kontrolleres med jævne mellemrum for skader på ledningen, stikket, indkapslingen samt andre dele. I sådanne tilfælde skal din Dirt Quad oplades indtil opladeren er blevet repareret eller udskiftet.
- Brug udelukkende en oplader der anbefales af Razor.
- Opladeren er ikke legetøj. Opladeren bør udelukkende anvendes af en voksen.
- Undlad at betjene opladeren i nærheden af brandbare materialer eller åben ild.
- Træk stikket til opladeren ud af din Dirt Quad når den ikke er i brug.
- Undgå at overskride opladningstiden.
- Afbryd altid forbindelsen mellem din Dirt Quad og opladeren, inden den tørres af eller rengøres med en fugtig klud.



**INDEHOLDER FORSEGLEDE, LÆKAGEFRI BLYSYREBATTERIER.
BATTERIER SKAL GENBRUGES.**



VAROITUS. Huomioi seuraavat kohdat välttyäksesi vakavilta loukkaantumisilta.
TURVAOHJEET käytön ja huollon aikana
Vanhempien tai käyttöä valvovien aikuisten tulee lukea tämä sivu ensin.

VANHEMMAN TAI VALVOVAN AIKUISEN PITÄÄ OPETTAA LAPSILLE TURVALLISIA DIRT QUADIN AJOTOPOJA. Jos käyttäjä ei käytä maalaisjärkeä ja noudata näitä varoituksia, tämä lisää entisestään vaurioiden, vammojen ja jopa kuoleman riskiä.

Sähköisen Dirt Quadin ajamiseen liittyy riskejä.

- Tämä sähkökäyttöinen tuote ei ole lelu (direktiivin 2009/48/EC liite I). Muiden nelipyöräisten kulkuneuvojen tavoin sähköinen Dirt Quad voi olla vaarallinen (esim. kyydistä putoaminen tai vaaratilanteeseen ajaminen). Sähköisten Dirt Quadien on tietenkin tarkoitus liikkua ja siksi mahdollista, että kuljettaja menettää hallinnan tai joutuu muuten vaaralliseen tilanteeseen.
- Sekä lasten että heistä vastaavien aikuisten on tunnustettava, että jos tällaisia asioita tapahtuu, kuljettaja voi loukkaantua vakavasti tai mahdollisesti kuolla, vaikka turvavarusteita käytettäisiin ja varotoimia noudatettaisiin.



VAROITUS: VANHEMPIEN JA AIKUISTEN VASTUUN JA VALVONTAN TARPEEN: Tämä käyttöohje sisältää tärkeitä tietoja turvallisuudesta. Käyttäjän vastuulla on tarkistaa nämä tiedot ja varmistaa, että kaikki kuljettajat ymmärtävät kaikki varoitukset, ohjeet ja turvallisuusaiheet, ja vakuuttaa, että nuoret kuljettajat voivat käyttää tätä tuotetta turvallisesti ja vastuullisesti. Razor USA suosittelee, että tarkistat ja vahvistat säännöllisesti tämän oppaan tiedot, jotka liittyvät nuoriin kuljettajiin, ja että tarkastat lasten tuotteen ja ylläpidät sitä heidän turvallisuutensa takaamiseksi.



VAROITUS: EI SOVELLU ALLE 8-VUOTIAILLE LAPSILLE TAI YLI 54 KG PAINAVILLE KULJETTAJILLE. Koska Dirt Quadin tapaisten tuotteiden käyttöön liittyy vaaroja, VANHEMPIEN VASTUULLA ON VALITA LAPSEN IKÄÄN SOVELTUVA TUOTE TAI VANHEMMAN ON VALVOTTAVA LAPSIA TILANTEISSA, JOISSA ERI-ikäiset lapset saattavat käyttää samaa tuotetta. Jotkin tuotteet eivät sovellu kaikenikäisille tai -kokoisille lapsille - tälle luokalle on määritetty eri ikäsuosituksia, joiden tarkoituksena on vastata vaarojen luonnetta ja odotettua ajan henkistä ja / tai fyysistä kykyä selviytyä vaaeroista.

- Razor suosittelee Dirt Quadin ikäräjäksi 8 vuotta. Tämä suositus ei perustu pelkästään ikään, painoon tai pituuteen - se koskee myös oletettua kypsyyttä ja taitoja sekä fyysistä kokoa. Suositeltu vähintään 8-vuotias kuljettaja on vain arvio ja kuljettajan soveltuvuuteen voi vaikuttaa hänen koko, paino ja taidot - tuote ei sovellu kaikkien 8-vuotiaiden käytettäväksi. Kuljettajien, jotka eivät istu mukavasti Dirt Quadin päällä, ei pidä yrittää ajaa sitä. On vanhemman vastuulla antaa lapsen ajaa tätä tuotetta perustuen lapsen kypsyyteen, taitoon ja kykyyn noudattaa sääntöjä. Razor korostaa, että aikuisten ei pidä jättää Razorin suosituksia huomioimatta tai sallia nuorten lasten ajaa Dirt Quadilla.
- **ÄLÄ YLITÄ 54 KG PAINORAJAA.** Pelkkä kuljettajan paino ei välttämättä yksin tarkoita, että henkilön koko on sopiva Dirt Quadia ja sen hallintaa varten. Pidä tämä tuote poissa pienten lasten ulottuvilta ja muista, että tämä tuote on tarkoitettu ainoastaan henkilöille, jotka kykenevät käyttämään tuotetta mukavasti ja pätevästi.
- Henkilöt, joiden henkiset tai fyysiset kyvyt saattavat altistaa vahingoille, vahingoittaa heidän fyysistä taitavuutta tai henkistä toimintakykyä tunnistaa, ymmärtää ja noudattaa turvallisuusohjeita ja pystyä ymmärtämään Dirt Quadin käyttöön liittyviä vaaroja, ei pitäisi käyttää tuotteita, jotka eivät vastaa heidän kykyään. Henkilöitä, joilla on sydänsairauksia, pää-, selkä- tai niskavaivoja (tai ennen näille kehon alueille suoritettavia leikkauksia) ja raskaana olevia naisia on varoitettava olemaan käyttämättä kyseisiä tuotteita.

Oikeat ajotarvikkeet, vaatteet, kengät

- Käytä aina asianmukaisia suojavarusteita, kuten hyväksyttyä suojakypärää (jonka leukahihna on kiinnitetty turvallisesti), kyynärsuojia ja polvisuojia. Paikallinen laki tai asetus voi edellyttää kypärän käyttöä. Lisäksi suositellaan käytettäväksi pitkähihaista paitaa, pitkiä housuja ja suojakäsineitä.
- Käytä aina urheilujalkineita (nauhakenkiä, joissa on kumipohjat), älä koskaan ajaa paljain jaloin tai käytä sandaaleja, ja pidä kengännauhat sidottuna ja erossa pyörästä, moottorista ja voimansiirtojärjestelmästä.

Tarkista Dirt Quad ennen käyttöä – ylläpidä käytön jälkeen

- Varmista ennen käyttöä, että jarru toimii oikein ja että renkaissa on tarpeeksi ilmaa ja riittävästi kulutus pintaa jäljellä.
- Käytön jälkeen, ylläpidä ja korjaa Dirt Quad tässä oppaassa olevan valmistajan erittelyn mukaisesti. Käytä vain valmistajan hyväksymiä varaosia. Älä muokkaa Dirt Quadia poikkeamaan valmistajan alkuperäisestä suunnittelusta ja kokoonpanosta.
- Hyväksyttävät ajokäytännöt ja -olosuhteet – vanhempien / aikuisten pitää keskustella näistä säännöistä lasten kanssa.
- Suojaimia on käytettävä. Ei saa käyttää liikenteessä.

Missä Dirt Quadilla voi ajaa

- Tarkista aina paikalliset lait tai asetukset, jotka voivat vaikuttaa paikkoihin, joissa sähköistä Dirt Quadia voidaan käyttää, ja noudata kyseisiä lakeja tai asetuksia. Pysy aina etäällä autoista ja moottoriajoneuvoliikenteestä ja käytä varoen vain paikoissa, jossa käyttö on sallittu.
- Dirt Quad on tarkoitettu käytettäväksi yksityisalueilla ja suljetuilla alueilla julkisilla kaduilla tai jalkakäytävillä. Älä aja sähkökäyttöisellä nelipyöräisellä alueilla, joissa on jalankulkijoita tai ajoneuvoliikennettä.
- Aja varoen. Varo jalankulkijoita, luistelijoita, rullalautailijoita, polkupyöriä, lapsia tai eläimiä, jotka voivat tulla tielle. Kunnioita toisten oikeuksia ja omaisuutta.
- Märkä, liukas, kuoppainen, epätasainen tai karkea pinta voi vähentää pitoa ja lisätä onnettomuusriskiä.
- Älä aja Dirt Quadilla mudassa, jäällä, lätkäkoissa tai vedessä.
- Vältä jyrkkiä kuoppia, viemäriirtilöitä ja äkillisiä pinnanmuutoksia.
- Älä aja Dirt Quadilla märällä tai jäisellä kelillä äläkä koskaan upota Dirt Quadia veteen, koska vesi voi vaurioittaa sähkö- ja ohjauskomponentteja tai luoda muita mahdollisesti vaarallisia vikoja.
- Älä koskaan vaurioita pintoja, kuten mattoa tai lattiaa, käyttämällä sähköistä Dirt Quadia sisätiloissa.
- Älä koskaan käytä lähellä mäkiiä tai uima-altaita.

Miten Dirt Quadilla voi ajaa

- Älä käytä kahvassa olevaa nopeuden säätöä (kaasukahva) ellet istu kunnolla Dirt Quadin päällä turvallisessa ulkoympäristössä, joka sopii ajamiseen.
- Pidä kahvoista kiinni aina ajon aikana.
- Älä koske Dirt Quadin jarruihin tai moottoriin käytön aikana tai heti ajon jälkeen koska nämä osat voivat olla erittäin kuumia.
- Vältä suuria nopeuksia, kuten alamässä, joissa saatat menettää hallinnan.
- Älä aja yöllä tai jos näkyvyys on rajoitettu.
- Älä yritä tehdä temppuja sähköisellä Dirt Quadilla. Dirt Quad ei ole tarpeeksi vahva kestämään virheellistä käyttöä ja väärinkäytöstä, kuten hyppimistä, jalkakäytävän reunalla ajamista tai mitä tahansa muita temppuja. Kilpa-ajo, tempout tai muut liikkeet lisäävät myös hallinnan menetyksen riskiä tai voivat aiheuttaa hallitsemattomia kuljettajan toimia tai reaktioita. Kaikki nämä voivat aiheuttaa vakavan vamman tai mahdollisesti kuoleman.
- Älä koskaan anna useamman kuin yhden lapsen käyttää Dirt Quadia kerrallaan.
- Älä anna käsien, jalkojen, hiusten, ruumiinosien, vaatteiden, yms. esineiden koskea liikkuvia osia, pyöriä, levyjarruja tai voimansiirtoa.
- Älä käytä kuulokkeita tai matkapuhelinta puhumista tai tekstiviestien lähetystä varten ajon aikana.
- Älä koskaan kyyditse muita

Laturin käyttö

- Älä koskaan tee muutoksia sähköjärjestelmään. Muutos voi aiheuttaa tulipalon. Vääränlaisen akun tai laturin käyttö voi aiheuttaa räjähdyksen.
- ENNEN JOKAISTA KÄYTTÖÄ: Lataa akkua VÄHINTÄÄN 12 TUNTIA ja täytä renkaat oikeaan täyttöpaineeseen.
- Sammuta jokaisen ajon jälkeen. Akkua ei ehkä pysty lataamaan, jos se jätetään "PÄÄLLE" eikä tuotetta käytetä.
- ÄLÄ säilytä pakkasessa! Pakkanen vaurioittaa akkua pysyvästi.
- Sähköisen Dirt Quadin mukana toimitettu laturi pitää tarkastaa säännöllisesti johdon, pistokkeen, kotelon ja muiden osien vahinkojen varalta. Tällaisen vahingon ilmetessä Dirt Quadia ei saa ladata ennen kuin laturi on korjattu tai vaihdettu.
- Käytä vain Razorin suosittelemaa laturia.
- Laturi ei ole lelu. Vain aikuiset saavat käyttää laturia.
- Älä käytä laturia herkästi syttyvien materiaalien tai avotulen lähellä.
- Irrota laturi pistorasiasta ja Dirt Quadista kun sitä ei käytetä.
- Älä ylitä latausaikaa.
- Kytke Dirt Quad aina irti laturista ennen sen pyyhkimistä tai puhdistamista kostealla liinalla.



**SISÄLTÄÄ SULJETUT, VUOTAMATTOMAT LYIJYAKUT.
AKUT ON TOIMITETTAVA KIERRÄTYKSEEN.**



AVERTISMENT. Pentru a evita accidentele grave: MĂSURI DE SIGURANȚĂ în timpul operării și întreținerii
Părinții/supraveghetorii trebuie să citească mai întâi această pagină

PĂRINȚII/SUPRAVEGHETORII TREBUIE SĂ INSTRUIASCĂ COPII DESPRE CUM SĂ UTILIZEZE PRODUSUL DIRT QUAD ÎN SIGURANȚĂ.
Dacă utilizatorul nu folosește produsul cu grijă și nu respectă aceste avertismente, există un risc crescut de avarii, accidente grave sau chiar moarte.

Utilizarea produsului Dirt Quad prezintă potențiale riscuri.

- Acest produs este acționat electric și nu este o jucărie (Anexa I din Directiva 2009/48/EC). La fel ca orice alt produs pe roți, produsul poate fi periculos (de exemplu, dacă cădeți sau dacă îl utilizați în situații periculoase). Produsele Dirt Quad sunt, bineînțeles, fabricate să se miște și, în consecință, utilizatorul poate pierde controlul și se poate confrunta cu situații periculoase.
- Atât copiii, cât și adulții responsabili cu supravegherea copiilor trebuie să fie conștienți de faptul că, în astfel de situații, utilizatorul se poate avari grav sau poate surveni chiar moartea acestuia, chiar dacă folosește echipament de protecție sau au fost luate alte măsuri de siguranță.



AVERTISMENT: RESPONSABILITATEA ȘI SUPRAVEGHEREA DIN PARTEA PĂRINȚILOR ȘI A ADULȚILOR SUNT NECESARE: Acest manual conține informații importante despre siguranță. Vă revine responsabilitatea de a citi aceste informații și să vă asigurați că toți utilizatorii înțeleg toate avertismentele, precauțiile, instrucțiunile și toate problemele ce țin de siguranță și să vă asigurați că toți utilizatorii tineri sunt capabili să folosească acest produs în siguranță și în mod responsabil. Razor USA vă recomandă să revizuiți periodic și să discutați, accentuând importanța informațiilor din acest manual cu utilizatorii minori și să inspecțiți și să mențineți în bună stare de funcționare a produsului copiilor dumneavoastră pentru a asigura siguranța lor.



AVERTISMENT: NU ESTE INDICAT PENTRU COPIII MAI MICI DE 8 ANI SAU MAI GREI DE 54 KG. Deoarece produsele, cum ar fi Dirt Quad, pot reprezenta și chiar reprezintă riscuri potențiale asociate în mod clar cu utilizarea lor, se admite NECESITATEA EXERCITĂRII RESPONSABILITATEA PARENTALĂ ÎN ALEGEREA PRODUSELOR DE TIP SCUTERE/TROTINETE/ETC. POTRIVITE PENTRU VÂRSTA COPILULUI, SAU SUPRAVEGHEREA PARENTALĂ ÎN SITUAȚII ÎN CARE COPIII POT AVEA ACCES LA ACEST TIP DE PRODUSE, ESTE IMPORTANTĂ. Deoarece scuterele pot fi periculoase și nu orice produs este adecvat pentru vârsta sau înălțimea copilului – există diferite recomandări pentru această categorie de produse, în funcție de vârstă, al căror scop este de a reflecta natura pericolelor și abilitatea fizică și mentală necesară a copilului pentru a putea evita aceste pericole.

- **Razor vă recomandă să nu permiteți copiilor mai mici de 8 ani să folosească produsul Dirt Quad. Această recomandare nu se bazează doar pe considerente de vârstă sau greutate sau de înălțime, ci reflectă considerății privitoare la maturitatea și îndemânarea previzibilă, cât și la dimensiunea fizică. Vârsta recomandată de 8 ani sau mai mult a utilizatorului este doar o estimare și această estimare poate fi afectată de dimensiunea, greutatea sau îndemânarea utilizatorului – acest produs poate să nu fie adecvat pentru toți copiii în vârstă de 8 ani. Desigur, orice utilizator care nu reușește să se așeze confortabil pe Dirt Quad, nu ar trebui să încerce să-l folosească, dar decizia parentală de a-i permite copilului să folosească acest produs ar trebui să se bazeze pe maturitatea, îndemânarea și capacitatea copilului de a respecta reguli. Razor subliniază faptul că adulților li se recomandă insistent să nu decidă să ignore recomandările Razor sau să permită copiilor prea mici să folosească produsul Dirt Quad.**
- **UTILIZATORUL NU TREBUIE SĂ AIBĂ MAI MULT DE 54 KG ÎN GREUTATE.** Greutatea utilizatorului nu înseamnă neapărat că dimensiunea unui copil este corespunzătoare pentru a utiliza sau a păstra controlul asupra produsului Dirt Quad. Nu lăsați produsul la îndemâna copiilor prea mici și rețineți faptul că este destinat utilizării de către persoane cărora le este adecvată dimensiunea produsului Dirt Quad.
- **Persoanele cu afecțiuni fizice sau mentale care le fac vulnerabile la leziuni, le diminuează dexteritatea fizică sau capacitatea mentală de a recunoaște, a înțelege și a respecta instrucțiunile de siguranță, precum și capacitatea de a înțelege pericolele inerente utilizării produsului Dirt Quad, nu ar trebui să folosească sau să li se permită să folosească produse improprii pentru capacitățile lor. Persoanele cu boli cardiace, cu afecțiuni ale capului, spatelui sau gâtului (sau care au suferit intervenții chirurgicale anterioare în aceste zone ale corpului), precum și femele însărcinate, trebuie avertizate să nu utilizeze astfel de produse.**

Încălțăminte, haine și echipament adecvate pentru utilizare

- Purtați întotdeauna echipament de protecție corespunzător, precum cască de siguranță aprobată (asigurând bine cureaua sub bărbie), cotiere și genunchere. Este posibil ca purtarea căștii de protecție să fie prevăzută de legislația locală. În plus, este recomandat să purtați bluză cu mânecă lungă, pantaloni lungi și mănuși.
- Purtați întotdeauna pantofi sport (pantofi cu șiret și talpă din cauciuc), nu utilizați produsul cu tălpile goale sau în sandale și evitați contactul șireturilor cu roțile, motorul și sistemul de acționare.

Verificați produsul Dirt Quad înainte de utilizare – efectuați operații de întreținere după fiecare utilizare

- Înainte de utilizare, verificați dacă frâna funcționează normal și dacă pneurile sunt umflate corespunzător și le-a rămas sculptura de rulare suficientă.
- După utilizare efectuați operații de întreținere și reparații ale produsului Dirt Quad, în conformitate cu specificațiile producătorului cuprinse în acest manual. Utilizați doar piese de schimb autorizate de producător. Nu modificați configurația și proiectarea originale ale acestui produs Dirt Quad.
- Practici și condiții acceptate de utilizare – Părinții/adulții ar trebui să explice copiilor aceste reguli
- Se recomandă utilizarea echipamentului de protecție. A nu se utiliza în trafic.

Unde puteți utiliza produsul Dirt Quad

- Verificați și respectați legislația locală privitoare la locurile în care pot fi utilizate produsele Dirt Quad. Feriți-vă de autovehicule și motocicletă și utilizați produsul doar în locurile autorizate și cu grijă.
- Produsul Dirt Quad este destinat folosirii pe proprietățile și pe circuitele private și nu pe căile publice de acces sau pe trotuare. Nu utilizați produsul dumneavoastră pe patru roți în zone unde se află pietoni sau vehicule în trafic.
- Utilizați cu prudență. Evitați pietonii, skateerele, skateboard-urile, bicicletele, copiii sau animalele care vă ies în cale. Respectați drepturile și proprietatea celorlalți.
- Suprafețele ude, lucioase, neregulate sau accidentate pot reduce tracțiunea și crește riscul de accidente.
- Nu utilizați produsul Dirt Quad pe nămol, gheață, pe suprafețe cu bălți sau apă.
- Evitați protuberanțele ascuțite, grilajele canalelor și schimbările bruște de suprafață.
- Nu utilizați scuterul pe vreme ploioasă sau pe timp de îngheț și nu scufundați produsul Dirt Quad în apă, deoarece componentele și circuitele electrice pot suferi avarii provocate de apă sau pot crea condiții nesigure.
- Nu utilizați produsul Dirt Quad în casă deoarece puteți deteriora suprafețe precum covoare sau podele.
- Nu utilizați produsul Dirt Quad în apropierea scărilor sau a piscinelor.

Cum să utilizați produsul Dirt Quad

- Nu utilizați controlul pentru viteză (dispozitivul de prindere regulator) de pe mâner decât atunci când v-ați urcat pe Dirt Quad și vă aflați afară, într-un mediu adecvat pentru a utiliza produsul.
- Țineți-vă în permanență de mânăre atunci când folosiți produsul.
- Nu atingeți frânele sau motorul produsului Dirt Quad în timpul folosirii sau imediat după folosire deoarece acestea se pot încălzi foarte tare.
- Evitați să mergeți cu viteză, ca de exemplu, atunci când coborâți un deal, deoarece puteți pierde controlul.
- Nu utilizați produsul noaptea sau în condiții de vizibilitate redusă.
- Nu încercați să efectuați scheme sau manevre cu produsul electric Dirt Quad. Produsul Dirt Quad nu este suficient de puternic să reziste la utilizare incorectă, cum ar fi, sărituri, trecerea peste borduri sau orice alt tip de scheme. Cursele, schemele sau alt gen de manevre duc la creșterea riscului de a pierde controlul sau pot cauza reacții sau acțiuni necontrolate din partea utilizatorului. Toate acestea pot rezulta în accidente grave sau chiar moarte.
- Nu permiteți utilizarea produsului Dirt Quad de către mai mult de o persoană o dată.
- Evitați contactul mâinilor, picioarelor, părului, corpului, hainelor sau articolelor textile similare cu piesele mobile, cu roțile sau cu lanțul de acționare.
- Nu utilizați căști sau telefoane mobile atunci când utilizați produsul.
- Nu vă luați la întrecere cu un alt vehicul.

Utilizarea încărcătorului

- Nu modificați niciodată sistemul electric. Aceste modificări pot cauza incendii. Utilizarea unui tip de acumulator sau încărcător necorespunzător poate cauza o explozie.
- ÎNAINTEA FIECĂREI UTILIZĂRI: Încărcați bateria CU CEL PUȚIN 12 ore înainte de utilizare și umflați pneurile până la presiunea corectă.
- Opriiți bateria după fiecare utilizare. Bateria poate să nu se reîncare dacă este lăsată cu alimentarea pornită în timpul perioadelor de neutilizare.
- Nu depozitați la temperaturi de îngheț sau mai mici! Temperaturile de îngheț vor deteriora permanent bateria.
- Încărcătorul furnizat împreună cu produsul Dirt Quad ar trebui să fie inspectat în mod regulat pentru a se verifica orice deteriorare a cablului, ștecherului, carcasei sau deteriorarea altor piese. În cazul unei asemenea deteriorări, produsul Dirt Quad nu trebuie încărcat înainte de repararea sau înlocuirea încărcătorului.
- Utilizați doar încărcătorul recomandat de Razor.
- Încărcătorul nu este o jucărie. Acesta trebuie utilizat de către un adult.
- Nu utilizați încărcătorul în apropiere de materiale inflamabile sau de foc deschis.
- Scoateți încărcătorul din priză sau deconectați-l de la produsul Dirt Quad atunci când nu îl folosiți.
- Nu depășiți timpul de încărcare.
- Întotdeauna deconectați produsul Dirt Quad de la încărcător înainte de a-l șterge sau curăța cu ajutorul lichidelor.

Garanție limitată:

Garanția limitată este singurul tip de garanție pentru acest produs. Nu există niciun alt fel de garanție explicită sau implicită. Producătorul garantează faptul că acest produs nu conține defecte de fabricație pe o perioadă de 90 de zile de la data achiziției.

Această garanție limitată va deveni nulă în cazul în care produsul:

- este utilizat în alte scopuri decât pentru agrement sau transport;
- suferă orice fel de modificări;
- este închiriat.



**CONȚINE BATERII ACIDE CU PLUMB SIGILATE / ETANȘE.
BATERIILE TREBUIE REICLATE.**



VÝSTRAHA. Aby ste predišli vážnym poraniam:
BEZPEČNOSTNÉ OPATRENIA počas prevádzky a údržby
 Rodičia/dospelý dozor by si mali najprv prečítať túto stránku

RODIČIA/DOSPELÉ DOZERAJÚCE OSOBY MUSIA DIEŤA NAUČIŤ BEZPEČNEJ JAZDE NA TETOJ ŠTVORKOLKE DIRT QUAD. Ak jazdec prestane využívať štandardný úsudok a prestane dbať na tieto výstrahy, existuje zvýšené riziko poškodenia, vážneho poranenia alebo možnej smrti.

Jazda na elektrickej štvorkolke Dirt Quad predstavuje potenciálne riziká.

- Tento výrobok s elektrickým pohonom nie je hračka (Príloha I smernice č. 2009/48/ES). Ako akýkoľvek iný štvorkolesový výrobok na jazdenie, aj elektrická štvorkolka Dirt Quad môže byť nebezpečná (napríklad pád alebo jazda do nebezpečnej situácie). Elektrické štvorkolky Dirt Quad samozrejme slúžia na pohyb a preto existuje možnosť, že jazdec stratí kontrolu, alebo sa akýmkoľvek iným spôsobom dostane do nebezpečných situácií.
- Deti aj dospelé osoby za nich zodpovedné musia rešpektovať skutočnosť, že ak k takýmto situáciám dôjde, jazdec sa môže vážne poraniť a aj zomrieť, a to aj pri používaní bezpečnostných prostriedkov a dodržiavajúc ďalšie bezpečnostné opatrenia.



VÝSTRAHA: VYŽADUJE SA ZODPOVEDNOSŤ A DOZOR RODIČA ALEBO DOSPELEJ OSOBY: Tento návod obsahuje dôležité bezpečnostné informácie. Je vaša zodpovednosť pozrieť si tieto informácie a zabezpečiť, že všetci jazdci chápú všetky výstrahy, upozornenia, pokyny a bezpečnostné informácie a zabezpečiť, že mladí jazdci sú schopní tento výrobok používať bezpečným a zodpovedným spôsobom. Spoločnosť Razor USA odporúča, aby ste si pravidelne, spolu s mladými jazdcami pozreli a obnovili informácie uvádzané v tomto návode a aby ste výrobok vášho dieťaťa pravidelne kontrolovali a udržiavali s cieľom zaistiť jeho bezpečnosť.



VÝSTRAHA: NEVHODNÉ PRE DETI MLADŠIE AKO 8 ROKOV A ŤAŽŠIE AKO 54 KG. Pretože výrobok, akým je štvorkolka Dirt Quad, môže a aj predstavuje možné riziká spojené hlavne s jeho používaním, ZA DÔLEŽITÉ SA POVAŽUJE NUTNOSŤ UPLATNIŤ RODIČOVSKÚ ZODPOVEDNOSŤ PRI VOĽBE VÝROBKU NA JAZDENIE, KTORÝ JE VHODNÝ PRE VEK DIEŤAŤA, ALEBO RODIČOVSKÝ DOZOR V SITUÁCIÁCH, V KTORÝCH DETI RÔZNEHO Veku MÔŽU ZÍSKAŤ PRÍSTUP K ROVNAKÝM VÝROBKOM NA JAZDENIE. Nie každý výrobok je vhodný pre každý vek alebo veľkosť dieťaťa, a v rámci tejto kategórie výrobkov nájdete rôzne vekové kategórie, ktoré sú určené na poukázanie na charakter rizík a očakávanú duševnú alebo fyzickú schopnosť (alebo obidve) jazdca, aby si v týchto rizikových situáciách dokázal poradiť.

- Spoločnosť Razor odporúča, aby deti do veku 8 rokov mali zakázanú štvorkolku Dirt Quad používať. Toto odporúčanie je založené nielen na veku, hmotnosti alebo výške – odrádzajú zohľadnenie očakávanej zrelosti a skúsenosti, ako aj fyzické rozmery. Odporúčaný vek jazdca 8 a viac rokov je len odhadom a môže byť ovplyvnený výškou jazdca, hmotnosťou alebo skúsenosťami – nie každé dieťa vo veku 8 rokov bude na používanie tohto výrobku spôsobilé. Samozrejme, ktorýkoľvek jazdec, ktorý nedokáže na štvorkolke Dirt Quad sedieť, by sa nemal pokúšať na nej jazdiť, ale zodpovednosť rodiča, pokiaľ ide o súhlas s jazdením dieťaťa na tomto výrobku, musí byť založená na zrelosti a skúsenostiach dieťaťa ako aj na dodržiavaní pravidiel dieťaťom. Spoločnosť Razor zdôrazňuje a dospelým vrelo radí, aby sa rozhodli dodržiavať odporúčania spoločnosti Razor, a nedovolili mladším deťom na štvorkolke Dirt Quad jazdiť.
- **NEPREKRAČUJTE MAXIMÁLNU HMOTNOSŤ 54 kg.** Hmotnosť samotného jazdca neznamená nutne, že veľkosť osoby je vyhovujúca na sedenie vo výrobku a zachovanie kontroly nad štvorkolkou Dirt Quad. Tento výrobok uschovajte mimo dosahu malých detí a zapamätajte si, že tento výrobok je určený len na používanie osobami, ktoré sú minimálne úplne schopné a zodpovedné na používanie výrobku.
- Osoby s akýmkoľvek duševným alebo fyzickým stavom, kvôli ktorému možno pripustiť poranenie alebo zhoršenie ich fyzickej obratnosti alebo duševných schopností rozpoznať, pochopiť a dodržiavať bezpečnostné opatrenia a dokázať pochopiť riziká vlastné pre používanie štvorkolky Dirt Quad, by nemali alebo by mali mať zakázané používať výrobok, ktorý nie je pre ne vhodný na ich stav vhodný. Osoby so srdcovými ťažkosťami, chorobami hlavy, chrbta alebo krku (alebo osoby, ktoré podstúpili operácie týchto častí tela), ako aj tehotné ženy je nutné upozorniť na to, aby takéto výrobky nepoužívali.

Správne prostriedky, odev a obuv na jazdu

- Vždy používajte správne ochranné prostriedky, ako je schválená bezpečnostná prilba (s popruhom na bradu správne zaisteným sponou), chrániče na lakte a chrániče na kolená. Používanie prilby môže legislatívne ustanovovať miestny zákon alebo nariadenie vo vašej oblasti. Okrem toho odporúčame používať košeľu s dlhými rukávami, dlhé nohavice a rukavice.
- Vždy používajte atletickú obuv (šnurovaciu obuv s gumenou podrážkou), nikdy nejazdite naboso alebo v sandálach a šnúrky majte uviazané mimo dosahu kolies, motora a hnacieho systému.

Pred použitím štvorkolku Dirt Quad skontrolujte – po použití vykonajte údržbu

- Pred použitím skontrolujte správne fungovanie brzd, správnosť nahustenia pneumatík a postačujúcu zostávajúcu hĺbku dezénu pneumatík.
- Po použití vykonajte údržbu a opravy štvorkolky Dirt Quad v zmysle špecifikácií výrobcu, ktoré sú uvedené v tomto návode. Používajte iba náhradné súčiastky autorizované výrobcu. Túto štvorkolku Dirt Quad neupravujte tak, aby ste zmenili originálny dizajn a konfiguráciu výrobcu.
- Prijateľné jazdné praktiky a podmienky – rodičia/dospelé osoby by mali tieto pravidlá prediskutovať so svojimi deťmi
- Musia sa používať ochranné prostriedky. Nesmie sa používať v rámci premávky.

Kde možno na štvorkolke Dirt Quad jazdiť

- Vždy si pozrite a dodržiavajte miestne zákony a nariadenia, ktoré môžu mať vplyv na miesta, kde sa môže elektrická štvorkolka Dirt Quad používať. Vždy jazdte v bezpečnej vzdialenosti od automobilovej dopravy a motorových vozidiel, používajte len na miestach, kde je to dovolené a pritom dávajte pozor.
- Štvorkolka Dirt Quad je určená na používanie na súkromných pozemkoch a na uzavretých plochách; nie je určená na používanie na verejných uliciach či chodníkoch. Elektrickú štvorkolku nejazdte na miestach, kde sú prítomní chodci alebo na miestach s verejnou premávkou.
- Jazdte defenzívne. Dávajte pozor a vyhýbajte sa chodcom, korčuľiarom, skejtbordistom, cyklistom, deťom alebo zvieratám, ktoré môžu vstúpiť do vašej trasy. Rešpektujte práva a majetok ostatných.
- Mokré, šmykľavé, hrboľaté, nerovné alebo drsné povrchy môžu znížiť trakciu a zvýšiť riziko nehôd.
- Svojou štvorkolkou Dirt Quad nejazdte po blate, ľade, mlákach alebo vode.
- Vyhňte sa ostrým hrboľom, drenážnym mriežkam a náhlym zmenám povrchu.
- Štvorkolku Dirt Quad nejazdte počas mokrého alebo mrazivého počasia a štvorkolku Dirt Quad nikdy neponárajte do vody, pretože elektrické a hnacie prvky by sa mohli poškodiť, alebo by dôsledkom mohol byť vznik nebezpečných podmienok.
- Používaním elektrickej štvorkolky Dirt Quad v interiéri nikdy neriskujte poškodenie povrchov, ako sú koberce alebo podlahové krytiny.
- Nikdy nepoužívajte v blízkosti schodov alebo plaveckých bazénov.

Also jazdiť na štvorkolke Dirt Quad

- Nepoužívajte ovládač rýchlosti (škrtiaca klapka otočného držadla) na ručnom držadle, kým na štvorkolke Dirt Quad úplne nesedíte a kým nie ste v bezpečnom exteriérovom prostredí vhodnom na jazdenie.
- Počas jazdy vždy držte riadidlá.
- Brzd ani motora svojej štvorkolky Dirt Quad sa nedotýkajte počas používania ani okamžite po jazde, pretože tieto diely môžu byť veľmi horúce.
- Vyhňte sa vysokým rýchlostiam, ako je to v prípade jász dolu kopcom, kde môžete stratiť kontrolu.
- Nejazdte v noci ani za obmedzenej viditeľnosti.
- Na svojej elektrickej štvorkolke Dirt Quad sa nepokúšajte stvárať kaskadérské kúsky ani triky. Táto štvorkolka Dirt Quad nie je dosť silná na to, aby vydržala nesprávne používanie alebo zlé zaobchádzanie, ako je skákanie, šmykanie na obrubníkoch alebo podobné typy kaskadérskych kúskov. Pretekajúce, kaskadérske jazdenie alebo iné manévry taktiež zvyšujú riziko straty kontroly alebo môžu spôsobiť nekontrolované akcie a reakcie jazdca. Všetky z uvedených skutočností by mohli mať za následok vážne poranenie alebo možnú smrť.
- Nikdy nedovoľte, aby na štvorkolke Dirt Quad naraz jazdila viac ako jedna osoba.
- Zabráňte, aby ruky, nohy, vlasy, časti tela, odev alebo podobné predmety prišli do kontaktu s pohyblivými dielmi, kolesami, kotúčovými brzdami alebo hnacím ústrojenstvom.
- Počas jazdy nikdy nepoužívajte slúchadlá ani mobilný telefón na hovory či písanie správ.
- Nikdy nejazdte v závese za vozidlom.

Používanie nabíjačky

- Nikdy neupravujte elektrický systém. Vykonalie úpravy môže mať za následok vznik požiaru. Použitie nesprávnej batérie alebo nabíjačky môže mať za následok explóziu.
- PRED KAŽDÝM POUŽITÍM: Batériu nabijate ASPOŇ 12 hodín a pneumatiky nahustite na správnu hodnotu PSI.
- Po každej jazde vypnite. Batéria sa nemusí dať znova nabiť, ak ju ponecháte „ZAPNUTÚ (ON)“ bez používania.
- NESKLADUJTE na miestach, kde zamrzá, alebo pri teplotách pod bodom mrazu! Teploty na bode mrazu batériu natrvalo poškodia.
- Nabíjačku dodávanú s elektrickou štvorkolkou Dirt Quad je nutné pravidelne kontrolovať, či nie je poškodený kábel, zástrčka, kryt a ďalšie súčasti. V prípade takéhoto poškodenia sa nesmie štvorkolka Dirt Quad až do opravenia či výmeny nabíjačky nabíjať.
- Používajte len nabíjačku, ktorú odporúča Razor.
- Nabíjačka nie je hračka. Nabíjačku smie obsluhovať len dospelá osoba.
- Nabíjačku nepoužívajte v blízkosti horľavých materiálov alebo otvoreného plameňa.
- Ak nabíjačku nepoužívate, odpojte ju od štvorkolky Dirt Quad.
- Neprekračujte dobu nabíjania.
- Štvorkolku Dirt Quad vždy odpojte od nabíjačky pred utieraním alebo čistením pomocou vlhkej tkaniny.

Obmedzená záruka:

Táto obmedzená záruka sa vzťahuje jedine na tento výrobok. Neexistuje žiadna iná výslovná alebo implicitná záruka. Výrobca garantuje, že u tohto výrobku sa počas doby 90 dní od dátumu zakúpenia nevyskytnú výrobné chyby.

Platnosť tejto obmedzenej záruky sa skončí, ak bude výrobok:

- používaný iným spôsobom, ako na rekreačné a prepravné účely;
- akýmkoľvek spôsobom upravovaný;
- požičiavany.



**OBSAHUJE UTESNENÉ NEVYTEKAJÚCE OLOVENÉ BATÉRIE.
BATÉRIE SA MUSIA RECYKLOVAŤ.**

CS



**UPOZORNĚNÍ. Aby nedošlo k vážnému zranění:
BEZPEČNOSTNÍ POKYNY k provozu a údržbě
Prosíme rodiče/dospělý dozor, aby nejprve prostudovali tuto stránku**

**POVINNOSTÍ RODIČŮ/DOHLÍŽEJÍCÍCH DOSPĚLÝCH OSOB JE NAUČIT DĚTI BEZPEČNĚ JEZDIT NA TĚTO ČTYŘKOLCE DIRT QUAD.
Pokud uživatel nebude dodržovat zásady zdravého rozumu a dbát na tato varování, je zde zvýšené riziko vážného zranění,
případně i úmrtí.**

Jízda na elektrické čtyřkolce Dirt Quad s sebou nese možná rizika

- Tento výrobek s elektrickým pohonem není hračkou (příloha I směrnice 2009/48/ES). Stejně jako u každého jiného dopravního prostředku může být nebezpečná i jízda na elektrické čtyřkolce Dirt Quad (například při pádu nebo výskytu jiných nebezpečných situací). Elektrické čtyřkolky Dirt Quad jsou samozřejmě určeny k pohybu, a proto je možné, že jezdec ztratí kontrolu nebo se jiným způsobem dostane do nebezpečných situací.
- Jak děti, tak dospělí odpovědní za dohled nad nimi si musí uvědomit, že pokud k takovéto situaci dojde, jezdec se může vážně zranit, případně i zemřít, a to i při použití bezpečnostních pomůcek a přijetí dalších bezpečnostních opatření.



UPOZORNĚNÍ: JE NUTNÉ ZAJISTIT DOHLED RODIČŮ NEBO JINÝCH DOSPĚLÝCH OSOB, KTERÉ NESOU VEŠKEROU ODPOVĚDNOST:

Tato příručka obsahuje důležité informace o bezpečnosti. Vaši odpovědnost je si tyto informace prostudovat a ověřit, zda všichni uživatelé rozumí všem výstrahám, upozorněním, pokynům a tématům bezpečnosti, a ujistit se, že mladší osoby jsou schopny používat tento výrobek bezpečně a odpovědně. Společnost Razor doporučuje, abyste si informace obsažené v této příručce pravidelně prostudovali a osvěžili spolu s mladšími uživateli a prováděli kontroly a údržbu výrobku vašeho dítěte pro zajištění jeho bezpečnosti.



UPOZORNĚNÍ: NENÍ URČENO PRO DĚTI MLADŠÍ 8 LET NEBO O VÁZE NAD 54 KG. Vzhledem k tomu, že výrobky, jako je Dirt Quad, mohou představovat a představují potenciální nebezpečí zjevně spojené s jejich používáním, je všeobecně známo, že VÝBĚR VÝROBKU NA JEZDĚNÍ PRÍMĚŘENÉHO VĚKU DÍTĚTE JE TREBA PROVÁDĚT S RODIČOVSKOU ZODPOVĚDNOSTÍ A V SITUACÍCH, KDY MOHOU MÍT KE STEJNĚMU VÝROBKU NA JEZDĚNÍ PŘÍSTUP DĚTI RŮZNÉHO VĚKU, JE DŮLEŽITÉ ZAJISTIT RODIČOVSKÝ DOHLED. Ne každý výrobek je vhodný pro dítě jakéhokoliv věku či velikosti - v této kategorii výrobků jsou uvedena různá věková doporučení, které mají odrážet povahu rizika a očekávané duševní nebo fyzické schopnosti dítěte, případně obojí, v zájmu zvládnutí možných rizik.

- Společnost Razor doporučuje, aby používání výrobku Dirt Quad nebylo dovoleno dětem mladším 8 let. Toto doporučení vychází nejen z věku, hmotnosti nebo výšky - odráží také zohlednění očekávané vyspělosti a dovedností, stejně jako fyzické velikosti. Doporučený věk jezdce 8 let a více je pouze odhadem a může být ovlivněn velikostí, hmotností nebo dovednostmi jezdce - ne pro každé 8leté dítě musí být výrobek vhodný. Je zřejmé, že jezdci, kteří se na výrobku Dirt Quad nemohou pohodlně usadit, by se na něm ani neměli pokoušet jezdit. Rozhodnutí rodičů umožnit svému dítěti jízdu na tomto výrobku by mělo vycházet z vyspělosti, dovedností a schopnosti dítěte dodržovat pravidla. Společnost Razor dospělým osobám důrazně doporučuje, aby neignorovaly doporučení Razor a také aby nepovolovaly jezdit na výrobku Dirt Quad mladším dětem.
- **NEPŘEKRAČUJTE HMOTNOSTNÍ LIMIT 54 kg.** Hmotnost jezdce nutně neznamená, že velikost dítěte je pro Dirt Quad nebo jeho ovládání vhodná. Udržujte tento výrobek mimo dosah malých dětí a pamatujte, že je určen pro použití pouze osobami, které jsou při ovládání výrobku minimálně ve zcela klidném a způsobitelném stavu.
- **Osoby s mentálním nebo tělesným postižením, které by mohlo být příčinou zranění nebo negativně ovlivnit jejich tělesnou zručnost nebo duševní schopnosti rozpoznat, pochopit a dodržovat bezpečnostní pokyny, stejně jako pochopit rizika spojená s použitím čtyřkolky Dirt Quad, nesmí výrobek používat, ani jim to nesmí být povoleno. Osoby se srdečními potížemi, onemocněním hlavy, zad nebo šíje (nebo před operací těchto částí těla), nebo těhotné ženy, by měly být upozorněny, aby tyto výrobky nepoužívaly.**

Řádné ochranné pomůcky, oděv a obuv

- Vždy noste vhodné ochranné vybavení, např. schválenou ochrannou přilbu (s podbradním řemínkem upevněným přezkou), náloketníky a nálokeníky. Přilba může být ve vaší zemi ze zákona povinná. Kromě toho se doporučuje nosit, košili s dlouhým rukávem, dlouhé nohavice a rukavice.
- Vždy noste sportovní obuv (šněrovací obuv s gumovou podrážkou), nikdy nejezděte na boso nebo v sandálech a tkaničky mějte vždy zavázané a mimo dosah kol, motoru a hnacího systému.

Kontrola čtyřkolky Dirt Quad před použitím – Údržba po použití

- Před použitím zkontrolujte správné fungování brzd a správné nahuštění a dostatečný vzorek pneumatik.
- Po použití zajistěte údržbu a opravy čtyřkolky Dirt Quad v souladu se specifikacemi výrobce uvedenými v tomto návodu. Používejte pouze náhradní díly schválené výrobcem. Dirt Quad nijak neupravujte v rozporu s původním designem a konfigurací výrobce.
- Přijatelná technika a podmínky jízdy - Rodiče/dospělí jsou povinni své děti seznámit s těmito pravidly
- Doporučuje se používat ochranné pomůcky. Není určeno k použití v silničním provozu.

Kde jezdit na čtyřkolce Dirt Quad

Vždy ověřte a dodržujte místní zákony či předpisy, které se mohou vztahovat na místa, kde se elektrický Dirt Quad používá. Vždy udržujte bezpečnou vzdálenost od automobilů a silničního provozu a jezděte pouze tam, kde je to povoleno a se zvýšenou opatrností.

Čtyřkolka Dirt Quad je určena k použití na soukromém pozemku a na uzavřených drahách, nikoliv na veřejných ulicích nebo chodnicích. Nedovolte, aby vaše elektrická čtyřkolka jezdila v oblastech s provozem vozidel.

Jezděte opatrně. Dávajte pozor na chodce, bruslaře, skateboardisty, cyklisty, děti či zvířata, které vám mohou vstoupit do cesty. Respektujte práva a majetek druhých osob.

Mokré, hladké, hrbolaté, nerovné či drsné povrchy mohou zhoršit trakci a zvýšit riziko nehody.

Na čtyřkolce Dirt Quad nejezděte v bahně, na náledí, v kalužích nebo ve vodě.

Vyhnete se ostrým hrbolům, roštům kanálů a náhlým změnám povrchu.

Na čtyřkolce Dirt Quad nejezděte za mokra nebo v ledovém počasí a čtyřkolku nikdy neponořujte do vody, elektrické a hnací prvky se by mohly vodou poškodit nebo vytvořit jiné pravděpodobně nebezpečné podmínky.

Nikdy neriskujte poškození povrchů, např. koberce nebo podlahy, používáním elektrické čtyřkolky Dirt Quad v interiéru.

Nepoužívejte v blízkosti schodů nebo plováren.

Jak jezdit na čtyřkolce Dirt Quad

Regulátor rychlosti (plyn v rukojeti) používejte pouze pokud jste na čtyřkolce Dirt Quad a v bezpečném venkovním prostředí vhodném pro jízdu.

Po celou dobu jízdy se držte řídítek.

Během použití čtyřkolky Dirt Quad nebo ihned poté se nedotýkejte brzd nebo motoru, tyto části se mohou zahřát na velmi vysokou teplotu.

Nejezděte vysokou rychlostí, zejména při jízdě ze svahu, kdy může dojít ke ztrátě kontroly.

Nejezděte v noci nebo za snížené viditelnosti.

Na elektrické čtyřkolce Dirt Quad se nepokoušejte o akrobatické kousky. Tato čtyřkolka Dirt Quad není dostatečně pevná k tomu, aby odolávala nesprávnému používání skákáním, najížděním na obrubník nebo jiným typům akrobacie. Riziko ztráty kontroly zvyšuje také závodění, kaskadérství a další manévry, které mohou způsobit nekontrolované jednání či reakce jezdce. Takové chování může mít za následek vážné zranění, případně i úmrtí.

Na čtyřkolce Dirt Quad nikdy nevozte spolujezdce ani nedovolte, aby na ní jezdila více než jedna osoba.

Dbejte, aby se do kontaktu s pohyblivými částmi, koly nebo hnacím ústrojím nedostaly ruce, nohy, vlasy, části těla, oblečení apod.

Při jízdě nikdy nepoužívejte sluchátka nebo mobilní telefon k volání nebo psaní zpráv.

Nikdy nejezděte zavěšení za jiným vozidlem.

Používání nabíječky

Nikdy neprovádějte změny elektrického systému. V případě změny by mohlo dojít k požáru. V případě použití nesprávného typu akumulátoru nebo nabíječky může dojít k výbuchu.

PŘED KAŽDÝM POUŽITÍM: Nabíjte baterii po dobu ALESPŮŇ 12 hodin a pneumatiky nahustěte na správný tlak.

Vypnout po každé jízdě. Pokud se baterie ponechají zapnuté, i když nejsou používány, mohou ztratit schopnost dobíjení.

Nikdy neskladujte v teplotách pod bodem mrazu! Teploty pod bodem mrazu způsobí trvalé poškození baterie.

Nabíječku dodanou s elektrickou čtyřkolkou Dirt Quad je třeba pravidelně kontrolovat, zda nedošlo k poškození šňůry, zástrčky, pouzdra a dalších dílů. V případě takového poškození se Dirt Quad nesmí nabíjet, dokud se nabíječka neopraví nebo nevymění.

Používejte pouze nabíječku doporučenou společností Razor.

Nabíječka není na hrani. Měla by ji obsluhovat dospělá osoba.

Nabíječku nezapínejte v blízkosti hořlavých materiálů nebo otevřeného ohně.

Pokud se nabíječka nepoužívá, odpojte ji od čtyřkolky Dirt Quad.

Nepřekračujte dobu nabíjení.

Před otíráním či čištěním vlhkým hadříkem Dirt Quad vždy odpojte od nabíječky.

Omezená záruka:

Tato omezená záruka je jedinou zárukou na tento výrobek. Žádná jiná výslovná nebo implicitní záruka neexistuje.

Výrobce poskytuje záruku na výrobní vady tohoto výrobku na dobu 90 dnů od data zakoupení.

Tato omezená záruka zaniká v případě:

- použití výrobku pro jiné účely než pro rekreaci nebo dopravu;
- jakýchkoli úprav výrobku;
- pronájmu výrobku.



**OBSAHUJE UTĚSNĚNÉ AKUMULÁTORY NA BÁZI OLOVA A KYSELINY.
AKUMULÁTORY JE NUTNĚ RECYKLOVAT.**



ПРЕДУПРЕЖДЕНИЕ. За да избегнете сериозно нараняване:
МЕРКИ ЗА БЕЗОПАСНОСТ по време на употреба и поддръжка
Родители/възрастни, прочетете първо тази страница

РОДИТЕЛИТЕ/ВЪЗРАСТНИТЕ, ОСЪЩЕСТВЯВАЩИ НАДЗОР, ТРЯБВА ДА НАУЧАТ ДЕЦАТА КАК ДА КАРАТ ТОЗИ DIRT QUAD.
Ако потребителят не използва здрав разум и не спазва тези предупреждения, това увеличава риска от щети, сериозни наранявания или дори смърт.

Карането на електрически Dirt Quad е свързано с потенциални рискове.

- Този продукт, задвижван с електрически ток, не е играчка (Приложение I на Директива 2009/48/ЕО). Като всеки продукт за езда с четири колела, електрическият Dirt Quad може да бъде опасен (например, можете да паднете или да се озовете в опасна ситуация). Електрическите Dirt Quad са, разбира се, създадени да се движат и поради това е възможно потребителят да изгуби управление или по друг начин да се озове в опасна ситуация.
- Както децата, така и възрастните, които осъществяват надзор над тях, трябва да осъзнават, че ако се случи нещо такова, потребителят може да бъде сериозно наранен или дори да умре, дори и когато използва предпазни средства и предприема други мерки за безопасност.



ПРЕДУПРЕЖДЕНИЕ: НЕОБХОДИМО Е ДА СЕ ОСЪЩЕСТВЯВА НАДЗОР И ДА СЕ ПОЕМЕ ОТГОВОРНОСТ ОТ РОДИТЕЛ / ВЪЗРАСТЕН:
Това ръководство съдържа важна информация за безопасност. Ваша отговорност е да прегледате тази информация и да се уверите, че всички ездачи разбират всички предупреждения, съобщения за внимание и съвети за безопасност и да се уверите, че младите ездачи могат безопасно и отговорно да използват този продукт. Razor USA препоръчва периодично да преглеждате и да затвърждавате познанието на информацията в това ръководство с по-младите ездачи и да инспектирате и да поддържате продукта за Вашите деца, за да се осигури тяхната безопасност.



ПРЕДУПРЕЖДЕНИЕ: НЕ Е ПОДХОДЯЩ ЗА ДЕЦА ПОД 8 ГОДИНИ ИЛИ С ПО-ГОЛЯМО ТЕГЛО ОТ 54 КГ. Тъй като продуктите, като Dirt Quad, може да представляват и представляват потенциални опасности, пряко свързани с тяхната употреба, ясно се отчита, че **НУЖДАТА ЗА УПРАЖНЯВАНЕ НА РОДИТЕЛСКА ОТГОВОРНОСТ ПРИ ИЗБОРА НА ПРОДУКТИ ЗА ЕЗДА, КОИТО СА ПОДХОДЯЩИ ЗА ВЪЗРАСТА НА ДЕТЕТО ИЛИ РОДИТЕЛСКИ НАДЗОР ПРИ СИТУАЦИИ, В КОИТО ДЕЦА НА РАЗЛИЧНА ВЪЗРАСТ МОЖЕ ДА ИМАТ ДОСТЪП ДО ЕДНИ И СЪЩИ ПРОДУКТИ ЗА ЕЗДА, Е ВАЖНА.** Не всеки продукт е подходящ за всяка възраст или ръст деца и за тази категория продукти има различни препоръки в зависимост от възрастта, които отразяват естеството на опасностите и необходимите умствени и физически способности (или и двете) на ездача, за да може той да се справи с опасностите.

- Razor препоръчва да не се позволява използването на Dirt Quad от деца на възраст под 8 години. Тази препоръка се базира не само на възрастта теглото или ръста – тя отразява въпроса за необходимата зрялост и умения, както и физическия ръст. Препоръчаната възраст на ездача от 8 или повече години е само приблизителна и може да бъде повлияна от ръста, теглото или уменията на ездача – продуктът няма да е подходящ за всяко дете на 8 години. Разбира се, всеки ездач, който не може да се вмести удобно в Dirt Quad не трябва да опита да го използва, но решението на родителите да позволи неговото или нейното дете да язди този продукт трябва да се базира на зрелостта, уменията и способностите на детето да спазва тези правила. Razor наблюдава на това, че възрастните настойчиво се съветват да не пренебрегват препоръките на Razor или да позволяват на по-малки деца да яздят Dirt Quad.
- **НЕ НАДВИШАВАЙТЕ ОГРАНИЧЕНИЕТО ЗА ТЕГЛО ОТ 54 КГ.** Теглото на ездача само по себе си не означава непременно, че големината на фигурата на определено дете е подходяща или е достатъчна за поддържане на контрол над Dirt Quad. Дръжте този продукт далече от малки деца и помнете, че този продукт е предназначен за употреба само от лица, които най-малкото могат да управляват продукта напълно удобно и компетентно.
- Лица с умствени или физически заболявания, които може да се явят предпоставка за нараняване или да попречат на физическите им умения или умствените им способности да разбират и следват инструкциите за безопасност, както и да разбират с какви рискове е свързана употребата на Dirt Quad, не трябва да използват и не трябва да им бъде разрешено да използват продукти, които са неподходящи за техните способности. Лица със сърдечни заболявания и лица, които страдат от болки в главата, гърба или врата (или са претърпели преди това операции на тези части на тялото), както и бременни жени, не трябва да боравят с такива продукти.

Подходяща екипировка, дрехи и обувки

- Носете винаги подходящо защитно оборудване като одобрена каска (със закопчана каишка под брадата), налакътници и наколенки. Носенето на каска може да е задължително на мястото, където живеете, съгласно местното законодателство. В допълнение, блуза с дълги ръкави, дълъг панталон и ръкавици са препоръчителни.
- Винаги носете спортни обувки (с връзки и гумени подметки), никога не карайте с боси крака или със сандали, като държите връзките на обувките си завързани и далече от колелата, мотора и задвижващата система.

Проверка на Dirt Quad преди употреба – поддръжка след употреба

- Преди употреба, уверете се, че спирачката функционира правилно и че гумите са напълнени правилно и имат достатъчна останала дълбочина на грайфера.
- След употреба, извършете дейностите по поддръжка и ремонт на Dirt Quad, съгласно спецификациите на производителя в това ръководство. Използвайте само одобрени от производителя резервни части. Не променяйте този Dirt Quad от оригиналния дизайн и конфигурация на производителя.
- Приемливи начини на каране и условия – Родителите/възрастните трябва да обсъдят тези правила с децата си
- Трябва да бъде носено защитно оборудване. Да не се използва по улиците с движение на превозни средства.

Къде да се кара Dirt Quad

- Проверете и спазвайте местните закони и разпоредби, които указват къде може да се използва електрическият Dirt Quad. Дръжте се през цялото време на безопасно разстояние от автомобили и автомобилния трафик, и използвайте само там, където е позволено, като проявявате необходимото внимание.
- Dirt Quad е предназначен да бъде използван върху терени, които са частна собственост и на затворени писти, а не на обществени улици или тротоари. Не яздете Вашата електрическа четириколка на места, където се движат пешеходци или превозни средства.
- Карайте защитно. Внимавайте са избягвате пешеходци, кънкьори, скейтбордисти, велосипеди, деца или животни, които може да ви излязат на пътя. Уважавайте правата и собствеността на другите.
- Мокри, хлъзгави, неравни или груби повърхности може да намалят сцеплението и да увеличат риска от инциденти.
- Не карайте Dirt Quad върху кал, лед, локви или вода.
- Избягвайте бабуни, капаци на шахти и резки промени на повърхността.
- Не карайте Dirt Quad върху мокри или заледени повърхности и никога не я потапяйте във вода, понеже електрическите и задвижващите компоненти може да се повредят от водата или да създадат други потенциално опасни условия.
- Никога не използвайте електрическия Dirt Quad на закрито, тъй като рисковете да повредите повърхности като килими или подови настилки.
- Никога не използвайте продукта в близост до стълби или басейни.

Как да се кара Dirt Quad

- Не използвайте контрола на скоростта (ръкохватката за газта) на кормилото, освен ако вече не сте седнали изцяло в Dirt Quad и не сте на безопасно място на открито, което е подходящо за каране.
- Дръжте дръжките на кормилото постоянно докато карате.
- Не пипайте спирачките или мотора на Dirt Quad по време на употреба или скоро след това, понеже тези части могат да станат много горещи.
- Избягвайте високи скорости, като например при спускане по наклон, при които можете да изгубите управлението.
- Не карайте през нощта или при лоша видимост.
- Не се опитвайте да правите номера или каскади с електрическия Dirt Quad. Dirt Quad не е достатъчно здрав, за да издържи лошо отношение и натоварване като например сканане, стържене в тротоара или други подобни. Състезанията, каскадите и други подобни маневри също увеличават риска от изгубване на управлението и може да предизвикат неконтролирани действия или реакции на потребителя. Всички те може да доведат до сериозно нараняване или дори смърт.
- Dirt Quad никога не трябва да се използва от повече от един човек едновременно.
- Не позволявайте на ръце, крака, коса, части на тялото, дрехи или подобни предмети да влязат в контакт с движещи се части, колела, дискови спирачки или задвижващи елементи.
- Никога не използвайте слушалки или мобилен телефон, за да провеждате разговори или да изпращате текстови съобщения, докато карате.
- Никога не се хващайте за друго превозно средство докато карате.

Използване на зарядното

- Не модифицирайте електрическата система. Промените могат да станат причина за пожар. Употребата на неправилен вид батерия или зарядно може да предизвика експлозия.
- ПРЕДИ ВСЯКА УПОТРЕБА: Зареждайте батерията за ПОНЕ 12 часа и напompвайте гумите с правилното налягане.
- Изключвайте след всяка езда. Батерията може да не може да се зареди отново, ако бъде оставена включена без да се използва.
- НЕ съхранявайте при температури под нулата! Температури под нулата ще повредят батерията необратимо.
- Зарядното, което се доставя с електрическия Dirt Quad трябва редовно да се проверява за повреди по кабела, щепсела, корпуса и другите части. В случай на такава повреда Dirt Quad не трябва да бъде зареждан, докато зарядното не бъде ремонтирано или подменено.
- Използвайте само зарядно, препоръчано от Razor.
- Зарядното не е играчка. С него трябва да работят само възрастни.
- Не работете със зарядното в близост до запалими материали или открит пламък.
- Изключвайте зарядното от електрическата мрежа и от Dirt Quad, когато не го използвате.
- Не надвишавайте времето за зареждане.
- Винаги изключвайте Dirt Quad от зарядното преди да го бършете или почиствате с влажен парцал.

Ограничена гаранция:

Тази ограничена гаранция е единствената гаранция за този продукт. Не съществува друга пряка или косвена гаранция. Производителът гарантира, че този продукт няма да прояви производствени дефекти за период от 90 дни след датата на покупката. на покупката. Тази ограничена гаранция ще бъде невалидна ако продуктът някога е бил:

- използван за цел различна от забавление и транспорт;
- модифициран по какъвто и да било начин;
- даван под наем.



СЪДЪРЖА ЗАПЕЧАТАНИ НЕРАЗЛИВАЕМИ ОЛОВНИ АКУМУЛАТОРНИ БАТЕРИИ. БАТЕРИИТЕ ТРЯБВА ДА БЪДАТ РЕЦИКЛИРАНИ.



UYARI. Ciddi yaralanmaları önlemek için:
Çalıştırma ve bakım süresince **GÜVENLİK ÖNEMLERİ**
Ebeveynler/yetişkin gözetmenler önce bu sayfayı okumalıdır

EBEVEYNLER/GÖZETMENLİK YAPAN YETİŞKİNLER ÇOCUKLARA BU DIRT QUAD'A NASIL GÜVENLİ ŞEKİLDE BİNİLECEĞİNİ ÖĞRETMELİDİRLER. Eğer binen kişi yaşadığını kullanamaz ve bu uyarıları dikkate almazsa; artmış hasar, ciddi sakatlanma ya da mutemmel ölüm riski bulunmaktadır.

Elektrikli Bir Dirt Quad'a Binmek Potansiyel Riskler Taşır.

- Bu elektrikle çalışan ürün bir oyuncak değildir (Yönetmelik 2009/48/EC Ek 1). Diğer biniş ürünlerinde olduğu gibi elektrikli bir Dirt Quad da tehlikeli olabilir (örneğin düşmek veya tehlikeli bir durumda binmek gibi). Elektrikli Dirt Quad, hareket anlamına gelmektedir ve bu yüzden binicinin kontrolünü kaybetmesi veya tehlikeli durumlara düşmesi mümkün olabilmektedir.
- Gerek çocuklar gerekse çocukları gözetim altında tutmaktan sorumlu yetişkinler olsun, böyle bir durumda güvenlik ekipmanı kullanılıyor ve diğer güvenlik önlemleri alınmış olsa bile, binicinin ciddi biçimde sakatlanabileceğinin veya ölebileceğinin bilincinde olmalıdır.



UYARI: EBEVEYN VE YETİŞKİN SORUMLULUĞU VE GÖZETİMİ GEREKLİDİR: Bu kılavuz önemli güvenlik bilgileri içerir. Bu bilgilerin gözden geçirilmesi ve tüm binicilerin bütün uyarıları, tedbirleri, talimatları ve güvenlik konularını anladığından emin olup genç binicilerin bu ürünü güvenle ve sorumluluk sahibi şekilde kullandığını garanti etmek sizin sorumluluğunuzdur. Razor USA bu kılavuzdaki bilgileri genç binicilerle birlikte düzenli olarak gözden geçirip takviye etmenizi ve güvenliğini temin etmek için çocuğunuzun ürünü muayene etmenizi ve bakımını yapmanızı önermektedir.



UYARI: 8 YAŞIN ALTINDA VEYA 54 KG'DAN AĞIR ÇOCUKLAR İÇİN DEĞİLDİR. Dirt Quad gibi ürünler kullanımlarına bağlı olarak potansiyel tehlikeler oluşturabileceği için ÇOCUĞUN YAŞINA UYGUN DOĞRU ÜRÜNLERE BİNİLMESİNİN SEÇİMİNDE EBEVEYN SORUMLULUĞU YA DA AYNI ÜRÜNLERE ERİŞEBİLECEK ÇEŞİTLİ YAŞLARDAKİ ÇOCUKLARDAKİ DURUMLARDA EBEVEYN GÖZETİMİ ÖNEMLİDİR. Bu ürünler tehlikeli olabildiğinden ve her ürün her yaşta çocuğa uygun olmadığı için tehlikelerin yapısını ve tehlikelerle mücadelede çocuğun beklenen zihinsel ve fiziksel yeteneğini yansıtan bu ürün kategorisinde farklı yaş tavsiyeleri bulunmaktadır.

- **Razor, 8 yaşın altındaki çocukların Dirt Quad kullanmasına izin verilmemesini önermektedir. Bu tavsiye sadece yaş ya da ağırlık veya boya bağlı değildir, fiziksel boyut kadar beklenen olgunluk ve becerilerin dikkate alınması da yansıtır. 8 yaş veya üzerindeki önerilen binici yaşı sadece bir tahmindir ve binicinin boyutundan, ağırlığından veya becerilerinden etkilenebilir; 8 yaşındaki her çocuk ürüne uygun değildir. Dirt Quad'a rahat bir şekilde sığmayan hiçbir binici onu kullanmaya çalışmamalıdır fakat ebeveynin çocuğunun bu ürüne binmesine izin verme kararı çocuğun olgunluğuna, becerisine ve kurallara uyma yeteneğine dayandırılmalıdır. Razor, yetişkinlere Razor'un önerilerini dikkate almalarını veya daha ufak çocukların Dirt Quad'a binmesine izin vermemelerini önemle önermektedir.**
- **54 kg AĞIRLIK LİMİTİNİ AŞMAYINIZ.** Binici ağırlığı sadece Dirt Quad'a uygunluk veya Dirt Quad'ı idare etmek için uygunluk anlamına gelmez. Bu ürünü küçük çocuklardan uzak tutunuz ve çalıştırırken yalnızca tamamen rahat ve yetkin biçimde kullanabilen çocukların binmesi gerektiğini unutmayınız.
- **Kişileri sakatlanmaya açık hale getiren, güvenlik talimatlarının farkına varmaya, bu talimatları anlama ve uygulama için fiziki veya zihinsel yeteneklerini bozan, Dirt Quad'a ilişkin tehlikeleri kavramada herhangi bir zihinsel veya fiziksel engeli bulunan kişilerce ya da yeteneklerine uygun olmayan ürünleri kullanım izni olmayan kişilerce kullanılmamalıdır. Kalp, baş, sırt ya da boyun hastalıkları (ya da vücudun bu bölgelerine önceden yapılan ameliyatları) olan kişilerin veya hamile kadınların bu türden ürünleri çalıştırmamasına dikkat edilmelidir.**

Uygun biniş ekipmanı, giysiler, ayakkabılar

- Onaylanmış güvenlik kaskı (çene bandı güvenli biçimde tutturulmuş halde), dirseklikler ve dizlikler gibi uygun koruyucu ekipman daima kullanılmalıdır. Bölgenizdeki yerel bir kanun veya yönetmelikle, kask kullanımı yasal bir zorunluluk haline getirilmiş olabilir. Ayrıca uzun kollu bir tişört, uzun pantolon ve eldiven önerilir.
- Daima spor ayakkabı giyiniz (lastik tabanlı ve bağcıklı ayakkabılar), kesinlikle çıplak ayakla veya sandaletle binmeyiniz. Ayakkabı bağcıklarını bağlayınız ve tekerlekler, motor ve tahrik sisteminden uzak tutunuz.

Kullanımdan Önce Dirt Quad'ı Kontrol Ediniz – Kullanım Sonrası Bakım

- Kullanmadan önce frenin doğru biçimde çalıştığını ve lastiklerin doğru biçimde şişirildiğini ve yeterli lastik dişine sahip olduğunu kontrol edin.
- Kullanımdan sonra Dirt Quad'ı üreticinin bu kılavuzdaki tanımlamalarına uygun şekilde tamir ediniz. Yalnızca üreticinin onayladığı yedek parçaları kullanınız. Bu Dirt Quad'ı üreticinin orijinal dizaynı ve konfigürasyonu dışında modifiye etmeyiniz.
- Kabul Edilebilir Binış Usulleri ve Koşulları - Ebeveynler/yetişkinler bu kuralları çocuklarıyla tartışmalıdır
- Koruyucu ekipman giyilmelidir. Trafikte kullanım için değildir.

Dirt Quad'a nerede binilir

- Elektrikli Dirt Quad'ın kullanılabileceği yerleri etkileyebileceği yerel kanunları daima kontrol ediniz ve bunlara uyunuz. Arabalardan ve motorlu taşıt trafiğinden her zaman uzakta tutunuz ve yalnızca izin verilen yerlerde dikkatli biçimde kullanınız.
- Dirt Quad kamu otoyollarında ve kaldırımlarında değil, özel mülkiyette ve kapalı alanlarda binilmek üzere üretilmiştir. Elektrikli dört tekerlekli aracınızda, yaya veya araç trafiğinin olduğu alanlarda binmeyiniz.
- Koruyucu biçimde bininiz. Yolunuza çıkabilecek yayalara, patencilere, kaykaylara, bisikletlere, çocuklara veya hayvanlara dikkat ediniz. Diğerlerinin haklarına karşı saygılı olunuz.
- Islak, kaygan, tımsıklı veya pürüzlü yüzeyler çekişi azaltabilir ve böylece kaza riskini artırabilir.
- Dirt Quad'ınızı çamurda, buzda, su birikintilerinde ya da suda kullanmayınız.
- Keskin tümeşekler, drenaj çukurları ve ani yüzey değişimlerinden sakınınız.
- Islak veya buzlu havada Dirt Quad'ınıza binmeyiniz ve elektrikli ve motor parçaları sudan ötürü hasar görebileceği için Dirt Quad'ı asla suya daldırmayınız ve başka güvensiz koşullar yaratmayınız.
- Elektrikli bir Dirt Quad'ı iç mekanda kullanıp, halı veya döşeme gibi zarar veren yüzeylerde risk oluşturmayınız.
- Kesinlikle basamakların veya yüzme havuzlarının yanında kullanmayınız.

Dirt Quad'ın nasıl binilir

- Dirt Quad'ın üzerinde ve binişe uygun, güvenli bir dış ortamda değilseniz, el tutamağı üzerindeki hız kontrolünü (helezon kısma valfi) kullanmayınız.
- Binerken daima gidonunuzu tutunuz.
- Aşırı derecede ısınabileceklerinden ötürü, kullanım süresince veya bindikten hemen sonra Dirt Quad'ınız üzerindeki frenlere veya motora dokunmayınız.
- Kontrolü kaydedebileceğiniz yokuş aşağı binişlerde yüksek hızlardan kaçınınız.
- Gece ya da görüşün sınırlı olduğu zamanlarda binmeyiniz.
- Elektrikli Dirt Quad'ınız üzerinde akrobasi hareketleri veya numaralar yapmaya kalkışmayınız. Dirt Quad; hatalı kullanım ile ziplama, kaldırım kenarında biniş ve diğer numaralar gibi kötüye kullanımı kaldıracak kadar dayanıklı değildir. Yarış, akrobasi binışı ve diğer manevralar da kontrol kaybı riskini artırır veya kontrol dışı binici eylemleri veya reaksiyonları doğurabilir. Bütün bunlar ciddi sakatlanma ya da ölüme sonuçlanabilir.
- Aynı anda birden fazla kişinin Dirt Quad'a binmesine kesinlikle izin vermeminiz.
- Eller, ayaklar, saçlar, vücudun diğer bölümleri, kıyafetler ya da benzer nesnelere; hareketli parçalar, tekerlekler ya da aktarım organlarıyla temas etmesine izin vermeminiz.
- Kesinlikle biniş esnasında kulaklık ya da cep telefonu kullanmayınız.
- Kesinlikle başka bir araca bağlamayınız.

Şarj cihazının kullanılması

- Elektrik sistemini kesinlikle modifiye etmeyiniz. Değişiklik yapılması sonucunda yangın çıkabilir. Hatalı tipte bir akü ya da şarj cihazının kullanımı patlamaya neden olabilir.
- HER KULLANIMDAN ÖNCE: Aküyü EN AZ 12 saat boyunca şarj edin ve lastikleri doğru PSI değerine getirin.
- Her binışten sonra kapatın. Akü, kullanımda değilken "AÇIK" bırakılırsa yeniden şarj edilemeyebilir.
- Donma sıcaklıklarında veya sıfırın altındaki sıcaklıklarda muhafaza ETMEYİN! Donma sıcaklıkları aküye kalıcı hasar verir.
- Elektrikli Dirt Quad ile sunulan şarj cihazı; kablo, fiş, ek ve diğer parçalardaki hasara karşı düzenli olarak muayene edilmelidir. Bu türden bir hasar olması durumunda Dirt Quad, şarj cihazı onarılmaya veya değiştirilmeye kadar şarj edilmemelidir.
- Yalnızca Razor tarafından önerilen şarj cihazını kullanınız.
- Şarj cihazı bir oyuncak değildir. Şarj cihazı yalnızca bir yetişkin tarafından çalıştırılmalıdır.
- Şarj cihazını tutuşabilir malzemeler ya da açık bir ateş kaynağının yakınında çalıştırmayınız.
- Şarj cihazı kullanımda değilken fişten çekiniz ve Dirt Quad'dan ayırınız.
- Şarj dolmuş süresini geçirmeyiniz.
- Aşığıya doğru silmeden ya da sıvıyla temizlemeden önce şarj cihazını daima Dirt Quad'dan ayırınız.

Sınırlı Garanti:

Bu Sınırlı Garanti bu ürüne ilişkin tek garantidir. Başka herhangi bir açık veya zımnı garanti yoktur. Üretici bu ürünü, satın alım tarihinden itibaren 90 gün süreyle üretim hatalarına karşı garantisini altına almaktadır. Bu Sınırlı Garanti şu koşullar altında geçersiz olacaktır, eğer ürün:

- eğlence ya da ulaşımdan başka bir amaçla kullanılmışsa;
- herhangi bir şekilde modifiye edilmişse;
- kiralanmışsa.



**CONTAL VE DÖKÜLMÜZ KURŞUN ASİTLİ AKÜLER İHTİVA ETMEKTEDİR.
AKÜLERİN GERİ DÖNÜŞÜMÜ SAĞLANMALIDIR.**

**ПОПЕРЕДЖЕННЯ. Щоб уникнути серйозних травм:
ЗАПОБІЖНІ ЗАСОБИ під час використання і обслуговування
Батькам / наглядачам необхідно спочатку прочитати цю сторінку**

БАТЬКИ АБО НАГЛЯДАЧІ ПОВИННІ СПОЧАТКУ НАВЧИТИ ДІТЕЙ БЕЗПЕЧНО КАТАТИСЯ НА DIRT QUAD. Якщо дитина не буде уважною і не звертатиме увагу на ці застереження, існує підвищений ризик пошкодження, серйозних тілесних травм і можливої смерті.

Ізда на електричному Dirt Quad становить потенційні ризики.

- Цей виріб з електричним приводом не є іграшкою (Додаток I до Директиви 2009/48/EC). Як і будь-який інший транспортний засіб, електричний Dirt Quad може бути небезпечним (наприклад, падіння або небезпечні ситуації). Звичайно, електричні Dirt Quad призначені для пересування, тому іздець може втратити керування або потрапити в іншу небезпечну ситуацію.
- Діти і дорослі, які за ними наглядають, повинні усвідомлювати, що якщо таке станеться, іздець може бути серйозно травмований або навіть померти, навіть якщо використовувати захисне оснащення і дотримуватись запобіжних засобів.

ПОПЕРЕДЖЕННЯ: НЕОБХІДНА ВІДПОВІДАЛЬНІСТЬ ТА УВАГА З БОКУ БАТЬКІВ ТА ДОРОСЛИХ ОСІБ: Ця інструкція містить важливу інформацію з безпеки. Ви несете відповідальність за перегляд цієї інформації та донесення до користувачів всіх попереджень, застережень, інструкцій та питань безпеки, а також ви маєте переконатися, що юні користувачі можуть безпечно та відповідально використовувати цей виріб. Razor USA рекомендує періодично переглядати та згадувати інформацію в цій інструкції з юними користувачами та перевіряти й обслуговувати виріб вашої дитини для забезпечення безпеки.

ПОПЕРЕДЖЕННЯ: НЕ ДЛЯ ДІТЕЙ ВІКОМ ДО 8 РОКІВ ТА ВАГОЮ ПОНАД 54 КГ. Оскільки такі вироби, як Dirt Quad, можуть становити потенційну загрозу, напряму пов'язану з їх використанням, прийнято вважати, що **ВАЖЛИВОЮ Є БАТЬКІВСЬКА ВІДПОВІДАЛЬНІСТЬ У ВИБОРІ ВИРОБІВ ДЛЯ КАТАННЯ, ВІДПОВІДНИХ ДО ВІКУ ДИТИНИ, АБО БАТЬКІВСЬКИЙ НАГЛЯД У СИТУАЦІЯХ, КОЛИ ДІТИ РІЗНОГО ВІКУ МОЖУТЬ МАТИ ДОСТУП ДО ОДНОГО ВИРОБУ.** Оскільки самокати можуть бути небезпечними, і не кожна продукція підходить для будь-якого віку або розміру дитини, для цієї категорії продукції надані рекомендації для різного віку, вони призначені для опису природи ризиків і очікуваних розумових і фізичних здібностей (або того і іншого) користувача, щоб уникнути небезпеки.

- Razor рекомендує не допускати дітей до 8 років до використання Dirt Quad. Ця рекомендація базується не тільки на віці, вазі або зрості, але й відображає очікувану зрілість та навички, а також фізичний розмір. Рекомендований вік користувача – 8 років чи старше – є лише оцінкою і може залежати від розмірів, ваги або навичок користувача, не кожна дитина у 8 років може використовувати цей виріб. Звичайно, якщо користувачу незручно на Dirt Quad, він не має кататися, але рішення батьків дозволити дитині кататися на цьому виробі має базуватися на зрілості, навичках та здатності дитини виконувати правила. Razor наголошує, що дорослим суворо рекомендується не ігнорувати поради Razor та не дозволяти більш юним дітям кататися на Dirt Quad.
- **НЕ ПЕРЕВИЩУЙТЕ ОБМЕЖЕННЯ ВАГИ В 54 КГ.** Вага користувача не обов'язково означає, що зріст особи відповідає для управління Dirt Quad. Не давайте продукцію маленьким дітям і пам'ятайте, що вона призначена для використання людьми, які, як мінімум, зручно себе відчувують під час керування самокатом і знають, як це робити.
- Люди з розумовими і фізичними особливостями, які роблять їх сприйнятливими до травм або впливають на фізичну здатність керувати або розумову здатність сприймати, розуміти і дотримуватись інструкцій з безпеки і здатність розуміти ризики, пов'язані з використанням Dirt Quad, не повинні використовувати або допускати до використання продукції. Особи з хворобами серця, захворюваннями голови, спини або шиї (або ті, що перенесли операцію на цих частинах тіла) або вагітні жінки не можуть користуватися цією продукцією.

Необхідне оснащення для катання, одяг, взуття

- Завжди надівайте необхідне захисне оснащення, таке як затверджений захисний шлем (з надійно закріпленим ремінем для підборіддя), налокітники і наколінники. Наявність шлему може бути потрібною відповідно до місцевого закону або норм у вашому регіоні. Крім того, рекомендується сорочка з довгим рукавом, довгі брюки та рукавиці.
- Завжди одягайте спортивне взуття (шнуроване взуття з гумовою підшоивою), ніколи не катайтеся босоніж або в сандалях і завжди зав'язуйте шнурки, щоб вони не потрапили в колеса, двигун і систему приводу.

Перевірте Dirt Quad перед використанням – проведіть роботи з обслуговування після використання

- Перед використанням перевірте належне функціонування гальм та достатню кількість повітря в шинях, а також кількість ланцюга, що залишився.
- Після використання проведіть обслуговування і ремонт Dirt Quad відповідно до рекомендацій виробника в цій інструкції. Використовуйте лише дозволений виробником запчастини. Не змінюйте первинну конструкцію і конфігурацію цього Dirt Quad.
- Допустима практика і умови їзди – батьки/дорослі повинні обговорити ці правила зі своїми дітьми
- Використовуйте захисне обладнання. Не для використання серед машин.

Де кататися на Dirt Quad

- Завжди перевіряйте і дотримуйтеся місцевих законів або норм, які можуть вплинути на місця використання електричного Dirt Quad. Завжди остерігайтеся автомобілів і транспортного руху та використовуйте самокат обережно і в дозволених місцях.
- Dirt Quad має використовуватися на приватній території та на закритих майданчиках, а не на вулицях та тротуарах. Не кататися на електричному квадроциклі в місцях, де є пішоходи або транспорт.
- Слід їздити акуратно. Уникайте пішоходів, ролерів, скейтбордистів, мотоциклів, дітей і тварин, які можуть встати у вас на дорозі. Поважайте права і приватну власність тих, хто вас оточує.
- Мокрі, слизькі, вибоїсті, нерівні або грубі поверхні можуть зменшити тягу і збільшити ризик нещасних випадків.
- Не кататися на Dirt Quad по бруду, кризі, калюжам або воді.
- Уникайте різких ударів, дренажних ґрат і несподіваних змін поверхні.
- Не кататися на Dirt Quad під час вологої або снігової погоди і ніколи не занурюйте Dirt Quad у воду, оскільки електричні компоненти і привід може пошкодитися водою, а також можуть виникнути інші небезпечні умови.
- Ніколи не ризикуйте пошкодженням таких поверхонь, як килим або настил, використовуючи електричний Dirt Quad в приміщенні.
- Ніколи не використовуйте поблизу сходів або басейнів.

Як кататися на Dirt Quad

- Не використовуйте регулювальник швидкості (дросель на поворотній ручці) на рукоятці, якщо Dirt Quad не знаходиться в безпечному місці надворі, придатному для катання.
- Завжди тримайтеся за кермо під час їзди.
- Не торкайтеся гальм або мотора на Dirt Quad під час використання або відразу ж після катання, оскільки ці частини дуже нагріваються.
- Уникайте високих швидкостей, таких як їзда з гори, де ви можете втратити керування.
- Не кататися вночі або з обмеженим освітленням.
- Не намагайтеся і не виконуйте трюки на електричному Dirt Quad. Dirt Quad недостатньо міцний для неправильного використання, такого як стрибки, їзда по кромці та інші види трюків. Перегони, трюки і інші маневри також збільшують ризик втрати керування і можуть призвести до некерованих дій або реакцій. Все це може привести до серйозних травм або можливої смерті.
- Ніколи не дозволяйте декільком людям кататися на Dirt Quad.
- Руки, ноги, волосся, частини тіла, одяг і подібні речі не повинні торкатися рухомих частин, коліс, дискового гальма або приводу.
- Під час їзди ніколи не використовуйте навушники або мобільний телефон для розмов або повідомлень.
- Ніколи не кататися з іншим транспортом.

Використання зарядного пристрою

- Ніколи не змінюйте електричну систему. Зміни можуть призвести до пожежі. Використання невірного типу батареї або зарядного пристрою може призвести до вибуху.
- ПЕРЕД КОЖНИМ ВИКОРИСТАННЯМ: Заряджайте батарею протягом МІНІМУМ 12 годин та накачайте шини до необхідного тиску.
- Вимикайте після кожної поїздки. Якщо залишити увімкненим без використання, батарея може не заряджатися.
- НЕ зберігати при температурі замерзання або нижче! Температура замерзання може повністю пошкодити батарею.
- Зарядний пристрій, який надається з електричним Dirt Quad, необхідно регулярно перевіряти на наявність пошкоджень шнура, вилки, кожуха і інших деталей. В разі пошкоджень Dirt Quad не потрібно заряджати, доки зарядний пристрій не буде відремонтований або замінений.
- Використовуйте лише зарядний пристрій, рекомендований Razor.
- Зарядний пристрій – це не іграшка. Зарядний пристрій можуть використовувати лише дорослі.
- Не використовуйте зарядний пристрій біля легкозаймистих матеріалів та відкритого вогню.
- Вимикайте зарядний пристрій і відключайте його від Dirt Quad, якщо він не використовується.
- Не перевищуйте час зарядження.
- Завжди відключайте Dirt Quad від зарядного пристрою перед тим, як протерти його або очистити за допомогою вологої тканини.

Обмежена гарантія:

Ця обмежена гарантія є єдиною гарантією на продукт. Інших явно виражених або уявних гарантій немає. Виробник гарантує, що ця продукція не має виробничих дефектів протягом 90 днів з дати придбання. Дана обмежена гарантія буде анульована, якщо продукція:

- використовувалася не для розваги або катання;
- якимось чином змінювалася;
- здавалася в прокат.



**МІСТИТЬ ГЕРМЕТИЧНІ АКУМУЛЯТОРНІ СВИНЦЕВО-КИСЛОТНІ БАТАРЕЇ.
БАТАРЕЇ МАЮТЬ ПЕРЕРОБЛЯТИСЯ.**

KO



경고: 심각한 부상을 방지하기 위해 다음을 지키십시오:
사용과 관리에 대한 안전 예방조치
부모나 보호자들은 반드시 이 안내문을 먼저 읽으십시오

부모나 보호자들은 어린이들에게 이 DIRT QUAD 를 안전하게 타는 것을 가르쳐야 합니다. 만약 사용자가 일반산식을 이용하지않고 이러한 경고들을 따르지 않을 경우, 손상, 심각한 부상 또는 사망초래의 위험이 더 커질 수 있습니다.

전동 Dirt Quad 의 사용에는 위험의 소지가 따릅니다.

• 전기로 구동하는 제품은 장난감이 아닙니다 (지침 2009/48/EC 의 부록 I). 다른 타는 제품들과 마찬가지로 전동 Dirt Quad 는 위험할 수 있습니다 (예를 들어, 떨어지거나 위험한 곳으로 운행을 할 수 있음). 전동Dirt Quad 들은 물론 움직이도록 되어있어 타는 사람이 제어를 잃거나 위험한 상황에 접하게 될 수도 있습니다.

• 이러한 일이 발생할 경우, 보호장비를 사용하고 다른 안전주의를 지키더라도, 타는 사람이 심각하게 부상을 입거나 심지어 사망할 수도 있음을 어린이와 보호자들 모두 인식하여야 합니다.



경고: 부모 및 성인이 책임지고 감독해야 합니다. 이 매뉴얼에는 중요한 안전 정보가 포함되어 있습니다. 이 정보를 검토하고 모든 탑승자에게 경고, 주의, 지침 및 안전 문제를 이해시키고, 어린 탑승자들은 이 제품을 안전하고 책임감 있게 사용할 수 있도록 하십시오. Razor USA 는 어린 탑승자와 이 매뉴얼을 정기적으로 검토하고 보강하고, 탑승자의 안전을 보장하도록 자녀의 제품을 검사하고 유지보수할 것을 권장합니다.



경고: 8세 미만의 아동이나 54kg 이상 체중이 나가는 경우 이용하면 안됩니다. Dirt Quad 와 같은 제품들은 사용 시 명백히 잠재적인 위험이 있으며, 아동의 연령에 적합한 라이딩 제품을 선택함에 있어 부모의 책임을 다하여야 하며, 또는 다양한 연령의 아동들이 동일한 라이딩 제품을 이용할 경우의 상황에 부모가 감독해야 할 중요함을 인식해야 합니다. 모든 제품이 모든 나이 또는 키의 어린이에게 적합하지는 않으므로, 어린이의 위험대처에 있어 이 종류의 제품에 한해 권장 연령을 다르게 하여 위험의 성격과 사용자의 요구되는 신체적 또는 정신적 능력을 반영하도록 합니다.

• Razor 에서는 8세 미만의 아동은 Dirt Quad 를 사용하지 말도록 권장합니다. 이 권장 사항은 예상 성숙도에 대한 고려를 반영하는 연령, 체중, 신장뿐만 아니라 신체 크기와 속달 기술을 토대로 한 것입니다. 사용자의 권장 연령인 8세 이상은 오직 추정 연령이며 탑승자의 크기, 체중 또는 기술에 따라 달라집니다. 따라서, 모든 8세 아동이 이 제품 사용에 적합한 것은 아닙니다. 당연히, Dirt Quad에 편안하게 탈 수 없는 탑승자가 타려고 해서 는 안되지만, 자녀가 이 제품을 탈지를 허용하는 부모의 결정은 자녀의 성숙도, 기술, 규칙 준수 능력을 토대로 해야 합니다. Razor 는 모든 성인들에게 Razor의 권장사항을 무시하지 않으며 권장연령 이하의 어린 자녀들의 Dirt Quad 탑승을 허락하지 말 것을 강력하게 권장합니다.

• 제한 체중인 54kg을 초과하지 마십시오. 사용자의 체중만이 반드시 Dirt Quad에 딱 맞거나 제어하는데 적합한 크기를 의미하지는 않습니다. 본 제품은 소아들이 미치지 못하는 곳에 보관하며, 본 제품은 최소한 운행 중 완전히 편안하고 자신있는 사람들만이 사용하도록 고안되었음을 주의 하십시오.

• 정신적 또는 육체적 상태에 의해 부상을 쉽게 입을 수 있거나, 육체적 민첩성 또는 안전설명의 인식, 이해 및 준수, 그리고 Dirt Quad 사용에 따른 위험 파악 등의 정신적 능력이 저해된 사람들은 능력에 적합하지 않은 제품들을 사용해서는 안되며 이를 허용해서도 안됩니다. 심장병, 머리, 허리 또는 목 질환이 있는 경우 (또는 신체 이 부분에 대한 수술을 받기 전인 경우) 또는 임신부는 해당 제품을 작동하지 않도록 주의해야 합니다.

적합한 장비, 의복, 신발

- 승인된 안전헬멧 (턱끈이 확실하게 잠겨진), 팔꿈치 패드, 무릎 패드와 같은 보호장비를 늘 사용하십시오. 헬멧은 귀하 지역의 현지법에 의해 규정되어 있을 수도 있습니다. 또한, 긴소매 셔츠, 긴 바지와 장갑들을 권합니다.
- 늘 운동용 신발 (끈이 위에 있고 고무 바닥인)을 신으시고 절대로 맨 발이나 샌들을 신고 타서는 안됩니다. 신발 끈은 꼭 매도록 하며 바퀴, 모터, 구동시스템에서 멀리 하도록 하십시오.

Dirt Quad 는 사용 전 점검하시고 사용 후 관리하십시오.

- 사용 전, 브레이크 기능이 적절한지를 확인하고, 타이어의 압력이 적절하며 트레드가 충분히 남아 있는지 확인하십시오.
- Dirt Quad 사용 후, 본 매뉴얼에 있는 제조사의 설명서에 따라 관리와 보수를 하도록 하십시오. 제조사의 허가를 받은 교체용 부품만사용하십시오. 본 Dirt Quad 제조사의 오리지널 디자인과 배열을 개조하지 마십시오.
- 허용되는 사용법 및 조건 - 부모나 어른들은 어린이들과 함께 본 규정을 상의하여야 합니다.
- 보호장비를 항상 착용해야 합니다. 차도에서 사용하지 마십시오.

Dirt Quad 사용 장소

- 전동 Dirt Quad 를 사용할 수 있는 장소에 관한 현지 법 또는 규정들을 확인하고 따르십시오. 항상 자동차들과 교통차량들로 부터 멀리 떨어져 있고 허가된 곳에서만 주의를 하며 사용하십시오.
- Dirt Quad 는 개인 사유지 및 폐쇄된 코스에서 사용해야 하며 일반 도로나 보도에서 사용할 수 없습니다. 보행자나 차량이 통행하는 지역에서는 른 전기 오토바이를 타지 마십시오.
- 방어적으로 타십시오. 보행자, 스케이트, 스케이트보드, 자전거를 타는 사람들, 타는 방향으로 오는 어린이 또는 동물들을 피하도록 주의하십시오. 다른 사람들의 권리와 사유지를 존중하십시오.
- 젖고, 미끄러우며 평탄하지 않거나 거친 평면은 마찰력이 약해질 수 있으며 사고의 위험을 증가시킬 수 있습니다.
- Dirt Quad 는 진흙, 얼음, 진탕 또는 물이 있는 곳에서 사용하지 마십시오.
- 예리하게 튀어나온 표면, 배수문, 갑각스럽게 바뀐 표면들을 피하십시오.
- 전기와 구동 부품들은 물에 의해 손상을 입거나 위험한 상황을 초래할 수 있으므로 젖거나 얼음이 어는 날씨에서는 Dirt Quad 를 타지마시고 절대로 Dirt Quad 를 물에 넣지 마십시오.
- 전동 Dirt Quad 를 실내에서 사용함으로써 카펫이나 마루를 손상하는 위험을 초래하지 마십시오.
- 계단이나 수영장 근처에서 사용하지 마십시오.

Dirt Quad 의 사용법

- Dirt Quad 위에 완전히 올랐을 때 또한 안전하고 타기에 적합한 실외 환경에 있을 때만 손잡이에 있는 속도 제어가 (트위스트 그립)를 사용 하십시오.
- 타는 동안은 항상 핸들을 잡고도록 하십시오.
- 사용 중 또는 타고난 직 후에 Dirt Quad 의 브레이크나 모터를 만지지 마십시오. 이 부품들은 매우 뜨거울 수 있습니다.
- 경사에서는 제어를 잃을 수 있으므로 높은 속도는 피하십시오.
- 밤 또는 시각감도에 제한이 있을 때는 타지마십시오.
- 전동 Dirt Quad 위에서 스텐 또는 묘기를 시도하지 마십시오. Dirt Quad 는 점프, 커브 그라인딩 또는 기타 스텐과 같은 험한 사용동에 견딜 수 있을 만큼 강하지 않습니다. 레이스, 스텐타기 또는 다른 묘기들은 제어상실의 위험을 증가시키거나 라이더의 억제되지 않는 행동 혹은 반작용을 유발할 수 있습니다. 이 모두는 심각한 부상이나 심지어 사망까지도 초래할 수 있습니다.
- 반드시 한 사람이만 Dirt Quad 를 탈 수 있습니다.
- 손, 발, 머리카락, 신체 일부, 옷 또는 이와 비슷한 물건 등이 움직이는 부품, 바퀴, 전동 구동계와 접촉하지 않도록 하십시오.
- 타는 동안 절대로 헤드폰이나 셀폰을 사용하여 통화를 문자메시지를 보내지 마십시오.
- 다른 차에 얽어 타지 마십시오.

충전기 사용 방법

- 절대로 전동 시스템을 개조해서는 안됩니다. 개조는 화재를 유발할 수 있습니다. 합당하지 않은 배터리 또는 충전기 사용은 폭발을 초래할 수 있습니다.
- 매 사용 전: 최소 12 시간 이상 배터리를 충전하고 정확한 PSI 까지 타이어에 공기를 주입하십시오.
- 사용 후 항상 고십시오. 배터리를 사용하지 않은채 "ON" 상태로 두면 충전되지 않을 수도 있습니다.
- 0도 이하의 추운 장소에 보관하지 마십시오. 얼음이 어는 온도에서는 배터리에 손상을 초래합니다.
- 전동 Dirt Quad 에 포함된 충전기는 수시로 검사하여 코드, 플러그, 외함, 기타 부품에 손상이 있는지 확인하여야 합니다. 이러한 손상이 있을 경우, 충전기가 보수될 때까지 또는 교체될 때까지 Dirt Quad 를 충전하지 마십시오.
- Razor 에서 추천한 충전기만 사용하십시오.
- 이 충전기는 장난감이 아닙니다. 충전기는 어른만이 작동할 수 있습니다.
- 가연성이 있는 물질이나 타고 있는 불길 근처에서 충전기를 작동하지 마십시오.
- 충전기는 사용 하지 않을 시 플러그를 뽑고 Dirt Quad 와 연결을 끊으십시오.
- 충전 시간을 초과하지 마십시오.
- 젖은 천으로 닦고 세척하기 전 반드시 충전기에서 Dirt Quad 의 연결을 끊으십시오.

한정 보증:

본 한정보증은 이 제품에 대한 유일한 보증이며, 이외 다른 표현 또는 암시된 보증은 없습니다. 제조업체는 본 제품에 제조상의 결함이 없음을 구매일로부터 90일간 보증합니다. 본 한정보증은 다음과 같은 경우 무효가 됩니다:

- 레크리에이션 또는 운송 이외의 방식으로 사용했을 경우
- 어떠한 방법으로든지 개조된 경우
- 렌트된 경우.



이 제품에는 밀폐된 비누출 납 축전지가 있습니다. 건전지는 재활용해야 합니다.



警告。為避免嚴重損傷：
操作和維護時的安全預防措施
父母/成年監護人請先閱讀本頁

家長/成年監護人須指導子女如何安全使用此 Dirt Quad。如果使用者不運用常識，或不注意上述警告，會增加損害、嚴重受傷甚至死亡的風險。

使用電動 Dirt Quad 的潛在危險。

- 此電動產品並非玩具(2009/48/EC 指令附錄 1)。和任何四輪騎乘產品一樣，電動 Dirt Quad 或會帶來危險（如滑落或騎乘時發生危險）。由於電動 Dirt Quad 為運動類產品，使用者有可能失控或發生危險。
- 兒童和成年監護人須明白，即便採用安全設備並採取其他安全預防措施，使用者仍可能發生嚴重受傷甚至死亡的危險。



警告！須由家長/成年人負責和監護：本手冊包含重要安全資訊。本手冊包含重要安全資訊。您有責任回顧這些資料，確保所有的騎乘者了解全部的警告、注意事項、使用說明和安全議題，保證年輕的騎乘者能夠安全負責地使用該產品。Razor USA 建議您定期給年紀較小的騎乘者回顧手冊內容鞏固理解，並且檢查維護您子女使用的產品以確保使用安全。



警告！8 歲以下或體重 54 公斤以上的兒童不宜使用。因為像 Dirt Quad 這樣的產品就其用途而言會有也確實存在潛在危險，所以公認的是，在給子女挑選適合其年齡段的騎乘產品時父母履行責任，或不同年齡段的兒童可能接觸同類產品的情況下父母做好監管，都至關重要。並非每款產品均適合每個年齡或體型的兒童使用，故此類產品通常附有建議使用年齡資訊，此等資訊反映危險的性質，以及應對此等危險應具備的智力或體能。

- Razor 建議 8 歲以下兒童不得使用 Dirt Quad。此項建議不僅基於年齡或體重或身高，還反映了對使用者預期成熟度、技巧和體型的考慮。兒童建議使用年齡為 8 歲或以上只是一個估值，可能會受到騎乘者體型、體重或技巧的影響，不是每個 8 歲的兒童都適合使用該產品。當然，任何無法舒適地使用 Dirt Quad 的騎乘者都不應嘗試騎乘，父母應該根據子女的成熟度、技巧和遵循規則的能力來決定是否允許其使用該產品。Razor 強調，成人總不可忽視 Razor 的建議或允許年紀小的兒童騎乘 Dirt Quad。
- 騎乘者體重不得超過 54 公斤。騎手的體重並不代表該兒童的體型適合使用或能夠適當控制此 Dirt Quad。將此產品置於年幼兒童無法觸及的地方，並謹記，本產品只適合至少感覺自如和勝任的人士使用。
- 因任何智力或身體問題，容易受傷、身體靈活性失調或令智力受到影響而無法意識、明白及遵循安全指引，以及無法明白使用 Dirt Quad 的潛在風險的人士，不應使用或獲准使用超出其能力範圍的產品。患有心臟、頭部、背部或頸部疾病（或身體這些部份此前動過手術）的人員，或孕婦應注意不得操作此類產品。

正確的騎乘設備、服裝和鞋子

- 時刻佩戴合適的保護裝備如經安全許可的頭盔（扣好下巴扣帶）、肘墊和膝墊。你所在國家的法律或法例可能規定佩戴頭盔。此外，建議穿著長袖衫、長褲並佩戴手套。
- 時刻穿著運動鞋（有橡膠鞋底的系帶鞋），切勿赤腳或穿著涼鞋騎乘，應系緊鞋帶，並遠離車輪、發電機和驅動系統。

使用前請先檢查 Dirt Quad - 使用後進行日常維護

- 使用前檢查剎車裝置是否正常運作，輪胎是否適當充氣以及是否留有足夠履帶。
- 使用後，請根據本手冊中的製造商規格對 Dirt Quad 進行日常維護及維修。請只使用製造商授權的替換零件。請勿更改此 Dirt Quad 的原廠設計和規格。
- 正確的使用方法和條件 - 父母/成年監護人應就這些規則對子女進行指導
- 應穿戴防護裝備。請勿在車多的地方使用。

在何處使用 Dirt Quad

- 時刻關注和遵守所有本地法律或法例關於 Dirt Quad 的使用地點的規定。時刻警惕汽車和機動車，僅在允許的位置小心使用。
- Dirt Quad 應該在私人場所和封閉道路上使用，不應在公共街道或人行道上使用。不得在任何有行人或車輛來往的地方騎乘您的電動四輪車。
- 騎乘時注意防護。騎乘時注意避開行人、溜冰者、滑板車、單車、兒童或動物。尊重他人的權利和財產安全。
- 潮濕、光滑、顛簸、不平坦或粗糙的表面或會令附着力減弱，並增加發生事故的風險。
- 請勿於泥濘、結冰、水坑或水中使用 Dirt Quad。
- 避免猛烈撞擊、排水道格柵和表面的突然變化。
- 請勿在潮濕或結冰的天氣使用 Dirt Quad，切勿將 Dirt Quad 浸入水中，因為電氣和驅動部件可能被水損壞，或產生其他安全風險。
- 切勿冒險在室內使用電動 Dirt Quad，避免損壞沙發或地板等表面。
- 切勿在樓梯或游泳池附近使用。

如何使用 Dirt Quad

- 請勿使用手柄上的速度控制裝置（旋轉手柄節流閥），除非你位於 Dirt Quad 上，並處於適合騎乘的安全室外環境中。
- 騎乘時請始終握緊把手。
- 使用時或騎乘之後請勿接觸 Dirt Quad 上的剎車裝置或發動機，因為這些零件可能溫度極高。
- 在下坡等可能失控的情況下避免高速騎乘。
- 請勿在夜間或能見度較低的情況下騎乘。
- 請勿在電動 Dirt Quad 上嘗試進行特技表演或玩特技。Dirt Quad 的強度不足以承受誤用和濫用，如跳躍、壓路邊或任何其他類型的特技表演。賽車、特技表演騎乘或其他操作可增加失控風險，或導致騎乘者發生不受控行為或反應。上述行為可導致重傷甚至死亡。
- 滑板車一次只能承載一個人。
- 避免手、腳、頭髮、任何身體部位、衣物或類似物品接觸到運動零件、車輪、盤式剎車裝置或傳動裝置。
- 騎乘時切勿佩戴耳機或使用手機談話發簡訊。
- 切勿依附於其他車輛上騎乘滑板車。

使用充電器

- 切勿改裝電動系統。改裝或會引致火警。誤用其他類型的蓄電池或充電器或會引致爆炸。
- 每次使用前：為電池充電至少 12 小時，為輪胎充氣到一定壓力。
- 每次使用完請關閉電源。電池在不使用時仍處於「開啟」狀態，或無法重新充電。
- 請勿存放於冰點或冰點溫度以下環境。冰點溫度會永久損傷電池。
- 應經常檢查電動 Dirt Quad 自帶的充電器，查看電線、插頭、外殼和其他零件是否損壞。如發生損壞，在維修或更換充電器之前切勿為 Dirt Quad 充電。
- 請只使用 Razor 指定的充電器充電。
- 此充電器並非玩具。充電器應由成人操作。
- 請勿在可燃材料或明火附近使用充電器。
- 不用時請拔掉充電器的插頭並與 Dirt Quad 斷開。
- 充電時間不要過長。
- 使用濕布拭擦或清潔前，請確保先將充電器從 Dirt Quad 上拔除。

有限保證：

此有限保證為該產品的唯一擔保。除此之外概無其他任何明示或默示的保證。
製造商保證本產品自購買之日起 90 天內無製造缺陷。如發生以下情況，該有限保證即告失效：

- 用作非休閒或交通用途；
- 以任何方式進行改裝；
- 出租。



含有密封防溢鉛酸蓄電池。
必須對蓄電池進行回收處理。



警告。为避免重伤：

操作和维护期间安全预防措施

父母/成人监护者请首先阅读本页

父母/成人监护者必须教子女如何安全骑乘该 Dirt Quad。如果骑乘者不运用常识，或不注意上述警告，会增加损害、严重受伤甚至死亡危险。

骑乘 Dirt Quad 存在潜在危险。

- 该电动产品并非玩具（2009/48/EC 指令附录 1）。和任何四轮骑乘产品一样，电动 Dirt Quad 存在危险（如：滑落或发生骑乘危险状况）。电动 Dirt Quad 本来就是运动类产品，因此骑乘者可能失去控制，或陷入危险状况。
- 儿童和负责监护儿童的父母都必须认识到，即便采用安全设备并采取其他安全预防措施，骑车者仍可能发生严重受伤甚至死亡。



警告：父母和成人应负责并监督：本手册包含重要安全信息。您有责任回顾这些资料，确保所有骑乘者了解全部的警告、注意事项、使用说明和安全议题，保证年轻的骑乘者能够安全负责地使用该产品。Razor USA 建议您定期给年纪较小的骑乘者回顾手册内容巩固理解，并且检查维护您子女使用的产品以确保使用安全。



警告：8 岁以下或体重 54 公斤以上的儿童不宜使用。因为像 Dirt Quad 这样的产品就其用途而言会有也确实存在潜在危险，所以公认的是，在给孩子挑选适合其年龄段的骑乘产品时父母履行责任，或不同年龄段的儿童可能接触同类产品情况下父母做好监管，都至关重要。并非每种产品适合于每个年龄段或体型的儿童——不同年龄的建议产品请见该产品类别，该类别反映了危险的性质，以及儿童对危险的预期智力和/或身体能力。

- Razor 建议 8 岁以下儿童不得使用 Dirt Quad。此项建议不仅基于年龄或体重或身高，还纳入了对使用者预期成熟度、技巧和体型的考虑。儿童建议使用年龄为 8 岁或以上仅为估值，可能会受到骑乘者的体型、体重或技巧的影响，并非每个 8 岁的儿童都适合使用该产品。当然，任何不能舒适地使用 Dirt Quad 的骑乘者都不应尝试骑乘，父母应该根据子女的成熟度、技巧和遵守规则的能力来决定是否允许其使用该产品。Razor 强调，成人绝不可忽视 Razor 的建议或让年纪较小的儿童骑乘 Dirt Quad。
- 骑乘者体重必须在 54 公斤以下。体重符合也不意味着骑乘者的体型适合或能控制住 Dirt Quad。将该产品放在年幼儿童无法接触到的地方，请记住，该产品时只能由至少在操作时完全自如并胜任的人员使用。
- 因任何智力或身体问题而容易受伤、身体灵活性或智力可能受损而难以充分认识、理解和遵守安全指南、或难以理解 Dirt Quad 使用潜在危险的人士，不应使用或获准使用超出其能力范围的产品。患有心脏、头部、背部或颈部疾病（或身体这些部位此前动过手术）的人员，或孕妇应注意不得操作此类产品。

正确的骑乘设备、衣服、鞋子

- 务必佩戴适当的保护设备，如经批准的安全头盔（下巴托扣住）、护肘和护膝。您所在位置的本地法律或法规可能要求佩戴头盔。另外，建议穿长袖衫、长裤并戴手套。
- 务必穿运动鞋（系带鞋，橡胶鞋底），不得赤脚或着便鞋骑乘，系紧鞋带，并使其远离车轮、电动机和驱动系统。

使用前检查 Dirt Quad—使用后维护

- 使用前，先检查刹车装置是否正常运作，轮胎是否适当充气以及是否留有足够履带。
- 使用后，根据本手册中的制造商规格维护并维修 Dirt Quad。仅使用制造商授权的更换零件。不得更改该 Dirt Quad 的制造商原始设计和结构。
- 可接受的骑乘惯例和条件——父母/成人应与他们的子女讨论这些规则
- 应穿戴防护装备。使用时不得影响道路交通。

在哪里骑乘 Dirt Quad

- 务必检查并遵守任何本地法律或法规，这可影响到电动 Dirt Quad 的使用地点。始终远离汽车和机动车，仅在允许地点小心使用。
- Dirt Quad 应在私人场所和封闭道路上使用，而不应公共街道或人行道上使用。不可在有行人或车辆来往的任何地方骑乘电动四轮车。
- 骑乘时注意防护。注意避开道上的行人、溜冰者、滑板车、自行车、儿童或动物。尊重他人的权利和财产安全。
- 潮湿、光滑、颠簸、不平坦或粗糙表面可减少附着力，增加发生事故的危險。
- 不得在泥泞、结冰、水坑或水中骑乘 Dirt Quad。
- 避免突然撞击、排水槽和表面的突然变化。
- 不得在潮湿或结冰天气骑乘 Dirt Quad，不得将 Dirt Quad 浸入水中，因为电气和驱动零部件可能被水损坏，或产生其他可能的不安全状态。
- 不得冒险在室内使用 Dirt Quad，可损坏沙发或底板等表面。
- 不得在楼梯或游泳池附近使用。

怎样骑乘 Dirt Quad

- 不得使用手柄上的速度控制装置（旋转手柄节流阀），除非您完全处于 Dirt Quad 上，并处于适合骑乘的安全室外环境中。
- 骑乘时始终握紧车把。
- 使用时或骑乘之后不得接触 Dirt Quad 上的刹车装置或电动机，因为这些零件会变得非常热。
- 在下坡等可能失控的情况下避免高速骑乘。
- 不得在夜间或可见度受限情况下骑乘。
- 不得尝试在您的电动 Dirt Quad 上进行特技表演或玩花样。Dirt Quad 的强度不足以承受误用和滥用，如跳跃、压路边或任何其他类型的特技表演。赛车、特技表演骑乘或其他操作可增加失控危險，或导致骑乘者发生不受控行为或反应。所有这些可导致重伤甚至死亡。
- 一次只允许一个人骑乘 Dirt Quad。
- 不允许手、足、头发、身体部位、衣服或类似物品接触到运动件、车轮、盘式刹车装置或传动装置。
- 骑乘时不得佩戴耳机或使用手机谈话发短信。
- 不得在其他车辆上骑乘。

使用充电器

- 不得更改电动系统。改动可引发火灾。使用错误类型的蓄电池或充电器可导致爆炸。
- 每次使用前：电池至少充电 12 小时，轮胎充气到正确气压。
- 每次使用后关闭。若不用时一直处于「開啟」状态，电池可能无法再充电。
- 不得存放于冰点或冰点温度以下环境。冰点温度会对电池产生永久损害。
- 电动 Dirt Quad 自带的充电器应该定期检查以防其电線、插头、外壳和其他部件破损。遇到此类破损时，在充电器修复或替换前不可给 Dirt Quad 充电。
- 仅使用 Razor 推荐的充电器。
- 该充电器非玩具。充电器应由成人操作。
- 不得在可燃材料或明火附近操作充电器。
- 不用时拔掉充电器的插头并将其从 Dirt Quad 上断开。
- 充电时间不得过长。
- 用湿布拭擦或清洁之前，请先将 Dirt Quad 从充电器上断开。

有限保证：

该有限担保为该产品的唯一担保。除此之外不存在其它任何明示或默示的保证。
制造商保证，本产品自购买之日起90天内无制造缺陷。该有限保证在产品发生以下情况时无效：

- 用作娱乐或交通以外的其它用途；
- 以任何方式进行改装；
- 出租使用。



包含密封的防溢铅酸蓄电池。
蓄电池必须回收。





Printed in China for Razor USA LLC.

EUROPE

Razor USA (Europe)
Shannonweg 72-74
3197 LH Rotterdam
Netherlands

+44 (0) 120 267 2702

ASIA

Razor USA (Asia)
P.O. Box 3610
Cerritos, CA 90703
USA

+81 50 7579 6622
info@razor-asia.com

UNITED STATES

Razor USA LLC
P.O. Box 3610
Cerritos, CA 90703
USA

+1 866 467 2967
Monday - Friday
8:00 AM - 5:00 PM Pacific Time

DISTRIBUTED IN THE UK BY:

Re:creation Limited
2 Meadows Business Park
Station Approach, Blackwater
Camberley, Surrey GU17 9AB
United Kingdom

+44 (0) 118 973 6222 Tel
+44 (0) 118 973 6220 Fax
sales@recreationltd.co.uk

DISTRIBUTED IN AUSTRALIA BY:

Funtastic Limited
Level 2, Tower 2, Chadstone Place
1341 Dandenong Road
Chadstone VIC 3148
Australia

+1 800 244 543

23L_140417

©Copyright 2003-2014 Razor USA LLC. All rights reserved. Razor® and the Razor logo design are among the registered trademarks of Razor USA LLC and/or its affiliated companies in the United States and/or select foreign countries.



www.razor.com