

RYOBI®

RTMS1800

ORIGINAL INSTRUCTIONS
TRADUCTION DES INSTRUCTIONS ORIGINALES
ÜBERSETZUNG DER ORIGINALANLEITUNG
TRADUCCIÓN DE LAS INSTRUCCIONES ORIGINALES
TRADUZIONE DELLE ISTRUZIONI ORIGINALI
VERTALING VAN DE ORIGINELE INSTRUCTIES
TRADUÇÃO DAS INSTRUÇÕES ORIGINAIS
OVERSETTELSE AF DE ORIGINELE INSTRUKTIONER
ÖVERSÄTTNING AV DE URSPRUNGLIGA INSTRUKTIONERNA
ALKUPERÄISTEN OHJEIDEN SUOMENOS
OVERSETTELSE AV DE ORIGINELE INSTRUKSJONENE
ПЕРЕВОД ОРИГИНАЛЬНЫХ ИНСТРУКЦИЙ
TŁUMACZENIE INSTRUKCJI ORYGINALNEJ
PŘEKLAD ORIGINÁLNÍCH POKYNŮ
AZ EREDETI ÚTMUTATÓ FORDÍTÁSA
TRADUCEREA INSTRUCȚIUNILOR ORIGINALE
TULKOTS NO ORIGINĀLĀS INSTRUKCIJAS
ORIGINALIŲ INSTRUKCIJŲ VERTIMAS
ORIGINAALJUHENDI TÕLGE
PRIJEVOD ORIGINALNIH UPUTA
PREVOD ORIGINALNIH NAVODIL
PREKLAD ORIGINÁLNYCH POKYNOV
ΜΕΤΑΦΡΑΣΗ ΤΩΝ ΠΡΩΤΟΤΥΠΩΝ ΟΔΗΓΙΩΝ
ORIJ NAL TALIMATLARIN TERCÜMESİ



EN
FR
DE
ES
IT
NL
PT
DA
SV
FI
NO
RU
PL
CS
HU
RO
LV
LT
ET
HR
SL
SK
EL
TR





Important!	It is essential that you read the instructions in this manual before assembling, operating and maintaining this machine.
Attention!	Il est essentiel que vous lisiez les instructions contenues dans ce mode d'emploi avant d'assembler, d'entretenir et d'utiliser cette machine.
Achtung!	Es ist wichtig, dass Sie vor Zusammenbau, Benutzung und Wartung dieser Maschine die Anweisungen in dieser Anleitung lesen.
¡Atención!	Antes de montar, de utilizar o de realizar el mantenimiento de esta máquina es muy importante que lea las instrucciones de este manual.
Attenzione!	È essenziale leggere le istruzioni contenute nel manuale prima di montare, mettere in funzione e svolgere le operazioni di manutenzione sull'utensile.
Let op!	Het is van essentieel belang dat u de instructies in deze gebruiksaanwijzing leest voor u deze machine monteert, bedient en onderhoudt.
Atenção!	É essencial que leia as instruções neste manual antes de montar, operar e efetuar manutenção a esta máquina.
OBS!	Det er meget vigtigt, at man læser anvisningerne i denne brugsanvisning, inden maskinen samles, betjenes og vedligeholdes.
Observera!	Det är viktigt att du läser instruktionerna i manualen före montering, användning och underhåll av maskinen.
Huomio!	On tärkeää, että luet tämän käsikirjan ennen tämän laitteen kokoamista, huoltoa ja käyttöä.
Advarsel!	Det er viktig at du leser instruksjonene i denne brukermanualen før du monterer, bruker og vedlikeholder maskinen.
Внимание!	Необходимо прочитать инструкции в данном руководстве перед сборкой, эксплуатацией и обслуживанием этого устройства.
Uwaga!	KoniecznIE przeczytaj instrukcje zawarte w tym podręczniku przed montażem, obsługą oraz konserwacją tej maszyny.
Důležitě upozornění!	Neinstalujte, neprovádějte údržbu ani nepoužívejte tento nástroj dříve, než si přečtete pokyny uvedené v tomto návodu.
Figyelem!	Fontos, hogy a gép összeszerelése, használatá és karbantartása előtt elolvassa a kézikönyvben található utasításokat.
Atenție!	Este esențial să citiți instrucțiunile din acest manual, înainte de asamblarea, operarea sau întreținerea acestui aparat.
Uzmanību!	Pirms ierīces montāžas, darbināšanas un apkopes veikšanas obligāti izlasiet norādījumus šajā rokasgrāmatā.
Dèmesio!	Prieš surinkdami, eksploatuodami ir prižiūredami šį įrenginį, būtina, kad perskaitytumėte nurodymus, pateiktus šiame naudotojo vadove.
Tähtis!	Enne masina kokkupanekut, kasutama ja hooldama hakkamist tuleb käesolevas juhendis esitatud juhised kindlasti läbi lugeda.
Upozorenje!	Vrlo je važno da ste prije sklapanja, rada i održavanja ovog stroja pročitali upute u ovom priručniku.
Pomembno!	Zelo pomembno je, da pred sestavljanjem, vzdrževanjem in uporabo te naprave preberete navodila v tem priručniku.
Dôležitě!	Pred montážou, používaním a údržbou tohto nástroja je dôležitě, by ste si přečítali pokyny v tomto návode.
Важно!	Исключительно важно е да прочетете инструкциите в настоящето ръководство, преди да сглобите и да работите с тази машина, както и да извършвате дейности по нейната поддръжка.

Subject to technical modification / Sous réserve de modifications techniques / Technische Änderungen vorbehalten /
Bajo reserva de modificaciones técnicas / Con riserva di eventuali modifiche tecniche / Technische wijzigingen voorbehouden /
Com reserva de modificações técnicas / Med forbehold for tekniske ændringer / Med förbehåll för tekniska ändringar /
Tekniset muutokset varataan / Med forbehold om tekniske ændringer / могут быть внесены технические изменения /
Z zastrzeżeniem modyfikacji technicznych / Změny technických údajů vyhrazeny / A műszaki módosítás jogát fenntartjuk /
Sub rezerva modificațiilor tehnice / Paturam tiesības mainīt tehniskos raksturlielumus /
Pasiliekan teisę daryti techninius pakeitimus / Tehnilised muudatused võimalikud / Podloženo tehničkim promjenama /
Tehnične spremembe dopuščene / Právo na technické zmeny je vyhradené / Подлежи на технически модификации



GENERAL SAFETY WARNINGS

⚠ WARNING

When using electric tools, basic safety precautions should always be followed to reduce the risk of fire, electric shock and personal injury including the following. Read all these instructions before attempting to operate this product and save these instructions.

- **Keep work area clear.** Cluttered areas and benches invite injuries.
- **Consider work area environment.** Do not expose tools to rain. Do not use tools in damp or wet locations. Keep work area well lit. Do not use tools in the presence of flammable liquids or gases.
- **Guard against electric shock.** Avoid body contact with earthed or grounded surfaces (e.g., pipes, radiators, ranges, refrigerators).
- **Keep other persons away.** Do not let persons, especially children, be involved in the work, touch the tool or the extension cord, and keep them away from the work area.
- **Store idle tools.** When not in use, tools should be stored in a dry locked-up place, out of reach of children.
- **Do not force the tool.** It will do the job better and safer at the rate for which it was intended.
- **Use the right tool.** Do not force small tools to do the job of a heavy duty tool. Do not use tools for purposes not intended, for example, do not use circular saws to cut tree limbs or logs.
- **Dress properly.** Do not wear loose clothing or jewellery, they can be caught in moving parts. Non-skid footwear is recommended when working outdoors. Wear protective hair covering to contain long hair.
- **Use protective equipment.** Use safety glasses. Use face or dust mask if working operations create dust.
- **Connect dust extraction equipment.** If the tool is provided for the connection of dust extraction and collecting equipment, ensure these are connected and properly used.
- **Do not abuse the cord.** Never yank the cord to disconnect it from the socket. Keep the cord away from heat, oil and sharp edges.
- **Secure work.** Where possible, use clamps or a vice to hold the work. It is safer than using your hand.
- **Do not overreach.** Keep proper footing and balance at all times.
- **Maintain tools with care.** Keep cutting tools sharp and clean for better and safer performance. Follow instruction for lubricating and changing accessories. Inspect tool cords periodically and if damaged, have them repaired by an authorized service facility. Inspect extension cords periodically and replace if damaged. Keep handles dry, clean and free from oil and grease.
- **Disconnect tools.** When not in use, before servicing and when changing accessories such as blades, bits and cutters, disconnect tools from the power supply.
- **Remove adjusting keys and wrenches.** Form the

habit of checking to see that keys and adjusting wrenches are removed from the tool before turning it on.

- **Avoid unintentional starting.** Ensure switch is in "off" position when plugging in.
- **Use outdoor extension leads.** When the tool is used outdoors, use only extension cords intended for outdoor use and so marked.
- **Stay alert.** Watch what you are doing, use common sense and do not operate the tool when you are tired.
- **Check damaged parts.** Before further use of tool, it should be carefully checked to determine that it will operate properly and perform its intended function. Check for alignment of moving parts, binding of moving parts, breakage of parts, mounting and any other conditions that may affect its operation. A guard or other part that is damaged should be properly repaired or replaced by an authorized service centre unless otherwise indicated in this instruction manual. Have defective switches replaced by an authorized service centre.
- Do not use the tool if the switch does not turn it on and off.
- **WARNING**
The use of any accessory or attachment other than the one recommended in this instruction manual may present a risk of personal injury.
- **Have your tool repaired by a qualified person.** This electric tool complies with the relevant safety rules. Repairs should only be carried out by qualified persons using original spare parts, otherwise this may result in considerable danger to the user.

COMBINED MITRE AND BENCH SAW SAFETY WARNINGS

- Wear ear protectors. Exposure to noise can cause hearing loss.
- Always wear goggles when using the machine. It is recommended to wear gloves, sturdy non slipping shoes and apron.
- Always wear safety goggles or safety glasses with side shields during power tool operation or when blowing dust. If operation is dusty, also wear a dust mask.
- This machine is equipped with a specially configured power supply cord. If the power supply cord is damaged or otherwise defective, it must only be replaced by the manufacturer or by an authorized repair agent.
- Make sure all locking knobs and clamp handles are tight before starting any operation.
- Do not use the saw without the guards in position, especially after a mode change. Keep guards in good working order and properly maintained.
- Never place either hand in the blade area when the saw is connected to the electrical power source.
- Never attempt to stop a machine in motion rapidly by jamming a tool or other means against the blade, serious accidents can be caused unintentionally in this way.
- Before using any accessory, consult the instruction

EN

FR

DE

ES

IT

NL

PT

DA

SV

FI

NO

RU

PL

CS

HU

RO

LV

LT

ET

HR

SL

SK

EL

TR

manual. The improper use of an accessory can cause damage.

- Do not modify the tool.
- Ensure that any spacers and spindle rings used are suitable for the purpose as stated in this manual.
- Select the correct blade for the material to be cut.
- Observe the maximum speed marked on the saw blade. Ensure the speed marked on the saw blade is at least equal to the speed marked on the saw.
- Use a holder or wear gloves when handling a saw blade.
- Ensure the saw blade is mounted correctly before use.
- Make sure the blade rotates in the correct direction. Keep the blade sharp.
- Consider applying specially designed noise-reduction blades.
- Raise the blade from the kerf in the workpiece prior to releasing the switch.
- Ensure the arm is securely fixed when performing bevel cuts.
- Ensure the arm is securely fixed in the working position in the bench saw mode.
- Ensure that the bench saw table is securely fixed at the chosen height.
- Do not wedge anything against the fan to hold the motor shaft.
- The blade guard on your saw will automatically raise when the arm is brought down, it will lower over the blade when the arm is raised. The guard can be raised by hand when installing or removing saw blades or when inspecting the saw. Never raise the blade guard manually unless the saw is switched off.
- Keep the surrounding area of the machine well maintained and free of loose materials, such as chips and cut-offs.
- Periodically check that the motor air slots are clean and free of chips.
- Disconnect the machine from the mains before carrying out any maintenance work or when changing the blade.
- Never perform any cleaning or maintenance work when the machine is still running and the head is not in the rest position.
- When possible, always mount the machine to a bench and check for the security of fixing to bench.
- When performing mitre, bevel or compound mitre cuts, adjust the sliding mitre fence to ensure the correct clearance for the application.
- Refrain from removing any cut-offs or other parts of the workpiece from the cutting area while the saw is running.
- Before work, check that the machine is placed on an even surface with sufficient stability.
- Before work, make a dummy cut without the motor turned on so the position of the blade, operation of the guards with respect to other machine parts and work piece may be checked.
- Never cut light alloy, especially magnesium.
- Do not use any abrasive or diamond discs.

- In case of an accident or machine failure, immediately turn the machine off and disconnect machine from the power source.
- Report the failure and mark the machine to prevent other people from using the defective machine.
- When the saw blade is blocked due to abnormal feed force during cutting, turn the machine off and disconnect it from power supply. Remove the workpiece and ensure that the saw blade runs free. Turn the machine on and start new cutting operation with reduced feed force.
- Ensure that your position is always left or right of the cutting line.
- Provide adequate general or localized lighting to prevent stroboscopic effect and hazards.
- Ensure the operator is adequately trained in use, adjustment and operation of the machine.
- Turn the machine off when unattended.
- Connect the saw to a dust collection when sawing wood. Always consider factors influencing exposure of dust such as type of material to be machined (chip board produces more dust than wood), adjustment of saw blade, adjustment of local extraction as well as hoods, baffles and chutes, and air velocity of dust extractor.
- Keep the saw blade sharp and properly set.
- Do not attempt to operate on anything but the designated voltage.
- Do not apply lubricants on the blade when it is running.
- Ensure that bystanders do not stand behind the machine.
- For your own safety, always mount the machine to a work bench using bolts.
- Always use blades with correct size and shape of arbour holes. Blades that do not match the mounting hardware of the saw will run eccentrically, causing loss of control.
- Use only blades specified in this manual, complying with EN 847-1.
- **When cutting long or large workpieces, always provide adequate support to the sides of the table.** The support should be at the same height as the table. Always keep hands away from path of table.
- Disconnect the saw from the mains supply before changing blades or carrying out maintenance.
- Keep your hands out of the path of the saw blade.
- Do not reach around behind the saw blade.
- Do not stand on top of the unit.
- During transportation, make sure the upper part of the saw blade is covered.
- Do not use the upper guard for handling or transportation.
- Do not use the saw for cutting any material other than wood.

ADDITIONAL SAFETY RULES FOR TABLE SAW MODE

- Replace the table insert when worn.
- Never use your saw without the table insert.

- Ensure the table is securely fixed.
- When performing vertical straight cross-cuts, adjust the sliding fence correctly to ensure a clearance of 15 mm (maximum) between the saw blade and the end of the fence.
- Adjust the sliding fence correctly to avoid contact with the upper guard.
- Never cut when riving knife and/or upper guard are removed.
- Make sure the riving knife is adjusted to the correct distance from the blade (between 3 mm and 8 mm).
- Always use the push stick. Never cut workpieces smaller than 30 mm.
Never place hands closer than 150 mm from the saw blade while cutting.
- Always keep the push stick in its place when not in use.
- Do not use saw blades with a body thickness greater or a width of tooth smaller than the thickness of the riving knife.
- Make sure the blade rotates in the correct direction and the teeth are pointing to the front of the saw bench.
- Make sure all clamp handles are tight before starting any operation.
- Ensure the arm is securely fixed when sawing. Only use the machine when the saw bench table is in horizontal position.
- Slotting, rebating or grooving is not allowed.

ADDITIONAL SAFETY RULES FOR MITRE SAW MODE

- Ensure the upper portion of the saw blade is completely enclosed. Never remove the upper blade guard when using the machine in mitre saw mode.
- Never cut workpieces shorter than 160 mm.
- Always clamp the workpiece safely.
- It has been reported that vibrations from hand-held tools may contribute to a condition called Raynaud's Syndrome in certain individuals. Symptoms may include tingling, numbness and blanching of the fingers, usually apparent upon exposure to cold environments. Hereditary factors, exposure to cold and dampness, diet, smoking and work practices are all thought to contribute to the development of these symptoms. There are measures that can be taken by the operator to possibly reduce the effects of vibration:
 - Keep your body warm in cold weather. When operating the unit wear gloves to keep the hands and wrists warm. It is reported that cold weather is a major factor contributing to Raynaud's Syndrome.
 - After each period of operation, exercise to increase blood circulation.
 - Take frequent work breaks. Limit the amount of exposure per day.

If you experience any of the symptoms of this condition, immediately discontinue use and see your doctor.

SAFETY INSTRUCTIONS FOR WOOD CUTTING BLADE

- Please read the manual and instructions carefully before using the saw blade and the machine.
- The machine must be in good condition, the spindle without deformation and vibration.
- Do not use the saw without the guards in position, keep guards in good working order and properly maintained.
- Ensure the operator is adequately trained in safety precautions, adjustment and operation of the machine.
- Always wear goggles and ear protection when using the machine. It is recommended to wear gloves, sturdy non slipping shoes and apron.
- Before using any accessory, consult the instruction manual. The improper use of an accessory can cause damage and increase the potential for injury.
- Use only blades specified in this manual, complying with EN 847-1.
- Observe the maximum speed marked on the saw blade. Ensure the speed marked on the saw blade is at least equal to the speed marked on the saw.
- Always use blades with correct size and shape of arbour holes. Blades that do not match the mounting hardware of the saw will run eccentrically, causing loss of control.
- Do not use saw blades with a body thickness greater or a width of tooth smaller than the thickness of the riving knife (for table saw or in table saw mode).
- Do not use blades of larger or smaller diameter than recommended. Do not use any spacers to make the blade fit onto the spindle.
- Check the tips of the saw blade for damage or abnormal appearance before each use. Tips that are damaged or loose can become flying objects in use and increase the chance of personal injury.
- Do not use cracked or distorted saw blades. Do not use saw blades that are damaged or deformed.
- Scrap the saw blade if damaged, deformed, distorted or cracked, repairing is not permitted.
- Do not use HSS blades.
- Ensure the saw blade is mounted correctly, tighten the arbor nut securely before use. (tightening torque approx. 12-15 Nm).
- Fastening screws and nuts shall be tightened using the appropriate spanner.
- Extension of the spanner or tightening using hammer blows is not permitted.
- Make sure the blade and flanges are clean and the recessed sides of the collar are against the blade.
- Make sure the blade rotates in the correct direction.
- Before work, make a dummy cut without the motor turned on so the position of the blade, operation of the guards with respect to other machine parts and work piece may be checked.
- Never leave the machine unattended.
- Do not apply lubricants on the blade when it is running.
- Never perform any cleaning or maintenance work when

EN

FR

DE

ES

IT

NL

PT

DA

SV

FI

NO

RU

PL

CS

HU

RO

LV

LT

ET

HR

SL

SK

EL

TR

the machine is still running and the head is not in the rest position.

- Never attempt to stop a machine in motion rapidly by jamming a tool or other means against the blade, serious accidents can be caused unintentionally in this way.
- Disconnect the saw from the mains supply before changing blades or carrying out maintenance.
- Pay attention to blade packing and unpacking, it is easy to be injured by the sharp blade tips.
- Use a blade holder or wear gloves when handling a saw blade.
- Keep and store the blade in original packaging or other suitable packaging, keep in dry conditions and away from chemicals which may damage the blade.

LASER SAFETY RULES

- The laser radiation used in this saw is Class 2 with maximum $\leq 1\text{mW}$ and 650nm wavelengths. Do not stare into the laser beam. Failure to comply with the rules could result in serious personal injury.



We have supplied you with an adhesive label in your language and now request that you please apply this over the top of the existing English language label that is located on the side of the tool prior to first commissioning the machine.

- Do not stare into beam during operation.
- Do not project the laser beam directly into the eyes of others. Serious eye injury could result.
- Do not place the laser in a position that may cause anyone to stare into the laser beam intentionally or unintentionally.
- Do not use optical tools to view the laser beam.
- Do not operate the laser around children or allow children to operate the laser.
- Do not attempt to repair the laser device by yourself.
- Do not attempt to change any parts of the laser device by yourself.
- Any repairs must only be carried out by the laser manufacturer or authorized service agent.
- Do not replace the laser with a different type.

INTENDED USE

- This machine is designed for ripping and cross cutting operations on wood exclusively. It must be fixed securely to a suitable height work bench, and is intended to be operated by one person only.
- In table saw mode, it is for through cuts only, no cutting of slots or rebates. The maximum cutting capacity is 60mm.
- In mitre saw mode, horizontal mitre angles of -45° to $+45^\circ$ as well as vertical bevel angles of 0° to 45° are possible. Maximum workpiece cross section 70mm x

130mm.

- The machine is designed to operate in one mode only, it is not possible to use as a table saw and mitre saw at the same time.

RESIDUAL RISKS

Even when the machine is used as prescribed, it is still impossible to completely eliminate certain residual risk factors. The following hazards may arise in use and the operator should pay special attention to avoid the following:

- Risk of contact with uncovered parts of the rotating saw blade.
- Kick-back of work pieces and parts of work pieces due to improper adjustment or handling.
- Catapulting of faulty carbide tips from the saw blade.
- Damage to respiratory system if effective dust mask is not worn.
- Damage to hearing if effective hearing protection is not worn.

MAINTENANCE

- Do not make any adjustments while the motor is in motion.
- Always make sure the machine's plug has been removed from the mains power source before changing brushes, lubricating or when doing any works or maintenance on the machine.
- After each use, check your machine for damage or broken parts and keep it in top working condition by repairing or replacing parts immediately.
- The blade being hot after use, keep the alertness during maintenance or cleaning procedures.
- Clean out accumulated dust.
- To assure safety and reliability, all repairs with the exception of externally accessible brushes should be performed by an authorised service centre.
- Faults in the machine, including guards or saw blades, should be reported as soon as they are discovered.
- If the power supply cord is damaged, it must be replaced only by the manufacturer or by an authorized service center to avoid risk. Contact authorized service center.

ENVIRONMENTAL PROTECTION



Recycle raw materials instead of disposing of as waste. The machine, accessories and packaging should be sorted for environmental-friendly recycling.

SYMBOL



Safety alert



CE Conformity



GOST-R Conformity



Class II tool, double insulation



Please read the instructions carefully before starting the product.



Wear ear protection



Always wear eye protection.



DANGER! Sharp blade.



Width of cut



Blade teeth



Ideal for wood



Do not cut metals



Cutting capacity



Do not stare into beam.



Laser radiation.
Class 2 laser product
 λ : 650nm; $P \leq 1\text{mW}$
EN 60825-1:2007



Waste electrical products should not be disposed of with household waste. Please recycle where facilities exist. Check with your Local Authority or retailer for recycling advice.

SYMBOLS IN THIS MANUAL



Connect to power outlet.



Disconnect from power outlet.



Parts or accessories sold separately



Waste electrical products should not be disposed of with household waste. Please recycle where facilities exist.



Note



Warning

EN

FR

DE

ES

IT

NL

PT

DA

SV

FI

NO

RU

PL

CS

HU

RO

LV

LT

ET

HR

SL

SK

EL

TR

AVERTISSEMENTS GÉNÉRAUX DE SÉCURITÉ

⚠ AVERTISSEMENT

Lors de l'utilisation d'outils électriques, il convient de toujours respecter certaines précautions de sécurité de base afin de réduire les risques d'incendie, de décharge électrique et de blessures, dont les suivantes. Lisez toutes les instructions avant de tenter d'utiliser l'appareil et conservez ce manuel.

- **Gardez la zone de travail propre.** Les établis et les zones de travail encombrés sont propices aux blessures.
- **Prenez en considération l'environnement de travail.** N'exposez pas les outils à la pluie. N'utilisez pas d'outils en environnement humide ou mouillé. Gardez la zone de travail bien éclairée. N'utilisez pas d'outils en présence de gaz ou de liquides inflammables.
- **Protégez-vous des chocs électriques.** Évitez que votre corps entre en contact avec des surfaces reliées à la terre (par ex. tuyaux, radiateurs, cuisinières, réfrigérateurs).
- **Eloignez les autres personnes.** Ne laissez pas d'autres personnes, en particuliers des enfants, intervenir dans votre travail ou toucher l'outil ou son câble d'alimentation, et éloignez-les de la zone de travail.
- **Rangez les outils inutilisés.** Les outils non utilisés doivent être rangés en un endroit sec, verrouillé et hors de portée des enfants.
- **Ne faites pas forcer l'outil.** Il effectuera un meilleur travail dans de meilleures conditions de sécurité s'il est utilisé dans les limites de ses capacités.
- **Utilisez un outil approprié.** Ne forcez pas sur un petit outil dans le but de lui faire effectuer un travail pour lequel un outil de plus grande puissance serait mieux adapté. N'utilisez pas un outil pour un usage pour lequel il n'a pas été conçu, par exemple, ne tentez pas de couper des branches ou des bûches à l'aide d'une scie circulaire.
- **Habillez-vous correctement.** Ne portez pas de vêtements ou de bijoux amples, ils pourraient être happés par des pièces en mouvement. Il est recommandé de porter des chaussures antidérapantes lorsque vous travaillez à l'extérieur. Contenez les cheveux longs avec une protection adaptée.
- **Utilisez des équipements de protection.** Portez des lunettes de sécurité. Portez un masque facial ou un masque anti poussières si l'opération produit de la poussière.
- **Connectez un dispositif d'aspiration des poussières.** Si un outil est prévu pour être relié à un dispositif d'aspiration et de collecte des poussières, assurez-vous que ce dispositif est en place et qu'il est utilisé de façon correcte.
- **Ne maltraitez pas le câble d'alimentation.** Ne tirez jamais sur le câble d'alimentation pour le débrancher du secteur. Tenez le câble d'alimentation éloigné de la chaleur, des graisses et des bords coupants.
- **Sécurisez le travail.** Lorsque cela est possible, bloquez la pièce à travailler dans un étau ou avec des serre-joints. Ceci est plus sûr que d'utiliser votre main.
- **Ne travaillez pas en extension.** Gardez un bon appui et un bon équilibre en toute circonstance.
- **Entretenez soigneusement les outils.** Gardez les outils de coupe propres et bien affûtés pour de meilleures performance et une sécurité accrue. Suivez les instructions concernant la lubrification et le changement d'accessoires. Vérifiez périodiquement les câbles d'alimentation des outils et faites-les remplacer par un service après-vente agréé en cas de dommage. Vérifiez régulièrement les rallonges électriques et remplacez-les en cas de dommage. Gardez les poignées propres, sèches, et exemptes d'huile et de graisse.
- **Débranchez les outils.** Débranchez les outils du secteur lorsque vous ne les utilisez pas, avant de les entretenir et lorsque vous en changez des accessoires tels que lames, forets et accessoires de coupe.
- **Retirez les clés et outils de réglage.** Prenez l'habitude de vérifier que les clés et outils de réglage ont été retirés de l'outil avant de le mettre en marche.
- **Prévenez les mises en marche accidentelles.** Assurez-vous que l'interrupteur est en position "off" (arrêt) avant de brancher l'outil.
- **Utilisez des rallonges prévues pour un usage extérieur.** Lorsque vous utilisez un outil à l'extérieur, n'utilisez que des rallonges prévues pour être utilisées à l'extérieur et marquées comme telles.
- **Restez vigilant.** Regardez ce que vous faites, faites preuve de bon sens et n'utilisez pas l'outil lorsque vous êtes fatigué.
- **Vérifiez qu'aucune pièce n'est endommagée.** Avant de continuer à utiliser l'outil, vérifiez-le avec soin pour vous assurer qu'il peut fonctionner correctement et remplir sa fonction initiale. Vérifiez que les pièces en mouvement sont bien alignées et non tordues, qu'aucune pièce n'est cassée ou mal montée, et qu'aucun autre problème n'est susceptible d'affecter le bon fonctionnement de l'appareil. Une protection ou toute autre pièce endommagée doit être correctement remplacée ou réparée par un service après-vente agréé sauf avis contraire dans ce manuel utilisateur. Faites remplacer les interrupteurs défectueux par un service après-vente agréé.
- N'utilisez pas l'outil si son interrupteur marche/arrêt est inopérant.
- **AVERTISSEMENT**
L'utilisation d'accessoires ou d'additifs autres que ceux recommandés dans ce manuel peut entraîner un risque de blessures.
- **Faites réparer votre outil par du personnel qualifié.** Cet outil électrique est conforme aux règles de sécurité le concernant. Les réparations de doivent être effectuées que par du personnel qualifié utilisant des pièces de rechange d'origine; dans le cas contraire, l'utilisateur s'exposerait à de graves dangers.

AVERTISSEMENTS DE SÉCURITÉ DE LA SCIE À ONGLETS ET SCIE D'ÉTABLI COMBINÉE

- Portez une protection acoustique. L'influence du bruit peut provoquer la surdité.
- Toujours porter des lunettes protectrices en travaillant avec la machine. Des gants de sécurité, des chaussures solides et à semelles antidérapantes et un tablier sont recommandés.
- Portez toujours un masque oculaire ou des lunettes de protection à volets latéraux lorsque vous utilisez l'outil électrique ou lorsque vous soufflez de la poussière. Si l'opération génère des poussières, portez également un masque anti-poussières.
- Cette machine est équipée d'un câble d'alimentation électrique configuré de façon spéciale. Si le câble d'alimentation électrique est endommagé ou défectueux, il doit être exclusivement remplacé par le fabricant ou par un réparateur agréé.
- Assurez-vous que tous les boutons de blocage et poignées de verrouillage sont bien serrés avant de commencer toute opération.
- N'utilisez pas la scie sans que ses protections ne soient en place, en particulier après un changement de mode. Gardez les protections en bon état de fonctionnement et bien entretenues.
- Ne placez aucune de vos deux mains dans la zone de la lame lorsque la scie est connectée à son alimentation électrique.
- Ne tentez jamais d'arrêter rapidement une machine en rotation en coinçant un outil ou autre élément contre la lame, vous risqueriez de provoquer de graves accidents.
- Avant toute utilisation d'un accessoire, consultez le manuel utilisateur. L'utilisation incorrecte d'un accessoire peut entraîner des dommages.
- N'altérez pas et ne modifiez pas l'appareil par rapport à sa conception ou à ses fonctionnalités d'origine.
- Assurez-vous que toutes les entretoises et bagues de broche utilisées correspondent à leur utilisation prévue tel que décrit dans ce manuel.
- Sélectionnez une lame adaptée au matériau à couper.
- Respectez la vitesse maximale de rotation indiquée sur la lame. Assurez-vous que la vitesse marquée sur la lame de scie est au moins égale à la vitesse marquée sur la scie.
- Utilisez une protection ou portez des gants lorsque vous manipulez une lame de scie.
- Assurez-vous que la lame de scie est montée de façon correcte avant utilisation.
- Assurez-vous que la lame tourne dans le bon sens. Gardez la lame bien affûtée.
- Considérez l'utilisation de lames spéciales réduisant le bruit.
- Soulevez la lame du trait de coupe de la pièce avant de relâcher l'interrupteur.
- Assurez-vous que le bras est fixé de façon sûre lors de coupes en biseau.
- Assurez-vous que le bras est bien serré en position de

travail en mode scie de table.

- Assurez-vous que la scie circulaire de table est bien fixée à la hauteur choisie.
- Ne bloquez pas l'arbre moteur en calant quoi que ce soit contre le ventilateur.
- Le carter de protection de votre scie se relèvera automatiquement lorsque vous abaissez le bras, et se rabattra sur la lame lorsque vous soulevez le bras. Le carter de protection peut être relevé à la main pour le retrait ou le montage des lames ou lorsque vous vérifiez la scie. Ne relevez jamais le carter de protection de la lame à la main si la scie n'est pas débranchée.
- Gardez les alentours de la machine propres et exempts de matériaux épars, tels que copeaux et chutes.
- Vérifiez périodiquement que les fentes de ventilation du moteur sont propres et exemptes de copeaux.
- Débranchez la machine du secteur avant toute opération d'entretien ou lorsque vous en changez la lame.
- N'effectuez jamais aucune opération de nettoyage ou d'entretien lorsque la machine est toujours en mouvement et que la tête n'est pas en position de repos.
- Lorsque cela est possible, fixez toujours la machine sur un établi et vérifiez la sécurité de la fixation à cet établi.
- Lors d'une coupe d'onglet, en biseau, ou combinée, réglez le guide d'onglet de façon à laisser assez de jeu pour ne pas gêner l'opération.
- Abstenez-vous de retirer les chutes ou autres éléments de la pièce à couper tant que la scie est en rotation.
- Avant de travailler, vérifiez que la machine repose sur une surface régulière procurant une stabilité suffisante.
- Avant de travailler, faites une coupe à blanc moteur arrêté afin de pouvoir vérifier la position de la lame, le fonctionnement des protections par rapport aux autres éléments de la machine ainsi que la pièce à couper.
- Ne coupez jamais des alliages légers, en particulier du magnésium.
- N'utilisez aucun disque abrasif ou au diamant.
- En cas d'accident ou de panne de la machine, arrêtez-la immédiatement et débranchez-la de sa source d'alimentation.
- Notifiez la panne et marquez la machine comme défectueuse afin d'éviter que d'autres personnes ne l'utilisent.
- Lorsque la scie se bloque à cause d'une force d'introduction trop importante, arrêtez la machine et débranchez son alimentation électrique. Retirez la pièce à couper et assurez-vous que la scie tourne de façon libre. Mettez la machine en marche et recommencez la coupe en diminuant la force d'introduction.
- Assurez-vous de toujours vous tenir soit à droite ou à gauche du trait de coupe.
- Fournissez un éclairage général ou ponctuel adéquat de manière à éviter les effets stroboscopiques et leurs dangers.
- Assurez-vous que l'opérateur est familiarisé de façon adéquate avec l'utilisation, le réglage et la manipulation de la machine.

EN

FR

DE

ES

IT

NL

PT

DA

SV

FI

NO

RU

PL

CS

HU

RO

LV

LT

ET

HR

SL

SK

EL

TR

- Arrêtez la machine lorsque vous ne la surveillez pas.
- Reliez la scie à un système d'aspiration lorsque vous coupez du bois. Tenez toujours compte des facteurs pouvant influencer l'exposition aux poussières tels que le type de matériau à usiner (l'aggloméré produit plus de poussières que le bois massif), le réglage de la lame de scie, le réglage du système d'extraction et des capots, déflecteurs et conduits d'extraction, ainsi que de la vitesse à l'air libre des poussières.
- Gardez la lame de scie bien affûtée et bien réglée.
- N'essayez pas d'utiliser une autre tension que celle indiquée.
- N'appliquez pas de lubrifiant sur la lame lorsqu'elle est en rotation.
- Assurez-vous qu'aucun spectateur ne se tienne derrière la machine.
- Pour votre propre sécurité, montez toujours la machine sur un établi à l'aide de boulons.
- Utilisez toujours des lames dont la taille et la forme sont adaptées à l'alésage de l'arbre. Des lames non adaptées à l'arbre sur lequel elles doivent être montées ne tourneront pas correctement et peuvent vous faire perdre de contrôle de l'outil.
- N'utilisez que les lames spécifiées dans ce manuel, répondant à la norme EN 847-1.
- **Lors de la coupe de pièces de grande longueur ou de grande largeur, toujours soutenir correctement les côtés du plateau.** Les supports doivent être à la même hauteur que le plateau. Tenez toujours vos mains à l'écart de la trajectoire du plateau.
- Débranchez la scie du secteur avant de l'entretenir ou d'en changer la lame.
- Tenez vos mains à l'écart de la trajectoire de la lame de scie.
- Ne passez pas vos mains derrière la lame.
- Ne vous tenez pas debout sur l'appareil.
- Au cours du transport, assurez-vous que la partie supérieure de la lame de scie est couverte.
- Ne vous servez pas du carter de protection supérieur à des fins de transport ou de manipulation.
- N'utilisez pas la scie pour couper d'autres matériaux que le bois.
- Assurez-vous que le couteau diviseur est réglé à la bonne distance par rapport à la lame (entre 3 mm et 8 mm).
- Utilisez toujours le poussoir. Ne coupez jamais de pièces plus fines que 30 mm.
Ne placez jamais vos mains à une distance inférieure à 150 mm de la lame de scie au cours de la coupe.
- Rangez toujours le poussoir à sa place lorsque vous ne l'utilisez pas.
- N'utilisez pas de lames dont le flanc est plus épais ou dont les dents sont plus étroites que l'épaisseur du couteau diviseur.
- Assurez-vous que la lame tourne dans le bon sens et que ses dents sont dirigées vers l'avant du plateau de la scie.
- Assurez-vous que toutes les poignées des dispositifs de blocage sont bien serrées avant de commencer toute opération.
- Assurez-vous que le bras est fixé de façon sûre au cours de la coupe. N'utilisez la machine que lorsque son plateau est horizontal.
- La coupe de fentes, de feuillures ou de rainures n'est pas autorisée.

RÈGLES DE SÉCURITÉ SUPPLÉMENTAIRES POUR LE MODE SCIE À ONGLET

RÈGLES DE SÉCURITÉ SUPPLÉMENTAIRES POUR LE MODE SCIE SUR TABLE

- Remplacer la garniture de table si elle est usée.
- N'utilisez pas l'outil sans que le plateau n'ait été mis en place.
- Assurez-vous que le plateau est fixé de façon sûre.
- Lors d'une coupe transversale verticale, réglez correctement le guide longitudinal afin de laisser un jeu de 15mm (maximum) entre la lame de scie et le guide.
- Ajustez correctement le guide longitudinal afin d'éviter qu'il n'entre en contact avec le carter supérieur de protection.
- Ne procédez à aucune coupe lorsque le couteau diviseur et/ou le carter de protection supérieur sont absents.
- Assurez-vous que la partie supérieure de la lame de scie est recouverte en totalité. Ne retirez jamais le carter de protection supérieur de la lame lorsque vous utilisez la scie en mode coupe d'onglet.
- Ne coupez jamais de pièces d'une longueur inférieure à 160 mm.
- Fixez toujours la pièce à usiner de façon sûre.
- Il a été reporté que les vibrations engendrées par les outils à main peuvent contribuer à l'apparition d'un état appelé le Syndrome de Raynaud chez certaines personnes. Les symptômes peuvent comprendre des fourmillements, un engourdissement et un blanchiment des doigts, généralement par temps froid. Des facteurs héréditaires, l'exposition au froid et à l'humidité, le régime alimentaire, le tabagisme et les habitudes de travail peuvent contribuer au développement de ces symptômes. Certaines mesures peuvent être prises par l'utilisateur pour aider à réduire les effets des vibrations:
 - Gardez votre corps au chaud par temps froid. Lorsque vous utilisez l'appareil, portez des gants afin de garder vos mains et vos poignets au chaud. Le temps froid est considéré comme un facteur contribuant très largement à l'apparition du Syndrome de Raynaud.
 - Après chaque session de travail, pratiquez des exercices qui favorisent la circulation sanguine.
 - Faites des pauses fréquentes. Limitez la quantité d'exposition journalière.

Si vous ressentez l'un des symptômes associés à ce syndrome, arrêtez immédiatement le travail et consultez votre médecin pour lui en faire part.

INSTRUCTIONS DE SÉCURITÉ CONCERNANT LA LAME DE COUPE DU BOIS

- Lisez les instructions de ce manuel avant d'utiliser l'appareil.
- La machine doit être en bon état, son axe de broche non déformé et sans vibrations.
- N'utilisez pas la scie sans que ses protections ne soient en place, en particulier après un changement de mode. Gardez les protections en bon état de fonctionnement et bien entretenues.
- Assurez-vous que l'opérateur est suffisamment familiarisé avec les précautions de sécurité, ainsi qu'avec les réglages et l'utilisation de la machine.
- Portez toujours des lunettes de sécurité avec écrans de protection latéraux, ainsi qu'une protection auditive. Des gants de sécurité, des chaussures solides et à semelles antidérapantes et un tablier sont recommandés.
- Avant toute utilisation d'un accessoire, consultez le manuel utilisateur. L'utilisation incorrecte d'un accessoire peut entraîner des dommages.
- N'utilisez que les lames spécifiées dans ce manuel, répondant à la norme EN 847-1.
- Respectez la vitesse maximale de rotation indiquée sur la lame. Assurez-vous que la vitesse marquée sur la lame de scie est au moins égale à la vitesse marquée sur la scie.
- Utilisez toujours des lames dont la taille et la forme sont adaptées à l'alésage de l'arbre. Des lames non adaptées à l'arbre sur lequel elles doivent être montées ne tourneront pas correctement et peuvent vous faire perdre de contrôle de l'outil.
- N'utilisez pas de lames dont le flanc est plus épais ou dont les dents sont plus étroites que l'épaisseur du couteau diviseur. (pour la scie sur plateau ou en mode scie sur plateau)
- N'utilisez pas de lames d'un diamètre supérieur ou inférieur à celui recommandé. N'utilisez pas de rondelles ou d'entretoises pour adapter la lame à la broche.
- Avant chaque utilisation, vérifiez que les dents de la lame de scie ne sont pas abîmées et qu'elles n'ont pas une apparence anormale. Des dents abîmées ou mal fixées peuvent se transformer en objets projetés en cours d'utilisation et augmenter les risques de blessures.
- Ne pas utiliser de lames de scie fissurées ou déformées. Ne pas utiliser de lames de scie qui sont endommagées ou déformées.
- N'utilisez jamais une lame endommagée ou déformée. Les réparations ne sont pas permises.
- N'utilisez pas de lames HSS.
- Assurez-vous que la lame de scie est montée de façon correcte avant utilisation. Avant toute utilisation, serrez fermement l'écrou de l'arbre. (Couple: 12-15 Nm)
- Les vis et écrous de serrage doivent être serrés avec une clé appropriée.
- Il n'est pas permis d'utiliser une rallonge de clé ou de

donner des coups de marteau sur la clé pour le serrage.

- Assurez-vous que toutes les lames et tous les flasques sont propres et que les parties épaulées des colliers sont orientés vers la lame.
- Assurez-vous que la lame tourne dans le bon sens.
- Avant de travailler, faites une coupe à blanc moteur arrêté afin de pouvoir vérifier la position de la lame, le fonctionnement des protections par rapport aux autres éléments de la machine ainsi que la pièce à couper.
- Ne laissez jamais la machine sans surveillance.
- N'appliquez pas de lubrifiant sur la lame lorsqu'elle est en rotation.
- N'effectuez jamais aucune opération de nettoyage ou d'entretien lorsque la machine est toujours en mouvement et que la tête n'est pas en position de repos.
- Ne tentez jamais d'arrêter rapidement une machine en rotation en coinçant un outil ou autre élément contre la lame, vous risqueriez de provoquer de graves accidents.
- Débranchez la scie du secteur avant de l'entretenir ou d'en changer la lame.
- Prenez garde lors de l'emballage et du déballage de la lame, il est facile de se blesser avec les dents affûtées.
- Utilisez un porte-lame ou portez des gants lorsque vous manipulez une lame de scie.
- Conservez et stockez la lame dans son emballage d'origine ou autre emballage adapté, au sec et à l'abri des produits chimiques susceptibles de l'endommager.

SÉCURITÉ RELATIVE AU LASER

- Le rayonnement du guide laser utilisé par cette scie est de type Classe 2 avec une puissance maximale $\leq 1\text{mW}$ et une longueur d'onde de 650nm. Ne regardez pas directement le rayon laser. Le non-respect des règles pourrait entraîner de graves blessures.

LASER RADIATION
DO NOT STARE INTO BEAM
CLASS 2 LASER PRODUCT
λ: 650nm; P≤1mW
EN 60825-1:2007

Un autocollant dans votre langue vous a été fourni, nous vous demandons de le coller par dessus le texte en anglais de l'étiquette d'avertissement (warning) avant la première mise en service de la machine.

- Ne regardez pas le rayon au cours de l'opération.
- Ne projetez pas le rayon laser directement vers les yeux d'autrui. De graves blessures oculaires pourraient en résulter.
- Ne placez pas le laser de telle façon que quiconque puisse diriger son regard vers le rayon laser, que ce soit intentionnellement ou pas.
- N'utilisez pas d'outils optiques pour voir le rayon laser.
- N'utilisez pas le laser en présence d'enfants et ne laissez pas les enfants l'utiliser.
- Ne tentez pas de réparer le laser par vous-même.
- Ne tentez pas de changer aucune pièce du laser par vous-même.

EN
FR
DE
ES
IT
NL
PT
DA
SV
FI
NO
RU
PL
CS
HU
RO
LV
LT
ET
HR
SL
SK
EL
TR

- Les réparations ne doivent être effectuées que par le fabricant du laser ou par un réparateur agréé.
- Ne remplacez pas le laser par un modèle d'un autre type.

UTILISATION PRÉVUE

- Cette machine a été conçue pour effectuer des coupes longitudinales et radiales dans du bois exclusivement. Elle doit être solidement fixée à un établi de hauteur convenable, et ne doit être utilisée que par une seule personne.
- En mode scie de table, elle ne convient qu'aux coupes débouchantes, et non aux coupes de saignées ou de feuillures. La capacité de coupe maximale est de 60mm.
- En mode scie à onglet, des angles horizontaux de -45° à $+45^\circ$ ainsi que des angles de biseau de 0° à 45° sont possibles. La section de coupe maximale est de 70 mm x 130 mm.
- La machine est conçue pour ne fonctionner que dans un seul mode. Il n'est pas possible d'utiliser le produit simultanément comme une scie de table et une scie à onglet.

RISQUES RÉSIDUELS

Même lorsque la machine est utilisée selon les prescriptions, il reste impossible d'éliminer totalement certains facteurs de risque résiduels. Les dangers suivants risquent de se présenter en cours d'utilisation et l'utilisateur doit prêter particulièrement garde aux points suivants :

- Risque d'entrée en contact avec les parties non couvertes de la lame en rotation.
- Rebond des pièces à couper et de fragments des pièces à couper du à un mauvais réglage ou à une mauvaise manipulation.
- Projection de plaquettes au carbure défectueuses de la lame de scie.
- Atteinte au système respiratoire en cas de non-port d'un masque anti-poussières.
- Atteinte à l'audition en cas de non-port d'une protection auditive.

ENTRETIEN

- N'effectuez aucun réglage lorsque le moteur est en marche.
- Assurez-vous toujours que la prise à été débranchée du secteur avant de changer les charbons, de lubrifier ou d'effectuer toute opération ou toute réparation sur la machine.
- Après chaque utilisation, vérifiez qu'aucune pièce n'est cassée et que la machine est en bon état, et maintenez-la en parfait état de fonctionnement en effectuant les réparations immédiatement.
- La lame étant chaude après utilisation, restez vigilant pendant les opérations de nettoyage ou d'entretien.
- Retirez la sciure accumulée.
- Pour assurer fiabilité et sécurité, toutes les réparations (à l'exception des charbons accessibles de l'extérieur)

doivent être effectuées par un service après-vente agréé.

- Les défauts de la machine, y-compris les protections et lames de scie, doivent être signalées dès leur découverte.
- Si le câble d'alimentation est endommagé, il ne doit être remplacé que par le fabricant ou par un service après-vente agréé, pour éviter tout danger. Contactez un service après-vente agréé

PROTECTION DE L'ENVIRONNEMENT



Recyclez les matières premières au lieu de les jeter avec les ordures ménagères. Pour protéger l'environnement, l'outil, les accessoires et les emballages doivent être triés.

SYMBOLE



Alerte de sécurité



Conformité CE



Conformité GOST-R



Classe II, isolation double



Veillez lire attentivement les instructions avant de mettre l'appareil en marche.



Portez une protection auditive



Portez toujours une protection oculaire.



DANGER
Lame Coupante.



Largeur de coupe



Nombre de dents



Idéal pour le bois



Ne coupez pas de métal



Capacité de coupe



Ne regardez pas directement le rayon laser.



Radiation laser.
Laser de classe 2
 λ : 650nm; $P \leq 1\text{mW}$
EN 60825-1:2007



Les produits électriques hors d'usage ne doivent pas être jetés avec les ordures ménagères. Recyclez-les par l'intermédiaire des structures disponibles. Contactez les autorités locales pour vous renseigner sur les conditions de recyclage.

SYMBOLES PRÉSENTS DANS LE MANUEL



Branchez la machine.



Débranchez l'outil.



Pièces détachées et accessoires vendus séparément



Les produits électriques hors d'usage ne doivent pas être jetés avec les ordures ménagères. Recyclez-les par l'intermédiaire des structures disponibles.



Note



Avertissement

EN

FR

DE

ES

IT

NL

PT

DA

SV

FI

NO

RU

PL

CS

HU

RO

LV

LT

ET

HR

SL

SK

EL

TR

ALLGEMEINE SICHERHEITSWARNUNGEN

! WARNUNG

Bei der Verwendung elektrischer Werkzeuge sollten immer einige grundlegenden Sicherheitsvorkehrungen getroffen werden, um die Gefahr von Feuer, Stromschlag und Verletzungen zu verringern, einschließlich folgende Lesen Sie vor der Benutzung des Produkts die Anleitung vollständig durch und bewahren Sie die Anleitung auf.

- **Halten Sie den Arbeitsbereich frei.** Unordentliche Bereiche und Werkbänke können zu Unfällen führen.
- **Beachten Sie die Arbeitsumgebung.** Setzen Sie Werkzeuge nicht dem Regen aus. Verwenden Sie Werkzeuge nicht an feuchten oder nassen Orten. Beleuchten Sie den Arbeitsbereich gut. Benutzen Sie Werkzeuge nicht in der Nähe von brennbaren Flüssigkeiten oder Gasen.
- **Schutz vor Stromschlag.** Vermeiden Sie Körperkontakt mit geerdeten Oberflächen (z.B. Rohre, Heizkörper, Herde, Kühlschränke).
- **Halten Sie andere Personen fern.** Lassen Sie keine anderen Personen, insbesondere Kinder, sich an der Arbeit beteiligen, das Werkzeug oder Verlängerungskabel berühren, und halten Sie sie von dem Arbeitsbereich fern.
- **Aufbewahrung unbenutzter Werkzeuge.** Das Werkzeug sollte an einem trockenen und verschlossenen Ort außerhalb der Reichweite von Kindern aufbewahrt werden, wenn es nicht benutzt wird.
- **Betätigen Sie das Werkzeug nicht mit Gewalt.** Es wird die Arbeit mit der Geschwindigkeit, für die es ausgelegt wurde, besser und sicherer erledigen.
- **Benutzen Sie das richtige Werkzeug.** Verwenden Sie keine kleinen Werkzeuge mit Gewalt um Arbeiten auszuführen, für die ein leistungsstärkeres Werkzeug besser geeignet wäre. Verwenden Sie Werkzeuge nicht für Zwecke, für die sie nicht vorgesehen sind, zum Beispiel, benutzen Sie Kreissägen nicht um Äste oder Baumstämme zu sägen.
- **Kleiden Sie sich den Umständen entsprechend!** Tragen Sie keine lockere Kleidung oder Schmuck; diese könnten sich in beweglichen Teilen verfangen. Rutschfestes Schuhwerk wird für die Arbeit im Freien empfohlen. Tragen Sie eine schützende Haarbedeckung zum Zurückhalten langer Haare.
- **Benutzen Sie Schutzausrüstung.** Benutzen Sie eine Schutzbrille. Benutzen Sie eine Sicherheits- oder Staubmaske, wenn die Arbeitsbedingungen Staub erzeugen.
- **Schließen Sie ein Gerät zur Staubabsaugung an.** Wenn das Werkzeug über einen Anschluss zu Geräten zur Staubabsaugung und -sammlung verfügt, stellen Sie sicher, dass diese Geräte angeschlossen sind und ordentlich eingesetzt werden.
- **Das Stromkabel nicht überstrapazieren.** Ziehen Sie niemals am Kabel und den Stecker aus der Steckdose zu ziehen. Halten Sie das Kabel fern von Hitze, Öl, und scharfen Kanten.
- **Sichern Sie das Werkstück.** Benutzen Sie wenn möglich Klemmen oder einen Schraubstock um das Werkstück zu halten. Es ist sicherer, als Ihre Hand zu benutzen.
- **Nicht überstrecken.** Sorgen Sie jederzeit für einen festen Stand und ein gutes Gleichgewicht.
- **Pflegen Sie Werkzeuge.** Halten Sie Schneidwerkzeuge für eine bessere und sicherere Leistung scharf und sauber. Befolgen Sie die Anweisungen zum Ölen und dem Austausch von Zubehörteilen. Überprüfen Sie das Werkzeug regelmäßig und lassen es von einem autorisierten Kundendienst reparieren. Überprüfen Sie Verlängerungskabel regelmäßig und tauschen Sie sie bei Beschädigung aus. Halten Sie die Griffe trocken, sauber und frei von Öl und Schmierstoffen.
- **Trennen Sie die Werkzeuge von der Stromquelle.** Trennen Sie Werkzeuge vom Stromnetz, wenn sie nicht benutzt werden und Zubehörteile wie Klingen, Bits und Messer gewechselt werden.
- **Entfernen Sie Einstellhilfen und Schraubenschlüssel.** Machen Sie es sich zur Gewohnheit, vor Einschalten des Geräts zu prüfen, ob alle Einstellhilfen und Schraubenschlüssel etc. von dem Werkzeug entfernt wurden.
- **Vermeiden Sie unabsichtliches Starten.** Stellen Sie vor dem Einstecken des Steckers, das der Schalter in der "Aus" Position ist.
- **Benutzen Sie Verlängerungskabel, die zur Benutzung im Freien geeignet sind.** Verwenden Sie bei der Arbeit mit diesem Werkzeug im Freien nur Verlängerungskabel, die auch zum Gebrauch im Freien geeignet und entsprechend gekennzeichnet sind.
- **Blieben Sie wachsam.** Achten Sie auf das, was sie tun, setzen Sie Ihren gesunden Menschenverstand ein und bedienen das Werkzeug nicht, wenn Sie müde sind.
- **Überprüfen Sie beschädigte Teile.** Vor der weiteren Benutzung des Werkzeugs sollte es sorgfältig überprüft werden, um festzustellen, dass es ordnungsgemäß funktioniert und die vorgesehene Funktion erfüllt. Überprüfen Sie die Ausrichtung beweglicher Teile, ob bewegliche Teile klemmen, Beschädigungen von Teilen, Befestigungen und andere Umstände, die sich auf den Betrieb auswirken könnten. Eine Schutzvorrichtung oder ein anderes Teil, das beschädigt ist, muss, sofern in dieser Gebrauchsanweisung nichts anderes angegeben ist, durch den autorisierten Kundendienst ordnungsgemäß repariert oder ausgetauscht werden. Lassen Sie defekte Schalter durch einen autorisierten Kundendienst austauschen.
- Verwenden Sie das Produkt nicht, falls es sich durch den Schalter nicht ein- und ausschalten lässt.
- **WARNUNG**
Die Verwendung von anderen als den in diesen Anweisungen empfohlenen Zubehörteilen kann eine Gefahr von Körperverletzungen bedeuten.
- **Lassen Sie Ihr Werkzeug von einer qualifizierten Person reparieren.** Dieses Elektrowerkzeug erfüllt die entsprechenden Sicherheitsregeln. Reparaturen sollten

nur von qualifizierten Personen mit Originalersatzteilen durchgeführt werden, sonst können beträchtliche Gefahren für den Benutzer entstehen.

KOMBINATIONS-GEHRUNGS- UND TISCHSÄGE SICHERHEITSWARNUNGEN

- Tragen Sie Gehörschutz. Die Einwirkung von Lärm kann Gehörverlust bewirken.
- Beim Arbeiten mit der Maschine stets Schutzbrille tragen. Schutzhandschuhe, festes und rutschsicheres Schuhwerk und Schürze werden empfohlen.
- Tragen Sie beim Arbeiten mit motorbetriebenen Werkzeugen oder beim Wegblasen von Staub immer eine Schutzbrille mit Seitenschutz. Tragen Sie außerdem bei staubigen Arbeiten eine Atemschutzmaske.
- Diese Maschine ist mit einem besonders gestalteten Netzkabel ausgerüstet. Wenn das Netzkabel beschädigt oder defekt ist, darf es nur vom Hersteller oder einem autorisierten Kundendienst ersetzt werden.
- Stellen Sie sicher, dass alle Verriegelungen und Griffe von Klemmen festgezogen sind, bevor Sie mit der Arbeit beginnen.
- Benutzen Sie die Säge nicht ohne montierte Schutzvorrichtungen, besonders nach einer Änderung des Modus. Halten Sie die Schutzvorrichtungen in gutem Zustand und ordentlich gewartet.
- Halten Sie niemals Ihre Hand in den Bereich des Sägeblattes, wenn die Säge an das Stromnetz angeschlossen ist.
- Versuchen Sie niemals die Maschine anzuhalten, indem Sie ein Werkzeug oder einen anderen Gegenstand gegen das Sägeblatt klemmen, schwere Unfälle können so versehentlich verursacht werden.
- Lesen Sie immer die Bedienungsanleitung, bevor Sie ein Zubehörteil benutzen. Die falsche Benutzung von Zubehör kann zu Schäden führen.
- Ändern oder modifizieren Sie das ursprüngliche Design oder die Funktion des Gerätes nicht.
- Stellen Sie sicher, dass alle Abstandhalter und Spindelringe für die Aufgabe, wie in dieser Bedienungsanleitung beschrieben, geeignet sind.
- Wählen Sie das richtige Sägeblatt für das zu sägende Material.
- Beachten Sie die auf dem Sägeblatt angegebene maximale Drehzahl. Stellen Sie sicher, dass die auf dem Sägeblatt angegebene Drehzahl mindestens der auf der Säge angegebene Drehzahl entspricht.
- Benutzen Sie eine Halterung oder tragen Sie Handschuhe, wenn Sie das Sägeblatt handhaben.
- Stellen Sie vor dem Einsatz sicher, dass das Sägeblatt richtig montiert ist.
- Stellen Sie sicher, dass das Sägeblatt sich in die richtige Richtung dreht. Halten Sie das Sägeblatt scharf.
- Ziehen Sie in Betracht, spezielle geräuschmindernde Sägeblätter zu benutzen.
- Bringen Sie das Sägeblatt außer Eingriff, bevor Sie den Schalter loslassen.
- Stellen Sie sicher, dass der Arm sicher fixiert ist, wenn Sie Gehrungsschnitte durchführen.
- Stellen Sie sicher, dass der Arm im Tischkreissägenmodus fest in der Arbeitsposition fixiert ist.
- Stellen Sie sicher, dass der Säge Tisch sicher in der gewünschten Höhe fixiert ist.
- Klemmen Sie nichts in den Lüfter um die Motorwelle zu fixieren.
- Die Schutzabdeckung Ihrer Säge wird automatisch angehoben, wenn der Arm nach unten geführt wird, sie deckt das Sägeblatt ab, wenn der Arm angehoben wird. Die Schutzabdeckung kann mit der Hand angehoben werden, wenn Sägeblätter montiert oder entfernt werden, oder wenn die Säge überprüft wird. Heben Sie niemals die Schutzabdeckung mit der Hand an, außer die Säge ist ausgeschaltet.
- Halten Sie den Bereich um die Maschine ordentlich und frei von losen Material, wie Sägespäne und Sägereste.
- Überprüfen Sie regelmäßig, dass die Luftschlitze des Motors sauber und frei von Sägespänen sind.
- Trennen Sie die Maschine vom Stromnetz, bevor Sie Wartungsarbeiten durchführen oder das Sägeblatt wechseln.
- Niemals Reinigungsarbeiten oder Wartungsarbeiten an der laufenden Maschine durchführen, und wenn der Kopf nicht in Ruheposition ist.
- Montieren Sie die Maschine, wenn möglich, immer auf eine Werkbank und überprüfen die sichere Befestigung an der Werkbank.
- Stellen Sie den Anschlag für Gehrungsschnitte, Schrägen oder doppelten Gehrungsschnitten, auf den für die Anwendung richtigen Abstand ein.
- Entfernen Sie keine Abfallstücke oder andere Teile des Werkstückes aus dem Sägebereich während die Säge läuft.
- Überprüfen Sie vor der Arbeit, dass die Maschine auf ebenem Untergrund mit ausreichender Stabilität steht.
- Machen Sie einen Testdurchlauf ohne angeschalteten Motor, bevor Sie mit der Arbeit beginnen, um die Position des Sägeblattes, Funktion der Schutzvorrichtungen und das Werkstück zu überprüfen.
- Sägen Sie niemals Leichtmetall, insbesondere Magnesium.
- Benutzen Sie keine Schleifscheiben oder Diamantscheiben.
- Im Fall eines Unfalls oder Maschinenausfalls, schalten Sie die Maschine sofort aus und trennen die Maschine vom Stromnetz.
- Berichten Sie von der Störung und markieren die Maschine als defekt, damit keine anderen Personen mit der defekten Maschine arbeiten.
- Wenn das Sägeblatt aufgrund von unnormaler Schiebekraft beim Sägen blockiert ist, schalten Sie die Maschine aus und trennen sie von der Stromversorgung. Entfernen Sie das Werkstück und stellen sicher, dass das Sägeblatt freigängig ist. Schalten sie die Maschine an und beginnen Sie mit einem neuen Sägevorgang mit verringerter Schiebekraft.
- Stellen Sie sicher, dass Sie sich immer links oder rechts

EN

FR

DE

ES

IT

NL

PT

DA

SV

FI

NO

RU

PL

CS

HU

RO

LV

LT

ET

HR

SL

SK

EL

TR

- von der Schnittlinie befinden.
- Sorgen Sie für ausreichend allgemeine und punktuelle Beleuchtung, um Stroboskopeffekt und Gefahren zu verhindern.
- Stellen Sie sicher, dass der Benutzer ausreichend in Bedienung, Einstellung und Betrieb der Maschine geschult ist
- Schalten Sie die Maschine aus, wenn sie unbeaufsichtigt ist.
- Schließen Sie die Säge an eine Staubabsaugung an, wenn Sie Holz sägen. Berücksichtigen Sie immer die Faktoren, die zur Entstehung von Staub führen können, wie Art des zu bearbeitenden Materials (Spanplatten erzeugen mehr Staub als Holz), Einstellung des Sägeblattes, Einstellung der Staubabsaugung sowie Hauben, Schallbleche, Schächte und die Luftgeschwindigkeit der Staubabsaugung.
- Halten Sie das Sägeblatt scharf und richtig eingestellt.
- Versuchen Sie nicht das Gerät mit einer anderen als der vorgegebenen Spannung zu betreiben.
- Tragen Sie keine Schmiermittel auf die laufende Säge auf.
- Stellen Sie sicher, dass sich andere Personen nicht hinter der Maschine befinden.
- Montieren Sie zu Ihrer eigenen Sicherheit die Maschine immer mit Schrauben an eine Werkbank.
- Verwenden Sie immer Sägeblätter in der richtigen Größe und passend zur Form des Aufnahmeflansches. Sägeblätter, die nicht zu den Montageteilen der Säge passen, laufen unrund und führen zum Verlust der Kontrolle.
- Benutzen Sie nur in dieser Bedienungsanleitung angegebene Sägeblätter die EN 847-1 erfüllen.
- **Sorgen Sie immer für ausreichende Unterstüztzung für die Seiten des Tisches, wenn Sie lange oder große Werkstücke Sägen.** Die Stütze sollte die selbe Höhe wie der Tisch aufweisen. Halten Sie die Hände immer von dem Weg des Werkstücks auf dem Tisch fern.
- Trennen Sie die Säge vom Stromnetz, bevor Sie das Sägeblatt wechseln oder Wartungsarbeiten durchführen.
- Halten Sie Ihre Hände nicht in den Weg des Sägeblattes.
- Fassen Sie nicht hinter das Sägeblatt.
- Stehen Sie nicht auf dem Gerät.
- Stellen Sie beim Transport sicher, dass der obere Teil des Sägeblattes abgedeckt ist.
- Benutzen Sie die obere Schutzabdeckung nicht zum Hantieren oder Transportieren.
- Benutzen Sie die Säge nicht zum Sägen von anderem Material als Holz.

ZUSÄTZLICHE SICHERHEITSANWEISUNGEN FÜR DEN TISCHSÄGE-MODUS

- Abgenutzte Tischeinlage ersetzen.
- Benutzen Sie das Werkzeug nicht ohne Einlegeplatte.
- Stellen Sie sicher, dass der Tisch sicher fixiert ist.

- Stellen Sie den Anschlag richtig ein um einen Abstand von 15 mm (maximal) zwischen Sägeblatt und dem Anschlag zu gewährleisten, wenn Sie senkrechte Querschnitte durchführen.
- Stellen Sie den verschiebbaren Anschlag richtig ein um Kontakt mit der oberen Schutzvorrichtung zu vermeiden.
- Niemals Sägen, wenn der Spaltkeil und/oder die obere Schutzabdeckung entfernt sind.
- Stellen Sie sicher, dass der Spaltkeil auf die richtige Distanz zum Sägeblatt (zwischen 3 mm und 8 mm) eingestellt ist.
- Benutzen Sie immer den Schiebstock. Schneiden Sie niemals Werkstücke die kleiner als 30 mm sind. Halten Sie beim Sägen niemals Ihre Hände näher als 150 mm von dem Sägeblatt.
- Bewahren Sie den Schiebstock immer in der Ablage auf, wenn er nicht benutzt wird.
- Benutzen Sie keine Sägeblätter bei denen der Sägeblattgrundkörper dicker oder die Zahnbreite kleiner als die Dicke des Spaltkeils ist.
- Stellen Sie sicher, dass das Sägeblatt sich in die richtige Richtung dreht und die Zähne zur Vorderseite des Sägeblattes gerichtet sind.
- Stellen Sie sicher, dass alle Griffe von Klemmen festgezogen sind, bevor Sie mit der Arbeit beginnen.
- Stellen Sie sicher, dass der Arm beim Sägen sicher fixiert ist. Benutzen Sie die Maschine nur, wenn der Sägeblatt in waagerechter Lage ist.
- Sägen von Nuten, Zapfen oder Rillen ist nicht erlaubt.

ZUSÄTZLICHE SICHERHEITSANWEISUNGEN FÜR DEN GEHRUNGSSÄGE-MODUS

- Stellen Sie sicher, dass der obere Teil des Sägeblattes vollständig umschlossen ist. Entfernen Sie niemals die obere Schutzabdeckung, wenn Sie die Maschine im Gehrungssäge-Modus benutzen.
- Schneiden Sie niemals Werkstücke die kürzer als 160 mm sind.
- Klemmen Sie das Werkstück immer sicher fest.
- Vibrationen von in der Hand gehaltenen Werkzeugen können bei einigen Personen zu einem Zustand, der Raynaud-Syndrom genannt wird, führen. Symptome sind u.a. Kribbeln, Taubheitsgefühl und episodische Weißfärbung der Finger und treten normalerweise bei Kälte auf. Man geht davon aus, dass ererbte Faktoren, Kälte und Feuchtigkeit, Essgewohnheiten, Rauchen und Arbeitsweise zur Entwicklung dieser Symptome beitragen. Der Anwender kann Maßnahmen ergreifen, um die Auswirkungen der Vibrationen möglicherweise zu verringern:
 - Halten Sie den Körper bei Kälte warm. Tragen Sie beim Betrieb des Geräts Handschuhe, um Hände und Handgelenke warm zu halten. Berichten zu Folge ist kaltes Wetter ein wesentlicher Faktor, der zum Raynaud Syndrom beiträgt.
 - Betätigen Sie sich nach jedem Einsatz körperlich, um den Blutkreislauf zu steigern.
 - Machen Sie regelmäßige Pausen. Beschränken Sie

die Beanspruchung pro Tag.
Sollten bei Ihnen Symptome dieses Zustands auftreten, stellen Sie unverzüglich den Betrieb ein und suchen Sie in Hinsicht auf die Symptome einen Arzt auf.

SICHERHEITSANWEISUNGEN FÜR DAS HOLZSÄGEBLATT

- Lesen Sie vor dem Gebrauch dieser Maschine die Anweisungen in dieser Gebrauchsanweisung sorgfältig durch.
- Die Maschine muss in gutem Zustand sein, die Spindel ohne Verformung und Vibrationen.
- Benutzen Sie die Säge nicht ohne montierte Schutzvorrichtungen, besonders nach einer Änderung des Modus. Halten Sie die Schutzvorrichtungen in gutem Zustand und ordentlich gewartet.
- Stellen Sie sicher, dass der Benutzer ausreichend in Sicherheitsvorkehrungen, Einstellung und Betrieb der Maschine geschult ist.
- Tragen Sie immer einen Augenschutz mit Seitenklappen sowie Gehörschutz. Schutzhandschuhe, festes und rutschsicheres Schuhwerk und Schürze werden empfohlen.
- Lesen Sie immer die Bedienungsanleitung, bevor Sie ein Zubehörteil benutzen. Die falsche Benutzung von Zubehör kann zu Schäden führen und die Gefahr von Verletzungen erhöhen.
- Benutzen Sie nur in dieser Bedienungsanleitung angegebene Sägeblätter die EN 847-1 erfüllen.
- Beachten Sie die auf dem Sägeblatt angegebene maximale Drehzahl. Stellen Sie sicher, dass die auf dem Sägeblatt angegebene Drehzahl mindestens der auf der Säge angegebene Drehzahl entspricht.
- Verwenden Sie immer Sägeblätter in der richtigen Größe und passend zur Form des Aufnahmeflansches. Sägeblätter, die nicht zu den Montageteilen der Säge passen, laufen unrund und führen zum Verlust der Kontrolle.
- Benutzen Sie keine Sägeblätter bei denen der Sägeblattgrundkörper dicker oder die Zahnbreite kleiner als die Dicke des Spaltkeils ist. (für Tischsäge oder in Tischsägemodus)
- Benutzen Sie keine Sägeblätter mit größeren oder kleineren Durchmesser als empfohlen. Benutzen Sie keine Ausgleichsscheiben oder -Ringe um das Sägeblatt an die Spindel anzupassen.
- Überprüfen Sie die Zähne des Sägeblattes vor jeder Benutzung auf Beschädigung oder ungewöhnliches Aussehen. Beschädigte oder lockere Zähne können beim Einsatz geschleudert werden und die Verletzungsgefahr erhöhen.
- Rissige Sägeblätter oder solche, die ihre Form verändert haben, dürfen nicht verwendet werden! Keine Sägeblätter benutzen die beschädigt oder verformt sind.
- Benutzen Sie niemals ein Sägeblatt, das beschädigt oder verformt ist. Reparatur ist nicht gestattet.
- Verwenden Sie keine HSS Sägeblätter.
- Stellen Sie vor dem Einsatz sicher, dass das Sägeblatt

richtig montiert ist. Ziehen Sie die Spindelmutter fest vor dem Gebrauch. (Drehmoment: 12-15 Nm)

- Befestigungsschrauben und Muttern müssen mit dem geeigneten Schlüssel angezogen werden.
- Verlängerung des Schlüssels oder festziehen mit Hammerschlägen ist nicht gestattet.
- Stellen Sie sicher, dass Sägeblatt und Flansche sauber sind und die Aussparung des Flansches zum Sägeblatt zeigt.
- Stellen Sie sicher, dass das Sägeblatt sich in die richtige Richtung dreht.
- Machen Sie einen Testdurchlauf ohne angeschalteten Motor, bevor Sie mit der Arbeit beginnen, um die Position des Sägeblattes, Funktion der Schutzvorrichtungen und das Werkstück zu überprüfen.
- Lassen Sie die Maschine niemals unbeaufsichtigt.
- Tragen Sie keine Schmiermittel auf das laufende Sägeblatt auf.
- Niemals Reinigungsarbeiten oder Wartungsarbeiten an der laufenden Maschine durchführen, und wenn der Kopf nicht in Ruheposition ist.
- Versuchen Sie niemals die Maschine anzuhalten, indem Sie ein Werkzeug oder einen anderen Gegenstand gegen das Sägeblatt klemmen, schwere Unfälle können so versehentlich verursacht werden.
- Trennen Sie die Säge vom Stromnetz, bevor Sie das Sägeblatt wechseln oder Wartungsarbeiten durchführen.
- Seien Sie beim Ver- und Entpacken des Sägeblattes vorsichtig, Verletzungen durch die scharfen Zähne sind schnell passiert.
- Benutzen Sie eine Sägeblatthalterung oder tragen Sie Handschuhe, wenn Sie das Sägeblatt handhaben.
- Bewahren und lagern Sie das Sägeblatt in der Originalverpackung oder einer anderen geeigneten Verpackung, bewahren Sie es in trockener Umgebung und fern von Chemikalien, die das Sägeblatt beschädigen können, auf.

SICHERHEITSHINWEISE LASER

- Die in der Säge verwendete Laserführung besteht aus einem Klasse 2 Laser mit maximal $\leq 1\text{mW}$ und 650nm Wellenlänge. Nicht in den Strahl blicken. Nichteinhaltung dieser Sicherheitshinweise können zu ernstesten Verletzungen führen.

LASER RADIATION
DO NOT STARE INTO BEAM
CLASS 2 LASER PRODUCT
λ: 650nm; P: 1mW
EN 60825-1:2007

Überkleben Sie den englischen Text auf dem Warnhinweis vor der ersten Inbetriebnahme mit dem mitgelieferten Aufkleber in Ihrer Landessprache.

- Blicken Sie beim Betrieb nicht in den Strahl.
- Richten Sie den Laserstrahl nicht direkt in die Augen von anderen Personen. Dies kann zu schweren Augenverletzungen führen.
- Bringen Sie den Laser nicht in eine Position, die dazu

EN
FR
DE
ES
IT
NL
PT
DA
SV
FI
NO
RU
PL
CS
HU
RO
LV
LT
ET
HR
SL
SK
EL
TR

führen könnte, dass eine Person absichtlich, oder unbeabsichtigt in den Laserstrahl schaut.

- Benutzen Sie keine optischen Geräte um den Laserstrahl zu betrachten.
- Benutzen Sie den Laser nicht in der Nähe von Kindern und erlauben Sie Kindern nicht, den Laser zu benutzen.
- Versuchen Sie nicht den Laser selber zu reparieren.
- Versuchen Sie nicht, irgendein Teil des Lasergerätes selber zu wechseln.
- Alle Reparaturen dürfen nur von dem Hersteller des Lasers oder einem autorisierten Kundendienst durchgeführt werden.
- Ersetzen Sie den Laser nicht mit einem anderen Typ.

VORGEGEHENE VERWENDUNG

- Diese Maschine ist nur für Längs- und Querschnitte in Holz geeignet. Sie muss sicher auf einer Werkbank mit geeigneter Höhe befestigt sein und darf nur von einer Person bedient werden.
- Im Tischsägemodus ist sie nur zum Durchsägen geeignet, keine Schnitte von Schlitz- oder Falzen. Die maximale Schneidleistung beträgt 60mm.
- Im Gehrungssägemodus sind horizontale Gehrungswinkel von -45° bis $+45^\circ$ sowie vertikale Gehrungswinkel von 0° bis 45° möglich. Maximaler Größe des Werkstücks beträgt 70 mm x 130 mm.
- Die Maschine ist nur für jeweils einen Betriebsmodus geeignet. Es ist nicht möglich das Produkt gleichzeitig als Tischsäge und Gehrungssäge zu benutzen.

RESTRISIKEN

Sogar wenn die Maschine wie vorgeschrieben benutzt wird, ist es unmöglich ein gewisses Restrisiko vollständig zu beseitigen. Die folgenden Gefahren können bei der Benutzung entstehen, und der Benutzer sollte besonders auf folgende Punkte achten:

- Gefahr von Kontakt mit freiliegenden Teilen des sich drehenden Sägeblattes.
- Rückschlag vor Werkstücken und Teilen von Werkstücken aufgrund falscher Einstellungen oder Benutzung.
- Schleudern von fehlerhaften Hartmetallspitzen von dem Sägeblatt.
- Verletzung des Atemsystems, wenn eine wirksame Staubmaske nicht getragen wird.
- Schäden am Gehör, wenn ein wirksamer Gehörschutz nicht getragen wird.

WARTUNG UND PFLEGE

- Nehmen sie keine Einstellung vor, während der Motor in Betrieb ist.
- Stellen Sie sicher, dass der Stecker der Maschine aus der Steckdose gezogen ist, bevor Sie die Bürsten wechseln, schmieren oder andere Wartungsarbeiten an der Maschine durchführen.
- Überprüfen Sie die Maschine nach jedem Einsatz auf Schäden oder beschädigte Teile und halten Sie die Maschine in erstklassigem Zustand, indem Sie

Reparaturen oder den Austausch von Teilen sofort ausführen.

- Das Sägeblatt wird durch die Benutzung heiß, bleiben Sie während der Wartung oder Reinigung aufmerksam.
- Entfernen Sie angesammelten Staub.
- Um die Sicherheit und Zuverlässigkeit zu gewährleisten sollten alle Reparaturen, mit Ausnahme der von außen zugänglichen Bürsten, von einem autorisierten Kundendienst durchgeführt werden.
- Fehler der Maschine, einschließlich Schutzabdeckungen oder Sägeblätter, sollten sofort nach der Entdeckung gemeldet werden.
- Falls das Stromkabel beschädigt sein sollte, darf es, um jegliche Risiken zu vermeiden, ausschließlich durch den Hersteller oder ein autorisiertes Kundendienstzentrum ausgetauscht werden. Kontaktieren Sie Ihren autorisierten Kundendienst

UMWELTSCHUTZ



Recyceln Sie die Rohstoffe, anstatt sie im Haushaltsabfall zu entsorgen. Zum Schutz der Umwelt müssen das Gerät, die Zubehörteile und die Verpackungen getrennt entsorgt werden.

SYMBOL



Sicherheitswarnung



CE-Konformität



GOST-R-Konformität



Klasse II, doppelt isoliert



Bitte lesen Sie die Anweisungen sorgfältig durch, bevor Sie das Produkt einschalten.



Gehörschutz tragen



Tragen Sie immer Augenschutz!



GEFAHR
Scharfes Sägeblatt.



Breite des Schnitts



Sägezähne



Ideal für Holz



Sägen Sie nicht Metall



Schnittleistung



Blicken Sie nicht in den Laserstrahl.



Laserstrahlung.
Klasse 2 Laserprodukt
 λ : 650nm; $P \leq 1\text{mW}$
EN 60825-1:2007



Elektrische Geräte sollten nicht mit dem übrigen Müll entsorgt werden. Bitte entsorgen Sie diese an den entsprechenden Entsorgungsstellen. Wenden Sie sich an die örtliche Behörde oder Ihren Händler, um Auskunft über die Entsorgung zu erhalten.

SYMBOLE IN DER BEDIENUNGSANLEITUNG



Verbinden Sie das Gerät mit dem Stromnetz.



Stecken Sie das Werkzeug aus.



Teile oder Zubehör getrennt erhältlich



Elektrische Geräte sollten nicht mit dem übrigen Müll entsorgt werden. Bitte entsorgen Sie diese an den entsprechenden Entsorgungsstellen.



Bitte beachten



Warnung

ALERTA DE SEGURIDAD GENERAL

⚠ ADVERTENCIA

Al utilizar herramientas eléctricas deben tomarse siempre las precauciones de seguridad básicas para reducir el riesgo de incendio, descarga eléctrica y heridas, incluido lo siguiente. Lea todas las instrucciones antes de utilizar el producto y guarde estas instrucciones.

- **Mantenga el área de trabajo limpia.** Las áreas y los bancos de trabajo desordenados propician los daños corporales.
- **Tenga en cuenta el entorno del área de trabajo.** No exponga las herramientas a la lluvia. No utilice herramientas en lugares húmedos o mojados. Mantenga limpia el área de trabajo. No utilice las herramientas en presencia de líquidos o gases inflamables.
- **Protección contra descargas eléctricas.** Evite el contacto corporal con superficies conectadas a tierra (por ejemplo, tuberías, radiadores, estufas y refrigeradores).
- **Mantenga a otras personas alejadas.** No deje que otras personas, especialmente niños, participen en el trabajo, toquen la herramienta o el alargador, y manténgalos alejados del área de trabajo.
- **Guarde las herramientas inactivas.** Cuando no esté en uso, la herramienta debe guardarse en un lugar seco, bajo llave, fuera del alcance de los niños.
- **No fuerce la herramienta.** Realizará un trabajo mejor y más seguro a la velocidad para la que ha sido diseñada.
- **Utilice la herramienta adecuada.** No utilice herramientas pequeñas para realizar el trabajo de una grande. No utilice las herramientas para otros fines distintos de los previstos, por ejemplo, no utilice sierras circulares para cortar ramas o troncos de árboles.
- **Vístase adecuadamente.** No utilice ropa holgada o joyas, ya que pueden quedar atrapados en las piezas móviles. Para trabajos exteriores se recomienda calzado antideslizante. Use cobertura de protección para el cabello para amarrar el cabello largo.
- **Utilice un equipo de protección.** Utilice gafas de seguridad. Utilice una mascarilla para la cara o contra el polvo en caso de que el trabajo origine polvo.
- **Conecte el equipo aspirador de polvo.** Si existe una herramienta para la conexión de accesorios de recogida y extracción de polvo, asegúrese de que está conectada y que se utilizan adecuadamente.
- **Utilice correctamente el cable.** Nunca tire del cable para desenchufarlo. Mantenga el cable lejos de fuentes de calor, aceite y bordes afilados.
- **Fije la pieza de trabajo.** Si es posible, utilice abrazaderas o un torno de banco para sujetar el trabajo. Es más seguro que utilizar la mano.
- **No realice sobreesfuerzos.** Mantenga un equilibrio adecuado en todo momento.
- **Utilice las herramientas con cuidado.** Mantenga las herramientas de corte afiladas y limpias para

que realicen un trabajo mejor y más seguro. Siga las instrucciones de lubricación y cambio de accesorios. Inspeccione periódicamente los cables y si están dañados llévelos a un centro de servicio autorizado. Revise las prolongaciones periódicamente y sustitúyalas si están dañadas. Mantenga las asas secas, limpias y libres de aceite y grasa.

- **Desconecte las herramientas.** Desenchufe las herramientas cuando no se encuentren en uso, antes de realizar cualquier reparación y cuando cambie accesorios como hojas, puntas y cuchillas.
- **Retire las llaves de ajuste.** Compruebe siempre que las llaves de ajuste no se encuentran en la herramienta antes de encenderla.
- **Evite el arranque accidental de la herramienta.** Asegúrese de que el interruptor se encuentra en la posición "off" cuando enchufe la herramienta.
- **Utilice alargadores para exterior.** Cuando utilice una herramienta al aire libre, utilice únicamente cables de extensión que estén destinados para uso en exteriores y que así lo indiquen.
- **Manténgase alerta.** Tenga cuidado con lo que hace, utilice el sentido común y no utilice la herramienta cuando esté cansado.
- **Compruebe que no haya piezas dañadas.** Antes de seguir utilizando la herramienta, esta deberá ser minuciosamente comprobada para determinar si va a funcionar adecuadamente y realizar su función prevista. Compruebe la alineación y el acoplamiento de las piezas móviles, la rotura de piezas, el montaje y cualquier otro problema que pueda afectar a su funcionamiento. Una protección u otra parte que esté dañada debería ser debidamente reparada o sustituida en el centro de servicio autorizado a menos que se indique lo contrario en este manual de instrucciones. Los enchufes defectuosos deben ser sustituidos por un centro de reparación autorizado.
- No utilice la herramienta si el interruptor no enciende ni apaga.

■ ADVERTENCIA

El uso de cualquier accesorio o complemento no recomendado en este manual de instrucciones puede suponer un riesgo de lesión personal.

- **La herramienta deberá ser reparada por personal cualificado.** Esta herramienta eléctrica cumple con las normas de seguridad correspondientes. Las reparaciones sólo deberán ser realizadas por personal cualificado y utilizando recambios originales, en caso contrario podría producirse un grave peligro para el usuario.

ADVERTENCIAS DE SEGURIDAD DE LA SIERRA DE BANCA E INGLETADORA COMBINADA

- Utilice protección auditiva! La exposición a niveles de ruido excesivos puede causar pérdida de audición.
- Utilice siempre gafas de protección al usar la máquina. Se recomienda utilizar guantes, calzado pesado antideslizante y delantal.
- Siempre use gafas de seguridad o gafas de seguridad con protección lateral durante el funcionamiento de la

herramienta eléctrica o cuando ésta desprenda polvo. Si la superficie de trabajo es polvorienta, use también una careta específica.

- Esta máquina está equipada con un cable de alimentación especialmente configurado. Si el cable de alimentación está dañado o defectuoso, debe ser sustituido por el fabricante o por un agente de reparación autorizado.
- Antes de comenzar cualquier operación, compruebe que todos los botones de bloqueo y agarraderas están apretados.
- Não utilize a serra sem as guardas na posição correta, especialmente depois de alterar o modo. Conserve as guardas em bom estado de funcionamento e manutenção.
- Nunca coloque las manos en el área de la lámina cuando la sierra está conectada a la fuente de alimentación.
- Nunca intente parar una máquina en movimiento repentinamente enclavando una herramienta u otros medios contra la lámina pues de este modo podrá causar accidentes graves sin intención.
- Antes de utilizar cualquier accesorio, consulte el manual de instrucciones. El uso inadecuado de un accesorio puede causar daños.
- No altere ni modifique la unidad con respecto a su diseño o función original.
- Assegure que quaisquer espaçadores e fusos com anéis usados são adequados para o fim, de acordo com este manual.
- Seleccione la lámina correcta para el material que va cortar.
- Observe la velocidad máxima marcada en la lámina de la sierra. Assegure que a velocidade indicada no disco da serra é pelo menos igual à velocidade indicada na serra.
- Use un soporte o guantes de protección al maniobrar una lámina de sierra.
- Verifique que la lámina de la sierra está correctamente montada antes utilizarla.
- Compruebe que la lámina gira en la dirección correcta. Mantenga la lámina afilada.
- Considere el uso de hojas especialmente diseñadas para la reducción de ruido.
- Levante la lámina del corte en la pieza de trabajo antes de abrir el interruptor.
- Compruebe que el brazo está firmemente fijado cuando vaya a realizar cortes cónicos.
- Assegure que o braço está bem fixado na posição de funcionamento no modo de serra circular.
- Asegúrese de que la mesa de la sierra está fijada de manera segura a la altura elegida.
- No introduzca nada a la fuerza contra el abanico para fijar el eje del motor.
- La protección de la lámina en su sierra se levantará automáticamente cuando el brazo es conducido hacia abajo, este baja sobre la lámina cuando el brazo es levantado. La protección puede ser levantada manualmente al instalar o retirar láminas de sierra o

al inspeccionar la sierra. Nunca levante la protección de la lámina manualmente a menos que la sierra esté desconectada.

- Mantenga el área alrededor de la máquina bien conservada y sin materiales sueltos, tales como pedazos de piezas y desperdicios.
- Verifique periódicamente si las aberturas de aire del motor están limpias y libres de astillas.
- Desconecte la máquina de la red antes de realizar cualquier operación de mantenimiento o al cambiar la hoja.
- Nunca realice ningún trabajo de limpieza o de mantenimiento cuando la máquina se encuentra aún en funcionamiento y si la cabeza no está en la posición de descanso.
- Siempre que sea posible, coloque la máquina sobre un banco y verifique la seguridad de la fijación al mismo.
- Al realizar cortes de inglete, bisel o de inglete compuesta, ajuste la cerca del inglete deslizante de modo que garantice el espacio correcto para la aplicación.
- Absténgase de remover sobras cortadas u otras partes de la pieza de trabajo del área de corte mientras la sierra está en funcionamiento.
- Antes de trabajar, compruebe que la máquina está situada en una superficie uniforme con suficiente estabilidad.
- Antes de empezar a trabajar, haga un corte de prueba con el motor apagado para comprobar la posición de la lámina, el funcionamiento de las protecciones con respecto a otras piezas de la máquina y la pieza de trabajo.
- Nunca corte aleación ligera, especialmente magnesio.
- No utilice ningún disco abrasivo o de diamante.
- En caso de accidente o de falla de la máquina, desconecte inmediatamente la máquina de la fuente de alimentación.
- Reporte la anomalía y señale la máquina para evitar que otras personas usen la máquina averiada.
- Cuando una lámina de sierra está bloqueada debido a una fuerza de alimentación anormal durante el corte, apague la máquina y desconéctela de la fuente de alimentación. Retire la pieza de trabajo y asegúrese de que la lámina de la sierra se mueve libremente. Conecte la máquina e inicie una nueva operación de corte con fuerza de aceleración reducida.
- Verifique que su posición se encuentra siempre a la izquierda o a la derecha de la línea de corte.
- Proporcione una iluminación general y localizada adecuada a fin de evitar efectos estroboscópicos y otros peligros.
- Compruebe que el operador está correctamente capacitado para la utilización, ajuste y funcionamiento de la máquina.
- Desconecte la máquina cuando quede sin supervisión.
- Conecte la sierra al colector de polvo cuando esté serrando madera. Tenga siempre en cuenta los factores que influyen en la exposición del polvo, como el tipo de material a trabajar (los tableros de viruta de

madera produce más polvo que la madera), el ajuste de la hoja de la sierra, el ajuste de la extracción local, así como las cubiertas protectoras, los deflectores y las tolvias, así como la velocidad de aire del polvo

- Mantenga la lámina de la sierra afilada y correctamente montada.
- No intente hacer funcionar la herramienta en voltaje diferente al designado.
- No aplique lubricantes en la hoja cuando esté en funcionamiento.
- Confirme que no hay nadie detrás de la máquina.
- Para su propia seguridad, siempre monte la máquina en una mesa de trabajo fijada con tornillos.
- Utilice hojas de tamaño y forma adecuados al diámetro interior del eje. Unas hojas que no se adaptan al eje en el que se deben montar no girarán correctamente y provocarán una pérdida de control.
- Use solamente hojas especificadas en este manual, según EN 847-1.
- **Al cortar piezas de trabajo grandes o largas, proporcione siempre un soporte adecuado a los laterales de la mesa.** Este soporte debería ser de la misma altura que la mesa. Mantenga las manos siempre alejadas del recorrido de la mesa.
- Desconecte la sierra de la red de suministro antes de cambiar las hojas o realizar operaciones de mantenimiento.
- Mantenga sus manos lejos de la lámina de la sierra.
- No se acerque a la lámina de la sierra.
- No se coloque encima de la unidad.
- Durante el transporte, compruebe que la parte superior de la lámina de sierra está cubierta.
- No utilice el resguardo superior para manipular o transportar la máquina.
- No utilice la sierra para cortar otro material que no sea madera.

NORMAS ADICIONALES DE SEGURIDAD PARA EL MODO SIERRA DE MESA

- Sustituya la pieza de refuerzo de mesa desgastada.
- No haga funcionar la herramienta sin la inserción de la mesa.
- Revise que la mesa está fijada firmemente.
- Al realizar cortes transversales rectos verticales, ajuste la cerca deslizante correctamente para garantizar un espacio de 15 mm (máximo) entre la lámina de la sierra y la cerca.
- Ajuste la reja deslizante correctamente para evitar el contacto con la cubierta superior.
- Nunca corte cuando la lámina separadora y/o la protección superior no se encuentran colocadas.
- Revise que la lámina separadora está ajustada a la distancia correcta de la lámina (entre 3 mm y 8 mm).
- Utilice siempre la barra de empuje. Nunca corte piezas de trabajo más pequeñas que 30 mm.
Nunca coloque las manos a menos de 150 mm de la lámina de sierra al cortar.
- Mantenga siempre la barra de empuje en su sitio

cuando no esté en uso.

- No utilice las láminas de sierra con un grosor de cuerpo mayor o un ancho de diente más pequeño que el grosor de la lámina separadora.
- Revise que la lámina gira en la dirección correcta y que los dientes apuntan para el frente de la mesa de sierra.
- Antes de comenzar cualquier operación, confirme que todas las agarraderas están apretadas.
- Revise que el brazo está firmemente fijado cuando vaya a serrar. Utilice la máquina apenas cuando la mesa de la sierra se encuentra en la posición horizontal.
- La abertura de ranuras, hendiduras o muescas no son permitidas.

NORMAS ADICIONALES DE SEGURIDAD PARA EL MODO SIERRA DE INGLETES

- Compruebe que la parte superior de la lámina de la sierra está totalmente cerrada. Nunca quite la protección de la lámina superior al utilizar la máquina en el modo de sierra de inglete.
- Nunca corte piezas de trabajo más pequeñas que 160 mm.
- Amarre siempre la pieza de trabajo de forma segura.
- Se ha informado de que las vibraciones de las herramientas de mano puede contribuir a una condición llamada síndrome de Raynaud en ciertos individuos. Los síntomas pueden incluir hormigueo, entorpecimiento y decoloración de los dedos, generalmente aparentes cuando tiene lugar una exposición al frío. Se considera que los factores hereditarios, exposición al frío y a la humedad, dieta, tabaquismo y prácticas de trabajo contribuyen al desarrollo de estos síntomas. Existen medidas que pueden ser tomadas por el operador para reducir los efectos de vibración:
 - Mantenga su cuerpo caliente durante el tiempo frío. Al manipular la unidad, utilice guantes para mantener las manos y las muñecas calientes. Hay informes que indican que el tiempo frío es un gran factor que contribuye al síndrome de Raynaud.
 - Después de cada período de funcionamiento, realice ejercicios para aumentar la circulación sanguínea.
 - Haga pausas de trabajo frecuentes. Limite la cantidad de exposición por día.

Si siente alguno de los síntomas de esta enfermedad, interrumpa inmediatamente el uso y consulte a su médico estos síntomas.

ADVERTENCIAS DE SEGURIDAD PARA HOJA DE SIERRA DE MADERA

- Lea las instrucciones de este manual antes de utilizar la máquina.
- La máquina debe estar en buenas condiciones, sin deformaciones ni vibraciones en el perno.
- Não utilize a serra sem as guardas na posição correta, especialmente depois de alterar o modo. Conserve as guardas em bom estado de funcionamento e manutenção.
- Asegúrese de que el operario ha recibido la formación

adecuada en cuanto a precauciones de seguridad, ajustes y funcionamiento de la máquina.

- Utilice siempre gafas de protección con protección lateral, junto con dispositivos de protección para los oídos. Se recomienda utilizar guantes, calzado pesado antideslizante y delantal.
- Antes de utilizar cualquier accesorio, consulte el manual de instrucciones. El uso inadecuado de un accesorio puede causar daños.
- Use solamente hojas especificadas en este manual, según EN 847-1.
- Observe la velocidad máxima marcada en la lámina de la sierra. Asegure que a velocidad indicada no disco da serra é pelo menos igual à velocidade indicada na serra.
- Utilice hojas de tamaño y forma adecuados al diámetro interior del eje. Unas hojas que no se adaptan al eje en el que se deben montar no girarán correctamente y provocarán una pérdida de control.
- No utilice las láminas de sierra con un grosor de cuerpo mayor o un ancho de diente más pequeño que el grosor de la lámina separadora. (para sierra de mesa o modo sierra de mesa)
- No utilice láminas de diámetro mayor o más pequeño que el recomendado. No utilice ningún espaciador para encajar la lámina en el eje.
- Compruebe que las puntas de la hoja no están dañadas ni tienen un aspecto anómalo antes de utilizarla. Las puntas dañadas o sueltas se pueden convertir en proyectiles durante la utilización y aumentan el riesgo de lesiones.
- No usar discos de corte rotos o defectuosos. No use hojas de sierra dañadas o deformadas.
- No use una hoja de sierra que está dañada o deformada. No está permitida su reparación.
- No utilice láminas HSS.
- Verifique que la lámina de la sierra está correctamente montada antes utilizarla. Antes de cada uso, apriete la tuerca de apriete firmemente. (Par: 12-15 Nm)
- Los tornillos y tuercas siempre deben apretarse utilizando la llave adecuada.
- No utilizar una prolongación de llave ni apretar dando golpes con un martillo.
- Compruebe que la lámina y las bridas están limpias y los lados encajados del aro están contra la lámina.
- Compruebe que la lámina gira en la dirección correcta.
- Antes de empezar a trabajar, haga un corte de prueba con el motor apagado para comprobar la posición de la lámina, el funcionamiento de las protecciones con respecto a otras piezas de la máquina y la pieza de trabajo.
- No deje nunca la máquina sin vigilar.
- No aplique lubricantes en la hoja cuando esté en funcionamiento.
- Nunca realice ningún trabajo de limpieza o de mantenimiento cuando la máquina se encuentra aún en funcionamiento y si la cabeza no está en la posición de descanso.

- Nunca intente parar una máquina en movimiento repentinamente enclavando una herramienta u otros medios contra la lámina pues de este modo podrá causar accidentes graves sin intención.
- Desconecte la sierra de la red de suministro antes de cambiar las hojas o realizar operaciones de mantenimiento.
- Tenga cuidado a la hora de embalar y desembalar la hoja: es fácil lesionarse con sus afiladas puntas.
- Utilice un porta-hojas o póngase guantes para manipular la hoja de sierra.
- Guarde y almacene la hoja en su embalaje original o en otro adecuado. Consérvelo en un lugar seco y alejado de productos químicos que puedan dañar la hoja.

SEGURIDAD DEL LÁSER

- La radiación de la guía láser utilizada en esta sierra es de clase 2 con longitudes de onda máximos de $\leq 1\text{mW}$ and 650nm . No mire directamente al láser. El incumplimiento de estas normas puede resultar en lesiones graves.



Le hemos suministrado una etiqueta adhesiva en su idioma y le pedimos que la coloque en el lugar del texto en inglés, en la etiqueta de advertencia, antes de poner en funcionamiento la máquina por primera vez.

- No mire fijamente el láser durante el funcionamiento.
- No proyecte el rayo láser directamente a los ojos de los demás. Podría provocar lesiones graves en los ojos.
- No coloque el láser en una posición que puede causar que alguien mire al rayo láser de manera intencionada o no.
- No utilice herramientas ópticas para ver el rayo láser.
- No trabaje con el láser cerca de los niños ni permita que los niños manejen el láser.
- No intente reparar el dispositivo láser usted mismo.
- No intente cambiar ninguna pieza del dispositivo láser usted mismo.
- Las reparaciones sólo deben ser realizadas por el fabricante del láser o un agente de servicio autorizado.
- No cambie el láser por otro de distinto tipo.

USO PREVISTO

- Esta máquina está diseñada exclusivamente para realizar surcos y cortes en la madera. La máquina debe fijarse de forma segura a un banco de trabajo a una altura adecuada y está pensada para ser operada únicamente por una persona.
- En el modo de sierra de mesa solo se usa para hacer cortes y no debe utilizarse para cortar ranuras o rebajar. La capacidad máxima de corte es de 60mm.
- En el modo de ingletadora es posible hacer ángulos horizontales de -45° a $+45^\circ$, así como ángulos verticales de 0° a 45° . El tamaño máximo de la sección

de la pieza de trabajo es de 70 mm x 130 mm.

- La máquina está concebida para operar en un solo modo de funcionamiento. No es posible utilizar la máquina como sierra de mesa y como sierra de ingletes a la vez.

RIESGOS RESIDUALES

Incluso cuando la máquina se usa conforme se indica, sigue siendo imposible eliminar completamente ciertos factores de riesgo residual. Pueden surgir los siguientes riesgos durante el uso y el operador debe prestar especial atención para evitar lo siguiente:

- Riesgo de contacto con las piezas descubiertas de la lámina circular giratoria.
- Rebote de las piezas de trabajo y partes de las piezas de trabajo debido a un ajuste o una manipulación incorrectos.
- Puntas de carburo defectuosas salen disparadas de la hoja de la sierra.
- Existe el riesgo de lesiones en el sistema respiratorio en caso de que no se utilice una mascarilla antipolvo eficaz.
- Daños auditivos si no se utiliza una protección auditiva eficaz.

MANTENIMIENTO

- No haga ningún ajuste cuando el motor esté en marcha.
- Asegúrese siempre de que se ha retirado el enchufe de la máquina de la toma de corriente antes de cambiar cepillos, lucricarla o realizar cualquier operación o mantenimiento a la máquina.
- Tras cada uso, compruebe si la máquina tiene alguna pieza dañada o rota y manténgala en buenas condiciones de funcionamiento reparando o sustituyendo las piezas inmediatamente.
- Después de usarla, la lámina está caliente; tenga cuidado mientras realiza los procedimientos de mantenimiento o limpieza.
- Retire el polvo acumulado.
- Para asegurar su seguridad y fiabilidad, todas las reparaciones, a excepción de los cepillos con acceso externo, deben ser realizadas por un centro de servicio autorizado.
- Debe informar sobre las anomalías en la máquina, incluyendo las protecciones y las hojas de la sierra, tan pronto las descubra.
- Si el cable de alimentación está dañado, debería ser reemplazado únicamente por el fabricante o por un centro de servicio autorizado para evitar riesgos. Contacto Centro de Servicio Autorizado

PROTECCIÓN DEL MEDIO AMBIENTE



Recicle las materias primas en lugar de tirarlas a la basura doméstica. Para proteger el medio ambiente, debe separar la herramienta, los accesorios y los embalajes.

SÍMBOLO



Alerta de seguridad



Conformidad con CE



Conformidad con GOST-R



Clase II, doble aislamiento



Por favor, lea atentamente las instrucciones antes de encender el producto.



Utilice dispositivos de protección para los oídos



Utilice siempre gafas de protección.



PELIGRO
Cuchilla afilada.



Ancho del corte



Dientes de la hoja



Ideal para madera



No corte metales



Capacidad de corte



No mire directamente al rayo.



Radiación láser.
Producto láser de clase 2
 λ : 650nm; $P \leq 1$ mW
EN 60825-1:2007



Los productos eléctricos de desperdicio no deben desecharse con desperdicios caseros. Por favor recíclelos donde existan dichas instalaciones. Compruebe con su autoridad local o minorista para reciclar.

SÍMBOLOS EN ESTE MANUAL



Enchufe la máquina



Desenchufe la herramienta.



Las piezas o accesorios se venden por separado



Los productos eléctricos de desperdicio no deben desecharse con desperdicios caseros. Por favor recíclelos donde existan dichas instalaciones.



Nota



Advertencia

EN

FR

DE

ES

IT

NL

PT

DA

SV

FI

NO

RU

PL

CS

HU

RO

LV

LT

ET

HR

SL

SK

EL

TR

AVVERTENZE GENERALI DI SICUREZZA

⚠ AVVERTENZE

Quando si utilizzano elettrodomestici, si dovranno sempre seguire precauzioni di sicurezza di base per ridurre rischi di incendi, scosse elettriche, e lesioni personali, comprese le seguenti. Leggere tutte le istruzioni prima di tentare di mettere in funzione il prodotto e conservare queste istruzioni.

- **Tenere l'area di lavoro libera.** Zone e banchi di lavoro in disordine possono causare incidenti.
- **Tenere in considerazione l'area di lavoro.** Non esporre gli utensili a pioggia. Non utilizzare gli utensili in luoghi umidi o bagnati. Mantenere l'area di lavoro ben illuminata. Non utilizzare in presenza di liquidi infiammabili o gas.
- **Dispositivo contro scosse elettriche.** Evitare il contatto del corpo con superfici con messa a terra (per esempio, tubi, radiatori, stufe, refrigeratori).
- **Tenere lontane tutte le altre persone.** Tenere eventuali osservatori, soprattutto bambini a distanza di sicurezza, evitare che tocchino l'utensile o la prolunga e tenerli lontani dall'area di lavoro.
- **Riporre gli utensili che non vengono utilizzati.** Quando non si utilizza l'utensile, riporlo in un luogo chiuso e asciutto, lontano dalla portata dei bambini.
- **Non forzare l'utensile.** Svolgerà il lavoro per il quale è stato progettato in maniera migliore e più sicura.
- **Utilizzare l'utensile adatto.** Non utilizzare piccoli attrezzi per lavori pesanti. Non utilizzare gli utensili per scopi per i quali non sono stati progettati, per esempio non utilizzare le motoseghe circolari per tagliare rami o tronchi.
- **Vestirsi adeguatamente.** Non indossare abiti con parti svolazzanti o gioielli che potrebbero rimanere impigliati nelle parti in movimento. Si raccomanda di indossare calzature anti-scivolo quando si lavora all'esterno. Indossare una rete di protezione per capelli per contenere eventuali capelli lunghi.
- **Utilizzare attrezzatura di protezione.** Utilizzare occhiali di sicurezza. Utilizzare una maschera antipolvere per il viso se si lavora in ambienti polverosi.
- **Collegare l'attrezzatura per estrarre polvere.** Se l'utensile viene fornito con l'accessorio per l'estrazione e la raccolta della polvere, assicurarsi che tali accessori siano correttamente collegati e utilizzati.
- **Non sottoporre il cavo a stress.** Non tirare mai il cavo per scollegarlo dalla presa. Tenere il cavo lontano da calore, olio e parti affilate.
- **Assicurare il pezzo sul quale si sta lavorando.** Ove possibile utilizzare staffe o morsetti per reggere il pezzo sul quale si sta lavorando. È più sicuro che utilizzare le proprie mani.
- **Non protendersi.** Mantenere sempre l'equilibrio e un punto di appoggio sicuro.
- **Svolgere sempre le dovute manutenzioni sull'utensile.** Tenere le lame affilate e pulite per

garantire prestazioni migliori e sicure. Seguire le istruzioni per lubrificare e cambiare gli accessori. Ispezionare i cavi dell'utensile periodicamente e, se danneggiati, farli riparare da un centro servizi autorizzato. Ispezionare periodicamente la prolunga e sostituirla se danneggiata. Tenere i manici asciutti e puliti e rimuovere dagli stessi eventuali tracce di sporco e olio.

- **Scollegare gli utensili.** Quando non si utilizza l'utensile, prima di svolgere eventuale manutenzione e quando si cambiano accessori come lame, punte e dispositivi di taglio, scollegare gli utensili dall'alimentazione.
- **Rimuovere tutte le chiavi di regolazione.** Controllare sempre che le chiavi e i dispositivi di regolazione siano stati rimossi dall'utensile prima di avviarlo.
- **Evitare l'avvio accidentale.** Assicurarsi che l'interruttore si trovi su "off" (spento) prima di collegare l'utensile.
- **Utilizzare prolunghe per esterni.** Quando si utilizza l'utensile all'interno, utilizzare solo prolunghe adatte a tale utilizzo e contrassegnate come tali.
- **Conservare sempre la massima attenzione.** Esercitare sempre la massima attenzione in quello che si sta facendo e non mettere in funzione l'utensile se si è stanchi.
- **Controllare eventuali parti danneggiate.** Prima di utilizzare ulteriormente l'utensile, controllarlo attentamente per capire se funzionerà correttamente e svolgerà le funzioni per le quali è stato progettato. Controllare l'allineamento delle parti in movimento, l'eventuale blocco delle parti, le eventuali parti rotte, il montaggio ed altre condizioni che potranno influenzare le operazioni. Un paralame o un'altra parte danneggiata deve essere riparata o sostituita da un centro servizi autorizzato a meno che non sia indicato diversamente sul manuale d'istruzioni. Far sostituire gli interruttori difettosi da un centro servizi autorizzato.
- Non utilizzare l'utensile se non si accende o spegne.

AVVERTENZE

L'utilizzo di qualsiasi accessorio o dispositivo diverso da quelli raccomandati nel manuale d'istruzioni potrà causare rischi di gravi lesioni personali.

- **Far riparare l'utensile da personale qualificato.** Questo utensile elettrico rispetta le norme di sicurezza corrispondenti. Le riparazioni dovranno essere svolte da persone qualificate utilizzando le parti originali altrimenti ciò potrebbe causare gravi lesioni all'utente.

AVVERTENZE DI SICUREZZA SEGA DA BANCO E ANGOLARE COMBINATA

- Indossare protezioni acustiche adeguate. L'esposizione prolungata al rumore senza protezione può causare danni all'udito.
- Durante l'uso dell'apparecchio utilizzare sempre gli occhiali di protezione. Inoltre si consiglia di indossare guanti, calzature resistenti antiscivolo e un grembiule.
- Indossare sempre occhiali di sicurezza o occhiali di sicurezza con schermi laterali durante le operazioni con l'elettrodomestico o quando si aspira della polvere. Nel caso in cui si preveda che le operazioni di lavoro

causeranno polvere, indossare sempre una maschera anti-polvere.

- Questa macchina è dotata di un cavo di alimentazione appositamente configurato. Se il cavo dell'alimentazione è danneggiato o non funziona correttamente, deve essere sostituito dalla ditta produttrice o da un agente autorizzato a svolgere le riparazioni.
- Assicurarsi che tutte le manopole di blocco e i morsetti siano serrati prima di avviare le operazioni.
- Non utilizzare la motosega senza aver prima montato gli schermi, soprattutto dopo un eventuale cambio di modalità. Mantenere gli schermi in ottime condizioni per garantire un corretto funzionamento.
- Non posizionare le mani nella zona di taglio se la motosega è collegata all'alimentazione elettrica.
- Non tentare mai di bloccare una macchina in funzione rapidamente incastrando un utensile o altre parti contro la lama, in caso contrario si potranno verificare accidentalmente gravi incidenti.
- Prima di utilizzare un qualsiasi accessorio, consultare il manuale d'istruzioni. L'utilizzo scorretto di un accessorio potrà causare danni.
- Non alterare o modificare l'unità di design o la funzione originale dell'utensile.
- Assicurarsi che eventuali spaziatori e guarnizioni siano adatti per gli scopi indicati nel presente manuale.
- Selezionare una lama adeguata al materiale da tagliare.
- Rispettare la velocità massima indicata sulla motosega. Assicurarsi che la velocità indicata sulla lama della motosega sia uguale a quella indicata sulla motosega.
- Utilizzare un apposito dispositivo o indossare guanti quando si lavora con la motosega.
- Assicurarsi che la lama sia stata montata correttamente prima dell'utilizzo.
- Assicurarsi che la lama ruoti nella direzione corretta. Tenere le lame sempre ben affilate.
- Considerare l'eventuale applicazione di lame a rumore ridotto.
- Prima di spegnere il dispositivo alzare la lama dal pezzo sul quale si sta lavorando.
- Assicurarsi che il braccio sia fissato con sicurezza prima di operare eventuali tagli smussati.
- Assicurarsi che il braccio sia fissato nella posizione di funzionamento nella modalità sega da tavolo.
- Assicurarsi che il tavolo da lavoro con sega sia fissato correttamente all'altezza scelta.
- Non inserire alcun corpo estraneo contro la ventola per bloccare l'albero del motore.
- Il paralame si alzerà automaticamente quando il braccio scende, e si abbasserà quando il braccio si alza. È possibile alzare il paralame manualmente quando si installano o rimuovono le lame o per controllare la motosega. Non alzare la lama manualmente a meno che il dispositivo non sia scollegato.
- Tenere sempre l'area di lavoro pulita, rimuovendo eventuali materiali di scarto come scaglie e trucioli.
- Controllare periodicamente che le griglie dell'aria del motore siano pulite e rimuovere eventuali detriti dalla

stessa.

- Scollegare la macchina dall'alimentazione principale prima di svolgere qualsiasi operazione di lavoro o di cambiare la lama.
- Non svolgere mai operazioni di pulizia o manutenzione se la macchina è in funzione e la testa di taglio non è in posizione di riposo.
- Ove possibile, montare l'utensile su un apposito tavolo e controllare che sia correttamente assicurato allo stesso.
- Durante operazioni di taglio obliquo, di profondità o misto, regolare il dispositivo per tagli obliqui per assicurarsi che un corretto funzionamento della macchina.
- Non rimuovere detriti o altre parti del pezzo sul quale si sta lavorando dall'area di taglio mentre la motosega è in funzione.
- Prima di avviare le operazioni di lavoro, controllare sempre che la macchina sia posizionata su una superficie piana e che abbia sufficiente stabilità.
- Prima di avviare le operazioni di lavoro, fare un taglio di prova senza accendere il motore in modo da poter controllare la posizione delle lame, il funzionamento dei paralame rispetto alle altre parti delle macchine e i pezzi sui quali si dovrà lavorare.
- Non tagliare mai leghe leggere, soprattutto il magnesio.
- Non utilizzare dischi abrasivi o alla polvere di diamante.
- In caso di incidenti o malfunzionamento della macchina, spegnerla immediatamente e scollegarla dall'alimentazione.
- Indicare eventuali guasti alla macchina e fare in modo che essi siano segnalati visibilmente in modo che la macchina non venga utilizzata da altri operatori.
- Se la motosega si è bloccata a causa di una eccessiva pressione durante le operazioni di taglio, spegnerla e scollegarla dall'alimentazione. Rimuovere il pezzo sul quale si sta lavorando e assicurarsi che la motosega funzioni liberamente. Accendere il dispositivo e avviare una nuova operazione di taglio con forza ridotta.
- Posizionarsi sempre a sinistra o a destra della linea di taglio.
- Fare in modo che la zona di lavoro sia adeguatamente illuminata in maniera generale o localizzata per evitare effetti e rischi causati da luci stroboscopiche.
- Assicurarsi che l'operatore sia stato istruito a utilizzare, regolare e far funzionare la macchina.
- Spegnerla il dispositivo prima di lasciarlo incustodito.
- Collegare la sega a un dispositivo di collegamento quando si taglia il legno. Tenere sempre in considerazione fattori che potranno influenzare l'esposizione alla polvere come ad esempio il tipo di materiale sul quale si andrà a lavorare (il truciolo produce più polvere), le regolazioni della lama e la regolazione di dispositivi di estrazione come pure coperchi, deflettori e tubi di scarico, e la velocità della polvere nell'aria
- Tenere le lame affilate e montate correttamente.
- Non tentare di mettere in funzione eventuali dispositivi a un voltaggio non adeguato.

- Non applicare lubrificanti sulla lama quando non è in funzione.
- Assicurarsi che non vi siano eventuali osservatori dietro la macchina.
- Per la sicurezza personale, fissare sempre la macchina a un tavolo di lavoro prima utilizzando dei dadi.
- Utilizzare sempre lame di dimensioni e forma idonee all'alesaggio dell'albero. Una lama non idonea all'albero sul quale deve essere montata non è in grado di girare correttamente e potrebbe causare una perdita del controllo dell'apparecchio.
- Utilizzare solo lame specificate con questo manuale, rispettando lo standard EN 847-1.
- **Quando si tagliano pezzi lunghi o grandi, fornire sempre adeguato supporto ai lati del tavolo.** Il supporto deve essere posizionato alla stessa altezza del tavolo. Tenere sempre le mani lontane dalla direzione del tavolo.
- Scollegare la motosega dall'alimentazione principale prima di cambiare le lame o svolgere le operazioni di manutenzione.
- Tenere le mani lontane dalla traiettoria della lama.
- Non protendersi sulla lama.
- Non posizionarsi con il corpo sulla parte superiore dell'unità.
- Durante il trasporto, assicurarsi che la parte superiore della motosega sia coperta.
- Non afferrare né spostare la motosega dal paralame superiore.
- Non utilizzare la sega per tagliare materiali diversi dal legno.

NORME DI SICUREZZA ULTERIORI PER LA MODALITÀ SEGA DA TAVOLO

- Sostituire inserti da banco consumati.
- Non mettere in funzione l'utensile senza l'inserto del piano del tavolo.
- Assicurarsi che la lama sia fissata correttamente.
- Quando si fanno tagli verticali incrociati, regolare il paralame scorrevole correttamente per assicurarsi uno spazio di 15 mm (massimo) tra la motosega e il paralame.
- Regolare il paralame scorrevole per evitare di entrare in contatto con la parte superiore.
- Non utilizzare senza un cuneo e/o paralame superiore.
- Assicurarsi che il cuneo sia inserito alla distanza corretta dalla lama (tra i 3 mm e gli 8 mm).
- Utilizzare sempre lo spingitoio. Non tagliare mai pezzi inferiori a 30 mm.
Non posizionare le mani a una distanza inferiore ai 150 mm dalla motosega durante le operazioni di taglio.
- Quando non si utilizza il dispositivo tenere sempre lo spingitoio inserito.
- Non utilizzare lame con uno spessore o una larghezza dei denti inferiore allo spessore del cuneo.
- Assicurarsi che la lama ruoti nella corretta direzione e che i denti siano puntati verso la parte anteriore del tavolo di lavoro.

- Assicurarsi che tutti i manici del morsetto siano serrati correttamente prima di avviare le operazioni.
- Assicurarsi che il braccio sia fissato con sicurezza durante le operazioni di taglio. Utilizzare la macchina quando il tavolo si trova in posizione orizzontale.
- Non utilizzare l'utensile per fare scanalature, solchi o incavi.

NORME DI SICUREZZA ULTERIORI PER LA MODALITÀ TAGLI OBLIQUI

- Assicurarsi che la parte superiore della motosega sia completamente chiusa. Non rimuovere il paralame superiore mentre si utilizza la macchina in modalità taglio angolare.
- Non tagliare pezzi di una dimensione inferiore a 160 mm.
- Assicurare sempre a un tavolo il pezzo sul quale si sta lavorando.
- Si è accertato che le vibrazioni causate da utensili a mano possono contribuire a causare una condizione chiamata Sindrome di Raynaud in alcune persone. I sintomi, comprendenti formicolio, intorpidimento e perdita di colore alle dita, si verificano di solito quando ci si espone al freddo. Fattori ereditari, esposizione a freddo e umidità, una dieta scorretta, fumo e condizioni di lavoro non sicure potranno contribuire allo sviluppo di questi sintomi. È possibile prendere delle precauzioni per ridurre le vibrazioni:
 - Tenere il proprio corpo al caldo a basse temperature. Quando si utilizza l'utensile, indossare guanti e tenere le mani e i polsi caldi. Le basse temperature contribuiscono a causare la Sindrome di Raynaud.
 - Dopo aver utilizzato l'utensile per un certo periodo, fare degli esercizi per stimolare la circolazione del sangue.
 - Fare spesso delle pause. Limitare la quantità di esposizione giornaliera.

Nel caso in cui si provino i sintomi di questa condizione, interrompere immediatamente l'utilizzo dell'utensile e consultare un dottore.

ISTRUZIONI DI SICUREZZA PER LA LAMA PER LEGNO

- Leggere le istruzioni nel presente manuale prima di mettere in funzione l'utensile.
- L'utensile deve essere in ottime condizioni, l'albero non deve essere deformato né vibrare.
- Non utilizzare la motosega senza aver prima montato gli schermi, soprattutto dopo un eventuale cambio di modalità. Mantenere gli schermi in ottime condizioni per garantire un corretto funzionamento.
- Assicurarsi che l'operatore conosca le istruzioni riguardanti le precauzioni di sicurezza, le regolazioni e il funzionamento dell'utensile.
- Indossare sempre cuffie ed occhiali di protezione con schermi laterali. Inoltre si consiglia di indossare guanti, calzature resistenti antiscivolo e un grembiule.
- Prima di utilizzare un qualsiasi accessorio, consultare il manuale d'istruzioni. L'utilizzo scorretto di un

accessorio potrà causare danni.

- Utilizzare solo lame specificate con questo manuale, rispettando lo standard EN 847-1.
- Rispettare la velocità massima indicata sulla motosega. Assicurarsi che la velocità indicata sulla lama della motosega sia uguale a quella indicata sulla motosega.
- Utilizzare sempre lame di dimensioni e forma idonee all'alesaggio dell'albero. Una lama non idonea all'albero sul quale deve essere montata non è in grado di girare correttamente e potrebbe causare una perdita del controllo dell'apparecchio.
- Non utilizzare lame con uno spessore o una larghezza dei denti inferiore allo spessore del cuneo. (per o nella modalità sega da tavolo)
- Non utilizzare lame di un diametro più grande o più piccolo di quello raccomandato. Non utilizzare distanziatori per inserire la lama nell'albero.
- Verificare eventuali danni sulle punte delle lame o un eventuale aspetto non normale delle stesse prima di ogni utilizzo. Le punte danneggiate o allentate potranno essere scagliate durante l'utilizzo dell'utensile aumentando la possibilità di riportare lesioni personali.
- Non devono essere utilizzate né lame incrinata né lame la cui forma abbia subito alterazioni. Non usare lame danneggiate o deformate.
- Non utilizzare mai una lama danneggiata o deformata. Riparazioni non permesse.
- Non utilizzare lame HSS.
- Assicurarsi che la lama sia stata montata correttamente prima dell'utilizzo. Prima di ogni uso, errare correttamente il dado dell'albero. (Coppia: 12-15 Nm)
- Le viti e i dadi di ancoraggio verranno serrati utilizzando la chiave corretta.
- Non è permesso espandere o serrare il lavoro della chiave utilizzando un martello.
- Assicurarsi che tutte le flange e le lame siano pulite e che le parti interne del colletto siano posizionate accanto alla lama.
- Assicurarsi che la lama ruoti nella direzione corretta.
- Prima di avviare le operazioni di lavoro, fare un taglio di prova senza accendere il motore in modo da poter controllare la posizione delle lame, il funzionamento dei paralame rispetto alle altre parti delle macchine e i pezzi sui quali si dovrà lavorare.
- Non lasciare mai l'utensile non supervisionato.
- Non applicare lubrificanti sulla lama quando non è in funzione.
- Non svolgere mai operazioni di pulizia o manutenzione se la macchina è in funzione e la testa di taglio non è in posizione di riposo.
- Non tentare mai di bloccare una macchina in funzione rapidamente incastrando un utensile o altre parti contro la lama, in caso contrario si potranno verificare accidentalmente gravi incidenti.
- Scollegare la motosega dall'alimentazione principale prima di cambiare le lame o svolgere le operazioni di manutenzione.
- Fare attenzione quando si rimuove dall'imballo o si

ripone nello stesso la lama, dal momento che si può rimanere facilmente feriti da lame affilate.

- Utilizzare un reggilama o indossare guanti quando si maneggia una lama.
- Riporre la lama nell'involucro originale o altro involucro adatto e tenere sempre in luoghi asciutti e lontano da agenti chimici che potranno danneggiare la lama.

LASER DI SICUREZZA

- Le radiazioni della guida al raggio laser utilizzate nella motosega sono di Classe 2 con lunghezze d'onda massima di $\leq 1\text{mW}$ e 650nm . Non fissare direttamente il raggio laser. La mancata osservanza delle regole potrà causare gravi lesioni alla persona.



L'utensile viene venduto con una etichetta adesiva nella propria lingua applicabile sull'etichetta con le avvertenze in inglese prima di iniziare a utilizzare l'utensile.

- Non fissare il raggio durante le operazioni.
- Non proiettare il raggio laser direttamente negli occhi degli altri. Si potranno riportare gravi lesioni personali.
- Non mettere il laser in una posizione che potrà costringere a fissare intenzionalmente o non intenzionalmente il raggio laser.
- Non utilizzare utensili ottici per visualizzare il raggio laser.
- Non mettere in funzione il laser accanto a bambini né permettere a bambini di mettere in funzione il laser.
- Non tentare di svolgere riparazioni al dispositivo laser da soli.
- Non tentare di modificare da soli alcuna parte del dispositivo.
- Tutte le riparazioni dovranno essere svolte dalla ditta produttrice del laser o da un agente autorizzato.
- Non sostituire il laser con un tipo di laser diverso.

UTILIZZO

- Questo utensile è programmato per operazioni di strappo e taglio incrociato solo su legno. Deve essere fissato correttamente a un tavolo da lavoro a un'altezza adatta, e deve essere messo in funzione da una persona sola.
- Nella modalità sega da tavolo, è idoneo solo per tagli completi, non per aprire fessure o battentature. La capacità di taglio massima è di 60mm .
- Nella modalità sega per tagli obliqui, sono possibili sia angoli obliqui orizzontali da -45° a $+45^\circ$ come pure angoli verticali smussati da 0° a 45° . La sezione incrociata massima di un pezzo da lavoro deve essere di $70\text{ mm} \times 130\text{ mm}$.
- L'utensile è progettato per funzionare in una sola modalità. Non è possibile utilizzare il prodotto come sega da tavolo e sega per angoli obliqui allo stesso

tempo.

RISCHI RESIDUI

Anche quando la macchina viene utilizzata come indicato, sarà ancora impossibile eliminare alcuni fattori di rischio residuo. Si potranno verificare i seguenti rischi e l'operatore dovrà prestare particolare attenzione per evitare quanto segue:

- Rischio di contatto con le parti scoperte delle lame rotanti.
- Rimbalzo delle parti sulle quali si sta lavorando e delle parti di lavoro a causa di regolazione o gestione scorretta.
- Rimbalzo di punte al carburo fallate dalla motosega.
- Danni al sistema respiratorio nel caso in cui non si indosserà una maschera per la polvere.
- Danni all'udito nel caso in cui non si indossino cuffie.

MANUTENZIONE

- Non effettuare alcun tipo di regolazione quando il motore è in funzione.
- Assicurarsi che la spina dell'utensile sia stata scollegata dall'alimentazione principale prima di cambiare le spazzole, di svolgere le operazioni di lubrificazione o quando si svolgono operazioni di lavoro o manutenzione sulla macchina.
- Dopo ciascun utilizzo, controllare che la macchina non abbia riportato danni, né presenti parti danneggiate e mantenerla sempre in condizioni di funzionamento ottimali riparando o sostituendo immediatamente le parti.
- La lama si surriscalda dopo l'utilizzo, fare sempre attenzione durante le fasi di manutenzione e pulizia.
- Rimuovere l'eventuale polvere accumulata.
- Per assicurare sempre sicurezza e affidabilità, tutte le riparazioni dovranno essere svolte da un centro servizi autorizzato, ad eccezione delle riparazioni da svolgere sulle spazzole accessibili esternamente.
- Guasti alla macchina, ai paralame o alle lame, dovranno essere segnalati non appena vengono riscontrati.
- Se il cavo di alimentazione è danneggiato deve essere sostituito solo dalla ditta produttrice o dal centro servizi autorizzato per evitare eventuali rischi. Contattare il centro servizi autorizzato.

TUTELA DELL'AMBIENTE



Riciclare le materie prime anziché gettarle tra i rifiuti domestici. Per tutelare l'ambiente, l'apparecchio, gli accessori e gli imballaggi devono essere smaltiti separatamente.

SIMBOLO



Indicazioni sicurezza



Conformità CE



Conformità GOST-R



Classe II con doppio isolamento



Leggere attentamente le istruzioni prima di utilizzare il prodotto.



Indossare cuffie di protezione



Indossare sempre occhiali di protezione.



PERICOLO
Lama affilata.



Ampiezza di taglio



Denti lame



Ideale per legno



Non tagliare metalli



Capacità di taglio



Non fissare il raggio.



Radiazioni laser.
Prodotto al laser di Classe 2
 λ : 650nm; $P \leq 1$ mW
EN 60825-1:2007



I prodotti elettrici non devono essere smaltiti con i rifiuti domestici. Vi sono strutture per smaltire tali prodotti. Informarsi presso il proprio Comune o rivenditore di sicurezza per smaltire adeguatamente tali rifiuti.

SIMBOLI NEL MANUALE



Collegare la macchina.



Scollegare l'utensile.



Parti o accessori venduti separatamente



I prodotti elettrici non devono essere smaltiti con i rifiuti domestici. Vi sono strutture per smaltire tali prodotti.



Note



Avvertenze

EN

FR

DE

ES

IT

NL

PT

DA

SV

FI

NO

RU

PL

CS

HU

RO

LV

LT

ET

HR

SL

SK

EL

TR

ALGEMENE VEILIGHEIDSWAARSCHUWINGEN

⚠ WAARSCHUWING

Als u elektrisch gereedschap gebruikt, moeten standaard veiligheidsmaatregelen worden genomen om het risico op brand, elektrische schok of persoonlijke letsels te verminderen, waaronder. Lees alle instructies voor u probeert het product te gebruiken en bewaar deze instructies.

- **Houd het werkgebied schoon.** Rommelige ruimtes en werkbanken kunnen tot ongevallen leiden.
- **Houd rekening met het werkgebied.** Stel het gereedschap niet bloot aan regen. Gebruik het gereedschap niet in vochtige of natte plaatsen. Houd de werkplaats goed verlicht. Gebruik het gereedschap niet in de aanwezigheid van ontvlambare stoffen of gassen.
- **Bescherming tegen elektrische schokken.** Vermijd lichaamscontact met geaarde oppervlakken (b.v. buizen, radiatoren, kookfornuizen, koelkasten).
- **Houd andere personen weg.** Betrek geen andere personen, in het bijzonder kinderen, bij het werk, laat hen de machine of het verlengsnoer niet aanraken en houd hen weg van het werkgebied.
- **Berg niet-gebruikte werktuigen op.** Wanneer u het gereedschap niet gebruikt, moeten deze op een droge, afgesloten plaats worden bewaard, buiten het bereik van kinderen.
- **Forceer de machine niet.** Het zal de taak beter en veiliger uitvoeren aan het tempo waarvoor het werd ontworpen.
- **Gebruik het juiste gereedschap.** Forceer licht gereedschap niet om taken van zwaar gereedschap uit te voeren. Gebruik het gereedschap niet voor doeleinden waarvoor het niet is bedoeld; gebruik bijvoorbeeld geen cirkelzaagmachines om boomtakken of houtblokken te zagen.
- **Draag aangepaste kleding.** Draag geen loszittende kledij of juwelen, zij kunnen in de bewegende delen vaststraken. Antislipschoenen zijn aangewezen voor werk buitenhuis. Draag haarbescherming om lang haar samen te houden.
- **Gebruik beschermuitrusting.** Gebruik een veiligheidsbril. Gebruik een gezichts- of stofmasker als de werkomstandigheden stof veroorzaken.
- **Verbind de stofafzuiginstallatie.** Als gereedschap van stofafzuiging- en opvanginstallatie is voorzien, zorg er dan voor dat deze zijn verbonden en goed worden gebruikt.
- **Misbruik het snoer niet.** Trek nooit aan het snoer om het uit de contactdoos te trekken. Houd het snoer weg van hitte, olie en scherpe randen.
- **Maak het werkstuk vast.** Gebruik klemmen of een bankschroef om het werkstuk vast te houden. Het is veiliger dan uw hand te gebruiken.
- **Overrek u niet.** Houd steeds een goed evenwicht en sta stevig met beide voeten op de grond.
- **Onderhoud de werktuigen met zorg.** Houd snijgereedschap scherp en schoon voor betere en veiligere prestaties. Volg de instructies voor het smeren en vervangen van accessoires. Inspecteer regelmatig de gereedschapsnoeren en laat deze, indien beschadigd, door een geautoriseerde onderhoudsdienst repareren. Inspecteer de verlengsnoeren regelmatig en vervang deze indien beschadigd. Houd de handvatten droog, schoon en vrij van olie en vet.
- **Ontkoppel de werktuigen.** Ontkoppel het gereedschap van het stroomnet wanneer u accessoires, zoals maaibladen, boorstiften en snijders niet gebruikt, onderhoudt of vervangt.
- **Verwijder sleutels.** Maak er een gewoonte van om te controleren of sleutels van het gereedschap zijn voor u het inschakelt.
- **Vermijd ongewild starten.** Zorg ervoor dat de schakelaar in de uit-stand (off) staat wanneer u het met het stroomnet verbindt.
- **Verlengsnoeren voor buitenshuis gebruik.** Wanneer het gereedschap buitenshuis wordt gebruikt, gebruikt dan uitsluitend verlengsnoeren die geschikt en gemarkeerd zijn voor buitenshuis gebruik.
- **Blijf alert.** Kijk naar wat u doet, gebruik uw gezond verstand en gebruik het werktuig niet wanneer u moe bent.
- **Controleer beschadigde onderdelen.** Voor u het werktuig verder gebruikt, moet u grondig controleren om te zien dat het goed zal functioneren en volgens het voorgeschreven gebruik zal werken. Controleer de lijning van de bewegende delen, controleer of bewegende delen niet verstrikt zijn geraakt, controleer of defecte onderdelen, bevestigingsbeugels of andere delen die de werking in gevaar kunnen brengen. Ieder onderdeel dat is beschadigd, moet correct worden gerepareerd of vervangen door een geautoriseerd onderhoudscentrum, tenzij in de gebruiksaanwijzing anders is vermeld. Laat defecte schakelaars door een geautoriseerd onderhoudscentrum vervangen.
- Gebruik het gereedschap niet als de aan-/uitschakelaar het gereedschap niet aan of uit schakelt.
- **WAARSCHUWING**
Het gebruik van een andere accessoire of hulpstuk dan in deze handleiding beschreven, kan risico inhouden voor persoonlijk letsel.
- **Laat uw gereedschap door een gekwalificeerd persoon repareren.** Deze elektrische machine is gefabriceerd volgens de geldende veiligheidsregels. Laat reparaties alleen door een gekwalificeerd persoon met originele vervangonderdelen uitvoeren. Anders kan dit leiden tot aanzienlijk gevaar voor de gebruiker.

VEILIGHEIDSWAARSCHUWINGEN GECOMBINEERDE VERSTEBKAK- EN WERKBANKZAAG

- Draag oorbeschermers. Blootstelling aan geluid kan het gehoor beschadigen.
- Bij het werken met de machine altijd een veiligheidsbril dragen. Het is aangewezen om handschoenen, stevige en antislipschoenen en een schort te dragen.
- Draag altijd een veiligheidsbril of gezichtsbescherming

met zijdelingse bescherming terwijl u het werktuig gebruikt of wanneer u stof blaast. Als het werk stof veroorzaakt, draag dan ook een stofmasker.

- Deze machine is uitgerust met een speciaal geconfigureerd stroomsnoer. Als het stroomsnoer beschadigd of op een andere manier defect is, mag het uitsluitend door de fabrikant of een geautoriseerde reparatieagent worden vervangen.
- Zorg ervoor dat alle vergrendelknoppen en klemhendels stevig zijn vastgemaakt voor u de machine begint te gebruiken.
- De zaag niet gebruiken zonder dat de bescherming geplaatst is, met name na een verandering van modus. Zorg dat de bescherming goed blijft werken en goed onderhouden blijft.
- Plaats nooit een hand in het zaagbladbereik wanneer de zaagmachine met een elektrische stroombron is verbonden.
- Probeer de machine nooit te stoppen als die in beweging is door een werktuig of een ander voorwerp tegen het zaagblad te klemmen aangezien dit ernstige ongevallen kan veroorzaken.
- Voor u een accessoire gebruikt, raadpleegt u de gebruiksaanwijzing. Het oneigenlijk gebruik van een accessoire kan schade veroorzaken.
- Wijzig of verander de machine niet van het originele ontwerp of functie.
- Controleer of alle gebruikte sluitringen en tussenringen geschikt zijn voor het doel dat in de gebruikshandleiding staat vermeld.
- Selecteer het correcte zaagblad voor het materiaal dat moet worden gezaagd.
- Houd rekening met de maximumsnelheid die op het zaagblad is aangeduid. Controleer of de snelheid die op het zaagblad staat vermeld ten minste gelijk is aan de snelheid die op de zaag staat vermeld.
- Gebruik een houder of draag handschoenen wanneer u een zaagblad hanteert.
- Zorg ervoor dat het zaagblad correct is gemonteerd voor u het gebruikt.
- Zorg ervoor dat het zaagblad in de juiste richting draait. Houd het zaagblad scherp.
- Overweeg het gebruik van speciaal ontworpen geluidsdempende zaagbladen.
- Hef het zaagblad uit de groef in het werkstuk op voor u de schakelaar loslaat.
- Zorg ervoor dat de arm stevig is vastgemaakt wanneer u afschuint.
- Controleer of de arm goed is vastgezet in de gebruikspositie in de bankzaagmodus.
- Controleer of de zaagtafel stevig is bevestigd op de geselecteerde hoogte.
- Klem niets tegen de ventilator om de motoras vast te houden.
- De zaagbladbeschermer op uw zaagmachine zal automatisch omhoog komen wanneer de arm naar beneden wordt gelaten en zal over het zaagblad uitsteken wanneer de arm wordt opgeheven. De beschermer kan met de hand worden opgeheven

wanneer u een zaagblad installeert of verwijderd of wanneer u de zaagmachine inspecteert. Hef de zaagbladbeschermer nooit op tenzij de zaagmachine is uitgeschakeld.

- Houd de omgeving van de machine goed onderhouden en verwijder los materiaal, zoals houtchips en afgezaagde stukjes.
- Controleer regelmatig of de motorluchtgleuven schoon en vrij van houtchips zijn.
- Ontkoppel de machine van de stroomvoorziening voor u onderhoudswerk verricht of wanneer u het zaagblad vervangt.
- Voer nooit reinigings- of onderhoudswerken uit wanneer de machine nog draait en de kop zich niet in de rustpositie bevindt.
- Indien mogelijk, monteert u de machine altijd op een bank en controleert u de bevestiging aan de bank.
- Wanneer u een versteksnede, schuine snede of samengestelde versteksnede uitvoert, stelt u de verstelbare verstekgeleider af om te zorgen dat de juiste vrije afstand voor de toepassing wordt bereikt.
- Verwijder geen afgezaagde stukjes of andere delen van het werkstuk uit het zaagbereik terwijl de zaagmachine draait.
- Voor u begint te werken, controleert u dat de machine op een voldoende stabiel, effen oppervlak is geplaatst.
- Voor u begint te werken, maakt u een testsnede zonder dat de motor is ingeschakeld zodat de positie van het zaagblad, de werking van de beschermers m.b.t. andere machine-onderdelen en het werkstuk kunnen worden gecontroleerd.
- Zaag nooit lichte legeringen, vooral magnesium.
- Gebruik geen slijp- of diamantschijven.
- In geval van ongeval of defect aan de machine, dient u de machine onmiddellijk uit te schakelen en van de stroomvoorziening te ontkoppelen.
- Rapporteer alle defecten en markeer de machine om te voorkomen dat anderen de defecte machine gebruiken.
- Wanneer het zaagblad wordt geblokkeerd door een abnormale voedingskracht tijdens het zagen, schakelt u de machine uit en ontkoppelt u deze van de stroomvoorziening. Verwijder het werkstuk en zorg ervoor dat het zaagblad vrij draait. Schakel de machine in en start een nieuwe zaagopdracht met beperkt voedingsvermogen.
- Zorg ervoor dat u zich altijd links of rechts van de zaaglijn bevindt.
- Zorg voor voldoende algemene of plaatselijke verlichting om stroboscoopeffect en gevaren te vermijden.
- Zorg ervoor dat de gebruiker degelijk is opgeleid in het gebruik, de afstelling en de werking van de machine.
- Schakel de machine uit wanneer deze onbeheerd wordt achtergelaten.
- Verbind de zaagmachine met een stofafzuigstelsel wanneer u het in de zaagmodus gebruikt. Houd altijd rekening met factoren die een invloed kunnen hebben op de blootstelling aan stof, zoals de materiaal soort die door de machine moet worden bewerkt (spaanplaat produceert meer stof dan hout), afstelling van het

zaagblad, afstelling van plaatselijke afzuiging en afzuigkappen, afschermplaten en goten en de luchtsnelheid van stof

- Houd het zaagblad scherp en goed gemonteerd.
- Probeer het niet te gebruiken in een andere dan de voorgeschreven spanning.
- Gebruik geen smeermiddelen op het zaagblad wanneer dit draait.
- Zorg ervoor dat omstanders niet achter de machine staan.
- Voor uw eigen veiligheid dient u de machine altijd met behulp van bouten op een werkbank monteren.
- Gebruik altijd zaagbladen waarvan de grootte en de vorm geschikt zijn voor de dikte van de as. Zaagbladen die niet geschikt zijn voor de as waarop ze moeten worden gemonteerd zullen niet op de juiste manier ronddraaien en kunnen u de macht over de machine doen verliezen.
- Gebruik uitsluitend zaagbladen die in deze gebruiksaanwijzing worden gespecificeerd en die overeenstemmen met EN 847 - 1.
- **Wanneer u lange of grote werkstukken zaagt, moet u altijd voldoende steun aan de zijkanten van de tafel voorzien.** De ondersteuning moet zich altijd op dezelfde hoogte als de tafel bevinden. Houd uw handel altijd weg van de baan van de tafel.
- Ontkoppel de zaagmachine van de stroomvoorziening voor u de zaagbladen vervangt of onderhoudswerken uitvoert.
- Houd uw handen weg van het pad van het zaagblad.
- Reik niet rond of onder het zaagblad.
- Sta niet bovenop het toestel.
- Tijdens het transport moet u ervoor zorgen dat het bovenste deel van het zaagblad bedekt is.
- Gebruik de bovenste beschermer niet om het werkstuk te manipuleren of te transporteren.
- Gebruik de zaagmachine niet om ander materiaal dan hout te zagen.

BIJKOMENDE VEILIGHEIDSVOORSCHRIFTEN VOOR TAFELZAAGMODUS

- Vervang een versleten tafelelement.
- Het apparaat niet gebruiken zonder het tafelinzetstuk.
- Zorg ervoor dat de tafel stevig is vastgemaakt.
- Wanneer u een verticale rechte dwarssnede uitvoert, stelt u de verstelbare geleider correct af om te zorgen dat er een vrije afstand van 15 mm (maximum) tussen het zaagblad en de geleider is.
- Pas de geleider correct aan om contact met de bovenste beschermer te voorkomen.
- Zaag nooit wanneer het splijtmes en/of de bovenste beschermer verwijderd zijn.
- Zorg ervoor dat het splijtmes aan de correcte afstand van het zaagblad (tussen de 3 mm en 8 mm) is aangepast.
- Gebruik de duwstok altijd. Zaag nooit werkstukken kleiner dan 30 mm.
Plaats je handen nooit dichterbij dan 150 mm van het

zaagblad terwijl u zaagt.

- Houd de duwstok altijd op zijn plaats wanneer deze niet wordt gebruikt.
- Gebruik geen zaagbladen met een grotere dikte of een kleinere tandenbreedte dan de dikte van het splijtmes.
- Zorg ervoor dat het zaagblad in de juiste richting draait en de tanden naar de voorzijde van de zaagbank wijzen.
- Zorg ervoor dat alle klemhendels stevig zijn vastgemaakt voor u de machine begint te gebruiken.
- Zorg ervoor dat de arm stevig is vastgemaakt wanneer u zaagt. Gebruik de zaagmachine alleen wanneer de zaagbanktafel zich in horizontale positie bevindt.
- Steken, rabatten of uitslijpen zijn niet toegelaten.

BIJKOMENDE VEILIGHEIDSVOORSCHRIFTEN VOOR VERSTEKZAAGMODUS

- Zorg ervoor dat het bovenste deel van het zaagblad volledig ingesloten is. Verwijder de bovenste zaagbladbeschermer nooit wanneer u de zaagmachine in de verstekzaagmodus gebruikt.
- Zaag nooit werkstukken korter dan 160 mm.
- Klem het werkstuk altijd veilig vast.
- Er zijn meldingen dat trillingen van handgereedschap bij sommige mensen leiden tot het Syndroom van Raynaud. Symptomen kunnen onder andere tintelingen, gevoelloosheid en bleek worden van de vingers veroorzaken, verschijnselen die normaliter optreden bij blootstelling aan koude. Met gaat ervan uit dat erfelijke factoren, blootstelling aan koude en vocht, eetgewoontes, roken en werk routines bijdragen tot de ontwikkeling van deze symptomen. De gebruiker kan maatregelen nemen om de gevolgen van de trillingen te beperken:
 - Houd bij koud weer uw lichaam warm. Draag handschoenen wanneer u de machine gebruikt om handen en handgewrichten warm te houden. Er wordt verondersteld dat koud weer een belangrijke factor is die bijdraagt tot het Syndroom van Raynaud.
 - Doe oefeningen om de bloeddoorstroming te bevorderen na elke gebruikperiode.
 - Las regelmatig een pauze in. Beperk het aantal uren van blootstelling per dag.

Wanneer u één van de symptomen van deze aandoening ervaart, stop dan onmiddellijk met het gebruik van de machine en raadpleeg uw dokter.

VEILIGHEIDSVOORSCHRIFTEN VOOR HOUTZAAGBLAD

- Lees de instructies in deze gebruiksaanwijzing voor u de machine gebruikt.
- De machine moet zich in een goede staat bevinden, de as mag niet zijn vervormd of trillen.
- De zaag niet gebruiken zonder dat de bescherming geplaatst is, met name na een verandering van modus. Zorg dat de bescherming goed blijft werken en goed onderhouden blijft.
- Zorg ervoor dat de bediener goed is opgeleid inzake

veiligheidsvoorzieningen, het afstellen en bedienen van de machine

- Draag altijd gezichtsbescherming met zijdelingse beschermers en gehoorbescherming. Het is aangegeven om handschoenen, stevige en antislipschoenen en een schort te dragen.
- Voor u een accessoire gebruikt, raadpleegt u de gebruiksaanwijzing. Het oneigenlijk gebruik van een accessoire kan schade veroorzaken.
- Gebruik uitsluitend zaagbladen die in deze gebruiksaanwijzing worden gespecificeerd en die overeenstemmen met EN 847 - 1.
- Houd rekening met de maximumsnelheid die op het zaagblad is aangeduid. Controleer of de snelheid die op het zaagblad staat vermeld ten minste gelijk is aan de snelheid die op de zaag staat vermeld.
- Gebruik altijd zaagbladen waarvan de grootte en de vorm geschikt zijn voor de dikte van de as. Zaagbladen die niet geschikt zijn voor de as waarop ze moeten worden gemonteerd zullen niet op de juiste manier ronddraaien en kunnen u de macht over de machine doen verliezen.
- Gebruik geen zaagbladen met een grotere dikte of een kleinere tandenbreedte dan de dikte van het splijtmes. (voor tafelzaag of in de tafelzaagmodus)
- Gebruik geen zaagbladen met een grotere of kleinere diameter dan aangegeven. Gebruik geen afstandhouders om het zaagblad op de as te doen passen.
- Controleer de punten van het zaagblad op schade of abnormaliteiten voor gebruik. Beschadigde of losse punten kunnen bij gebruik rondvliegende voorwerpen worden en de kans op verwondingen vergroten.
- Gescheurde zaagbladen of welke van vorm veranderd zijn, mogen niet gebruikt worden. Gebruik geen zaagbladen die beschadigd of vervormd zijn.
- Gebruik nooit een zaagblad dat is beschadigd of vervormd. Reparaties niet toegelaten.
- Gebruik geen HSS-zaagbladen.
- Zorg ervoor dat het zaagblad correct is gemonteerd voor u het gebruikt. Maak de borgmoer stevig vast voor elk gebruik. (Koppel: 12-15 Nm)
- Stelschroeven en -bouten moeten met de geschikte sleutel worden aangespannen.
- De sleutel mag niet met behulp van de hamer worden uitgerekt of aangespannen
- Zorg ervoor dat alle zaagbladen en flensen schoon zijn en de inspringzijden van de kraag zich tegen het zaagblad bevinden.
- Zorg ervoor dat het zaagblad in de juiste richting draait.
- Voor u begint te werken, maakt u een testsnede zonder dat de motor is ingeschakeld zodat de positie van het zaagblad, de werking van de beschermers m.b.t. andere machine-onderdelen en het werkstuk kunnen worden gecontroleerd.
- Laat de machine nooit onbeheerd achter.
- Gebruik geen smeermiddelen op het zaagblad wanneer dit draait.
- Voer nooit reinigings- of onderhoudswerken uit

wanneer de machine nog draait en de kop zich niet in de rustpositie bevindt.

- Probeer de machine nooit te stoppen als die in beweging is door een werktuig of een ander voorwerp tegen het zaagblad te klemmen aangezien dit ernstige ongevallen kan veroorzaken.
- Ontkoppel de zaagmachine van de stroomvoorziening voor u de zaagbladen vervangt of onderhoudswerken uitvoert.
- Wees voorzichtig bij in- en uitpakken van de zaagbladen, de scherpe bladpunten kunnen makkelijk tot verwondingen leiden.
- Gebruik de zaagbladhouder of draag handschoenen bij het manipuleren van zaagbladen.
- Bewaar en berg het zaagblad in zijn originele verpakking of een andere geschikte verpakking op, bewaar in droge omstandigheden en houd weg van chemische stoffen die de zaagbladen kunnen beschadigen.

LASERVEILIGHEID

- De lasergeleiderstraling die in deze zaagmachine wordt gebruikt is klasse 2 met maximum $\leq 1\text{mW}$ en 650nm golflengtes. Staar niet rechtstreeks in de laserstraal. Het niet voldoen aan de regels kan ernstig persoonlijk letsel tot gevolg hebben.



We hebben een zelfklevend etiket in uw taal voorzien en vragen dat u dit boven de Engelse tekst op het waarschuwingsetiket aanbrengt voor u de machine in gebruik neemt.

- Staar niet in de laserstraal tijdens de werking.
- Projecteer de laserstraal niet rechtstreeks in de ogen van anderen. Ernstige oogletsels kunnen ontstaan.
- Plaats de laser niet in een positie die ertoe kan leiden dat iemand per ongeluk of opzettelijk in de laserstraal kijkt.
- Gebruik geen optische hulpmiddelen om de laserstraal te zien.
- Gebruik de laser niet in de buurt van kinderen en laat kinderen de laser niet bedienen.
- Probeer reparaties aan de laser niet zelf uit te voeren.
- Probeer nooit onderdelen van het lasertoestel zelf te vervangen.
- Alle reparaties mogen uitsluitend door de laserfabrikant of een geautoriseerde onderhoudsagent worden uitgevoerd.
- Vervang de laser niet door een ander type.

BEOOGD GEBRUIK

- Deze machine is uitsluitend ontworpen voor het zagen en dwarszagen van hout. Het moet stevig aan een werkbank op geschikte hoogte worden vastgemaakt en is bedoeld om slechts door een persoon te worden bediend.

- In de tafelzaagmodus is het uitsluitend geschikt voor doorzagen, niet voor gleuven of voegen. De maximale zaagcapaciteit is 60mm
- In de verstekzaagmodus zijn horizontale verstekhoeken van -45° tot +45° en verticale afschuiningshoeken van 0° tot 45° mogelijk. De maximale werkstukdiameter bedraagt 70 mm x 130 mm.
- De machine is ontworpen om slechts in één modus te worden gebruikt. Het is niet mogelijk om het product tegelijk als tafelzaag en verstekzaag te gebruiken.

RESTRISICO'S

Zelfs wanneer de machine zoals voorgeschreven wordt gebruikt, is het onmogelijk om elk restrisico uit te sluiten. De volgende gevaren kunnen optreden bij gebruik en de gebruiker dient speciaal op te letten om het volgende te voorkomen:

- Risico op contact met onbedekte onderdelen van het draaiende zaagblad.
- Terugschlag van werkstukken en onderdelen van werkstukken door foutieve afstellingen of foutief manipuleren.
- Catapulteren van defecte carbidetips van het zaagblad.
- Schade aan de luchtwegen als er geen effectief mondkapje wordt gedragen.
- Gehoorschade bij het niet dragen van een efficiënte gehoorbescherming.

ONDERHOUD

- Probeer niet om een afstelling te wijzigen als de motor draait.
- Zorg er altijd voor dat de stekker van de machine uit de stroomvoorziening is getrokken voor u borstels vervangt, de machine smeert of werkt of onderhoud aan de machine uitvoert.
- Na elk gebruik moet u de machine controleren op schade of gebroken onderdelen en deze in de beste conditie houden door onderdelen onmiddellijk te repareren of vervangen.
- Aangezien het zaagblad na gebruik warm is, dient u alert te blijven tijdens onderhouds- of reinigingswerken.
- Ruim opgehoopt stof op.
- Om de veiligheid en betrouwbaarheid van de machine te verzekeren, dienen alle reparaties met uitzondering van extern toegankelijke borstels door een geautoriseerd onderhoudscentrum worden uitgevoerd.
- Fouten in de machine, waaronder beschermvoorzieningen of zaagbladen, moeten van zodra ze worden opgemerkt worden gemeld.
- Als het stroomsnoer beschadigd is, mag deze uitsluitend worden vervangen door de fabrikant of door een geautoriseerd onderhoudscentrum om risico te voorkomen. Neem contact op met een Geautoriseerd Onderhoudscentrum

MILIEUBESCHERMING



Zorg dat grondstoffen worden gerecycled in plaats van weggegooid als afval. Om het milieu te beschermen dient de machine, de accessoires en de verpakking gesorteerd bij een erkend recyclingcentrum te worden aangeleverd.

SYMBOOL



Veiligheidswaarschuwing



EU-conformiteit



GOST-R-conformiteit



Klasse II, dubbelgeïsoleerd



Lees zorgvuldig de instructies voor u het product start.



Draag gehoorbescherming



Draag altijd gehoorbescherming.



GEVAAR
Scherp zaagblad.



Maaibreedte



Zaagblad tanden



Uitstekend geschikt voor hout



Zaag geen metalen



Zaagcapaciteit



Kijk niet in de laserstraal.



Laserstraling.
Klasse 2 laserproduct
 λ : 650nm; $P \leq 1\text{mW}$
EN 60825-1:2007



Elektrisch afval mag niet samen met
ander huishoudafval worden weggegooid.
Gelieve te recyclen indien de mogelijkheid
bestaat. Neem contact op met uw gemeente
of handelaar om advies te krijgen over
recyclage.

SYMBOLLEN IN DE GEBRUIKSAANWIJZING



Verbind de machine met de
wandcontactdoos.



Trek de machine uit de contactdoos.



Onderdelen of accessoires afzonderlijk
gekocht



Elektrisch afval mag niet met ander
huishoudafval worden weggegooid.
Gelieve te recyclen indien de
mogelijkheid bestaat.



Opmerking



Waarschuwing

AVISOS GERAIS DE SEGURANÇA

⚠ AVISO

Ao utilizarem-se instrumentos eléctricos devem sempre adoptar-se medidas básicas de segurança para reduzir o risco de incêndio, choque eléctrico e ferimentos, incluindo as seguintes. Leia todas as instruções antes de utilizar o produto e conserve-as.

- **Mantenha a área de trabalho limpa.** As áreas e os bancos de trabalho desordenados são mais susceptíveis de causar ferimentos.
- **Tenha em atenção o ambiente da área de trabalho.** Não exponha ferramentas à chuva. Não use as ferramentas em locais húmidos ou molhados. Mantenha a área de trabalho adequadamente limpa. Mantenha as ferramentas ao abrigo de líquidos ou gases inflamáveis.
- **Proteja contra choques eléctricos.** Evite o contacto do corpo com superfícies com ligação terra ou enterradas (tais como tubos, radiadores, fogões e frigoríficos).
- **Mantenha as outras pessoas afastadas.** Não deixe que as pessoas, especialmente crianças, sejam envolvidas no trabalho, toquem na ferramenta ou no cabo de extensão, e mantenha-as afastadas da área de trabalho.
- **Guarde as ferramentas inactivas.** Quando não estiver em uso, as ferramentas devem ser guardadas num local seco, com chave, fora do alcance de crianças.
- **Não force a ferramenta.** Realizará um trabalho melhor e mais seguro à velocidade para a qual foi destinada.
- **Utilize a ferramenta adequada.** Não force as ferramentas de pequeno porte a realizarem o trabalho de uma ferramenta de trabalho pesado. Não use ferramentas para finalidades às quais não se destina, por exemplo, não use serras circulares para cortar ramos de árvores ou troncos.
- **Vista-se adequadamente.** Não use roupas largas ou jóias; podem ficar presas nas partes móveis. Recomenda-se a utilização de calçado anti-deslizante ao trabalhar em exteriores. Use cobertura de protecção para o cabelo para prender o cabelo comprido.
- **Use equipamento de protecção.** Use óculos de segurança. Use uma máscara de rosto para se proteger do pó caso trabalhe em operações que criem pó.
- **Conecte o equipamento de extracção de pó.** Se é fornecida a ferramenta para a ligação de espaços de extracção e recolha de pó, assegure-se de que estes se encontram conectados e usados correctamente.
- **Não puxe pelo cabo.** Nunca puxe o cabo para o desconectar da tomada. Mantenha o cabo afastado do calor, óleo e pontas afiadas.
- **Fixe a peça de trabalho.** Quando possível, use braçadeiras ou um torno para fixar o trabalho. É mais seguro do que utilizar a sua mão.
- **Não se aproxime em demasia.** Mantenha sempre o equilíbrio e a posição dos pés adequada.
- **Utilize as ferramentas com cuidado.** Mantenha as ferramentas de corte afiadas e limpas para que realizem um trabalho melhor e mais seguro. Siga as instruções de lubrificação e mudança de acessórios. Inspeccione periodicamente os cabos e, se estiverem danificados, leve-os a um centro de assistência autorizado. Inspeccione os cabos de extensão periodicamente e substitua-os, se danificados. Mantenha os manípulos secos, limpos e livres de óleo e graxa.
- **Desligue as ferramentas.** Quando não estiver em utilização, antes de realizar a manutenção e ao mudar os acessórios tais como as lâminas, brocas e cortadores, desconecte as ferramentas da fonte de alimentação.
- **Retire as chaves de porcas.** Habitue-se a verificar se as chaves de ajuste e as chaves inglesas foram retiradas da ferramenta antes de a ligar.
- **Evite o arranque involuntário.** Certifique-se de que o interruptor se encontra na posição "off" ao ligar a ficha.
- **Use cabos de extensão no exterior.** Quando uma ferramenta é usada no exterior, use apenas cabos de extensão que se destinem a ser utilizados ao ar livre e estejam assim assinalados.
- **Mantenha-se alerta.** Observe aquilo que está a fazer, use o senso comum e não opere a ferramenta quando estiver cansado.
- **Verifique se existem peças danificadas.** Antes de mais qualquer utilização da ferramenta, esta deve ser verificada cuidadosamente para determinar se funcionará adequadamente e realizará a função a que se destina. Confirme o alinhamento das peças móveis, a união das peças móveis, a ruptura de peças, montagem e quaisquer outras condições que possam afectar o funcionamento. Uma protecção ou outra peça que esteja danificada deve ser adequadamente reparada ou substituída por um centro de assistência autorizado salvo indicação contrária neste manual de instruções. Leve os interruptores defeituosos para serem substituídos num centro de assistência autorizado.
- Não use a ferramenta caso o interruptor não a ligue ou desligue.
- **AVISO**
O uso de qualquer acessório ou extra para além dos recomendados neste manual de instruções pode implicar um risco de lesão pessoal.
- **Leve a sua ferramenta para ser reparado por uma pessoa qualificada.** Esta ferramenta eléctrica cumpre com as normas de segurança relevantes. As reparações só devem ser realizadas por pessoas qualificadas utilizando peças de substituição originais, caso contrário poderá resultar em perigo considerável para o utilizador.

AVISOS DE SEGURANÇA SERRA DE BANCA E SERRA DE ESQUADRIA COMBINADA

- Sempre use a protecção dos ouvidos. A influência de ruídos pode causar surdez.
- Usar sempre óculos de protecção ao trabalhar com a máquina. Recomenda-se a utilização de luvas de

protecção, calçado pesado anti-deslizante e avental.

- Use sempre óculos de protecção ou óculos de segurança com protecções laterais durante a operação da ferramenta eléctrica ou quando estiver a levantar poeira no ar. Caso a operação seja poeirenta, use também uma máscara contra o pó.
- Esta máquina está equipada com um cabo de alimentação especialmente configurado. Se o cabo de alimentação estiver danificado ou defeituoso, deve ser substituído pelo fabricante ou por um agente de reparação autorizado.
- Certifique-se que todos os botões de bloqueio e pegas de grampo estão apertados antes de iniciar qualquer operação.
- Não utilize a serra sem as guardas na posição correta, especialmente depois de alterar o modo. Conserve as guardas em bom estado de funcionamento e manutenção.
- Nunca coloque nenhuma das mãos na área da lâmina quando a serra está ligada à fonte de alimentação.
- Nunca tente parar uma máquina em movimento repentinamente encravando uma ferramenta ou outros meios contra a lâmina pois deste modo poderá causar acidentes graves sem intenção.
- Antes de utilizar qualquer acessório, consulte o manual de instruções. O uso inadequado de um acessório pode causar danos.
- Não altere nem modifique a concepção ou a função da unidade face ao original.
- Assegure que quaisquer espaçadores e fusos com anéis usados são adequados para o fim, de acordo com este manual.
- Seleccione a lâmina correcta para o material a ser cortado.
- Observe a velocidade máxima marcada na lâmina da serra. Assegure que a velocidade indicada no disco da serra é pelo menos igual à velocidade indicada na serra.
- Use um suporte ou luvas de protecção ao manusear uma lâmina de serra.
- Certifique-se que a lâmina da serra está correctamente montada antes de a utilizar.
- Certifique-se que a lâmina gira na direcção correcta. Mantenha a lâmina afiada.
- Lembre-se de aplicar as lâminas especialmente concebidas para a redução de ruído.
- Levante a lâmina do corte na peça de trabalho antes de libertar o interruptor.
- Certifique-se que o braço está firmemente fixado quando efectuar cortes em chanfro.
- Assegure que o braço está bem fixado na posição de funcionamento no modo de serra circular.
- Assegure-se que a mesa da serra está fixa de maneira segura à altura escolhida.
- Não introduza nada à força contra a ventoinha para segurar o veio do motor.
- A protecção da lâmina na sua serra levantará automaticamente quando o braço é conduzido para

baixo, este abaixar-se-á sobre a lâmina quando o braço é levantado. A protecção pode ser levantada manualmente ao instalar ou remover lâminas de serra ou ao inspecionar a serra. Nunca levante a protecção da lâmina manualmente a menos que a serra seja desligada.

- Mantenha a área circundante da máquina bem conservada e sem materiais soltos, tais como pedaços de peças e desperdícios.
- Verifique periodicamente se as aberturas de ar do motor estão limpas e livres de farpas.
- Desligue a máquina da alimentação antes de realizar qualquer tarefa de manutenção ou quando estiver a substituir as lâminas.
- Nunca realize qualquer trabalho de limpeza ou manutenção quando a máquina ainda se encontra em funcionamento e a cabeça não estiver na posição de descanso.
- Sempre que possível, coloque a máquina sobre uma bancada e verifique a segurança de fixação à bancada.
- Ao realizar cortes de esquadria, bisel ou de esquadria composta, ajuste a vedação da esquadria deslizante para garantir o espaço correcto para a aplicação.
- Abstenha-se de remover quaisquer sobras cortadas ou outras partes da peça de trabalho da área de corte enquanto a serra se encontra em funcionamento.
- Antes de começar a trabalhar, verifique se a máquina está colocada numa superfície com estabilidade suficiente.
- Antes de proceder ao trabalho, faça um corte de teste sem o motor ligado de modo a verificar a posição da lâmina, a operação das proteções relativamente a outras peças da máquina e a peça a trabalhar.
- Nunca corte liga leve, especialmente magnésio.
- Não utilize qualquer disco abrasivo ou de diamante.
- No caso de acidente ou de falha da máquina, desligue imediatamente a máquina da fonte de alimentação.
- Reporte a anomalia e assinala a máquina para evitar que outras pessoas usem a máquina avariada.
- Quando uma lâmina de serra está bloqueada devido a uma força de alimentação anormal durante o corte, desligue a máquina e desconecte-a da fonte de alimentação. Remova a peça de trabalho e assegure que a lâmina da serra se move livremente. Ligue a máquina e comece uma nova operação de corte com força de aceleração reduzida.
- Certifique-se que a sua posição se encontra sempre à esquerda ou à direita da linha de corte.
- Forneça iluminação geral ou localizada adequada de modo a evitar efeitos estroboscópicos e perigos.
- Certifique-se que o operador está correctamente formado para a utilização, ajuste e funcionamento da máquina.
- Desligue a máquina quando fica sem supervisão.
- Conecte um dispositivo de recolha de pó à serra quando estiver a serrar madeira. Tenha sempre em consideração os factores que influenciam a exposição ao pó tais como o material a ser maquinado (o papelão produz mais pó do que a madeira), o ajuste da lâmina

da serra, o ajuste da extracção do local assim como as capotas, os deflectores, as calhas de extracção e a velocidade do ar do pó.

- Mantenha a lâmina da serra afiada e correctamente montada.
- Não tente fazer funcionar a máquina a uma tensão que não seja a concebida para tal.
- Não aplique lubrificantes na lâmina quando estiver em funcionamento.
- Certifique-se que ninguém está atrás da máquina.
- Para sua própria segurança, monte sempre a máquina num banco de trabalho fixando com parafusos.
- Utilize sempre lâminas de tamanho e de forma adaptadas ao furo do eixo. Lâminas não adaptadas ao eixo onde elas devem ser montadas não trabalharão correctamente e provocarão uma perda de controlo da ferramenta.
- Use lâminas apenas especificadas neste manual, em conformidade com EN 847-1.
- **Ao cortar troncos ou grandes peças de trabalho, garanta sempre um apoio adequado às partes laterais da mesa.** O apoio deve ser da mesma altura que a mesa. Mantenha sempre as mãos afastadas do percurso da mesa.
- Desligue a serra da fonte de alimentação antes de substituir as lâminas ou realizar qualquer manutenção.
- Mantenha as suas mãos fora do alcance da lâmina da serra.
- Não se coloque próximo da lâmina da serra.
- Não se coloque em cima da unidade.
- Durante o transporte, certifique-se de que a parte superior da lâmina de serra está coberta.
- Não utilize o resguardo superior para manipular ou transportar a máquina.
- Não utilize a serra para cortar qualquer outro material a não ser madeira.

NORMAS DE SEGURANÇA ADICIONAIS PARA O MODO DE SERRA DE MESA

- Substitua a inserção de mesa desgastada.
- Não utilize a ferramenta sem a inserção de mesa.
- Certifique-se que a mesa está fixada firmemente.
- Ao realizar cortes transversais rectos verticais, ajuste a vedação deslizante correctamente para garantir um espaço de 15mm (máximo) entre a lâmina da serra e a vedação.
- Ajuste correctamente a protecção deslizante para evitar o contacto com o resguardo superior.
- Nunca corte quando a lâmina separadora e/ou a protecção superior estão removidas.
- Certifique-se que a lâmina separadora está ajustada à distância correcta da lâmina (entre 3 mm e 8 mm).
- Utilize sempre a alavanca de empurrar. Nunca corte peças de trabalho mais pequenas que 30 mm. Nunca coloque as mãos mais perto do que 150 mm da lâmina de serra ao cortar.
- Mantenha sempre a alavanca de empurrar no seu lugar quando não utilizar a máquina.

- Não utilize as lâminas de serra com uma espessura de corpo maior ou uma largura de dente mais pequena do que a espessura da lâmina separadora.
- Certifique-se que a lâmina gira na direcção correcta e que os dentes apontam para a frente da mesa de serra.
- Certifique-se que todas as pegas de grampo estão apertadas antes de começar qualquer operação.
- Certifique-se que o braço está firmemente fixado quando estiver a serrar. Utilize a máquina apenas quando a mesa de bancada da serra se encontra na posição horizontal.
- A abertura de ranhuras, o goivete ou chanfradura não são permitidas.

NORMAS DE SEGURANÇA ADICIONAIS PARA O MODO DE SERRA COMBINADA

- Certifique-se que a parte superior da lâmina da serra está totalmente encerrada. Nunca remova a protecção da lâmina superior ao utilizar a máquina no modo de serra de esquadria.
 - Nunca corte peças de trabalho mais pequenas que 160 mm.
 - Fixe sempre a peça a trabalhar com segurança.
 - Foi reportado que as vibrações das ferramentas de mão podem contribuir para uma doença designada de Síndrome de Raynaud em determinados indivíduos. Os sintomas podem incluir formigueiro, entorpecimento e empaldecimento dos dedos, habitualmente visível aquando da exposição ao frio. Estima-se que os factores hereditários, exposição ao frio e humidade, dieta, tabagismo e práticas de trabalho contribuem todos para o desenvolvimento destes sintomas. Existem medidas que podem ser tomadas pelo operador para possivelmente reduzir os efeitos da vibração:
 - Mantenha o seu corpo quente durante o tempo frio. Ao operar a unidade, use luvas para manter as mãos e os pulsos quentes. Encontra-se reportado que o tempo frio é um grande factor que contribui para o Síndrome de Raynaud.
 - Após cada período de operação, exercite para aumentar a circulação sanguínea.
 - Faça pausas frequentes no trabalho. Limite o tempo de exposição por dia.
- Caso sinta algum dos sintomas desta doença, interrompa de imediato a sua utilização e consulte o seu médico sobre estes sintomas.

INSTRUÇÕES DE SEGURANÇA PARA A LÂMINA DE CORTE DE MADEIRA

- Leia as instruções deste manual antes de utilizar a máquina.
- A máquina tem que estar em boas condições, o eixo sem deformações e vibrações.
- Não utilize a serra sem as guardas na posição correcta, especialmente depois de alterar o modo. Conserve as guardas em bom estado de funcionamento e manutenção.
- Certifique-se de que o operador está devidamente

formado quanto às precauções de segurança, ajustes e funcionamento da máquina.

- Use sempre protecção para os olhos com escudos laterais, bem como protecção auditiva. Recomenda-se a utilização de luvas de protecção, calçado pesado anti-deslizante e avental.
- Antes de utilizar qualquer acessório, consulte o manual de instruções. O uso inadequado de um acessório pode causar danos.
- Use lâminas apenas especificadas neste manual, em conformidade com EN 847-1.
- Observe a velocidade máxima marcada na lâmina da serra. Assegure que a velocidade indicada no disco da serra é pelo menos igual à velocidade indicada na serra.
- Utilize sempre lâminas de tamanho e de forma adaptadas ao furo do eixo. Lâminas não adaptadas ao eixo onde elas devem ser montadas não trabalharão correctamente e provocarão uma perda de controlo da ferramenta.
- Não utilize as lâminas de serra com uma espessura de corpo maior ou uma largura de dente mais pequena do que a espessura da lâmina separadora. (para serra de mesa ou no modo de serra de mesa)
- Não utilize lâminas de diâmetro maior ou mais pequeno que o recomendado. Não utilize qualquer espaçador para encaixar a lâmina no eixo.
- Inspeccione as pontas da lâmina da serra quanto a danos ou uma aparência anormal antes de cada utilização. As pontas que estão danificadas ou soltas podem ser projetadas durante a utilização e aumentam o risco de lesões pessoais.
- Não utilizar lâminas de corte fissuradas ou deformadas. Não use folhas de serra danificadas ou deformadas.
- Nunca utilize uma lâmina de serra danificada ou deformada. A reparação não é permitida.
- Não utilize lâminas HSS.
- Certifique-se que a lâmina da serra está correctamente montada antes de a utilizar. Aperte a porca de aperto firmemente antes de cada utilização. (Torque: 12-15 Nm)
- O aperto dos parafusos e porcas deve ser realizado com a chave apropriada.
- Uma extensão de chave ou o aperto usando impactos de martelo não é permitido.
- Certifique-se que a lâmina e as flanges estão limpas e os lados encaixados do aro estão contra a lâmina.
- Certifique-se que a lâmina gira na direcção correcta.
- Antes de proceder ao trabalho, faça um corte de teste sem o motor ligado de modo a verificar a posição da lâmina, a operação das protecções relativamente a outras peças da máquina e a peça a trabalhar.
- Nunca deixe a máquina sem vigilância.
- Não aplique lubrificantes na lâmina quando estiver em funcionamento.
- Nunca realize qualquer trabalho de limpeza ou manutenção quando a máquina ainda se encontra em funcionamento e a cabeça não estiver na posição de descanso.

- Nunca tente parar uma máquina em movimento repentinamente encravando uma ferramenta ou outros meios contra a lâmina pois deste modo poderá causar acidentes graves sem intenção.
- Desligue a serra da fonte de alimentação antes de substituir as lâminas ou realizar qualquer manutenção.
- Tenha cuidado com a embalagem da lâmina e ao desembalar a mesma, é fácil lesionar-se com as pontas afiadas da lâmina.
- Use um porta-lâminas ou use luvas protetoras ao manipular uma lâmina de serra.
- Guarde e armazene a lâmina na embalagem original ou outra embalagem apropriada, mantenha-a em condições secas e afastada de produtos químicos que possam danificar a lâmina.

SEGURANÇA LASER

- A radiação do guia laser utilizada nesta serra é de Classe 2 com comprimentos de onda máximos de $\leq 1\text{mW}$ e 650nm . Não olhe directamente para o feixe laser. O não cumprimento destas regras pode resultar em graves lesões físicas.



Fornecemos uma etiqueta adesiva na sua língua e pedimos que a coloque no local do texto em inglês, na etiqueta de aviso, antes de colocar a máquina em funcionamento pela primeira vez.

- Não olhe para o feixe durante o funcionamento.
- Não projecta o feixe laser directamente para os olhos de outras pessoas. Poderão ocorrer graves lesões nos olhos.
- Não coloque o laser numa posição que possa fazer com que alguém olhe fixamente no feixe laser intencionalmente ou sem intenção.
- Não utilize ferramentas ópticas para ver o feixe laser.
- Não opere o laser perto de crianças ou não deixe crianças operar o laser.
- Não tente reparar o dispositivo laser por si próprio.
- Não tente substituir sozinho(a) qualquer peça do aparelho laser.
- Qualquer reparação deve ser executada pelo fabricante de laser ou um agente de assistência autorizado.
- Não substitua o laser por outro de tipo diferente.

UTILIZAÇÃO PREVISTA

- Esta máquina destina-se exclusivamente à realização de operação de cortes e entalhes em madeira. A máquina deve estar devidamente segura a uma altura adequada na bancada de trabalho e só deve ser operada por uma pessoa.
- No modo de serra de mesa, destina-se apenas a cortes e não deve ser usada para fazer ranhuras ou entalhes. A capacidade máxima de corte é de 60mm .
- No modo de serra circular são possíveis ângulos

horizontais de -45° a $+45^\circ$, bem como ângulos verticais de 0° a 45° . O tamanho máximo da secção da peça de trabalho é de 70 mm x 130 mm.

- A máquina foi concebida para operar num só modo de funcionamento. Não é possível utilizar a máquina como serra de mesa e como serra circular em simultâneo.

RISCOS RESIDUAIS

Mesmo quando a máquina é utilizada conforme prescrito, continua a ser impossível eliminar totalmente determinados factores de risco residual. Podem surgir os seguintes riscos durante o uso e o operador deve prestar especial atenção para evitar o seguinte:

- Risco de contacto com peças não cobertas da lâmina circular rotativa.
- Ressonância das peças de trabalho e de partes das peças de trabalho devido a um ajuste ou manuseamento incorrecto.
- Catapultamento de pontas de carboneto defeituosas da lâmina da serra.
- Existe o risco de lesões para o sistema respiratório caso não se use uma máscara contra o pó eficaz.
- Danos para a audição caso não se utilize protecção auditiva eficaz.

MANUTENÇÃO

- Nunca efectue nenhum ajuste quando o motor está em funcionamento.
- Certifique-se sempre que a ficha da máquina foi retirada da tomada eléctrica antes de mudar escovas, lubrificar ou quando realiza quaisquer trabalhos ou manutenção na máquina.
- Após cada utilização, inspeccione a sua máquina para verificar se existem danos ou peças partidas e mantenha-a em óptima condição de funcionamento reparando ou substituindo as peças de imediato.
- A lâmina fica quente após a utilização; mantenha-se atento durante as operações de limpeza e de manutenção.
- Limpe o pó acumulado.
- Para garantir segurança e fiabilidade, todas as reparações, com excepção das escovas às quais se pode aceder externamente, devem ser realizadas por um centro de assistência autorizado.
- As anomalias na máquina, incluindo protecções e lâminas da serra, devem ser reportadas assim que sejam detectadas.
- Se o cabo de alimentação estiver danificado, deverá ser substituído unicamente pelo fabricante ou por um centro de serviço autorizado para evitar riscos. Contacte o Centro de Serviço Autorizado

PROTECÇÃO DO AMBIENTE



Recicle os materiais em vez de pô-los directamente no lixo doméstico. Para proteger o ambiente, a ferramenta, os acessórios e as embalagens devem ser seleccionados.

SÍMBOLO



Alerta de segurança



Conformidade CE



Conformidade GOST-R



Classe II, com duplo isolamento



Por favor, leia atentamente as instruções antes de acender o produto.



Use protecção para os ouvidos



Use sempre protecção para os olhos.



PERIGO
Lâmina afiada.



Largura do corte



Dentes da lâmina



Ideal para madeira



Não corte metais



Capacidade de corte



Não olhe directamente para o feixe.



Radiação do laser.
Produto laser de Classe 2
 λ : 650nm; $P \leq 1\text{mW}$
EN 60825-1:2007



Os aparelhos eléctricos antigos não devem ser eliminados juntamente com o lixo doméstico. Recicle onde existem instalações para o efeito. Verifique com as suas Autoridades Locais ou revendedor para obter informações sobre reciclagem.

SÍMBOLOS NESTE MANUAL



Ligue a ficha da máquina à tomada.



Desligue a ferramenta.



As peças ou acessórios vendem-se separadamente



Os aparelhos eléctricos antigos não devem ser eliminados juntamente com o lixo doméstico. Recicle onde existem instalações para o efeito.



Nota



Aviso

- EN
- FR
- DE
- ES
- IT
- NL
- PT**
- DA
- SV
- FI
- NO
- RU
- PL
- CS
- HU
- RO
- LV
- LT
- ET
- HR
- SL
- SK
- EL
- TR

GENERELLE SIKKERHEDSADVARSLER

⚠ ADVARSEL

Ved brug af el-værktøjer bør man altid følge de grundlæggende sikkerhedsregler for at reducere risikoen for brand, elektrisk stød og personskade, herunder følgende. Læs hele brugsanvisningen, inden du forsøger at betjene dette produkt - og gem brugsanvisningen.

- **Hold arbejdsområdet rent og ryddeligt.** Rodede områder og borde inviterer til personskader.
- **Vær opmærksom på miljøet i arbejdsområdet.** Undgå at udsætte værktøjer for regn. Brug ikke værktøjer på fugtige eller våde steder. Arbejdsområdet skal være godt oplyst. Brug ikke værktøjer i nærheden af brændbare væsker eller gasser.
- **Beskyt dig mod elektrisk stød.** Undgå kropskontakt med jordede eller stelforbundne overflader (fx rør, radiatorer, komfurer og køleskabe).
- **Hold andre personer på afstand.** Lad ikke personer, især børn, deltage i arbejdet, røre ved værktøjet eller forlængerledningen, og sørg for at holde dem ude af arbejdsområdet.
- **Opbevar ubenyttede værktøjer.** Når værktøjer ikke bruges, skal de opbevares på et tørt, aflåst sted utilgængeligt for børn.
- **Undlad at tvinge værktøjet.** Produktet klarer opgaven bedre og sikrere med den hastighed, det er beregnet til.
- **Brug det rigtige værktøj.** Undlad at tvinge mindre værktøjer til at udføre arbejdsopgaver, der kræver værktøjer. Undlad at bruge værktøj til ikke-formålsbestemte opgaver; brug fx ikke en rundsav til at skære i grene eller træstammer.
- **Vær ordentligt klædt på.** Undlad at bære løstsiddende tøj eller smykker; sådanne kan hænge fast i bevægelige maskindele. Ved arbejde udendørs anbefales brug af skridsikkert fodtøj. Brug beskyttende håret eller lign. til sikring af langt hår.
- **Brug værnemidler.** Brug sikkerhedsbriller. Brug ansigts- eller støvmaske, hvis arbejdsopgaven genererer støv.
- **Tilslut støvudsugningsudstyr.** Hvis værktøjet er beregnet til tilslutning af støvudsugnings- og -opsamlingsudstyr, skal dette tilsluttes og anvendes korrekt.
- **Undlad at misbruge ledningen.** Træk aldrig stikket ud af stikkontakten ved at rykke i ledningen. Hold ledningen på afstand af varme, olie og skarpe kanter.
- **Fastgør emnet.** Brug så vidt muligt skruevinge eller skruestik til fastholdning af emnet. Det er sikrere end at bruge hånden.
- **Læn dig aldrig for langt frem.** Sørg for altid at have godt fodfæste og god balance.
- **Værktøjer skal vedligeholdes med omhu.** Skæreværktøjerne skal holdes skarpe og rene for bedre og sikrere ydelse. Følg vejledningen for smøring og udskiftning af tilbehørsdele. Inspicér værktøjsledningerne regelmæssigt, og - hvis de

beskadiges - få dem repareret på et autoriseret serviceværksted. Inspicér forlængerledningerne regelmæssigt, og udskift dem, hvis de beskadiges. Hold håndtagene tørre, rene og fri for olie og fedt.

- **Afbryd strømmen til værktøjerne.** Når værktøjet ikke bruges, inden det serviceres, og når der skiftes tilbehør som fx knive, bits og fræsere, skal strømforsyningen afbrydes til værktøjet.
- **Fjern svensknøgler og faste nøgler.** Gør det til en vane at kontrollere, at faste nøgler og svensknøgler er fjernet fra værktøjet, inden der tændes for det.
- **Undgå utilsigtet start.** Kontrollér, at kontakten er i pos. "off" (=slukket), inden stikket sættes i kontakten.
- **Brug udendørs forlængerledninger.** Når værktøjet bruges udendørs, må der kun bruges forlængerledninger, der er beregnet (og mærket) til udendørs brug.
- **Vær agtpågivende.** Vær opmærksom på, hvad du gør, brug sund fornuft, og anvend ikke værktøjet, hvis du er træt.
- **Kontrollér beskadigede dele.** Inden værktøjet tages i brug, skal man undersøge det nøje for at sikre sig, at det fungerer korrekt og er i stand til at opfylde den tiltænkte funktion. Kontrollér, at de bevægelige dele er indjusteret korrekt, at de ikke binder; for brud på dele, montering samt enhver anden tilstand, der kan påvirke delenes funktion. En beskadiget skærm eller anden del skal repareret ordentligt eller udskiftes på et autoriseret servicecenter, med mindre andet fremgår af denne brugsanvisning. Få defekte kontakter udskiftet på et autoriseret servicecenter.
- Værktøjet må ikke tages i brug, hvis TÆND/SLUK-kontakten ikke virker.
- **ADVARSEL**
Brug af udstyr eller tilbehør, som ikke er anbefalet i denne brugsanvisning, kan medføre fare for personskader.
- **Få kun værktøjet repareret af en kvalificeret person.** Dette elværktøj opfylder alle relevante sikkerhedsregler. Reparationer må kun udføres af kvalificerede personer og med originale reservedele; ellers kan der opstå betydelige risici for brugeren.

KAP- OG GERINGSSAV SIKKERHEDSADVARSLER

- Bær høreværn. Støjpåvirkning kan bevirke tab af hørelse.
- Når der arbejdes med maskinen, skal man have beskyttelsesbriller på. Beskyttelseshandsker, skridsikre sko, høreværn og forklæde anbefales.
- Bær altid sikkerhedsbriller med sideskjolde under betjening af elværktøjet eller ved støv-ophvirvling. Hvis der ophvirvles støv under arbejdet, bæres også støvmaske.
- Denne maskine har et specialkonfigureret strømforsyningskabel. Hvis strømforsyningskablet beskadiges eller bliver defekt på anden måde, må det kun udskiftes af producenten eller en autoriseret servicemedarbejder.

- Kontrollér, at alle låseknapper og spændehåndtag er spændt til inden arbejdsstart.
- Undgå at bruge saven uden påmonterede afskærmninger, især efter driftsmådeskift. Hold afskærmningerne i god stand, og sørg for at vedligeholde dem.
- Man må aldrig anbringe hænderne i klingområdet, så længe saven er sluttet til strømforsyningen.
- Forsøg aldrig at stoppe en maskine i bevægelse på en hurtig måde ved at presse et værktøj eller andre genstande ind mod kling; dette kan resultere i alvorlige ulykker.
- Konsultér brugsanvisningen inden brug af ekstraudstyr/tilbehør. Ukorrekt brug af en tilbehørsdel (ekstraudstyr) kan forårsage skader.
- Undlad at ændre eller modificere enheden i forhold til det oprindelige design eller funktion.
- Sørg for, at evt. afstandsstykker og spindelringe er egnede til det pågældende formål - som forklaret i denne brugsanvisning.
- Vælg den rigtige klinge til det aktuelle emnemateriale.
- Overhold den maksimale hastighed, der er markeret på savklingen. Kontrollér, at den hastighed, der er anført på savklingen, som minimum svarer til den hastighed, der er anført på saven.
- Brug en holder, eller bær handsker, under håndtering savklinger.
- Sørg for, at savklingen er monteret korrekt inden ibrugtagning.
- Kontrollér, at klingens retning er den rigtige retning. Hold klingens skarp.
- Overvej brug af specialdesignede støjsvage klinger.
- Løft klingens ud af fugen i emnet, inden kontakten slippes.
- Sørg for, at armen er sikkert fastgjort ved udførelse af smigsnit.
- Kontrollér, at armen er ordentligt monteret i arbejdsposition i arbejdsbænk-savemodus.
- Kontrollér, at savbænken er ordentligt fastgjort i den valgte højde.
- Undlad at fastkile genstande imod ventilatoren for at fastholde motorakslen.
- Klingskærmen på saven løfter sig automatisk, når armen sænkes; den sænker sig ned over klingens, så snart armen løftes. Skærmen kan løftes med hånden, når man installerer eller fjerner savklinger, eller når saven inspiceres. Man må aldrig løfte klingskærmen manuelt, med mindre saven er slukket.
- Hold området omkring maskinen ryddeligt og fri for løst materiale som fx spåner og skrotdele.
- Kontrollér med jævne mellemrum, at motorens udluftningsprækker er fri for spåner.
- Afbryd maskinen fra lysnettet inden påbegyndelse af vedligeholdelsesarbejde eller klingskift.
- Der må aldrig udføres rengøring eller vedligeholdelsesarbejde, mens maskinen kører og skærehovedet ikke er i hvileposition.
- Man skal så vidt muligt montere maskinen til en bænk

- og sikre sig, at den sidder ordentligt fast til denne.
- Under udførelse af gerings-, smig- eller kap- og geringsnit skal det glidende geringsanslag indstilles, så der er korrekt frigang til den pågældende arbejdsopgave.
- Undlad at fjerne skrotstykker eller andre emnele fra skæreo området, så længe saven kører.
- Kontrollér inden arbejdsstart, at maskinen står på en jævn overflade med tilstrækkelig stabilitet.
- Inden påbegyndelse af arbejdet skal man foretage et prøvesnit uden tændt motor, så man kontrollerer klingens position og skærmenes funktionsmåde i forhold til maskindelene og emnet.
- Der må aldrig skæres i letmetal, især magnesium.
- Undlad brug af abrasive eller diamantskiver.
- I tilfælde af en ulykke eller maskinsvigt skal man straks slukke maskinen og koble den fra lysnettet.
- Rapportér fejlen, og afmærk maskinen, så andre ikke anvender den defekte maskine.
- Når savklingen er blokeret pga. unormal tilspændingskraft under skæringen, skal man slukke maskinen og koble den fra strømforsyningen. Fjern emnet, og kontrollér, at savklingen kører uhindret. Tænd for maskinen, og genstart skærearbejdet med reduceret tilspændingskraft.
- Sørg for altid selv at stille dig til venstre eller højre for skærelinjen.
- Tilvejebring passende generel eller målrettet belysning for at forhindre stroboskopiske virkninger og faremomenter.
- Sørg for, at operatøren er tilstrækkeligt uddannet til brug, justering og betjening af maskinen.
- Sluk for maskinen, når den ikke er under opsyn.
- Ved savning i træ skal saven sluttes til et støvopsamlingsystem. Vær altid opmærksom på faktorer, der kan påvirke eksponeringen af støv som fx den aktuelle emnetype (spånplader genererer mere støv end træ), indstilling af savklingen, indstilling af lokale udsugningsanordninger og røgspjæld, afbøjningsplader og udluftningsskakter samt støvets luftbårne hastighed
- Hold savklingen skarp og korrekt indstillet.
- Undlad brug af maskinen med spændinger, der afviger fra den foreskrevne.
- Undlad at påføre smøremidler på klingens, mens den kører.
- Sørg for, at ingen uvedkommende personer opholder sig bag maskinen.
- Af hensyn til egen sikkerhed bør maskinen altid fastboltes til en arbejdsbænk.
- Brug altid klinger med en størrelse og facon, der passer til akselboringen. Klinger, som ikke passer til akslen, skal monteres på, vil ikke dreje ordentligt rundt og kan bewirke, at man mister kontrollen over værktøjet.
- Brug kun klinger, som er specificeret i denne brugsanvisning, og som overholder EN 847-1.
- **Ved skæring af lange eller store emner skal der altid tilvejebringes passende understøttelse ved**

EN
FR
DE
ES
IT
NL
PT
DA
SV
FI
NO
RU
PL
CS
HU
RO
LV
LT
ET
HR
SL
SK
EL
TR

bordets sider. Understøttelsen bør have samme højde som bordet. Hold altid hænderne på afstand af bordets bane.

- Afbryd saven fra lysnettet inden klingskift eller udførelse af vedligeholdelsesarbejde.
- Hold hænderne på afstand af savklings bane.
- Ræk ikke hånden om bag ved savklingen.
- Træd ikke op på enheden.
- Under transport skal man sikre, at den øverste del af savklingen er tildækket.
- Undlad at bruge den øverste skærm til håndtering eller flytning/transport.
- Undlad at bruge saven til skæring af andet end træ.

EKSTRA SIKKERHEDSREGLER FOR BORDSAVSMODUS

- Udskift en slidt bordindsats.
- Brug ikke værktøjet uden bordindsatsen.
- Sørg for, at bordet er sikkert fastgjort.
- Under udførelse af vertikale lige tværsnit skal det glidende geringsanslag indstilles, så der er en frigang på 15 mm (max) mellem savklingen og anslaget.
- Indstil det glidende anslag korrekt for at undgå kontakt med den øverste skærm.
- Der må aldrig skæres, når spaltekniven og/eller den øverste skærm er fjernet.
- Kontrollér, at spaltekniven er indstillet i den rigtige afstand til klingen (mellem 3 mm og 8 mm).
- Brug altid skubbepinden. Der må aldrig skæres emner mindre end 30 mm.
Man må aldrig anbringe hænderne tættere end 150 mm på savklingen under skæring.
- Opbevar altid skubbepinden på sin plads, når den ikke bruges.
- Undlad brug af savklinger, hvor selve klingen er tykkere end spaltekniven, eller hvor tandbredden er mindre end tykkelsen af spaltekniven.
- Kontrollér, at klingen roterer i den rigtige retning, og at tænderne vender mod savbænkens front.
- Kontrollér, at spændehåndtagene er spændt til inden arbejdsstart.
- Sørg for, at armen er sikkert fastgjort under savning. Brug kun maskinen, når savbænkens bord er i horisontal position.
- Notskæring, falsning eller indstikning er ikke tilladt.

EKSTRA SIKKERHEDSREGLER FOR GERINGSMODUS

- Sørg for, at den øverste del af savklingen er fuldstændigt afskærmet. Man må aldrig fjerne den øverste klingskærm, når maskinen bruges i geringsmodus.
- Der må aldrig skæres emner kortere end 160 mm.
- Sørg altid for at fastspænde emnet sikkert.
- Der er rapporteret om, at vibrationer fra håndholdte værktøjer kan være medvirkende til en lidelse kaldet Raynauds syndrom hos visse personer. Symptomerne herpå kan være prikken, følelsesløshed og blegning af fingrene, der normalt viser sig ved kuldepåvirkning.

Faktorer som arvelighed, udsættelse for kulde og fugt, kost, rygning og arbejdsvaner menes alle at medvirke til udviklingen af disse symptomer. Der findes forholdsregler, som operatøren kan træffe for at begrænse påvirkningen fra vibrationer:

- Hold kroppen varm i koldt vejr. Brug handsker, så hænder og vriste holdes varme under arbejdet. Der er rapporteret om, at koldt vejr er en væsentlig faktor til Raynauds syndrom.
- Motionér efter hver arbejdsperiode for at øge blodcirkulationen.
- Hold hyppige arbejdspauser. Begræns eksponeringen for vibrationer pr. dag.

Hvis du mærker nogen af symptomerne på denne tilstand, skal du straks ophøre med arbejdet og søge læge.

SIKKERHEDSREGLER FOR TRÆSKÆREKLINGER

- Læs anvisningerne i denne brugsanvisning, inden maskinen tages i brug.
- Maskinen skal være i god stand, og spindlen må ikke være deformeret eller vibrere.
- Undgå at bruge saven uden påmonterede afskærmninger, især efter driftsmådeskift. Hold afskærmningerne i god stand, og sørg for at vedligeholde dem.
- Sørg for, at operatøren har sat sig tilstrækkeligt ind i sikkerhedsregler, justering og betjening af maskinen.
- Brug altid øjenværn med sideskjolde samt høreværn. Beskyttelseshandsker, skridsikre sko, høreværn og forklæde anbefales.
- Konsultér brugsanvisningen inden brug af ekstraudstyr/tilbehør. Ukorrekt brug af en tilbehørsdel (ekstraudstyr) kan forårsage skader.
- Brug kun klinger, som er specificeret i denne brugsanvisning, og som overholder EN 847-1.
- Overhold den maksimale hastighed, der er markeret på savklingen. Kontrollér, at den hastighed, der er anført på savklingen, som minimum svarer til den hastighed, der er anført på saven.
- Brug altid klinger med en størrelse og facon, der passer til akselboringen. Klinger, som ikke passer til akslen, de skal monteres på, vil ikke dreje ordentligt rundt og kan bevirke, at man mister kontrollen over værktøjet.
- Undlad brug af savklinger, hvor selve klingen er tykkere end spaltekniven, eller hvor tandbredden er mindre end tykkelsen af spaltekniven. (for bordsaven eller i bordsavemodus)
- Undlad brug af klinger med større eller mindre diameter end anbefalet. Undlad brug af mellemstykker for at få klingen til at passe til spindlen.
- Kontrollér inden brug, at savklings tænder ikke er beskadiget eller unormale. Tænder, som er beskadiget eller løse, kan blive til flyvende genstande og øge faren for personskader.
- Ridsede savklinger eller sådanne, som har ændret form, må ikke bruges. Benyt ikke savblade, der er beskadiget eller deformeret.

- Brug aldrig en savklinge, der er beskadiget eller deformeret. Reparation er ikke tilladt.
- Undlad brug af HHS-klinger.
- Sørg for, at savklingen er monteret korrekt inden ibrugtagning. Spænd spindelmøtrikken godt til inden brug. (Drejningsmoment: 12-15 Nm)
- Fastgørelsesskruer og -møtrikker skal spændes fast med den tilhørende skruenøgle.
- Det er ikke tilladt at udvide skruenøglen eller at foretage fastspændingen med hammerslag.
- Sørg for, at alle klinger og flanger er rene, og at manchettens forsænkede sider ligger an mod klingen.
- Kontrollér, at klingen roterer i den rigtige retning.
- Inden påbegyndelse af arbejdet skal man foretage et prøvesnit uden tændt motor, så man kontrollerer klingens position og skærmens funktionsmåde i forhold til maskindelen og emnet.
- Forlad aldrig maskinen uden opsyn.
- Undlad at påføre smøremidler på klingen, mens denne kører.
- Der må aldrig udføres rengøring eller vedligeholdelsesarbejde, mens maskinen kører og skærehovedet ikke er i hvileposition.
- Forsøg aldrig at stoppe en maskine i bevægelse på en hurtig måde ved at presse et værktøj eller andre genstande ind mod klingen; dette kan resultere i alvorlige ulykker.
- Afbryd saven fra lysnettet inden klingskift eller udførelse af vedligeholdelsesarbejde.
- Vær forsigtig ved ind- og udpakning af klingen - man kan nemt komme til skade på de skarpe klingetænder.
- Brug en klingeholder, eller bær handsker, under håndtering af savklinger.
- Klingen skal opbevares i den oprindelige emballage eller anden passende emballage, opbevares tørt og ikke i nærheden af kemikalier, som kan ødelægge klingen.

LASERSIKKERHED

- Laserstyrerstrålen i saven er klasse 2 med max $\leq 1\text{mW}$ og 650 nm bølglængder. Undlad at se direkte ind i laserstrålen. Manglende overholdelse af disse regler kan medføre alvorlig personskade.

LASER RADIATION
DO NOT STARE INTO BEAM
CLASS 2 LASER PRODUCT
λ: 650nm; P≤1mW
EN 60825-1:2007

Vi har medsendt en selvklæbende mærkat på dit sprog og beder dig nu om at påsætte denne i stedet for den engelske tekst oven på advarselmærkaten, inden maskinen tages i brug første gang.

- Undlad at se ind i strålen under arbejdet.
- Ret ikke laserstrålen direkte mod øjnene på andre personer. Fare for alvorlige øjenskader.
- Anbring ikke laseren i en position, der kan bevirke, at andre bevidst eller ubevidst stirrer ind i laserstrålen.
- Undlad at bruge optiske værktøjer til visning af

laserstrålen.

- Brug ikke laseren i nærheden af børn, og lad ikke børn bruge laseren.
- Forsøg ikke selv at reparere laseranordningen.
- Forsøg ikke selv at skifte nogen dele af laseranordningen.
- Reparation må kun udføres af laserproducenten eller en autoriseret servicerepræsentant.
- Udskift ikke laseren med en anden type.

TILTÆNK ANVENDELSESFØRMÅL

- Denne maskine er kun designet til at skære i træ i langs- eller tværgående retning. Den skal fastgøres sikkert til en arbejdsbænk af passende højde og må kun betjenes af én person ad gangen.
- Anvendt som bordsav må den kun bruges til gennemgående skæring; ikke til skæring af riller eller false. Den maksimale skærekapacitet er 60mm.
- Anvendt som geringssav kan der saves vandrette geringsvinkler fra -45° til $+45^\circ$ samt lodrette smigvinkler fra 0° til 45° . Det maksimale emnetværsnit er 70 mm x 130 mm.
- Maskinen er kun designet til brug i én modus ad gangen. Det er ikke muligt at anvende produktet som bordsav og geringssav på samme tid.

UUNDGÅELIGE RISICI

Selv om maskinen anvendes som foreskrevet, er det stadig umuligt at eliminere visse uundgåelige risikofaktorer fuldstændigt. Følgende risici kan opstå under brug, og operatøren bør være særligt opmærksom for at undgå følgende:

- Fare for kontakt med uafskærmede dele af den roterende savklinge.
- Tilbageslag ('kick-back') af emner og dele heraf pga. ukorrekt indstilling eller håndtering.
- Udslyngning af defekte hårdmetalspidser fra savklingen.
- Skader på åndedrætssystem ved manglende brug af effektiv støvmaske.
- Skader på hørelse ved manglende brug af effektivt høreværn.

VEDLIGEHOLDELSE

- Der må aldrig foretages justeringer med motoren gående.
- Sørg altid for, at maskinens stik er trukket ud af lysnetkontakten, inden der skiftes børster, foretages smøring eller andet arbejde, herunder vedligeholdelse, på maskinen.
- Efter hver brug skal maskinen kontrolleres for skader eller knækkede dele og holdes i perfekt arbejdstilstand ved straks at reparere eller udskifte evt. defekte dele.
- I forbindelse med vedligeholdelses- eller rengøringsarbejde skal man være opmærksom på, at klingen er varm efter brug.
- Fjern ophobet støv.

EN
FR
DE
ES
IT
NL
PT
DA
SV
FI
NO
RU
PL
CS
HU
RO
LV
LT
ET
HR
SL
SK
EL
TR

- Af hensyn til sikkerhed og pålidelighed skal alt reparationsarbejde (med undtagelse af udefra tilgængelige børster) udføres på et autoriseret servicecenter.
- Fejl ved maskinen, herunder skærme eller savklinger, skal rapporteres, så snart de konstateres.
- Hvis strømforsyningskablet beskadiges, skal det udskiftes af producenten eller på et autoriseret servicecenter for at undgå risici. Kontakt autoriseret servicecenter

MILJØBESKYTTELSE



Råmaterialerne skal genbruges og ikke bortskaffes som almindeligt affald. Af hensyn til miljøet skal redskab, tilbehør og emballage sorteres.

SYMBOL



Sikkerhedsadvarsel



CE Overensstemmelse



GOST-R Overensstemmelse



Klasse II, dobbeltisoleret



Læs venligst vejledningen omhyggeligt inden start af produktet.



Benyt høreværn



Brug altid øjenværn.



FARE
Skarp klinge.



Snitbredde



Klingetænder



Ideal til træ



Undlad at skære i metal



Savekapacitet



Se aldrig direkte ind i strålen.



Laserstråling.
Klasse 2-laserprodukt
λ: 650nm; P≤1mW
EN 60825-1:2007



Elektriske affaldsprodukter bør ikke afskaffes sammen med husholdningsaffald. Genbrug venligst hvor faciliteterne tillader dette. Tjek med din lokale kommune eller forhandler for genbrugsråd.

SYMBOLER I BRUGSANVISNINGEN



Tilslut maskinen til lysnetkontakten.



Træk værktøjets stik ud af stikkontakten.



Dele eller tilbehør, der sælges separat



Elektriske affaldsprodukter bør ikke afskaffes sammen med husholdningsaffald. Genbrug venligst hvor faciliteterne tillader dette.



Bemærk



Advarsel

ALLMÄNNA SÄKERHETSFÖRESKRIFTER

⚠ VARNING

När du använder elverktyg ska du alltid följa grundläggande säkerhetsföreskrifter för att minska risken för eldsvåda, elektrisk stöt och personskada, inklusive följande. Läs alla instruktioner innan du försöker använda den här produkten och spar instruktionerna för senare bruk.

- **Se till att arbetsplatsen är ren och välstädad.** Röriga och smutsiga arbetsplatser och arbetsbord utgör en risk för personskador.
- **Besiktiga arbetsplatsen.** Utsätt inte verktygen för regn. Använd inte verktygen på fuktiga eller blöta platser. Håll arbetsområdet väl upplyst. Använd inte verktygen i närheten av brännbara vätskor eller gaser.
- **Skydda dig mot elektriska stötar.** Undvik kroppskontakt med jordade ytor (så som rör, element, spisar och kylskåp).
- **Se till att andra personer håller sig på behörigt avstånd.** Låt inte andra personer, i synnerhet barn, utföra någon del av arbetet eller röra verktyget eller förlängningssladden; se också till att de håller sig på behörigt avstånd från arbetsplatsen.
- **Förvara verktyg avstängda.** När verktygen inte används ska de förvaras på en torr plats med lås där inte barn kan komma åt dem.
- **Använd inte kraft mot verktyget.** Verktyget fungerar bäst och mest effektivt om du jobbar i den takt som det är avsett för.
- **Använd korrekt verktyg.** Försök inte göra jobb som bäst utförs med stora och kraftigt verktyg med små verktyg. Använd endast verktygen för de ändamål som de är avsedda för; försök till exempel inte kapa kvistar eller stockar med en cirkelsåg.
- **Klä dig korrekt.** Bär inga löst åtsittande kläder eller smycken som kan fastna i rörliga delar. Användning av skor med halkskydd rekommenderas vid arbete utomhus. Bär hårskydd som skyddar långt hår.
- **Använd skyddsutrustning.** Använd skyddsglasögon. Använd en ansikts- eller dammask om arbetsuppgiften producerar mycket damm.
- **Anslut utrustning för dammsugning.** Om tillbehör för dammsug och dammuppsamling finns tillgängliga för verktyget, kontrollera att dessa är monterade korrekt och används på rätt sätt.
- **Skada inte sladden.** Dra i kontakten när du drar ut elsladden ur vägguttaget, aldrig i själva sladden. Håll sladden borta från värme och vassa kanter.
- **Säkert arbetssätt.** När det är möjligt, använd alltid klämmor eller skruvstäd för att hålla fast arbetsstycket. Det är säkrare än att använda händerna.
- **Sträck dig inte.** Ha alltid ett bra fotfäste och en god balans.
- **Underhåll verktyget försiktigt.** Se till att hålla skärverktyget vasst och verktyget rent för ett bättre och säkrare arbete. Följ instruktionerna för smörjning

och byte av tillbehör. Besiktiga verktygens elsladdar regelbundet och lämna in dem för reparation hos ett auktoriserat servicecenter om du upptäcker skador på dem. Kontrollera förlängningssladden regelbundet och byt ut om den är skadad. Håll handtagen torra, rena och fria från olja och fett.

- **Koppla bort verktyg.** Alla verktyg ska slås av och deras elsladdar dras ut ur vägguttagen när de inte används, innan service eller när någon del ska bytas ut, t.ex. tillbehör, kapskiva, bits, skäranordningar.
- **Ta bort justeringsnycklar och -verktyg.** Ta för vana att kontrollera att nycklar och skiftnycklar är bortplockade från verktyget innan det startas.
- **Undvik oavsiktlig start.** Försäkra dig om att huvudströmbrytaren står i läget "off" (av) när du sätter i kontakten.
- **Använd endast förlängningssladdar som har godkänts för utomhusbruk.** När verktyget används utomhus ska endast förlängningssladdar som är anpassade och märkta för utomhusbruk användas.
- **Var på din vakt.** Tänk hela tiden på vad du gör, använd sunt förnuft och använd inte verktyget när du är trött.
- **Kontrollera delarna för att upptäcka eventuella skador.** Innan ytterligare användning av verktyget sker ska det noggrant kontrolleras för att avgöra om det kan fungera och fylla sin funktion fullt ut. Kontrollera att rörliga delar sitter som de ska och kan röra sig obehindrat och att inga delar eller fästen är trasiga; kontrollera även andra saker som kan påverka användningen. Ett skydd eller en annan del som är skadad måste repareras ordentligt eller bytas ut av ett auktoriserat servicecenter om ingenting annat anges i den här handboken. Låt ett auktoriserat servicecenter byta ut trasiga strömbrytare.
- Använd inte verktyget om du inte kan stänga av och sätta på det med strömbrytaren.
- **VARNING**
Användning av några andra typer av tillbehör än de som rekommenderas i denna användarhandbok kan innebära risk för personskador.
- **Om verktyget måste repareras bör detta göras av en kvalificerad person.** Detta elverktyg uppfyller alla viktiga säkerhetsbestämmelser. Reparationer får endast utföras av kvalificerad personal som använder originalreservdelar; i annat fall kan användaren utsättas för stora risker.

KOMBINERAD GERING- OCH BÄNKSÅG SÄKERHETSFÖRESKRIFTER

- Bär hörselskydd. Bullerbelastning kan orsaka hörselskador.
- Använd alltid skyddsglasögon när du använder maskinen. Det är rekommenderat att använda handskar, kraftiga skor med halkskydd och ett förkläde.
- Använd alltid skyddsglasögon när du använder verktyget eller när du blåser damm. Använd en ansiktsmask om det dammar mycket.
- Den här maskinen är utrustad med en specialgjord el-kabel. Om el-kabeln är skadad eller defekt, måste den bytas ut av tillverkaren eller av en auktoriserad

EN
FR
DE
ES
IT
NL
PT
DA
SV
FI
NO
RU
PL
CS
HU
RO
LV
LT
ET
HR
SL
SK
EL
TR

- serviceman.
- Se till att alla låsmuttrar och tving-handtag är hårt dragna innan arbetet påbörjas.
 - Använd inte sågen utan skydden på plats, var extra noga efter ändring av läge. Underhåll och sköt skydden så att de hålls i bra skick.
 - Placera aldrig en hand i närheten av klingan när sågen är kopplad till el-urtaget.
 - Försök aldrig stoppa maskinen snabbt genom att använda ett verktyg eller på annat sätt mot klingan, oavsiktliga allvarliga olyckor kan orsakas på det här sättet.
 - Läs alltid bruksanvisningen innan ett tillbehör skall användas. Oriktig hantering av ett tillbehör kan vålla skada.
 - Gör inga förändringar på maskinens ursprungliga design eller funktion.
 - Se till att bricker och spindelringar som används passar för ändamålet enligt manualen.
 - Välj korrekt klinga för materialet som skall sågas.
 - Observera den maximala hastigheten som finns angiven på sågklingan. Kontrollera att hastigheten som anges på sågklingan är minst lika hög som den som anges på sågen.
 - Använd en hållare eller handskar när du handskas med sågklingan.
 - Säkerställ att klingan är korrekt monterad innan den används.
 - Kontrollera att klingan roterar i rätt riktning. Se till att klingan är vass.
 - Överväg om specialdesignade ljuddämpande blad skall användas.
 - Lyft sågklingan ur såganvisningen i arbetsstycket innan den stängs av.
 - Se till att armen är ordentligt fixerad vid girsågning.
 - Se till att armen är ordentligt fixerad i arbetsläge när sågen är i bänkläge.
 - Se till att sågbordet är ordentligt förankrat på önskad höjd.
 - Kila inte fast något mot fläkten för att hålla motoraxeln.
 - Klingskyddet på sågen höjs automatiskt när armen förs ned, och sänks över klingan när armen höjs. Skyddet kan lyftas upp för hand vid byte av klinga eller vid inspektion av sågen. Lyft aldrig klingskyddet manuellt om inte sågen är avstängd.
 - Se till att maskinens omgivning är väl underhållen och fri från löst material, som t.ex. spån och sågbitar.
 - Kontrollera regelbundet att motors luftintag är rena och fria från spån.
 - Koppla ur maskinen från huvudströmmen innan underhållsarbete utförs eller vid byte av sågblad.
 - Utför aldrig rengöring eller underhållsarbete medan maskinen är igång och huvudet inte är i läge.
 - Om möjligt ska verktyget monteras på bänk och kontrolleras att det sitter ordentligt fast.
 - Vid girsågning, fasade eller fasettfasade sågningar, justera det skjutbara fasningskyddet för att säkerställa korrekt utrymme för jobbet.
 - Avstå från att ta bort avsågade bitar eller andra delar av arbetsstycket från sågområdet medan sågen är igång.
 - Kontrollera att maskinen står på ett jämnt underlag med tillräcklig stabilitet innan arbetet påbörjas.
 - Före arbete bör du göra en provkapning utan motorn påslagen så att läget för bladet och skydden i förhållande till andra maskiner och arbeten kan kontrolleras.
 - Såga aldrig i legeringar, särskilt inte i magnesium.
 - Använd inte slipande eller diamantklingor.
 - I händelse av olycka eller maskinstopp, stäng omedelbart av maskinen och koppla ur den från el-urtaget.
 - Rapportera defekter och märk maskinen för att förhindra att andra använder den defekta maskinen.
 - Om sågklingan är blockerad på grund av onormal matningsstyrka under sågning, stäng av maskinen och koppla ur den från el-urtaget. Ta bort arbetsstycket och kontrollera att sågklingan rör sig fritt. Sätt på maskinen och inled en ny sågning med reducerad matarstyrka.
 - Se till att din position alltid är till höger eller vänster om såglinjen.
 - Ha tillräckligt med allmän belysning eller punktbelysning så att du slipper stroboskopeffekter och risker.
 - Säkerställ att operatören är tillräckligt utbildad användning, inställning och körning av maskinen.
 - Stäng av maskinen när den inte används.
 - Koppla in sågen till dammsamlaren när trä skall sågas. Observera alltid faktorer som påverkas av dammet så som typ av material som bearbetas (fiberplattor producerar mer damm än trä), sågbladsinställning, justering av lokal utvinning så väl som kåpor, bafflar och utsprutningsrör, samt dammets rörlighet i luftströmmarna
 - Håll sågklingan vass och ordentligt monterad.
 - Försök inte använda maskinen på annat än angiven strömstyrka.
 - Applicera in smörjmedel på bladet när det är igång.
 - Säkerställ att inga åskådare står bakom maskinen.
 - För din egen säkerhet, montera alltid maskinen på en arbetsbänk med bultar.
 - Använd alltid sågklingor vars storlek och form är anpassade till axelns fästhål. Sågklingor som inte är anpassade till axeln på vilken de ska monteras roterar inte normalt och leder till att man förlorar kontrollen.
 - Använd endast klingor som specificerats i denna manual, enligt EN 847-1.
 - **Se alltid till att ha tillräckligt stöd på sidorna av bordet när du sågar långa eller stora arbetsstycken.** Stödet ska vara av samma höjd som bordet. Håll alltid händerna borta från arbetsområdet på bordet.
 - Koppla ur sågen från huvudströmmen innan byte av blad eller underhållsarbete utförs.
 - Håll händerna borta från sågklingans bana
 - Sträck dig inte runt bakom sågklingan.
 - Stå inte på maskinen.
 - Se till att ha övre delen av sågklingan täckt under transporter.

- Använd inte övre skyddet för transporter.
- Såga inget annat material än trä med sågen.

YTTERLIGARE SÄKERHETSREGLER FÖR BORDS-SÄGNINGSLÄGET

- Byt ut bordsinlägget om det är slitet.
- Använd inte verktyget utan bordsinsatsen.
- Se till att bordet är ordentligt fixerat.
- Vid raka vertikala tvärsågningar, justera glidskyddet för att säkerställa ett utrymme av minst 15 mm (maximum) mellan sågklingan och skyddet.
- Justera glidskyddet korrekt så att kontakt med det övre skyddet undviks.
- Såga aldrig när styrkniven och/eller det övre skyddet är borttaget.
- Kontrollera att styrkniven är justerad till rätt avstånd från klingan (mellan 3 och 8 mm).
- Använd alltid tryckstaven. Såga aldrig i arbetsstycken som är mindre än 30 mm. Ha aldrig handen närmare sågklingan än 150 mm när sågning pågår.
- Håll alltid tryckstaven på sin plats när den inte används.
- Använd inte sågklingor med thocklek eller bredd större vidd på sågtänderna mindre än splitterknivens tjocklek.
- Kontrollera att klingan roterar i rätt riktning och att tänderna pekar mot sågbänkens framsida.
- Se till att alla tving-handdrag sitter åt innan arbetet påbörjas.
- Se till att armen är säkert fixerad vid sågning. Använd bara maskinen när sågbänken är i horisontalläge.
- Spårsågning, falsning eller urholkning är ej tillåten.

YTTERLIGARE SÄKERHETSREGLER FÖR GERINGS-LÄGET

- Säkerställ att den övre delen av sågklingan är helt inkapslad. Ta aldrig bort det övre klingskyddet när maskinen är i girsågningsläge.
 - Såga aldrig i arbetsstycken som är kortare än 160 mm.
 - Kläm alltid fast arbetsstycket ordentligt.
 - Det finns rapporter om att vibrationer från handhållna verktyg kan bidra till ett tillstånd som kallas Raynauds syndrom för vissa personer. Symptomen brukar vara att det sticker i fingrarna och att de domnar bort; fingrarna kan också bli vita, särskilt vid kyla. Ärftliga faktorer, kyla och fukt, diet, rökning och arbetsrutiner tros alla bidra till att orsaka dessa symptom. Det finns förebyggande åtgärder som du kan vidta för att försöka minska vibrationernas påverkan:
 - Håll dig varm när du arbetar i kallt väder. Använd handskar för att hålla kvar värmen i händer och handleder. Kyla har rapporterats som en viktig del i utvecklandet av Raynauds syndrom.
 - Träna och rör på dig efter varje användningstillfälle för att öka blodcirkulationen.
 - Ta ofta pauser från arbetet. Begränsa tiden du utsätter dig varje dag.
- Upphör omedelbart om du upplever några av dessa symptom och uppsök din läkare.

SÄKERHETSINSTRUKTIONER FÖR TRÄSÄGKLINGA

- Läs alla instruktioner i den här manualen innan du använder maskinen.
- Maskinen ska vara i gott skick, spindeln ska vara utan deformationer och utan vibrationer.
- Använd inte sågen utan skydden på plats, var extra noga efter ändring av läge. Underhåll och sköt skydden så att de hålls i bra skick.
- Se till att användaren har lämplig utbildning i säkerhetsåtgärder, inställning och användning av maskinen.
- Bär alltid skyddsglasögon med sidoskärmar och hörselskydd. Det är rekommenderat att använda handskar, kraftiga skor med halkskydd och ett förkläde.
- Läs alltid bruksanvisningen innan ett tillbehör skall användas. Oriktig hantering av ett tillbehör kan vålla skada.
- Använd endast klingor som specificerats i denna manual, enligt EN 847-1.
- Observera den maximala hastigheten som finns angiven på sågklingan. Kontrollera att hastigheten som anges på sågklingan är minst lika hög som den som anges på sågen.
- Använd alltid sågklingor vars storlek och form är anpassade till axelns fästhål. Sågklingor som inte är anpassade till axeln på vilken de ska monteras roterar inte normalt och leder till att man förlorar kontrollen.
- Använd inte sågklingor med thocklek eller bredd större vidd på sågtänderna mindre än splitterknivens tjocklek. (för bordssåg eller i bordssågläge)
- Använd inte klingor av större eller mindre diameter än vad som rekommenderas. Använd inte brickor för att få klingan att passa på tappen.
- Kontrollera spetsar på sågklingan så att de inte är skadade eller ser konstiga ut före användning. Spetsar som är skadade eller lösa kan flyga iväg och innebära risk för personskador.
- Spruckna sågklingor eller sådana som förändrat form får ej användas! Använd inga sågblad som har tagit skada eller är defomrerade.
- Använd aldrig en sågklinga som är skadad eller deformerad. Reparation tillåts inte.
- Använd inte HSS-klingor.
- Säkerställ att klingan är korrekt monterad innan den används. Dra åt spindelmuttern ordentligt innan varje användning. (Vridmoment: 12-15 Nm)
- Fästsruvar och -muttrar ska dras åt med lämpligt spännverktyg.
- Förlängning av spännverktyg eller åtdragning med hammarslag tillåts inte.
- Se till att alla klingor och glänsar är rena och de ingröpta sidorna av kragen är vända mot klingan.
- Kontrollera att klingan roterar i rätt riktning.
- Före arbete bör du göra en provkapning utan motorn påslagen så att läget för bladet och skydden i förhållande till andra maskiner och arbeten kan kontrolleras.

EN
FR
DE
ES
IT
NL
PT
DA
SV
FI
NO
RU
PL
CS
HU
RO
LV
LT
ET
HR
SL
SK
EL
TR

- Lämna aldrig maskinen utan tillsyn.
- Applicera in smörjmedel på bladet när det är igång.
- Utför aldrig rengöring eller underhållsarbete medan maskinen är igång och huvudet inte är i läge.
- Försök aldrig stoppa maskinen snabbt genom att använda ett verktyg eller på annat sätt mot klingan, oavsiktliga allvarliga olyckor kan orsakas på det här sättet.
- Koppla ur sågen från huvudströmmen innan byte av blad eller underhållsarbete utförs.
- Var noga vid packning och upppackning av klingan, man kan lätt skadas av de vassa spetsarna.
- Använd hållare eller skyddshandskar när du hanterar sågklingor.
- Förvara klingan i sin originalförpackning eller annan lämplig förpackning, se till att den förvaras torr och inte i närheten av kemikalier som kan skada klingan.

LASER SÄKERHET

- Strålningen från laserstrålen som används i sågen är av Klass 2 med maximalt $\leq 1\text{mW}$ och 650 nm våglängd. Titta inte rakt in i laserstrålen. Om inte riktlinjerna följs kan det leda till allvarlig personskada.



Det medföljer en klisteretikett på ditt språk och vi ber dig att sätta den på plats i stället för den engelska texten på varningsetiketten före första användning av maskinen.

- Titta inte in i laserstrålen under användning.
- Rikta inte laserstrålen direkt mot andra personers ögon. Allvarlig ögonskada kan uppstå.
- Placera inte lasern i ett läge där någon kan titta in i laserstrålen medvetet eller av misstag.
- Använd inga optiska instrument för att titta på laserstrålen.
- Använd inte lasern i närheten av barn och låt inte heller barn använda lasern.
- Försök inte att laga laserenheten själv.
- Försök inte själv utföra ändringar på laserapparaten.
- Reparationer får endast utföras av lasertillverkaren eller en auktoriserad serviceagent.
- Byt inte ut lasern mot någon annan typ.

ANVÄNDNINGSSOMRÅDE

- Maskinen är avsedd enbart för avdrag och kapning av trä. Den ska fästas säkert i lämplig höjd på arbetsbänk och är avsedd att skötas av en enda person.
- I bordsågläge är den enbart för kapning, inte för att göra spår eller avdrag. Max kapningskapacitet är 60mm.
- I geringsågläge fungerar horisontella vinklar på -45° till $+45^\circ$ och fasvinklar på 0° till 45° . Max arbetsstycke är 70 mm x 130 mm.
- Maskinen är avsedd att enbart användas i ett enda läge. Det går inte att använda produkten som bordsåg

och geringsåg samtidigt.

RESIDUALRISK

Även om maskinen används enligt föreskrift så är det omöjligt att helt eliminera vissa residualriskfaktorer. Följande risker kan uppstå vid användning och operatören ska vara extra uppmärksam för att undvika följande:

- Risk för kontakt med oskyddade delar av det roterande sågbladet.
- Kickback på arbetsstycken och delar av arbetsstycken på grund av felaktig justering eller hantering.
- Felaktiga hårdmetallskär kan skjutas ut från sågklingan.
- Skador på andningsvägarna om inte dammskydd för ansiktet används.
- Skada på hörseln om ett effektivt hörselskydd inte används.

UNDERHÅLL

- Utför ingen inställning medan motorn är i gång.
- Kontrollera alltid att maskinens kontakt har tagits ur eluttaget innan du byter ut borstar, smörjer eller utför underhåll på maskinen.
- Kontrollera din maskin efter varje användning så att det inte finns några skadade eller trasiga delar och håll maskinen i toppskick genom att reparera eller byta ut delar omedelbart.
- Bladet är hett efter användning så var uppmärksam vid underhåll och rengöring.
- Ta bort uppsamlat damm.
- För att säkerställa säkerhet och pålitlighet ska alla reparationer, förutom på de borstar som kan komma åt utifrån, utföras av ett auktoriserat servicecenter.
- Fel i maskinen, inklusive fel på skydd eller sågklingor, ska rapporteras så fort de upptäcks.
- För att minska risken får en skadad strömssladd endast repareras av tillverkaren eller ett auktoriserat servicecenter. Kontakta ett auktoriserat servicecenter

MILJÖSKYDD



Råmaterialen ska återvinnas i stället för att kastas i hushållsavfallet. För att skona miljön ska verktyget, tillbehören och emballagen sorteras.

SYMBOL



Säkerhetsvarning



CE-konformitet



GOST-R-konformitet



Klass II, dubbelisolerad



Läs alla instruktioner noggrant innan du startar produkten.



Bär hörselskydd.



Bär alltid ögonskydd.



FARA
Vass klinga.



Skärbredd



Sågtand



Passar till trä



Såga inte i produkter av metall



Skärkapacitet



Titta inte direkt mot strålen.



Laserstrålning.
Laserprodukt av Klass 2
 λ : 650nm; $P \leq 1\text{mW}$
EN 60825-1:2007



Gamla elektroniska produkter ska inte kastas med hushållssoporna. Återvinn där sådana faciliteter finns. Kontrollera med din lokala myndighet eller säljaren för att få återvinningstips.



Koppla bort verktyget från eluttaget.



Delar och utrustning säljs separat



Gamla elektroniska produkter ska inte kastas med hushållssoporna. Återvinn där sådana faciliteter finns.



Notera



Varning

EN
FR
DE
ES
IT
NL
PT
DA
SV
FI
NO
RU
PL
CS
HU
RO
LV
LT
ET
HR
SL
SK
EL
TR

SYMBOLER I MANUALEN



Sätt in maskinens stickkontakt i vägguttaget.

YLEISET TURVALLISUUSVAROITUKSET

VAROITUS

Sähkötyökaluja käytettäessä on aina ryhdyttävä varotoimiin tulipalon, sähköiskun ja loukkaantumisen välttämiseksi, mukaan lukien seuraavat. Lue kaikki ohjeet ennen tuotteen käyttöä, ja säilytä nämä ohjeet.

- **Pidä työalue esteettömänä.** Sotkuiset alueet ja pöydät voivat aiheuttaa loukkaantumisen.
- **Ota työalue huomioon.** Älä jätä työkaluja sateeseen. Älä käytä laitetta kosteassa tai märässä paikassa. Pidä työalue valoisa. Älä käytä laitetta helposti syttyvien nesteiden tai kaasujen läheisyydessä.
- **Suojaudu sähköiskulta.** Älä kosketa maadoitettuihin pintoihin (kuten putkiin, lämpöpattereihin, helloihin tai jääkaappeihin).
- **Pidä sivulliset etäällä.** Älä anna ulkopuolisten, erityisesti lasten, osallistua työhön tai koskettaa laitetta tai jatkojohtoa, ja pidä heidät poissa työalueelta.
- **Varastoi käyttämättömät työkalut.** Käyttämättömän laitteen tulee olla varastoitu kuivaan paikkaan ja pois lasten ulottuvilta.
- **Älä pakota laitetta.** Se hoitaa työt paremmin ja turvallisemmin sillä vauhdilla, jota varten se on tarkoitettu.
- **Käytä oikeaa työkalua.** Älä pakota pientä työkalua tekemään järeää työkalua vaativaa työtä. Älä käytä laitetta muuhun kuin sille tarkoitettuun käyttöön; esimerkiksi, älä sahaa pyörösaahalla oksia tai tukkeja.
- **Pukeudu asianmukaisesti.** Älä käytä löysiä vaatteita tai koruja, sillä ne voivat tarttua liikkuviin osiin. Ulkotöissä suositellaan käytettävän luistamattomia suojakenkiä. Suojaa pitkät hiukset peittämällä ne.
- **Käytä suojavälineitä.** Käytä suojalaseja. Käytä kasvo- tai pölysuojainta tehdessäsi pölyistä työtä.
- **Kytke pölynimuri.** Jos laitetta varten on pölynpoisto- ja keräyslaite, kytke se asianmukaisesti ja käytä sitä oikein.
- **Pidä huolta sähköjohdosta.** Älä koskaan irrota laitetta pistorasiasta vetämällä johdosta. Älä päästä johtoa koskettamaan kuumuuden lähteitä, öljyä tai teräviä reunoja.
- **Kiinnitä työkappale.** Kiinnitä työkappale puristimilla tai ruuvipenkillä aina, kun mahdollista. Se on turvallisempaa kuin käden käyttö.
- **Älä kurkota liian kauas.** Säilytä aina kunnollinen jalansija ja tasapaino.
- **Huolla laite huolella.** Pidä leikkuutyökalut terävinä ja puhtaina, jotta ne toimisivat paremmin ja turvallisemmin. Noudata voitelua ja lisävarusteiden vaihtoa koskevia ohjeita. Tarkista laitteen sähköjohdot säännöllisesti, ja jos ne ovat vioittuneet, korjauta ne valtuutetussa huoltopisteessä. Tarkista jatkojohto säännöllisesti ja vaihda se, jos se on vioittunut. Pidä kädensijat kuivina ja puhtaina liasta, öljystä ja rasvasta.
- **Irrota laitteet.** Irrota pistoke, kun laitetta ei käytetä, ennen huoltoa ja vaihtaessasi lisävarusteita, kuten teriä

ja leikkureita.

- **Poista säätöavaimet ja kiintoavaimet.** Opi tarkistamaan, että kaikki avaimet ja muut työkalut on poistettu laitteesta ennen sen käynnistämistä.
- **Älä anna koneen käynnistyä vahingossa.** Tarkista laitetta pistorasiaan kytkiessäsi, että se on "off"-asennossa.
- **Käytä ulkokäyttöön tarkoitettuja jatkojohtoja.** Kun laitetta käytetään ulkona, käytä sen kanssa ainoastaan jatkojohtoja, jotka on tarkoitettu ulkokäyttöön ja jotka on niin merkitty.
- **Ole valpas.** Katso mitä teet, käytä tervettä järkeä äläkä käytä laitetta, kun olet väsynyt.
- **Tarkista voittuneet osat.** Ennen kuin painepesurin käyttöä jatketaan, se tulee tarkistaa huolella jotta voidaan olla varmoja, että ne toimivat kunnolla ja asianmukaisesti. Tarkista, että liikkuvat osat on kohdistettu oikein ja että ne liikkuvat kunnolla, että osia ei ole rikkoutunut, että osat on asennettu oikein ja että mikään muu seikka ei haittaa koneen toimintaa. Valtuutetun huoltopisteen on korjattava tai vaihdettava vioittunut suoja tai muu osa, ellei näissä käyttöohjeissa toisin mainita. Vaihdata vialliset katkaisimet valtuutetussa huoltopisteessä.
- Älä käytä laitetta, jos se ei käynnisty ja sammu katkaisimesta.
- **VAROITUS**
Muun kuin tässä käsikirjassa suositellun lisälaitteen tai lisävarusteen käyttäminen voi aiheuttaa loukkaantumisvaaran.
- **Anna laite pätevän henkilön korjattavaksi.** Tämä sähkölaite noudattaa asianmukaisia turvallisuussäädöksiä. Laitteen saa korjata vain pätevä henkilö käyttäen alkuperäisiä varaosia; muutoin korjauksesta voi aiheutua huomattava vaara käyttäjälle.

YHDISTETTY VIESTE- JA KONESAHA TURVALLISUUSVAROITUKSET

- Käytä korvasuojia. Altistuminen melulle voi vahingoittaa kuuloa.
- Käytä laitteella työskennellessäsi aina suojalaseja. Suojakäsineiden, turvallisten ja tukevapohjaisten kenkien, kuulosuojainten ja suojaesiliinan käyttöä suositellaan.
- Käytä aina sähkölaitetta käyttäessäsi tai pölyä puhaltaessasi suojalaseja, joissa on sivusuojaimet. Käytä lisäksi pölynaamaria, jos työ on pölyistä.
- Tässä laitteessa on erikoisvalmisteinen virtajohto. Jos virtajohto vioittuu tai on muuten viallinen, se on vaihdattava ainoastaan valmistajalla tai valtuutetussa huollossa.
- Tarkista ennen käytön aloittamista, että kaikkien lukitusnappien ja puristinten kahvat ovat tiukalla.
- Älä käytä sahaa ilman suojuksia, erityisesti tilan vaihdon jälkeen. Pidä suojuksesi hyvässä kunnossa ja huolla niitä asianmukaisesti.
- Älä koskaan aseta kättäsi teräalueelle sahan ollessa kytketty pistorasiaan.
- Älä koskaan yritä pysäyttää liikkuvaa laitetta nopeasti

työntämällä työkalua tms. terää vasten; tämä voisi aiheuttaa vakavan onnettomuuden.

- Tutustu käyttöoppaaseen ennen lisälaitteiden käyttöä. Lisälaitteen virheikäyttö voi aiheuttaa vaurioita.
- Älä muuta tai muokkaa yksikköä sen alkuperäisestä rakenteesta tai toiminnosta.
- Varmista, että kaikki välilevyt ja karan renkaat sopivat tämän käyttöoppaan tarkoitukseen.
- Valitse leikattavalle materiaalille sopiva terä.
- Noudata terään merkittyä maksiminopeutta. Varmista, että sahanterään merkitty nopeus on vähintään yhtä suuri kuin sahaan merkitty nopeus.
- Käytä sahanterää käsitellessäsi telinettä tai käsineitä.
- Tarkista ennen käyttöä, että sahanterä on asennettu oikein.
- Tarkista, että terä pyörii oikeaan suuntaan. Pidä terä terävänä.
- Harkitse erityisten melua vähentävien terien käyttöä.
- Nosta terä työkappaleen urasta ennen kytkimen vapauttamista.
- Varmista särmäleikkauksia tehdessäsi, että varsi on tukevasti kiinni.
- Varmista, että varsi on kiinnitetty tiukasti työasentoon konesahatilassa.
- Varmista, että pöytäsaahan pöytä on tukevasti valitulla korkeudella.
- Älä kiillaa mitään tuuletinta vasten pitääksesi moottorin akselia paikoillaan.
- Sahan teränsuojus nousee automaattisesti vartta laskettaessa; se laskeutuu terän päälle vartta nostettaessa. Suojus voidaan nostaa käsin sahanterää asennettaessa tai irrotettaessa ja sahaa tarkistettaessa. Älä koskaan nosta teränsuojusta manuaalisesti, ellei saha ole sammuksissa.
- Pidä laitteen ympäristö hyvässä kunnossa ja tyhjänä irrallisesta materiaalista, kuten lastuista ja leikkuujätteestä.
- Tarkista säännöllisesti, että moottorin ilma-aukot ovat puhtaat eikä niissä ole lastuja.
- Irrota laite pistorasiasta ennen huoltoa samoin kuin terää vaihdettaessa.
- Älä koskaan puhdistaa tai huolla konetta sen käydessä ja pään ollessa poissa lepoasennosta.
- Aina kun mahdollista, asenna laite penkkiin ja tarkista kiinnityksen pitävyys.
- Kun leikkaat viiste-, särmä- tai yhdistelmäviisteleikkauksia, säädä liukuva viisteohjain siten, että välilyönti on asianmukainen.
- Älä poista leikkuujätöksiä tai muita kappaleita työkappaleen ollessa leikkuualueella sahan käydessä.
- Tarkista ennen työskentelyä, että laite on tasapinnalla ja on riittävän vakaa.
- Tee ennen työn aloittamista koeleikkaus moottori päällä, jotta voit tarkistaa terän sijainnin ja suojien toiminnan laitteen osiin ja työkappaleeseen nähden.
- Älä koskaan leikkaa kevyitä seoksia, erityisesti magnesiumia.

- Älä käytä raapivia tai timanttiteriä.
- Onnettomuuden tai konerikon sattuesssa sammuta laite heti ja irrota se pistorasiasta.
- Ilmoita laitteen rikkoutumisesta muille ja merkitse se asianmukaisesti, jotta he eivät käytä viallista laitetta.
- Kun sahanterä juuttuu leikattaessa liiallisen syöttövoiman takia, sammuta se ja irrota se pistorasiasta. Poista työkappale ja tarkista, että sahanterä pyörii vapaasti. Sammuta laite ja aloita uusi leikkaus pienemmällä syöttövoimalla.
- Seiso aina leikkuulinjan vasemmalla tai oikealla puolella.
- Järjestä riittävä yleis- tai kohdevalaistus, joka ei aiheuta stroboskooppi-ilmiötä eikä vaaroja.
- Käyttäjällä on oltava riittävä koulutus laitteen käytössä, säädöissä ja toiminnassa.
- Sammuta laite, kun se on valvomatta.
- Kytke saha pölynkeräimeen puuta sahattaessa. Ota aina huomioon pölylle altistumiseen vaikuttavat tekijät, kuten työstettävä materiaalityyppi (lastulevystä syntyy enemmän pölyä kuin puusta), terän säädöt, imurin sekä kupujen, ohjainten ja poistotorvien säädöt ja pölyn nopeus ilmassa.
- Pidä sahanterä terävänä ja oikein asennettuna.
- Älä yritä käyttää laitetta muulla kuin sille sopivalla jännitteellä.
- Älä voitele terää sen pyöriessä.
- Älä anna sivullisten seisoa laitteen takana.
- Kiinnitä laite aina oman turvallisuutesi takia pulteilla työpenkkiin.
- Käytä aina akselille sopivia teräkokoja ja -muotoja. Akselille sopimattomat terät eivät pyöri oikealla tavalla ja voivat aiheuttaa työkalun hallinnan menettämisen.
- Käytä ainoastaan tämän käyttöoppaan mukaisia teriä, jotka noudattavat EN 847-1 -standardia.
- **Kun leikkaat pitkää tai suurta työkalua, tue pöydän reunat aina riittävästi.** Tuen tulee olla yhtä korkea kuin pöydän. Pidä kädet aina poissa pöydän kulkureitiltä.
- Irrota laite pistorasiasta ennen terän vaihtoa samoin kuin ennen huoltoa.
- Pidä kädet poissa sahanterän tieltä.
- Älä kurkottele sahanterän taakse.
- Älä seiso laitteen päällä.
- Varmista kuljetuksen aikana, että sahanterän yläpuoli on peitetty.
- Älä käytä yläsuojusta laitteen käsittelyyn tai kuljetukseen.
- Älä sahaa sahalla muuta materiaalia kuin puuta.

MUITA TURVALLISUUSOHJEITA PYÖRÖSAHATILALLE

- Vaihda loppuun kulunut pöydän sisäke uuteen.
- Älä käytä laitetta ilman pöytätasoa.
- Varmista, että pöytä on tukevasti kiinni.
- Kun leikkaat vertikaalisia suorita katkaisuleikkauksia, säädä liukuva ohjain asianmukaisesti siten, että sahanterän ja ohjaimen väliin jää 15 mm (enintään)

vällys.

- Säädä ohjain asianmukaisesti siten, että se ei kosketa yläsuojusta.
- Älä koskaan käytä sahaa suojakiilan ja/tai yläsuojuksen ollessa irrotettuja.
- Varmista, että suojakiilan etäisyys terästä on ohjeiden mukainen (3 mm – 8 mm)
- Käytä aina työntökeppiä. Älä koskaan leikkaa 30 mm pienempiä työkappaleita.
Älä koskaan laita kättäsi 150 mm lähemmäs sahanterästä sahaamisen aikana.
- Pidä työntökeppi aina omassa paikassaan, kun sitä ei käytetä.
- Älä käytä sahanteriä, joiden rungon paksuus on suojakiilaa suurempi tai joiden hampaiden leveys on sitä pienempi.
- Tarkista, että terä pyörii oikeaan suuntaan ja että hampaat osoittavat sahapenkin etuosaa kohden.
- Tarkista ennen käytön aloittamista, että kaikkien puristinten kahvat ovat tiukalla.
- Varmista sahatessasi, että varsi on tukevasti kiinni. Käytä laitetta ainoastaan sahapenkin ollessa vaakasuurassa.
- Lovitusta ja huulteiden ja uurrosten leikkaamista ei sallita.

MITA TURVALLISUUSOHJEITA VIISTESAHAUTILALLE

- Varmista, että terän yläpuoli on täysin suojattu. Älä koskaan irrota ylempää teränsuojasta laitteen ollessa viistesahatilassa.
- Älä koskaan leikkaa 160 mm lyhyempiä työkappaleita.
- Kiinnitä työkappale aina tiukasti puristimella.
- Raporttien mukaan käsikäyttöisten laitteiden tärinä voi joidenkin kohdalla myötävaikuttaa Raynaud's Syndromen (Raynaudin oireen) ilmenemiseen. Oireita ovat pistely, turtuus ja sormien kalpeneminen, yleensä kylmässä ilmassa. Perinnölliset tekijät, kylmyys ja kosteus, ruokavalio, tupakointi sekä työtavat voivat kaikki myötävaikuttaa näiden oireiden ilmenemiseen. Käyttäjä voi ehkäistä tärinän aiheuttamia vaikutuksia seuraavasti:
 - Pidä itsesi lämpimänä kylmällä säällä. Käytä laitteen käytön aikana käsineitä, jotta kätesi ja ranteesi pysyvät lämpöisinä. Raporttien mukaan kylmä ilma on tärkeä tekijä Raynaud's Syndromen (Raunaudin oireiden) ilmenemisessä.
 - Harjoita kunkin käyttöjakson jälkeen liikuntaa, jotta verenkierto lisääntyisi.
 - Pidä työn aikana säännöllisesti taukoja. Rajoita päivittäisen tärinän määrää.Jos mitään yllä mainittuja oireita ilmenee, lopeta heti laitteen käyttö ja kerro oireista lääkärille.

PUUTERÄN TURVALLISUUSOHJEET

- Lue tämän käsikirjan ennen tämän laitteen käyttöä.
- Laitteen on oltava hyvässä kunnossa eikä karassa saa olla vääristymiä eikä sen saa tärinästä.
- Älä käytä sahaa ilman suojuksia, erityisesti tilan

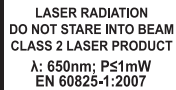
vaihdon jälkeen. Pidä suojuukset hyvässä kunnossa ja huolla niitä asianmukaisesti.

- Käyttäjällä on oltava riittävä koulutus laitteen varotoimissa, säädöissä ja käytössä.
- Käytä aina sivulta suojaavia suojalaseja sekä kuulosuojaimia. Suojakäsineiden, turvallisten ja tukevapohjaisten kenkien, kuulosuojainten ja suojaesiliinan käyttöä suositellaan.
- Tutustu käyttöoppaaseen ennen lisälaitteiden käyttöä. Lisälaitteen virhekkäyttö voi aiheuttaa vaurioita.
- Käytä ainoastaan tämän käyttöoppaan mukaisia teriä, jotka noudattavat EN 847-1 -standardia.
- Noudata terään merkittyä maksiminopeutta. Varmista, että sahanterään merkitty nopeus on vähintään yhtä suuri kuin sahaan merkitty nopeus.
- Käytä aina akselille sopivia teräkojoja ja -muotoja. Akselille sopimattomat terät eivät pyöri oikealla tavalla ja voivat aiheuttaa työkalun hallinnan menettämisen.
- Älä käytä sahanteriä, joiden rungon paksuus on suojakiilaa suurempi tai joiden hampaiden leveys on sitä pienempi. (pyörösahalle tai pyörösahatilassa)
- Älä käytä suositeltua suurempia tai pienempiä teriä. Älä käytä välilevyjä sovittaessasi terää karaan.
- Tarkista terän kärjet vaurioiden ja epätavallisen ulkonäön varalta ennen jokaista käyttökertaa. Vioittuneet tai irralliset kärjet voivat sinkoutua käytössä ja lisätä loukkaantumisen riskiä.
- Rikkinäisiä sahanteriä tai sellaisia, jotka ovat muuttaneet muotoaan ei saa käyttää! Älä käytä sahanteriä, jotka ovat vahingoittuneet tai vääntyneet.
- Älä koskaan käytä vioittunutta tai vääristynyttä sahanterää. Korjausta ei sallita.
- Älä käytä pikateräksisiä teriä.
- Tarkista ennen käyttöä, että sahanterä on asennettu oikein. Kiristä karan mutteri tiukalle ennen käyttöä. (Vääntömomentti: 12-15 Nm)
- Kiinnitysruuvit ja mutterit on kiristettävä asianmukaisella avaimella.
- Avainta ei saa pidentää eikä kiristyksessä saa käyttää vasaraa.
- Varmista, että terä ja laipat ovat puhtaat ja että holkin uralliset sivut ovat terää vasten.
- Tarkista, että terä pyörii oikeaan suuntaan.
- Tee ennen työn aloittamista koeleikkaus moottori päällä, jotta voit tarkistaa terän sijainnin ja suojiin toiminnan laitteen osiin ja työkappaleeseen nähden.
- Älä koskaan jätä laitetta valvomatta,
- Älä voitele terää sen pyöriessä.
- Älä koskaan puhdista tai huolla konetta sen käydessä ja pään ollessa poissa lepoasennosta.
- Älä koskaan yritä pysäyttää liikkuvaa laitetta nopeasti työntämällä työkalua tms. terää vasten; tämä voisi aiheuttaa vakavan onnettomuuden.
- Irrota laite pistorasiasta ennen terän vaihtoa samoin kuin ennen huoltoa.
- Ole tarkkana pakatessasi terää ja ottaessasi sitä pakkauksesta; terän terävät kärjet aiheuttavat helposti loukkaantumisen.

- Käytä sahanterää käsitellessäsi telinettä tai käsineitä.
- Säilytä terää alkuperäisessä tai muussa sopivassa pakkauksessa, kuivassa ympäristössä ja kaukana kemikaaleista, jotka voisivat vioittaa terää.

LASERIN TURVALLISUUSOHJEET

- Sahan laserohjaimen säteily on luokkaa 2, enimmäisteho $\leq 1\text{mW}$ ja aallonpituus 650 nm. Älä katso lasersädettä suoraan. Sääntöjen laiminlyönti voi johtaa vakavaan loukkaantumiseen.



Olemme lähettäneet sinulle tarran sinun kielelläsi ja pyydämme nyt, että liimaat sen englanninkielisen varoitustarran tilalle ennen koneen ensimmäistä käyttöä.

- Älä katso sädettä käytön aikana.
- Älä suuntaa lasersädettä suoraan muiden silmiin. Tästä voisi koitua vakava silmävamma.
- Älä aseta laseria siten, että kukaan voisi katsoa lasersädettä tahallaan tai vahingossa.
- Älä katso lasersädettä optisilla laitteilla.
- Älä käytä laseria lasten lähellä äläkä anna lasten käyttää sitä.
- Älä yritä korjata laserlaitetta itse.
- Älä yritä vaihtaa mitään laserlaitteen osia itse.
- Korjaustyöt on aina jätettävä laserin valmistajan tai valtuutetun huoltomiehen tehtäväksi.
- Älä vaihda laseria toisen tyyppiseen.

KÄYTTÖTARKOITUS

- Tämä laite on suunniteltu ainoastaan puun myötä- ja poikkileikkaukseen. Se on kiinnitettävä tukevasti sopivan korkeaan työpenkkiin, ja se on tarkoitettu vain yhden henkilön käytettäväksi.
- Pyörösahtilassa se on tarkoitettu ainoastaan leikkaamaan työkappaleen läpi, ei urien leikkaamiseen. Maksimileikkauksyyvyys on 60mm.
- Viistesahatilassa laitteella voidaan leikata -45° – $+45^\circ$ viisteitä vaakatasosta sekä 0° – 45° asteen viisteitä pystysuunnasta. Työkappaleen suurin sallittu poikkileikkaukuskoko on 70 mm x 130 mm.
- Laite on tarkoitettu toimimaan vain yhdessä tilassa. Tuotetta ei voi käyttää pyörösahtana ja viistesahana samanaikaisesti.

KÄYTÖN RISKIT

Vaikka laitetta käytettäisiin ohjeiden mukaisesti, ei ole mahdollista täysin eliminoida tiettyjä käyttöön liittyviä riskitekijöitä. Käytössä voi aiheutua seuraavia vaaroja, ja käyttäjän tulee kiinnittää erityistä huomiota niiden välttämiseen:

- Pyörivän sahanterän suojaamattomien osien kosketusvaara.

- Työkappaleen ja sen osien potkaisuvirheellisen säädön tai käsittelyn takia.
- Viallisten karbidikärkien sinkoaminen sahanterästä.
- Hengitystiehyevauriot, jos ei käytetä tehokasta pölysuojainta.
- Kuulovamma, jos ei käytetä tehokkaita kuulosuojaimia.

HUOLTO

- Älä tee säätöjä moottorin käydessä.
- Varmista aina, että laitteen pistoke on irrotettu pistorasiasta, ennen kuin vaihdat harjoja, voitelet laitetta tai teet muuta työtä laitteen kimpussa tai huollat sitä.
- Tarkista laite kunkin käyttökerran jälkeen vaurioiden ja vioittuneiden osien varalta ja pidä se hyvässä työkuunnossa korjaamalla tai vaihtamalla vioittuneet osat välittömästi.
- Terä on kuuma käytön jälkeen, joten ole varovainen huollon ja puhdistuksen aikana.
- Siivoa kerääntynyt pöly.
- Jotta laite toimisi turvallisesti ja luotettavasti, kaikki korjaukset, paitsi ulkoa päin vaihdettavat harjat, tulee antaa valtuutetun huoltopisteen hoidettavaksi.
- Viat koneessa, mukaan lukien suojuissa ja sahanterissä, tulee ilmoittaa heti kun ne huomataan.
- Jos virtajohto vioittuu, se on vaihdettava ainoastaan valmistajalla tai valtuutetussa huollossa, jotta vältytään vaurioilta. Ota yhteys valtuutettuun huoltoon

YMPÄRISTÖNSUOJELU



Älä hävitä raaka-aineita jätteinä vaan vie ne kierrätykseen. Ympäristönsuojelun kannalta työkalu, lisäva r usteet ja pakkausmateriaali on lajiteltava.

SYMBOLI



Turvallisuusvaroitus



CE-vastaavuus



GOST-R-vastaavuus



Luokka II, kaksoiseristetty



Lue ohjeet huolella ennen laitteen käyttöä.



Käytä kuulosuojaimia



Käytä aina suojalaseja.



VAARA
Terävä terä.



Leikkauksen leveys



Terän hampaat



Ihanteellinen puulle



Älä leikkaa metallia



Leikkuukapasiteetti



Älä katso sädettä.



Laser-säteilyä.
2. luokan laser-tuote
 λ : 650nm; $P \leq 1\text{mW}$
EN 60825-1:2007



Käytöstä poistettavia sähkölaitteita ei pidä hävittää talousjätteiden mukana. Ne on mahdollisuuksien mukaan pantava kiertoon. Kierrätysohjeita antavat kunnan viranomaiset ja vähittäiskauppiat.



Huom



Varoitus

KÄSIKIRJAN SYMBOLIT



Kytke laitteen pistoke pistorasiaan.



Irrota laite sähköverkosta.



Osat ja lisävarusteet on hankittava erikseen



Käytöstä poistettavia sähkölaitteita ei pidä hävittää talousjätteiden mukana. Ne on mahdollisuuksien mukaan pantava kiertoon.

GENERELLE SIKKERHETSADVARSLER

⚠ ADVARSEL

Når man bruker elektrisk verktøy, skal man alltid følge grunnleggende sikkerhetstiltak for å minske faren for brann, elektrisk støt og personskade, deriblant følgende. Les alle instruksjonene før du gjør forsøk på å bruke produktet, og ta godt vare på disse instruksjonene.

- **Hold arbeidsområdet rent.** Rotete områder og arbeidsbenker inviterer til ulykker.
- **Vurder det fysiske arbeidsmiljøet.** Ikke utsett verktøyet for regn. Ikke bruk utstyret på fuktige eller våte steder. Hold arbeidsområdet godt opplyst. Ikke bruk elektrisk verktøy på steder hvor det finnes brennbare væsker eller gass.
- **Beskytt deg mot elektriske støt.** Unngå kroppskontakt med jordede overflater (som vannrør, radiatorer, kokeapparater og kjøleaggregater).
- **Hold andre personer vekke.** Ikke la personer, og spesielt barn, ta del i arbeidet, berøre verktøyet eller en skjøteledning, og hold dem vekke fra arbeidsområdet.
- **Lagre verktøy som ikke brukes.** Når det ikke er i bruk må verktøyet oppbevares tørt og innelåst slik at det er utilgjengelig for barn.
- **Ikke press verktøyet.** Det vil gjøre jobben bedre og tryggere med den hastigheten det var konstruert for.
- **Bruk det rette verktøyet.** Ikke tving et lite verktøy til å utføre en oppgave som var tiltenkt et større og kraftigere verktøy. Ikke bruk verktøy for oppgaver det ikke var tiltenkt, bruk for eksempel ikke en sirkelsag til å kappe grener eller trestammer.
- **Kle deg riktig.** Bruk ikke løstsittende klær eller smykker, de kan hekte seg fast i bevegelige deler på verktøyet. Sklisikkert fottøy anbefales ved arbeid utendørs. Bruk lue eller hatt til å dekke langt hår.
- **Bruk verneutstyr.** Bruk vernebriller. Bruk ansikts- eller støvmaske dersom arbeidet skaper støv.
- **Tilkobl støvavsugsutstyr.** Hvis det finnes tilkoblingsmuligheter for oppsugnings- og oppsamlingsutstyr for støv, sørg for at dette blir tilkoblet og brukt på riktig måte.
- **Ikke misbruk den elektriske ledningen.** Trekk aldri i den elektriske ledningen for å frigjøre støpslet fra stikkkontakten. Hold ledningen vekke fra varme, olje og skarpe kanter.
- **Trygt arbeid.** Der det er mulig, bruk klemmer eller tvinger til å holde fast arbeidsstykket. Det er tryggere enn å bruke hånden din.
- **Ikke len deg for langt frem.** Sørg for godt fotfeste og god balanse til enhver tid.
- **Vedlikehold verktøyet med omtanke.** Hold verktøyet skarpt og rent for å oppnå bedre og tryggere ytelser. Følg instruksjonene for smøring og skifte av tilbehør. Inspiser verktøyets strømføring regelmessig og sørg for at den skiftes ved et autorisert servicesenter dersom den er skadet. Inspiser regelmessig eventuell skjøteledning og skift dersom den har skader. Hold

håndtak tørre, rene og fri for olje og fett.

- **Frakoble verktøy.** Når verktøyet ikke er i bruk, før servicearbeider og i forbindelse med skifting av tilbehør som blader, bits og skjæreutstyr må verktøyet frakobles den elektriske kontakten.
- **Fjern justeringsnøkler og fastnøkler.** Gjør det til en vane å kontrollere at justeringsnøkler er fjernet fra verktøyet før det startes.
- **Unngå utilsiktet start.** Påse at bryteren er i posisjon "off" når verktøyets støpsel settes inn i en stikkontakt.
- **Bruk kun utendørs skjøteledning.** Når verktøyet brukes, bruk bare skjøteledning som er ment for utendørs bruk og merket tilsvarende.
- **Vær våken.** Se hva du gjør, bruk fornuft og bruk ikke verktøyet når du er trett eller sliten.
- **Se etter deler som er skadet.** Før ytterligere bruk av verktøyet må det undersøkes nøye for å kunne fastslå at det vil virke tilfredsstillende og utføre sin tiltenkte funksjon. Sjekk tilpasningen av bevegelige deler, kontakt mellom bevegelige deler og om alle deler er korrekt montert og enhver annen tilstand som kan påvirke bruken av verktøyet. Et deksel eller en annen del som er skadet må repareres forskriftmessig eller skiftes av et autorisert serviceverksted dersom ikke annet er angitt i denne Brukermanualen. Sørg for at ødelagte brytere skiftes av et autorisert servicesenter.
- Ikke bruk produktet hvis bryteren ikke slår det på og av.
- **ADVARSEL**
Bruk av andre tilkoblinger eller annet tilbehør enn det som anbefales i denne brukermanualen kan føre til personskade.
- **Sørg for at verktøyet repareres av en kvalifisert person.** Dette elektriske verktøyet innfrir relevante sikkerhetsforskrifter. Reparasjoner må bare utføres av kvalifiserte personer som bruker originale reservedeler, i motsatt fall kan brukeren bli utsatt for betydelig fare.

SIKKERHETSADVARSEL KOMBINERT GJÆRINGS- OG BENKESAG

- Bruk hørselsvern. Støy kan føre til tap av hørselen.
- Bruk alltid vernebrille når du arbeider med maskinen. Det anbefales å bruke arbeidshansker, faste og sklisikre sko og forkle.
- Bruk alltid vernebriller eller sikkerhetsbriller med sidebeskyttelse ved bruk av elektrisk verktøy eller når det blåses støv. Hvis arbeidet utløser støv, bruk også en støvmaske.
- Maskinen er utstyrt med en spesielt konfigurert elektrisk ledning. Dersom den elektriske ledningen er skadet eller på annen måte er defekt må den kun skiftes av produsenten eller et autorisert elektrisk verksted.
- Påse at alle låseknotter er forsvarlig tilstrammet før arbeid påbegynnes.
- Ikke bruk sagen uten at beskyttelsen er satt på, spesielt etter en modusendring. Hold beskyttelsen i god stand og vedlikehold regelmessig.
- Plasser aldri en hånd i sagbladet når sagen er koblet til en strømførende ledning.
- Gjør aldri forsøk på å stanse en bevegelse brått ved å

EN
FR
DE
ES
IT
NL
PT
DA
SV
FI
NO
RU
PL
CS
HU
RO
LV
LT
ET
HR
SL
SK
EL
TR

sette et verktøy eller annen gjenstand mot sagbladet, alvorlige skader kan oppstå som følge av dette.

- Før det benyttes noen form for tilbehør, se brukermanualen. Feilaktig bruk av tilbehør kan føre til ulykker.
- Ikke endre eller modifierer enheten fra dens opprinnelige konstruksjon eller funksjon.
- Påse at eventuelle mellomstykker eller ringer som brukes er adekvat for formålet slik det er beskrevet i denne manualen.
- Velg korrekt sagblad for det materialet som skal kappes.
- Observer maksimumshastigheten som er angitt på sagbladet. Påse at hastigheten som er merket av på sagbladet er minst lik hastigheten merket av på selve sagen.
- Bruk en holder eller hansker når du håndterer sagblad.
- Påse at sagbladet er korrekt montert før sagen tas i bruk.
- Påse at sagbladet roterer i korrekt retning. Hold sagbladet skarpt.
- Vurder å benytte spesialutformede støyreducerende blader.
- Hev sagbladet fra sagsporet i arbeidsstykket før bryteren slippes.
- Påse at armen er forsvarlig festet når det foretas skråkappinger.
- Forsikre det om at armen er festet godt i arbeidsposisjonen når du er i modus for bordsag.
- Kontroller at benkesagens bord er festet godt i valgt høyde.
- Ikke sett noen gjenstand mot viften for å holde sagspindelen.
- Bladskjermen på sagen vil automatisk heves når armen senkes, den vil senkes når armen heves. Skjermen kan heves for hånd når det installeres eller skiftes sagblad eller når sagbladet skal inspiseres. Hev aldri bladskjermen manuelt dersom ikke sagen er slått av.
- Hold området rundt maskinen godt vedlikeholdt, ryddig og fritt for løse materialer som kapp og sagspon.
- Kontroller regelmessig at motorens lufteåpninger er rene og fri for sagspon.
- Trekk ut strømkabelen før det foretas noen form for vedlikehold eller når det skiftes blad.
- Foreta aldri rengjøring eller vedlikehold på sagen mens sagbladet fortsatt er i bevegelse og hodet ikke er i hvileposisjon.
- Hvis mulig, fest alltid maskinen til en arbeidsbenk og sjekk at den er festet sikkert til benken.
- Når det gjennomføres gjæringskapp, skråkapping eller blandet kapping, juster gjæringsstøtten for å sikre tilfredsstillende klaring til maskinen.
- Unngå å fjerne kapp og andre gjenstander fra noen del av arbeidsstykket mens sagen er i bevegelse.
- Påse at maskinen er plassert på en jevn overflate med tilfredsstillende stabilitet før arbeidet påbegynnes.
- Før du starter arbeidet, gjør et liksomkutt uten at motoren er på for å se at bladet er posisjonert riktig, beskyttelsene er på i forhold til andre maskindeler og

sjekk også selve emne.

- Skjær aldri i lettmetall, spesielt ikke i magnesium.
- Ikke bruk noen form for slipende eller diamantskive.
- Ved et ulykkestilfelle eller feil på maskinen må den øyeblikkelig slås av og den elektriske ledningen trekkes ut av strømkontakten.
- Rapportert feil og merk maskinen slik at andre personer ikke bruker en defekt maskin.
- Dersom sagbladet blokkeres som følge av abnormt fremføringstrykk må maskinen slås av og strømledningen trekkes ut. Fjern arbeidsstykket og påse at sagbladet løper fritt. Slå maskinen på og start kapping med redusert fremføringstrykk.
- Påse at din posisjon er enten til høyre eller til venstre for kappelinjen.
- Sørg for riktig lys både i taket og over arbeidsområde for å hindre stroboskopeffekt og farer.
- Påse at operatøren er tilfredsstillende opplært i bruk, justering og vedlikehold av maskinen.
- Slå av maskinen når den er ubetjent.
- Tilkobl sagen til en støvoppsamler når det skal sages i tre. Vurder alltid faktorer som påvirker eksponering mot støv, som hva slags materiale som skal bearbeides (sponplater avgir mer støv enn rent tre), justering av sagblad, justering av lokalt avtrekk og hetter og skjerm og støvets hastighet gjennom luften
- Hold sagbladet skarpt og tilfredsstillende stilt opp.
- Ikke gjør forsøk på å bruke sagen med andre strømspenninger enn den som er angitt.
- Ikke påfør smøremidler på sagbladet mens det er i bevegelse.
- Påse at ingen personer står bak maskinen.
- For din egen sikkerhet må sagen alltid festes til bordet med skruer.
- Bruk alltid et blad som har en størrelse og en form som passer til spindelens diameter. Et blad som ikke passer til spindelen som det skal monteres på vil ikke gå rundt riktig og kan få deg til å miste kontroll over verktøyet.
- Bruk bare sagblader som er spesifisert i denne manualen og er i henhold til EN 847-1.
- **Når det skjæres i lange eller store arbeidsstykker, må det sørges for støtte på sidene av sagsbordet.** Støtten må ha samme høyde som bordet. Hold alltid hendene vekke fra sagsporet.
- Trekk ut strømkontakten før det skiftes sagblad eller utføres noen form for vedlikehold på sagen.
- Hold hånden vekke fra banen til sagbladet.
- Ikke strekk hånd eller arm rundt og bak sagbladet.
- Ikke stå på toppen av maskinen.
- Påse at den øvre delen av sagbladet er dekket når sagen transporteres.
- Ikke bruk det øvre vernet for å betjene sagen eller transportere den.
- Ikke bruk sagen for å kappe andre materialer enn tre.

YTTERLIGERE SIKKERHETSREGLER FOR BORDSAG-MODUS

- Skift bordinnlegg når de er slitte.

- Ikke bruk verktøyet uten bord-innleggene.
- Påse at bordet er forsvarlig festet.
- Når det foretas vertikale rette kapp, juster skyvestøtten korrekt for å sikre en klaring på 15 mm (maksimum) mellom sagbladet og støtten.
- Juster skyvestøtten korrekt for å unngå kontakt med det øvre vernet.
- Bruk aldri sagen når splittekniven eller den øvre skjermen er fjernet.
- Påse at splittekniven er justert i korrekt avstand fra sagbladet (mellom 3 mm og 8 mm).
- Bruk alltid skyvepinnen. Kapp aldri arbeidsstykker mindre enn 30 mm. Plasser aldri hendene nærmere sagbladet enn 150 mm når det kappes.
- Ha alltid skyvepinnen på sin faste plass når den ikke brukes.
- Ikke bruk sagblader som er tykkere eller med tenner som er mindre enn tykkelsen på splittekniven.
- Påse at bladet roterer i korrekt retning og at tennene peker mot fronten av sagbenken.
- Påse at alle tvingehåndtak er forsvarlig tilstrammet før arbeid påbegynnes.
- Påse at armen er forsvarlig festet når det sages. Bruk bare sagen når sagbordet er i horisontal posisjon.
- Slotting, falsing eller rilling er ikke tillatt.

Ytterligere sikkerhetsregler for gjæringsmodus

- Påse at den øvre delen av sagbladet er fullstendig dekket. Fjern aldri den øvre sagbladskjermen når sagen brukes i gjæringsmodus.
 - Kapp aldri arbeidsstykker korter enn 160 mm.
 - Sørg alltid for å trygg sikring av arbeidsstykket med tvinge.
 - Det foreligger rapporter om at vibrasjoner fra håndholdt verktøy for enkelte personer kan bidra til en tilstand som kalles Raynauds Syndrome. Symptomene kan omfatte følelsesløshet og gjøre fingrene bleke, vanligvis synlig ved eksponering til lave temperaturer. Arvelige faktorer, eksponering mot lave temperaturer og fuktighet, diett, røyking og arbeidspraksis blir alle ansett for å kunne bidra til å utvikle disse symptomene. Brukeren kan iverksette tiltak for mulig å redusere virkningene av vibrasjonene:
 - Hold kroppen din varm i kaldt vær. Bruk hansker og hold hender og vrister varme ved bruk av gressklipperen. Det er rapportert at kaldt vær er en viktig faktor som bidrar til Raynauds Syndrome.
 - Etter hver arbeidsperiode bør det utføres øvelser for å øke blodsirkulasjonen.
 - Ta ofte pauser fra arbeidet som utføres. Begrens mengden av eksponering pr. dag.
- Hvis du opplever noen av symptomene på denne tilstanden må du øyeblikkelig avbryte arbeidet og oppsøke en lege med disse symptomene.

SIKKERHETSANVISNINGER FOR TREKUTTEBLADER

- Les instruksjonene i denne manualen før du bruker verktøyet.
- Maskinen må være i god stand, akselen må ikke være bøyd eller vibrere.
- Ikke bruk sagen uten at beskyttelsen er satt på, spesielt etter en modusendring. Hold beskyttelsen i god stand og vedlikehold regelmessig.
- Påse at brukeren har fått riktig opplæring i sikkerhetsbestemmelser, justering og bruk av maskinen.
- Bruk alltid øyebeskyttelse med sidevern og hørselsvern. Det anbefales å bruke arbeidshansker, faste og sklisikre sko og forkle.
- Før det benyttes noen form for tilbehør, se brukermanualen. Feilaktig bruk av tilbehør kan føre til ulykker.
- Bruk bare sagblader som er spesifisert i denne manualen og er i henhold til EN 847-1.
- Observer maksimumshastigheten som er angitt på sagbladet. Påse at hastigheten som er merket av på sagbladet er minst lik hastigheten merket av på selve sagen.
- Bruk alltid et blad som har en størrelse og en form som passer til spindelens diameter. Et blad som ikke passer til spindelen som det skal monteres på vil ikke gå rundt riktig og kan få deg til å miste kontroll over verktøyet.
- Ikke bruk sagblader som er tykkere eller med tenner som er mindre enn tykkelsen på splittekniven. (for bordsag eller i bordsagmodus)
- Ikke bruk blader med større eller mindre diameter enn anbefalt. Ikke bruk avstandsstykker for å få bladet til å passe på spindelen.
- Kontroller tennene på sagbladet for skader eller unormalt utseende før hver bruk. Tenner som er ødelagt eller løse kan bli slengt ut ved bruk og øker faren for personskade.
- Sagblad som har sprekker eller som har endret form må ikke brukes! Ikke bruk sageblader som er skadet eller deformerte.
- Bruk aldri et sagblad som er skadet eller deformert. Reparasjon er ikke tillatt.
- Ikke bruk HSS-blader.
- Påse at sagbladet er korrekt montert før sagen tas i bruk. Stram spindelmutteren forsvarlig før hver gangs bruk. (Moment: 12-15 Nm)
- Festskruer og mutter skal strammes ved hjelp av passende nøkkel.
- Å forlenge nøkkelen eller stramme ved hjelp av en hammer er forbudt.
- Påse at bladet og flensene er rene og at de forsenkede sidene av kragen er mot sagbladet.
- Påse at sagbladet roterer i korrekt retning.
- Før du starter arbeidet, gjør et liksomkutt uten at motoren er på for å se at bladet er posisjonert riktig, beskyttelsene er på i forhold til andre maskindeler og sjekk også selve emne.

EN
FR
DE
ES
IT
NL
PT
DA
SV
FI
NO
RU
PL
CS
HU
RO
LV
LT
ET
HR
SL
SK
EL
TR

- La aldri maskinen stå uten tilsyn.
- Ikke påfør smøremidler på sagbladet mens det er i bevegelse.
- Foreta aldri rengjøring eller vedlikehold på sagen mens sagbladet fortsatt er i bevegelse og hodet ikke er i hvileposisjon.
- Gjør aldri forsøk på å stanse en bevegelse brått ved å sette et verktøy eller annen gjenstand mot sagbladet, alvorlige skader kan oppstå som følge av dette.
- Trekk ut strømkontakten før det skiftes sagblad eller utføres noen form for vedlikehold på sagen.
- Vær oppmerksom på inn- og utpakking av bladene, det er lett å kutte seg på de skarpe bladtuppene.
- Bruk en bladholder eller vernehansker når du skal håndtere sagbladet.
- Bladene oppbevares og lagres i originalforpakningen eller en annen passende beholder. Bladene skal stå tørt og unna kjemiske stoffer som kan skade bladet.

LASERSIKKERHET

- Laserstrålen som brukes i sagen er Class 2, med maksimum $\leq 1\text{mW}$ og 650 nm bølgelengde. Ikke stirr direkte inn i laserstrålen. Å unnlate å følge reglene vil kunne føre til alvorlig personskade.

LASER RADIATION
DO NOT STARE INTO BEAM
CLASS 2 LASER PRODUCT
 λ : 650nm; $P \leq 1\text{mW}$
EN 60825-1:2007

Vi har levert deg en selvklebende etikett på ditt språk og ber deg nå erstatte etiketten med engelsk tekst med denne advarseletiketten før du tar maskinen i bruk.

- Ikke se inn i laserstrålen under arbeid.
- Ikke rett laserstrålen direkte inn i øynene på andre. Alvorlig øyeskade kan oppstå som resultat.
- Ikke plasser laseren i en posisjon som kan føre til at noen bevisst eller ubevisst vil kunne stirre direkte inn i laserstrålen.
- Ikke bruk optisk verktøy for å se laserstrålen.
- Ikke bruk laseren når det er barn til stede eller la barn få bruke laseren.
- Ikke gjør forsøk på å reparere laserutstyret selv.
- Ikke gjør forsøk på å skifte noen del av laserutstyret selv.
- Enhver reparasjon må bare utføres av laserprodusenten eller et autorisert laserverksted.
- Ikke skift ut laseren med en annen type.

TILTENKT BRUK

- Denne maskinen er kun tiltenkt brukt til kløyving og for å sage over trevirke. Den må festes sikkert på en arbeidsbenk med passende høyde og er ment for kun en operatør av gangen.
- I bordsagmodus er den kun ment for å sage gjennom trevirke, ikke kutting av hull eller flens. Maksimal kuttekapasitet er 60mm.
- I gjæringsmodus, er det mulig å kutte vannrette

gjæringsvinkler på -45° til $+45^\circ$ samt loddrette gjæringsvinkler på 0° til 45° . Maksimalt tverrsnitt på emne er 70 mm x 130 mm.

- Maskinen er designet til å kjøre i kun en modus av gangen. Det er ikke mulig å bruke produktet både som bordsag og gjæringsag samtidig.

GJENVÆRENDE RISIKO

Selv når maskinen brukes fullt ut i henhold til instruksene er det umulig å oppnå en fullstendig eliminering av gjenværende risikomomenter. Følgende farer kan oppstå ved bruk og operatøren bør være spesielt oppmerksom på å unngå/sikre følgende:

- Fare for kontakt med utildekkede deler på det roterende sagbladet.
- Emne eller deler av det kan sprette unna på grunn av feil justering eller feil håndtering.
- Utkastelse av karbidtupper fra sagbladet.
- Fare for skade på pusteorganene dersom man ikke bruker en adekvat støvmaske.
- Skader på hørselen dersom ikke effektivt hørselsvern brukes.

VEDLIKEHOLD

- Det skal ikke foretas noen innstilling mens motoren går.
- Sørg alltid for at maskinens støpsel er trukket ut av strømkontakten før det skiftes børster, smøres eller foretas annet vedlikeholdsarbeid på maskinen.
- Etter hver gangs bruk må maskinen undersøkes for skader eller ødelagte deler og det må sørges for at maskinen holdes i god stand ved å reparere eller skifte deler umiddelbart etter at en skade er oppdaget.
- Bladet er varmt etter bruk, så vær forsiktig ved vedlikeholds- eller rengjøringsarbeider.
- Fjern oppsamlet støv.
- For å sørge for sikkerhet og driftssikkerhet må alle reparasjoner med unntak av eksternt tilgjengelige børster utføres ved et autorisert servicesenter.
- Feil på maskinen, inklusive verneutstyr og sagblader, må rapporteres umiddelbart etter at feilen er oppdaget.
- Hvis strømledningen skades må den kun erstattes av produsenten eller et autorisert servicesenter for å unngå risiko. Kontakt et autorisert servicesenter

MILJØVERN




Resirkuler råmaterialer istedenfor å kaste dem i søppelen. Verktøyet, tilbehørene og emballasjen bør sorteres for miljøvennlig resirkulering.


SYMBOL





Sikkerhetsadvarsel


 CE samsvar

 GOST-R samsvar

 Class II, dobbeltisolert

 Les instruksjonene nøye før apparatet tas i bruk.

 Bruk hørselsvern


 Bruk alltid øyebeskyttelse.

 FARE
Skarpt blad.


 Brekke på kappet

 Bladtenner


 Idéelt for tre

 Ikke sag i metall


 Sagekapasitet


 Ikke stirr inn i laserstrålen.


 Laserstråling.
Class 2 laserprodukt
 λ : 650nm; $P \leq 1\text{mW}$
EN 60825-1:2007


 Avfall fra elektriske produkter skal ikke kastes sammen med husholdningsavfall. Vennligst resirkulervedeksisterende avfallsbehandlingssted. Undersøk hos dine lokale myndigheter eller forhandler for råd om resirkulering.

SYMBOLER I MANUALEN


 Sett maskinens støpsel i strømkontakten.

 Trekk ut verktøyets støpsel.

 Deler eller tilbehør solgt separat

 Avfall fra elektriske produkter skal ikke kastes sammen med husholdningsavfall. Vennligst resirkulervedeksisterende avfallsbehandlingssted.

 Nb

 Advarsel

EN
FR
DE
ES
IT
NL
PT
DA
SV
FI
NO
RU
PL
CS
HU
RO
LV
LT
ET
HR
SL
SK
EL
TR

ОБЩИЕ ПРАВИЛА БЕЗОПАСНОСТИ

⚠ ОСТОРОЖНО

При работе с электроинструментами всегда необходимо соблюдать общие правила безопасности, чтобы уменьшить риск возгорания, поражения электрическим током и получения травм. Перед использованием инструмента прочитайте все инструкции и сохраните их для использования в будущем.

- **Содержите рабочую зону в чистоте.** Загромождение рабочей зоны может привести к телесным повреждениям.
- **Принимайте во внимание условия работы.** Не пользуйтесь инструментом под дождем. Не пользуйтесь инструментом в условиях повышенной влажности. Работайте при хорошем освещении. Не пользуйтесь инструментом в присутствии огнеопасных жидкостей или газов.
- **Защита от поражения электрическим током.** Избегайте контакта с заземленными поверхностями (трубами, батареями отопления, кухонными плитами, холодильниками).
- **Не допускайте в рабочую зону посторонних лиц.** Не допускайте к работе посторонних лиц, особенно детей, не позволяйте им касаться инструмента или кабеля питания, не допускайте их в рабочую зону.
- **Неиспользуемые инструменты убирайте на хранение.** Неиспользуемый инструмент следует хранить в сухом защищенном месте, недоступном для детей.
- **Не увеличивайте скорость работы инструмента.** Это позволит выполнить работу лучше и безопаснее с номинальной скоростью.
- **Используйте надлежащий инструмент.** Не пользуйтесь небольшим инструментом для выполнения трудоемких операций. Не используйте инструмент для непредназначенных для него целей, например, не используйте циркулярную пилу для обрезки ветвей деревьев или бревен.
- **Одевайтесь соответствующим образом.** Не надевайте свободную одежду или украшения, так как они могут попасть в движущиеся части. При наружных работах рекомендуется надевать нескользящую обувь. Воспользуйтесь защитным головным покрытием, чтобы прикрыть длинные волосы.
- **Используйте средства защиты.** Пользуйтесь защитными очками. Если при работе образуется пыль, надевайте пылезащитную маску.
- **Используйте устройство удаления пыли.** Если инструмент предусматривает использование устройства сбора и удаления пыли, обязательно его используйте.
- **Не допускайте неправильного обращения с кабелем.** Не дергайте кабель питания для отключения его от сети. Предохраняйте кабель питания от источников повышенного тепловыделения, масляных участков и острых предметов.
- **Зафиксируйте обрабатываемую заготовку.** При возможности всегда используйте зажимы или тиски для крепления заготовки. Это безопаснее, чем пользоваться руками.
- **Не прикладывайте чрезмерных усилий.** Старайтесь сохранять устойчивость и подыскивайте твердую опору.
- **Заботливо обращайтесь с инструментами.** Для лучшего и безопасного применения поддерживайте режущий элемент в чистоте и наточенном состоянии. При смазке и замене принадлежностей следуйте инструкциям. Регулярно проверяйте исправность кабелей, при их повреждении обращайтесь для ремонта в специализированный сервисный центр. Регулярно осматривайте удлинительные кабели и заменяйте поврежденные из них. Содержите ручки в сухом и чистом виде, очищайте их от масла и смазки.
- **Отключите инструменты.** Перед операциями технического обслуживания, замене принадлежностей (режущие полотна, насадки, резаки) отключите инструмент от сети питания.
- **Удалите ключи для выполнения настройки и регулировки.** Возьмите себе за правило проверять перед включением инструмента отсутствие на нем гаечных и регулировочных ключей.
- **Не допускайте непреднамеренного запуска.** При подключении к сети питания убедитесь, что выключатель находится в положении «выключено».
- **При наружных работах используйте электроудлинитель.** При наружных работах используйте электрический удлинитель, предназначенный для наружного использования.
- **Будьте внимательны.** Сохраняйте внимание при работе, пользуйтесь здоровым смыслом и не работайте при испытании усталости.
- **Проверяйте поврежденные детали.** Перед дальнейшим использованием инструмента тщательно проверьте его надлежащую работу и выполнение предназначенных ему функций. Проверьте регулировку движущихся частей, их соединение, отсутствие повреждений, надежность крепления и другие условия, которые могут повлиять на работу инструмента. Поврежденное защитное устройство или другую деталь следует отремонтировать или заменить в сервисном центре, если иное не указано в данном руководстве по эксплуатации. Неисправные выключатели заменяйте в специализированном центре обслуживания.
- Не пользуйтесь инструментом с неисправным выключателем питания.
- **ОСТОРОЖНО**
Использование любых других принадлежностей, кроме рекомендованных в данных инструкциях, может привести к телесным повреждениям.
- **Для ремонта инструмента обращайтесь к квалифицированному специалисту.** Данный

электроинструмент соответствует основным требованиям техники безопасности. Во избежание угроз здоровью ремонт инструмента следует поручать только квалифицированным специалистам с использованием оригинальных запасных деталей.

ПРЕДОСТЕРЕЖЕНИЯ ОБ ОПАСНОСТИ ТОРЦОВО-УСОВОЧНАЯ ПИЛА

- Используйте наушники! Воздействие шума может привести к потере слуха.
- При работе с инструментом всегда надевайте защитные очки. Рекомендуется надевать перчатки, прочные нескользящие ботинки и фартук.
- Всегда надевайте предохранительные или защитные очки с боковыми защитными экранами при работе с данным инструментом или сдувании пыли. Если во время работы образуется много пыли, также надевайте пылезащитную маску.
- Для этого устройства используется кабель питания специальной конфигурации. Если кабель питания поврежден или имеет иные дефекты, для его замены необходимо пригласить представителя изготовителя или уполномоченного специалиста ремонтной службы.
- Перед началом работы убедитесь, что все ручки фиксации и зажимные ручки затянуты.
- Не используйте пилу без защитных приспособлений, особенно после изменения режима. Защитные приспособления должны поддерживаться в хорошем рабочем состоянии и надлежащим образом обслуживаться.
- Не протягивайте руку в рабочую зону режущего диска, когда пила подключена к источнику питания.
- Никогда не пытайтесь остановить работающее устройство путем заклинивания инструмента или прикладывания предметов к режущему диску. Это может привести к серьезным травмам.
- Перед использованием принадлежностей обязательно прочитайте информацию о них в руководстве по эксплуатации. В результате неправильного использования принадлежностей может произойти их повреждение.
- Запрещается вносить изменения в оригинальную конструкцию агрегата или модифицировать ее.
- Убедитесь, что все используемые прокладки и кольца шпинделя пригодны для этой цели в соответствии с указаниями в данном руководстве.
- Выберите режущий диск с учетом обрабатываемого материала.
- Во время работы не допускайте превышения максимальной скорости вращения, указанной на режущем диске. Убедитесь, что скорость, указанная на пильном диске, больше или равна скорости, указанной на пиле.
- При работе с режущим диском пилы пользуйтесь держателем или надевайте перчатки.
- Перед работой проверьте, правильно ли установлен режущий диск пилы.
- Убедитесь в том, что режущий диск вращается в нужном направлении. Своевременно затачивайте режущий диск.
- Старайтесь использовать специально разработанные малошумные режущие диски.
- Прежде чем выключить выключатель, поднимите режущий диск из пропила в заготовке.
- Проследите, чтобы при выполнении косого реза рычаг был надежно зафиксирован.
- Убедитесь, что рычаг надежно фиксируется в рабочем положении в режиме пиления.
- Убедитесь, что столик пильного станка надежно зафиксирован на выбранной высоте.
- Не пытайтесь заклинить вентилятор для остановки вращения вала двигателя.
- При опускании рычага защитное приспособление пилы автоматически поднимается, при поднимании рычага – опускается на режущий диск. Защитное приспособление можно поднять вручную во время установки или удаления пилы, а также во время ее осмотра. Не пытайтесь вручную поднять защитное приспособление режущего диска, если пила не выключена.
- Поддерживайте надлежащий порядок в зоне вокруг устройства и не оставляйте разбросанными какие-либо материалы, например опилки и отрезанные куски.
- Регулярно проверяйте вентиляционные щели двигателя, чтобы их не забивало опилками.
- Перед проведением работ по техническому обслуживанию или заменой режущего диска отключите устройство от питающей сети.
- Запрещается проводить работы по техническому обслуживанию и очистке, если устройство все еще работает, а его головная часть не вернулась в исходное положение.
- По возможности устанавливайте устройство на верстаке и проверяйте надежность его крепления к верстаку.
- При выполнении скосов, косых резов и сложных распилов под углом отрегулируйте положение подвижного упора для выполнения скоса, чтобы обеспечить нужный зазор.
- Никогда не пытайтесь убирать отрезанные куски и другие части заготовки из зоны резки во время работы пилы.
- Перед началом работы убедитесь, что устройство установлено на ровной поверхности и стоит устойчиво.
- Перед работой выполните имитирующий рез с выключенным двигателем, чтобы проверить положение лезвия, функционирование защитных приспособлений по отношению к другим деталям устройства и заготовке.
- Запрещается производить резку сплавов, в частности магния.
- Не используйте абразивных кругов и алмазных дисков.
- Если произойдет несчастный случай или поломка устройства, незамедлительно отключите его и

EN
FR
DE
ES
IT
NL
PT
DA
SV
FI
NO
RU
PL
CS
HU
RO
LV
LT
ET
HR
SL
SK
EL
TR

отсоедините от источника питания.

- Сообщите о неисправности устройства и пометьте его, чтобы никто не мог воспользоваться неисправным устройством.
- Если в результате ненадлежащего усилия подачи режущий диск пилы во время резки заклинило, выключите устройство и отключите его от сети питания. Уберите заготовку, чтобы освободить режущий диск пилы. Включите устройство и заново начните операцию резки, уменьшив усилие подачи.
- Во время выполнения работы необходимо находиться слева или справа от линии резки.
- Обеспечить надлежащее общее или местное освещение, чтобы предотвратить стробоскопический эффект и факторы риска.
- Проследите, чтобы оператор был надлежащим образом ознакомлен с порядком пользования устройством, его настройками и работы на нем.
- Выключите устройство, если собираетесь оставить его без присмотра.
- При резке древесины подсоедините пилу к системе пылесборника. Учитывайте факторы, влияющие на степень запыления, например такие, как тип обрабатываемого материала (при резке ДСП образуется больше пыли, чем при обработке древесины), настройка режущего диска пилы, устройство локальной системы пылеудаления, наличие кожухов, дефлекторов и лотки, а также скорость вращения пылеуловителя
- Своевременно затачивайте режущий диск и следите за правильной его установкой.
- Подключайте устройство только к сети соответствующего напряжения.
- Не пытайтесь смазать маслом режущий диск во время его работы.
- Проследите, чтобы во время работы устройства позади него не стояли посторонние лица.
- В целях собственной безопасности обязательно зафиксируйте устройство на рабочем верстаке с помощью болтов.
- Всегда используйте пильные диски правильного размера и формы, с соответствующим диаметром посадочного отверстия. Диски с посадочным отверстием не соответствующим диаметру шпинделя пилы будут работать с биением, что может привести к потере контроля над инструментом.
- Используйте только режущие диски, указанные в данном руководстве и удовлетворяющие требованиям стандарта EN 847-1.
- **При разрезании длинных или крупных заготовок всегда устанавливайте соответствующую опору по бокам стола.** Опора должна быть установлена на высоте стола. Не держите руки в зоне обработки стола.
- Перед заменой режущего диска или проведением работ по техническому обслуживанию отключите устройство от питающей сети.
- Не держите руки на линии движения режущего

диска пилы.

- Не протягивайте руки за режущий диск пилы.
- Не ставьте на устройство посторонние предметы.
- Проследите, чтобы во время транспортировки верхняя часть режущего диска была закрыта.
- Не используйте верхнее защитное приспособление для выполнения манипуляций с устройством или его перемещения.
- Не используйте пилу для резки какого-либо иного материала, кроме древесины.

ДОПОЛНИТЕЛЬНЫЕ ПРАВИЛА ТЕХНИКИ БЕЗОПАСНОСТИ ПРИ ИСПОЛЬЗОВАНИИ УСТРОЙСТВА В РЕЖИМЕ ОТРЕЗНОГО СТАНКА СО СТОЛОМ

- Заменяйте изношенные прокладки, укладываемые на стол.
- Не используйте инструмент без станины.
- Проследите, чтобы стол был надежно зафиксирован.
- При выполнении прямых вертикальных поперечных резов правильно отрегулируйте положение подвижного упора, чтобы обеспечить зазор 15 мм (максимум) между режущим диском и направляющим упором.
- Правильно отрегулируйте положение подвижного упора, чтобы избежать контакта с верхним защитным приспособлением.
- Запрещается производить резку при снятом расклинивающем ноже и/или верхнем защитном приспособлении.
- Проверьте расстояние между расклинивающим ножом и режущим диском (от 3 мм до 8 мм).
- Всегда пользуйтесь направляющей линейкой. Толщина разрезаемой заготовки не должна быть меньше 30 мм.
Во время резки руки должны находиться на расстоянии не менее 150 мм от режущего диска пилы.
- Если вы все же не пользуетесь направляющей линейкой, оставьте ее на своем месте.
- Не пользуйтесь режущими дисками, толщина которого больше или ширина зуба которого меньше толщины расклинивающего ножа.
- Убедитесь в том, что режущий диск вращается в нужном направлении и что зубья его направлены в сторону передней части рамы устройства.
- Перед началом работы убедитесь, что все зажимные ручки затянуты.
- Проследите, чтобы при выполнении резки рычаг был надежно зафиксирован. Работать с устройством следует только в том случае, если рама пилы находится в горизонтальном положении.
- Прорезание пазов, канавок и желобков с помощью этой пилы не допускается.

ДОПОЛНИТЕЛЬНЫЕ ПРАВИЛА ТЕХНИКИ БЕЗОПАСНОСТИ ПРИ ИСПОЛЬЗОВАНИИ УСТРОЙСТВА В РЕЖИМЕ ТОРЦОВО-УСОВОЧНОЙ ПИЛЫ

- Проследите, чтобы верхняя часть режущего диска пилы была полностью закрыта. При работе в режиме торцово-усовочной пилы никогда не пытайтесь снять верхнее защитное приспособление режущего диска.
- Толщина разрезаемой заготовки не должна превышать 160 мм.
- Всегда надежно закрепляйте обрабатываемую деталь.
- Считается, что вибрация ручного инструмента может привести к проявлению у отдельных лиц так называемой болезни Рейно (Raynaud's Syndrome). К симптомам могут относиться покалывание, онемение и побеление пальцев (как при переохлаждении). Считают, что наследственные факторы, охлаждение и влажность, диета, курение и практический опыт способствуют развитию этих симптомов. Ниже приводятся меры, которые может принять оператор для снижения воздействия вибрации:
 - Одевайтесь теплее в холодную погоду. При работе с устройством пользуйтесь перчатками, чтобы руки и запястья были в тепле. Считается, что холодная погода является основным фактором, способствующим возникновению болезни Рейно (Raynaud's Syndrome).
 - После каждого этапа работы выполните упражнения для усиления кровообращения.
 - Чаще делайте перерывы в работе. Сократите длительность ежедневного пребывания на открытом воздухе.

При появлении каких-либо из указанных симптомов сразу же прекратите работу и обратитесь по их поводу к врачу.

ИНСТРУКЦИИ ПО ТЕХНИКЕ БЕЗОПАСНОСТИ ДЛЯ ПИЛЬНОГО ДИСКА ПО ДЕРЕВУ

- Перед началом эксплуатации этого устройства прочитайте все инструкции в данном руководстве.
- Устройство должно быть в исправном состоянии, шпиндель без деформации и вибрации.
- Не используйте пилу без защитных приспособлений, особенно после изменения режима. Защитные приспособления должны поддерживаться в хорошем рабочем состоянии и надлежащим образом обслуживаться.
- Убедитесь, что оператор прошел надлежащую подготовку по технике безопасности, регулировке и эксплуатации устройства.
- Помимо использования средств защиты органов слуха всегда надевайте защитные очки с боковыми щитками. Рекомендуется надевать перчатки, прочные нескользящие ботинки и фартук.
- Перед использованием принадлежностей обязательно прочитайте информацию о них в руководстве по эксплуатации. В результате неправильного использования принадлежностей может произойти их повреждение.
- Используйте только режущие диски, указанные в данном руководстве и удовлетворяющие требованиям стандарта EN 847-1.
- Во время работы не допускайте превышения максимальной скорости вращения, указанной на режущем диске. Убедитесь, что скорость, указанная на пильном диске, больше или равна скорости, указанной на пиле.
- Всегда используйте пильные диски правильного размера и формы, с соответствующим диаметром посадочного отверстия. Диски с посадочным отверстием не соответствующим диаметру шпинделя пилы будут работать с биением, что может привести к потере контроля над инструментом.
- Не пользуйтесь режущими дисками, толщина которого больше или ширина зуба которого меньше толщины расклинивающего ножа. (для циркулярного станка или в режиме циркулярного станка)
- Используйте режущие диски только предписанного диаметра! Не используйте прокладки для закрепления режущего диска в шпинделе.
- Проверьте края пильного диска на наличие повреждений и иных дефектов перед каждым использованием. Поврежденные или слабо держащиеся края могут стать летающими объектами во время эксплуатации и повысить вероятность получения травмы.
- Не используйте треснувшие или погнутые полотна пилы. Не используйте поврежденные или деформированные пильные полотна.
- Ни в коем случае не используйте поврежденный или деформированный режущий диск. Ремонт не допускается.
- Не пользуйтесь режущими дисками из быстрорежущей стали.
- Перед работой проверьте, правильно ли установлен режущий диск пилы. Надежно затяните гайку оправки режущего диска перед каждым использованием. (Крутящий момент: 12-15 Nm)
- Крепежные винты и гайки должны быть затянуты с помощью соответствующего ключа.
- Удлинение гаечного ключа или затяжка с использованием молотка не допускается.
- Следите за чистотой дисков и фланцев, проследите также, чтобы углубленные стороны втулки прилегли к режущему диску.
- Убедитесь в том, что режущий диск вращается в нужном направлении.
- Перед работой выполните имитирующий рез с выключенным двигателем, чтобы проверить положение лезвия, функционирование защитных приспособлений по отношению к другим деталям устройства и заготовке.
- Никогда не оставляйте устройство без присмотра.
- Не пытайтесь смазать маслом режущий диск во

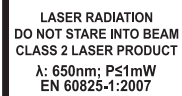
EN
FR
DE
ES
IT
NL
PT
DA
SV
FI
NO
RU
PL
CS
HU
RO
LV
LT
ET
HR
SL
SK
EL
TR

время его работы.

- Запрещается проводить работы по техническому обслуживанию и очистке, если устройство все еще работает, а его головная часть не вернулась в исходное положение.
- Никогда не пытайтесь остановить работающее устройство путем заклинивания инструмента или прикладывания предметов к режущему диску. Это может привести к серьезным травмам.
- Перед заменой режущего диска или проведением работ по техническому обслуживанию отключите устройство от питающей сети.
- Будьте внимательны при упаковке и распаковке пильных дисков, об острые концы можно легко обрезать.
- Переносите пильный диск с использованием специального держателя или в перчатках.
- Храните пильный диск в оригинальной упаковке или иной подходящей упаковке в сухости вдали от химических веществ, которые могут повредить диск.

ПРАВИЛА ТЕХНИКИ БЕЗОПАСНОСТИ ПРИ РАБОТЕ С ЛАЗЕРОМ

- Излучение лазерного указателя, используемое в данном инструменте, соответствует классу 2 с мощностью излучения не более $\leq 1\text{mW}$ и длиной волны 650 нм. Не смотрите прямо на лазерный луч. Несоблюдение правил может привести к серьезным травмам.



В комплект поставки входит наклейка на вашем языке. Необходимо, чтобы вы наклеили ее на предупредительную надпись на английском языке перед началом эксплуатации устройства.

- Не смотрите на лазерный луч во время работы.
- Не направляйте лазерный луч в глаза других лиц. Это может привести к тяжелым нарушениям зрения.
- Не устанавливайте лазер в такое положение, чтобы кто-либо мог намеренно или случайно посмотреть прямо на лазерный луч.
- Не используйте оптических инструментов для рассматривания лазерного луча.
- Не используйте лазер в присутствии детей и не разрешайте им пользоваться лазером.
- Не пытайтесь самостоятельно ремонтировать лазерное устройство.
- Не пытайтесь самостоятельно заменить какие-либо части лазерного устройства.
- Любой ремонт должен выполняться только изготовителем лазера или уполномоченным сервисным агентом.
- Не заменяйте лазер лазером другого типа.

НАЗНАЧЕНИЕ

- Это устройство предназначено исключительно для продольного и поперечного раскроя древесины. Оно должно быть надежно закреплено на верстаке подходящей высоты и предназначено для работы только одного оператора.
- В режиме циркулярного станка, оно используется только для сквозной резки, а не для прорезания пазов или желобков. Максимальная толщина реза 60mm.
- В режиме торцовочной пилы возможны горизонтальные углы скоса -45° до $+45^\circ$, а также вертикальные углы скоса от 0° до 45° . Максимальное поперечное сечение заготовки 70 mm x 130 mm.
- Устройство предназначено для работы только в одном режиме. Невозможно использовать устройство в виде циркулярного станка и торцовочной пилы одновременно.

ОСТАТОЧНЫЕ РИСКИ

Даже если станок используется в соответствии с предписаниями, все равно невозможно полностью устранить определенные факторы остаточных рисков. Следующие опасности могут возникнуть во время его использования, и во избежание их рабочий должен обратить особое внимание на следующее:

- Опасность контакта с незакрытыми частями вращающегося пильного диска.
- Отдача от деталей и частей деталей из-за неправильной регулировки или неверного обращения.
- Отбрасывание поврежденных твердосплавных пластин с режущего полотна пилы.
- Возможно повреждение дыхательных путей, если не используется эффективный респиратор.
- Травмирование органов слуха вследствие игнорирования соответствующих средств защиты.

ТЕХНИЧЕСКОЕ ОБСЛУЖИВАНИЕ

- Не следует вносить корректировки в то время как двигатель находится в движении.
- Перед заменой щеток, смазкой, выполнением каких-либо работ на станке или его техническим обслуживанием всегда вынимайте вилку кабеля питания станка из розетки сети питания.
- После каждого использования проверяйте станок на наличие повреждений или вышедших из строя деталей и незамедлительно производите их ремонт и замену, чтобы обеспечить наилучшее рабочее состояние станка.
- Так как лезвие сильно нагревается после использования, соблюдайте осторожность во время технического обслуживания или процедур очистки.
- Удалите скопившуюся пыль.
- В целях обеспечения безопасности и надежности все ремонтные работы, за исключением работы со щетками, к которым возможен доступ снаружи, должны производиться специалистами

авторизованного сервисного центра.

- О неисправностях станка, включая неисправность защитных приспособлений и режущих полотен пилы, необходимо сообщать сразу же после их обнаружения.
- Если кабель питания поврежден, во избежание опасности его должен заменить либо сам производитель, либо специалист авторизованного сервисного центра. Обратитесь в авторизованный сервисный центр

ЗАЩИТА ОКРУЖАЮЩЕЙ СРЕДЫ



Утилизируйте как сырье, а не выбрасывайте как мусор. Машина, аксессуары и упаковка должны быть отсортированы.

СИМВОЛ



Сигнал опасности



Соответствие требованиям CE



Соответствие требованиям GOST-R



Класс защиты II, двойная изоляция



Внимательно прочтите данные инструкции перед использованием продукта.



Применяйте средства защиты органов слуха



Всегда надевайте защитные очки.



ОПАСНО
Острый режущий диск!



Ширина разреза



Число зубьев



Идеальна для древесины



Запрещается резать металлы



Режущая способность



Не смотрите на луч лазера.



Лазерное излучение.
Лазерное изделие класса 2
λ: 650nm; P≤1mW
EN 60825-1:2007



Отработанная электротехническая продукция должна уничтожаться вместе с бытовыми отходами. Утилизируйте, если имеется специальное техническое оборудование. По вопросам утилизации проконсультируйтесь с местным органом власти или предприятием розничной торговли.

ОБОЗНАЧЕНИЯ В РУКОВОДСТВЕ



Подключите устройство к электросети.



Отключите инструмент от электросети.



Детали или принадлежности, приобретаемые отдельно



Отработанная электротехническая продукция должна уничтожаться вместе с бытовыми отходами. Утилизируйте, если имеется специальное техническое оборудование.



Примечание



Осторожно

OGÓLNE OSTRZEŻENIA DOTYCZĄCE BEZPIECZEŃSTWA

⚠ OSTRZEŻENIE

Podczas używania elektronarzędzi zawsze należy stosować podstawowe środki ostrożności ograniczające ryzyko pożaru, porażenia prądem lub obrażeń ciała, w tym również poniższe zalecenia. Przed rozpoczęciem pracy zapoznać się ze wszystkimi instrukcjami i zachować je do późniejszego użytku.

- **Miejsce pracy utrzymywać w czystości.** Zagracone miejsce pracy lub warsztat to częsta przyczyna zranień.
- **Oceniać warunki panujące w miejscu pracy.** Nie wolno wystawiać tego urządzenia na działanie deszczu. Nie wolno używać narzędzi w warunkach mokrych lub wilgotnych. Miejsce pracy musi być dobrze oświetlone. Nie używać narzędzi w obecności palnych płynów lub gazów.
- **Chronić się przed ryzykiem porażenia prądem elektrycznym.** Unikać kontaktu ciała z ziemią lub uziemionymi powierzchniami (rury, instalacje grzewcze i chłodnicze).
- **Osoby postronne utrzymywać z dala od miejsca pracy.** Nie dopuszczać do miejsca pracy innych osób, szczególnie dzieci ani nie zezwalać na dotykanie narzędzia lub przedłużacza lub na wykonywanie prac za pomocą narzędzia.
- **Nie używane narzędzia należy odpowiednio przechowywać.** Nieużywane narzędzia należy przechowywać w suchym, zamkniętym miejscu, niedostępnym dla dzieci.
- **Nie używać siły podczas obsługi narzędzia.** Najlepsze efekty pracy, przy zachowaniu pełnego bezpieczeństwa, zapewni używanie tego narzędzia w zakresie parametrów znamionowych i stosownie do jego przeznaczenia.
- **Używać odpowiednich narzędzi.** Nie stosować niewielkich narzędzi do wykonywania prac odpowiednich dla narzędzi przystosowanych do pracy przy dużych obciążeniach. Nie wolno używać żadnych narzędzi do celów, do których nie są przeznaczone: np. pił tarczowych do odcinania gałęzi lub cięcia kłody drewna.
- **Należy zakładać odpowiednią odzież ochronną.** Nie wolno zakładać luźnej biżuterii ani ubrań - mogą zostać wciągnięte przez ruchome elementy urządzenia. Podczas pracy na zewnątrz zaleca się zakładać obuwie antypoślizgowe. Nosić ochronne zabezpieczenie włosów, aby spiąć i osłonić dłuższe włosy.
- **Stosować środki ochrony osobistej.** Zakładać okulary ochronne. Zastosuj maskę na twarz lub maskę przeciwpyłową w przypadku wykonywania prac, podczas których powstaje dużo pyłu.
- **Stosować urządzenia wyciągowe.** Jeśli używane narzędzie posiada przyłącze do wyciągu i gromadzenia kurzu, należy go stosować.
- **Nie rozciągać nadmiernie przewodu.** Nie ciągnąć za przewód w celu wyjęcia wtyczki z gniazda sieciowego.

Przewód zasilania trzymać z dala od źródeł ciepła, oleju i ostrych krawędzi.

- **Zabezpieczyć obrabiany przedmiot.** Obrabiany przedmiot zabezpieczyć w zacisku lub imadle, o ile to możliwe. Jest to bardziej bezpieczne niż używanie dłoni.
- **Nie sięgać zbyt daleko.** Należy cały czas pewnie opierać stopy i utrzymywać równowagę.
- **Narzędzia konserwować z zachowaniem ostrożności.** Utrzymywać narzędzia tnące w czystości i naostrzone, co umożliwi uzyskanie lepszej wydajności i większego bezpieczeństwa. Przestrzegać instrukcji smarowania i wymiany przystawek i akcesoriów. Systematycznie kontrolować stan przewodów zasilających, a w przypadku stwierdzenia ich uszkodzenia, niezwłocznie dokonać naprawy w autoryzowanym serwisie. Przedłużacze należy systematycznie kontrolować i wymieniać w przypadku uszkodzenia. Rękojeści utrzymywać w czystości, muszą być zawsze suche, wolne od oleju i smarów.
- **Odłączać nieużywane narzędzia.** Gdy narzędzie nie jest używane, ma być serwisowane, przed zmianą przystawek lub akcesoriów, takich jak ostra, noże, osłony itp., należy je odłączyć od zasilania.
- **Usunąć z miejsca pracy wszelkie klucze i narzędzia.** Konieczne jest wypracowanie nawyku sprawdzania, czy wszystkie narzędzia użyte do montażu akcesoriów lub regulacji, zostały usunięte przed rozpoczęciem pracy.
- **Unikać możliwości przypadkowego uruchomienia urządzenia.** Przed podłączeniem urządzenia do prądu należy upewnić się, że wyłącznik jest w pozycji wyłączonej.
- **Używać przedłużaczy przeznaczonych do użytku na zewnątrz pomieszczeń.** W przypadku używania urządzenia na zewnątrz, ewentualne przedłużacze muszą być do tego przystosowane i odpowiednio oznaczone.
- **Zachować ostrożność i przytomność umysłu.** Obserwować wykonywane czynności, używać zdrowego rozsądku, nie używać narzędzia będąc w stanie zmęczenia.
- **Kontrolować stan techniczny poszczególnych elementów.** Przed dalszym użyciem urządzenia należy je dokładnie sprawdzić, upewniając się, że działa prawidłowo i zgodnie z przeznaczeniem. Sprawdzić wyrównanie elementów ruchomych, sprawdzić, czy wirują/poruszają się swobodnie, sprawdzić czy nie ma jakichkolwiek uszkodzeń, czy montaż jest poprawny, należy uwzględnić wszystkie aspekty mające wpływ na bezpieczną pracę urządzenia. Uszkodzone elementy należy naprawić lub wymienić w autoryzowanym serwisie, o ile nie podano inaczej w tej instrukcji. Wymienić uszkodzone wyłączniki w autoryzowanym punkcie serwisowym.
- Nie wolno używać tego urządzenia, jeśli wyłącznik nie pracuje poprawnie.
- **OSTRZEŻENIE**
Stosowanie jakichkolwiek przystawek, akcesoriów lub innych elementów, które nie zostały wymienione w tej

instrukcji grozi wypadkiem.

- **Narzędzia muszą być naprawiane przez wykwalifikowany personel.** Elektronarzędzie, którego dotyczy ta instrukcja, spełnia odpowiednie wymogi w zakresie bezpieczeństwa. Naprawy mogą być przeprowadzane wyłącznie przez wykwalifikowany personel, z użyciem oryginalnych części zamiennych, w przeciwnym wypadku może dojść do zagrożenia bezpieczeństwa użytkownika urządzenia.

PIŁA STOŁOWA/GRZBIETNICA OSTRZEŻENIA DOTYCZĄCE BEZPIECZEŃSTWA

- Stosować środki ochrony słuchu! Narażenie na hałas może spowodować utratę słuchu.
- Podczas pracy należy zawsze nosić okulary ochronne. Zalecane jest także noszenie rękawic, mocnego, nie ślizgającego się obuwia oraz ubrania roboczego.
- Podczas użytkowania elektronarzędzi lub wydmuchiwania pyłu należy zawsze nosić okulary ochronne z osłonami bocznymi. Jeśli wykonywanej pracy towarzyszy powstawanie pyłu, należy również stosować maskę przeciwpyłową.
- Maszyna jest wyposażona w specjalnie skonfigurowany przewód zasilający. Jeśli przewód zasilający jest uszkodzony lub niesprawny w inny sposób, należy zlecić jego wymianę wyłącznie producentowi lub autoryzowanemu serwisantowi.
- Przed rozpoczęciem pracy należy sprawdzić, czy wszystkie gałki blokujące i uchwyty zaciskowe są dobrze zamocowane.
- Nie używać piły bez zamontowanych osłon, szczególnie po zmianie trybu pracy. Należy zadbać o prawidłowe konserwowanie i działanie osłon.
- Nie wolno umieszczać ręki na obszarze roboczym ostrza, gdy piła jest podłączona do źródła zasilania elektrycznego.
- Nie próbować zatrzymać maszyny będącej w ruchu, poprzez przykładanie narzędzia lub innego przedmiotu do ostrza; w ten sposób może dojść do poważnych obrażeń ciała.
- Przed użyciem jakichkolwiek akcesoriów należy zapoznać się z instrukcją obsługi. Nieprawidłowe użycie akcesoriów może spowodować uszkodzenie.
- Nie zmieniać ani nie modyfikować urządzenia pod względem przeznaczenia lub działania.
- Należy upewnić się, że wszystkie elementy dystansowe i pierścienie trzpienia obrotowego są zgodne z przeznaczeniem określonym w tym podręczniku.
- Wybrać prawidłowe ostrze w celu cięcia dostarczonego materiału.
- Należy przestrzegać ograniczenia maksymalnej prędkości dot. ostrza piły. Należy upewnić się, że prędkość podana na ostrzu piły jest przynajmniej taka sama jak prędkość podana na pile.
- Podczas obsługi należy stosować uchwyt lub nosić rękawice ochronne.
- Przed użyciem należy upewnić się, czy ostrze piły jest dobrze zamontowane.
- Sprawdzić, czy ostrza obracają się w odpowiednim

kierunku. Ostrze zawsze musi być ostre.

- Należy uwzględnić specjalne tarcze o obniżonym hałasie.
- Przed zwolnieniem przycisku należy unieść ostrze z wycięcia w obrabianym kawałku.
- Ramię musi być dobrze zamocowane podczas cięć skośnych.
- Należy upewnić się, że ramię jest dobrze zamocowane w pozycji roboczej w trybie piły stołowej
- Należy upewnić się, że blat piły stołowej jest prawidłowo zamocowany na wymaganej wysokości.
- Nie klinować niczym wentylatora, aby zatrzymać wał silnika.
- Osłona ostrza piły spowoduje automatycznie podniesienie ramienia, gdy ramię zostanie opuszczone, zostanie obniżone poniżej ostrza, gdy ramię zostanie podniesione. Osłona może być uniesiona ręcznie podczas instalacji lub usuwania ostrzy piły lub podczas inspekcji piły. Nie wolno podnosić ręcznie osłony, chyba że piłą jest wyłączona.
- Otoczenie maszyny musi być dobrze utrzymane i nie mogą znajdować się w nim materiały luzem, np. wióry lub odcięte końcówki drewna.
- Co jakiś czas należy sprawdzać wloty powietrza silnika, oczyszczać i usuwać pozostałe wióry.
- Odłączyć maszynę od źródła zasilania przed rozpoczęciem jakichkolwiek czynności konserwacyjnych lub przed wymianą ostrza.
- Nie wolno wykonywać czyszczenia ani konserwacji, gdy maszyna nadal działa, a głowica nie znajduje się w położeniu spoczynkowym.
- Gdy jest to możliwe, maszynę należy zamocować do stołu i upewnić się, że jest pewnie przymocowana.
- W przypadku wykonywania cięć skośnych, grzbietowych lub złożonych, należy ustawić płatek ślizgowy, aby zapewnić odpowiedni prześwit dla aplikacji.
- Nie wolno usuwać żadnych odciętych kawałków lub innych części obrabianego materiału z obszaru cięcia, gdy piła pracuje.
- Przed pracą należy sprawdzić, czy maszyna jest umieszczona na równej i stabilnej powierzchni.
- Przed pracą należy wykonać próbne cięcie przy włączonym silniku w celu sprawdzenia położenia ostrza, działania osłon w stosunku do innych części maszyny oraz obrabianego elementu.
- Nie wolno ciąć lekkiego aluminium, a szczególnie magnezu.
- Nie stosować tarczy ciernych ani diamentowych.
- W razie wypadku lub awarii maszyny, należy natychmiast wyłączyć maszynę i odłączyć ją od źródła zasilania.
- Zgłosić awarię i oznaczyć maszynę w taki sposób, aby uniemożliwić uruchomienie uszkodzonej maszyny.
- Gdy ostrze piły zostanie zablokowane na skutek nieprawidłowego zasilania podczas cięcia, należy wyłączyć maszynę i odłączyć ją od źródła zasilania. Wyjąć obrabiany materiał i sprawdzić, czy ostrze piły obraca się swobodnie. Włączyć maszynę i

rozpocząć nowe czynności cięcia, przy obniżonej sile zasilania.

- Pozycja operatora musi być zawsze po lewej lub prawej stronie linii cięcia.
- Należy zapewnić odpowiednie ogólne lub punktowe oświetlenie, w celu wyeliminowania efektu stroboskopowego i innych zagrożeń.
- Operator musi być odpowiednio przeszkolony w zakresie użytkowania, regulacji i obsługi maszyny.
- Gdy maszyna jest nieużywana, należy ją wyłączyć
- Podłączyć pilarkę do odpylacza w przypadku piłowania drewna. Zawsze należy uwzględniać czynniki mające wpływ na pylenie, np. typ obrabianego materiału (płyta wiórowa jest bardziej pyłaca niż drewno), ustawienie ostrza piły, ustawienie lokalnego usuwania pyłu oraz okapu, deflektora i ślizgów, jak również prędkość przepływu powietrza.
- Ostrze piły musi zawsze być ostre i prawidłowo zainstalowane.
- Nie podłączać do instalacji o parametrach napięcia innych niż przeznaczone dla urządzenia.
- Nie aplikować smarów na obracające się ostrze.
- Za maszyną nie mogą znajdować się żadne osoby.
- Ze względów bezpieczeństwa zawsze należy mocować maszynę do blatu roboczego za pomocą śrub.
- Używajcie zawsze tarcz o wymiarze i kształcie dostosowanym do otworu mocującego wrzeciona. Tarcze tnące nie dostosowane do wrzeciona, na którym mają być zamontowane nie będą się należycie obracały i mogą spowodować utratę kontroli nad narzędziem.
- Stosować wyłącznie ostrza wyszczególnione w tym materiale, zgodne z EN 847-1.
- **W przypadku przycinania długich, lub dużych elementów, należy zapewnić odpowiednie podparcie po bokach stołu.** Podparcie powinno znajdować się na tej samej wysokości co stół. Trzymaj dłonie z dala od ścieżki cięcia.
- Odłączyć pilarkę od źródła zasilania przed wymianą ostrzy lub przed przeprowadzeniem czynności konserwacyjnych.
- Trzymać ręce z dala od ścieżki przesuwu piły.
- Nie wychylać się poza ostrze pilarki.
- Nie stawać na urządzeniu.
- Podczas transportu górna część ostrza piły musi być osłonięta.
- Nie używać górnej osłony do przenoszenia lub transportu.
- Nie używać piły do cięcia materiału innego niż drewno.

DODATKOWE ZASADY BEZPIECZEŃSTWA DOTYCZĄCE TRYBU PILARKI STOŁOWEJ

- Wymieniać zużyłą wkładkę stołu.
- Nie uruchamiać narzędzia bez stołu.
- Należy upewnić się, czy stół jest dobrze zamocowany.
- W przypadku wykonywania pionowych bezpośrednich cięć (cross-cut) należy prawidłowo ustawić płatek ślizgowy, aby zapewnić prześwit wielkości 15 mm

(maks.) pomiędzy ostrzem piły i płotkiem.

- Ustawić prawidłowo płatek ślizgowy, aby uniknąć kontaktu z górną osłoną.
- Nie wolno ciąć, gdy klin rozszczepiający oraz/lub górna osłona jest zdjęta.
- Sprawdzić, czy klin rozszerzający jest ustawiony w odpowiedniej odległości od ostrza maks (od 3 mm do 8 mm).
- Zawsze używać przycisku. Nie wolno ciąć materiałów mniejszych niż 30 mm.
Nie kłaść ręki bliżej niż 150 mm od ostrza piły podczas cięcia.
- Przycisk musi znajdować się w tym położeniu, gdy urządzenie nie jest używane.
- Nie stosować ostrzy o większej grubości lub mniejszej szerokości zębów niż grubość klina rozszczepiającego.
- Sprawdzić, czy ostrze obraca się w odpowiednim kierunku, a zęby są skierowane w stronę przodu stołu piły.
- Przed rozpoczęciem pracy należy sprawdzić, czy wszystkie uchwyty zaciskowe są dobrze zamocowane.
- Ramię musi być dobrze zamocowane podczas piłowania. Z maszyny można korzystać wyłącznie wtedy, gdy stół piły znajduje się w poziomym położeniu.
- Dziurkowanie, frezowanie i rowkowanie nie jest dopuszczalne.

DODATKOWE ZASADY BEZPIECZEŃSTWA DOTYCZĄCE TRYBU GRZBIETNICY

- Górna część ostrza piły musi być całkowicie zamknięta. Nie wolno zdejmować górnej osłony ostrza, gdy maszyna jest używana w trybie piły-grzbietnicy.
- Nie wolno ciąć kawałków drewna o długości poniżej 160 mm.
- Zawsze należy solidnie mocować obrabiany materiał.
- Badania dowodzą, że wibracje powodowane przez narzędzia ręczne mogą wywoływać u niektórych osób objawy syndromu Raynauda. Typowe objawy to mrowienie, drętwienie i blednięcie palców, widoczne zwykle po wystawieniu na działanie zimna. Uważa się, że czynniki dziedziczne, wystawienie na działanie zimna i wilgoci, dieta, palenie papierosów i przyjęte zwyczaje przyczyniają się do rozwoju tych objawów. Istnieją środki zaradcze, które może podjąć operator narzędzia, aby zmniejszyć efekt wibracji:
 - Zadbaj w niskich temperaturach o ciepłość własnego ciała, zakładając odpowiednie ubranie. Podczas obsługi urządzenia należy nosić rękawice, aby dłonie i nadgarstki były ciepłe. Wiadomo, że niskie temperatury są główną przyczyną powstawania objawu Raynauda.
 - Podczas przerw w pracy należy wykonywać ćwiczenia poprawiające krążenie krwi.
 - Podczas pracy robić częste przerwy. Ograniczyć ekspozycję w ciągu dnia.

W razie doświadczenia dowolnego z wymienionych objawów, należy niezwłocznie zaprzestać użytkowania tego urządzenia i skontaktować się z lekarzem.

INSTRUKCJE BEZPIECZEŃSTWA DOTYCZĄCE OSTRZA DO DREWNA

- Przed rozpoczęciem użytkowania urządzenia, należy zapoznać się z niniejszym podręcznikiem.
- Maszyna musi być w dobrym stanie, wrzeczono nie może być odkształcone ani nie może wibrować.
- Nie używać piły bez zamontowanych osłon, szczególnie po zmianie trybu pracy. Należy zadbać o prawidłowe konserwowanie i działanie osłon.
- Operator musi być odpowiednio przeszkolony w zakresie zasad bezpieczeństwa, regulacji i obsługi maszyny.
- Zawsze należy nosić okulary ochronne z bocznymi osłonami oraz zatyczki ochronne do uszu. Zalecane jest także noszenie rękawic, mocnego, nieślizgającego się obuwia oraz ubrania roboczego.
- Przed użyciem jakichkolwiek akcesoriów należy zapoznać się z instrukcją obsługi. Nieprawidłowe użycie akcesoriów może spowodować uszkodzenie.
- Stosować wyłącznie ostrza wyszczególnione w tym materiale, zgodne z EN 847-1.
- Należy przestrzegać ograniczenia maksymalnej prędkości dot. ostrza piły. Należy upewnić się, że prędkość podana na ostrzu piły jest przynajmniej taka sama jak prędkość podana na pile.
- Używajcie zawsze tarcz o wymiarze i kształcie dostosowanym do otworu mocującego wrzeciona. Tarcze tnące nie dostosowane do wrzeciona, na którym mają być zamontowane nie będą się naleźycie obracały i mogą spowodować utratę kontroli nad narzędziem.
- Nie stosować ostrzy o większej grubości lub mniejszej szerokości zębów niż grubość klina rozszczepiającego. (dla pilarki stołowej lub w trybie pilarki stołowej)
- Nie używać ostrzy o większej lub mniejszej średnicy od zalecanej średnicy ostrza. Nie stosować żadnych przekładek/podkładek, aby umożliwić dopasowanie wrzeciona.
- Przed każdym użyciem należy sprawdzić zęby pilarki stołowej w zakresie uszkodzenia lub nieprawidłowego wyglądu. Uszkodzone lub poluzowane zęby mogą oderwać się od urządzenia i spowodować obrażenia ciała.
- Nie używać pękniętych lub zniekształconych brzeszczotów! Nie używać brzeszczotów/tarcz, które są zniekształcone lub uszkodzone.
- Nie używać zdeformowanych lub uszkodzonych tarcz tnących. Nie wolno naprawiać urządzenia.
- Nie stosować ostrzy HSS.
- Przed użyciem należy upewnić się, czy ostrze piły jest dobrze zamontowane. Przed każdym użyciem należy, dokręcić mocno nakrętkę oprawki. (Moment obrotowy: 12-15 Nm)
- Śruby i nakrętki mocujące należy dokręcać odpowiednim kluczem.
- Stosowanie przedłużki klucza lub młotka do dokręcania jest niedozwolone.
- Wszystkie ostrza i krawędzie maszyny muszą być

czyste, a wpuszczone strony kołnierza muszą być skierowane w stronę ostrza.

- Sprawdzić, czy ostrza obracając się w odpowiednim kierunku.
- Przed pracą należy wykonać próbne cięcie przy włączonym silniku w celu sprawdzenia położenia ostrza, działania osłon w stosunku do innych części maszyny oraz obrabianego elementu.
- Nigdy nie należy pozostawiać maszyny bez nadzoru.
- Nie aplikować smarów na obracające się ostrze.
- Nie wolno wykonywać czyszczenia ani konserwacji, gdy maszyna nadal działa, a głowica nie znajduje się w położeniu spoczynkowym.
- Nie próbować zatrzymać maszyny będącej w ruchu, poprzez przykładanie narzędzia lub innego przedmiotu do ostrza; w ten sposób może dojść do poważnych obrażeń ciała.
- Odłączyć pilarkę od źródła zasilania przed wymianą ostrzy lub przed przeprowadzeniem czynności konserwacyjnych.
- Należy zachować ostrożność podczas pakowania i rozpakowywania ostrza. Ostrze zęby ostrza mogą spowodować obrażenia ciała.
- Podczas obsługi ostrza należy stosować uchwyt lub nosić rękawice ochronne.
- Ostrze należy przechowywać w oryginalnym opakowaniu lub innym odpowiednim opakowaniu, przechowywać w suchych warunkach oraz z dala od środków chemicznych, które mogą spowodować uszkodzenie ostrza.

BEZPIECZEŃSTWO DOTYCZĄCE LASERA

- Zastosowany w urządzeniu laser to urządzenie klasy II o mocy $\leq 1\text{mW}$ i długości fali 650 nm. Nie wolno patrzeć bezpośrednio w wiązkę lasera. Nieprzestrzeganie zasad może spowodować poważne obrażenia ciała.

LASER RADIATION
DO NOT STARE INTO BEAM
CLASS 2 LASER PRODUCT
λ: 650nm; P: 1mW
EN 60825-1:2007

Dostarczyliśmy Tobie samoprzylepną etykietę w Twoim języku: przed pierwszym uruchomieniem maszyny przyklej tę etykietę w miejscu tekstu ostrzeżenia po angielsku.

- Nie patrzeć bezpośrednio w wiązkę lasera podczas pracy.
- Nie kierować lasera w stronę oczu osób postronnych. Groziłoby to poważnym uszkodzeniem wzroku.
- Nie umieszczać lasera w sposób pozwalający na świadome lub nieświadome skierowanie wzroku bezpośrednio na promień lasera.
- Nie używać przyrządów optycznych w celu podglądu wiązki lasera.
- Nie używać lasera w pobliżu dzieci ani nie zezwalać dzieciom na jego używanie.
- Nie wolno próbować samodzielnie naprawiać lasera.
- Nie próbować samodzielnie zmieniać żadnych części

urządzenia laserowego.

- Naprawy należy powierzyć wyspecjalizowanemu serwisowi lub producentowi lasera.
- Nie wymieniać lasera na laser innego typu.

PRZEZNACZENIE

- Ta maszyna jest przeznaczona wyłącznie do cięcia wzdłużnego i poprzecznego drewna. Musi być ona dobrze przymocowana do stołu roboczego o odpowiedniej wysokości i może być obsługiwana wyłącznie przez jedną osobę.
- W trybie piły stołowej urządzenie jest przeznaczone wyłącznie do przecinania na wylot – bez wycinania szczelin ani wręgów. Maksymalna głębokość cięcia wynosi 60mm.
- W trybie cięcia ukośne dostępne są kąty ukośne od -45° do $+45^\circ$ w płaszczyźnie poziomej oraz kąty wzdłużne od 0° do 45° w płaszczyźnie pionowej. Maksymalny przekrój obrabianego elementu wynosi 70 mm x 130 mm.
- Maszyna może pracować wyłącznie w jednym trybie. Nie można używać produktu jednocześnie jako piły stołowej oraz piły grzbietnicy.

RYZYKO ZWIĄZANE Z UŻYTKOWANIEM

Nawet w przypadku użytkowania urządzenia zgodnie z przeznaczeniem, nie jest możliwe całkowite wyeliminowanie określonych zagrożeń. Następujące zagrożenia mogą wystąpić podczas używania urządzenia i operator powinien zwracać szczególną uwagę na poniższe punkty:

- Występuje ryzyko kontaktu z nieosłoniętymi częściami obracającego się ostrza piły.
- Odrzut obrabianego elementu oraz części elementów na skutek nieprawidłowego ustawienia lub obsługi.
- Odrzut z dużą siłą odłamków węglkowych z tarczy tnącej.
- Uszkodzenie układu oddechowego w przypadku braku maski przeciwpyłowej.
- Uszkodzenie słuchu w przypadku braku odpowiednich środków ochrony słuchu.

KONSERWACJA

- Kiedy silnik jest w trakcie działania nie wolno wykonywać żadnych regulacji.
- Przed przystąpieniem do wymiany szczotek, smarowania lub wykonywania dowolnych innych prac przy urządzeniu, upewnij się, że wtyczka zasilania została wyjęta z gniazda sieciowego.
- Po każdym użyciu sprawdź, czy urządzenie nie ma uszkodzonych lub zużytych elementów i utrzymuj je w dobrym stanie technicznym, wymieniając lub naprawiając niezwłocznie wszystkie wymagające tego elementy.
- Ostrze jest gorące po użyciu. Należy zachować ostrożność podczas pracy konserwacyjnych lub czyszczenia.
- Usuwać nagromadzony pył.
- Aby zapewnić bezpieczeństwo użytkownika urządzenia

i jego niezawodność, wszystkie naprawy z wyjątkiem dostępnych z zewnątrz szczotek powinny być przeprowadzane przez autoryzowany punkt serwisowy.

- Usterki urządzenia, w tym usterki osłon i ostrzy tnących powinny być zgłaszane niezwłocznie po ich stwierdzeniu.
- Uszkodzony przewód sieciowy powinien zostać wymieniony przez autoryzowany punkt serwisowy, samodzielna wymiana zagraża bezpieczeństwu użytkownika. Skontaktować się z autoryzowanym punktem serwisowym

OCHRONA ŚRODOWISKA



Surowce należy oddawać do powtórnego przetworzenia zamiast wyrzucać je na śmieci. Z myślą o ochronie środowiska, narzędzie, akcesoria i opakowania powinny być sortowane.

SYMBOL



Uwaga dotycząca bezpieczeństwa



Zgodność CE



Zgodność GOST-R



Klasa II, podwójna izolacja



Przed uruchomieniem produktu należy dokładnie przeczytać te instrukcje.



Stosować środki ochrony słuchu



Zawsze nosić okulary ochronne.



NIEBEZPIECZEŃSTWO
Tarcza tnąca powinna być ostra.



Szerokość cięcia



Liczba zębów tarczy



Idealna do drewna



Nie ciąć metali



Zakres możliwości cięcia



Nie patrzeć bezpośrednio w wiązkę lasera.



Promieniowanie lasera.
Urządzenie laserowe klasy 2
 λ : 650nm; $P \leq 1\text{mW}$
EN 60825-1:2007



Zużyte produkty elektryczne nie powinny być utylizowane z odpadami domowymi. Prosimy poddawać recyklingowi w odpowiednich miejscach. Informacje o właściwych metodach recyklingu można uzyskać u władz lokalnych lub sprzedawcy.

SYMBOLE W INSTRUKCJI



Podłączyć urządzenie do prądu.



Odłączyć urządzenie z gniazda sieciowego.



Części lub akcesoria sprzedawane oddzielnie



Zużyte produkty elektryczne nie powinny być utylizowane z odpadami domowymi. Prosimy poddawać recyklingowi w odpowiednich miejscach.



Uwaga



Ostrzeżenie

VŠEOBECNÁ BEZPEČNOSTNÍ VAROVÁNÍ

VAROVÁNÍ

Pokud používáte elektrické nástroje, měly byste dodržovat základní bezpečnostní předpisy za účelem snížení nebezpečí požáru, elektrického úrazu nebo osobní újmy, včetně následujícího. Dříve než výrobek poprvé použijete, důkladně si přečtěte tyto pokyny a poté je uschovejte.

- **Udržujte pracoviště čisté.** Zaházené oblasti a ponky vedou k poraněním.
- **Berte ohled na pracovní oblast.** Chraňte nástroje před deštěm. Nástroj nepoužívejte ve vlhkých ani mokrych prostředích. Mějte pracoviště dobře osvětleno. Nepoužívejte nástroje v přítomnosti hořlavých kapalin nebo plynů.
- **Chraňte se před zásahem elektrickým proudem.** Předcházejte tělesnému kontaktu s uzemněnými nebo zemněnými povrchy (například trubky, radiátory, sporáky, lednice).
- **Udržujte ostatní přihlížející v povzdálí.** Nenechte osoby, obzvláště děti, aby se zapojovaly do práce, dotýkat se nástroje nebo prodlužovacího kabelu a udržujte je mimo pracovní oblast.
- **Ukládejte nevyužívané nástroje.** Nástroj vždy po použití skladujte na suchém místě a mimo dosah dětí.
- **Nepoužívejte nadměrnou sílu na nástroj.** Nástroj bude svou práci provádět lépe a bezpečněji při určeném přísunu materiálu, pro který byl navržen.
- **Používejte správný nástroj.** Nepoužívejte nadměrnou sílu na malé nástroje, abyste vykonali práci jako se silnějším nástrojem. Nepoužívejte nástroj pro práce, pro které není určen, například nepoužívejte rotační pilu pro řezání větví stromu nebo kmenů.
- **Správně se oblékejte.** Nenoste volné oblečení nebo šperky, mohou se zachytit do pohyblivých částí přístroje. Noste neklouzavou obuv, která je doporučena pro venkovní práce. Máte-li dlouhé vlasy, noste pokrývku hlavy.
- **Používejte ochrannou výbavu.** Používejte bezpečnostní brýle. Při práci používejte obličejový štít nebo protiprašný respirátor, pokud při práci vzniká prach.
- **Připojte příslušenství pro odsávání prachu.** Pokud je nástroj vybaven přípojkou pro odsávání prachu a sběrným zařízením, ujistěte se, že jsou zařízení správně připojena k nástroji, a že se správně používají.
- **Nepoškoďte napájecí kabel.** Nikdy nevytrhávejte kabel ze zásuvky. Udržujte kabel mimo horké plochy, olej a ostré hrany.
- **Bezpečná práce.** Používejte svorky nebo svěrák pro přidržení obrobku. Je to bezpečnější než použití vašich rukou.
- **Nepřeceňujte se.** Udržujte řádné postavení a rovnováhu po celou dobu práce.
- **Přístroje pečlivě udržujte.** Řezací nástroje udržujte ostré a čisté, abyste dosáhli lepšího a bezpečnějšího výkonu. Postupujte dle pokynů pro mazání a výměnu příslušenství. Pravidelně kontrolujte kabely přístroje, a pokud jsou poškozeny, nechte je vyměnit v autorizovaném servisu. Pravidelně prohlížejte napájecí kabel a vyměňujte jej, pokud je poškozený. Udržujte rukojeti suché, čisté a bez mastnot a oleje.
- **Odpojte nástroje.** Před servisem, při nepoužívání nebo při výměně příslušenství, jako kotoučů, nástrojů, nožů, se musí nástroje odpojovat ze sítě.
- **Odstraňte seřizovací klíče a nástroje.** Zvykněte si, abyste vždy pohledem zkontrolovali, zda jsou z přístroje před jeho zapnutím odstraněny všechny klíče a seřizovací klíče.
- **Zabraňte náhodnému spuštění.** Zkontrolujte, zda je před zapojením do zásuvky spínač napájení v poloze „off“ (vypnuto).
- **Používejte prodlužovací kabely pro venkovní prostředí.** Pokud používáte nástroje venku, používejte správné prodlužovací kabely určené pro použití venku a také tak označené.
- **Buďte ve střehu.** Buďte ve střehu, hlídejte, co děláte a používejte zdravý rozum a neprovazujte nástroj, pokud jste unaveni.
- **Zkontrolujte, zda nejsou nějaké díly poškozeny.** Před dalším použitím přístroje je potřeba jej pozorně zkontrolovat, abyste určili, zda bude správně fungovat a vykonávat činnost, na kterou je určen. Zkontrolujte seřízení pohyblivých částí, spojení pohyblivých částí, rozbité části upevňovačů a další jiné podmínky, které mohou ovlivnit chod nástroje. Kryt nebo jiný díl, který se poškodí, je potřeba správně opravit nebo vyměnit v autorizované servisní opravě, pokud to není určeno jinak v tomto návodu k obsluze. Poškozené spínače smí vyměnit pouze pověřené servisní středisko.
- Nástroj nepoužívejte, pokud přepínač nezapíná nebo nevyplíná.
- **VAROVÁNÍ**
Používání jiného než v této příručce doporučeného příslušenství nebo doplňků může vést k poranění osob.
- **Nástroj nechávejte opravit u kvalifikované osoby.** Tento elektrický nástroj je v souladu s příslušnými bezpečnostními předpisy. Je potřeba, aby opravy vykonávali jen kvalifikované osoby pomocí originálních náhradních dílů, nedodržení pokynu může způsobit značné ohrožení uživatele.

BEZPEČNOSTNÍ VAROVÁNÍ KOMBINOVANÁ POKOSOVÁ A STOLOVÁ PILA

- Používejte chrániče sluchu. Působením hluku může dojít k poškození sluchu.
- Při práci se strojem neustále nosit ochranné brýle. Doporučuje se používat ochranné rukavice, pevnou protiskluzovou obuv a zástěru.
- Vždy noste bezpečnostní brýle nebo bezpečnostní brýle s postranními štítky, když obsluhujete elektricky poháněný nástroj nebo při rozdmýchávání (tvorbě) prachu. Pokud pracujete v prachu, noste také respirátor.
- Stroj je vybaven speciálně seřízeným napájecím kabelem. Pokud je napájecí kabel poškozen, musí být nahrazen pouze výrobcem nebo pověřeným servisním



- střediskem za účelem odstranění nebezpečí.
- Ujistěte se před obsluhou, že všechny zamykací šrouby jsou utaženy.
- Nepoužívejte pilu bez namontovaných krytů, zejména po změně režimu. Udržujte kryty v provozuschopném stavu a řádně je udržujte.
- Nikdy neumísťte ruce do oblasti kotouče, když je pila připojena ke zdroji elektrické energie.
- Nikdy se stroj nepokoušejte ihned zastavit zablokováním nástroje, můžete se těžce poranit.
- Před použitím doplňku pečlivě pročtěte návod k používání. Použití nevhodného doplňku může mít za následek poškození zařízení.
- Neměňte ani neupravujte stroj z výchozího nastavení.
- Ujistěte se, že jsou použité rozpěry a kroužky vřetena vhodné pro účely uvedené v tomto návodu.
- Zvolte správný kotouč pro řezání materiálu.
- Sledujte maximální rychlost kotouče, vyznačenou na pilovém kotouči. Ujistěte se, že je rychlostní značení pilovém kotouči alespoň stejné jako rychlostní značení na pile.
- Používejte držák či noste rukavice při obsluze pilového kotouče.
- Ujistěte se, že je pilový kotouč před použitím správně namontován.
- Ujistěte se, že se pilový kotouč otáčí ve správném směru. Udržujte nástroj nabroušen.
- Zvažte použití speciálních nízkohlučných kotoučů.
- Zvedněte kotouč ze zářezu v obrobku před uvolněním spínače.
- Ujistěte se, že je rameno bezpečně upevněno, když provádíte pokosové řezy.
- Zajistěte, aby bylo rameno připevněno v pracovní poloze v režimu stolové pily.
- Ujistěte se, že je stolní pila bezpečně připevněna ve zvolené výšce.
- Nevkládejte klín do motoru pro zastavení hřídele.
- Kryt kotouče na pile se automaticky zvedne, když se rameno uvede dolů, sníží se nad kotouč, když se rameno zvedne. Kryt lze zvednout ručně při instalaci či demontáži pilových kotoučů či při inspekci pily. Kryt kotouče nezvedejte, dokud se pila nevypne.
- Udržujte okolí stroje čisté, bez volných materiálů, např. pilin a odřezků.
- Pravidelně kontrolujte, že ventilační otvory pro motor jsou čisté a bez pilin.
- Odpojte stroj z napájecí zásuvky před prováděním údržbářských prací, nebo když měníte kotouč.
- Nikdy nečistěte či neudržujte, když stroj ještě běží nebo hlava není v klidové poloze.
- Je-li to možné, vždy montujte stroj k ponku a kontrolujte bezpečnost zajištění k ponku.
- U pokosových, šikmých a složených řezech seřídte posuvný doraz pokosu pro zajištění správné vzdálenosti pro používání.
- Vyhněte se odstraňování odřezků z řezací oblasti, když pila běží.

- Před prací zkontrolujte, že je stroj umístěn na vodorovné ploše s dostatečnou stabilitou.
- Před prací proveďte zkušební řez bez zapnutého motoru tak, aby se dala zkontrolovat poloha nože, funkčnost krytů s ohledem na ostatní části stroje a obrobek.
- Nikdy neřežte lehké slitina, zejména hořčík.
- Nepoužívejte brusné či diamantové disky.
- V případě nehody či selhání stroje jej ihned vypněte a odpojte od napájení.
- Označte stroj, že je nefunkční, aby na něm nepracovali jiní pracovníci.
- Zablokuje-li se kotouč nadměrnou silou přísunu během řezání, vypněte stroj a odpojte od napájení. Odeberte obrobek a ujistěte se, že pila volně běží. Zapněte stroj a spusťte nové řezání se sníženou rychlostí posuvu
- Ujistěte se, že je vaše pracovní pozice po levé či pravé řezací dráze.
- Poskytněte vhodné prostorové či bodové osvětlení, aby se zabránilo stroboskopickému efektu a nebezpečím.
- Ujistěte se, že je obsluha vhodně proškolená pro použití, seřízení a obsluhu stroje.
- Vypínejte nehlídaný stroj.
- Připojte pilu ke sběrači prachu, když řežete dřevo. Vždy zvažujte faktory ovlivňující vystavení prachu jako typ materiálu, který se má obrábět (dřevotříska produkuje víc prachu jak dřevo), seřízení pilového kotouče, seřízení místního odběru jako i krytů, příček a žlabů, a rychlosti vzduchu s prachem
- Udržujte nástroj nabroušen a správně nastaven.
- Neprovozujte na jiném než předepsaném napětí.
- Nemažte kotouč, když běží.
- Nedovolte, aby se někdo zdržoval za strojem.
- Pro bezpečnost přimontujte stroj k ponku šrouby.
- Vždy používejte kotouč odpovídající velikosti a tvaru s vhodným upínacím průměrem. Pilové kotouče s nesprávným upínacím průměrem se nebudou správně otáčet na hřídeli. Navíc existuje riziko, že ztratíte kontrolu nad nářadím.
- Používejte pouze kotouče určené manuálem, dle EN 847-1.
- **Pokud řežete dlouhé a velké obrobky, vždy poskytněte adekvátní opěru po stranách stolu.** Podpora by měla být ve stejné výšce jako stůl. Vždy udržujte ruce mimo dráhu stolu.
- Odpojte stroj z napájecí zásuvky před prováděním údržbářských prací, nebo když měníte kotouč.
- Vždy udržujte ruce mimo dráhu řezného kotouče.
- Nesahejte do okolí pilového kotouče.
- Na přístroj si nestoupejte.
- Během přepravování se musí horní část pilového kotouče zakrýt.
- Nepoužívejte horní kryt pro manipulaci či transport.
- Nepoužívejte pilu pro řezání jiného materiálu než dřeva.



DOPLŇKOVÉ BEZPEČNOSTNÍ POKYNY PRO REŽIM STOLOVÉ PILY

- Vyměňte opotřebenou stolní vložku.
- Nástroj nepoužívejte bez stolových vložek.
- Ujistěte se, že je stůl bezpečně upevněn.
- Provádíte-li vertikální přímé příčné řezy, seřídte správně posuvný doraz pokosu pro zajištění 15 mm (maximum) vzdálenosti mezi kotoučem a dorazem.
- Seřídte posuvný doraz tak, abyste se vyhnuli hornímu krytu.
- Nikdy nástroj neprovozujte, je-li jakýkoliv štípací nůž nebo horní kryt odstraněn.
- Ujistěte se, že je štípací nůž nastaven na správnou vzdálenost od kotouče (mezi 3 mm a 8 mm).
- Vždy používejte přitlačovací tyč. Nikdy neřezejte obrobek menší jak 30 mm.
Nikdy neumísťujte své ruce do menší jak 150 mm blízkosti od kotouče.
- Vždy uchovávejte přitlačovací tyč na svém místě, když ji nepoužíváte.
- Nepoužívejte kotouče s tloušťkou větší či šířkou zubu menší, než tloušťka štípacího nože.
- Ujistěte se, že se pilový kotouč otáčí ve správném směru a zub pilového kotouče směřuje na předek stolu pily.
- Ujistěte se před obsluhou, že všechny svorky jsou utaženy.
- Ujistěte se, že je rameno bezpečně upevněno, když provádíte řezy. Používejte stroj pouze s pracovním stolem ve vodorovné poloze.
- Není povoleno drážkování, srážení či děrování.

DOPLŇKOVÉ BEZPEČNOSTNÍ POKYNY PRO REŽIM POKOSOVÉ PILY

- Ujistěte se, že je horní část pilového kotouče plně zakryta. Nikdy nesundávejte horní kryt kotouče, když používáte stroj v pokosovém režimu.
- Nikdy neřezejte obrobek menší jak 160 mm.
- Obrobek vždy bezpečně upínejte.
- Bylo zjištěno, že vibrace z ručních pracovních nástrojů mohou u některých osob přispívat ke stavu tzv. Raynaud's Syndrome (Raynaudovu syndromu). Mezi jeho příznaky patří brnění, necitlivost a zbledení prstů, patrné obvykle po pobytu v chladu. Vědci se domnívají, že k rozvinutí těchto příznaků přispívají dědičné faktory, pobyt v chladu a vlhku, strava, kouření a pracovní návyky. Uživatel může omezit případné působení vibrační použitím vhodných opatření:
 - Za chladného počasí se teple oblečte. Při práci s nástrojem si navlékněte rukavice, abyste udrželi ruce a zápěstí v teple. Bylo zjištěno, že chladné počasí je hlavním faktorem přispívajícím k Raynaud's Syndrome (Raynaudovu syndromu).
 - Během práce si v pravidelných intervalech zacvičte, abyste zvýšili krevní oběh.
 - Zařazujte časté pracovní přestávky. Omezte dobu práce za den.Jakmile pocítíte některý z výše uvedených příznaků

tohoto syndromu, okamžitě přerušte práci a vyhledejte lékaře.

BEZPEČNOSTNÍ POKYNY ŘEZNÝ KOTOUČ PRO DŘEVO

- Nepoužívejte stroj aniž byste si přečetli tento návod.
- Stroj musí být v dobrém stavu, včetně bez deformací a vibrací.
- Nepoužívejte pilu bez namontovaných krytů, zejména po změně režimu. Udržujte kryty v provozuschopném stavu a řádně je udržujte.
- Zajistěte odpovídající školení obsluhy o bezpečnosti, seřízení a obsluze stroje.
- Během údržby noste vždy ochranu sluchu a očí s bočními štíty. Doporučuje se používat ochranné rukavice, pevnou protiskluzovou obuv a zástěru.
- Před použitím doplňku pečlivě pročtěte návod k používání. Použití nevhodného doplňku může mít za následek poškození zařízení.
- Používejte pouze kotouče určené manuálem, dle EN 847-1.
- Sledujte maximální rychlost kotouče, vyznačenou na pilovém kotouči. Ujistěte se, že je rychlostní značení pilového kotouče alespoň stejné jako rychlostní značení na pile.
- Vždy používejte kotouč odpovídající velikosti a tvaru s vhodným upínacím průměrem. Pilové kotouče s nesprávným upínacím průměrem se nebudou správně otáčet na hřídeli. Navíc existuje riziko, že ztratíte kontrolu nad nářadím.
- Nepoužívejte kotouče s tloušťkou větší či šířkou zubu menší, než tloušťka štípacího nože. (pro stolovou pilu nebo v režimu stolové pily)
- Nepoužívejte kotouče o menším či větším průměru, než doporučeném. Nepoužívejte distanční vložky pro upevnění kotouče na vřeteně.
- Kontrolujte před každým použitím zuby kotouče na poškození či neobvyklý vzhled. Poškozené či uvolněné zuby mohou během používání odlétávat a zvýšit riziko poranění osob.
- Nepoužívejte prasklé nebo polámané pilové kotouče. Nepoužívejte poškozené nebo deformované pilové listy.
- Nikdy nepoužívejte kotouč pily, který je poškozen či deformován. Opravy nejsou přípustné.
- Nepoužívejte HSS kotouče.
- Ujistěte se, že je pilový kotouč před použitím správně namontován. Bezpečně utáhněte matici včetně před každým použitím. (Točivý moment: 12-15 Nm)
- Upevňovací šrouby a matice je nutné utahovat vhodným klíčem.
- Utahování údery kladivem či prodlužování páky není povoleno.
- Zajistěte, aby všechny kotouče a příruby byly čisté a zahlušené strany objímek byly proti kotouči.
- Ujistěte se, že se pilový kotouč otáčí ve správném směru.
- Před prací proved'te zkušební řez bez zapnutého

motoru tak, aby se dala zkontrolovat poloha nože, funkčnost krytů s ohledem na ostatní části stroje a obrobek.

- Příklad nikdy nenechávejte bez dozoru.
- Nemažte kotouč, když běží.
- Nikdy nečistěte či neudržujte, když stroj ještě běží nebo hlava není v klidové poloze.
- Nikdy se stroj nepokoušejte ihned zastavit zablokováním nástroje, můžete se těžce poranit.
- Odpojte stroj z napájecí zásuvky před prováděním údržbářských prací, nebo když měníte kotouč.
- Při balení či rozbalování kotouče se lze snadno poranit ostrými zuby kotouče.
- Používejte držák kotouče či při manipulaci s kotoučem noste rukavice.
- Uchovávejte a skladujte kotouč v originálním obalu či jiném vhodném obalu, uchovávejte v suchu a mimo působení chemikálií poškozujících kotouč.

LASEROVÁ BEZPEČNOST

- Průvodní laserové vodící vyzařování použité v pile je třídy 2 s maximem $\leq 1\text{mW}$ a vlnovými délkami 650 nm. Nikdy se nedívejte přímo do laserového paprsku. Nedodržení pravidel může způsobit vážné osobní poranění.



Dodaly jsme vám rovněž štítek ve vašem jazyce a nyní vás prosím žádáme, abyste jej nalepili na anglický text varovného štítku před prvním uvedením stroje do provozu.

- Nedívejte se do paprsku během práce.
- Nemiřte přímo laserový paprsek do očí ostatních. Následkem může být vážné zranění oka.
- Neumísťujte laser do polohy, která může způsobit, že se jiné osoba (y) dívají ať už náhodně nebo úmyslně do laserového paprsku.
- Nepoužívejte optické nástroje pro sledování laserového paprsku.
- Nepoužívejte laser blízko dětí nebo nenechte děti pracovat s tímto laserem.
- Nepokoušejte se sami laserové zařízení opravovat.
- Nezkoušejte sami měnit jakoukoliv část laserového zařízení.
- Opravy smí být prováděny jen kvalifikovaným výrobcem laseru nebo pověřeným pracovníkem.
- Neměňte laser za jiný typ.

ZAMÝŠLENÉ POUŽITÍ

- Stroj je výhradně určen pro rozřezávání a příčné řezy ve dřevě. Musí být bezpečně upevněno k vhodné vysokému ponku a obsluhu smí provádět jen jedna osoba.
- V režimu stolové pily provádějte pouze rozřezání,

nikoliv drážky či žlábků. Maximální kapacita je 60mm.

- V pokosovém režimu jsou možné pokosové horizontální úhly -45° až $+45^\circ$ a vertikální úhel zkosení 0° až 45° . Maximální průřez obrobku je 70 mm x 130 mm.
- Tento výrobek je navržen pro používání pouze v jednom režimu. Režim stolové a pokosové pily nelze používat současně.

ZBYTKOVÁ RIZIKA

Dokonce, i když se zařízení provozuje jak je předepsáno, je stále nemožné zcela eliminovat veškeré zbytkové rizikové faktory. Následující nebezpečí mohou nastat při používání; vyhýbejte se:

- Nebezpečí kontaktu s nezakrytými částmi rotujícího kotouče.
- Zpětný vrh obrobku a částí obrobku při nesprávné obsluze.
- Vymrštění ulomených zubů pilového kotouče.
- Poškození plic, pokud se nenosí účinný respirátor.
- Poškození sluchu, pokud se nenosí účinná ochrana sluchu.

ÚDRŽBA

- Neprovádějte žádná seřizování, pokud je motor v provozu.
- Vždy zajistěte, aby byla zástrčka stroje odpojena od zdroje napájení před výměnou kartáčů, maziva nebo když provádíte jakékoliv práce či údržbu na stroji.
- Po každém použití zkontrolujte svůj stroj na poškozené či poničené díly a udržujte jej v bezchybném provozním stavu okamžitou výměnou či opravou dílů.
- Kotouč se používáním zahřívá, pozor tedy při údržbě či čištění.
- Vyčistěte nanesený prach.
- Pro zajištění bezpečnosti a spolehlivosti musí provádět všechny opravy autorizované servisní středisko mimo externě přístupných kartáčů.
- Selhání na stroji, včetně chráničů nebo pilových kotoučů je třeba ihned nahlásit, jakmile se zjistí.
- Pokud je napájecí kabel poškozen, musí být nahrazen pouze výrobcem nebo pověřeným servisním střediskem za účelem odstranění nebezpečí. Kontaktujte pověřené servisní středisko

OCHRANA ŽIVOTNÍHO PROSTŘEDÍ



V rámci možností neodhazujte vysloužilé nářadí do domovního odpadu a upřednostněte jeho recyklaci. V souladu s předpisy na ochranu životního prostředí odkládejte vysloužilé nářadí, příslušenství i obalový materiál do tříděného odpadu.

SYMBOL



Bezpečnostní výstraha



Shoda CE



Shoda GOST-R



Třída II, dvojité izolováno



Před použitím přístroje si prosím řádně přečtěte tyto pokyny.



Noste ochranu sluchu



Vždy noste ochranu očí.



NEBEZPEČÍ
Ostrý kotouč.



Šířka řezu



Zub kotouče



Ideální pro dřevo



Neřezejte kov



Maximální prořez



Nedívejte se do paprsku.



Laserové záření.
Laserový výrobek třídy 2
 λ : 650nm; $P \leq 1\text{mW}$
EN 60825-1:2007



Odpad elektrických výrobků se nesmí likvidovat v domovním odpadu. Recyklujte prosím na sběrných místech. Ptejte se u místních úřadů nebo prodejce na postup při recyklaci.

SYMBOLY POUŽITÉ V NÁVODU



Zapojte do přístroje.



Odpojte nástroj.



Díly nebo příslušenství jsou v prodeji samostatně



Odpad elektrických výrobků se nesmí likvidovat v domovním odpadu. Recyklujte prosím na sběrných místech.



Poznámka



Varování

ÁLTALÁNOS BIZTONSÁGI FIGYELMEZTETÉSEK

⚠ FIGYELEM

Elektromos gépek használatakor a tűz, elektromos áramütés és a személyi sérülés veszélyének csökkentése érdekében az alapvető biztonsági óvintézkedéseket mindig be kell tartani, beleértve a következőket is. Mielőtt a termék használatával próbálkozik, olvassa el az összes utasítást, és őrizze meg a későbbi használatra.

- **Tartsa tisztán a munkaterületet.** A rendetlen munkafelület balesetveszélyes.
- **Vizsgálja át a munkaterületet.** Ne tegye ki a gépeket esőnek. Nedves vagy vizes területeken ne használja a gépeket. Jól világítsa meg a munkaterületet. Gyúlékony folyadékok vagy gázok jelenlétében ne használja a gépeket.
- **Védekezzen az áramütés ellen.** Kerülje a testi érintkezést földelt felületekkel (pl. csövekkel, radiátorokkal, hűtőkkel).
- **Tartson távol másokat a munkaterülettől.** Ne hagyja, hogy más személyek, különösen gyerekek részt vegyenek a munkában, megérintsék a szerszámot vagy a hosszabbító kábelt, és tartsa távol őket a munkaterülettől.
- **Tegye el a gépet, ha nem használja.** Használaton kívül a szerszámgepeket valamilyen száraz, zárt helyen, gyerekektől elzárva kell tárolni.
- **Ne erőltesse a gépet.** A gép jobban teljesít és biztonságosabban dolgozik olyan sebességgel használatakor, amilyenre azt tervezték.
- **A megfelelő szerszámot használja.** Ne erőltesse a kisméretű géppel való munkát olyan esetekben, ahol a feladatot egy nagyobb szerszámmal könnyebb elvégezni. Ne használja a rendeltetésének nem megfelelő célra a gépet.
- **Viseljen megfelelő ruházatot.** Ne viseljen laza ruházatot vagy ékszereket, amelyek beakadhatnak a mozgó alkatrészekbe. Kültéri munkához csúszásmentes lábbeli viselete javasolt. Ha hosszú a haja, viseljen hajvédőt.
- **Használjon védőfelszerelést.** Viseljen védőszemüveget. Viseljen arcvédőt vagy pormaszkot, ha a munka során por keletkezik.
- **Csatlakoztassa a porkivezető berendezést.** Ha a gép el van látva porkivezető vagy gyűjtő berendezésekhez való csatlakozási lehetőséggel, akkor ügyeljen arra, hogy ezeket csatlakoztassák és megfelelően használják.
- **Ne rongálja meg a kábelt.** Ne rántsa meg a kábelt a hálózathoz való lecsatlakoztatáskor. Hőtől, olajtól és éles szélektől tartsa távol a kábelt.
- **Rögzítse a munkadarabot.** Ahol lehetséges, használjon szorítókat vagy satut a munkadarab rögzítésére. Biztonságosabb, mintha a kezét használná.
- **Ne hajoljon ki túlságosan.** Mindig tartson megfelelő

testtartást és egyensúlyt.

- **A szerszámok karbantartását kellő alapossgal végezze.** A vágószerszámokat tartsa élesen és tisztán, hogy teljesítményük jobb és biztonságosabb legyen. Tartozékcseré és kenés esetén kövesse az útmutatóban leírtakat. Rendszeresen ellenőrizze a gép kábeleit, és sérülés esetén egy hivatalos szervizközpontban javíttassa meg. Rendszeresen ellenőrizze a hosszabbító kábelt, és cserélje ki, ha sérült. A fogantyúkat tartsa szárazon, tisztán, olajtól és kenőzsírtól mentesen.
- **Csatlakoztassa le a gépeket a hálózathoz.** Használaton kívül, szervizelés előtt, valamint a tartozékok, például kések, bitek és vágók cseréjekor csatlakoztassa le a gépet az elektromos hálózatról.
- **Távolítsa el a beállító kulcsokat és csavarkulcsokat.** Bekapcsolás előtt szokásszerűen ellenőrizze, hogy a csavarkulcsokat és a beállító kulcsokat eltávolította a gépről.
- **Kerülje el a véletlen bekapcsolást.** A hálózathoz való csatlakoztatáskor ellenőrizze, hogy a kapcsoló "ki" állásban van.
- **Kültéri használatra való kábeleket használjon.** A szerszám kültéri használata során csak kültéri használatra is alkalmas és így is jelölt hosszabbító kábeleket használjon.
- **Legyen mindig éber.** Figyeljen arra, amit csinál, használja az összes érzékszervét, és ne használja a szerszámgepet, ha fáradt.
- **Ellenőrizze a sérült alkatrészeket.** A készüléket a további használata előtt ellenőrizni kell, hogy képes megfelelően működni és ellátni a funkcióját. Ellenőrizze a mozgó alkatrészek elrendezését, összekapcsolódását, az alkatrészek törését, rögzítését és minden más körülményt, ami hatással lehet a működésre. Ha egy védőlemez vagy más alkatrész megsérült, azt egy hivatalos szervizközpontban kell megjavíttatni vagy kicseréltetni, hacsak a kezelői útmutató másként nem rendel. A hibás csatlakozásokat egy hivatalos szervizközpontban ki kell cseréltetni.
- Ne használja a gépet, ha a csatlakozó nem csatlakozik be vagy ki.
- **FIGYELEM**
A használati utasításban nem javasolt tartozékok vagy kiegészítők használata személyi sérülés veszélyét jelentheti.
- **A gépet képzett szakemberrel kell megjavíttatni.** Ez az elektromos szerszámgepet megfelel a vonatkozó biztonsági szabályoknak. A javításokat csak képzett szakember végezheti el eredeti cserealkatrészek használatával, máskülönben ez jelentős veszélyt eredményezhet a felhasználó számára.

KOMBINÁLT GÉRVÁGÓ ÉS ASZTALI FŰRÉSZ BIZTONSÁGI FIGYELMEZTETÉSEK

- Viseljen hallásvédőt. A fokozott zajhatás hosszú távon a hallás elvesztését eredményezheti.
- Munkavégzés közben ajánlatos védőszemüveget viselni. Védőkesztyű, zárt és csúszásmentes cipő, valamint védőkötény használata szintén javasolt.

EN
FR
DE
ES
IT
NL
PT
DA
SV
FI
NO
RU
PL
CS
HU
RO
LV
LT
ET
HR
SL
SK
EL
TR

- Elektromos szerszámgépek használatakor vagy a por kifúvásakor mindig viseljen védőszemüveget, ami a szemet oldalról is védi. Ha a használat poros környezetben történik, vegyen fel egy pormaszkot is.
- A gép egy speciálisan konfigurált tápkábelrel van ellátva. Ha a tápkábel sérült vagy más módon meghibásodott, azt a veszélyek elkerülése érdekében csak a szervizszakember cserélheti ki.
- Bármilyen művelet megkezdése előtt ellenőrizze, hogy az összes rögzítógomb meg van húzva.
- Ne használja a fűrész, ha a védőburkolatok nincsenek a helyükön, különösen üzemmódváltás után. A védőberendezések legyenek működőképesek, megfelelően karbantartott állapotban.
- Ne tegye egyik kezét sem a fűrészlap területére, ha a fűrész csatlakoztatva van az elektromos áramforráshoz.
- Ne próbálja hirtelen megállítani a gépet, ha mozgásban van, úgy, hogy beakaszt egy szerszámot vagy más tárgyat a fűrészlapba, mert ez súlyos balesetet okozhat.
- Bármilyen tartozék használata előtt olvassa el a használati útmutatót. Egy kiegészítő nem megfelelő használata sérülést okozhat.
- Ne alakítsa át és ne módosítsa a berendezés eredeti kialakítását vagy funkcióját.
- Ügyeljen arra, hogy a használt távtartók és tengelygyűrűk a kézikönyvben megadottaknak megfelelően alkalmasak legyenek a célra.
- Válassza ki a vágandó anyaghoz megfelelő fűrészlapot.
- Ügyeljen a fűrészlapon látható maximális fordulatszámra. Ügyeljen arra, hogy a fűrészlap oldalán megadott fordulatszámérték legalább annyi legyen, mint a fűrészben megadott.
- Használjon tartót vagy viseljen kesztyűt a fűrészlap kezelésekor.
- Használat előtt győződjön meg róla, hogy a fűrészlap megfelelően rögzítve van.
- Ellenőrizze, hogy a fűrészlap a megfelelő irányba forog. Tartsa élesen a fűrészlapot.
- Vegye fontolóra speciális zajcsökkentő fűrészlapok felszerelését.
- Emelje ki a fűrészlapot a járatból és a munkadarabból a kapcsoló felengedése előtt.
- Ügyeljen arra, hogy a kar erősen rögzítve legyen ferdevágások végrehajtásakor.
- Ügyeljen arra, hogy asztali fűrész módban a kar biztosan legyen működési helyzetben rögzítve.
- Ügyeljen arra, hogy az fűrészasztal biztosan legyen rögzítve a kiválasztott magasságban.
- Ne tartson semmit a ventilátorhoz, hogy megállítsa a motortengelyt.
- A fűrészben található fűrészlapvédő automatikusan megemelkedik a kar lenyomásakor, ráfekszik a fűrészlapra a kar felengedésekor. A védőburkolat kézzel felemelhető a fűrészlap eltávolításakor vagy leszerelésekor vagy a fűrész átvizsgálásakor. Ne emelje fel kézzel a fűrészlapvédőt addig, amíg a fűrész nincs kikapcsolva.
- A gép környezetét tartsa jól karban és laza anyagoktól, például faforgácstól és nyesedékektől mentesen.
- Rendszeresen ellenőrizze, hogy a motor szellőzőnyílásai tiszták és forgácsmentesek.
- Válassza le a gépet a hálózatról bármilyen karbantartási munka elvégzése előtt vagy a fűrészlap cseréjekor.
- Ne hajtson végre semmilyen tisztítási vagy karbantartási műveletet, ha a gép még forog és a fej nincs nyugalmi pozícióban.
- Ha lehet, mindig rögzítse a gépet egy munkapadhoz, és ellenőrizze a padhoz rögzítés biztonságosságát.
- Gérvágás, ferdevágás vagy kombinált vágások végrehajtásakor állítsa be a gérvágó vezetősínt, hogy biztosítsa a megfelelő hézagot az alkalmazás számára.
- Tartózkodjon a munkadarab levágott vagy más darabjainak a vágási területről való eltávolításától a fűrész működése közben.
- A munka megkezdése előtt ellenőrizze, hogy a gép egy vízszintes felületre van helyezve, és elég stabil.
- A munka megkezdése előtt bekapcsolt motor nélkül végezzen egy próbavágást a vágótárcsa helyzetére, a védőberendezések működésére, a gép más részei és a munkadarab helyzete ellenőrzésére céljából.
- Ne vágjon könnyűfémeket, különösen ne magnéziumot.
- Ne használjon semmilyen csiszoló vagy gyémánttárcsát.
- Baleset vagy a gép meghibásodása esetén azonnal kapcsolja ki a gépet, és válassza le a hálózati áramforrásról.
- Jelentse a meghibásodást és jelölje meg a gépet, hogy megakadályozza a meghibásodott gép más személyek általi használatát.
- Ha vágás közben a fűrészlap a túl nagy adagolási sebesség miatt beakadt, kapcsolja ki a gépet, és válassza le a hálózati áramforrásról. Távolítsa el a munkadarabot, és biztosítsa a fűrészlap szabad forgását. Kapcsolja be a gépet, és kezdjen meg egy új vágást lassúbb adagolással.
- Ügyeljen rá, hogy a pozíciója mindig a vágásvonalától jobbra vagy balra legyen.
- Biztosítson megfelelő általános vagy helyi világítást, hogy elkerülje a stroboszkóp hatást és a veszélyeket.
- Ügyeljen arra, hogy a kezelő megfelelően ki legyen képezve a gép használatára, beállítására és működtetésére.
- Ha a gép felügyelet nélkül van, kapcsolja ki.
- Fa fűrészeléskor csatlakoztassa a fűrész a porgyűjtőhöz. Mindig vegye figyelembe a porkezelést meghatározó tényezőket, például a megmunkált anyag típusát (a faforgácslapból több por keletkezik, mint a fából), a fűrészlap beállítását, az elszívás beállítását, valamint a burkolatokat, terelőket, csúszdákat és a por terjedési sebességét.
- Tartsa élesen és megfelelően beállítva a fűrészlapot.
- Ne próbálja meg az előírt feszültségtől eltérő feszültségen használni a gépet.
- Ne vigyen fel kenőanyagot a fűrészlapra, ha forog.
- Ügyeljen rá, hogy a báméskodók ne álljanak a gép mögé.
- A saját biztonsága érdekében mindig rögzítse

csavarokkal a gépet egy munkapadra.

- Kizárólag olyan tárcsákat használjon, melyek mérete és formája megfelel a tengely furatátmérőjének. Egy, a hajtótengelynek nem megfelelő fűrész tárcsa nem fog megfelelőképp forogni, és így ahhoz vezethet, hogy elveszíti uralmát a gép felett.
- Csak az útmutatóban meghatározott fűrészlapot használjon, amely megfelel az EN 847-1 előírásainak.
- **Hosszú vagy nagy munkadarabok vágásakor mindig használjon támasztékot az asztal két oldalán.** A támasztéknak ugyanolyan magasnak kell lennie, mint az asztal. Mindig tartsa távol a kezeit az asztal útjából.
- Válassza le a fűrészlapot a hálózatról a fűrészlapok cseréje vagy karbantartás végrehajtása előtt.
- A kezeit tartsa távol a fűrészlap vágásvonalától.
- Ne hajoljon át a fűrészlap fölött, sem pedig mögé.
- Ne álljon a gép tetejére.
- Szállítás során ügyeljen rá, hogy a fűrészlap felső része le legyen takarva.
- Ne használja a felső védőburkolatot fogásra vagy szállításra.
- Ne használja a fűrészlapot eltérő anyag vágására.

KIEGÉSZÍTŐ BIZTONSÁGI UTASÍTÁSOK ASZTALI KÖRFÜRÉSZ ÜZEMMÓDHOZ

- Az elhasznált asztalbetétet ki kell cserélni.
- Ne működtesse a gépet behelyezett asztalbetét nélkül.
- Ellenőrizze, hogy az asztal erősen rögzítve van.
- Függőleges egyenes keresztvágások végrehajtásakor pontosan állítsa be a vezetősínt, hogy biztosítson 15 mm (maximum) távolságot a fűrészlap és a vezetősín között.
- Állítsa be pontosan a vezetősínt, hogy elkerülje annak a felső védőburkolattal való érintkezését.
- Ne vágjon, ha a hasítóké és/vagy a felső védőburkolat el van távolítva.
- Ügyeljen rá, hogy a hasítóké a pontos távolságra legyen beállítva a fűrészlaptól (3 mm és 8 mm között).
- Mindig használja a tolórudat. Ne vágjon 30 mm-nél kisebb munkadarabokat. Ne helyezze a kezeit 150 mm-nél közelebb a fűrészlaphoz vágás közben.
- Mindig tartsa a helyén a tolórudat, ha nincs használatban.
- Ne használjon a hasítóké vastagságánál vastagabb vagy vékonyabb fogú fűrészlapokat.
- Ellenőrizze, hogy a fűrészlap a megfelelő irányba forog, és a fogak a fűrészpad eleje felé néznek.
- Bármilyen művelet megkezdése előtt ellenőrizze, hogy az összes bilincsfogantyú meg van húzva.
- Ügyeljen arra, hogy fűrészeléskor a kar rögzítve legyen. Csak akkor használja a gépet, ha a fűrész munkaasztala vízszintes állásban van.
- Hornyolás, falcolás vagy barázdázás nem engedélyezett.

KIEGÉSZÍTŐ BIZTONSÁGI UTASÍTÁSOK GÉRVÁGÓ FÜRÉSZ ÜZEMMÓDHOZ

- Biztosítsa, hogy a fűrészlap felső része teljesen be legyen fedve. Ne távolítsa el a felső fűrészlapvédőt, ha a gépet gérvágó fűrész üzemmódban használja.
- Ne vágjon 160 mm-nél rövidebb munkadarabokat.
- Mindig biztonságosan rögzítse a munkadarabot.
- Arról számoltak be, hogy a kéziszerszámok használata során fellépő vibráció bizonyos személyeknél hozzájárulhat az úgynevezett Raynaud-szindróma (Raynaud's Syndrome) nevű állapot kialakulásához. A tünetei lehetnek: az ujjak zsibbadása, elfehéredése, szúrások érzése, amelyek hidegnek kitéve gyakran felerősödnek. Az öröklődő tényezők, a hidegnek kitettség és verejtékezés, a diéta, a dohányzás és munka közben alkalmazott fogások valószínűleg mind hozzájárulhatnak ezen tünetek megjelenéséhez. A vibráció hatásainak csökkentése érdekében a kezelőnek be kell tartani az alábbi óvintézkedéseket:
 - Hideg időben tartsa melegen a testét. A gép használatakor viseljen kesztyűt a kéz és a csukló melegen tartásához. Arról számoltak be, hogy a hideg időjárásnak fontos szerepe van a Raynaud-szindróma kialakulásában.
 - Bizonyos időtartamú használat után mindig végezzen gyakorlatokat a vérkeringés javításához.
 - Gyakran tartson munkaszünetet. Korlátozza a napi munkaidőt.

Ha ezen állapot bármelyik tünetét tapasztalja, azonnal hagyja abba a munkát, és tájékoztassa az orvosát a tünetekről.

BIZTONSÁGI ÚTMUTATÓ FAVÁGÓ LAPOKHOZ

- A gép használata előtt olvassa el az utasításokat a kézikönyvben.
- A gépnek jó állapotban kell lennie, az orsó nem lehet deformált és nem rezeghet.
- Ne használja a fűrészlapot, ha a védőburkolatok nincsenek a helyükön, különösen üzemmódváltás után. A védőberendezések legyenek működőképesek, megfelelően karbantartott állapotban.
- Ügyeljen arra, hogy a kezelő ismerje a biztonsági óvintézkedéseket, és a gép beállításának és működtetésének módját.
- Mindig viseljen oldalellenzős szemvédőt, valamint fülvédőt is. Védőkesztyű, zárt és csúszásmentes cipő, valamint védőkötény használata szintén javasolt.
- Bármilyen tartozék használata előtt olvassa el a használati útmutatót. Egy kiegészítő nem megfelelő használata sérülést okozhat.
- Csak az útmutatóban meghatározott fűrészlapot használjon, amely megfelel az EN 847-1 előírásainak.
- Ügyeljen a fűrészlapon látható maximális fordulatszámra. Ügyeljen arra, hogy a fűrészlap oldalán megadott fordulatszámérték legalább annyi legyen, mint a fűrészben megadott.
- Kizárólag olyan tárcsákat használjon, melyek mérete és formája megfelel a tengely furatátmérőjének. Egy, a hajtótengelynek nem megfelelő fűrész tárcsa nem fog

EN
FR
DE
ES
IT
NL
PT
DA
SV
FI
NO
RU
PL
CS
HU
RO
LV
LT
ET
HR
SL
SK
EL
TR

megfelelőképp forogni, és így ahhoz vezethet, hogy elveszíti uralmát a gép felett.

- Ne használjon a hasítókécs vastagságánál vastagabb vagy vékonyabb fogú fűrészlapokat. (asztali fűrész vagy asztali fűrész módban)
- Ne használjon az ajánlottól nagyobb vagy kisebb átmérőjű fűrészlapokat. Ne használjon távtartókat ahhoz, hogy a fűrészlap illeszkedjen az orsóra.
- Minden használat előtt ellenőrizze a fűrészlap élet sérülések vagy látható elváltozások tekintetében. A sérült vagy rosszul rögzített élek használat közben kirepülhetnek, ami személyi sérülést okozhat.
- Tilos repedt vagy deformált fűrészlapot használni! Ne használjon sérült vagy deformálódott vágólapot.
- Ne használja a fűrészlapot, ha megsérült vagy deformálódott. A javítás nem engedélyezett.
- Ne használjon HSS fűrészlapokat.
- Használat előtt győződjön meg róla, hogy a fűrészlap megfelelően rögzítve van. Használat előtt erősen húzza meg a tengelyen levő csavaranyát. (Nyomaték: 12-15 Nm)
- A rögzítőcsavarokat és -anyákat a megfelelő kulccsal meg kell húzni.
- Kulcshosszabbító használata vagy behúzás a kulcs szárának kalapáccsal való ütésével nem engedélyezett.
- Ellenőrizze, hogy a teljes fűrészlap és peremek tiszták, és a gallér rovátkás oldala van a fűrészlapnál.
- Ellenőrizze, hogy a fűrészlap a megfelelő irányba forog.
- A munka megkezdése előtt bekapcsolt motor nélkül végezzen egy próbavágást a vágótárcsa helyzete, a védőberendezések működése, a gép más részei és a munkadarab helyzete ellenőrzése céljából.
- Soha ne hagyja a gépet felügyelet nélkül.
- Ne vigyen fel kenőanyagot a fűrészlapra, ha forog.
- Ne hajtson végre semmilyen tisztítási vagy karbantartási műveletet, ha a gép még forog és a fej nincs nyugalmi pozícióban.
- Ne próbálja hirtelen megállítani a gépet, ha mozgásban van, úgy, hogy beakaszt egy szerszámot vagy más tárgyat a fűrészlapba, mert ez súlyos balesetet okozhat.
- Válassza le a fűrészlapot a hálózatról a fűrészlapok cseréje vagy karbantartás végrehajtása előtt.
- Figyeljen oda a fűrészlap ki- és becsomagolásakor, könnyen megsérülhet az éles élek miatt.
- Használjon tartót vagy viseljen kesztyűt a fűrészlap kezelésekor.
- A fűrészlapot az eredeti csomagolásban vagy más erre alkalmas tartóban tárolja, száraz helyen és a fűrészlapot esetleg károsító vegyszerektől távol.

A LÉZER BIZTONSÁGOS HASZNÁLATA

- A fűrészben használt lézersugár besorolása: Class 2, legfeljebb $\leq 1\text{mW}$ teljesítménnyel és 650 nm hullámhosszal. Ne nézzen közvetlenül a lézersugárba. A szabályok mellőzése súlyos személyi sérülést eredményezhet.



Egy az Ön nyelvén írt szöveget tartalmazó öntapadó címkét adtuk Önnek, és arra kérjük, hogy cserélje le erre az angol nyelvű figyelmeztető címkét a gép első átvétele előtt.

- Ne nézzen a sugárba a gép használata közben.
- Ne irányítsa a lézersugarat mások szemébe. Ez komoly szemsérülést eredményezhet.
- Ne tegye le a lézert olyan helyzetben, hogy valaki szándékosan vagy véletlenül a lézersugár útjába kerülhessen.
- Ne használjon optikai eszközöket a lézersugár láthatóvá tételére.
- Ne használja a lézert gyerekek mellett, és ne engedje, hogy azt gyerekek használják.
- Ne próbálja egyedül megjavítani a lézerberendezést.
- Ne próbálja meg önmaga kicserélni a lézerkészülék egyik alkatrészét sem.
- A javításokat csak a lézer gyártója vagy a hivatalos szervize végezheti el.
- Ne cserélje ki a lézert más típusúra.

RENDELTETÉSSZERŰ HASZNÁLAT

- Ez a gép kizárólag fa hosszanti és keresztvágására használható. Egy megfelelő magasságú munkapadra kell erősen rögzíteni, és egy személy működtetheti.
- Asztali fűrész módban csak átvágásra használható, nem használható bevágások és falcok készítésére. A maximális vágási teljesítmény 60mm.
- Gérvágó fűrész módban a vízszintes gérvágási szög -45° -tól $+45^\circ$ -ig, a függőleges ferdevágás szöge pedig 0° -tól 45° -ig változtatható. Munkadarab maximális keresztmetszete: 70 mm x 130 mm.
- A gép csak egy módban működtethető. Nem lehetséges egyszerre asztali fűrészként és gérvágó fűrészként való használatra.

VISSZAMARADÓ KOCKÁZATOK

Bizonyos visszamaradó kockázati tényezőket a gép előírások szerinti használatakor sem lehet teljesen kiküszöbölni. A gép használata során a következő veszélyek merülhetnek fel, és a kezelőnek különösen oda kell figyelnie az alábbiak elkerülésére:

- Érintkezésveszély a forgó fűrészlap nem védett részeivel.
- A munkadarab és a munkadarab részeinek visszarúgása helytelen beállítás vagy kezelés következtében.
- Hibás karbid élek letörése a fűrészlapról.
- A légzőrendszer károsodása léphet fel, ha nem viselnek hatékony pormaszkot.
- Halláskárosodás a fül viseletének elmulasztása miatt.

KARBANTARTÁS

- Semmilyen beállítást ne végezzen a készüléken, ha a motor üzemben van.
- A kefék cseréjekor, a gép kenésekor, vagy más munkák és karbantartás végzése esetén ügyeljen arra, hogy a gép ki legyen húzva az elektromos hálózathoz.
- Minden használat után ellenőrizze a gépet sérült vagy törött alkatrészek tekintetében, és a hibás darabok azonnali javítása vagy cseréje révén biztosítsa a gép működőképességét.
- A fűrészlap a használat után forró, elővigyázatosan járjon el a karbantartási vagy tisztítási művelet során.
- Tisztítsa meg a felgyülemlett portól.
- A biztonság és a megbízható működés érdekében minden javítást - kivéve a kívülről is elérhető kefék cseréjét - a hivatalos szervizközpontban kell elvégezni.
- A gép meghibásodását, beleértve a védőburkolatok vagy a fűrészlapok meghibásodását is, az észlelést követően a lehető leghamarabb be kell jelenteni.
- Ha a tápkábel sérült, azt a veszélyek elkerülése érdekében csak a gyártó vagy annak hivatalos szervizközpontja cserélheti ki. Lépjen kapcsolatba egy hivatalos szervizközponttal

KÖRNYEZETVÉDELEM



Segítse elő az alapanyagok újrahasznosítását azzal, hogy nem helyezi el őket a háztartási szemétként. Környezetvédelmi megfontolásból az elhasználdott gépet és tartozékokat, valamint a csomagolóanyagokat szelektív módon kell gyűjteni.

SZIMBÓLUM



Biztonsági figyelmeztetés



CE megfelelés



GOST-R megfelelés



II. osztály, kettős szigetelés



Kérjük, olvassa át gondosan ezt az útmutatót a termék beindítása előtt.



Viseljen fülvédőt



Mindig viseljen védőszemüveget.



VESZÉLY
Éles fűrészlap.



Vágás szélessége



Fűrészlap fogai



Ideális fához



Ne vágjon fémet



Vágásteljesítmény (vágási vastagság)



Ne nézzen a lézersugárba.



Lézersugárzás.
2. osztályú lézeres termék
 λ : 650nm; $P \leq 1$ mW
EN 60825-1:2007



A kiselejtezett elektromos termékeket nem szabad a háztartási hulladékkal együtt kidobni. Ezeket újra kell hasznosítani, ha van rá lehetőség. Az újrahasznosítással kapcsolatban érdeklődjön a helyi önkormányzatnál vagy a termék forgalmazójánál.

A KÉZIKÖNYVBEN HASZNÁLT SZIMBÓLUMOK



Dugja be a gépet a hálózatba.



Húzza ki a gépet az elektromos hálózathoz.



Külön értékesített alkatrészek és kiegészítők



A kiselejtezett elektromos termékeket nem szabad a háztartási hulladékkal együtt kidobni. Ezeket újra kell hasznosítani, ha van rá lehetőség.



Megjegyzés



Figyelem

AVERTISMENTE GENERALE PRIVIND SIGURANȚA

⚠ AVERTISMENT

Atunci când folosiți scule electrice, măsuri de siguranță de bază trebuie întotdeauna urmate pentru a reduce riscul de incendiu, electrocutare sau vătămare personală incluzând următoarele. Citiți toate instrucțiunile înainte de a încerca să operați produsul și păstrați aceste instrucțiuni.

- **Păstrați curățenia la locul de muncă.** Zonele și bancurile de lucru dezordonate favorizează accidentele.
- **Țineți cont de mediul de lucru.** Nu expuneți unelte la ploaie. Nu utilizați uneltele în locuri umede sau cu apă. Păstrați spațiul de lucru bine luminat. Nu utilizați uneltele în prezența lichidelor sau a gazelor inflamabile.
- **Protecție împotriva electrocutării.** Evitați contactul corpului cu suprafețele conectate la pământ sau la masă (de ex. conducte, radiatoare, mașini de gătit, frigidere).
- **Nu lăsați alte persoane să se apropie.** Nu lăsați persoanele, în special copii, să se implice în lucrare, să atingă unealta sau cablul prelungitor și nu le permiteți să se apropie de zona de lucru.
- **Depozitați uneltele inactive.** Când nu este utilizată, unealta trebuie depozitată într-un loc uscat prevăzut cu încuietoare și nu trebuie lăsată la îndemâna copiilor.
- **Nu forțați unealta.** Acesta va realiza operația mai bine și mai sigur, la viteza pentru care a fost conceput.
- **Utilizați unealta potrivită.** Nu utilizați uneltele cu capacitate mică pentru lucrări destinate uneltelor cu capacitate mare. Nu utilizați unelte pentru alte scopuri decât cele destinate, de exemplu, nu utilizați ferăstrăul circular pentru a tăia crengi sau trunchiuri de copac.
- **Îmbrăcați-vă corespunzător.** Nu purtați haine prea largi sau bijuterii, acestea pot fi prinse în piesele mobile. Când lucrați afară este recomandată încălțăminte anti-alunecare. Purtați protecție care acoperă părul, pentru a proteja părul lung.
- **Utilizați echipament de protecție.** Utilizați ochelari de protecție. Utilizați o mască de gaze sau o mască antipraf, dacă se creează praf în timpul lucrărilor.
- **Conectați echipamentul de extracție a prafului.** Dacă unealta este prevăzută pentru conectarea echipamentului de extracție și de colectare a prafului, asigurați-vă că acestea sunt conectate și utilizate corect.
- **Nu forțați cablul.** Nu trageți niciodată de cablu pentru a-l deconecta de la priză. Țineți cablul la distanță de căldură, ulei și muchii ascuțite.
- **Securizați lucrarea.** Când este posibil, utilizați dispozitive de fixare sau o menghină pentru a fixa piesa de lucru. Este mai sigur decât să vă utilizați mâinile.
- **Nu vă întindeți excesiv.** În timpul operării dispozitivului, păstrați-vă în permanență echilibrul și stabilitatea.
- **Întrețineți unealta cu grijă.** Păstrați uneltele de tăiere ascuțite și curate, pentru performanță mai bună și

mai sigură. Urmăți instrucțiunile pentru lubrifierea și schimbarea accesoriilor. Verificați cablurile uneielte periodic și, dacă sunt deteriorate, acestea trebuie reparate de un centru de service autorizat. Inspectați cordoanele de racord în mod periodic și înlocuiți-le dacă sunt deteriorate. Păstrați mânerul uscat, curat și fără pete de ulei și vaselină.

- **Deconectați uneltele.** Când nu sunt utilizate, înainte de revizie și când schimbați accesoriile, precum lame, burghie și cuțite, deconectați uneltele de la alimentarea electrică.
- **Îndepărtați cheile de reglare.** Formați-vă obiceiul de a verifica dacă ați scos toate cheile și duliile de reglare din unealtă înainte de pornirea acesteia.
- **Evitați pornirea accidentală.** Asigurați-vă că comutatorul este în poziția "off" (oprit) la conectarea la priza electrică.
- **Utilizați cabluri prelungitoare pentru exterior.** Când unealta este utilizată în exterior, utilizați doar cabluri de prelungire destinate pentru exterior și marcate corespunzător.
- **Fiți vigilenți.** Fiți atenți la ceea ce faceți, acționați cu simț practic și nu folosiți unealta atunci când sunteți obosiți.
- **Verificați părțile deteriorate.** Înainte de utilizarea uneielte, aceasta trebuie verificată cu atenție, pentru a determina dacă va funcționa corect și dacă își va îndeplini funcția destinată. Verificați alinierea pieselor mobile, lipirea pieselor mobile, spargerea pieselor, montarea și orice alte stări care pot afecta funcționarea acestora. O protecție sau altă piesă care este deteriorată trebuie reparată sau înlocuită în mod corect de un centru de service autorizat, dacă nu se indică altfel în acest manual de instrucțiuni. Comutatoarele defecte trebuie înlocuite de un centru de service autorizat.
- Nu utilizați unealta, în cazul în care comutatorul nu o poate porni și opri.
- **AVERTISMENT**
Utilizarea oricărui accesoriu sau dispozitiv atașabil, cu excepția celor care sunt recomandate de acest manual de instrucțiuni poate prezenta risc de vătămare corporală.
- **Unealta trebuie reparată de o persoană calificată.** Această unealtă electrică respectă regulile de siguranță relevante. Reparațiile trebuie efectuate doar de persoane calificate, utilizând piese de schimb originale, în caz contrar există pericole considerabile pentru utilizator.

AVERTIZĂRI DE SIGURANȚĂ FERĂSTRĂU DE MASĂ PENTRU TĂIERI ÎNCLINATE ȘI FERĂSTRĂU MECANIC

- Purtați aparatoare de urechi. Expunerea la zgomot poate produce pierderea auzului.
- Purtați întotdeauna ochelari de protecție atunci când utilizați mașina. Se recomandă purtarea mănușilor, a încălțăminte solide nealunecoase și a șorțului de protecție.
- Atunci când operați scula electrică sau când îndepărtați



praful, purtați întotdeauna ochelari de protecție sau ochelari de protecție cu apărători laterale. Dacă mediu de lucru este plin de praf, purtați întotdeauna o mască împotriva prafului.

- Acest aparat este echipat cu un cablu de alimentare special configurat. În cazul în care cablul de alimentare este deteriorat sau defect, aceasta trebuie să fie înlocuit doar de către producător sau de către un agent autorizat de reparații.
- Asigurați-vă că toate butoanele de blocare sunt strânse înainte de a începe orice operațiune.
- Nu folosiți ferăstrăul fără a avea apărătorii la locul lor, în special după schimbarea modului. Țineți apărătorii în stare bună de funcționare și întreținute corespunzător.
- Nu țineți niciodată mâinile în zona pânzei atunci când ferăstrăul este conectat la sursa de energie electrică.
- Nu încercați niciodată să opriți rapid un aparat în mișcare prin blocarea cu o unealtă sau cu alte mijloace a pânzei, accidente grave pot fi cauzate neintenționat în acest fel.
- Înainte de a utiliza orice accesoriu, consultați manualul de instrucțiuni. Folosirea incorectă a unui accesoriu poate provoca daune.
- Nu modificați unitatea de la designul original sau funcția originală.
- Asigurați-vă că orice distanțier și inele ale axului folosite sunt destinate scopului menționat în acest manual.
- Selectați pânda corectă pentru materialul care urmează să fie tăiat.
- Respectați turația maximă marcată pe pânda de ferăstrău. Asigurați-vă că viteza marcată pe discul ferăstrăului este cel puțin egală cu viteza marcată pe ferăstrău.
- Folosiți un suport sau purtați mănuși atunci când manipulați o pânda de ferăstrău.
- Asigurați-vă că pânda de ferăstrău este montată corect înainte de utilizare.
- Asigurați-vă că pânda se rotește în direcția corectă. Păstrați pânda ascuțită.
- Luați în considerare aplicarea de pânze concepute pentru reducerea zgomotului.
- Ridicați lama din fanta piesei de prelucrat înainte de a elibera comutatorul.
- Asigurați-vă că brațul este bine fixat când efectuați tăieri oblice.
- Asigurați-vă că brațul este prins fix în poziția de lucru în modul banc de ferăstrău.
- Asigurați-vă că placa mesei fierăstrăului este prinsă fix la înălțimea aleasă.
- Nu fixați nimic în ventilator pentru a ține axul motorului.
- Protecția pânzei pe ferăstrău se va ridica automat când brațul este coborât, aceasta va coborî peste pânda când brațul este ridicat. Protecția poate fi ridicată manual la instalarea sau scoaterea pânzelor de ferăstrău sau la inspectarea ferăstrăului. Nu ridicați niciodată protecția pânzei manual, cu excepția cazului în care ferăstrăul este oprit.
- Păstrați zona din jurul aparatului bine întreținută și fără materiale libere, cum ar fi așchii și bucăți de material tăiate.
- Verificați periodic dacă fantele de aerisire a motorului sunt curate și fără așchii.
- Deconectați aparatul de la rețeaua de alimentare înainte de a efectua orice lucrare de întreținere sau la schimbarea pânzei.
- Nu efectuați niciodată orice lucrare de întreținere sau de curățare atunci când aparatul este încă în funcțiune, iar capul nu este în poziția de repaus.
- Atunci când e posibil, montați întotdeauna mașina pe un banc și verificați la siguranța fixării pe banc.
- Când efectuați o tăieri oblice, conice sau oblice combinate, ajustați ghidajul de înclinare glisant pentru a asigura distanța corectă pentru aplicare.
- Nu scoateți nicio piesă tăiată sau alte părți ale piesei de prelucrat din zona de tăiere în timpul funcționării ferăstrăului.
- Înainte de începerea lucrărilor, verificați dacă aparatul este plasat pe o suprafață plană cu suficientă stabilitate.
- Înainte de lucru, faceți o tăiere de probă fără a avea motorul pornit în așa fel încât poziția discului, funcționarea apărătorilor față de alte părți ale aparatului și a piesei de lucru să poată fi verificate.
- Nu tăiați niciodată aliaj ușor, mai ales de magneziu.
- Nu utilizați discuri abrazive sau cu diamant.
- În cazul de accident sau de avarie a aparatului, opriți imediat aparatul și deconectați aparatul de la sursa de alimentare.
- Raportați avaria și marcați aparatul pentru a împiedica alte persoane să utilizeze aparatul defect.
- Dacă pânda ferăstrăului este blocată din cauza forței anormale de introducere în timpul tăierii, opriți aparatul și deconectați-l de la sursa de alimentare. Scoateți piesa de lucru și asigurați-vă că pânda de ferăstrău se învâрте liber. Porniți aparatul și începeți o operațiune de tăiere nouă cu forță de împingere redusă.
- Asigurați-vă că poziția dvs. este întotdeauna la stânga sau la dreapta liniei de tăiere.
- Asigurați iluminare generală adecvată sau localizată pentru a preveni efectul stroboscopic și pericolele.
- Asigurați-vă că operatorul este instruit în mod adecvat pentru utilizarea, reglarea și funcționarea aparatului.
- Opriți aparatul când este nesupravegheat.
- Conectați ferăstrăul la un colector de praf când tăiați lemn. Luați întotdeauna în considerare factorii care influențează expunerea de praf, cum ar fi tipul de material ce trebuie prelucrat (PAL-ul produce praf mai mult decât lemnul), ajustarea pânzei de ferăstrău, ajustarea extracției locale, precum și capacele, deflectoarele și pâlniile și viteza în aer a prafului
- Păstrați pânda ferăstrăului ascuțită și setată corespunzător.
- Nu alimentați aparatul decât la tensiunea nominală.
- Nu aplicați lubrifianti pe pânda atunci când aceasta este în funcțiune.
- Asigurați-vă că trecătorii nu stau în spatele aparatului.



- Pentru siguranța dvs., montați întotdeauna aparatul pe banc de lucru cu ajutorul șuruburilor.
- Utilizați întotdeauna lame de mărimea și forma adaptate la diametrul axului. Lamele neadaptate la axul pe care trebuie să fie montate nu se vor roti corect și pot conduce la o pierdere a controlului asupra aparatului.
- Folosiți numai pânze specificate în acest manual, în conformitate cu EN 847-1.
- **Atunci când tăiați piese de lucru lungi sau mari, asigurați întotdeauna un sprijin adecvat în părțile laterale ale mesei.** Sprijinul trebuie să fie la aceeași înălțime cu masa. Țineți întotdeauna mâinile departe calea mesei.
- Deconectați ferăstrăul de la sursa de alimentare înainte de a schimba pânzele sau de a efectua întreținerea.
- Țineți întotdeauna mâinile departe de pânza de ferăstrău.
- Nu vă apropiați prin spatele pânzei de ferăstrău.
- Nu stați pe partea superioară a aparatului.
- În timpul transportului, asigurați-vă că partea superioară a pânzei de ferăstrău este acoperită.
- Nu utilizați protecția superioară pentru manipulare sau transport.
- Nu folosiți ferăstrăul pentru tăierea altor materiale, cu excepția lemnului.

NORME SUPLIMENTARE DE SIGURANȚĂ PENTRU MODUL FERĂSTRĂU CIRCULAR CU MASĂ

- Înlocuiți inserția uzată a mesei.
- Nu folosiți unealta fără inserția mesei.
- Asigurați-vă că masa este bine fixată.
- Când efectuați tăieri transversale drepte verticale, reglați ghidajul glisant corect pentru a asigura o distanță de 15 mm (maxim) între pânza de fierăstrău și ghidaj.
- Reglați ghidajul glisant în mod corect pentru a evita contactul cu dispozitivul de protecție superior.
- Nu tăiați niciodată când cuțitul de despicare și/sau protecția superioară sunt eliminate.
- Asigurați-vă că cuțitul de despicare este ajustat la distanța corectă față de pânză (între 3 mm și 8 mm).
- Utilizați întotdeauna tija de împingere. Nu tăiați piese de lucru mai scurte de 30 mm.
Nu țineți niciodată mâinile la mai puțin de 150 mm de pânza de ferăstrău în timpul tăierii.
- Păstrați întotdeauna tija de împingere la locul său, când nu este utilizată.
- Nu folosiți pânze de ferăstrău cu o grosime mai mare sau cu o lățime de dinte mai mică decât grosimea de cuțitului de despicare.
- Asigurați-vă că pânza se rotește în direcția corectă și dinții sunt orientați către partea frontală a bancului ferăstrăului.
- Asigurați-vă că toate mânerele de strângere sunt strânse înainte de a începe orice operațiune.
- Asigurați-vă că brațul este bine fixat când tăiați. Utilizați aparatul numai când masa bancului ferăstrăului este în poziție orizontală.
- Mortezatul, fălțuirea sau canelarea nu sunt permise.

NORME SUPLIMENTARE DE SIGURANȚĂ PENTRU MODUL FERĂSTRĂU UNGHIULAR

- Asigurați-vă că partea superioară a pânzei de ferăstrău este complet închisă. Nu scoateți protecția pânzei superioare când utilizați aparatul în modul ferăstrău unghiular.
- Nu tăiați piese de lucru mai scurte de 160 mm.
- Prindeți întotdeauna piesa de lucru în condiții de siguranță.
- S-a raportat faptul că vibrațiile produse de unelte manuale pot contribui, la anumite persoane, la o afecțiune denumită Sindromul Raynaud. Simptomele pot include furnicături, amorțeală și albirea degetelor, care apare, de obicei, după expunerea la frig. Factori ereditari, expunerea la frig și umiditate, dieta, fumatul și practicile de muncă contribuie la dezvoltarea acestor simptome. Există măsurător care pot fi efectuate de către operator pentru a reduce efectele de vibrațiilor:
 - Păstrați-vă temperatura corporală ridicată pe vreme rece. Când operați unitatea purtați mănuși pentru a vă menține mâinile și încheieturile la căldură. S-a constatat că vremea rece este un factor major care contribuie la sindromul Raynaud.
 - După fiecare perioadă de operare, trebuie făcute exerciții pentru a crește circulația sângelui.
 - Trebuie făcute pauze la intervale de timp regulate. Limitați expunerea zilnică.

Dacă sunt experimentate oricare dintre simptomele acestei afecțiuni, trebuie întreruptă utilizarea și consultat un medic.

INSTRUCȚIUNI DE SIGURANȚĂ ALE DISCULUI DE TĂIAT LEMN.

- Citiți instrucțiunile din acest manual înainte de operarea unelei.
- Aparatul trebuie să fie într-o stare bună, fusul să fie nedeformat și să nu aibă vibrații.
- Nu folosiți ferăstrăul fără a avea apărătorile la locul lor, în special după schimbarea modului. Țineți apărătorile în stare bună de funcționare și întreținute corespunzător.
- Asigurați-vă că operatorul este instruit corespunzător privind precauțiile de siguranță, reglarea și operarea aparatului.
- Purtați întotdeauna ochelari de protecție cu apărători laterale, împreună cu protecție auditivă. Se recomandă purtarea mănușilor, a încălțămintei solide nealunecoase și a șorțului de protecție.
- Înainte de a utiliza orice accesoriu, consultați manualul de instrucțiuni. Folosirea incorectă a unui accesoriu poate provoca daune.
- Folosiți numai pânze specificate în acest manual, în conformitate cu EN 847-1.
- Respectați turația maximă marcată pe pânza de ferăstrău. Asigurați-vă că viteza marcată pe discul ferăstrăului este cel puțin egală cu viteza marcată pe ferăstrău.
- Utilizați întotdeauna lame de mărimea și forma adaptate la diametrul axului. Lamele neadaptate la axul pe

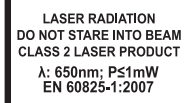
care trebuie să fie montate nu se vor roti corect și pot conduce la o pierdere a controlului asupra aparatului.

- Nu folosiți pânze de ferăstrău cu o grosime mai mare sau cu o lățime de dinte mai mică decât grosimea de cuțitului de despicare. (pentru modul fierăstrău circular sau în modul fierăstrău circular)
- Nu folosiți pânze cu diametrul mai mare sau mai mic decât cel recomandat. Nu utilizați distanțiere pentru a fixa pânza pe ax.
- Verificați vârful discului să nu fie deteriorate sau să nu aibă un aspect anormal după fiecare folosire. Vârfulurile ce sunt deteriorate sau slăbite pot deveni obiecte aruncate în timpul folosirii și cresc șansele de vătămare personală.
- Nu folosiți lame de ferăstrău crăpate sau deformate. Nu folosiți pânze de circular deteriorate ori deformate.
- Nu folosiți niciodată o pânză de ferăstrău deteriorată sau deformată. Nu este permisă repararea.
- Nu utilizați pânze din oțel rapid (HSS).
- Asigurați-vă că pânza de ferăstrău este montată corect înainte de utilizare. Strângeți complet piulița axului înainte de fiecare utilizare. (Cuplu: 12-15 Nm)
- Strângerea șuruburilor și piulițelor trebuie să fie făcută folosind o cheie de piulițe corespunzătoare.
- Folosirea de prelungire la cheia de piulițe sau strângerea folosind lovitură de ciocan nu este permisă.
- Asigurați-vă că toate pânzele și flanșele sunt curate și laturile încastrate ale manșonului se sprijină pe pânză.
- Asigurați-vă că pânza se rotește în direcția corectă.
- Înainte de lucru, faceți o tăiere de probă fără a avea motorul pornit în așa fel încât poziția discului, funcționarea apărătorilor față de alte părți ale aparatului și a piesei de lucru să poată fi verificate.
- Nu lăsați niciodată aparatul nesupravegheat
- Nu aplicați lubrifiant pe pânză atunci când aceasta este în funcțiune.
- Nu efectuați niciodată orice lucrare de întreținere sau de curățare atunci când aparatul este încă în funcțiune, iar capul nu este în poziția de repaus.
- Nu încercați niciodată să opriți rapid un aparat în mișcare prin blocarea cu o unealtă sau cu alte mijloace a pânzei, accidente grave pot fi cauzate neintenționat în acest fel.
- Deconectați ferăstrăul de la sursa de alimentare înainte de a schimba pânzele sau de a efectua întreținerea.
- Fiți atent la împachetarea și despachetarea discului, este foarte ușor să fiți rănit de vârfulurile ascuțite ale discului.
- Folosiți o sculă de prindere a discului sau purtați mănuși când manipulați un disc.
- Păstrați și depozitați discul în ambalajul original sau alte ambalaje potrivite, păstrați în condiții uscate și ferit de substanțe chimice ce pot deteriora discul.

SIGURANȚĂ LASER

- A fűrészben használt lézersugár besorolása: Class 2, legfeljebb ≤1mW teljesítménnyel és 650 nm hullámhosszal. Nu priviți direct în raza laser.

Neurmarea acestor reguli poate rezulta în vătămare personală gravă.



V-am furnizat o etichetă autocolantă în limba dumneavoastră și vă cerem să o așezați în locul etichetei de avertizare în engleză înainte de a opera aparatul

- Nu priviți în rază în timpul funcționării.
- Nu proiectați raza laser direct în ochii altor persoane. Pot rezulta leziuni oculare grave.
- Nu amplasați laserul într-o poziție în care se poate privi în fascicul intenționat sau neintenționat.
- Nu utilizați instrumente optice pentru a vizualiza raza laser.
- Nu folosiți laserul în preajma copiilor și nu permiteți copiilor să opereze cu laserul.
- Nu încercați să reparați dispozitiv cu laser de unul singur.
- Nu încercați să schimbați nicio piesă a dispozitivului laser.
- Orice reparații trebuie să fie efectuate numai de către producătorul laserului sau de către agent de service autorizat.
- Nu înlocuiți laserul cu un alt laser, de alt tip.

DOMENIU DE APLICAȚII

- Acest aparat este proiectat doar pentru operațiuni de sfășiere și tăiere transversală a lemnului. Trebuie fixat sigur la o înălțime potrivită a bancului de lucru, și este proiectat să fie operat de către o singură persoană doar.
- În modul ferăstrău de masă, este doar pentru tăieri în lungime, fără operațiuni de tăiere crestate sau în trepte. Capacitatea maximă de tăiere este 60mm.
- În modul ferăstrău tăieri înclinate, unchiurile de tăiere înclinate orizontale de la -45° la + 45° precum și unghiuri verticale oblice între 0° și 45° sunt posibile. Lungimea maximă de tăiere dreaptă a piesei de lucru este de 70 mm x 130 mm.
- Aparatul este proiectat să funcționeze doar într-un mod de funcționare. Nu este posibil să folosiți produsul ca ferăstrău de masă și ferăstrău pentru tăieri înclinate în același timp.

RISCURI REZIDUALE

Chiar și atunci când unealta este folosită conform instrucțiunilor, eliminarea completă a anumitor factori de risc rezidual este, totuși, imposibilă. Următoarele pericole ar putea apărea în timpul folosirii iar operatorul trebuie să acorde o atenție specială pentru a evita următoarele:

- Risc de contact cu părți neacoperite ale discului de tăiere în rotire.
- Recul a pieselor de lucru și a părților pieselor de lucru datorită reglării și manipulării incorecte.

- Catapultarea vârfurilor de carbură defecte ale pânzei de ferăstrău.
- Dăunare a sistemului respirator dacă nu se poartă mască împotriva prafului.
- Afectiuni ale auzului, dacă nu este purtată protecție pentru auz.

ÎNȚREȚINEREA

- Nu efectuați nici un reglaj când motorul este în mișcare.
- Asigurați-vă întotdeauna că ștecherul utilajului a fost scos din priză de perete înainte de a schimba perii, a lubrifia sau când efectuați orice lucrări de întreținere pe unealtă.
- După fiecare utilizare, verificați dacă unealta este deteriorată sau are piese defecte și păstrați-o în cea mai bună stare de funcționare prin repararea sau înlocuirea pieselor imediat.
- Discul este fierbinte după folosire, fiți atent în timpul procedurilor de întreținere și curățare.
- Curățați praful acumulat.
- Pentru a asigura siguranța și fiabilitatea, toate reparațiile cu excepția celor la periele externe accesibile trebuie să fie efectuate de către un centru de service autorizat.
- Defecțiunile uneltei, inclusiv ale protecțiilor sau ale pânzelor de ferăstrău, trebuie să fie raportate de îndată ce sunt descoperite.
- Dacă cordonul de alimentare electrică este deteriorat, acesta trebuie înlocuit de către producător sau de către un centru de service autorizat pentru a evita riscurile. Contactați Centrul de service autorizat

PROTECȚIA MEDIULUI ÎNCONJURĂTOR



Reciclați materiile prime în loc să le aruncați la gunoi, împreună cu deșeurile menajere. Pentru a proteja mediul înconjurător, mașina, accesoriile acesteia și ambalajele trebuie triate.

SIMBOL



Alertă de siguranță



Conform CE



Conform GOST-R



Clasa II, dublu izolat



Citiți instrucțiunile cu atenție înainte de pornirea produsului.



Purtați echipamente de protecție a auzului



Purtați întotdeauna ochelari de protecție.



PERICOL
Pânză ascuțită.



Lățime a tăierii



Dinte lamă



Ideal pentru lemn



Nu tăiați metal



Capacitate de tăiere



Nu priviți direct în rază.



Radiație laser.
Produs cu laser clasa 2
 λ : 650nm; $P \leq 1$ mW
EN 60825-1:2007



Deșeurile produselor electrice nu trebuie să fie eliminate împreună cu deșeurile casnice. Vă rugăm să reciclați acolo unde există facilități. Verificați la autoritatea dvs. locală sau la vânzător pentru sfaturi privind reciclarea.

SIMBOLURILE DIN MANUAL



Conectați dispozitivul.



Deconectați unealta.



Piese sau accesorii vândute separat



Deșeurile produselor electrice nu trebuie să fie eliminate împreună cu deșeurile casnice. Vă rugăm să reciclați acolo unde există facilități.



Notă



Avertisment

EN

FR

DE

ES

IT

NL

PT

DA

SV

FI

NO

RU

PL

CS

HU

RO

LV

LT

ET

HR

SL

SK

EL

TR

VISPĀRĪGIE DROŠĪBAS BRĪDINĀJUMI

⚠ BRĪDINĀJUMS

Izmantojot elektriskos instrumentus, vienmēr jāievēro pamata drošības piesardzība, lai samazinātu uguns, elektrošoka un ievainojuma riskus, tai skaitā turpmāk minēto. Pirms mēģināt izmantot šo produktu, izlasiet un saglabājiet šos norādījumus.

- **Darba vietai jābūt tīrai.** Nekārtīgas darba zonas un darbgaldi var būt traumu iemesls.
- **Pārdomājiet darba zonas vidi.** Nepakļaujiet instrumentus lietus iedarbībai. Nelietojiet instrumentus mitrās vietās. Darba vietai jābūt labi apgaismotai. Neizmantojiet instrumentus ugunsnedrošu šķidrumu vai gāzu klātbūtnē.
- **Sargieties no elektriskās strāvas trieciena.** Ķermenis nedrīkst pieskarties zemētām virsmām (piemēram, caurulēm, radiatoriem, plītim, ledusskapjiem).
- **Citām personām ir jāatrodas pietiekamā atstatumā.** Neļaujiet nepiederošām personām, it īpaši bērniem, iesaistīties darbā, pieskarties instrumentam vai pagarinātājkabeļiem un atrasties darba zonā.
- **Glabājiet nelietojamus instrumentus.** Kad instrumenti netiek lietoti, tie jāglabā sausā, slēgtā, bērniem nepieejamā vietā.
- **Nepārslogojiet instrumentu.** Tas darbosies labāk un drošāk ar paredzētajiem apgrīzieniem.
- **Izmantojiet pareizo instrumentu.** Nelieciet maziem instrumentiem veikt spēcīgu instrumentu darbu. Neizmantojiet instrumentus citiem nolūkiem, izņemot paredzētos, piemēram, nelietojiet ripzāģus koku zaru vai baļķu griešanai.
- **Apģērbieties pareizi.** Nevalkājiēt vaļīgas drēbes vai brīvi krītošas rotaslietas, jo tās var aizķerties aiz kustīgajām daļām. Strādājot ārā, ieteicams izmantot neslīdošus apavus. Aizsargājiet garus matus, uzliekot galvas apsegu.
- **Izmantojiet aizsargaprīkojumu.** Izmantojiet aizsargbrilles. Ja darba laikā rodas putekļi, izmantojiet sejas vai putekļu masku.
- **Pievienojiet putekļu ekstrakcijas aprīkojumu.** Ja instrumentam var pievienot putekļu nosūkšanas un savākšanas ierīces, tās jāpievieno un pareizi jālieto.
- **Izmantojiet barošanas vadu tikai pareizi.** Nekādā gadījumā nevelciet aiz vada, lai atvienotu no kontaktligzdas. Turiet vadu atstatu no karstuma, eļļas un asām malām.
- **Strādājiet droši.** Ja iespējams, darba saturēšanai izmantojiet skavas vai skrūvspīles. Tas ir drošāk nekā manuāli.
- **Nesniedzieties tam pāri.** Visu laiku stāviet stingri un stabili.
- **Rūpīgi veiciet instrumentu apkopi.** Lai darbs būtu labāks un drošāks, griezējinstrumentiem jābūt asiem un tīriem. Izpildiet eļļošanas un piederumu maiņas norādījumus. Regulāri pārbaudiet instrumenta vadus un bojājumu gadījumā lieciet tos salabot pilnvarotā

servisa iestādē. Regulāri pārbaudiet un bojājumu gadījumā nomainiet pagarinājuma kabeļus. Rokturim ir jābūt sausiem un tīriem, bez eļļas un smērvielām.

- **Atvienojiet instrumentus.** Kad instrumenti netiek lietoti, pirms apkopes un piederumu, piemēram, asmeņu, urbju un griežņu maiņas, atvienojiet instrumentus no barošanas padeves.
- **Noņemiet regulācijas atslēgas un uzgriežņu atslēgas.** Pirms instrumenta ieslēgšanas vienmēr pārbaudiet, vai no tā ir noņemtas atslēgas un regulēšanas uzgriežņu atslēgas.
- **Nepieļaujiet nejaušu iedarbināšanu.** Pieslēdzot pārliecinieties, vai slēdzis ir izslēgšanas pozīcijā.
- **Izmantojiet āra pagarinātājkabeļus.** Kad instruments tiek lietots ārā, izmantojiet tikai pagarinātājus, kas ir paredzēti lietošanai ārā un ir atbilstoši marķēti.
- **Esiet uzmanīgs.** Vērojiet, ko darāt, izmantojiet veselo saprātu un nelietojiet instrumentu, ja esat noguris.
- **Pārbaudiet bojātās daļas.** Pirms instrumenta lietošanas tas ir uzmanīgi jāpārbauda, lai konstatētu, vai tas darbojas pareizi un veic paredzēto funkciju. Pārbaudiet kustīgo daļu iestatījumu, vai tās neķeras, vai daļas nav salūzušas, stiprinājumus un visus citus apstākļus, kas var ietekmēt darbību. Bojāts aizsargs vai cita daļa pareizi jāsamontē vai jānomaina pilnvarotā servisa centrā, ja šajā instrukciju rokasgrāmatā nav norādīts citādi. Nomainiet bojātus slēdzus pilnvarotā servisa centrā.
- Neizmantojiet instrumentu, ja nedarbojas slēdzis.
- **BRĪDINĀJUMS**
Ja tiek izmantots cits piederums vai pierīce, izņemot instrukcijā norādīto, tas var izraisīt personiskas traumas risku.
- **Instrumenti ir jāremontē kvalificētam speciālistam.** Šis elektroinstrumenti atbilst attiecīgajiem drošības noteikumiem. Remontu drīkst veikt tikai kvalificēti speciālisti, izmantojot oriģinālās rezerves daļas, citādi lietotājs var gūt nopietnas traumas.

KOMBINĒTAIS LENĶZĀĢIS UN ZĀGGALDS DROŠĪBAS BRĪDINĀJUMI

- Lietojiet dzirdes aizsargus. Ausu pakļaušana trokšņai iedarbībai var izraisīt dzirdes traucējumus.
- Lietojot ierīci, vienmēr valkājiēt aizsargbrilles. Ieteicams valkāt cimdus, smagnējus, neslīdošus apavus un priekšautu.
- Elektroinstrumenta darbības vai putekļu pūšanas laikā vienmēr izmantojiet aizsargbrilles vai drošības brilles ar sānu aizsargiem. Ja darbība ir saistīta ar putekļu rašanos, uzlieciet arī putekļu masku.
- Šī iekārta ir aprīkota ar īpašu konfigurētu strāvas padeves vadu. Ja strāvas kabelis ir bojāts vai tam ir kādi defekti, to drīkst nomainīt tikai ražotājs vai pilnvarots servisa pārstāvis.
- Pirms jebkuras darbības sākuma pārliecinieties, vai visas bloķēšanas pogas un nostiprināšanas spaiļes ir pievilktas.
- Nelietojiet zāģi bez aizsargiem pareizajās vietās, it īpaši pēc režīma maiņas. Uzturiet aizsargus labā darba

- kārtībā un kārtīgi apkoptus.
- Nekad nelieciet roku asmens zonā, kad zāģis ir pieslēgts elektrostrāvas avotam.
- Nekad nemēģiniet ātri apturēt kustībā esošu iekārtu, spiežot darba rīku vai kādu citu priekšmetu pret ripu, jo šādi var nejauši izraisīt nopietnus negadījumus.
- Pirms jebkura piederuma lietošanas skatiet informāciju lietošanas pamācībā. Nepareizi izmantojot piederumus, var izraisīt bojājumus.
- Nepārveidojiet ierīces sākotnējo konstrukciju vai darbību.
- Pārliecinieties, ka visas starplikas un darbvārpstas gredzeni ir piemēroti instrukcijā norādītajam mērķim.
- Atlasiet pareizo ripu atbilstoši griežamajam materiālam.
- Ievērojiet uz zāģa ripas norādīto maksimālo ātrumu. Pārliecinieties, ka uz zāģa plātnes norādītais ātrums, ir vismaz vienāds ar ātrumu, kas norādīts uz zāģa.
- Strādājot ar zāģa ripu, izmantojiet turētāju vai nēsājiet cimdus.
- Pirms lietošanas pārliecinieties, vai zāģa ripa ir uzstādīta pareizi.
- Pārliecinieties, vai ripa griežas pareizajā virzienā. Asmenim ir pastāvīgi jābūt asam.
- Padomājiet par īpaši konstruētu ripu lietošanu trokšņa mazināšanai.
- Pirms atlaist slēdzi, paceliet ripu no apstrādājamās detaļas iegriezuma.
- Veicot leņķa griezumus, pārliecinieties, vai svira ir droši nofiksēta.
- Pārliecinieties, ka svira ir droši nostiprināta darba pozīcijā, lietojot zāģi darbgalda režīmā.
- Pārliecinieties, ka zāģa darbgalds ir droši nostiprināts izvēlētajā augstumā.
- Nenostipriniet neko kā ķīli pret ventilatoru motora ass noturēšanai.
- Zāģa ripas aizsargs automātiski pacelsies, nolaižot sviru, bet, paceļot sviru, tas tiek nolaists pār asmeni. Uzstādot vai noņemot zāģa ripas vai pārbaudot zāģi, aizsargu var pacelt manuāli. Ja zāģis nav izslēgts, nekad manuāli neceliet ripas aizsargu.
- Uzturiet kārtību iekārtas apkārtējā zonā un gādājiet, lai tajā nebūtu materiālu pārpalikumu, piemēram, skaidu un atgriezumus.
- Regulāri pārbaudiet, vai motora gaisa spraugas ir tīras un vai tajās nav skaidu.
- Pirms jebkura apkopes darba veikšanas un ripas maiņas atslēdziet iekārtu no elektrotīkla.
- Nekad neveiciet nekādus tīrīšanas vai apkopes darbus, ja mašīna joprojām darbojas un tās galva nav miera pozīcijā.
- Kad iespējams, vienmēr paceliet iekārtu uz augšu un pārbaudiet tās atrašanos.
- Veicot leņķa, slīpos vai kombinētos griezumus, noregulējiet slīdošo leņķa norobežojumu, lai nodrošinātu pielietojumam atbilstošu atstatumu.
- Zāģa darbības laikā laikā nemēģiniet noņemt atgriezumus vai citas apstrādājamās detaļas daļas, kas atrodas griešanas zonā.

- Pirms darba pārbaudiet, vai iekārta ir pietiekami stabili novietota uz līdzenas virsmas.
- Pirms darba, veiciet izmēģinājuma zāģējumu, ar izslēgtu motoru, lai pārbaudītu asmens stāvokli, aizsargu darbību attiecībā pret pārējām iekārtas daļām un darba materiālu.
- Nekad negrieziet vieglos metālus, it īpaši magnēziju.
- Neizmantojiet abrazīvus vai dimanta diskus.
- Negadījuma vai iekārtas atteices gadījumā nekavējoties to izslēdziet un atvienojiet no strāvas avota.
- Paziņojiet par atteici un pielieciet iekārtai zīmi, lai nepieļautu to, ka citi cilvēki izmanto bojātu iekārtu.
- Ja zāģa ripa griešanas laikā ir bloķēta anomāla padeves spēka dēļ, izslēdziet iekārtu un atvienojiet to no barošanas padeves. Noņemiet detaļu un pārliecinieties, vai zāģa ripa pārvietojas brīvi. Ieslēdziet iekārtu un sāciet jaunu griešanas darbību ar samazinātu padeves spēku.
- Nodrošiniet, lai jūs vienmēr atrastos pa kreisi vai pa labi no griešanas līnijas.
- Nodrošiniet atbilstošu vispārēju vai vietēju apgaismojumu, lai novērstu stroboskopa efektu un bojājumus.
- Pārliecinieties, vai operators ir pienācīgi apguvis iekārtas izmantošanu, regulēšanu un ekspluatāciju.
- Izslēdziet iekārtu, ja tā tiek atstāta bez uzraudzības.
- Zāģējot koku, pievienojiet zāģi putekļu savākšanas iekārtai. Vienmēr ņemiet vērā faktorus, kas ietekmē putekļu iedarbību, piemēram, apstrādājamā materiāla veidu (skaidu plāksne rada vairāk putekļu nekā koks), zāģa ripas regulāciju, vietējās ekstrakcijas pielāgojumus, kā arī nosūcējus, deflektorus un izvades, un putekļu pārvietošanās ātrumu gaisā.
- Zāģa ripai ir pastāvīgi jābūt asai un pareizi uzstādītai.
- Izmantojiet tikai paredzēto spriegumu.
- Neelļojiet ripu tās ekspluatācijas laikā.
- Pārliecinieties, vai aiz iekārtas neviens nestāv.
- Savas drošības labad iekārtu vienmēr uzstādiat iekārtu pie darbgalda, nostiprinot ar skrūvēm.
- Obligāti izmantojiet pareiza izmēra un formas zobus. Ripas, kuru forma neatbilst zāģa stiprināšanas ietaisēm, kustēsies ekscentriski, kas mazina kontroli pār zāģi.
- Izmantojiet tikai šajā rokasgrāmatā norādītās ripas atbilstoši EN 847-1.
- **Sagriežot garas vai lielas sagataves, vienmēr nodrošiniet pietiekamu atbalstu galda malām.** Atbalstam jābūt vienādā augstumā ar galdu. Vienmēr rokas turiet atstatu no darba trajektorijas.
- Pirms ripu maiņas un apkopes darbu veikšanas atslēdziet zāģi no elektrotīkla.
- Nelieciet rokas zāģa ripas ceļā.
- Neiesniedzieties aiz zāģa ripas.
- Nestāviet uz ierīces.
- Transportēšanas laikā pārliecinieties, vai zāģa ripas augšējā daļa ir nosegta.
- Celšanai vai transportēšanai neizmantojiet augšējo aizsargu.

- Neizmantojiet zāģi cita materiāla, izņemot koku, griešanai.

PAPILDU DROŠĪBAS NOTEIKUMI GALDA ZĀĢA REŽĪMAM

- Nomainiet galda starpliku, kad tā ir nodilusi.
- Neizmantojiet instrumentu bez galda ieliktna.
- Pārliecinieties, vai galds ir stingri nostiprināts.
- Veicot vertikālus taisnos šķēsgriezumus, pareizi noregulējiet slīdošo norobežojumu, lai nodrošinātu 15 mm (maksimums) atstatumu starp zāģa ripu un norobežojumu.
- Pareizi noregulējiet slīdošo vadotni, lai izvairītos no saskares ar augšējo aizsargu.
- Nekad negrieziet, ja noņemts šķelšanas nazis un/vai augšējais aizsargs.
- Pārliecinieties, vai šķelšanas nazis ir noregulēts uz pareizo atstatumu no ripas (starp 3 mm un 8 mm).
- Vienmēr izmantojiet padeves dēlīti. Nekad negrieziet detaļas, kas mazākas par 30 mm.
Griešanas laikā nekad nelieciet rokas tuvāk kā 150 mm no zāģa ripas.
- Kad padeves dēlītis netiek izmantots, lūdzu, glabājiet to paredzētajā vietā.
- Neizmantojiet zāģa ripas, kurām ir biežāks korpuss vai mazāki zobi nekā šķelšanas nazim.
- Pārliecinieties, vai ripa griežas pareizā virzienā un zobi ir pavērsti pret zāģa darbgalda priekšpusi.
- Pirms jebkuras darbības sākuma pārliecinieties, vai visas nostiprināšanas spaiļas ir pievilktas.
- Nodrošiniet, lai zāģēšanas laikā svira būtu droši nofiksēta. Izmantojiet iekārtu tikai tad, ja zāģa darbgalds ir horizontālā stāvoklī.
- Nav atļauts veidot spraugas, gropes vai rievās.

PAPILDU DROŠĪBAS NOTEIKUMI LEŅĶZĀĢA REŽĪMAM

- Pārliecinieties, vai zāģa ripas augšējā daļa ir pilnīgi norobežota. Izmantojot iekārtu leņķzāģa režīmā, nekad nenoņemiet augšējā asmens aizsargu.
 - Nekad negrieziet detaļas, kas īsākas par 160 mm.
 - Vienmēr droši iespīlējiet apstrādājamo detaļu.
 - Ir ticis ziņots, ka vibrācijas no rokas instrumentiem atsevišķos cilvēkos var veicināt kaiti, ko sauc par Reino sindromu. Simptomi var ietvert pirkstu tinkšķēšanu, nejutīgumu un nobālēšanu, parasti aukstā laikā. Tiek uzskatīts, ka tradicionālie faktori, aukstums un mitrums, uzturs, smēķēšana un darba prakse sekmē šo simptomu attīstību. Operators var veikt pasākumus, lai iespējami samazinātu vibrācijas efektu:
 - Aukstā laikā ķermenim jābūt siltam. Darbinot ierīci, nēsājiet cimds, lai rokas un plaukstas locītavas būtu siltas. Ir pētījumi, ka auksts laiks ir galvenais faktors, kas veicina Reino sindromu.
 - Ik pēc laika apturiet darbu un veiciet vingrinājumus, kas uzlabo asins cirkulāciju.
 - Strādājot jābūt biežiem pārtraukumiem. Ierobežojiet iedarbības ilgumu dienā.
- Ja jūs izjūtat kādu no šiem simptomiem, nekavējoties

apturiet ierīces lietošanu un sazinieties ar ārstu par šiem simptomiem.

KOKA ZĀĢA ASMENS DROŠĪBAS INSTRUKCIJAS

- Pirms iekārtas izmantošanas izlasiet šajā rokasgrāmatā ietvertos norādījumus.
- Iekārtai ir jābūt labā stāvoklī, vārpsta nedrīkst būt deformēta un vibrēt.
- Nelietojiet zāģi bez aizsargiem pareizajās vietās, it īpaši pēc režīma maiņas. Uzturiet aizsargus labā darba kārtībā un kārtīgi apkoptus.
- Nodrošiniet, ka operators ir pareizi apmācīts un zina drošības pasākumus, pielāgojumus un māc darboties ar iekārtu.
- Vienmēr izmantojiet acu aizsargus ar sānu vairogiem un ausu aizsargus. Ieteicams valkāt cimds, smagnējus, neslīdošus apavus un priekšautu.
- Pirms jebkura piederuma lietošanas skatiet informāciju lietošanas pamācībā. Nepareizi izmantojot piederumus, var izraisīt bojājumus.
- Izmantojiet tikai šajā rokasgrāmatā norādītās ripas atbilstoši EN 847-1.
- Ievērojiet uz zāģa ripas norādīto maksimālo ātrumu. Pārliecinieties, ka uz zāģa plātnes norādītais ātrums, ir vismaz vienāds ar ātrumu, kas norādīts uz zāģa.
- Obligāti izmantojiet pareiza izmēra un formas (rombveida vai trīsstūrveida zobu) zobus. Ripas, kuru forma neatbilst zāģa stiprināšanas ietaisēm, kustēsies ekscentriski, kas mazina kontroli pār zāģi.
- Neizmantojiet zāģa ripas, kurām ir biežāks korpuss vai mazāki zobi nekā šķelšanas nazim. (galda zāģis vai galda zāģa režīms)
- Neizmantojiet ripas, kuru diametrs ir lielāks vai mazāks par ieteicamo. Ripas uzstādīšanai uz ass neizmantojiet nekādas starplikas.
- Pirms katras lietošanas pārbaudiet vai asmens plāksnei nav bojājumu vai neparasts izskats. Plāksnes, kas ir bojātas vai vaļīgas, lietošanas laikā var kļūt par lidojošiem objektiem un palielināt personisko ievainojumu risku.
- Neizmantojiet ieplaisājušus vai izkropļotus zāģa asmeņus. Neizmantojiet bojātus vai deformētus zāģa asmeņus.
- Nekad neizmantojiet bojātu vai deformētu zāģa asmeni. Labošana nav atļauta.
- Neizmantojiet HSS ripas.
- Pirms lietošanas pārliecinieties, vai zāģa ripa ir uzstādīta pareizi. Pirms katras lietošanas stingri pievelciet ass uzgriezni. (Griezes moments: 12-15 Nm)
- Skrūves un uzgriežņi jānostiprina izmantojot piemērotu uzgriežņu atslēgu.
- Nav pieļaujama uzgriežņu atslēgas paplašināšana vai nostiprināšana, izmantojot sitienus ar āmuru.
- Pārliecinieties, vai visi asmeņi un tīri ir ieliktna atvirzītās malas atrodas pret asmeni.
- Pārliecinieties, vai ripa griežas pareizajā virzienā.
- Pirms darba, veiciet izmēģinājuma zāģējumu, ar izslēgtu motoru, lai pārbaudītu asmens stāvokli,

aizsargu darbību attiecībā pret pārējām iekārtas daļām un darba materiālu.

- Nekad nestājiēt iekārtu bez uzraudzības.
- Neelļojiet ripu tās ekspluatācijas laikā.
- Nekad neveiciet nekādus tīrīšanas vai apkopes darbus, ja mašīna joprojām darbojas un tās galva nav miera pozīcijā.
- Nekad nemēģiniet ātri apturēt kustībā esošu iekārtu, spiežot darba rīku vai kādu citu priekšmetu pret ripu, jo šādi var nejauši izraisīt nopietnus negadījumus.
- Pirms ripu maiņas un apkopes darbu veikšanas atslēdziet zāģi no elektrotīkla.
- Pievērsiet uzmanību asmens iepakojšanai un izpakošanai, asās asmens plāksnes viegli var radīt ievainojumus.
- Darbojoties ar zāģa asmeni velciet cimds vai izmantojiet asmens turētāju.
- Turiet un glabājiēt asmeni tā oriģinālajā iepakojumā vai citā atbilstošā iepakojumā, glabājiēt to sausumā un prom no ķīmikālijām, kas var bojāt asmeni.

LĀZERA DROŠĪBA

- Zāģu lāzera rādītāja starojums atbilst 2 klasei ar maksimālo jaudu $\leq 1\text{mW}$ jaudu un 650 nm viļņa garumu. Neskatieties tieši lāzera starā. Noteikumu neievērošanas rezultātā var rasties nopietni miesas bojājumi.

LASER RADIATION
DO NOT STARE INTO BEAM
CLASS 2 LASER PRODUCT
λ: 650nm; P: 1mW
EN 60825-1:2007

Komplektācijā ietilpst līmējama etiķete jūsu valodā, tāpēc, lūdzu, pielīmējiēt to angļu valodas teksta vietā uz brīdinājuma etiķetes pirms iekārtas pirmās lietošanas reizes.

- Darba laikā neskatieties lāzera starā.
- Nevirziet lāzera staru tieši apkārtējo acīs. Var rasties nopietnas acu traumas.
- Nenovietojiēt lāzeru vietā, kurā apkārtēji varētu tīši vai netīši skatīties lāzera starā.
- Neizmantojiēt optiskos instrumentus, lai skatītos lāzera starā.
- Nelietojiēt lāzeru bērnu tuvumā un neļaujiēt bērniem darbināt lāzeru.
- Nemēģiniet pašrocīgi veikt lāzēriēces remontu.
- Nemēģiniet pats mainīt lāzēriēces daļas.
- Visus remontdarbus drīkst veikt tikai lāzera ražotājs vai pilnvarots servisa speciālists.
- Neaizstājiēt ar cita veida lāzeru.

PAREDZĒTĀ LIETOŠANA

- Iekārta ir veidota tikai koka gareniskai un šķērseniskai zāģēšanai. To nepieciešams droši nostiprināt, lai pielāgotu sola augstumam, to var darbināt tikai viena persona.
- Galda zāģa režīmā, tā ir paredzēta tikai tiešiem

zāģējumiem, ne riēvu vai robu zāģēšanai. Maksimālais zāģējums ir 60mm.

- Deflektora zāģa režīms, horizontālā deflektora leņķis no -45° līdz $+45^\circ$, kā arī iespējamais vertikālā slīpuma leņķis $0^\circ - 45^\circ$. Maksimālā darba materiāla izmēri ir 70 mm x 130 mm.
- Iekārta ir veidota darbam tikai vienā režīmā. Nav iespējams produktu vienlaicīgi izmantot gan kā galda, gan deflektora zāģi.

PALIEKOŠIE RISKI

Arī tad, ja mehānisms tiek izmantots paredzētajā veidā, nav iespējams pilnīgi izslēgt noteiktus paliekošos riska faktorus. Lietošanas laikā var rasties šādas briesmas un strādniekam īpaša uzmanība jāpievērs šim:

- Pastāv savainojumu risks, ja rotējošs zāģis saskaras ar nenosegtu miesu.
- Atlecošas materiāla daļiņas un daļas, kas rodas neatbilstošas pielāgošanas vai apiešanās rezultātā.
- Bojātu karbīda gabalu izvīšana no zāģa asmens.
- Bojājumi elpošanas sistēmai, ja netiek valkāta putekļu aizsardzības maska.
- Dzirdes bojājums, ja nelietojat efektīvu dzirdes aizsargu.

APKOPE

- Neveiciet nekādus regulēšanas darbus, kamēr motors kustās.
- Pirms suku maiņas, eļļošanas vai jebkuru mehānisma tehniskās apkopes darbu veikšanas vienmēr pārliecinieties, ka mehānisma kontaktdakša ir atvienota no barošanas avota.
- Pēc katras mehānisma lietošanas pārbaudiet, vai nav bojājumu vai salūzušu detaļu un vienmēr turiet mehānismu labā darba kārtībā, nekavējiēties remontējiēt un nomainiet salūzušās detaļas.
- Asmens pēc izmantošanas ir karsts, apkopes vai tīrīšanas laikā esiet modrs.
- Iztīriēt uzkrājušos putekļus.
- Lai nodrošinātu drošu darbību, visus remontdarbus, izņemot no ārpusē pieejamām sukām, uzticiēt veikt licencētam apkopes centram.
- Par mehānisma bojājumiem, ieskaitot aizsargu vai zāģu asmeņu bojājumus, ziņojiēt tūlīt pēc to atklāšanas.
- Ja bojāts strāvas padeves vads, lai izvairītos no riska, to drīkst nomainīt tikai ražotājs vai pilnvarotā apkopes centrā. Saziēnieties ar pilnvarotu servisa centru

VIDES AIZSARDZĪBA



Tā vietā, lai izejmateriālus izmestu atkritumos, nododiet tos otrreizēji pārstrādei. Mašīna, aksesuāri un iepakojums ir jāsašķiro un jānodod videi draudzīgā atkārtotas pārstrādes vietā.

EN
FR
DE
ES
IT
NL
PT
DA
SV
FI
NO
RU
PL
CS
HU
RO
LV
LT
ET
HR
SL
SK
EL
TR

SIMBOLS



Drošības brīdinājums



CE atbilstība



GOST-R atbilstība



II klase, dubulta izolācija



Pirms iedarbināt izstrādājumu, lūdzu, uzmanīgi izlasiet norādījumus.



Lietojiet dzirdes aizsargus



Vienmēr lietojiet aizsargbrilles.



BĪSTAMI
Ass asmens.



Griezuma platums



Asmens zobi



Ideāli piemērots kokam



Negrieziet metāla



Zāgēšanas ražība



Neskatieties staru kūlī.



Lāzera starojums.
2. klases lāzera produkts
 λ : 650nm; $P \leq 1\text{mW}$
EN 60825-1:2007



Izlietotie elektroprodukti nedrīkst tikt izmesti kopā ar mājsaimniecības atkritumiem. Lūdzu, nododiet tos attiecīgajās atk ār totas izmantošanas vietās. Sazinieties ar savu vietējo varas pārstāvi vai izplatītāju, lai noskaidrotu, kur iespējama atkārtota pārstrāde.

SIMBOLI ROKASGRĀMATĀ



Pieslēdziet ierīci.



Atslēdziet instrumentu.



Atsevišķi nopērkamās daļas vai piederumi



Izlietotie elektroprodukti nedrīkst tikt izmesti kopā ar mājsaimniecības atkritumiem. Lūdzu, nododiet tos attiecīgajās atk ār totas izmantošanas vietās.



Piezīme



Brīdinājums

BENDRIEJI SAUGOS ĮSPĖJIMAI

⚠ ĮSPĖJIMAS

Kai yra galimybė, būtina montuoti stakles prie darbatalio ir patikrinti, ar patikimai pritvirtintos. Prieš naudodami šį įrankį, perskaitykite visas instrukcijas bei jas išsaugokite.

- **Darbo vieta turi būti švari.** Netvarkinga aplinka ar darbo vieta skatina nelaimingus atsitikimus.
- **Atsižvelkite į darbo vietos aplinką.** Saugokite įrankius nuo lietaus. Nenaudokite įrankių drėgnoje arba šlapioje vietoje. Darbo vieta turi būti gerai apšviesta. Nenaudokite įrankių, jei šalia yra degūs skysčiai ar dujos.
- **Saugokitės elektros smūgių.** Stenkitės nesiliesti prie įžemintų ar įžeminimo paviršių (pvz. vamzdžių, radiatorių, grandinių/viryklių, šaldytuvų).
- **Pašaliniai asmenys turi būti toliau nuo darbo vietos.** Neleiskite kitiems asmenims, ypač vaikams, dalyvauti atliekant darbą, liesti įrankį ar ilginamąjį laidą bei stebėkite, kad jie būtų toliau nuo darbo zonos.
- **Nenaudojamus įrankius saugokite.** Nenaudojamus įrankius reikia laikyti sausoje, užrakintoje ir vaikams nepasiekiamoje vietoje.
- **Nenaudokite įrankio jėga.** Naudodami pagal paskirtį pagamintą tinkamą įrankį, darbą atliksite geriau ir saugiau.
- **Naudokite tinkamą atliekamam darbui įrankį.** Nenaudokite mažų įrankių, norėdami atlikti darbą, kuriam reikia galingesnio įrankio. Nenaudokite įrankių ne pagal jų paskirtį, pavyzdžiui, nenaudokite diskinių pjūklų pjauti medžių šakų ar rąstų.
- **Dėvėkite tik darbui tinkamus drabužius.** Nedėvėkite laisvų neprigludusių drabužių ir juvelyrinių dirbinių, kurie gali įsipainioti į judančias prietaiso detales. Dirbant lauke rekomenduojama avėti avalynę neslidžiais padais. Jei turite ilgus plaukus, dėvėkite apsauginį galvos apdangalą.
- **Naudokite apsaugos įrangą.** Dėvėkite apsauginius akinius. Dėvėkite veido kaukę ar kaukę nuo dulkių, jei pjovimo metu išsiskiria dulkių.
- **Prijunkite dulkių surinkimo įrangą.** Jei įrankis skirtas prijungti prie dulkių ištraukimo ir surinkimo įrenginių, įsitikinkite, kad jie prijungti ir naudojami tinkamai.
- **Laidą naudokite pagal jo paskirtį.** Niekada netraukite už laido, norėdami atjungti įrankį nuo maitinimo šaltinio. Laidą laikykite toliau nuo įkaitusių vietų, tepalų ir aštrių briaunų.
- **Ruošinį pritvirtinkite.** Jei įmanoma, ruošinį prispauskite gnybtais ar spaustuviu. Tai saugiau nei laikyti ranka.
- **Nesiekite per toli.** Visada tvirtai stovėkite ir išlaikykite pusiausvyrą.
- **Įrankius prižiūrėkite rūpestingai.** Siekiant geresnių rezultatų ir kad darbas būtų atliktas saugiai, pjovimo įrankiai turi būti aštrūs ir švarūs. Laikykites tepimo ir papildomų detalių keitimo instrukcijų. Reguliariai patikrinkite įrankio laidus, jei jie apgadinti, juos

remontuoti pristatykite tik įgaliotą techninės priežiūros centrą. Pastoviai patikrinkite ilginamuosius laidus ir pakeiskite juos, jei jie pažeisti. Rankenas reikia visada sausiai nuvalyti, kad jos nebūtų suteptos alyva ir tepalais.

- **Atjunkite įrankius nuo maitinimo šaltinio.** Kai įrankiai nenaudojami, prieš atliekant techninės priežiūros darbus, keičiant jų priedus, pvz. geležtes, antgalius ir pjoviklius, juos būtina atjungti nuo maitinimo šaltinio.
- **Pašalinkite iš įrankio reguliavimo raktus ir veržliarakčius.** Įpraskite prieš įjungdami įrankį patikrinti, ar iš jo pašalinti raktai ir veržliarakčiai.
- **Saugokitės, kad įrankis netyčia neužsivestų.** Prieš prijungdami įrankį prie maitinimo šaltinio, patikrinkite, ar jo jungiklis yra „OFF“ (išjungtoje) padėtyje.
- **Naudokite darbui lauke skirtus ilginamuosius laidus.** Kai įrankiu dirbate lauke, naudokite tik ilginamuosius laidus, skirtus bei paženklintus darbui lauke.
- **Būkite budrus.** Stebėkite, ką darote, vadovaukitės sveika nuovoka ir įrankio nenaudokite, jei esate pavargę.
- **Patikrinkite, ar nėra pažeistų detalių.** Prieš toliau naudojant įrankį, būtina atidžiai patikrinti, ar jis tinkamai veiks ir atliks reikiamą darbą. Patikrinkite judančių dalių centravimą, sukibimą, sulūžusias dalis, sumontavimą ir kita, kas galėtų turėti neigiamos įtakos darbui. Jei apsauginis įrenginys ar kita detalė yra pažeista, ją pakeisti ar sutaisyti privalo tik įgaliotas techninės priežiūros centras, nebent šioje instrukcijoje nurodyta kitaip. Sugedusius jungiklius gali pakeisti tik įgalioti techninės priežiūros centro darbuotojai.
- Jei jungiklis blogai veikia, prietaiso nenaudokite.
- **ĮSPĖJIMAS**
Kitų, šiame naudojimo vadove nerekomenduojamų priedų ar papildomų detalių naudojimas gali kelti sužalojimų pavojų.
- **Įrankį turi remontuoti tik kvalifikuotas specialistas.** Šis elektrinis įrankis atitinka susijusius saugos reikalavimus. Įrankį remontuoti turi tik kvalifikuotas asmuo, naudojantis originalias atsargines dalis; priešingu atveju, įrankis jį naudojančiam asmeniui gali kelti didelį pavojų.

KOMBINUOTASIS NUOŽAMBINIS IR STALINIS PJŪKLAS SAUGOS ĮSPĖJIMAI

- Naudokite ausų apsaugos priemones. Jei ausų neapsaugosite, galite prarasti klausą.
- Naudodami šį prietaisą visada dėvėkite apsauginius akinius. Rekomenduojama mėvėti pirštines, stabilius batus neslystančiais padais bei prijuostę.
- Dirbdami su elektriniu įrankiu ar kai pučiamos dulkės, visada dėvėkite apsauginius akinius ar akinius su šonine apsauga. Jei darbo metu kyla dulkės, taip pat dėvėkite kaukę nuo dulkių.
- Šiame įrenginyje yra įtaisyta specialios konfigūracijos maitinimo laidas. Jei maitinimo laidas yra pažeistas ar kitu būtu sugadintas, jį gali pakeisti tik gamintojas ar jo įgaliotas remonto atstovas.

EN
FR
DE
ES
IT
NL
PT
DA
SV
FI
NO
RU
PL
CS
HU
RO
LV
LT
ET
HR
SL
SK
EL
TR

- Prieš pradėdant bet kokį darbą patikrinkite, ar visos užrakinitos rankenėlės yra gerai priveržtos.
- Nenaudokite pjūklo be apsauginių įrenginių, ypač po režimo pakeitimo. Apsauginiai įrenginiai turi būti geros darbo būklės ir tinkamai prižiūrimi.
- Kai pjūklas yra prijungtas prie elektros maitinimo šaltinio niekada neikiškite rankų prie disko.
- Veikiančio įrenginio niekada nebandykite sustabdyti staiga prie disko užkišdami kokį įrankį ar kitą daiktą, nes tokiu būdu netyčia galite sukelti nelaimingą atsitikimą.
- Prieš naudojant bet kokį priedą susipažinkite su jo naudojimo instrukcijomis. Netinkamas priedo naudojimas gali įrankį sugadinti.
- Prietaiso nekeiskite – jo originalus dizainas ir funkcijos turi išlikti tokie patys.
- Pasirūpinkite, kad visi tarpikliai ir suklio žiedai būtų tinkami paskirčiai, nurodytai šiame vadove.
- Pasirinkite tinkamą geležtę pjaunamai medžiagai.
- Atkreipkite dėmesį į didžiausią leistiną greitį, pažymėtą ant pjūklo geležtės. Pasirūpinkite, kad greitis, nurodytas ant pjūklo geležtės, mažiausiai atitiktų greitį, nurodytą ant pjūklo.
- Dirbdami su pjūklo geležte naudokite laikiklį arba mūvėkite pirštines.
- Prieš naudojimą patikrinkite, ar pjūklo geležtė yra tinkamai pritvirtinta.
- Užtikrinkite, kad geležtė suktųsi teisinga kryptimi. Geležtė visada turi būti aštri.
- Rekomenduojame naudoti geležtes, specialiai pagamintas kelti mažiau triukšmo.
- Geležtę pakelkite iš prapjovos plokštelės ruošinyje prieš atleisdami mygtuką.
- Atliekant įstrižinį pjovimą užtikrinkite, kad rankena būtų saugiai pritvirtinta.
- Pasirūpinkite, kad stalinio pjūklo režimu petys būtų saugiai pritvirtintas darbo padėtyje.
- Patikrinkite, ar staklinio pjūklo stalas patikimai pritvirtintas pasirinktame aukštyje.
- Neužkiškite nieko už ventilatoriaus prie variklio ašies.
- Pjūklo geležtės gaubtas automatiškai pakeliamas, kai rankena nuleidžiama; jis nuleidžiamas virš geležtės, kai rankena pakelta. Apsauginį gaubtą galima pakelti ranka tvirtinant ar nuimant pjūklo geležtes arba tikrinant pjūklą. Rankomis niekada nekelkite geležtės apsauginio gaubto išskyrus tuos atvejus, kai pjūklas yra išjungtas.
- Sritis aplink įrenginį turi būti gerai prižiūrėta, be pavienių medžiagų, pvz., medienos atraižų ir nuopjovų.
- Reguliariai patikrinkite, ar variklio ventilacijos angos yra švarios ir neužkištos drožlėmis.
- Prieš atlikdami bet kokius techninės priežiūros darbus ar keisdami geležtę įrenginį atjunkite nuo maitinimo šaltinio.
- Niekada neatlikite jokių valymo ar techninės priežiūros darbų, kai įrenginys yra įjungtas ir veikiantis bei diskas sukasi.
- Atliekant vertikalius tiesius kryžminius pjovimus, slankiojančiąją kreiptuvo užtvaramą teisingai nustatykite, kad atstumas tarp pjūklo geležtės ir užtvaros būtų 15 mm (daugiausia).
- Atlikdami, nuožambujį, įstrižinį ar sudurtinį nuožambujį pjovimą slankiojančiąją kreiptuvo užtvaramą nustatykite tinkamu atstumu atliekamam darbui.
- Kol pjūklas įjungtas iš pjovimo zonos nevalykite drožlių ar kitų ruošinio nuopjovų.
- Prieš pradėdant darbą būtina patikrinti, ar įrenginys yra ant lygaus paviršiaus ir pakankamai stabilus.
- Prieš pradėdami darbą, atlikite tuščiaeilį pjūvį esant išjungtam varikliui, kad patikrintumėte geležtės padėtį bei tai, kaip veikia apsauginiai įrenginiai kitų staklių dalių bei ruošinio atžvilgiu.
- Niekada nepjunkite lengvų lydinių, ypač magnio.
- Nenaudokite jokių abrazyvinių arba deimantinių diskų.
- Nelaimingo atsitikimo atveju ar sugedus įrenginiui, jį nedelsiant išjunkite bei įrenginį atjunkite nuo maitinimo šaltinio.
- Praneškite apie gedimą bei įrenginį pažymėkite, kad kiti asmenys nesinaudotų sugedusiu įrenginiu.
- Kai pjūklo geležtė užsikerta dėl netinkamos padavimo jėgos pjaunant, įrenginį išjunkite bei jį atjunkite nuo maitinimo šaltinio. Nuimkite ruošinį ir patikrinkite, ar pjūklo geležtė laisvai sukasi. Įrenginį įjunkite ir pradėkite naują pjovimą mažesne padavimo jėga.
- Užtikrinkite, kad visada stovėtumėte dešinėje arba kairėje pjovimo linijos pusėje.
- Pjovimo staklių nenaudokite be stalo tarpiklio.
- Būtina užtikrinti, kad asmuo, dirbantis su šiuo pjūklų, būtų tinkamai apmokytas dirbti ir reguliuoti šį įrenginį.
- Prieš palikdami įrenginį be priežiūros jį išjunkite.
- Prieš pjaunant medieną pjūklą prijunkite prie dulkių surinkimo sistemos. Visada atkreipkite dėmesį į dulkes keliančius veiksnius, pvz. pjaunamos medžiagos rūšį (medienos drožlių plokštė sukelia daugiau dulkių nei mediena), pjovimo geležtės nustatymą, vietinį dulkių ištraukimą įrenginį bei gaubtų, slopintuvų, latakų nustatymą ir dulkių oro greitį
- Pjūklo geležtė turi būti aštri ir tinkamai nustatyta.
- Įrenginį naudokite tik esant nurodytai įtampai.
- Geležtei sukantis jos netepkite alyva.
- Užtikrinkite, kad pašaliniai asmenys nestovėtų už įrenginio.
- Dėl Jūsų pačių saugumo įrenginį tvirtinkite prie darbo paviršiaus varžtais.
- Visada naudokite veleno angų geležtes tinkamo dydžio ir formos. Geležtės, nepritaikytos pagal pjūklo montavimo detales, suksis ekscentriškai, dėl to pjūklo nesuvaldysite.
- Naudokite tik šioje instrukcijoje nurodytas geležtes, atitinkančias standartą EN 847-1.
- **Pjaunant ilgus ar didelius ruošinius, būtina juos atitinkamai iš šonų paremti.** Atrama turėtų būti stalo aukščiui. Rankas visada laikykite toliau nuo pjovimo linijos.
- Prieš keičiant geležtes ar atliekant techninės priežiūros darbus atjunkite pjūklą nuo maitinimo šaltinio.
- Rankas visada laikykite toliau nuo pjovimo staklių disko

pjovimo linijos.

- Nelieskite srities už pjūklo geležčių.
- Nelipkite ant įrenginio viršaus.
- Prieš transportuojant įrankį patikrinkite, ar viršutinioji pjūklo geležtės dalis yra uždengta.
- Neneškite už viršutinio gaubto bei jo nenaudokite transportavimo metu.
- Pjūklą naudokite tik medienai pjauti, ne kitoms medžiagoms.

PAPILDOMOS SAUGOS TAISYKLĖS NAUDOJANT PJŪKLĄ STALO PJOVIMO REŽIMU

- Nusidėvėjusį stalo tarpiklį pakeiskite.
- Minimalus oro greitis dulkių ištraukimo angoje
- Patikrinkite, ar stalo paviršius yra saugiai pritvirtintas.
- Komplekte yra lipnioji etiketė jūsų kalba. Prašome, kad ją užklijuotumėte ant angliško įspėjamosios etiketės teksto prieš pradėdami eksploatuoti mechanizmą.
- Teisingai nustatykite slankiąją užtvarą, kad ji nesiliestų į viršutinį apsauginį gaubtą.
- Niekada nepjaukite, kai skaldomasis peilis ir (arba) viršutinis gaubtas yra nuimti.
- Sauga dirbant su lazeriu
- Visada naudokite stumiamąjį strypelį. Niekada nepjaukite rošinių, trumpesnių nei 30 mm. Kai atliekamas pjovimas, niekada nekiškite rankų arčiau nei 150 mm atstumu nuo pjūklo geležtės.
- Nenaudojamą stumiamąjį strypelį visada laikykite tam skirtoje vietoje.
- Nenaudokite pjūklo geležčių, kurių diskas yra storesnis ar kurių dantukai mažesni nei skaldomojo peilio dantukų storis.
- Užtikrinkite, kad geležtė suktųsi teisinga kryptimi, o dantukai būtų nukreipti į pjūklo darbo pagrindo priekį.
- Prieš pradėdami bet kokį darbą patikrinkite, ar visos spaustuvų rankenėlės yra gerai priveržtos.
- Atliekant pjovimą užtikrinkite, kad rankena būtų saugiai pritvirtinta. Įrenginį naudokite tik pjūklo stalui esant horizontalioje padėtyje.
- Prapjovos, išdrožos arba griovelio pjovimas yra draudžiamas.

PAPILDOMOS SAUGOS TAISYKLĖS NAUDOJANT PJŪKLĄ NUOŽAMBAUS PJOVIMO REŽIMU

- Patikrinkite, ar viršutinė pjūklo geležtės dalis yra visiškai uždara. Naudojant pjūklą nuožambaus pjovimo režimu niekada nenuimkite viršutinio geležtės apsauginio gaubto.
- Niekada nepjaukite rošinių, trumpesnių nei 160 mm.
- Visada saugiai suspauskite rošinį.
- Turime pranešimų, kad vibracija nuo ranka laikomų įrankių kai kuriems asmenims gali turėti neigiamos įtakos vystantis Raynaud sindromui. Šios ligos požymiai yra pirštų dilgčiojimas, nutirpimas ir pabalimas, paprastai pasireiškiantis nuo šalčio. Šie simptomai vystosi dėl paveldimų veiksnių, nesisaugant nuo šalčio ir drėgmės, dėl mitybos, rūkymo ir darbo praktikos. Operatorius gali imtis šių priemonių, kurios

gali sumažinti vibracijos poveikį:

- Apsirenkite kuo šilčiau šaltu oru. Dirbant šiuo prietaisu mūvėkite pirštines, kad plaštakos ir riešai būtų laikomi šiltai. Turime pranešimų, kad Raynaud sindromas labiausiai vystosi nuo šalto oro sąlygų.
- po darbo kiekvieną kartą pasportuokite, kad pagerėtų kraujotaka;
- dažnai darykite darbo pertraukas. Atribokite darbo laikotarpį per dieną.

Jei jums pasireiškia kokie nors šios būklės simptomai, nedelsdami nutraukite darbą ir kreipkitės į gydytoją.

MEDIENOS PJOVIMO GELEŽTĖS SAUGOS NURODYMAI

- Prieš naudodami šį prietaisą, perskaitykite šio vartotojo vadovo instrukcijas.
- Staklės turi būti geros būklės, suklys – nedeformuotas ir ne vibruojantis.
- Nenaudokite pjūklo be apsauginių įrenginių, ypač po režimo pakeitimo. Apsauginiai įrenginiai turi būti geros darbo būklės ir tinkamai prižiūrimi.
- Stakles naudojantis asmuo turi būti tinkamai parengtas: jis privalo žinoti saugos atsargumo priemones, mokėti reguliuoti ir naudoti bei valdyti stakles.
- Visada dėvėkite apsauginius akinius su šonine apsauga bei klausos apsaugos priemones. Rekomenduojama mūvėti pirštines, stabilius batus neslystančiais padais bei prijuostę.
- Prieš naudojant bet kokį priedą susipažinkite su jo naudojimo instrukcijomis. Netinkamas priedo naudojimas gali įrankį sugadinti.
- Naudokite tik šioje instrukcijoje nurodytas geležtes, atitinkančias standartą EN 847-1.
- Atkreipkite dėmesį į didžiausią leistiną greitį, pažymėtą ant pjūklo geležtės. Pasirūpinkite, kad greitis, nurodytas ant pjūklo geležtės, mažiausiai atitiktų greitį, nurodytą ant pjūklo.
- Visada naudokite veleno angų geležtes tinkamo dydžio ir formos (rombo formos, o ne apvalų). Geležtės, nepritaikytos pagal pjūklo montavimo detales, suksis ekscentriškai, dėl to pjūklo nesuvaldysite.
- Nenaudokite pjūklo geležčių, kurių diskas yra storesnis ar kurių dantukai mažesni nei skaldomojo peilio dantukų storis. (staliniam pjūklui arba staklėms veikiant stalinio pjūklo režimu)
- Nenaudokite didesnio ar mažesnio skersmens geležčių nei rekomenduojama. Nenaudokite jokių tarpiklių, norėdami geležtę pritaikyti taip, kad ji atitiktų ašį.
- Kiekvieną kartą prieš naudodami stakles, patikrinkite, ar pjūklo atgaliai nepažeisti ir nėra nejprastos išvaizdos. Pažeisti ar atsipalaidavę atgaliai gali nuskrieti ir taip padidinti susižalojimo grėsmę.
- Nenaudokite įskilusių ar deformuotų geležčių. Nenaudokite pažeistų ar įtrūkusių pjūklo geležčių.
- Niekada nenaudokite pjūklo geležtės, kuri yra pažeista ar deformuota. Taisyti draudžiama.
- Nenaudokite didelio greičio plieno (HSS) geležčių.
- Prieš naudojimą patikrinkite, ar pjūklo geležtė yra

EN
FR
DE
ES
IT
NL
PT
DA
SV
FI
NO
RU
PL
CS
HU
RO
LV
LT
ET
HR
SL
SK
EL
TR

tinkamai pritvirtinta. Prieš naudojimą saugiai užveržkite ašies veržlę. (Sukimo momentas: 12-15 Nm)

- Varžtus ir veržles reikia tvirtinti atitinkamu veržliarakčiu.
- Draudžiama tvirtinti apspaudimo įrankiaias ar kalant plaktuku.
- Užtikrinkite, kad visos geležtės ir jungės būtų švarios ir movos pusės su grioveliais būtų nustatytos prie disko.
- Užtikrinkite, kad geležtė suktųsi teisinga kryptimi.
- Prieš pradėdami darbą, atlikite tuščiaieigį pjūvį esant išjungtam varikliui, kad patikrintumėte geležtės padėtį bei tai, kaip veikia apsauginiai įrenginiai kitų staklių dalių bei ruošinio atžvilgiu.
- Jokiu būdu nepalikite staklių be priežiūros.
- Geležtei sukantis jos netepkite alyva.
- Niekada neatlikite jokių valymo ar techninės priežiūros darbų, kai įrenginys yra įjungtas ir veikiantis bei diskas sukasi.
- Veikiančio įrenginio niekada nebandykite sustabdyti staiga prie disko užkišdami kokį įrankį ar kitą daiktą, nes tokiu būdu netyčia galite sukelti nelaimingą atsitikimą.
- Prieš keičiant geležtes ar atliekant techninės priežiūros darbus atjunkite pjūklą nuo maitinimo šaltinio.
- Būkite atsargūs supakuodami ir išpakuodami geležtę: aštriais geležtės antgaliais galima nesunkiai susižaloti.
- Pjūklo geležtę galima liesti tik įdėtą į laikiklį arba mūvint pirštines.
- Geležtę laikykite originalioje ar kitoje tinkamoje pakuotėje; laikykite sausomis sąlygomis ir atokiai nuo chemikalų, kurie gali ją pakenkti.

SAUGA DIRBANT SU LAZERIU

- Šio pjūklo lazerio kreiptuvo spinduliai yra 2 klasės max $\leq 1\text{mW}$ ir 650 nm bangų ilgio. Nežiūrėkite tiesiai į lazerio spindulį. Jei nesilaikysite taisyklių, galite rimtai susižaloti.



Komplekte yra lipnioji etiketė jūsų kalba. Prašome, kad ją užklijuotumėte ant angliško įspėjamosios etiketės teksto prieš pradėdami eksploatuoti mechanizmą.

- Darbo metu nežiūrėkite į spindulį.
- Lazerio spindulio nenukreipkite tiesiai į kitų asmenų akis. Tai gali sunkiai sužeisti akis.
- Lazerio nelaikykite tokioje padėtyje, kad kiti asmenys būtų priversti tyčia ar netyčia žiūrėti į lazerio spindulius.
- Nenaudokite optinių įrankių siekiant žiūrėti į lazerio spindulį.
- Lazerio nenaudokite vaikams esant šalia, taip pat neleiskite vaikams juo naudotis.
- Nebandykite remontuoti lazerio įtaiso patys.
- Nebandykite patys pakeisti jokių lazerio detalių.
- Bet kokius remonto darbus gali atlikti tik lazerio gamintojas ar įgaliotas techninės priežiūros atstovas.
- Lazerio nekeiskite kitokios rūšies lazeriu.

NAUDOJIMO PASKIRTIS

- Maksimalus pjovimo pajėgumas yra 60 mm. Jas reikia patikimai pritvirtinti prie tinkamo aukščio darbatalio ir jos skirtos dirbti vienam asmeniui.
- Stalinio pjūklo režimu jomis galima pjauti tik kiaurai: negalima išpjauti išdrožų ar įlaidų. Staklės skirtos veikti tik vienu režimu.
- Nuožambaus pjūklo režimu galima pjauti nuožambius nuo -45° iki $+45^\circ$ kampus bei vertikalius nuožulnius nuo 0° iki 45° kampus. Patikrinkite, ar atstumas tarp skaldomojo peilio ir geležtės yra teisingas (nuo 3 mm iki 8 mm).
- Šio pjūklo lazerio kreiptuvo spinduliai yra 2 klasės max $\leq 1\text{mW}$ ir 650 nm bangų ilgio. Vienu metu jų negalima nustatyti į stalinio ir nuožambaus pjūklų režimus.

ŠALUTINIS PAVOJUS

Netgi prietaisą naudojant pagal jo paskirtį visų šalutinių rizikos veiksnių visiškai pašalinti neįmanoma. Būkite budrūs atlikdami priežiūros ar valymo darbus: po įrankio naudojimo geležtę kurį laiką išlieka įkaitusi.

- Kad išvengtumėte stroboskopinių efektų ir pavojų, parūpinkite tinkamą bendrą ar vietinį apšvietimą.
- u 44
- Sviedžiamos karbido dalelės nuo pjovimo disko.
- Nedėvint veiksmingos priešdulkinės puskaukės, pakenkiama kvėpavimo sistema.
- Jei nedėvima tinkama ausų apsauga – pakenkimas klausai.

PRIEŽIŪRA

- Kai variklis įjungtas, įrankio jokiais būdais nereguliokite.
- Prieš keisdami šepetėlius, sutepdami ar atlikdami kitus prietaiso techninės priežiūros darbus, visų pirma visada patikrinkite, ar prietaiso kištukas yra ištrauktas iš maitinimo lizdo.
- Po kiekvieno naudojimo patikrinkite, ar prietaisas nepažeistas, ar nėra sulūžusių detalių; prietaisą išlaikykite geriausios darbinės būklės reikiamas dalis nedelsiant suremontuodami arba pakeisdami.
- Staliniškas nuožambaus pjūklas
- Nuvalykite susikaupusias dulkes.
- Siekiant užtikrinti saugumą ir patikimumą, visus remonto darbus, išskyrus iš išorės pasiekiamus šepetėlius, privalo atlikti įgaliotas techninės priežiūros centras.
- Jei pastebėjote įrankio gedimus, o taip pat apsauginių gaubtų ir pjovimo disko gedimus, būtina apie juos nedelsiant pranešti.
- Jeigu maitinimo laidas pažeistas, jį turi pakeisti tik gamintojas arba įgaliota techninės priežiūros įmonė, kad būtų išvengta pavojaus. Kreipkitės į įgaliotą techninės priežiūros centrą

APLINKOS APSAUGA



Žaliavines medžiagas perdirbkite pakartotinai, o ne išmeskite kaip atliekas. Mechanizmas, priedai ir pakuotės turi būti laikomi pakartotinai perdirbti aplinkai nekenksmingu būdu.

SIMBOLIAI



Saugos perspėjimas



CE suderinimas



GOST-R suderinimas



II klasė, dviguba izoliacija



Prieš pradėdant naudoti šį prietaisą, prašome atidžiai perskaityti šias instrukcijas.



Dėvėkite klausos apsaugos priemones



Visada dėvėkite akių apsaugos priemones.



PAVOJUS
Aštri geležtė.



Pjovimo plotis



Geležtės dantukų skaičius



Puikiai tinka naudoti su mediena



Nepjaukite metalo



Pjovimo talpa



Nežiūrėkite tiesiai į spindulį.



Lazerio spindulio radiacija.
2 klasės lazerio gaminys
 λ : 650nm; $P \leq 1\text{mW}$
EN 60825-1:2007



Elektrinių produktų atliekos neturi būti metamos kartu su namų ūkio atliekomis. Prašome perdirbkite jas ten, kur yra tokios perdirbimo bazės. Dėl perdirbimo patarimo kreipkitės į savo vietinę savivaldybę ar pardavėją.

SIMBOLIAI VADOVE



Prijunkite prietaisą prie maitinimo šaltinio.



Atjunkite įrankį nuo maitinimo šaltinio.



Detalės arba priedai yra parduodami atskirai



Elektrinių produktų atliekos neturi būti metamos kartu su namų ūkio atliekomis. Prašome perdirbkite jas ten, kur yra tokios perdirbimo bazės.



Pastaba



Įspėjimas

OHUTUSE ÜLDEESKIRJAD

⚠ HOIATUS

Elektriliste tööriistade kasutamisel tuleb alati järgida üldisi ohutusnõudeid, et vähendada tulekahjust ja elektrilöögist tingitud ohtu ning vältida kehavigastusi, võttes sealhulgas arvesse järgmist. Lugege enne toote kasutamata hakkamist kõik juhised läbi ja hoidke need alles.

- **Hoidke töökoht puhas.** Korratu ümbrus ja tööpink tingivad õnnetusi.
- **Võtke arvesse töökeskkonda.** Ärge jätke elektrilisi tööriistu vihma kätte. Ärge kasutage elektrilisi tööriistu vihma käes või niiskes kohas. Hoidke töökoht hästi valgustatud. Ärge kasutage tööriista kohtades, kus on kergsüttavaid vedelikke või gaase.
- **Kaitske end elektrilöögi eest.** Töötamisel hoiduge kehalisest kontaktist maandatud pindadega (näiteks torude, radiaatorite, elektripliitide ja külmikutega).
- **Hoidke kõrvalised isikud eemal.** Ärge laske teistel, eriti lastel, kes on töösse kaasatud, tööriista või pikendusjuhet puudutada ja hoidke nad tööpiirkonnast eemale.
- **Hoidke mittekasutatavaid tööriistu hoiukohas.** Kui tööriista ei kasutata, siis tuleb seda hoida kuivas, lukustatud ruumis, lastele kättesaamatus kohas.
- **Ärge kasutage töötamisel liigset jõudu.** Õigesti valitud tööriist töötab paremini ja ohutumalt selles võimsuspiirkonnas, millele on see ette nähtud.
- **Kasutage õigeid löikeriistu.** Ärge kasutage väiketööriistu tööks, mis nõuavad tugevdatud konstruktsiooniga tööriistu. Ärge kasutage muudeks otstarveteks, kui see on ette nähtud, näiteks ärge kasutage ketassaagi puukoste või ümarpuidu saagimiseks.
- **Kandke tööks sobivat riietust.** Ärge kandke lõtvu riietusesemed või ehteid, sest need võivad haakuda liikuvate osade külge. Väljas töötades on soovitatav kanda libisemiskindlaid jalatseid. Kandke peakatet, mis hoiab pikad juuksed kinni.
- **Kasutage isikukaitsevahendeid.** Kandke kaitseprille. Kui saagimisoperatsioonil eraldub tolmu, siis kandke näo- või tolumumaski.
- **Ühendage tolmuärastamise süsteem.** Kui tööriistal tuleb kasutada tolmu eraldamis- või kogumisseadisi, siis veenduge, et need on ühendatud ja nõuetekohases kasutuses.
- **Ärge kasutage toitejuhet nõuetevastaselt.** Ärge mingil juhul kasutage toitejuhet pistiku pesast väljatõmbamiseks. Hoidke toitejuhe eemale kuumusest, õlist ja teravatest servadest.
- **Kinnitage toorik.** Kui võimalik, kinnitage toorik pitskruvidega või kruustangide vahele. See on ohutum kui käte kasutamine.
- **Ärge küünitage end töötamisel liigselt välja.** Hoidke end pidevalt jalgadel ja tasakaalus.
- **Hooldage tööriistu hoolikalt.** Ohutuks töötamiseks

hoidke löikeketas terava ja puhtana. Järgige määrimise ja tarvikute vahetamise juhiseid. Kontrollige tööriista toitejuhe perioodiliselt üle ja kui avastate selle vigastuse, siis laske see pädevas hooldusasutuses ära parandada. Kontrollige pikendusjuhtmed perioodiliselt üle ja asendage kui need on vigastatud. Hoidke tööriista käepidemed kuivana, puhtana ja ärge laske neile sattuda õli või mäaret.

- **Ühendage tööriistad lahti.** Kui tööriista ei kasutata, enne kui seda hakatakse teenindama või tarvikuid näiteks lõiketerasid, otsakuid ja freese vahetama, ühendage seadme toide välja.
- **Kõrvaldage reguleerimisrakised ja mutrivõtmed.** Kujundage endas harjumus enne sae käivitamist kontrollida, et kõik reguleerimisreedid ja mutrivõtmed on eemaldatud.
- **Vältige tahtmatut käivitumist.** Veenduge, et lüliti on enne pistikupessa ühendamist väljalülitatud asendis.
- **Kasutage välistingimusteks ettenähtud pikendusjuhtmeid.** Kasutage vaid välistingimustes kasutamiseks lubatud ja vastavalt markeeritud pikendusjuhtmeid.
- **Olge töötamisel tähelepanelik.** Vaadake ette mida teete, kasutage sealjuures tervet mõistust ja ärge kasutage tööriista kui olete väsinud.
- **Kontrollige vigastatud osad üle.** Enne vigastatud osaga tööriista edasist kasutamist tuleb see hoolikalt üle kontrollida ja kindlaks teha, kas see töötab õigesti ning täidab ettenähtud funktsiooni. Kontrollige liikuvate osade tsentreeritust, vaba liikumist, vigastusi, kinnituskohi ja muud, mis võivad tööd mõjustada. Vigastatud kaitsevadised ja osad tuleb lasta parandada või asendada pädeval hooldajal, kui kasutusjuhendis ei ole teisiti mainitud. Laske rikkis lülitid asendada volitatud teeninduskeskuses.
- Ärge kasutage seadet, kui lüliti ei lülita seda sisse ja välja.
- **HOIATUS**
Kasutusjuhendis soovitamata tarvikute või lisaseadmete kasutamine võib põhjustada tõsise kehavigastuse ohtu.
- **Laske oma tööriist parandada pädeval töötajal.** See elektritööriist vastab asjassepuutuvatele ohutusreeglitele. Remonttööd tohib teha ainult kvalifitseeritud isik, kasutades sealjuures originaalvaruosi, vastasel juhul võib ilmuda kasutajale märkimisväärne oht.

KOMBINEERITUD SAAG JA SAEPINK OHUHOIATUSED

- Kasutage kuulmiskaitsevahendeid. Tugev müra võib põhjustada kuulmiskaotuse.
- Masinaga töötamisel kandke alati kaitseprille. Soovitatakse kanda kaitsekindaid, tugevaid mittelibisevaid jalanõusid ja kaitsepõlle.
- Töötamisel ja tolmu ärapuhumisel kandke alati silmamaski või küljekaitsetega kaitseprille. Kui töötlemine on tolmu, siis kandke tolumumaski.
- Masinal on spetsiaalne toitejuhe. Kui toitejuhe on vigastada saanud või ei vasta nõuetele, laske see asendada tootjal või volitatud remonditöötajal.



- Enne tööoperatsiooni alustamist veenduge, et lukustusnupud ja käepidemed on nõuetekohaselt kinnitatud.
- Ärge kasutage saagi ilma, et kaitsed on oma kohtadel, eriti tähelepanelik tuleb olla pärast töörežiimi vahetamist. Hoidke kaitsed töökorras ja nõuetekohaselt hooldatud olekus.
- Ärge pange oma käsi saeketta lähedusse sel ajal, kui saag on ühendatud toitevõrku.
- Ärge kunagi püüdke masina pöörlemist järsult peatada saeketta tõkestamisega või muul viisil, sest see võib põhjustada raske õnnetuse.
- Enne ükskõik millise tarviku kasutamist tutvuge kasutusjuhendi vastavate nõuetega. Tarvikute ebaõige kasutamine võib põhjustada vigastuse.
- Ärge püüdke seadme originaalkonstruksiooni või toimimispõhimõtteid muuta.
- Veenduge, et kõik kasutatavad vaheseibid ja spindli võrud täidavad oma otstarvet kasutusjuhendis kirjeldatud viisil.
- Valige saetavale materjalile vastav saeketas.
- Pidage kinni saekettale märgitud maksimaalkiirusest. Veenduge, et saekettal märgitud pöörlemiskiirus on sael märgitud pöörlemiskiirusega vähemalt võrdne.
- Kasutage saeketaste teisaldamisel katet või kandke kindaid.
- Enne kasutamist veenduge, et saeketas on nõuetekohaselt paigaldatud.
- Kontrollige, kas saetera pöörlemissuund on õige. Hoiduge teravate servade eest.
- Kaalutlege müra alandavate saeketaste kasutamist.
- Tõstke saeketas saeteest välja enne lüliti vabastamist.
- Püstkalde all oleva lõike saagimisel veenduge, et hoob on ohutult kinnitatud.
- Veenduge, et vars on saagimisrežiimi kasutamise ajal tööasendisse kindlalt kinnitatud.
- Asigurați-vă că placa mesei fierăstrăului este prinsă fix la înălțimea aleasă.
- Ärge kasutage mootori võlli tõkestamiseks ventilaatorisse paigaldatud kiilu.
- Saeketta kaitse tõuseb automaatselt üles, kui hoob on all ja see tõuseb üles laua kohale, kui hoob on üles tõstetud. Kaitset saab käega üles tõsta, siis kui saekettast paigaldatakse või eemaldatakse ning sae kontrollimise ajal. Ärge tõstke saeketta kaitsekate üles hoolimata sellest, et saag on välja lülitatud.
- Jälgige, et masina ümbrus on puhas ja seal ei ole lahtist materjali, näiteks laaste ning lõikejääke.
- Kontrollige perioodiliselt, et mootori jahutuspidud on puhtad ja laastudest vabad.
- Enne hooldustööde või saeketta vahetamist ühendage masin toitevõrgust lahti.
- Ärge hakake tegema mingeid puhastus- või hooldustöid seni, kui masin pöörleb ja saepea ei ole liikumatus olekus.
- Võimaluse korral kinnitage masin töölauale ja veenduge selle kinnituse ohutuses.
- Kaldlõike, püstkaldlõike või liitkaldega lõike saagimisel

reguleerige nihutatav kaitsekate välja, et tagada saagimisel õige vahemik.

- Hoiduge saagimisjäätmete või valmislõigatud osade äravõtmist saeketta lähedalt sel ajal, kui saag pöörleb.
- Enne töö alustamist kontrollige, et masin on tasasel pinnal ja piisavalt stabiilses olekus.
- Enne töö alustamist tehke lõiget imiteeriv liigutus mootorit käivitamata, et kontrollida lõikeketta asendit ja kaitsekatte liikumist teiste masinaosade ning tooriku suhtes.
- Ärge kunagi püüdke saagida kergmetalle, eriti magneesiumit.
- Ärge kasutage sael abrasiiv- või teemantkettaid.
- Õnnetuse või masinarikke korral lülitage masin kohe välja ja ühendage toitevõrgust lahti.
- Teavitage rikkest ja tähistage masin, et vältida rikkis masina kasutamist teiste poolt.
- Kui saeketas on ebaõige etteandekiiruse tõttu kinni jäänud, siis lülitage saag välja ja ühendage toitevõrgust lahti. Eemaldage toorik ja veenduge, et saeketas pöörleb vabalt. Lülitage masin sisse ja alustage uut saagimisoperatsiooni väiksema etteandejõuga.
- Olge töötamise ajal lõikejoonest vasakul või paremal pool.
- Tagage piisav üld- ja kohtvalgustus, et vältida stroboskoopilist efekti ja riske.
- Veenduge, et töötaja on masinaga töötamiseks nõuetekohaselt välja õppinud.
- Lülitage järelvalveta jätmisel masin välja.
- Saagimise ajal ühendage saag tolmukogurile. Arvestage teguritega, mis mõjutavad tolmu eraldumist, näiteks töödeldava materjali tüüp (puitlaastplaat eraldab rohkem tolmu kui täispuit), saeketta seadistus, kohtäratõmbe ning äratõmbekatete, suunajate ja juhikute seadistus ja tolmu äratõmbeõhu kiirus
- Hoidke saeketas terav ja paigaldage nõuetekohaselt.
- Ärge püüdke kasutada muud toitepinget kui on ette nähtud.
- Ärge kandke töötamise ajal saekettale määrdeaineid.
- Tagage, et keegi ei seisa masina taga.
- Kinnitage masin poltide abil töölauale, et tagada ohutus.
- Kasutage ainult õiget mõõtu ja õige võlliavaga saeketast. Sae kinnitusdetailidega mittesobivad saekettad pöörlevad ekstsentriliselt ja põhjustavad sellega kontrolli kadumist sae üle.
- Kasutage ainult kasutusjuhendis ettenähtud saekettaid, mis vastavad standardile EN 847-1.
- **Pikkade või suurte toorikute lõikamisel toetage neid piisaval määral töölaua kõrval.** Tugi peab olema töölauaga samal kõrgusel. Hoidke oma käed alati töölaualt eemal.
- Enne saeketta vahetamist või hooldamist ühendage saag toitevõrgust lahti.
- Hoidke oma käed alati saeketta teelt eemal.
- Ärge küünitage end saeketta taha.
- Ärge seiske seadme peal.
- Teisaldamise ajal veenduge, et saeketta ülaosa on

EN
FR
DE
ES
IT
NL
PT
DA
SV
FI
NO
RU
PL
CS
HU
RO
LV
LT
ET
HR
SL
SK
EL
TR



kinni kaetud.

- Ärge kasutage ülemist kaitsekate tõstmiseks või teisaldamiseks.
- Ärge kasutage saagi mingi muu materjali kui puidu saagimiseks.

TÄIENDAVID OHUTUSNÕUDED LAUSAE REŽIIMIS TÖÖTAMISEL

- Asendage töölauda vahetükk, mis on kulunud.
- Ärge kasutage masinat ilma töölauda sisendplaadita.
- Saagimisel veenduge, et töölaud on ohutult kinnitatud.
- Vertikaalsete otselõigete saagimisel reguleerige kaitsekate õigesti välja, et tagada vahemik 15 mm (maksimaalselt) saeketta ja kaitsekatte vahel.
- Reguleerige liikuv kaitsekate õigesti välja, et vältida kontakti ülakaitsega.
- Ärge kunagi saagige siis, kui lõhestusnuga ja / või ülemine kaitsekate on eemaldatud.
- Veenduge, et lõhestusnuga on seatud saekettast õigele kaugusele (vahemikus 3 mm kuni 8 mm).
- Kasutage surumispulka ainult ettenähtud otstarbeks. Ärge kunagi saagige toorikuid, mis on väiksemad kui 30 mm.
Ärge hoidke oma käsi saagimise ajal lähemal kui 150 mm.
- Hoidke surumispuhk oma kohal sel ajal, kui seda ei kasutata.
- Ärge kasutage saeketast, mille kettaosa on paksem või mille hamba paksus on väiksem kui lõhestusnoga paksus.
- Veenduge, et saeketas pöörleb õiges suunas ja hambad on suunatud saepingi esiosa suunas.
- Enne tööoperatsiooni alustamist veenduge, et käepidemed on nõuetekohaselt kinnitatud.
- Saagimisel veenduge, et hoob on ohutult kinnitatud. Kasutage masinat vaid saepingi laua horisontaalasendis.
- Tappide, valtside ja soonte lõikamine ei ole lubatud.

TÄIENDAVID OHUTUSNÕUDED MIUSAE REŽIIMIS TÖÖTAMISEL

- Veenduge, et saeketta ülaosa on täielikult kaetud. Ärge eemaldage saeketta ülakaitset sel ajal, kui masin on miusae asendis.
- Ärge kunagi saagige toorikuid, mis on lühemad kui 160 mm.
- Kinnitage toorik alati piisavalt.
- Teadaolevalt võib käsitööriistade kasutamine põhjustada mõnedel inimestel seisundit, mida nimetatakse Raynaud' sündroomiks. Sümptomidena võib ilmneda sõrmede tuimus ja valkjaks muutumine, mis tavaliselt ilmneb külmas töötamisel. Nende sümptomite puhul tuleb hoiduda külmast ja niiskusest, dieedist ning suitsetamisest ja kasutada õigeid töövõtteid. Vibratsiooni mõju vähendamiseks tuleb rakendada järgmisi abinõusid.
 - Külma ilmaga hoidke oma keha soe. Kandke kindaid, et hoida oma käed ja randmed soojad. Uuringud näitavad, et Raynaud's Syndrome ilmneb

põhiliselt külma ilmaga.

- Pärast külmas töötamist tehke harjutusi, et verevarustust kiirendada.
- Tehke regulaarselt töovaheaegasid. Piirake tööperioodi pikkust.

Kui ilmnevad haigustunnused, lõpetage kohe töö ja pöörduge arsti poole.

PUIDU SAEKETTA OHUTUSJUHISED

- Enne masina käivitamist lugege kasutusjuhend läbi.
- Saepink peab olema heas töökorras ja spindel ilma deformatsioonideta ning ei tohi vibreerida.
- Ärge kasutage saagi ilma, et kaitsed on oma kohtadel, eriti tähelepanelik tuleb olla pärast töörežiimi vahetamist. Hoidke kaitsed töökorras ja nõuetekohaselt hooldatud olekus.
- Veenduge, et töötaja on masinaga töötamiseks nõuetekohaselt välja õppinud.
- Kasutage hooldamise ajal alati kaitseprille, mis kaitsevad silmi ka külgedelt. Soovitatakse kanda kaitsekindaid, tugevaid mittelibisevaid jalanõusid ja kaitsepõlle.
- Enne ükskõik millise tarviku kasutamist tutvuge kasutusjuhendi vastavate nõuetega. Tarvikute ebaõige kasutamine võib põhjustada vigastuse.
- Kasutage ainult kasutusjuhendis ettenähtud saekettaid, mis vastavad standardile EN 847-1.
- Pidage kinni saekettale märgitud maksimaalkiirusest. Veenduge, et saekettal märgitud pöörlemiskiirus on sael märgitud pöörlemiskiirusega vähemalt võrdne.
- Kasutage ainult õiget mõõtu ja õige (saeketta mitte teemantketta) võlliavaga saeketast. Sae kinnitusdetailidega mittesobivad saekettad pöörlevad ekstsentriliselt ja põhjustavad sellega kontrolli kadumist sae üle.
- Ärge kasutage saeketast, mille kettaosa on paksem või mille hamba paksus on väiksem kui lõhestusnoga paksus. (plaatsaele või plaatsae režiimi jaoks)
- Ärge kasutage saekettaid, mille läbimõõt on suurem või väiksem kui soovitatud. Ärge kasutage saeketta sobitamiseks mingeid vaheseibe.
- Enne saeketta kasutamise alustamist kontrollige selle hambad üle vigastuste ja ebahariliku väljanägemise suhtes. Vigastatud ja lõdvad saehambad võivad välja paiskuda ning seetõttu põhjustada kehavigastuse.
- Ärge kasutage pragunenud ega auklikku saeketast. Ärge kasutage saekettaid, mis on vigastatud või deformeerunud.
- Ärge kunagi kasutage saeketast kui see on vigastatud või deformeerunud. Remontimine ei ole lubatud.
- Ärge kasutage kiirlõiketerasest saekettaid.
- Enne kasutamist veenduge, et saeketas on nõuetekohaselt paigaldatud. Enne töö alustamist keerake võlli mutter kindlalt kinni. (Pöördemoment: 12-15 Nm)
- Kinnituskrusid ja mutreid tohib pingutada vaid selleks ette nähtud mutrivõtmega.
- Pingutamisel ei ole lubatud mutrivõtme õla pikendamine

ja haamri kasutamine.

- Veenduge, et saekettad ja äärikud on puhtad ja ääriku tugipinnad on vastu saeketta pinda.
- Kontrollige, kas saetera pöörlemissuund on õige.
- Enne töö alustamist tehke lõiget imiteeriv liigutus mootorit käivitamata, et kontrollida lõikeketta asendit ja kaitsekatte liikumist teiste masinaosade ning tooriku suhtes.
- Ärge jätke töötava mootoriga masinat järelevalveta.
- Ärge kandke töötamise ajal saekettale määrdeaineid.
- Ärge hakake tegema mingeid puhastus- või hooldustööd seni, kui masin pöörleb ja saepea ei ole liikumatus olekus.
- Ärge kunagi püüdke masina pöörlemist järsult peatada saeketta tõkestamisega või muul viisil, sest see võib põhjustada raske õnnetuse.
- Enne saeketta vahetamist või hooldamist ühendage saag toitevõrgust lahti.
- Olge saeketta pakkimisel ja lahtipakkimisel ettevaatlik, sest teravad hambad võivad põhjustada vigastusi.
- Kasutage saeketaste teisaldamisel katet või kandke kindaid.
- Hoidke saeketast originaalpakendis või muus sobivas pakendis, kuivas kohas, kus pole kahjustavaid kemikaale.

LASERI OHUTUS

- Sael kasutatava laseri kiirgus kuulub klassi 2, mille võimsus on $\leq 1\text{mW}$ ja lainepikkus 650 nm. Ärge vaadake laserikiirele otse vastu. Kasutusreeglite eiramine võib põhjustada tõsiseid kehavigastusi.

LASER RADIATION
DO NOT STARE INTO BEAM
CLASS 2 LASER PRODUCT
λ: 650nm; P: 51mW
EN 60825-1:2007

Enne seadme kasutama hakkamist kleepige komplektis olev kleebis olemasoleva ingliskeelse hoiatusildi peale.

- Ärge vaadake laserikiirele töö ajal otse vastu.
- Ärge suunake laserikiirt kõrvalolijatele silma. See võib põhjustada raskeid silmavigastusi.
- Ärge paigutage seadet asendisse, mille puhul võib laserikiir tahtmatult või tahtlikult kellegi silma tabada.
- Ärge kasutage laserikiire vaatamiseks mingit optilist seadet.
- Ärge kasutage laserjuhikut laste juures ega laske lastel seda kasutada.
- Ärge püüdke laserjuhikut ise parandada.
- Ärge püüdke ise muuta ühegi laserjuhiku osa konstruktsiooni.
- Remonti tohib teha vaid laseri tootja või tema volitatud agent.
- Ärge varustage seda laserjuhikut muud tüüpi laseriga.

OTSTARBEKOHANE KASUTAMINE

- Saag on ette nähtud ainult puidu risti- ja pikisaagimiseks. Saag tuleb ohutult kinnitada sobivale töölauale ja seda tohib kasutada vaid üks töötaja.
- Lauasae režiimis on saag kasutamiseks vaid läbilõikesaagimiseks, mitte soonte või astmete saagimiseks. Maksimaalne lõikesügavus on 60mm.
- Kaldlõike saagimisrežiimis on võimalik teha horisontaalseid kaldlõikeid nurkade all -45° kuni $+45^\circ$ ja vertikaalseid kaldlõikeid vahemikus 0° kuni 45° . Tooriku maksimaalne ristlõige on 70 mm x 130 mm.
- Saag on ette nähtud töötamiseks ainult ühes režiimis korraga. Ei ole võimalik kasutada saagi samaaegselt lauasaena ja kaldlõikesaena.

JÄÄKRISKID

Isegi siis, kui masinat kasutatakse kirjeldatud viisil, ei ole võimalik kõrvaldada kõiki jääkriskide mõjureid. Töötamise ajal võivad tekkida järgmised ohud, millele operaator peab pöörama erilist tähelepanu.

- Õnnetuse tekkimise risk, mis on põhjustatud mittekäetud pöörlevast saekettast.
- Toorikute ja toorikutükkide tagasilöökk, mis on tingitud valesst reguleerimisest või valedest töövõtetest.
- Saeketta kõvamsulamist hambaotsakute väljapaikumine.
- Hingamisteede kahjustused, kui ei kanta nõutava kaitsevõimega tolumumaski.
- Kuulmiskahjustused, kui ei kanta nõutava kaitsevõimega kuulmiskaitset.

HOOLDUS

- Ärge püüdke teha mingeid reguleeritoiminguid sel ajal, kui mootor töötab.
- Enne harjade puhastamise, määrmistööde või muude masina hooldustööde alustamist veenduge, et pistik on pistikupesast välja võetud.
- Pärast iga kasutuskorda kontrollige, et masinal ei ole purunenud osi ja vajaduse korral tehke kohe remonttööd või asendage osad.
- Ketas on pärast kasutamist kuum, seega olge hooldamisel ja puhastamisel ettevaatlik.
- Pühkige ära kogunenud tolm.
- Kõik remonttööd, välja arvatud väljaspool kättesaadavatel harjadel, tuleb lasta teha volitatud hoolduskeskuses, et tagada masina ohutus ja tööviime.
- Teavitage masinariketest, kaasa arvatud kaitseosade ja saeketaste riketest kohe pärast nende avastamist.
- Kui toitejuhe on vigastatud, siis tuleb see lasta asendada tootja või klienditeenindaja poolt, et ohutusid vältida. Pöörduge volitatud hoolduskeskusesse

EN
FR
DE
ES
IT
NL
PT
DA
SV
FI
NO
RU
PL
CS
HU
RO
LV
LT
ET
HR
SL
SK
EL
TR

KESKKONNAKAITSE



Taaskasutage materjale nende jäätmekäitluse andmise asemel. Masin, selle lisaseadmed ja pakend tuleb jäätmekäitluseks keskkonnasõbralikult sorteerida.

SÜMBOL



Ohuhoiatus



CE vastavus



GOST-R vastavus



Klass II, topeltisolatsiooniga



Lugege enne masina kasutamist juhised hoolikalt läbi.



Kandke kuulmise kaitsevahendeid



Kandke alati silmakaitsevahendeid.



OHT.
Terav lõikeketas.



Lõikelaius



Lõiketera hammas



Väga hästi sobiv puidule



Ärge saagige metalle



Lõikesügavus:



Ärge vaadake laserikiirele otse vastu.



Laserkiirgus.
2. klassi laserseade
 λ : 650nm; $P \leq 1$ mW
EN 60825-1:2007



Mittekasutatavaid elektritooteid ei tohi visata olmejäätmete hulka. Vaid tuleb viia vastavasse kogumispunkti. Vajadusel küsige sellekohast nõu oma edasimüüjalt või vastavalt kohaliku omavalitsuse institutsioonilt.

KASUTUSJUHENDIS KASUTATUD SÜMBOLID



Pange toitejuhtme pistik pistikupessa.



Tõmmake pistik pistikupesast välja.



Eraldi ostetavad osad või tarvikud



Mittekasutatavaid elektritooteid ei tohi visata olmejäätmete hulka. Vaid tuleb viia vastavasse kogumispunkti.



Märkus



Hoiatus

OPĆA SIGURNOSNA PRAVILA

⚠ UPOZORENJE

Kako biste smanjili opasnost od požara, strujnog udara i osobnih ozljeda prilikom korištenja električnih alata, uvijek se valja pridržavati osnovnih mjera opreza, uključujući sljedeće. Prije pokušaja korištenja ovog uređaja pročitajte i spremite sve upute.

- **Održavajte radno područje čistim.** Zatrpana radna područja i stolovi dovode do ozljeda.
- **Uzmite u obzir radno okruženje.** Alat nemojte izlagati kiši. Nemojte koristiti alate u vlažnim ili mokrim mjestima. Držite radni prostor dobro osvijetljen. Nemojte koristiti alate u prisutnosti zapaljivih tekućina ili plinova.
- **Zaštitite se od strujnog udara.** Izbjegavajte kontakt tijela s uzemljenim površinama (poput cijevi, radijatora, štednjaka i hladnjaka).
- **Držite podalje ostale osobe.** Nemojte dopustiti osobama, posebice djeci, da se uključe u rad, dodiruju alat ili produžni kabel, te ih držite dalje od područja rada.
- **Skladištite prazne alate.** Kada se ne koristi, alat treba skladištiti na suhom i zaključanom mjestu izvan dosega djece.
- **Nemojte alat koristiti iznad njegovih mogućnosti.** Uređaj će bolje i sigurnije raditi na brzini za koju je konstruiran.
- **Koristite pravi alat.** Nemojte forsirati male alate da rade poslove teških alata za rad. Nemojte koristiti alate za svrhe za koje nisu namijenjeni, primjerice, nemojte koristiti cirkularnu pilu za rezanje grana balvana ili trupaca.
- **Pravilno se odjenite.** Nemojte nositi široku odjeću ili nakit; mogu biti zahvaćeni pokretnim dijelovima. Preporuča se da prilikom rada na otvorenom nosite obuću sa zaštitom od klizanja. Nosite i zaštitu za kosu kako biste pokrili dugu kosu.
- **Koristite zaštitnu opremu.** Koristite zaštitne naočale. Ako rad stvara prašinu koristite zaštitnu masku za lice.
- **Priključite sustav za izbacivanje prašine.** Ako su alati opremljeni s priključkom aparata za odvajanje i prikupljanje prašine, osigurajte da su oni priključeni i pravilno korišteni.
- **Nemojte zlorabiti kabel.** Nikada ne povlačite kabel za isključivanje iz utičnice. Držite kabel podalje od topline, ulja i oštih rubova.
- **Siguran rad.** Kad je moguće, koristite spojnice ili škrip za držanje izratka. Sigurnije je nego korištenje vaše ruke.
- **Nemojte se naginjati preko rubova.** Cijelo vrijeme držite pravilno uporište i ravnotežu.
- **Pažljivo održavajte alat.** Držite alat za rezanje naoštrenim i čistim radi boljeg i sigurnijeg rada. Slijedite upute za podmazivanje i promjenu dodatnog pribora. Povremeno provjerite kabele alata i ako su oštećeni neka ih popravi ovlaštenu servisnu centar. Povremeno provjerite i zamijenite produžne kabele ako su oštećeni.

Održavajte ručke suhim, čistim i da na njima nema ulja i masti.

- **Isključite alate.** Kada nije u upotrebi, prije servisiranja ili kada mijenjate priključke poput oštrica, svrdla i rezača, isključite alate iz napajanja.
- **Uklonite ključeve za ugađanje i ključeve.** Zbog navike provjeravanja pogledajte da li su ključevi i ključevi za ugađanje uklonjeni s alata prije nego što ga uključite.
- **Izbjegavajte slučajno pokretanje.** Provjerite je li prekidač u položaju "off" (isključeno) prilikom uključivanja.
- **Koristite produžne kabele za korištenje na otvorenom.** Prilikom korištenja alata na otvorenom, rabite samo produžne kabele koji su namijenjeni za korištenje na otvorenom i tako su označeni.
- **Budite na oprezu.** Gledajte to što radite, pri radu s električnim alatom koristite zdrav razum i ne radite s alatom kad ste umorni.
- **Zamijenite oštećene dijelove.** Prije daljnjeg korištenja alata treba se pažljivo provjeriti da se odredi da li će pravilno raditi i izvoditi njihovu namjensku funkciju. Provjerite spojeve pokretnih dijelova, povezanost pokretnih dijelova, puknuća dijelova, montiranost i bilo koje druge uvjete koji mogu utjecati na njihov rad. Štitnik ili drugi dio koji je oštećen treba pravilno popraviti ili zamijeniti od strane ovlaštenog servisnog centra osim ako drugačije nije naznačeno u ovim uputama za rukovanje. Sklopku u kvaru zamijenite u ovlaštenom servisnom centru.
- Nemojte koristiti alat ako ga sklopka pravilno ne uključuje i isključuje.
- **UPOZORENJE**
Korištenje bilo kakvog dodatnog pribora ili priključka osim preporučenih u ovim uputama za upotrebu može dovesti do opasnosti od osobnih ozljeda.
- **Neka vaš alat servisira kvalificirana osoba.** Ovaj električni alat u skladu je s relevantnim pravilima o sigurnosti. opravke treba izvoditi samo ovlaštenu servisera korištenjem originalnih rezervnih dijelova, u suprotnom ovo može rezultirati zabrinjavajućom opasnošću po korisnika.

SIGURNOSNA UPOZORENJA KOMBINIRANA KUTNA I STOLNA PILA

- Nosite štitnike za uši. Izlaganje buci može izazvati gubitak sluha.
- Uvijek nosite zaštitne naočale kad koristite stroj. Preporuča se nošenje rukavica, čvrstih cipela koje se ne klišu i pregaču.
- Uvijek tijekom rada s električnim alatom ili prilikom ispuhivanja prašine nosite zaštitne naočale i zaštitne naočale s bočnim štitnicima. Ako radite u prašini nosite i masku za zaštitu od prašine.
- Ovaj uređaj opremljen je s posebno konfiguriranim kabelom za napajanje. Ako je kabel za napajanje oštećen ili na neki drugi način u kvaru, mora ga zamijeniti samo proizvođač ili ovlaštenu servisnu tehničar.
- Osigurajte da su svi gumbi za zaključavanje i spojnice

EN
FR
DE
ES
IT
NL
PT
DA
SV
FI
NO
RU
PL
CS
HU
RO
LV
LT
ET
HR
SL
SK
EL
TR

- ručki pritegnuti prije pokretanja bilo koje operacije.
- Nemojte koristiti pilu bez postavljenog štitnika, posebice nakon promjene načina rada. Držite štitnike u dobrom stanju i pravilno održavanim.
 - Nikad ne stavljajte ruku u područje oštrice kad je pila priključena na izvor napajanja.
 - Nikad ne pokušavajte zaustaviti uređaj u brzom kretanju zaglavlivanjem alata ili drugim načinom prema oštrici, može doći do ozbiljne nesreće izazvane s namjerom.
 - Prije korištenja bilo kakvog dodatnog pribora pogledajte upute za uporabu. Nepravilna uporaba dodatnog pribora može dovesti do oštećenja.
 - Nemojte mijenjati ili modificirati jedinicu prema originalnom dizajnu ili funkciji.
 - Provjerite da li su neki razmačnici i prsteni osovine prikladni za korištenje u svrhu kao što je navedeno u ovom priručniku.
 - Odaberite točnu oštricu za materijal koji se reže.
 - Održavajte maksimalnu brzinu naznačenu na listu pile. Provjerite je li brzina označena na oštrici noža približno jednaka brzini označenoj na pili.
 - Koristite držač ili nosite rukavice prilikom rukovanja s listom pile.
 - Prije korištenja osigurajte da je list pile točno montiran.
 - Osigurajte da su rotirajuće oštrice u točnom smjeru. Održavajte oštricu naoštrenom.
 - Razmislite o primjeni posebno namijenjenih oštrica za smanjenje buke.
 - Podignite oštricu iz zasjeka u izratku prije otpuštanja prekidača.
 - Osigurajte da je ruka čvrsto pričvršćena prilikom izvođenja kutnih rezova.
 - Provjerite je li ruka čvrsto pričvršćena u radni položaj u načinu rada s pilom na stolu.
 - Osigurajte da je stol rezne pile učvršćen na odabranoj visini.
 - Nemojte pričvršćivati ništa nasuprot ventilatora da drži osovinu motora.
 - Štitnik na oštrici automatski se podiže kad je ruka spuštена dolje, spustit će se preko oštrice kad se ruka podigne. Štitnik može biti podignut rukom prilikom ugradnje ili uklanjanja lista pile ili prilikom provjeravanja pile. Nikada ručno ne podižite štitnik oštrice osim ako pila nije isključena.
 - Održavajte područje oko uređaja čistim i bez ostataka materijala, poput iverje i odrezaka.
 - Povremeno provjerite da su utori za zrak na motoru čisti i bez strugotina.
 - Iskopčajte uređaj iz glavnog napajanja prije izvođenja bilo kojeg održavanja ili prilikom promjene lista pile.
 - Nikad ne vršite čišćenje ili održavanje kad je uređaj još pokrenut i njegova glava nije u stanju mirovanja.
 - Kad je moguće, uvijek ugradite uređaj na stol i provjerite sigurnost pričvršćenja na stol.
 - Prilikom izvođenja kutnih, nagibnih ili sklopnih kutnih rezova, podesite pomičnu letvu pile kako biste osigurali točan zazor za primjenu.
 - Pazite se od pomicanja bilo kojih odrezaka ili drugih dijelova izratka iz područja rezanja dok je pila u pogonu.
 - Prije rada provjerite da je uređaj postavljen na ravnu površinu s dovoljno stabilnosti.
 - prije rada, izvršite probni rez bez uključenog motora kako biste pozicionirali oštricu, rad štitnika u odnosu na druge dijelove uređaja i izradak mogu se također provjeriti.
 - Nikada ne režite lake legure, posebice magnezija.
 - Nemojte koristiti nikakve abrazivne ili dijamantne diskove.
 - U slučaju nesreće ili kvara uređaja odmah isključite uređaj i odspojite uređaj iz napajanja.
 - Prijavite kvar i označite uređaj kako biste druge ljude spriječili od korištenja uređaja u kvaru.
 - Kad je list pile blokiran zbog prekomjerne sile kod rezanja, isključite uređaj i iskopčajte ga iz napajanja. Uklonite izradak i osigurajte da se pila slobodno pokreće. Uključite uređaj i započnite novu radnju rezanja sa smanjenom uporabom sile.
 - Osigurajte da je vaš položaj uvijek lijevo ili desno od linije rezanja.
 - Omogućite odgovarajuću opću ili rasvjetu na licu mjesta kako biste spriječili efekt stoboskopa i opasnosti.
 - Osigurajte da je rukovatelj adekvatno obučen u korištenju, podešavanju i radu s uređajem.
 - Kad je uređaj bez nadzora, isključite ga.
 - Prilikom piljenja drveta priključite pilu na uređaj za prikupljanje prašine. Uvijek uzmite u obzir faktore utjecaja izloženosti prašini poput vrsta materijala koji se obrađuje (ploča iverice proizvodi više prašine od drveta), podešenost lista pile, podesnost mjesta za izbacivanje kao i pokrivala, štitnika, gravitacije i brzine prašine
 - Održavajte list pile ostrim i pravilno postavljenim.
 - Nemojte pokušati raditi na bilo kojem osim naznačenog napona.
 - Ne podmazujte list pile kad je pokrenut.
 - Osigurajte da promatrači ne stoje iza uređaja.
 - Radi vlastite sigurnosti uređaj uvijek montirajte na radni stol pomoću svornjaka.
 - Oštrice koje nisu prilagođene osovini na koju se postavljaju neće se ispravno okretati te može doći do gubitka kontrole nad alatom. Nikad ne upotrebljavajte vijke i podložne pločice koji su oštećeni ili neprilagođeni.
 - Koristite samo oštricu navedenu u ovim uputama koja je u skladu s EN 847-1.
 - **Prilikom rezanja dugačkih ili velikih izradaka, uvijek omogućite odgovarajući potporanj na strana stola.** Potporanj treba biti iste visine poput stola. Držite ruke dalje od puta ploče.
 - Iskopčajte pilu iz glavnog napajanja prije promjene lista pile ili izvođenja održavanja.
 - Držite ruke dalje od pute lista pile.
 - Ne posežite iza lista pile.
 - Nemojte stajati na gornji dio uređaja.
 - Tijekom transporta, osigurajte da je gornji dio lista pile pokriven.

- Nemojte koristiti gornji štitnik za držanje ili transport.
- Nemojte koristiti pilu za rezanje bilo kakvog materijala osim drveta.

DODATNA SIGURNOSNA PRAVILA ZA STOLNU PILU

- Zamijenite umetnutu tablu kad se ugrije.
- Ne radite s alatom bez postavljene ploče.
- Osigurajte da je ploča čvrsto pričvršćena.
- Prilikom izvođenja okomitih ravnih rezova podesite točno pomičnu letvu kako biste osigurali 15 mm (maksimalno) između lista pile i letve.
- Podesite točno pomičnu letvu kako biste izbjegli dodir s gornjim štitnikom.
- Nikad ne režite kad je razdjelni nož i/ili gornji štitnik uklonjen.
- Osigurajte da je razdjelni nož podešen na točnu udaljenost od oštrice (između 3 mm i 8 mm)
- Uvijek koristite šipku za guranje. Nikad ne režite izradak manji od 30 mm. Nikad ne stavljajte ruke bliže od 150 mm od lista pile prilikom rezanja.
- Uvijek držite šipku za guranje na njezinom mjestu kad se ne koristi.
- Nemojte koristiti listove pile s tijelom veće debljine ili širinom zubiju manjom od debljine razdjelnog noža.
- Osigurajte da su rotirajuće oštrice u točnom smjeru, a zubi usmjereni na prednju stranu stola pile.
- Osigurajte da su sve spojnice ručki pritegnute prije pokretanja bilo koje operacije.
- Osigurajte da je ruka čvrsto pričvršćena prilikom piljenja. Koristite uređaj samo kad je stol za rezanja u vodoravnom položaju.
- Užljebljivanje, upuštanje ili izdizanje nije dopušteno.

DODATNA SIGURNOSNA PRAVILA ZA KUTNU PILU

- Osigurajte da je gornji dio list pile potpuno zatvoren. Nikada ne uklanjajte gornji štitnik oštrice kad koristite uređaj u načinu rad kutnog rezanja.
- Nikad ne režite izradak kraći od 160 mm.
- Uvijek stegnite čvrsto izradak.
- Prijavljeno je da vibracije alata koje se drži u ruci kod određenih pojedinaca mogu doprinijeti stanju pod nazivom Raynaud's Syndrome. Simptomi mogu uključivati trnce, ukočenost i bjelinu prstiju, obično uočljivo po izlaganju hladnoći. Smatra se da nasljedne osobine, izlaganje hladnoći i vlazi, dijeta, pušenje i radni postupci pridonose razvoju ovih simptoma. Postoje mjere koje operator može poduzeti kako bi smanjio moguće učinke vibracije:
 - Održavajte svoje tijelo toplim u hladnim vremenskim uvjetima. Kad radite s uređajem nosite rukavice kako biste ruke i zglobove održavali toplima. Prijavljeno je da je hladnoća glavni čimbenik koji doprinosi Raynaud's Syndrome.
 - Nakon svakog perioda rada vježbajte kako biste povećali cirkulaciju krvi.
 - Uzimajte česte stanke u radu. Ograničite količinu izlaganja po danu.

Ako osjetite neke od simptoma ovog stanja, odmah prekinite korištenje i obratite se svome liječniku vezano uz ove simptome.

SIGURNOSNE UPUTE ZA OŠTRICU ZA REZANJE DRVETA

- Prije rada s uređajem pročitajte upute u ovom priručniku.
- Uređaj mora biti u dobrom stanju, osovina bez deformacija i vibracija.
- Nemojte koristiti pilu bez postavljenog štitnika, posebice nakon promjene načina rada. Držite štitnike u dobrom stanju i pravilno održavanim.
- Osigurajte da je rukovatelj adekvatno obučen u mjerama predostrožnosti, podešavanjima i radu s uređajem.
- Uvijek nosite zaštitna sredstva za oči s bočnim štitnicima, zajedno s zaštitom za sluh. Preporuča se nošenje rukavica, čvrstih cipela koje se ne klišu i pregaču.
- Prije korištenja bilo kakvog dodatnog pribora pogledajte upute za uporabu. Nepravilna uporaba dodatnog pribora može dovesti do oštećenja.
- Koristite samo oštricu navedenu u ovim uputama koja je u skladu s EN 847-1.
- Održavajte maksimalnu brzinu naznačenu na listu pile. Provjerite je li brzina označena na oštrici noža približno jednaka brzini označenoj na pili.
- Oštrice koje nisu prilagođene osovini na koju se postavljaju neće se ispravno okretati te može doći do gubitka kontrole nad alatom. Nikad ne upotrebljavajte vijke i podložne pločice koji su oštećeni ili neprilagođeni.
- Nemojte koristiti listove pile s tijelom veće debljine ili širinom zubiju manjom od debljine razdjelnog noža. (za stolne pile ili način rezanja na stolu)
- Nemojte koristiti oštrice većeg ili manjeg promjera od preporučenog. Nemojte koristiti nikakve razmačnike kako biste priključili oštricu na osovinu.
- Provjerite vrhove oštrica pile na oštećenja ili abnormalna izgled prije korištenja. Vrhovi koji su oštećeni ili labavi mogu postati leteći predmeti prilikom korištenja i povećati šansu za osobne ozljede.
- Nemojte koristiti slomljene ili iskorištene oštrice pile. Nemojte koristiti oštrice pile koje su oštećene ili deformirane.
- Nikada ne koristite oštricu pile koja je oštećena ili deformirana. Popravak nije dopušten.
- Nemojte koristiti HSS oštrice.
- Prije korištenja osigurajte da je list pile točno montiran. Prije korištenja čvrsto pritegnite maticu vratila. (Zakretni moment: 12-15 Nm)
- Pričvrstne vijke treba pritegnuti korištenjem odgovarajućeg natezača.
- Produljivanje nateznika ili pritezanjem korištenjem udaraca čekića nije dopušteno.
- Osigurajte da su sve oštrice i prirubnice čiste i da su upuštene strane spojnice prema oštrici.
- Osigurajte da su rotirajuće oštrice u točnom smjeru.

- prije rada, izvršite probni rez bez uključenog motora kako biste pozicionirali oštricu, rad štitnika u odnosu na druge dijelove uređaja i izradak mogu se također provjeriti.
- Nikada ne ostavljajte uređaj bez nadzora.
- Ne podmazujte list pile kad je pokrenut.
- Nikad ne vršite čišćenje ili održavanje kad je uređaj još pokrenut i njegova glava nije u stanju mirovanja.
- Nikad ne pokušavajte zaustaviti uređaj u brzom kretanju zaglavlivanjem alata ili drugim načinom prema oštrici, može doći do ozbiljne nesreće izazvane s namjerom.
- Iskopčajte pilu iz glavnog napajanja prije promjene lista pile ili izvođenja održavanja.
- Obratite pozornost na pakiranje i raspakiranje, vrlo lako se može ozlijediti na oštar vrh.
- Koristite držač oštrice ili nosite rukavice prilikom rukovanja s listom pile.
- Održavajte i čuvajte oštricu u originalnom pakiranju ili drugom prikladnom pakiranju, čuvajte u suhim uvjetima i dalje od kemikalija koje mogu oštetiti oštricu.

SIGURNOST LASERA

- Zračenje laserskog vodiča koji je korišten u ovoj pili je Klasa 2 s maksimalnim valnim duljinama $\leq 1\text{mW}$ i 650 nm. Nemojte gledati izravno u lasersku zraku. Nepoštivanje ovih pravila može rezultirati ozbiljnim osobnim ozljedama.



Isporučit ćemo vam naljepnicu na vašem jeziku i zahtjevamo da nalijepite umjeto engleskog teksta na naljepnici o upozorenju prije puštanja u rad uređaja.

- Nemojte gledati u zraku tijekom rada.
- Ne usmjerujte lasersku zraku izravno u oči drugih. Može doći do ozbiljnih povreda.
- Nemojte postavljati laseru položaj koji može prouzročiti da bilo tko namjerno ili nenamjerno gleda u lasersku zraku.
- Nemojte koristiti optičke alate za gledanje laserske zrake.
- Nemojte raditi s laserom oko djece ili dopustiti djeci da rade s laserom.
- Ne pokušavajte samostalno popraviti laserski uređaj.
- Ne pokušavajte samostalno promijeniti nijedan dio laserskog uređaja.
- Sve popravke mora izvršiti samo proizvođač lasera ili ovlašteni zastupnik.
- Ne zamjenjujte laser s drugačijom vrstom.

NAMJENA

- Ovaj uređaj namijenjen je za uzdužna i poprečna rezanja isključivo drveta. Mora biti čvrsto pričvršćen na radni stol prikladne veličine i namijenjen je za rad samo

jedne osobe.

- U načinu rezanja na stolu, koristi se samo za prorezivanje, ne za rezanje utora ili urezivanje. Maksimalni kapacitet rezanja je 60mm.
- U kutnom načinu rezanja, mogući su vodoravni kutovi od -45° do $+45^\circ$ kao i okomiti nagibi pod kutem od 0° do 45° . Maksimalni poprečni izradak je 70 mm x 130 mm.
- Uređaj je namijenjen za rad samo u jednom načinu rada. Nije moguće istovremeno koristiti proizvod kao stolnu pilu ili kutnu pilu.

PREOSTALE OPASNOSTI

Čak i kad je uređaj korišten kao što je prethodno opisano, još uvijek nije moguće potpuno isključiti ostale čimbenike opasnosti. Može doći do sljedećih opasnosti prilikom korištenja i operater mora obratiti posebnu pozornost kako bi izbjegao sljedeće:

- Postoji opasnost od kontakata s nepokrivenim rotirajućim dijelovima pile.
- Povratni udar izratka i dijelova izratka zbog nepravilnog podešavanja ili rukovanja.
- Izbacivanje karbidnih tipli iz lista pile.
- Oštećenja na respiratornim organima ako se ne nosi učinkovita zaštitna maska.
- Oštećenja na sluhu ako se ne nosi učinkovita zaštitna za sluh.

ODRŽAVANJE

- Dok motor radi, ne obavljajte nikakva podešavanja.
- Uvijek provjerite da li je utikač uređaja uklonjen iz izvora glavnog napajanja prije promjene četke, podmazivanja ili kod bilo kakvog rada ili održavanja na uređaju.
- Nakon svake uporabe provjerite uređaj radi oštećenja ili slomljenih dijelova i održavajte ga u vrhunskim uvjetima za rad na način da odmah popravite ili zamijenite dijelove.
- Oštrica je vruća nakon korištenja, budite pažljivi tijekom postupaka održavanja ili čišćenja.
- Očistite nakupljenu prašinu.
- Za osiguranje sigurnosti i pouzdanosti sve popravke s izuzetkom vanjskih četki koje su pristupačne treba izvoditi ovlašteni servisni centar.
- Kvar u uređaju, uključujući štitnike ili oštice pile treba odmah prijaviti po njihovom otkrivanju.
- Ako je kabel za napajanje oštećen, mora ga zamijeniti samo proizvođač ili ovlašteni servisni centar kako bi se izbjegla opasnost. Obratite se ovlaštenom servisnom centru

ZAŠTITA OKOLIŠA



Sirovine reciklirajte, umjesto da ih odlažete kao otpad. Kako biste zaštitili okoliš, alat, dodatke i ambalažu treba odvojeno baciti u otpad.

SIMBOL



Sigurnosno upozorenje



Sukladno CE



Sukladno GOST-R



Klasa II, dvostruka izolacija



Molimo vas da prije pokretanja uređaja pažljivo pročitate upute.



Nosite zaštitu za sluh



Uvijek nosite zaštitna sredstva za oči.



OPASNOST
Oštra oštrica.



Širina reza



Zubi pile



Savršeno za drvo



Nemojte rezati metale



Kapacitet rezanja



Nemojte gledati u zraku.



Radijacija lasera.
Proizvod 2 laserskog razreda
 λ : 650nm; $P \leq 1\text{mW}$
EN 60825-1:2007



Otpadni električni proizvodi ne treba da se odlažu s otpadom iz domaćinstva. Molimo da reciklirate gdje je to moguće. Potražite savjet od lokalnih vlasti ili prodavca kako reciklirati.

SIMBOLI U PRIRUČNIKU



Uključite uređaj.



Odspojite alat.



Dijelovi ili pribor prodan odvojeno



Otpadni električni proizvodi ne treba da se odlažu s otpadom iz domaćinstva. Molimo da reciklirate gdje je to moguće.



Napomena



Upozorenje

EN
FR
DE
ES
IT
NL
PT
DA
SV
FI
NO
RU
PL
CS
HU
RO
LV
LT
ET
HR
SL
SK
EL
TR

SPLOŠNA VARNOSTNA OPOZORILA

⚠ OPOZORILO

Pri uporabi električnih orodij morate vedno upoštevati osnovna varnostna opozorila, saj le tako lahko zmanjšate nevarnost požara, električnega udara ali osebnih poškodb, vključno z naslednjim: Pred uporabo tega izdelka preberite vsa navodila in shranite priročnik.

- **Delovno območje naj bo vedno čisto.** Neurejeni prostori in delovne mize privabljajo nesreče.
- **Preglejte delovno območje.** Orodja ne izpostavljajte dežju. Orodja ne uporabljajte v mokrih ali vlažnih okoljih. Delovno območje naj bo vedno dobro osvetljeno. Nikoli ne uporabljajte orodja blizu vnetljivih tekočin ali plinov.
- **Zaščita pred električnim udarom.** Izogibajte se telesnemu stiku z ozemljenimi površinami, kot so cevi, radiatorji, kuhalniki in hladilniki.
- **Drugih oseb ne spuščajte zraven.** Tretje osebe, predvsem otroci, orodja ne smejo uporabljati in se orodja ter podaljševalnega kabla ne smejo dotikati; zadrževati se morajo zunaj delovnega območja.
- **Orodja, ki jih ne uporabljajte, shranite.** Ko orodja ne uporabljate, ga shranite na suho mesto in zaklenite, da otroci ne bodo imeli dostopa.
- **Orodja ne preobremenjujte.** Nalogo bo opravilo bolje in varneje, če ga uporabite za namen, za katerega je namenjen.
- **Uporabljajte ustrezno orodje.** Z malimi orodji orodji ne opravljajte del, ki so predvidena za večja orodja. Orodja ne uporabljajte za dela, za katera ni namenjeno – krožnih žag na primer ne uporabljajte za rezanje vej in debel.
- **Bodite primerno oblečeni.** Ne nosite ohlapnih oblačil ali nakita; saj bi se lahko zagozdili v premikajoče se dele orodja. Pri delu na prostem je priporočljiva uporaba nedrsečih čevljev. Če imate dolge lase, nosite tudi zaščitno pokrivalo.
- **Uporabljajte zaščitno opremo.** Uporabljajte zaščitna očala. Če pri delu nastaja prah, nosite obrazne maske ali maske proti prahu.
- **Priključite opremo za sesanje prahu.** Če je orodje namenjeno priključitvi na opremo za sesanje in zbiranje prahu, se prepričajte, da so ti priključeni in ustrezno uporabljeni.
- **Kabla ne uporabljajte za neustrezne namene.** Nikoli ne povlecite za kabel, kadar izklapljate vtikač iz vtičnice. Kabel držite proč od vročine, olja ali ostrih robov.
- **Varno delo.** Kjer je to mogoče, uporabljajte sponko ali primež. To je varneje kot uporaba rok.
- **Ne segajte preko dosega.** Pazite, da stojite stabilno in da imate ravnotežje.
- **Orodja vzdržujte nežno.** Za boljše in varnejše delovanje naj bodo rezalna orodja nabrušena in čista. Sledite navodilom za mazanje in menjavo dodatkov. Redno preverjajte napajalne kable orodja in jih v primeru poškodb dajte v popravilo pooblaščenemu servisu. Redno preverjajte podaljške in jih v primeru

poškodb zamenjajte z novimi. Ročaji naj bodo suhi, čisti in brez madežev olja ali masti.

- **Odklopite orodja.** Kadar orodja ne uporabljate oz. pred servisiranjem in med menjavo dodatkov (kot so rezila, svedri ipd.), orodja odklopite iz napajanja.
- **Ostranite nastavljive ključne in zatiče.** Pred vklopom orodja preverite, da so zatiči in nastavljivi ključki odstranjeni iz orodja.
- **Preprečite nehoten zagon.** Ko orodje priklapljate na električno omrežje, mora biti stikalo v položaju za izklop (off).
- **Uporabljajte podaljške za zunanjo uporabo.** Kadar orodje uporabljate zunaj, uporabljajte le podaljške za zunanjo uporabo.
- **Bodite pozorni.** Spremljajte potek dela, uporabljajte zdrav razum in orodja ne uporabljajte, če ste utrujeni.
- **Preverite, ali so kje poškodovani deli.** Pred nadaljnjo uporabo pazljivo pregledajte orodje in zagotovite, da orodje pravilno in ustrezno deluje. Preverite nastavitve premikajočih se delov, njihove povezave, morebitne lome, namestitve in druge pogoje, ki bi lahko vplivali na delovanje naprave. Varovalo ali drug poškodovan del morate ustrezno popraviti ali zamenjati pri pooblaščenem serviserju, razen če ni drugače navedeno v navodilih za uporabo. Okvarjena stikala mora zamenjati pooblaščen servisni center.
- Orodja ne uporabljajte, če ga ne morete vklopiti ali izklopiti s stikalom.
- **OPOZORILO**
Uporaba katerih koli dodatkov ali priključkov, ki niso priporočeni v teh navodilih za uporabo, lahko predstavljajo tveganje za osebne poškodbe.
- **Orodje naj popravi pooblaščen oseba.** To električno orodje izpolnjuje ustrezne varnostne kriterije. Popravila lahko izvaja le pooblaščen oseba, ki uporablja originalne rezervne dele; v nasprotnem primeru bi bil uporabnik lahko v nevarnosti.

VARNOSTNA OPOZORILA KOMBINIRANA KOTNA IN NAMIZNA ŽAGA

- Nosite ščitnike za ušesa. Izpostavljenost hrupu lahko povzroči izgubo sluha.
- Pri uporabi stroja vedno nosite očala. Priporočljivo je, da nosite rokavice, masivne čevlje, v katerih ne drsi, in predpasnik.
- Vedno nosite zaščitna očala s stranskimi ščitniki, ko uporabljate električna orodja ali ko spihujete prah. Če pri delu nastaja prah, nosite tudi zaščitno masko proti prahu.
- Ta stroj je opremljen s specifično konfiguriranim napajalnim kablom. Če je napajalni kabel poškodovan ali ne deluje, ga lahko zamenja le proizvajalec ali pooblaščen serviser.
- Prepričajte se, da so zaklepni gumbi in zaskočni ročaji čvrsto pritrjeni, preden napravo začnete uporabljati.
- Žage ne uporabljajte, če varovala niso nameščena, še posebej po zamenjavi načina. varovala morajo biti v dobrem delovnem stanju in ustrezno vzdrževana.
- Ko je stroj priključen na električno energijo, z roko nikoli



ne segajte v območje rezila.

- Nikoli ne poskušajte stroja med delovanjem ustaviti na hitro tako, da rezilo blokirate z drugim pripomočkom ali sredstvom, saj lahko pride do hudih nesreč.
- Preden uporabite kateri koli dodatek, preverite navodila za uporabo. Nepravilna uporaba dodatka lahko povzroči okvaro.
- Ne spreminjajte namembnost ali funkcijo naprave.
- Prepričajte se, da so vsi uporabljeni distančniki in obročki vretena primerni za uporabo, opisano v tem priročniku.
- Izberite ustrezno rezilo za material, ki ga žagate.
- Upoštevajte maksimalno hitrost, ki je označena na rezilu. Prepričajte se, da je hitrost, označena na rezilu, vsaj enaka hitrosti, označeni na žagi.
- Ko rokujete z rezilom uporabite držalo ali nosite rokavice.
- Pred uporabo zagotovite, da je rezilo pravilno nameščeno.
- Prepričajte se, da se rezilo vrti v pravo smer. Pazite, da je rezilo vedno ostro.
- Razmislite o uporabi posebej zasnovanih rezil za zmanjševanje hrupa.
- Rezilo dvignite iz utora v obdelovancu preden sprostite stikalo.
- Ko žagate s poševnim rezom, pazite, da je roka vedno čvrsto pritrjena.
- Pri delu v načinu namizne žage mora biti roka dobro nameščena v delovni položaj.
- Prepričajte se, da je namizna žaga dobro fiksirana na ustrezni višini.
- Nikoli ne zagostite ničesar med krilca ventilatorja, da bi držalo gred motorja.
- Varovalo rezila na žagi se samodejno dvigne, ko spustite roko, in se spusti prek rezila, ko roko dvignete. Varovalo lahko dvignete ročno, ko nameščate ali odstranjujete rezila ali vzdržujete žago. Zaščitite rezila nikoli ne dvigujte ročno, razen če je žaga izključena.
- Območje okrog stroja naj bo ustrezno vzdrževano, brez prosto ležečih materialov, kot so ostružki in odrezki.
- Občasno preverite, ali so reže za zračenje motorja čiste in v njih ni ostružkov.
- Pred izvajanjem kakršnih koli vzdrževalnih del ali pred menjavanjem rezila odklopite stroj iz električnega napajanja.
- Stroja nikoli ne čistite ali vzdržujte, ko stroj teče in glava ni v položaju mirovanja.
- Kadar je mogoče, stroj vedno pritrdite na mizo in se prepričajte, da je pritrditev varna.
- Ko žagate v zarezalnem, poševnem ali sestavljenem zarezalnem načinu, prilagodite drsno zarezalno zaščito, da zagotovite ustrezen razmak za uporabo.
- Z območja rezanja ne odstranjujte odrezkov ali ostalih delov obdelovanca, ko stroj teče.
- Pred delom preverite, da je stroj nameščen na stabilni ravni površini.
- Pred začetkom dela najprej naredite "slepi" rez brez vključenega motorja, da preverite položaj rezila in

delovanje zaščit glede na druge dele stroja ter glede na obdelovanec.

- Nikoli ne žagajte zlitin, zlasti magnezijevih.
 - Ne uporabljajte abrazivnih ali diamantnih kolutov.
 - V primeru nesreče ali okvare, stroj nemudoma izključite in ga odklopite iz električne energije.
 - Napako sporočite ostalim in označite stroj, da druge osebe ne bi uporabljale okvarjenega stroja.
 - Če se rezilo blokira zaradi neobičajne sile potiskanja med žaganjem, stroj izključite in ga odklopite z električne energije. Obdelovanec odstranite in zagotovite, da se rezilo vrti prosto. Stroj vključite in začnite žagati z zmanjšano hitrostjo.
 - Vedno se postavite levo ali desno od linije žaganja.
 - Zagotovite ustrezno splošno in lokalno osvetljavo, da preprečite stroboskopski učinek in nevarnosti.
 - Upravljevec mora biti ustrezno usposobljen za uporabo, nastavitve in upravljanje stroja.
 - Ko ni pod nadzorom, stroj izključite.
 - Pri rezanju lesa priključite žago na odsesavanje prahu. Vedno upoštevajte dejavnike, ki vplivajo na izpostavljenost prahu, kot je vrsta materiala za obdelavo (iverna plošča ustvari več prahu kot les), prilagoditev rezila žage, prilagoditev lokalnega odsesavanja ter pokrovov, mrež in žlebov ter zračna hitrost prahu
 - Rezilo naj bo vedno ostro in pravilno nameščeno.
 - Stroja nikoli ne uporabljajte z drugačno napetostjo, kot je navedeno.
 - Ne mažite rezila, ko se rezilo vrti.
 - Zagotovite, da za strojem ne stoji nihče.
 - Za lastno varnost stroj vedno pritrdite na delovno mizo z vijaki.
 - Vedno uporabljajte rezila s pravilno velikostjo in obliko odprtine za vpenjanje. Če se rezila ne ujemajo z montažnimi elementi žage, je njihovo vrtenje ekscentrično, kar povzroči izgubo nadzora.
 - Uporabljajte le rezila, ki so določena v teh navodilih in so v skladu z EN 847-1.
 - **Ko režete dolge ali velike obdelovance, vedno priskrbite ustrezno podporo ob straneh mize.** Podpora mora biti iste višine kot miza. Roke držite proč od poti na mizi.
 - Žago odklopite od napajanja pred menjavanjem rezil ali vzdrževalnimi deli.
 - Roke držite stran od poti rezila.
 - Ne segajte za rezilo.
 - Ne stojte na vrhu enote.
 - Med transportom poskrbite, da je zgornji del rezila pokrit.
 - Ne uporabite zgornjega varovala za prenašanje.
 - Ne uporabljajte žage za rezanje drugih materialov, ki niso leseni.
- DODATNA VARNOSTNA PRAVILA ZA NAČIN NAMIZNE ŽAGE**
- Vložek mize zamenjajte, ko je ta obrabljen.
 - Orodja ne uporabljajte brez vložka mize.

EN
FR
DE
ES
IT
NL
PT
DA
SV
FI
NO
RU
PL
CS
HU
RO
LV
LT
ET
HR
SL
SK
EL
TR



- Zagotovite, da je miza čvrsto fiksirana.
- Pri opravljanju navpičnih ravnih prečnih rezih, prilagodite drsno varovalo tako, da zagotovite razmak 15 mm (maksimum) med rezilom in varovalom.
- Prilagodite drsno ograjo pravilno, tako da se izognete stiku z zgornjim varovalom.
- Nikoli ne žagajte, če sta razporni klin in/ali zgornje varovalo odstranjena.
- Prepričajte se, da je razporni klin nastavljen na pravilno razdaljo od rezila (od 3 mm do 8 mm)
- Vedno uporabljajte potisno palico. Nikoli ne žagajte obdelovancev, ki so manjši od 30 mm. Med rezanjem rok nikoli ne približajte več kot 150 mm od rezila.
- Potisna palica naj bo vedno na mestu, ko je ne uporabljate.
- Ne uporabljajte rezil, ki imajo gostoto večjo ali širino zoba manjšo od razpornega klina.
- Prepričajte se, da se rezilo vrti v pravo smer in da so zobje obrnjeni proti sprednjemu delu namizne žage.
- Prepričajte se, da so zaskočni ročaji čvrsto pritrjeni, preden napravo začnete uporabljati.
- Med žaganjem zagotovite, da je roka čvrsto pritrjena. Stroj uporabljajte le, ko je miza žage v vodoravnem položaju.
- Zarezovanje, rezanje žlebov in utorov ni dovoljeno.

DODATNA VARNOSTNA PRAVILA ZA NAČIN ZAJE-RALNE ŽAGE

- Zagotovite, da je zgornji del rezila popolnoma zaprt. Nikoli ne odstranite zgornjega varovala rezila, ko napravo uporabljate v načinu zarezalne žage.
 - Nikoli ne žagajte obdelovancev, ki so krajši od 160 mm.
 - Verno varno namestite obdelovanec.
 - Ugotovljeno je bilo, da lahko pri nekaterih posameznikih vibracije ročnih orodij povzročijo Raynaudov sindrom. Simptomi so lahko mravljinca, otrplost in pobledele prsti, kar je običajno vidno, kadar je oseba izpostavljena mrazu. Dedni dejavniki, izpostavljenost mrazu in vlagi, dieta, kajenje in delovne navade naj bi pripomogle k razvoju teh simptomov. Za zmanjšanje učinkov vibracij lahko upravljavec upošteva naslednja navodila:
 - Poskrbite, da bo vaše telo na mrazu toplo. Med upravljanjem nosite rokavice in tako ohranjajte toploto vaših dlani in zapestij. Kot poročajo, je mraz glavni dejavnik, ki prispeva k Raynaudovemu sindromu.
 - Po vsakem obdobju upravljanja naprave telovadite in tako pospešite krvni obtok.
 - Pogosto si vzemite odmor. Omejite dnevno količino izpostavljenosti.
- Če zaznavate kakršne koli simptome takšnega stanja, takoj prenehajte z uporabo naprave in se o simptomih posvetujte z zdravnikom.

VARNOSTNA NAVODILA ZA REZILLO ZA LES

- Pred uporabo naprave preberite navodila v tem priročniku.

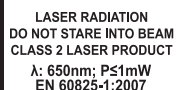
- Stroj mora biti v dobrem stanju, vreteno ne sme biti deformirano ali vibrirati.
- Žage ne uporabljajte, če varovala niso nameščena, še posebej po zamenjavi načina. varovala morajo biti v dobrem delovnem stanju in ustrezno vzdrževana.
- Upravljavec mora biti ustrezno usposobljen za varno uporabo, nastavitve in upravljanje stroja.
- Skupaj z zaščito za sluh vedno nosite zaščito za oči, ki ima varovanje tudi s strani. Priporočljivo je, da nosite rokavice, masivne čevlje, v katerih ne drsi, in predpasnik.
- Preden uporabite kateri koli dodatek, preverite navodila za uporabo. Nepravilna uporaba dodatka lahko povzroči okvaro.
- Uporabljajte le rezila, ki so določena v teh navodilih in so v skladu z EN 847-1.
- Upoštevajte maksimalno hitrost, ki je označena na rezilu. Prepričajte se, da je hitrost, označena na rezilu, vsaj enaka hitrosti, označeni na žagi.
- Vedno uporabljajte rezila s pravilno velikostjo in obliko (trikotno ali okroglo) odprtine za vpenjanje. Če se rezila ne ujemajo z montažnimi elementi žage, je njihovo vrtenje ekscentrično, kar povzroči izgubo nadzora.
- Ne uporabljajte rezil, ki imajo gostoto večjo ali širino zoba manjšo od razpornega klina. (za namizno žago ali v načinu namizne žage)
- Ne uporabljajte rezil večjega ali manjšega premera, kot je priporočen. Ne uporabljajte distančnikov, da bi namestili rezilo na vreteno.
- Pred vsako uporabo preverite, ali so konice rezil poškodovane oz. videti neobičajno. Konice, ki so poškodovane ali razrahljane, lahko med uporabo odletijo in povzročijo telesne poškodbe.
- Ne uporabljajte zviti ali počeni rezil. Nikoli ne uporabljajte poškodovanih ali deformiranih rezil.
- Žage nikoli ne uporabljajte s poškodovanim ali deformiranim rezilom. Popravljanje ni dovoljeno.
- Ne uporabljajte rezil HSS.
- Pred uporabo zagotovite, da je rezilo pravilno nameščeno. Pred vsako uporabo čvrsto pritrdite matico osi. (Navor: 12-15 Nm)
- Pritrdilne vijake in matice je treba priviti z ustreznim ključem za vijake.
- Ključa za vijake ne smete podaljšati in za privijanje ne smete uporabiti kladiva.
- Prepričajte se, da so vsa rezila in prirobnice čisti ter da so utori prirobnice usmerjeni proti rezilu.
- Prepričajte se, da se rezilo vrti v pravo smer.
- Pred začetkom dela najprej naredite "slepi" rez brez vključenega motorja, da preverite položaj rezila in delovanje zaščit glede na druge dele stroja ter glede na obdelovanec.
- Stroja nikoli ne puščajte brez nadzora.
- Ne mažite rezila, ko se rezilo vrti.
- Stroja nikoli ne čistite ali vzdržujte, ko stroj teče in glava ni v položaju mirovanja.
- Nikoli ne poskušajte stroja med delovanjem ustaviti na hitro tako, da rezilo blokirate z drugim pripomočkom ali

sredstvom, saj lahko pride do hudih nesreč.

- Žago odklopite od napajanja pred menjavanjem rezil ali vzdrževalnimi deli.
- Ko rezilo pakirate in odpirate, bodite previdni, saj se lahko hitro poškodujete z ostrimi konicami rezila.
- Pri rokovanju z rezilom uporabite držalo za rezilo ali pa nosite rokavice.
- Rezilo hranite v originalni ali drugi primerni embalaži, hranite v suhih pogojih in proč od kemikalij, ki lahko poškodujejo rezilo.

LASERSKA VARNOST

- Sevanje laserskega vodila, uporabljenega v žagi, je razreda 2, in sicer z močjo $\leq 1\text{mW}$ in valovno dolžino 650 nm. Ne glejte neposredno v laserski žarek. Neupoštevanje pravil lahko povzroči resne telesne poškodbe.



Prejeli ste nalepko v svojem jeziku, zato vas prosimo, da jo pritrdite na mesto angleškega besedila na opozorilni oznaki, preden stroj prvič uporabite.

- Med delovanjem ne glejte v laserski žarek.
- Laserskega žarka ne usmerjajte neposredno v oči drugih oseb. To lahko povzroči resno poškodbo oči.
- Laserja ne postavljajte tako, da bi lahko kdor koli namerno ali nenamerno pogledal neposredno v laserski žarek.
- Ne glejte laserskega žarka z optičnimi pripomočki.
- Laserja ne uporabljajte v bližini otrok in ne dovolite otrokom, da bi ga uporabljali.
- Laserske naprave nikoli ne poskušajte popravljati sami.
- Ne poskušajte spreminjati delov laserske naprave sami.
- Popravila lahko izvaja le proizvajalec laserja ali pooblaščen serviser.
- Laserja ne menjajte z laserjem druge vrste.

NAMEN UPORABE

- Ta stroj je namenjen izključno razcepljanju in prečnemu rezanju lesa. Fiksirati ga je treba na ustrezno visoko delovno mizo, upravlja pa ga lahko le ena oseba naenkrat.
- V načinu namizne žage je namenjen samo za rezanje skozi in ne za rezanje utorov ali urezov. Maksimalna globina rezanja je 60mm.
- V načinu zarezalne žage sta možna horizontalni kot zarezanja od -45° do $+45^\circ$ ter vertikalni kot nagiba od 0° do 45° . Maksimalni prerez obdelovanca je 70 mm x 130 mm.
- Stroj je namenjen delovanju v samo enem načinu. Izdelka ni mogoče uporabljati kot namizno žago in zarezalno žago hkrati.

PREOSTALA TVEGANJA

Tudi če napravo uporabljate tako, kot je predpisano, ni mogoče popolnoma odpraviti določenih preostalih dejavnikov tveganja. Med uporabo se lahko pojavijo nekatere nevarnosti, upravljevec pa naj bo pozoren na naslednje:

- Nevarnost stika z odkritimi deli vrtečega se rezila.
- Nevarnost povratnih sunkov obdelovancev in njihovih delov zaradi neustrezne nastavitve ali uporabe.
- Katapultiranje poškodovanih karbidnih konic z rezila.
- Nevarnost poškodb pljuč, če ne nosite maske proti prahu.
- Okvare sluha, če ne nosite učinkovite zaščite za sluh.

VZDRŽEVANJE

- Ne spreminjajte nobenih nastavitvev, ko motor deluje.
- Pred menjavo ščetk, pred mazanjem ali vzdrževanjem stroja se vedno prepričajte, da je vtič stroja odstranjen iz električne vtičnice.
- Po vsaki uporabi preverite, ali je stroj poškodovan in ali ima zlomljene dele ter ga vzdržujte v dobrem delovnem stanju s tem, ko takoj zamenjate ali popravite poškodovane dele.
- Ker je rezilo po uporabi vroče, bodite pazljivi pri vzdrževanju in čiščenju.
- Počistite nakopičeni prah.
- Da bi zagotovili varnost in zanesljivost, mora vsa popravila stroja opraviti pooblaščen servisni center (z izjemo z zunanje strani dostopnih ščetk).
- O okvarah stroja, vključno z varovali in rezili, morate poročati takoj, ko jih odkrijete.
- Če je napajalni kabel poškodovan, ga mora zaradi izogibanja tveganja zamenjati proizvajalec ali pooblaščen servis. Obrnite se na pooblaščen servisni center

ZAŠČITA OKOLJA



Namesto, da napravo zavržete, reciklirajte surovine. Napravo, pribor in embalažo je treba sortirati za okolju prijazno recikliranje.

SIMBOL



Varnostno opozorilo



Skladnost CE



Skladnost GOST-R



Razred II, dvojno izolirano



Pred zagonom naprave pazorno preberite navodila.



Nosite zaščito za ušesa



Vedno nosite zaščito za oči.



NEVARNOST
Ostro rezilo.



Širina rezanja



Zobje rezila



Idealen za les



Ne žaganje kovin



Zmogljivost rezanja



Ne glejte v žarek.



Lasersko sevanje.
Laserski izdelek 2. razreda
 λ : 650nm; $P \leq 1\text{mW}$
EN 60825-1:2007



Odpadne električne izdelke ne odlagajte skupaj z ostalimi gospodinjskimi odpadki. Reciklažo opravljajte na predpisanih mestih. Za nasvet se obrnite na lokalne oblasti.



Deli ali dodatki so na prodaj ločeno



Odpadne električne izdelke ne odlagajte skupaj z ostalimi gospodinjskimi odpadki. Reciklažo opravljajte na predpisanih mestih.



Opomba



Opozorilo

SIMBOLI V PRIROČNIKU



Priključite napravo.



Izklopite orodje.

VŠEOBECNÉ BEZPEČNOSTNÉ VÝSTRAHY

VAROVANIE

Aby sa znížilo riziko vzniku požiaru, úrazu elektrickým prúdom a poranenia osôb, pri používaní elektrických nástrojov je potrebné vždy dodržiavať základné bezpečnostné opatrenia, vrátane nasledujúcich. Pred prácou s produktom si prečítajte všetky pokyny a odložte si tento návod.

- **Pracovisko udržiavajte v čistote.** Zaprášané plochy a stoly priťahujú poranenia.
- **Dbajte na vaše pracovné prostredie.** Nevystavujte nástroje dažďu. Nepoužívajte nástroje vo vlhkom alebo mokrom prostredí. Dbajte, aby bolo pracovisko dobre osvetlené. Nástroje nepoužívajte v blízkosti horľavých kvapalín ani plynov.
- **Chráňte sa pred úrazom elektrickým prúdom.** Vyhýbajte sa telesnému kontaktu s uzemnenými povrchmi (napríklad rúrami, radiátormi, sporákmi, chladničkami).
- **Nedovoľte, aby sa približovali iné osoby.** Nedovoľte iným osobám, najmä deťom, aby pracovali s nástrojom, dotýkali sa nástroja alebo predlžovacieho kábla a nedovoľte, aby vstupovali do pracovného prostredia.
- **Nástroje odkladajte mimo dosahu detí a iných nezaškolených osôb.** Keď sa nástroje nepoužívajú, odložte ich na suché uzamknuté miesto mimo dosahu detí.
- **Na nástroj nevyvíjajte silu.** Vykoná svoju prácu lepšie a bezpečnejšie pri určenom zaťažení.
- **Používajte správny nástroj.** Nepoužívajte malé nástroje nasilu na prácu určenú pre nástroje s veľkým zaťažením. Nepoužívajte nástroje na iné ako určené účely, napríklad kotúčové píly na odvetvovávajúce alebo pílenie polien.
- **Primerane sa oblečte.** Nenoste voľný odev ani šperky – môžu sa zachytiť do pohybujúcich sa dielov. Pri práci v exteriéri sa odporúča používať protišmykovú obuv. Ak máte dlhé vlasy, noste ochrannú pokrývku vlasov.
- **Používajte ochranné pomôcky.** Používajte ochranné okuliare. Ak pri práci vzniká prach, použite tvárovú alebo protiprachovú masku.
- **Používajte zariadenie na odsávanie prachu.** Ak je nástroj vybavený pripojením na prostriedky na odsávanie a zber prachu, zaistite, aby boli správne pripojené a primerane sa používali.
- **Kábel nenamáhajte.** Kábel zo zásuvky neodpájajte trhnutím. Kábel nedávajte do blízkosti tepla, oleja alebo ostrých okrajov.
- **Zabezpečte obrobok.** Na pridržanie obrobku použite podľa možnosti svorky alebo zverák. Je to bezpečnejšie, ako použiť ruku.
- **Nesiahajte príliš ďaleko.** Neustále zachovávajúce pevnú oporu nôh a rovnováhu.
- **Údržbu nástrojov vykonávajte opatrne.** Udržujte rezné nástroje ostré a čisté pre lepšiu a bezpečnejšiu výkon. Dodržiavajte pokyny na mazanie a výmenu

príslušenstva. Pravidelne kontrolujte káble nástroja a v prípade ich poškodenia ho nechajte opraviť v autorizovanom servisnom stredisku. Pravidelne skontrolujte predlžovacie káble v prípade ich poškodenia ich vymeňte. Rukoväte udržiavajte suché a čisté, bez zvyškov oleja či maziva.

- **Odpojte nástroje.** Keď sa nástroj nepoužíva, pred servisom a pri výmene príslušenstva, napríklad kotúčov, vrtákov a nožov, odpojte nástroj z elektrickej siete.
- **Odstráňte nastavovacie klíny a kľúče.** Vytvorte si návyk vizuálnej kontroly odstránenia nastavovacích kľúčov z nástroja pred jeho zapnutím.
- **Dbajte na to, aby nedochádzalo k neúmyselnému spusteniu.** Pri zapájaní nástroja skontrolujte, či je spínač vo vypnutej polohe.
- **Používajte predlžovacie káble určené pre exteriéry.** Keď sa nástroj používa, používajte len predlžovacie káble určené pre exteriéry s príslušným označením.
- **Buďte opatrní.** Sledujte, čo robíte, používajte zdravý rozum a nepracujte s nástrojom, keď ste unavení.
- **Skontrolujte všetky poškodené časti.** Pred ďalším použitím tohto nástroja je nevyhnutné dôkladne skontrolovať, či funguje správne a vykonáva funkciu, na ktorú je určený. Skontrolujte zarovnanie pohyblivých dielov, zaseknutie pohyblivých dielov, poškodenie dielov, montáž a akékoľvek iné podmienky, ktoré by mohli ovplyvniť prevádzku nástroja. Ochranný kryt alebo iné poškodené diely treba riadne opraviť alebo vymeniť v autorizovanom servisnom stredisku, pokiaľ nie je v návode uvedené inak. Chybné spínače sa musia vymeniť v autorizovanom servisnom centre.
- Nástroj nepoužívajte, ak spínač nezapína a nevypína nástroj.
- **VAROVANIE**
Používanie akéhokoľvek príslušenstva alebo doplnku, ktorý nie je odporúčaný v tomto návode na použitie, môže predstavovať riziko osobného poranenia.
- **Opravu nástroja zverte kvalifikovanej osobe.** Tento elektrický nástroj spĺňa platné bezpečnostné pravidlá. Opravy môžu vykonávať len kvalifikované osoby pomocou originálnych náhradných dielov, inak by mohlo vzniknúť značné riziko pre používateľa.

KOMBINOVANÁ ZREZÁVAČKA A PLOŠINOVÁ PÍLA – BEZPEČNOSTNÉ VÝSTRAHY

- Používajte chrániče sluchu. Vystavovanie hluku môže spôsobiť stratu sluchu.
- Pri práci so zariadením vždy používajte okuliare. Odporúča sa používať rukavice, pevné nešmyklivé topánky a zásteru.
- Pri práci s mechanickým nástrojom alebo ofukovaním prachu vždy používajte ochranné okuliare alebo ochranné okuliare s bočnými chráničkami. Ak pri práci vzniká prach, používajte aj protiprachovú masku.
- Tento stroj je vybavený špeciálne nakonfigurovaným napájacím káblom. Pri poškodení alebo inom narušení napájacieho kábla ho môže vymeniť len výrobca alebo autorizovaný servisný zástupca.

EN
FR
DE
ES
IT
NL
PT
DA
SV
FI
NO
RU
PL
CS
HU
RO
LV
LT
ET
HR
SL
SK
EL
TR



- Pred zahájením akejkoľvek operácie dbajte na to, aby všetky poistné tlačidlá a rukoväte svoriek boli utiahnuté.
- Nepoužívajte pílu bez krytov v príslušnej polohe, najmä po zmene režimu. Ochranné kryty udržiavajte v dobrom prevádzkovom stave a správne udržiavané.
- Nikdy nedávajte ani jednu ruku do priestoru ostria, keď je píla pripojená do elektrickej napájacej siete.
- Nikdy sa nepokúšajte rýchlo zastaviť stroj v pohybe tak, že zaseknete nástroj či iný predmet do ostria – takýmto spôsobom môže neúmyselne dôjsť k závažným poraneniam.
- Pred použitím akéhokoľvek príslušenstva si pozrite návod na použitie. Pri nesprávnom používaní príslušenstva môže dôjsť k poškodeniu.
- Neupravujte ani nemodifikujte pôvodnú konštrukciu alebo funkcie jednotky.
- Skontrolujte, či všetky dištančné prvky a vretenové krúžky sú vhodné na daný účel, ako je uvedené v tomto návode.
- Vyberte vhodné ostrie pre materiál, ktorý chcete rezať.
- Dodržiavajte označenie maximálnej rýchlosti na pílovom ostrí. Skontrolujte, či rýchlosť vyznačená na pílovom ostrí je minimálne rovná rýchlosti vyznačenej na píle.
- Pri manipulácii s pílovým ostrím používajte držiak alebo nosite rukavice.
- Pred použitím skontrolujte, či je pílové ostrie namontované správne.
- Skontrolujte, či sa ostrie otáča v správnom smere. Ostrie udržiavajte ostré.
- Zvážte použitie špeciálne navrhnutých čepelí s potláčaním hluku.
- Pred uvoľnením spínača nadvihnite ostrie zo zárezu v obrobku.
- Pri vykonávaní skosených rezov dbajte na to, aby bolo rameno bezpečne upevnené.
- Skontrolujte, či je rameno pevne upevnené v pracovnej polohe v režime stolovej píly.
- Skontrolujte, či je stôl plošinovej píly pevne zafixovaný na zvolenej výške.
- Nevkliňujte nič oproti ventilátoru na za účelom pridržania hriadeľa motora.
- Kryt ostria na píle sa automaticky zdvihne, keď sa rameno spustí nadol a spustí sa nad ostrie, keď sa rameno zdvihne. Pri montáži alebo demontáži pílových ostrí alebo pri kontrole píly možno kryt zdvihnúť rukou. Kryt ostria nikdy nedvíhajte manuálne, kým píla nie je vypnutá.
- Udržujte okolie stroja v poriadku a bez zvyšných materiálov, ako sú piliny a odrezky.
- Pravidelne kontrolujte, či vzduchové štrbiny motora sú čisté a neobsahujú piliny.
- Pred vykonaním akejkoľvek údržby alebo pri výmene ostria odpojte stroj od elektrickej siete.
- Nikdy nevykonávajte čistenie alebo údržbu, keď je stroj ešte spustený a hlava nie je v pokojovej polohe.
- Podľa možnosti vždy namontujte stroj na pracovný stôl a skontrolujte bezpečné upevnenie k stolu.
- Pri vykonávaní rozbrusovaní, úkosnom alebo zloženom rezaní nastavte posuvnú bariéru rozbrusovania tak, aby bola pre danú aplikáciu zabezpečená správna vzdialenosť.
- Neodstraňujte žiadne odrezky či iné časti obrobku z priestoru rezania, kým je píla v pohybe.
- Pred prácou skontrolujte, či je zariadenie umiestnené na rovnom povrchu s dostatočnou stabilitou.
- Pred započatím práce vykonajte skúšobný rez so zapnutým motorom, na kontrolu polohy ostria, funkčnosti ochranných krytov vzhľadom na ostatné súčasti stroja a obrobku.
- Nikdy nerežte ľahké zliatiny, najmä horčík.
- Nepoužívajte žiadne abrazívne alebo diamantové disky.
- V prípade nehody alebo poruchy zariadenia okamžite zariadenie vypnite a odpojte ho z elektrickej siete.
- Nahláste poruchu a označte stroj, zabránite tak používaniu chybného stroja inými osobami.
- Pri zablokovaní pílového ostria následkom príliš veľkej posuvnej sily pri rezaní vypnite stroj a odpojte ho z elektrickej siete. Odstráňte obrobok a skontrolujte, či pílové ostrie beží voľne. Zapnite stroj a začnite novú operáciu rezanie so zníženou posuvnou silou.
- Dbajte na to, aby vaša poloha bola vždy naľavo alebo napravo od línie rezania.
- Zabezpečte primerané všeobecné alebo lokálne osvetlenie, aby nevznikali stroboskopické efekty a riziká.
- Dbajte na to, aby bola obsluhujúca osoba primerane zaškolená na používanie, nastavovanie a obsluhu stroja.
- Keď nechávate stroj bez dozoru, vypnite ho.
- Pri pílení dreva pripojte pílu k systému na zachytávanie prachu. Vždy berte do úvahy faktory ovplyvňujúce vystavenie prachu, napríklad typ opracúvaného materiálu (drevotrieska produkuje viac prachu ako drevo), nastavenie pílového ostria, nastavenie lokálneho odsávania, ako aj krytov, tlmičov a žľabov a rýchlosti prachu
- Pílové ostrie udržiavajte ostré a správne nastavené.
- Nepokúšajte sa pracovať na inom ako určenom napätí.
- Na ostrie nenanášajte mazivá počas behu.
- Zabezpečte, aby okolostojace osoby nestáli za strojom.
- Pre vašu vlastnú bezpečnosť vždy primontujte stroj k pracovnému stolu pomocou maticových skrutiek.
- Vždy používajte ostria s otvormi na hriadeľ správnej veľkosti a tvaru. Ostria, ktoré nie sú kompatibilné s montážnym technickým vybavením píly, budú bežať excentricky a spôsobia stratu kontroly.
- Používajte len ostria špecifikované v tomto návode, ktoré spĺňajú normu EN 847-1.
- **Pri rezaní dlhých alebo veľkých obrobkov vždy zaistíte adekvátnu podporu bočným stranám stola.** Táto podpora musí byť v rovnakej výške ako stôl. Ruky nikdy nedávajte do dráhy stola.
- Pred výmenou ostrí alebo vykonaním údržby odpojte pílu od elektrickej siete.



- Nedávajte ruky do trasy pílového ostria.
- Nesiahajte za ostrie píly.
- Nestojte navrchu jednotky.
- Počas prenášania dbajte na to, aby bola horná časť pílového ostria zakrytá.
- Nepoužívajte horný kryt na manipuláciu alebo prenášanie.
- Nepoužívajte pílu na rezanie žiadneho iného materiálu ako dreva.

ĎALŠIE BEZPEČNOSTNÉ PRAVIDLÁ PRE REŽIM STOLOVÉHO PILENIA

- Opotrebovanú vložku stolu vymeňte.
- Nepoužívajte nástroj bez vložky taniera.
- Skontrolujte, či je stôl bezpečne upevnený.
- Pri vykonávaní zvislých priamych priečnych rezov nastavte posuvnú bariéru do správnej polohy, aby bola medzi pílovým ostrím a bariérou vzdialenosť (maximálne) 15 mm.
- Nastavte správne posuvnú bariéru, aby nedošlo ku kontaktu s horným chráničom.
- Nikdy nerezte, keď sú štiepiaci nôž alebo horný kryt odstránené.
- Skontrolujte, či je štiepiaci nôž nastavený na správnu vzdialenosť od ostria (3 mm až 8 mm).
- Vždy použite zatlačiacu tyč. Nikdy nerezte obroby menšie ako 30 mm.
Pri rezaní nikdy nedávajte ruky bližšie ako 150 mm od pílového ostria.
- Keď sa zatlačacia tyč nepoužíva, vždy ju odložte na miesto.
- Nepoužívajte pílové ostria s hrúbkou tela väčšou alebo šírkou zuba menšou ako hrúbka štiepiaceho noža.
- Skontrolujte, či sa ostrie otáča v správnom smere a či zuby smerujú k prednej časti stolovej píly.
- Pred zahájením akejkoľvek operácie dbajte na to, aby všetky rukoväte svoriek boli utiahnuté.
- Pri pilení dbajte na to, aby bolo rameno bezpečne upevnené. Stroj používajte, len keď je stôl plošínovej píly vo vodorovnej polohe.
- Drážkovanie, polodrážkovanie alebo žliabkovanie nie je povolené.

ĎALŠIE BEZPEČNOSTNÉ PRAVIDLÁ PRE REŽIM ROZBRUSOVAČKY

- Skontrolujte, či horná časť pílového ostria je úplne uzavretá. Nikdy neodstraňujte horný kryt ostria, keď používate stroj v režime rozbrusovačky.
- Nikdy nerezte obroby kratšie ako 160 mm.
- Obrobok vždy bezpečne upnite.
- Boli hlásené prípady, kedy vibrácie z ručných nástrojov u niektorých osôb prispeli k stavu nazývanému Raynaudov syndróm. K symptómom patria: tŕpnutie, znecitlivenie a blednutie prstov, zvyčajne zjavné po vystavení zime. Je známe, že k vývoju týchto symptómov prispievajú: dedičné faktory, vystavovanie zime a vlhkosti, diéta, fajčenie a pracovné návyky. Opatrenia, ktoré môže vykonať obsluhujúca osoba na

možné zníženie účinkov vibrácií:

- V studenom počasí udržiavajte svoje telo v teple. Pri práci so zariadením noste rukavice, aby ste mali ruky a zápästia v teple. Boli hlásené prípady, kedy hlavným faktorom prispievajúcim k Raynaudovmu syndrómu bolo studené počasie.
- Po každom určitom časovom úseku prevádzky cvičte, aby ste zlepšili krvný obeh.
- Počas práce si doprajte časté prestávky. Obmedzte počet vystavení za deň.

Ak zistíte ktorýkoľvek zo symptómov tohto stavu, okamžite prerušte používanie zariadenia, navštívte svojho lekára a povedzte mu o symptómoch.

BEZPEČNOSTNÉ POKYNY PRE OSTRIE NA REZANIE DREVA

- Pred prácou s nástrojom si prečítajte tento návod.
- Zariadenie musí byť v dobrom stave, vreteno bez deformácií a vibrácií.
- Nepoužívajte pílu bez krytov v príslušnej polohe, najmä po zmene režimu. Ochranné kryty udržiavajte v dobrom prevádzkovom stave a správne udržiavané.
- Dbajte na to, aby bola obsluhujúca osoba primerane oboznámená s bezpečnostnými opatreniami, nastavením a obsluhou zariadenia.
- Vždy používajte chrániče zraku s bočnými štítkmi spolu s chráničmi sluchu. Odporúča sa používať rukavice, pevné nešmykľavé topánky a zásteru.
- Pred použitím akéhokoľvek príslušenstva si pozrite návod na použitie. Pri nesprávnom používaní príslušenstva môže dôjsť k poškodeniu.
- Používajte len ostria špecifikované v tomto návode, ktoré spĺňajú normu EN 847-1.
- Dodržiavajte označenie maximálnej rýchlosti na pílovom ostrí. Skontrolujte, či rýchlosť vyznačená na pílovom ostrí je minimálne rovná rýchlosti vyznačenej na píle.
- Vždy používajte ostria s otvormi na hriadeľ správnej veľkosti a tvaru (kosoštvorcové alebo okrúhle). Ostria, ktoré nie sú kompatibilné s montážnym technickým vybavením píly, budú bežať excentricky a spôsobia stratu kontroly.
- Nepoužívajte pílové ostria s hrúbkou tela väčšou alebo šírkou zuba menšou ako hrúbka štiepiaceho noža. (pre stolovú pílu alebo v režime stolovej píly)
- Nepoužívajte ostria väčšieho alebo menšieho priemeru ako odporúčané. Nepoužívajte žiadne rozpiery umožňujúce prispôsobenie ostria do vretena.
- Pred každým použitím skontrolujte hrotky pílového ostria, či nie sú poškodené alebo nemajú nevšedný vzhľad. Poškodené alebo voľné hroty sa môžu stať odletujúcimi predmetmi a zväčšujú riziko poranenia osôb.
- Nepoužívajte prasknuté alebo porušené pílové kotúče. Nepoužívajte poškodené alebo deformované pílové kotúče.
- Nikdy nepoužívajte pílové ostrie, ktoré je poškodené alebo zdeformované. Nie je povolené vykonávať opravy.

- Nepoužívajte ostria HSS.
- Pred použitím skontrolujte, či je pílové ostrie namontované správne. Pred každým použitím bezpečne utiahnite maticu hriadeľa. (Krútiaci moment: 12-15 Nm)
- Upínacie skrutky a matice sa musia ťahovať pomocou príslušného skrutkového kľúča.
- Rozťahovanie skrutkového kľúča alebo ťahovanie pomocou úderov kladiva nie je povolené.
- Dbajte na to, aby všetky ostria a príruby boli čisté a zapustené strany objímky boli oproti ostriu.
- Skontrolujte, či sa ostrie otáča v správnom smere.
- Pred započatím práce vykonajte skúšobný rez so zapnutým motorom, na kontrolu polohy ostria, funkčnosti ochranných krytov vzhľadom na ostatné súčasti stroja a obrobku.
- Zariadenie nikdy nenechávajte bez dozoru.
- Na ostrie nenanášajte mazivá počas behu.
- Nikdy nevykonávajte čistenie alebo údržbu, keď je stroj ešte spustený a hlava nie je v pokojovej polohe.
- Nikdy sa nepokúšajte rýchlo zastaviť stroj v pohybe tak, že zaseknete nástroj či iný predmet do ostria – takýmto spôsobom môže neúmyselne dôjsť k závažným poraneniam.
- Pred výmenou ostrí alebo vykonaním údržby odpojte pílu od elektrickej siete.
- Pri rozbaľovaní a balení ostria buďte opatrní, môžete sa ľahko poraniť ostrými hrotmi ostria.
- Pri manipulácii s pílovým ostrím používajte držiak ostria alebo rukavice.
- Ostrie uchovávajte a skladujte v pôvodnom balení či inom vhodnom obale, skladujte ho v suchom prostredí a mimo chemikálií, ktoré ho mohli poškodiť.

BEZPEČNOSŤ PRI PRÁCI S LASEROM

- Vyžarovanie laserového navádzania použitého v píle je Trieda 2 s maximálnym výkonom $\leq 1\text{mW}$ a vlnovou dĺžkou 650 nm. Nepozerajte priamo do laserového lúča. Pri nedodržaní týchto pravidiel by mohlo dôjsť k vážnemu poraneniu osôb.



Dodali sme vám lepiaci štítok vo vašom jazyku a teraz odporúčame, aby ste ho pred prvým uvedením zariadenia do prevádzky nalepili namiesto anglického textu na výstražný štítok.

- Počas činnosti nepozerajte do lúča.
- Nesviette laserovým lúčom priamo do očí iných osôb. Mohlo by dôjsť k vážnemu poraneniu očí.
- Nepracujte s laserom v polohe, pri ktorej by sa mohol niekto, či už úmyselne alebo neúmyselne, pozrieť do laserového lúča.
- Nepoužívajte optické nástroje na zobrazenie laserového lúča.
- Nepoužívajte laser v blízkosti detí ani nedovoľte deťom

pracovať s laserom.

- Nepokúšajte sa opravovať laserové zariadenie sami.
- Nepokúšajte sa sami vymieňať žiadne diely laserového zariadenia.
- Akékoľvek opravy môže vykonávať len výrobca lasera alebo autorizovaný servisný pracovník.
- Nevymieňajte laser za iný typ.

ÚČEL POUŽITIA

- Toto zariadenie je určené na rozrezávanie alebo priečne rezanie výlučne na dreve. Musí byť pevne prímontované k stolu dostatočnej dĺžky a je určené na obsluhu len jednou osobou.
- V režime stolovej píly môže slúžiť len na otvorené zárezy, nie na rezanie výrazov alebo drážok. Maximálna kapacita rezania je 60mm.
- V režime rozbrusovačky je možné použiť horizontálne uhly skosenia -45° až $+45^\circ$ a vertikálne uhly úkosu 0° až 45° . Maximálny prierez obrobku je 70 mm x 130 mm.
- Toto zariadenie je určené výlučne na prevádzku v jednom režime. Nie je možné používať tento produkt súčasne ako stolovú pílu a rozbrusovačku.

ZVYŠKOVÁ RIZIKOVOSŤ

Aj keď sa nástroj používa podľa predpisu, nie je možné eliminovať určité zvyškové rizikové faktory. Pri použití vznikajú nasledujúce riziká a obsluhujúca osoba musí venovať zvláštnu pozornosť, aby nedošlo k nasledovnému:

- Riziko kontaktu následkom nezakrytých častí rotujúceho pílového ostria.
- Spätňý náraz obrobkov a častí obrobkov v dôsledku nesprávneho nastavenia alebo manipulácie.
- Vymrštenie úlomkov chybného karbidu z pílového ostria.
- Poškodenie respiračného systému pri nepoužívaní účinnej protiprachovej masky.
- Poškodenie sluchu pri nepoužívaní účinnej ochrany sluchu.

ÚDRŽBA

- Kým sa motor pohybuje, nevykonávajte žiadne nastavenia.
- Pred výmenou kefiiek, mazaním alebo vykonaním akýchkoľvek prác alebo údržby na zariadení vždy skontrolujte, či bola zástrčka zariadenia odpojená z elektrickej zásuvky.
- Po každom použití skontrolujte na zariadení poruchy alebo poškodené diely a udržiavajte ho špičkovom prevádzkovom stave – príslušné diely opravte alebo vymeňte bezodkladne.
- Keďže ostrie býva po použití horúce, pri údržbe alebo čistení buďte opatrní.
- Odstráňte nahromadený prach.
- Na zabezpečenie bezpečnosti a spoľahlivosti musí všetky opravy, s výnimkou externe dostupných kefiiek, vykonávať autorizované servisné centrum.
- Poruchy na nástroji, vrátane ochranných krytov alebo

pílových ostrí, sa musia nahlásiť ihneď po ich zistení.

- Ak dôjde k poškodeniu napájacieho kábla, aby nedošlo k ohrozeniu, musí ho vymeniť výrobca alebo autorizované servisné stredisko. Kontaktujte autorizované servisné centrum

OCHRANA ŽIVOTNÉHO PROSTREDIA



Surové materiály recyklujte, nelikvidujte ich ako odpad. Stroj, príslušenstvo a obaly by sa mali triedene recyklovať spôsobom šetrným k životnému prostrediu.

ZNAČKY



Buďte ostražití



CE konformita



GOST-R konformita



Trieda II, dvojité izolácia



Pred spustením zariadenia si pozorne prečítajte tento návod.



Noste ochranu sluchu



Vždy používajte chrániče zraku.



NEBEZPEČENSTVO
Ostré čepele.



Šírka rezu



Zúbky čepele



Ideálny na drevo



Nerežte kovové



Kapacita rezania



Nepozeraťe priamo do lúča.



Laserové vyžarovanie.
Laserový produkt Triedy 2
 λ : 650nm; $P \leq 1$ mW
EN 60825-1:2007



Opotrebované elektrické zariadenia by ste nemali odhadzovať do domového odpadu. Prosíme o recykláciu ak je možné. Kontaktujte miestne úrady, alebo predajcu pre viac informácií o hľadom ekologického spracovania.

SYMBOLY V NÁVODE



Pripojte stroj.



Náradie odpojte zo zásuvky.



Diely alebo príslušenstvo predávané samostatne



Opotrebované elektrické zariadenia by ste nemali odhadzovať do domového odpadu. Prosíme o recykláciu ak je možné.



Poznámka



Varovanie

ΓΕΝΙΚΕΣ ΠΡΟΕΙΔΟΠΟΙΗΣΕΙΣ ΑΣΦΑΛΕΙΑΣ

⚠ ΠΡΟΕΙΔΟΠΟΙΗΣΗ

Κατά την χρήση ηλεκτρικών εργαλείων, τηρείτε πάντα τις οδηγίες ασφάλειας, για να μειώσετε τον κίνδυνο φωτιάς, ηλεκτροπληξίας και τραυματισμών, συμπεριλαμβανομένων των παρακάτω. Διαβάστε όλες τις οδηγίες πριν χρησιμοποιήσετε το προϊόν και φυλάξτε τις.

- **Διατηρείτε καθαρό τον χώρο εργασίας.** Οι ακατάστατοι χώροι και πάγκοι εργασίας προκαλούν ατυχήματα.
- **Εξετάστε τον χώρο εργασίας.** Μην εκθέτετε τα εργαλεία σε βροχή. Μην χρησιμοποιείτε τα εργαλεία σε βρεγμένο χώρο ή σε συνθήκες υγρασίας. Να δουλεύετε σε καλά φωτισμένη περιοχή. Μην χρησιμοποιείτε τα εργαλεία όταν υπάρχουν εύφλεκτα υγρά ή αέρια.
- **Προστατευτικό από ηλεκτροπληξία.** Αποφύγετε την επαφή με γειωμένες επιφάνειες (π.χ. σωλήνες, καλοριφέρ, εστίες, ψυγεία).
- **Διατηρείτε μακριά τους παριστάμενους.** Μην αφήνετε άλλα άτομα και ιδιαίτερα παιδιά να εμπλέκονται στην εργασία, να αγγίζουν το εργαλείο ή την προέκταση και διατηρείτε τους παριστάμενους μακριά από τον χώρο εργασίας σας.
- **Φυλάσσετε τα εργαλεία που δεν χρησιμοποιείτε.** Όταν δεν χρησιμοποιούνται, τα εργαλεία πρέπει να φυλάσσονται σε στεγνό και κλειδωμένο χώρο, μακριά από παιδιά.
- **Μην πιέζετε υπερβολικά το εργαλείο.** Η δουλειά θα γίνει καλύτερα και ασφαλέστερα με τον ρυθμό για τον οποίο προορίζεται.
- **Χρησιμοποιείτε το σωστό εργαλείο.** Μην πιέζετε μικρά εργαλεία να κάνουν τη δουλειά εργαλείων βαριάς χρήσης. Μην χρησιμοποιείτε εργαλεία για μη επιθυμητούς σκοπούς, π.χ. μην χρησιμοποιείτε κυκλικούς κόπτες για να κόψετε κλαδιά δέντρων ή κούτσουρα.
- **Ντυθείτε κατάλληλα.** Μην φοράτε χαλαρά ρούχα ή κοσμήματα γιατί μπορεί να πιαστούν στα κινούμενα εξαρτήματα. Προτείνονται αντιολισθητικά υποδήματα όταν εργάζεστε σε εξωτερικούς χώρους. Καλύπτετε τα μαλλιά σας αν είναι μακριά.
- **Χρησιμοποιείτε προστατευτικό εξοπλισμό.** Χρησιμοποιείτε γυαλιά ασφαλείας. Χρησιμοποιείτε μάσκα προσώπου ή κατά της σκόνης όταν οι εργασίες παράγουν σκόνη / πριονίδια.
- **Συνδέστε τον εξοπλισμό απομάκρυνσης σκόνης / πριονιδιού.** Αν το εργαλείο διαθέτει σύνδεση απομάκρυνσης σκόνης / πριονιδιού και εξοπλισμό συλλογής, βεβαιωθείτε ότι έχουν συνδεθεί και χρησιμοποιούνται σωστά.
- **Προσέχετε στη χρήση του καλωδίου.** Μην τραβάτε ποτέ το καλώδιο για να το αποσυνδέσετε από την πρίζα. Διατηρείτε το καλώδιο μακριά από θερμότητα, λάδι και αιχμηρές γωνίες.
- **Ασφαλής εργασία.** Όπου είναι δυνατό, χρησιμοποιήστε σφιγκτήρες ή μέγγενη για να συγκρατήσετε το τεμάχιο εργασίας. Είναι ασφαλέστερο από το να χρησιμοποιείτε το χέρι σας.
- **Μην τεντώνετε.** Διατηρείτε σταθερό πάτημα και ισορροπία συνεχώς.
- **Συνηρείτε προσεκτικά τα εργαλεία.** Διατηρείτε τα εργαλεία κοπής αιχμηρά και καθαρά για καλύτερη και ασφαλέστερη απόδοση. Ακολουθήστε τις οδηγίες για τη λίπανση και αλλαγή εξαρτημάτων. Ελέγχετε τακτικά τα καλώδια του εργαλείου και αν έχουν φθαρεί, επισκευάστε τα πηγαίνοντάς τα σε εξουσιοδοτημένη εγκατάσταση σέρβις. Ελέγχετε τακτικά τα καλώδια προέκτασης και προχωρήστε σε αντικαταστάσεις εάν έχουν φθαρεί. Διατηρείτε τις λαβές στεγνές, καθαρές και χωρίς λάδι και γράσο.
- **Αποσυνδέστε τα εργαλεία.** Όταν δεν χρησιμοποιούνται, πριν το σέρβις και κατά την αλλαγή εξαρτημάτων όπως λεπίδες, μικρά εξαρτήματα και κόπτες, αποσυνδέστε τα εργαλεία από το ρεύμα.
- **Αφαιρέστε κλειδιά προσαρμογής και άλλα κλειδιά.** Ελέγχετε πάντα ότι τα κλειδιά και τα κλειδιά προσαρμογής έχουν αφαιρεθεί από το εργαλείο πριν το ενεργοποιήσετε.
- **Αποφύγετε τις τυχαίες εκκινήσεις.** Βεβαιωθείτε ότι ο διακόπτης βρίσκεται στη θέση "off" όταν συνδέετε το εργαλείο.
- **Χρησιμοποιείτε προεκτάσεις καλωδίων για εξωτερικούς χώρους.** Όταν το εργαλείο χρησιμοποιείται σε εξωτερικό χώρο, χρησιμοποιείτε μόνο καλώδια προέκτασης κατάλληλα για εξωτερική χρήση και με την αντίστοιχη σήμανση.
- **Παραμείνετε σε εγρήγορση.** Προσέχετε τι κάνετε, χρησιμοποιείτε κοινή λογική και μην χρησιμοποιείτε το εργαλείο αν είστε κουρασμένοι.
- **Ελέγξτε για φθαρμένα εξαρτήματα.** Πριν χρησιμοποιήσετε άλλο το εργαλείο, θα πρέπει να ελεγχθεί προσεκτικά για να βεβαιωθεί ότι λειτουργεί σωστά και εκτελεί την επιθυμητή λειτουργία. Ελέγξτε την ευθυγράμμιση των κινούμενων εξαρτημάτων, τυχόν πιάσιμο αυτών, σπασίματα, στερέωση και άλλες καταστάσεις που μπορεί να επηρεάζουν τη λειτουργία του εργαλείου. Προστατευτικά ή άλλα εξαρτήματα που έχουν φθαρεί θα πρέπει να συντηρούνται κατάλληλα ή να αντικαθίστανται από εξουσιοδοτημένο κέντρο σέρβις, εκτός αν αναφέρεται άλλως στο παρόν εγχειρίδιο χρήσης. Επισκευάστε τους ελαττωματικούς διακόπτες σε εξουσιοδοτημένο κέντρο σέρβις.
- Μην χρησιμοποιείτε το εργαλείο αν δεν ενεργοποιείται και απενεργοποιείται.
- **ΠΡΟΕΙΔΟΠΟΙΗΣΗ**
Η χρήση οποιουδήποτε εξαρτήματος ή προσαρτήματος εκτός του προτεινόμενου σε αυτές τις οδηγίες, μπορεί να αποτελεί κίνδυνο τραυματισμού.
- **Επισκευάζετε το εργαλείο πηγαίνοντάς το σε ειδικευμένους τεχνικούς.** Το παρόν ηλεκτρικό εργαλείο συμμορφώνεται με τους σχετικούς κανόνες ασφαλείας. Οι επισκευές θα πρέπει να διενεργούνται μόνο από ειδικευμένα άτομα με χρήση αυθεντικών ανταλλακτικών, διαφορετικά μπορεί να προκύψει σημαντικός κίνδυνος για τον χρήστη.

ΠΡΟΕΙΔΟΠΟΙΗΣΕΙΣ ΑΣΦΑΛΕΙΑΣ ΕΠΙΤΡΑΠΕΖΙΟ ΠΡΙΟΝΙ ΓΙΑ ΦΑΛΤΣΟΓΩΝΙΕΣ

- Φοράτε ωτοασπίδες. Η επίδραση θορύβου μπορεί να προκαλέσει απώλεια ακοής.
- Στις εργασίες με τη μηχανή φοράτε πάντοτε προστατευτικά γυαλιά. Συνιστάνται τα προστατευτικά γάντια, τα σταθερά και αντιολισθητικά παπούτσια και η ποδιά.
- Φοράτε πάντα προστατευτικά γυαλιά ή γυαλιά ασφαλείας με πλαϊνές ασπίδες κατά τον χειρισμό μηχανοκίνητων εργαλείων ή σε εργασίες με σκόνη. Αν η εργασία προκαλεί σκόνη, φοράτε και ειδική μάσκα.
- Το μηχάνημα διαθέτει ειδικά ρυθμισμένο καλώδιο παροχής ρεύματος. Αν το καλώδιο ρεύματος φθαρεί ή είναι άλλως ελαττωματικό, θα πρέπει να αντικατασταθεί από τον κατασκευαστή ή από εξουσιοδοτημένο σέρβις.
- Βεβαιωθείτε ότι όλα τα κουμπιά κλειδώματος και οι λαβές σφιγκτήρα είναι σφιγμένα πριν ξεκινήσετε οποιαδήποτε εργασία.
- Μην χρησιμοποιείτε τον κόπτη χωρίς τα προστατευτικά, ιδιαίτερα μετά την αλλαγή τρόπου λειτουργίας. Διατηρείτε τα προστατευτικά σε καλή κατάσταση και συντηρείτε τα.
- Μην τοποθετείτε τα χέρια σας στην περιοχή της λεπίδας όταν ο κόπτης είναι συνδεδεμένος στο ρεύμα.
- Μην προσπαθείτε να σταματήσετε ένα μηχάνημα που κινείται γρήγορα χτυπώντας εργαλεία ή άλλα μέσα πάνω στη λεπίδα - υπάρχει κίνδυνος πρόκλησης σοβαρών ατυχημάτων.
- Πριν χρησιμοποιήσετε οποιοδήποτε εξάρτημα, συμβουλευτείτε το εγχειρίδιο χρήσης. Ανάρμοστη χρήση των εξαρτημάτων μπορεί να προκαλέσει ζημιές.
- Μην αλλάζετε ή τροποποιείτε τη μονάδα από τον αρχικό σχεδιασμό ή λειτουργία της.
- Βεβαιωθείτε ότι τα διαχωριστικά και οι δακτύλιοι ατράκτου που χρησιμοποιούνται είναι κατάλληλα για τους σκοπούς που αναφέρονται στο εγχειρίδιο.
- Επιλέξτε τη σωστή λεπίδα για το υλικό που κόβετε.
- Τηρείτε τη μέγιστη ταχύτητα που ενδείκνυται στην λεπίδα κόπτη. Βεβαιωθείτε ότι η ταχύτητα που αναγράφεται στην λεπίδα κόπτη είναι τουλάχιστον ίση με την ταχύτητα που αναγράφεται στον κόπτη.
- Χρησιμοποιήστε μια συσκευή συγκράτησης ή φοράτε γάντια όταν χειρίζεστε τη λεπίδα του κόπτη.
- Βεβαιωθείτε ότι η λεπίδα του κόπτη είναι σωστά τοποθετημένη πριν τη χρήση.
- Βεβαιωθείτε ότι η λεπίδα περιστρέφεται προς τη σωστή κατεύθυνση. Διατηρείτε την λεπίδα αιχμηρή.
- Ελέγξτε μήπως χρειάζεται η χρήση ειδικά σχεδιασμένων λεπίδων για τη μείωση θορύβου.
- Ανασηκώστε τη λεπίδα από την εγκοπή στο τεμάχιο εργασίας πριν πατήσετε τον διακόπτη.
- Βεβαιωθείτε ότι ο βραχίονας είναι στερεωμένος όταν κάνετε λοξοτομές.
- Βεβαιωθείτε ότι ο βραχίονας είναι καλά στερεωμένος στη θέση λειτουργίας, σε λειτουργία επιτραπέζιου κόπτη.
- Βεβαιωθείτε ότι ο πάγκος κόπτη είναι καλά στερεωμένος στο επιλεγμένο ύψος.
- Μην τοποθετείτε αντικείμενα κόντρα στην πτερωτή για να συγκρατείται η άτρακτος του κινητήρα.
- Το προστατευτικό λεπίδας στον κόπτη σηκώνεται αυτόματα όταν κατεβάζετε τον βραχίονα. Επίσης χαμηλώνει πάνω από την λεπίδα όταν ανασηκώνεται ο βραχίονας. Το προστατευτικό μπορεί να σηκωθεί με το χέρι κατά την τοποθέτηση ή αφαίρεση λεπίδων κόπτη ή κατά τον έλεγχο του κόπτη. Μην ανασηκώνετε ποτέ το προστατευτικό λεπίδας με το χέρι, εκτός αν ο κόπτης είναι απενεργοποιημένος.
- Διατηρείτε την περιοχή γύρω από το μηχάνημα σε τάξη και χωρίς υλικά όπως ρινίσματα και κομμένα κομμάτια.
- Ελέγχετε τακτικά ότι οι θύρες αέρα του κινητήρα είναι καθαρές και χωρίς ρινίσματα.
- Αποσυνδέστε το μηχάνημα από το ρεύμα πριν εκτελέσετε οποιαδήποτε εργασία συντήρησης ή όταν αλλάζετε λεπίδα.
- Μην εκτελείτε ποτέ εργασίες καθαρισμού ή συντήρησης όταν το μηχάνημα λειτουργεί ακόμα και η κεφαλή δεν βρίσκεται στην θέση αναμονής.
- Όπου είναι δυνατό, τοποθετείτε το μηχάνημα σε πάγκο και ελέγχετε ότι έχει στερεωθεί καλά.
- Όταν εκτελείτε φαλτσογωνίες, λοξογωνίες ή σύνθετες φαλτσογωνίες, ρυθμίστε το προστατευτικό φαλτσογωνίας για να έχετε σωστή διάσταση για την εφαρμογή.
- Μην αφαιρείτε κομμένα ή άλλα τμήματα του τεμαχίου εργασίας από την περιοχή κοπής, όσο λειτουργεί ο κόπτης.
- Πριν εργαστείτε, ελέγξτε ότι το μηχάνημα έχει τοποθετηθεί σε λεία επιφάνεια με αρκετή σταθερότητα.
- Πριν ξεκινήσετε, κάντε μια πρόχειρη κοπή χωρίς να είναι ενεργοποιημένος ο κινητήρας, ώστε να ελέγξετε τη θέση της λεπίδας, τη λειτουργία των προστατευτικών σε σχέση με τα άλλα εξαρτήματα του μηχανήματος και το τεμάχιο εργασίας.
- Μην κόβετε ποτέ κράματα, ιδιαίτερα μαγνήσιο.
- Μην χρησιμοποιείτε τριπτικούς δίσκους ή δίσκους διαμαντιού.
- Σε περίπτωση ατυχήματος ή προβλήματος του μηχανήματος, απενεργοποιήστε το αμέσως και αποσυνδέστε το από το ρεύμα.
- Αναφέρετε τυχόν προβλήματα και δηλώστε τα πάνω στο μηχάνημα ώστε να μην χρησιμοποιούν άλλα άτομα ελαττωματικές συσκευές.
- Όταν η λεπίδα κόπτη έχει φθαρεί εξαιτίας μη φυσιολογικής δύναμης κατά την κοπή, απενεργοποιήστε το μηχάνημα και αποσυνδέστε το από το ρεύμα. Αφαιρέστε το τεμάχιο εργασίας και βεβαιωθείτε ότι η λεπίδα κόπτη λειτουργεί ελεύθερη. Ενεργοποιήστε το μηχάνημα και ξεκινήστε την κοπή με μειωμένη ταχύτητα.
- Βεβαιωθείτε ότι βρίσκεστε πάντα αριστερά ή δεξιά από την γραμμή κοπής.
- Παρέχετε επαρκή γενικό ή τοπικό φωτισμό για να αποφεύγονται τα στροβοσκοπικά αποτελέσματα και οι κίνδυνοι.
- Βεβαιωθείτε ότι ο χειριστής είναι επαρκώς

EN
FR
DE
ES
IT
NL
PT
DA
SV
FI
NO
RU
PL
CS
HU
RO
LV
LT
ET
HR
SL
SK
EL
TR

εκπαιδευμένος στην χρήση, την προσαρμογή και τη λειτουργία του μηχανήματος.

- Απενεργοποιείτε το μηχανήμα όταν δεν είστε δίπλα του.
- Συνδέστε τον κόπτη σε συσκευή απομάκρυνσης πριονιδιού όταν κόβετε ξύλο. Αξιολογείτε πάντα παράγοντες που επηρεάζουν την έκθεση σε πριονίδι, όπως ο τύπος υλικού στο οποίο θα εργαστείτε (το νοβοπάν προκαλεί περισσότερο πριονίδι από το ξύλο), η ρύθμιση της λεπίδας κόπτη, η ρύθμιση της τοπικής απόστασης καθώς και κάλυπτρα, ρυθμιστικά διαφράγματα και αγωγοί, καθώς και η ταχύτητα κίνησης του πριονιδιού
- Διατηρείτε την λεπίδα κόπτη αιχμηρή και καλά τοποθετημένη.
- Χρησιμοποιείτε μόνο την καθορισμένη τάση.
- Μην τοποθετείτε λιπαντικά στην λεπίδα όσο λειτουργεί.
- Βεβαιωθείτε ότι δεν στέκονται άτομα πίσω από το μηχανήμα.
- Για τη δική σας ασφάλεια, στερεώνετε πάντα το μηχανήμα σε πάγκο εργασίας χρησιμοποιώντας μπουλόνια.
- Οι ακατάλληλοι για τον άξονα στον οποίον θα τοποθετηθούν δίσκοι δεν θα περιστραφούν σωστά και μπορούν να σας κάνουν να χάσετε τον έλεγχο του εργαλείου. Μην χρησιμοποιείτε ποτέ ελαττωματικές ή ακατάλληλες βίδες ή φλάντζες δίσκου.
- Χρησιμοποιείτε μόνο λεπίδες που ορίζονται στο παρόν εγχειρίδιο, σύμφωνα με το EN 847-1.
- **Όταν κόβετε μακριά ή μεγάλα τεμάχια, παρέχετε πάντα την κατάλληλη υποστήριξη στα πλαϊνά του πάγκου.** Η υποστήριξη πρέπει να έχει το ίδιο ύψος με τον πάγκο. Διατηρείτε πάντα τα χέρια σας μακριά από την διαδρομή του πάγκου.
- Αποσυνδέετε τον κόπτη από το ρεύμα πριν αλλάξετε λεπίδες ή εκτελέσετε εργασίες συντήρησης.
- Διατηρείτε τα χέρια σας μακριά από την διαδρομή της λεπίδας κόπτη.
- Μην βάζετε το χέρι σας πίσω από τη λεπίδα του κόπτη.
- Μην στέκεστε πάνω στην μονάδα.
- Κατά τη διάρκεια μεταφοράς, βεβαιωθείτε ότι το πάνω τμήμα της λεπίδας κόπτη είναι καλυμμένο.
- Μην χρησιμοποιείτε το πάνω προστατευτικό για χειρισμό ή μεταφορά.
- Μην χρησιμοποιείτε τον κόπτη για να κόβετε υλικά εκτός του ξύλου.

ΣΥΜΠΛΗΡΩΜΑΤΙΚΟΙ ΚΑΝΟΝΕΣ ΑΣΦΑΛΕΙΑΣ ΓΙΑ ΤΗ ΛΕΙΤΟΥΡΓΙΑ ΕΠΙΤΡΑΠΕΖΙΟΥ ΚΟΠΤΗ

- Να αντικαθίσταται το φθαρμένο ένθετο του πάγκου.
- Μην χρησιμοποιείτε το εργαλείο χωρίς τον πάγκο.
- Βεβαιωθείτε ότι ο πάγκος είναι καλά στερεωμένος.
- Όταν εκτελείτε κάθετες ευθείες σταυρωτές κοπές, ρυθμίστε σωστά το προστατευτικό ώστε να έχετε διάστημα 15 mm (μέγιστο) ανάμεσα στην λεπίδα κόπτη και το προστατευτικό.
- Ρυθμίστε το προστατευτικό σωστά ώστε να αποφεύγεται η επαφή με το πάνω προστατευτικό.
- Μην κόβετε ποτέ αν έχετε αφαιρέσει το μαχαίρι

απόσχισης και / ή το πάνω προστατευτικό.

- Βεβαιωθείτε ότι το μαχαίρι απόσχισης είναι ρυθμισμένο στη σωστή απόσταση από τη λεπίδα (μεταξύ 3 mm και 8 mm).
- Χρησιμοποιείτε πάντα το τεμάχιο ώθησης. Μην κόβετε ποτέ τεμάχια εργασίας μικρότερα από 30 mm. Μην βάζετε ποτέ τα χέρια σας σε απόσταση μικρότερη από 150 mm από την λεπίδα κόπτη όσο κόβει.
- Διατηρείτε πάντα το τεμάχιο ώθησης στη θέση του, όταν δεν το χρησιμοποιείτε.
- Μην χρησιμοποιείτε λεπίδες κόπτη με πάχος μεγαλύτερο ή πλάτος δοντιού μικρότερο από το πάχος του μαχαιριού απόσχισης.
- Βεβαιωθείτε ότι η λεπίδα περιστρέφεται προς τη σωστή κατεύθυνση και ότι τα δόντια δείχνουν στο μπροστινό μέρος του πάγκου.
- Βεβαιωθείτε ότι οι λαβές του σφιγκτήρα είναι σφιγμένες πριν ξεκινήσετε οποιαδήποτε λειτουργία.
- Βεβαιωθείτε ότι ο βραχιόνιας είναι στερεωμένος όταν κόβετε. Χρησιμοποιείτε το μηχανήμα όταν ο πάγκος κόπτη βρίσκεται σε οριζόντια θέση.
- Η δημιουργία οπών, εσοχών ή αυλακιών δεν επιτρέπεται.

ΣΥΜΠΛΗΡΩΜΑΤΙΚΟΙ ΚΑΝΟΝΕΣ ΑΣΦΑΛΕΙΑΣ ΓΙΑ ΤΗ ΛΕΙΤΟΥΡΓΙΑ ΚΟΠΤΗ ΦΑΛΤΣΟΓΩΝΙΑΣ

- Βεβαιωθείτε ότι το πάνω μέρος της λεπίδας κόπτη είναι πλήρως εσώκλειστο. Μην αφαιρείτε ποτέ το πάνω προστατευτικό λεπίδας όταν χρησιμοποιείτε το μηχανήμα σε λειτουργία κόπτη φαλτσογωνίας.
 - Μην κόβετε ποτέ τεμάχια εργασίας μικρότερα από 160 mm.
 - Πιάνετε πάντα καλά το τεμάχιο στο οποίο εργάζεστε.
 - Υπάρχουν αναφορές ότι οι κραδασμοί από εργασία χειρός ενδεχομένως να συμβάλλουν στην εκδήλωση της πάθησης Συνδρόμου Raynaud, σε ορισμένα άτομα. Τα συμπτώματα περιλαμβάνουν τσιμπήματα, μούδιασμα και χλωμάδα στα δάκρυα, συνήθως μετά την έκθεση σε ψυχρό περιβάλλον. Κληρονομικοί παράγοντες, έκθεση σε κρύο και υγρασία, κάπνισμα και πρακτικές εργασίες θεωρείται ότι συμβάλλουν στην εκδήλωση των συμπτωμάτων. Μπορούν να ληφθούν μέτρα από το χειριστή για την πιθανή μείωση των επιδράσεων κραδασμών:
 - Διατηρείτε το σώμα σας ζεστό όταν ο καιρός είναι ψυχρός. Φοράτε γάντια κατά τον χειρισμό του μηχανήματος, για να διατηρείτε ζεστά τα χέρια και τους καρπούς σας. Ο ψυχρός καιρός είναι κύριος παράγοντας που συμβάλλει στην εκδήλωση του συνδρόμου Raynaud.
 - Μετά από κάθε περίοδο λειτουργίας, κάνετε ασκήσεις για να αυξάνετε την κυκλοφορία αίματος.
 - Κάνετε τακτικά διαλείμματα κατά την εργασία. Περιορίζετε το σύνολο έκθεσης ανά ημέρα.
- Αν παρουσιάσετε οποιοδήποτε σύμπτωμα της πάθησης, σταματήστε τη χρήση του εργαλείου αμέσως και συμβουλευτείτε τον γιατρό σας για τα συμπτώματα.

ΟΔΗΓΙΕΣ ΑΣΦΑΛΕΙΑΣ ΓΙΑ ΛΕΠΙΔΑ ΚΟΠΗΣ ΞΥΛΟΥ

- Διαβάστε τις οδηγίες του εγχειριδίου πριν χρησιμοποιήσετε τη συσκευή.
- Το μηχάνημα πρέπει να είναι σε καλή κατάσταση και η άτρακτος να μην έχει παραμορφώσεις και κραδασμούς.
- Μην χρησιμοποιείτε τον κόπτη χωρίς τα προστατευτικά, ιδιαίτερα μετά την αλλαγή τρόπου λειτουργίας. Διατηρείτε τα προστατευτικά σε καλή κατάσταση και συντηρείτε τα.
- Βεβαιωθείτε ότι ο χειριστής έχει επαρκή εκπαίδευση σε θέματα προφυλάξεων, προσαρμογής και λειτουργίας του μηχανήματος.
- Φοράτε πάντα προστατευτικά ματιών με πλαϊνές ασπίδες καθώς και προστατευτικά ακοής. Συνίστανται τα προστατευτικά γάντια, τα σταθερά και αντλιοσθητικά παπούτσια και η ποδιά.
- Πριν χρησιμοποιήσετε οποιοδήποτε εξάρτημα, συμβουλευτείτε το εγχειρίδιο χρήσης. Ανάρμοστη χρήση των εξαρτημάτων μπορεί να προκαλέσει ζημιές.
- Χρησιμοποιείτε μόνο λεπίδες που ορίζονται στο παρόν εγχειρίδιο, σύμφωνα με το EN 847-1.
- Τηρείτε τη μέγιστη ταχύτητα που ενδείκνυται στην λεπίδα κόπτη. Βεβαιωθείτε ότι η ταχύτητα που αναγράφεται στην λεπίδα κόπτη είναι τουλάχιστον ίση με την ταχύτητα που αναγράφεται στον κόπτη.
- Οι ακατάλληλοι για τον άξονα στον οποίο θα τοποθετηθούν δίσκοι δεν θα περιστραφούν σωστά και μπορούν να σας κάνουν να χάσετε τον έλεγχο του εργαλείου. Μην χρησιμοποιείτε ποτέ ελαττωματικές ή ακατάλληλες βίδες ή φλάντζες δίσκου.
- Μην χρησιμοποιείτε λεπίδες κόπτη με πάχος μεγαλύτερο ή πλάτος δοντιού μικρότερο από το πάχος του μαχαιριού απόσχισης. (για επιτραπέζιο κόπτη ή σε λειτουργία επιτραπέζιου κόπτη)
- Μην χρησιμοποιείτε λεπίδες μεγαλύτερης ή μικρότερης διαμέτρου από το προτεινόμενο. Μην χρησιμοποιείτε σφήνες για να κάνετε τη λεπίδα να εφαρμόσει στην άτρακτο.
- Ελέγξτε τις άκρες της λεπίδας κοπής για φθορές ή μη κανονική εμφάνιση πριν από κάθε χρήση. Άκρες που είναι φθαρμένες ή χαλαρές μπορούν να εκπιναχθούν κατά τη χρήση, αυξάνοντας τις πιθανότητες τραυματισμού.
- Τεμάχια κατεργασίας μεγάλου μήκους πρέπει να στηρίζονται κατάλληλα. Μην χρησιμοποιείτε ελαττωματικές ή στρεβλωμένες πριονολάμες.
- Μην χρησιμοποιείτε ποτέ λεπίδα που έχει φθαρεί ή παραμορφωθεί. Δεν επιτρέπονται επισκευές.
- Μην χρησιμοποιείτε λεπίδες HSS.
- Βεβαιωθείτε ότι η λεπίδα του κόπτη είναι σωστά τοποθετημένη πριν τη χρήση. Σφίξτε το παξιμάδι ατράκτου καλά πριν από κάθε χρήση. (Ροπή: 12-15 Nm)
- Οι βίδες και τα παξιμάδια στερέωσης πρέπει να σφικτούν χρησιμοποιώντας το κατάλληλο κλειδί.
- Επεκτάσεις του κλειδιού ή του σφιξίματος με τη χρήση χτυπημάτων σφυριού δεν επιτρέπονται.
- Βεβαιωθείτε ότι όλες οι λεπίδες και οι φλάντζες είναι

καθαρές και ότι οι πλευρές του περιουχένιου με εσοχές είναι κόντρα στην λεπίδα.

- Βεβαιωθείτε ότι η λεπίδα περιστρέφεται προς τη σωστή κατεύθυνση.
- Πριν ξεκινήσετε, κάντε μια πρόχειρη κοπή χωρίς να είναι ενεργοποιημένος ο κινητήρας, ώστε να ελέγξετε τη θέση της λεπίδας, τη λειτουργία των προστατευτικών σε σχέση με τα άλλα εξαρτήματα του μηχανήματος και το τεμάχιο εργασίας.
- Μην αφήνετε ποτέ το μηχάνημα χωρίς επίβλεψη.
- Μην τοποθετείτε λιπαντικά στην λεπίδα όσο λειτουργεί.
- Μην εκτελείτε ποτέ εργασίες καθαρισμού ή συντήρησης όταν το μηχάνημα λειτουργεί ακόμα και η κεφαλή δεν βρίσκεται στην θέση αναμονής.
- Μην προσπαθείτε να σταματήσετε ένα μηχάνημα που κινείται γρήγορα χτυπώντας εργαλεία ή άλλα μέσα πάνω στη λεπίδα - υπάρχει κίνδυνος πρόκλησης σοβαρών ατυχημάτων.
- Αποσυνδέετε τον κόπτη από το ρεύμα πριν αλλάξετε λεπίδες ή εκτελέσετε εργασίες συντήρησης.
- Προσέχετε κατά το άνοιγμα και κλείσιμο συσκευασίας της λεπίδας καθώς είναι πιθανό να τραυματιστείτε από τις αιχμηρές άκρες.
- Χρησιμοποιήστε ειδική λαβή λεπίδας ή φοράτε γάντια όταν τη χειρίζεστε.
- Διατηρείτε τη λεπίδα στην αρχική συσκευασία της ή άλλη κατάλληλη συσκευασία και σε στεγνό χώρο, μακριά από χημικά που μπορεί να τη φθείρουν.

ΑΣΦΑΛΕΙΑ ΚΑΙ ΣΥΣΚΕΥΕΣ ΜΕ ΛΕΙΖΕΡ

- Η ακτινοβολία του οδηγού λέιζερ που χρησιμοποιείται στον κόπτη είναι Κατηγορίας 2 με μέγιστη μήκη κύματος $\leq 1\text{mW}$ και 650nm . Μην κοιτάζετε απευθείας στην ακτίνα λέιζερ. Η μη τήρηση των κανόνων μπορεί να προκαλέσει σοβαρό τραυματισμό.

LASER RADIATION
DO NOT STARE INTO BEAM
CLASS 2 LASER PRODUCT
λ: 650nm; P: 1mW
EN 60825-1:2007

Παρέχεται αυτοκόλλητη ετικέτα στη γλώσσα σας. Παρακαλούμε κολλήστε την στη θέση του αγγλικού κειμένου στην προειδοποιητική ετικέτα πριν χρησιμοποιήσετε για πρώτη φορά το μηχάνημα.

- Μην κοιτάζετε στην ακτίνα κατά τη λειτουργία.
- Μην προβάλλετε την ακτίνα λέιζερ απευθείας στα μάτια των άλλων. Υπάρχει κίνδυνος σοβαρού οφθαλμολογικού τραυματισμού.
- Μην τοποθετείτε το λέιζερ σε θέση που μπορεί να προκαλέσει την άμεση οπτική επαφή με αυτό, σκόπιμα ή όχι.
- Μην χρησιμοποιείτε οπτικά εργαλεία για να δείτε την ακτίνα λέιζερ.
- Μην χρησιμοποιείτε το λέιζερ κοντά σε παιδιά και μην αφήνετε παιδιά να το χρησιμοποιούν.
- Μην προσπαθήσετε να επισκευάσετε τη συσκευή λέιζερ μόνοι σας.
- Μην προσπαθήσετε να αντικαταστήσετε οποιοδήποτε

- εξάρτημα της συσκευής λέιζερ μόνοι σας.
- Οι επισκευές θα πρέπει να εκτελούνται μόνο από τον κατασκευαστή του λέιζερ ή εξουσιοδοτημένο αντιπρόσωπο.
- Μην αντικαθιστάτε το λέιζερ με άλλο διαφορετικού τύπου.

ΠΡΟΟΡΙΖΟΜΕΝΗ ΧΡΗΣΗ

- Το μηχάνημα είναι σχεδιασμένο για εργασίες απόσχισης και σταυρωτής κοπής αποκλειστικά σε ξύλο. Πρέπει να στερεωθεί με ασφάλεια σε πάγκο εργασίας κατάλληλου ύψους και να χρησιμοποιείται μόνο από ένα άτομο κάθε φορά.
- Σε επιτραπέζια λειτουργία, χρησιμοποιείται μόνο για κοπές, όχι άνοιγμα οπών ή γλυφές. Η μέγιστη δυνατότητα κοπής είναι 60mm.
- Σε λειτουργία φαλτσγωνίας, είναι εφικτές οριζόντιες -45° έως $+45^\circ$ και κάθετες 0° έως 45° φαλτσγωνίες. Η μέγιστη διατομή του τεμαχίου εργασίας είναι 70 mm x 130 mm.
- Το μηχάνημα είναι σχεδιασμένο για να λειτουργεί μόνο σε μία λειτουργία. Δεν είναι δυνατή η χρήση του προϊόντος ως επιτραπέζιου κόπτη και κόπτη για φαλτσγωνίες ταυτόχρονα.

ΑΛΛΟΙ ΚΙΝΔΥΝΟΙ

Ακόμη και όταν το μηχάνημα χρησιμοποιείται σύμφωνα με τις οδηγίες, είναι αδύνατο να εξαλειφθούν απόλυτα ορισμένοι άλλοι κίνδυνοι. Κατά τη χρήση μπορεί να προκύψουν οι ακόλουθοι κίνδυνοι και ο χειριστής πρέπει να δίδει ιδιαίτερη προσοχή προς αποφυγή των εξής:

- Κίνδυνος επαφής με ακάλυπτα εξαρτήματα της περιστρεφόμενης λεπίδας.
- Επιστροφή τεμαχίων εργασίας και εξαρτημάτων τους λόγω εσφαλμένης προσαρμογής ή χειρισμού.
- Εκτίναξη ελαττωματικών άκρων καρβιδίου από τη λεπίδα κόπτη.
- Βλάβες στο αναπνευστικό σύστημα όταν δεν χρησιμοποιούνται αποτελεσματικά μάσκες προστασίας από τα πριονίδια.
- Βλάβες στην ακοή αν δεν χρησιμοποιούνται αποτελεσματικά προστατευτικά ακοής.

ΣΥΝΤΗΡΗΣΗ

- Μην πραγματοποιείτε καμία ρυθμίση όταν ο κινητήρας βρίσκεται σε λειτουργία.
- Φροντίστε πάντα το βύσμα του μηχανήματος να έχει αφαιρεθεί από την παροχή ρεύματος πριν αλλάξετε βούρτσες, προσθέσετε λιπαντικό ή εκτελέσετε εργασίες συντήρησης.
- Μετά από κάθε χρήση, ελέγξτε το μηχάνημά σας για ζημιές ή φθαρμένα εξαρτήματα και διατηρείτε το πάντα σε άριστη κατάσταση επισκευάζοντας ή αντικαθιστώντας τα εξαρτήματα αμέσως μόλις χρειαστεί.
- Η λεπίδα είναι θερμή μετά τη χρήση – προσέχετε στη διάρκεια συντήρησης ή καθαρισμού.
- Καθαρίστε πριονίδια που έχουν μαζευτεί.

- Για σίγουρη ασφάλεια και αξιοπιστία, όλες οι επισκευές - εκτός των εξωτερικά προσβάσιμων βουρτσών - θα πρέπει να εκτελούνται από εξουσιοδοτημένο κέντρο σέρβις.
- Προβλήματα στο μηχάνημα, συμπεριλαμβανοντας τα προστατευτικά ή τις λεπίδες κόπτη, θα πρέπει να αναφέρονται αμέσως μόλις διαπιστώνονται.
- Αν το καλώδιο παροχής ρεύματος φθαρεί, πρέπει να αντικατασταθεί μόνο από τον παρασκευαστή ή εξουσιοδοτημένο κέντρο σέρβις για αποφυγή κινδύνων. Επικοινωνήστε με ένα Εξουσιοδοτημένο Κέντρο Επισκευής

ΠΡΟΣΤΑΣΙΑ ΤΟΥ ΠΕΡΙΒΑΛΛΟΝΤΟΣ



Ανακυκλώνετε τις πρώτες ύλες αντί να τις πετάτε ως απορρίμματα. Για την προστασία του περιβάλλοντος, πρέπει να γίνεται η διαλογή του εργαλείου, των εξαρτημάτων και των συσκευασιών του.

ΠΣΥΜΒΟΛΟ



Προειδοποίηση ασφαλείας



Συμμόρφωση CE



Συμμόρφωση GOST-R



Κατηγορία II, διπλή μόνωση



Παρακαλούμε διαβάστε προσεκτικά τις οδηγίες πριν χρησιμοποιήσετε το προϊόν.



Φοράτε προστατευτικά αυτιών



Φοράτε πάντα προστατευτικά ματιών.



ΚΙΝΔΥΝΟΣ
Αιχμηρή λεπίδα.



Πλάτος κοπής



Δόντια λεπίδας



Ιδανικό για ξύλο



Μην κόβετε μέταλλα



Ικανότητα κοπής



Μην κοιτάζετε απευθείας στην ακτίνα.



Ακτινοβολία λέιζερ.
Προϊόν λέιζερ κλάσης 2
λ: 650nm; P≤1mW
EN 60825-1:2007



Τα ηλεκτρικά προϊόντα προς απόρριψη
δεν θα πρέπει να απορρίπτονται μαζί
με τα οικιακά απόβλητα. Παρακαλούμε
ανακυκλώστε όπου υπάρχουν οι αντίστοιχες
εγκαταστάσεις. Μιλήστε με τις τοπικές αρχές
ή τον πωλητή για να σας ενημερώσουν
σχετικά με τα προγράμματα ανακύκλωσης.

ΣΥΜΒΟΛΑ ΣΤΟ ΕΓΧΕΙΡΙΔΙΟ



Συνδέστε τη συσκευή στο ρεύμα.



Αποσυνδέστε από το ρεύμα το εργαλείο.



Ανταλλακτικά και εξαρτήματα πωλούνται
χωριστά



Τα ηλεκτρικά προϊόντα προς απόρριψη
δεν θα πρέπει να απορρίπτονται μαζί
με τα οικιακά απόβλητα. Παρακαλούμε
ανακυκλώστε όπου υπάρχουν οι
αντίστοιχες εγκαταστάσεις.



Σημείωση



Προειδοποίηση

GENEL EMNİYET UYARILARI

⚠ UYARI

Elektrikli aletleri kullanırken yangın, elektrik çarpması ve yaralanma tehlikesini azaltmak için temel güvenlik önlemlerine her zaman uyulmalıdır. Ürünü çalıştırmayı denemeden önce tüm talimatları okuyun ve saklayın.

- **Çalışma alanını temiz tutun.** Karmaşık alanlar ve tezgahlar, yaralanmalara davetiye çıkarır.
- **Çalışma ortamını inceleyin.** Aletleri yağmura maruz bırakmayın. Aletleri ıslak ya da nemli ortamlarda kullanmayın. Çalışma alanını iyi ışıklandırın. Aleti, yanıcı sıvıların veya gazların bulunduğu ortamda kullanmayın.
- **Elektrik çarpmasına karşı koruma sağlayın.** Şasilenmiş veya topraklanmış yüzeylere temas etmekten kaçının (borular, radyatörler, ocaklar, buzdolapları vs.).
- **Başka insanları yaklaştırmayın.** İnsanların, özellikle de çocukların işe müdahil olmasına, alete veya uzatma kablosuna dokunmasına asla müsaade etmeyin; çalışma alanından uzak tutun.
- **Boşta duran aletler.** Kullanılmadıkları zamanlarda, aletleri kuru, kilitle ve çocukların ulaşamayacağı bir yerde saklayın.
- **Alete güç uygulamayın.** İşin, amacına uygun seviyede kaliteli ve emniyetli yapılmasını sağlayacaktır.
- **Doğru cihaz kullanın.** Küçük aletleri, ağır iş aletleriyle yapılması gereken zorlu işlerde kullanmayın. Aletleri kullanım amaçlarının dışında kullanmayın; örneğin, yuvarlak testereleri ağaç dallarını veya kütükleri kesmede kullanmayın.
- **Uygun giysiler giyin.** Bol kıyafet giymeyin, ziynet eşyası takmayın; hareketli parçalara kapılabilir. Açık mekanlarda çalışırken kaymaz ayakkabı giymeniz tavsiye edilir. Saçınızı tamamen kapatacak koruyucu saç bonesi takın.
- **Koruyucu ekipman kullanın.** Emniyet gözlükleri takın. Çalışma ortamında toz çıkıyorsa, yüz veya toz maskesi takın.
- **Toz çekme ekipmanını bağlayın.** Toz atma ya da toplama ekipmanı bağlantısı da aletle kullanılıyorsa, bunların doğru bağlandığından ve kullanıldığından emin olun.
- **Elektrik kablosunu kötü kullanmayın.** Kabloyu soketten çıkarmak için asla sertçe çekmeyin. Kabloyu ısıdan, yağdan ve keskin nesnelere uzak tutun.
- **İşi emniyete alın.** Mümkünse, çalışmaya ara verdiğinizde kelepçe veya mengeneyle sabitleme yapın. Ellerinizi kullanmaktan daha güvenlidir.
- **Aşırı derecede uzanmayın.** Her zaman güvenli ve dengede durun.
- **Aletlere özenle bakım yapın.** Daha iyi performans ve daha yüksek güvenlik için, kesme aletlerini keskin ve temiz tutun. Aksesuar yağlama ve aksesuar değiştirme için, mutlaka talimatlara uyun. Alet kablolarını periyodik olarak kontrol edin, hasarlı olanların yetkili serviste

onarılmasını sağlayın. Uzatma kablosunu düzenli aralıklarla kontrol edin ve hasar görmüşse değiştirin. Kolların kuru, temiz ve yağdan/gresten arınmış olmasına özen gösterin.

- **Aletlerin fişini çekin.** Kullanılmadıkları zamanlarda, bıçaklar, matkap uçları ve kesiciler gibi aletlere bakım yapmadan veya değiştirmeden önce, mutlaka aletlerin fişini çekin.
- **Ayarlama anahtarlarını ve somun anahtarlarını çıkarın.** Aleti çalıştırmadan önce anahtarların ve ayar anahtarlarının aletten çıkarıldığını kontrol etmeyi alışkanlık haline getirin.
- **İstemsiz çalıştırmalardan kaçının.** Aletin fişini takarken, düğmenin "off (kapalı)" konumunda olduğundan emin olun.
- **Açık mekan için uygun uzatma uçları kullanın.** Alet dış mekanda kullanılıyorsa, sadece dış mekan için üretilmiş ve bu özelliği üzerinde belirtilmiş uzatma kablolarını kullanın.
- **Her zaman tetikte olun.** Yaptığınız işi izleyin, duyarlı olun ve yorulduğunuz zaman aleti kullanmaya ara verin.
- **Hasarlı parçalara karşı kontrol edin.** Aleti kullanmaya devam etmeden önce, doğru ve amacına uygun bir şekilde kullanılıp kullanılmayacağını dikkatlice kontrol edin. Hareketli parçaların hizalamasını, yüzeye yapışıp yapışmadığını, parçalarda kırılma olup olmadığını, montaj konumunu ve aletin çalışmasını etkileyebilecek diğer koşulların bulunup bulunmadığını kontrol edin. Hasar gören bir koruma ya da başka bir parça, aksi bu kullanım kılavuzunda belirtilmedikçe yetkili servis merkezi tarafından onarılmalı ya da değiştirilmelidir. Arızalı anahtarlar yetkili servis tarafından değiştirilmelidir.
- Alt düğmeyle açılıp kapatılmıyorsa, aleti kullanmayın.
- **UYARI**
Bu kullanım kılavuzunda tavsiye edilenlerin dışında aksesuar veya ataşman kullanılması, kişisel yaralanma riskine neden olur.
- **Alet mutlaka yetkili teknisyen tarafından onarılmalıdır.** Bu elektrikli alet, yürürlükteki emniyet normlarına uygundur. Onarım işleri, sadece orijinal parçaları kullanan kalifiye teknisyenler tarafından yapılmalıdır; aksi takdirde kullanıcı ciddi biçimde zarar görebilir.

KOMBİNE GÖNYE VE TEPŞİ TESTERE GÜVENLİK UYARILARI

- Kulak koruyucu kullanın. Gürültüye maruz kalmak işitme kaybına neden olabilir.
- Makineyi kullanırken gözlük takınız. Makineyi kullanırken eldiven, kaymayan ayakkabı ve önlük giymeniz önerilir.
- Elektrikli aletlerle çalışma veya toz üfleme işlemi esnasında daima yan siperlikleri bulunan koruyucu gözlükler kullanın. İşlem tozlu olacaksa aynı zamanda bir toz maskesi de kullanın.
- Bu makine, özel yapılandırılmış bir güç kaynağı kablosuyla donatılmıştır. Güç kaynağı kablosu hasarlıysa, sadece üretici veya yetkili onarım servisi tarafından değiştirilmelidir.



- Her türlü işe başlamadan önce, sabitleme kelepçelerinin ve kilit düğmelerinin sıkı olduğunu kontrol edin.
- Özellikle bir mod değişiminden sonra koruyucular takılmamışsa testereyi kullanmayın. Koruyucuların iyi çalışır durumda olmasını ve düzgün olarak bakımının yapılmasını sağlayın.
- Testere bir elektrik kaynağına bağlıyken elinizi asla bıçağın bulunduğu kısma götürmeyin.
- Makine hareket halindeyken asla bıçağa karşı bir sıkıştırma aleti vs. koyarak makineyi durdurmaya çalışmayın; çok ciddi kazalar meydana gelebilir.
- Herhangi bir aksesuar kullanmadan önce kullanım kılavuzuna başvurun. Bir aksesuarın hatalı kullanılması hasara neden olabilir.
- Ünitelerin orijinal tasarımında veya işlevinde değişiklik ya da tadilat yapmayın.
- Bu kılavuzda belirtilen amaçlara uygun ara parçalar ve mil halkası kullanıldığından emin olun.
- Kesilecek malzeme için doğru bıçağı seçin.
- Testere bıçağında belirtilen maksimum hızı asla aşmayın. Testere bıçağında belirtilen hızın en az testere üzerindeki hıza eşit olduğundan emin olun.
- Testere bıçağına dokunurken tutamak kullanın veya iş eldiveni giyin.
- Kullanmadan önce, testere bıçağının doğru monte edildiğinden emin olun.
- Bıçağın doğru yönde döndüğünden emin olun. Bıçağı her zaman keskin tutun.
- Özel imal edilmiş, gürültü azaltıcı bıçaklar kullanmaya çalışın.
- Düğmeyi bırakmadan önce, bıçağı çalıştığınız malzemedeki kesikten kaldırın.
- Eğik kesimler sırasında kolun güvenli bir şekilde sabitlendiğinden emin olun.
- Tezgah testeresi modundayken çalışır konumdaki kolun iyi sabitlendiğinden emin olun.
- Testere tezgahının istenen yüksekliğe sağlam bir şekilde sabitlendiğinden emin olun.
- Motor milini tutmak amacıyla fana karşı kama yerleştirmeyin.
- Testerenizi bıçak koruyucusu, kol aşağı indirildiğinde otomatik olarak kalkacaktır, kol yukarı kaldırıldığında ise otomatik olarak inecektir. Testere bıçakları takılıp çıkarılırken veya testere kontrol edilirken, koruyucu elle kaldırılabilir. Testere kapalı değilken bıçak koruyucusunu asla yukarı kaldırmayın.
- Makinenin çevresini her zaman temiz tutun ve talaş, kesim artıkları vs. gibi yabancı maddelerden arındırın.
- Motor hava kanallarının temiz ve talaşsız olduğunu düzenli olarak kontrol edin.
- Bakım uygulamadan veya bıçak değişimi yapmadan önce, makineyi elektrik prizinden mutlaka çıkarın.
- Makine çalışırken ve makine kafası hareketliyken asla makine üzerinde temizlik ya da bakım işi yapmayın.
- Mümkün olduğunda makineyi daima bir tezgaha monte edin ve tezgah bağlantısının sağlamlığını kontrol edin.
- Gönye, eğik veya bileşik gönye kesimleri yaparken, kızaklı gönye desteğinin uygulamadan yeterince uzak

olmasını sağlayın.

- Kesilen parçaları veya diğer parçaları, testere çalışırken kesme alanından çıkarmaya çalışmayın.
- Çalışmaya başlamadan önce, makinenin yeterince stabil ve düz bir yüzeye konmuş olduğundan emin olun.
- Çalışmadan önce motoru açmadan yapay bir kesim yaparak bıçak pozisyonunu, koruyucuların diğer makine parçalarına göre nasıl çalıştığını ve çalışma parçasını kontrol edin.
- Hafif alaşım malzemeleri, özellikle de magnezyum malzemeleri asla kesmeyin.
- Aşındırıcı veya elmas diskler kullanmayın.
- Bir kaza veya makine arızası durumunda, makineyi derhal durdurun ve güç kaynağıyla olan bağlantısını kesin.
- Kusurlu bir makinenin başkaları tarafından çalıştırılmasını önlemek için, olası bir arızayı hemen haber verin ve makineye "kullanmayınız" uyarısı koyun.
- Kesim sırasında testere bıçağı anormal bir besleme kuvveti nedeniyle engellenirse, makineyi durdurun ve güç kaynağıyla olan bağlantısını kesin. Çalışılan malzemeyi çıkarın ve testere bıçağının sorunsuz çalıştığından emin olun. Makineyi açın ve yeni kesim işine düşük besleme kuvvetiyle başlayın.
- Her zaman kesme hattının sağında veya solunda durun.
- Stroboskopik etkileri ve tehlikeleri önlemek için yeterli miktarda genel ve bölgesel aydınlatma oluşturun.
- Operatörün, makine kullanımı, bakımı ve ayarları hakkında yeterince eğitim ve bilgi sahibi olduğundan emin olun.
- Yanından ayrılacağınız zaman makineyi kapatın.
- Ahşap keserken testereye bir toz toplama aparatı takın. İşlenecek malzemenin türü (yonga levha her zaman ahşap parçalardan daha fazla toz üretir), testere bıçağının ayarı, lokal toz yoğunlaşmaları, kapaklar, bölmeler, oluklar ve tozun havadaki hızı gibi toza maruz kalma faktörlerini mutlaka dikkate alın
- Testere bıçağı keskin ve doğru ayarlı konumda tutun.
- Belirtilen voltaj değerinden başka bir voltajda asla çalıştırmayın.
- Çalıştığı sırada bıçağa yağlama yağı sürmeyin.
- İnsanların makinenin arkasına geçmesine izin vermeyin.
- Güvenliğiniz için, makineyi mutlaka civatalar yardımıyla çalışma tezgahına sabitleyin.
- Dingilin niteliğine uygun olmayan bıçaklar düzgün olarak dönmeyecekler ve aletin kontrolünün kaybedilmesine neden olacaklardır. Asla defolu yada uygun olmayan vida ve bıçak kenedi kullanmayınız.
- Sadece bu kılavuzda açıklanan EN 847-1'e uygun bıçaklar kullanın.
- **Uzun veya büyük malzemeler keserken, masanın yanlarını mutlaka sağlam bir şekilde destekleyin.** Kullanacağınız destek, masayla aynı yükseklikte olmalıdır. Ellerinizi mutlaka masanın yolundan uzak tutun.
- Bakım uygulamadan veya bıçak değişimi yapmadan

EN

FR

DE

ES

IT

NL

PT

DA

SV

FI

NO

RU

PL

CS

HU

RO

LV

LT

ET

HR

SL

SK

EL

TR



- önce, testereyi elektrik prizinden mutlaka çıkarın.
- Elinizi testere bıçağının yolundan uzak tutun.
- Testere bıçağının arka kısmına geçmeyin.
- Ünitenin üzerine çıkmayın.
- Taşıma sırasında, testere bıçağının üst kısmının kapatıldığından emin olun.
- Üst koruyucu başlığı, taşıma veya kaldırma amacıyla kullanmayın.
- Testereyi ahşap dışındaki malzemeleri kesmek için kullanmayın.

TEZGAH TESTERESİ MODU İÇİN EK GÜVENLİK KURALLARI

- Aşınmış talaş emniyetini değiştirin.
- Aleti, masa tezgâhı olmadan çalıştırmayın.
- Masanın güvenli bir şekilde sabitlendiğinden emin olun.
- Dikey düz çapraz kesimler yaparken, kızaklı desteği, testere bıçağı ile destek arasında 15 mm (maksimum) mesafe olacak biçimde ayarlayın.
- Üst koruyucu başlıkla temas etmemesi için, kızaklı desteği doğru ayarlayın.
- Yarma bıçağı ve/veya üst koruyucu başlık yerinde değilken asla malzeme kesmeyin.
- Yarma bıçağıyla bıçak arasındaki mesafenin doğru olduğundan emin olun (3 mm ve 8 mm arasında).
- İtme çubuğunu mutlaka kullanın. 30 mm'den küçük malzemeleri asla kesmeyin.
- Kesme işi sırasında ellerinizi testere bıçağına asla 150 mm'den fazla yaklaştırmayın.
- Kullanmadığınız zamanlarda itme çubuğunu mutlaka yerine koyun.
- Yarma bıçağı kalınlığından daha küçük diş genişliğine veya daha fazla gövde kalınlığına sahip bıçaklar kullanmayın.
- Bıçağın doğru yönde döndüğünden ve dişlerin testere tezgahının ön kısmına baktığından emin olun.
- Her türlü işe başlamadan önce, sabitleme kelepçelerinin sıkı olduğunu kontrol edin.
- Testereyle kesme işleri sırasında kolun güvenli bir şekilde sabitlendiğinden emin olun. Makineyi sadece testere tezgahı yatay konumdayken kullanın.
- Yarık, yiv veya oluk açma işlerine izin verilmez.

GÖNYE TESTERESİ MODU İÇİN EK GÜVENLİK KURALLARI

- Testere bıçağının üst kısmının tamamen kapalı olduğunu kontrol edin. Makineyi gönye testeresi modunda kullanırken asla üst bıçak koruyucusunu yerinden çıkarmayın.
- 160 mm'den kısa malzemeleri asla kesmeyin.
- İşlenecek parçayı mutlaka güvenli bir şekilde mengeneyle sabitleyin.
- El aletlerinden gelen titreşimlerin bazı kişilerde Raynaud Sendromu denen bir duruma neden olabileceği bildirilmiştir. Genellikle soğuğa maruz kaldıktan sonra parmakların karıncalanması, hissizleşmesi renk değiştirmesi gibi semptomlar görünebilir. Kalıtsal faktörler, soğuğa ve neme maruz kalmak, diyet, sigara

ve çalışma pratikleri de bu semptomların oluşmasına neden olabilecek etkenler olarak kabul edilmektedir. Operatör titreşim etkilerini azaltabilecek önlemler alabilir:

- Soğuk havalarda vücudunuzu sıcak tutun. Ürünü çalıştırırken ellerinizi ve bileklerinizi sıcak tutmak için eldiven takın. Soğuk havanın Raynaud Sendromunun ana tetikleyicilerinden olduğu bildirilmiştir.
- Her operasyon sürecinden sonra kan dolaşımını arttırmak için egzersiz yapın.
- Sık sık işe ara verin. Günlük maruziyet miktarını sınırlandırın.

Bu duruma ilişkin semptomların herhangi birine sahipseniz hemen çalışmayı bırakın ve doktorunuza görüşün.

ODUN KESME BIÇAĞI İÇİN GÜVENLİK TALİMATLARI

- Makineyi çalıştırmadan önce bu kılavuzda bulunan tüm talimatları okuyun.
- Makine iyi durumda olmalı, milin şekli düz olmalı ve titrememelidir.
- Özellikle bir mod değişiminden sonra koruyucular takılmamışsa testereyi kullanmayın. Koruyucuların iyi çalışır durumda olmasını ve düzgün olarak bakımının yapılmasını sağlayın.
- Operatörün; güvenlik önlemleri, makine ayarı ve kullanımı hakkında yeterli bilgiye sahip olduğundan emin olun.
- Her zaman kulak koruyucuyla birlikte yan siperlikli koruyucu gözlük kullanın. Makineyi kullanırken eldiven, kaymayan ayakkabı ve önlük giymeniz önerilir.
- Herhangi bir aksesuar kullanmadan önce kullanım kılavuzuna başvurun. Bir aksesuarın hatalı kullanılması hasara neden olabilir.
- Sadece bu kılavuzda açıklanan EN 847-1'e uygun bıçaklar kullanın.
- Testere bıçağında belirtilen maksimum hızı asla aşmayın. Testere bıçağında belirtilen hızın en az testere üzerindeki hıza eşit olduğundan emin olun.
- Dingilin niteliğine uygun olmayan bıçaklar düzgün olarak dönmeyecekler ve aletin kontrolünün kaybedilmesine neden olacaktırlar. Asla defolu yada uygun olmayan vida ve bıçak kenedi kullanmayınız.
- Yarma bıçağı kalınlığından daha küçük diş genişliğine veya daha fazla gövde kalınlığına sahip bıçaklar kullanmayın. (tezgah testeresi için veya tezgah testeresi modunda)
- Tavsiye edilenden daha büyük veya küçük çapta bıçaklar kullanmayın. Bıçağı mile oturtmak amacıyla ara parçalar kullanmayın.
- Her kullanımdan önce testere bıçağının uçlarını hasara veya anormal bir değişikliğe karşı kontrol edin. Hasar gören veya gevşeyen uçlar kullanım sırasında parçalar fırlatarak yaralanma riski yaratırlar.
- Çatlamış ya da eğri, düzgün olmayan testere kullanmayınız. Arızalı ya da deforme olmuş testere kullanmayınız.

- Asla hasarlı veya şekli bozulmuş testere bıçağını kullanmayın. Onarmak yasaktır.
- HSS bıçaklar kullanmayın.
- Kullanmadan önce, testere bıçağının doğru monte edildiğinden emin olun. Her kullanımdan önce mil somununu iyice sıkın. (Tork: 12-15 Nm)
- Tespit vidası ve somunlar uygun bir anahtarla sıkılmalıdır.
- Anahtar uzantısı kullanmak veya çekiçle vurarak sıkmak yasaktır.
- Tüm bıçak ve flanşların temiz olduğundan ve burcun oluklu kenarlarının bıçağa baktığından emin olun.
- Bıçağın doğru yönde döndüğünden emin olun.
- Çalışmadan önce motoru açmadan yapay bir kesim yaparak bıçak pozisyonunu, koruyucuların diğer makine parçalarına göre nasıl çalıştığını ve çalışma parçasını kontrol edin.
- Makineyi asla başıboş bırakmayın.
- Çalıştığı sırada bıçağa yağlama yağı sürmeyin.
- Makine çalışırken ve makine kafası hareketliken asla makine üzerinde temizlik ya da bakım işi yapmayın.
- Makine hareket halindeyken asla bıçağa karşı bir sıkıştırma aleti vs. koyarak makineyi durdurmaya çalışmayın; çok ciddi kazalar meydana gelebilir.
- Bakım uygulamadan veya bıçak değişimi yapmadan önce, testereyi elektrik prizinden mutlaka çıkarın.
- Bıçağı paketlerken ve paketten çıkarırken dikkatli olun, keskin bıçak uçları kullanmanıza neden olabilir.
- Bir testere bıçağı kullanırken bir bıçak tutucu kullanın veya iş eldiveni takın.
- Bıçağı orijinal paketinde veya uygun başka bir pakette, kuru ve bıçağa zarar verebilecek kimyasal maddelerden uzak bir ortamda saklayın.

LAZER GÜVENLİĞİ

- Testerede kullanılan lazer kılavuz ışması, maksimum $\leq 1\text{mW}$ ve 650 nm dalga boyuna sahip Sınıf 2'dir. Doğrudan lazer ışınına bakmayın. Kurallara uymamak insanların ciddi bir biçimde yaralanmalarına neden olabilir.

LASER RADIATION
DO NOT STARE INTO BEAM
CLASS 2 LASER PRODUCT
λ: 650nm; P: 51mW
EN 60825-1:2007

Lütfen kendi dilinizdeki bu yapışkanlı etiketi makineyi ilk kez kullanmadan önce uyarı etiketi üzerindeki İngilizce metnin yerine yapıştırın.

- Kullanım esnasında lazer ışınına bakmayın.
- Lazer ışınını başkalarının gözlerine yöneltmeyin. Ciddi göz yaralanmaları meydana gelebilir.
- Lazeri insanların lazer ışınına kasıtlı veya kazayla bakmasına neden olacak bir pozisyonda koymayın.
- Lazer ışınına bakmak için hiç bir optik araç kullanmayın.
- Lazeri çocukların bulunduğu yerde çalıştırmayın veya çocukların lazeri çalıştırmasına izin vermeyin.
- Lazer cihazını kendiniz onarmaya çalışmayın.

- Lazer cihazının hiçbir parçasını kendiniz değiştirmeye çalışmayın.
- Her türlü onarım işlemleri sadece lazer üreticisi ya da yetkili bir servis tarafından gerçekleştirilmelidir.
- Lazeri farklı tipte bir lazerle değiştirmeyin.

KULLANIM AMACI

- Makine özellikle odunları yarmak ve çapraz kesmek için tasarlanmıştır. Uygun yükseklikteki bir çalışma tezgahına sabitlenmelidir ve sadece bir kişi tarafından kullanılmalıdır.
- Tezgah testeresi modu sadece boyuna kesim içindir, oyuk veya oluk açmaya uygun değildir. Maksimum kesme kapasitesi 60mm'dir.
- Gönye testeresi modunda -45° ile $+45^\circ$ arasındaki yatay gönye açılarında ve 0° ile 45° arasındaki dikey eğimli açılarda kesim yapılabilir. Çalışma parçası maksimum çapraz kesiti 70 mm x 130 mm'dir.
- Makine sadece bir modda çalışacak şekilde tasarlanmıştır. Ürün, aynı anda hem bir tezgah testeresi hem de gönye testeresi olarak kullanılamaz.

ARDIL RİSKLER

Makine talimatlara uygun bir şekilde kullanılsa bile, bazı ardıl risklerin tamamen ortadan kaldırılması imkânsızdır. Kullanım sırasında aşağıdaki tehlikeler ortaya çıkabilir ve operatör bunlardan kaçınmak için özellikle dikkat etmelidir:

- Döner testere bıçağının korumasız parçalarına temas etme tehlikesi bulunmaktadır.
- Yanlış ayar veya kullanım çalışma parçasının ya da çalışma parçası bileşenlerinin geri tepmesine neden olur.
- Testere bıçağından karbür ucu parçalarının fırlaması.
- Etkili bir toz maskesi kullanılmazsa solunum sistemi zarar görebilir.
- Uygun tipte kulak koruyucusu kullanılmadığında işitme duyusunun zarar görmesi.

BAKIM

- Motor çalıştığında hiçbir ayarlama gerçekleştirmeyin.
- Fırçaları değiştirmeden, yağlama yapmadan ya da makine üzerinde bakım yapmadan önce mutlaka makinenin fişini elektrik prizinden çekin.
- Her kullanımdan sonra makinenizi hasara veya kırılan parçalara karşı kontrol edin, sorunlu parçaları onararak veya değiştirerek her zaman iyi durumda olmalarını sağlayın.
- Kullanılan bıçak sıcak olur. Bakım ve temizlik yaparken buna dikkat edin.
- Biriken tozu temizleyin.
- Kendi güvenliğinizi ve makinenin güvenilirliği için, dışarıdan erişilebilen fırçalar haricindeki tüm parçaları mutlaka yetkili servis merkezine onartın.
- Koruyucular ve testere bıçakları dahil makinedeki tüm arızalar, tespit edildikleri anda bildirilmelidir.
- Elektrik kablosu hasar görmüşse tehlikeyi önlemek için sadece üretici veya yetkili bir servis merkezi tarafından

değiştirilmelidir. Yetkili servise başvurun

ÇEVRENİN KORUNMASI



Ham maddeleri çöp olarak atmak yerine geri dönüştürün. Çevreyi korumak için, alet, aksesuarlar ve ambalajlar tasnif edilmelidir.

SEMBOL



Güvenlik ikazı



CE Uygunluğu



GOST-R Uygunluğu



Sınıf II, çift yalıtımlı



Ürünü çalıştırmadan önce, lütfen aşağıdaki talimatları dikkatlice okuyun.



Koruyucu kulaklık kullanın



Her zaman koruyucu gözlük kullanın.



TEHLİKE
Keskin bıçak.



Kesim genişliği



Bıçak dişleri



Odun için ideal



Metal kesmeyin



Kesim kapasitesi



Lazer ışınına doğrudan bakmayın.



Lazer radyasyonu.
Sınıf 2 lazer ürünü
 λ : 650nm; $P \leq 1$ mW
EN 60825-1:2007



Atık elektrikli ürünler evsel atıklarla birlikte atılmamalıdır. Tesis bulunuyorsa lütfen geri dönüşüme verin. Geri dönüşümle ilgili tavsiye için Yerel Makamlarla veya bayi ile irtibat kurun.

KITAPÇIKTAKI SEMBOLLER



Makineyi prize takın.



Aletin fişini prizden çekin.



Parçalar ya da aksesuarlar ayrı olarak satılır.



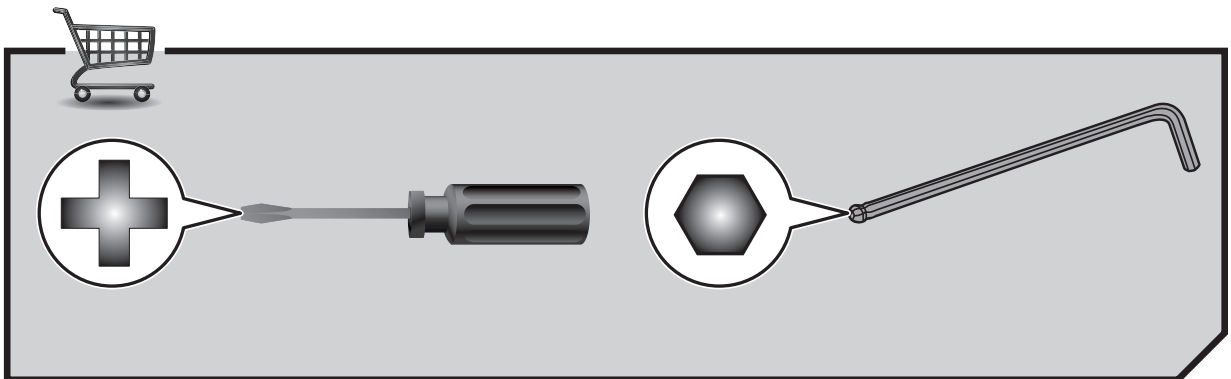
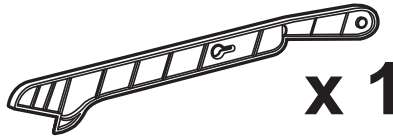
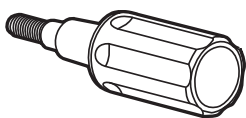
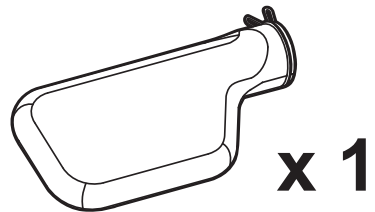
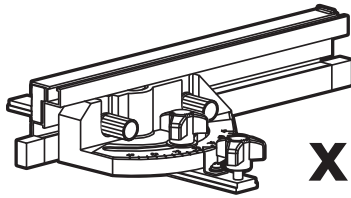
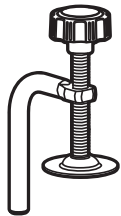
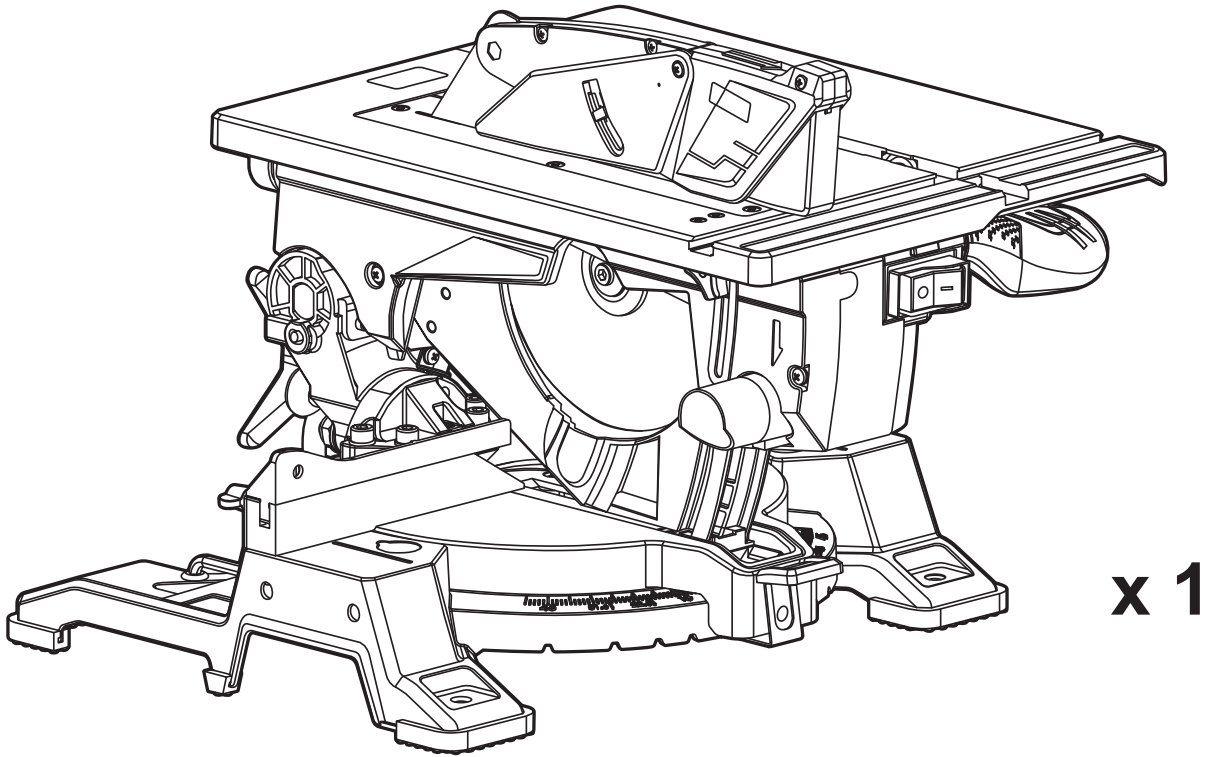
Atık elektrikli ürünler evsel atıklarla birlikte atılmamalıdır. Tesis bulunuyorsa lütfen geri dönüşüme verin.

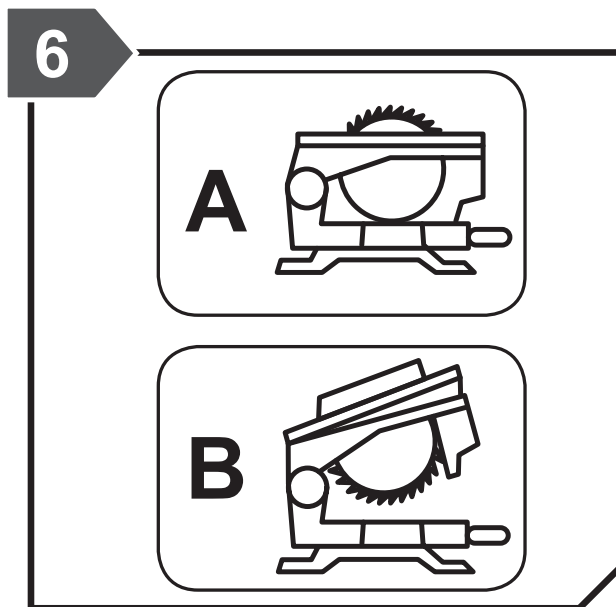
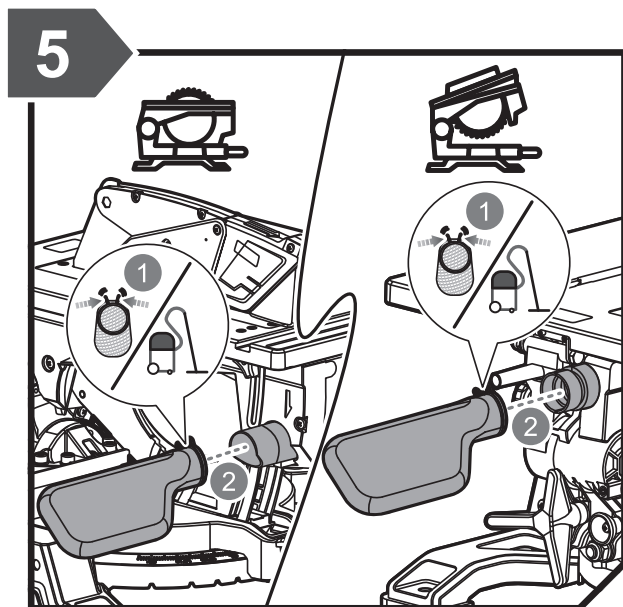
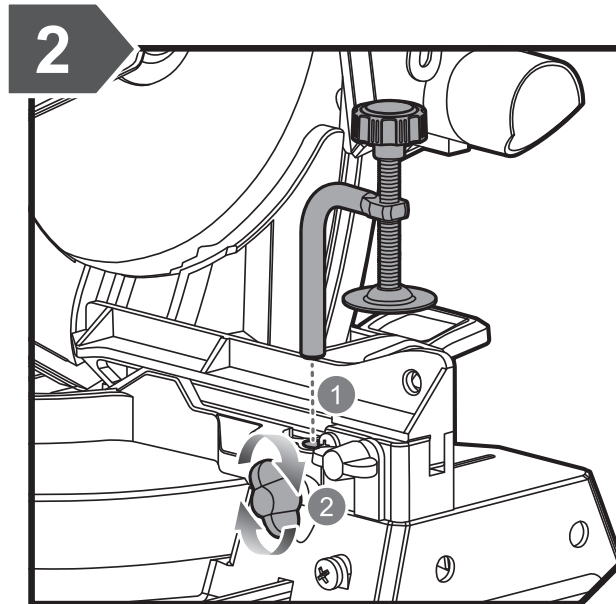
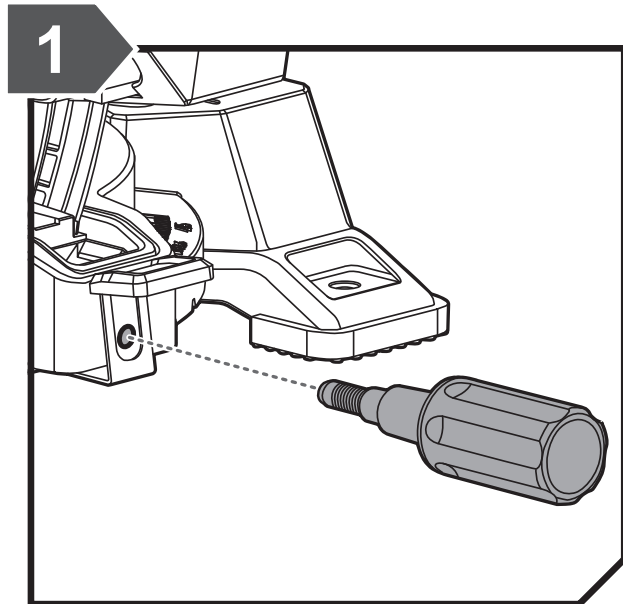


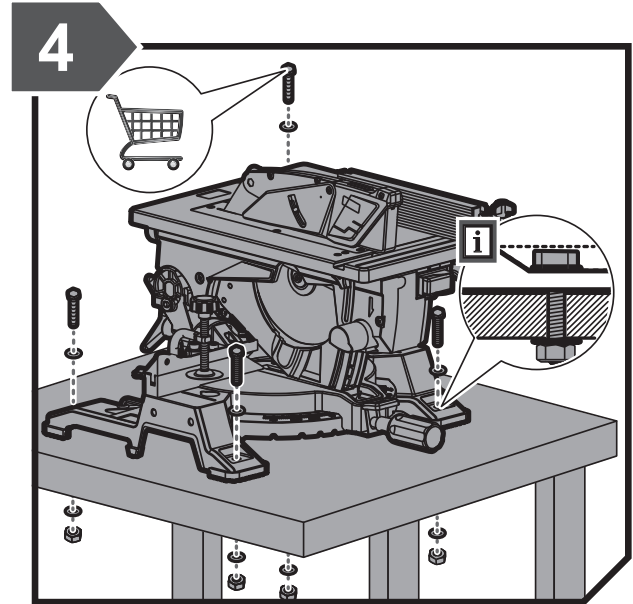
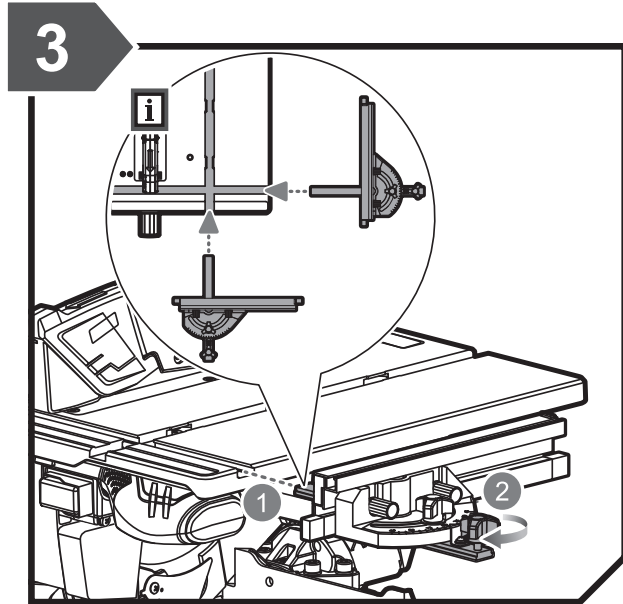
Not

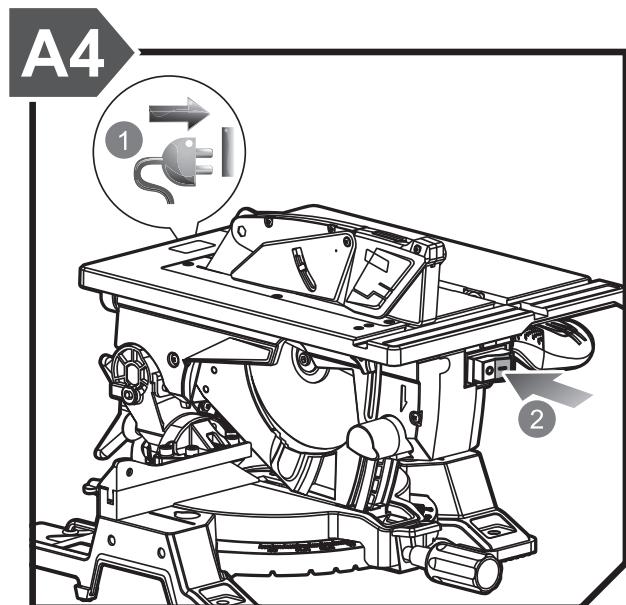
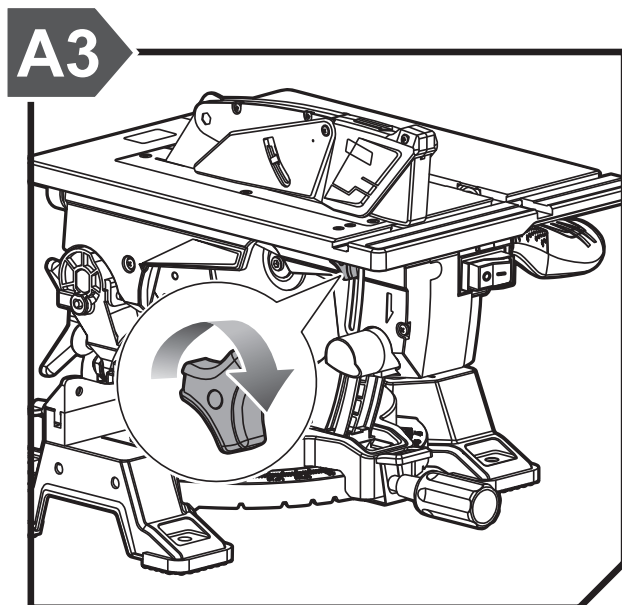
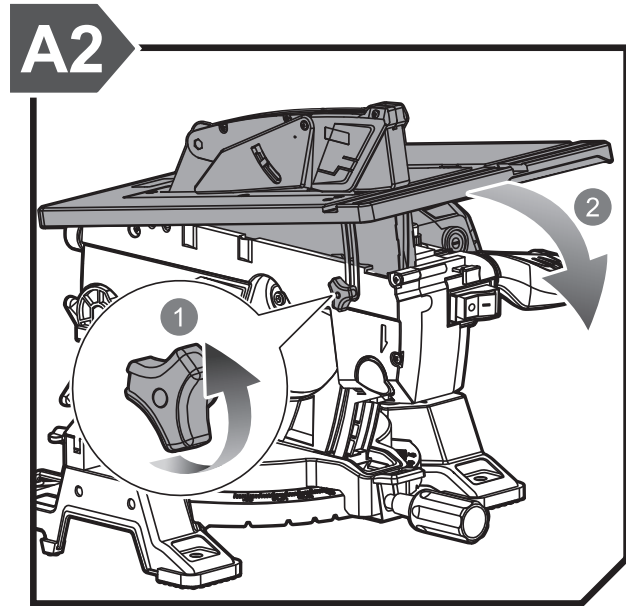
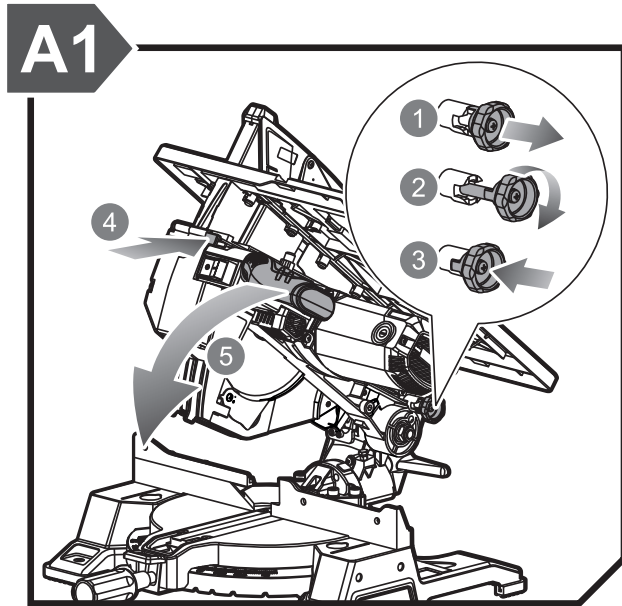
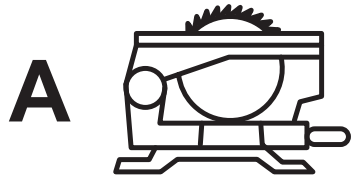


Uyarı

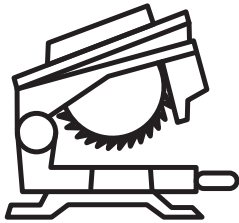




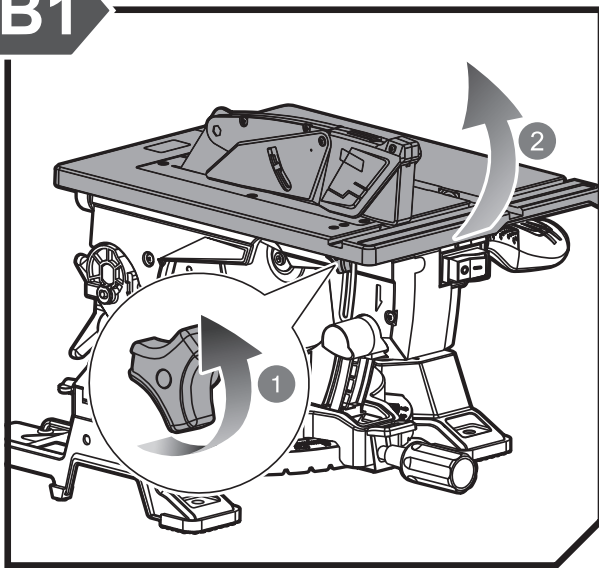




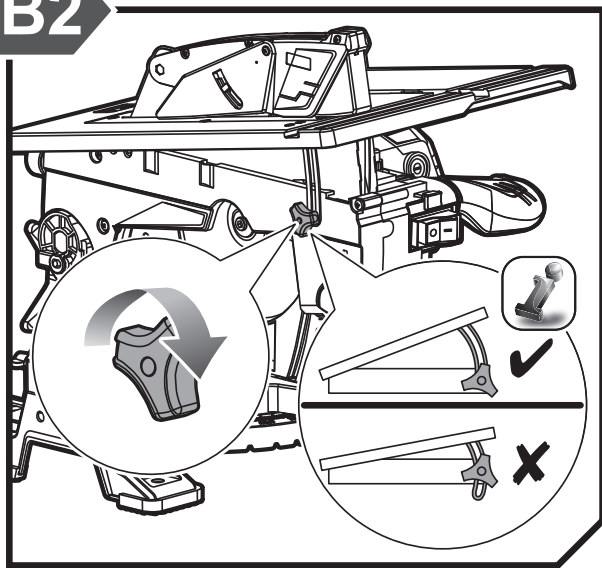
B



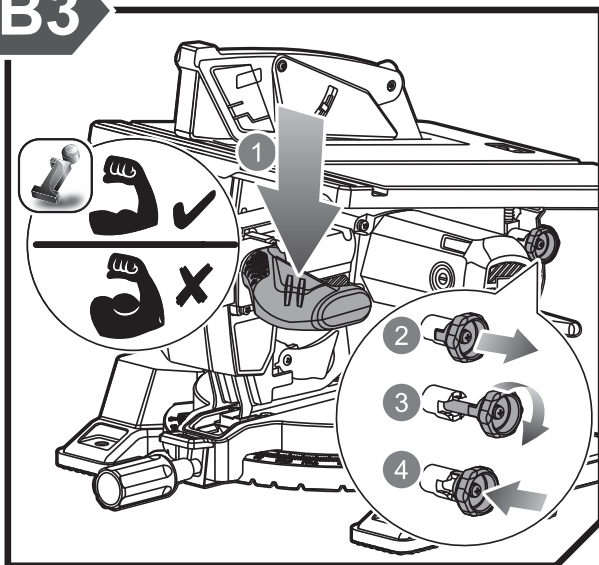
B1



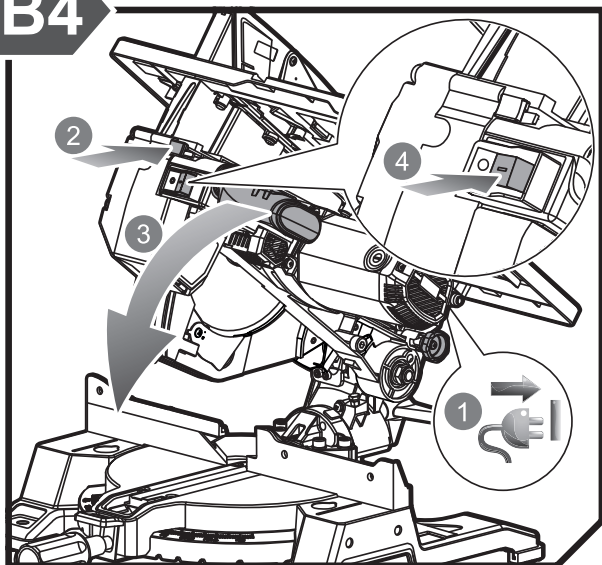
B2

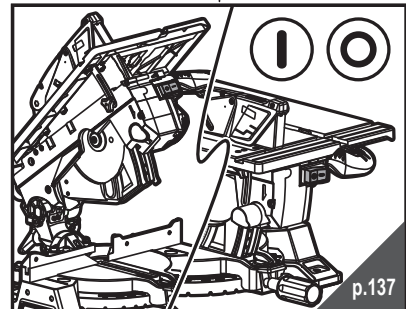
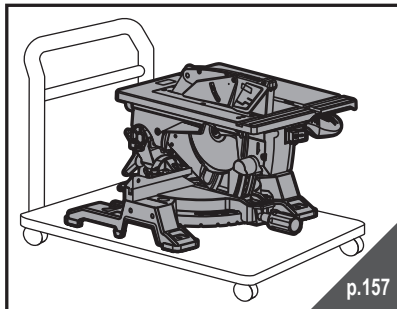
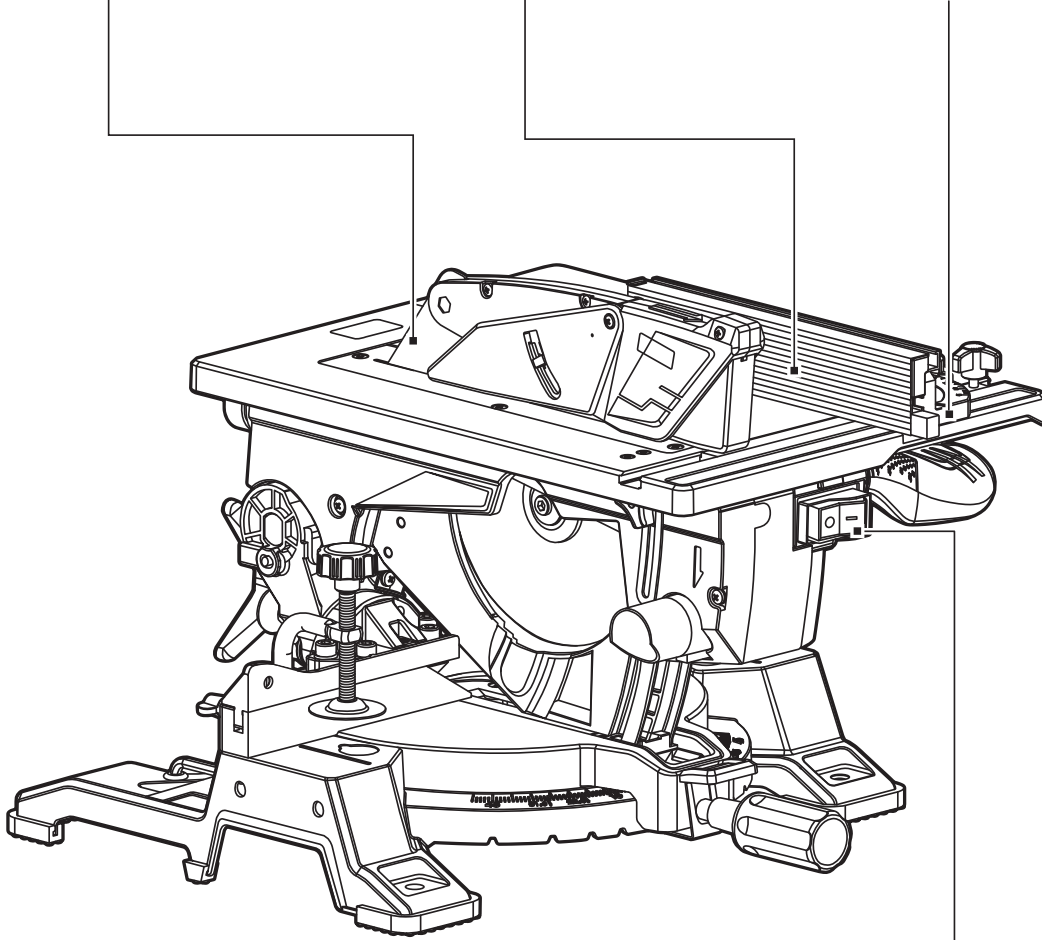
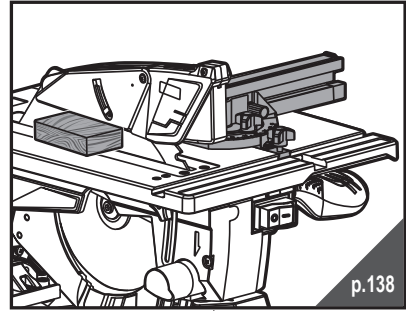
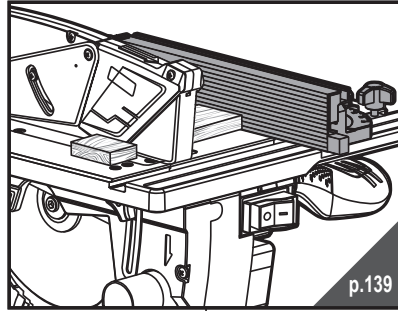
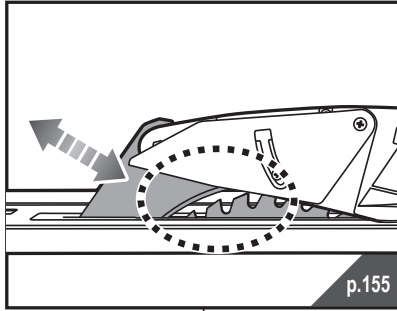


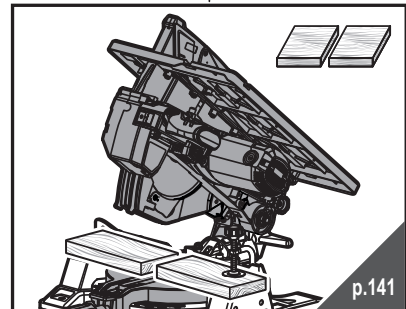
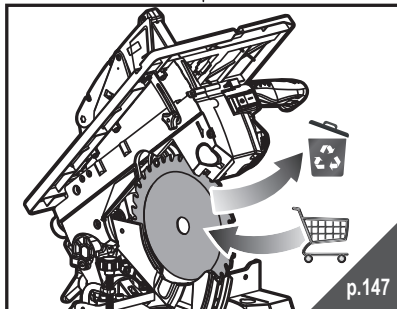
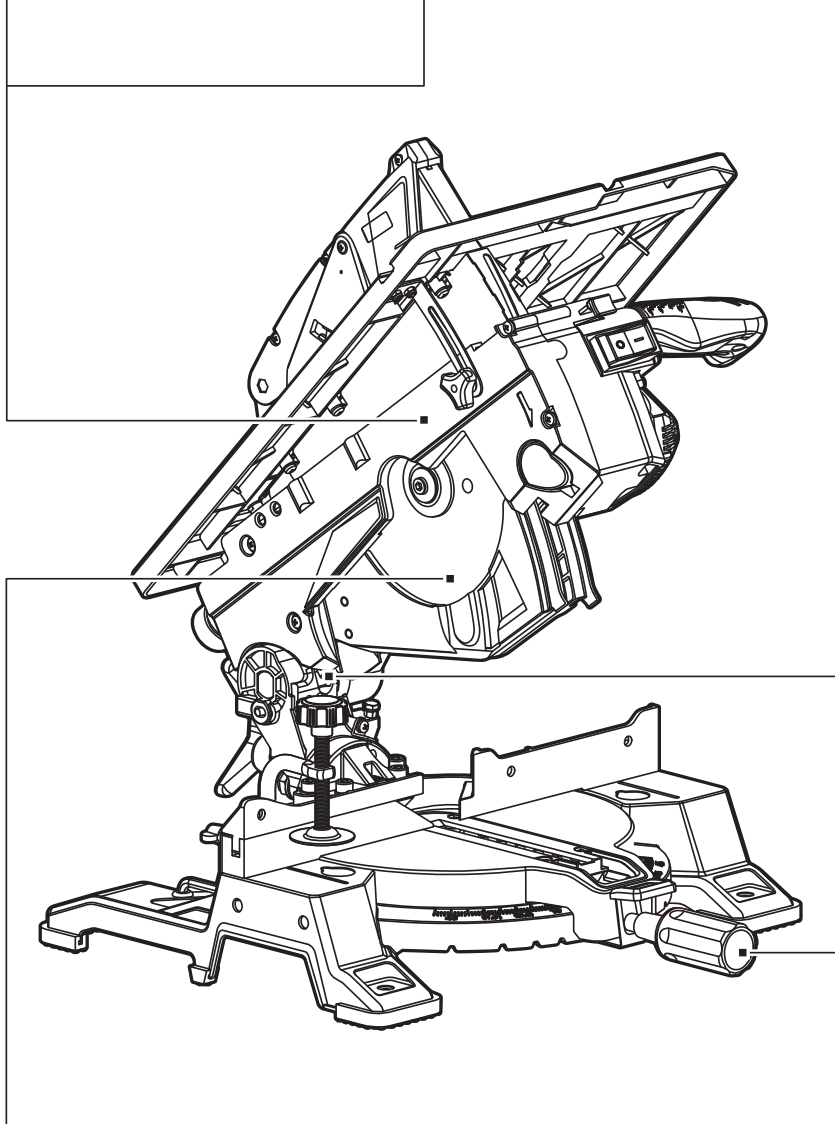
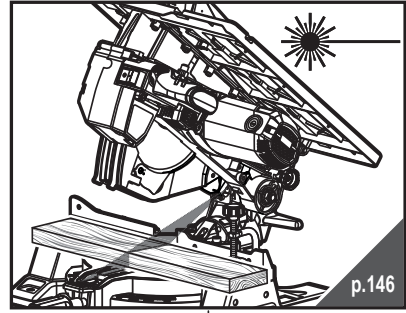
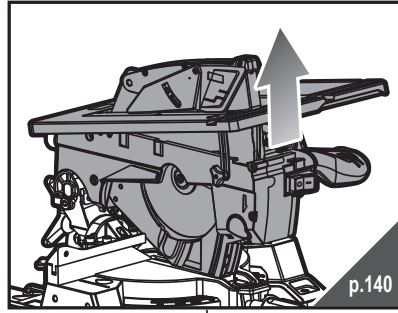
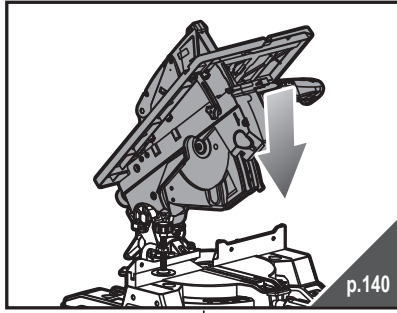
B3

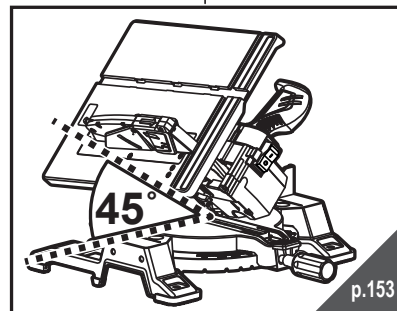
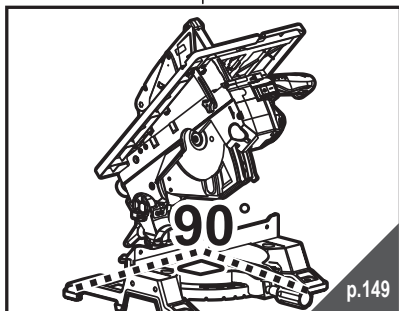
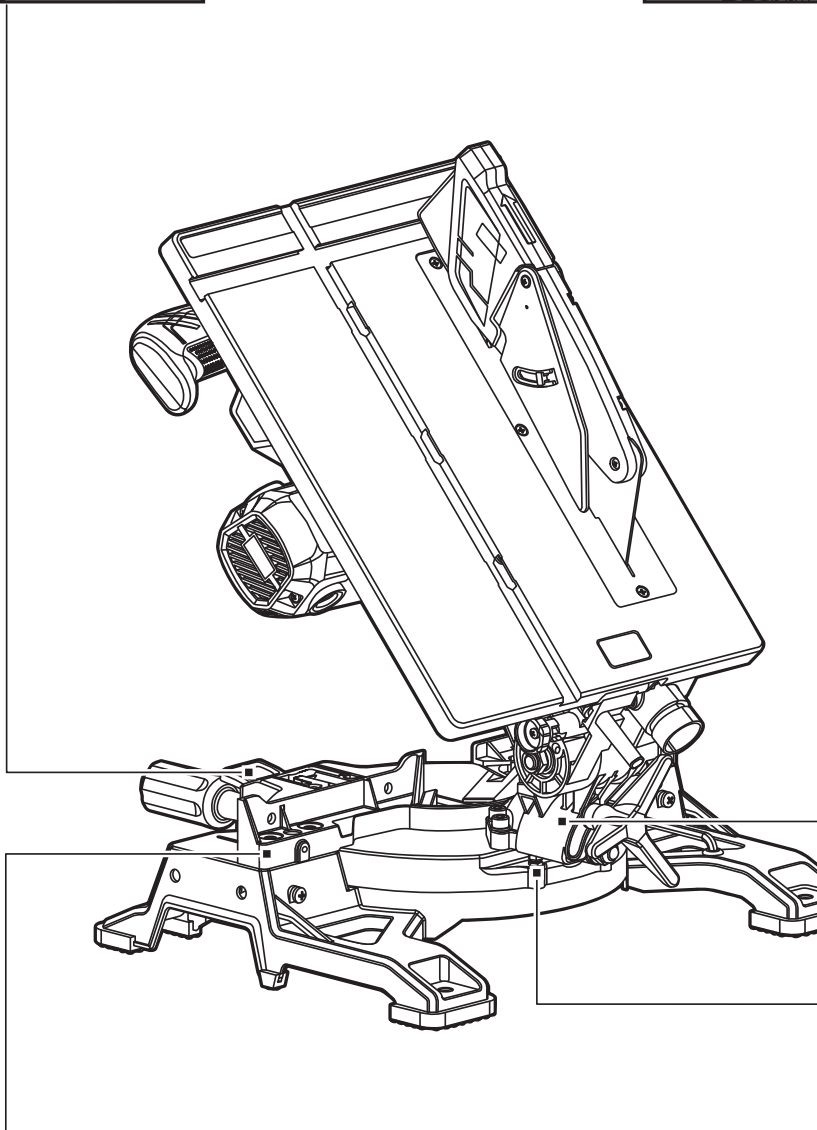
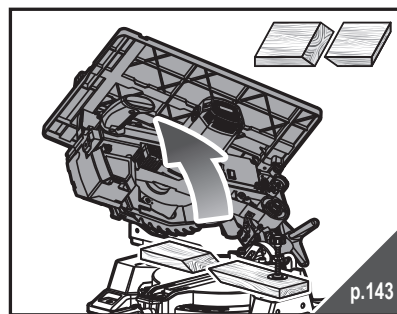
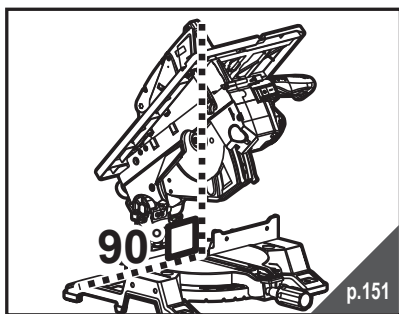


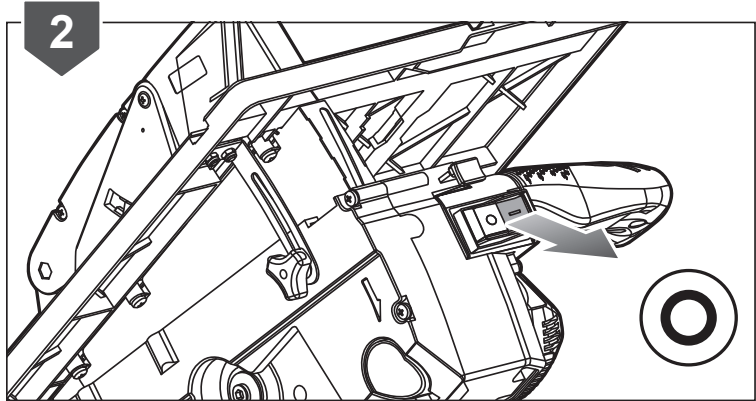
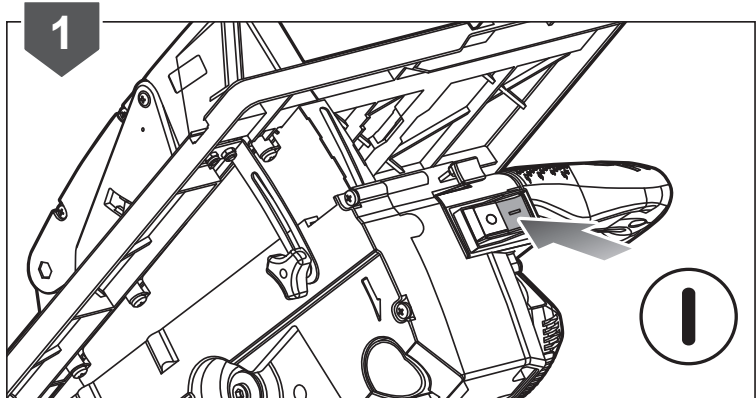
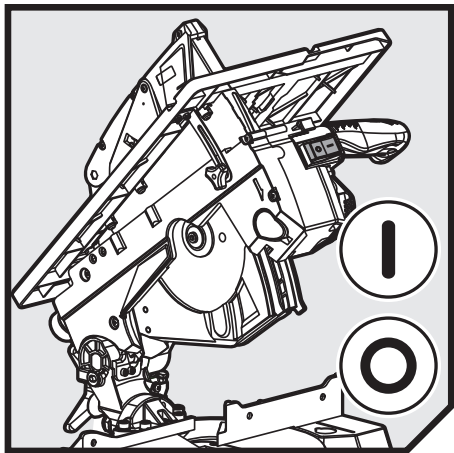
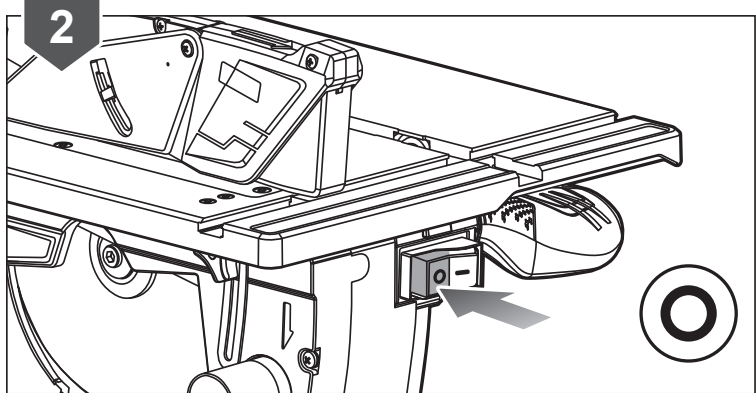
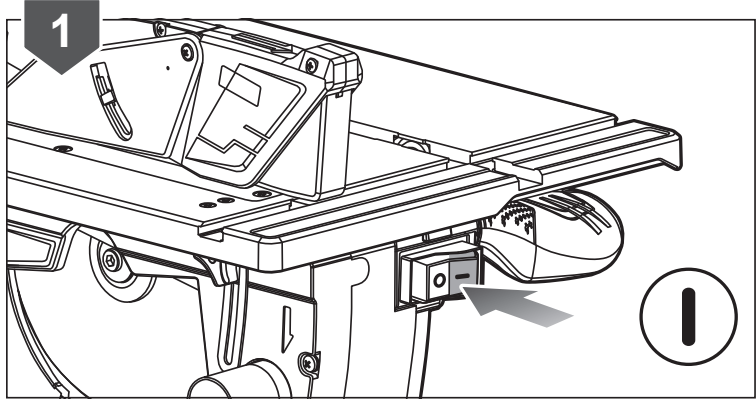
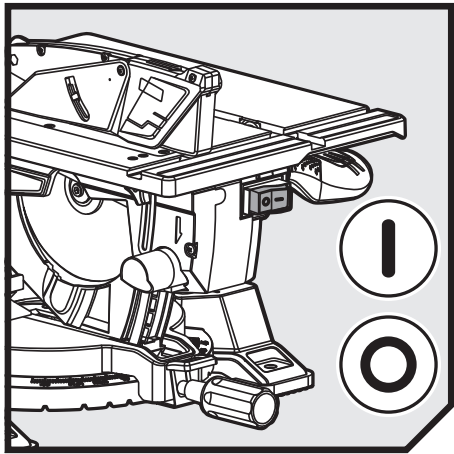
B4

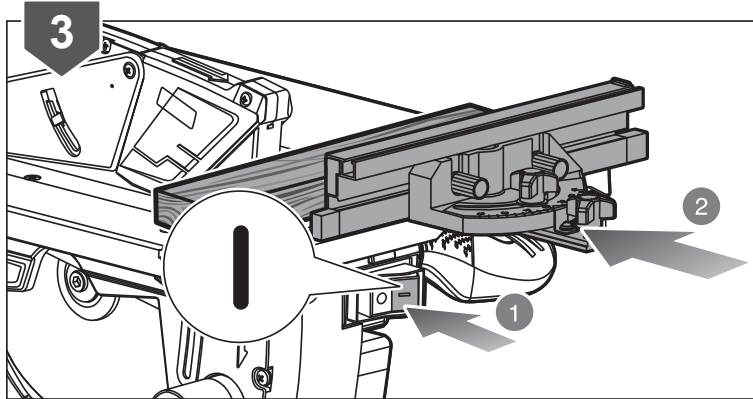
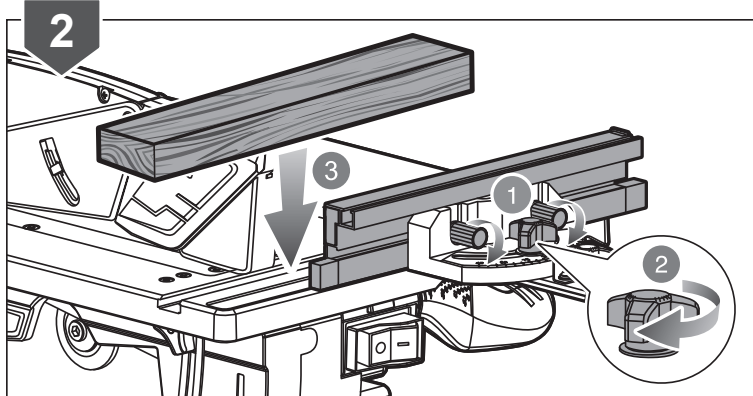
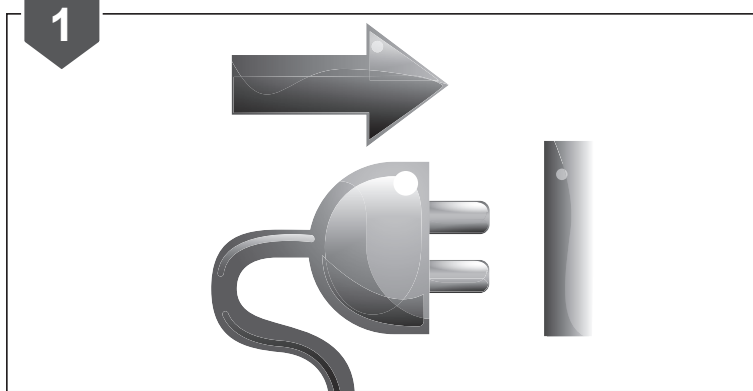
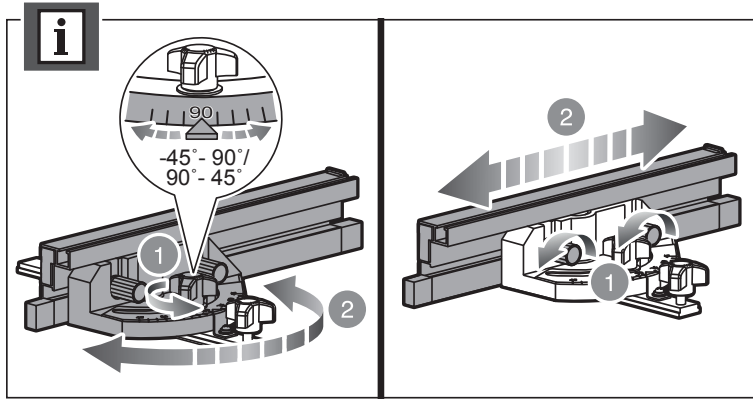
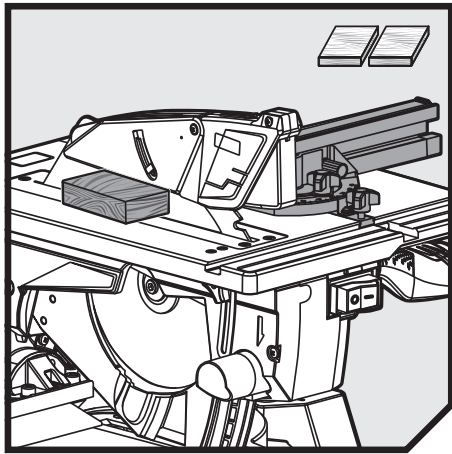


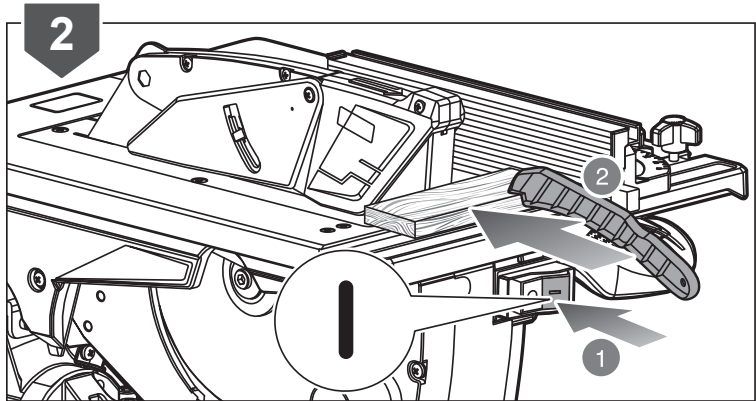
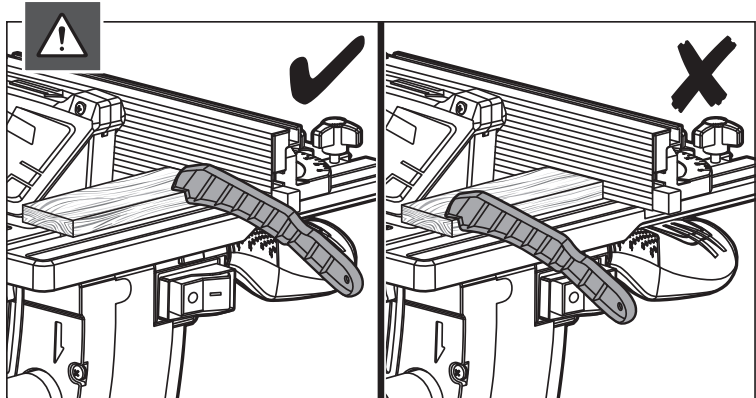
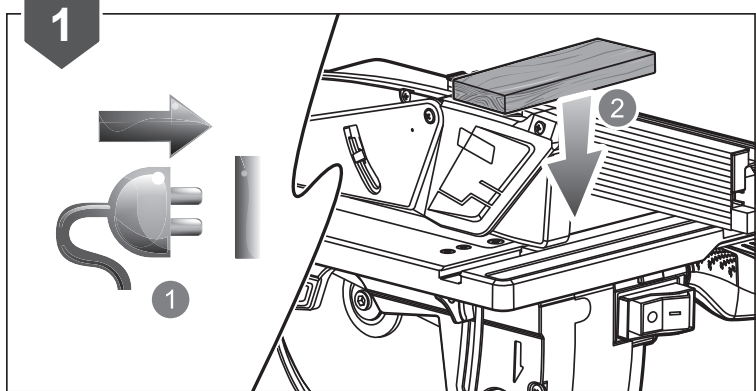
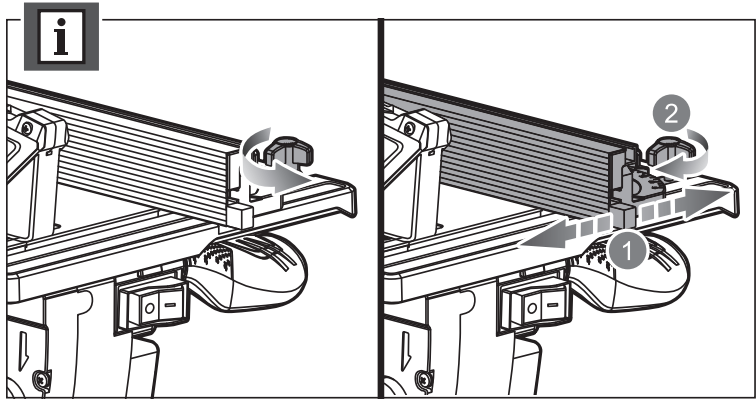
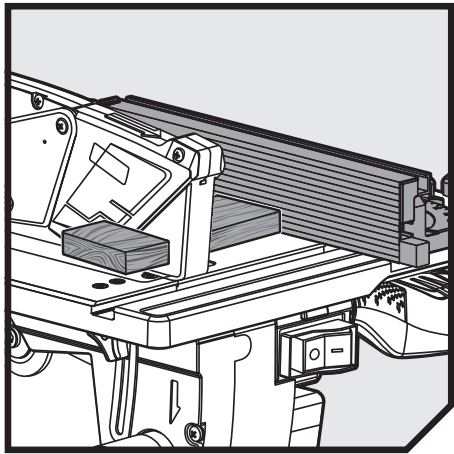


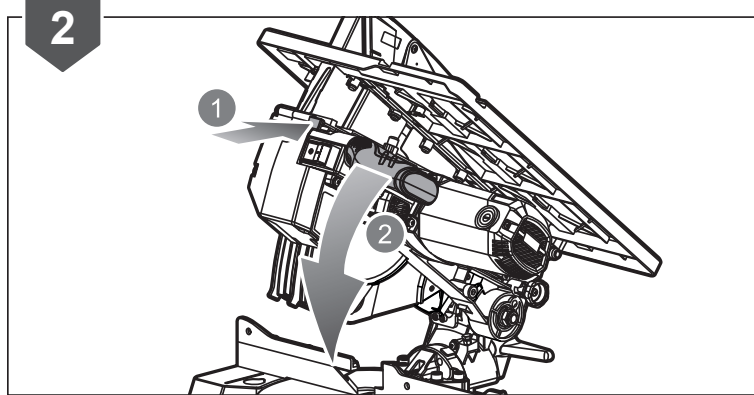
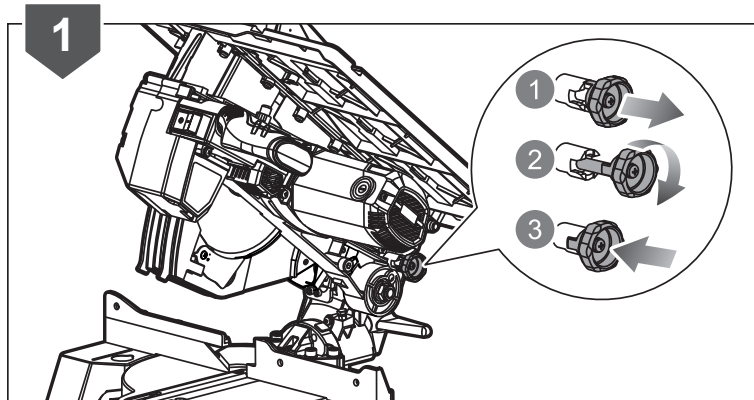
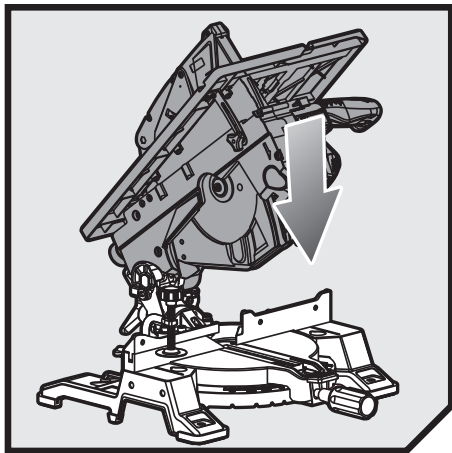
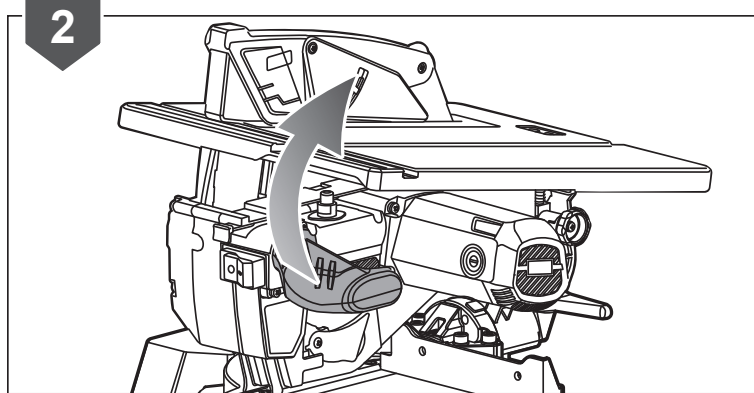
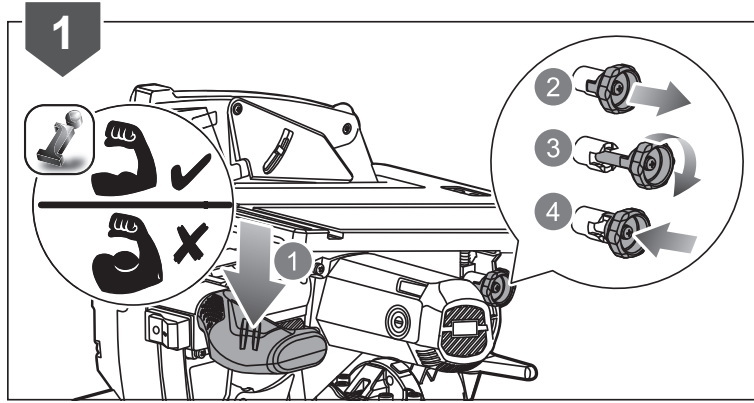
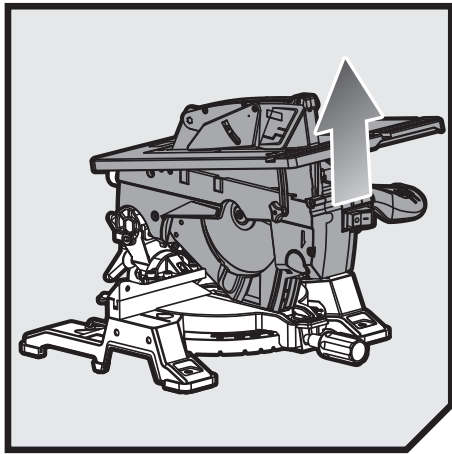


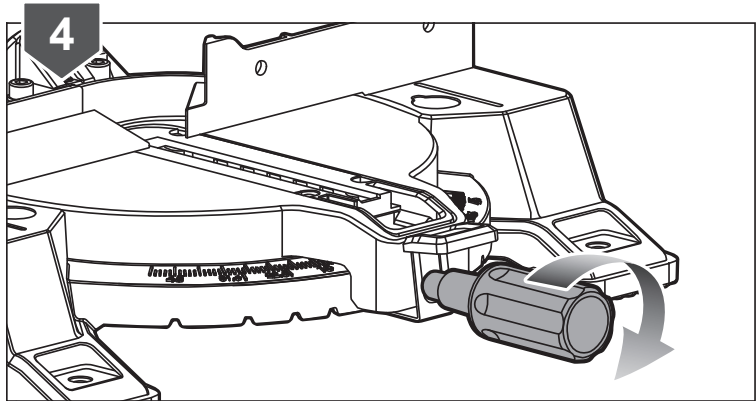
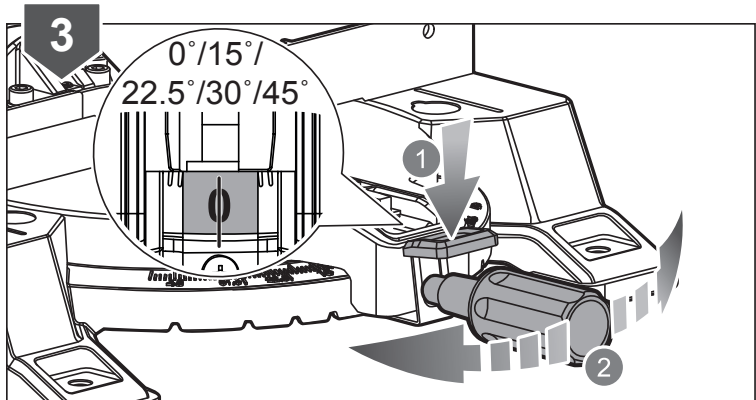
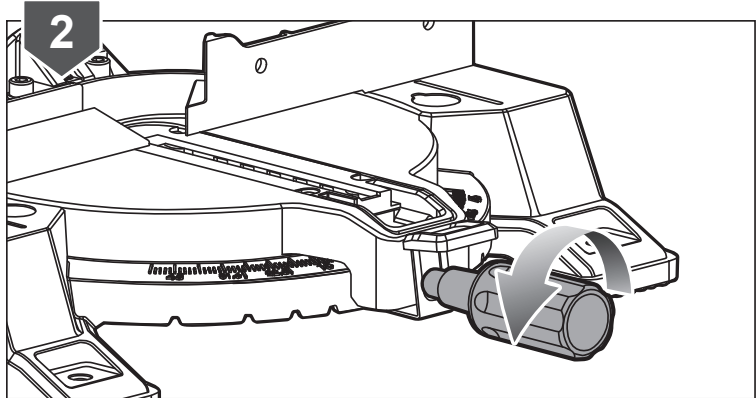
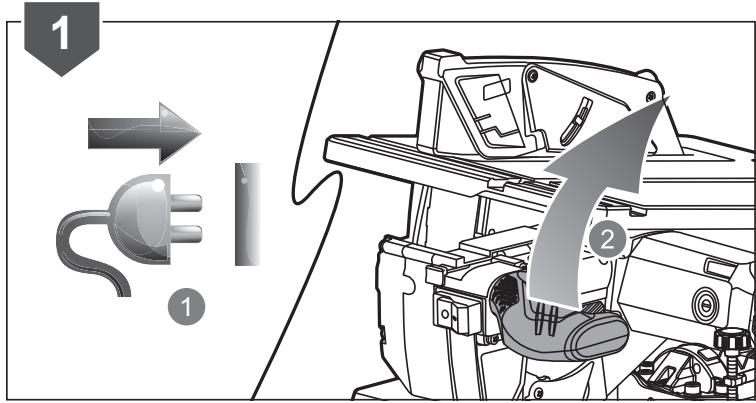
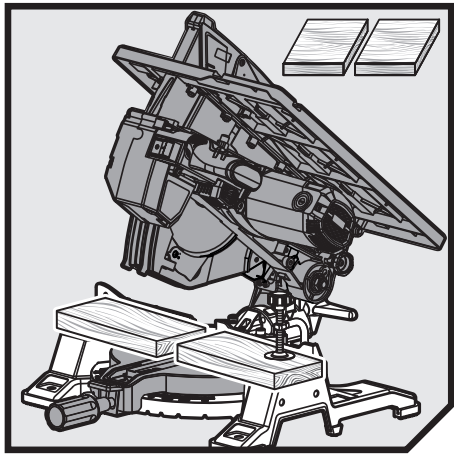


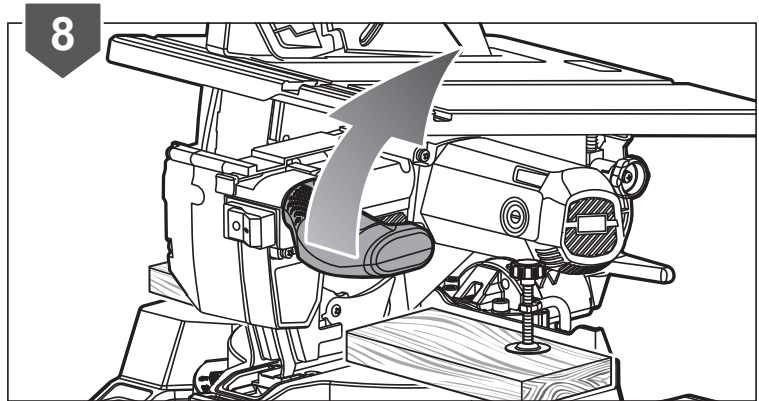
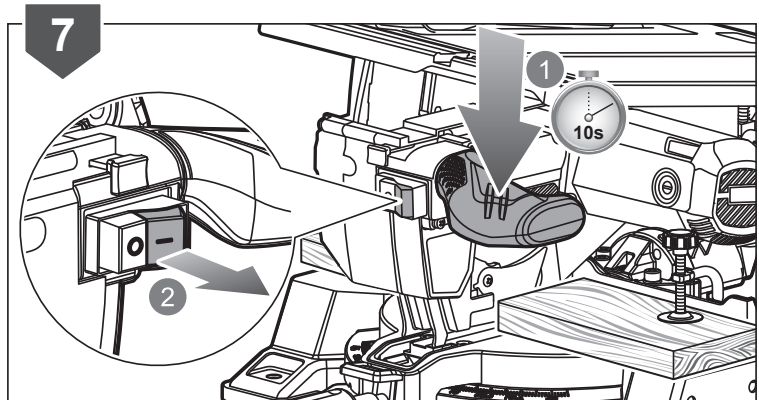
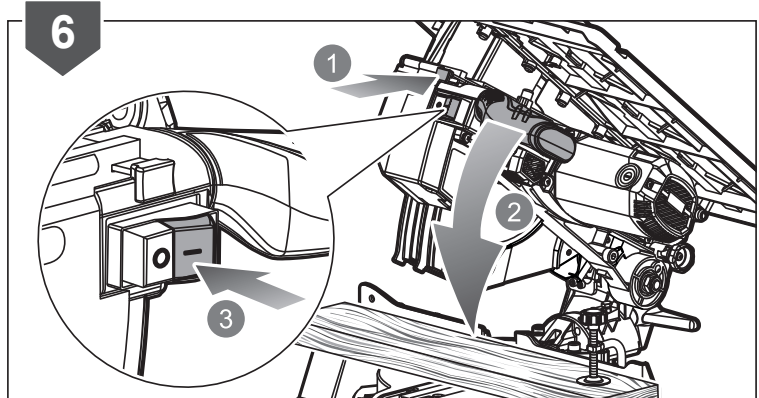
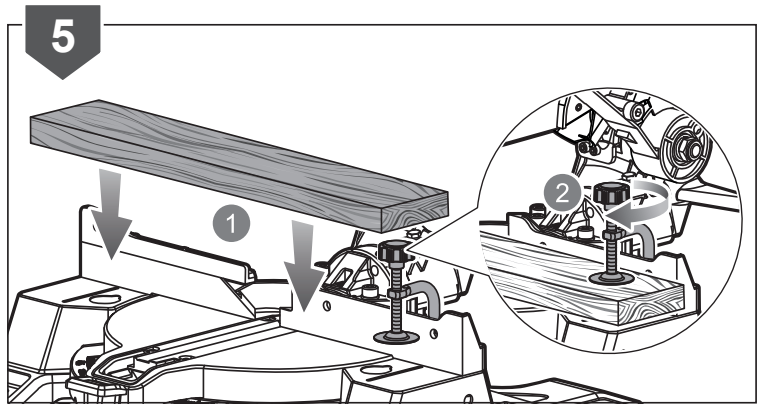


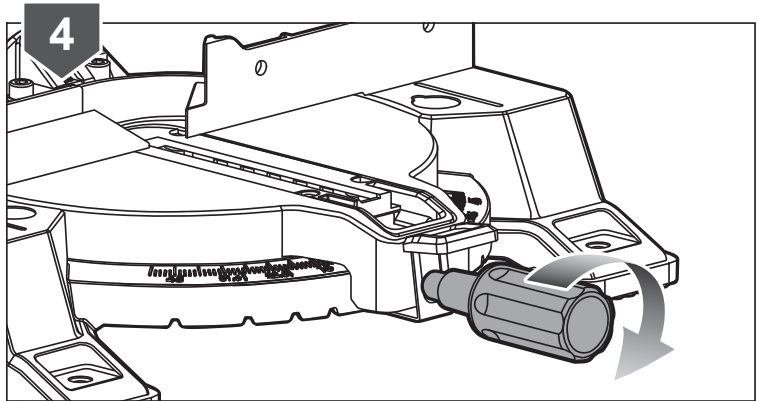
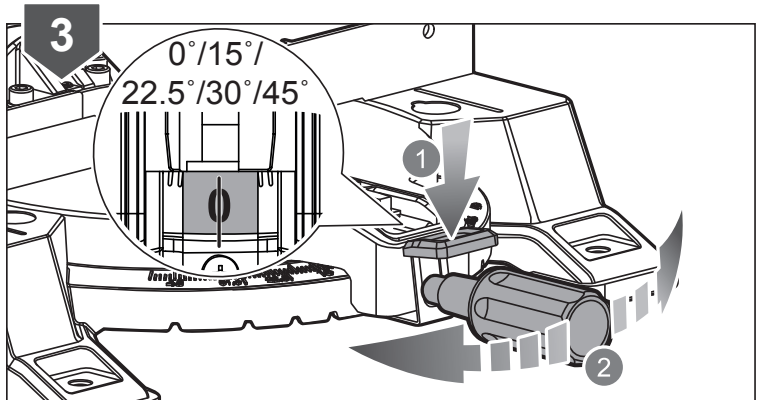
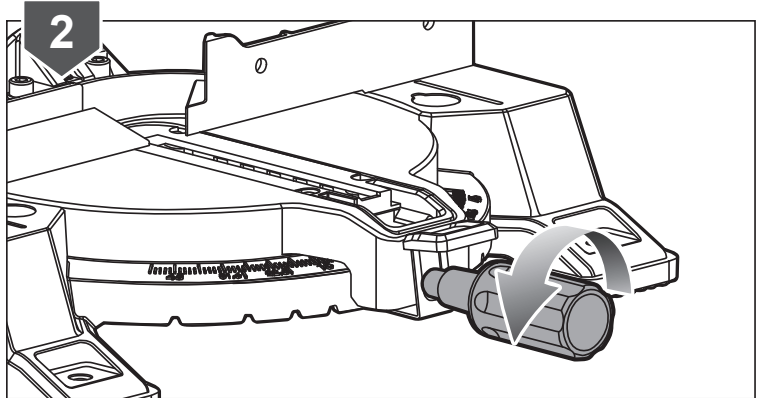
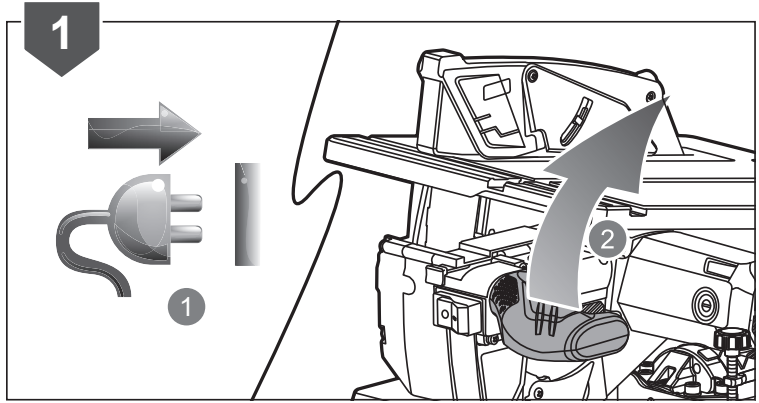
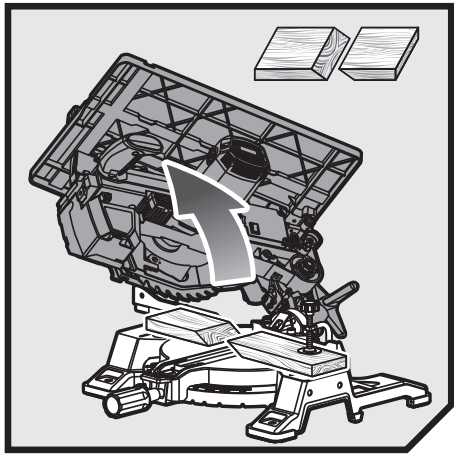


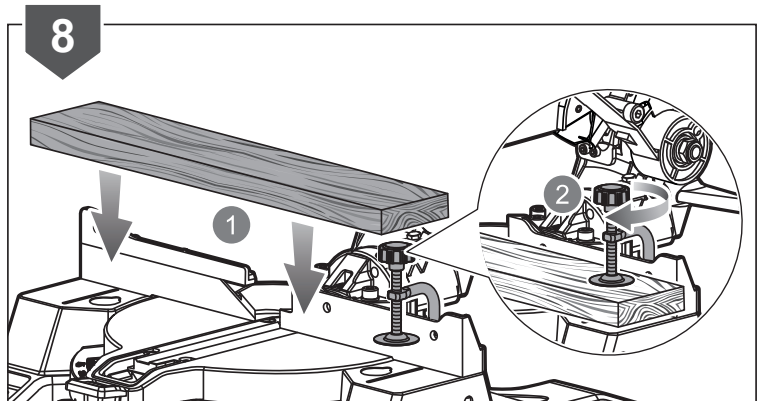
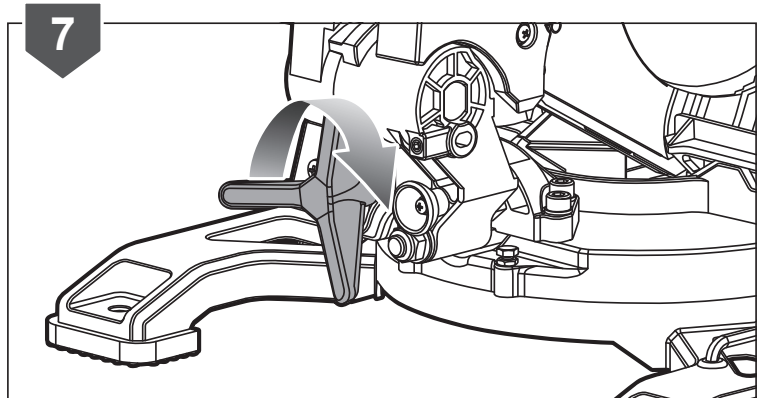
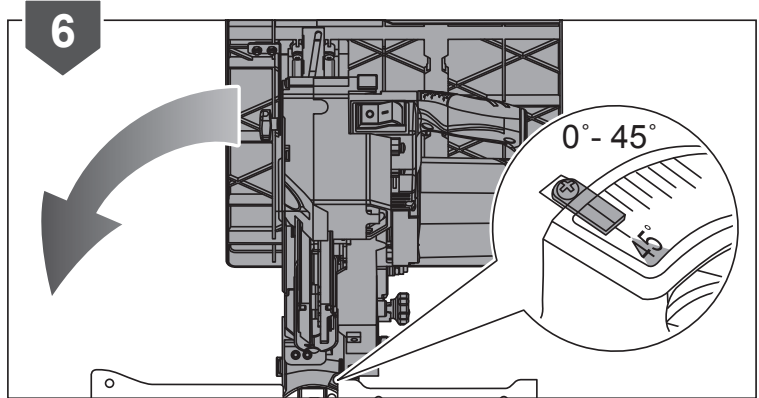
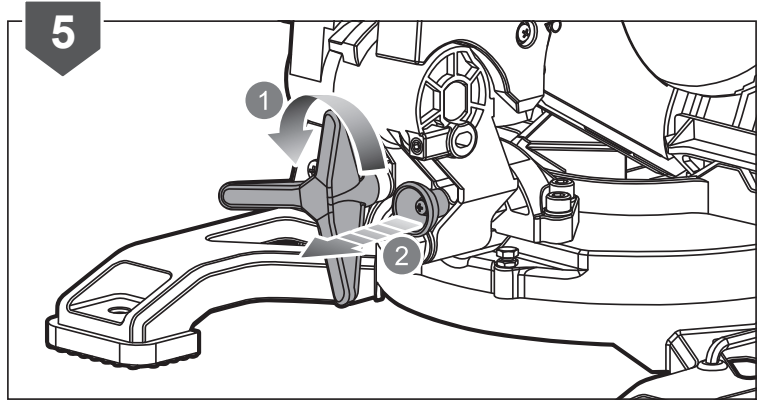


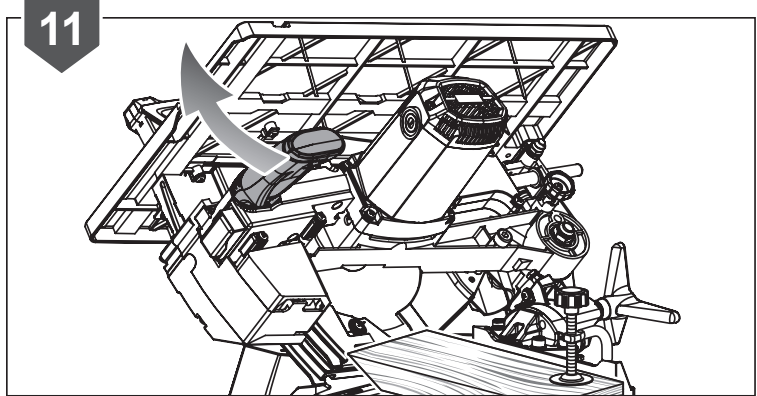
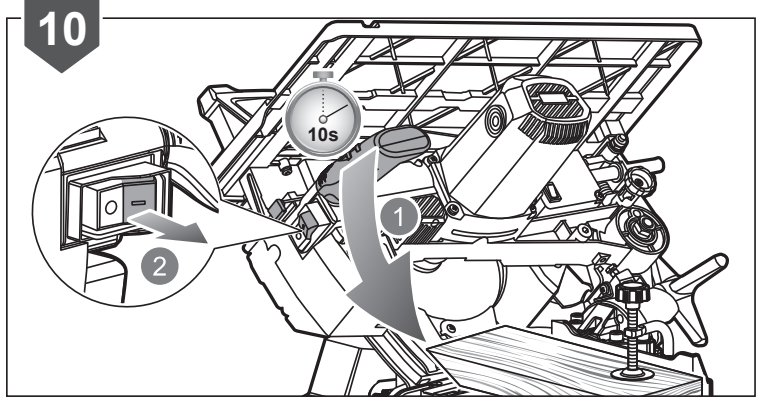
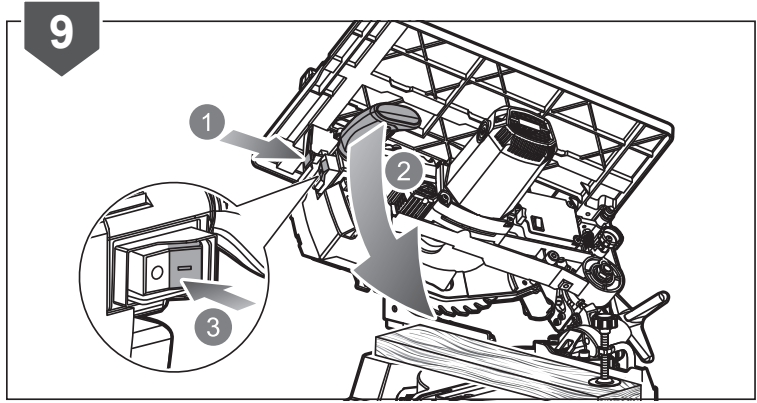


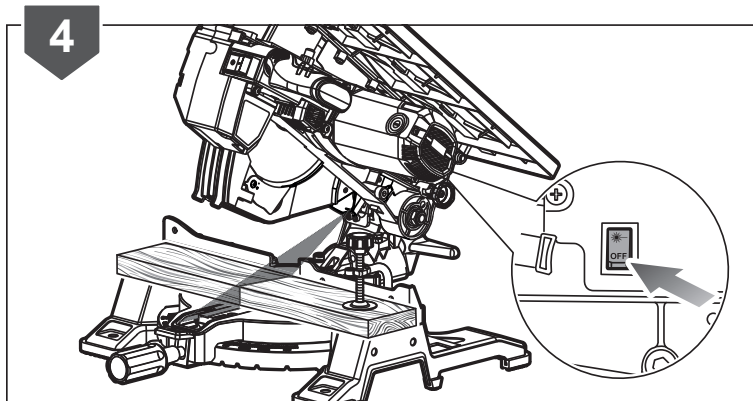
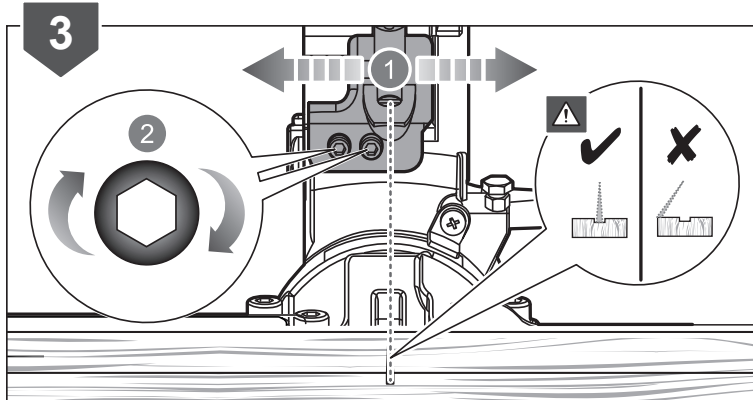
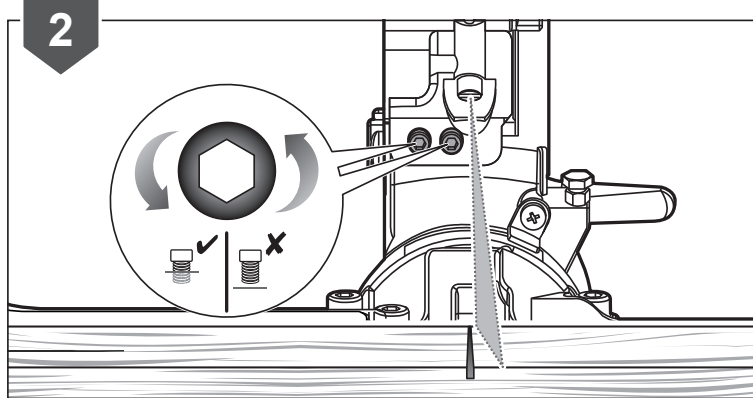
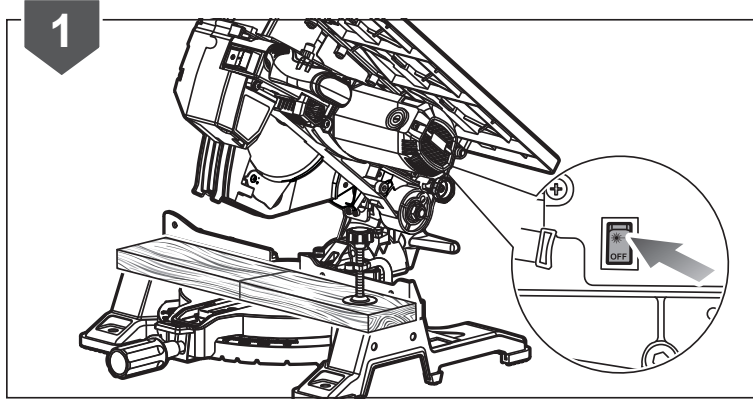
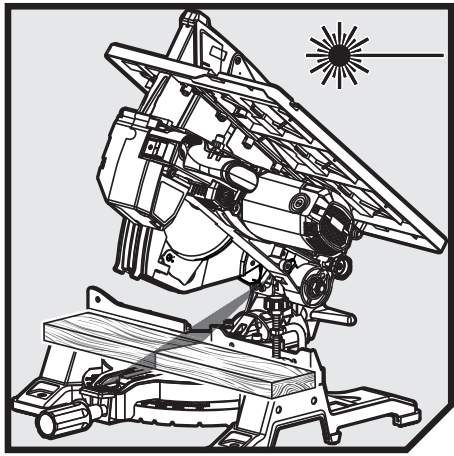


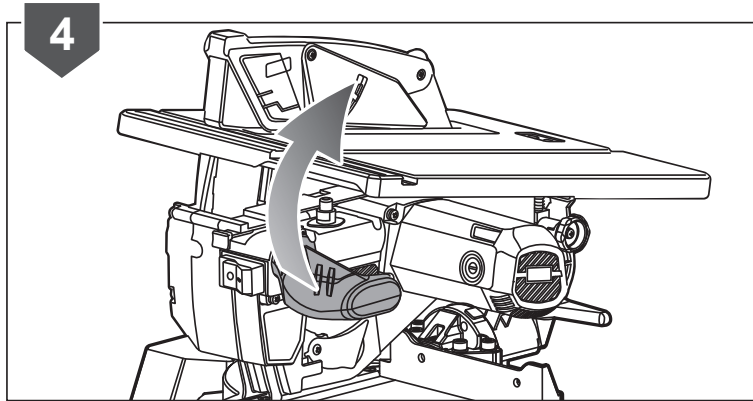
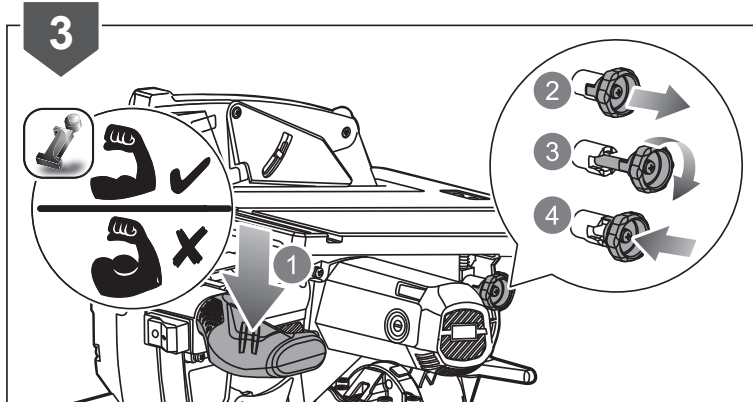
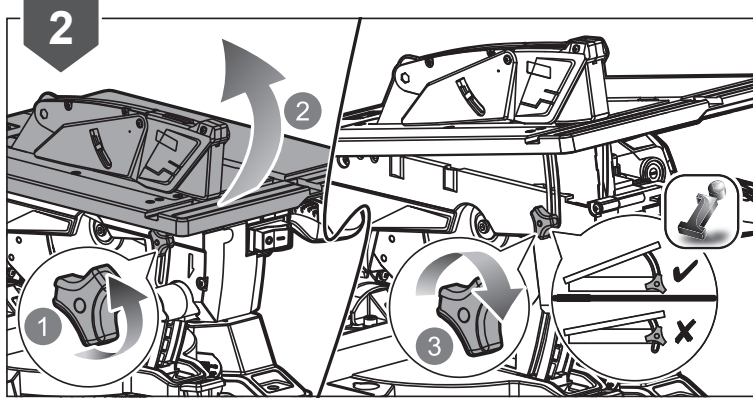
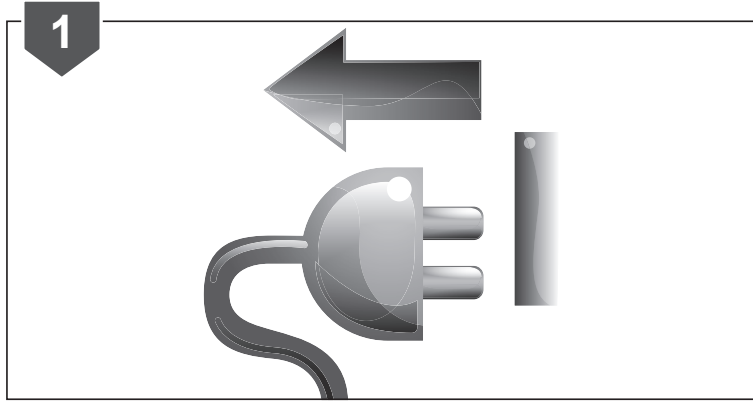
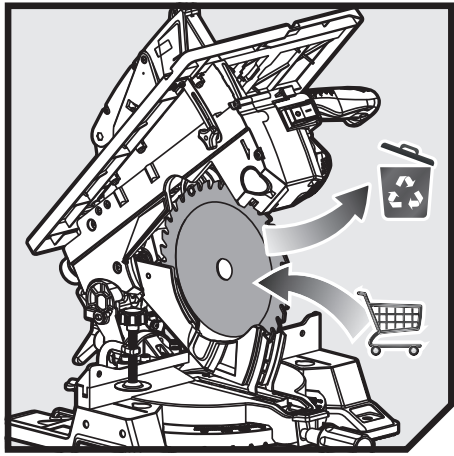


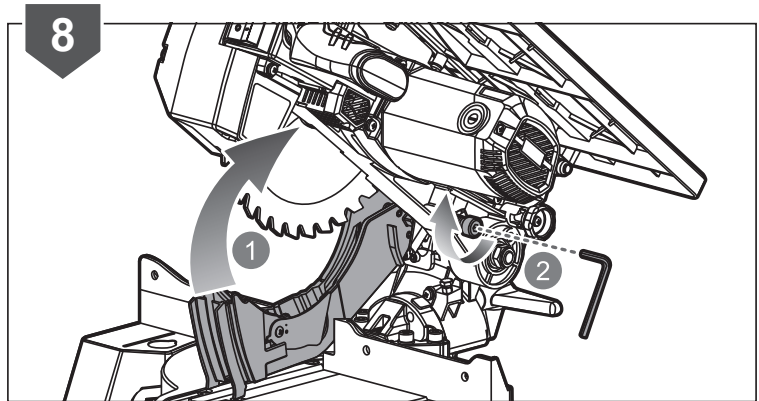
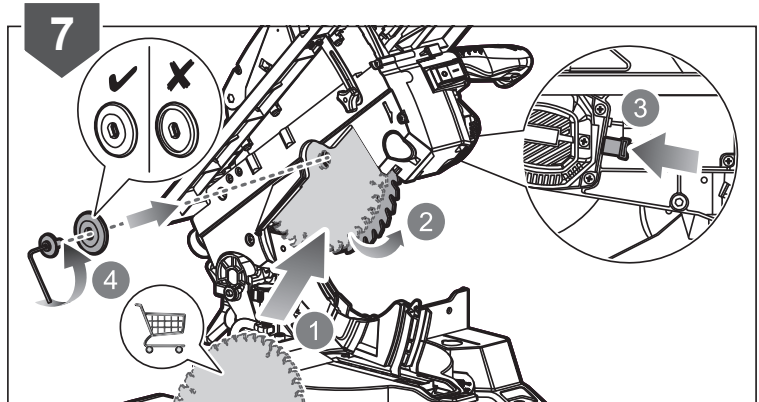
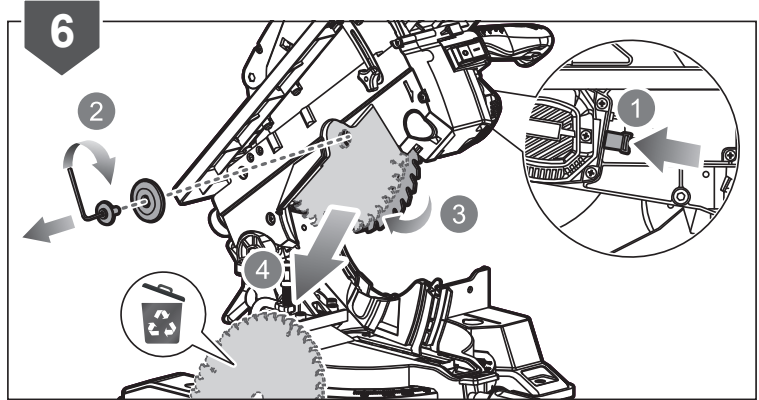
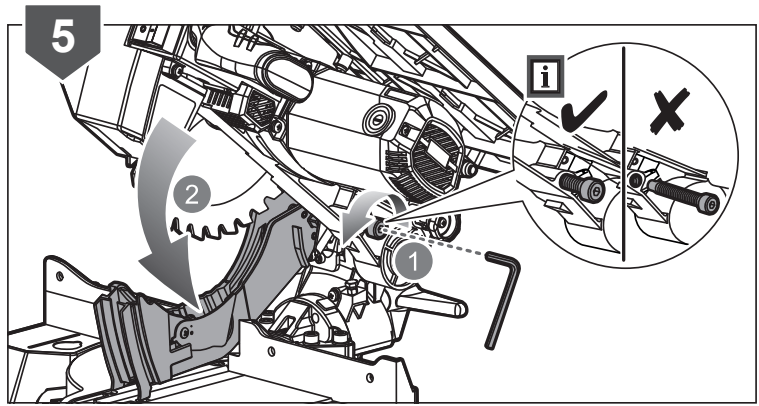


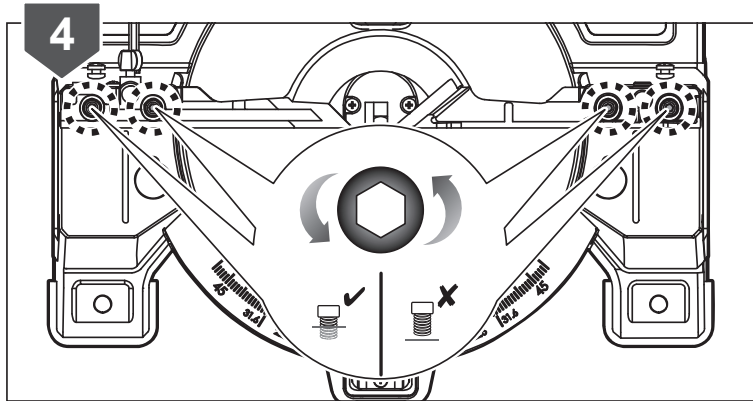
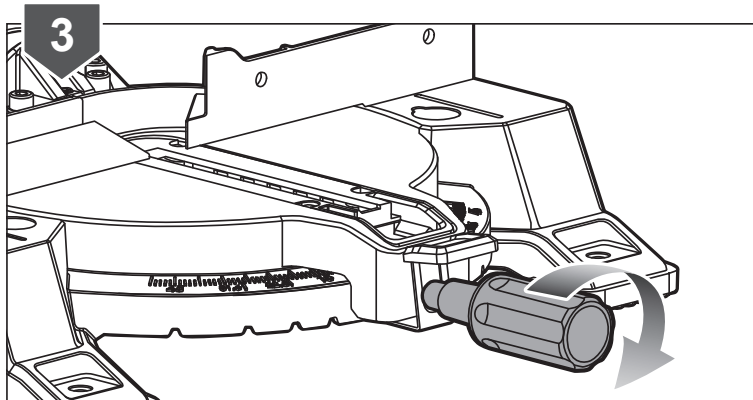
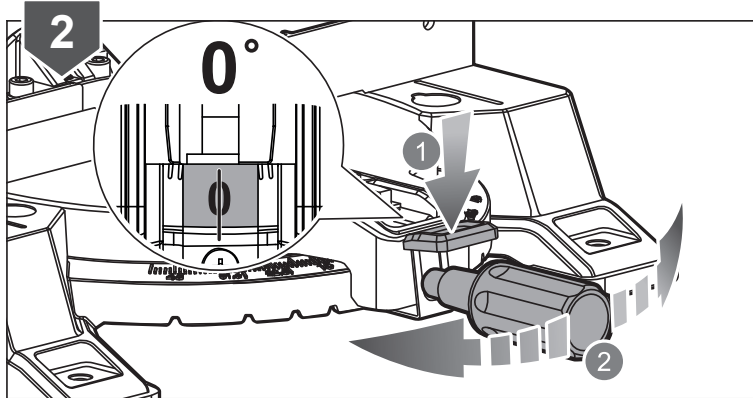
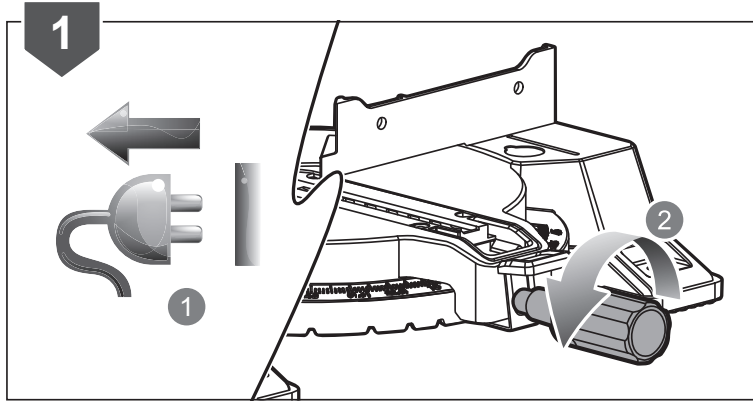
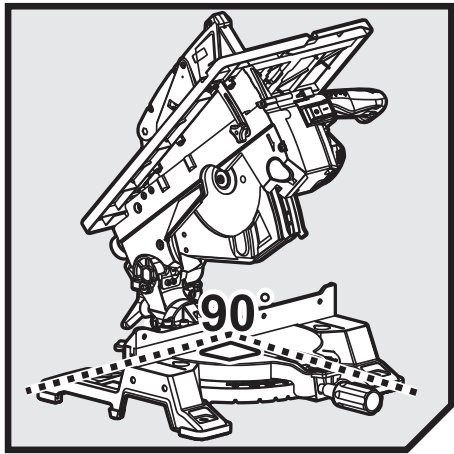


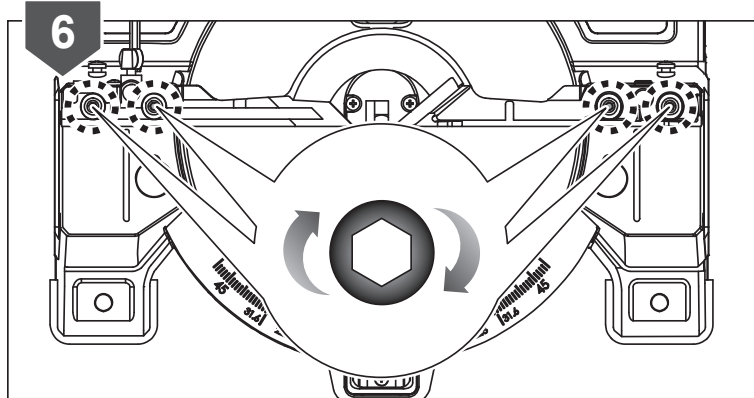
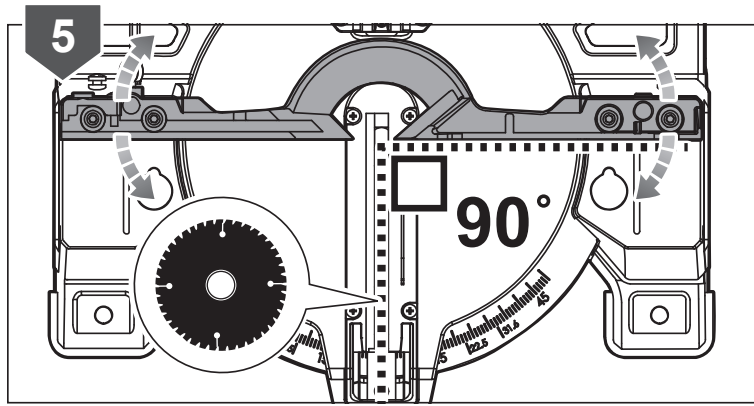


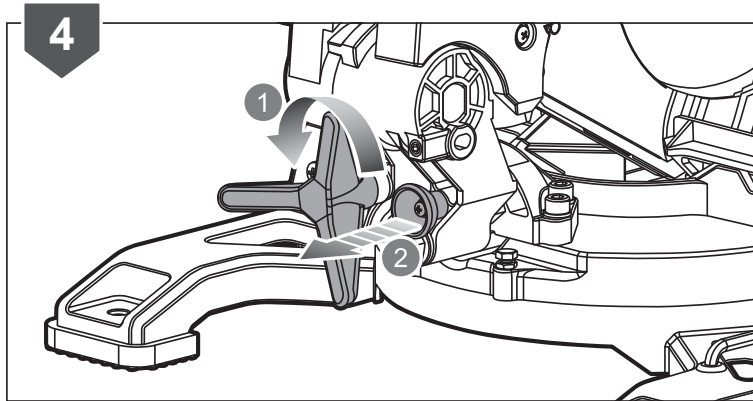
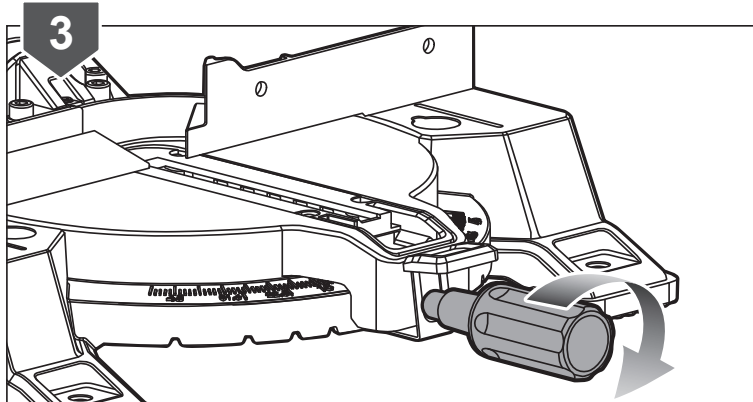
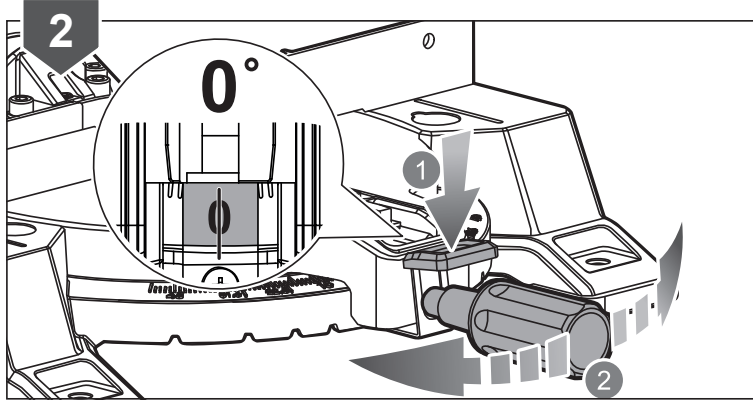
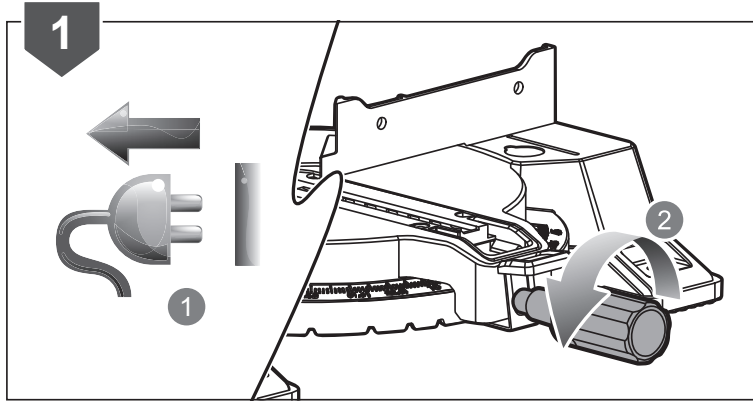
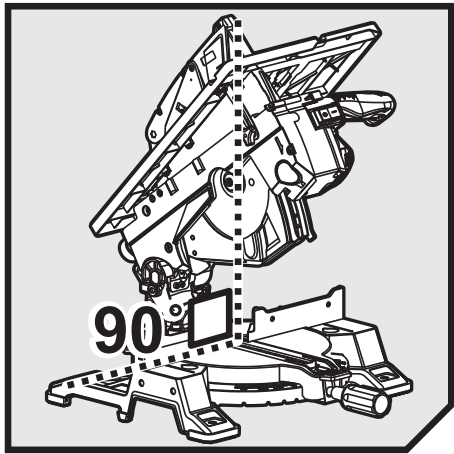


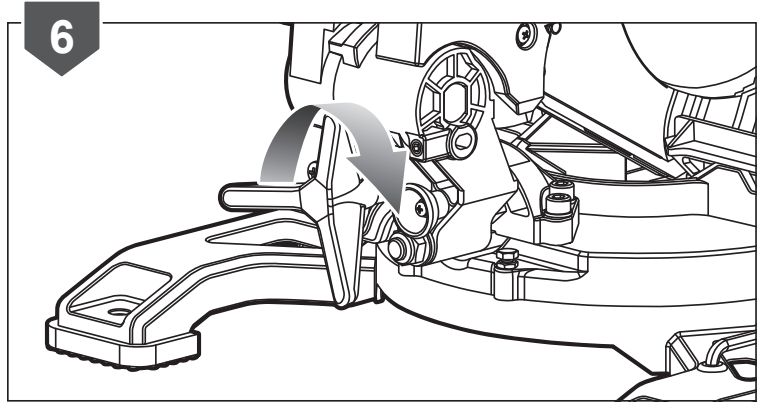
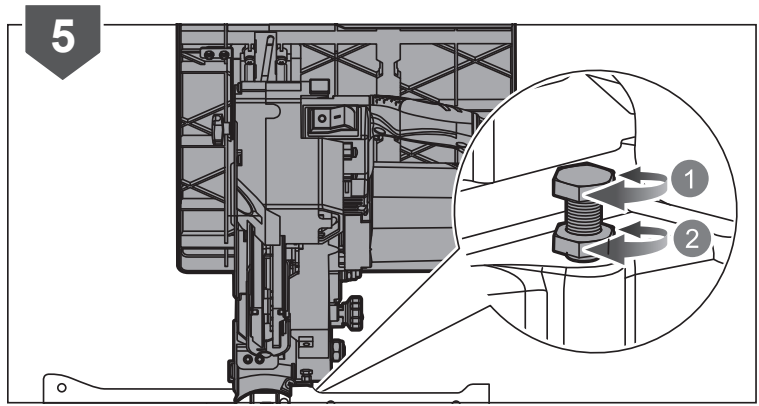


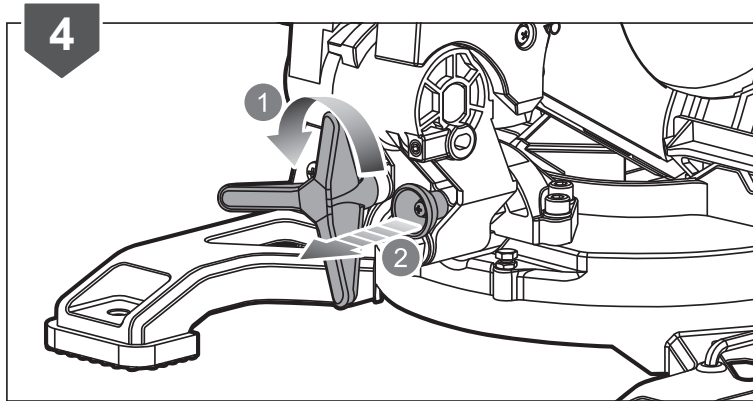
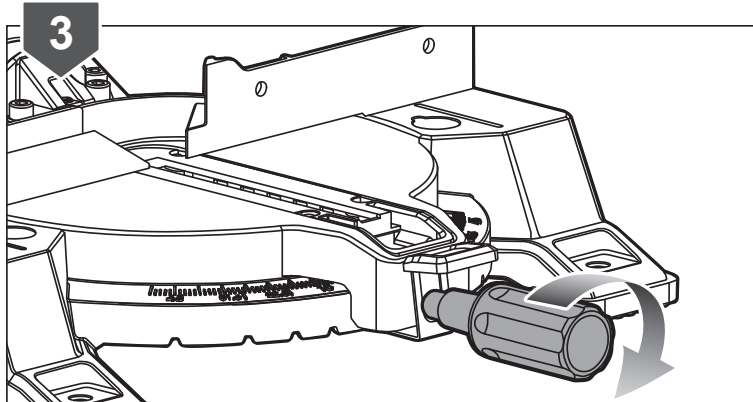
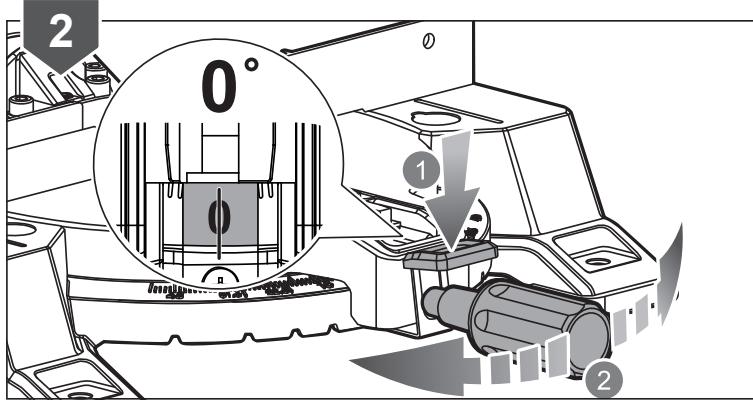
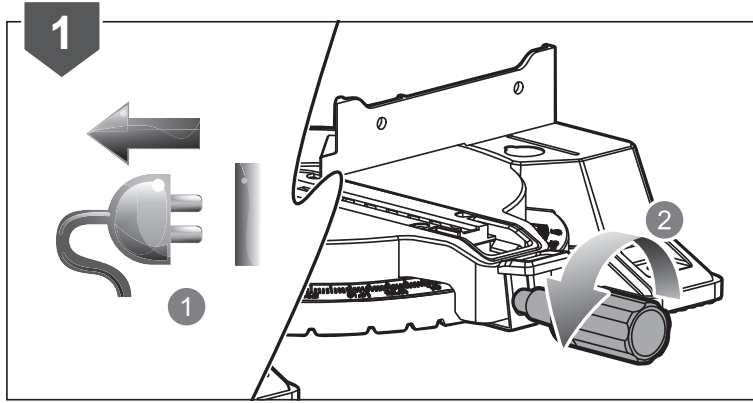
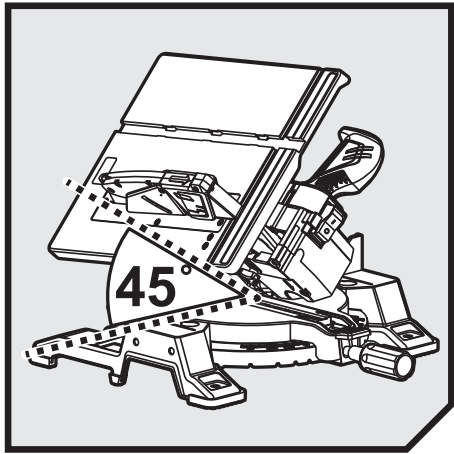


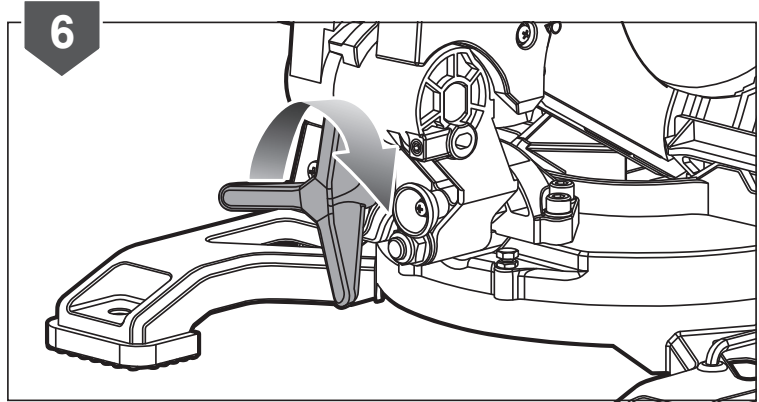
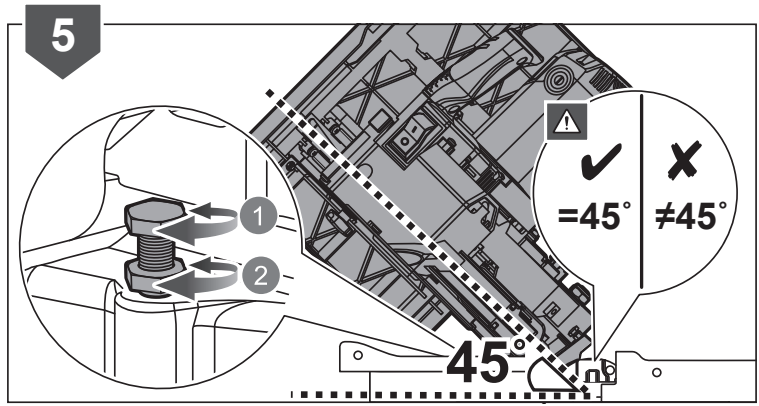


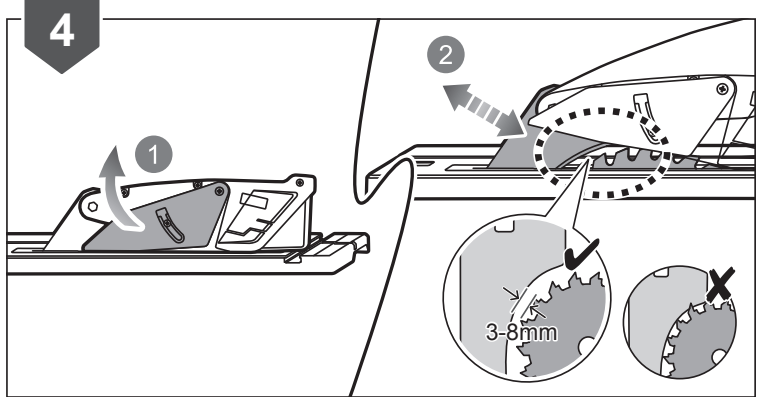
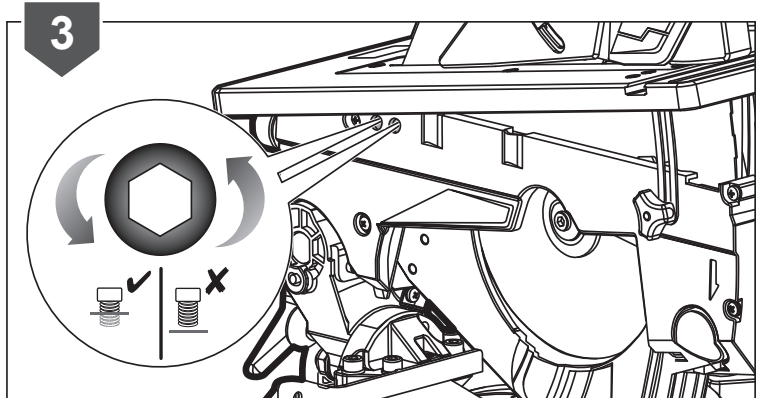
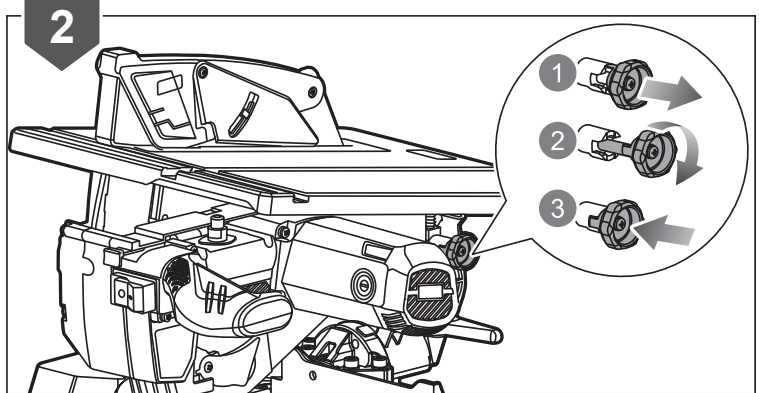
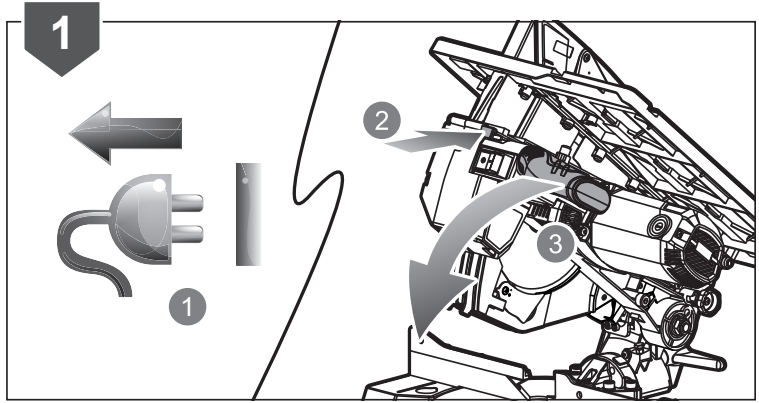
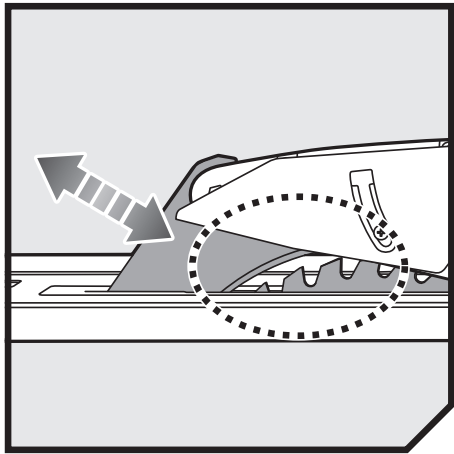


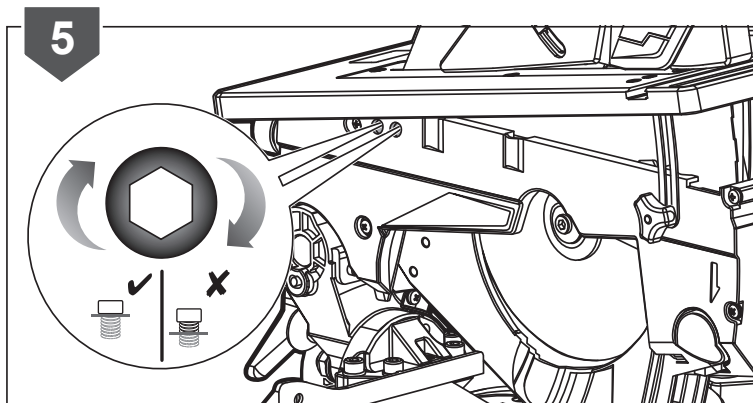


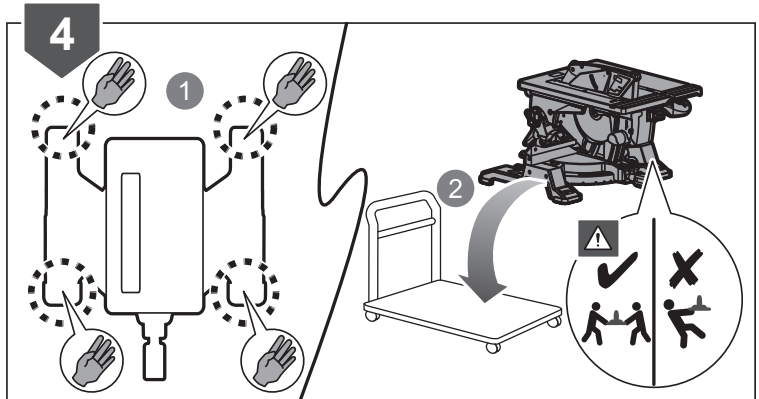
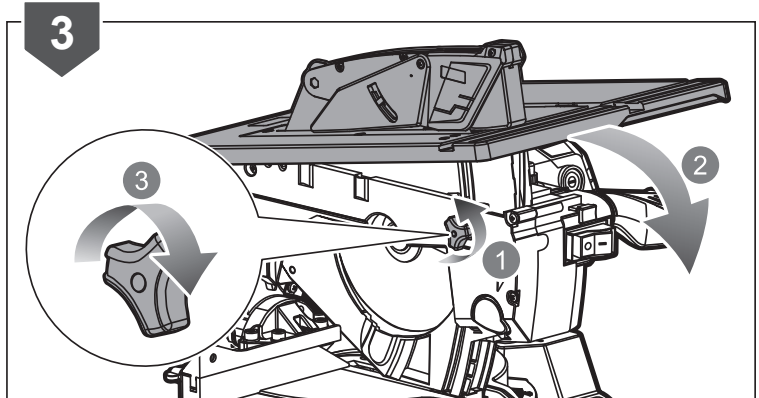
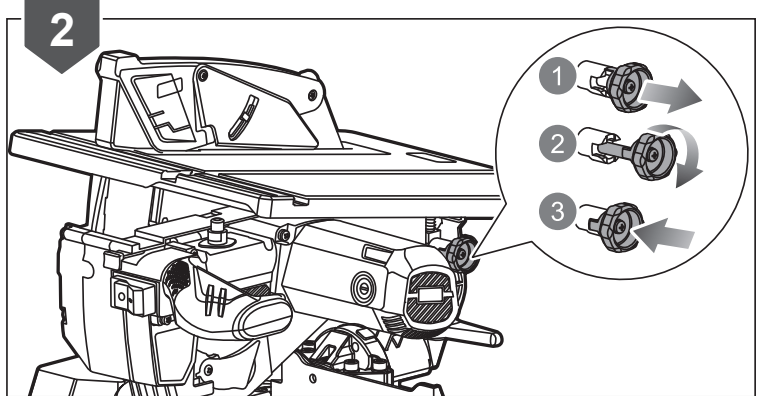
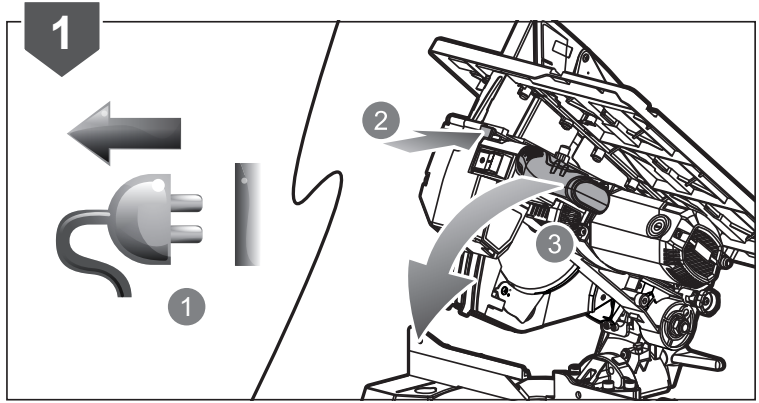
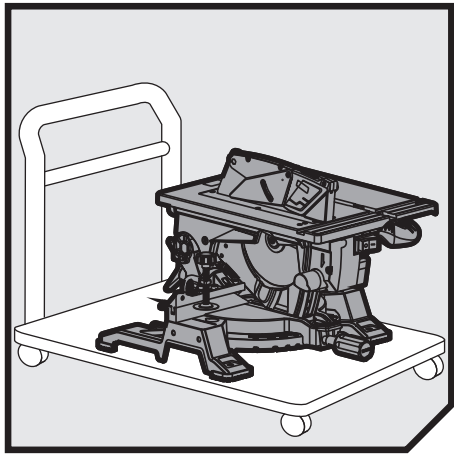












English	Français	Deutsch	Español	Italiano	Nederlands
Product specifications	Caractéristiques de l'appareil	Produkt-Spezifikationen	Especificaciones del producto	Specifiche prodotto	Productspecificaties
Net weight	Poids net	Nettogewicht	Peso neto	Peso netto	Nettogewicht
Blade diameter	Diamètre du disque de coupe	Sägeblattdurchmesser	Diámetro de la hoja	Diametro lama	Zaagbladdiameter
Arbor hole	Trou de broche	Mittelloch	Hueco del eje	Foro dell'albero	Centergat
Blade teeth	Nombre de dents	Sägezähne	Dientes de la hoja	Denti lame	Zaagbladanden
Width of cut	Largeur de coupe	Breite des Schnitts	Ancho del corte	Ampiezza di taglio	Maabreedte
No-load speed r/min. (RPM)	Vitesse à vide tr/min. (tr.min ⁻¹)	Leeraufdrehzahl U/min	Velocidad sin carga r/min. (RPM)	Velocità a vuoto r/min. (RPM)	Onbelast toerental t/min. (TPM)
Input	Alimentation	Eingangsleistung	Cargador	Alimentazione	Input
Power	Puissance	Leistung	Potencia	Alimentazione	Vermogen
Dimension (L) x (W) x (H)	Dimensions (L) x (l) x (H)	Abmessungen (L) x (B) x (H)	Dimensiones (L) x (An) x (Al)	Dimensioni (L) x (A) x (A)	Afmetingen (L) x (B) x (H)
Cutting capacity (Mitre saw)	Capacité de coupe (Scie à onglet)	Schnittleistung (Gehrungssäge)	Capacidad de corte (Ingletadora)	Capacità di taglio (Sega per tagli obliqui)	Zaagcapaciteit (Verstekzaag)
Maximum workpiece cross section	Section maximale de la pièce à couper	Maximaler Querschnitt des Werkstücks	Sección transversal máxima de la pieza de trabajo	Sezione massima del pezzo sul quale si sta lavorando	Maximale werkstukdoorsnede
0° x 90°	0° x 90°	0° x 90°	0° x 90°	0° x 90°	0° x 90°
0° x 45°	0° x 45°	0° x 45°	0° x 45°	0° x 45°	0° x 45°
45° (L) x 90°	45° (G) x 90°	45° (L) x 90°	45° (L) x 90°	45° (L) x 90°	45° (L) x 90°
45° (R) x 90°	45° (D) x 90°	45° (R) x 90°	45° (R) x 90°	45° (R) x 90°	45° (R) x 90°
45° (L) x 45°	45° (G) x 45°	45° (L) x 45°	45° (L) x 45°	45° (L) x 45°	45° (L) x 45°
45° (R) x 45°	45° (D) x 45°	45° (R) x 45°	45° (R) x 45°	45° (R) x 45°	45° (R) x 45°
Minimum size, workpiece	Dimensioni minime, pièce à usiner	Mindestgröße, Werkstück	Tamaño mínimo, pieza trabajada	Dimensioni minime, pezzo da lavorare	Werkstuk, minimumafmeting
Cutting capacity (Table saw)	Capacité de coupe (Scie Circulaire sur Plateau)	Schnittleistung (Tischkreissäge)	Capacidad de corte (Sierra de mesa)	Capacità di taglio (Sega da tavolo)	Zaagcapaciteit (Tafelzaag)
Minimum size, workpiece	Dimensioni minime, pièce à usiner	Mindestgröße, Werkstück	Tamaño mínimo, pieza trabajada	Dimensioni minime, pezzo da lavorare	Werkstuk, minimumafmeting
Maximum workpiece cross-section	Section maximale de la pièce à couper	Maximaler Querschnitt des Werkstücks	Sección transversal máxima de la pieza de trabajo	Sezione massima del pezzo sul quale si sta lavorando	Maximale werkstukdoorsnede
Mitre cut	Onglet	Gehrung	Inglete	Angolo	Verstek
Riving knife (thickness)	Couteau diviseur (épaisseur)	Spaltkeil (dicke)	Cuchilla (grosor)	Cuneo (spessore)	Spouwmes (dikte)
Dust extraction port diameter	Diamètre du conduit d'extraction de la sciure	Durchmesser Anschluss der Staubabsaugung	Diámetro de la puerta de extracción de polvo	Diametro porta di estrazione polvere	Diameter stofextractiepoort
Mitre saw	Scie à onglet	Gehrungssäge	Ingletadora	Sega per tagli obliqui	Verstekzaag
Table saw	Scie Circulaire sur Plateau	Tischkreissäge	Sierra de mesa	Sega da tavolo	Tafelzaag
Minimum air speed (dust extraction port)	Vélocité minimale de l'air (conduit d'extraction de la sciure)	Minimale Luftgeschwindigkeit (Anschluss der Staubabsaugung)	Velocidad mínima del aire (puerta de extracción de polvo)	Velocità minima dell'aria (porta di estrazione polvere)	Minimum luchtsnelheid (stofextractiepoort)
Minimum air volume flow	Flux d'air minimum	Minimaler Luftvolumenstrom	Caudal de aire mínimo	Flusso minimo dell'aria	Minimum lucht/volumestroom
Minimum vacuum flow	Flux d'aspiration minimum	Minimaler Vakuumstrom	Caudal mínimo de aspirado	Flusso minimo aspiratore	Minimum vacuümstroom
Measured values determined according to EN61029 A-weighted sound pressure level	Valeurs mesurées obtenues selon EN61029 Niveau de pression sonore pondéré-A	Gemäß EN61029 gemessene Werte A-bewerteter Schalldruckpegel	Valores medidos determinados de acuerdo con EN61029 Nivel de presión acústica ponderada en A	Valori misurati determinati in accordo con lo standard EN61029 Livello di pressione sonora pesato A	Valeurs mesurées obtenues selon EN61029 A-gewogen geluidsrukniveau
Uncertainty K	Incertitude K	Unsicherheit K	Incertidumbre K	Incertezza K	Onzekerheid K
Measured values determined according to EN61029 A-weighted sound power level	Valeurs mesurées obtenues selon EN61029 Niveau de puissance sonore pondéré-A	Gemäß EN61029 gemessene Werte A-bewerteter Schalleistungspegel	Valores medidos determinados de acuerdo con EN61029 Nivel de potencia acústica ponderada en A	Valori misurati determinati in accordo con lo standard EN61029 Livello di potenza sonora pesato A	Valeurs mesurées obtenues selon EN61029 A-gewogen geluidsniveau
Uncertainty K	Incertitude K	Unsicherheit K	Incertidumbre K	Incertezza K	Onzekerheid K
The vibration total values (triaxial vector sum) determined according to EN 61029 Vibration emission value (mitre saw mode only)	La valeur totale des vibrations (somme vectorielle triaxiale) a été déterminée selon EN 61029 Valeur d'émission de vibrations (Pour mode scie à onglet uniquement)	Die Vibrationsgesamtwerte (dreiaxiale Vektorsumme) wurden nach EN 61029 Vibrationsemissionswert (Nur für Gehrungssäge-Modus)	Los valores totales de vibración (Suma vectorial triaxial) se han determinado según la norma EN 61029 Valor de emisión de vibraciones (Solo para modo sierra de ingletes)	I valori di vibrazione totali (somma vettore triassiale) sono determinati secondo gli standard EN 61029 Valore delle emissioni vibrazioni (Solo per modalità sega per tagli obliqui)	De totale trillingswaarden (triaxiale vectorsom) worden vastgesteld in overeenstemming met EN 61029 Trillingsemissiewaarde (Uitsluitend voor verstekzaagmodus)
Uncertainty K	Incertitude K	Unsicherheit K	Incertidumbre K	Incertezza K	Onzekerheid K

Português	Dansk	Svenska	Suomi	Norsk	Русский	
Especificações do produto	Produktspecifikationer	Produktspecifikationer	Tuotteen tekniset tiedot	Produktspesifikasjoner	Характеристики изделия	
Peso líquido	Nettovægt	Nettovikt	Kokonaispaino	Nettovekt	Вес нетто	15 kg
Diâmetro da lâmina	Klangediameter	Klangediameter	Terän läpimitta	Bladdiameter	Диаметр режущего диска	254 mm
Orifício do eixo	Spindelhul	Spindelhål	Karan reikä	Spindelhull	Рабочее отверстие	30 mm
Dentes da lâmina	Klingetænder	Sågtand	Terän hampaat	Bladenner	Число зубьев	48
Largura do corte	Snitbredde	Skårbredd	Leikkauksen leveys	Bredde på kappet	Ширина разреза	3 mm
Velocidade em vazio r/min. (RPM)	Tomgangshastighed omr./min. (RPM)	Tomgångshastighet v/min (varv per minut)	Tyhjäkäyntinopeus kierr./min (RPM)	Hastighet ubelastet o/min. (RPM)	Скорость на холостом ходу об/мин	4,800 ± 10%
Admissão	Strømforsyning	Matningsspänning	Virrankulutus	Input	Питание	220V - 240V ~ 50 Hz
Potência	Effekt	Ström	Teho	Effekt	Мощность	1,800 W
Dimensão (C) x (L) x (A)	Dimensão (C) x (L) x (A)	Dimensao (C) x (L) x (A)	Dimensao (C) x (L) x (A)	Dimensao (C) x (L) x (A)	Dimensao (C) x (L) x (A)	565 x 555 x 445 mm
Capacidade de corte (Serra de esquadria)	Savekapacitet (Geringssav)	Skärkapacitet (Geringssåg)	Leikkuukapasiteetti (Viistesaha)	Sagekapasitet (Gjærsag)	Режущая способность (Торцово-усовочная пила)	
Secção transversal máxima da peça de trabalho	Max emnetværsnit	Tvårsnitt maximum arbeidsstykke	Työkappaleen suurin sallittu halkaisija	Krysseksjon for maksimum arbeidsstykke	Максимальное поперечное сечение заготовки	
0° x 90°	0° x 90°	0° x 90°	0° x 90°	0° x 90°	0° x 90°	70 x 130 mm
0° x 45°	0° x 45°	0° x 45°	0° x 45°	0° x 45°	0° x 45°	48 x 130 mm
45° (L) x 90°	45° (G) x 90°	45° (L) x 90°	45° (L) x 90°	45° (L) x 90°	45° (влево) x 90°	70 x 85 mm
45° (R) x 90°	45° (D) x 90°	45° (R) x 90°	45° (R) x 90°	45° (R) x 90°	45° (вправо) x 90°	70 x 64 mm
45° (L) x 45°	45° (G) x 45°	45° (L) x 45°	45° (L) x 45°	45° (L) x 45°	45° (влево) x 45°	48 x 38 mm
45° (R) x 45°	45° (D) x 45°	45° (R) x 45°	45° (R) x 45°	45° (R) x 45°	45° (вправо) x 45°	48 x 83 mm
Tamanho mínimo, peça a trabalhar	Minimumsstørrelse, arbeidsstykke/Emne	Minsta storlek, arbeidsstykke	Minimikoko, työkappale	Minimumstørrelse, arbeidsstykke	Минимальный размер, заготовка	130 x 35 x 2.5 mm
Capacidade de corte (Serra de Mesa)	Savekapacitet (Bordsav)	Skärkapacitet (Bordssåg)	Leikkuukapasiteetti (Pyörösaha)	Sagekapasitet (Bordsag)	Режущая способность (Отрезной станок со столом)	
Tamanho mínimo, peça a trabalhar	Minimumsstørrelse, arbeidsstykke/Emne	Minsta storlek, arbeidsstykke	Minimikoko, työkappale	Minimumstørrelse, arbeidsstykke	Минимальный размер, заготовка	5 x 5 mm
Secção transversal máxima da peça de trabalho	Max emnetværsnit	Tvårsnitt maximum arbeidsstykke	Työkappaleen suurin sallittu halkaisija	Krysseksjon for maksimum arbeidsstykke	Максимальное поперечное сечение заготовки	
Chanfro	Gering	Gering	Viiste	Gjæring	Скос	37 mm
Lâmina separadora (espessura)	Drive kniven (tykkelse)	Spaltkniven (tjocklek)	Halkaisuveitsi (paksuus)	Splitter (tykkelse)	Расклинивающий нож (толщина)	2 mm
Diâmetro da porta de extracção de pó	Diameter støvudsugningsport	Diameter dammutvinningsport	Pölynpistoaukon halkaisija	Diameter støvuttrekksåpning	Диаметр отверстия выпуска пыли	
Serra de esquadria	Geringssav	Geringssåg	Viistesaha	Gjærsag	Торцово-усовочная пила	37 mm
Serra de Mesa	Bordsav	Bordssåg	Pyörösaha	Bordsag	Отрезной станок со столом	40 mm
Velocidade de ar mínima (porta de extracção de pó)	Min. lufthastighet (støvudsugningsport)	Minimum luftfløeshastighet (dammutvinningsport)	Ilman miniminopeus (pölynpistoaukko)	Minimum lufthastighet (støvuttrekksåpning)	Минимальная скорость потока воздуха (отверстие выпуска пыли)	20 m/s
Fluxo de volume de ar mínimo	Min. luftvolumenflow	Minimum luftfløeshastighet	Pienin ilmavirtaus	Minimum luftvolumgjennomstrømning	Минимальный объемный расход воздуха	550 m³/h
Fluxo de vácuo mínimo	Min. vakuumflow	Minimum vacuumfløde	Suurin imuvirtaus	Minimum vakuumgjennomstrømning	Минимальное разрежение	740 Pa
Valores medidos calculados de acordo com EN61029	Målte værdier bestemmes i henhold til EN61029	Värden uppmätta enligt EN61029	Mitatut arvot määritetty EN61029 -standardin mukaan	Målte verdier i samsvar med EN61029	Измеренные значения определены в соответствии с EN61029	$L_{pA} = 94,5 \text{ dB(A)}$
Nível de pressão sonora ponderada A	A-vægtet lydtrykniveau	A-vägd ljudtrycksnivå	A-painotettu äänenpainetaso	A-vekter lydtryknivå	Уровень А-взвешенного звукового давления	
Incerteza K	Usikkerhed K	Osäkerhet K	Epätarkuus K	Usikkerhet K	Разброс K	3 dB
Valores medidos calculados de acordo com EN61029	Målte værdier bestemmes i henhold til EN61029	Värden uppmätta enligt EN61029	Mitatut arvot määritetty EN61029 -standardin mukaan	Målte verdier i samsvar med EN61029	Измеренные значения определены в соответствии с EN61029	$L_{wA} = 108 \text{ dB(A)}$
Nível de potência sonora ponderada A	A-vægtet lydeffektniveau	A-vägd ljudeffektnivå	A-painotettu äänenheto	A-vekter lydeffektnivå	Уровень А-взвешенной звуковой мощности	
Incerteza K	Usikkerhed K	Osäkerhet K	Epätarkuus K	Usikkerhet K	Разброс K	3 dB
Os valores totais de vibração (Soma vectorial triaxial) foram determinados de acordo com a norma EN 61029	De totale vibrationsværdier (triaksial vektorsum) er bestemt i henhold til EN 61029	De totala vibrationsvärdena (triaksial vektorsumma) bestäms enligt EN 61029	Tärninän kokonaisarvot (kolmiakselinen vektorsumma) määritettyä standardien EN 61029 mukaisesti	De totale vibrasjonsverdiene (treaksret vektorsum) er i henhold til EN 61029	Суммарное значение вибрации (сумма векторов по трем координатным осям) определено в соответствии со стандартом EN 61029	$a_{h1} = 1,6 \text{ m/s}^2$
Valor de emissão de vibrações (Só para modo de serra circular)	Vibrationsemissionsværdi (Kun til geringsmodus)	Vibrationsvärde (Enbart för geringsläget)	Tärninäarvo (Vain viistesahatilalle)	Verdier for vibrasjonsutslipp (Kun for gjæringsmodus)	Значение вибрации (Только для режиме торцовочной пилы)	
Incerteza K	Usikkerhed K	Osäkerhet K	Epätarkuus K	Usikkerhet K	Разброс K	1,5 m/s ²

Polski	Čeština	Magyar	Română	Latviski	Lietuviškai
Parametry techniczne	Technické údaje produktu	Termék műszaki adatai	Specificațiile produsului	Produkta specifikācijas	Gaminio techninės savybės
Masa netto	Čistá hmotnost	Nettó tömeg	Greutate netă	Svars neto	Neto svoris
Średnica tarczy tnącej	Průměr kotouče	Tárcsa átmérője	Diametru lamă	Asmens diametrs	Pjovimo disko skersmuo
Otwór trzpienia	Otvor hřídele	Tengelyfurat	Orificiu arbore	Vārpstas atvere	Ašies anga
Liczba zębów tarczy	Zub kotouče	Fűrészlap fogai	Dinte lamă	Asmens zobi	Geležties dantukų skaičius
Szerokość cięcia	Šiřka řezu	Vágás szélessége	Lățime a tăierii	Griezuma platums	Pjovimo plotis
Prędkość bez obciążenia obr./min. (RPM)	Otáčky naprázdno ot./min. (RPM)	Üresjárati fordulatszám ford./perc (RPM)	Viteză în gol rot/min. (RPM)	Apgrīezieni bez slodzes apgr./min. (RPM)	Greitis be apkrovimo apgr./min. (apsukų per minutę)
Zasilanie	Vstup	Bemenet	Intrare	Ieeja	Ivestis
Moc	Výkon	Teljesítmény	Alimentare	Strāva	Galia
Wymiar (dl.) x (szer.) x (wys.)	Rozměry (D)X(S)X(V)	Méret (H) x (SZ) x (M)	Dimensiuni (L) x (l) x (H)	Izmēri (G) x (P) x (A)	Matmenys (L) x (W) x (H)
Zakres możliwości cięcia (Pilarka ukosowa)	Maximální prořez (Pokosová pila)	Vágásteljesítmény (Gérvágó fűrész)	Capacitate de tăiere (Ferăstrău unghiular)	Zāģēšanas ražība (Leņķzāģis)	Pjovimo talpa (Skersinis pjūklas)
Maks. przekrój obrabianego materiału	Maximální příčný řez obrobku	Maximális munkadarab-keresztmetszet	Secțiune transversală maximă a piesei de prelucrat	Maksimālais detaļas šķērsgrīezums	Didžiausia pjaunamo objekto skersinė dalis
0° x 90°	0° x 90°	0° x 90°	0° x 90°	0° x 90°	0° x 90°
0° x 45°	0° x 45°	0° x 45°	0° x 45°	0° x 45°	0° x 45°
45° (L) x 90°	45° (L) x 90°	45° (B) x 90°	45° (S) x 90°	45° (kreisais) x 90°	45° (kairė) x 90°
45° (R) x 90°	45° (P) x 90°	45° (J) x 90°	45° (D) x 90°	45° (labais) x 90°	45° (dešinė) x 90°
45° (L) x 45°	45° (L) x 45°	45° (B) x 45°	45° (S) x 45°	45° (kreisais) x 45°	45° (kairė) x 45°
45° (R) x 45°	45° (P) x 45°	45° (J) x 45°	45° (D) x 45°	45° (labais) x 45°	45° (dešinė) x 45°
Minimalny rozmiar, przedmiot do obróbki	Minimální rozměr, obráběný materiál	Minimális méret, munkadarab	Mărimē minimă, piesă de prelucrat	Minimālais izmērs, sagatave	Mažiausias dydis, Ruošinys
Zakres możliwości cięcia (Pilarka stolowo-tarczowa)	Maximální prořez (Stolová pila)	Vágásteljesítmény (Asztali körfűrész)	Capacitate de tăiere (Ferăstrău circular cu masă)	Zāģēšanas ražība (Galda zāģis)	Pjovimo talpa (Pjovimo staklės)
Minimalny rozmiar, przedmiot do obróbki	Minimální rozměr, obráběný materiál	Minimális méret, munkadarab	Mărimē minimă, piesă de prelucrat	Minimālais izmērs, sagatave	Mažiausias dydis, Ruošinys
Maks. przekrój obrabianego materiału	Maximální příčný řez obrobku	Maximális munkadarab-keresztmetszet	Secțiune transversală maximă a piesei de prelucrat	Maksimālais detaļas šķērsgrīezums	Didžiausia pjaunamo objekto skersinė dalis
Ukos	Pokos	gérvágás	Înclinare pe orizontală	Griezuma leņķis	Kreiptumas
Klin rozszczepiający (grubość)	Štípační klín (tloušťka)	Hasítókécs (vastagság)	Cuțitul de despăcare (grosime)	Šķēļējnazis (biezums)	Skaldomasis peilis (storumas)
Średnica otworu odpylania	Průměr přípojky lapače prachu	Porelszívó nyílás átmérője	Diametru port de extragere praf	Puteķju ekstrakcijas porta skersmuo	Dulkių ištraukimo angos skersmuo
Pilarka ukosowa	Pokosová pila	Gérvágó fűrész	Ferăstrău unghiular	Leņķzāģis	Skersinis pjūklas
Pilarka stolowo-tarczowa	Stolová pila	Asztali körfűrész	Ferăstrău circular cu masă	Galda zāģis	Pjovimo staklės
Min. prędkość powietrza (gniazdo odpylania)	Minimální rychlost vzduchu (přípojka lapače prachu)	Minimális légsebesség (porelszívó nyílás)	Viteză minimă a aerului (port de extragere a prafului)	Minimālais gaisa ātrums (puteķju ekstrakcijas ports)	Mažiausias oro greitis (dulkių ištraukimo angoje)
Min. przepływ powietrza	Minimální objem protečeného vzduchu	Minimális légtömégáramlás	Debit minim de aer	Minimālā gaisa apjoma plūsma	Mažiausia oro kiekio tėkmė
Min. przepływ próżni	Minimální objem odsávaného vzduchu	Minimális szivó áramlás	Debit minim de aspirare	Minimālā vakuuma plūsma	Mažiausia vakuomo tėkmė
Zmierzone wartości określone wg EN61029 A-ważony poziom ciśnienia hałasu	Naměřené hodnoty zjištěné dle EN61029 Hladina akustického tlaku vážená funkci A	A mért értékek meghatározása az EN61029 szerint történt A-súlyozott hangnyomásszint	Valori măsurate determinate în conformitate cu EN61029 Nivel de presiune acustică ponderată A	Izmērtās vērtības saskaņā ar EN61029 A-līmeņa skaņas spiediena līmenis	Išmatuotosios vertės nustatytos pagal EN61029 A svertinis garso slėgio lygis
Niepewność pomiaru K	Nejistota K	Bizonytalanság K	Incertitudine K	Kļūdas vērtība K	Nepastovumas K
Wartości summaryczne drgań (suma wektora trójosiowego) określone zgodnie z normą EN61029 Poziom drgań	Celkové hodnoty vibrací (Trojosý vektorový součet) určené v souladu s EN61029 Úroveň emisí vibrací	A vibráció teljes értékei (háromtengelyű vektorösszeg), az EN61029 szerint meghatározva. Vibráció-kibocsátás értéke	Valorile totale ale vibrațiilor (sumă vector triaxială) au fost determinate în conformitate cu EN61029 Valoarea emisiilor de vibrații	Vibrācijas kopējās vērtības (triaksiālā vektoru summa) ir noteiktas atbilstoši EN61029 Vibrāciju emisijas vērtība	Bendros vibracijos vertės (triasių vektoriaus suma) nustatomos pagal EN61029 Vibracijos emisijos vertė
Niepewność pomiaru K	Nejistota K	Bizonytalanság K	Incertitudine K	Kļūdas vērtība K	Nepastovumas K
Wartości summaryczne drgań (suma wektora trójosiowego) określone zgodnie z normą EN 61029 Poziom drgań (Tylko dla trybie piły-grzbietnicy)	Celkové hodnoty vibrací (Trojosý vektorový součet) určené v souladu s EN 61029 Úroveň emisí vibrací (Pouze pro režim pokosové pily)	A vibráció teljes értékei (háromtengelyű vektorösszeg), az EN 61029 szerint meghatározva. Vibráció-kibocsátás értéke (Csak gérvágó fűrész üzemmódhoz)	Valorile totale ale vibrațiilor (sumă vector triaxială) au fost determinate în conformitate cu EN 61029 Valoarea emisiilor de vibrații (Doar pentru modul ferăstrău unghiular)	Vibrācijas kopējās vērtības (triaksiālā vektoru summa) ir noteiktas atbilstoši EN 61029 Vibrāciju emisijas vērtība (Tikai leņķzāģa režīmam)	Bendros vibracijos vertės (triasių vektoriaus suma) nustatomos pagal EN 61029 Vibracijos emisijos vertė (Tik pjūklą nuožambaus pjovimo režimu)
Niepewność pomiaru K	Nejistota K	Bizonytalanság K	Incertitudine K	Kļūdas vērtība K	Nepastovumas K



Eesti	Hrvatski	Slovensko	Slovenčina	Ελληνικά	Türkçe	
Toote tehnilised andmed	Specifikacije proizvoda	Specifikacije izdelka	Špecifikácia	Προδιαγραφές Προϊόντος	Ürün Özellikleri	
Netomass	Neto težina	Neto teža	Hmotnosť	Καθαρό βάρος	Net ağırlık	15 kg
Saeketta läbimõõt	Promjer rezne ploče	Premer rezila	Priemer kotúča	Διάμετρος λεπίδας	Bıçak çapı	254 mm
Võlliava	Otvor za vratilo	Izvrtna vretena	Otvor hriadeľa	Οπή άξονα	Mil deliği	30 mm
Lõiketera hammas	Zubi pile	Zobje rezila	Zúbky čepole	Δόντια λεπίδας	Bıçak dişleri	48
Lõikelaius	Širina reza	Širina rezanja	Šírka rezu	Πλάτος κοπής	Kesim genişliği	3 mm
Kiirus ilma koormuseta p/min. (p/min)	Brzina bez opterećenja p/min. (OKR/MIN)	Hitrost brez obremenitve vrt./min. (RPM)	Otáčky bez zataženja ot./min.	Ταύτητα στ κεν r/min. (RPM)	Bota hız d/dak. (DDS)	4,800 ± 10%
Vooluvõrk	Ulaz	Vhod	Vstup	Είσοδος ρεύματος	Giriş	220V - 240V ~ 50 Hz
Võimsus	Napajanje	Napajanje	Napájanie	Ισχύς	Güç	1,800 W
Mõõtmed (L) x (W) x (H)	Dimenzije (D) x (Š) x (V)	Mere (D) x (Š) x (V)	Rozmery (D) x (Š) x (V)	Διαστάσεις (Μ) x (Π) x (Υ)	Ebat (U) x (G) x (Y)	565 x 555 x 445 mm
Lõikesügavus (Miuusaag)	Kapacitet rezanja (Kutna pila)	Zmogljivost rezanja (Zajeralna žaga)	Kapacita rezanja (Rozbrusovačka)	Ικανότητα κοπής (Κόπτης για φαλτσογωνίες)	Kesim kapasitesi (Gönye testeresi)	
Tooriku maksimaalne ristlõige	Maksimalna poprečna dužina izratka	Maksimalni presek obdelovanca	Maximálny prierez obrobu	Μέγιστη διατομή τεμαχίου εργασίας	Çalışma malzemesi maksimum çapraz kesiti	
0° x 90°	0° x 90°	0° x 90°	0° x 90°	0° x 90°	0° x 90°	70 x 130 mm
0° x 45°	0° x 45°	0° x 45°	0° x 45°	0° x 45°	0° x 45°	48 x 130 mm
45° (L) x 90°	45° (L) x 90°	45° (L) x 90°	45° (L) x 90°	45° (L) x 90°	45° (Sol) x 45°	70 x 85 mm
45° (R) x 90°	45° (D) x 90°	45° (R) x 90°	45° (R) x 90°	45° (R) x 90°	45° (Sağ) x 90°	70 x 64 mm
45° (L) x 45°	45° (L) x 45°	45° (L) x 45°	45° (L) x 45°	45° (L) x 45°	45° (Sol) x 90°	48 x 38 mm
45° (R) x 45°	45° (D) x 45°	45° (R) x 45°	45° (R) x 45°	45° (R) x 45°	45° (Sağ) x 45°	48 x 83 mm
Minimaalne mõõt, toorik	Minimalna veličina, komad koji se obrađuje	Minimalna velikost, obdelovanec	Minimálna veľkosť, obrobok	Ελάχιστο μέγεθος, προς επεξεργασία αντικείμενο	Minimum ebat, üzerinde çalışılacak malzeme	130 x 35 x 2.5 mm
Lõikesügavus (Miuusaag)	Kapacitet rezanja (Kutna pila)	Zmogljivost rezanja (Zajeralna žaga)	Kapacita rezanja (Rozbrusovačka)	Ικανότητα κοπής (Κόπτης για φαλτσογωνίες)	Kesim kapasitesi (Gönye testeresi)	
Minimaalne mõõt, toorik	Minimalna veličina, komad koji se obrađuje	Minimalna velikost, obdelovanec	Minimálna veľkosť, obrobok	Ελάχιστο μέγεθος, προς επεξεργασία αντικείμενο	Minimum ebat, üzerinde çalışılacak malzeme	5 x 5 mm
Tooriku maksimaalne ristlõige	Maksimalna poprečna dužina izratka	Maksimalni presek obdelovanca	Maximálny prierez obrobu	Μέγιστη διατομή τεμαχίου εργασίας	Çalışma malzemesi maksimum çapraz kesiti (Testere tezgahı)	
Kaldlõige	Kutna ploča	Poševna miza	Sklon	Φαλτσογωνία	Gönye	37 mm
Lõhestusnuga (paksus)	Razdjelnik (debljina)	Cepilni nož (debelina)	Rozvierací klin (hrúbka)	Θραύστης (πάχος)	Yarma bıçağı (kalınlık)	2 mm
Tolmuärastusotsaku läbimõõt	Promjer izlaza za izbacivanje prašine	Premer izhoda za odvajanje prahu	Priemer kanála na odsávanie prachu	Διάμετρος θύρας απομάκρυνσης πριονιδιού	Toz çekme girişi çapı	
Miuusaag	Kutna pila	Zajeralna žaga	Rozbrusovačka	Κόπτης για φαλτσογωνίες	Gönye testeresi	37 mm
Saepink	Stolna pila	Namizna žaga	Stolová pila	Επιτραπέζιος Κόπτης	Testere tezgahı	40 mm
Õhu minimaalkiirus (tolmuärastusotsak)	Maksimalna brzina zraka (izlaz za izbacivanje prašine)	Maksimalna hitrost zraka (izhod za odvajanje prahu)	Maximálna rýchlosť vzduchu (kanál na odsávanie prachu)	Ελάχιστη ταχύτητα αέρα (θύρα απομάκρυνσης πριονιδιού)	Minimum hava akış hızı (toz çekme girişi)	20 m/s
Õhu minimaalne vooluhulk	Maksimalni volumen protoka zraka	Minimalni pretok zraka	Maximálny objemový prietok vzduchu	Ελάχιστη ροή όγκου αέρα	Minimum hava akış hacmi	550 m³/h
Vaakumi minimaalne vooluhulk	Maksimalni protok vakuumu	Minimalni sesalni pretok	Minimálny vákuový prietok	Ελάχιστη ροή κενού	Minimum vakum akışı	740 Pa
Mõõteväärtused on kindlaks määratud vastavalt standarditele EN61029 A-kaalutud helirõhu tase	Mjerenje vrijednosti određene su prema EN61029 Ponderirana razina tlaka zvuka	Izmerjene vrednosti določene v skladu s standardom EN61029 A-izmerjena raven zvočnega tlaka	Namerané hodnoty určené podľa EN61029 Vážená A hladina akustického tlaku	Οι υπολογισμένες τιμές καθορίστηκαν σύμφωνα με το EN61029 Α-σταθμισμένο επίπεδο πίεσης ήχου	EN61029 ile uyumlu olarak belirlenen ölçülen değerler A ağırlıklı ses basınç seviyesi	$L_{pA} = 94,5 \text{ dB(A)}$
Mõõtemääramatus K	Neodređenost K	Nedoloč. K	Odhýlka K	Αβεβαιότητα K	Belirsizlik K	3 dB
Vibratsiooni üldväärtus (kolme suuna vektorsumma) on kindlaks määratud vastavalt standarditele EN61029	Ukupne vrijednosti vibracija (triaksonalni vektorski zbroj) određuje se u skladu s EN61029	Efektivna vrednost vibracij (triaksonalna vektorska vsota) določena v skladu z EN61029 Vrednost emisij vibracij	Celkové hodnoty vibrácií (priestorový vektorový súčet) stanovené podľa noriem EN61029 Hodnota emisii vibrácií	Οι συνολικές τιμές κραδασμών (τριαξονικό διανυσματικό άθροισμα) καθορίστηκαν σύμφωνα με τα EN61029 Τιμή εκπομπών κραδασμών	Titreşim toplam değerleri (üçeksenli vektör toplami) EN61029 standartlarına göre belirlenmiştir. Titreşim emisyon değeri	$L_{WA} = 108 \text{ dB(A)}$
Mõõtemääramatus K	Neodređenost K	Nedoloč. K	Odhýlka K	Αβεβαιότητα K	Belirsizlik K	3 dB
Vibratsiooni üldväärtus (kolme suuna vektorsumma) on kindlaks määratud vastavalt standarditele EN 61029	Ukupne vrijednosti vibracija (troosovinski vektorski zbroj) određuje se u skladu s EN 61029	Efektivna vrednost vibracij (triaksonalna vektorska vsota) določena v skladu z EN 61029 Vrednost emisij vibracij (Samo za načinu zarezalne žage)	Celkové hodnoty vibrácií (priestorový vektorový súčet) stanovené podľa noriem EN 61029 Hodnota emisii vibrácií (Len pre rozbrusovačky)	Οι συνολικές τιμές κραδασμών (τριαξονικό διανυσματικό άθροισμα) καθορίστηκαν σύμφωνα με τα EN 61029 Τιμή εκπομπών κραδασμών (Μόνο για Σε λειτουργία φαλτσογωνίας)	Titreşim toplam değerleri (üçeksenli vektör toplami) EN 61029 standartlarına göre belirlenmiştir. Titreşim emisyon değeri (Sadece Gönye testeresi modu için)	$a_n = 1,6 \text{ m/s}^2$
Mõõtemääramatus K	Neodređenost K	Nedoloč. K	Odhýlka K	Αβεβαιότητα K	Belirsizlik K	1,5 m/s ²



EN WARNING

The vibration emission level given in this information sheet has been measured in accordance with a standardised test given in EN 61029-2-9 and may be used to compare one tool with another. It may be used for a preliminary assessment of exposure. The declared vibration emission level represents the main applications of the tool. However if the tool is used for different applications, with different accessories or poorly maintained, the vibration emission may differ. This may significantly increase the exposure level over the total working period.

An estimation of the level of exposure to vibration should also take into account the times when the tool is switched off or when it is running but not actually doing the job. This may significantly reduce the exposure level over the total working period. Identify additional safety measures to protect the operator from the effects of vibration such as: maintain the tool and the accessories, keep the hands warm, organisation of work patterns.

FR AVERTISSEMENT

Le niveau d'émission des vibrations indiqué dans cette feuille d'information a été mesuré en concordance avec un test normalisé fourni par EN 61029-2-9 et peut être utilisé pour comparer un outil à un autre. Il peut être utilisé pour une évaluation préliminaire de l'exposition. Le niveau déclaré d'émission des vibrations s'applique à l'utilisation principale de l'outil. Toutefois, si l'outil est utilisé pour des applications différentes, avec des accessoires différents, ou mal entretenu, l'émission de vibrations peut être différente. Le niveau d'exposition peut en être augmenté de façon significative tout au long de la période de travail.

Une estimation du niveau d'exposition aux vibrations doit aussi prendre en compte les périodes où l'outil est arrêté ainsi que les périodes où il fonctionne sans vraiment travailler. Le niveau d'exposition pendant la durée totale du travail peut en être réduit de façon significative. Prenez en considération les mesures additionnelles de sécurité à prendre pour protéger l'opérateur des effets des vibrations telles que: maintien de l'outil et de ses accessoires, maintien des mains au chaud, organisation du travail.

DE WARNUNG

Der in diesem Informationsblatt genannte Schwingungspegel wurde entsprechend dem standardisierten Test von EN 61029-2-9 gemessen und kann benutzt werden um das Werkzeug mit anderen zu vergleichen. Er kann benutzt werden, um eine vorausgehende Einschätzung der Exposition durchzuführen. Der genannte Schwingungspegel repräsentiert den Haupteinsatzbereich des Werkzeugs. Jedoch kann das Werkzeug für verschiedene Einsatzbereiche benutzt werden. Mit unterschiedlichen Zusatzgeräten oder bei schlechter Wartung kann der Schwingungspegel unterschiedlich sein. Dadurch kann die Expositionshöhe über die gesamte Arbeitszeit signifikant erhöht werden.

Eine Einschätzung der Exposition zu Schwingungen sollte auch die Zeiten wenn das Werkzeug ausgeschaltet ist, oder wenn es angeschaltet aber nicht in Betrieb ist, in Betracht ziehen. Dadurch kann die Expositionshöhe über die gesamte Arbeitszeit signifikant reduziert werden. Identifizieren Sie zusätzliche Sicherheitsmaßnahmen um die Bedienungsperson vor den Effekten der Schwingungen zu schützen, wie zum Beispiel: Das Werkzeug und Zusatzgeräte warten, Hände warmhalten und Organisation der Arbeitszeiten.

ES ADVERTENCIA

El nivel de emisión de las vibraciones que figura en esta hoja de información se ha medido según una prueba estandarizada que figura en EN 61029-2-9 y puede ser utilizado para comparar una herramienta con otra. Puede ser utilizado para una evaluación preliminar de la exposición. El nivel de emisión de las vibraciones declarado representa las principales aplicaciones de la herramienta. No obstante, si la herramienta se utiliza para diferentes aplicaciones, con diferentes accesorios o no recibe el mantenimiento adecuado, la emisión de las vibraciones puede ser diferente. Esto puede aumentar significativamente el nivel de exposición durante el período de trabajo total.

Una estimación del nivel de exposición a la vibración también debe tener en cuenta el tiempo en el que la herramienta está desconectada o cuando está conectada pero no está realizando ningún trabajo. Esto puede reducir significativamente el nivel de exposición durante el período de trabajo total. Identificar las medidas de seguridad adicionales para proteger al operador de los efectos de las vibraciones, tales como: mantenimiento de la herramienta y de los accesorios, y la organización de los patrones de trabajo.

IT AVVERTENZE

Il livello di vibrazioni indicato in questo foglio informativo è stato misurato seguendo un test svolto secondo i requisiti indicati dallo standard EN 61029-2-9 e potrà essere utilizzato per paragonare un utensile con un altro. Potrà essere utilizzato per una valutazione preliminare dell'esposizione a vibrazioni. Il livello dichiarato di emissioni di vibrazioni viene indicato tenendo conto delle applicazioni principali dell'utensile. Comunque se l'utensile viene utilizzato per applicazioni diverse con accessori diversi o non viene correttamente conservato, il livello delle vibrazioni potrà variare. Ciò potrà significativamente aumentare il livello di esposizione alle vibrazioni durante il periodo di lavoro totale.

Una valutazione del livello di esposizione alle vibrazioni dovrà inoltre prendere in considerazione i tempi in cui l'utensile viene spento o è acceso ma non viene utilizzato. Ciò potrà significativamente ridurre il livello di esposizione in un periodo totale di funzionamento. Ulteriori misure di sicurezza per proteggere l'operatore dagli effetti delle vibrazioni come: conservare correttamente l'utensile e i suoi accessori, tenere le mani calde e organizzare i tempi di lavoro.

NL WAARSCHUWING

Het trillingsemissieniveau dat op dit informatieblad wordt gegeven, is gemeten in overeenstemming met een gestandaardiseerde test, vastgelegd in EN 61029-2-9 en mag worden gebruikt om machines met elkaar te vergelijken. Het verklaarde trillingsemissieniveau geeft de hoofdtoepassing van het gereedschap weer. Als de machine echter voor andere toepassingen of met andere accessoires wordt gebruikt of slecht wordt onderhouden, kan de trillingsemissie verschillen. Dit kan de blootstelling gedurende de gehele werkduur aanzienlijk verhogen.

Bij een schatting van het niveau van blootstelling aan trillingen moet ook rekening worden gehouden met het aantal keren dat de machine wordt uitgeschakeld of draait, maar niet wordt gebruikt. Dit kan het niveau van blootstelling gedurende de gehele werkduur aanzienlijk verlagen. Stel bijkomende veiligheidsmaatregelen op om de gebruiker tegen de gevolgen van trillingen te beschermen: zoals onderhoud het gereedschap en de accessoires, houd de handen warm, de organisatie van werktijden.

PT AVISO

O nível de emissão de vibrações fornecido nesta folha de informações foi medido em conformidade com o teste uniformizado descrito em EN 61029-2-9 e pode ser usado para comparar uma ferramenta com outra. Este pode ser usado para uma avaliação preliminar da exposição. O nível de emissão de vibração declarado refere-se à aplicação principal da ferramenta. Contudo, se a ferramenta for usada para aplicações diferentes, com acessórios diferentes ou não for devidamente mantida, a emissão de vibrações pode diferir. Isto pode fazer aumentar significativamente o nível de exposição ao longo do período de trabalho total.

Uma estimativa do nível de exposição às vibrações deve ter, também, em consideração o tempo durante o qual a ferramenta está desligada ou em que está ligada mas não está a realizar qualquer trabalho. Isto pode reduzir significativamente o nível de exposição durante o período total de trabalho. Identifique medidas adicionais de segurança que protejam o operário dos efeitos da vibração como a manutenção da ferramenta e dos acessórios, a manutenção das mãos quentes e a organização de padrões de trabalho.

DA ADVARSEL

Det angivne niveau for vibrationsemission på denne oplysningside er blevet målt iht. en standardtest ifølge EN 61029-2-9 og kan bruges til at sammenligne værktøjer indbyrdes. Det kan bruges til en foreløbig eksponeringsvurdering. Det opgivne niveau for vibrationsemission gælder, når værktøjet bruges til sit hovedformål. Men hvis værktøjet bruges til andre formål, med forskelligt eller med dårligt vedligeholdt ekstraudstyr, kan vibrationsemissionen variere. Dette kan medføre en betragtelig stigning i eksponeringsniveauet set over hele arbejdsperioden.

Et skøn over niveauet for vibrationseksponering bør også tage højde for de perioder, hvor værktøjet er slukket, eller hvor det er tændt uden faktisk at være i brug. Dette kan medføre en betragtelig reduktion i eksponeringsniveauet set over hele arbejdsperioden. Træf ekstra sikkerhedsforanstaltninger til beskyttelse af operatøren mod virkningerne fra vibrationen som fx: vedligeholdte værktøj og ekstraudstyr, holde hænderne varme, organisere arbejdsmonstre.

SV VARNING

Vibrationsnivåerna som uppges i det här dokumentet har uppmäts i enlighet med ett standardiserat test som beskrivs i EN 61029-2-9 och som kan användas för att jämföra verktyg. Det kan användas som en preliminär bedömning av den vibration som användaren utsätts för. De deklarerade vibrationsvärdena motsvarar de som uppstår när verktyget används i sitt huvudsyfte. Om verktyget används i andra syften, med andra tillbehör eller om verktyget är dåligt underhållet kan vibrationsnivåerna vara annorlunda. Det kan kraftigt öka vibrationsnivåerna över den totala arbetsperioden.

En uppskattning av vibrationsnivåerna som användaren utsätts för ska också ta hänsyn till de stunder då verktyget är avstängt och när det går på tomgång. Detta kan kraftigt minska vibrationsnivåerna över den totala arbetsperioden. Andra säkerhetsåtgärder som kan skydda användaren från effekterna av vibrationer är: underhållning av verktyget och tillbehören, hålla händerna varma och organisera arbetssättet.

FI VAROITUS

Tämän tiedotteen tärinätao on mitattu EN 61029-2-9-standardien mukaisilla testeillä, ja niitä voidaan käyttää verrattaessa laitetta toiseen. Sitä voidaan käyttää arvioitaessa tärinävaikutusta. Ilmoitettu tärinätao vastaa laitteen pääasiallista käyttötarkoitusta. Jos laitetta kuitenkin käytetään muuhun tarkoitukseen, muilla lisälaitteilla tai huonosti huollettuna, tärinätao saattaa poiketa ilmoitetusta arvosta. Tämä voi kasvatata kokonaisaltistumista huomattavasti koko työjakson kuluessa.

Tärinän altistumistaoa arvioitaessa tulee huomioida ajat, jolloin laite on sammutettu tai kun se on käynnissä, mutta sitä ei käytetä varsinaiseen työskentelyyn. Tämä voi vähentää kokonaisaltistumista huomattavasti koko työjakson kuluessa. Käytä muitakin suojakeinoja turvataksesi käyttäjän tärinävaikutukselta, kuten: huolla laite ja lisälaitteet, pidä kätesi lämpiminä, organisoi työnkulku.

NO ADVARSEL

Vibrasjonsnivået som oppgis på dette informasjonsarket er målt i henhold til en standardisert test gitt i EN 61029-2-9 og kan brukes til å sammenligne ett verktyg med et annet. Det kan brukes til en foreløpig vurdering av eksponering. Det erklærte vibrasjonsnivået representerer hovedanvendelsen for verktøyet. Dersom verktøyet brukes for andre anvendelser, med forskjellig tilbehør eller med dårlig vedlikehold, vil vibrasjonsnivået kunne være annerledes. Det kan gi en betydelig økning av eksponeringsnivået over den totale arbeidsperioden.

En beregning av nivået for eksponering til vibrasjoner må også ta hensyn til den tiden verktøyet er slått av eller er i gang men ikke i faktisk bruk for å utføre den tiltenkte oppgaven. Dette kan gi en betydelig økning av eksponeringsnivået over den totale arbeidsperioden. Identifiser ytterligere sikkerhetstiltak for å beskytte den som bruker verktøyet fra virkningen av vibrasjoner, tiltak som: Vedlikehold verktøyet og tilbehøret, hold hendene varme, organiser arbeidsmetodene.

RU ОСТОРОЖНО!

Уровень вибрации, приведенный в данном справочном листе, измерен согласно стандартизованным испытаниям, определенным в EN 61029-2-9 и может использоваться для сравнения различных инструментов. Значение уровня может использоваться для предварительной оценки влияния вибрации. Заявленный уровень вибрации действителен для основного применения инструмента. Однако, если инструмент используется для других целей, с другими приспособлениями, или плохо обслуживается, уровень вибрации может отличаться от указанного. Это может значительно увеличить величину воздействия за общее время работы.

При оценке уровня воздействия вибрации следует также принять во внимание время простоев и холостой ход (когда инструмент выключен и когда включен, но работа не производится). Эти факторы могут значительно уменьшить величину воздействия вибрации за общее время работы. Определите дополнительные меры безопасности, защищающие работающего от влияния вибрации: техническое обслуживание инструмента и принадлежностей, недопущение охлаждения рук, соответствующие приемы и распорядок работы.

PL OSTRZEŻENIE

Deklarowany poziom drgań został zmierzony za pomocą standardowej metody pomiaru określonej normą EN 61029-2-9 i jego wyniki mogą służyć do porównywania tego urządzenia z innymi. Deklarowana wartość drgań może służyć do wstępnej oceny narażenia operatora na drgania. Deklarowany poziom drgań dotyczy podstawowych zastosowań urządzenia. Jednak w przypadku użycia urządzenia do innych zastosowań, z innymi przystawkami lub w przypadku niewłaściwego stanu technicznego urządzenia poziom drgań może odbiegać od deklarowanego. Może być to przyczyną zwiększenia stopnia narażenia operatora na drgania w całym okresie wykonywania pracy.

Podczas oceny narażenia na drgania należy również uwzględnić czas wyłączenia urządzenia oraz czas, w którym urządzenie jest włączone, jednak praca nie jest wykonywana. Czasy te mogą znacznie zmniejszyć stopień narażenia operatora na drgania w całym okresie wykonywania pracy. Należy określić dodatkowe środki ochrony operatora przed skutkami drgań, przykładowo: dbać o zachowanie ciepłoty dłoni, odpowiednio zorganizować harmonogram wykonywania prac.

CS VAROVÁNÍ

Hodnota vibračních emisí uvedená v tomto informačním listu byla naměřena standardizovaným testem podle EN 61029-2-9 a ji použít k porovnání s hodnotami jiných nástrojů. Může se používat k předběžnému odhadu vystavování vibracím. Uznaná hodnota vibračních emisí reprezentuje hlavní použití nástroje. Nicméně pokud se nástroj používá pro jiné použití, s různými doplňky nebo se nedostatečně neudržuje, mohou se vibrační emise lišit. Toto může výrazně zvýšit úroveň vystavení nad celkové pracovní období.

Odhad úrovně vystavení vibracím by měl vzít taktéž v potaz časy, kdy je chvění vypnuto, nebo když přístroj běží, ale nevykonává práci. Toto může výrazně snížit úroveň vystavení nad celkové pracovní období. Určete doplňující bezpečnostní opatření pro ochranu obsluhy před různými vibracemi, například: Udržujte nástroj a doplňky, udržujte ruce v teple, organizujte pracovní schéma.

HU FIGYELMEZTETÉS

A vibráció-kibocsátás adatlapon megadott értéke az EN 61029-2-9 által meghatározott szabványosított mérési eljárás szerint lett megmértve, amely lehetővé teszi a különböző szerszámok összehasonlítását. Használható a kitettség előzetes felmérésére is. A nyilatkozatban szereplő kibocsátási érték a szerszám főbb alkalmazási területeire vonatkozik. Ugyanakkor, ha a szerszámot más alkalmazásokra, más kiegészítővel használják vagy rosszul tartják karban, a vibráció-kibocsátás értéke ettől eltérő is lehet. Ez jelentősen növelheti a kitettség szintjét a gép teljes használati időtartama során.

A vibrációnak való kitettség szintjének becslésekor figyelembe kell venni azokat az időintervallumokat is, amikor a szerszám ki van kapcsolva, vagy működik, de nem végeznek munkát vele. Ez jelentősen csökkentheti a kitettség szintjét a gép teljes használati időtartama során. Tegyén további óvintézkedéseket a kezelő vibrációval szembeni megvédése érdekében: tartsa karban a szerszámot és a tartozékokat, tartsa melegen a kezét, tervezzé meg a munkafolyamatot.

RO AVERTISMENT

Nivelul emisiilor de vibrații prezentat în cadrul acestei fișe cu informații a fost măsurat în conformitate cu un test standardizat furnizat în EN 61029-2-9 și poate fi folosit la a compara o unealtă cu o alta. Poate fi folosit la o evaluare preliminară a expunerii. Nivelul declarat al emisiilor de vibrații reprezintă aplicațiile principale ale unelei. Cu toate acestea, în cazul în care unealta este utilizată pentru aplicații diferite, cu accesorii diferite sau întreținute necorespunzător, emisiile de vibrații pot diferi. Acestea pot crește semnificativ nivelul de expunere pe întreaga perioadă de lucru.

O estimare a nivelului de expunere la vibrații trebuie, de asemenea, să țină cont de datele în care unealta este oprită sau de datele în care aceasta funcționează fără a efectua propriu-zis sarcina de lucru. Acestea pot reduce semnificativ nivelul de expunere pe întreaga perioadă de lucru. Identificați măsurile de siguranță suplimentare pentru a proteja operatorul de efectele vibrațiilor, precum: întreținerea unelei și a accesoriilor, păstrarea mâinilor calde, organizarea de modele de lucru.

LV BRĪDINĀJUMS

Šajā datu lapā dotā vibrāciju emisijas vērtība ir mērīta saskaņā ar standartizēto testu, kas dots EN 61029-2-9 un kuru var izmantot, lai salīdzinātu vienu instrumentu ar citu. To var izmantot aptuvenam ekspozīcijas novērtējumam. Deklarētais vibrāciju emisijas līmenis atbilst galvenajiem instrumenta pielietojumiem. Tomēr, ja instrumentu lieto citiem pielietojumiem, ar citiem piederumiem vai tas tiek slikti apkopts, vibrāciju emisijas vērtība var atšķirties. Tas var ievērojami palielināt ekspozīcijas līmeni visā darba periodā.

Vibrāciju ekspozīcijas līmeņa novērtējumam jāņem vērā laiks, kad instruments ir izslēgts vai ir ieslēgts, bet neveic nekādu darbu. Tas var ievērojami samazināt ekspozīcijas līmeni visā darba periodā. Identificējiet papildu drošības pasākumus, lai aizsargātu operatoru no vibrāciju iedarbības, piemēram, veiciet instrumenta un piederumu apkopi, turiet rokas siltas un pielāgojiet darba grafiku.

LT ĮSPĖJIMAS

Šiame lape nurodytas vibracijos emisijos lygis buvo išmatuotas pagal standartinį testą, aprašytą EN 61029-2-9, ir gali būti naudojamas vieno įrankio su kitu palyginimui. Jis gali būti naudojamas preliminariam pavojaus įvertinimui. Deklaruotas vibracijos emisijos lygis priskiriamas pagrindinėms įrankio taikymo situacijoms. Tačiau, jei įrankis naudojamas kitiems tikslams, su kitokiais priedais ar įrankis prastai prižiūrimas, vibracijos emisija gali skirtis. Per visą darbo laikotarpį tai gali žymiai padidinti vibracijos keliamą pavojų.

Nustatant vibracijos keliamą pavojų taip pat būtina atsižvelgti į tai, kiek kartų įrankis yra išjungtas ar kai jis veikia, bet juo iš tikrųjų nedirbama. Per visą darbo laikotarpį tai gali žymiai sumažinti vibracijos keliamą pavojų. Naudokite papildomas apsaugos priemones dirbančiam asmeniui apsaugoti nuo vibracijos poveikio, pvz.: prižiūrėti įrankį ir jo priedus, rankas laikyti šiltais, organizuoti darbo sesijas.

ET HOIATUS

Sellel infolehel esitatud vibratsioonitaseme väärtus on mõdetud standardis EN 61029-2-9 kirjeldatud katsemeetodiga ja seda võib kasutada tööriistade omavaheliseks võrdlemiseks. Seda võib kasutada vibratsioonimõju eelhindamiseks. Deklareeritud vibratsioonitaseme väärtus kehtib tööriista tavakasutamisel. Kui aga kasutate tööriista muudeks kasutusotstarveteks, eriotstarbeliste tarvikutega või kui tööriist on puudulikult hooldatud, siis võib vibratsiooniväärtus erineda. Sellistel juhtudel võib tööperioodi summaarne vibratsioonitase suureneda märgatavalt.

Vibratsiooniväärtuse taset tuleb arvesse võtta ka sel ajal, kui tööriist on välja lülitatud või kui tööriist pöörleb, kuid ei tee tööoperatsiooni. Sellistel juhtudel võib tööperioodi ajal summaarne vibratsioonitase väheneda märgatavalt. Määrake kindlaks täiendavad ohutusmeetmed, et kaitsa operaatorit vibratsioonimõjude eest – tööriistade ja tarvikute hooldamine, käte soojas hoidmine ja töövahetuste organiseerimine.

HR UPOZORENJE

Razina vrijednosti vibracija data u ovoj tablici s informacijama mjerena je skladno normiranom testu pruženom u EN 61029-2-9 i može se koristiti za usporedbu jednog alata s drugim. Može se koristiti u početnom usklađivanju izloženosti. Objavljena razina vrijednosti vibracija predstavlja glavnu primjenu alata. Međutim, ako se alat koristi za druge primjene, s različitim dodatnim priborom ili je slabo održavan, vrijednost vibracija može se razlikovati. Ovo može značajno povećati razinu izloženosti tijekom ukupnog radnog razdoblja.

U procjeni razine izloženosti na vibraciju također treba uzeti u obzir vrijeme kada je alat isključen ili kada je pokrenut no ne i stvarno vrijeme rada. Ovo može značajno smanjiti razinu izloženosti tijekom ukupnog radnog razdoblja. Odredite dodatne sigurnosne mjere za zaštitu operatera od učinaka vibracije poput: održavanje alata i pribora, održavanje toplih ruku, organizacija obrazaca za rad.

SL OPOZORILO

Nivo emisij vibracij, naveden v tem informacijskem listu, je bil izmerjen v skladu s standardiziranim testom, ki je podan v EN 61029-2-9, podatek pa se lahko uporablja za primerjavo enega orodja z drugim. Uporablja se ga lahko za predhodno oceno izpostavljenosti. Naveden nivo emisij vibracij predstavlja glavne uporabe orodja. Vendar, če se orodje uporablja v druge namene in z različnimi nastavki oz. če je orodje slabo vzdrževano, se lahko emisije vibracij razlikujejo. To lahko občutno poveča nivo izpostavljenosti v skupnem delovnem času.

Ocena nivoja izpostavljenosti vibracijam bi morala prav tako upoštevati, koliko krat je orodje bilo izključeno ali je v delovanju in pravzaprav ne opravlja svojega dela. To lahko občutno zmanjša nivo izpostavljenosti v skupnem delovnem času. Upoštevajte dodatne varnostne ukrepe, da bi upravljavca zaščitili pred vplivom vibracij, kot je: vzdržujte orodje in nastavke, pazite, da so roke tople, organizirajte delovne vzorce.

SK VAROVANIE

Úroveň emisie vibrácií, uvedená v tomto informačnom hárku bola nameraná v súlade so štandardizovaným testom, daný normou EN 61029-2-9 a môže sa použiť na porovnanie jedného nástroja s druhým. Môže sa použiť na predbežné určenie miery vystavenia sa vibráciám. Uvedená úroveň emisie vibrácií predstavuje hlavné aplikácie nástroja. Avšak keď sa nástroj používa na iné aplikácie, s rôznym príslušenstvom alebo má zlú údržbu, úroveň vibrácií sa môže líšiť. Týmto sa môže výrazne zvýšiť úroveň vystavenia sa vibráciám počas celkového času práce.

Odhad úrovne vystavenia sa vibráciám by sa mal brať tiež do úvahy, vždy, keď sa nástroj vypne, alebo potom, keď beží ale v skutočnosti sa nevykonáva práca. Týmto sa môže výrazne znížiť úroveň vystavenia sa vibráciám počas celkového času práce. Nasledovné dopĺňujúce bezpečnostné opatrenia pomáhajú chrániť operátora od účinkov vibrácií: údržba nástroja a príslušenstva, udržiavanie teplých držiadiel, organizácia práce.

EL ΠΡΟΕΙΔΟΠΟΙΗΣΗ

Τα επίπεδα εκπομπών κραδασμών που παρέχονται στο παρόν ενημερωτικό φυλλάδιο, έχουν μετρηθεί βάσει τυποποιημένης δοκιμής που προβλέπεται στο EN 61029-2-9 και μπορούν να συγκριθούν για τη σύγκριση του εργαλείου με άλλα. Μπορούν επίσης να χρησιμοποιηθούν για προκαταρκτική αξιολόγηση της έκθεσης. Τα δηλωμένα επίπεδα εκπομπών κραδασμών αφορούν τις βασικές εφαρμογές του εργαλείου. Ωστόσο, αν το εργαλείο χρησιμοποιείται για διαφορετικές εφαρμογές, με διαφορετικά εξαρτήματα ή με κακή συντήρηση, η εκπομπή κραδασμών μπορεί να διαφέρει. Αυτό μπορεί να αυξήσει σημαντικά το επίπεδο έκθεσης στη συνολική περίοδο εργασίας.

Η εκτίμηση των επιπέδων έκθεσης σε κραδασμούς θα πρέπει επίσης να λαμβάνει υπόψη τις χρονικές περιόδους κατά τις οποίες το εργαλείο είναι απενεργοποιημένο ή λειτουργεί χωρίς να χρησιμοποιείται σε συγκεκριμένη εργασία. Αυτό μπορεί να μειώσει σημαντικά το επίπεδο έκθεσης στη συνολική περίοδο εργασίας. Εφαρμόστε επιπρόσθετα μέτρα ασφαλείας για την προστασία του χειριστή από τις επιπτώσεις των κραδασμών, όπως τα εξής: συντηρείτε το εργαλείο και τα εξαρτήματα, διατηρείτε τα χέρια ζεστά, οργανώστε μετρία εργασία.

TR UYARI

Bu bilgi sayfasında verilen titreşim emisyon seviyesi, EN 61029-2-9 standardında belirtilen standartlaştırılmış bir teste uygun olarak ölçülmüş ve bir aleti diğerleriyle karşılaştırmak için kullanılabilir. Ön maruz kalma tespiti için kullanılabilir. Beyan edilen titreşim emisyon seviyesi aletin asıl uygulamalarını temsil etmektedir. Ancak alet, farklı aksesuarlarla veya yetersiz bakımlı olarak farklı uygulamalar için kullanılırsa titreşim emisyonu değişebilir. Bu durum toplam çalışma süresi boyunca maruz kalma seviyesini önemli ölçüde artırır.

Titreşime maruz kalma seviyesinin değerlendirilmesi aynı zamanda alet kapalı ve arından çalışır ancak gerçek anlamda iş yapmadığı zamanlar da göz önünde bulundurulmalıdır. Bu durum toplam çalışma süresi boyunca maruz kalma seviyesini önemli ölçüde azaltır. Operatörü titreşimin etkilerinden korumak için ilave güvenlik önlemleri belirleyin, örneğin: aletin ve aksesuarlarının bakımını yapmak, operatörün ellerini sıcak tutmak, çalışma modellerini organize etmek.

EN GUARANTEE

In addition to any statutory rights resulting from the purchase, this product is covered by a guarantee as stated below.

1. The guarantee period is 24 months for consumers and commences on the date when the product was purchased. This date has to be documented by an invoice or other proof of purchase. The product is designed and dedicated to consumer and private use only. So there is no guarantee provided in case of professional or commercial use.
2. There is, in some cases (i.e. promotion, range of tools), a possibility to extend the warranty period over the period described above using the registration on the www.ryobitools.eu website. The eligibility of the tool is clearly displayed in stores and/or on packaging. The end user needs to register his/her newly-acquired tools online within 8 days from the date of purchase. The end user may register for the extended warranty in his country of residence if listed on the online registration form where this option is valid. Furthermore, end users must give their consent to the storage of the data which are required to enter online and they have to accept the terms and conditions. The registration confirmation receipt, which is sent out by e-mail, and the original invoice showing the date of purchase will serve as proof of the extended warranty. Your statutory rights remain unaffected.
3. The guarantee covers all defects of the product during the warranty period due to defaults in workmanship or material at the purchase date. The guarantee is limited to repair and/or replacement and does not include any other obligations including but not limited to incidental or consequential damages. The warranty is not valid if the product has been misused, used contrary to the instruction manual, or being incorrectly connected. This guarantee does not apply to:
 - any damage to the product that is the result of improper maintenance
 - any product that has been altered or modified
 - any product where original identification (trade mark, serial number) markings have been defaced, altered or removed
 - any damage caused by non-observance of the instruction manual
 - any non CE product
 - any product which has been attempted to be repaired by an non-qualified professional or without prior authorization by Techtronic Industries
 - any product connected to improper power supply (amps, voltage, frequency)
 - any damage caused by external influences (chemical, physical, shocks) or foreign substances
 - normal wear and tear of spare parts
 - inappropriate use, overloading of the tool
 - use of non-approved accessories or parts
 - carburettor after 6 months, carburettor adjustments after 6 months
 - power tool accessories provided with tool or purchased separately. Such exclusions include but is not limited to screw driver bits, drill bits, abrasive discs, sand paper and blades, lateral guide
 - components (parts and accessories) subject to natural wear and tear, including but not limited to carbon brushes, chuck, power cord, auxiliary handle, sanding plate, dust bag, dust exhaust tube
4. For servicing, the product must be sent or presented to a RYOBI authorized service station listed for each country in the following list of service station addresses. In some countries your local RYOBI dealer undertakes to send the product to the RYOBI service organisation. When sending a product to a RYOBI service station, the product should be safely packed without any dangerous contents such as petrol, marked with sender's address and accompanied by a short description of the fault.
5. A repair/replacement under this guarantee is free of charge. It does not constitute an extension or a new start of the guarantee period. Exchanged parts or tools become our property. In some countries delivery charges or postage will have to be paid by the sender.
6. This guarantee is valid in the European Community, Switzerland, Iceland, Norway, Liechtenstein, Turkey and Russia. Outside these areas, please contact your authorized RYOBI dealer to determine if another warranty applies.

AUTHORISED SERVICE CENTRE

To find an authorised service centre near you, visit <http://www.ryobitools.eu/service-support/service-agents>.

FR GARANTIE

En plus des droits statutaires liés à l'achat, ce produit est couvert par une garantie telle que décrite ci-dessous.

1. La durée de la garantie accordée au consommateur est de 24 mois à partir de la date d'achat. Cette date doit être authentifiée par une facture ou tout autre preuve d'achat. Le produit a été conçu en vue d'une utilisation strictement privée. Aucune garantie ne s'applique donc en cas d'utilisation professionnelle ou commerciale.
2. Il existe, dans certains cas (par exemple promotion, gamme d'outils), une possibilité d'étendre la période de garantie au-delà de la période précédemment décrite en utilisant le formulaire d'enregistrement présent sur le site Internet www.ryobitools.eu. L'éligibilité d'un outil est clairement affichée dans les points de vente et/ou sur l'emballage. L'utilisateur final doit enregistrer son/ses outil(s) nouvellement acheté(s) en ligne dans les 8 jours qui suivent la date d'achat. L'utilisateur a la possibilité de s'enregistrer pour l'extension de garantie dans son pays de résidence si celui-ci est listé dans le formulaire d'enregistrement en ligne où cette option est valide. L'utilisateur final doit donner son consentement pour l'enregistrement des données requises pour accéder au site et doit accepter les termes et conditions. La confirmation d'enregistrement, envoyée par courrier électronique, ainsi que la facture originale mentionnant la date d'achat serviront de preuve de l'extension de garantie. Vos droits statutaires restent inchangés.
3. La garantie couvre les défauts des pièces et de main d'oeuvre du produit pendant la période de garantie à partir de la date d'achat. La garantie n'inclut aucune autre obligation, tel que, mais sans s'y limiter, les dommages accessoires ou indirects. La garantie est non valable en cas de mauvaise utilisation du produit, d'utilisation contraire aux instructions du mode d'emploi, ou en cas de branchement incorrect. Cette garantie ne s'applique pas pour :
 - tout dommage au produit résultant d'un mauvais entretien
 - tout produit ayant été altéré ou modifié
 - tout produit dont les marquages originaux d'identification (marque, numéro de série) ont été dégradés, altérés ou retirés
 - tout dommage causé par le non-respect des instructions du mode d'emploi
 - tout produit non CE
 - tout produit ayant subi une tentative de réparation par du personnel non qualifié ou sans autorisation préalable de Techtronic Industries
 - tout produit raccordé à une alimentation secteur non conforme (ampérage, voltage, fréquence)
 - tout dommage causé par des influences extérieures (chimiques, physiques, chocs) ou par des substances étrangères
 - l'usure normale des pièces consommables
 - une utilisation inappropriée, une surcharge de l'outil
 - l'utilisation de pièces ou accessoires non agréés
 - carburateurs âgés de plus de 6 mois, réglages du carburateur après 6 mois
 - accessoires d'outil à moteur fournis avec l'outil ou achetés séparément. De telles exclusions incluent de façon non exhaustive les embouts de vissage, les forets, les disques de ponçage, le papier de verre et les lames, les guides latéraux
 - composants (pièces et accessoires) sujets à une usure naturelle, incluant de façon non exhaustive les charbons, les mandrins, les câbles secteur, les poignées auxiliaires, les semelles de ponçage, les sacs à poussières, les tubes d'extraction de la poussière
4. Si le produit doit être réparé, envoyez-le à un service après-vente agréé RYOBI dont vous trouverez ci-dessous la liste pour chaque pays. Dans certains pays, votre revendeur RYOBI se chargera d'envoyer le produit à un centre de réparation RYOBI. Lorsque vous envoyez un produit à un service après-vente RYOBI, celui-ci doit être correctement emballé, sans contenir aucun produit dangereux tel que de l'essence, et vous devez indiquer votre adresse ainsi qu'une courte description du problème.
5. Une réparation / un remplacement sous garantie est gratuit(e). Ceci ne constituera pas une extension de garantie ni un nouveau départ de la période de garantie. Les pièces ou les outils remplacés deviennent notre propriété. Dans certains pays, les frais de port devront être assumés par l'expéditeur.
6. Cette garantie est valable au sein de l'Europe, de la Suisse, de l'Islande, de la Norvège, du Liechtenstein, de la Turquie, de la Russie. En dehors de ces zones, veuillez contacter votre distributeur agréé RYOBI pour déterminer si une autre garantie s'applique.

SERVICE APRÈS-VENTE AGRÉÉ

Pour trouver le service après-vente agréé le plus proche, rendez-vous sur <http://www.ryobitools.eu/service-support/service-agents>.

DE GARANTIE

Zusätzlich zu den aufgrund des Kaufs entstehenden gesetzlichen Rechten, ist dieses Produkt von der unten aufgeführten Garantie abgedeckt.

- Die Garantiezeit für Endverbraucher beträgt 24 Monate für und beginnt ab dem Kaufdatum des Produktes. Dieses Datum muss durch eine Rechnung oder einen anderen Kaufbeleg dokumentiert sein. Das Produkt ist ausschließlich für den Privatgebrauch entwickelt und bestimmt. Deshalb wird keine Garantie im Fall von professionellem oder kommerziellem Einsatz angeboten.
- In einigen Fällen (z.B. Promotion, auf eine bestimmte Produktpalette oder auf bestimmte Produkte begrenzt) besteht die Möglichkeit die Garantiezeit über den oben genannten Zeitraum, durch Registrierung auf der Webseite www.ryobitools.eu, zu verlängern. Der verlängerte Garantieanspruch für ein bestimmtes Produkt wird deutlich in den Geschäften und/oder auf der Verpackung des Produktes gezeigt. Der Endverbraucher muss seine neu gekauften Produkte innerhalb von 8 Tagen ab Kaufdatum registrieren. Der Endverbraucher kann sich für die erweiterte Garantie im Land seines permanenten Wohnsitzes registrieren, wenn diese Möglichkeit in dem Online-Formular gegeben ist. Des weiteren müssen die Endverbraucher ihr Einverständnis zur Speicherung der online angegebenen Daten geben und die Geschäftsbedingungen annehmen. Die per E-Mail versicherte Bestätigung der Registrierung und die Originalrechnung mit Kaufdatum dienen als Nachweis für die verlängerte Garantie. Ihre gesetzlichen Rechte bleiben unangetastet.
- Die Garantie deckt während der Garantiezeit ab Kaufdatum alle Produktmängel aufgrund von Material- oder Herstellungsmängeln ab. Diese Garantie ist auf Reparatur und/oder Ersatz beschränkt und enthält keine weiteren Verpflichtungen einschließlich aber nicht beschränkt auf beiläufige oder resultierende Schäden. Die Garantie ist nicht gültig, wenn das Produkt missbräuchlich oder entgegen der Bedienungsanleitung benutzt, oder falsch angeschlossen wurde. Diese Garantie gilt nicht für:
 - Jegliche Schäden die an dem Produkt aufgrund falscher Wartung entstehen.
 - Jedes Produkt das verändert oder modifiziert wurde.
 - Jedes Produkt an dem die originale Identifizierung (Markenzeichen, Seriennummer) verunstaltet, verändert oder entfernt wurden.
 - Jede Beschädigung die durch Nichtbeachtung der Bedienungsanleitung verursacht wurde.
 - Jedes Produkt ohne CE Zeichen.
 - Jedes Produkt das von einer unqualifizierten Person oder ohne vorherige Genehmigung von Techtronic Industries versucht wurde zu reparieren.
 - Jedes Produkt das an eine falsche Stromversorgung (Ampere, Spannung, Frequenz) angeschlossen wurde.
 - Jede Beschädigung die von äußeren Einflüssen (chemisch, physisch, Stöße) oder fremden Substanzen verursacht wurde.
 - Normaler Verschleiß und Abnutzung von Ersatzteilen.
 - Zweckwidrige Benutzung, Überlastung des Werkzeugs.
 - Benutzung von nicht zugelassenem Zubehör oder Teilen.
 - Den Vergaser nach 6 Monaten, die Vergasereinstellung nach 6 Monaten.
 - Mit dem Werkzeug gelieferte oder separat erhältliches Zubehör. Diese Ausnahmen sind einschließlich aber nicht beschränkt auf Schraubeinsätze, Bohrer, Schleifscheiben, Sandpapier und Klingen, seitliche Führungen.
 - Komponenten (Teile und Zubehör) die normalem Verschleiß unterliegen, einschließlich aber nicht beschränkt auf Kohlebürsten, Spannfutter, Netzkabel, Zusatzhandgriffe, Schleifplatten, Staubbeutel, Staubabzugschläuche
- Zur Wartung muss das Produkt eingeschickt werden oder einem für jedes Land in der folgenden Liste aufgeführten autorisierten RYOBI Kundendienst gebracht werden. In einigen Ländern schickt Ihr örtlicher RYOBI Händler das Produkt an den RYOBI Kundendienst. Wenn ein Produkt an den RYOBI Kundendienst geschickt wird, sollte es sicher verpackt werden, ohne gefährlichen Inhalt, wie Treibstoff, mit der Absenderadresse versehen sein und eine kurze Beschreibung des Fehlers enthalten.
- Reparatur/Ersatz unter dieser Garantie sind kostenfrei. Das stellt keine Verlängerung oder Neustart der Garantiezeit dar. Ausgewechselte Teile oder Werkzeuge treten in unseren Besitz über. In einigen Ländern müssen Lieferkosten oder Postgebühren von dem Absender getragen werden.
- Diese Garantie gilt in der Europäische Gemeinschaft, Schweiz, Island, Norwegen, Liechtenstein, Türkei und Russland. Bitte kontaktieren Sie Ihren autorisierten RYOBI-Händler, um herauszufinden ob eine andere Gewährleistung außerhalb dieser Gebiete gültig ist.

AUTORISIERTER KUNDENDIENST

Besuchen Sie <http://www.ryobitools.eu/service-support/service-agents>, um einen autorisierten Kundendienst in Ihrer Nähe zu finden.

ES GARANTÍA

Además de cualquier derecho estatutario derivado de la compra, este producto está cubierto con la siguiente garantía.

- El período de garantía es de 24 meses para los consumidores y comienza a partir de la fecha de compra del producto. Esta fecha debe demostrarse con una factura u otra prueba de compra. El producto está diseñado y destinado al consumidor y únicamente para uso privado. Por tanto, no se ofrece ninguna garantía en caso de uso profesional o comercial.
- En algunos casos (como promociones o un conjunto de herramientas) existe la posibilidad de ampliar el período de garantía hasta el período descrito anteriormente mediante el registro en el sitio web www.ryobitools.eu. La elegibilidad de la herramienta se muestra claramente en las tiendas o en el embalaje. El usuario final debe registrar sus herramientas recién adquiridas en línea en los 8 días siguientes a la fecha de compra. El usuario final podrá registrarse para ampliar la garantía en su país de residencia si éste aparece en el formulario de registro en línea en que esta opción es válida. Además, los usuarios finales deben dar su consentimiento para que se guarden los datos que se solicitan para entrar en línea y aceptar los términos y condiciones. El recibo de la confirmación de registro, que se enviará por correo electrónico, y la factura original que muestre la fecha de compra servirán como prueba de la ampliación de la garantía. Sus derechos estatutarios permanecerán intactos.
- La garantía cubre, durante el período de garantía, todos los defectos del producto que se deban a fallos de la mano de obra o a fallos del material en la fecha de compra. La garantía tiene un límite de reparación o sustitución y no incluye ninguna otra obligación se deba a, aunque sin limitarse a ello, daños accidentales o incidentales. La garantía no es válida si se ha hecho un uso inadecuado del producto, si no se ha usado siguiendo el manual de instrucciones o si se ha conectado incorrectamente. Esta garantía no se aplica a:
 - cualquier daño del producto derivado de un mantenimiento inadecuado
 - cualquier producto que haya sido alterado o modificado
 - cualquier producto en el que las marcas de identificación originales (marca comercial, número de serie) hayan sido borradas, modificadas o eliminadas
 - cualquier daño causado por el incumplimiento del manual de instrucciones
 - cualquier producto que no sea CE
 - cualquier producto que haya intentado reparar un profesional no cualificado o sin una autorización previa de Techtronic Industries
 - cualquier producto conectado a un suministro eléctrico inadecuado (amperios, tensión, frecuencia)
 - cualquier daño causado por influencias externas (de productos químicos, daños físicos, descarga eléctrica) o sustancias extrañas
 - desgaste o rotura normal de las piezas de repuesto
 - uso inadecuado, sobrecarga de la herramienta
 - uso de accesorios o piezas no homologados
 - carburador después de 6 meses, ajustes del carburador después de 6 meses
 - accesorios de las herramientas eléctricas suministrados con la herramienta o adquiridos por separado. Dichas exclusiones incluyen, aunque sin limitarse a ello, puntas de destornilladores, brocas, discos abrasivos, lijas de papel y cuchillas, guía lateral
 - componentes (piezas y accesorios) sujetos a desgaste y rotura natural, incluyendo, pero sin limitarse a ellos, escobillas de carbón, portabrocas, cable de alimentación, mango auxiliar, bolsa para el polvo, tubo de salida del polvo
- Para el servicio, el producto debe enviarse o entregarse en un punto de servicio técnico autorizado RYOBI enumerado para cada país en la siguiente lista de direcciones de servicio técnico. En algunos países su distribuidor local RYOBI se encarga de enviar el producto a la organización del servicio de RYOBI. Al enviar un producto a un punto de servicio técnico RYOBI, el producto debe embalarse de forma segura sin que contenga ninguna sustancia peligrosa como petróleo, debe llevar la dirección del remitente e ir acompañado de una breve descripción del fallo.
- Una reparación/sustitución dentro de esta garantía se realiza de forma gratuita. No constituye una ampliación ni un reinicio del período de garantía. Las piezas o herramientas que se cambian pasan a ser de nuestra propiedad. En algunos países los gastos de envío o del franqueo deberá pagarlos el remitente.
- Esta garantía es válida en la Comunidad Europea, Suiza, Islandia, Noruega, Liechtenstein, Turquía y Rusia. Fuera de estas zonas, póngase en contacto con su distribuidor autorizado RYOBI para determinar si se aplica otra garantía.

SERVICIO TÉCNICO AUTORIZADO

Para encontrar el servicio técnico autorizado más cercano, visite <http://www.ryobitools.eu/service-support/service-agents>.

IT GARANZIA

Oltre ai legittimi diritti derivanti dall'acquisto del prodotto, quest'ultimo è coperto da garanzia come indicato nei seguenti punti.

1. Il periodo di garanzia per il consumatore è di 24 mesi ed ha inizio dalla data in cui il prodotto è stato acquistato. Questa data deve essere documentata da una ricevuta o da altra prova d'acquisto. Il prodotto è stato disegnato e progettato solo per l'utilizzo privato del consumatore. La garanzia viene invalidata in caso di utilizzo professionale o commerciale.
2. In alcuni casi (per esempio promozioni e gamme di prodotti) esiste la possibilità di estendere il periodo di garanzia oltre il periodo indicato sopra registrandosi sul sito web www.ryobitools.eu. L'idoneità del prodotto a ricevere tale estensione viene indicata chiaramente nei punti vendita e/o sull'imballo. L'utente finale deve registrare il suo prodotto appena acquistato online entro 8 giorni dalla data d'acquisto. L'utente finale può accedere all'offerta nel suo paese quando la stessa è valida e qualora si sia registrato online. Inoltre, gli utenti finali devono dare il proprio consenso all'archiviazione dei dati che si inseriscono online indicando che i termini e le condizioni sono stati accettati. La ricevuta della conferma della registrazione verrà inviata via email e la fattura originale indicante la data d'acquisto verrà utilizzata come prova della garanzia estesa. I diritti legittimi dell'utente rimarranno invariati.
3. La garanzia copre tutti i difetti di fabbricazione del prodotto durante il periodo di garanzia a causa di guasti di fabbricazione o di materiale alla data di acquisto. La garanzia è limitata alla riparazione e/o alla sostituzione e non include altri obblighi compreso ma non limitato a danni incidentali o consequenziali. La garanzia non è valida se il prodotto non è stato utilizzato come indicato nel manuale di istruzioni o se è stato collegato in maniera non corretta. La garanzia non si applica a:
 - qualsiasi danno al prodotto che sia il risultato di una scorretta manutenzione
 - qualsiasi prodotto che sia stato alterato o modificato
 - qualsiasi prodotto sul quale l'identificazione originale (marchio registrato, numero di serie) sia stata resa illegibile, sia stata danneggiata o alterata
 - qualsiasi danno causato dalla non osservanza del manuale d'istruzioni
 - qualsiasi prodotto non contrassegnato con il marchio CE
 - qualsiasi prodotto che una persona non qualificata abbia tentato di riparare o che si è tentato di riparare senza l'autorizzazione delle Techtronisianoc Industries
 - qualsiasi prodotto collegato a un'alimentazione non corretta (per amp, voltaggio, frequenza)
 - qualsiasi danno causato da agenti esterni (chimici, fisici o shock) o da sostanze estranee
 - normale usura di parti di ricambio
 - utilizzo non appropriato, sovraccaricamento di utensili
 - utilizzo non approvato di accessori o parti
 - carburatore dopo 6 mesi, regolazioni al carburatore dopo 6 mesi
 - elettroutensili forniti con l'utensile o separatamente. Tali esclusioni comprendono ma non sono limitate a punte per giraviti, punte per trapani, dischi abrasivi, carta vetrata e lame, guida laterale
 - componenti (parti e accessori) soggetti a naturale usura, compreso ma non limitatamente a spazzole al carbonio, mandrino, cavo dell'alimentazione, manico ausiliario, piastra di levigazione, sacchetto per la polvere, tubo di scarico polvere
4. Per servizi di manutenzione, il prodotto dovrà essere mandato o presentato presso un punto di servizio clienti autorizzato RYOBI indicato nella seguente lista. In alcune nazioni il rivenditore RYOBI si occuperà di inviare il prodotto al più vicino servizio clienti Ryobi. Quando si invia un prodotto a un servizio clienti RYOBI, il prodotto dovrà essere correttamente imballato senza eventuali contenuti pericolosi quali carburanti, e contrassegnato con l'indirizzo della persona che lo ha inviato e accompagnato da una breve descrizione del problema riscontrato.
5. Si garantisce una riparazione/sostituzione gratuita quando il prodotto è coperto da garanzia. Questa sostituzione o riparazione non costituisce una estensione o un nuovo inizio di un periodo di garanzia. Le parti o l'utensile cambiati sono di proprietà della ditta. In alcune nazioni i costi di consegna o invio dovranno essere pagati dalla persona che spedisce.
6. Questa garanzia è valida all'interno della Comunità Europea, in Svizzera, Islanda, Norvegia, Liechtenstein, Turchia e Russia. Al di fuori di queste aree, si prega di contattare il proprio gestore autorizzato RYOBI per determinare se si applica un'altra garanzia.

CENTRO SERVIZI AUTORIZZATO

Per individuare il più vicino centro servizi autorizzato, visitare il sito <http://it.services.ryobitools.eu>.

NL GARANTIE

Bovenop de statutaire rechten als gevolg van de aankoop, wordt dit product gedekt door een garantie, zoals deze hieronder wordt beschreven.

1. De garantieperiode bedraagt 24 maanden voor consumenten en begint vanaf de datum waarop het product werd aangekocht. Deze datum moet worden gedocumenteerd door een factuur of ander aankoopbewijs. Het product is uitsluitend ontworpen en bedoeld voor particuliere gebruikers. De garantie vervalt bij professioneel of commercieel gebruik.
2. In enkele gevallen (vb. promotie, gereedschapsaanbod) bestaat er een mogelijkheid om de garantieperiode te verlengen met dezelfde periode als deze hierboven beschreven met behulp van de registratie op de website www.ryobitools.eu. Of het product al of niet in aanmerking komt, is duidelijk aangegeven in winkels en/of de verpakking. De eindgebruiker dient zijn/haar nieuw werktuig binnen de 8 dagen na de aankoopdatum online registreren. De eindgebruiker kan zich aanmelden voor de uitgebreide garantie in zijn verblijfslidland als dit op het online registratieformulier is opgenomen wanneer deze optie geldig is. Bovendien moet de eindgebruiker zijn toestemming geven om informatie te gebruiken die nodig is om toegang te krijgen tot de website en dient de algemene voorwaarden te accepteren. Het ontvangstbewijs van dit registratieformulier, dat via e-mail wordt verzonden, en de originele factuur die de aankoopdatum vermeldt dienen als bewijs van de uitgebreide garantie. Uw statutaire rechten blijven onveranderd.
3. De garantie dekt alle defecten van het product gedurende de garantieperiode als gevolg van fouten in het werk of materiaal op de aankoopdatum. De garantie is beperkt tot de reparatie en/of vervanging en omvat geen andere verplichtingen waaronder, maar niet beperkt tot, incidentele of gevolgschade. De garantie is niet geldig als het product werd misbruikt, in tegenspraak met de gebruiksaanwijzing werd gebruikt of foutief werd verbonden. Deze garantie geldt niet voor:
 - schade aan het product als gevolg van foutief onderhoud
 - als het product op enigerlei wijze werd gewijzigd
 - als originele markeringen ter identificatie (handelsmerk, serienummer) van het product werden verwijderd of gewijzigd
 - voor schade als gevolg van het niet in acht nemen van deze gebruiksaanwijzing
 - een niet EC-product
 - een product, waaraan een niet-gekwalificeerde vakman reparaties uitvoerde of waaraan reparaties werden uitgevoerd zonder voorafgaande toestemming van Techtronic Industries
 - een product dat werd aangesloten aan een foutieve krachtbron (amps, spanning, frequentie)
 - schade veroorzaakt door externe invloeden (chemische, fysieke schokken) of vreemde stoffen
 - normale slijtage van reserve-onderdelen
 - foutief gebruik, overbelasting van het werktuig
 - gebruik van niet-goedgekeurde accessoires of onderdelen
 - de carburator na 6 maanden, carburatorafstellingen na 6 maanden
 - gereedschapsaccessoires die met het werktuig worden meegeleverd of afzonderlijk worden aangekocht. Deze uitsluitingen omvatten, maar zijn niet beperkt tot schroevendraaiers, boorstiften, slijpschijven, schuurpapier en -bladen, laterale geleiders
 - componenten (onderdelen en accessoires) die onderhevig zijn aan natuurlijke slijtage met inbegrip van, maar niet beperkt tot, koolborstels, boorhouders, stroomsnoeren, bijkomende handvatten, schuurplaten, stofzakken, stofuitlaatbuizen
4. Voor onderhoud moet het product naar een geautoriseerd RYOBI-onderhoudsstation worden gestuurd of gebracht. Een lijst met de adressen van deze stations per land is hier opgenomen. In bepaalde landen verzendt uw plaatselijke RYOBI-verdeler het product naar de RYOBI-onderhoudsorganisatie. Als een product naar een RYOBI-onderhoudsstation wordt gezonden, moet het product veilig zijn verpakt zonder gevaarlijke inhoud, zoals benzine, met aanduiding van het adres van de verzender en met inbegrip van een korte beschrijving van de fout.
5. Een reparatie/vervanging onder deze garantie is gratis. Dit heeft geen gevolgen voor de duur van deze garantie of betekent niet dat de garantie wordt verlengd of opnieuw begint. Vervangen onderdelen of werktuigen worden onze eigendom. In bepaalde landen moeten verzendings- of leveringskosten door de verzender worden betaald.
6. Deze garantie is geldig in de Europese Unie, Zwitserland, IJsland, Noorwegen, Liechtenstein, Turkije en Rusland. Buiten deze landen neemt u contact op met uw geautoriseerde RYOBI-verdeler om te bepalen of er een andere garantie geldig is.

GEAUTORISEERD ONDERHOUDSCENTRUM

Om een geautoriseerd onderhoudscentrum in uw buurt te vinden, surf u naar <http://www.ryobitools.eu/service-support/service-agents>.

PT GARANTIA

Além de qualquer direito estatutário derivado da compra, este produto está coberto com a seguinte garantia.

- O período de garantia é de 24 meses para os consumidores e começa a partir da data de compra do produto. Esta data deve ser comprovada com uma factura ou outra prova de compra. O produto foi desenhado e destinado ao consumidor e apenas para uso privado. Portanto, não se oferece qualquer garantia em caso de uso profissional ou comercial.
- Em alguns casos (como promoções ou um conjunto de ferramentas) existe a possibilidade de ampliar o período de garantia até ao período descrito anteriormente através do registo no website www.ryobitools.eu. A elegibilidade da ferramenta mostra-se claramente nas lojas ou na embalagem. O utilizador final deve registar as suas ferramentas recém-adquiridas on-line nos 8 dias seguintes à data de compra. O utilizador final poderá registar-se para ampliar a garantia no seu país de residência se este aparecer no formulário de registo on-line em que esta opção é válida. Além disso, os utilizadores finais devem dar o seu consentimento para se guardarem os dados que se solicitam para entrar on-line e aceitar os termos e condições. A confirmação de registo, que será enviada por correio electrónico, e a factura original que mostre a data de compra servirão como prova da ampliação da garantia. Os seus direitos estatutários permanecerão intactos.
- A garantia cobre, durante o período de garantia, todos os defeitos do produto que se devam a falhas da mão-de-obra ou a falhas do material na data de compra. A garantia tem um limite de reparação ou substituição e não inclui qualquer outra obrigação que se deva a, embora sem se limitar a tal, danos acidentais ou incidentais. A garantia não é válida se se fez um uso inadequado do produto, se não se usou seguindo o manual de instruções ou se foi ligado incorrectamente. Esta garantia não se aplica a:
 - qualquer dado do produto derivado de uma manutenção inadequada
 - qualquer produto que tenha sido alterado ou modificado
 - qualquer produto em que as marcas de identificação originais (marca comercial, número de série) tenham sido apagadas, modificadas ou eliminadas
 - qualquer dano causado por incumprimento do manual de instruções
 - qualquer produto que não seja CE
 - qualquer produto que um profissional não qualificado tenha tentado reparar ou sem uma autorização prévia de Techtronic Industries
 - qualquer produto ligado a um fornecimento eléctrico inadequado (ampérios, tensão, frequência)
 - qualquer dano causado por influências externas (de produtos químicos, danos físicos, descarga eléctrica) ou substâncias estranhas desgaste ou ruptura normal das peças de substituição
 - uso inadequado, sobrecarga da ferramenta
 - uso de acessórios ou peças não homologadas
 - carburador após 6 meses, ajustes do carburador após 6 meses
 - acessórios das ferramentas eléctricas fornecidos com a ferramenta ou adquiridos em separado. Ditas exclusões incluem, embora sem se limitarem a tal, pontas de chave de fendas, brocas, discos abrasivos, lixas de papel e lâminas, guia lateral
 - componentes (peças e acessórios) sujeitos a desgaste e ruptura natural, incluindo, mas sem limitar a eles, escovas de carvão, portabrocas, cabo de alimentação, mangueira auxiliar, bolsa para o pó, tubo de saída do pó
- Para o serviço, o produto deve ser enviado ou entregue num ponto de serviço técnico autorizado RYOBI enumerado para cada país na seguinte lista de moradas de serviço técnico. Em alguns países o seu distribuidor local RYOBI encarrega-se de enviar o produto para a organização do serviço de RYOBI. Ao enviar um produto a um ponto de serviço técnico RYOBI, o produto deve ser embalado de forma segura sem que contenha qualquer substância perigosa como petróleo, deve levar a morada do remetente e ir acompanhado de uma breve descrição da falha.
- Uma reparação/substituição dentro desta garantia realiza-se de forma gratuita. Não constitui uma ampliação nem um reinício do período de garantia. As peças ou ferramentas que se alterem passam a ser da nossa propriedade. Em alguns países os gastos de envio ou da franquia deverão pagá-los o remetente.
- Esta garantia é válida na Comunidade Europeia, Suíça, Islândia, Noruega, Liechtenstein, Turquia e Rússia. Fora destas zonas, entre em contacto com o seu distribuidor autorizado RYOBI para determinar se se aplica outra garantia.

CENTRO DE ASSISTÊNCIA AUTORIZADO

Para encontrar um centro de assistência autorizado próximo de si, visite <http://www.ryobitools.eu/service-support/service-agents>.

DA GARANTI

Ud over de lovbestemte rettigheder ved køb, er dette produkt dækket af en garanti som angivet nedenfor.

- Garantien er 24 måneder for forbrugerne og træder i kraft den dato, hvor produktet bliver købt. Denne dato skal dokumenteres af en faktura eller andet købsbevis. Produktet er designet og beregnet til privat brug. Så der er ingen garanti i tilfælde af erhvervs-mæssig brug.
- Der er i visse tilfælde (f.eks. kampagner eller udvalgt produkter) mulighed for at forlænge garantien i perioden beskrevet ovenfor ved at registrere produktet på www.ryobitools.dk. Berettigelsen af produktet vises tydeligt i butikker og / eller på emballagen. Slutbrugeren skal registrere hans/hendes ny erhvervede produkter online indenfor 8 dage fra købsdatoen. Slutbrugeren kan tilmelde sig den udvidede garanti i sit bopælsland, hvis det er opført på den online tilmeldingsformular. Desuden skal slutbrugere give deres samtykke til lagring af de data, der er nødvendige for at komme ind på nettet, og de er nødt til at acceptere vilkår og betingelser. Kvitteringen på modtagelsen af registreringen, som udsendes via e-mail, og den originale faktura, der angiver købsdatoen, fungerer som bevis på den udvidede garanti. Dine lovbestemte rettigheder forblive uændret.
- Garantien dækker alle fejl ved produktet i løbet af garantiperioden, som kan føres tilbage til fabrikations- eller materialefejl på købsdatoen. Garantien begrænser sig til reparation og/eller udskiftning og omfatter ikke andre forpligtelser inklusiv, men ikke begrænset til, skader eller følgeskader. Garantien er ikke gyldig, hvis produktet har været udsat for misbrug, anvendelse i strid med brugsanvisningen eller har været tilsluttet forkert. Denne garanti dækker ikke:
 - Enhver skade på produktet som følge af ukorrekt vedligeholdelse
 - Ethvert produkt, som er blevet ændret eller modificeret
 - Ethvert produkt, hvor de originale identifikationsmærker (varemærke, serienummer) er blevet ødelagt, ændret eller fjernet
 - Enhver skade, der skyldes manglende overholdelse af brugsanvisningen
 - Ethvert produkt uden CE-mærkning
 - Ethvert produkt, som har været udsat for forsøg på reparation af en uautoriseret fagmand eller uden accept fra Techtronic Industries
 - Ethvert produkt, der har været sluttet til forkert strømforsyning (ampere, spænding, frekvens)
 - Enhver skade, der skyldes udefra kommende påvirkninger (kemisk, fysisk, stød) eller fremmedlegemer
 - normal slitage på reservedele
 - Forkert anvendelse, overbelastning af produktet
 - Brug af ikke-godkendt tilbehør eller (reserve)dele
 - Karburator efter 6 måneder, karburatorjusteringer efter 6 måneder
 - Tilbehør til elprodukter, der er forsynet med værktøj eller købt separat. Sådanne undtagelser inkluderer, men er ikke begrænset til, skruestrækkerbits, borebits, silbeskiver, sandpapir og knive, sideføring
 - komponenter (dele og tilbehør), der udsættes for naturlig slitage, inklusive, men ikke begrænset til, kulbørster, spændepatron, strømforsyningskabel, hjælpehåndtag, silbeplade, støvsugerpose, støvsugningsrør
- Til servicering skal produktet indleveres til eller forevises et autoriseret RYOBI serviceværksted for det pågældende land. I nogle lande vil din lokale RYOBI-forhandler sende produktet til RYOBI's serviceorganisation. Når et produkt indleveres til et RYOBI serviceværksted, skal det emballeres forsvarligt uden farligt indhold (som f.eks. benzin), være forsynet med afsenderadresse og ledsaget af en kort beskrivelse af fejlen.
- Reparation/udskiftning i henhold til denne garanti er gratis. Den medfører ikke forlængelse eller ny start af garantiperioden. Udskiftede dele eller værktøjer overgår til vores ejendom. I nogle lande skal leveringsomkostninger eller porto betales af afsenderen.
- Denne garanti er gyldig i EU, Schweiz, Island, Norge, Liechtenstein, Tyrkiet og Rusland. Uden for disse områder bedes man venligst kontakte sin autoriserede RYOBI-forhandler for at få opklaret, om evt. andre garantier er gældende.

AUTORISEREDE SERVICEVÆRKSTEDER

Find nærmeste autoriserede serviceværksted på <http://www.ryobitools.eu/service-support/service-agents>.

SV GARANTI

Förutom de lagstadgade rättigheter som följer köpet omfattas denna produkt av en garanti som anges nedan.

- Garantitiden är 24 månader för konsumenter och börjar den dag då produkten köptes. Detta datum måste kunna dokumenteras av en faktura eller annat inköpsbevis. Produkten är utformad och avsedd för konsumenter och ska endast användas för privat bruk. Det innebär att ingen garanti lämnas vid yrkesmässig eller kommersiell användning.
- I vissa fall (t.ex. marknadsföring, sortiment av verktyg), finns det en möjlighet att förlänga garantitiden under den period som beskrivs ovan genom registrering på hemsidan www.ryobitools.eu. De verktyg det gäller för framgår tydligt i butiker och/eller på förpackningen. Slut användaren måste registrera sitt nyinköpta verktyg på nätet inom 8 dagar från inköpsdatum. Slut användaren kan registrera sig för den utökade garantitiden i sitt hemland om det framgår på registreringsformuläret online där detta alternativ är giltigt. Dessutom måste slut användarna ge sitt samtycke till lagring av de uppgifter som krävs för att komma in på nätet och de måste godkänna villkoren. Registreringens mottagningsbevis som skickas ut via e-post och den ursprungliga fakturan som visar inköpsdatum fungerar som bevis på förlängd garantitid. Dina lagstadgade rättigheter påverkas inte.
- Garantin täcker alla fel på produkten under garantitiden som beror på fel i utförande eller material vid inköpsdatumet. Garantin är begränsad till reparation och/eller utbyte och inkluderar inte några andra åtaganden, inklusive men inte begränsat till oförutsedda skador eller följdskador. Garantin gäller inte om produkten har använts på fel sätt, använts på ett sätt som inte följer användarhandboken eller som har anslutits på ett felaktigt sätt. Denna garanti gäller inte för:
 - skador på produkten som beror på felaktigt underhåll
 - om produkten har ändrats eller modifierats
 - en produkt där den ursprungliga identifieringen (varumärke, serienummer) har förstörts, ändrats eller tagits bort
 - skador som orsakas av att användarhandboken inte har följts
 - alla produkter som inte följer CE-bestämmelser
 - en produkt som en icke-kvalificerad yrkesperson eller en person som inte har behörighet från Techtronic Industries har försökt att reparera
 - en produkt som ansluts till eluttaget (ampere, spänning, frekvens) på fel sätt
 - skador som orsakas av yttre påverkan (kemiska, fysikaliska, stötar) eller främmande ämnen
 - normalt slitage av reservdelar
 - felaktig användning, överbelastning av verktyget
 - användning av icke-godkända tillbehör eller delar
 - förgasare efter 6 månader, justering av förgasare efter 6 månader
 - elverktygstillbehör som medföljer verktyget eller köps separat. Sådana undantag inkluderar men är inte begränsat till skruvmejseldelar, bormejslar, slipskivor, sandpapper och blad, sidostyrning
 - komponenter (delar och tillbehör) med förbehåll för normalt slitage, inklusive men inte begränsat till kolborstar, chuck, nätkabel, extrahandtag, slipningsplåt, dammpåse, dammrör
- För service, måste produkten skickas eller presenteras till en RYOBI-godkänd servicestation som anges för varje land i följande lista med adresser. I vissa länder ombesörjer den lokala RYOBI-återförsäljaren att skicka produkten till RYOBI-serviceorganisationen. När en produkt skickas till en RYOBI-servicestation, ska produkten förpackas på ett säkert sätt utan farligt innehåll som bensin, märkt med avsändarens adress tillsammans med en kort som beskriver felet.
- En reparation/utbyte som sker under denna garanti är gratis. Den utgör inte en förlängning eller en ny start på garantitiden. Utbytes delar eller verktyg blir vår egendom. I vissa länder måste leveranskostnader eller porto betalas av avsändaren.
- Denna garanti gäller i EU, Schweiz, Island, Norge, Liechtenstein, Turkiet och Ryssland. Utanför dessa områden ska du kontakta din auktoriserade RYOBI-återförsäljare för att avgöra om en annan garanti gäller.

AUKTORISERAT SERVICECENTER

Du hittar närmaste auktoriserade servicecenter genom att gå till <http://www.ryobitools.eu/service-support/service-agents>.

FI TAKUU

Hankinnasta koituvien laillisten oikeuksien lisäksi tätä tuotetta hallitsee alla kuvattu takuu.

- Takuukausi on 24 kuukautta kuluttajille ja alkaa tuotteen ostopäivästä. Tämän päivän on oltava merkitty kuittiin tai muuhun todisteseen hankinnasta. Tämä tuote on suunniteltu ja tarkoitettu ainoastaan kuluttajien yksityiskäyttöön. Ammatti- ja kaupalliseen käyttöön ei näin ollen ole takuuta.
- Joissain tapauksissa (kuten tarjous, laitesarja) takuukautta voidaan pidentää kuvattua kautta pidemmäksi rekisteröimällä tuote osoitteessa www.ryobitools.eu. Takuun pidennysmahdollisuus ilmoitetaan selkeästi kaupassa ja/tai pakkauksessa. Loppukäyttäjän on rekisteröitävä uusi laitteensa online 8 päivän sisällä sen hankkimisesta. Loppukäyttäjää voi rekisteröityä saadakseen jatkettun takuun asuinmaassaan, jos se mainitaan online-rekisteröintilomakkeessa. Lisäksi, loppukäyttäjän on annettava suostumuksensa tallentaa syötetyt tiedot online, ja hänen on hyväksyttävä ehdot. Sähköpostitse lähetettävä rekisteröintivahvistus ja alkuperäinen kuitti, josta ilmenee hankintapäivä, toimivat todisteena takuun jatkamisesta. Lailliset oikeutesi eivät muutu.
- Takuu kattaa takuuajana kaikki tuotteen viat, jotka johtuvat valmistus- tai materiaaliavista hankintapäivänä. Takuu rajoittuu korjaukseen ja/ tai vaihtoon eikä sisällä mitään muita velvoitteita, mukaan lukien mm. satunnaiset ja seuraamukselliset vauriot. Takuu ei ole voimassa, jos tuotetta on vääriinkäytetty tai käytetty käyttöoppaan vastaisesti tai se on kytketty virheellisesti. Takuu ei kata seuraavia:
 - tuotteelle koituneet vahingot, jotka johtuvat virheellisestä ylläpidosta
 - tuote, jota on muunneltu
 - tuote, jossa alkuperäiset tunnisteet (tavaramerkki, sarjanumero) ovat turmeltuneet tai niitä on muutettu tai ne on poistettu
 - käyttöoppaan laiminlyönnistä johtuvat vauriot
 - ei-EC-tuotteet
 - tuotteet, joita on yrittänyt korjata ei-pätevä asentaja tai jonka korjaukselle ei ole saatu Techtronic Industriesilta hyväksyntää etukäteen
 - tuotteet, jotka on kytketty vääranlaiseen virtalähteeseen (virta, jännite, taajuus)
 - vauriot, jotka johtuvat ulkoisista syistä (kemikaalit, fyysiset tekijät, iskut) tai vieraista aineista
 - normaali varaosien kuluminen
 - virheellinen käyttö, laitteen ylikuormitus
 - muiden kuin hyväksytyjen lisävarusteiden ja osien käyttö
 - kaasutun 6 kuukauden jälkeen, kaasuttimen säätö 6 kuukauden jälkeen
 - laitteen mukana tulleet tai erikseen hankitut sähkölaitteiden lisävarusteet. Tällaiset poisjätöt sisältävät mm. ruuvinvääntimet, terät, poranterät, hiontakiekot, hiekkapaperi ja terät, sivuohjain
 - komponentit (osat ja lisävarusteet), joihin kohdistuu luonnollista kulumista, mukaan lukien mm. hiiliharjat, istukka, virtajohto, lisäkahva, hiontalevy, pölypusstit, pölyn poistoputki
- Huollon saaminen edellyttää, että tämä tuote lähetetään tai viedään RYOBIin valtuuttamaan huoltoon, jotka luetellaan maittain seuraavassa huoltojen osoiteluettelossa. Joissain maissa paikallinen RYOBI-jälleenmyyjä hoitaa tuotteen lähettämisen RYOBI-huoltoon. Kun tuote lähetetään RYOBI-huoltoon, se on pakattava turvallisesti ilman mitään vaarallista sisältöä, kuten bensiiniä, siihen on merkittävä lähetettäjän osoite ja sen mukana on lähetettävä vian kuvaus.
- Tämän takuun puiteissa tapahtuva korjaaminen/vaihto on ilmaista. Se ei merkitse takuuajakson jatkamista tai uuden kauden alkua. Vaihdetuista osista ja laitteista tulee meidän omaisuuttamme. Joissain maissa lähetettäjän on maksettava toimituskulut tai postimaksu.
- Tämä takuu on voimassa Euroopan Yhteisössä, Sveitsissä, Islannissa, Norjassa, Liechtensteinissa, Turkissa ja Venäjällä. Jos olet näiden alueiden ulkopuolella, ota yhteys valtuutettuun RYOBI-jälleenmyyjään, joka voi kertoa, onko joku muu takuu voimassa.

VALTUUTETTU HUOLTO

Voit etsiä lähimmän valtuutetun huollon sivulta <http://www.ryobitools.eu/service-support/service-agents>.

NO GARANTI

I tillegg til enhver lovbestemt rettighet som følge av dette kjøpet er dette produktet dekket av en garanti som beskrevet nedenfor.

1. Garantitiden er 24 måneder for forbrukere, og starter på produktets kjøpsdato. Denne datoen må dokumenteres av faktura eller annet kjøpsbevis. Produktet er konstruert og beregnet på forbrukere og kun privat bruk. Det gis ingen garanti ved profesjonell eller kommersiell bruk.
2. Det er, i noen tilfeller, (dvs. markedsføring, serie av verktøy), mulig å utvide garantitiden ut over den perioden som er nevnt ovenfor ved bruk av registrering på nettstedet www.ryobitools.eu Verktøyets garantiberettigelse vises klart i butikkene og/eller på emballasjen. Sluttbruker må registrere sitt nylig innkjøpte verktøy på nettet innen 8 dager etter kjøpsdatoen. Sluttbruker kan registrere seg for utvidet garanti i det landet hvor vedkommende bor hvis dette landet er ført opp på netregistreingskjemaet hvor dette alternativet er gyldig. Sluttbruker må også gi sin tillatelse til lagring av de data som er påkrevet å registrere på nettet, og må akseptere vilkår og betingelser. Registreringsbekræftelsen, som sendes som epost, og den originale kvitteringen som viser kjøpsdatoen, vil gjelde som bevis på den utvidede garantien. Dine lovbestemte rettigheter vil fortsatt gjelde.
3. Garantien gjelder alle defekter på produktet i garantitiden som følge av feil på arbeid eller materialer på kjøpsdatoen. Garantien er begrenset til reparasjon og/eller utskifting av produktet, og inkluderer ingen annen forpliktelse, inklusive men ikke begrenset til tilfeldige eller direkte eller indirekte følgeskader. Garantien gjelder ikke dersom produktet er misbrukt, brukt i strid med brukermanualens instruksjoner eller vært feilaktig tilkoblet. Denne garantien gjelder ikke:
 - enhver skade på produktet som følge av utilstrekkelig vedlikehold
 - et produkt som er endret eller modifisert
 - ethvert produkt hvor original identifikasjonsmerke (varemerke, serienummer) er tildekket, endret eller fjernet
 - enhver skade som følge av at instruksjoner i brukermanualen ikke er fulgt
 - ethvert ikke-CE-produkt
 - ethvert produkt som er forsøkt reparert av en ukvalifisert person, eller uten forutgående tillatelse av Techtronic Industries
 - ethvert produkt som er tilkoblet uriktig strømkilde (ampere, spenning, frekvens)
 - enhver skade forårsaket av eksterne påvirkninger (kjemiske, fysiske eller slag) eller fremmede substanser
 - normal slitasje på reservedeler
 - feilaktig bruk, overbelastning av verktøyet
 - bruk av ikke godkjent tilbehør eller reservedeler
 - forgasser etter 6 måneder, forgasserjusteringer etter 6 måneder
 - tilbehør til elektrisk verktøy, enten levert med verktøyet eller kjøpt separat. Slike unntak inkluderer men er ikke begrenset til skrutrekkerbits, bor, slipeskiver, sandpapir, og blader, sidestyre
 - komponenter (deler og tilbehør) gjenstand for normal slitasje, inklusive, men ikke begrenset til karbonbørster, chuck, elektrisk ledning, hjelpehåndtak, slipeskiver, støvpose, støvtuttrekkslange
4. For ettersyn og reparasjoner må produktet leveres til et RYOBI- autorisert servicesenter ført opp for det enkelte land i følgende liste av servicestasjonadresser. I noen land vil din lokale RYOBI-forhandler sørge for å sende produktet til RYOBI's serviceorganisasjon. Når et produkt sendes til en RYOBI servicestasjon må produktet være forsvarlig emballert uten færlig innhold som bensin, merket med senders navn og adresse og medsendt en kort beskrivelse av feilen.
5. En reparasjon/utskifting i henhold til denne garantien er gratis. Den representerer ikke en forlengelse av garantiperioden eller en ny start på garantiperioden. Utskiftede deler eller verktøy blir vår eiendom. I noen land vil leveringskostnader eller porto måtte betales av sender.
6. Denne garantien er gyldig i EU, Sveits, Island, Norge, Liechtenstein, Tyrkia og Russland. Utenfor disse områdene ber vi om at du kontakter en autorisert Ryobi-forhandler for å finne ut om en annen garanti gjelder.

AUTORISERT SERVICESENTER

For å finne et autorisert servicesenter i nærheten, gå til <http://www.ryobitools.eu/service-support/service-agents>.

RU ГАРАНТИЯ

В дополнение к законным правам, вытекающим из факта покупки, на данный продукт распространяются следующие гарантийные обязательства.

1. Гарантийный период составляет 24 месяца для покупателей и начинается с даты приобретения продукта. Дата приобретения подтверждается документально товарным чеком или другим доказательством покупки. Данный продукт предназначен для использования только в личных целях. Гарантия не предоставляется в случае профессионального или коммерческого использования данного продукта.
2. В некоторых случаях (например, при продвижении продукта, приобретении некоторых видов инструментов) возможно продление гарантийного срока при регистрации продукта на веб-сайте www.ryobitools.eu. Применимость продукта разъясняется в магазинах при продаже и/или на упаковке продукта. Конечному пользователю следует зарегистрировать вновь приобретенный инструмент через Интернет в течение 8 дней с даты покупки. Конечный пользователь может зарегистрировать продукт для получения расширенной гарантии в стране проживания, если данная возможность предоставляется интернет-формой регистрации. Также, конечный пользователь должен дать свое согласие на хранение данных, требуемых при заполнении формы через Интернет, и принять условия соглашения. Уведомление о подтверждении регистрации, отправляемое по электронной почте, и оригинальный товарный чек с датой покупки служат доказательством расширенной гарантии. Законные права потребителя при этом остаются в силе.
3. Данная гарантия распространяется на все дефекты продукта, связанные с производственным браком или браком материалов в момент приобретения, в течение гарантийного периода. Данная гарантия ограничивается ремонтом и/или заменой и не включает другие обязательства, в том числе, связанные с побочным или косвенным ущербом. Гарантия недействительна в случае ненадлежащего использования, использования с нарушением инструкций руководства по эксплуатации или неправильного подключения продукта. Гарантия недействительна, если:
 - повреждение продукта вызвано ненадлежащим техническим обслуживанием
 - продукт подвергся изменениям или был модифицирован
 - оригинальная маркировка (товарный знак, заводской номер) неудобочитаема, изменена или удалена
 - повреждение вызвано несоблюдением инструкций данного руководства
 - отсутствует маркировка CE
 - была попытка отремонтировать продукт неквалифицированным лицом или без предварительного согласования с компанией Techtronic Industries
 - продукт подключался к ненадлежащему источнику питания (ненадлежащая сила тока, напряжение, частота)
 - повреждение вызвано внешним воздействием (химические, физические, удары) или посторонними веществами
 - это связано с нормальным износом заменяемых деталей
 - это связано с ненадлежащим использованием, перегрузкой инструмента
 - это связано с использованием нерекондованных принадлежностей или деталей
 - карбюратор использовался свыше 6 месяцев, регулировка карбюратора после 6 месяцев
 - принадлежности для инструмента, поставляемые с инструментом или приобретаемые отдельно. В том числе, отверточные насадки, сверла, абразивные круги, наждачная бумага и шлифовальные полотна, боковая направляющая
 - компоненты (детали и принадлежности) подверженные естественному износу, в том числе, угольные щетки, зажимной патрон, кабель питания, дополнительная ручка, шлифовальная пластина, пылесборник, трубка отвода пыли
4. Для проведения технического обслуживания продукт следует представить в официальный центр технического обслуживания компании RYOBI в соответствии со списком по каждой стране. В некоторых странах дилерам компании RYOBI потребуется пересылка продукта в соответствующий сервисный центр компании RYOBI. При отправке продукта в центр технического обслуживания RYOBI, продукт следует упаковать надлежащим образом без содержания любых опасных веществ (таких как бензин) с указанием адреса отправителя и кратким описанием неисправности.
5. Ремонт/замена продукта по условиям данной гарантии осуществляются бесплатно. В данном случае не предусмотрено продление срока гарантии или начало нового гарантийного периода. Заменяемые детали или инструмент становятся собственностью компании. В некоторых странах оплата доставки и почтовые расходы ложатся на отправителя.
6. Данная гарантия действительна в странах ЕС, Швейцарии, Исландии, Норвегии, Лихтенштейне, Турции и России. Для получения информации о применении данной гарантии в других регионах обращайтесь к официальному дилеру компании RYOBI.

УПОЛНОМОЧЕННЫЙ СЕРВИСНЫЙ ЦЕНТР

Чтобы найти ближайший уполномоченный сервисный центр, обратитесь к веб-сайту <http://ru.ryobitools.eu/service-agents-ryobi.htm>.

PL GWARANCJA

Oprócz wszelkich praw ustawowych wynikających z zakupu, ten produkt jest objęty gwarancją jak podano poniżej.

- Okres gwarancji wynosi 24 miesiące dla konsumentów i rozpoczyna się w dniu, w którym produkt został zakupiony. Ta data musi być udokumentowana przez fakturę lub inny dowód zakupu. Produkt został zaprojektowany i jest przeznaczony wyłącznie do użytku konsumenckiego i prywatnego. W związku z tym gwarancja nie jest udzielana w przypadku zastosowań profesjonalnych i komercyjnych.
- Nie ma, w niektórych przypadkach (promocja tj. zakres narzędzi), możliwość przedłużenia okresu gwarancji w okresie opisanym powyżej przy rejestracji na stronie internetowej www.ryobitools.eu. Kwalifikowalność narzędzia jest wyraźnie określona w sklepach oraz/lub na opakowaniu. Użytkownik końcowy musi zarejestrować swoje nowe zakupione narzędzia online w ciągu 8 dni od daty zakupu. Użytkownik końcowy może zarejestrować się w celu rozszerzenia gwarancji w swoim kraju zamieszkania, jeśli jest on wymieniony w formularzu rejestracji online, kiedy ta opcja jest ważna. Ponadto użytkownicy końcowi muszą wyrazić zgodę na przechowywanie danych, które są wymagane do zalogowania online oraz muszą zaakceptować regulamin. Otrzymanie potwierdzenia rejestracji, które jest wysyłane na adres e-mail oraz oryginalna faktura z podaną datą zakupu będą służyć jako dowód przedłużonej gwarancji. Twoje prawa ustawowe pozostają nienaruszone.
- Gwarancja obejmuje wszystkie wady produktu w okresie gwarancyjnym, spowodowane usterkami w wykonaniu lub materiale w chwili nabycia. Gwarancja jest ograniczona do naprawy oraz/lub wymiany i nie obejmuje żadnych innych obowiązków w tym m.in. odpowiedzialności za szkody przypadkowe lub wtórne. Gwarancja nie jest ważna, jeśli produkt był użytkowany w niewłaściwy sposób, był wykorzystywany w sposób niezgodny z instrukcją obsługi lub był nieprawidłowo podłączony. Ta gwarancja nie obejmuje:
 - uszkodzenia produktu, które jest wynikiem nieprawidłowej konserwacji
 - produktu, który został przerobiony lub zmodyfikowany
 - produktu, w którym zniesztalcono, zmieniono lub usunięto oryginalne oznaczenia (nazwę handlową, numer seryjny)
 - uszkodzeń spowodowanych nieprzebraniem instrukcji obsługi
 - produktu bez certyfikatu CE
 - produktu, który był naprawiany przez niewykwalifikowaną osobę lub bez uprzedniej autoryzacji firmy Techtronic Industries
 - produktu podłączonego do nieprawidłowego źródła zasilania (natężenie, napięcie, częstotliwość)
 - uszkodzeń spowodowanych przez czynniki zewnętrzne (chemiczne, fizyczne, uderzenia) lub obce substancje
 - normalnego zużycia części zamiennych
 - niewłaściwego użytkowania, przeciążenia narzędzia
 - stosowania niezatwierdzonych akcesoriów lub części
 - gaźnika po 6 miesiącach, regulacji gaźnika po 6 miesiącach
 - akcesoriów do elektronarzędzi dostarczonych z narzędziem lub zakupionych osobno. Takie wykluczenia obejmują m.in. bity śrubokręta, wiertła, tarcze ściernie, papier ścierny i ostrza, prowadnicę ukośną
 - elementów (części i akcesoriów) podlegających naturalnemu zużyciu, w tym m.in. szczotek, uchwytów, przewodu zasilającego, dodatkowego uchwytu, tarczy ścierniej, torby na pył, przewodu wyrzutu pyłu
- W celu serwisowania produkt należy wysłać lub okazać w autoryzowanym centrum serwisowym RYOBI wymienionym dla każdego kraju na poniższej liście adresów stacji serwisowych. W niektórych krajach lokalny dealer firmy RYOBI zobowiązuje się wysłać produkt do centrum serwisowego firmy RYOBI. W przypadku wysyłki produktu do centrum serwisowego RYOBI, produkt należy dobrze zapakować, bez umieszczania żadnych niebezpiecznych rzeczy, tj. paliwa i oznaczyć adresem nadawcy oraz krótkim opisem usterki.
- Naprawa/wymiana w ramach tej gwarancji jest bezpłatna. Nie stanowi to przedłużenia lub nowego rozpoczęcia okresu gwarancji. Wymieniane części lub narzędzia stają się naszą własnością. W niektórych krajach koszty wysyłki lub pocztowe będą musiały być opłacone przez nadawcę.
- Ta gwarancja obowiązuje na terytorium Wspólnoty Europejskiej, Szwajcarii, Islandii, Norwegii, Liechtenstein, Turcji i Rosji. Poza tymi obszarami należy skontaktować się z autoryzowanym dealerem RYOBI aby sprawdzić, czy dostępna jest jeszcze inna gwarancja

AUTORYZOWANY PUNKT SERWISOWY

Najbliższy autoryzowany punkt serwisowy można wyszukać w witrynie internetowej <http://www.ryobitools.eu/service-support/service-agents>.

CS ZÁRUKA

Navíc k zákonným právům, které vznikají nákupem, je k výrobku poskytována záruka.

- Záruka je období 24 měsíců pro spotřebitele a začíná běžet datem nákupu produktu. Toto datum musí být zadokumentováno fakturou nebo jiným důkazem o koupi. Tento výrobek je určen a vyhrazen jen pro domácí a soukromé používání. Záruka se tedy neposkytuje pro profesionální ani komerční používání.
- Existuje, v některých případech (tj. propagace, určité nástroje), možnost prodloužení doby záruky nad výše uvedené období pomocí registrace na stránkách www.ryobitools.eu. Vhodnost nástroje je jasně vyobrazena v prodejnách a/nebo na obalu. Koncový uživatel musí zaregistrovat své nově pořízené nástroje online během 8 dní od data nákupu. Koncový uživatel se může zaregistrovat k prodloužení doby záruky v zemi jeho trvalého bydliště, pokud je uvedeno v online registračním formuláři, kde je tato možnost platná. Navíc musí koncový uživatel poskytnout souhlas s uchováním údajů, které jsou zapotřebí do online registru a musí přijmout podmínky smlouvy. Přijetí potvrzení o registraci, odesílané e-mailem, a originální faktura udávající datum nákupu slouží jako důkaz prodloužené záruky. Vaše zákonná práva zůstávají nedotčena.
- Záruka pokrývá veškeré vady produktu během záruky způsobené vadami při zpracování nebo v materiálu v době nákupu. Záruka se omezuje na opravu a/nebo výměnu a nezahnuje žádné jiné závazky včetně, ale ne omezeně na související nebo následné škody. Záruka neplatí, pokud, pokud se produkt nesprávně používal, používal v rozporu s návodem nebo byl nesprávně zapojen. Záruku nelze uplatnit v následujících případech:
 - jakákoliv škoda na výrobku v důsledku nesprávné údržby
 - jakýkoliv výrobek byl pozměněn či modifikován
 - jakýkoliv výrobek, kde byly původní identifikační značky (obchodní značka, výrobní číslo) odstraněny, pozměněny či modifikovány
 - jakákoliv škoda způsobená nedodržením návodu k obsluze
 - výrobek nemá značku CE
 - každý výrobek, kde došlo k pokusu jej opravit nekvalifikovanou osobou nebo bez předchozího souhlasu společnosti Techtronic Industries
 - každý výrobek byl připojen nesprávnému napájení (proud, napětí, frekvence)
 - každý výrobek, který se používal s nesprávnou palivovou směsí (palivo, olej, podíl oleje)
 - běžné opotřebení a spotřební náhradní díly
 - nevhodné používání, přetěžování nástroje
 - použití neschválených doplňků nebo dílů
 - karburátor po 6 měsících, seřízení karburátoru po 6 měsících
 - doplňky elektrických nástrojů dodaných s nástrojem či zakoupených zvlášť. Takové výjimky, včetně, ale ne omezených na, nástavce šroubováku, vrtáky, brusné kotouče, brusný papír a nože, příčné vedení
 - komponenty (díly a doplňky) podléhající běžnému opotřebení a spotřebě, včetně, ale ne omezeně, uhlíkových kartáčů, skliďla, síťového kabelu, doplňkové rukojeti, brusné desky, vaku pro prach, odsávací trubky prachu
- Pro servis výrobku je třeba zaslat nebo předložit pověřenému servisnímu středisku RYOBI dle seznamu adres servisních středisek. V některých zemích váš místní prodejce RYOBI provádí odesílání výrobku servisní organizaci RYOBI. Při zaslání výrobku servisnímu středisku RYOBI by se měl výrobek bezpečně zabalit bez nebezpečného obsahu benzín, označit adresou odesílatele a přiložit list krátkým popisem vady.
- Oprava/výměna během záruky je bezplatná. Neznamená prodloužení ani začátek nového záručního období. Vyměněné díly či nástroje se stávají naším vlastnictvím. V některých zemích doručení či poštovné platí odesílatel.
- Záruka je platná v Evropské unii, Švýcarsku, Islandu, Norsku, Lichtenštejnsku, Turecku a Rusku. U ostatních oblastí prosím kontaktujte pověřeného prodejce RYOBI pro upřesnění, zda platí jiná záruka.

POVĚŘENÉ SERVISNÍ STŘEDISKO

Pro nalezení nejbližšího pověřeného servisního střediska navštivte <http://www.ryobitools.eu/service-support/service-agents>.

HU GARANCIA

A vásárlással összefüggő esetleges törvény adta jogok mellett a termékre az alábbiakban részletezett garancia vonatkozik.

1. A garancia időtartama a fogyasztók számára 24 hónap, ami a termék megvásárlásának napjától számítódik. Ezt a dátumot számlával vagy a vásárlást igazoló más dokumentummal kell igazolni. A terméket kizárólag a vevő általi, személyes célokra való használatra tervezték és készítették. Ezért a garancia nem vonatkozik a profik általi vagy üzleti célokra való használatra.
2. Egyes esetekben (pl. promóció, bizonyos termékcsaládok) lehetőség van a garancia időtartamának a fent leírt garanciaperióduson túli meghosszabbítására a www.ryobitools.eu webhelyen történő regisztrációval. Az, hogy egy adott gép jogosult-e erre, egyértelműen fel van tüntetve a boltokban és/vagy a csomagoláson. A végfelhasználónak a vásárlás napjától számított 8 napon belül regisztrálnia kell az újonnan beszerzett gépet. A végfelhasználó a kiterjesztett garanciáért a lakóhelye szerinti országban regisztrálhat, ha az szerepel az online regisztrációs űrlapon. Emellett a végfelhasználónak hozzá kell járulnia az online belépéshez szükséges adatai tárolásához és el kell fogadnia a szerződési feltételeket. A regisztráció e-mailben küldött visszaigazolása, valamint a vásárlást igazoló eredeti számla szolgálnak a kiterjesztett garancia érvényesítésére. A törvény adta jogai nem sérülnek.
3. A garancia a garancia időtartama alatt a termék összes olyan hibájára kiterjed, amelyek a vásárlás napján is fennálló gyártási vagy anyaghiba miatt következnek be. A garancia javításra és/vagy cserére korlátozódik, és nem tartalmaz további kötelezettséget, beleértve, de nem kizárólag a véletlenszerű vagy következetes károka vonatkozó kötelezettségeket sem. A garancia nem érvényes a termék helytelen használata, a használati utasításban leírtakkal ellentétes használata vagy hibás csatlakoztatása esetén. A garancia nem vonatkozik a következőkre:
 - a termék helytelen karbantartásból eredő esetleges károsodásokra
 - átalakított vagy módosított termékekre
 - olyan termékre, melyen az eredeti azonosító jelöléseket (védjegy, sorozatszám) megrongálták, átalakították vagy eltávolították
 - a használati utasítás be nem tartásával összefüggő károka
 - a CE minősítéssel nem rendelkező termékekre
 - a nem képzett szakember által vagy a Techtronic Industries előzetes jóváhagyása nélkül javított termékekre
 - a nem megfelelő tápforrásokhoz (áramerősség, feszültség, frekvencia) csatlakoztatott termékekre
 - külső hatások (vegyi, fizikai, ütés) vagy idegen anyagok által okozott károsodásokra
 - a cserealkatrészek normál kopására és elhasználódására
 - helytelen használatra, a szerszám túlterhelésére
 - nem jóváhagyott tartozékok vagy alkatrészek használatára
 - a karburátorra 6 hónap elteltével, a karburátor beállításaira 6 hónap elteltével
 - a szerszámgéphez mellékelt vagy külön megvásárolt szerszámgép tartozékokra. A kizárások közé tartoznak még, de nem kizárólag, a csavarhúzó bitek, fűrőbitek, csiszolókorongok, csiszolópapírok és korongok, oldalsó vezetők
 - természetes elhasználódásnak és kopásnak kitett összetevőkre (alkatrészek és tartozékok), beleértve, de nem kizárólag a szénkeféket, tokmányokat, tápkábeleket, kiegészítő fogantyúkat, csiszolólapokat, porzsákokat, porkívúvó csöveket.
4. A szervizeléshez a terméket el kell küldeni vagy be kell mutatni valamelyik hivatalos RYOBI szervizközpontban, melyek elérhetősége az egyes országokban az alábbiakban van megadva. Egyes országokban a RYOBI kereskedő vállalja, hogy elküldi a terméket a RYOBI szervizbe. A terméknek a RYOBI szervizállomásra való küldések a terméket biztonságosan be kell csomagolni, mindenféle veszélyes anyagot, pl. üzemanyagot el kell távolítani belőle, meg kell adni a feladó címét és a hiba rövid leírását.
5. A garancia keretében végzett javítás/cseréje ingyenes. Ugyanakkor ez nem jelenti a garancia időtartamának kiterjesztését vagy új garanciaperiódus kezdetét. A kicserélt alkatrészek vagy szerszámgépek a mi tulajdonunkban maradnak. Egyes országokban a szállítási vagy a postaköltségeket a feladó fizeti.
6. Ez a garancia az Európai Közösségben, Svájcban, Izlandon, Norvégiában, Liechtensteinben, Törökországban és Oroszországban érvényes. Ezen területeken kívül az érvényes garancia-feltételeket illetően lépjen kapcsolatba a hivatalos RYOBI forgalmazóval.

HIVATALOS SZERVIZKÖZPONT

A legközelebbi hivatalos szervizközpont megtalálásához látogasson el a <http://www.ryobitools.eu/service-support/service-agents> webhelyre.

RO GARANȚIE

În plus față de alte drepturi statutare rezultând din achiziție, produsul este acoperit de o garanție ca cea menționată mai jos.

1. Perioada de garanție este de 24 de luni pentru consumatori și începe de la data la care produsul a fost achiziționat. Această dată trebuie să fie dovedită de o factură sau altă dovadă de cumpărare. Produsul este proiectat și dedicat pentru consumator și doar pentru uz privat. Ca urmare nu există nicio garanție asigurată în caz de folosire profesională sau comercială.
2. Există, în anumite cazuri (de ex. promoții, game de produse) o posibilitate de a prelungi perioada de garanție peste perioada descrisă mai sus folosind înregistrarea pe site-ul www.ryobitools.eu. Eligibilitatea aparatului este afișată clar în magazine și/sau ambalaj. Utilizatorul final se poate înregistra pentru o garanție extinsă în țara sa de reședință dacă e listată pe formularul de înregistrare online acolo unde opțiunea este validă. Mai mult, utilizatorii finali trebuie să-și dea consimțământul cu privire la păstrarea datelor ce sunt cerute a fi introduse online și trebuie să accepte termenii și condițiile. Notificarea de confirmare a înregistrării, ce este trimisă prin email, și factura originală ce arată data achiziționării vor servi ca dovadă a garanției extinse. Drepturile dvs statutare rămând neafectate.
3. Garanția acoperă toate defectele produsului în timpul perioadei de garanție cauzate de defecte din procesul de producție sau ale materialului la data achiziționării. Garanția este limitată la reparație și/sau înlocuire și nu include alte obligații incluzând dar nelimitându-se la pagube incidentale sau secundare. Garanția nu este validă dacă produsul a fost folosit greșit, folosit contrar instrucțiunilor din manual sau a fost conectat incorect. Această garanție nu se aplică la:
 - orice defecțiune a produsului ca rezultat a întreținerii necorespunzătoare
 - orice produs ce a fost schimbat sau modificat
 - orice produs unde marcajul original de identificare (marcă comercială, număr serie) a fost deteriorat, schimbat sau modificat
 - orice defecțiune cauzată de nerespectarea manualului de instrucțiuni
 - orice produs non CE
 - orice produs care a fost încercat să fie reparat de către o persoană necalificată sau fără autorizare în prealabil de către Techtronic Industries
 - orice produs conectat necorespunzător la sursa de curent (amperi, voltaj, frecvență)
 - orice defecțiune cauzată de influențe externe (chimice, fizice, șocuri) sau substanțe străine
 - uzura normală a pieselor de schimb
 - folosire necorespunzătoare, suprasolicitare a sculei
 - folosire de accesorii și părți neaprobate
 - carburator după 6 luni, reglări ale carburatorului după 6 luni
 - accesoriiile sculelor de putere furnizate cu scula sau achiziționate separat. Asemenea excluderi includ dar nu se limitează la capete de șurubelniță, burghie, discuri abrazive, șmirgheluri, discuri de șlefuit, ghid lateral
 - componente (părți și accesorii) subiect a uzurii naturale, incluzând dar nelimitându-se la perii de carbon, mandrine, cablu electric, mâner auxiliiar, placă de șlefuit, sac pentru praf, tub de evacuare praf
4. Pentru service, produsul trebuie să fie trimis sau prezentat la un punct service RYOBI autorizat listat pentru fiecare țară în următoarea listă cu adrese ale punctelor service. În anumite țări reprezentantul dvs local RYOBI se angajează să trimită produsul la un punct de service RYOBI. Atunci când se trimite un produs la un punct service RYOBI, produsul trebuie să fie împachetat cu grijă fără a conține produse periculoase precum benzină, marcat cu adresa expeditorului și însoțit de o scurtă descriere a defecțiunii.
5. Repararea/înlocuirea în timpul garanției este fără niciun cost. Nu constituie o prelungire sau un nou început a perioadei de garanție. Părțile sau aparatele schimbate devin proprietatea noastră. În anumite țări taxele de expediere trebuie să fie plătite de către expeditor.
6. Garanția este valabilă în Uniunea Europeană, Elveția, Islanda, Norvegia, Lichtenstein, Turcia și Rusia. În afara acestor zone, vă rugăm contactați reprezentantul dvs local autorizat RYOBI pentru a determina dacă se aplică altă garanție.

CENTRU DE SERVICE AUTORIZAT

Pentru a găsi un centru de service autorizat lângă dvs., vizitați <http://www.ryobitools.eu/service-support/service-agents>.

LV GARANTĪJA

Papildus visām likumā paredzētajām tiesībām saistībā ar iegādi šim izstrādājumam ir turpinājuma izklāstītā garantija.

1. Garantijas periods patērētājiem ir 24 mēneši, un tas sākas izstrādājuma iegādes dienā. Šim datumam ir jābūt dokumentētām rēķinā vai citā iegādi apliecinošā dokumentā. Šis izstrādājums ir izgatavots un paredzēts vienīgi patērētājam un privātai lietošanai. Profesionālas vai komerciālas lietošanas gadījumā garantija nav spēkā.
2. Atsevišķos gadījumos (piem., akcija, vairāki instrumenti) pastāv iespēja pagarināt garantijas periodu virs šeit minētā perioda, reģistrējot to www.ryobitools.eu vietnē. Instrumenta pielietojums ir skaidri norādīts veikalos un/vai uz iepakojuma. Lietotājiem ir jāreģistrē savi jauniegūtie instrumenti tiešsaistē 8 dienu laikā no iegādes datuma. Lietotājs var reģistrēties pagarinātajai garantijai savā dzīvesvietas valstī, ja tā ir norādīta tiešsaistes reģistrācijas veidlapā, kur pieejama šī iespēja. Turklāt lietotājiem ir jāievada dati tiešsaistē, jādod piekrišana šo datus uzglabāšanai un jāpiekrīt noteikumiem. Saņemtais reģistrācijas apstiprinājums, kas izsūtīts pa e-pastu, un rēķina oriģināls, kurā redzams iegādes datums, ir pagarinātās garantijas pierādījums. Jūsu likumā paredzētās tiesības netiek ietekmētas.
3. Garantija attiecas uz visiem izstrādājuma bojājumiem, kas radušies garantijas perioda laikā iegādes dienā esošo izgatavošanas vai materiāla defektu dēļ. Garantija ir ierobežota līdz remontam un/vai nomainīšanai un neietver citus pienākumus, ieskaitot, bet neaprobežojoties ar nejausiem vai netiešiem zaudējumiem. Garantija nav spēkā, ja izstrādājums ir lietots nepareizi vai neievērojot rokasgrāmatas norādījumus vai ticis nepareizi savienots. Garantija netiecas uz:
 - izstrādājuma bojājumiem, kas radušies nepareizas apkopes dēļ;
 - izstrādājumiem, kas tikuši pielāgoti vai pārveidoti;
 - izstrādājumiem, kuru oriģinālais identifikācijas marķējums (preču zīme, sērijas numurs) ticis sabojāts, pārveidots vai noņemts;
 - bojājumiem, kurus izraisījis rokasgrāmatas norādījumu neievērošana;
 - izstrādājumiem bez CE marķējuma;
 - izstrādājumiem, kurus ir mēģinājis remontēt nekvalificēts speciālists vai kuri remontēti bez Techtronic Industries atļaujas;
 - izstrādājumiem, kas tikuši pievienoti neatbilstoši energopadevei (apmēri, spriegums, frekvence);
 - bojājumiem, kurus izraisījis ārēja iedarbība (ķīmiska, fiziska, triecieni) vai svešas vielas;
 - normālu detaļu nolietojumu un nodilumu;
 - instrumenta nepareizu lietošanu, pārslodzi;
 - neapstiprinātu detaļu un piederumu lietošanu;
 - karburatoru pēc 6 mēnešiem, karburatora regulējumiem pēc 6 mēnešiem;
 - elektroinstrumenta piederumiem, kas piegādāti kopā ar instrumentu vai iegādāti atsevišķi. Šie izņēmumi ietver, bet neaprobežojas ar skrūvgriežu uzgaļiem, urbja uzgaļiem, abrazīvajiem diskkiem, smilšpapīru, asmeņiem un sānu vadotni;
 - komponentiem (detaļām un piederumiem), kas ir pakļauti dabiskam nodilumam un nolietojumam, ietverot, bet neaprobežojoties ar oglekļa sukām, patronu, elektrības vadu, palīgroturi, slīpēšanas loksni, putekļu maisu un putekļu izvades cauruli.
4. Ja nepieciešams veikt remontu, izstrādājums jānosūta vai jānodod RYOBI pilnvarotam servisa centram, kas norādīts pie attiecīgās valsts servisa centru adrešu sarakstā. Atsevišķās valstīs vietējais RYOBI dīleris uzņemas nosūtīt izstrādājumu RYOBI servisa organizācijai. Nosūtīt izstrādājumu RYOBI servisa centram, izstrādājumam jābūt droši iepakotam bez bišlāma satura, piemēram, degvielas, marķētam ar sūfītāja adresi un kopā ar īsu aprakstu par defektu.
5. Remonts/nomaņa šīs garantijas ietvaros ir bez maksas. Tas nepagarina un neuzsāk jaunu garantijas periodu. Nomainītās detaļas un instrumenti nonāk mūsu īpašumā. Atsevišķās valstīs piegādes maksa un pasta izdevumi jāsedz sūfītājam.
6. Šī garantija ir derīga Eiropas Kopienā, Šveicē, Islandē, Norvēģijā, Lihtenšteinā, Turcijā un Krievijā. Ārpus šiem reģioniem, lūdzu, sazinieties ar savu pilnvaroto RYOBI dīleri, lai noskaidrotu, vai ir spēkā cita garantija.

AUTORIZĒTS APKALPOŠANAS CENTRS

Lai atrastu tuvāko autorizēto apkalošanas centru, apmeklējiet <http://www.ryobitools.eu/service-support/service-agents>.

LT GARANTĪJA

Be įstatymais nustatytų teisių, įgyjamų nusipirkus šį produktą, produktui taikoma toliau nurodyta garantija.

1. Pirkėjams galiojantis garantinis periodas yra 24 mėnesiai ir prasideda nuo produkto pirkimo datos. Data turi būti nurodyta sąskaitoje-faktūroje arba kitame pirkimą įrodančiame dokumente. Produkta sukurtas ir skirtas tik naudotojui ir tik asmeniniam naudojimui. Todėl garantija netaikoma produktą naudojant profesiniais ar komerciniais tikslais.
2. Kai kuriais atvejais yra galimybė pratęsti garantinį laikotarpį iki toliau nurodyto laikotarpio, prieš tai užsiregistravus www.ryobitools.eu svetainėje. Įrankio tinkamumo aiškiai parodytas parduotuvėse ir (arba) ant pakuotės. Galutinis naudotojas turi užregistruoti savo naujai įsigytus įrankius internetu per 8 dienas nuo jų pirkimo datos. Galutinis naudotojas gali užsiregistruoti dėl garantijos pratęsimo savo šalyje, jei ši pateikta registracijos internetu formoje, kurioje galimas šis pasirinkimas. Be to, galutiniai naudotojai privalo duoti savo sutikimą laikyti duomenis, kuriuos reikia įvesti internete, ir jie turi sutikti su sąlygomis ir nuostatomis. Registracijos patvirtinimo pranešimas, išsiunčiamas el. paštu, ir originali sąskaita faktūra, kurioje nurodyta pirkimo data, įrodo pratęstą garantiją. Jūsų įstatymuose nustatyti teisės nebūs pakenkta.
3. Garantiniu laikotarpiu garantija taikoma visiems produkto trūkumams, atsiradusiems dėl prastos darbo kokybės arba prastų produkto medžiagų pirkimo dieną. Garantija taikoma tik taisymui ir (arba) pakeitimui ir joje nenumatyti jokie kiti įsipareigojimai, įskaitant, bet neapsiribojant atsitiktine ar susijusia žala. Garantija negalioja produktą netinkamai naudojant, priešingai vadove nurodytoms instrukcijoms, arba netinkamai prijungus. Garantija netaikoma šiais atvejais:
 - produktui padarytai žalai netinkamai atliekant produkto techninę priežiūrą;
 - pakeistam arba modifikuotam produktui;
 - bet kokiems produktams, kurių originalios identifikacijos (prekės ženklas, serijos numeris) žymės buvo sugadintos, pakeistos ar pašalintos;
 - bet kokiai žalai, patirtai nesilaikant naudojimo vadovo;
 - bet kokiam CE nepaženklintam produktui;
 - bet kokiam produktui, kurį bandė taisyti nekvalifikuotas specialistas, arba iš anksto negavus „Techtronic Industries“ leidimo;
 - bet kokiam produktui, įjungtam į netinkamą maitinimo tinklą (amperai, įtampa, dažnis);
 - bet kokiai žalai, kilusiai dėl išorinio poveikio (cheminis, fizinis poveikis, smūgiai) arba pašalinių medžiagų;
 - įprastam atsarginių dalių dėvėjimuisi;
 - produktą netinkamai naudojant arba jį perkrovus;
 - naudojant nepatvirtintus priedus arba dalis;
 - karbiuratoriumi po 6 mėnesių, karbiuratoriaus reguliavimui po 6 mėnesių;
 - elektrinio įrankio priedams, pateiktiems kartu su įrankiu ar pirktiems atskirai; Prie tokių išimčių priskaitomi, neapsiribojant, atsuktuvo antgaliai, gražto antgaliai, abrazyviniai diskai, švitrinis popierius ir ašmenys, šoninis kreiptuvas;
 - komponentai (dalis ir priedai), kurie dėvėsi savaime, įskaitant, bet neapsiribojant anglies šepetėliais, griebtuvu, maitinimo laidu, papildoma rankena, šlifavimo plokštė, dulkių maišeliu, dulkių išmetimo vamzdeliu.
4. Norint atlikti techninį aptarnavimą, produktą reikia nusiųsti arba pristatyti į vieną iš RYOBI įgaliotų techninio aptarnavimo punktų, esančių kiekvienoje šalyje toliau pateiktame aptarnavimo punktų adresų sąrašė. Kai kuriose šalyse jūsų vietinis RYOBI pardavėjas gali nusiųsti produktą į RYOBI techninio aptarnavimo punktą. Siunčiant produktą į RYOBI techninio aptarnavimo punktą, produktą reikia saugiai supakuoti, prieš tai iš jo pašalinus pavojingas medžiagas, pavyzdžiui, benzina, nurodyti siuntėjo adresą ir pridėti trumpą gedimo aprašymą.
5. Pagal šią garantiją taisymo ar keitimo darbai atliekami nemokamai. Garantijoje nenumatytas garantijos pratęsimas ar naujo garantinio laikotarpio pradėjimas. Pakeistos dalys arba įrankiai tampa mūsų nuosavybe. Kai kuriose šalyse pristatymo ar siuntimo paštu išlaidas turi padengti siuntėjas.
6. Ši garantija taikoma Europos bendrijoje, Šveicarijoje, Islandijoje, Norvegijoje, Lichtenšteine, Turkiijoje ir Rusijoje. Kitose šalyse kreipkitės į savo įgaliotą RYOBI pardavėją, norėdami sužinoti, ar taikoma kita garantija.

ĮGALIOTAS TECHINIS PRIEŽIŪROS CENTRAS

Jei norite surasti įgaliotą techninės priežiūros centrą netoli Jūsų, apsilankykite interneto svetainėje <http://www.ryobitools.eu/service-support/service-agents>.

ET GARANTII

Lisaks ostu puhul kaasnevate seadusjärgsetele õigustele kehtib tootele allpool esitatud tingimustega garantii.

- Ostja poolt ostetud tootele on kehtestatud garantiiperiood 24 kuud ja see hakkab kehtima toote ostmise kuupäeval. See kuupäev on märgitud arvele või muule ostu lõendavale dokumendile. Toode on ette nähtud ostjale ainult isiklikuks kasutamiseks. Kui toodet kasutatakse ametialastel või ärielist eesmärkidel, siis garantii ei kehti.
- Mõnel juhul (nt reklaam, seadmete seeria) on võimalik pikendada garantiiperioodi pikemaks ajaks kui ülal mainitud, kui kasutatakse registreerimist veebisaidil www.ryobitools.eu kaudu. Registreerimise tingimused on välja pandud kauplustesse ja/või on pakendil. Lõppkasutaja peab oma uued tööriistad veebis registreerima 8 päeva jooksul alates ostukuupäevast. Lõppkasutaja võib registreerida end pikendatud garantiiks oma asukohamaal, kui see on esitatud veebis registreerimise loendil, seal kus see vaalik on olemas. Peale selle, lõppkasutajad peavad andma nõusoleku enda andmete salvestamiseks, mida vajatakse veebi sisestamiseks ja nõustuma esitatud tingimustega. Pikendatud garantii kehtivust lõendab e-postiga saadetud registreerimise kinnitusteade ja algupärane arve, millel on ostukuupäev. Teie seadusjärgsed õigused jäävad mõjutamata.
- Garantii kehtib kõikide ostukuupäevast kehtima hakkaval garantiiperioodil ilmnenuid rikete suhtes, mis on tingitud töötlemis- või materjalivigadest. Garantii on piiratud remondi ja/või asendamise ja ei sisalda muid kohustusi, kuid mitte ainult, kaasneva või tuleneva kahju eest. Garantii ei kehti, kui toodet on väärkasutatud, kasutusjuhendis nimetatud otstarbele mittevastavalt kasutatud või toode on ebaõigesti ühendatud. See garantii ei rakendu järgmistel juhtudel:
 - tootel on mingi vigastus, mis on põhjustatud ebaõigest kasutamisest,
 - toodet on mingil viisil ümber ehitatud või muudetud,
 - toote algupärane tuvastusmarkeering (kaubamärk, seerianumber) on kahjustatud, ümber tehtud või eemaldatud,
 - tootel on mingi vigastus, mis on tingitud kasutusjuhendi mittejälgimisest,
 - toode ei ole CE-märgisega,
 - toodet on püüdnud parandada ebapädev spetsialist või seda on tehtud ilma Techtronic Industries volitusteta,
 - toode on ühendatud selleks mitteettenähtud elektritoitevõrguga (väär voolu tugevus, pinge või sagedus),
 - tootel on vigastus välismõjudest (keemilised või füüsilised mõjud või löögid),
 - toote varuosadel ilmneb tavapärane kulumine,
 - toodet on ebaõigesti kasutatud või üle koormatud,
 - tootel on kasutatud mitteettenähtud tarvikuid või osi,
 - toote karburaator pärast 6 kuu möödumist, toote karburaatori sätteid pärast 6 kuu möödumist,
 - ajamiga tööriista tarvikud, mis tarnitakse koos tööriistaga või on ostetud eraldi. See välistus hõlmab, kuid mitte ainult, kruvikeeraja otsakuid, puure, abrasiivlõikekettaid, lihvpaperit, lihvkettaid ja lõikekettaid, küljuhikut,
 - toote koosteosadel (osad ja tarvikud) ilmneb tavapärane kulumine järgmistel detailidel (kuid mitte ainult): süsinikharjad, puuripadrun, toitejuhe, lisakäepide, lihvplaat, tolmukott, tolmuaerastamistoru.
- Hooldamiseks tuleb toode saata või tuua mõnda RYOBI volitatud hoolduspunkti, mis on esitatud loendis iga riigi jaoks ja milles on hoolduspunkti aadressid. Mõnes riigis kohustub RYOBI edasimüüja saatma toote RYOBI hooldusasutusse. Kui toode saadetakse RYOBI hooldusasutusse, tuleb toode turvaliselt ära pakkida ilma, et sellesse jääks ohtlikku sisu, näiteks bensiin ja pakendile tuleb märkida saatja aadress ja rikke lühikirjeldus.
- Selle garantii alusel tehtud remont/asendus on tasuta. Sellega ei kaasne garantiiperioodi pikenedamine või uue garantiiperioodi algus. Asendatud osad ja tööriistad jäävad meie omandusse. Mõnes riigis tuleb saate- või postikulud tasuda saatja poolt.
- See garantii kehtib Euroopa Liidus, Šveitsis, Islandil, Norras, Liechtensteinis, Türgis ja Venemaal. Väljaspool neid riike võtke ühendust Ryobi volitatud edasimüüjaga, et teada saada teistsuguste garantiide kehtivus.

VOLITATUD HOOLDUSKESKUS

Oma volitatud hoolduskeskuse leiate veebisaidilt <http://www.ryobitools.eu/service-support/service-agents>.

HR JAMSTVO

U dodatku svih zakonskih prava koja proizlaze kao rezultat kupnje, ova proizvod pokriven je jamstvom kao što je utvrđeno u nastavku.

- Jamstveno razdoblje je 24 mjeseca za korisnike, a započinje na datum kupnje proizvoda. Ovaj datum treba biti dokumentiran računom ili nekim drugim dokazom o kupnji. Proizvod je dizajniran i namijenjen samo za korisnike i osobno korištenje. Stoga nema omogućenog jamstava u slučaju profesionalnog ili komercijalnog korištenja.
- U nekim slučajevima (primjerice promocije, paleta alata) postoji mogućnost produljenog jamstvenog razdoblja preko gore navedenog razdoblja korištenjem registracije na web mjestu www.ryobitools.eu. Sukladnost alata jesno je prikazana u trgovini i/ili na pakiranju. Krajnji korisnik treba registrirati svoje novo pribavljene alate na mreži unutar 8 dana od datuma kupnje. Krajnji korisnik može se registrirati za produljeno trajanje jamstva u svojoj zemlji stanovanja ako je navedena na mrežnom obrascu za registraciju gdje je ova opcija valjana. Nadalje, krajnji korisnici moraju dati svoje odobrenje za spremanje podatka koji su potrebni za unos na mreži i moraju prihvatiti uvjete i odredbe. Primitak potvrde o registraciji, koja se šalje e-poštom i originalni račun koji prikazuje datum kupnje služe kao dokaz produljenog jamstva. Vaša zakonska prava ostaju nepromijenjena.
- Jamstvo pokriva sve kvarove proizvoda tijekom jamstvenog razdoblja zbog pogreški u izradi ili materijalu na datum kupnje. Jamstvo je ograničeno na popravak i/ili zamjenu i ne uključuje nikakve druge obveze uključujući no ne ograničavajući se na slučajne ili posljedične štete. Jamstvo nije valjano ako je proizvod pogrešno korišten, korišten suprotno od korisničkog priručnika ili je nepravilno priključen. Ovo jamstvo se ne primjenjuje na:
 - svako oštećenje proizvoda koje je rezultat nepravilnog održavanja
 - svaki proizvod koji je izmijenjen ili modificiran
 - svaki proizvod gdje su originalne identifikacijske oznake (zaštitni znak, serijski broj) izbrisane, zamijenjene ili uklonjene
 - svako oštećenje uzrokovano nepridržavanjem korisničkog priručnika
 - svaki proizvod koji nije CE
 - svaki proizvod koji je pokušao popraviti ne kvalificirani profesionalac ili bez prethodnog odobrenja od strane Techtronic Industries
 - svaki proizvod priključen na nepravilno napajanje energijom (amperi, napon, frekvencija)
 - svako oštećenje uzrokovano vanjskim utjecajima (kemijsko, fiziko, udar) ili stranim stvarima
 - normalno trošenje i habanje rezervnih dijelova
 - nepravilno korištenje, preopterećenje alata
 - korištenje neodobrenog dodatnog pribora ili dijelova
 - rasplinjača nakon 6 mjeseci, podešavanje rasplinjača nakon 6 mjeseci
 - Dodatni pribor aku-alata koji je omogućen s alatom ili kupljen zasebno. Ovakva izuzeća uključuju no ne ograničavajući se na svrdla za odvijanje, svrdla za bušenje, brusne diskove, papir za brušenje i oštrice, poprečne vodilice
 - Komponente (dijelovi i dodatni pribor) koji su predmet prirodnog trošenja i habanja, uključujući no ne ograničavajući se na ugljične četke, glave, kabel za napajanje, pomoćnu ručku, ploču za brušenje, vrećicu za prašinu, cijev za izbacivanje prašine
- Za servisiranje, proizvod se mora poslati ili predati ovlaštenoj stanici za servis tvrtke RYOBI navedenoj za svaku zemlju u sljedećem popisu adresa stanica za servis. U nekim zemljama vaš lokalni RYOBI zastupnik obavezan je poslati proizvod u servisnu organizaciju tvrtke RYOBI. Prilikom slanja proizvoda u stanicu za servis tvrtke RYOBI, proizvod treba biti sigurno pakiran bez ikakvog opasnog sadržaja poput benzina, s označenom adresom pošiljatelja i pripadajućim kratkim opisom pogreške.
- Popravak/zamjena pod ovim jamstvom se ne naplaćuje. Ne produljuje zakonsko ili ne započinje novo jamstveno razdoblje. Zamijenjeni dijelovi ili alati postaju naše vlasništvo. U nekim zemljama pošiljatelj plaća poštarinu.
- Ovo jamstvo je valjano u Europskoj zajednici, Švicarskoj, Islandu, Norveškoj, Lihtenštajnu, Turskoj i Rusiji. Izvan ovih područja molimo vas da kontaktirate vašeg ovlaštenog zastupnika tvrtke RYOBI kako biste odredili ako se primjenjuje druga jamstva.

OVLAŠTENI SERVISNI CENTAR

Za pronalaženje ovlaštenog servisnog centra pored vas posjetite <http://www.ryobitools.eu/service-support/service-agents>.

SL GARANCIJA

Poleg kakršnih koli zakonskih pravic, ki jih pridobite z nakupom, za ta izdelek velja tudi garancija, kot je opisano spodaj.

1. Garancijsko obdobje je 24 mesecev za potrošnike in se začne z datumom nakupa. Ta datum mora biti dokumentiran z računom ali drugim dokazilom o nakupu. Izdelek je namenjen in posvečen le potrošniški in zasebni uporabi. Zato garancija ne velja za profesionalno ali komercialno uporabo.
2. V nekaterih primerih (npr. promocija, obseg orodij) obstaja možnost podaljšanja garancijskega obdobja prek zgoraj opisanega obdobja, kar je mogoče storiti z registracijo na spletnem mestu www.ryobitools.eu. Namen orodja je jasno označen v trgovinah in/ali na embalaži. Končni uporabnik mora svoje novo orodje registrirati prek spleta v 8 dneh od datuma nakupa. Končni uporabnik se lahko registrira za podaljšano garancijo v svoji državi, kjer ima stalno prebivališče, če je država vključena na seznam v obrazcu za registracijo, kjer je ta možnost veljavna. Poleg tega mora končni uporabnik odobriti shranjevanje podatkov, ki so potrebni za spletni vstop, in morajo sprejeti pogoje in določila. Potrđilo o registraciji, ki se pošlje po e-pošti, ter originalni račun, na katerem je naveden datum nakupa, veljata kot dokazilo o podaljšanju garanciji. Vaše zakonske pravice ostanejo nespremenjene.
3. Garancija krije vse okvare izdelka med garancijskim obdobjem zaradi napak v izdelavi ali materialu na datum nakupa. Garancija je omejena na popravilo/zamenjavo in ne vključuje drugih obveznosti, med drugim ne vključuje obveznosti zaradi nenamerne ali posledične škode. Garancija ni veljavna, če je bil izdelek zloračljen, uporabljen v nasprotju z navodili za uporabo ali nepravilno priključen. Garancija ne velja:
 - za kakršno koli poškodbo izdelka, ki je posledica neprimerne vzdrževanja,
 - če je bil izdelek spremenjen ali modificiran,
 - če so originalne identifikacijske oznake (blagovna znamka, serijska številka) na izdelku poškodovane, spremenjene ali odstranjene,
 - če je do poškodbe prišlo zaradi neupoštevanja navodil za uporabo,
 - za katere koli izdelke, ki niso skladni z oznako CE,
 - če je izdelek poskusil opraviti neusposobljen strokovnjak ali brez predhodne odobritve družbe Techtronic Industries,
 - če je bil izdelek priključen na neustrezno električno omrežje (jakost, napetost, frekvenca),
 - če je do poškodbe prišlo zaradi zunanjih vplivov (kemični, fizični, udarci) ali tujih snovi,
 - za normalno obrabo nadomestnih delov,
 - neustrezne uporabe, preobremenitve orodja,
 - uporabe neodobrenih dodatkov ali delov,
 - za uplinjač po 6 mesecih, prilagoditve uplinjača po 6 mesecih,
 - za dodatke električnega orodja, priložene orodju ali na prodaj ločeno – takšne omejite med drugim vključujejo nastavke za vijačenje, vrtalne svedre, abrazivne diske, brusni papir in rezila, bočna vodila,
 - za sestavne dele (dele in dodatke), ki so podvrženi normalni obrabi, med drugim za karbonske krtačke, vpenjalno glavo, električni kabel, dodatni ročaj, brusno ploščo, vrečo za prah, cev za odvod prahu.
4. Za servisiranje je treba izdelek poslati ali prinesiti v pooblaščen servisni center RYOBI, ki je za vsako državo naveden na naslednjem seznamu z naslovi servisnih centrov. V nekaterih državah pošiljanje izdelka servisnemu centru RYOBI prevzame lokalni trgovec z izdelki RYOBI. Za pošiljanje servisnemu centru RYOBI mora biti izdelek varno zapakiran, brez kakršnih koli nevarnih snovi, npr. gorivo, označen z naslovom pošiljatelja, priložen pa mora biti kratek opis napake.
5. Popravilo/nadomestilo v sklopu te garancije je brezplačno. Ne pomeni podaljšanja ali novega začetka garancijskega obdobja. Zamenjani deli ali orodja postanejo naša last. V nekaterih državah mora stroške pošiljanja ali dostave poravnati pošiljatelj.
6. Ta garancija je veljavna v Evropski skupnosti, Švici, na Islandiji, Norveškem, v Lichtenšteinu, Turčiji in Rusiji. Izven teh področij stopite v stik s pooblaščenim trgovcem RYOBI, da ugotovite, ali velja katera druga garancija.

POOBLAŠČEN SERVISNI CENTER

Pooblaščen servisni center blizu vas poiščite na <http://www.ryobitools.eu/service-support/service-agents>.

SK ZÁRUKA

Okrem zákonných práv vyplývajúcich zo zakúpenia je tento produkt pokrytý zárukou, ako je uvedená nižšie.

1. Záručná doba pre spotrebiteľov je 24 mesiacov a začína dňom zakúpenia produktu. Tento dátum musí byť zdokumentovaný faktúrou alebo iným dokladom o kúpe. Tento produkt je navrhnutý a určený len na spotrebné a osobné použitie. Takže v prípade profesionálneho alebo komerčného použitia neplatí žiadna záruka.
2. V niektorých prípadoch (napr. reklamná akcia, rad produktov) existuje možnosť predĺženia záručnej doby nad dobu uvedenú vyššie pomocou registrácie na webovej stránke www.ryobitools.eu. Spôsobilosť nástroja je zreteľne zobrazená v obchodoch a ha obale. Koncový používateľ si musí zaregistrovať svoje novonadobudnuté nástroje online do 8 dní od dňa zakúpenia. Koncový používateľ sa môže zaregistrovať za účelom získania predĺženej záruky vo svojej krajine, ak je uvedená v online registračnom formulári, kde je táto možnosť platná. Okrem toho musia koncoví používatelia poskytnúť súhlas k uloženiu údajov, ktoré sa zadávajú online a musia súhlasiť so zmluvnými podmienkami. Doklad s potvrdením o registrácii, ktorý posielame prostredníctvom e-mailu a originál faktúry s uvedeným dátumom zakúpenia slúžia ako dôkaz predĺženej záruky. Vaše zákonné práva ostávajú nedotknuté.
3. Táto záruka pokrýva všetky poruchy produktu počas záručnej doby, ktoré vznikli následkom nedostatkov vo vypracovaní alebo materiáli v deň zakúpenia. Táto záruka je obmedzená na opravu alebo výmenu a nezahŕňa ďalšie povinnosti, napríklad vedľajšie alebo následné škody. Táto záruka je neplatná, ak bol produkt požívaný nesprávne, používaný v rozpore s návodom na použitie alebo nesprávne pripojený. Táto záruka sa nevzťahuje na:
 - akékoľvek poškodenie produktu, ku ktorému došlo následkom nesprávnej údržby
 - akýkoľvek produkt, ktorý bol pozmenený alebo upravený
 - akýkoľvek produkt, na ktorom boli poškodené pozmenené alebo odstránené originálne identifikačné znaky (obchodná známka, sériové číslo)
 - akékoľvek poškodenie spôsobené následkom nedodržania návodu na použitie
 - akýkoľvek produkt iný ako CE
 - akýkoľvek produkt, o ktorého opravu sa pokúšal nekvalifikovaný odborník alebo v prípade opravy bez predchádzajúceho oprávnenia od spoločnosti Techtronic Industries
 - akýkoľvek produkt pripojený k nesprávnemu napájaciemu zdroju (prúd, napätie, frekvencia)
 - akékoľvek poškodenie spôsobené vonkajšími vplyvmi (chemické, fyzické, nárazy) alebo cudzími látkami
 - bežné opotrebenie náhradných dielov
 - nesprávne používanie a preťažovanie nástroja
 - používanie neschváleného príslušenstva alebo dielov
 - karburátor po 6 mesiacoch, úpravy karburátora po 6 mesiacoch
 - príslušenstvo pre elektrické nástroje dodané s nástrojom alebo zakúpené samostatne. Takého výnimky sa vzťahujú napríklad na hroty skrutkovačov, vrtáky, brúsne kotúče, brúsne papiere a ostria a bočné vedenie
 - komponenty (diely a príslušenstvo), ktoré podliehajú prirodzenému opotrebeniu, napríklad uhlíkové kefy, skľučovadlo, napájací kábel, pomocná rukoväť, leštiaca doska, vrečko na prach, rúrka na vyfukovanie prachu
4. Na servis sa musí produkt odoslať alebo predložiť autorizovanému servisnému centru RYOBI uvedenému pre každú krajinu v nasledujúcom zozname adries servisných staníc. V niektorých krajinách pošle produkt do servisnej organizácie RYOBI váš miestny predajca produktov RYOBI. Pri odosielaní produktu do servisnej stanice RYOBI musí byť produkt bezpečne zabalený bez akéhokoľvek nebezpečného obsahu, napríklad paliva, označený adresou odosielateľa a musí byť k nemu priložený krátky popis poruchy.
5. Oprava či výmena v rámci tejto záruky je bezplatná. Nevyplýva z nej predĺženie či nový začiatok záručnej doby. Vymenené diely alebo nástroje sa stávajú našim majetkom. V niektorých krajinách doručovací poplatok alebo poštovné platí odosielateľ.
6. Táto záruka je platná v Európskej únii, Švajčiarsku, na Islande, v Nórsku, Lichtenštajnsku, Turecku a Rusku. Mimo týchto oblastí kontaktujte autorizovaného predajcu spoločnosti Ryobi, u ktorého zistíte, či platí nejaká iná záruka.

AUTORIZOVANÉ SERVISNÉ CENTRUM

Ak chcete nájsť najbližšie autorizované servisné centrum, navštívte stránku <http://www.ryobitools.eu/service-support/service-agents>.

EL ΕΓΓΥΗΣΗ

Επιπροσθέτως τυχόν νομικών δικαιωμάτων που προκύπτουν από την αγορά, το προϊόν καλύπτεται από εγγύηση όπως αναφέρεται παρακάτω.

1. Η περίοδος εγγύησης είναι 24 μήνες για τους καταναλωτές και τίθεται σε ισχύ από την ημερομηνία αγοράς του προϊόντος. Η ημερομηνία αυτή πρέπει να τεκμηριώνεται από τιμολόγιο ή άλλη απόδειξη αγοράς. Το προϊόν είναι σχεδιασμένο μόνο για καταναλωτική και ιδιωτική χρήση. Η εγγύηση δεν ισχύει σε περίπτωση επαγγελματικής ή εμπορικής χρήσης.
2. Σε ορισμένες περιπτώσεις (δηλ. προώθηση, σειρά εργαλείων) υπάρχει η δυνατότητα παράτασης της περιόδου εγγύησης πέραν της αναφερόμενης περιόδου παραπάνω, μέσω εγγραφής στην ιστοσελίδα www.ryobitools.eu. Η δυνατότητα συμμετοχής του εκάστοτε εργαλείου δηλώνεται σαφώς στα καταστήματα και/ή τη συσκευασία του. Ο τελικός χρήστης πρέπει να εγγραφεί αναφέροντας τα στοιχεία του εργαλείου online εντός 8 ημερών από την ημερομηνία αγοράς. Ο τελικός χρήστης μπορεί να εγγραφεί για την παρατεταμένη εγγύηση στη χώρα κατοικίας του αν περιέχεται στην online φόρμα εγγραφής, όπου ισχύει αυτή η επιλογή. Επιπλέον, οι τελικοί χρήστες πρέπει να δώσουν τη συγκατάθεσή τους για την αποθήκευση των δεδομένων που συλλέγονται online και πρέπει να δεχτούν τους όρους και τις διατάξεις. Η απόδειξη επιβεβαίωσης εγγραφής, που αποστέλλεται μέσω e-mail και το πρωτότυπο τιμολόγιο που φέρει την ημερομηνία αγοράς, λειτουργούν ως αποδεικτικά στοιχεία για την παρατεταμένη περίοδο εγγύησης. Τα νομικά δικαιώματά σας δεν επηρεάζονται.
3. Η εγγύηση καλύπτει κάθε τυχόν ατέλεια του προϊόντος στη διάρκεια ισχύος της, εξαιτίας κατασκευαστικών ατελειών ή ατελειών του υλικού κατά την ημερομηνία αγοράς. Η εγγύηση περιορίζεται στην επισκευή και/ή αντικατάσταση και δεν περιλαμβάνει άλλες υποχρεώσεις, συμπεριλαμβανόμενες μεταξύ άλλων θετικές ή αποθετικές ζημιές. Η εγγύηση δεν ισχύει αν το προϊόν έχει χρησιμοποιηθεί με εσφαλμένο τρόπο, αντίθετα με τις οδηγίες του εγχειριδίου χρήσης ή έχει συνδεθεί εσφαλμένα. Η εγγύηση δεν ισχύει στα κάτωθι:
 - οποιαδήποτε βλάβη στο προϊόν ως συνέπεια εσφαλμένων συντήρησης
 - οποιαδήποτε τροποποίηση ή παραλλαγή του προϊόντος
 - προϊόντα η αρχική ταυτοποίηση των οποίων (σήμα κατατεθέν, σειριακός αριθμός) έχει αλλοιωθεί, αλλάξει ή αφαιρεθεί
 - οποιαδήποτε βλάβη προκαλείται από μη τήρηση των οδηγιών στο εγχειρίδιο λειτουργίας
 - οποιαδήποτε μη CE προϊόν
 - οποιαδήποτε προϊόν στο οποίο έχει γίνει απόπειρα επισκευής από μη ειδικευμένο επαγγελματία ή χωρίς προηγούμενη εξουσιοδότηση της Techtronic Industries
 - οποιαδήποτε προϊόν συνδεθεί σε ακατάλληλη παροχή ρεύματος (αμπέρ, τάση, συχνότητα)
 - οποιαδήποτε βλάβη προκληθεί από εξωτερικές επιρροές (χημικές, φυσικές, κραδασμούς) ή ξένες ουσίες
 - φυσική φθορά των ανταλλακτικών
 - ανάρμοστη χρήση, υπερφόρτωση του εργαλείου
 - χρήση μη εγκεκριμένων εξαρτημάτων ή ανταλλακτικών
 - καρμπρατέρ μετά από 6 μήνες, προσαρμογές καρμπρατέρ μετά από 6 μήνες
 - εξαρτήματα εργαλείου που παρέχονται με το εργαλείο ή αγοράστηκαν ξεχωριστά. Οι εξαιρέσεις αυτές περιλαμβάνουν μεταξύ άλλων εξαρτήματα κατασβιδιών, εξαρτήματα τρυπανιών, λειαντικούς δίσκους, γυαλόχαρτο και λεπίδες, πλεωρικό οδηγό
 - ενόητες (εξαρτήματα και ανταλλακτικά) που υπόκεινται σε φυσική φθορά, συμπεριλαμβανομένων μεταξύ άλλων ψηκτρών, σοκ, καλωδίων ρεύματος, βοηθητικών λαβών, πλακετών λείανσης, σακουλών σκόνης, σωλήνων εξάτμισης σκόνης
4. Για αιτήματα σέρβις, το προϊόν πρέπει να σταλεί ή παραδοθεί σε εξουσιοδοτημένο σταθμό σέρβις της RYOBI, όπως αναγράφονται για κάθε χώρα στην παρακάτω λίστα. Σε ορισμένες χώρες, ο τοπικός αντιπρόσωπος της RYOBI αναλαμβάνει την αποστολή του προϊόντος στον οργανισμό σέρβις RYOBI. Όταν στέλνετε ένα προϊόν σε σταθμό σέρβις της RYOBI, το προϊόν θα πρέπει να είναι συσκευασμένο με ασφάλεια, χωρίς επικίνδυνα περιεχόμενα όπως βενζίνη και με αναφορά της διεύθυνσης του αποστολέα, ενώ θα πρέπει να συνοδεύεται και από σύντομη περιγραφή του προβλήματος.
5. Επισκευές / αντικαταστάσεις στα πλαίσια της εγγύησης παρέχονται δωρεάν. Δεν παρέχεται παράταση ή επανεκκίνηση της περιόδου εγγύησης. Τα εξαρτήματα ή εργαλεία που αντικαθίστανται, περιέρχονται στην ιδιοκτησία μας. Σε ορισμένες χώρες, ισχύουν χρεώσεις παράδοσης ή ταχυδρομικά τέλη που καταβάλλονται από τον αποστολέα.
6. Η εγγύηση ισχύει στην Ευρωπαϊκή Κοινότητα, την Ελβετία, την Ισλανδία, τη Νορβηγία, το Λιχτενστάιν, την Τουρκία και τη Ρωσία. Εκτός αυτών των περιοχών, παρακαλούμε επικοινωνήστε με τον εξουσιοδοτημένο αντιπρόσωπο της RYOBI για να εξεκριβώσετε εάν ισχύουν άλλες εγγυήσεις.

ΕΞΟΥΣΙΟΔΟΤΗΜΕΝΟ ΚΕΝΤΡΟ ΣΕΡΒΙΣ

Για να εντοπίσετε ένα εξουσιοδοτημένο κέντρο σέρβις στην περιοχή σας, επισκεφτείτε τη σελίδα <http://www.ryobitools.eu/service-support/service-agents>.

TR GARANTİ

Bu satın alma işleminden doğan tüm yasal haklara ek olarak, bu ürün aşağıda açıklanan garanti kapsamındadır.

1. Garanti süresi tüketiciler için 24 aydır ve bu süre ürünün satın alınması ile başlar. Bu tarih fatura veya başka bir satın alım belgesi ile kanıtlanmalıdır. Ürün sadece tüketici ve bireysel kullanım için tasarlanmıştır ve sunulmuştur. Profesyonel veya ticari amaçlı kullanımlarda garanti verilmez.
2. Bazı durumlarda (örn. tanıtım, aletlerin düzenlenmesi), yukarıda belirtilen garanti süresi uzatılabilir. Bunun için www.ryobitools.eu İnternet sitesindeki kaydı yapmak gerekir. Aletin nitelikleri mağazalarda ve/veya ambalaj üzerinde açıkça belirtilmiştir. Son kullanıcı, aleti satın aldıktan sonra en geç 8 gün içinde aletin kaydını çevrim içi olarak yapmalıdır. Son kullanıcı, garanti uzatma seçeneğinin geçerli olduğu ülkelerden birindeyse kayıt yaptırarak bu firsattan yararlanabilir. Ayrıca, son kullanıcıyı çevrim içi giriş yapmak için gerekli olan verilerin saklanmasına izin vermeli, şartlar ve koşulları kabul etmelidir. E-posta ile gönderilen kayıt onay belgesi ve satın alım tarihini belgeleyen orijinal fatura garantinin uzatılmasını sağlamak için kanıt niteliği taşımaktadır. Yasal haklarınız aynı kalacaktır.
3. Garanti, ürünün satın alım tarihindeki tüm işçilik ve malzeme kusurlarından kaynaklanan tüm sorunları garanti süresi içinde kapsamaktadır. Garanti onarım ve/veya değişim ile sınırlıdır ve sadece istenmeyen arızalar, vb. durumlarda herhangi bir sorumluluk kabul edilmez. Ürünün yanlış kullanılması, kullanım kılavuzuna uygun kullanılmaması veya yanlış bağlantı kurulması durumunda garanti geçerliliğini yitirir. Garanti kapsamı dışındaki durumlar:
 - bakımın yanlış yapılmasından kaynaklanan tüm hasarlar
 - ürünün değiştirilmesi veya düzenlenmesi
 - ürünün orijinal teşhis (ticari sembol, seri numarası) işaretlerinin tahrip olması, değiştirilmesi veya çıkarılması
 - kullanım kılavuzunun dikkate alınmaması nedeniyle oluşan tüm hasarlar
 - ürünün AB ürünü olmaması
 - ürünün kalifiye olmayan bir kişi tarafından veya Techtronic Industries'in izni olmadan onarılmaya çalışılması
 - ürünün yanlış güç desteğine (amper, voltaj, frekans) bağlanması
 - dış etkenler (kimyasal, fiziksel, darbeler) veya yabancı cisimlerden kaynaklanan arızalar
 - yedek parçaların normal aşınması ve yıpranması
 - yanlış kullanım, aletin fazla yüklenmesi
 - onaylanmayan aksesuarların veya parçaların kullanılması
 - karbüratörlü sistemlerde karbüratör ayarlarının 6 ayın ardından yapılması
 - elektronik alet aksesuarlarının alet ile birlikte veya ayrı olarak satın alınması. Akülü vidalama uçları, matkap uçları, aşındırıcı diskler, zımpara kağıdı ve bıçakları, yatay kılavuz gibi parçaların dahil olduğu, ancak bu parçalarla sınırlı olmayan istisnalar
 - karbon fırçalar, kovan, elektrik kablo, yardımcı kol, kumlama plakası, toz torbası, toz egzoz borusu gibi parçaların bulunduğu, ancak bu parçalarla sınırlı olmayan doğal aşınma ve yıpranmaya maruz kalan bileşenler
4. Tamir işlemi için ürünün, her ülke için listelenmiş olan aşağıdaki servis istasyonunu adreslerinde bulunan bir RYOBI yetkili servis istasyonuna gönderilmesi veya verilmesi gerekir. Bazı ülkelerde yerel RYOBI satıcınız ürünün RYOBI servis istasyonuna gönderme işlemini üstlenir. RYOBI servis istasyonuna gönderilen ürün; içinde petrol gibi tehlikeli maddeler olmadan emniyetli bir şekilde paketlenmeli, gönderenin adresini ve sorunun kısa bir açıklamasını içermelidir.
5. Bu garanti kapsamında gerçekleşen bir onarım/değişim ücretsizdir. Bu tarz işlemler garanti süresini uzatmaz veya yeniden başlatmaz. Değiştirilen parçalar veya aletler firmamıza ait olur. Bazı ülkelerde teslimat masrafları veya posta ücreti gönderici tarafından ödenmelidir.
6. Bu garanti Avrupa Birliği, İsviçre, İzlanda, Norveç, Lihtenştayn, Türkiye ve Rusya'da geçerlidir. Bu bölgelerin dışında yer alan müşterilerin diğer garanti seçenekleri için yetkili RYOBI satıcısına danışmaları gerekir.

YETKİLİ SERVİS MERKEZİ

En yakın yetkili servis merkezini öğrenmek için <http://www.ryobitools.eu/service-support/service-agents> sitesine girin.

EN EC DECLARATION OF CONFORMITY

Techtronic Industries GmbH
Max-Eyth-Straße 10, 71364 Winnenden, Germany

Herewith we declare that the product

Table Mitre Saw
Brand: Ryobi
Model number: RTMS1800
Serial number range: 44424901000001 - 44424901999999

is in conformity with the following European Directives and harmonised standards

2006/42/EC, 2004/108/EC, 2011/65/EU
EN55014-1:2006+A1:2009+A2:2011; EN55014-2:1997+A1:2001+A2:2008;
EN61000-3-2:2006+A1:2009+A2:2009; EN61000-3-3:2008;
EN 61029-1:2009+A11:2010; EN 61029-2-11:2012+A11:2013

Notified body No. 2140 has carried out EC type approval, and the certificate No. is 4812015.14001.

Andrew John Eyre (BEng, CEng, MIET)
Vice President, Regulatory & Safety
Winnenden, Mar. 18, 2014

Authorised to compile the technical file:

Alexander Krug, Managing Director
Techtronic Industries GmbH
Max-Eyth-Straße 10, 71364 Winnenden, Germany

FR DÉCLARATION DE CONFORMITÉ EC

Techtronic Industries GmbH
Max-Eyth-Straße 10, 71364 Winnenden, Germany

Déclarons par la présente que le produit

Scie à Onglets et Scie d'établi combinée
Marque: Ryobi
Numéro de modèle: RTMS1800
Étendue des numéros de série: 44424901000001 - 44424901999999

est conforme aux Directives Européennes et Normes Harmonisées suivantes

2006/42/EC, 2004/108/EC, 2011/65/EU
EN55014-1:2006+A1:2009+A2:2011; EN55014-2:1997+A1:2001+A2:2008;
EN61000-3-2:2006+A1:2009+A2:2009; EN61000-3-3:2008;
EN 61029-1:2009+A11:2010; EN 61029-2-11:2012+A11:2013

L'organisme notifié 2140 a validé la conformité EC, et le No de certificat est 4812015.14001.

Andrew John Eyre (BEng, CEng, MIET)
Vice-Président, Réglementation & Sécurité
Winnenden, Mar. 18, 2014

Autorisé à rédiger le dossier technique:

Alexander Krug, Directeur Général
Techtronic Industries GmbH
Max-Eyth-Straße 10, 71364 Winnenden, Germany

DE EC KONFORMITÄTSERKLÄRUNG

Techtronic Industries GmbH
Max-Eyth-Straße 10, 71364 Winnenden, Germany

Hiermit erklären wir, dass die Produkte

Kombinations-Gehrungs- und Tischsäge
Marke: Ryobi
Modellnummer: RTMS1800
Seriennummernbereich: 44424901000001 - 44424901999999

den folgenden europäischen Richtlinien und harmonisierten Normen entspricht

2006/42/EC, 2004/108/EC, 2011/65/EU
EN55014-1:2006+A1:2009+A2:2011; EN55014-2:1997+A1:2001+A2:2008;
EN61000-3-2:2006+A1:2009+A2:2009; EN61000-3-3:2008;
EN 61029-1:2009+A11:2010; EN 61029-2-11:2012+A11:2013

Benannte Stelle 2140 hat die EC Typen-Überprüfung durchgeführt und die Zertifikatnummer lautet 4812015.14001.

Andrew John Eyre (BEng, CEng, MIET)
Vizepräsident, Vorschriften und Sicherheit
Winnenden, Mar. 18, 2014

Autorisiert die technische Datei zu erstellen:

Alexander Krug, Geschäftsführer
Techtronic Industries GmbH
Max-Eyth-Straße 10, 71364 Winnenden, Germany

ES DECLARACIÓN EC DE CONFORMIDAD

Techtronic Industries GmbH
Max-Eyth-Straße 10, 71364 Winnenden, Germany

Por la presente declaramos que los productos

Sierra de banca e ingletadora combinada
Marca: Ryobi
Número de modelo: RTMS1800
Intervalo del número de serie: 44424901000001 - 44424901999999

se encuentra en conformidad con las siguientes Directivas Europeas y normas armonizadas

2006/42/EC, 2004/108/EC, 2011/65/EU
EN55014-1:2006+A1:2009+A2:2011; EN55014-2:1997+A1:2001+A2:2008;
EN61000-3-2:2006+A1:2009+A2:2009; EN61000-3-3:2008;
EN 61029-1:2009+A11:2010; EN 61029-2-11:2012+A11:2013

El organismo notificado 2140 ha llevado a cabo la homologación de tipo EC, y el n.º de certificado es 4812015.14001.

Andrew John Eyre (BEng, CEng, MIET)
Vicepresidente, Director General de Normativa y Seguridad
Winnenden, Mar. 18, 2014

Autorizado para elaborar la ficha técnica:

Alexander Krug, Administrador Ejecutivo
Techtronic Industries GmbH
Max-Eyth-Straße 10, 71364 Winnenden, Germany

IT DICHIARAZIONE DI CONFORMITÀ EC

Techtronic Industries GmbH
Max-Eyth-Straße 10, 71364 Winnenden, Germany

Si dichiara con la presente che il prodotto

Sega da banco e angolare combinata
Marca: Ryobi
Numero modello: RTMS1800
Gamma numero seriale: 44424901000001 - 44424901999999

è conforme alle seguenti Direttive Europee e ai seguenti standard armonizzati

2006/42/EC, 2004/108/EC, 2011/65/EU
EN55014-1:2006+A1:2009+A2:2011; EN55014-2:1997+A1:2001+A2:2008;
EN61000-3-2:2006+A1:2009+A2:2009; EN61000-3-3:2008;
EN 61029-1:2009+A11:2010; EN 61029-2-11:2012+A11:2013

Ente notificatore 2140 ha svolto i test di conformità EC e il N. del certificato è 4812015.14001.

Andrew John Eyre (BEng, CEng, MIET)
Vice-Presidente, Dipartimento Regolazioni & Sicurezza
Winnenden, Mar. 18, 2014

Autorizzato per compilare il file tecnico:

Alexander Krug, Direttore Amministrativo
Techtronic Industries GmbH
Max-Eyth-Straße 10, 71364 Winnenden, Germany

NL EC CONFORMITEITSVERKLARING

Techtronic Industries GmbH
Max-Eyth-Straße 10, 71364 Winnenden, Germany

Hierbij verklaren wij dat het product

Gecombineerde verstekbak- en werkbanksaag
Merk: Ryobi
Modelnummer: RTMS1800
Serienummerbereik: 44424901000001 - 44424901999999

is in overeenstemming met de volgende Europese Richtlijnen en geharmoniseerde normen

2006/42/EC, 2004/108/EC, 2011/65/EU
EN55014-1:2006+A1:2009+A2:2011; EN55014-2:1997+A1:2001+A2:2008;
EN61000-3-2:2006+A1:2009+A2:2009; EN61000-3-3:2008;
EN 61029-1:2009+A11:2010; EN 61029-2-11:2012+A11:2013

Aangemelde instantie 2140 heeft de EC-typegoedkeuring uitgevoerd en het certificaatnr. is. 4812015.14001.

Andrew John Eyre (BEng, CEng, MIET)
Vice-president, Regelgeving en Veiligheid
Winnenden, Mar. 18, 2014

Afgevaardigde voor het samenstellen van de technische fiche:

Alexander Krug, Directeur
Techtronic Industries GmbH
Max-Eyth-Straße 10, 71364 Winnenden, Germany

PT DECLARAÇÃO EC DE CONFORMIDADE

Techtronic Industries GmbH
Max-Eyth-Straße 10, 71364 Winnenden, Germany

Pelo presente declaramos que os produtos
Serra de banca e serra de esquadria combinada
Marca: Ryobi
Número do modelo: RTMS1800
Intervalo do número de série: 44424901000001 - 44424901999999

se encontra em conformidade com as seguintes Directivas Europeias e normas harmozizadas
2006/42/EC, 2004/108/EC, 2011/65/EU
EN55014-1-2:2006+A1:2009+A2:2011; EN55014-2:1997+A1:2001+A2:2008;
EN61000-3-2:2006+A1:2009+A2:2009; EN61000-3-3:2008;
EN 61029-1:2009+A11:2010; EN 61029-2-11:2012+A11:2013

Órgão notificado 2140 realizou a aprovação tipo EC, e o certificado é o N° 4812015.14001.

Andrew John Eyre (BEng, CEng, MIET)
Vice-Presidente, Regulação & Segurança
Winnenden, Mar. 18, 2014

Autorizado para compilar o ficheiro técnico:
Alexander Krug, Administrador Executivo
Techtronic Industries GmbH
Max-Eyth-Straße 10, 71364 Winnenden, Germany



FI EC-SÄÄNNÖSTEN NOUDATTAMINEN

Techtronic Industries GmbH
Max-Eyth-Straße 10, 71364 Winnenden, Germany

Ilmoitamme täten, että tuotteet
Yhdistetty viiste- ja konesaha
Tuotemerkki: Ryobi
Mallinumero: RTMS1800
Sarjanumeroalue: 44424901000001 - 44424901999999

noudattaa seuraavia EU-direktiivejä ja harmonoituja standardeja
2006/42/EC, 2004/108/EC, 2011/65/EU
EN55014-1:2006+A1:2009+A2:2011; EN55014-2:1997+A1:2001+A2:2008;
EN61000-3-2:2006+A1:2009+A2:2009; EN61000-3-3:2008;
EN 61029-1:2009+A11:2010; EN 61029-2-11:2012+A11:2013

Ilmoituksen saanut elin 2140 on suorittanut EC-tyyppisen hyväksynnän, ja todistuksen numero on 4812015.14001.

Andrew John Eyre (BEng, CEng, MIET)
Varatoimitusjohtaja, Säädöstenmukaisuus ja Turvallisuus
Winnenden, Mar. 18, 2014

Valtuutettu kokoamaan tekninen tiedosto:
Alexander Krug, Toimitusjohtaja
Techtronic Industries GmbH
Max-Eyth-Straße 10, 71364 Winnenden, Germany



DA EC OVERENSSTEMMELSESERKLÆRING

Techtronic Industries GmbH
Max-Eyth-Straße 10, 71364 Winnenden, Germany

Vi erklærer hermed, at produktet
Kap- og geringssav
Brand: Ryobi
Modelnummer: RTMS1800
Serienummerområde: 44424901000001 - 44424901999999

er i overensstemmelse med følgende EU-direktiver og harmoniserede standarder
2006/42/EC, 2004/108/EC, 2011/65/EU
EN55014-1-2:2006+A1:2009+A2:2011; EN55014-2:1997+A1:2001+A2:2008;
EN61000-3-2:2006+A1:2009+A2:2009; EN61000-3-3:2008;
EN 61029-1:2009+A11:2010; EN 61029-2-11:2012+A11:2013

Bemyndiget organ 2140 har foretaget EC-typegodkendelse, og certifikatnummeret er 4812015.14001.

Andrew John Eyre (BEng, CEng, MIET)
Vicepræsident, Regler og Sikkerhed
Winnenden, Mar. 18, 2014

Bemyndiget til at udarbejde det tekniske kartotek:
Alexander Krug, Administrerende Direktør
Techtronic Industries GmbH
Max-Eyth-Straße 10, 71364 Winnenden, Germany



NO EC-SAMSVARERKLÆRING

Techtronic Industries GmbH
Max-Eyth-Straße 10, 71364 Winnenden, Germany

Herved erklærer vi at produktet
Kombinert gjærings- og benkesag
Merke: Ryobi
Modellnummer: RTMS1800
Serienummerserie: 44424901000001 - 44424901999999

er i samsvar med følgende europeiske direktiver og harmoniserte standarder
2006/42/EC, 2004/108/EC, 2011/65/EU
EN55014-1:2006+A1:2009+A2:2011; EN55014-2:1997+A1:2001+A2:2008;
EN61000-3-2:2006+A1:2009+A2:2009; EN61000-3-3:2008;
EN 61029-1:2009+A11:2010; EN 61029-2-11:2012+A11:2013

Teknisk kontrollorgan 2140 har gjennomført EC typegodkjenning, og sertifikatnummeret er 4812015.14001.

Andrew John Eyre (BEng, CEng, MIET)
Visepresident, Forskrifter og Sikkerhet
Winnenden, Mar. 18, 2014

Autorisert til å sette sammen den tekniske filen:
Alexander Krug, Administrerende Direktør
Techtronic Industries GmbH
Max-Eyth-Straße 10, 71364 Winnenden, Germany



SV EC-KONFORMITETSDEKLARATION

Techtronic Industries GmbH
Max-Eyth-Straße 10, 71364 Winnenden, Germany

Härmed deklarerar vi att produkterna
Kombinerad gering- och banksåg
Märke: Ryobi
Modellnummer: RTMS1800
Serienummerintervall: 44424901000001 - 44424901999999

är i enlighet med följande EU-direktiv och harmoniserade standarder
2006/42/EC, 2004/108/EC, 2011/65/EU
EN55014-1-2:2006+A1:2009+A2:2011; EN55014-2:1997+A1:2001+A2:2008;
EN61000-3-2:2006+A1:2009+A2:2009; EN61000-3-3:2008;
EN 61029-1:2009+A11:2010; EN 61029-2-11:2012+A11:2013

Anmält organ 2140 har utfört EC-typgodkännandet och certifikatnumret är 4812015.14001.

Andrew John Eyre (BEng, CEng, MIET)
Vice President, Regelverk och Säkerhet
Winnenden, Mar. 18, 2014

Godkänd att sammanställa den tekniska filen:
Alexander Krug, VD
Techtronic Industries GmbH
Max-Eyth-Straße 10, 71364 Winnenden, Germany



RU ЗАЯВЛЕНИЕ О СООТВЕТСТВИИ ТРЕБОВАНИЯМ ЕС

Techtronic Industries GmbH
Max-Eyth-Straße 10, 71364 Winnenden, Germany

Настоящим мы заявляем, что данный продукт
Торцово-усовочная пила и пильный станок, совмещенные в одном устройстве
Марка: Ryobi
Номер модели: RTMS1800
Диапазон заводских номеров: 44424901000001 - 44424901999999

соответствует требованиям следующих Директив ЕС и согласованных стандартов
2006/42/EC, 2004/108/EC, 2011/65/EU
EN55014-1:2006+A1:2009+A2:2011; EN55014-2:1997+A1:2001+A2:2008;
EN61000-3-2:2006+A1:2009+A2:2009; EN61000-3-3:2008;
EN 61029-1:2009+A11:2010; EN 61029-2-11:2012+A11:2013

Нотифицированная организация: 2140, выполнила утверждение типового образца по стандарту ЕС, номер сертификата 4812015.14001.

Andrew John Eyre (BEng, CEng, MIET)
Вице-Президент По Технике Безопасности И Стандартам
Winnenden, Mar. 18, 2014

Лицо, ответственное за подготовку технической документации:
Alexander Krug, Директор
Techtronic Industries GmbH
Max-Eyth-Straße 10, 71364 Winnenden, Germany



PL DEKLARACJA ZGODNOŚCI EC

Techtronic Industries GmbH
Max-Eyth-Straße 10, 71364 Winnenden, Germany

Niniejszym deklarujemy, że produkty

Piła stołowa/grzbietnica
Marka: Ryobi
Numer modelu: RTMS1800
Zakres numerów seryjnych: 44424901000001 - 44424901999999

jest zgodny z następującymi dyrektywami europejskimi i zharmonizowanymi normami
2006/42/EC, 2004/108/EC, 2011/65/EU
EN55014-1:2006+A1:2009+A2:2011; EN55014-2:1997+A1:2001+A2:2008;
EN61000-3-2:2006+A1:2009+A2:2009; EN61000-3-3:2008;
EN 61029-1:2009+A11:2010; EN 61029-2-11:2012+A11:2013

Jednostka notyfikowana 2140 potwierdziła zgodność z dyrektywami EC, nr certyfikat 4812015.14001.

Andrew John Eyre (BEng, CEng, MIET)
Wiceprezes ds. Zgodności Prawnej i Bezpieczeństwa
Winnenden, Mar. 18, 2014

CE

Osoba upoważniona do sporządzenia dokumentu technicznego:
Alexander Krug, Dyrektor Zarządzający
Techtronic Industries GmbH
Max-Eyth-Straße 10, 71364 Winnenden, Germany

RO DECLARAȚIE DE CONFORMITATE EC

Techtronic Industries GmbH
Max-Eyth-Straße 10, 71364 Winnenden, Germany

Prin prezenta, declarăm că produsele

Ferăstrău de masă pentru tăieri înclinate și ferăstrău mecanic
Marcă: Ryobi
Număr serie: RTMS1800
Gamă număr serie: 44424901000001 - 44424901999999

este în conformitate cu următoarele Directive Europene și standarde armonizate
2006/42/EC, 2004/108/EC, 2011/65/EU
EN55014-1:2006+A1:2009+A2:2011; EN55014-2:1997+A1:2001+A2:2008;
EN61000-3-2:2006+A1:2009+A2:2009; EN61000-3-3:2008;
EN 61029-1:2009+A11:2010; EN 61029-2-11:2012+A11:2013

Agenția notificată 2140 a efectuat o procedură de aprobare tip EC, iar nr. certificatului este 4812015.14001.

Andrew John Eyre (BEng, CEng, MIET)
Vicepreședinte, Reglementare & Siguranță
Winnenden, Mar. 18, 2014

CE

Autorizat să completeze fișa tehnică:
Alexander Krug, Director General
Techtronic Industries GmbH
Max-Eyth-Straße 10, 71364 Winnenden, Germany

CS PROHLÁŠENÍ O SHODĚ EC

Techtronic Industries GmbH
Max-Eyth-Straße 10, 71364 Winnenden, Germany

Tímto prohlašujeme, že výrobky

Kombinovaná pokosová a stolová píla
Značka: Ryobi
Číslo modelu: RTMS1800
Rozsah sériových čísel: 44424901000001 - 44424901999999

že tento výrobek je v souladu s evropskými a harmonizovanými standardy
2006/42/EC, 2004/108/EC, 2011/65/EU
EN55014-1:2006+A1:2009+A2:2011; EN55014-2:1997+A1:2001+A2:2008;
EN61000-3-2:2006+A1:2009+A2:2009; EN61000-3-3:2008;
EN 61029-1:2009+A11:2010; EN 61029-2-11:2012+A11:2013

Úředně oznámený orgán 2140 provedl typovou zkoušku EC a vystavil osvědčení č 4812015.14001.

Andrew John Eyre (BEng, CEng, MIET)
Viceprezident, Normy a Bezpečnost
Winnenden, Mar. 18, 2014

CE

Pověření ke kompilaci technického souboru:
Alexander Krug, Generální Ředitel
Techtronic Industries GmbH
Max-Eyth-Straße 10, 71364 Winnenden, Germany

LV EC ATBILSTĪBAS DEKLARĀCIJA

Techtronic Industries GmbH
Max-Eyth-Straße 10, 71364 Winnenden, Germany

Ar šo paziņojam, ka produkti

Kombinētais leņķzāģis un zāģgalds
Zīmols: Ryobi
Modeļa numurs: RTMS1800
Sērijas numura intervāls: 44424901000001 - 44424901999999

atbilst šādām Eiropas direktīvām un saskaņotajiem standartiem
2006/42/EC, 2004/108/EC, 2011/65/EU
EN55014-1:2006+A1:2009+A2:2011; EN55014-2:1997+A1:2001+A2:2008;
EN61000-3-2:2006+A1:2009+A2:2009; EN61000-3-3:2008;
EN 61029-1:2009+A11:2010; EN 61029-2-11:2012+A11:2013

Informētā iestāde 2140 ir veikusi EC tipa pārbaudi, un sertifikāta Nr. Ir 4812015.14001.

Andrew John Eyre (BEng, CEng, MIET)
Viceprezidents, Darba Drošības Noteikumi
Winnenden, Mar. 18, 2014

CE

Pilnvarots sastādīt tehnisko failu:
Alexander Krug, Izpilddirektors
Techtronic Industries GmbH
Max-Eyth-Straße 10, 71364 Winnenden, Germany

HU EC MEGFELELŐSÉGI NYILATKOZAT

Techtronic Industries GmbH
Max-Eyth-Straße 10, 71364 Winnenden, Germany

Ezúton kijelentjük, hogy a termékek

Kombinált gérvágó és asztali fűrész
Márka: Ryobi
Típuszám: RTMS1800
Sorozatszám tartomány: 44424901000001 - 44424901999999

megfelel az alábbi Európai Irányelvek és harmonizált szabványok vonatkozó rendelkezéseinek
2006/42/EC, 2004/108/EC, 2011/65/EU
EN55014-1:2006+A1:2009+A2:2011; EN55014-2:1997+A1:2001+A2:2008;
EN61000-3-2:2006+A1:2009+A2:2009; EN61000-3-3:2008;
EN 61029-1:2009+A11:2010; EN 61029-2-11:2012+A11:2013

Az EC típusjóváhagyási eljárást a 2140 alatti tanúsító testület végezte; a tanúsítvány száma 4812015.14001.

Andrew John Eyre (BEng, CEng, MIET)
Alelnök, Megfelelőségi és Biztonsági Területek
Winnenden, Mar. 18, 2014

CE

A műszaki dokumentáció összeállítására felhatalmazott:
Alexander Krug, Ügyvezető Igazgató
Techtronic Industries GmbH
Max-Eyth-Straße 10, 71364 Winnenden, Germany

LT EC ATITIKTIES PAREIŠKIMAS

Techtronic Industries GmbH
Max-Eyth-Straße 10, 71364 Winnenden, Germany

Mes pareiškiamo, kad šie produktai

Kombinuotasis nuožaminis ir stalinis pjūklas
Prekės ženklas: Ryobi
Modelio numeris: RTMS1800
Serijinio numerio diapazonas: 44424901000001 - 44424901999999

pagamintas laikantis toliau nurodytųjų Europos Direktyvų ir darniųjų standartų
2006/42/EC, 2004/108/EC, 2011/65/EU
EN55014-1:2006+A1:2009+A2:2011; EN55014-2:1997+A1:2001+A2:2008;
EN61000-3-2:2006+A1:2009+A2:2009; EN61000-3-3:2008;
EN 61029-1:2009+A11:2010; EN 61029-2-11:2012+A11:2013

Notifikuoti jį įstaiga 2140 atliko EC tipo patvirtinimą. Pažymėjimo numeris 4812015.14001.

Andrew John Eyre (BEng, CEng, MIET)
Kontrolės Ir Saugos Viceprezidentas
Winnenden, Mar. 18, 2014

CE

Igaliotas sudaryti techninį failą:
Alexander Krug, Generalinis Direktorius
Techtronic Industries GmbH
Max-Eyth-Straße 10, 71364 Winnenden, Germany

ET EC VASTAVUSDEKLARATSIOON

Techtronic Industries GmbH
Max-Eyth-Straße 10, 71364 Winnenden, Germany

Kinnitame, et see toode

Kombineeritud saag ja saepink
Mark: Ryobi
Mudeli number: RTMS1800
Seerianumbri vahemik: 44424901000001 - 44424901999999

vastab järgmistele Euroopa direktiividele ja harmoniseeritud standarditele

2006/42/EC, 2004/108/EC, 2011/65/EU
EN55014-1:2006+A1:2009+A2:2011; EN55014-2:1997+A1:2001+A2:2008;
EN61000-3-2:2006+A1:2009+A2:2009; EN61000-3-3:2008;
EN 61029-1:2009+A11:2010; EN 61029-2-11:2012+A11:2013

Tunnustatud asutus 2140 on läbi viinud EC tüübikinnitustoimingud ja välja andnud sertifikaadi nr 4812015.14001.

Andrew John Eyre (BEng, CEng, MIET)
Asepresident Standardiseerimise Ja Ohutuse Alal
Winnenden, Mar. 18, 2014

Tehnilise faili koostamiseks volitatud isik:

Alexander Krug, Tegevdirektor
Techtronic Industries GmbH
Max-Eyth-Straße 10, 71364 Winnenden, Germany

CE

SK PREHLÁSENIE O ZHODE EC

Techtronic Industries GmbH
Max-Eyth-Straße 10, 71364 Winnenden, Germany

Týmto vyhlasujeme, že výrobok

Kombinovaná zrezávačka a plošinová píla
Značka: Ryobi
Číslo modelu: RTMS1800
Rozsah sériových čísiel: 44424901000001 - 44424901999999

je v súlade s nasledujúcimi Európskymi smernicami a harmonizovanými normami

2006/42/EC, 2004/108/EC, 2011/65/EU
EN55014-1:2006+A1:2009+A2:2011; EN55014-2:1997+A1:2001+A2:2008;
EN61000-3-2:2006+A1:2009+A2:2009; EN61000-3-3:2008;
EN 61029-1:2009+A11:2010; EN 61029-2-11:2012+A11:2013

Upovedomený orgán 2140 previedol schválenie typu EC a certifikáciu č 4812015.14001.

Andrew John Eyre (BEng, CEng, MIET)
Viceprezident, Regulácia a Bezpečnosť
Winnenden, Mar. 18, 2014

Oprávnená osoba na zostavenie technického súboru:

Alexander Krug, Generálny Riaditeľ
Techtronic Industries GmbH
Max-Eyth-Straße 10, 71364 Winnenden, Germany

CE

HR EC IZJAVA O USKLAĐENOSTI

Techtronic Industries GmbH
Max-Eyth-Straße 10, 71364 Winnenden, Germany

Opvime izjavljujemo da su proizvodi

Kombinirana kutna i stolna pila
Marka: Ryobi
Broj modela: RTMS1800
Raspon serijskog broja: 44424901000001 - 44424901999999

usklađen sa sljedećim Europskim Direktivama i usklađenim normama

2006/42/EC, 2004/108/EC, 2011/65/EU
EN55014-1:2006+A1:2009+A2:2011; EN55014-2:1997+A1:2001+A2:2008;
EN61000-3-2:2006+A1:2009+A2:2009; EN61000-3-3:2008;
EN 61029-1:2009+A11:2010; EN 61029-2-11:2012+A11:2013

Nadzorno tijelo 2140 izdalo je odobrenje tipa EC i broj certifikata je 4812015.14001.

Andrew John Eyre (BEng, CEng, MIET)
Potpredsjednik za Pravila i Sigurnost
Winnenden, Mar. 18, 2014

Ovlašten da sastavi tehničku datoteku:

Alexander Krug, Direktor Upravljanja
Techtronic Industries GmbH
Max-Eyth-Straße 10, 71364 Winnenden, Germany

CE

EL ΕΚ ΔΗΛΩΣΗ ΣΥΜΜΟΡΦΩΣΗΣ

Techtronic Industries GmbH
Max-Eyth-Straße 10, 71364 Winnenden, Germany

Δια του παρόντος δηλώνουμε ότι το προϊόν

Επιτραπέζιο πριόνι για φαλτσωνιές
Μάρκα: Ryobi
Αριθμός μοντέλου: RTMS1800
Εύρος σειριακών αριθμών: 44424901000001 - 44424901999999

είναι σύμφωνο με τις παρακάτω Ευρωπαϊκές Οδηγίες και εναρμονισμένα πρότυπα

2006/42/EC, 2004/108/EC, 2011/65/EU
EN55014-1:2006+A1:2009+A2:2011; EN55014-2:1997+A1:2001+A2:2008;
EN61000-3-2:2006+A1:2009+A2:2009; EN61000-3-3:2008;
EN 61029-1:2009+A11:2010; EN 61029-2-11:2012+A11:2013

Αρ. Κοινοποιημένος Οργανισμός: 2140
Αρ. πιστοποιητικού: 4812015.14001

Andrew John Eyre (BEng, CEng, MIET)
Αντιπρόεδρος, Τμήμα Ρυθμίσεων & Ασφάλειας
Winnenden, Mar. 18, 2014

Εξουσιοδοτημένο άτομο για σύνταξη τεχνικού αρχείου:

Alexander Krug, Διευθύνων Σύμβουλος
Techtronic Industries GmbH
Max-Eyth-Straße 10, 71364 Winnenden, Germany

CE

SL IZJAVA EC O SKLADNOSTI

Techtronic Industries GmbH
Max-Eyth-Straße 10, 71364 Winnenden, Germany

Izjavljamo, da je izdelek

Kombinirana kotna in namizna žaga
Znamka: Ryobi
Številka modela: RTMS1800
Razpon serijskih števil: 44424901000001 - 44424901999999

v skladu s sledečimi evropskimi direktivami in harmoniziranimi standardi

2006/42/EC, 2004/108/EC, 2011/65/EU
EN55014-1:2006+A1:2009+A2:2011; EN55014-2:1997+A1:2001+A2:2008;
EN61000-3-2:2006+A1:2009+A2:2009; EN61000-3-3:2008;
EN 61029-1:2009+A11:2010; EN 61029-2-11:2012+A11:2013

Priglašeni organ 2140 je izvedel EC homologacijo, številka certifikata pa je 4812015.14001.

Andrew John Eyre (BEng, CEng, MIET)
Podpredsednik, Zakonodajne In Varnostne Zadeve
Winnenden, Mar. 18, 2014

Pooblaščen oseba za sestavo tehnične dokumentacije:

Alexander Krug, Izvršni Direktor
Techtronic Industries GmbH
Max-Eyth-Straße 10, 71364 Winnenden, Germany

CE

TR EC UYGUNLUK BEYANI

Techtronic Industries GmbH
Max-Eyth-Straße 10, 71364 Winnenden, Germany

Böylelikle beyan ederiz ki; ürün

Kombine Gönye ve Tepsi Testere
Marka: Ryobi
Model numarası: RTMS1800
Seri numarası aralığı: 44424901000001 - 44424901999999

aşağıdaki Avrupa Direktifleri ve uyumlaştırılmış standartlara uygundur

2006/42/EC, 2004/108/EC, 2011/65/EU
EN55014-1:2006+A1:2009+A2:2011; EN55014-2:1997+A1:2001+A2:2008;
EN61000-3-2:2006+A1:2009+A2:2009; EN61000-3-3:2008;
EN 61029-1:2009+A11:2010; EN 61029-2-11:2012+A11:2013

Onaylanmış kuruluş No: 2140
Sertifika No: 4812015.14001

Andrew John Eyre (BEng, CEng, MIET)
Başkan Vekili, Düzenleme ve Güvenlik
Winnenden, Mar. 18, 2014

Teknik dosya hazırlamaya yetkilidir:

Alexander Krug, Genel Müdür
Techtronic Industries GmbH
Max-Eyth-Straße 10, 71364 Winnenden, Germany

CE







