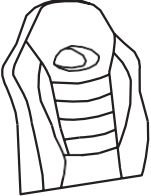



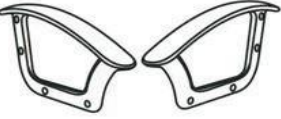






Instrukcja montażu fotela model Cobra Pro Junior:

<p>(1)X1</p> 	<p>(7)X5</p> 
<p>(2)X1</p> 	<p>(8)X4</p>  <p>6X18</p>
<p>(3)X1</p> 	<p>(9)X10</p>  <p>6X30</p>
<p>(4)X1</p> 	<p>(10)X1</p> 
<p>(5)X1</p> 	
<p>(6)X1</p> 