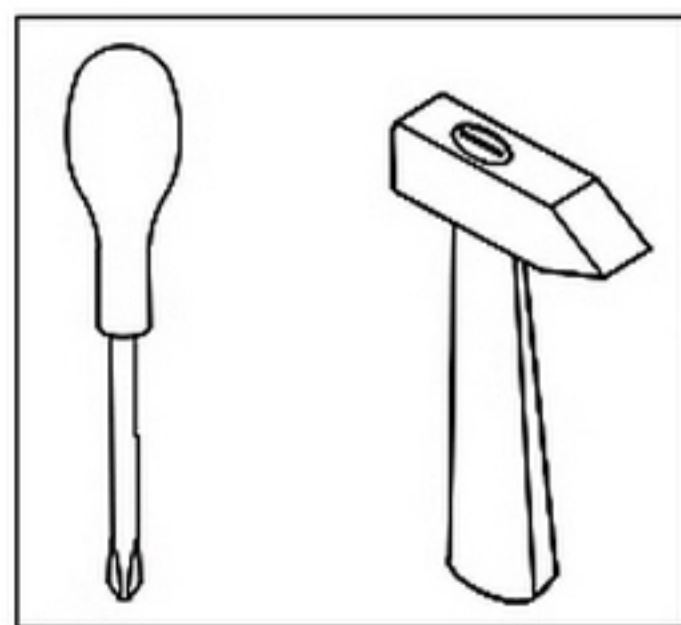
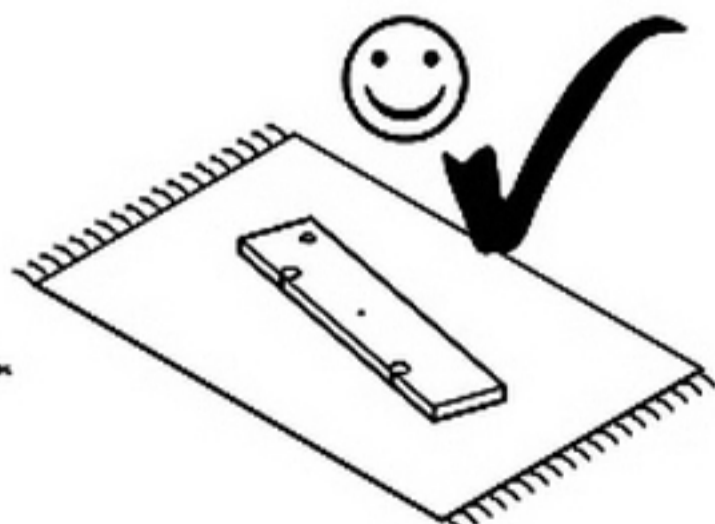
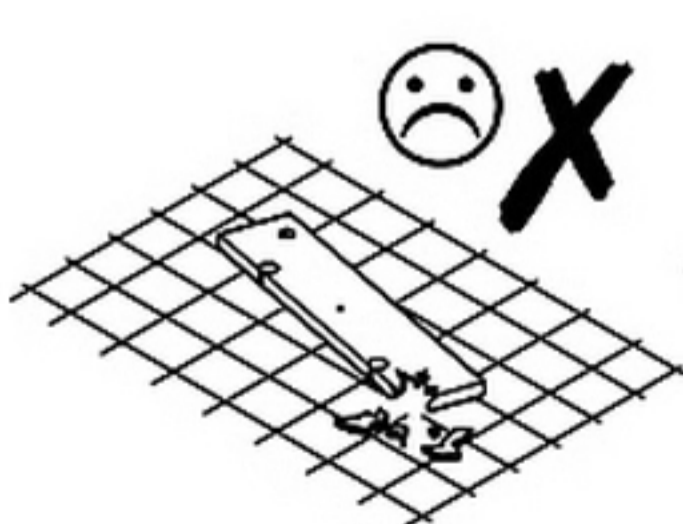
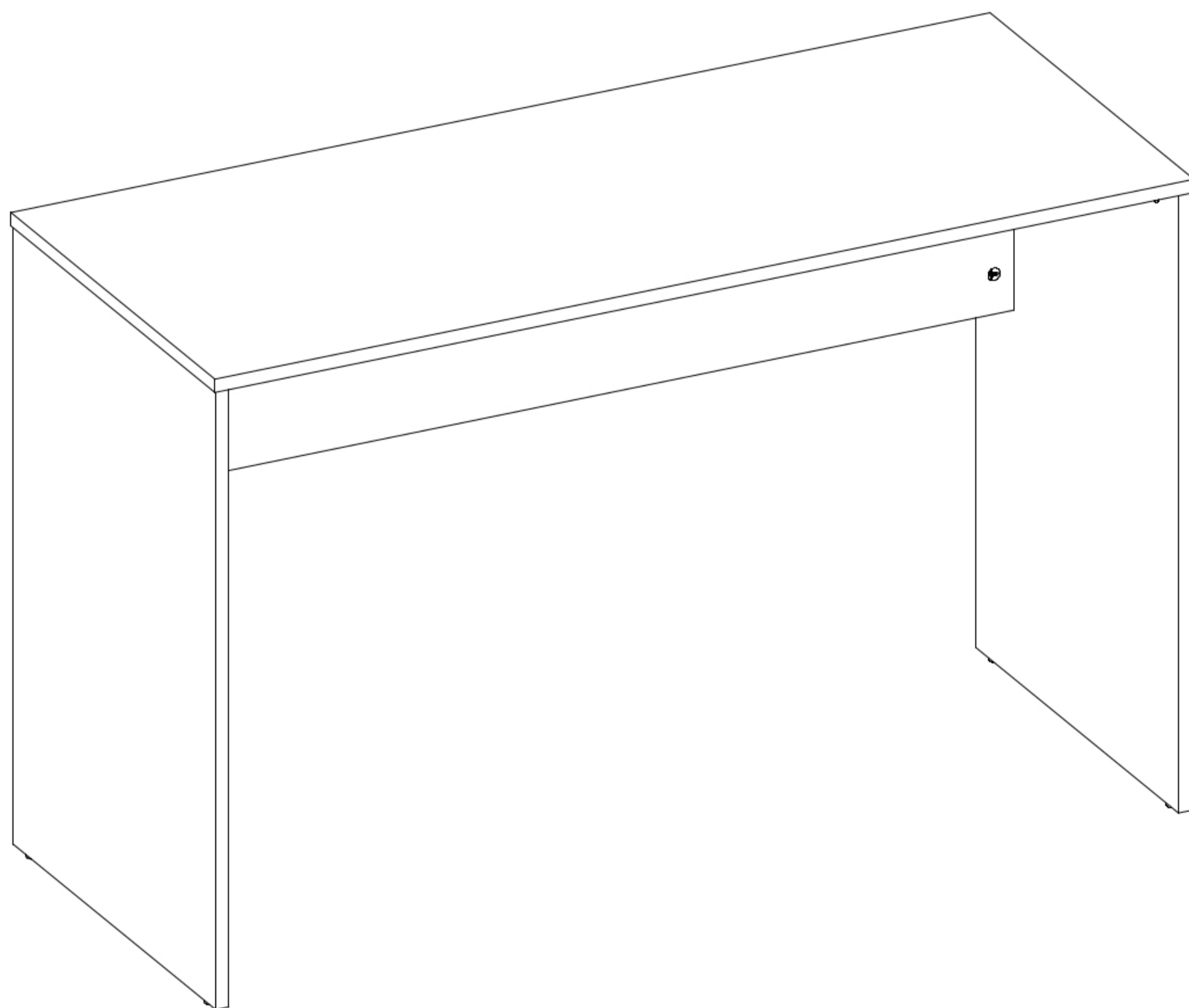
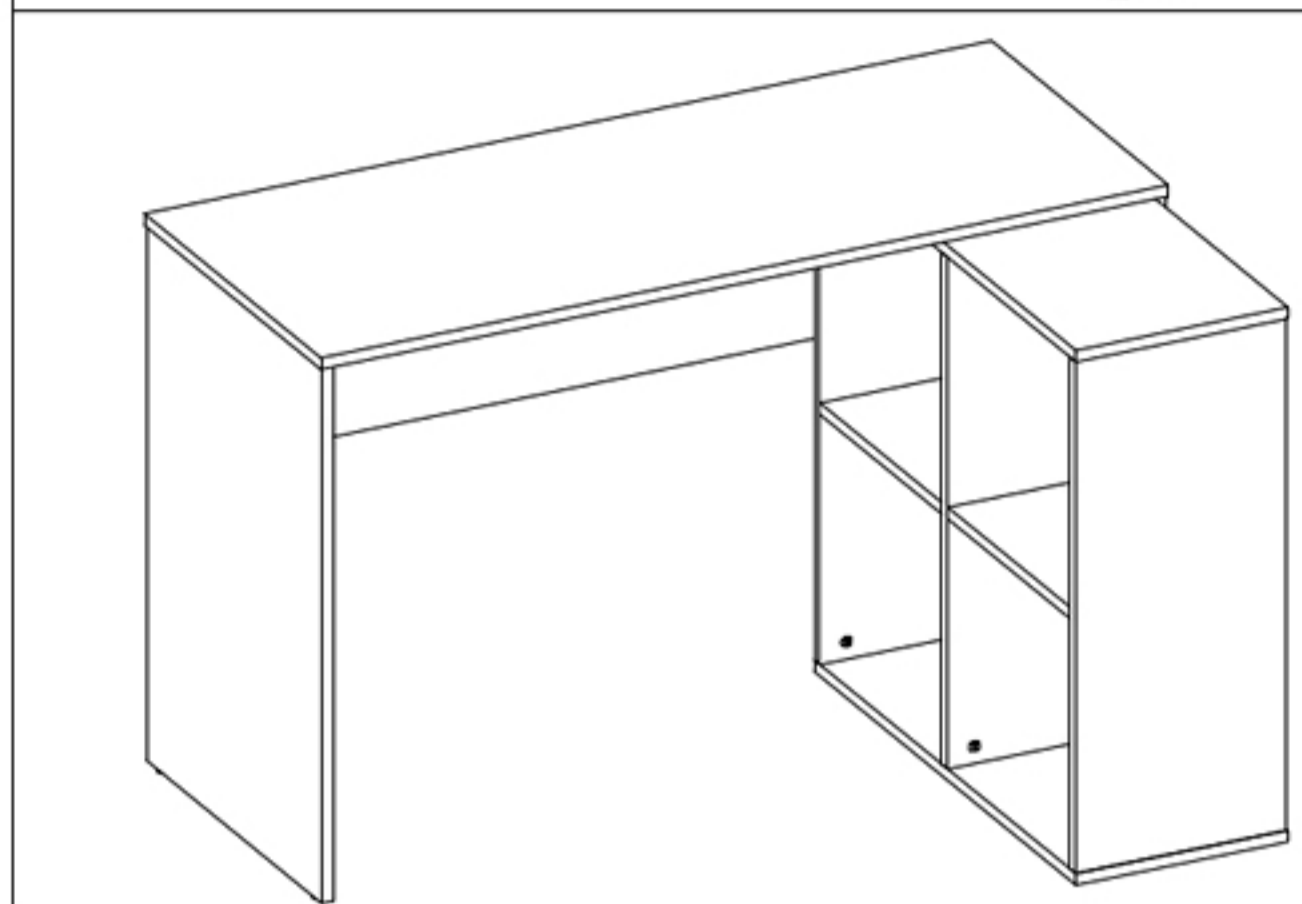
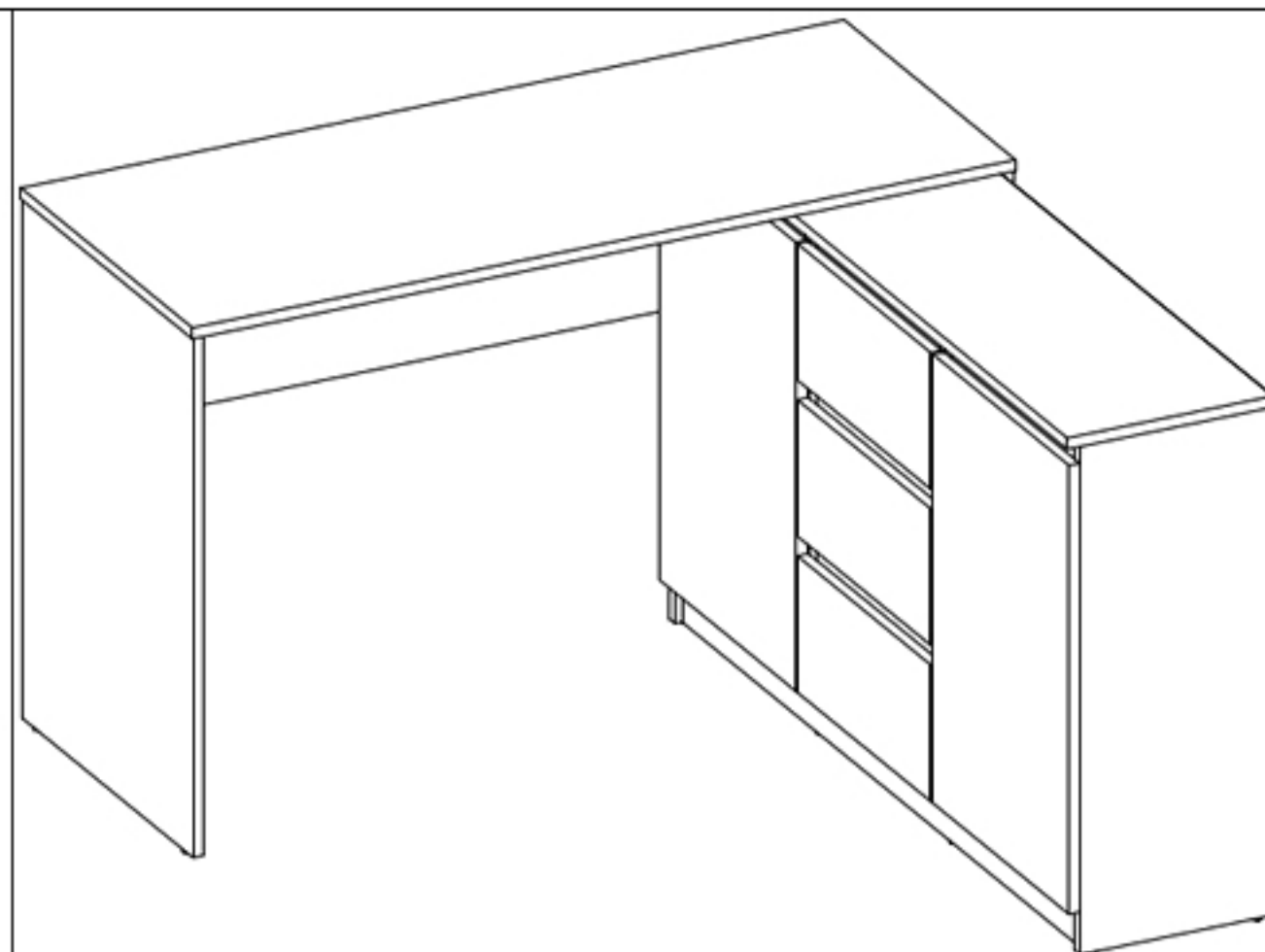


17/11/2021

PLUS



N2



L=35mm

x 8

E1



8x30mm

x 6

M3



12x15mm

x 8

M2



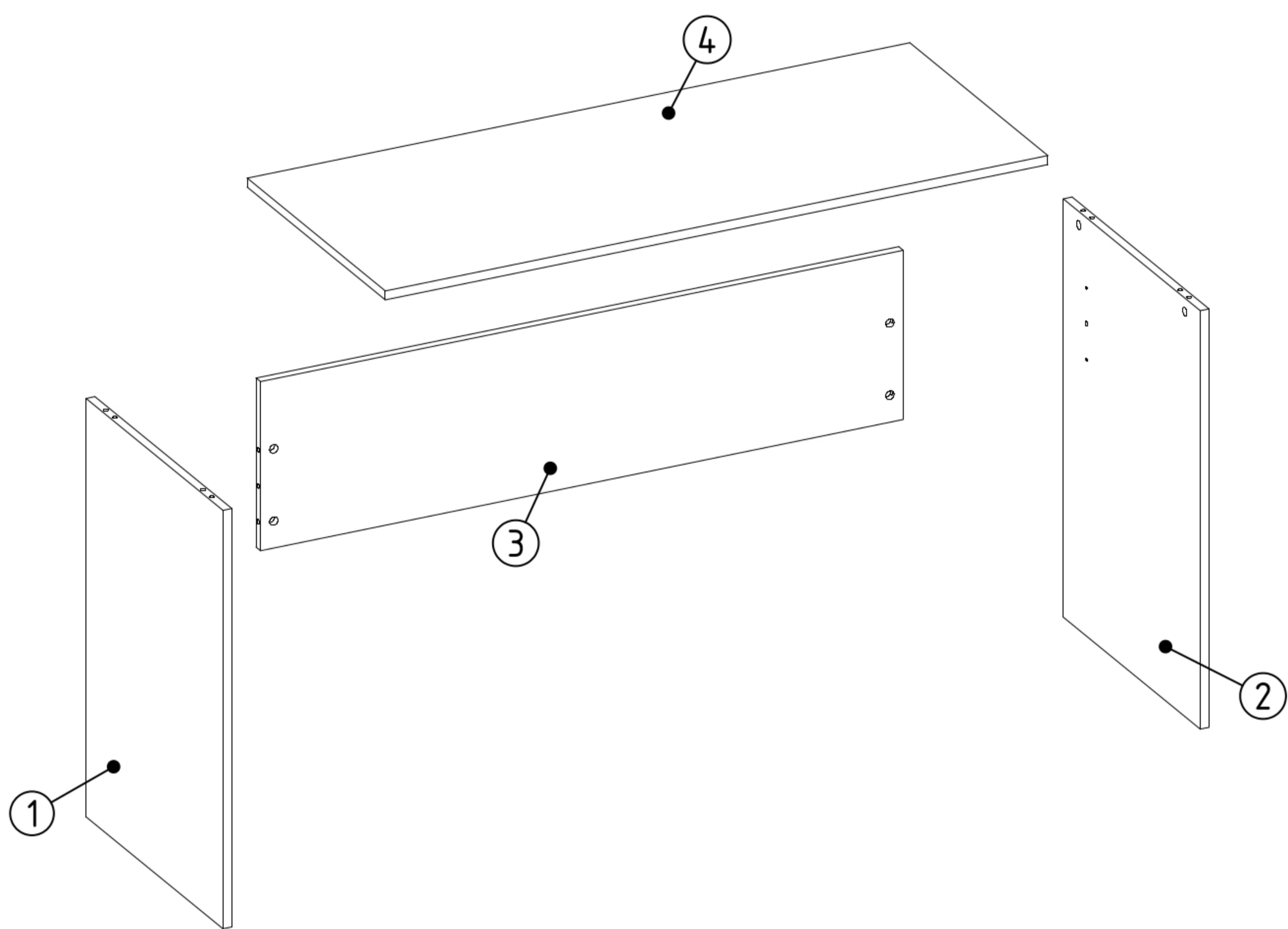
ø17mm

x 8


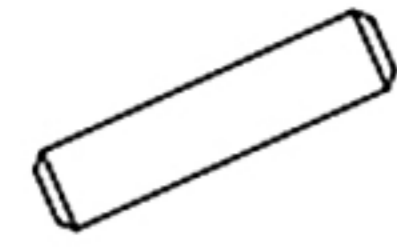
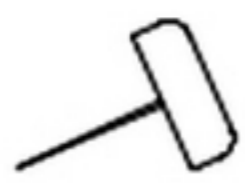

T1

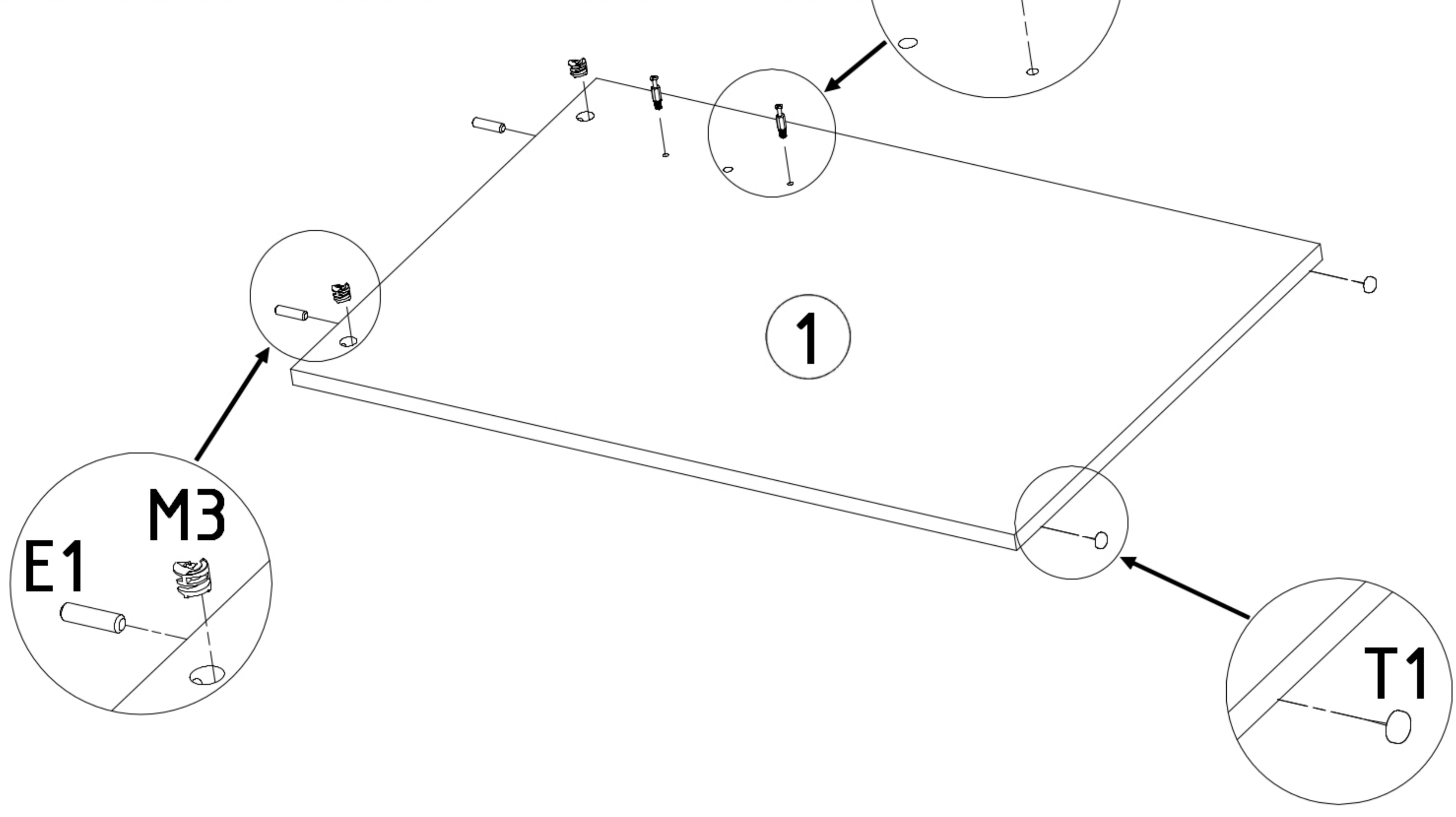






x 4

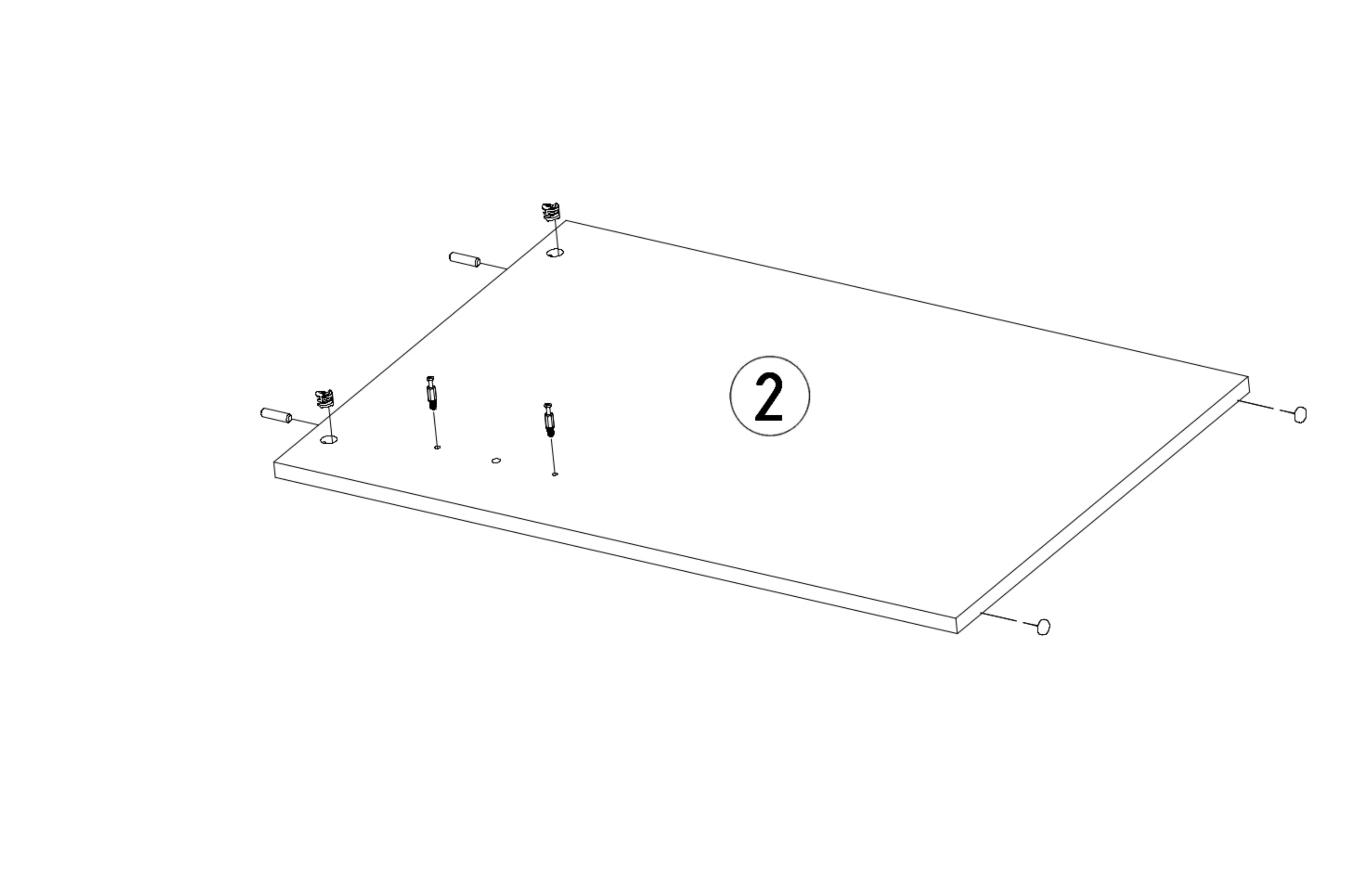




1	x	1
2	x	1
3	x	1
4	x	1

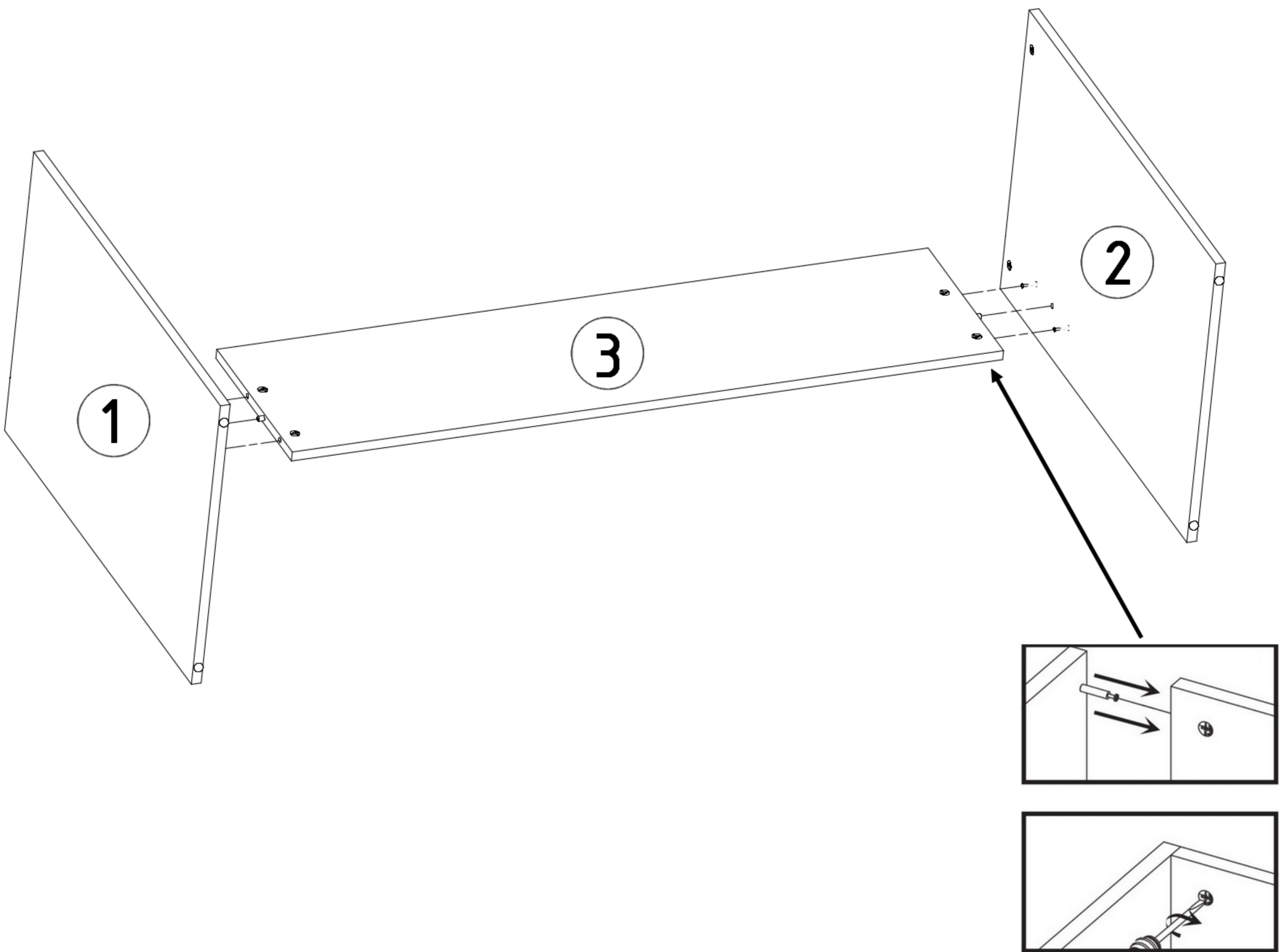
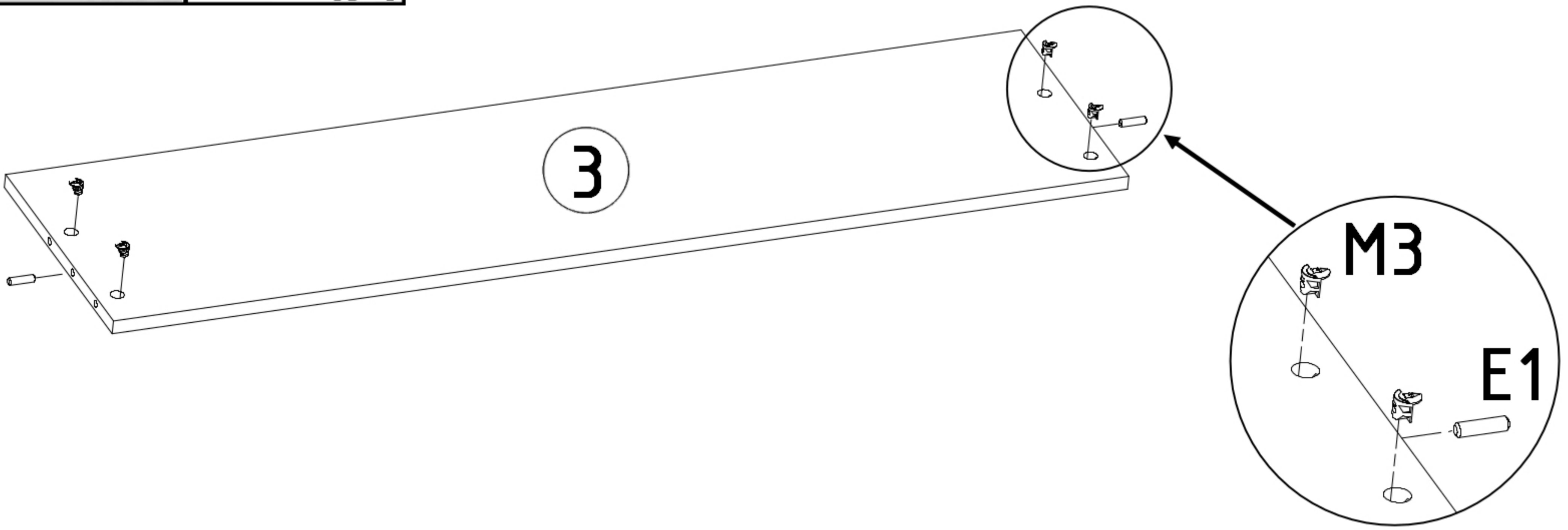
N2  x 2	E1  x 2	T1  x 2	M3  x 2
--	---	---	--



N2  x 2	E1  x 2	T1  x 2	M3  x 2
--	---	---	--



E1  x 2	M3  x 4
---	--

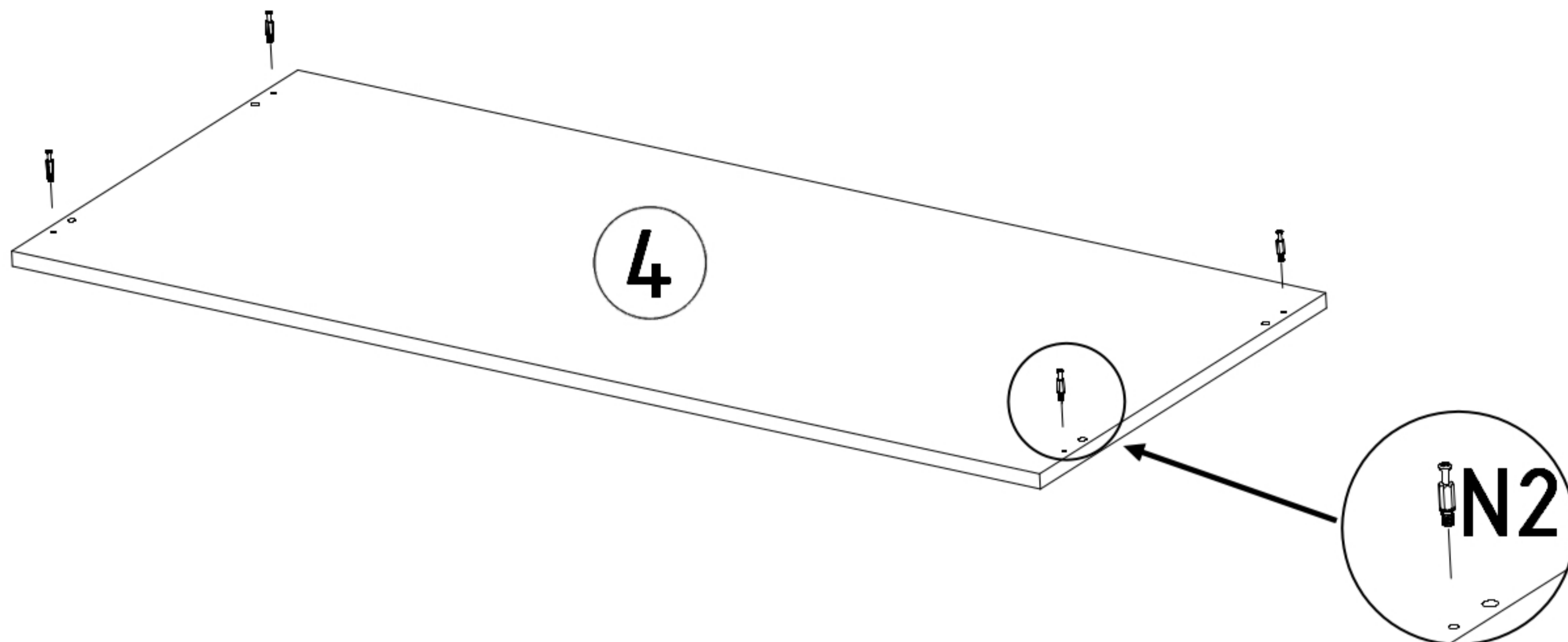


4

N2



x 4



M2

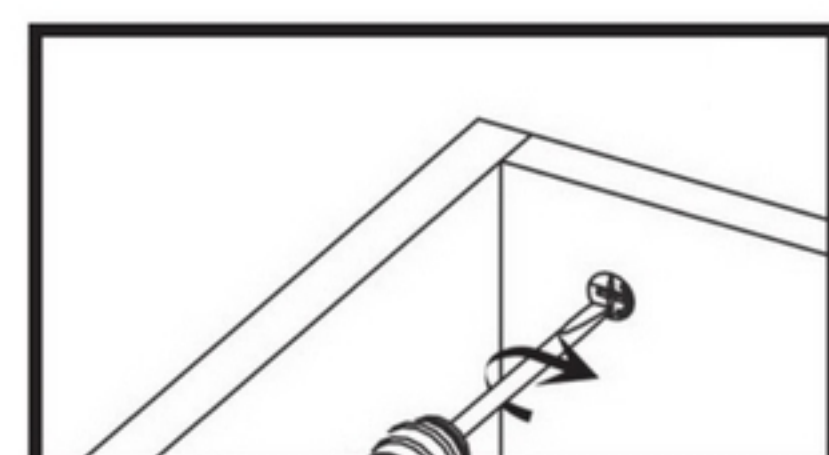
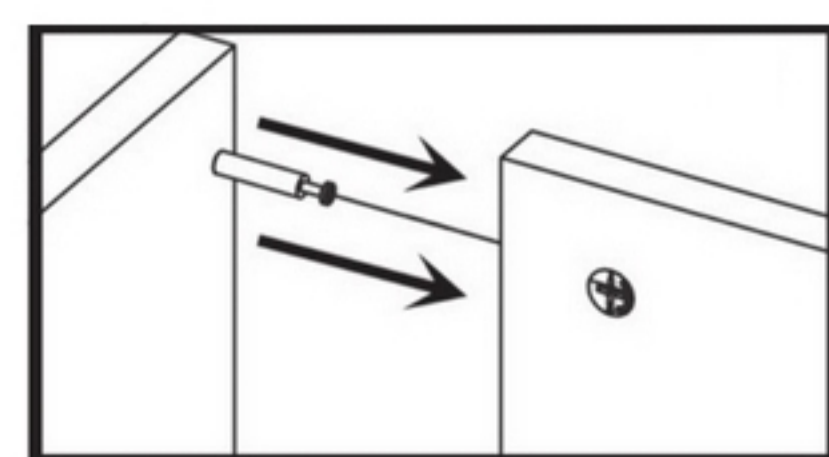
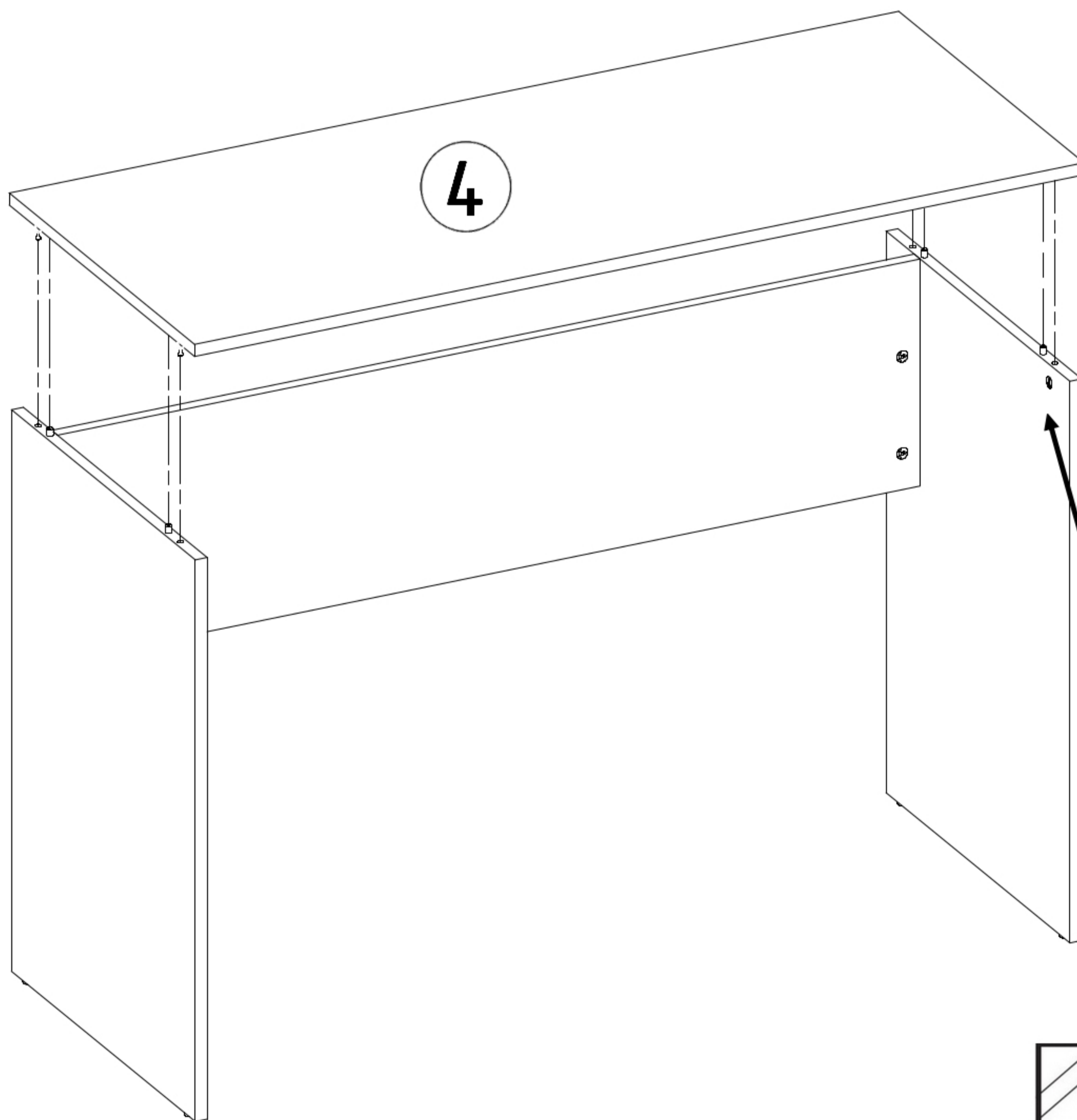


x 8

M3

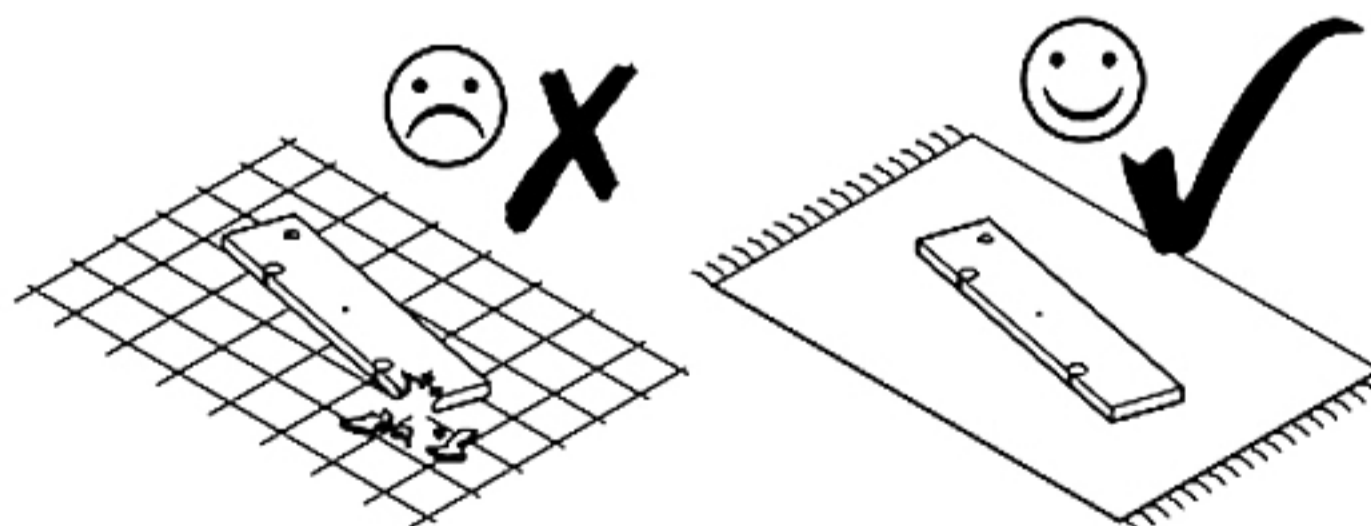
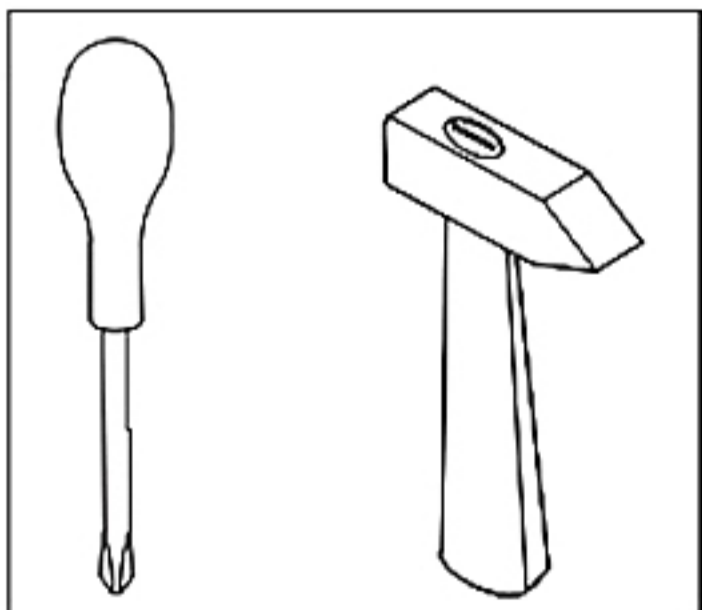
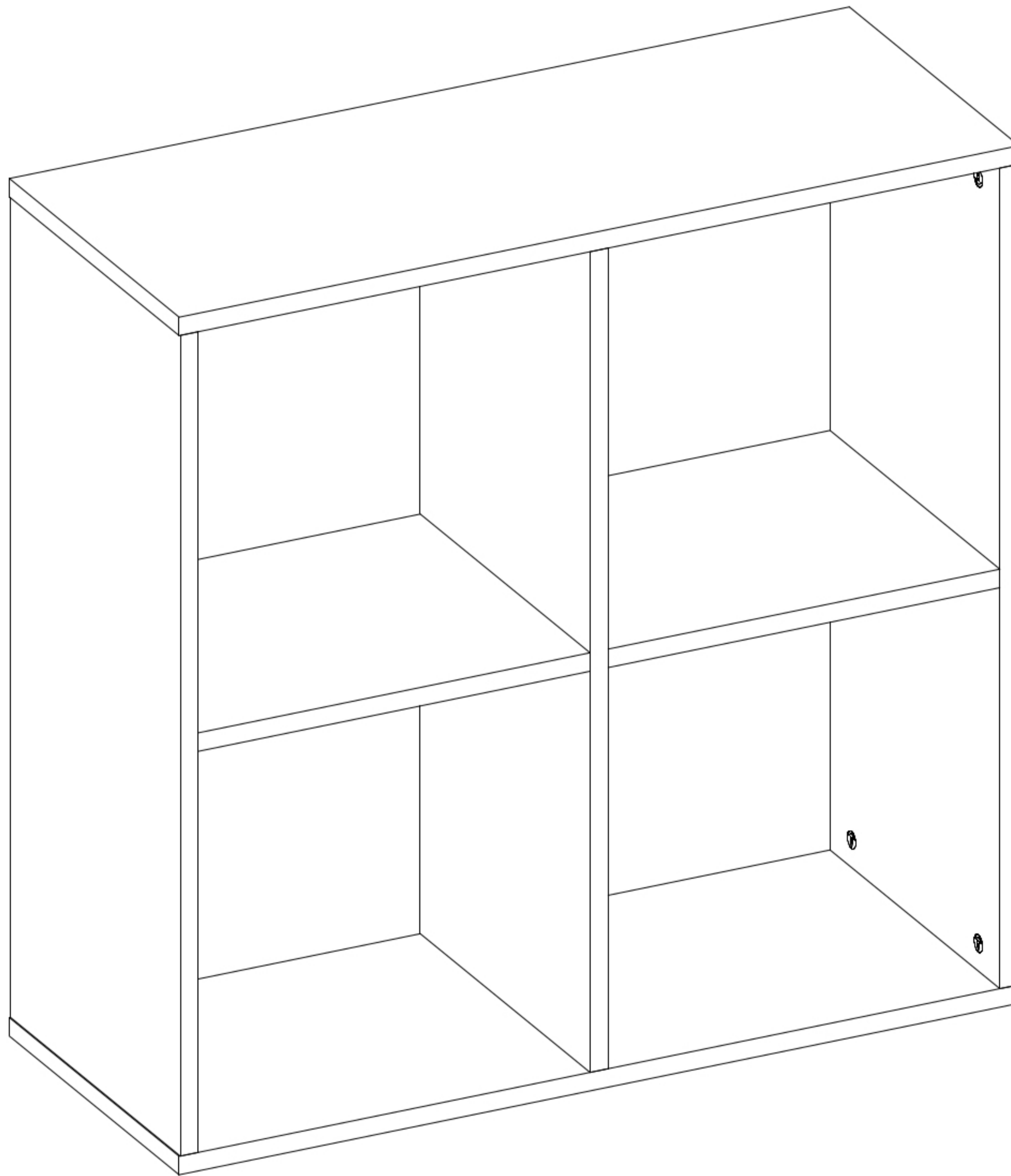


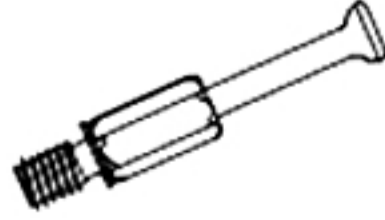

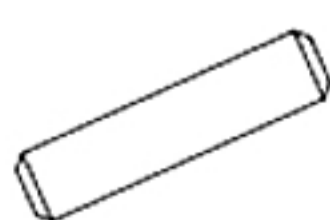
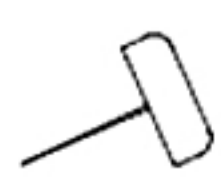



M2



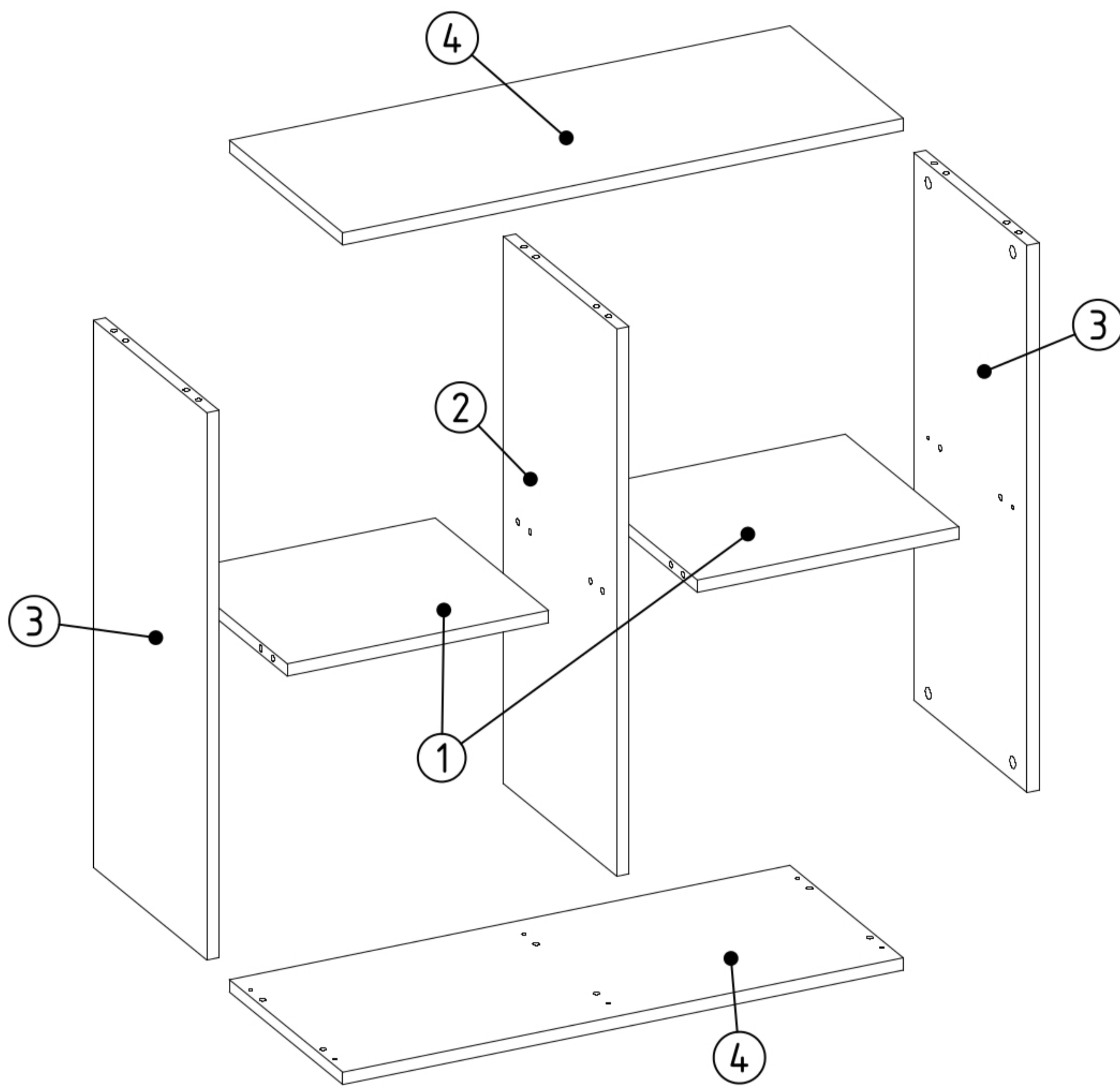
30.11.2020

MALAX 2x2


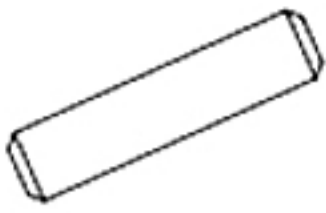


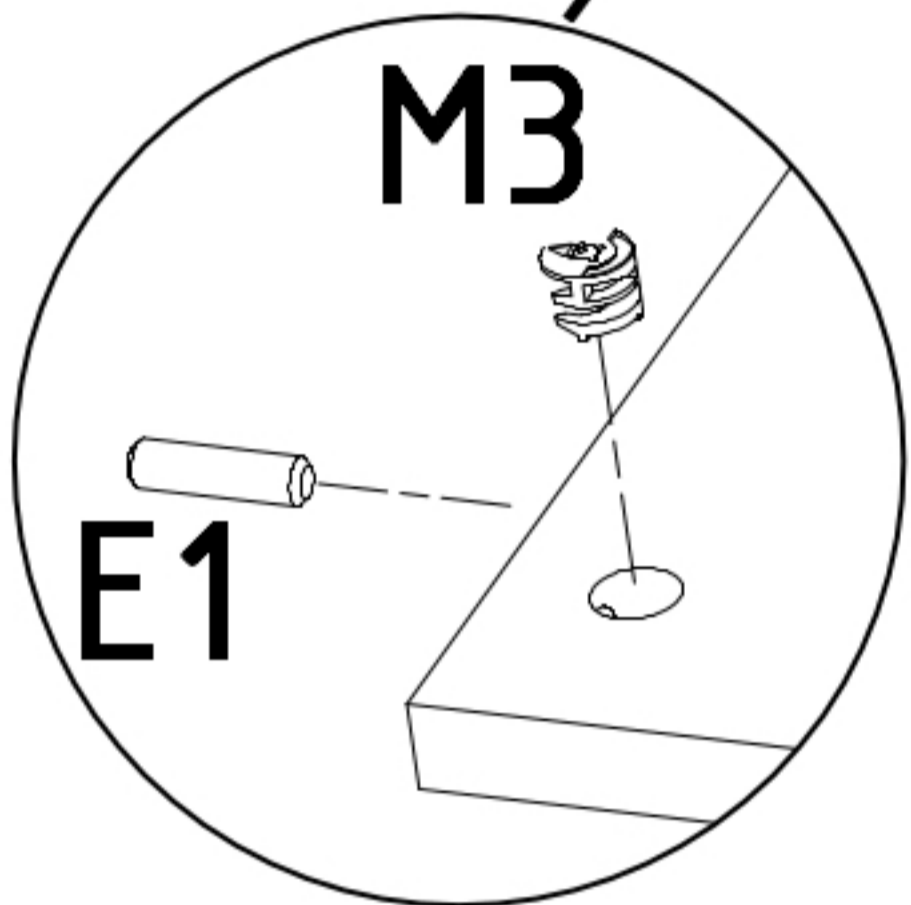
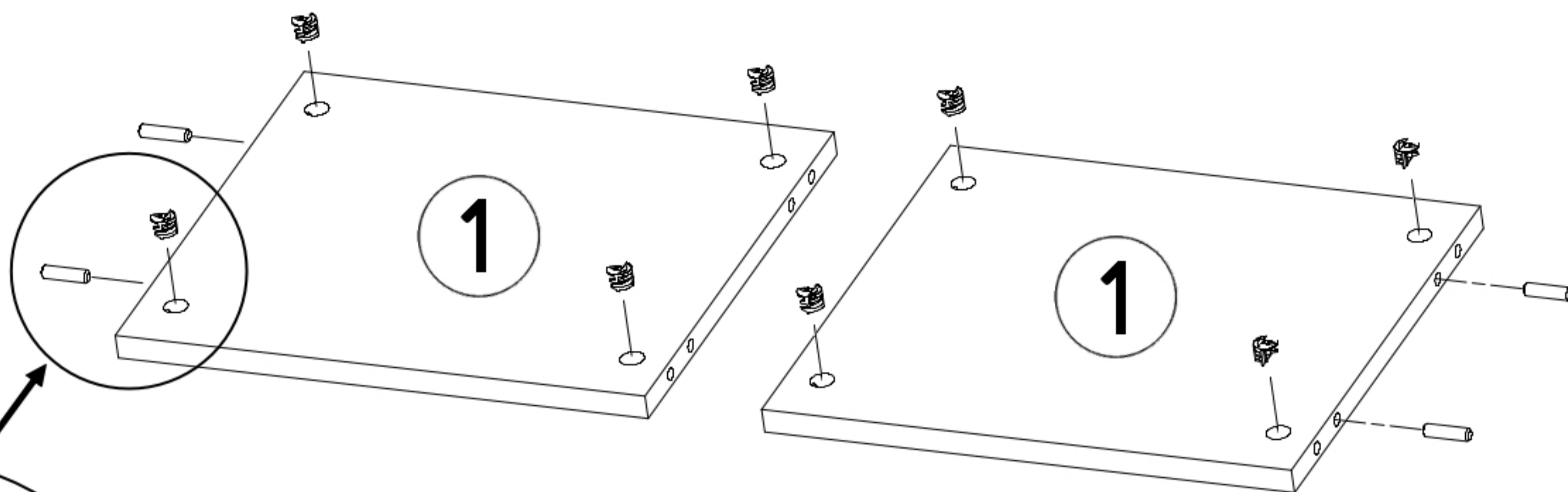
N2  L=35mm x 16	M3  12x15mm x 20	E1  8x30mm x 16	
T1  x 6	M2 x80  x 20	N3  L=62mm x 2	E3  8x50mm x 2


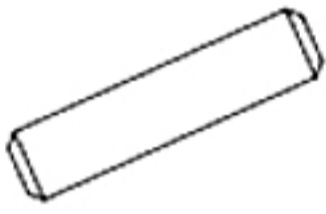
1

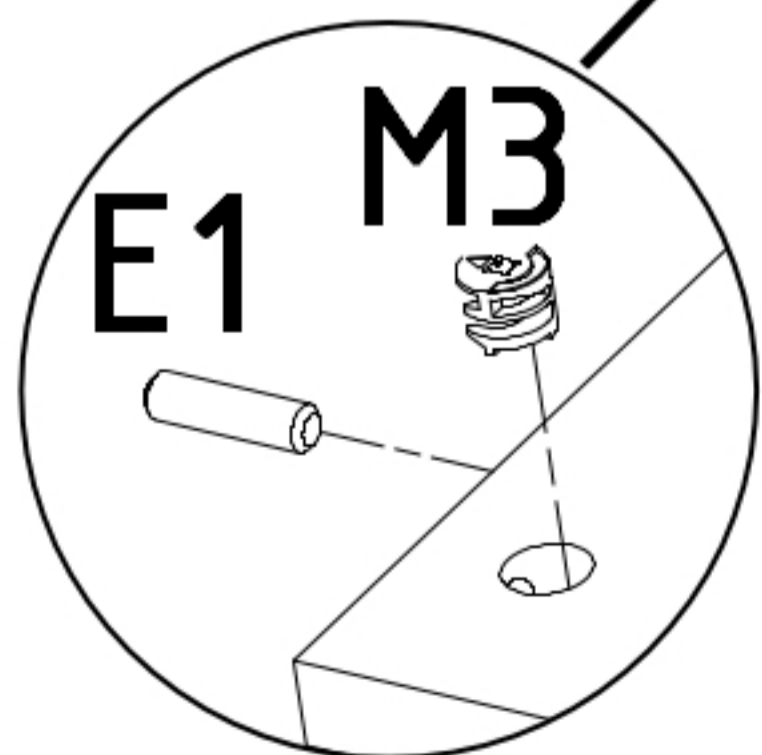
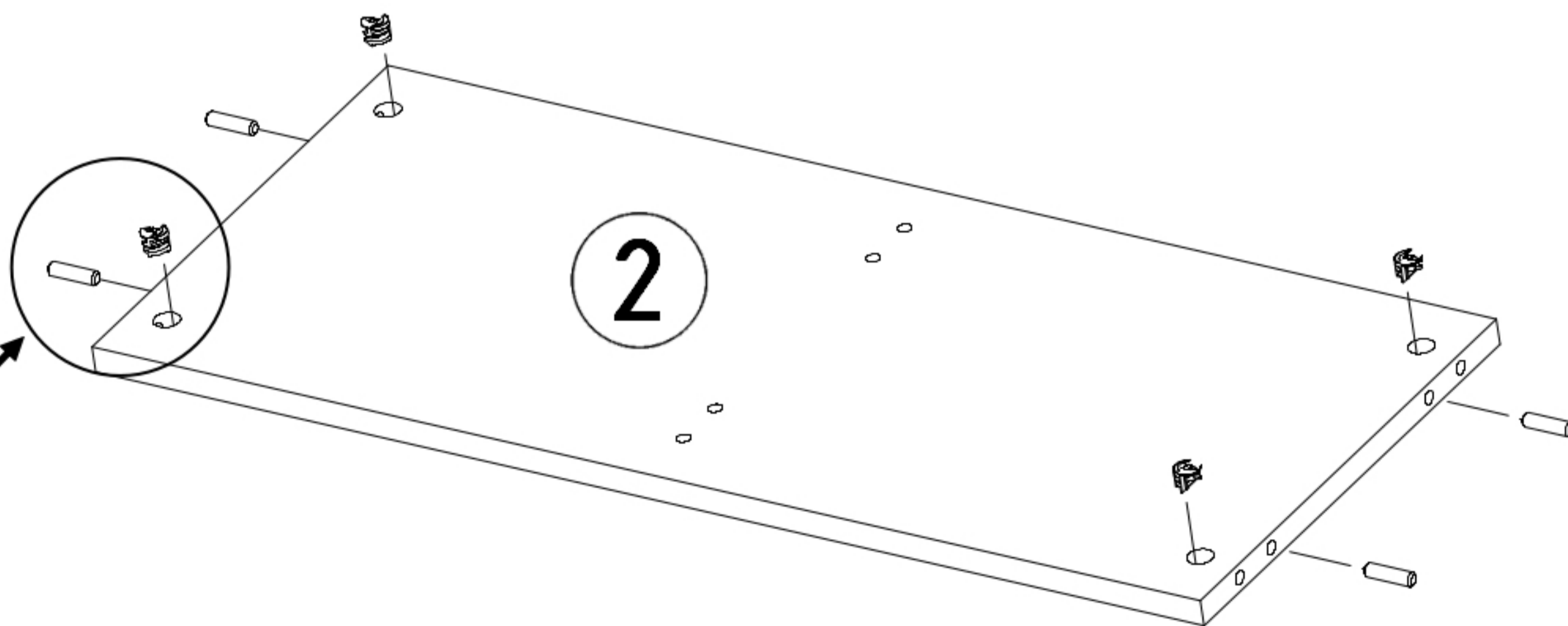


1	x	2
2	x	1
3	x	2
4	x	2



M3  x 8	E1  x 4
--	--





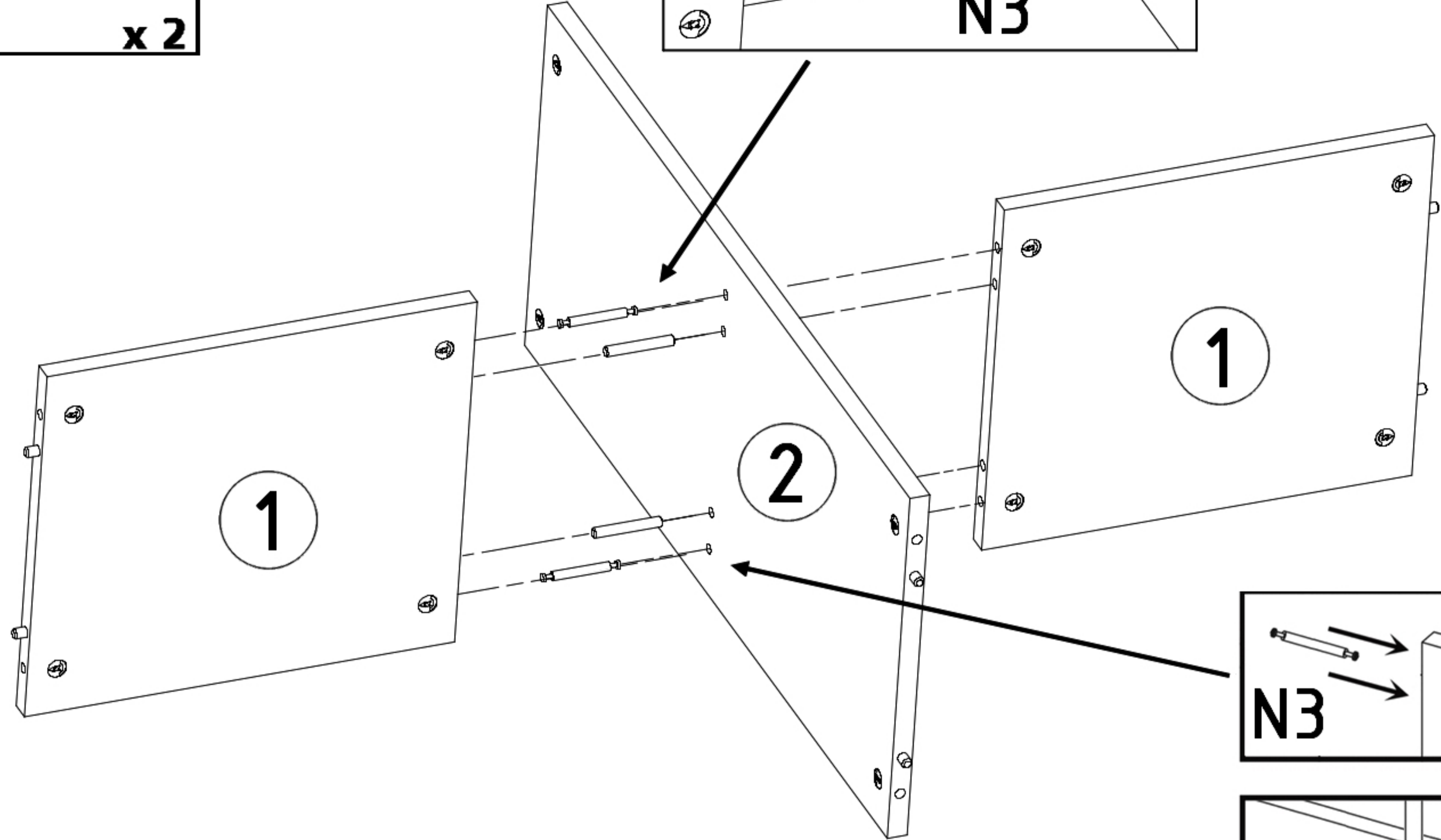
M3  x 4	E1  x 4
--	--






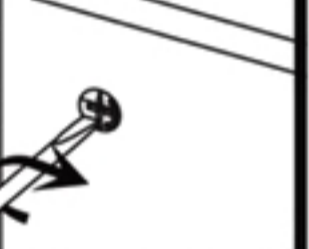
3




E3  x 2	N3  x 2
---	--

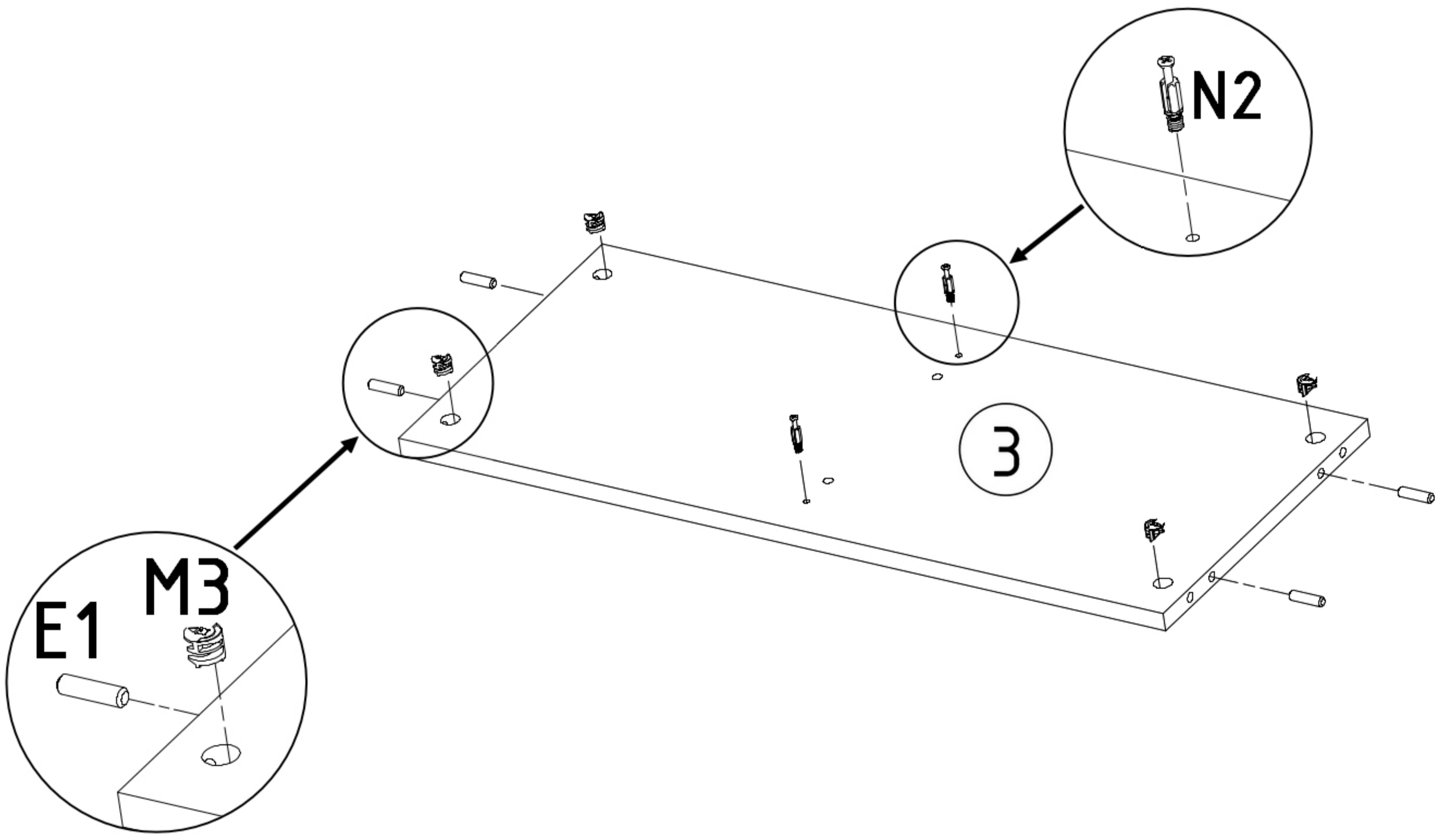
E3 	N3 
--	--

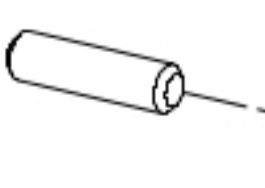




N3 	
---	--


	
---	---

E1  x 8	M3  x 8	N2  x 4
---	--	--



E1 	M3 
--	--

N2 
--



x 2

4

