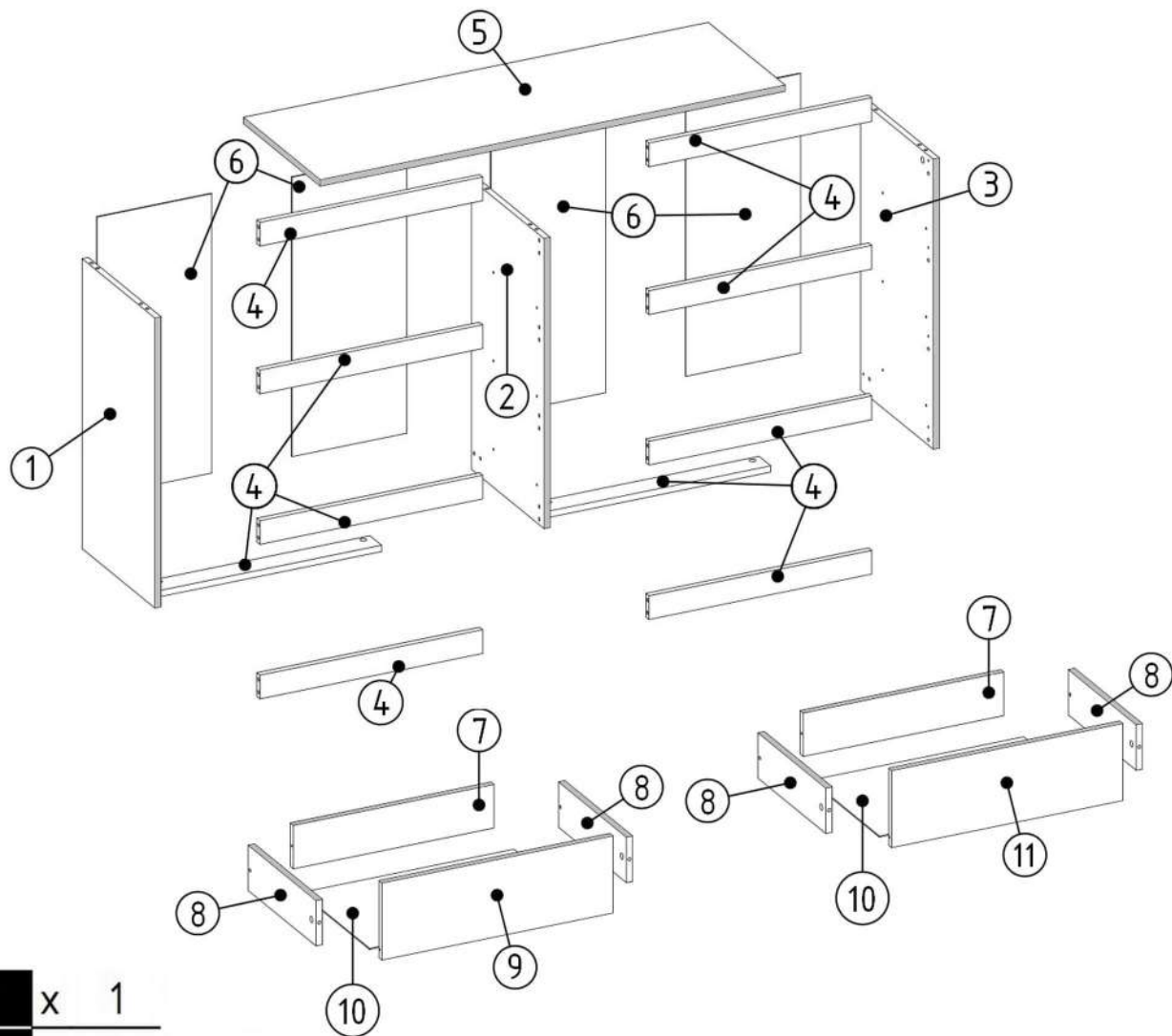



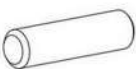




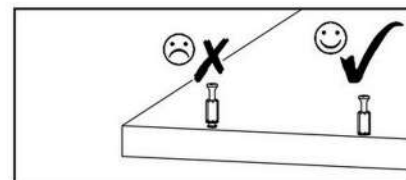
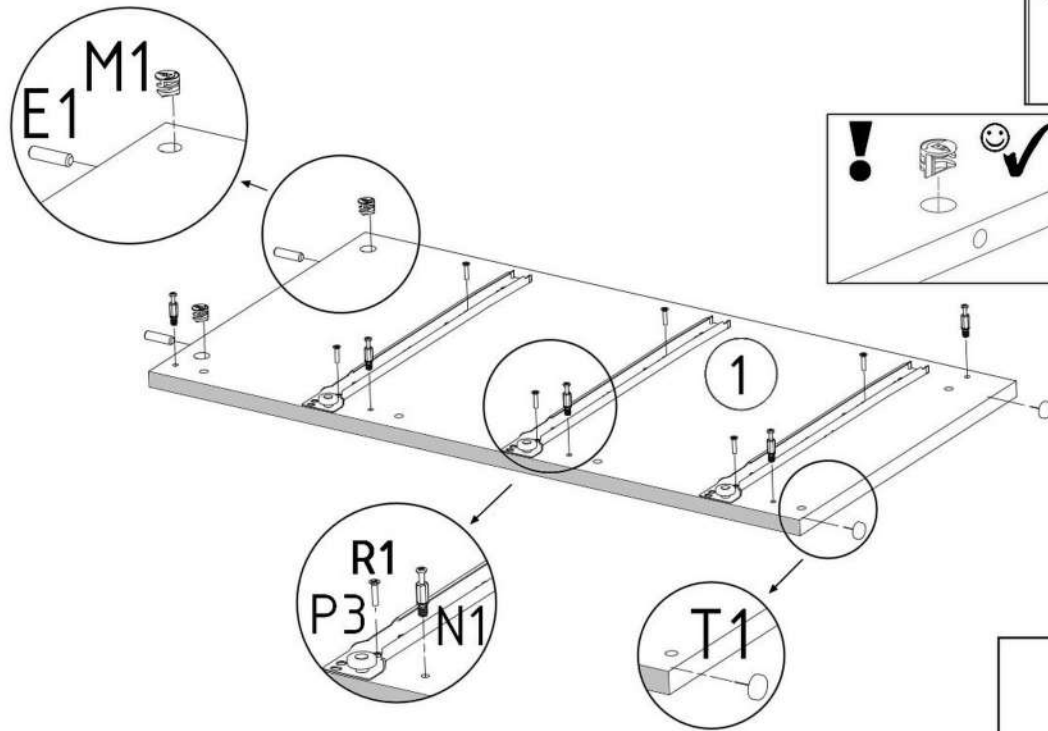
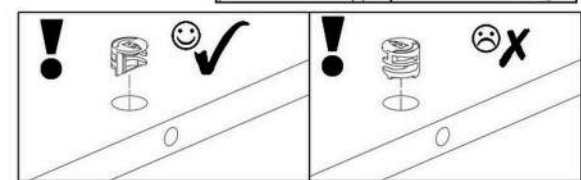
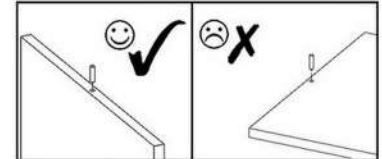
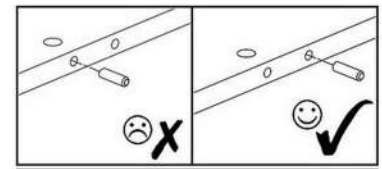
N1 L=35mm x28	M1 12x15mm x38	S1 3,5x16mm x24	E1 8x30mm x16	E3 8x50mm x5	F1 7x50mm x12	V13 x1	
T1 x6	Z1 x100	R1 6x8mm x24	B1 B ø17/5-4mm x12	P3 L=250mm x6	N4 L=62mm x5	F3 x1	V15 x8





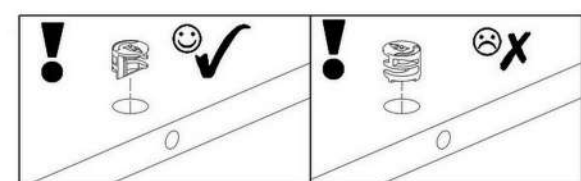
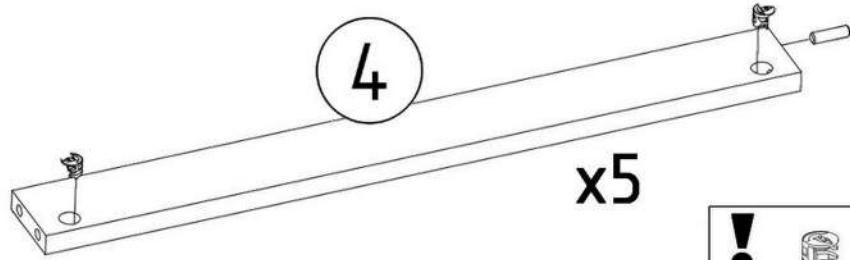
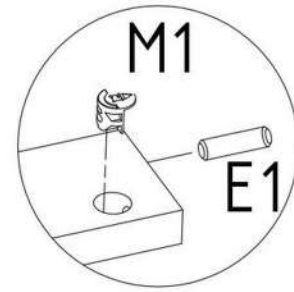
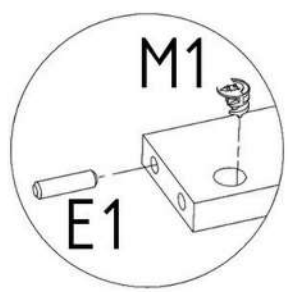
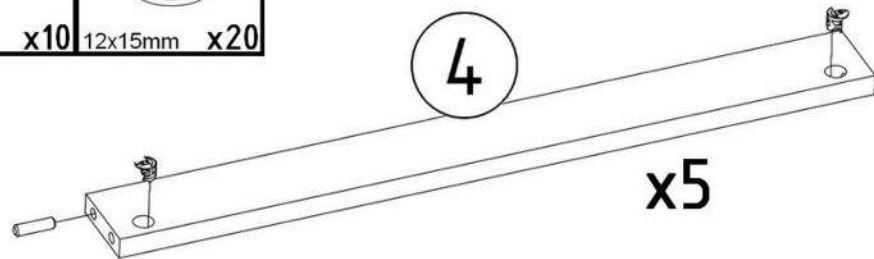
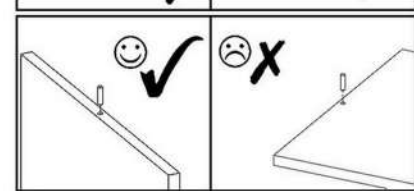
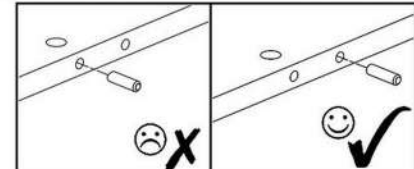
1	x	1
2	x	1
3	x	1
4	x	10
5	x	1
6	x	4
7	x	6
8	x	12


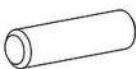


9	x	3
10	x	6
11	x	3

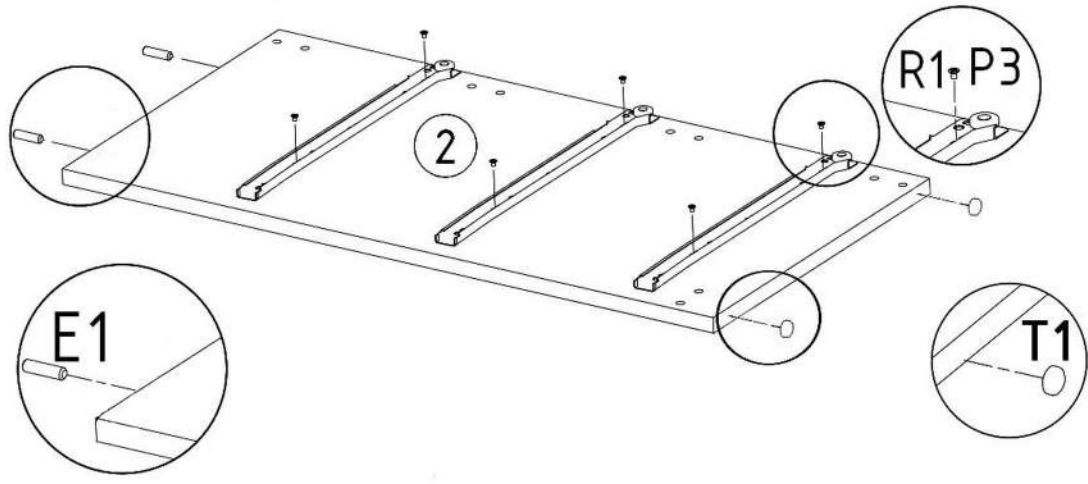
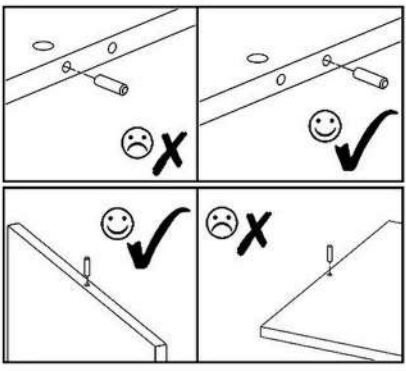
N1  L=35mm x5	M1  12x15mm x2	R1  6x8mm x6	E1  8x30mm x2	P3  L=250mm x3	T1  x2
--	--	--	---	---	--






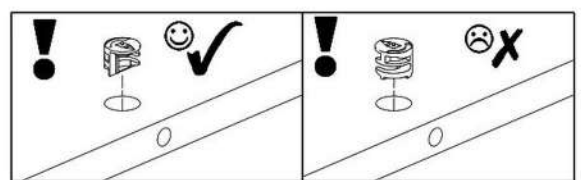
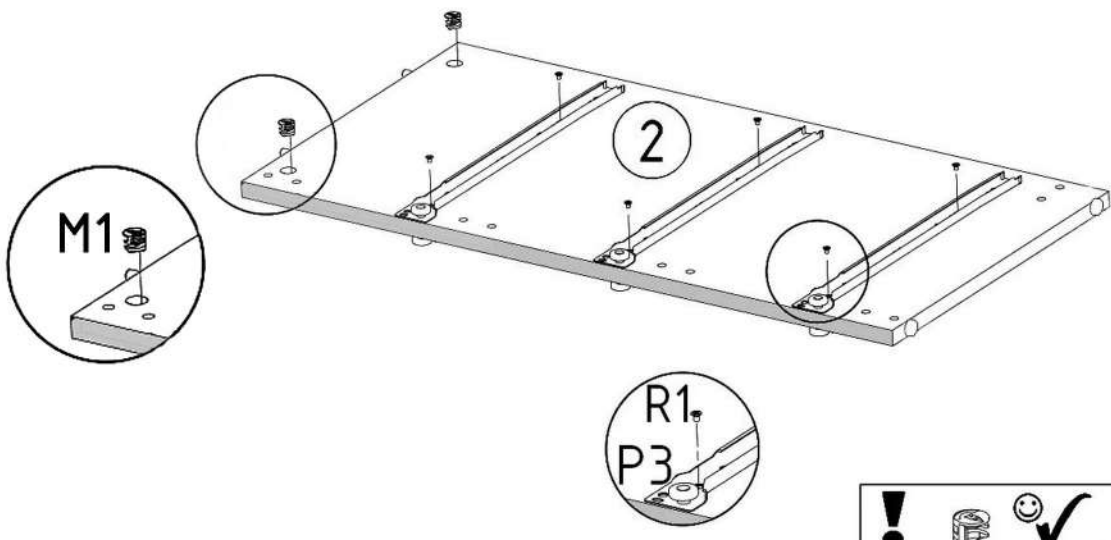
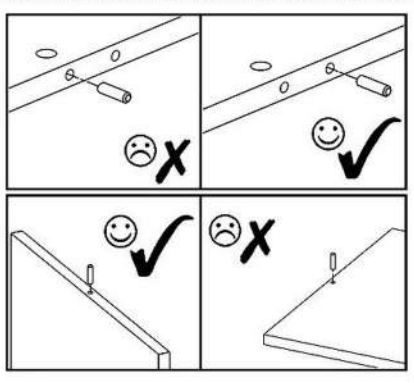
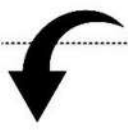
E1  8x30mm x10	M1  12x15mm x20
---	---

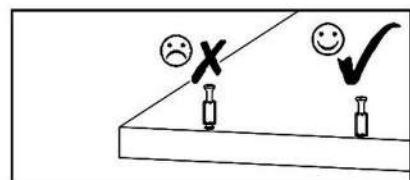
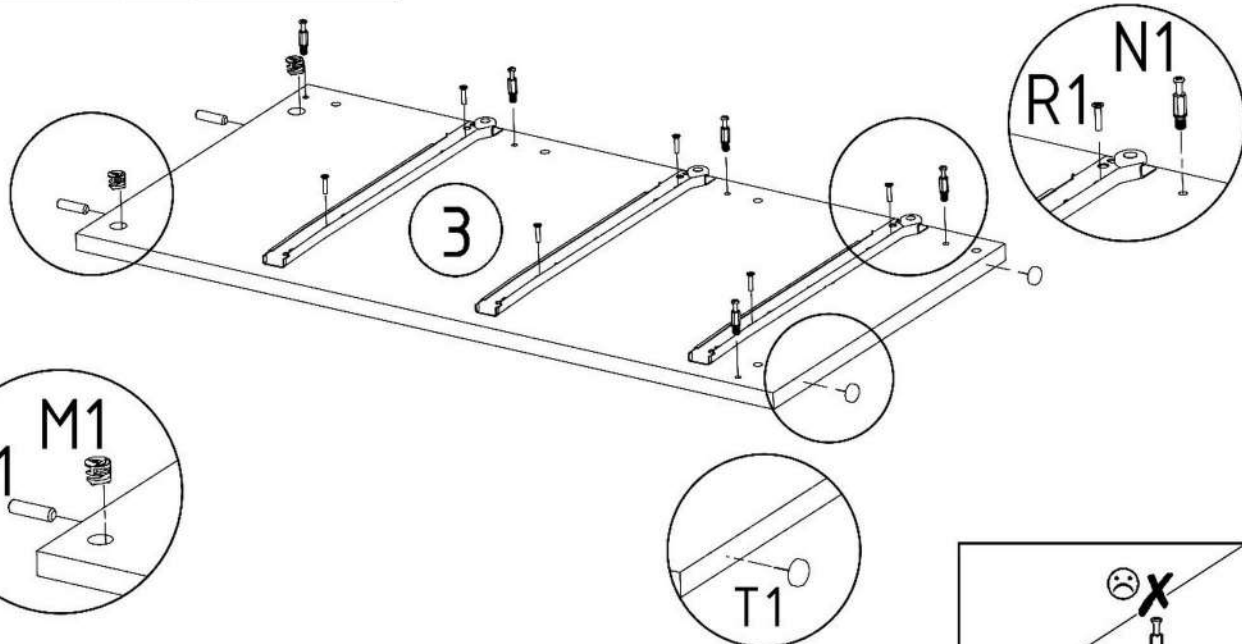
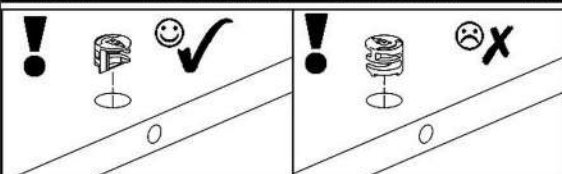
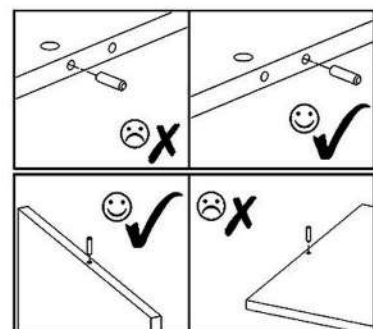
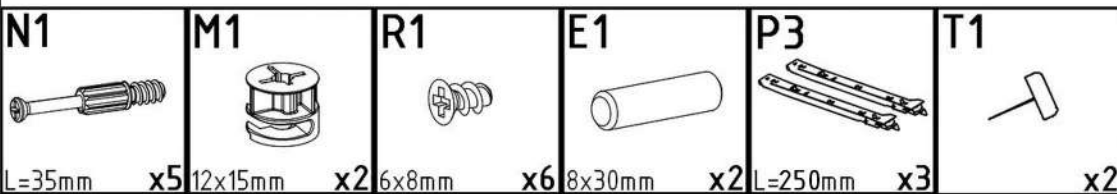
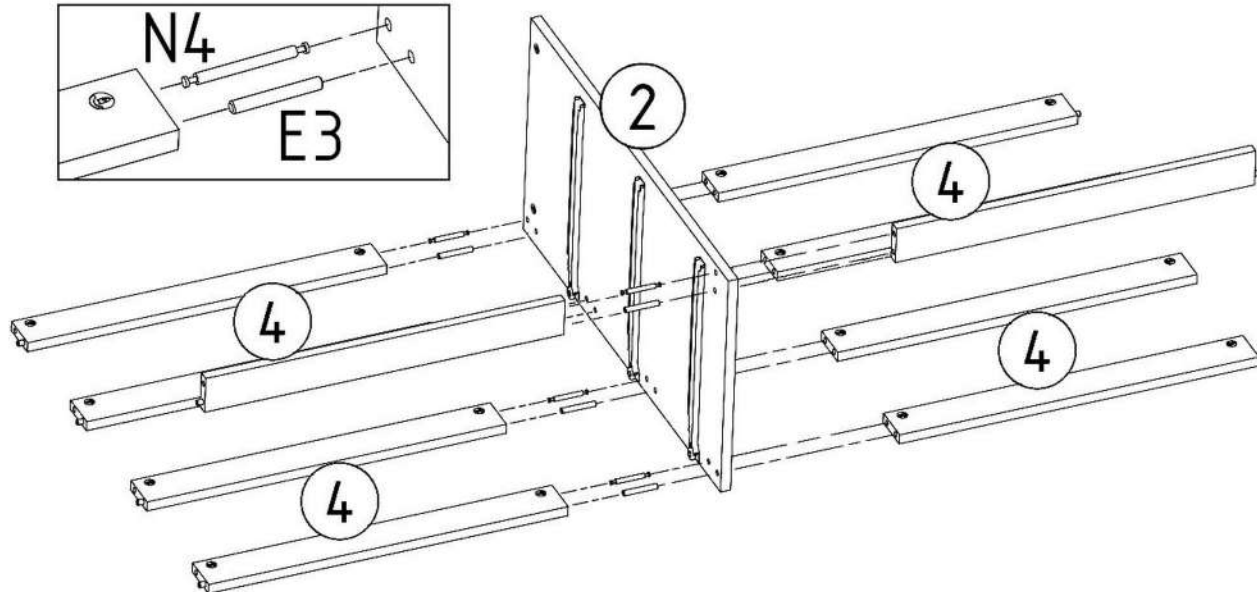
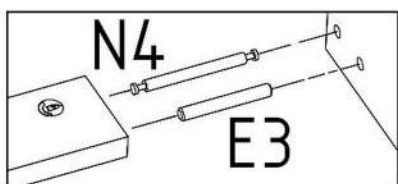
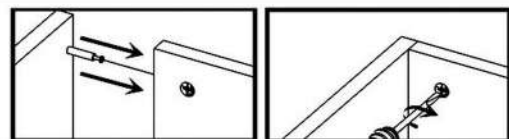
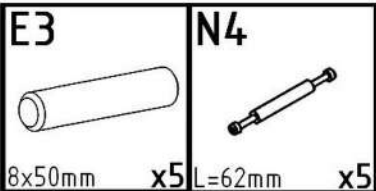


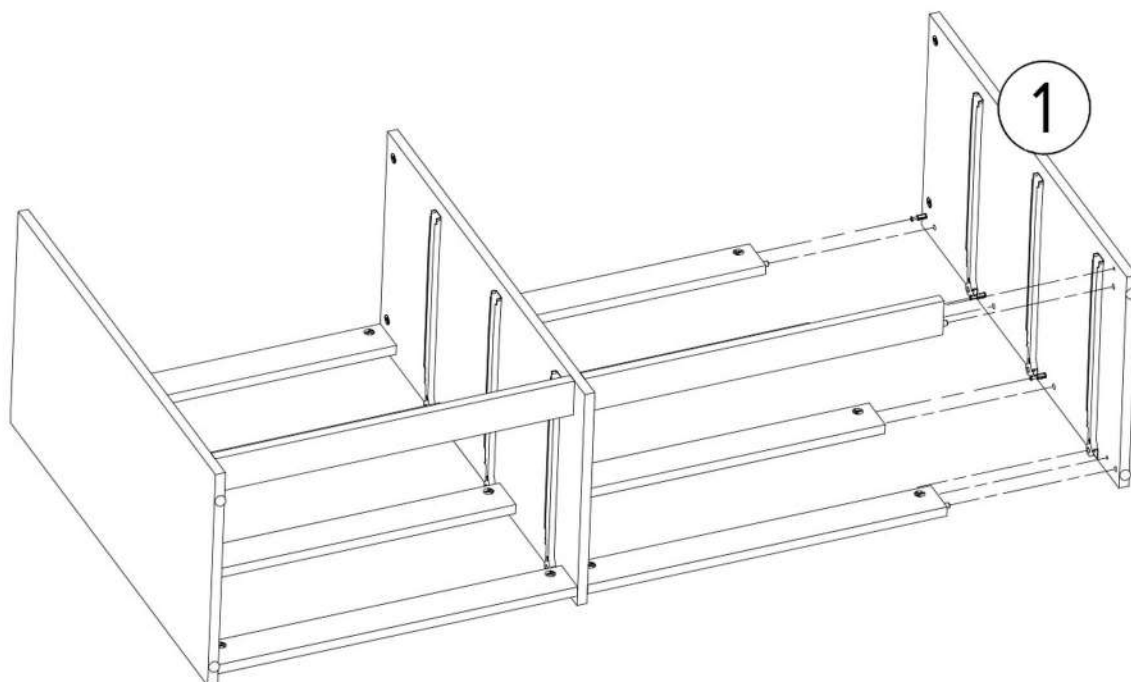
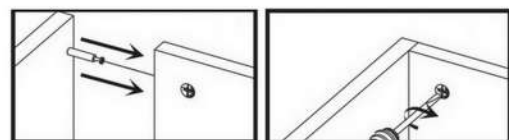
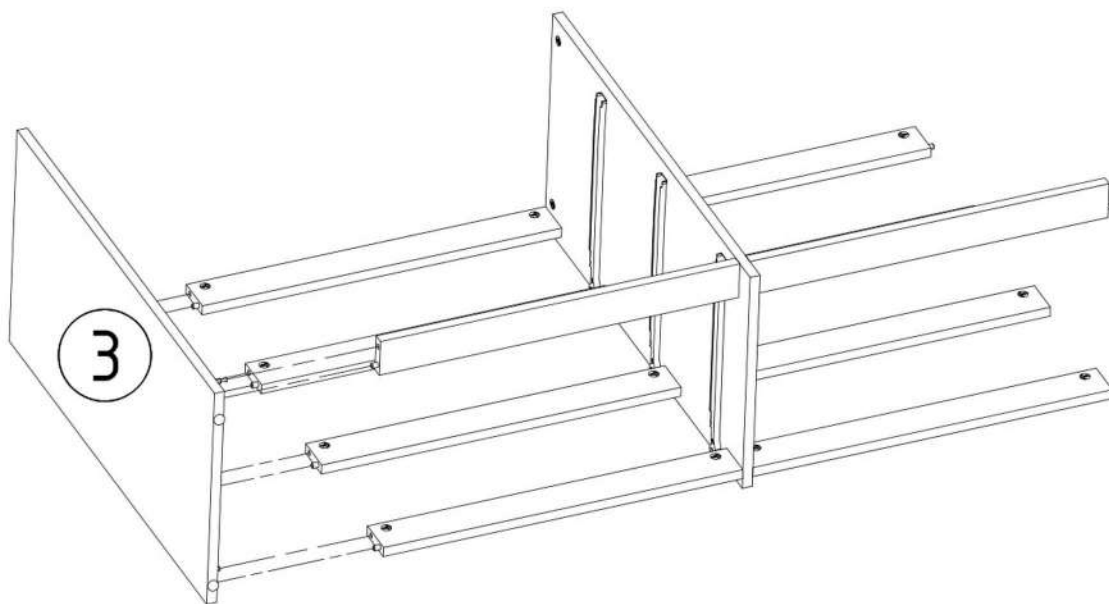
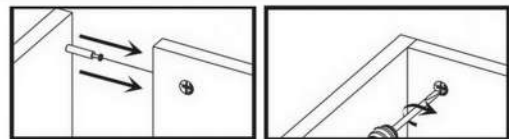
R1  6x8mm x6	E1  8x30mm x2	P3  L=250mm x3	T1  x2
---	---	--	--



R1  6x8mm x6	P3  L=250mm x3	M1  12x15mm x2
---	--	--



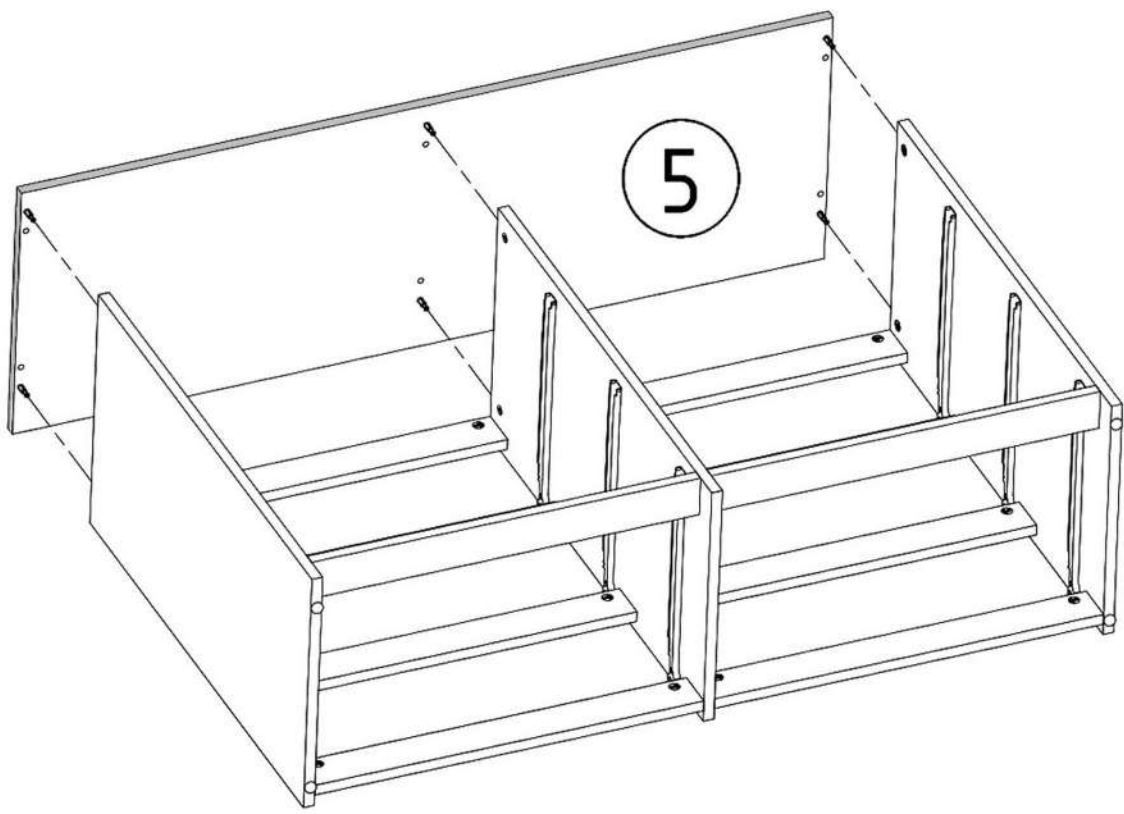
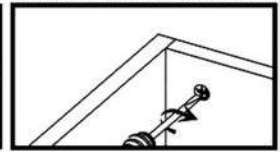
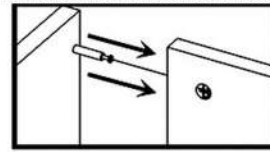
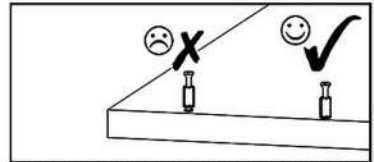
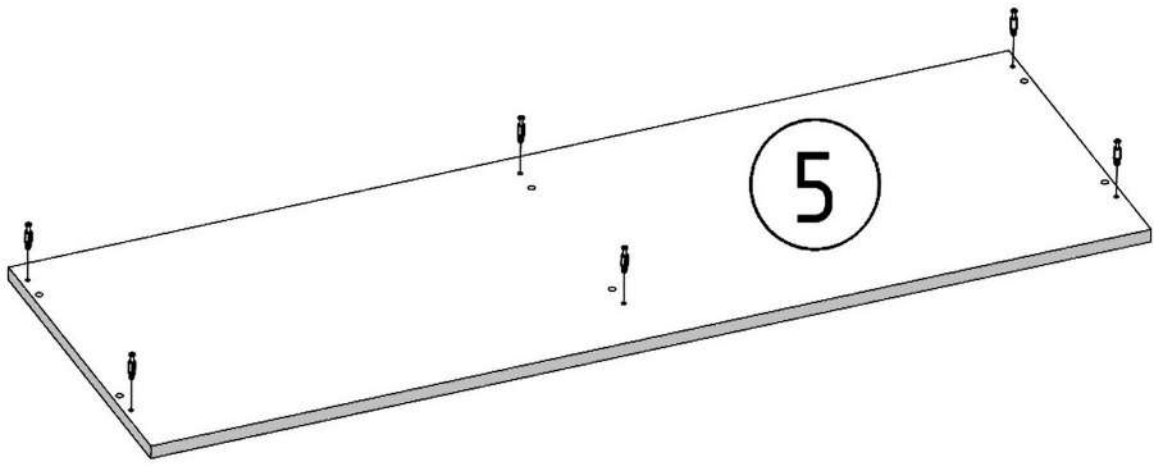


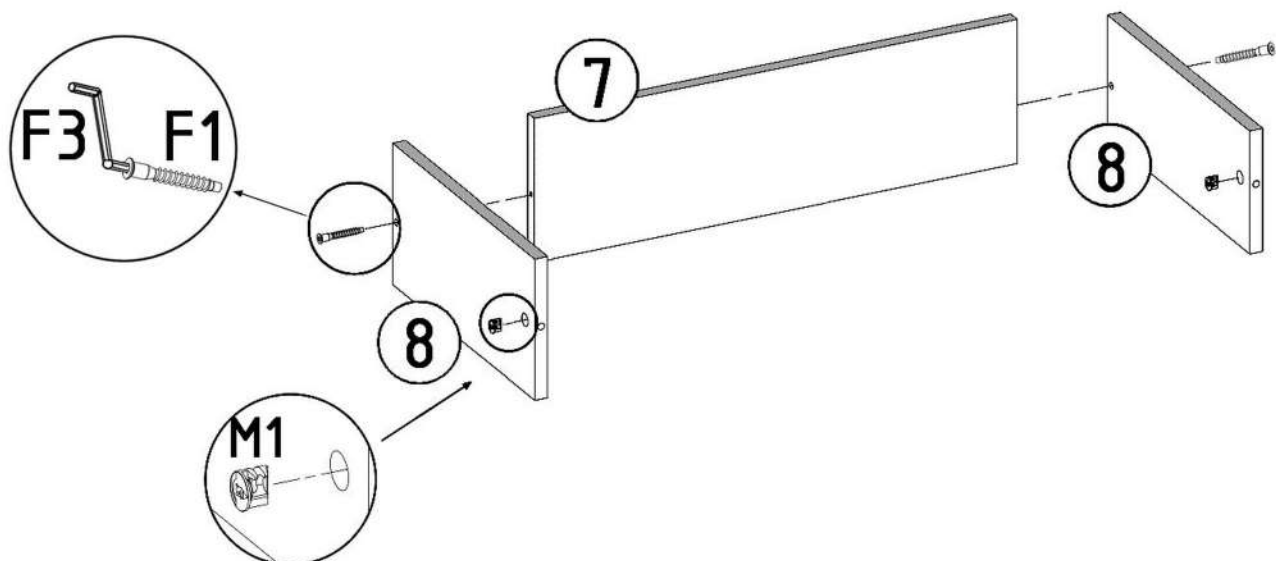
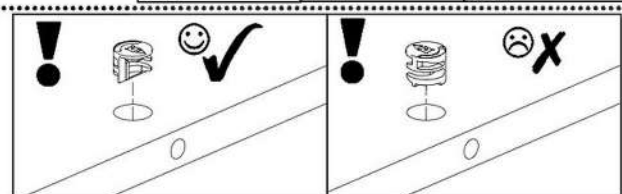
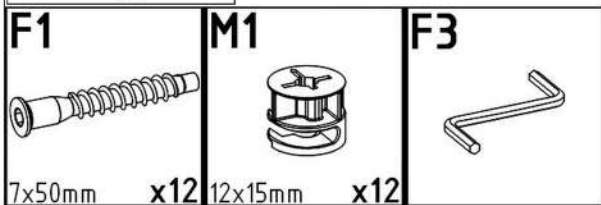
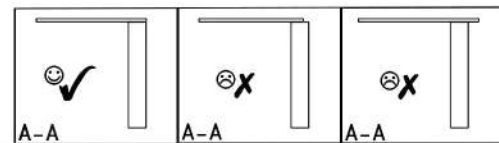
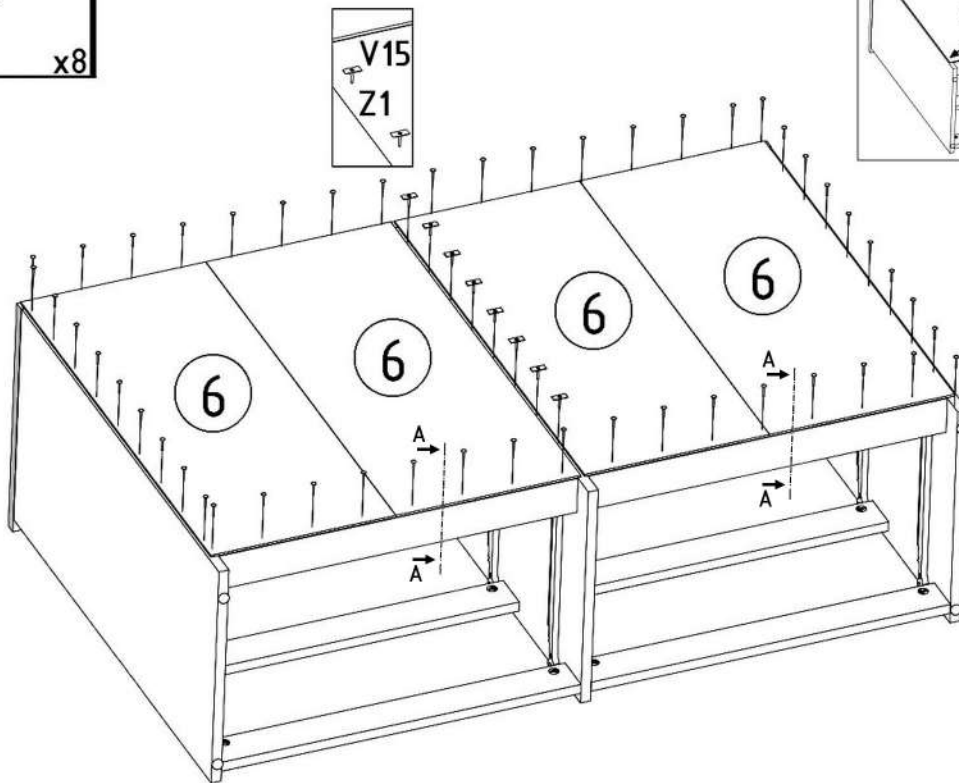
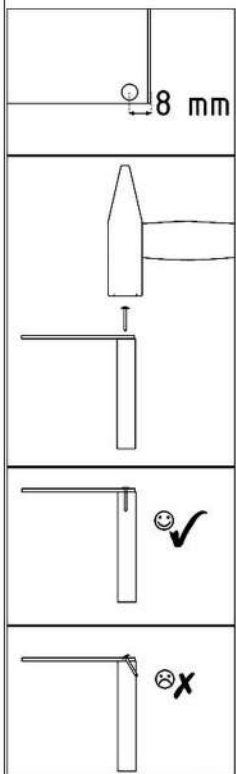
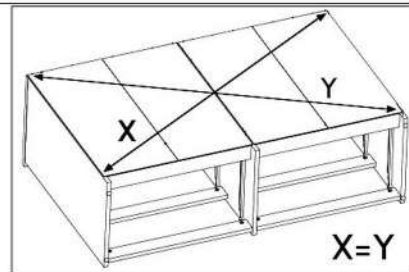
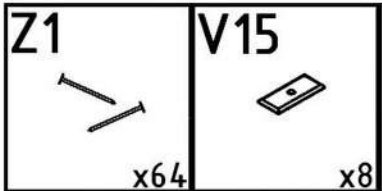


N1

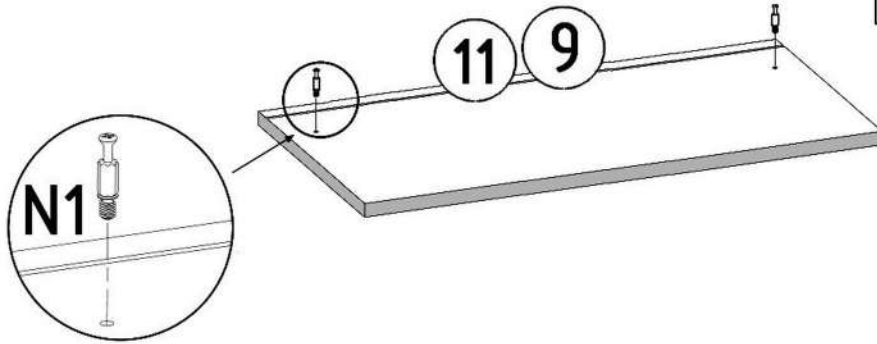
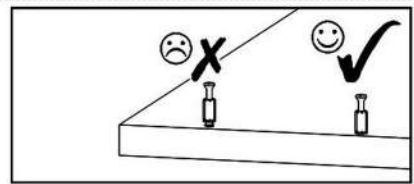


L=35mm x6

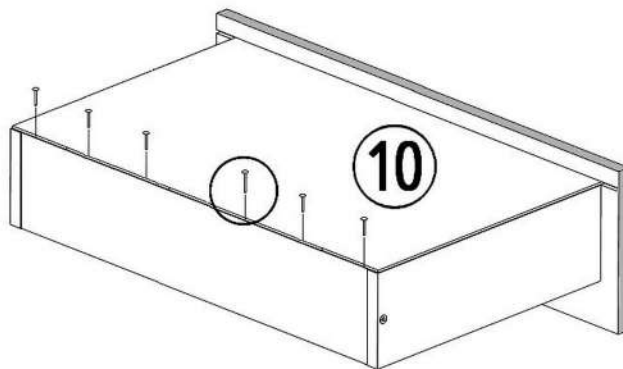
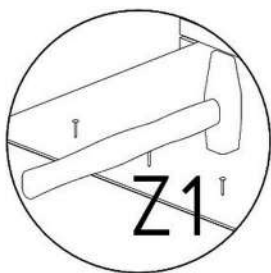
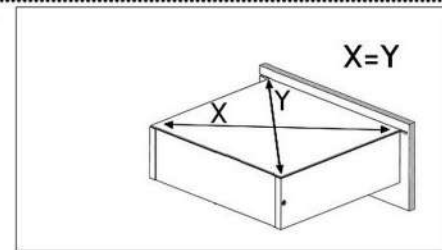
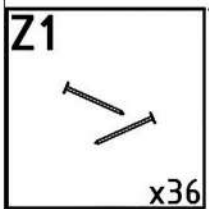
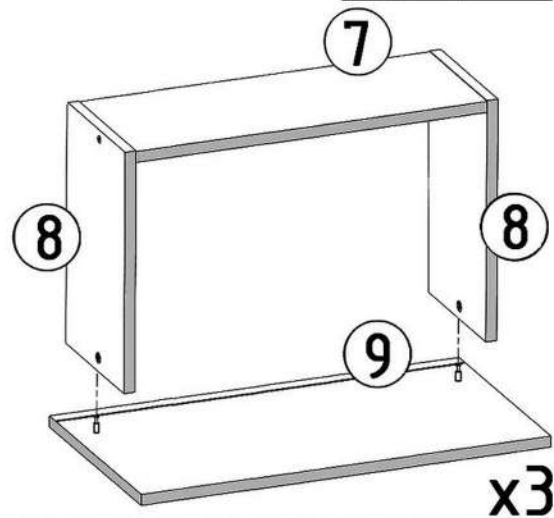
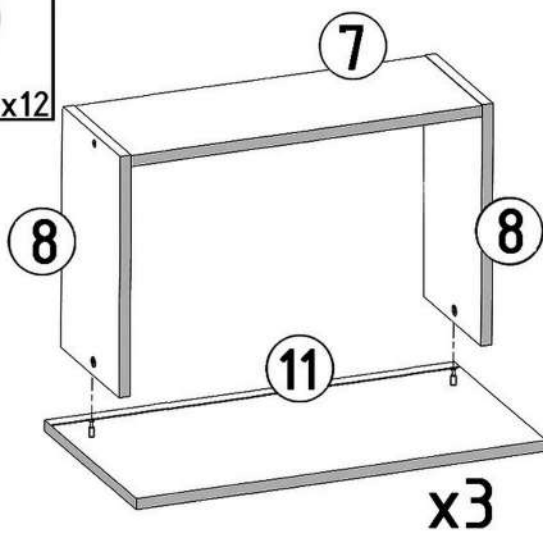
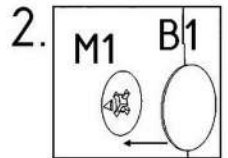
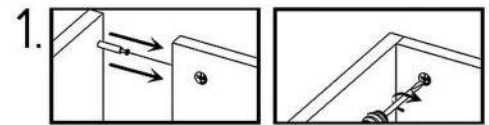
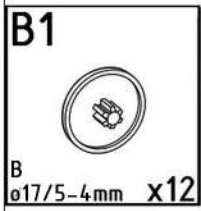




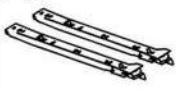

x6

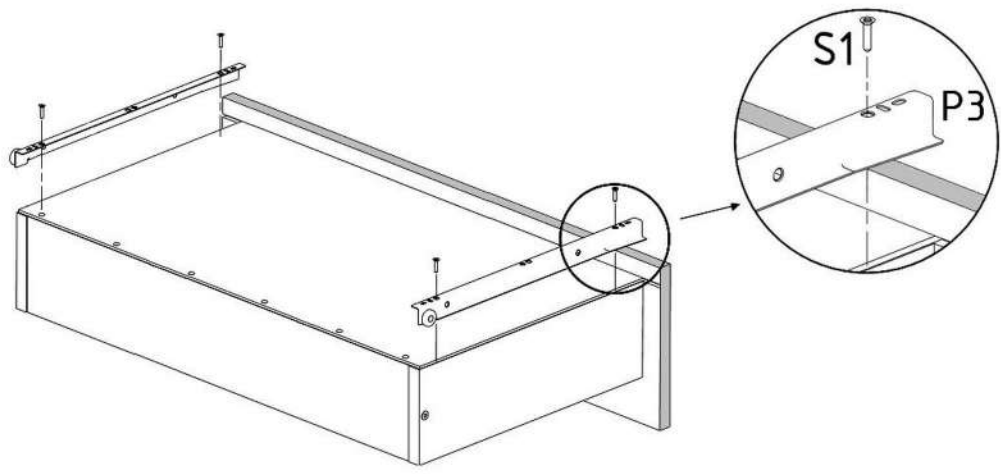


x6



x6

P3  L=250mm x6	S1  3,5x15mm x24
--	---



x6

V13  x1
--

