
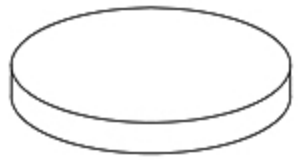











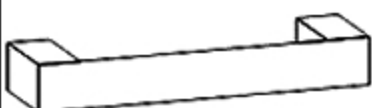
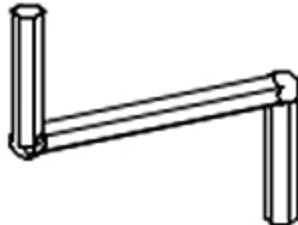

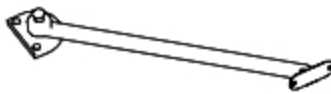
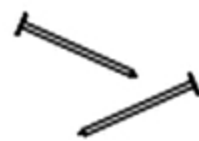

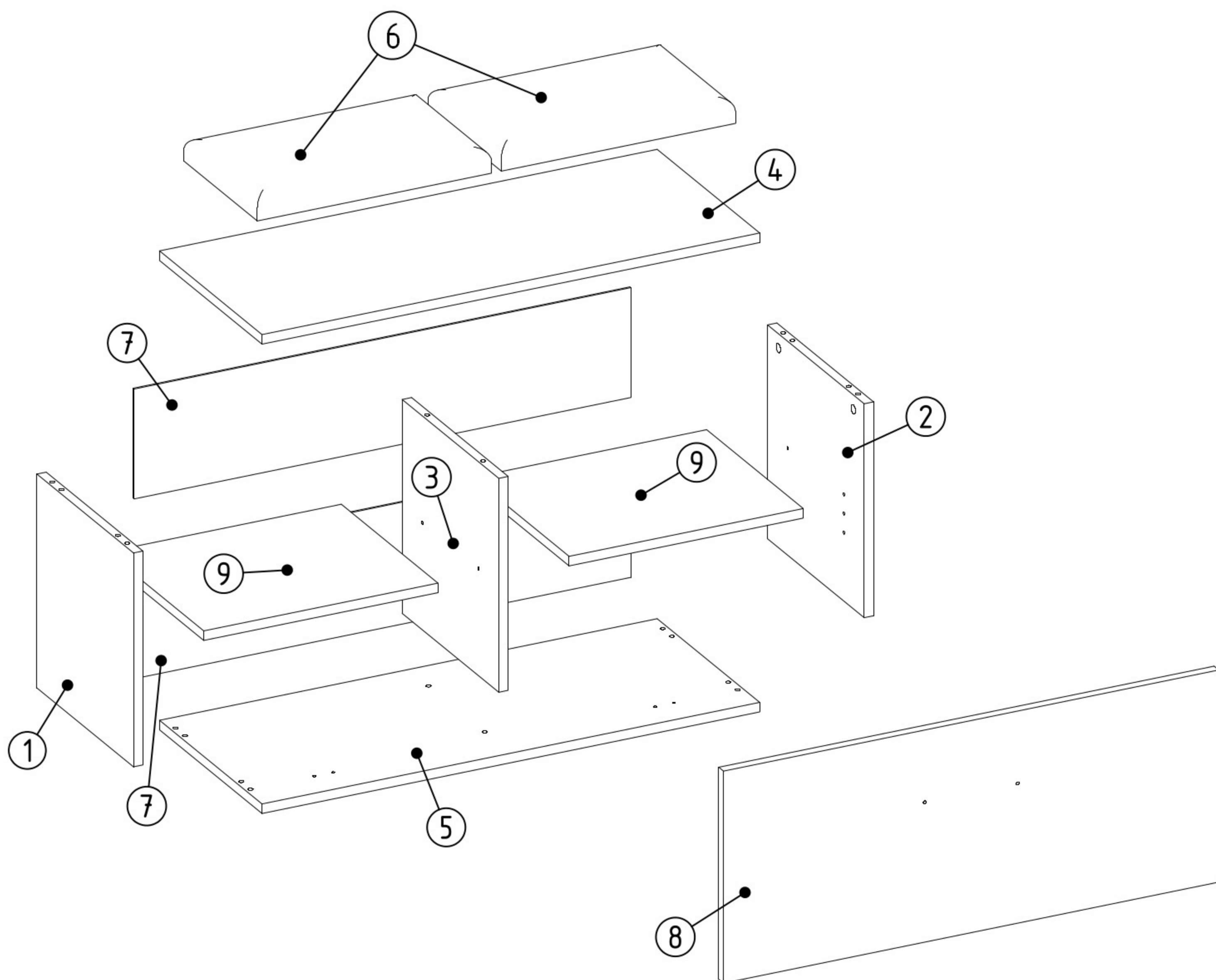
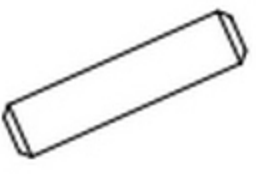




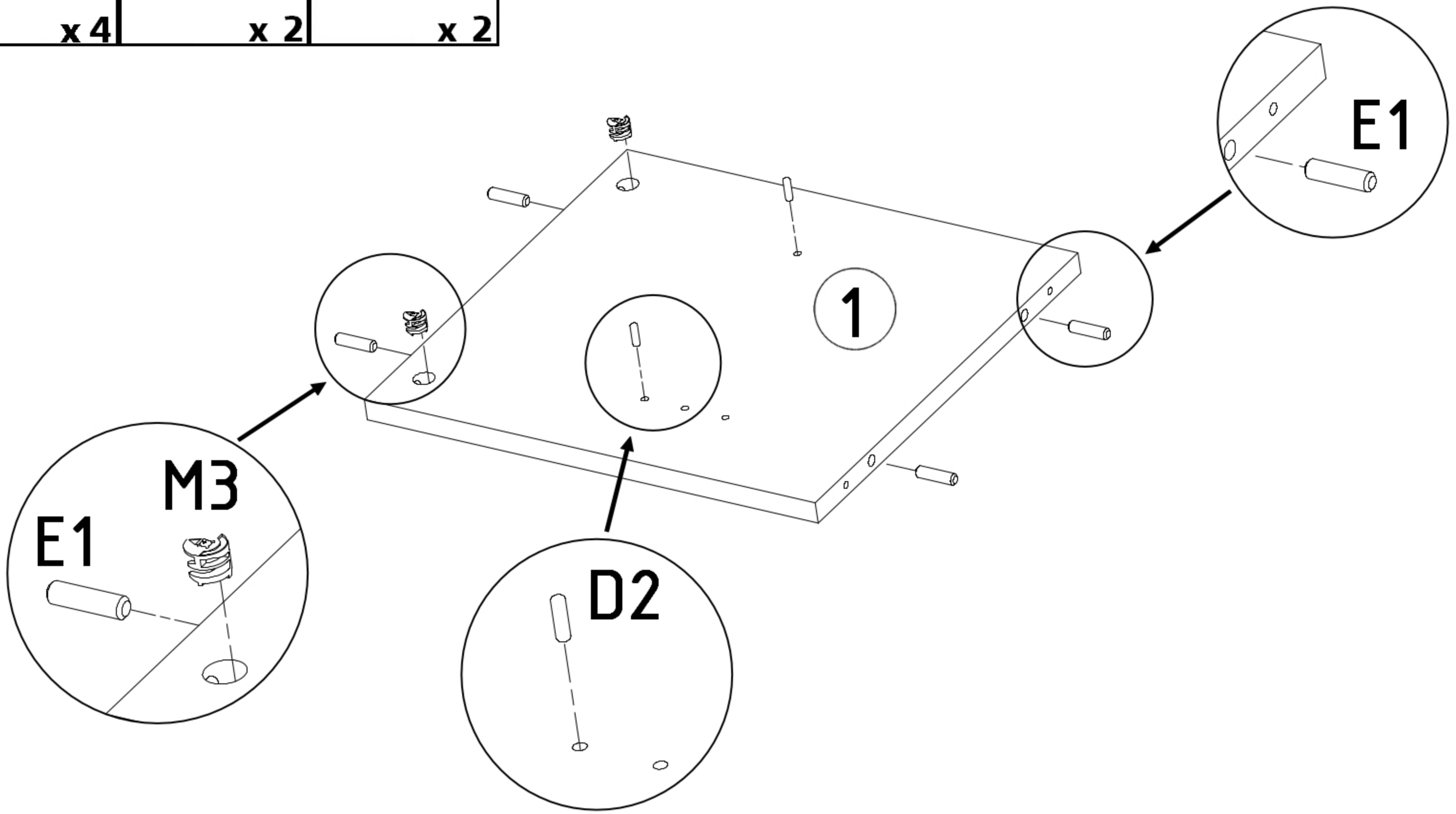
<b>S16</b>  6x13 mm <b>x 4</b>	<b>N1</b>  <b>x 8</b>	<b>L9</b>  L=844 mm <b>x 2</b>					
<b>N2</b>  L=35 mm <b>x 4</b>	<b>M3</b>  12x15 mm <b>x 4</b>	<b>A0</b>  ZW <b>x 2</b>	<b>S1</b>  3,5x16 mm <b>x 8</b>	<b>E1</b>  8x30 mm <b>x 12</b>	 GLUE <b>x 1</b>	<b>S6</b>  4x27 mm <b>x 2</b>	<b>D2</b>  5x16 mm <b>x 8</b>
<b>T2</b>  <b>x 5</b>	<b>F2</b>  7x50 mm <b>x 4</b>	<b>U4</b>  L=180 mm <b>x 1</b>	<b>K1</b>  <b>x 1</b>	<b>M2</b> <b>x 16</b>  ø17 mm <b>x 4</b>	<b>V3</b>  L=250 mm <b>x 2</b>	<b>Z2</b>  <b>x 40</b>	<b>S4</b>  4x30 mm <b>x 10</b>






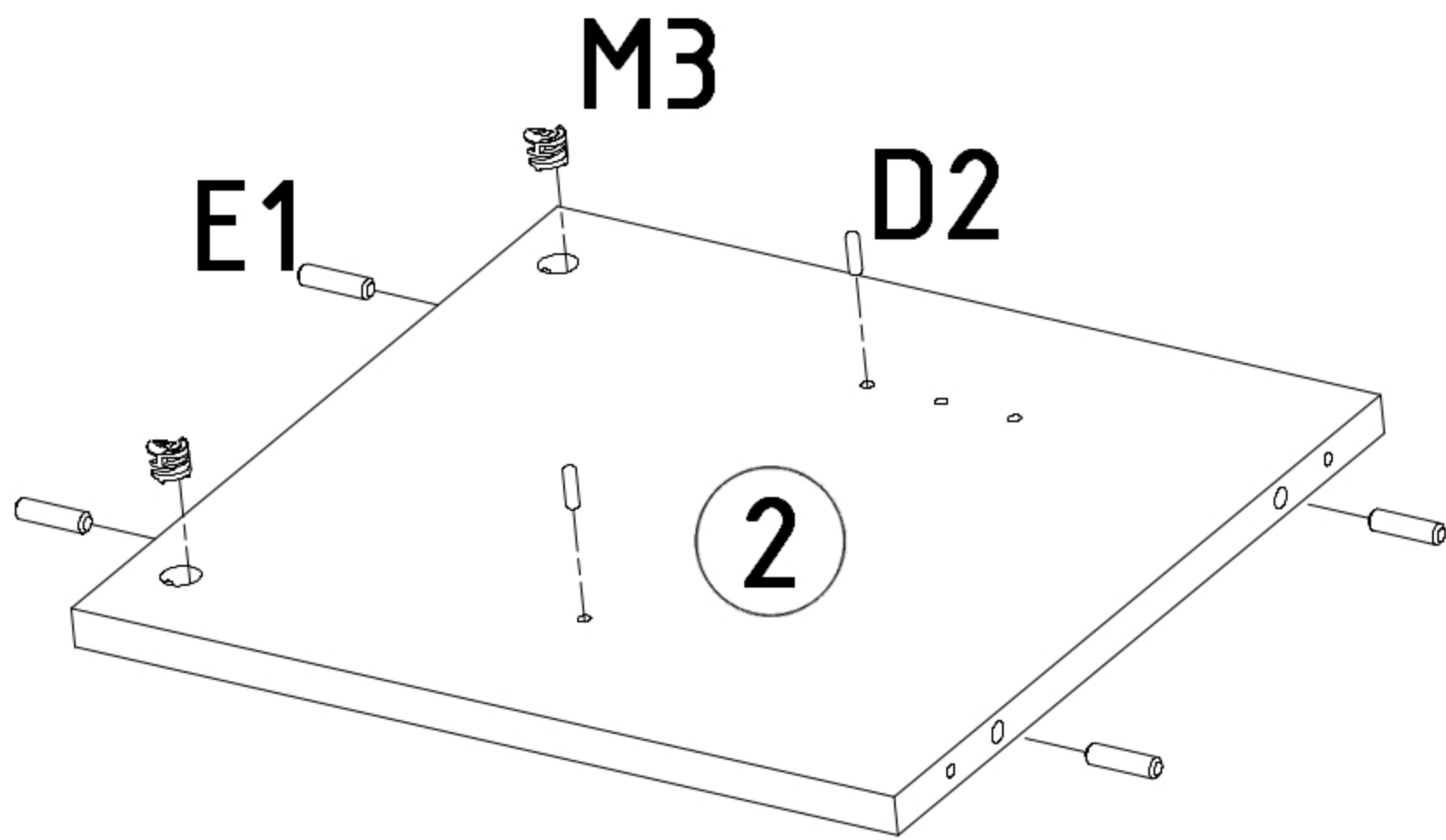
<b>1</b>	x	1
<b>2</b>	x	1
<b>3</b>	x	1
<b>4</b>	x	1
<b>5</b>	x	1

<b>6</b>	x	2
<b>7</b>	x	2
<b>8</b>	x	1
<b>9</b>	x	2

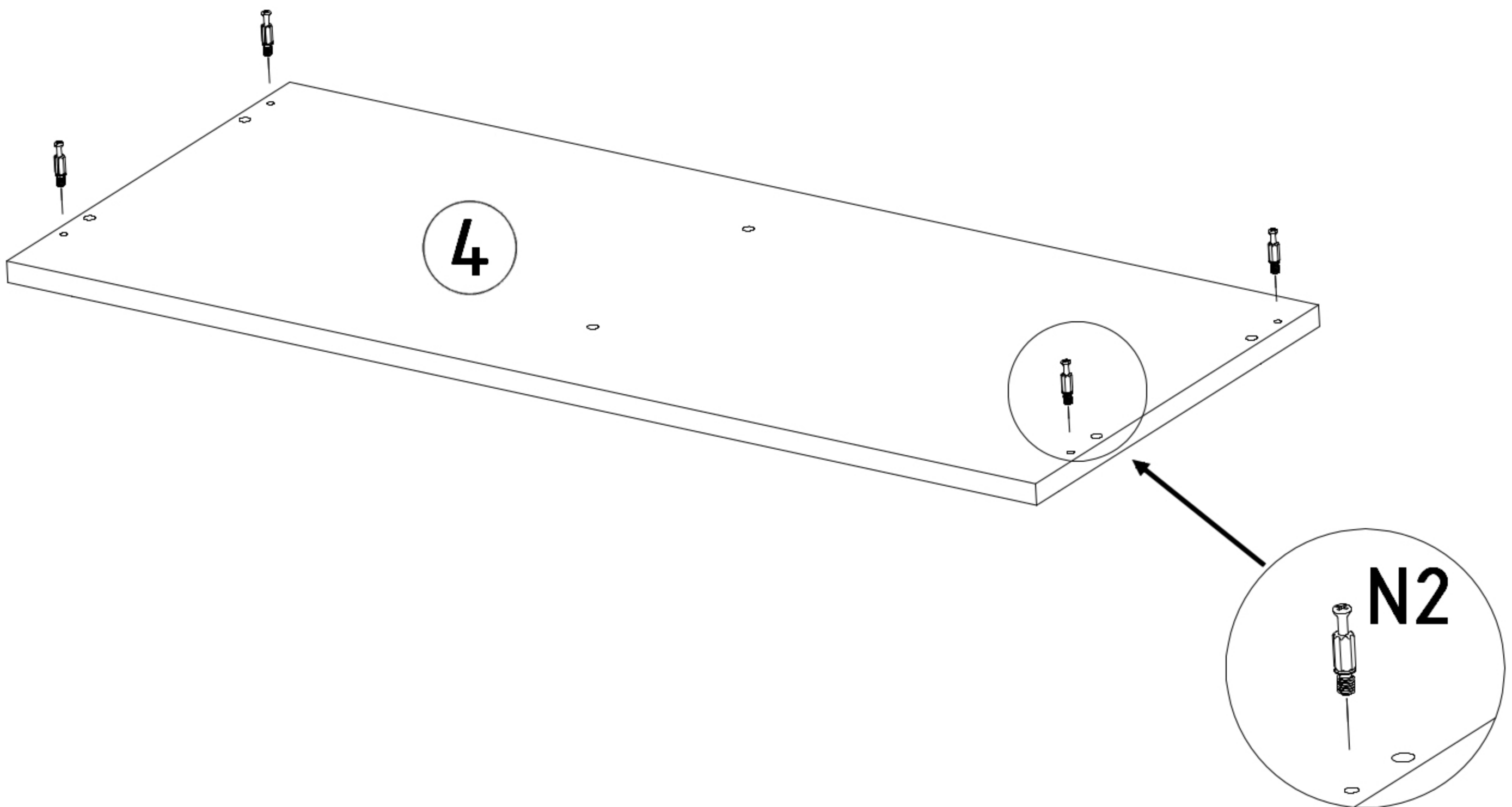
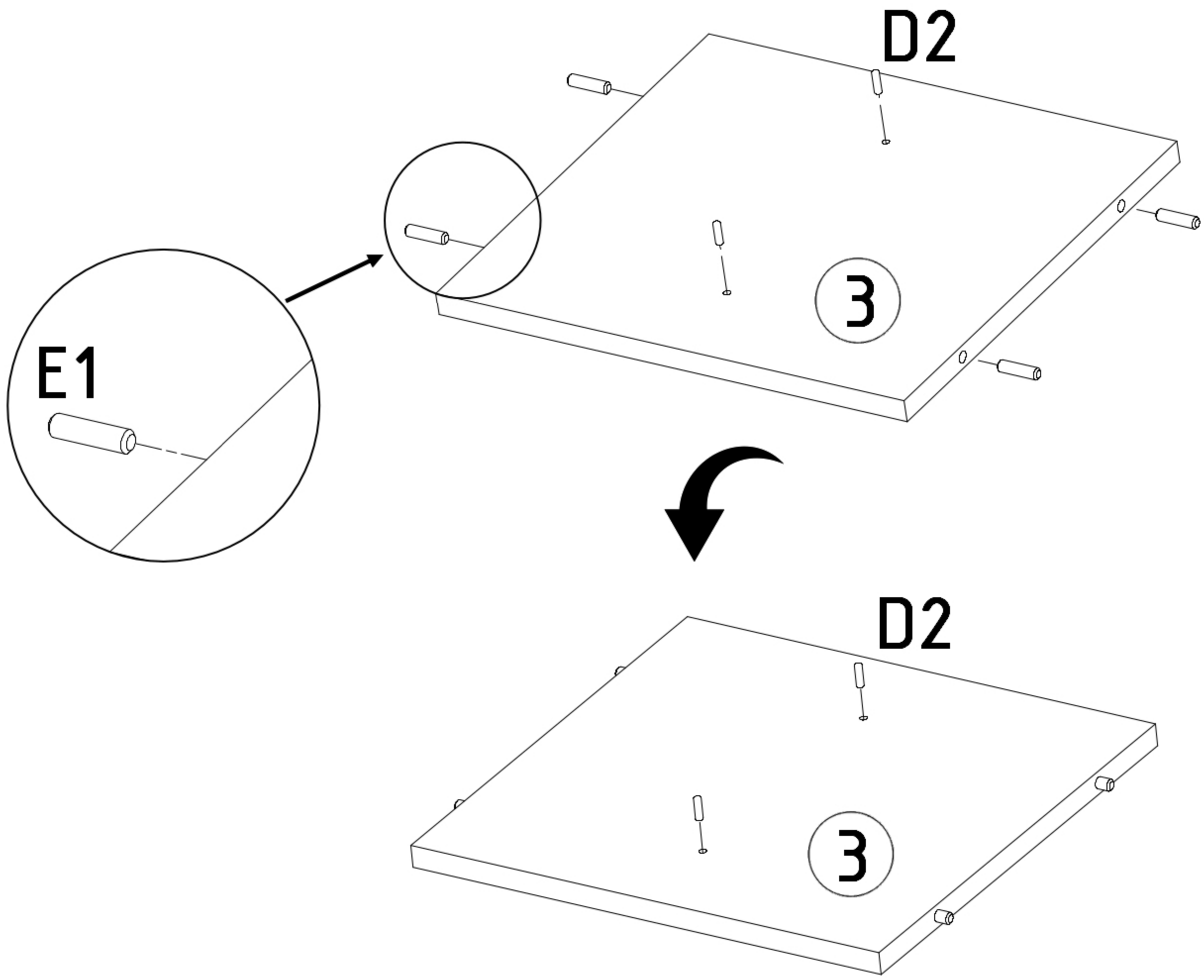
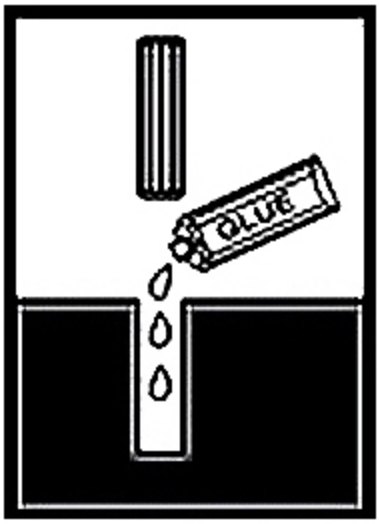
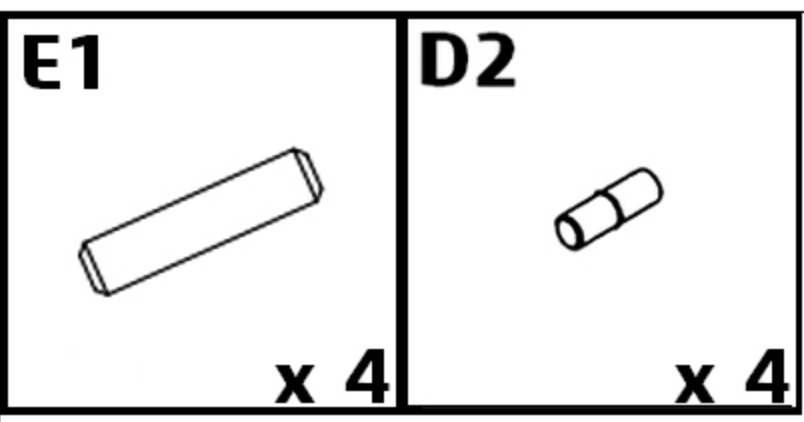
<b>E1</b>  <b>x 4</b>	<b>M3</b>  <b>x 2</b>	<b>D2</b>  <b>x 2</b>
---	--	--

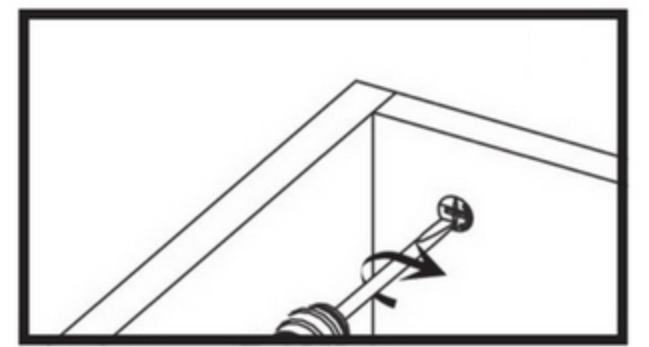
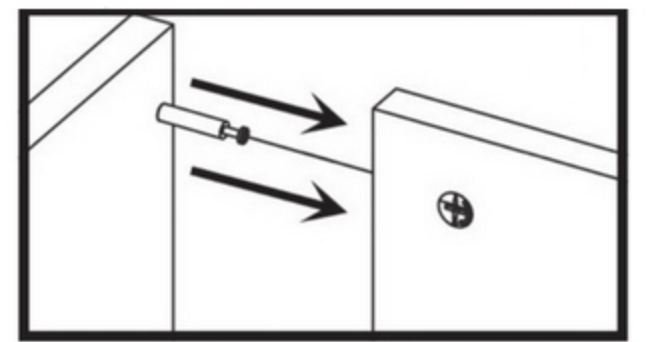
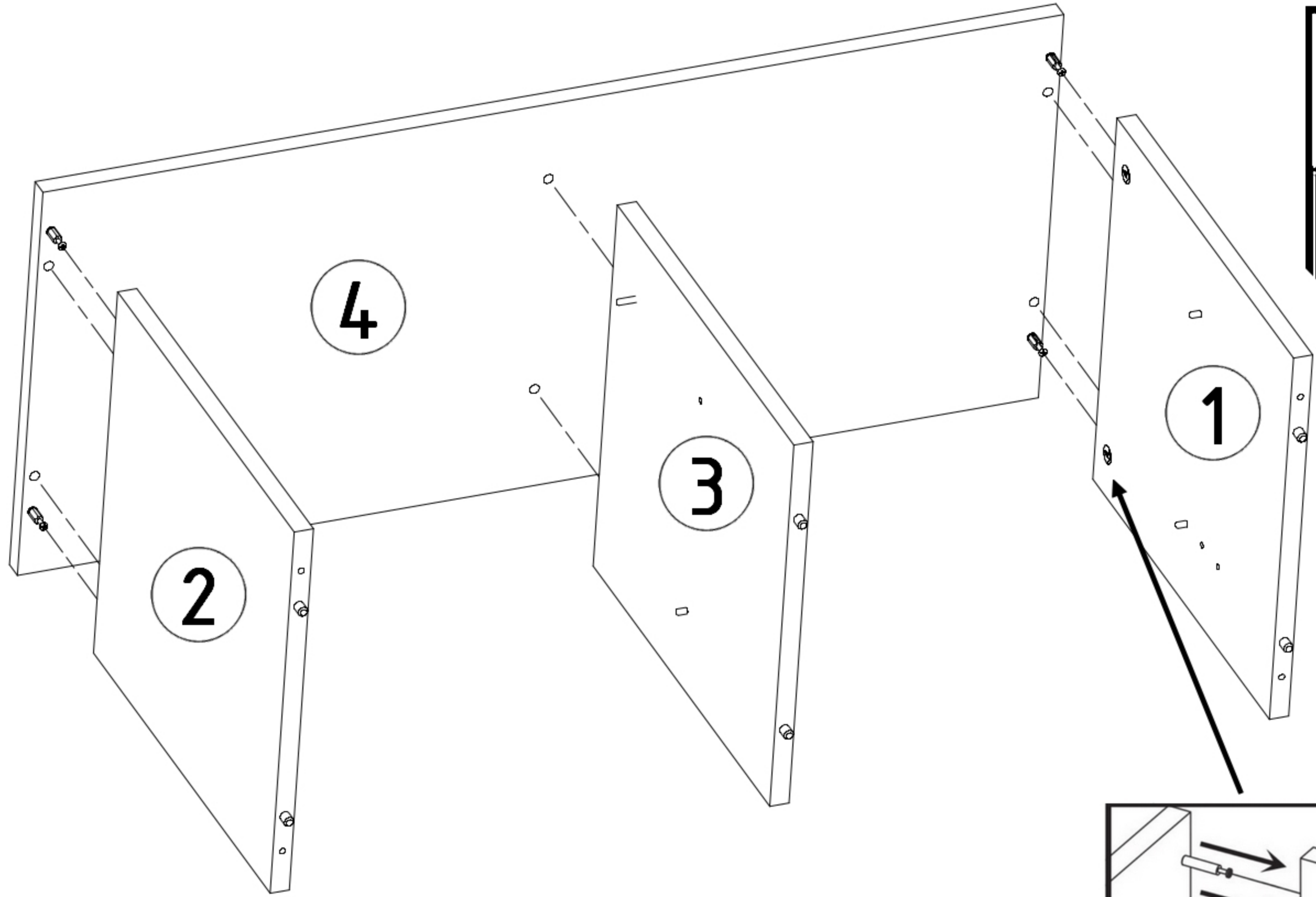




<b>E1</b>  <b>x 4</b>	<b>M3</b>  <b>x 2</b>	<b>D2</b>  <b>x 2</b>
---	--	--

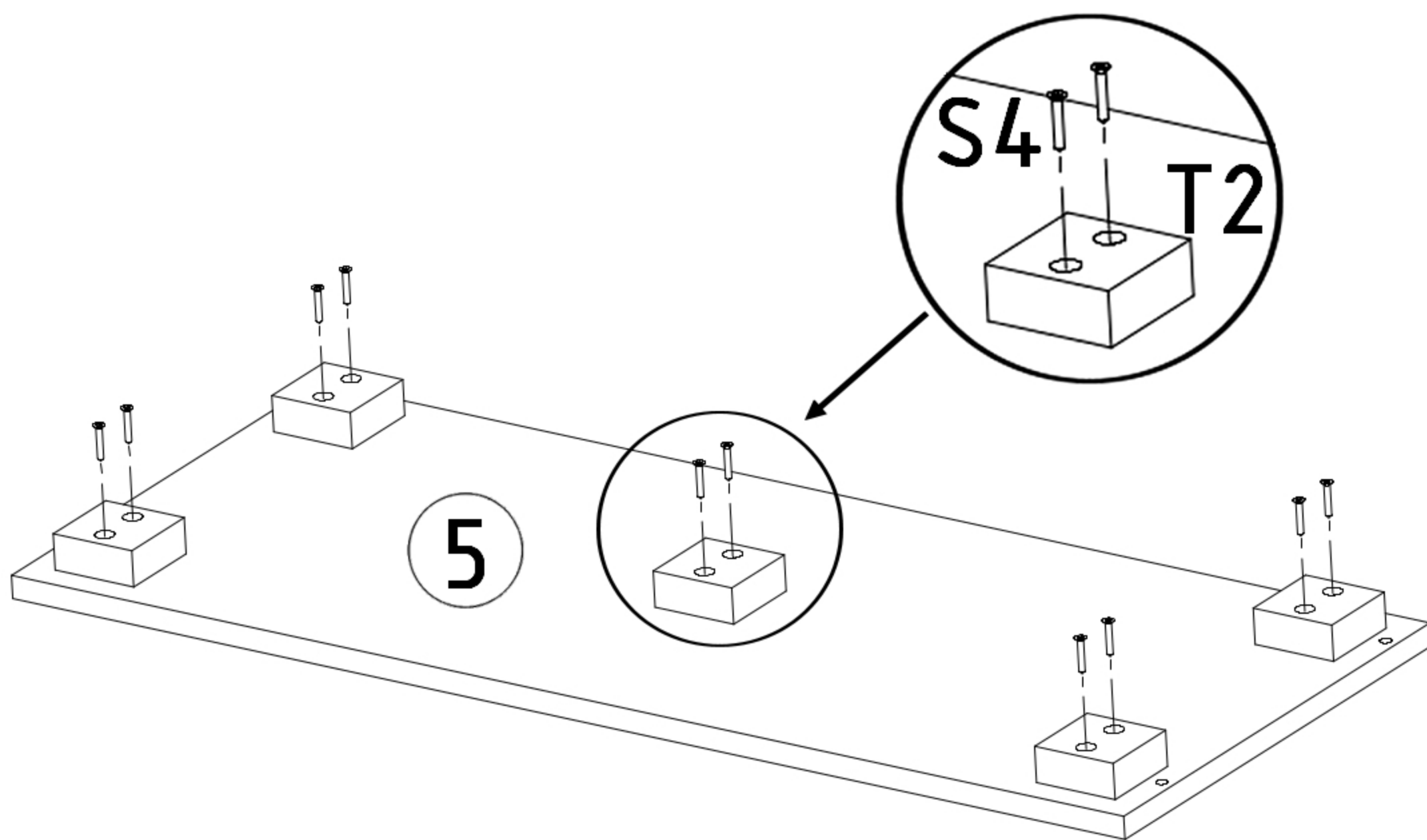


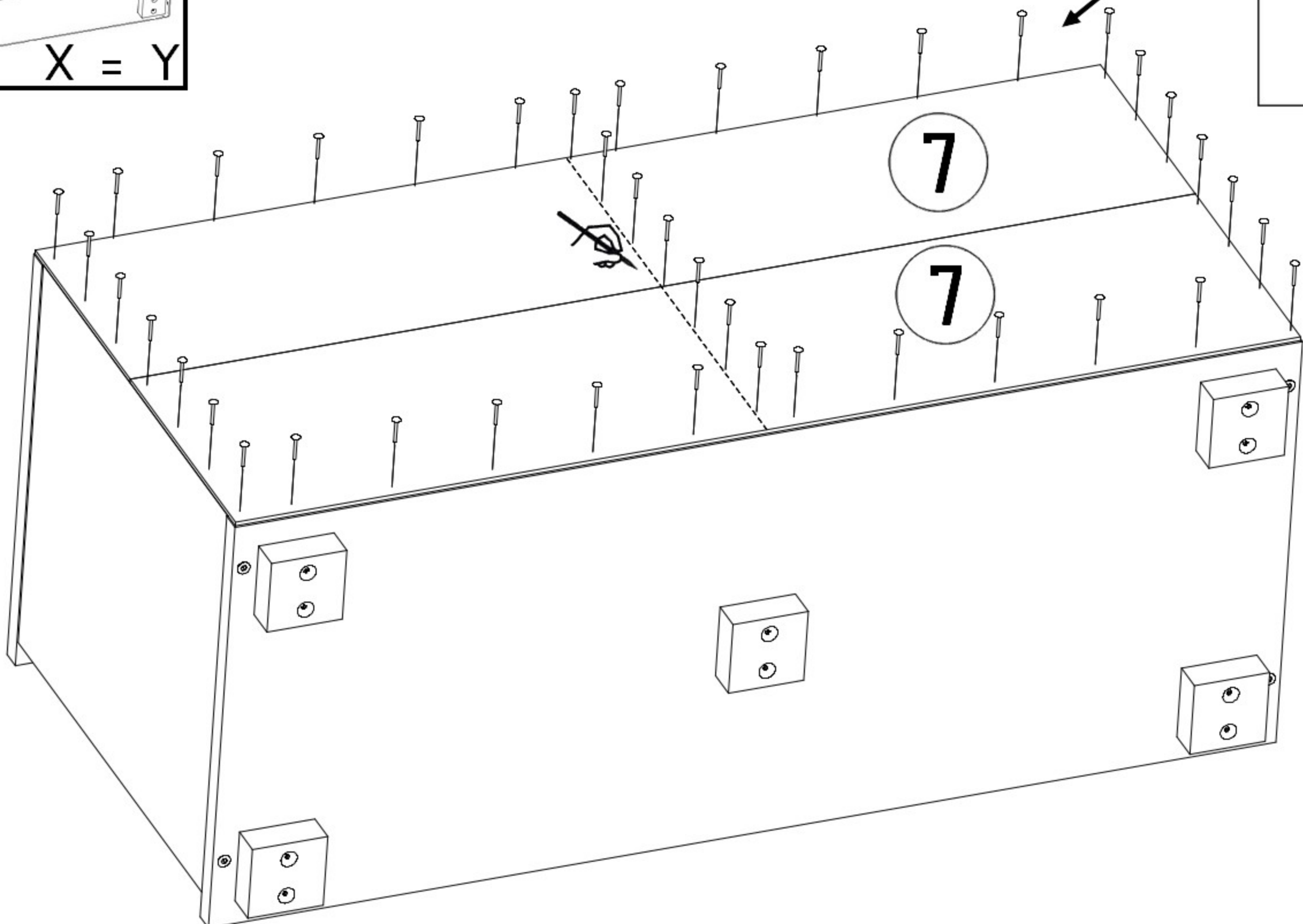
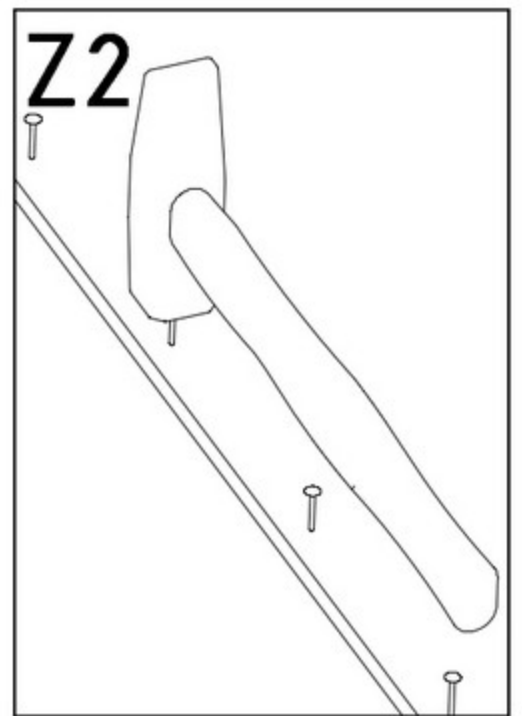
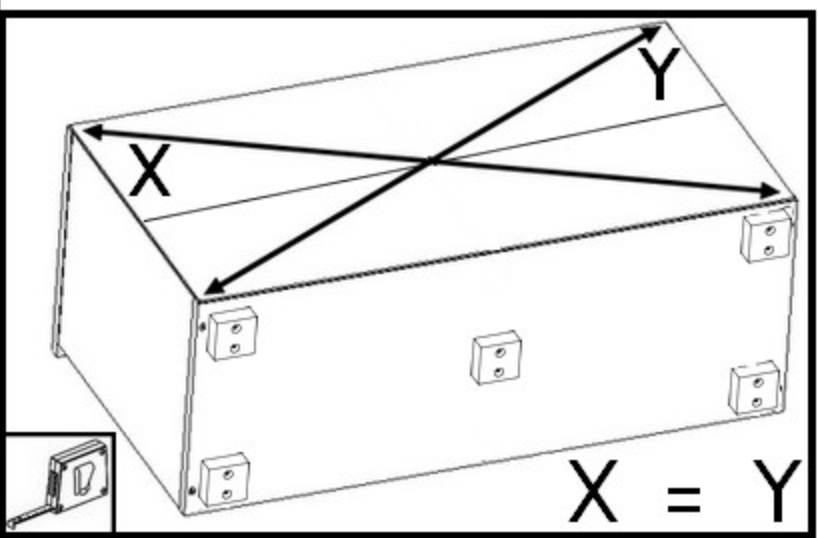
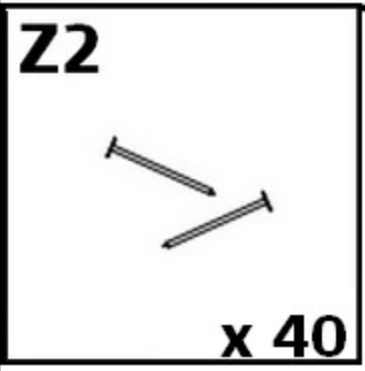
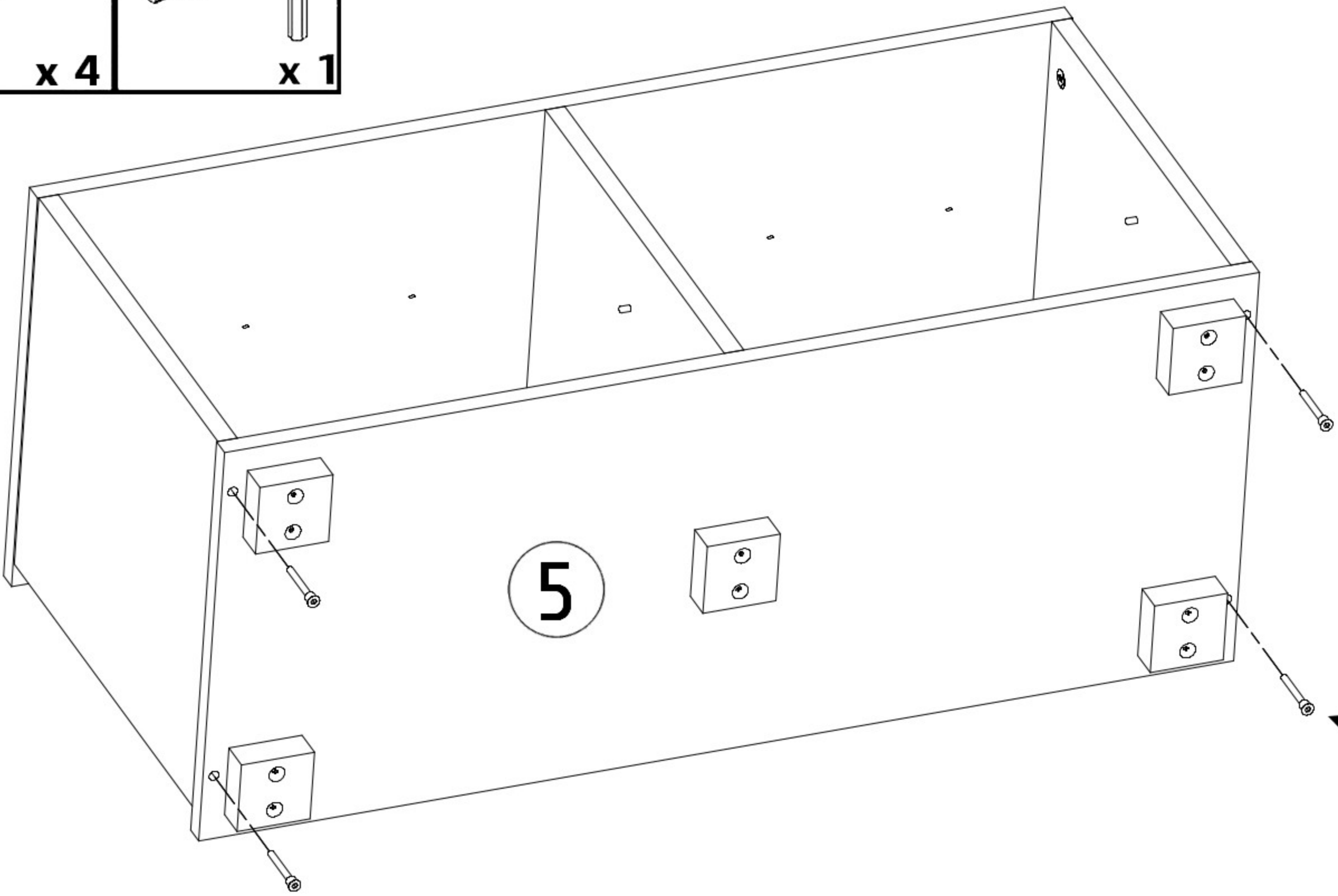
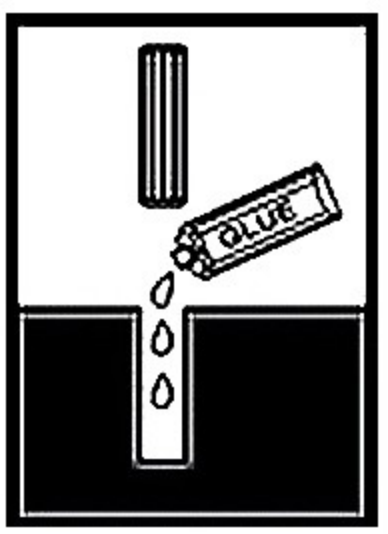
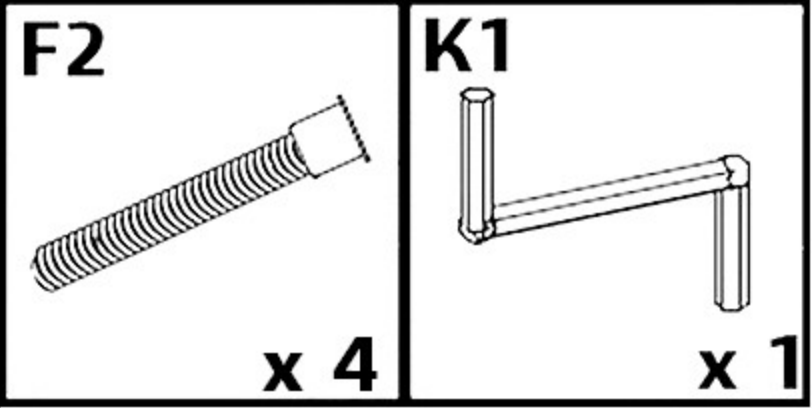
3


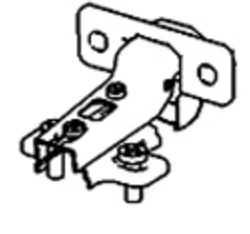
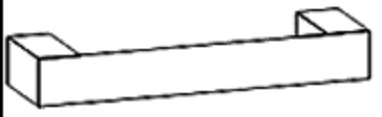



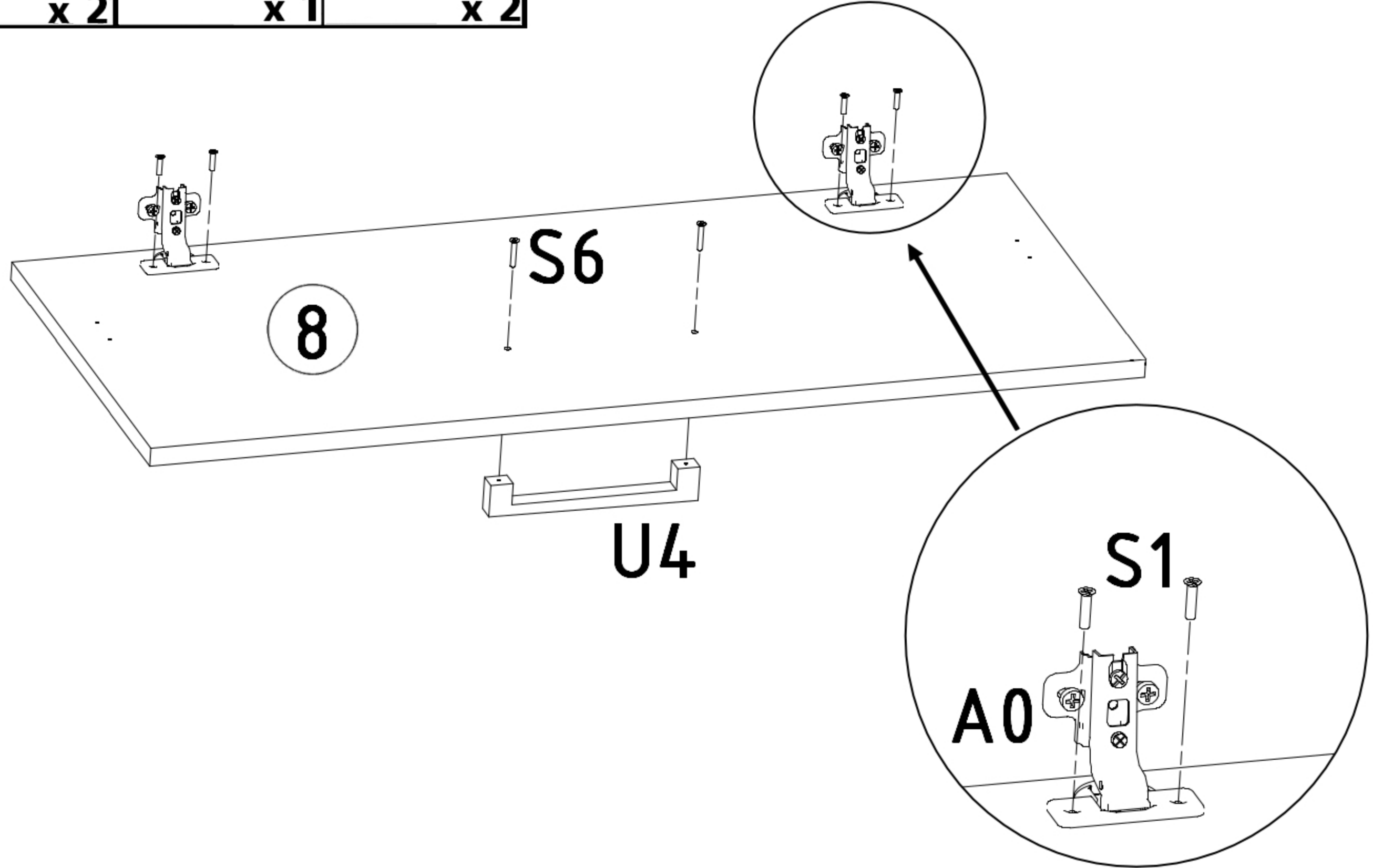





<b>T2</b>  <b>x 5</b>	<b>S4</b>  <b>x 10</b>
---	---





<b>S1</b>  x 4	<b>A0</b>  x 2	<b>U4</b>  x 1	<b>S6</b>  x 2
---	---	---	---



<b>V3</b>  x 2	<b>S16</b>  x 4	<b>S1</b>  x 4
--	--	---

