



USER MANUAL (GB)	2
MANUEL D'UTILISATION (FR).....	15
BEDIENUNGSANLEITUNG (DE)	28
MANUALE PER L'UTENTE (IT).....	41
GEbruIKSAANWIJZING (NL).....	54
MANUAL DE INSTRUÇÕES (PT)	67
MANUAL DE USUARIO (ES)	80
BRUGERVEJLEDNING (DK)	93
BRUKERMANUAL (NO).....	106
INSTRUKTIONSMANUAL (SE).....	119
KÄYTTÖOHJE (FI)	132
РУКОВОДСТВО ПОЛЬЗОВАТЕЛЯ (RU) .	145
ΟΔΗΓΙΕΣ ΧΡΗΣΗΣ (GR)	158
INSTRUKCJA UŻYTKOWANIA (PL) .	171
NÁVOD K POUŽITÍ (CZ).....	184
POUŽÍVATEĽSKÁ PRÍRUČKA (SK)..	197
KULLANMA KILAVUZU (TR).....	210



GENERAL SAFETY WARNINGS

This appliance should only be used for private household use, as described in this user guide. Please ensure that this guide is fully understood before operating the appliance and keep for future reference.

Check if the voltage and ratings indicated on the label of the appliance correspond to the local power voltage before you connect the appliance.

If the power cord is damaged stop using the appliance immediately. To avoid a safety hazard, an authorized HOOVER service engineer must replace the power cord.

Do not remove the plug by pulling the power cord.

Lay the supply cord so nobody will step on or trip over it.

Always switch off and unplug the appliance before moving or cleaning the appliance or any maintenance task.

This appliance can be used by children aged from 8 years and above and persons with reduced physical, sensory or mental capabilities or lack of experience and knowledge if they have been given supervision or instruction concerning use of the appliance in a safe way and understand the hazards involved. Children shall not play with the appliance.

Cleaning and user maintenance shall not be made by children without supervision.

The appliance does not remove carbon monoxide (CO) or radon (Rn). It cannot be used as safety device in case of accidents with combustion processes and hazardous chemicals.

Do not continue to use your appliance if it appears faulty.

Do not block the air inlet or air outlet.

Do not insert your fingers or objects into the air outlet or the air inlet to prevent physical injury or malfunctioning of the appliance.

Do not clean the appliance with water, any other liquid, or a (flammable) detergent, nor let them enter the appliance to avoid electric shock and/ or a fire hazard.

Do not spray any flammable materials such as insecticides or fragrance around the appliance.

This appliance is not a substitute for proper ventilation, regular vacuum cleaning, or use of an extractor hood or fan while cooking.

Use only consumables, filters or spares recommended or supplied by HOOVER.

Make sure the filter is properly installed before you switch on the appliance.

Avoid knocking against the appliance (the air inlet and outlet in particular) with hard objects.

Keep the product dry.

Never tilt or empty the product during operation.

When the appliance is not used for a long time, bacteria may grow on the filters. Check the filters after a long period of disuse. If the filters are very dirty, replace them.

HOOVER service: To ensure the continued safe and efficient operation of this appliance we recommend that any servicing or repairs are only carried out by an authorized HOOVER service engineer.

USING ENVIRONMENT

Place and use the product only on a dry, stable, level horizontal surface, so that tipping over is excluded.

Leave at least 20cm free space behind and on both sides of the appliance and leave at least 30cm free space above the appliance.

To prevent interference, place the appliance at least 2m away from electrical appliances that use airborne radio waves such as TVs, radios, and radio-controlled clocks.

Do not place anything on top of the appliance.

Do not use this appliance when you have used indoor smoke-type insect repellents or in places with oily residues, burning incense, or chemical fumes.

Do not place the appliance in any of the following locations:

- On hot surfaces, near hot surfaces, open fire or in direct sunlight, near gas appliances, heating devices or fireplaces;
- Next to or directly above heaters or air conditioning vents, doors, windows, extractor fans, cookers or anywhere that it would be affected by draughts;
- In a bathroom or other areas where the product may be exposed to water splashes, dripping or condensation (e.g. directly below an air conditioner or above an electric kettle);
- In an enclosed space (e.g. in or below a cupboard);
- In an area where the temperature could drop below -20°C or rise above 50°C ;
- In a room with major temperature changes, in wet surroundings or in surroundings with high ambient temperatures or high humidity, such as the bathroom, toilet, or kitchen;
- Where it would be obstructed, e.g. by curtains or furniture;
- Where dirt or dust could block the sensor.

CO MONITOR SAFETY INSTRUCTIONS

If CO alarm is activated, you should open all windows and doors (if safe to do so). Turn off all fuel burning appliances if possible and then evacuate the property leaving the windows and doors open. Get immediate medical help for anyone suffering the effects of carbon monoxide poisoning. Do not re-enter the property until the alarm stops. The alarm will stop once the CO has cleared. Do not use fuel burning appliances again until the CO source has been located and rectified by a qualified technician.

Avoid using paint, thinners, solvent fumes, air fresheners, aerosol sprays or chemical cleaners near the appliance. This may affect functioning of CO monitor.

To activate the CO monitor, connect the plug to a socket outlet. The CO Alert LED will display green. When the CO monitor detects unsafe level of CO, the CO alarm will ring loudly and the CO Alert button and Air Quality LED Ring will blink in red color. The alarm will continue to ring until the detected CO reduces to a safe level.

Touch CO Alert Button for 3 seconds to test the CO Alarm function and the alarm will ring loudly for 5 seconds. Test the alarm monthly and after prolonged absence from the building (e.g. holidays). If the alarm fails to ring after touching the CO Alert Button for 3 seconds, please contact the Hoover customer care center to arrange a qualified technician to repair the fault.

If the display indicates that the CO sensor is faulty or end of life has been reached, please contact the Hoover customer care center to arrange a qualified technician to replace the CO sensor. The expected lifetime of the CO sensor is 7 years and must be replaced after this time.

Do not allow small children to press the CO Alert button for 3 seconds as they could be subject to excessive noise when the alarm rings.

Operating Humidity: 15 – 90% RH

Operating Temperature: 0°C to $+40^{\circ}\text{C}$

Carbon Monoxide affects the body by starving (suffocating) critical organs of oxygen. When CO is inhaled it attaches to the hemoglobin in the blood that normally carries oxygen throughout the body. CO permanently displaces the ability for oxygen molecules to attach to the hemoglobin, thus reducing oxygen to vital organs. The concentration level and time exposed to CO can vary its effects on the body, but experts agree even low levels of carbon monoxide exposure over prolonged periods can have serious and lasting affects to anyone's overall health.

WARNING: THE CO ALARM IS DESIGNED TO PROTECT INDIVIDUALS FROM THE ACUTE EFFECTS OF CARBON MONOXIDE EXPOSURE OR PREVENT THE CHRONIC EFFECTS OF CARBON MONOXIDE EXPOSURE. IT WILL NOT FULLY SAFEGUARD INDIVIDUALS WITH SPECIFIC MEDICAL CONDITIONS. IF IN DOUBT CONSULT A MEDICAL PRACTITIONER.

The CO Monitor function is not to be used as, nor implied to be used as a substitute for an EN 50291-1 UL-2034, CSA-6.19 or any other recognized standard certified carbon monoxide alarm where Local or Regional Codes or legislation mandate their use. The CO Monitor function is a supplemental carbon monoxide monitoring device only. Use of this device is at the user's discretion and implies the understanding and acceptance of its limitations to adhere to codes or legislation where applicable.

This appliance should not be used as a substitute for proper installation, use and maintenance of fuel burning appliances including appropriate ventilation and exhaust systems.

The CO monitor mobile and tablet notifications require a functional Wi-Fi connection to operate. They are not a substitute for a third-party emergency monitoring service.

DIFFUSER SAFETY INSTRUCTIONS

Use only aroma oil recommended or supplied by HOOVER.

Avoid using stand-alone humidifier next to the air purifier when using Diffuser function of H-Essence.

Wipe any spillage of H-Essence immediately. Make sure to clean every corner of the product that had contact with H-Essence.

HUMIDIFIER SAFETY INSTRUCTIONS

Clean the water tank every 3 days.

Use only distilled water to fill the water tank. Do not fill with other water, such as tap water, mineral water, river water and so on.

The water in the water tank is not suitable for drinking. Do not drink this water and do not use it to feed animals or to water plants. When you empty the water tank, pour the water down the drain.

Do not put any substance other than distilled water in the water tank.

Do not put liquids with fragrances/perfume or H-Essence in the water tank.

Empty the tank and the housing and refill every three days.

Before refilling, clean the tank and the housing with fresh tap water. Remove any scale, deposits, or film that have formed on the sides of the tank or on interior surfaces, and wipe all surfaces dry.

Unplug the appliance during filling and cleaning.

Empty and clean the humidifier before storage. Clean the humidifier before next use.

Never leave water in the water tank and tank housing when the appliance is not in use.

Do not permit the area around the humidifier to become damp or wet. If dampness occurs, turn the output of the humidifier down, use the humidifier intermittently. Do not allow absorbent materials such as carpeting, curtains, drapes or tablecloths to become damp.

If you need to move the appliance, disconnect the appliance from the power supply first. Then empty or remove the water tank. Carry the appliance vertically by the handles on both sides of the appliance.

Avoid using stand-alone device which releases or sprays aroma oil next to the air purifier when using Humidifier function.

Be aware that high humidity levels may encourage growth of biological organisms in the environment.

WARNING: Micro-organisms that may be present in the water or in the environment where the appliance is used or stored, can grow in the water reservoir and be blown in the air causing very serious health risks when the water is not renewed and the tank or housing is not cleaned properly every 3 days.



The Environment

This appliance is marked according to the European directive 2012/19/EU on Waste Electrical and Electronic Equipment (WEEE). By ensuring this product is disposed of correctly, you will help prevent potential negative consequences for the environment and human health, which could otherwise be caused by inappropriate waste handling of this product.



The symbol on this appliance indicates that this appliance may not be treated as household waste. Instead it must be handed over to the applicable collection point for the recycling of electrical and electronic equipment. Disposal must be carried out in accordance with local environmental regulations for waste disposal. For more detailed information about treatment, recovery and recycling of this appliance, please contact your local city office, your household and waste disposal service or the shop where you purchased the appliance.

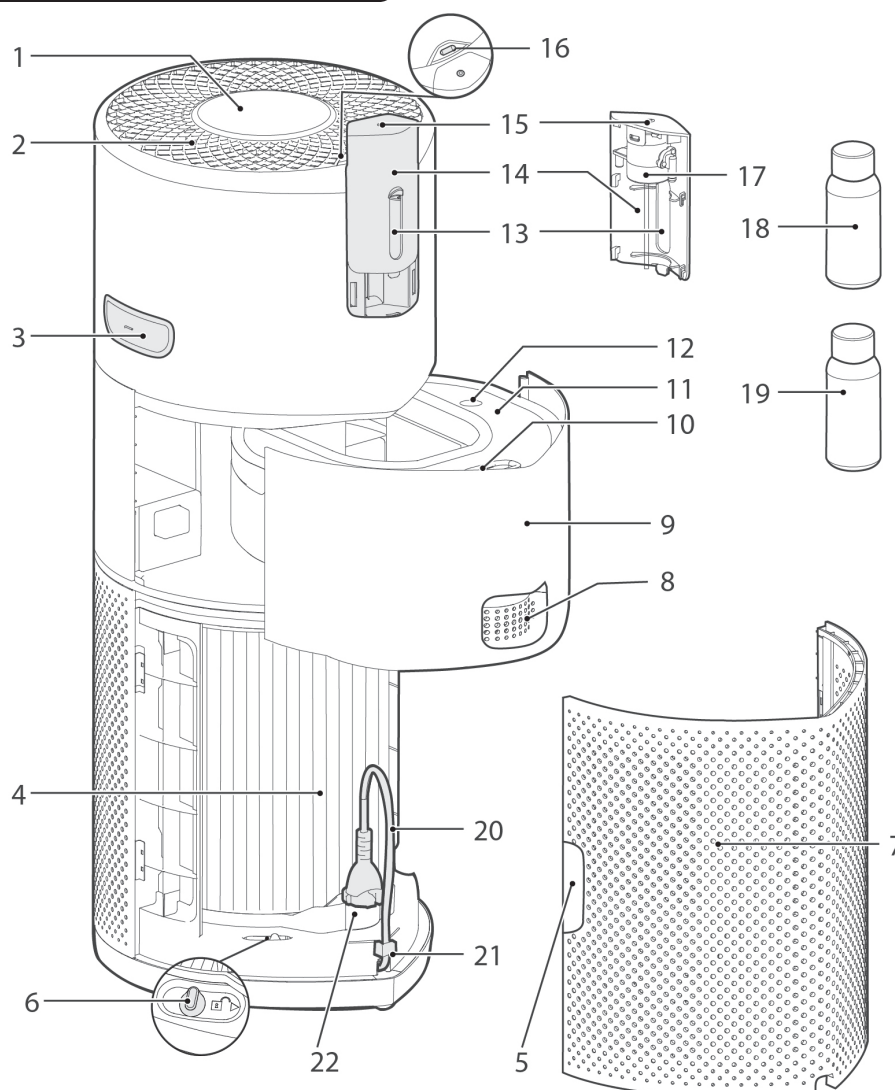
Wireless Parameters for Pairing

Technology	Wi-Fi	Bluetooth
Standard	IEEE 802.11 b/g/n	Bluetooth v4.2, BLE
Frequency Band(s) (MHz)	2401~2483	2402~2480
Maximum Power (mW)	100	10
Maximum RF power transmitted in the frequency band	18.9 dBm	

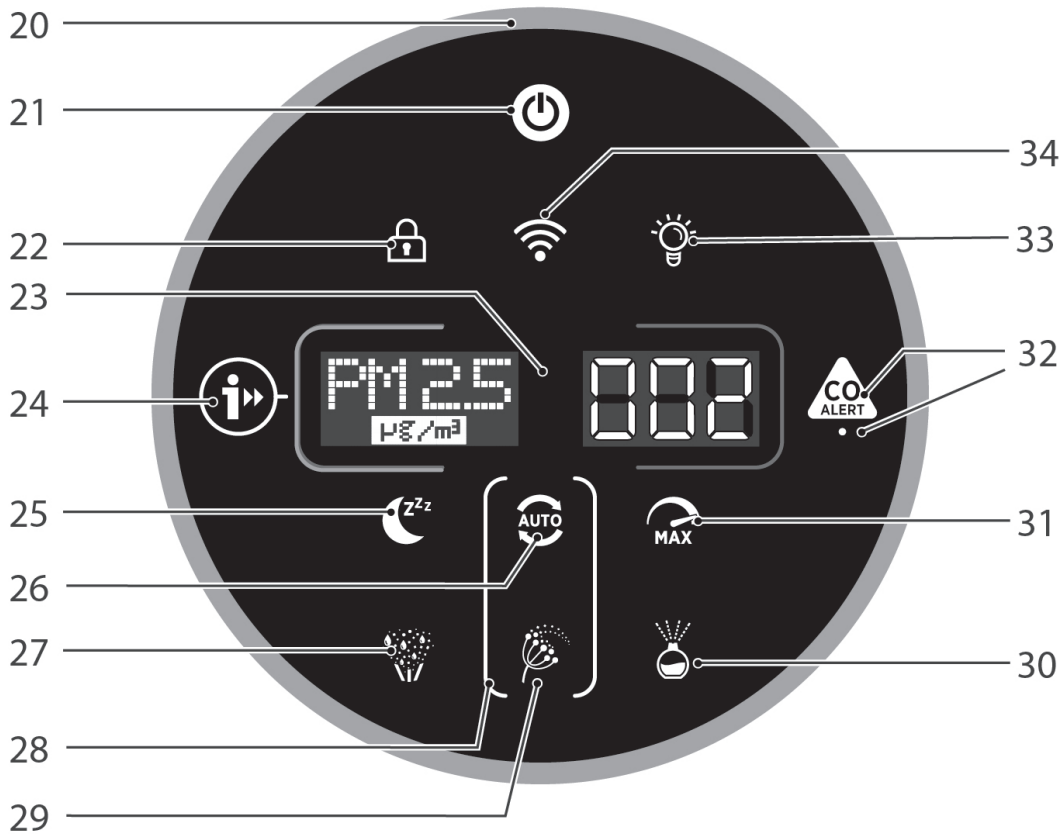
Hereby, Candy Hoover Group Srl declares that the radio equipment is in compliance with Directive 2014/53/EU. The full text of the EU declaration of conformity is available at the following internet address: www.candy-group.com

CANDY HOOVER GROUP S.r.l. Via Privata Eden Fumagalli, 20861 Brugherio (MB) Italy

1. GETTING TO KNOW YOUR H-PURIFIER



1	Control Panel / Display	9	Humidifier Tank Housing	17	Diffuser Unit
2	Air Outlet	10	Humidifier Water Tank	18	H-Essence Bottle (Green)
3	Product Carry Handle	11	Humidifier Water Tank Cover	19	H-Biotics Bottle (Brown)
4	Filter Assembly	12	Humidifier Water Tank Inlet	20	Power Cord & Plug
5	Air Inlet Cover Handle	13	Diffuser Window	21	Storage Hook
6	Filter Release Switch	14	Diffuser Cover	22	Transportation Location
7	Air Inlet Cover	15	Diffuser Outlet		
8	Humidifier Handle	16	Humidifier Outlet		



20	Air Quality LED Ring	25	Sleep Mode Button	30	Diffuser Button
21	Power Button	26	Auto Mode Button	31	Max Mode Button
22	Child Lock Button	27	Humidifier Button	32	CO Alert Button & LED
23	Digital Display	28	Pollen Allergy Circle Lamp	33	Light Control Button
24	Information Button	29	Pollen Allergy Lamp	34	Wi-Fi Button

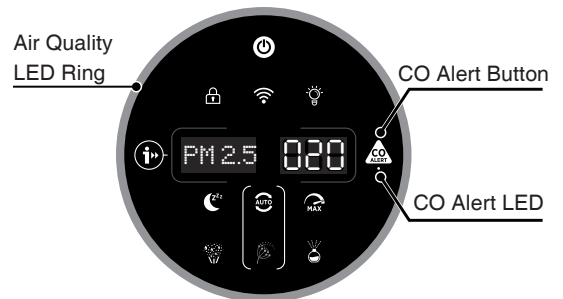
1.1 MULTI SENSOR SYSTEM

Thanks to the Multi Sensor System your product will continuously monitor the indoor air condition in terms of PM10, PM2.5 and Volatile Organic Compounds (GAS).

Each time you switch your product on, the Multi Sensor System will start analyzing the indoor air quality and the Air Quality LED Ring will illuminate with different colors representing real time air quality conditions.

Air Quality LED Ring Color	Indoor Air Quality	PM 10 value* $\mu\text{g}/\text{m}^3$	PM 2.5 value $\mu\text{g}/\text{m}^3$	GAS VOC Level
GREEN	Excellent	0-50	0-25	L1
YELLOW	Satisfactory	50-80	25-50	L2
ORANGE	Poor	80-160	50-100	L3
RED	Very poor	≥ 160	≥ 100	L4

* In Pollen Allergy mode, PM 10 values that trigger the air quality level will be lower to minimize the risk for allergic people.



1.2 CARBON MONOXIDE (CO) ALERT

H-Purifier is equipped with an alert system that will constantly monitor the indoor air for Carbon Monoxide (CO).

When the Carbon Monoxide alarm is activated, the AIR Quality LED Ring, Information & CO Alert button will flash red simultaneously and an audible alarm will sound. The alarm will remain in operation until the Carbon Monoxide (CO) concentration has reduced to below 50 ppm unless silenced manually by pressing the CO Alert Button for 3 seconds.

The CO Alert LED shows the working condition of the CO sensor. It appears in green color when the CO sensor is in normal condition, in yellow color when the sensor is malfunctioning or exceeds its working life and in red color when CO alert is activated.

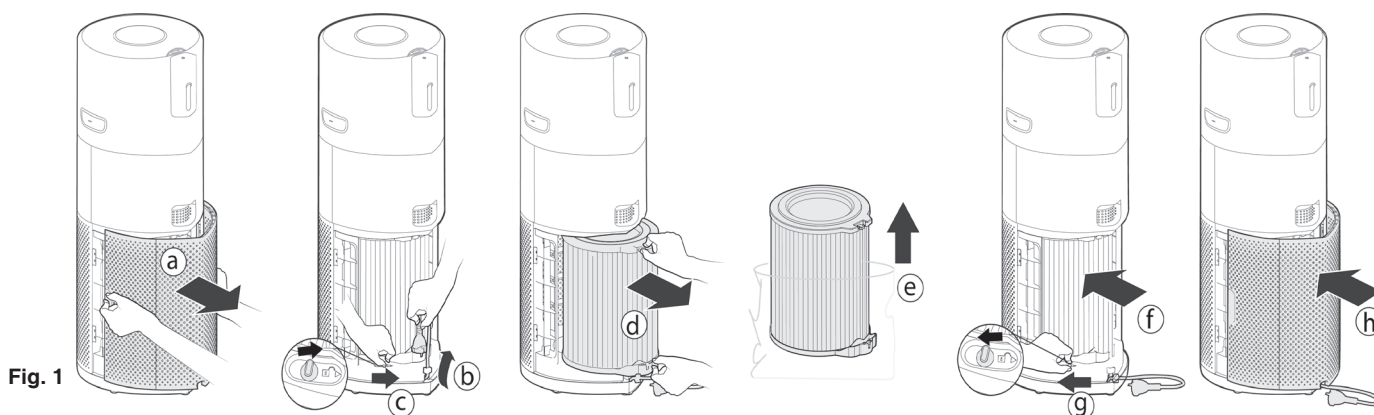
You can test if the alarm is working properly by pressing the CO Alert Button for 3 seconds, a loud buzzer sound will last for 5 seconds if the alarm works properly.

2. PREPARING YOUR H-PURIFIER

2.1 INSTALL THE FILTER [Fig. 1]

Before using your H-Purifier product you will need to remove the Filter from its protective packaging:

- Remove the Air Inlet Cover from your product, grip the two Air Inlet Cover Handles and pull from the product. [Fig. 1a]
- Remove the plug from the Transportation Location and release the cord from the Storage Hook. [Fig. 1b]
- Unlock the Filter Release Switch. [Fig. 1c]
- Remove the Filter from your product and remove the outer packaging. [Fig. 1d,e]
- Refit the Filter into your product. [Fig. 1f]
- Lock the Filter Release Switch. [Fig. 1g]
- Refit the Air Inlet Cover to your product. [Fig. 1h]



2.2 INSTALL THE DIFFUSER BOTTLE [Fig. 2]

To prepare your H-Purifier product for the Diffuser function:

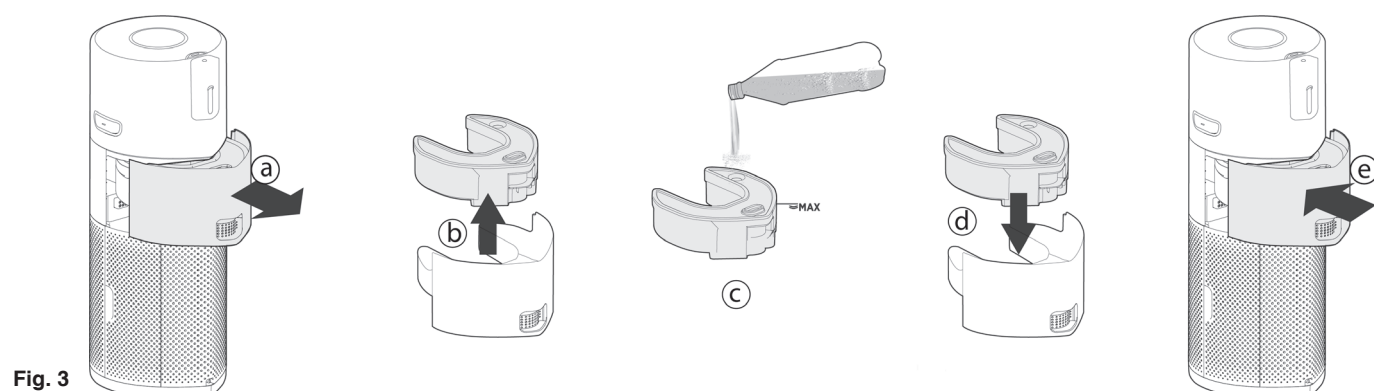
- Remove the Diffuser Cover from the product. [Fig. 2a]
- Remove the Diffuser Unit from the Diffuser Cover. [Fig. 2b]
- Remove the bottle of H-Essence or H-Biotics from the packaging and remove the cap. [Fig. 2c]
- Preserve the cap for future storage use.
- Tightly screw the bottle on the Diffuser unit. [Fig. 2d]
- Refit the Diffuser Unit into the Diffuser Cover. [Fig. 2e]
- Refit the Diffuser Cover into the product. [Fig. 2f]



2.3 PREPARE THE HUMIDIFIER [Fig. 3]

To prepare your H-Purifier product for the Humidifier function:

- Remove the Tank Housing from the product. [Fig. 3a]
- Remove the Tank Assembly from the Tank Housing. [Fig. 3b]
- Before the first use clean all the parts with a dry soft cloth.
- Fill the tank through the Water Tank Inlet with distilled water until it reaches the MAX line indicated on the tank. [Fig. 3c]
- Refit the Tank Assembly into Tank Assembly Housing. [Fig. 3d]
- Refit the Tank Assembly Housing into your Product. [Fig. 3e]



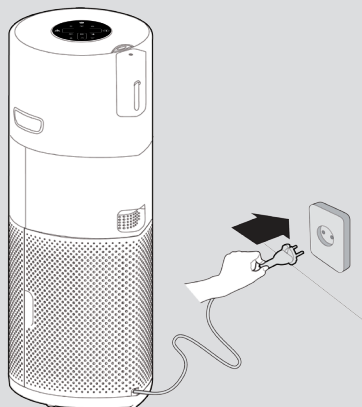


Fig. 4



Fig. 5

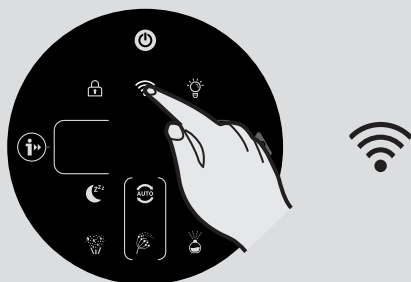


Fig. 6

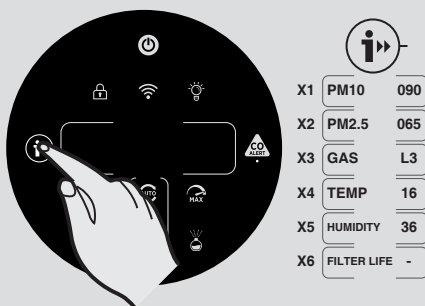


Fig. 7

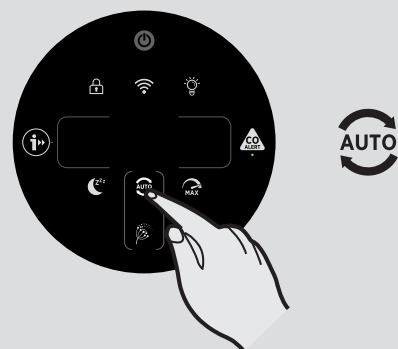


Fig. 8

3. USING YOUR H-PURIFIER

3.1 SWITCH ON THE PRODUCT [Fig. 4]:

Pull out the power cord from the cord reel and plug into a power supply.

All lights on the Control Panel / Display will fully illuminate for approximately 1 second to indicate a successful plug in.

The POWER button will be dimly lit and the CO Alert LED will be ON to indicate that the dedicated sensor has started working to monitor the indoor Carbon Monoxide level.

To switch on your product, press the POWER button on the display.

The Air Quality LED Ring will illuminate through all colours in sequence whilst the sensors are analysing the realtime air quality condition. After a few seconds, the Air Quality LED ring will select the appropriate colour for the air quality at that time.

Your H-Purifier product will immediately enter AUTO MODE and begin to purify the indoor air.

The AUTO MODE button, INFORMATION button, LIGHT CONTROL button and PM10 information on the Display will illuminate.

3.2 CONNECT YOUR H-PURIFIER:

In order to access all the H-Purifiers functions from anywhere, it is suggested to download the hOn App. You will be able to control your product in the most efficient way.

Instructions:

1. Download the hOn application from the Apple App Store, Google Play or Huawei App Gallery. You can also download it by scanning the QR code in [Fig. 5]
2. Open the APP, create an account with your e-mail and a password.
3. Confirm and log into the hOn App.
4. Ensure your mobile device is connected to Wi-Fi.
5. Ensure your H-Purifier is switched on. Press and hold the Wi-Fi button on the display for 5 seconds, there will be an audible beep and the Wi-Fi button will start flashing to indicate it is waiting for a connection. [Fig. 6]
6. Follow the in app instructions to connect your mobile device to your product.
7. When successfully paired, the Wi-Fi button on the product will remain illuminated.
8. To reset the Wi-Fi, press & hold the Wi-Fi button for 5 Secs.

H-Purifier also works with Hey Google and Amazon Alexa.

3.3 DISCOVER ALL THE FUNCTIONS

INFORMATION Function [Fig.7]:

There are 6 different data sets available to monitor:

PM10, PM2.5, GAS, Temperature, Humidity, and Filter Status.

To monitor each value simply press consecutively the INFORMATION button.

By default the display will show the PM10 data, the machine will remember user's last selection and maintain this selection the next time the product is switched on.

The GAS data will show a spinning cursor during the first 3 minutes after product is switched on, while the GAS sensor is performing a calibration cycle.

More info on PM 2.5, PM 10 and GAS:

PM indicates fine particles (not visible to the human eye) deriving mainly from outdoor pollution such as vehicles and industrial emissions and potentially dangerous to our health in case of prolonged exposure. PM 10 have a size up to 10 μm and are capable of penetrating the upper respiratory tract (nose, trachea, pharynx).

PM 2.5 have a size up to 2.5 μm and given their small dimension, they can reach our lungs, thus penetrating deeper into our body.

GAS VOC (volatile organic compounds) are volatile chemical compounds with the ability to evaporate easily in the air at room temperature. Deodorants, detergents, glues, adhesives, cosmetics, formaldehyde are just some of the VOCs that could be present in our homes but potentially harmful to our health in case of prolonged exposure.

MODE Functions:

There are 3 available air purifying modes : AUTO MODE, MAX MODE & SLEEP MODE.

Auto mode is the default setting for your product when switched on, all modes can be selected manually by pressing the related button on the display.

POLLEN ALLERGY mode can only be activated via the hOn app.

AUTO MODE [Fig. 8]:

This is the default mode of your H-Purifier product when first switched on. In Auto Mode, the H-Purifier automatically adjust its fan speed to the actual indoor air quality level to always guarantee an optimal air purification.

This is the recommended setting for your product.

In AUTO mode, after 30 minutes of excellent air quality, your product will enter an ECO mode (Stand-by function) by pausing the purifying function (fan), the Multi Sensor System will continue to analyse the indoor air and automatically switch on the purifying function when required.

MAX MODE [Fig. 9]:

Press the MAX mode button on the display to activate air purifying at maximum power setting. To exit MAX mode simply select AUTO mode or SLEEP mode.

SLEEP MODE [Fig. 10]:

Press the SLEEP mode button to activate air purifying at the lowest silent power setting. The SLEEP mode button will be dimly lit and all other display lights will be off. This can be modified by pressing the LIGHT CONTROL button.

POLLEN ALLERGY MODE: [Fig. 11]

The Pollen Allergy mode can only be activated via the hOn APP. You will first be required to activate and register a profile in the app, in order to create your Pollen Allergy Profile.

The Pollen Allergy mode works only when AUTO MODE is selected. [Fig. 11c]

In Pollen Allergy mode, the appliance continuously receives real time data from the APP about the monitored pollen concentration outdoor, and works automatically to maximize pollen capturing performance.

Once pollens are captured, they are inactivated to help alleviate allergic symptoms.

When Pollen Allergy mode is activated in the App, there are 2 possible notification lamps on the product display:

- The Pollen Allergy Lamp is **WHITE [Fig. 11a]**: The appliance and the App are monitoring the presence of pollens outdoor and there is no risk.

- The Pollen Allergy Lamp turns **YELLOW** and the Pollen Allergy Circle lamp is **WHITE [Fig. 11b]**: The appliance and the APP have detected risk.

If the product is manually put into SLEEP mode or MAX mode whilst Pollen Allergy mode is activated, the Pollen Allergy mode will stop.

LIGHT CONTROL Function: [Fig. 12]

There are 3 settings available for the display lighting On, Dim & Off.

To adjust the brightness of the display simply press the LIGHT CONTROL button on the display to cycle through the 3 available options. ON is the default setting.

If OFF is selected, any other button will need to be pressed twice to activate, after one press, the lights will become DIM, on second press the action will be activated.

CHILD LOCK Function: [Fig. 13]

Press and hold the CHILD LOCK button for 3 seconds to activate this function, an audible sound will be heard when it has been activated and the CHILD LOCK button will remain illuminated. No other buttons will work when activated.

To exit, simply press and hold the CHILD LOCK button for 3 seconds, an audible sound will be heard confirm it is off and the button will no longer be illuminated.

DIFFUSER Function: [Fig. 14]

The diffuser spreads into the air of the room H-Essence or H-Biotics. H-Essence is the Hoover collection of essential oils to release into the air enjoyable fragrances.

H-Biotics is a natural blend based on probiotics that keeps the room bio-hygenized by inhibiting the growth of microorganims such as bacteria or microbes.

There are 4 different settings for the DIFFUSER function: SOFT, MEDIUM, CUSTOM & H-BIOTICS. To activate this function simply press the Diffuser button on the Display, the default setting for this function is SOFT, to select any of the other settings simply consecutively press the button to change to the desired selection. The button will illuminate white when switched on.

It is recommended to use SOFT & MEDIUM settings for H-Essence.

CUSTOM setting can only be created on the hOn App.

When using H-Biotics, the setting **MUST** be on H-Biotics. Once user activates H-Biotics using the APP, this will give an alert of "ACTIVATE H-BIOTICS" after 120 hours to ensure the use of H-Biotics every 5 days.



Fig. 9



Fig. 10

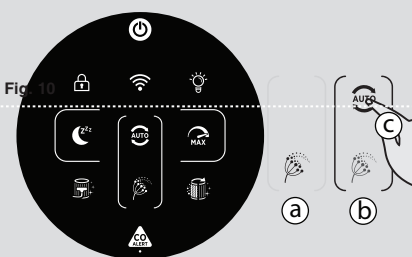


Fig. 11



Fig. 13



Fig. 13

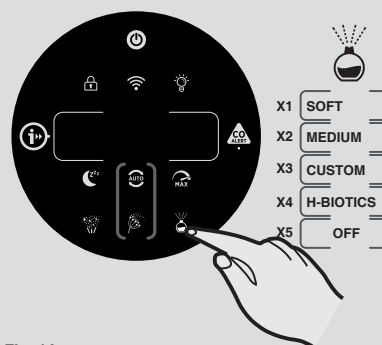


Fig. 14

When using H-Essence in certain settings or room environment, the GAS VOC level may change due to the detection of the fragrances.

The Diffuser Function only works when the Air Quality LED Ring is on green color, it will pause when the LED Ring is not green and continue working when it gets back to green.

The Diffuser function can only be used in AUTO & MAX modes and cannot be used in SLEEP mode.

When activating the Diffuser function in AUTO mode, the main fan will work with a specific speed to help to spread the H-Essence or the H-Biotics into the room.

Setting	Diffusing Timing	Cycle max duration
SOFT	for 10 sec every 5 min	6 hours
MEDIUM	for 90 sec every 3.5 min	6 hours
CUSTOM	User Defined	6 hours
H-BIOTICS	for 2 min every 4 min	6 hours

To switch off the function, press the diffuser button until OFF appears on the Display.

After each use of the Diffuser function, use a dry soft cloth to clean any residue from the product surfaces.

To change the bottle in the diffuser unit, see 'Maintaining your H-Purifier' section.

HUMIDIFIER Function: [Fig. 15]

There are 3 different settings for the Humidifier function: MIN, MED & MAX. To activate this function simply press the Humidifier button on the display, the default setting for this function is MIN. To select any of the other settings simply consecutively press the button to change to the desired selection. The button will illuminate white when switched on.

MIN - Default Target Humidity 40%

MED - Default Target Humidity 55%

MAX - Default Target Humidity 70%

All 3 Target levels can be customised through the hOn app within a range of 30-80% Target Humidity.

To switch off the Humidifier function, press the humidifier button until OFF appears on the Display.

If the real time Humidity level is equal or higher than the one selected, a message will appear on the display showing 'HUMIDITY REACHED'. The Humidifier Lamp will remain on.

The product will automatically activate the Humidifier function when the real time Humidity drops below the selected target level.

The Humidifier function can only be used in SLEEP & AUTO modes and cannot be used in MAX mode.

REFILL ALERT:

When water level is lower than the minimum level, the display will show REFILL WATER message blinking. For instructions see Maintaing your Purifier section.

Important Note:

- **When the product is working in Diffuser Function:** If Humidifier Function is selected without turning off Diffuser Function, the product will automatically stop Diffuser Function and start Humidifier Function.
- **When the product is working in Humidifier Function:** If Diffuser Function is selected without turning off Humidifier Function, the product will automatically stop Humidifier Function and start Diffuser Function.

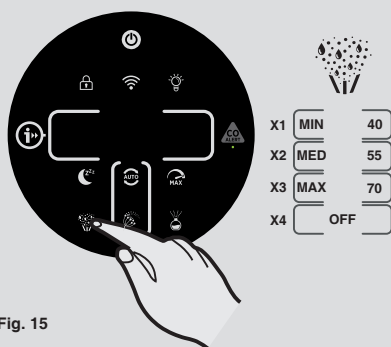


Fig. 15

4. MAINTAINING YOUR H-PURIFIER

4.1 FILTER MAINTENANCE

Your H-Purifier will monitor the condition of your filter. A **CLEAN FILTER OR REPLACE FILTER** alert will blink on the left side of the display indicating action is required to clean or change the filter.

Cleaning / Replacing the Filter: [Fig. 16]

- Remove the Air Inlet Cover from your product. [Fig. 16a]
- Unlock the Filter Release Switch. [Fig. 16b]
- Remove the Filter from your product. [Fig. 16c]
- Use a Vacuum Cleaner to clean the external layer of the Filter or Replace with a NEW filter. [Fig. 16d]
- Refit the Filter into the product. [Fig. 16e]
- Lock the Filter Release Switch. [Fig. 16f]
- Refit the Air Inlet Cover to your product. [Fig. 16g]
- Plug in your appliance to the power supply and switch on.
- Press the INFORMATION button to reset the Cleaning/ Replacing alert by holding the button for 3 secs, an audible alert will be heard to indicate a successful reset. [Fig. 7]

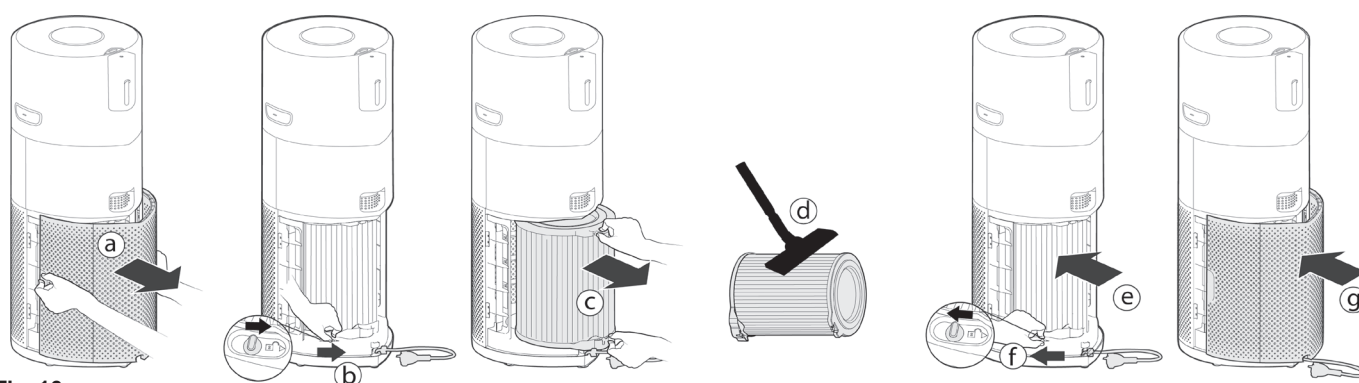


Fig. 16

4.2 DIFFUSER MAINTENANCE

After each use of the Diffuser function, use a dry soft cloth to clean any residue from the product surfaces.

Diffuser Bottle Replacement: [Fig. 17]

The volume of liquid in the bottle can be checked through the Diffuser Window, when required the bottle should be replaced.

- Remove the diffuser cover from the product. [Fig. 17a]
- Remove the Diffuser Unit & Bottle from the diffuser cover. [Fig. 17b]
- Unscrew & remove the empty bottle. [Fig. 17c]
- Remove the new bottle of H-Essence or H-Biotics from the packaging and remove the cap. [Fig. 17d]
- Tightly screw the new bottle onto the diffuser unit. [Fig. 17e]
- Refit the diffuser unit into the diffuser cover. [Fig. 17f]
- Refit the Diffuser cover into the H-Purifier. [Fig. 17g]

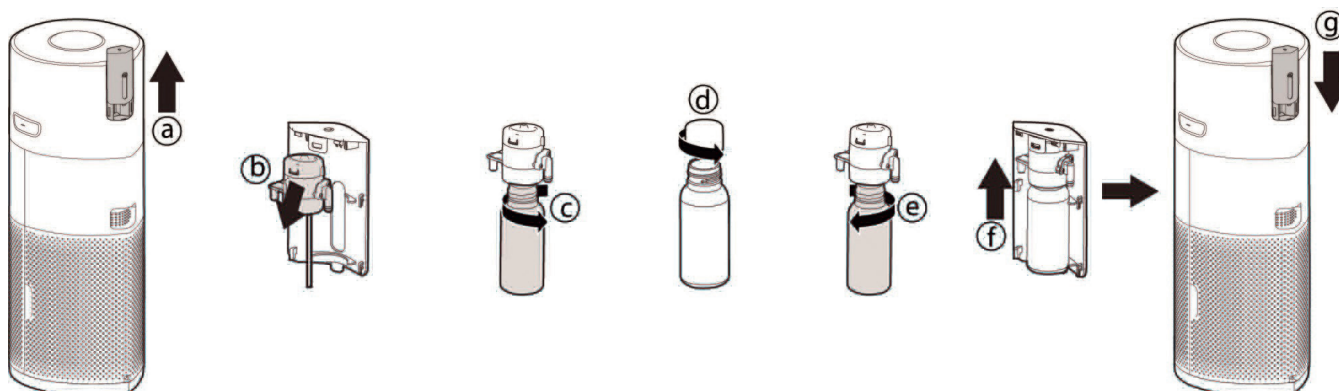


Fig. 17

4.3 HUMIDIFIER MAINTENANCE

Refill Water Tank Alert:

For the Humidifier to work a minimum level of water is required. When water level is lower than the minimum level, the display will show REFILL WATER message blinking. There may be residual water in the Water Tank Housing. The message will show anyway because of the minimum water level required.

- Remove the Tank Housing from the product. [Fig. 18a]
- Remove the Tank Assembly from the Tank Housing. [Fig. 18b]
- Remove any residual water and fill the tank through the Water Tank Inlet with distilled water until it reaches the MAX line indicated on the tank. [Fig. 18c]
- Refit the Tank Assembly into the Tank Housing. [Fig. 18d]
- Refit the Tank Housing into the Product. [Fig. 18e]



Clean Water Tank Alert:

Your H-Purifier will monitor the condition of your Humidifier tank. A **CLEAN WATER TANK** alert will blink after 72 hours from the last activation of the humidifier function, if there is still water in the tank. It will appear on the left side of the display indicating action is required to clean the water tank.

- Remove the Tank Body Housing from the product. [Fig. 18f]
- Separate the Tank Housing, Water Tank and Water Tank Cover, remove any residual water, clean all 3 thoroughly and dry completely with a soft dry cloth. [Fig. 18g,h,i]
- Re-assemble the Water Tank components, refill until it reaches the MAX line with distilled water.
- Make sure the product is switched on before re-inserting the tank.
- Refit the Tank Housing into the product. [Fig. 18e]

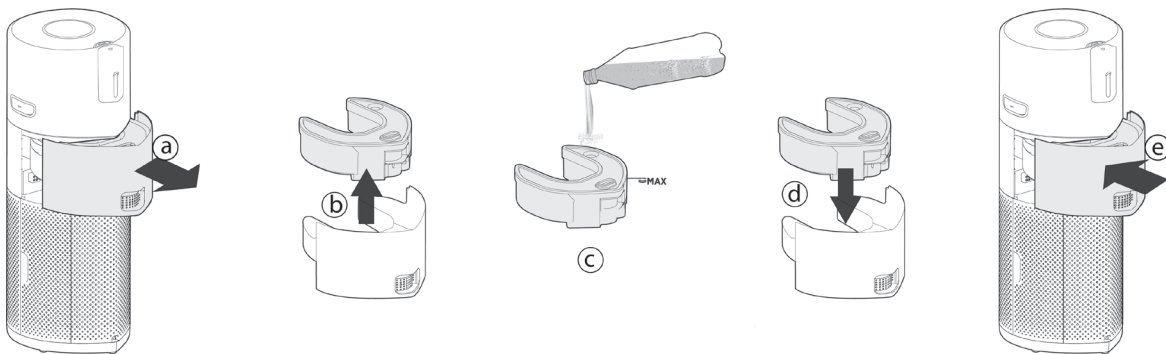
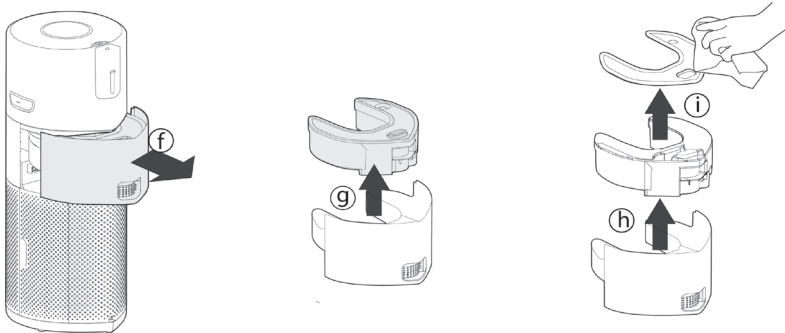


Fig. 18



5. STORAGE OF YOUR H-PURIFIER

1. Switch off the H-Purifier and unplug the power cord.
2. Clean all the internal and external surfaces of the H-Purifier, the external layer of the Filter, the Water Tank.
3. Remove the bottle from the diffuser. Refit the original cap onto the bottle and store it to protect from direct light. Clean the surfaces of diffuser unit and Diffuser Cover. Make sure there is no residual of H-Essence or H-Biotics on any surface of the H-Purifier.
4. Ensure all components are dry.
5. Remove the Air Inlet Cover [Fig. 19a], reel in the power cord by pulling on the cord [Fig. 19b], fit the cord into the Storage Hook and fit the plug into the Transportation Location. [Fig. 19c,d] Refit the Air Inlet Cover [Fig. 19e]
6. Store the H-Purifier in a cool dry place.

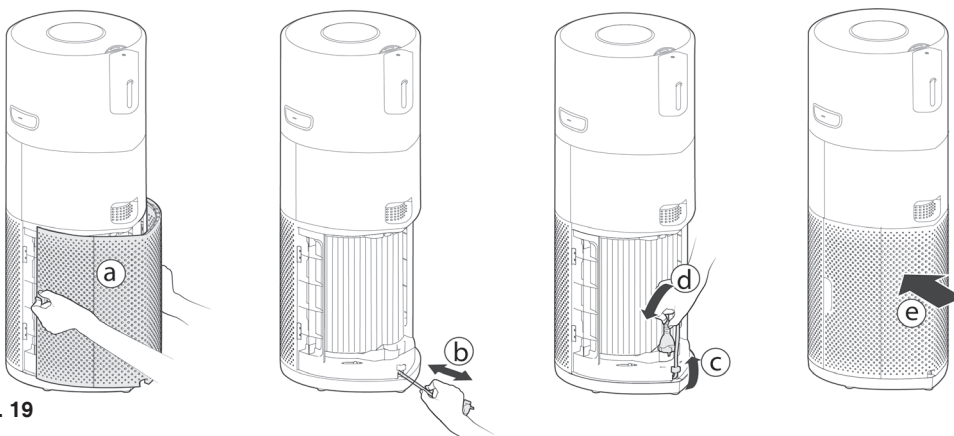


Fig. 19

6. ALERTS & SOLUTIONS

The following codes may appear during use. [Fig. 20]



Fig. 20

Alert		Alert Description	Solution
Alert on product	Alert in APP		
"CLEAN FILTER"	Pre-Filter cleaning Alert	Suggest to clean the external layer of the Filter.	1. Clean the external layer of the Filter. 2. Reset the alert by holding INFORMATION button for 3 secs. Refer to 4.1 FILTER MAINTENANCE
"REPLACE FILTER"	Filter replacement Alert	Suggest to replace the Filter.	1. Replace the Filter. 2. Reset the alert by holding INFORMATION button for 3 secs. Refer to 4.1 FILTER MAINTENANCE
"FILTER MISSING"	Error: an error occurred with the air purifier, please check possible solutions	Filter is not in position or is not correctly locked	1. If filter is not present, put it back. 2. If filter is in position, check whether the Filter Release Switch is on LOCK status. Refer to 2.1 INSTALL THE FILTER
"NO WATER TANK"	Error: an error occurred with the air purifier, please check possible solutions	Water tank or tank housing is not present.	Put back the water tank and tank housing.
"CLEAN WATER TANK"	Water in the tank needs to be replaced	3 days has passed since last time using humidifier, the tank/housing need to be cleaned and water need to be replaced for hygiene purpose.	1. Switch off the product. 2. Remove the tank/housing, clean the internal surface of each component and refill. 3. Switch on the product. 4. Put back the tank/housing. Refer to 4.3 HUMIDIFIER MAINTENANCE
"REFILL WATER"	Error: an error occurred with the air purifier, please check possible solutions	There is no water in the tank, or the remaining water is not enough for humidifier working.	Refill distilled water in the tank until it reaches the MAX line.
"PM SENSOR ERROR"	/	PM sensor malfunctioning	PM sensor failure or sensor wire has not been connected well, please call service center to fix.
CO Alert LED is yellow	Error: an error occurred with the air purifier, please check possible solutions	CO sensor malfunctioning or CO sensor exceeds its working life.	Call service center to fix.
Automatically switched off without any alert	Product falling	Product falling protection	1. If product falls and there is water spilling, unplug the power supply and wait for 48 hours before switching on the product again. 2. If product falls without water spilling, lift the product up and touch Power button to switch it on.
/	Error: an error occurred with the air purifier, please check possible solutions	Motor failure	Motor failure or motor wire has not been connected well, please call service center to fix.
"TEMP. & HUMI. SENSOR ERROR"	/	Temperature and humidity sensor malfunctioning	Temperature and humidity sensor failure or sensor wire has not been connected well, please call service center to fix.
"PAUSE"	/	Diffuser working will pause when Air Quality LED Ring is not green.	No need action. Diffuser working will resume when Air Quality LED Ring is green.

ATTENTION: If any of these failures persist, contact your local Hoover representative. DO NOT try to disassemble the H-Purifier by yourself.

7. TROUBLESHOOTING

The following is a list of commonly encountered problems and solutions.
If any of these problems persist contact your local Hoover representative.

The Fan does not work (Control Panel / Display Lights on)	<ul style="list-style-type: none"> • Check the alert showing on the display or in the app. If there is, refer to 6. ALERTS AND SOLUTIONS. • Check if there are any obstructions in the fan. If there is, first unplug the product, and clear them, or call service center to clear. • Check if the H-Purifier is switched on. • Check if the Filter is correctly installed and in locked status. • Check if the H-Purifier is in a completely vertical position and not leaning. • The H-Purifier may be in the ECO mode. You could press Sleep Mode Button or Max Mode Button to exit the ECO mode. Refer to 3. USING YOUR H-PURIFIER – AUTO MODE.
The Fan does not work (Control Panel / Display Lights off)	<ul style="list-style-type: none"> • Check if the H-Purifier is plugged in and switched on. • Check the alert showing in the app. If there is, refer to 6. ALERTS AND SOLUTIONS.
No lights on Control Panel / Display (Fan working)	<ul style="list-style-type: none"> • In Sleep Mode, the default lights setting is off. You could press the Light Control Button to turn on the lights. • The lights may be switched off. Press the Light Control Button to turn on the lights. Refer to 3.USING YOUR H-PURIFIER – SLEEP MODE / LIGHT CONTROL Function.
Buttons on the Control Panel do not operate	<ul style="list-style-type: none"> • Child Lock may be activated. You could press and hold the CHILD LOCK button for 3 seconds to exit. Refer to 3. USING YOUR H-PURIFIER – CHILD LOCK Function.
Air flow is weak	<ul style="list-style-type: none"> • Check if the protective packaging has been removed from the filter. • Check if there are any obstructions in the Air Inlet Cover or Air Outlet. • Remove the Air Inlet Cover and check the Filter condition. Clean the external layer or replace the Filter if needed. You could check the Filter Life status in Display by pressing Information Button. • Check if the H-Purifier is in Sleep Mode. The Fan operates at reduced power in this mode.
H-Purifier is operating loudly	<ul style="list-style-type: none"> • Check if there are any obstructions in the H-Purifier. • Check if the H-Purifier is running in Max Mode. The Fan operates at maximum power in this mode.
H-Purifier operates loudly suddenly	<ul style="list-style-type: none"> • Check if the H-Purifier is running in Auto Mode and the Air Quality LED Ring is not green. In Auto Mode, the H-Purifier automatically adjust its fan speed to the actual indoor air quality level. Refer to 3. USING YOUR H-PURIFIER – AUTO MODE.
H-Purifier makes a loud buzzer sound all of a sudden	<ul style="list-style-type: none"> • The testing function of CO Alert button is activated by mis-operation. The sound will automatically stop after 5 seconds. Refer to 1.2 CARBON MONOXIDE (CO) ALERT
“CLEAN WATER TANK” alert could not be reset	<ul style="list-style-type: none"> • After cleaning the water tank / housing and refilling, switch on the H-Purifier. Do not insert the housing until display shows “NO WATER TANK”.

IMPORTANT INFORMATION

Hoover Spares and Consumables

Always replace parts with genuine Hoover spares. These are available from your local Hoover dealer or direct from Hoover. When ordering parts always quote your model number.

Quality

Hoover's factories have been independently assessed for quality. Our products are made using a quality system which meets the requirements of ISO 9001.

Your Guarantee

The guarantee conditions for this appliance are as defined by our representative in the country in which it is sold. Details regarding these conditions can be obtained from the dealer from whom the appliance was purchased. The bill of sale or receipt must be produced when making any claim under the terms of this guarantee.

Subject to change without notice.

CONSIGNES GÉNÉRALES DE SÉCURITÉ

Cet appareil est uniquement conçu pour un usage privé, comme décrit dans ce manuel de l'utilisateur. Veuillez à lire et comprendre entièrement ce manuel avant de mettre en marche l'appareil. Conservez le manuel pour l'avenir.

Vérifiez si la tension et les puissances indiquées sur l'étiquette de l'appareil correspondent à la tension d'alimentation locale avant de brancher l'appareil.

Si le cordon d'alimentation est endommagé, arrêtez immédiatement d'utiliser l'appareil. Le cordon d'alimentation doit être remplacé par un technicien de service agréé Hoover afin d'éviter tout danger. Ne débranchez pas l'appareil en tirant le cordon d'alimentation.

Posez le cordon d'alimentation de façon à ce que personne ne le piétine ou ne trébuche dessus.

Il convient de toujours éteindre et débrancher avant de déplacer, nettoyer ou entretenir l'appareil.

Cet appareil peut être utilisé par des enfants âgés d'au moins 8 ans et par des personnes ayant des capacités physiques, sensorielles ou mentales réduites, ou n'ayant pas d'expérience ou de connaissances en la matière. Ces dernières doivent recevoir des instructions sur l'utilisation de l'appareil en toute sécurité et comprendre les risques impliqués. Les enfants ne doivent pas jouer avec l'appareil.

Le nettoyage et l'entretien ne devraient pas être effectués par des enfants sans supervision.

L'appareil n'élimine ni le monoxyde de carbone (CO) ni le radon (Rn). Il ne peut pas être utilisé comme dispositif de sécurité en cas d'accidents avec des processus de combustion ou des produits chimiques dangereux.

Ne continuez pas à utiliser votre appareil s'il semble défectueux.

Ne bloquez pas l'entrée ou la sortie de l'air.

N'enfilez pas vos doigts ou des objets dans la sortie de l'air ou dans l'entrée de l'air pour éviter des blessures ou un dysfonctionnement de l'appareil.

Ne nettoyez pas l'appareil avec de l'eau tout autre liquide ou détergent (inflammable) et ne les laissez pas non plus pénétrer dans l'appareil pour éviter tout risque d'électrocution et/ou d'incendie.

Ne vaporisez pas de produits inflammables comme des insecticides ou des parfumeurs autour de l'appareil.

Cet appareil ne remplace pas une ventilation correcte, un nettoyage régulier avec l'aspirateur ou l'utilisation d'une hotte aspirante ou d'un ventilateur pendant que vous cuisinez.

N'utilisez que les consommables, les filtres et les pièces de rechange recommandés ou fournis par HOOVER.

Assurez-vous que le filtre soit convenablement monté avant d'allumer l'appareil.

Évitez de frapper contre l'appareil (l'entrée et la sortie de l'air en particulier) avec des objets durs.

Gardez l'appareil sec.

N'inclinez ou ne videz jamais l'appareil pendant le fonctionnement.

Quand l'appareil n'est pas utilisé pendant longtemps, des bactéries peuvent proliférer sur les filtres. Vérifiez les filtres après une longue période d'inutilisation. Si les filtres sont très sales, remplacez-les.

Service Hoover : Pour assurer l'utilisation sûre et efficace de cet appareil, nous recommandons de n'en confier l'entretien ou les réparations qu'à un réparateur HOOVER agréé.

ENVIRONNEMENT D'UTILISATION

Placez et utilisez l'appareil uniquement sur une surface sèche, stable et à l'horizontale afin d'éviter le basculement.

Laissez au moins 20 cm d'espace libre derrière et des deux côtés de l'appareil et laissez au moins 30 cm d'espace libre au-dessus de l'appareil.

Pour éviter les interférences, placez l'appareil au moins à 2 m de tout appareil électrique qui utilise les ondes radio aériennes comme les TV, les radios et les horloges radio-pilotées.

Ne placez rien sur l'appareil.

N'utilisez pas cet appareil quand vous avez utilisé des répulsifs pour insectes à fumée intérieure ou dans des endroits avec des résidus d'huile, de l'encens brûlant ou des fumées chimiques.

Ne mettez pas l'appareil dans un des endroits suivants :

- Sur des surfaces chaudes, à proximité de surfaces chaudes, d'un feu ouvert ou en plein soleil, à proximité d'appareils à gaz, de dispositifs de chauffage ou de cheminées ;
- À côté ou directement au-dessus de radiateurs ou de climatiseurs, de portes, de fenêtres, de hottes aspirantes, de cuisinières ou de tout autre endroit où il pourrait être affecté par des courants d'air ;
- Dans une salle de bain ou dans d'autres endroits où le produit peut être exposé à des éclaboussures d'eau, des gouttes ou de la condensation (par exemple, directement sous un climatiseur ou au-dessus d'une bouilloire électrique) ;
- Dans un espace clos (par exemple dans ou sous une armoire);
- Dans une zone où la température pourrait chuter en dessous de -20°C ou monter au-dessus de 50°C;
- Dans une pièce où les changements de température sont importants, dans un environnement humide ou dans un environnement où la température ambiante ou l'humidité sont élevées, comme la salle de bain, les toilettes ou la cuisine ;
- Où il pourrait être obstrué, par exemple par des rideaux ou des meubles;
- Où la saleté ou la poussière peuvent bloquer le capteur.

INSTRUCTIONS DE SÉCURITÉ DU CONTROLE DE CO

Si l'alerte de Monoxyde de Carbone est activée, vous devez ouvrir toutes les fenêtres et les portes (si vous ne courez aucun risque). Éteignez tous les appareils à combustibles si possible et, ensuite, évacuez les lieux en laissant les fenêtres et les portes ouvertes. Demandez de l'aide médicale immédiatement pour toute personne souffrant des effets d'un empoisonnement au monoxyde de carbone. Ne rentrez pas à nouveau sur les lieux tant que l'alarme est en marche. L'alarme s'arrêtera une fois que le CO aura été éliminé. N'utilisez pas d'appareils à combustible à nouveau jusqu'à ce que la source de CO n'a pas été localisée et remise en ordre par un technicien qualifié.

Évitez d'utiliser de la peinture, des diluants, des fumées de solvants, des désodorisants, des vaporisateurs ou des produits de nettoyage chimiques près de l'appareil. Cela pourrait affecter le fonctionnement du détecteur de CO.

Pour activer le détecteur de CO, branchez l'appareil à une prise. Le voyant d'alerte LED de CO sera verte. Lorsque le détecteur de CO détecte un niveau dangereux de CO, l'alarme CO retentit bruyamment et le bouton d'alerte CO ainsi que l'anneau LED de qualité de l'air clignotent en rouge. L'alarme continue de sonner jusqu'à ce que le détecteur de CO soit ramené à un niveau sûr.

Touchez le bouton [CO Alert] pendant 3 secondes pour tester la fonction détecteur de CO et l'alarme retentira fortement pendant 5 secondes. Testez l'alarme tous les mois et après une longue absence de l'immeuble (par exemple vacances). Si l'alarme ne retentit pas après avoir touché le bouton [CO Alert] pendant 3 secondes, contactez le service clients Hoover pour fixer un rendez-vous avec un technicien qualifié pour réparer l'anomalie.

Si l'affichage indique que le capteur de CO est défectueux ou que la fin de vie a été atteinte, veuillez contacter le centre d'assistance à la clientèle de Hoover pour qu'un technicien qualifié remplace le détecteur de CO. Le détecteur de CO a une durée de vie prévue de 7 ans période après laquelle il doit être remplacé.

Veillez à ce que les enfants ne pressent pas le bouton CO Alert pendant 3 secondes car le bruit de l'alarme pourrait être excessif pour eux.

Humidité de fonctionnement : 15 – 90% RH

Température de fonctionnement : 0°C à + 40°C

Le monoxyde de carbone affecte le corps en affamant (étouffant) les organes vitaux en oxygène. Quand le CO est inhalé, il s'attache à l'hémoglobine dans le sang qui, normalement, transporte l'oxygène dans tout le corps. Le CO inhibe en permanence la capacité des molécules d'oxygène de s'attacher à l'hémoglobine en réduisant, ainsi, l'apport d'oxygène aux organes vitaux. Le niveau de concentration et le temps d'exposition au CO peuvent modifier ses effets sur le corps mais les experts sont tous d'accord sur le fait que même de faibles niveaux d'exposition de monoxyde de carbone pendant des périodes prolongées peuvent avoir des effets graves et durables sur la santé des personnes.

MISE EN GARDE : L'ALARME CO EST CONÇUE POUR PROTÉGER LES INDIVIDUS DES EFFETS GRAVES DE L'EXPOSITION AU MONOXYDE DE CARBONE OU POUR ÉVITER LES EFFETS CHRONIQUES DE L'EXPOSITION AU MONOXYDE DE CARBONE. ELLE NE PRÉSERVERA PAS COMPLÈTEMENT LES INDIVIDUS AYANT DES CONDITIONS MÉDICALES PARTICULIÈRES. EN CAS DE DOUTES, CONSULTEZ UN MÉDECIN.

La fonction de contrôle de CO ne doit pas être utilisée comme, ni implicitement être utilisée comme un substitut à un détecteur de monoxyde de carbone certifié EN 50291-1, UL-2034, CSA-6.19 ou toute autre norme reconnue lorsque les codes locaux ou régionaux ou la législation imposent leur utilisation. La fonction de contrôle de CO est un dispositif supplémentaire de surveillance du monoxyde de carbone uniquement. L'utilisation de ce dispositif est à la discrétion de l'utilisateur et implique la compréhension et l'acceptation de ses limitations pour adhérer aux codes ou aux normes, les cas échéant.

Cet appareil ne doit pas être utilisé comme substitut d'un montage, d'une utilisation et d'un entretien corrects des appareils à combustible y compris une ventilation correcte et des systèmes d'échappement.

Les notifications sur téléphone portable et tablette du CO monitor nécessitent une connexion Wi-Fi pour fonctionner. Ils ne se substituent pas à un service de surveillance d'urgence par un tiers.

INSTRUCTIONS DE SÉCURITÉ DU DIFFUSEUR

Utilisez uniquement l'huile essentielle recommandée ou fournie par HOOVER.

Évitez d'utiliser un humidificateur près du purificateur d'air lorsque vous utilisez la fonction Diffuseur de H-Essence.

Essuyez immédiatement tout déversement de H-Essence. Assurez-vous de nettoyer tous les coins de l'appareil qui sont entrés en contact avec la H-Essence.

INSTRUCTIONS DE SÉCURITÉ DE L'HUMIDIFICATEUR

Nettoyez le réservoir d'eau tous les 3 jours.

Utilisez uniquement de l'eau distillée pour remplir le réservoir d'eau. Ne le remplissez pas avec d'autres eaux, comme l'eau du robinet, l'eau minérale, l'eau de rivière, etc.

L'eau dans le réservoir d'eau n'est pas potable. Ne buvez pas cette eau et ne l'utilisez pas pour la donner à boire aux animaux ou pour arroser les plantes. Quand vous videz le réservoir d'eau, versez l'eau dans l'évier.

Ne mettez pas une substance autre que l'eau distillée dans le réservoir d'eau.

Ne mettez pas des liquides ayant des parfums ou H-Essence dans le réservoir d'eau.

Videz le réservoir et le boîtier et remplissez-les tous les trois jours.

Avant de remplir, nettoyez le réservoir et le boîtier avec de l'eau fraîche du robinet.

Enlevez tout tartre, dépôt ou film qui s'est formé sur les côtés du réservoir ou sur les surfaces intérieures et essuyez toutes les surfaces.

Pendant le remplissage et le nettoyage, débranchez l'appareil.

Videz et nettoyez l'humidificateur avant le stockage. Nettoyez l'humidificateur avant la prochaine utilisation.

Ne laissez jamais d'eau dans le réservoir d'eau et le boîtier du réservoir lorsque l'appareil n'est pas utilisé.

Ne laissez pas la zone autour de l'humidificateur devenir humide ou mouillée. En cas d'humidité, tournez vers le bas la sortie de l'humidificateur, faites des pauses dans l'utilisation de l'humidificateur. Ne laissez pas que des matériaux absorbants comme les tapis, les rideaux, les tentures ou les nappes deviennent humides.

Si vous avez besoin de déplacer l'appareil, débranchez-le de l'alimentation électrique. Puis videz ou retirez le réservoir d'eau. Portez l'appareil verticalement par les poignées situées de chaque côté de celui-ci.

Évitez d'utiliser un diffuseur d'huiles essentielles près du purificateur d'air quand vous utilisez la fonction Humidificateur.

Faites attention car les hauts niveaux d'humidité peuvent causer la prolifération d'organismes biologiques dans l'environnement.

MISE EN GARDE : Des micro-organismes peuvent être présents dans l'eau ou dans l'environnement quand l'appareil est utilisé ou stocké, peuvent proliférer dans le réservoir d'eau et être répandus dans l'air en causant de sérieux risques pour la santé si vous ne changez pas l'eau et vous ne nettoyez pas le réservoir convenablement tous les 3 jours.



Environnement

Cet appareil porte des marques conformes à la directive européenne 2012/19/EU relative aux déchets d'équipements électriques et électroniques (DEEE). Si vous jetez ce produit convenablement, vous contribuerez à éviter des conséquences potentiellement nuisibles pour l'environnement et pour la santé.



Le symbole figurant sur cet appareil indique qu'il ne peut pas être considéré comme une ordure ménagère. Vous devez le déposer dans un centre de recyclage des déchets électriques et électroniques. La déposition doit être effectuée conformément à la réglementation locale en matière de déchets. Pour obtenir des compléments d'information sur le traitement, la récupération et le recyclage de cet appareil, veuillez contacter votre municipalité, le service local d'élimination des ordures ménagères ou le revendeur de l'appareil.

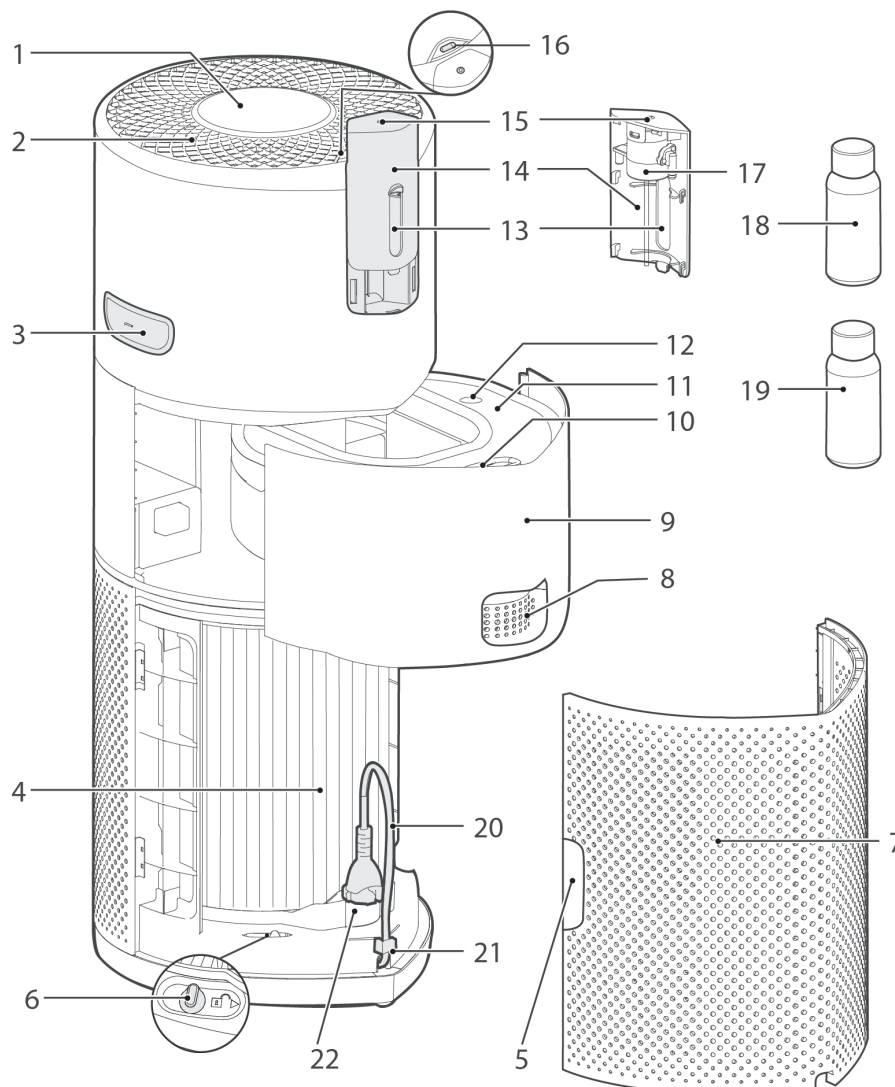
Paramètres sans fils pour l'appairage

Technologie	Wi-fi	Bluetooth
Standard	IEEE 802.11 b/g/n	Bluetooth v4.2,BLE
Bande(s) de fréquence (MHz)	2401~2483	2402~2480
Puissance maximale (mW)	100	10
Puissance RF maximale transmise sur la bande de fréquence	18.9 dBm	

Par la présente, Candy Hoover Group Srl déclare que l'équipement radio est conforme à la directive 2014/53/UE. Le texte intégral de la déclaration de conformité de l'UE est disponible à l'adresse internet suivante : www.candy-group.com.

CANDY HOOVER GROUP S.r.l. Via Privata Eden Fumagalli, 20861 Brugherio (MB) Italy

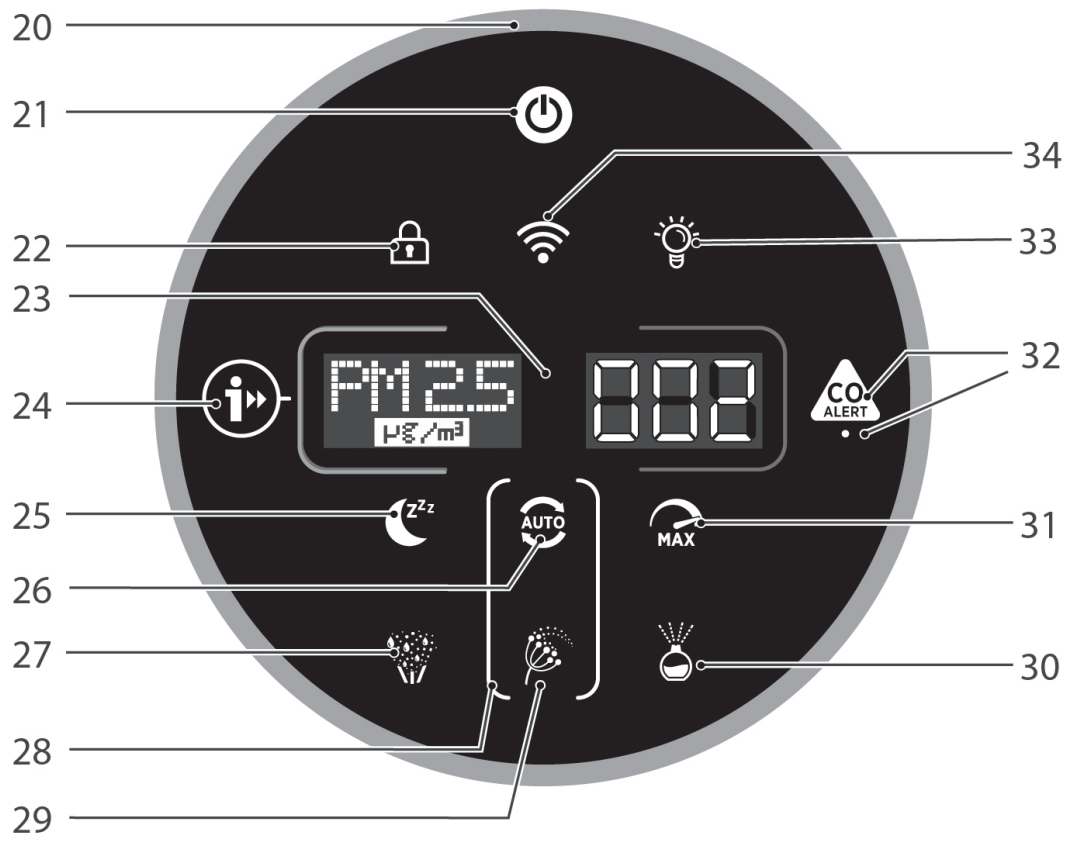
1. APPRENEZ À CONNAITRE VOTRE H-PURIFIER



1	Panneau de commande / Ecran
2	Sortie d'air
3	Poignée de l'appareil
4	Ensemble du filtre
5	Poignée du couvercle de l'entrée de l'air
6	Gâchette de détachement du filtre
7	Couvercle de l'entrée de l'air
8	Poignée de l'humidificateur

9	Carter du réservoir de l'humidificateur
10	Réservoir d'eau de l'humidificateur
11	Couvercle du réservoir d'eau de l'humidificateur
12	Entrée du réservoir d'eau de l'humidificateur
13	Fenêtre du diffuseur
14	Couvercle du diffuseur
15	Prise du diffuseur

16	Sortie de l'humidificateur
17	Unité du diffuseur
18	Bouteille H-Essence (Vert)
19	Bouteille H-Biotics (Brun)
20	Cordon d'alimentation et fiche
21	Crochet de rangement
22	Emplacement de transport



20	Cercle lumineux LED de qualité de l'air
21	Bouton d'alimentation
22	Bouton Child Lock (sécurité pour enfants)
23	Écran numérique
24	Bouton d'informations

25	Bouton Sleep mode (mode veille)
26	Bouton mode Auto
27	Bouton Humidifier (humidificateur)
28	Zone allergies au pollen
29	Voyant pour l'allergie au pollen

30	Bouton diffuseur
31	Bouton mode max
32	Bouton et Alerte LED CO
33	Bouton Commande lumière
34	Bouton Wi-Fi

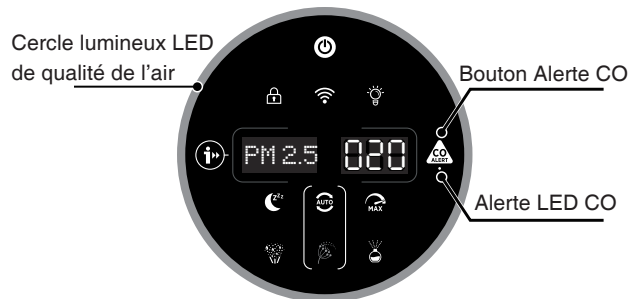
1.1 SYSTÈME MULTI-DÉTECTEURS

Grâce au Système multi-détecteurs, votre produit surveille en permanence les conditions de l'air intérieur en matière de PM10, PM2.5 et de Composés Organiques Volatils (GAZ).

Chaque fois que vous allumez votre produit, le Système multi-détecteurs commence à analyser la qualité de l'air intérieur et l'anneau LED de qualité de l'air s'illumine de différentes couleurs représentant les conditions de qualité de l'air en temps réel.

Couleur du cercle lumineux de la qualité de l'air	Qualité de l'air intérieur	Niveau PM 10* µg/m³	Niveau PM 2.5 µg/m³	Niveau COV gazeux
VERT	Excellent	0-50	0-25	L1
JAUNE	Satisfaisant	50-80	25-50	L2
ORANGE	Mauvaise	80-160	50-100	L3
ROUGE	Très mauvaise	≥ 160	≥ 100	L4

* En mode Allergie au pollen, les niveaux de PM 10 qui déclenchent le niveau de qualité de l'air seront plus faibles afin de minimiser le risque pour les personnes allergiques.



1.2 ALERTE MONOXYDE DE CARBONE (CO)

H-Purifier est équipé d'un système d'alerte qui contrôle en permanence la présence de monoxyde de carbone (CO) dans l'air intérieur.

Quand l'alarme de monoxyde de carbone est activée, le bouton du LED Ring de la qualité de l'air, d'informations et de la CO Alert clignotera en rouge simultanément et une alarme retentira. L'alarme restera active jusqu'au moment où la concentration de monoxyde de carbone (CO) descendra en dessous de 50 ppm à moins qu'elle ne soit arrêtée manuellement en appuyant sur le bouton CO Alert pendant 3 secondes.

Le voyant d'alerte CO indique l'état de fonctionnement du capteur de CO. Il apparaît en vert lorsque le capteur de CO est en état normal, en jaune lorsque le capteur présente un dysfonctionnement ou dépasse sa durée de vie et en rouge lorsque l'alerte CO est activée.

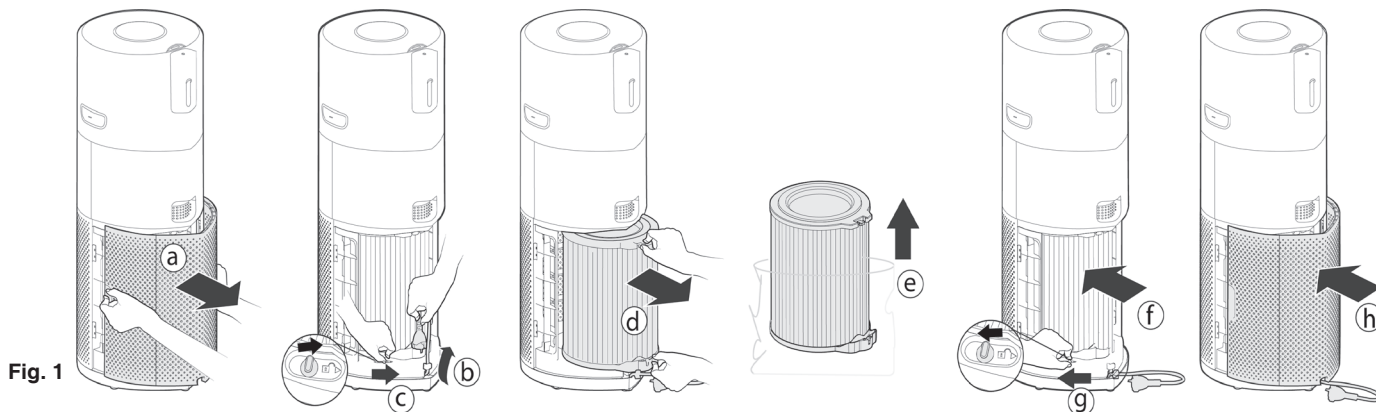
Vous pouvez tester le bon fonctionnement de l'alarme en appuyant sur le bouton CO Alert pendant 3 secondes, un bruit fort retentira pendant 5 secondes si l'alarme fonctionne correctement.

2. PRÉPARATION DE VOTRE H-PURIFIER

2.1 INSTALLER LE FILTRE [Fig. 1]

Avant d'utiliser votre appareil H-Purifier, vous devez retirer le filtre de son emballage de protection :

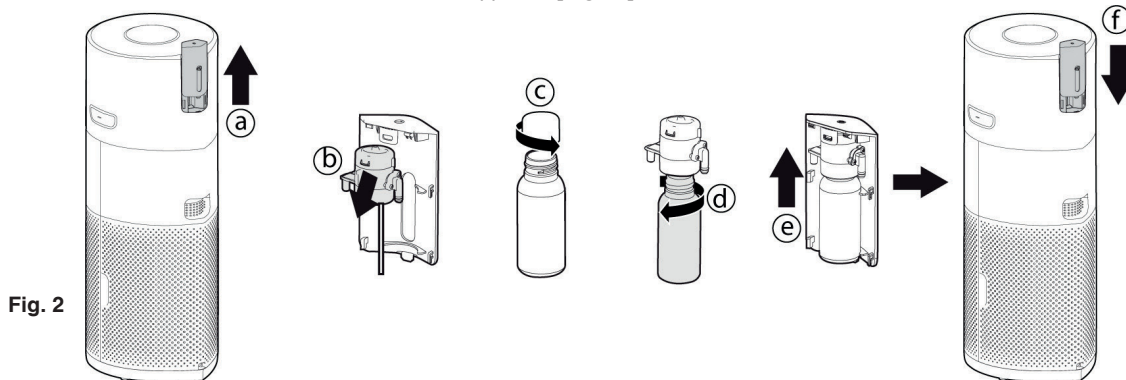
- Retirez le Couvercle de l'entrée de l'air de votre appareil, saisissez les deux poignées du couvercle de l'entrée de l'air et extrayez-les de l'appareil. [Fig. 1a]
- Retirez la fiche de l'emplacement de transport et détachez le cordon du crochet de rangement. [Fig. 1b]
- Déverrouillez la Gâchette de détachement du filtre. [Fig. 1c]
- Retirez le filtre de l'appareil et retirez l'emballage extérieur. [Fig. 1d,e]
- Remontez le filtre dans l'appareil. [Fig. 1f]
- Verrouillez la Gâchette de détachement du filtre. [Fig. 1g]
- Remontez le Couvercle de l'entrée de l'air à votre appareil. [Fig. 1h]



2.2 MONTEZ LA BOUTEILLE DU DIFFUSEUR [Fig. 2]

Pour préparer votre H-PURIFIER pour la fonction Diffuseur :

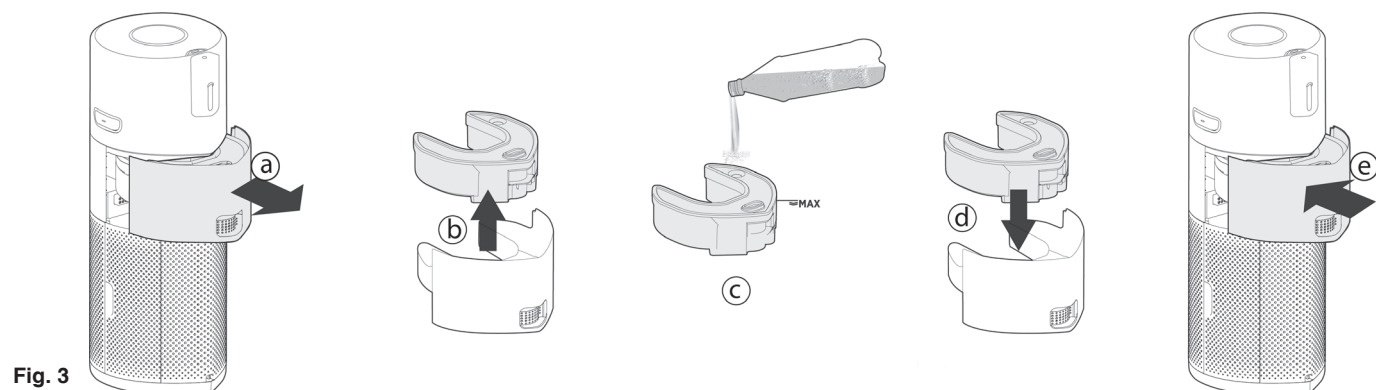
- Retirez le Couvercle du diffuseur de l'appareil. [Fig. 2a]
- Retirez le diffuseur du couvercle du diffuseur. [Fig. 2b]
- Retirez la bouteille H-Essence ou H-Biotics de l'emballage et retirez le capuchon. [Fig. 2c]
- Conservez le bouchon pour une utilisation ultérieure.
- Vissez fermement la bouteille sur le diffuseur. [Fig. 2d]
- Remontez le diffuseur dans le couvercle du diffuseur. [Fig. 2e]
- Remontez le Couvercle du diffuseur dans l'appareil. [Fig. 2f]



2.3 PRÉPARER L'HUMIDIFICATEUR [Fig. 3]

Pour préparer votre H-PURIFIER pour la fonction Humidificateur :

- Retirez le Carter du réservoir de l'appareil. [Fig. 3a]
- Retirez l'Ensemble du réservoir du Carter du réservoir. [Fig. 3b]
- Avant la première utilisation, nettoyez toutes les pièces avec un chiffon doux et sec.
- Remplissez le réservoir par l'entrée du réservoir d'eau avec de l'eau distillée jusqu'à atteindre la marque MAX présente sur le réservoir. [Fig. 3c]
- Remontez l'Ensemble du réservoir dans le Carter de l'ensemble du réservoir. [Fig. 3d]
- Remontez le Carter de l'ensemble du réservoir dans votre appareil. [Fig. 3e]



3. UTILISATION DE VOTRE H-PURIFIER

3.1 ALLUMER L'APPAREIL [Fig. 4]:

Sortez le cordon d'alimentation de la bobine de cordon et branchez dans une prise d'alimentation électrique. Tous les voyants sur le Panneau de commande / L'écran s'illuminera complètement pendant environ 1 seconde pour indiquer que le branchement est fait correctement.

Le bouton POWER s'allume faiblement et le voyant d'alerte CO s'allume pour indiquer que le capteur dédié a commencé à fonctionner pour surveiller le niveau de monoxyde de carbone intérieur.

Pour allumer l'appareil, appuyez le bouton POWER sur l'écran.

Le cercle lumineux LED de qualité de l'air s'illuminera de toutes les couleurs en séquence pendant que les capteurs analysent l'état de l'air en temps réel. Après quelques secondes, le cercle lumineux LED de qualité de l'air sélectionnera la couleur appropriée pour la qualité de l'air en ce moment-là.

Votre H-Purifier se mettra automatiquement en MODE AUTO et commencera à purifier l'air à l'intérieur de la pièce. Le bouton MODE AUTOMATIQUE, le bouton INFORMATIONS, le bouton INTENSITE DE LA LUMIÈRE et les informations PM10 à l'écran s'illumineront.

3.2 CONNECTER VOTRE H-PURIFIER :

Pour accéder à toutes les fonctions du H-Purifier depuis n'importe où, il est conseillé de télécharger l'application hOn. Vous serez en mesure de commander votre appareil de la façon la plus efficace possible.

Instructions :

1. Téléchargez l'application hOn sur l'App Store, Google Play ou Huawei AppGallery. Vous pouvez également la télécharger en scannant le code QR dans [Fig. 5]
2. Ouvrez l'application, créez un compte à l'aide de votre e-mail et un mot de passe.
3. Confirmez et connectez-vous à l'application hOn.
4. Assurez-vous que votre dispositif mobile soit connecté au Wi-fi.
5. Assurez-vous que votre H-Purifier est allumé. Appuyez et maintenez enfoncé le bouton Wi-fi sur l'écran pendant 5 secondes, un signal sonore retentira et le bouton Wi-fi commencera à clignoter pour indiquer qu'il est en attente d'une connexion. [Fig. 6]
6. Suivez les instructions présentes dans l'application pour connecter votre dispositif mobile à votre appareil.
7. Quand vous l'avez appairé, le bouton Wi-fi sur l'appareil restera allumé.
8. Pour rétablir le Wi-fi, appuyez et maintenez enfoncé le bouton Wi-fi pendant 5 secondes.

H-Purifier fonctionne aussi avec Hey Google et Amazon Alexa.

3.3 DÉCOUVREZ TOUTES SES FONCTIONNALITÉS

Fonction INFORMATIONS [Fig.7]:

Il y a 6 différents groupes de données disponibles à surveiller : PM10, PM2.5, GAZ, Température, Humidité et État du filtre.

Pour surveiller chaque valeur, appuyez tout simplement plusieurs fois sur le bouton INFORMATIONS. Par défaut l'écran affichera les données PM10, l'appareil gardera en mémoire la dernière sélection de l'utilisateur et maintiendra cette sélection à l'allumage suivant de l'appareil. Les données relatives au GAZ affichent un curseur qui tourne pendant les 3 premières minutes après l'allumage de l'appareil pendant que le capteur de GAZ effectue un cycle d'étalonnage.

Plus d'informations sur PM 2.5, PM 10 et GAZ :

PM indique des petites particules (non visible à l'œil nu) issues principalement de la pollution provenant de l'extérieur comme les émissions des véhicules et les émissions industrielles et potentiellement dangereuses pour notre santé en cas d'exposition prolongée. Les PM 10 ont une taille de 10 µm et sont capables de pénétrer dans la partie supérieure des voies respiratoires (nez, trachée, pharynx). Les PM 2.5 mesure jusqu'à 2,5 µm et, à cause de leur dimensions réduites, elles peuvent atteindre nos poumons en pénétrant, ainsi, plus profondément dans notre corps. Les VOC (volatile organic compounds - composés organiques volatiles) GAZ sont des composés chimiques volatiles ayant la capacité de s'évaporer facilement dans l'air à la température de la chambre. Les déodorants, les détergents, les colles, les adhésifs, les produits cosmétiques, la formaldéhyde sont seulement certains des VOC qui pourraient être présents dans vos maisons et qui sont potentiellement nocifs pour notre santé en cas d'exposition prolongée.

Fonctions MODE :

3 modes de purification de l'air sont disponibles : MODE AUTOMATIQUE, MODE MAX ET MODE NUIT. Le mode Auto est le paramètre par défaut pour votre appareil au moment de l'allumer, tous les modes peuvent être sélectionnés manuellement en appuyant sur le bouton correspondant sur l'écran. Le mode ALLERGIE POLLEN peut également être activé via l'app hOn.

MODE AUTO [Fig. 8]:

Il s'agit du mode par défaut de votre H-Purifier quand vous l'allumez pour la première fois. En mode Automatique, le H-Purifier règle automatiquement la vitesse du ventilateur sur la base du niveau de qualité de l'air interne pour garantir toujours une purification optimale de l'air. Il s'agit du paramètre recommandé pour votre appareil. En mode AUTOMATIQUE, après 30 minutes d'excellente qualité de l'air, votre produit passe en mode ECO (fonction veille) en mettant en pause la fonction de purification (ventilateur), le Système multi-détecteurs continue à analyser l'air intérieur et active automatiquement la fonction de purification lorsque cela est nécessaire.

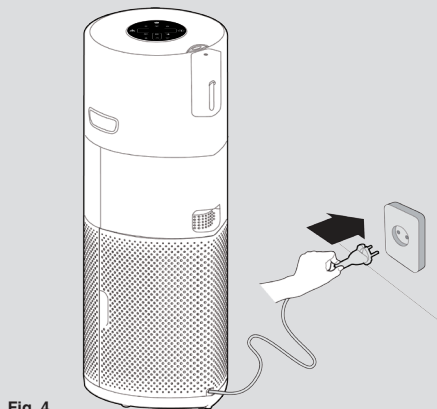


Fig. 4



Fig. 5

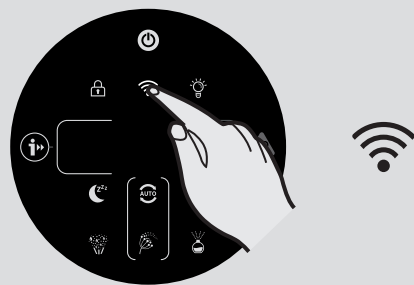


Fig. 6

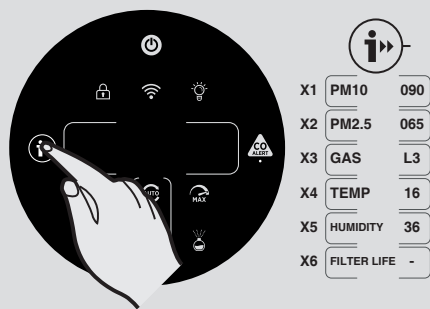


Fig. 7

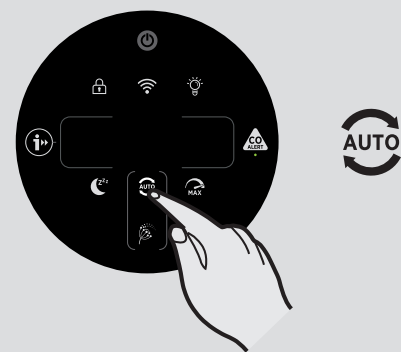


Fig. 8

MODE MAX [Fig. 9]:

appuyez sur le bouton MAX MODE sur l'écran pour activer la purification de l'air au paramètre de puissance maximale. Pour sortir du mode MAX, sélectionnez tout simplement le mode AUTO ou SLEEP.

MODE NUIT [Fig. 10]:

appuyez sur le bouton SLEEP MODE pour activer la purification de l'air au paramètre de puissance le plus bas et le plus silencieux. Le bouton SLEEP MODE sera faiblement éclairé et tous les autres voyants de l'écran seront éteints. Ceci peut être modifié en appuyant le bouton COMMANDE DE LUMIÈRE.

MODE ALLERGIE AUX POLLENS : [Fig. 11]

Le mode "Allergie aux pollens" peut également être activé via l'app hOn. Vous devrez tout d'abord activer et enregistrer un profil dans l'application de façon à créer votre profil d'allergie.

Le mode "Allergie aux pollens" fonctionne uniquement quand le MODE AUTO est sélectionné. [Fig. 11c]

En mode "Allergie aux pollens", l'appareil reçoit continuellement des données en temps réel de l'application sur la concentration de pollen détectée à l'extérieur et fonctionne automatiquement pour maximiser les performances de capture du pollen.

Une fois les pollens capturés, ils sont inactivés pour aider à soulager les symptômes de l'allergie.

Quand le mode "Allergie aux pollens" est activé dans l'application, il y a 2 voyants de notification possibles sur l'écran de l'appareil :

- Le voyant "Allergie aux pollens" est **BLANC [Fig. 11a]**: L'appareil et l'application surveillent la présence de pollens à l'extérieur et il n'y a pas de risques.

- Le voyant "Allergie aux pollens" devient **JAUNE** et le Voyant circulaire "Allergie aux pollens" est **BLANC [Fig. 11b]**: L'appareil et l'application ont détecté des risques.

Si l'appareil est mis manuellement en mode SLEEP ou MAX pendant que le mode "Allergie aux pollens" est activé, le Allergie s'arrêtera.

Fonction COMMANDE LUMIÈRE : [Fig. 12]

Il y a 3 paramètres disponibles pour l'éclairage de l'écran : On, Dim et Off

Pour ajuster la luminosité de l'éclairage de l'écran, appuyez simplement sur le bouton COMMANDE DE LUMIÈRE à l'écran pour parcourir les 3 options disponibles. ON est le paramètre par défaut.

Si OFF est sélectionné, tout autre bouton devra être appuyé deux fois pour être activé, après une pression, les lumières deviendront DIM, après une deuxième pression, l'action sera activée.

Fonction SECURITE ENFANT : [Fig. 13]

Appuyez et maintenez le bouton SECURITE ENFANT pendant 3 secondes pour activer la fonction.

Un signal audible confirmera l'activation de ce mode et le bouton SECURITE ENFANT restera allumé.

Aucun autre bouton ne fonctionnera si activé.

Pour sortir, appuyez et maintenez enfoncé tout simplement le bouton SECURITE ENFANT pendant 3 secondes, un signal sonore retentira pour confirmer qu'il est éteint et que le bouton ne sera plus allumé.

Fonction DIFFUSEUR : [Fig. 14]

Le diffuseur répand dans l'air de la chambre des huiles essentielles H-ESSENCE ou des probiotiques H-Biotics. H-ESSENCE est une collection d'huiles essentielles signée Hoover pour répandre dans l'air des fragrances agréables.

H-Biotics est un mélange naturel à base de probiotiques qui garde la chambre bio-hygiénisée en inhibant la prolifération de micro-organismes comme les bactéries et les microbes.

Il y a 4 différents types de paramètres pour la fonction Diffuseur : SOFT, MODERE, PERSONNALISE et H-BIOTICS. Pour activer cette fonction, il suffit d'appuyer sur le bouton Diffuseur de l'écran. Le réglage par défaut de cette fonction est SOFT, pour sélectionner l'un des autres réglages, il suffit d'appuyer consécutivement sur le bouton pour passer à la sélection souhaitée. Le bouton s'illuminera en blanc quand il sera allumé.

Il est recommandé d'utiliser les paramètres SOFT et MODERE pour H-ESSENCE.

Le paramètre personnalisé peut être créé dans l'app hOn.

Quand vous utilisez H-Biotics, le paramètre **DOIT** être réglé sur H-Biotics. Une fois que l'utilisateur active H-Biotics en utilisant l'application, une alerte automatique « ACTIVEZ H-BIOTICS » sera générée après 120 heures pour garantir l'utilisation des H-BIOTICS tous les 5 jours.



Fig. 9



Fig. 10



Fig. 11



Fig. 13



Fig. 13

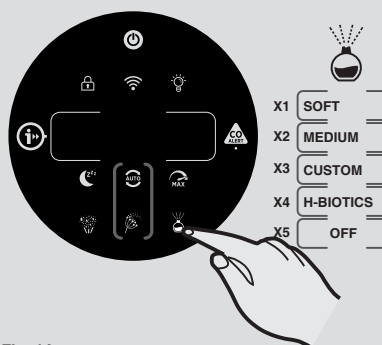


Fig. 14

En utilisant H-Essence dans certaines situations ou dans l'environnement de la pièce, le niveau de gaz COV peut changer en raison de la détection des parfums.

La fonction de diffusion ne fonctionne que lorsque l'anneau LED de qualité de l'air est de couleur verte, elle s'interrompt lorsque l'anneau LED n'est pas vert et continue de fonctionner lorsqu'il redevient vert.

La fonction Diffuseur peut uniquement être utilisée en mode AUTO et MAX et ne peut pas être utilisée en mode SLEEP.

Quand vous activez la fonction Diffuseur en mode AUTOMATIQUE, le ventilateur principal fonctionnera à une vitesse spécifique pour répandre la H-Essence ou les H-Biotics dans la pièce.

Paramètres	Rythme de diffusion	Durée du cycle max
DOUX	pendant 10 s toutes les 5 min	6 heures
MODERE	pendant 90 s toutes les 3,5 min	6 heures
PERSONNALISE	Défini par l'utilisateur	6 heures
H-BIOTICS	pendant 2 min toutes les 4 min	6 heures

Pour désactiver la fonctionnalité, appuyez sur le bouton du diffuseur jusqu'à ce que OFF apparaisse sur l'écran.

Après chaque utilisation de la fonction Diffuseur, utilisez un chiffon doux et sec pour nettoyer les résidus éventuels des surfaces de l'appareil.

Pour changer la bouteille dans le diffuseur, voir la section « Entretien de votre H-Purifier ».

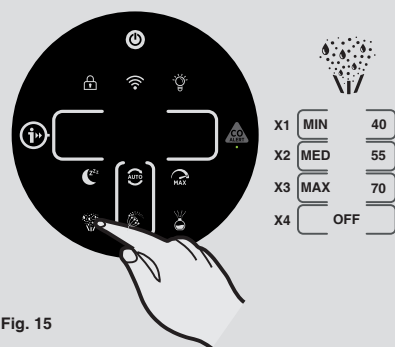


Fig. 15

Fonction HUMIDIFICATEUR : [Fig. 15]

Il y a 3 différents types de paramètres pour la fonction Humidificateur : MIN, MED et MAX. Pour activer cette fonction, appuyez tout simplement sur le bouton Humidifier (humidificateur) sur l'écran, le paramètre par défaut pour cette fonction est MIN. Pour sélectionner un des paramètres, vous devez tout simplement appuyer plusieurs fois sur le bouton pour changer la sélection souhaitée. Le bouton s'illuminera en blanc quand il sera allumé.

MIN - Humidité cible par défaut 40%

MED - Humidité cible par défaut 55%

MAX - Humidité cible par défaut 70%

Les 3 niveaux cible peuvent être personnalisés dans l'application hOn dans une page d'humidité cible allant de 30% à 80%.

Pour désactiver la fonctionnalité Humidificateur, appuyez sur le bouton du diffuseur jusqu'à ce que OFF apparaisse sur l'écran.

Si le niveau d'humidité en temps réel est égal ou supérieur à celui sélectionné, un message apparaîtra sur l'écran affichant « **HUMIDITY REACHED** » (Humidité atteinte). Le voyant de l'humidificateur restera allumé.

L'appareil passera automatiquement en mode humidificateur lorsque l'humidité en temps réel descend en dessous du niveau cible sélectionné.

La fonction Humidificateur ne peut être utilisée que dans les modes SLEEP et AUTOMATIQUE et ne peut pas être utilisée en mode MAX.

ALERTE REMPLISSAGE :

quand le niveau d'eau est inférieur au niveau minimal, l'écran affiche l'avertissement REFILL WATER (REPLISSEZ D'EAU) et clignote. Pour les instructions, voir la section Entretien de votre purificateur.

Remarque importante :

- **Quand l'appareil est en marche en mode Diffuseur** : Si le Mode Humidificateur est sélectionné sans désactiver le mode Diffuseur, l'appareil arrêtera automatiquement le Mode Diffuseur et entrera en Mode Humidificateur.
- **Quand l'appareil est en marche en mode Humidificateur** : Si le Mode Diffuseur est sélectionné sans désactiver le mode Humidificateur, l'appareil arrêtera automatiquement le Mode Humidificateur et entrera en Mode Diffuseur.

4. ENTRETIEN DE VOTRE H-PURIFIER

4.1 ENTRETIEN DU FILTRE

Votre H-Purifier surveillera l'état de votre filtre. Une alerte NETTOYEZ FILTRE OU REMPLACEZ FILTRE apparaîtra sur le côté gauche de l'écran et clignotera en indiquant l'action nécessaire: nettoyer ou changer le filtre.

Nettoyer / Remplacer le filtre : [Fig. 16]

- Retirez le Couvercle d'arrivée d'air de votre appareil. [Fig. 16a]
- Déverrouillez la Gâchette de détachement du filtre. [Fig. 16b]
- Retirez le filtre de votre appareil. [Fig. 16c]
- Utilisez un aspirateur pour nettoyer la couche externe sur l'ensemble filtre ou remplacez-le par un filtre NEUF. [Fig. 16d]
- Remontez le filtre dans l'appareil. [Fig. 16e]
- Verrouillez la Gâchette de détachement du filtre. [Fig. 16f]
- Remontez le Couvercle de l'entrée de l'air à votre appareil. [Fig. 16g]
- Branchez votre appareil à l'alimentation électrique et mettez-le en marche.
- Appuyez sur le bouton INFORMATION pour réinitialiser l'alerte de Nettoyage/Remplacement en maintenant le bouton pendant 3 secondes, une alerte sonore se fera entendre pour indiquer que la réinitialisation a réussi. [Fig. 7]

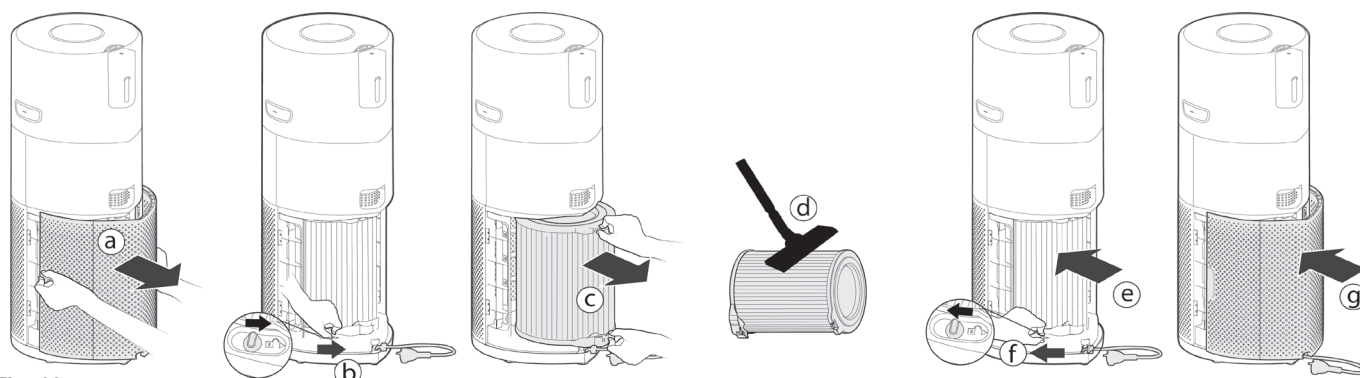


Fig. 16

4.2 ENTRETIEN DU DIFFUSEUR

Après chaque utilisation de la fonction Diffuseur, utilisez un chiffon doux et sec pour nettoyer les résidus éventuels des surfaces de l'appareil.

Remplacement de la bouteille du diffuseur : [Fig. 17]

Le volume du liquide restant dans la bouteille peut être vérifié à travers la fenêtre du diffuseur quand nécessaire, la bouteille doit être remplacée.

- Retirez le Couvercle du diffuseur de l'appareil. [Fig. 17a]
- Retirez le diffuseur et la bouteille du couvercle du diffuseur. [Fig. 17b]
- Dévisser et retirer la bouteille vide. [Fig. 17c]
- Retirez la nouvelle bouteille de H-Essence ou H-Biotics de l'emballage et retirez le capuchon. [Fig. 17d]
- Vissez fermement la nouvelle bouteille sur le diffuseur. [Fig. 17e]
- Remontez le diffuseur dans le couvercle du diffuseur. [Fig. 17f]
- Remontez le Couvercle du diffuseur dans le H-Purifier. [Fig. 17g]

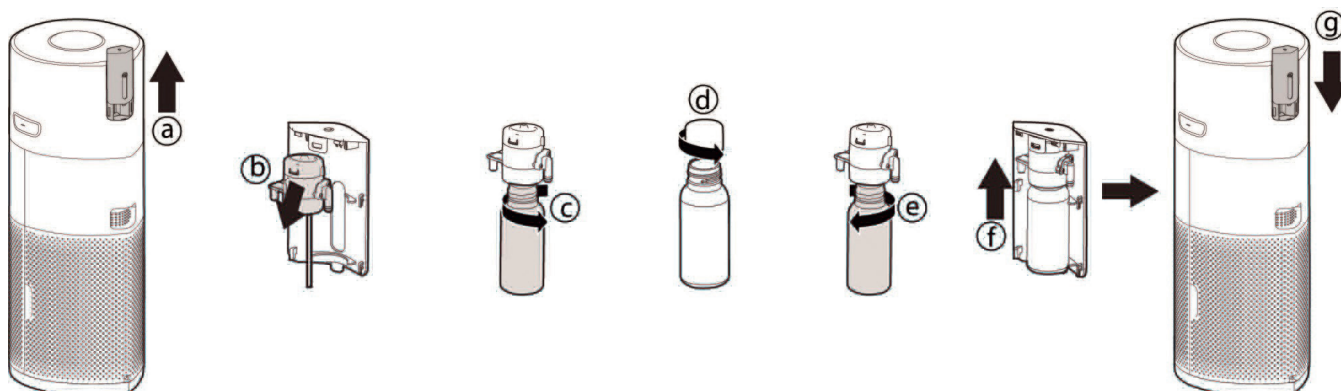


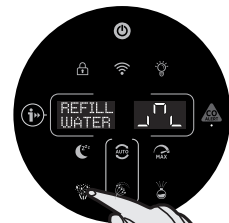
Fig. 17

4.3 ENTRETIEN DE L'HUMIDIFICATEUR

Alerte remplissage réservoir d'eau :

Pour que l'humidificateur fonctionne, un niveau minimum d'eau est nécessaire. quand le niveau d'eau est inférieur au niveau minimal, l'écran affiche l'avertissement REFILL WATER (REMPLISSEZ D'EAU) et clignote. Il peut y avoir de l'eau résiduelle dans le boîtier du réservoir d'eau. Le message s'affichera quand même en raison du niveau d'eau minimum requis.

- Retirez le Carter du réservoir de l'appareil. **[Fig. 18a]**
- Retirez l'Ensemble du réservoir du Carter du réservoir. **[Fig. 18b]**
- Retirez l'eau résiduelle et remplissez le réservoir par l'entrée du réservoir d'eau avec de l'eau distillée jusqu'à ce qu'elle atteigne la ligne MAX indiquée sur le réservoir. **[Fig. 18c]**
- Remontez le réservoir dans le compartiment prévu à cet effet. **[Fig. 18d]**
- Redisposez le tout dans le purificateur. **[Fig. 18e]**



Alerte nettoyage réservoir d'eau :

Votre H-Purifier surveille l'état du réservoir de votre humidificateur. Une **alerte NETTOYER LE RÉSERVOIR D'EAU** clignotera 72 heures après la dernière activation de la fonction humidificateur, s'il y a encore de l'eau dans le réservoir. Elle s'affichera sur le côté gauche de l'écran pour indiquer qu'une action est nécessaire pour nettoyer le réservoir d'eau.

- Retirez le réservoir de l'appareil. **[Fig. 18f]**
- Séparez le compartiment à réservoir d'eau, le réservoir d'eau et le couvercle du réservoir d'eau et nettoyez-les les 3 soigneusement et, puis, séchez-les complètement avec un chiffon doux et sec. **[Fig. 18g,h,i]**
- Remontez les composants du réservoir d'eau, remplissez jusqu'à ce qu'il atteigne la marque MAX avec de l'eau distillée.
- Assurez-vous que le produit soit allumé avant de réinsérer le réservoir.
- Remontez le compartiment à eau dans l'appareil. **[Fig. 18e]**

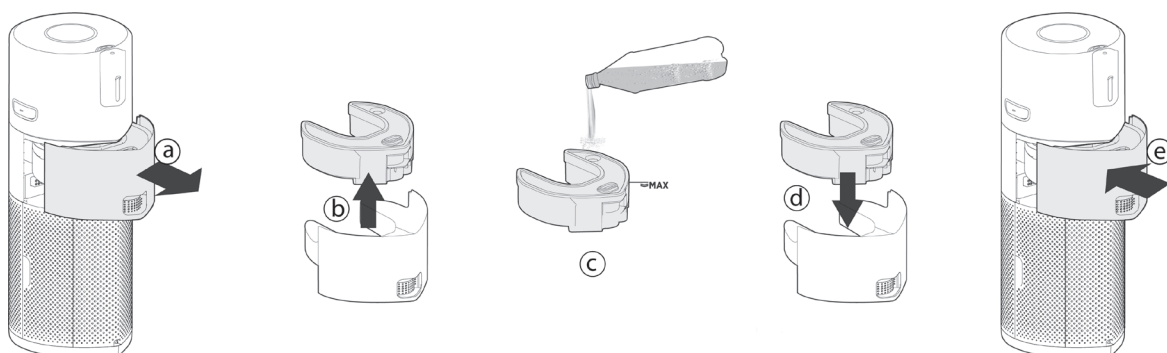
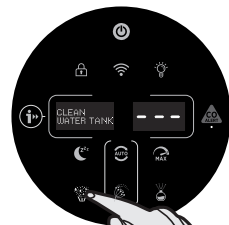
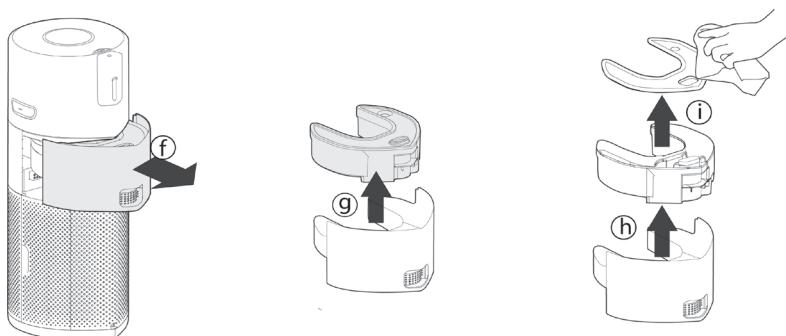


Fig. 18



5. STOCKAGE DE VOTRE H-PURIFIER

1. Éteignez le H-Purifier débranchez-le.
2. Nettoyez toutes les surfaces internes et externe du H-Purifier, la couche externe du filtre, le réservoir d'eau.
3. Retirez la bouteille du diffuseur. Remontez le capuchon original de la bouteille et stockez-le pour le protéger de la lumière directe. Nettoyez les surfaces du diffuseur et le couvercle du diffuseur. Assurez-vous qu'il n'y a pas de résidu de H-Essence ou H-Biotics sur une surface du H-Purifier.
4. Assurez-vous que tous les composants soient secs.
5. Retirez le couvercle de l'entrée de l'air **[Fig. 19a]** et enroulez le cordon d'alimentation en tirant sur dessus **[Fig. 19b]**, puis insérez ce dernier dans le crochet de rangement et la prise dans l'emplacement de transport. **[Fig. 19c,d]** Remontez la couvercle de l'entrée de l'air. **[Fig. 19e]**
6. Rangez le H-Purifier dans une pièce fraîche et sèche.

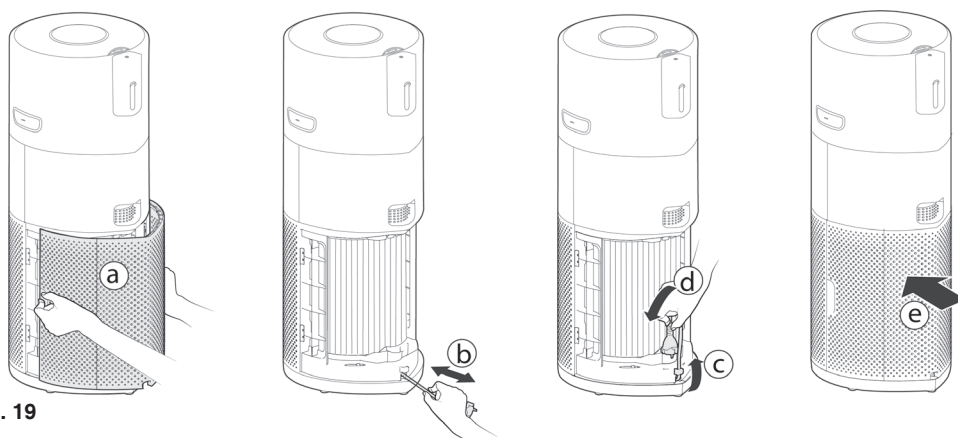


Fig. 19

6. ALERTES ET SOLUTIONS

Les codes suivants pourraient apparaître pendant l'utilisation. [Fig. 20]

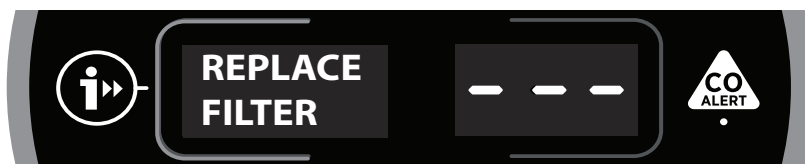


Fig. 20

Alerte		Description des alertes	Solution
Alerte sur l'appareil	Alerte sur l'Application		
"« CLEAN FILTER » (« NETTOYEZ FILTRE »)"	Alerte Nettoyage du pré-filtre	Suggère de nettoyer la couche externe du filtre.	1. Nettoyer la couche externe du filtre. 2. Réinitialisez l'alerte en maintenant le bouton INFORMATION enfoncé pendant 3 secondes. Référez-vous à la section 4.1 MAINTENANCE DU FILTRE
"« REPLACE FILTER » (« REMPLACEZ FILTRE »)"	Alerte Remplacement du filtre	Suggère de remplacer le filtre.	1. Remplacer le filtre. 2. Réinitialisez l'alerte en maintenant le bouton INFORMATION enfoncé pendant 3 secondes. Référez-vous à la section 4.1 MAINTENANCE DU FILTRE
"« FILTER MISSING » (« FILTRE ABSENT »)"	Erreur : une erreur s'est produite avec le purificateur d'air, veuillez vérifier les solutions possibles	Le filtre n'est pas dans la bonne position ou est mal verrouillé	1. Si le filtre n'est pas présent, remettez-le. 2. Si le filtre est en position, vérifiez si la gâchette de détachement du filtre a été mise en état de VERROUILLAGE. Référez-vous à la section 2.1 INSTALLER LE FILTRE
"PAS DE RÉSERVOIR D'EAU"	Erreur : une erreur s'est produite avec le purificateur d'air, veuillez vérifier les solutions possibles	Le réservoir d'eau ou son boîtier n'est pas présent.	Remplacez le réservoir d'eau et son boîtier.
"« CLEAN WATER TANK » (« Réservoir d'eau propre »)"	L'eau dans le réservoir doit être changée	3 jours se sont écoulés depuis la dernière utilisation de l'humidificateur, le réservoir/boîtier doit être nettoyé et l'eau doit être remplacée par mesure d'hygiène.	1. Eteignez l'aspirateur. 2. Retirez le réservoir/boîtier, nettoyez la surface interne de chaque composant et remplissez à nouveau. 3. Allumer le produit. 4. Remplacez le réservoir/boîtier. Référez-vous à la section 4.3 MAINTENANCE DE L'HUMIDIFICATEUR
"« REFILL WATER » (« REMPLISSEZ D'EAU »)"	Erreur : une erreur s'est produite avec le purificateur d'air, veuillez vérifier les solutions possibles	Il n'y a pas d'eau dans le réservoir, ou l'eau restante n'est pas suffisante pour faire fonctionner l'humidificateur.	Remplissez le réservoir d'eau distillée jusqu'à ce qu'il atteigne la ligne MAX.
"ERREUR CAPTEUR DE MP"	/	Dysfonctionnement du capteur de PM	Défaillance du capteur MP ou le fil du capteur n'a pas été bien connecté, veuillez appeler le centre de service pour le réparer.
La LED d'alerte CO est jaune	Erreur : une erreur s'est produite avec le purificateur d'air, veuillez vérifier les solutions possibles	Le capteur de CO fonctionne mal ou le capteur de CO dépasse sa durée de vie.	Prière d'appeler le centre d'entretien pour le réparer.
S'éteint automatiquement sans aucune alerte	Appareil tombé	Protection de l'appareil contre les chutes	1. Si l'appareil tombe et qu'il y a un déversement d'eau, débranchez l'alimentation électrique et attendez 48 heures avant d'allumer à nouveau l'appareil. 2. Si le produit tombe sans déversement d'eau, soulevez le produit et touchez le bouton Power pour l'allumer.
/	Erreur : une erreur s'est produite avec le purificateur d'air, veuillez vérifier les solutions possibles	Moteur défectueux	Moteur défectueux ou fil du moteur non branché correctement, prière d'appeler le centre d'entretien pour le réparer.
"TEMP. ET HUMI. ERREUR CAPTEUR"	/	Dysfonctionnement du capteur de température et d'humidité	Défaillance du capteur de température et d'humidité ou le fil du capteur n'a pas été bien connecté, veuillez appeler le centre de service pour le réparer.
"PAUSE"	/	Le fonctionnement du diffuseur s'interrompt lorsque l'anneau LED de la qualité de l'air n'est pas vert.	Aucune action nécessaire. Le fonctionnement du diffuseur reprend lorsque l'anneau LED de la qualité de l'air n'est pas vert.

ATTENTION : En cas de persistance de l'une de ces pannes, contactez votre revendeur ou le service consommateur Hoover. N'essayez pas de démonter le H-Purifier par vous-même.

7. DÉPANNAGE

Voici une liste de problèmes rencontrés et leurs solutions.

Si l'un de ces problèmes persiste, contactez votre revendeur ou le service consommateur HOOVER

Le ventilateur ne fonctionne pas (Panneau de commande / Lumières écran allumées)	<ul style="list-style-type: none"> • Vérifiez l'alerte affichée sur l'écran ou dans l'application. Dans le cas contraire, référez-vous à la section 6. ALERTES ET SOLUTIONS. • Vérifiez s'il y a des obstructions dans le ventilateur. Si c'est le cas, débranchez d'abord le produit, et nettoyez les obstructions ou appelez le centre de service pour les effacer. • Vérifiez si le H-Purifier est allumé. • Vérifiez si le filtre est mal monté et verrouillé. • Vérifiez que le H-Purifier soit en position verticale et qu'il ne soit pas incliné. • Le H-Purifier pourrait être en mode ECO. Vous pouvez appuyer sur le bouton de Mode Nuit ou sur le bouton de Mode Maximum pour quitter le mode ECO. Référez-vous à la section 3. UTILISER VOTRE H-PURIFIÉ – MODE AUTO.
Le ventilateur ne fonctionne pas (Panneau de commande / Lumières écran éteintes)	<ul style="list-style-type: none"> • Vérifiez si le H-Purifier est branché et allumé. • Vérifiez l'alerte affichée dans l'application. Dans le cas contraire, référez-vous à la section 6. ALERTES ET SOLUTIONS.
Pas de voyants sur le Panneau de commandes / Ecran (Ventilateur en marche)	<ul style="list-style-type: none"> • En Mode Nuit, les voyants de défaut s'éteignent. Vous pourriez appuyer sur le bouton de contrôle de la lumière pour allumer les lumières. • Les lumières peuvent être éteintes. Appuyez sur le bouton de contrôle de la lumière pour allumer les lumières. Refer to 3.UTILISATION DE VOTRE H-PURIFIÉ – MODE NUIT / Fonction COMMANDE LUMIÈRE.
Les boutons du panneau de commandes ne fonctionnent pas	<ul style="list-style-type: none"> • La sécurité enfant (Child Lock) est peut-être activée. Vous pouvez appuyer et maintenir le bouton CHILD LOCK pendant 3 secondes pour la désactiver. Référez-vous à la section 3. UTILISER VOTRE H-PURIFIÉ – Fonction CHILD LOCK.
Flux d'air faible	<ul style="list-style-type: none"> • Vérifiez si l'emballage de protection a été retiré du filtre. • Vérifiez s'il y a des obstructions dans le couvercle de l'entrée de l'air ou de la sortie de l'air. • Retirez le couvercle de l'entrée d'air et vérifiez l'état du filtre. Nettoyer la couche externe ou remplacez filtre si nécessaire. Vous pouvez vérifier l'état de la durée de vie du filtre à l'écran en appuyant sur le bouton Information. • Vérifiez si le H-Purifier est en mode sleep. Dans ce mode, le ventilateur fonctionne à puissance réduite.
Le H-Purifier fait du bruit	<ul style="list-style-type: none"> • Vérifiez s'il y a des obstructions dans le H-Purifier. • Vérifiez si le H-Purifier fonctionne en mode MAX. Dans ce mode, le ventilateur fonctionne à puissance maximale.
Le H-Purifier fait soudainement du bruit	<ul style="list-style-type: none"> • Vérifiez si le H-Purifier fonctionne en Mode Automatique et que l'anneau LED de la qualité d'air n'est pas vert. En mode Automatique, le H-Purifier règle automatiquement la vitesse du ventilateur sur la base du niveau de qualité de l'air interne. Référez-vous à la section 3. UTILISER VOTRE H-PURIFIÉ – MODE AUTO.
Le H-Purifier émet un bruit fort tout d'un coup.	<ul style="list-style-type: none"> • La fonction de test du bouton CO Alert est activée par erreur. Le bruit s'arrêtera automatiquement après 5 secondes. Référez-vous à la section 1.2 ALERTE MONOXYDE DE CARBONE (CO)
L'alerte « NETTOYER le réservoir d'eau » n'a pas pu être réinitialisée	<ul style="list-style-type: none"> • Après avoir nettoyé le réservoir d'eau / le boîtier et l'avoir rempli à nouveau, mettez le H-Purifier en marche. N'insérez pas le boîtier avant que l'écran n'affiche le message « PAS DE RÉSERVOIR D'EAU ».

INFORMATIONS IMPORTANTES

PIÈCES DÉTACHÉES ET CONSOMMABLES HOOVER

Toujours remplacer les pièces par des pièces détachées de la marque Hoover. Celles-ci sont disponibles auprès de votre revendeur Hoover. Lors de la commande de pièces, veuillez toujours préciser le numéro de votre modèle.

QUALITÉ

La qualité des usines Hoover a fait l'objet d'une évaluation indépendante. Nos produits sont fabriqués selon un système de qualité conforme à la norme ISO 9001.

VOTRE GARANTIE

Les conditions de garantie de cet appareil sont définies par notre représentant dans le pays où il est vendu et peuvent être obtenues auprès de votre revendeur. Les détails concernant ces conditions peuvent être obtenus auprès du revendeur auprès duquel l'appareil a été acheté. La facture d'achat ou le reçu doivent être présentés pour toutes réclamations relevant des conditions de cette garantie.

Ces conditions peuvent être modifiées sans préavis.

ALLGEMEINE SICHERHEITSHINWEISE

Dieses Gerät sollte, wie in diesem Benutzerhandbuch beschrieben, nur in einem privaten Haushalt verwendet werden. Bevor Sie das Gerät in Betrieb nehmen, stellen Sie sicher, dass Sie dieses Handbuch vollständig verstanden haben und halten Sie es für zukünftiges Nachschlagen bereit.

Überprüfen Sie, bevor Sie das Gerät anschließen, ob die auf dem Etikett des Geräts angegebene Spannung dem Nennwert Ihrer Netzspannung entspricht.

Ist das Netzkabel beschädigt, darf das Gerät NICHT mehr benutzt werden. Im Falle eines Defektes, darf das Netzkabel nur durch einen autorisierten Hoover-Kundendiensttechniker ausgetauscht werden.

Ziehen Sie den Stecker nicht aus der Steckdose, indem Sie am Netzkabel ziehen.

Verlegen Sie das Netzkabel derart, dass niemand darauf treten oder darüber stolpern kann.

Schalten Sie, bevor Sie das Gerät bewegen oder reinigen oder Wartungsarbeiten daran durchführen, das Gerät immer aus und ziehen Sie seinen Netzstecker aus der Steckdose.

Dieses Gerät darf von Kindern ab 8 Jahren, sowie körperlich, geistig oder sensorisch behinderten Personen bzw. Personen ohne Erfahrung und Kenntnisse im Gebrauch nur unter Aufsicht oder unter Anleitung für die sichere Benutzung und den damit verbundenen Gefahren benutzt werden. Kinder sollten nicht mit dem Gerät spielen.

Reinigungs- und Wartungsarbeiten dürfen von Kindern nur unter Aufsicht ausgeführt werden.

Das Gerät entfernt kein Kohlenmonoxid (CO) oder Radon (Rn). Es darf nicht als Sicherheitseinrichtung bei Unfällen mit Verbrennungsprozessen und gefährlichen Chemikalien verwendet werden.

Stellen Sie die Verwendung des Gerätes ein, wenn ein Defekt am Gerät vermutet wird.

Blockieren Sie nicht den Lufteinlass oder Luftauslass.

Um Verletzungen oder Fehlfunktionen des Geräts zu vermeiden, stecken Sie niemals Ihre Finger oder Gegenstände in den Luftauslass oder Lufteinlass.

Um Stromschläge und/oder Feuergefahr zu vermeiden, reinigen Sie das Gerät nicht mit Wasser, einer anderen Flüssigkeit oder einem (brennbaren) Reinigungsmittel und lassen Sie diese auch nicht in das Gerät eindringen.

Sprühen Sie keine brennbaren Stoffe wie Insektizide oder Duftstoffe in die Nähe des Geräts.

Dieses Gerät ist kein Ersatz für die richtige Belüftung, regelmäßige Staubsaugerreinigung oder die Verwendung einer Dunstabzugshaube oder eines Ventilators beim Kochen.

Verwenden Sie nur von HOOVER empfohlene oder gelieferte Verbrauchsmaterialien, Filter und Ersatzteile.

Stellen Sie, bevor Sie das Gerät einschalten, sicher, dass der Filter ordnungsgemäß installiert ist.

Klopfen Sie nicht mit harten Gegenständen gegen das Gerät (insbesondere auf den Lufteinlass und Luftauslass).

Halten Sie das Gerät trocken.

Kippen oder entleeren Sie das Gerät niemals während des Betriebs.

Wenn das Gerät für eine lange Zeit nicht verwendet wird, können Bakterien auf den Filtern wachsen. Überprüfen Sie die Filter nach einer längeren Zeit der Nichtbenutzung. Wenn die Filter sehr schmutzig sind, ersetzen Sie sie.

Hoover-Kundendienst: Um auf Dauer den sicheren und effizienten Betrieb dieses Gerätes zu gewährleisten, empfehlen wir, Wartungs- und Reparaturarbeiten ausschließlich von einem zugelassenen HOOVER-Kundendienst durchführen zu lassen.

EINSATZBEREICH

Stellen Sie das Gerät nur auf einer trockenen, stabilen, ebenen horizontalen Oberfläche auf, damit ein Umkippen während des Betriebes ausgeschlossen ist.

Lassen Sie mindestens 20 cm freien Platz hinter und auf beiden Seiten des Geräts und lassen Sie mindestens 30 cm freien Platz über dem Gerät.

Um Störungen zu vermeiden, stellen Sie das Gerät mindestens 2 m von elektrischen Geräten wie Fernseher, Radios oder Funkuhren entfernt auf, die Funkwellen verwenden.

Legen Sie nichts auf das Gerät.

Verwenden Sie dieses Gerät nicht, wenn Sie Insektenschutzmittel in Innenräumen oder an Orten mit öligen Rückständen, brennendem Weihrauch oder chemischen Dämpfen verwendet haben.

Stellen Sie das Gerät nicht an einem der folgenden Orte auf:

- Auf heißen Oberflächen, in der Nähe von heißen Oberflächen, offenem Feuer oder in direktem Sonnenlicht, in der Nähe von Gasgeräten, Heizgeräten oder Kaminen;
- Neben oder direkt über Heizungen oder Lüftungsöffnungen von Klimaanlage, Türen, Fenstern, Dunstabzugshauben, Herden oder überall dort, wo es durch Zugluft beeinträchtigt werden könnte;
- In einem Badezimmer oder in anderen Bereichen, in denen das Produkt Wasserspritzern, Tropfwasser oder Kondenswasser ausgesetzt sein könnte (z. B. direkt unter einer Klimaanlage oder über einem Wasserkocher);
- In einem geschlossenen Raum (z.B. in oder unter einem Schrank);
- In einem Bereich, in dem die Temperatur unter -20°C fallen oder über 50°C steigen könnte;
- In einem Raum mit großen Temperaturschwankungen, in feuchter Umgebung oder in einer Umgebung mit hohen Umgebungstemperaturen oder hoher Luftfeuchtigkeit, wie z. B. im Bad, in der Toilette oder in der Küche;
- Wo es behindert würde, z.B. durch Vorhänge oder Möbel;
- Wo Schmutz oder Staub den Sensor blockieren könnten.

SICHERHEITSHINWEISE CO-MONITOR

Wenn der CO Alarm ausgelöst wird, sollten Sie alle Fenster und Türen öffnen (sofern dies sicher möglich ist). Schalten Sie nach Möglichkeit alle brennenden Haushaltsgeräte aus und verlassen Sie den Raum mit geöffneten Fenstern und Türen. Holen Sie sofortige medizinische Hilfe für alle Personen, die an den Auswirkungen einer Kohlenmonoxidvergiftung leiden. Betreten Sie den Raum erst wieder, wenn der CO Alert nicht mehr besteht. Die Warnung wird aufgehoben, sobald die Kohlenmonoxidkonzentration beseitigt wurde. Verwenden Sie keine mit Flammen betriebenen Haushaltsgeräte mehr, bis die Kohlenmonoxidquelle gefunden und von einem zugelassenen Techniker beseitigt wurde.

Vermeiden Sie die Verwendung von Farbe, Verdüner, Lösungsmittel, Geruchsentferner, Aerosolsprays oder chemische Reinigungsmittel in der Nähe des Geräts. Dies kann die Funktion des CO Monitors beeinträchtigen.

Um den CO Monitor zu aktivieren, stecken Sie den Stecker des Geräts in eine Steckdose. Die CO-Alert-LED leuchtet grün. Wenn der CO Monitor einen gefährlichen Kohlenmonoxidwert feststellt, ertönt die Kohlenmonoxidwarnung laut und die CO Alert-Taste und der Luftqualitäts-LED-Ring blinken rot. Der Alarm ertönt so lange, bis das erkannte Kohlenmonoxid wieder auf ein sicheres Niveau gesunken ist.

Berühren Sie die Taste [CO Alert] für 3 Sekunden, um die Funktion CO Alarm zu überprüfen. Die akustische Warnung wird 5 Sekunden lang ertönen. Testen Sie die Warnung monatlich und nach längerer Abwesenheit vom Gebäude (Z. B. Ferien). Wenn der Warnung 3 Sekunden nach Drücken der [CO Alert]-Taste nicht ertönt, wenden Sie sich bitte an das Hoover-Kundendienstzentrum, um einen qualifizierten Techniker zur Behebung des Fehlers anzufordern.

Wenn das Display anzeigt, dass der Kohlenmonoxidsensor defekt ist oder ein Ende der Lebensdauer erreicht wurde, wenden Sie sich bitte an das Hoover-Kundendienstzentrum, um einen qualifizierten Techniker für den Austausch des Kohlenmonoxidsensors anzufordern. Die voraussichtliche Lebensdauer des Kohlenmonoxidsensors beträgt 7 Jahre. Er muss nach Ablauf dieser Zeit ausgetauscht werden.

Lassen Sie kleine Kinder nicht 3 Sekunden lang die CO Alert-Taste drücken, da sie übermäßigem Lärm ausgesetzt sein könnten, wenn der Warnton ertönt.

Betriebsluftfeuchtigkeit: 15 – 90% RH

Betriebstemperatur: 0°C bis $+40^{\circ}\text{C}$

Kohlenmonoxid beeinflusst den Körper durch Ersticken wichtiger Organe aufgrund von Sauerstoffmangel. Wenn Kohlenmonoxid eingeatmet wird, heftet es sich an das Hämoglobin im Blut, das normalerweise Sauerstoff durch den Körper transportiert. Kohlenmonoxid verdrängt dauerhaft die Fähigkeit von Sauerstoffmolekülen, sich an das Hämoglobin anzuheften, wodurch der Sauerstoff in lebenswichtigen Organen reduziert wird. Die Konzentration und Dauer der Exposition von CO können die Auswirkungen auf den Körper variieren. Experten sind sich jedoch einig, dass auch niedrige Konzentrationen bei einer Exposition von Kohlenmonoxid über längere Zeiträume schwerwiegende und dauerhafte Auswirkungen auf die allgemeine Gesundheit von Menschen haben können.

WARNUNG: DER CO ALARM SOLL DEN EINZELNEN VOR DEN AKUTEN AUSWIRKUNGEN DER EXPOSITION VON KOHLENMONOXID SCHÜTZEN ODER DIE CHRONISCHEN AUSWIRKUNGEN DER EXPOSITION VON KOHLENMONOXID VERHINDERN. ES WIRD PERSONEN MIT BESTIMMTEN ERKRANKUNGEN NICHT VOLLSTÄNDIG SCHÜTZEN. FRAGEN SIE IM ZWEIFELSFALL EINEN ARZT.

Die CO Monitor-Funktion darf nicht als Ersatz für eine EN 50291-1, UL-2034, CSA-6.19 oder eine andere anerkannte, zertifizierte CO Alert verwendet werden, wenn örtliche oder regionale Normen oder Rechtsvorschriften ihre Verwendung vorschreiben. Die Funktion CO Monitor ist nur ein zusätzliches Kohlenmonoxid-Überwachungsgerät. Die Nutzung dieses Geräts liegt im Ermessen des Benutzers und impliziert das Verständnis und die Akzeptanz seiner Einschränkungen, um gegebenenfalls Normen oder Gesetze einzuhalten.

Dieses Gerät darf nicht als Ersatz für die ordnungsgemäße Installation, Verwendung und Wartung von mit Flammen betriebenen Haushaltsgeräten, einschließlich geeigneter Lüftungs- und Abgassysteme, verwendet werden.

Die Benachrichtigungen des CO Monitors auf Handys und Tablets erfordern eine funktionierende WLAN-Verbindung. Sie sind kein Ersatz für einen Notfallüberwachungsdienst eines Drittanbieters.

SICHERHEITSHINWEISE FÜR DEN DIFFUSER

Verwenden Sie nur Aromaöl, das von HOOVER empfohlen oder geliefert wird.

Verwenden Sie keinen freistehenden Luftbefeuchter neben dem Luftreiniger, wenn Sie die Diffusorfunktion mit H-Essence benutzen.

Wischen Sie alle Verschüttungen von H-Essence unverzüglich auf. Reinigen Sie jedes Teil des Geräts, das Kontakt mit H-Essence hatte.

SICHERHEITSHINWEISE FÜR DEN LUFTBEFEUCHTER

Reinigen Sie den Wasserbehälter alle 3 Tage.

Verwenden Sie zum Befüllen des Wasserbehälters nur destilliertes Wasser. Füllen Sie den Wasserbehälter nicht mit anderem Wasser, wie z. B. Leitungswasser, Mineralwasser, Flusswasser und so weiter.

Das Wasser im Wasserbehälter ist nicht zum Trinken geeignet. Trinken Sie dieses Wasser nicht und verwenden Sie es nicht, um Tiere zu füttern oder Pflanzen zu wässern. Wenn Sie den Wasserbehälter entleeren, gießen Sie das Wasser in den Abfluss.

Füllen Sie keine andere Substanz als destilliertes Wasser in den Wasserbehälter.

Füllen Sie jedoch keine Flüssigkeiten mit Duftstoffen oder H-Essence in den Wasserbehälter.

Entleeren Sie den Wasserbehälter und das Gehäuse und füllen Sie ihn alle drei Tage neu auf.

Reinigen Sie vor dem Nachfüllen den Wasserbehälter und das Gehäuse mit frischem Leitungswasser. Entfernen Sie alle Kalkablagerungen, Ablagerungen oder Schichten, die sich an den Seiten des Wasserbehälters oder im Inneren gebildet haben, und wischen Sie alle Oberflächen trocken.

Ziehen Sie während der Befüllung und Reinigung den Stecker des Gerätes aus der Steckdose.

Entleeren und reinigen Sie den Luftbefeuchter vor der Aufbewahrung. Reinigen Sie den Luftbefeuchter vor dem nächsten Gebrauch.

Lassen Sie niemals Wasser im Wasserbehälter und im Behältergehäuse stehen, wenn das Gerät nicht in Betrieb ist.

Lassen Sie den Bereich um den Luftbefeuchter nicht feucht oder nass werden. Wenn Feuchtigkeit auftritt, drehen Sie die Leistung des Luftbefeuchters runter und verwenden Sie den Luftbefeuchter nur zeitweise. Lassen Sie absorbierende Materialien wie Teppichboden, Vorhänge oder Tischdecken nicht feucht werden.

Wenn Sie das Gerät transportieren müssen, ziehen Sie zu zuerst den Stecker aus der Steckdose. Entleeren oder entfernen Sie danach den Wasserbehälter. Tragen Sie das Gerät vertikal an den Griffen auf beiden Seiten des Geräts.

Verwenden Sie, wenn Sie die Luftbefeuchterfunktion benutzen, keine freistehenden Geräte neben dem Luftreiniger, die Aromaöl freisetzen oder versprühen.

Beachten Sie, dass hohe Luftfeuchtigkeit das Wachstum biologischer Organismen in der Umgebung fördern kann.

WARNUNG: Mikroorganismen, die sich im Wasser oder in der Umgebung befinden, in der das Gerät verwendet oder aufbewahrt wird, können im Wasserbehälter wachsen und in die Luft geblasen werden, was sehr ernste Gesundheitsgefahren verursacht, wenn das Wasser nicht erneuert wird und der Wasserbehälter nicht alle 3 Tage ordnungsgemäß gereinigt wird.



Umweltschutz

Dieses Elektrohaushaltsgerät ist entsprechend der EU-Richtlinie 2012/19/EU über Elektro- und Elektronik-Altgeräte (WEEE) gekennzeichnet. Durch die sichere und umweltgerechte Entsorgung dieses Produkts tragen Sie dazu bei, mögliche negative Auswirkungen auf die Umwelt und die Gesundheit des Menschen zu verhindern.

Das am Gerät angebrachte Symbol gibt an, dass dieses Gerät nicht als Hausmüll behandelt werden darf, sondern an einer entsprechenden Sammelstelle für das Recycling von elektrischen und elektronischen Geräten zu entsorgen ist. Die Entsorgung ist in Übereinstimmung mit allen geltenden Vorschriften für die umweltgerechte Abfallentsorgung vorzunehmen. Ausführlichere Informationen über die Müllbehandlung und das Recycling dieses Gerätes erhalten Sie von der zuständigen Umweltbehörde, der Müllentsorgungsstelle Ihrer Kommune oder dem Händler, bei dem Sie das Gerät erworben haben.



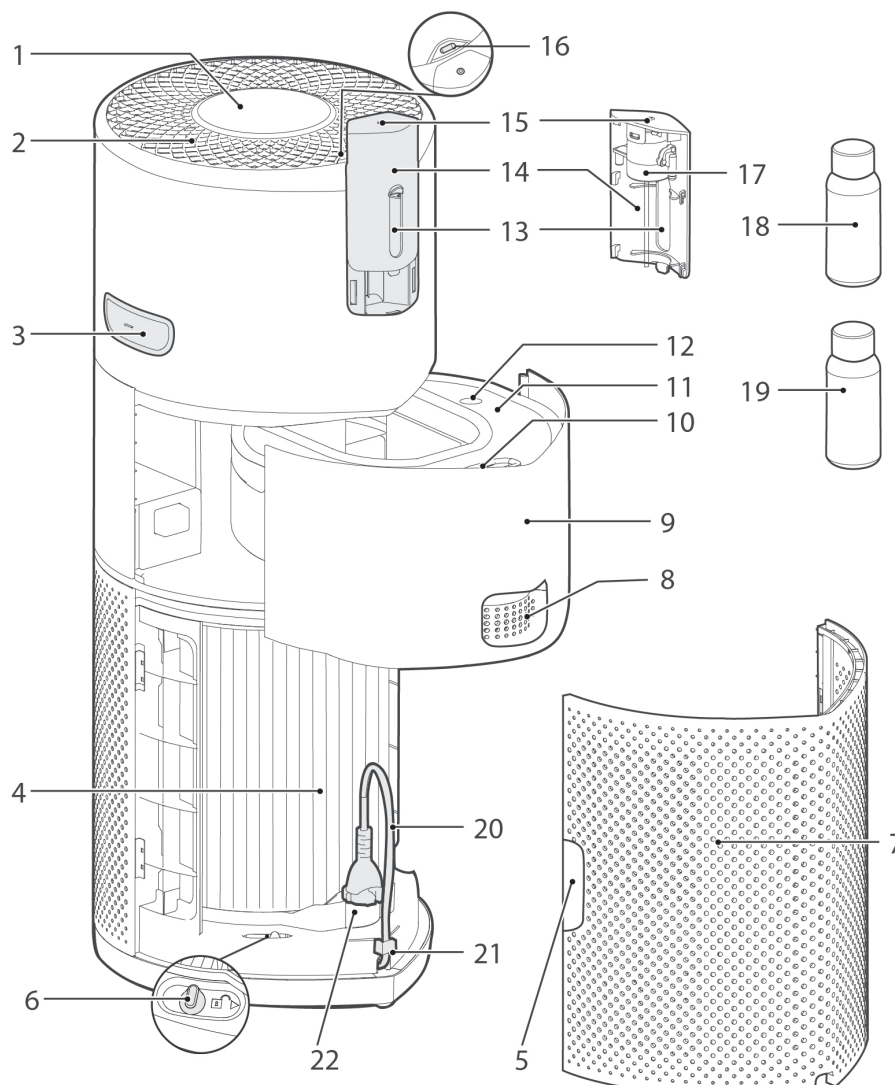
Drahtlose Parameter für die Kopplung

Technologie	WLAN	Bluetooth
Standard	IEEE 802.11 b/g/n	Bluetooth v4.2, BLE
Frequenzbereich(e) (MHz)	2401-2483	2402-2480
Max. Aufnahmeleistung (mW)	100	10
Maximale HF-Leistung, die im Frequenzband übertragen wird	18.9 dBm	

Hiermit erklärt die Candy Hoover Group Srl, dass die Funkanlage die Richtlinie 2014/53/EU erfüllt. Der vollständige Text der EU-Konformitätserklärung ist unter der folgenden Internetadresse verfügbar: www.candy-group.com

CANDY HOOVER GROUP S.r.l. Via Privata Eden Fumagalli, 20861 Brugherio (MB) Italy

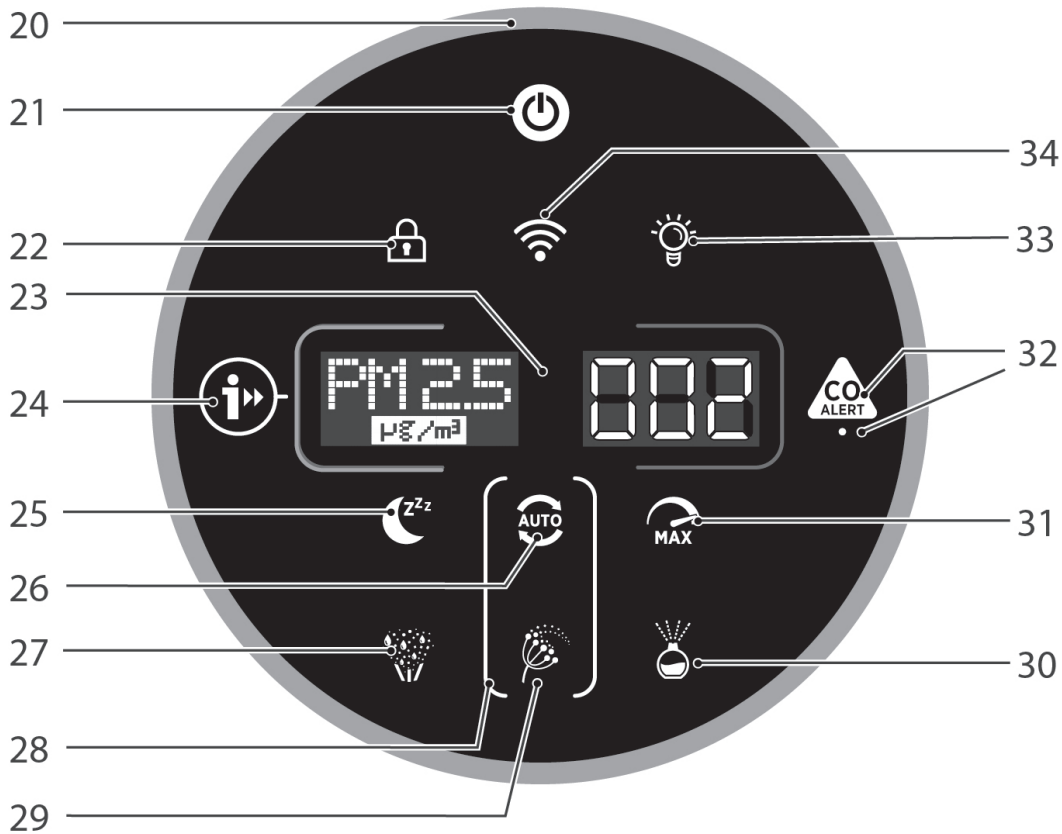
1. BEZEICHNUNG DER TEILE IHRES H-LUFTREINIGERS



1	Bedienfeld / Display
2	Luftauslass
3	Tragegriff
4	Filterbaugruppe
5	Griff Lufteinlassabdeckung
6	Filterfreigabetaste
7	Lufteinlassabdeckung
8	Luftbefeuchtergriff

9	Luftbefeuchter-Wasserbehältergehäuse
10	Luftbefeuchter-Wasserbehälter
11	Luftbefeuchter-Wasserbehälterabdeckung
12	Luftbefeuchter-Wasserbehältereinlass
13	Diffusorenfenster
14	Diffusorabdeckung
15	Diffusorauslass

16	Luftbefeuchterauslass
17	Diffusoreinheit
18	H-Essence-Flasche (Grün)
19	H-Biotics-Flasche (Braun)
20	Netzkabel und Stecker
21	Hängeöse
22	Aufbewahrung



20	Luftqualitäts-LED Ring
21	Ein/Aus-Schalter
22	Taste Kindersicherung
23	Digitale Anzeige
24	Informationstaste

25	Taste Schlafmodus
26	Taste Automatikbetrieb
27	Taste Luftbefeuchter
28	Pollen-Allergie-Ringleuchte
29	Pollen-Allergie-Leuchte

30	Diffusortaste
31	Taste Maximale Leistung
32	CO Alert-Taste und LED-Leuchte
33	Licht-Steuertaste
34	Wi-Fi-Taste

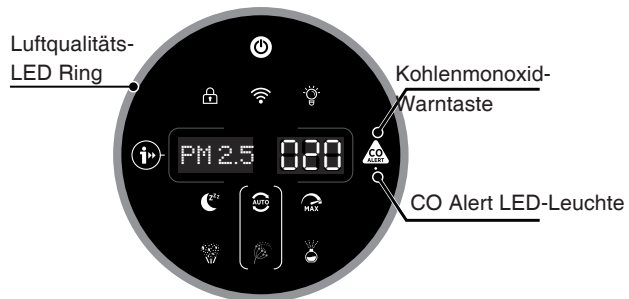
1.1 MULTISENSORSYSTEM

Mit Hilfe des Multi-Sensorsystems ist Ihr Gerät in der Lage, kontinuierlich die Raumluftqualität in Bezug auf PM10, PM2,5 und flüchtige organische Verbindungen (GAS) zu überwachen.

Jedes Mal, wenn Sie Ihr Gerät einschalten, beginnt das Multi Sensorsystem mit der Analyse der Raumluftqualität und der Luftqualität-LED-Ring zeigt mit verschiedenen Farben die Luftqualität in Echtzeit an.

Farbe Luftqualitäts-LED Ring	Raumluftqualität	PM 10-Wert* $\mu\text{g}/\text{m}^3$	PM 2,5-Wert $\mu\text{g}/\text{m}^3$	VOC-GAS-Gehalt
GRÜN	Ausgezeichnet	0-50	0-25	L1
GELB	Zufriedenstellend	50-80	25-50	L2
ORANGE	Schlecht	80-160	50-100	L3
ROT	Sehr Schlecht	≥ 160	≥ 100	L4

* Im Pollenallergiemodus sind die PM 10-Werte, die die Luftqualitätsstufe auslösen, niedriger, um die Gefahr für Allergiker zu minimieren.



1.2 KOHLENMONOXID (CO)-WARNUNG

Der H-Luftreiniger ist mit einem Warnsystem ausgestattet, das die Raumluft ständig auf Kohlenmonoxid (CO) überwacht.

Wenn der CO Alert ausgelöst wird, blinken der LUFT-Qualitäts-LED Ring, die Informations- und CO Alert-Taste gleichzeitig rot und es ertönt ein akustischer Warnton. Der akustische Warnton ertönt, bis die Kohlenmonoxidkonzentration (CO) auf unter 50 ppm reduziert wurde, es sei denn, der Warnton wird manuell durch Drücken der CO Alert-Taste für 3 Sekunden ausgeschaltet.

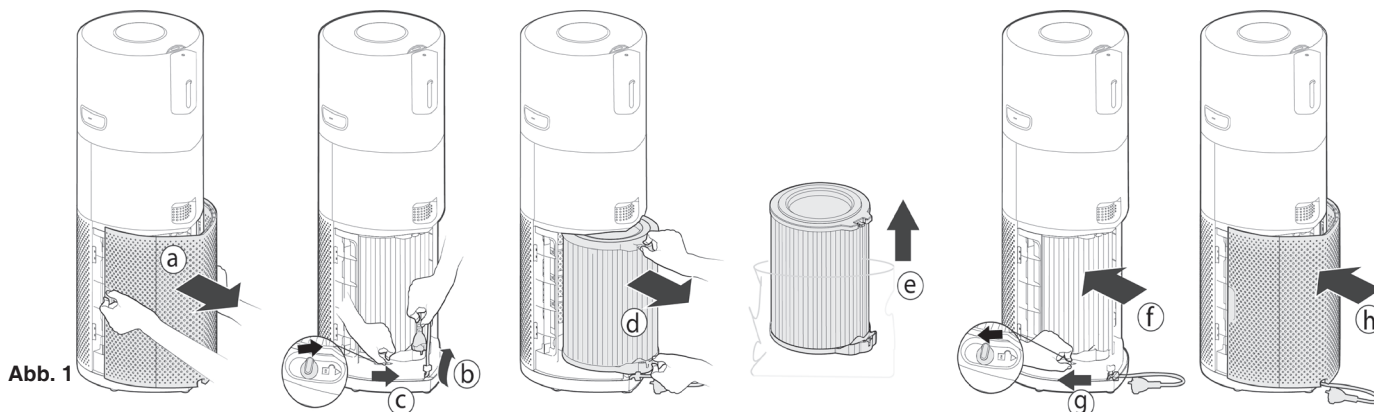
Die CO Alert-LED zeigt den Arbeitszustand des Kohlenmonoxidsensors an. Er leuchtet grün, wenn der Kohlenmonoxidsensor einwandfrei funktioniert, gelb, wenn der Sensor defekt ist oder seine Lebensdauer überschreitet und rot, wenn eine Kohlenmonoxidwarnung ausgelöst wird. Sie können testen, ob der Alarm richtig funktioniert. Drücken Sie hierzu die Kohlenmonoxid-Warntaste für 3 Sekunden. Wenn der Alarm richtig funktioniert, wird für mindestens 5 Sekunden ein lauter Warnton ertönen.

2. VORBEREITUNG IHRES H-LUFTREINIGERS

2.1 DEN FILTER INSTALLIEREN [Abb. 1]

Bevor Sie Ihren H-Luftreiniger verwenden, müssen Sie den Filter aus seiner Schutzverpackung entfernen:

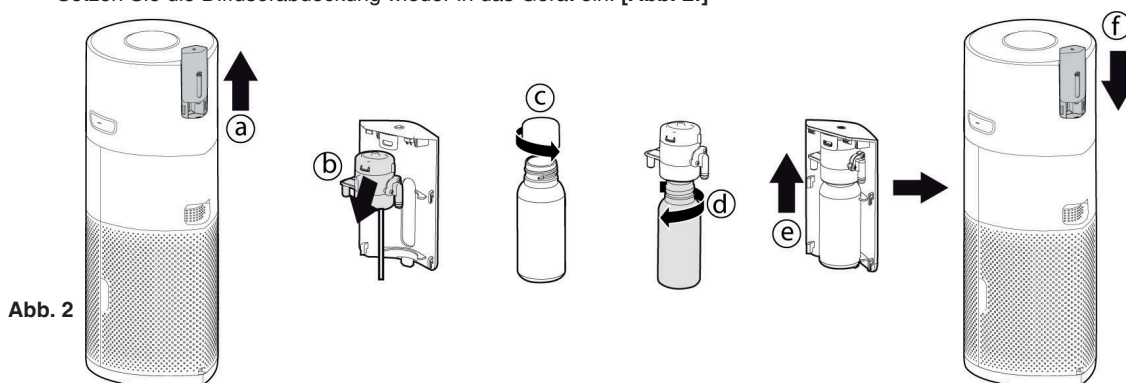
- Entfernen Sie die Lufteinlassabdeckung aus Ihrem Gerät. Ergreifen Sie die beiden Lufteinlassabdeckungsgriffe und ziehen Sie sie vom Gerät. [Abb. 1a]
- Ziehen Sie den Stecker aus der Aufbewahrung und wickeln Sie das Kabel vom Kabelhaken ab. [Abb. 1b]
- Entriegeln Sie die Filterfreigabetaste. [Abb. 1c]
- Nehmen Sie den Filter aus Ihrem Gerät und entfernen Sie die äußere Verpackung. [Abb. 1d,e]
- Setzen Sie den Filter wieder in Ihr Gerät ein. [Abb. 1f]
- Verriegeln Sie die Filterfreigabetaste. [Abb. 1g]
- Setzen Sie die Lufteinlassabdeckung wieder in Ihr Gerät ein. [Abb. 1h]



2.2 BEFESTIGEN SIE DIE DIFFUSORFLASCHE [Abb. 2]

Ihren H-Luftreiniger für die Diffusorfunktion vorbereiten:

- Nehmen Sie die Diffusorabdeckung vom Gerät ab. [Abb. 2a]
- Nehmen Sie die Diffusoreinheit aus der Diffusorabdeckung. [Abb. 2b]
- Nehmen Sie die Flasche H-Essence oder H-Biotics aus der Verpackung und nehmen Sie die Kappe ab. [Abb. 2c]
- Bewahren Sie die Kappe für eine spätere Verwendung auf.
- Schrauben Sie die Flasche fest auf der Diffusoreinheit. [Abb. 2d]
- Setzen Sie die Diffusoreinheit wieder in die Diffusorabdeckung ein. [Abb. 2e]
- Setzen Sie die Diffusorabdeckung wieder in das Gerät ein. [Abb. 2f]



2.3 DEN LUFTBEFEUCHTER VORBEREITEN [Abb. 3]

Um Ihren H-Luftbefeuchter für den Befeuchterbetrieb vorzubereiten:

- Nehmen Sie die Wasserbehälterabdeckung vom Gerät ab. [Abb. 3a]
- Nehmen Sie die Wasserbehälterbaugruppe aus dem Wasserbehältergehäuse. [Abb. 3b]
- Reinigen Sie vor der ersten Benutzung alle Teile mit einem trockenen, weichen Tuch.
- Füllen Sie den Wasserbehälter durch den Wasserbehältereinlass mit destilliertem Wasser bis er die auf dem Tank angegebene Markierung MAX erreicht. [Abb. 3c]
- Setzen Sie die Wasserbehälterbaugruppe wieder in das Wasserbehältergehäuse ein. [Abb. 3d]
- Setzen Sie das Wasserbehältergehäuse wieder in Ihr Gerät ein. [Abb. 3e]

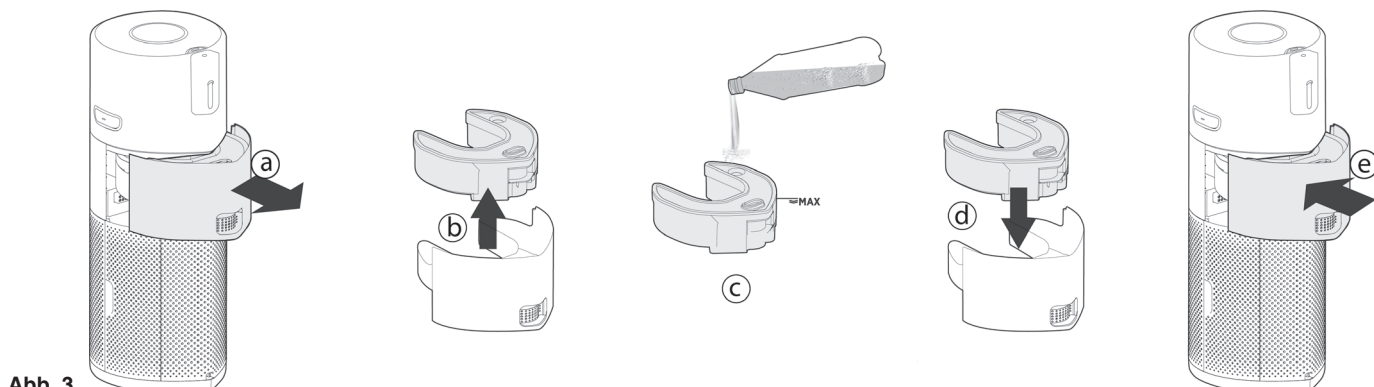


Abb. 3

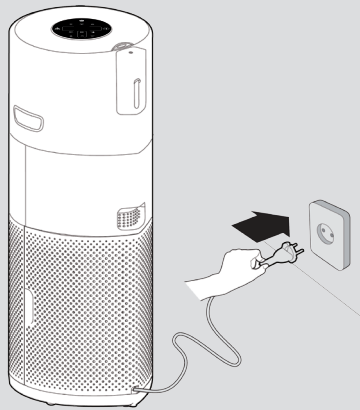


Abb. 4

3. GEBRAUCH IHRES H-LUFTREINIGERS

3.1 EINSCHALTEN DES GERÄTS [Abb. 4]:

Ziehen Sie hierzu das Netzkabel aus der Kabelrolle und stecken Sie den Stecker in eine Steckdose. Alle Leuchten auf dem Bedienfeld / Display leuchten ca. 1 Sekunde, um anzuzeigen, dass der Stecker erfolgreich in die Steckdose eingesteckt wurde. Die EIN-/AUS-Taste wird schwach leuchten und die CO-Warn-LED leuchtet, was bedeutet, dass der spezielle Sensor mit der Überwachung der Kohlenmonoxidkonzentration im Innenraum begonnen hat.

Um Ihr Gerät einzuschalten, drücken Sie die EIN-/AUS-Taste auf dem Display. Der Luftqualitäts-LED Ring leuchtet nacheinander in allen Farben, während die Sensoren die Luftqualität in Echtzeit analysieren. Nach einigen Sekunden leuchtet der Luftqualitäts-LED Ring in der entsprechenden Farbe für die momentane Luftqualität auf. Ihr H-Luftreiniger wird sofort in den AUTOMATIKBETRIEB schalten und mit der Reinigung der Raumluft beginnen. Die Tasten AUTOMATIKBETRIEB, INFORMATION, LICHTSTEUERUNG und die PM10-Informationen werden auf dem Display leuchten.

3.2 IHREN H-LUFTREINIGER ANSCHLIESSEN:

Um von überall auf alle H-Luftreiniger-Funktionen zugreifen zu können, wird empfohlen, die App hOn herunterzuladen. Hiermit werden Sie in der Lage sein, Ihr Gerät auf die effizienteste Weise zu steuern.



Abb. 5

Anweisungen:

1. Laden Sie die App hOn aus dem App Store, von Google Play oder der Huawei AppGallery herunter. Sie können sie auch durch Scannen des QR-Codes in [Abb. 5] herunterladen.
2. Öffnen Sie die APP, erstellen Sie ein Konto mit Ihrer E-Mail-Adresse und einem Passwort.
3. Bestätigen Sie und melden Sie sich bei der App hOn an.
4. Stellen Sie sicher, dass Ihr Mobilgerät mit dem WLAN verbunden ist.
5. Stellen Sie sicher, dass Ihr H-Luftreiniger eingeschaltet ist. Halten Sie die WLAN-Taste auf dem Display für 5 Sekunden gedrückt, es wird ein hörbarer Piepton erzeugt und die WLAN-Taste beginnt zu blinken, um anzuzeigen, dass sie auf eine Verbindung wartet. [Abb. 6]
6. Folgen Sie den Anweisungen in der App, um Ihr Mobilgerät mit Ihrem Gerät zu verbinden.
7. Wenn sie erfolgreich verbunden sind, leuchtet die WLAN-Taste am Gerät kontinuierlich.
8. Um das WLAN zurückzusetzen, drücken Sie die WLAN-Taste für 5 Sekunden.

Der H-Luftreiniger funktioniert auch mit Hey Google und Amazon Alexa.

3.3 ENTDECKEN SIE ALLE FUNKTIONEN

Funktion INFORMATIONEN [Fig.7]:

Für die Überwachung stehen 6 verschiedene Datensätze zur Verfügung: PM10, PM2.5, GAS, Temperatur, Luftfeuchtigkeit und Filterstatus.

Um jeden einzelnen Wert zu überwachen, drücken Sie einfach nacheinander die Taste INFORMATIONEN. Standardmäßig zeigt die Anzeige die PM10-Daten an, wobei sich das Gerät die letzte Auswahl des Benutzers merkt und diese bis zum nächsten Einschalten des Geräts beibehält. Die GAS-Daten zeigen während der ersten 3 Minuten nach dem Einschalten des Geräts, in denen der GASSENSOR einen Kalibrierungszyklus durchführt, einen drehenden Cursor an.

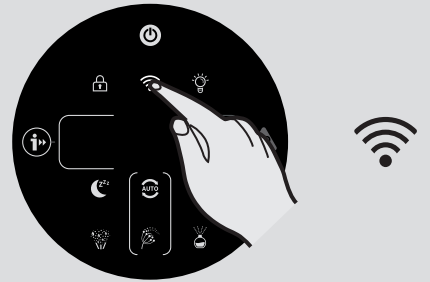


Abb. 6

Weitere Informationen über PM 2,5, PM 10 und GAS:

PM bedeutet feine Partikel (für das menschliche Auge nicht sichtbar), die hauptsächlich von Außenverschmutzungen wie Kraftfahrzeugen und Industrieemissionen stammen und bei längerer Exposition potenziell gefährlich für unsere Gesundheit sind. PM 10 bedeutet eine Größe von bis zu 10 µm. Diese Partikel sind in der Lage, in die oberen Atemwege (Nase, Luftröhre, Rachen) einzudringen. PM 2,5 bedeutet eine Größe von bis zu 2,5 µm. Diese Partikel können aufgrund ihrer geringen Größe Ihre Lunge erreichen und so tiefer in Ihren Körper eindringen. GAS VOC (flüchtige organische Verbindungen) sind flüchtige chemische Verbindungen mit der Fähigkeit, leicht in der Luft bei Raumtemperatur zu verdampfen. Deodorants, Reinigungsmittel, Klebstoffe, Kosmetika, Formaldehyd sind nur einige der flüchtigen organischen Verbindungen (VOCs), die in unseren Wohnräumen vorhanden sein könnten. Sie können im Falle einer längeren Exposition für unsere Gesundheit schädlich sein.

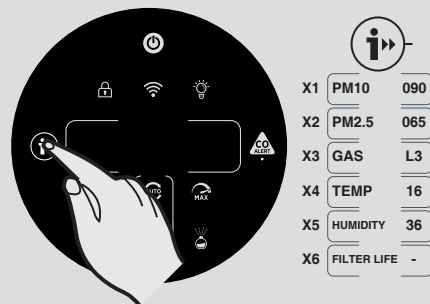


Abb. 7

BETRIEBSARTEN:

Es stehen 3 Luftreinigungsmodi zur Verfügung: AUTOMATIKBETRIEB, MAXIMALE LEISTUNG & SCHLAFMODUS. Der Automatikbetrieb ist, wenn Ihr Gerät eingeschaltet wird, die Standardeinstellung. Alle Betriebsarten können manuell durch Drücken der entsprechenden Taste auf dem Display ausgewählt werden. Der Modus POLLENALLERGIE kann auch über die App hOn eingeschaltet werden.

AUTO MODUS [Abb. 8]:

Dies ist der Standardmodus Ihres H-Luftreinigers beim ersten Einschalten. Im Auto Modus passt der H-Luftreiniger seine Gebläsedrehzahl automatisch an die tatsächliche Raumluftqualität an, um eine optimale Luftreinigung zu gewährleisten.

Dies ist die empfohlene Einstellung für Ihr Gerät. Im AUTOMATIK-Betrieb wird Ihr Gerät nach 30 Minuten mit ausgezeichneter Luftqualität in den ECO-Modus (Stand-By-Funktion) umgeschaltet. Dabei pausiert die Reinigungsfunktion (Gebläse), wobei das Multi-Sensorsystem weiterhin die Raumluft analysiert und bei Bedarf automatisch die Reinigungsfunktion einschaltet.

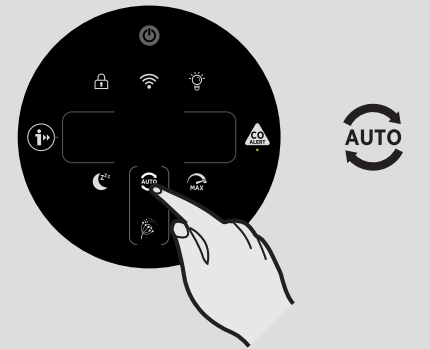


Abb. 8

MAXIMALE LEISTUNG [Abb. 9]:

Drücken Sie die Taste MAXIMALE LEISTUNG auf dem Display, um die Luftreinigung bei maximaler Leistungseinstellung zu aktivieren. Um den Betrieb mit MAXIMALER LEISTUNG zu beenden, wählen Sie einfach den AUTOMATIKBETRIEB oder SCHLAFMODUS aus.

SCHLAFMODUS [Abb. 10]:

Drücken Sie die TASTE SCHLAFMODUS, um eine leise Luftreinigung bei der niedrigsten Leistungsstufe zu aktivieren. Die Taste SCHLAFMODUS leuchtet schwach und alle anderen Anzeigeleuchten sind ausgeschaltet. Dies kann durch Drücken der LIGHT-STEUERTASTE geändert werden.

POLLENALLERGIEMODUS: [Abb. 11]

Der Pollenallergiemodus kann nur über die App hOn aktiviert werden. Sie müssen zunächst ein Profil in der App aktivieren und sich registrieren, um Ihr Pollenallergieprofil zu erstellen.

Der Pollenallergiemodus funktioniert nur, wenn AUTOMATIKBETRIEB ausgewählt ist. **[Abb. 11c]**

Im Pollenallergiemodus empfängt das Gerät kontinuierlich Echtzeitdaten von der APP über die überwachte Pollenkonzentration im Freien und arbeitet automatisch, um die Pollenerfassungsleistung zu maximieren.

Sobald Pollen eingefangen sind, werden sie inaktiviert, um allergische Symptome zu lindern.

Wenn der Pollenallergiemodus in der App aktiviert ist, gibt 2 mögliche Benachrichtigungsleuchten auf dem Gerätedisplay:

- Die Pollenallergieleuchte leuchtet WEISS **[Abb. 11a]**: Das Gerät und die App überwachen das Vorhandensein von Pollen im Freien und es besteht kein Risiko.

- Die Pollenallergieleuchte leuchtet GELB und die Pollenallergiezyklusleuchte leuchtet WEISS **[Abb. 11b]**: Das Gerät und die APP haben das Risiko erkannt.

Wenn das Gerät, während der Pollenallergiemodus aktiviert ist, manuell in den SCHLAFMODUS oder MAXIMALE LEISTUNG umgeschaltet wird, wird der Pollenallergiemodus beendet.

LICHTSTEUERUNGSFUNKTION: [Abb. 12]

Es stehen 3 Einstellungen für die Displaybeleuchtung zu Verfügung: Ein, Dimmen und Aus

Um die Helligkeit der Displaybeleuchtung einzustellen, drücken Sie einfach auf die LICHT-STEUERTASTE auf dem Display, um durch die 3 verfügbaren Optionen zu schalten. EIN ist die Standardeinstellung.

Wenn AUS ausgewählt ist, muss jede andere Taste zweimal gedrückt werden, um sie zu aktivieren.

Nach einem Drücken wird die Leuchte DIM aktiviert. Beim zweiten Drücken wird die Aktion eingeschaltet.

Funktion KINDERSICHERUNG: [Abb. 13]

Halten Sie die Taste KINDERSICHERUNG 3 Sekunden lang gedrückt, um sie zu aktivieren, ein hörbarer Ton wird ertönen, wenn sie aktiviert wurde, und die Taste KINDERSICHERUNG leuchtet weiter. Wenn sie aktiviert ist, funktionieren keine anderen Tasten.

Zum Verlassen, drücken und halten Sie einfach die Taste KINDERSICHERUNG für 3 Sekunden gedrückt. Ein hörbarer Ton ertönt, um zu bestätigen, dass sie ausgeschaltet wurde und die Taste leuchtet nicht mehr.

DIFFUSORFUNKTION: [Abb. 14]

Der Diffusor verbreitet H-Essence oder H-Biotics in der Luft des Raumes. H-Essence ist die Kollektion ätherischer Öle von Hoover, um angenehme Düfte in die Luft abzugeben.

H-Biotics ist eine natürliche Mischung auf Basis von Probiotika, die den Raum bio-hygienisiert hält, indem sie das Wachstum von Mikroorganismen wie Bakterien oder Mikroben hemmt.

Es gibt 4 verschiedene Einstellungen für die DIFFUSOR-Funktion, SOFT, MITTEL, BENUTZERDEFINIERT und H-BIOTICS. Um diese Funktion zu aktivieren, drücken Sie einfach die Diffusortaste auf dem Display. Die Standardeinstellung für diese Funktion ist SOFT. Um eine der anderen Einstellungen zu wählen drücken Sie einfach nacheinander die Taste, um auf die gewünschte Auswahl umzuschalten. Die Taste leuchtet weiß, wenn sie eingeschaltet ist.

Für H-Essence wird empfohlen, die SOFT und MITTEL-Einstellungen zu verwenden.

Die KUNDEN-Einstellung kann nur in der App hOn erfolgen.

Bei Verwendung von H-Biotics muss die Einstellung auf H-Biotics eingestellt werden. Sobald der Benutzer H-Biotics mit der APP aktiviert, wird dies nach 120 Stunden eine Warnung von "H-BIOTICS AKTIVIEREN" ausgeben, um sicherzustellen, dass die H-Biotics-Nutzung alle 5 Tage erfolgt.

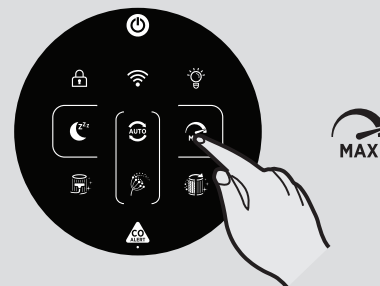


Abb. 9



Abb. 10

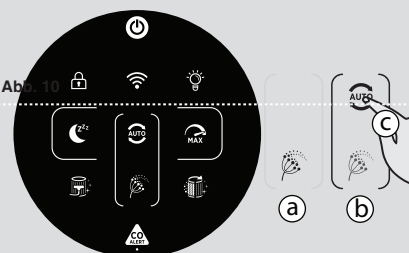


Abb. 11

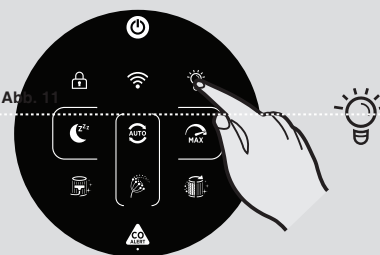


Abb. 13

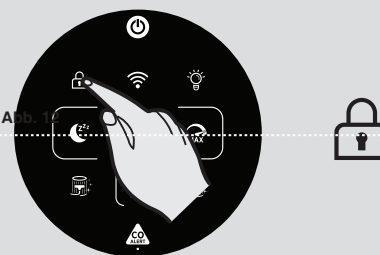


Abb. 13

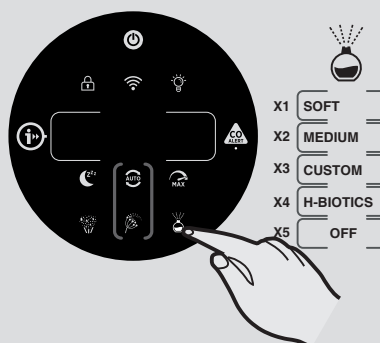


Abb. 14

Bei der Verwendung von H-Essence in bestimmten Einstellungen oder Raumumgebungen kann sich der GAS-VOC-Wert aufgrund der Erkennung der Duftstoffe ändern.

Die Diffusorfunktion funktioniert nur, wenn der Luftqualitäts-LED-Ring grün leuchtet. Sie pausiert, wenn der LED-Ring nicht grün leuchtet, und arbeitet weiter, wenn er wieder grün leuchtet.

Die Diffusorfunktion kann nur im AUTOMATIKBETRIEB und bei MAXIMALER LEISTUNG und nicht im SCHLAFMODUS verwendet werden.

Bei der Aktivierung der Diffusorfunktion im AUTO Modus arbeitet das Hauptgebläse mit einer bestimmten Drehzahl, damit die H-Essence oder die H-Biotics im Raum verteilt werden.

Einstellung	Diffusionszeitpunkt	Zyklus maximale Dauer
SANFT	10 Sekunden alle 5 Minuten	6 Stunden
MITTEL	90 Sekunden alle 3,5 Minuten	6 Stunden
BENUTZERDEFINIERT	Benutzerdefiniert	6 Stunden
H-BIOTICS	2 Minuten alle 4 Minuten	6 Stunden

Um die Funktion auszuschalten, drücken Sie die Diffusortaste, bis AUS auf dem Display erscheint. Verwenden Sie nach jeder Verwendung der Diffusorfunktion ein trockenes weiches Tuch, um Rückstände von den Geräteoberflächen zu entfernen.

Informationen zum Wechseln der Flasche in der Diffusoreinheit finden Sie unter "Wartung Ihres H-Luftreinigers".

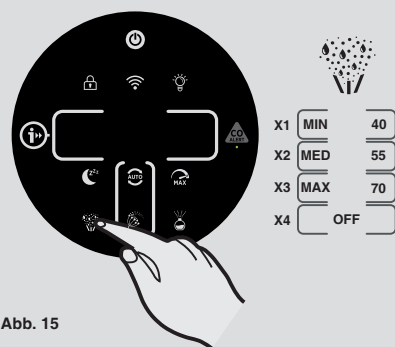


Abb. 15

BEFEUCHTERFUNKTION: [Abb. 15]

Es gibt 3 verschiedene Einstellungen für die Luftbefeuchter-Funktion, MIN, MED und MAX. Um diese Funktion zu aktivieren, drücken Sie einfach die Luftbefeuchter-taste auf dem Display, die Standardeinstellung für diese Funktion ist MIN. Um eine der anderen Einstellungen auszuwählen, drücken Sie einfach nacheinander die Taste, um zur gewünschten Auswahl zu wechseln. Die Taste leuchtet weiß, wenn sie eingeschaltet ist.

MIN - Standardmäßige Zielluftfeuchtigkeit 40%

MED - Standardmäßige Zielluftfeuchtigkeit 55%

MAX - Standardmäßige Zielluftfeuchtigkeit 70%

Alle 3 Zielstufen können innerhalb der App hOn in einem Bereich von 30 - 80% Zielluftfeuchtigkeit eingestellt werden.

Um die Befeuchterfunktion auszuschalten, drücken Sie die Taste Luftbefeuchter bis AUS auf dem Display erscheint.

Wenn die Luftfeuchtigkeit, gemessen in Echtzeit, gleich oder höher als die ausgewählte ist, wird auf dem Display eine Meldung mit der Anzeige ""LUFTFEUCHTIGKEIT ERREICHT"" angezeigt. Die Luftbefeuchterleuchte bleibt eingeschaltet.

Das Gerät wechselt automatisch in den Luftbefeuchtermodus, wenn die in Echtzeit gemessene Luftfeuchtigkeit unter die ausgewählte Zielstufe fällt.

Die Befeuchterfunktion: kann nur im SCHLAFMODUS und AUTOMATIKBETRIEB, jedoch nicht bei MAXIMALER LEISTUNG verwendet werden.

NACHFÜLLWARNUNG:

Wenn der Wasserfüllstand unter dem Mindestwert liegt, zeigt das Display WASSER NACHFÜLLEN an und blinkt. Anweisungen finden Sie im Abschnitt Ihren Luftreiniger warten.

Wichtiger Hinweis:

- **Wenn das Gerät im Diffusormodus arbeitet:** Wenn der Luftbefeuchtermodus ausgewählt ist, ohne den Diffusormodus auszuschalten, stoppt das Gerät automatisch den Diffusormodus und wechselt in den Luftbefeuchtermodus.
- **Wenn das Gerät im Luftbefeuchtermodus arbeitet:** Wenn der Diffusormodus ausgewählt ist, ohne den Luftbefeuchtermodus auszuschalten, stoppt das Gerät automatisch den Luftbefeuchtermodus und wechselt in den Diffusormodus.

4. WARTUNG IHRES H-LUFTREINIGERS

4.1 FILTERWARTUNG

Ihr H-Luftreiniger überwacht den Zustand Ihres Filters. Auf der linken Seite des Displays wird eine Warnung **FILTER REINIGEN ODER AUSTAUSCHEN** angezeigt und das Blinken bedeutet, dass es erforderlich ist, den Filter zu reinigen oder auszutauschen.

Reinigung / Austauschen des Filters: [Abb. 16]

- Entfernen Sie die Lufteinlassabdeckung von Ihrem Gerät. [Abb. 16a]
- Entriegeln Sie die Filterfreigabetaste. [Abb. 16b]
- Entfernen Sie den Filter von Ihrem Gerät. [Abb. 16c]
- Nehmen Sie einen Staubsauger, um die äußere Schicht des Filters abzusaugen oder ersetzen Sie ihn durch einen NEUEN Filter. [Abb. 16d]
- Setzen Sie den Filter wieder in Ihr Gerät ein. [Abb. 16e]
- Verriegeln Sie die Filterfreigabetaste. [Abb. 16f]
- Setzen Sie die Lufteinlassabdeckung wieder in Ihr Gerät ein. [Abb. 16g]
- Stecken Sie den Stecker des Geräts in die Steckdose und schalten Sie es ein.
- Drücken Sie die Taste INFORMATIONEN, um die Reinigungs-/Austausch-Warnung zurückzusetzen. Drücken Sie hierfür die Taste für 3 Sekunden. Es wird eine akustische Warnung ertönen, was bedeutet, dass das Zurücksetzen erfolgreich ausgeführt wurde. [Abb. 7]

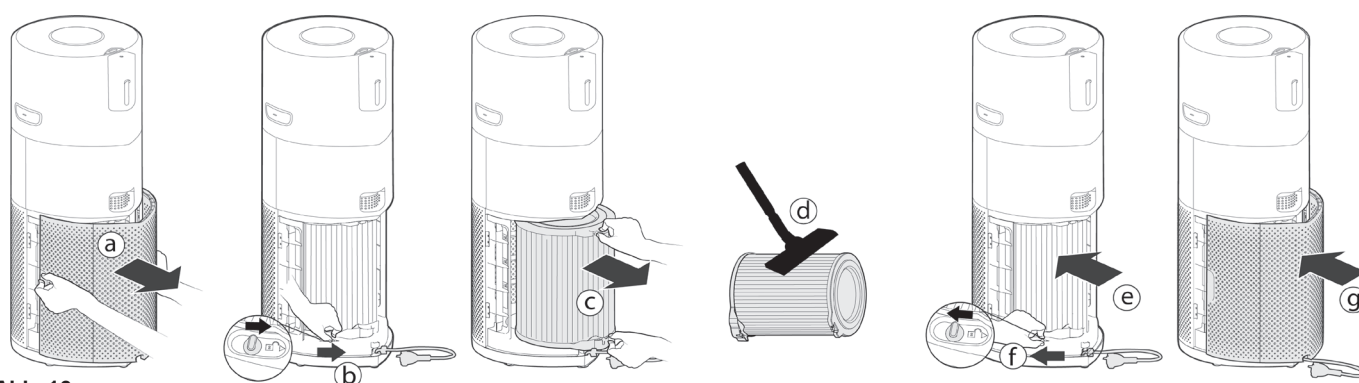


Abb. 16

4.2 DIFFUSORWARTUNG

Verwenden Sie nach jeder Verwendung der Diffusorfunktion ein trockenes weiches Tuch, um Rückstände von den Geräteoberflächen zu entfernen.

Diffusor-Flasche austauschen: [Abb. 17]

Das in der Flasche verbleibende Flüssigkeitsvolumen kann durch das Diffusorfenster überprüft werden. Bei Bedarf sollte die Flasche ausgetauscht werden.

- Nehmen Sie die Diffusorabdeckung vom Gerät ab. [Abb. 17a]
- Nehmen Sie die Diffusoreinheit aus der Diffusorabdeckung. [Abb. 17b]
- Schrauben Sie die leere Flasche los und entfernen Sie sie. [Abb. 17c]
- Nehmen Sie die neue Flasche H-Essence oder H-Biotics aus der Verpackung und nehmen Sie die Kappe ab. [Abb. 17d]
- Schrauben Sie die neue Flasche fest auf die Diffusoreinheit. [Abb. 17e]
- Setzen Sie die Diffusoreinheit wieder in die Diffusorabdeckung ein. [Abb. 17f]
- Setzen Sie die Diffusorabdeckung wieder in den H-Luftreiniger ein. [Abb. 17g]

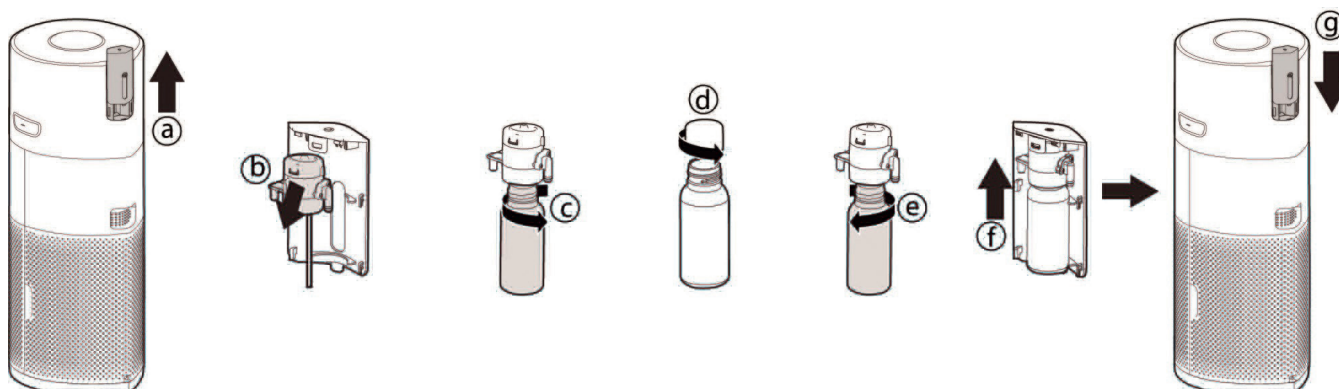


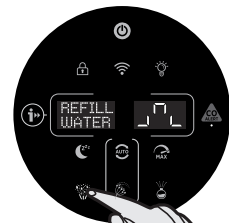
Abb. 17

4.3 WARTUNG LUFTBEFEUCHTER

Warnung Wasserbehälter nachfüllen:

Damit der Luftbefeuchter funktioniert, ist ein Mindestwasserstand erforderlich. Wenn der Wasserfüllstand unter dem Mindestwert liegt, zeigt das Display WASSER NACHFÜLLEN an und blinkt. Es kann sich Restwasser im Wasserbehälter und Gehäuse befinden. Die Meldung wird trotzdem angezeigt, weil ein Mindestwasserstand erforderlich ist.

- Nehmen Sie die Wasserbehälterabdeckung vom Gerät ab. [Abb. 18a]
- Nehmen Sie die Wasserbehälterbaugruppe aus dem Wasserbehältergehäuse. [Abb. 18b]
- Gießen Sie das Restwasser ab und füllen Sie den Wasserbehälter über den Einlass mit destilliertem Wasser, bis die Markierung MAX auf dem Wasserbehälter erreicht ist. [Abb. 18c]
- Setzen Sie die Wasserbehälterbaugruppe wieder in das Wasserbehältergehäuse ein. [Abb. 18d]
- Setzen Sie das Wasserbehältergehäuse wieder in das Gerät um. [Abb. 18e]



Warnung Wasserbehälter reinigen:

Ihr H-Luftreiniger überwacht den Zustand Ihres Luftbefeuchter-Wasserbehälters. Die Meldung WASSERBEHÄLTER REINIGEN blinkt 72 Stunden nach der letzten Aktivierung der Befeuchterfunktion auf, sofern sich noch Wasser im Wasserbehälter befindet. Sie erscheint auf der linken Seite des Displays und zeigt an, dass Maßnahmen zur Reinigung des Wasserbehälters erforderlich sind.

- Nehmen Sie die Wasserbehältergehäuse vom Gerät ab. [Abb. 18f]
- Trennen Sie das Wasserbehältergehäuse, den Wasserbehälter und die Wasserbehälterabdeckung voneinander und reinigen Sie alle 3 gründlich und trocknen Sie die vollständig mit einem weichen, trockenen Tuch ab. [Abb. 18g,h,i]
- Bauen Sie die Wasserbehälterkomponenten wieder zusammen. Füllen Sie den Wasserbehälter bis zur Markierung MAX mit destilliertem Wasser auf.
- Stellen Sie sicher, bevor Sie den Wasserbehälter wieder einsetzen, dass das Gerät eingeschaltet ist.
- Setzen Sie das Wasserbehältergehäuse wieder in das Gerät um. [Abb. 18e]

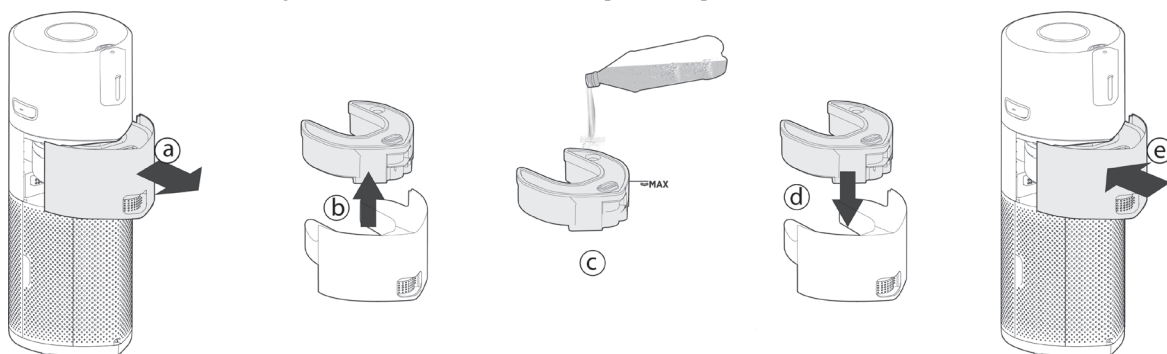
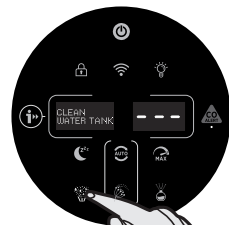
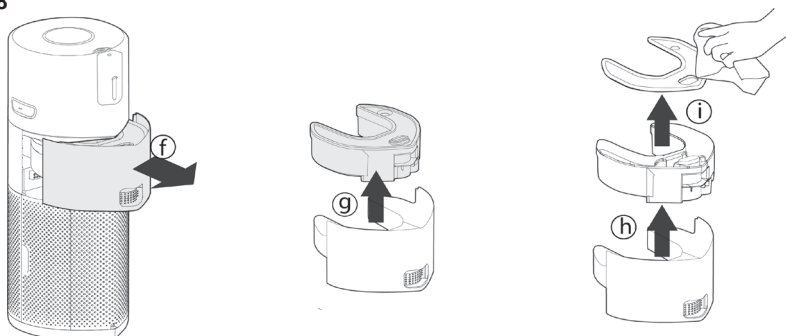


Abb. 18



5. IHREN H-LUFTREINIGER AUFBEWAHREN

1. Schalten Sie den H-Luftreiniger aus und ziehen Sie seinen Stecker aus der Steckdose.
2. Reinigen Sie alle Innen- und Außenflächen des H-Luftreinigers, das Außengewebe des Filters und den Wasserbehälter.
3. Nehmen Sie die Flasche aus dem Diffusor. Schrauben Sie die Originalkappe wieder auf die Flasche und bewahren Sie sie vor direktem Licht geschützt auf. Reinigen Sie die Oberflächen der Diffusoreinheit und der Diffusorabdeckung. Stellen Sie sicher, dass sich keine Reste der H-Essence oder von H-Biotics auf der Oberfläche des H-Luftreinigers befinden.
4. Stellen Sie sicher, dass alle Komponenten trocken sind.
5. Entfernen Sie die Lufteinlassabdeckung [Abb. 19a], wickeln Sie das Netzkabel auf, indem Sie am Kabel ziehen [Abb. 19b], verstauen Sie es auf dem Aufbewahrungshaken und stecken Sie den Stecker in das Aufbewahrungsfach. [Abb. 19c,d] Setzen Sie die Lufteinlassabdeckung wieder ein. [Abb. 19e]
6. Bewahren Sie den H-Luftreiniger an einem kühlen, trockenen Ort auf.

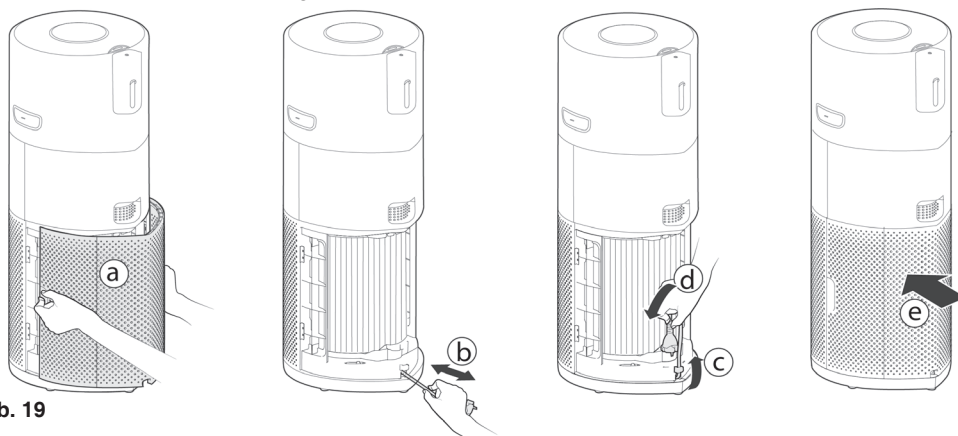


Abb. 19

6. WARNUNGEN UND LÖSUNGEN

Die folgenden Fehlermeldungen können während der Benutzung angezeigt werden. [Abb. 20]



Abb. 20

Alarm		Alarmbeschreibung	Lösung
Alarm auf Gerät	Warnung auf der APP		
"FILTER REINIGEN"	Warnung Vorfilter reinigen	Wir empfehlen, die äußere Schicht des Filters abzusaugen.	1. Reinigen Sie die äußere Schicht des Filters. 2. Setzen Sie die Warnung zurück, indem Sie die Taste INFORMATION 3 Sekunden lang gedrückt halten. Siehe 4.1 FILTERWARTUNG
"FILTER ERSETZEN"	Warnung Filter austauschen	Wir empfehlen den Filter zu ersetzen.	1. Tauschen Sie den Filter aus. 2. Setzen Sie die Warnung zurück, indem Sie die Taste INFORMATION 3 Sekunden lang gedrückt halten. Siehe 4.1 FILTERWARTUNG
"FILTER FEHLT"	Fehler: Beim Luftreiniger ist ein Fehler aufgetreten, bitte prüfen Sie mögliche Lösungen	Filter ist nicht in Position oder nicht richtig eingerastet	1. Wenn der Filter nicht vorhanden ist, setzen Sie ihn wieder ein. 2. Wenn der Filter in seiner Position ist, überprüfen Sie, ob sich die Filterfreigabetaste im Zustand VERRIEGELT befindet. Siehe 2.1 DEN FILTER INSTALLIEREN
"KEIN WASSERBEHÄLTER"	Fehler: Beim Luftreiniger ist ein Fehler aufgetreten, bitte prüfen Sie mögliche Lösungen	Der Wasserbehälter oder ein Wasserbehältergehäuse ist nicht vorhanden.	Setzen Sie den Wasserbehälter und das Wasserbehältergehäuse wieder ein.
"FRISCHWASSERBEHÄLTER"	Das Wasser im Wasserbehälter muss ausgetauscht werden	Seit der letzten Verwendung des Luftbefeuchters sind 3 Tage vergangen, der Wasserbehälter/ das Wasserbehältergehäuse muss gereinigt und das Wasser muss aus hygienischen Gründen ausgetauscht werden.	1. Gerät ausschalten. 2. Nehmen Sie den Wasserbehälter/das Wasserbehältergehäuse ab, reinigen Sie die Innenflächen der einzelnen Komponenten und füllen Sie destilliertes Wasser neu ein. 3. Schalten Sie das Gerät ein. 4. Setzen Sie den Wasserbehälter/das Wasserbehältergehäuse wieder ein. Siehe 4.3 WARTUNG DES LUFTBEFEUCHTERS
"WASSER NACHFÜLLEN"	Fehler: Beim Luftreiniger ist ein Fehler aufgetreten, bitte prüfen Sie mögliche Lösungen	Es befindet sich kein Wasser im Wasserbehälter, oder das verbleibende Wasser reicht nicht für den Betrieb des Luftbefeuchters aus.	Füllen Sie destilliertes Wasser in den Wasserbehälter nach, bis es die Markierung MAX erreicht.
"PM-SENSORFEHLER"	/	PM-Sensor defekt	Der PM-Sensorfehler oder Sensordraht wurde nicht richtig angeschlossen, bitte rufen Sie den Kundendienst an, um den Fehler zu beheben.
CO Alert-LED leuchtet gelb	Fehler: Beim Luftreiniger ist ein Fehler aufgetreten, bitte prüfen Sie mögliche Lösungen	Der Kohlenmonoxidsensor ist defekt oder hat seine Lebensdauer überschritten.	Rufen Sie den Kundendienst an, um die Störung zu beheben.
Automatisches Ausschalten ohne Alarm	Gerät ist heruntergefallen	Gerätefallschutz	1. Wenn das Gerät herunterfällt und Wasser austritt, ziehen Sie den Stecker aus der Steckdose und warten Sie 48 Stunden, bevor Sie das Gerät erneut einschalten. 2. Wenn das Gerät heruntergefallen ist, ohne das Wasser ausgetreten ist, heben Sie das Gerät wieder auf und drücken Sie auf die Ein-/Aus-Taste, um es wieder einzuschalten.
/	Fehler: Beim Luftreiniger ist ein Fehler aufgetreten, bitte prüfen Sie mögliche Lösungen	Motorausfall	Motorausfall oder das Motorkabel wurde nicht richtig angeschlossen, rufen Sie bitte das Servicecenter an, um das Problem zu beheben.
"TEMP- UND FEUCHTIGKEITSSENSORFEHLER"	/	Temperatur- und Feuchtigkeitssensor defekt	Der Temperatur- und Feuchtigkeitssensor ist defekt oder das Sensorkabel wurde nicht richtig angeschlossen. Bitte wenden Sie sich zur Behebung an den Kundendienst.
"PAUSE"	/	Der Betrieb des Diffusors wird unterbrochen, wenn der Luftqualitäts-LED-Ring nicht grün leuchtet.	Es ist keine Maßnahme erforderlich. Der Betrieb des Diffusors wird fortgesetzt, wenn der Luftqualitäts-LED-Ring wieder grün leuchtet.

ACHTUNG: Sollte einer dieser Fehler weiterhin bestehen, kontaktieren Sie Ihren lokalen Hoover-Vertreter. Versuchen Sie NICHT, den H-Luftreiniger selber zu zerlegen.

7. FEHLERSUCHE

Nachfolgend finden Sie eine Liste häufig auftretender Probleme und die entsprechenden Lösungen. Sollte eines dieser Probleme weiterhin bestehen, setzen Sie sich bitte mit dem Hoover-Kundendienst in Verbindung.

Das Gebläse funktioniert nicht (Bedienfeld / Display-Leuchten an)	<ul style="list-style-type: none"> • Prüfen Sie die Warnung, die auf dem Display oder in der App angezeigt wird. Wenn ja, siehe 6. WARNUNGEN UND LÖSUNGEN. • Prüfen Sie, ob es Hindernisse im Lüfter gibt. Wenn dies der Fall ist, ziehen Sie zuerst den Gerätestecker aus der Steckdose und beseitigen Sie die Hindernisse, oder rufen Sie den Kundendienst an, um sie zu beseitigen. • Prüfen Sie, ob der H-Luftreiniger eingeschaltet ist. • Prüfen Sie, ob der Filter richtig montiert und eingerastet ist. • Prüfen Sie, ob sich der H-Luftreiniger in einer völlig aufrechten vertikalen Position befindet und nicht geneigt ist. • Der H-Luftreiniger befindet sich möglicherweise im ECO-Modus. Sie können die Taste Schlafmodus oder die Taste Maximale Leistung drücken, um den ECO-Modus zu verlassen. Siehe 3. GEBRAUCH IHRES H-LUFTREINIGERS – AUTO MODUS.
Das Gebläse funktioniert nicht (Bedienfeld / Display-Leuchten aus)	<ul style="list-style-type: none"> • Prüfen Sie, ob der Stecker des H-Luftreinigers in die Steckdose gesteckt ist und das Gerät eingeschaltet wurde. • Überprüfen Sie die in der App angezeigte Warnung. Wenn ja, siehe 6. WARNUNGEN UND LÖSUNGEN.
Keine Anzeigeleuchten auf dem Bedienfeld / Display (Gebläse funktioniert)	<ul style="list-style-type: none"> • Im Schlafmodus ist die Standardeinstellung der Beleuchtung ausgeschaltet. Sie könnten die Lichtsteuerungstaste drücken, um sie einzuschalten. • Die Beleuchtung kann ausgeschaltet sein. Drücken Sie die Lichtsteuerungstaste, um sie einzuschalten. Refer to 3. GEBRAUCH IHRES H-LUFTREINIGERS – SCHLAFMODUS / Funktion LICHTSTEUERUNG.
Die Tasten auf dem Bedienfeld funktionieren nicht	<ul style="list-style-type: none"> • Die Kindersicherung ist möglicherweise aktiviert. Sie könnten die Taste KINDERSICHERUNG 3 Sekunden lang gedrückt halten, um sie auszuschalten. Siehe 3. GEBRAUCH IHRES H-LUFTREINIGERS – Funktion KINDERSICHERUNG.
Luftstrom ist schwach	<ul style="list-style-type: none"> • Prüfen Sie, ob die Schutzverpackung vom Filter entfernt wurde. • Prüfen Sie, ob es Hindernisse in der Luftauslassabdeckung oder im Luftauslass gibt. • Entfernen Sie die Lufteinlassabdeckung und prüfen Sie den Zustand des Filters. Saugen Sie die äußere Schicht ab oder ersetzen Sie den Filter nach Bedarf. Sie können den Status der Filterlebensdauer im Display überprüfen. Drücken Sie hierzu die Informationstaste. • Prüfen Sie, ob sich der H-Luftreiniger im Schlafmodus befindet. Das Gebläse arbeitet in diesem Modus mit reduzierter Leistung.
Der H-Luftreiniger ist laut	<ul style="list-style-type: none"> • Prüfen Sie, ob sich im H-Luftreiniger irgendwelche Hindernisse befinden. • Prüfen Sie, ob der H-Luftreiniger im Maximalbetrieb läuft. In diesem Modus arbeitet der Lüfter mit maximaler Leistung.
Der H-Luftreiniger ist plötzlich laut	<ul style="list-style-type: none"> • Prüfen Sie, ob der H-Luftreiniger im Automatikbetrieb läuft und der Luftqualitäts-LED-Ring nicht grün leuchtet. Im Automatikbetrieb passt der H-Luftreiniger seine Gebläsedrehzahl automatisch an die aktuelle Raumluftqualität an. Siehe 3. GEBRAUCH IHRES H-LUFTREINIGERS – AUTO MODUS.
Der H-Luftreiniger gibt plötzlich einen lauten Summton ab	<ul style="list-style-type: none"> • Die Testfunktion der Kohlenmonoxid-Warntaste wird durch Fehlbedienung aktiviert. Der Ton wird nach 5 Sekunden automatisch verstummen. Siehe 1.2 KOHLENMONOXID (CO)-WARNUNG
Der „FRISCHWASSERBEHÄLTER“-Alarm konnte nicht zurückgesetzt werden	<ul style="list-style-type: none"> • Schalten Sie den H-Luftreiniger nach der Reinigung des Wasserbehälters/Wasserbehältergehäuses und der Neubefüllung ein. Setzen Sie das Gehäuse erst ein, wenn die Anzeige „KEIN WASSERBEHÄLTER“ erscheint.

WICHTIGE INFORMATIONEN

Hoover Originalersatzteile und Verbrauchsartikel

Verwenden Sie stets Originalersatzteile von Hoover. Diese sind über den Hoover-Kundendienst erhältlich. Geben Sie bei der Bestellung von Ersatzteilen bitte stets die komplette 16stellige Artikelnummer (Typenplakette auf der Rückseite des Gerätes) Ihres Gerätemodells an.

QUALITÄT

Die Hoover-Werke wurden unabhängig voneinander jeweils einer Qualitätsprüfung unterzogen. Unsere Produkte werden nach einem Qualitätsstandard hergestellt, der die Anforderungen von ISO 9001 erfüllt.

GARANTIEERKLÄRUNG

Die Garantiebestimmungen für dieses Gerät entsprechen den Richtlinien des Landes, in dem Sie das Gerät erworben haben. Weitere Einzelheiten dazu erhalten Sie vom Händler, bei dem Sie das Gerät erworben haben oder aus dem Garantieheft, das der Verpackung beiliegt. Bitte bewahren Sie den Kaufbeleg sorgfältig auf, denn er wird für eventuell auftretende Garantieansprüche benötigt.

Änderungen vorbehalten.

AVVERTENZE GENERALI SULLA SICUREZZA

Si consiglia di utilizzare l'apparecchio solo per uso domestico, come indicato in questa guida. Prima di usare l'apparecchio, è bene assicurarsi di aver compreso interamente la guida, da conservare come riferimento per futuri utilizzi.

Prima di collegare l'apparecchio controllare che il voltaggio e la potenza indicati sull'etichetta corrispondano a quelli locali.

Se il cavo di alimentazione è danneggiato, interrompere immediatamente l'utilizzo dell'apparecchio. Per evitare pericoli, il cavo di alimentazione dovrà essere sostituito da un tecnico del servizio assistenza autorizzato Hoover.

Non rimuovere la spina dalla presa di corrente tirando il cavo di alimentazione.

Sistemare il cavo di alimentazione in modo che non venga calpestato o urtato.

Prima di procedere alla pulizia dell'apparecchio, al suo spostamento o effettuare qualsiasi operazione di manutenzione, spegnere sempre l'apparecchio e scollegare la spina.

Questo elettrodomestico non è destinato a essere utilizzato da bambini di età inferiore a 8 anni e da persone dalle ridotte capacità fisiche, sensoriali o mentali, o senza esperienza a causa di una inadeguata informazione sull'uso in sicurezza dell'apparecchio e sui relativi pericoli. Controllare che i bambini non giochino con l'apparecchio.

Pulizia e manutenzione non possono essere eseguite da bambini senza sorveglianza da parte di una persona responsabile.

L'apparecchio non rimuove monossido di carbonio (CO) o radon (Rn). Non può essere utilizzato come dispositivo di sicurezza in caso di incidenti con processi di combustione e sostanze chimiche pericolose.

Non continuare a utilizzare l'apparecchio in caso di presunto guasto.

Non ostruire la via di uscita o di entrata dell'aria.

Non introdurre le dita o qualunque oggetto nella via di uscita o di entrata dell'aria per evitare di farsi male o di causare un malfunzionamento dell'apparecchio.

Non pulire l'apparecchio con acqua, altri liquidi, o detersivi (infiammabili) e non lasciare che si introducano nell'apparecchio, per evitare scariche elettriche e/o che prenda fuoco.

Non spazzare sostanze infiammabili come insetticidi o profumi vicino all'apparecchio.

Questo apparecchio non sostituisce l'impiego di ventilatori, normali aspirapolveri o cappe aspiranti per la cucina.

Utilizzare solo accessori o parti di ricambio consigliati o forniti da Hoover.

Assicurarsi che il filtro sia stato installato correttamente prima di accendere l'apparecchio.

Non battere o picchiare contro l'apparecchio (in particolare contro la via di uscita o di entrata dell'aria) con oggetti duri.

Mantenere l'apparecchio asciutto.

Mai inclinare o svuotare l'apparecchio mentre è in funzione.

Quando l'apparecchio non viene usato per diverso tempo, potrebbero svilupparsi dei batteri sui filtri. Controllare i filtri a seguito di un periodo di disuso. Sostituire i filtri se molto sporchi.

Assistenza Hoover: Per garantire un funzionamento sempre sicuro ed efficiente dell'apparecchio, si consiglia di fare eseguire eventuali interventi di assistenza o di riparazione dai tecnici del servizio assistenza autorizzato HOOVER.

USO DELL'AMBIENTE

Collocare e utilizzare l'apparecchio solo su una superficie asciutta, stabile e orizzontale, così da prevenirne il ribaltamento.

Lasciare almeno 20 cm di spazio dietro all'apparecchio e su entrambi i lati e 30 cm sopra.

Per prevenire interferenze, posizionare l'apparecchio lontano almeno 2 m da dispositivi elettrici che utilizzano onde radio come televisori, radio o orologi radiocontrollati.

Non appoggiare nulla sopra all'apparecchio.

Non usare l'apparecchio quando sono stati diffusi in casa repellenti gassosi per insetti e non posizionarlo vicino a residui di oli, incensi da bruciare o fumi chimici.

Non collocare il dispositivo in nessuna delle aree seguenti:

- Sopra o vicino a superfici calde, vicino ad un fuoco acceso, direttamente esposto alla luce

solare, vicino ad apparecchi a gas o a riscaldamento.

- Vicino o direttamente sopra a caloriferi, condizionatori, porte, finestre, aspiratori, fornelli, o qualunque zona dove potrebbe essere soggetto a spifferi.
- In un bagno o in altre zone dove l'apparecchio potrebbe essere esposto a schizzi d'acqua, sgocciolamenti o condense (ad esempio direttamente sotto un condizionatore o sopra una caldaia).
- In uno spazio limitato (per esempio dentro o sotto una credenza);
- In una zona dove la temperatura può scendere sotto i -20°C o salire oltre i 50°C ;
- In una stanza soggetta a sbalzi di temperatura, in zone bagnate, ad alta temperatura ambiente o alta umidità, come il bagno o la cucina.
- Dove verrebbe ostruito, ad esempio da tende o mobili;
- Dove sporco o polvere potrebbero bloccare il sensore.

ISTRUZIONI DI SICUREZZA PER IL MONITORAGGIO DEL CO

Se l'allarme CO è attivo, aprire tutte le finestre e le porte per mettersi in sicurezza. Se possibile, spegnere tutti i dispositivi che funzionano a combustione ed evacuare la stanza lasciando porte e finestre aperte. Cercare assistenza medica immediata per chiunque abbia manifestato effetti causati dall'avvelenamento da monossido di carbonio. Non rientrare nell'ambiente finché l'allarme non si interrompe. L'allarme si interromperà quando l'aria ritornerà pulita dal CO. Non utilizzare apparecchi a combustione finché la sorgente di CO non è stata identificata e riparata da un tecnico.

Evitare l'utilizzo di pittura, diluenti, vapori solventi, deodoranti per ambiente, spray aerosol o agenti chimici pulenti vicino all'apparecchio. Queste sostanze potrebbero ostacolare il funzionamento dell'allerta CO.

Per attivare l'allerta CO, collegare la spina a una presa di corrente. Il LED di Allerta CO si illuminerà di verde. Quando il sensore rileva un livello non sicuro di CO, l'allarme CO emetterà un suono acuto e il pulsante di Allerta CO e l'Anello Luminoso a LED della Qualità dell'Aria lampeggeranno di rosso. L'allarme continuerà a suonare finché il CO rilevato non si ridurrà a un livello sicuro.

Premere il pulsante [Allerta CO] per 3 secondi per testare il funzionamento dell'Allarme CO: l'allarme emetterà un suono acuto per 5 secondi. Testare l'allarme mensilmente o dopo un'assenza prolungata (per esempio dopo le vacanze). Se l'allarme non suona dopo aver premuto il pulsante [Allerta CO] per 3 secondi, contattare il centro di assistenza clienti Hoover per richiedere l'intervento di un tecnico qualificato che ripari il malfunzionamento.

Se il display indica che il sensore CO non funziona o è scaduto, contattare il centro di assistenza Hoover per richiedere l'intervento di un tecnico qualificato che ripari il sensore CO. Il tempo di funzionamento previsto per il sensore CO è di 7 anni, poi deve essere sostituito.

E' consigliabile tenere il pulsante di Allerta CO fuori dalla portata dei bambini in quanto potrebbero risentire del rumore eccessivo emesso dall'allarme se esposti al suono per più di 3 secondi.

Umidità Operativa: 15 – 90% RH

Temperatura Operativa: da 0°C a $+40^{\circ}\text{C}$

Il monossido di carbonio è dannoso per l'organismo perché priva (soffocandoli) alcuni organi importanti dell'ossigeno necessario. Quando il CO viene inalato, si attacca all'emoglobina nel sangue che normalmente trasporta ossigeno attraverso il corpo. Il CO impedisce in modo permanente all'ossigeno di unirsi all'emoglobina, riducendo la quantità di ossigeno destinato agli organi vitali. Il livello di concentrazione e il tempo di esposizione al CO possono variare gli effetti sull'organismo, ma gli esperti sono concordi sul fatto che l'esposizione a monossido di carbonio anche a bassi livelli per un tempo prolungato può avere conseguenze serie e persistenti sulla salute.

ATTENZIONE: L'ALLARME CO È STATO REALIZZATO PER PROTEGGERE GLI INDIVIDUI DALLE GRAVI CONSEGUENZE DELL'ESPOSIZIONE AL MONOSSIDO DI CARBONIO O PREVENIRNE GLI EFFETTI CRONICI. NON SALVAGUARDERÀ COMPLETAMENTE INDIVIDUI CON SPECIFICHE CONDIZIONI MEDICHE. NEL DUBBIO, CONSULTARE UN MEDICO SPECIALISTA.

La funzione Monitor CO non sostituisce un EN 50291-1, UL-2034, CSA-6.19 o un qualunque altro rilevatore di monossido di carbonio certificato, il cui utilizzo è indicato dai Codici Locali o Regionali. La funzione Monitor CO è soltanto un dispositivo supplementare di rilevamento di monossido di carbonio. Utilizzare questo dispositivo è a discrezione dell'utente, nella consapevolezza e la comprensione dei suoi limiti di conformità ai codici o alla legislazione dove applicabili.

Questo apparecchio non sostituisce un'installazione specifica, l'uso e la manutenzione di dispositivi a combustione, come sistemi di ventilazione e di scarico appropriati.

Per ricevere notifiche su cellulare o tablet dall'Alerta CO è necessaria una connessione Wi-Fi. Non sostituiscono un servizio di monitoraggio di emergenza di altri sistemi.

ISTRUZIONI DI SICUREZZA DEL DIFFUSORE

Utilizzare solamente oli aromatici raccomandati o forniti da HOOVER.

Evitare di usare umidificatori vicino al purificatore dell'aria mentre è attiva la funzione di diffusione di H-Essence.

Ripulire ogni fuoriuscita di H-Essence immediatamente. Assicurarsi di aver pulito ogni angolo dell'apparecchio che è stato a contatto con H-Essence.

ISTRUZIONI DI SICUREZZA DELL'UMIDIFICATORE

Pulire il serbatoio dell'acqua ogni tre giorni.

Utilizzare solo acqua distillata per riempire il serbatoio dell'acqua. Non riempire con altra acqua, come acqua del rubinetto, acqua minerale, acqua di fiume, ecc...

L'acqua contenuta nel serbatoio non è adatta per essere bevuta. Non bere l'acqua del serbatoio e non usarla per abbeverare animali o innaffiare piante. Quando il serbatoio viene svuotato, versare l'acqua nello scarico.

Non introdurre altre sostanze oltre all'acqua distillata nel serbatoio dell'acqua.

Non introdurre liquidi con fragranze/profumi o H-Essence nel serbatoio dell'acqua.

Svuotare il serbatoio e la copertura e riempirlo nuovamente ogni tre giorni.

Prima di riempirlo nuovamente, pulire il serbatoio e la copertura con acqua fresca di rubinetto. Rimuovere qualsiasi scheggia, deposito o pellicola che si sono formati sulle pareti interne o ai lati del serbatoio e ripassare con un panno asciutto.

Scollegare l'apparecchio dalla corrente durante il riempimento e la pulizia.

Svuotare e pulire l'umidificatore prima di riporre l'apparecchio. Ripulire l'umidificatore prima del successivo utilizzo.

Non lasciare mai dell'acqua nel serbatoio e nella copertura quando l'apparecchio non è in uso.

Evitare che la zona intorno all'umidificatore si inumidisca o si bagni. Se c'è comunque umidità, diminuire il livello di umidificazione e utilizzarlo a intermittenza. Non permettere che materiali assorbenti come tappeti, tende, drappi o tovaglie si inumidiscano.

Se si desidera spostare l'apparecchio, disconnetterlo prima dalla presa di alimentazione. Poi svuotare e rimuovere il serbatoio dell'acqua. Trasportare l'apparecchio in verticale servendosi delle maniglie poste su entrambi i lati.

Evitare di usare dispositivi per la diffusione di profumazioni o essenze vicino al purificatore dell'aria mentre è attiva la funzione di Umidificatore.

Si tenga presente che alti livelli di umidità potrebbero favorire lo sviluppo di organismi biologici nell'ambiente.

ATTENZIONE: Se l'acqua non viene ricambiata e il serbatoio non viene ben pulito ogni 3 giorni, eventuali microrganismi presenti nell'acqua o nell'ambiente dove l'apparecchio viene utilizzato o conservato, potrebbero crescere nel serbatoio dell'acqua e venire diffusi nell'aria causando seri pericoli per la salute.



Ambiente:

L'apparecchio è contrassegnato in conformità alla Direttiva Europea 2012/19/EU sulla gestione dei rifiuti da apparecchiature elettriche ed elettroniche. Garantendo il corretto smaltimento del prodotto, il cliente contribuisce alla salvaguardia della salute delle persone e alla protezione dell'ambiente che potrebbero altrimenti essere compromessi da uno smaltimento eseguito in maniera non idonea.

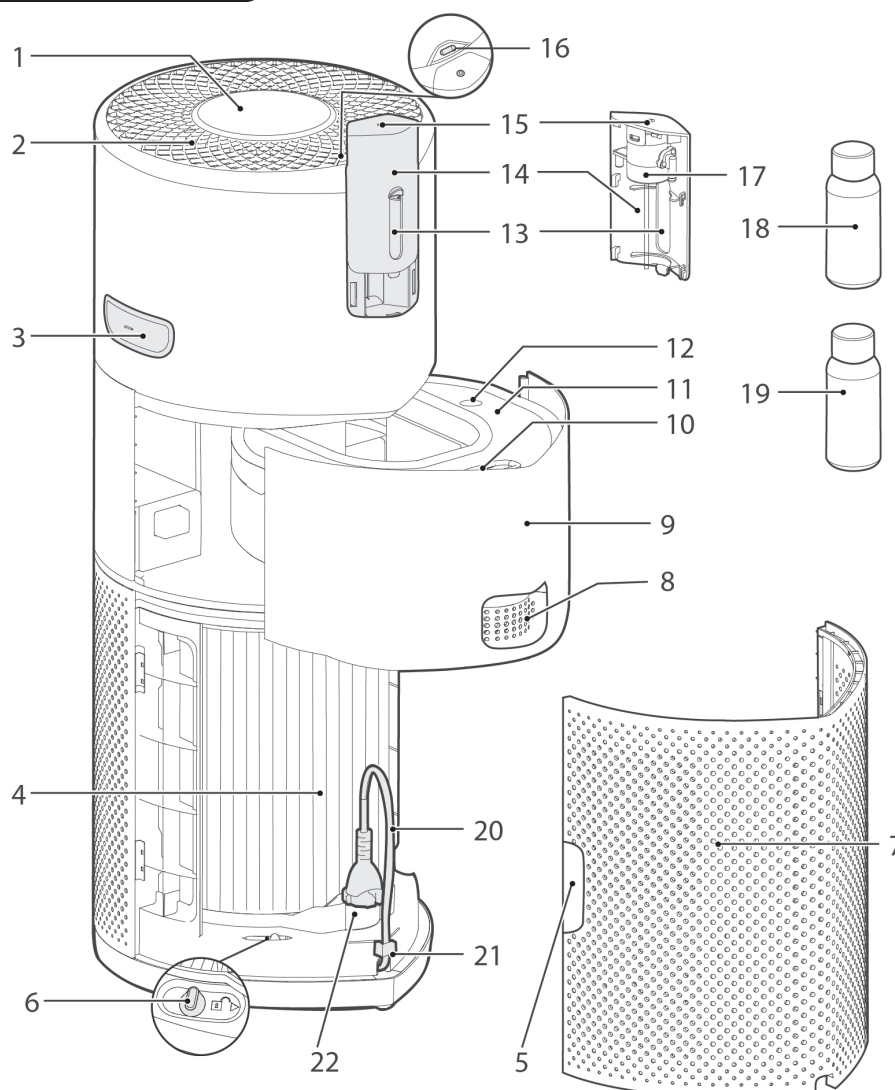
Il simbolo apposto sul prodotto indica che lo stesso non può essere smaltito come i normali rifiuti domestici, ma deve essere portato al punto di raccolta o al centro di riciclaggio delle apparecchiature elettriche ed elettroniche più vicino. Lo smaltimento deve essere eseguito in conformità alle normative locali vigenti per la salvaguardia dell'ambiente e lo smaltimento dei rifiuti. Per ulteriori informazioni sul trattamento, il recupero e il riciclaggio di questo prodotto, contattare l'unità territoriale competente per il servizio di smaltimento o il negozio in cui il prodotto è stato acquistato.

**Parametri per l'associazione Wireless**

Tecnologia	Wi-Fi	Bluetooth
Standard	IEEE 802.11 b/g/n	Bluetooth v4.2,BLE
Banda/e di Frequenza (MHz)	2401-2483	2402-2480
Potenza massima (mW)	100	10
Potenza RF massima trasmessa nella banda di frequenza	18.9 dBm	

Con la presente, Candy Hoover Group Srl dichiara che l'apparecchiatura radio è conforme alla Direttiva 2014/53/UE. Il testo completo della dichiarazione di conformità EU è disponibile al seguente indirizzo internet: www.candy-group.com

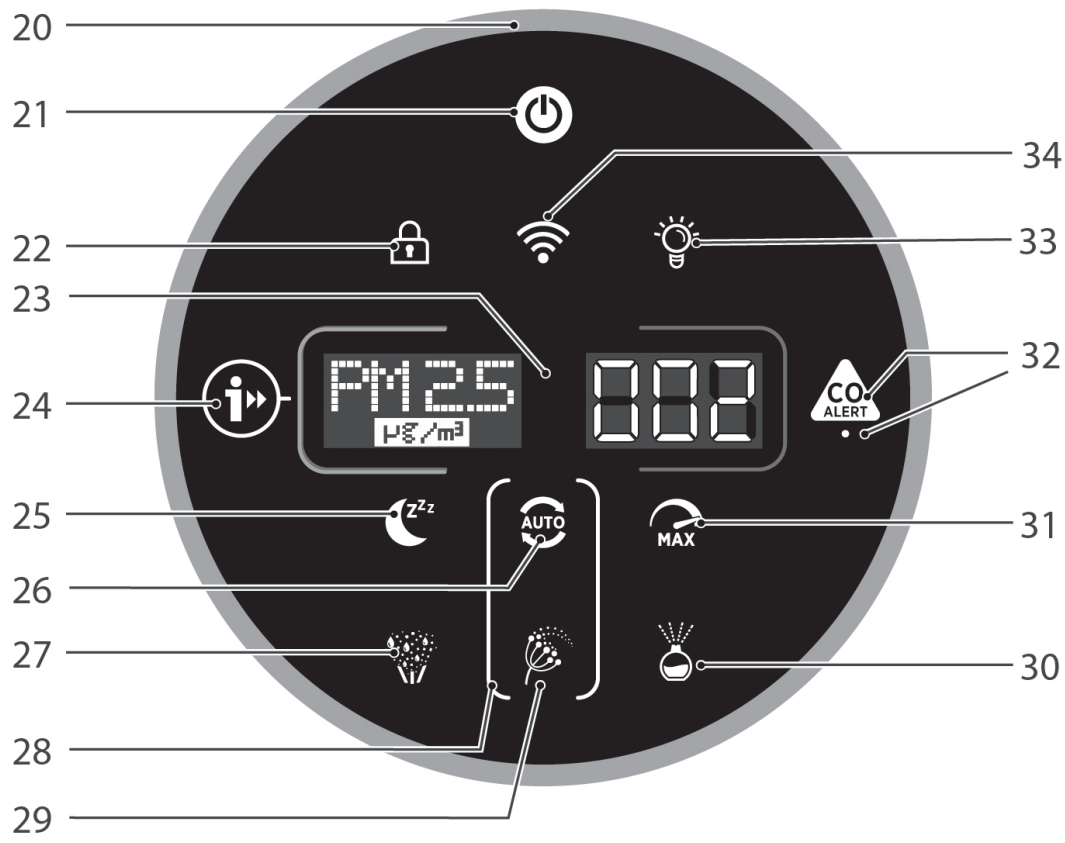
CANDY HOOVER GROUP S.r.l. Via Privata Eden Fumagalli, 20861 Brugherio (MB) Italy

1. DESCRIZIONE DI H-PURIFIER

1	Pannello di controllo / Display
2	Uscita aria
3	Maniglia di Trasporto dell'Apparecchio
4	Gruppo Filtro
5	Maniglia della griglia
6	Leva di rilascio del Filtro
7	Griglia di entrata dell'aria
8	Maniglia dell'Umidificatore

9	Copertura del serbatoio dell'umidificatore
10	Serbatoio dell'acqua dell'umidificatore
11	Tappo del serbatoio dell'acqua dell'umidificatore
12	Ingresso del serbatoio dell'acqua
13	Finestra del diffusore
14	Copertura del diffusore
15	Nebulizzatore

16	Bocchetta di uscita dell'umidificatore
17	Diffusore
18	Bocchetta H-Essence (Verde)
19	Bocchetta H-Biotics (Marrone)
20	Cavo di alimentazione e spina
21	Gancio stazionamento
22	Stiva del cavo di alimentazione



20	Anello Luminoso a LED della Qualità dell'Aria
21	Pulsante alimentazione
22	Pulsante Child Lock (Blocco Sicurezza Bambini)
23	Display Digitale
24	Pulsante Informazioni

25	Pulsante Modalità Sleep
26	Pulsante Modalità Auto
27	Pulsante Umidificatore
28	Spia Circolare Allergia al Polline
29	Spia Allergia al Polline
30	Pulsante Diffusore

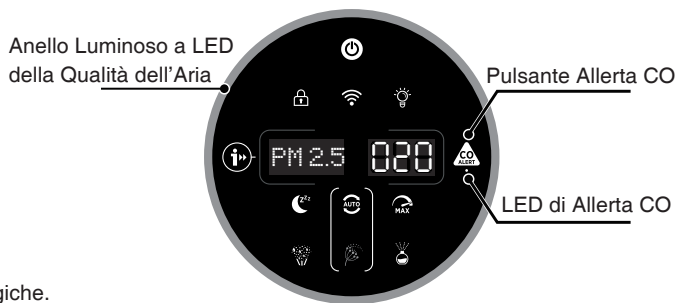
31	Pulsante Modalità Max
32	Pulsante & LED di Allerta CO
33	Pulsante di controllo della luminosità
34	Pulsante Wi-Fi

1.1 IL SISTEMA MULTI SENSOR

Grazie al Sistema di Multi-Sensore il tuo apparecchio monitorerà costantemente le condizioni dell'aria dell'ambiente in termini di PM10, PM2.5, Composti Organici Volatili (GAS).

Ogni volta che il prodotto viene acceso, il Sistema Multi-Sensore inizia ad analizzare la qualità dell'aria interna e l'Anello Luminoso a LED della Qualità dell'Aria si illumina di colori diversi a seconda delle condizioni di qualità dell'aria in tempo reale.

Colore dell'Anello Luminoso a LED della Qualità dell'Aria	Qualità dell'aria interna	Valore di PM 10* µg/m³	Valore di PM 2.5 µg/m³	Livello di gas VOC (Composti Organici Volatili)
Verde	Eccellente	0-50	0-25	L1
GIALLO	Soddisfacente	50-80	25-50	L2
ARANCIONE	Scarsa	80-160	50-100	L3
ROSSO	Pessima	≥ 160	≥ 100	L4



* In modalità Allergia al Polline, i valori di PM 10 che stabiliscono il livello di qualità dell'aria saranno più bassi per minimizzare il rischio per le persone allergiche.

1.2 ALLARME MONOSSIDO DI CARBONIO (CO)

H-Purifier è dotato di un sistema di allarme che rileva costantemente la presenza di monossido di carbonio (CO) nell'aria interna. Quando l'Allarme Monossido di Carbonio si attiva, l'Anello Luminoso a LED della Qualità dell'Aria e il Pulsante di Informazione e di Allerta CO lampeggeranno di colore rosso simultaneamente e verrà emesso un suono di allarme. L'allarme rimarrà attivo finché la concentrazione del monossido di carbonio (CO) non si sarà ridotto al di sotto di 50 ppm, a meno che non venga silenziato manualmente premendo il pulsante Allerta CO per 3 secondi.

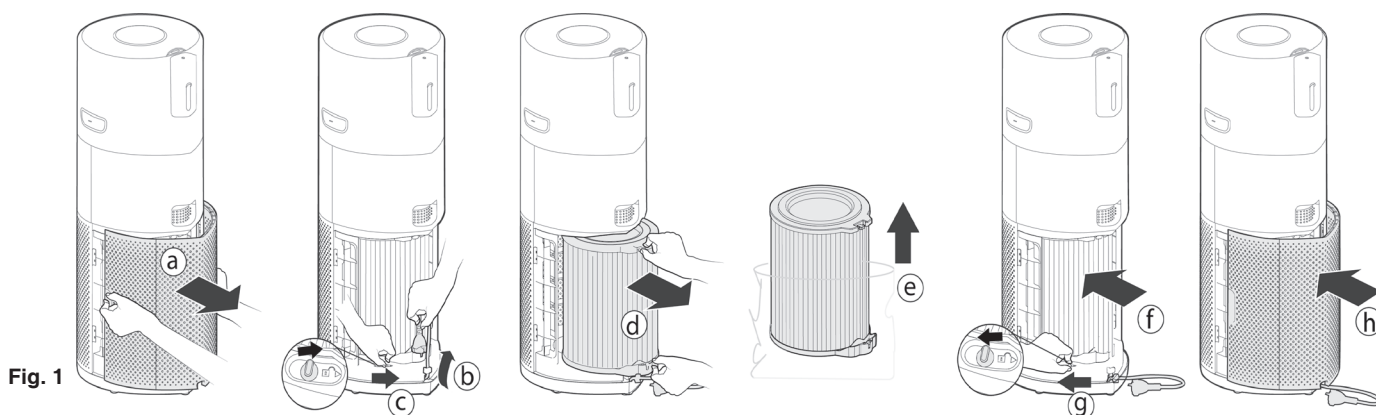
Il LED di Allerta CO mostra le condizioni operative del sensore CO. Si illumina di verde quando il sensore CO è in condizioni normali, di giallo quando il sensore ha un malfunzionamento o il suo tempo di funzionamento è scaduto e di rosso quando l'allarme CO è attivo. È possibile testare se l'allarme è correttamente funzionante premendo il pulsante Allarme CO per 3 secondi: se l'allarme funziona nel modo giusto, verrà emesso un suono acuto per 5 secondi.

2. PREPARAZIONE DI H-PURIFIER

2.1 INSTALLARE IL FILTRO [Fig. 1]

Prima di utilizzare H-Purifier occorre rimuovere il filtro dal suo imballaggio di protezione:

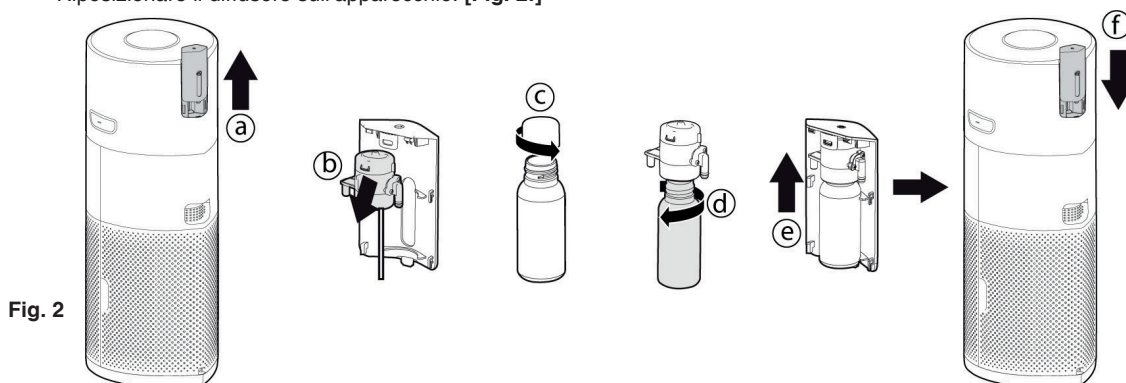
- Rimuovere la griglia di entrata dell'aria dall'apparecchio. [Fig. 1a]
- Rimuovere la spina dalla propria stiva e staccare il cavo dal gancio di stoccaggio. [Fig. 1b]
- Sbloccare la leva di rilascio del Filtro. [Fig. 1c]
- Rimuovere il filtro dall'apparecchio e rimuovere l'imballaggio esterno. [Fig. 1d,e]
- Riposizionare il filtro nell'apparecchio. [Fig. 1f]
- Bloccare la leva di rilascio del Filtro. [Fig. 1g]
- Riposizionare la griglia di entrata dell'aria sull'apparecchio. [Fig. 1h]



2.2 INSTALLARE LA BOCCETTA DEL DIFFUSORE [Fig. 2]

Preparare H-Purifier per la funzione di diffusione.

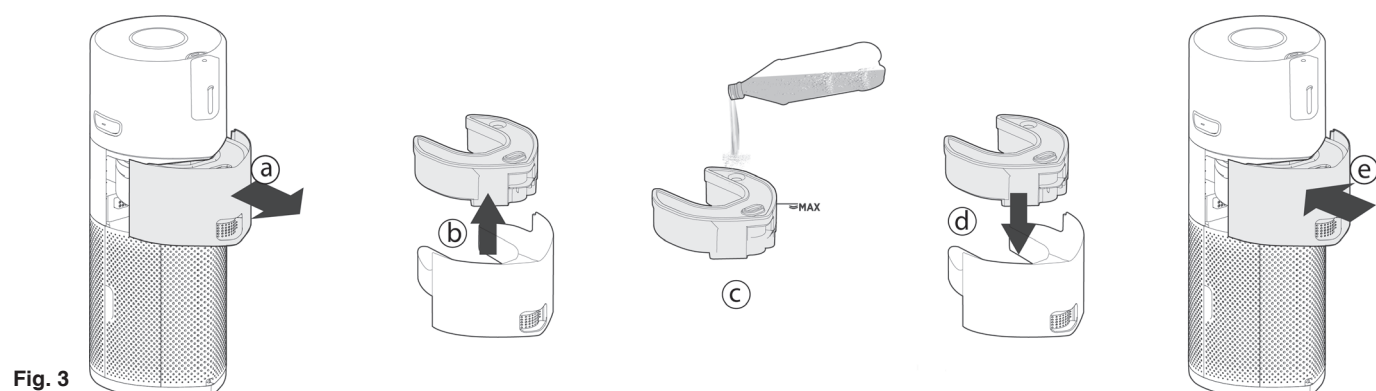
- Rimuovere la copertura del diffusore dall'apparecchio. [Fig. 2a]
- Staccare l'unità del diffusore dalla sua copertura. [Fig. 2b]
- Rimuovere la boccetta H-Essence o H-Biotics dall'imballaggio e togliere il tappo. [Fig. 2c]
- Conservare il tappo per futuri stazionamenti.
- Avvitare saldamente la boccetta all'unità del diffusore. [Fig. 2d]
- Riposizionare l'unità del Diffusore sulla copertura. [Fig. 2e]
- Riposizionare il diffusore sull'apparecchio. [Fig. 2f]



2.3 PREPARARE L'UMIDIFICATORE [Fig. 3]

Preparare H-Purifier per la funzione di deumidificazione.

- Rimuovere la copertura del serbatoio dall'apparecchio. [Fig. 3a]
- Staccare il serbatoio dalla sua copertura. [Fig. 3b]
- Prima del primo utilizzo, pulire tutte le componenti con un panno morbido asciutto.
- Riempire il serbatoio con acqua distillata finché non raggiunge il livello MAX indicato dall'apposita linea. [Fig. 3c]
- Riposizionare il serbatoio nel suo vano. [Fig. 3d]
- Rimettere la copertura del serbatoio sull'apparecchio. [Fig. 3e]



3. USO DI H-PURIFIER

3.1 ACCENDERE L'APPARECCHIO [Fig. 4]:

Togliere il cavo di alimentazione dal suo alloggiamento e inserire la spina in una presa di corrente. Tutte le luci sul Pannello di Controllo / Il display si illuminerà approssimativamente per 1 secondo per segnalare il corretto inserimento della spina.

Il pulsante di accensione si illuminerà debolmente e il LED di Allerta CO si accenderà per indicare che il rispettivo sensore ha iniziato a monitorare il livello di Monossido di Carbonio dell'ambiente interno.

Per accendere l'apparecchio, premere il pulsante ACCENSIONE/SPEGNIMENTO sul display.

L'Anello Luminoso a LED della Qualità dell'Aria si illuminerà di tutti i colori in sequenza mentre i sensori cominceranno ad analizzare le condizioni dell'aria in tempo reale. Dopo pochi secondi, l'Anello Luminoso a LED della Qualità dell'Aria selezionerà il colore corrispondente alla qualità dell'aria in quel momento.

H-Purifier entrerà immediatamente in MODALITÀ AUTO e comincerà a purificare l'aria dell'ambiente.

Il pulsante MODALITÀ AUTO, il pulsante INFORMAZIONI, il pulsante CONTROLLO ILLUMINAZIONE e PM10 si illumineranno sul display.

3.2 COLLEGARE H-PURIFIER:

Per accedere a tutte le funzioni di H-Purifier da qualunque luogo, si consiglia di scaricare l'App hOn. Sarà possibile controllare l'apparecchio nel modo più efficiente.

Istruzioni:

1. Scaricare l'applicazione hOn dall'App Store, da Google Play, o da Huawei AppGallery. È possibile scaricarla anche scansionando il codice QR in [Fig. 5]
2. Aprire l'App, registrare un account con la propria e-mail e una password.
3. Confermare ed effettuare il login nell'App hOn.
4. Assicurarsi che il cellulare sia connesso al Wi-Fi.
5. Assicurarsi che H-Purifier sia acceso. Premere e tenere premuto il pulsante Wi-Fi sul display per 5 secondi, finché non si sentirà un beep e il pulsante Wi-Fi comincerà a lampeggiare per indicare l'attesa di una connessione. [Fig. 6]
6. Seguire le istruzioni descritte nell'app per connettere il cellulare all'apparecchio.
7. Una volta che l'associazione è avvenuta correttamente, il pulsante Wi-Fi sull'apparecchio rimarrà illuminato.
8. Per resettare il Wi-Fi, premere e tenere premuto il pulsante Wi-Fi per 5 secondi.

H-Purifier funziona anche con Hey Google e Amazon Alexa.

3.3 SCOPRI TUTTE LE FUNZIONI

Funzione INFORMAZIONI [Fig.7]:

Ci sono 6 set di dati differenti disponibili per il monitoraggio.

PM10, PM2.5, GAS, Temperatura, Umidità e Stato del Filtro.

Premere il pulsante INFORMAZIONI per visualizzare tutti i dati del monitoraggio.

Di default, il display mostrerà i dati PM10, ma l'apparecchio ricorderà l'ultima selezione dell'utente e la manterrà quando verrà riacceso la volta successiva.

I dati GAS mostreranno un cursore che ruota durante i primi tre secondi dopo l'accensione del prodotto, durante i quali il sensore GAS esegue un ciclo di calibrazione.

Ulteriori informazioni su PM 2.5, PM 10 e GAS:

PM indica le particelle fini (non visibili a occhio nudo) che derivano principalmente dall'inquinamento esterno, come emissioni di veicoli o industrie, potenzialmente pericolose per la salute in caso di esposizione prolungata. PM 10 raggiungono i 10 µm di grandezza e sono in grado di avanzare nel primo tratto respiratorio (naso, trachea, faringe). I PM 2.5 raggiungono i 2.5 µm di grandezza e, date le dimensioni più piccole, possono penetrare più a fondo nel nostro corpo e arrivare ai polmoni. GAS VOC (composti organici volatili) sono composti chimici volatili con la capacità di evaporare facilmente nell'aria a temperatura ambiente. Deodoranti, detersivi, colle, adesivi e la formaldeide sono solo alcuni esempi dei VOC che possono essere presenti nelle abitazioni e sono potenzialmente dannosi in caso di esposizione prolungata.

MODALITÀ:

Ci sono 3 modalità avviabili per la purificazione dell'aria: MODALITÀ AUTO, MODALITÀ MAX & MODALITÀ SLEEP. La modalità auto è impostata di default quando l'apparecchio viene acceso, ma tutte le modalità possono essere selezionate manualmente premendo il pulsante corrispondente sul display. Attraverso l'app hOn è attivabile anche la modalità ALLERGIA AL POLLINE.

MODALITÀ AUTO [Fig. 8]:

Questa modalità è impostata di default quando H-Purifier viene acceso per la prima volta. In Modalità Automatica, H-Purifier adatta automaticamente la velocità della ventola al livello di qualità dell'aria per garantire costantemente una purificazione ottimale.

Si raccomanda questa impostazione per l'apparecchio.

Se in modalità AUTO, dopo 30 minuti di qualità eccellente dell'aria, l'apparecchio entrerà in modalità ECO (funzione Standby) interrompendo la funzione di purificazione (ventilatore). Il Sistema Multi Sensore continuerà ad analizzare l'aria nell'ambiente interno e riattiverà la funzione di purificazione quando richiesto.

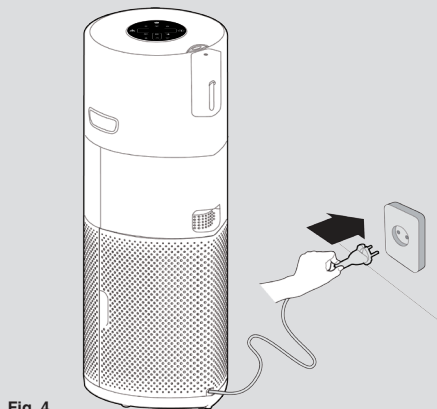


Fig. 4



Fig. 5

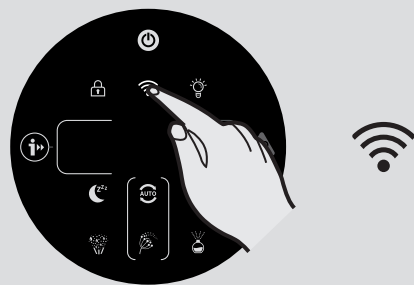


Fig. 6

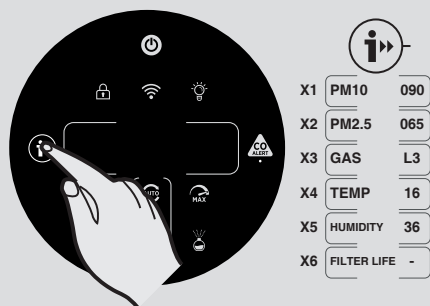


Fig. 7



Fig. 8

MODALITÀ MAX [Fig. 9]:

Premere il pulsante modalità MAX sul display per attivare la purificazione alla massima potenza. Per uscire dalla modalità MAX, selezionare semplicemente la modalità AUTO o la modalità SLEEP.

MODALITÀ SLEEP [Fig. 10]:

Premere il pulsante modalità SLEEP per attivare la purificazione dell'aria al livello più basso e silenzioso. Il pulsante modalità SLEEP si illuminerà debolmente e le altre luci sul display rimarranno spente. Le luci potranno essere riaccese premendo il pulsante CONTROLLO ILLUMINAZIONE.

MODALITÀ ALLERGIA POLLINI [Fig. 11]

La modalità Allergia Pollini può essere attivata soltanto tramite l'App hOn. Sarà richiesto per prima cosa di attivare e registrare un profilo all'interno dell'app, per poter creare il proprio profilo allergico al polline. La modalità Allergia Pollini funziona solo quando è selezionata la MODALITÀ AUTO. **[Fig. 11c]** In modalità Allergia Pollini, l'apparecchio riceverà continuamente dati in tempo reale dall'APP riguardo la concentrazione di pollini all'esterno e si regolerà in modo da massimizzare la performance di purificazione dell'aria dal polline.

Una volta che i pollini sono stati catturati, vengono disattivati per aiutare ad alleviare i sintomi allergici. Quando la modalità Allergia Pollini viene attivata all'interno dell'App, esistono due possibili luci di notifica sul display del prodotto.

- La Spia Allergia Pollini è **BIANCA [Fig. 11a]**: L'apparecchio e l'App stanno monitorando la presenza di pollini all'esterno e non sono presenti rischi.

- La Spia Allergia Pollini diventa **GIALLA** e la Spia Circolare Allergia Pollini è **BIANCA [Fig. 11b]**: L'apparecchio e l'APP hanno rilevato un rischio.

Se l'apparecchio viene messo manualmente in modalità SLEEP o modalità MAX mentre la modalità Allergia Pollini è attiva, quest'ultima si fermerà.

Funzione CONTROLLO ILLUMINAZIONE [Fig. 12]

Ci sono tre impostazioni disponibili per l'illuminazione del display, On, Dim & Off

Per regolare la luminosità dell'illuminazione del display, premere semplicemente il pulsante CONTROLLO ILLUMINAZIONE sul display per passare alle 3 diverse opzioni disponibili. ON è l'impostazione di default.

Se viene selezionato OFF, ogni altro pulsante dovrà essere premuto due volte per essere attivato: dopo aver premuto una sola volta, le luci andranno in modalità DIM e dopo aver premuto la seconda volta la funzione verrà attivata.

Funzione CHILD LOCK (Blocco Sicurezza Bambini) [Fig. 13]

Premere e tenere premuto il pulsante CHILD LOCK per 3 secondi per attivare la funzione: si sentirà un suono a seguito dell'attivazione e il pulsante CHILD LOCK rimarrà illuminato. Nessun altro pulsante funzionerà se premuto.

Per uscire da questa modalità, tenere semplicemente premuto il pulsante CHILD LOCK per 3 secondi: si sentirà un suono che confermerà lo spegnimento e il pulsante non sarà più illuminato.

Funzione DIFFUSIONE: [Fig. 14]

Il Diffusore emana nell'aria della stanza H-Essence o H-Biotics. H-Essence è la collezione di oli essenziali Hoover per diffondere piacevoli fragranze.

H-Biotics è una miscela naturale a base di probiotici che mantiene la stanza bio-igienizzata inibendo la crescita di microrganismi come batteri o microbi.

Ci sono 4 impostazioni diverse per la DIFFUSIONE: SOFT (Delicato) (Delicato), MEDUM (Medio), CUSTOM (Personalizzato) & H-BIOTICS. Per attivare questa funzione, premere semplicemente il pulsante Diffuser sul display. L'impostazione di default per questa funzione è SOFT, ma è possibile premere consecutivamente il pulsante per accedere alle altre impostazioni e selezionare quella desiderata. Il pulsante si illuminerà di bianco quando acceso.

Si raccomanda di usare le impostazioni SOFT (Delicato) & MEDIUM per H-Essence.

Un'impostazione personalizzata (CUSTOM) può essere creata con l'app hOn.

Per utilizzare H-Biotics si **DEVE** selezionare l'impostazione H-Biotics. Quando l'utente attiva H-Biotics utilizzando l'APP, riceverà un avviso di allerta "ACTIVATE H-BIOTICS" (Attivare H-Biotics) dopo 120 ore, per accertarsi dell'utilizzo di H-Biotics ogni 5 giorni.

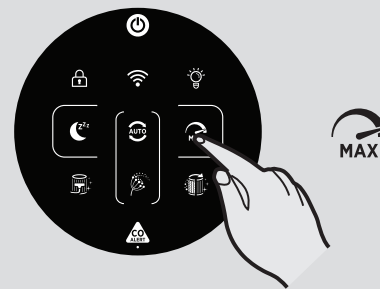


Fig. 9



Fig. 10

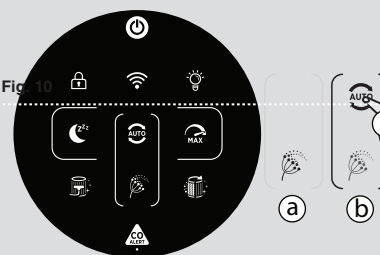


Fig. 11

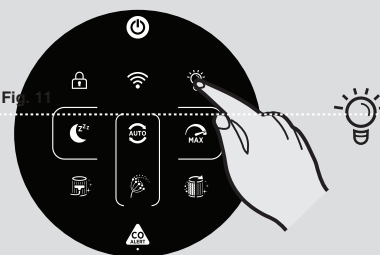


Fig. 13

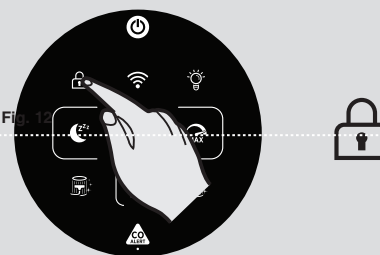


Fig. 13

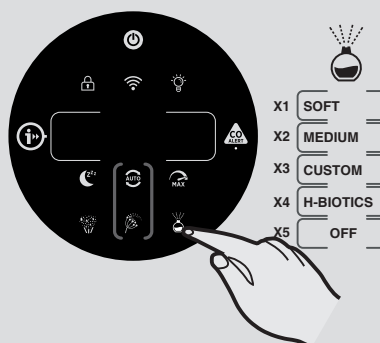


Fig. 14

Quando si utilizza H-Essence con determinate impostazioni o in alcuni ambienti, il livello di GAS VOC potrebbe cambiare a causa del rilevamento delle fragranze.

La Funzione Diffusore funziona solo quando l'Anello Luminoso a LED della Qualità dell'Aria è verde. Quando non è verde, entra in pausa, e ricomincia a funzionare quando torna ad essere verde.

La funzione Diffuser può essere usata solo in modalità AUTO o MAX e non in modalità SLEEP. Quando viene attivata la funzione Diffusione nella modalità AUTO, il ventilatore principale funziona con una velocità specifica per diffondere H-Essence o H-Biotics nella stanza.

Impostazioni	Tempo di Diffusione	Durata massima del ciclo
SOFT (Delicato)	per 10 secondi ogni 5 minuti	6 ore
MEDIUM (Medio)	per 90 secondi ogni 3.5 minuti	6 ore
CUSTOM (Personalizzato)	Definito dall'Utente	6 ore
H-BIOTICS	per 2 minuti ogni 4 minuti	6 ore

Per interrompere la funzione, premere il pulsante diffusore finché sul display non compare OFF.

Dopo ogni uso della funzione Diffusione, servirsi di un panno morbido asciutto per pulire eventuali residui sulla superficie dell'apparecchio.

Per cambiare la boccetta nell'unità del diffusore, fare riferimento alla sezione "Mantenimento del H-Purifier".

Funzione UMIDIFICAZIONE: [Fig. 15]

Ci sono 3 impostazioni differenti per la funzione Umidificazione: MIN (Minimo) (Minimo), MED (Medio) (Medio) & MAX (Massimo). Per attivare questa funzione, premere semplicemente il pulsante Umidificatore sul display. L'impostazione di default per questa funzione è MIN. Per selezionare una delle altre impostazioni, è sufficiente premere nuovamente il pulsante e cambiare sull'impostazione desiderata. Il pulsante si illuminerà di bianco quando acceso.

MIN (Minimo) - Livello di Umidità predefinita 40%

MED (Medio) - Livello di Umidità predefinita 55%

MAX (Massimo) - Livello di Umidità predefinita 70%

I 3 livelli possono essere personalizzati con l'App hOn con un range di umidità dal 30% all'80%

Per interrompere la funzione Umidificatore, premere il pulsante umidificatore finché sul display non compare OFF.

Se il livello di umidità è uguale o superiore a quello selezionato, comparirà un messaggio sul display "HUMIDITY REACHED" (Umidità Raggiunta). La Spia Umidificatore rimarrà accesa.

L'apparecchio entrerà automaticamente in modalità Umidificazione quando l'umidità in tempo reale scenderà al di sotto del livello selezionato.

La funzione Umidificatore può essere usata solo in modalità AUTO e SLEEP e non in modalità MAX.

ALLERTA RIEMPIMENTO:

Quando il livello dell'acqua è più basso del livello minimo, il display mostrerà l'avviso REFILL WATER (Riempire con Acqua) lampeggiante. Per istruzioni, fare riferimento alla sezione Mantenimento del Purificatore.

Nota Importante:

- **Quando l'apparecchio è in funzione in modalità Diffusore:** Se la modalità Umidificazione viene selezionata senza spegnere la modalità Diffusione, l'apparecchio interromperà automaticamente la modalità Diffusione per entrare in modalità Umidificazione.
- **Quando l'apparecchio è in funzione in modalità Umidificazione:** Se la modalità Diffusione viene selezionata senza spegnere la modalità Umidificazione, l'apparecchio interromperà automaticamente la modalità Umidificazione per entrare in modalità Diffusione.

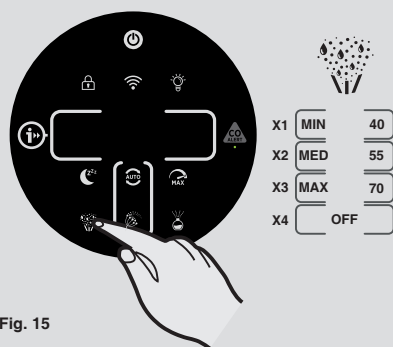


Fig. 15

4. MANTENIMENTO DI H-PURIFIER

4.1 MANUTENZIONE FILTRI

H-Purifier monitorerà le condizioni del filtro. Un avviso **CLEAN FILTER** (Pulire il Filtro) o **REPLACE FILTER (SOSTITUZIONE FILTRO)** (Sostituire il Filtro) lampeggerà sul lato sinistro del display per indicare che è richiesto di pulire o di sostituire il filtro.

Pulizia / Sostituzione del filtro: [Fig. 16]

- Rimuovere la griglia di entrata dell'aria dall'apparecchio. [Fig. 16a]
- Sbloccare la leva di rilascio del Filtro. [Fig. 16b]
- Rimuovere il filtro dall'apparecchio. [Fig. 16c]
- Usare un aspirapolvere per pulire lo strato esterno del filtro o sostituirlo con un filtro NUOVO. [Fig. 16d]
- Riposizionare il filtro nell'apparecchio. [Fig. 16e]
- Bloccare la leva di rilascio del Filtro. [Fig. 16f]
- Riposizionare la griglia di entrata dell'aria sull'apparecchio. [Fig. 16g]
- Collegare l'apparecchio a una presa di corrente e accenderlo.
- Premere il pulsante INFORMAZIONI per resettare l'allarme Pulizia/Sostituzione e tenere premuto per 3 secondi: si sentirà un segnale acustico a indicare che il reset è avvenuto con successo. [Fig. 7]

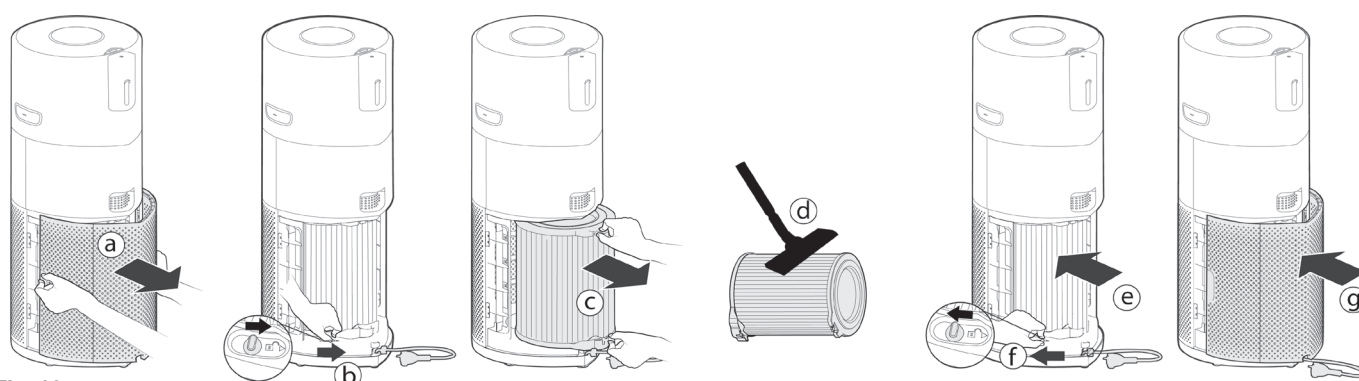


Fig. 16

4.2 MANUTENZIONE DEL DIFFUSORE

Dopo ogni uso della funzione Diffusione, servirsi di un panno morbido asciutto per pulire eventuali residui sulla superficie dell'apparecchio.

Sostituzione della boccetta del diffusore: [Fig. 17]

Il volume del liquido rimasto nella boccetta può essere controllato attraverso la finestra del Diffusore. Quando richiesto, la boccetta del diffusore é da sostituire.

- Rimuovere la copertura del diffusore dall'apparecchio. [Fig. 17a]
- Rimuovere l'unità e la boccetta del Diffusore dalla copertura. [Fig. 17b]
- Svitare e rimuovere la boccetta vuota. [Fig. 17c]
- Rimuovere la nuova boccetta H-Essence o H-Biotics dall'imballaggio e togliere il tappo. [Fig. 17d]
- Avvitare saldamente la nuova boccetta sull'Unità del Diffusore. [Fig. 17e]
- Riposizionare l'unità del Diffusore sulla copertura. [Fig. 17f]
- Riposizionare la copertura del Diffusore su H-Purifier. [Fig. 17g]

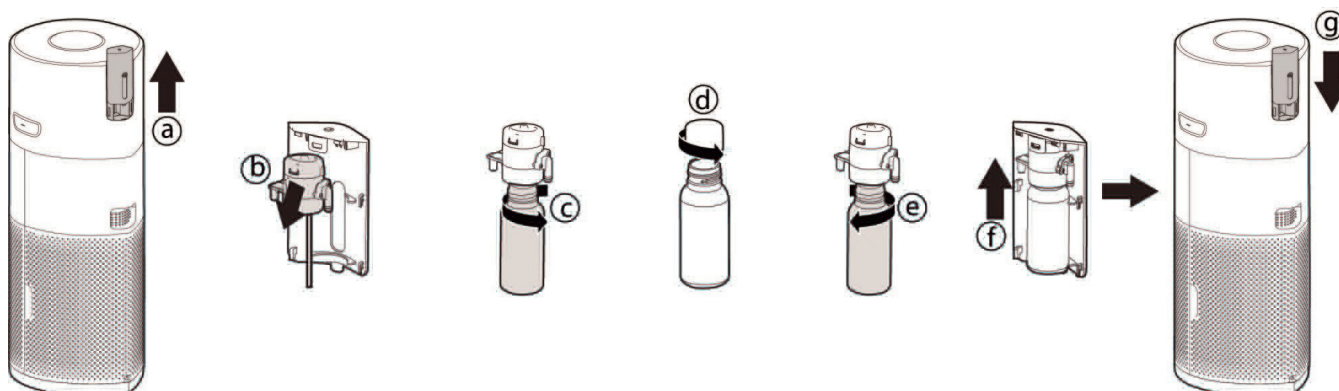


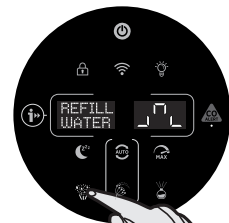
Fig. 17

4.3 MANUTENZIONE DELL'UMIDIFICATORE

Allarme Riempimento del Serbatoio dell'Acqua:

Perché l'Umidificatore funzioni è richiesto un livello minimo di acqua. Quando il livello dell'acqua è più basso del livello minimo, il display mostrerà l'avviso REFILL WATER (Riempire con Acqua) lampeggiante. Potrebbe esserci dell'acqua residua nella copertura del serbatoio dell'acqua. Il messaggio comparirà comunque a causa del livello minimo di acqua richiesto.

- Rimuovere la copertura del serbatoio dall'apparecchio. [Fig. 18a]
- Staccare il serbatoio dalla sua copertura. [Fig. 18b]
- Rimuovere l'acqua residua e riempire il serbatoio con acqua distillata finché non raggiunge il livello MAX indicato dall'apposita linea. [Fig. 18c]
- Riposizionare il serbatoio nel suo vano. [Fig. 18d]
- Riposizionare il serbatoio dell'acqua nell'apparecchio. [Fig. 18e]



Allarme Pulizia del Serbatoio dell'Acqua:

H-Purifier monitorerà le condizioni del serbatoio per l'umidificazione. L'avviso di allerta CLEAN WATER TANK lampeggerà per 72 ore a partire dall'ultima attivazione della funzione umidificatore, se c'è ancora acqua nel serbatoio. Comparirà sul lato sinistro del display indicando che è necessaria la pulizia del serbatoio dell'acqua.

- Rimuovere la copertura del serbatoio dall'apparecchio. [Fig. 18f]
- Separare la copertura, il serbatoio e il tappo, e ripulire tutti e 3 a fondo asciugandoli completamente con un panno morbido e asciutto. [Fig. 18g,h,i]
- Riasssemblare i componenti del serbatoio dell'acqua e riempirlo con acqua distillata finché non raggiunge la linea di livello MAX.
- Assicurarsi che l'apparecchio sia acceso prima di inserire il serbatoio.
- Riposizionare il serbatoio dell'acqua nell'apparecchio. [Fig. 18e]

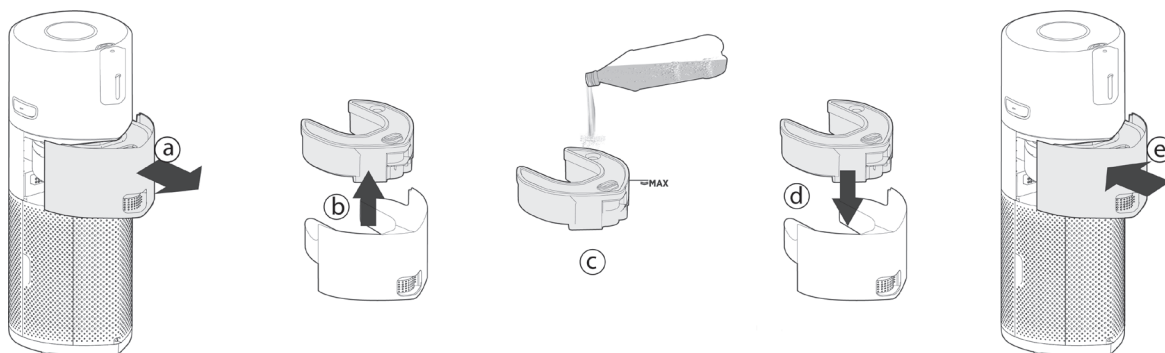
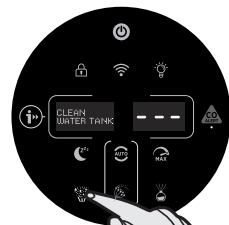
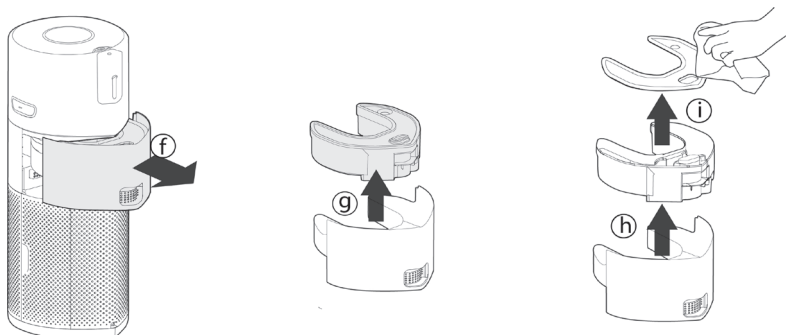


Fig. 18



5. STAZIONAMENTO H-PURIFIER

1. Spegner H-Purifier e scollegare il cavo di alimentazione.
2. Pulire tutte le superfici interne ed esterne del purificatore, la parte esterna del filtro e il serbatoio dell'acqua.
3. Rimuovere la bocchetta dal diffusore. Ricollocare il tappo originale sulla bocchetta e conservarla in modo da proteggerla dall'esposizione diretta alla luce. Pulire il diffusore e la copertura. Assicurarsi che non ci siano residui di H-Essence o H-Biotics sulle superfici di H-Purifier.
4. Assicurarsi che tutti i componenti siano asciutti.
5. Rimuovere la Cover di Entrata dell'Aria [Fig. 19a], riavvolgere il cavo di alimentazione tirandolo a scatti [Fig. 19b], posizionare il cavo sul gancio di stoccaggio e reinserire la spina nella posizione di trasporto. [Fig. 19c,d] Ricollocare la Cover di Entrata dell'Aria. [Fig. 19e]
6. Riporre H-Purifier in un luogo fresco e asciutto.

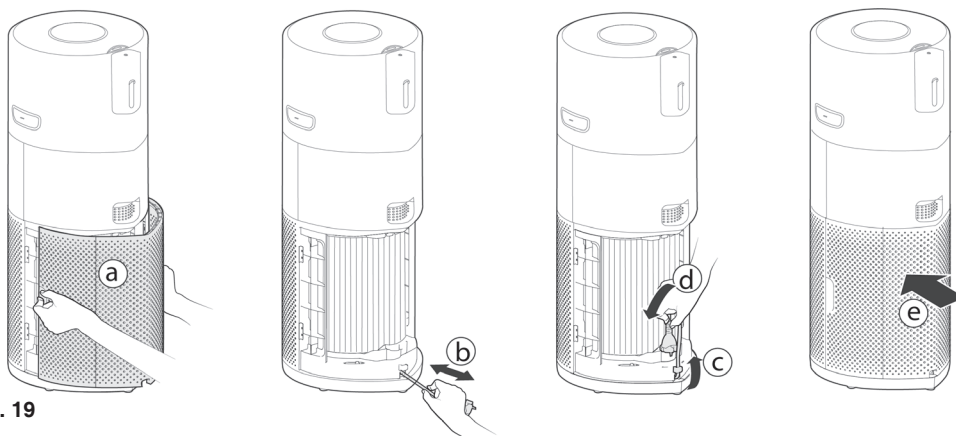


Fig. 19

6. AVVISI & SOLUZIONI

I seguenti codici potrebbero comparire durante l'utilizzo. [Fig. 20]



Fig. 20

Avviso		Descrizione Avviso	Soluzione
Avviso sull'apparecchio	Avviso sull'APP		
"CLEAN FILTER (PULIZIA FILTRO)"	Avviso di pulizia del Pre-Filtro	Suggerisce di pulire lo strato esterno del Filtro.	1. Pulire lo strato esterno del Filtro. 2. Resettare l'avviso tenendo premuto il pulsante INFORMAZIONI per 3 secondi. Consultare 4.1 MANUTENZIONE FILTRI
"REPLACE FILTER (SOSTITUZIONE FILTRO)"	Avviso di sostituzione del filtro	Suggerisce di sostituire il Filtro.	1. Sostituire il Filtro. 2. Resettare l'avviso tenendo premuto il pulsante INFORMAZIONI per 3 secondi. Consultare 4.1 MANUTENZIONE FILTRI
"FILTER MISSING (FILTRO MANCANTE)"	Errore: è stato riscontrato un errore con il purificatore dell'aria, verificare le possibili soluzioni	Il filtro non è inserito o bloccato correttamente	1. Se il filtro è assente, riposizionarlo. 2. Se il filtro è inserito, controllare se la leva di Rilascio del Filtro è bloccata Consultare 2.1 INSTALLARE IL FILTRO
"NO WATER TANK (SERBATOIO ACQUA MANCANTE)"	Errore: è stato riscontrato un errore con il purificatore dell'aria, verificare le possibili soluzioni	Il serbatoio dell'acqua o la copertura del serbatoio non è presente.	Riposizionare il serbatoio dell'acqua e la copertura del serbatoio.
"CLEAN WATER TANK (SERBATOIO ACQUA PULITA)"	L'acqua nel serbatoio deve essere sostituita	Sono passati 3 giorni dall'ultimo utilizzo dell'umidificatore, quindi il serbatoio/la copertura ha bisogno di essere pulito/a e l'acqua deve essere sostituita per questioni di igiene.	1. Spegnerne l'apparecchio. 2. Rimuovere il serbatoio/la copertura, pulire la superficie interna di ciascun componente e riempire nuovamente. 3. Accendere l'apparecchio. 4. Riposizionare il serbatoio/la copertura. Consultare 4.3 MANUTENZIONE DELL'UMIDIFICATORE
"REFILL WATER (RABBOCCO ACQUA)"	Errore: è stato riscontrato un errore con il purificatore dell'aria, verificare le possibili soluzioni	Non c'è acqua nel serbatoio o l'acqua rimanente non è sufficiente per il funzionamento dell'umidificatore.	Rabboccare il serbatoio con acqua distillata fino alla linea di livello massimo.
"ERRORE DEL SENSORE PM"	/	Malfunzionamento del sensore PM	Il sensore PM non funziona o il cavo del sensore non è ben connesso: chiamare un centro di assistenza tecnica per ripararli.
Il LED di Allerta CO é di colore giallo	Errore: è stato riscontrato un errore con il purificatore dell'aria, verificare le possibili soluzioni	Il sensore CO ha un malfunzionamento o il suo tempo di funzionamento è scaduto.	Chiamare un centro assistenza tecnica per ripararlo.
Spegnimento automatico senza alcun avviso	L'apparecchio si è rovesciato	Protezione anticaduta dell'apparecchio	1. Se l'apparecchio cade e dell'acqua si rovescia, scollegare il cavo di alimentazione e attendere 48 ore prima di riaccenderlo. 2. Se l'apparecchio cade senza che si rovesci dell'acqua, sollevarlo e premere il pulsante per accenderlo.
/	Errore: è stato riscontrato un errore con il purificatore dell'aria, verificare le possibili soluzioni	Il motore non funziona	Il motore non funziona o il cavo del motore non è ben connesso: chiamare un centro assistenza tecnica per ripararlo.
"ERRORE DEL SENSORE TEMPERATURA & UMIDITÀ"	/	Sensore di Temperatura e Umidità é malfunzionante	Il sensore di temperatura e umidità non funziona o il cavo del sensore non è ben connesso: chiamare un centro assistenza tecnica per ripararlo.
"PAUSE (PAUSA)"	/	Il diffusore smette di funzionare quando l'anello luminoso a LED della qualità dell'aria non é di colore verde.	Non c'è bisogno di interventi. Il diffusore riprenderà a funzionare quando l'anello luminoso a LED della qualità dell'aria ritornerà di colore verde.

ATTENZIONE: Se il problema persiste, contattare il centro assistenza Hoover più vicino. **NON** provare a smontare H-Purifier da soli.

7. RISOLUZIONE DEI PROBLEMI

Di seguito è riportato un elenco di problemi comuni riscontrati e relative soluzioni.
Se il problema persiste, contattare il centro assistenza tecnica Hoover più vicino.

La ventola non funziona (Pannello di controllo / Spie sul display accese)	<ul style="list-style-type: none"> Controllare l'avviso mostrato sul display o sull'App. Se accade, fare riferimento al paragrafo 6. AVVISI & SOLUZIONI Controllare se ci sono ostruzioni nella ventola. Se accade, scollegare prima l'apparecchio e pulire dalle ostruzioni o chiamare il centro di assistenza. Controllare se H-Purifier è acceso. Controllare se il filtro è installato correttamente e bloccato. Controllare se H-Purifier è in posizione verticale e non è in pendenza. Il purificatore d'aria potrebbe essere in modalità ECO. Per uscire dalla modalità ECO, premere semplicemente il pulsante modalità Sleep o il pulsante modalità MAX. Fare riferimento al paragrafo 3. USO DI H-PURIFIER – MODALITÀ AUTO.
La ventola non funziona (Pannello di controllo / Spie sul display spente)	<ul style="list-style-type: none"> Controllare se H-Purifier è collegato alla corrente ed è acceso. Controllare l'avviso mostrato sull'App. Se accade, fare riferimento al paragrafo 6. AVVISI & SOLUZIONI
Non ci sono spie sul Pannello di Controllo / Display (Ventilatore in funzione)	<ul style="list-style-type: none"> In modalità Sleep, l'impostazione predefinita delle luci è disattivata. Premere il pulsante Controllo Illuminazione per accendere le luci. Le luci potrebbero essere spente. Premere il pulsante Controllo Illuminazione per accendere le luci. Refer to 3.USO DI H-PURIFIER – MODALITÀ SLEEP / Funzione CONTROLLO ILLUMINAZIONE.
I pulsanti sul pannello di controllo non funzionano	<ul style="list-style-type: none"> La funzione Child Lock potrebbe essere attiva. Premere e tenere premuto il pulsante CHILD LOCK per 3 secondi per disattivare la funzione. Fare riferimento al paragrafo 3. USO DI H-PURIFIER – Funzione CHILD LOCK (Blocco Sicurezza Bambini).
Il Flusso d'Aria è debole	<ul style="list-style-type: none"> Controllare se l'imballaggio di protezione è stato rimosso dal filtro. Controllare se ci sono ostruzioni sulla griglia di entrata dell'aria o nella via di uscita dell'aria. Rimuovere la griglia di entrata dell'aria e controllare le condizioni del filtro. Pulire lo strato esterno del filtro o sostituirlo se necessario. È possibile controllare lo stato della durata del filtro sul display premendo il pulsante Informazioni. Controllare se H-Purifier è in modalità Sleep. In questa modalità la ventola funziona a potenza ridotta.
H-Purifier funziona rumorosamente	<ul style="list-style-type: none"> Controllare se ci sono ostruzioni nel H-Purifier. Controllare se H-Purifier è in modalità MAX. In questa modalità la ventola funziona a potenza massima.
H-Purifier è improvvisamente rumoroso	<ul style="list-style-type: none"> Controllare se H-Purifier sta funzionando in modalità Automatica e l'anello luminoso LED della qualità dell'aria non è di colore verde. In Modalità Automatica, H-Purifier adatta automaticamente la velocità della ventola al livello di qualità dell'aria. Fare riferimento al paragrafo 3. USO DI H-PURIFIER – MODALITÀ AUTO.
H-Purifier emette improvvisamente un suono acuto.	<ul style="list-style-type: none"> La funzione di test dell'Allarme CO è stata attivata per errore. Il suono si interromperà automaticamente dopo 5 secondi. Fare riferimento al paragrafo 1.2 ALLARME MONOSSIDO DI CARBONIO (CO)
L'allarme "CLEAN WATER TANK" non può essere resettato	<ul style="list-style-type: none"> Accendere H-Purifier dopo aver pulito il serbatoio dell'acqua/la copertura e averlo riempito. Non inserire la copertura finché il display non mostra "NO WATER TANK".

INFORMAZIONI IMPORTANTI

PARTI DI RICAMBIO E DI CONSUMO HOOVER

Utilizzare sempre parti di ricambio originali Hoover. che è possibile acquistare dal distributore locale Hoover o direttamente sul sito internet Hoover. Quando si ordinano delle parti di ricambio, ricordarsi sempre di fornire il numero di modello dell'apparecchio utilizzato.

ASSISTENZA E GARANZIA HOOVER

Questo prodotto è garantito, oltre che ai sensi di legge, alle condizioni e nei termini riportati sul certificato di garanzia convenzionale inserito nel prodotto. Il certificato dovrà essere conservato e mostrato al nostro Centro di Assistenza Tecnica Autorizzato, in caso di necessità, insieme allo scontrino comprovante l'acquisto dell'elettrodomestico. Puoi consultare le condizioni di garanzia anche sul nostro sito internet Per ottenere assistenza compila l'apposito form on-line oppure contattaci al numero che trovi indicato nella pagina di assistenza del nostro sito internet.

Queste condizioni potrebbero venire modificate senza obbligo di preavviso.

ALGEMENE VEILIGHEIDSWAARSCHUWINGEN

Dit toestel mag alleen worden gebruikt voor privé huishoudelijk gebruik, zoals beschreven in deze gebruikershandleiding. Zorg ervoor dat deze handleiding volledig begrepen is voordat u het toestel in gebruik neemt en bewaar deze voor toekomstig gebruik.

Controleer of het voltage en de waarden die op het label van het toestel staan, overeenkomen met de lokale netspanning voordat u het toestel aansluit.

Indien het stroomsnoer beschadigd is, stop dan onmiddellijk met het toestel te gebruiken. Indien het stroomsnoer beschadigd is, stop dan onmiddellijk met het toestel te gebruiken.

Indien het stroomsnoer beschadigd is, stop dan onmiddellijk met het toestel te gebruiken.

Leg het snoer zodat niemand erop kan gaan staan of erover kan struikelen.

Schakel het toestel altijd uit en verwijder de stekker uit het stopcontact alvorens het toestel te reinigen of een onderhoudstaak uit te voeren.

Dit toestel kan gebruikt worden door kinderen vanaf 8 jaar en personen met verminderde lichamelijke, zintuiglijke of mentale capaciteiten. Ook personen met een gebrek aan ervaring of kennis kunnen dit toestel gebruiken, indien ze toezicht of instructies hebben gekregen over het veilig gebruik van het toestel en de gevaren in kwestie begrijpen. Kinderen mogen niet met het toestel spelen.

Reinigings- en gebruikersonderhoud mag niet uitgevoerd worden door kinderen zonder toezicht.

Het toestel verwijdert geen koolmonoxide (CO) of radon (Rn). Het kan niet gebruikt worden als veiligheidsvoorziening bij ongevallen met verbrandingsprocessen en gevaarlijke chemicaliën.

Blijf dit toestel niet gebruiken wanneer het defect blijkt.

Blokkeer de luchtinlaat of -uitlaat niet.

Steek uw vingers of voorwerpen niet in de luchtuitlaat of de -inlaat om lichamelijk letsel of slecht functioneren van het toestel te voorkomen.

Maak het toestel niet schoon met water, een andere vloeistof of een (brandbaar) schoonmaakmiddel en laat deze het toestel niet binnendringen om elektrische schokken en/of brandgevaar te voorkomen.

Spuut geen brandbare materialen zoals insecticiden of luchtverfrissers rond het toestel.

Dit toestel is geen vervanging voor goede ventilatie, regelmatig stofzuigen of het gebruik van een afzuigkap of ventilator tijdens het koken.

Gebruik enkel verbruiksartikelen, filters of reserveonderdelen aanbevolen of geleverd door HOOVER.

Zorg ervoor dat het filter correct is geïnstalleerd, voordat u het toestel inschakelt.

Klop niet met harde voorwerpen tegen het toestel (met name de luchtinlaat en -uitlaat).

Houd het product droog.

Kantel of leeg het product nooit tijdens gebruik.

Als het toestel lange tijd niet wordt gebruikt, kunnen er bacteriën op de filters groeien. Controleer de filters na een lange periode van niet-gebruik. Als de filters erg vuil zijn, vervang ze dan.

Hoover service: Om de blijvende veilige en efficiënte werking van dit toestel te verzekeren, bevelen we aan dat alle services uitgevoerd worden door een erkende HOOVER-servicemonteur.

GEBRUIKSOMGEVING

Plaats en gebruik het product alleen op een droge, stabiele, vlakke horizontale ondergrond, waar het niet kan omkantelen.

Laat minimaal 20 cm vrije ruimte achter en aan beide zijden van het toestel en laat minimaal 30 cm vrije ruimte boven het toestel.

Om interferentie te voorkomen, plaatst u het toestel op minimaal 2 meter afstand van elektrische apparaten die gebruikmaken van radiogolven in de lucht, zoals tv's, radio's en radiogestuurde klokken.

Plaats niets bovenop het toestel.

Gebruik dit toestel niet als u indoor insectenwerende middelen van het rooktype hebt gebruikt of op plaatsen met olieresten, brandende wierook of chemische dampen.

Plaats het toestel niet op een van de volgende locaties:

- op hete oppervlakken, in de buurt van hete oppervlakken, open vuur of in direct zonlicht, in de buurt van gastoestellen, verwarmingstoestellen of open haarden;
- naast of direct boven kachels of ventilatieopeningen van een airconditioning, deuren, ramen, afzuigventilatoren, kokendwatertoestellen of overal waar het zou worden beïnvloed door tocht;
- in een badkamer of andere gebieden waar het product aan waterspatten, druppels of condensatie blootgesteld kan worden (bijv. onder een airconditioning of boven een waterkoker);
- in een afgesloten ruimte (bijv. in of onder een kast);
- in een gebied waar de temperatuur onder -20 °C kan dalen of boven 50 °C kan stijgen;
- in een natte omgeving of in een omgeving met hoge omgevingstemperaturen of een hoge vochtigheid, zoals badkamer, toilet of keuken;
- waar het zou worden belemmerd, bijv. door gordijnen of meubels;
- waar vuil of stof de sensor zou kunnen blokkeren.

VEILIGHEIDSINSTRUCTIES VOOR CO-BEWAKING

Als het CO-alarm geactiveerd is, moet u alle ramen en deuren openen (als dat veilig kan). Schakel indien mogelijk alle brandstofverbrandende apparaten uit en evacueer de woning, laat de ramen en deuren open. Zoek onmiddellijk medische hulp voor iedereen die problemen heeft omwille van koolmonoxidevergiftiging. Betreed het pand niet opnieuw totdat het alarm stopt. Het alarm stopt zodra de CO verdwenen is. Gebruik geen brandstofverbrandende apparaten meer totdat de CO-bron gevonden is en verholpen werd door een gekwalificeerde technicus.

Vermijd het gebruik van verf, verdunners, dampen van oplosmiddelen, luchtverfrissers, spuitbussen of chemische reinigingsmiddelen in de buurt van het toestel. Dit kan de werking van de CO monitor beïnvloeden.

Steek de stekker in een stopcontact om de CO monitor te activeren. De CO-waarschuwings-led wordt groen weergegeven. Wanneer de CO-monitor een onveilig CO-niveau detecteert, gaat het CO-alarm luid af en knipperen de knop CO Alert en de led-ring voor de luchtkwaliteit in rode kleur. Het alarm blijft rinkelen, totdat de gedetecteerde CO tot een veilig niveau daalt.

Raak de knop [CO Alert] 3 seconden aan om de functie CO-alarm te testen; het alarm zal 5 seconden lang luid afgaan. Test het alarm maandelijks en na langdurige afwezigheid in het gebouw (bijv. na vakantie). Als het alarm niet afgaat nadat u de [CO Alert] -knop gedurende 3 seconden hebt aangeraakt, neem dan contact op met de Hoover-klantenservice om een gekwalificeerde technicus in te schakelen om de storing te herstellen.

Als het display aangeeft dat de CO-sensor defect is of het einde van de levensduur bereikt is, neem dan contact op met het Hoover-klantenservicecentrum om een gekwalificeerde technicus in te schakelen om de CO-sensor te vervangen. De verwachte levensduur van de CO-sensor is 7 jaar; na deze tijd moet de sensor vervangen worden.

Zorg ervoor dat kleine kinderen niet gedurende 3 seconden op de knop CO Alert kunnen drukken, aangezien ze aan overmatig geluid kunnen worden blootgesteld indien het alarm afgaat.

Luchtvochtigheid regelen: 15 – 90% RH

Bedrijfstemperatuur: 0 °C tot $+40\text{ °C}$

Koolmonoxide tast het lichaam aan door kritieke zuurstoforganen uit te hongeren (te verstikken). Wanneer CO wordt ingeademd, hecht het zich aan het hemoglobine in het bloed dat normaal gesproken zuurstof door het lichaam transporteert. CO wijzigt permanent het vermogen van zuurstofmoleculen om zich aan het hemoglobine te hechten, waardoor zuurstof naar vitale organen verminderd wordt. Het concentratieniveau en de tijd van blootstelling aan CO, kan de effecten ervan op het lichaam variëren, maar experts zijn het erover eens dat zelfs lage niveaus van blootstelling aan koolmonoxide gedurende langere perioden ernstige en blijvende gevolgen kunnen hebben voor iemands algehele gezondheid.

WAARSCHUWING: HET CO ALARM IS ONTWERPEN OM PERSONEN TE BESCHERMEN TEGEN DE ACUTE EFFECTEN VAN BLOOTSTELLING AAN KOOLMONOXIDE OF DE CHRONISCHE EFFECTEN VAN BLOOTSTELLING AAN KOOLMONOXIDE TE VOORKOMEN. DIT BESCHERMT PERSONEN MET SPECIFIEKE MEDISCHE OMSTANDIGHEDEN NIET VOLLEDIG. RAADPLEEG EEN ARTS IN GEVAL VAN TWIJFEL.

De functie CO monitor mag niet gebruikt worden als, of bedoeld zijn voor gebruik als vervanging voor een EN 50291-1, UL-2034, CSA-6.19 of enige andere erkende standaard gecertificeerde koolmonoxidemelder waar lokale of regionale codes of wetgeving het gebruik hiervan verplicht. De functie CO monitor is slechts een bijkomend koolmonoxide-bewakingstoestel. Het gebruik van dit toestel is ter discretie van de gebruiker en impliceert het begrip en aanvaarding van de beperkingen ervan om te voldoen aan codes of wetgeving waar van toepassing.

Dit toestel mag niet gebruikt worden als vervanging voor een juiste installatie, gebruik en onderhoud van brandstofverbrandende apparaten, inclusief geschikte ventilatie- en uitlaatsystemen.

De CO monitor mobiele en tabletmeldingen vereisen een functionele Wi-Fi-verbinding om te werken. Ze zijn geen vervanging voor een externe monitoringdienst door derden.

VEILIGHEIDSINSTRUCTIES VOOR DE DIFFUSOR

Gebruik alleen aroma-olie aanbevolen of geleverd door HOOVER.

Gebruik geen stand-alone luchtbevochtiger naast de luchtreiniger bij gebruik van de functie Diffusor van H-Essence.

Veeg gemorste H-Essence onmiddellijk af. Zorg ervoor dat u elke hoek van het product schoonmaakt die in contact is geweest met H-Essence.

VEILIGHEIDSINSTRUCTIES VOOR DE BEVOCHTIGER

Maak de watertank elke 3 dagen schoon.

Gebruik alleen gedistilleerd water om de watertank te vullen. Gebruik daarvoor geen ander water, zoals kraanwater, mineraalwater, rivierwater, enz.

Het water in de watertank is niet geschikt om te drinken. Drink dit water niet en gebruik het niet om dieren of waterplanten te voeren. Wanneer u de watertank leegt, giet u het water door de afvoer.

Doe geen andere stoffen dan gedistilleerd water in de watertank.

Doe geen vloeistoffen met geur/parfum of H-Essence in het waterreservoir.

Leeg de tank en de behuizing en vul om de drie dagen bij.

Reinig de tank en de behuizing met schoon kraanwater, voordat u weer bijvult.

Verwijder alle aanslag, afzettingen of film die zich aan de zijkanten of aan de binnenkant van de tank gevormd heeft en veeg alle oppervlakken droog.

Koppel het toestel los tijdens het vullen en schoonmaken.

Leeg de luchtbevochtiger en maak hem schoon voordat u hem opbergt. Maak de luchtbevochtiger schoon voor het volgende gebruik.

Laat nooit water in de watertank en de tankbehuizing achter, wanneer het toestel niet in gebruik is.

Laat het gebied rond de luchtbevochtiger niet vochtig of nat worden. Als er vocht optreedt, draai dan de uitgang van de luchtbevochtiger omlaag en gebruik de luchtbevochtiger met tussenpozen. Zorg ervoor dat absorberende materialen zoals vloerbedekking, gordijnen, of tafelkleden niet vochtig worden.

Als u het toestel moet verplaatsen, koppel dan eerst het toestel los van de stroomvoorziening. Leeg of verwijder vervolgens de watertank. Draag het toestel verticaal met de handgrepen aan beide zijden van het toestel.

Gebruik geen stand-alone apparaat dat aroma-olie afgeeft of verstuipt naast de luchtreiniger wanneer u de functie Luchtbevochtiger gebruikt.

Houd er rekening mee dat een hoge luchtvochtigheid de groei van biologische organismen in de omgeving kan stimuleren.

WAARSCHUWING: Micro-organismen die in het water of in de omgeving waar het toestel gebruikt of opgeslagen wordt, aanwezig kunnen zijn, kunnen in de watertank groeien en in de lucht geblazen worden, wat zeer ernstige gezondheidsrisico's met zich meebrengt wanneer het water niet verversd wordt en de tank niet elke 3 dagen goed schoongemaakt wordt.



Het milieu

Dit toestel is gemerkt volgens de Europese richtlijn 2012/19/EU op afgedankte elektrische en elektronische apparaten (AEEA). Door dit product aan het einde van de levensduur op verantwoorde wijze weg te gooien, voorkomt u mogelijke negatieve gevolgen voor het milieu en de gezondheid, die zouden kunnen ontstaan door een onverantwoorde afvalverwerking van dit product.



Het symbool op dit toestel duidt aan dat dit toestel niet mag behandeld worden als huishoudelijk afval. In de plaats daarvan moet het overhandigd worden aan het geschikte verzamelpunt voor de recyclage van elektrische en elektronische uitrusting. U moet het toestel weggoien in overeenstemming met de lokale voorschriften voor afvalverwerking. Voor meer gedetailleerde informatie over behandeling, herstel en recyclage van dit toestel, gelieve uw lokale gemeentebestuur te contacteren, de dienst voor huishoud- en afvalverwerking of de winkel waar u het toestel kocht.

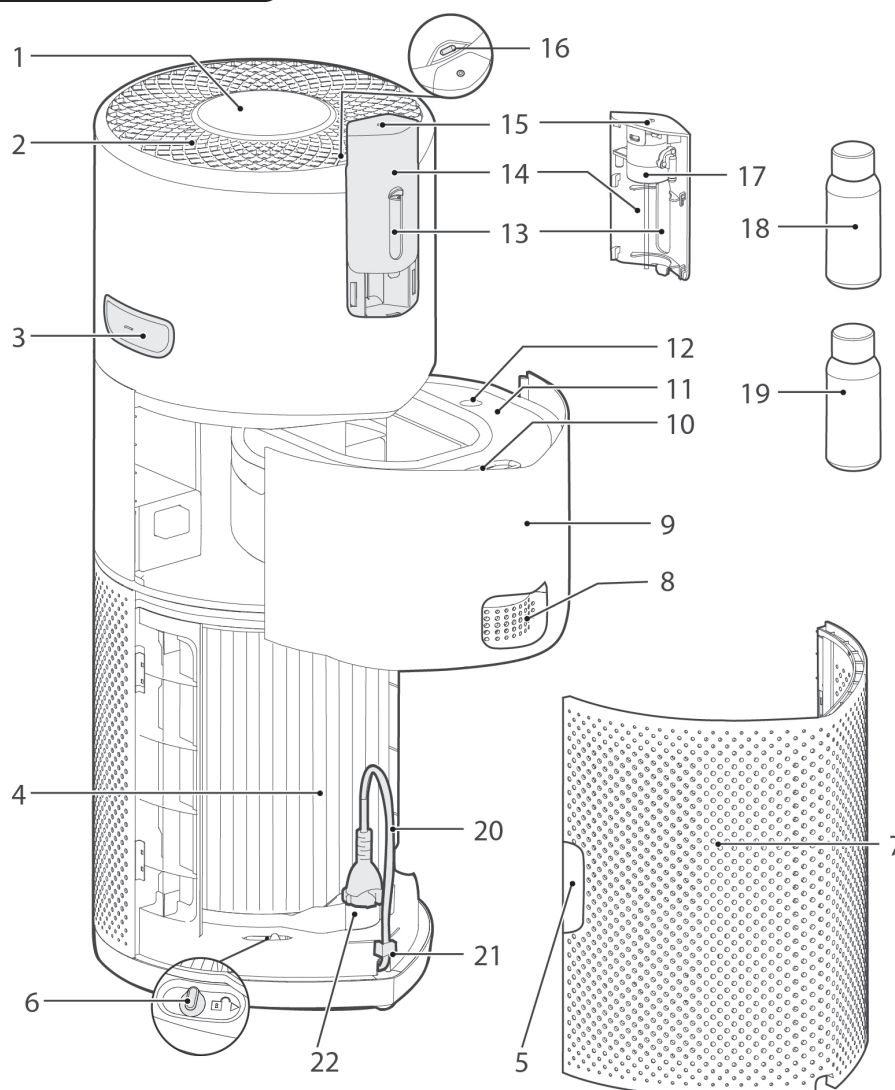
Draadloze parameters voor koppelen

Technologie	Wi-Fi	Bluetooth
Standaard	IEEE 802.11 b/g/n	Bluetooth v4.2, BLE
Frequentieband(en) (MHz)	2401-2483	2402-2480
Maximale Wattage (mW)	100	10
Maximaal in de frequentieband verstuurd hoogfrequent vermogen	18.9 dBm	

Maximaal in de frequentieband verstuurd hoogfrequent vermogen De volledige tekst van de EU-conformiteitsverklaring is beschikbaar op het volgende internetadres: www.candy-group.com

CANDY HOOVER GROUP S.r.l. Via Privata Eden Fumagalli, 20861 Brugherio (MB) Italy

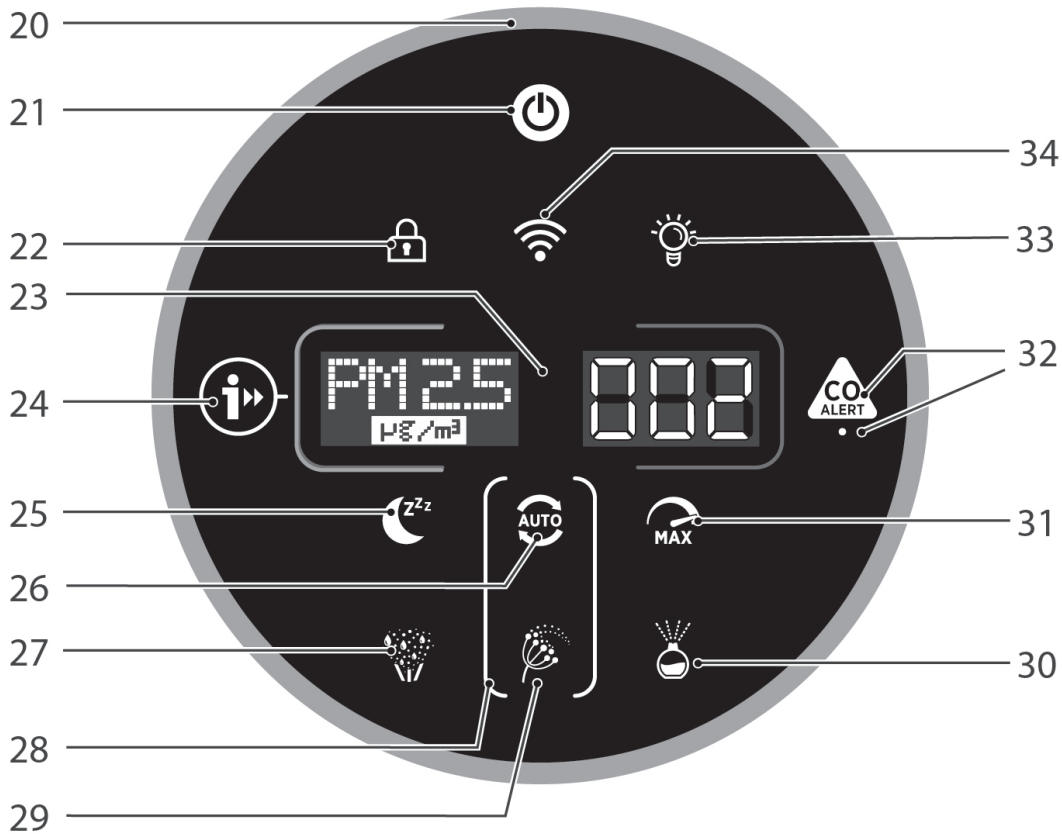
1. LEER UW H-PURIFIER KENNEN



1	Besturingspaneel / Display
2	Luchtuitlaat
3	Draaggreep Product
4	Filter
5	Handgreep van luchtinlaatkap
6	Schakelaar Vrijgave Filter
7	Luchtinlaatklep
8	Handvat luchtbevochtiger

9	Behuizing luchtbevochtiger
10	Watertank luchtbevochtiger
11	Deksel watertank luchtbevochtiger
12	Inlaat watertank luchtbevochtiger
13	Diffuservenster
14	Diffuserkap
15	Diffuseruitlaat
16	Uitlaat luchtbevochtiger

17	Diffusereenheid
18	H-Essence Fles (Groen)
19	H-Biotics-fles (Bruin)
20	Netsnoer en stekker
21	Opslaghaak
22	Transportlocatie



20	Luchtkwaliteit led-ring
21	Schakelaar
22	Kinderslot-knop
23	Digitaal beeld
24	Informatieknop

25	Knop Slaapstand-modus
26	Knop Auto-modus
27	Knop luchtbevochtiger
28	Ronde pollenallergielamp
29	Pollenallergielamp

30	Pollenallergielamp
31	Knop Max-modus
32	Knop CO Alert en LED
33	Knop bediening licht
34	Wi-Fi knop

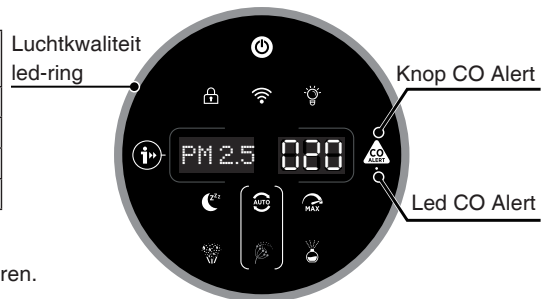
1.1 Multi Sensor Systeem

Dankzij het Multi Sensor Systeem controleert uw product continu de binnenluchtconditie voor wat betreft PM10, PM2.5 en vluchtige organische stoffen (GAS).

Elke keer dat u uw product inschakelt, start het Multi Sensor Systeem een analyse van de binnenlucht kwaliteit en zal de led-ring met verschillende kleuren oplichten om de huidige toestand van de luchtkwaliteit weer te geven.

Kleur led-ring	Binnenluchtkwaliteit	PM 10-waarde* µg/m³	PM 2,5-waarde µg/m³	GAS VOS-niveau
GROEN	Uitstekend	0-50	0-25	L1
GEEL	Bevredigend	50-80	25-50	L2
ORANJE	Slecht	80-160	50-100	L3
Zeer arm	Zeer arm	≥ 160	≥ 100	L4

* In de modus Pollenallergie zijn PM 10-waarden die het luchtkwaliteitsniveau activeren, lager om het risico voor mensen met een allergische aandoening te minimaliseren.



1.2 WAARSCHUWING KOOLMONOXIDE (CO)

De H-Purifier is uitgerust met een waarschuwingssysteem dat de binnenlucht continu bewaakt op de aanwezigheid van koolmonoxide (CO). Wanneer het koolmonoxidealarm geactiveerd is, knipperen de led-ring LUCHTKWALITEIT, de knop Informatie & knop CO Alert tegelijkertijd rood en er klinkt een akoestisch alarm. Het alarm blijft actief totdat de koolmonoxide (CO) -concentratie tot onder de 50 ppm gedaald is, tenzij het handmatig gedempt wordt door de knop CO Alert 3 seconden in te drukken.

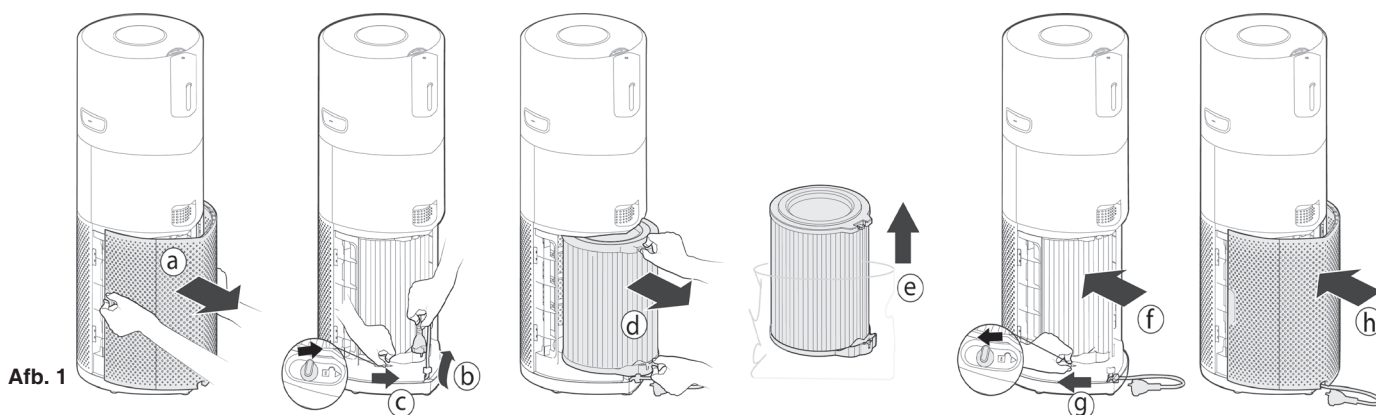
Dit CO Alert-lampje toont de conditie van de CO-sensor. Dit verschijnt in groene kleur wanneer de CO-sensor in normale toestand is, in gele kleur wanneer de sensor niet goed functioneert of de levensduur overschreden heeft, en in rode kleur wanneer de CO-waarschuwing geactiveerd is. U kunt testen of het alarm goed werkt door de CO-alarmknop 3 seconden ingedrukt te houden. Een luide zoemer zal 5 seconden aanhouden, als het alarm goed werkt.

2. UW H-PURIFIER VOORBEREIDEN

2.1 HET FILTER INSTALLEREN [Afb. 1]

Voordat u uw H-Purifier gebruikt, moet u het filter uit de beschermende verpakking halen:

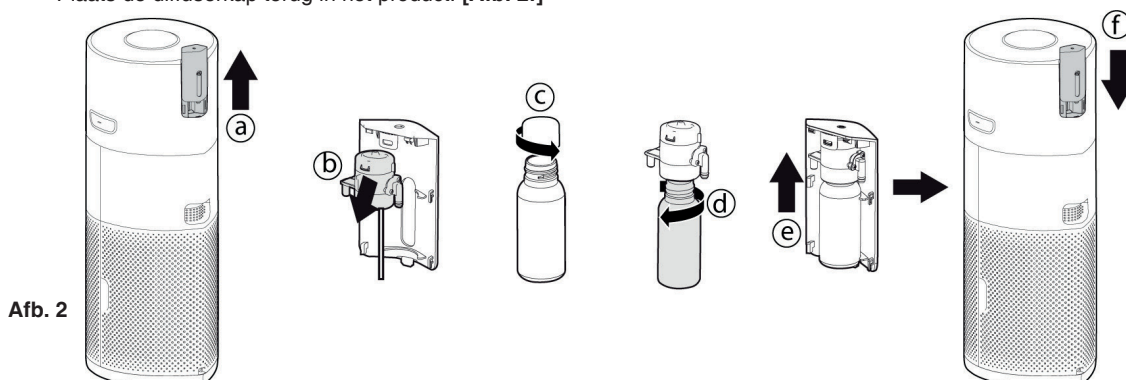
- Verwijder het luchtinlaatdeksel van uw product, pak de twee handgrepen van het luchtinlaatdeksel vast en haal het uit het product. [Afb. 1a]
- Verwijder de stekker uit de transportlocatie en maak het snoer los van de opslaghaak. [Afb. 1b]
- Ontgrendel de vrijgaveschakelaar van het filter. [Afb. 1c]
- Verwijder het filter van uw product en verwijder de buitenverpakking. [Afb. 1d,e]
- Plaats het filter terug in uw product. [Afb. 1f]
- Vergrendel de vrijgaveschakelaar van het filter. [Afb. 1g]
- Plaats de luchtinlaatkap terug op uw product. [Afb. 1h]



2.2 INSTALLEER DE DIFFUSERFLES [Afb. 2]

Om uw H-Purifier klaar te maken voor de functie Diffuser:

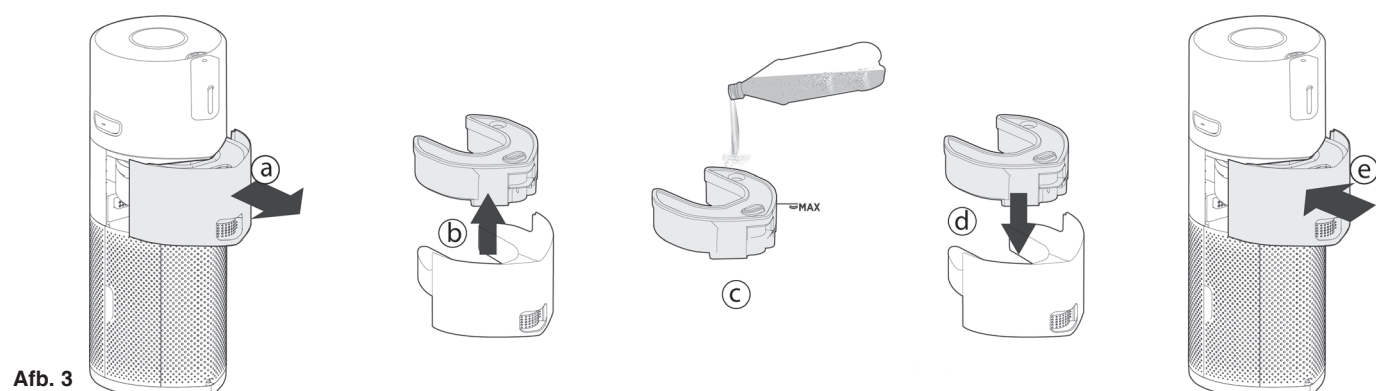
- Verwijder de diffuserkap van het product. [Afb. 2a]
- Verwijder de diffusereenheid van de diffuserkap. [Afb. 2b]
- Haal de fles H-Essence of H-Biotics uit de verpakking en verwijder de dop. [Afb. 2c]
- Bewaar de dop voor gebruik bij toekomstige opslag.
- Schroef de fles stevig vast op de diffusereenheid. [Afb. 2d]
- Plaats de diffusereenheid terug in de diffuserkap. [Afb. 2e]
- Plaats de diffuserkap terug in het product. [Afb. 2f]

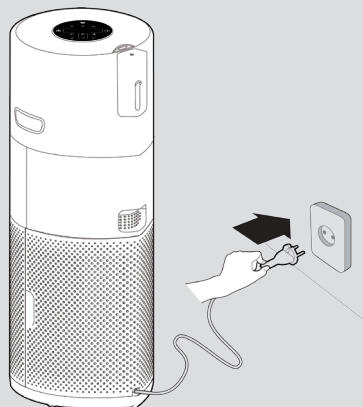


2.3 DE BEVOCHTIGER VOORBEREIDEN [Afb. 3]

Om uw H-Purifier klaar te maken voor de functie luchtbevochtiger:

- Verwijder de tankbehuizing van het product. [Afb. 3a]
- Verwijder de tank uit de tankbehuizing. [Afb. 3b]
- Voor het eerste gebruik moet u alle onderdelen met een droge, zachte doek reinigen.
- Vul de tank met gedistilleerd water langs de watertankinlaat tot aan de MAX-lijn op de tank. [Afb. 3c]
- Plaats de tank terug in de tankbehuizing. [Afb. 3d]
- Plaats de tankbehuizing terug in uw product. [Afb. 3e]

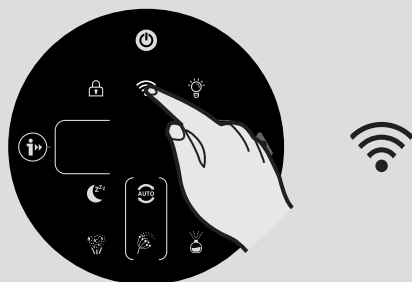




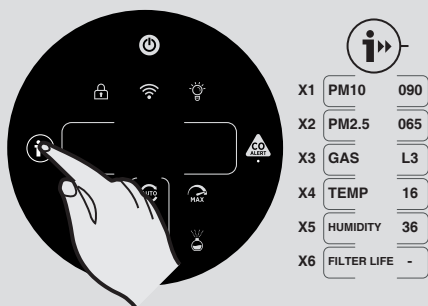
Afb. 4



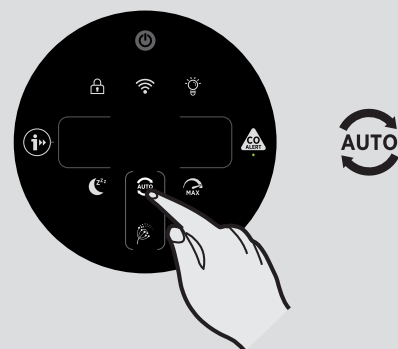
Afb. 5



Afb. 6



Afb. 7



Afb. 8

3. UW H-PURIFIER GEBRUIKEN

3.1 HET PRODUCT INSCHAKELEN [Afb. 4]:

Trek het netsnoer uit de snoerhaspel en steek de stekker in het stopcontact.

Alle lampjes op het Besturingspaneel / Het display zal ongeveer 1 seconde volledig oplichten om aan te geven dat de stekker erin zit.

De AAN/UIT-knop is gedimd verlicht en de CO-waarschuwing-led gaat AAN om aan te geven dat de betreffende sensor is begonnen met het controleren van het koolmonoxideniveau binnenshuis.

Druk op de AAN / UIT-knop op het display om uw product in te schakelen.

De led-ring Luchtqualiteit zal achtereenvolgens in alle kleuren oplichten terwijl de sensoren de realtime conditie van de lucht analyseren. Na een paar seconden selecteert de led-ring Luchtqualiteit de juiste kleur voor de kwaliteit van de lucht op dat moment.

Uw H-Purifier gaat onmiddellijk naar de AUTO-modus en begint de binnenlucht te zuiveren.

De AUTO modus-knop, de INFORMATIE-knop, de CONTROLE VERLICHTING-knop en de informatie over de PM10 gaan branden op het display.

3.2 UW H-PURIFIER VERBINDEN:

Om overal toegang te krijgen tot alle functies van de H-Purifiers, raadt men aan de hOn-app te downloaden. U kunt uw product op de meest efficiënte manier bedienen.

Instructies:

1. Download de hOn-applicatie in de App Store, via Google Play of in de Huawei AppGallery. U kunt deze ook downloaden door de QR-code te scannen in [afb. 5]
2. Open de app, maak een account aan met uw e-mail en een wachtwoord.
3. Bevestig en log in op de hOn-app.
4. Zorg ervoor dat uw mobiele apparaat is verbonden met Wi-Fi.
5. Controleer of de H-Purifier ingeschakeld is. Houd de Wi-Fi-knop op het display 5 seconden ingedrukt, er klinkt een pieptoon en de Wi-Fi-knop begint te knipperen om aan te geven dat hij op een verbinding wacht. [Afb. 6]
6. Volg de instructies in de app om uw mobiele toestel met uw product te verbinden.
7. Wanneer de verbinding tot stand gebracht is, blijft de Wi-Fi-knop op het product verlicht.
8. Om de Wi-Fi opnieuw in te stellen, houdt u de Wi-Fi-knop 5 seconden ingedrukt.

De H-Purifier werkt ook met Hey Google en Amazon Alexa.

3.3 ALLE FUNCTIES ONTDEKKEN

INFORMATIE-functie [Fig.7]:

Er zijn 6 verschillende datasets beschikbaar voor controle:

PM10, PM2.5, GAS, temperatuur, vochtigheid en filterstatus.

Om elke waarde te controleren, drukt u meerdere malen op de INFORMATIE-knop.

Standaard toont het display de PM10-gegevens, de machine onthoudt de laatste selectie van de gebruiker en behoudt deze selectie de volgende keer dat het product wordt ingeschakeld.

De GAS-gegevens laten een draaiende cursor zien gedurende de eerste 3 minuten na inschakeling van het product terwijl de GAS-sensor een kalibratiecyclus uitvoert.

Meer informatie over PM 2.5, PM 10 en GAS:

PM duidt op fijne deeltjes (niet zichtbaar voor het menselijk oog) die voornamelijk afkomstig zijn van vervuiling buitenshuis, zoals voertuigen en industriële emissies, en mogelijk gevaarlijk zijn voor onze gezondheid bij langdurige blootstelling. PM 10 hebben een grootte tot 10 µm en kunnen de bovenste luchtwegen (neus, luchtpijp, keelholte) binnendringen. PM2.5 zijn tot 2.5 1/4µm groot en kunnen, gezien hun kleine afmeting, onze longen bereiken en zo dieper in ons lichaam doordringen.

GAS VOC (vluchtige organische stoffen) zijn vluchtige chemische verbindingen die bij kamertemperatuur gemakkelijk in de lucht kunnen verdampen. Deodorants, detergenten, lijmen, kleefstoffen, cosmetica, formaldehyde zijn slechts enkele van de VOS die in onze huizen aanwezig kunnen zijn, maar die mogelijk schadelijk zijn voor onze gezondheid in geval van langdurige blootstelling.

MODUS-functies:

Er zijn 3 beschikbare luchtzuiveringsmodi: AUTO-modus, MAX-modus & SLAAPSTAND-modus.

AUTO-modus is de standaardinstelling voor uw product wanneer het ingeschakeld is, alle modi kunnen handmatig geselecteerd worden door op de desbetreffende knop op het display te drukken.

De POLLENALLERGIE-modus kan ook via de hOn-app geactiveerd worden.

AUTO-MODUS [Afb. 8]:

Dit is de standaardmodus van uw H-Purifier wanneer het voor het eerst ingeschakeld wordt. In de automatische modus past de H-Purifier automatisch de ventilatorsnelheid aan het werkelijke kwaliteitsniveau van de binnenlucht aan om altijd een optimale luchtzuivering te garanderen. Dit is de aanbevolen instelling voor uw product.

In de AUTO-modus gaat uw product na 30 minuten uitstekende luchtkwaliteit naar een modus ECO (stand-byfunctie) door de zuiveringsfunctie te pauzeren (ventilator), het Multi Sensor System blijft de binnenlucht analyseren en schakelt, indien nodig, de zuiveringsfunctie automatisch in.

MAX-MODUS [Afb. 9]:

Druk op de knop MAX-modus op het display om luchtzuivering bij maximale vermogensinstelling te activeren. Om de MAX-modus te verlaten, selecteert u gewoon de AUTO-modus of de SLAAPSTAND-modus.

SLAAPSTAND-MODUS [Afb. 10]:

Druk op de knop SLAAPSTAND-modus om luchtzuivering te activeren met de laagste stille krachtinstelling. De knop voor de SLAAPSTAND-modus is gedimd verlicht en alle andere scherm-lampjes zijn uit. Dit kan gewijzigd worden door op de knop CONTROLE VERLICHTING te drukken.

POLLENALLERGIE-MODUS: [Afb. 11]

De POLLENALLERGIE-MODUS kan alleen via de hOn-app geactiveerd worden. U moet eerst een profiel in de app activeren en registreren om uw Pollenallergie-profiel aan te maken.

De Pollenallergie-modus werkt alleen wanneer de AUTO-modus geselecteerd is. **[Afb. 11c]**

In de Pollenallergie-modus ontvangt het toestel continu realtime gegevens van de app over de gedetecteerde pollenconcentratie buitenshuis en werkt het automatisch om de prestaties van het opvangen van de pollen te maximaliseren.

Zodra pollen opgevangen zijn, worden ze gedeactiveerd om de allergische symptomen te verlichten. Wanneer de Pollenallergie-modus geactiveerd is in de app, zijn er 2 meldingslampjes beschikbaar op het productdisplay:

- De Pollenallergielamp is **WIT [Afb. 11a]**: Het toestel en de app controleren de aanwezigheid van pollen buitenshuis en er is geen risico aanwezig.
- De Pollenallergielamp wordt **GEEL** en de ronde Pollenallergielamp is **WIT [Afb. 11b]**: Het toestel en de app hebben risico's gedetecteerd.

Als het product handmatig in de SLAAPSTAND-modus of de MAX-modus wordt gezet terwijl de pollenallergiemodus geactiveerd is, stopt de pollenallergiemodus.

Functie CONTROLE VERLICHTING: [Afb. 12]

Er zijn 3 instellingen beschikbaar voor de displayverlichting, Aan, Dimmen & Uit

Om de helderheid van de displayverlichting aan te passen, drukt u gewoon op de knop CONTROLE VERLICHTING op het display om de 3 beschikbare opties te doorlopen. AAN is de standaardinstelling. Als UIT geselecteerd is, moet elke andere knop tweemaal ingedrukt worden voor activering, na één druk op de knop schakelen de lampjes over op DIM, bij de tweede druk wordt de actie ingeschakeld.

Functie KINDERSLOT: [Afb. 13]

Houd de knop KINDERSLOT 3 seconden ingedrukt om het te activeren, er volgt een geluidssignaal wanneer het geactiveerd is en de knop KINDERSLOT blijft verlicht. Geen andere knoppen werken wanneer dit geactiveerd is.

Om deze functie te verlaten, houdt u gewoon de knop KINDERSLOT 3 seconden ingedrukt, u hoort een geluidssignaal dat bevestigt dat het uit is en dat de knop niet meer verlicht is.

DIFFUSER-functie: [Afb. 14]

De diffuser verspreidt H-Essence of H-Biotics in de lucht van de kamer. H-Essence is de Hoover-collectie van essentiële oliën om aangename geuren in de lucht te verspreiden.

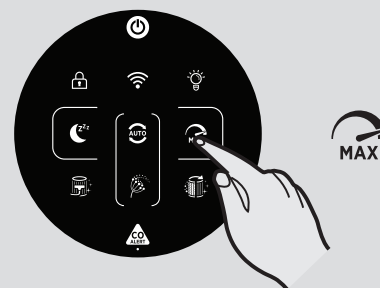
H-Biotics is een natuurlijk mengsel op basis van probiotica dat de kamer biologisch gehydrogeneerd houdt door de groei van micro-organismen zoals bacteriën of microben te remmen.

Er zijn 4 verschillende instellingen voor de DIFFUSER-functie: SOFT, MEDIUM, CUSTOM & H-BIOTICS. Om deze functie te activeren, drukt u gewoon op de Diffuser-knop op het display, de standaardinstelling hiervoor is SOFT, om een van de andere instellingen te selecteren, drukt u meerdere malen achtereenvolgens op de knop om naar de gewenste selectie om te schakelen. De knop licht wit op wanneer deze ingeschakeld is.

Het wordt aanbevolen om SOFT & MEDIUM-instellingen te gebruiken voor H-Essence.

De instelling CUSTOM kan alleen worden aangemaakt in de hOn-app.

Bij gebruik van H-Biotics **MOET** de instelling op H-Biotics ingesteld worden. Zodra de gebruiker met behulp van de app H-Biotics activeert, geeft dit na 120 uur een melding voor "H-BIOTICS ACTIVEREN" om het gebruik van H-biotics om de 5 dagen te garanderen.



Afb. 9



Afb. 10



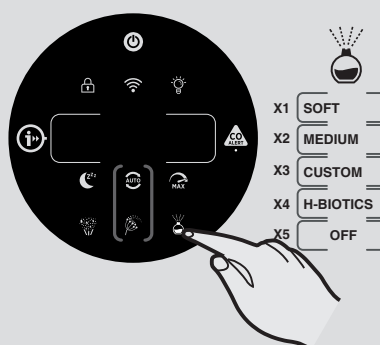
Afb. 11



Afb. 13



Afb. 14



Afb. 14

Wanneer H-Essence in bepaalde instellingen of kameromgevingen wordt gebruikt, kan het GAS VOS-niveau wijzigen vanwege de detectie van de geuren.

De Diffuser-functie werkt alleen, wanneer de led-ring van de luchtkwaliteit een groene kleur heeft. Deze pauzeert, wanneer de led-ring niet groen is en gaat verder met het bedrijf, wanneer de groene kleur terugkeert.

De Diffuser-functie kan alleen gebruikt worden in de AUTO- & MAX-modi en kan niet gebruikt worden in de SLAAPSTAND-modus.

Wanneer de Diffuser-functie in de AUTO-modus wordt geactiveerd, werkt de hoofdventilator met een specifieke snelheid om de H-Essence of de H-Biotics in de kamer te verspreiden.

Instelling	Timing diffusie	Max. duur cyclus
SOFT	gedurende 10 sec om de 5 min	6 uur
MEDIUM	gedurende 90 sec om de 3,5 min	6 uur
CUSTOM	Gedefinieerde gebruiker	6 uur
H-BIOTICS	gedurende 2 min om de 4 min	6 uur

Om de functie uit te schakelen, drukt u op de diffuser-knop totdat UIT op het display verschijnt. Gebruik na elk gebruik van de Diffuser-functie een droge, zachte doek om eventuele resten van de productoppervlakken te verwijderen.

Zie de sectie 'Uw H-Purifier onderhouden' om de fles in de diffusereenheid te vervangen.

LUCHTBEVOCHTIGER-functie: [Afb. 15]

Er zijn 3 verschillende instellingen voor de luchtbevochtiger-functie: MIN, MED & MAX. Om deze functie te activeren, drukt u gewoon op de Luchtbevochtiger-knop op het display, de standaardinstelling voor deze functie is MIN. Om een van de andere instellingen te selecteren, drukt u meerdere malen achtereenvolgens op de knop om naar de gewenste selectie te gaan. De knop licht wit op wanneer deze ingeschakeld is.

MIN - Standaard doel luchtvochtigheid 40%

MED - Standaard doel luchtvochtigheid 55%

MAX - Standaard doel luchtvochtigheid 70%

Alle 3 doelniveaus kunnen in de hOn-app binnen een bereik van 30-80% van de doelvochtigheid aangepast worden.

Om de Luchtbevochtiger-functie uit te schakelen, drukt u op de Luchtbevochtiger)-knop totdat UIT op het display verschijnt.

Als het realtime-vochtigheidsniveau gelijk of hoger is dan het geselecteerde niveau, verschijnt er een bericht op het scherm met de melding 'VOCHT BEREIKT'. Het lampje van de luchtbevochtiger blijft branden.

Het product gaat automatisch in de luchtbevochtigingsmodus wanneer de realtime vochtigheid onder het geselecteerde doelniveau zakt.

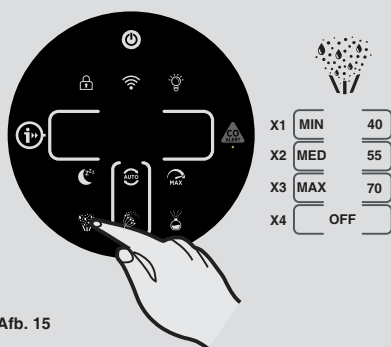
De functie Luchtbevochtiger kan alleen gebruikt worden in de SLAAPSTAND- & AUTO-modi en kan niet gebruikt worden in de MAX-modus.

WAARSCHUWING BIJVULLEN:

Als het waterpeil lager is dan het minimumniveau, zal het display de waarschuwing REFILL WATER weergeven en knipperen. Zie het gedeelte Onderhoud van uw luchtreiniger voor instructies.

Belangrijke nota:

- **Als het product in de Diffuser-modus werkt:** Als de luchtbevochtiger-modus geselecteerd wordt zonder de Diffuser-modus uit te schakelen, zal het product automatisch de modus diffuser stoppen en naar de Luchtbevochtiger-modus overschakelen.
- **Als het product in de Luchtbevochtiger-modus werkt:** Als de Diffuser-modus geselecteerd wordt zonder de Luchtbevochtiger-modus uit te schakelen, zal het product automatisch de Luchtbevochtiger-modus stoppen en naar de Diffuser-modus omschakelen.



Afb. 15

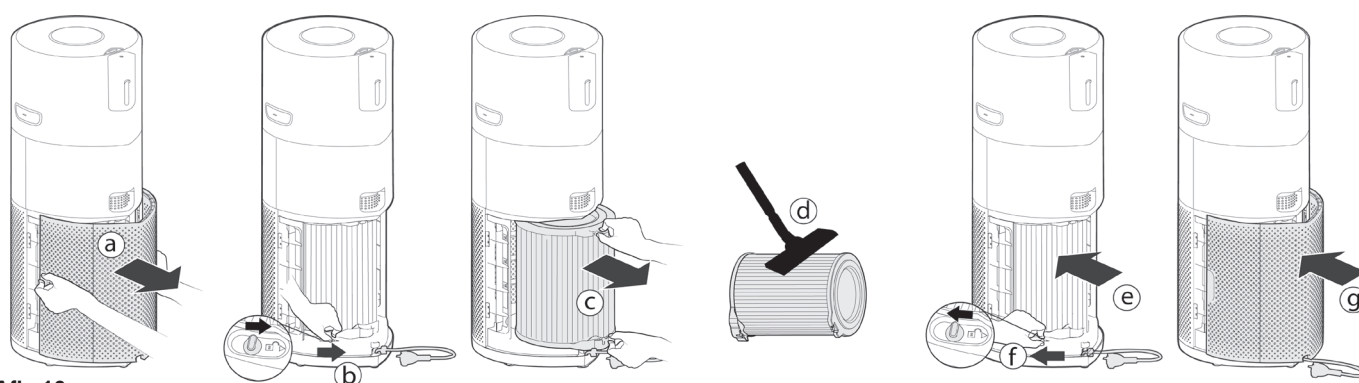
4. ONDERHOUD VAN UW H-PURIFIER

4.1 ONDERHOUD VAN HET FILTER

Uw H-Purifier controleert de status van uw filter. Aan de linkerkant van het scherm verschijnt een waarschuwing **FILTER SCHOONMAKEN OF FILTER VERVANGEN**, dit knippert om aan te geven dat er actie moet worden ondernomen om het filter schoon te maken of te vervangen.

Het filter reinigen/vervangen: [Afb. 16]

- Verwijder de luchtinlaatkap van uw product. [Afb. 16a]
- Ontgrendel de vrijgaveschakelaar van het filter. [Afb. 16b]
- Verwijder het filter van uw product. [Afb. 16c]
- Gebruik een stofzuiger om de uitwendige laag op het filter schoon te maken of vervang het door een NIEUW filter. [Afb. 16d]
- Plaats het filter terug in uw product. [Afb. 16e]
- Vergrendel de vrijgaveschakelaar van het filter. [Afb. 16f]
- Plaats de luchtinlaatkap terug op uw product. [Afb. 16g]
- Sluit uw toestel aan op de stroomvoorziening en schakel het in.
- Druk op de INFORMATIE-knop om de reinigings-/vervangingswaarschuwingen te resetten door de knop 3 seconden ingedrukt te houden, een geluidssignaal geeft aan dat de reset is gelukt. [Afb. 7]



Afb. 16

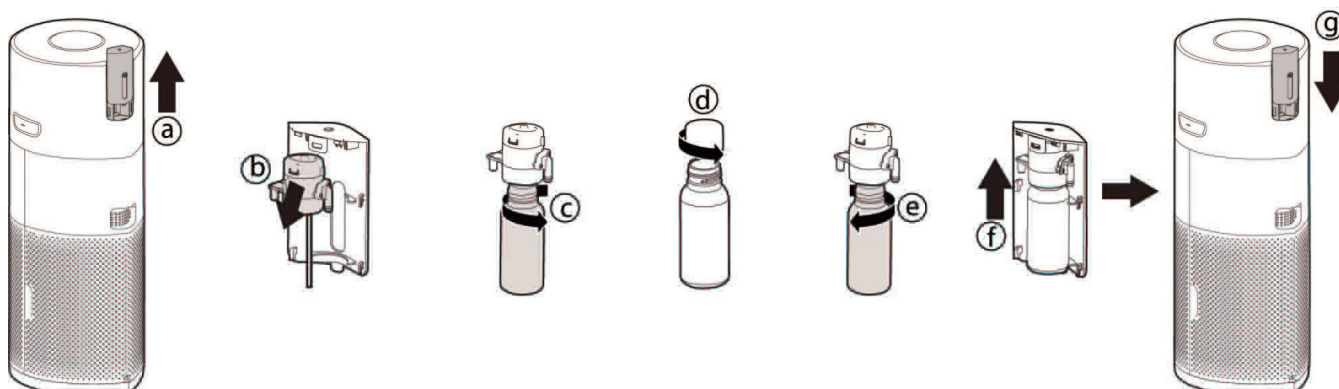
4.2 ONDERHOUD DIFFUSER

Gebruik na elk gebruik van de Diffuser-functie een droge, zachte doek om eventuele resten van de productoppervlakken te verwijderen.

Vervanging Diffuserfles: [Afb. 17]

Het vloeistofvolume in de fles kan gecontroleerd worden via het diffuservenster, indien nodig moet de fles vervangen worden.

- Verwijder de diffuserkap van het product. [Afb. 17a]
- Verwijder de diffusereenheid en -fles van de diffuserkap. [Afb. 17b]
- Schroef de lege fles los en verwijder deze. [Afb. 17c]
- Haal de nieuwe fles H-Essence of H-Biotics uit de verpakking en verwijder de dop. [Afb. 17d]
- Schroef de nieuwe fles stevig vast op de diffusereenheid. [Afb. 17e]
- Plaats de diffusereenheid terug in de diffuserkap. [Afb. 17f]
- Plaats de diffuserkap terug in de H-luchtreiniger. [Afb. 17g]



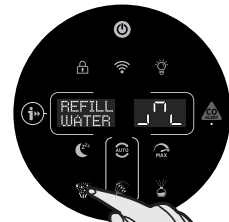
Afb. 17

4.3 ONDERHOUD LUCHTBEVOCHTIGER

Waarschuwing watertank bijvullen:

Voor het bedrijf van de bevochtiger is een minimale hoeveelheid water vereist. Als het waterpeil lager is dan het minimumniveau, zal het display de waarschuwing REFILL WATER weergeven en knipperen. Er kan restwater in de watertankbehuizing zitten. De melding wordt vanwege het vereiste minimale waterniveau desondanks getoond.

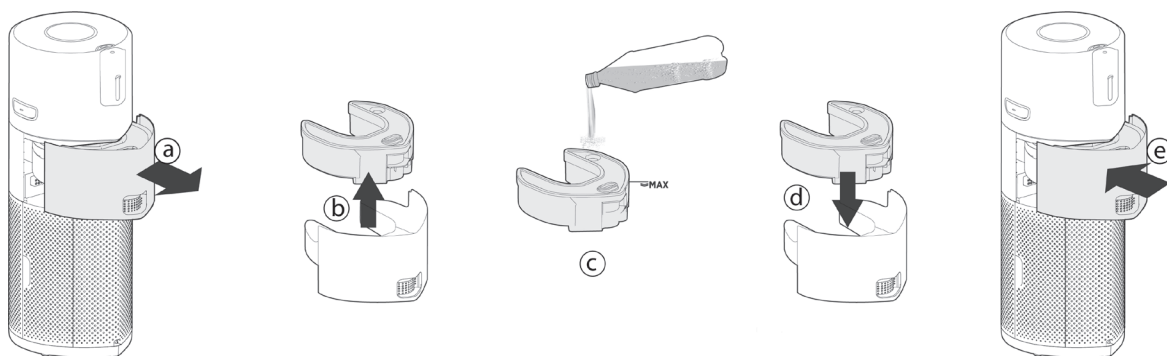
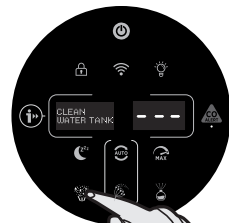
- Verwijder de tankbehuizing van het product. [Afb. 18a]
- Verwijder de tank uit de tankbehuizing. [Afb. 18b]
- Verwijder het restwater en vul de tank met gedestilleerd water door de watertankinlaat tot aan de MAX-lijn op de tank. [Afb. 18c]
- Plaats de tank terug in de tankbehuizing. [Afb. 18d]
- Plaats de watertankbehuizing terug in het product. [Afb. 18e]



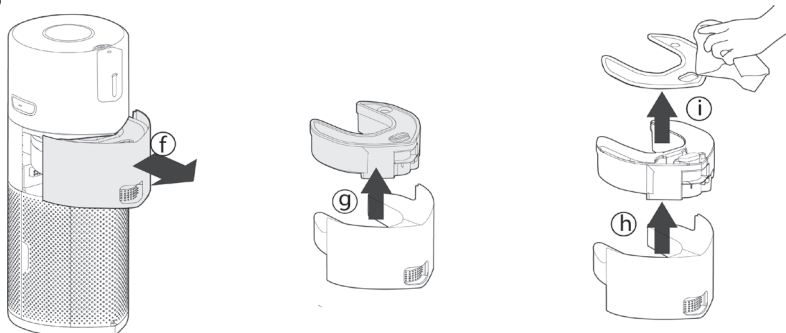
Waarschuwing reiniging watertank:

Uw H-Purifier controleert de status van de tank van uw bevochtiger. Na 72 uur vanaf de laatste activering van de bevochtigerfunctie knippert de waarschuwing CLEAN WATER TANK, als er nog steeds water in de tank zit. Deze verschijnt aan de linkerkant van het display en geeft aan dat er actie nodig is om de watertank te reinigen.

- Verwijder de behuizing van de watertank, de watertank en het deksel van de watertank en reinig ze alle drie grondig en droog ze volledig af met een zachte, droge doek. [Afb. 18g,h,i]
- Zet de onderdelen van de watertank weer in elkaar en vul opnieuw tot de MAX-lijn met gedestilleerd water.
- Controleer of het product is ingeschakeld, voordat u de tank er weer insteekt.
- Plaats de watertankbehuizing terug in het product. [Afb. 18e]

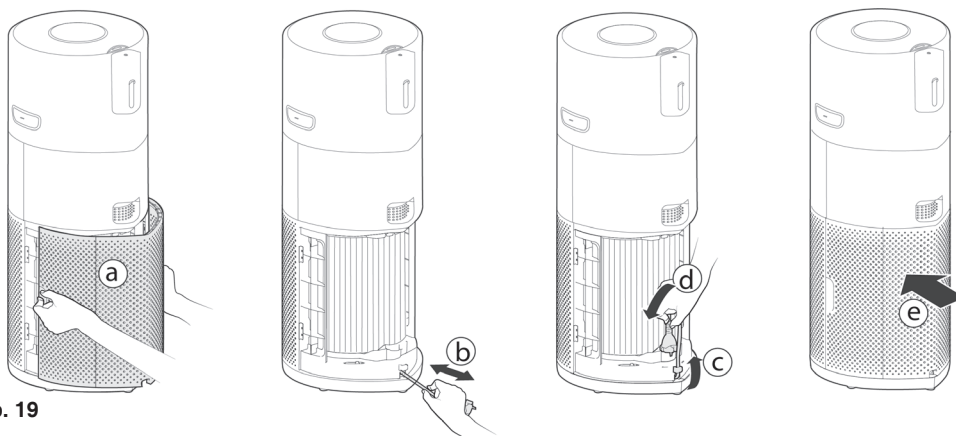


Afb. 18



5. OPSLAG VAN UW H-PURIFIER

1. Schakel de H-Purifier uit en trek de stekker van het stroomsnoer uit het stopcontact.
2. Reinig alle interne en externe oppervlakken van de H-Purifier, de externe laag van het filter, de watertank.
3. Haal de fles uit de diffuser. Plaats de originele dop terug op de fles en bewaar deze ter bescherming tegen direct licht. Maak de oppervlakken van de diffusereenheid en de diffuserkap schoon. Zorg ervoor dat er geen resten van H-Essence of H-Biotics op enig oppervlak van de H-Purifier achterblijven.
4. Zorg ervoor dat alle onderdelen droog zijn.
5. Verwijder het deksel van de luchtinlaat [afb. 19a], rol het netsnoer in door aan het snoer te trekken [afb. 19b], plaats het snoer in de opberghaak en steek de plug in de transportlocatie. [Afb. 19c,d] Plaats het luchtinlaatdeksel terug. [Afb. 19e]
6. Bewaar de H-Purifier op een koele, droge plaats.



Afb. 19

6. WAARSCHUWINGEN & OPLOSSINGEN

Tijdens het gebruik kunnen de volgende codes verschijnen. [Afb. 20]



Afb. 20

Waarschuwing		Beschrijving waarschuwing	Oplossing
Waarschuwing op product	Waarschuwing op app		
"CLEAN FILTER"	Waarschuwing voorfilter reinigen	Stelt voor om de externe laag van het filter te reinigen.	1. Reinig de externe laag van het filter. 2. Reset de waarschuwing door de INFORMATIE-knop gedurende 3 sec ingedrukt te houden. Zie 4.1 ONDERHOUD FILTER
"REPLACE FILTER"	Waarschuwing filter vervangen	Stelt voor om het filter te vervangen.	1. Vervang het filter. 2. Reset de waarschuwing door de INFORMATIE-knop gedurende 3 sec ingedrukt te houden. Zie 4.1 ONDERHOUD FILTER
"FILTER MISSING"	Fout: er is een fout opgetreden met de luchtreiniger. Controleer de mogelijke oplossingen	Filter zit niet op zijn plaats of is niet correct vergrendeld	1. Als het filter niet aanwezig is, plaats het dan terug. 2. Als het filter op zijn plaats zit, controleer dan of de vrijgaveschakelaar van het filter in de LOCK-status geschakeld is. Zie 2.1 HET FILTER INSTALLEREN
"NO WATER TANK"	Fout: er is een fout opgetreden met de luchtreiniger. Controleer de mogelijke oplossingen	Watertank of tankbehuizing is niet aanwezig.	Zet de watertank en de tankbehuizing terug.
"CLEAN WATER TANK"	Het water in de tank dient te worden ververs	Er zijn 3 dagen verstreken, nadat de bevochtiger voor het laatst is gebruikt. De tank/behuizing dienen te worden gereinigd en het water dient te worden ververs om hygiëneredenen.	1. Schakel het product uit. 2. Verwijder de tank/behuizing, reinig het interne oppervlak van iedere component en vul bij. 3. Schakel het product in. 4. Zet de tank/behuizing terug. Zie 4.3 ONDERHOUD BEVOCHTIGER
"REFILL WATER"	Fout: er is een fout opgetreden met de luchtreiniger. Controleer de mogelijke oplossingen	Er zit geen water in de tank of het resterende water is onvoldoende voor het bedrijf van de bevochtiger.	Vul de tank met gedistilleerd water tot aan de MAX-lijn.
"PM SENSOR ERROR"	/	PM-sensor werkt niet goed	Storing van PM-sensor of draad van sensor is niet goed aangesloten, bel het servicecentrum om dit te repareren.
CO-waarschuwing led is geel	Fout: er is een fout opgetreden met de luchtreiniger. Controleer de mogelijke oplossingen	Storing van CO-sensor of CO-sensor heeft zijn gebruikslevensduur overschreden.	Bel het servicecentrum om dit te repareren.
Automatically switched off without any alert	Product valt	Valbeveiliging voor product	1. Als het product valt en er water gemorst wordt, haal dan de stekker uit het stopcontact en wacht 48 uur voordat u het product weer inschakelt. 2. Als het product valt zonder dat er water gemorst wordt, raapt u het product op en raakt u de aan/uit-knop aan om het in te schakelen.
/	Fout: er is een fout opgetreden met de luchtreiniger. Controleer de mogelijke oplossingen	Motorstoring	Motorstoring of motordraad is niet goed aangesloten, bel het servicecentrum om dit te verhelpen.
"TEMP. & HUMI. SENSOR ERROR"	/	Temperatuur- en vochtigheidssensor hebben een storing	Storing van temperatuur- en vochtigheidssensor of draad van sensor is niet goed aangesloten, bel het servicecentrum om dit te repareren.
"PAUSE"	/	De werking van de diffuser pauzeert, wanneer de led-ring van de luchtkwaliteit niet groen is.	Geen actie nodig. De diffuser werkt weer, wanneer de led-ring van de luchtkwaliteit groen is.

WAARSCHUWING: Indien één van deze storingen voortduurt, neem dan contact op met uw lokale Hoover vertegenwoordiger. Probeer de H-Purifier NIET zelf te demonteren.

7. PROBLEEM OPLOSSEN

De volgende lijst is een lijst van algemeen gevonden problemen en oplossingen.

Als een van deze problemen blijft bestaan, neem contact op met uw plaatselijk Hoover verkooppunt.

De ventilator werkt niet (Besturingspaneel / Display licht aan)	<ul style="list-style-type: none"> Controleer de waarschuwing op het display of in de app. Als die er is, zie dan 6. WAARSCHUWINGEN EN OPLOSSINGEN. Controleer of er obstakels in de ventilator zijn. Als die er zijn, haalt u eerst de stekker van het product uit het stopcontact en verwijdert u het obstakel, of belt u het servicecentrum om het te verwijderen. Controleer of de H-Purifier ingeschakeld is. Controleer of het filter correct is geïnstalleerd en in de vergrendelde toestand staat. Controleer of de H-Purifier volledig rechtop staat en nergens op leunt. De H-Purifier kan in de ECO-modus staan. Druk op de Slaapstand-MODUS knop of de MAX-modus knop om de ECO-modus te verlaten. Zie 3. UW H-PURIFIER GEBRUIKEN – AUTO-MODUS.
De ventilator werkt niet (Besturingspaneel / Display lichten uit)	<ul style="list-style-type: none"> Controleer of de H-Purifier aangesloten en ingeschakeld is. Controleer de waarschuwing in de app. Als die er is, zie dan 6. WAARSCHUWINGEN EN OPLOSSINGEN.
Geen lampjes op het Besturingspaneel / Display (Ventilator werkt)	<ul style="list-style-type: none"> In de SLAAPSTAND-modus is de standaardinstelling van de lampjes uit. U kunt op de knop Bediening Licht drukken om de lampjes in te schakelen. De lampjes kunnen uitgeschakeld zijn. Druk op de knop Bediening Licht om de lampjes in te schakelen. Refer to 3.UW H-PURIFIER GEBRUIKEN – SLAAPSTAND-MODUS / Functie CONTROLE VERLICHTING.
Knoppen op het besturingspaneel werken niet	<ul style="list-style-type: none"> Het kinderslot kan zijn geactiveerd. U kunt gedurende 3 seconden op de knop KINDERSLOT drukken en deze ingedrukt houden om dit te verlaten. Zie 3. UW H-PURIFIER GEBRUIKEN – Functie KINDERSLOT.
Luchtstroom is zwak	<ul style="list-style-type: none"> Controleer of de beschermende verpakking van het filter verwijderd is. Controleer of er obstructies zijn in de luchtinlaatkap of in de luchtuitlaat. Verwijder de luchtinlaatklep en controleer de toestand van het filter. Reinig de externe laag of vervang het filter, indien nodig. U kunt de status van de filterlevensduur controleren op het display door op de knop Informatie te drukken. Controleer of de H-Purifier in de SLAAPSTAND-modus staat. De ventilator werkt in deze modus op verminderd vermogen.
H-Purifier werkt luid	<ul style="list-style-type: none"> Controleer of er obstakels in de H-Purifier zijn. Controleer of de H-Purifier in MAX-modus staat. De ventilator werkt in deze modus op maximaal vermogen.
H-Purifier werkt plotseling luid	<ul style="list-style-type: none"> Controleer of de H-Purifier in de AUTO-modus werkt en of de led-ring voor de luchtkwaliteit niet groen is. In de AUTO-modus past de H-Purifier automatisch de ventilatorsnelheid aan het werkelijke kwaliteitsniveau van de binnenlucht aan. Zie 3. UW H-PURIFIER GEBRUIKEN – AUTO-MODUS.
De H-Purifier laat plotseling een luide zoemer horen	<ul style="list-style-type: none"> De testfunctie van de CO-alarmknop wordt geactiveerd door een verkeerde bediening. Het geluid stopt automatisch na 5 seconden. Zie 1.2 WAARSCHUWING KOOLMONOXIDE (CO)
De waarschuwing "CLEAN WATER TANK" kon niet worden gereset	<ul style="list-style-type: none"> Schakel de H-Purifier in na het reinigen van de watertank/behuizing en het bijvullen. Steek de behuizing er niet in totdat het display "NO WATER TANK" toont.

BELANGRIJKE INFORMATIE

Originele reserveonderdelen en toebehoren van Hoover

Gebruik uitsluitend originele reserveonderdelen van Hoover. Deze zijn verkrijgbaar bij uw Hoover dealer. Als u onderdelen bestelt, vermeld dan altijd het modelnummer.

KWALITEIT

De fabrieken van Hoover zijn op onafhankelijke wijze getest op kwaliteit. Onze producten worden vervaardigd aan de hand van een kwaliteitssysteem dat voldoet aan de vereisten van ISO 9001.

JOUW GARANTIE

De garanti voorwaarden voor dit toestel worden bepaald door onze vertegenwoordiger in het land waar het toestel wordt verkocht. Details omtrent deze voorwaarden zijn verkrijgbaar bij de dealer waar u het toestel hebt gekocht. Wanneer u aanspraak wilt maken op deze garantie, dan moet u het verkoop- of ontvangstbewijs voorleggen.

Wijzigingen zijn zonder voorafgaande kennisgeving mogelijk.

AVISOS GERAIS DE SEGURANÇA

Este aparelho deve ser utilizado apenas para fins domésticos, conforme descrito neste guia do utilizador. Certifique-se de que este guia é totalmente entendido antes de utilizar o aparelho e guarde-o para futura referência.

Verifique se a tensão e as classificações nominais indicadas no rótulo do aparelho correspondem à tensão de alimentação local antes de ligar o aparelho.

Se o cabo de alimentação estiver danificado deixe de utilizar o aparelho imediatamente. Para evitar um risco de segurança, o cabo de alimentação deve ser substituído por um técnico de assistência autorizado da Hoover.

Não retire a ficha ao puxar pelo cabo de alimentação.

Coloque o cabo de alimentação de forma a que ninguém possa calcá-lo ou tropeçar no mesmo.

Desligue sempre o aparelho e retire da tomada antes de deslocar ou limpar o aparelho ou efetuar qualquer tarefa de manutenção.

Este aparelho pode ser utilizado por crianças com idade igual ou superior a 8 anos e por pessoas com capacidades mentais, sensoriais e físicas reduzidas ou sem experiência e conhecimento caso lhes sejam fornecidas instruções e supervisão relativas à utilização do aparelho de modo seguro e caso compreendam os perigos envolvidos. As crianças não devem brincar com o aparelho.

A limpeza e a manutenção não devem ser efetuadas por crianças sem supervisão.

O aparelho não remove o monóxido de carbono (CO) ou rádio (Rn). Não pode ser utilizado como dispositivo de segurança em caso de acidentes com processos de combustão e químicos perigosos.

Não continue a utilizar o aparelho se este parecer defeituoso.

Não bloqueie a entrada de ar ou a saída de ar.

Não introduza os seus dedos ou objetos na saída ou entrada de ar para impedir ferimentos físicos ou a avaria do aparelho.

Não limpe o aparelho com água, qualquer outro líquido ou um detergente (inflamável) nem permita que entrem para o aparelho para evitar o choque elétrico e/ou um risco de incêndio.

Não pulverize quaisquer materiais inflamáveis, tais como inseticidas ou fragrância, em redor do aparelho.

Este aparelho não é um substituto de uma ventilação apropriada, aspiração habitual, ou utilização de um exaustor ou ventoinha enquanto cozinha.

Utilize exclusivamente consumíveis, filtros ou peças sobresselentes recomendados ou fornecidos pela HOOVER.

Certifique-se de que o filtro está instalado corretamente antes de ligar o aparelho.

Evite bater contra o aparelho (em particular, na entrada e saída de ar) com objetos duros.

Mantenha o produto seco.

Nunca incline ou esvazie o produto durante o funcionamento.

Quando o aparelho não é utilizado durante um longo período, poderão crescer bactérias nos filtros. Verifique os filtros após um longo período de inutilização. Se os filtros estiverem muito sujos, substitua-os.

Assistência da Hoover: Para assegurar o funcionamento seguro e eficiente deste aparelho, recomendamos que todas as intervenções de assistência ou reparação sejam efetuadas apenas por um técnico de assistência autorizado da Hoover.

AMBIENTE DE UTILIZAÇÃO

Coloque e utilize o produto apenas numa superfície horizontal seca, estável e nivelada, para que esteja excluída a queda.

Deixe pelo menos, 20 cm de espaço livre atrás e em ambos os lados do aparelho e deixe pelo menos, 30 cm de espaço livre por cima do aparelho.

Para impedir a interferência, coloque o aparelho pelo menos 2 m afastado de aparelhos elétricos que utilizem ondas de rádio transmitidas pelo ar, como televisões, rádios, e relógios controlados por rádio.

Não coloque nada sobre o aparelho.

Não utilize este aparelho quando utilizar repelentes de insetos com fumo no interior ou em locais com resíduos oleosos, incenso a arder ou fumos químicos.

Não coloque o aparelho em nenhuma das seguintes localizações:

- Em superfícies quentes, perto de superfícies quentes, incêndios abertos ou luz solar direta, perto de aparelhos de gás, dispositivos de aquecimento ou lareiras;
- Junto de ou diretamente sobre aquecedores ou aberturas de ar condicionado, portas, janelas, exaustores, fogões ou em qualquer outro local onde seria afetado por correntes de ar;
- Numa casa de banho ou noutras áreas onde o produto poderá ser exposto a salpicos de água, gotejamento ou condensação (por ex., diretamente abaixo do ar condicionado ou sobre uma chaleira elétrica);
- Num espaço fechado (por ex., dentro ou por baixo de um armário);
- Numa área onde a temperatura poderá descer abaixo dos $-20\text{ }^{\circ}\text{C}$ ou subir acima dos $50\text{ }^{\circ}\text{C}$;
- Num compartimento com grandes alterações de temperatura, em ambientes húmidos ou ambientes com elevadas temperaturas ou humidade elevada, como a casa de banho, balneários ou cozinha;
- Onde ficaria obstruído, por ex., por cortinas ou mobília;
- Em locais onde a sujidade ou o pó poderiam bloquear o sensor.

INSTRUÇÕES DE SEGURANÇA DO MONITOR DE CO

Se o alarme CO for ativado, deve abrir todas as janelas e portas (se for seguro fazê-lo). Desligue todos os aparelhos que queimam combustível, se possível, e, em seguida evacue a propriedade deixando as janelas e portas abertas. Obtenha assistência médica imediatamente para qualquer pessoa que sofra os efeitos de envenenamento por monóxido de carbono. Não volte a entrar na propriedade até o alarme parar. O alarme irá parar quando o CO desaparecer. Não utilize aparelhos que queimam combustível novamente até a fonte de CO ter sido localizada e retificada por um técnico qualificado.

Evite utilizar tinta, aglutinantes, fumos de solventes, ambientadores, sprays aerossóis ou produtos de limpeza químicos próximo do aparelho. Isto poderá afetar o funcionamento do CO Monitor.

Para ativar o CO Monitor, ligue a ficha a uma tomada. O Led de alerta de CO muda para verde. Quando o CO Monitor detetar um nível inseguro de CO, o alarme de CO irá soar ruidosamente e o botão CO Alert e o LED ring de qualidade do ar piscará a vermelho. O alarme continuará a soar até o CO detetado ser reduzido para um nível seguro.

Toque no botão [CO Alert] durante 3 segundos para testar a função de Alarme de CO e o alarme soará ruidosamente durante 5 segundos. Teste o alarme mensalmente e pós uma ausência prolongada do edifício (por ex., depois das férias). Se o alarme não soar depois de tocar no botão [CO Alert] durante 3 segundos, contacte o centro de apoio ao cliente da Hoover para agendar a reparação da avaria com um técnico qualificado.

Se o visor indicar que o sensor de CO está avariado ou que o fim da vida útil foi alcançado, contacte o centro de apoio ao cliente da Hoover para agendar a substituição do sensor de CO com um técnico qualificado. A vida útil prevista do sensor de CO é de 7 anos e tem de ser substituído após este período.

Não permita que crianças pequenas primam o botão CO Alert durante 3 segundos, uma vez que poderão estar sujeitas a um ruído excessivo aquando o alarme soar.

Humidade de funcionamento: 15 – 90% RH

Temperatura de funcionamento: $0\text{ }^{\circ}\text{C}$ a $+40\text{ }^{\circ}\text{C}$

O monóxido de carbono afeta o corpo ao esgotar (sufocar) o oxigénio de órgãos críticos. Quando o CO é inalado, liga-se à hemoglobina no sangue que normalmente transporta oxigénio pelo corpo. O CO remove permanentemente a capacidade das moléculas de oxigénio de se ligarem à hemoglobina, reduzindo assim o oxigénio dos órgãos vitais. O nível de concentração e o tempo exposto ao CO podem variar os seus efeitos no corpo, mas os especialistas concordam que mesmo níveis baixos de exposição ao monóxido de carbono ao longo de períodos prolongados pode ter efeitos graves e duradouros na saúde geral de uma pessoa.

ATENÇÃO: O ALARME CO DESTINA-SE A PROTEGER AS PESSOAS CONTRA OS EFEITOS AGUDOS DA EXPOSIÇÃO AO MONÓXIDO DE CARBONO OU IMPEDIR OS EFEITOS CRÓNICOS DA EXPOSIÇÃO AO MONÓXIDO DE CARBONO. NÃO IRÁ SALVAGUARDAR NA ÍNTEGRA AS PESSOAS COM CONDIÇÕES MÉDICAS ESPECÍFICAS. EM CASO DE DÚVIDA, CONSULTE UM PROFISSIONAL DE SAÚDE.

A função CO Monitor não deverá ser utilizada como, nem se deverá implicar a sua utilização como substituto para um EN 50291-1, UL-2034, CSA-6.19 ou qualquer outro alarme de monóxido de carbono certificado por norma reconhecida onde os códigos locais ou regionais ou a legislação estipulem a sua utilização. A função CO Monitor é apenas um dispositivo de monitorização do monóxido de carbono suplementar. A utilização deste dispositivo fica ao critério do utilizador e implica a compreensão e aceitação das suas limitações em aderir aos códigos ou legislação, quando aplicável.

Este aparelho não deve ser utilizado como substituto à instalação, utilização e manutenção corretas de aparelhos de queima de combustível, incluindo sistemas de exaustão e ventilação apropriados.

As notificações móveis e no tablet do CO Monitor exigem uma ligação Wi-Fi funcional para funcionarem. Não são um substituto de um serviço de monitorização de emergência de terceiros.

INSTRUÇÕES DE SEGURANÇA DO DIFUSOR

Utilize apenas o óleo aromático recomendado ou fornecido pela HOOVER.

Evite utilizar o humidificador autónomo junto do purificador de ar quando utilizar a função de difusor do H-Essence.

Limpe qualquer derrame do H-Essence imediatamente. Certifique-se de que limpa todos os cantos do produto que tenham estado em contacto com o H-Essence.

INSTRUÇÕES DE SEGURANÇA DO HUMIDIFICADOR

Limpe o depósito de água a cada 3 dias.

Utilize apenas água destilada para encher o depósito de água. Não encha com outro tipo de água, como água da torneira, água mineral, água do rio, entre outros tipos.

A água no depósito de água não é adequada para beber. Não beba esta água e não a utilize para dar a animais ou regar plantas. Quando esvaziar o depósito de água, verta a água pelo esgoto.

Não coloque quaisquer substâncias, para além de água destilada, no depósito de água.

Não coloque quaisquer líquidos com fragrâncias/perfume ou H-Essence no depósito de água.

Esvazie o depósito e o alojamento e reabasteça a cada três dias.

Antes de reabastecer, limpe o depósito e o alojamento com água da torneira nova. Remova qualquer calcário, depósitos ou película que se tenham formado nas partes laterais do depósito ou nas superfícies interiores e limpe todas as superfícies.

Desligue o aparelho durante o enchimento e a limpeza.

Esvazie e limpe o humidificador antes de armazenar. Limpe o humidificador antes da próxima utilização.

Nunca deixe água no depósito de água e alojamento do depósito quando o aparelho não estiver a ser utilizado.

Não permita que a área em redor do humidificador fique molhada ou húmida. Se ocorrer humidade, vire a saída do humidificador para baixo e utilize o humidificador de forma intermitente. Não permita que os materiais absorventes, tais como carpetes, cortinas, cortinados ou toalhas fiquem húmidos.

Se for necessário mover o aparelho, em primeiro lugar, desligue-o da fonte de alimentação. Em seguida, esvazie ou remova o depósito de água. Transporte o aparelho na vertical pelas pegas em ambos os lados do aparelho.

Evite utilizar um dispositivo autónomo que liberte ou pulverize óleo aromático junto do purificador de ar quando utilizar a função de humidificador.

Tenha em atenção que níveis de humidade elevados podem incentivar o crescimento de organismos biológicos no ambiente.

ATENÇÃO: Os microrganismos que poderão estar presentes na água ou no ambiente no qual o aparelho é utilizado ou armazenado, podem crescer no reservatório de água e ser propagados para o ar, causando riscos para a saúde muito graves quando a água não é renovada e o depósito não é limpo corretamente a cada 3 dias.



Ambiente

Este electrodoméstico está marcado de acordo com o disposto na directiva europeia 2012/19/EU relativa aos resíduos de equipamentos eléctricos e electrónicos (REEE). Ao garantir que este produto é eliminado de forma correcta, estará a contribuir para evitar potenciais consequências negativas para o ambiente e a saúde humana, o que pode ocorrer devido a um tratamento inadequado dos resíduos deste produto.



O símbolo no aparelho indica que este não pode ser tratado como resíduo doméstico. Pelo contrário, deve ser encaminhado para o ponto de recolha aplicável para reciclagem de equipamento eléctrico e electrónico. A eliminação deve ser realizada em conformidade com as leis ambientais locais relativas à eliminação de resíduos. Para obter informações mais detalhadas sobre o tratamento, recuperação e reciclagem deste produto, contacte as autoridades locais, o serviço de eliminação de resíduos domésticos ou a loja onde adquiriu o produto.

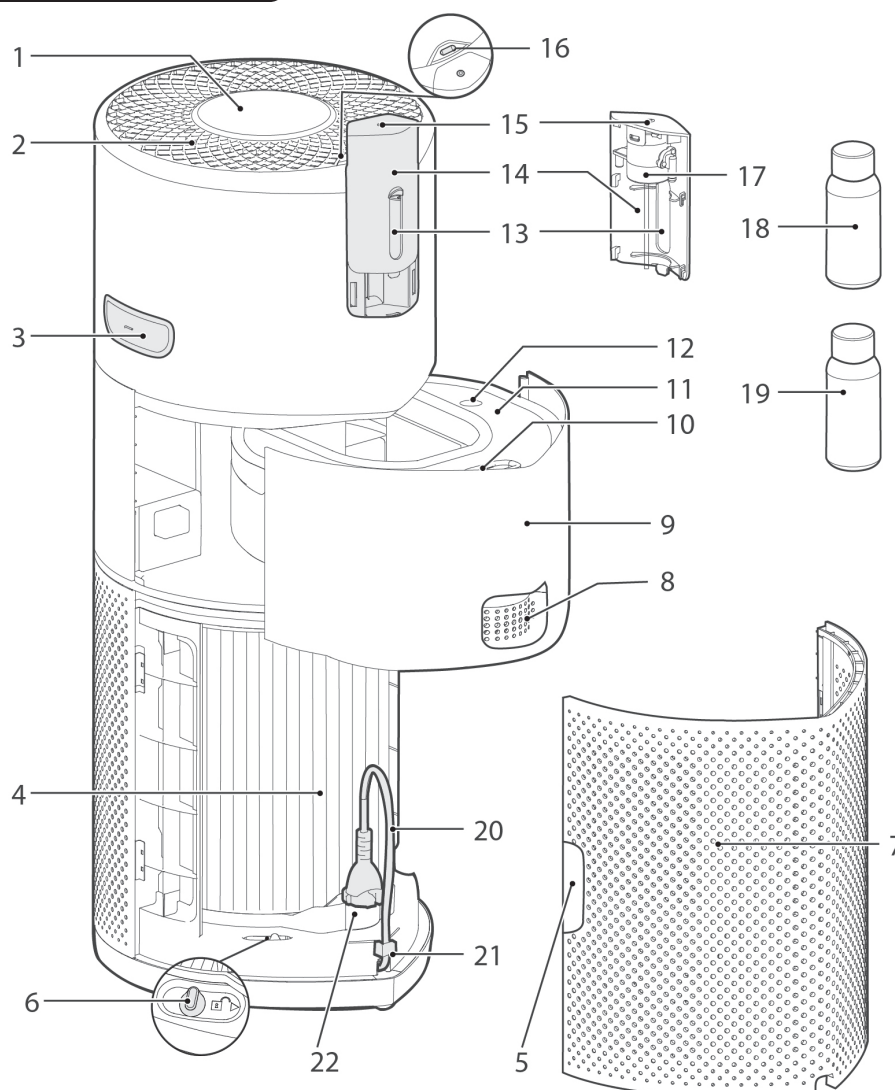
Parâmetros sem fios para o emparelhamento

Tecnologia	Wi-Fi	Bluetooth
Standard	IEEE 802.11 b/g/n	Bluetooth v4.2, BLE
Banda(s) de frequência (MHz)	2401-2483	2402-2480
Potência máxima (mW)	100	10
Potência de RF máxima transmitida na banda de frequência	18.9 dBm	

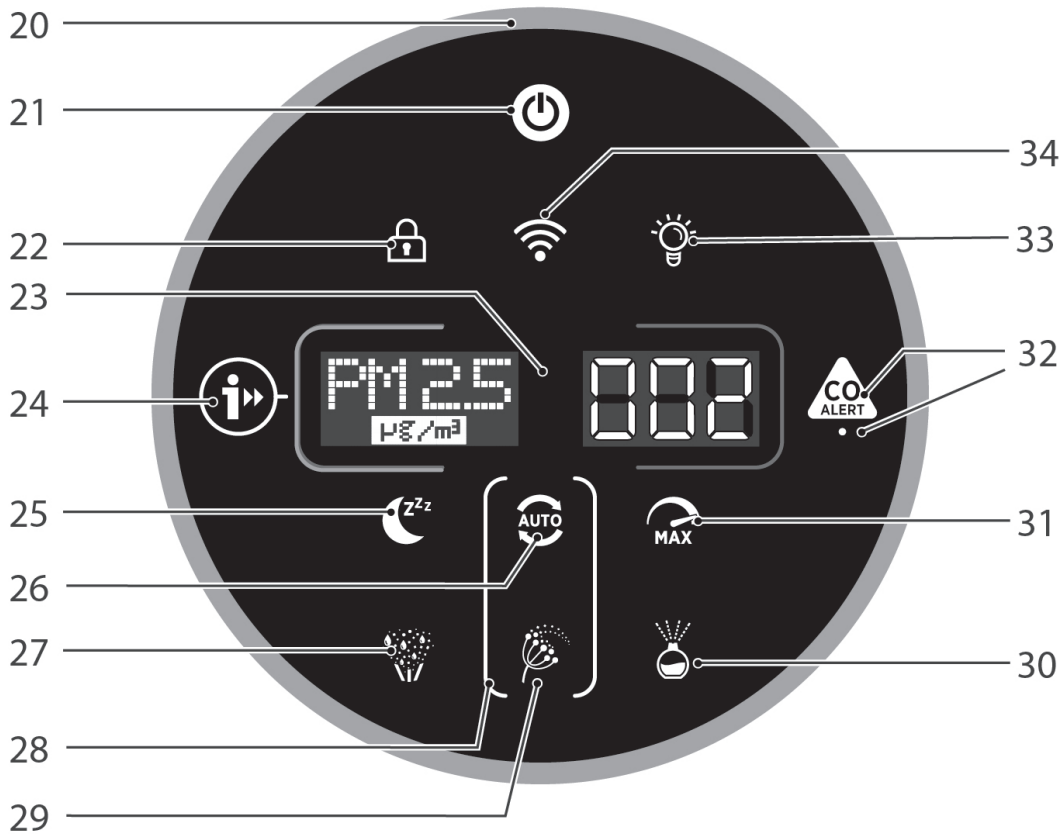
Desta forma, a Candy Hoover Group Srl declara que o equipamento de rádio está em conformidade com a Directiva 2014/53/UE. O texto completo da declaração de conformidade da UE está disponível no seguinte endereço de Internet: www.candy-group.com

CANDY HOOVER GROUP S.r.l. Via Privata Eden Fumagalli, 20861 Brugherio (MB) Italy

1. CONHECER O SEU H-PURIFIER



1	Painel de controlo / Ecrã	9	Alojamento do depósito do humidificador	16	Saída do humidificador
2	Saída de ar	10	Depósito de água do humidificador	17	Unidade do difusor
3	Pega de transporte do produto	11	Tampa do depósito de água do humidificador	18	Frasco H-Essence (Verde)
4	Conjunto do filtro	12	Entrada do depósito de água do humidificador	19	Frasco H-Biotics (Castanho)
5	Pega da tampa de entrada de ar	13	Janela do difusor	20	Cabo de alimentação e ficha
6	Interruptor de desengate do filtro	14	Tampa do difusor	21	Gancho de arrumação
7	Tampa de entrada de ar	15	Saída do difusor	22	Local de transporte



20	LED ring de qualidade do ar	25	Botão do modo de repouso	30	Botão do difusor
21	Botão de ligar/desligar	26	Botão do modo automático	31	Botão do modo máx
22	Botão de bloqueio para crianças	27	Botão do humidificador	32	Botão CO Alert e LED
23	Visor digital	28	Luz circular de alergia ao pólen	33	Botão de controlo da luz
24	Botão de informações	29	Luz de alergia ao pólen	34	Botão de Wi-Fi

1.1 SISTEMA MULTI SENSOR

Graças ao Sistema Multi Sensor, o seu produto irá monitorizar continuamente o estado do ar interior em termos de PM10, PM2,5 e compostos orgânicos voláteis (GÁS).

Sempre que liga o seu produto, o Sistema Multi Sensor começará por analisar o ar interior e o LED Ring de qualidade do ar irá acender-se com diferentes cores representando o estado de qualidade do ar em tempo real.

Cor do LED Ring de qualidade do ar	Qualidade do ar interior	Valor PM 10* µg/m³	Valor PM 2,5 µg/m³	Nível VOC GÁS
VERDE	Excelente	0-50	0-25	L1
AMARELO	Satisfatório	50-80	25-50	L2
LARANJA	Fraco	80-160	50-100	L3
VERMELHO	Muito fraco	≥ 160	≥ 100	L4

* No modo Alergia ao pólen, os valores PM 10 que acionam o nível de qualidade do ar serão inferiores para minimizar o risco para pessoas alérgicas.



1.2 ALERTA DE MONÓXIDO DE CARBONO (CO)

O H-Purifier está equipado com um sistema de alertar que irá monitorizar constantemente o ar interior para verificar a presença de monóxido de carbono (CO).

Quando o alarme de monóxido de carbono é ativado, os botões LED Ring de qualidade do ar, Informações e CO Alert piscarão a vermelho em simultâneo e soará um alarme sonoro. O alarme continuará em operação até a concentração de monóxido de carbono (CO) ser reduzida para menos de 50 ppm, a não ser que seja silenciado manualmente ao premir o botão CO Alert durante 3 segundos.

O LED de CO Alert mostra a condição de funcionamento do **sensor de CO**. É apresentado a verde quando o sensor de CO está no estado normal, a amarelo quando o sensor está avariado ou excede a sua vida útil e a vermelho quando o CO Alert é ativado.

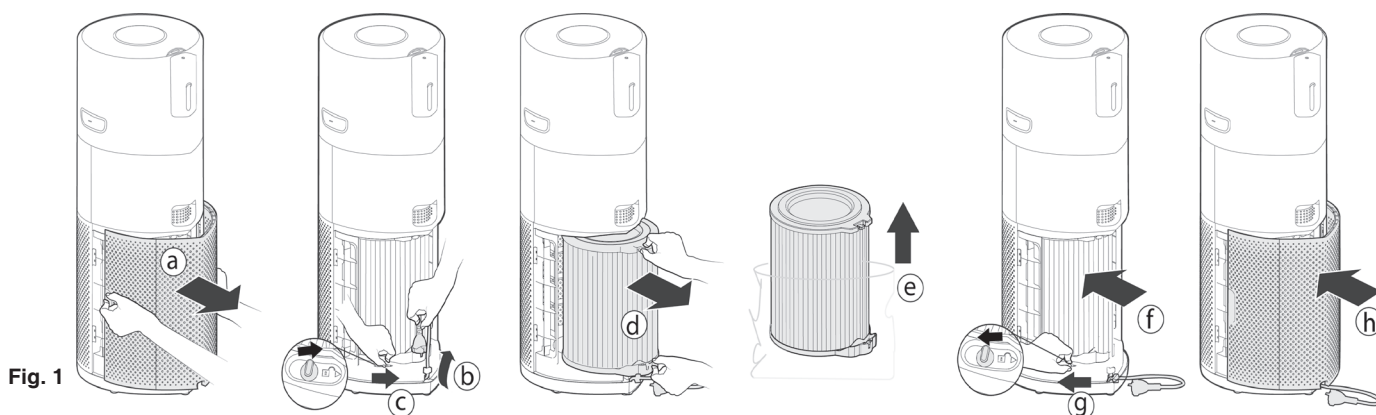
Pode testar se o alarme está a funcionar corretamente ao premir o Botão CO Alert durante 3 segundos. Será emitido um sinal sonoro alto durante 5 segundos se o alarme funcionar corretamente.

2. PREPARAR O SEU H-PURIFIER

2.1 INSTALAR O FILTRO [Fig. 1]

Antes de utilizar o seu produto H-Purifier, terá de remover o filtro da sua embalagem de proteção:

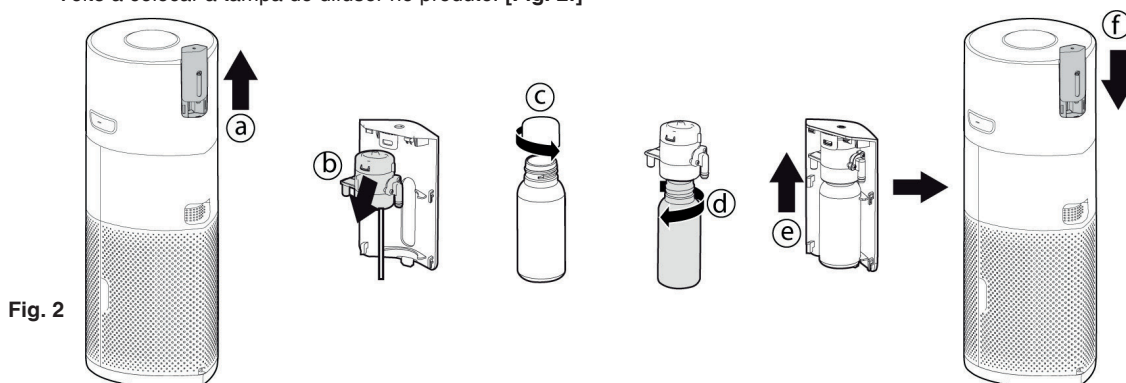
- Remova a tampa de entrada de ar do seu produto, agarre nas duas pegas da tampa de entrada de ar e puxe-as do produto. [Fig. 1a]
- Remova a ficha do local de transporte e solte o cabo do gancho de armazenamento. [Fig. 1b]
- Desbloqueie o interruptor de desengate do filtro. [Fig. 1c]
- Remova o filtro do seu produto e remova a embalagem exterior. [Fig. 1d,e]
- Volte a colocar o filtro no seu produto. [Fig. 1f]
- Bloqueie o interruptor de desengate do filtro. [Fig. 1g]
- Volte a colocar a tampa de entrada de ar no seu produto. [Fig. 1h]



2.2 INSTALAR O FRASCO DIFUSOR [Fig. 2]

Para preparar o seu produto H-Purifier para a função de difusor:

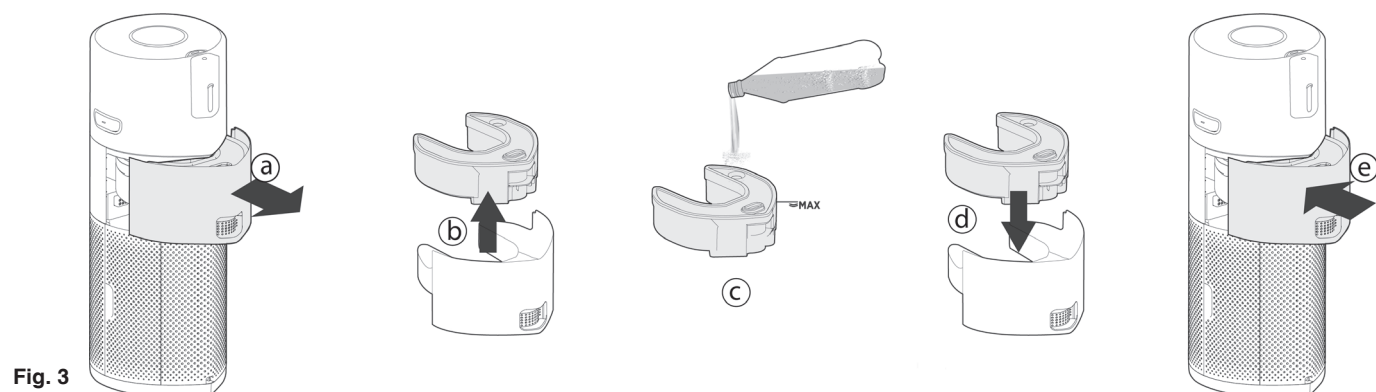
- Remova a tampa do difusor do produto. [Fig. 2a]
- Remova a unidade do difusor da tampa do difusor. [Fig. 2b]
- Remova o frasco de H-Essence ou H-Biotics da embalagem e remova a tampa. [Fig. 2c]
- Guarde a tampa para futura utilização no armazenamento.
- Aperte bem o frasco na unidade do difusor. [Fig. 2d]
- Volte a colocar a unidade do difusor na tampa do difusor. [Fig. 2e]
- Volte a colocar a tampa do difusor no produto. [Fig. 2f]



2.3 PREPARAR O HUMIDIFICADOR [Fig. 3]

Para preparar o seu produto H-Purifier para a função de humidificador:

- Remova o alojamento do depósito do produto. [Fig. 3a]
- Remova o conjunto do depósito do alojamento do depósito. [Fig. 3b]
- Antes da primeira utilização, limpe todas as peças com um pano macio.
- Encha o depósito através da entrada do depósito de água com água destilada até alcançar a linha MÁX indicada no depósito. [Fig. 3c]
- Volte a colocar o conjunto do depósito no alojamento do conjunto do depósito. [Fig. 3d]
- Volte a colocar o alojamento do conjunto do depósito no seu produto. [Fig. 3e]



3. UTILIZAR O SEU H-PURIFIER

3.1 LIGAR O PRODUTO [Fig. 4]:

Puxe o cabo de alimentação da bobina do cabo e ligue à fonte de alimentação.

Todas as luzes no painel de controlo / O visor acende-se completamente durante cerca de 1 minuto para indicar a ligação bem-sucedida.

O botão POWER (alimentação) acende-se com uma luz fraca e o LED CO Alert acende-se para indicar que o sensor dedicado começou a monitorizar o nível de monóxido de carbono no interior.

Para ligar o seu produto, prima o botão POWER (alimentação) no visor.

O LED Ring de qualidade do ar acende-se com todas as cores por sequência enquanto os sensores estiverem a analisar o estado do ar em tempo real. Após alguns segundos, o LED Ring de qualidade do ar seleciona a cor apropriada para a qualidade do ar nesse momento.

O seu produto H-Purifier entra imediatamente no MODO AUTOMÁTICO e começa a purificar o ar interior.

O botão MODO AUTOMÁTICO, botão INFORMAÇÕES, botão CONTROLO DA LUZ e as informações PM10 no visor acendem-se.

3.2 LIGAR O SEU H-PURIFIER:

Para aceder a todas as funções de H-Purifiers a partir de qualquer lado, sugerimos que transfira a aplicação hOn. Conseguirá controlar o seu produto da forma mais eficiente.

Instruções:

1. Transfira a aplicação hOn na App Store, Google Play ou Huawei AppGallery. Também pode transferi-la ao ler o código QR na [Fig. 5]
2. Abra a aplicação e crie uma conta com o seu e-mail e uma palavra-passe.
3. Confirme e inicie sessão na aplicação hOn.
4. Certifique-se de que o seu dispositivo móvel está ligado ao Wi-Fi.
5. Certifique-se de que o seu H-Purifier está ligado. Prima e mantenha premido o botão Wi-Fi no visor durante 5 segundos. Ouvirá um sinal sonoro e o botão Wi-Fi começa a piscar para indicar que está a aguardar uma ligação. [Fig. 6]
6. Siga as instruções na aplicação para ligar o seu dispositivo móvel ao seu produto.
7. Quando estiver emparelhado com sucesso, o botão Wi-Fi no produto permanece aceso.
8. Para repor o Wi-Fi, prima e mantenha premido o botão Wi-Fi durante 5 segundos.

O H-Purifier também funciona com o Hey Google e Amazon Alexa.

3.3 DESCOBRIR TODAS AS FUNÇÕES

Função INFORMAÇÕES [Fig.7]:

Existem 6 conjuntos de dados diferentes disponíveis para monitorizar:

PM10, PM2.5, GÁS, Temperatura, Humidade e Estado do filtro.

Para monitorizar cada valor, basta premir consecutivamente o botão INFORMAÇÕES.

Por predefinição, o visor irá mostrar os dados PM10. A máquina irá lembrar-se da última seleção do utilizador e irá manter esta seleção da próxima vez que o produto for ligado.

Os dados de GÁS irão apresentar um cursor rotativo durante os primeiros 3 minutos após a ligação do dispositivo enquanto o sensor de GÁS estiver a executar um ciclo de calibração.

Mais informações sobre PM 2,5, PM 10 e GÁS:

PM indica partículas finas (não visível para o olho humano) provenientes principalmente da poluição exterior, tais como veículos e emissões industriais e potencialmente perigosas para a nossa saúde em caso de exposição prolongada.

PM 10 apresenta um tamanho até 10 μm e são capazes de penetrar o trato respiratório superior (nariz, traqueia, faringe). PM 2,5 tem um tamanho até 2,5 μm e, tendo em consideração a sua dimensão pequena, podem chegar aos nossos pulmões, penetrando assim mais profundamente no nosso corpo. GAS VOC (compostos orgânicos voláteis) são compostos químicos voláteis com a capacidade de se evaporarem facilmente no ar à temperatura ambiente. Desodorizantes, detergentes, colas, adesivos, cosméticos, formaldeído são apenas alguns dos VOC que podem estar presentes nas nossas casas, mas que podem ser nocivos para a nossa saúde em caso de exposição prolongada.

Funções MODO:

Existem 3 modos de purificação do ar disponíveis: MODO AUTO, MODO MÁX e MODO REPOUSO.

O modo Auto é a predefinição para os eu produto quando é ligado. Todos os modos podem ser selecionados manualmente ao premir o respetivo botão no visor.

O modo ALERGIA AO PÓLEN também pode ser ativado através da aplicação hOn.

MODO AUTO [Fig. 8]:

Este é o modo predefinido do seu produto H-Purifier quando o liga pela primeira vez. No Modo automático, o H-Purifier purifica automaticamente a velocidade da sua ventoinha para o nível de qualidade interno real para garantir sempre uma ótima purificação do ar.

Esta é a definição recomendada para colocar o seu produto.

No modo AUTO, após 30 minutos de uma excelente qualidade do ar, o seu produto entra num modo ECO (função de stand-by) ao interromper a função de purificação (ventoinha). O Sistema Multi Sensor continuará a analisar o ar interior e liga automaticamente a função de purificação quando necessário.

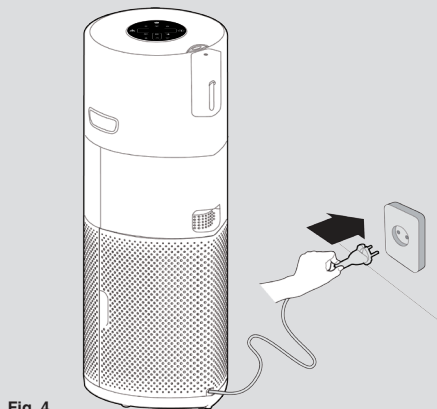


Fig. 4



Fig. 5

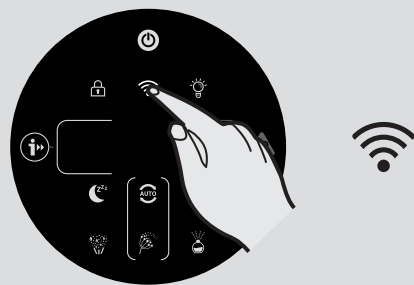


Fig. 6

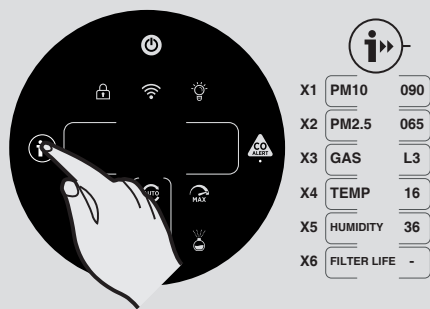


Fig. 7



Fig. 8

MODO MÁX [Fig. 9]:

Prima o botão de modo MÁX no visor para ativar a purificação do ar à definição de potência máxima. Para sair do modo MÁX, basta selecionar o modo AUTO ou o modo REPOUSO.

MODO REPOUSO [Fig. 10]:

Prima o botão do modo REPOUSO para ativar a purificação do ar à definição de potência silenciosa mais baixa. O botão do modo REPOUSO permanecerá aceso com uma luz fraca e todas as outras luzes do visor estarão apagadas. Isto poderá ser modificado ao premir o botão CONTROLO DA LUZ.

MODO ALERGIA AO PÓLEN: [Fig. 11]

O modo Alergia ao pólen pode ser ativado apenas através da aplicação hOn. Em primeiro lugar, terá de ativar e registar um perfil na aplicação, de forma a criar o seu Perfil de alergia ao pólen.

O modo Alergia ao pólen funciona apenas quando o MODO AUTO está selecionado. [Fig. 11c]

No modo Alergia ao pólen, o aparelho recebe continuamente os dados em tempo real da aplicação sobre a concentração de pólen monitorizada no exterior, e funciona automaticamente para maximizar o desempenho de captura de pólen.

Quando os pólenes são capturados, são inativados para ajudar os sintomas alérgicos.

Quando o modo Alergia ao pólen é ativado na aplicação, existem 2 luzes de notificação possíveis no visor do produto:

- A luz de alergia ao pólen está **BRANCA [Fig. 11a]**: O aparelho e a aplicação estão a monitorizar a presença de pólenes no exterior e não existe qualquer risco.

- A luz de alergia ao pólen muda para **AMARELO** e a Luz circular de alergia ao pólen está **BRANCA [Fig. 11b]**: O aparelho e a aplicação detetaram um risco.

Se o produto for colocado manualmente no modo REPOUSO ou modo MÁX enquanto o modo Alergia ao pólen está ativado, o modo Alergia ao pólen é interrompido.

Função CONTROLO DA LUZ: [Fig. 12]

Existem 3 definições disponíveis para a iluminação do visor: Acesa, Obscurecida e Apagada. Para ajustar a luminosidade da iluminação do visor, basta premir o botão CONTROLO DA LUZ no visor para passar pelas 3 opções disponíveis. ACESA é a predefinição.

Se selecionada APAGADA, qualquer outro botão tem de ser premido duas vezes para ativar. Depois de premir uma vez, as luzes ficam OBSCURECIDAS e quando premir de novo, a ação será ativada.

Função BLOQUEIO CRIANÇAS: [Fig. 13]

Prima e mantenha premido o botão BLOQUEIO CRIANÇAS durante 3 segundos para ativar. Ouvirá um sinal sonoro quando for ativado e o botão BLOQUEIO CRIANÇAS permanecerá aceso. Nenhum outro botão funcionará quando estiver ativado.

Para sair, basta premir e manter premido o botão BLOQUEIO CRIANÇAS durante 3 segundos. Ouvirá um sinal sonoro para confirmar que está desativado e o botão deixará de estar aceso.

Função de DIFUSOR: [Fig. 14]

O difusor espalha para o ar do compartimento H-Essence ou H-Biotics. H-Essence é a coleção da Hoover de óleos essenciais para libertar para o ar fragrâncias agradáveis.

H-Biotics é uma mistura natural à base de probióticos que mantém o compartimento bio-higienizado ao inibir o crescimento de microrganismos, tais como bactérias ou micróbios.

Existem 4 definições diferentes para a função de DIFUSOR: SUAVE, MÉDIA, PERSONALIZADA E H-BIOTICS. Para ativar esta função, basta premir o botão do difusor no visor. A predefinição para esta função é SUAVE. Para selecionar qualquer outra definição, basta premir consecutivamente o botão para mudar para a seleção desejada. O botão acende-se a branco quando está ligado.

É recomendável utilizar as definições SUAVE e MÉDIA para o H-Essence.

A definição PERSONALIZADA só pode ser criada na aplicação hOn.

Quando utilizar o H-Biotics, a definição TEM de ser definida para H-Biotics. Quando o utilizador ativa o H-Biotics utilizando a aplicação, isto irá dar um alerta para "ATIVAR O H-BIOTICS" após 120 horas de forma a garantir a utilização do H-Biotics a cada 5 dias.



Fig. 9



Fig. 10



Fig. 11



Fig. 13

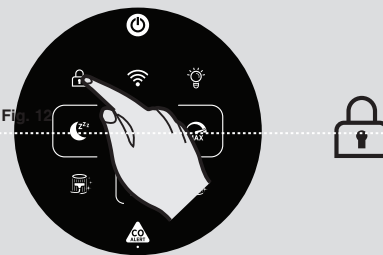


Fig. 13

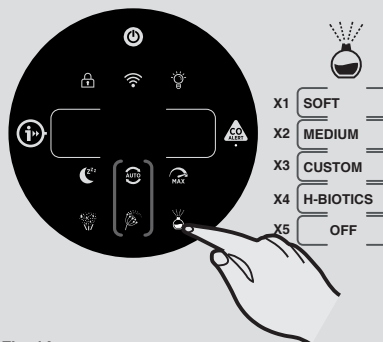


Fig. 14

Quando utilizar o H-Essence em certas definições ou ambiente, o nível VOC GÁS poderá mudar devido à deteção de fragrâncias.

A Função de difusor funciona apenas quando o LED ring de qualidade do ar está verde, irá pausar quando o LED ring não estiver verde e continuará a funcionar quando voltar a estar verde.

A função de difusor só pode ser utilizada nos modos AUTO e MÁX e não pode ser utilizado no modo REPOUSO.

Quando ativar a função de difusor no modo AUTO, a ventoinha principal funcionará com uma velocidade específica para ajudar a propagar a H-Essence ou H-Biotics para o compartimento.

Definição	Temporização de difusão	Duração máx. do ciclo
SUAVE	durante 10 segundos a cada 5 minutos	6 horas
MÉDIA	durante 90 segundos a cada 3,5 minutos	6 horas
PERSONALIZADA	Definido pelo utilizador	6 horas
H-BIOTICS	durante 2 minutos a cada 4 minutos	6 horas

Para desligar a função, prima o botão do difusor até aparecer OFF no visor.

Após cada utilização da função de difusor, utilize um pano macio seco para limpar qualquer resíduo das superfícies do produto.

Para substituir o frasco na unidade do difusor, consulte a secção “Manutenção do seu H-Purifier”.

Função de HUMIDIFICADOR: [Fig. 15]

Existem 3 definições diferentes para a função de humidificador: MÍN, MÉD e MÁX. Para ativar esta função, basta premir o botão do humidificador no visor. A predefinição para esta função é MÍN. Para selecionar qualquer uma das outras definições, prima consecutivamente o botão para mudar para a seleção desejada. O botão acende-se a branco quando está ligado.

MÍN - Humidade alvo predefinida 40%

MÉD - Humidade alvo predefinida 55%

MÁX - Humidade alvo predefinida 70%

Os 3 níveis alvo podem ser personalizados na aplicação hOn dentro de um intervalo de humidade alvo de 30-80%.

Para desligar a função de humidificador, prima o botão do humidificador até aparecer OFF no visor.

Se o nível de humidade em tempo real for igual ou superior ao nível selecionado, será apresentada uma mensagem no visor indicado “**HUMIDADE ALCANÇADA**”. A luz do humidificador permanece acesa.

O produto entra automaticamente no modo humidificador quando a humidade em tempo real descer abaixo do nível alvo selecionado.

A função de humidificador só pode ser utilizada nos modos REPOUSO e AUTO e não pode ser utilizada no modo MÁX.

ALERTA PARA REABASTECER:

Quando o nível de água for inferior ao nível mínimo, o visor apresentará a indicação REABASTECER ÁGUA e piscará. Para obter instruções, consulte a secção Manutenção do seu purificador.

Nota importante:

- **Quando o produto estiver a funcionar no modo difusor:** Se o modo humidificador for selecionado sem desligar o modo difusor, o produto interrompe automaticamente o modo difusor e entra no modo humidificador.
- **Quando o produto estiver a funcionar no modo humidificador:** Se o modo difusor for selecionado sem desligar o modo humidificador, o produto interrompe automaticamente o modo humidificador e entra no modo difusor.

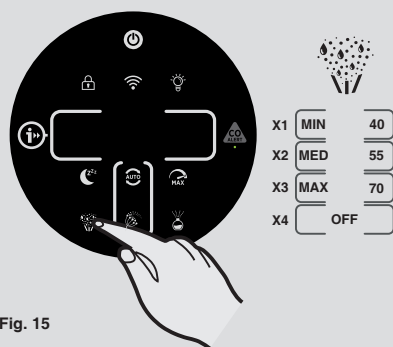


Fig. 15

4. MANUTENÇÃO DO SEU H-PURIFIER

4.1 MANUTENÇÃO DO FILTRO

O seu H-Purifier irá monitorizar o estado do seu filtro. Será apresentado um alerta para **LIMPAR FILTRO OU SUBSTITUIR FILTRO** no lado esquerdo do visor e uma luz a piscar, o que indica a necessidade de executar uma ação para limpar ou substituir o filtro.

Limpar/substituir o filtro: [Fig. 16]

- Retire a tampa de entrada de ar do seu produto. [Fig. 16a]
- Desbloqueie o interruptor de desengate do filtro. [Fig. 16b]
- Retire o filtro do seu produto. [Fig. 16c]
- Utilize um aspirador para limpar a camada externa do filtro ou substitua por um NOVO filtro. [Fig. 16d]
- Volte a colocar o filtro no seu produto. [Fig. 16e]
- Bloqueie o interruptor de desengate do filtro. [Fig. 16f]
- Volte a colocar a tampa de entrada de ar no seu produto. [Fig. 16g]
- Ligue o seu aparelho à fonte de alimentação e ligue-o.
- Prima o botão INFORMAÇÕES para repor o alerta de Limpeza/Substituição ao manter premido o botão durante 3 segundos. Será ouvido um alerta sonoro para indicar uma reposição bem-sucedida. [Fig. 7]

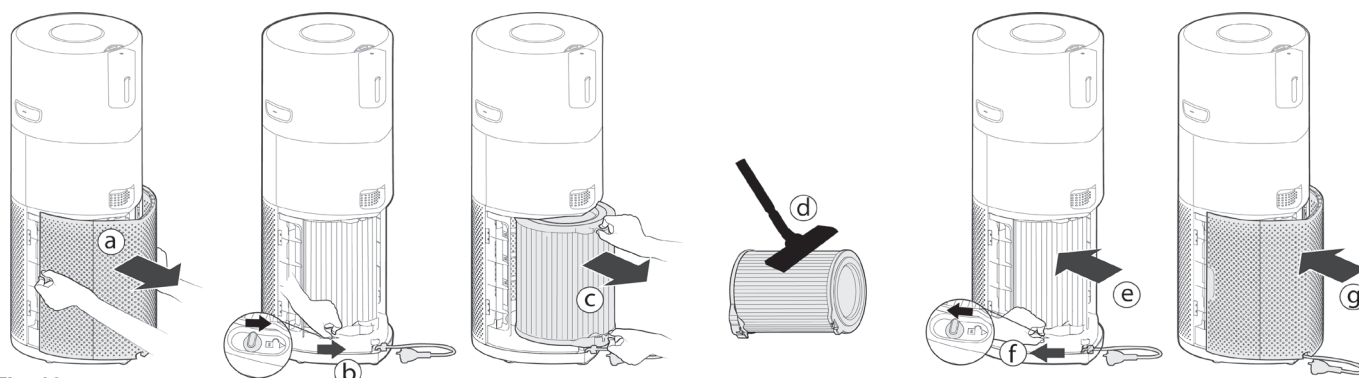


Fig. 16

4.2 MANUTENÇÃO DO DIFUSOR

Após cada utilização da função de difusor, utilize um pano macio seco para limpar qualquer resíduo das superfícies do produto.

Substituição do frasco do difusor: [Fig. 17]

O volume de líquido restante no frasco pode ser verificado através da janela do difusor. Quando necessário, o frasco deve ser substituído.

- Remova a tampa do difusor do produto. [Fig. 17a]
- Remova a unidade do difusor e o frasco da tampa do difusor. [Fig. 17b]
- Desaperte e remova o frasco vazio. [Fig. 17c]
- Remova o novo frasco de H-Essence ou H-Biotics da embalagem e remova a tampa. [Fig. 17d]
- Aperte bem o novo frasco na unidade do difusor. [Fig. 17e]
- Volte a colocar a unidade do difusor na tampa do difusor. [Fig. 17f]
- Volte a colocar a tampa do difusor no H-Purifier. [Fig. 17g]

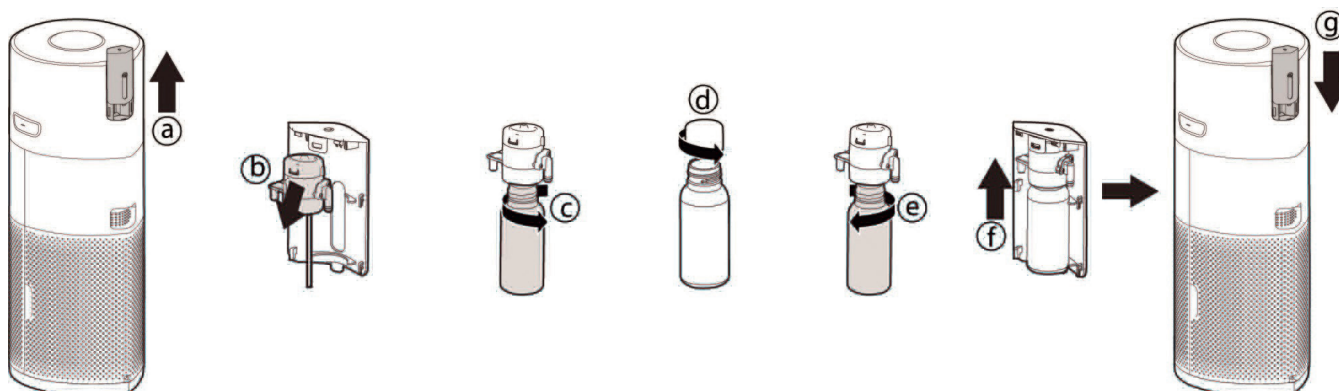


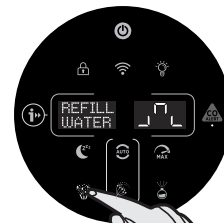
Fig. 17

4.3 MANUTENÇÃO DO HUMIDIFICADOR

Alertar para reabastecer o depósito de água:

Para que o humidificador funcione, é necessário um nível mínimo de água. Quando o nível de água for inferior ao nível mínimo, o visor apresentará a indicação REABASTECER ÁGUA e piscará. Poderá estar presente água residual no alojamento do depósito de água. A mensagem será sempre apresentada devido ao nível mínimo de água necessário.

- Remova o alojamento do depósito do produto. [Fig. 18a]
- Remova o conjunto do depósito do alojamento do depósito. [Fig. 18b]
- Remova qualquer água residual e encha o depósito através da entrada do depósito de água com água destilada até alcançar a linha MÁX indicada no depósito. [Fig. 18c]
- Volte a colocar o conjunto do depósito no alojamento do conjunto do depósito. [Fig. 18d]
- Volte a colocar o alojamento do depósito de água no produto. [Fig. 18e]



Alertar para limpar o depósito de água:

O seu H-Purifier irá monitorizar o estado do depósito do seu humidificador. Um alerta para LIMPAR DEPÓSITO DE ÁGUA piscará após 72 horas desde a última ativação da função do humidificador, se ainda existir água no depósito. Será apresentado no lado esquerdo do visor, indicando a necessidade de limpar o depósito de água.

- Remova o alojamento do depósito do produto. [Fig. 18f]
- Separe o alojamento do depósito de água, o depósito de água e a tampa do depósito de água e limpe devidamente as 3 peças e seque-as completamente com um pano macio seco. [Fig. 18g,h,i]
- Volte a montar os componentes do depósito de água e reabasteça até alcançar a linha MÁX com água destilada.
- Certifique-se de que o produto está ligado antes de voltar a inserir o depósito.
- Volte a colocar o alojamento do depósito de água no produto. [Fig. 18e]

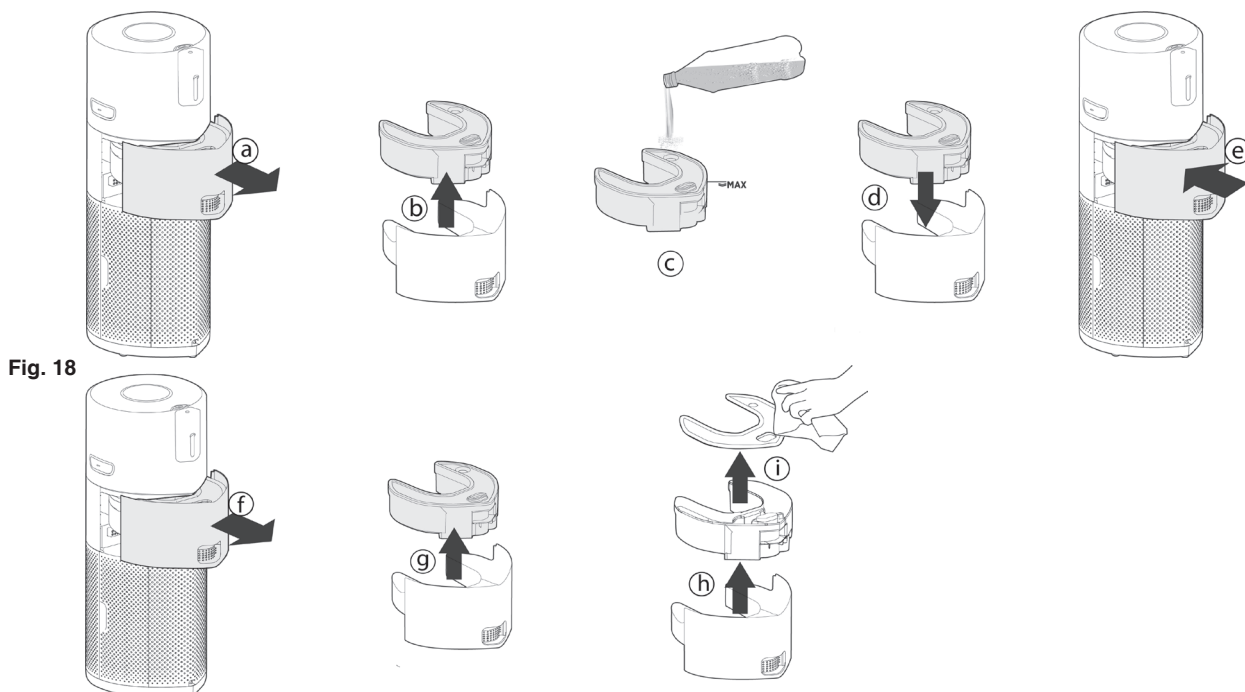
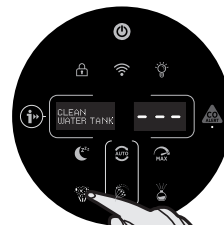


Fig. 18

5. ARMAZENAMENTO DO SEU H-PURIFIER

1. Desligue o H-Purifier e retire a ficha da tomada.
2. Limpe todas as superfícies internas e externas do H-Purifier, a camada externa do filtro e o depósito de água.
3. Remova o frasco do difusor. Volte a colocar a tampa original no frasco e armazene-a para proteger contra a luz direta. Limpe todas as superfícies da unidade do difusor e a tampa do difusor. Certifique-se de que não está presente qualquer resíduo de H-Essence H-Biotics em qualquer superfície do H-Purifier.
4. Certifique-se de que todos os componentes estão secos.
5. Remova a tampa de entrada de ar [Fig. 19a], enrole o cabo de alimentação ao puxar pelo cabo [Fig. 19b], coloque o cabo no gancho de armazenamento e insira a ficha no local de transporte. [Fig. 19c,d] Volte a colocar a tampa de entrada de ar. [Fig. 19e]
6. Armazene o H-Purifier num local seco e fresco.

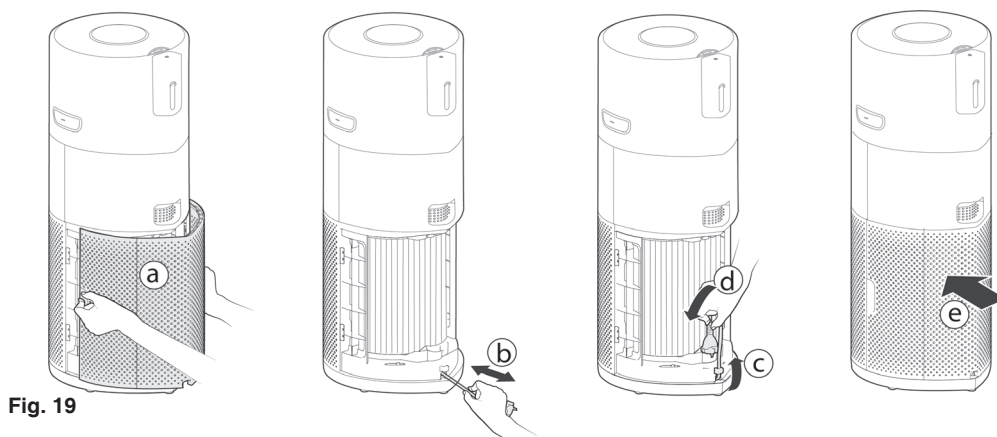


Fig. 19

6. ALERTAS E SOLUÇÕES

Os seguintes códigos poderão aparecer durante a utilização. [Fig. 20]



Fig. 20

Alerta		Descrição do alerta	Solução
Alerta no produto	Alerta na aplicação		
"LIMPAR FILTRO"	Alerta de limpeza do pré-filtro	Sugere a limpeza da camada externa do filtro.	1. Limpe a camada externa do filtro. 2. Reponha o alerta ao manter premido o botão INFORMAÇÕES durante 3 segundos. Consulte o ponto 4.1 MANUTENÇÃO DO FILTRO
"SUBSTITUIR FILTRO"	Alerta de substituição do filtro	Sugere a substituição do filtro.	1. Substitua o filtro. 2. Reponha o alerta ao manter premido o botão INFORMAÇÕES durante 3 segundos. Consulte o ponto 4.1 MANUTENÇÃO DO FILTRO
"FILTRO AUSENTE"	Erro: ocorreu um erro com o purificador de ar; verifique as possíveis soluções	O filtro não está na posição ou não está bloqueado corretamente	1. Se o filtro não estiver presente, volte a colocá-lo. 2. Se o filtro estiver na posição, verifique se o interruptor de desengate do filtro está no estado BLOQUEADO. Consulte o ponto 2.1 INSTALAR O FILTRO
"DEPÓSITO DE ÁGUA AUSENTE"	Erro: ocorreu um erro com o purificador de ar; verifique as possíveis soluções	O depósito de água ou o alojamento do depósito não está presente.	Volte a colocar o depósito de água e o alojamento do depósito.
"LIMPAR DEPÓSITO DE ÁGUA"	É necessário substituir a água no depósito	Passara 3 dias desde a última vez que utilizou o humidificador; o depósito/alojamento deve ser limpo e a água deve ser substituída para fins de higiene.	1. Desligue o equipamento. 2. Remova o depósito/alojamento, limpe a superfície interna de cada componente e reabasteça. 3. Ligue o produto. 4. Volte e colocar o depósito/alojamento. Consulte o ponto 4.3 MANUTENÇÃO DO HUMIDIFICADOR
"REABASTECER ÁGUA"	Erro: ocorreu um erro com o purificador de ar; verifique as possíveis soluções	Não está presente água no depósito ou a água residual não é suficiente para o humidificador funcionar.	Reabasteça água destilada no depósito até alcançar a linha MÁX.
"ERRO NO SENSOR DE PM"	/	Avaria do sensor de PM	Falha do sensor de PM ou o fio do sensor não foi ligado corretamente. Contacte o centro de assistência para resolver.
O LED CO Alert está amarelo	Erro: ocorreu um erro com o purificador de ar; verifique as possíveis soluções	Avaria do sensor de CO ou o sensor de CO excedeu a sua vida útil.	Contacte o centro de assistência para resolver.
Desligado automaticamente sem qualquer alerta	Queda de produto	Proteção contra queda de produto	1. Se o produto sofrer uma queda e existir um derrame de água, desligue a fonte de alimentação e aguarde 48 horas antes de ligar novamente o produto. 2. Se o produto sofrer uma queda sem derrame de água, levante o produto e toque no botão Power (alimentação) para o ligar.
/	Erro: ocorreu um erro com o purificador de ar; verifique as possíveis soluções	Falha do motor	Falha do motor ou o fio do motor não foi ligado corretamente. Contacte o centro de assistência para resolver.
"ERRO DO SENSOR DE TEMP. E HUM."	/	Avaria do sensor de temperatura e humidade	Falha do sensor de temperatura e humidade ou o fio do sensor não foi ligado corretamente. Contacte o centro de assistência para resolver.
"PAUSA"	/	O difusor em funcionamento irá pausar quando o LED ring de qualidade do ar não estiver verde.	Não é necessária qualquer ação. O difusor em funcionamento irá retomar quando o LED ring de qualidade do ar estiver verde.

ATENÇÃO: Se qualquer destas falhas persistir, contacte o seu representante Hoover local. NÃO tente desmontar o H-Purifier de forma autónoma.

7. RESOLUÇÃO DE PROBLEMAS

A seguir é apresentada uma lista com os problemas mais comuns e soluções.
Se qualquer destes problemas persistir, contacte o seu representante Hoover local.

A ventoinha não funciona (Painel de controlo / Luzes do visor acesas)	<ul style="list-style-type: none"> • Verifique o alerta apresentado no visor ou na aplicação. Se estiver presente, consulte o ponto 6. ALERTAS E SOLUÇÕES. • Verifique se existe alguma obstrução na ventoinha. Se estiver presente, em primeiro lugar desligue o produto e elimine ou contacte o centro de assistência para efetuar a eliminação. • Verifique se o H-Purifier está ligado. • Verifique se o filtro está instalado corretamente e no estado bloqueado. • Verifique se o H-Purifier está numa posição completamente vertical e que não está inclinado. • O H-Purifier poderá estar no modo ECO. Pode premir o botão do modo de repouso ou o botão do modo máx para sair do modo ECO. Consulte o ponto 3. UTILIZAR O SEU H-PURIFIER – MODO AUTO.
A ventoinha não funciona (Painel de controlo / Luzes do visor apagadas)	<ul style="list-style-type: none"> • Verifique se o H-Purifier está ligado e com a ficha ligada à tomada. • Verifique o alerta apresentado na aplicação. Se estiver presente, consulte o ponto 6. ALERTAS E SOLUÇÕES.
Nenhuma luz no painel de controlo / Ecrã (Ventoinha em funcionamento)	<ul style="list-style-type: none"> • No Modo Repouso, a predefinição das luzes é desligada. Pode premir o botão de controlo da luz para ligar as luzes. • As luzes podem ser desligadas. Prima o botão de controlo da luz para ligar as luzes. Refer to 3.UTILIZAR O SEU H-PURIFIER – MODO REPOUSO / Função CONTROLO DA LUZ.
Os botões no painel de controlo não funcionam	<ul style="list-style-type: none"> • O bloqueio para crianças pode estar ativado. Pode premir e manter premido o botão BLOQUEIO CRIANÇAS durante 3 segundos para sair. Consulte o ponto 3. UTILIZAR O SEU H-PURIFIER – Função BLOQUEIO CRIANÇAS.
O fluxo de ar é fraco	<ul style="list-style-type: none"> • Verifique se a embalagem de proteção foi removida do filtro. • Verifique se existe alguma obstrução na tampa de entrada de ar ou na saída de ar. • Retire a tampa de entrada de ar e verifique o estado do filtro. Limpe a camada externa ou substitua o filtro, se necessário. Pode verificar o estado da vida útil do filtro no visor ao premir o botão de informações. • Verifique se o H-Purifier está no modo de repouso. A ventoinha funciona a uma potência reduzida neste modo.
O H-Purifier está a funcionar ruidosamente	<ul style="list-style-type: none"> • Verifique se existe alguma obstrução no H-Purifier. • Verifique se o H-Purifier está a funcionar no modo Máx. A ventoinha funciona a uma potência máxima neste modo.
O H-Purifier começa repentinamente a funcionar ruidosamente	<ul style="list-style-type: none"> • Verifique se o H-Purifier está a funcionar no Modo automático e se o LED ring de qualidade do ar não está verde. No Modo automático, o H-Purifier ajusta automaticamente a velocidade da sua ventoinha para o nível de qualidade interno real. Consulte o ponto 3. UTILIZAR O SEU H-PURIFIER – MODO AUTO.
O H-Purifier emite um sinal sonoro alto de repente	<ul style="list-style-type: none"> • A função de teste do botão CO Alert é ativada devido a funcionamento indevido. O som desativa-se automaticamente após 5 segundos. Consulte o ponto 1.2 ALERTA DE MONÓXIDO DE CARBONO (CO)
O alerta “LIMPAR DEPÓSITO DE ÁGUA” não pode ser repostado	<ul style="list-style-type: none"> • Depois de limpar o depósito de água/alojamento e de reabastecer, ligue o H-Purifier. Não introduza o alojamento até o visor apresentar “DEPÓSITO DE ÁGUA AUSENTE”.

INFORMAÇÕES IMPORTANTES

PEÇAS SOBRESSALENTES E CONSUMÍVEIS HOOVER

Substitua sempre as peças por peças sobressalentes Hoover genuínas. Pode obtê-las junto do seu representante local ou diretamente da Hoover. Quando encomendar peças, mencione sempre o número do seu modelo.

QUALIDADE

A qualidade das instalações industriais da Hoover foi avaliada de forma independente. Os nossos produtos são fabricados de acordo com um sistema de qualidade que satisfaz os requisitos da norma ISO 9001.

A SUA GARANTIA

As condições de garantia para este aparelho são as definidas pelo nosso representante no país onde foi vendido. Pode obter detalhes sobre estas condições junto do agente a quem adquiriu o aparelho. A fatura de venda ou o recibo deverão ser entregues quando apresentar uma reclamação ao abrigo dos termos da garantia.

Sujeito a alteração sem aviso prévio.

ADVERTENCIAS DE SEGURIDAD GENERAL

Este aparato es solo para uso doméstico, tal como se describe en esta guía de usuario. Asegúrese de comprender por completo esta guía antes poner en funcionamiento el aparato y consérvela como referencia en el futuro.

Verifique que el voltaje y la potencia indicada en la etiqueta del aparato corresponda al voltaje de la energía local antes de conectar el aparato.

Si el cable de alimentación está dañado, deje de utilizar el aparato inmediatamente. Para evitar riesgos de seguridad, sólo un especialista de un servicio técnico oficial de Hoover puede reemplazar el cable de alimentación.

No tire del cable de alimentación para retirar el enchufe.

Extienda el cable de suministro para que nadie lo pise o se tropiece con él.

Siempre apague y desenchufe el aparato de la toma de corriente antes de mover o limpiar el aparato o de efectuar cualquier operación de mantenimiento.

Este aparato puede ser usado bajo supervisión por niños de 8 años en adelante o por personas con capacidades físicas, sensoriales o mentales reducidas o falta de experiencia siempre con una explicación previa de las instrucciones con respecto al uso del aparato y comprendiendo los riesgos implicados. Los niños no deben jugar con el aparato.

Los niños no deben limpiar ni dar mantenimiento sin supervisión.

El aparato no elimina el monóxido de carbono (CO) o el radón (Rn). No puede utilizarse como dispositivo de seguridad en caso de accidentes con procesos de combustión y productos químicos peligrosos.

No siga utilizando el aparato si parece tener algún defecto.

No obstruya la entrada o salida de aire.

No introduzca sus dedos u objetos en la entrada o salida de aire para evitar lesiones físicas o el mal funcionamiento del aparato.

No limpie el aparato con agua, cualquier otro líquido o un detergente (inflamable) y ni permita que se introduzcan en el interior del aparato para evitar una descarga eléctrica y/o un riesgo de incendio.

No rocíe ningún material inflamable, como insecticidas o fragancias cerca del aparato.

Este aparato no es un sustituto para una ventilación adecuada, una limpieza regular con aspiradora o el uso de una campana extractora o un ventilador mientras se cocina.

Utilice únicamente los consumibles, los filtros o los recambios recomendados o los suministrados por HOOVER.

Asegúrese de que el filtro esté correctamente instalado antes de encender el aparato.

Evite golpear el aparato (la entrada y la salida de aire en particular) con objetos duros.

Mantenga seco el producto.

Nunca incline o vacíe el producto durante su funcionamiento.

Cuando el aparato no se ha utilizado durante mucho tiempo, pueden crecer bacterias en el interior de los filtros. Verifique los filtros después de un periodo prolongado de desuso. Si los filtros están muy sucios, reemplácelos.

Servicio Técnico Oficial de Hoover: Para garantizar el funcionamiento seguro y eficaz del aparato, le recomendamos que las tareas de mantenimiento y reparación se lleven a cabo por profesionales autorizados del servicio técnico oficial de HOOVER.

USO DEL AMBIENTE

Coloque y solo utilice el producto en una superficie horizontal seca, estable y nivelada para evitar volcaduras.

Deje al menos 20 cm de espacio libre detrás y a ambos lados del aparato y deje al menos 30 cm de espacio libre por encima del aparato.

Para evitar interferencias, coloque el aparato al menos a 2 m de distancia de los aparatos eléctricos que utilizan ondas de radio aerotransportadas, como televisores, radios y relojes a control remoto.

No coloque nada encima del aparato.

No utilice este aparato cuando haya utilizado repelentes de insectos en interiores o en lugares con residuos aceitosos, humos químicos o se esté quemando incienso.

No coloque el aparato en ninguna de las siguientes ubicaciones:

- En superficies calientes, cerca de superficies calientes, sobre fuego directo o en la luz directa del sol, cerca de aparatos de gas, dispositivos de calefacción o chimeneas;
- Junto a o directamente arriba de rejillas de aire acondicionado o calefactores, puertas, ventanas, extractores, encimeras de cocina o cualquier lugar donde pudiera verse afectado por corrientes de aire;
- En un baño u otras áreas donde el producto puede ser expuesto a salpicaduras de agua, goteo o condensación (p. ej., directamente debajo de un aire acondicionado o arriba de un termo eléctrico);
- En un espacio cerrado (p. ej. dentro o debajo de una despensa o armario);
- En un área donde la temperatura pueda disminuir por debajo de $-20\text{ }^{\circ}\text{C}$ o superar los $50\text{ }^{\circ}\text{C}$;
- En una habitación con cambios importantes de temperatura, en ambientes húmedos o en lugares con altas temperaturas ambiente o con alto contenido de humedad, como un solarium, baño o cocina;
- Donde quedaría obstruido, p. ej. por cortinas o muebles;
- Donde la tierra o el polvo puedan obstruir el sensor.

INSTRUCCIONES DE SEGURIDAD DEL MONITOR DE CO

Si se activa la alarma de CO, debe abrir todas las ventanas y las puertas (si es seguro hacerlo). Si es posible, apague todos los aparatos que queman combustible y luego evacue la propiedad dejando abiertas las ventanas y las puertas. Busque ayuda médica inmediata para cualquier persona que sufra los efectos de la intoxicación por monóxido de carbono. No vuelva a ingresar a la propiedad hasta que la alarma se detenga. La alarma se detendrá una vez que el CO se haya despejado. No utilice los aparatos que queman combustible hasta que la fuente de CO haya sido ubicada y rectificadas por un técnico calificado.

Evite el uso de pintura, diluyentes, vapores de disolventes, ambientadores, aerosoles o productos de limpieza químicos cerca del aparato. Esto puede afectar al funcionamiento del CO Monitor.

Para activar el CO Monitor, conecte el enchufe a una toma de corriente. El LED de alerta de CO parpadeará de color verde. Cuando el CO Monitor detecta un nivel peligroso de CO, la alarma de CO se activará con un zumbido fuerte y el botón Alerta de CO y el anillo LED de la calidad del aire parpadearán de color rojo. La alarma continuará activada hasta que el nivel de CO detectado disminuya a un nivel seguro.

Pulse el botón [de CO Alert] durante 3 segundos para probar la función de Alarma de CO y la alarma sonará fuertemente durante 5 segundos. Pruebe la alarma mensualmente y después de una ausencia prolongada en el hogar (p. ej. las vacaciones). Si la alarma no suena después de tocar el botón [de CO Alert] durante 3 segundos, póngase en contacto con el centro de atención al cliente de Hoover para que un técnico capacitado repare el fallo.

Si la pantalla indica que el sensor de CO está defectuoso o ha llegado al final de su vida útil, comuníquese con el centro de atención al cliente de Hoover para que un técnico capacitado reemplace el sensor de CO. La vida útil esperada del sensor de CO es de 7 años y debe ser reemplazado después de este plazo.

No permita que los niños pequeños presionen el botón de CO Alert durante 3 segundos, ya que podrían estar sujetos a un ruido excesivo al sonar la alarma.

Humedad de funcionamiento: 15 – 90% RH

Temperatura de funcionamiento: De $0\text{ }^{\circ}\text{C}$ a más de $40\text{ }^{\circ}\text{C}$

El monóxido de carbono afecta al cuerpo matando de hambre (asfixiando) a los órganos críticos de oxígeno. Al inhalar CO, éste se adhiere a la hemoglobina de la sangre que normalmente transporta el oxígeno por todo el cuerpo. El CO desplaza permanentemente la capacidad de las moléculas de oxígeno de adherirse a la hemoglobina, reduciendo así el oxígeno en los órganos vitales. El nivel de concentración y el tiempo de exposición al CO pueden hacer variar sus efectos en el cuerpo, pero los expertos están de acuerdo en que incluso niveles bajos de exposición al monóxido de carbono durante períodos prolongados pueden tener efectos graves y duraderos en la salud general de cualquier persona.

ADVERTENCIA: LA ALARMA DE CO ESTÁ DISEÑADA PARA PROTEGER A LAS PERSONAS DE LOS EFECTOS AGUDOS DE LA EXPOSICIÓN AL MONÓXIDO DE CARBONO O PARA PREVENIR LOS EFECTOS CRÓNICOS DE LA EXPOSICIÓN AL MONÓXIDO DE CARBONO. NO PROTEGERÁ COMPLETAMENTE A LAS PERSONAS CON CONDICIONES MÉDICAS ESPECÍFICAS. EN CASO DE DUDA, CONSULTE A UN MÉDICO.

La función del CO Monitor no debe utilizarse, ni siquiera implícitamente, como sustituto de una alarma de monóxido de carbono EN 50291-1, UL-2034, CSA-6.19 o cualquier otra alarma de monóxido de carbono certificada estándar reconocida, cuando los códigos locales o regionales o la legislación ordenen su uso. La función del CO Monitor es solo un dispositivo suplementario de supervisión de monóxido de carbono. El uso de este dispositivo queda a discreción del usuario e implica la comprensión y aceptación de sus limitaciones para adherirse a los códigos o a la legislación cuando sea aplicable.

Este aparato no debe utilizarse como sustituto de la instalación, el uso y el mantenimiento adecuados de los aparatos que queman combustible, incluyendo los sistemas adecuados de ventilación y extracción.

Las notificaciones del CO Monitor para móviles y tabletas requieren de una conexión Wi-Fi activa para funcionar. No son un sustituto de un servicio de vigilancia de emergencia de terceros.

INSTRUCCIONES DE SEGURIDAD DEL DIFUSOR

Solo utilice los aceites esenciales recomendados o suministrados por HOOVER.

Evite el uso de un humidificador independiente junto al purificador de aire cuando utilice la función Difusor de H-Essence.

Pase un paño sobre cualquier derrame de H-Essence inmediatamente. Asegúrese de limpiar todos los rincones del producto que tuvieron contacto con H-Essence.

INSTRUCCIONES DE SEGURIDAD DEL HUMIDIFICADOR

Limpie el depósito de agua cada 3 días.

Use únicamente agua destilada para llenar el depósito de agua. No llene con otro tipo de agua como agua del grifo, agua mineral, agua de río, etc.

El agua en el depósito de agua no es apta para beber. No beba esta agua y no la utilice para alimentar a los animales o regar las plantas. Al vaciar el depósito de agua, vierta el agua por el desagüe.

No coloque ninguna sustancia que no sea agua destilada en el depósito de agua.

No ponga líquidos con fragancias, perfumes o H-Essence en el depósito de agua.

Vacíe el depósito y el armazón, y rellénelo cada tres días.

Antes de rellenarlo, limpie el depósito y el armazón con agua limpia del grifo. Retire cualquier resto, sedimento o capa que se haya formado en los costados del depósito o en las superficies interiores y limpie todas las superficies hasta secarlas.

Desenchufe el aparato durante el llenado y la limpieza.

Vacíe y limpie el humidificador antes de almacenarlo. Limpie el humidificador antes de su próximo uso.

Nunca deje agua en el depósito de agua y el armazón del depósito cuando el aparato no esté en uso.

No permita que el área alrededor del humidificador se humedezca o se moje. Si se produce humedad, baje la salida del humedad y utilice el humidificador de forma intermitente. No permita que materiales porosos como alfombras, cortinas, cortinajes o manteles se humedezcan.

Si necesita mover el aparato, primero desconéctelo de la fuente de alimentación. Después vacíe o retire el depósito de agua. Use el aparato de manera vertical sosteniéndolo del asa situada a ambos lados del aparato.

Evite el uso de un dispositivo independiente que libere o aceite aromático junto al purificador de aire cuando utilice la función Humidificador.

Hay que tener en cuenta que los altos niveles de humedad pueden favorecer el crecimiento de organismos biológicos en el medio ambiente.

ADVERTENCIA: Los microorganismos que pueden estar presentes en el agua o en el medio ambiente donde se utiliza o almacena el aparato pueden crecer en el depósito de agua y ser expulsados por el aire, causando riesgos muy graves para la salud cuando el agua no es sustituida y el depósito no se limpia adecuadamente cada 3 días.



El Medio Ambiente:

Este aparato está marcado de acuerdo con la Directiva Europea 2012/19/EU sobre residuos de aparatos eléctricos y electrónicos (RAEE). Al cerciorarse de que este producto se elimine correctamente, usted ayudará a prevenir las posibles consecuencias perjudiciales para el medio ambiente y la salud humana que, de otro modo, podrían producirse en caso de un manejo inadecuado de los residuos de este producto.



El símbolo que puede verse en el producto indica que este no puede tratarse como residuo doméstico. En su lugar, se debe entregar en un punto de recogida de electrodomésticos para el reciclaje de equipos eléctricos y electrónicos. La eliminación debe llevarse a cabo según los reglamentos medioambientales locales sobre eliminación de residuos. Para más información sobre el tratamiento, la recuperación y el reciclaje de este aparato, ponte en contacto con tu Ayuntamiento, el servicio de recogida de residuos domésticos o con el establecimiento donde hayas comprado el producto.

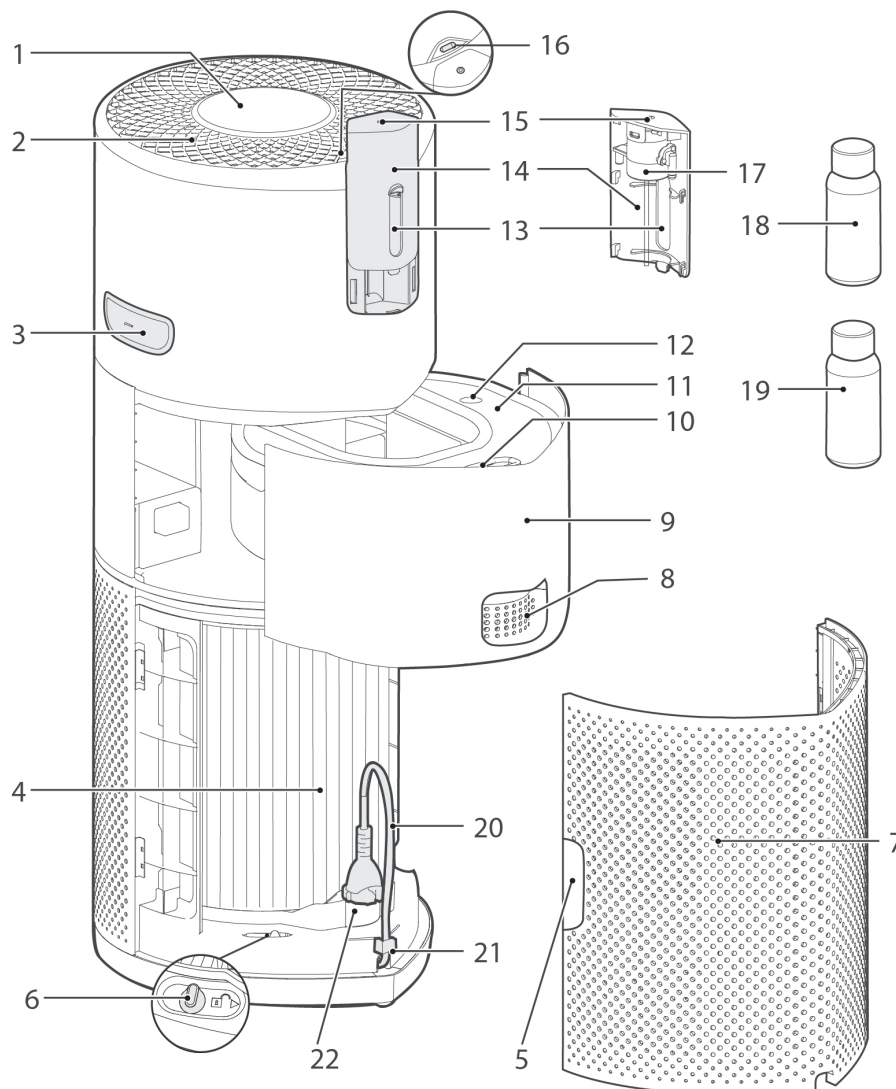
Parámetros inalámbricos para el emparejamiento

Tecnología	Wi-Fi	Bluetooth
Standard	IEEE 802.11 b/g/n	Bluetooth v4.2,BLE
Banda(s) de frecuencia(s) (MHz)	2401-2483	2402-2480
Potencia máxima (mW)	100	10
Potencia máxima de radiofrecuencia transmitida en la banda de frecuencias	18.9 dBm	

Por la presente, Candy Hoover Group Srl declara que el equipo de radio cumple con la Directiva 2014/53/UE. El texto completo de la declaración de conformidad de la UE está disponible en la siguiente dirección de Internet: www.candy.es

CANDY HOOVER GROUP S.r.l. Via Privata Eden Fumagalli, 20861 Brugherio (MB) Italy

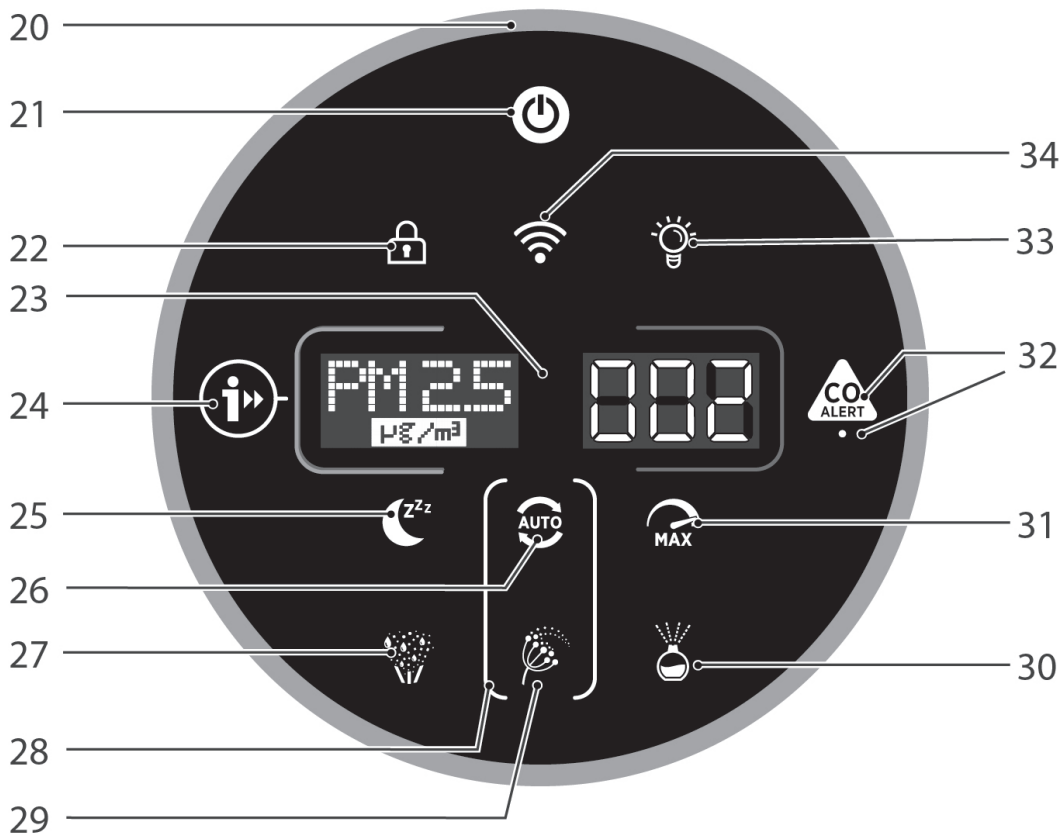
1. FAMILIARÍCESE CON SU H-PURIFIER



1	Panel de mandos / Pantalla display
2	Salida de aire
3	Mango de transporte del producto
4	Montaje del filtro
5	Mango de la cubierta de la entrada de aire
6	Botón de liberación de filtro
7	Cubierta de la entrada de aire
8	Mango del humidificador

9	Carcasa del depósito del humidificador
10	Depósito de agua del humidificador
11	Cubierta del depósito de agua del humidificador
12	Entrada del depósito de agua del humidificador
13	Ventana del difusor
14	Cubierta del difusor
15	Salida del difusor

16	Salida del humidificador
17	Unidad del difusor
18	Botella de H-Essence (Verde)
19	Botella de H-Biotics (Marrón)
20	Cable de corriente y enchufe
21	Gancho de almacenamiento
22	Localización de asa de transporte



20	LED Ring de calidad del aire
21	Botón de alimentación
22	Botón de bloqueo para niños
23	Display digital
24	Botón de información

25	Botón de modo de suspensión
26	Botón de modo auto
27	Botón del humidificador
28	Luz circular de alergia al polen
29	Luz de alergia al polen

30	Botón difusor
31	Botón de modo máximo
32	Botón y LED de CO Alert
33	Botón control de luz
34	Botón Wi-Fi

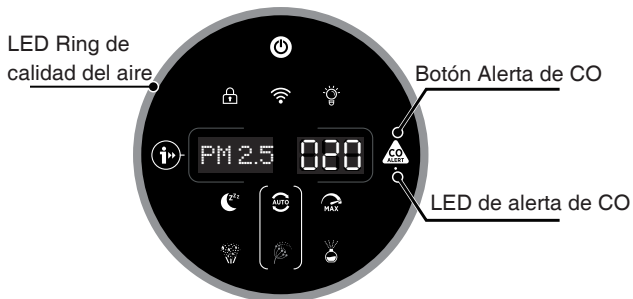
1.1 SISTEMA DE MULTI SENSORES

Gracias al sistema multi sensores su producto monitoreará continuamente las condiciones del aire de interiores en cuanto a niveles de PM10, PM2.5 y compuestos orgánicos volátiles (GAS).

Cada vez que encienda el producto, el sistema de sensores múltiples comenzará a analizar la calidad del aire interior y el anillo LED de la calidad del aire se iluminará de diferentes colores que representan las condiciones de la calidad del aire en tiempo real.

Anillo LED de color de calidad del aire	Calidad del aire interior	Valor de PM 10* $\mu\text{g}/\text{m}^3$	Valor de PM 2.5 $\mu\text{g}/\text{m}^3$	Nivel de GAS VOC
VERDE	Excelente	0-50	0-25	L1
AMARILLO	Satisfactoria	50-80	25-50	L2
NARANJA	Mala	80-160	50-100	L3
ROJO	Muy mala	≥ 160	≥ 100	L4

* En modo de alergia al polen, los valores de PM 10 que activan el nivel de calidad de aire serán menores para minimizar el riesgo a personas alérgicas.



1.2 ALERTA DE MONÓXIDO DE CARBONO (CO)

El H-Purifier está equipado con un sistema de alerta que supervisará constantemente el aire interior para detectar monóxido de carbono (CO). Cuando se active la alarma de monóxido de carbono, el LED Ring de calidad del aire, el botón de información y de CO Alert parpadearán en rojo simultáneamente y sonará una alarma audible. La alarma permanecerá en funcionamiento hasta que la concentración de monóxido de carbono (CO) se haya reducido por debajo de 50 ppm, a menos de que sea silenciada manualmente presionando el botón de CO Alert durante 3 segundos.

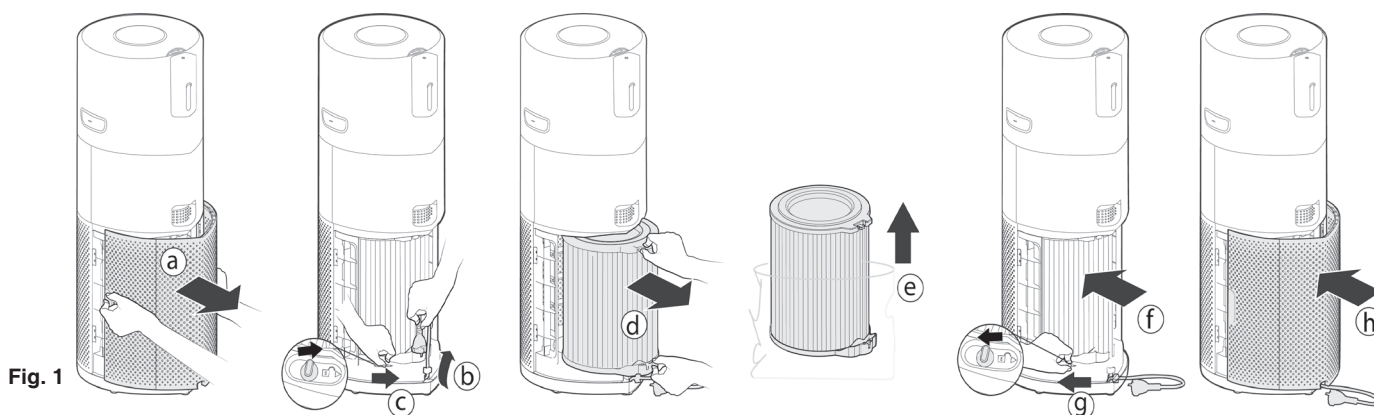
El LED de alerta de CO muestra que el sensor de CO está **funcionando**. Aparece de color verde cuando el sensor de CO está en una condición normal, en color amarillo cuando el sensor tiene un fallo de funcionamiento o supera su vida útil y en color rojo cuando se activa la alerta de CO. Puede probar si la alarma está funcionando correctamente presionando el botón Alerta de CO durante 3 segundos, un zumbido fuerte sonará durante 5 segundos si la alarma funciona correctamente.

2. PREPARANDO SU H-PURIFIER

2.1 INSTALACIÓN DEL FILTRO [Fig. 1]

Antes de usar su producto H-Purifier, deberá retirar el filtro de su embalaje protector:

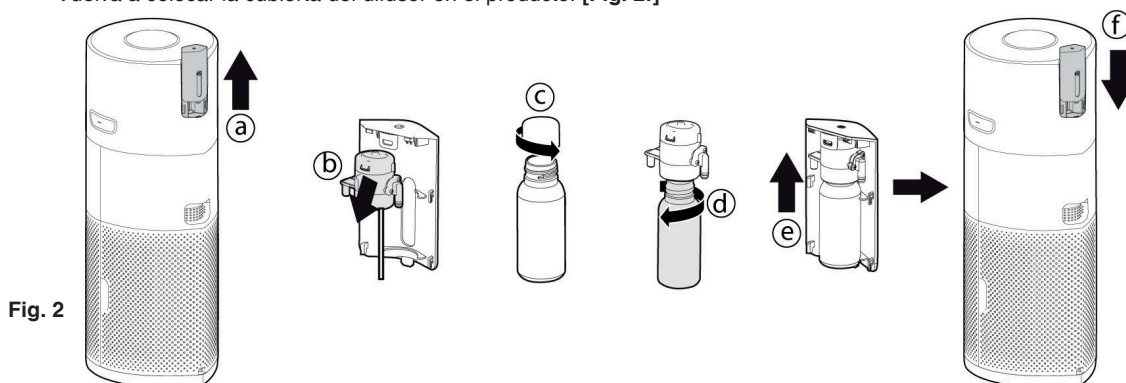
- Retire la cubierta de la entrada de aire del producto, coja los dos mangos de la cubierta de la entrada de aire y tire del producto. [Fig. 1a]
- Retire el enchufe de la ubicación de transporte y suelte el cable del gancho de almacenamiento. [Fig. 1b]
- Desbloquee el interruptor de liberación del filtro. [Fig. 1c]
- Retire el filtro de su producto y retire el embalaje exterior. [Fig. 1d,e]
- Vuelva a colocar el filtro en su producto. [Fig. 1f]
- Bloquee el interruptor de liberación del filtro. [Fig. 1g]
- Vuelva a colocar la cubierta de la entrada de aire en su producto. [Fig. 1h]



2.2 INSTALE LA BOTELLA DEL DIFUSOR [Fig. 2]

Para preparar su producto H-Purifier para la función del difusor:

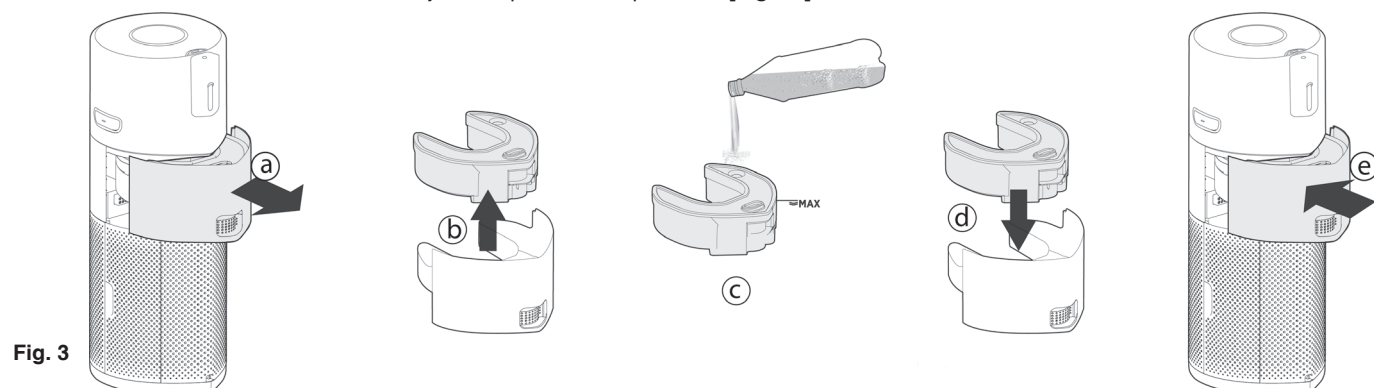
- Retire la cubierta del difusor del producto. [Fig. 2a]
- Retire la unidad del difusor de la cubierta del difusor. [Fig. 2b]
- Retire la botella de H-Essence o H-Biotics del embalaje y retire la tapa. [Fig. 2c]
- Conserve la tapa para un futuro almacenamiento.
- Enrosque bien la botella en la unidad del difusor. [Fig. 2d]
- Vuelva a colocar la unidad del difusor en la cubierta del difusor. [Fig. 2e]
- Vuelva a colocar la cubierta del difusor en el producto. [Fig. 2f]



2.3 PREPARACIÓN DEL HUMIDIFICADOR [Fig. 3]

Para preparar su producto H-Purifier para la función de humidificador:

- Retire el armazón del depósito del producto. [Fig. 3a]
- Retire el montaje del depósito del armazón del depósito. [Fig. 3b]
- Antes de usarlo por primera vez, limpie todas las piezas con un paño suave y seco.
- Llene el depósito a través de la entrada del depósito de agua con agua destilada hasta que llegue a la línea de MÁXIMO marcada en el depósito. [Fig. 3c]
- Vuelva a colocar el montaje del depósito en el armazón del montaje del depósito. [Fig. 3d]
- Vuelva a colocar el armazón del montaje del depósito en su producto. [Fig. 3e]



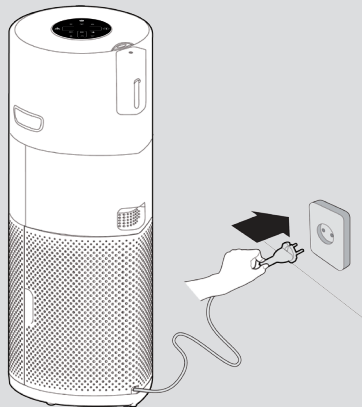


Fig. 4



Fig. 5

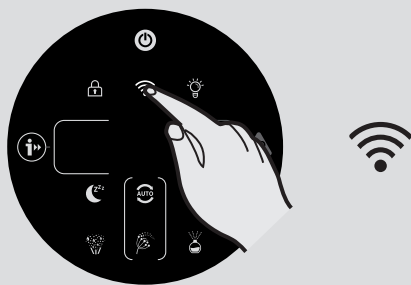


Fig. 6

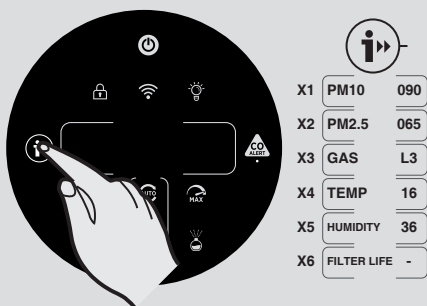


Fig. 7

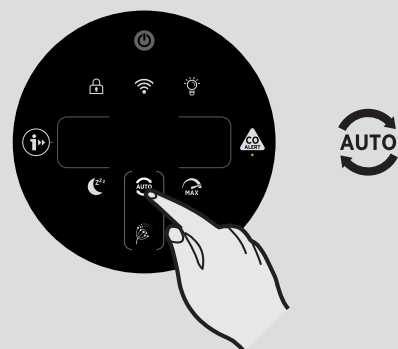


Fig. 8

3. USANDO SU H-PURIFIER

3.1 ENCIENDA EL PRODUCTO [Fig. 4]:

Extraiga el cable de alimentación y conecte el enchufe a la corriente eléctrica. Todas las luces del panel de mandos / El display se iluminará completamente durante aproximadamente 1 segundo para indicar que se ha enchufado con éxito. El botón de alimentación se encenderá tenuemente y el LED de alerta de CO se encenderá para indicar que el sensor dedicado ha comenzado a funcionar para monitorear el nivel de monóxido de carbono en interiores.

Para encender el producto, presione el botón de ALIMENTACIÓN en el display. El Anillo LED de calidad del aire se iluminará con cada uno de los colores en secuencia mientras los sensores analizan la condición del aire en tiempo real. Después de unos segundos, el LED Ring de calidad del aire seleccionará el color apropiado para la calidad del aire en ese momento. Su producto H-Purifier entrará inmediatamente en MODO AUTO y comenzará a purificar el aire interior. El botón AUTO MODE (modo automático), el botón INFORMATION (información), el botón LIGHT CONTROL (control de luz) y la información PM10 en la pantalla se iluminarán.

3.2 CONECTE EL H-PURIFIER:

Para acceder a todas las funciones del H-Purifier desde cualquier lugar, se sugiere descargar la App hOn. Podrá controlar su producto de la manera más eficiente.

Instrucciones:

1. Descargue la aplicación hOn en App Store, Google Play o Huawei AppGallery. También puede descargarlo al escanear el código QR en [Fig. 5]
2. Abra la APP, cree una cuenta con su correo electrónico y una contraseña.
3. Confirme e inicie sesión en la App hOn.
4. Asegúrese de que su dispositivo móvil esté conectado a Wi-Fi.
5. Asegúrese de que el H-Purifier esté encendido. Mantenga presionado el botón de Wi-Fi en el display durante 5 segundos, se escuchará un pitido y el botón de Wi-Fi comenzará a parpadear para indicar que está esperando una conexión. [Fig. 6]
6. Siga las instrucciones de la app para conectar su dispositivo móvil al producto.
7. Una vez que se haya emparejado con éxito, el botón Wi-Fi del producto permanecerá iluminado.
8. Para restaurar el Wi-Fi, mantenga presionado el botón Wi-Fi durante 5 segundos.

El H-Purifier también funciona con Google Home y Amazon Alexa.

3.3 DESCUBRE TODAS LAS FUNCIONES

Función de INFORMACIÓN [Fig.7]:

Hay 6 diferentes conjuntos de datos disponibles para monitorear: PM10, PM2.5, GAS, Temperatura, Humedad y Estatus del Filtro. Para monitorear cada valor simplemente presione consecutivamente el botón de INFORMACIÓN. El display mostrará de forma predeterminada los datos del PM10, la máquina recordará la última selección del usuario y mantendrá esta selección la próxima vez que se encienda el producto. Los datos de GAS mostrarán un cursor giratorio durante los 3 minutos iniciales después de que se encienda el producto mientras el sensor de GAS esté realizando un ciclo de calibración.

Más información sobre PM 2.5, PM 10 y GAS:

PM indica partículas finas (no visibles para el ojo humano) derivadas principalmente de la contaminación exterior como vehículos y emisiones industriales y potencialmente peligrosas para nuestra salud en caso de exposición prolongada. Las PM 10 tienen un tamaño de hasta 10 µm y son capaces de penetrar en las vías respiratorias superiores (nariz, tráquea, faringe). Las PM 2.5 tienen un tamaño de hasta 2.5 µm y, dada su pequeña dimensión, pueden llegar a nuestros pulmones, penetrando así más profundamente en nuestro cuerpo. GAS VOC (compuestos orgánicos volátiles) son compuestos químicos volátiles con la capacidad de evaporarse fácilmente en el aire a temperatura ambiente. Desodorantes, detergentes, colas, adhesivos, cosméticos, formaldehído son solo algunos de los compuestos orgánicos volátiles que podrían estar presentes en nuestros hogares pero que son potencialmente dañinos para nuestra salud en caso de exposición prolongada.

Funciones de MODO:

Hay 3 modos de purificación de aire disponibles: MODO AUTO, MODO MÁXIMO y MODO SUEÑO. El modo auto es el ajuste predeterminado del producto cuando se enciende, todos los modos pueden seleccionarse manualmente pulsando el botón correspondiente en el display. El modo de ALERGIA AL POLEN también se puede activar a través de la App hOn.

MODO AUTO [Fig. 8]:

Este es el modo predeterminado de su producto H-Purifier cuando se enciende por primera vez. En el modo automático, el H-Purifier ajusta automáticamente la velocidad del ventilador al nivel real de calidad del aire interior para garantizar siempre una purificación óptima del aire. Este es el ajuste recomendado para su producto. En modo AUTO, después de 30 minutos de una calidad de aire excelente, su producto ingresará a un modo ECO (función en espera) y pondrá en pausa la función de purificación (ventilador), el sistema de sensores múltiples continuará analizando el aire interior y encenderá automáticamente la función de purificación cuando sea necesario.

MODO MÁXIMO [Fig. 9]:

Presione el botón de modo MÁXIMO en el display para activar la purificación del aire en el ajuste de máxima potencia. Para salir del Modo MÁXIMO selecciona el Modo AUTO o SUEÑO.

MODO SUEÑO [Fig. 10]:

Para salir del modo MÁXIMO, simplemente seleccione el modo AUTO o el modo SUEÑO. El botón del modo SUEÑO se iluminará tenuemente y todas las demás luces del display se apagarán. Esto puede modificarse presionando el botón LIGHT CONTROL (control de luz).

MODO DE ALERGIA AL POLEN: [Fig. 11]

El modo de alergia al polen solo puede ser activado a través de la APP hOn. Primero se le pedirá que active y registre un perfil en la app para así poder crear su Perfil de Alergia al Polen.

El modo de alergia al polen funciona solo cuando se selecciona el MODO AUTO. [Fig. 11c]

En el modo de alergia al polen, el aparato recibe continuamente datos en tiempo real de la APP sobre la concentración de polen monitoreada en el exterior y funciona automáticamente para maximizar el rendimiento de la captura de polen.

Una vez capturados los pólenes, estos se desactivan para ayudar a aliviar los síntomas de la alergia. Cuando se activa el modo de alergia al polen en la App, hay 2 posibles luces de notificación en el display del producto:

- La luz de alergia al polen es **BLANCA** [Fig. 11a]: El aparato y la App monitorean la presencia de polen en el exterior y no hay ningún riesgo.

- La luz de alergia al polen se vuelve **AMARILLA** y la luz circular de alergia al polen es **BLANCA** [Fig. 11b]: El aparato y la APP han detectado el riesgo.

Si el producto se pone manualmente en modo SUEÑO o en modo MÁXIMO mientras el modo de alergia al polen está activado, el modo de alergia al polen se detendrá.

Función del MANDO DE LUZ: [Fig. 12]

Hay 3 ajustes disponibles para la iluminación del displ : encendido, atenuado y apagado

Para ajustar el brillo de la iluminación de la pantalla, simplemente presione el botón LIGHT CONTROL de la pantalla para escoger entre las 3 opciones disponibles. ENCENDIDO es el ajuste predeterminado. Si se selecciona APAGADO, tendrá que presionar cualquier otro botón dos veces para activarlo; al hacerlo una vez, las luces se ATENUARÁN y al presionarlo por segunda vez se activará la acción.

Función de BLOQUEO INFANTIL: [Fig. 13]

Mantenga presionado el botón de BLOQUEO INFANTIL durante 3 segundos para activarlo, se escuchará un sonido perceptible cuando se haya activado y el botón de BLOQUEO INFANTIL permanecerá iluminado. Ningún otro botón funcionará cuando se active.

Para salir, simplemente mantenga presionado el botón de BLOQUEO INFANTIL durante 3 segundos, se escuchará un sonido perceptible que confirma que está apagado y el botón ya no se iluminará.

Función DIFUSOR: [Fig. 14]

El difusor propaga en el aire de la habitación fragancias o probióticos H-Essence o H-Biotics.

H-Essence es la colección Hoover de aceites esenciales para liberar fragancias agradables en el aire.

H-Biotics es una mezcla natural basada en probióticos que mantiene la habitación bio-higienizada, inhibiendo el crecimiento de microorganismos como bacterias o microbios.

Hay 4 ajustes diferentes para la función de DIFUSOR: SUAVE, MEDIO, PERSONALIZADO Y H-BIOTICS. Para activar esta función simplemente presione el botón difusor en el display, el ajuste predeterminado para esta función es SUAVE; para seleccionar cualquiera de los otros ajustes simplemente presione consecutivamente el botón para cambiar a la selección deseada. El botón se iluminará en blanco cuando se encienda.

Se recomienda usar los ajustes SUAVE y MEDIO para el H-Essence.

El ajuste PERSONALIZAR solo puede crearse desde la aplicación hOn.

Al usar H-Biotics, el ajuste DEBE establecerse en H-Biotics. Una vez que el usuario activa H-Biotics mediante la APP, esta emitirá una alerta de "ACTIVAR H-BIOTICS" después de 120 horas para asegurar el uso de H-biotics cada 5 días.



Fig. 9



Fig. 10

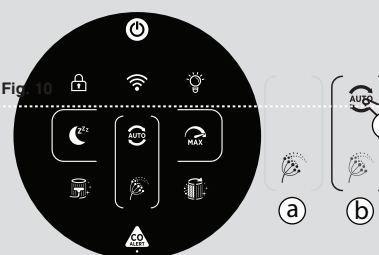


Fig. 11



Fig. 13



Fig. 13

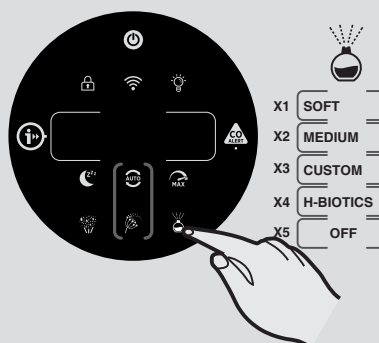


Fig. 14

Cuando use H-Essence con diferentes ajustes o en distintas habitaciones, el nivel de COV GAS puede cambiar debido a la detección de las fragancias.

La función de difusor solo funciona cuando el anillo LED de la calidad del aire está de color verde, se pausará cuando el anillo LED no esté en verde y continuará funcionando cuando regrese a color verde.

La función de difusor solo se puede usar en los modos AUTO y MÁXIMO, pero no en el modo de SUEÑO.

Al activar la función Difusor en modo AUTO, el ventilador principal funcionará con una velocidad específica para ayudar a esparcir el H-Essence o el H-Biotics por la habitación.

Ajuste	Tiempo de difusión	Duración máxima del ciclo
SUAVE	10 segundos cada 5 minutos	6 horas
MEDIO	90 segundos cada 3.5 minutos	6 horas
PERSONALIZADA	Definido por el usuario	6 horas
H-BIOTICS	2 minutos cada 4 minutos	6 horas

Para apagar la función, presione el botón del difusor hasta que aparezca OFF (apagado) en la pantalla. Después de cada uso de la función de difusor, utilice un paño seco y suave para limpiar cualquier residuo de las superficies del producto.

Para cambiar la botella en la unidad del difusor, vea la sección 'Mantenimiento del H-Purifier'.

Función del HUMIDIFICADOR: [Fig. 15]

Hay 3 ajustes diferentes para la función de humidificador: MÍN, MED y MÁX. Para activar esta función simplemente presione el botón del humidificador en el display, el ajuste predeterminado para esta función es MÍN. Para seleccionar cualquiera de los otros ajustes simplemente presione consecutivamente el botón para cambiar a la selección deseada. El botón se iluminará en blanco cuando se encienda.

MÍN - Humedad deseada predeterminada 40%

MED - Humedad deseada predeterminada 55%

MÁX - Humedad deseada predeterminada 70%

Los 3 niveles deseados pueden ser personalizados dentro de la App hOn dentro de un rango de 30 a 80 % de humedad deseada.

Para apagar la función del humidificador, presione el botón del humidificador hasta que aparezca OFF (apagado) en la pantalla.

Si el nivel de humedad a tiempo real es igual o mayor que el seleccionado, aparecerá un mensaje en el display mostrando 'HUMEDAD ALCANZADA'. La luz del humidificador permanecerá encendida.

El producto entrará automáticamente en modo humidificador cuando la humedad a tiempo real descienda por debajo del nivel deseado.

La función de Humidificador solo se puede usar en los modos SUEÑO y AUTO y no se puede usar en el modo MAX.

ALERTA DE RELLENO:

Cuando el nivel de agua sea inferior al nivel mínimo, el display mostrará el consejo de RELLENAR DE AGUA y parpadeará. Para instrucciones consulte la sección Mantenimiento de su purificador.

Nota importante:

- **Cuando el producto esté funcionando en modo difusor:** Si se selecciona el modo humidificador sin desactivar el modo difusor, el producto detendrá automáticamente el modo difusor y entrará en el modo humidificador.
- **Cuando el producto esté funcionando en modo humidificador:** Si se selecciona el modo difusor sin desactivar el modo humidificador, el producto detendrá automáticamente el modo humidificador y entrará en el modo difusor.

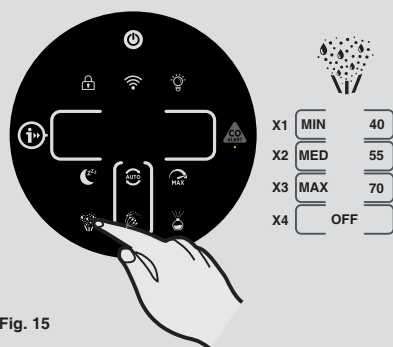


Fig. 15

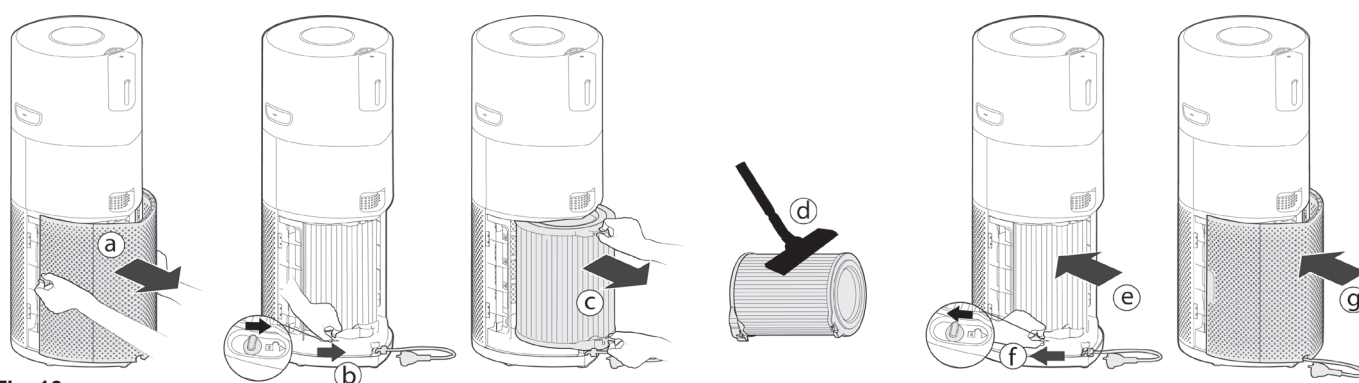
4. MANTENIMIENTO DE SU H-PURIFIER

4.1 MANTENIMIENTO DEL FILTRO

Su H-Purifier controlará el estado de su filtro. Una alerta de **LIMPIAR FILTRO O REEMPLAZAR FILTRO** aparecerá en el lado izquierdo del display y parpadeará indicando que se requiere una acción para limpiar o cambiar el filtro.

Limpieza/reemplazo del filtro: [Fig. 16]

- Retire la cubierta de la entrada de aire en su producto. [Fig. 16a]
- Desbloquee el interruptor de liberación del filtro. [Fig. 16b]
- Retire el filtro de su producto. [Fig. 16c]
- Utilice una aspiradora para limpiar la capa externa del filtro o reemplace el filtro por uno NUEVO. [Fig. 16d]
- Vuelva a colocar el filtro en su producto. [Fig. 16e]
- Bloquee el interruptor de liberación del filtro. [Fig. 16f]
- Vuelva a colocar la cubierta de la entrada de aire en su producto. [Fig. 16g]
- Enchufe su aparato a la fuente de alimentación y enciéndalo.
- Mantenga presionado el botón **INFORMACIÓN** durante 3 segundos para reiniciar la alerta de Limpieza/Reemplazo; se escuchará una alerta acústica para indicar un reinicio exitoso. [Fig. 7]



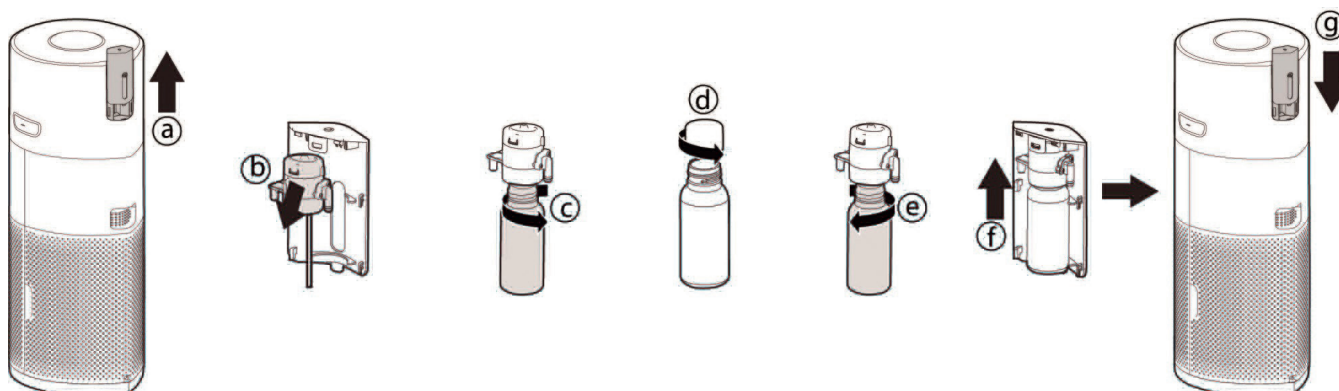
4.2 MANTENIMIENTO DEL DIFUSOR

Después de cada uso de la función de difusor, utilice un paño seco y suave para limpiar cualquier residuo de las superficies del producto.

Reemplazo de la botella del difusor: [Fig. 17]

El líquido restante en la botella se puede verificar a través de la ventana del difusor, cuando sea necesario, la botella debe ser reemplazada.

- Retire la cubierta del difusor del producto. [Fig. 17a]
- Retire la unidad y la botella de la cubierta del difusor. [Fig. 17b]
- Desatornille y quite la botella vacía. [Fig. 17c]
- Retire la nueva botella de H-Essence o H-Biotics del embalaje y retire la tapa. [Fig. 17d]
- Enrosque firmemente la nueva botella en la unidad del difusor. [Fig. 17e]
- Vuelva a colocar la unidad del difusor en la cubierta del difusor. [Fig. 17f]
- Vuelva a colocar la cubierta del difusor en el H-Purifier. [Fig. 17g]

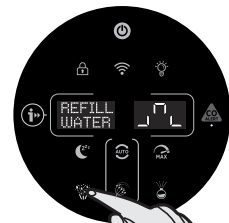


4.3 MANTENIMIENTO DEL HUMIDIFICADOR

Alerta de rellenado del depósito de agua:

Para que el humidificador funcione se requiere un nivel mínimo de agua. Cuando el nivel de agua sea inferior al nivel mínimo, el display mostrará el consejo de RELLENAR DE AGUA y parpadeará. Es posible que haya agua residual en el armazón del depósito de agua. El mensaje aparecerá de cualquier manera debido a que se requiere un nivel mínimo de agua.

- Retire el armazón del depósito del producto. **[Fig. 18a]**
- Retire el montaje del depósito del armazón del depósito. **[Fig. 18b]**
- Elimine el agua residual y llene el depósito mediante la entrada del depósito de agua con agua destilada hasta que llegue a la línea MÁX. que se indica en el depósito. **[Fig. 18c]**
- Vuelva a colocar el depósito en el armazón del montaje del depósito. **[Fig. 18d]**
- Vuelva a colocar el armazón del depósito de agua en el producto. **[Fig. 18e]**



Alerta Clean Water Tank:

Su H-Purifier monitoreará la condición del depósito del humidificador. Una alerta de CLEAN WATER TANK parpadeará después de 72 horas a partir de la última activación de la función de humidificador, si aún hay agua en el depósito. Aparecerá en el lado izquierdo de la pantalla indicando que se requiere una acción para limpiar el depósito de agua.

- Retire la cubierta del cuerpo del depósito del producto. **[Fig. 18f]**
- Separe el armazón del depósito de agua, el depósito de agua y la cubierta del depósito de agua y limpie los 3 a fondo, séquelos por completo con un paño suave y seco. **[Fig. 18g,h,i]**
- Vuelva a montar los componentes del depósito de agua, rellénelo hasta que llegue a la línea de MÁXIMO con agua destilada.
- Asegúrese de que el producto esté encendido antes de volver a insertar el depósito.
- Vuelva a colocar el armazón del depósito de agua en el producto. **[Fig. 18e]**

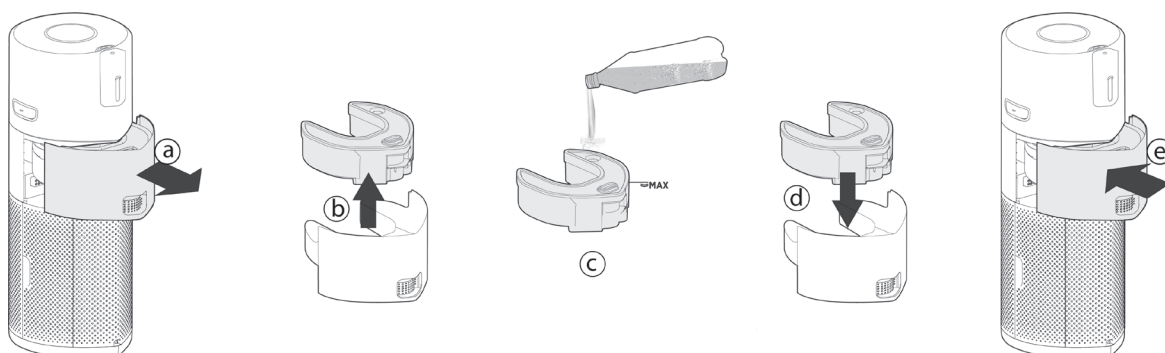
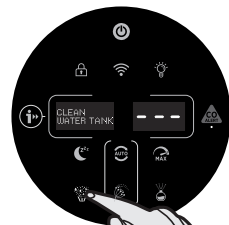
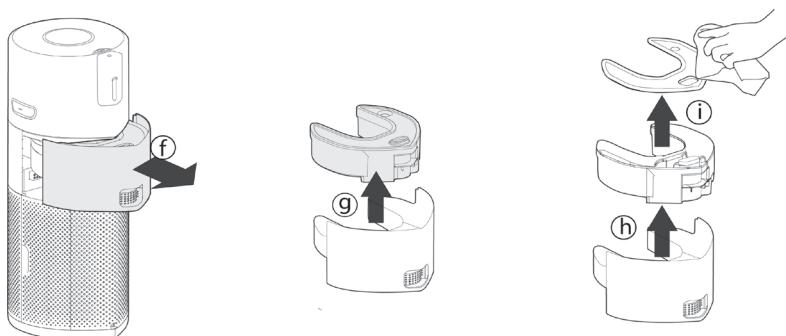


Fig. 18



5. ALMACENAMIENTO DE SU H-PURIFIER

1. Apague el H-Purifier y desconecte el cable de corriente.
2. Limpie todas las superficies internas y externas del H-Purifier, la capa externa del filtro y el depósito de agua.
3. Retire la botella del difusor. Vuelva a colocar la tapa original en la botella y guárdela para protegerla de la luz directa. Limpie las superficies de la unidad del difusor y la cubierta del difusor. Asegúrese de que no haya residuos de H-Essence o H-Biotics en ninguna superficie del H-Purifier.
4. Asegúrese de que todos los componentes estén secos.
5. Retire la tapa de la entrada de aire **[Fig. 19a]**, enrolle el cable de corriente jalando de este **[Fig. 19b]**, acomode el cable dentro del gancho de almacenamiento y el enchufe en la ubicación de transporte. **[Fig. 19c,d]** Vuelva a colocar la cubierta de la entrada de aire. **[Fig. 19e]**
6. Guarde el H-Purifier en un lugar seco y fresco.

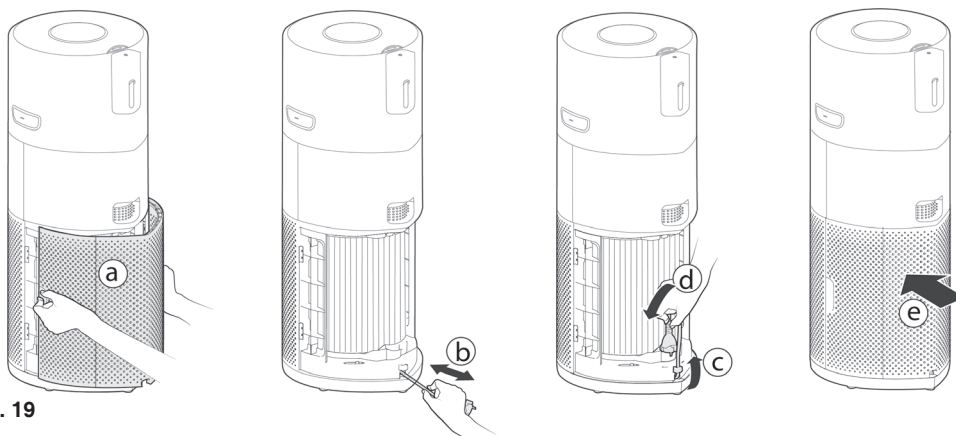


Fig. 19

6. ALERTAS Y SOLUCIONES

Los siguientes códigos pueden aparecer durante su uso. [Fig. 20]



Fig. 20

Alerta		Descripción de la alerta	Solución
Alerta en el producto	Alerta en la APP		
"CLEAN FILTER"	Alerta de limpieza del pre-filtro	Se sugiere limpiar la capa externa del filtro.	1. Limpie la capa externa del filtro. 2. Reinicie la alerta al mantener presionado el botón INFORMACIÓN durante 3 segundos. Consulte 4.1 MANTENIMIENTO DEL FILTRO
"REPLACE FILTER"	Alerta de reemplazo de filtros	Se sugiere reemplazar el filtro.	1. Reemplace el filtro. 2. Reinicie la alerta al mantener presionado el botón INFORMACIÓN durante 3 segundos. Consulte 4.1 MANTENIMIENTO DEL FILTRO
"FILTER MISSING"	Error: ocurrió un error con el purificador de aire, verifique las soluciones posibles	El filtro no está en su posición o no está correctamente bloqueado	1. Si no hay filtro presente, colóquelo de nuevo. 2. Si el filtro está en su posición, verifique si la pestaña de liberación del filtro está en estatus de BLOQUEO. Consulte 2.1 INSTALACIÓN DEL FILTRO
"NO DEPÓSITO DE AGUA"	Error: ocurrió un error con el purificador de aire, verifique las soluciones posibles	El depósito de agua o el armazón del depósito están ausentes.	Coloque nuevamente el depósito de agua y el armazón del depósito.
"LIMPIAR DEPÓSITO DE AGUA"	Se debe reemplazar el agua en el depósito	Han pasado 3 días desde la última vez que se utilizó el humidificador, el depósito/armazón deben limpiarse y reemplazar el agua para fines de higiene.	1. Apague el purificador de aire. 2. Retire el depósito/armazón, limpie la superficie interna de cada componente y rellénelo. 3. Encienda el producto. 4. Vuelva a colocar el depósito/armazón. Consulte 4.3 MANTENIMIENTO DEL HUMIDIFICADOR
"RELLENAR DE AGUA"	Error: ocurrió un error con el purificador de aire, verifique las soluciones posibles	No hay agua en el depósito o el agua restante no es suficiente para que funcione el humidificador.	Rellene el depósito con agua destilada hasta que llegue a la línea MÁX.
"ERROR DEL SENSOR DE PM"	/	Mal funcionamiento del sensor de PM	Falla del sensor de PM o el cable del sensor no se ha conectado correctamente, llame al un servicio técnico oficial de HOOVER para arreglarlo.
El LED de alerta de CO es de color amarillo	Error: ocurrió un error con el purificador de aire, verifique las soluciones posibles	Sensor de CO en mal funcionamiento o el sensor de CO ha llegado al fin de su vida útil.	Llame al Call Center para arreglarlo.
Se apaga automáticamente sin ninguna alerta	Caída del producto	Protección contra caídas del producto	1. Si el producto se cae y hay un derrame de agua, desenchufe la fuente de alimentación y espere 48 horas antes de volver a encender el producto. 2. Si el producto se cae sin que se derrame el agua, levante el producto y presione el botón de alimentación para encenderlo.
/	Error: ocurrió un error con el purificador de aire, verifique las soluciones posibles	Falla del motor	Fallo del motor o el cable del motor no se ha conectado bien, comuníquese con el Call Center de HOOVER para arreglarlo.
"ERROR DE SENSOR DE TEMP y HUM."	/	El sensor de temperatura y humedad tiene un fallo de funcionamiento	El sensor de temperatura y humedad tiene un fallo o el cable del sensor no se ha conectado correctamente, llame al Call Center de HOOVER para arreglarlo.
"PAUSA"	/	El difusor en funcionamiento se pondrá en pausa cuando el anillo LED de calidad del aire no esté en color verde.	No es necesaria llevar a cabo ninguna acción. El difusor reanudará su funcionamiento cuando el anillo LED de calidad del aire esté en color verde.

ATENCIÓN Si cualquiera de estos fallos persiste, póngase en contacto con su Servicio Técnico de Hoover. NO intente desmontar el H-Purifier por su cuenta.

7. SOLUCIÓN DE PROBLEMAS

A continuación se expone una lista de problemas comunes y sus soluciones.

Si cualquiera de dichos problemas persiste, póngase en contacto con el departamento de Postventa de Hoover.

El ventilador no funciona (Panel de mandos / Luces del Display encendidas)	<ul style="list-style-type: none"> • Verifique la alerta que aparece en el display o en la app. Si está ahí, consulte 6. ALERTAS Y SOLUCIONES. • Verifique si hay alguna obstrucción en el ventilador. Si la hay, primero desconecte el producto y retire la obstrucción o llame al centro de servicio para que la retiren. • Verifique que el H-Purifier esté encendido. • Verifique si el filtro está correctamente instalado y en el estado de bloqueado. • Verifique si el H-Purifier está en una posición vertical completamente recta y no está inclinado. • El H-Purifier puede estar en el modo ECO. Puede presionar el botón Modo Sueño o el botón Modo máximo para salir del modo ECO. Consulte 3. USO DEL H-PURIFIER – MODO AUTO.
El ventilador no funciona (Panel de mandos / Las luces del display están apagadas)	<ul style="list-style-type: none"> • Verifique que el H-Purifier esté enchufado y encendido. • Verifique la alerta que aparece en la aplicación. Si está ahí, consulte 6. ALERTAS Y SOLUCIONES.
No hay luces en el panel de mandos / Pantalla display (El ventilador funciona)	<ul style="list-style-type: none"> • En Modo Sueño, el ajuste de luces predeterminadas está apagado. Puede presionar el botón Mando de luz para encender las luces. • Las luces pueden apagarse. Presione el botón Mando de luz para encender las luces. Refer to 3. USANDO SU H-PURIFIER – MODO SUEÑO / Función del MANDO DE LUZ.
Los botones en el panel de control no funcionan	<ul style="list-style-type: none"> • Es posible que esté activado el bloqueo infantil. Mantenga presionado el botón BLOQUEO INFANTIL durante 3 segundos para salir de esa función. Consulte 3. USO DEL H-PURIFIER – Función de BLOQUEO INFANTIL.
El flujo de aire es débil	<ul style="list-style-type: none"> • Verifique si el embalaje protector ha sido retirado del filtro. • Verifique si hay alguna obstrucción en la cubierta de entrada o salida de aire. • Retire la tapa de la entrada de aire y verifique la condición del filtro. Limpie la capa externa del filtro o reemplace el filtro, de ser necesario. Puede verificar el estado de la vida útil del filtro en la pantalla al presionar el botón Información. • Verifique si el H-Purifier está en modo de suspensión. El ventilador funciona con una potencia reducida en este modo.
H-Purifier funciona con mucho ruido	<ul style="list-style-type: none"> • Verifique que no haya obstrucciones en el H-Purifier. • Verifique si el H-Purifier está funcionando en el Modo máximo. El ventilador opera a la máxima potencia en este modo.
El H-Purifier funciona con mucho ruido de repente	<ul style="list-style-type: none"> • Verifique si el H-Purifier está funcionando en modo auto y el anillo LED de calidad del aire no está en verde. En el modo auto, el H-Purifier ajusta automáticamente la velocidad del ventilador al nivel real de la calidad del aire interior. Consulte 3. USO DEL H-PURIFIER – MODO AUTO.
El H-Purifier emite un fuerte zumbido de repente	<ul style="list-style-type: none"> • La función de prueba del botón de alerta de CO se activa por mal funcionamiento. El sonido se detendrá automáticamente después de 5 segundos. Consulte 1.2 ALERTA DE MONÓXIDO DE CARBONO (CO)
La alerta "LIMPIAR DEPÓSITO DE AGUA" no se pudo reiniciar	<ul style="list-style-type: none"> • Después de limpiar el depósito de agua/armazón y rellenarlo, encienda el H-Purifier. No inserte el armazón hasta que la pantalla muestre "NO DEPÓSITO DE AGUA".

INFORMACIÓN IMPORTANTE

Piezas de repuesto y consumibles de Hoover

Utilice siempre piezas de repuesto originales de Hoover. Puede adquirirlas a través de su Servicio Técnico Oficial de Hoover. Cuando realice pedidos de piezas, indique siempre el número de serie del producto.

CALIDAD

Las fábricas de Hoover han sido sometidas a inspecciones de calidad independientes. Nuestros productos se fabrican de conformidad con un sistema de calidad que cumple los requisitos de la norma ISO 9001.

SU GARANTÍA

Las condiciones de garantía para este aparato vienen definidas por nuestro representante en el país de venta. Puede obtener los detalles acerca de estas condiciones en el establecimiento donde haya comprado este aparato. Debe mostrarse la factura de compra o el tíquet al hacer alguna reclamación en virtud de las condiciones de garantía.

Sujeto a cambios sin previo aviso.

GENERELLE SIKKERHEDSADVARSLER

Dette udstyr bør kun anvendes i private husholdninger, og som beskrevet i denne brugervejledning. Sørg venligst for, at denne vejledning er fuldt forstået, før du betjener udstyret, og gem den som senere reference.

Kontroller om den spænding og klassificeringer som er indikeret på mærket på udstyret svarer til den lokale strømspænding, før du tilslutter udstyret.

Hvis netledningen er ødelagt, skal du stoppe med at bruge støvsugeren øjeblikkeligt. For at undgå en sikkerhedsrisiko, skal en autoriseret HOOVER servicetekniker udskifte strømkablet.

Du må ikke fjerne stikket ved at trække i strømledningen.

Placer strømledningen så ingen kan træde eller falde over den.

Du skal altid slukke og fjerne apparatet fra stikket, før du flytter eller rengører apparatet, eller udfører anden vedligeholdelse.

Dette udstyr kan anvendes af børn, der er 8 år gamle og derover, og af personer med nedsatte fysiske, sensoriske eller mentale evner eller manglende erfaring og viden, hvis de er under opsyn eller vejledning i at bruge udstyret på en sikker måde og forstår de risici, der er involveret. Børn må ikke lege med udstyret.

Rengøring og vedligeholdelse må ikke udføres af børn uden en voksen tilstede.

Udstyret fjerner ikke kulilte (CO) eller radon (Rn). Det kan ikke bruges som en sikkerhedsanordning, i tilfælde af ulykker med forbrændingsprocesser og farlige kemikalier.

Lad være med at fortsætte at bruge støvsugeren, hvis den ser ud til at være defekt.

Du må ikke blokere luftindgangen eller luftudgangen.

Du må ikke placere dine fingre eller objekter i luftudgangen eller luftindgangen, for at forhindre fysisk skade eller fejl i udstyret.

Du må ikke rengøre apparatet med vand, andre væsker eller (brandbart) rengøringsmiddel, eller lade dem trænge ind i apparatet, for at undgå elektrisk stød og/eller brandfare.

Du må ikke sprøjte med brandbare materialer, såsom sprøjtemidler eller parfume i nærheden af udstyret.

Dette udstyr er ikke en erstatning for korrekt ventilering, jævnlig støvsugning, eller brug af en emhætte eller ventilator under madlavning.

Brug kun forbrugsvarer, filtre eller reservedele, som anbefalet eller leveret af HOOVER.

Sørg for, at filteret er monteret korrekt, før du tænder for apparatet.

Undgå at støde ind i udstyret (i særdeleshed luftindgangen og luftudgangen) med hårde objekter.

Hold produktet tørt.

Du må aldrig vippe eller tømme produktet under anvendelse.

Når udstyret ikke anvendes i en længere periode, kan der opstå bakterievækst på filtrene. Kontroller filtrene efter en længere periode uden brug. Hvis filtrene er meget beskidte, skal du udskifte dem.

Hoover service: For at sikre løbende sikker og effektiv drift af dette apparat anbefaler vi, at eftersyn eller reparationer udelukkende udføres af en autoriseret Hoover-servicetekniker.

BRUG I MILJØET

Placer og brug kun produktet på en tør, stabil, lige horisontal overflade, så den ikke kan vælte. Der skal efterlades mindst 20 cm fri plads bag, og ved begge sider af udstyret, og mindst 30 cm fri plads over udstyret.

For at forhindre afbrydelser, skal du placere udstyret mindst 2 m væk fra elektrisk udstyr der anvender radiobølger, såsom fjernsyn, radioer og radiostyrede ure.

Du må ikke placere noget oven på udstyret.

Du må ikke bruge dette udstyr når du har brugt indendørs insektmiddel af røgtypen, eller på steder med olierester, røgelse eller kemiske dampe.

Du må ikke placere udstyret i nogle af de følgende lokationer:

- På varme overflader, i nærheden af varme overflader, åbent ild eller direkte sollys, i nærheden af gasudstyr, varmeudstyr eller kaminer;
- Ved siden af, eller direkte over varmere eller airconditionssystemkanaler, døre, vinduer, emhætter, komfurer eller andre steder som kan påvirkes af træk;
- I et badeværelse eller andre områder hvor produktet kan udsættes for vandstænk, dryp eller kondens (f.eks. direkte over et airconditionanlæg eller over en elkedel);
- I et aflukket område (f.eks. i eller under et skab);
- I et område hvor temperaturen kan falde til under -20°C , eller stige til over 50°C ;
- I et rum med store temperaturændringer, i våde omgivelser eller omgivelser med meget høj omgivelsestemperaturer eller høj fugt, såsom badeværelset, toilettet eller køkkenet;
- Hvor det bliver blokeret, f.eks. af gardiner eller møbler;
- Hvor snavs eller støv kan blokere sensoren.

CO-MONITOR SIKKERHEDSINSTRUKTIONER

Hvis CO Alarm er aktiveret, bør du åbne alle vinduer og døre (hvis det er sikkert). Sluk for alt brændselsudstyr hvis muligt, og forlad bygningen med vinduer og døre åbne. Få omgående hjælp til alle der lider af effekter af kulilteforgiftning. Gå ikke ind i bygningen igen, før alarmer stopper. Alarmer vil stoppe når CO er væk. Brug ikke brændselsudstyret igen, før CO kilden er blevet lokaliseret, og udbedret af en kvalificeret tekniker.

Undgå at bruge maling, fortyndere, dampe fra opløsningsmidler, luftfriskere, aerosolsprays, eller kemiske rengøringsmidler i nærheden af udstyret. Dette kan påvirke funktionen af CO Monitor.

For at aktivere CO Monitor, skal du forbinde stikket til en stikkontakt. CO Alert LED vil lyse grønt. Når CO Monitor registrerer et usikkert niveau af CO, vil CO Alarm lyde højlydt, og CO Alert knappen og Luftkvalitet LED Ring vil blinke rødt. Alarmer vil fortsætte med at lyde, indtil den registrerede CO reduceres til et sikkert niveau.

Rør [CO Alert] knappen i 3 sekunder for at teste CO Alarm funktionen, og alarmer vil lyde højlydt i 5 sekunder. Test alarmer hver måned, og efter længere fravær fra bygningen (f.eks. ferier). Hvis alarmer ikke lyder efter at have rørt [CO Alert] knappen i 3 sekunder, bedes du kontakte Hoover kundeservice, for at arrangere, at en kvalificeret tekniker kan reparere fejlen.

Hvis displayet indikerer, at CO Sensor er defekt, eller dens levetid er udløbet, bedes du kontakte Hoover kundeservice, for at arrangere, at en kvalificeret tekniker kan udskifte CO Sensor. Den forventede levetid af CO Sensor er 7 år, og den skal udskiftes efter denne periode.

Lad ikke små børn trykke på CO Alert knappen i 3 sekunder, eftersom de kan udsættes for høje lyde, når alarmer lyder.

Driftsfugt: 15 – 90% RH

Driftstemperatur: 0°C til $+40^{\circ}\text{C}$

Kulilte påvirker kroppen ved at udelukke (kvæle) de kritiske organer for ilt. Når CO inhaleres, fastgøres det til hæmoglobin i blodet som normalt transporterer ilt rundt i kroppen. CO vil permanent fjerne iltmolekylernes evne til at fastgøre sig til hæmoglobin, hvormed mængden af ilt til de vitale organer reduceres. Koncentrationsniveauet og tiden man udsættes for CO kan have forskellige effekter på kroppen, men eksperterne er enige om, at selv udsættelse af lave niveauer af kulilte over længere perioder, kan have alvorlige og vedvarende effekter på alles overordnede helbred.

ADVARSEL: CO ALARM ER DESIGNET TIL AT BESKYTTE INDIVIDER FRA DE AKUTTE EFFEKTER FRA UDSÆTTELSE AF KULILTE, ELLER FORHINDRE DE KRONISKE EFFEKTER VED UDSÆTTELSE AF KULILTE. DET VIL IKKE FULDSTÆNDIG BESKYTTE INDIVIDER MED SPECIFIKKE MEDICINSKE TILSTANDE. HVIS DU ER I TVIVL, BEDES DU KONTAKTE DIN LÆGE.

CO Monitor funktionen må ikke bruges som, og er ikke indikeret til at blive brugt som erstatning for E 50291-1, UL-2034, CSA-6.19 eller enhver anden anerkendt standard inden for certificeret kuliltealarm, hvor lokale eller regionale bestemmelser eller lovgivning angiver deres brug.

CO Monitor funktionen er udelukkende en ekstra kulilte overvågningsenhed. Brug af udstyret er på brugerens eget ansvar, og indebærer forståelsen af, og accept af dets begrænsninger i forbindelse med overholdelse af bestemmelser eller lovgivning, hvor det er relevant.

Udstyret bør ikke anvendes som erstatning for korrekt montering, brug og vedligeholdelse af brændstofbrændende udstyr, inklusive passende ventilations- og udsugningssystemer.

CO Monitor mobil- og tabletnotifikationer kræver en funktionel WiFi-forbindelse, for at fungere. De er ikke en erstatning for en tredjepart nødovervågningstjeneste.

DIFFUSER SIKKERHEDSINSTRUKTIONER

Brug kun aromaolie som anbefales, eller leveres af HOOVER.

Undgå brugen af en enkeltstående luftfugter ved siden af luftrenseren, når du bruger diffusorfunktionen i H-Essence.

Tør omgående spildt H-Essence op. Sørg for at rengøre alle hjørner af produktet, som har været i kontakt med H-Essence.

LUFTFUGTER SIKKERHEDSINSTRUKTIONER

Rens vandtanken hver 3 dag.

Anvend kun destilleret vand til vandbeholderen. Påfyld ikke andre vandkilder, såsom vand fra hanen, mineralvand, flodvand osv.

Vandet i vandtanken er ikke egnet som drikkevand. Du må ikke drikke vandet, og må ikke bruge det til dyr eller planter. Når du tømmer vandtanken, skal du hælde vandet ud i afløbet.

Du må ikke komme andet end destilleret vand i vandtanken.

Kom ikke væsker med dufte/parfume eller H-Essence i vandtanken.

Tøm beholderen og huset og genopfyld hver tredje dag.

Før genopfyldning skal du rengøre beholderen og huset med frisk vand fra hanen.

Fjern kalk, aflejringer eller film som har sat sig på siderne af tanken, eller på de indvendige overflader, og tør alle overflader, så de er tørre.

Afbryd strømmen til udstyret før påfyldning og rengøring.

Tøm og rengør luftfugteren før opbevaring. Rengør luftfugteren før næste anvendelse.

Efterlad aldrig vand i vandbeholderen og beholderhuset når apparatet ikke bruges.

Tillad ikke, at området omkring luftfugteren bliver fugtig eller våd. Hvis der opstår fugt, skal du reducere luftfugterens output, og kun bruge luftfugteren sporadisk. Lad ikke absorberende materialer såsom tæpper, gardiner, draperinger eller duge blive fugtige.

Hvis du skal flytte udstyret, skal du først afbryde udstyret fra strømforsyningen. Derefter tømmes vandtanken, eller den fjernes. Bær apparatet vertikalt via håndtagene på begge sider af udstyret.

Undgå brugen af en enkeltstående enhed som udsender eller sprøjter aromaolie ved siden af luftrenseren, når du bruger luftfugterfunktionen.

Vær opmærksom på, at fugtighedsniveauerne kan øge væksten af biologiske organismer i miljøet.

ADVARSEL: Mikroorganismer som kan være til stede i vandet, eller i miljøet hvor udstyret anvendes eller opbevares, kan vokse i vandbeholderen og blive blæst ud i luften, hvilket kan forårsage alvorlige sundhedsrisici, når vandet ikke fjernes, og tanken ikke renses korrekt hver 3 dag.



Miljøet

Denne håndstøvsuger er mærket i overensstemmelse med det europæiskedirektiv 2012/19/EU om affald af elektrisk og elektronisk udstyr (WEEE). Ved at sikre at dette produkt bortskaffes korrekt er du med til at forhindre eventuelle negative konsekvenser for miljø og sundhed, som ellers kunne forårsages på grund af forkert bortskaffelse af dette produkt.



Symbolet på produktet angiver, at produktet ikke må behandles som husholdningsaffald. Det skal i stedet afleveres til en relevant affaldsstation for genbrug af elektrisk og elektronisk udstyr. Bortskaffelse skal ske i overensstemmelse med de lokale miljøregler vedrørende bortskaffelse af affald. For mere detaljeret information om behandling, genvinding og genbrug af dette produkt, henvend dig da til den lokale kommune, til dit affaldsselskab eller den forretning hvor du købte produktet.

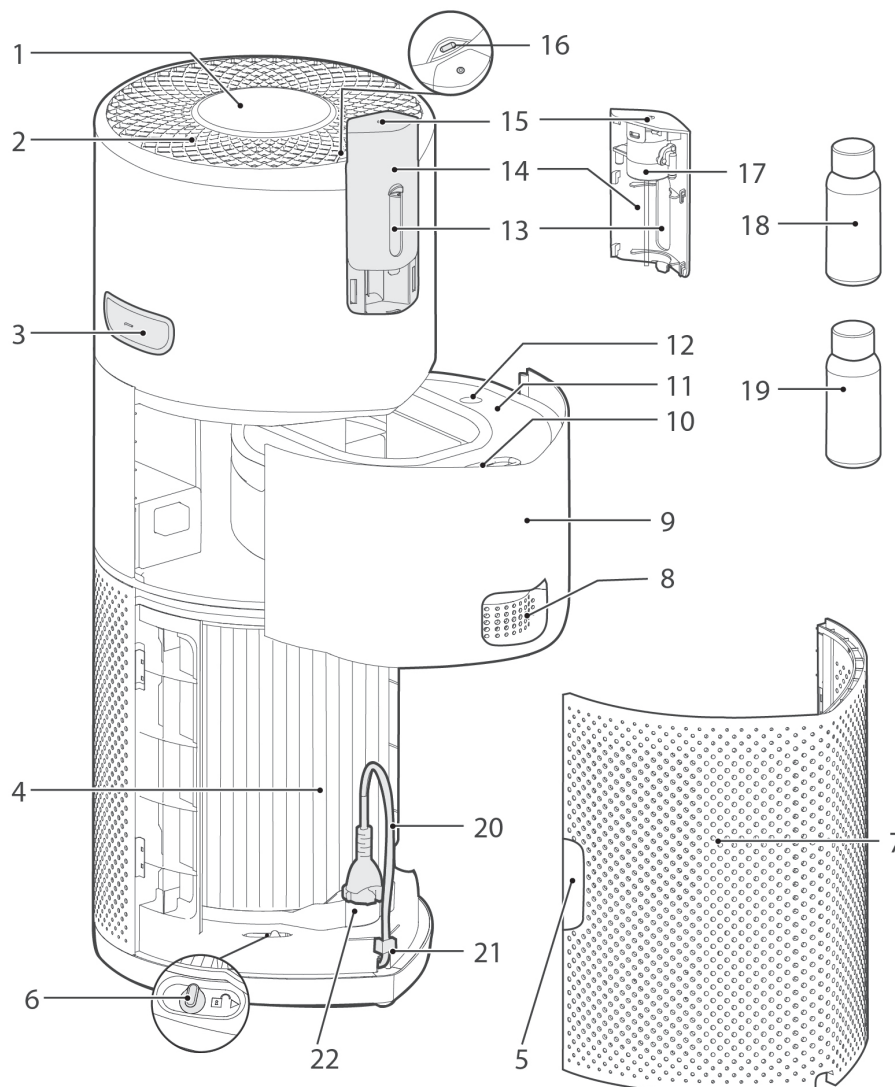
Trådløs parameter for parring

Teknologi	WiFi	Bluetooth
Standard	IEEE 802.11 b/g/n	Bluetooth v4.2, BLE
Frekvensbånd (MHz)	2401-2483	2402-2480
Maximum Effekt (mW)	100	10
Maksimal RF strøm i frekvensbåndet	18.9 dBm	

Candy Hoover Group Srl erklærer hermed, at radioudstyret er i overensstemmelse med direktiv 2014/53/EU. Den fulde tekst for denne EU-overensstemmelseserklæring er tilgængelig på den følgende internetadresse: www.candy-group.com

CANDY HOOVER GROUP S.r.l. Via Privata Eden Fumagalli, 20861 Brugherio (MB) Italy

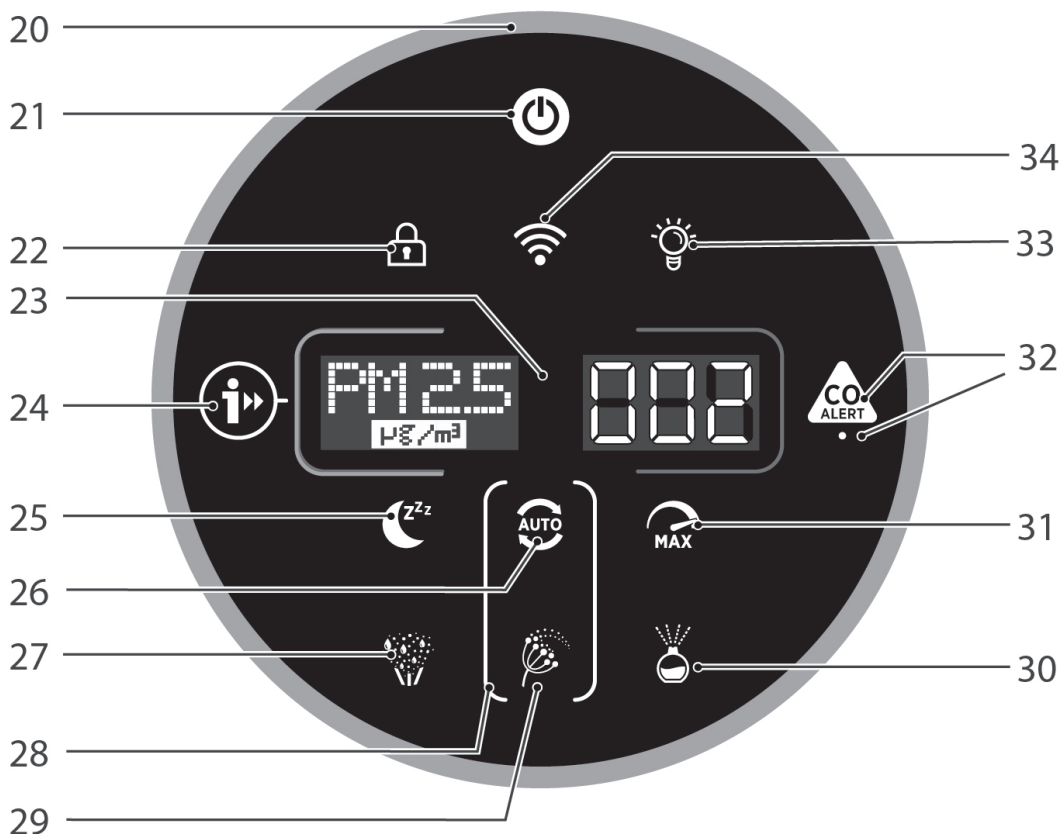
1. LÆR DIN H-PURIFIER AT KENDE



1	Kontrolpanel / Display
2	Luftudtag
3	Produkt bærehåndtag
4	Filterenhed
5	Luftindtagets dækselhåndtag
6	Filter frigivelseskontakt
7	Luftindtagets dæksel
8	Luftfugter håndtag

9	Luftfugter tankhus
10	Luftfugter vandtank
11	Luftfugter vandtankdæksel
12	Luftfugter vandtankindgang
13	Diffusorvindue
14	Diffusordæksel
15	Diffusorudgang
16	Luftfugter udgang

17	Diffusorenhed
18	H-Essence flaske (Grøn)
19	H-Biotics flaske (Brun)
20	Strømledning og stik
21	Opbevaringskrog
22	Transportplacering



20	Luftkvalitet LED Ring
21	Tænd/sluk-knap
22	Børnelåsknap
23	Digitalt display
24	Informationsknap

25	Knap til sovetilstand
26	Knap til autotilstand
27	Luftfugter knap
28	Cirkellampe til pollenallergi
29	Lampe til pollenallergi

30	Diffusorknap
31	Knap til maks. tilstand
32	CO Alert knap og LED
33	Knap til lyskontrol
34	Wi-Fi knap

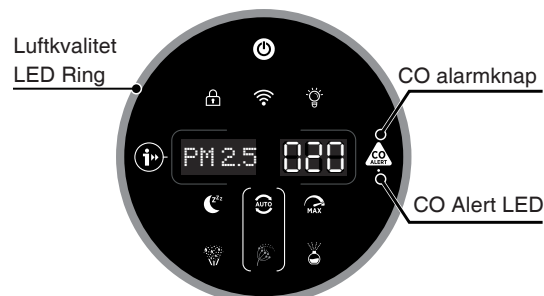
1.1 MULTISENSORSYSTEM

Takket være multisensorysystemet vil dit produkt kontinuerligt overvåge lufttilstanden indendørs når det kommer til PM10, PM2,5 og Flygtige organiske forbindelser (GAS).

Hver gang du tænker for dit produkt, vil multisensorysystemet begynde at analysere luftkvaliteten indendørs, og Air Quality LED Ring vil lyse med forskellige farver, som repræsenterer luftkvaliteten i realtid.

Air Quality LED Ring Farve	Indendørs luftkvalitet	PM 10 værdi* $\mu\text{g}/\text{m}^3$	PM 2,5 værdi $\mu\text{g}/\text{m}^3$	GAS VOC niveau
GRØN	Fremragende	0-50	0-25	L1
GUL	Tilfredsstillende	50-80	25-50	L2
ORANGE	Dårlig	80-160	50-100	L3
RØD	Meget dårlig	≥ 160	≥ 100	L4

* I pollenallergi tilstand vil PM 10 værdien som udløser luftkvalitetsniveauet være lavere, for at minimere risikoen for allergikere.



1.2 KULILTE (CO) ALARM

H-Purifier er udstyret med et alarmsystem der konstant overvåger luften indendørs for kulilte (CO).

Når kuliltealarmen er aktiveret, vil AIR Kvalitet LED Ring, Information og CO Alert knappen blinke rødt på samme tid, og en lydhør alarm kan høres. Alarmen vil fortsætte indtil kuliltekoncentrationen (CO) er reduceret til under 50 ppm, medmindre den manuelt slukkes ved at trykke på CO Alert knappen i 3 sekunder.

CO Alert LED viser driftstilstanden for CO sensoren. Den lyser grønt når CO sensoren fungerer normalt, lyser gult når sensoren er defekt, eller overskrider dens levetid, og rød når en CO alarm er aktiveret.

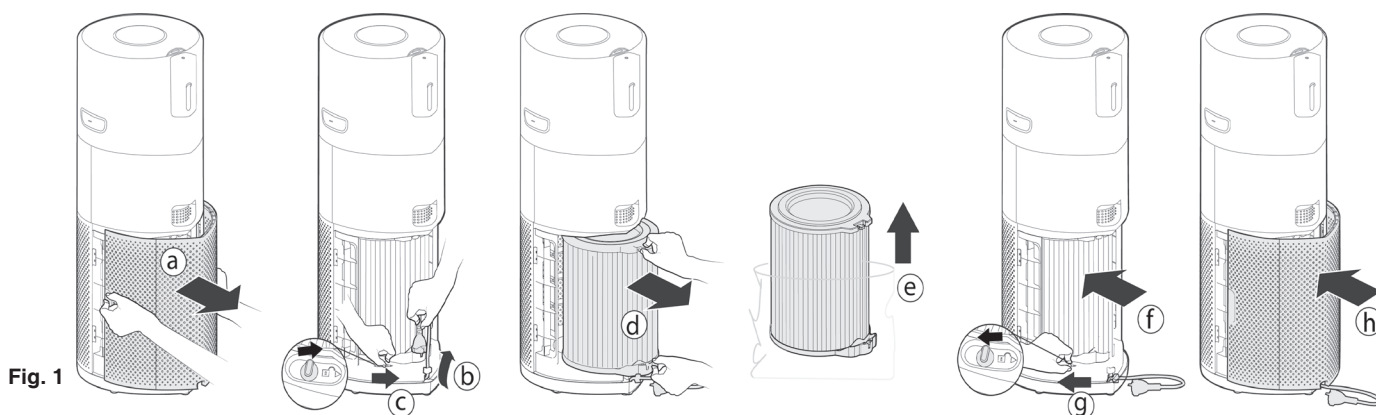
Du kan teste om alarmen fungerer korrekt, ved at trykke på CO alarmknappen i 3 sekunder, en høj tone vil lyde i 5 sekunder, hvis alarmen fungerer korrekt.

2. FORBEREDNING AF DIN H-PURIFIER

2.1 MONTER FILTERET [Fig. 1]

Før du anvender dit H-Purifier udstyr, skal du fjerne filteret fra dets beskyttende emballage:

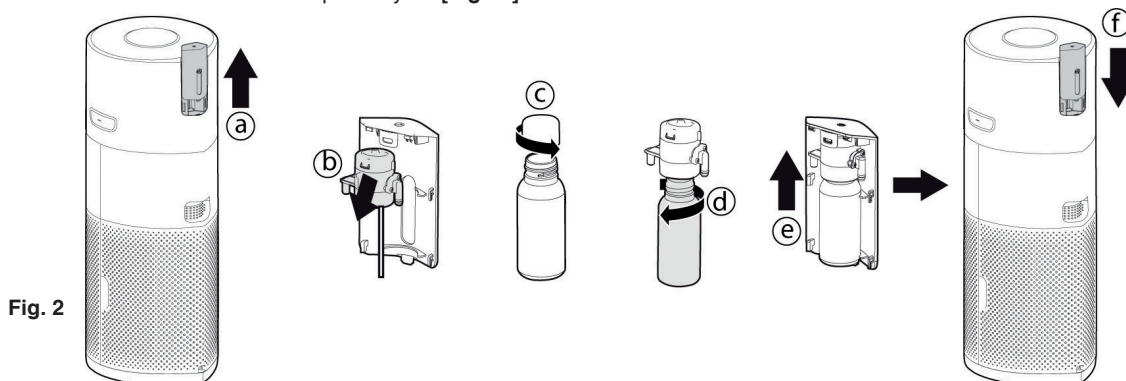
- Fjern luftindtagets dæksel fra udstyret, grib fat i de to luftindtags dækselhåndtag, og træk det væk fra udstyret. [Fig. 1a]
- Fjern stikket fra transportlokationen, og løs ledningen fra opbevaringskrogen. [Fig. 1b]
- Løs filterets frigivelseskontakt. [Fig. 1c]
- Fjern filteret fra dit udstyr, og fjern den udvendige emballage. [Fig. 1d,e]
- Genmonter filteret i dit udstyr. [Fig. 1f]
- Lås filterets frigivelseskontakt. [Fig. 1g]
- Genmonter luftindtagets dæksel på udstyret. [Fig. 1h]



2.2 MONTER DIFFUSORFLASKEN [Fig. 2]

Forbered dit H-Purifier udstyr til diffusorfunktionen:

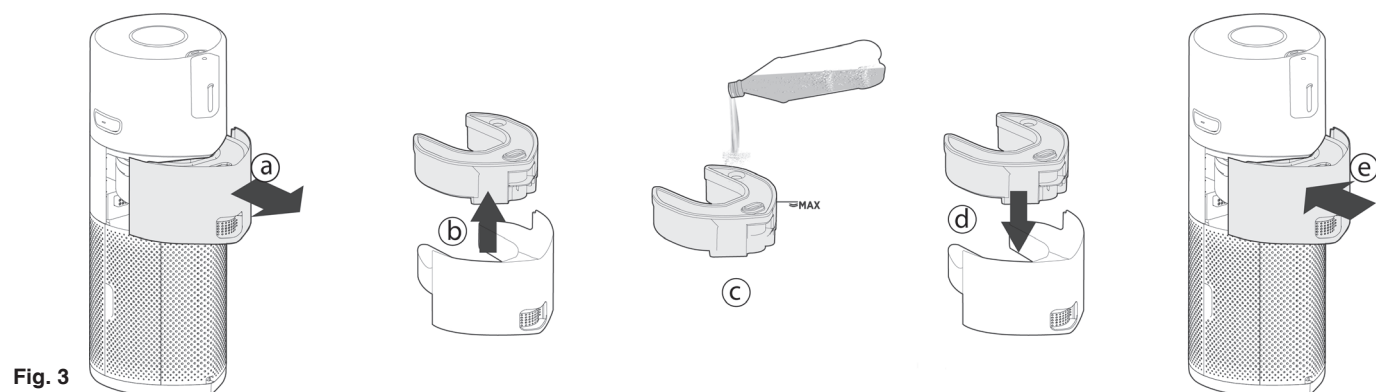
- Fjern diffusordækslet fra udstyret. [Fig. 2a]
- Fjern diffusorenheden fra diffusordækslet. [Fig. 2b]
- Fjern flasken med H-Essence eller H-Biotics fra emballagen, og fjern hættten. [Fig. 2c]
- Gem hættten til senere opbevaring.
- Fastskrue flasken på diffusorenheden. [Fig. 2d]
- Genmonter diffusorenheden på diffusordækslet. [Fig. 2e]
- Genmonter diffusordækslet på udstyret. [Fig. 2f]



2.3 FORBEREDNING AF LUFTFUGTEREN [Fig. 3]

Forbered dit H-Purifier udstyr til luftfugterfunktionen:

- Fjern tankhuset fra udstyret. [Fig. 3a]
- Fjern tankenheden fra tankhuset. [Fig. 3b]
- Før den første anvendelse skal du rengøre alle dele med en tør, blød klud.
- Fyld tanken via vandtankindgange med destilleret vand, indtil det når MAKS. linjen, indikeret på tanken. [Fig. 3c]
- Genmonter tankenheden på tankenhedshuset. [Fig. 3d]
- Genmonter tankenhedshuset på udstyret. [Fig. 3e]



3. BRUG AF DIN H-PURIFIER

3.1 TÆND FOR PRODUKTET [Fig. 4]:

Træk strømledningen ud fra strømrullen, og tilslut det til strømforsyningen.

Alle lysene på styrepanelets / display vil lyse i omkring 1 sekund, for at indikere at udstyret er tilsluttet korrekt. STRØM knappen vil lyse dæmpet, og CO Alert LED vil være ON for at indikere at den dedikerede sensor er begyndt at overvåge det indendørs kulliteniveau.

For at tænde for udstyret, skal du trykke på STRØM knappen på displayet.

Air Quality LED Ring vil lyse i alle dets farver i sekvens, mens sensorerne analyserer lufttilstanden i realtid. Efter nogle få sekunder vil Air Quality LED Ring vælge den passende farve for luftkvaliteten, på det nuværende tidspunkt.

Din H-Purifier vil omgående gå i AUTOTILSTAND, og begynde at rense luften indendørs.

AUTOTILSTAND knappen, INFORMATION knappen, LYSKONTROL knappen og PM10 informationerne på displayet vil lyse.

3.2 FORBIND DIN H-PURIFIER:

For at kunne bruge alle funktionerne på din H-Purifier, uanset hvor du er, anbefales det, at du downloader hOn appen. Du vil dermed kunne kontrollere udstyret på den mest effektive måde.

Instruktioner:

1. Download hOn appen fra App Store, Google Play eller Huawei AppGallery. Du kan også downloade den ved at scanne QR-koden i [Fig. 5]
2. Åbn APP'en, opret en konto med din e-mailadresse og en adgangskode.
3. Bekæft og log ind til hOn appen.
4. Sørg for, at din mobile enhed er forbundet til WiFi-netværket.
5. Sørg for at din H-Purifier er tændt. Tryk og hold WiFi knappen på displayet i 5 sekunder, der vil være et lydligt bip, og WiFi knappen vil begynde at blinke, for at indikere, at den venter på forbindelse. [Fig. 6]
6. Følg instruktionerne i appen for at forbinde din mobile enhed til dit udstyr.
7. Når de er parret, vil WiFi knappen på udstyret forblive oplyst.
8. For at nulstille WiFi, skal du trykke og holde WiFi knappen i 5 sek.

H-Purifier fungerer også med Hey Google og Amazon Alexa.

3.3 OPDAG ALLE FUNKTIONERNE

INFORMATION funktion [Fig.7]:

Der er 6 forskellige tilgængelige datasæt som kan overvåges:

PM10, PM2,5, GAS, temperatur, fugtighed og filterstatus.

For at overvåge hver værdi, skal du fortløbende trykke på INFORMATION knappen.

Som standard vil displayet vise PM10 data, udstyret vil huske brugerens sidste valg, og bevare dette valg, indtil udstyret tændes næste gang.

GAS data vil vise en drejende markør under de første 3 minutter efter produktet er tændt, mens GAS sensoren udfører en kalibreringscyklus.

Mere info om PM 2,5, PM 10 og GAS:

PM indikerer fine partikler (som ikke kan ses med det menneskelige øje), som hovedsageligt skyldes udendørs forurening fra køretøjer og industrielle udledninger, og som muligvis kan være farligt for vores helbred, hvis vi udsættes for det i længere perioder.

PM 10 har en størrelse på op til 10 µm, og er i stand til at gennemtrænge de øverste luftveje (næse, luftrør, svælg). PM 2,5 har en størrelse på op til 2,5 µm, og under hensyntagen til deres lille størrelse, kan de nå vores lunger, og dermed trænge dybere ind i vores krop.

GAS VOC (flygtige organiske sammenblandinger) er flygtige kemiske sammenblandinger med muligheden for nemt at fordampe i luften ved rumtemperatur. Deodoranter, opløsningsmidler, lim, klæbemidler, kosmetik, formaldehyd er blot nogle af de VOC'er som kan være til stede i vores hjem, men som kan være farlige for vores helbred, hvis vi udsættes for dem i længere perioder.

TILSTAND funktioner:

Der er 3 tilgængelige tilstande til luftrensning: AUTOTILSTAND, MAKS. TILSTAND OG DVALETILSTAND.

Autotilstand er standardindstillingen for dit udstyr når den tændes. Alle tilstande kan vælges manuelt ved at trykke på den relaterede knap på displayet.

POLLENALLERGI tilstand kan også aktiveres via hOn appen.

AUTOTILSTAND [Fig. 8]:

Dette er standardtilstanden for dit H-Purifier udstyr, når det først tændes. I Auto-tilstand vil H-Purifier automatisk justere dens ventilatorhastighed til det faktiske luftkvalitetsniveau indendørs, for altid at garantere en optimal luftrensning.

Dette er den anbefalede indstilling for dit produkt.

I AUTOTILSTAND, og efter 30 minutter med fremragende luftkvalitet, vil udstyret gå i ECOTILSTAND (standby funktion), ved at sætte rensfunktionen på pause (ventilator), multisensorsystemet vil fortsætte med at analysere den indendørs luftkvalitet, og automatisk tænde for rensningsfunktionen, når det er påkrævet.

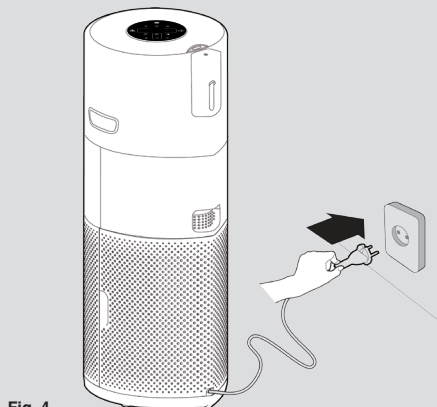


Fig. 4



Fig. 5

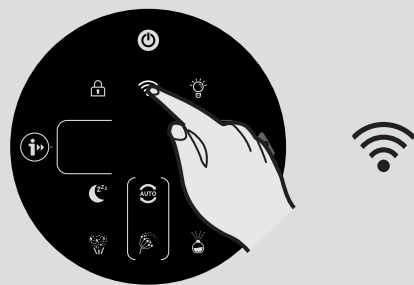


Fig. 6

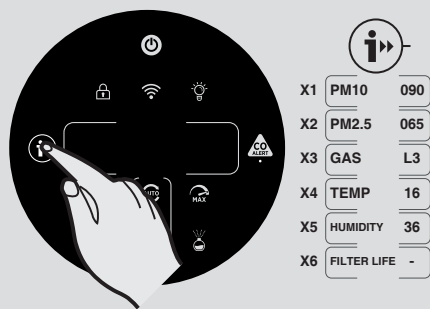


Fig. 7

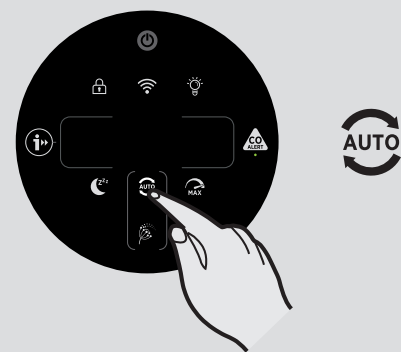


Fig. 8

MAKS. TILSTAND [Fig. 9]:

Tryk på MAKS. TILSTAND knappen på displayet for at aktivere luftrensning med maksimal strømindsstilling. For at forlade MAKS. TILSTANDEN, skal du blot vælge AUTOTILSTAND eller DVALETILSTAND.

DVALETILSTAND [Fig. 10]:

Tryk på DVALETILSTAND knappen for at aktivere luftrensning med den laveste, lydløse strømindsstilling. DVALETILSTAND knappen vil lyse dæmpet, og alle andre lamper på displayet vil være slukket. Dette kan ændres ved at trykke på LYSKONTROL knappen.

POLLENALLERGI TILSTAND: [Fig. 11]

Pollenallergi tilstand kan kun aktiveres via hOn appen. Du skal først aktivere og oprette en profil i appen, for at kunne oprette din pollenallergi profil.

Pollenallergi tilstanden fungerer kun når AUTOTILSTAND er valgt. [Fig. 11c]

I pollenallergi tilstand vil udstyret kontinuerligt modtage realtidsdata fra appen om den overvågede, uendørs pollenkoncentration, og det arbejder derefter automatisk til at maksimere indfangningen af pollen.

Når pollen er indfanget, vil de blive deaktiveret for at hjælpe med at afbedre allergiske symptomer.

Når pollenallergi tilstanden er aktiveret i appen, er der 2 mulige notifikationslamper på udstyrets display:

- Pollenallergilampen er HVID [Fig. 11a]: Udstyret og appen overvåger tilstedeværelsen af pollen udendørs, og der er ingen risiko.

- Pollenallergilampen skifter til GUL, og pollenallergicirkellampen er HVID [Fig. 11b]: Udstyret og appen har registreret en risiko.

Hvis udstyret manuelt aktiveres i DVALETILSTAND eller MAKS. TILSTAND, mens pollenallergi tilstanden er aktiveret, vil pollenallergi tilstanden blive stoppet.

LYSKONTROL funktion: [Fig. 12]

Der er 3 tilgængelige indstillinger for lyset på displayet: On, Dæmpet og Off

For at justere lysstyrken for lyset på displayet, skal du trykke på LYSKONTROL knappen på displayet, for at køre gennem de 3 tilgængelige muligheder. ON er standardindstillingen.

Hvis OFF vælges, skal der trykkes to gange på enhver anden knap for at aktivere den, efter et tryk vil lysende blive DÆMPET, og med det andet tryk, vil handlingen blive aktiveret.

BØRNELÅS funktion: [Fig. 13]

Tryk og hold BØRNELÅS knappen i 3 sekunder for at aktivere den, en lydør alarm vil lyde når den er aktiveret, og BØRNELÅS knappen vil forblive oplyst. Ingen andre knapper vil fungere når denne er aktiveret.

For at forlade funktionen, skal du blot trykke og holde BØRNELÅS knappen nede i 3 sekunder, en lydør alarm vil lyde for at bekræfte at den er deaktiveret, og knappen vil ikke længere lyse.

DIFFUSORFUNKTION: [Fig. 14]

Diffusoren vil sprede H-Essence eller H-Biotics ud i rummet. H-Essence er Hoovers kollektion af essentielle olier som udsendes i luften, med behagelige dufte.

H-Biotics er en naturlig blanding baseret på probiotika, der holder rummet biohygiejnisk, ved at hæmme væksten af mikroorganismer, såsom bakterier eller mikrober.

Der er 4 forskellige indstillinger for DIFFUSORFUNKTIONEN: SOFT, MELLEEM, TILPASSET og H-BIOTICS. For at aktivere denne funktion, skal du blot trykke på diffusorknappen på displayet.

Standardindstillingen for denne funktion er SOFT, for at vælge en af de andre indstillinger, skal du fortløbende trykke på knappen, for at skifte til det ønskede valg. Knappen vil lyse hvidt når den er tændt.

Det anbefales, at bruge SOFT og MELLEEM indstillingerne for H-Essence.

TILPASSET indstilling kan kun oprettes på hOn appen.

Når du bruger H-Biotics, SKAL indstillingen være H-Biotics. Når brugeren har aktiveret H-Biotics med appen, vil den give en notifikation af "AKTIV H-BIOTICS" efter 120 timer, for at sikre, H-Biotics bruges hver 5 dag.



Fig. 9



Fig. 10

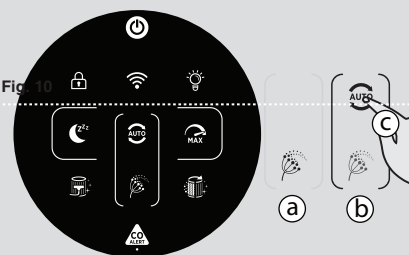


Fig. 11



Fig. 13

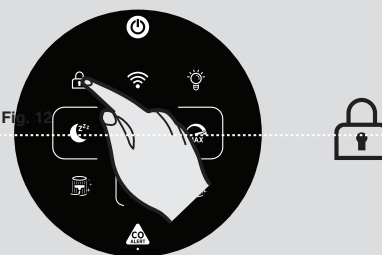


Fig. 13

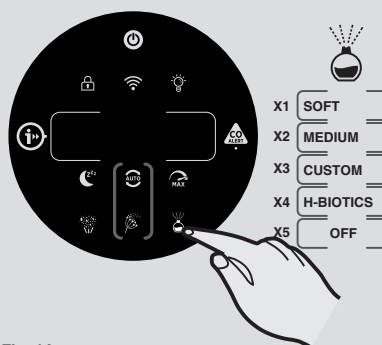


Fig. 14

Når H-Essence anvendes i forskellige indstillinger eller rummiljø, kan GAS VOC niveauet ændre sig, pga. registrerende af dufte.

Diffusorfunktionen fungerer kun når Air Quality LED Ring lyser grøn, den vil være på pause når LED Ring ikke er grøn, og derefter fortsætte med at fungere, når den igen er grøn.

Diffusorfunktionen kan kun bruges i AUTO og MAKS. tilstande, og kan ikke bruges i DVALETILSTAND.

Når diffusorfunktionen aktiveres i AUTO-tilstand, vil hovedventilatoren fungere med en specifik hastighed, for at hjælpe med at sprede H-Essence eller H-Biotics i rummet.

Indstilling	Tidsangivelse af diffuser	Maks. cyklusvarighed
SOFT	i 10 sek. for hver 5 min.	6 timer
MELLEMLANG	i 90 sek. for hver 3,5 min.	6 timer
TILPASSET	Brugerdefineret	6 timer
H-BIOTICS	i 2 min. for hver 4 min.	6 timer

For at slukke for funktionen, skal du trykke på diffusorknappen indtil OFF vises på displayet.

Efter hver brug af diffusorfunktionen, skal du bruge en tør, blød klud til at fjerne eventuelle rester fra udstyrets overflader.

For at skifte flasken i diffusorenheden, henvises der til afsnittet 'Vedligehold din H-Purifier'.

LUFTFUGTERFUNKTION: [Fig. 15]

Der er 3 forskellige indstillinger for luftfugterfunktionen: MIN, MEL OG MAKS. For at aktivere denne funktion, skal du blot trykke på luftfugter knappen på displayet. Standardindstillingen for denne funktion er MIN. For at vælge enhver af de andre indstillinger, skal du blot fortløbende trykke på knappen, for at skifte til det ønskede valg. Knappen vil lyse hvidt når den er tændt.

MIN - Standard målfugtighed 40%

MEL - Standard målfugtighed 55%

MAKS - Standard målfugtighed 70%

Alle 3 målniveauer kan tilpasses i hOn appen, inden for et interval af 30-80 % målfugtighed.

For at slukke for luftfugtighedsfunktionen, skal du trykke på luftfugtighedsknappen indtil OFF vises på displayet.

Hvis realtid fugtighedsniveauet er lig med, eller højere end det niveau der vælges, vil en meddelelse komme frem på displayet der viser 'FUGTIGHED NÅET'. Fugtighedslampen vil forblive tændt. Udstyret vil automatisk gå i luftfugtertilstand, når realtid fugtigheden falder under det valgte målniveau.

Luftfugterfunktionen kan kun bruges i DVALE og AUTO tilstande, og kan ikke bruges i MAKS. tilstand.

GENOPFYLDNINGSSALARM:

Når vandniveauet er lavere end det minimale niveau, vil displayet vise GENOPFYLD VAND, og blinke. For instruktionerne henvises der til sektionen, Vedligehold din luftrenser.

Vigtigt:

- **Når udstyret arbejder i diffusortilstand:** Hvis luftfugtertilstand er valgt uden at slukke for diffusortilstand, vil udstyret automatisk stoppe diffusortilstanden, og tilgå luftfugtertilstanden.
- **Når udstyret arbejder i luftfugtertilstand:** Hvis diffusortilstand er valgt uden at slukke for luftfugtertilstand, vil udstyret automatisk stoppe luftfugtertilstanden, og tilgå diffusortilstanden.

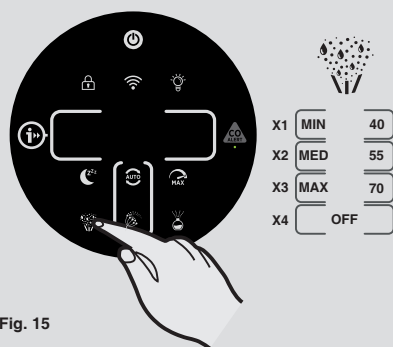


Fig. 15

4. VEDLIGEHOLD DIN H-PURIFIER

4.1 FILTERVEDLIGEHOLDELSE

Din H-Purifier vil overvåge tilstanden af dit filter. En **RENT FILTER ELLER UDSKIFTNINGSFILTER** alarm vil komme frem på venstre side af displayet og blinke, hvilket indikerer, at det er nødvendigt at rense eller udskifte filteret.

Rengøring / Udskift filteret: [Fig. 16]

- Fjern luftindtagets dæksel fra udstyret. [Fig. 16a]
- Løsn filterets frigivelseskontakt. [Fig. 16b]
- Fjern filteret fra dit produkt. [Fig. 16c]
- Brug en støvsuger til at rense det eksterne lag på filteret, eller udskift med et NYT filter. [Fig. 16d]
- Genmonter filteret i dit udstyr. [Fig. 16e]
- Lås filterets frigivelseskontakt. [Fig. 16f]
- Genmonter luftindtagets dæksel på udstyret. [Fig. 16g]
- Tilslut udstyret til strømforsyningen, og tænd det.
- Tryk på INFORMATION knappen for at nulstille alarmen Rengøring/Udskift, ved at holde knappen i 3 sekunder, en lydør alarm vil lyde, for at indikere en vellykket nulstilling. [Fig. 7]

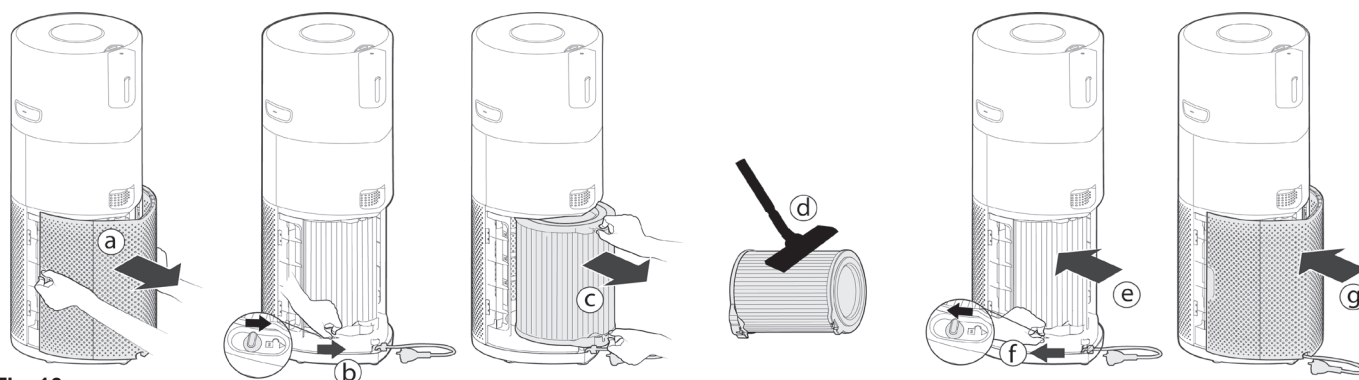


Fig. 16

4.2 DIFFUSOR VEDLIGEHOLDELSE

Efter hver brug af diffusorfunktionen, skal du bruge en tør, blød klud til at fjerne eventuelle rester fra udstyrets overflader.

Udskiftning af diffusorflaske: [Fig. 17]

Væskevolumen som er tilbage i flasken kontrolleres gennem diffusorvinduet, og når det er nødvendigt, skal flasken udskiftes.

- Fjern diffusordækslet fra udstyret. [Fig. 17a]
- Fjern diffusorenheden og flasken fra diffusordækslet. [Fig. 17b]
- Løsn og fjern den tomme flaske. [Fig. 17c]
- Fjern den nye flaske med H-Essence eller H-Biotics fra emballagen, og fjern hættens. [Fig. 17d]
- Fastskru den nye flaske på diffusorenheden. [Fig. 17e]
- Genmonter diffusorenheden på diffusordækslet. [Fig. 17f]
- Genmonter diffusordækslet på din H-Purifier. [Fig. 17g]

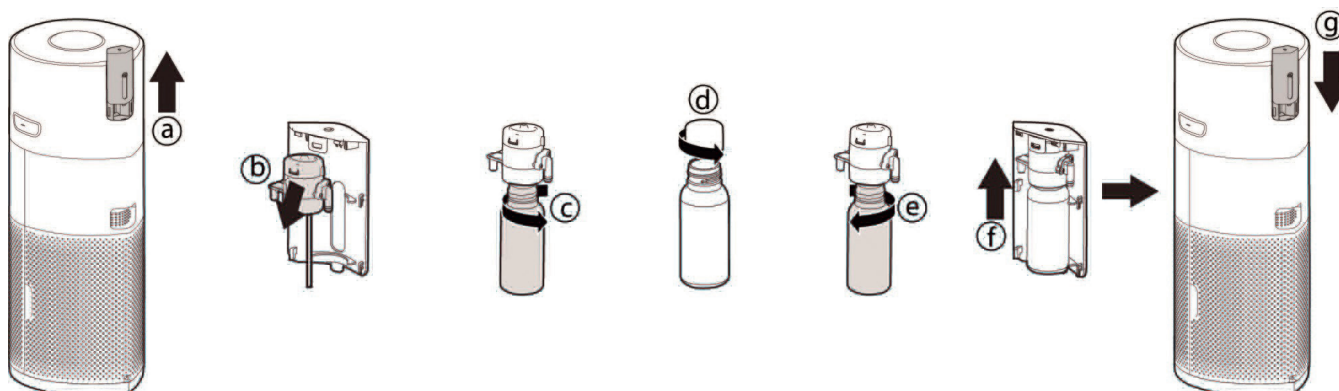


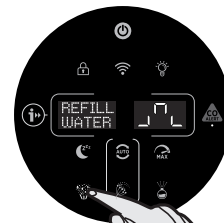
Fig. 17

4.3 LUFTFUGTER VEDLIGEHOLDELSE

Genopfyldningsalarm for vandtank:

For at luftfugteren kan fungere, kræves der et minimum vandniveau. Når vandniveauet er lavere end det minimale niveau, vil displayet vise GENOPFYLD VAND, og blinke. Der kan være restvand i vandbeholderhuset. Meddelelsen vil stadig blive vist, eftersom det minimale vandniveau er påkrævet.

- Fjern tankhuset fra udstyret. **[Fig. 18a]**
- Fjern tankenheden fra tankhuset. **[Fig. 18b]**
- Fjern eventuelt restvand og fyld tanken via vandtankindgange med destilleret vand, indtil det når MAKS. linjen, indikeret på beholderen. **[Fig. 18c]**
- Genmonter tankenheden på tankenhedshuset. **[Fig. 18d]**
- Genmonter vandtankenheden på udstyret. **[Fig. 18e]**



Rengøringsalarm for vandtank:

Din H-Purifier vil overvåge tilstanden af din luftfugterbeholder. En **alarm for RENGØR VANDBEHOLDER** vil blinke 72 timer efter den sidste aktivering af luftfugterfunktionen, hvis der stadig er vand i beholderen. Den vil blive vist på venstre side af displayet, hvilket indikerer, at det er nødvendigt at rengøre vandbeholderen.

- Fjern tankhuset fra udstyret. **[Fig. 18f]**
- Adskil vandtankhuset, vandtanken og vandtankdækslet, og rengør omhyggeligt alle 3 dele, og tør dem helt med en blød, tør klud. **[Fig. 18g,h,i]**
- Genmonter vandtankens komponenter, genopfyld til det når MAKS linjen med destilleret vand.
- Sørg for at produktet er tændt før beholderen genindsættes.
- Genmonter vandtankenheden på udstyret. **[Fig. 18e]**

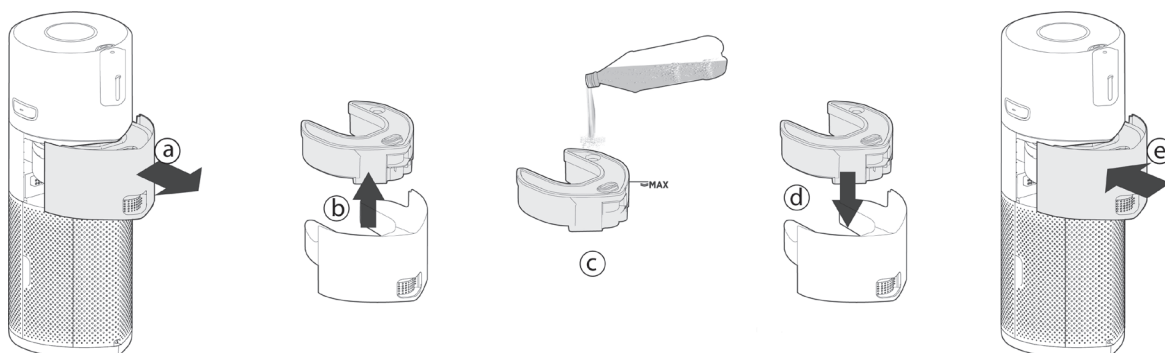
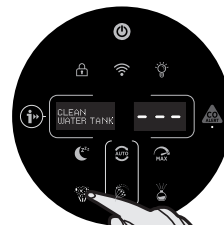
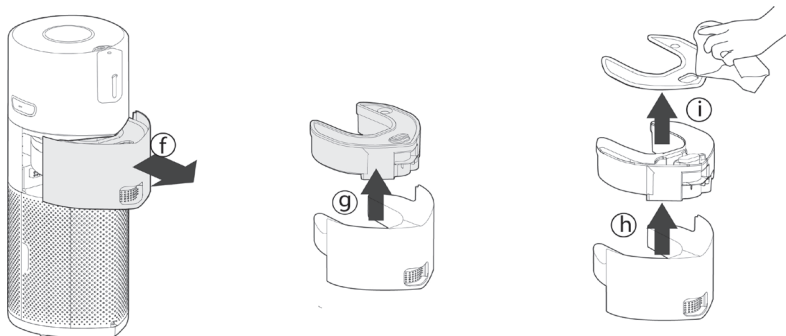


Fig. 18



5. OPBEVARING AF DIN H-PURIFIER

1. Sluk for H-Purifier og fjern stikket fra stikkontakten.
2. Rengør alle interne og eksterne overflader på H-Purifier, filterets eksterne lag og vandbeholderen.
3. Fjern flasken fra diffusoren. Genmonter den oprindelige hætte på flasken, og opbevar den et sted uden direkte lys. Rengør overfladerne på diffusorenheden og diffusordækslet. Sørg for, at der ikke er nogen H-Essence eller H-Biotics rester på overfladerne på H-Purifier.
4. Sørg for, at alle komponenter er tørre.
5. Fjern luftindtagets dæksel **[fig. 19A]**, træk strømledningen ind ved at trække i ledningen **[fig. 19b]**, placer ledningen på opbevaringskrogen, og monter stikket i transportlokationen. **[Fig. 19c,d]** Genmonter luftindtagets dæksel. **[Fig. 19e]**
6. Opbevar H-Purifier et køligt, tørt sted.

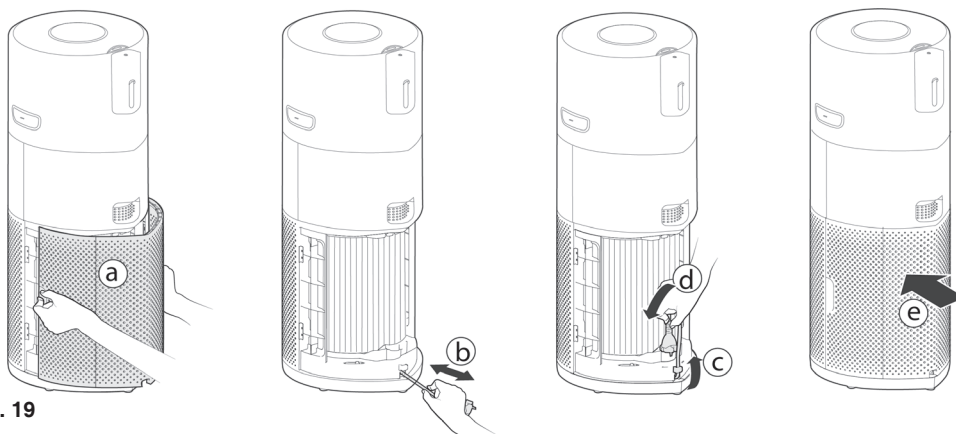


Fig. 19

6. ALARMER OG LØSNINGER

De følgende koder kan komme frem under brug. [Fig. 20]



Fig. 20

Alarm		Alarmsbeskrivelse	Løsning
Alarm på produkt	Alarm på appen		
“RENGØR FILTER”	Alarm for præfilterrensning	Anbefaling om at rengøre det eksterne lag på filteret.	1. Rengør det eksterne lag på filteret. 2. Nulstil alarmer ved at holde INFORMATION knappen i 3 sek. Se 4.1 FILTERVEDLIGEHOLDELSE
“UDSKIFT FILTER”	Alarm for filterudskiftning	Anbefaling til at udskifte filteret.	1. Udskift filteret. 2. Nulstil alarmer ved at holde INFORMATION knappen i 3 sek. Se 4.1 FILTERVEDLIGEHOLDELSE
“FILTER MANGLER”	Fejl: der opstod en fejl med luftrenseren, kontrollere venligst mulige løsninger	Filter er ikke i korrekt position, eller er ikke låst korrekt	1. Hvis filteret ikke er til stede, skal det monteres. 2. Hvis filteret er i dets position, skal det kontrolleres, om Filterfrigørelseskontakten er blevet ændret til LÅS status. Se 2.1 MONTER FILTERET
“INGEN VANDBEHOLDER”	Fejl: der opstod en fejl med luftrenseren, kontrollere venligst mulige løsninger	Vandbeholder eller beholderhus er ikke til stede.	Placer vandbeholdere og beholderhus igen.
“RENGØR VANDBEHOLDER”	Vandet i beholderen skal udskiftes	Der er gået 3 dage siden den sidste anvendelse af luftfugteren, beholder/hus skal rengøres, og af hygiejniske årsager skal vandet udskiftes.	1. Sluk for produktet. 2. Fjern beholder/hus, rengør den interne overflade på hver komponent og genopfyld. 3. Tænd for produktet igen. 4. Placer beholder/hus. Se 4.3 VEDLIGEHOLDELSE AF LUFTFUGTER
“GENOPFYLD VANDET”	Fejl: der opstod en fejl med luftrenseren, kontrollere venligst mulige løsninger	Der er ingen vand i beholderen, eller det resterende vand er ikke nok til at luftfugteren kan fungere.	Genopfyld destilleret vand i beholderen til MAKS. linjen nås.
“PM SENSORFEJL”	/	PM Sensor defekt	PM sensorfejl eller sensorledning er ikke forbundet korrekt, kontakt venligst kundeservice så det kan blive udbedret.
CO Alert LED er gul	Fejl: der opstod en fejl med luftrenseren, kontrollere venligst mulige løsninger	CO Sensor defekt eller CO sensor har overskredet dens holdbarhed.	Kontakt kundeservice for at få det udbedret.
Automatisk slukket uden alarmsgivelse	Udstyr væltet	Beskyttelse mod væltet produkt	1. Hvis udstyret vælter, og der spildes vand, skal du afbryde ledningen fra strømforsyningen, og vente 48 timer før udstyret tændes igen. 2. Hvis udstyret vælter uden der spildes vand, skal du løfte udstyret op, og røre strømknappen, for at tænde det igen.
/	Fejl: der opstod en fejl med luftrenseren, kontrollere venligst mulige løsninger	Motorfejl	Motorfejl eller motorledningen er ikke forbundet korrekt, kontakt venligst kundeservice så det kan blive udbedret.
“TEMP. & HUMI. SENSORFEJL”	/	Temperatur- og fugtsensor er defekt	Temperatur- og fugtsensorfejl eller sensorledning er ikke forbundet korrekt, kontakt venligst kundeservice så det kan blive udbedret.
“PAUSE”	/	Diffusoren vil gå på pause når Air Quality LED Ring ikke er grøn.	Ingen handling påkrævet. Diffusoren vil begynde at fungere igen når Air Quality LED Ring er grøn.

PAS PÅ: Hvis disse problemer fortsætter, kontakt da din lokale Hoover repræsentant. DU MÅ IKKE prøve at demontere din H-Purifier på egen hånd.

7. FEJLFINDING

I det følgende vises en liste over de mest almindelige problemer og løsninger. Hvis et af disse problemer opstår igen, skal du kontakte den lokale Hoover-repræsentant.

Ventilatoren fungerer ikke (Kontrolpanel / Displayets lys er tændt)	<ul style="list-style-type: none"> • Kontroller den alarm der vises på displayet eller i appen. Hvis der er, se 6. ALARMER OG LØSNINGER. • Kontroller om der er forhindringer i ventilatoren. Hvis der er, skal produktet først afbrydes fra strømmettet, derefter ryddes de, eller kontakt kundeservice for at rydde dem. • Kontroller om H-Purifier er tændt. • Kontroller at filteret er monteret korrekt og i låst position. • Kontroller om H-Purifier er i en fuld oprejst, vertikal position, og ikke vipper. • H-Purifier kan være i ØKOTILSTAND. Du kan trykke på Dvaletilstandsknappen eller Maks. Tilstand knappen for at forlade ØKOTILSTAND. Se 3. BRUG AF DIN H-PURIFIER – AUTOTILSTAND.
Ventilatoren fungerer ikke (Kontrolpanel / Displayets lys er slukket)	<ul style="list-style-type: none"> • Kontroller om H-Purifier er tilsluttet strømforsyningen, og tændt. • Kontroller den alarm der vises i appen. Hvis der er, se 6. ALARMER OG LØSNINGER.
Intet lys på kontrolpanelet / Display (Ventilator fungerer)	<ul style="list-style-type: none"> • I dvaletilstand er indstillingen for standardlys slukket. Du kan trykke på lyskontrolknappen for at tænde for lyset. • Lyset kan være slukket. Tryk på lyskontrolknappen for at tænde for lyset. Refer to 3. BRUG AF DIN H-PURIFIER – DVALETILSTAND / LYSKONTROL funktion.
Knapperne på kontrolpanelet fungerer ikke	<ul style="list-style-type: none"> • Børnelås kan være aktiveret. Du kan trykke og holde BØRNELÅS knappen i 3 sekunder, for at forlade det. Se 3. BRUG AF DIN H-PURIFIER – BØRNELÅS funktion.
Luftgennemstrømning er svag	<ul style="list-style-type: none"> • Kontroller om den beskyttende emballage på filteret er fjernet. • Kontroller om der er forhindringer i luftindtagets dæksel eller luftudtaget. • Fjern luftindtagets dæksel og kontroller filterets tilstand. Rengør det eksterne lag på filteret, eller udskift filteret hvis nødvendigt. Du kan kontrollere filterets holdbarhed på displayet ved at trykke på informationsknappen. • Kontroller om H-Purifier er i dvaletilstand. Ventilatoren fungerer med reduceret effekt i denne tilstand.
H-Purifier fungerer højlydt	<ul style="list-style-type: none"> • Kontroller om der er forhindringer i H-Purifier. • Kontroller om H-Purifier er i Maks. tilstand. Ventilatoren fungerer med maksimal effekt i denne tilstand.
H-Purifier fungerer pludselig højlydt	<ul style="list-style-type: none"> • Kontroller om H-Purifier kører i auto-tilstand og at Air Quality LED Ring ikke er grøn. I Auto-tilstand vil H-Purifier automatisk justere dens ventilatorhastighed til det faktiske luftkvalitetsniveau indendørs. Se 3. BRUG AF DIN H-PURIFIER – AUTOTILSTAND.
H-Purifier udsender pludselig en høj tone	<ul style="list-style-type: none"> • Testfunktionen af CO alarmknappen er aktiveret ved en fejl. Lyden vil automatisk stoppe efter 5 sekunder. Se 1.2 KULILTE (CO) ALARM
"RENGØR VANDBEHOLDER" alarmen kunne ikke nulstilles	<ul style="list-style-type: none"> • Efter at have rensset vandbeholder/hus og genopfyldt vand, skal H-Purifier tændes. Indsæt ikke huset før displayet viser "INGEN VANDBEHOLDER".

VIGTIGE OPLYSNINGER

HOOVER RESERVEDELE OG FORBRUGSSTOFFER

Udskift altid dele med ægte Hoover reservedele. Disse fås fra Hoovers reservedelsforhandler, check www.hoover.dk Når du bestiller dele, skal du altid opgive modelnummer.

Kvalitet

Hoovers fabrikker er blevet vurderet uafhængigt for kvalitet. Vores produkter fremstilles med brug af et kvalitetssystem, der opfylder kravene i henhold til ISO 9001.

DIN GARANTI

Garantibetingelserne for dette apparat er som defineret af vores repræsentant i det land, hvor det er solgt. Oplysninger vedrørende disse betingelser kan indhentes hos den forhandler, apparatet er købt hos. Kvitteringen skal fremvises i forbindelse med ethvert krav under disse garantibetingelser.

Ret til ændringer uden varsel forbeholdes

GENERELLE SIKKERHETSADVARSLER

Dette apparatet skal bare brukes til privat husarbeid i tråd med brukerveiledningen. Påse at du er fullstendig inneforstått med denne veiledningen før du bruker apparatet, og behold den for fremtidig bruk.

Sjekk om strømmen og klassifiseringene på apparatets merke samsvarer med den lokale strømspenningen før du kobler til apparatet.

Bruken av apparatet må opphøre umiddelbart dersom strømledningen er skadet. For å unngå sikkerhetsfarer, la en autorisert HOOVER-tekniker skifte ut strømledningen.

Ikke fjern støpselet ved å dra i strømledningen.

Legg strømledningen slik at ingen kommer til å trekke på eller snuble i den.

Slå alltid av og koble laderen fra støpselet før enheten flyttes, rengjøres eller vedlikeholdes.

Apparatet kan brukes av barn fra 8 år, og av personer med nedsatte fysiske, sanselige eller mentale evner, eller manglende erfaring og kunnskap, dersom de er under oppsyn eller har fått opplæring i sikker bruk av apparatet og forstår farene bruk av apparatet kan medføre. Barn skal ikke leke med apparatet.

Rengjøring og vedlikehold skal ikke utføres av barn uten oppsyn.

Apparatet fjerner ikke karbonmonoksid (CO) eller radon (Rn). Den kan ikke brukes som en sikkerhetsenhet ved uhell med forbrenningsprosesser og farlige kjemikalier.

All bruk av apparatet må opphøre hvis det viser tegn på feilfunksjon.

Ikke blokker luftinntaket eller -uttaket.

Ikke sett inn fingre eller objekter i lufttuttaket eller luftinntaket, da dette kan føre til personskade eller ødelegge apparatet.

Ikke rengjør apparatet med vann, annen væske eller et (brennbart) vaskemiddel, og ikke la dette komme inn i apparatet, for å unngå elektrisk støt og/eller brannfare.

Ikke spray brannfarlige materialer som insektsmidler eller parfyme rundt apparatet.

Dette apparatet er ikke en erstatning for skikkelig ventilering, regelmessig støvsuging eller bruk av avtrekksvifte/vifte ved matlaging.

Bruk bare forbruksvarer, filtre eller reservedeler som er anbefalt eller levert av HOOVER.

Forsikre deg om at filteret er riktig installert før du slår på apparatet.

Unngå å dulte borti apparatet (gjelder spesielt luftinntaket og -uttaket) med harde objekter.

Hold produktet tørt.

Produktet må aldri vippes eller tømmes mens det er i bruk.

Når apparatet står lenge ubrukt, kan det vokse bakterier på filterene. Kontroller filterene dersom apparatet står lenge ubrukt. Hvis filterene er veldig skitne må du bytte dem ut.

Hoover-service: For å sikre fortsatt sikker og effektiv drift av dette apparatet, anbefaler vi at service eller reparasjoner bare utføres av en autorisert HOOVER-servicetekniker.

BRUKSMILJØ

Produktet skal kun plasseres og brukes på en tørr, stabil og horisontal overflate, for å unngå at den velter.

La det være minst 20 cm ledig plass bak og på begge sider av apparatet, og la det være minst 30 cm ledig plass over apparatet.

Du kan forhindre interferens ved å plassere apparatet minst 2 meter unna elektriske apparater som bruker luftbårne radiobølger, som TV-er, radioer og radiokontrollerte klokker.

Ikke plasser noe oppå apparatet.

Ikke bruk dette apparatet når du har brukt insektsmiddel i røykform innendørs, eller på steder der det er fettrester, brennende røkelse eller kjemisk røyk.

Ikke plasser apparatet på et av følgende steder:

- På varme overflater, nær varme overflater, åpen ild eller i direkte sollys, i nærheten av gassapparater, varmeutstyr eller peiser;

- Ved siden av eller rett over ovner eller luftkondisjoneringsåpninger, dører, vinduer, avtrekksvifter, komfyrer eller hvor som helst det vil bli påvirket av trekk;
- På et bad eller andre områder der produktet kan utsettes for vannsprut, drypp eller kondens (f.eks. rett under et klimaanlegg eller over en vannkoker);
- På et lukket område (f.eks. inni eller under et skap);
- På et område der temperaturen kan falle under -20°C eller overstige 50°C ;
- I et rom med store temperaturendringer, i våte omgivelser eller i omgivelser med høye omgivelsestemperaturer eller høy luftfuktighet, slik som bad, toalett eller kjøkken;
- Der den kan bli obstruert, f.eks. av gardiner eller møbler;
- Der skitt eller støv kan blokkere sensoren.

SIKKERHETSINSTRUKSJONER FOR CO-MONITOR

Hvis CO-alarmen aktiveres, må du åpne alle vinduer og dører (hvis det er trygt). Slå av alle brenselapparater hvis mulig, og evakuer eiendommen med åpne vinduer og dører. Skaff medisinsk hjelp umiddelbart for personer som rammes av karbonmonoksidforgiftning. Ikke gå tilbake til eiendommen før alarmen stopper. Alarmen stopper så snart CO-en er borte. Ikke bruk brenselapparater igjen før CO-kilden er lokalisert og rettet opp av en kvalifisert tekniker. Unngå å bruke maling, fortynningsmidler, løsemiddeldamp, luftrensere, aerosolsprayer eller kjemiske rengjøringsmidler i nærheten av apparatet. Dette kan påvirke funksjonen av CO Monitor.

CO Monitor aktiveres ved å sette støpselet i en stikkontakt. CO-sensorens LED-lampe lyser grønt. Når CO-monitoren oppdager utrygge CO-nivåer, begynner CO-alarmen å ringe høyt og CO Alert-knappen og O-ringlampen å blinke rødt. Alarmen fortsetter signaliseringen inntil det registrerte CO-nivået reduseres til et trygt nivå.

Hold inne [CO Alert] knappen i 3 sekunder for å teste CO-alarmsfunksjonen, og alarmen begynner å ringe høyt i 5 sekunder. Test alarmen månedlig og etter langvarige bortreiser fra bygningen (f.eks. ferier). Hvis alarmen ikke ringer etter du har holdt inne [CO Alert] knappen i 3 sekunder kan du kontakte Hoovers kundesenter for å få en kvalifisert tekniker til å reparere feilen.

Hvis displayet viser at det er feil på CO-sensoren eller at den har nådd slutten av sitt livsløp, kan du kontakte Hoovers kundesenter for å få en kvalifisert tekniker til å skifte ut CO-sensoren. Den forventede levetiden av CO-sensoren er 7 år og må skiftes ut etter denne tiden.

Ikke la små barn holde inne CO Alert-knappen i 3 sekunder da dette fører til høy støy når alarmen ringer.

Bruksfuktighet: 15 – 90% RH

Brukstemperatur: 0°C til $+40^{\circ}\text{C}$

Karbonmonoksid påvirker kroppen ved å stoppe (kvele) kritiske oksygenorganer. Når CO inhaleres binder det seg til hemoglobin i blodet som normalt bærer oksygen rundt i kroppen. CO forhindrer evnen oksygenmolekylene har til å binde seg til hemoglobin, hvilket reduserer oksygentilførelsen til vitale organer. Konsentrasjonsnivået og tiden en er utsatt for CO kan ha varierende effekt på kroppen, men eksperter er enige om at selv lav eksponering av karbonmonoksid over lengre perioder kan ha alvorlige og langvarige effekter på folks allmennhelse.

ADVARSEL: CO ALARM ER UTFORMET FOR Å BESKYTTE PERSONER FRA DE AKUTTE EFFEKTENE AV KARBONMONOKSID-EKSPONERING, ELLER FORHINDRE KRONISKE EFFEKTER AV KARBONMONOKSID-EKSPONERING. DEN VIL IKKE VÆRE FULLSTENDIG BESKYTTENDE FOR PERSONER MED SPESIFIKKE HELSEPROBLEMER. HVIS DU ER I TVIL BØR DU KONTAKTE EN LEGE.

CO Monitor-funksjonen skal ikke brukes til, og er heller ikke tiltenkt som en erstatning for EN 50291- , UL-2034, CSA-6.19 eller en annen godkjent og sertifisert karbonmonoksidalarm der det er påkrevd av lokale eller regionale regler eller lover. CO Monitor-funksjonen er bare en tilleggsenhet for overvåkning av karbonmonoksid. Denne enheten brukes på eget ansvar, og det forutsettes at en kjenner til og aksepterer enhetens samsvarsbegrensninger til gjeldende regler og lover.

Dette apparatet skal ikke brukes som en erstatning for skikkelig montering, bruk og vedlikehold av brenselapparater, inkludert skikkelig ventilasjon og luftesystemer.

Mobil- og nettbrettvarslinger for CO Monitor krever en funksjonell Wi-Fi-tilkobling. De er ikke en erstatning for en tredjeparts nødovervåkningstjeneste.

SIKKERHETSINSTRUKSJONER FOR SPREDER

Bare bruk aromaolje som er anbefalt eller levert av HOOVER.

Unngå bruk av frittstående luftfukter ved siden av luftrenseren når diffuserfunksjonen til H-Essence er i bruk.

Tørk opp eventuelt søl av H-Essence med en gang. Sørg for å rengjøre hvert hjørne av produktet som hadde kontakt med H-Essence.

SIKKERHETSINSTRUKSJONER FOR LUFTFUKTER

Rens vanntanken hver 3. dag.

Fyll kun destillert vann på tanken. Ikke fyll annet vann, som springvann, mineralvann, elvevann og så videre.

Vannet i vanntanken er ikke egnet som drikkevann. Ikke drikk dette vannet og ikke gi det til dyr eller vann planter med det. Når du tømmer vanntanken, heller du vannet ned sluken.

Ikke hell andre stoffer enn destillert vann i vanntanken.

Ikke hell væsker med lukt/parfyme eller H-Essence i vanntanken.

Tøm tanken og huset og fyll på igjen hver tredje dag.

Før du fyller på igjen, må du rengjøre tanken og huset med ferskvann fra springen.

Fjern avskalning, rester eller belegg som kan ha dannet seg på siden av tanken eller på indre overflater, og tørk av alle overflater.

Koble fra apparatet under fylling og rengjøring.

Tøm og rengjør luftfukteren før oppbevaring. Rengjør luftfukteren før neste bruk.

La aldri vann være i vanntanken og tankhuset når apparatet ikke er i bruk.

Ikke la området rundt luftfukteren bli fuktig. Hvis det oppstår fukt bør du redusere effekten på luftfukteren og heller bruke den periodisk. Ikke la absorberende materialer som tepper, gardiner eller duker bli fuktig.

Hvis du skal flytte apparatet, må du først koble det fra strømforsyningen. Deretter tømmer eller fjerner du vanntanken. Bær apparatet horisontalt etter håndtakene på begge sider av apparatet.

Unngå bruk av frittstående enheter som frigjør eller sprayer aromatisk olje ved siden av luftrenseren når luftfukterfunksjonen er i bruk.

Vær observant på at høy luftfuktighet kan fremme vekst av biologiske organismer.

ADVARSEL: Mikroorganismer som kan være til stede i vann eller i omgivelsene der apparatet brukes eller oppbevares kan vokse i vanntanken og spres i luften. Dette kan utgjøre alvorlig helseisisiko når vannet ikke byttes ut og tanken ikke rengjøres skikkelig hver 3. dag.



Miljøet

Dette apparatet er merket i henhold til EU-direktiv 2012/19/EU om elektrisk avfall og elektronisk utstyr (WEEE). Ved å sørge for at dette produktet avhendes på riktig måte, bidrar du til å forhindre eventuelle negative konsekvenser for miljø og menneskelig helse, som ellers kunne ha blitt forårsaket av uriktig avfallshåndtering av dette produktet.



Symbolet på dette apparatet indikerer at det ikke kan betraktes som husholdningsavfall. Ved avhending må apparatet overleveres til en egnet miljøstasjon for resirkulering av elektrisk og elektronisk utstyr. Avhendingen må gjennomføres i samsvar med lokale miljøforskrifter for avfallshåndtering. Du kan få mer detaljert informasjon om avfallsbehandling, gjenvinning og resirkulering av dette apparatet ved å ta kontakt med vårt nærmeste lokalkontor, renovasjonsetaten eller forretningen du kjøpte apparatet hos.

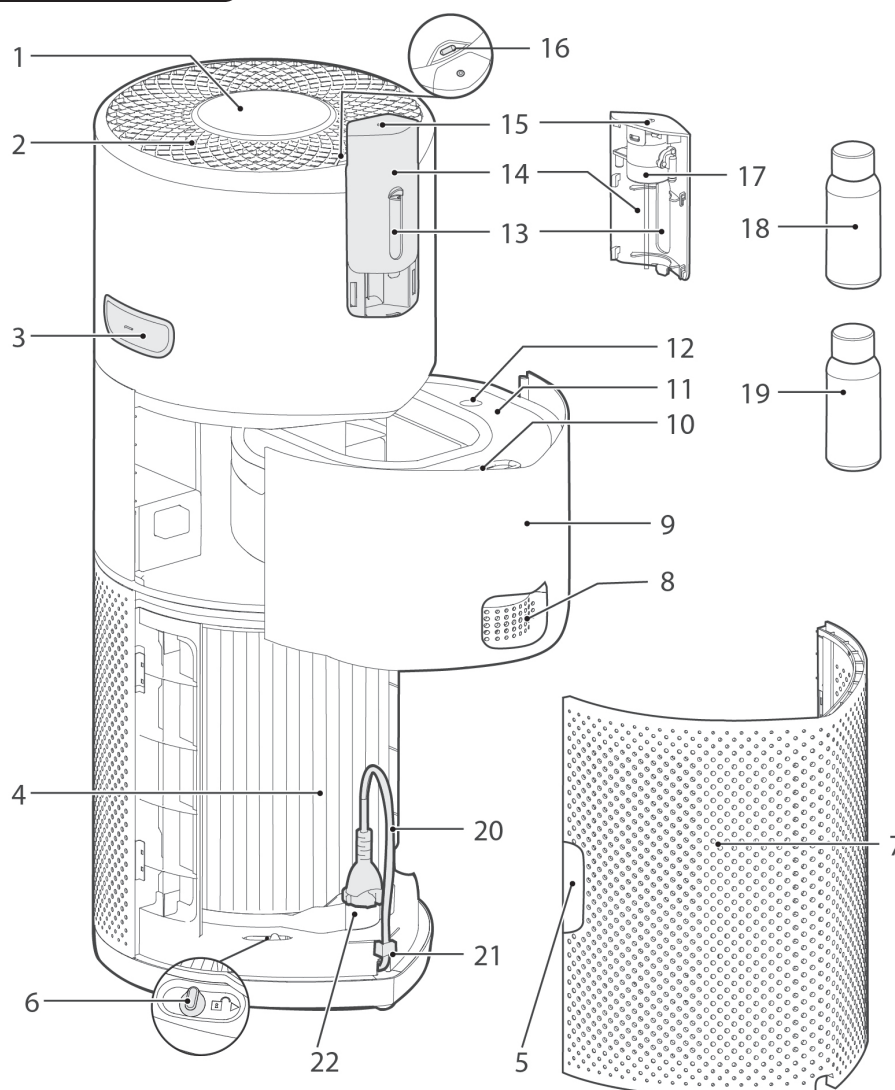
Trådløse parametre for paring

Teknologi	Wi-Fi	Bluetooth
Standard	IEEE 802.11 b/g/n	Bluetooth v4.2, BLE
Frekvensbånd (MHz)	2401-2483	2402-2480
Maksimal strømstyrke (mW)	100	10
Maksimal RF-effekt som avgis i frekvensbåndet	18.9 dBm	

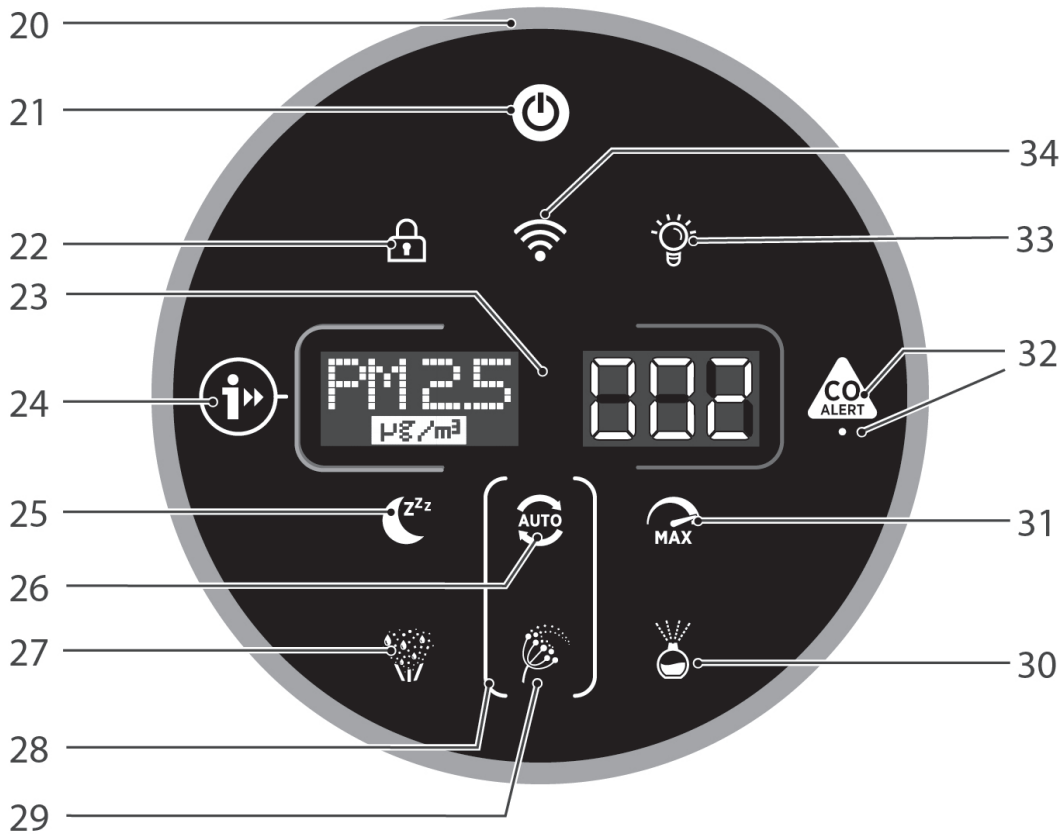
Candy Hoover Group Srl erklærer herved at radioutstyret samsvarer med direktiv 2014/53/EU. Fullteksten til EU-samsvarserklæringen er tilgjengelig på følgende Internettadresse: www.candy-group.com

CANDY HOOVER GROUP S.r.l. Via Privata Eden Fumagalli, 20861 Brugherio (MB) Italy

1. BLI KJENT MED H-PURIFIER



1	Kontrollpanel / Skjerm	9	Luftfukters tankbeslag	17	Diffuserenhet
2	Luftuttak	10	Luftfukters vanntank	18	H-Essence-flaske (Grønn)
3	Produktbærehåndtak	11	Luftfukters vanntankdeksel	19	H-Biotics-flaske (Brun)
4	Filtersamling	12	Luftfukters vanntanksinntak	20	Strømkabel og -støpsel
5	Dekselhåndtak for luftinntak	13	Diffuservindu	21	Lagringskrok
6	Filterutløsningsknapp	14	Diffuserdeksel	22	Transportplassering
7	Luftinntaksdeksel	15	Diffuseruttak		
8	Luftfukterhåndtak	16	Luftfukters uttak		



20	Luftkvalitet LED Ring
21	Av/på-knapp
22	Barnesikringsknapp
23	Digitalt display
24	Informasjonsknapp

25	Sovemodusknapp
26	Automodusknapp
27	Luftfukterknapp
28	Pollenallergi-sirkellampe
29	Pollenallergilampe

30	Diffuserknapp
31	Maksmodusknapp
32	CO Alert-knapp og LED
33	Lyskontrollknapp
34	Wi-Fi knapp

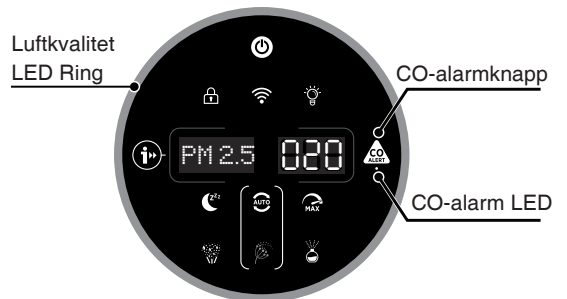
1.1 MULTI SENSOR SYSTEM

Takket være multisensorysystemet vil produktet kontinuerlig overvåke inneluften når det gjelder PM10, PM2.5 og flyktige organiske forbindelser (GAS).

Hver gang du slår på produktet ditt, begynner multisensorysystemet å analysere innendørs luftkvalitet, og LED-ring for luftkvalitet vil lyse i forskjellige farger som representerer sanntids luftkvalitetsforhold.

Luftkvalitet LED Ring-farge	Innendørs luftkvalitet	PM 10-verdi* $\mu\text{g}/\text{m}^3$	PM 2,5-verdi $\mu\text{g}/\text{m}^3$	GAS VOC-nivå
Grønn	Utmerket	0-50	0-25	L1
GUL	Tilfredsstillende	50-80	25-50	L2
ORANSJE	Dårlig	80-160	50-100	L3
Rød	Svært dårlig	≥ 160	≥ 100	L4

* I pollenallergimodus vil PM 10-verdier som utløser luftkvalitetsnivået være lavere for å minimere risikoen for allergiske personer.



1.2 ALARM FOR KARBONMONOKSID (CO)

H-Purifier er utstyrt med et varslingssystem som konstant vil overvåke inneluften for karbonmonoksid (CO).

Når karbonmonoksidalarmen er aktivert, begynner Luftkvalitet LED Ring, informasjonen og CO Alert-knappen å blinke samtidig, og en lydalarm går av. Alarmen fortsetter frem til konsentrasjonen av karbonmonoksid (CO) er redusert til under 50 ppm med mindre den slås av manuelt ved å holde inne CO Alert-Knappen i 3 sekunder.

CO Alert LED viser CO-sensorenes arbeidsforhold. Den vises i grønn farge når CO-sensoren er i normal tilstand, i gul farge når sensoren ikke fungerer eller overskrider levetiden, og i rød farge når CO-alarmen er aktivert.

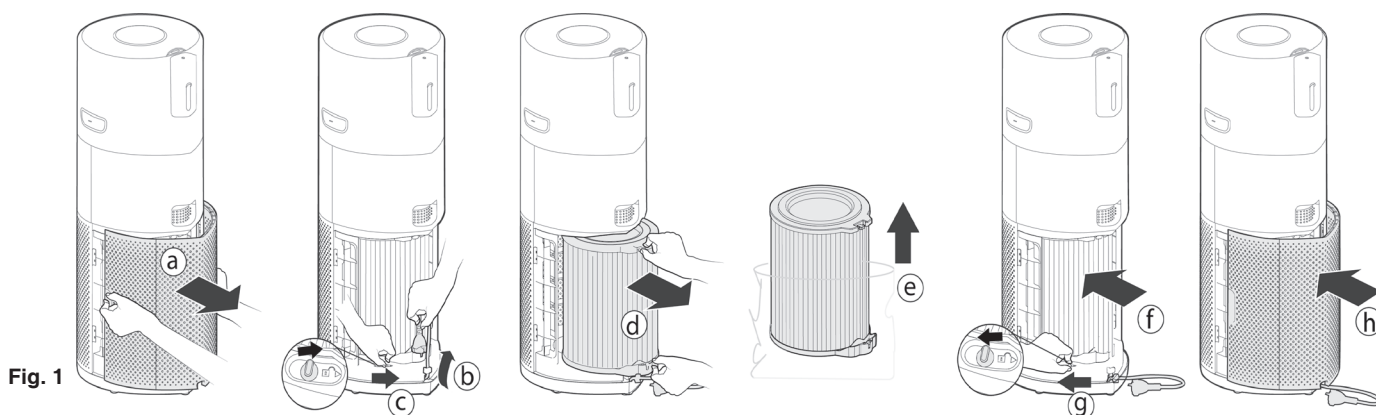
Du kan teste om alarmen fungerer som den skal ved å trykke på CO-varslingsknappen i 3 sekunder, en kraftig summerlyd varer i 5 sekunder hvis alarmen fungerer som den skal.

2. KLARGJØR H-PURIFIER

2.1 INSTALLERE FILTERET [Fig. 1]

Før du bruker H-Purifier-produktet må du fjerne filteret fra den beskyttende emballasjen:

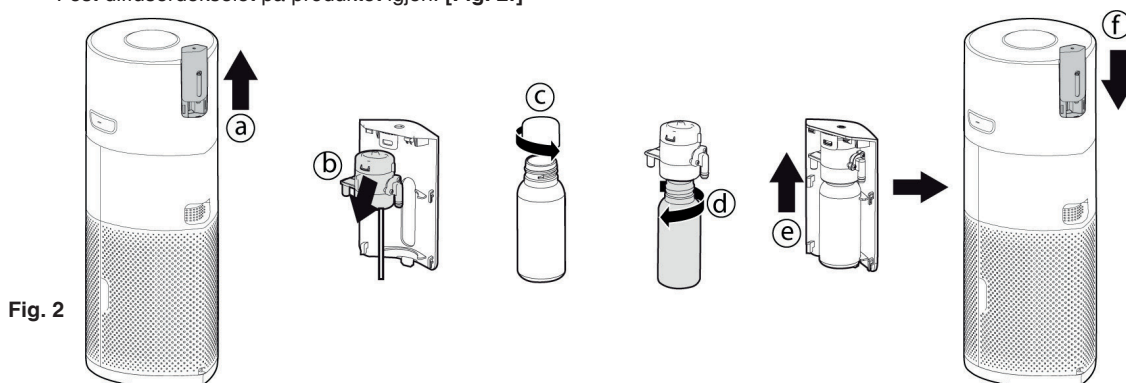
- Fjern luftinntaksdekselet fra produktet, grip de to dekselhåndtakene for luftinntaket og trekke den fra produktet. [Fig. 1a]
- Ta støpselet ut av transportplasseringen og frigjør kabelen fra oppbevaringskroken. [Fig. 1b]
- Lås opp filterutløsningsbryteren. [Fig. 1c]
- Fjern filteret fra produktet og fjern den ytre emballasjen. [Fig. 1d,e]
- Sett filteret på produktet igjen. [Fig. 1f]
- Lås filterutløsningsbryteren. [Fig. 1g]
- Fest luftinntaksdekselet på produktet igjen. [Fig. 1h]



2.2 MONTER DIFFUSERFLASKEN [Fig. 2]

Slik klargjør du H-Purifier-produktet for diffuserfunksjonen:

- Fjern diffuserdekselet fra produktet. [Fig. 2a]
- Fjern diffuserenheten fra diffuserdekselet. [Fig. 2b]
- Fjern flasken med H-Essence eller H-Biotics fra emballasjen og fjern lokket. [Fig. 2c]
- Oppbevar hetten for fremtidig lagringsbruk.
- Skru flasken godt på diffuserenheten. [Fig. 2d]
- Fest diffuserenheten på diffuserdekselet igjen. [Fig. 2e]
- Fest diffuserdekselet på produktet igjen. [Fig. 2f]



2.3 FORBEREDE LUFTFUKTEREN [Fig. 3]

Slik klargjør du H-Purifier-produktet for luftfukterfunksjonen:

- Fjern tankbeslaget fra produktet. [Fig. 3a]
- Fjern tanksamlingen fra tankbeslaget. [Fig. 3b]
- Rengjør alle delene med en tørr, myk klut før første gangs bruk.
- Fyll opp tanken fra vanntankinntaket med destillert vann frem til det når MAKS-linjen som anvist på tanken. [Fig. 3c]
- Fest tanksamlingen på tanksamlingsdekselet igjen. [Fig. 3d]
- Fest tanksamlingsdekselet på produktet. [Fig. 3e]

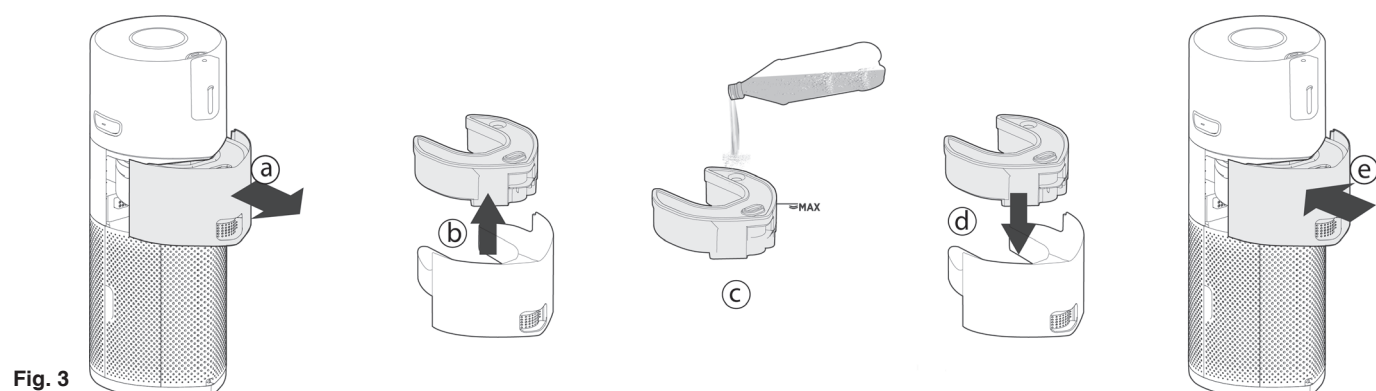


Fig. 3

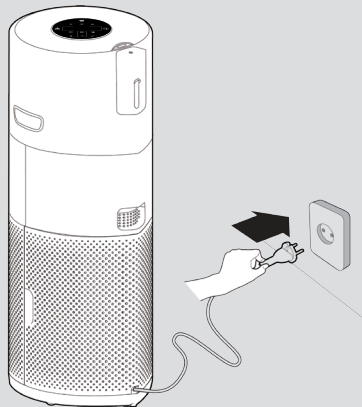


Fig. 4



Fig. 5

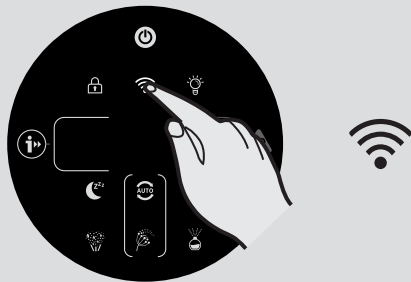


Fig. 6

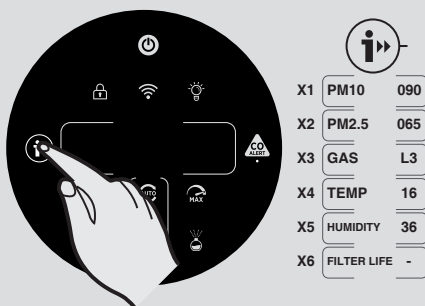


Fig. 7

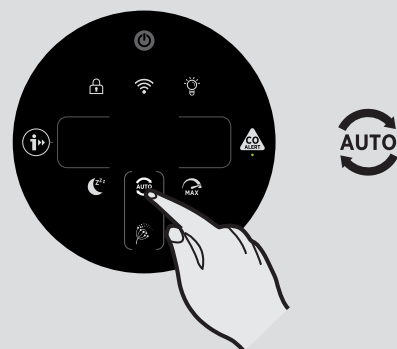


Fig. 8

3. BRUK AV H-PURIFIER

3.1 SLÅ PÅ PRODUKTET [Fig. 4]:

Dra ut strømledningen fra ledningsrullen og sett den inn i en strømforsyning.

Alle lampene på kontrollpanelet / Displayet lyser helt opp i omtrent 1 sekund for vise at den er skikkelig plugget inn.

STRØM-knappen vil lyse svakt og CO-sensoryset er PÅ for å vise at Multi Sensor har begynt å overvåke karbonmonoksidnivået innendørs.

Du kan slå på produktet ved å trykke på STRØM-knappen på displayet.

Luftkvalitet LED Ring lyser gjennom alle fargene i sekvens mens sensorene analyserer luftforholdene i sanntid. Etter et par sekundere velger Luftkvalitet LED Ring fargen som samsvarer med luftkvaliteten for tiden.

H-Purifier-produktet går umiddelbart inn i AUTOMODUS og begynner å rense luften innendørs.

AUTOMODUS-knappen, INFORMASJON-knappen, LYSKONTROLL-knappen og PM10-informasjon på displayet lyser opp.

3.2 KOBLE TIL H-PURIFIER:

Hvis du vil bruke H-Purifier-funksjonene hvor enn du er, anbefales det at du laster ned hOn-appen.

Der vil du kunne kontrollere produktet på mest effektivt vis.

Instruksjoner:

1. Last ned hOn-appen fra App Store, Google Play eller Huawei AppGallery. Du kan også laste den ned ved å skanne QR-koden i [Fig. 5]
2. Åpne appen, opprett en konto med e-posten din og et passord.
3. Bekreft og logg på hOn-appen.
4. Påse at mobilenheten er tilkoblet Wi-Fi.
5. Kontroller at H-Purifier er påslått. Trykk og hold inne Wi-Fi-knappen på displayet i 5 sekunder, du hører så et lydsignal og Wi-Fi-knappen begynner å blinke for å vise at den venter på å koble seg til. [Fig. 6]
6. Følg instruksjonene i appen for å koble mobilenheten til produktet.
7. Når den er ferdig parett fortsetter Wi-Fi-knappen på produktet å lyse.
8. Du kan tilbakestille Wi-Fi ved å trykke og holde inne Wi-Fi-knappen i 5 sek.

H-Purifier fungerer også med Hei Google og Amazon Alexa.

3.3 OPPDAG ALLE FUNKSJONENE

INFORMASJON-funksjon [Fig.7]:

Det er 6 ulike datasett som kan overvåkes:

PM10, PM2.5, GAS, Temperatur, Fuktighet og Filterstatus.

Angi hvilke verdi du vil overvåke ved å trykke på INFORMASJON-knappen flere ganger.

Som standard viser displayet PM10-data. Maskinen vil huske brukerens forrige valg og beholde dette valget neste gang produktet slås på.

GAS-dataene viser en spinnende musepeker i løpet av de første tre minuttene etter at produktet er slått på mens GAS-sensoren utfører en kalibreringscyklus.

Mer informasjon om PM 2.5, PM 10 og GAS:

PM indikerer fine partikler (ikke synlige for menneskets øye) som hovedsakelig kommer fra utendørs forurensning som kjøretøy og industrielle utslipp, som er farlige for helsen vår ved langvarig eksponering.

PM 10 har en størrelse opptil 10 µm og kan treng gjennom øvre luftveier (nese, luftrør, svelg).

PM 2,5 er opptil 2,5 1/4µm store og kan, på grunn av størrelsen, nå lungene våre og dermed trenge seg dypere inn i kroppen.

GAS VOC (flyktige organiske forbindelser) er flyktige kjemiske forbindelser som lett kan fordampe i luften ved romtemperatur. Deodoranter, vaskemidler, lim, klebemiddel, kosmetikk og formaldehyd er bare noen av VOC-ene som kan være til stede i hjemmene våre, men som er potensielt skadelige for helsen vår ved langvarig eksponering.

MODUS-funksjoner:

Det er 3 tilgjengelige luftrensemoduser: AUTOMODUS, MAKSMODUS OG SOVEMODUS.

Automodus er standardinnstillingen for produktet ditt når du slår det på. Alle moduser kan velges manuelt ved å trykke på samsvarende knapp på displayet.

POLLENALLERGI-modus kan også aktiveres via hOn-appen.

AUTOMODUS [Fig. 8]:

Dette er standard modus for H-Purifier-produktet når det først slås på. I automodus justerer H-Purifier automatisk vifte hastigheten etter det faktiske luftkvalitetsnivået innendørs for å alltid garantere optimal luftrensing.

Dette er den anbefalte innstillingen for produktet.

I AUTO-modus, etter 30 minutter med utmerket luftkvalitet, vil produktet gå inn i ECO-modus (Stand-by-funksjon) ved å stoppe rensefunksjonen (vifte), Multi Sensorsystemet vil fortsette å analysere inneluften og automatisk slå på rensefunksjon når det er nødvendig.

MAKSMODUS [Fig. 9]:

Trykk på MAKS-modusknappen på displayet for å aktivere den kraftigste luftrensingsinnstillingen. Du kan avslutte MAKS-modus ved å velge AUTO-modus eller SOVE-modus.

SOVEMODUS [Fig. 10]:

Trykk på SOVE-modus for å aktivere luftrensingen på lavest og stillest effekt. SOVE-modusknappen lyser svakt og alle andre displaylamper slås av. Dette kan endres ved å trykke på LYSKONTROLL-knappen.

POLLENALLERGI-MODUS: [Fig. 11]

Pollenallergi-modus kan bare aktiveres via hOn-appen. Du må aktivere og registrere en profil i appen før du kan opprette en pollenallergi-profil.

Pollenallergi-modusen fungerer bare når AUTOMODUS er valgt. [Fig. 11c]

I pollenallergi-modus mottar apparatet kontinuerlig data i sanntid fra appen om den registrerte pollenkonsentrasjonen utendørs, og jobber automatisk for å maksimere pollenoppfangingen. Så snart pollen fanges opp, vil de deaktiveres for å lindre allergiske reaksjoner.

Når pollenallergi-modusen er aktivert i appen, er det 2 mulige varslingslamper på produktdisplayet:

- Pollenallergilampen er HVIT [Fig. 11a]: Apparatet og appen overvåker tilstedeværelsen av pollen utendørs, og det er ingen risiko.

- Pollenallergilampen blir GUL og pollenallergi-sirkellampen er HVIT [Fig. 11b]: Apparatet og appen har oppdaget en risiko.

Hvis produktet settes manuelt i SOVE-modus eller MAKS-modus mens pollenallergi-modus er aktivert, avsluttes pollenallergi-modus.

LYSKONTROLL-funksjon: [Fig. 12]

Det er 3 tilgjengelige innstillinger for displaylysene: å, dimmet og av

Du kan justere lysstyrken på displaylysene ved å trykke på LYSKONTROLL-knappen på displayet, og veksle mellom de tre tilgjengelige alternativene. PÅ er standardinnstillingen.

Hvis AV er valgt, må en annen knapp trykkes to ganger for å aktiveres. Etter ett trykk blir lampene DIMMET, etter det andre trykket blir handlingen aktivert.

BARNESIKRING-funksjon: [Fig. 13]

Trykk og hold inne BARNESIKRING-knappen i 3 sekunder for å aktivere. Det kommer et lydsignal når den er aktivert, og BARNESIKRING-knappen fortsetter å lyse. Ingen andre knappen fungerer når den er aktivert.

Du kan avslutte ved å trykke og holde inne BARNESIKRING-knappen i 3 sekunder. Et lydsignal bekrefter at den er slått av og knappen slutter å lyse.

DIFFUSERFUNKSJON: [Fig. 14]

Diffuseren sprer ut H-Essence eller H-Biotics i luften. H-Essence er Hoovers samling av essensielle oljer som kan frigjøres i luften for en god duft.

H-Biotics er naturlig blanding basert på probiotika som holder rommet bio-hygienisk ved å begrense veksten av mikroorganismer som bakterier eller mikrober.

Det er 4 ulike innstillinger for DIFFUSER-funksjonen, MILD, MIDDELS, EGENDEFINERT OG H-BIOTICS. Du kan aktivere denne funksjonen ved å trykke på diffuserknappen på displayet.

Standardinnstillingen for denne funksjonen er MILD. Du kan velge en av de andre innstillingene ved å trykke på knappen frem til du når ønsket valg. Knappen lyser hvitt når den er påslått.

Det anbefales å bruke innstillingene MILD og MIDDELS for H-Essence.

TILPASSET innstilling kan bare opprettes på hOn-appen.

Når du bruker H-Biotics, MÅ innstillingen angis til H-Biotics. Når brukeren aktiverer H-Biotics med appen, gir dette en varsling om «AKTIVER H-BIOTICS» etter 120 timer for å sikre at H-Biotics brukes hver 5. dag.



Fig. 9



Fig. 10

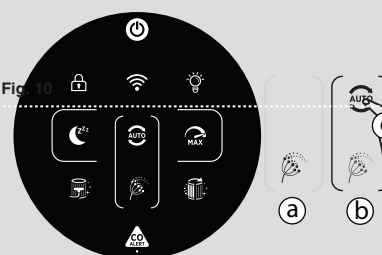


Fig. 11



Fig. 13



Fig. 13

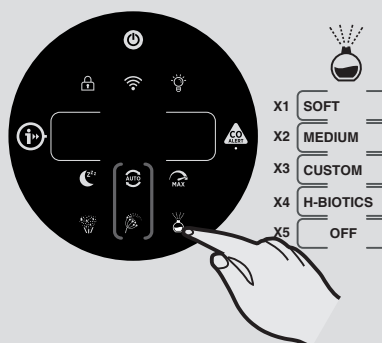


Fig. 14

Når du bruker H-Essence i visse innstillinger eller rommiljøer, kan GAS VOC-nivået endres på grunn av deteksjonen av duftene.

Diffuser-funksjonen fungerer bare når LED-ringen for luftkvalitet er på grønn farge, den vil stoppe når LED-ringen ikke er grønn og fortsette å fungere når den kommer tilbake til grønn. Diffuserfunksjonen kan bare brukes i AUTO- og MAKS-modus, og ikke i SOVE-modus.

Når diffuserfunksjonen aktiveres i AUTO-modus, jobber hovedviften i en spesifikk hastighet for å bidra til å spre H-Essence eller H-Biotics i rommet.

Innstilling	Timing for spredning	Maks varighet på syklus
MILD	i 10 sekunder hvert 5. minutt	6 timer
MIDDELS	i 90 sekunder hver 3,5 minutter	6 timer
EGENDEFINERT	Brukerdefinert	6 timer
H-BIOTICS	i 2 minutter hvert 4. minutt	6 timer

For å slå av funksjonen, trykk på diffusorknappen til OFF vises på skjermen.

Etter hver bruk av diffuserfunksjonen bør du bruke en tørr, myk klut til å tørke av eventuelle rester fra produktoverflatene.

Gå til «Vedlikeholde H-Purifier» for instruksjon om bytting av flasken i diffuserenheten.

LUFTFUKTERFUNKSJON: [Fig. 15]

Det er 3 ulike innstillinger for luftfukterfunksjonen, MIN, MID og MAKS. Du kan aktivere denne funksjonen ved å trykke på luftfukterknappen på displayet. Standardsinnstillingen for denne funksjonen er MIN. Hvis du vil velge en av de andre innstillingene, bare trykker du på knappen frem til du når ønsket valg. Knappen lyser hvitt når den er påslått.

MIN - Standard målfuktighet 40%

MID - Standard målfuktighet 55%

MAKS - Standard målfuktighet 70%

Alle 3 målnivåer kan tilpasses i hOn-appen innenfor et område på 30–80 % målfuktighet.

For å slå av luftfukterfunksjonen, trykk på luftfukterknappen til OFF vises på skjermen.

Hvis fuktighetsnivået i sanntid er lik eller høyere enn det som er valgt, dukker det opp en melding på displayet som viser «**FUKTIGHET NÅDD**». Luftfukterlampen fortsetter å lyse.

Produktet går automatisk inn i luftfuktermodus når den reelle fuktigheten i sanntid faller under det valgte målnivået.

Luftfukterfunksjonen kan bare brukes i SOVE- og AUTO-modus, og ikke i MAKS.-modus.

PÅFYLL-VARSLING:

Når vannnivået går under minimumsnivået, begynner displayet å blinke og viser FYLL PÅ VANN. For instruksjoner, se seksjonen Vedlikehold av luftrensere.

Viktig melding:

- **Når produktet opererer i diffusermodus:** Hvis luftfuktermodus er valgt uten å slå av diffusermodus, kommer produktet automatisk til å avslutte diffusermodus og gå over til luftfuktermodus.
- **Når produktet opererer i luftfuktermodus:** Hvis diffusermodus er valgt uten å slå av luftfuktermodus, kommer produktet automatisk til å avslutte luftfuktermodus og gå over til diffusermodus.

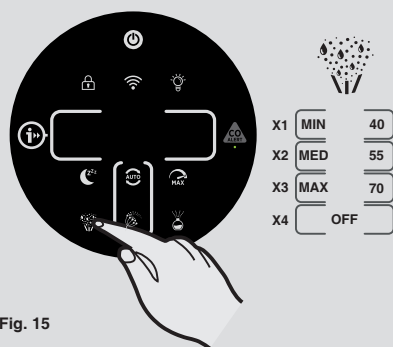


Fig. 15

4. VEDLIKEHOLDE H-PURIFIER

4.1 FILTERVEDLIKEHOLD

H-Purifier overvåker tilstanden på filteret. En varsel om «RENS ELLER BYTT FILTER» dukker opp på venstre side av displayet, og en lampe blinker for å indikere at filteret må renses eller byttes ut.

Rense/Bytte filter: [Fig. 16]

- Fjern luftinntaksdekselet fra produktet. [Fig. 16a]
- Lås opp filterutløsningsbryteren. [Fig. 16b]
- Fjern filteret fra produktet. [Fig. 16c]
- Bruk en støvsuger til å rengjøre det ytre nettet på filtersamlingen eller bytt den med et NYTT filter. [Fig. 16d]
- Sett filteret på produktet igjen. [Fig. 16e]
- Lås filterutløsningsbryteren. [Fig. 16f]
- Fest luftinntaksdekselet på produktet igjen. [Fig. 16g]
- Koble apparatet til strømforsyningen og slå det på.
- Trykk på INFORMASJON-knappen for å tilbake stille rengjørings-/erstatningsvarselet ved å holde knappen inne i 3 sekunder. Det høres et hørbart varsel som indikerer en vellykket tilbakestilling. [Fig. 7]

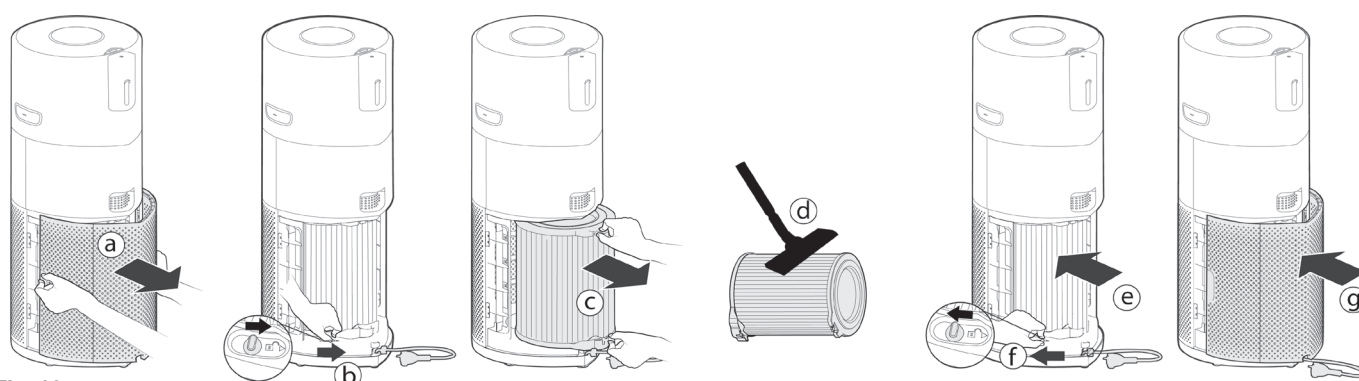


Fig. 16

4.2 VEDLIKEHOLD AV DIFFUSER

Etter hver bruk av diffuserfunksjonen bør du bruke en tørr, myk klut til å tørke av eventuelle rester fra produktoverflatene.

Utskiftning av diffuserflaske: [Fig. 17]

Volumet av væske som ligger igjen i flasken kan kontrolleres gjennom diffuservinduet. Flasken bør byttes ut etter behov.

- Fjern diffuserdekselet fra produktet. [Fig. 17a]
- Fjern diffuserenheten og flasken fra diffuserdekselet. [Fig. 17b]
- Skru løs og fjern den tomme flasken. [Fig. 17c]
- Fjern den nye med H-Essence eller H-Biotics fra emballasjen og fjern lokket. [Fig. 17d]
- Skru den nye flasken godt på diffuserenheten. [Fig. 17e]
- Fest diffuserenheten på diffuserdekselet igjen. [Fig. 17f]
- Fest diffuserdekselet på H-Purifier igjen. [Fig. 17g]

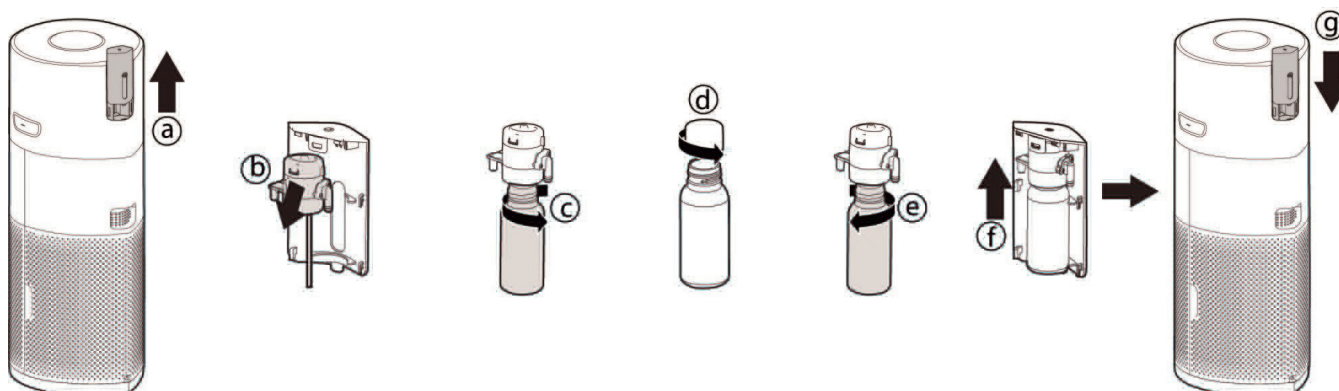


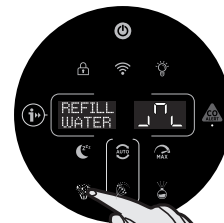
Fig. 17

4.3 VEDLIKEHOLDE LUFTFUKTEREN

Varsling om påfyll av vanntank:

For at luftfukteren skal fungere, kreves det et minimum vannnivå. Når vannivået går under minimumsnivået, begynner displayet å blinke og viser FYLL PÅ VANN. Det kan være gjenværende vann i vanntankhuset. Meldingen vises uansett på grunn av den nødvendige vannstanden.

- Fjern tankbeslaget fra produktet. [Fig. 18a]
- Fjern tanksamlingen fra tankbeslaget. [Fig. 18b]
- Fjern eventuelt restvann og fyll tanken gjennom destillert vann gjennom vanntankinntaket til det når MAX-linjen som er angitt på tanken. [Fig. 18c]
- Fest tanksamlingen på tanksamlingsdekselet igjen. [Fig. 18d]
- Fest vanntankbeslaget på produktet. [Fig. 18e]



Varsling om rensing av vanntank:

H-Purifier overvåker tilstanden på tanken. Et varsel om ren vanntank vil blinke etter 72 timer fra siste aktivering av luftfukterfunksjonen, hvis det fortsatt er vann i tanken. Det vises på venstre side av displayet og indikerer at det er nødvendig å rengjøre vanntanken.

- Fjern tankhuset fra produktet. [Fig. 18f]
- Separer vanntankbeslaget, vanntanken og vanntankdekslet og rengjør alle 3 nøye før du tørker dem helt med en myk, tørr klut. [Fig. 18g,h,i]
- Sett sammen vanntankkomponentene igjen, og fyll på til du når MAKS-linjen med destillert vann.
- Forsikre deg om at produktet er slått på før du setter inn tanken igjen.
- Fest vanntankbeslaget på produktet. [Fig. 18e]

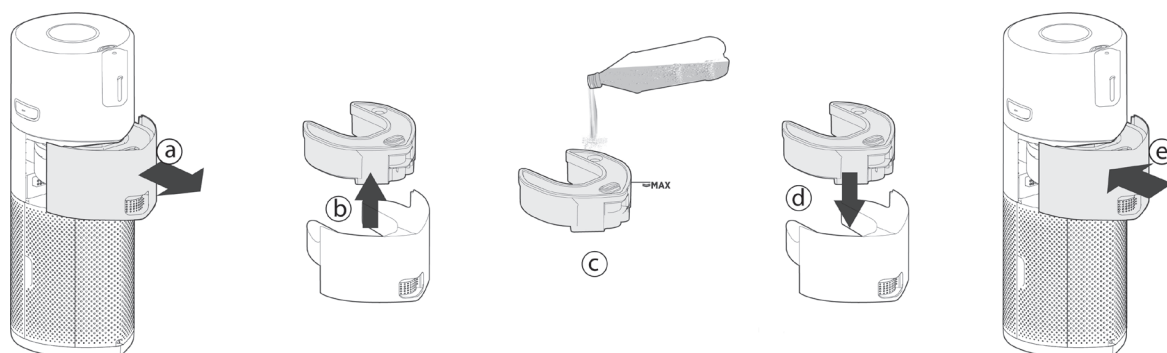
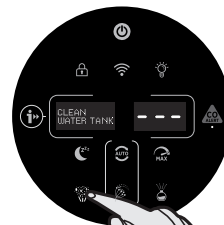
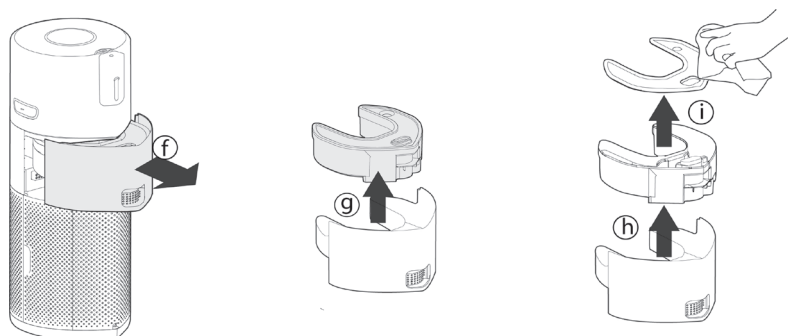


Fig. 18



5. OPPBEVARING AV H-PURIFIER

1. Slå av H-Purifier og ta ut stikkkontakten.
2. Rengjør alle innvendige og utvendige overflater på H-Purifier, det eksterne nettet på filteret og vanntanken.
3. Fjern flasken fra diffuseren. Fest det opprinnelige lokket på flasken og oppbevar den slik at den er beskyttet fra direkte lys. Rengjør overflatene fra diffuserenheten og diffusererdekslet. Forsikre deg om at det ikke er rester av H-Essence eller H-Biotics på noen overflate av H-Purifier.
4. Påse at alle komponentene er tørre.
5. Fjern luftinntaksdekslet [Fig. 19a], rull inn strømledningen ved å trekke i ledningen [Fig. 19b], sett ledningen inn i lagringskroken og sett pluggen inn i transportstedet. [Fig. 19c,d] Fest luftinntaksdekslet igjen. [Fig. 19e]
6. Oppbevar H-Purifier på et tørt og kjølig sted.

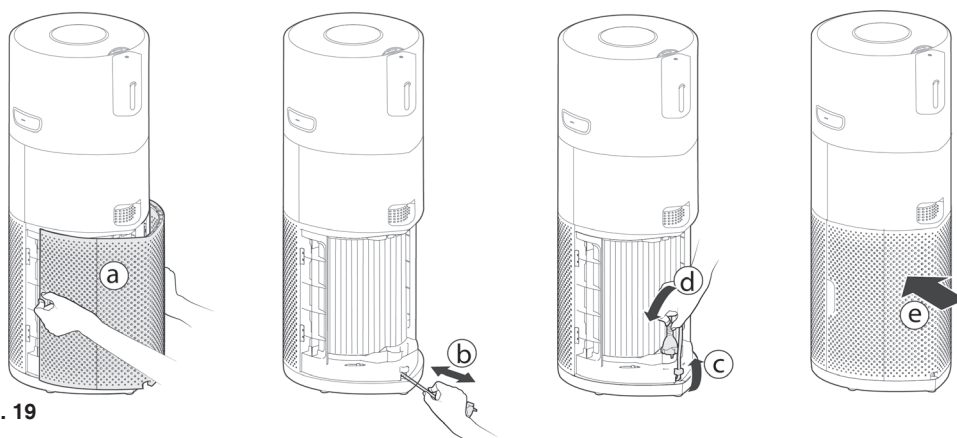


Fig. 19

6. VARSLINGER OG LØSNINGER

Følgende koder kan dukke opp under bruk. [Fig. 20]



Fig. 20

Alarm		Alarmbeskrivelse	Løsning
Alarm på produkt	Varsling på appen		
“RENS FILTER”	Varsling om rengjøring av forfilter	Foreslå å rengjøre det ytre laget av filteret.	1. Rengjør det ytre laget av filteret. 2. Tilbakestill varselet ved å holde INFORMASJON-knappen i 3 sekunder. Se 4.1 FILTERVEDLIKEHOLD
“BYTT FILTER”	Varsling om filterbytte	Foreslå å erstatte filteret.	1. Bytte filteret. 2. Tilbakestill varselet ved å holde INFORMASJON-knappen i 3 sekunder. Se 4.1 FILTERVEDLIKEHOLD
“FILTER MANGLER”	Feil: Det oppstod en feil med luftrensere, kontroller mulige løsninger	Filteret er ikke på plass eller er ikke riktig låst	1. Hvis filteret ikke er til stede, må du sette det på igjen. 2. Hvis filteret er i posisjon, sjekk om filterutløseren er på LOCK-status. Se 2.1 INSTALLERE FILTERET
“INGEN VANNTANK”	Feil: Det oppstod en feil med luftrensere, kontroller mulige løsninger	Vanntank eller tankhus er ikke til stede.	Sett tilbake vanntanken og tankhuset.
“RENS VANNTANK”	Vann i tanken må byttes ut	3 dager har gått siden sist ved bruk av luftfukter, tanken/huset må rengjøres og vann må skiftes ut for hygieneformål.	1. Slå av produktet. 2. Fjern tanken/huset, rengjør den indre overflaten på hver komponent og fyll på igjen. 3. Slå på produktet. 4. Sett tanken/huset tilbake. Se 4.3 VEDLIKEHOLDE LUFTFUKTEREN
“FYLL PÅ VANN”	Feil: Det oppstod en feil med luftrensere, kontroller mulige løsninger	Det er ikke vann i tanken, eller det gjenværende vannet er ikke nok til at luftfukteren fungerer.	Fyll på destillert vann i tanken til den når MAX-linjen.
“FEIL PÅ PM-SENSOR”	/	Funksjonsfeil på PM-sensor	Feil på PM-sensor eller sensortråd er ikke koblet godt sammen. Ring servicesenter for å fikse.
CO-alarm LED er gul	Feil: Det oppstod en feil med luftrensere, kontroller mulige løsninger	CO-sensor fungerer ikke, eller CO-sensoren overskrider levetiden.	Ring servicesenter for å fikse.
Automatisk slått av uten varsel	Produkt faller	Produktets fallbeskyttelse	1. Hvis produktet faller og det renner ut vann, må du koble den fra strømforsyningen og vente i 48 timer før du slår på produktet igjen. 2. Hvis produktet faller uten at det renner ut vann, løfter du produktet opp og trykker på strømknappen for å slå det på.
/	Feil: Det oppstod en feil med luftrensere, kontroller mulige løsninger	Motorfeil	Motor fungerer ikke eller motorkabel er ikke godt nok tilkoblet. Ring servicesenter for feilretting.
“TEMPERATUR. OG FUKTIGHET. FEIL PÅ SENSOR”	/	Feil på temperatur- og fuktighetssensoren	Feil på temperatur og fuktighetssensor eller sensortråd er ikke koblet godt sammen. Ring servicesenter for å fikse.
“PAUSE”	/	Sprederen vil stoppe når LED-ringen for luftkvalitet ikke er grønn.	Ingen behov for handling. Sprederen vil fortsette når LED-ringen for luftkvalitet er grønn.

VÆR OPPMERKSOM: Hvis noen av disse problemene vedvarer, kontakt din lokale Hoover-representant. IKKE prøv å demontere H-Purifier selv.

7. FEILSØKING

Nedenfor er en liste over typiske problemer man møter, og løsninger på disse.
Hvis noen av disse problemene vedvarer må du kontakte din lokale Hoover-representant.

Viften fungerer ikke (Kontrollpanel / Displaylys på)	<ul style="list-style-type: none"> Sjekk varslingen som vises på displayet eller i appen. Hvis det er, se 6. VARSLINGER OG LØSNINGER. Sjekk om det er noen obstruksjoner i viften. Hvis det er det, må du først koble fra produktet og fjerne dem, eller ringe servicesenteret for å fjerne dem. Kontroller at H-Purifier er påslått. Sjekk om filteret er riktig montert og låst. Kontroller at H-Purifier står helt oppreist i vertikal posisjon og ikke er på skakke. H-Purifier kan også være i ECO-modus. Du kan trykke på sovemodusknappen eller Max Mode-knappen for å avslutte ECO-modus. Se 3. BRUK AV H-PURIFIER – AUTOMODUS.
Viften fungerer ikke (Kontrollpanel / Displaylys av)	<ul style="list-style-type: none"> Kontroller at H-Purifier er plugget inn og påslått. Sjekk varslingen som vises i appen. Hvis det er, se 6. VARSLINGER OG LØSNINGER.
Ingen lys på kontrollpanelet / Skjerm (Viften fungerer)	<ul style="list-style-type: none"> I sovemodus er standard lysinnstilling av. Du kan trykke på Lyskontrollknappen for å slå på lysene. Lysene kan være slått av. Trykk på Lyskontrollknappen for å slå på lysene. Refer to 3. BRUK AV H-PURIFIER – SOVEMODUS / LYSKONTROLL-funksjon.
Knappene på kontrollpanelet fungerer ikke	<ul style="list-style-type: none"> Barnesikring kan være aktivert. Du kan trykke og holde inne BARNESIKRING-knappen i 3 sekunder for å avslutte. Se 3. BRUK AV H-PURIFIER – BARNESIKRING-funksjon.
Luftstrømmen er svak	<ul style="list-style-type: none"> Kontroller at den beskyttende emballasjen har blitt fjernet fra filteret. Sjekk om det er noen obstruksjoner i luftinntaksdekslet eller luftuttaket. Fjern luftinntaksdeksel og sjekk tilstanden på filteret. Rengjør det ytre laget eller bytt ut filteret hvis nødvendig. Du kan sjekke status for filterlevetid i skjerm ved å trykke på informasjonsknappen. Kontroller at H-Purifier er i sovemodus. Viften går på lavere effekt i denne modusen.
H-Purifier lager mye støy	<ul style="list-style-type: none"> Sjekk om det er noen hindringer inne i H-Purifier. Kontroller om H-Purifier kjører i maksimal modus. Viften går på høyeste effekt i denne modusen.
H-Purifier opererer plutselig høyt	<ul style="list-style-type: none"> Sjekk om H-Purifier kjører i automodus og at LED-ringen for luftkvalitet ikke er grønn. I automodus justerer H-Purifier automatisk viftehastigheten til det faktiske innendørs luftkvalitetsnivået. Se 3. BRUK AV H-PURIFIER – AUTOMODUS.
H-Purifier avgir plutselig en høy summelyd	<ul style="list-style-type: none"> Testfunksjonen til CO-alarmknappen er aktivert utilsiktet under betjening. Lyden stopper automatisk etter fem sekunder. Se 1.2 ALARM FOR KARBONMONOKSID (CO)
“RENS VANNTANK”-alarm kan være ikke tilbakestilt	<ul style="list-style-type: none"> Etter rengjøring av vanntanken/huset og etterfylling, slå på H-Purifier. Ikke sett inn huset før displayet viser “INGEN VANNTANK”.

VIKTIG INFORMASJON

Reservedeler og tilbehør fra Hoover

Bruk alltid originale deler fra Hoover. Disse er tilgjengelige fra din lokale Hoover-forhandler eller direkte fra Hoover. Når du bestiller deler, må du alltid oppgi modellnummeret ditt.

Kvalitet

Hoovers fabrikker har blitt uavhengig kvalitetsvurdert. Våre produkter produseres ved å bruke et kvalitetssystem som er i samsvar med ISO 9001.

DIN GARANTI

Garantibetingelsene for dette apparatet er som definert av vår representant i det landet der det ble solgt. Detaljer vedrørende disse betingelsene fås fra forhandleren der apparatet ble kjøpt. Salgskvitteringen må fremvises ved fremsetting av krav under betingelsene i denne garantien..

Kan endres uten forvarsel.

ALLMÄNNA SÄKERHETSVARNINGAR

Den här apparaten skall endast användas för privata hushåll, som beskrivs i denna bruksanvisning. Se till att du förstår den här guiden innan du använder apparaten och att den förvaras för framtida referens.

Kontrollera om spänningen och klassificeringarna som anges på apparatens etikett motsvarar den lokala strömspänningen innan du ansluter apparaten.

Om nätsladden är skadad, sluta då omedelbart att använda produkten. För att undvika en säkerhetsrisk, måste en auktoriserad HOOVER servicetekniker byta nätsladden.

Ta inte bort kontakten genom att dra i nätsladden.

Placera nätsladden så att ingen kommer att gå på eller snubbla över den.

Stäng alltid av och koppla ur apparaten innan du rengör den eller utför något underhåll.

Den här apparaten kan användas av barn från 8 års ålder och personer med en nedsatt fysisk, sensorisk eller mental förmåga och som inte har den erfarenhet och kunskaper som behövs, förutsatt att de övervakas eller har fått instruktioner om hur apparaten används på ett säkert vis och förstår riskerna som är involverade. Barn får inte leka med apparaten.

Rengöring och underhåll som användaren ska utföra, får inte göras av barn utan överinseende.

Apparaten tar inte bort kolmonoxid (CO) eller radon (Rn). Den kan inte användas som säkerhetsanordning vid olyckor med förbränningsprocesser och farliga kemikalier.

Fortsätt inte att använda apparaten om den verkar defekt.

Blockera inte luftinloppet eller luftutloppet.

För inte in fingrar eller föremål i luftutloppet eller luftinloppet för att förhindra fysisk skada eller fel på apparaten.

Rengör inte apparaten med vatten eller något annat flytande eller (brandfarligt) rengöringsmedel och låt det inte komma in i apparaten för att undvika elektrisk stöt och/eller brandrisk.

Spruta inte brandfarliga material som insektsmedel eller parfym runt apparaten.

Denna apparat ersätter inte korrekt ventilation, regelbunden dammsugning eller användning av en köksfläkt eller fläkt under matlagning.

Använd endast förbrukningsartiklar, fukter eller reservdelar som rekommenderas eller levererats av HOOVER.

Säkerställ att filtret är korrekt installerat innan du sätter på apparaten.

Undvik att stöta mot apparaten (särskilt luftinloppet och utloppet) med hårda föremål.

Håll produkten torr.

Luta eller töm aldrig produkten under drift.

Om apparaten inte används på länge kan bakterier växa på filtren. Kontrollera filtren när apparaten har varit ur bruk en längre tid. Byt ut filtren om de är väldigt smutsiga.

Hoover service: För att säkerställa en fortsatt säker och effektiv drift av denna apparat rekommenderar vi att service eller reparationer endast utförs av en auktoriserad servicetekniker från HOOVER.

ANVÄNDNINGSSOMRÅDE

Placera och använd produkten endast på en torr, stabil, jämn horisontell yta, så att den inte kan falla.

Lämna minst 20 cm ledigt utrymme bakom och på båda sidor av apparaten och lämna minst 30 cm ledigt utrymme ovanför apparaten.

För att förhindra störningar ska du placera apparaten minst två meter från elektriska apparater som använder luftburna radiovågor som TV, radio och radiostyrda klockor.

Placera ingenting ovanpå apparaten.

Använd inte den här apparaten då du har använt insektsmedel i rökform inomhus eller på platser med oljiga rester, brinnande rökelse eller kemiska ångor.

Placera inte apparaten på någon av följande platser:

- På varma ytor, nära varma ytor, öppen eld eller i direkt solljus, nära gasapparater, värmeenheter eller eldstäder;
- Bredvid eller direkt ovanför värmare eller luftkonditioneringsöppningar, dörrar, fönster, fläktar, pisar eller var som helst det kan påverkas av drag;
- I ett badrum eller andra områden där produkten kan utsättas för vattenstänk, droppar eller kondens (t.ex. direkt under en luftkonditionering eller ovanför en vattenkokare);
- I ett slutet utrymme (t.ex. i eller under ett skåp);
- I ett område där temperaturen kan sjunka under -20 °C eller stiga över 50 °C ;
- I ett rum med stora temperaturväxlingar, i våta omgivningar eller i omgivningar med höga temperaturer eller hög luftfuktighet, såsom badrum, toalett eller kök;
- Där den kan blockeras, t.ex. av gardiner eller möbler;
- Där smuts eller damm kan blockera sensorn.

CO MONITOR SÄKERHETSINSTRUKTIONER

Om kolmonoxidlarmet är aktiverat bör du öppna alla fönster och dörrar (om det är säkert). Stäng av alla bränsleförbränningsapparater om så är möjligt och evakuera sedan fastigheten och lämna fönster och dörrar öppna. Alla som drabbas av kolmonoxidförgiftning borde få omedelbar medicinsk hjälp. Gå inte in i byggnaden igen förrän larmet stoppar. Larmet stoppar när kolmonoxiden har försvunnit. Använd inga bränsleförbränningsapparater igen förrän kolmonoxidkällan har hittats och korrigerats av en kvalificerad tekniker.

Undvik att använda färg, thinner, lösningsmedelsångor, luftrenare, aerosolsprayer eller kemiska rengöringsmedel nära apparaten. Detta kan påverka funktionen av CO Monitor.

För att aktivera CO Monitor ska du ansluta kontakten till ett uttag. CO Larm LED lyser grönt. När CO-monitorn upptäcker en osäker CO-nivå, kommer CO-larmet att ringa högt och CO larmknappen och LED-ringen för luftkvalitet blinkar i röd färg. Larmet kommer att fortsätta ringa tills dett upptäckta CO minskas till en säker nivå.

Tryck på [CO Alert]-knappen i 3 sekunder för att testa kolmonoxidlarmfunktionen så ringer larmet högt i 5 sekunder. Testa larmet varje månad och efter långvarig frånvaro från byggnaden (t.ex. semestrar). Om larmet inte ringer efter att du har tryckt på [CO Alert]-knappen i 3 sekunder ska du kontakta Hoovers kundtjänst för att få en kvalificerad tekniker att reparera felet.

Om displayen anger att Co-sensor är defekt eller att livslängden har nåtts, kontakta Hoover kundtjänst för att ordna en kvalificerad tekniker som byter CO-sensor. Kolmonoxidsensorns förväntade livslängd är 7 år och den måste bytas ut efter denna tid.

Låt inte små barn trycka på CO Alert-knappen i 3 sekunder eftersom de kan utsättas för ett för högt ljud när larmet ringer.

Driftsfuktighet: 15 – 90% RH

Driftstemperatur: 0 °C till $+40\text{ °C}$

Kolmonoxid påverkar kroppen genom att svälta (kväva) kritiska syreorgan. När kolmonoxid inandas fästs de vid hemoglobinet i blodet som normalt transporterar syre i hela kroppen. Kolmonoxid förskjuter syremolekylernas förmåga att fästa sig vid hemoglobinet permanent och reducerar således syret till vitala organ. Koncentrationsnivån och tiden som personen exponeras för kolmonoxidet kan variera dess effekter på kroppen, men experter håller med om att även låga nivåer av kolmonoxidexponering under längre perioder kan ha allvarliga och varaktiga effekter på den allmänna hälsan.

WARNING: KOLMONOXID LARMET ÄR UTFORMAT FÖR ATT SKYDDA PERSONER FRÅN DE AKUTA EFFEKTERNA AV KOLMONOXID EXPONERING ELLER FÖRHINDRA KRONISKA EFFEKTER AV KOLMONOXID EXPONERING. DET SKYDDAR INTE HELT PERSONER MED SÄRSKILDA HÄLSOTILLSTÅND. VID TVIVEL SKA DU KONTAKTA MEDICINSK PERSONAL.

CO Monitor-funktionen får inte användas som, eller underförstått användas som ersättning för EN 50291- , UL-2034, CSA-6.19 eller något annat erkänt standardcertifierat kolmonoxidlarm som lokala eller regionala koder eller lagar föreskriver borde användas. CO Monitor-funktionen är endast en kompletterande övervakningsenhet för kolmonoxid. Användning av denna enhet sker enligt användarens bedömning och innebär förståelse och godtagande av dess begränsningar för att följa koder eller lagar där det är tillämpligt.

Den här apparaten skall inte användas som ersättning för korrekt installation, användning och underhåll av bränsleapparater inklusive lämpliga ventilations- och utloppssystem.

CO Monitorns mobil- och surfplattaaviseringar kräver en fungerande Wi-Fi-anslutning för att fungera. De är inte en ersättning för en tredje parts nödövervakningstjänst.

SPRIDARE SÄKERHETSINSTRUKTIONER

Använd endast aromolja som rekommenderas eller levereras av HOOVER.

Undvik att använda fristående luftfuktare bredvid luftrenaren när du använder diffusionsfunktionen i H-Essence.

Torka upp eventuellt spill av H-Essence omedelbart. Se till att rengöra alla hörn av produkten som kom i kontakt med H-Essence.

FUKTARE SÄKERHETSINSTRUKTIONER

Rengör vattenbehållaren var tredje dag.

Använd endast destillerat vatten för att fylla vattentanken. Fyll inte med annat vatten, som kranvatten, mineralvatten, flodvatten och så vidare.

Vattnet i vattenbehållaren är inte drickbart. Drick inte detta vatten, ge det inte till djur och vattna inte växter med det. Häll vattnet i avloppet när du tömmer vattenbehållaren.

Lägg inte något annat ämne än destillerat vatten i vattenbehållaren.

Lägg inte vätskor med doft/parfym eller H-Essence i vattenbehållaren.

Töm tanken och kåpan och fyll på var tredje dag.

Rengör tanken och kåpan med färskt kranvatten innan du fyller på det igen. Ta bort eventuell beläggning, avlagring eller film som har bildats på sidorna av behållaren eller på insidan, och torka alla ytor torra.

Koppla ur apparaten under påfyllning och rengöring.

Töm och rengör luftfuktaren innan lagring. Rengör luftfuktaren innan nästa användning.

Lämna aldrig vatten i vattentanken och behållaren när apparaten inte används.

Låt inte området runt luftfuktaren bli fuktigt eller vått. Om fukt inträffar, vrid ner luftfuktarens utblås, använd luftfuktaren periodvis. Låt inte absorberande material som mattor, gardiner, draperier eller dukar bli fuktiga.

Om du måste flytta på apparaten ska du först koppla bort apparaten från strömförsörjningen. Töm sedan eller ta bort vattenbehållaren. Bär apparaten vertikalt i handtagen på båda sidor om apparaten.

Undvik att använda fristående enheter som frigör eller sprutar doftolja bredvid luftrenaren när du använder luftfuktningfunktionen.

Var medveten om att hög luftfuktighet kan leda till tillväxt av biologiska organismer i miljön.

WARNING: Mikroorganismer som kan finnas i vattnet eller i miljön där apparaten används eller lagras, kan växa i vattenbehållaren, blåsas ut i luften och orsaka mycket allvarliga hälsorisker när vattnet inte byts ut och behållaren inte är rengörts ordentligt var tredje dag.



Miljön

Denna produkt är märkt enligt det europeiska direktivet 2012/19/EU gällande elektroniskt avfall och elektronisk utrustning (WEEE). Genom att se till att produkten avfallshandteras på rätt sätt kan du hjälpa till att hindra möjliga negativa konsekvenser för miljö och hälsa.

Symbolen på apparaten indikerar att denna produkt inte får behandlas som hushållsavfall. Den måste i stället lämnas in på uppsamlingsplats för återvinning av elektrisk och elektronisk utrustning. Avfallshanderingen ska utföras enligt de lokala miljöbestämmelserna. För mer information om hantering, återvinning och återanvändning av denna produkt, kontakta din kommun, lokala myndigheter och renhållningsverk eller den butik där du köpte apparaten.



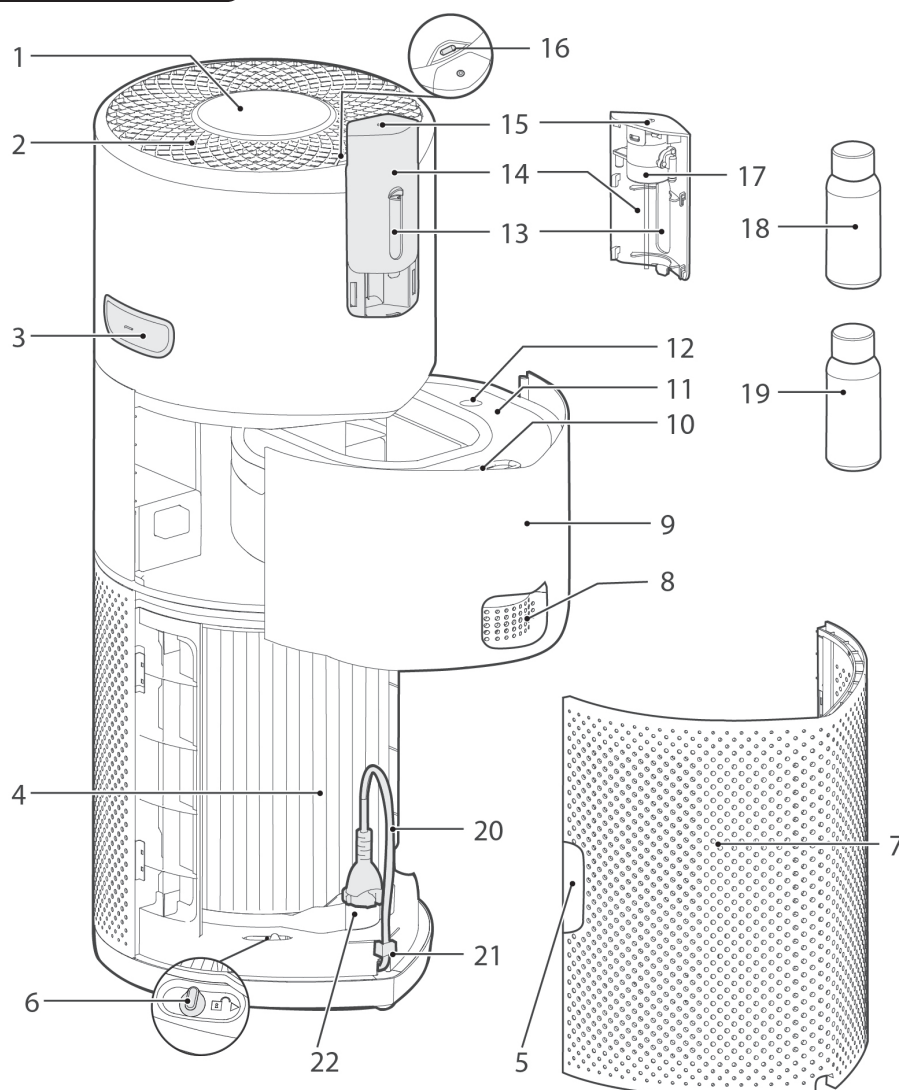
Trådlösa parametrar för parkoppling

Teknologi	Wi-Fi	Bluetooth
Standard	IEEE 802.11 b/g/n	Bluetooth v4.2, BLE
Frekvensband (MHz)	2401~2483	2402~2480
Maximal effekt (mW)	100	10
Maximal RF-effekt överförd i frekvensbanden	18.9 dBm	

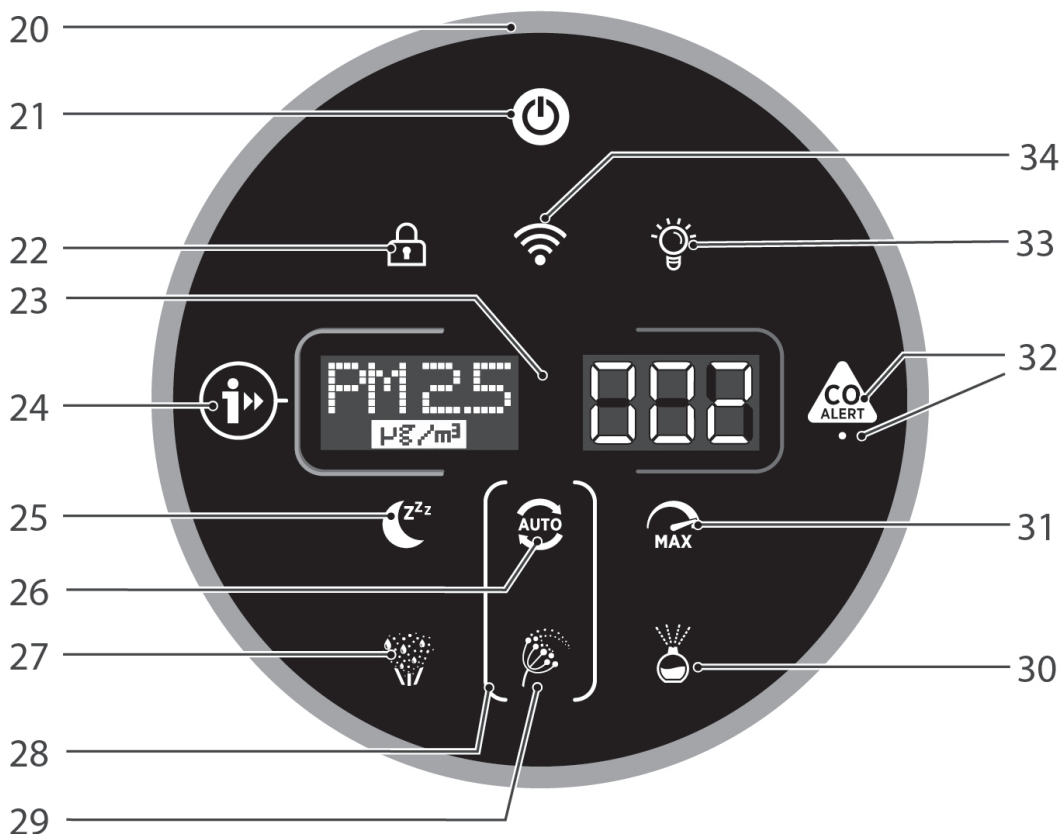
Candy Hoover Group Srl förklarar härmed att radioutrustningen överensstämmer med direktiv 2014/53/EU. Den fullständiga texten till EU-försäkran om överensstämmelse finns på följande internetadress: www.candy-group.com

CANDY HOOVER GROUP S.r.l. Via Privata Eden Fumagalli, 20861 Brugherio (MB) Italy

1. LÄR KÄNNA DIN H-PURIFIER



1	Kontrollpanel / Display	9	Luftfuktarens behållarens kåpa	17	Diffuserenhet
2	Luftutsläpp	10	Luftfuktarens vattenbehållare	18	H-Essence-flaska (Grön)
3	Produktens bärhandtag	11	Skydd för luftfuktarens vattenbehållare	19	H-Biotics-flaska (Brun)
4	Filtermontering	12	Inlopp för luftfuktarens vattenbehållare	20	Nätssladd och kontakt
5	Luftinloppskyddets handtag	13	Diffuserfönster	21	Förvaringskrok
6	Upplåsningsbrytare för filtret	14	Diffuserskydd	22	Transportplats
7	Luftinloppskydd	15	Diffuserutlopp		
8	Luftfuktarens handtag	16	Luftfuktarens utlopp		



20	LED-ring för luftkvalitet
21	Ström På/Av-knapp
22	Knapp för barnlås
23	Digital display
24	Informationsknapp

25	Knapp för viloläge
26	Knapp för automatiskt läge
27	Luftfuktarens knapp
28	Cirkellampa för pollenallergi
29	Lampa för pollenallergi

30	Diffuserknapp
31	Knapp för maxläge
32	CO Alert-knapp och LED-lampa
33	Ljuskontrollknapp
34	Wi-Fi-knapp

1.1 MULTISENSORSYSTEM

Tack vare multisensorsystemet övervakar din produkt kontinuerligt luftförhållandena inomhus i form av PM10, PM2.5 och flyktiga organiska föreningar (GAS).

Varje gång du slår på din produkt kommer multisensorsystemet att börja analysera luftkvaliteten inomhus och LED-ring för luftkvalitet lyser med olika färger som representerar luftkvalitetsförhållanden i realtid.

LED-ringfärg för luftkvalitet	Luftkvalitet inomhus	PM 10 värde* $\mu\text{g}/\text{m}^3$	PM 2,5 värde $\mu\text{g}/\text{m}^3$	GAS
Grön	Utmärkt	0-50	0-25	L1
GUL	Nöjaktig	50-80	25-50	L2
ORANGE	Dålig	80-160	50-100	L3
RÖD	Mycket dålig	≥ 160	≥ 100	L4

* I Pollen Allergy-läge kommer PM 10-värden som utlöser luftkvalitetsnivån att vara lägre för att minimera risken för allergiska personer.

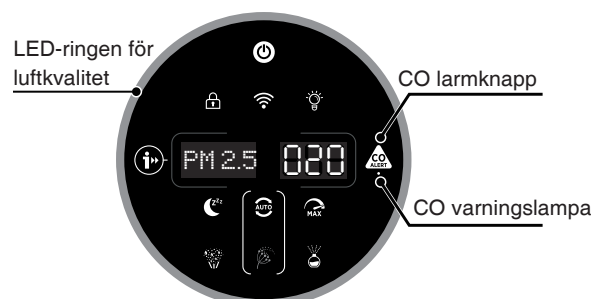
1.2 KOLMONOXID (CO) LARM

H-Purifier är utrustad med ett varningssystem som ständigt övervakar inomhusluften för kolmonoxid (CO).

När kolmonoxidlarmet är aktiverat blinkar LED-ring för luftkvalitet, information och CO Alert-knappen röd samtidigt och ett hörbart larm ljuder. Larmet förblir påslaget tills kolmonoxidkoncentrationen (CO) har minskat till under 50 ppm om den inte tystas manuellt genom att trycka på CO Alert-knappEn i 3 sekunder.

CO-varningslampan visar CO-sensors arbetsförhållande. Den visas i grön färg när CO-sensorn är i normalt tillstånd, i gul färg när sensorn inte fungerar eller överskrider dess livslängd och i röd färg när CO-varning är aktiverad.

Du kan testa om larmet fungerar ordentligt genom att trycka på CO Alert-knappen i 3 sekunder. Ett högt summerljud hörs i 5 sekunder om larmet fungerar korrekt.

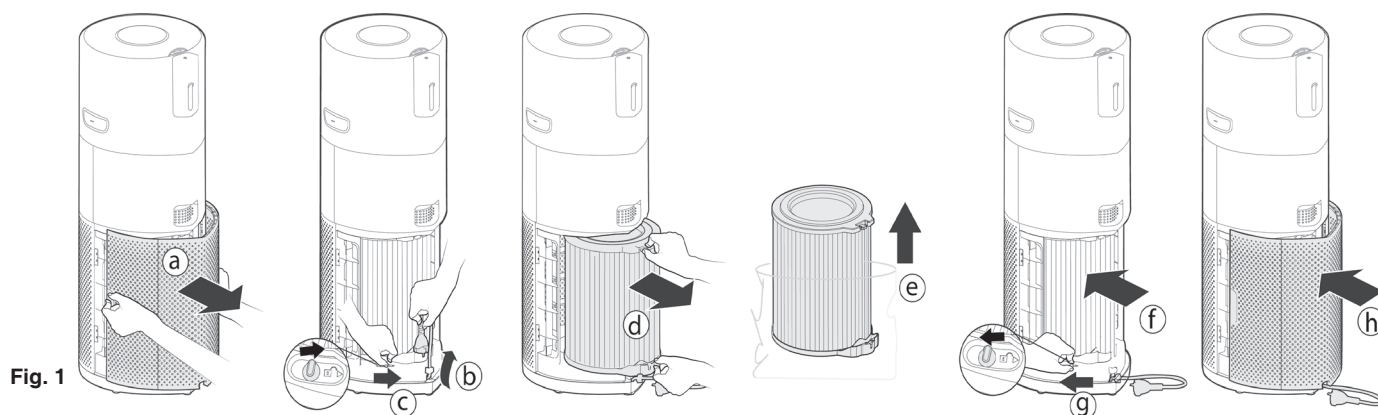


2. FÖRBERED DIN H-PURIFIER

2.1 INSTALLERA FILTER [Fig. 1]

Innan du använder din H-Purifier-produkt måste du ta bort filtret från skyddsförpackningen:

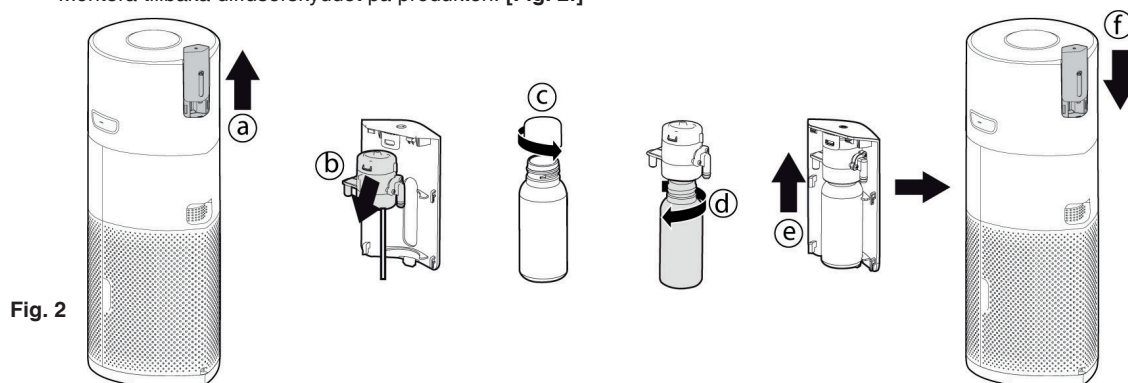
- Ta bort luftinloppsskyddet från din produkt, ta tag i de två handtagen på luftinloppsskyddet och dra det av produkten. [Fig. 1a]
- Ta bort kontakten från transportplatsen och lossa sladden från förvaringskroken. [Fig. 1b]
- Lås upp upplåsningsbrytaren för filtret. [Fig. 1c]
- Ta bort filtret från din produkt och ta bort ytterförpackningen. [Fig. 1d,e]
- Sätt tillbaka filtret i din produkt. [Fig. 1f]
- Lås uppplåsningsbrytaren för filtret. [Fig. 1g]
- Sätt tillbaka luftinloppsskyddet på din produkt. [Fig. 1h]



2.2 MONTERA DIFFUSERFLASKAN [Fig. 2]

För att förbereda din H-Purifier-produkt för diffuserfunktionen:

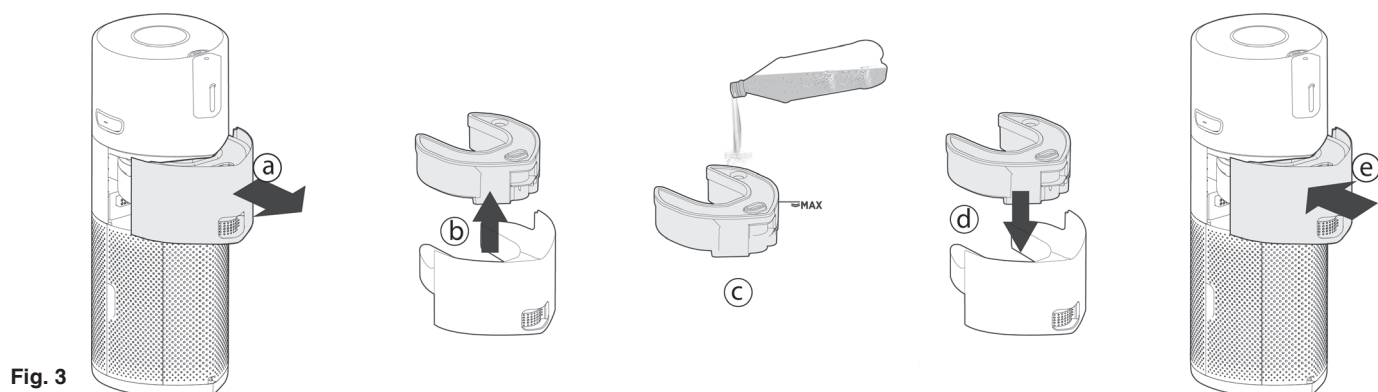
- Ta bort diffuserskyddet från produkten. [Fig. 2a]
- Ta bort diffuserenheten från diffuserskyddet. [Fig. 2b]
- Ta bort H-Essence/ eller H-Biotics-flaskan från förpackningen och ta bort locket. [Fig. 2c]
- Spara locket för framtida lagringsanvändning.
- Skruva fast flaskan på diffuserenheten ordentligt. [Fig. 2d]
- Montera tillbaka diffuserenheten på diffuserskyddet. [Fig. 2e]
- Montera tillbaka diffuserskyddet på produkten. [Fig. 2f]



2.3 FÖRBERED FUKTAREN [Fig. 3]

För att förbereda din H-Purifier-produkt för luftfuktarfunktionen:

- Ta bort behållarkåpan från produkten. [Fig. 3a]
- Ta bort behållaraggregatet från behållarkåpan. [Fig. 3b]
- Rengör alla delar med en torr, mjuk trasa före den första användningen.
- Fyll behållaren genom vattenbehållarens inlopp med destillerat vatten tills den når MAX-linjen som anges på behållaren. [Fig. 3c]
- Sätt tillbaka behållarenheten i behållaraggregatets kåpa. [Fig. 3d]
- Sätt tillbaka behållaraggregatets kåpa i din produkt. [Fig. 3e]



3. ANVÄND DIN H-PURIFIER

3.1 SLÅ PÅ PRODUKTEN [Fig. 4]:

Dra ut nätsladden från kabelrullen och anslut till en strömförsörjning.

Alla lampor på kontrollpanelen / Displayen tänds helt i ungefär en sekund för att indikera anslutningen. POWER-knappen tänds svagt och CO varningslampan tänds för att indikera att den dedikerade sensorn har börjat arbeta för att övervaka kolmonoxidnivån inomhus.

För att slå på din produkt ska du trycka på strömknappen på displayen.

LED-ringen för luftkvalitet lyser genom alla färger i tur och ordning medan sensorerna analyserar lufttillståndet i realtid. Efter några sekunder väljer LED-ringen för luftkvalitet rätt färg för luftkvaliteten vid den tidpunkten.

Din H-Purifier-produkt går omedelbart in i AUTOMATISKT LÄGE och börjar rena inomhusluften. AUTO MODE-knappen, INFORMATION-knappen, LIGHT CONTROL-knappen och PM10-information på displayen tänds.

3.2 ANSLUT DIN H-RENARE:

För att få tillgång till alla H-Purifier-funktioner på distans föreslås att du laddar ner hOn-appen. Du kommer att kunna styra din produkt på det mest effektiva sättet.

Instruktioner:

1. Ladda ner hOn-applikationen från App Store, Google Play eller Huawei AppGallery. Du kan också ladda ner den genom att skanna QR-koden i [Fig. 5]
2. Öppna APPEN, skapa ett konto med din e-mail och ett lösenord.
3. Logga in på hOn-appen.
4. Se till att din mobila enhet är ansluten till Wi-Fi.
5. Säkerställ att din H-Purifier är påslagen Tryck och håll in Wi-Fi-knappen på displayen i 5 sekunder. Det hörs ett pip och Wi-Fi-knappen börjar blinka för att indikera att den väntar på en anslutning. [Fig. 6]
6. Följ instruktionerna i appen för att ansluta din mobila enhet till din produkt.
7. När den har parkopplats lyser Wi-Fi-knappen på produkten.
8. För att återställa Wi-Fi trycker och håller du in Wi-Fi-knappen i 5 sekunder.

H-Purifier fungerar även med Hey Google och Amazon Alexa.

3.3 UPPTÄCK ALLA FUNKTIONER

Funktionen INFORMATION [Fig.7]:

Det finns 6 olika dataset att övervaka:

PM10, PM2.5, GAS, temperatur, luftfuktighet och filterstatus.

För att övervaka varje värde trycker du helt enkelt på knappen INFORMATION.

Som standard visar displayen PM10-data. Maskinen kommer ihåg användarens senaste val och behåller detta val nästa gång produkten slås på.

GAS-data visar en snurrmarkör under de första 3 minuterna efter att produkten slås på medan GAS-sensorn utför en kalibreringscykel.

Mer information om PM 2,5, PM 10 och GAS:

PM indikerar fina partiklar (som inte är synliga för blotta ögat) som huvudsakligen härrör från utomhusföroreningar som fordons- och industriutsläpp och som är potentiellt farliga för vår hälsa vid långvarig exponering.

PM 10 har en storlek upp till 10 µm och kan tränga in i övre luftvägarna (näsa, luftstrupe, svalg).

PM 2,5 har en storlek upp till 2,5 1/4µm och med tanke på dess lilla dimension kan de nå våra lungor och därmed tränga djupare in i vår kropp.

GAS VOC (flyktiga organiska föreningar) är flyktiga kemiska föreningar som lätt avdunstar i luften vid rumstemperatur. Deodoranter, rengöringsmedel, lim, bindemedel, kosmetika, formaldehyd är bara några av de flyktiga organiska föreningarna som kan finnas i våra hem, men som är potentiellt skadliga för vår hälsa vid långvarig exponering.

Funktioner för LÄGE:

Det finns 3 tillgängliga luftrengöringslägen: AUTO-LÄGE, MAXLÄGE & VILOLÄGE.

Automatiskt läge är standardinställningen för din produkt när den är påslagen. Alla lägen kan väljas manuellt genom att trycka på den motsvarande knappen på displayen.

Läget POLLENALLERGI kan även aktiveras via hOn-appen.

AUTOMATISKT LÄGE [Fig. 8]:

Detta är standardläget för din H-Purifier-produkt när du först slår på den. I autoläge justerar H-Purifier automatiskt fläkthastigheten till den faktiska kvalitetsnivån för inomhusluft för att alltid garantera en optimal luftrening.

Detta är den rekommenderade inställningen för din produkt.

I AUTO-läge, efter 30 minuters utmärkt luftkvalitet, kommer din produkt att gå in i ECO-läge (Stand-by-funktion) genom att pausa reningsfunktionen (fläkt), multisensorsystemet fortsätter att analysera inomhusluften och automatiskt slå på reningsfunktion vid behov.

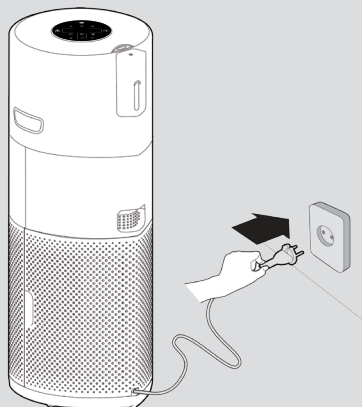


Fig. 4



Fig. 5

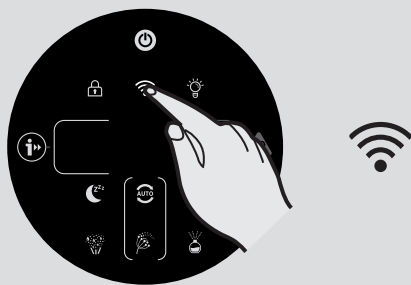


Fig. 6

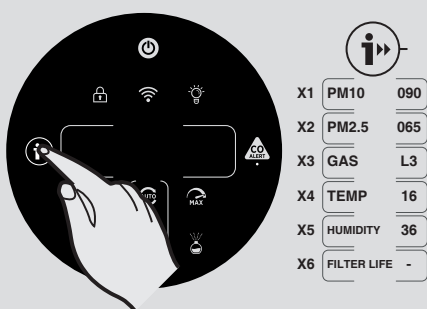


Fig. 7

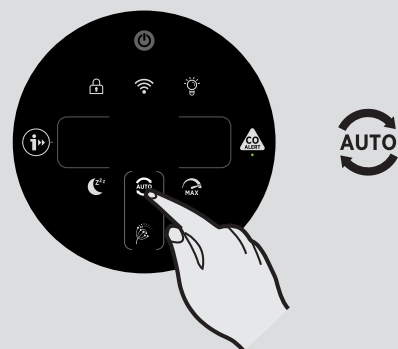


Fig. 8

MAXLÄGE [Fig. 9]:

Tryck på knappen för maxläge på displayen för att aktivera luftrening med inställningen maximal effekt. Välj helt enkelt det automatiska läget eller viloläget för att lämna maxläget.

VILOLÄGE [Fig. 10]:

Tryck på knappen för viloläge för att aktivera luftrening med inställningen tyst minimal effekt. Knappen för viloläge lyser svagt och alla andra lampor på displayen slocknar. Du kan ändra detta genom att trycka på LIGHT CONTROL-knappen.

LÄGET FÖR POLLENALLERGI: [Fig. 11]

Läget för pollenallergi kan bara aktiveras via hOn-appen. Du måste först aktivera och registrera en profil i appen för att skapa din pollenallergiprofil.

Läget för pollenallergi fungerar endast när det automatiska läget är valt. [Fig. 11c]

I läget för pollenallergi får apparaten kontinuerligt data i realtid från appen om den övervakade pollenkoncentrationen utomhus och den arbetar automatiskt för att maximera pollenuptagningsprestandan.

När pollen har tagits upp inaktiveras de för att lindra allergiska symtom.

När läget för pollenallergi är aktiverat i appen finns det två möjliga aviseringslampor på produktdisplayen:

- Lampan för pollenallergi är **VIT [Fig. 11a]**: Apparaten och appen övervakar förekomsten av pollen utomhus och det finns ingen risk.

- Lampan för pollenallergi blir **GUL** och cirkellampen för pollenallergi är **VIT [Fig. 11b]**: Apparaten och APPEN har upptäckt en risk.

Om produkten manuellt sätts i viloläge eller maxläge medan läget för pollenallergi är aktiverat, stoppar läget för pollenallergi.

Funktionen LAMPKONTROLL: [Fig. 12]

Det finns tre tillgängliga inställningar för displaybelysningen: på, dämpad och av. För att justera ljusstyrkan för displaybelysningen trycker du helt enkelt på LIGHT CONTROL-knappen på displayen för att bläddra igenom de tre tillgängliga alternativen. PÅ är standardinställningen. Om AV väljs måste någon annan knapp tryckas ned två gånger för att kunna aktiveras. Efter ett tryck kommer lampan att bli att bli DÄMPAD, vid ett andra tryck aktiveras åtgärden.

Funktionen BARNLÅS: [Fig. 13]

Tryck och håll in knappen för BARNLÅS i tre sekunder för att aktivera den, ett hörbart ljud hörs när den har aktiverats och knappen BARNLÅS förblir uppläst. Inga andra knappar fungerar när den är aktiverad. För att avsluta trycker du och håller ner knappen BARNLÅS i tre sekunder, ett hörbart ljud hörs för att bekräfta att låset är av och knappen kommer inte längre att lysa.

DIFFUSERFUNKTION: [Fig. 14]

Diffusern sprider H-Essence eller H-Biotics i rummets luft. H-Essence är Hoover-samling av eteriska oljor som släpper ut behagliga dofter i luften.

H-Biotics är en naturlig blandning baserad på probiotika som håller rummet biohygieniserat genom att hämma tillväxten av mikroorganismer som bakterier eller mikrober.

Det finns fyra olika inställningar för DIFFUSER-funktionen, MJUK, MEDEL, SPECIAL OCH H-BIOTICS. För att aktivera den här funktionen trycker du bara på diffuserknappen på displayen. Standardinställningen för denna funktion är MJUK. För att välja någon av de andra inställningarna trycker du bara på knappen upprepade gånger för att ändra till önskat val. Knappen lyser vitt när den är påslagen.

Det rekommenderas att använda inställningarna MJUK och MEDEL för H-Essence.

ANPASSAD inställning kan bara skapas i hOn-appen.

När du använder H-Biotics MÅSTE inställningen ställas in på H-Biotics. När användaren aktiverar H-Biotics med hjälp av APPEN ger detta en varning om "AKTIVERA H-BIOTICS" efter 120 timmar för att säkerställa H-biotics användning var femte dag.

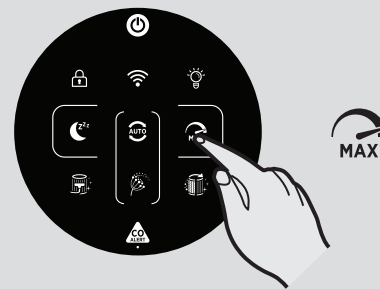


Fig. 9



Fig. 10

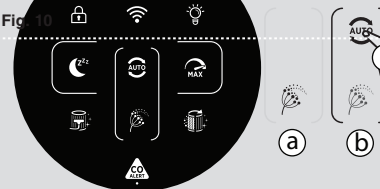


Fig. 11



Fig. 13



Fig. 13

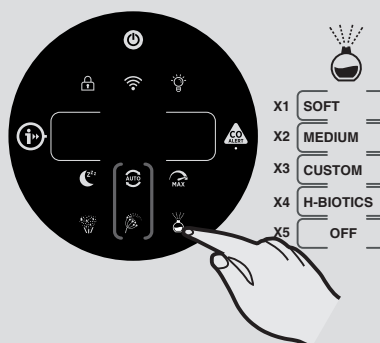


Fig. 14

När du använder H-Essence i vissa inställningar eller rumsmiljö kan GAS VOC-nivån ändras på grund av detekteringen av dofterna.

Spridarfunktionen fungerar bara när LED-ringen för luftkvalitet är i grön färg, den kommer att pausa när LED-ringen inte är grön och fortsätter att arbeta när den återgår till grön.

Diffuserfunktionen kan endast användas i automatiskt läge och maxläge, inte i viloläget.

När Diffuser-funktionen aktiveras i AUTO-läge kommer huvudfläkten att arbeta på en specifik hastighet för att hjälpa till att sprida H-Essence eller H-Biotics i rummet.

Inställning	Spridningstid	Maximal cykelvaraktighet
MJUK	i 10 sek var 5:e min	6 timmar
MEDEL	i 90 sek var 3.5:e min	6 timmar
SPECIAL	Användardefinierad	6 timmar
H-BIOTICS	i 2 min var 4:e min	6 timmar

För att stänga av funktionen, tryck på spridningsknappen tills OFF visas på displayen.

Efter varje användning av diffuserfunktionen ska du använda en torr mjuk trasa för att rengöra eventuella rester från produktyorna.

För att byta flaska i diffuserenheten, se avsnittet "Underhåll din H-Purifier".

LUFTFUKTARENS funktion: [Fig. 15]

Det finns tre olika inställningar för luftfuktarens funktion, MIN, MED och MAX. För att aktivera den här funktionen trycker du bara på luftfuktarens knapp på displayen. Standardinställningen för denna funktion är MIN. För att välja någon av de andra inställningarna trycker du bara på knappen upprepade gånger för att ändra till önskat val. Knappen lyser vitt när den är påslagen.

MIN - Standardmålfuktighet 40%

MED - Standardmålfuktighet 55%

MAX - Standardmålfuktighet 70%

Alla tre målnivåer kan anpassas i hOn-appen inom 30-80 % målfuktighet.

För att stänga av luftfuktarens funktion, tryck på luftfuktningknappen tills OFF visas på displayen.

Om fuktighetsnivån i realtid är lika med eller högre än den valda visas ett meddelande på displayen ("FUKTIGHET UPPNÅDD"). Luftfuktarens lampa kommer att förbli på.

Produkten går automatiskt in i luftfuktarläge när fuktigheten i realtid sjunker under den valda målnivån.

Luftfuktningfunktionen kan bara användas i VILO- och AUTO-lägen och kan inte användas i MAX-läget.

PÅFYLLNINGSVARNING:

När vattennivån är lägre än miniminivån visar displayen rådet **FYLL PÅ VATTEN** samtidigt som den blinkar. För instruktioner se avsnittet för Underhåll av din Luftrengörare.

Viktig anmärkning:

- **När produkten körs i diffuserläge:** Om luftfuktarläget är valt utan att stänga av diffuserläget stoppar produkten automatiskt diffuserläget och går in i luftfuktarläget.
- **När produkten körs i luftfuktarläge:** Om diffuserläget är valt utan att stänga av luftfuktarläget stoppar produkten automatiskt luftfuktarläget och går in i diffuserläget.

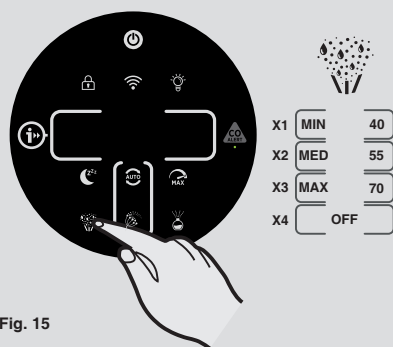


Fig. 15

4. UNDERHÅLL DIN H-PURIFIER

4.1 UNDERHÅLL AV FILTER

Din H-Purifier övervakar tillståndet för ditt filter. En avisering (**RENGÖR FILTER ELLER BYT FILTER**) visas på vänster sida av displayen och en blinkande indikering visar att du måste rengöra eller byta filtret.

Rengöring/ersättning av filtret: [Fig. 16]

- Ta bort luftinloppsnyckeln på din produkt. [Fig. 16a]
- Lås upp upplåsningsbrytaren för filtret. [Fig. 16b]
- Ta bort filtret från din produkt. [Fig. 16c]
- Använd en dammsugare för att rengöra det yttre lagret på filtret eller ersätt med ett NYTT filter. [Fig. 16d]
- Sätt tillbaka filtret i din produkt. [Fig. 16e]
- Lås upplåsningsbrytaren för filtret. [Fig. 16f]
- Sätt tillbaka luftinloppsnyckeln på din produkt. [Fig. 16g]
- Anslut apparaten till elnätet och slå på den.
- Tryck på INFORMATION-knappen för att återställa Rengörings-/ersättningslarmet genom att hålla inne knappen i 3 sekunder, ett ljudlarm hörs för att ange lyckad återställning. [Fig. 7]

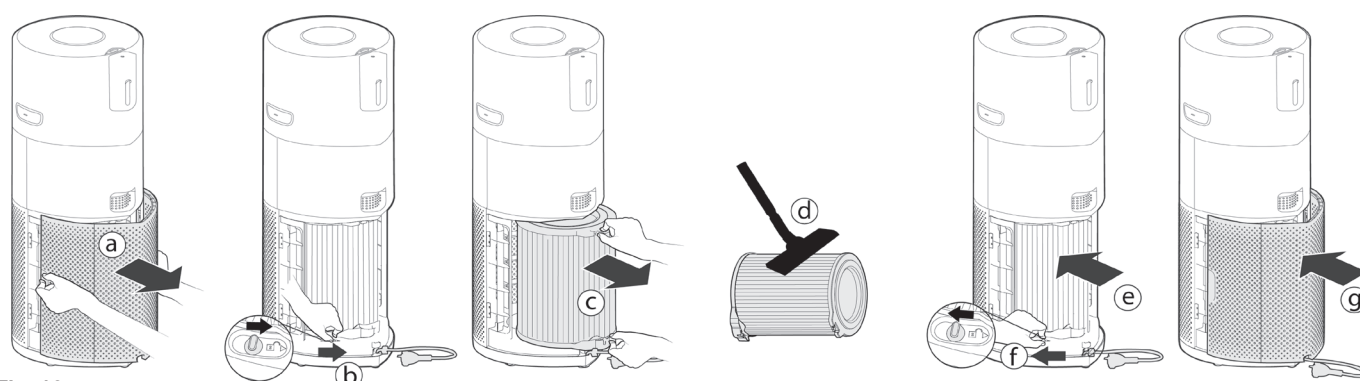


Fig. 16

4.2 DIFFUSERUNDERHÅLL

Efter varje användning av diffuserfunktionen ska du använda en torr mjuk trasa för att rengöra eventuella rester från produkttyterna.

Byte av diffuserflaska: [Fig. 17]

Vätskevolymen som finns kvar i flaskan kan kontrolleras genom diffuserfönstret. Vid behov bör flaskan bytas ut.

- Ta bort diffuserskyddet från produkten. [Fig. 17a]
- Ta bort diffuserenheten och flaskan från diffuserskyddet. [Fig. 17b]
- Skruva loss & och ta bort den tomma flaskan. [Fig. 17c]
- Ta ut den nya H-Essence- eller H-Biotics-flaskan från förpackningen och ta bort locket. [Fig. 17d]
- Skruva fast den nya flaskan på diffuserenheten ordentligt. [Fig. 17e]
- Montera tillbaka diffuserenheten på diffuserskyddet. [Fig. 17f]
- Montera tillbaka diffuserskyddet på H-Purifier. [Fig. 17g]

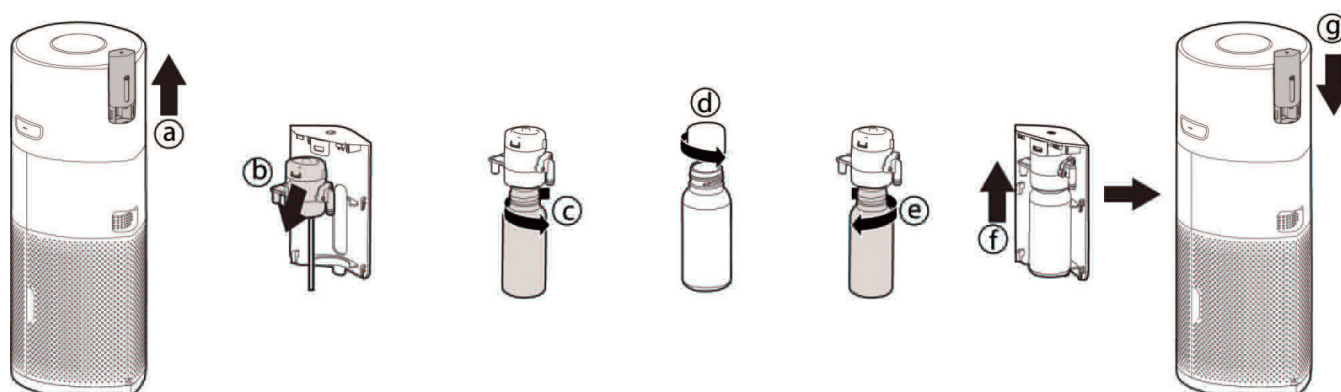


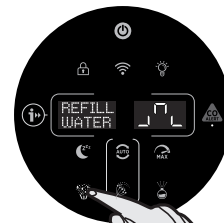
Fig. 17

4.3 LUFTFUKTARENS UNDERHÅLL

Varning fyll på vattenbehållare:

För att luftfuktaren ska fungera korrekt krävs en lägsta nivå av vatten. När vattennivån är lägre än miniminivån visar displayen rådet **FYLL PÅ VATTEN** samtidigt som den blinkar. Det kan finnas kvarvarande vatten i vattentankhuset. Meddelandet kommer ändå att visas på grund av den minsta vattennivån som krävs.

- Ta bort behållarkåpan från produkten. [Fig. 18a]
- Ta bort behållaraggregatet från behållarkåpan. [Fig. 18b]
- Ta bort eventuellt kvarvarande vatten och fyll tanken genom destillerat vatten genom vattentankens inlopp tills det når MAX-linjen som anges på tanken. [Fig. 18c]
- Sätt tillbaka behållarenheten i behållaraggregatets kåpa. [Fig. 18d]
- Sätt tillbaka vattenbehållarens kåpa i produkten. [Fig. 18e]



Varning rengör vattenbehållare:

Din H-Purifier övervakar tillståndet för din luftfuktartank. EN **RENGÖR VATTENTANK**-varning kommer att blinka efter 72 timmar från den senaste aktiveringen av luftfuktartanken, om det fortfarande finns vatten i tanken. Det visas på vänster sida av displayen och indikerar att åtgärder krävs för att rengöra vattentanken.

- Ta bort behållarkroppens kåpa från produkten. [Fig. 18f]
- Separera vattenbehållarens kåpa, vattenbehållaren och vattenbehållarens skydd och rengör alla tre noggrant och torka dem helt med en mjuk torr trasa. [Fig. 18g,h,i]
- Sätt tillbaka vattenbehållarens komponenter. Fyll på med destillerat vatten tills vattnet når MAX-linjen.
- Se till att produkten är påslagen innan du sätter i tanken igen.
- Sätt tillbaka vattenbehållarens kåpa i produkten. [Fig. 18e]

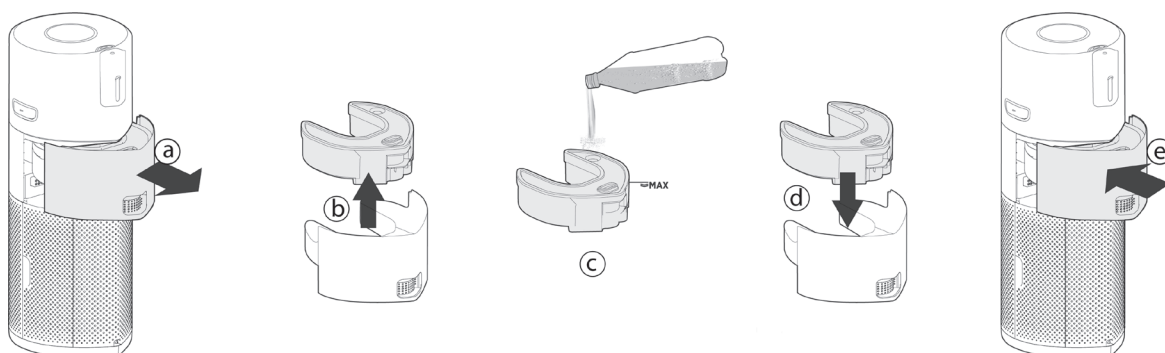
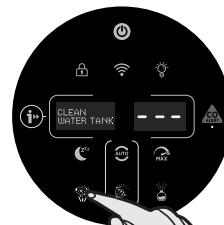
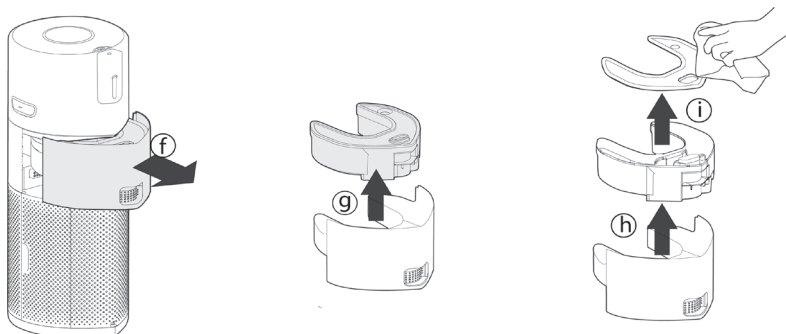


Fig. 18



5. LAGRA DIN H-PURIFIER

1. Stäng av H-Purifier och dra ut nätsladden.
2. Rengör alla inre och yttre ytor på H-Purifier, det yttre lagret på filtret, vattentanken.
3. Ta bort flaskan från diffusern. Sätt tillbaka det ursprungliga locket på flaskan och förvara den skyddad mot direkt ljus. Rengör ytorna på diffusern och diffuserskyddet. Se till att det inte finns några rester av H-Essence eller H-Biotics på någon yta på luftrenaren.
4. Se till att alla komponenter är torra.
5. Ta bort locket till luftintaget [Bild 19a] och rulla in strömsladden genom att dra i sladden [Bild 19b], sätt sladden på förvaringskroken och sätt in kontakten på transportplatsen. [Fig. 19c,d] Sätt tillbaka luftinloppskyddet. [Fig. 19e]
6. Förvara H-Purifier på en sval och torr plats.

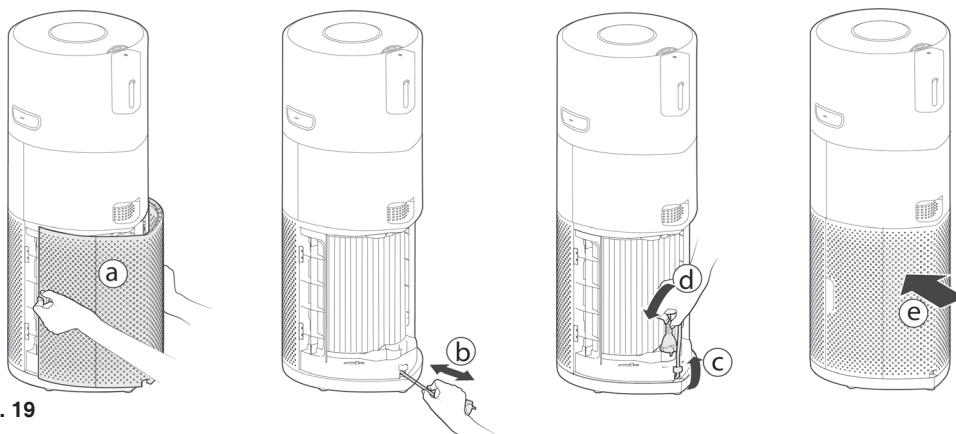


Fig. 19

6. VARNINGAR OCH LÖSNINGAR

Följande koder kan visas under användning. [Fig. 20]



Fig. 20

Larm		Larmbeskrivning	Lösning
Larm på produkt	Varning på APPEL		
“RENGÖR FILTER”	Rengöringslarm av förfilter	Föreslå att rengöra det yttre lagret av filtret.	1. Rengör det yttre lagret av filtret. 2. Återställ larmet genom att hålla knappen INFORMATION intryckt i 3 sekunder. Se 4.1 FILTERUNDERHÅLL
“ERSÄTT FILTER”	Varning för filterbyte	Föreslå att du byter ut filtret.	1. Ersätt filtret. 2. Återställ larmet genom att hålla knappen INFORMATION intryckt i 3 sekunder. Se 4.1 FILTERUNDERHÅLL
“FILTER SAKNAS”	Fel: ett fel ha uppstått med luftrengöraren, vänligen kontrollera möjliga lösningar	Filter är ej i läge eller korrekt låst	1. Sätt tillbaka filtret om det inte finns där. 2. Om filtret är på plats, kontrollera om filterfrigöraren är på LOCK-status. Se 2.1 INSTALLERA FILTERET
“INGEN VATTENTANK”	Fel: ett fel ha uppstått med luftrengöraren, vänligen kontrollera möjliga lösningar	Vattentank eller behållare saknas.	Sätt tillbaka vattentanken och behållaren.
“RENGÖR VATTENTANK”	Vatten i tanken måste bytas ut	Det har gått 3 dagar sedan senaste gången luftfuktaren användes, tanken/behållaren måste rengöras och vatten måste bytas ut för hygienändamål.	1. Slå på produkten. 2. Ta bort tanken/behållaren, rengör de inre ytorna för varje komponent och fyll på. 3. Slå på produkten. 4. Sätt tillbaka tanken/behållaren. Se 4.3 UNDERHÅLL AV LUFTFUKTARE
“FYLL PÅ VATTEN”	Fel: ett fel ha uppstått med luftrengöraren, vänligen kontrollera möjliga lösningar	Det finns inget vatten i tanken eller det kvarstående vattnet räcker inte för att luftfuktaren ska fungera.	Fyll på destillerat vatten i tanken tills den når MAX-linjen.
“PM SENSORFEL”	/	PM-sensor fungerar inte	PM-sensorfel eller sensorkabel har inte anslutits väl, ring servicecenter för att åtgärda.
CO varningslampan är gul	Fel: ett fel ha uppstått med luftrengöraren, vänligen kontrollera möjliga lösningar	CO-sensor fungerar inte eller CO-sensorn överskrider dess livslängd.	Ring servicecenter för att åtgärda.
Stängs av automatiskt utan någon varning	Produkten faller	Produktens fallskydd	1. Om produkten faller och vatten läcker ut ska du koppla ur strömförsörjningen och vänta i 48 timmar innan du slår på produkten igen. 2. Om produkten faller utan att vatten läcker ut ska du lyfta upp produkten och trycka på strömknappen för att slå på den.
/	Fel: ett fel ha uppstått med luftrengöraren, vänligen kontrollera möjliga lösningar	Motorfel	Motorfel eller motorsladden har inte anslutits väl. Ring servicecentret för att fixa.
“TEMP. & FUKT. SENSORFEL”	/	Temperatur- och luftfuktighetssensor fungerar inte	Fel på temperatur- och fuktighetssensor eller sensorkabel har inte anslutits korrekt, ring servicecenter för att åtgärda.
“PAUS”	/	Den fungerande spridaren kommer att pausas när LED-ringen för luftkvalitet inte är grön.	Ingen åtgärd krävs. Fungerande spridare kommer att återupptas när LED-ringen för luftkvalitet är grön.

OBSERVERA: Om några fel kvarstår, kontakta din lokala Hoover-representant. FÖRSÖK INTE ta isär H-Purifier själv.

7. FELSÖKNING

Det följande är en lista över vanliga problem och lösningar.
Om något av dessa problem kvarstår så kontakta din lokala Hoover representant.

Fläkten fungerar inte (Kontrollpanel / Displayens lampor på)	<ul style="list-style-type: none"> • Kontrollera varningen som visas på displayen eller i appen. Om det finns, se 6. VARNINGAR OCH LÖSNINGAR • Kontrollera om det finns blockeringar i fläkten. Om det finns, koppla först bort produkten och rensa dem eller ring servicecenter för att rensa den. • Kontrollera om H-Purifier är på. • Kontrollera om filtret är korrekt installerat och i låst status. • Kontrollera om H-Purifier är i ett helt lodrätt läge och inte lutar. • H-Purifier kan vara i ECO-läge. Du kan trycka på viloläge eller maxläge för att lämna ECO-läget. Se 3. ANVÄNDA DIN H-PURIFIER – AUTOMATISKT LÄGE.
Fläkten fungerar inte (Kontrollpanel / Displayens lampor av)	<ul style="list-style-type: none"> • Kontrollera om H-Purifier är ansluten till elnätet och på. • Kontrollera varningen som visas i appen. Om det finns, se 6. VARNINGAR OCH LÖSNINGAR
Inga lampor på kontrollpanelen / Display (Fläkten fungerar)	<ul style="list-style-type: none"> • I viloläge är standardinställningen för lampor av. Du kan trycka på Light Control-knappen för att tända lamporna. • Lamporna kan vara avstängda. Tryck på Light Control-knappen för att tända lamporna. Refer to 3. ANVÄND DIN H-PURIFIER – VILOLÄGE / Funktionen LAMPKONTROLL.
Knapparna på kontrollpanelen fungerar inte	<ul style="list-style-type: none"> • Barnlås kan aktiveras. Du kan hålla ned BARNLÅS-knappen i 3 sekunder för att avsluta. Se 3. ANVÄNDA DIN H-PURIFIER – Funktionen BARNLÅS.
Luftflödet är svagt	<ul style="list-style-type: none"> • Kontrollera om skyddsförpackningen har tagits bort från filtret. • Kontrollera om det finns blockeringar i luftinloppsskyddet eller luftutloppet. • Ta bort locket till luftinloppet och kontrollera filtertillståndet. Rengör det yttre lagret eller ersätt filtret vid behov. Du kan kontrollera filterets livslängd i displayen genom att trycka på informationsknappen. • Kontrollera om H-Purifier är i viloläge. Fläkten kör med reducerad effekt i detta läge.
H-Purifier fungerar högljutt	<ul style="list-style-type: none"> • Kontrollera om det finns några hinder i H-Purifier. • Kontrollera om H-Purifier körs i maxläge. Fläkten arbetar med maximal effekt i detta läge.
H-Purifier fungerar plötsligt högt	<ul style="list-style-type: none"> • Kontrollera om H-Purifier körs i auto-läge och att LED-ringen för luftkvalitet inte är grön. I autoläge justerar H-Purifier automatiskt fläkthastigheten till den faktiska kvalitetsnivån för inomhusluft. Se 3. ANVÄNDA DIN H-PURIFIER – AUTOMATISKT LÄGE.
H-Purifier ger plötsligt ifrån sig ett högt summerljud	<ul style="list-style-type: none"> • Testfunktionen för CO Alert-knappen aktiveras genom felaktig användning. Ljudet stoppar automatiskt efter 5 sekunder. Se 1.2 KOLMONOXID (CO) LARM
”RENGÖR VATTENTANK” larm kan inte återställas	<ul style="list-style-type: none"> • Efter rengöring av vattentanken/behållare och påfyllningen, slå på H-Purifier. Sätt inte i håljet förrän displayen visar ”INGEN VATTENTANK”.

VIKTIG INFORMATION

HOOVER RESERVDELAR OCH FÖRBRUKNINGSVAROR

Använd alltid originaldelar från Hoover vid byte. Du kan beställa delar från närmaste Hoover-återförsäljare eller direkt från Hoover. Uppge alltid modellnummer när du beställer delar.

Kvalitet

Hoovers fabriker har kvalitetsbedömts av oberoende organisationer. Våra produkter tillverkas enligt ett kvalitetssystem som uppfyller kraven för ISO 9001.

DIN GARANTI

Garantivillkoren för produkten definieras av vår representant i det land där produkten säljs. Du kan få uppgifter om aktuella villkor från återförsäljaren. Kvittot måste visas upp när man kräver ersättning enligt garantin.

Specifikationerna kan ändras utan föregående meddelande.

YLEISET TURVALLISUUSVAROITUKSET

Tätä laitetta tulee käyttää vain yksityiseen kotitalouskäyttöön tässä oppaassa kuvatulla tavalla. Tämän oppaan sisältö on ymmärrettävä kokonaisuudessaan ennen laitteen käyttöä ja se tulee säilyttää myöhempää käyttöä varten.

Tarkista ennen laitteen kytkemistä, vastaako laitteen kilvessä ilmoitettu jännite ja luokitukset paikallista syöttöjännitettä.

Lopeta laitteen käyttö välittömästi, jos virtajohto on vahingoittunut. Virtajohdon saa turvallisuusyryistä vaihtaa vain valtuutettu HOOVER-huoltoliike.

Älä irrota pistoketta vetämällä virtajohdosta.

Asettele virtajohto niin, ettei kukaan astu tai kaadu sen päälle.

Sammuta ja irrota laite aina pistorasiasta ennen laitteen siirtämistä tai puhdistusta tai mitään huoltotoimia.

Tätä laitetta voivat käyttää yli 8-vuotiaat lapset ja henkilöt joilla on vähentynyt fyysinen, aistillinen tai henkinen kyky tai joilla ei kokemusta tai tietoja, mikäli heille on annettu ohjausta ja valvontaa koskien laitteen turvallista käyttöä ja ymmärtävät käyttöön liittyvät vaaratekijät. Lapset eivät saa leikkiä laitteella.

Käyttäjän suorittamaa puhdistusta ja huoltoa ei tule suorittaa lasten toimesta ilman valvontaa.

Laite ei poista hiilimonoksidia (CO) tai radonia (Rn). Laitetta ei saa käyttää turvalaitteena onnettomuuksissa, joihin liittyy polttoprosesseja ja vaarallisia kemikaaleja.

Älä käytä laitetta, jos se vaikuttaa vialliselta.

Älä tuki ilman tulo- tai poistoaukkoa.

Älä laita sormia tai muita esineitä ilman tulo- tai poistoaukkoon, jotta välttyt fyysisiltä vammoilta tai laitteen toimintahäiriöiltä.

Älä puhdista laitetta vedellä tai millään nesteellä tai (tulenaralla) puhdistusaineella äläkä päästä niitä laitteeseen sähköiskun ja/tai tulipalon välttämiseksi.

Älä suihkuta tulenarkoja materiaaleja, kuten hyönteismyrkkyjä tai hajusteita, laitteen ympärille.

Tämä laite ei korvaa asianmukaista ilmanvaihtoa, säännöllistä imurointia tai liesituulettimen tai tuulettimen käyttöä ruoanlaiton aikana.

Käytä ainoastaan HOOVERIN toimittamia tai suosittelemia lisävarusteita, suodattimia tai varaosia.

Varmista, että suodatin on asennettu oikein, ennen laitteen käynnistystä.

Vältä laitteen (erityisesti ilman tulo- ja poistoaukon) kolhimista kovilla esineillä.

Pidä tuote kuivana.

Älä koskaan kallista tai tyhjennä tuotetta sen käytön aikana.

Jos laitetta ei käytetä pitkään aikaan, suodattimiin voi tulla bakteerikasvustoa. Tarkista suodattimet, jos laite on ollut pitkään pois käytöstä. Jos suodattimet ovat erittäin likaiset, vaihda ne.

Hoover-huolto: Laitteen käyttöturvallisuuden ja tehokkaan toiminnan varmistamiseksi suosittelemme, että huolto ja korjaukset teetetään vain valtuutetussa HOOVER-huollossa.

KÄYTTÖYMPÄRISTÖ

Aseta tuote ja käytä sitä vain kuivalla, vakaalla, tasaisella ja vaakasuuntaisella pinnalla, jotta se ei pääse kaatumaan.

Jätä laitteen taakse ja molemmille sivuille vähintään 20 cm tyhjää tilaa ja jätä laitteen yläpuolelle vähintään 30 cm tilaa.

Vältä häiriöt sijoittamalla laite vähintään 2 m etäisyydelle sähkölaitteista, jotka käyttävät ilmassa kulkevia radioaaltoja, kuten televisiot, radiot ja radio-ohjatut kellot.

Älä laita mitään laitteen päälle.

Älä käytä tätä laitetta, kun olet käyttänyt sisätiloissa savumaisia hyönteiskarkottimia, tai paikoissa, joissa on öljyjäämiä, palavia suitsukkeita tai kemiallisia savuja.

Älä aseta laitetta mihinkään seuraavista sijainneista:

- Kuumille pinnoille, kuumien pintojen lähelle, avotuleen tai suoraan auringonvaloon, lähelle kaasulaitteita, lämmityslaitteita tai takkoja;
- Lämmityslaitteiden tai ilmastointilaitteiden aukkojen, ovien, ikkunoiden, poistotuulettimien tai liesien viereen tai suoraan yläpuolelle tai mihinkään sellaiseen paikkaan, jossa ilmavirta voi osua siihen;
- Kylpyhuoneeseen tai muille alueille, joissa tuote saattaa altistua vesiroiskeille, -valumille tai kondensaatille (esim. suoraan ilmastointilaitteen alle tai vedenkeitTIMEN yläpuolelle);
- Suljettuun tilaan (esim. kaapin sisään tai alle);
- Paikkaan, jossa lämpötila voi pudota alle $-20\text{ }^{\circ}\text{C}$:n tai nousta yli $50\text{ }^{\circ}\text{C}$:n;
- Huoneeseen, jonka lämpötilassa vaihtelee suuresti, kosteisiin ympäristöihin tai ympäristöihin, joissa on korkea ympäristön lämpötila tai korkea kosteuspitoisuus, kuten kylpyhuoneeseen, vessaan tai keittiöön;
- Paikkaan, jossa esim. verhot tai huonekalut voivat tukkia sen;
- Paikkaan, jossa lika tai pöly voisi tukkia anturin.

CO-MONITORIN TURVALLISUUSOHJEET

Jos CO-hälytys aktivoituu, sinun pitää avata kaikki ikkunat ja ovet (jos se on turvallista). Sammuta kaikki polttoainekäyttöiset laitteet, jos mahdollista, ja evakuo i sitten rakennus jättäen ikkunat ja ovet auki. Jos joku saa h äkämyrkytyksen oireita, hänet on vietävä viipymättä lääkäriin. Älä palaa rakennukseen, ennen kuin hälytys loppuu. Hälytys loppuu, kun CO on poistunut. Älä käytä polttoainekäyttöisiä laitteita uudelleen, ennen kuin CO-lähde on paikannettu ja pätevä teknikko on korjannut sen.

Älä käytä laitteen lähellä maaleja, ohentimia, liuotinhöyryjä, ilmanraikastimia, aerosolsuihkeita tai kemiallisia puhdistusaineita. Se voisi vaikuttaa CO monitorin toimintaan.

Aktivoi CO monitori kytkemällä pistoke pistorasiaan. CO-hälytyksen led-valo palaa vihreänä. Kun CO-monitori havaitsee CO-tason, joka ei ole turvallinen, CO-hälytys soi voimakkaasti ja CO Alert -painike ja ilmanlaadun led-rengas vilkkuvat punaisina. Hälytys jatkaa soimistaan, kunnes havaittu CO palaa turvalliselle tasolle.

Kosketa [CO Alert] -painiketta 3 sekuntia testataksesi CO-hälytystoiminnon. Kovaääninen hälytys kuuluu 5 sekuntia. Testaa hälytys kuukausittain ja kun olet ollut pitkään pois rakennuksesta (esim. lomalla). Jos hälytys ei aktivoidu, kun [CO Alert] -painiketta painetaan 3 sekuntia, ota yhteyttä Hooverin asiakaspalveluun ja tilaa pätevä teknikko korjaamaan vika.

Jos näytöllä näkyy, että CO-anturissa on vika tai se on saavuttanut käyttöikänsä päätepisteen, ota yhteyttä Hooverin asiakaspalvelukeskukseen sopiaksesi CO-anturin vaihdosta valtuutetun teknikon kanssa. CO-anturin odotettu käyttöikä on 7 vuotta ja se pitää vaihtaa tämän ajan jälkeen.

Älä anna pienten lasten painaa CO Alert -painiketta 3 sekuntia, jotta he eivät altistu kovalle äänelle hälytyksen lauetessa.

Käyttötilan kosteus: 15 – 90% RH

Käyttötilan lämpötila: 0 – + 40 °C

Hiilimonoksidin vaikutuksesta kehon tärkeät elimet jäävät ilman happea (tukehtuvat). Kun CO:ta hengitetään, se sitoutuu veren hemoglobiiniin, joka tavallisesti vie happea kaikkialle kehoon. CO sitoutuu jatkuvasti hemoglobiiniin happimolekyylien sijasta, jolloin tärkeimmät elimet saavat vähemmän happea. CO:n pitoisuus ja sille altistumisaika voivat vaikuttaa siihen, miten se vaikuttaa kehoon, mutta asiantuntijat ovat yhtä mieltä siitä, että altistuminen pitkiä aikoja jopa alhaisille hiilimonoksiditasoille voi johtaa vakaviin ja pysyviin kokonaisvaltaisiin terveyshaittoihin.

VAROITUS: CO-HÄLYTYS ON SUUNNITELTU SUOJAAMAAN HENKILÖITÄ HIILIMONOKSIDILLE ALTISTUMISEN AKUUTEILTA SEURAUKSILTA TAI ESTÄMÄÄN HIILIMONOKSIDILLE ALTISTUMISESTA SEURAAVAT KROONISET VAIKUTUKSET. SE EI SUOJAA TÄYDELLISESTI HENKILÖITÄ, JOILLA ON ERITYINEN TERVEYDENTILA. JOS SINULLE HERÄÄ KYSYMYKSIÄ, KÄÄNNY LÄÄKÄRIN PUOLEEN.

CO Monitor -toimintoa ei saa käyttää eikä sitä ole tarkoitettu käytettäväksi korvaamaan standardin EN 0291-1, UL-2034, CSA-6.19 tai muun voimassa olevan standardin mukaista sertifioidua hiilimonoksidihälytystä, kun paikalliset tai alueelliset säädökset tai lait vaativat sellaisen käyttöä. CO Monitor -toiminto on vain ylimääräinen hiilimonoksidin monitorointilaitte. Tämän laitteen käyttö on käyttäjän harkinnan varaista ja se edellyttää laitteen rajoitusten ymmärtämistä ja hyväksymistä ja säännösten tai lakien noudattamista, soveltuvin osin. Laitteen käyttö ei korvaa polttoaineella toimivaa polttolaitteen, asianmukaista ilmanvaihtoa ja poistojärjestelmää, asianmukaista asennusta, käyttöä ja kunnossapitoa. CO monitorin mobiili- ja tabletti-ilmoitukset edellyttävät toimivaa Wi-Fi-yhteyttä. Ne eivät korvaa kolmannen osapuolen hätämonitorointipalvelua.

DIFFUUSORIN TURVALLISUUSOHJEET

Käytä vain HOOVERIN suosittelemaa tai toimittamaa aromaattista öljyä.

Vältä erillisen kostuttimen käyttöä ilmanpuhdistimen läheisyydessä käyttäessäsi H-Essencen diffuusoritoimintoa.

Pyyhi mahdolliset H-Essencen vuodot välittömästi. Varmista, että puhdistat H-Essencen kanssa kostetuksissa olleen tuotteen kaikki kulmat.

KOSTUTTIMEN TURVALLISUUSOHJEET

Puhdista vesisäiliö 3 päivän välein.

Käytä vesisäiliön täyttämiseen vain tislattua vettä. Älä täytä muulla vedellä, kuten hanavedellä, mineraalivedellä, jokivedellä tai vastaavalla.

Vesisäiliön vesi ei ole juomakelpoista. Älä juo vettä äläkä käytä sitä eläimien juomavetenä tai kasvien kasteluun. Kun tyhjennät vesisäiliön, kaada vesi viemäriin.

Älä laita vesisäiliöön muita aineita kuin tislattua vettä.

Älä laita vesisäiliöön hajusteita/tuoksujia sisältäviä nesteitä tai H-Essenceä.

Tyhjennä säiliö ja kotelo ja täytä kolmen päivän välein.

Ennen täyttämistä puhdista säiliö ja kotelo tuoreella vesijohtovedellä. Poista kaikki jäämät tai säiliön sivuihin tai sisäpintoihin muodostunut kalvo ja pyyhi kaikki pinnat kuiviksi.

Irrota laite virtalähteestä täytön ja puhdistuksen ajaksi.

Tyhjennä ja puhdista kostutin ennen sen varastointia. Puhdista kostutin ennen seuraavaa käyttökertaa.

Älä koskaan jätä vettä vesisäiliöön ja säiliön koteloon, kun laitetta ei käytetä.

Älä päästä kostutinta ympäröivää aluetta kostumaan tai märäksi. Jos havaitset kosteutta, käännä kostuttimen poistoaukko alas ja käytä kostutinta katkottaisesti. Älä päästä imukykyisiä materiaaleja, kuten mattoja, verhoja, peitteitä tai pöytäliinoja kostumaan.

Jos sinun pitää siirtää laitetta, irrota se ensin virtalähteestä. Tyhjennä tai irrota vesisäiliö.

Kuljeta laitetta pystysuorassa laitteen molemmilla puolilla olevista kahvoista.

Vältä erillisten laitteiden, jotka vapauttavat tai suihkuttavat aromiöljyä, käyttöä ilmanpuhdistimen läheisyydessä käyttäessäsi kostutintoimintoa.

Huomaa, että korkeat kosteustasot voivat lisätä ympäristön biologisten organismien kasvua.

VAROITUS: Vedessä tai laitteen käyttö- tai säilytysympäristössä mahdollisesti olevat mikro-organismit voivat kasvaa vesisäiliössä, jolloin laite voi puhalltaa ne ilmaan. Tämä voi johtaa erittäin vakaviin terveysriskeihin. Tämän vuoksi on tärkeää vaihtaa vesi ja puhdistaa säiliö 3 päivän välein.



Ympäristö

Tämä laite on merkitty sähkö- ja elektroniikkalaiteromusta annetun direktiivin 2012/19/EU (WEEE) mukaisesti. Hävittämällä tämän laitteen oikein estät mahdollisia ympäristölle ja ihmisterveydelle aiheutuvia haittavaikutuksia, joita saattaa syntyä laitteen vääränlaisen hävittämisen seurauksena.



Tässä laitteessa oleva symboli osoittaa, että laitetta ei saa hävittää kotitalousjätteenä. Se täytyy luovuttaa sähkö- ja elektroniikkalaitteiden keräyspisteeseen kierrätystä varten. Hävittäminen on suoritettava paikallisten jätteiden hävittämistä koskevien ympäristösäännösten mukaisesti. Saat lisätietoja tämän laitteen käsittelemisestä, hyötykäytöstä ja kierrätyksestä paikallisilta viranomaisilta, kotitalouksien ja muiden jätteiden jätehuollosta tai liikkeestä, josta ostit laitteen.

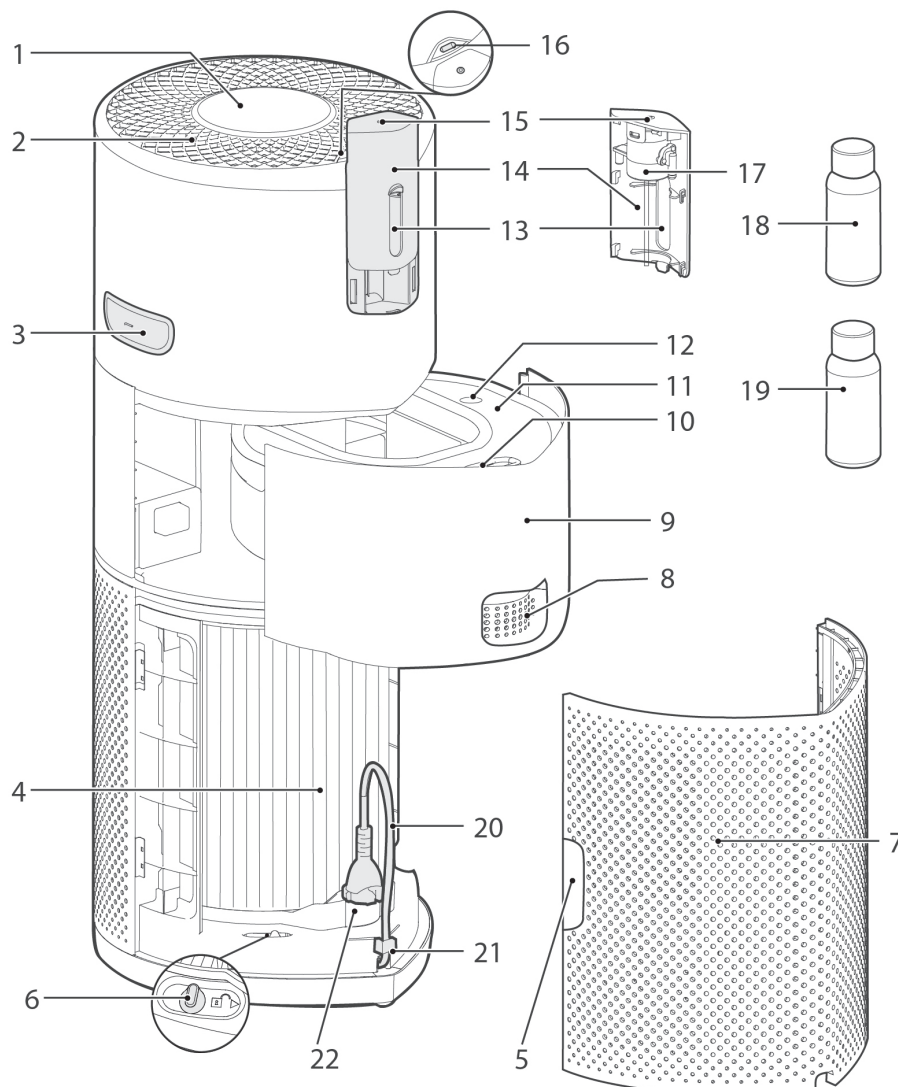
Yhdistämisen langattomat parametrit

Teknologia	Wi-Fi	Bluetooth
Vakiomallinen	IEEE 802.11 b/g/n	Bluetooth v4.2, BLE
Taajuuskaista(t) (MHz)	2401-2483	2402-2480
Maksimiteho (mW)	100	10
Taajuusalueella kuuluva enimmäisäänenvoimakkuus	18.9 dBm	

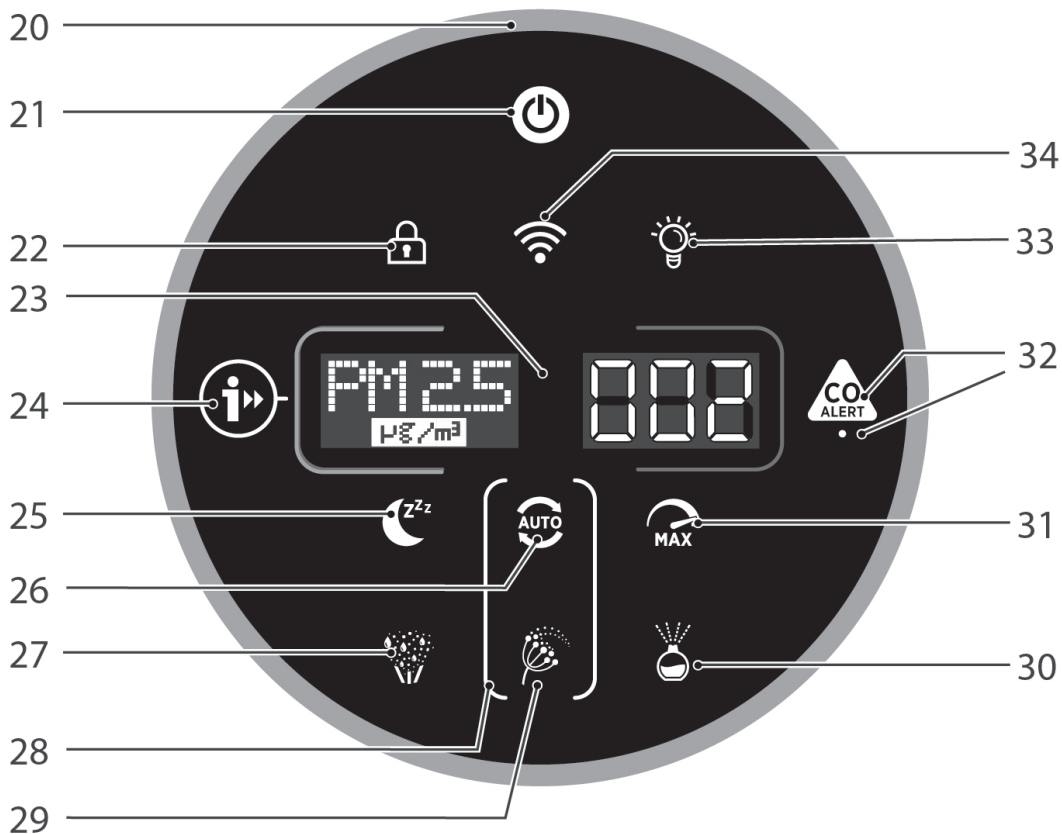
Candy Hoover Group Srl ilmoittaa, että radiolaitteet ovat direktiivin 2014/53/EU mukaisia. EU-vaatimustenmukaisuustodistuksen koko teksti on luettavissa seuraavassa Internet-osoitteessa: www.candy-group.com

CANDY HOOVER GROUP S.r.l. Via Privata Eden Fumagalli, 20861 Brugherio (MB) Italy

1. H-PURIFIERIIN TUTUSTUMINEN



1	Ohjauspaneeli / Näyttö	9	Kostuttimen säiliön kotelo	17	Diffusoriyksikkö
2	Ilmanpoistoaukko	10	Kostuttimen vesisäiliö	18	H-Essence-pullo (Vihreä)
3	Tuotteen kantokahva	11	Kostuttimen vesisäiliön kansi	19	H-Biotics-pullo (Ruskea)
4	Suodatinkokoonpano	12	Kostuttimen vesisäiliön sisääntulo	20	Virtajohto- ja pistoke
5	Ilman sisääntulon kannen kahva	13	Diffusorin ikkuna	21	Ripustuskoukku
6	Suodattimen vapautuskytkin	14	Diffusorin kansi	22	Kuljetuspaikka
7	Ilman sisääntulon kansi	15	Diffusorin ulostulo		
8	Kostuttimen kahva	16	Kostuttimen poistoaukko		



20	Ilmanlaadun LED Rengas
21	Virtapainike
22	Lapsilukkopainike
23	Digitaalinen näyttö
24	Tiedot-painike

25	Lepotilan painike
26	Automaattitilan painike
27	Kostuttimen painike
28	Siitepölyallergian pyöreä valo
29	Siitepölyallergian valo

30	Diffuusorin painike
31	Maks.tilan painike
32	CO Alert -painike ja LED
33	Valon hallintapainike
34	Wi-Fi-painike

1.1 MONIANTURIJÄRJESTELMÄ

Usean anturin järjestelmän ansiosta tuote monitoroi jatkuvasti sisäilmanlaatua PM10-, PM2.5-arvon ja haihtuvien orgaanisten yhdisteiden (GAS) suhteen.

Aina kun käynnistät laitteen, usean anturin järjestelmä alkaa analysoimaan sisäilmanlaatua ja ilmanlaadun led-rengas palaa eri värisenä esittäen reaaliaikaisen ilmanlaadun tilan.

Ilmanlaadun led-renkaan väri	Sisäilman laatu	PM 10 -arvo* µg/m ³	PM 2.5 -arvo µg/m ³	KAASU
VIHREÄ	Erinomainen	0-50	0-25	L1
KELTAINEN	Tyydyttävä	50-80	25-50	L2
ORANSSI	Heikko	80-160	50-100	L3
PUNAINEN	Erittäin huono	≥ 160	≥ 100	L4

* Siitepölyallergiatilassa PM 10 -arvot, jotka vaikuttavat ilmanlaatuun, lasketaan vaaran minimoimiseksi allergisia henkilöitä varten.

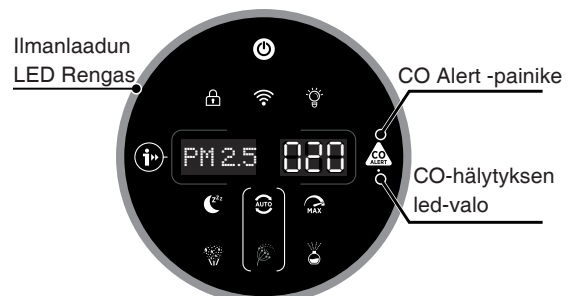
1.2 HÄKÄHÄLYTYS (CO)

H-Purifier on varustettu hälytysjärjestelmällä, joka monitoroi jatkuvasti sisäilmaa häkää (CO) varten.

Kun hiilimonoksidihälytys on aktivoitu, ilmanlaadun LED Rengas, Tiedot & CO Alert -painike vilkkuvat punaisena samanaikaisesti ja laite antaa äänimerkin. Hälytys jatkuu niin kauan, että hiilimonoksidin (CO) pitoisuus laskee alle arvon 50 ppm, ellei sitä mykistetä manuaalisesti painamalla CO Alert -painiketä 3 sekunnin ajan.

CO-hälytyksen led-valo näyttää CO-anturin toimintatilan. Se näkyy vihreänä, kun CO-anturi on normaalissa tilassa, keltaisena, kun anturissa on toimintahäiriö tai sen käyttöikä on loppunut, ja punaisena, kun CO-hälytys on aktivoitu.

Voit testata, että hälytys toimii oikein painamalla CO-hälytyspainiketta 3 sekunnin ajan, jolloin voimakas äänimerkki käynnistyy 5 sekunnin ajaksi, jos hälytys toimii oikein.

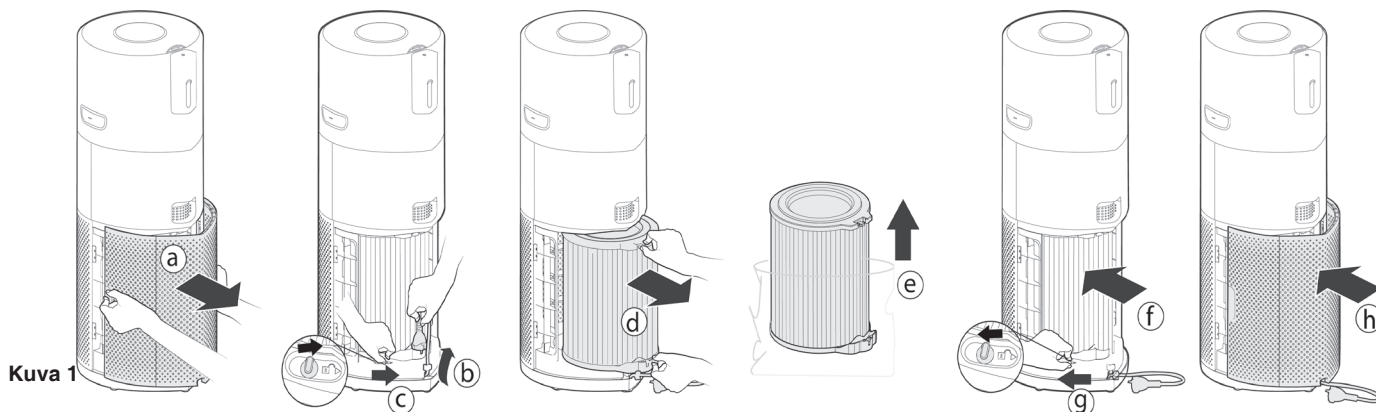


2. H-PURIFIERIN VALMISTELEMINEN

2.1 SUODATTIMEN ASENNUS [Kuva 1]

Ennen H-Purifierin käyttöä suodatin pitää poistaa sen suojapakkauksesta:

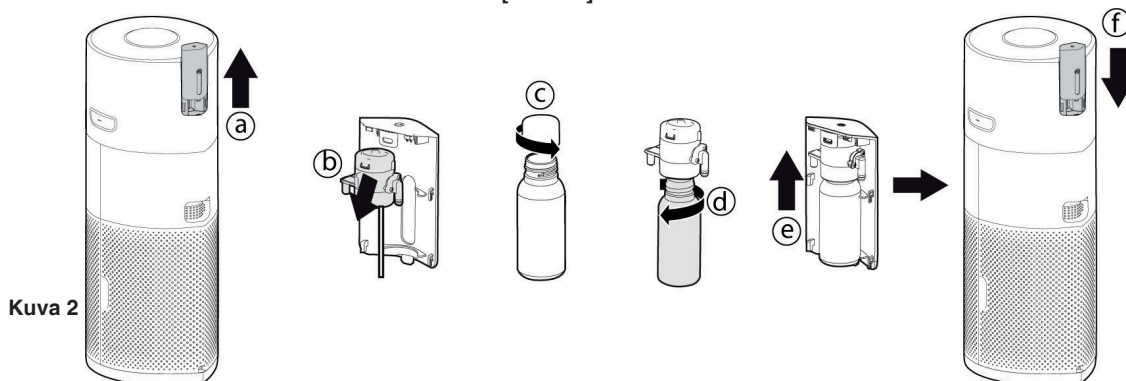
- Irrota ilman sisääntulon kansi tuotteesta, tartu ilman sisääntulon kannen kahvoihin ja vedä se irti tuotteesta. [Kuva 1a]
- Irrota pistoke kuljetuspaikasta ja vapauta johto säilytyskourusta. [Kuva 1b]
- Avaa suodattimen vapautuskytkimen lukitus. [Kuva 1c]
- Poista suodatin tuotteesta ja poista ulkopakkaus. [Kuva 1d,e]
- Asenna suodatin takaisin tuotteeseen. [Kuva 1f]
- Lukitse suodattimen vapautuskytkin. [Kuva 1g]
- Asenna ilman sisääntulon kansi takaisin tuotteeseen. [Kuva 1h]



2.2 ASENNA DIFFUUSORIPULLO [Kuva 2]

H-Purifier-tuotteen valmistelu diffuusorin toimintaa varten:

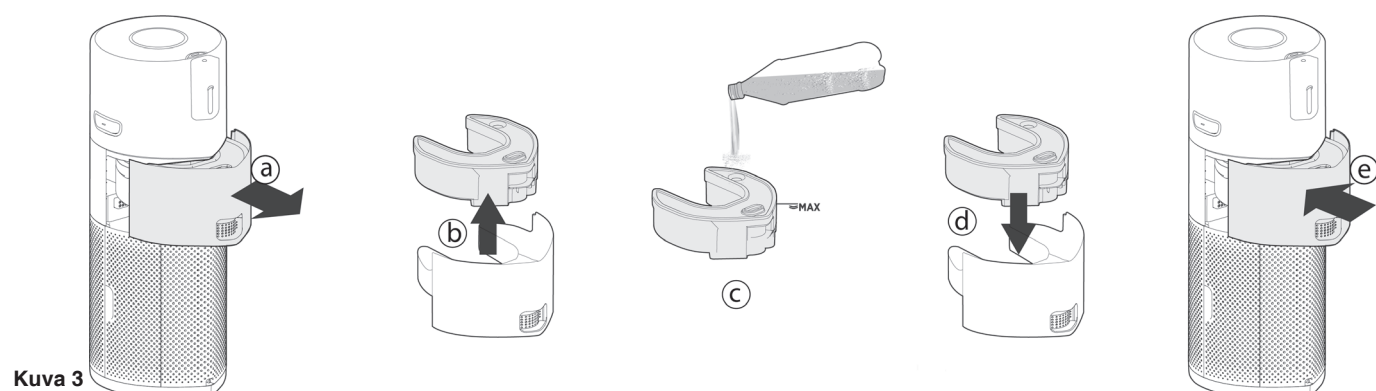
- Poista diffuusorin kansi tuotteesta. [Kuva 2a]
- Poista diffuusoriyksikkö diffuusorin kannesta. [Kuva 2b]
- Poista H-Essence- tai H-Biotics-pullo pakkauksesta ja irrota korkki. [Kuva 2c]
- Säilytä korkki tulevaa säilytyskäyttöä varten.
- Kierrä pullo tiukasti kiinni diffuusoriyksikköön. [Kuva 2d]
- Asenna diffuusoriyksikkö takaisin diffuusorin kanteen. [Kuva 2e]
- Asenna diffuusorin kansi takaisin tuotteeseen. [Kuva 2f]



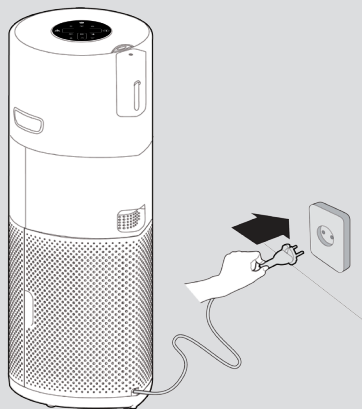
2.3 KOSTUTTIMEN VALMISTELU [Kuva 3]

H-Purifier-tuotteen valmistelu kostuttimen toimintaa varten:

- Poista säiliön kotelo tuotteesta. [Kuva 3a]
- Poista säiliökokoonpano säiliön kotelosta. [Kuva 3b]
- Puhdista ennen ensimmäistä käyttökertaa kaikki osat kuivalla ja pehmeällä liinalla.
- Täytä säiliöön tislattua vettä vesisäiliön täyttöaukon kautta niin paljon, että taso saavuttaa säiliön MAX-merkin. [Kuva 3c]
- Asenna säiliökokoonpano takaisin säiliökokoonpanon koteloon. [Kuva 3d]
- Asenna säiliökokoonpanon kotelo takaisin tuotteeseen. [Kuva 3e]



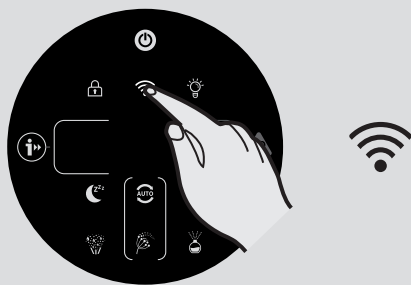
Kuva 3



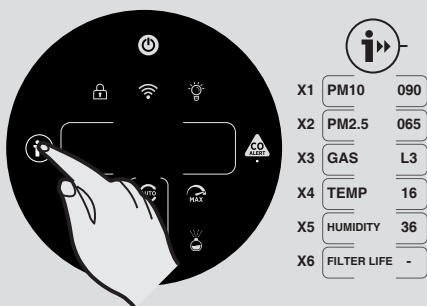
Kuva 4



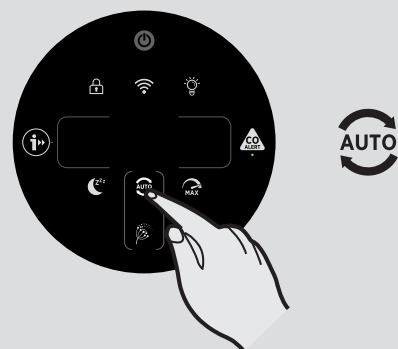
Kuva 5



Kuva 6



Kuva 7



Kuva 8

3. H-PURIFIERIN KÄYTTÖ

3.1 LAITTEEN KÄYNNISTÄMINEN [Kuva 4]:

Vedä virtajohto pois kelasta ja kytke se virtalähteeseen.

Kaikki ohjauspaneelin valot / Kaikki näytön valot syttyvät noin 1 sekunnin ajaksi, mikä kertoo siitä, että laite on kytketty.

Virtapainike palaa himmeästi ja CO-hälytyksen led-valo palaa merkinä siitä, että vastaava anturi on alkanut toimimaan sisätilan häkätason monitorointia varten.

Kytke tuote päälle painamalla näytön virtapainiketta.

Ilmanlaadun LED Ring syttyy kaikissa väreissä peräkkäin samalla, kun anturit analysoivat ilmaa reaaliajassa. Muutaman sekunnin kuluttua ilmanlaadun LED Rengas valitsee kyseisen ajankohdan ilmanlaatua vastaavan värin.

H-Purifier-tuote siirtyy viipymättä AUTOMAATTITILAAN ja alkaa puhdistaa sisäilmaa.

AUTO MODE -painike, INFORMATION-painike, LIGHT CONTROL -painike ja PM10:n tiedot sytyvät näytöllä.

3.2 H-PURIFIERIN YHDISTÄMINEN:

Suosittellemme lataamaan hOn-sovelluksen, jotta voit käyttää kaikkia H-Purifierin toimintoja mistä tahansa.

Näin voit hallita tuotettasi erittäin tehokkaasti.

Ohjeet:

1. Lataa hOn-sovellus App Storesta, Google Playstä tai Huawei AppGallerysta. Voit myös ladata sen skannaamalla QR-koodin [kuva 5]
2. Avaa sovellus, luo tili sähköpostiosoitteellasi ja salasanalla.
3. Vahvista ja kirjaudu hOn-sovellukseen.
4. Varmista, että mobiililaitteesi on yhdistetty verkkoon.
5. Varmista, että H-Purifier on päällä. Paina näytön Wi-Fi-painiketta ja pidä se 5 sekuntia painettuna, jolloin kuulet piippauksen ja Wi-Fi-painike alkaa vilkkua ilmoittaen, että yhteyttä luodaan. [Kuva 6]
6. Yhdistä mobiililaitteesi tuotteeseen noudattamalla sovelluksessa annettuja ohjeita.
7. Kun kytkentä on tehty, tuotteen Wi-Fi-painikkeen valo jää palamaan.
8. Nollaa Wi-Fi painamalla Wi-Fi-painiketta 5 sekunnin ajan.

H-Purifier toimii myös Hey Googlen ja Amazon Alexan kanssa.

3.3 TUTUSTU KAIKKIIN TOIMINTOIHIN

TIEDOT-toiminto [Fig.7]:

Monitoroitavaksi on saatavilla 6 eri tietosarjaa:

PM10, PM2.5, KAASU, lämpötila, kosteus ja suodattimen tila.

Kutakin arvoa voi monitoroida helposti painamalla peräkkäin TIEDOT-painiketta.

Näytössä nähdään oletuksena PM10-tiedot; kone muistaa käyttäjän viimeisen valinnan ja se on käytössä, kun laite kytketään päälle seuraavan kerran.

GAS-tiedoissa näytetään pyörivä kohdistin ensimmäisten 3 minuutin ajan sen jälkeen, kun tuote on käynnistetty GAS-anturin suorittaessa kalibrointijaksoa.

Lisätietoja valinnoista PM 2.5, PM 10 ja GAS.

PM osoittaa pienhiukkasmäärän (ei silmin nähtävissä). Nämä tulevat pääasiassa ulkona olevista ilmansaasteista, kuten ajoneuvojen ja teollisuuden päästöistä ja ne voivat olla vaarallisia terveydelle, mikäli niille altistuu pitkäkestoisesti.

PM 10 kattaa enintään 10 µm:n kokoiset hiukkaset, jotka voivat tunkeutua ylähengitysteihin (nenään, henkitorveen ja nieluun).

PM2.5 kattaa enintään 2.5 µm:n kokoiset hiukkaset ja niiden pienen koon takia ne voivat päästä keuhkoihin asti ja tunkeutua siten syvemmälle kehoon.

GAS VOC (haihtuvat orgaaniset yhdisteet) ovat haihtuvia kemiallisia yhdisteitä, jotka voivat helposti muuttua höyryksi huoneenlämpöisessä ilmassa. Deodorantit, pesuaineet, liimat, kosmetiikka ja formaldehydi ovat esimerkkejä VOC:sta, joita voi olla kodeissa ja joista voi olla haittaa terveydelle, jos niille altistutaan pitkäaikaisesti.

TILA-toiminnot:

Saatavilla on 3 ilmanpuhdistustilaa: AUTO-TILA, MAX-TILA JA SLEEP-TILA.

Kun tuote kytketään päälle, automaattitila on käytössä oletusasetuksena. Kaikki tilat voi valita manuaalisesti painamalla vastaavaa painiketta näytöstä.

SIITEPÖLYALLERGIA-tila voidaan myös aktivoida hOn-sovelluksesta.

AUTOMAATTITILA [Kuva 8]:

Tämä tila on oletuksena käytössä, kun H-Purifier kytketään päälle ensimmäisen kerran.

Automaattisessa tilassa H-Purifier säättää automaattisesti sen puhaltimen nopeutta sisäilman todellisen ilmanlaadun tason perusteella taatakseen optimaalisen ilmanpuhdistuksen.

Tämä on tuotteen suositusten mukainen asetus.

AUTO-tilassa 30 minuutin erinomaisen ilmanlaadun jälkeen tuote siirtyy ECO-tilaan (valmiustilatoimintoon) pysäyttämällä puhdistustoiminnon (puhaltimen), usean anturin järjestelmä jatkaa sisäilman analysointia ja käynnistää puhdistustoiminnon automaattisesti tarvittaessa.

MAKSIMITILA [Kuva 9]:

Paina näytön MAKSIMI-tilan painiketta aktivoidaksesi ilmanpuhdistuksen maksimaalisilla tehoasetuksilla. Voit poistua MAKSIMI-tilasta helposti valitsemalla AUTOMAATTI- tai LEPO-tilan

LEPOTILA [Kuva 10]:

Paina LEPO-tilan painiketta aktivoidaksesi ilmanpuhdistuksen alhaisimmalla hiljaisella tehoasetuksella. LEPO-tilan painike syttyy himmeänä ja kaikki muut näytön valot ovat sammuksissa. Voit tehdä muutoksia LIGHT CONTROL -painiketta painamalla.

SIITEPÖLYALLERGIATILA: [Kuva 11]

Siitepölyallergiatila voidaan aktivoida vain hOn-sovelluksesta. Ensin sinun pitää aktivoida sovellus ja rekisteröidä sovellukseen profiili, jotta voit luoda siitepölyallergiaprofiilin.

Siitepölyallergiatila toimii vain, kun AUTOMAATTITILA on valittu. [Kuva 11c]

Siitepölyallergiatilassa laite vastaanottaa sovelluksesta jatkuvasti reaaliaikaisia tietoja koskien monitoroitua ulkoilman siitepölypitoisuutta, ja se toimii automaattisesti siitepölyn keräämisen maksimoimiseksi.

Kun siitepölyt on kerätty, ne inaktivoidaan allergiaoireiden helpottamiseksi.

Kun siitepölyallergiatila on aktivoitu sovelluksessa, tuotteen näytössä voi olla 2 ilmoitusvalo:

- Siitepölyallergian valo on VALKOINEN [Kuva 11a]: Laite ja sovellus monitoroivat ulkoilman siitepölyä, eivätkä ne havaitse riskiä.

- Siitepölyallergian valo muuttuu **KELTAISEKSI** ja siitepölyallergian pyöreä valo on **VALKOINEN** [Kuva 11b]: Laite ja sovellus ovat havainneet riskin.

Jos tuote kytketään manuaalisesti LEPO- tai MAKSIMI-tilaan siitepölyallergiatilan ollessa käytössä, siitepölyallergiatila keskeytyy.

VALON HALLINTA -toiminto: [Kuva 12]

Näytön valoille on saatavilla 3 asetusta: päällä, himme ja pois

Voit säätää näytön valaistuksen kirkkautta helposti painamalla näytön LIGHT CONTROL -painiketta, jolla voit valita 3 saatavilla olevasta vaihtoehdosta. Oletusasetus on PÄÄLLÄ.

Jos valitaan POIS PÄÄLTÄ, aktivointi tehdään painamalla jotakin muuta painiketta kahdesti. Yhdellä painalluksella valoista tulee HIMMEÄT, toisella painalluksella toiminto aktivoituu.

LAPSILUKKO-toiminto: [Kuva 13]

Aktivoi pitämällä LAPSILUKKO-painike painettuna 3 sekunnin ajan. Kun toiminto aktivoituu, kuullaan äänimerkki ja LAPSILUKKO-painikkeen valo jää palamaan. Kun tämä on aktivoitu, muut painikkeet eivät toimi.

Toiminnon voi deaktivoida helposti painamalla LAPSILUKKO-painiketta 3 sekunnin ajan. Tällöin kuullaan äänimerkki, joka varmistaa deaktivoinnin, eikä valo enää pala.

DIFFUUSORITOIMINTO: [Kuva 14]

Diffuusori levittää huoneilmaan H-Essence- tai H-Biotics-ainetta. H-Essence on Hooverin eteristen öljyjen valikoima. Ne levittävät ilmaan hyvää tuoksua.

H-Biotics on luonnollinen probiootteihin perustuva sekoitus, joka pitää huoneen biohygienisoituna estämällä mikro-organismien, kuten bakteerien ja mikrobin kasvun.

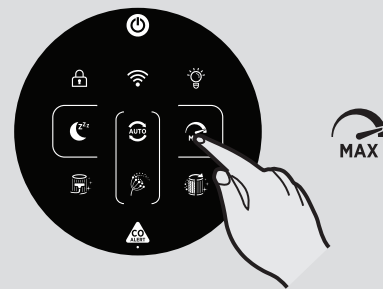
DIFFUUSORI-toiminnolle on 4 eri asetusta: PEHMEÄ, KESKITASO, MUKAUTETTU JA H-BIOTICS.

Tämä toiminto aktivoidaan helposti painamalla näytön Diffuusori-painiketta. Toiminnon oletusasetus on PEHMEÄ. Muut asetukset voi valita painamalla painiketta peräkkäin halutun valinnan tekemiseksi. Painike syttyy valkoisena, kun toiminto on päällä.

H-Essencelle suositellaan asetuksia PEHMEÄ ja KESKITASO.

CUSTOM-asetus voidaan luoda vain hOn-sovelluksella.

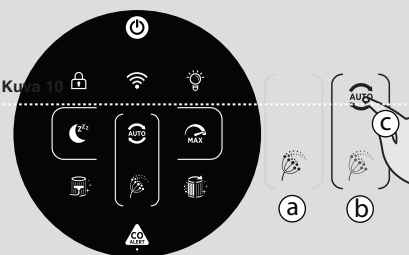
Kun käytössä on H-Biotics, asetukseksi PITÄÄ valita H-Biotics. Kun käyttäjä aktivoi H-Biotics-valinnan sovellusta käyttämällä, tämä antaa hälytyksen "AKTIVOI H-BIOTICS" 120 tunnin kuluttua sen varmistamiseksi, että H-biotics-valintaa käytetään 5 päivän välein.



Kuva 9



Kuva 10



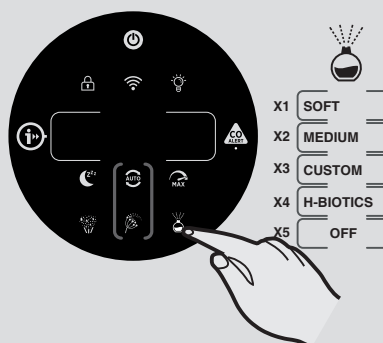
Kuva 11



Kuva 13



Kuva 13



Kuva 14

Kun H-Essence-tuotetta käytetään tietyillä asetuksilla tai huoneympäristössä, GAS VOC -taso saattaa muuttua hajusteiden havaitsemisen takia.

Diffuusoritoiminto toimii vain, kun ilmanlaadun led-rengas on vihreänä. Se pysähtyy, kun led-rengas ei ole vihreä ja jatkaa toimintaansa, kun se palaa vihreäksi.

Diffuusori-toimintoa voi käyttää vain AUTOMAATTI- ja MAKSIMI-tiloissa; sitä ei voi käyttää LEPO-tilassa.

Kun diffuusoritoiminto otetaan käyttöön AUTO-tilassa, pääpuhallin toimii tietyllä nopeudella auttaakseen H-Essenceä tai H-Bioticsia kattamaan koko huoneen.

Asetus	Diffuusorin ajastus	Syklin maks. kesto
PEHMEÄ	10 sekuntia 5 minuutin välein	6 tuntia
KESKITASO	90 sekuntia 3,5 minuutin välein	6 tuntia
MUKAUTETTU	Käyttäjän määrittämä	6 tuntia
H-BIOTICS	2 minuuttia 4 minuutin välein	6 tuntia

Sammuta toiminto painamalla diffuusoripainiketta, kunnes näytöllä näkyy OFF.

Joka kerta, kun diffuusoritoimintoa on käytetty, laitteen pinnat pitää puhdistaa kuivalla, pehmeällä liinalla mahdollisten jäämien poistamiseksi.

Katso ohjeet diffuusoriyksikön pullon vaihtamiseksi osiosta "H-Purifierin kunnossapito".

Kostuttimen TOIMINTA: [Kuva 15]

Kostuttimen toiminnalle on 3 eri asetusta: MIN., KESKITASO JA MAKS. Aktivoi tämä toiminto painamalla näytössä olevaa kostuttimen painiketta; tämän toiminnon oletusasetus on MIN. Voit valita minkä tahansa muun asetuksen painamalla peräkkäin painiketta tehdäksesi haluamasi valinnan. Painike syttyy valkoisena, kun toiminto on päällä.

MIN. - Kosteuden oletustavoite 40%

KESKITASO - Kosteuden oletustavoite 55%

MAKS. - Kosteuden oletustavoite 70%

Kaikki 3 tavoitetasoa voi mukauttaa hOn-sovelluksessa kohdekosteuden välillä 30-80 %.

Sammuta kostuttimen toiminta painamalla kostutinpainiketta, kunnes näytöllä näkyy OFF.

Jos reaaliaikainen kosteustaso on sama kuin valittu tai korkeampi, näyttöön tulee viesti "**KOSTEUS SAAVUTETTU**". Kostuttimen valo jää palamaan.

Tuote siirtyy automaattisesti Kostutin-tilaan, kun reaaliaikainen kosteus putoaa valittua tavoitetasoa alhaisemmaksi.

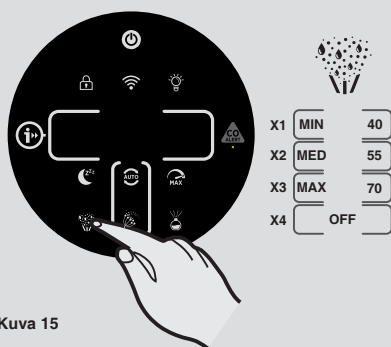
Kostutintoimintoa voidaan käyttää ainoastaan SLEEP- ja AUTO-tiloissa, ei MAX-tilassa.

TÄYTTÖÄ KOSKEVA HÄLYTYS:

Kun veden taso laskee minimitasoa alhaisemmaksi, näytössä näkyy TÄYTÄ VESI -ilmoitus ja valo vilkkuu. Ohjeet on saatavilla Puhdistimen kunnossapito -osiossa.

Tärkeä huomautus:

- Kun tuote toimii Diffuusori-tilassa:** Jos Kostutin-tila valitaan ilman, että Diffuusori-tila kytketään pois päältä, tuote siirtyy automaattisesti pois Diffuusori-tilasta ja se siirtyy Kostutin-tilaan.
- Kun tuote toimii Kostutin-tilassa:** Jos Diffuusori-tila valitaan ilman, että Kostutin-tila kytketään pois päältä, tuote siirtyy automaattisesti pois Kostutin-tilasta ja se siirtyy Diffuusori-tilaan.



Kuva 15

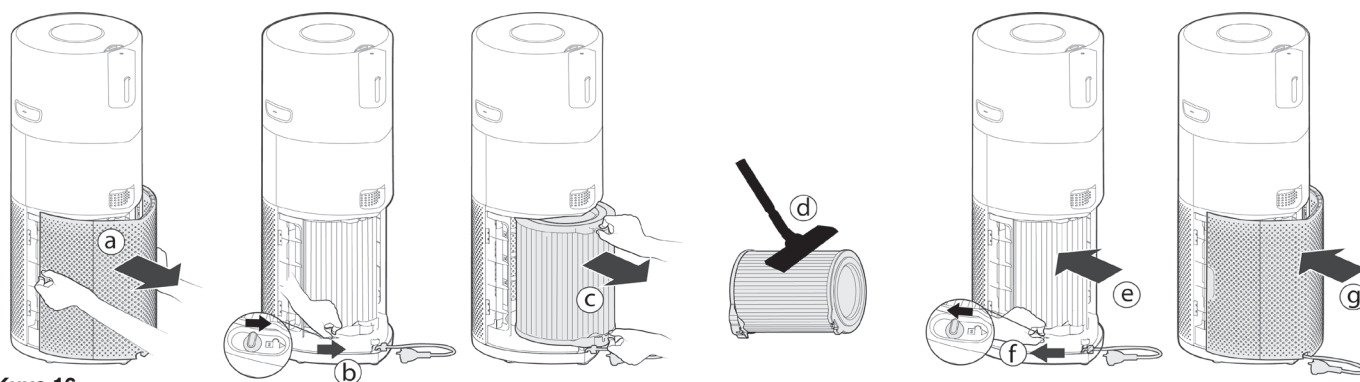
4. H-PURIFIERIN KUNNOSSAPITO

4.1 SUODATTIMEN HUOLTO

H-Purifier monitoroi suodattimen tilaa. Näytön vasempaan reunaan tulee ilmoitus **PUHDISTA SUODATIN TAI VAIHDA SUODATIN** ja vaadittava toimenpide, suodattimen puhdistus tai vaihto, ilmoitetaan vilkkuvalla merkillä.

Suodattimen vaihto/puhdistus: [Kuva 16]

- Irrota ilman sisääntulon kansi tuotteesta. [Kuva 16a]
- Avaa suodattimen vapautuskytkimen lukitus. [Kuva 16b]
- Poista suodatin tuotteesta. [Kuva 16c]
- Käytä imuria puhdistaaaksesi suodattimen ulkokerros tai vaihda UUSI suodatin. [Kuva 16d]
- Asenna suodatin takaisin tuotteeseen. [Kuva 16e]
- Lukitse suodattimen vapautuskytkin. [Kuva 16f]
- Asenna ilman sisääntulon kansi takaisin tuotteeseen. [Kuva 16g]
- Kytke laite virtalähteeseen ja kytke se päälle.
- Paina INFORMATION-painiketta nollataksesi puhdistuksen/vaihdon hälytys painamalla painiketta 3 sekunnin ajan. Kuulet äänimerkin onnistuneen nollauksen merkiksi. [Kuva 7]



Kuva 16

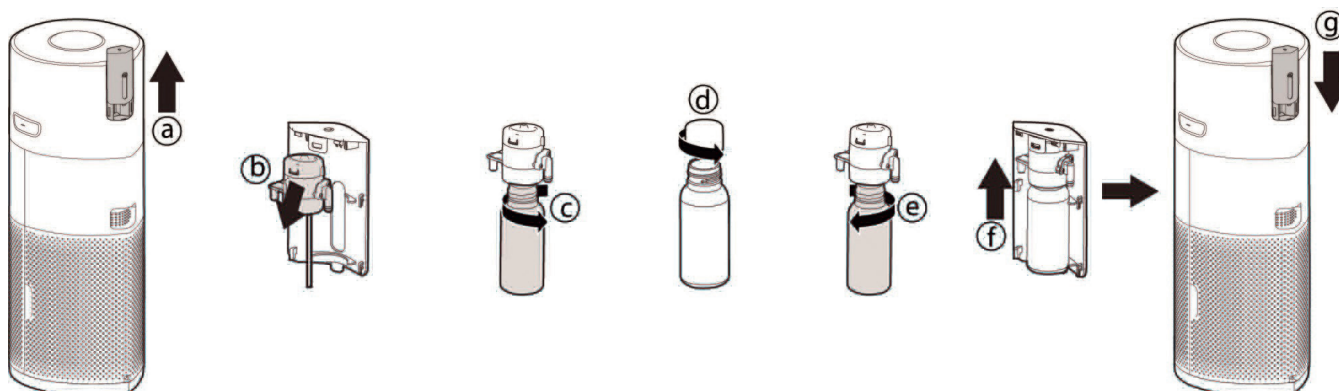
4.2 DIFFUUSORIN KUNNOSSAPITO

Joka kerta, kun diffuusoritoimintoa on käytetty, laitteen pinnat pitää puhdistaa kuivalla, pehmeällä liinalla mahdollisten jäämien poistamiseksi.

Diffuusoripullon vaihto: [Kuva 17]

Pullossa jäljellä olevan nesteen määrä voidaan tarkistaa diffuusorin ikkunasta. Tarvittaessa pullo pitää vaihtaa.

- Poista diffuusorin kansi tuotteesta. [Kuva 17a]
- Poista diffuusorisyksikkö ja pullo diffuusorin kannesta. [Kuva 17b]
- Ruuvaa pois ja poista tyhjä pullo. [Kuva 17c]
- Poista uusi H-Essence- tai H-Biotics-pullo pakkauksesta ja irrota korkki. [Kuva 17d]
- Kierrä uusi pullo tiukasti kiinni diffuusorisyksikköön. [Kuva 17e]
- Asenna diffuusorisyksikkö takaisin diffuusorin kanteen. [Kuva 17f]
- Asenna diffuusorin kansi takaisin H-Purifieriin. [Kuva 17g]



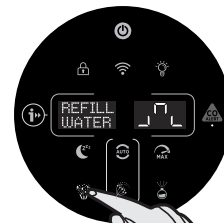
Kuva 17

4.3 KOSTUTTIMEN KUNNOSSAPITO

Vesisäiliön täyttöhälytys:

Kostuttimen käyttöä varten vaaditaan vähimmäistaso vettä. Kun veden taso laskee minimitasoa alhaisemmaksi, näytössä näkyy TÄYTÄ VESI -ilmoitus ja valo vilkkuu. Vesisäiliön kotelossa saattaa olla jäännösvettä. Viesti näkyy joka tapauksessa vaadittua veden vähimmäistasoa varten.

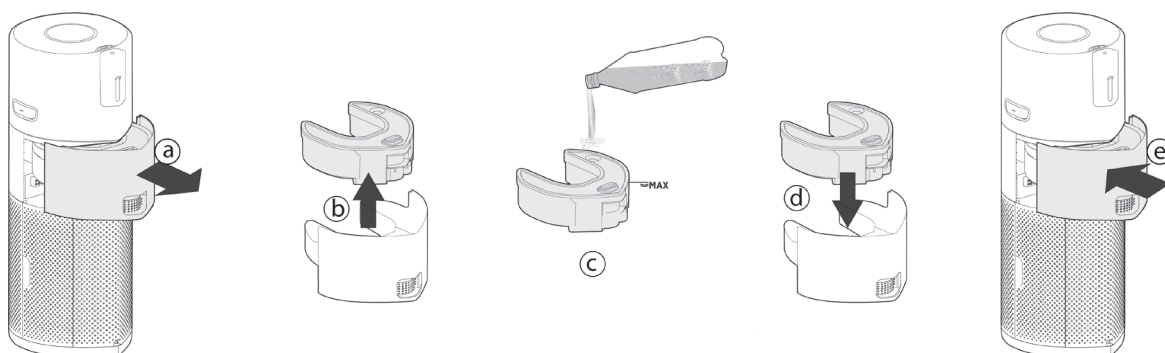
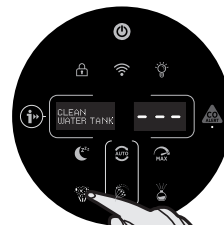
- Poista säiliön kotelo tuotteesta. **[Kuva 18a]**
- Poista säiliökokoonpano säiliön kotelosta. **[Kuva 18b]**
- Poista kaikki jäännösvesi ja täytä säiliötä vesisäiliön sisääntuloaukon kautta tislattulla vedellä, kunnes saavutat säiliön MAX-linjan. **[Kuva 18c]**
- Asenna säiliökokoonpano takaisin säiliökokoonpanon koteloon. **[Kuva 18d]**
- Asenna vesisäiliön kotelo takaisin tuotteeseen. **[Kuva 18e]**



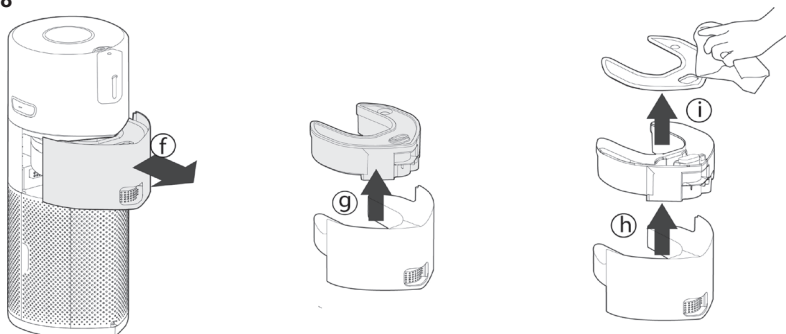
Vesisäiliön puhdistusta koskeva hälytys:

H-Purifier monitoroi kostutinsäiliön tilaa. **CLEAN WATER TANK -hälytys** vilkkuu 72 tuntia viimeisen kostutintoinninnon aktivoinnin jälkeen, jos säiliössä on vielä vettä. Se näkyy näytön vasemmalla puolella merkinä puhdistettavasta vesisäiliöstä.

- Poista säiliön rungon kotelo tuotteesta. **[Kuva 18f]**
- Erot vesisäiliön kotelo, vesisäiliö ja vesisäiliön kansi toisistaan ja puhdista ja kuivaa kaikki nämä kolme osaa huolellisesti pehmeällä, kuivalla liinalla. **[Kuva 18g,h,i]**
- Asenna vesisäiliön osat takaisin ja täytä säiliö MAX-tasoon asti tislattulla vedellä.
- Varmista, että tuote on kytketty päälle ennen kuin asetat säiliön takaisin.
- Asenna vesisäiliön kotelo takaisin tuotteeseen. **[Kuva 18e]**

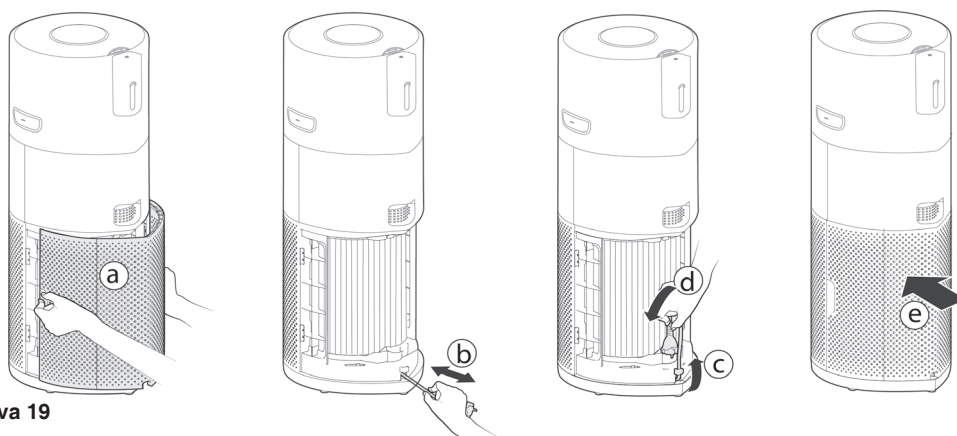


Kuva 18



5. H-PURIFIERIN VARASTOINTI

1. Sammuta H-Purifier ja irrota virtajohto.
2. Puhdista kaikki H-Purifierin ulko- ja sisäpinnat, suodattimen ulkokerros ja vesisäiliö.
3. Poista pullo diffusorista. Laita pulloon sen alkuperäinen korkki ja varastoi se suojaan suoralta valolta. Puhdista diffusoriyksikön pinnat ja diffusorin kansi. Varmista, ettei H-Purifierin pinnoilla ole jäämiä H-Essencestä tai H-Bioticsista.
4. Varmista, että kaikki osat ovat kuivia.
5. Irrota ilman syötön kansi [kuva 19a] ja rullaa virtajohto johdosta vetämällä [kuva 19b], aseta johto säilytyskoukkuun ja kiinnitä pistoke sen kuljetuspaikkaan. **[Kuva 19c,d]** Asenna ilman sisääntulon kansi takaisin. **[Kuva 19e]**
6. Säilytä H-Purifieria viileässä ja kuivassa paikassa.



Kuva 19

6. HÄLYTYKSET JA KORJAUSTOIMET

Käytön aikana laitteessa saatetaan nähdä seuraavat koodit. [Kuva 20]



Kuva 20

Hälytys		Hälytyksen kuvaus	Ratkaisu
Hälytys tuotteessa	Hälytys sovelluksessa		
“CLEAN FILTER (PUHDISTA SUODATIN)”	Esisuodattimen puhdistushälytys	Suosittelee puhdistamaan suodattimen ulkokerroksen.	1. Puhdista suodattimen ulkokerros. 2. Nollaa hälytys painamalla INFORMATION-painiketta 3 sekunnin ajan. Tutustu kohtaan 4.1 SUODATTIMEN KUNNOSSAPITO
“REPLACE FILTER (VAIHDA SUODATIN)”	Suodattimen vaihtoa koskeva hälytys	Suosittelee vaihtamaan suodattimen.	1. Vaihda suodatin. 2. Nollaa hälytys painamalla INFORMATION-painiketta 3 sekunnin ajan. Tutustu kohtaan 4.1 SUODATTIMEN KUNNOSSAPITO
“FILTER MISSING (EI SUODATINTA)”	Virhe: ilmanpuhdistimeen liittyvä virhe. Tarkista mahdolliset ratkaisut	Suodatin ei ole paikoillaan tai sitä ei ole lukittu oikein	1. Jos suodatin ei ole asennettuna, laita se takaisin. 2. Jos suodatin on paikoillaan, tarkista onko suodattimen vapautuskytkin LOCK-tilassa. Tutustu kohtaan 2.1 SUODATTIMEN ASENNUS
“NO WATER TANK (EI VESISÄILIÖTÄ)”	Virhe: ilmanpuhdistimeen liittyvä virhe. Tarkista mahdolliset ratkaisut	Vesisäiliötä tai säiliön koteloa ei ole.	Aseta vesisäiliö tai säiliön kotelo takaisin.
“CLEAN WATER TANK (PUHDISTA VESISÄILIÖ)”	Säiliössä oleva vesi on vaihdettava	On kulunut 3 päivää edellisestä kostuttimen käyttökerrasta, säiliö/kotelo on puhdistettava ja vesi on vaihdettava hygieniasyistä.	1. Sammuta laite. 2. Poista säiliö/kotelo, puhdista kunkin osan sisäpinta ja täytä. 3. Käynnistä laite. 4. Aseta säiliö/kotelo takaisin. Tutustu kohtaan 4.3 KOSTUTTIMEN KUNNOSSAPITO
“REFILL WATER (TÄYTÄ VETTÄ)”	Virhe: ilmanpuhdistimeen liittyvä virhe. Tarkista mahdolliset ratkaisut	Säiliössä ei ole vettä tai jäljellä ei ole tarpeeksi vettä kostuttimen toimintaa varten.	Täytä säiliöön tislattua vettä, kunnes saavutat MAX-rajaa.
“PM SENSOR ERROR (PM-ANTURIN VIRHE)”	/	PM-anturin toimintahäiriö	PM-anturin vika tai anturin johtoa ei ole kytketty kunnolla. Soita huoltokeskukseen korjaamista varten.
CO-hälytyksen led-valo on keltainen	Virhe: ilmanpuhdistimeen liittyvä virhe. Tarkista mahdolliset ratkaisut	CO-anturin toimintahäiriö tai CO-anturi on saapunut käyttöikänsä päätepisteeseen.	Soita huoltokeskukseen korjaamista varten.
Sammuu automaattisesti ilman mitään hälytystä	Tuotteen putoaminen	Tuotteen suojaaminen putoamiselta	1. Jos tuote putoaa ja vettä roiskuu, irrota laite virtalähteestä ja odota 48 tuntia, ennen kuin kytket laitteen uudelleen virtalähteeseen. 2. Jos tuote putoaa, mutta vettä ei roisku, nosta tuote ylös ja kytke se päälle painamalla virtapainiketta.
/	Virhe: ilmanpuhdistimeen liittyvä virhe. Tarkista mahdolliset ratkaisut	Moottorin häiriö	Moottorin häiriö tai moottorin johtoa ei ole kytketty oikein: ota yhteyttä huoltoon tilanteen korjaamiseksi.
“TEMP. & HUMI. SENSOR ERROR (LÄMPÖTILA- JA KOSTEUSANTURIN VIRHE)”	/	Lämpötila- ja kosteusanturin toimintahäiriö	Lämpötila- ja kosteusanturin vika tai anturin johtoa ei ole kytketty kunnolla. Soita huoltokeskukseen korjaamista varten.
“PAUSE (TAUKO)”	/	Diffusorin käyttö keskeytetään, kun ilmanlaadun led-rengas ei ole vihreä.	Ei vaadi toimenpiteitä. Diffusorin käyttö jatkuu, kun ilmanlaadun led-rengas on vihreä.

HUOMIO: Jos mikään näistä ongelmista on jatkuva, ota yhteys Hoover-jälleenmyyjääsi. ÄLÄ yritä purkaa H-Purifieria itse.

7. VIANMÄÄRITYS

Seuraavana on lista normaaleista vikatilanteista ja ratkaisuista.

Jos mikään näistä ongelmista on jatkuva ota yhteyttä paikalliseen Hoover-huoltoliikkeeseen.

Tuuletin ei toimi (Ohjauspaneeli / Näytön valot palavat)	<ul style="list-style-type: none"> Tarkista näytössä tai sovelluksessa näytetty hälytys Jos sellaisia on, katso kohta 6. HÄLYTYKSET JA RATKAISUT. Tarkista, onko tuulettimessa tukkeita. Jos niitä on, irrota tuotteen johto ja puhdista ne tai soita huoltokeskukseen puhdistusta varten. Tarkista, onko H-Purifier kytketty päälle. Tarkista, onko suodatin oikein asennettu ja onko se lukitussa tilassa. Tarkista, onko H-Purifier täysin pystyasennossa ja ettei se ole kallellaan. H-Purifier saattaa olla ECO-tilassa. Voit painaa Sleep-tilapainiketta tai Max-tilapainiketta poistuaksesi ECO-tilasta. Tutustu kohtaan 3. H-PURIFIERIN KÄYTTÖ – AUTOMAATTITILA.
Tuuletin ei toimi (Ohjauspaneeli / Näytön valot eivät pala)	<ul style="list-style-type: none"> Tarkista, onko H-Purifierin pistoke kytketty ja laite päällä. Katso sovelluksessa näkyvä hälytys. Jos sellaisia on, katso kohta 6. HÄLYTYKSET JA RATKAISUT.
Ohjauspaneelissa ei pala valoja / Näyttö (Tuulettimen toiminta)	<ul style="list-style-type: none"> Sleep-tilassa oletusvaloasetus on sammutettu. Voit painaa valon hallintapainiketta sytyttääksesi valot. Valot saattavat olla sammutetut. Paina valon hallintapainiketta sytyttääksesi valot. Refer to 3.H-PURIFIERIN KÄYTTÖ – LEPOTILA / VALON HALLINTA -toiminto.
Ohjauspaneelin painikkeet eivät toimi	<ul style="list-style-type: none"> Lapsilukko saattaa olla päällä. Voit painaa ja pitää painettuna LAPSILUKKO-painiketta 3 sekunnin ajan poistuaksesi. Tutustu kohtaan 3. H-PURIFIERIN KÄYTTÖ – LAPSILUKKO-toiminto.
Ilmavirtaus on heikko	<ul style="list-style-type: none"> Tarkista, onko suodattimen suojapakkaus poistettu. Tarkista, onko ilman sisääntulon kannessa tai ilman poistoaukossa tukoksia. Poista ilman sisääntulon kansi ja tarkista suodattimen kunto. Puhdista suodattimen ulkokerros tai vaihda suodatin tarvittaessa. Voit tarkistaa suodattimen käyttöiän tilan näytöltä painamalla Information-painiketta. Tarkista, onko H-Purifier lepotilassa. Tuuletin toimii tässä tilassa alhaisella teholla.
H-Purifier pitää melua toimiessaan	<ul style="list-style-type: none"> Tarkista, onko H-Purifierissa tukoksia. Tarkista, toimiiko H-Purifier Max-tilassa. Puhallin toimii ensimmäisteholla tässä tilassa.
H-Purifier pitää yhtäkkiä melua toimiessaan	<ul style="list-style-type: none"> Tarkista, toimiiko H-Purifier Auto-tilassa ja onko ilmanlaadun led-rengas vihreä. Automaattisessa tilassa H-Purifier säätää automaattisesti sen puhaltimen nopeutta sisäilman todellisen ilmanlaadun tason perusteella. Tutustu kohtaan 3. H-PURIFIERIN KÄYTTÖ – AUTOMAATTITILA.
H-Purifierista kuuluu yhtäkkiä voimakas summerin ääni	<ul style="list-style-type: none"> CO-hälytyspainikkeen testitoiminto on käynnistynyt virheellisesti. Äänimerkki sammuu automaattisesti 5 sekunnin kuluttua. Tutustu kohtaan 1.2 HÄKÄHÄLYTYS (CO)
"CLEAN WATER TANK" (PUHDISTA VESISÄILIÖ) -hälytystä ei voi nollata	<ul style="list-style-type: none"> Käynnistä H-Purifier vesisäiliön/kotelon puhdistamisen ja täytön jälkeen. Älä aseta koteloa ennen kuin näytöllä lukee "NO WATER TANK" (EI VESISÄILIÖTÄ).

TÄRKEÄÄ TIETOA

HOOVER-VARAOSAT JA -TARVIKKEET

Käytä vain alkuperäisiä Hoover-varaosia. Niitä on saatavana paikalliselta Hoover-jälleenmyyjältä tai valtuutetusta huoltoliikkeestä. Mainitse varaosatilauksen yhteydessä laitteen tyyppinumero.

Laatu

Hooverin tehtaat on arvioitu laadun suhteen riippumattoman tahon toimesta. Tuotantoprosessimme täyttävät ISO 9001 -laatujärjestelmän vaatimukset.

TAKUU

Tämän laitteen takuehdot määrittelee ostamaan Hoover-edustaja. Yksityiskohtaiset tiedot näistä ehdoista saa laitteen myyneeltä jälleenmyyjältä. Tämän takuun mukaisia vaateita esitettäessä on esitettävä myyntitodistus tai ostokuitti.

Oikeus muutoksiin pidätetään.

ОБЩИЕ ПРЕДУПРЕЖДЕНИЯ ПО ТЕХНИКЕ БЕЗОПАСНОСТИ

Данный прибор следует использовать только в бытовых условиях как описано в настоящем руководстве пользователя. Прежде чем приступить к работе с прибором, обязательно ознакомьтесь с настоящим руководством и сохраните его для справки в дальнейшем.

Прежде чем подключать прибор, проверьте, совпадают ли значения напряжения и номинальных параметров, указанные на табличке прибора с параметрами местной сети питания.

Если провод питания поврежден, немедленно отключите прибор. Во избежание угрозы безопасности замену провода питания должен проводить только мастер авторизованной сервисной службы HOOVER.

Не тяните вилку из розетки за шнур.

Шнур питания необходимо проложить таким образом, чтобы на него никто не наступал и не мог зацепиться за него.

Перед перемещением, очисткой или обслуживанием прибора всегда вынимайте вилку из розетки.

Данный прибор не предназначен для использования лицами (включая детей) с пониженными физическими, психическими или умственными способностями или при отсутствии у них опыта или знаний, если они не находятся под контролем или не проинструктированы об использовании прибора лицом, отвечающим за их безопасность. Дети должны находиться под присмотром для недопущения игры с прибором.

Все упаковочные материалы должны храниться в недоступном для детей месте (риск удушья).

Прибор не удаляет угарный газ (CO) или радон (Rn). Его нельзя использовать как средство безопасности при аварийных ситуациях, связанных с процессом горения и опасными химическими веществами.

В случае неисправности не следует продолжать пользоваться прибором.

Не закрывайте отверстия забора и выпуска воздуха.

Не вставляйте пальцы или предметы в блоки забора и выпуска воздуха во избежание получения травмы или поломки прибора.

Не очищайте прибор водой, другими жидкостями или горючими моющими средствами и не допускайте их попадания в прибор во избежание поражения электрическим током и/или пожара.

Не распыляйте никаких горючих материалов, таких как инсектициды или дезодоранты вокруг прибора.

Данный прибор не является заменой приемлемой вентиляции, регулярной уборки, вытяжки или вентилятора в процессе приготовления.

Используйте только те расходные материалы, фильтры или запасные части, которые рекомендует или поставляет HOOVER.

Убедитесь, что фильтр правильно установлен, прежде чем включать прибор.

Не допускайте ударов по прибору (в частности, по блокам забора и выпуска воздуха) твердыми предметами.

Прибор должен быть сухим.

Никогда не наклоняйте и не опорожняйте прибор в процессе работы.

Если прибор не используется длительное время, на фильтрах могут размножиться бактерии. Проверяйте фильтры после длительного периода простоя. Если фильтры слишком загрязнены, замените их.

Сервисное обслуживание: Для гарантии безопасной и надежной работы данного прибора мы рекомендуем приглашать авторизованных инженеров сервисной службы HOOVER для выполнения технического обслуживания и ремонта.

ПРИНЦИПЫ ЭКСПЛУАТАЦИИ

Размещайте прибор и пользуйтесь им на сухой, устойчивой, горизонтальной поверхности, чтобы исключить вероятность опрокидывания.

Оставьте не менее 20 см свободного пространства за прибором и с обеих сторон от него и не менее 30 см – спереди.

Во избежание помех разместите прибор на расстоянии не менее 2 м от электрических устройств, в которых используются радиоволны, таких как телевизоры, радиоприемники и часы на радиоуправлении.

Не ставьте ничего сверху прибора.

Не пользуйтесь этим прибором после применения дымового репеллента для помещений или в местах, где в воздухе содержатся остатки масла, пепел или химический дым.

Не размещайте прибор в каком-либо из следующих мест:

- На горячих поверхностях и вблизи них, рядом с открытым огнем или под прямыми солнечными лучами, вблизи газовых устройств, нагревательных приборов или каминов;
- Вблизи или непосредственно над обогревателями или кондиционерами воздуха, дверьми, окнами, вытяжными вентиляторами, кухонными плитами или в других местах, где возможны сквозняки;
- В ванной комнате или в другом месте, где на прибор могут попасть брызги воды, капли или конденсат (например, непосредственно под кондиционером воздуха или над электрическим чайником);
- В замкнутом пространстве (например, в шкафу или под ним);
- В тех регионах, где температура может опускаться ниже -20°C или подниматься выше 50°C ;
- В помещении с резкими перепадами температуры, влажной атмосферой или высокой температурой или влажностью, например в ванных, туалетах или на кухнях;
- В местах, где возможна блокировка прибора, например шторами или мебелью;
- В местах, где грязь или пыль могут заблокировать датчик.

ИНСТРУКЦИИ ПО БЕЗОПАСНОЙ РАБОТЕ CO MONITOR

При срабатывании сигнализации CO откройте все окна и двери (если это безопасно). Отключите все приборы, работающие на горючем топливе, если это возможно, а затем эвакуируйте людей из помещения, оставив окна и двери открытыми. Обратитесь за неотложной медицинской помощью при наличии у кого-либо признаков отравления угарным газом. Не входите в помещение, пока не отключится сигнализация. Сигнализация отключается сразу же, как только угарный газ выветривается. Не включайте приборы, работающие на горючем топливе, пока не установлен источник CO и не устранена причина его образования квалифицированным специалистом.

Старайтесь не пользоваться красками, разбавителями, растворителями, освежителями воздуха, аэрозольными распылителями или химическими очистителями вблизи прибора. Это может повлиять на работу монитора CO.

Для включения монитора CO вставьте вилку в розетку. Светодиодный индикатор CO Alert загорается зеленым. Если монитор CO обнаруживает небезопасный уровень CO, срабатывает звуковая сигнализация, а кнопка CO Alert и LED-индикатор качества воздуха начинают мигать красным. Сигнализация работает до тех пор, пока установленное повышение CO не снизится до безопасного уровня.

Нажмите и удерживайте кнопку [CO Alert] в течение 3 секунд, чтобы проверить срабатывание тревоги CO; при этом на 5 секунд должна включиться громкая сигнализация. Ежемесячно проверяйте сигнализацию, а также после длительного отсутствия в здании (например, на праздники). Если при нажатии кнопки [CO Alert] в течение 3 секунд сигнализация не срабатывает, обратитесь в центр обслуживания клиентов Hoover за консультацией квалифицированного специалиста и ремонтом.

Если на дисплей выводится ошибка датчика CO или истекает срок его службы, обратитесь в центр обслуживания клиентов Hoover за консультацией квалифицированного специалиста или заменой датчика. Предполагаемый срок службы датчика CO, по истечении которого его необходимо заменить, составляет 7 лет.

Не разрешайте маленьким детям нажимать на кнопку CO Alert в течение 3 секунд, поскольку в результате раздается очень громкий звук.

Рабочая влажность: 15 – 90% RH

Рабочая температура: от 0°C до $+40^{\circ}\text{C}$

Угарный газ влияет на организм, лишая жизненно важные органы кислорода. При вдыхании CO связывается гемоглобином крови, вместо кислорода, который он переносит по организму в обычных условиях. CO постоянно вытесняет способность молекул кислорода связываться с гемоглобином, тем самым сокращая его поступление к жизненно важным органам. Степень влияния CO на организм зависит от уровня концентрации и времени воздействия, однако эксперты единодушны в том, что воздействие даже низкого уровня угарного газа в течение длительного времени может оказывать серьезное долгосрочное влияние на общее состояние здоровья.

ВНИМАНИЕ: ДАТЧИК CO ПРЕДНАЗНАЧЕН ДЛЯ ЗАЩИТЫ ЛЮДЕЙ ОТ ОСТРОГО ОТРАВЛЕНИЯ УГАРНЫМ ГАЗОМ ИЛИ ПРЕДОТВРАЩЕНИЯ ХРОНИЧЕСКОГО ВОЗДЕЙСТВИЯ. ОН НЕ ОБЕСПЕЧИВАЕТ АБСОЛЮТНОЙ ЗАЩИТЫ ОТ СПЕЦИФИЧЕСКИХ МЕДИЦИНСКИХ СОСТОЯНИЙ. В СЛУЧАЕ СОМНЕНИЙ ПРОКОНСУЛЬТИРУЙТЕСЬ С ВРАЧОМ.

Функцию мониторинга CO не следует использовать или предполагать ее использование в качестве замены сигнализации содержания угарного газа согласно стандарту EN 50291-1, UL-2034, CSA-6.19 или любому другому стандарту, если этого требуют местные или региональные нормы. Функция мониторинга CO может использоваться только как дополнение к специальному устройству обнаружению угарного газа. Владелец прибора пользуется им на свое усмотрение, что предполагает понимание и согласие с его ограничениями и соблюдение соответствующих норм и правил.

Этим прибором не следует считать заменой правильному монтажу, использованию и техническому обслуживанию приборов, работающих на горючем топливе, включая необходимую вентиляцию и вытяжные системы.

Для передачи сигналов мониторинга CO на мобильный телефон и планшет необходимо работающее соединение Wi-Fi. Такие сигналы не являются заменой служб аварийного мониторинга третьих сторон.

ИНСТРУКЦИИ ПО БЕЗОПАСНОЙ РАБОТЕ ДИФFUЗОРА

Используйте только те ароматические масла, которые рекомендуются или поставляются HOOVER. Не пользуйтесь увлажнителем вблизи очистителя воздуха во время использования диффузора с H-Essence.

Незамедлительно вытирайте все разливания H-Essence. Обязательно очистите все углы прибора, контактировавшие с H-Essence.

ИНСТРУКЦИИ ПО БЕЗОПАСНОЙ РАБОТЕ УВЛАЖНИТЕЛЯ

Очищайте резервуар для воды каждые 3 дня.

Заполняйте резервуар только дистиллированной водой. Не заливайте воду другого типа, например водопроводную, минеральную, речную и т. п.

Вода в резервуаре не пригодна для питья. Не пейте эту воду и используйте ее для кормления животных или полива растений. Опорожня резервуар для воды, сливайте воду в канализацию.

Не заливайте никаких других жидкостей кроме дистиллированной воды в резервуар. Не заливайте жидкости с ароматизаторами/духами или H-Essence в резервуар для воды.



Опорожняйте резервуар и кожух и заливайте свежую воду каждые три дня.

Перед заменой очистите резервуар и кожух чистой проточной водой. Удалите всю окалину, отложения или налет, образовавшийся на стенках резервуара или на внутренних поверхностях, и насухо протрите все поверхности.

В процессе заполнения водой и очистки вынимайте вилку из розетки.

Опорожните и очистите увлажнитель перед хранением. Очистите увлажнитель перед следующим использованием.

Не оставляйте воду в резервуаре и кожухе, если не пользуетесь прибором.

Не допускайте, чтобы участок вокруг увлажнителя воздуха становился чрезмерно влажным. При образовании влаги, снизьте выходную мощность прибора или используйте его периодически.

Не допускайте намокания поглощающих материалов, таких как ковровые покрытия, занавески, гардины или скатерти.

Если вам необходимо переместить прибор, сначала отсоедините его от сети питания. Затем опорожните или снимите резервуар с водой. Перенесите прибор вертикально за ручки, размещенные по бокам.

Не пользуйтесь устройством, выпускающим или распыляющим ароматическое масло, вблизи очистителя воздуха при использовании увлажнителя.

Помните, что высокий уровень влажности может способствовать росту микроорганизмов в окружающей среде.

ВНИМАНИЕ: Микроорганизмы, которые могут присутствовать в воде или в среде, где используется или хранится прибор, могут размножаться в резервуаре и выбрасываться в воздух, представляя очень серьезный риск для здоровья, поэтому регулярно меняйте воду и правильно очищайте резервуар каждые 3 дня.

Окружающая среда

Прибор маркируется согласно Европейской директиве 2012/19/EU по отходам электрического и электронного оборудования (WEEE). Соблюдая правила утилизации данного электроприбора, вы помогаете предотвратить возможные отрицательные последствия для окружающей среды и здоровья человека, которые могли бы иметь место при неправильной утилизации данного устройства.



Символ на данном приборе указывает на то, что его нельзя утилизировать вместе с бытовыми отходами. Его необходимо сдавать в соответствующий пункт приема для дальнейшей переработки электрических и электронных частей. Утилизация должна проводиться в соответствии с местными правилами по защите окружающей среды и утилизации отходов. За более подробной информацией по обращению с данным прибором, его утилизации и переработке обратитесь в местные органы власти, в службу утилизации отходов или в магазин, где вы приобрели данный прибор.

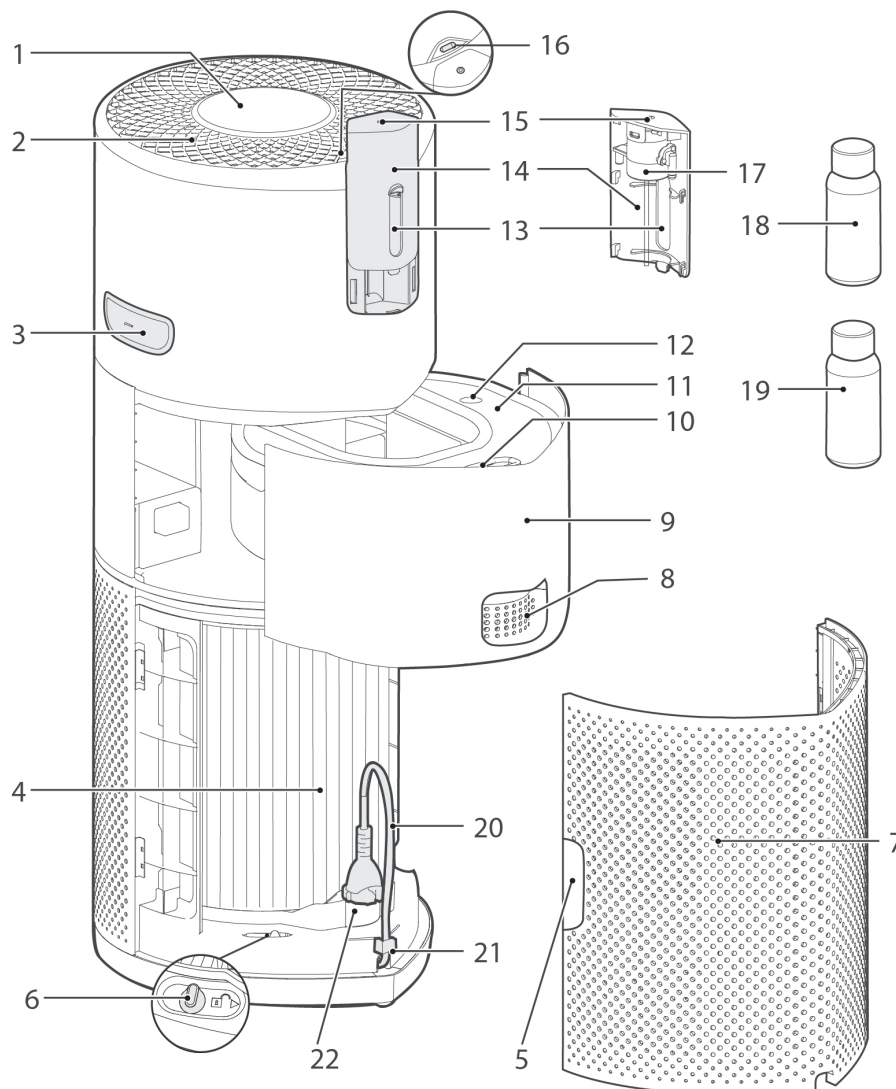
Параметр беспроводного соединения

Технология	Wi-Fi	Bluetooth
Стандартная	IEEE 802.11 b/g/n	Bluetooth v4.2,BLE
Диапазон частот (MHz)	2401~2483	2402~2480
Максимальная мощность (mW)	100	10
Максимальная мощность передачи сигнала в пределах частотного диапазона	18.9 dBm	

Настоящим компания Candy Hoover Group Srl заявляет, что радиооборудование соответствует Директиве 2014/53/EU. С полным текстом декларации о соответствии требованиям ЕС можно ознакомиться в интернете по адресу www.candy-group.com.

CANDY HOOVER GROUP S.r.l. Via Privata Eden Fumagalli, 20861 Brugherio (MB) Italy

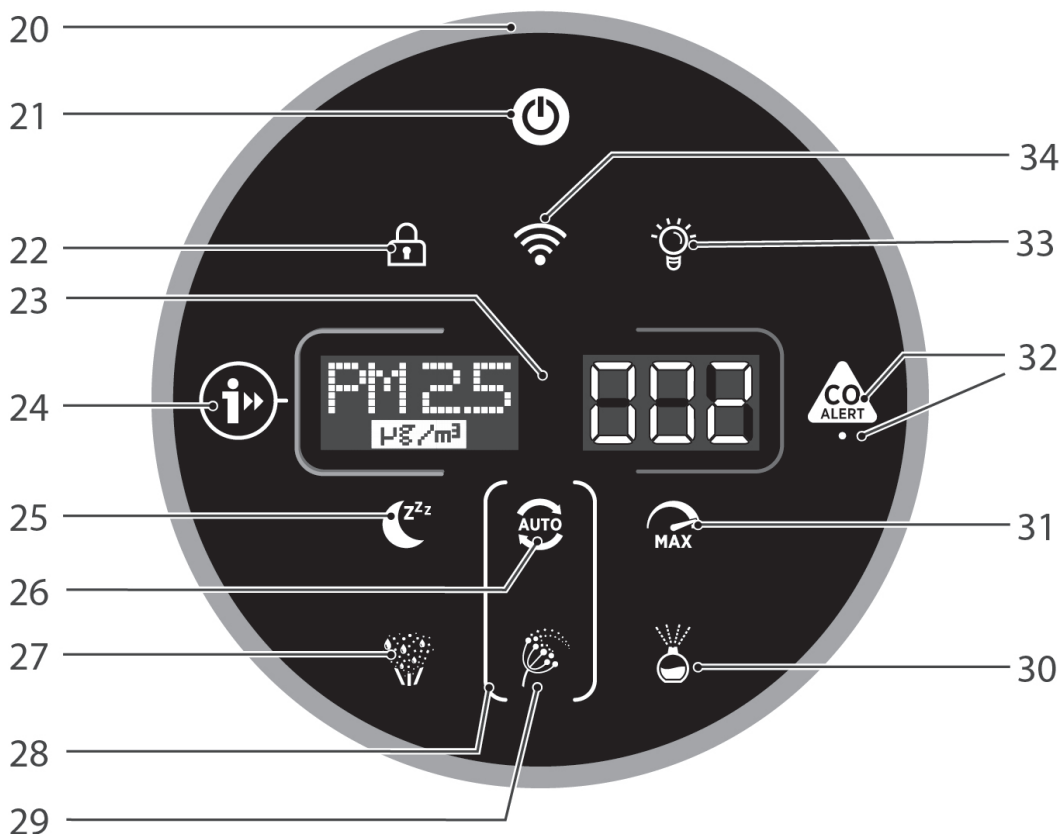
1. ЗНАКОМСТВО С ВАШИМ H-PURIFIER



1	Пульт управления / Дисплей
2	Выпуск воздуха
3	Ручка-переноска
4	Блок фильтра
5	Ручка крышки забора воздуха
6	Защелка фиксатора фильтра
7	Крышка забора воздуха
8	Ручка увлажнителя

9	Кожух резервуара увлажнителя
10	Резервуар для воды
11	Крышка резервуара для воды
12	Входное отверстие резервуара для воды
13	Окошко диффузора
14	Крышка диффузора
15	Выход диффузора
16	Выход увлажнителя

17	Блок диффузора
18	Бутылочка H-Essence (Зеленый)
19	Бутылочка H-Biotics (Коричневый)
20	Шнур питания и вилка
21	Крюк для хранения
22	Положение для транспортировки



20	LED-индикатор качества воздуха
21	Кнопка питания
22	Кнопка блокировки от детей
23	Цифровой дисплей
24	Кнопка информации

25	Кнопка спящего режима
26	Кнопка автоматического режима
27	Кнопка увлажнителя
28	Кольцевой индикатор аллергии на пыльцу
29	Индикатор аллергии на пыльцу

30	Кнопка диффузора
31	Кнопка максимального режима
32	Кнопка и светодиод CO Alert
33	Кнопка управления подсветкой
34	Кнопка Wi-Fi

1.1 СИСТЕМА MULTI SENSOR

Благодаря системе Multi Sensor ваш прибор будет непрерывно отслеживать состояние воздуха в помещении, измеряя концентрацию PM10, PM2.5 и летучих органических соединений (GAS).

При каждом включении прибора система Multi Sensor запускает анализ воздуха внутри помещения, и LED Ring качества воздуха подсвечивается разными цветами в зависимости от состояния воздуха в реальном времени.

Цвет LED-индикатора качества воздуха	Качество воздуха в помещении	Значение PM10* $\mu\text{g}/\text{m}^3$	Значение PM2.5 $\mu\text{g}/\text{m}^3$	GAS Уровень ЛОС
ЗЕЛЕНЫЙ	Отличное	0-50	0-25	L1
ЖЕЛТЫЙ	Удовлетворительное	50-80	25-50	L2
ОРАНЖЕВЫЙ	Недостаточное	80-160	50-100	L3
КРАСНЫЙ	Очень плохое	≥ 160	≥ 100	L4

* В режиме аллергии на пыльцу значения PM10 для разных уровней качества воздуха снижаются, чтобы снизить риск для людей, страдающих аллергией.



1.2 ОПОВЕЩЕНИЕ О СОДЕРЖАНИИ УГАРНОГО ГАЗА (CO)

H-Purifier оснащен системой сигнализации, которая непрерывно отслеживает состояние воздуха в помещении и измеряет содержание угарного газа (CO).

При срабатывании сигнализации угарного газа LED-индикатор качества воздуха и кнопка CO Alert мигают красным одновременно, а также включается звуковая сигнализация. Сигнализация продолжает работать до тех пор, пока концентрация угарного газа (CO) не опустится ниже 50 ppm, если ее не отключить вручную, нажав на кнопку CO Alert в течение 3 секунд.

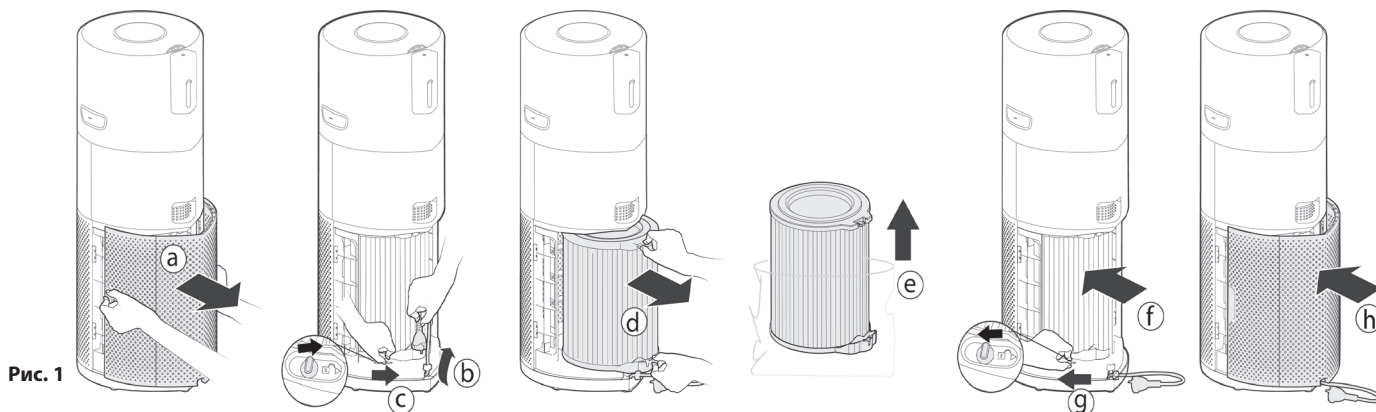
Сигнальный светодиод CO Alert показывает рабочее состояние датчика CO. Когда датчик CO находится в нормальном состоянии, светодиод подсвечен зеленым, желтым, когда он неисправен или завершился срок его службы, и красным, если включилась тревога по содержанию CO. Проверить, правильно ли работает сигнализация, можно нажав кнопку CO Alert в течение 3 секунд – если сигнализация исправна, должен прозвучать 5-секундный звуковой сигнал.

2. ПОДГОТОВКА H-PURIFIER К РАБОТЕ

2.1 УСТАНОВКА ФИЛЬТРА [Рис. 1]

Перед использованием прибора H-Purifier необходимо вынуть фильтр из защитной упаковки:

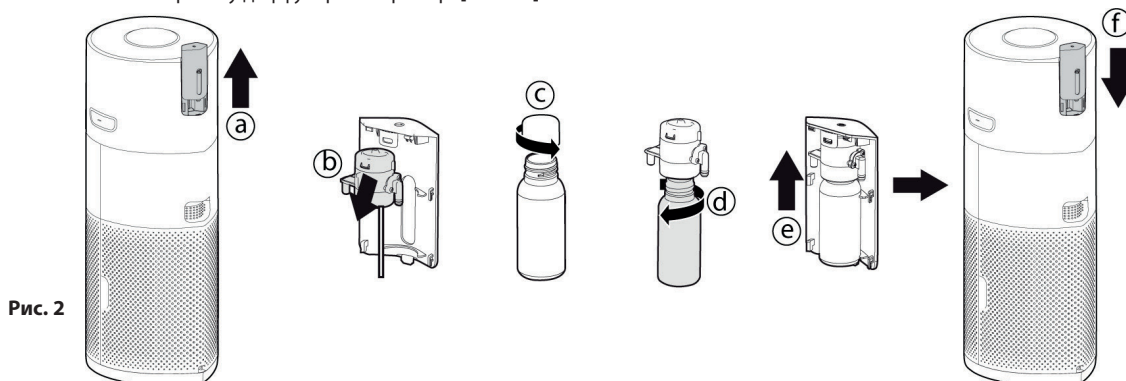
- Снимите крышку блока забора воздуха с прибора – ухватитесь за две ручки и потяните ее с прибора. [Рис. 1a]
- Выньте вилку из транспортного положения и снимите шнур с крючка для хранения. [Рис. 1b]
- Откройте защелку фиксатора фильтра. [Рис. 1c]
- Снимите фильтр с прибора и уберите внешнюю упаковку. [Рис. 1d,e]
- Установите фильтр в прибор. [Рис. 1f]
- Закройте защелку фиксатора фильтра. [Рис. 1g]
- Установите крышку блока забора воздуха на прибор. [Рис. 1h]



2.2 УСТАНОВКА БУТЫЛОЧКИ В ДИФфуЗОР [Рис. 2]

Для подготовки H-Purifier к работе с диффузором:

- Снимите крышку диффузора с прибора. [Рис. 2a]
- Снимите блок диффузора с крышки диффузора. [Рис. 2b]
- Выньте бутылочку H-Essence или H-Biotics из упаковки и снимите крышку. [Рис. 2c]
- Сохраните бутылочку для хранения в дальнейшем.
- Плотнo закрутите бутылочку в блок диффузора. [Рис. 2d]
- Установите блок диффузора на крышку диффузора. [Рис. 2e]
- Установите крышку диффузора на прибор. [Рис. 2f]



2.3 ПОДГОТОВКА УВЛАЖНИТЕЛЯ [Рис. 3]

Для подготовки H-Purifier к работе с увлажнителем:

- Снимите кожух резервуара с прибора. [Рис. 3a]
- Снимите блок резервуара с кожуха. [Рис. 3b]
- Перед первым использованием очистите все части сухой мягкой салфеткой.
- Заполните резервуар через входное отверстие дистиллированной водой до отметки MAX, нанесенной на стенке резервуара. [Рис. 3c]
- Установите блок резервуара обратно в кожух. [Рис. 3d]
- Установите кожух с резервуаром на прибор. [Рис. 3e]

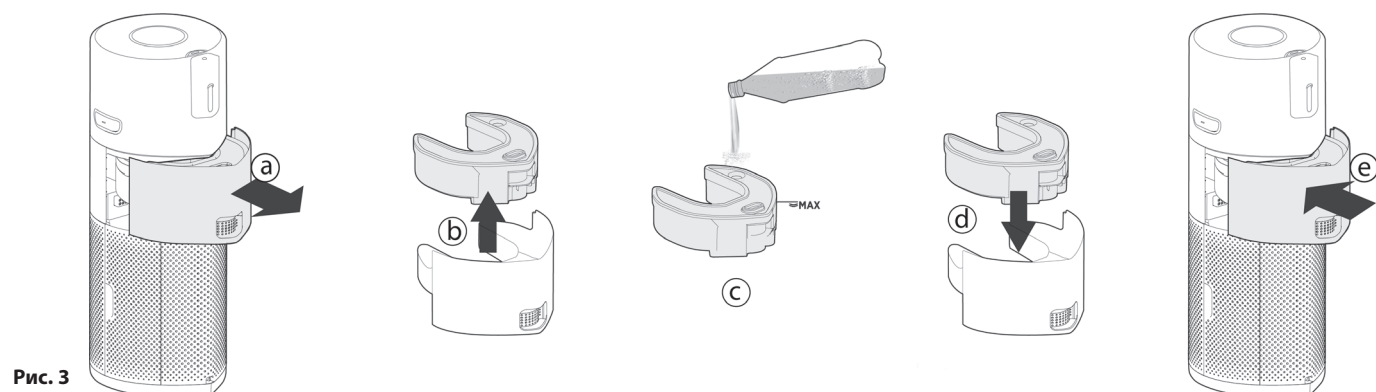


Рис. 3

3. ИСПОЛЬЗОВАНИЕ H-PURIFIER

3.1 ВКЛЮЧЕНИЕ ПРИБОРА [Рис. 4]:

Вытяните шнур питания с катушки и вставьте вилку в розетку.

На пульте управления загораются все индикаторы / Дисплей будет подсвечен в течение 1 секунды, указывая на успешное подсоединение.

Кнопка ПИТАНИЯ будет неярко светиться, и индикатор CO Alert будет подсвечен, указывая на то, что датчик включен и отслеживает уровень угарного газа.

Чтобы включить прибор, нажмите кнопку ПИТАНИЯ на дисплее.

LED-индикатор качества воздуха будет подсвечиваться всеми цветами последовательно, пока датчики анализируют состояние воздуха в реальном времени. Через несколько секунд LED-индикатор качества воздуха подсветится цветом, соответствующим качеству воздуха на данный момент.

Ваш прибор H-Purifier сразу же переходит в АВТОМАТИЧЕСКИЙ РЕЖИМ и начинает очищать воздух в помещении.

Кнопки АВТОМАТИЧЕСКОГО РЕЖИМА, ИНФОРМАЦИИ, УПРАВЛЕНИЯ ПОДСВЕТКОЙ и PM10 на дисплее будут светиться.

3.2 ПОДКЛЮЧИТЕ ВАШ H-PURIFIER

Чтобы получить доступ ко всем функциям H-Purifier из любой точки, рекомендуется загрузить приложение hOn. Так можно управлять прибором наиболее эффективным способом.

Инструкции:

1. Загрузите приложение hOn из App Store, Google Play или Huawei AppGallery. Его также можно загрузить по QR-коду на [рис. 5]
2. Откройте приложение, создайте учетную запись со своим адресом электронной почты и паролем.
3. Подтвердите и зайдите в приложение hOn.
4. Убедитесь, что ваше мобильное устройство подключено к Wi-Fi.
5. Убедитесь, что H-Purifier включен. Нажмите и удерживайте кнопку Wi-Fi на дисплее в течение 5 секунд, будет передан звуковой сигнал, а кнопка Wi-Fi начнет мигать, указывая на ожидание соединения. [Рис. 6]
6. Следуйте инструкциям в приложении, чтобы подсоединить мобильное устройство к прибору.
7. При успешном соединении кнопка Wi-Fi на приборе останется подсвеченной.
8. Для сброса Wi-Fi, нажмите и удерживайте кнопку Wi-Fi в течение 5 секунд.

H-Purifier также работает с Hey Google и Amazon Alexa.

3.3 ОПИСАНИЕ ФУНКЦИЙ

Функция ИНФОРМАЦИИ [Fig.7]:

Можно отслеживать 6 разных наборов данных:

PM10, PM2.5, GAS, температура, влажность и состояние фильтра.

Для просмотра каждого из значений просто нажимайте кнопку ИНФОРМАЦИИ последовательно.

По умолчанию отображаются данные PM10. Прибор запоминает последний выбор пользователя и сохраняет его при последующем включении прибора. После включения прибора на дисплее GAS в течение 3 минут отображается вращающийся курсор, пока датчик GAS выполняет цикл калибровки.

Дополнительная информация о PM 2.5, PM 10 и GAS:

PM указывает на наличие мелких частиц (не видимых человеческому глазу), связанных, главным образом, с наружными загрязнениями, такими как выхлопные газы автомобилей и промышленные выбросы, которые могут быть потенциально опасными для здоровья при длительном воздействии.

PM 10 имеют размер до 10 мкм и могут попадать в верхние дыхательные пути (нос, трахею, глотку).

PM 2.5 имеют размер до 2,5 мкм и, учитывая их малый размер, могут попасть в легкие, проникая еще дальше в организм.

GAS – ЛОС (летучие органические соединения) являются летучими химическими соединениями, которые легко испаряются в воздух при комнатной температуре. Дезодоранты, моющие средства, клей, косметические средства, формальдегиды – это лишь некоторые примеры ЛОС, которые могут присутствовать в доме и быть потенциально вредными для здоровья при длительном воздействии.

РЕЖИМЫ работы:

Можно выбрать один из 3 режимов очистки воздуха: АВТОМАТИЧЕСКИЙ, МАКСИМАЛЬНЫЙ И РЕЖИМ СНА. Автоматический режим является настройкой по умолчанию при включении прибора. Все режимы можно выбрать вручную нажатием кнопки на дисплее.

Режим АЛЛЕРГИИ НА ПЫЛЬЦУ можно включить через приложение hOn.

АВТОМАТИЧЕСКИЙ РЕЖИМ [Рис. 8]:

Это режим по умолчанию, который запускается при первом включении H-Purifier. В автоматическом режиме H-Purifier скорость вентилятора регулируется в зависимости от фактического качества воздуха, чтобы гарантировать оптимальную очистку.

Это рекомендуемая настройка для прибора.

В автоматическом режиме после регистрации отличного качества воздуха в течение 30 минут прибор переходит в режим ECO (функция ожидания), останавливая функцию очистки на паузу (вентилятор). Система Multi Sensor при этом продолжает анализировать воздух в помещении и включает функцию очистки при необходимости.

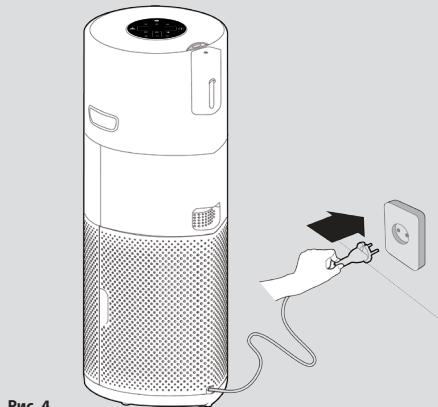


Рис. 4



Рис. 5

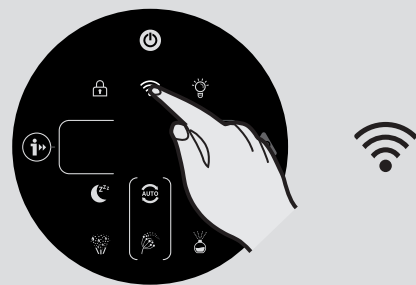


Рис. 6

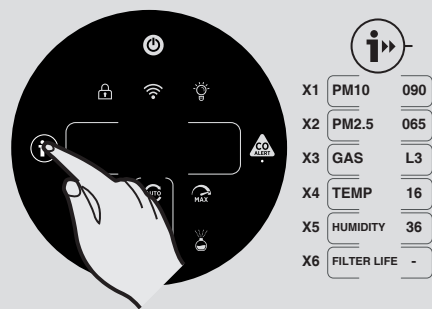


Рис. 7



Рис. 8

МАКСИМАЛЬНЫЙ РЕЖИМ [Рис. 9]:

Нажмите кнопку MAX на дисплее, чтобы включить очистку воздуха на максимальной мощности. Для выхода из МАКСИМАЛЬНОГО режима просто нажмите кнопку АВТОМАТИЧЕСКОГО РЕЖИМА или РЕЖИМА СНА.

РЕЖИМ СНА [Рис. 10]:

Нажмите кнопку РЕЖИМА СНА, чтобы перевести очиститель на самую низкую бесшумную настройку мощности. Кнопка РЕЖИМА СНА будет тускло подсвечиваться, а все остальные индикаторы на дисплее будут отключены. Эту настройку можно изменить, нажав кнопку УПРАВЛЕНИЯ ПОДСВЕТКОЙ.

РЕЖИМ АЛЛЕРГИИ НА ПЫЛЬЦУ: [Рис. 11]

Режим аллергии на пыльцу можно включить через приложение hOoP. Для начала необходимо активировать и зарегистрировать профиль в приложении.

Режим аллергии на пыльцу работает только, если выбран АВТОМАТИЧЕСКИЙ РЕЖИМ. [Рис. 11с] В этом режиме прибор непрерывно в реальном времени получает данные через приложение об отслеживаемой концентрации пыльцы снаружи и автоматически активирует функцию максимального улавливания пыльцы.

Улавливаемая пыльца инактивируется, помогая снимать симптомы аллергии.

При включении режима аллергии на пыльцу в приложении соответствующий индикатор на дисплее прибора загорается одним из 2 цветов:

- Индикатор аллергии на пыльцу горит БЕЛЫМ [Рис. 11а]: Прибор и приложение контролируют наличие пыльцы снаружи, и риск отсутствует.

- Индикатор аллергии на пыльцу горит ЖЕЛТЫМ, а кольцевой индикатор аллергии на пыльцу – БЕЛЫМ [Рис. 11б]: Прибор и приложение обнаружили риск.

Если при включенном режиме аллергии на пыльцу вручную перевести прибор в РЕЖИМ СНА или МАКСИМАЛЬНЫЙ РЕЖИМ, режим аллергии на пыльцу отключается.

Функция УПРАВЛЕНИЯ ПОДСВЕТКОЙ: [Рис. 12]

Подсветка дисплея работает с одной из 3 настроек: включено, тускло и выключено.

Чтобы отрегулировать яркость подсветки дисплея, просто нажмите кнопку УПРАВЛЕНИЯ ПОДСВЕТКОЙ, последовательно переходя к каждому из 3 вариантов. По умолчанию подсветка включена.

Когда подсветка выключена все остальные кнопки нужно будет нажимать дважды для активации: после первого нажатия подсветка включается тускло, при втором нажатии активируется необходимое действие.

Функция БЛОКИРОВКА ОТ ДЕТЕЙ: [Рис. 13]

Чтобы активировать эту функцию, нажмите и удерживайте кнопку БЛОКИРОВКА ОТ ДЕТЕЙ в течение 3 секунд; после этого активация функции подтверждается звуковым сигналом, и кнопка БЛОКИРОВКА ОТ ДЕТЕЙ остается подсвеченной. Все остальные кнопки блокируются.

Чтобы отключить функцию, нажмите и удерживайте кнопку БЛОКИРОВКА ОТ ДЕТЕЙ в течение 3 секунд; после этого отключение функции подтверждается звуковым сигналом, и кнопка гаснет.

Работа ДИФФУЗОРА: [Рис. 14]

Диффузор распыляет в воздухе помещения средства H-Essence или H-Biotics. H-Essence – это предлагаемая Hoover коллекция эфирных масел для распыления в воздухе и создания приятного аромата.

H-Biotics является натуральным составом на основе пробиотиков, поддерживающим биологическую гигиену в помещении, подавляя рост микроорганизмов, таких как бактерии или микробы.

ДИФФУЗОР работает с одной из 4 настроек: SOFT, MEDIUM, CUSTOM и H-BIOTICS. Для активации этой функции нужно просто нажать на кнопку диффузора на дисплее. По умолчанию он включается с настройкой SOFT. Чтобы выбрать другую настройку, просто продолжайте нажимать на кнопку, последовательно перебирая настройки. Когда функция включена, кнопка подсвечивается.

Для H-Essence рекомендуется выбирать настройки SOFT и MEDIUM.

Настройку CUSTOM можно установить в приложении hOoP.

При использовании H-Biotics НЕОБХОДИМО выбрать настройку H-BIOTICS. Активировав настройку H-Biotics в приложении, пользователь получит уведомление АКТИВИРОВАТЬ H-BIOTICS через 120 часов, чтобы контролировать использование средства каждые 5 дней.



Рис. 9

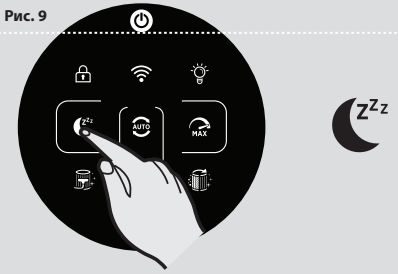


Рис. 10

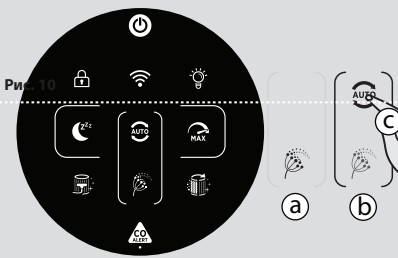


Рис. 11

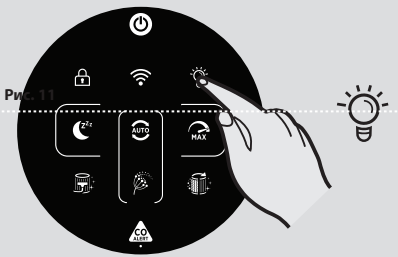


Рис. 12



Рис. 13

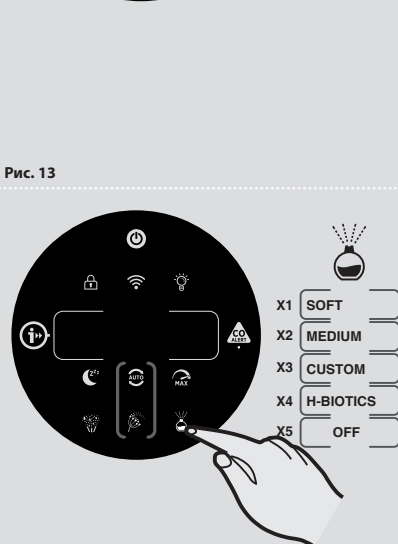


Рис. 14

При использовании H-Essence с определенными настройками или в помещениях определенного типа уровень ЛОС GAS может меняться ввиду обнаружения ароматизаторов.

Диффузор работает только тогда, когда LED-индикатор качества воздуха светится зеленым; становится на паузу, когда LED-индикатор подсвечен другим цветом, и возобновляет работу, как только цвет кольца снова меняется на зеленый.

Диффузор может работать только в АВТОМАТИЧЕСКОМ и МАКСИМАЛЬНОМ режимах и не включается в режиме СНА.

При включении функции диффузора в АВТОМАТИЧЕСКОМ режиме главный вентилятор будет работать с определенной скоростью, способствуя распространению средств H-Essence или H-Biotics по комнате.

Настройка	Время работы диффузора	Максимальная длительность цикла
SOFT	по 10 сек. каждые 5 мин.	6 часов
MEDIUM	по 90 сек. каждые 3,5 мин.	6 часов
CUSTOM	Выбирает пользователь	6 часов
H-BIOTICS	по 2 мин. каждые 4 мин.	6 часов

Чтобы отключить функцию, нажмите кнопку диффузора и удерживайте ее, пока на дисплее не появится изображение OFF.

После каждого использования диффузора мягкой сухой салфеткой вытирайте остатки средства на поверхности прибора.

Порядок замены бутылочки диффузора см. в разделе «Обслуживание H-Purifier».

Работа УВЛАЖНИТЕЛЯ: [Рис. 15]

Увлажнитель работает с одной из 3 настроек: MIN, MED и MAX. Для активации этой функции просто нажмите кнопку увлажнителя на дисплее. По умолчанию запускается работа в режиме MIN. Чтобы выбрать другую настройку, просто продолжайте нажимать на кнопку, последовательно перебирая настройки. Когда функция включена, кнопка подсвечивается.

MIN - Целевое значение влажности по умолчанию 40%

MED - Целевое значение влажности по умолчанию 55%

MAX - Целевое значение влажности по умолчанию 70%

Все 3 целевых значения можно изменить в приложении hOn в диапазоне от 30 до 80%.

Чтобы отключить функцию, нажмите кнопку увлажнителя и удерживайте ее, пока на дисплее не появится изображение OFF.

Если регистрируемые в реальном времени уровни влажности равны или выше выбранных, на дисплее появляется сообщение «ВЛАЖНОСТЬ НАБРАНА». Индикатор увлажнителя продолжает гореть.

Прибор автоматически перейдет в режим увлажнения, как только значение влажности в реальном времени опустится ниже выбранного целевого уровня.

Увлажнитель может работать только в АВТОМАТИЧЕСКОМ режиме и режиме СНА и не включается в МАКСИМАЛЬНОМ режиме.

СИГНАЛ О ЗАЛИВКЕ ВОДЫ:

Если уровень воды в резервуаре опускается ниже минимального, на дисплее появляется мигающее сообщение «ЗАЛЕЙТЕ ВОДУ». Инструкции см. в разделе «Обслуживание очистителя».

Важное примечание:

- **Когда прибор работает в режиме диффузора:** при выборе режима увлажнителя без включения режима диффузора прибор автоматически отключит режима диффузора и перейдет в режим увлажнителя.
- **Когда прибор работает в режиме увлажнителя:** при выборе режима диффузора без включения режима увлажнителя прибор автоматически отключит режима увлажнителя и перейдет в режим диффузора.

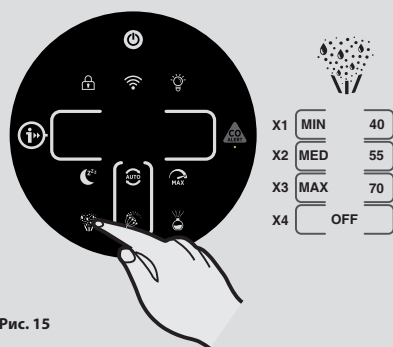


Рис. 15

4. ОБСЛУЖИВАНИЕ H-PURIFIER

4.1 Обслуживание фильтра

H-Purifier контролирует состояние фильтра. Сигнал **ОЧИСТИТЕ ФИЛЬТР или ЗАМЕНИТЕ ФИЛЬТР** появляется слева на дисплее и мигает, указывая на необходимость выполнения операции по очистке или замене фильтра.

Очистка и замена фильтра: [Рис. 16]

- Снимите крышку блока забора воздуха с прибора. [Рис. 16a]
- Откройте защелку фиксатора фильтра. [Рис. 16b]
- Снимите фильтр с прибора. [Рис. 16c]
- С помощью пылесоса очистите наружную сетку на фильтра или замените на НОВЫЙ фильтр. [Рис. 16d]
- Установите фильтр в прибор. [Рис. 16e]
- Закройте защелку фиксатора фильтра. [Рис. 16f]
- Установите крышку блока забора воздуха на прибор. [Рис. 16g]
- Вставьте вилку прибора в розетку и включите его.
- Нажмите кнопку INFORMATION и удерживайте ее в течение 3 секунд, чтобы сбросить предупреждение об очистке или замене; после успешного сброса будет передан звуковой сигнал. [Рис. 7]

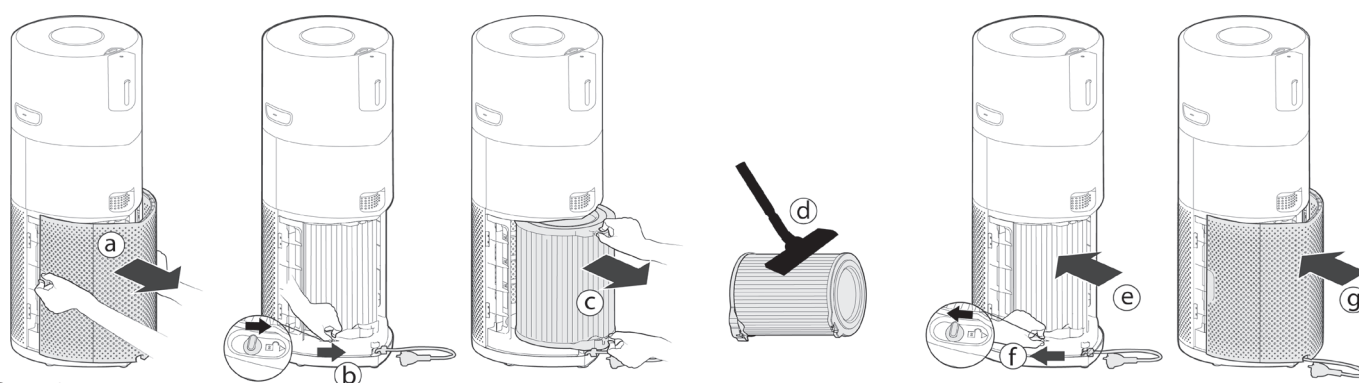


Рис. 16

4.2 ОБСЛУЖИВАНИЕ ДИФфуЗОРА

После каждого использования диффузора мягкой сухой салфеткой вытирайте остатки средства на поверхности прибора.

Замена бутылочки диффузора: [Рис. 17]

Объем жидкости, оставшийся в бутылочке, можно проверить через окошко диффузора. При необходимости бутылочку необходимо заменить.

- Снимите крышку диффузора с прибора. [Рис. 17a]
- Снимите блок диффузора с бутылочкой с крышки диффузора. [Рис. 17b]
- Открутите и снимите пустую бутылочку. [Рис. 17c]
- Выньте новую бутылочку H-Essence или H-Biotics из упаковки и снимите крышку. [Рис. 17d]
- Плотно закрутите новую бутылочку в блок диффузора. [Рис. 17e]
- Установите блок диффузора на крышку диффузора. [Рис. 17f]
- Установите крышку диффузора на H-Purifier. [Рис. 17g]

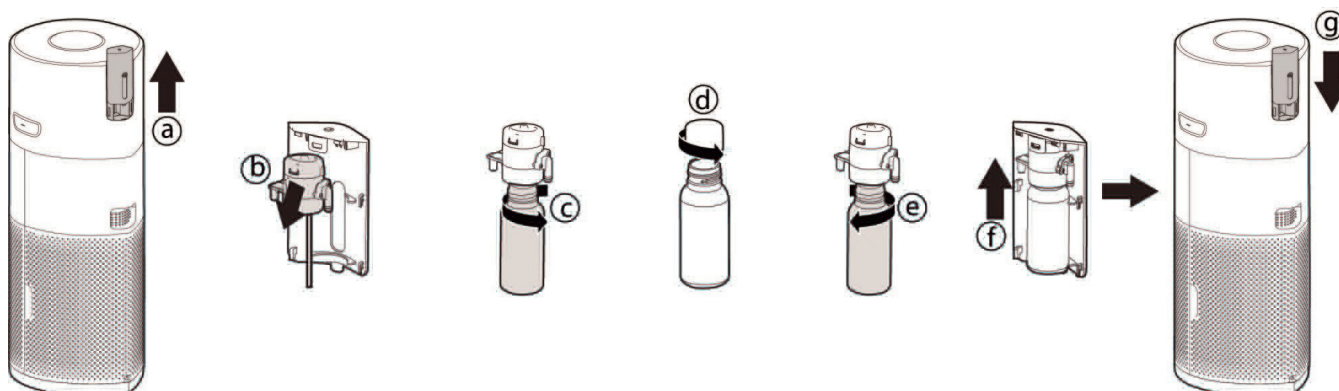


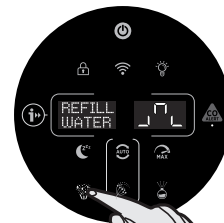
Рис. 17

4.3 ОБСЛУЖИВАНИЕ УВЛАЖНИТЕЛЯ

Сигнал о заливке воды в резервуар:

Для работы увлажнителя требуется минимальный уровень воды. Если уровень воды в резервуаре опускается ниже минимального, на дисплее появляется мигающее сообщение «ЗАЛЕЙТЕ ВОДУ». В кожухе с резервуаром могут быть остатки воды. Однако сообщение все равно появится, так как уровень должен быть хотя бы минимальным.

- Снимите кожух резервуара с прибора. **[Рис. 18a]**
- Снимите блок резервуара с кожуха. **[Рис. 18b]**
- Вылейте все остатки воды и заполните резервуар через входное отверстие дистиллированной водой до отметки MAX, нанесенной на стенке резервуара. **[Рис. 18c]**
- Установите блок резервуара обратно в кожух. **[Рис. 18d]**
- Установите кожух с резервуаром на прибор. **[Рис. 18e]**



Сигнал об очистке резервуара:

H-Purifier контролирует состояние резервуара увлажнителя. Сигнал **CLEAN WATER TANK** будет мигать спустя 72 часа после того, как последний раз включалась функция увлажнителя, если в резервуаре все еще остается вода. Этот сигнал появляется слева на дисплее, указывая на необходимость выполнения операции по очистке резервуара для воды.

- Снимите кожух резервуара с прибора. **[Рис. 18f]**
- Снимите кожух резервуара для воды, сам резервуар и крышку и тщательно очистите и просушите все 3 элемента мягкой сухой салфеткой. **[Рис. 18g,h,i]**
- Соберите компоненты резервуара и заполните его дистиллированной водой до отметки MAX.
- Прежде чем устанавливать резервуар на место, убедитесь, что прибор включен.
- Установите кожух с резервуаром на прибор. **[Рис. 18e]**

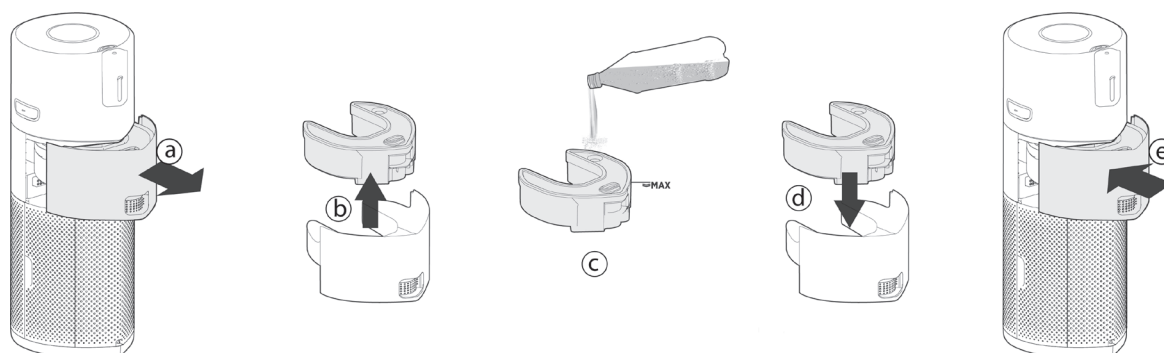
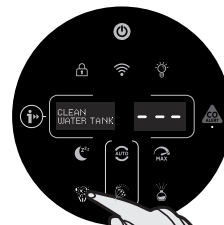
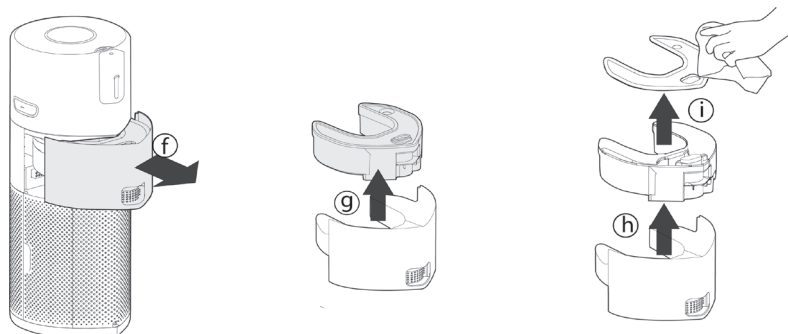


Рис. 18



5. ХРАНЕНИЕ H-PURIFIER

1. Отключите H-Purifier и выньте вилку из розетки.
2. Очистите все внутренние и наружные поверхности H-Purifier, наружную сетку фильтра и резервуар для воды.
3. Снимите бутылочку с диффузора. Закройте бутылочку оригинальным колпачком и храните ее вдали от прямых солнечных лучей. Очистите поверхности блока и крышки диффузора. Убедитесь в отсутствии остатков H-Essence или H-Biotics на поверхностях H-Purifier.
4. Убедитесь, что все компоненты являются сухими.
5. Снимите крышку блока забора воздуха **[Рис. 19a]** и намотайте шнур на катушку, потянув его **[Рис. 19b]**, закрепите шнур с помощью крючка для хранения, а затем вставьте вилку в транспортное положение. **[Рис. 19c,d]** Установите крышку блока забора воздуха. **[Рис. 19e]**
6. Храните H-Purifier в прохладном сухом месте.

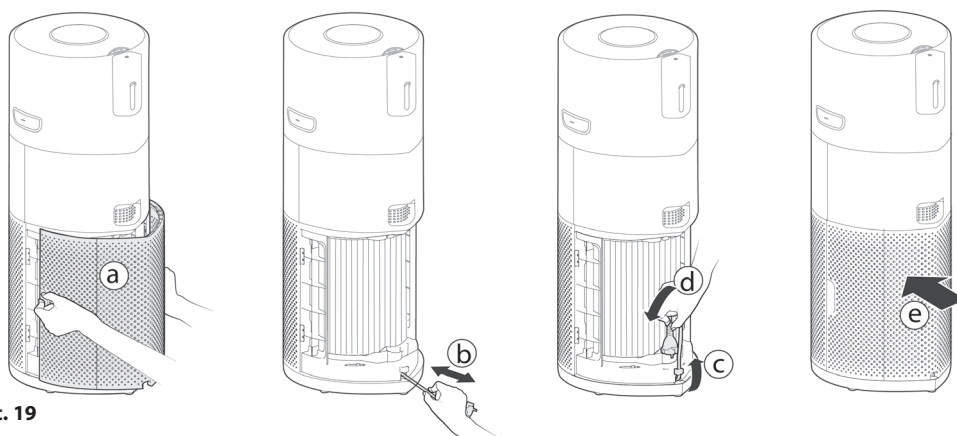


Рис. 19

6. ОПОВЕЩЕНИЯ И РЕШЕНИЯ

В процессе эксплуатации могут появляться следующие сообщения. [Рис. 20]

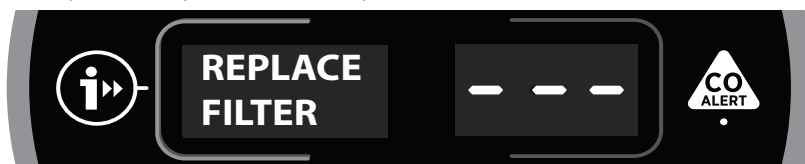


Рис. 20

Сигнал		Описание сигнала	Устранение
Сигнал на приборе	Сигнал в приложении		
"CLEAN FILTER"	Сигнал об очистке пре-фильтра	Напоминание об очистке наружного слоя фильтра.	1. Очистите наружный слой фильтра. 2. Для сброса сигнала нажмите и удерживайте кнопку INFORMATION в течение 3 сек. См. раздел 4.1 «ОБСЛУЖИВАНИЕ ФИЛЬТРА».
"REPLACE FILTER"	Сигнал о замене фильтра	Напоминание о замене фильтра.	1. Замените фильтр. 2. Для сброса сигнала нажмите и удерживайте кнопку INFORMATION в течение 3 сек. См. раздел 4.1 «ОБСЛУЖИВАНИЕ ФИЛЬТРА».
"FILTER MISSING"	Ошибка: в очистителе воздуха произошла ошибка; проверьте возможные решения.	Фильтр неправильно расположен или не зафиксирован.	1. Если фильтра нет, установите его. 2. Если фильтр установлен, проверьте переведена ли защелка фильтра в положение ЗАКРЫТО. См. раздел 2.1 «УСТАНОВКА ФИЛЬТРА».
"NO WATER TANK"	Ошибка: в очистителе воздуха произошла ошибка; проверьте возможные решения.	Отсутствует резервуар для воды или его кожух.	Установите на место резервуар для воды и его кожух.
"CLEAN WATER TANK"	Воду в резервуаре необходимо заменить.	Прошло 3 дня с момента последнего использования увлажнителя, резервуар/кожух необходимо очистить, а воду заменить в целях гигиены.	1. Выключите прибор. 2. Снимите резервуар/кожух, очистите внутренние поверхности каждого компонента и заполните. 3. Включите прибор. 4. Установите резервуар/кожух на место. См. раздел 4.3 «ОБСЛУЖИВАНИЕ УВЛАЖНИТЕЛЯ».
"REFILL WATER"	Ошибка: в очистителе воздуха произошла ошибка; проверьте возможные решения.	В резервуаре нет воды или оставшейся воды не достаточно для работы увлажнителя.	Долейте дистиллированную воду в резервуар до отметки MAX.
"PM SENSOR ERROR"	/	Неисправность датчика PM.	Датчик PM сломан или неправильно подсоединен. Обратитесь в сервисный центр для ремонта.
Светодиод CO Alert горит желтым.	Ошибка: в очистителе воздуха произошла ошибка; проверьте возможные решения.	Датчик CO неисправен, или превышен срок его службы.	Обратитесь в сервисный центр для ремонта.
Автоматическое отключение без предупреждения	Падение прибора	Сработала защита от падения.	1. Если прибор упал и вода разлилась, выньте вилку из розетки и подождите 48 часов, прежде чем снова включать прибор. 2. Если прибор падает без разлития воды, поднимите его и нажмите кнопку питания, чтобы включить.
/	Ошибка: в очистителе воздуха произошла ошибка; проверьте возможные решения.	Поломка двигателя	Двигатель сломан или неправильно подсоединен. Обратитесь в сервисный центр для ремонта.
"TEMP. & HUMI. SENSOR ERROR"	/	Неисправность датчика температуры и влажности.	Датчик температуры и влажности неисправен или неправильно подсоединен. Обратитесь в сервисный центр для ремонта.
"PAUSE"	/	Работа диффузора приостанавливается, если LED Ring качества воздуха подсвечен не зеленым.	Никаких действий не требуется. Диффузор возобновит работу, как только LED Ring качества воздуха снова загорится зеленым.

ВНИМАНИЕ: Если у вас не получается устранить какую-либо неисправность прибора, обратитесь к местному представителю Hoover. НЕ пытайтесь разбирать H-Purifier самостоятельно.

7. УСТРАНЕНИЕ НЕИСПРАВНОСТЕЙ

Ниже приведен перечень часто встречающихся проблем и их решений. Если вы не можете устранить неисправность, обратитесь к местному представителю компании Hoover.

Вентилятор не работает (Пульт управления / Дисплей подсвечен)	<ul style="list-style-type: none"> Проверьте сигнал на дисплее или в приложении. При наличии сигнала, см. раздел 6 «ОПОВЕЩЕНИЯ И РЕШЕНИЯ». Проверьте возможное засорение фильтра. При наличии засорения, сначала отключите прибор от сети питания, а затем очистите или обратитесь в сервисный центр. Убедитесь, что H-Purifier включен. Проверьте, правильно ли вставлен и зафиксирован ли фильтр. Убедитесь, что H-Purifier размещен в строго вертикальном положении, а не под углом. Возможно, H-Purifier находится в режиме ECO. Чтобы выйти из режима ECO, нажмите кнопку спящего режима или кнопку максимального режима. См. раздел 3 «ИСПОЛЬЗОВАНИЕ H-PURIFIER». – АВТОМАТИЧЕСКИЙ РЕЖИМ.
Вентилятор не работает (Пульт управления / Дисплей не подсвечен)	<ul style="list-style-type: none"> Убедитесь, что вилка H-Purifier вставлена в розетку и прибор включен. Проверьте сигнал на дисплее или в приложении. При наличии сигнала, см. раздел 6 «ОПОВЕЩЕНИЯ И РЕШЕНИЯ».
Нет подсветки на пульте управления / Дисплей (Вентилятор работает)	<ul style="list-style-type: none"> В спящем режиме подсветка по умолчанию отключена. Вы можете нажать кнопку управления подсветкой, чтобы отключить ее. Возможно, подсветка отключена. Нажмите кнопку управления подсветкой, чтобы включить ее. Refer to 3.ИСПОЛЬЗОВАНИЕ H-PURIFIER – РЕЖИМ СНА / Функция УПРАВЛЕНИЯ ПОДСВЕТКОЙ.
Кнопки на пульте управления не работают	<ul style="list-style-type: none"> Возможно, активирован замок от детей. Нажмите и удерживайте кнопку БЛОКИРОВКА ОТ ДЕТЕЙ в течение 3 секунд, чтобы выйти. См. раздел 3 «ИСПОЛЬЗОВАНИЕ H-PURIFIER». – Функция БЛОКИРОВКА ОТ ДЕТЕЙ.
Слабый поток воздуха	<ul style="list-style-type: none"> Убедитесь, что фильтр был вынут из защитной упаковки. Убедитесь, что крышка блока забора воздуха и выпуск воздуха не заблокированы. Снимите крышку забора воздуха и проверьте состояние фильтра. Очистите наружный слой или замените фильтр при необходимости. Данные о сроке службы фильтра можно проверить на дисплее, нажав кнопку информации. Проверьте, не находится ли H-Purifier в режиме сна. В этом режиме вентилятор работает на сниженной скорости.
H-Purifier работает слишком громко	<ul style="list-style-type: none"> Проверьте возможное засорение фильтра H-Purifier. Проверьте, не находится ли H-Purifier в максимальном режиме. В этом режиме вентилятор работает на максимальной скорости.
H-Purifier внезапно начинает работать слишком громко	<ul style="list-style-type: none"> Проверьте, не работает ли H-Purifier в автоматическом режиме и не горит ли LED Ring качества воздуха зеленым. В автоматическом режиме H-Purifier скорость вентилятора регулируется в зависимости от фактического качества воздуха. См. раздел 3 «ИСПОЛЬЗОВАНИЕ H-PURIFIER». – АВТОМАТИЧЕСКИЙ РЕЖИМ.
H-Purifier внезапно издает громкий звуковой сигнал	<ul style="list-style-type: none"> В результате неправильного нажатия кнопки CO Alert срабатывает функция тестирования. Звук автоматического отключится через 5 секунд. См. раздел 1.2 «ОПОВЕЩЕНИЕ О СОДЕРЖАНИИ УГАРНОГО ГАЗА (CO)»
Невозможно сбросить сигнал CLEAN WATER TANK	<ul style="list-style-type: none"> После очистки резервуара для воды и кожуха необходимо включить H-Purifier. Не вставляйте кожух до тех пор, пока на дисплее не появится сообщение NO WATER TANK (нет резервуара для воды).

ВАЖНАЯ ИНФОРМАЦИЯ

Запасные части и расходные материалы компании Hoover

При замене частей используйте только оригинальные запасные части и расходные материалы компании Hoover. Их можно приобрести у вашего местного дилера компании Hoover или в официальном интернет-магазине shop.hoover.ru (кроме запасных частей). При оформлении заказа на запасные части обязательно указывайте номер модели пылесоса.

Качество

Заводы компании Hoover прошли независимую оценку на предмет соблюдения требований к качеству выпускаемой продукции. Наша продукция изготавливается с применением системы качества, удовлетворяющей требованиям стандарта ISO 9001.

УСЛОВИЯ ГАРАНТИИ

Условия гарантии для данного бытового электрического прибора определяются нашим представительством в стране, где этот электроприбор продан. Более подробную информацию об этих условиях вы можете получить у продавца или из гарантийного сертификата на данный прибор. В случае возникновения ситуации, покрываемой гарантийными обязательствами изготовителя, при обращении в уполномоченную сервисную организацию необходимо предъявить товарно-кассовый чек или иной документ, подтверждающий начало истечения гарантийного срока, предусмотренного условиями гарантии для данного прибора.

Вся представленная в инструкции информация, касающаяся комплектации, технических характеристик, функций, цветовых сочетаний и т.д. носит информационный характер и ни при каких условиях не является публичной офертой. Изготовитель не устанавливает условия и положения покупки, они должны соответствовать требованиям регионального и/или национального законодательства страны продажи товаров.

Αυτή η συσκευή πρέπει να χρησιμοποιείται μόνο για ιδιωτική οικιακή χρήση, όπως περιγράφεται σε αυτόν τον οδηγό χρήσης. Βεβαιωθείτε ότι έχετε κατανοήσει πλήρως αυτό το εγχειρίδιο χρήσης πριν χρησιμοποιήσετε τη συσκευή και φυλάξτε το για μελλοντική αναφορά.

Ελέγξτε εάν η τάση και οι ονομαστικές τιμές που αναγράφονται στην ετικέτα της συσκευής αντιστοιχούν στην τοπική τάση τροφοδοσίας προτού συνδέσετε τη συσκευή.

Εάν το καλώδιο σύνδεσης με το δίκτυο παροχής εμφανίσει φθορές διακόψτε την λειτουργία της συσκευής αμέσως. Για λόγους ασφάλειας η αντικατάσταση του φθαρμένου καλωδίου της συσκευής πρέπει να γίνεται αποκλειστικά στα σημεία τεχνικής υποστήριξης Hoover.

Μην βγάζετε το φιλτράκι τραβώντας το καλώδιο τροφοδοσίας.

Βάλτε το καλώδιο τροφοδοσίας με τέτοιο τρόπο, ώστε να μην το πατήσει κανείς ή να σκοντάψει πάνω του.

Απενεργοποιείτε και αποσυνδέετε πάντα τη συσκευή πριν μετακινήσετε ή καθαρίσετε τη συσκευή ή κάνετε οποιαδήποτε εργασία συντήρησης.

Η χρήση της συσκευής από παιδιά άνω των 8 ετών, ηλικιωμένους και ΑΜΕΑ προϋποθέτει την παρουσία ενήλικα που θα φέρει την ευθύνη για την ασφαλεία τους. Η χρήση της συσκευής από άτομα που δεν έχουν εξοικειωθεί στη χρήση παρόμοιων συσκευών μπορεί να γίνει μόνο αφού γίνει κατανοητός ο κίνδυνος που ενέχει η χρήση της συσκευής. Μην αφήνετε τα παιδιά να παίζουν με τη συσκευή.

Οι εργασίες καθαρισμού και συντήρησης της συσκευής δεν πρέπει να γίνονται από τα παιδιά χωρίς την επίβλεψη ενήλικα που θα φέρει την ευθύνη για την ασφαλεία τους.

Η συσκευή δεν αφαιρεί το μονοξείδιο του άνθρακα (CO) ή το ραδόνιο (Rn). Δεν μπορεί να χρησιμοποιηθεί ως συσκευή ασφαλείας σε περίπτωση ατυχημάτων με διαδικασίες καύσης και επικίνδυνα χημικά.

Εάν η συσκευή εμφανίσει κάποια βλάβη μην συνεχίσετε να την χρησιμοποιείτε.

Μην φράζετε την είσοδο ή την έξοδο αέρα.

Μην βάζετε τα δάχτυλά σας ή αντικείμενα στην έξοδο ή στην είσοδο αέρα για να αποφύγετε τραυματισμό ή δυσλειτουργία της συσκευής.

Μην καθαρίζετε τη συσκευή με νερό, άλλο υγρό ή (εύφλεκτο) απορρυπαντικό και μην τα αφήνετε να μπουκνίσουν στη συσκευή για να αποφύγετε ηλεκτροπληξία ή/και κίνδυνο πυρκαγιάς.

Μην ψεκάζετε εύφλεκτα υλικά όπως εντομοκτόνα ή αρώματα γύρω από τη συσκευή.

Αυτή η συσκευή δεν υποκαθιστά τον κατάλληλο εξαερισμό, τον τακτικό καθαρισμό με ηλεκτρική σκούπα ή τη χρήση απορροφητήρα ή ανεμιστήρα κατά το μαγείρεμα.

Χρησιμοποιείτε μόνο αναλώσιμα, φίλτρα ή ανταλλακτικά που συνιστώνται ή παρέχονται από την HOOVER.

Βεβαιωθείτε ότι το φίλτρο έχει εγκατασταθεί σωστά πριν ενεργοποιήσετε τη συσκευή.

Αποφύγετε να χτυπήσετε τη συσκευή (ειδικότερα την είσοδο και την έξοδο αέρα) με σκληρά αντικείμενα.

Κρατήστε το προϊόν στεγνό.

Ποτέ μην γέρνετε ή αδειάζετε το προϊόν κατά τη διάρκεια της λειτουργίας.

Όταν η συσκευή δεν χρησιμοποιείται για μεγάλο χρονικό διάστημα, μπορεί να αναπτυχθούν βακτήρια στα φίλτρα. Ελέγξτε τα φίλτρα μετά από μεγάλο χρονικό διάστημα αδράνειας. Εάν τα φίλτρα είναι πολύ βρώμικα, αντικαταστήστε τα.

Τεχνική Υποστήριξη Hoover: Για την διατήρηση της ασφαλούς και αποτελεσματικής λειτουργίας της συσκευής οι επεμβάσεις συντήρησης και αποκατάστασης βλαβών πρέπει να γίνονται αποκλειστικά μέσω των εξουσιοδοτημένων τεχνικών HOOVER..

ΠΕΡΙΒΑΛΛΟΝ ΧΡΗΣΗΣ

Τοποθετήστε και χρησιμοποιήστε το προϊόν μόνο σε στεγνή, σταθερή, επίπεδη οριζόντια επιφάνεια, έτσι ώστε να αποφευχθεί τυχόν ανατροπή του.

Αφήστε τουλάχιστον 20 εκατοστά ελεύθερου χώρου πίσω και στις δύο πλευρές της συσκευής και αφήστε τουλάχιστον 30 εκατοστά ελεύθερου χώρου πάνω από τη συσκευή.

Για να αποφύγετε τις παρεμβολές, τοποθετήστε τη συσκευή σε απόσταση τουλάχιστον 2 μέτρων από ηλεκτρικές συσκευές που χρησιμοποιούν ραδιοκύματα, όπως τηλεοράσεις, ραδιόφωνα και ρολόγια με ραδιόφωνο.

Μην τοποθετείτε τίποτα πάνω στη συσκευή.

Μην χρησιμοποιείτε αυτήν τη συσκευή όταν έχετε χρησιμοποιήσει εσωτερικά εντομοαπωθητικά όπως καπνογόνα σπείρες ή σε μέρη με λιπαρά υπολείμματα, θυμίαμα ή χημικούς καπνούς.

Μην τοποθετείτε τη συσκευή σε καμία από τις ακόλουθες τοποθεσίες:

- Σε θερμές επιφάνειες, κοντά σε θερμές επιφάνειες, ανοιχτή φωτιά ή σε άμεσο ηλιακό φως, κοντά σε συσκευές αερίου, συσκευές θέρμανσης ή τζάκια.
- Δίπλα ή ακριβώς πάνω από θερμαντήρες ή αεραγωγούς, πόρτες, παράθυρα, ανεμιστήρες εξαγωγής, κουζίνες ή οπουδήποτε θα επηρεάζοταν από ρεύματα.
- Σε μπάνιο ή σε άλλες περιοχές όπου το προϊόν ενδέχεται να εκτεθεί σε πιτσιλιές νερού, σταγόνες ή συμπύκνωση (π.χ. ακριβώς κάτω από ένα κλιματιστικό ή πάνω από έναν ηλεκτρικό βραστήρα).
- Σε κλειστό χώρο (π.χ. μέσα ή κάτω από ένα ντουλάπι)
- Σε μια περιοχή όπου η θερμοκρασία θα μπορούσε να πέσει κάτω από -20°C ή να ανέβει πάνω από 50°C
- Σε δωμάτιο με σημαντικές αλλαγές θερμοκρασίας, σε υγρό περιβάλλον ή σε περιβάλλον με υψηλές θερμοκρασίες περιβάλλοντος ή υψηλή υγρασία, όπως μπάνιο, τουαλέτα ή κουζίνα.
- Όπου εμποδίζεται, π.χ. με κουρτίνες ή έπιπλα
- Όπου βρωμιά ή σκόνη θα μπορούσαν να μπλοκάρουν τον αισθητήρα.

ΟΔΗΓΙΕΣ ΑΣΦΑΛΕΙΑΣ ΠΑΡΑΚΟΛΟΥΘΗΣΗΣ CO

Εάν ενεργοποιηθεί ο συναγερμός CO, πρέπει να ανοίξετε όλα τα παράθυρα και τις πόρτες (εάν είναι ασφαλές να το κάνετε). Σβήστε όλες τις συσκευές καύσης, εάν είναι δυνατόν και στη συνέχεια εκκενώστε τον χώρο αφήνοντας τα παράθυρα και τις πόρτες ανοιχτές. Φροντίστε για άμεση ιατρική βοήθεια σε όσους πάσχουν από τις συνέπειες της δηλητηρίασης από μονοξείδιο του άνθρακα. Μην μπείτε ξανά στον χώρο έως ότου σταματήσει ο συναγερμός. Ο συναγερμός θα σταματήσει μόλις εξαλειφθεί το CO. Μην χρησιμοποιήσετε ξανά συσκευές καύσης έως ότου εντοπιστεί και εξαλειφθεί η πηγή CO από εξειδικευμένο τεχνικό.

Αποφύγετε τη χρήση χρωμάτων, αρωματικών, αναθυμιάσεων διαλυτών, αποσμητικών χώρου, σπρέι αερολύματος ή χημικών καθαριστικών κοντά στη συσκευή. Αυτό μπορεί να επηρεάσει τη λειτουργία παρακολούθησης CO (CO monitor).

Για να ενεργοποιήσετε τη λειτουργία παρακολούθησης CO (CO monitor), συνδέστε το φως σε μια πρίζα. Η ένδειξη LED CO Alert θα ανάψει πράσινη. Όταν η παρακολούθηση CO εντοπίσει μη ασφαλές επίπεδο CO, ο συναγερμός CO θα χτυπήσει δυνατά και το κουμπί ειδοποίησης CO και το δαχτυλίδι LED ποιότητας αέρα θα αναβοσβήνουν σε κόκκινο χρώμα. Ο συναγερμός θα συνεχίσει να χτυπά έως ότου το ανιχνευμένο CO μειωθεί σε ασφαλές επίπεδο.

Αγγίξτε το κουμπί [CO Alert] για 3 δευτερόλεπτα για να δοκιμάσετε τη λειτουργία συναγερμού CO και ο συναγερμός θα ηχήσει δυνατά για 5 δευτερόλεπτα. Ελέγχετε τον συναγερμό κάθε μήνα και μετά από παρατεταμένη απουσία από το κτίριο (π.χ. διακοπές). Εάν ο συναγερμός δεν χτυπήσει αφού αγγίξετε το κουμπί [CO Alert] για 3 δευτερόλεπτα, επικοινωνήστε με το κέντρο εξυπηρέτησης πελατών της Hoover για να κανονίσετε ώστε ένας εξειδικευμένος τεχνικός να αποκαταστήσει τη βλάβη.

Εάν η ένδειξη υποδεικνύει ότι ο αισθητήρας CO είναι ελαττωματικός ή έχει φτάσει στο τέλος της ζωής του, επικοινωνήστε με το κέντρο εξυπηρέτησης πελατών της Hoover για να κανονίσετε ώστε ένας εξειδικευμένος τεχνικός να φροντίσει για την αντικατάσταση του αισθητήρα CO. Η αναμενόμενη διάρκεια ζωής του αισθητήρα CO είναι 7 χρόνια και πρέπει να αντικατασταθεί μετά από αυτό το διάστημα.

Μην αφήνετε τα μικρά παιδιά να πατήσουν το κουμπί CO Alert για 3 δευτερόλεπτα, καθώς ενδέχεται να εκτεθούν σε υπερβολικό θόρυβο όταν χτυπήσει ο συναγερμός.

Λειτουργία Υγρασίας: 15 – 90% RH

Θερμοκρασία λειτουργίας: 0°C έως $+40^{\circ}\text{C}$

Το μονοξείδιο του άνθρακα επηρεάζει το σώμα στερώντας από κρίσιμα όργανα το οξυγόνο (προκαλώντας ασφυξία). Όταν εισπνέεται το CO προσκολλάται στην αιμοσφαιρίνη στο αίμα που συνήθως μεταφέρει οξυγόνο σε όλο το σώμα. Το CO εκτοπίζει μόνιμα την ικανότητα των μορίων οξυγόνου να προσκολλώνται στην αιμοσφαιρίνη, μειώνοντας έτσι το οξυγόνο στα ζωτικά όργανα. Το επίπεδο συγκέντρωσης και ο χρόνος έκθεσης στο CO μπορεί να μεταβάλλουν τις επιδράσεις του στο σώμα, αλλά οι ειδικοί συμφωνούν ότι ακόμη και τα χαμηλά επίπεδα έκθεσης σε μονοξείδιο του άνθρακα για παρατεταμένες περιόδους μπορεί να έχουν σοβαρές και διαρκείς επιπτώσεις στη γενική υγεία όλων.

ΠΡΟΣΟΧΗ: Ο ΣΥΝΑΓΕΡΜΟΣ CO ΕΧΕΙ ΣΧΕΔΙΑΣΤΕΙ ΓΙΑ ΝΑ ΠΡΟΣΤΑΤΕΥΕΙ ΤΑ ΑΤΟΜΑ ΑΠΟ ΤΙΣ ΟΞΕΙΕΣ ΕΠΙΠΤΩΣΕΙΣ ΤΗΣ ΕΚΘΕΣΗΣ ΣΕ ΜΟΝΟΞΕΙΔΙΟ ΤΟΥ ΑΝΘΡΑΚΑ Ή ΝΑ ΑΠΟΤΡΕΨΕΙ ΤΙΣ ΜΑΚΡΟΧΡΟΝΙΕΣ ΕΠΙΔΡΑΣΕΙΣ ΤΗΣ ΕΚΘΕΣΗΣ ΣΕ ΜΟΝΟΞΕΙΔΙΟ ΤΟΥ ΑΝΘΡΑΚΑ. ΔΕΝ ΠΡΟΣΤΑΤΕΥΕΙ ΠΛΗΡΩΣ ΤΗΝ ΑΣΦΑΛΕΙΑ ΑΤΟΜΩΝ ΣΕ ΕΙΔΙΚΕΣ ΚΑΤΑΣΤΑΣΕΙΣ ΥΓΕΙΑΣ. ΣΕ ΠΕΡΙΠΤΩΣΗ ΑΜΦΙΒΟΛΙΑΣ ΣΥΜΒΟΥΛΕΥΤΕΙΤΕ ΓΙΑΤΡΟ.

Η λειτουργία CO Monitor δεν πρέπει να χρησιμοποιείται, ούτε να υπονοείται ότι χρησιμοποιείται ως υποκατάστατο ενός EN 50291-1, UL-2034, CSA-6.19 ή οποιουδήποτε άλλου αναγνωρισμένου τυποποιημένου πιστοποιημένου συναγερμού μονοξειδίου του άνθρακα όπου οι Τοπικοί ή Περιφερειακοί Κώδικες ή νομοθεσία επιβάλλουν τη χρήση τους. Η λειτουργία CO Monitor είναι μια συμπληρωματική συσκευή παρακολούθησης μονοξειδίου του άνθρακα μόνο. Η χρήση αυτής της συσκευής εναπόκειται στη διακριτική ευχέρεια του χρήστη και συνεπάγεται την κατανόηση και αποδοχή των περιορισμών της όσον αφορά την τήρηση κανονισμών ή νομοθεσίας, όπου ισχύει.

Αυτή η συσκευή δεν πρέπει να χρησιμοποιείται ως υποκατάστατο για σωστή εγκατάσταση, χρήση και συντήρηση συσκευών καύσης καυσίμων, συμπεριλαμβανομένων κατάλληλων συστημάτων εξαερισμού και απαγωγής καυσαερίων.

Οι ειδοποιήσεις του CO monitor για κινητά και tablet απαιτούν λειτουργική σύνδεση Wi-Fi για να λειτουργήσουν. Δεν αποτελούν υποκατάστατο μιας υπηρεσίας παρακολούθησης έκτακτης ανάγκης τρίτου μέρους.

ΟΔΗΓΙΕΣ ΑΣΦΑΛΕΙΑΣ ΔΙΑΧΥΤΗ

Χρησιμοποιείτε μόνο αρωματικό έλαιο που συνιστάται ή παρέχεται από την HOOVER.

Αποφύγετε τη χρήση αυτόνομου υγραντήρα δίπλα στο Air-Purifier όταν χρησιμοποιείτε τη λειτουργία Diffuser (Διαχυτής) του H-Essence.

Σκουπίστε αμέσως τυχόν διαρροές του H-Essence. Βεβαιωθείτε ότι έχετε καθαρίσει κάθε γωνία του προϊόντος που ήρθε σε επαφή με το H-Essence.

ΟΔΗΓΙΕΣ ΑΣΦΑΛΕΙΑΣ ΥΓΡΑΝΤΗΡΑ

Καθαρίζετε τη δεξαμενή νερού κάθε 3 ημέρες.

Χρησιμοποιήστε μόνο αποσταγμένο νερό για να γεμίσετε τη δεξαμενή νερού. Μην γεμίζετε με άλλο νερό, όπως νερό βρύσης, μεταλλικό νερό, νερό ποταμού και ούτω καθεξής.

Το νερό στη δεξαμενή νερού δεν είναι κατάλληλο για πόσιμο. Μην πίνετε αυτό το νερό και μην το χρησιμοποιείτε για ζώα ή για ποτίσετε φυτά. Όταν αδειάζετε τη δεξαμενή νερού, ρίξτε το νερό στην αποχέτευση.

Μην τοποθετείτε οποιαδήποτε άλλη ουσία πέραν του απεσταγμένου νερού στο δοχείο νερού.

Μην προσθέτετε υγρά όπως αρώματα ή H-Essence στο δοχείο νερού.

Αδειάστε την δεξαμενή και το περίβλημα και ξαναγεμίστε κάθε τρεις ημέρες.

Πριν την ξαναγεμίσετε, καθαρίστε τη δεξαμενή και το περίβλημα με φρέσκο νερό βρύσης. Αφαιρέστε τυχόν άλατα, εναποθέσεις ή φιλμ που έχουν σχηματιστεί στις πλευρές της δεξαμενής ή σε εσωτερικές επιφάνειες και σκουπίστε όλες τις επιφάνειες για να στεγνώσουν.

Βγάλτε τη συσκευή από την πρίζα κατά την πλήρωση και τον καθαρισμό.

Αδειάστε και καθαρίστε τον υγραντήρα πριν από την αποθήκευση. Καθαρίστε τον υγραντήρα πριν από την επόμενη χρήση.

Μην αφήνετε ποτέ νερό στην δεξαμενή και στο περίβλημα της δεξαμενής όταν η συσκευή δεν χρησιμοποιείται.

Μην αφήνετε την περιοχή γύρω από τον υγραντήρα να βραχεί ή να υγρανθεί. Εάν προκύψει υγρασία, κλείστε την έξοδο του υγραντήρα και χρησιμοποιήστε τον υγραντήρα κατά διαστήματα. Μην αφήνετε απορροφητικά υλικά όπως χαλιά, κουρτίνες, ριχτάρια ή τα τραπεζομάντιλα να βραχούν.

Εάν πρέπει να μετακινήσετε τη συσκευή, βγάλτε πρώτα τη συσκευή από την πρίζα. Στη συνέχεια αδειάστε ή αφαιρέστε το δοχείο νερού. Μεταφέρετε τη συσκευή κάθετα από τις λαβές και στις δύο πλευρές της συσκευής.

Αποφύγετε τη χρήση αυτόνομης συσκευής η οποία αποδεσμεύει ή ψεκάζει αρωματικό έλαιο δίπλα στο Air-Purifier κατά τη χρήση της λειτουργίας του Υγραντήρα.

Να γνωρίζετε ότι τα υψηλά επίπεδα υγρασίας μπορεί να ευνοήσουν την ανάπτυξη βιολογικών οργανισμών στο περιβάλλον.

ΠΡΟΣΟΧΗ: Μικροοργανισμοί που ενδέχεται να υπάρχουν στο νερό ή στο περιβάλλον όπου χρησιμοποιείται ή αποθηκεύεται η συσκευή, μπορούν να αναπτυχθούν στη δεξαμενή νερού και να διοχετευθούν στον αέρα προκαλώντας πολύ σοβαρούς κινδύνους για την υγεία όταν το νερό δεν ανανεώνεται και η δεξαμενή δεν είναι καθαρίζεται σωστά κάθε 3 ημέρες.



Περιβάλλον

Αυτή η συσκευή φέρει σήμανση σύμφωνα με την υπ' αριθμ 2012/19/EU, οδηγία για Απόβλητα Ηλεκτρικού και Ηλεκτρονικού Εξοπλισμού (WEEE). Η σωστή απόσυρση της συσκευής συμβάλλει στην αποφυγή αρνητικών επιπτώσεων για το περιβάλλον και τον άνθρωπο που μπορεί να προκληθούν από την λανθασμένη διαχείριση στην διαδικασία απόσυρσης της συσκευής.



Το σύμβολο πάνω σε αυτή τη συσκευή υποδεικνύει ότι αυτή η συσκευή δεν μπορεί να αντιμετωπιστεί σαν κοινό οικιακό απόρριμμα. Αντίθετα, πρέπει να παραδοθεί στο πλησιέστερο κέντρο συλλογής για την ανακύκλωση ηλεκτρικού και ηλεκτρονικού εξοπλισμού. Η απόρριψη της συσκευής πρέπει να γίνει σύμφωνα με την ισχύουσα κατά τόπο νομοθεσία για την απόρριψη ηλεκτρονικών και ηλεκτρικών αποβλήτων. Για πιο λεπτομερείς πληροφορίες σχετικά με την επεξεργασία, την ανάκτηση και την ανακύκλωση αυτής της συσκευής, επικοινωνήστε με την κατά τόπους αρμόδια αρχή, την υπηρεσία αποκομιδής οικιακών απορριμμάτων ή το κατάστημα από το οποίο αγοράσατε τη συσκευή.

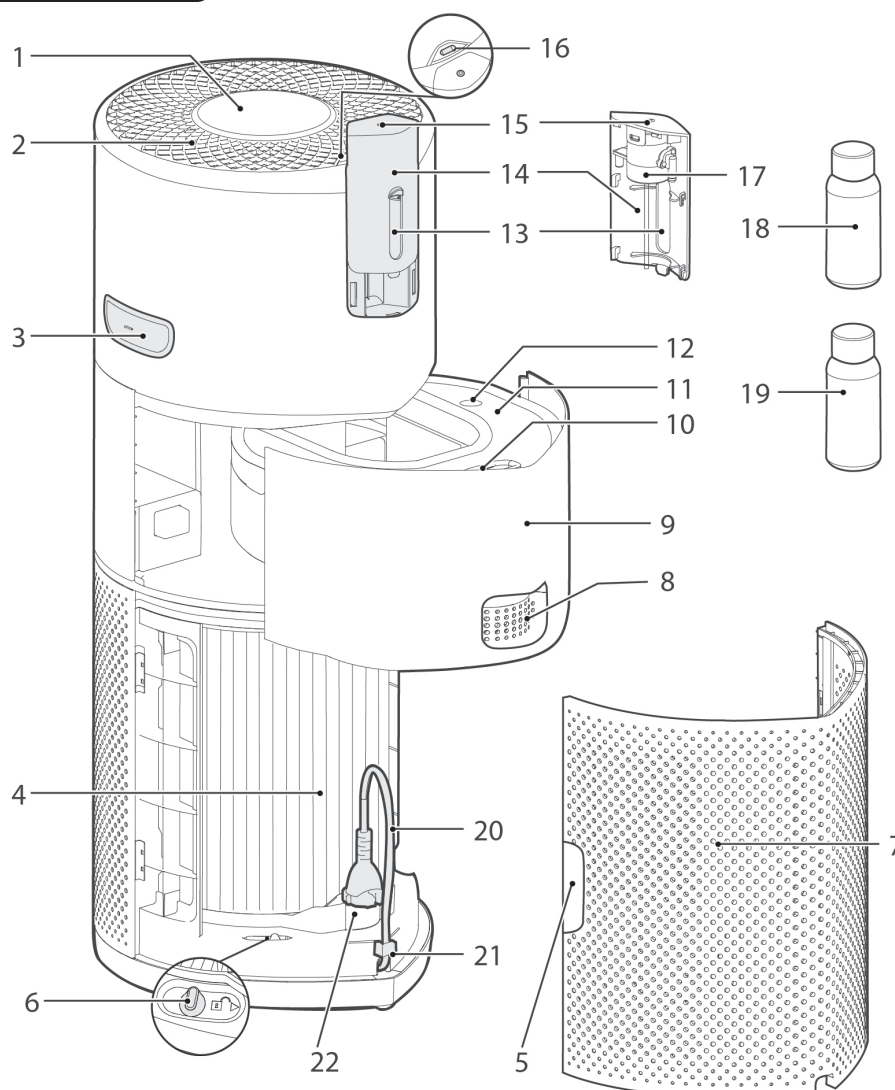
Παράμετροι ασύρματης σύνδεσης για σύζευξη

Τεχνολογία	Wi-Fi	Bluetooth
Κανονικός	IEEE 802.11 b/g/n	Bluetooth v4.2,BLE
Ζώνες συχνότητων (MHz)	2401~2483	2402~2480
Μέγιστη ισχύς (mW)	100	10
Μέγιστη ισχύς ραδιοσυχνότητας που μεταδίδεται στη ζώνη συχνότητων.	18.9 dBm	

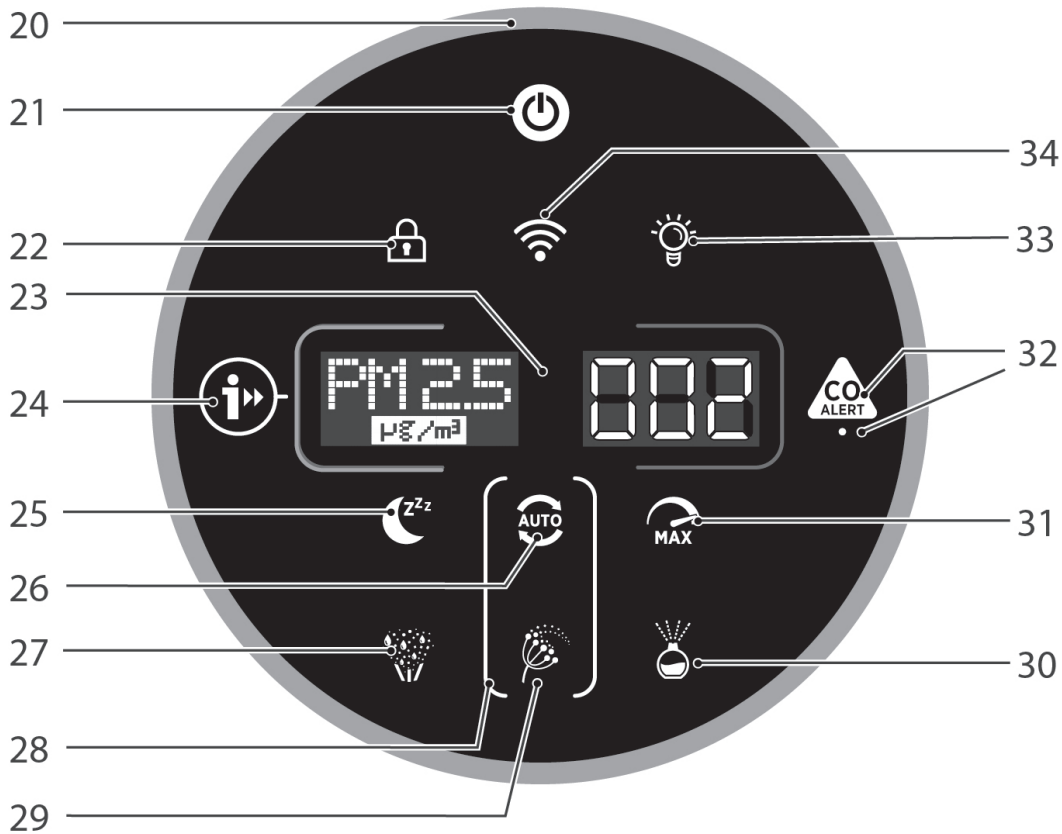
Με την παρούσα, η Candy Hoover Group Srl δηλώνει ότι ο ραδιοεξοπλισμός συμμορφώνεται με την οδηγία 2014/53/EE. Το πλήρες κείμενο της δήλωσης συμμόρφωσης ΕΕ διατίθεται στην ακόλουθη διαδικτυακή διεύθυνση: www.candy-group.com

CANDY HOOVER GROUP S.r.l. Via Privata Eden Fumagalli, 20861 Brugherio (MB) Italy

1. ΕΞΟΙΚΕΙΩΣΗ ΜΕ ΤΟ H-PURIFIER



1	Πάνελ λειτουργιών / Ενδείξεις	9	Περιβλήμα δεξαμενής υγραντήρα	17	Μονάδα διάχυσης
2	Έξοδος αέρα	10	Δεξαμενή νερού υγραντήρα	18	Φιάλη H-Essence (Πρασινό)
3	Λαβή μεταφοράς προϊόντος	11	Κάλυμμα δεξαμενής νερού υγραντήρα	19	Φιάλη H-Biotics (Καφέ)
4	Σύστημα φίλτρου	12	Εισαγωγή δεξαμενής νερού υγραντήρα	20	Καλώδιο τροφοδοσίας και φιλς
5	Λαβή καλύμματος εισόδου αέρα	13	Παράθυρο διαχύτη	21	Άγκιστρο Αποθήκευσης
6	Διακόπτης απελευθέρωσης φίλτρου	14	Κάλυμμα διαχύτη	22	Αποθήκευση καλωδίου
7	Κάλυμμα εισόδου αέρα	15	Έξοδος διαχύτη		
8	Λαβή υγραντήρα	16	Έξοδος υγραντήρα		



20	Δακτύλιος LED Ποιότητας Αέρα
21	Κουμπί τροφοδοσίας
22	Κουμπί παιδικού κλειδώματος
23	Ψηφιακή οθόνη
24	Κουμπί πληροφοριών

25	Κουμπί λειτουργίας ύπνου
26	Κουμπί αυτόματης λειτουργίας
27	Κουμπί υγραντήρα
28	Λυχνία κύκλου αλλεργίας γύρης
29	Λυχνία αλλεργίας γύρης

30	Κουμπί διαχύτη
31	Κουμπί λειτουργίας Max Mode
32	Κουμπί & LED CO Alert
33	Κουμπί ελέγχου φωτός
34	Πλήκτρο Wi-Fi

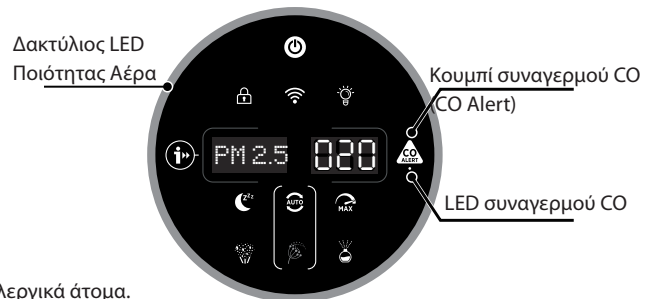
1.1 ΣΥΣΤΗΜΑ ΠΟΛΛΑΠΛΩΝ ΑΙΣΘΗΤΗΡΩΝ

Χάρη στο σύστημα πολλαπλών αισθητήρων, το προϊόν σας θα παρακολουθεί συνεχώς την κατάσταση του αέρα των εσωτερικών χώρων σε όρους PM10, PM2.5 και πτητικών οργανικών ενώσεων (GAS)

Κάθε φορά που ενεργοποιείτε το προϊόν σας, το σύστημα πολλαπλών αισθητήρων θα αρχίζει να αναλύει την ποιότητα του αέρα των εσωτερικών χώρων και ο δακτύλιος LED ποιότητας αέρα θα ανάβει με διαφορετικά χρώματα που αντιπροσωπεύουν συνθήκες ποιότητας αέρα σε πραγματικό χρόνο.

Χρώμα Δακτύλιου LED Ποιότητας Αέρα	Ποιότητα αέρα εσωτερικών χώρων	Τιμή PM 10* μg/m ³	Τιμή PM 2,5 μg/m ³	Επίπεδα VOC ΑΕΡΙΟΥ
ΠΡΑΣΙΝΟ	Εξαιρετική	0-50	0-25	L1
ΚΙΤΡΙΝΟ	Ικανοποιητική	50-80	25-50	L2
ΠΟΡΤΟΚΑΛΙ	Κακή	80-160	50-100	L3
ΚΟΚΚΙΝΟ	Πολυ κακή	≥ 160	≥ 100	L4

* Στη λειτουργία αλλεργίας γύρης, οι τιμές PM 10 που ενεργοποιούν το επίπεδο ποιότητας του αέρα θα είναι χαμηλότερες για την ελαχιστοποίηση του κινδύνου για αλλεργικά άτομα.



1.2 ΣΥΝΑΓΕΡΜΟΣ ΜΟΝΟΞΕΙΔΙΟΥ ΤΟΥ ΑΝΘΡΑΚΑ (CO)

Ο H-Purifier είναι εξοπλισμένο με σύστημα συναγερμού που παρακολουθεί συνεχώς τον αέρα του εσωτερικού χώρου για Μονοξείδιο του άνθρακα (CO). Όταν ενεργοποιηθεί ο συναγερμός μονοξειδίου του άνθρακα, ο δακτύλιος LED Ποιότητας Αέρα & Πληροφόρησης και το κουμπί CO Alert αναβοσβήνει με κόκκινο χρώμα και ακούγεται ένας ηχητικός συναγερμός. Ο συναγερμός θα παραμείνει ενεργός έως ότου η συγκέντρωση του μονοξειδίου του άνθρακα (CO) μειωθεί σε λιγότερο από 50 ppm, εκτός εάν τον σιγήσετε εσείς πατώντας το κουμπί CO Alert για 3 δευτερόλεπτα.

Η ένδειξη CO Alert δείχνει την κατάσταση λειτουργίας του **αισθητήρα CO**. Ανάβει σε πράσινο χρώμα όταν ο αισθητήρας CO βρίσκεται σε κανονική κατάσταση, σε κίτρινο χρώμα όταν ο αισθητήρας δυσλειτουργεί ή υπερβαίνει τη διάρκεια ζωής του και σε κόκκινο χρώμα όταν ενεργοποιείται η ειδοποίηση CO.

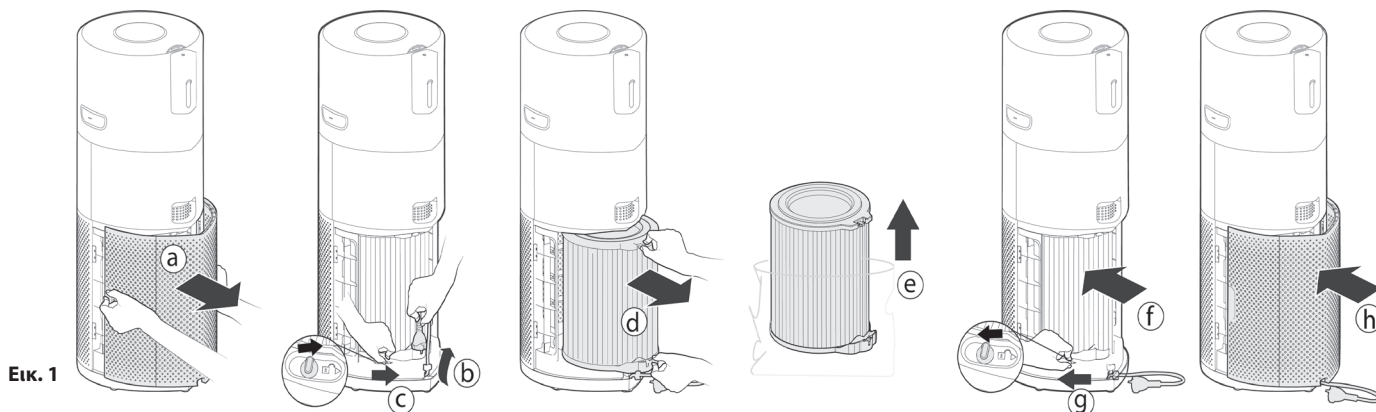
Μπορείτε να ελέγξετε εάν ο συναγερμός λειτουργεί σωστά πατώντας το κουμπί ειδοποίησης CO για 3 δευτερόλεπτα, ένας δυνατός ήχος βομβητή θα ακουστεί για 5 δευτερόλεπτα εάν ο συναγερμός λειτουργεί σωστά.

2. ΠΡΟΕΤΟΙΜΑΣΙΑ ΤΟΥ Η-PURIFIER

2.1 ΕΓΚΑΤΑΣΤΗΣΤΕ ΤΟ ΦΙΛΤΡΟ [Εικ. 1]

Πριν χρησιμοποιήσετε το προϊόν Η-Purifier, θα πρέπει να αφαιρέσετε το φίλτρο από την προστατευτική του συσκευασία:

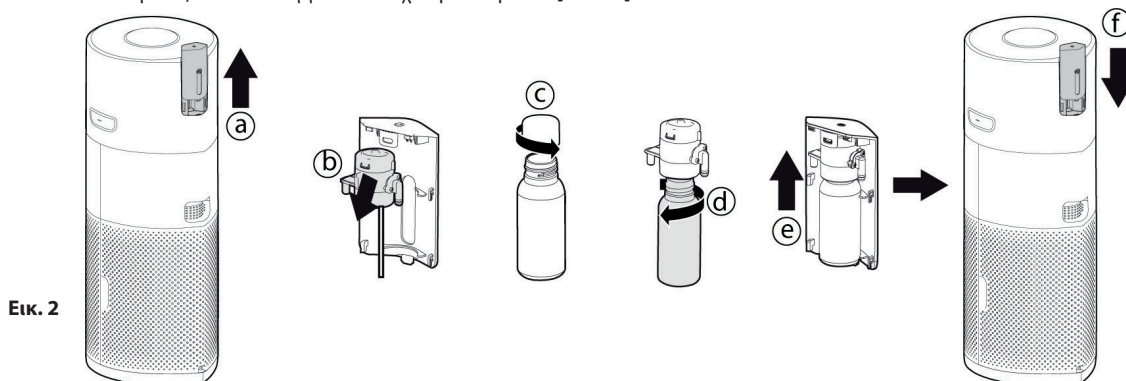
- Αφαιρέστε το κάλυμμα εισόδου αέρα από το προϊόν σας, πιάστε τις δύο λαβές του καλύμματος εισόδου αέρα και τραβήξτε το από το προϊόν. [Εικ. 1a]
- Αφαιρέστε το φιν από τη θέση μεταφοράς και αποδεσμεύστε το καλώδιο από το άγκιστρο αποθήκευσης. [Εικ. 1b]
- Απασφαλίστε τον διακόπτη απελευθέρωσης του φίλτρου. [Εικ. 1c]
- Βγάλτε το φίλτρο από το προϊόν σας και αφαιρέστε την εξωτερική συσκευασία. [Εικ. 1d,e]
- Τοποθετήστε ξανά το φίλτρο στο προϊόν σας. [Εικ. 1f]
- Ασφαλίστε τον διακόπτη απελευθέρωσης φίλτρου. [Εικ. 1g]
- Τοποθετήστε ξανά το κάλυμμα εισόδου αέρα στο προϊόν σας. [Εικ. 1h]



2.2 ΕΓΚΑΤΑΣΤΗΣΤΕ ΤΗΝ ΦΙΑΛΗ ΤΟΥ ΔΙΑΧΥΤΗ [Εικ. 2]

Για να προετοιμάσετε το προϊόν Η-Purifier για τη λειτουργία Διάχυσης:

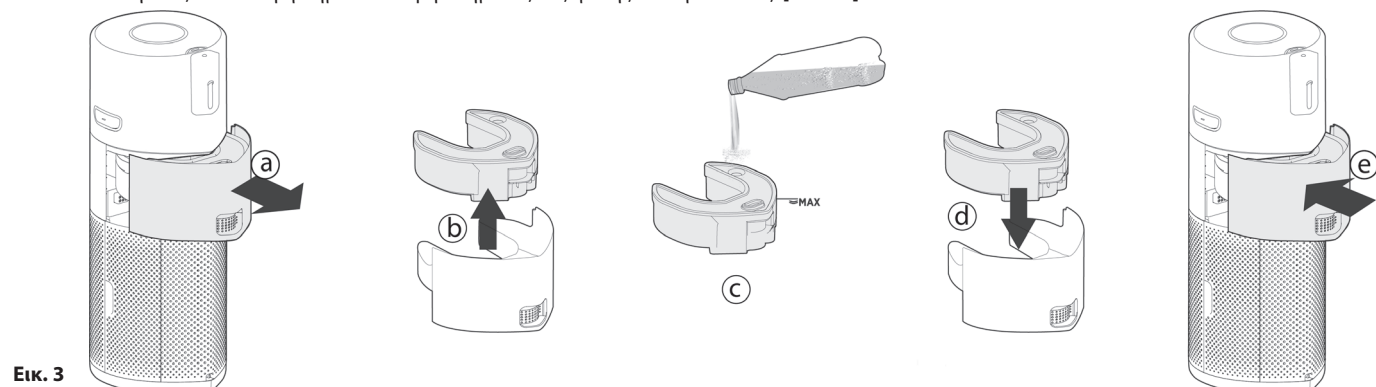
- Αφαιρέστε το κάλυμμα του διαχύτη από το προϊόν. [Εικ. 2a]
- Αφαιρέστε τη μονάδα διαχύτη από το κάλυμμα του διαχύτη. [Εικ. 2b]
- Αφαιρέστε την φιάλη Η-Essence ή Η-Biotics από τη συσκευασία και βγάλτε το καπάκι. [Εικ. 2c]
- Κρατήστε το καπάκι για μελλοντική αποθήκευση.
- Βιδώστε καλά τη φιάλη στην μονάδα Διάχυσης. [Εικ. 2d]
- Τοποθετήστε ξανά την μονάδα διάχυσης στο κάλυμμα του διαχύτη. [Εικ. 2e]
- Τοποθετήστε ξανά το κάλυμμα του διαχύτη στο προϊόν. [Εικ. 2f]



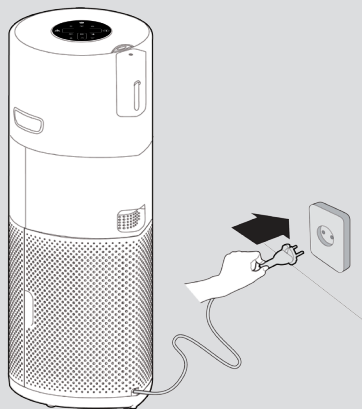
2.3 ΠΡΟΕΤΟΙΜΑΣΤΕ ΤΟΝ ΥΓΡΑΝΤΗΡΑ [Εικ. 3]

Για να προετοιμάσετε το προϊόν Η-Purifier για τη λειτουργία Υγραντήρα:

- Αφαιρέστε το Περίβλημα Δεξαμενής από το προϊόν. [Εικ. 3a]
- Αφαιρέστε το Συγκρότημα Δεξαμενής από το Περίβλημα Δεξαμενής. [Εικ. 3b]
- Πριν από την πρώτη χρήση, καθαρίστε όλα τα μέρη με ένα στεγνό μαλακό πανί.
- Γεμίστε τη δεξαμενή μέσω της εισόδου δεξαμενής νερού με αποσταγμένο νερό μέχρι να φτάσει στη γραμμή MAX που υποδεικνύεται στη δεξαμενή. [Εικ. 3c]
- Επανατοποθετήστε το συγκρότημα δεξαμενής στο περίβλημα του συγκροτήματος δεξαμενής. [Εικ. 3d]
- Τοποθετήστε ξανά το περίβλημα του συγκροτήματος δεξαμενής στο προϊόν σας. [Εικ. 3e]



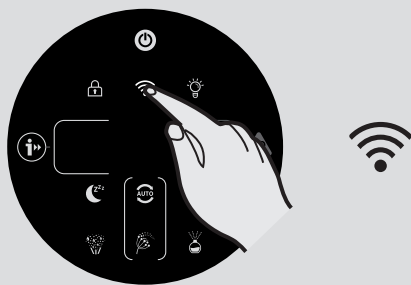
Εικ. 3



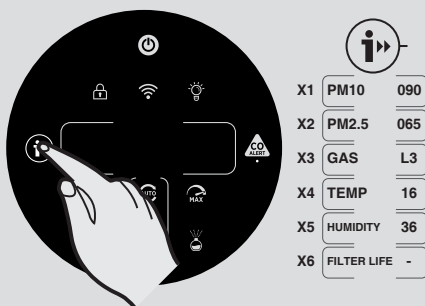
Εικ. 4



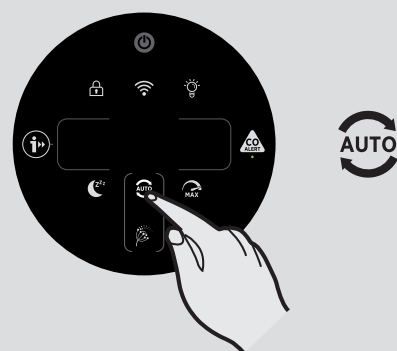
Εικ. 5



Εικ. 6



Εικ. 7



Εικ. 8

3. ΧΡΗΣΙΜΟΠΟΙΗΣΤΕ ΤΟΝ Η-PURIFIER ΣΑΣ

3.1 ΑΝΑΨΤΕ ΤΟ ΠΡΟΪΟΝ [Εικ. 4]:

Τραβήξτε το καλώδιο τροφοδοσίας από τον κύλινδρο καλωδίου και συνδέστε το σε μια πρίζα. Αναμμένες ενδείξεις στον Πίνακα Ελέγχου / Η οθόνη θα ανάψει πλήρως για περίπου 1 δευτερόλεπτο υποδεικνύοντας την επιτυχημένη σύνδεση. Το κουμπί ΤΡΟΦΟΔΟΣΙΑΣ θα ανάψει ελαφρώς και το LED συναγερμού CO θα ανάψει υποδεικνύοντας ότι ο ειδικός αισθητήρας έχει αρχίσει να λειτουργεί για την παρακολούθηση του επιπέδου μονοξειδίου του άνθρακα του εσωτερικού χώρου.

Για να ενεργοποιήσετε το προϊόν σας, πατήστε το κουμπί ΤΡΟΦΟΔΟΣΙΑΣ στην οθόνη. Ο δακτύλιος LED Ποιότητας Αέρα θα ανάψει διαδοχικά σε όλα τα χρώματα, ενώ οι αισθητήρες αναλύουν την κατάσταση του αέρα σε πραγματικό χρόνο. Μετά από λίγα δευτερόλεπτα, ο δακτύλιος LED Ποιότητας Αέρα θα επιλέξει το κατάλληλο χρώμα για την ποιότητα του αέρα εκείνη τη στιγμή.

Το προϊόν Η-Purifier θα μπει αμέσως σε λειτουργία AUTO MODE και θα αρχίσει να καθαρίζει τον εσωτερικό αέρα. Το κουμπί AUTO MODE (Αυτόματος Τρόπος λειτουργίας), το κουμπί INFORMATION (Πληροφορίες), το κουμπί LIGHT CONTROL (Έλεγχος φωτός) και οι πληροφορίες PM10 στην οθόνη θα ανάψουν.

3.2 ΣΥΝΔΕΣΤΕ ΤΟΝ Η-PURIFIER:

Για να αποκτήσετε πρόσβαση σε όλες τις λειτουργίες του Η-Purifier από οπουδήποτε, προτείνεται να κάνετε λήψη της εφαρμογής hOn. Θα μπορείτε να ελέγχετε το προϊόν σας με τον πιο αποτελεσματικό τρόπο.

Οδηγίες:

1. Πραγματοποιήστε λήψη της εφαρμογής hOn από το Apple App Store, το Google Play στο Huawei App Gallery. Μπορείτε επίσης να την κατεβάσετε σαρώνοντας τον κωδικό QR στην [Εικ. 5]
2. Ανοίξτε την εφαρμογή, δημιουργήστε έναν λογαριασμό με το e-mail και τον κωδικό πρόσβασής σας.
3. Επιβεβαιώστε και συνδεθείτε στην εφαρμογή hOn.
4. Βεβαιωθείτε ότι η κινητή συσκευή σας είναι συνδεδεμένη σε Wi-Fi.
5. Βεβαιωθείτε ότι ο Η-Purifier είναι ενεργοποιημένος. Πατήστε και κρατήστε πατημένο το κουμπί Wi-Fi στην οθόνη για 5 δευτερόλεπτα, θα ακούγεται μια ηχητική ένδειξη και το κουμπί Wi-Fi θα αρχίσει να αναβοσβήνει υποδεικνύοντας ότι περιμένει μια σύνδεση. [Εικ. 6]
6. Ακολουθήστε τις οδηγίες της εφαρμογής για να συνδέσετε την κινητή συσκευή σας στο προϊόν σας.
7. Όταν επιτευχθεί η σύζευξη, το κουμπί Wi-Fi στο προϊόν θα παραμείνει φωτισμένο.
8. Για να επαναφέρετε το Wi-Fi, πατήστε παρατεταμένα το κουμπί Wi-Fi για 5 δευτερόλεπτα.

Το Η-Purifier συνεργάζεται επίσης με το Hey Google και το Amazon Alexa.

3.3 ΑΝΑΚΑΛΥΨΤΕ ΟΛΕΣ ΤΙΣ ΛΕΙΤΟΥΡΓΙΕΣ

Λειτουργία ΠΛΗΡΟΦΟΡΙΩΝ [Fig.7]:

Υπάρχουν 6 διαφορετικά σύνολα δεδομένων διαθέσιμα για παρακολούθηση: PM10, PM2.5, GAS, Θερμοκρασία, Υγρασία και Κατάσταση φίλτρου.

Για την παρακολούθηση κάθε τιμής απλώς πατήστε διαδοχικά το κουμπί ΠΛΗΡΟΦΟΡΙΩΝ.

Από προεπιλογή, στην οθόνη θα εμφανίζονται τα δεδομένα PM10, το μηχάνημα θα θυμάται την τελευταία επιλογή του χρήστη και θα διατηρήσει αυτήν την επιλογή την επόμενη φορά που θα ενεργοποιηθεί το προϊόν. Τα δεδομένα GAS θα δείξουν έναν περιστρεφόμενο δρομέα κατά τα 3 πρώτα λεπτά από την ενεργοποίηση του προϊόντος ενώ ο αισθητήρας GAS εκτελεί κύκλο βαθμονόμησης.

Περισσότερες πληροφορίες σχετικά με PM 2.5, PM 10 και GAS:

Το PM υποδεικνύει λεπτά σωματίδια (αόρατα στο ανθρώπινο μάτι) που προέρχονται κυρίως από εξωτερική ρύπανση, όπως οχήματα και βιομηχανικές εκπομπές και ενδέχεται να είναι επικίνδυνα για την υγεία μας, σε περίπτωση παρατεταμένης έκθεσης. Τα PM 10 έχουν μέγεθος έως 10 μm και μπορούν να διεισδύσουν στην άνω αναπνευστική οδό (μύτη, τραχεία, φάρυγγα). Τα PM 2.5 έχουν μέγεθος έως 2,5 μm και δεδομένης της μικρής τους διάστασης, μπορούν να φτάσουν στους πνεύμονές μας, διεισδύοντας έτσι βαθύτερα στο σώμα μας. Τα GAS VOC (πηητικές οργανικές ενώσεις) είναι πηητικές χημικές ενώσεις οι οποίες έχουν την ικανότητα να εξατμίζονται εύκολα στον αέρα σε θερμοκρασία δωματίου. Αποσμητικά, απορρυπαντικά, κόλλες, συγκολλητικές ουσίες, καλλυντικά και η φορμαλδεΐδη είναι μόνο μερικά από τα VOC που ενδέχεται να υπάρχουν μέσα στα σπίτια μας, ωστόσο είναι δυνητικά επιβλαβή για την υγεία μας σε περίπτωση παρατεταμένης έκθεσης.

Λειτουργίες (MODE):

Υπάρχουν 3 διαθέσιμοι τρόποι καθαρισμού του αέρα: Αυτόματη λειτουργία (ΑΥΤΟΜΑΤΗ ΛΕΙΤΟΥΡΓΙΑ (AUTO MODE)), Λειτουργία στο Μέγιστο (MAX MODE) & Λειτουργία Ύπνου (ΛΕΙΤΟΥΡΓΙΑ ΥΠΝΟΥ (SLEEP MODE)). Η αυτόματη λειτουργία είναι η προεπιλεγμένη ρύθμιση για το προϊόν σας όταν ενεργοποιείται, όλες οι λειτουργίες μπορούν να επιλεγούν με μη αυτόματο τρόπο πατώντας το σχετικό κουμπί στην οθόνη. Η λειτουργία Αλλεργία σε Ύψη (POLLEN ALLERGY) μπορεί επίσης να ενεργοποιηθεί μέσω της εφαρμογής hOn.

ΑΥΤΟΜΑΤΗ ΛΕΙΤΟΥΡΓΙΑ (AUTO MODE) [Εικ. 8]:

Αυτή είναι η προεπιλεγμένη λειτουργία του προϊόντος Η-Purifier κατά την πρώτη ενεργοποίησή του. Στην αυτόματη λειτουργία, το Η-Purifier προσαρμόζει αυτόματα την ταχύτητα του ανεμιστήρα του στο πραγματικό επίπεδο ποιότητας του εσωτερικού αέρα, ώστε να εγγυάται πάντα βέλτιστο καθαρισμό του αέρα. Αυτή είναι η συνιστώμενη ρύθμιση για το προϊόν σας. Στην αυτόματη λειτουργία (AUTO), μετά από 30 λεπτά εξαιρετικής ποιότητας αέρα, το προϊόν σας θα μπει σε λειτουργία ECO (λειτουργία αναμονής) με παύση της λειτουργίας καθαρισμού (ανεμιστήρας), το σύστημα πολλαπλών αισθητήρων θα συνεχίσει να αναλύει τον εσωτερικό αέρα και θα ενεργοποιεί αυτόματα λειτουργία καθαρισμού όταν απαιτείται.

ΛΕΙΤΟΥΡΓΙΑ ΣΤΟ ΜΕΓΙΣΤΟ ΕΠΙΠΕΔΟ, MAX MODE [Εικ. 9]:

Πατήστε το κουμπί λειτουργίας ΣΤΟ ΜΕΓΙΣΤΟ ΕΠΙΠΕΔΟ (MAX MODE) στην οθόνη για να ενεργοποιήσετε τον καθαρισμό αέρα στη ρύθμιση μέγιστης ισχύος. Για έξοδο από τη λειτουργία ΣΤΟ ΜΕΓΙΣΤΟ ΕΠΙΠΕΔΟ απλώς επιλέξτε τη λειτουργία AUTO ή SLEEP.

ΛΕΙΤΟΥΡΓΙΑ ΥΠΝΟΥ (SLEEP MODE) [Εικ. 10]:

Πατήστε το κουμπί λειτουργίας ΥΠΝΟΥ (SLEEP MODE) για να ενεργοποιήσετε τον καθαρισμό του αέρα στην αθόρυβη χαμηλότερη ρύθμιση ισχύος. Το κουμπί λειτουργίας ΥΠΝΟΥ θα ανάψει αχνά και όλα τα άλλα φώτα της οθόνης θα σβήσουν. Αυτό μπορεί να τροποποιηθεί πατώντας το κουμπί LIGHT CONTROL (Έλεγχος φωτός).

ΛΕΙΤΟΥΡΓΙΑ ΑΛΛΕΡΓΙΑΣ ΣΕ ΓΥΡΗ (POLLEN ALLERGY MODE): [Εικ. 11]

Η λειτουργία ΑΛΛΕΡΓΙΑΣ ΣΕ ΓΥΡΗ μπορεί επίσης να ενεργοποιηθεί μέσω της εφαρμογής hOn. Θα πρέπει πρώτα να ενεργοποιήσετε και να καταχωρήσετε ένα προφίλ στην εφαρμογή, προκειμένου να δημιουργήσετε το προφίλ σας Αλλεργίας σε γύρη (Pollen Allergy).

Η λειτουργία Αλλεργίας σε γύρη (Pollen Allergy) λειτουργεί μόνο όταν έχει επιλεγεί η ΑΥΤΟΜΑΤΗ ΛΕΙΤΟΥΡΓΙΑ (AUTO MODE). [Εικ. 11c]

Στη λειτουργία Αλλεργίας σε γύρη (Pollen Allergy), η συσκευή λαμβάνει συνεχώς δεδομένα σε πραγματικό χρόνο από την εφαρμογή σχετικά με την παρακολούθηση της συγκέντρωσης γύρης σε εξωτερικούς χώρους και λειτουργεί αυτόματα για τη μεγιστοποίηση της απόδοσης δέσμησης γύρης.

Μετά τη δέσμηση της γύρης, αυτή απενεργοποιείται για βοήθεια στην ανακούφιση των αλλεργικών συμπτωμάτων.

Όταν η λειτουργία Αλλεργίας σε γύρη (Pollen Allergy) ενεργοποιείται στην εφαρμογή, υπάρχουν 2 πιθανές λυχνίες ειδοποίησης στην οθόνη του προϊόντος:

- Η λυχνία αλλεργίας γύρης (Pollen Allergy) είναι ΛΕΥΚΗ [Εικ. 11a]: Η συσκευή και η εφαρμογή παρακολουθούν την παρουσία γύρης σε εξωτερικούς χώρους και δεν υπάρχει κίνδυνος.

- Η λυχνία αλλεργίας σε γύρη (Pollen Allergy) γίνεται ΚΙΤΡΙΝΗ και η λυχνία Κύκλου Αλλεργίας Γύρης (Pollen Allergy Circle) είναι ΛΕΥΚΗ [Εικ. 11b]: Η συσκευή και η εφαρμογή εντόπισαν κίνδυνο.

Εάν το προϊόν τεθεί με μη αυτόματο τρόπο σε λειτουργία SLEEP ή MAX ενώ είναι ενεργοποιημένη η λειτουργία Pollen Allergy, η λειτουργία Pollen Allergy θα σταματήσει.

Λειτουργία ΕΛΕΓΧΟΥ ΦΩΤΙΣΜΟΥ: [Εικ. 12]

Υπάρχουν 3 διαθέσιμες ρυθμίσεις για τον φωτισμό της οθόνης, On, Dim & Off

Για να ρυθμίσετε τη φωτεινότητα της οθόνης, απλώς πατήστε το κουμπί LIGHT CONTROL (Έλεγχος φωτός) στην οθόνη για να περιηγηθείτε στις 3 διαθέσιμες επιλογές. Το ON είναι η προεπιλεγμένη ρύθμιση.

Εάν επιλέξετε OFF, οποιοδήποτε άλλο κουμπί θα πρέπει να πατηθεί δύο φορές για ενεργοποίηση, μετά από ένα πάτημα, τα φώτα θα ανάψουν ΑΧΝΑ, στο δεύτερο πάτημα η λειτουργία θα ενεργοποιηθεί.

Λειτουργία Παιδικού Κλειδώματος (CHILD LOCK): [Εικ. 13]

Πατήστε και κρατήστε πατημένο το κουμπί CHILD LOCK για 3 δευτερόλεπτα για ενεργοποίηση, ακούγεται μια ηχητική ειδοποίηση όταν ενεργοποιηθεί και το κουμπί CHILD LOCK θα παραμείνει αναμμένο. Δεν θα λειτουργούν τα άλλα κουμπιά όταν είναι ενεργοποιημένα.

Για έξοδο, απλώς πατήστε και κρατήστε πατημένο το κουμπί CHILD LOCK για 3 δευτερόλεπτα, ακούγεται μια ηχητική ειδοποίηση επιβεβαιώνοντας ότι απενεργοποιήθηκε και το κουμπί δεν θα ανάβει πλέον.

Λειτουργία ΔΙΑΧΥΤΗ (DIFFUSER): [Εικ. 14]

Ο διαχύτης διασκορπίζει στον αέρα του δωματίου H-Essence ή H-Biotics. Το H-Essence είναι η συλλογή αιθέριων ελαίων Hoover για απελευθέρωση στον αέρα απολαυστικών αρωμάτων.

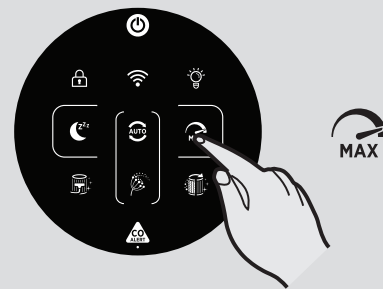
Το H-Biotics είναι ένα φυσικό μείγμα που βασίζεται σε προβιοτικά που διατηρεί το δωμάτιο βιο-εξυγιασμένο αναστέλλοντας την ανάπτυξη μικροοργανισμών όπως βακτήρια ή μικρόβια.

Υπάρχουν 4 διαφορετικές ρυθμίσεις για τη λειτουργία του ΔΙΑΧΥΤΗ, ΗΠΙΑ - ΗΠΙΑ (SOFT), ΜΕΣΑΙΑ - MEDIUM, ΠΡΟΣΑΡΜΟΣΜΕΝΗ - ΕΞΑΤΟΜΙΚΕΥΜΕΝΟ (CUSTOM) & Η-BIOTICS. Για να ενεργοποιήσετε αυτήν τη λειτουργία, απλώς πατήστε το κουμπί Διαχύτη στην οθόνη, η προεπιλεγμένη ρύθμιση για αυτήν τη λειτουργία είναι SOFT, για να επιλέξετε οποιαδήποτε από τις άλλες ρυθμίσεις απλά πατήστε διαδοχικά το κουμπί για να αλλάξετε στην επιθυμητή επιλογή. Το κουμπί θα ανάψει λευκό όταν ενεργοποιηθεί.

Συνιστάται η χρήση των ρυθμίσεων ΗΠΙΑ (SOFT) & MEDIUM για το H-Essence.

Η ρύθμιση CUSTOM μπορεί να δημιουργηθεί μόνο στην εφαρμογή hOn.

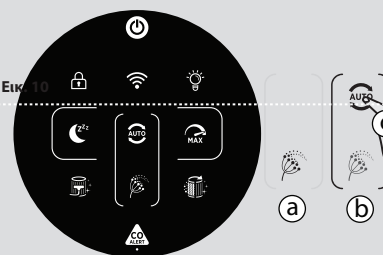
Όταν χρησιμοποιείτε το H-Biotics, η ρύθμιση ΠΡΕΠΕΙ να οριστεί σε H-Biotics. Αφού ο χρήστης ενεργοποιήσει το H-Biotics με την ΕΦΑΡΜΟΓΗ, αυτό θα δώσει μια ειδοποίηση για την "ΕΝΕΡΓΟΠΟΙΗΣΗ Η-BIOTICS" μετά από 120 ώρες για να εξασφαλίσει τη χρήση των H-biotics κάθε 5 ημέρες.



Εικ. 9



Εικ. 10



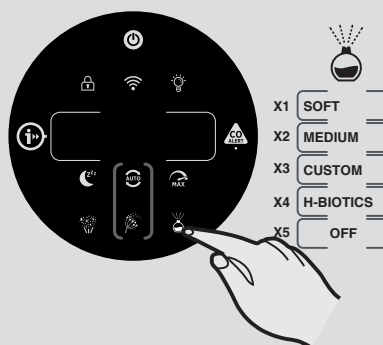
Εικ. 11



Εικ. 13



Εικ. 14



Εικ. 14

Όταν χρησιμοποιείτε το H-Essence σε ορισμένες ρυθμίσεις ή περιβάλλον δωματίου, το επίπεδο GAS VOC ενδέχεται να αλλάξει λόγω της ανίχνευσης των αρωμάτων.

Η λειτουργία διαχύτη είναι ενεργή μόνο όταν ο δακτύλιος LED ποιότητας αέρα είναι σε πράσινο χρώμα, θα σταματήσει όταν ο δακτύλιος LED δεν είναι πράσινος και θα συνεχίσει να λειτουργεί όταν επανέλθει στο πράσινο.

Ο διαχύτης μπορεί να χρησιμοποιηθεί μόνο στις λειτουργίες AUTO & MAX και δεν μπορεί να χρησιμοποιηθεί σε λειτουργία SLEEP.

Κατά την ενεργοποίηση της λειτουργίας Διαχύτη (Diffuser) στην Αυτόματη λειτουργία (AUTO), ο κύριος ανεμιστήρας θα λειτουργεί με συγκεκριμένη ταχύτητα για να βοηθήσει στη μετάδοση του H-Essence ή του H-Biotics στο δωμάτιο.

Ρύθμιση	Χρόνος διάχυσης	Μέγιστη διάρκεια κύκλου
ΗΠΙΑ (SOFT)	για 10 δευτερόλεπτα κάθε 5 λεπτά	6 ώρες
ΜΕΣΑΙΑ (MEDIUM)	για 90 δευτερόλεπτα κάθε 3,5 λεπτά	6 ώρες
ΕΞΑΤΟΜΙΚΕΥΜΕΝΟ (CUSTOM)	Ορισμένο από τον χρήστη	6 ώρες
H-BIOTICS	για 2 λεπτά κάθε 4 λεπτά	6 ώρες

Για να απενεργοποιήσετε τη λειτουργία, πατήστε το κουμπί του διαχύτη μέχρι να εμφανιστεί η ένδειξη OFF στην οθόνη.

Μετά από κάθε χρήση της λειτουργίας διαχύτη, χρησιμοποιήστε ένα στεγνό μαλακό πανί για να καθαρίσετε τυχόν υπολείμματα από τις επιφάνειες του προϊόντος.

Για να αλλάξετε τη φιάλη στη μονάδα διαχύτη, ανατρέξτε στην ενότητα Συντήρηση του H-Purifier.

Λειτουργία ΥΓΡΑΝΤΗΡΑ: [Εικ. 15]

Υπάρχουν 3 διαφορετικές ρυθμίσεις για τη λειτουργία υγραντήρα, ΕΛΑΧΙΣΤΗ (ΕΛΑΧΙΣΤΗ (MIN)), ΜΕΣΑΙΑ (ΜΕΣΑΙΑ (MED)) & ΜΕΓΙΣΤΗ (MAX). Για να ενεργοποιήσετε αυτήν τη λειτουργία απλώς πατήστε το κουμπί υγραντήρα στην οθόνη, η προεπιλεγμένη ρύθμιση για αυτήν τη λειτουργία είναι η ΕΛΑΧΙΣΤΗ (MIN). Για να επιλέξετε οποιαδήποτε από τις άλλες ρυθμίσεις απλά πατήστε διαδοχικά το κουμπί για να περάσετε στην επιθυμητή επιλογή. Το κουμπί θα ανάψει λευκό όταν ενεργοποιηθεί.

ΕΛΑΧΙΣΤΗ (MIN) - Προεπιλεγμένος στόχος υγρασίας 40%

ΜΕΣΑΙΑ (MED) - Προεπιλεγμένος στόχος υγρασίας 55%

ΜΕΓΙΣΤΗ (MAX) - Προεπιλεγμένος στόχος υγρασίας 70%

Και τα 3 επίπεδα στόχου μπορούν να προσαρμοστούν στην εφαρμογή hOη εντός εύρους 30-80% του Στόχου Υγρασίας.

Για να απενεργοποιήσετε τη λειτουργία του διαχύτη, πατήστε το κουμπί του διαχύτη μέχρι να εμφανιστεί η ένδειξη OFF στην οθόνη.

Εάν το επίπεδο υγρασίας σε πραγματικό χρόνο είναι ίσο ή υψηλότερο από αυτό που έχει επιλεγεί, θα εμφανιστεί ένα μήνυμα στην οθόνη που δείχνει "ΕΠΙΤΕΥΞΗ ΥΓΡΑΣΙΑΣ". Η λυχνία υγραντήρα θα παραμείνει αναμμένη.

Το προϊόν θα μπει αυτόματα στη λειτουργία υγραντήρα όταν η υγρασία σε πραγματικό χρόνο πέσει κάτω από το επιλεγμένο επίπεδο στόχου.

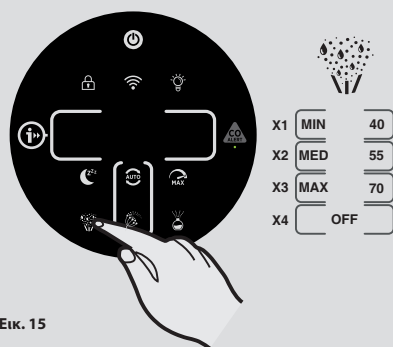
Η λειτουργία Υγραντήρα (Humidifier) μπορεί να χρησιμοποιηθεί μόνο στις λειτουργίες Ύπνος & Αυτόματη (SLEEP & AUTO) και δεν μπορεί να χρησιμοποιηθεί στη λειτουργία Μέγιστο (MAX).

ΕΙΔΟΠΟΙΗΣΗ ΑΝΑΠΛΗΡΩΣΗΣ:

Όταν η στάθμη του νερού είναι χαμηλότερη από την ελάχιστη στάθμη, η οθόνη θα εμφανίσει τη συμβουλή ΑΝΑΠΛΗΡΩΣΗ ΝΕΡΟΥ και θα αναβοσβήνει. Για οδηγίες ανατρέξτε στην ενότητα Συντήρηση του Purifier.

Σημαντική σημείωση:

- **Όταν το προϊόν λειτουργεί σε λειτουργία Διαχύτη:** Εάν επιλεγεί η λειτουργία υγραντήρα χωρίς απενεργοποίηση της λειτουργίας διαχύτη, το προϊόν θα σταματήσει αυτόματα τη λειτουργία διαχύτη και θα μπει στη λειτουργία υγραντήρα.
- **Όταν το προϊόν λειτουργεί σε λειτουργία Υγραντήρα:** Εάν έχει επιλεγεί η λειτουργία Διαχύτη χωρίς να απενεργοποιηθεί η λειτουργία Υγραντήρα, το προϊόν θα σταματήσει αυτόματα τη λειτουργία υγραντήρα και θα μπει στη λειτουργία Διαχύτη.



Εικ. 15

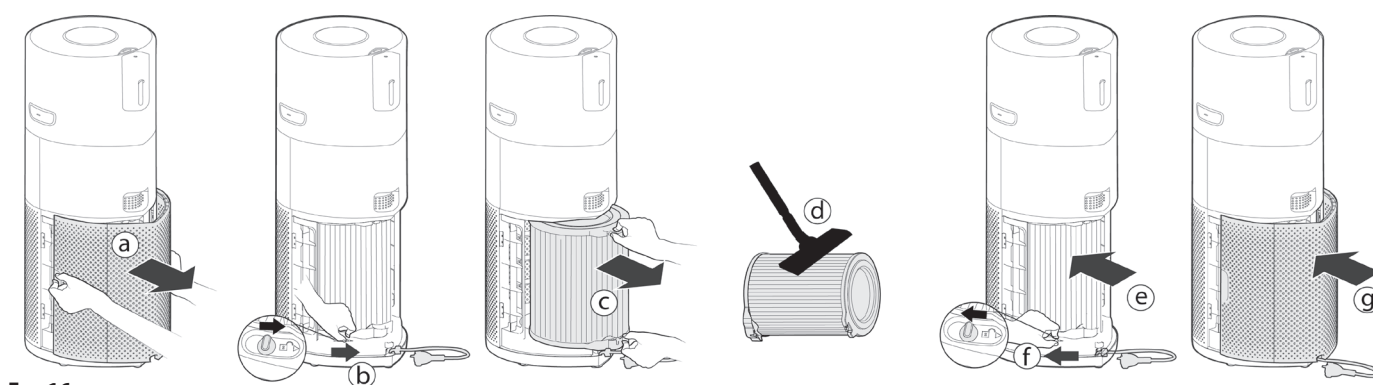
4. ΣΥΝΤΗΡΗΣΗ ΤΟΥ Η-PURIFIER ΣΑΣ

4.1 ΣΥΝΤΗΡΗΣΗ ΦΙΛΤΡΟΥ

Το Η-Purifier θα παρακολουθεί την κατάσταση του φίλτρου σας. Στην αριστερή πλευρά της οθόνης θα εμφανιστεί μια ειδοποίηση **ΚΑΘΑΡΙΣΜΟΥ ΦΙΛΤΡΟΥ** ή **ΑΝΤΙΚΑΤΑΣΤΑΣΗΣ ΦΙΛΤΡΟΥ** και μια αναλαμπή που υποδεικνύει ότι απαιτείται ενέργεια για τον καθαρισμό ή την αλλαγή του φίλτρου.

Καθαρισμός/αντικατάσταση του φίλτρου: [Εικ. 16]

- Αφαιρέστε το κάλυμμα εισόδου αέρα από το προϊόν σας. [Εικ. 16a]
- Απασφαλίστε τον διακόπτη απελευθέρωσης του φίλτρου. [Εικ. 16b]
- Αφαιρέστε το φίλτρο από το προϊόν σας. [Εικ. 16c]
- Χρησιμοποιήστε μια ηλεκτρική σκούπα για να καθαρίσετε το εξωτερικό στρώμα του φίλτρου ή αντικαταστήστε με NEO φίλτρο. [Εικ. 16d]
- Τοποθετήστε ξανά το φίλτρο στο προϊόν σας. [Εικ. 16e]
- Ασφαλίστε τον διακόπτη απελευθέρωσης φίλτρου. [Εικ. 16f]
- Τοποθετήστε ξανά το κάλυμμα εισόδου αέρα στο προϊόν σας. [Εικ. 16g]
- Βάλτε τη συσκευή σας στην πρίζα και ενεργοποιήστε την.
- Πατήστε το κουμπί ΠΛΗΡΟΦΟΡΙΕΣ για να επαναφέρετε την ειδοποίηση Καθαρισμός/Αντικατάσταση κρατώντας πατημένο το κουμπί για 3 δευτερόλεπτα, θα ακουστεί μια ηχητική ειδοποίηση για να δείξει την επιτυχημένη επαναφορά. [Εικ. 7]



Εικ. 16

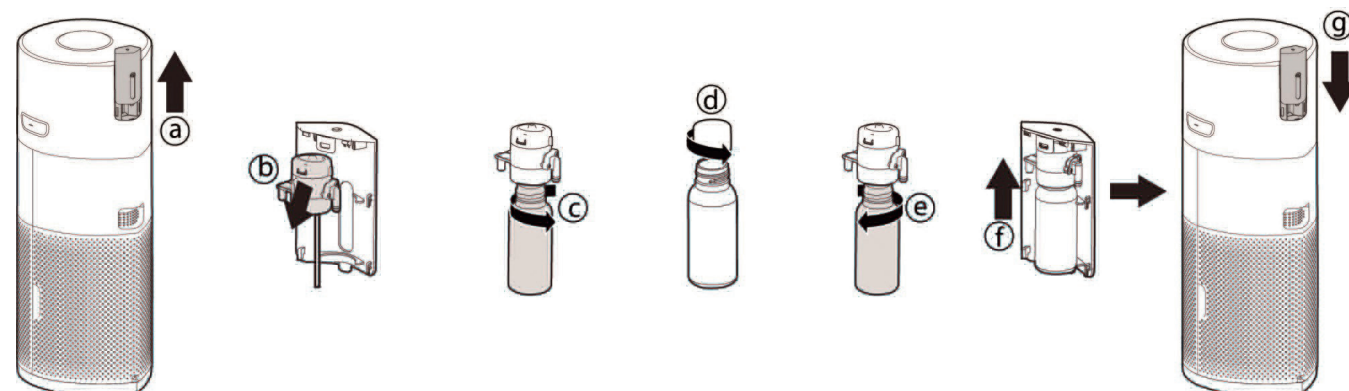
4.2 ΣΥΝΤΗΡΗΣΗ ΔΙΑΧΥΤΗ

Μετά από κάθε χρήση της λειτουργίας διαχύτη, χρησιμοποιήστε ένα στεγνό μαλακό πανί για να καθαρίσετε τυχόν υπολείμματα από τις επιφάνειες του προϊόντος.

Αντικατάσταση φιάλης διαχύτη: [Εικ. 17]

Ο όγκος του υγρού που απομένει στη φιάλη μπορεί να ελεγχθεί μέσω του παραθύρου Διαχύτη, όταν απαιτείται η αντικατάσταση της φιάλης.

- Αφαιρέστε το κάλυμμα του διαχύτη από το προϊόν. [Εικ. 17a]
- Αφαιρέστε τη μονάδα διαχύτη & τη Φιάλη από το κάλυμμα του διαχύτη. [Εικ. 17b]
- Ξεβιδώστε και αφαιρέστε την άδεια φιάλη. [Εικ. 17c]
- Βγάλτε την καινούργια φιάλη Η-Essence ή Η-Biotics από τη συσκευασία και βγάλτε το καπάκι. [Εικ. 17d]
- Βιδώστε καλά τη φιάλη στην μονάδα διάχυσης. [Εικ. 17e]
- Τοποθετήστε ξανά την μονάδα διάχυσης στο κάλυμμα του διαχύτη. [Εικ. 17f]
- Τοποθετήστε ξανά το κάλυμμα του διαχύτη στο Η-Purifier. [Εικ. 17g]



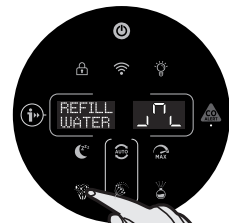
Εικ. 17

4.3 ΣΥΝΤΗΡΗΣΗ ΥΓΡΑΝΤΗΡΑ

Ειδοποίηση αναπλήρωσης δοχείου νερού:

Για να λειτουργήσει ο υγραντήρας απαιτείται ελάχιστο επίπεδο νερού. Όταν η στάθμη του νερού είναι χαμηλότερη από την ελάχιστη στάθμη, η οθόνη θα εμφανίσει τη συμβολή ΑΝΑΠΛΗΡΩΣΗ ΝΕΡΟΥ και θα αναβοσβήνει. Μπορεί να υπάρχει υπόλοιπο νερό στο περίβλημα του δοχείου νερού. Το μήνυμα θα εμφανιστεί ούτως ή άλλως λόγω της ελάχιστης απαιτούμενης στάθμης νερού.

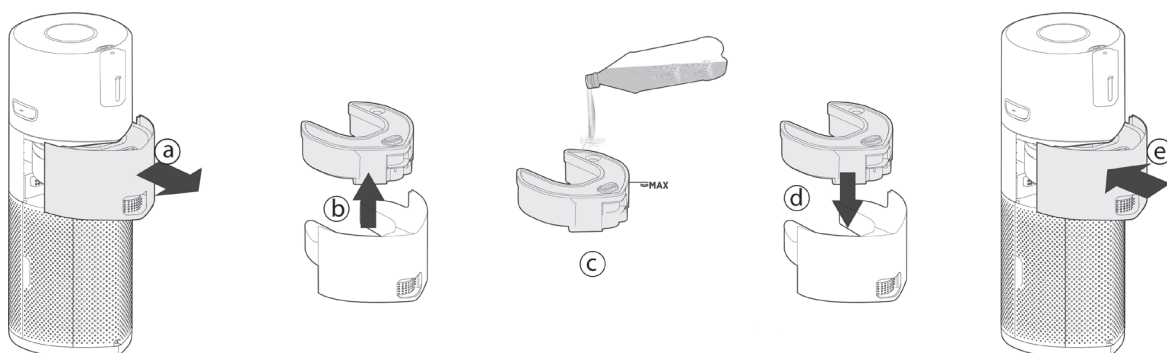
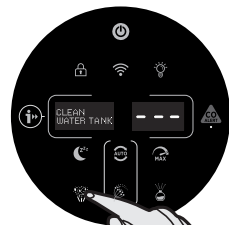
- Αφαιρέστε το Περίβλημα Δεξαμενής από το προϊόν. **[Εικ. 18a]**
- Αφαιρέστε το Συγκρότημα Δεξαμενής από το Περίβλημα Δεξαμενής. **[Εικ. 18b]**
- Αφαιρέστε τυχόν υπόλοιπο νερό και γεμίστε το δοχείο μέσω της εισόδου νερού με αποσταγμένο νερό μέχρι να φτάσει στη γραμμή MAX που υποδεικνύεται στο δοχείο. **[Εικ. 18c]**
- Επανατοποθετήστε το συγκρότημα δοχείου νερού στο περίβλημα του συγκροτήματος δοχείου. **[Εικ. 18d]**
- Τοποθετήστε ξανά το περίβλημα του δοχείου νερού στο προϊόν. **[Εικ. 18e]**



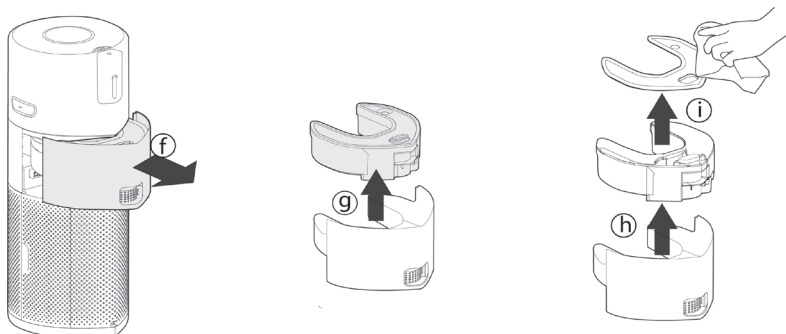
Ειδοποίηση καθαρισμού δοχείου νερού:

Το H-Purifier θα παρακολουθεί την κατάσταση του δοχείου του υγραντήρα. Μια ειδοποίηση ΚΑΘΑΡΙΣΜΟΣ ΔΟΧΕΙΟΥ ΝΕΡΟΥ (CLEAN WATER TANK) θα αναβοσβήνει μετά από 72 ώρες από την τελευταία ενεργοποίηση της λειτουργίας υγραντήρα, εάν υπάρχει ακόμα νερό στο δοχείο. Θα εμφανιστεί στην αριστερή πλευρά της οθόνης υποδεικνύοντας ότι απαιτείται επέμβαση για τον καθαρισμό του δοχείου νερού.

- Αφαιρέστε το Σύστημα δοχείου από το προϊόν. **[Εικ. 18f]**
- Διαχωρίστε το περίβλημα του δοχείου νερού, το κάλυμμα και το δοχείο νερού και καθαρίστε και τα 3 καλά και στεγνώστε εντελώς με ένα μαλακό στεγνό πανί. **[Εικ. 18g,h,i]**
- Επανασυναρμολογήστε τα εξαρτήματα του δοχείου νερού, ξαναγεμίστε μέχρι να φτάσει στη γραμμή MAX με αποσταγμένο νερό.
- Βεβαιωθείτε ότι το προϊόν είναι ενεργοποιημένο πριν τοποθετήσετε ξανά το δοχείο.
- Τοποθετήστε ξανά το περίβλημα του δοχείου νερού στο προϊόν. **[Εικ. 18e]**

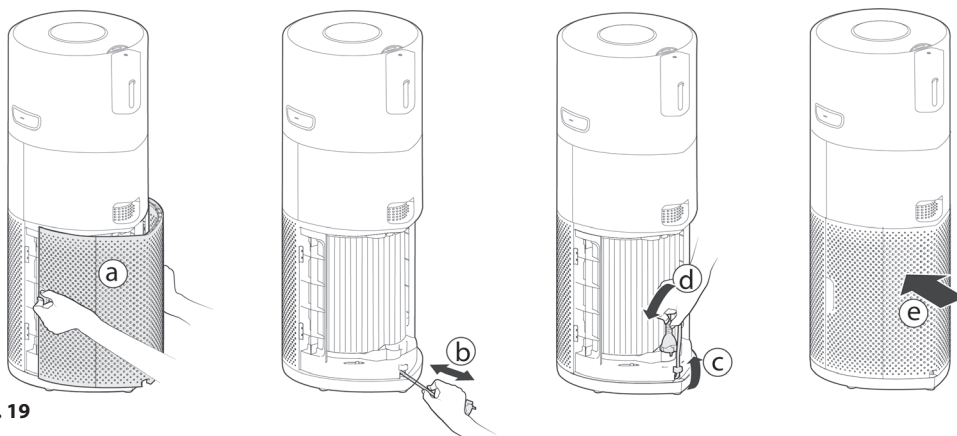


Εικ. 18



5. ΑΠΟΘΗΚΕΥΣΗ ΤΟΥ H-PURIFIER ΣΑΣ

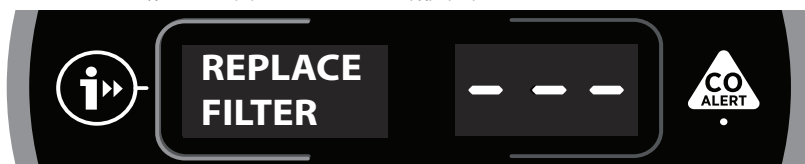
1. Απενεργοποιήστε το H-Purifier και αποσυνδέστε το καλώδιο τροφοδοσίας.
2. Καθαρίστε όλες τις εσωτερικές και εξωτερικές επιφάνειες του H-Purifier, το εξωτερικό στρώμα του φίλτρου, το δοχείο νερού.
3. Βγάλτε τη φιάλη από το διαχύτη. Βάλτε ξανά το αρχικό καπάκι στη φιάλη και αποθηκεύστε την για προστασία από το άμεσο φως. Καθαρίστε τις επιφάνειες της μονάδας διαχύτη και του καλύμματος διαχύτη. Βεβαιωθείτε ότι δεν υπάρχει υπόλοιπο H-Essence ή H-Biotics σε οποιαδήποτε επιφάνεια του H-Purifier.
4. Βεβαιωθείτε ότι όλα τα εξαρτήματα είναι στεγνά.
5. Αφαιρέστε το κάλυμμα εισόδου αέρα **[Εικ. 19a]**, τυλίξτε το καλώδιο τροφοδοσίας τραβώντας το καλώδιο **[Εικ. 19b]**, τοποθετήστε το καλώδιο στο άγκιστρο αποθήκευσης και τοποθετήστε το βύσμα στη θέση μεταφοράς. **[Εικ. 19c,d]** Βάλτε ξανά το κάλυμμα εισόδου αέρα. **[Εικ. 19e]**
6. Αποθηκεύστε το H-Purifier σε δροσερό και στεγνό μέρος.



Εικ. 19

6. ΕΙΔΟΠΟΙΗΣΕΙΣ & ΛΥΣΕΙΣ

Οι ακόλουθοι κωδικοί ενδέχεται να εμφανιστούν κατά τη χρήση. [Εικ. 20]



Εικ. 20

Συναγερμός		Περιγραφή ειδοποίησης	Επίλυση
Ειδοποίηση στο προϊόν	Ειδοποίηση στην εφαρμογή		
"ΚΑΘΑΡΙΣΜΟΣ ΦΙΛΤΡΟΥ (CLEAN FILTER)"	Ειδοποίηση καθαρισμού προ-φίλτρου (Pre-Filter Cleaning Alert)	Σύσταση να καθαρίσετε το εξωτερικό στρώμα του φίλτρου.	1. Καθαρίστε το εξωτερικό στρώμα του φίλτρου. 2. Επαναφέρετε την ειδοποίηση κρατώντας πατημένο το κουμπί ΠΛΗΡΟΦΟΡΙΕΣ για 3 δευτερόλεπτα. Ανατρέξτε στο 4.1 ΣΥΝΤΗΡΗΣΗ ΦΙΛΤΡΟΥ
"ΑΝΤΙΚΑΤΑΣΤΑΣΗ ΦΙΛΤΡΟΥ (REPLACE FILTER)"	Ειδοποίηση αντικατάστασης φίλτρου	Σύσταση να αντικαταστήσετε το φίλτρο.	1. Αντικαταστήστε το φίλτρο. 2. Επαναφέρετε την ειδοποίηση κρατώντας πατημένο το κουμπί ΠΛΗΡΟΦΟΡΙΕΣ για 3 δευτερόλεπτα. Ανατρέξτε στο 4.1 ΣΥΝΤΗΡΗΣΗ ΦΙΛΤΡΟΥ
"ΑΠΟΥΣΙΑ ΦΙΛΤΡΟΥ (FILTER MISSING)"	Σφάλμα: Παρουσιάστηκε σφάλμα στον καθαριστή αέρα, ελέγξτε πιθανές λύσεις	Το φίλτρο δεν είναι στη θέση του ή δεν είναι σωστά ασφαλισμένο	1. Εάν δεν υπάρχει φίλτρο, βάλτε το στην θέση του. 2. Εάν το φίλτρο είναι στη θέση του, ελέγξτε αν ο διακόπτης απελευθέρωσης φίλτρου είναι σε κατάσταση LOCK. Ανατρέξτε στο 2.1 ΕΓΚΑΤΑΣΤΑΣΗ ΤΟΥ ΦΙΛΤΡΟΥ
"ΑΠΟΥΣΙΑ ΔΟΧΕΙΟΥ ΝΕΡΟΥ (NO WATER TANK)"	Σφάλμα: Παρουσιάστηκε σφάλμα στον καθαριστή αέρα, ελέγξτε πιθανές λύσεις	Λείπει το περίβλημα ή το δοχείο νερού.	Βάλτε στη θέση τους το δοχείο νερού και το περίβλημα του δοχείου.
"ΚΑΘΑΡΙΣΜΟΣ ΔΟΧΕΙΟΥ ΝΕΡΟΥ (CLEAN WATER TANK)"	Το νερό στο δοχείο πρέπει να αντικατασταθεί	Έχουν περάσει 3 ημέρες από την τελευταία φορά που χρησιμοποιήσατε τον υγραντήρα, το δοχείο νερού ή το περίβλημα πρέπει να καθαριστούν και το νερό πρέπει να αντικατασταθεί για λόγους υγιεινής.	1. Απενεργοποιήστε το προϊόν. 2. Αφαιρέστε το δοχείο και το περίβλημα, καθαρίστε την εσωτερική επιφάνεια κάθε εξαρτήματος και ξαναγεμίστε. 3. Ενεργοποιήστε το προϊόν. 4. Βάλτε στη θέση τους το δοχείο νερό και το περίβλημα. Ανατρέξτε στο 4.3 ΣΥΝΤΗΡΗΣΗ ΥΓΡΑΝΤΗΡΑ
"ΣΥΜΠΛΗΡΩΣΗ ΝΕΡΟΥ (REFILL WATER)"	Σφάλμα: Παρουσιάστηκε σφάλμα στον καθαριστή αέρα, ελέγξτε πιθανές λύσεις	Δεν υπάρχει νερό στο δοχείο ή το υπόλοιπο νερό δεν είναι αρκετό για να λειτουργήσει ο υγραντήρας.	Συμπληρώστε αποσταγμένο νερό στο δοχείο μέχρι να φτάσει στη γραμμή MAX.
"ΣΦΑΛΜΑ ΑΙΣΘΗΤΗΡΑ PM (PM SENSOR ERROR)"	/	Δυσλειτουργία αισθητήρα PM	Βλάβη αισθητήρα PM ή το καλώδιο αισθητήρα δεν έχει συνδεθεί καλά, καλέστε την τεχνική υποστήριξη για να παρέμβει τεχνικός της Hoover.
Το LED συναγερμού CO είναι κίτρινο (CO Alert LED is yellow)	Σφάλμα: Παρουσιάστηκε σφάλμα στον καθαριστή αέρα, ελέγξτε πιθανές λύσεις	Δυσλειτουργία του αισθητήρα CO ή ο αισθητήρας CO έχει υπερβεί τη διάρκεια ζωής του.	Καλέστε την τεχνική υποστήριξη για να παρέμβει τεχνικός της Hoover.
Απενεργοποιείται αυτόματα χωρίς προειδοποίηση	Πτώση προϊόντος	Προστασία προϊόντος από πτώση	1. Εάν το προϊόν πέσει και υπάρχει διαρροή νερού, βγάλτε το από την πρίζα και περιμένετε 48 ώρες πριν ενεργοποιήσετε ξανά το προϊόν. 2. Εάν το προϊόν πέσει χωρίς να χυθεί νερό, ανασηκώστε το προϊόν και αγγίξτε το κουμπί λειτουργίας για να το ενεργοποιήσετε.
/	Σφάλμα: Παρουσιάστηκε σφάλμα στον καθαριστή αέρα, ελέγξτε πιθανές λύσεις	Βλάβη κινητήρα	Βλάβη του κινητήρα ή το καλώδιο του κινητήρα δεν έχει συνδεθεί καλά, καλέστε την τεχνική υποστήριξη για να παρέμβει τεχνικός της Hoover.
"ΣΦΑΛΜΑ ΑΙΣΘΗΤΗΡΑ ΘΕΡΜ. & ΥΓΡΑΣ. (TEMP.& HUMI. SENSOR ERROR)"	/	Δυσλειτουργία αισθητήρα θερμοκρασίας και υγρασίας	Βλάβη αισθητήρα θερμοκρασίας και υγρασίας ή το καλώδιο αισθητήρα δεν έχει συνδεθεί καλά, καλέστε την τεχνική υποστήριξη για να παρέμβει τεχνικός της Hoover.
"ΠΑΥΣΗ (PAUSE)"	/	Η λειτουργία του διαχύτη θα σταματήσει όταν ο δακτύλιος LED ποιότητας αέρα δεν είναι πράσινος.	Δεν χρειάζεται επέμβαση. Η λειτουργία του διαχύτη θα επαναληφθεί όταν ο δακτύλιος LED ποιότητας αέρα είναι πράσινος.

ΠΡΟΣΟΧΗ: Αν αυτές οι βλάβες επιμένουν, επικοινωνήστε με την αντιπροσωπεία Hoover της περιοχής σας. ΜΗΝ ΠΡΟΣΠΑΘΕΙΤΕ να αποσυναρμολογήσετε το H-Purifier μόνοι σας.

7. ΑΝΤΙΜΕΤΩΠΙΣΗ ΠΡΟΒΛΗΜΑΤΩΝ

Ακολουθεί κατάλογος των συνηθισμένων προβλημάτων και λύσεων.

Εάν κάποια απ' αυτά τα προβλήματα επιμένουν επικοινωνήστε με το πλησιέστερο κέντρο τεχνικής υποστήριξης της Hoover.

Ο ανεμιστήρας δεν λειτουργεί (Πάνελ λειτουργιών / Η οθόνη ανάβει)	<ul style="list-style-type: none"> Ελέγξτε την ειδοποίηση που εμφανίζεται στην οθόνη ή στην εφαρμογή. Εάν υπάρχει, ανατρέξτε στο 6. ΕΙΔΟΠΟΙΗΣΕΙΣ ΚΑΙ ΛΥΣΕΙΣ. Ελέγξτε αν υπάρχουν εμπόδια στον ανεμιστήρα. Εάν υπάρχουν, αποσυνδέστε πρώτα το προϊόν και καθαρίστε το ή καλέστε την τεχνική υποστήριξη για να παρέμβει τεχνικός της Hoover. Ελέγξτε εάν ο H-Purifier είναι ενεργοποιημένος. Ελέγξτε εάν το φίλτρο έχει εγκατασταθεί σωστά και είναι ασφαλισμένο. Ελέγξτε εάν ο H-Purifier βρίσκεται σε μια εντελώς όρθια κατακόρυφη θέση και δεν έχει κλίση. Ο H-Purifier ενδέχεται να βρίσκεται σε λειτουργία ECO. Θα μπορούσατε να πατήσετε το κουμπί Sleep Mode ή το κουμπί Max Mode για έξοδο από τη λειτουργία ECO. Ανατρέξτε στο 3. ΧΡΗΣΙΜΟΠΟΙΗΣΤΕ ΤΟ H-PURIFIER ΣΑΣ – ΑΥΤΟΜΑΤΗ ΛΕΙΤΟΥΡΓΙΑ (AUTO MODE).
Ο ανεμιστήρας δεν λειτουργεί (Πάνελ λειτουργιών / Η οθόνη έχει σβήσει)	<ul style="list-style-type: none"> Ελέγξτε εάν ο H-Purifier είναι στην πρίζα και ενεργοποιημένος. Ελέγξτε την ειδοποίηση που εμφανίζεται στην οθόνη ή στην εφαρμογή. Εάν υπάρχει, ανατρέξτε στο 6. ΕΙΔΟΠΟΙΗΣΕΙΣ ΚΑΙ ΛΥΣΕΙΣ.
Ο πίνακας ελέγχου δεν ανάβει / Ενδείξεις (Ο ανεμιστήρας λειτουργεί)	<ul style="list-style-type: none"> Στην κατάσταση αναστολής λειτουργίας, η προεπιλεγμένη ρύθμιση λυχνιών είναι λυχνίες απενεργοποιημένες. Μπορείτε να πατήσετε το κουμπί ελέγχου λυχνιών για να τις ανάψετε. Οι λυχνίες μπορεί να σβήσουν. Πατήστε το κουμπί ελέγχου λυχνιών για να τις ανάψετε. Refer to 3.ΧΡΗΣΙΜΟΠΟΙΗΣΤΕ ΤΟΝ H-PURIFIER ΣΑΣ – ΛΕΙΤΟΥΡΓΙΑ ΥΠΝΟΥ (SLEEP MODE) / Λειτουργία ΕΛΕΓΧΟΥ ΦΩΤΙΣΜΟΥ.
Τα κουμπιά στον Πίνακα Ελέγχου δεν λειτουργούν	<ul style="list-style-type: none"> Μπορεί να έχει ενεργοποιηθεί το παιδικό κλείδωμα ασφαλείας. Μπορείτε να πατήσετε και να κρατήσετε πατημένο το κουμπί CHILD LOCK για 3 δευτερόλεπτα για να βγείτε από τη λειτουργία. Ανατρέξτε στο 3. ΧΡΗΣΙΜΟΠΟΙΗΣΤΕ ΤΟ H-PURIFIER ΣΑΣ – Λειτουργία παιδικού κλειδώματος ασφαλείας (CHILD LOCK).
Η ροή αέρα είναι αδύναμη	<ul style="list-style-type: none"> Ελέγξτε εάν η προστατευτική συσκευασία έχει αφαιρεθεί από το φίλτρο. Ελέγξτε εάν υπάρχουν εμπόδια στο κάλυμμα εισαγωγής αέρα ή στην έξοδο αέρα. Αφαιρέστε το κάλυμμα εισόδου αέρα και ελέγξτε την κατάσταση του φίλτρου. Καθαρίστε το εξωτερικό στρώμα ή αντικαταστήστε το φίλτρο, εάν χρειάζεται. Μπορείτε να ελέγξετε την κατάσταση ζωής του φίλτρου στην οθόνη πατώντας το κουμπί πληροφοριών. Ελέγξτε εάν ο H-Purifier βρίσκεται σε κατάσταση ύπνου. Ο ανεμιστήρας λειτουργεί με μειωμένη ισχύ σε αυτή την κατάσταση.
Ο H-Purifier λειτουργεί με θόρυβο	<ul style="list-style-type: none"> Ελέγξτε εάν υπάρχουν εμπόδια στον H-Purifier. Ελέγξτε εάν ο H-Purifier λειτουργεί σε Max Mode. Ο ανεμιστήρας λειτουργεί με μέγιστη ισχύ σε αυτή την κατάσταση.
Ο H-Purifier άρχισε λειτουργεί με θόρυβο ξαφνικά	<ul style="list-style-type: none"> Ελέγξτε εάν ο H-Purifier είναι σε αυτόματη λειτουργία και ο δακτύλιος LED ποιότητας αέρα δεν είναι πράσινος. Στην αυτόματη λειτουργία, ο H-Purifier προσαρμόζει αυτόματα την ταχύτητα του ανεμιστήρα του στο πραγματικό επίπεδο ποιότητας του αέρα του εσωτερικού χώρου. Ανατρέξτε στο 3. ΧΡΗΣΙΜΟΠΟΙΗΣΤΕ ΤΟ H-PURIFIER ΣΑΣ – ΑΥΤΟΜΑΤΗ ΛΕΙΤΟΥΡΓΙΑ (AUTO MODE).
Ο H-Purifier κάνει ξαφνικά έναν δυνατό ήχο βομβητή	<ul style="list-style-type: none"> Η λειτουργία δοκιμής του κουμπιού CO Alert (Συναγερμός CO) ενεργοποιείται από εσφαλμένη λειτουργία. Ο ήχος θα σταματήσει αυτόματα έπειτα από 5 δευτερόλεπτα. Ανατρέξτε στο 1.2 ΣΥΝΑΓΕΡΜΟΣ ΜΟΝΟΞΕΙΔΙΟΥ ΤΟΥ ΑΝΘΡΑΚΑ (CO)
Ανεφικτη η επαναφορά της ειδοποίησης ΚΑΘΑΡΙΣΜΟΣ ΔΟΧΕΙΟΥ ΝΕΡΟΥ "CLEAN WATER TANK"	<ul style="list-style-type: none"> Αφού καθαρίσετε το δοχείο νερού/το περιβλήμα και ξαναγεμίσετε, ενεργοποιήστε τον H-Purifier. Μην τοποθετήσετε το περιβλήμα μέχρι να εμφανιστεί στην οθόνη η ένδειξη "NO WATER TANK".

ΣΗΜΑΝΤΙΚΕΣ ΠΛΗΡΟΦΟΡΙΕΣ

Ανταλλακτικά και αναλώσιμα της Hoover

Όταν παραστεί η ανάγκη χρησιμοποιείτε αποκλειστικά γνήσια ανταλλακτικά Hoover. Τα ανταλλακτικά Hoover διατίθενται από τον τοπικό αντιπρόσωπο Hoover ή απευθείας από τη Hoover. Κατά την παραγγελία εξαρτημάτων να αναφέρετε πάντα τον αριθμό μοντέλου.

Ποιότητα

Τα εργοστάσια Hoover έχουν ελεγχθεί από ανεξάρτητους φορείς ποιοτικού ελέγχου. Τα προϊόντα μας κατασκευάζονται μέσω ενός συστήματος ποιότητας το οποίο πληροί τις προδιαγραφές του προτύπου ISO 9001.

Η ΕΓΓΥΗΣΗ ΣΑΣ

Οι όροι ισχύος της εγγύησης της συσκευής καθορίζονται από τον αντιπρόσωπο της χώρας στην οποία έχει πραγματοποιηθεί η πώληση. Περισσότερες πληροφορίες σχετικά με τους όρους εγγύησης μπορείτε να ζητήσετε από τον αντιπρόσωπο που αγοράσατε τη συσκευή. Η προσκόμιση του τιμολογίου ή της απόδειξης αγοράς είναι βασική προϋπόθεση για την ισχύ της εγγύησης.

Ο κατασκευαστής διατηρεί το δικαίωμα να επιφέρει αλλαγές χωρίς προγενέστερη ενημέρωση.

OGÓLNE OSTRZEŻENIA DOTYCZĄCE BEZPIECZEŃSTWA

To urządzenie jest przeznaczone wyłącznie do użytku domowego, zgodnie z opisem zamieszczonym w niniejszej instrukcji obsługi. Przed przystąpieniem do eksploatacji urządzenia należy upewnić się, że niniejsza instrukcja jest w pełni zrozumiała oraz zachować ją do wglądu w przyszłości.

Przed podłączeniem urządzenia należy sprawdzić, czy napięcie i wartości znamionowe podane na etykiecie urządzenia odpowiadają lokalnemu napięciu zasilania.

Jeśli przewód zasilający uległ uszkodzeniu, należy natychmiast zaprzestać korzystania z urządzenia. Ze względów bezpieczeństwa, przewód zasilający powinien zostać wymieniony przez serwisanta autoryzowanego punktu serwisowego firmy Hoover.

Nie należy wyciągać wtyczki ciągnąc za kabel zasilający.

Przewód zasilający powinien być ułożony w taki sposób, aby nikt na niego nie nadepnął ani się nie potknął.

Przed przystąpieniem do czyszczenia urządzenia lub wykonaniem jakichkolwiek czynności konserwacyjnych urządzenie należy zawsze wyłączyć i wyjąć wtyczkę przewodu zasilającego z gniazdka.

Urządzenie mogą obsługiwać dzieci w wieku co najmniej 8 lat, a osoby o ograniczonych zdolnościach fizycznych, sensorycznych lub mentalnych, a także osoby nieposiadające odpowiedniego doświadczenia oraz wiedzy, jedynie pod warunkiem że odbywać się będzie to pod nadzorem lub po przeszkoleniu na temat bezpiecznego użycia urządzenia oraz związanych z nim zagrożeń. Dzieci nie mogą bawić się urządzeniem.

Urządzenia nie powinny czyścić ani konserwować dzieci bez nadzoru.

Urządzenie nie usuwa tlenku węgla (CO) ani radonu (Rn). Nie może być wykorzystywany jako urządzenie zabezpieczające w przypadku wypadków z udziałem procesów spalania i niebezpiecznych substancji chemicznych.

Nie kontynuować eksploatacji uszkodzonego urządzenia.

Nie należy blokować wlotu ani wylotu powietrza.

W celu zapobieżenia obrażeniom fizycznym oraz nieprawidłowego działania urządzenia, nie wkładać palców lub przedmiotów do wylotu lub wlotu powietrza.

W celu uniknięcia porażenia prądem i/lub zagrożenia pożarem nie czyścić urządzenia wodą, żadnym innym płynem lub (łatwopalnym) detergentem. a także nie pozwalać, aby dostały się do środka urządzenia.

Nie należy rozpylać wokół urządzenia żadnych materiałów łatwopalnych, takich jak środki owadobójcze lub perfumy.

Niniejsze urządzenie nie zastępuje prawidłowej wentylacji, regularnego odkurzania ani stosowania okapu wyciągowego lub wentylatora podczas gotowania.

Należy korzystać wyłącznie z materiałów eksploatacyjnych, filtrów oraz części zamiennych zalecanych lub dostarczonych przez firmę HOOVER.

Przed włączeniem urządzenia należy upewnić się, że filtr jest prawidłowo zainstalowany.

Unikać uderzania w urządzenie (w szczególności we wlot i wylot powietrza) twardymi przedmiotami.

Urządzenie powinno być utrzymywane w suchym miejscu.

Pod żadnym pozorem nie należy przechylać ani opróżniać urządzenia podczas pracy.

W przypadku niekorzystania z urządzenia przez dłuższy czas, na filtrach mogą rozwijać się bakterie. Po długim okresie nieużywania urządzenia należy sprawdzić filtry. Jeśli filtry są bardzo brudne, należy je wymienić.

Serwis firmy Hoover: Aby zapewnić bezpieczne i sprawne działanie tego urządzenia, zalecamy zlecenie prac serwisowych lub napraw wyłącznie serwisantom autoryzowanego punktu serwisowego firmy HOOVER.

MIEJSCE UŻYTKOWANIA

W celu uniknięcia ewentualnego przewrócenia się urządzenia, należy umieszczać i używać urządzenie wyłącznie na suchej, stabilnej, równej, poziomej powierzchni.

Pozostawić co najmniej 20 cm wolnej przestrzeni z tyłu i po obu stronach urządzenia oraz co najmniej 30 cm nad urządzeniem.

Aby zapobiec zakłóceniom, należy umieścić urządzenie w odległości co najmniej 2 m od urządzeń elektrycznych, które wykorzystują fale radiowe w powietrzu, takich jak telewizory, radia i zegary sterowane drogą radiową.

Nie umieszczać niczego na urządzeniu.

Nie należy używać tego urządzenia w przypadku wykorzystywania wewnętrznych środków

odstraszających owady typu dymnego lub w miejscach, w których znajdują się tłuste pozostałości, a także przy palącym się kadzidle lub w obecności oparów chemicznych.

Zabrania się umieszczania urządzenia w poniższych miejscach:

- Na gorących powierzchniach lub w ich bliskiej obecności, w pobliżu otwartego ognia lub w miejscach narażonych na bezpośrednie działanie promieni słonecznych, w pobliżu urządzeń gazowych, grzewczych lub kominków;
- Obok grzejników lub otworów wentylacyjnych, drzwi, okien, wentylatorów wyciągowych lub w bezpośrednio nad nimi, a także wszędzie tam, gdzie mogą występować przeciągi;
- W łazience lub innych miejscach, w których istnieje ryzyko narażenia produktu na rozpryski wody, kapanie lub skraplanie (np. bezpośrednio pod klimatyzatorem lub nad czajnikiem elektrycznym);
- W zamkniętej przestrzeni (np. w szafie lub pod nią);
- W miejscu, w którym temperatura może spaść poniżej -20°C lub wzrosnąć powyżej 50°C ;
- W pomieszczeniach o dużych wahaniami temperatury, w wilgotnym otoczeniu lub w miejscach o wysokiej temperaturze otoczenia lub wysokiej wilgotności, np. w łazience, toalecie lub kuchni;
- W miejscach, w których urządzenie mogłoby zostać zasłonięte, np. przez zasłony lub meble;
- W miejscach, gdzie brud lub kurz mógłby zablokować czujnik.

INSTRUKCJE BEZPIECZEŃSTWA DOTYCZĄCE MONITORA CO

W przypadku uruchomienia się alarmu monitora CO należy otworzyć wszystkie okna i drzwi (o ile jest to bezpieczne). W miarę możliwości należy wyłączyć wszystkie urządzenia spalające paliwo, a następnie ewakuować się pozostawiając otwarte okna i drzwi. Należy szukać natychmiastowej pomocy medycznej dla wszystkich osób, które mają objawy zatrucia tlenkiem węgla. Nie należy ponownie wchodzić na teren obiektu, dopóki alarm się nie wyłączy. Alarm wyłączy się po wyeliminowaniu CO z atmosfery. Zabrania się ponownego korzystania z urządzeń do spalania paliwa, dopóki źródło CO nie zostanie zlokalizowane i naprawione przez wykwalifikowanego technika.

Należy unikać używania farb, rozpuszczalników, oparów rozpuszczalników, odświeżaczy powietrza, aerozoli lub chemicznych środków czyszczących w pobliżu urządzenia, ponieważ mogą one mieć wpływ na działanie monitora CO.

W celu aktywacji monitora CO, należy podłączyć wtyczkę do gniazdka. Alarm LED CO zapali się na zielono. Gdy monitor CO wykryje niebezpieczny poziom CO, rozlegnie się głośny alarm CO, a przycisk CO Alert i pierścień jakości powietrza LED Ring będą migać na czerwono. Alarm będzie aktywny aż do momentu, kiedy wykryty poziom CO nie obniży się do bezpiecznego poziomu.

Dotknij przycisku [CO Alert] przez 3 sekundy, aby przetestować funkcję alarmu CO, a alarm będzie głośno działał przez 5 sekund. Należy sprawdzać alarm co miesiąc i po dłuższej nieobecności w budynku (np. po urlopie). Jeśli po dotknięciu przycisku [CO Alert] przez 3 sekundy alarm nie włączy się, należy skontaktować się z centrum obsługi klienta firmy Hoovera w celu umówienia się z wykwalifikowanym technikiem, który naprawi usterkę.

Jeśli na wyświetlaczu pojawi się informacja, że czujnik CO jest uszkodzony lub okres jego użytkowania dobiegł końca, należy skontaktować się z centrum obsługi klienta firmy Hoover w celu umówienia wizyty serwisanta, który dokona wymiany czujnika CO. Przewidywany okres użytkowania czujnika CO wynosi 7 lat; należy wymienić czujnik po upływie tego czasu.

Należy uważać, aby małe dzieci nie naciskały przycisku CO Alert przez 3 sekundy, ponieważ mogą one zostać narażone na nadmierny hałas spowodowany aktywacją alarmu.

Wilgotność robocza: 15 – 90% RH

Temperatura robocza: od 0° do $+40^{\circ}\text{C}$

Tlenek węgla wpływa na organizm, blokując dostęp tlenu do najważniejszych organów. Wydechany CO przyczepia się do hemoglobiny we krwi, która jest odpowiedzialna za rozprowadzanie tlenu w całym organizmie. CO w sposób trwały hamuje zdolność cząsteczek tlenu do przyłączania się do hemoglobiny, redukując w ten sposób dopływ tlenu do najważniejszych organów. Poziom stężenia i czas narażenia organizmu na wpływ CO może prowadzić do różnych konsekwencji. Eksperci są jednakże zgodni co do tego, że nawet niski poziom narażenia organizmu na tlenek węgla przez dłuższy okres może wiązać się z poważnymi i trwałymi skutkami dla ogólnego stanu zdrowia ludzi.

OSTRZEŻENIE: ALARM CO JEST PRZEZNACZONY DO OCHRONY OSÓB PRZED POWAŻNYMI SKUTKAMI NARAŻENIA ORGANIZMU NA TLENEK WĘGLA LUB W CELU ZAPOBIEGANIA PRZEWLEKŁYM SKUTKOM NARAŻENIA NA TLENEK WĘGLA. NIE GWARANTUJE ON CAŁKOWITEGO BEZPIECZEŃSTWA OSÓB Z OKREŚLONYMI SCHORZENIAMI. W RAZIE WĄTPLIWOŚCI SKONSULTOWAĆ SIĘ Z LEKARZEM.

norm EN 50291-1, UL-2034, CSA-6.19 lub innych uznanych certyfikowanych standardów czujników sygnalizujących ulatnianie się tlenku węgla, w przypadku gdy lokalne lub regionalne kodeksy bądź przepisy prawne nakazują ich stosowanie. Funkcja „Monitor CO” jest jedynie dodatkiem monitorującym ulatnianie się tlenku węgla. Użytkownik korzysta z urządzenia wedle własnego uznania, a także jest on świadomy i rozumie ograniczenia urządzenia w odniesieniu do przestrzegania kodeksów lub przepisów prawnych, jeśli mają one zastosowanie.

Urządzenie to nie powinno być stosowane jako zamiennik odpowiedniej instalacji, użytkownika i konserwacji urządzeń spalających paliwo, w tym odpowiednich systemów wentylacji i wyciągów. Prawidłowe działanie monitora CO z telefonów komórkowych i tabletów wymaga sprawnego połączenia Wi-Fi. Urządzenie nie może zostać uznane za zamiennik dla zewnętrznych służb w zakresie monitorowania alarmów.

Można używać wyłącznie olejku aromatycznego zalecanego lub dostarczanego przez firmę HOOVER.

Nie należy używać innego nawilżacza obok oczyszczacza powietrza w przypadku stosowania funkcji dyfuzora H-Essence.

Natychmiast wytrzyj każdy wyciek H-Essence. Upewnij się, że wyczyścisz wszystkie części produktu, które miały styczność z H-Essence.

Zbiornik na wodę należy czyścić co 3 dni.

Do napełniania zbiornika wody używać wyłącznie wody destylowanej. Nie napełniać inną wodą, np. wodą z kranu, wodą mineralną, wodą z rzeki itp.

Woda w zbiorniku na wodę nie jest zdatna do picia. Woda ze zbiornika nie nadaje się do picia, ani do karmienia zwierząt lub podlewania roślin. Wodę ze zbiornika należy wylać do odpływu.

Do zbiornika wody nie należy wlewać żadnych innych substancji poza wodą destylowaną.

Do zbiornika na wodę nie należy wlewać płynów z substancjami zapachowymi/ perfumami lub H-Essence.

Opróżniać zbiornik i jego obudowę i ponownie napełniać co trzy dni.

Przed ponownym napełnieniem oczyścić zbiornik i jego obudowę świeżą wodą z kranu. Usunąć kamień, osady lub nalot, które utworzyły się na bokach zbiornika lub na powierzchniach wewnętrznych, a następnie wytrzeć wszystkie powierzchnie do sucha.

Urządzenie należy odłączyć podczas napełniania i czyszczenia.

Opróżnić i wyczyścić nawilżacz przed jego przechowywaniem. Wyczyścić nawilżacz przed następnym użyciem.

Nigdy nie pozostawiać wody w zbiorniku oraz w jego obudowie, gdy urządzenie nie jest używane.

Należy pilnować, aby obszar wokół nawilżacza nie stał się wilgotny lub mokry. W przypadku pojawienia się wilgoci należy skierować wylot nawilżacza w dół, używać nawilżacza z przerwami. Nie należy dopuścić do zawilgocenia chłonnych materiałów, takich jak dywany, zasłony, draperie czy obrusy.

W przypadku konieczności przeniesienia urządzenia, należy najpierw odłączyć je od zasilania. Następnie należy opróżnić lub wyjąć zbiornik na wodę. Urządzenie należy przenosić pionowo, trzymając za uchwyty, które znajdują się po obu stronach urządzenia.

Nie należy używać innego urządzenia, które uwalnia lub rozpyla olejek aromatyczny obok oczyszczacza powietrza w przypadku stosowania funkcji nawilżacza.

Należy być świadomym faktu, że wysoki poziom wilgotności może sprzyjać rozwojowi organizmów biologicznych w otoczeniu.

Ostrzeżenie: W przypadku gdy woda nie jest wymieniana, a zbiornik nie jest właściwie czyszczony co 3 dni, mikroorganizmy, które mogą występować w wodzie lub w środowisku, w którym urządzenie jest używane lub przechowywane, mogą rozwijać się w zbiorniku na wodę, a także być wydychywane z powietrzem powodując bardzo poważne zagrożenie dla zdrowia.



Ochrona środowiska

Niniejsze urządzenie posiada oznaczenia zgodnie z Dyrektywą Europejską nr 2012/19/EU w sprawie zużytego sprzętu elektrycznego i elektrotechnicznego

(WEEE). Zapewniając prawidłowe złomowanie niniejszego urządzenia, przyczyniają się Państwo do ograniczenia ryzyka wystąpienia negatywnego wpływu produktu na środowisko i zdrowie ludzi, które mogłyby zaistnieć w przypadku niewłaściwej utylizacji urządzenia.

Symbol umieszczony na urządzeniu oznacza, że nie jest ono klasyfikowane jako odpad z gospodarstwa domowego. Urządzenie należy zdać w odpowiednim punkcie utylizacji w celu recyklingu komponentów elektrycznych i elektronicznych. Urządzenie należy złomować zgodnie z lokalnymi przepisami w sprawie utylizacji odpadów. Dodatkowe informacje na temat sposobu utylizacji, złomowania i recyklingu urządzenia można uzyskać w lokalnym urzędzie miejskim, w komunalnym zakładzie utylizacji odpadów lub w sklepie, w którym produkt został zakupiony.



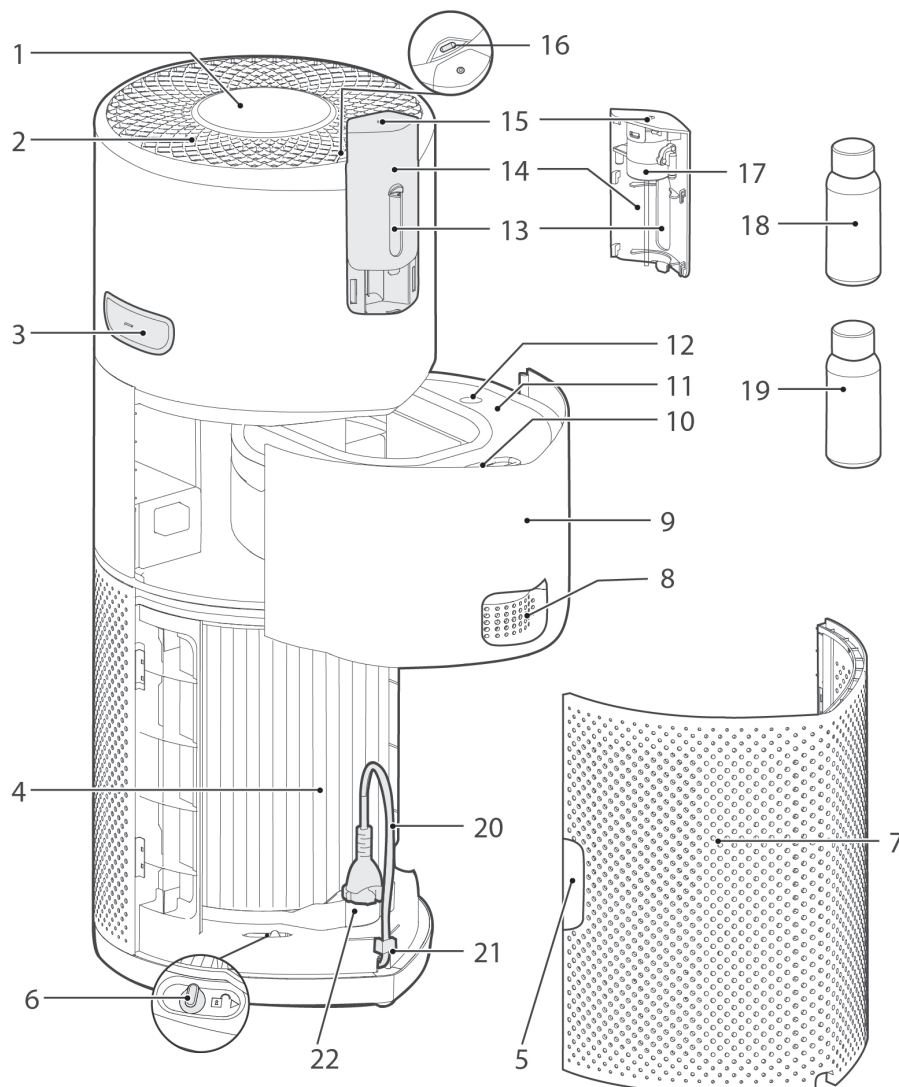
Parametry bezprzewodowe dla parowania

Technologia	Wi-Fi	Bluetooth
Standard	IEEE 802.11 b/g/n	Bluetooth v4.2, BLE
Pasmo(a) częstotliwości (MHz)	2401-2483	2402-2480
Moc maksymalna (mW)	100	10
Maksymalna moc sygnału radiowego przenoszonego w paśmie częstotliwości	18.9 dBm	

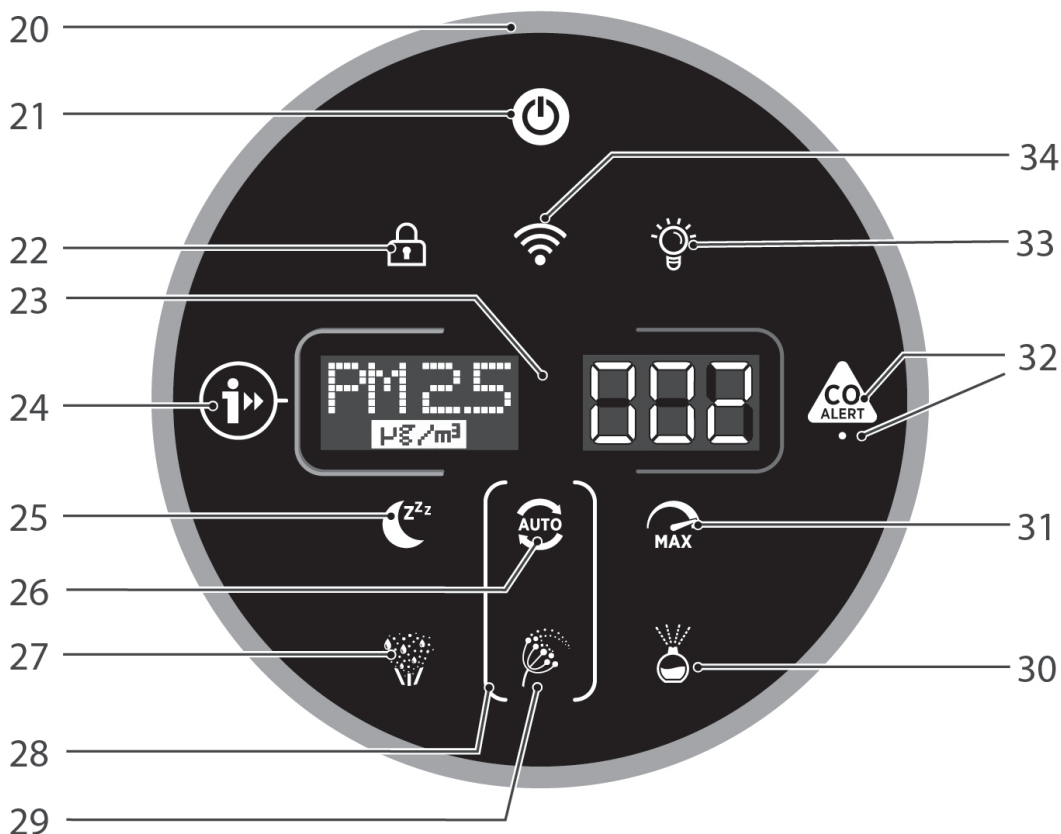
Candy Hoover Group Srl niniejszym oświadcza, że sprzęt radiowy spełnia wymogi określone w Dyrektywie 2014/53/UE. Pełny tekst deklaracji zgodności UE jest dostępny pod następującym adresem strony internetowej: www.candy-group.com

CANDY HOOVER GROUP S.r.l. Via Privata Eden Fumagalli, 20861 Brugherio (MB) Italy

1. POZNAJ OCZYSZCZACZ H-PURIFIER



1	Panel sterowania / Wyświetlacz	9	Obudowa Zbiornika nawilżacza	17	Zespół dyfuzora
2	Wylot powietrza	10	Zbiornik na wodę nawilżacza	18	Butelka H-Essence (Butelka H-essence (zielona))
3	Uchwyt do przenoszenia urządzenia	11	Pokrywa zbiornika na wodę nawilżacza	19	Butelka H-Biotics (Butelka H-Biotics (brązowa))
4	Filtry	12	Wlot do zbiornika wody nawilżacza	20	Przewód zasilający z wtyczką
5	Uchwyt pokrywy wlotu powietrza	13	Okienko dyfuzora	21	Hak
6	Przełącznik zwalniający filtr	14	Ostona dyfuzora	22	Miejsce przechowywania
7	Ostona wlotu powietrza	15	Wylot dyfuzora		
8	Uchwyt nawilżacza	16	Wylot nawilżacza		



20	Pierścień jakości powietrza LED Ring
21	Przycisk zasilania
22	Przycisk blokady zabezpieczającej przed dziećmi
23	Wyświetlacz cyfrowy
24	Przycisk informacyjny

25	Przycisk trybu uśpienia
26	Przycisk trybu automatycznego
27	Przycisk nawilżacza
28	Okrągła Lampka Alergii na pyłki
29	Lampka Alergii na pyłki

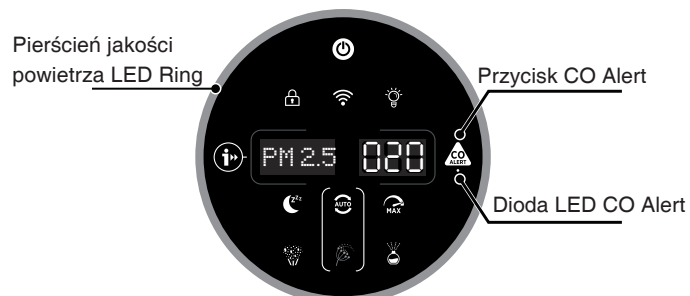
30	Przycisk dyfuzora
31	Przycisk trybu maksymalnego
32	Przycisk CO Alert & LED
33	Przycisk sterowania oświetleniem
34	Przycisk Wi-Fi

1.1 SYSTEM MULTI SENSOR

Dzięki wieloczułkowemu systemowi Twoje urządzenie będzie stale monitorować warunki powietrza w pomieszczeniu pod kątem zawartości PM10, PM2.5 oraz Lotnych Związków Organicznych (GAZ).

Po każdym włączeniu urządzenia wieloczułkowy system rozpocznie analizę powietrza w pomieszczeniu. Różne kolory pierścienia jakości powietrza LED Ring odzwierciedlają warunki jakości powietrza w czasie rzeczywistym.

Kolorowy pierścień jakości powietrza LED Ring	Jakość powietrza w pomieszczeniach	Wartość PM 10* $\mu\text{g}/\text{m}^3$	Wartość PM 2,5 $\mu\text{g}/\text{m}^3$	Poziom LZO (GAZ)
Zielony	Doskonała	0-50	0-25	L1
ŻÓŁTY	Zadowalająca	50-80	25-50	L2
POMARAŃCZOWY	Słaba	80-160	50-100	L3
CZERWONY	Bardzo słaba	≥ 160	≥ 100	L4



* W trybie alergii na pyłki wartości PM 10, które uruchamiają niższy poziom jakości powietrza, aby minimalizować ryzyko dla alergików.

1.2 ALARM TLENKU WĘGLA (CO)

H-Purifier jest wyposażony w system alarmowania, który stale monitoruje powietrze w pomieszczeniu pod kątem obecności tlenku węgla (CO). Po włączeniu alarmu tlenku węgla, pierścień jakości powietrza LED Ring, przycisk informacyjny oraz przycisk CO Alert migają jednocześnie na czerwono i rozlega się alarm dźwiękowy. Alarm będzie działał do momentu, gdy stężenie tlenku węgla (CO) spadnie poniżej 50 ppm, chyba że zostanie ręcznie wyciszony poprzez naciśnięcie przycisku CO Alert przez 3 sekundy.

Dioda LED CO Alert pokazuje stan pracy czujnika CO. Dioda Led świeci się na zielono, gdy czujnik CO działa prawidłowo, na żółto, gdy czujnik działa wadliwie lub przekroczył swój okres użytkowania, a na czerwono, kiedy aktywny jest alarm CO.

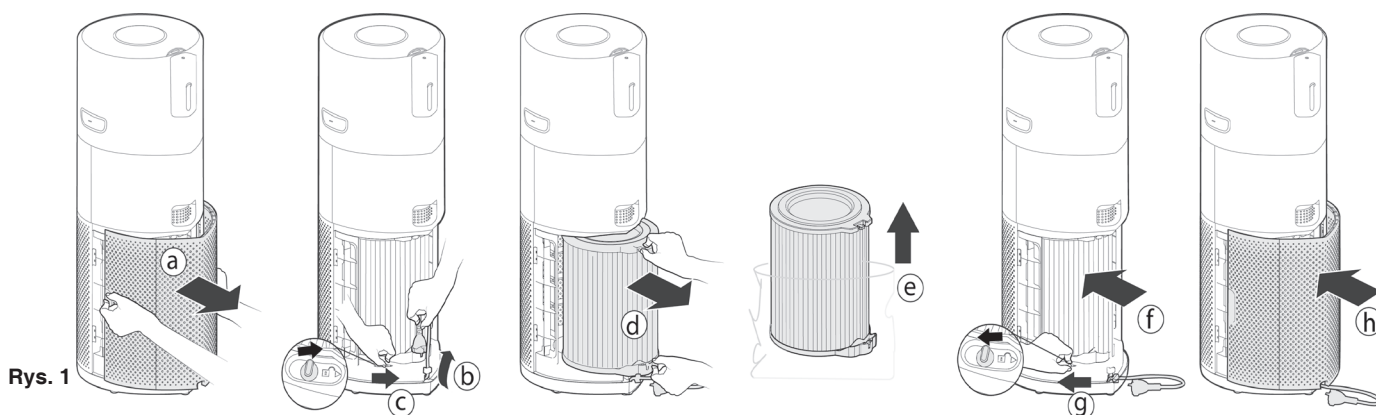
Prawidłowe działanie alarmu można sprawdzić poprzez naciśnięcie i przytrzymanie przez 3 sekundy przycisku CO Alert; jeśli alarm działa prawidłowo, rozlegnie się głośny, 5-sekundowy sygnał dźwiękowy.

2. PRZYGOTOWANIE OCZYSZCZACZA H-PURIFIER

2.1 INSTALACJA FILTRA [Rys. 1]

Przed użyciem oczyszczacza H-Purifier należy usunąć opakowanie ochronne filtra:

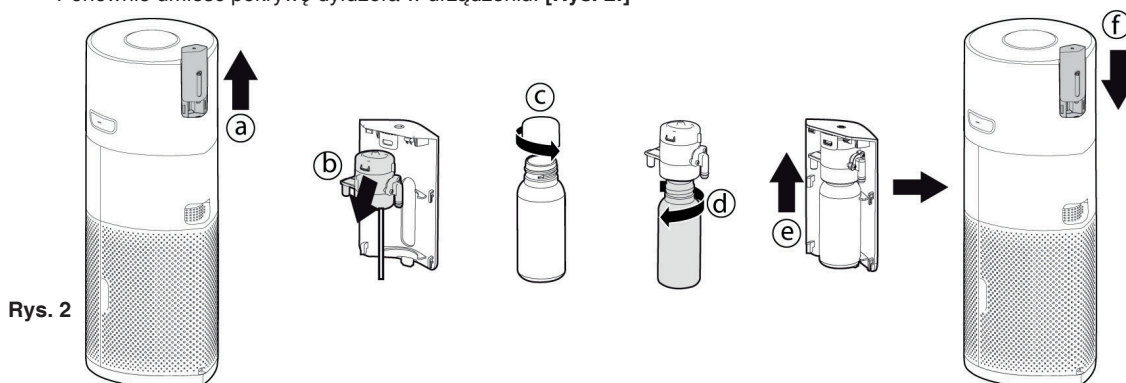
- Zdejmij pokrywę wlotu powietrza, chwytając dwa uchwyty pokrywy wlotu powietrza i wyciągnij ją z urządzenia. [Rys. 1a]
- Wyjmij wtyczkę z miejsca przechowywania i zdejmij przewód z haka magazynowego. [Rys. 1b]
- Odblokuj przełącznik zwalniający filtr. [Rys. 1c]
- Wyjmij filtr z urządzenia oraz usuń zewnętrzne opakowanie. [Rys. 1d,e]
- Włóż filtr do swojego urządzenia. [Rys. 1f]
- Zablokuj przełącznik zwalniający filtr. [Rys. 1g]
- Ponownie zamontuj pokrywę wlotu powietrza na urządzenie. [Rys. 1h]



2.2 WKŁADANIE BUTELKI Z DYFUZOREM [Rys. 2]

Przygotowanie urządzenia H-Purifier do funkcji dyfuzora:

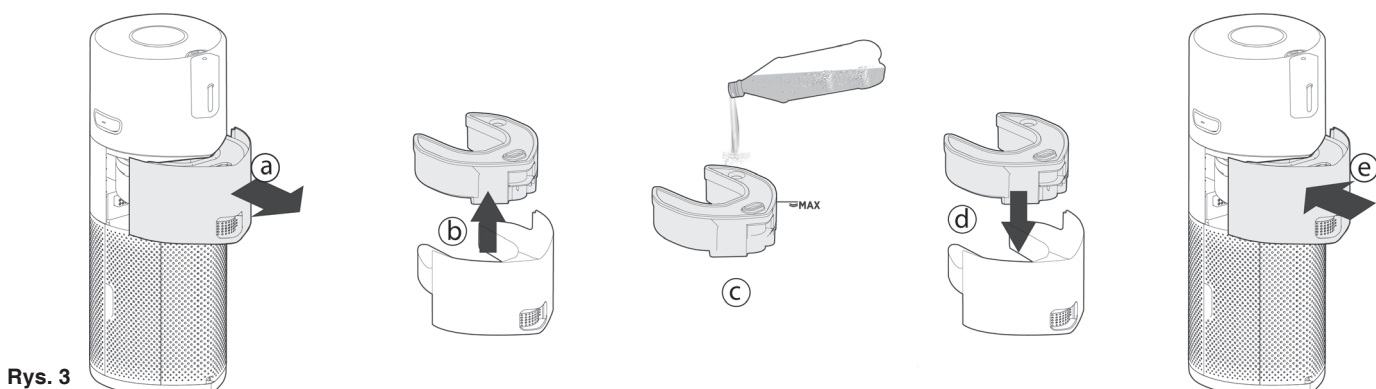
- Zdejmij pokrywę dyfuzora z urządzenia. [Rys. 2a]
- Zdejmij zespół dyfuzora z pokrywy zespołu dyfuzora. [Rys. 2b]
- Wyjmij nową butelkę z H-Essence lub H-Biotics z opakowania i zdejmij nakrętkę. [Rys. 2c]
- Zachowaj nakrętkę na przyszłość.
- Mocno zamocuj nową butelkę w zespole dyfuzora. [Rys. 2d]
- Włóż zespół dyfuzora do pokrywy dyfuzora. [Rys. 2e]
- Ponownie umieść pokrywę dyfuzora w urządzeniu. [Rys. 2f]



2.3 PRZYGOTOWANIE NAWILŻACZA [Rys. 3]

Przygotowanie urządzenia H-Purifier do funkcji nawilżacza:

- Zdejmij obudowę zbiornika z urządzenia. [Rys. 3a]
- Wyjmij zespół zbiornika z obudowy zbiornika. [Rys. 3b]
- Przed pierwszym użyciem oczyść wszystkie części suchą miękką ściereczką.
- Napełnij zbiornik przez wlot zbiornika wody wodą destylowaną, aż do osiągnięcia linii MAX wskazanej na zbiorniku. [Rys. 3c]
- Zamontuj zespół zbiornika w obudowie zespołu zbiornika. [Rys. 3d]
- Ponownie zamontować obudowę zespołu zbiornika na urządzenie. [Rys. 3e]



3. UŻYTKOWANIE URZĄDZENIA H-PURIFIER

3.1 WŁĄCZANIE URZĄDZENIA [Rys. 4]:

Wyciągnąć kabel zasilający z bębna kabla i podłączyć go do zasilacza.

Wszystkie lampki na panelu sterowania / wyświetlaczu będą się w pełni świecić przez około 1 sekundę, sygnalizując prawidłowe podłączenie.

Delikatne oświetlenie przycisku POWER oraz DIODY LED CO Alert informuje, że specjalny czujnik rozpoczął pracę w celu monitorowania poziomu tlenu węgla w pomieszczeniu.

Aby włączyć urządzenie, należy nacisnąć przycisk POWER, który znajduje się na wyświetlaczu. Pierścień jakości powietrza LED Ring świeci naprzemiennie we wszystkich kolorach, podczas gdy czujniki analizują warunki powietrza w czasie rzeczywistym. Po kilku sekundach, pierścień jakości powietrza LED Ring wybierze odpowiedni kolor dla jakości powietrza w danym momencie. Oczyszczacz H-Purifier natychmiast przejdzie w TRYB AUTO i rozpocznie oczyszczanie powietrza w pomieszczeniu. Na wyświetlaczu podświetli się przycisk TRYB AUTO, przycisk INFORMACYJNY, przycisk STEROWANIE OŚWIETLENIEM oraz informacje dotyczące PM10.

3.2 PODŁĄCZENIE URZĄDZENIA H-PURIFIER:

W celu uzyskania dostępu do wszystkich funkcji urządzenia H-Purifiers z dowolnego miejsca, zaleca się pobranie aplikacji hOn App.

Dzięki temu będziesz mógł kontrolować swoje urządzenie w najbardziej efektywny sposób.

Instrukcje:

1. Pobierz aplikację hOn z App Store, Google Play lub Huawei AppGallery. Można ją również pobrać po zeskanowaniu kodu QR na [Rys. 5]
2. Otwórz aplikację i utwórz konto za pomocą swojego e-maila oraz hasła.
3. Potwierdź i zaloguj się do aplikacji hOn.
4. Upewnij się, że Twoje urządzenie przenośne jest podłączone do sieci Wi-Fi.
5. Sprawdź, czy urządzenie H-Purifier jest podłączone do sieci Wi-Fi. Naciśnij i przytrzymaj przycisk Wi-Fi na wyświetlaczu przez 5 sekund, następnie pojawi się sygnał dźwiękowy, a przycisk Wi-Fi zacznie migać, informując Cię, że oczekuje na połączenie. [Rys. 6]
6. W celu połączenia urządzenia przenośnego z oczyszczaczem, postępuj zgodnie z instrukcjami aplikacji.
7. Po pomyślnym sparowaniu, przycisk Wi-Fi na urządzeniu podświetli się.
8. Aby zresetować sieć Wi-Fi, naciśnij i przytrzymaj przycisk Wi-Fi przez 5 sekund.

H-Purifier również współpracuje z Hey Google oraz Amazon Alexa.

3.3 POZNAJ WSZYSTKIE FUNKCJE

Funkcja INFORMACYJNA [Fig.7]:

Dostępnych jest 6 różnych zestawów danych w celu monitorowania:

PM10, PM2.5, gazu, temperatury, wilgotności i stanu filtra.

Aby rozpocząć monitorowanie każdej wartości, wystarczy naciskać kolejno przycisk INFORMACYJNY.

Domyślnie na wyświetlaczu będą wyświetlane dane dotyczące PM10, urządzenie zapamięta ostatni wybór użytkownika i zachowa ten wybór przy następnym włączeniu urządzenia.

Podczas pierwszych 3 minut po włączeniu produktu wykonywany jest cykl kalibracji czujnika GAZU, a dane GAZU będą pokazywały obracający się kursor.

Więcej informacji o PM 2.5, PM 10 oraz GAZIE:

PM to drobne cząstki (niewidoczne dla ludzkiego oka) pochodzące głównie z zanieczyszczeń zewnętrznych, takich jak pojazdy i emisje przemysłowe, które są potencjalnie niebezpieczne dla naszego zdrowia w przypadku długotrwałego narażenia. PM 10 to cząstki o średnicy do 10 µm, które mogą docierać do górnych dróg oddechowych (nos, tchawica, gardło). PM 2.5 to cząstki o średnicy do 2.5 µm i, biorąc pod uwagę ich mały rozmiar, mogą dotrzeć do naszych płuc, wnikać tym samym głębiej w organizm. GAZ VOC (lotne związki organiczne) są lotnymi związkami chemicznymi, które wykazują dużą zdolność parowania w powietrzu w temperaturze pokojowej. Dezodoranty, detergenty, kleje, spoiwa, kosmetyki oraz formaldehyd to tylko niektóre z lotnych związków organicznych, które mogą występować w naszych domach i są potencjalnie szkodliwe dla naszego zdrowia w przypadku długotrwałego narażenia.

Funkcje TRYBU:

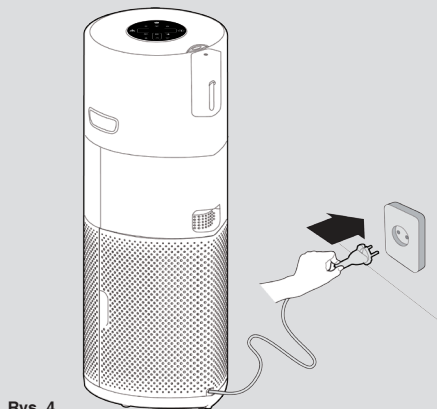
Dostępne są 3 tryby oczyszczania powietrza: TRYB AUTO, TRYB MAKSYMALNY ORAZ TRYB UŚPIENIA.

Domyślnym trybem tego urządzenia w chwili jego włączenia jest tryb automatyczny. Wszystkie tryby można wybrać ręcznie, naciskając odpowiedni przycisk na wyświetlaczu.

Tryb ALERGII NA PYŁKI można włączyć także za pomocą aplikacji hOn.

TRYB AUTO [Rys. 8]:

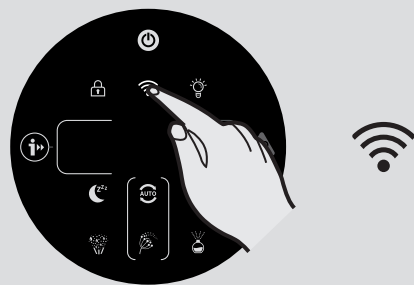
Jest to domyślny tryb pracy urządzenia H-Purifier przy pierwszym włączeniu. W Trybie Auto H-Purifier automatycznie dostosowuje prędkość wentylatora do aktualnego poziomu jakości powietrza w pomieszczeniu w celu zagwarantowania jego optymalnego oczyszczania. Jest zalecanym ustawieniem tego urządzenia. W trybie AUTO, po 30 minutach doskonałej jakości powietrza Twoje urządzenie wejdzie w tryb ECO (funkcja czuwania), wstrzymując funkcję oczyszczania (wentylator). Wieloczujnikowy system będzie kontynuował analizę powietrza w pomieszczeniu i w razie konieczności automatycznie włączy funkcję oczyszczania.



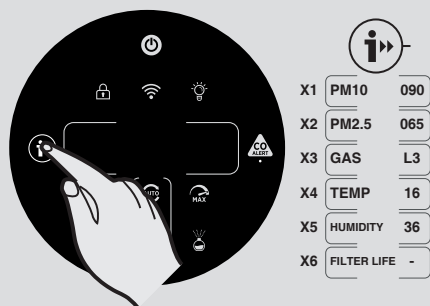
Rys. 4



Rys. 5



Rys. 6



Rys. 7



Rys. 8

TRYB MAKSYMALNY [Rys. 9]:

Aby włączyć maksymalną moc oczyszczania powietrza, naciśnij przycisk trybu MAKSYMALNEGO na wyświetlaczu. Aby wyjść z trybu MAKSYMALNEGO, wystarczy wybrać tryb AUTO lub tryb UŚPIENIA.

TRYB UŚPIENIA [Rys. 10]:

Aby włączyć najniższą moc oczyszczania powietrza, naciśnij przycisk trybu UŚPIENIA. Przycisk trybu UŚPIENIA ściemni się, a wszystkie inne kontrolki wyświetlacza będą wyłączone. Można zmienić te ustawienia, naciskając przycisk KONTROLA OŚWIETLENIA.

TRYB ALERGII NA PYŁKI: [Rys. 11]

Tryb ALERGII NA PYŁKI można włączyć jedynie za pomocą aplikacji hOn. Aby utworzyć PROFIL ALERGII NA PYŁKI, najpierw należy aktywować i zarejestrować profil w aplikacji.

Tryb Alergii na pyłki działa tylko wtedy, gdy wybrany jest tryb AUTO. [Rys. 11c]

W trybie Alergii na pyłki urządzenie stale otrzymuje od aplikacji dane w czasie rzeczywistym o monitorowanym stężeniu pyłków na zewnątrz i pracuje automatycznie w celu zmaksymalizowania wydajności przechwytywania pyłków.

Aby wspomóc złagodzenie objawów alergicznych, przechwycone pyłki są inaktywowane.

Po włączeniu trybu Alergii na pyłki w aplikacji, na wyświetlaczu urządzenia pojawią się 2 możliwe lampki:

- Lampka Alergii na pyłki jest BIAŁA [Rys. 11a]: Urządzenie i aplikacja monitorują obecność pyłków na zewnątrz, brak ryzyka.

- Lampka Alergii na pyłki zmienia kolor na ŻÓŁTY, a Okrągła Lampka Alergii na pyłki jest BIAŁA [Rys. 11b]: Urządzenie i Aplikacja wykryły zagrożenie.

Jeśli przy aktywnym trybie Alergii na pyłki produkt zostanie ręcznie przełączony do trybu UŚPIENIA lub trybu MAKSYMALNEGO, tryb Alergii na pyłki zostanie wyłączony.

Funkcja STEROWANIA OŚWIETLENIEM: [Rys. 12]

Dostępne są 3 ustawienia oświetlenia wyświetlacza: Włączony, Ściemniony i Wyłączony

Aby wyregulować jasność podświetlenia wyświetlacza, wystarczy wcisnąć przycisk STEROWANIE OŚWIETLENIEM na wyświetlaczu, aby przejść przez 3 dostępne opcje. Domyślnym ustawieniem oświetlenia jest ON (włączone).

Jeśli wybrano opcję OFF (wyłączone), należy dwukrotnie nacisnąć dowolny inny przycisk w celu aktywacji, po jednym naciśnięciu kontrolki staną się PRZYCIEMNIONE, po drugim naciśnięciu funkcja zostanie aktywowana.

Funkcja ZABEZPIECZENIA PRZED DZIEĆMI: [Rys. 13]

Aby aktywować tę funkcję, naciśnij i przytrzymaj przycisk ZABEZPIECZENIA PRZED DZIEĆMI przez 3 sekundy. Po aktywacji usłyszysz dźwięk, a przycisk ZABEZPIECZENIA PRZED DZIEĆMI pozostanie podświetlony. Po aktywowaniu tej funkcji wszystkie przyciski będą zablokowane.

Aby wyłączyć tę funkcję, wystarczy wcisnąć i przytrzymać przycisk ZABEZPIECZENIA PRZED DZIEĆMI przez 3 sekundy, aż do usłyszenia dźwięku, który potwierdzi wyłączenie funkcji, a przycisk nie będzie już podświetlony.

Funkcja DYFUZORA: [Rys. 14]

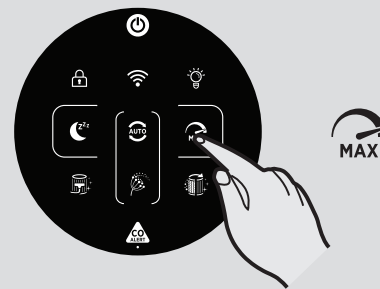
Dyfuzor uwalnia do powietrza pomieszczenia H-Essence lub H-Biotics. H-Essence są kolekcją olejków eterycznych firmy Hoover, które uwalniają do powietrza przyjemny zapach.

H-Biotics to natomiast naturalna mieszanka oparta na probiotykach, która, hamując rozwój mikroorganizmów, takich jak bakterie czy drobnoustroje utrzymuje pomieszczenie w stanie natlenionym. Dostępne są 4 różne ustawienia funkcji DYFUZORA, DELIKATNE ŚREDNIE, SPERSONALIZOWANE i H-BIOTICS. Aby aktywować funkcję dyfuzora wystarczy nacisnąć przycisk Dyfuzor na wyświetlaczu. Domyślnym ustawieniem dla tej funkcji jest ustawienie DELIKATNE, aby wybrać dowolne inne ustawienie wystarczy kolejno nacisnąć przycisk w celu zmiany na docelowe ustawienie. Po włączeniu tej funkcji przycisk będzie się świecił na biało.

Zaleca się stosowanie ustawień DELIKATNE & ŚREDNIE dla H-Essence.

Ustawienia SPERSONALIZOWANE można tworzyć jedynie w aplikacji hOn.

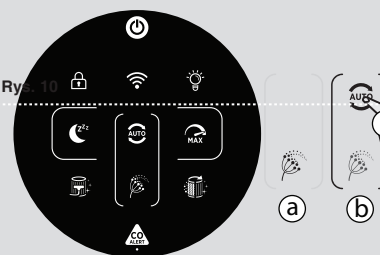
W przypadku korzystania z H-Biotics, urządzenie MUSI być ustawione na H-Biotics. Aby zapewnić stosowanie H-Biotics co 5 dni, pod warunkiem, że użytkownik aktywuje H-Biotics za pomocą aplikacji, po 120 godzinach zostanie wyświetlony komunikat „AKTYWUJ H-BIOTICS”.



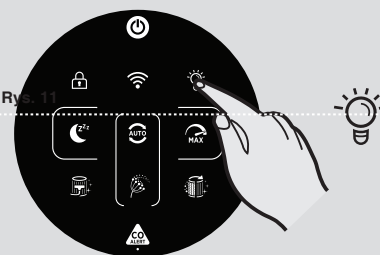
Rys. 9



Rys. 10



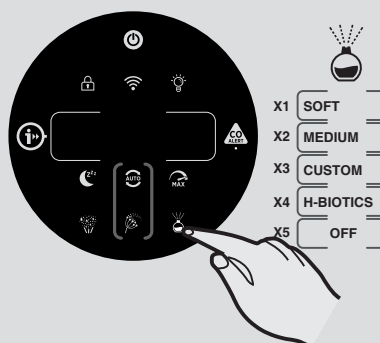
Rys. 11



Rys. 13



Rys. 13



Rys. 14

- | | |
|----|-----------|
| X1 | SOFT |
| X2 | MEDIUM |
| X3 | CUSTOM |
| X4 | H-BIOTICS |
| X5 | OFF |

Kiedy korzysta się z H-Essence przy pewnych ustawieniach lub w środowisku pomieszczenia, poziom LZO (GAZ) może się zmieniać w związku z wykryciem zapachów. Funkcja dyfuzora działa jedynie wtedy, kiedy pierścień jakości powietrza LED Ring jest w kolorze zielonym. Kiedy pierścień LED nie jest w kolorze zielonym, następuje przerwanie działania funkcji i zostaje ona wznowiona dopiero wtedy, kiedy kolor znów jest zielony. Jedynie tryby AUTO i MAKSYMALNY mogą obsługiwać funkcję Dyfuzora. Funkcja nie działa w trybie UŚPIENIA. Po włączeniu funkcji dyfuzora w trybie AUTO główny wentylator będzie pracował z określoną prędkością w celu rozpylenia H-Essence lub H-Biotics w pomieszczeniu.

Ustawienie	Czas dyfuzji	Maksymalny czas trwania cyklu
DELIKATNY	przez 10 s. co 5 min.	6 godz.
ŚREDNI	przez 90 s. co 3,5 min.	6 godz.
SPERSONALIZOWANY	Ustawienia użytkownika	6 godz.
H-BIOTICS	przez 2 min. co 4 min.	6 godz.

Aby wyłączyć tę funkcję, należy naciskać przycisk dyfuzora aż do momentu, kiedy na wyświetlaczu pojawi się OFF.

Po każdym użyciu funkcji Dyfuzora należy oczyścić powierzchnię urządzenia suchą, miękką ściereczką. Aby wymienić butelkę w zespole dyfuzora, patrz „Konserwacja urządzenia H-Purifier”.

Funkcja NAWILŻACZA: [Rys. 15]

Dostępne są 3 różne ustawienia dla funkcji Nawilżacza, MIN, MED i MAX. Aby aktywować tę funkcję wystarczy nacisnąć przycisk Nawilżacz na wyświetlaczu. Domyślnym ustawieniem dla tej funkcji jest MIN. Aby wybrać jedno z pozostałych ustawień, wystarczy kolejno naciskać przycisk, aż do wyboru docelowego ustawienia. Po włączeniu tej funkcji przycisk będzie się świecił na biało.

MIN - Domyślna docelowa wilgotność 40%

MED - Domyślna docelowa wilgotność 55%

MAX - Domyślna docelowa wilgotność 70%

Za pomocą aplikacji hOn można dostosować wszystkie 3 docelowe poziomy docelowej wilgotności w zakresie 30-80%.

Aby wyłączyć funkcję Nawilżacza, należy naciskać przycisk nawilżacza aż do momentu, kiedy na wyświetlaczu pojawi się OFF.

Jeśli poziom wilgotności w czasie rzeczywistym jest równy lub wyższy od wybranego, na wyświetlaczu pojawi się komunikat „OSIĄGNIĘTO POZIOM WILGOTNOŚCI”. Lampka nawilżacza pozostanie włączona.

Urządzenie automatycznie wejdzie w tryb nawilżania, jeśli w czasie rzeczywistym wilgotność spadnie poniżej wybranego poziomu docelowego.

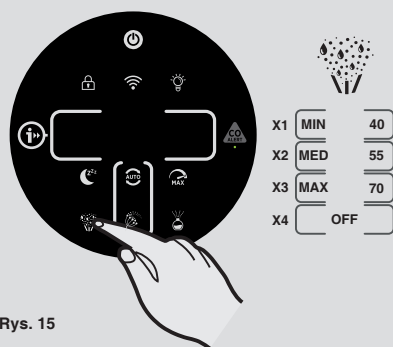
Jedynie tryby UŚPIENIA i AUTO mogą obsługiwać funkcję Nawilżacza. Funkcja nie działa w trybie MAKSYMALNYM.

ALERT UZUPEŁNIENIA WODY:

Gdy poziom wody spadnie poniżej poziomu minimalnego, na wyświetlaczu cyfrowym pojawi się migający komunikat UZUPEŁNIĆ WODĘ. Instrukcje podano w rozdziale Konserwacja Oczyszczacza.

Ważna uwaga:

- **Urządzenie pracuje w Trybie Dyfuzora:** W przypadku wybrania Trybu Nawilżacza i niewyłączenia Trybu Dyfuzora, urządzenie automatycznie zatrzyma Tryb Dyfuzora, aktywując Tryb Nawilżacza.
- **Urządzenie pracuje w Trybie Nawilżacza:** W przypadku wybrania Trybu Dyfuzora i niewyłączenia Trybu Nawilżacza, urządzenie automatycznie zatrzyma Tryb Nawilżacza, aktywując Tryb Dyfuzora.



Rys. 15

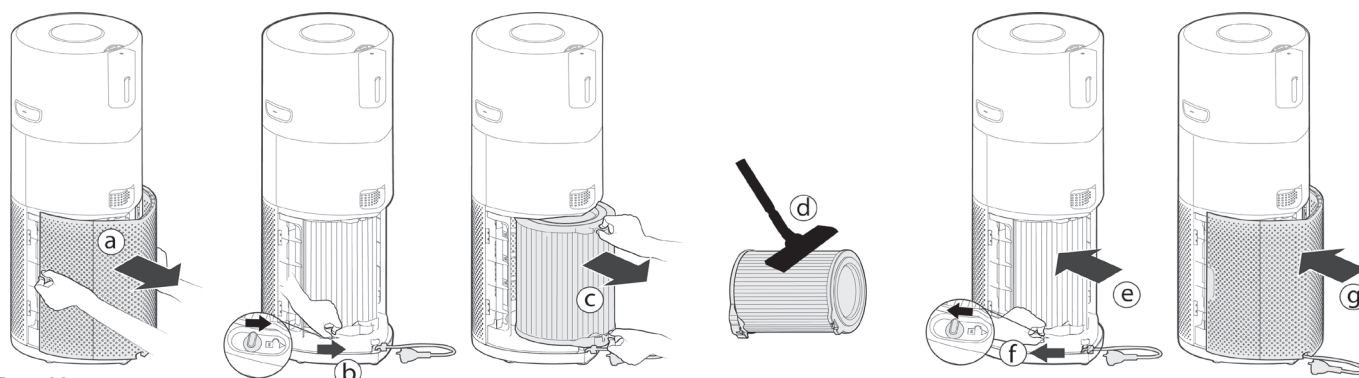
4. UŻYTKOWANIE URZĄDZENIA H-PURIFIER

4.1 UTRZYMANIE FILTRA W CZYSTOŚCI

Twoje urządzenie H-Purifier będzie monitorowało stan filtra. Po lewej stronie wyświetlacza pojawi się komunikat WYCZYŚĆ FILTR LUB WYMIENĀ FILTR, a wskazane działania s konieczne do wyczyszczenia lub wymiany filtra.

Czyszczenie / Wymiana filtra: [Rys. 16]

- Usuń pokryw wlotu powietrza z urdzenia. [Rys. 16a]
- Odblokuj przełcznik zwalnijcy filtr. [Rys. 16b]
- Usuń filtr z urdzenia. [Rys. 16c]
- Odkurz zewntrzn warstw filtra odkurzaczem lub wymieñ filtr na NOWY. [Rys. 16d]
- Włż filtr do swojego urdzenia. [Rys. 16e]
- Zablokuj przełcznik zwalnijcy filtr. [Rys. 16f]
- Ponownie zamontuj pokryw wlotu powietrza na urdzenie. [Rys. 16g]
- Podłcz urdzenie do Źródła zasilania, a nastpnie włcz je.
- Nacinij przycisk INFORMACYJNY, aby zresetowa alarm czyszczenia/wymiany. W tym celu nacinij przycisk i przytrzymaj go przez 3 sekundy, a do usłyszania sygnału dwikowego informujcego o pomylnym zresetowaniu. [Rys. 7]



Rys. 16

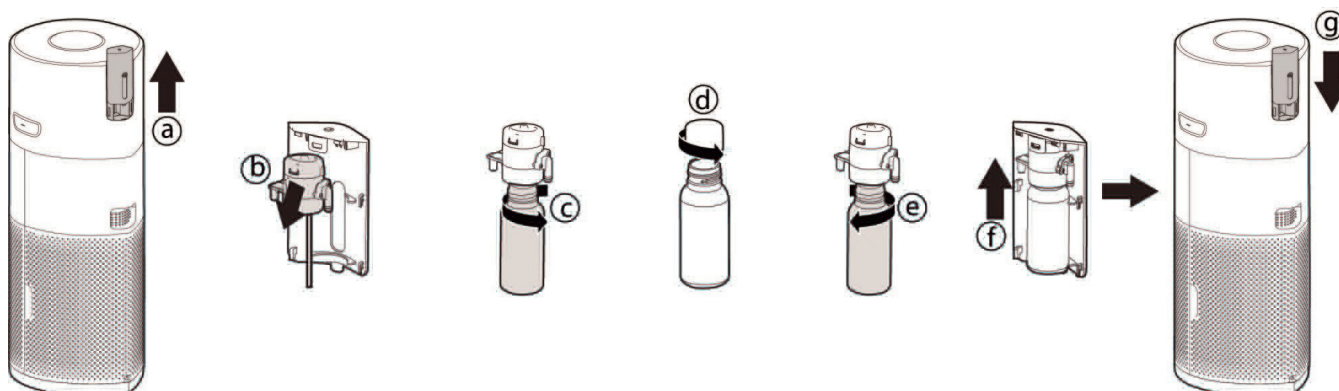
4.2 KONSERWACJA DYFUZORA

Po kadym uyciu funkcji Dyfuzora naley oczyci powierzchnię urdzenia such, mikk szciereczk.

Wymiana butelki dyfuzora: [Rys. 17]

Objtoc ciczy pozostajcej w butelce mona sprawdzi przez okienko dyfuzora. W razie potrzeby butelk naley wymieni.

- Zdejmij pokryw dyfuzora z urdzenia. [Rys. 17a]
- Wyjmij zespł dyfuzora wraz z butelk z pokryw zespołu dyfuzora. [Rys. 17b]
- Odkrc i wyjmij pust butelk. [Rys. 17c]
- Wyjmij now butelk z H-Essence lub H-Biotics z opakowania i zdejmij nakrtk. [Rys. 17d]
- Mocno zamocuj now butelk w zespole dyfuzora. [Rys. 17e]
- Włż zespł dyfuzora do pokryw dyfuzora. [Rys. 17f]
- Ponownie umie pokryw dyfuzora w urdzeniu. [Rys. 17g]



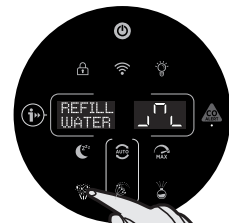
Rys. 17

4.3 KONSERWACJA NAWILŻACZA

Alarm uzupełnienia wody w zbiorniku:

Aby nawilżacz działał, konieczne jest zapewnienie minimalnego poziomu wody. Gdy poziom wody spadnie poniżej poziomu minimalnego, na wyświetlaczu cyfrowym pojawi się migający komunikat UZUPEŁNIĆ WODĘ. W obudowie zbiornika na wodę może znajdować się resztkowa woda. Komunikat pojawi się mimo tego, ponieważ wymagane jest zapewnienie minimalnego poziomu wody.

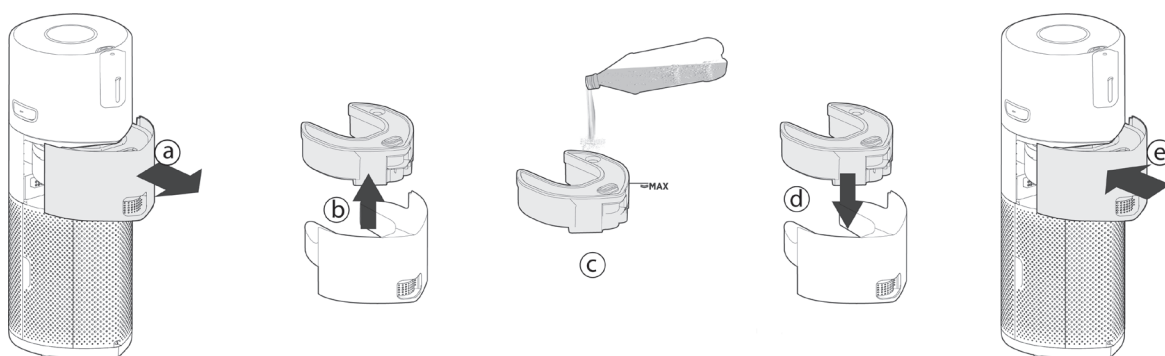
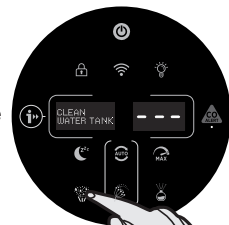
- Zdejmij obudowę zbiornika z urządzenia. [Rys. 18a]
- Wyjmij zespół zbiornika z obudowy zbiornika. [Rys. 18b]
- Usuń resztki wody i napełnij zbiornik przez wlot zbiornika wodą destylowaną. Woda powinna sięgać do poziomu linii MAX wskazanej na zbiorniku. [Rys. 18c]
- Zamontuj zespół zbiornika w obudowie zespołu zbiornika. [Rys. 18d]
- Ponownie zamontować obudowę zespołu zbiornika na urządzeniu. [Rys. 18e]



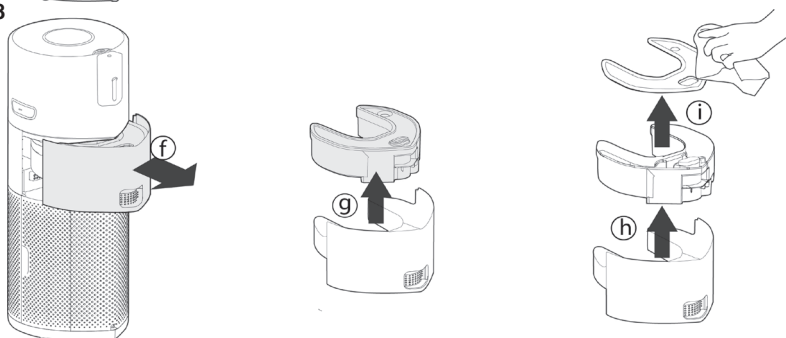
Alarm czyszczenia zbiornika wody:

Twoje urządzenie H-Purifier będzie monitorowało stan zbiornika Twojego nawilżacza. Alarm OCZYŚĆ ZBIORNIKA NA WODĘ będzie migać po 72 godzinach od ostatniego uruchomienia funkcji nawilżacza, jeśli w zbiorniku nadal jest woda. Alarm pojawi się po lewej stronie wyświetlacza, informując, że wskazane jest działania w celu wyczyszczenia zbiornika na wodę.

- Zdejmij obudowę korpusu zbiornika z urządzenia. [Rys. 18f]
- Oddziel od siebie obudowę zbiornika na wodę, zbiornik na wodę i pokrywę zbiornika na wodę, a następnie dokładnie wyczyść te 3 elementy i całkowicie wysuszyć miękką, suchą ściereczką. [Rys. 18g,h,i]
- Ponownie zmontować komponenty Zbiornika na wodę i wypełnić go wodą destylowaną aż do osiągnięcia linii MAX.
- Sprawdzić, czy produkt jest włączony przed ponownym włożeniem zbiornika.
- Ponownie zamontować obudowę zespołu zbiornika na urządzeniu. [Rys. 18e]

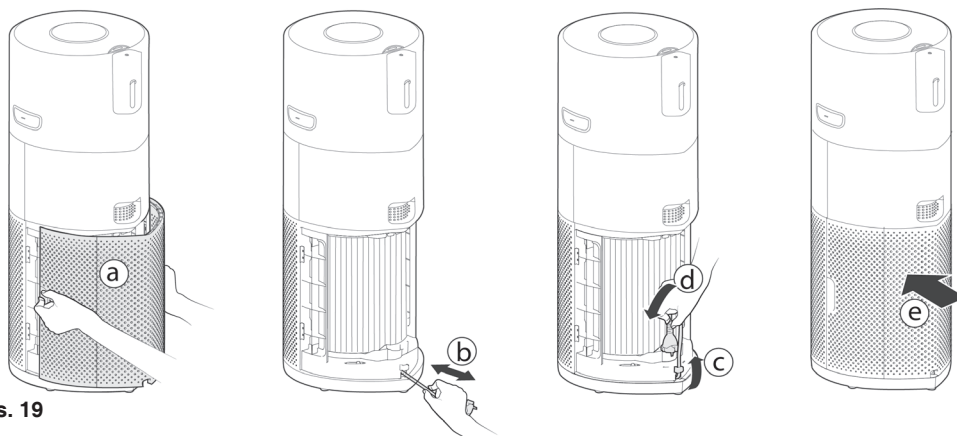


Rys. 18



5. PRZECHOWYWANIE URZĄDZENIA H-PURIFIER

1. Wyłącz H-Purifier i wyjmij wtyczkę przewodu zasilającego z gniazdka.
2. Wyczyść wszystkie wewnętrzne i zewnętrzne powierzchnie urządzenia H-Purifier, zewnętrzną warstwę filtra i zbiornik na wodę.
3. Wyjmij butelkę z dyfuzora. Załóż oryginalną nakrętkę na butelkę i przechowuj ją, chroniąc przed bezpośrednim działaniem promieni słonecznych. Wyczyść powierzchnie zespołu dyfuzora i obudowy dyfuzora. Należy upewnić się, że na powierzchni urządzenia H-Purifier nie ma pozostałości H-Essence lub H-Biotics.
4. Upewnij się, że wszystkie elementy są suche.
5. Zdejmij pokrywę wlotu powietrza [Rys. 19a], pociągnij przewód zasilający, aby go zwinąć [Rys. 19b], umieść przewód na haku do przechowywania, a następnie włóż wtyczkę do miejsca przechowywania. [Rys. 19c,d] Ponownie zamontuj osłonę wlotu powietrza. [Rys. 19e]
6. H-Purifier należy przechowywać w chłodnym i suchym miejscu.



Rys. 19

6. ALARMY I ROZWIĄZANIA

Podczas użytkowania mogą pojawić się następujące kody. [Rys. 20]



Rys. 20

Alarm		Opis alarmu	Rozwiązanie
Alarm na urządzeniu	Alarm w aplikacji		
“OCZYŚĆ FILTR”	Alarm czyszczenia filtra wstępnego	Sugeruje czyszczenie zewnętrznej warstwy filtra.	1. Oczyszczyć zewnętrzną warstwę filtra. 2. Zresetuj alarm. W tym celu naciśnij przycisk INFORMACYJNY i przytrzymaj przez 3 s. Patrz 4.1 KONSERWACJA FILTRA
“WYMIĘŃ FILTR”	Alarm wymiany filtra	Sugeruje wymianę filtra.	1. Wymień filtr. 2. Zresetuj alarm. W tym celu naciśnij przycisk INFORMACYJNY i przytrzymaj przez 3 s. Patrz 4.1 KONSERWACJA FILTRA
“BRAK FILTRA”	Błąd: pojawił się błąd dotyczący oczyszczacza powietrza. Należy sprawdzić możliwe rozwiązania	Filtr nie jest w prawidłowej pozycji lub nie jest prawidłowo zablokowany	1. W przypadku braku filtra należy ponownie włożyć filtr. 2. Jeśli filtr jest na swoim miejscu, sprawdź, czy przełącznik zwolnienia filtra jest w stanie ZABLOKOWANY. Patrz 2.1 INSTALACJA FILTRA
“BRAK ZBIORNIKA NA WODĘ”	Błąd: pojawił się błąd dotyczący oczyszczacza powietrza. Należy sprawdzić możliwe rozwiązania	Brak zbiornika na wodę lub obudowy zbiornika.	Włożyć z powrotem zbiornik na wodę oraz obudowę zbiornika.
“OCZYŚĆ ZBIORNIK NA WODĘ”	Należy wymienić wodę w zbiorniku	Upłynęły 3 dni od ostatniego użycia nawilżacza, zbiornik/obudowa wymagają oczyszczenia, a woda wymaga wymiany ze względów higienicznych.	1. Wyłącz odkurzacz. 2. Wyjmij zbiornik/obudowę, oczyść powierzchnię wewnętrzną każdego komponentu i wlej wodę. 3. Włącz urządzenie. 4. Włóż zbiornik/obudowę z powrotem. Patrz 4.3 KONSERWACJA NAWILŻACZA
“UZUPEŁNIJ WODĘ”	Błąd: pojawił się błąd dotyczący oczyszczacza powietrza. Należy sprawdzić możliwe rozwiązania	W zbiorniku nie ma wody lub jej poziom nie jest wystarczający do pracy nawilżacza.	Wlej wodę destylowaną do zbiornika aż do poziomu linii MAX.
“BŁĄD CZUJNIKA PM”	/	Nieprawidłowe działanie czujnika PM	Awaria czujnika PM lub nieprawidłowe podłączenie przewodu czujnika. Prosimy o kontakt z centrum serwisowym w celu naprawy.
Dioda LED CO Alert jest żółta	Błąd: pojawił się błąd dotyczący oczyszczacza powietrza. Należy sprawdzić możliwe rozwiązania	Nieprawidłowe działanie czujnika CO lub czujnik przekroczył swój okres użytkowania.	Prosimy o kontakt z centrum serwisowym w celu naprawy.
Automatyczne wyłączenie bez alarmu	Upadek produktu	Zabezpieczenie przed upadkiem produktu	1. W przypadku upadku urządzenia i rozlania wody, należy odłączyć zasilanie i odczekać 48 godzin przed ponownym włączeniem produktu. 2. Jeśli produkt upadnie, ale nie dojdzie do rozlania wody, należy podnieść urządzenie i nacisnąć przycisk Power, aby je włączyć.
/	Błąd: pojawił się błąd dotyczący oczyszczacza powietrza. Należy sprawdzić możliwe rozwiązania	Awaria silnika	Awaria silnika lub nieprawidłowe podłączenie przewodu silnika, prosimy o kontakt telefoniczny z centrum serwisowym w celu naprawy.
“BŁĄD CZUJNIKA TEMP. I WILG.”	/	Nieprawidłowe działanie czujnika temperatury i wilgotności	Awaria czujnika temperatury i wilgotności lub nieprawidłowe podłączenie przewodu czujnika. Prosimy o kontakt z centrum serwisowym w celu naprawy.
“PRZERWA”	/	Dyfuzor przerywa działanie, kiedy pierścień jakości powietrza LED Ring nie jest w kolorze zielonym.	Nie ma konieczności podejmowania jakichkolwiek działań. Dyfuzor wznowi działanie, kiedy pierścień jakości powietrza LED Ring będzie w kolorze zielonym.

UWAGA: Jeśli którakolwiek z tych usterek nie zniknie, skontaktować się z lokalnym przedstawicielem firmy HOOVER. Nie należy podejmować prób samodzielnego demontażu urządzenia H-Purifier.

7. ROZWIĄZYWANIE PROBLEMÓW

Poniżej znajduje się lista najczęściej spotykanych problemów i ich rozwiązanie.

Jeżeli którykolwiek z problemów utrzymuje się przez dłuższy czas, należy się skontaktować z przedstawicielem firmy Hoover.

Wentylator nie działa (Panel sterowania / Włączone oświetlenie wyświetlacza)	<ul style="list-style-type: none"> • Sprawdzić alarm wyświetlany na wyświetlaczu lub w aplikacji. Jeśli tak, patrz 6. ALARMY I ROZWIĄZANIA. • Sprawdzić, czy w wentylatorze nie występują przeszkody. Jeśli tak, należy najpierw wyjąć wtyczkę przewodu zasilającego urządzenia z gniazdka, usunąć przeszkody lub wezwać serwis, aby je usunął. • Sprawdzić, czy urządzenie H-Purifier jest włączone. • Sprawdzić, czy filtr jest prawidłowo zainstalowany i zablokowany. • Sprawdzić, czy urządzenie H-Purifier znajduje się w całkowicie pionowej pozycji i nie jest pochylone. • Urządzenie H-Purifier może być w trybie ECO. Można nacisnąć przycisk trybu uśpienia lub przycisk trybu maksymalnego, aby wyjść z trybu ECO. Patrz 3. UŻYTKOWANIE URZĄDZENIA H-PURIFIER – TRYB AUTO.
Wentylator nie działa (Panel sterowania / Wyłączone oświetlenie wyświetlacza)	<ul style="list-style-type: none"> • Sprawdzić, czy urządzenie H-Purifier jest podłączone i włączone. • Sprawdzić alarm wyświetlany w aplikacji. Jeśli tak, patrz 6. ALARMY I ROZWIĄZANIA.
Brak podświetlenia panelu sterowania / Wyświetlacz (Wentylator działa)	<ul style="list-style-type: none"> • W trybie uśpienia oświetlenie jest domyślnie ustawione na wyłączone. Aby włączyć oświetlenie, można nacisnąć przycisk sterowania oświetleniem. • Oświetlenie można wyłączyć. Aby włączyć oświetlenie, można nacisnąć przycisk sterowania oświetleniem. Refer to 3. UŻYTKOWANIE URZĄDZENIA H-PURIFIER – TRYB UŚPIENIA / Funkcja STEROWANIA OŚWIETLENIEM.
Przyciski na panelu sterowania nie działają	<ul style="list-style-type: none"> • Włączona może być funkcja zabezpieczenia przed dziećmi. Można nacisnąć przycisk ZABEZPIECZENIA PRZED DZIEĆMI i przytrzymać przez 3 sekundy, aby z niej wyjść. Patrz 3. UŻYTKOWANIE URZĄDZENIA H-PURIFIER – Funkcja ZABEZPIECZENIA PRZED DZIEĆMI.
Słaby przepływ powietrza	<ul style="list-style-type: none"> • Sprawdzić, czy opakowanie ochronne zostało zdjęte z filtra. • Sprawdzić, czy w pokrywie wlotu powietrza lub wylocie powietrza występują przeszkody. • Zdjąć osłonę wlotu powietrza i sprawdzić stan filtra. Oczyszczyć zewnętrzną warstwę filtra lub w razie potrzeby wymienić filtr. Stan eksploatacji filtra można sprawdzić na wyświetlaczu po naciśnięciu przycisku informacyjnego. • Sprawdzić, czy urządzenie H-Purifier nie znajduje się w Trybie uśpienia. W tym trybie wentylator pracuje ze zmniejszoną mocą.
Głośna praca urządzenia H-Purifier	<ul style="list-style-type: none"> • Sprawdzić, czy nie ma żadnych przeszkody blokujących pracę urządzenia H-Purifier. • Sprawdzić, czy urządzenie H-Purifier nie działa w trybie maksymalnym. W tym trybie wentylator pracuje z maksymalną mocą.
Nagła głośna praca urządzenia H-Purifier	<ul style="list-style-type: none"> • Sprawdzić, czy H-Purifier nie działa w trybie automatycznym oraz czy pierścień jakości powietrza LED Ring nie jest zielony. W trybie automatycznym H-Purifier automatycznie dostosowuje prędkość wentylatora do rzeczywistego poziomu jakości powietrza w pomieszczeniu. Patrz 3. UŻYTKOWANIE URZĄDZENIA H-PURIFIER – TRYB AUTO.
H-Purifier nagle wydaje głośny brzęczący dźwięk	<ul style="list-style-type: none"> • Została przypadkowo uruchomiona funkcja testująca przycisk CO Alert. Dźwięk wyłączy się automatycznie po 5 sekundach. Patrz 1.2 ALARM TLENKU WGLA (CO)
Nie można zresetować alarmu „OCZYŚĆ ZBIORNIK NA WODĘ”	<ul style="list-style-type: none"> • Po oczyszczeniu zbiornika na wodę / obudowy oraz uzupełnieniu wody włączyć H-Purifier. Nie wkładać obudowy, dopóki na wyświetlaczu nie pokaże się „BRAK ZBIORNIKA NA WODĘ”.

WAŻNE INFORMACJE

CZĘŚCI ZAPASOWE I MATERIAŁY EKSPLOATACYJNE MARKI HOOVER

Należy zawsze wymieniać części na oryginalne części zapasowe firmy Hoover. Można je nabyć w lokalnym serwisie firmy Hoover lub bezpośrednio w firmie Hoover. Przy zamawianiu części zawsze należy podać numer danego modelu.

Jakość

Fabryki firmy Hoover zostały poddane niezależnej kontroli pod kątem jakości. Nasze produkty zostały wytworzone z wykorzystaniem systemu kontroli jakości spełniającego wymogi normy ISO 9001.

GWARANCJA

Warunki gwarancji na niniejsze urządzenie są określone przez naszego przedstawiciela w kraju, w którym urządzenie jest sprzedawane. Szczegółowe informacje na temat warunków gwarancji można uzyskać w punkcie, w którym urządzenie zostało nabyte. Przy zgłaszaniu wszelkich roszczeń w ramach gwarancji należy przedstawić dowód sprzedaży lub pokwitowanie.

Zastrzegamy sobie możliwość wprowadzania zmian bez wcześniejszego powiadomienia.

OBECNÁ BEZPEČNOSTNÍ UPOZORNĚNÍ

Toto zařízení by mělo být používáno pouze pro soukromé použití v domácnosti, jak je popsáno v tomto návodu k použití. Před uvedením do provozu se, prosím, ujistěte, že návodu plně rozumíte a uschovejte jej pro budoucí použití.

Před připojením spotřebiče zkontrolujte, zda napětí a hodnoty uvedené na štítku spotřebiče odpovídají napětí v místní síti.

Jestliže je poškozen síťový kabel, okamžitě přestaňte zařízení používat. Síťový kabel musí vyměnit autorizovaný servisní pracovník společnosti Hoover, aby nedošlo k ohrožení bezpečnosti při práci s přístrojem.

Neodpojujte zástrčku taháním za síťový kabel.

Umístěte síťový kabel tak, aby na něj nikdo nestoupl nebo o něj nezakopl.

Před přesunem, čištěním, nebo jakoukoli údržbou zařízení vždy vypněte a síťový kabel vytáhněte ze zásuvky.

Tento přístroj smí používat děti od 8 let výše. Osoby se sníženými fyzickými, smyslovými nebo mentálními schopnostmi nebo s nedostatkem zkušeností a znalostí smí tento přístroj používat, pokud jsou pod dohledem nebo jim byly dány pokyny týkající se bezpečného používání a byly seznámeny s možnými riziky. S přístrojem si nesmí hrát děti.

Čištění a údržbu nesmí provádět děti bez dozoru.

Spotřebič neodstraňuje oxid uhelnatý (CO) ani radon (Rn). Nelze jej použít jako bezpečnostní zařízení v případě nehod se spalovacími procesy a nebezpečnými chemikáliemi.

Nepoužívejte zařízení, pokud vám připadá vadné.

Neblokujte přívod vzduchu ani odvod vzduchu.

Nevkládejte prsty nebo předměty do odvodu vzduchu ani do přívodu vzduchu, aby se zabránilo zranění nebo nesprávnému provozu spotřebiče.

Spotřebič nečistěte vodou, jinými tekutinami nebo (hořlavými) čistícími prostředky, ani nedovolte, aby vnikly do spotřebiče. Přeďte tak úrazu elektrickým proudem a/nebo riziku požáru.

Nestříkejte okolo spotřebiče žádné hořlavé materiály, jako například insekticidy nebo vůně.

Tento spotřebič nenahrazuje řádné větrání, pravidelné vysávání ani použití digestoře nebo ventilátoru během vaření.

Používejte pouze spotřební materiál, filtry nebo náhradní díly doporučené nebo dodávané společností HOOVER.

Před zapnutím spotřebiče se ujistěte, že je filtr správně nainstalován.

Vyvarujte se nárazům do spotřebiče (zejména na přívod a odvod vzduchu) tvrdými předměty.

Uchovávejte čističku vzduchu v suchu.

Během provozu nikdy čističku nenaklánějte ani nevyprazdňujte.

Pokud se spotřebič delší dobu nepoužívá, mohou se na filtru množit bakterie. Po dlouhém nepoužívání zkontrolujte filtry. Pokud jsou filtry velmi špinavé, vyměňte je.

Autorizované servisní středisko Hoover najdete na internetových stránkách: www.hoover.cz/cs_CZ/servis. Pro zajištění vždy bezpečné a efektivní práce se zařízením doporučujeme, aby jakékoliv servisní práce nebo opravy prováděl pouze autorizovaný servisní pracovník společnosti Hoover.

PROSTŘEDÍ PRO POUŽITÍ

Čističku umístěte a používejte pouze na suchém, stabilním a vodorovném povrchu, aby nedošlo k převrácení.

Ponechejte nejméně 20 cm volného místa za spotřebičem a na obou stranách spotřebiče a nejméně 30 cm volného místa nad spotřebičem.

Abyste předešli rušení, umístěte čističku nejméně 2 metry od elektrických spotřebičů, které používají vzdušné rádiové vlny, jako jsou televizory, rádia a hodiny ovládané rádiem.

Na spotřebič nepokládejte žádné předměty.

Nepoužívejte tento spotřebič, pokud jste použili repelent proti hmyzu nebo na místech s

mastnými zbytky, hořícím kadidlem nebo chemickými výpary.

Neumísťujte spotřebič na žádné z následujících míst:

- Na horké povrchy, do blízkosti horkých povrchů, otevřeného ohně nebo na přímé sluneční světlo, do blízkosti plynových spotřebičů, topných zařízení nebo krbů;
- Vedle nebo přímo nad topení nebo větrací otvory klimatizace, dveře, okna, ventilátory, sporáky nebo kdekoliv, kde by mohl mít průvan dopad na spotřebič;
- Do koupelny nebo na jiná místa, kde může být spotřebič vystaven stříkající, kapající nebo kondenzované vodě (např. přímo pod klimatizaci nebo nad rychlovarnou konvici);
- Do uzavřeného prostoru (např. do skříně nebo pod ní);
- Do oblasti, kde by teplota mohla klesnout pod -20 °C nebo stoupnout nad 50 °C ;
- Do místnosti s velkými změnami teploty, do vlhkého prostředí nebo do prostředí s vysokými teplotami nebo vysokou vlhkostí, jako je koupelna, toaleta nebo kuchyň;
- Tam, kde by se mohlo zablokovat, např. záclonami nebo nábytkem;
- Tam, kde by senzor mohl být blokován nečistotami nebo prachem.

BEZPEČNOSTNÍ POKYNY PRO MONITOR CO

Pokud je aktivován Alarm CO, měli byste otevřít všechna okna a dveře (pokud je to bezpečné). Pokud je to možné, vypněte všechna zařízení na spalování paliva a poté evakuujte pozemek a nechte okna a dveře otevřené. Okamžitě vyhledejte lékařskou pomoc pro každého, kdo trpí následky otravy oxidem uhelnatým. Nevstupujte znovu do nemovitosti, dokud se alarm nezastaví. Jakmile se úroveň CO vrátí na přijatelnou úroveň, alarm se zastaví. Nepoužívejte znovu žádné zařízení s palivem, dokud zdroj CO nebude lokalizován a odstraněn kvalifikovaným technikem.

V blízkosti spotřebiče nepoužívejte barvy, ředidla, výpary z rozpouštědel, osvěžovače vzduchu, aerosolové spreje nebo chemické čističe. Mohlo by to mít vliv na fungování Monitoru CO.

Chcete-li aktivovat Monitor CO, zapojte zástrčku do zásuvky. Kontrolka Alarmu CO (CO ALERT) bude svítit zeleným světlem. Když Monitor CO zjistí nebezpečnou hladinu CO, hlasitě zazní Alarm CO a tlačítko alarmu CO ALERT a LED indikátor kvality vzduchu budou blikat červeným světlem. Alarm bude znít, dokud zjištěný CO neklesne na bezpečnou úroveň.

Stisknutím tlačítka [CO ALERT] na 3 sekundy otestujete funkci Alarmu CO - alarm bude znít po dobu 5 sekund. Alarm testujte každý měsíc a po delší nepřítomnosti v budově (např. prázdniny). Pokud po 3 sekundách po stisknutí tlačítka Alarmu CO [CO ALERT] nezazvoní výstraha, obraťte se na středisko péče o zákazníky společnosti Hoover a požádejte o opravu poruchy kvalifikovaného technika.

Pokud se na displeji zobrazilo, že je senzor CO vadný nebo že bylo dosaženo konce jeho životnosti, obraťte se na středisko péče o zákazníky společnosti Hoover a požádejte o výměnu senzoru CO kvalifikovaného technika. Očekávaná životnost senzoru CO je 7 let a musí být po této době vyměněn.

Nedovolte malým dětem, aby stiskly tlačítko CO Alarm po dobu 3 sekund, protože by mohly být při vyzvánění alarmu vystaveny nadměrnému hluku.

Provozní vlhkost: 15 – 90% RH

Provozní teplota: 0 °C do $+40\text{ °C}$

Oxid uhelnatý ovlivňuje orgány nedostatkem kyslíku (dusením). CO se při vdechování váže na hemoglobin v krvi, který normálně přenáší kyslík po celém těle. CO trvale vytěsňuje schopnost kyslíkových molekul vázat se na hemoglobin, čímž redukuje kyslík pro životně důležité orgány. Jeho účinky na tělo se mohou lišit podle hladiny koncentrace a doby vystavení CO, ale odborníci se shodují, že i nízká úroveň expozice oxidu uhelnatého po delší dobu může mít vážné a trvalé účinky na celkové zdraví.

VAROVÁNÍ: ALARM CO JE URČEN K OCHRANĚ JEDNOTLIVCŮ PŘI AKUTNÍCH ÚČINCÍCH EXPOZICE OXIDU UHELNATÉHO NEBO K ZABRÁNĚNÍ CHRONICKÝM ÚČINKŮM EXPOZICE OXIDU UHELNATÉHO. JEDNOTLIVCI SE ZVLÁŠTNÍMI ZDRAVOTNÍMI POTŘEBAMI NEBUDOU ZCELA CHRÁNĚNI. POKUD MÁTE POCHYBNOSTI, PORADTE SE LÉKAŘEM.

Funkce Monitor CO není určena k použití ani se o ní nemá předpokládat použití jako náhrada za EN 50291 1 UL-2034, CSA-6.19 nebo jakýkoli jiný uznaný standardní certifikovaný alarm oxidu uhelnatého tam, kde místní nebo regionální nařízení nebo právní předpisy vyžadují jeho použití. Funkce Monitor CO je pouze doplňkové monitorovací zařízení sledující úroveň oxidu uhelnatého. Použití tohoto zařízení závisí na uvážení uživatele a předpokládá porozumění a přijetí jeho omezení, týkajících se dodržení příslušných zákonů nebo předpisů.

Tento spotřebič se nesmí používat jako náhrada za spotřebiče na spalování paliva včetně vhodných větracích a odsávacích systémů.

Notifikace CO Monitoru na mobilu a na tabletu vyžadují funkční Wi-Fi připojení. Nejsou náhradou za nouzové monitorování třetí stranou.

BEZPEČNOSTNÍ POKYNY PRO DIFUZÉR

Používejte pouze aromatický olej doporučený nebo dodávaný společností HOOVER.

Pokud používáte funkci difuzéru H-Essence, nepoužívejte vedle čističky vzduchu samostatně stojící zvlhčovač vzduchu.

Rozlitou esenci H-Essence ihned otřete. Ujistěte se, že jste vyčistili všechny rohy výrobku, které byly v kontaktu s H-Essence.

BEZPEČNOSTNÍ POKYNY PRO ZVLHČOVAČ

Nádrž na vodu čistěte každé 3 dny.

K naplnění nádrže na vodu používejte pouze destilovanou vodu. Nenaplňujte jinou vodou, například vodou z vodovodu, minerální vodou, říční vodou apod.

Voda v nádrži na vodu není pitná. Nepijte tuto vodu a nepoužívejte ji ke krmení zvířat ani k zalévání rostlin. Při vyprazdňování nádrže vodu vylijte do odpadu.

Do nádrže na vodu nedávejte žádné jiné látky než destilovanou vodu.

Do nádrže na vodu nedávejte tekutiny s vonnými látkami/parfémy nebo esencí H-Essence.

Nádrž a její kryt vyprázdněte a naplňte každé tři dny.

Před opětovným naplněním omyjte nádrž a kryt čistou vodou z vodovodu. Odstraňte veškeré usazeniny nebo vrstvu, která se vytvořila po stranách nádrže nebo na vnitřních površích, a otřete všechny povrchy dosucha.

Během plnění a čištění spotřebič odpojte od sítě.

Před uskladněním zvlhčovač vyprázdněte a vyčistěte. Před opětovným použitím zvlhčovač vyčistěte.

Pokud spotřebič nepoužíváte, nikdy nenechávejte vodu v nádrži na vodu a krytu nádrže.

Nedovolte, aby oblast kolem zvlhčovače zůstala vlhká nebo mokrá. Pokud zjistíte vlhkost, vypněte zvlhčovač a zvlhčovač používejte přerušovaně. Nedovolte, aby absorbuující materiály, jako jsou koberce, záclony, závěsy nebo ubrusy, byly vlhké.

Pokud potřebujete spotřebič přesunout, nejprve jej odpojte od zdroje napájení. Poté vyprázdněte nebo vyjměte nádrž na vodu. Spotřebič přenášejte ve svislé poloze a držte jej za rukojeti na obou stranách spotřebiče.

Pokud používáte funkci Zvlhčovač vzduchu, nepoužívejte vedle čističky vzduchu samostatně zařízení, které uvolňuje nebo rozprašuje aromatický olej.

Uvědomte si, že vysoká vlhkost může podpořit růst biologických organismů v okolním prostředí.

VAROVÁNÍ: Mikroorganismy, které mohou být přítomny ve vodě nebo v prostředí, kde je spotřebič používán nebo skladován, se mohou množit v nádrži na vodu a být vypouštěny do vzduchu, což může způsobit velmi vážná zdravotní rizika v případě, že voda nebude vyměněna a nádrž a její kryt nebude každé 3 dny řádně vyčištěna.



Životní prostředí

Tento spotřebič je označen v souladu s Evropskou Směrnicí 2012/19/ES o omezení používání nebezpečných látek v elektrických a elektronických zařízeních (WEEE). Zajištěním správné likvidace tohoto výrobku pomůžete předcházet případným negativním důsledkům na životní prostředí a lidské zdraví, které by jinak mohly být způsobeny nesprávnou likvidací tohoto výrobku.



Symbol na tomto zařízení označuje, že tento výrobek nesmí být likvidován jako domovní odpad. Zařízení musí být předáno do příslušného sběrného místa pro likvidaci elektrických a elektronických zařízení. Likvidace musí proběhnout v souladu s místními ekologickými předpisy pro likvidaci odpadu. Pro další podrobné informace o zacházení, novém použití a likvidaci tohoto zařízení, prosím, kontaktujte váš místní úřad, společnost pro sběr odpadu nebo obchod, kde jste jej zakoupili.

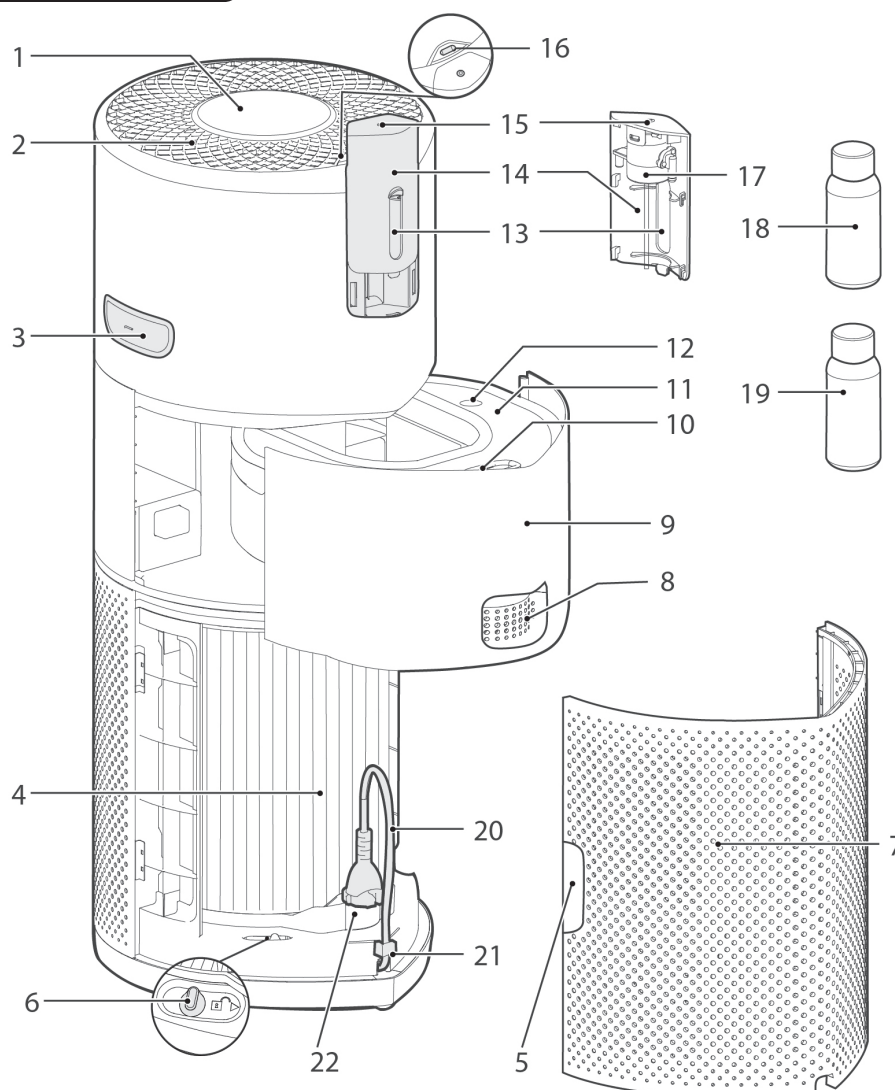
Parametry bezdrátové sítě pro párování

Technologie	Wi-Fi	Bluetooth
Standardní	IEEE 802.11 b/g/n	Bluetooth v4.2,BLE
Frekvenční pásmo(a) (MHz)	2401-2483	2402-2480
Maximální výkon (mW)	100	10
Maximální radiofrekvenční výkon přenášený ve frekvenčním pásmu	18.9 dBm	

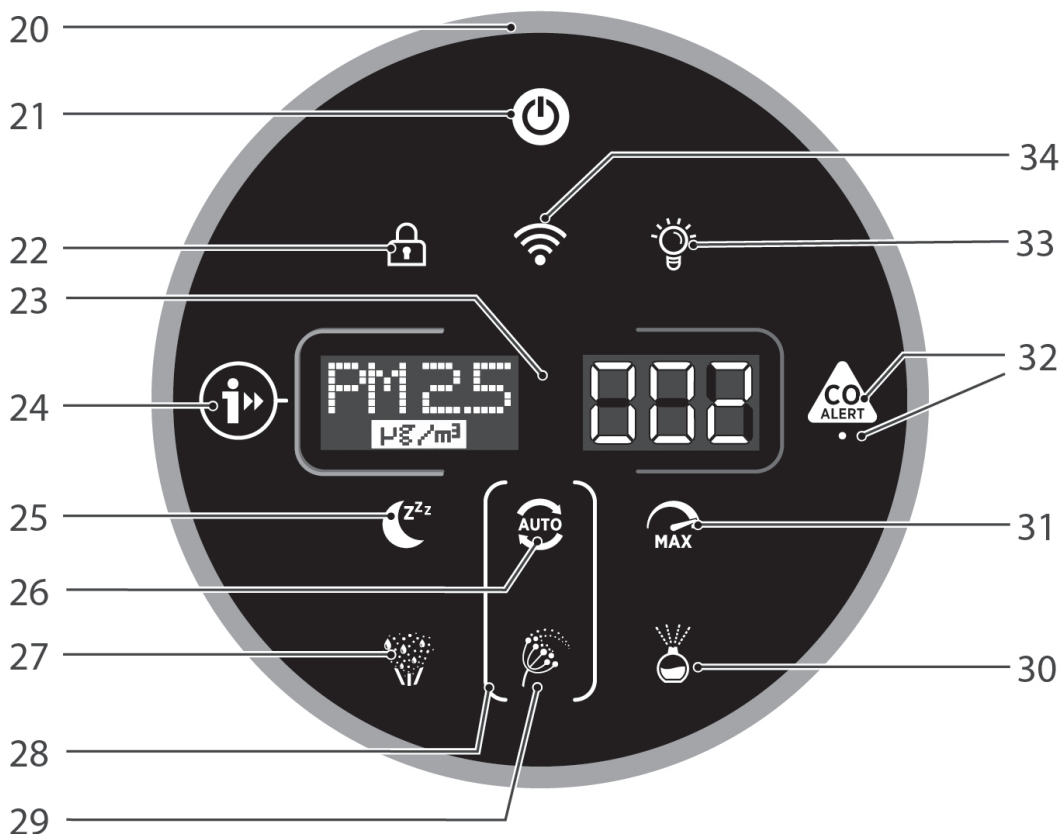
Tímto společnost Candy Hoover Group Srl prohlašuje, že rádiové zařízení je v souladu se směrnicí 2014/53/EU. Plné znění EU prohlášení o shodě je k dispozici na internetové adrese: www.candy-group.com

CANDY HOOVER GROUP S.r.l. Via Privata Eden Fumagalli, 20861 Brugherio (MB) Italy

1. POZNEJTE VÁŠ H-PURIFIER



1	Ovládací panel / Displej	9	Kryt nádrže zvlhčovače	17	Jednotka difuzéru
2	Odvod vzduchu	10	Nádrž na vodu zvlhčovače	18	Láhev H-Essence (Zelená)
3	Rukojeť na přenášení produktu	11	Víko nádrže na vodu zvlhčovače	19	Láhev H-Biotics (Hnědá)
4	Sestava filtru	12	Vpust' nádrže na vodu zvlhčovače	20	Síťový kabel a zástrčka
5	Rukojeť krytu přívodu vzduchu	13	Okno difuzéru	21	Úložný háček na kabel
6	Tlačítko pro uvolnění filtru	14	Kryt difuzéru	22	Poloha během přepravy
7	Kryt přívodu vzduchu	15	Výstup difuzéru		
8	Rukojeť zvlhčovače	16	Výstup zvlhčovače		



20	LED indikátor kvality vzduchu	25	Tlačítko Noční režim	30	Tlačítko difuzéru
21	Tlačítko zapnout / vypnout	26	Tlačítko Automatického režimu	31	Tlačítko Maximálního režimu
22	Tlačítko dětská pojistka	27	Tlačítko zvlhčovače	32	Tlačítko Alarmu CO & LED kontrolka
23	Digitální displej	28	Kruhová kontrolka na pylovou alergii	33	Tlačítko ovládání světla
24	Informační tlačítko	29	Kontrolka úrovně pylů	34	Tlačítko Wi-Fi

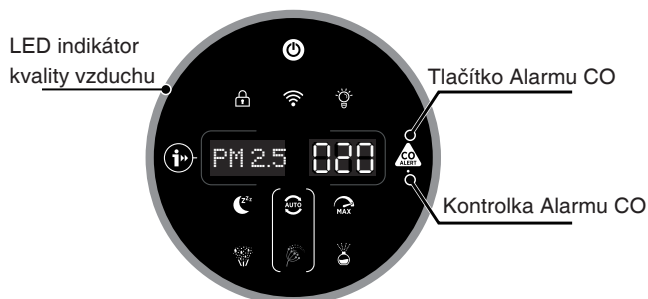
1.1 MULTISENZOROVÝ MONITOROVACÍ SYSTÉM

Díky Multisenzorovému monitorovacímu systému bude váš výrobek nepřetržitě monitorovat stav vzduchu uvnitř místnosti v jednotkách PM 10, PM 2,5 a těkavé organické látky (PLYN).

Pokaždé, když výrobek zapnete, Multisenzorový monitorovací systém začne analyzovat kvalitu vzduchu uvnitř místnosti a LED indikátor kvality vzduchu se rozsvítí různými barvami, které představují stav kvality vzduchu v reálném čase.

Barva LED indikátoru kvality vzduchu	Kvalita vnitřního vzduchu	Hodnota PM 10* $\mu\text{g}/\text{m}^3$	Hodnota PM 2,5 $\mu\text{g}/\text{m}^3$	Úroveň plynných těkavých organických látek
ZELENÁ	Skvělá	0-50	0-25	L1
ŽLUTÁ	Uspokojivá	50-80	25-50	L2
ORANŽOVÁ	Špatná	80-160	50-100	L3
ČERVENÁ	Velmi špatná	≥ 160	≥ 100	L4

* V režimu pro alergiky se hodnoty PM 10, které jsou podstatné pro úroveň kvality vzduchu, sníží, aby se minimalizovalo riziko pro alergiky.



1.2 VÝSTRAHA PŘED OXIDEM UHELNATÝM (CO)

Čistička vzduchu H-Purifier je vybavena výstražným systémem, který bude neustále monitorovat vzduch uvnitř místnosti a přítomnost oxidu uhelnatého (CO).

Je-li aktivován alarm oxidu uhelnatého, LED indikátor kvality vzduchu, informační & Alarm CO (CO ALERT) tlačítka současně blikají červeně a zazní zvukový alarm. Alarm zůstane v provozu, dokud se koncentrace oxidu uhelnatého (CO) nesníží na méně než 50 ppm, ledaže by byl manuálně vypnut stisknutím tlačítka Alarmu CO po dobu 3 sekund.

Kontrolka Alarmu CO (CO ALERT) zobrazuje provozní stav senzoru CO. Zelená barva se zobrazí tehdy, je-li sensor CO v normálním stavu, žlutá barva, pokud čidlo nefunguje správně nebo překročí-li svou životnost, a červená barva, je-li aktivována výstraha před CO.

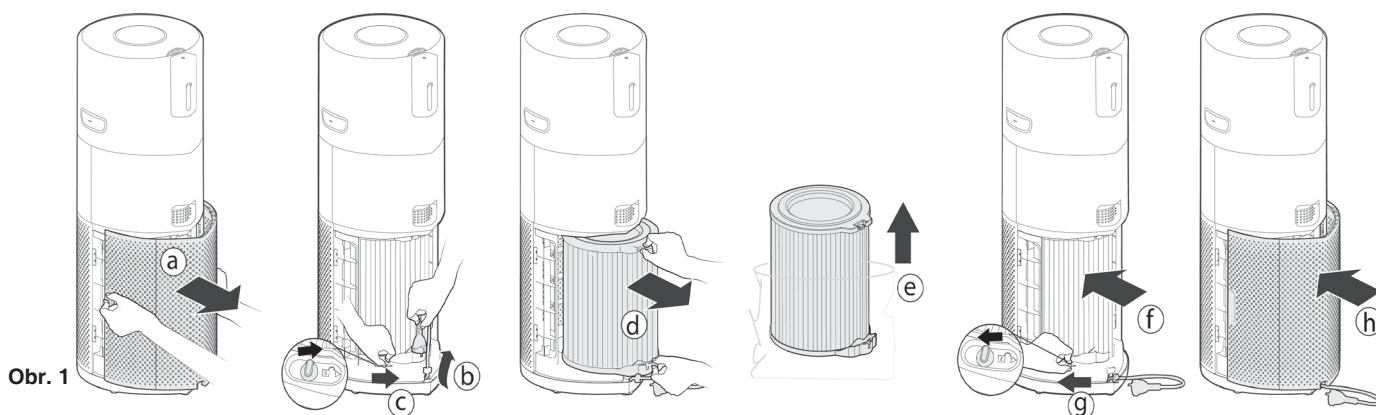
Správnou činnost alarmu můžete vyzkoušet tak, že na 3 sekundy stisknete tlačítko Alarmu CO ALERT. Pokud alarm funguje správně, po dobu 5 sekund bude znít hlasitá zvuková signalizace.

2. PŘIPRAVTE VÁŠ H-PURIFIER

2.1 INSTALACE FILTRU [Obr. 1]

Před použitím vašeho H-Purifieru budete muset vyjmout filtr z jeho ochranného obalu:

- Sejměte kryt přívodu vzduchu z vašeho produktu: uchopte dvě rukojeti krytu přívodu vzduchu a vytáhněte jej z produktu. [Obr. 1a]
- Vytáhněte zástrčku z polohy během přepravy a uvolněte kabel z úložného háčku. [Obr. 1b]
- Odjistěte tlačítko pro uvolnění filtru. [Obr. 1c]
- Vyjměte filtr z vašeho produktu a odstraňte vnější obal. [Obr. 1d,e]
- Vložte filtr zpět do vašeho produktu. [Obr. 1f]
- Zajistěte tlačítko pro uvolnění filtru. [Obr. 1g]
- Nasadte kryt přívodu vzduchu zpět na své místo. [Obr. 1h]



2.2 INSTALACE LAHVIČKY DIFUZÉRU [Obr. 2]

Příprava H-Purifieru čističky vzduchu k funkci difuzéru:

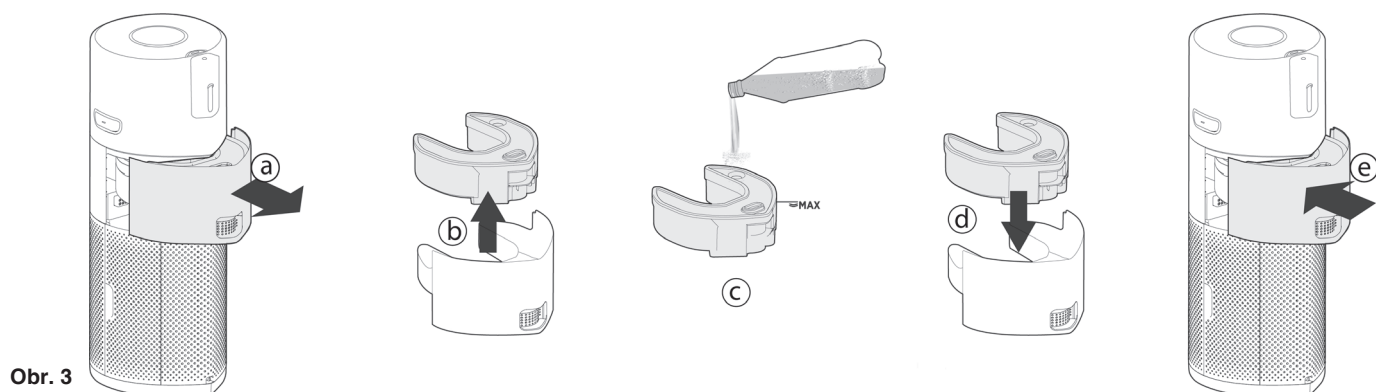
- Sejměte kryt difuzéru z produktu. [Obr. 2a]
- Vyjměte jednotku difuzéru z krytu difuzéru. [Obr. 2b]
- Vyjměte lahvičku H-Essence nebo H-Biotics z obalu a odstraňte víčko. [Obr. 2c]
- Víčko uschovejte pro budoucí použití během uskladnění.
- Lahvičku pevně přišroubujte k jednotce difuzéru. [Obr. 2d]
- Nasadte zpět jednotku difuzéru do jeho krytu. [Obr. 2e]
- Nasadte zpět kryt difuzéru do vaší čističky vzduchu. [Obr. 2f]



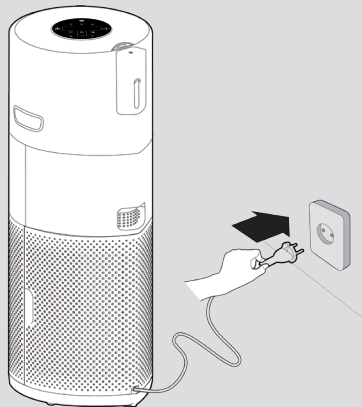
2.3 PŘÍPRAVA ZVLHČOVAČE [Obr. 3]

Při přípravě vašeho H-Purifieru s funkcí zvlhčovače:

- Sejměte kryt nádrže na vodu z produktu. [Obr. 3a]
- Vyjměte sestavu nádrže na vodu z krytu. [Obr. 3b]
- Před prvním použitím očistěte všechny díly suchým měkkým hadříkem.
- Přes vpusť nádrž naplňte destilovanou vodou, dokud nedosáhne rysky MAX vyznačené na nádrži. [Obr. 3c]
- Nádrž vložte zpět do krytu nádrže. [Obr. 3d]
- Kryt nádrže umístěte zpět do produktu. [Obr. 3e]



Obr. 3



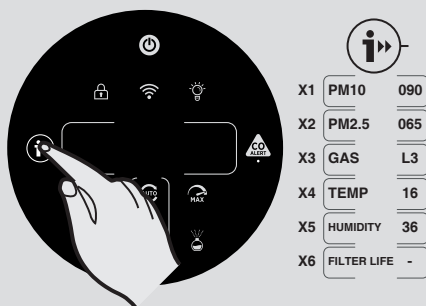
Obr. 4



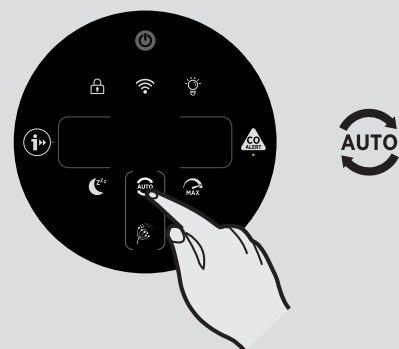
Obr. 5



Obr. 6



Obr. 7



Obr. 8

3. POUŽITÍ H-PURIFIERU

3.1 ZAPNUTÍ VÝROBKU [Obr. 4]:

Vytáhněte napájecí kabel z navíječe kabelu a zapojte jej do zásuvky.

Všechna světla na ovládacím panelu / displeji se na 1 sekundu zcela rozsvítí, což znamená úspěšné připojení.

Tlačítko ZAPNOUT/VYPNOUT bude slabě svítit a kontrolka Alarmu CO Alert bude SVÍTIT, což znamená, že příslušný senzor začal pracovat na monitorování úrovně oxidu uhelnatého uvnitř místnosti.

Chcete-li produkt zapnout, stiskněte tlačítko ZAPNOUT / VYPNOUT na displeji.

LED indikátor kvality vzduchu se postupně rozsvítí všemi barvami, což indikuje, že senzory analyzují stav v reálném čase. Po několika sekundách zvolí LED indikátor kvality vzduchu vhodnou barvu pro kvalitu vzduchu v daném okamžiku.

Váš H-Purifier okamžitě přejde do REŽIMU AUTO a začne čistit vnitřní vzduch.

Na displeji se rozsvítí tlačítka AUTOMATICKÝ REŽIM, INFORMAČNÍ, OVLÁDÁNÍ SVĚTLA a informace PM 10.

3.2 PŘIPOJTE SVŮJ H-PURIFIER:

Pro přístup ke všem funkcím H-Purifieru odkudkoli doporučujeme stáhnout aplikaci hOn.

Svůj produkt budete moci ovládat co nejefektivnějším způsobem.

Pokyny:

1. Stáhněte si aplikaci hOn z Apple App Store, Google Play nebo Huawei App Gallery. Můžete si ji také stáhnout naskenováním QR kódu na **obr. 5**.
2. Otevřete aplikaci a vytvořte si účet pomocí e-mailu a hesla.
3. Potvrďte a přihlaste se do aplikace hOn.
4. Zkontrolujte, zda je vaše mobilní zařízení připojeno k síti Wi-Fi.
5. Ujistěte se, že je váš H-Purifier zapnutý. Stiskněte a podržte tlačítko Wi-Fi na displeji po dobu 5 sekund, ozve se zvukový signál a tlačítko Wi-Fi začne blikat, čímž signalizuje, že čeká na připojení. **[Obr. 6]**
6. Podle pokynů v aplikaci připojte mobilní zařízení k vašemu produktu.
7. Po úspěšném spárování zůstane tlačítko Wi-Fi produktu rozsvícené.
8. Chcete-li resetovat síť Wi-Fi, stiskněte a podržte tlačítko Wi-Fi po dobu 5 sekund.

Čistička vzduchu H-Purifier funguje i s hlasovými asistenty Hey Google a Amazon Alexa.

3.3 OBJEVTE VŠECHNY FUNKCE

Funkce INFORMACE (Obr.7). [Fig.7]:

K dispozici je 6 různých hodnot k monitoringu:

PM 10, PM 2.5, PLYN (GAS), Teplota (TEMP), Vlhkost (HUMIDITY) a Stav filtru (FILTER LIFE).

Chcete-li sledovat jednotlivé hodnoty, tiskněte postupně po sobě tlačítko INFORMACE, tím listujete v nabídce.

Ve výchozím nastavení se na displeji zobrazí údaje PM 10, produkt si zapamatuje poslední volbu uživatele a zachová tuto volbu při následujícím spuštění produktu.

Data PLYN (GAS) zobrazí během prvních 3 minut po zapnutí výrobku otáčející se kurzor během toho, jak senzor PLYNU provádí kalibrační cyklus.

Více informací o PM 2,5, PM 10 a PLYN (GAS):

PM označuje jemné částice (pro lidské oko neviditelné) pocházející hlavně z venkovního znečištění, jako jsou emise vozidel a průmyslové emise, které jsou v případě dlouhodobé expozice potenciálně nebezpečné pro zdraví.

Částice PM 10 mají velikost do 10 μm a jsou schopny proniknout do horních cest dýchacích (nos, průdušnice, hltan).

Částice PM 2,5 mají velikost do 2,5 μm a vzhledem ke svému malému rozměru se mohou dostat do plic a proniknout tak hlouběji do těla.

PLYNNÉ VOC (těkavé organické sloučeniny) jsou těkavé chemické sloučeniny se schopností snadného odpařování se do vzduchu při pokojové teplotě. Deodoranty, čisticí prostředky, lepidla, pojiva, kosmetika, formaldehyd jsou jen některé z VOC, které se mohou vyskytovat v domácnostech, ale při dlouhodobém působení mohou být zdraví škodlivé.

Funkce REŽIMŮ:

K dispozici jsou 3 režimy čištění vzduchu: AUTOMATICKÝ REŽIM, MAXIMÁLNÍ REŽIM A REŽIM SPÁNKU.

Automatický režim je výchozí nastavení produktu. Všechny režimy lze vybrat ručně stisknutím příslušného tlačítka na displeji.

REŽIM PRO ALERGIKY lze aktivovat pouze prostřednictvím aplikace hOn.

AUTOMATICKÝ REŽIM [Obr. 8]:

Toto je výchozí režim vaší H-Purifier čističky vzduchu při prvním zapnutí. V automatickém režimu čistička vzduchu H-Purifier automaticky upravuje rychlost ventilátoru dle skutečné úrovně kvality vzduchu v interiéru. Tím vždy zaručí optimální čištění vzduchu.

Toto je doporučené nastavení vaší čističky vzduchu.

V Automatickém režimu po 30 minutách vynikající kvality vzduchu přejde váš výrobek do režimu ECO (pohotovostní funkce) a pozastaví se funkce čištění (ventilátor). Multisenzorový monitorovací systém bude pokračovat v analýze vzduchu uvnitř místnosti a v případě potřeby automaticky zapne funkci čištění.

MAXIMÁLNÍ REŽIM [Obr. 9]:

Stisknutím tlačítka režimu MAX na displeji aktivujete čištění vzduchu s nastavením maximálního výkonu. Chcete-li režim MAX ukončit, jednoduše vyberte režim AUTO nebo REŽIM SPÁNKU.

REŽIM SPÁNKU [Obr. 10]:

Stisknutím tlačítka REŽIM SPÁNKU aktivujete čištění vzduchu s nastavením nejnižšího tichého výkonu. Tlačítko REŽIMU SPÁNKU bude svítit jen slabě a všechny ostatní kontrolky displeje budou zhasnuté. To můžete upravit stisknutím ovládacího tlačítka SVĚTLA.

REŽIM PRO ALERGIKY: [Obr. 11]

Režim pro alergiky lze aktivovat pouze prostřednictvím aplikace hOn. Nejprve budete požádáni o registraci a aktivaci profilu v aplikaci, abyste mohli vytvořit svůj alergický profil.

Režim pro alergiky funguje pouze v případě, že je vybrán AUTOMATICKÝ REŽIM. [Obr. 11c]

V režimu pro alergiky spotřebič nepřetržitě přijímá z APLIKACE údaje o sledované koncentraci pylu venku v reálném čase a automaticky pracuje na maximalizaci výkonu při zachycování pylu.

Pyl je po zachycení zničen, aby se zmírnily alergické příznaky.

Pokud je v aplikaci aktivován režim pro alergiky, mohou se na displeji produktu zobrazit 2 možné kontrolky upozornění:

- Kontrolka úrovně pylů je **BÍLÁ [Obr. 11a]**: Čistička vzduchu a aplikace monitorují přítomnost pylu venku a nehrozí žádné riziko.

- Kontrolka úrovně pylu se zbarví **ŽLUTÉ** a Kruhová kontrolka pylové alergie se zbarví **BÍLE [Obr. 11b]**: Přístrojem a aplikací bylo detekováno riziko.

Pokud je výrobek ručně přepnut do režimu SPÁNKU nebo režimu MAX, zatímco je aktivní režim pro alergiky, režim pro alergiky se zastaví.

Funkce OVLÁDÁNÍ SVĚTLA: [Obr. 12]

K dispozici jsou 3 nastavení pro osvětlení displeje, On (zapnuté), Dim (tlumené) & Off (vypnuté) Chcete-li upravit jas osvětlení displeje, jednoduše stiskněte tlačítko ovládací SVĚTLA na displeji a projděte 3 dostupné možnosti. Výchozí nastavení je ON (ZAPNUTÉ).

Je-li vybrána možnost OFF (vypnuté), bude nutné stisknout jakékoli jiné tlačítko dvakrát, aby se aktivovalo. Po jednom stisknutí se světla změní na DIM (tlumené), při druhém stisknutí se funkce aktivuje.

Funkce DĚTSKÁ POJISTKA: [Obr. 13]

Stiskněte a podržte tlačítko DĚTSKÁ POJISTKA po dobu 3 sekund, čímž se zaktivuje. Při aktivaci zazní zvukový signál a tlačítko DĚTSKÁ POJISTKA zůstane rozsvícené. Je-li aktivní, nebudou fungovat žádná jiná tlačítka.

K ukončení stačí stisknout a podržet tlačítko DĚTSKÁ POJISTKA po dobu 3 sekund. Poté se ozve zvukový signál, který potvrdí, že je funkce vypnutá a tlačítko přestane svítit.

Funkce DIFUZÉRU: [Obr. 14]

Difuzér uvolňuje do vzduchu v místnosti H-Essence nebo H-Biotics. H-Essence je sada esenciálních olejů Hoover, které uvolňují do vzduchu příjemné vůně.

H- Biotics je směs založená na probiotikách, která udržuje místnost bio-hygienizovanou a omezuje růst mikroorganismů, jako jsou bakterie nebo mikroorganismy.

K dispozici jsou 4 různá nastavení pro funkci DIFUZÉRU: SOFT (slabé), STŘEDNÍ (střední), VLASTNÍ (vlastní) a H-BIOTICS. Chcete-li tuto funkci aktivovat, jednoduše stiskněte tlačítko Difuzér na displeji. Výchozí nastavení této funkce je SLABÉ. Chcete-li zvolit jiné nastavení, jednoduše stiskněte tlačítko několikrát po sobě, čímž přepnete na požadovanou volbu. Po zapnutí se tlačítko rozsvítí bíle.

U H-Essence se doporučuje použít SOFT & STŘEDNÍ (SLABÉ & STŘEDNÍ) nastavení.

VLASTNÍ nastavení je možné vytvořit pouze v aplikaci hOn.

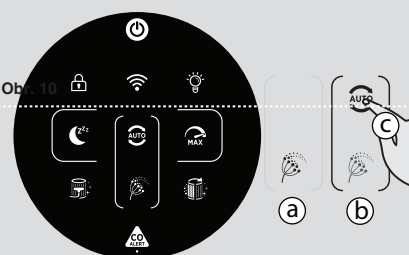
Při použití H-Biotics **MUSÍ** být volba nastavena na H-Biotics. Poté co uživatel aktivuje H-Biotics pomocí aplikace, zobrazí se po 120 hodinách upozornění „ACTIVATE H-BIOTICS“ (AKTIVOVAT H-BIOTICS), aby se zajistilo používání H-Biotics každých 5 dní.



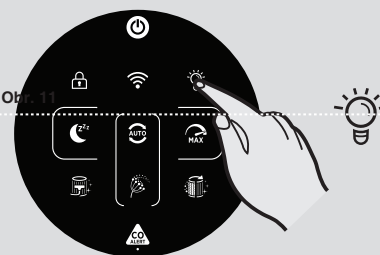
Obr. 9



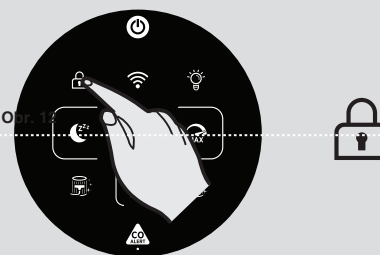
Obr. 10



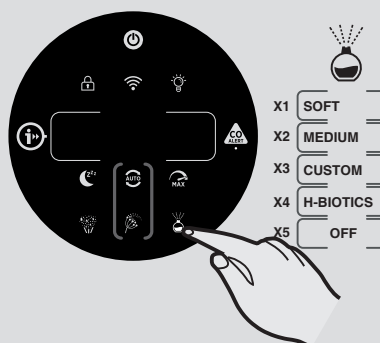
Obr. 11



Obr. 13



Obr. 13



Obr. 14

V určitých podmínkách nebo prostředí při použití H-Essence se může hladina PLYNNÝCH TĚKAVÝCH LÁTEK VOC změnit v důsledku detekce vonných látek.

Funkce difuzéru funguje pouze tehdy, pokud LED indikátor kvality vzduchu svítí zelenou barvou. Pokud LED indikátor kvality vzduchu nesvítí zeleně, funkce se pozastaví a bude pokračovat v činnosti, dokud se oblast opět nezmění na zelenou.

Funkci difuzéru lze používat pouze v režimech AUTO a MAX a nelze ji používat v REŽIMU SLEEP (SPÁNKU).

Když aktivujete funkci Difuzéru v režimu AUTO, hlavní ventilátor bude pracovat při specifické rychlosti, aby pomohl šířit H-Essence nebo H-Biotics do místnosti.

Nastavení	Časování rozprašovače	Maximální doba trvání cyklu
SLABÉ	po dobu 10 sekund každých 5 minut	6 hodin
STŘEDNÍ	po dobu 90 sekund každé 3,5 minuty.	6 hodin
VLASTNÍ	Definováno uživatelem	6 hodin
H-BIOTICS	po dobu 2 minut každé 4 minuty	6 hodin

Chcete-li funkci vypnout, podržte stisknuté tlačítko difuzéru, dokud se na displeji nezobrazí VYPNOUT (OFF).

Po každém použití funkce difuzéru očistěte pomocí suchého měkkého hadříku veškeré zbytky z povrchu produktu.

Chcete-li vyměnit lahvičku v jednotce difuzéru, přečtěte si část „Údržba vašeho H-Purifieru“.

Funkce ZVLHČOVAČE: [Obr. 15]

Pro funkci zvlhčovače jsou k dispozici 3 různá nastavení: MIN, MED a MAX. K aktivaci této funkce stačí stisknout tlačítko zvlhčovače na displeji, výchozí nastavení pro tuto funkci je MIN. Chcete-li vybrat jakékoli jiné nastavení, stačí stisknout několikrát tlačítko a změnit na požadovanou volbu. Po zapnutí se tlačítko rozsvítí bíle.

MIN - Výchozí cílová vlhkost 40%

MED - Výchozí cílová vlhkost 55%

MAX - Výchozí cílová vlhkost 70%

Všechny 3 cílové úrovně lze v aplikaci hOn přizpůsobit v rozsahu 30–80% cílové vlhkosti.

Chcete-li funkci zvlhčovače vypnout, stiskněte tlačítko zvlhčovače, dokud se na displeji nezobrazí VYPNOUT (OFF).

Je-li úroveň vlhkosti v reálném čase stejná nebo vyšší než zvolená hodnota, na displeji se zobrazí zpráva „HUMIDITY REACHED“ (VLHKOST DOSAŽENA). Kontrolka zvlhčovače zůstane svítit. Produkt automaticky přejde do režimu zvlhčovače, klesne-li vlhkost v reálném čase pod zvolenou cílovou úroveň vlhkosti.

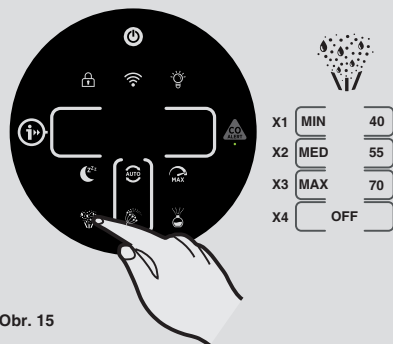
Funkci zvlhčovače je možné použít pouze v režimech SPÁNEK a AUTO a nelze ji použít v režimu MAX.

UPOZORNĚNÍ NA DOPLNĚNÍ:

Pokud je hladina vody nižší než minimální úroveň, na displeji se zobrazí blikající doporučení REFILL WATER (DOPLNIT VODU). Pokyny jsou uvedeny v části „Údržba vašeho H-Purifieru“.

Důležitá poznámka:

- **Pokud produkt pracuje v režimu difuzéru:** Je-li vybrán režim zvlhčovače bez vypnutí režimu difuzéru, produkt automaticky ukončí režim difuzéru a přejde do režimu zvlhčovače.
- **Pokud produkt pracuje v režimu zvlhčovače:** Je-li vybrán režim difuzéru bez vypnutí režimu zvlhčovače, produkt automaticky ukončí režim zvlhčovače a přejde do režimu difuzéru.



Obr. 15

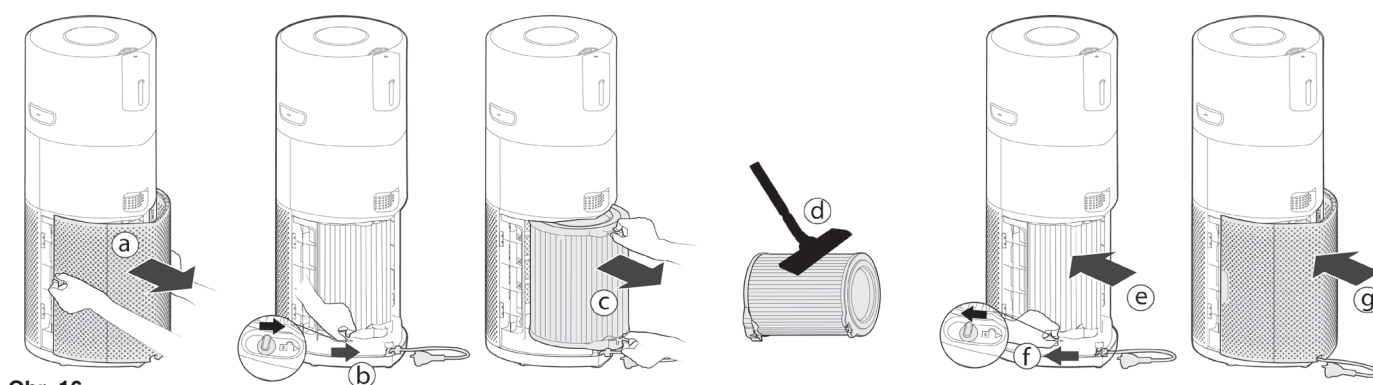
4. ÚDRŽBA VAŠEHO H-PURIFIERU

4.1 ÚDRŽBA FILTRU

Váš H-Purifier bude sledovat stav filtru. Na levé straně displeje se zobrazí upozornění **CLEAN FILTER NEBO REPLACE FILTER (VYMĚNIT FILTR) (VYČISTIT FILTR NEBO VYMĚNIT FILTR)**, což signalizuje, že je nutné provést čištění nebo výměnu filtru.

Čištění / výměna filtru: [Obr. 16]

- Odstraňte kryt přívodu vzduchu z vašeho produktu. [Obr. 16a]
- Odjistěte tlačítko pro uvolnění filtru. [Obr. 16b]
- Odstraňte filtr z vašeho produktu. [Obr. 16c]
- Pomocí vysavače vyčistěte vnější vrstvu filtru nebo filtr vyměňte za NOVÝ. [Obr. 16d]
- Vložte filtr do vašeho produktu. [Obr. 16e]
- Zajistěte tlačítko pro uvolnění filtru. [Obr. 16f]
- Nasaďte kryt přívodu vzduchu zpět na své místo. [Obr. 16g]
- Připojte čističku vzduchu do napájecího zdroje a zapněte ji.
- Na 3 sekundy stiskněte tlačítko INFORMACE, abyste zresetovali výstrahu Čištění/Výměna. Ozve se zvukový signál, který indikuje úspěšné resetování. [Obr. 7]



Obr. 16

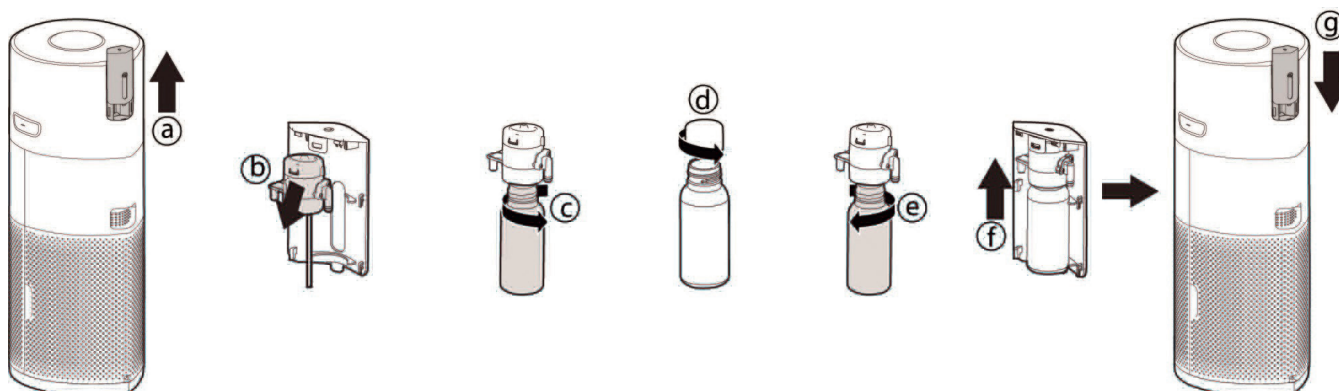
4.2 ÚDRŽBA DIFUZÉRU

Po každém použití funkce difuzéru očistěte pomocí suchého měkkého hadříku veškeré zbytky z povrchu produktu.

Výměna lahvičky difuzéru: [Obr. 17]

Objem zbývající kapaliny v lahvičce lze zkontrolovat pomocí okna difuzéru, v případě potřeby je třeba lahvičku vyměnit.

- Sejměte kryt difuzéru z produktu. [Obr. 17a]
- Vyjměte jednotku Difuzéru a lahvičku z krytu difuzéru. [Obr. 17b]
- Odšroubujte a vyjměte prázdnou lahvičku. [Obr. 17c]
- Vyjměte novou lahvičku H-Essence nebo H-Biotics z obalu a odstraňte víčko. [Obr. 17d]
- Novou lahvičku pevně přišroubujte k jednotce difuzéru. [Obr. 17e]
- Namontujte jednotku difuzéru zpět do krytu difuzéru. [Obr. 17f]
- Vložte zpět kryt difuzéru do H-Purifier čističky vzduchu. [Obr. 17g]



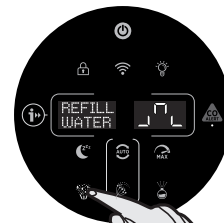
Obr. 17

4.3 ÚDRŽBA ZVLHČOVAČE

Upozornění na doplnění nádrže na vodu:

Aby zvlhčovač fungoval, je nutná minimální hladina vody. Pokud je hladina vody nižší než minimální úroveň, na displeji se zobrazí blikající doporučení REFILL WATER (DOPLNIT VODU). V krytu nádrže na vodu se může nacházet zbytková voda. I tak se však objeví zpráva kvůli minimální požadované hladině vody.

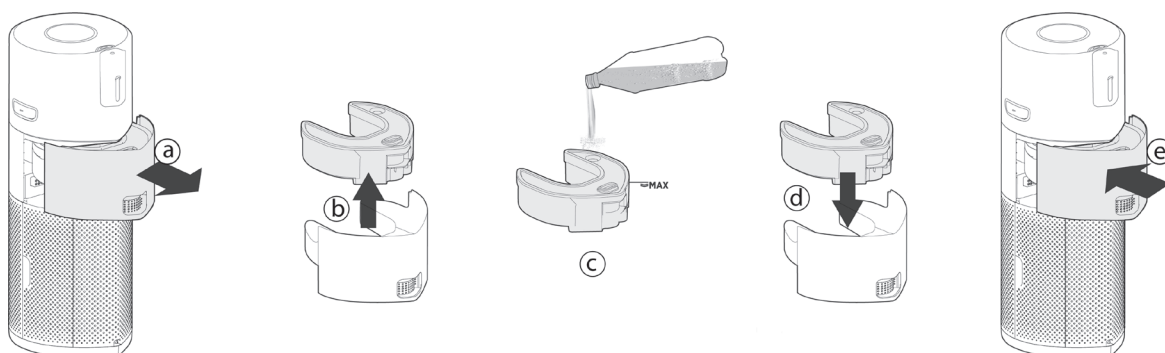
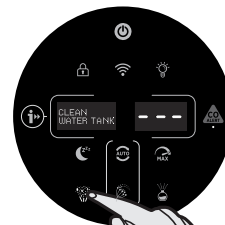
- Sejměte kryt nádrže na vodu z produktu. [Obr. 18a]
- Vyjměte sestavu nádrže na vodu z krytu. [Obr. 18b]
- Odstraňte veškerou zbytkovou vodu a naplňte nádrž přes vpust' nádrže destilovanou vodou, dokud nedosáhne rysku MAX zobrazenou na nádrži. [Obr. 18c]
- Nádrž vložte zpět do krytu nádrže. [Obr. 18d]
- Vraťte zpět kryt nádrže na vodu do produktu. [Obr. 18e]



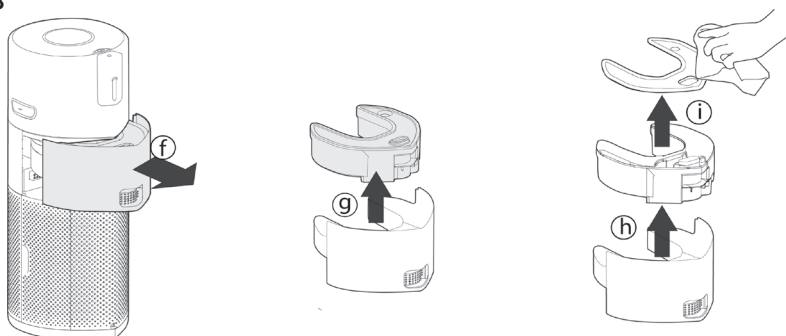
Upozornění na vyčištění nádržky na vodu:

Váš H-Purifier bude monitorovat stav nádrže zvlhčovače. Pokud je v nádrži stále voda, bude po 72 hodinách od poslední aktivace funkce zvlhčovače blikat výstraha CLEAN WATER TANK (vyčistěte nádrž na vodu). Zobrazí se na levé straně displeje, a bude signalizovat, že je třeba vyčistit nádrž na vodu.

- Sejměte sestavu nádrže na vodu z produktu. [Obr. 18f]
- Sejměte kryt nádrže na vodu, nádrž na vodu a víko nádrže na vodu. Důkladně vyčistěte všechny 3 komponenty a zcela osušte měkkým suchým hadříkem. [Obr. 18g,h,i]
- Znovu složte součásti nádrže na vodu a doplňte jí až po rysku MAX destilovanou vodou.
- Před opětovným vložením nádrže se ujistěte, zda je výrobek zapnutý.
- Vložte zpět kryt nádrže na vodu do produktu. [Obr. 18e]

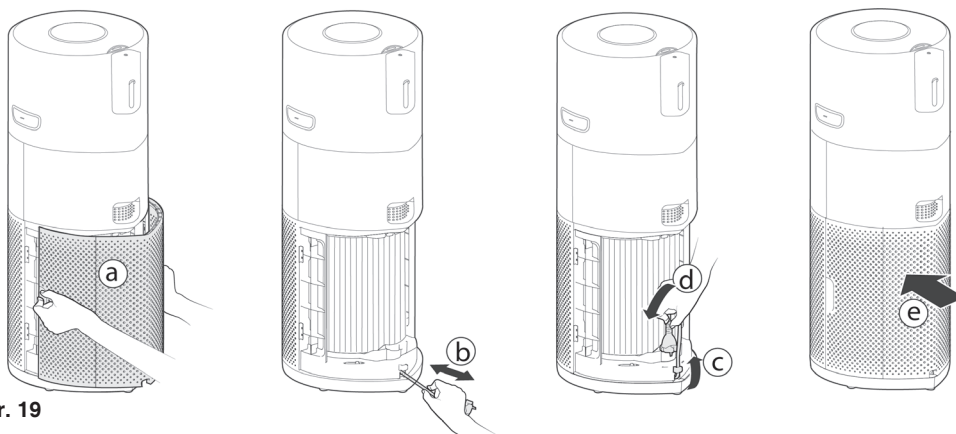


Obr. 18



5. SKLADOVÁNÍ VAŠEHO H-PURIFIERU

1. Vypněte H-Purifier a odpojte napájecí kabel.
2. Vyčistěte všechny vnitřní a vnější povrchy čističky vzduchu H-Purifier, vnější vrstvu filtru a nádrže na vodu.
3. Vyjměte lahvičku z difuzéru. Nasadte zpět původní uzávěr na lahvičku a uskladněte ji, aby byla chráněna před přímým světlem. Vyčistěte povrchy jednotky a krytu difuzéru. Ujistěte se, že se na žádném povrchu H-Purifier nenacházejí zbytky H-Essence nebo H-Biotics.
4. Zkontrolujte, zda jsou všechny součásti suché.
5. Odstraňte kryt přívodu vzduchu [obr. 19a], naviňte napájecí kabel zatažením za kabel [obr. 19b], kabel umístěte na úložný hák a zástrčku zasuňte do polohy během přepravy. [Obr. 19c,d] Nasadte zpět kryt přívodu vzduchu. [Obr. 19e]
6. H-Purifier skladujte na chladném a suchém místě.



Obr. 19

6. VÝSTRAHY & ŘEŠENÍ

Během používání se mohou zobrazit následující kódy. [Obr. 20]



Obr. 20

Výstraha		Popis výstrahy	Řešení
Výstraha na výrobku	Výstraha v aplikaci		
"CLEAN FILTER (VYČISTIT FILTR)"	Upozornění na vyčištění předfiltru	Doporučení vyčistit vnější vrstvu filtru.	1. Vyčistěte vnější vrstvu filtru. 2. Resetujte výstrahu podržením tlačítka INFORMACE na 3 sekundy. Viz 4.1 ÚDRŽBA FILTRU
"REPLACE FILTER (VYMĚNIT FILTR)"	Upozornění na výměnu filtru	Doporučení vyměnit filtr.	1. Vyměňte filtr. 2. Resetujte výstrahu podržením tlačítka INFORMACE na 3 sekundy. Viz 4.1 ÚDRŽBA FILTRU
"FILTER MISSING (FILTR CHYBÍ)"	Chyba: došlo k chybě čističky vzduchu. Zkontrolujte možná řešení.	Filtr není na svém místě nebo není správně zajištěn.	1. Pokud chybí filtr, vraťte jej zpět. 2. Pokud je filtr na svém místě, zkontrolujte, zda je jistič filtru v poloze LOCK (zajištěn). Viz 2.1 INSTALACE FILTRU
"NO WATER TANK (CHYBÍ NÁDRŽ NA VODU)"	Chyba: došlo k chybě čističky vzduchu. Zkontrolujte možná řešení.	Nádrž na vodu nebo kryt nádrže nejsou k dispozici.	Vložte zpět nádrž na vodu a kryt nádrže.
"CLEAN WATER TANK (VYČISTIT NÁDRŽ NA VODU)"	Je třeba vyměnit vodu v nádrži.	Od posledního použití zvlhčovače uplynuly 3 dny. Z hygienických důvodů je třeba vyčistit nádrž / kryt na vodu a vylít vodu.	1. Vypněte výrobek. 2. Vyměňte nádrž/kryt, vyčistěte vnitřek každého komponentu a znovu naplňte vodou. 3. Zapněte výrobek. 4. Nádrž/kryt umístěte zpět. Viz 4.3 ÚDRŽBA ZVLHČOVAČE
"REFILL WATER (DOPLNIT VODU)"	Chyba: došlo k chybě čističky vzduchu. Zkontrolujte možná řešení.	V nádrži není voda nebo zbývající voda nestačí na provoz zvlhčovače.	Nádrž na vodu naplňte destilovanou vodou až po rysku MAX .
"PM SENSOR ERROR (CHYBA SENZORU PM)"	/	Porucha PM senzoru	Porucha senzoru PM nebo vedení senzoru není správně připojen. Zavolejte servisní středisko Hoover a požádejte o opravu.
Kontrolka Alarmu CO Alert je žlutá.	Chyba: došlo k chybě čističky vzduchu. Zkontrolujte možná řešení.	Chybná funkce senzoru CO nebo senzor CO překročil svou životnost.	Zavolejte servisní středisko Hoover a požádejte o opravu.
Automaticky se vypne bez jakéhokoliv upozornění.	Pád produktu	Ochrana před pádem výrobku.	1. Pokud produkt spadne a voda se vylije, odpojte produkt od napájecího zdroje a před opětovným zapnutím produktu vyčkejte 48 hodin. 2. Pokud produkt spadne a voda se nerozlije, zvedněte jej a stisknutím tlačítka napájení jej zapněte.
/	Chyba: došlo k chybě čističky vzduchu. Zkontrolujte možná řešení.	Porucha motoru.	Porucha motoru nebo vedení motoru nebylo správně připojeno, obraťte se na servisní středisko Hoover k opravě.
"TEMP. & HUMI. SENSOR ERROR (CHYBA SENZORŮ TEPLoty A VLHKOSTI)"	/	Porucha senzorů teploty a vlhkosti	Porucha senzoru teploty a vlhkosti nebo vedení senzoru není správně připojeno. Kontaktujte servisní středisko Hoover a požádejte o opravu.
"PAUSE (PAUZA)"	/	Provoz difuzéru se pozastaví, když LED indikátor kvality vzduchu nesvítí zeleně.	Nemusíte dělat nic. Provoz difuzéru bude pokračovat, když bude LED indikátor kvality vzduchu svítit zeleně.

POZOR: Jestliže některá z těchto chyb přetrvává, kontaktujte vašeho místního zástupce Hoover. **NEPOKOUŠEJTE** se H-Purifier čističku vzduchu rozebírat sami.

7. ŘEŠENÍ POTÍŽÍ

Následuje seznam běžných problémů a jejich řešení.

Pokud kterýkoliv z těchto problémů přetrvává, kontaktujte místního zástupce Hoover.

Ventilátor nefunguje (Ovládací panel / Kontrolky displeje svítí)	<ul style="list-style-type: none"> Zkontrolujte upozornění zobrazené na displeji nebo v aplikaci. Pokud se nějaké zobrazuje, viz bod 6. V STRAHY A ŘEŠENÍ. Zkontrolujte, zda se ve ventilátoru nenachází nějaké překážky. Pokud jsou nějaké přítomny, nejprve odpojte výrobek ze zásuvky a odstraňte je nebo kontaktujte servisní středisko a požádejte o odstranění. Zkontrolujte, zda je H-Purifier zapnutý. Zkontrolujte, zda je filtr správně nainstalován a zajištěn. Zkontrolujte, zda je H-Purifier ve zcela svislé poloze a není nakloněn. H-Purifier může být v režimu ECO. Režim ECO můžete opustit stisknutím tlačítka režimu spánku nebo tlačítka maximálního režimu. Viz 3. POUŽITÍ VAŠÍ H-PURIFIER ČISTIČKY VZDUCHU – AUTOMATICKÝ REŽIM.
Ventilátor nefunguje (Ovládací panel / Kontrolky displeje nesvítí)	<ul style="list-style-type: none"> Zkontrolujte, zda je H-Purifier zapojený v zásuvce a zapnutý. Zkontrolujte upozornění zobrazené v aplikaci. Pokud se nějaké zobrazuje, viz bod 6. V STRAHY A ŘEŠENÍ.
Na ovládacím panelu nesvítí žádné kontrolky / Displej (Ventilátor pracuje)	<ul style="list-style-type: none"> V režimu spánku je výchozí nastavení osvětlení vypnuto. Můžete stisknout tlačítko ovládání světla, abyste zapnuli osvětlení. Osvětlení může být vypnuto. Stiskněte tlačítko ovládání světla, abyste zapnuli osvětlení. Refer to 3. POUŽITÍ H-PURIFIERU – REŽIM SPÁNKU / Funkce OVLÁDÁNÍ SVĚTLA.
Tlačítka na ovládacím panelu nefungují.	<ul style="list-style-type: none"> Může být aktivována dětská pojistka. Přidržením tlačítka CHILD LOCK (DĚTSKÁ POJISTKA) na 3 sekundy toto nastavení opustíte. Viz 3. POUŽITÍ VAŠÍ H-PURIFIER ČISTIČKY VZDUCHU – Funkce DĚTSKÁ POJISTKA.
Průtok vzduchu je slabý	<ul style="list-style-type: none"> Zkontrolujte, zda byl z filtru odstraněn ochranný obal. Zkontrolujte, že se v krytu přívodu vzduchu nebo na výstupu vzduchu nenachází žádné překážky. Odstraňte kryt přívodu vzduchu a zkontrolujte stav filtru. Vyčistěte vnější vrstvu filtru nebo v případě potřeby filtr vyměňte. Stav životnosti filtru můžete zkontrolovat na displeji stisknutím tlačítka informací. Zkontrolujte, zda je H-Purifier v režimu sleep. Ventilátor pracuje v tomto režimu se sníženým výkonem.
H-Purifier pracuje velmi hlučně.	<ul style="list-style-type: none"> Zkontrolujte, zda v čističce vzduchu H-Purifier nejsou překážky. Zkontrolujte, zda H-Purifier běží v maximálním režimu. V tomto režimu pracuje ventilátor na maximální výkon.
H-Purifier náhle pracuje hlasitě.	<ul style="list-style-type: none"> Zkontrolujte, zda H-Purifier běží v automatickém režimu a zda LED indikátor kvality vzduchu nesvítí zeleně. V automatickém režimu H-Purifier automaticky upravuje rychlost ventilátoru na skutečnou úroveň kvality vzduchu v interiéru. Viz 3. POUŽITÍ VAŠÍ H-PURIFIER ČISTIČKY VZDUCHU – AUTOMATICKÝ REŽIM.
H-Purifier náhle vydá hlasitý zvukový signál.	<ul style="list-style-type: none"> Testovací funkce tlačítka Alarmu CO je aktivována nesprávnou obsluhou. Zvuk automaticky přestane znít po 5 sekundách. Viz 1.2 V STRAHA PŘED OXIDEM UHELNAT M (CO)
Výstrahu „CLEAN WATER TANK“ (VYČISTIT NÁDRŽ NA VODU) není možné resetovat.	<ul style="list-style-type: none"> Po vyčištění nádrže na vodu / krytu a doplnění vody zapněte H-Purifier. Kryt nezasunujte, dokud se na displeji nezobrazí „NO WATER TANK“ (NÁDRŽ NA VODU CHYBÍ).

DŮLEŽITÉ INFORMACE

NÁHRADNÍ DÍLY A SPOTŘEBNÍ MATERIÁLY HOOVER

Vždy používejte originální náhradní díly společnosti Hoover. Získáte je u místního prodejce výrobků Hoover nebo u servisních partnerů. Při objednávce dílů laskavě vždy uvádějte číslo modelu.

Kvalita

Kvalita výroby ve výrobních továrnách společnosti Hoover byla posouzena nezávislou organizací. Naše výrobky jsou vyráběny podle systému jakosti, který splňuje požadavky ISO 9001.

Vaše záruka

Záruční podmínky pro tento vysavač stanovuje váš zástupce v zemi, v níž je prodáván. Přesné znění podmínek vám poskytne prodejce, u něhož jste si zařízení zakoupili. Při reklamaci podle těchto záručních podmínek je nutno předložit doklad o koupi nebo účtenku.

Právo změny bez předchozího upozornění vyhrazeno.

VŠEOBECNÉ BEZPEČNOSTNÉ UPOZORNENIA

Tento spotrebič by sa mal používať iba na domáce použitie, ako je to opísané v tejto používateľskej príručke. Pred prácou so spotrebičom sa, prosím, uistite, že ste úplne porozumeli tejto príručke. Príručku uschovajte pre budúce použitie.

Pred pripojením spotrebiča skontrolujte, či napätie a menovité hodnoty uvedené na štítku spotrebiča zodpovedajú napätiu v miestnej elektrickej sieti.

Ak je napájací kábel poškodený, okamžite prestaňte spotrebič používať. Aby nedošlo k ohrozeniu bezpečnosti, napájací kábel musí vymeniť autorizovaný servisný technik spoločnosti Hoover.

Zástrčku nevyťahujte ťahaním za napájací kábel.

Napájací kábel položte tak, aby naň nikto nestúpil ani oň zakopol.

Vždy pred presunom, čistením spotrebiča alebo jeho akoukoľvek údržbou, spotrebič vypnite a odpojte od zásuvky.

Tento spotrebič môžu používať deti staršie ako 8 rokov. Osoby s obmedzenými fyzickými, zmyslovými alebo duševnými schopnosťami, alebo nedostatočnými skúsenosťami a znalosťami môžu spotrebič používať vtedy, ak sú pod dohľadom alebo im boli dané pokyny týkajúce sa bezpečného použitia spotrebiča a rozumejú možným rizikám. Deti sa so spotrebičom nesmú hrať.

Čistenie a údržbu nesmú vykonávať deti bez dozoru.

Spotrebič neodstraňuje oxid uhoľnatý (CO) ani radón (Rn). Nemožno ho použiť ako bezpečnostné zariadenie v prípade nehôd so spaľovacími procesmi a nebezpečnými chemikáliami.

Ak sa zdá, že je prístroj chybný, nepoužívajte ho.

Neblokujte prívod ani odvod vzduchu.

Nevkladajte prsty alebo predmety do odvodu vzduchu ani do prívodu vzduchu, aby ste predišli poraneniu alebo nefunkčnosti spotrebiča.

Spotrebič nečistite vodou, inými tekutinami alebo (horľavými) čistiacimi prostriedkami, ani nedovoľte, aby vnikli do spotrebiča. Predídete tak úrazu elektrickým prúdom a/alebo riziku požiaru.

Okolo spotrebiča nestriekajte žiadne horľavé materiály, ako sú insekticídy alebo vonné látky.

Tento spotrebič nenahrádza riadnu ventiláciu, pravidelné vysávanie, ani použitie odsávača alebo ventilátora počas varenia.

Používajte iba spotrebný materiál, filtre alebo náhradné diely odporúčané alebo dodávané spoločnosťou HOOVER.

Pred zapnutím spotrebiča sa uistite, že je filter správne nainštalovaný.

Vyvarujte sa nárazom tvrdých predmetov na spotrebič (najmä na prívod a odvod vzduchu).

Výrobok udržiajte v suchu.

Počas prevádzky nikdy výrobok nenakláňajte ani nevypúšťajte.

Ak sa zariadenie dlhšiu dobu nepoužíva, na filtroch môžu rásť baktérie. Po dlhšom období nečinnosti skontrolujte filtre. Ak sú filtre veľmi znečistené, vymeňte ich.

HOOVER servis: Pre zaistenie dlhého, bezpečného a účinného fungovania tohto spotrebiča odporúčame, aby všetky servisné úkony alebo opravy vykonával len autorizovaný servisný technik spoločnosti HOOVER.

PROSTREDIE POUŽITIA

Výrobok umiestňujte a používajte iba na suchom, stabilnom a vodorovnom povrchu tak, aby sa zabránilo jeho prevráteniu.

Za spotrebičom a na oboch stranách spotrebiča nechajte aspoň 20 cm voľného miesta a nad spotrebičom nechajte najmenej 30 cm voľného miesta.

Aby ste predišli rušeniu, umiestnite spotrebič aspoň 2 m od elektrických spotrebičov, ktoré používajú rádiové vlny, ako sú televízory, rádiá a rádiom ovládané hodiny.

Na spotrebič nič nekladte.

Nepoužívajte tento spotrebič, ak ste použili dymové repelenty proti hmyzu určené na interiérové

použitie alebo na miestach, kde sú zvyšky olejov, horiace vonné tyčinky alebo chemické výpary. Spotrebič neumiestňujte na žiadne z týchto miest:

- Na horúce povrchy, do blízkosti horúcich povrchov, otvoreného ohňa alebo na priame slnečné svetlo, do blízkosti plynových spotrebičov, vykurovacích zariadení alebo krbov;
- Vedľa alebo priamo nad kúrenia alebo vetracie otvory klimatizácie, dvere, okná, ventilátory, sporáky alebo kdekoľvek, kde by mohol mať prievan vplyv na spotrebič;
- Do kúpeľne alebo na iné miesta, kde môže byť spotrebič vystavený striekajúcej, kvapkajúcej alebo kondenzovanej vode (napr. priamo pod klimatizáciu alebo nad rýchlovarnú kanvicu);
- Do uzavretého priestoru (napr. do skrine alebo pod ňou);
- Do oblasti, kde by teplota mohla klesnúť pod -20°C alebo vystúpiť nad 50°C ;
- Do miestnosti s veľkými zmenami teploty, do vlhkého prostredia alebo do prostredia s vysokými teplotami alebo vysokou vlhkosťou, ako je kúpeľňa, toaleta alebo kuchyňa;
- Tam, kde by sa mohlo zablokovať, napr. záclonami alebo nábytkom;
- Tam, kde by senzor mohol byť blokovaný nečistotami alebo prachom.

BEZPEČNOSTNÉ POKYNY PRE MONITOR CO

Ak sa aktivuje alarm CO, je potrebné otvoriť všetky okná a dvere (ak je to bezpečné). Ak je to možné, vypnite všetky spotrebiče na spaľovanie paliva a evakuujte budovu tak, že necháte otvorené okná a dvere. Okamžite zabezpečte lekársku pomoc pre každú osobu, ktorá vykazuje príznaky otravy oxidom uhoľnatým. Do budovy nevstupujte, dokým alarm nestíchne. Alarm sa vypne po odstránení CO. Spotrebiče na spaľovanie paliva znova nepoužívajte, dokým nebude lokalizovaný zdroj CO a kvalifikovaný technik nevykoná nápravu.

V blízkosti spotrebiča nepoužívajte farby, riedidlá, výpary rozpúšťadiel, osviežovače vzduchu, aerosólové spreje alebo chemické čistiace prostriedky. Môže to ovplyvniť fungovanie monitora CO.

Pre aktiváciu monitora CO pripojte zástrčku do zásuvky. Kontrolka CO Alert bude svietiť zeleným svetlom. Keď monitor CO zistí nebezpečnú hladinu CO, hlasno zaznie Alarm CO a tlačidlo alarmu (CO ALERT) a LED indikátor kvality vzduchu budú blikať červeným svetlom. Alarm bude znieť, dokým zistený CO neklesne na bezpečnú úroveň.

Stlačte tlačidlo alarmu CO [CO Alert] na 3 sekundy, aby ste otestovali jeho funkciu, alarm bude znieť po dobu 5 sekúnd. Alarm otestujte každý mesiac a po dlhšej neprítomnosti v budove (napr. prázdniny). Ak po 3 sekundách stlačenia tlačidla [CO Alert] nezaznie alarm, kontaktujte stredisko starostlivosti o zákazníkov spoločnosti Hoover a požiadajte o opravu poruchy kvalifikovaným technikom.

Ak displej ukazuje, že senzor CO je chybný alebo dosiahol koniec životnosti, obráťte sa na zákaznícke centrum spoločnosti Hoover a požiadajte o kvalifikovaného technika na výmenu senzora CO. Očakávaná životnosť senzora CO je 7 rokov a po uplynutí tejto doby je nutné ho vymeniť.

Nedovoľte malým deťom stlačiť tlačidlo alarmu CO Alert na 3 sekundy, pretože pri spustení alarmu môžu byť vystavené nadmernému hluku.

Prevádzková vlhkosť: 15 – 90% RH

Prevádzková teplota: od 0°C do $+40^{\circ}\text{C}$

Oxid uhoľnatý ovplyvňuje telo zabránením prívodu kyslíka do kritických orgánov (dusenie). CO sa pri vdychovaní viaže na hemoglobín v krvi, ktorý normálne privádza kyslík do celého tela. CO natrvalo zmení schopnosť kyslíkových molekúl viazať sa na hemoglobín, čím sa znižuje objem kyslíka dostupného pre životne dôležité orgány. Účinky CO na organizmus sa môžu líšiť v závislosti od úrovne koncentrácie a doby vystavenia, ale odborníci sa zhodujú na tom, že aj nízka úroveň vystavenia oxidu uhoľnatému počas dlhého obdobia môže mať vážne a trvalé účinky na celkové zdravie človeka.

UPOZORNENIE: ALARM CO JE URČENÝ NA OCHRANU JEDNOTLIVCOV PRED AKÚTNÝMI ÚČINKAMI EXPOZÍCIE OXIDU UHOĽNATÉHO ALEBO ZABRÁNENIE CHRONICKÝM ÚČINKOM EXPOZÍCIE OXIDU UHOĽNATÉHO. NEBUDE PLNE CHRÁNIŤ JEDNOTLIVCOV SO ŠPECIFICKÝMI ZDRAVOTNÝMI ŤAŽKOSŤAMI. V PRÍPADE POCHYBNOSTÍ SA OBRÁŤTE NA LEKÁRA.

Funkcia CO Monitor nie je určená na použitie ani sa o nej nemá predpokladať použitie ako náhrady za EN 50291-1, UL-2034, CSA-6.19 alebo akýkoľvek iný uznaný štandardný certifikovaný alarm oxidu uhoľnatého, ak miestne alebo regionálne nariadenia alebo právne predpisy vyžadujú jeho použitie. Funkcia CO Monitor je iba doplnkové zariadenie na monitorovanie oxidu uhoľnatého. Použitie tohto zariadenia závisí od uváženia používateľa a predpokladá sa pri ňom porozumenie a prijatie jeho obmedzení týkajúcich sa dodržania príslušných zákonov alebo právnych predpisov.

Tento spotrebič sa nesmie používať ako náhrada za správnu inštaláciu, používanie a údržbu spotrebičov na spaľovanie paliva vrátane vhodných vetracích a odsávacích systémov.

Upozornenia monitora CO na mobilných telefónoch a tabletoch si vyžadujú funkčné pripojenie Wi-Fi. Nie sú náhradou za núdzové monitorovanie treťou stranou.

BEZPEČNOSTNÉ POKYNY PRE DIFUZÉR

Používajte iba aromatický olej odporúčaný alebo dodávaný spoločnosťou HOOVER.

Ak používate funkciu difuzéra H-Essence, nepoužívajte vedľa čističky vzduchu samostatný zvlhčovač vzduchu.

Rozliatu esenciu H-Essence ihneď utrite. Uistite sa, že ste vyčistili všetky rohy výrobku, ktoré boli v kontakte s H-Essence.

BEZPEČNOSTNÉ POKYNY PRE ZVLHČOVAČ

Nádrž na vodu vyčistite každé 3 dni.

Na naplnenie nádrže na vodu používajte iba destilovanú vodu. Nenapĺňajte inou vodou, napríklad vodou z vodovodu, minerálnou vodou, riečnou vodou a pod.

Voda v nádrži na vodu nie je vhodná na pitie. Túto vodu nepite a nepoužívajte ju na kŕmenie zvierat alebo na polievanie rastlín. Pri vyprázdňovaní nádrže na vodu vylejte vodu do odpadu.

Do nádrže na vodu nedávajte žiadne iné látky ako destilovanú vodu.

Do nádrže na vodu nedávajte tekutiny s vonnými látkami/parfumami alebo esenciou H-Essence.

Nádrž a kryt vyprázdnite a naplňte každé tri dni.

Pred opätovným naplnením umyte nádrž a kryt čerstvou vodou z vodovodu.

Odstráňte všetky nánosy, usadeniny alebo povlaky, ktoré sa vytvorili na stenách nádrže alebo na vnútorných povrchoch, a všetky povrchy utrite dosucha.

Počas plnenia a čistenia odpojte spotrebič zo siete.

Pred uskladnením zvlhčovač vyprázdnite a vyčistite. Pred nasledujúcim použitím zvlhčovač vyčistite.

Pokiaľ spotrebič nepoužívate, nikdy nenechávajte vodu v nádrži a kryte nádrže.

Zabráňte tomu, aby bola oblasť okolo zvlhčovača navlhčená alebo mokrá. Ak zistíte vlhkosť, vypnite zvlhčovač a zvlhčovač používajte prerušovane. Zabráňte navlhčeniu savých materiálov, ako sú koberce, záclony, závesy alebo obrusy.

Ak potrebujete spotrebič premiestniť, najskôr ho odpojte od napájania. Potom vyprázdnite alebo vyberte nádrž na vodu. Spotrebič prenášajte vo zvislej polohe a držte ho za rukoväť na oboch stranách spotrebiča.

Ak používate funkciu Zvlhčovač vzduchu, nepoužívajte vedľa čističky vzduchu samostatné zariadenie, ktoré uvoľňuje alebo rozprašuje aromatický olej.

Buďte si vedomí toho, že vysoká úroveň vlhkosti môže podporovať rast biologických organizmov v danom prostredí.

UPOZORNENIE: Ak sa voda v nádrži nevymieňa a nádrž nečistí každé 3 dni, mikroorganizmy, ktoré sa môžu vyskytovať vo vode alebo v prostredí, v ktorom sa spotrebič používa alebo skladuje, sa môžu v nádrži na vodu rozmnožovať a môžu byť rozširované do vzduchu s následným veľmi vážnym zdravotným rizikom.



Prostredie

Tento spotrebič je označený podľa Európskej smernice 2012/19/EU o odpade z elektrických a elektronických zariadení (WEEE). Zabezpečením správnej likvidácie tohto spotrebiča pomôžete zabrániť možným negatívnym následkom na životnom prostredí a ľudskom zdraví, ktoré by mohli byť spôsobené nesprávnym zaobchádzaním s týmto výrobkom.



Tento symbol na spotrebiči informuje, že s týmto spotrebičom sa nesmie zaobchádzať ako s domovým odpadom. Je potrebné ho odovzdať na príslušnom zbernom mieste na recykláciu elektrických a elektronických zariadení. Likvidácia musí byť vykonaná v súlade s miestnymi predpismi pre likvidáciu odpadu. Pre podrobnejšie informácie o nakladaní so spotrebičom, jeho obnove a recyklácii sa obráťte na váš obecný úrad, odpadkovú službu pre domácnosti a alebo obchod, kde ste spotrebič zakúpili.

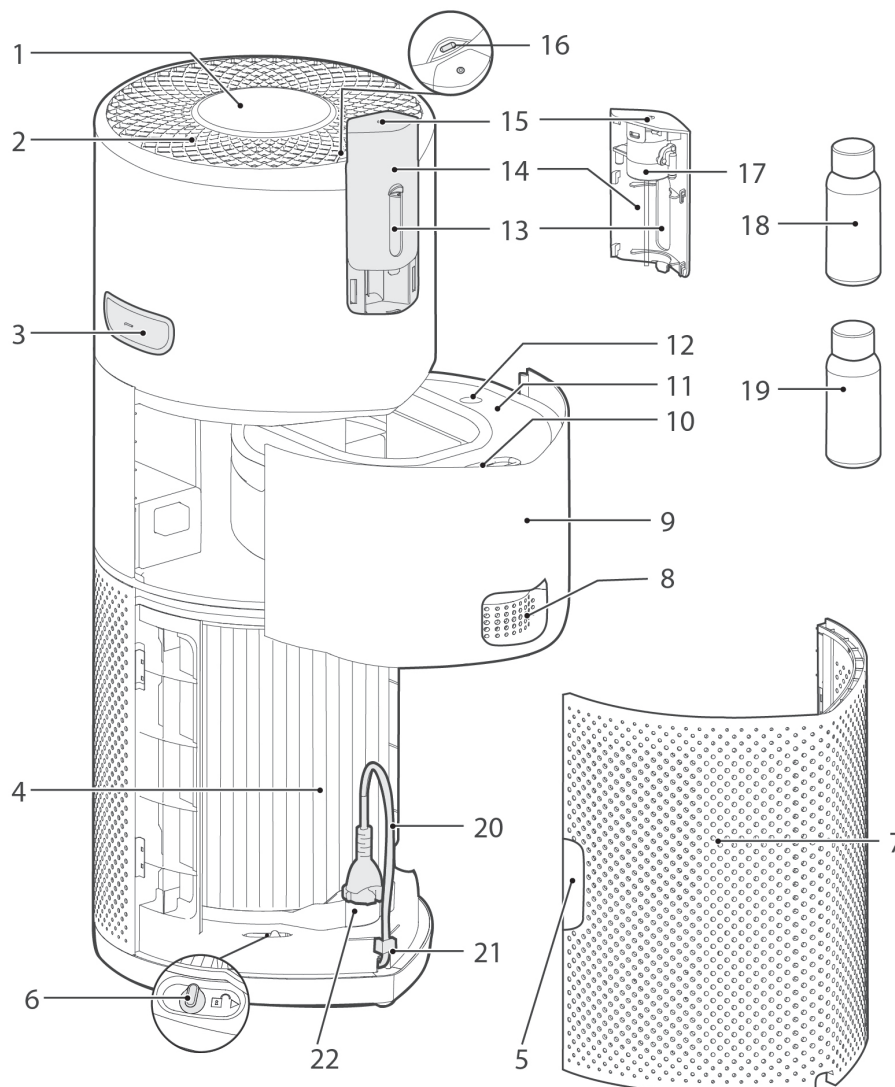
Parametre bezdrôtového pripojenia pre spárovanie

Technológia	Wi-Fi	Bluetooth
Štandard	IEEE 802.11 b/g/n	Bluetooth v4.2,BLE
Frekvencné pásmo/pásma (MHz)	2401-2483	2402-2480
Maximálny výkon (mW)	100	10
Maximálny rádofrekvenčný výkon prenášaný vo frekvenčnom pásme	18.9 dBm	

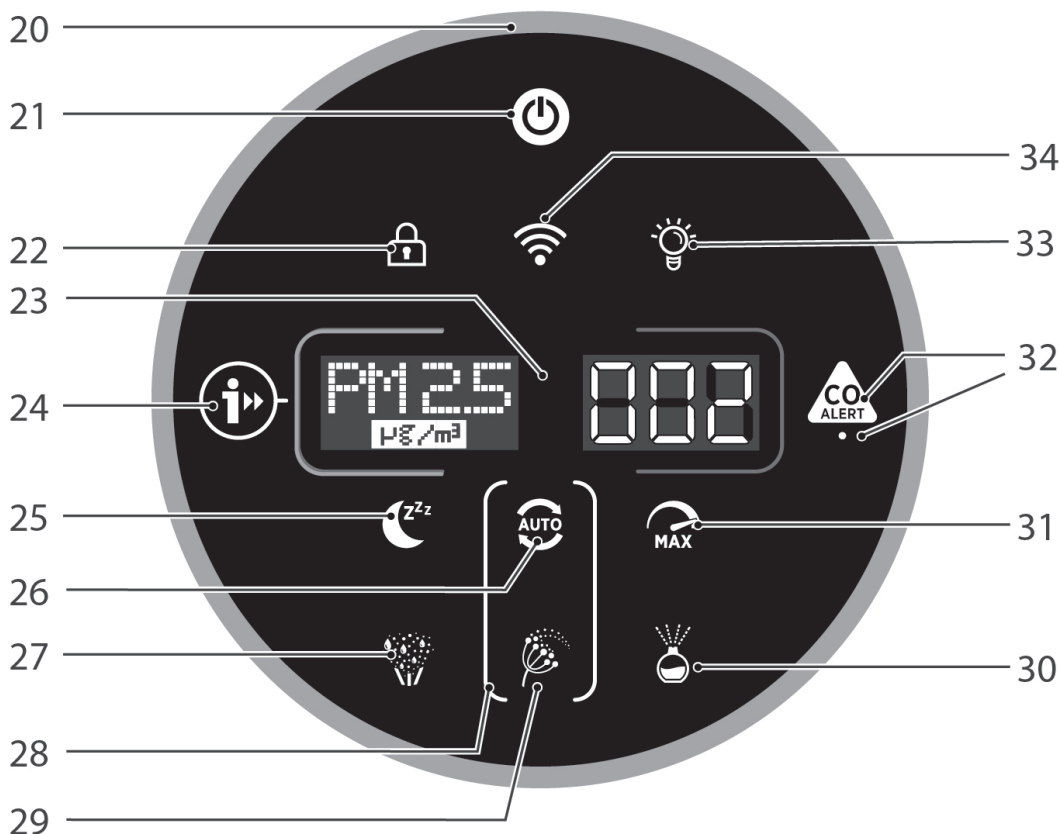
Týmto spoločnosť Candy Hoover Group Srl prehlasuje, že rádiové zariadenie je v súlade so smernicou 2014/53/EU. Plné znenie EU vyhlásenia o zhode je k dispozícii na tejto internetovej adrese: www.candy-group.com

CANDY HOOVER GROUP S.r.l. Via Privata Eden Fumagalli, 20861 Brugherio (MB) Italy

1. POZNAJTE SVOJ H-PURIFIER



1	Ovládací panel / Displej	9	Kryt nádrže zvlhčovača	17	Jednotka difuzéra
2	Odvod vzduchu	10	Nádrž na vodu v zvlhčovači	18	Fľaštička H-Essence (Zelená)
3	Držadlo na prenášanie výrobku	11	Veko nádrže na vodu zvlhčovača	19	Fľaštička H-Biotics (Hnedá)
4	Zostava filtra	12	Vpust nádrže na vodu zvlhčovača	20	Napájací kábel a zástrčka
5	Držadlo krytu prívodu vzduchu	13	Okenko difuzéra	21	Úložný háčik
6	Tlačidlo pre uvoľnenie filtra	14	Kryt difuzéra	22	Poloha počas prepravy
7	Kryt prívodu vzduchu	15	Výstup difuzéra		
8	Rukoväť zvlhčovača	16	Výstup zvlhčovača		



20	LED indikátor kvality vzduchu
21	Tlačidlo zapnutia/vypnutia
22	Tlačidlo detskej poistky
23	Digitálny displej
24	Tlačidlo Informácie

25	Tlačidlo Režim spánku
26	Tlačidlo Automatický režim
27	Tlačidlo Zvlhčovač
28	Kruhová kontrolka na peľovú alergiu
29	Kontrolka úrovne peľov

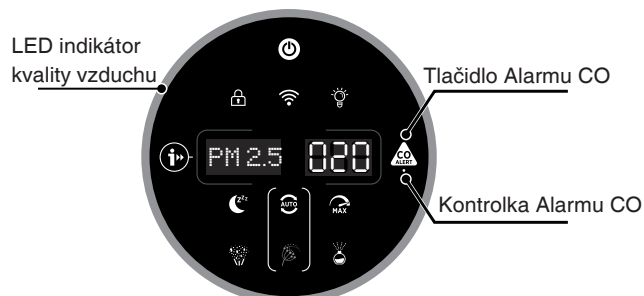
30	Tlačidlo Difuzéra
31	Tlačidlo Maximálny režim
32	Tlačidlo a LED kontrolka Alarmu CO
33	Tlačidlo Ovládania osvetlenia
34	Tlačidlo Wi-Fi

1.1 MULTISENZOROVÝ SYSTÉM

Vďaka multisenzorovému systému bude váš výrobok nepretržite monitorovať stav vzduchu vo vnútri miestnosti v jednotkách PM 10, PM 2,5 a prchavé organické látky (PLYN).

Zakaždým, keď výrobok zapnete, multisenzorový systém začne analyzovať kvalitu vzduchu vo vnútri miestnosti LED indikátor kvality vzduchu sa rozsvieti rôznymi farbami, ktoré predstavujú stav kvality vzduchu v reálnom čase.

Farba LED indikátoru kvality vzduchu	Kvalita vnútorného vzduchu	Hodnota PM 10* $\mu\text{g}/\text{m}^3$	Hodnota PM 2,5 $\mu\text{g}/\text{m}^3$	Úroveň plynných prchavých organických látok
ZELENÁ	Vynikajúca	0-50	0-25	L1
ŽLTÁ	Uspokojivá	50-80	25-50	L2
ORANŽOVÁ	Nízka	80-160	50-100	L3
ČERVENÁ	Veľmi zlá	≥ 160	≥ 100	L4



* V režime pre alergikov sa hodnoty PM 10, ktoré sú podstatné pre úroveň kvality ovzdušia, znížia, aby sa minimalizovalo riziko pre alergikov.

1.2 VÝSTRAHA PRED OXIDOM UHOĽNATÝM (CO)

H-Purifier je vybavený výstražným systémom, ktorý bude neustále monitorovať vzduch vnútri miestnosti z hľadiska prítomnosti oxidu uhoľnatého (CO). Keď sa aktivuje alarm oxidu uhoľnatého, LED indikátor kvality vzduchu, tlačidlo Informácie a tlačidlo Alarm CO (CO ALERT) súčasne blikajú na červeno a zaznie zvukový signál. Alarm zostane aktívny, kým sa koncentrácia oxidu uhoľnatého (CO) nezníži pod 50 ppm. Môžete ho manuálne vypnúť stlačením tlačidla CO Alert na 3 sekundy.

Kontrolka CO Alert zobrazuje prevádzkový stav senzora CO. Zelenej farby je vtedy, keď je senzor CO v normálnom stave, žltej farby vtedy, keď snímač nefunguje správne alebo prekročí svoju životnosť, a červenou farbou vtedy, keď je aktivovaná výstraha pred CO.

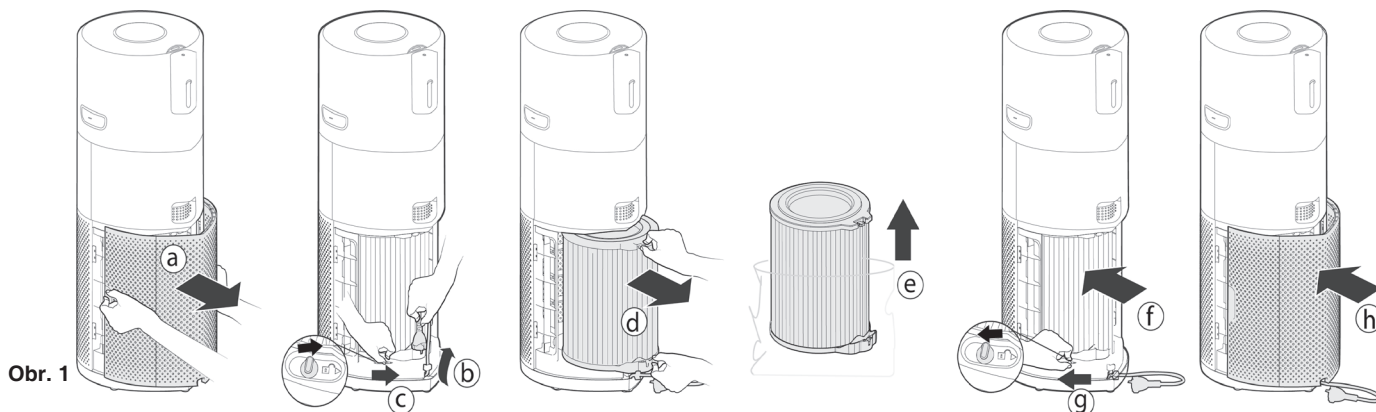
Správnu činnosť alarmu môžete vyskúšať tak, že na 3 sekundy stlačíte tlačidlo CO Alert. Ak alarm funguje správne, po dobu 5 sekúnd bude znieť hlasná zvuková signalizácia.

2. PRÍPRAVA VÁŠHO H-PURIFIERU

2.1 INŠTALÁCIA FILTRA [Obr. 1]

Pred použitím vášho H-Purifieru bude potrebné vybrať filter z jeho ochranného obalu:

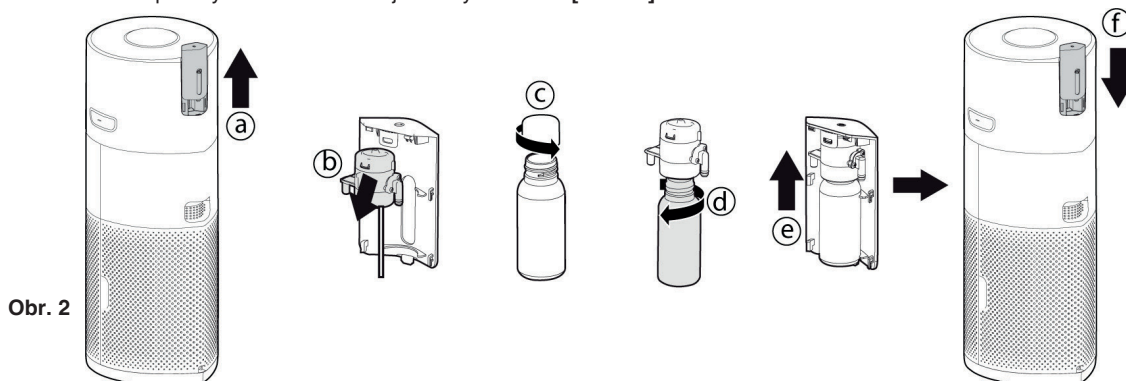
- Z výrobku odstráňte kryt prívodu vzduchu, uchopte dve dráždla krytu prívodu vzduchu a potiahnite od výrobku. [Obr. 1a]
- Vytiahnite zástrčku z polohy počas prepravy a uvoľnite kábel z úložného háčika. [Obr. 1b]
- Odblokujte tlačidlo na uvoľnenie filtra. [Obr. 1c]
- Vyberte filter z výrobku a odstráňte vonkajší obal. [Obr. 1d,e]
- Znovu vložte filter do výrobku. [Obr. 1f]
- Zablokujte istič na uvoľnenie filtra. [Obr. 1g]
- Znovu umiestnite kryt prívodu vzduchu na výrobok. [Obr. 1h]



2.2 UMIESTNENIE FLAŠTIČKY DO DIFUZÉRA [Obr. 2]

Príprava H-Purifier čističky vzduchu k funkcii difuzéra:

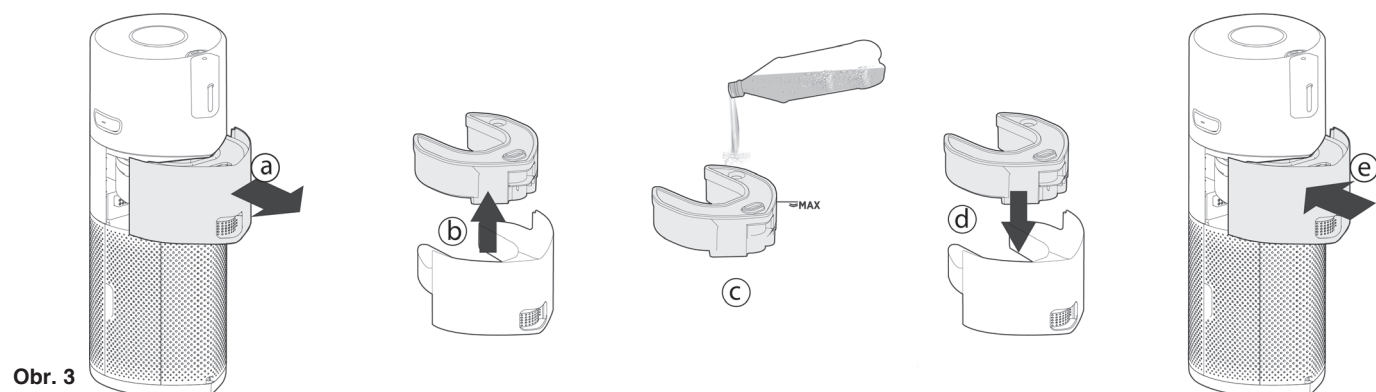
- Odstráňte kryt difuzéra z výrobku. [Obr. 2a]
- Vyberte jednotku difuzéra z krytu difuzéra. [Obr. 2b]
- Vyberte fľaštičku H-Essence alebo H-Biotics z obalu a odstráňte uzáver. [Obr. 2c]
- Uzáver si uschovajte pre budúce použitie počas uskladnenia.
- Fľaštičku pevne priskrutkujte k jednotke difuzéra. [Obr. 2d]
- Vráťte jednotku difuzéra do krytu difuzéra. [Obr. 2e]
- Nasadte späť kryt difuzéra do vašej čističky vzduchu. [Obr. 2f]



2.3 PRÍPRAVA ZVLHČOVAČA [Obr. 3]

Postup prípravy H-Purifieru na funkciu zvlhčovača:

- Odstráňte kryt nádrže na vodu z produktu. [Obr. 3a]
- Vyberte zostavu nádrže na vodu z krytu. [Obr. 3b]
- Pred prvým použitím očistite všetky diely suchou mäkkou handričkou.
- Cez vpusť vody naplňte nádrž destilovanou vodou, až kým nedosiahne rysku MAX vyznačenú na nádrži. [Obr. 3c]
- Nádrž vložte naspäť do krytu nádrže. [Obr. 3d]
- Kryt nádrže umiestnite späť do produktu. [Obr. 3e]



3. POUŽÍVANIE H-PURIFIERU

3.1 ZAPNUTIE VÝROBKU [Obr. 4]:

Vytiahnite napájací kábel z navíjača kábla a zapojte ho do zásuvky.

Všetky kontrolky na Ovládacom paneli / Displeji sa úplne rozsvietia približne na 1 sekundu, aby signalizovali úspešné zapojenie.

Tlačidlo zapnutia/vypnutia bude slabo svietiť a LED kontrolka Alarmu CO (CO ALERT) bude svietiť, čo znamená, že príslušný senzor začal pracovať na monitorovaní úrovne oxidu uhoľnatého vnútri miestnosti.

Na zapnutie výrobku stlačte tlačidlo ZAPNUTIA/VYPNUTIA na displeji.

LED indikátor kvality vzduchu bude postupne svietiť všetkými farbami, zatiaľ čo senzory budú analyzovať stav vzduchu v reálnom čase. Po niekoľkých sekundách LED indikátor kvality vzduchu vyberie príslušnú farbu pre kvalitu vzduchu v danom čase.

H-Purifier okamžite prejde do AUTOMATICKÉHO REŽIMU a začne čistiť vzduch v interiéri.

Na displeji sa rozsvietia tlačidlá AUTOMATICKÝ REŽIM, INFORMÁCIE, OVLÁDANIE SVETLÁ a informácie PM 10.

3.2 PRIPOJTE SVOJ H-PURIFIER:

Pre prístup ku všetkým funkciám H-Purifieru odkiaľkoľvek odporúčame stiahnuť aplikáciu hOn. Svoj výrobok budete môcť ovládať čo najefektívnejšie.

Pokyny:

1. Stiahnite si aplikáciu hOn z Apple App Store, Google Play alebo Huawei App Gallery. Môžete si ju tiež stiahnuť naskenovaním QR kódu na [Obr. 5]
2. Otvorte aplikáciu a vytvorte si účet pomocou e-mailu a hesla.
3. Potvrdte a prihláste sa do aplikácie hOn.
4. Skontrolujte, či je vaše mobilné zariadenie pripojené k Wi-Fi.
5. Uistite sa, že je váš H-Purifier zapnutý. Stlačte a podržte tlačidlo Wi-Fi na displeji po dobu 5 sekúnd, ozve sa zvukový signál a tlačidlo Wi-Fi začne blikať, čím signalizuje, že čaká na pripojenie. [Obr. 6]
6. Podľa pokynov v aplikácii pripojte mobilné zariadenia k vášmu produktu.
7. Po úspešnom spárovaní zostane tlačidlo Wi-Fi na produkte svietiť.
8. Ak chcete resetovať Wi-Fi, stlačte a podržte tlačidlo Wi-Fi po dobu 5 sekúnd.

Čistička vzduchu H-Purifier funguje aj s hlasovými asistentmi Hey Google a Amazon Alexa.

3.3 OBJAVTE VŠETKY FUNKCIE

Funkcia INFORMÁCIE [Fig.7]:

K dispozícii je 6 rôznych hodnôt k monitoringu:

PM 10, PM 2.5, PLYN (GAS), Teplota (TEMP), Vlhkosť (HUMIDITY) a Stav filtra (FILTER LIFE).

Ak chcete sledovať jednotlivé hodnoty, tlačte postupne po sebe tlačidlo INFORMÁCIE, tým listujete v ponuke. V predvolenom nastavení sa na displeji zobrazí údaje PM 10, produkt si zapamätá poslednú voľbu užívateľa a zachová túto voľbu pri nasledujúcom spustení produktu.

Dáta PLYN (GAS) zobrazí počas prvých 3 minút po zapnutí výrobku otáčajúce sa kurzor počas toho, ako senzor PLYNU vykonáva kalibračný cyklus.

Viac informácií o PM 2,5, PM 10 a PLYN (GAS):

PM označuje jemné častice (pre ľudské oko neviditeľné) pochádzajúce hlavne zo znečistenia vo vonkajšom prostredí, ako sú emisie vozidiel a priemyselné emisie, ktoré sú v prípade dlhodobej expozície potenciálne nebezpečné pre zdravie. Častice PM 10 majú veľkosť do 10 μm a sú schopné preniknúť do horných dýchacích ciest (nos, priedušnica, hltan). Častice PM 2,5 majú veľkosť do 2,5 μm a vzhľadom na svoj malý rozmer sa môžu dostať do pľúc a preniknúť tak hlbšie do tela.

PLYNNÉ VOC (prchavé organické zlúčeniny) sú prchavé chemické zlúčeniny so schopnosťou ľahkého odparovania do vzduchu pri izbovej teplote. Deodoranty, čistiace prostriedky, lepidlá, spojivá, kozmetika, formaldehyd sú len niektoré z VOC, ktoré sa môžu vyskytovať v domácnostiach, ale pri dlhodobom pôsobení môžu byť zdraviu škodlivé.

Funkcie REŽMOV:

K dispozícii sú 3 režimy čistenia vzduchu: AUTOMATICKÝ REŽIM, MAXIMÁLNY REŽIM A REŽIM SPÁNKU. Predvolené nastavenie pre váš výrobok pri zapnutí je automatický režim. Všetky režimy je možné zvoliť ručne stlačením príslušného tlačidla na displeji.

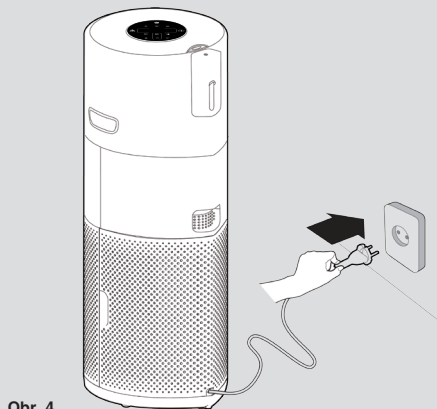
REŽIM PRE ALERGIKOV sa dá aktivovať iba pomocou aplikácie hOn.

AUTOMATICKÝ REŽIM [Obr. 8]:

Je to predvolený režim vášho H-Purifieru pri prvom zapnutí. V automatickom režime čistička vzduchu H-Purifier automaticky upravuje rýchlosť ventilátora podľa skutočnej úrovne kvality vzduchu v interiéri. Tým vždy zaručí optimálne čistenie vzduchu.

Je to odporúčané nastavenie pre váš výrobok.

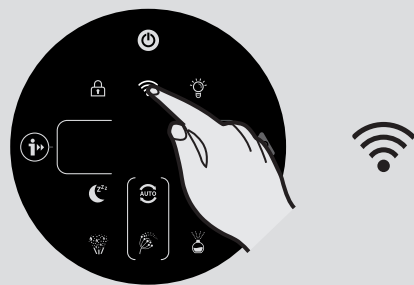
V automatickom režime po 30 minútach vynikajúcej kvality vzduchu prejde váš výrobok do režimu ECO (pohotovostná funkcia) a pozastaví sa funkcie čistenia (ventilátor). Multisenzorový monitorovací systém bude pokračovať v analýze vzduchu vnútri miestnosti a v prípade potreby automaticky zapne funkciu čistenia.



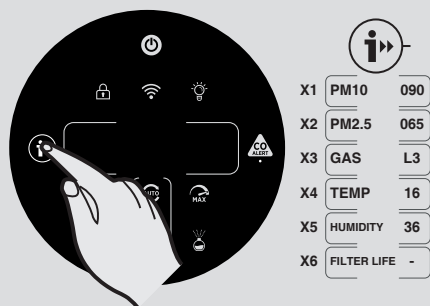
Obr. 4



Obr. 5



Obr. 6



Obr. 7



Obr. 8

MAXIMÁLNY REŽIM [Obr. 9]:

Stlačením tlačidla maximálneho režimu MAX na displeji aktivujete čistenie vzduchu pri maximálnom nastavení výkonu. Ak chcete ukončiť MAXIMÁLNY režim, jednoducho vyberte AUTOMATICKÝ režim alebo režim SPÁNKU.

REŽIM SPÁNKU [Obr. 10]:

Stlačením tlačidla režimu SPÁNKU aktivujete čistenie vzduchu pri najnižšom tichom výkone. Tlačidlo režimu SPÁNKU bude slabo svietiť a všetky ostatné kontrolky na displeji zhasnú. To môžete upraviť stlačením ovládacieho tlačidla SVETLA.

REŽIM PRE ALERGIKOV: [Obr. 11]

REŽIM PRE ALERGIKOV sa dá aktivovať iba pomocou aplikácie hOn. Najprv bude potrebné aktivovať a zaregistrovať profil v aplikácii a vytvoriť svoj alergický profil.

Režim pre alergikov funguje iba vtedy, keď je vybraná možnosť AUTOMATICKÝ REŽIM. [Obr. 11c] V režime pre alergikov spotrebič nepretržite v reálnom čase prijíma z aplikácie údaje o monitorovanej koncentrácii peľov vonku a automaticky pracuje na maximalizácii výkonu pri zachytávaní peľu.

Po zachytení peľov sa peľe deaktivujú, aby sa tak mohli zmierniť alergické príznaky.

Ak je v aplikácii aktivovaný režim pre alergikov, môžu sa na displeji produktu zobraziť 2 možné kontrolky upozornenia:

- Kontrolka úrovne peľov je **BIELA [Obr. 11a]**: Čistička vzduchu a aplikácie monitorujú prítomnosť peľu vonku a nehrozí žiadne riziko.

- Kontrolka úrovne peľov sa zmení na **ŽLTÚ** a Kruhová kontrolka peľovej alergie sa sfarbí **BIELE [Obr. 11b]**: Prístrojom a aplikácií bolo detekované riziko.

Ak je výrobok ručne prepnutý do režimu SPÁNKU alebo režimu MAX, zatiaľ čo je aktívny režim pre alergikov, režim pre alergikov sa zastaví.

Funkcia OVLÁDANIE OSVETLENIA: [Obr. 12]

K dispozícii sú 3 nastavenia pre osvetlenie displeja: O (zapnuté), Dim (tlmené) a Off (vypnuté).

Pre úpravu jasnosti osvetlenia displeja jednoducho stlačte tlačidlo ovládanie SVETLA na displeji a prechádzajte 3 dostupnými možnosťami. Predvolené nastavenie je ON (zapnuté).

Ak je zvolená možnosť OFF (vypnuté), bude nutné stlačiť akékoľvek iné tlačidlo dvakrát, aby sa aktivovalo. Po jednom stlačení sa svetla zmení na DIM (tlmené), pri druhom stlačení sa funkcia aktivuje.

Funkcia DETSKÁ POISTKA: [Obr. 13]

Aktivujete ju stlačením a podržaním tlačidla DETSKÁ POISTKA na 3 sekundy. Po aktivácii zaznie zvukový signál a tlačidlo DETSKÁ POISTKA zostane svietiť. Po aktivácii nebudú fungovať žiadne iné tlačidlá.

Na ukončenie funkcie jednoducho stlačte a podržte tlačidlo DETSKÁ POISTKA na 3 sekundy. Zaznie zvukový signál, ktorý potvrdí, že je funkcia vypnutá a tlačidlo už nebude svietiť.

Funkcia DIFUZÉR: [Obr. 14]

Difuzér šíri do vzduchu v miestnosti prípravky H-Essence alebo H-Biotics. H-Essence je kolekcia éterických olejov od spoločnosti Hoover, ktorá uvoľňuje do vzduchu príjemné vône.

H-Biotics je prírodná zmes založená na probiotikách, ktorá udržuje biologicky čistú miestnosť tým, že zabraňuje rastu mikroorganizmov, ako sú baktérie alebo mikróby.

Pre funkciu DIFUZÉR sú k dispozícii 4 rôzne nastavenia: SLABÉ (SOFT) (SLABÉ), MEDIUM (STREDNÉ), VLASTNÉ (CUSTOM) (VLASTNÉ) a H-BIOTICS. Pre aktiváciu tejto funkcie jednoducho stlačte tlačidlo Difuzér na displeji. Predvolené nastavenie pre túto funkciu je SOFT (SLABÉ), ktoréhokoľvek iné nastavenie jednoducho vyberiete stlačením tlačidla, aby ste prešli na požadovaný výber. Po zapnutí sa tlačidlo rozsvieti na bielo.

Pre H-Essence odporúčame používať nastavenia SLABÉ (SOFT) (SLABÉ) a MEDIUM (STREDNÉ).

VLASTNÉ nastavenie je možné vytvoriť iba v aplikácii hOn.

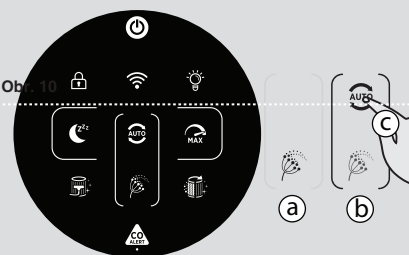
Pri použití H-Biotics **MUSÍ** byť nastavenie prepnuté na H-Biotics. Keď používateľ pomocou aplikácie aktivuje H-Biotics, po 120 hodinách sa zobrazí upozornenie „ACTIVATE H-BIOTICS“ (AKTIVOVÁŤ H-BIOTICS), aby sa zabezpečilo používanie H-biotics každých 5 dní.



Obr. 9



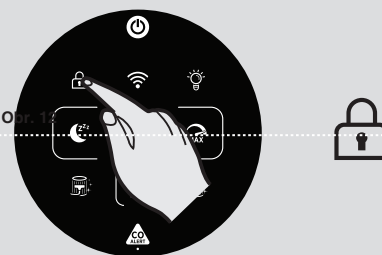
Obr. 10



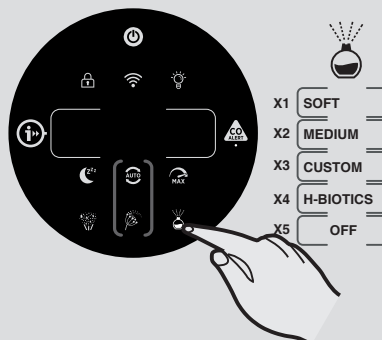
Obr. 11



Obr. 13



Obr. 13



Obr. 14

V určitých podmienkach alebo prostredí pri použití H-Essence sa môže hladina PLYNNÝCH PRCHAVÝCH LÁTKOK VOC zmeniť v dôsledku detekcie vonných látok.

Funkcia difuzéra funguje len vtedy, ak LED indikátor kvality vzduchu svieti zelenou farbou.

Ak LED indikátor kvality vzduchu nesvieti zelene, funkcia sa pozastaví a bude pokračovať v činnosti, kým sa oblasť opäť nezmení na zelenú.

Funkcia difuzéra sa dá použiť iba v režimoch AUTOMATICKÝ a MAXIMÁLNY a nedá sa použiť v režime SPÁNKU.

Keď aktivujete funkciu Difuzéra v AUTOMATICKOM režime, hlavný ventilátor bude pracovať pri špecifickej rýchlosti, aby pomohol šíriť H-Essence alebo H-Biotics do miestnosti.

Nastavenie	Časovanie rozprašovača	Maximálne trvanie cyklu
SLABÉ (SOFT)	po dobu 10 sekúnd každých 5 minút	6 hodín
STREDNÉ (MEDIUM)	po dobu 90 sekúnd každých 3,5 minút	6 hodín
VLASTNÉ (CUSTOM)	Definované používateľom	6 hodín
H-BIOTICS	po dobu 2 minúty každé 4 minúty	6 hodín

Ak chcete funkciu vypnúť, podržte stlačené tlačidlo difuzéra, kým sa na displeji nezobrazí OFF (VYPNUTÉ).

Po každom použití funkcie difuzéra použite suchú mäkkú handričku a vyčistite zvyšky z povrchu výrobku.

Pokyny na výmenu fľaštičky v jednotke difuzéra sú uvedené v časti „Údržba H-Purifieru“.

Funkcia ZVLHČOVAČ: [Obr. 15]

Pre funkciu Zvlhčovač sú k dispozícii 3 rôzne nastavenia: MIN (MINIMÁLNE) (MINIMÁLNE), MED (STREDNÉ) (STREDNÉ) a MAX (MAXIMÁLNE). Pre aktiváciu tejto funkcie jednoducho stlačte tlačidlo Zvlhčovač na displeji, predvolené nastavenie pre túto funkciu je MIN (MINIMÁLNE). Ktorékoľvek z iných nastavení jednoducho vyberiete opakovaným stláčaním tlačidla, aby ste prešli na požadovaný výber. Po zapnutí sa tlačidlo rozsvieti na bielo.

MIN (MINIMÁLNE) - Predvolená cieľová vlhkosť 40%

MED (STREDNÉ) - Predvolená cieľová vlhkosť 55%

MAX (MAXIMÁLNE) - Predvolená cieľová vlhkosť 70%

Všetky 3 cieľové úrovne sa dajú upraviť v aplikácii hOn v rozsahu 30 – 80 % cieľovej vlhkosti.

Ak chcete vypnúť funkciu Zvlhčovač, podržte stlačené tlačidlo zvlhčovača, kým sa na displeji nezobrazí OFF (VYPNUTÉ).

Ak je úroveň vlhkosti v reálnom čase rovnaká alebo vyššia ako zvolená úroveň, na displeji sa zobrazí správa „HUMIDITY REACHED“ (VLHKOSŤ DOSIAHNUTÁ). Kontrolka zvlhčovača zostane svietiť.

Výrobok automaticky prejde do režimu Zvlhčovač, keď vlhkosť v reálnom čase klesne pod zvolenú cieľovú úroveň.

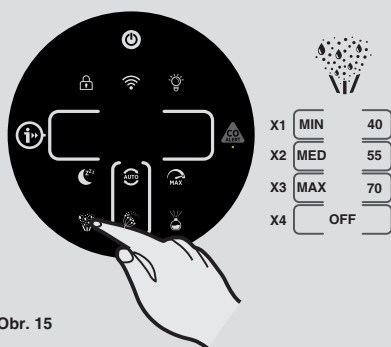
Funkciu zvlhčovača je možné použiť iba v režimoch SPÁNKU a AUTOMATICKOM režime a nie je možné ju použiť v MAXIMÁLNO M režime.

UPOZORNENIE NA DOPLNENIE:

Ak je hladina vody nižšia ako minimálna hladina, displej zobrazí blikajúce upozornenie REFILL WATER (DOPLNTE VODU). Pokyny sú uvedené v časti Údržba vášho H-Purifieru.

Dôležitá poznámka:

- **Keď výrobok pracuje v režime Difuzér:** Ak vyberiete režim Zvlhčovač bez vypnutia režimu Difuzér, výrobok automaticky zastaví režim Difuzér a prejde do režimu Zvlhčovač.
- **Keď výrobok pracuje v režime Zvlhčovač:** Ak vyberiete režim Difuzér bez vypnutia režimu Zvlhčovač, výrobok automaticky zastaví režim Zvlhčovač a prejde do režimu Difuzér.



Obr. 15

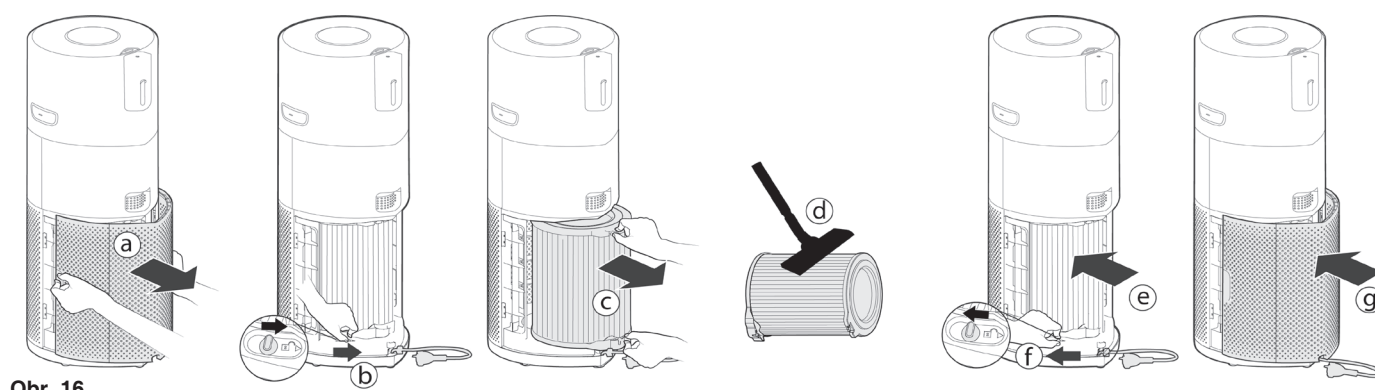
4. ÚDRŽBA VÁŠHO H-PURIFIERU

4.1 ÚDRŽBA FILTRA

H-Purifier bude monitorovať stav filtra. Na ľavej strane displeja sa zobrazí upozornenie **CLEAN FILTER ALEBO REPLACE FILTER (VYMENIŤ FILTER) (VYČISTIŤ FILTER ALEBO VYMENIŤ FILTER)**, čo signalizuje, že je nutné vykonať čistenie alebo výmenu filtra.

Čistenie / Výmena filtra: [Obr. 16]

- Odstráňte kryt prívodu vzduchu z výrobku. [Obr. 16a]
- Odblokujte tlačidlo na uvoľnenie filtra. [Obr. 16b]
- Odstráňte filter z výrobku. [Obr. 16c]
- Pomocou vysávača vyčistite vonkajšiu vrstvu na filtri alebo filter vymeňte za nový. [Obr. 16d]
- Znovu vložte filter do výrobku. [Obr. 16e]
- Zablokujte istič na uvoľnenie filtra. [Obr. 16f]
- Znovu umiestnite kryt prívodu vzduchu na výrobok. [Obr. 16g]
- Pripojte spotrebič k zdroju napájania a zapnite ho.
- Na 3 sekundy stlačte tlačidlo **INFORMÁCIE**, aby ste zresetovali výstrahu Čistenie / Výmena. Ozve sa zvukový signál, ktorý indikuje úspešné resetovanie. [Obr. 7]



Obr. 16

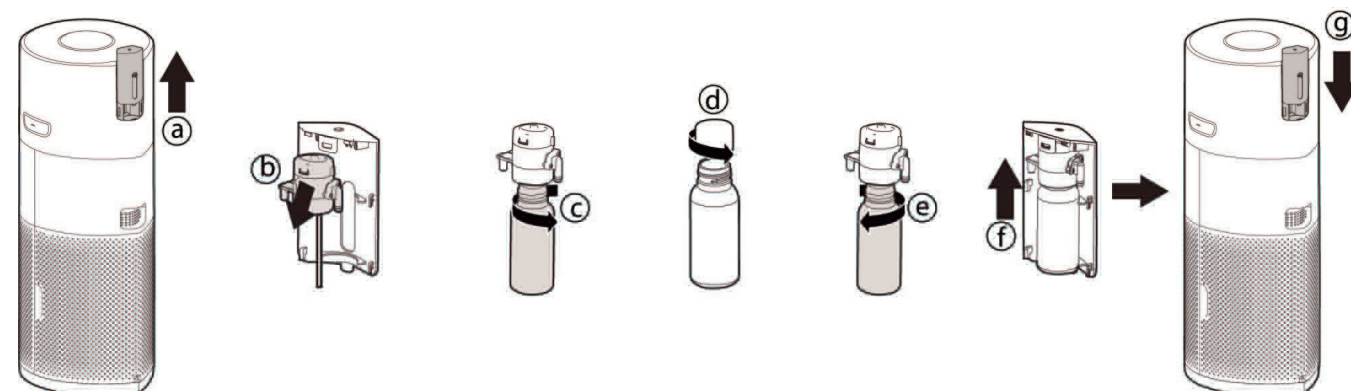
4.2 ÚDRŽBA DIFUZÉRA

Po každom použití funkcie difuzéru použite suchú mäkkú handričku a vyčistite zvyšky z povrchu výrobku.

Výmena fľaštičky difuzéra: [Obr. 17]

Objem kvapaliny zostávajúcej vo fľaštičke sa dá skontrolovať cez okienko difuzéra. Fľaštičku vymieňajte podľa potreby.

- Odstráňte kryt difuzéra z výrobku. [Obr. 17a]
- Z krytu difuzéra vyberte jednotku difuzéra a fľaštičku. [Obr. 17b]
- Odskrutkujte a vyberte prázdnu fľaštičku. [Obr. 17c]
- Vyberte novú fľaštičku H-Essence alebo H-Biotics z obalu a odstráňte uzáver. [Obr. 17d]
- Novú fľaštičku pevne priskrutkujte k jednotke difuzéra. [Obr. 17e]
- Nainštalujte jednotku difuzéra späť do krytu difuzéra. [Obr. 17f]
- Vložte späť kryt difuzéra do H-Purifier čističky vzduchu. [Obr. 17g]



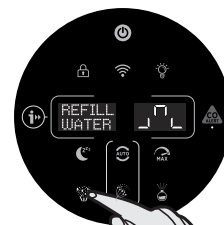
Obr. 17

4.3 ÚDRŽBA ZVLHČOVAČA

Upozornenie na doplnenie vody do nádrže:

Aby zvlhčovač fungoval, je potrebná minimálna hladina vody. Ak je hladina vody nižšia ako minimálna hladina, displej zobrazí blikajúce upozornenie REFILL WATER (DOPLNTE VODU). V kryte nádrže na vodu môže byť zvyšková voda. Aj tak sa však zobrazí správa kvôli minimálnej požadovanej hladine vody.

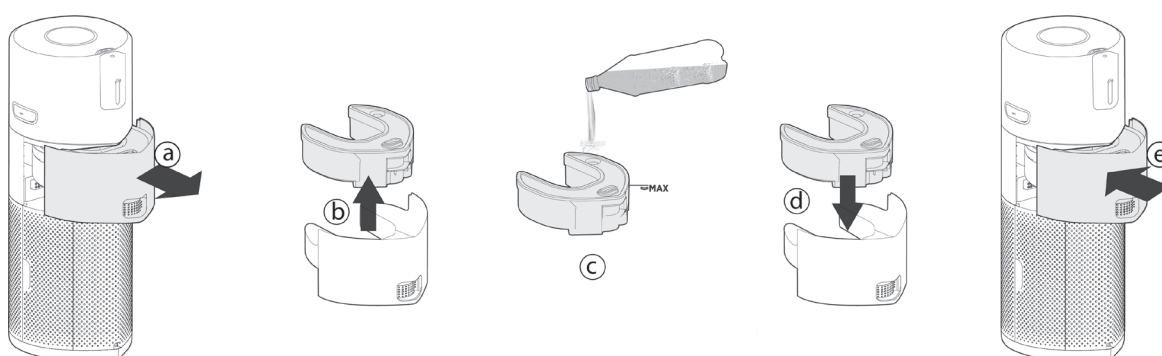
- Odstráňte kryt nádrže na vodu z produktu. [Obr. 18a]
- Vyberte zostavu nádrže na vodu z krytu. [Obr. 18b]
- Odstráňte všetku zvyškovú vodu a naplňte nádrž cez vpust nádrže destilovanou vodou, kým nedosiahne rysku MAX zobrazenu na nádrži. [Obr. 18c]
- Nádrž vložte späť do krytu nádrže. [Obr. 18d]
- Vložte kryt nádrže na vodu naspäť do výrobku. [Obr. 18e]



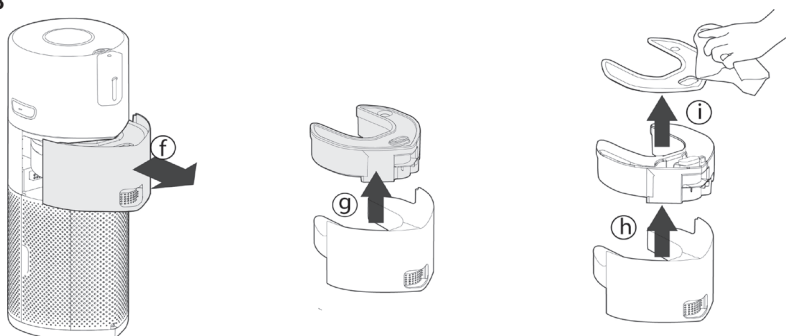
Upozornenie na čistenie nádrže na vodu:

Váš H-Purifier bude monitorovať stav nádrže zvlhčovača. Pokiaľ je v nádrži stále voda, bude po 72 hodinách od poslednej aktivácie funkcie zvlhčovača blikať výstraha CLEAN WATER TANK (VYČISTITE NÁDRŽ NA VODU). Zobrazí sa na ľavej strane displeja, a bude signalizovať, že je potrebné vykonať čistenie nádrže na vodu.

- Zložte zostavu nádrže na vodu z produktu. [Obr. 18f]
- Odstráňte kryt nádrže na vodu, nádrž na vodu a veko nádrže na vodu. Dôkladne vyčistite všetky 3 komponenty a úplne osušte mäkkou suchou handričkou. [Obr. 18g,h,i]
- Zložte dokopy komponenty nádrže na vodu a naplňte ju destilovanou vodou až po rysku MAX.
- Pred opätovným vložením nádrže sa uistite, či je výrobok zapnutý.
- Vložte kryt nádrže na vodu naspäť do výrobku. [Obr. 18e]

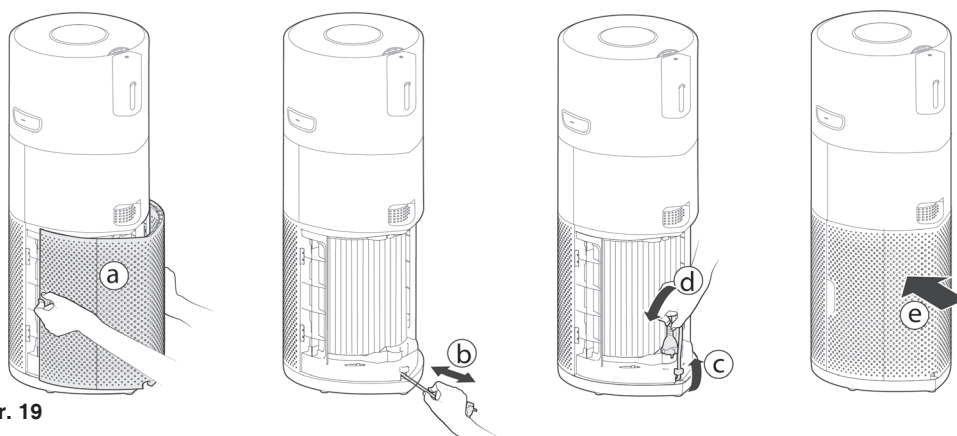


Obr. 18



5. SKLADOVANIE VÁŠHO H-PURIFIERU

1. Vypnite H-Purifier a odpojte napájací kábel.
2. Vyčistite všetky vnútorné a vonkajšie povrchy H-Purifieru, vonkajšiu vrstvu filtra a nádrže na vodu.
3. Vyberte fľaštičku z difúzera. Na fľaštičku nasadte originálny uzáver a uložte ju na miesto chránené pred priamym slnečným svetlom. Vyčistite povrchy jednotky a krytu difúzera. Uistite sa, že sa na žiadnom povrchu H-Purifieru nenachádzajú zvyšky H-Essence alebo H-Biotics.
4. Skontrolujte, či sú všetky komponenty suché.
5. Odstráňte kryt prívodu vzduchu [obr. 19a], naviňte napájací kábel zatiahnutím za kábel [obr. 19b], kábel umiestnite na úložný háčik a zástrčku zasunúť do polohy počas prepravy. [Obr. 19c,d] Nasadte naspäť kryt prívodu vzduchu. [Obr. 19e]
6. H-Purifier skladujte na chladnom a suchom mieste.



Obr. 19

6. VÝSTRAHY & RIEŠENIA

Počas používania sa môžu zobraziť tieto kódy. [Obr. 20]



Obr. 20

Výstraha		Popis výstrahy	Riešenie
Výstraha na výrobku	Výstraha v aplikácii		
"CLEAN FILTER (VYČISTIŤ FILTER)"	Upozornenie na vyčistenie predfiltra	Odporúčanie vyčistiť vonkajšiu vrstvu filtra.	1. Vyčistite vonkajšiu vrstvu filtra. 2. Resetujte výstrahu podržaním tlačidla INFORMÁCIE na 3 sekundy. Pozri 4.1 ÚDRŽBA FILTRA
"REPLACE FILTER (VYMEŇIŤ FILTER)"	Upozornenie na výmenu filtra	Odporúčanie vymeniť filter.	1. Vymeňte filter. 2. Resetujte výstrahu podržaním tlačidla INFORMÁCIE na 3 sekundy. Pozri 4.1 ÚDRŽBA FILTRA
"FILTER MISSING (FILTER CHÝBA)"	Chyba: vyskytla sa chyba čističky vzduchu. Prosím, skontrolujte možné riešenia.	Filter nie je na svojom mieste alebo nie je správne zaistený.	1. Ak filter nie je založený, založte ho. 2. Ak je filter na svojom mieste, skontrolujte, či je istič filtra v polohe LOCK (zaistený). Pozri 2.1 INŠTALÁCIA FILTRA
"NO WATER TANK (CHÝBA NÁDRŽ NA VODU)"	Chyba: vyskytla sa chyba čističky vzduchu. Prosím, skontrolujte možné riešenia.	Nádrž na vodu alebo kryt nádrže nie sú k dispozícii.	Vložte späť nádrž na vodu a kryt nádrže.
"CLEAN WATER TANK (VYČISTIŤ NÁDRŽ NA VODU)"	Je potrebné vymeniť vodu v nádrži.	Od posledného použitia zvlhčovača uplynuli 3 dni, z hygienických dôvodov je potrebné vyčistiť nádrž/kryt a vymeniť vodu.	1. Vypnite výrobok. 2. Vyberte nádrž/kryt, vyčistite vnútro každého komponentu a znovu naplňte vodou. 3. Zapnite výrobok. 4. Nádrž/kryt umiestnite naspäť. Pozri 4.3 ÚDRŽBA ZVLHČOVAČA
"REFILL WATER (DOPLNIŤ VODU)"	Chyba: vyskytla sa chyba čističky vzduchu. Prosím, skontrolujte možné riešenia.	V nádrži nie je voda alebo zostávajúca voda nestačí na prevádzku zvlhčovača.	Nádrž na vodu naplňte destilovanou vodou až po rysku MAX.
"PM SENSOR ERROR (CHÝBA SENZORU PM)"	/	Porucha senzora PM	Porucha senzora PM alebo vodič senzora nie je správne pripojený. Zavolajte servisné stredisko a požiadajte o opravu.
Kontrolka Alarmu CO Alert je žltá.	Chyba: vyskytla sa chyba čističky vzduchu. Prosím, skontrolujte možné riešenia.	Chybná funkcia senzora CO alebo senzor CO prekročil svoju životnosť.	Zavolajte servisné stredisko a požiadajte o opravu.
Automaticky sa vypne bez akéhokoľvek upozornenia.	Pád výrobku	Ochrana pred pádom výrobku.	1. Ak výrobok spadne a dôjde k rozliatiu vody, odpojte napájanie a pred opätovným zapnutím výrobku počkajte 48 hodín. 2. Ak výrobok spadne a nedôjde k rozliatiu vody, výrobok nadvihnite a stlačením tlačidla zapnutia/vypnutia ho zapnite.
/	Chyba: vyskytla sa chyba čističky vzduchu. Prosím, skontrolujte možné riešenia.	Porucha motora.	Porucha motora alebo vedenie motora nebolo správne pripojené, obráťte sa na servisné stredisko Hoover k oprave.
"TEMP. & HUMI. SENSOR ERROR (CHÝBA SENZOROV TEPLoty A VLHKOSTI)"	/	Porucha senzorov teploty a vlhkosti	Porucha senzora teploty a vlhkosti alebo vedenie senzora nie je správne pripojené. Kontaktujte servisné stredisko Hoover a požiadajte o opravu.
"PAUSE (PAUZA)"	/	Prevádzka difuzéra sa pozastaví, keď LED indikátor kvality vzduchu nesvieti zeleno.	Nemusíte robiť nič. Prevádzka difuzéra bude pokračovať, keď bude LED indikátor kvality vzduchu svietiť zeleno.

POZOR: Ak niektorá z týchto porúch pretrváva, kontaktujte vášho miestneho zástupcu spoločnosti Hoover. NEPOKÚŠAJTE sa H-Purifier čističku vzduchu rozoberať sami.

7. RIEŠENIE PROBLÉMOV

Nasleduje zoznam bežne sa vyskytujúcich problémov a riešení.

Ak niektorý z týchto problémov pretrváva, kontaktujte miestneho zástupcu spoločnosti Hoover.

Ventilátor nefunguje (Ovládací panel / Kontrolky displeja svietia)	<ul style="list-style-type: none"> • Skontrolujte upozornenie zobrazené na displeji alebo v aplikácii. Ak sa nejaké zobrazuje, pozri časť 6. V STRAHY A RIEŠENIA. • Skontrolujte, či vo ventilátore nie sú nejaké prekážky. Ak sú nejaké prítomné, najskôr odpojte výrobok zo zásuvky a odstráňte ich, alebo zavolajte servisné stredisko a požiadajte o odstránenie. • Skontrolujte, či je H-Purifier zapnutý. • Skontrolujte, či je filter správne nainštalovaný a zaistený. • Skontrolujte, či je H-Purifier v úplne kolmej zvislej polohe a nie je naklonený. • H-Purifier môže byť v režime ECO. Režim ECO môžete opustiť stlačením tlačidla režimu spánku alebo tlačidla maximálneho režimu. Pozri 3. POUŽÍVANIE VÁŠHO H-PURIFIERU – AUTOMATICK REŽIM.
Ventilátor nefunguje (Ovládací panel / Kontrolky displeja nesvietia)	<ul style="list-style-type: none"> • Skontrolujte, či je H-Purifier zapojený do siete a zapnutý. • Skontrolujte upozornenie zobrazené v aplikácii. Ak sa nejaké zobrazuje, pozri časť 6. V STRAHY A RIEŠENIA.
Nesvietia žiadne kontrolky na ovládacom paneli / Displej (Ventilátor pracuje)	<ul style="list-style-type: none"> • V režime spánku je predvolené nastavenie osvetlenia vypnuté. Môžete stlačiť tlačidlo ovládania osvetlenia, aby ste zapli osvetlenie. • Osvetlenie môže byť vypnuté. Stlačte tlačidlo ovládania osvetlenia, aby ste zapli osvetlenie. Refer to 3. POUŽÍVANIE H-PURIFIERU – REŽIM SPÁNKU / Funkcia OVLÁDANIE OSVETLENIA.
Tlačidlá na ovládacom paneli nefungujú.	<ul style="list-style-type: none"> • Môže byť aktivovaná detská poistka. Pridržaním tlačidla CHILD LOCK (DETSKÁ POISTKA) na 3 sekundy toto nastavenie opustíte. Pozri 3. POUŽÍVANIE VÁŠHO H-PURIFIERU – Funkcia DETSKÁ POISTKA.
Prúd vzduchu je slabý	<ul style="list-style-type: none"> • Skontrolujte, či bol z filtra odstránený ochranný obal. • Skontrolujte, či v kryte prívodu vzduchu alebo odvode vzduchu nie sú nejaké prekážky. • Odstráňte kryt prívodu vzduchu a skontrolujte stav filtra. Vyčistite vonkajšiu vrstvu filtra alebo v prípade potreby filter vymeňte. Stav životnosti filtra môžete skontrolovať na displeji stlačením tlačidla informácií. • Skontrolujte, či nie je H-Purifier v režime Spánku. V tomto režime ventilátor pracuje so zníženým výkonom.
H-Purifier pracuje veľmi hlučne.	<ul style="list-style-type: none"> • Skontrolujte, či v čističke vzduchu H-Purifier nie sú prekážky. • Skontrolujte, či H-Purifier beží v maximálnom režime. V tomto režime pracuje ventilátor na maximálny výkon.
H-Purifier náhle pracuje nahlas.	<ul style="list-style-type: none"> • Skontrolujte, či H-Purifier beží v automatickom režime a či LED indikátor kvality vzduchu nesvieti zelene. V automatickom režime H-Purifier automaticky upravuje rýchlosť ventilátora na skutočnú úroveň kvality vzduchu v interiéri. Pozri 3. POUŽÍVANIE VÁŠHO H-PURIFIERU – AUTOMATICK REŽIM.
H-Purifier náhle vydá hlasný zvukový signál.	<ul style="list-style-type: none"> • Testovacia funkcia tlačidla Alarmu CO Alert je aktivovaná nesprávnou obsluhou. Zvuk automaticky prestane znieť po 5 sekundách. Pozri 1.2 V STRAHA PRED OXIDOM UHOĽNAT M (CO)
Výstrahu "CLEAN WATER TANK" (VYČISTIŤ NÁDRŽ NA VODU) nie je možné resetovať.	<ul style="list-style-type: none"> • Po vyčistení nádrže na vodu / krytu a doplnení vody zapnite H-Purifier. Kryt nezasúvajte, kým sa na displeji nezobrazí "NO WATER TANK" (NÁDRŽ NA VODU CHÝBA).

DÔLEŽITÉ INFORMÁCIE

Náhradné diely a spotrebný materiál Hoover

Vždy nahrádzajte diely originálnymi náhradnými dielmi od spoločnosti Hoover. Získate ich u miestneho predajcu výrobkov Hoover alebo u servisných partnerov. Pri objednávaní náhradných dielov láskavo vždy uvádzajte číslo modelu.

Kvalita

Kvalita v továrňach spoločnosti Hoover bola nezávisle posúdená. Naše výrobky sú vyrobené s využitím systému kvality, ktorý spĺňa požiadavky normy ISO 9001.

Vaša záruka

Záručné podmienky pre tento spotrebič sú definované našim zástupcom v krajine, v ktorej sa predáva. Podrobnosti týkajúce sa týchto podmienok je možné získať u obchodníka, u ktorého bol spotrebič zakúpený. Pri reklamácií podľa týchto záručných podmienok je nutné predložiť doklad o kúpe alebo účtenku.

Právo zmeny bez predchádzajúceho upozornenia vyhradené.

GENEL GÜVENLİK UYARILARI

Bu cihaz, bu kullanıcı kılavuzunda açıklandığı gibi yalnızca özel ev tipi kullanım içindir. Lütfen cihazı çalıştırmadan önce bu kılavuzun tam olarak anlaşıldığından emin olun ve ileride başvurmak üzere saklayın.

Cihazı bağlamadan önce cihazın etiketinde belirtilen voltaj ve güç değerlerinin yerel güç voltajına uygun olup olmadığını kontrol edin.

Güç kablosu hasar görürse cihazı kullanmayı derhal bırakın. Güvenliğin riske atılmaması için, elektrik kablosu mutlaka yetkili HOOVER servis teknisyeni tarafından değiştirilmelidir.

Güç kablosunu çekerek fişi çıkarmayın.

Elektrik besleme kablosunu kimse üzerine basmayacak veya takılmayacak şekilde yerleştirin.

Cihazı hareket ettirmeden veya temizlemeden ya da herhangi bir bakım işlemi gerçekleştirilmeden önce her zaman cihazı kapatın ve prizden çekin.

Bu cihaz 8 yaş ve üzeri çocuklar ve yetersiz fiziksel, duyuşsal veya zihinsel kabiliyete sahip kişiler ya da deneyim ve bilgi yoksunu kişiler tarafından bir yetişkinin gözetiminde veya cihazın güvenli bir şekilde kullanımı ile ilgili talimatı ve bulunan tehlikelerin açıkça anlatılması ile kullanılabilir. Çocuklar cihaz ile oynamamalıdır.

Temizleme ve bakım işlemi denetimsiz şekilde çocuklar tarafından yapılmamalıdır.

Cihaz, karbonmonoksit (CO) veya radonu (Rn) ortadan kaldırmaz. Yanma prosesleri ve tehlikeli kimyasallar ile kaza olması durumunda bir güvenlik cihazı kullanılamaz.

Arızalı görünüyorsa cihazınızı kullanmaya devam etmeyin.

Hava girişini veya hava çıkışını engellemeyin.

Yaralanmaları veya cihazın arızalanmasını önlemek için hava çıkışına veya hava girişine parmaklarınızı veya nesnelere sokmayın.

Elektrik çarpmasını ve/veya yangın tehlikesini önlemek için cihazı su, başka bir sıvı veya (yanıcı) deterjan ile temizlemeyin veya bunların cihaza girmesine izin vermeyin.

Cihazın etrafında böcek ilacı veya parfüm gibi yanıcı maddeler püskürtmeyin.

Bu cihaz, uygun havalandırma, düzenli toz emme veya pişirme sırasında aspiratör veya fan kullanımını yerini tutmaz.

Yalnızca HOOVER tarafından önerilen veya sağlanan sarf malzemelerini, filtreleri ya da yedek parçaları kullanın.

Cihazı açmadan önce filtrenin uygun şekilde takıldığından emin olun.

Cihaza (özellikle hava girişi ve çıkışı) sert nesnelere vurmaktan kaçının.

Ürünü kuru tutun.

Çalışırken ürünü asla eğmeyin veya boşaltmayın.

Cihaz uzun süre kullanılmadığında, filtrelerde bakteri üreyebilir. Uzun süre kullanılmadığında filtreleri kontrol edin. Filtreler çok kirliyse, yenileriyle değiştirin.

Hoover teknik servisi: Cihazın her zaman güvenli ve verimli bir şekilde kullanılabilmesi için, her türlü bakım veya onarım işinin sadece yetkili HOOVER servis teknisyenleri tarafından yapılmasını öneririz.

KULLANIM ORTAMI

Ürünü sadece kuru, sabit, düz yatay bir yüzeye yerleştirin ve kullanın, böylece devrilmesi engellenir.

Cihazın arkasında ve her iki tarafında en az 20 cm boş alan bırakın ve cihazın üzerinde en az 30 cm boş alan bırakın.

Paraziti önlemek için, cihazı TV, radyo ve uzaktan kontrollü saatler gibi hava kaynaklı radyo dalgaları kullanan elektrikli cihazlardan en az 2 m uzağa yerleştirin.

Cihazın üzerine hiçbir şey koymayın.

İç mekan duman tipi böcek savarlar kullandığınızda veya yağlı kalıntılar, yanan tütsü veya kimyasal duman bulunan yerlerde bu cihazı kullanmayın.

Cihazı, aşağıdaki konumlardan hiçbirine yerleştirmeyin:

- Sıcak yüzeylerin üzerinde, yakınında, açık alevde veya doğrudan güneş ışığında, gazlı cihazların, ısıtma cihazlarının veya şöminelerin yakınında;
- Isıtıcılar veya klima havalandırmalarının, kapıların, pencerelerin, aspiratörlerin, ocakların ya da hava akımının etkileyebileceği herhangi bir yerin yanında ya da doğrudan üzerinde;
- Bir banyoda ya da ürünün su sıçramasına, damlamasına veya yoğunlaşmasına maruz kalabileceği diğer alanlarda (ör. doğrudan bir klimanın altı veya elektrikli su ısıtıcının üstü);
- Kapalı bir alanda (örn. bir dolabın içinde veya altında);
- Sıcaklığın -20°C 'nin altına düşebileceği veya 50°C 'nin üzerine çıkabileceği bir alanda;
- Banyo, tuvalet veya mutfak gibi yüksek sıcaklık değişikliklerinin gerçekleştiği, etrafının ıslak olduğu ya da etrafında yüksek ortam sıcaklığı ya da yüksek nem bulunduğu odalar;
- Örn. perde veya mobilya ile engellenebileceği yerlerde;
- Kir veya tozun sensörü engelleyebileceği yerlerde.

CO MONİTÖRÜ GÜVENLİK TALİMATLARI

CO alarmı etkinse, tüm pencereleri ve kapıları açmalısınız (eğer güvenliyse). Mümkünse, tüm yakıtla çalışan cihazları kapatın ve ardından pencereleri ve kapıları açık bırakarak mülkü boşaltın. Karbonmonoksit zehirlenmesine maruz kalan herkes için derhal tıbbi yardım alın. Alarm durana kadar mülke tekrar girmeyin. CO temizlendikten sonra alarm duracaktır. CO kaynağı kalifiye bir teknisyen tarafından tespit edilip düzeltilinceye kadar yakıtla çalışan cihazları tekrar kullanmayın.

Cihazın yanında boya, tiner, solvent dumanı, oda parfümü, aerosol sprey veya kimyasal temizleyiciler kullanmaktan kaçının. Bu, CO monitor'ün çalışmasını etkileyebilir.

CO monitor'ü etkinleştirmek için, fişi bir prize takın. CO Uyarı LED'i yeşil renkte yanacaktır. CO monitörü güvenli olmayan bir CO seviyesini algıladığında, alarm yüksek sesle çalacak ve CO Uyarı düğmesi ile Hava Kalitesi LED Halkası kırmızı renkte yanıp sönecektir. Alarm, algılanan CO güvenli bir seviyeye düşene kadar çalmaya devam edecektir.

CO Alarm işlevini test etmek için [CO Alert] düğmesine 3 saniye dokununuz; alarm, 5 saniye boyunca yüksek sesle çalacaktır. Alarmı ayda bir ve binada uzun süre bulunmama durumundan sonra (Örn. Tatiller) test edin. [CO Alert] düğmesine 3 saniye dokunduktan sonra alarm çalmazsa, hatayı onarmak üzere kalifiye bir teknisyen ayarlamak için lütfen Hoover müşteri hizmetleri merkezine başvurun.

Ekranda CO sensörünün arızalı olduğu ya da ömrünün sonuna ulaştığı görüntülenirse; CO sensörünü değiştirmek üzere bir vasıflı teknisyenin işlem yapması için lütfen Hoover müşteri merkezi ile iletişime geçin. CO sensörünün beklenen kullanım ömrü 7 yıldır ve bu süreden sonra yenisiyle değiştirilmelidir.

Küçük çocukların, alarm çaldığında aşırı gürültüye maruz kalabileceklerinden, CO Alert düğmesine 3 saniye basmasına izin vermeyin.

Çalışma Nemi: 15 – 90% RH

Çalışma Sıcaklığı: 0°C - + 40°C

Karbonmonoksit, kritik organları oksijenden mahrum bırakarak (tıkayarak) vücudu etkiler. CO teneffüs edildiğinde, normalde vücutta oksijen taşıyan kandaki hemoglobine tutunur. CO, oksijen moleküllerinin hemoglobine tutunma yeteneğini kalıcı olarak kaldırarak oksijenin hayati organlara geçmesini azaltır. CO'ya maruz kalınan konsantrasyon seviyesi ve süresi, vücuttaki etkilerini değiştirebilir ancak uzmanlar uzun süre düşük seviyelerde karbonmonoksit maruz kalmanın bile herkesin genel sağlığı üzerinde ciddi ve kalıcı etkileri olabileceği konusunda hemfikirdir.

UYARI: CO ALARMI, BİREYLERİ KARBONMONOKSİT MARUZİYETİNİN AKUT ETKİLERİNDEN KORUMAK VE KARBONMONOKSİT MARUZİYETİNİN KRONİK ETKİLERİNİ ÖNLEMEK İÇİN TASARLANMIŞTIR. BELİRLİ HASTALIKLARI OLAN BİREYLERİ TAM ANLAMıyla KORUMAYACAKTIR. ŞÜPHE DUYARSA, BİR DOKTORA DANIŞIN.

CO Monitor işlevi, EN 50291-1, UL-2034, CSA-6.19 veya Yerel ya da Bölgesel Yasaların veya mevzuatın zorunlu kıldığı herhangi bir geçerliliği kabul edilmiş standart sertifikalı karbonmonoksit alarmı olarak kullanılmamalı veya bunun yerine geçecek şekilde kullanılması ima edilmemelidir. CO Monitor işlevi, yalnızca tamamlayıcı bir karbonmonoksit izleme cihazıdır. Bu cihazın kullanımı, kullanıcının takdirindedir ve yasalara veya geçerli olduğu durumlarda mevzuata bağlı kalma sınırlamalarının anlaşılmasını ve kabul edilmesini gerektirir. Bu cihaz, uygun havalandırma ve egzoz sistemleri de dahil olmak üzere yakıtla çalışan cihazların doğru kurulumu, kullanımı ve bakımı yerine kullanılmamalıdır. CO monitor mobil ve tablet bildirimlerinin çalışması için işlevsel bir Wi-Fi bağlantısı gerekir. Üçüncü taraf acil durum izleme hizmetinin yerine geçmezler.

DİFÜZÖR GÜVENLİK TALİMATLARI

Yalnızca HOOVER tarafından önerilen veya tedarik edilen aroma yağı kullanın. H-Essence'ın Difüzör işlevini kullanırken hava filtresinin yanında bağımsız nemlendirici kullanmaktan kaçının. Herhangi bir H-Essence döküntüsünü hemen silin. Ürünün H-Essence ile temas eden her köşesini temizlediğinizden emin olun.

NEMLENDİRİCİ GÜVENLİK TALİMATLARI

Su haznesini her 3 günde bir temizleyin. Su haznesini doldurmak için yalnızca distile su kullanın. Musluk suyu, maden suyu, nehir suyu ve benzeri başka sular kullanmayın. Su haznesindeki su içmek için uygun değildir. Bu suyu içmeyin ve hayvan beslemek veya bitki sulamak için kullanmayın. Su haznesini boşalttığınızda, suyu gidere dökün. Su tankına arıtılmış sudan başka madde koymayın. Su tankına koku/parfüm veya H-Essence koymayın. Hazne ile muhafazayı üç günde bir boşaltın ve doldurun. Yeniden doldurmadan önce hazneyi ve muhafazayı temiz musluk suyuyla temizleyin. Haznenin yanlarında veya iç yüzeylerde oluşan kireç, tortu veya ince tabakayı temizleyin ve tüm yüzeyleri silerek kurulaştırın. Doldurma ve temizleme sırasında cihazın fişini prizden çekin. Depolamadan önce nemlendiriciyi boşaltın ve temizleyin. Bir sonraki kullanımdan önce nemlendiriciyi temizleyin. Cihaz kullanımda değilken kesinlikle su haznesinde ve hazne muhafazasında su bırakmayın. Nemlendiricinin etrafındaki alanın nemlenmesine veya ıslanmasına izin vermeyin. Nem oluşursa, nemlendiricinin çıkışı ters çevirin, nemlendiriciyi aralıklı olarak kullanın. Halı, perde, kumaş parçası veya masa örtüsü gibi emici malzemelerin nemlenmesine izin vermeyin. Cihazı taşımanız gerekirse, öncelikle cihazın güç kaynağından elektrik bağlantısını kesin. Ardından, su haznesini boşaltın veya çıkarın. Cihazı, her iki tarafındaki tutacaklardan tutarak dik bir biçimde taşıyın. Nemlendirici işlevini kullanırken hava filtresinin yanında aroma yağı yayan veya püskürten bağımsız cihaz kullanmaktan kaçının. Yüksek nem seviyelerinin ortamda biyolojik organizmaların üremesini teşvik edebileceğini unutmayın.



UYARI: Suda veya cihazın kullanıldığı veya depolandığı ortamda bulunabilecek mikroorganizmalar, su deposunda üreyebilir ve su yenilenmediğinde ve hazne her 3 günde bir tamamen temizlenmediğinde sağlığı tehdit eden çok ciddi risklere neden olarak havada uçabilir.

Çevre

Bu cihaz Atık Elektrikli ve Elektronik Teçhizat (WEEE) hakkında Avrupa direktifi 2012/19/EU'ye uygunluk işaretine sahiptir. Bu ürünün doğru bir şekilde atılmasını sağlayarak, yanlış atılmasından dolayı çevre ve insan sağlığında oluşabilecek olumsuz etkilerin önlenmesine katkıda bulunacaksınız.



Bu aygıtta sembol aygıtta ev atığı gibi işlem yapılamayacağını belirtir. Bunun yerine uygun elektrikli ve elektronik ekipman geri dönüşüm toplama noktasına teslim edilmelidir. İmha, atık imhası için düzenlenen yerel çevre yönetmeliklerine uygun olarak yapılmalıdır. Bu aygıtta ait işlem, kurtarma ve geri dönüşümle ilgili daha ayrıntılı bilgi için, lütfen yerel şehir ofisiniz, ev atığı ve çöp atma servisiniz ya da aygıtı satın aldığınız mağaza ile irtibata geçin.

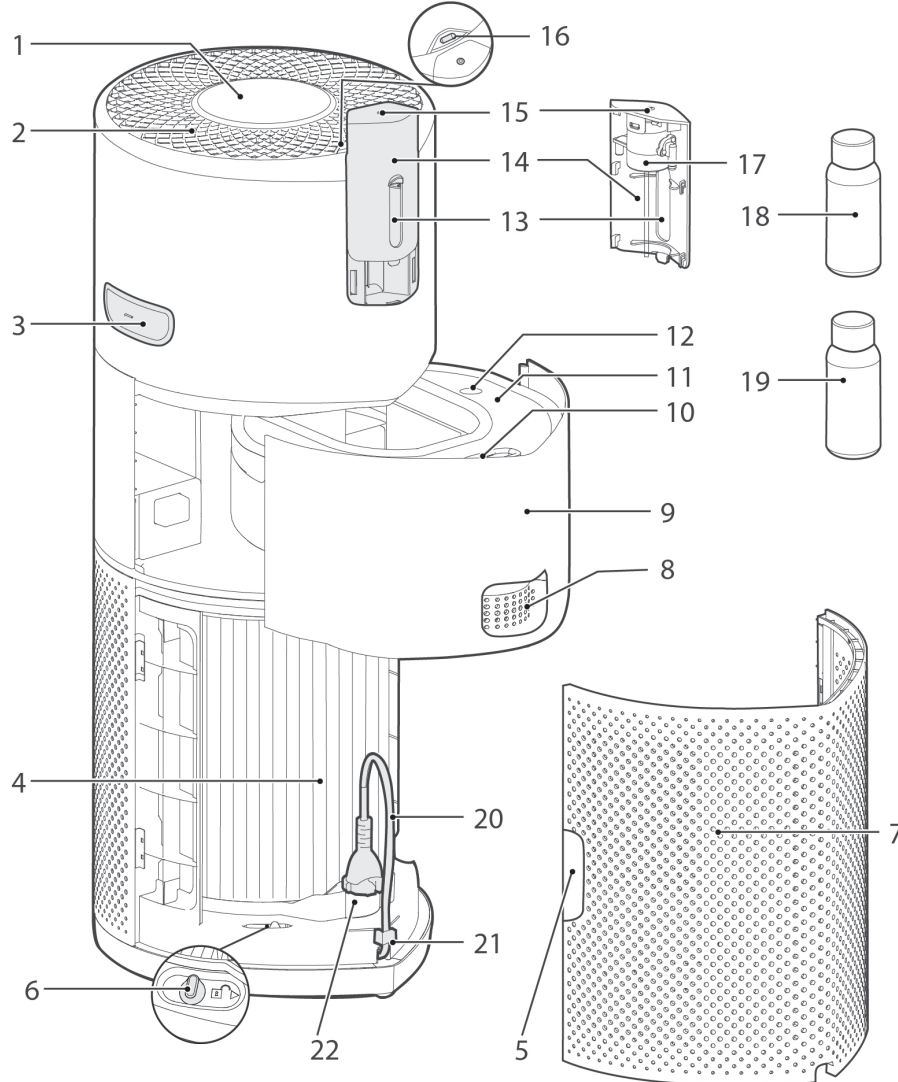
Eşleştirme için Kablosuz Parametreler

Teknoloji	Wi-Fi	Bluetooth
Standart	IEEE 802.11 b/g/n	Bluetooth v4.2,BLE
Frekans Bantları (MHz)	2401~2483	2402~2480
Maksimum Güç (mW)	100	10
Frekans bandında iletilen maksimum RF gücü	18.9 dBm	

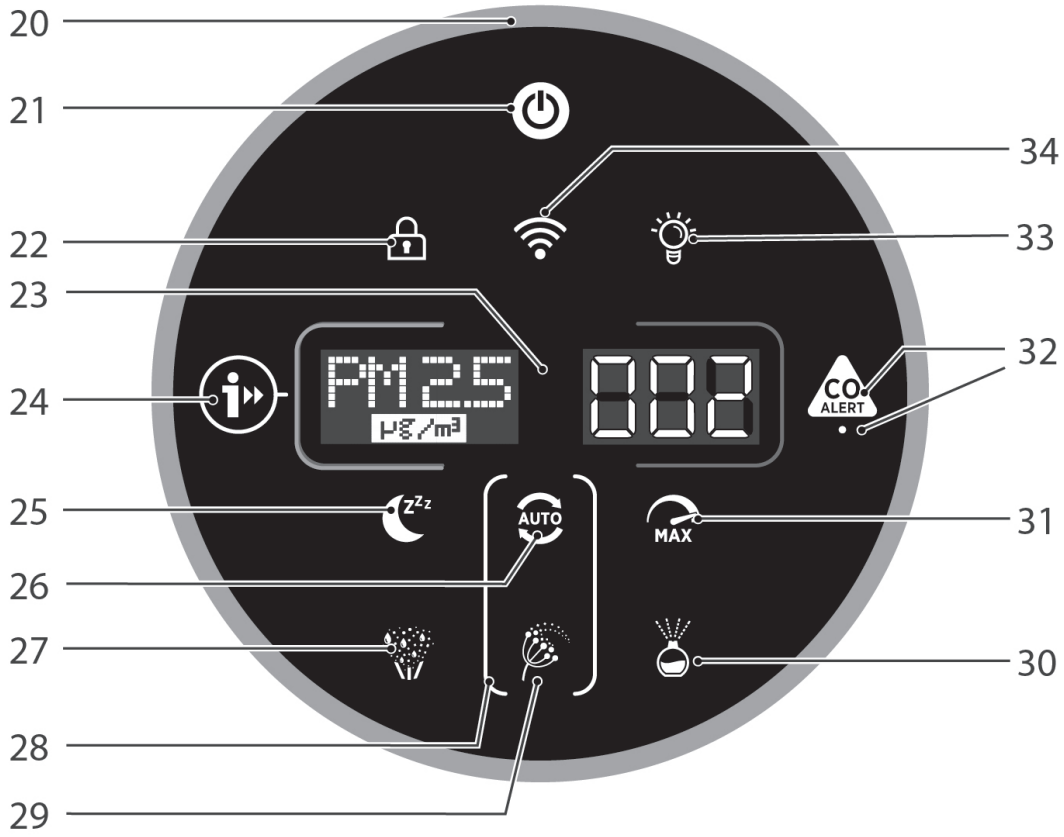
İşbu belgede, Candy Hoover Group Srl radyo ekipmanının 2014/53/EU sayılı Direktife uygun olduğunu beyan eder. AB uygunluk beyanı tam metni aşağıdaki internet adresinde yer almaktadır: www.candy-group.com

CANDY HOOVER GROUP S.r.l. Via Privata Eden Fumagalli, 20861 Brugherio (MB) Italy

1. H-PURIFIER CİHAZINIZI TANIMA



1	Kumanda Paneli / Ekran	9	Nemlendiricinin Hazne Yuvası	17	Difüzör Ünitesi
2	Hava Çıkışı	10	Nemlendiricinin Su Haznesi	18	H-Esans Şişesi (Yeşil)
3	Ürün Taşıma Kulpu	11	Nemlendiricinin Su Haznesi Kapağı	19	H-Biyotik Şişesi (Kahverengi)
4	Filtre Tertibatı	12	Nemlendiricinin Su Haznesi Girişi	20	Güç Kablosu ve Fişi
5	Hava Giriş Kapağı Kulpu	13	Difüzör Penceresi	21	Saklama Askısı
6	Filtre serbest bırakma düğmesi	14	Difüzör Kapağı	22	Taşıma Yeri
7	Hava Giriş Kapağı	15	Difüzör Çıkışı		
8	Nemlendirici Kulpu	16	Nemlendirici Çıkışı		



20	Hava Kalitesi LED Ring	25	Uyku Modu Düğmesi	30	Difüzör Düğmesi
21	Güç Düğmesi	26	Otomatik Modu Düğmesi	31	Maks Mod Düğmesi
22	Çocuk Kilidi Düğmesi	27	Nemlendirici Düğmesi	32	CO Alert Düğmesi ve LED'i
23	Dijital Ekran	28	Polen Alerjisi Çember Lambası	33	Işık Kontrolü Düğmesi
24	Bilgi Düğmesi	29	Polen Alerjisi Lambası	34	Wi-Fi Düğmesi

1.1 ÇOKLU SENSÖR SİSTEMİ

Çoklu Sensör Sistemi sayesinde ürününüz, PM10, PM2.5 ve Uçucu Organik Bileşikler (GAZ) açısından kapalı alandaki havayı sürekli olarak izleyecektir.

Ürününüzü her açtığınızda, Çoklu Sensör Sistemi kapalı alandaki hava kalitesini analiz etmeye başlayacak ve Hava Kalitesi LED Halkası, gerçek zamanlı hava kalitesi koşullarını temsil edecek şekilde farklı renklerde yanacaktır.

Hava Kalitesi LED Ring Rengi	İç mekan hava kalitesi	PM 10 değeri* $\mu\text{g}/\text{m}^3$	PM 2,5 değeri $\mu\text{g}/\text{m}^3$	GAZ VOC Seviyesi
YEŞİL	Mükemmel	0-50	0-25	L1
SARI	Tatmin edici	50-80	25-50	L2
TURUNCU	Yetersiz	80-160	50-100	L3
KIRMIZI	Çok yetersiz	≥ 160	≥ 100	L4

* Polen Alerjisi modunda, hava kalitesi seviyesini tetikleyen PM 10 değerleri, alerjik kişiler için riski en aza indirmek için daha düşük olacaktır.

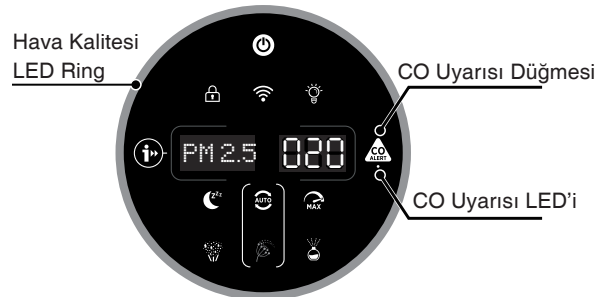
1.2 KARBONMONOKSİT (CO) UYARISI

H-Purifier, kapalı alan havasını sürekli olarak Karbonmonoksit (CO) açısından izleyen bir uyarı sistemi ile donatılmıştır.

Karbonmonoksit alarmı etkinleştirildiğinde, HAVA Kalitesi LED Ring, Bilgi ve CO Alert düğmesi aynı anda kırmızı yanıp sönecek ve sesli bir alarm duyulacaktır. Alarm, CO Alert düğmesine 3 saniye basılarak manuel olarak susturulmadıkça Karbonmonoksit (CO) konsantrasyonu 50 ppm'nin altına düşene kadar çalışmaya devam edecektir.

CO Uyarı LED'i, CO sensörünün çalışma koşulunu gösterir. CO sensörü normal koşulda olduğunda yeşil renkte, sensörde arıza olduğunda ya da ömrü dolduğunda sarı renkte ve CO uyarısı etkinleştirildiğinde kırmızı renkte görüntülenir.

CO Uyarı Düğmesine 3 saniye basarak alarmın düzgün çalışıp çalışmadığını test edebilirsiniz; alarm düzgün çalışıyorsa 5 saniye boyunca yüksek sesli bir zil çalar.

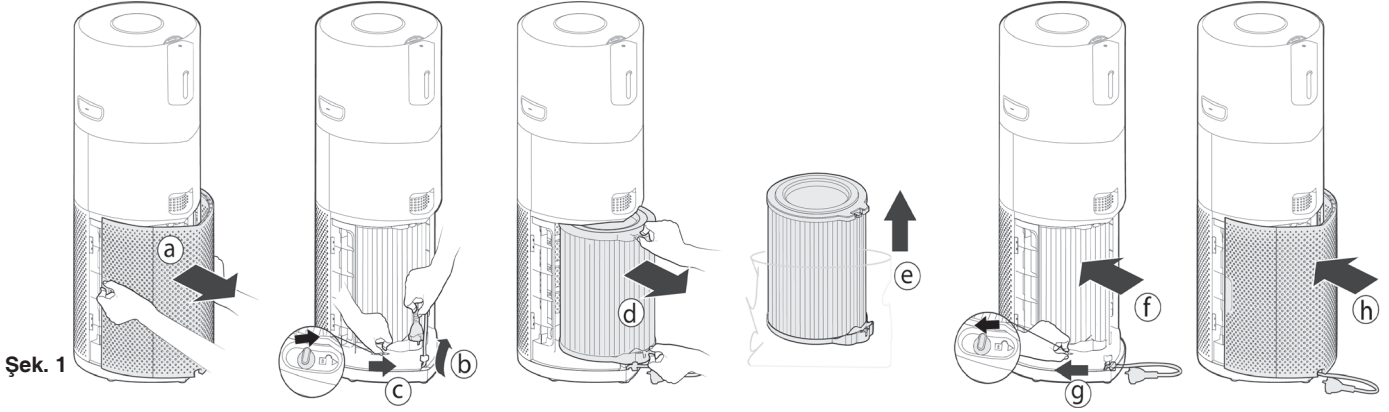


2. H-PURIFIER CİHAZINIZIN HAZIRLANMASI

2.1 FİLTREYİ TAKIN [Şek. 1]

H-Purifier ürününüzü kullanmadan önce, filtreyi koruyucu ambalajından çıkarmanız gerekecektir:

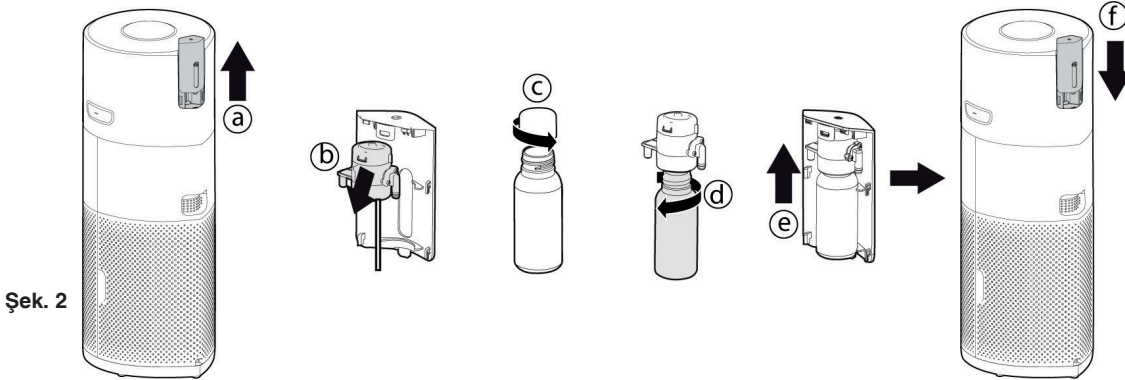
- Hava Giriş Kapağını ürününüzden çıkarın, iki Hava giriş kapağı kulpu tutun ve üründen çekin. [Şek. 1a]
- Fişi taşıma yerinden çıkarın ve kabloyu Saklama Kancasından serbest bırakın. [Şek. 1b]
- Filtre serbest bırakma anahtarının kilidini açın. [Şek. 1c]
- Filtreyi ürününüzden çıkarın ve dış ambalajı kaldırın. [Şek. 1d,e]
- Filtreyi ürününüze geri takın. [Şek. 1f]
- Filtre serbest bırakma anahtarını kilitleyin. [Şek. 1g]
- Hava Giriş Kapağını tekrar ürününüze takın. [Şek. 1h]



2.2 DİFÜZÖR ŞİŞESİNİ TAKIN [Şek. 2]

H-Purifier ürününüzü Difüzör işlevi için hazırlamak amacıyla:

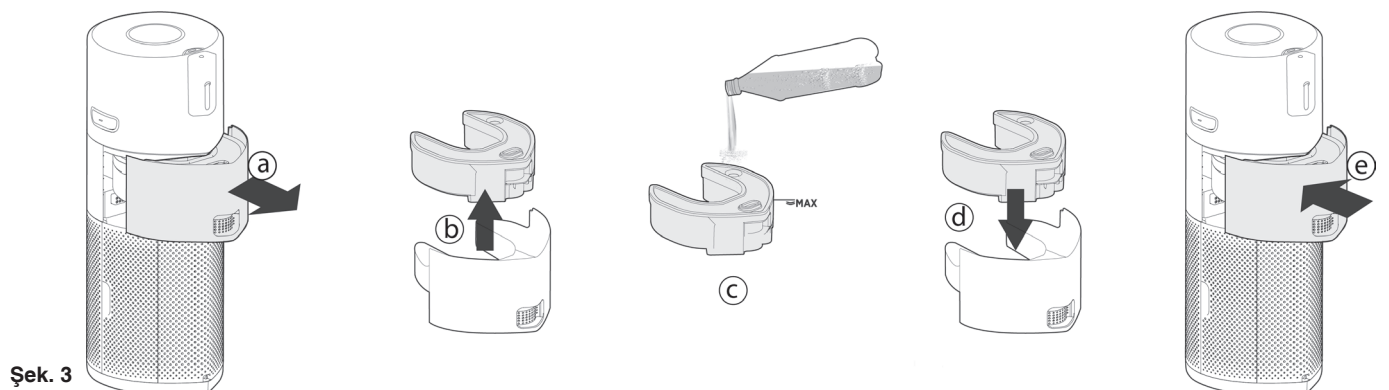
- Difüzör Kapağını üründen çıkarın. [Şek. 2a]
- Difüzör Ünitesini Difüzör Kapağından çıkarın. [Şek. 2b]
- H-Esans veya H-Biyotik şişesini ambalajından çıkarıp kapağı kaldırın. [Şek. 2c]
- Kapağı, ileride depolama amaçlı olarak kullanmak için saklayın.
- Şişeyi Difüzör ünitesine sıkıca vidalayın. [Şek. 2d]
- Difüzör Ünitesini Difüzör Kapağına tekrar takın. [Şek. 2e]
- Difüzör Kapağını ürüne tekrar takın. [Şek. 2f]

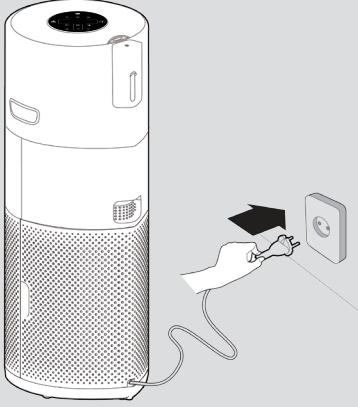


2.3 NEMLENDİRİCİYİ HAZIRLAYIN [Şek. 3]

H-Purifier ürününüzü Nemlendirici işlevi için hazırlamak amacıyla:

- Hazne Yuvasını üründen çıkarın. [Şek. 3a]
- Hazne Tertibatını Hazne Yuvasından çıkarın. [Şek. 3b]
- İlk kullanım öncesinde tüm parçaları kuru, yumuşak bir bezle temizleyin.
- Hazneyi, su haznesi girişinden hazne üzerinde belirtilen MAKS çizgisine ulaşana kadar saf su ile doldurun. [Şek. 3c]
- Hazne Tertibatını Hazne Tertibatı Yuvasına tekrar takın. [Şek. 3d]
- Hazne Tertibatı Yuvasını Ürünüze tekrar takın. [Şek. 3e]





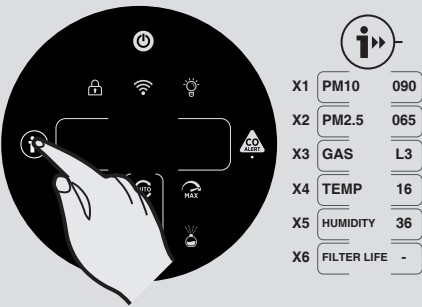
Şek. 4



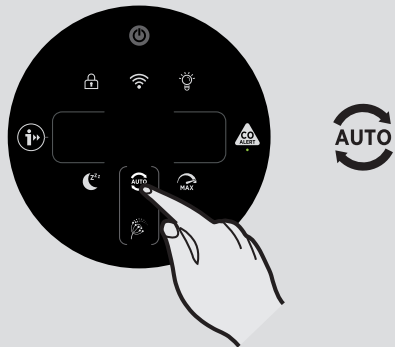
Şek. 5



Şek. 6



Şek. 7



Şek. 8

3. H-PURIFIER CİHAZINIZIN KULLANIMI

3.1 ÜRÜNÜ AÇIN [Şek. 4]:

Güç kablosunu kablo makarasından çıkarın ve bir güç kaynağına takın.

Kontrol Panelindeki / Ekrandaki tüm ışıklar, başarılı bir şekilde takıldığını göstermek için yaklaşık 1 saniye boyunca tamamen yanacaktır.

İlgili sensörün kapalı alandaki Karbonmonoksit seviyesini izlemeye başladığını göstermek için GÜÇ düğmesi hafif yanacak ve CO Uyarısı LED'i AÇIK duruma gelecektir.

Ürününüzü çalıştırmak için ekrandaki GÜÇ düğmesine basın.

Hava Kalitesi LED Ring, sensörler gerçek zamanlı hava iklimini analiz ederken tüm renklerde sırayla yanacaktır. Birkaç saniye sonra, Hava Kalitesi LED ring o sırada hava kalitesi için uygun olan rengi seçecektir. H-Purifier ürününüz, hemen OTOMATİK MODUNA girecek ve iç mekan havasını temizlemeye başlayacaktır. AUTO MODE (OTOMATİK MOD) düğmesi, INFORMATION (BİLGİ) düğmesi ve LIGHT CONTROL (IŞIK KONTROLÜ) düğmesi ve Ekrandaki PM10 bilgisi yanacaktır.

3.2 H-PURIFIER ÜRÜNÜNÜZÜ BAĞLAYIN:

Tüm H-Purifier işlevlerine her yerden erişmek için, hOn Uygulamasını indirmeniz önerilir. Ürününüzü en verimli şekilde kontrol edebileceksiniz.

Talimatlar:

1. App Store , Google Play veya Huawei AppGallery'den hOn uygulamasını indirin. Bunu ayrıca, [Şek. 5] ile verilen QR kodu taratarak da indirebilirsiniz
2. UYGULAMAYI açın, e-posta adresiniz ve bir parola ile bir hesap oluşturun.
3. Onaylayın ve hOn uygulamasında oturum açın.
4. Mobil cihazınızın Wi-Fi'ya bağlı olduğundan emin olun.
5. H-Purifier ürününüzün açık olduğundan emin olun. Ekrandaki Wi-Fi düğmesine 5 saniye basılı tutun, işitilebilir bir bip sesi duyulacak ve Wi-Fi düğmesi bir bağlantı beklediğini belirtmek için yanıp sönmeye başlayacaktır. [Şek. 6]
6. Mobil cihazınızı ürününüze bağlamak için uygulama içi talimatları izleyin.
7. Başarılı bir şekilde eşleştirildiğinde, üründeki Wi-Fi düğmesi yanık kalacaktır.
8. Wi-Fi'ı sınırlamak için, Wi-Fi düğmesine 5 saniye basılı tutun.

H-Purifier ayrıca Hey Google ve Amazon Alexa ile de çalışır.

3.3 TÜM İŞLEVLERİ KEŞFEDİN

BİLGİ İşlevi [Fig.7]:

İzlemek için 6 farklı veri kümesi mevcuttur:

PM10, PM2.5, GAZ, Sıcaklık, Nem ve Filtre Durumu.

Her bir değeri izlemek için BİLGİ düğmesine art arda basmak yeterlidir.

Varsayılan olarak ekranda PM10 verileri gösterilecek, makine kullanıcının son seçimini hatırlayacak ve ürün tekrar çalıştırıldığında bu seçimi devam ettirecektir.

GAS verileri, GAS sensörü bir kalibrasyon devresi gerçekleştirirken ürün çalıştırıldıktan sonraki ilk 3 dakika boyunca dönen bir imleç gösterecektir.

PM 2.5, PM 10 ve GAS (GAZ) hakkında daha fazla bilgi:

PM, ağırlıklı olarak araçlar ve endüstriyel emisyonlar gibi dış ortam kirliliğinden kaynaklanan ve uzun süre maruz kalma durumunda sağlığımız için potansiyel tehlike arz eden ince taneleri (insan gözüyle görülemeyen) gösterir.

PM 10, 10 µm'e kadar bir boyuta sahiptir ve üst solunum yoluna (burun, soluk borusu, farenks) nüfuz edebilir. PM 2.5, 2,5 µm'e kadar bir boyuta sahiptir ve küçük boyutları göz önüne alındığında akciğerlerimize ulaşabilir, böylece vücudumuzun daha derinlerine nüfuz edebilir.

GAS VOC (uçucu organik bileşikler), oda sıcaklığında havada kolayca buharlaşma özelliğine sahip uçucu kimyasal bileşiklerdir. Deodorantlar, deterjanlar, tutkallar, yapıştırıcılar, kozmetikler, formaldehit, evlerimizde bulunabilecek ancak uzun süre maruz kalma durumunda sağlığımıza potansiyel olarak zararlı olabilecek VOC'lerden sadece birkaçıdır.

MOD İşlevleri:

Kullanılabilecek 3 hava temizleme modu bulunmaktadır: OTOMATİK MOD, MAKS. MOD VE UYKU MODU. Otomatik modu, çalıştırıldığında ürününüz için varsayılan ayardır, tüm modlar ekrandaki ilgili düğmeye basılarak manuel olarak seçilebilir.

POLEN ALERJİSİ modu, hOn uygulaması üzerinden de etkinleştirilebilir.

OTOMATİK MODU [Şek. 8]:

Bu, ilk çalıştırıldığında H-Purifier ürününüzün varsayılan modudur. H-Purifier, Otomatik Modda, her zaman optimum hava temizlemeyi garanti etmek için fan hızını otomatik olarak gerçek iç mekan hava kalitesi seviyesine ayarlar.

Bu, ürününüz için önerilen ayardır.

OTOMATİK modda, 30 dakikalık harika hava kalitesi sonrasında ürününüz temizleme işlevini (fan) duraklatarak EKONOMİK moda (Bekleme işlevi) geçecektir; Çoklu Sensör Sistemi kapalı alan havasını analiz etmeye devam edecek ve gerektiğinde temizleme işlevini otomatik olarak açacaktır.

MAKS MODU [Şek. 9]:

Maksimum güç ayarında hava temizlemeyi etkinleştirmek için ekrandaki MAKS modu düğmesine basın. MAKS modundan çıkmak için, OTOMATİK modunu veya UYKU modunu seçmek yeterlidir.

UYKU MODU [Şek. 10]:

En düşük sessiz güç ayarında hava temizlemeyi etkinleştirmek için UYKU modu düğmesine basın. UYKU modu düğmesi, yarı aydınlık olacak ve diğer tüm ekran ışıkları sönecektir. Bu, LIGHT CONTROL (IŞIK KONTROLÜ) düğmesine basılarak değiştirilebilir.

POLEN ALERJİSİ MODU: [Şek. 11]

Polen Alerjisi modu, yalnızca hOn Uygulaması üzerinden etkinleştirilebilir. Polen Alerjisi Profilinizi oluşturmak için, öncelikle uygulamada bir profil etkinleştirmeniz ve kaydetmeniz istenecektir.

Polen Alerjisi modu, yalnızca OTOMATİK MODU seçildiğinde çalışır. [Şek. 11c]

Polen Alerjisi modunda, cihaz sürekli olarak Uygulamadan dış mekanda izlenen polen konsantrasyonu hakkında gerçek zamanlı veri alır ve polen yakalama performansını en üst düzeye çıkarmak için otomatik olarak çalışır.

Polenler yakalandıktan sonra, alerjik semptomları hafifletmeye yardımcı olmak için etkisiz hale getirilirler.

Polen Alerjisi modu Uygulamada etkinleştirildiğinde, ürün ekranında 2 olası bildirim lambası mevcuttur:

- Polen Alerjisi Lambası **BEYAZ [Şek. 11a]**: Cihaz ve Uygulama, dış mekandaki polen varlığını izliyor ve hiçbir risk yok.

- Polen Alerjisi Lambası **SARI** renge döner ve Polen Alerjisi Çemberi lambası **BEYAZ [Şek. 11b]**: Cihaz ve Uygulama risk tespit etti.

Polen Alerjisi modu etkinken ürün manüel olarak UYKU moduna veya MAKS moduna geçirilirse, Polen Alerjisi modu duracaktır.

IŞIK KONTROLÜ İşlevi: [Şek. 12]

Ekran aydınlatması için Açık, Loş ve Kapalı olmak üzere 3 ayar mevcuttur.

Ekran aydınlatmasının parlaklığını ayarlamak için LIGHT CONTROL (IŞIK KONTROLÜ) düğmesine basarak mevcut 3 seçenek arasında geçiş yapın. AÇIK, varsayılan ayardır.

KAPALI seçilirse, etkinleştirmek için başka herhangi bir düğmeye iki kez basılması gerekecek, bir defa basıldıktan sonra ışıklar LOŞ olacak, ikinci defa basıldığında eylem etkinleşecektir.

ÇOCUK KİLİDİ İşlevi: [Şek. 13]

Etkinleştirmek için ÇOCUK KİLİDİ düğmesine 3 saniye basılı tutun, etkinleştirildiğinde işitilebilir bir ses duyulacak ve ÇOCUK KİLİDİ düğmesi yanık kalacaktır. Etkinleştirildiğinde, başka hiçbir düğme çalışmayacaktır.

Çıkmak için ÇOCUK KİLİDİ düğmesine 3 saniye basılı tutmak yeterlidir, kapalı olduğunu onaylayan işitilebilir bir ses duyulacak ve düğme artık yanmayacaktır.

DİFÜZÖR İşlevi: [Şek. 14]

Difüzör, H-Esans veya H-Biyotik odasının havasına yayılır. H-Esans, hoş kokuları havaya yaymaya yönelik olan Hoover uçucu yağ koleksiyonudur.

H-Biyotik, bakteri veya mikrop gibi mikroorganizmaların üremesini engelleyerek odayı biyolojik olarak hijyenik tutan probiyotiklere dayalı doğal bir karışımdır.

DİFÜZÖR işlevi için HAFİF, ORTA, ÖZEL ve H-BİYOTİK olmak üzere 4 farklı ayar mevcuttur. Bu işlevi etkinleştirmek için Ekrandaki Difüzör düğmesine basmak yeterlidir, bu işlev için varsayılan ayar HAFİF'tir, diğer ayarlardan herhangi birini seçmek üzere istenen seçime geçmek için arka arkaya düğmeye basmak yeterlidir. Düğme, çalıştırıldığında beyaz renkte yanacaktır.

H-Esans için HAFİF ve ORTA ayarlarının kullanılması önerilir.

ÖZEL ayar yalnızca hOn Uygulamasında oluşturulabilir.

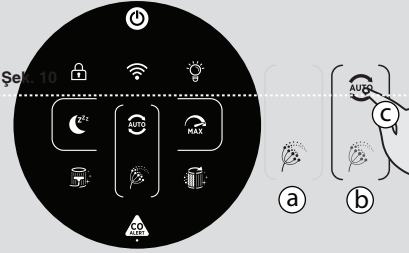
H-Biyotik kullanılırken, ayar H-Biyotik olarak AYARLANMALIDIR. Kullanıcı Uygulamayı kullanarak H-Biyotik'i etkinleştirdiğinde, bu her 5 günde bir H-biyotik kullanımını sağlamak için 120 saat sonra "H-BİYOTİĞİ ETKİNLEŞTİR" uyarısı verecektir.



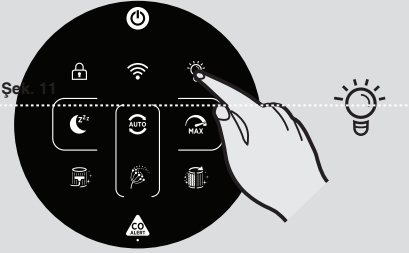
Şek. 9



Şek. 10



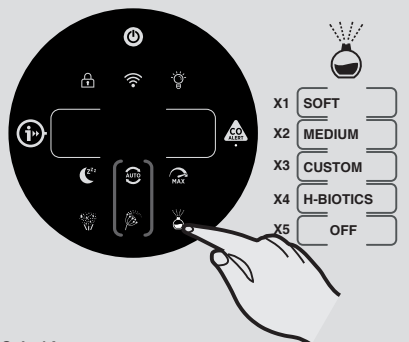
Şek. 12



Şek. 13



Şek. 14



Şek. 14

H-Essence belirli ayarlarda ya da oda ortamlarında kullanıldığında, kokuların algılanması nedeniyle GAZ VOC seviyesi değişebilir.

Difüzör İşlevi yalnızca Hava Kalitesi LED Halkası yeşil renkte açık olduğunda çalışır; LED Halkası yeşil olmadığı duraklatılacak ve yeşile geri döndüğünde çalışmaya devam edecektir.

Difüzör işlevi, yalnızca OTOMATİK ve MAKS modlarında kullanılabilir ve UYKU modunda kullanılamaz.

Difüzör işlevi AUTO modunda etkinleştirildiğinde, ana fan H-Essence veya H-Biotics'in odaya yayılmasına yardımcı olmak için belirli bir hızda çalışacaktır.

Ayar	Difüzyon Zamanlaması	Çevrim maks. süresi
HAFİF	5 dakikada bir 10 saniye süreyle	6 saat
ORTA	3,5 dakikada bir 90 saniye süreyle	6 saat
ÖZEL	Kullanıcı Tanımlı	6 saat
H-BİYOTİK	4 dakikada bir 2 dakika süreyle	6 saat

İşlevi kapatmak için Ekranda KAPALI ifadesi görüntülenene kadar difüzör düğmesine basın.

Difüzör işlevinin her kullanımından sonra, ürün yüzeylerindeki kalıntıları temizlemek için kuru yumuşak bir bez kullanın.

Difüzör ünitesindeki şişeyi değiştirmek için, 'H-Purifier Cihazınızın Bakımı' bölümüne bakın.

NEMLENDİRİCİ İşlevi: [Şek. 15]

Nemlendirici işlevi için MİN, ORTA ve MAKS olmak üzere 3 farklı ayar mevcuttur. Bu işlevi etkinleştirmek için ekrandaki Nemlendirici düğmesine basmak yeterlidir, bu işlev için varsayılan ayar MİN'dir. Diğer ayarlardan herhangi birini seçmek üzere, istenen seçime geçmek için arka arkaya düğmeye basmak yeterlidir. Düğme, çalıştırıldığında beyaz renkte yanacaktır.

MİN - Varsayılan Hedef Nem 40%

ORTA - Varsayılan Hedef Nem 55%

MAKS - Varsayılan Hedef Nem 70%

3 Hedef seviyesinin tümü, hOn uygulamasında %30-80 Hedef Nem aralığı dahilinde özelleştirilebilir.

Nemlendirici işlevini kapatmak için Ekranda KAPALI ifadesi görüntülenene kadar nemlendirici düğmesine basın.

Gerçek zamanlı Nem seviyesi seçilen seviyeye eşit veya daha yüksekse, ekranda "NEME ULAŞILDI" mesajı görünecektir. Nemlendirici Lambası yanık kalacaktır.

Gerçek zamanlı Nem seçilen hedef seviyenin altına düştüğünde, ürün otomatik olarak Nemlendirici Moduna girecektir.

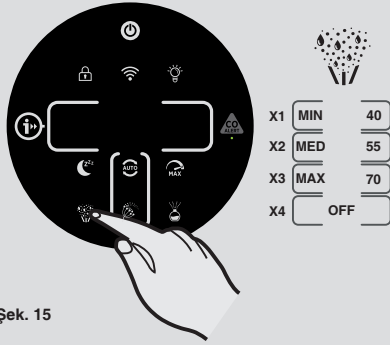
Nemlendirici işlevi yalnızca SLEEP ve AUTO modlarında kullanılabilir ve MAX modunda kullanılamaz.

DOLDURMA UYARISI:

Su seviyesi minimum seviyeden düşük olduğunda, ekranda SU DOLDUR önerisi gösterilir ve yanıp söner. Talimatlar için Temizleyicinizin Bakımı bölümüne bakın.

Önemli Not:

- Ürün Difüzör modunda çalışırken:** Difüzör modu kapatılmadan Nemlendirici Modu seçilirse, ürün Difüzör Modunu otomatik olarak durduracak ve Nemlendirici Moduna girecektir.
- Ürün Nemlendirici modunda çalışırken:** Nemlendirici modu kapatılmadan Difüzör Modu seçilirse, ürün Nemlendirici Modunu otomatik olarak durduracak ve Difüzör Moduna girecektir.



Şek. 15

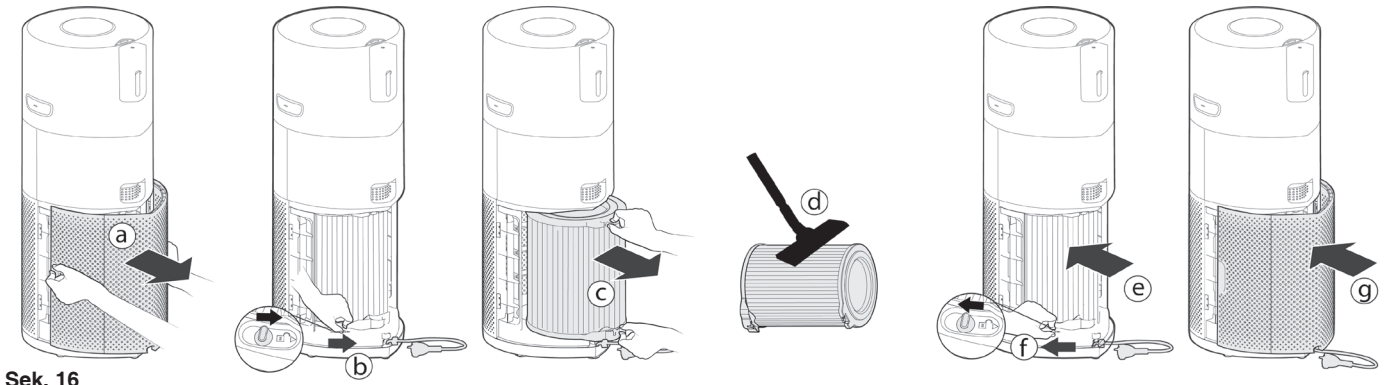
4. H-PURIFIER CİHAZINIZIN BAKIMI

4.1 FİLTRE BAKIMI

H-Purifier cihazınız, filtrenizin durumunu izleyecektir. Ekranın sol tarafında **FİLTREYİ TEMİZLE VEYA FİLTREYİ DEĞİŞTİR** uyarısı ve filtreyi temizlemek veya değiştirmek için gereken eylemi gösteren Flaş görünecektir.

Filtrenin Temizlenmesi/Değiştirilmesi: [Şek. 16]

- Hava Giriş Kapağını ürününüzden çıkarın. [Şek. 16a]
- Filtre serbest bırakma anahtarının kilidini açın. [Şek. 16b]
- Filtreyi ürününüzden çıkarın. [Şek. 16c]
- Filtrenin dış katmanını temizlemek için bir Elektrik Süpürgesi kullanın veya filtreyi YENİ bir filtreyle değiştirin. [Şek. 16d]
- Filtreyi ürününüze geri takın. [Şek. 16e]
- Filtre serbest bırakma anahtarını kilitleyin. [Şek. 16f]
- Hava Giriş Kapağını tekrar ürününüze takın. [Şek. 16g]
- Cihazınızın fişini prize takın ve çalıştırın.
- Temizleme/Değiştirme uyarısını sıfırlamak için BİLGİ düğmesine 3 saniye basılı tutun, sıfırlamanın başarılı olduğunu belirtmek için sesli bir uyarı duyulacaktır. [Şek. 7]



Şek. 16

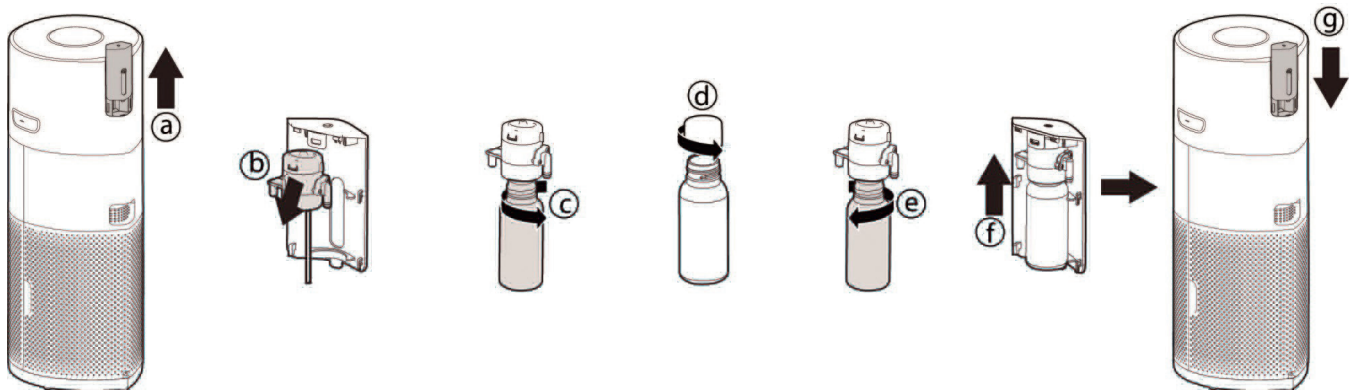
4.2 DİFÜZÖR BAKIMI

Difüzör işlevinin her kullanımından sonra, ürün yüzeylerindeki kalıntıları temizlemek için kuru yumuşak bir bez kullanın.

Difüzör Şişesinin Değiştirilmesi: [Şek. 17]

Şişede kalan sıvı miktarı Difüzör Penceresinden kontrol edilebilir, gerektiğinde şişe yenisiyle değiştirilmelidir.

- Difüzör Kapağını üründen çıkarın. [Şek. 17a]
- Difüzör Ünitesini ve Şişesini difüzör kapağından çıkarın. [Şek. 17b]
- Boş şişeyi çevirerek gevşetin ve çıkarın. [Şek. 17c]
- Yeni H-Esans veya H-Biyotik şişesini ambalajından çıkarıp kapağı kaldırın. [Şek. 17d]
- Yeni şişeyi difüzör ünitesine sıkıca vidalayın. [Şek. 17e]
- Difüzör ünitesini difüzör kapağına tekrar takın. [Şek. 17f]
- Difüzör kapağını H-Purifier cihazına tekrar takın. [Şek. 17g]



Şek. 17

4.3 NEMLENDİRİCİ BAKIMI

Su Haznesini Doldurma Uyarısı:

Nemlendiricinin çalışması için asgari seviyede su gereklidir. Su seviyesi minimum seviyeden düşük olduğunda, ekranda SU DOLDUR önerisi gösterilir ve yanıp söner. Su Haznesi Muhafazasında su kalmış olabilir. Gereken minimum su seviyesi nedeniyle mesaj her şekilde gösterilecektir.

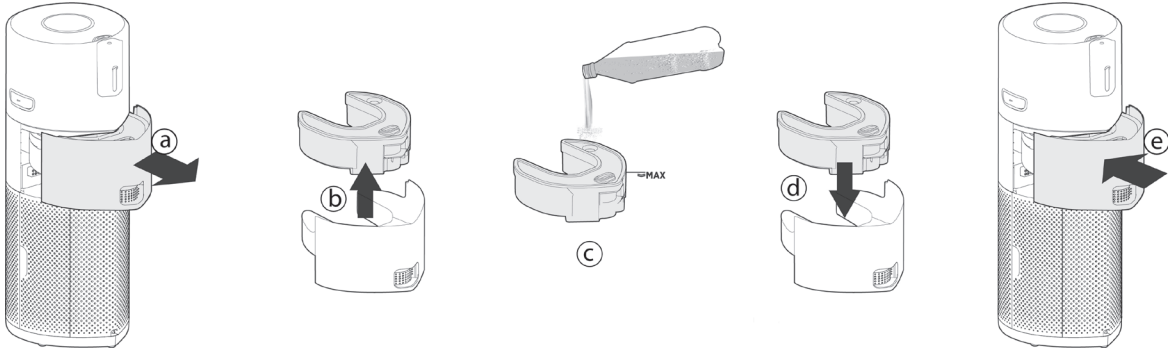
- Hazne Yuvasını üründen çıkarın. [Şek. 18a]
- Hazne Tertibatını Hazne Yuvasından çıkarın. [Şek. 18b]
- Kalan suyu boşaltın ve hazneyi üzerindeki MAKS çizgisine ulaşana kadar Su Haznesi Girişinden distile suyla doldurun. [Şek. 18c]
- Hazne Tertibatını Hazne Tertibatı Yuvasına tekrar takın. [Şek. 18d]
- Su Haznesi Yuvasını ürüne tekrar takın. [Şek. 18e]



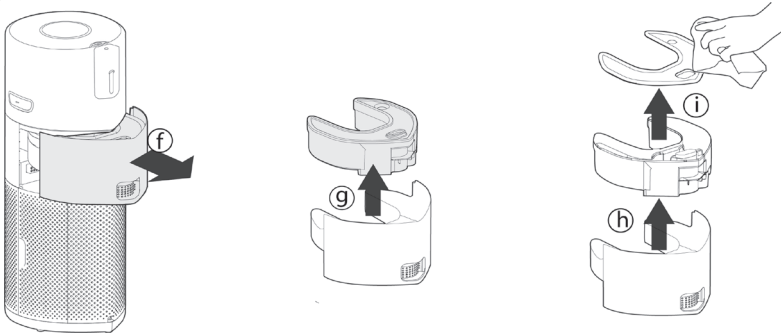
Su Haznesini Temizleme Uyarısı:

H-Purifier ürününüz, Nemlendirici haznenizin durumunu izleyecektir. **Haznede hala su varsa**, nemlendirici işlevinin son etkinleştirilmesinin üzerinden 72 saat geçtikten sonra TEMİZ SU HAZNESİ uyarısı yanıp sönecektir. Bu, su haznesinin temizlenmesi için harekete geçilmesinin gerektiğini gösterecek şekilde ekranın sol tarafında görüntülenecektir.

- Hazne Gövdesi Yuvasını üründen çıkarın. [Şek. 18f]
- Su Haznesi Yuvasını, Su Haznesini ve Su Haznesi Kapağını ayırın ve 3 üniteyi iyice temizleyin ve yumuşak kuru bir bezle tamamen kurulaştırın. [Şek. 18g,h,i]
- Su Haznesi bileşenlerini tekrar monte edin, saf su ile MAKS çizgisine ulaşana kadar yeniden doldurun.
- Hazneyi geri takmadan önce ürünün açık olduğundan emin olun.
- Su Haznesi Yuvasını ürüne tekrar takın. [Şek. 18e]

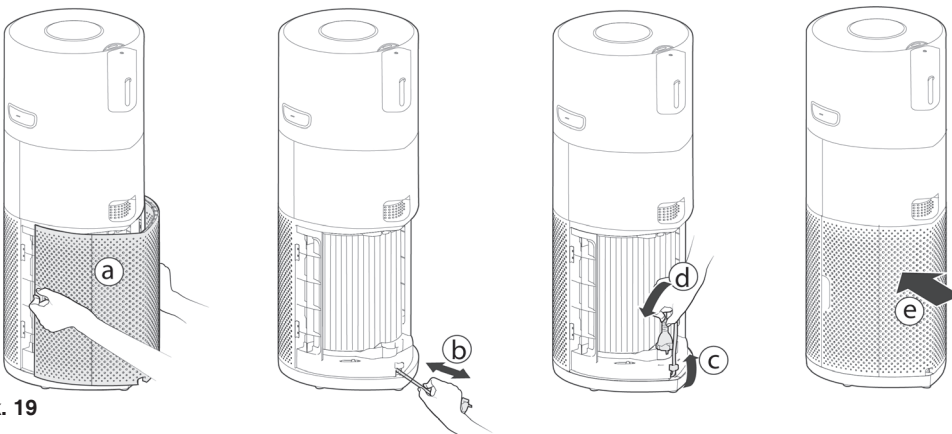


Şek. 18



5. H-PURIFIER CİHAZINIZIN SAKLANMASI

1. H-Purifier'ı kapatın ve güç kablosunu prizden çekin.
2. H-Purifier'ın tüm iç ve dış yüzeylerini, Filtrenin dış katmanını ve Su Haznesini temizleyin.
3. Şişeyi difüzörden çıkarın. Orijinal kapağı şişeye tekrar takın ve doğrudan ışıktan korumak için saklayın. Difüzör ünitesinin yüzeylerini ve Difüzör Kapağını temizleyin. H-Purifier'ın herhangi bir yüzeyinde H-Essence veya H-Biotics kalıntısı kalmadığından emin olun.
4. Tüm bileşenlerin kuru olduğundan emin olun.
5. Hava Girişi Kapağını [Şek. 19a] ve güç kablosundaki makarayı kabloyu [Şek. 19b] çekerek çıkarın; kabloyu Saklama Kancasına, fişi Taşıma Yeri'ne yerleştirin. [Şek. 19c,d] Hava giriş kapağını tekrar takın. [Şek. 19e]
6. H-Purifier'ı serin, kuru bir yerde saklayın.



Şek. 19

6. UYARILAR VE ÇÖZÜMLER

Kullanım sırasında aşağıdaki kodlar görünebilir. [Şek. 20]



Şek. 20

Uyarı		Uyarı Açıklaması	Çözüm
Ürün üzerinde uyarı	Uygulamadaki uyarı		
"FİLTREYİ TEMİZLEYİN"	Ön Filtre temizleme Uyarısı	Filtrenin dış katmanını temizleme tavsiyesidir.	1. Filtrenin dış katmanını temizleyin. 2. BİLGİ düğmesine 3 saniye süreyle basılı tutarak uyarıyı sıfırlayın. Bkz. 4.1 FİLTRE BAKIMI
"FİLTREYİ DEĞİŞTİRİN"	Filtre değiştirme Uyarısı	Filtreyi değiştirme tavsiyesidir.	1. Filtreyi değiştirin. 2. BİLGİ düğmesine 3 saniye süreyle basılı tutarak uyarıyı sıfırlayın. Bkz. 4.1 FİLTRE BAKIMI
"FİLTRE YOK"	Hata: hava temizleyici ile ilgili bir hata oluştu; lütfen olası çözümleri kontrol edin	Filtre yerinde değil ya da doğru şekilde kilitlenmemiş	1. Filtre yoksa, geri takın. 2. Filtre yerindeyse, Filtre Serbest Bırakma Anahtarının KİLİTLİ durumuna getirilip getirilmediğini kontrol edin. Bkz. 2.1 FİLTREYİ TAKIN
"SU HAZNESİ YOK"	Hata: hava temizleyici ile ilgili bir hata oluştu; lütfen olası çözümleri kontrol edin	Su haznesi veya hazne muhafazası mevcut değil.	Su haznesini ve hazne muhafazasını geri yerleştirin.
"SU HAZNESİNİ TEMİZLEYİN"	Haznedeki suyun değiştirilmesi gerekiyor	Nemlendiricinin son kullanılmasının üzerinden 3 gün geçti, hijyen amaçlı olarak haznenin/muhafazasının temizlenmesi ve suyun değiştirilmesi gerekiyor.	1. Ürünü kapatın. 2. Hazneyi/muhafazayı çıkarın, her bileşenin iç yüzeyini temizleyin ve tekrar doldurun. 3. Ürünü açın. 4. Hazneyi/muhafazayı yerine geri koyun. Bkz. 4.3 NEMLENDİRİCİ BAKIMI
"SUYU YENİDEN DOLDURUN"	Hata: hava temizleyici ile ilgili bir hata oluştu; lütfen olası çözümleri kontrol edin	Haznede su yok ya da kalan su nemlendiricinin çalışması için yeterli değil.	Hazneye MAKS çizgisine ulaşana kadar distile su koyun.
"PM SENSÖRÜ HATASI"	/	PM sensörü arızalı	PM sensörü arızalı veya sensör kablosu iyi bağlanmamış; düzeltilmesi için lütfen servisi arayın.
CO Uyarısı LED'i sarı	Hata: hava temizleyici ile ilgili bir hata oluştu; lütfen olası çözümleri kontrol edin	CO sensörü arızalı veya CO sensörü çalışma ömrünün sonuna geldi.	Düzeltilmesi için servisi arayın.
Herhangi bir uyarı vermeden otomatik kapatıldı	Ürün düşüşü	Ürün düşüşü koruması	1. Ürün düşer ve su dökülürse, güç kaynağını prizden çekin ve ürünü tekrar çalıştırmadan önce 48 saat bekleyin. 2. Ürün su dökülmeden düşerse, ürünü yukarı kaldırın ve çalıştırmak için Güç düğmesine dokunun.
/	Hata: hava temizleyici ile ilgili bir hata oluştu; lütfen olası çözümleri kontrol edin	Motor arızası	Motor arızası veya motor kablosu iyi bağlanmamış, lütfen düzeltmek için bakım merkezini arayın.
"SIC. VE NEM. SENSÖRÜ HATASI"	/	Sıcaklık ve nem sensörü arızalı	Sıcaklık ve nem sensörü arızalı veya sensör kablosu iyi bağlanmamış; düzeltilmesi için lütfen servisi arayın.
"DURAKLAT"	/	Hava Kalitesi LED Halkası yeşil olmadığında difüzörün çalışması duraklatılacaktır.	Eyleme geçilmesine gerek yoktur. Hava Kalitesi LED Halkası yeşil olduğunda difüzörün çalışması sürdürülecektir.

DİKKAT: Yukarıdaki bu sorunlar devam ediyorsa yerel Hoover temsilcinize danışın. H-Purifier cihazını kendiniz demonte etmeye ÇALIŞMAYIN.

7. SORUN GİDERME

Aşağıda en sık karşılaşılan problemler ve çözümlerinin bir listesi verilmiştir. Eğer bu problemlerden herhangi biri devam ederse, yerel Hoover temsilcinizle irtibat kurunuz.

Fan çalışmıyor (Kumanda Paneli / Ekran Işıkları yanık)	<ul style="list-style-type: none"> • Ekranda veya uygulamada gösterilen uyarıyı kontrol edin. Varsa, bkz. 6. UYARILAR VE ÇÖZÜMLER. • Fanda herhangi bir tıkanıklık olup olmadığını kontrol edin. Varsa, öncelikle ürünü fişten çekin ve bunu giderin ya da giderilmesi için servisi arayın. • H-Purifier cihazının açık olup olmadığını kontrol edin. • Filtrenin doğru şekilde takılı ve kilitli durumda olduğunu teyit edin. • H-Purifier cihazının tamamen dik bir konumda olduğunu ve eğilmediğini kontrol edin. • H-Purifier EKONOMİK modda olabilir. EKONOMİK moddan çıkmak için Uyku Modu Düğmesine veya Maks. Modu Düğmesine basabilirsiniz. Bkz. 3. H-PURIFIER CİHAZINIZIN KULLANILMASI – OTOMATİK MODU.
Fan çalışmıyor (Kumanda Paneli / Ekran Işıkları sönük)	<ul style="list-style-type: none"> • H-Purifier cihazının prize takılı ve açık olup olmadığını kontrol edin. • Uygulamada görüntülenen uyarıyı kontrol edin. Varsa, bkz. 6. UYARILAR VE ÇÖZÜMLER.
Kontrol Panelinde Işık yok / Ekran (Fan Çalışıyor)	<ul style="list-style-type: none"> • Uyku Modunda, varsayılan ışık ayarı kapalıdır. Işıkları açmak için Işık Kontrol Düğmesine basabilirsiniz. • Işıklar kapalı olabilir. Işıkları açmak için Işık Kontrol Düğmesine basın. Refer to 3.H-PURIFIER CİHAZINIZIN KULLANIMI – UYKU MODU / IŞIK KONTROLÜ İşlevi.
Kontrol Panelindeki Düğmeler çalışmıyor	<ul style="list-style-type: none"> • Çocuk Kilidi etkinleştirilmiş olabilir. Çıkmak için ÇOCUK KİLİDİ düğmesine 3 saniye süreyle basılı tutabilirsiniz. Bkz. 3. H-PURIFIER CİHAZINIZIN KULLANILMASI – ÇOCUK KİLİDİ İşlevi.
Hava Akışı Zayıf	<ul style="list-style-type: none"> • Koruyucu ambalajın filtreden çıkarıldığını kontrol edin. • Hava Giriş Kapağında veya Hava çıkışında herhangi bir tıkanıklık olmadığını kontrol edin. • Hava Giriş Kapağını çıkarın ve Filtrenin durumunu kontrol edin. Dış katmanını temizleyin ya da gerekirse Filtreyi değiştirin. Bilgi Düğmesine basarak Ekrandaki Filtre Ömrü durumunu kontrol edebilirsiniz. • H-Purifier cihazının uyku modunda olup olmadığını kontrol edin. Fan bu modda düşük güçte çalışır.
H-Purifier yüksek sesle çalışıyor	<ul style="list-style-type: none"> • H-Purifier’da herhangi bir tıkanma bulunup bulunmadığını kontrol edin. • H-Purifier’ın Maks. Modunda çalışıp çalışmadığını kontrol edin. Bu modda, fan maksimum güçte çalışır.
H-Purifier aniden yüksek sesle çalışıyor	<ul style="list-style-type: none"> • H-Purifier’ın Otomatik Modda çalışıp çalışmadığını kontrol edin ve Hava Kalitesi LED Halkasının yeşil olmadığını teyit edin. H-Purifier, Otomatik Modda, fan hızını otomatik olarak gerçek iç mekan hava kalitesi seviyesine ayarlar. Bkz. 3. H-PURIFIER CİHAZINIZIN KULLANILMASI – OTOMATİK MODU.
H-Purifier, aniden yüksek sesli bir zil çalar	<ul style="list-style-type: none"> • CO Uyarı düğmesinin test işlevi, hatalı çalışma ile etkinleştirilir. Ses, 5 saniye sonra otomatik olarak duracaktır. Bkz. 1.2 KARBONMONOKSİT (CO) UYARISI
“TEMİZ SU HAZNESİ” uyarısı sıfırlanamadı	<ul style="list-style-type: none"> • Su haznesini/muhafazayı temizledikten ve yeniden doldurduktan sonra H-Purifier cihazını açın. Ekranda “HAZNEDE SU YOK” ifadesi görüntülenene kadar muhafazayı yerleştirmeyin.

ÖNEMLİ BİLGİLER

Hoover Yedek Parçaları ve Sarf Malzemeleri

Parçaları daima orijinal Hoover parçaları ile değiştirin. Bu parçaları Hoover servislerinden tedarik edebilirsiniz. Parça siparişi verirken mutlaka cihazın model numarasını belirtin.

Kalite

Hoover fabrikalarının kalitesi bağımsız olarak takdir almıştır. Ürünlerimiz, ISO 9001 gereksinimlerini içeren bir kalite sistemi kullanılarak üretilmektedir.

GARANTİNİZ

Bu cihaz için garanti koşulları, cihazın satıldığı ülkedeki temsilcimiz tarafından tanımlanmaktadır. Bu koşullara ilişkin ayrıntılar cihazın satın alındığı bayiden edinilebilmektedir. Bu garanti koşulları altında yapılan talepte satış fişi(faturası) ve makbuzu ibraz edilmiş olmalıdır.

Haber verilmeksizin değişiklikler yapılabilir.

