



CREATOR™

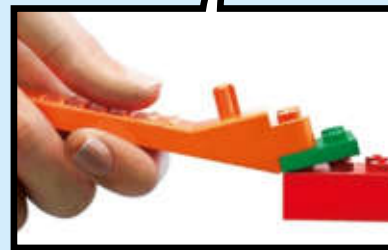
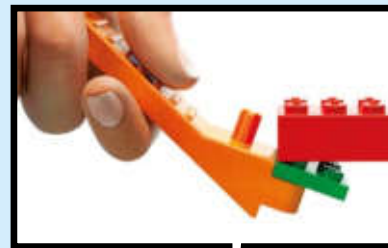
10265



Booklet available in English on
Heft in deutscher Sprache erhältlich auf
Livret disponible en français sur
Libretto disponibile in italiano su
Folleto disponible en español en
Folheto disponível em português em
A füzet magyarul ezen a honlapon olvasható:
Buklets latviešu valodā pieejams vietnē
如需中文版手册, 请访问

www.LEGO.com/creatorexpert





LEGO.com/brickseparator

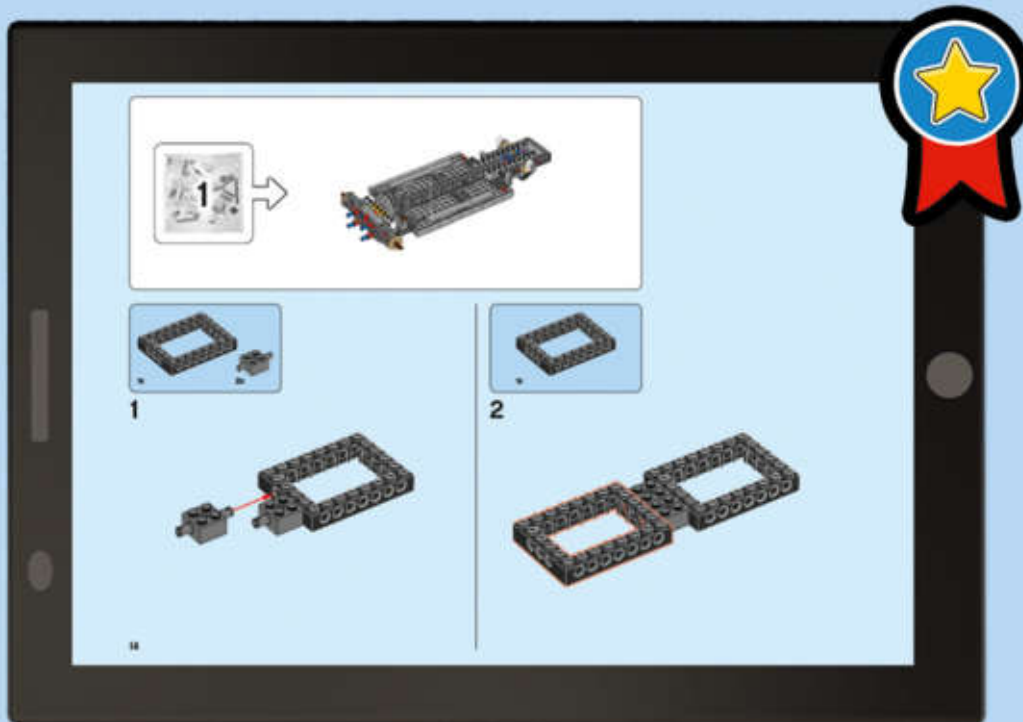
1



2



3



LEGO.com/apps

Check for compatibility
 Kompatibilität prüfen
 Vérifier la compatibilité
 Controlla la compatibilità
 Comprueba tu compatibilidad
 Verificar a compatibilidade
 Ellenőrizd a kompatibilitást
 Pārbaudīt saderību
 检查兼容性

“Ford Motor Company is an American icon, and Mustang is an icon for all of Ford. If there is one product that represents our company, it’s the Mustang. It’s a legend because it’s beautiful, fast and affordable. There’s nothing else out there like it – nothing combines those three attributes the way Mustang does.

I think people are so passionate about Mustang because it gives you a sense of freedom. I’ve always said if I could only own one car for the rest of my life, it would be a red Mustang convertible with a V-8 engine. It doesn’t get any better than that.”

Bill Ford Jr. Chairman, Ford Motor Company



WELCOME TO THE START OF YOUR MUSTANG STORY!

One of the most iconic cars of the last 50 years, the Ford Mustang is one of the most recognizable cars in the world. But did you know it's also one of the most customizable?

Your LEGO® model represents what's made Mustang connect with its owners and fans for so many years – a fun, stylish, sporty car that was 'Designed to Be Designed by You'. In other words, Mustang owners are not only known to mix and match

options so that it's rare to see two together exactly alike, but also to shop the aftermarket to personalize their cars.

The Mustang's ability to build a truly personal – almost emotional – connection with owners has helped make it a huge success across generations. And now it's your turn to tell the next chapter in the Mustang story.



A TRUE CROWD-PLEASER

The Ford Mustang was the result of efforts by several key Ford people – including product planner Hal Sperlich, chief engineer Don Frey, designers Gale Halderman and Joe Oros, as well as Ford Division VP Lee Iacocca – to develop and market an exciting new automobile with widespread appeal.

Sperlich interpreted research on the record numbers of leading-edge baby-boomers and college grads entering the workforce and car market, which indicated that they were looking for a fun-to-drive second family car. Iacocca wanted to attract those young buyers to Ford with a stylish yet affordable sports car that was also practical and attainable. Frey sought to engineer



a capable but economical vehicle that was easy to manufacture, all while Halderman and Oros wanted to style something fresh and different – something sporty and, at the same time, beautiful. When they were finally able to get the green light for production from then-Ford Chairman Henry Ford II, the rest, as they say, is history.

The Ford Mustang was so successful that its name and shape soon became identifiable the world over, and even led to the creation of the term 'Pony Car' for the segment of affordable, compact cars with a sporty or high-performance image that followed.

THE BIRTH OF A LEGEND

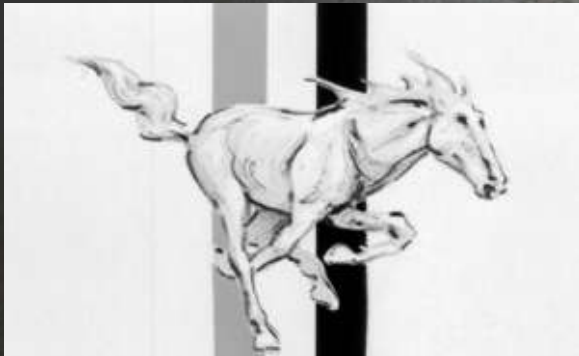
Your LEGO® Creator Expert Ford Mustang is inspired by the classic 1967 Mustang. Featuring a long hood, short deck, optional V-8 engine and seating for four, the car made its public debut at the

New York World's Fair on April 17, 1964 and was an instant hit. Mustang's total sales from 1964-1966 were a record-breaking 1,464,362 cars!

EVOLUTION OF AN ICON

According to J Walter Thompson's Frank Thomas, Ford's advertising account executive, the Mustang name was chosen because 'it had the excitement of the wide-open spaces and was American as all hell'. The next challenge was creating an

emblem that captured that spirit. Now a true icon among car lovers the world over, here's the story of how the Mustang emblem evolved.



The goal was to create something that reflected both a horse for the car's name and that the car was American. Phil Clark's concept, of a galloping horse with a red, white and blue tri-bar design to reflect the Mustang's American heritage, was the initial favorite.



The proportions of the original logo were deemed too tall to fit nicely in the production-style grille corral. Design studio modelers Charles Keresztes and Waino Kangas were tasked with creating new versions of the pony for the grille and fender of the Mustang II concept and the 1965 production car.



The production grille Pony emblem surrounded by the corral on the 1965 Mustang. Compared to Phil Clark's original design, this and subsequent versions of the pony show more of a running stance rather than galloping. The head and neck are more horizontal and the tail flows out behind.

'DESIGNED TO BE DESIGNED BY YOU'

One of the secrets behind the success of the Mustang is the seemingly infinite ways it can be customized according to the owner's desires. That's why the car's first advertising slogan was: 'Designed to be designed by you'.

The Mustang's option list was a major reason for its initial success. The car could be tailored to individual buyers - you could order a basic-transportation Mustang, a sporty one, a small luxury liner or a high-performance version.

Car Life magazine summed it up at the time: "It is a sports car,

a 'gran turismo' car, an economy car, a personal car, a rally car, a sprint car, a race car, a suburban car and even a luxury car."

The car was equally popular with both young and older buyers, though more than half of first-year buyers were under 34. Notably, women bought as many Mustangs as men.



THE COLOR OF LOVE

Over the years, red has established itself as the most popular color among Mustang owners. But it wasn't always that way... brown Mustang anyone?!

In 1967, pink enthusiasts could choose either Dusty Rose or Playboy Pink.



A grand total of 19 shades of blue were available between 1967 and 1973.



Black first broke into the top three in 1994 and has remained there since



Several special edition colors have been available over the years, including color-shifting Mystichrome on the 2004 SVT Cobra.



1967



YELLOW and GOLD were among the favorite colors in the first generation

1973



Maybe a little hard to believe today but brown was one of the top three colors back in the 70s.

1978

1994



Roughly one in five of all Mustangs built over the past 50 years have been painted RED

2004

2014



RED, BLACK and SILVER hold the top 3 color slots for nine years.

GET TO KNOW YOUR MUSTANG



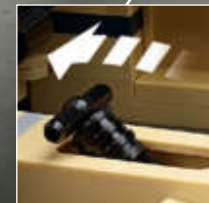
LEGO® Senior Designer Mike Psiaki played a leading role in the development of the LEGO Creator Expert Ford Mustang. He runs through some of the model's most fascinating features.

Your Mustang features working front-wheel steering.



A blue 2x4 brick – the core LEGO® building block – is used at the center of the big block V8 engine, the heart of the Ford Mustang.

The doors fit seamlessly to the body when closed



The Shift-O-Matic transmission can click between different positions, just like on the real car.

Turn the hidden wheel
to lift your Mustang!



The German number plate included with the car belonged to LEGO® Senior Designer Adam Grabowski who built one of the early concept models of the car.

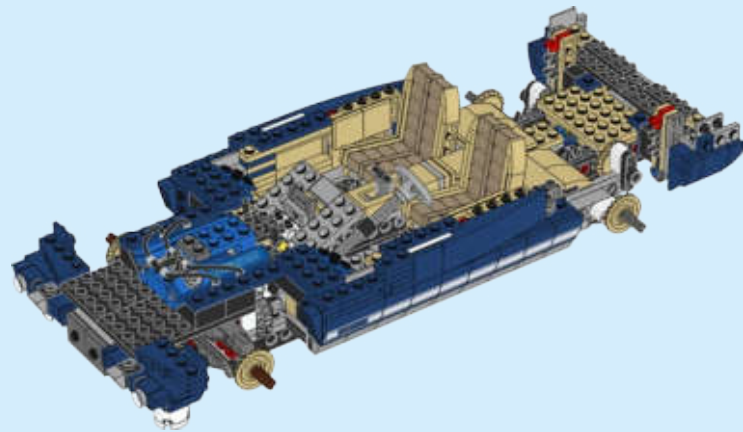
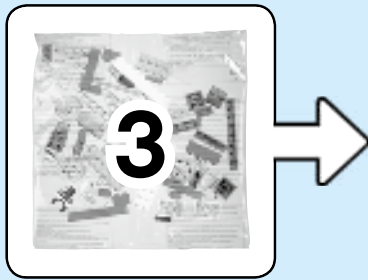
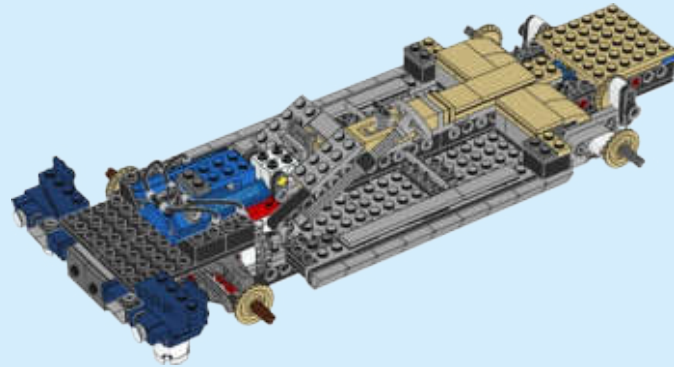
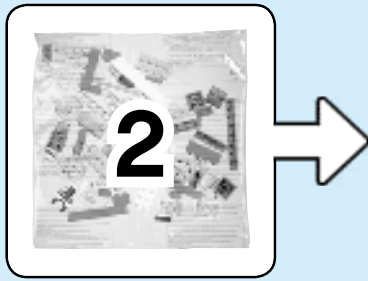
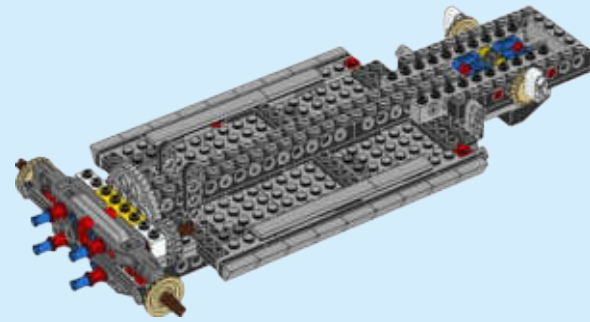
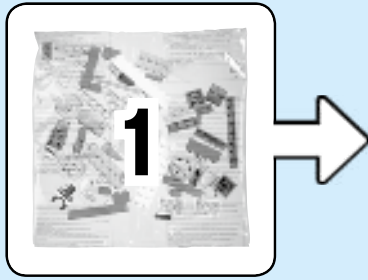
TWO NEW ELEMENTS

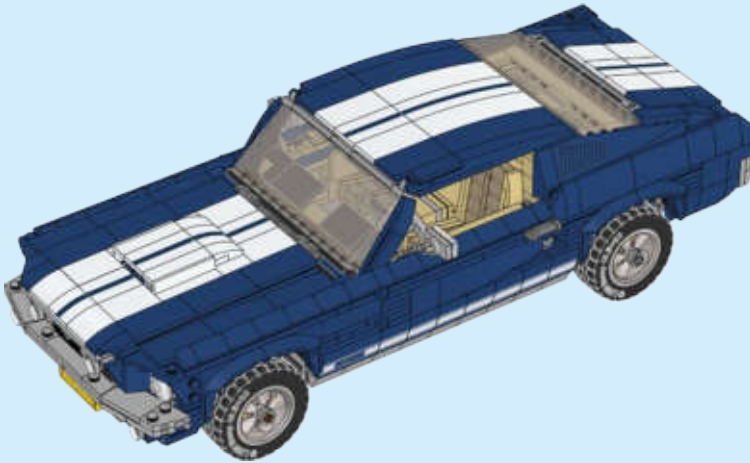
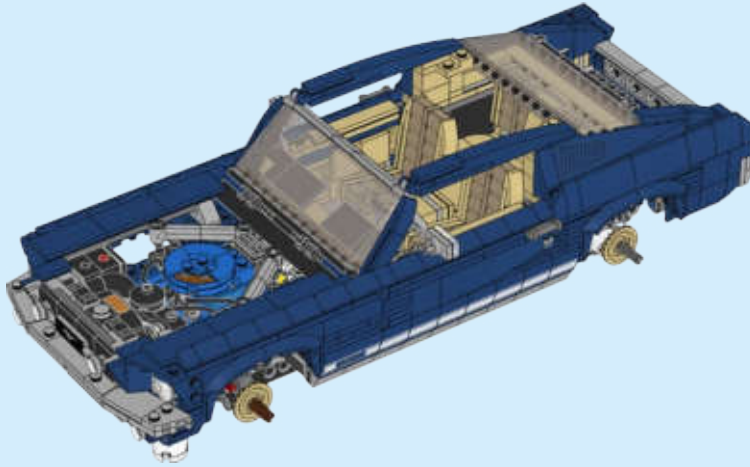
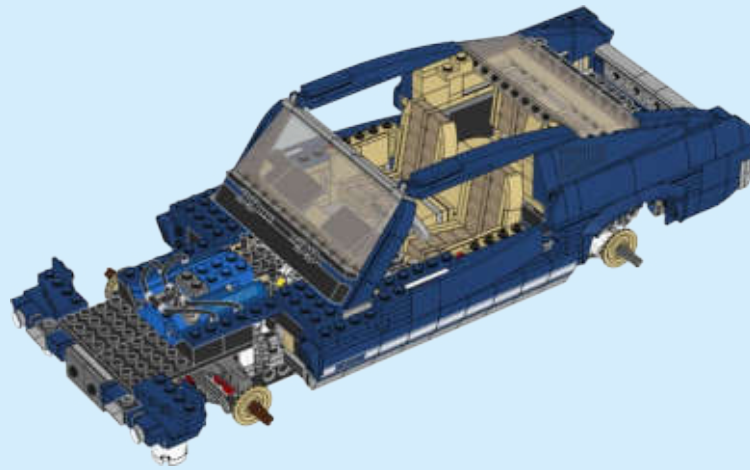


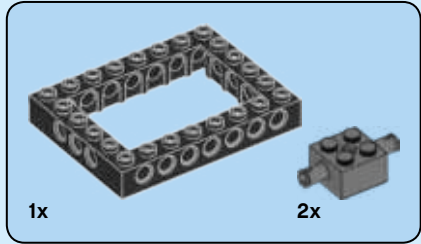
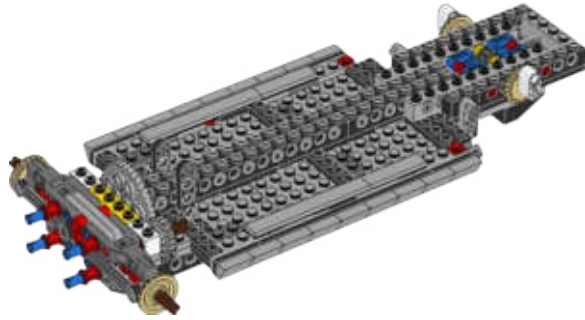
1. 2x8 Bow brick – designed to capture the streamlined curves of the roof and air intakes.



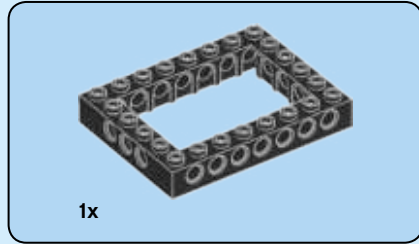
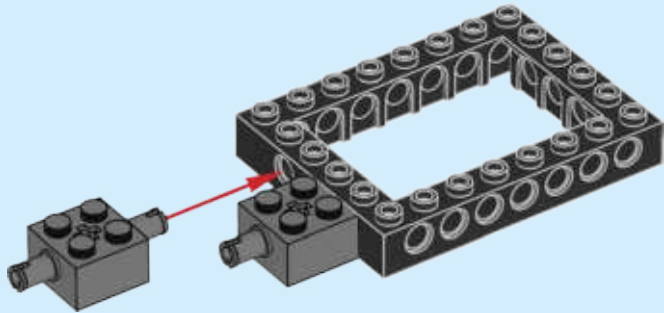
2. 5-spoke wheel - designed to allow the steering function to fit inside the wheel for tighter turning.



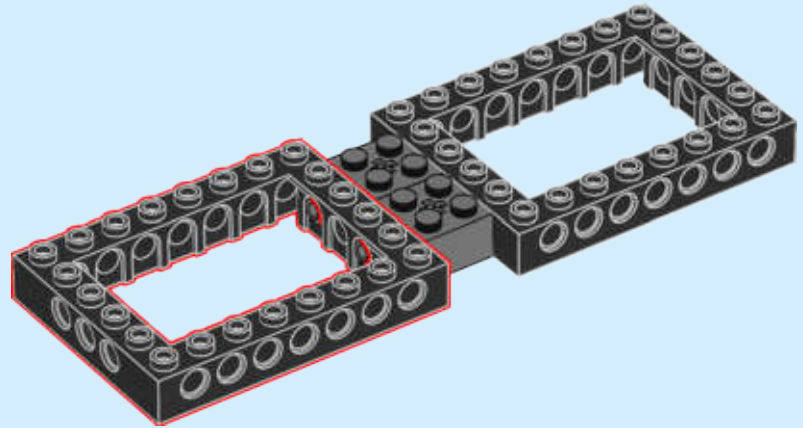


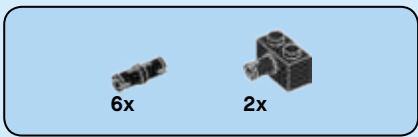


1

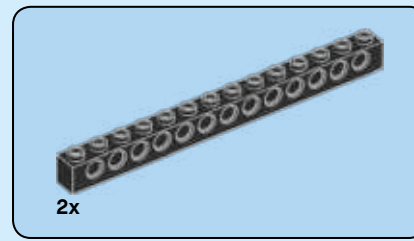
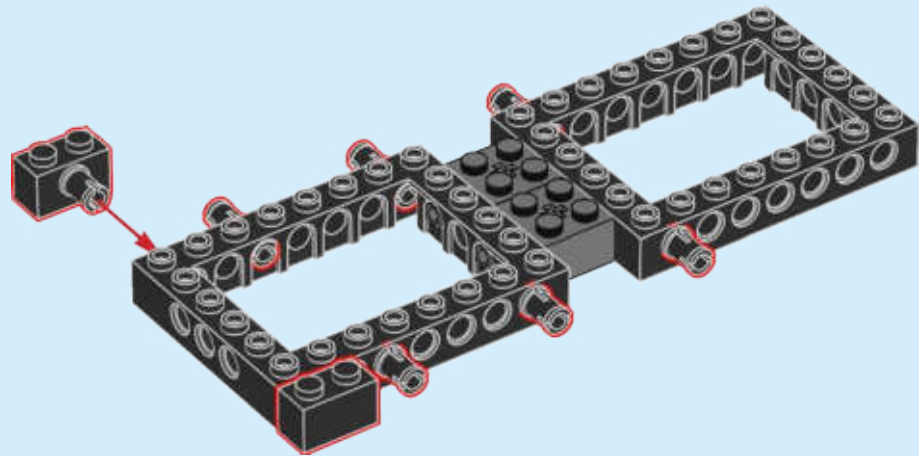


2

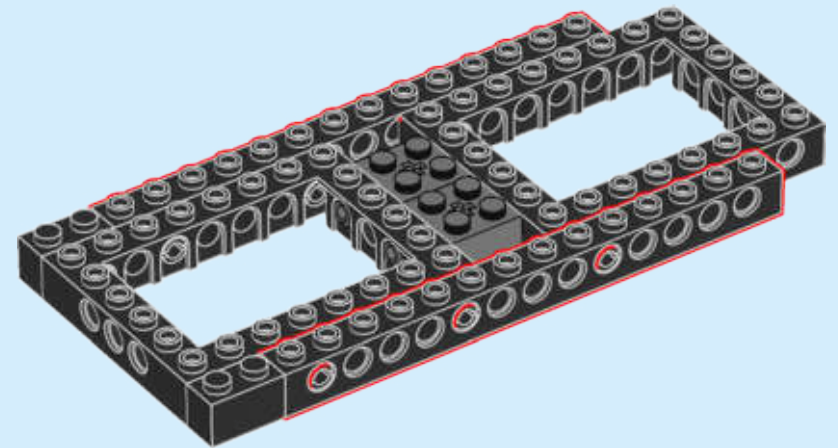




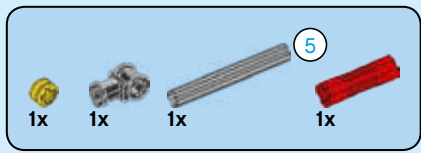
3



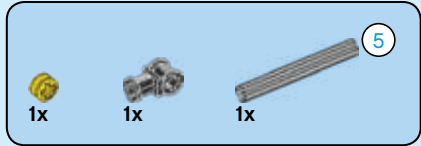
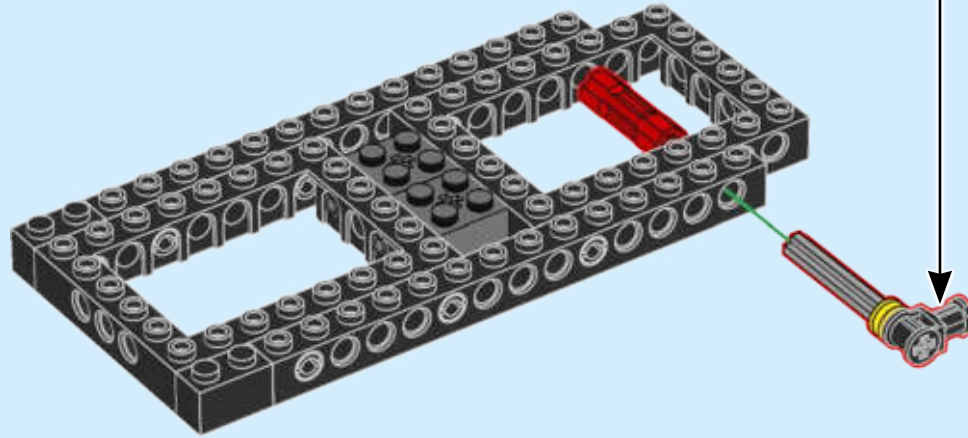
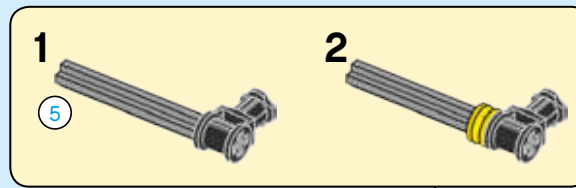
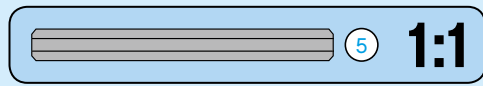
4



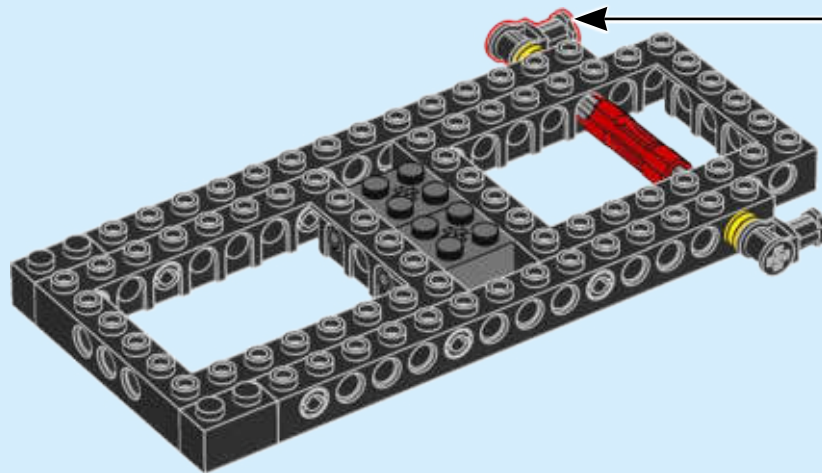
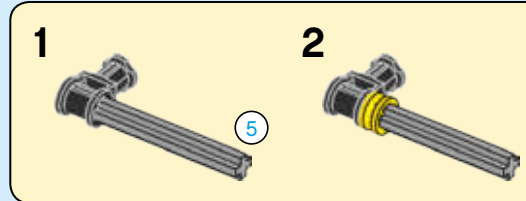
In 2007, Ford released a special pink version of the Mustang to help raise money to fight breast cancer.

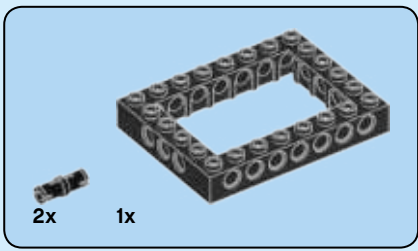


5

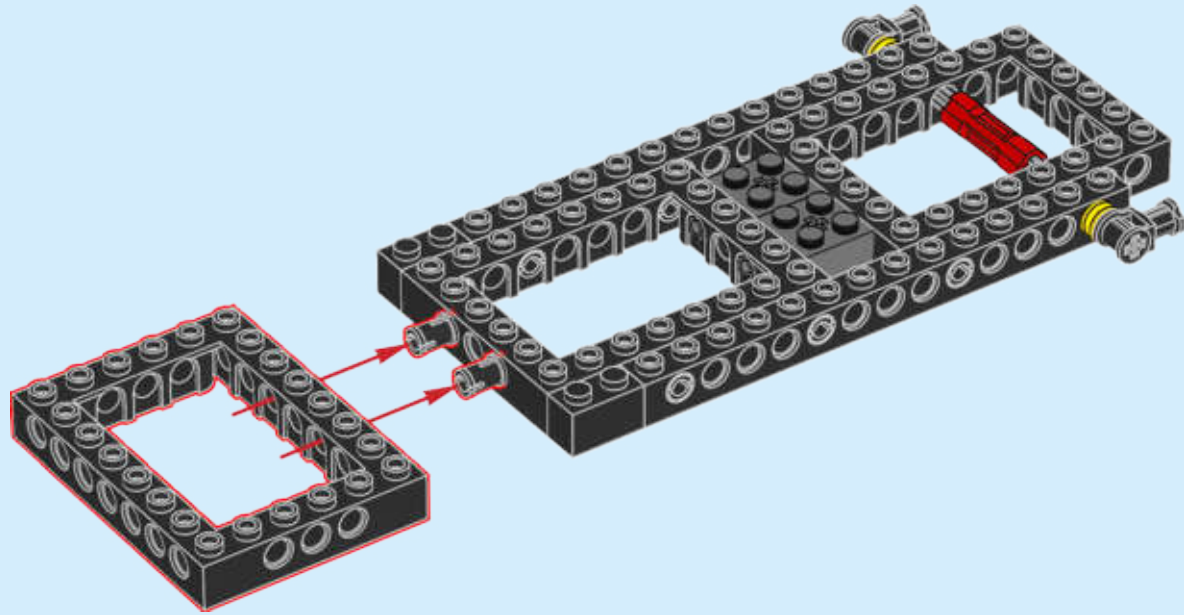


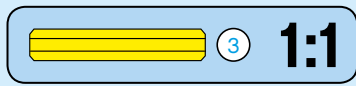
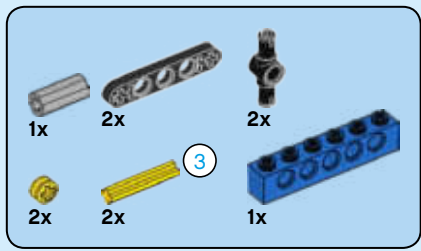
6



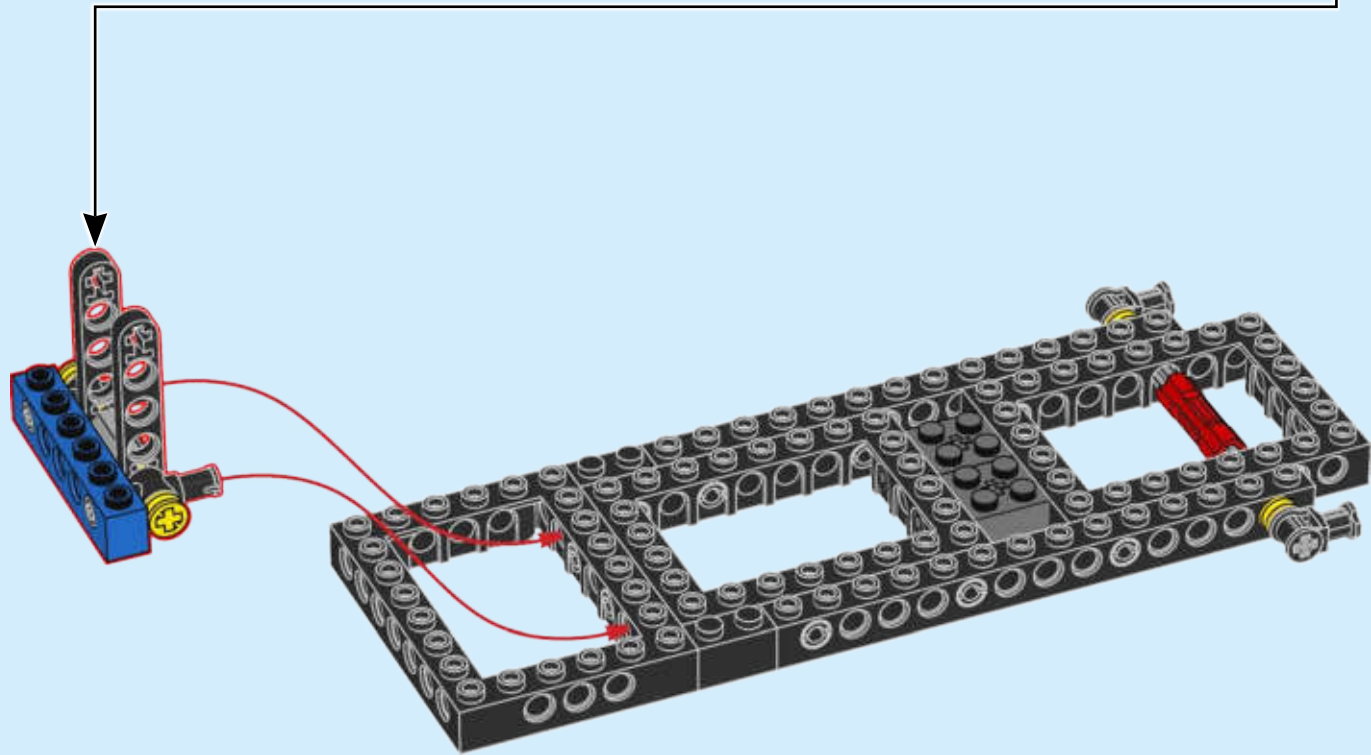
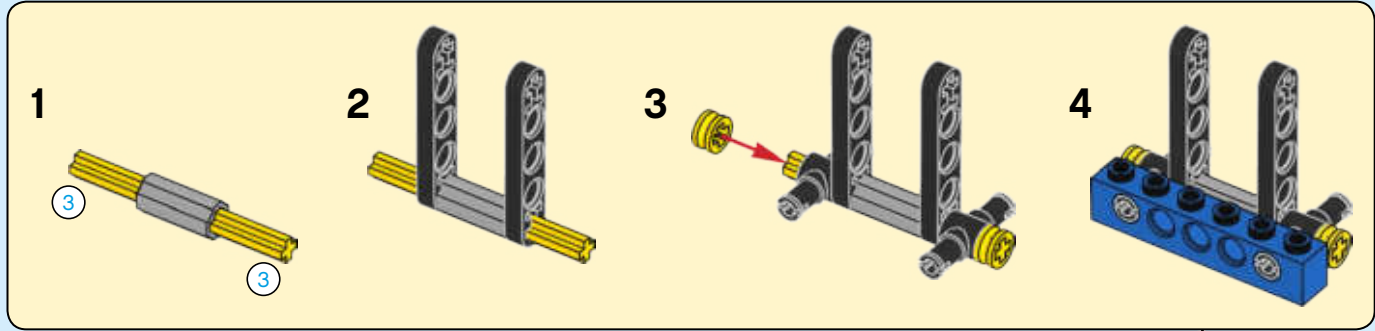


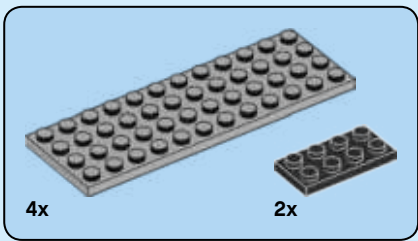
7



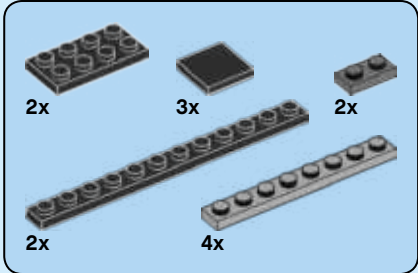
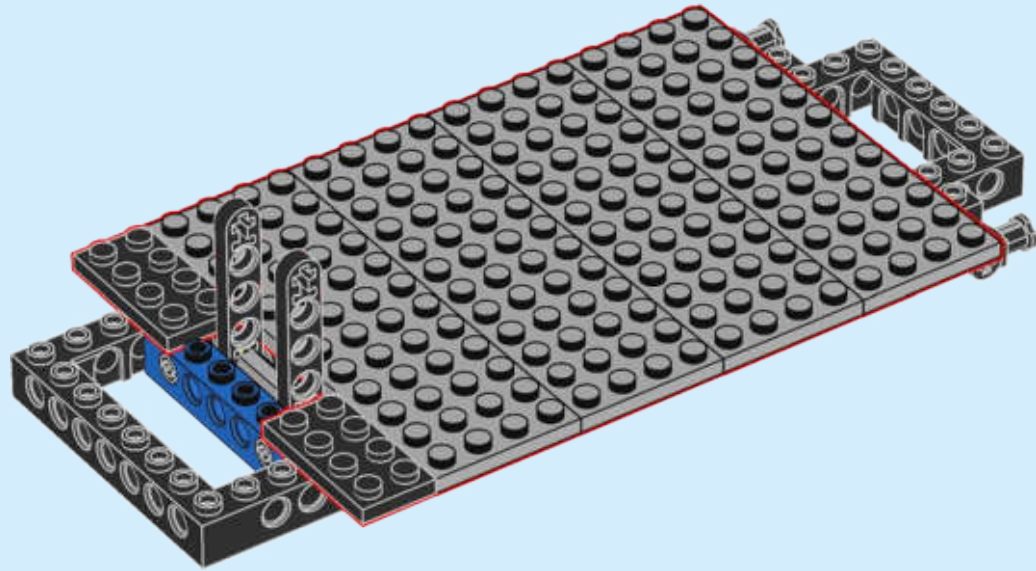


8

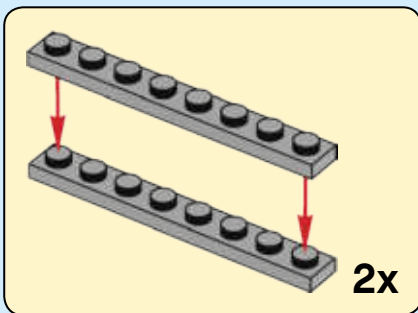
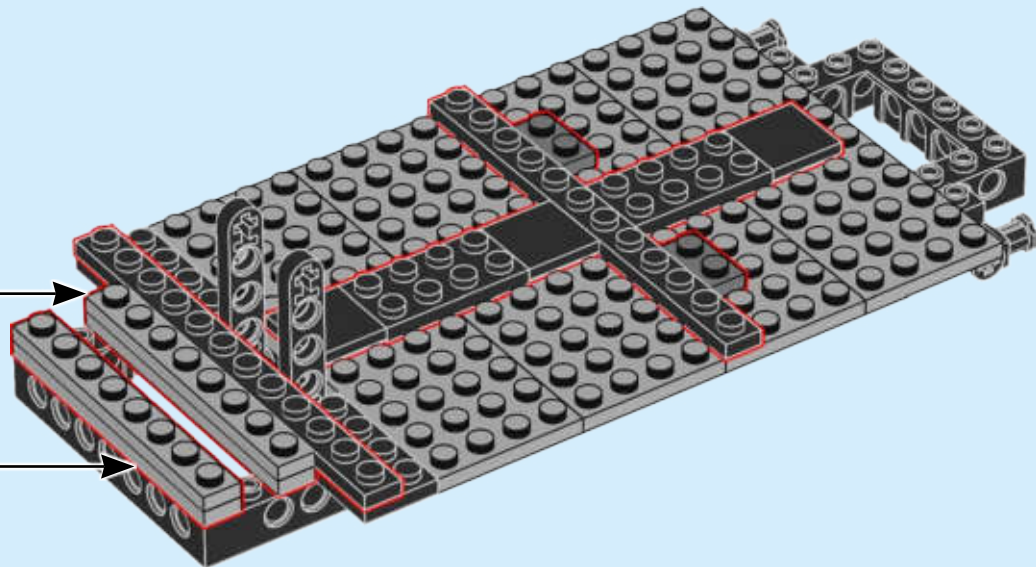


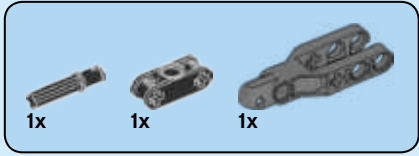
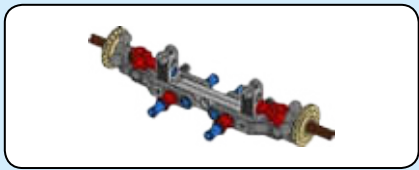


9

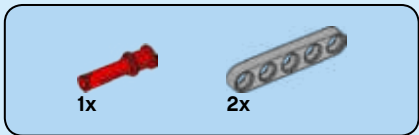
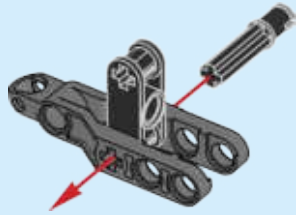


10

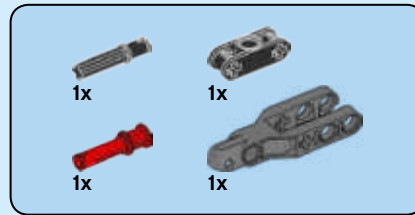
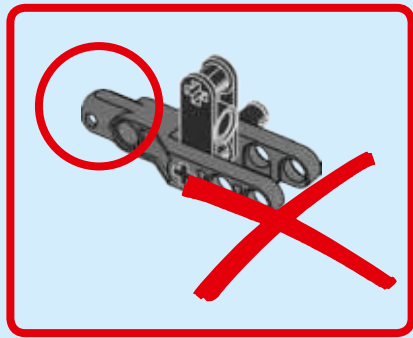
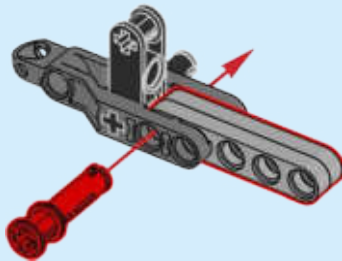




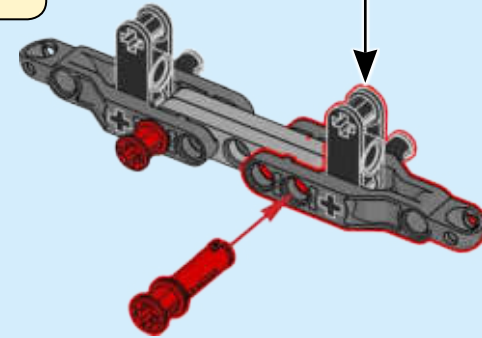
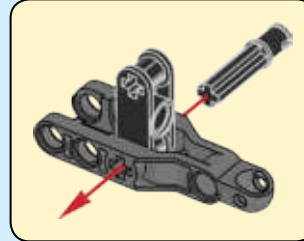
11



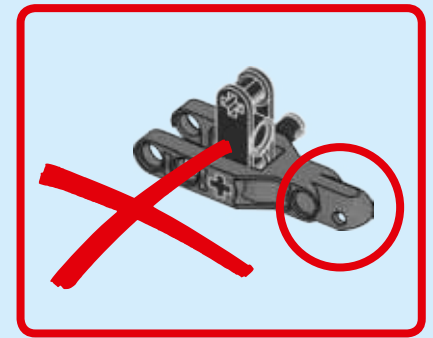
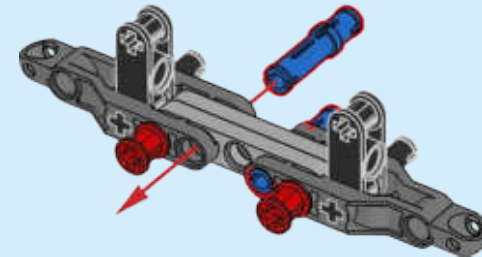
12



13

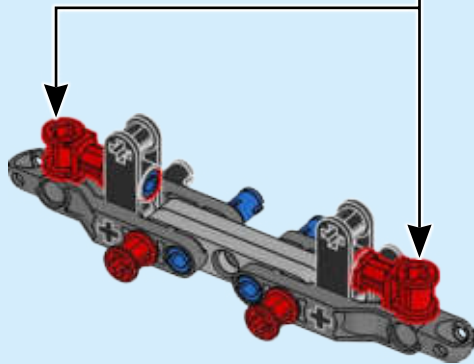
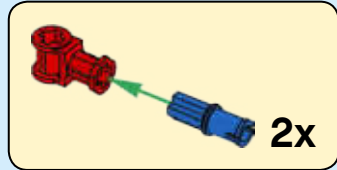


14

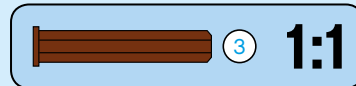
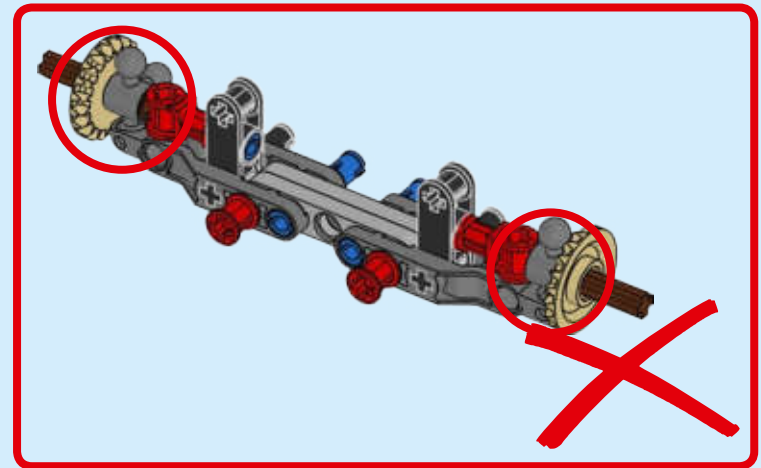
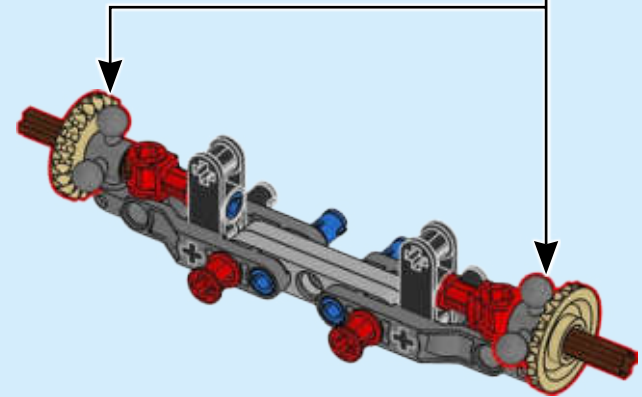
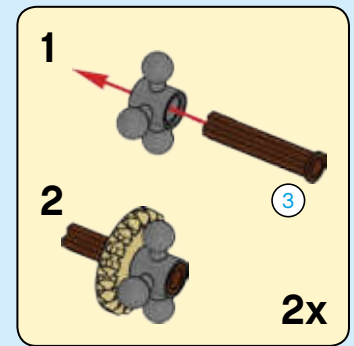




15



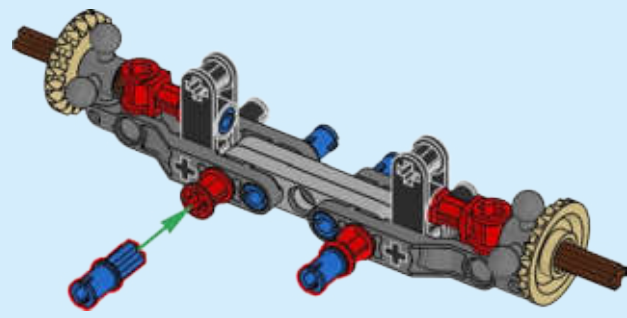
16



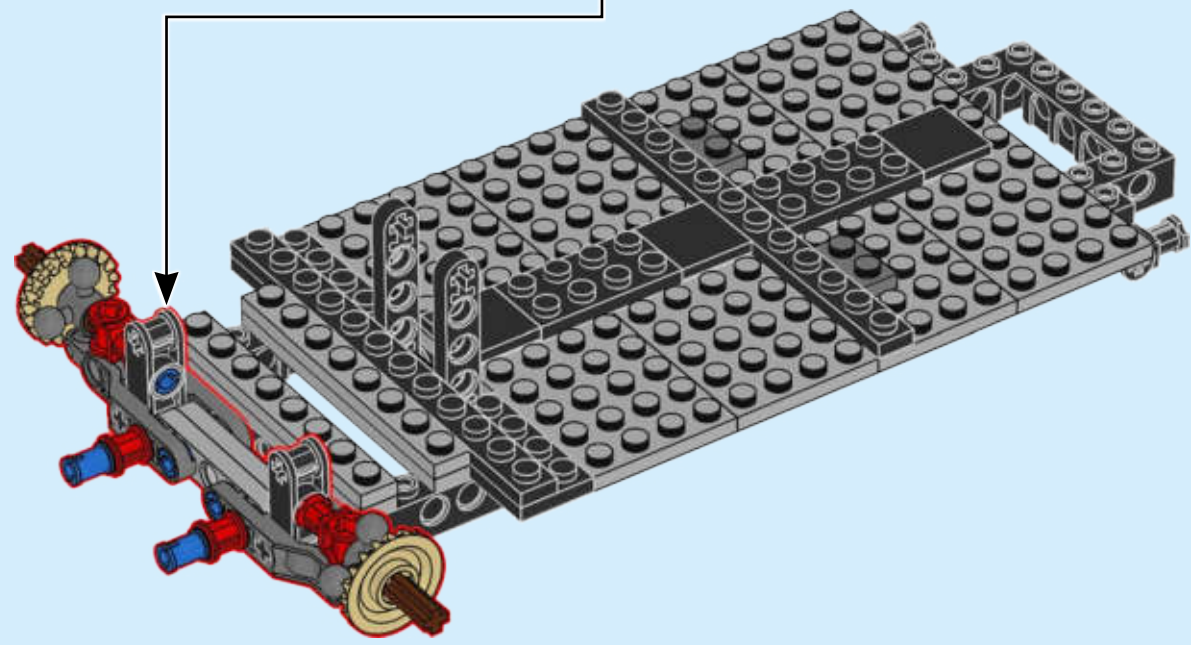


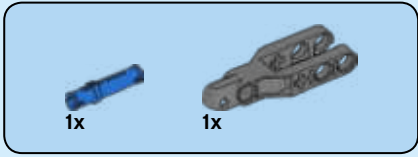
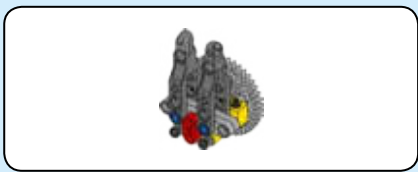
2x

17

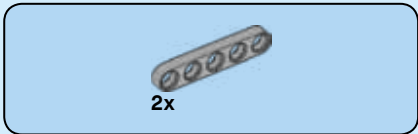
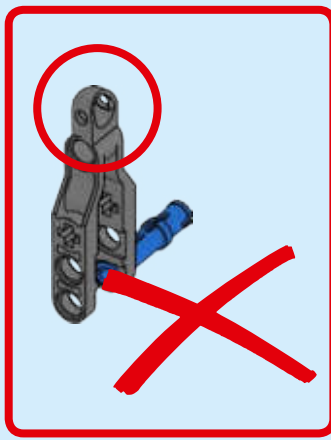


18

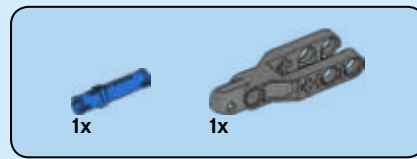
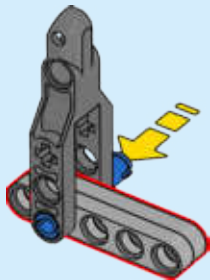




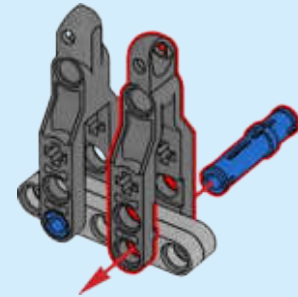
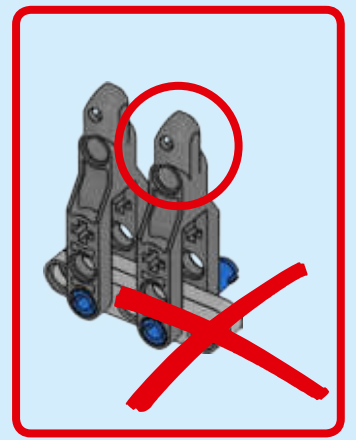
19

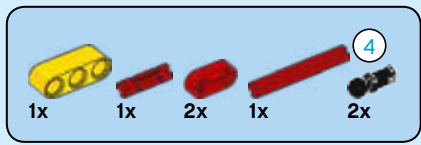


20

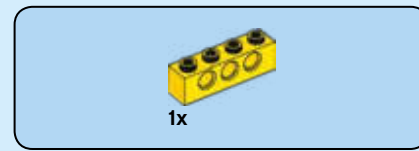
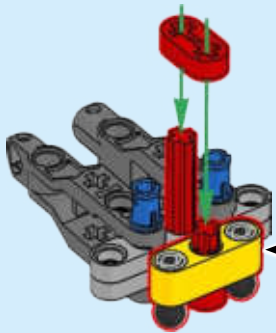
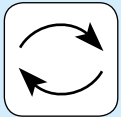
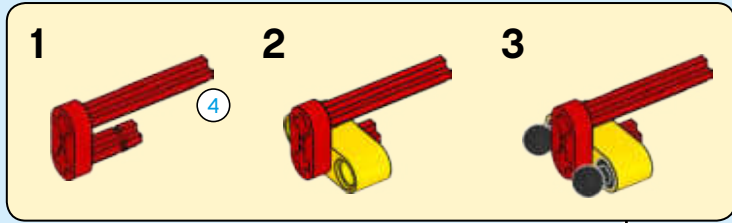


21

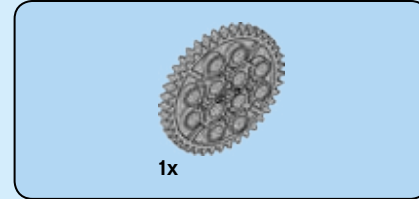
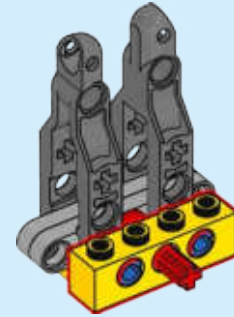
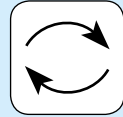




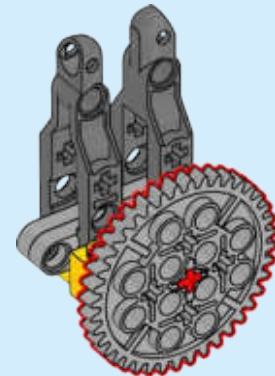
22



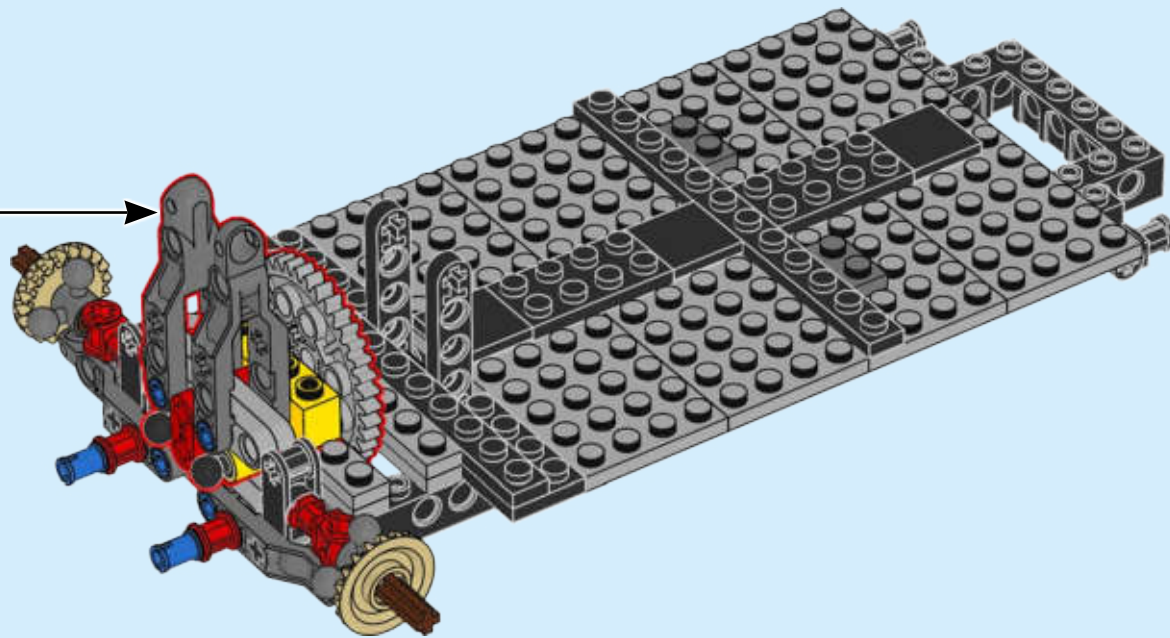
23



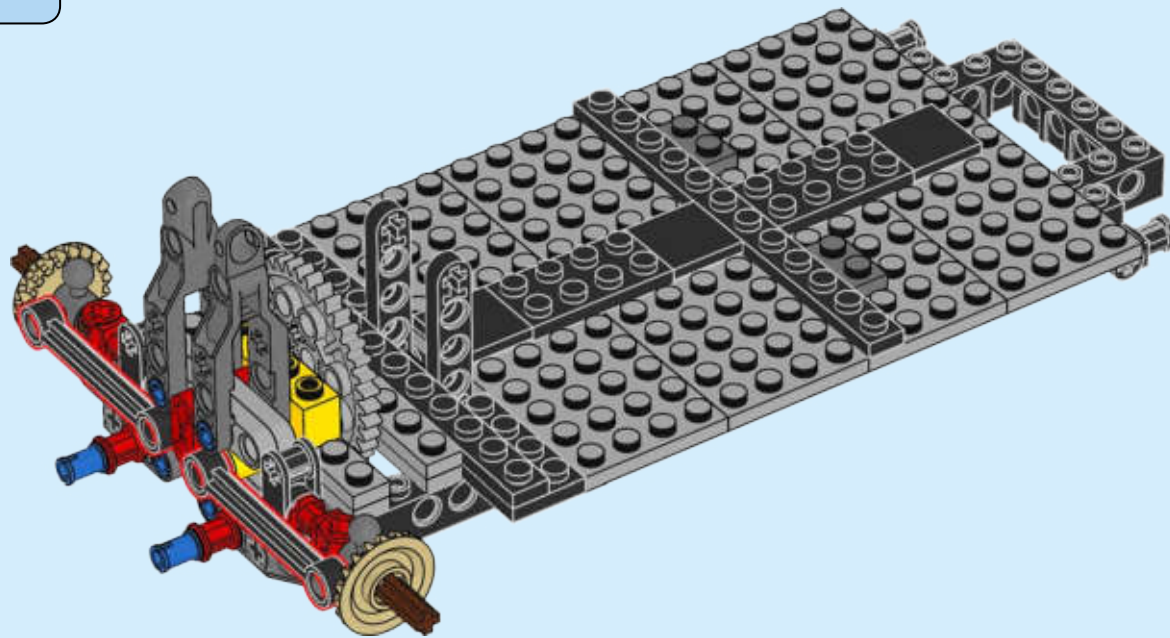
24



25



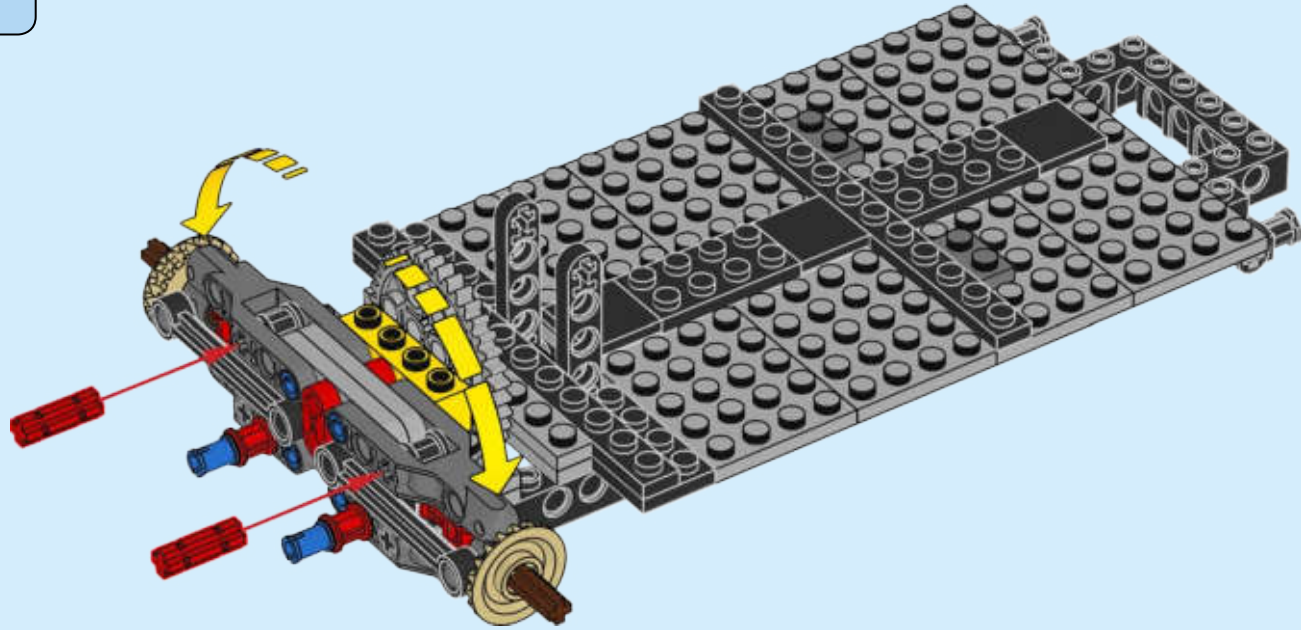
26





2x

27

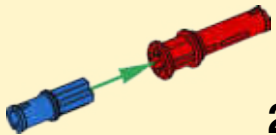
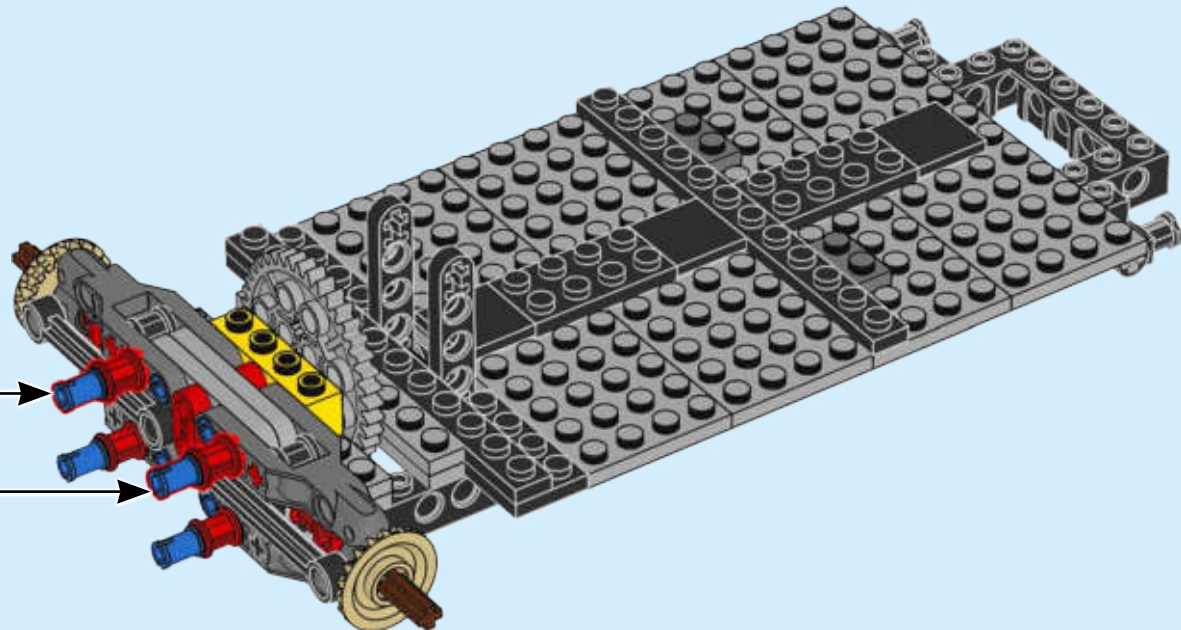


2x

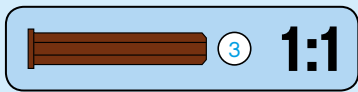
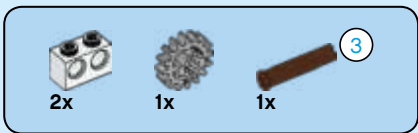


2x

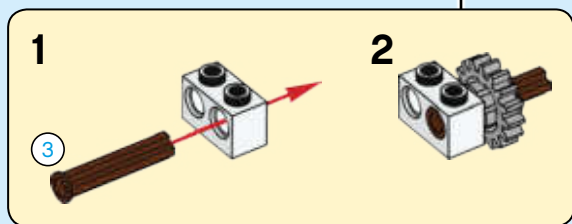
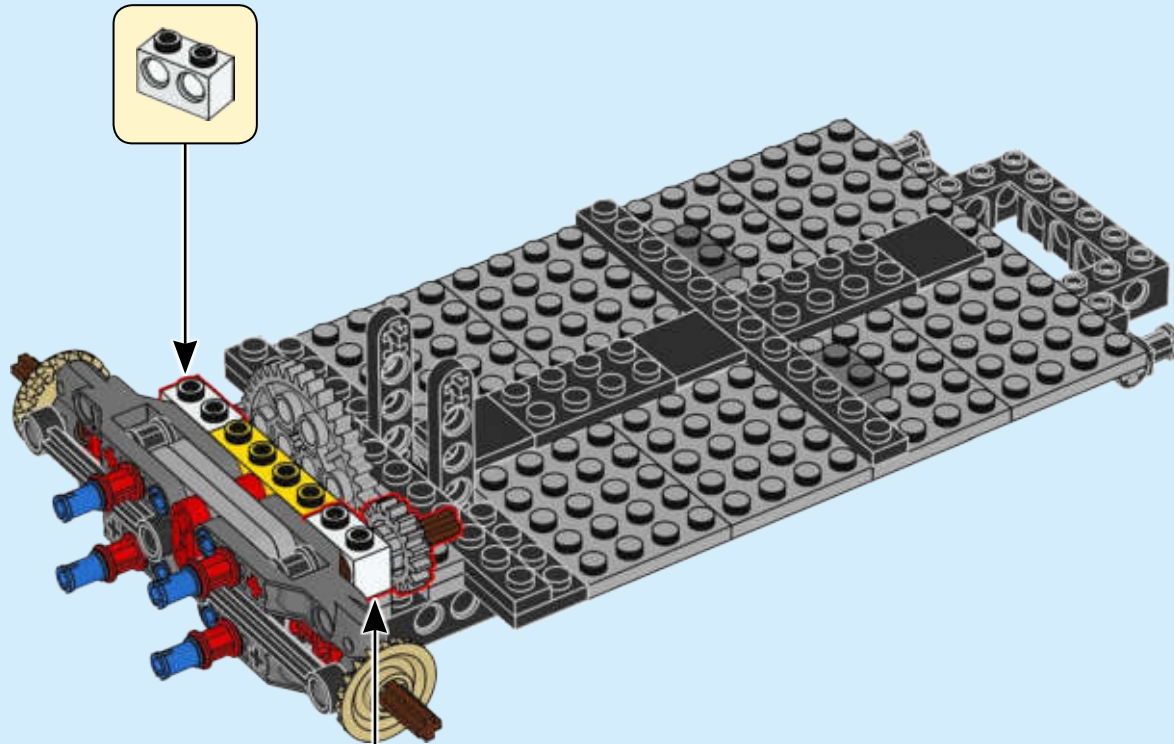
28

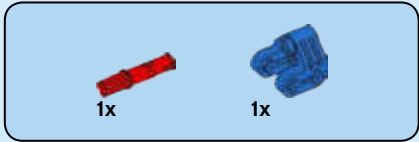
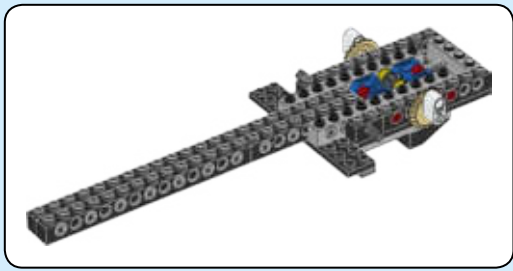


2x

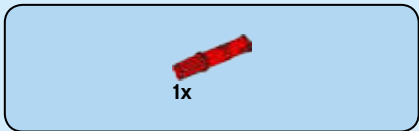


29

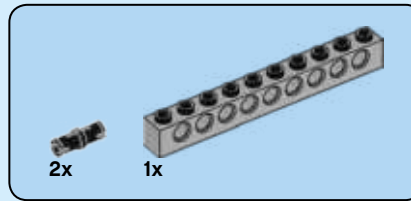




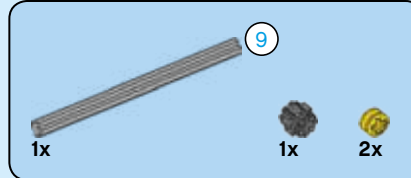
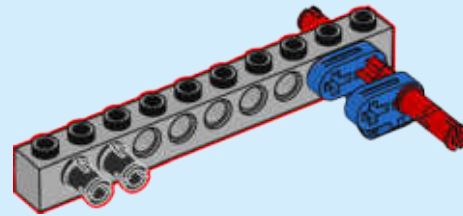
30



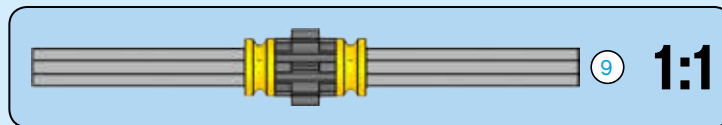
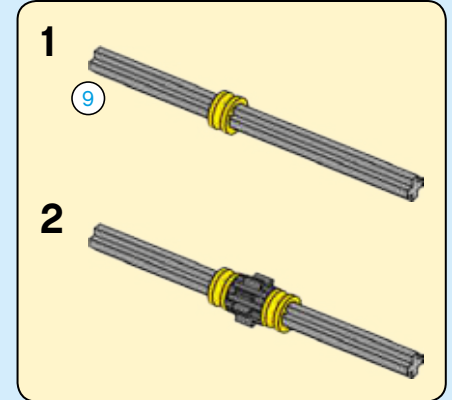
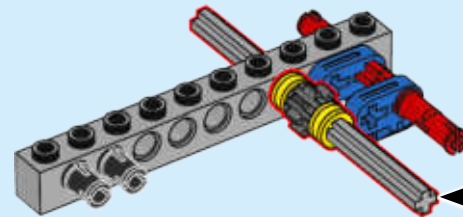
31

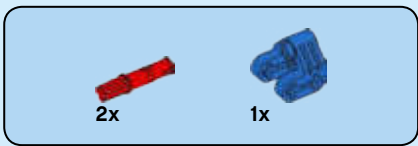


32

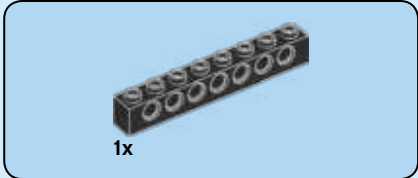
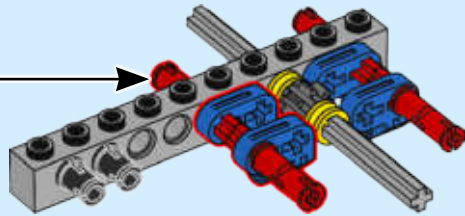
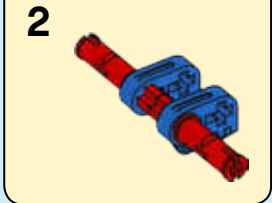
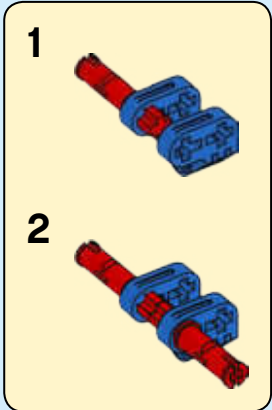


33

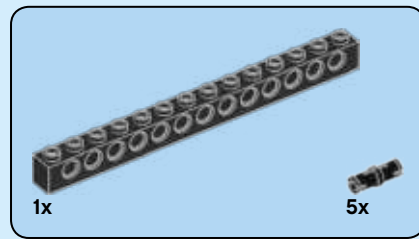
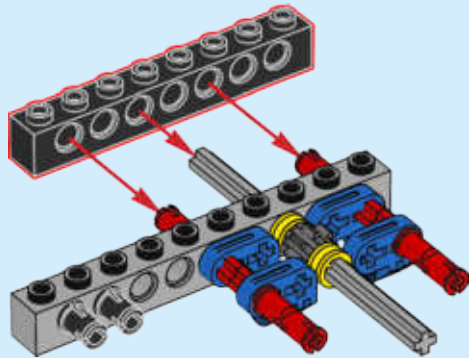




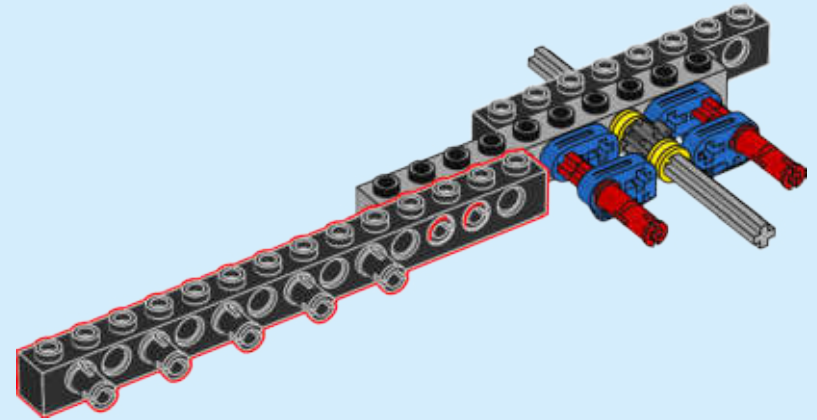
34

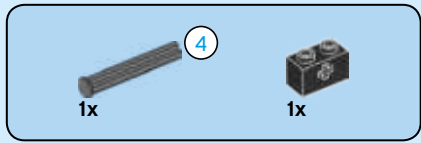


35

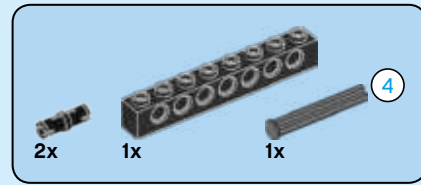
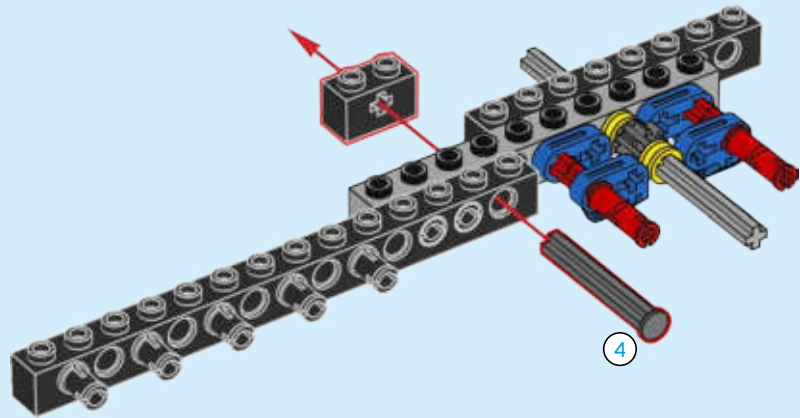
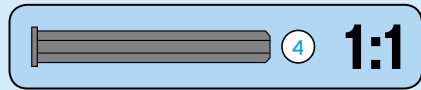


36

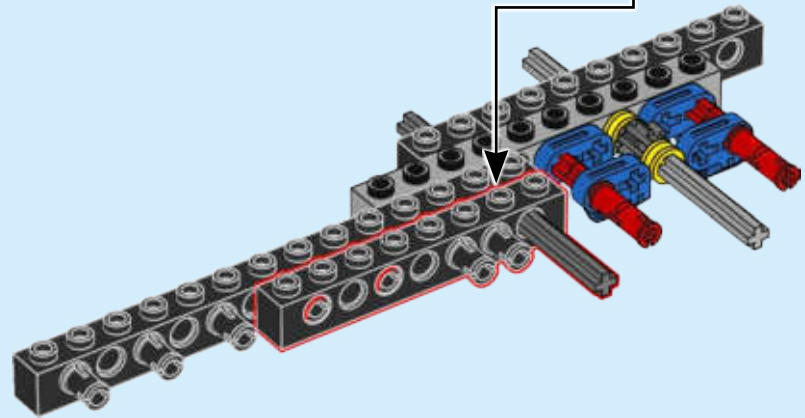
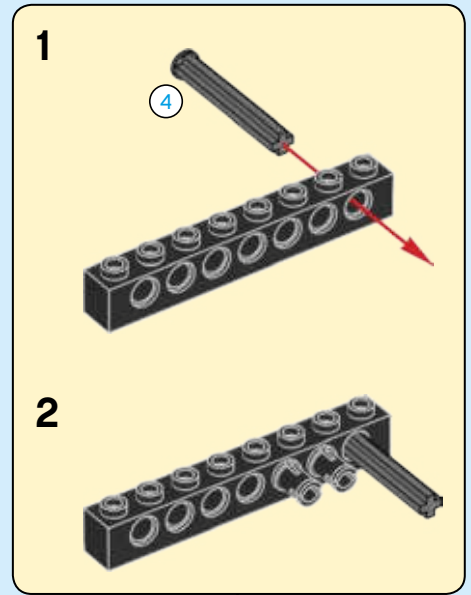


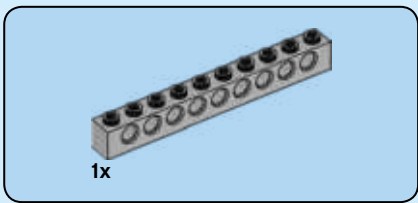


37

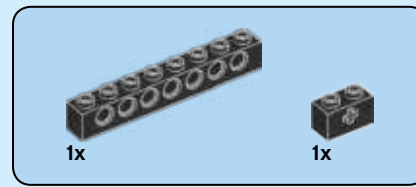
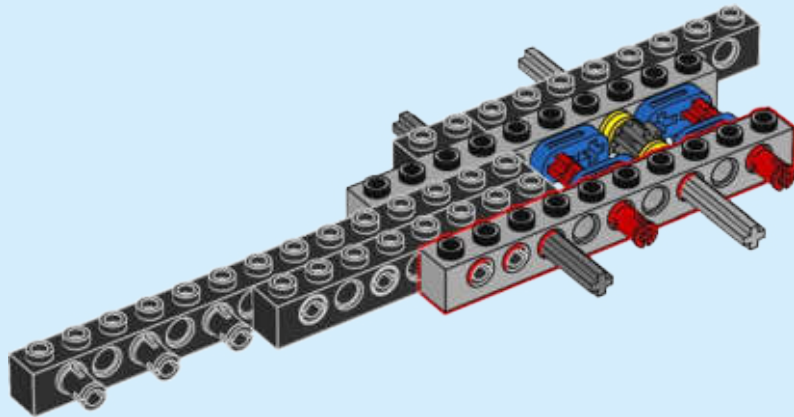


38

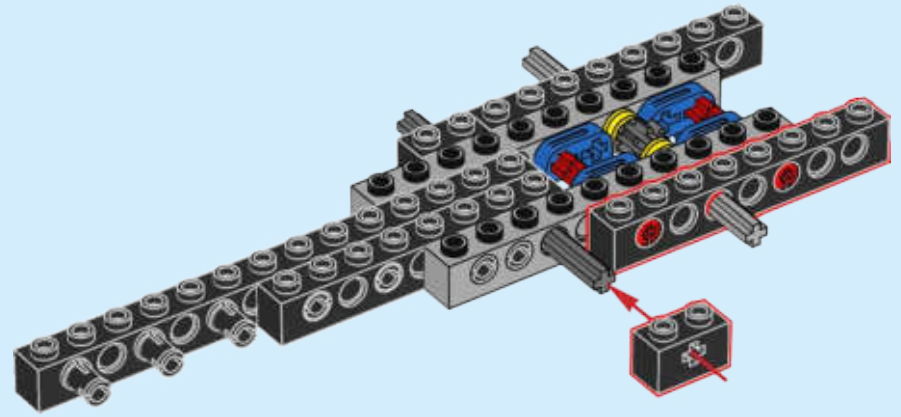


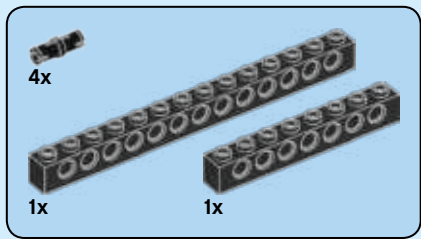


39



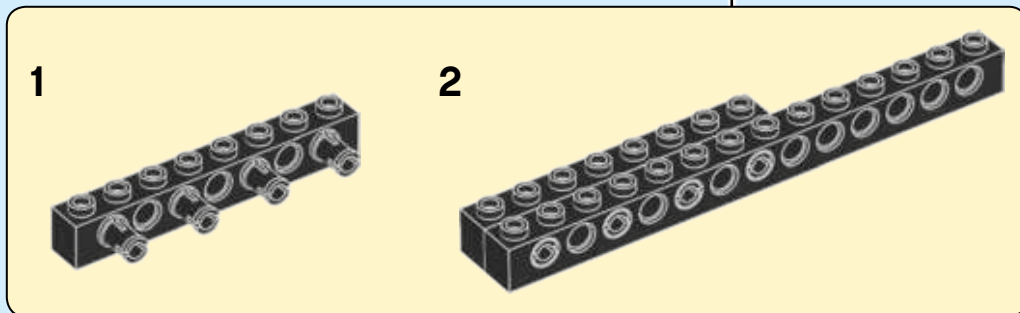
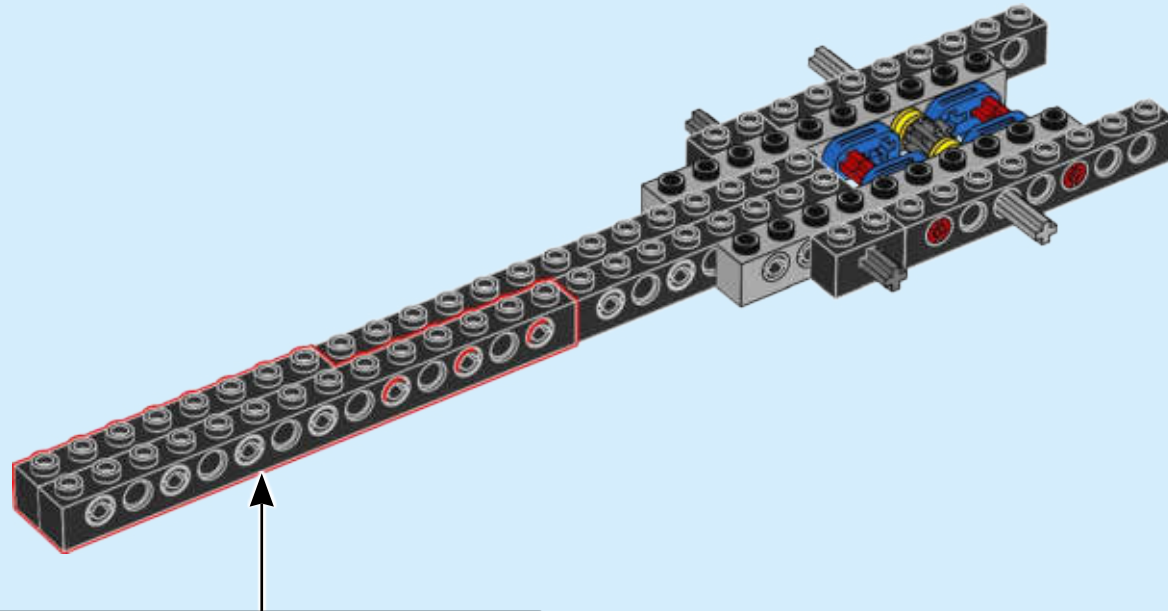
40

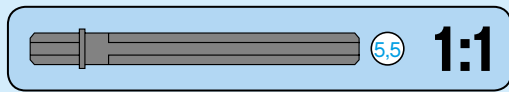
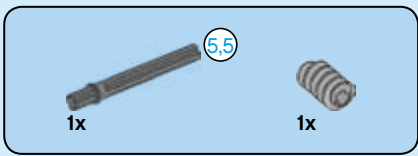




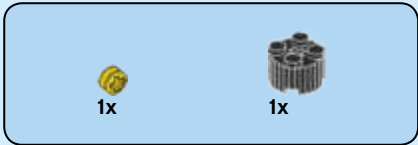
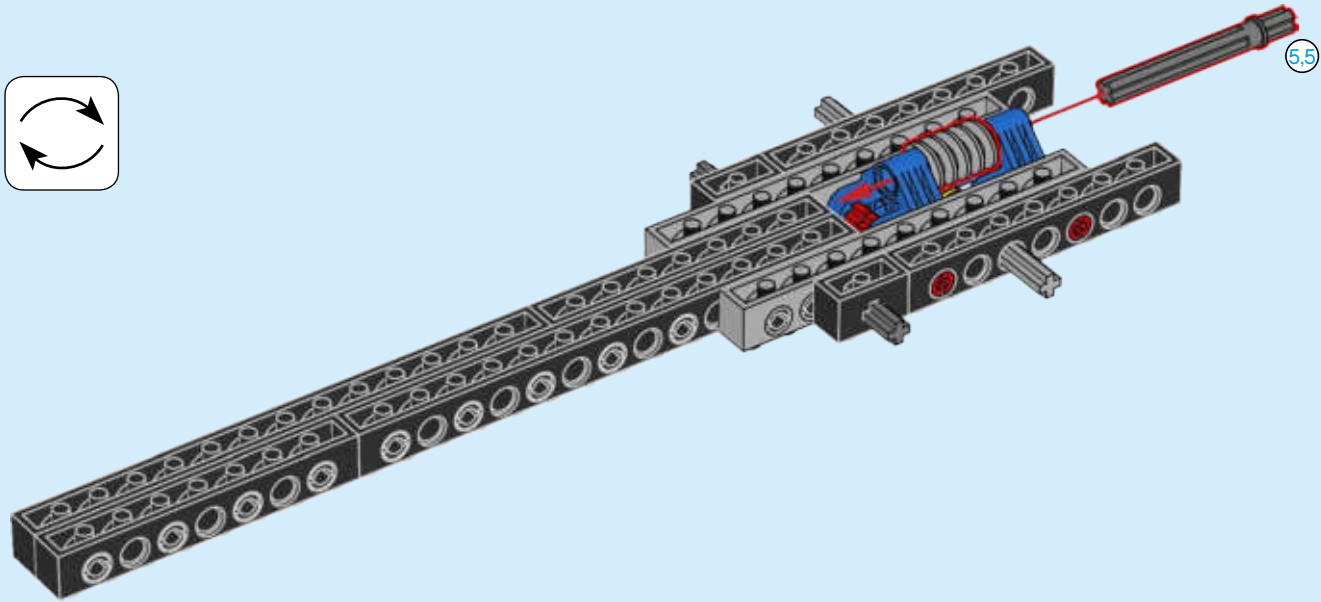
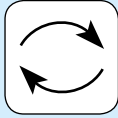
The Mustang is the car driven by Steve McQueen in the iconic car chase in the 1968 movie *Bullitt*.

41

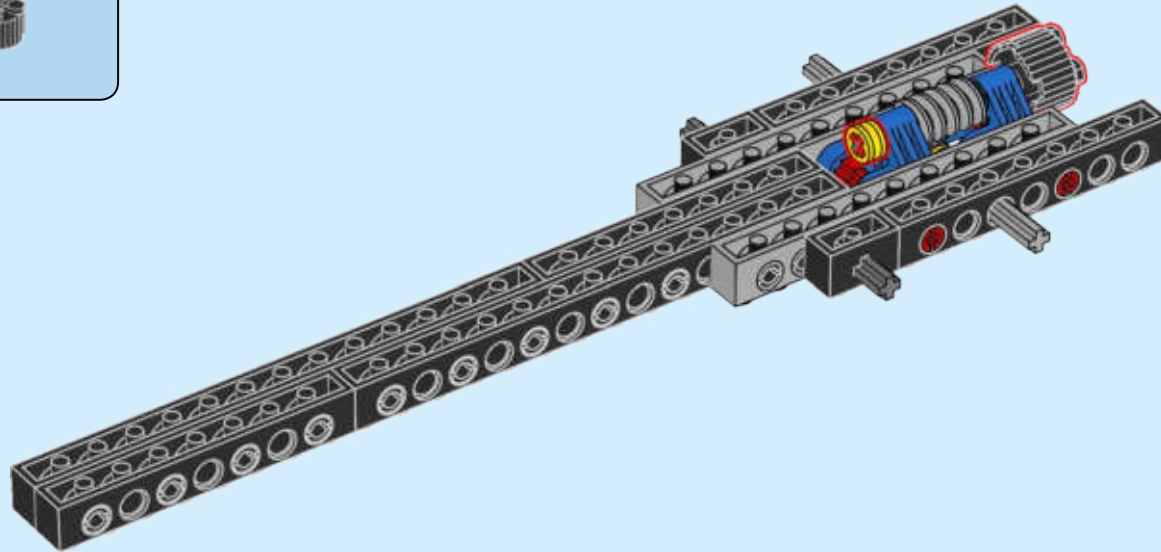


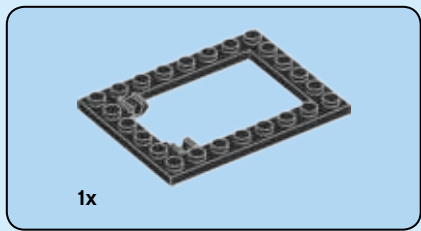


42

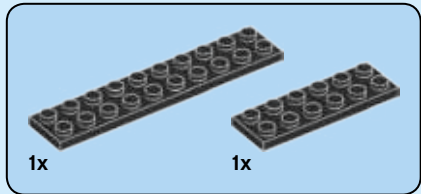
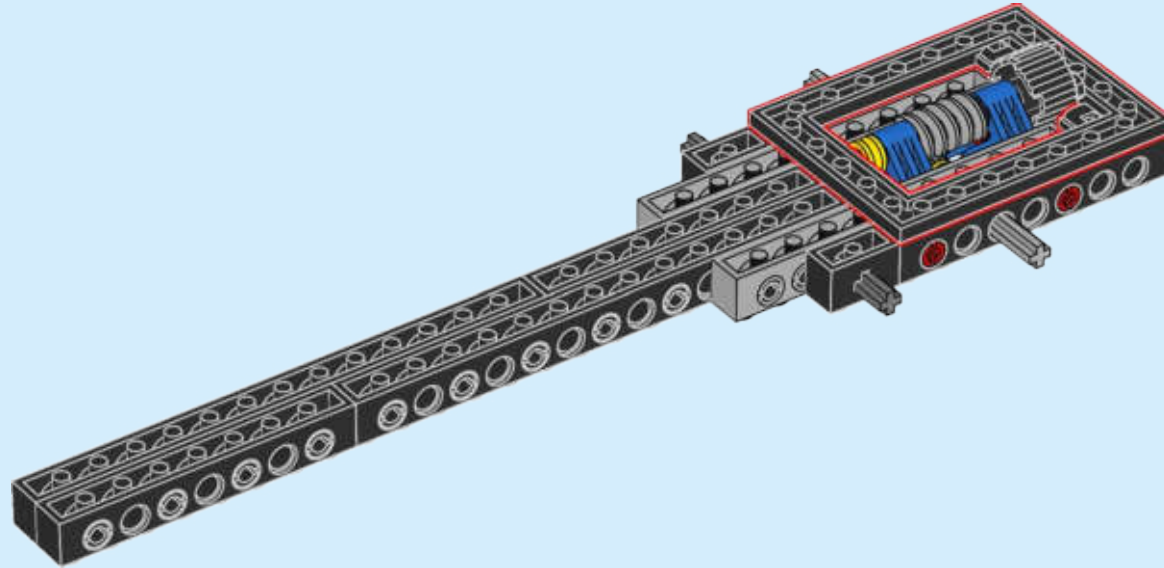


43

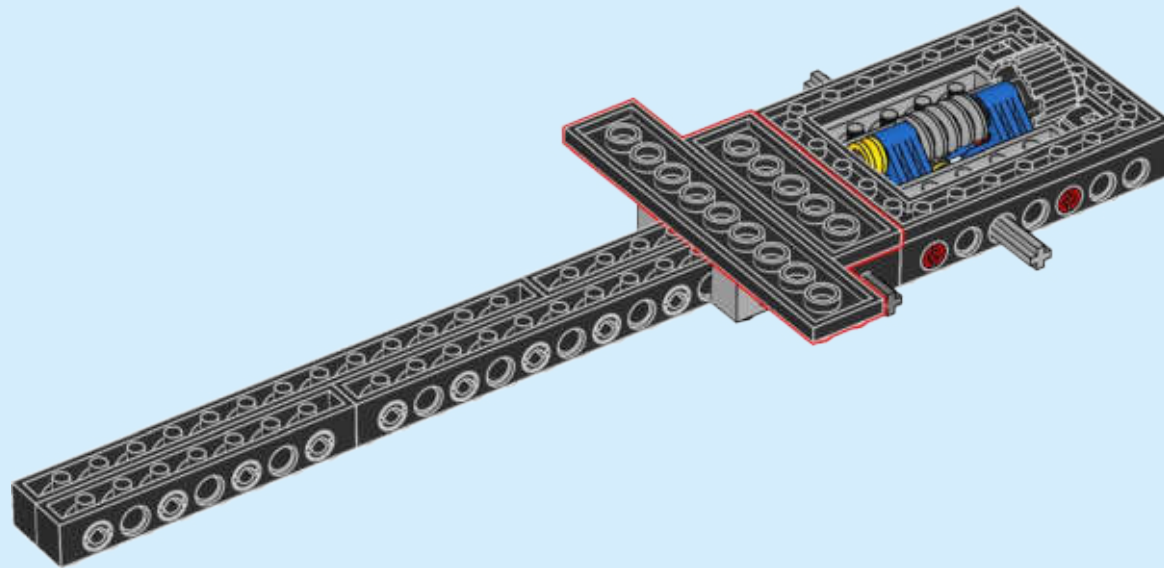


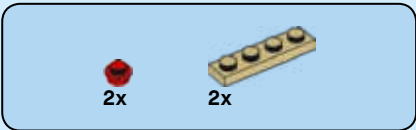


44

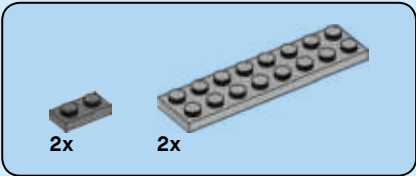
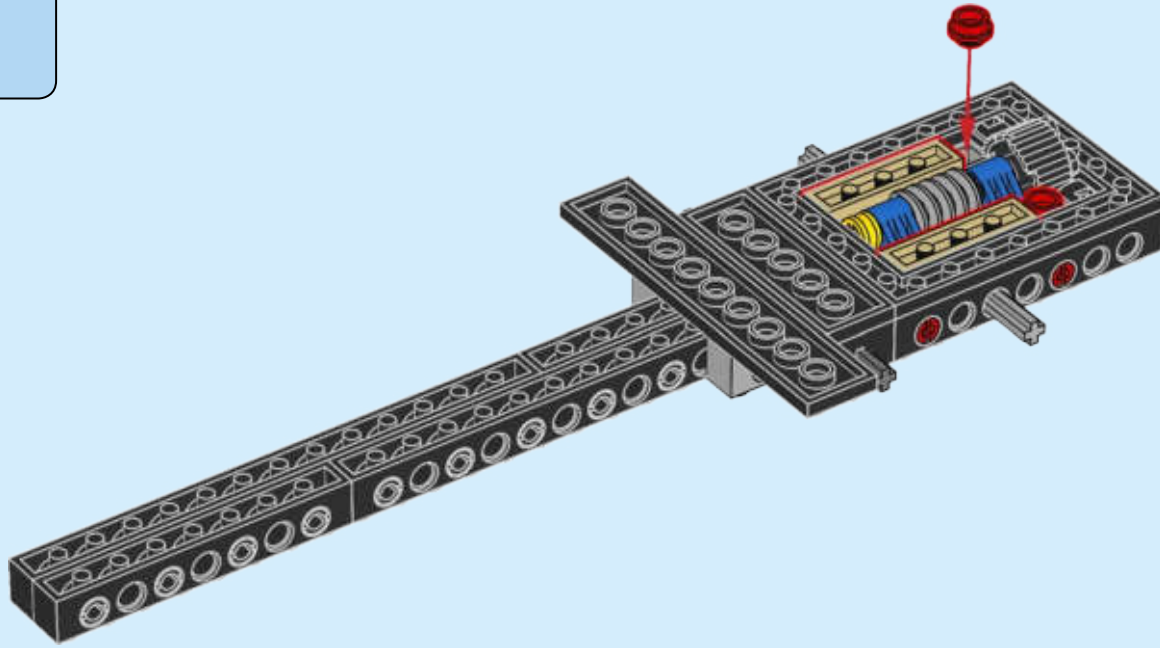


45

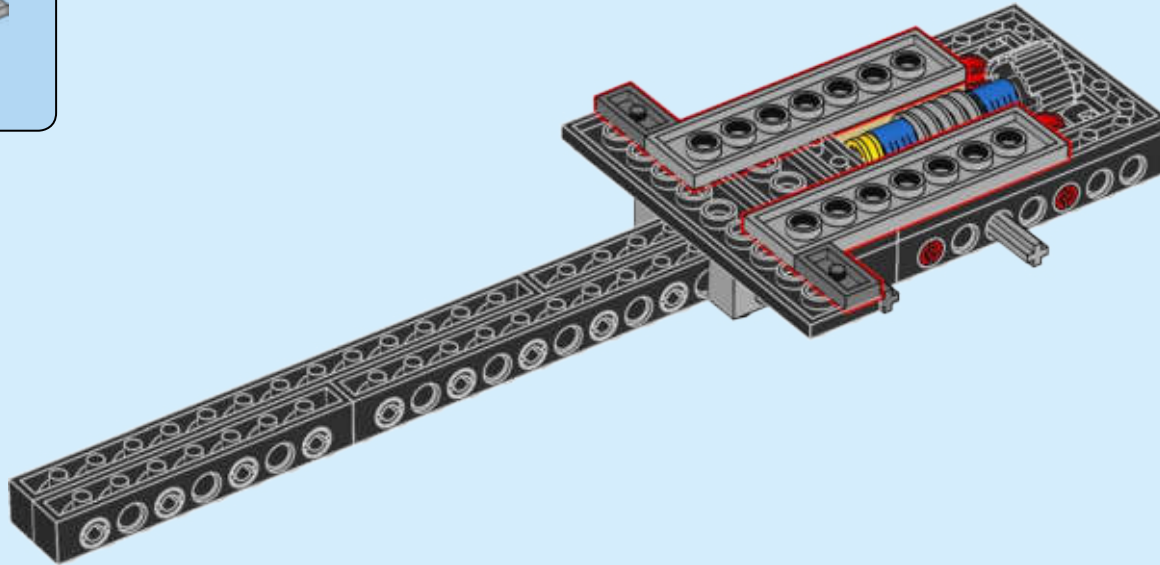


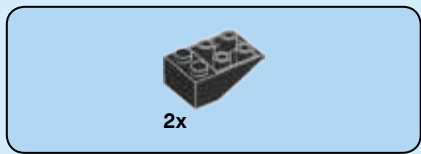


46

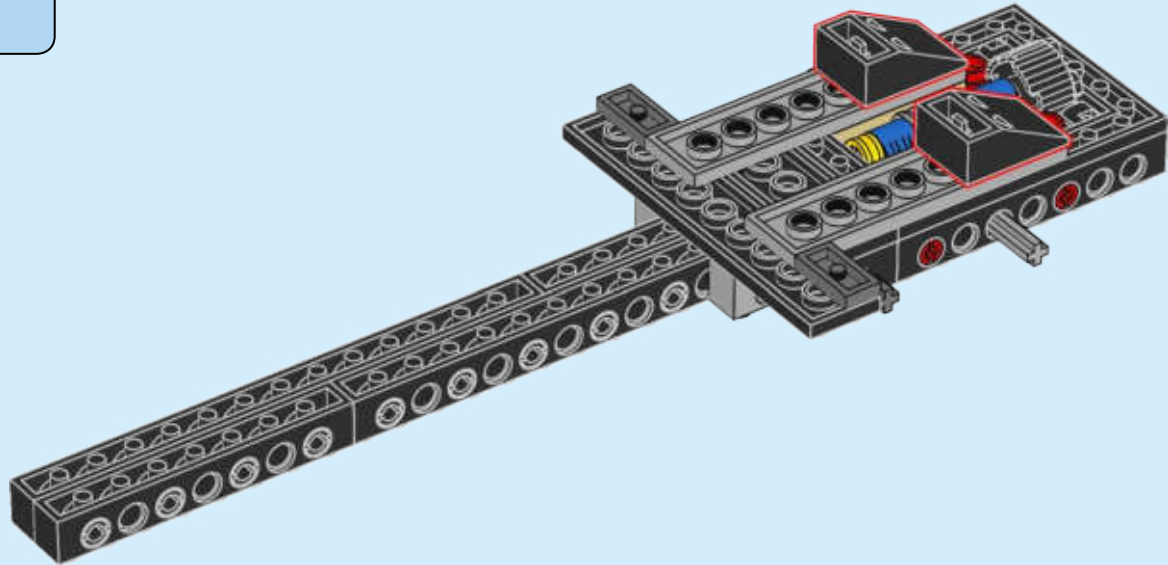


47

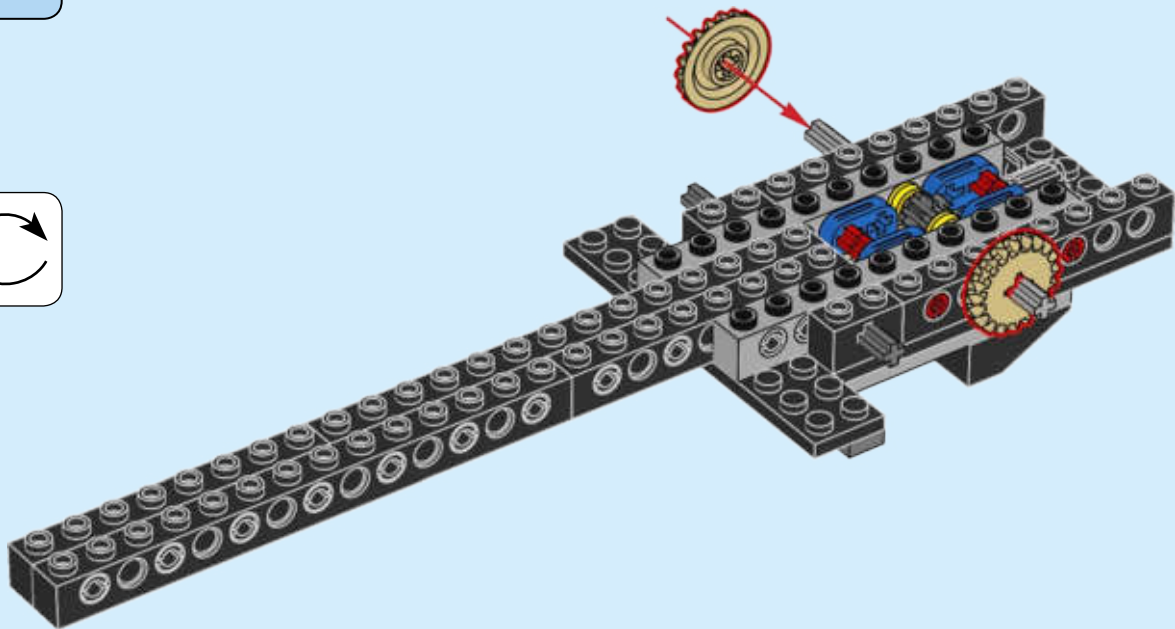
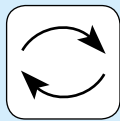


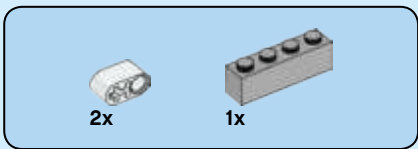


48

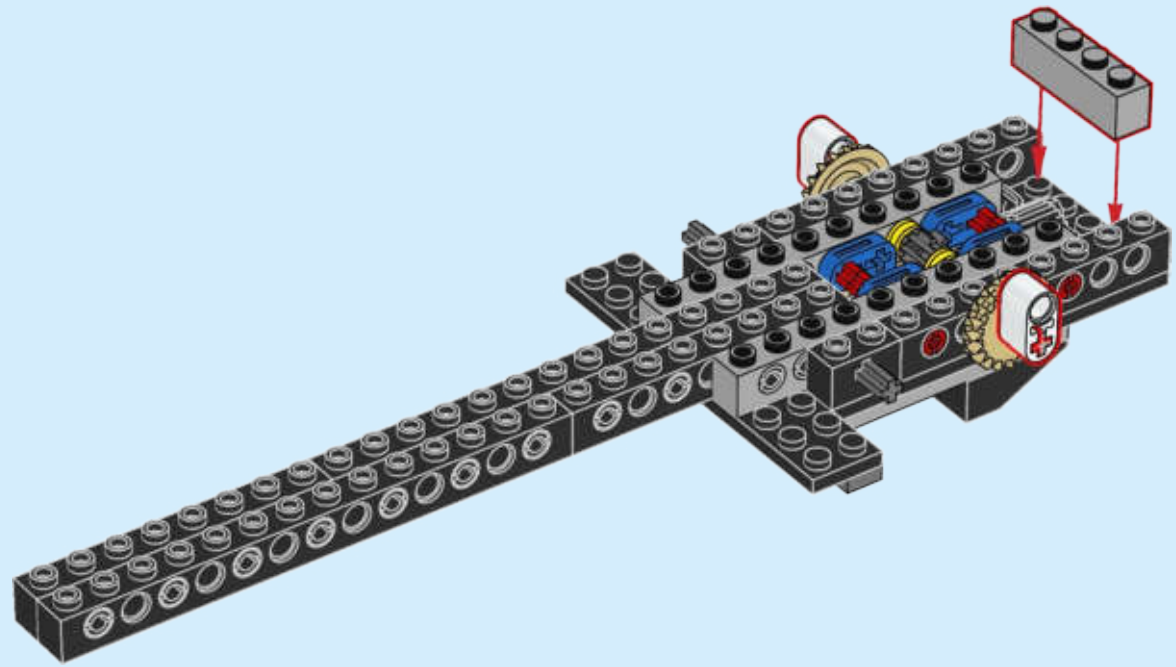


49

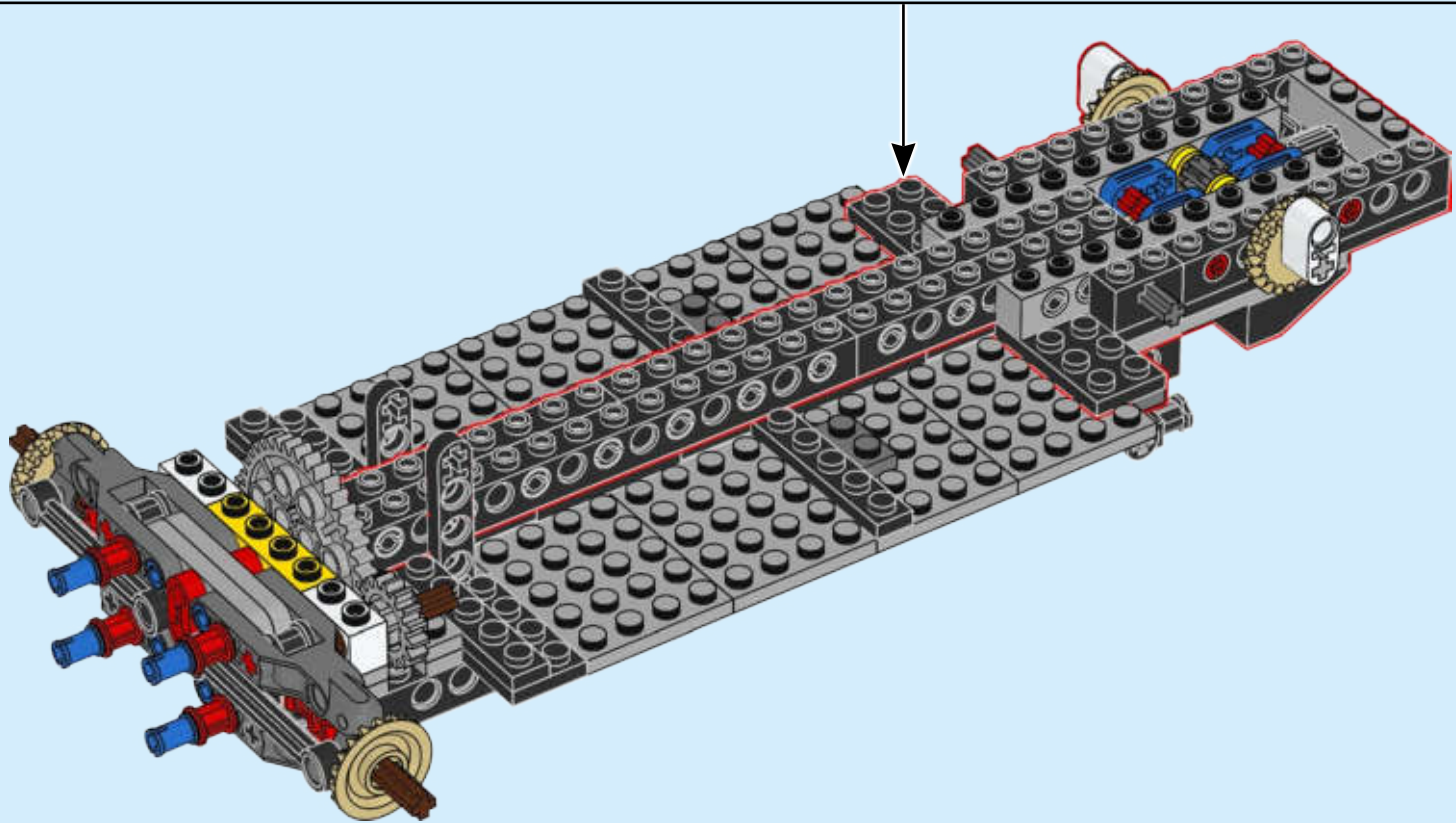




50

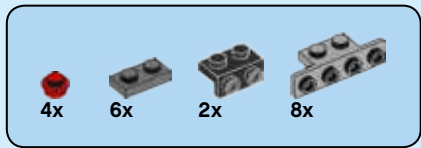
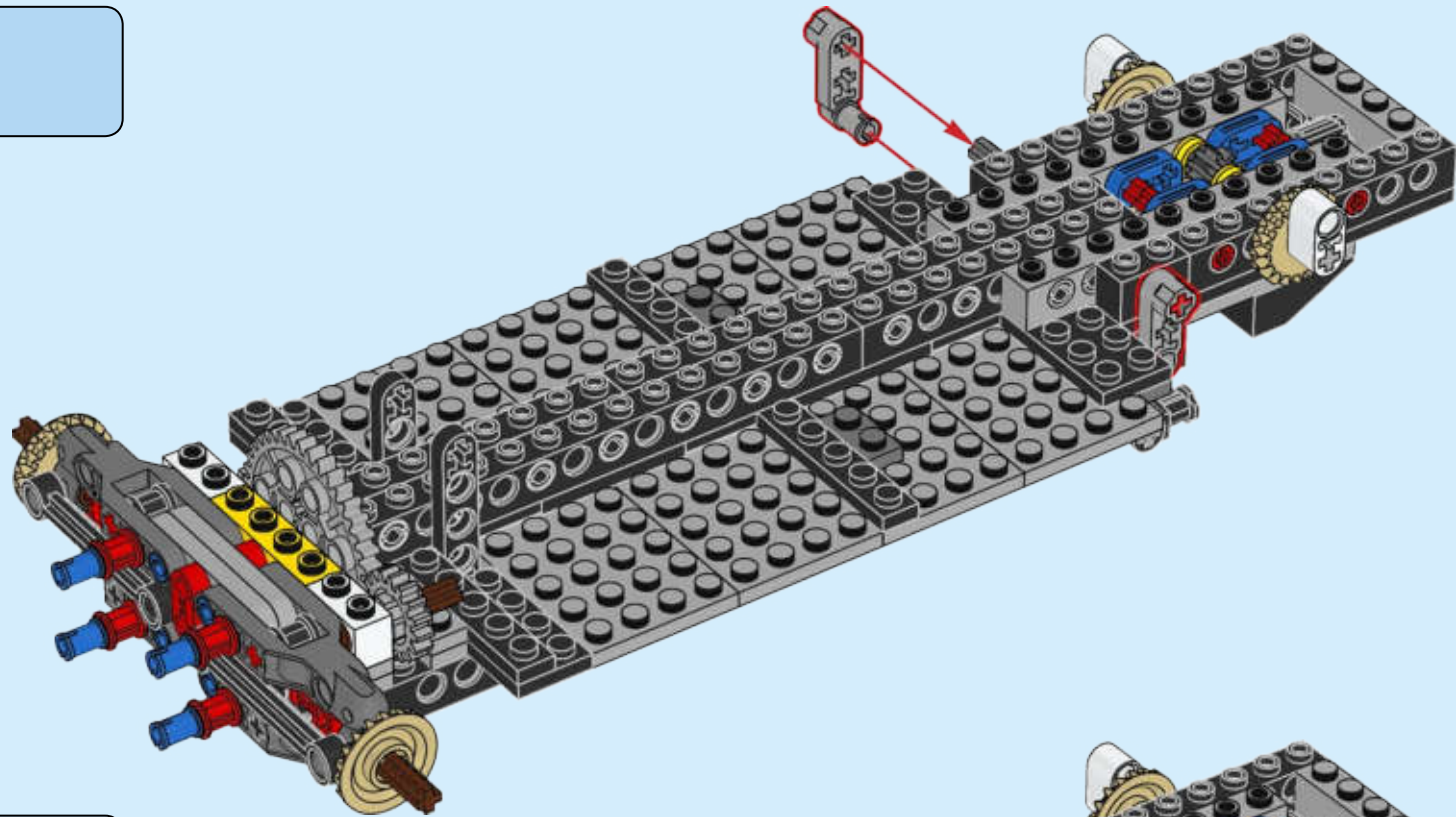


51

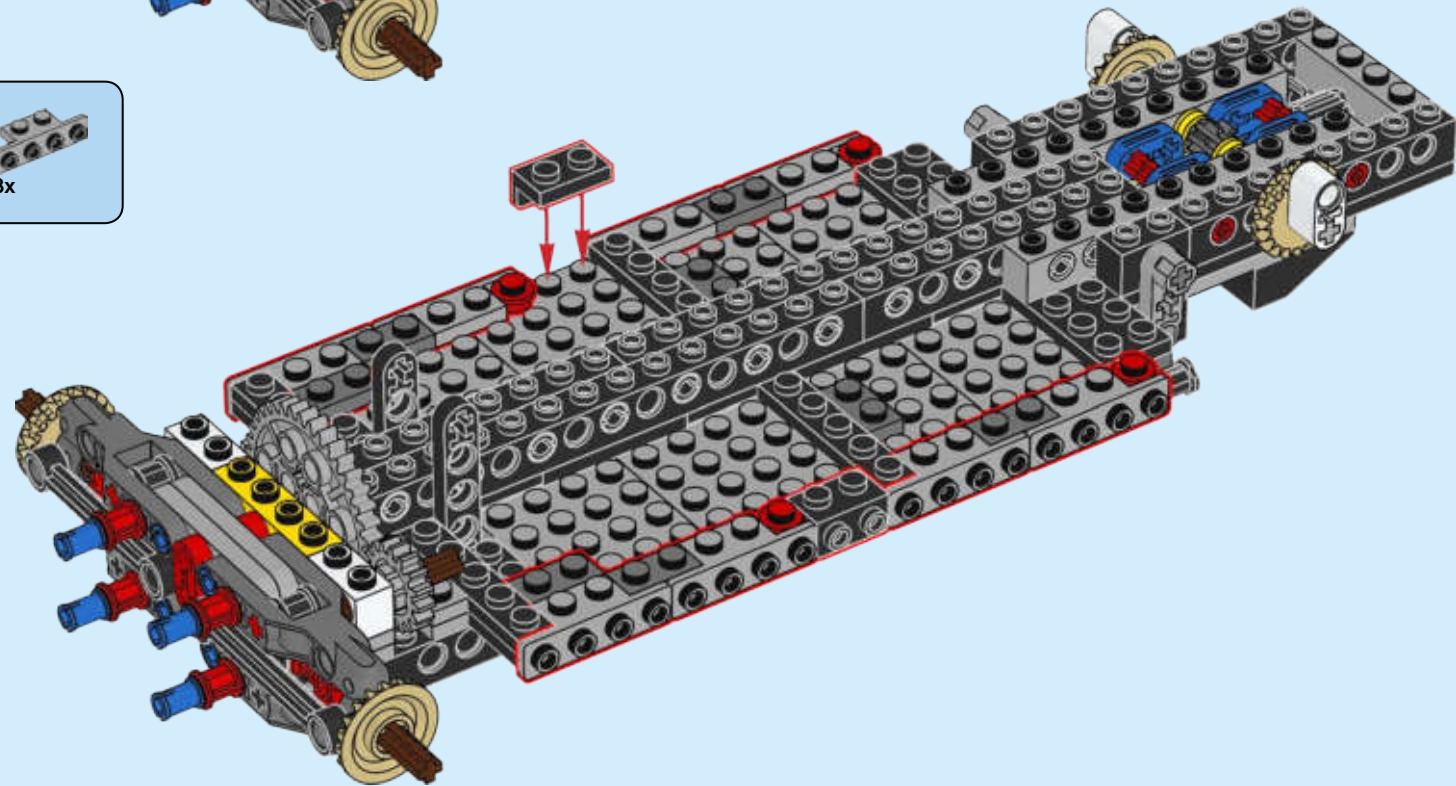


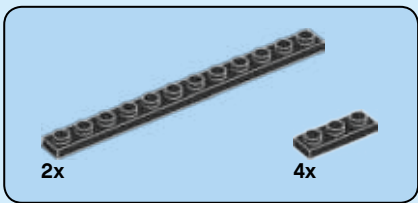


52

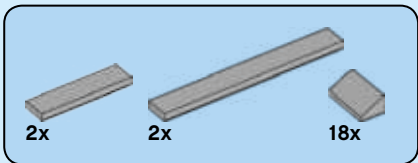
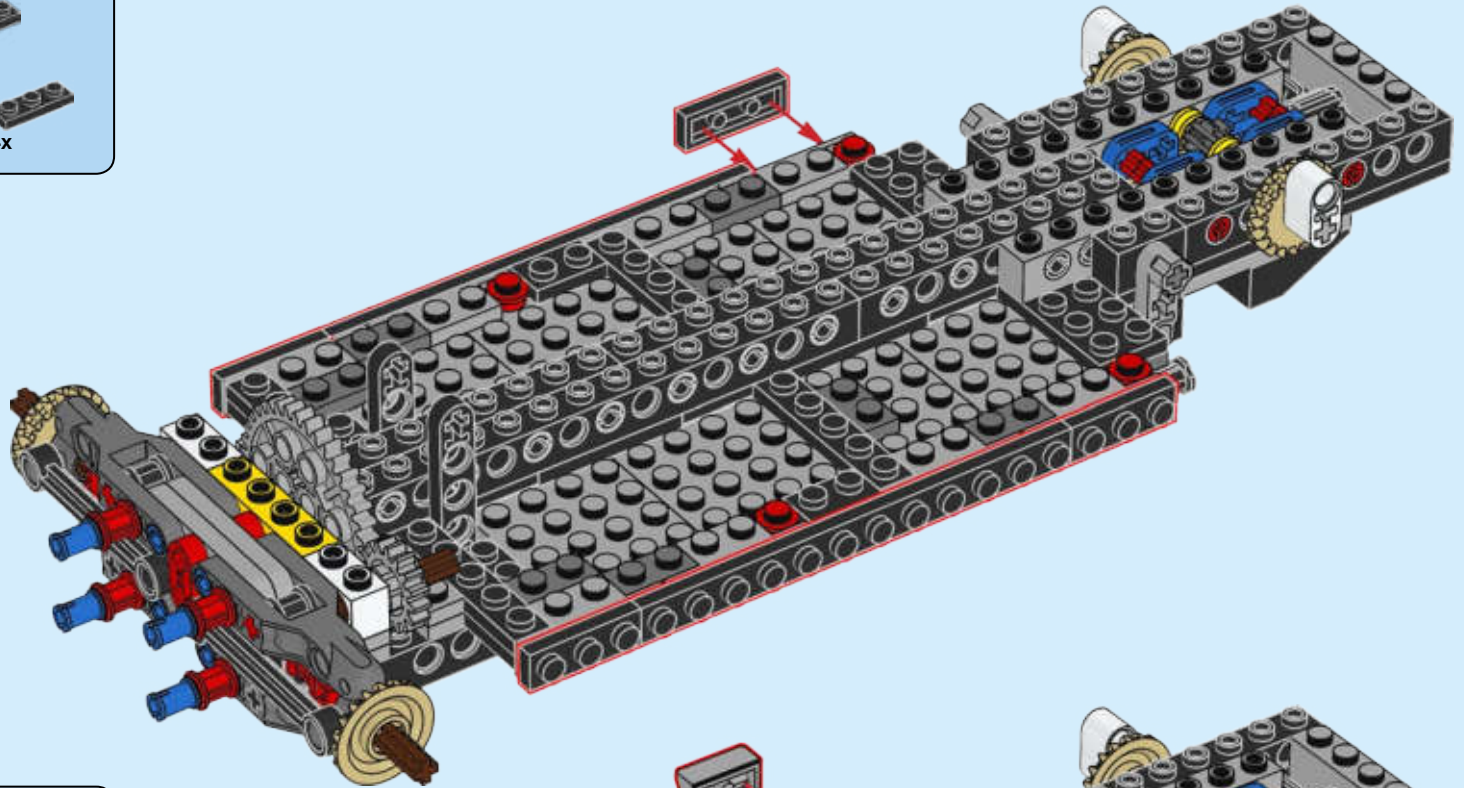


53

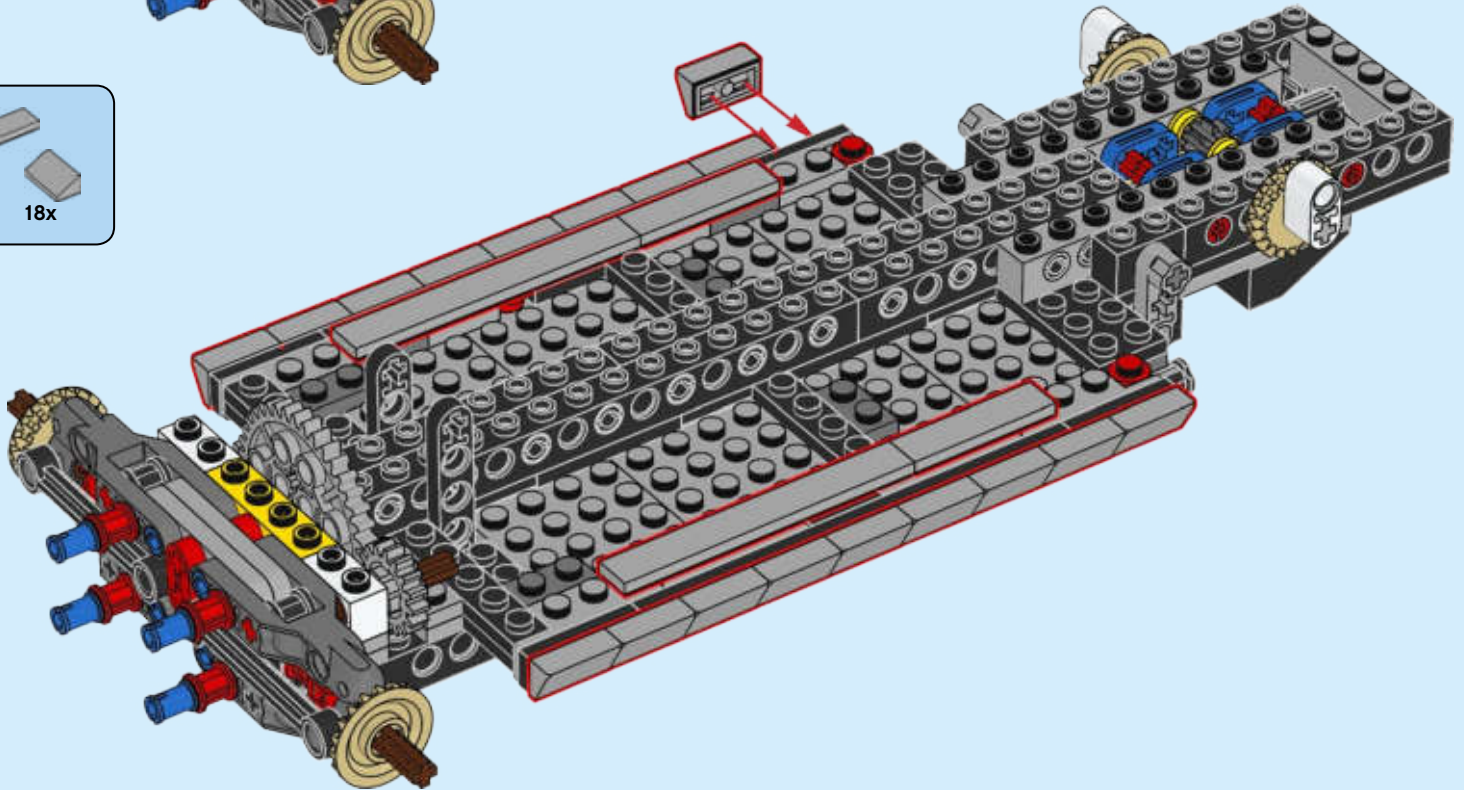


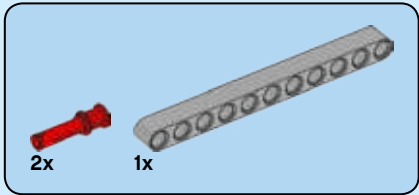
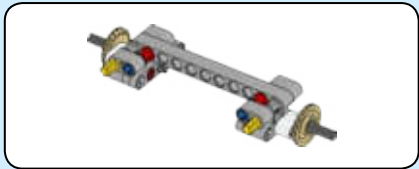
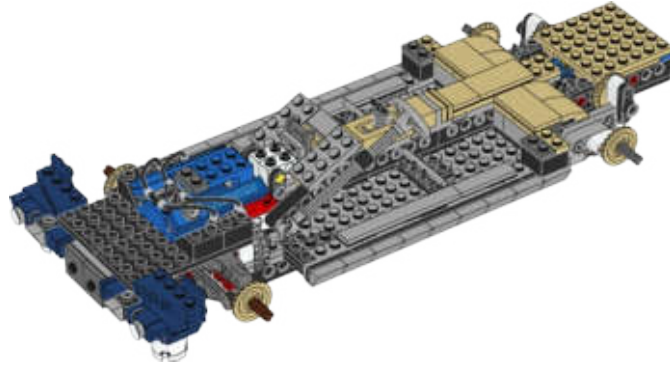
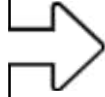
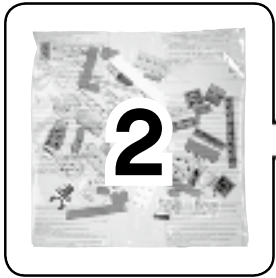


54



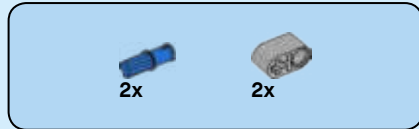
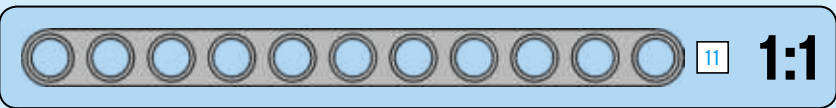
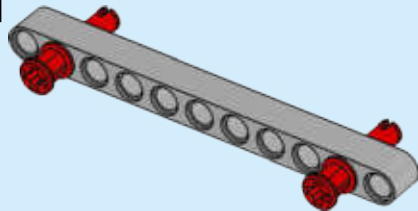
55



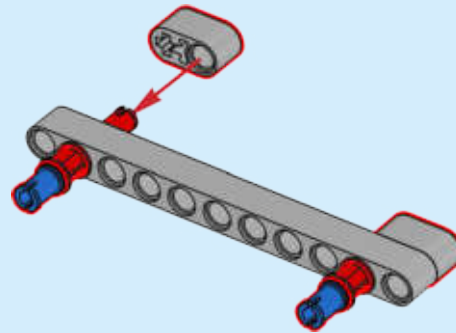


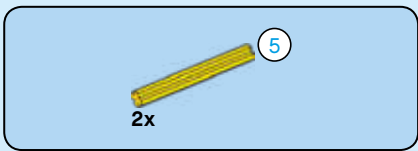
56

11

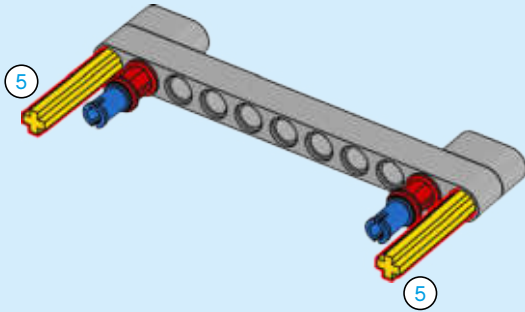


57

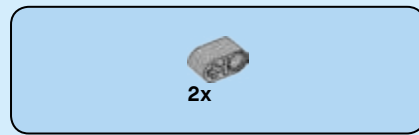
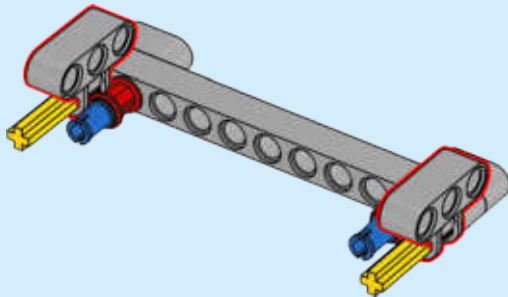




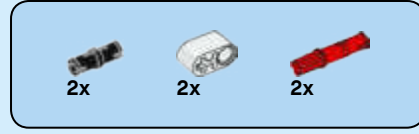
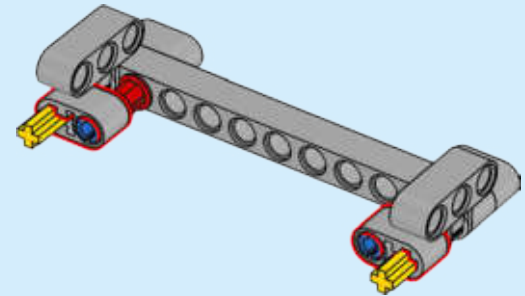
58



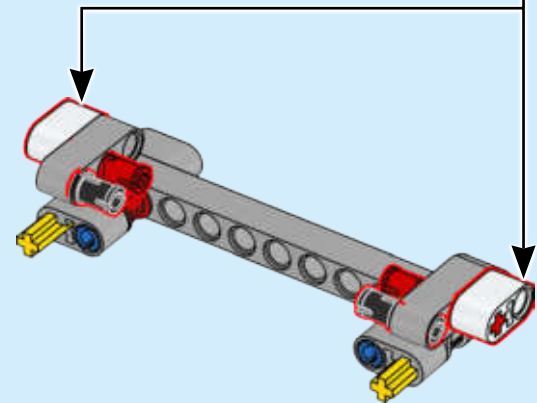
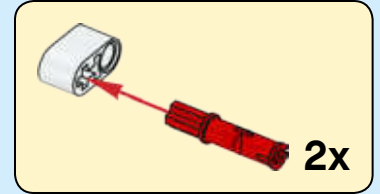
59

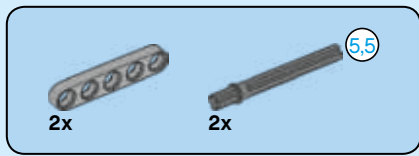


60

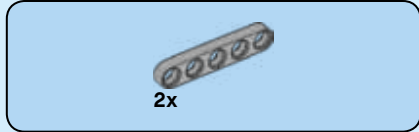
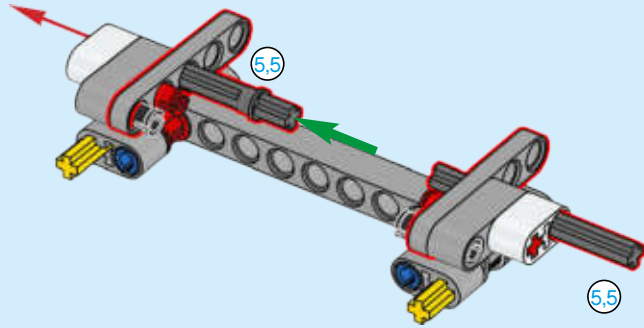


61

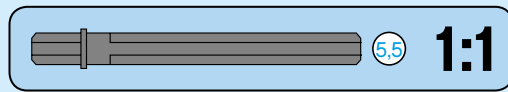
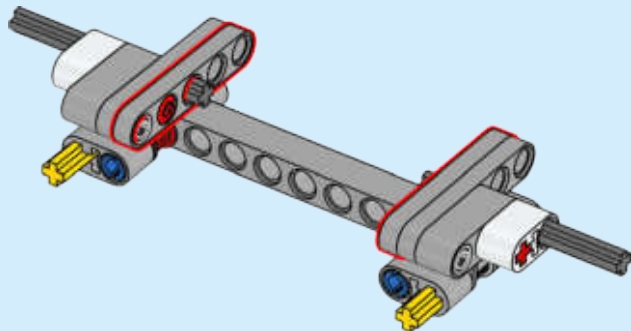




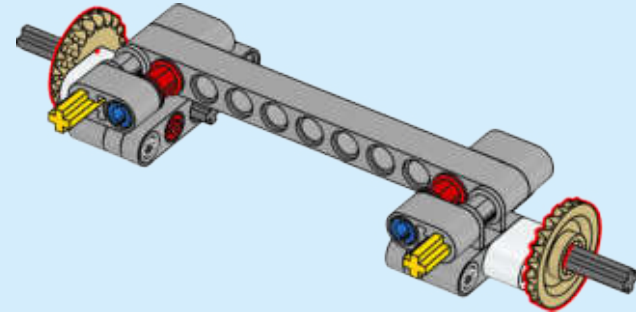
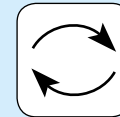
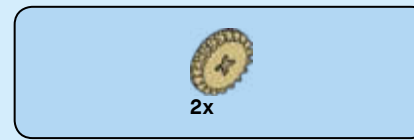
62



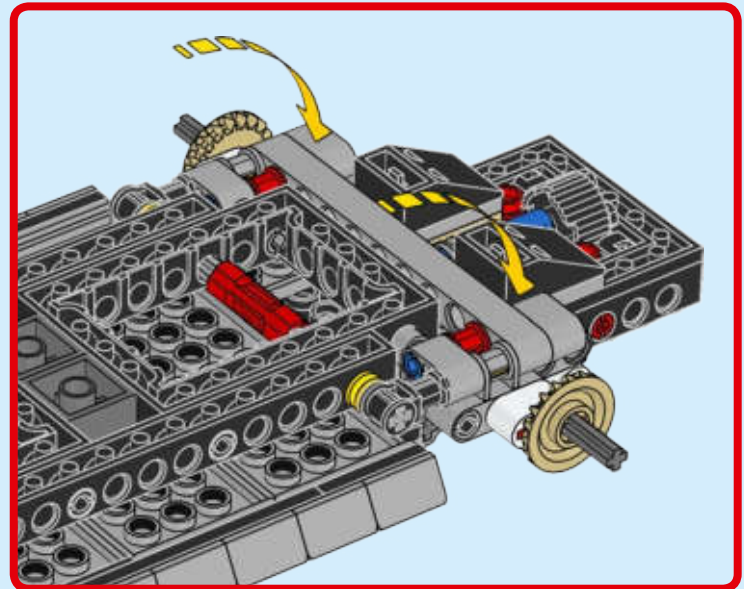
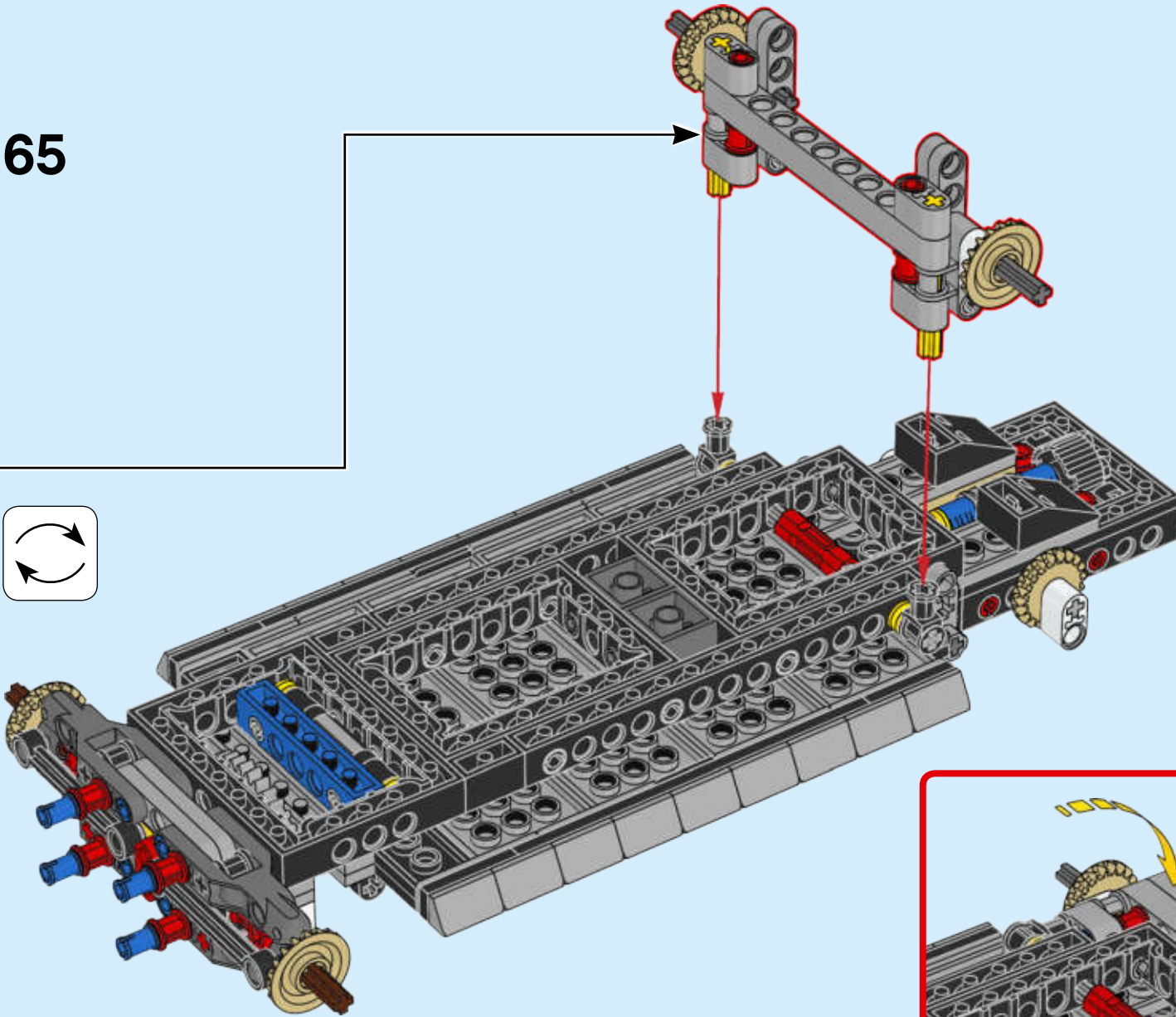
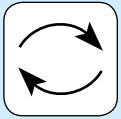
63

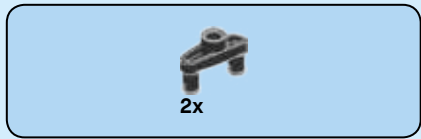


64

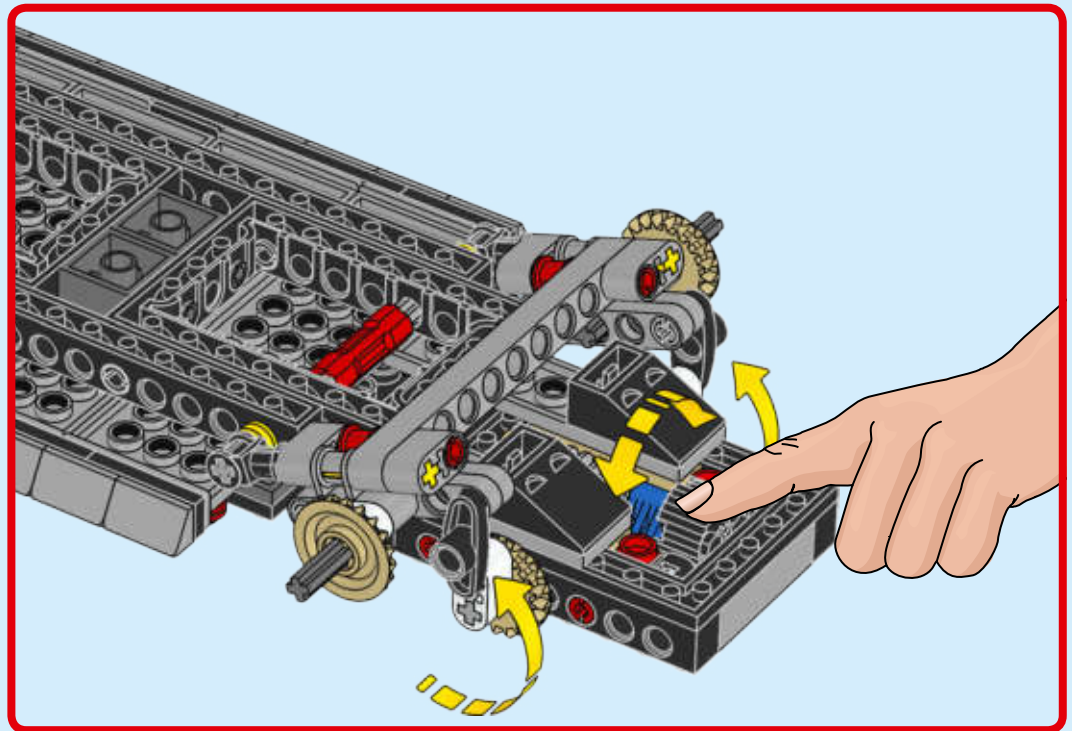
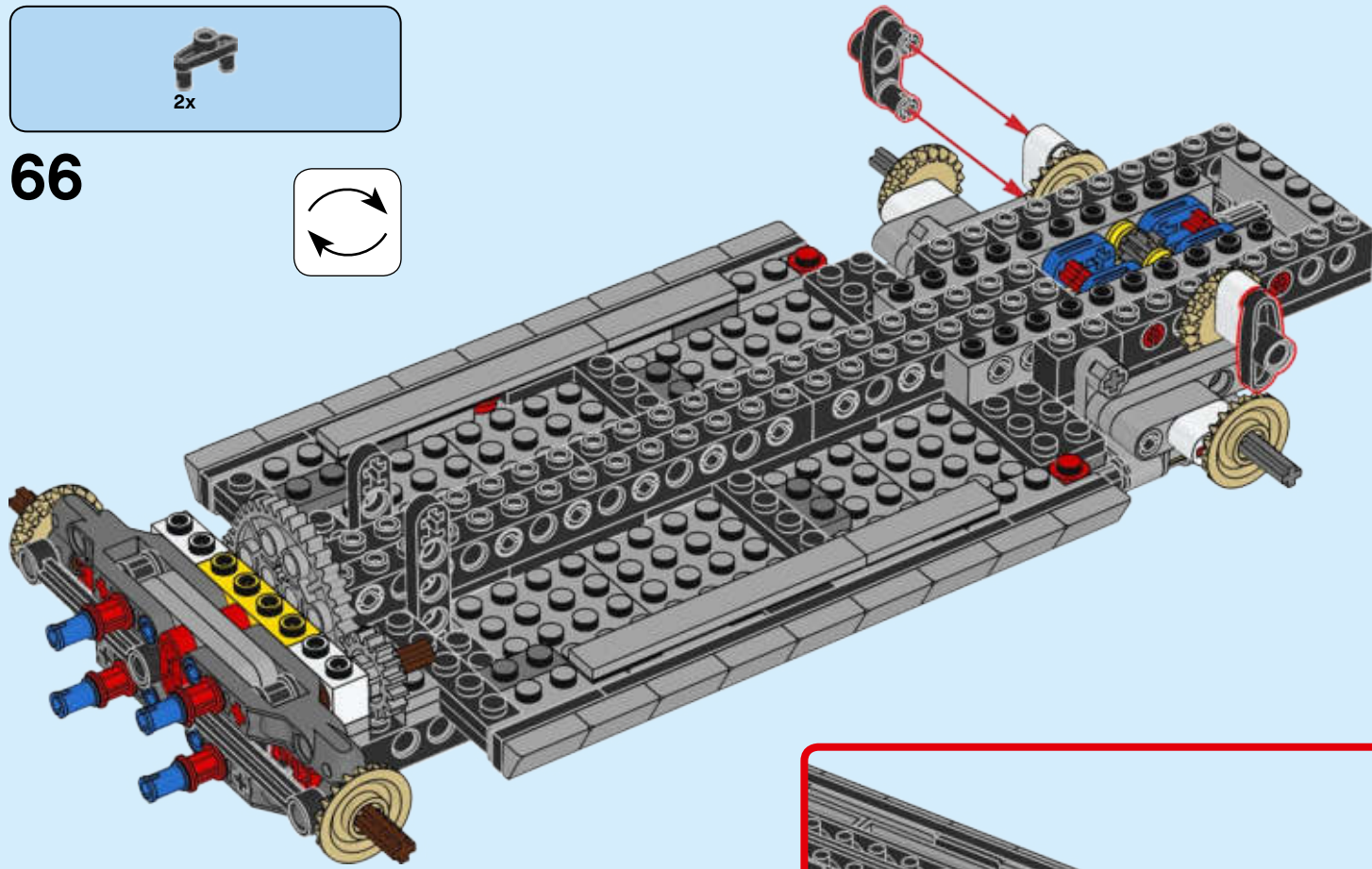
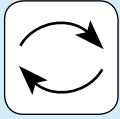


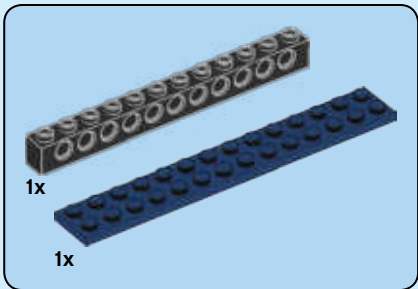
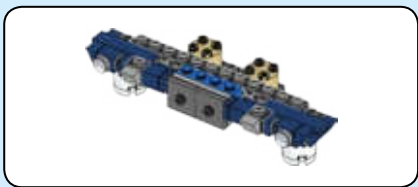
65



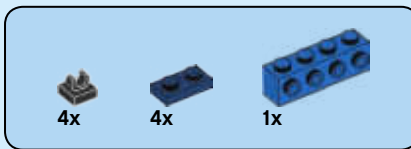
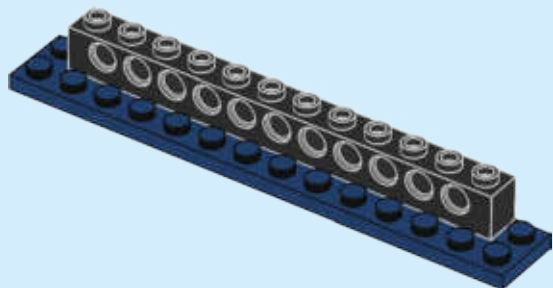


66

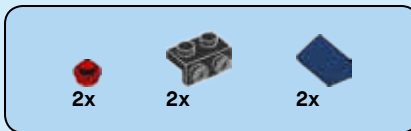
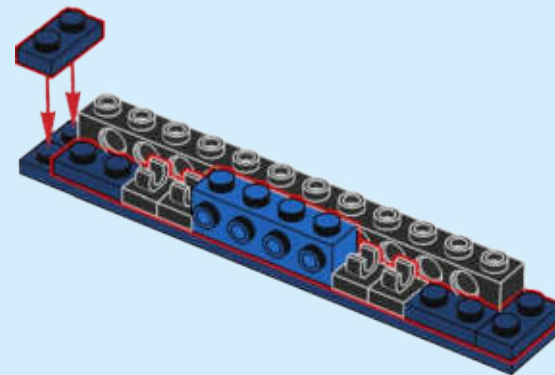




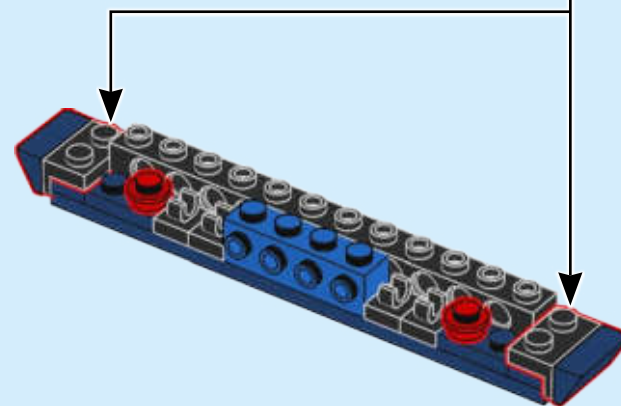
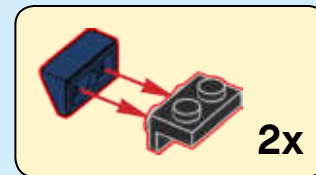
67



68

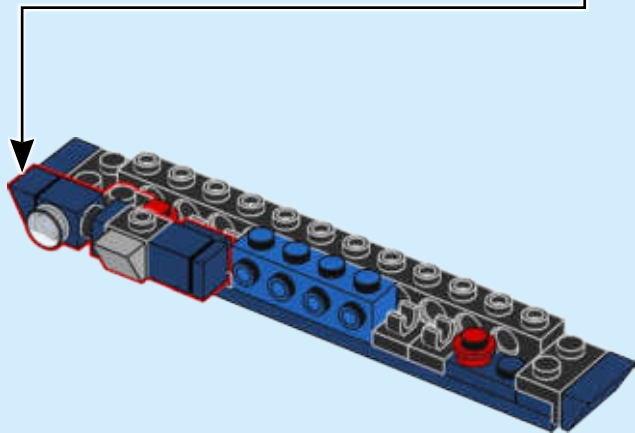
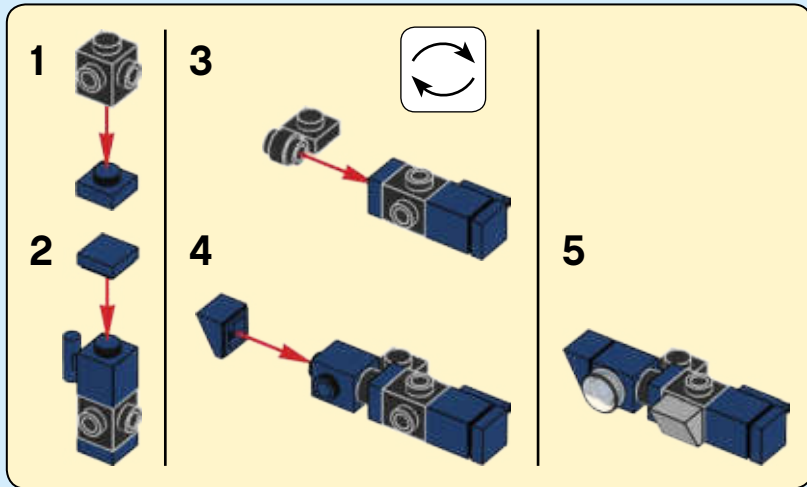


69

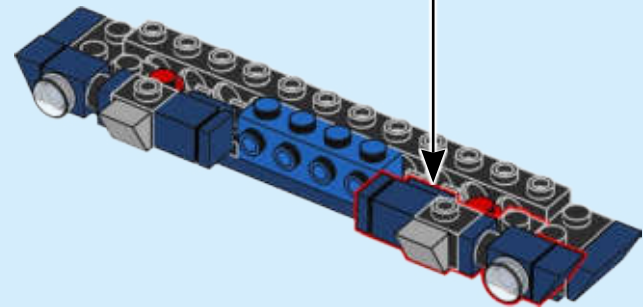
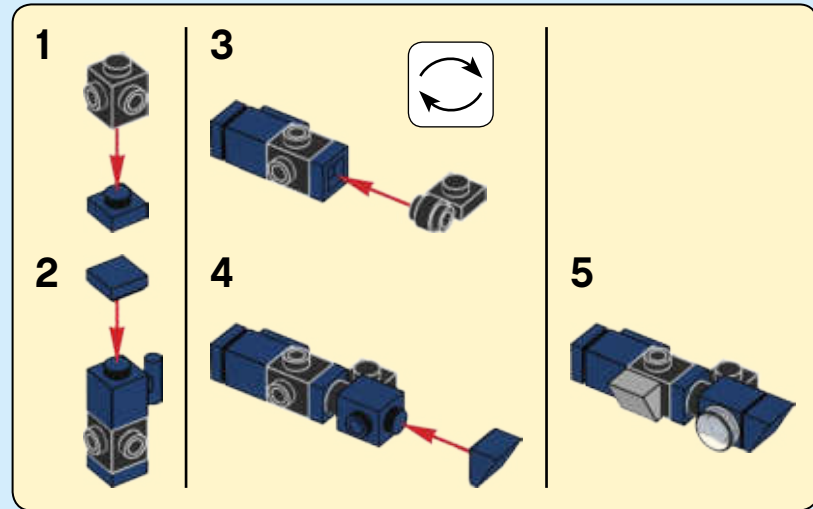




70

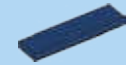


71

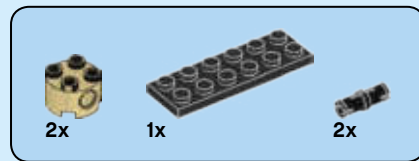
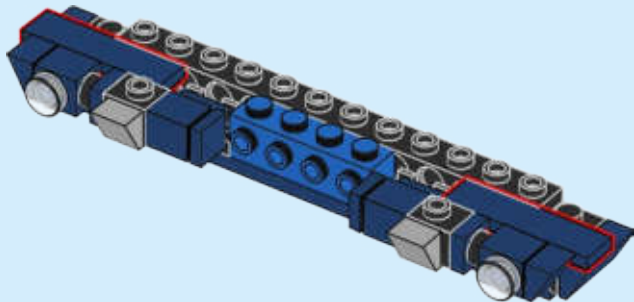




72



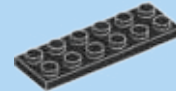
2x



73



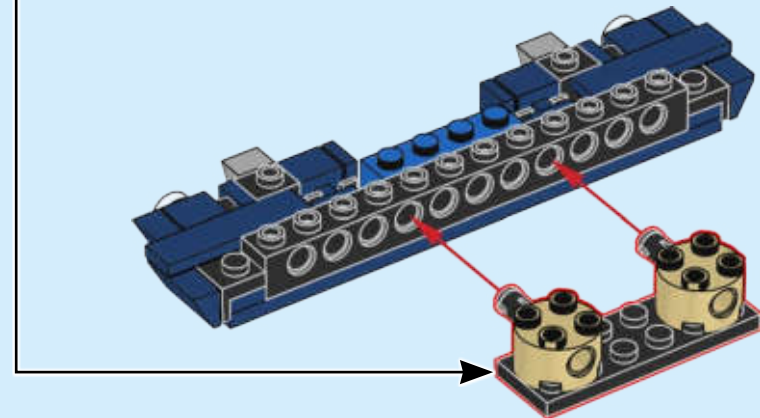
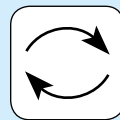
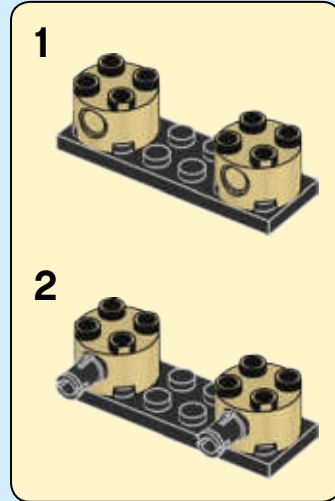
2x

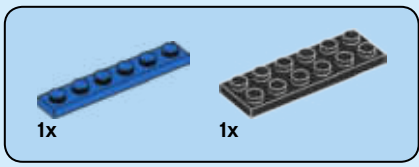


1x

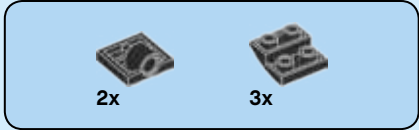
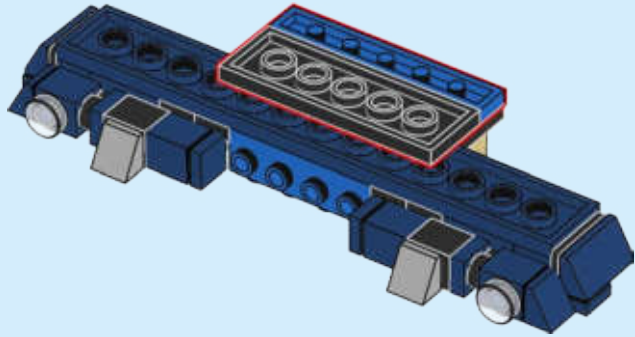
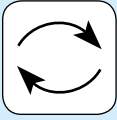


2x

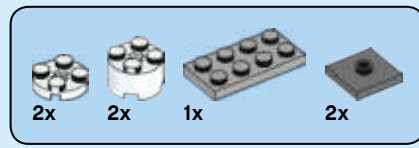
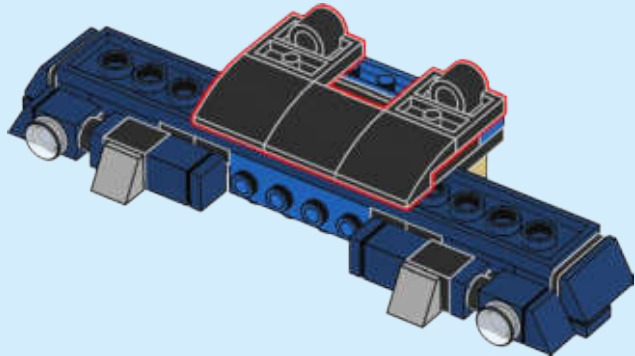




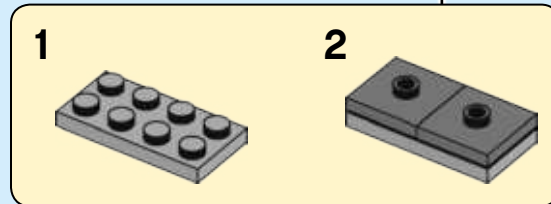
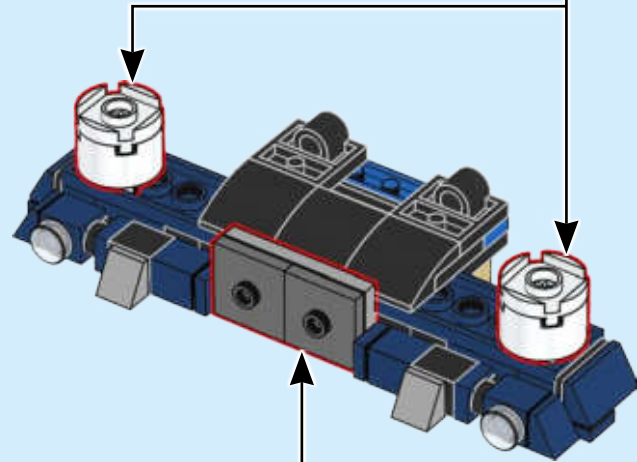
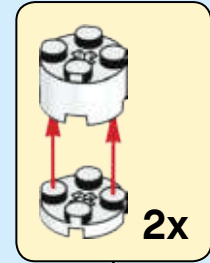
74



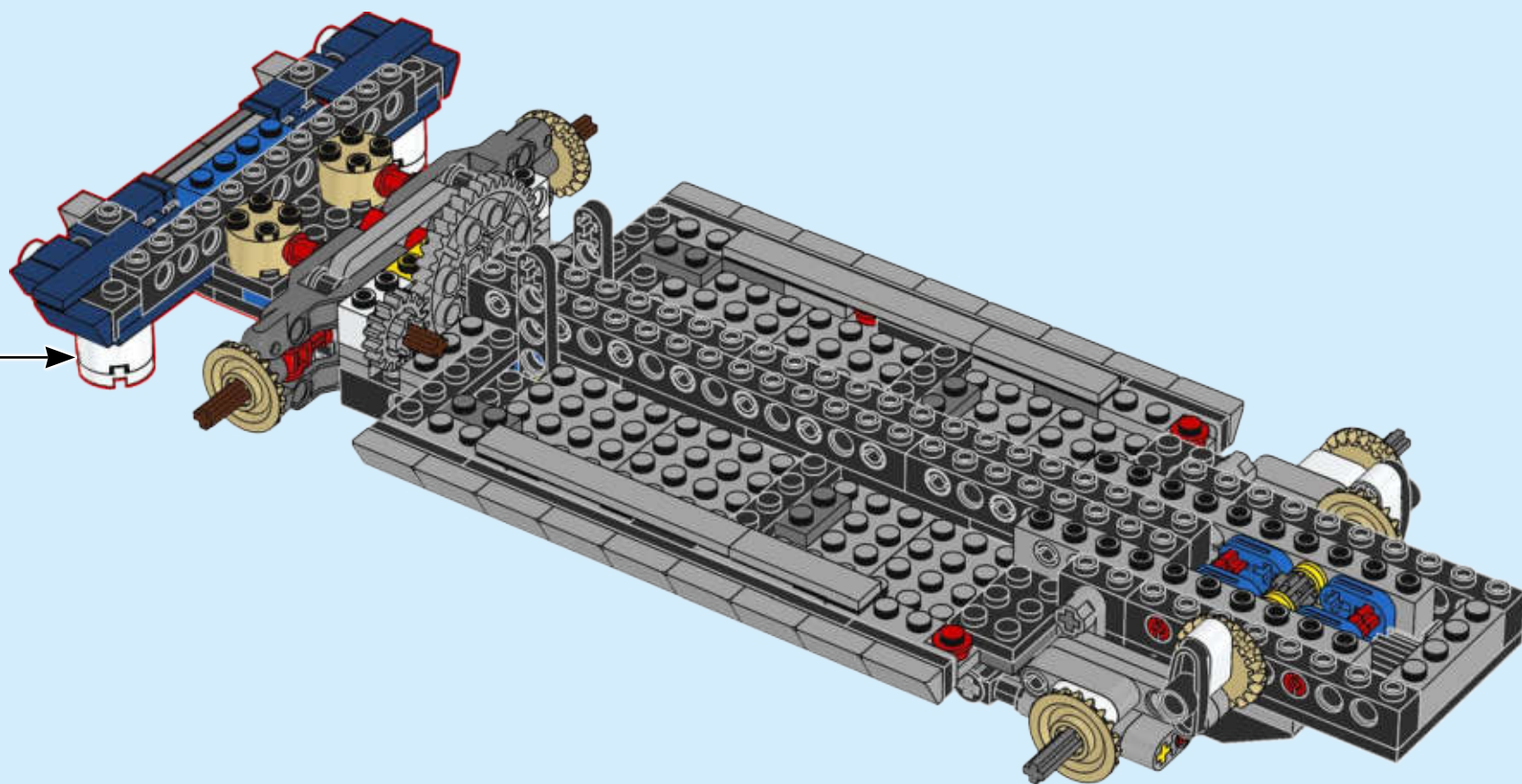
75

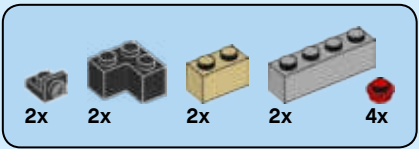


76

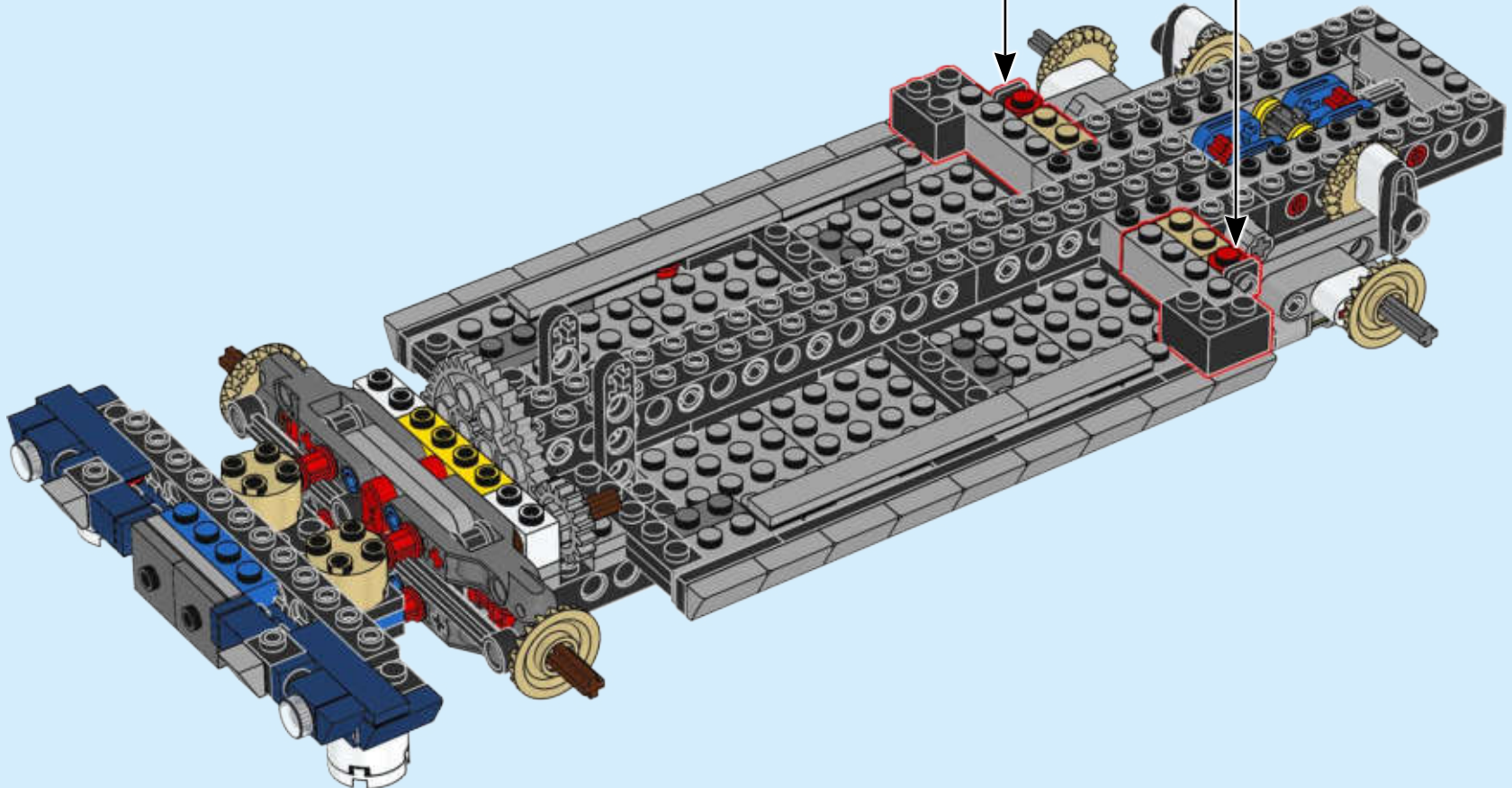
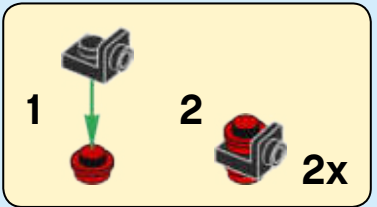


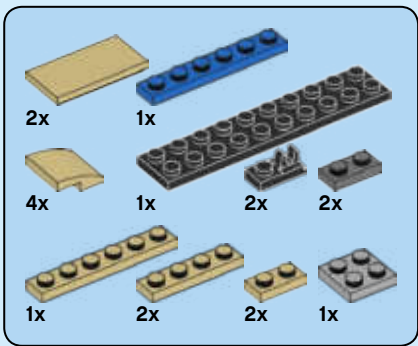
77



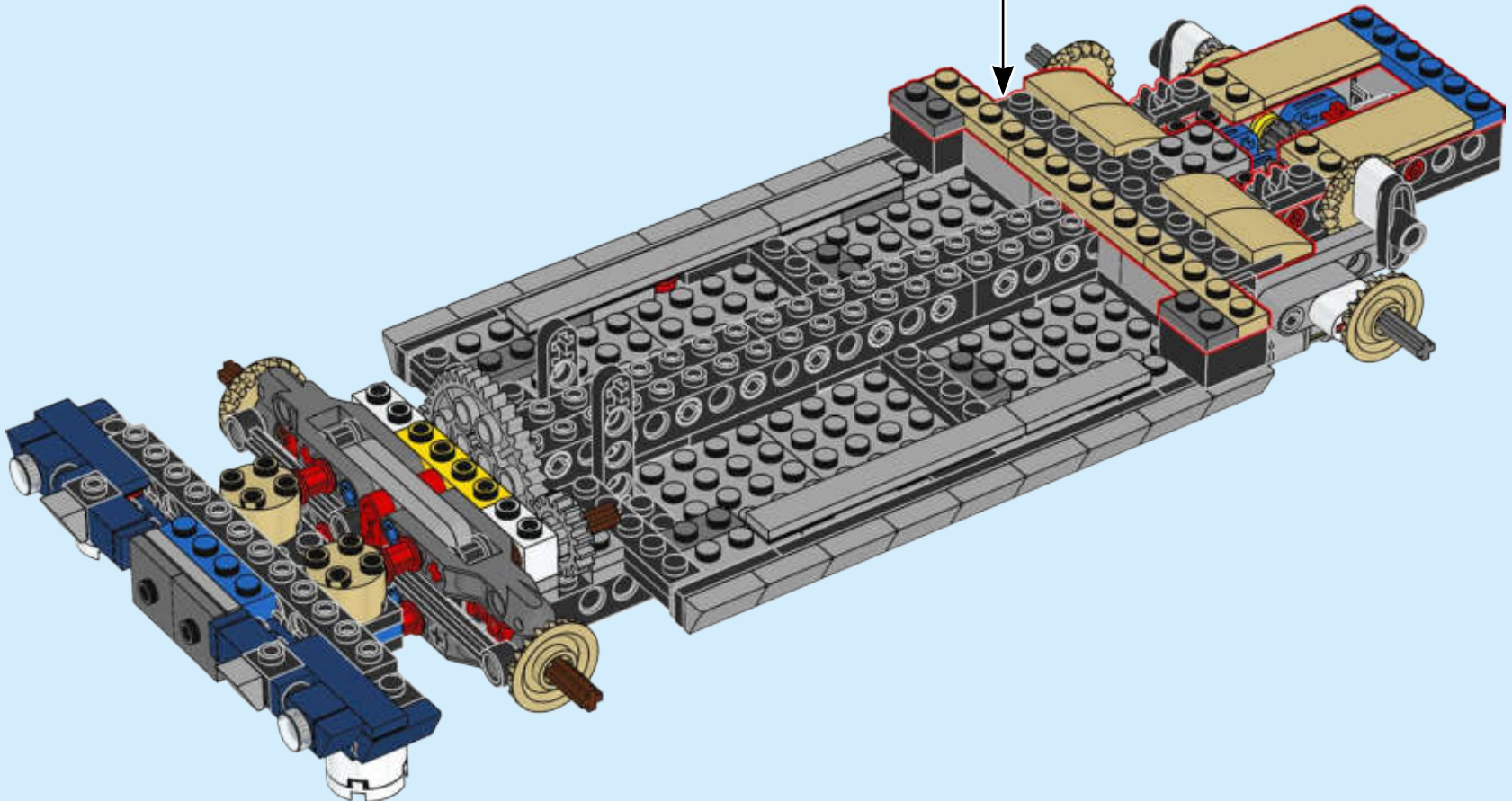
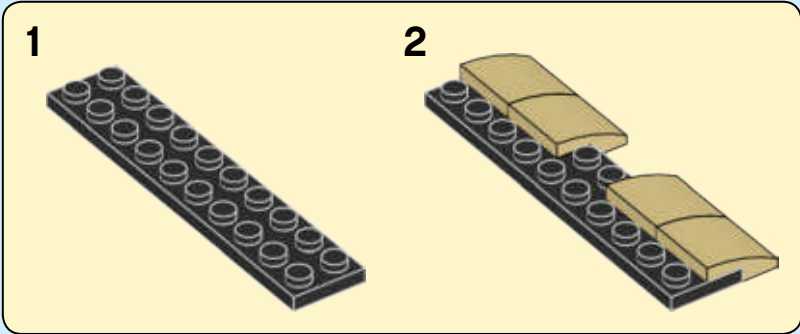


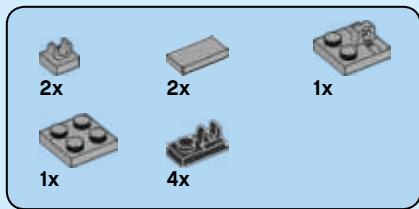
78



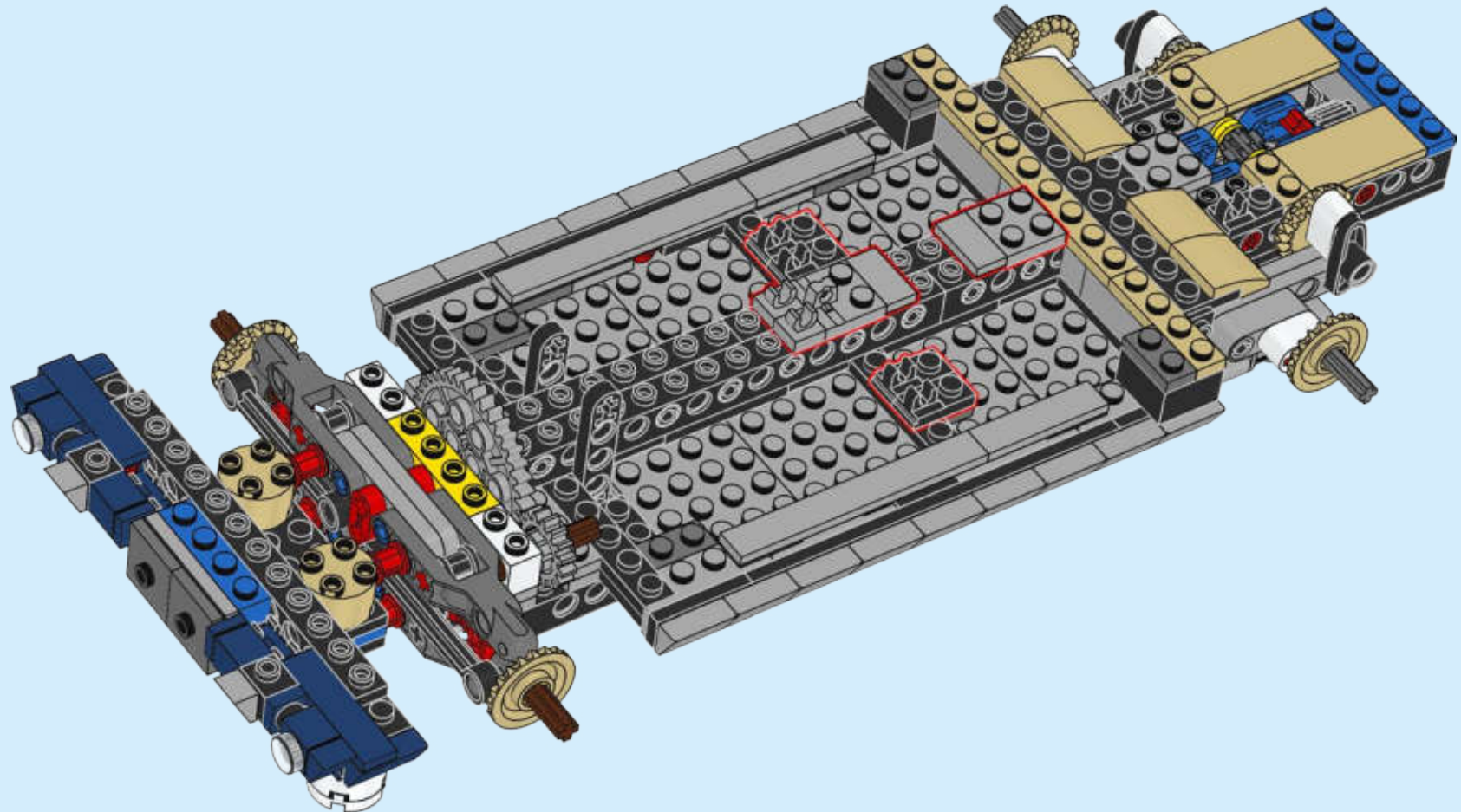


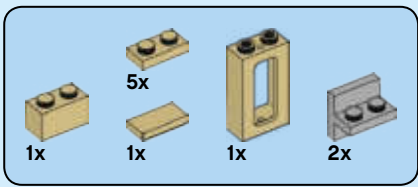
79



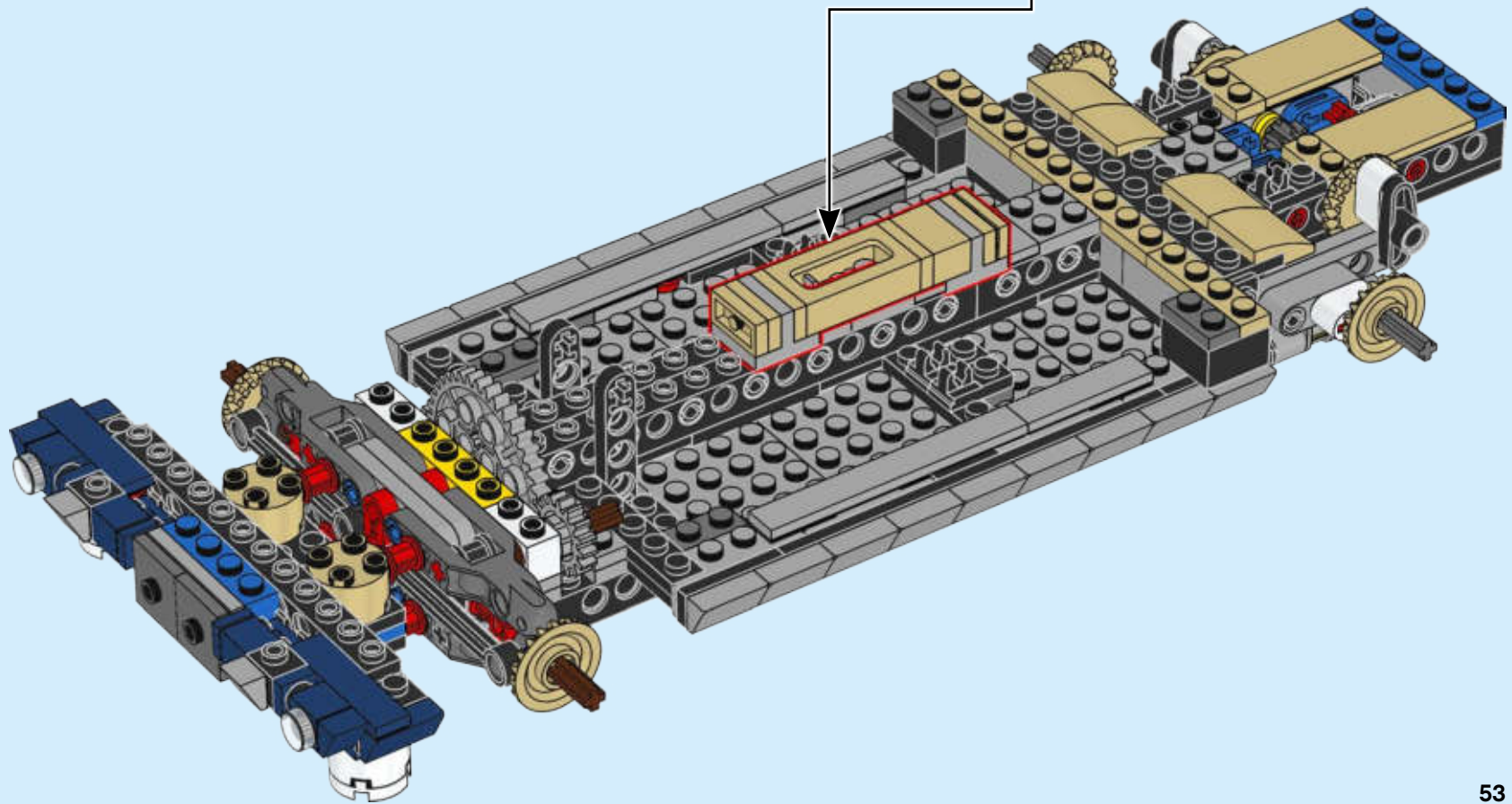
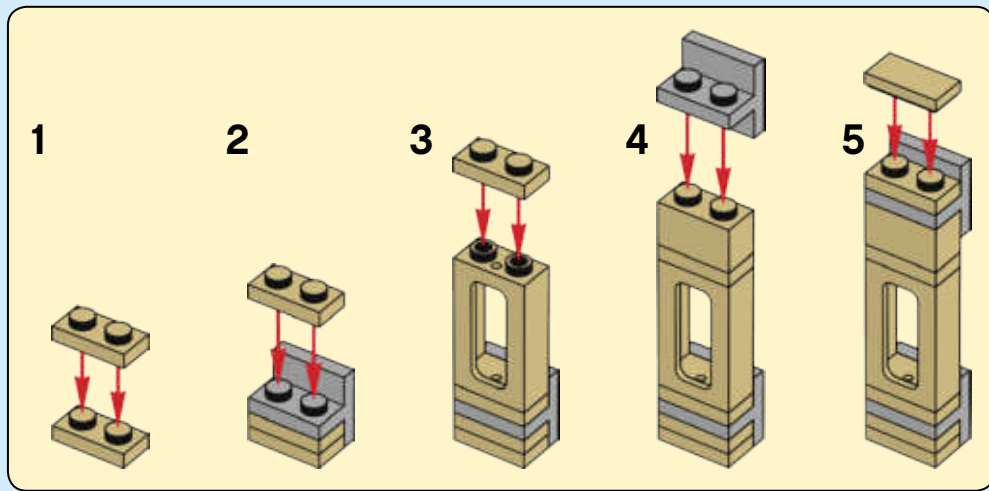


80



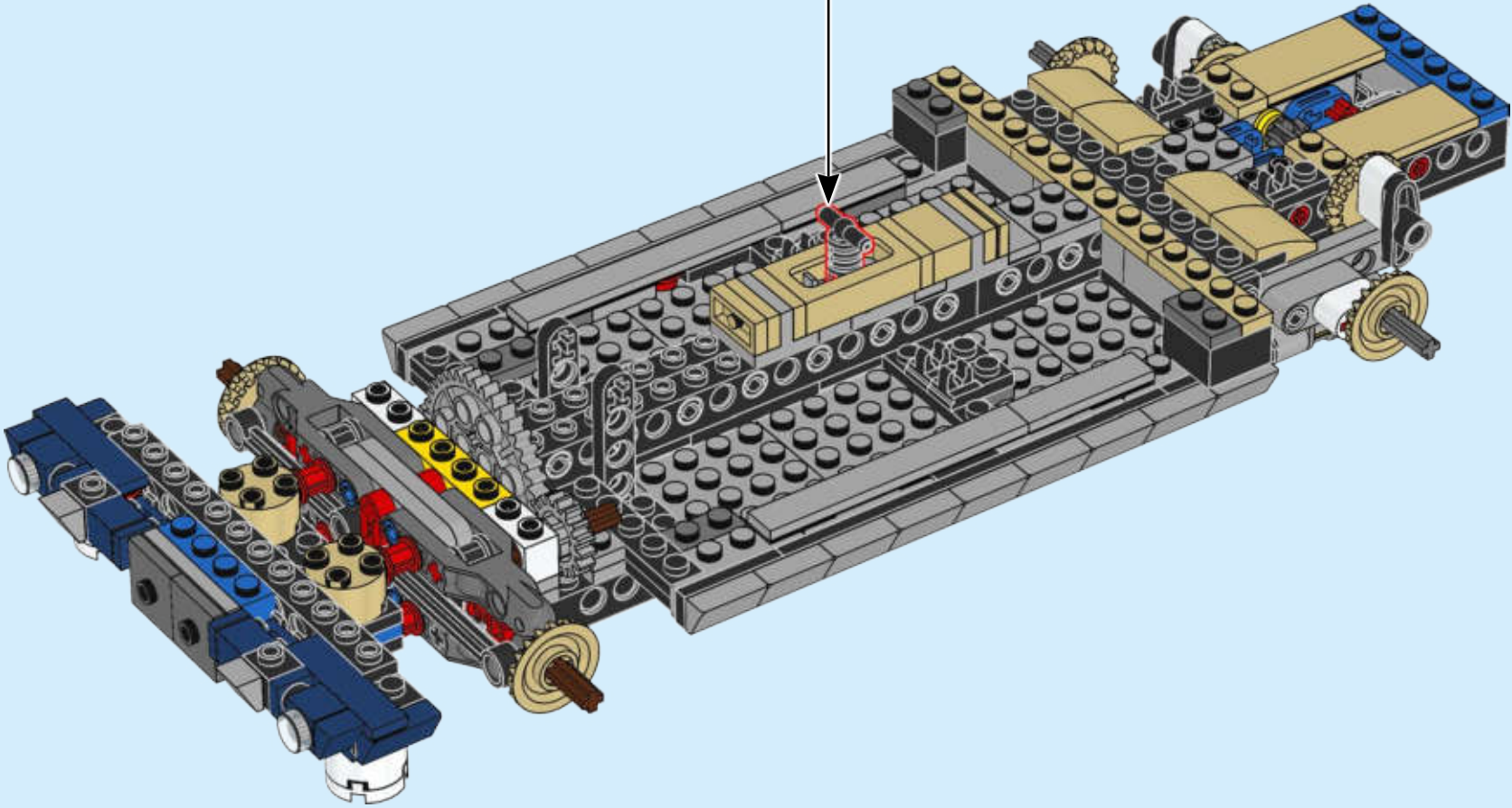


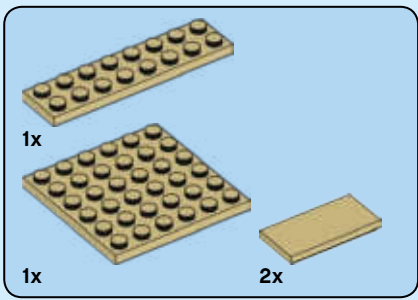
81



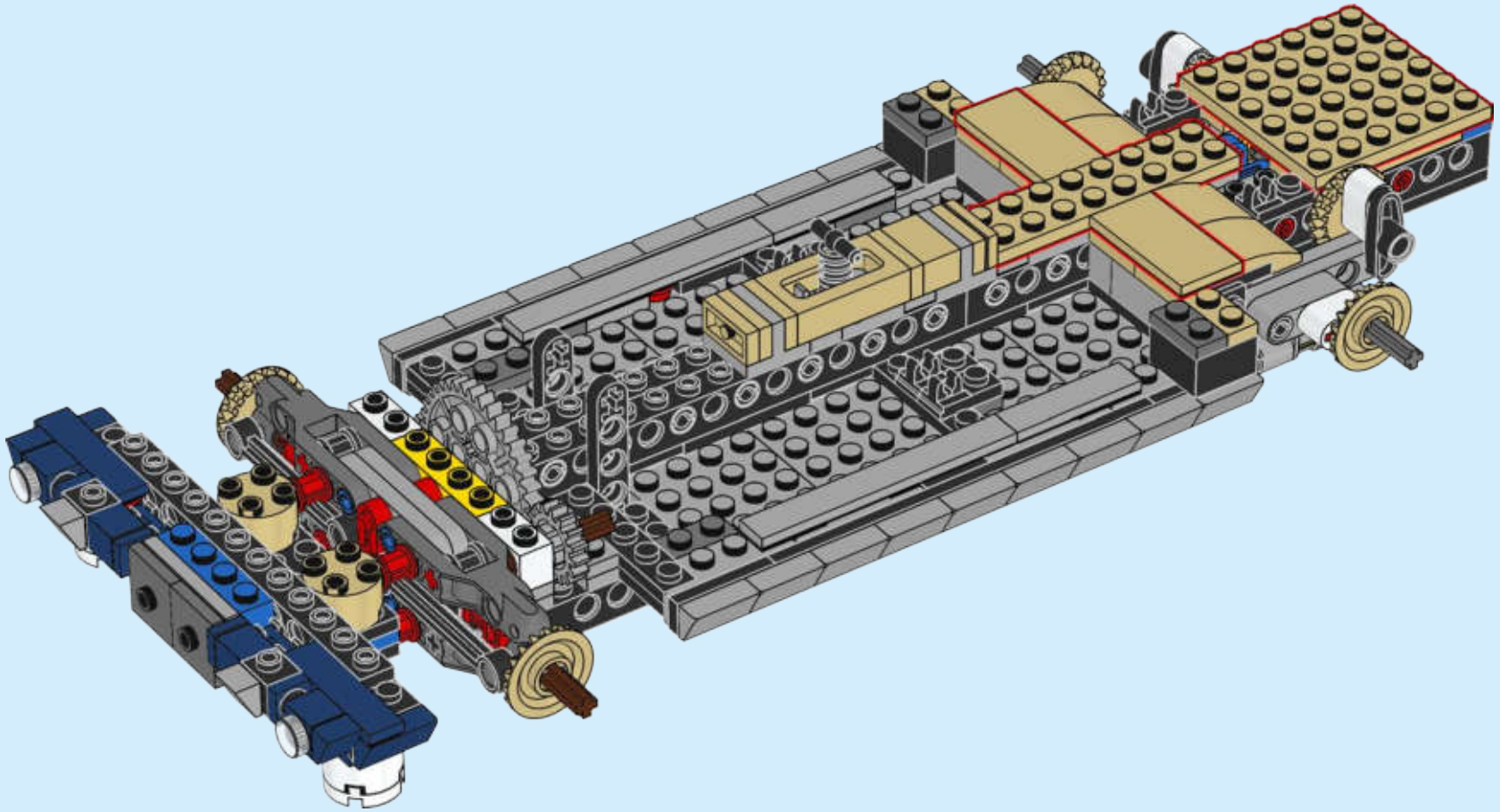


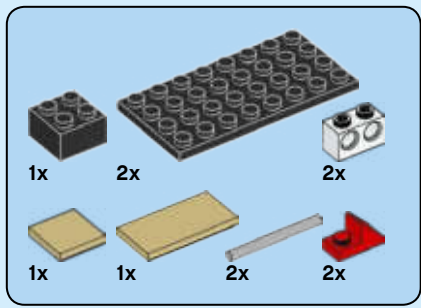
82



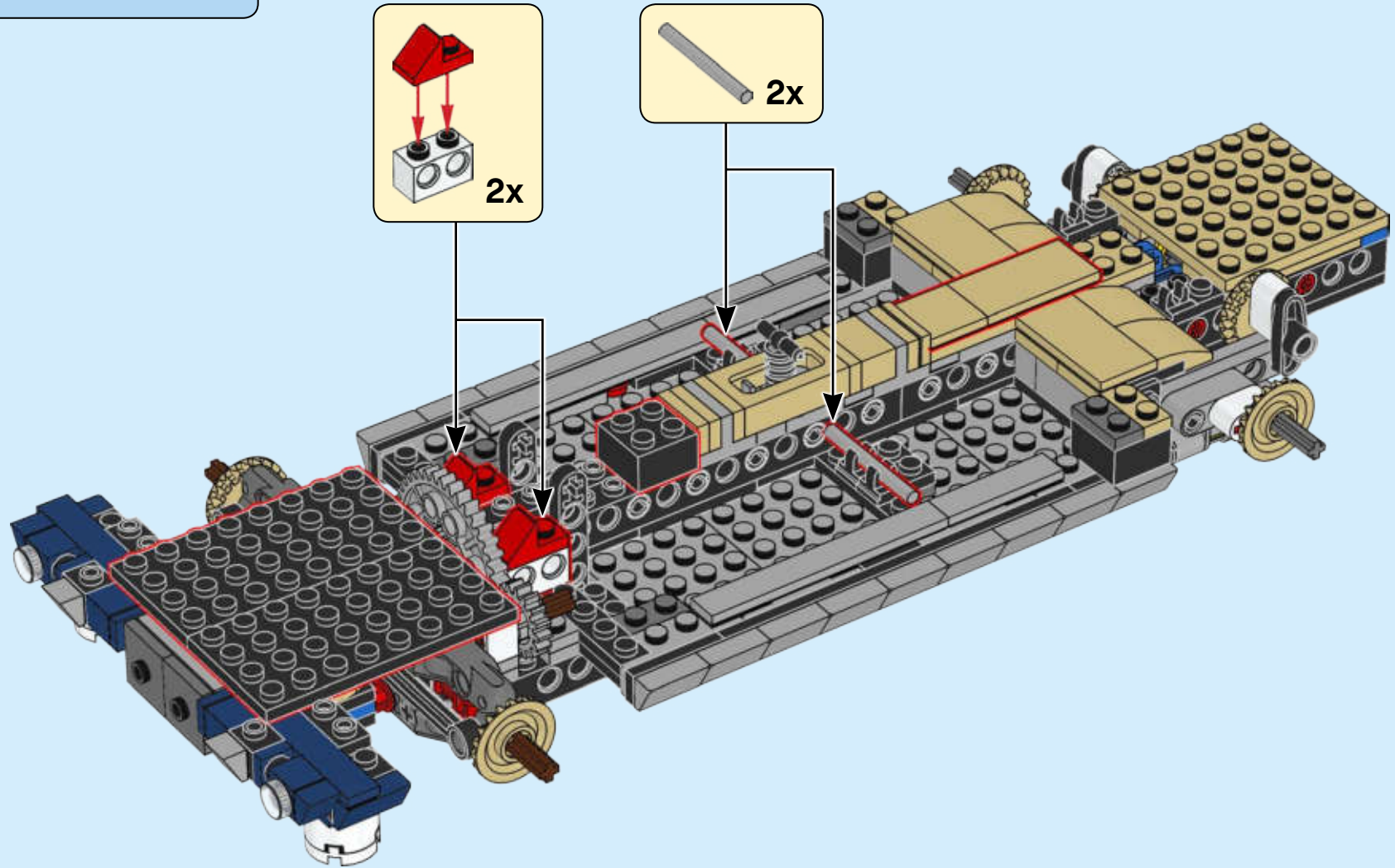


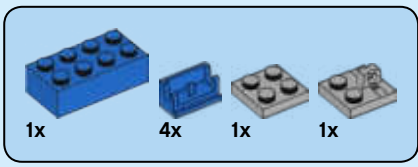
83



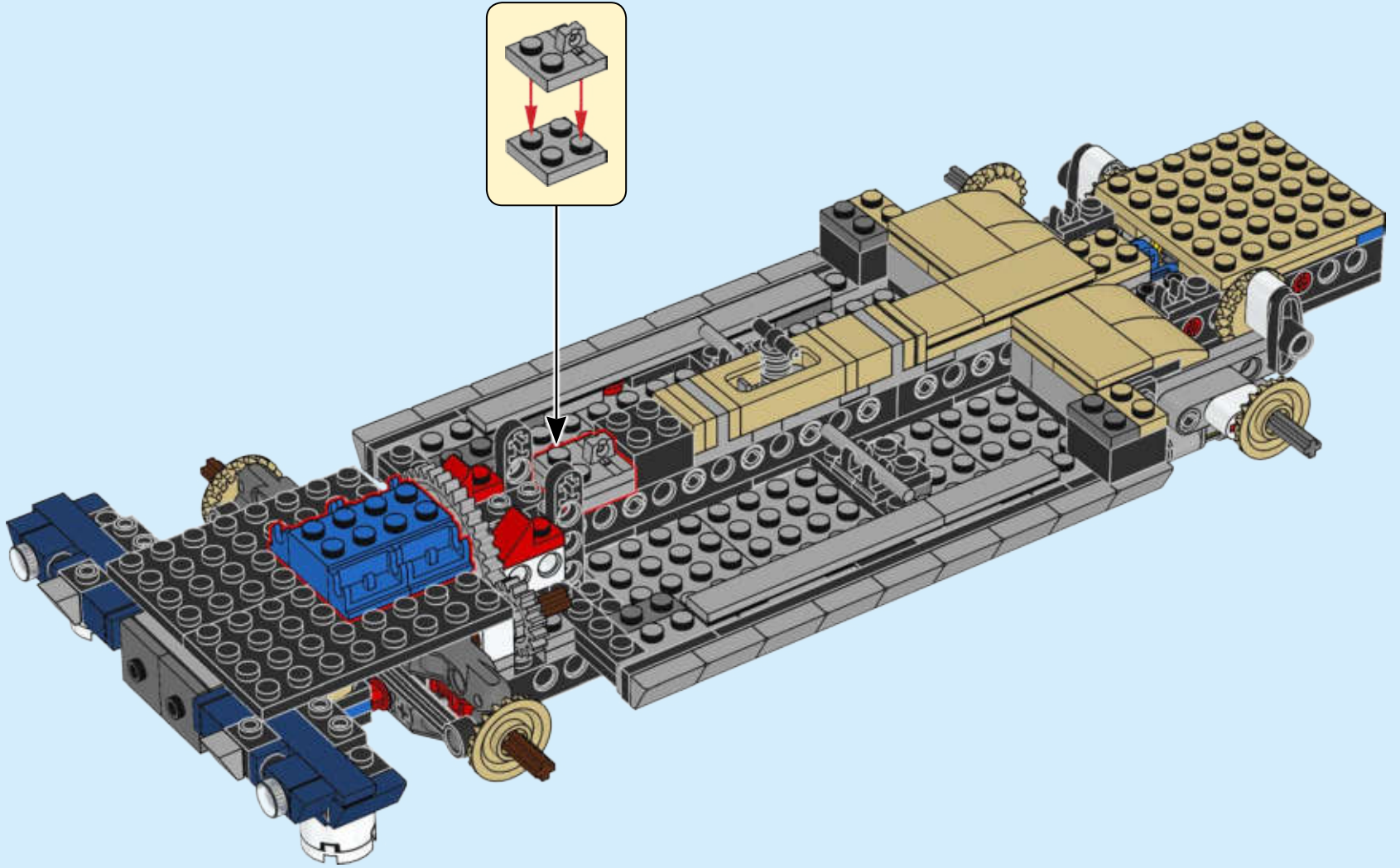


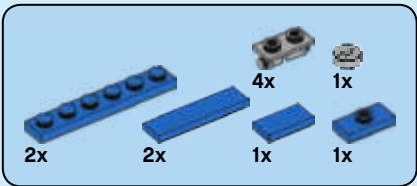
84



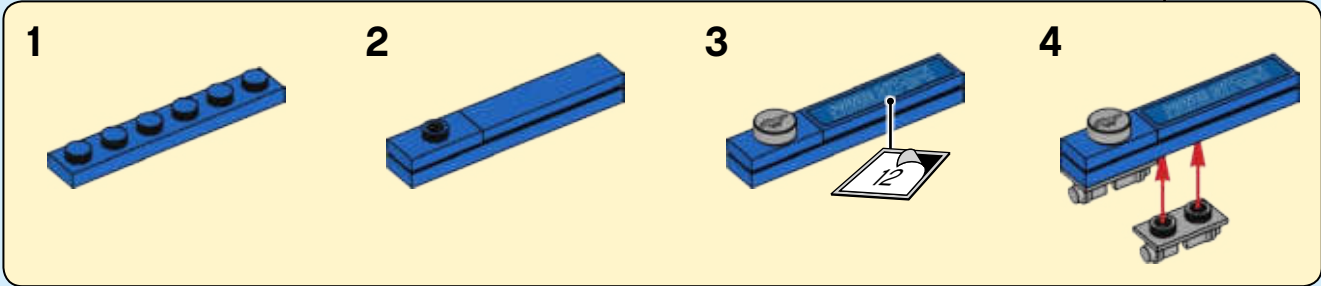
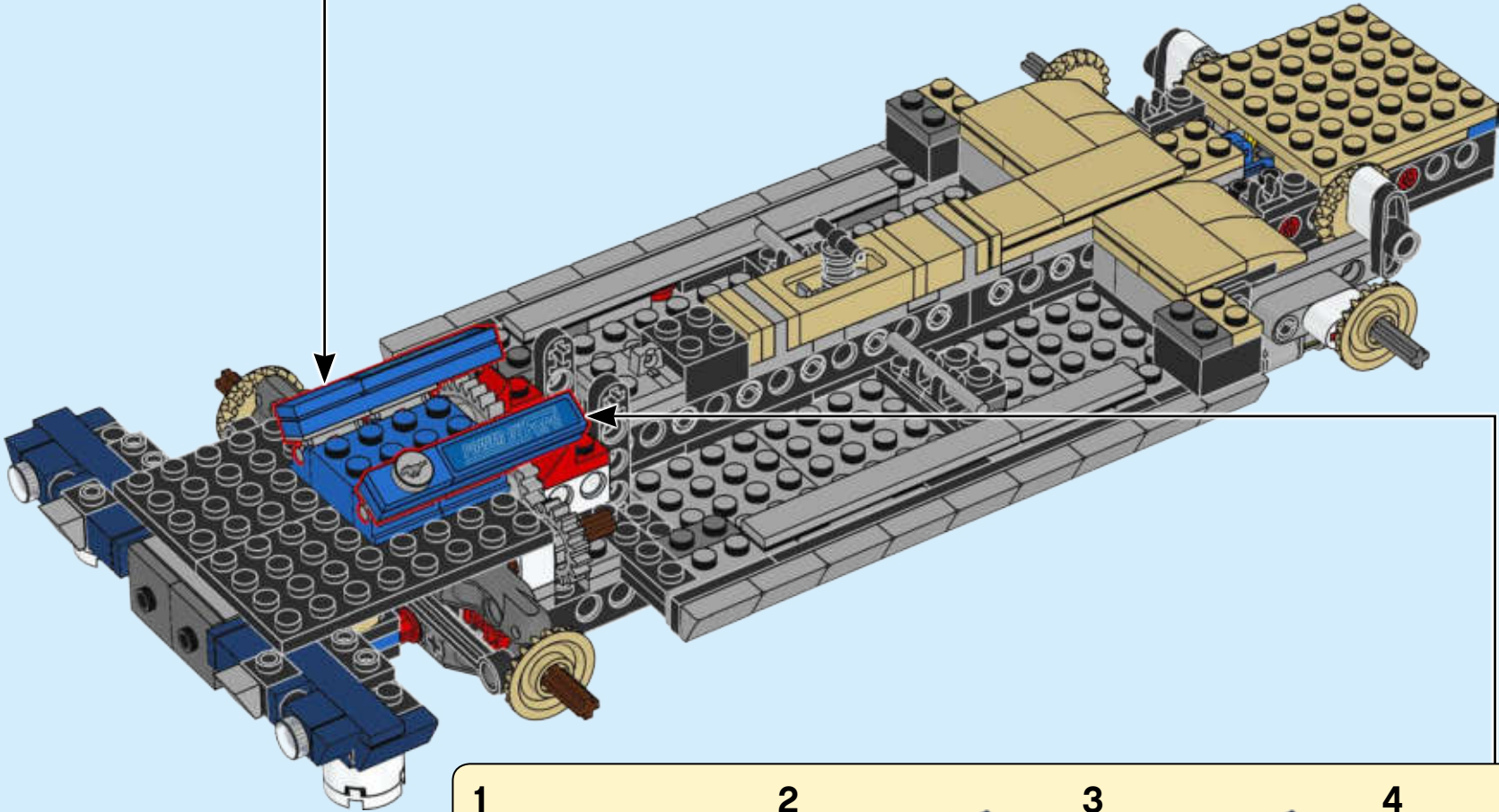
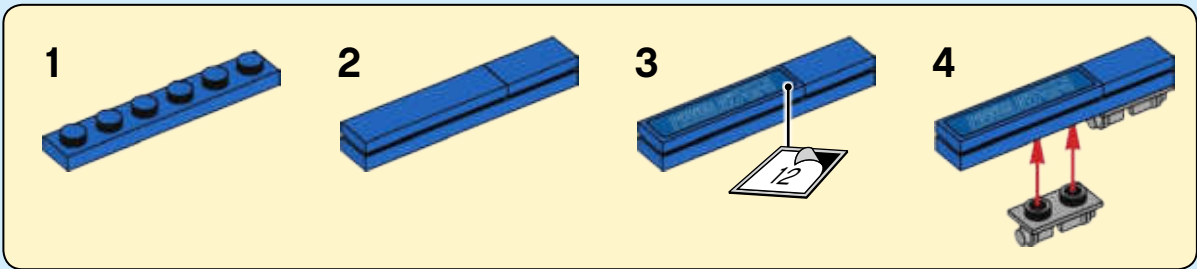


85



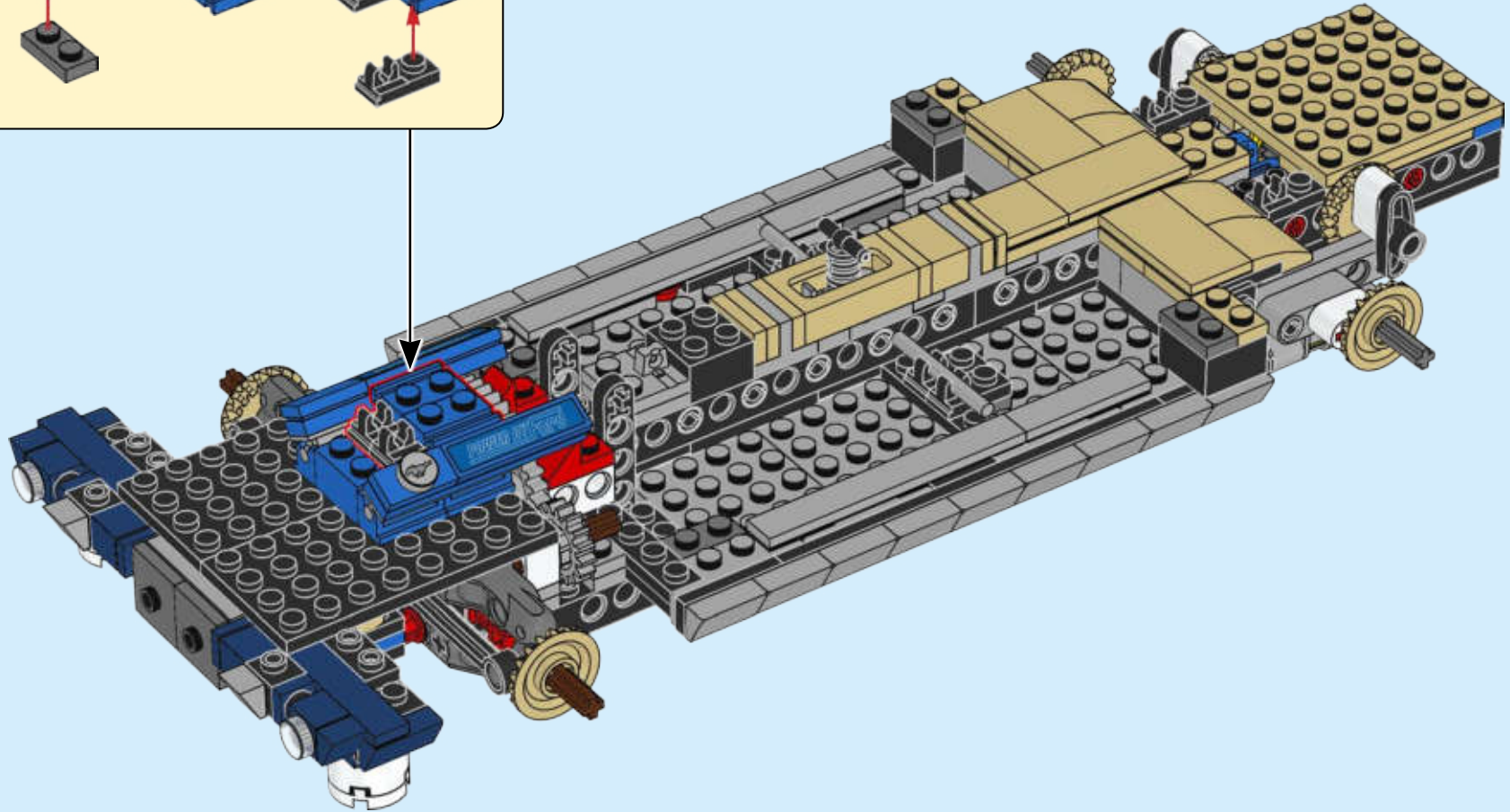
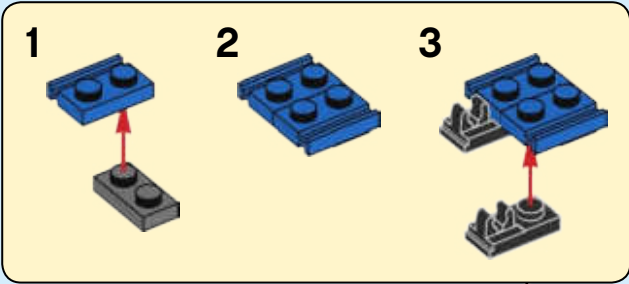


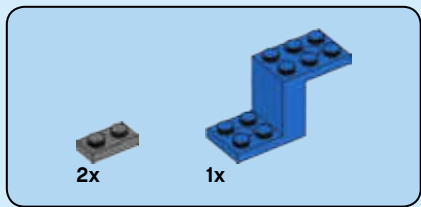
86



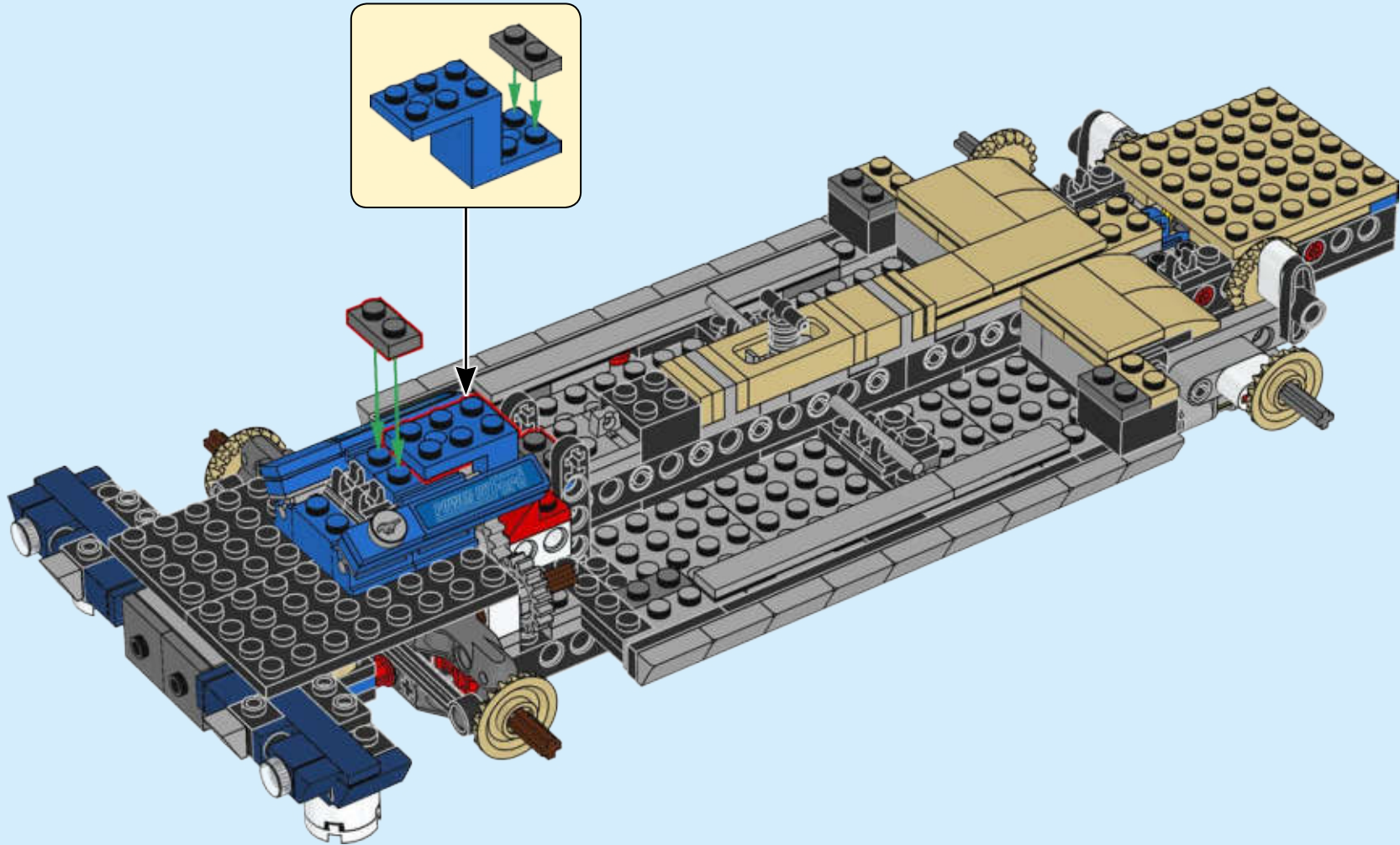


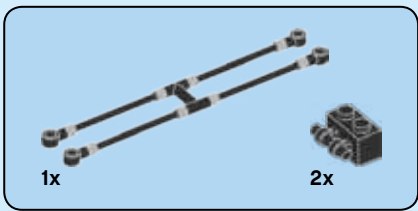
87



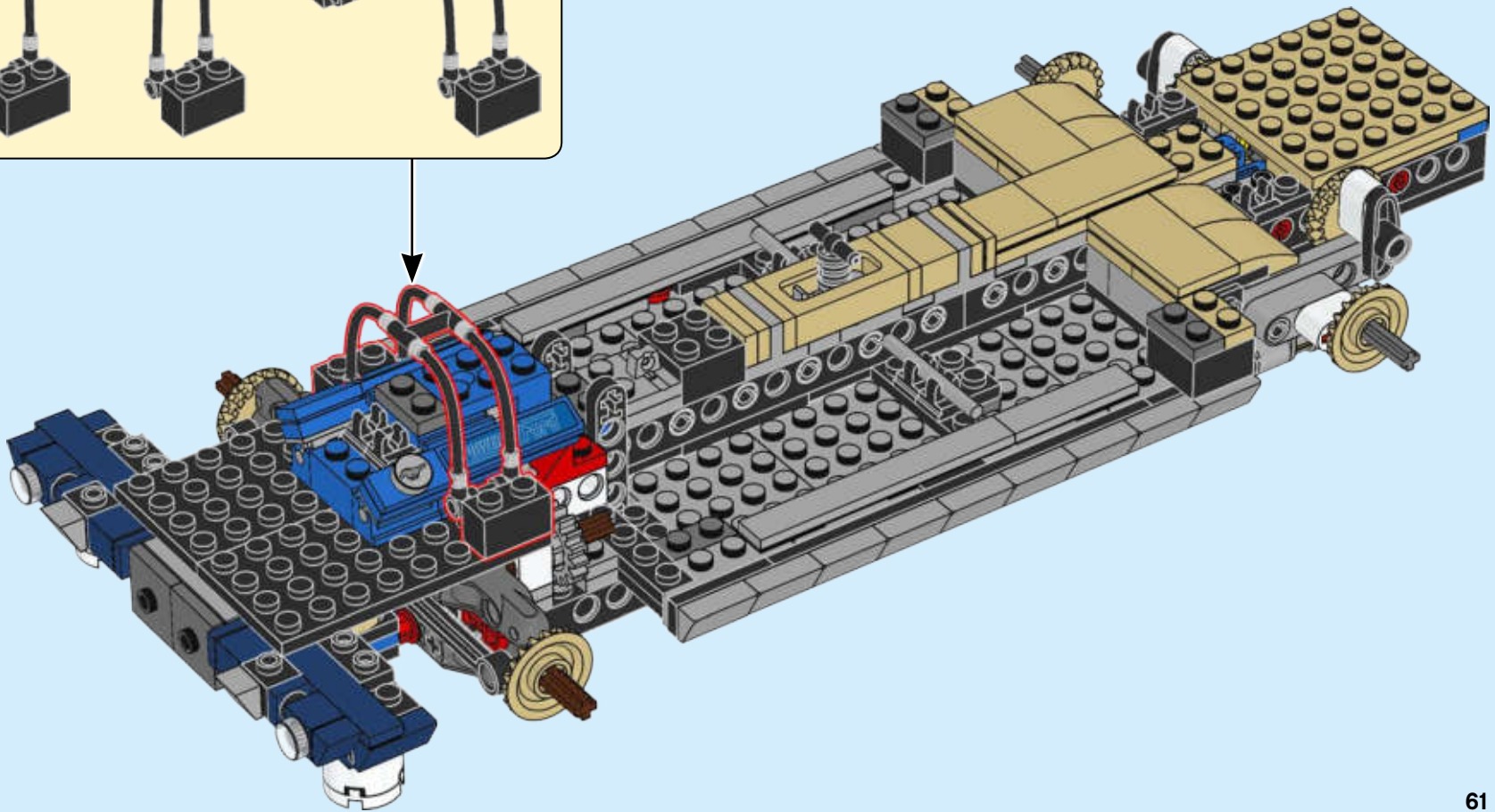
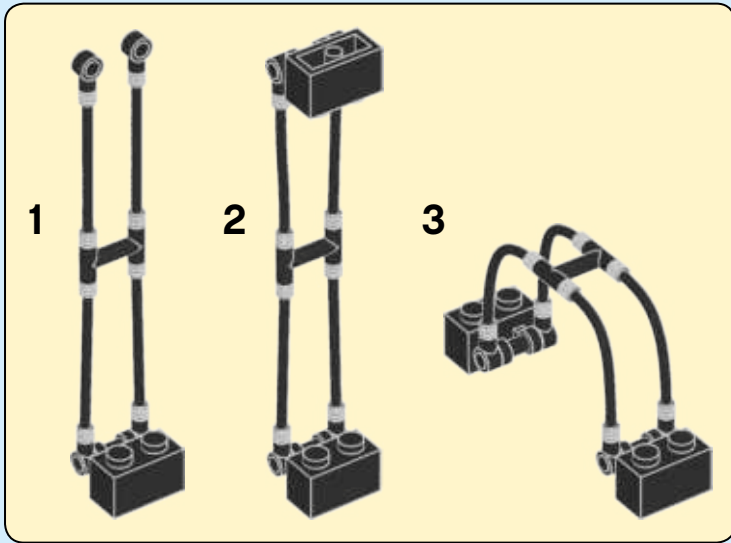


88





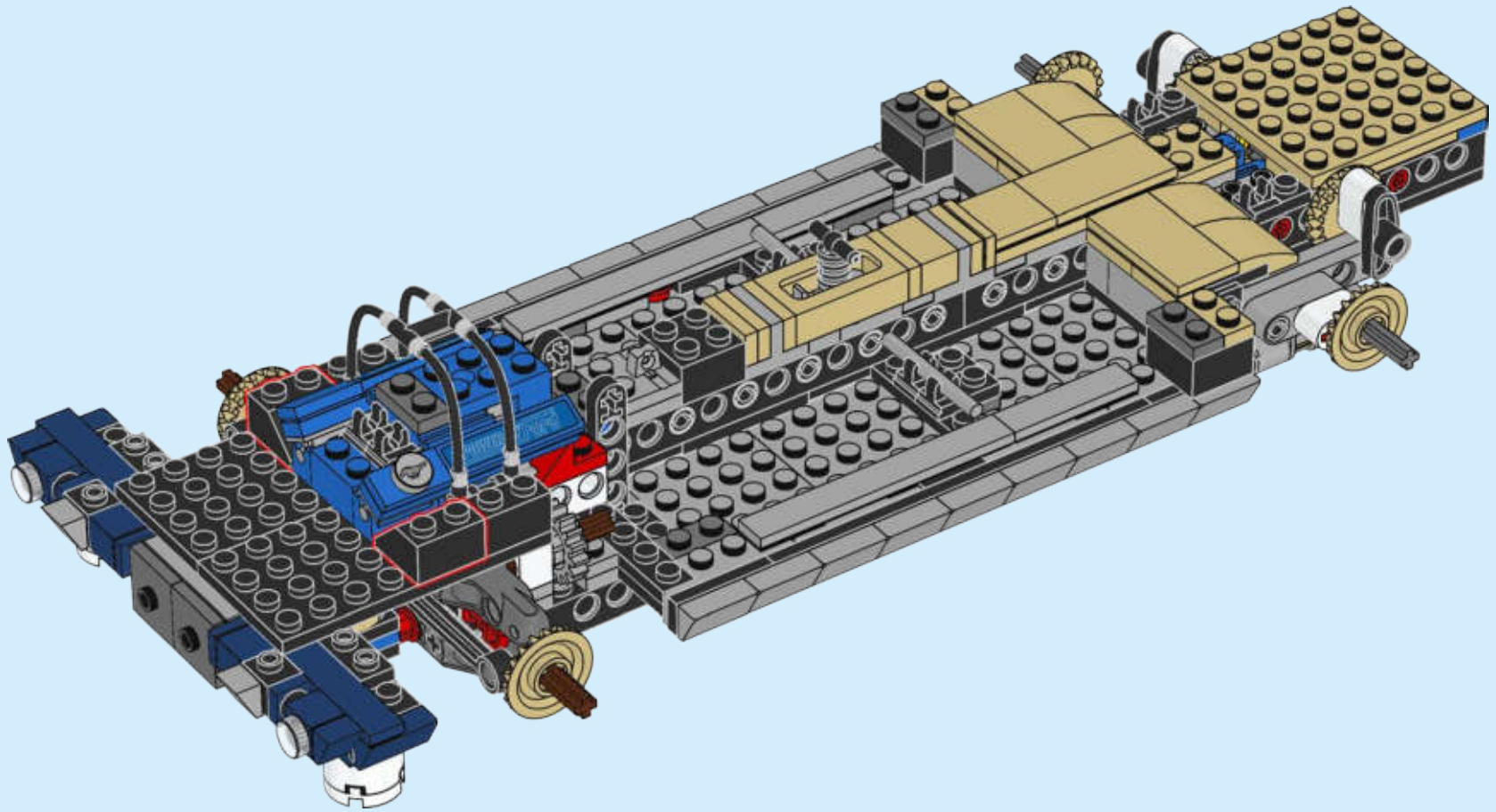
89



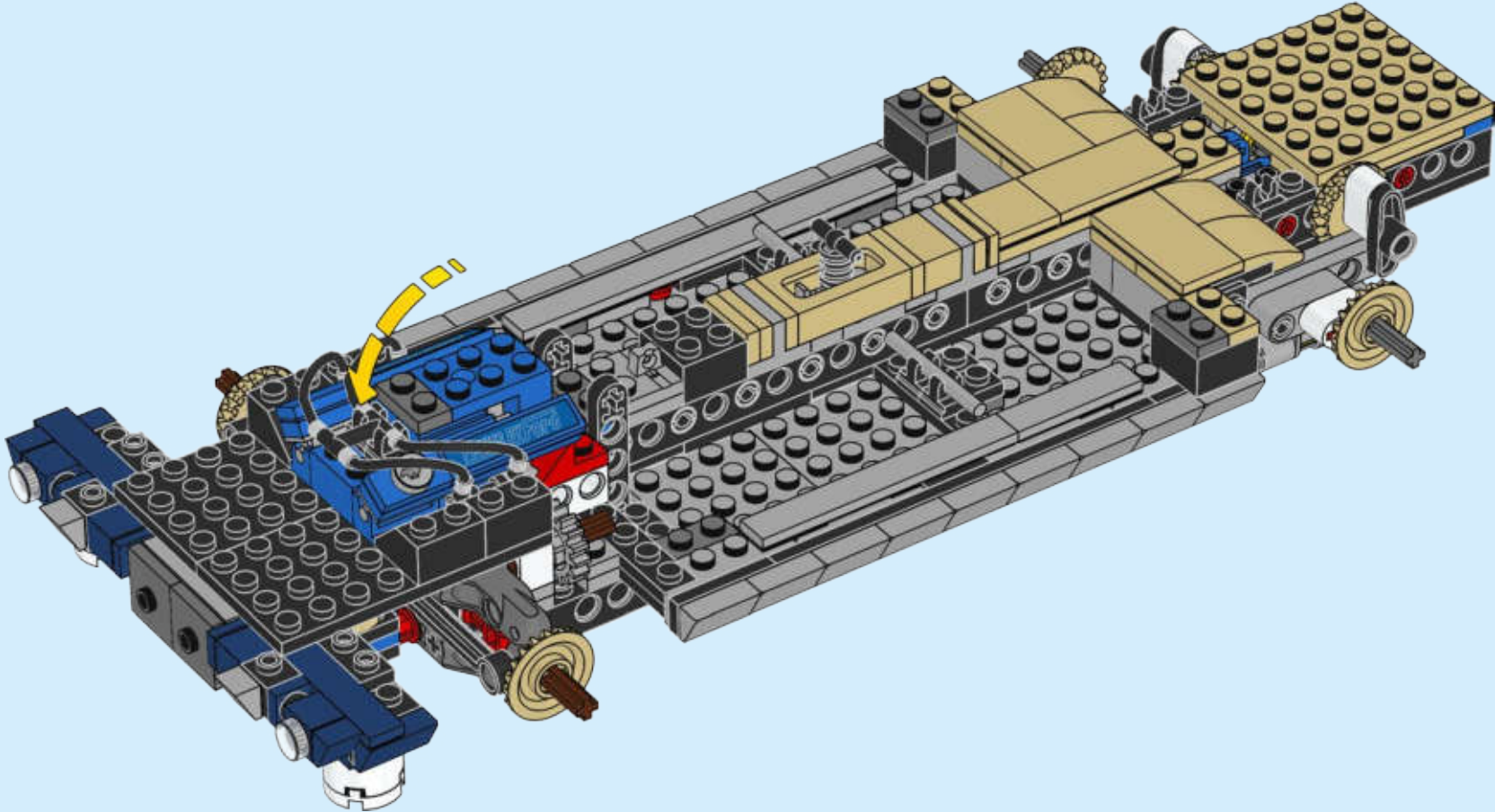


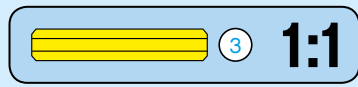
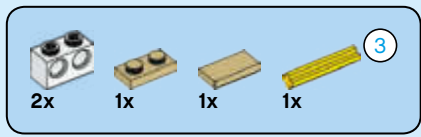
2x

90

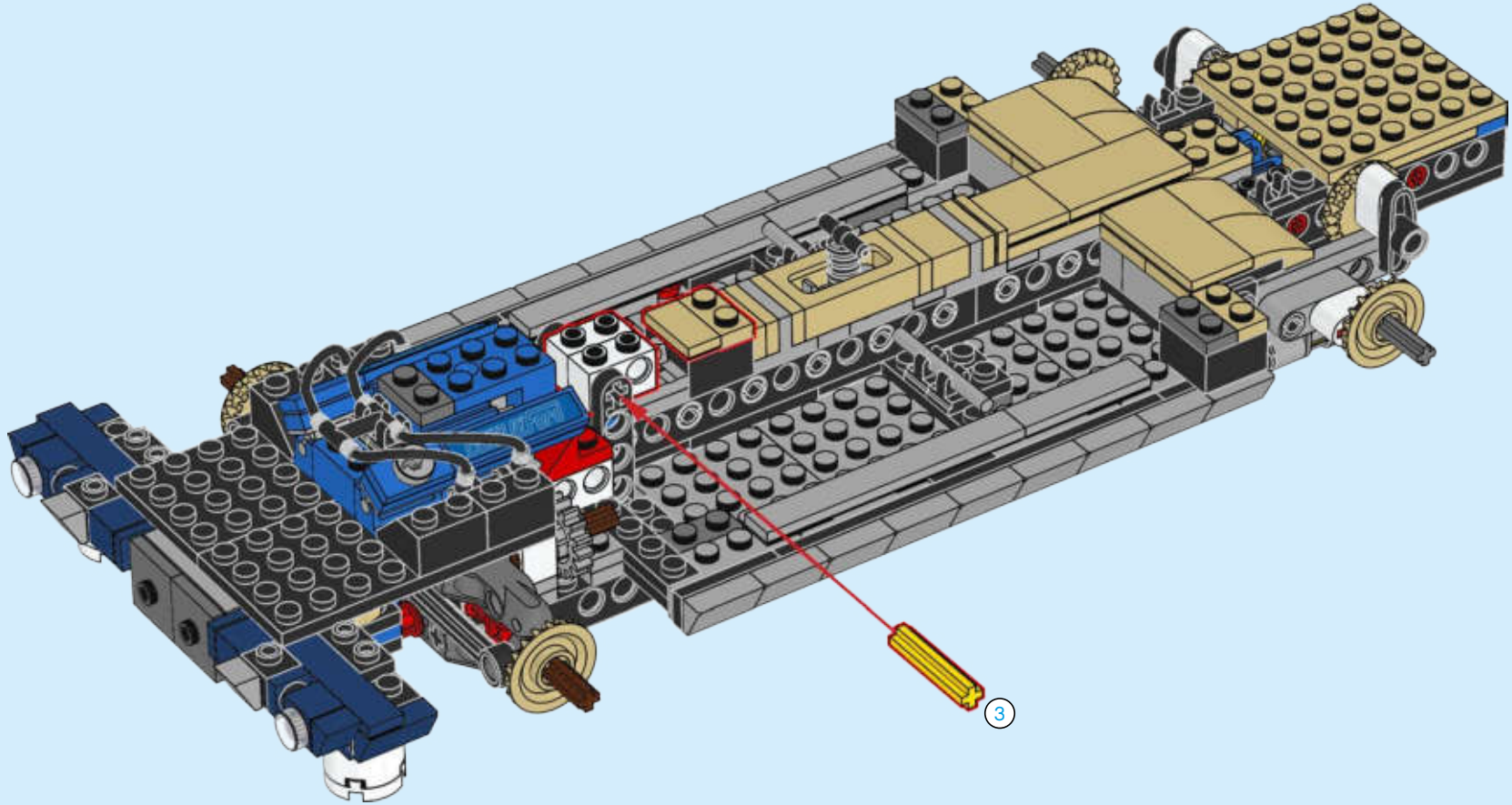


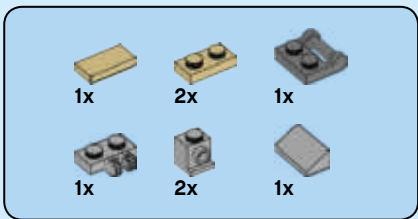
91



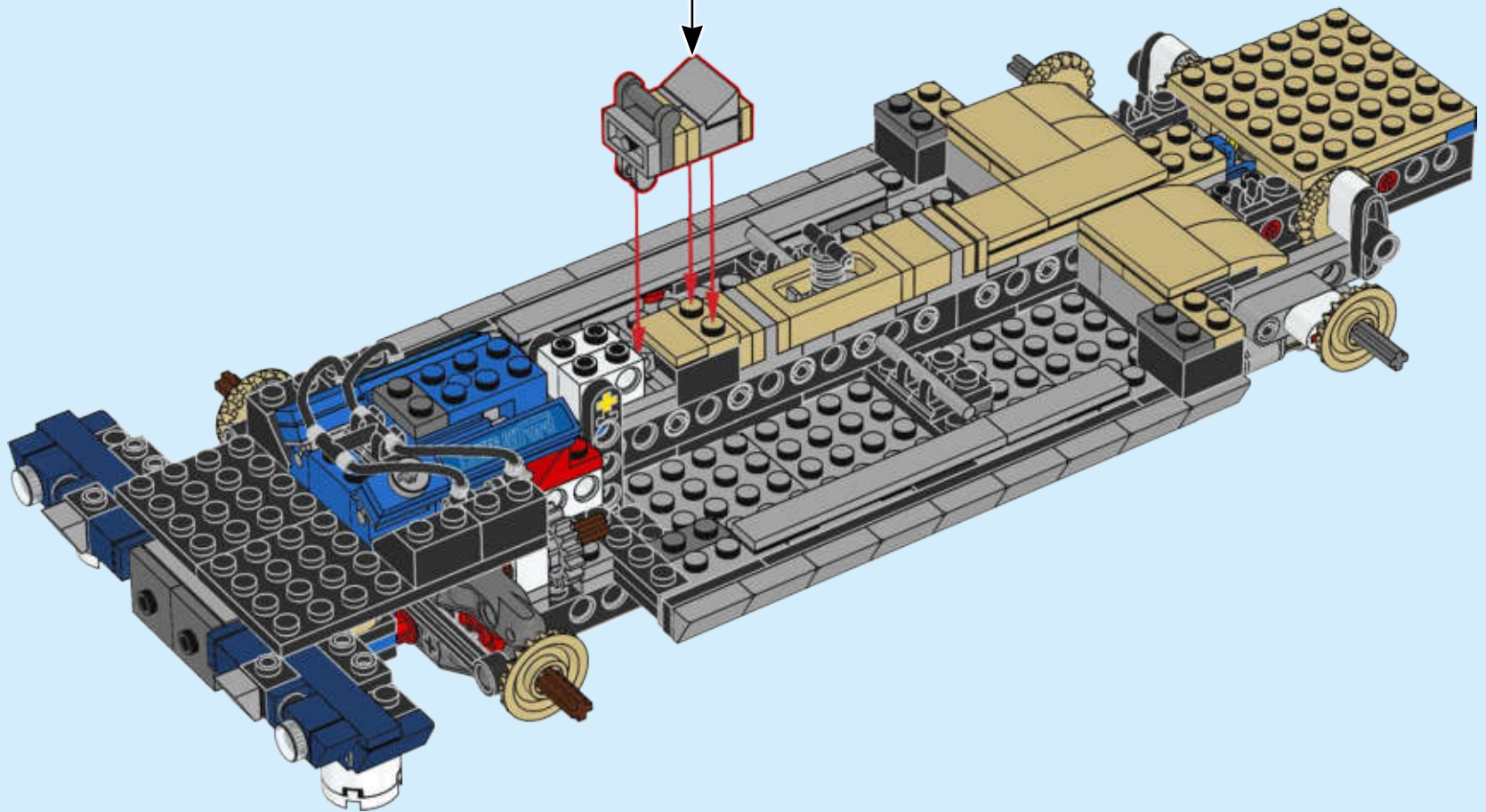
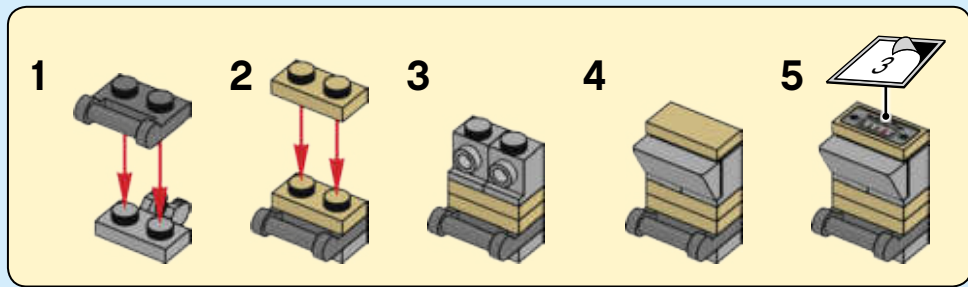


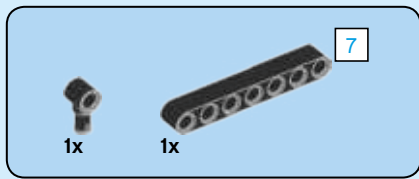
92



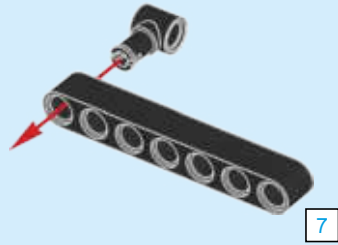


93

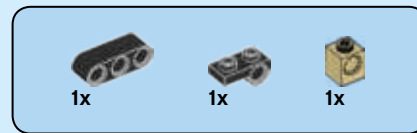
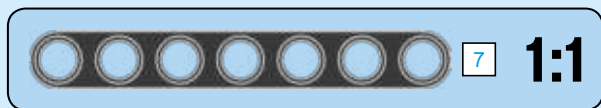
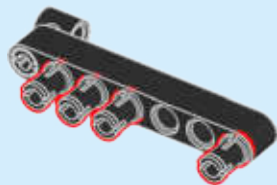




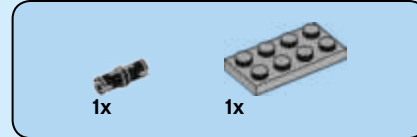
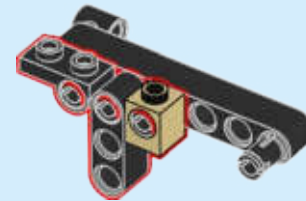
94



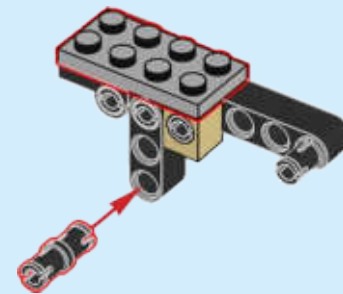
95

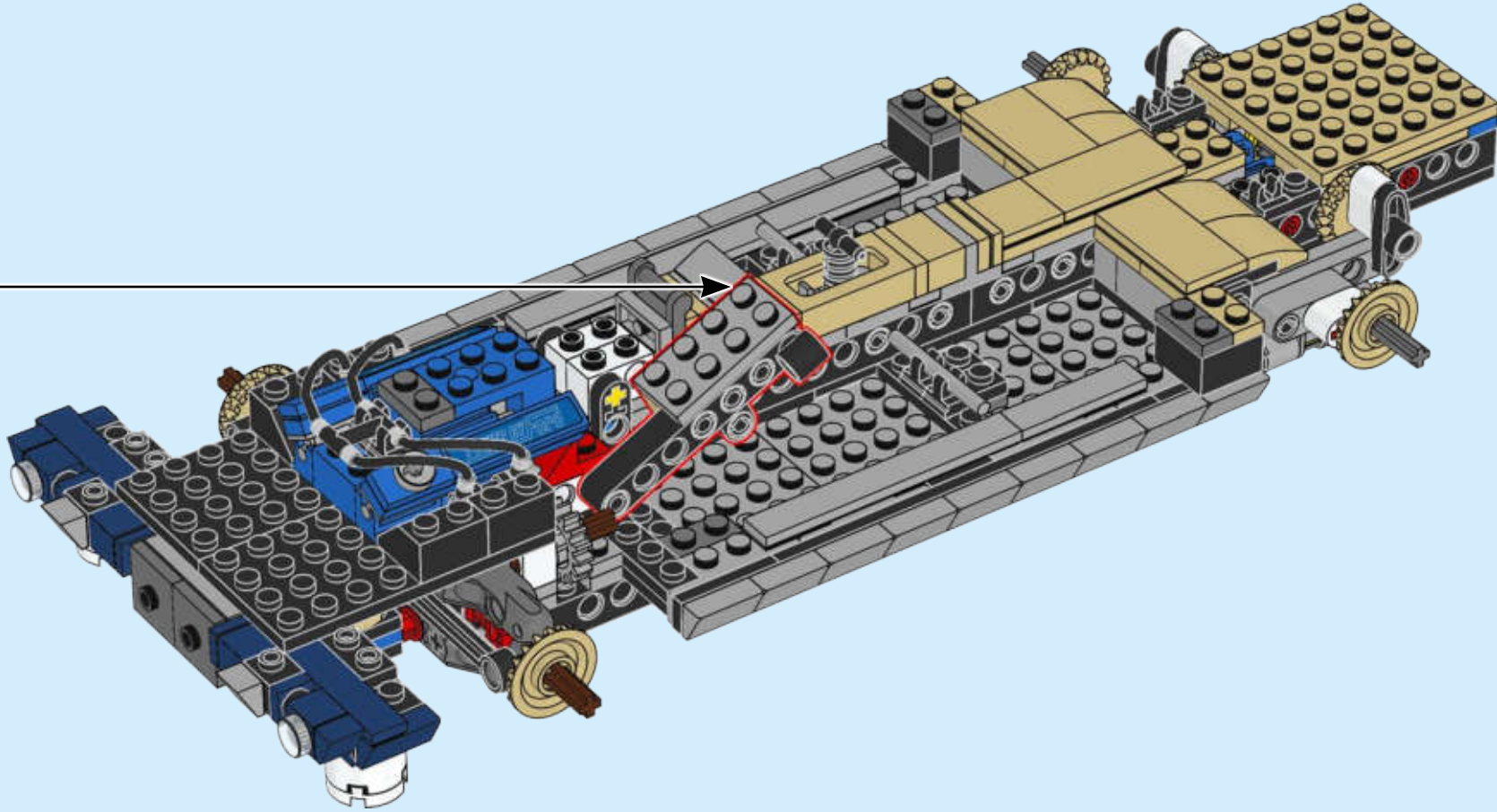


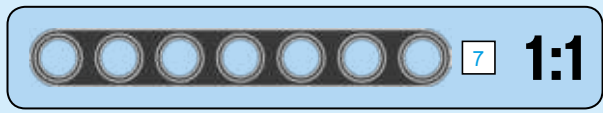
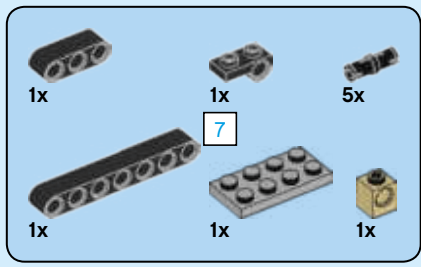
96



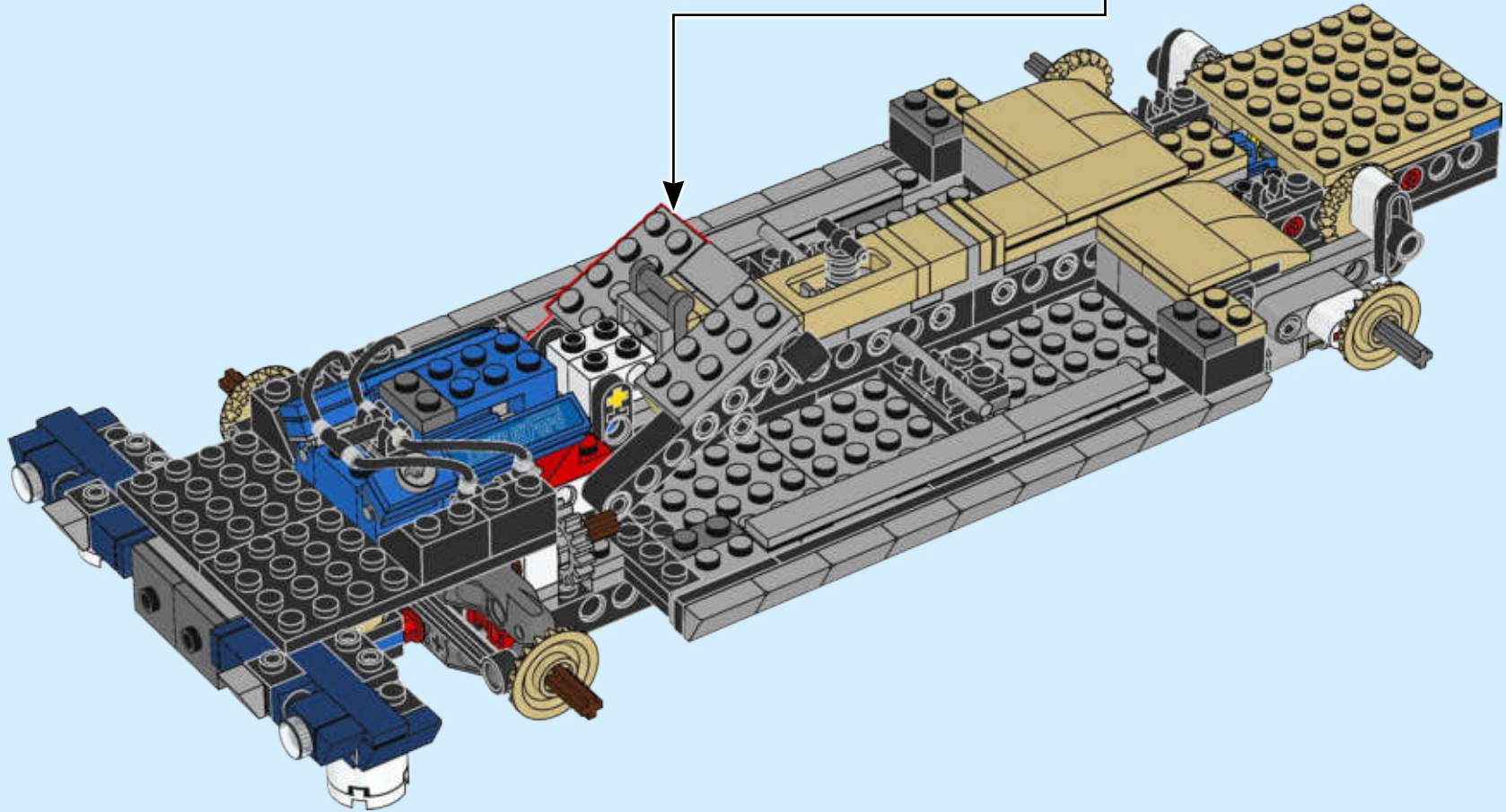
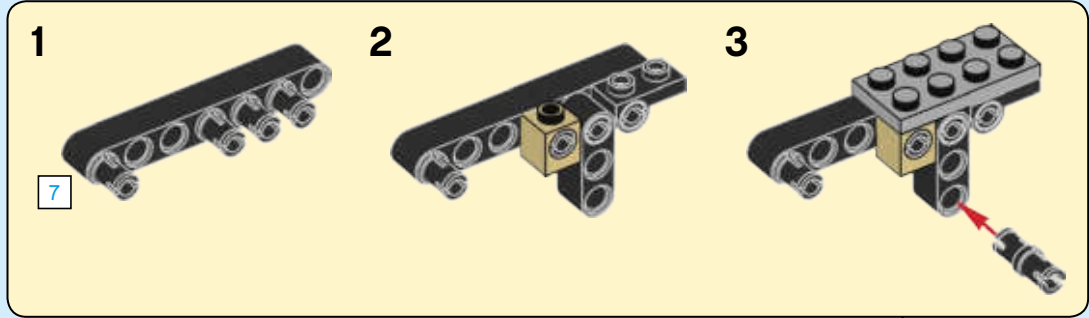
97

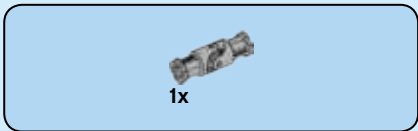




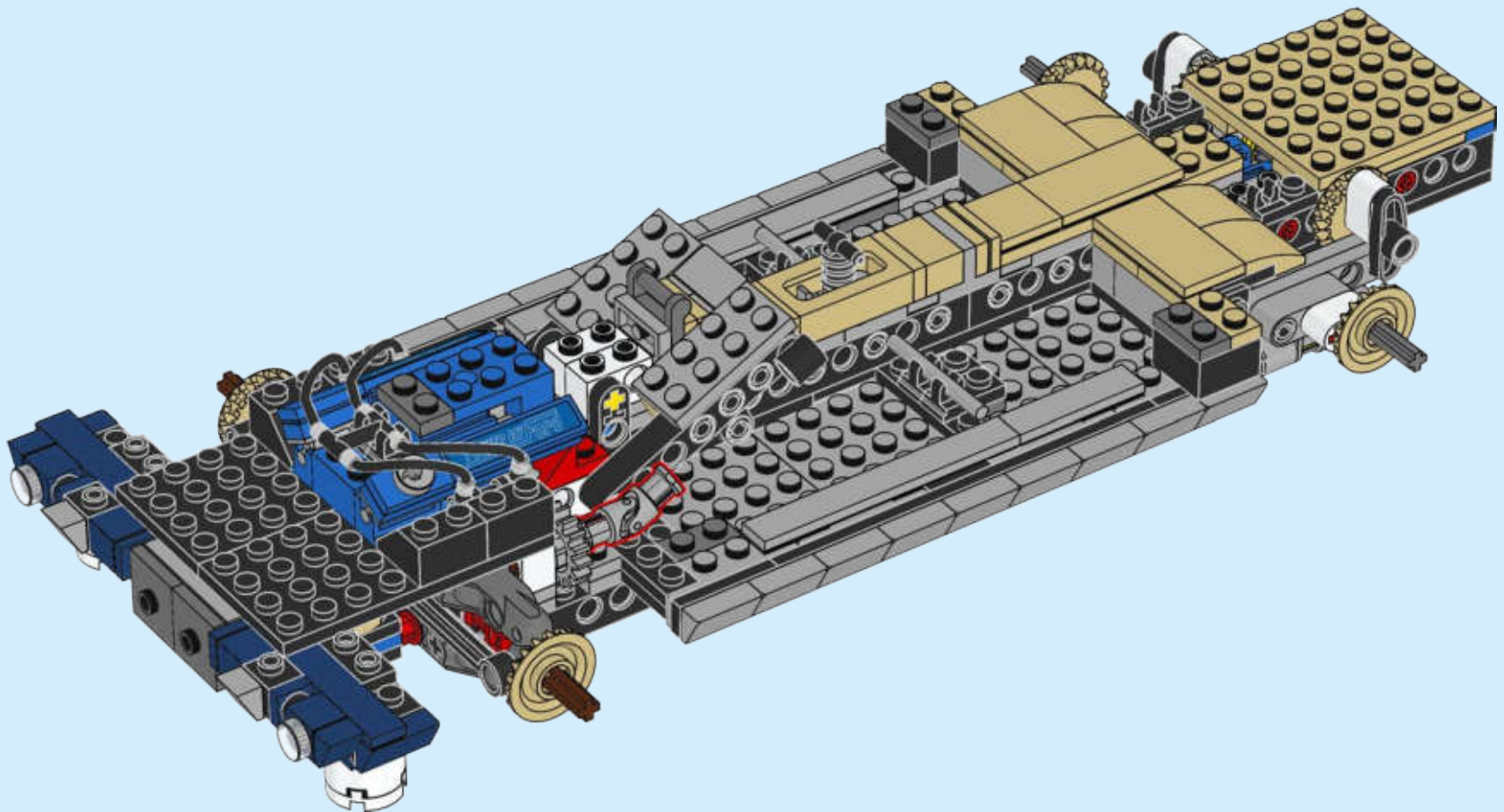


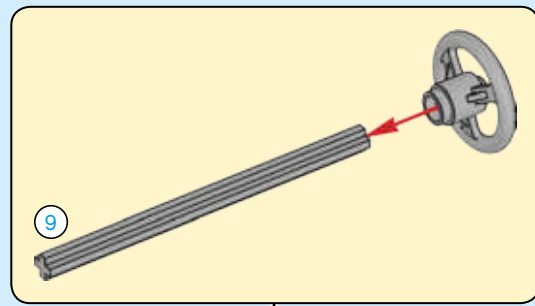
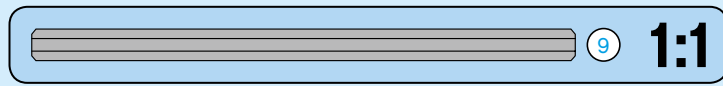
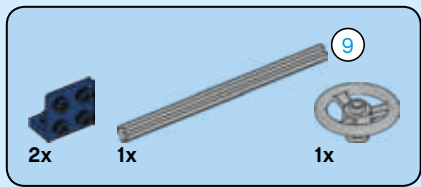
99



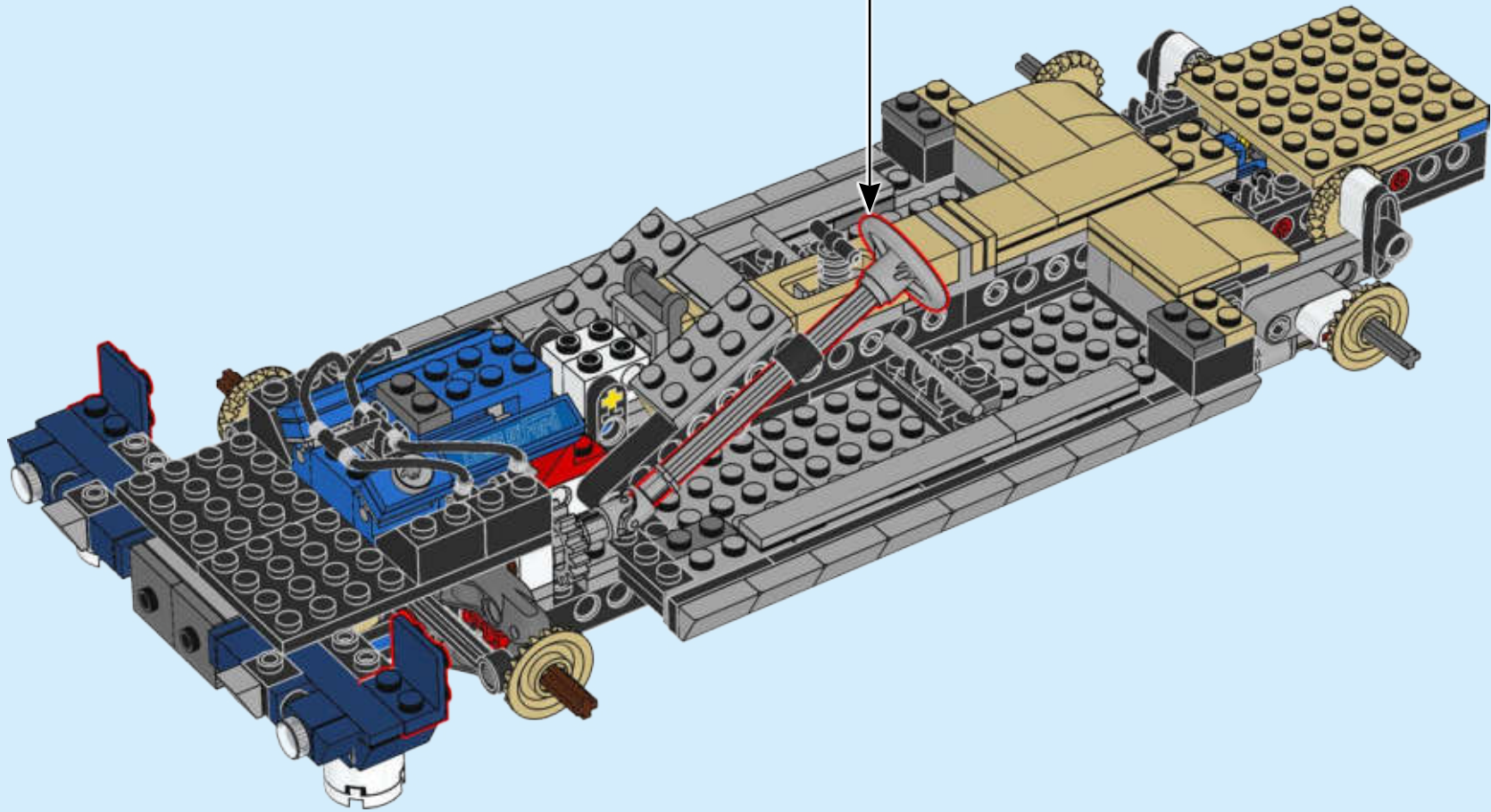


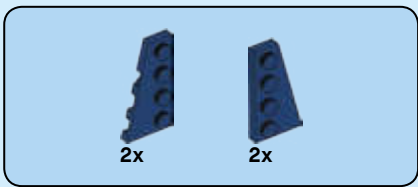
100



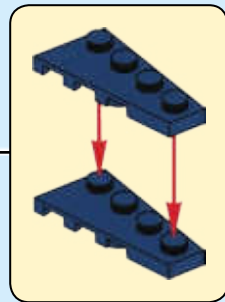
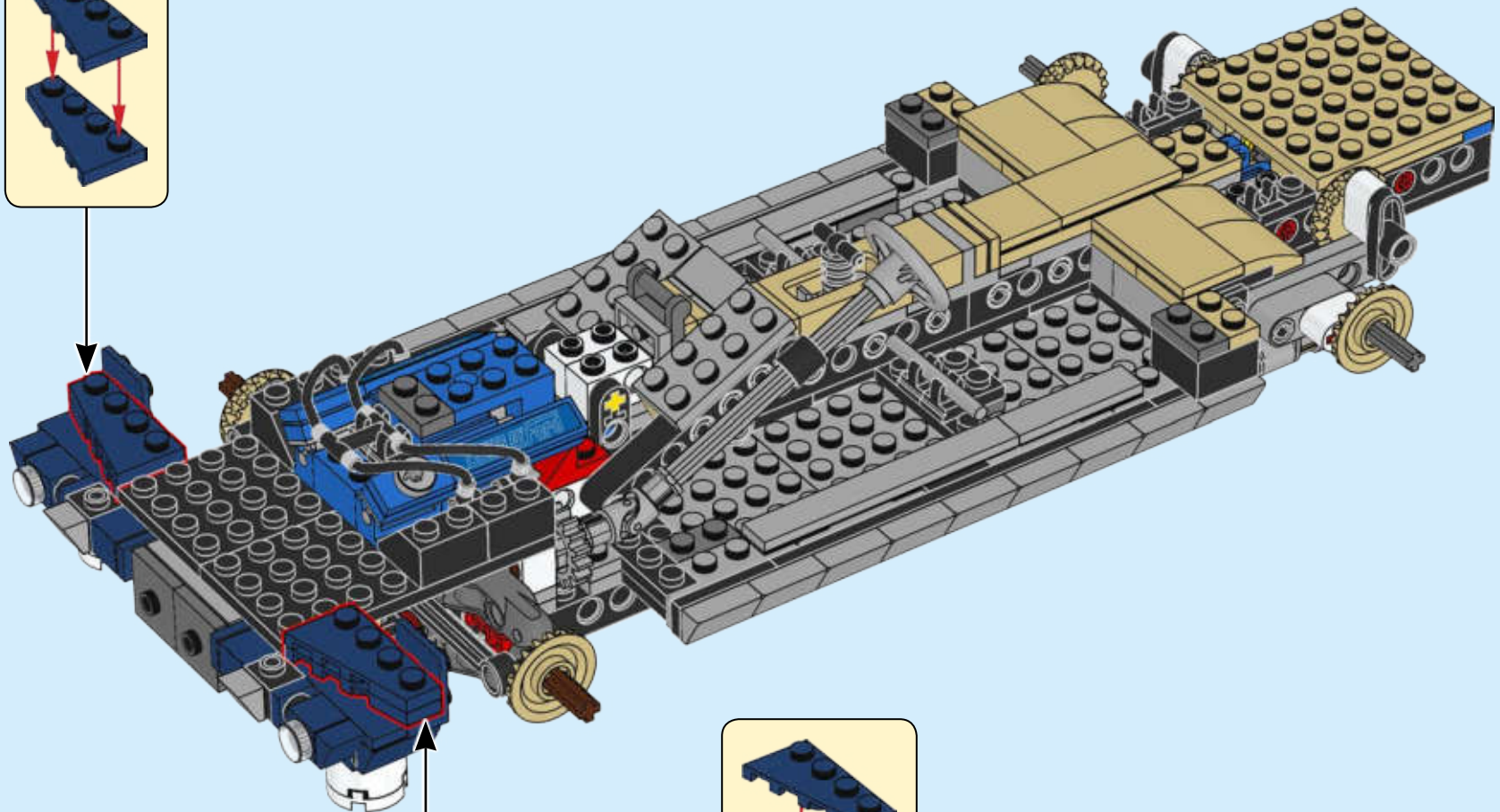
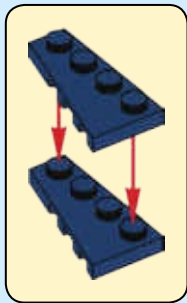


101

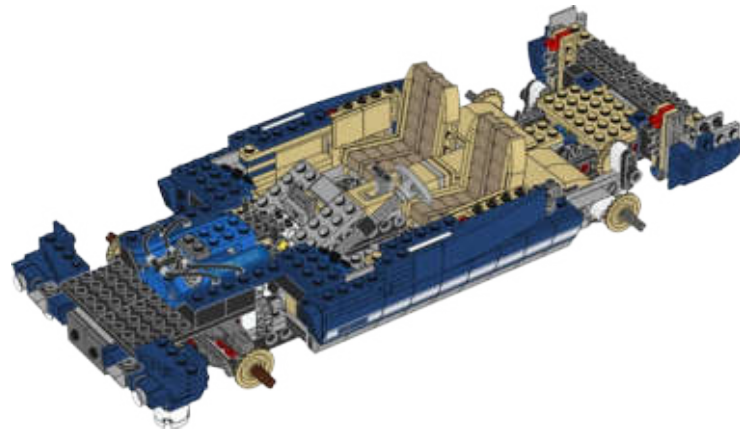
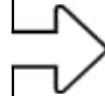




102



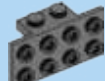
3



1x

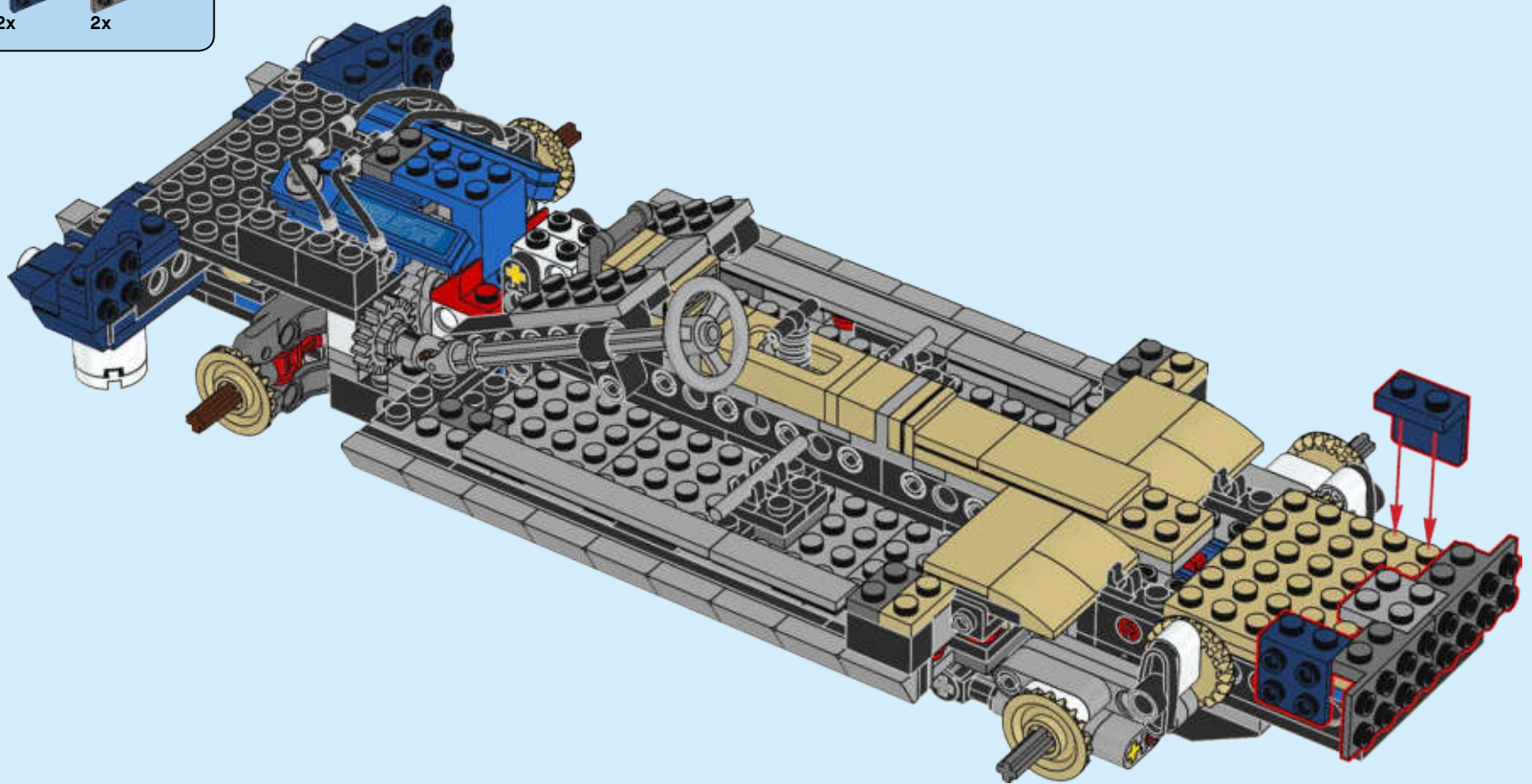


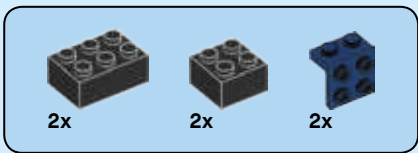
2x



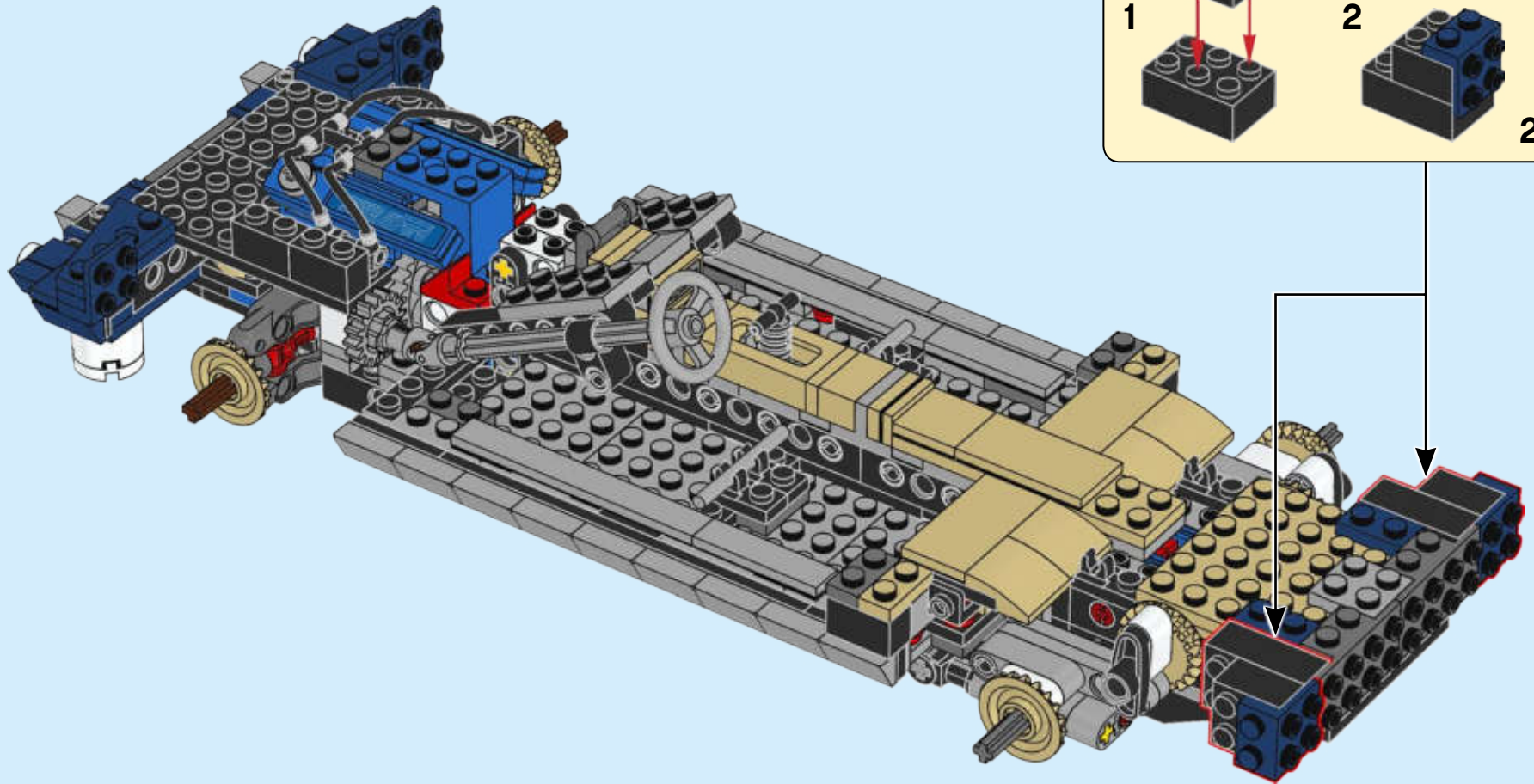
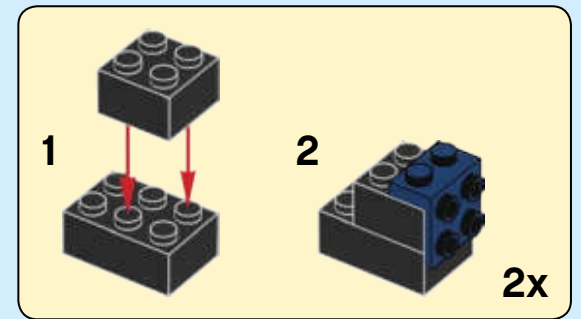
2x

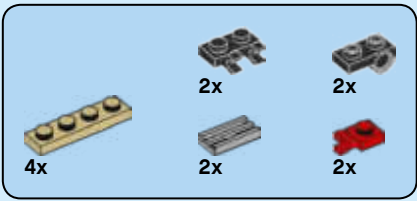
103



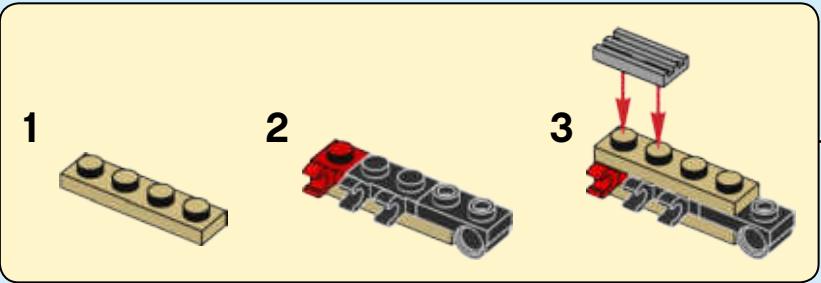
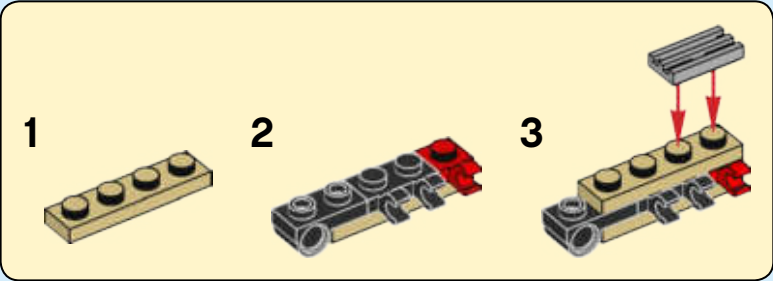
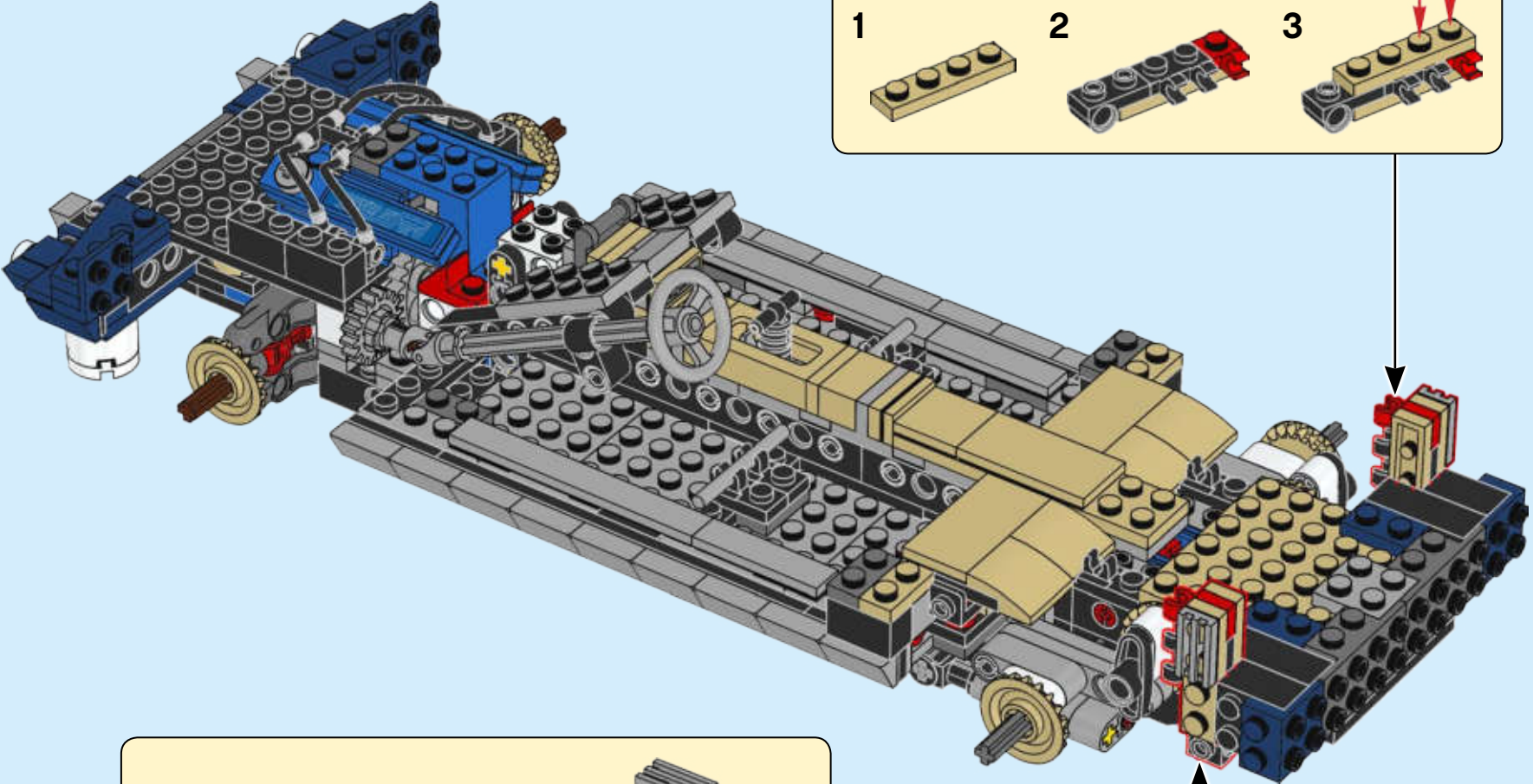


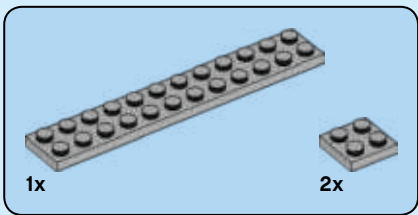
104



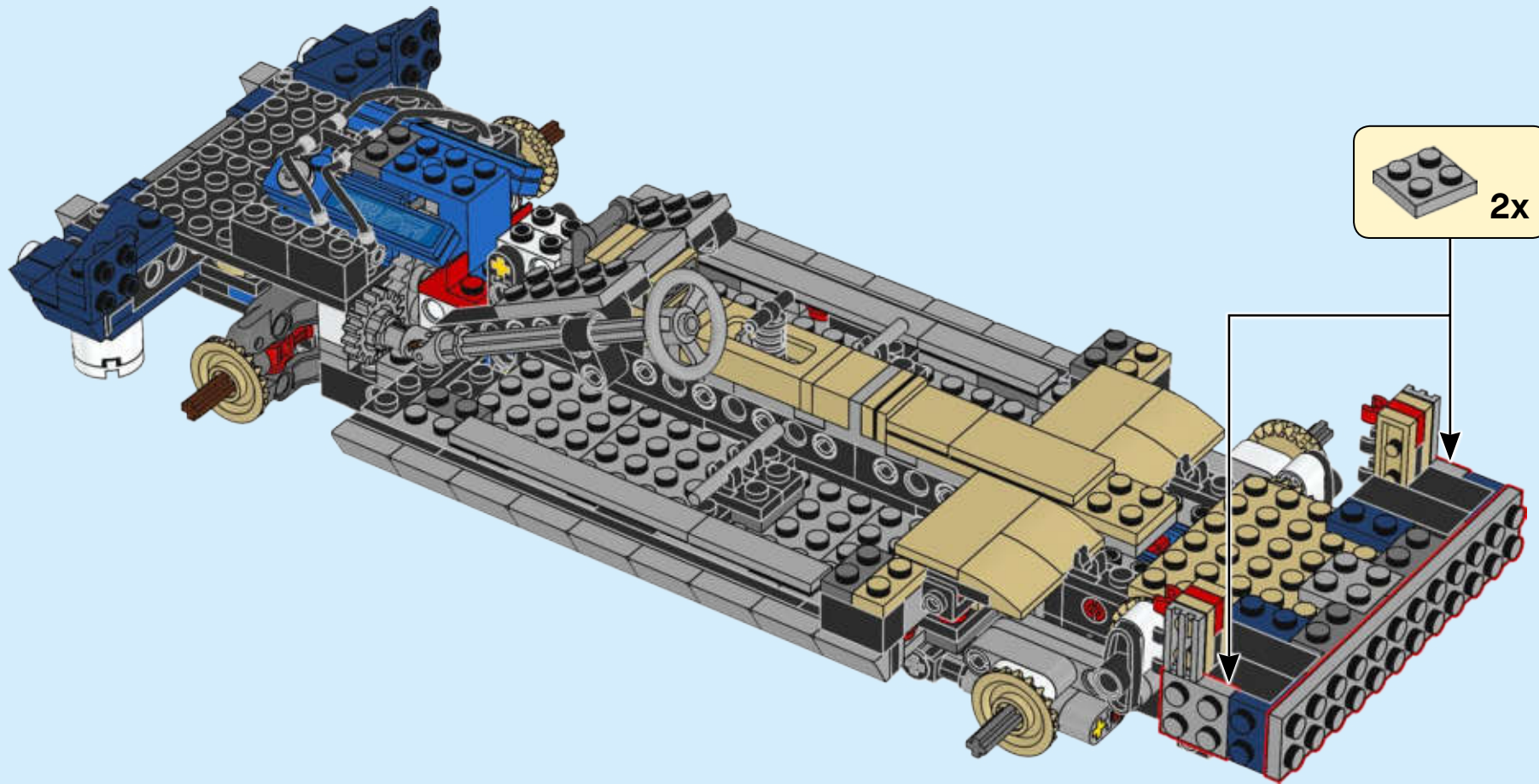


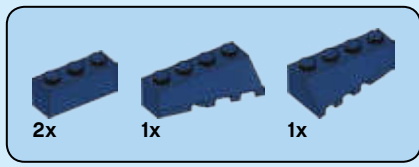
105



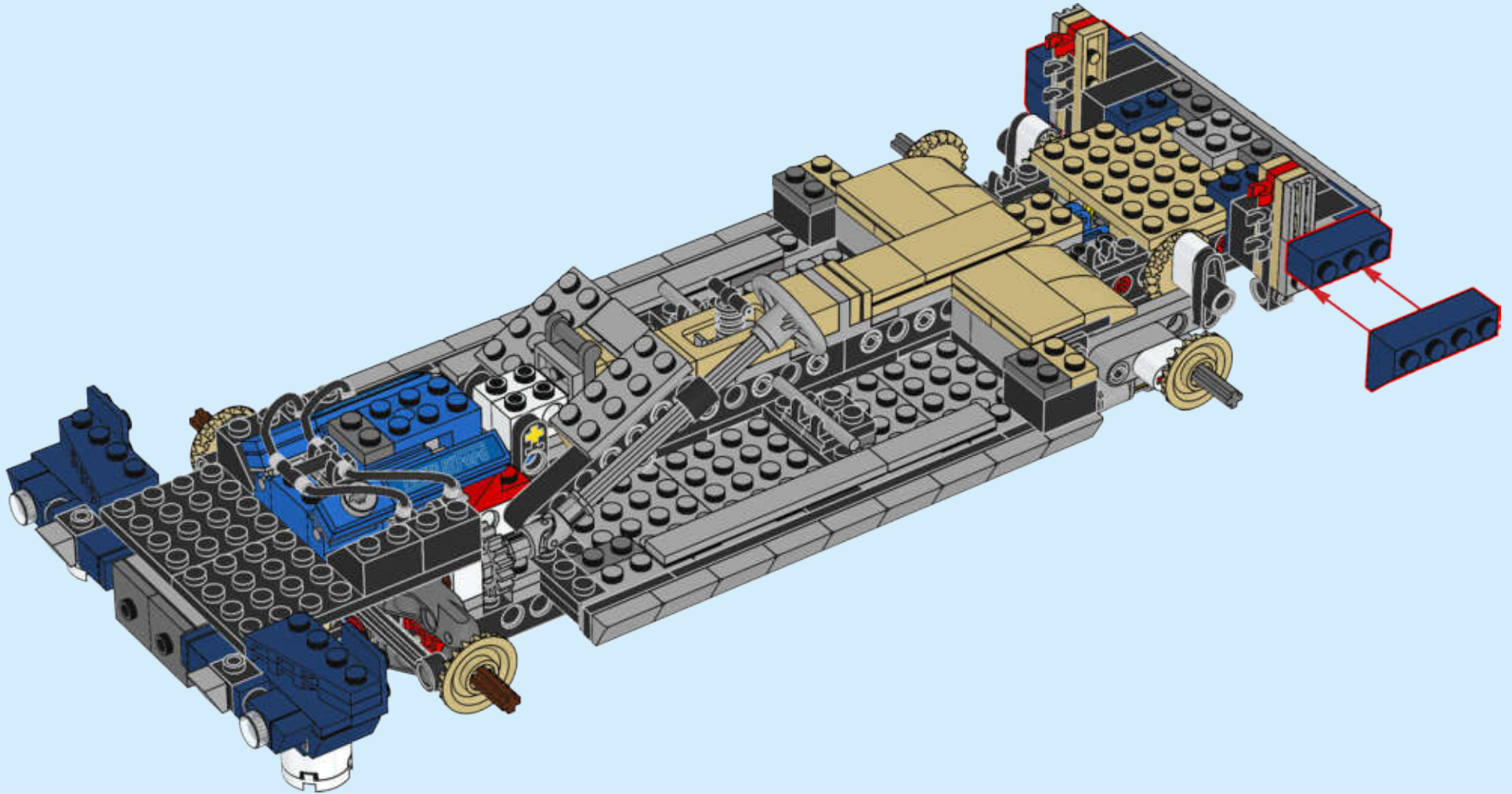


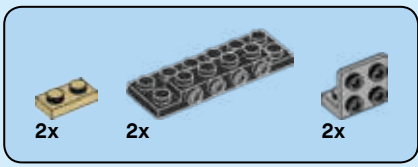
106



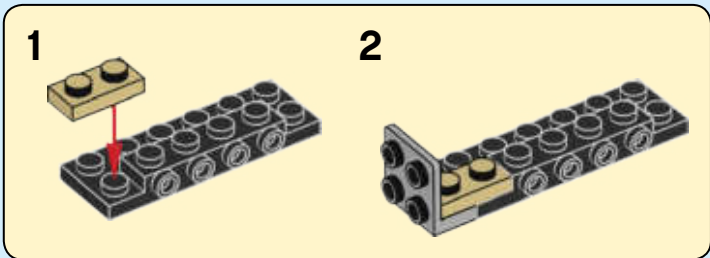
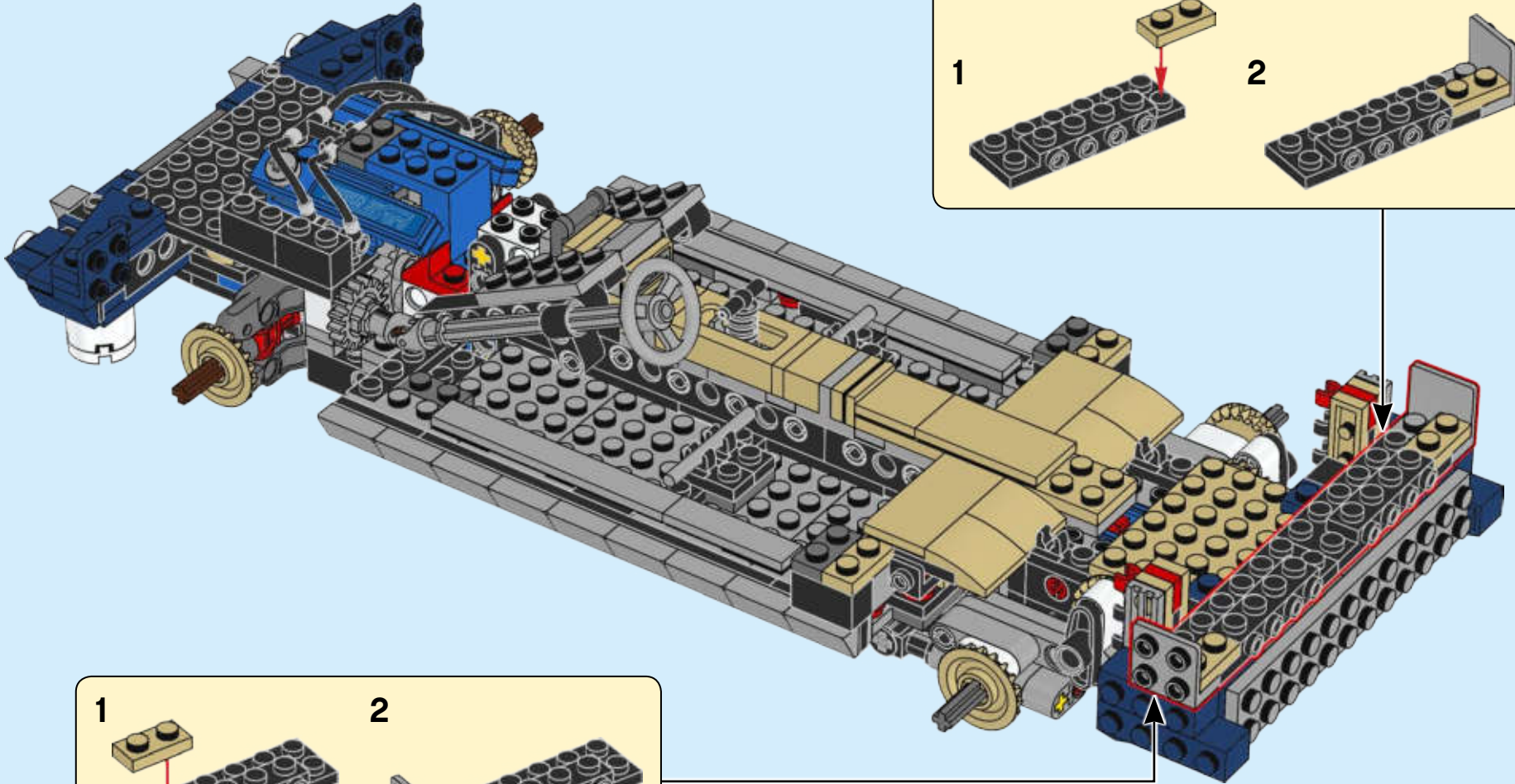
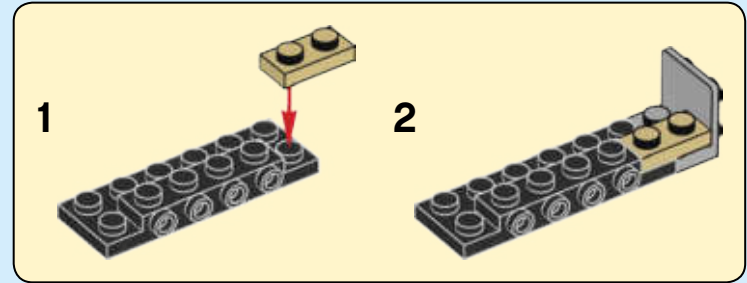


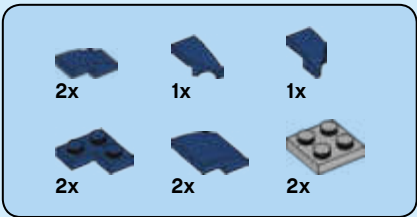
107



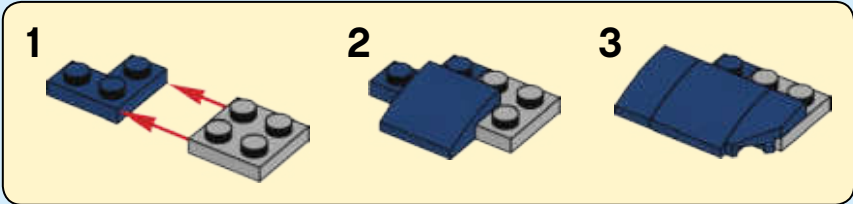
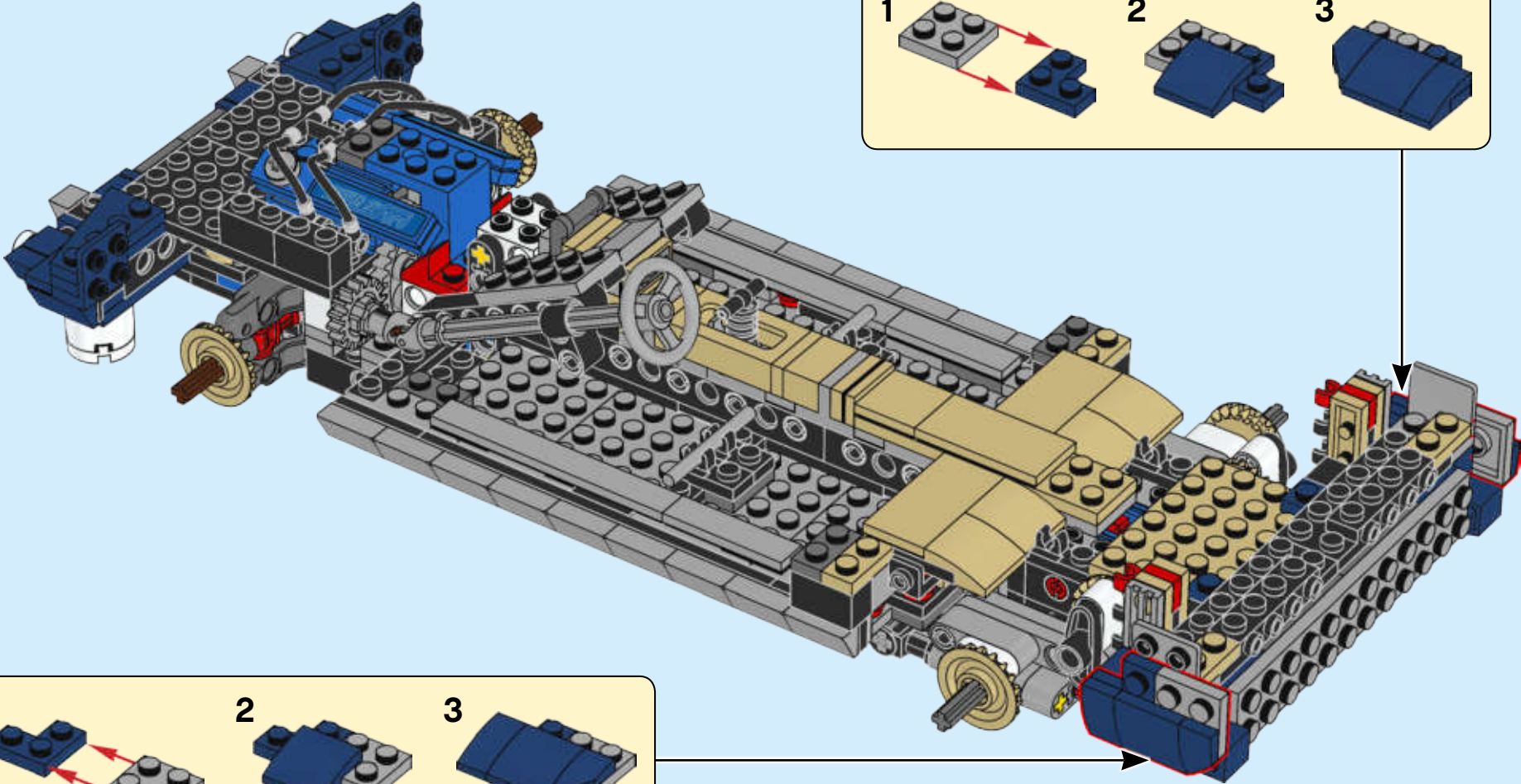
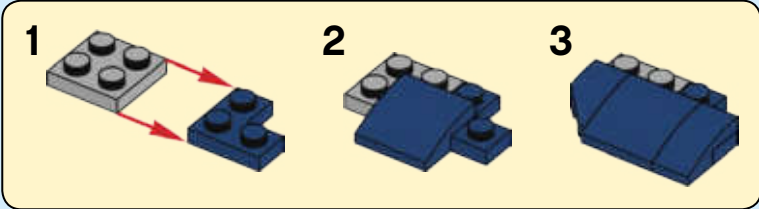


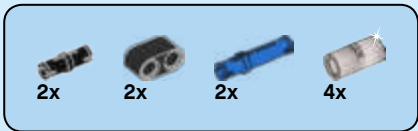
108



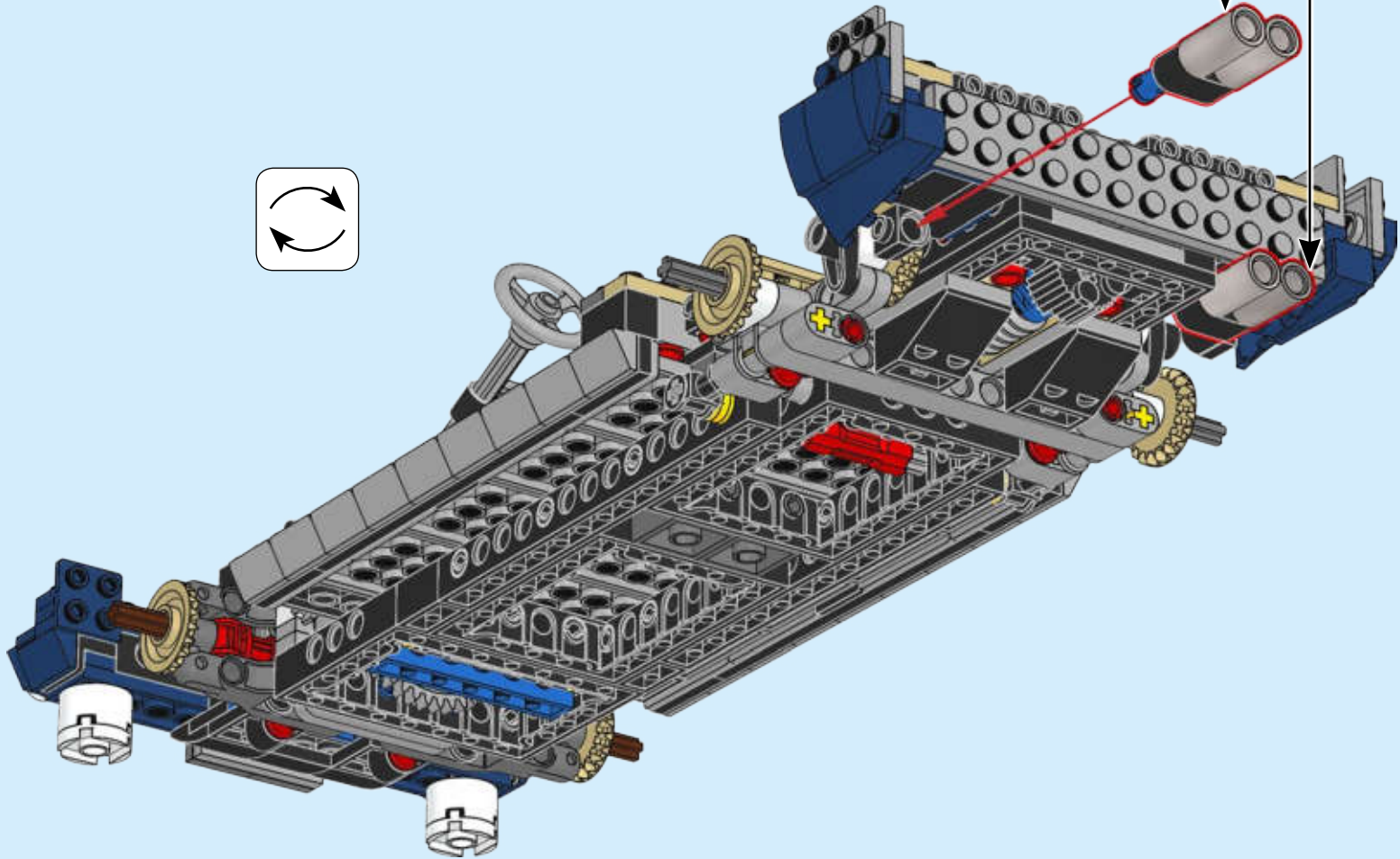
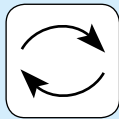
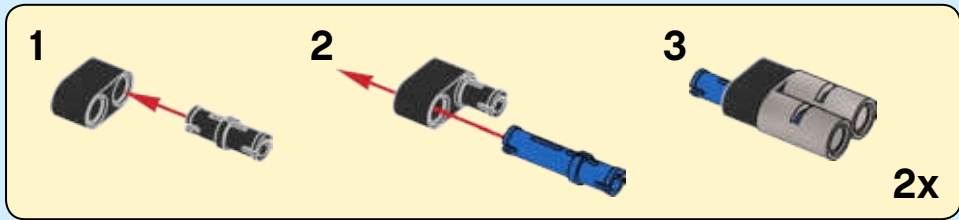


109



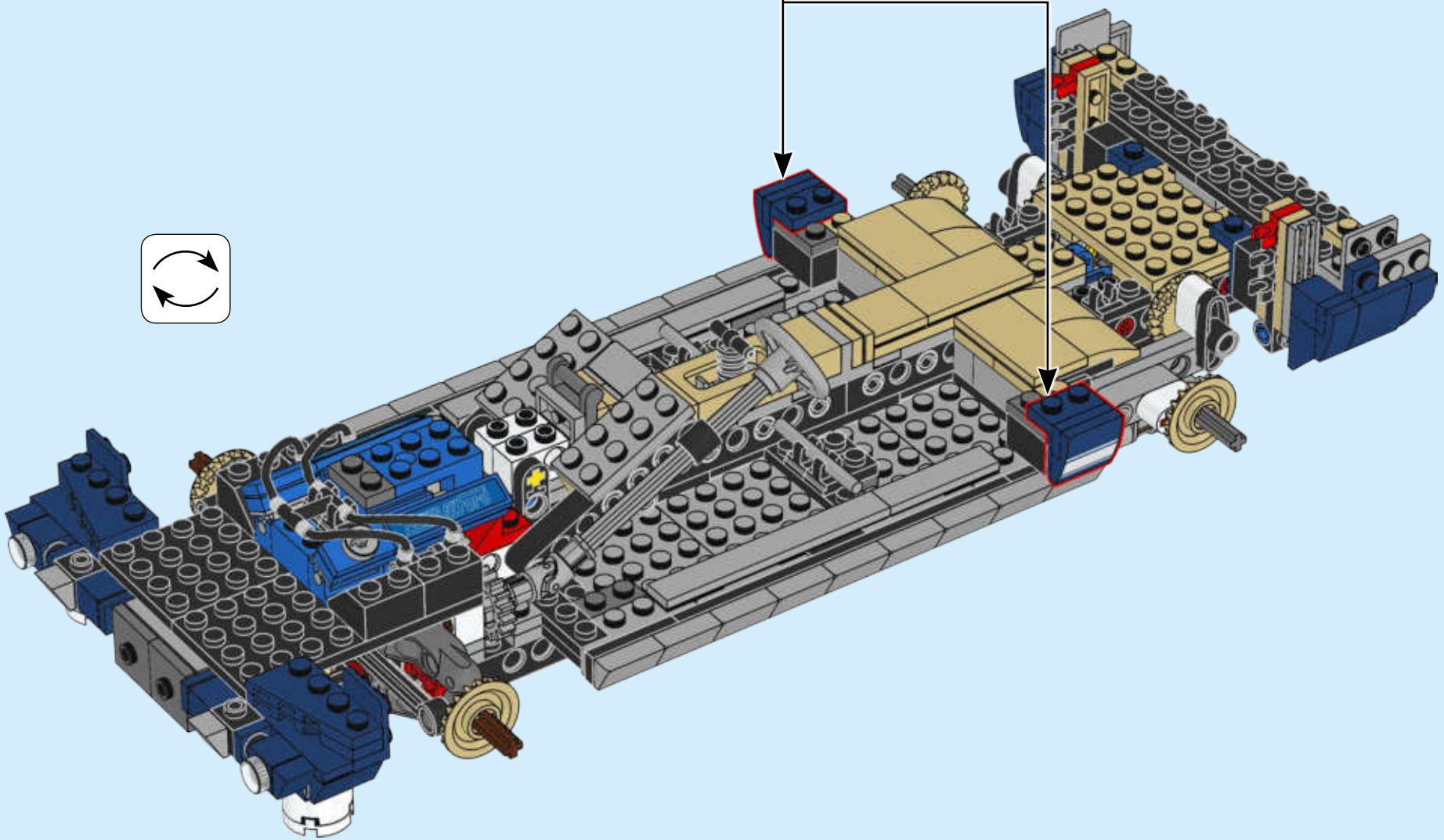
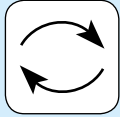
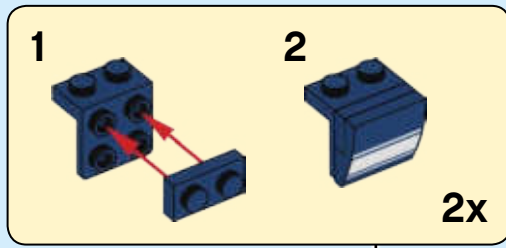


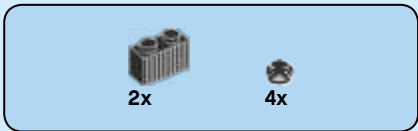
110



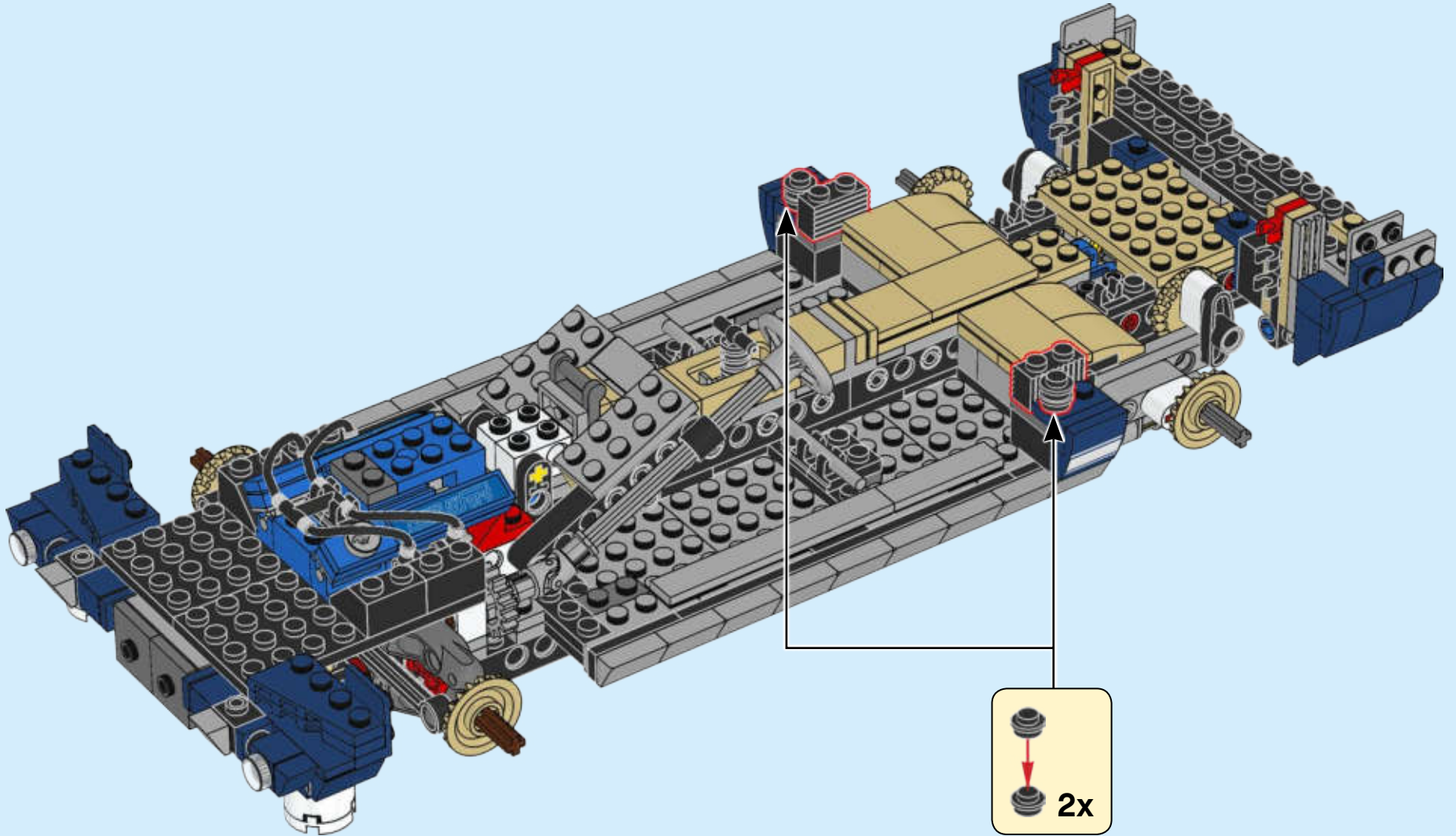


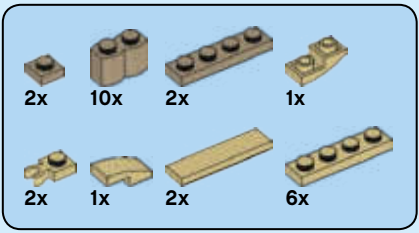
111



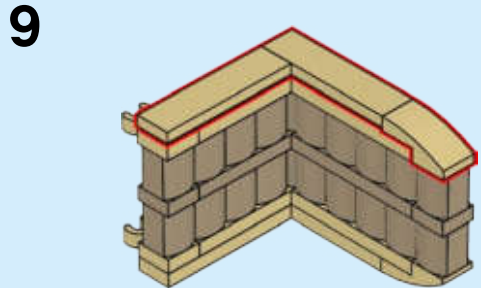
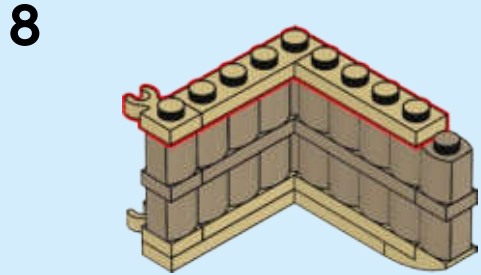
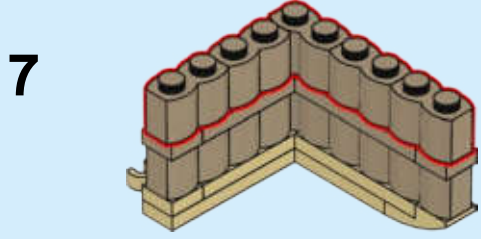
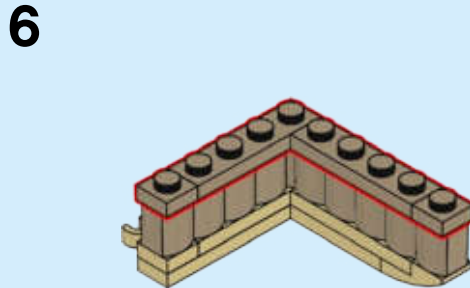
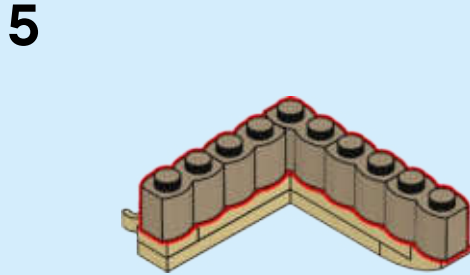
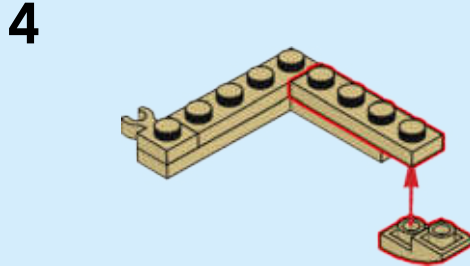
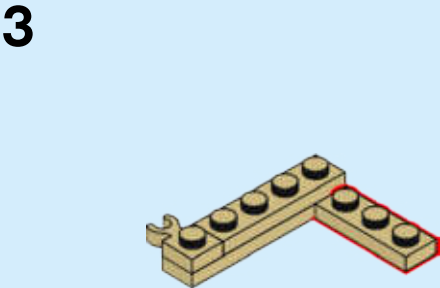
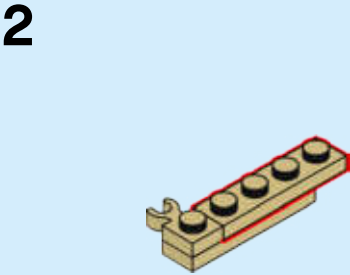
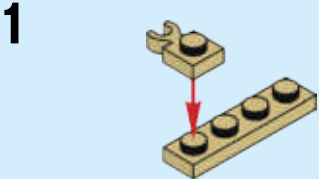


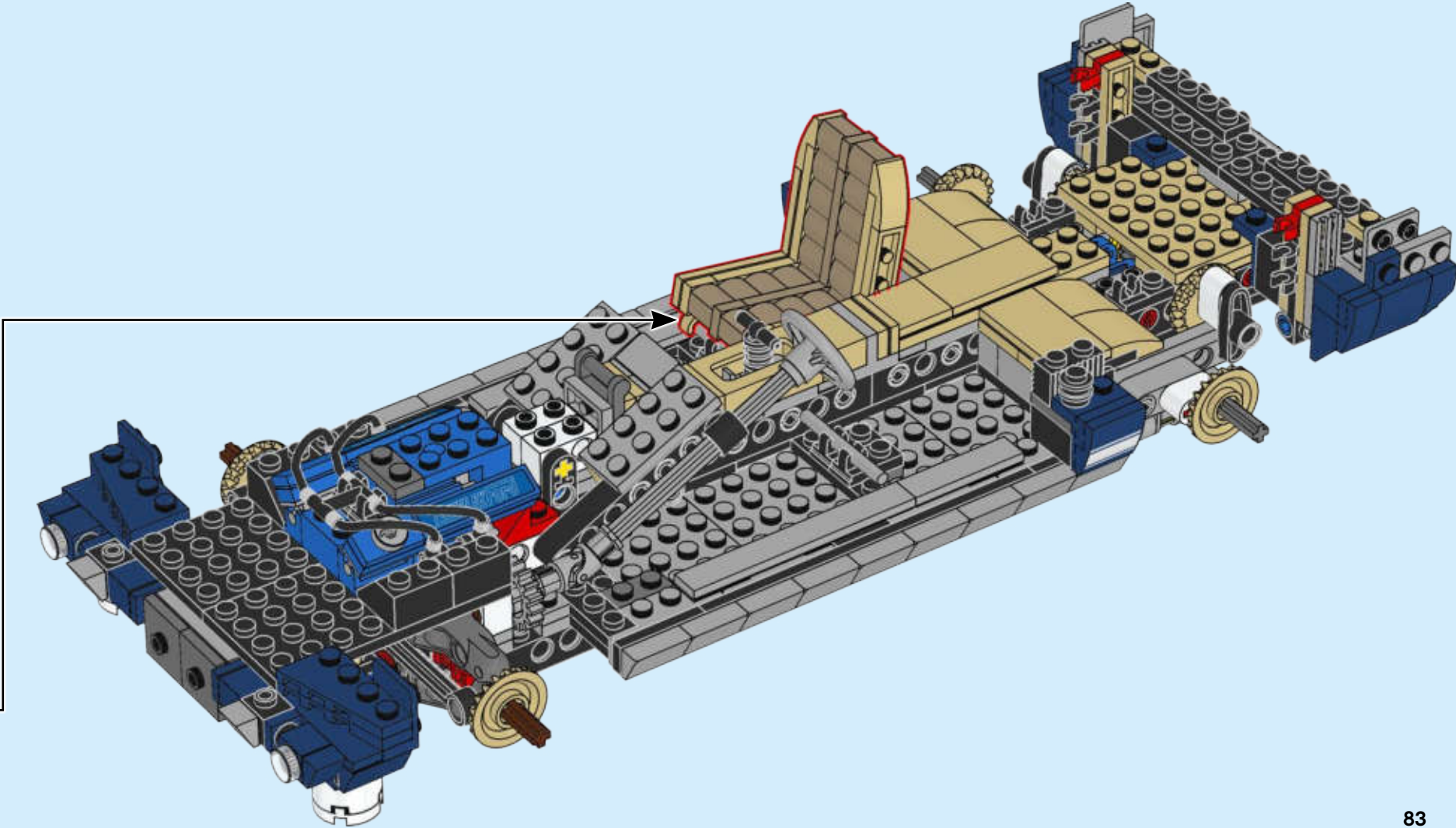
112

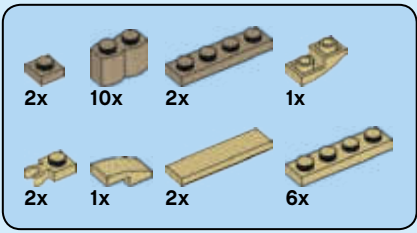




113

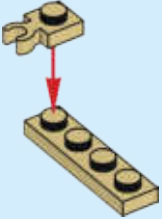




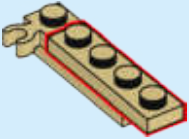


114

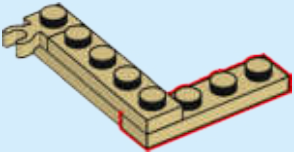
1



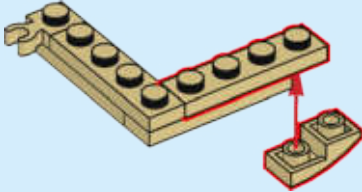
2



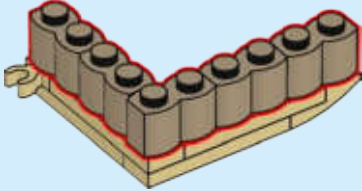
3



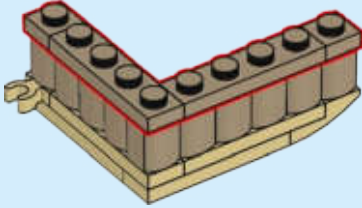
4



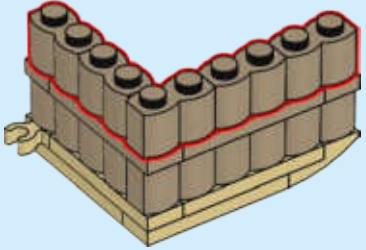
5



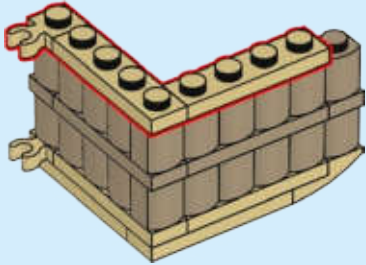
6



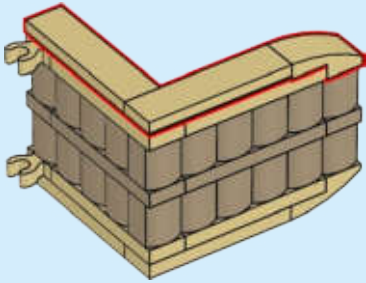
7

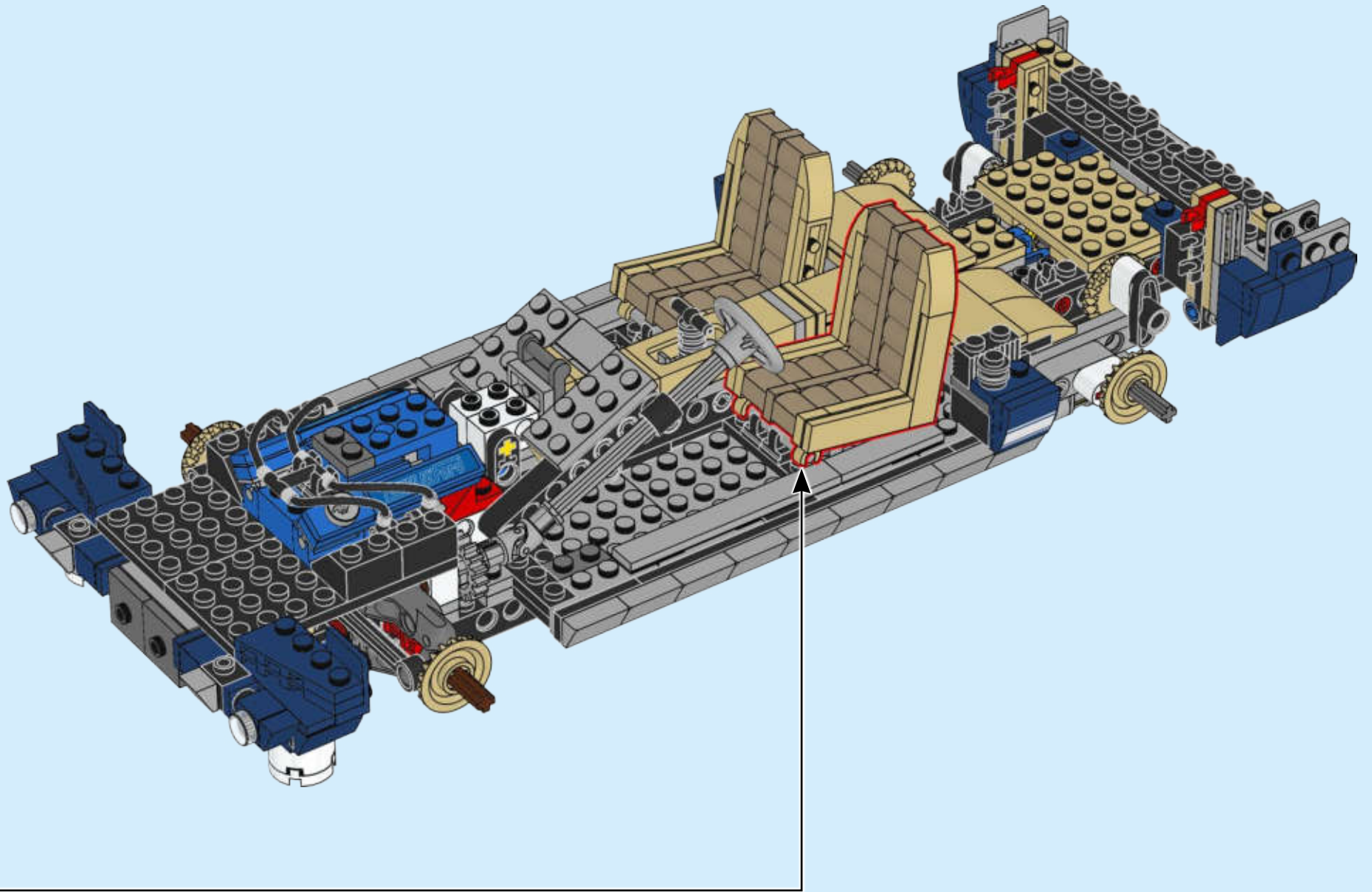


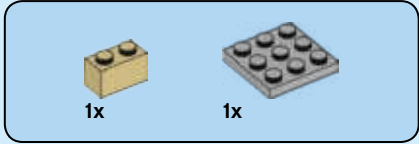
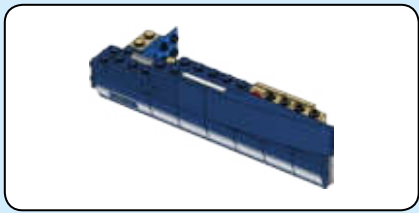
8



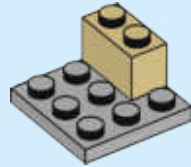
9



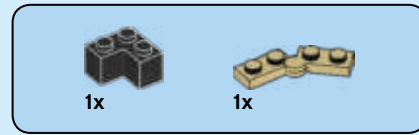
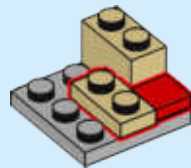




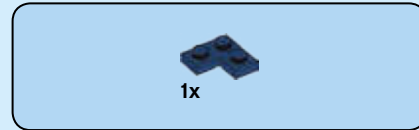
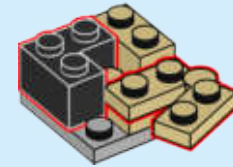
115



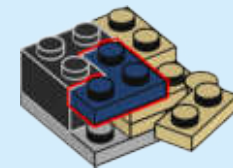
116

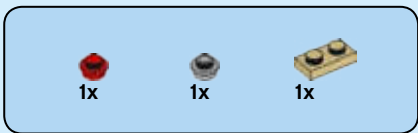


117

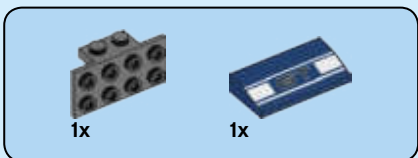
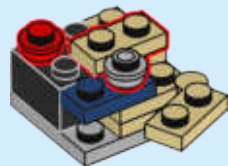


118

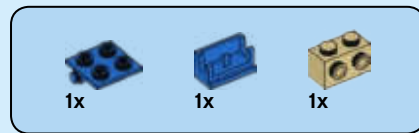
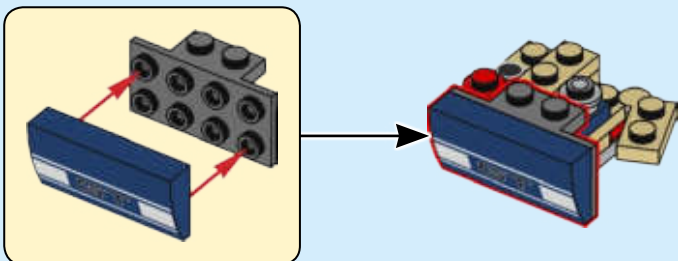




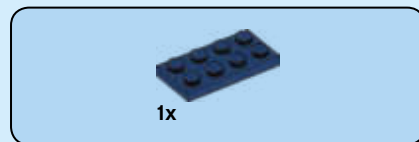
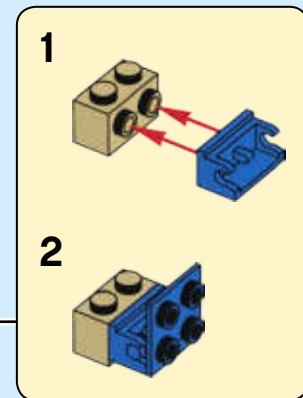
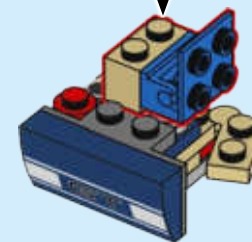
119



120

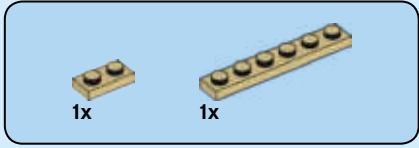
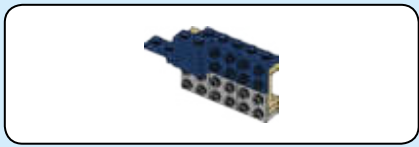


121

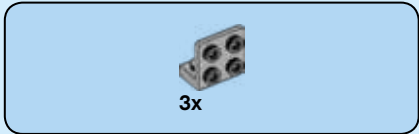
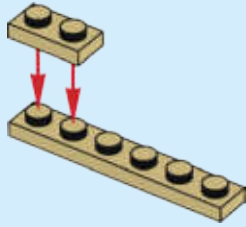


122

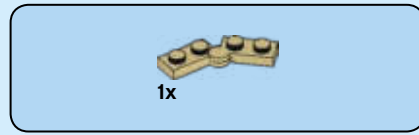
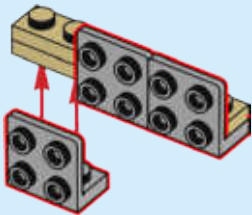




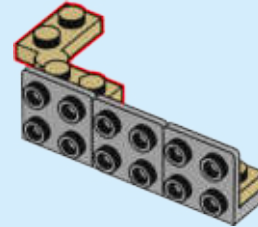
123

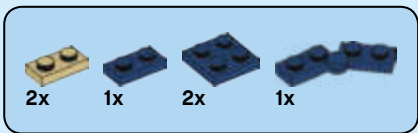


124

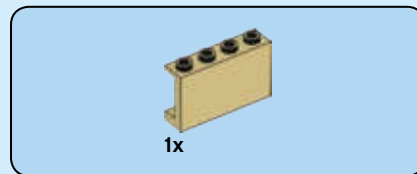
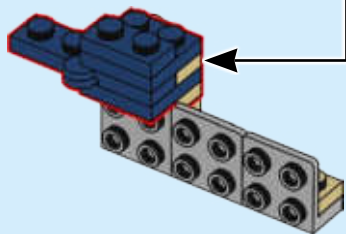
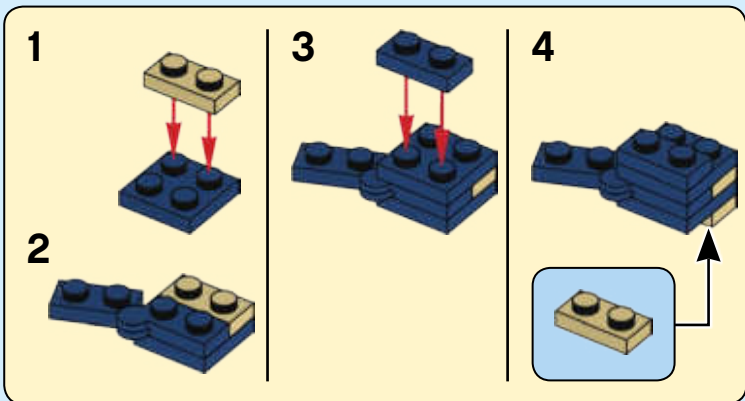


125

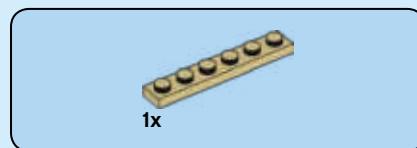
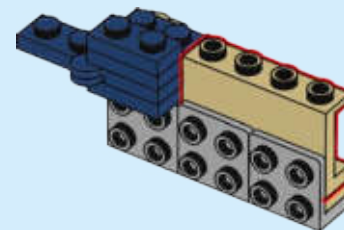




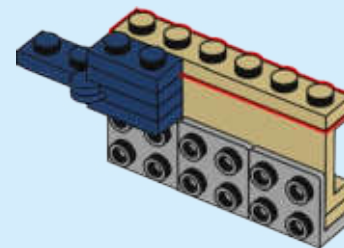
126

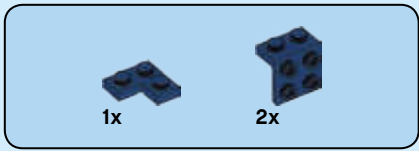


127

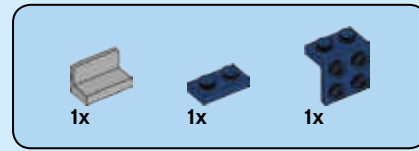
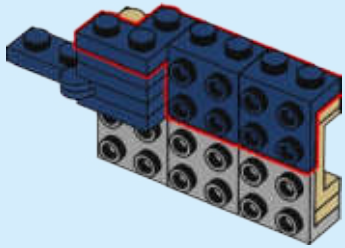


128

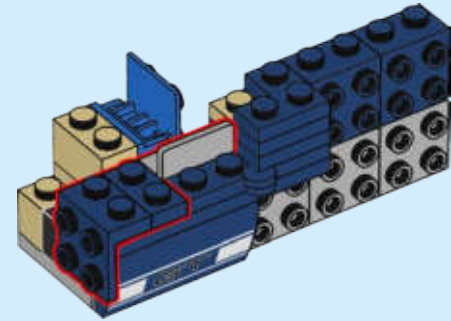




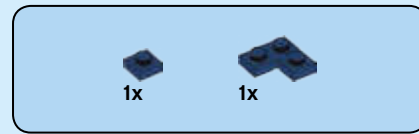
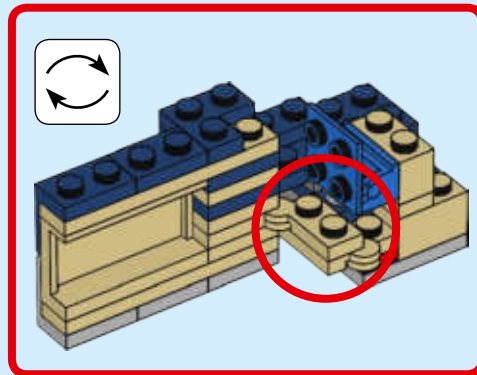
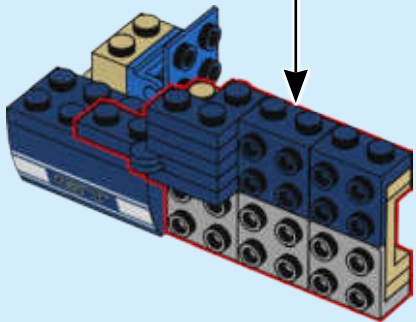
129



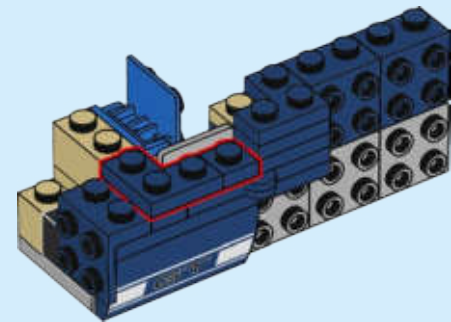
131

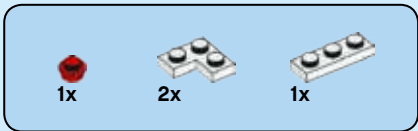


130

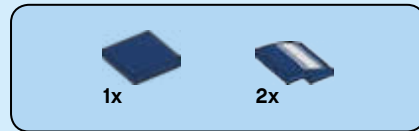
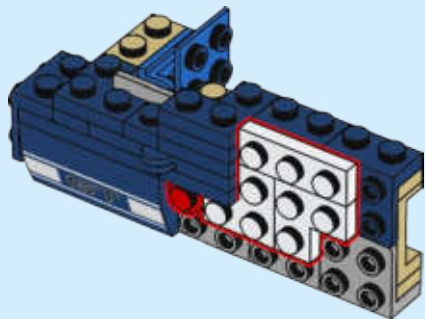


132

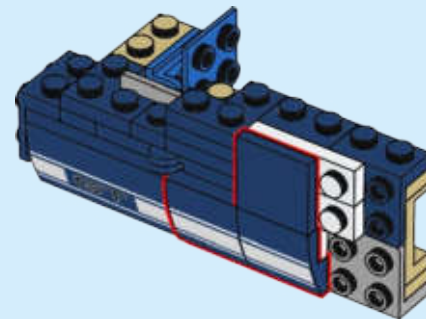




133

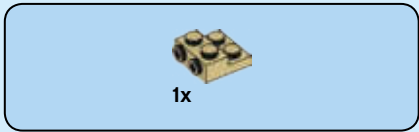
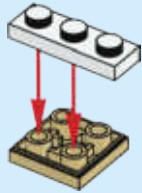


134





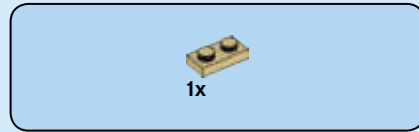
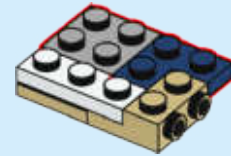
135



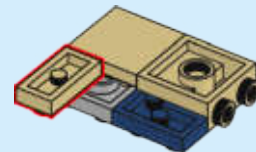
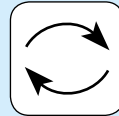
136



137

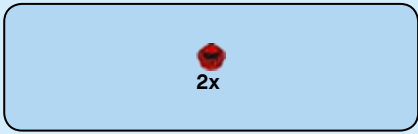
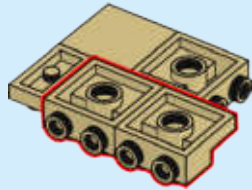


138

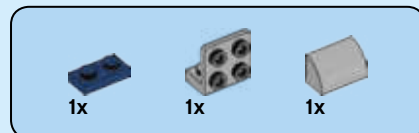
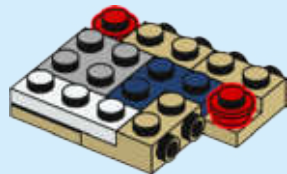
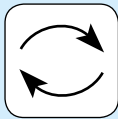




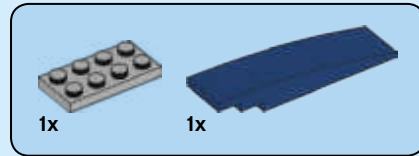
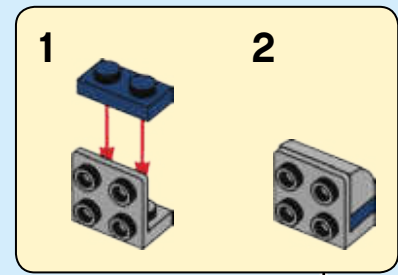
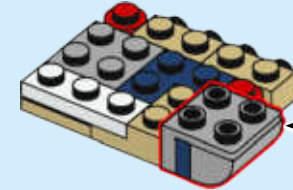
139



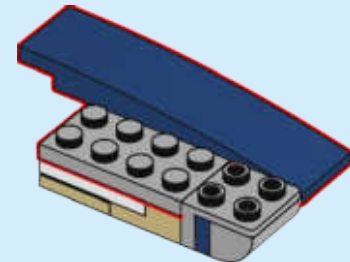
140

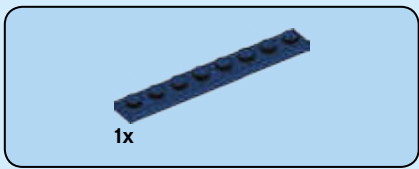


141

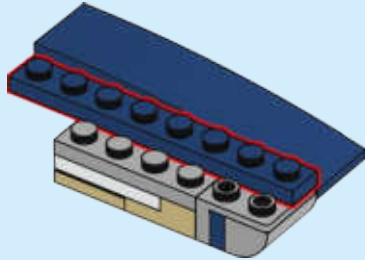


142

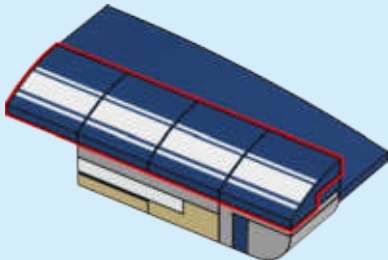




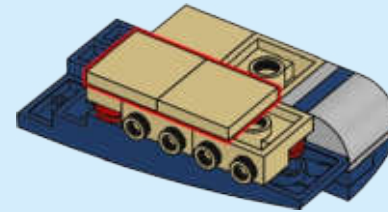
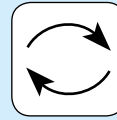
143



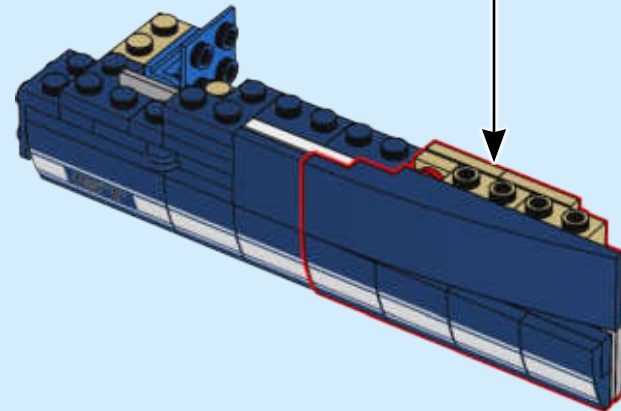
144



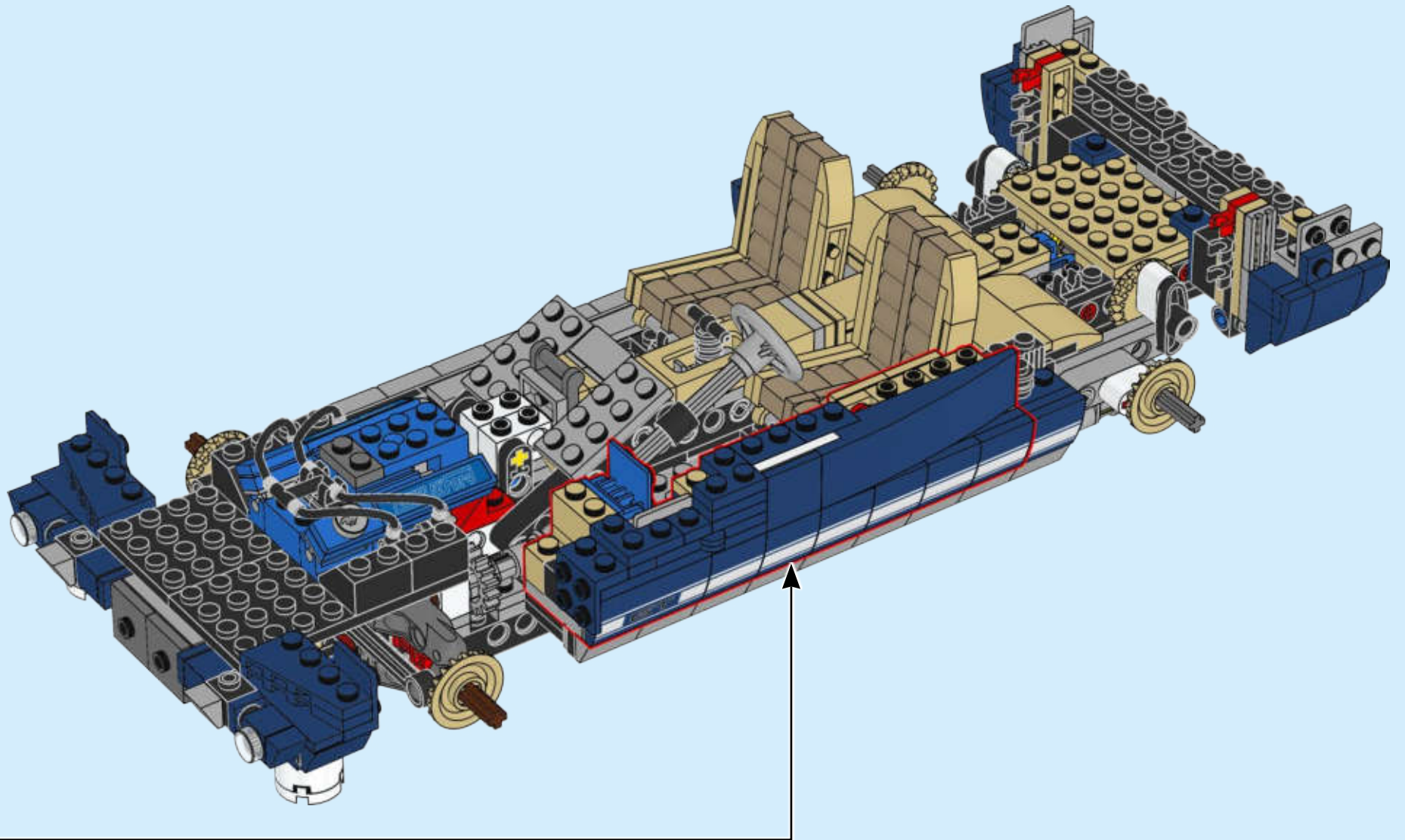
145

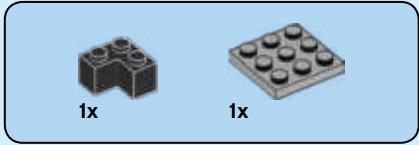
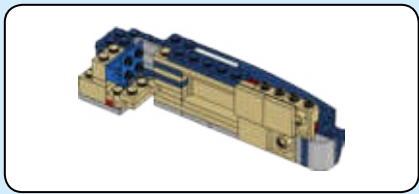


146

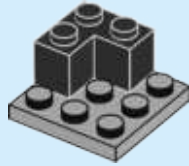


147

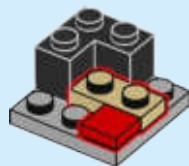




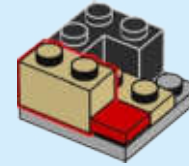
148



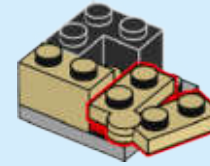
149



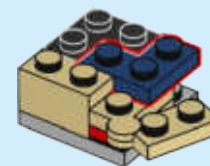
150

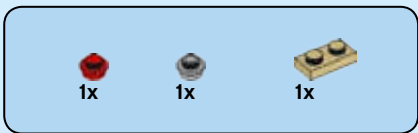


151

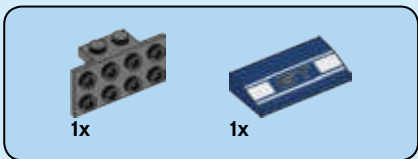
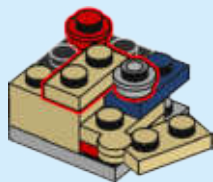


152

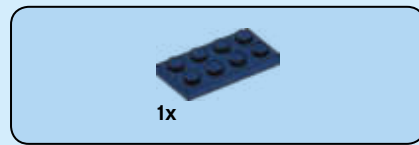
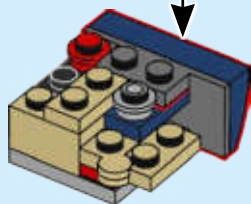
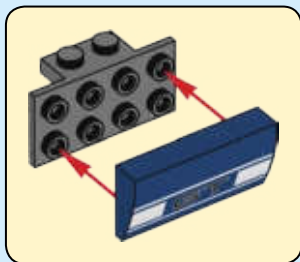




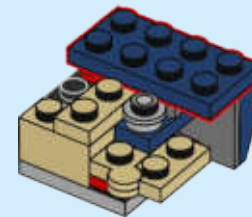
153



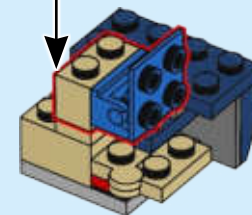
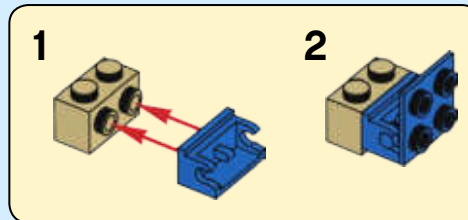
154

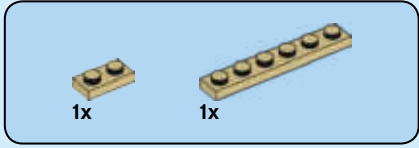


155

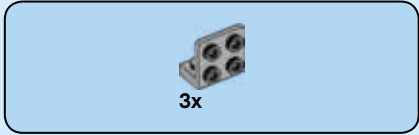
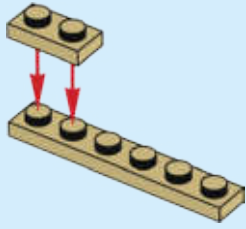


156

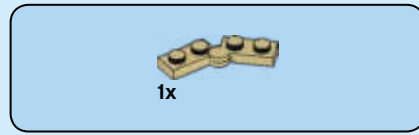
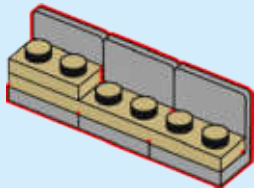




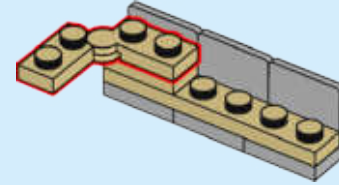
157

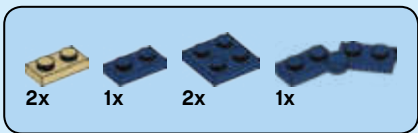


158

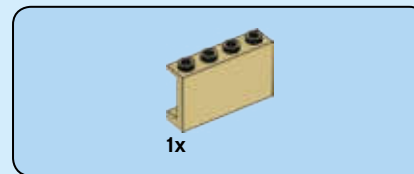
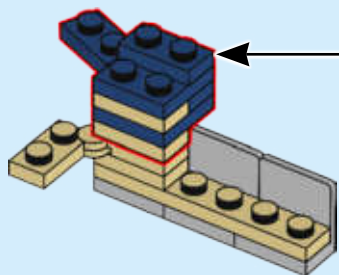
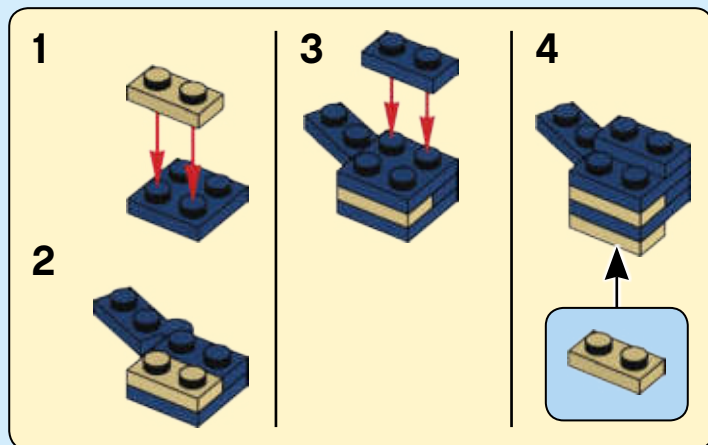


159

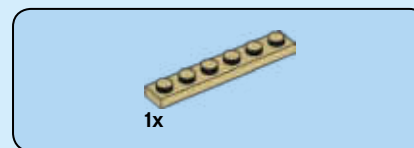
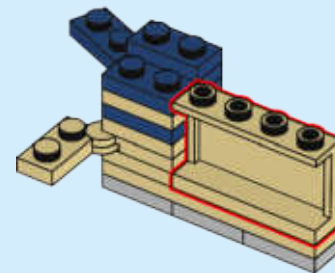




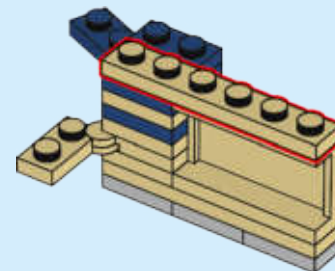
160

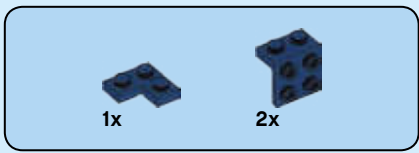


161

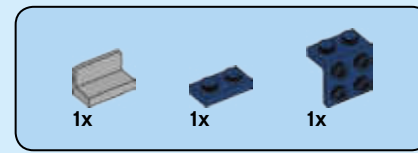
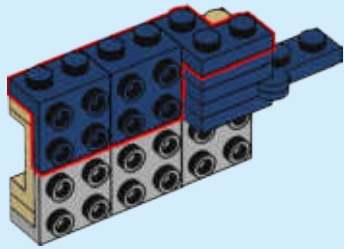
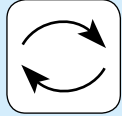


162

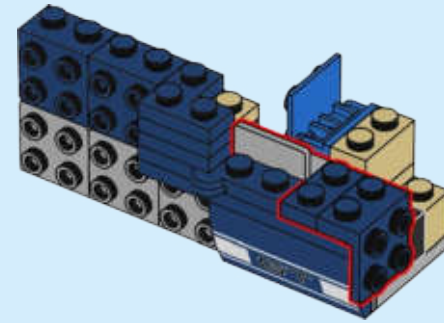




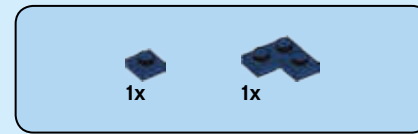
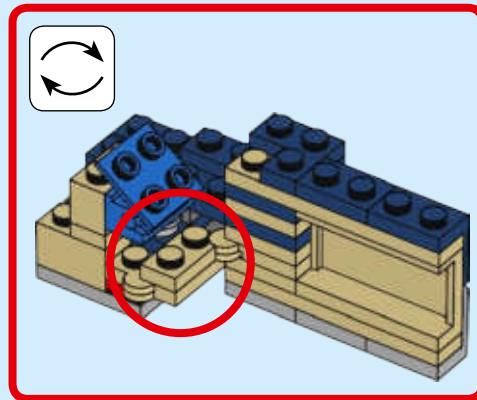
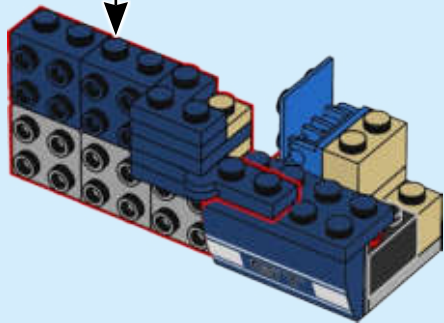
163



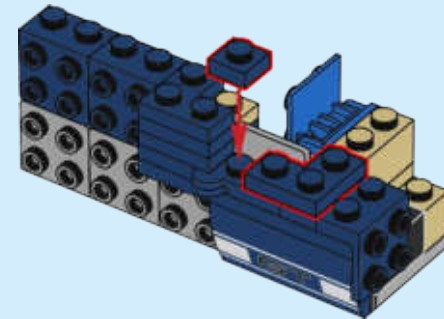
165



164

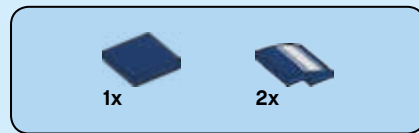
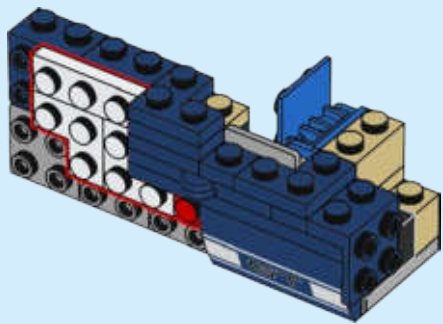


166

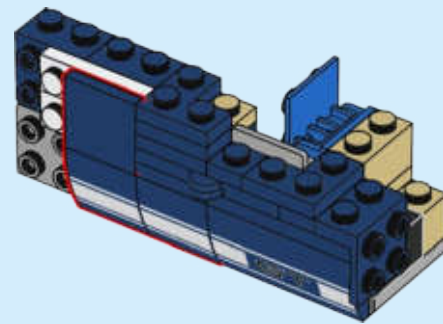




167

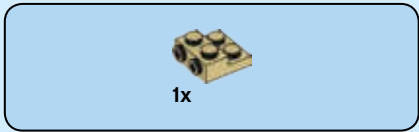
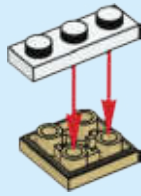


168

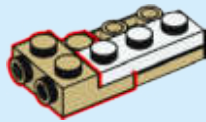




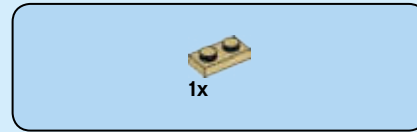
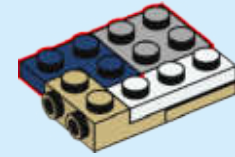
169



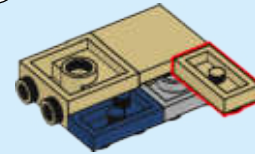
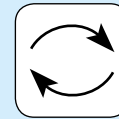
170



171

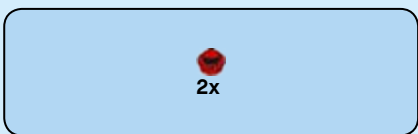
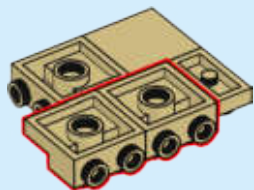


172

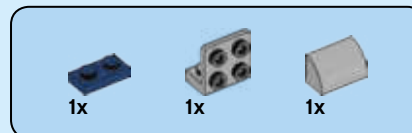
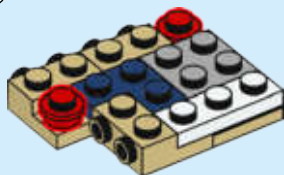
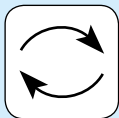




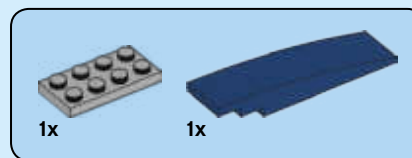
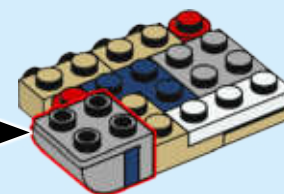
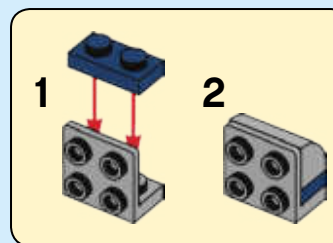
173



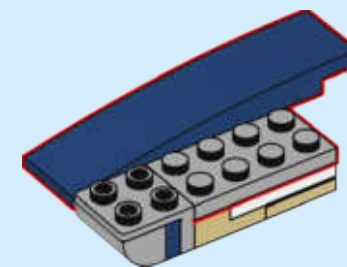
174

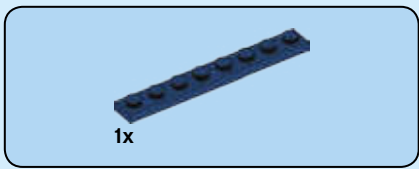


175

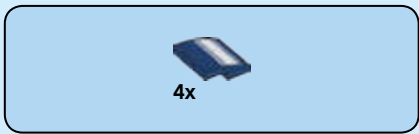
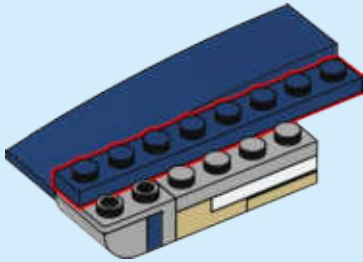


176

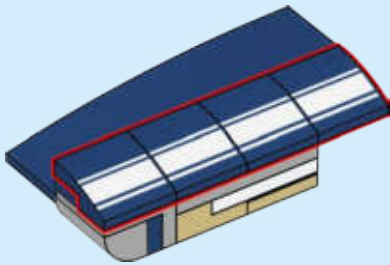




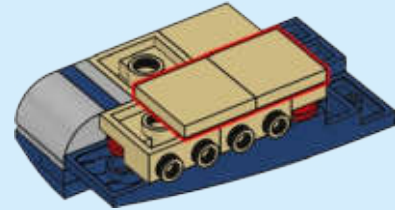
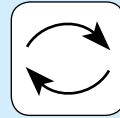
177



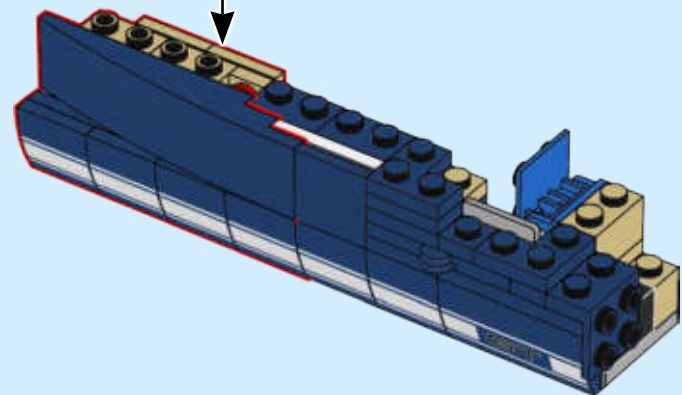
178



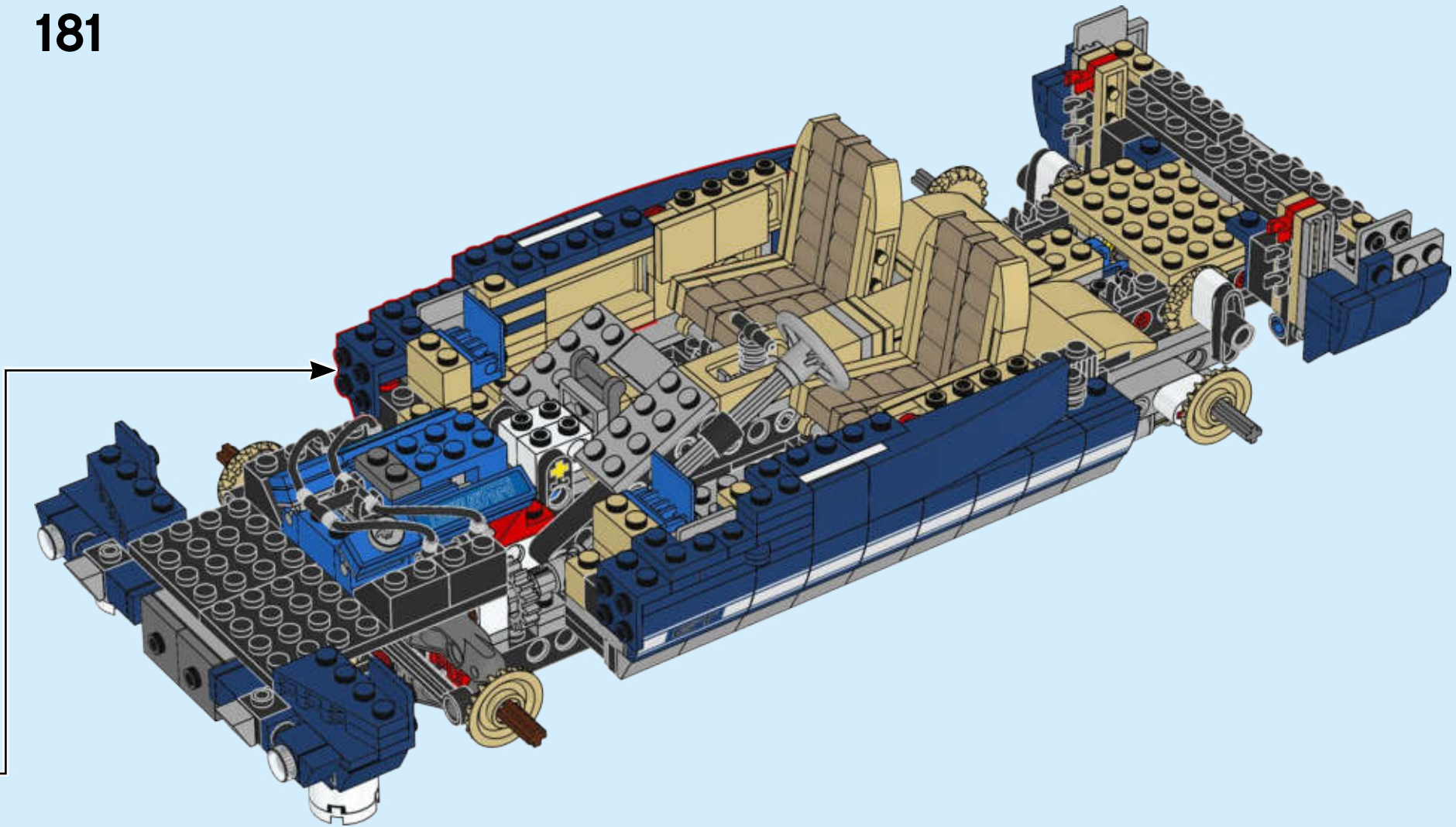
179

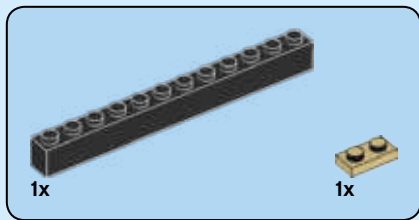


180

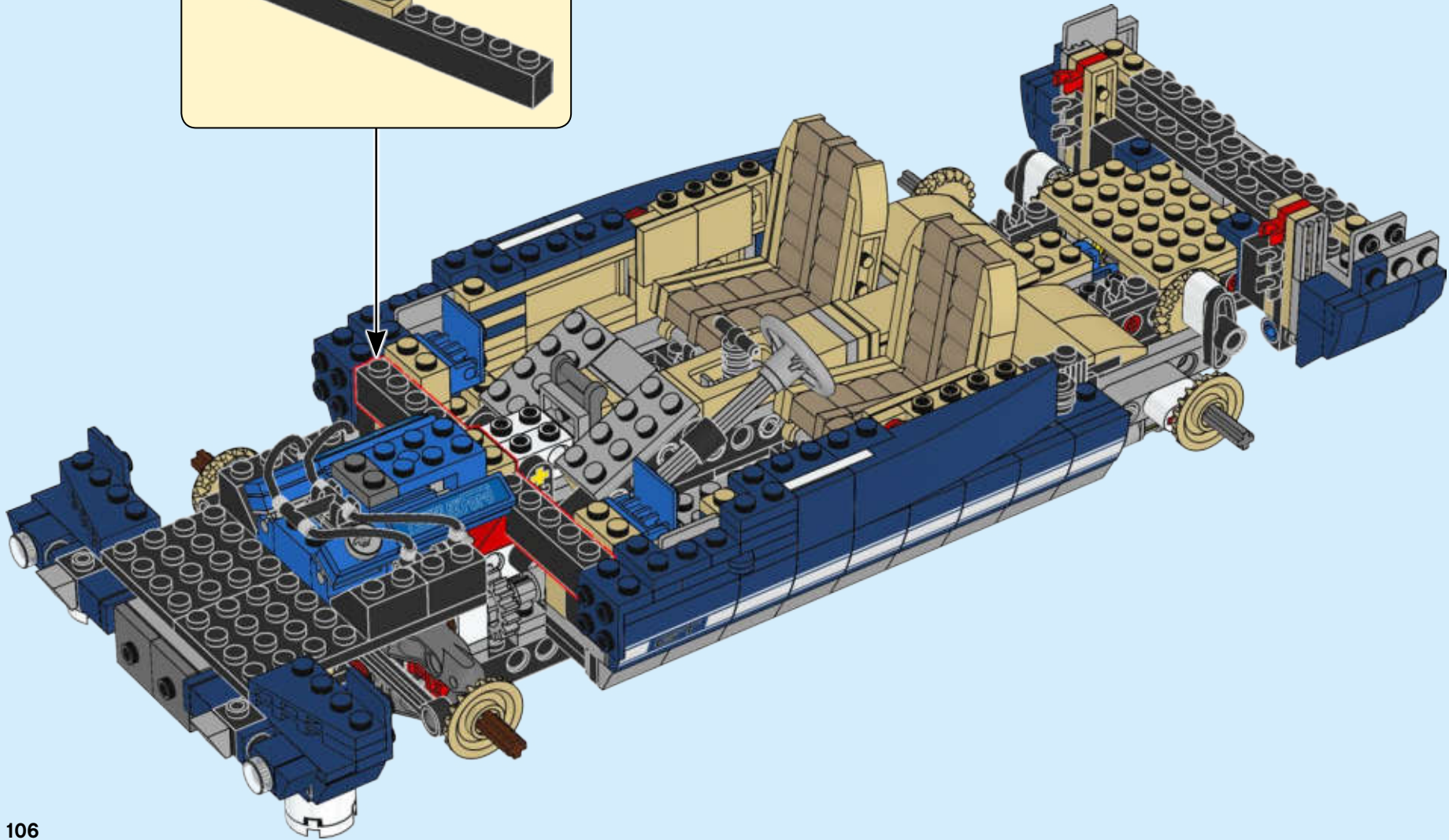
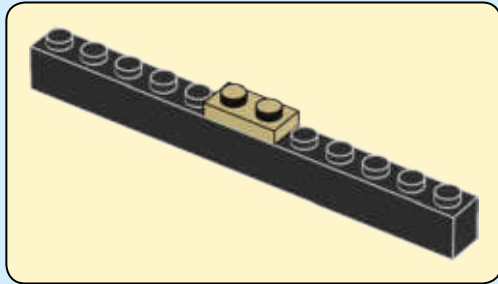


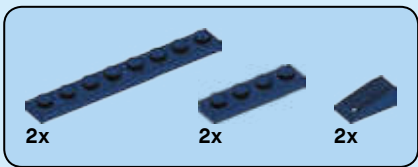
181



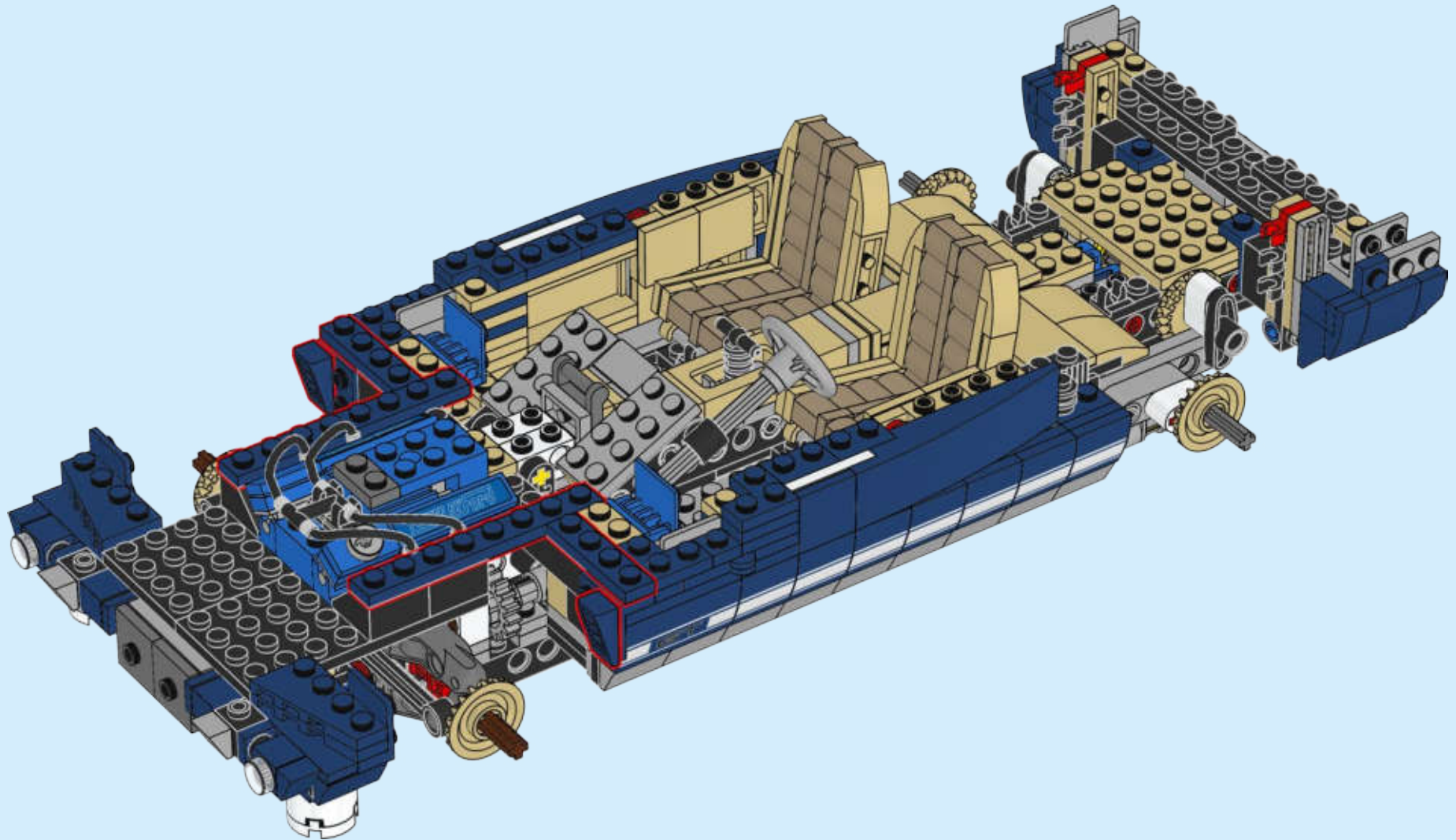


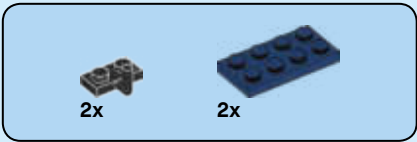
182



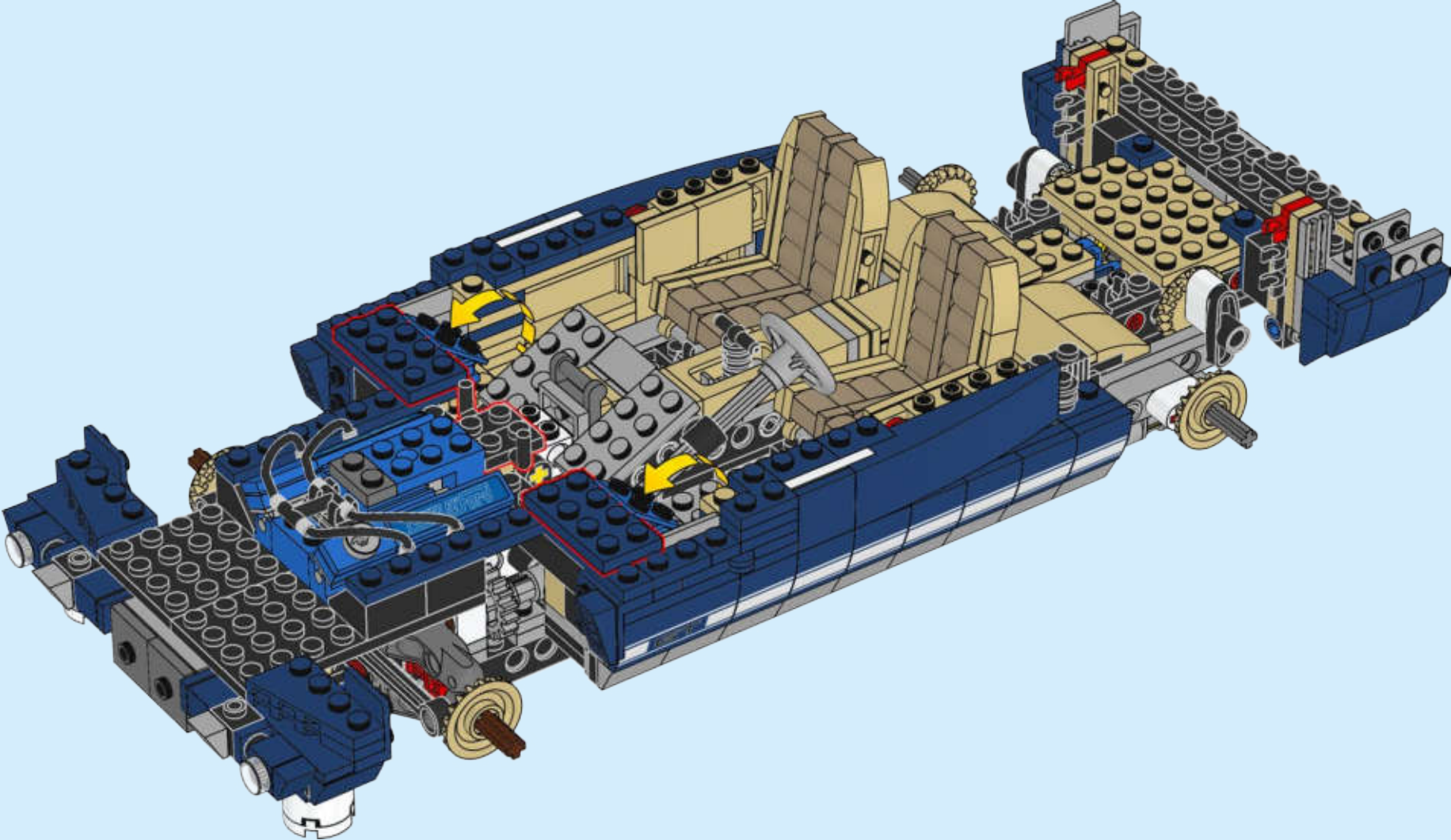


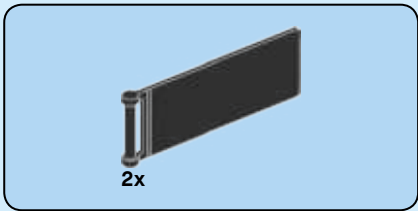
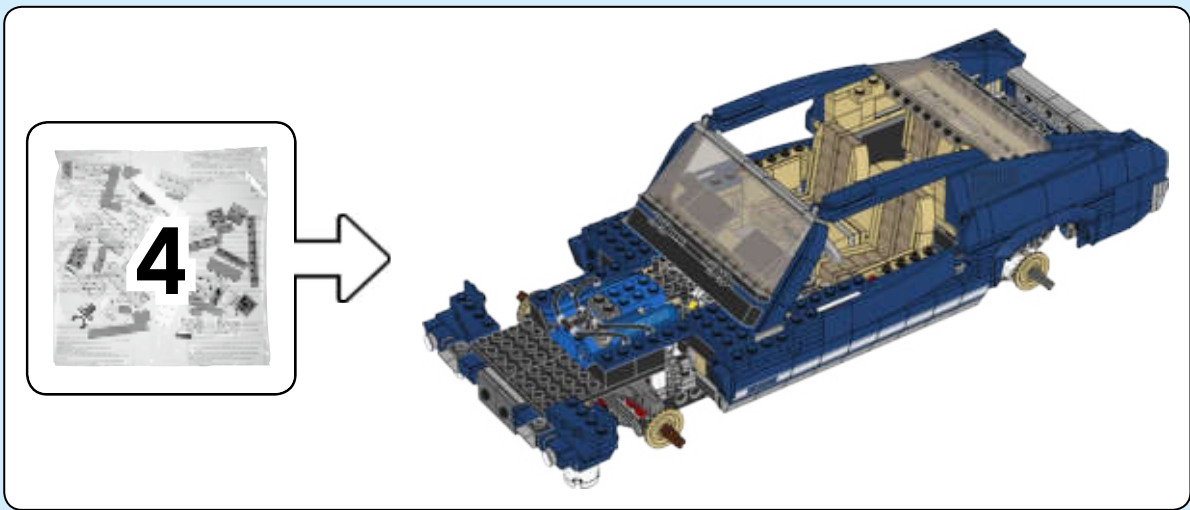
183



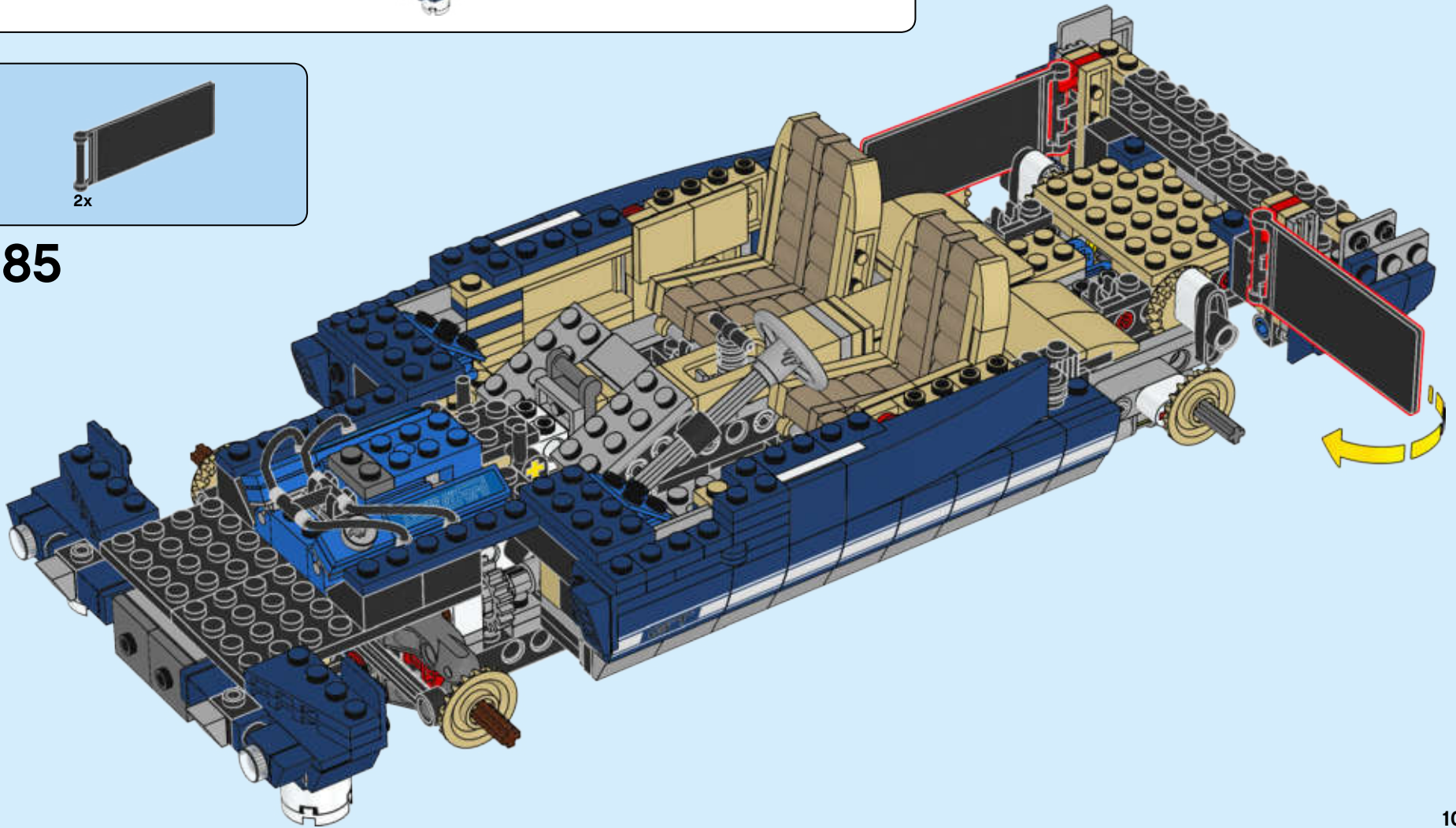


184





185



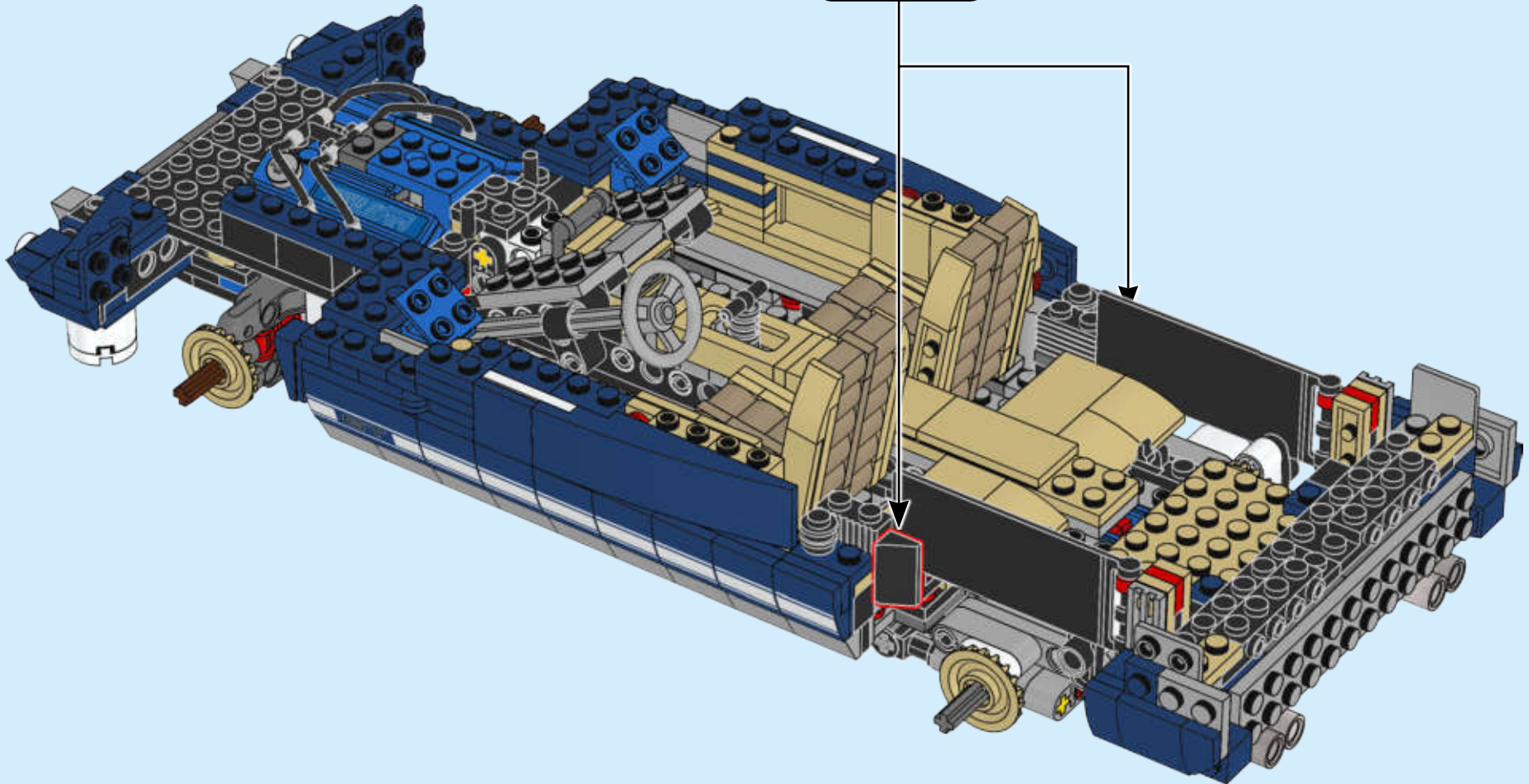


2x

186

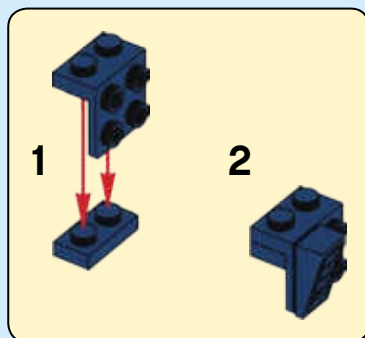
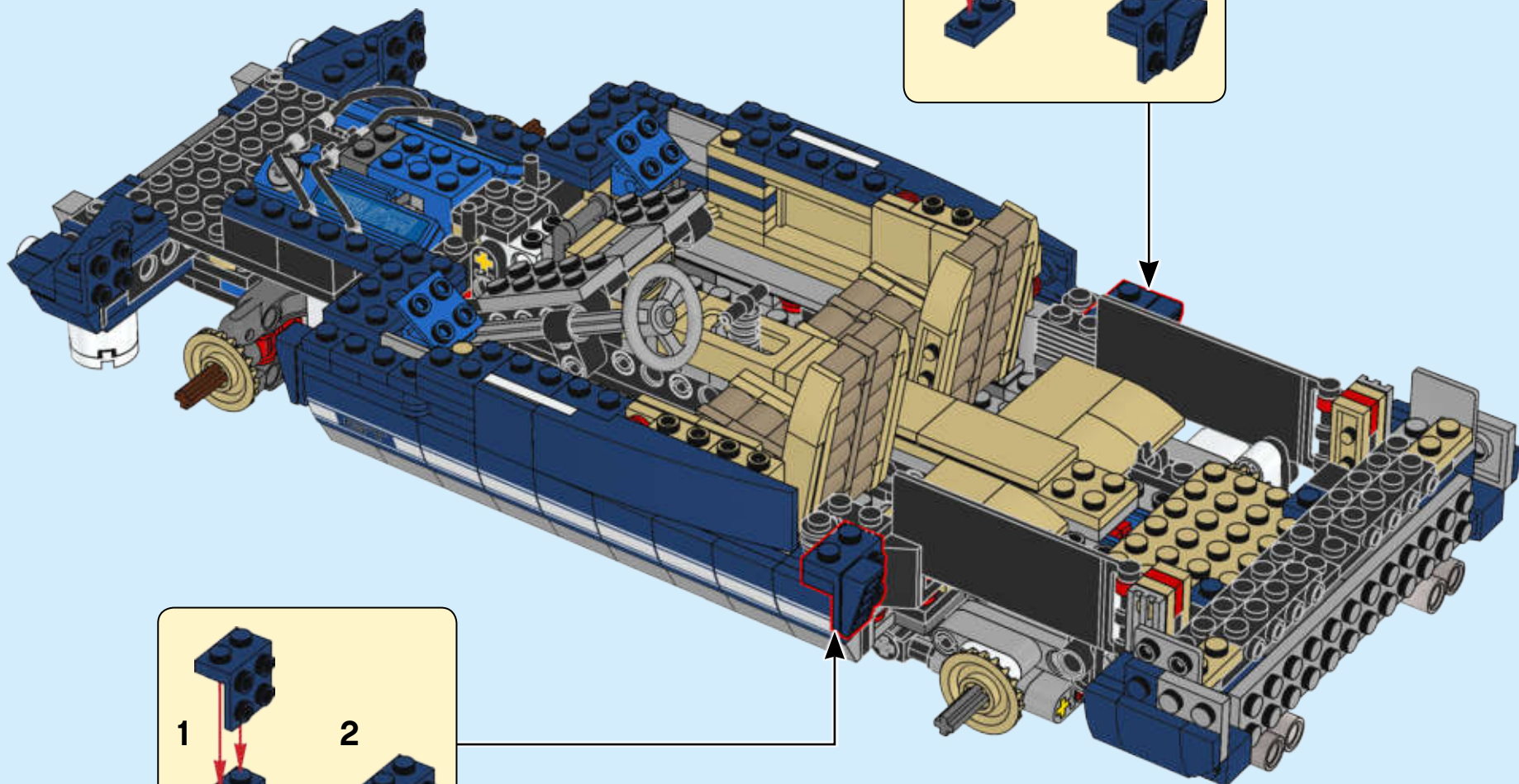
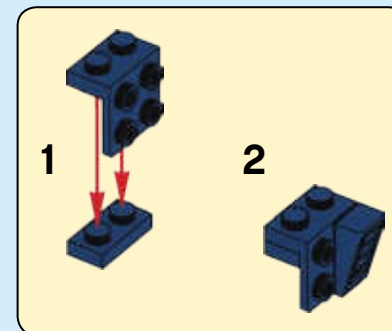


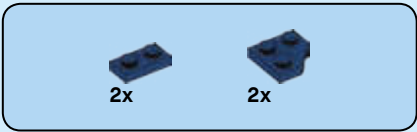
2x



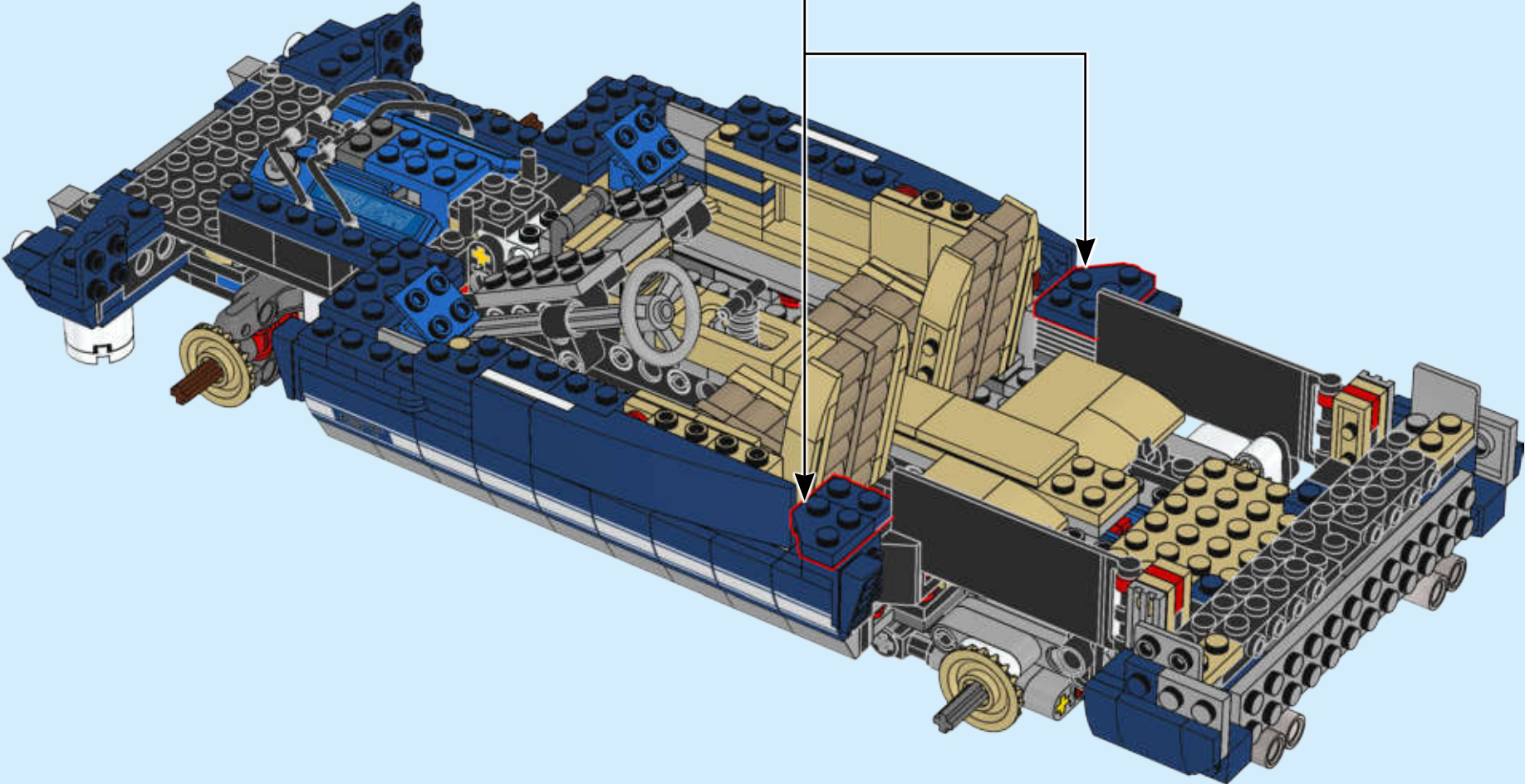


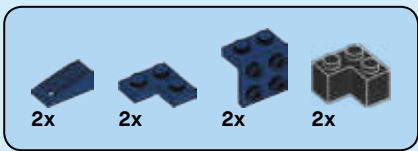
187



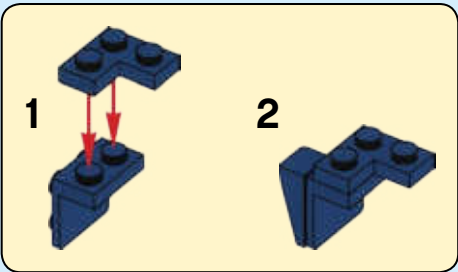
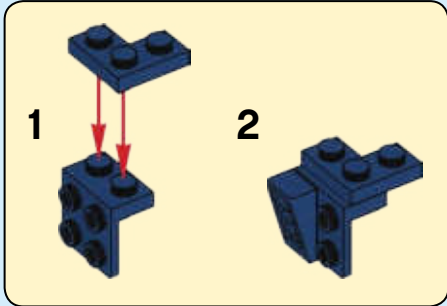
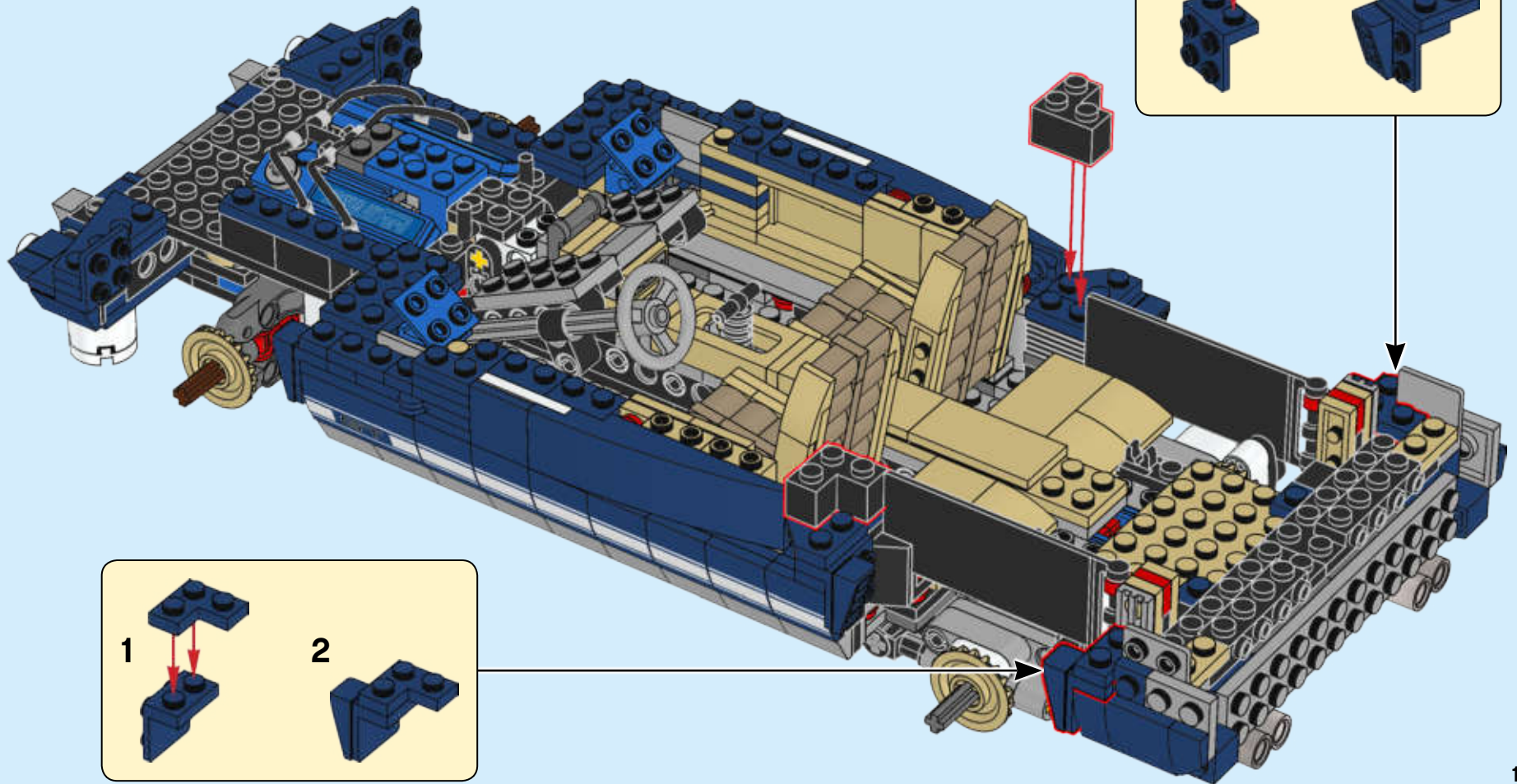


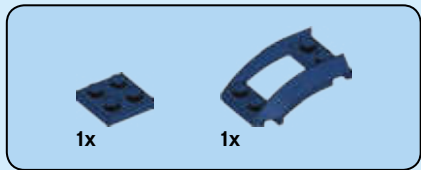
188



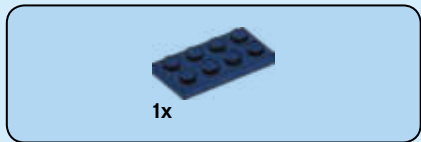
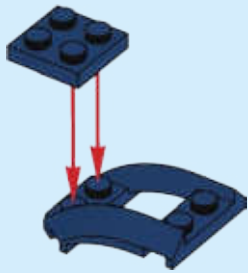


189

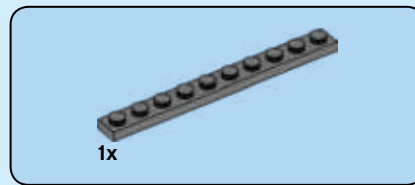




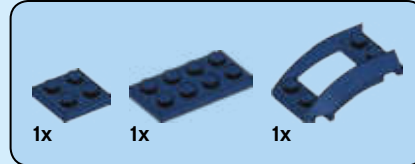
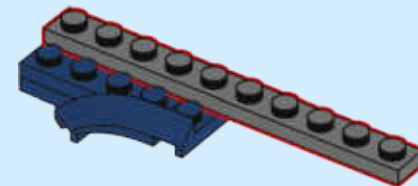
190



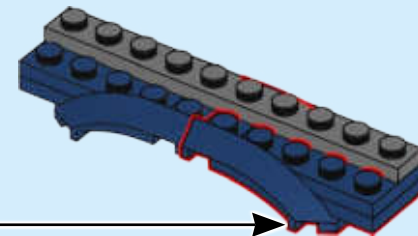
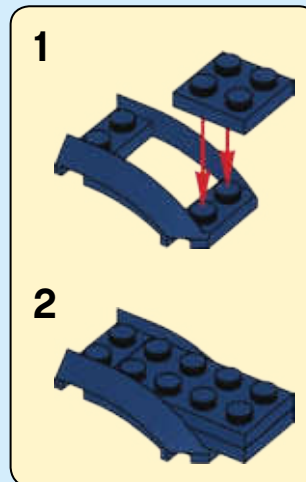
191



192

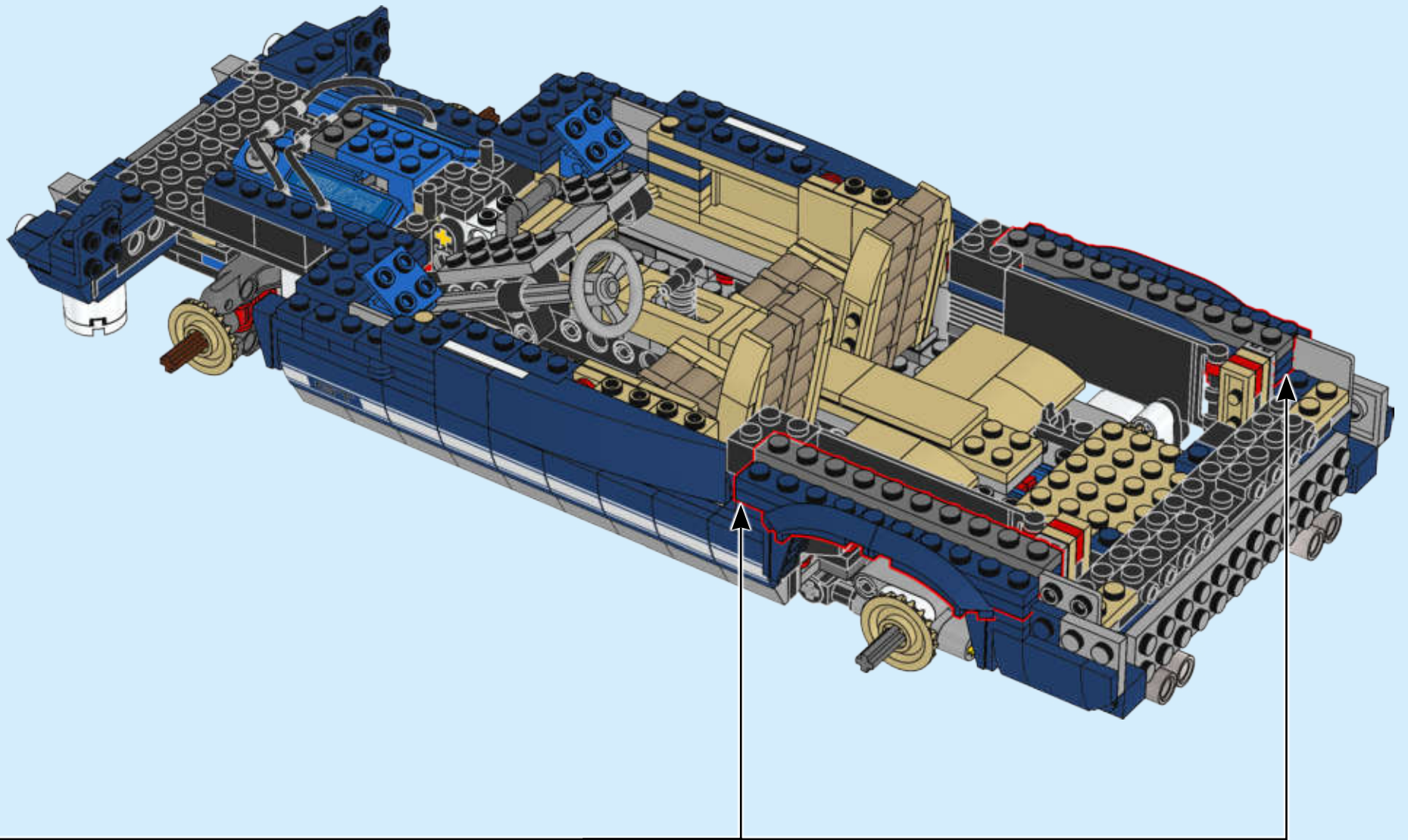


193



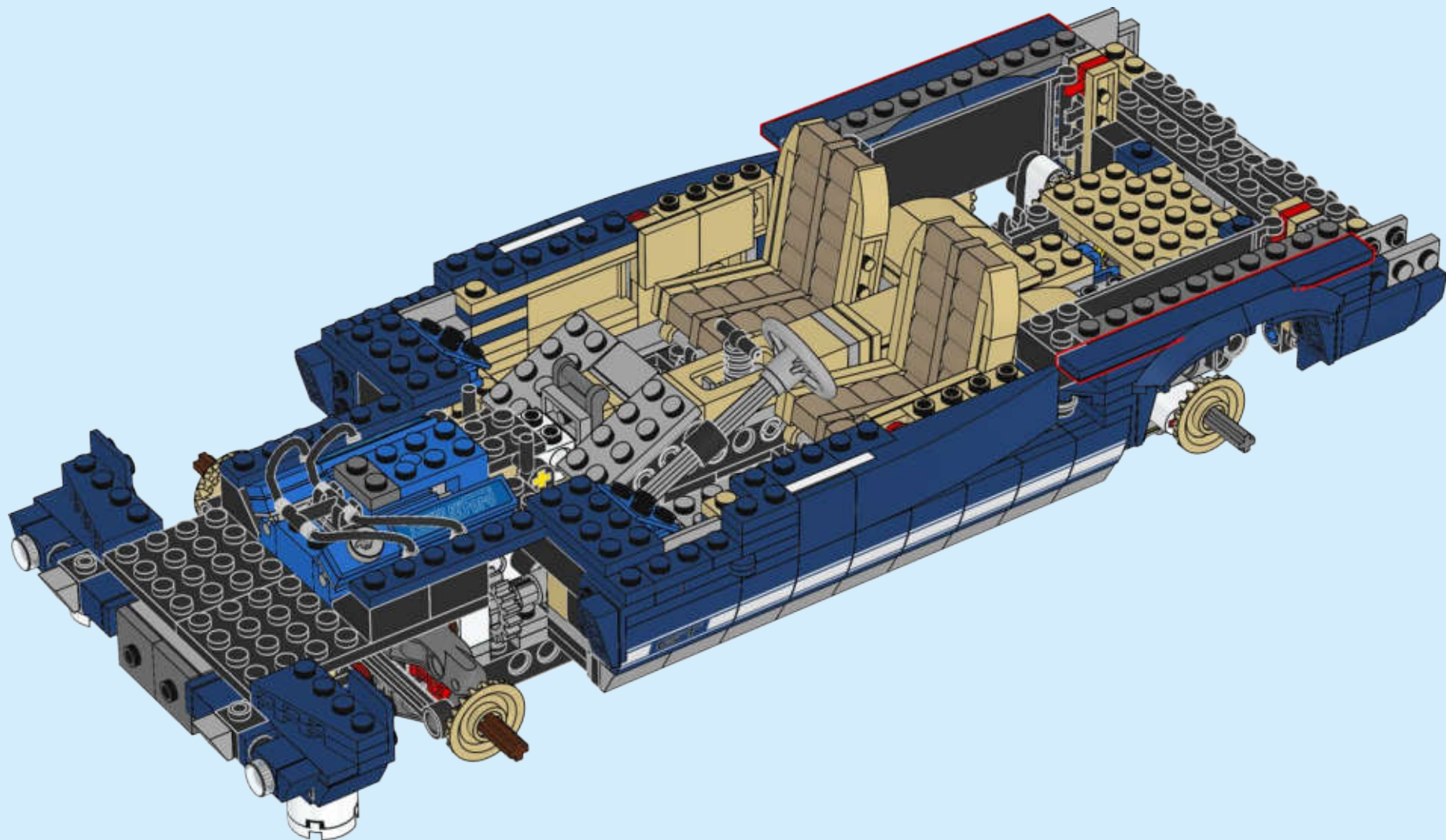
2x

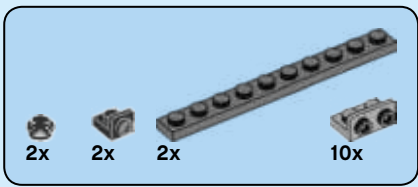
194



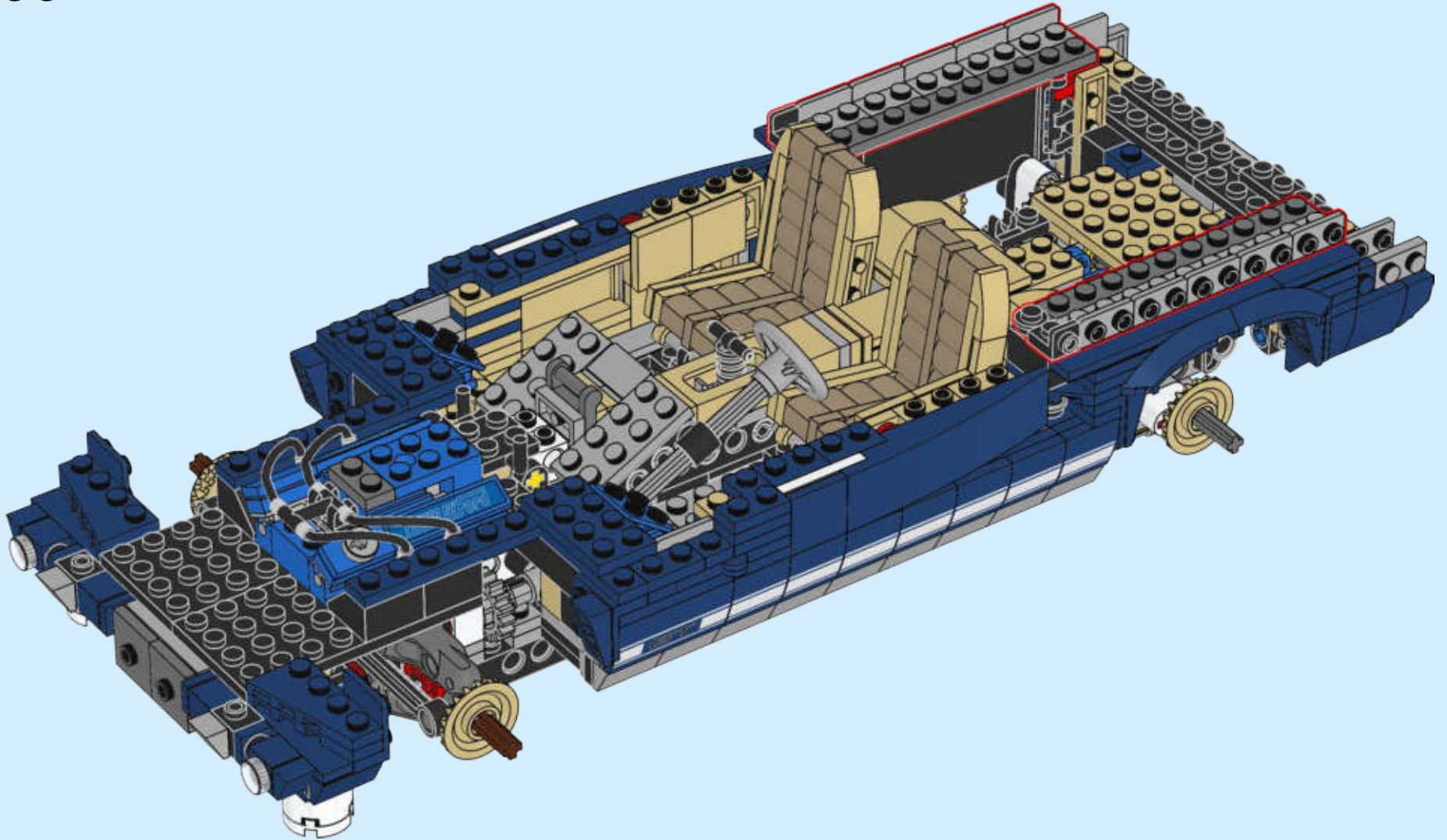


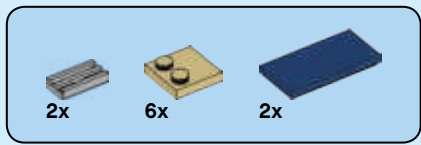
195



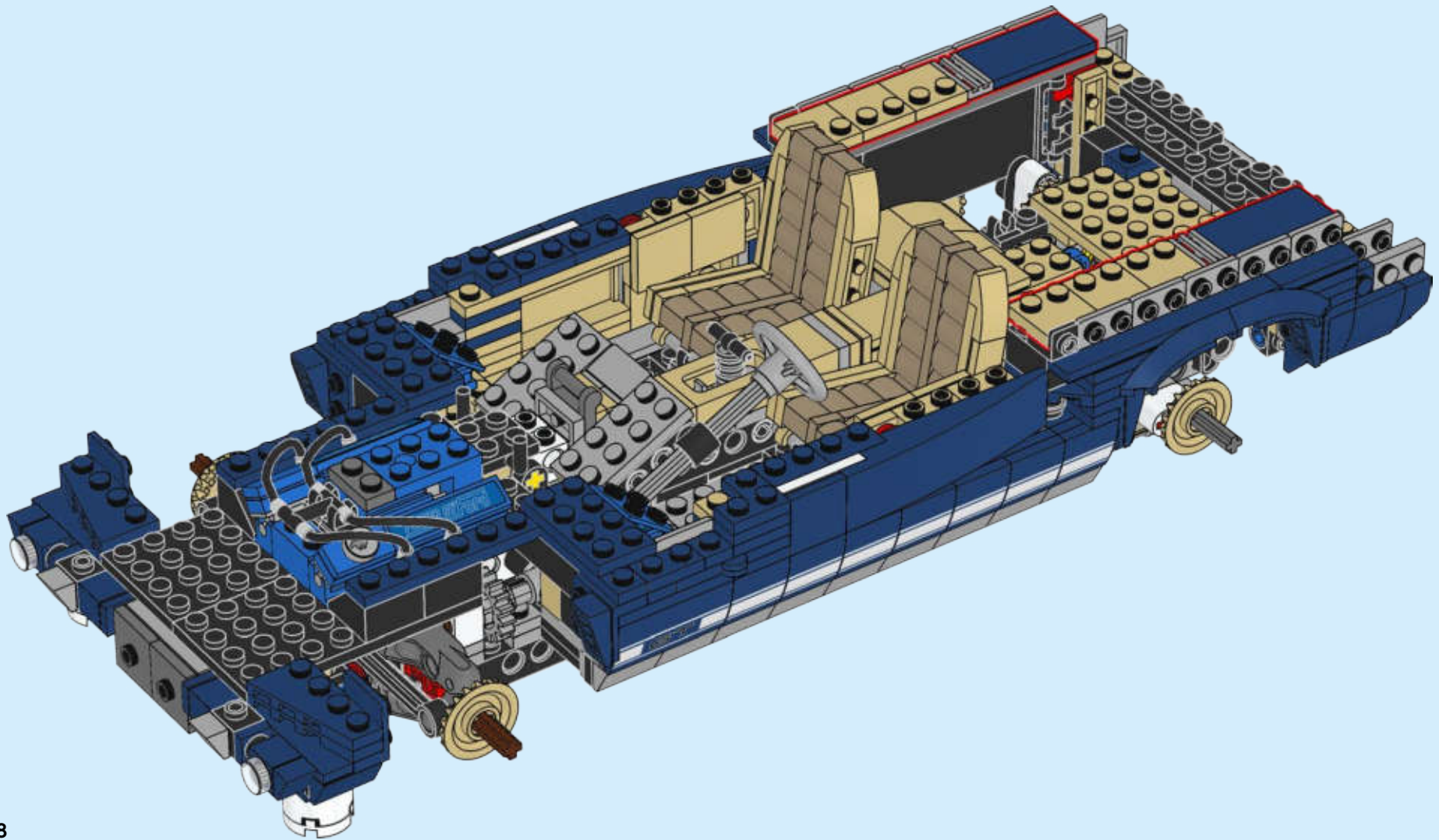


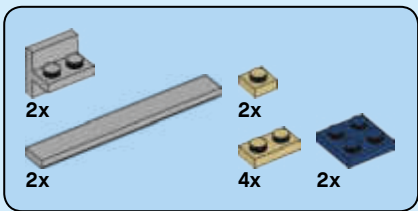
196



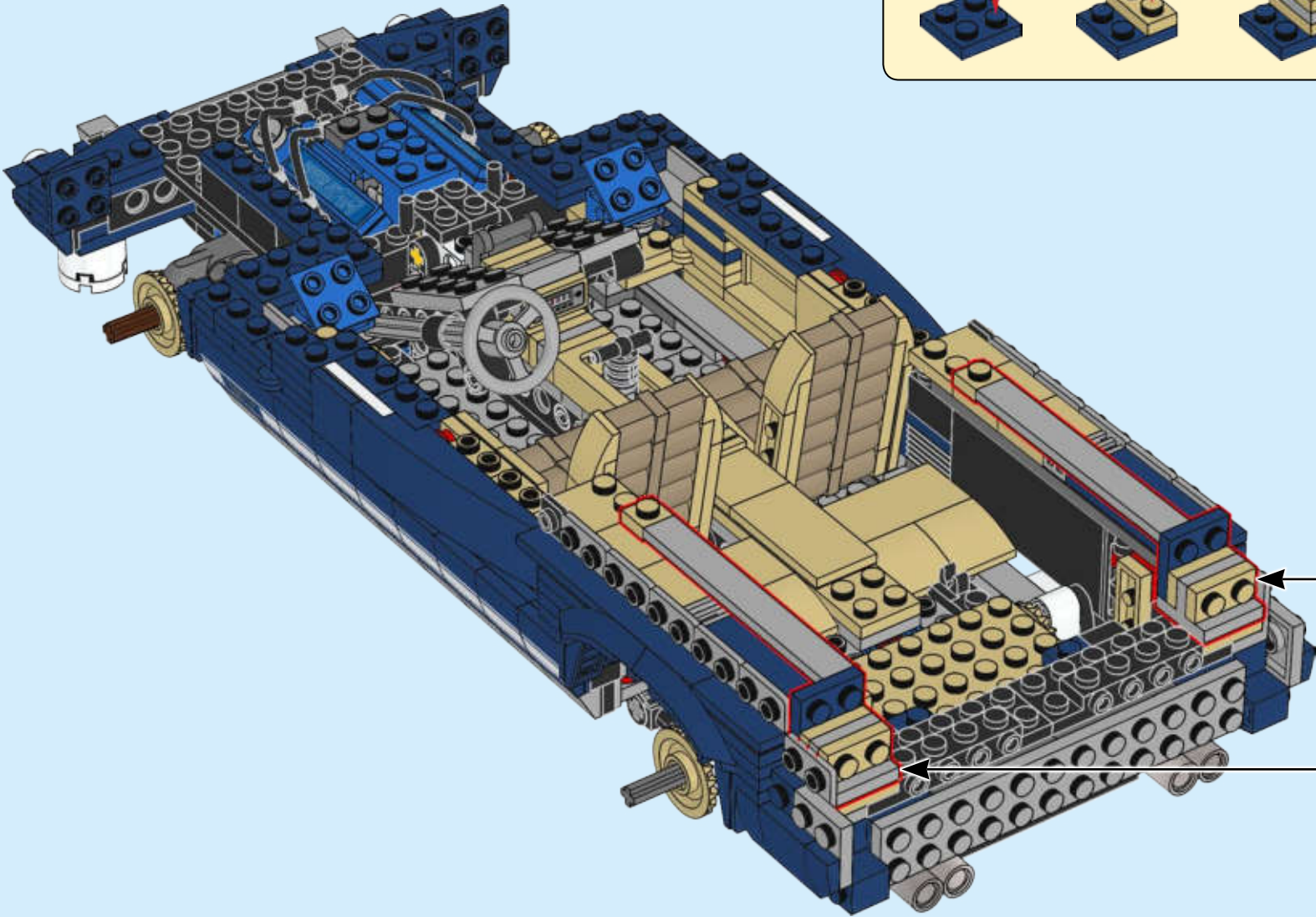
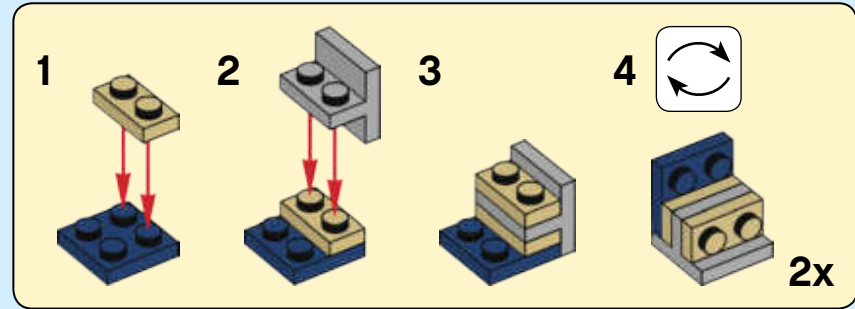


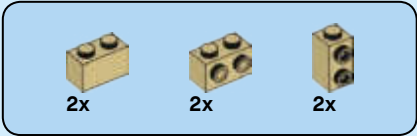
197



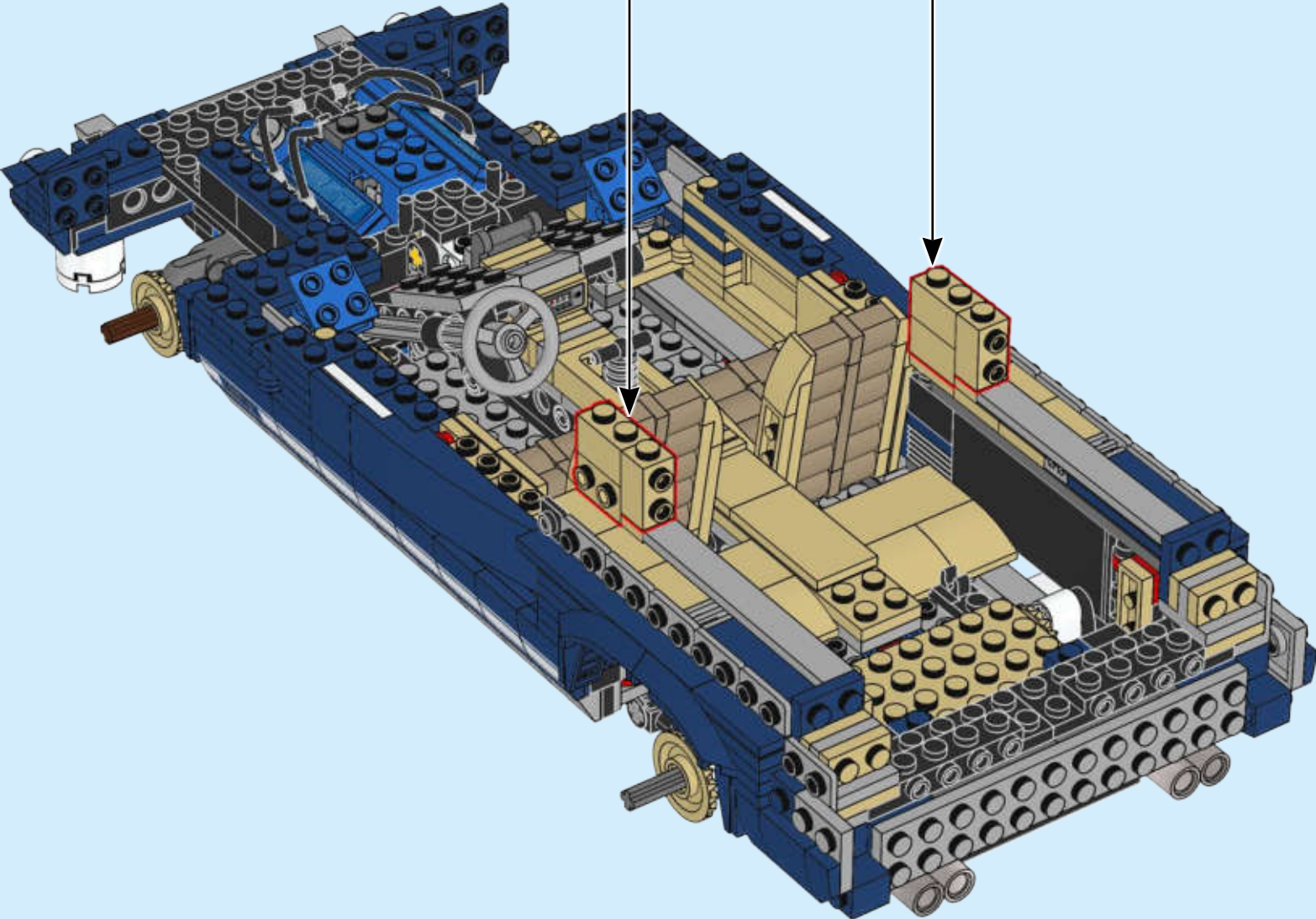
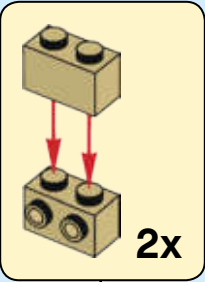


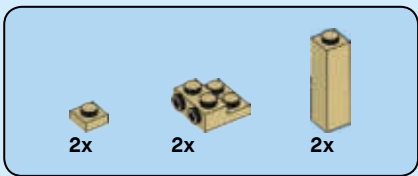
198





199

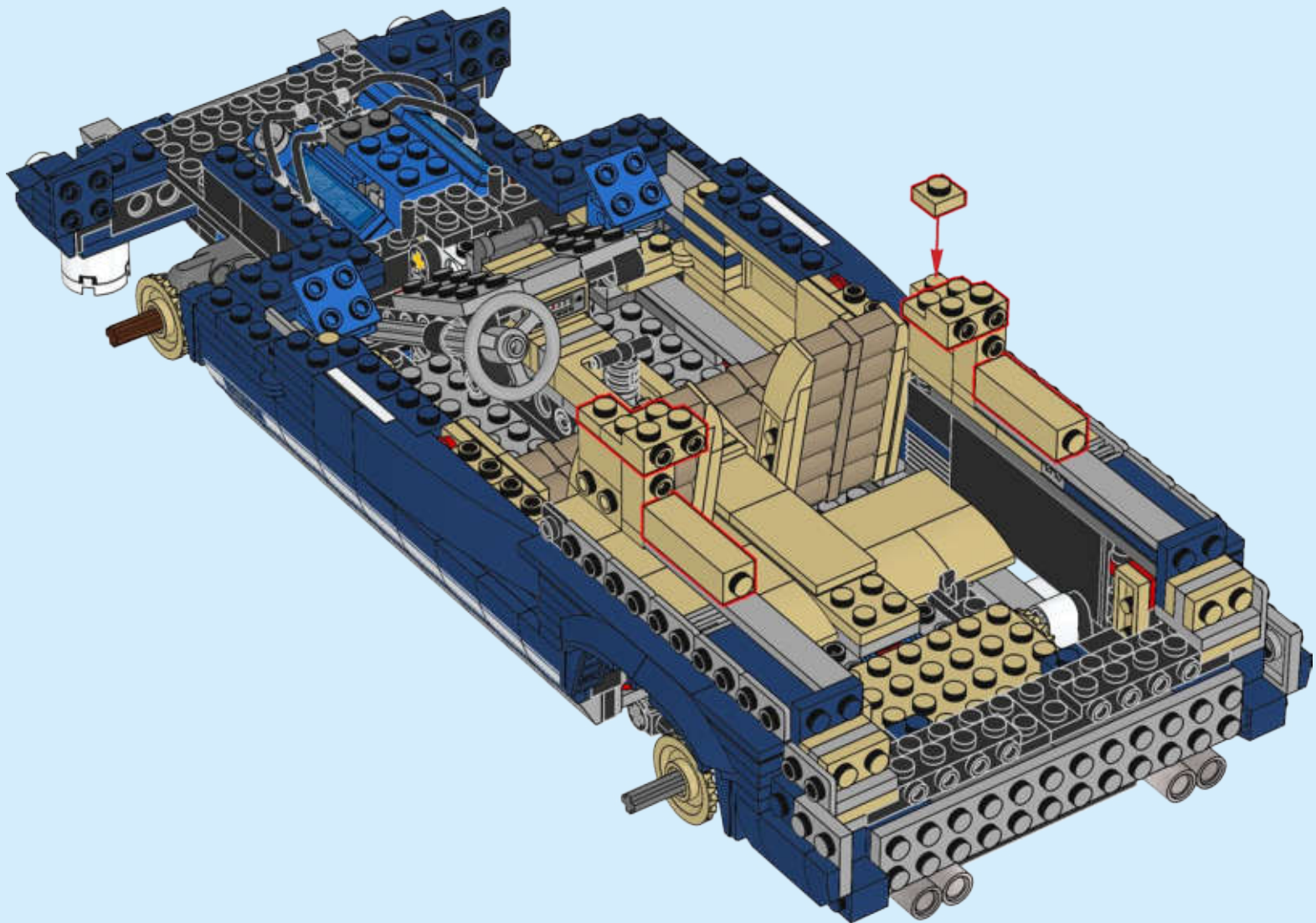


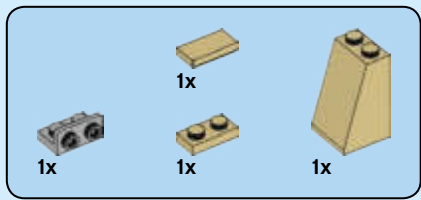


200

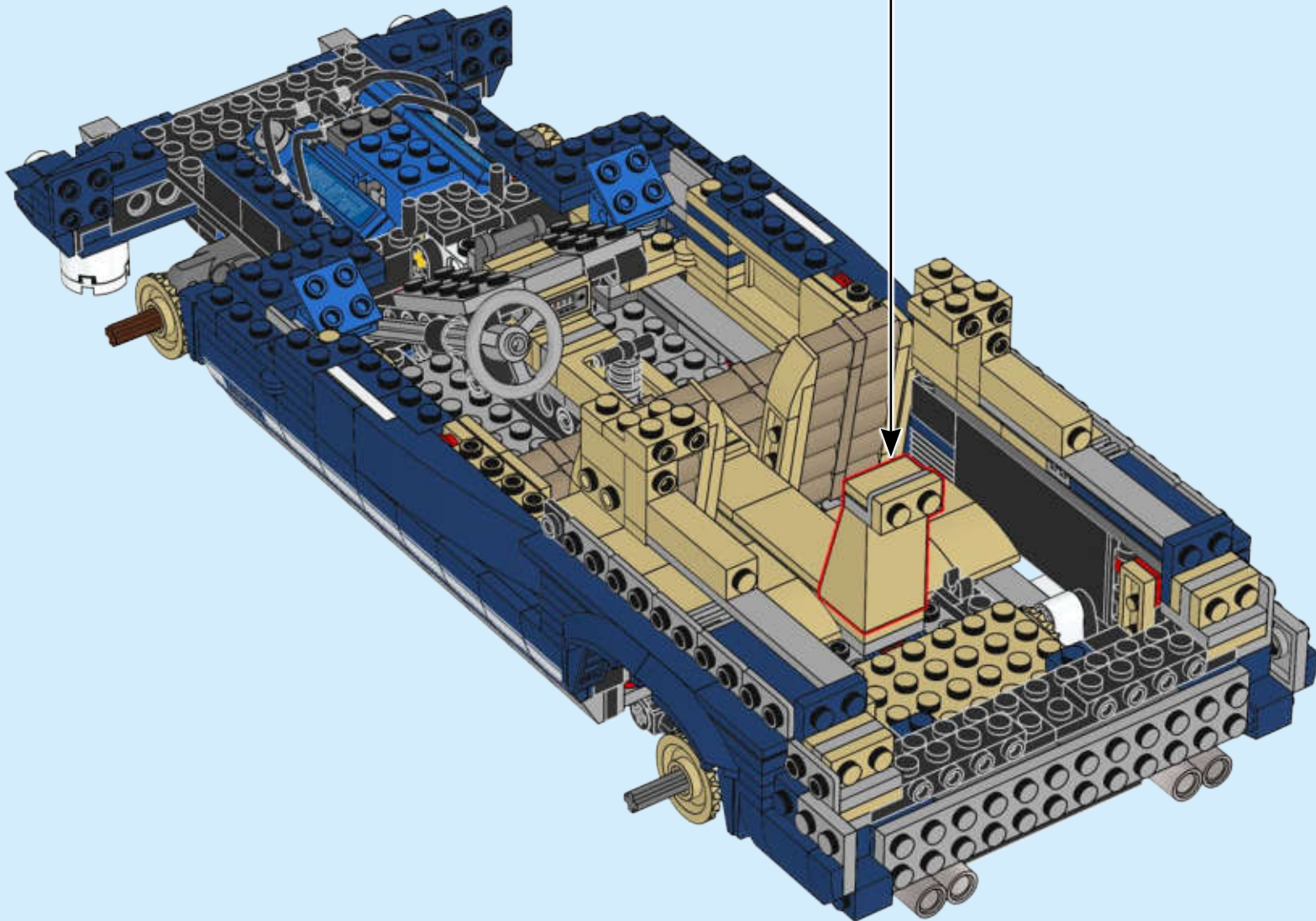
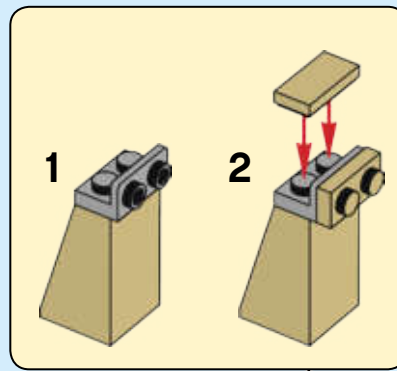


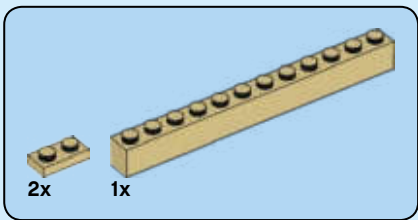
Ford's 300 millionth car was a special edition Mustang - a GT convertible.



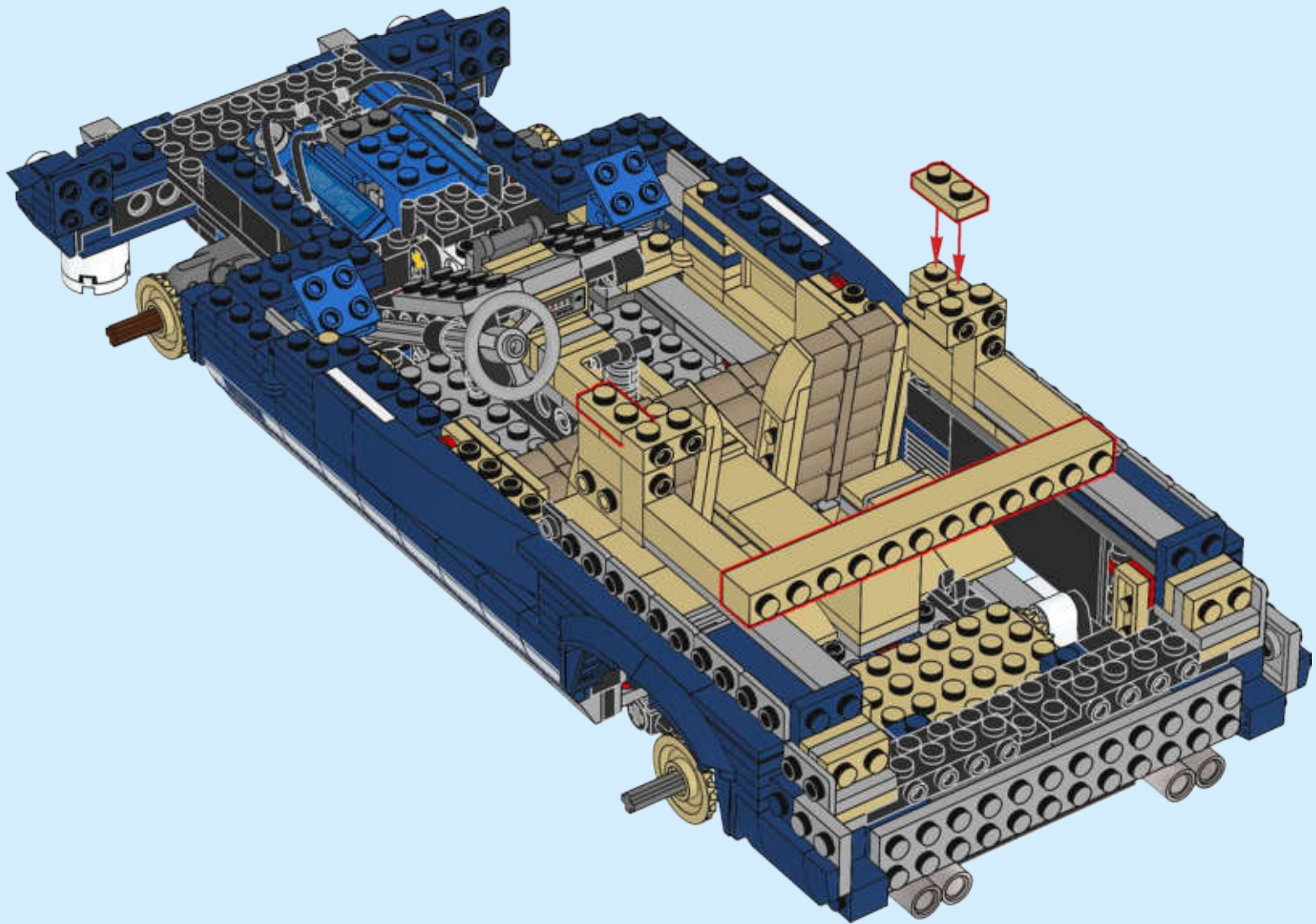


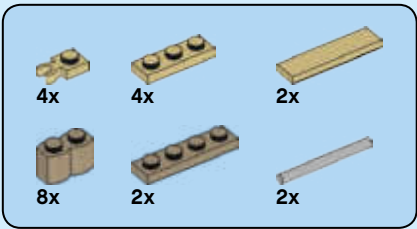
201



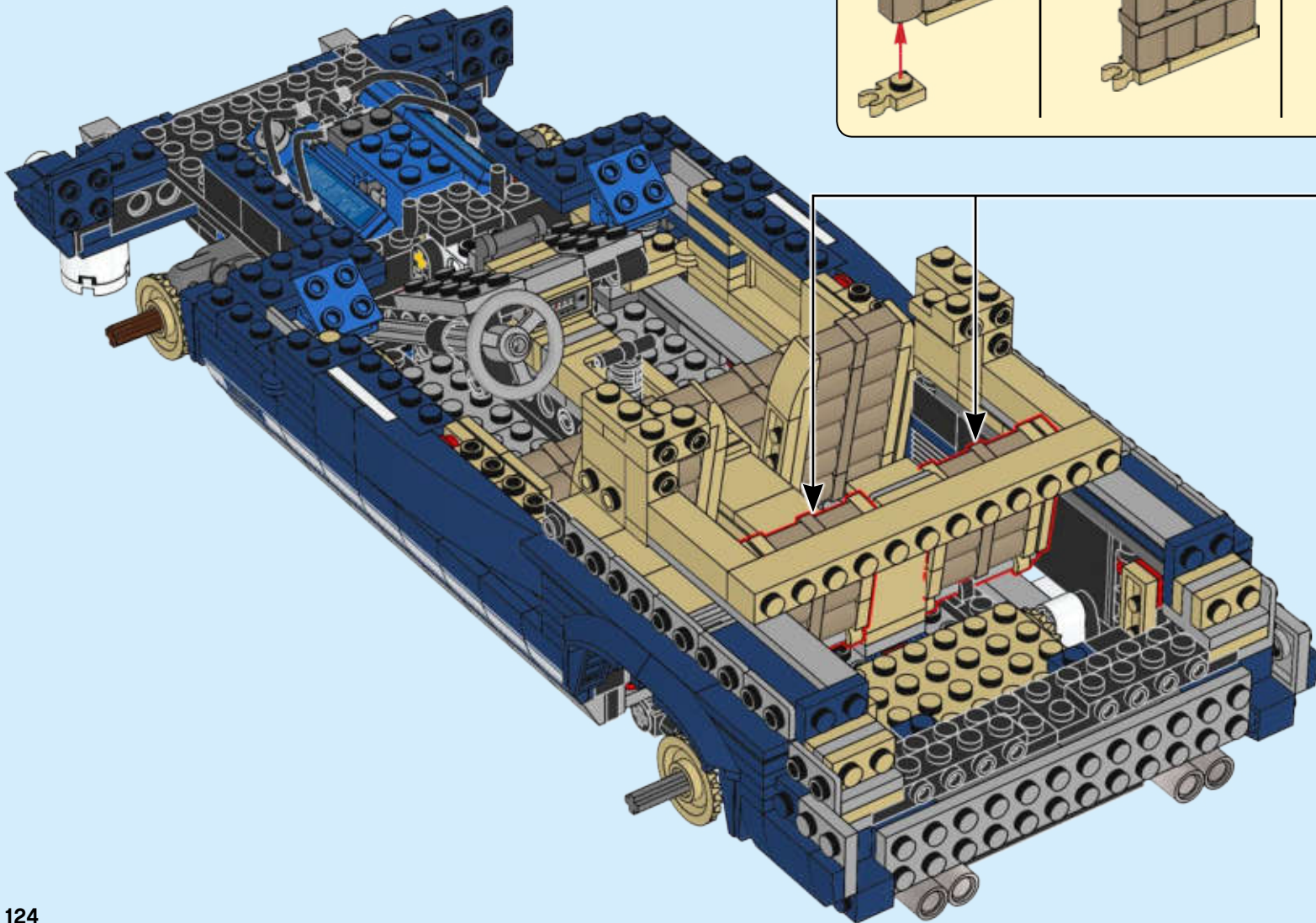
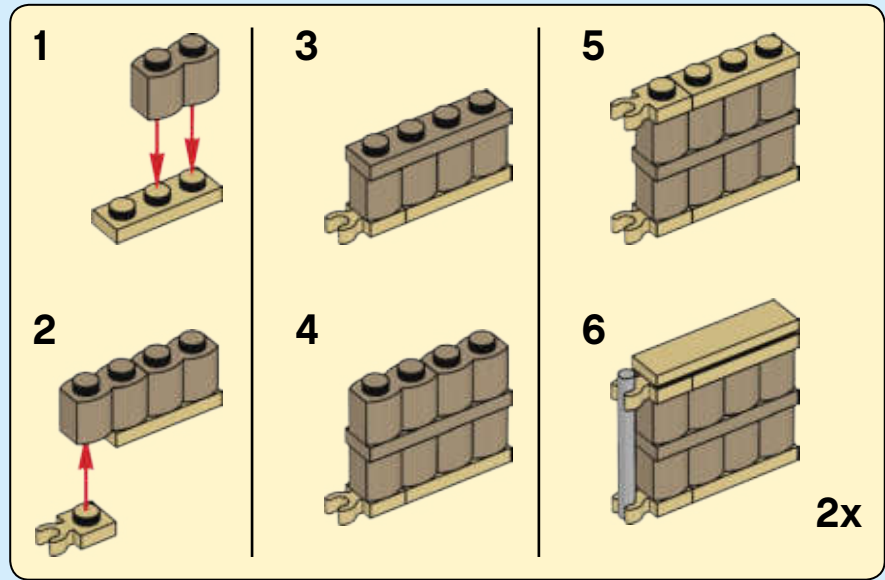


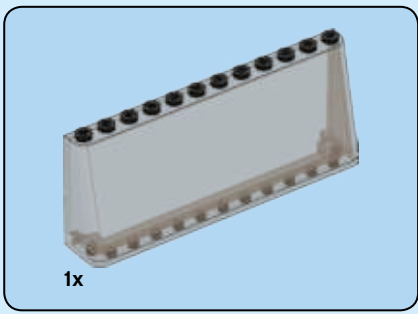
202



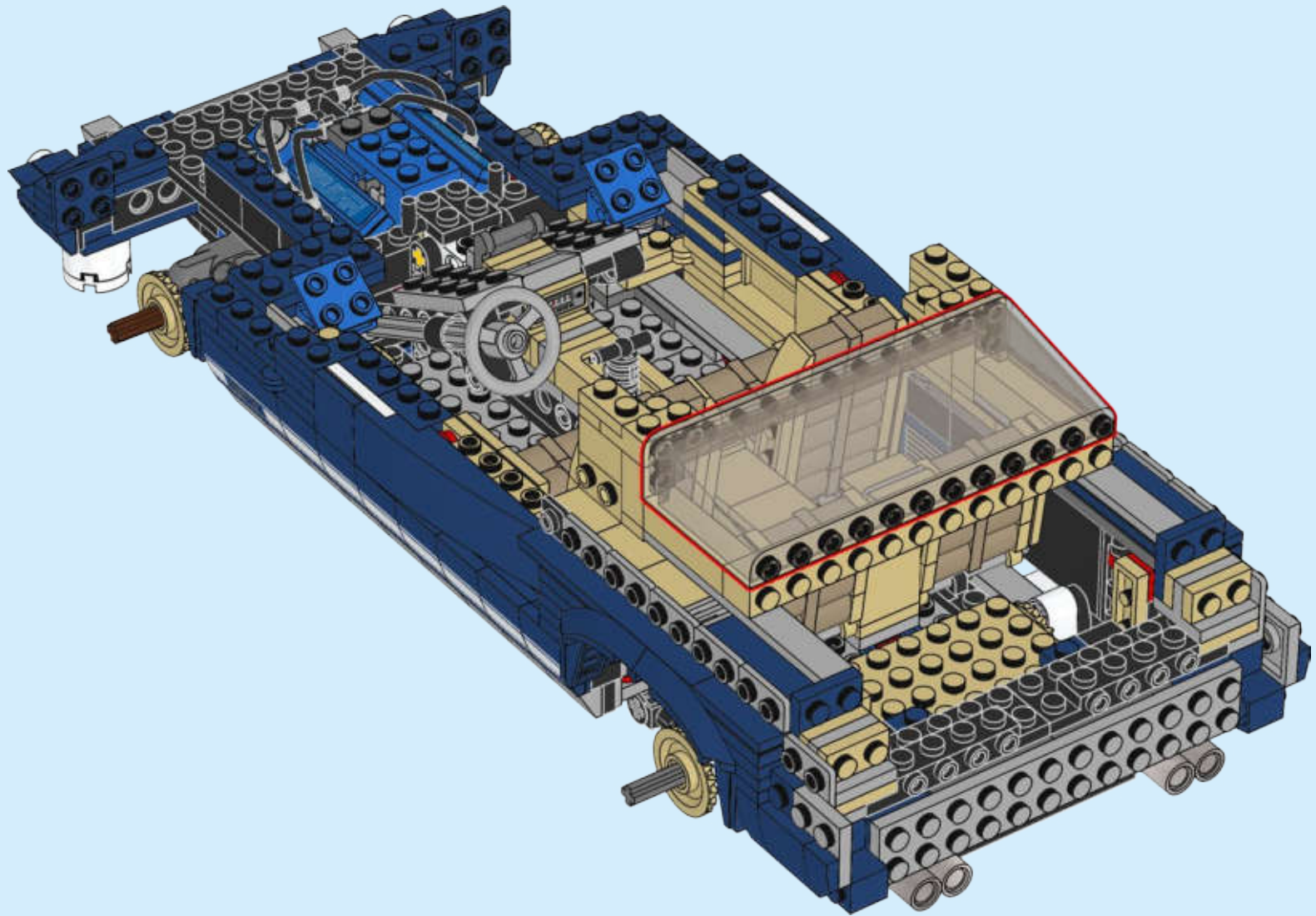


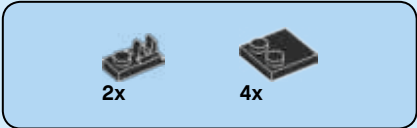
203



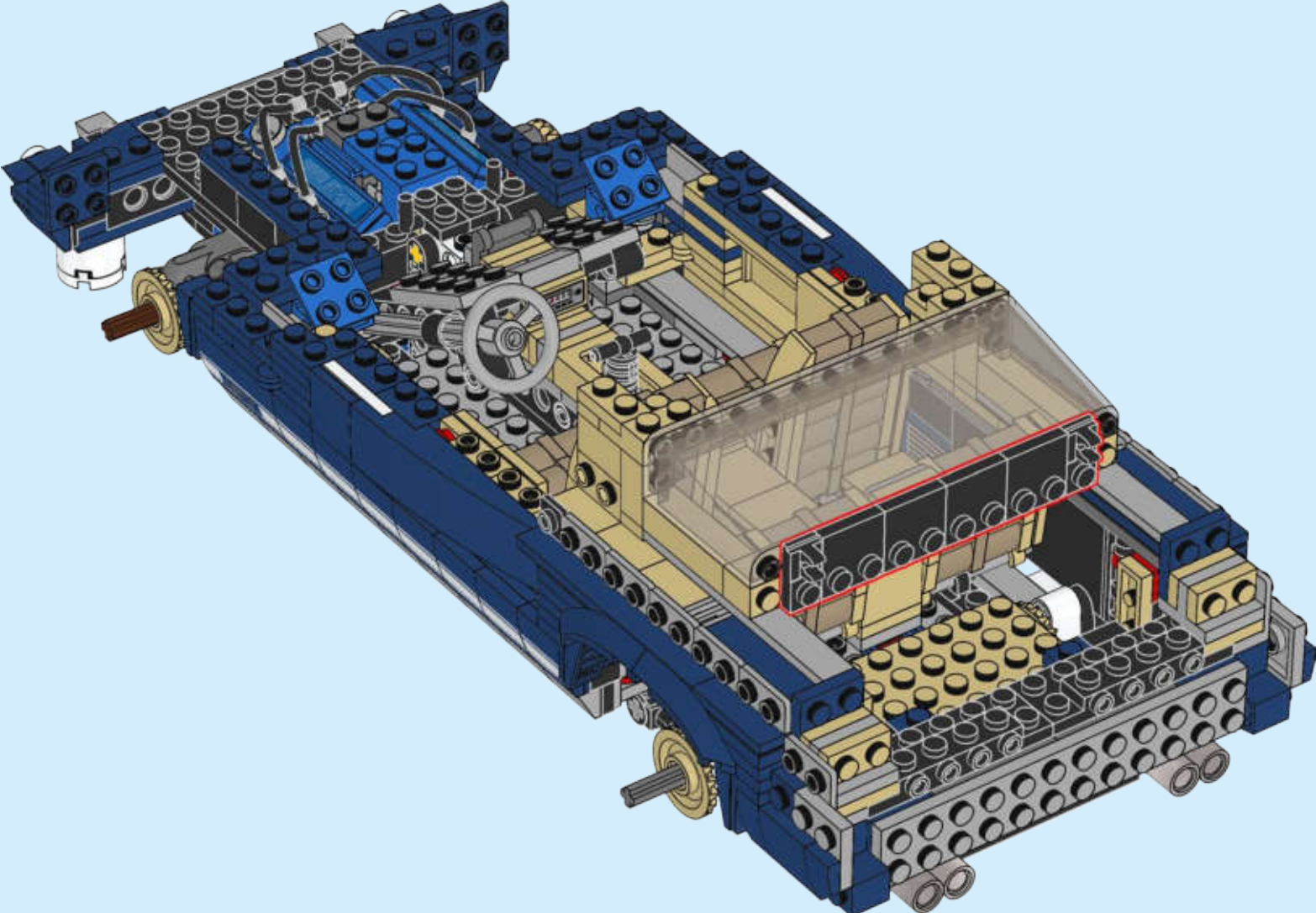


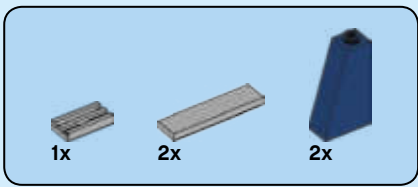
204



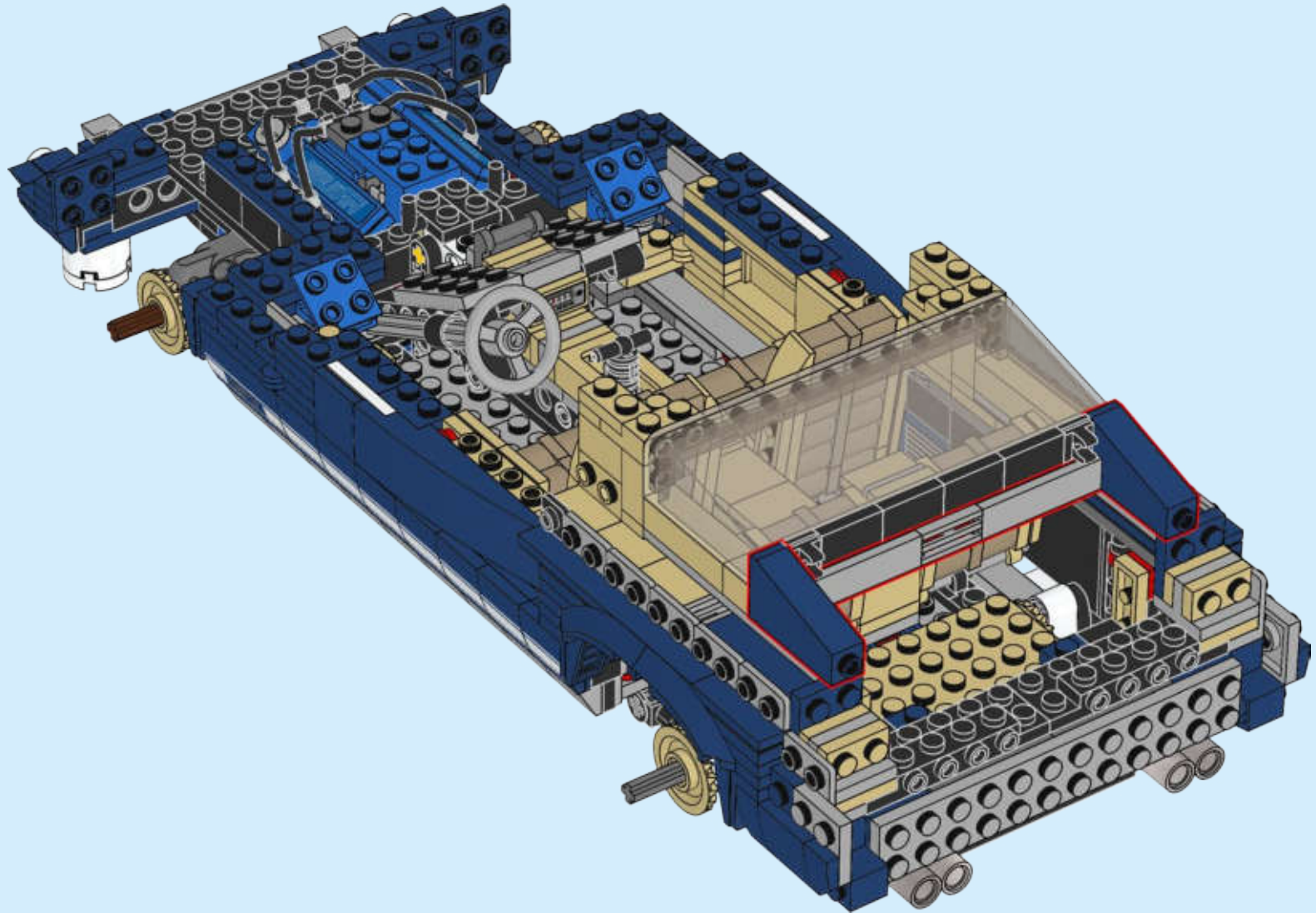


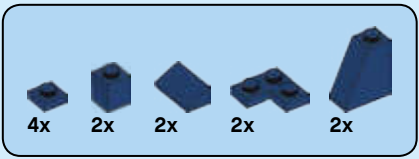
205



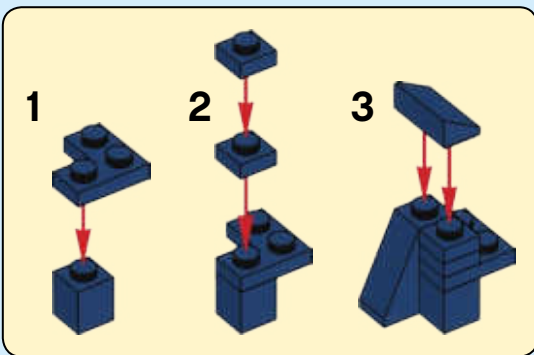
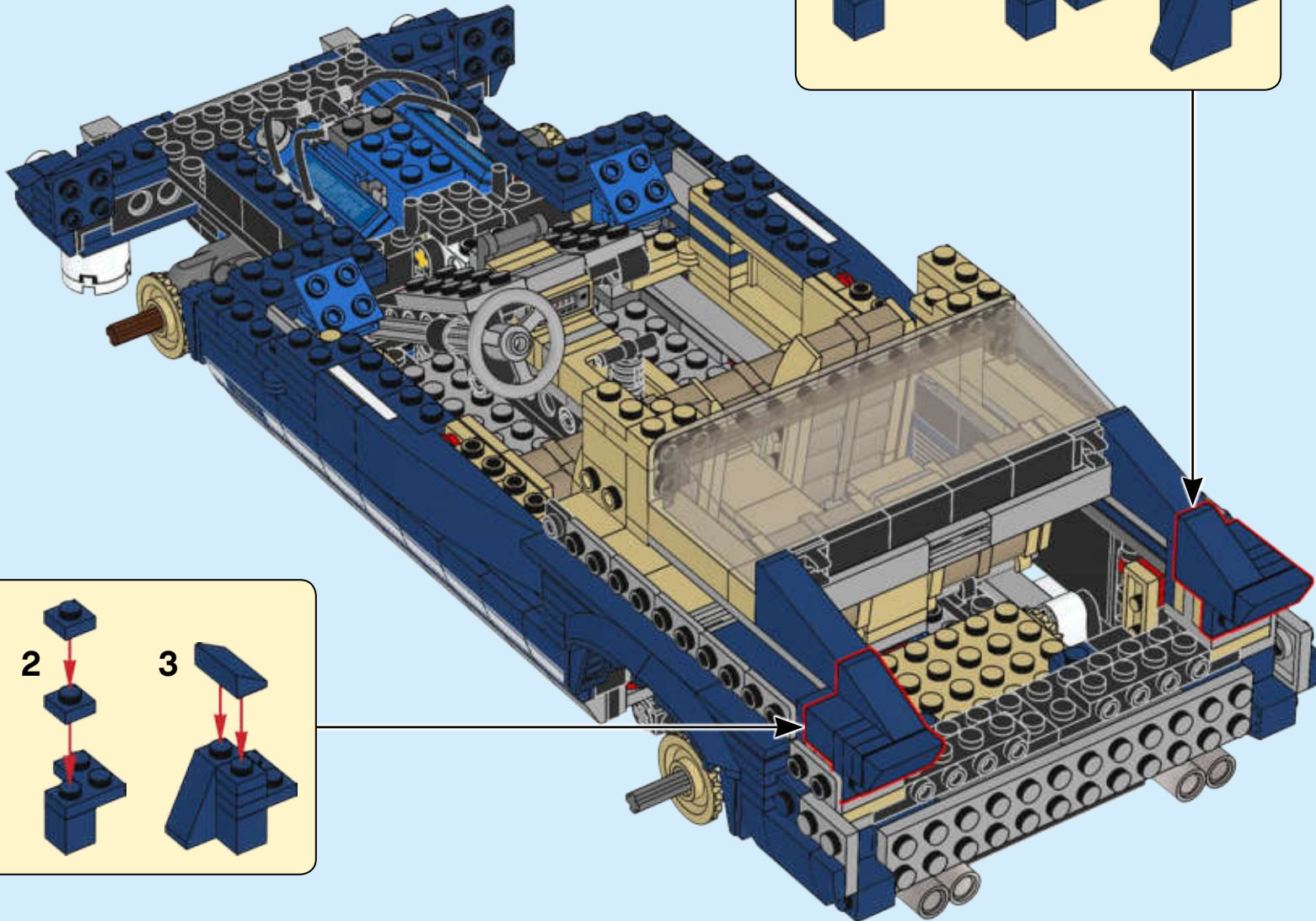
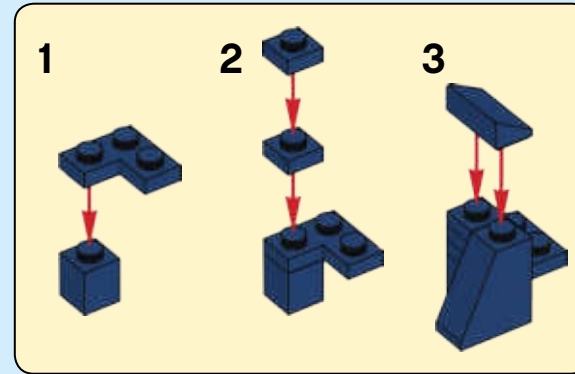


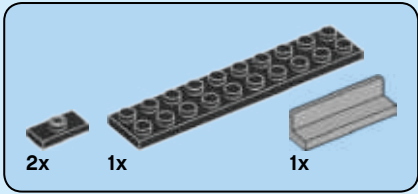
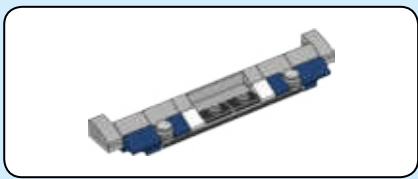
206



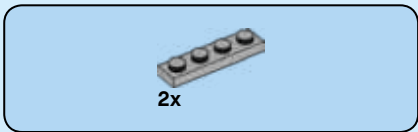
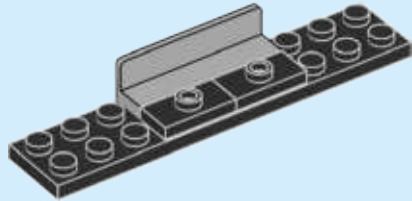


207

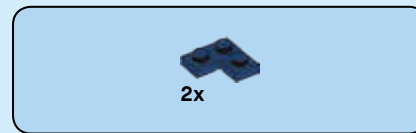
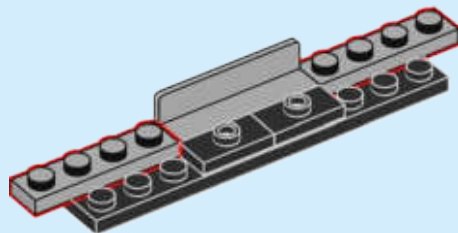




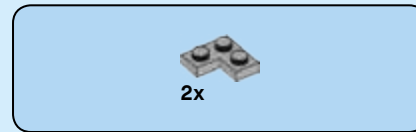
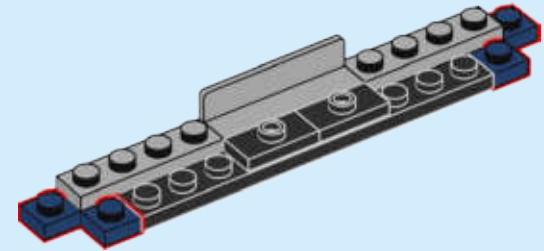
208



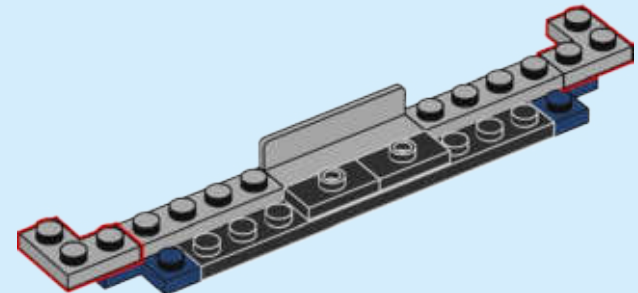
209

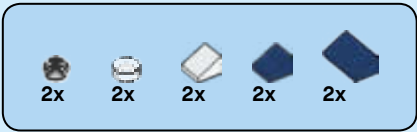


210

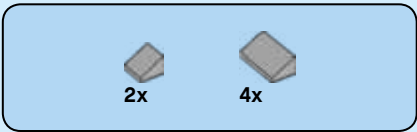
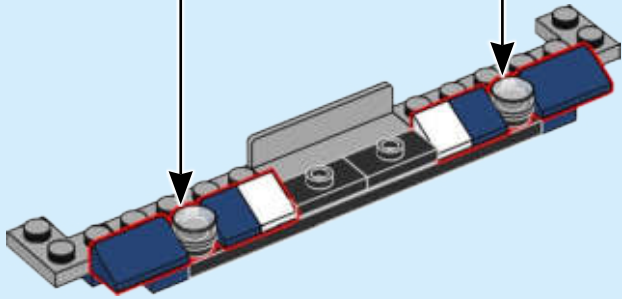
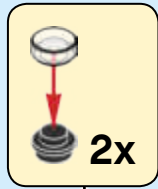


211

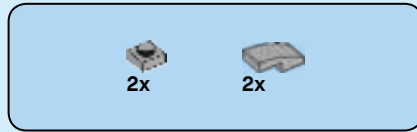
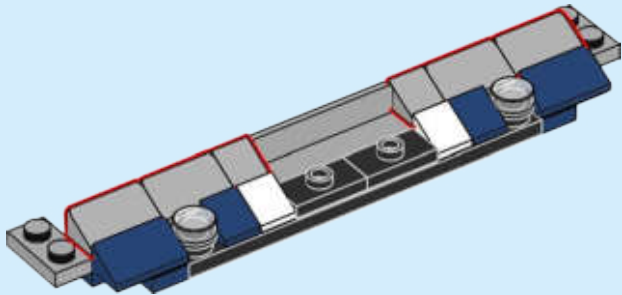




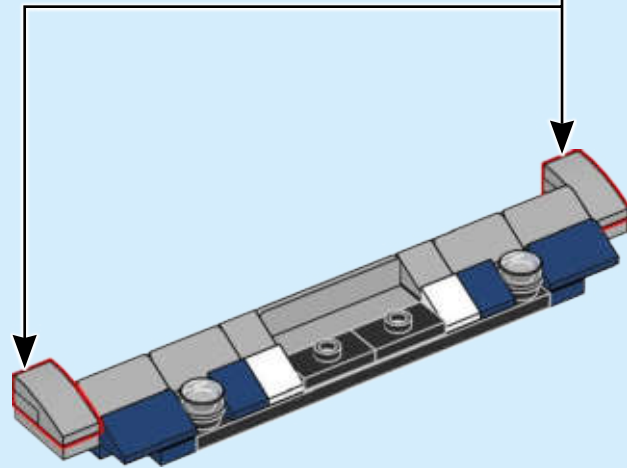
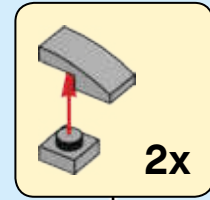
212



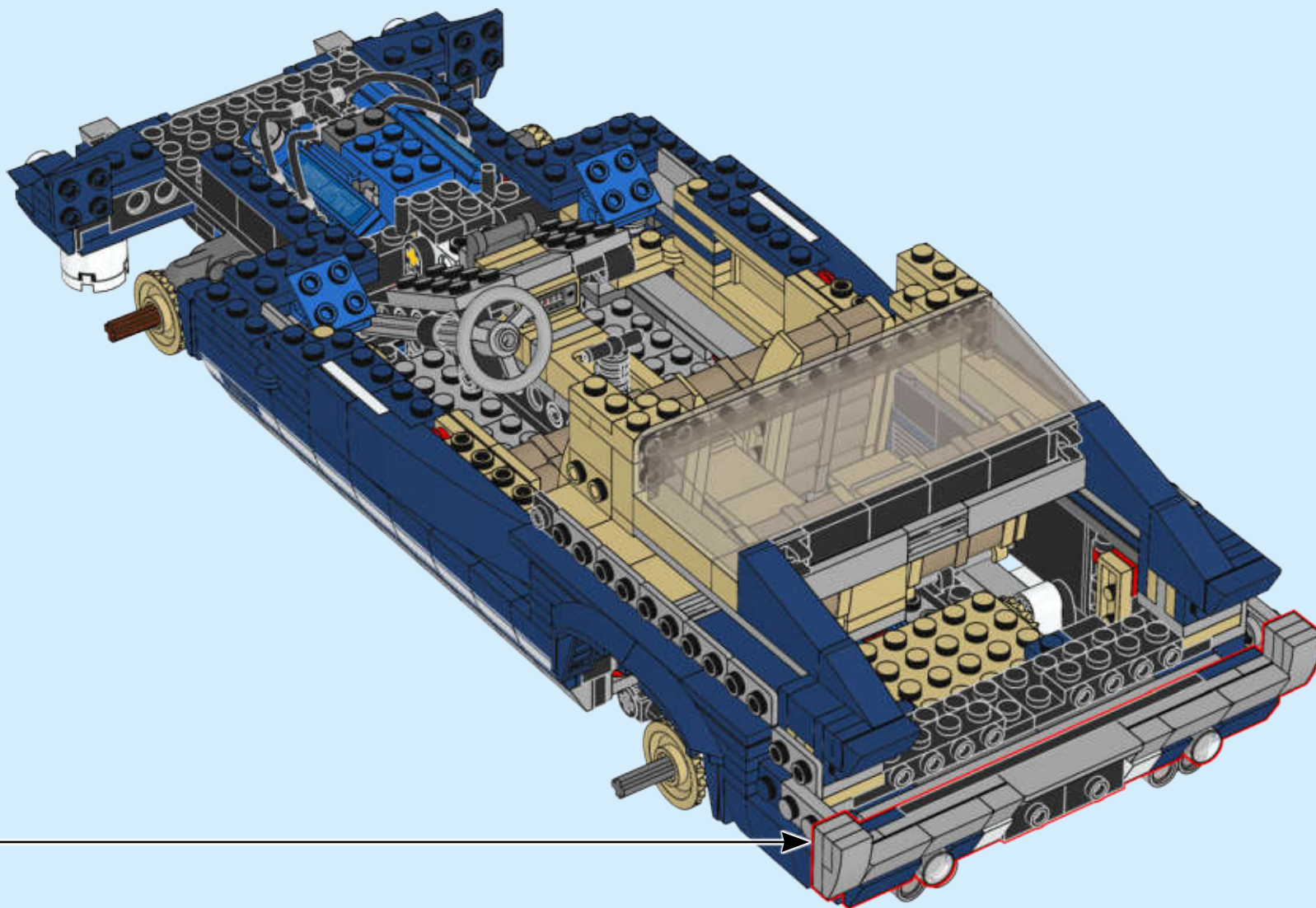
213

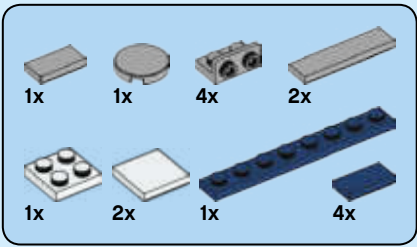


214

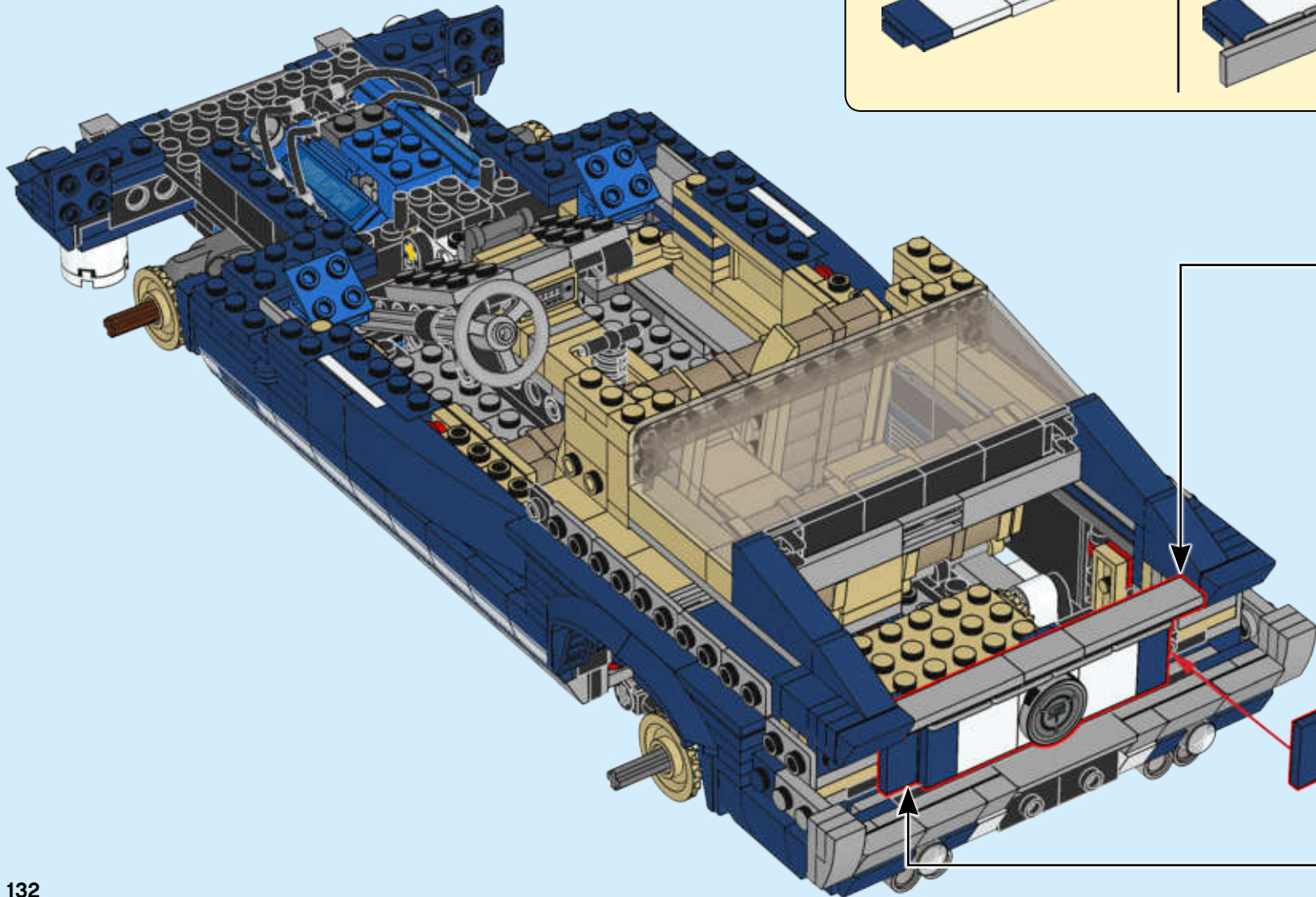
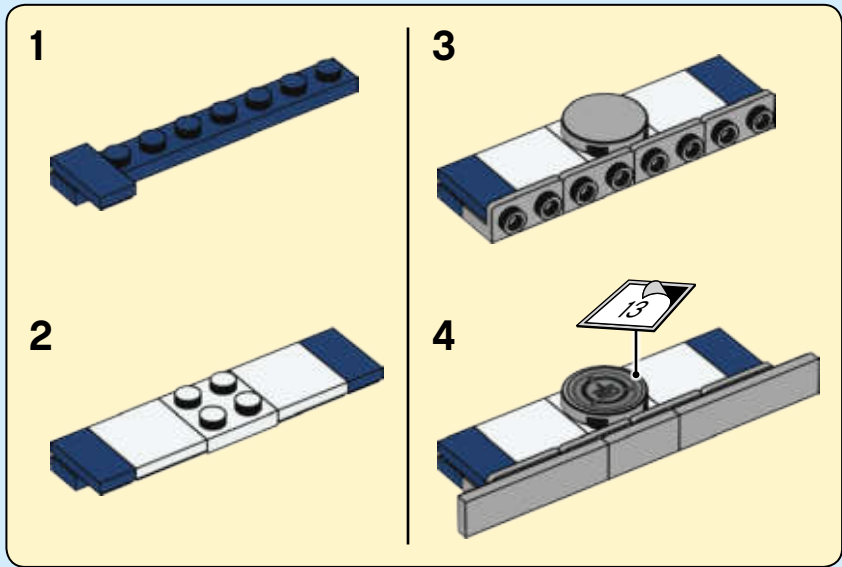


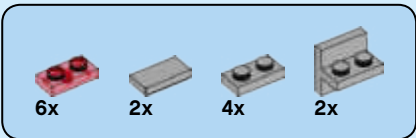
215



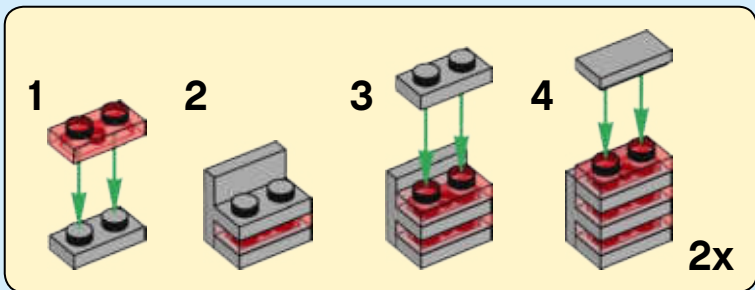
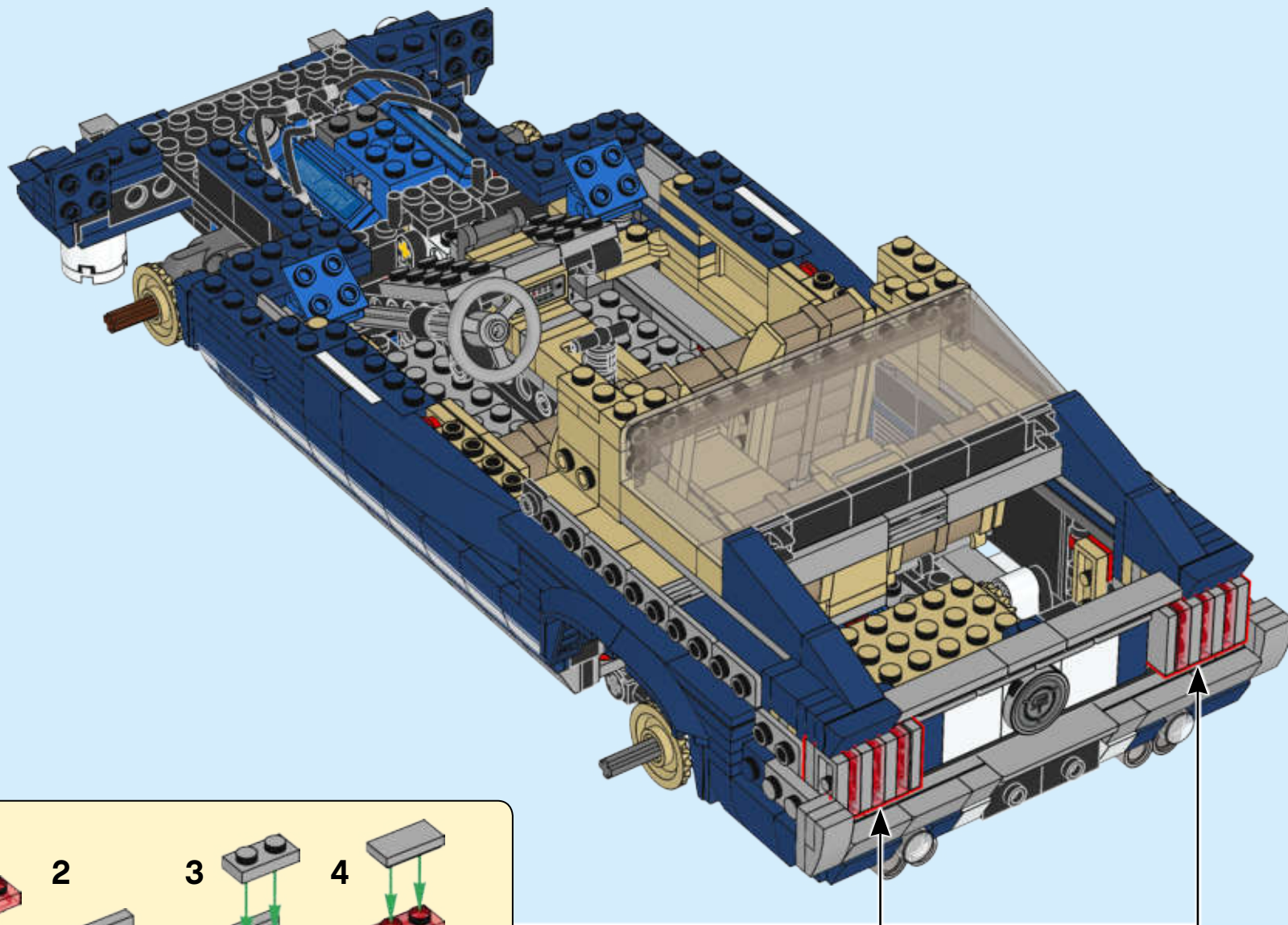


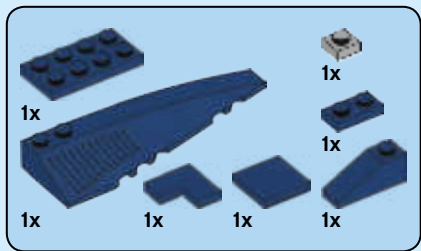
216



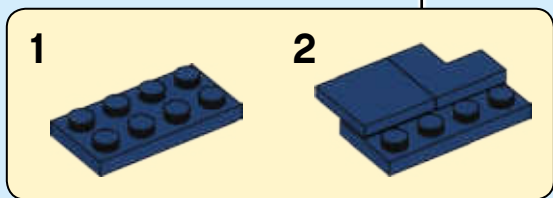
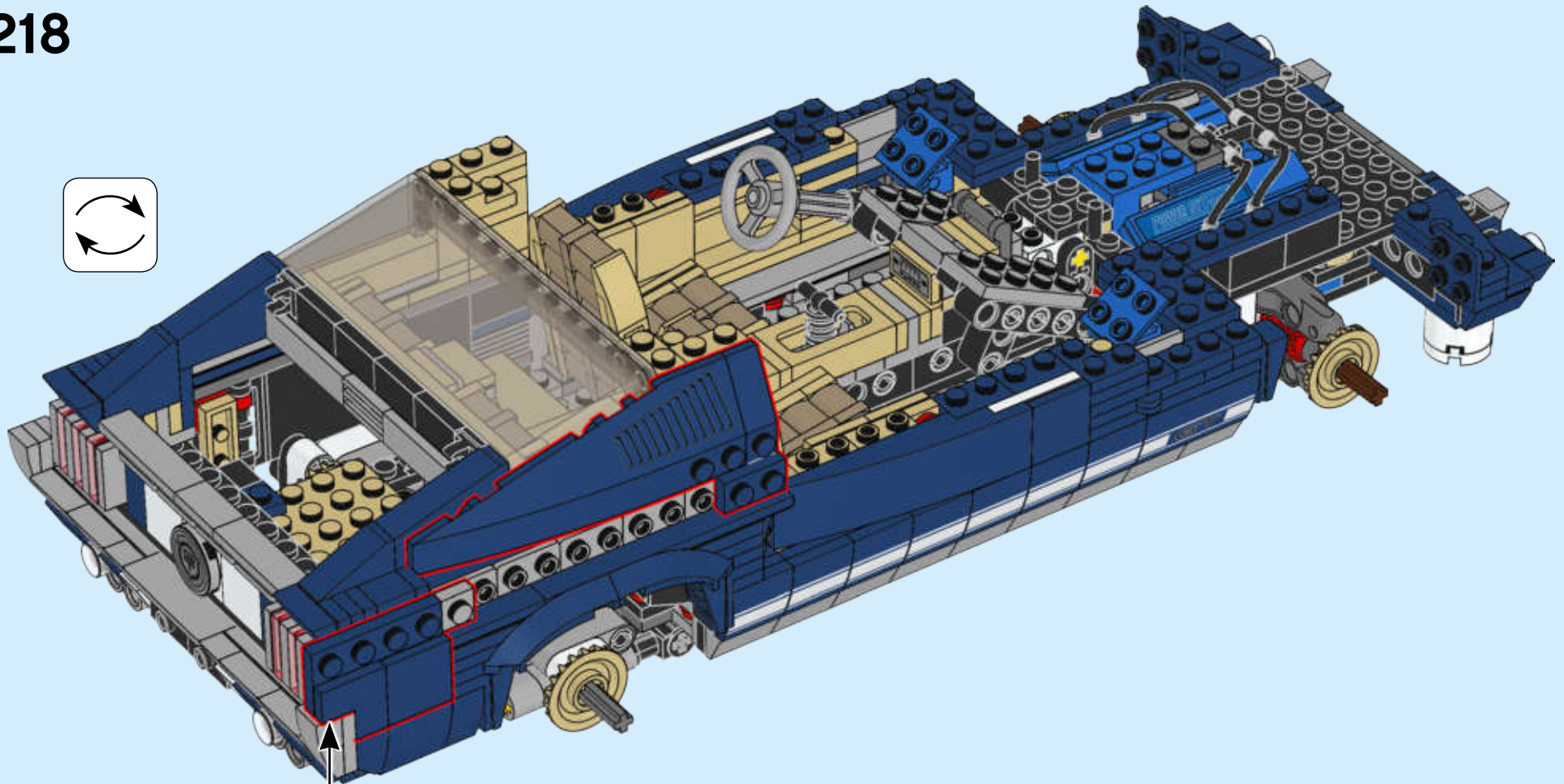
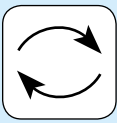


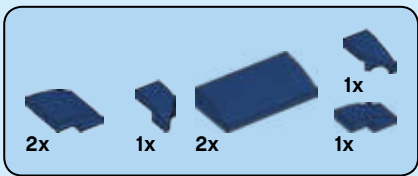
217



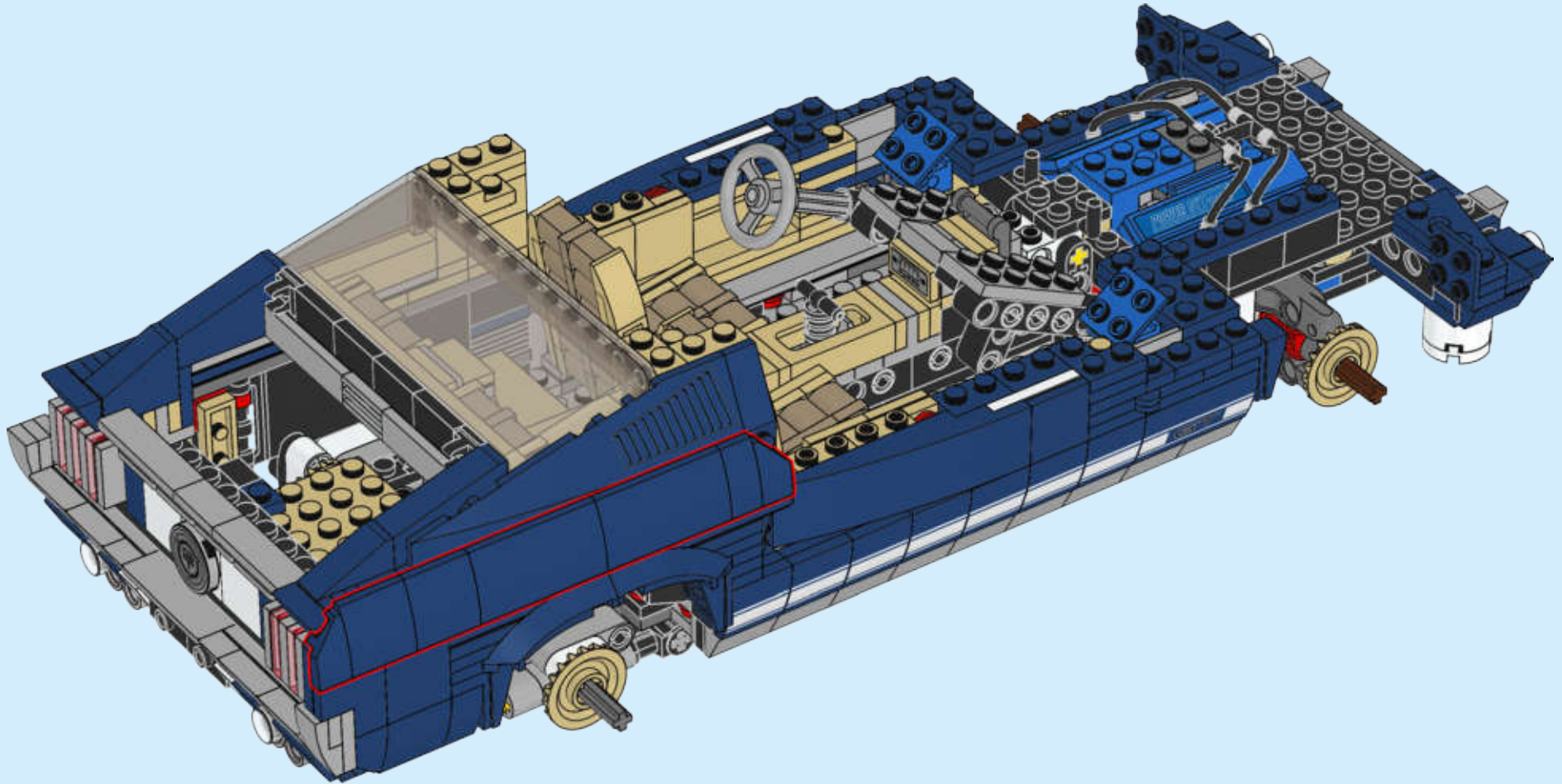


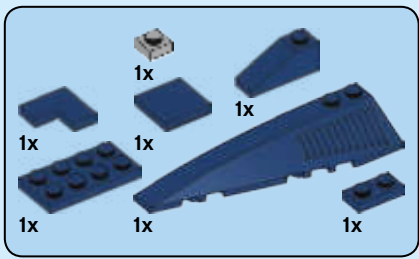
218



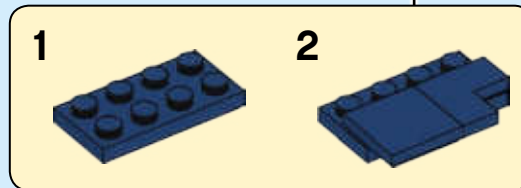
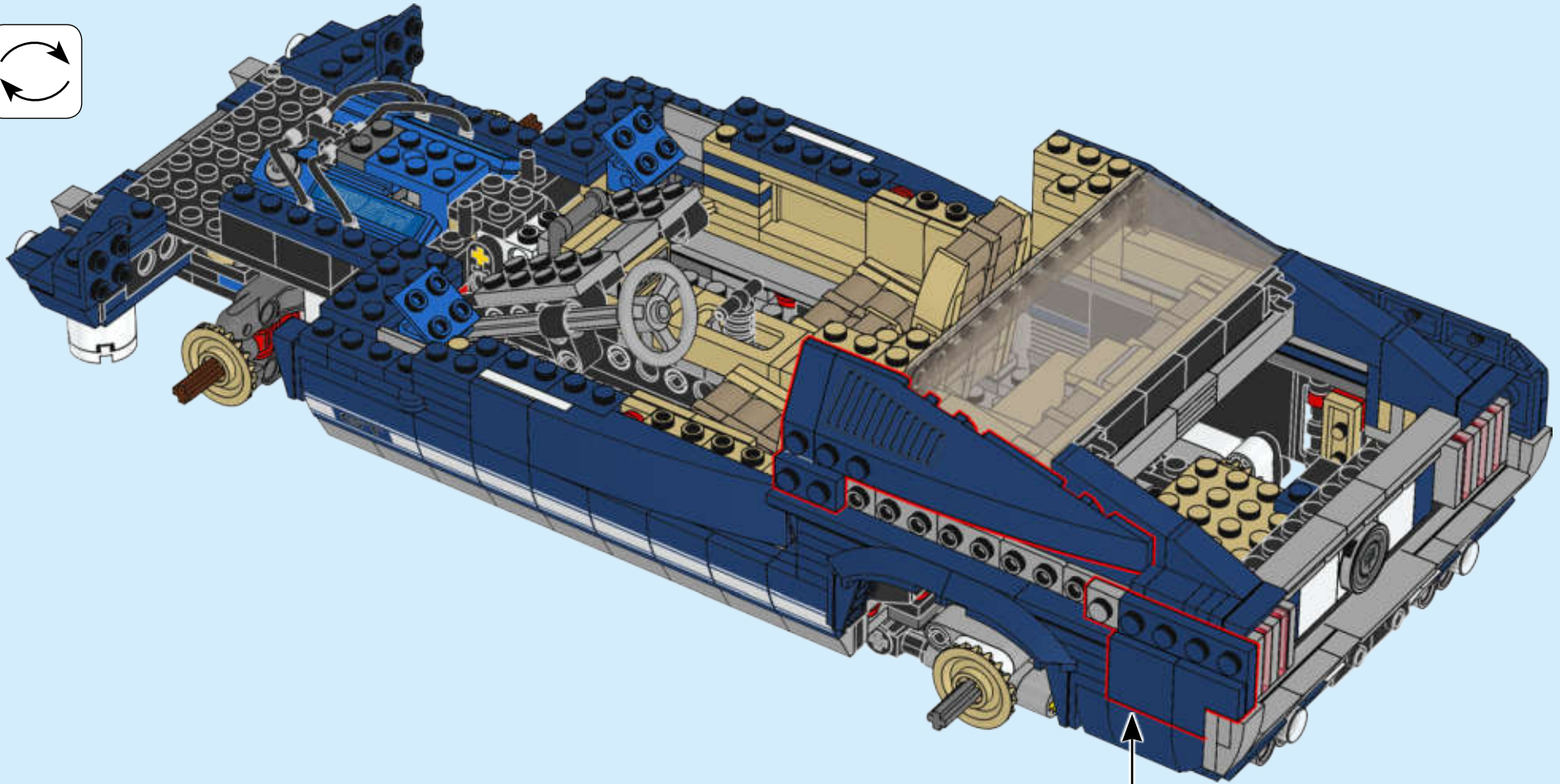
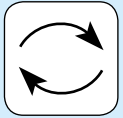


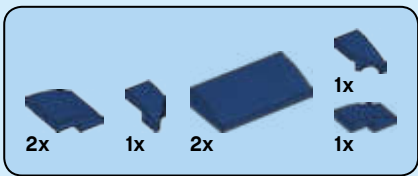
219



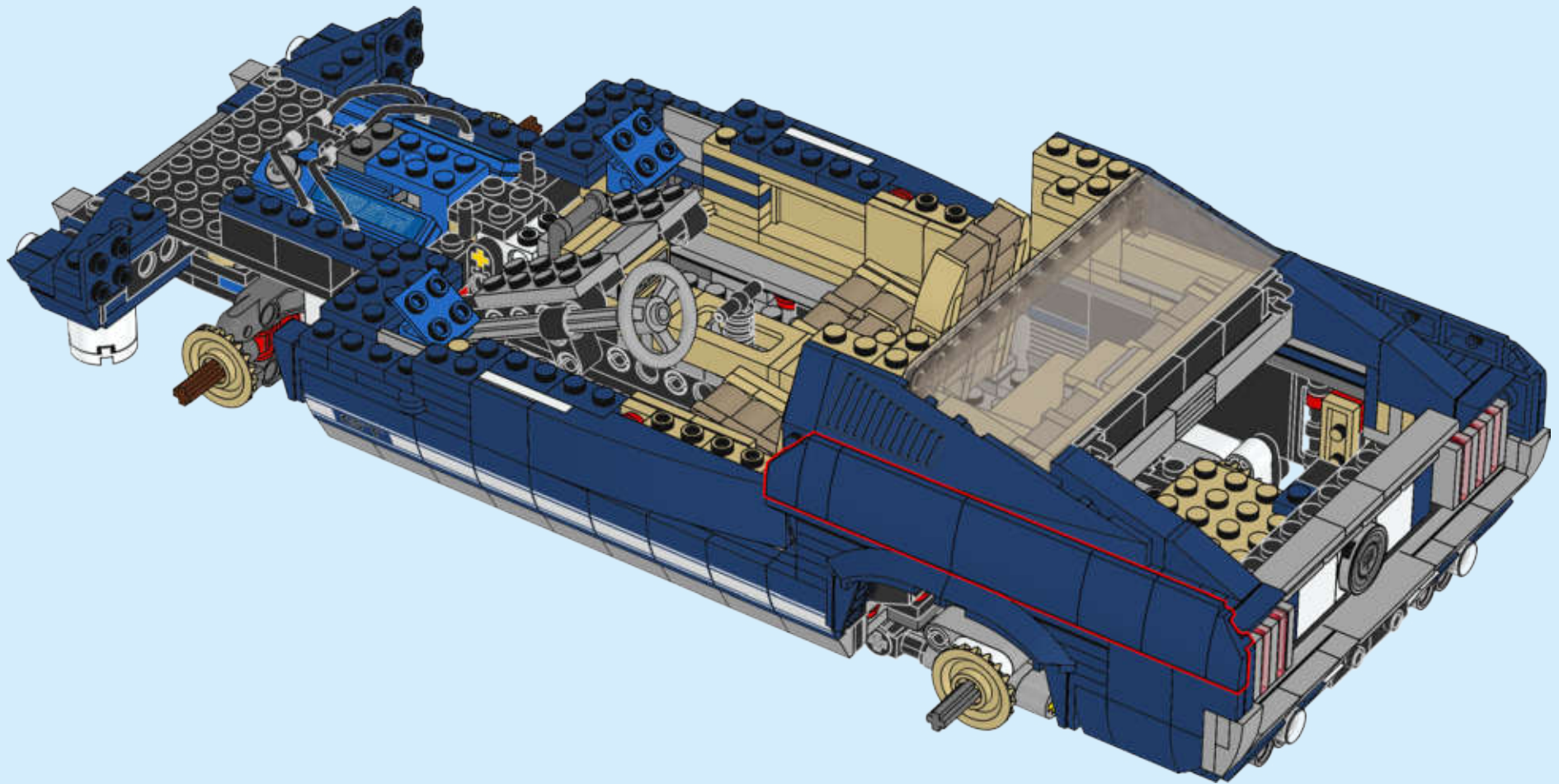


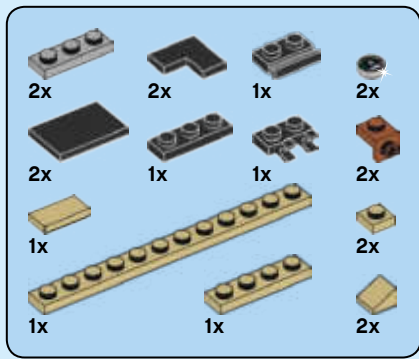
220





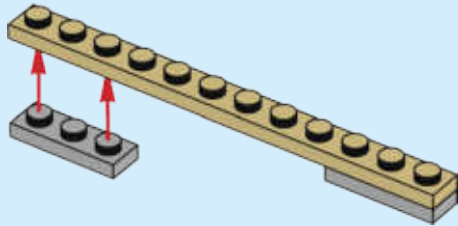
221



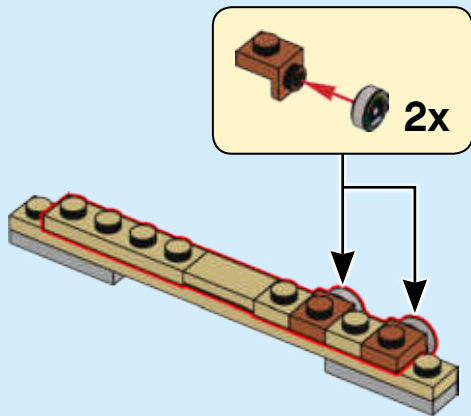


222

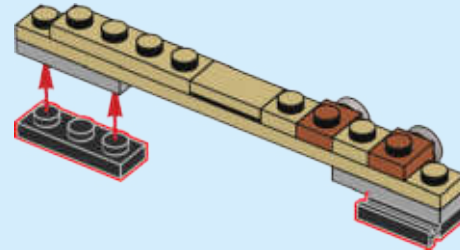
1



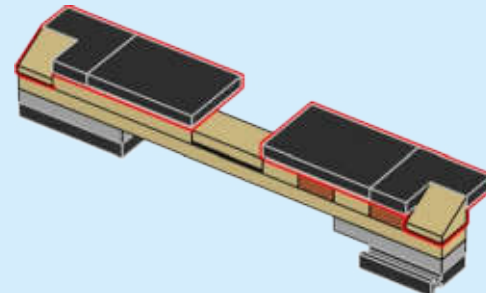
2

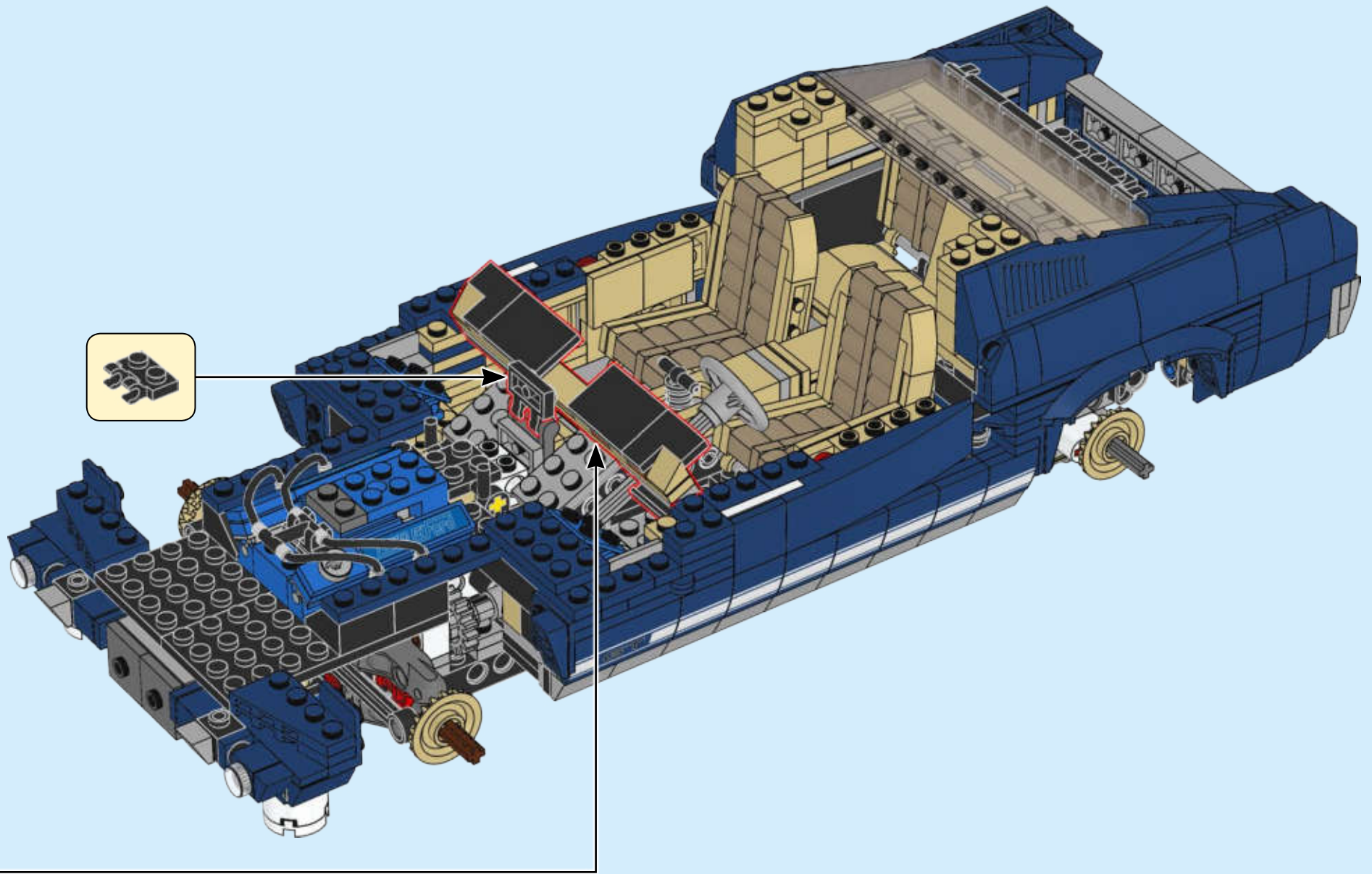


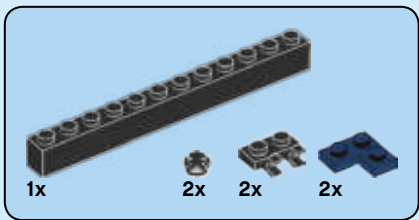
3



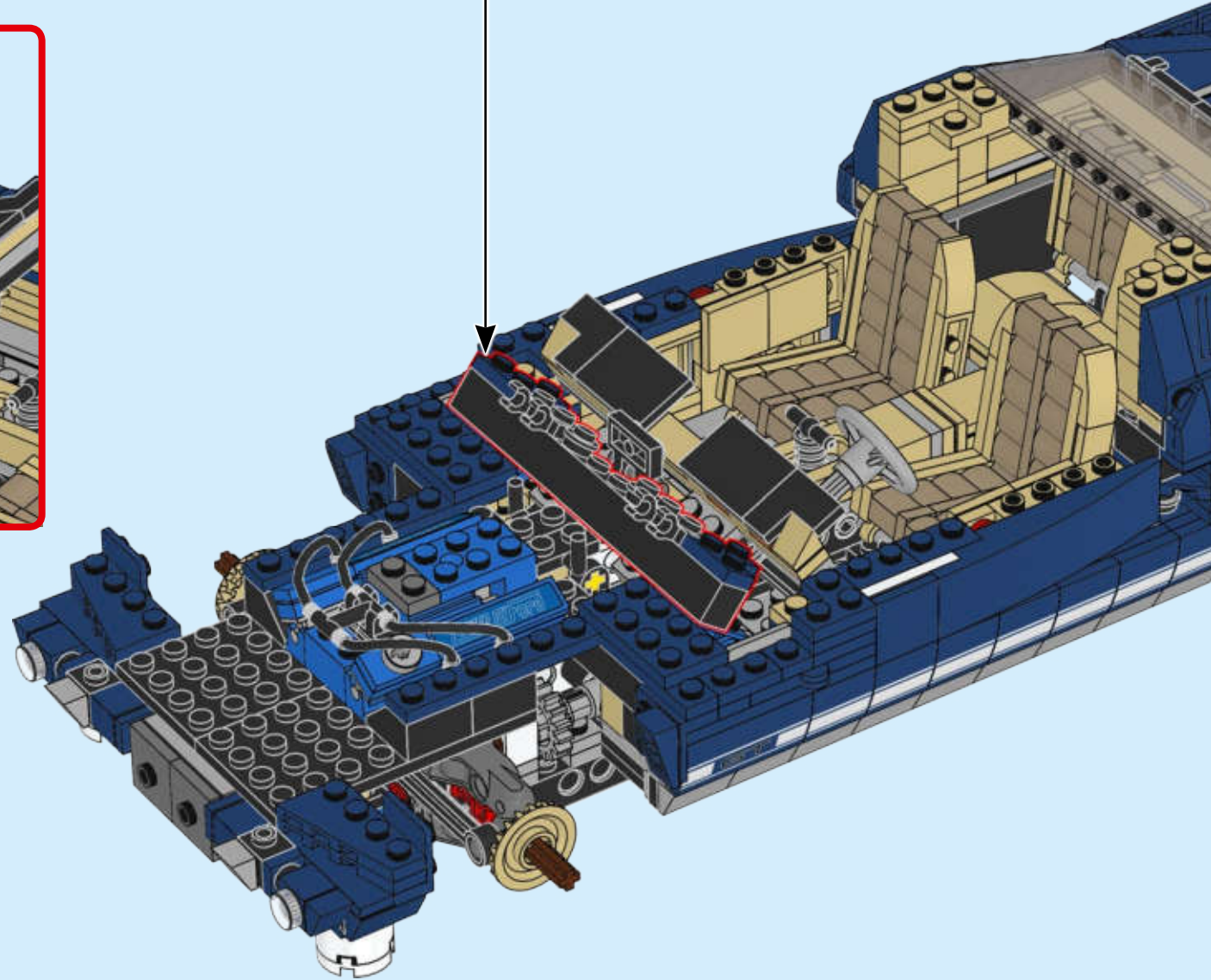
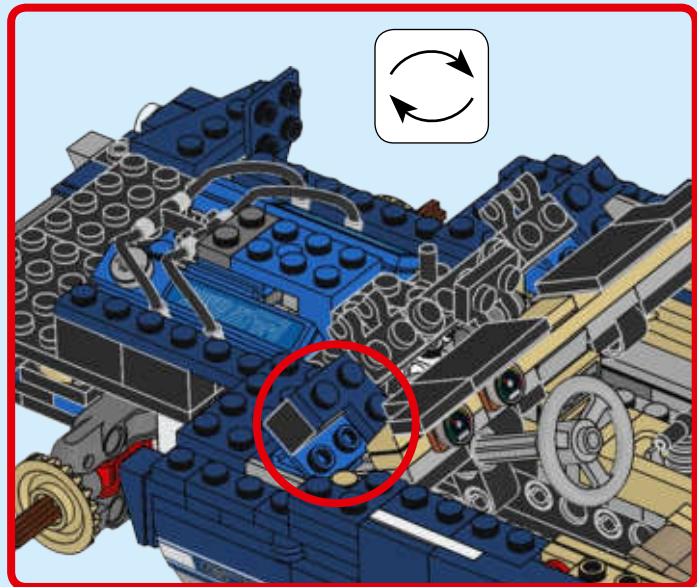
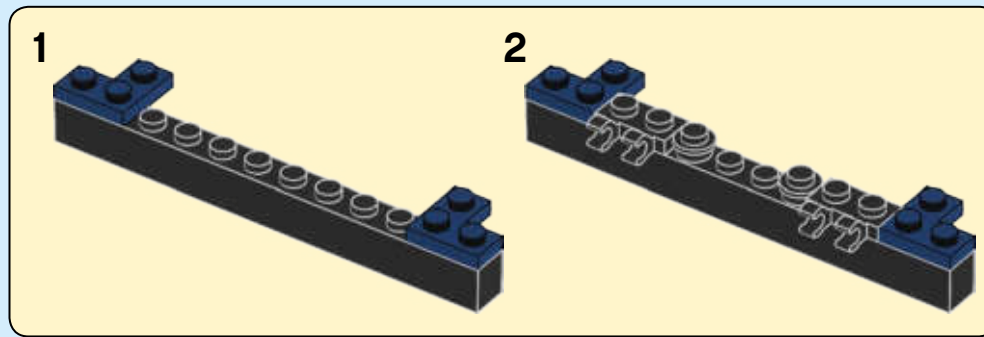
4

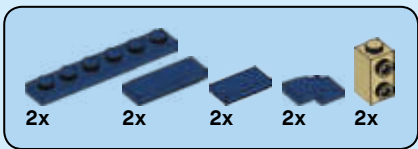




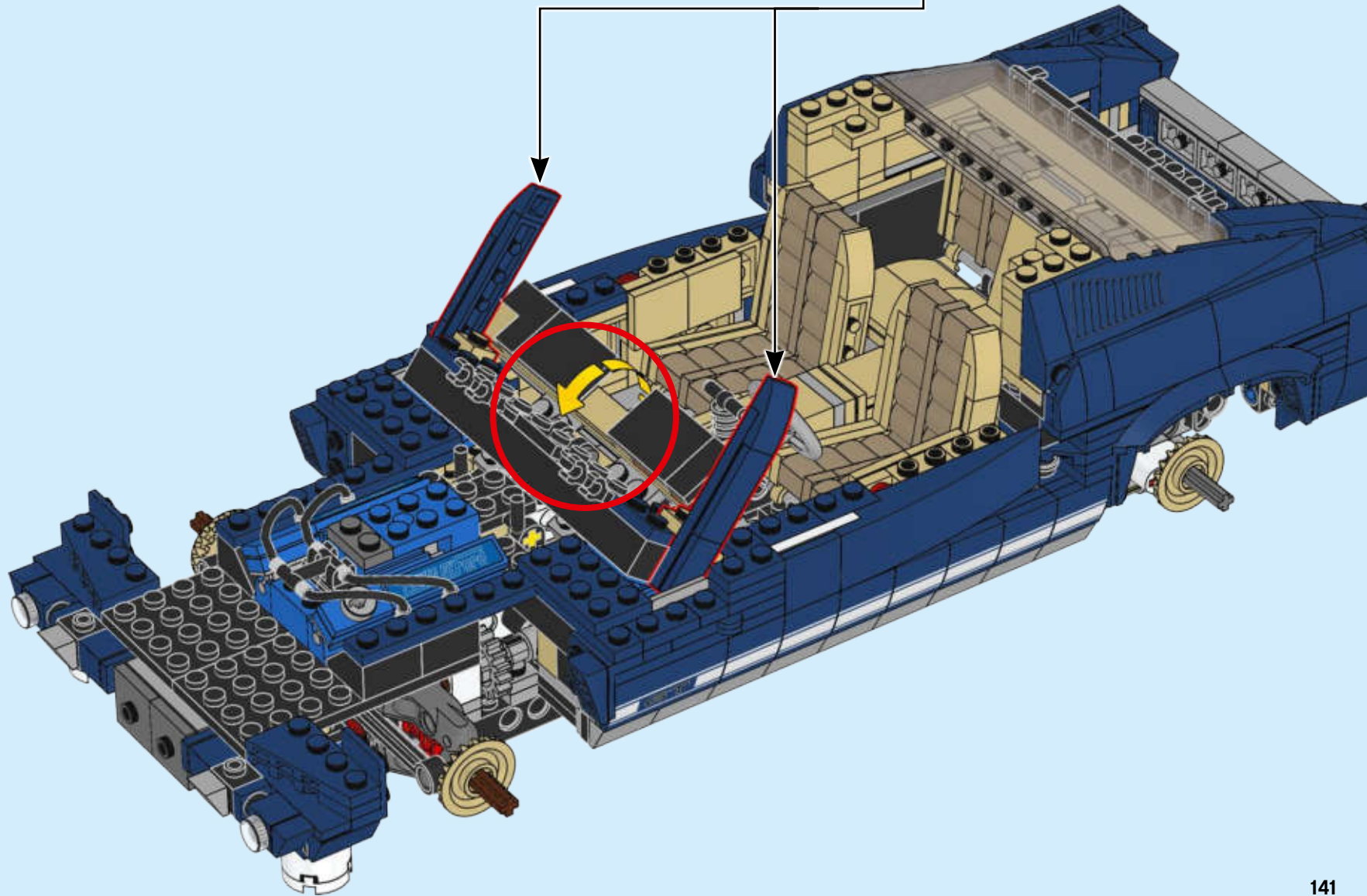
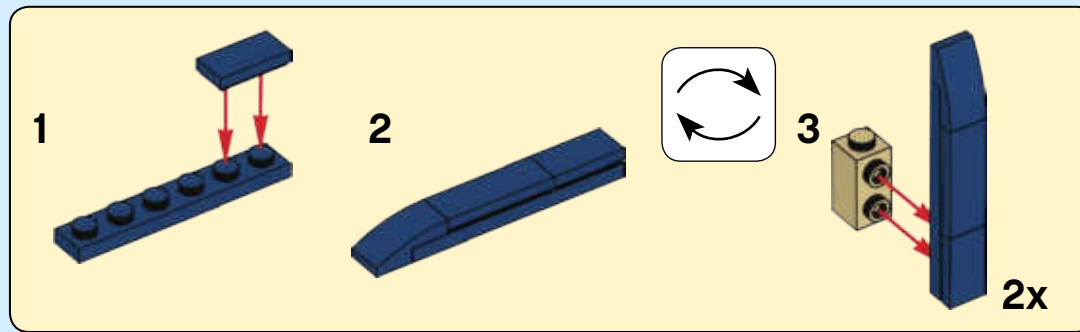


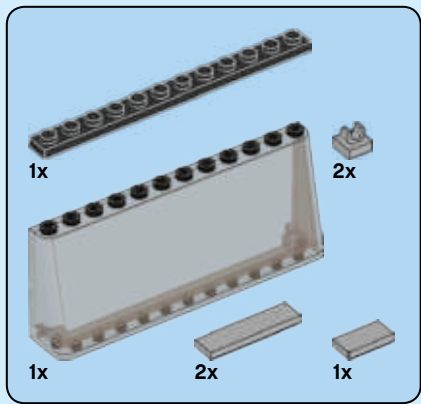
223



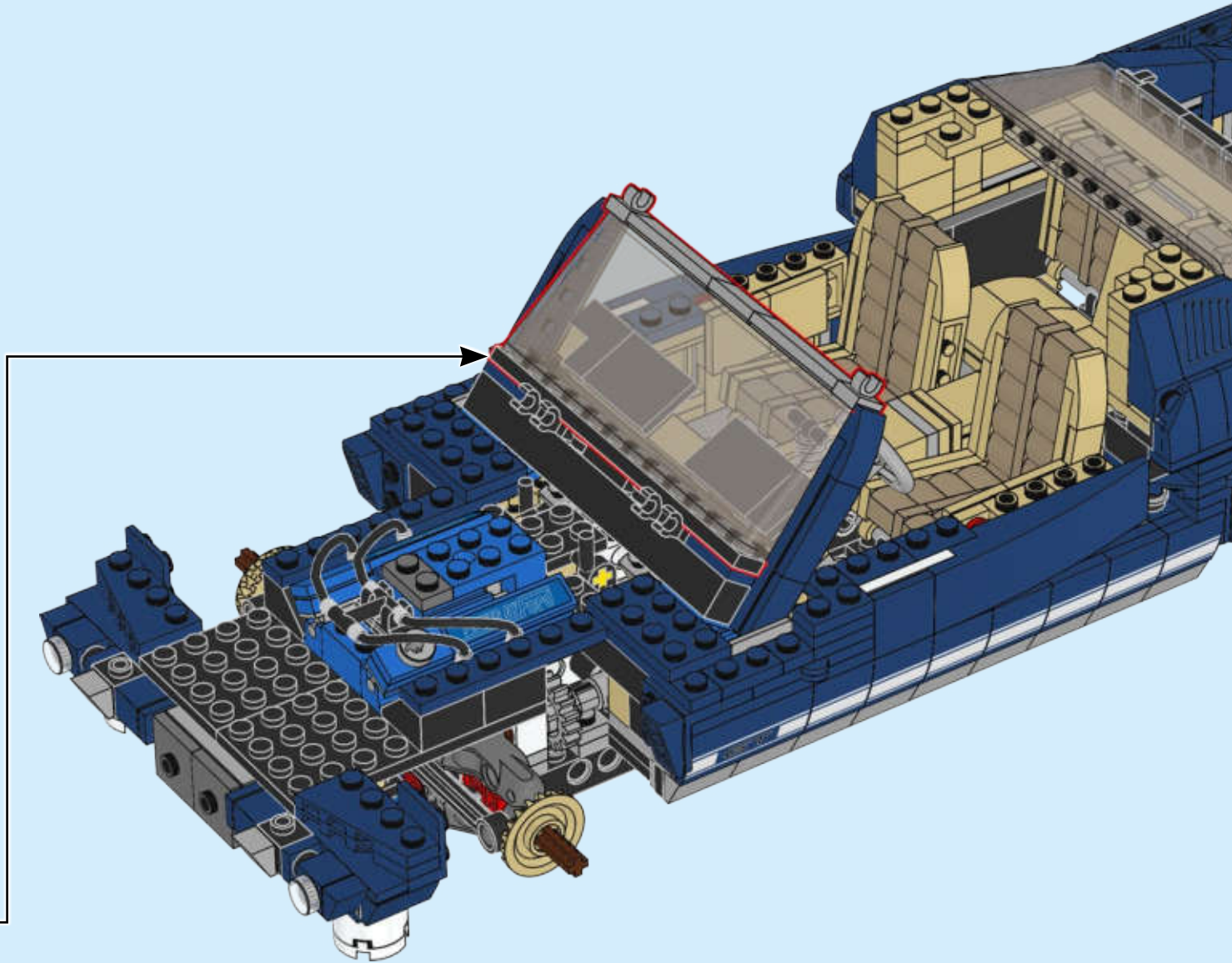
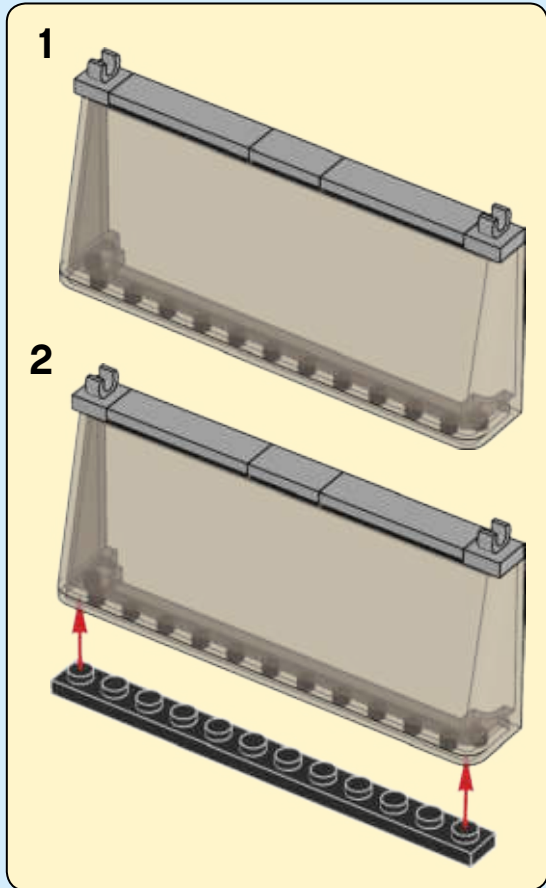


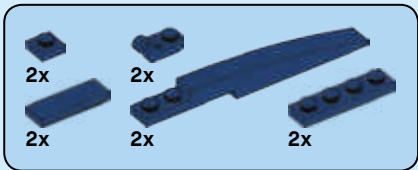
224



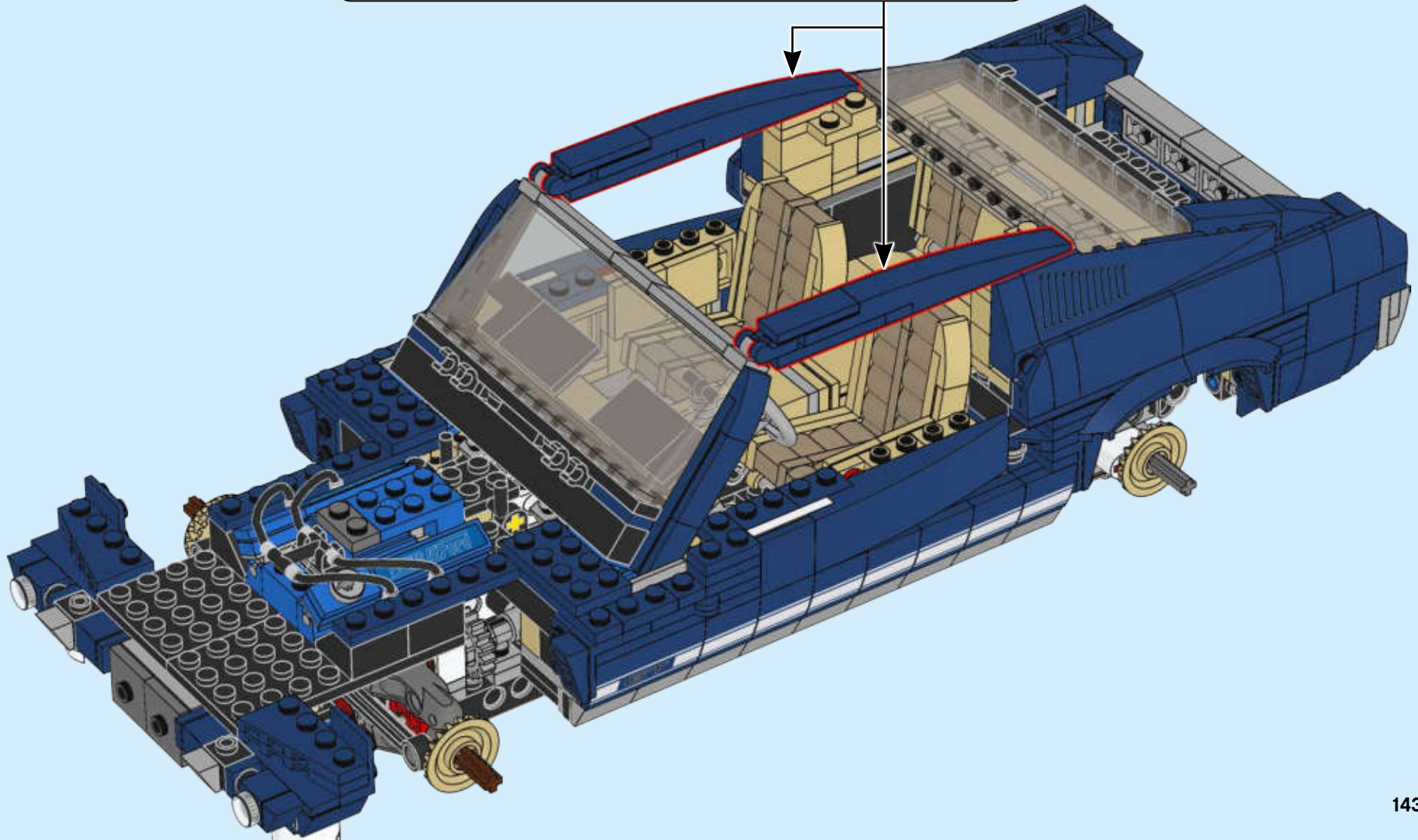
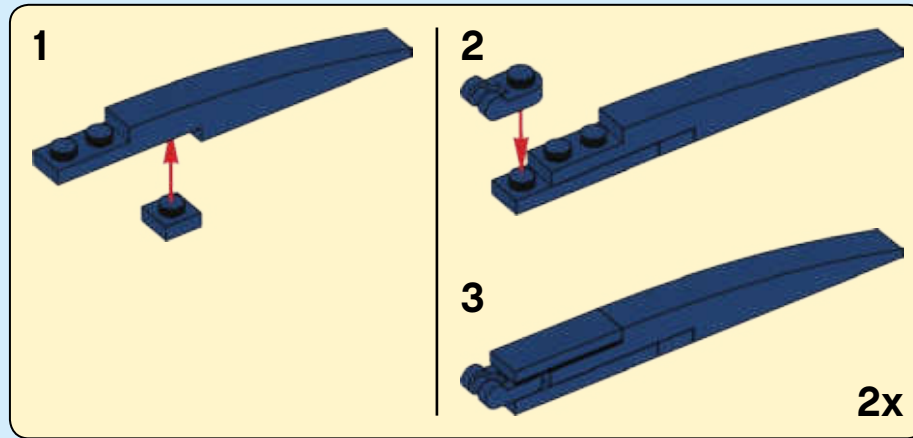


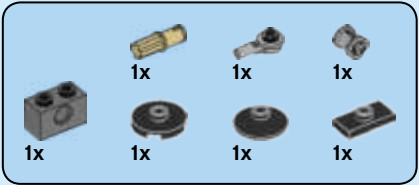
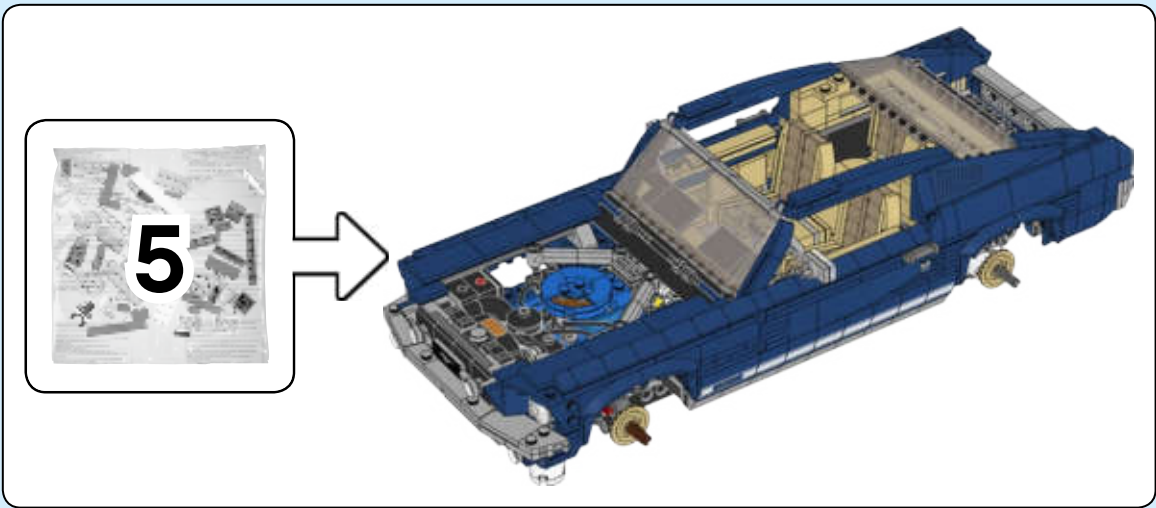
225



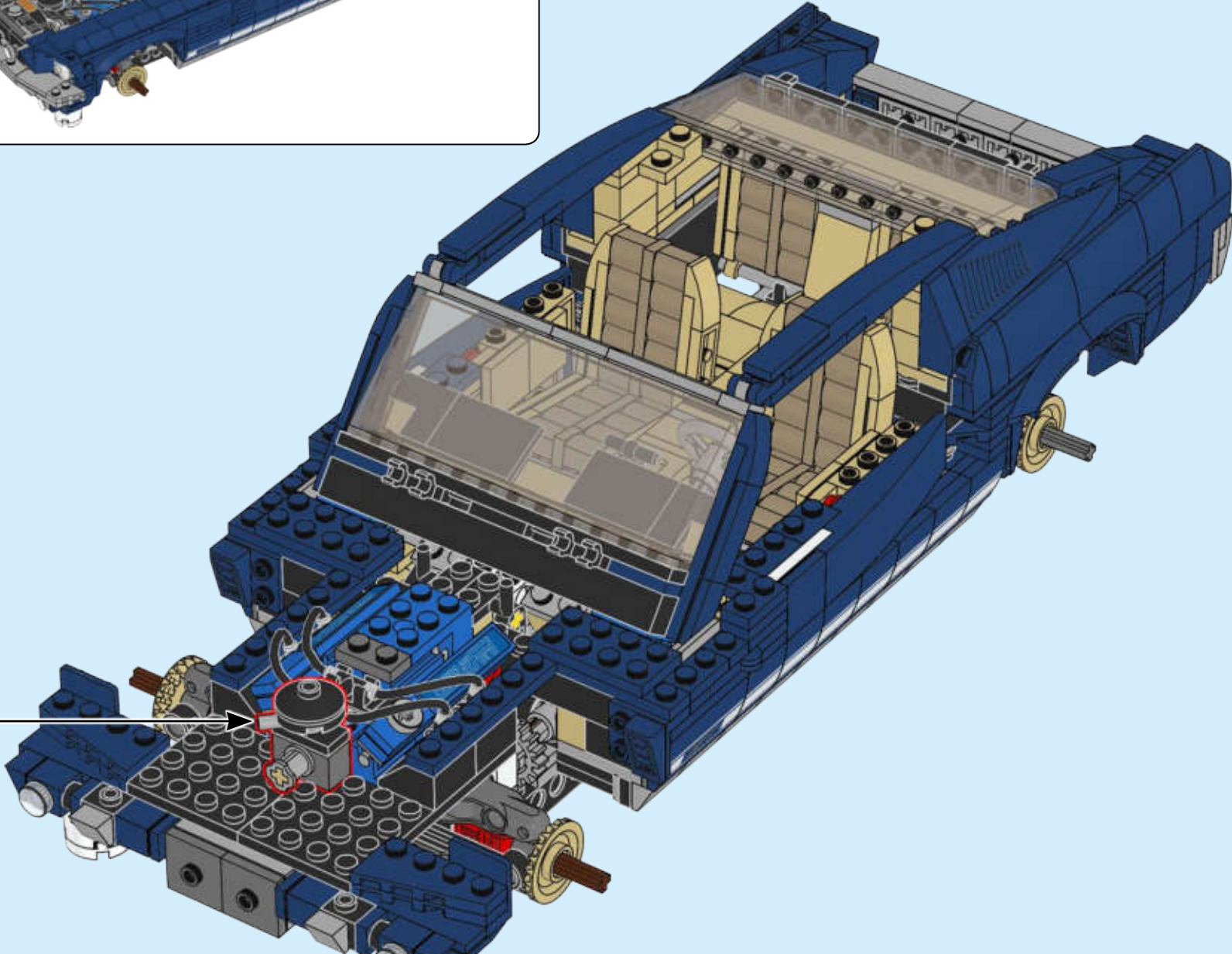
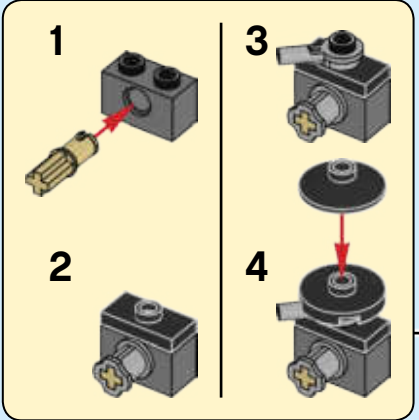


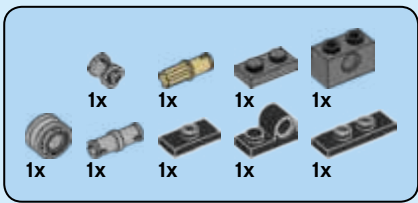
226



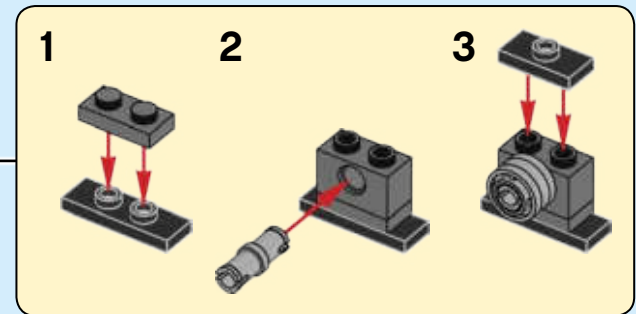
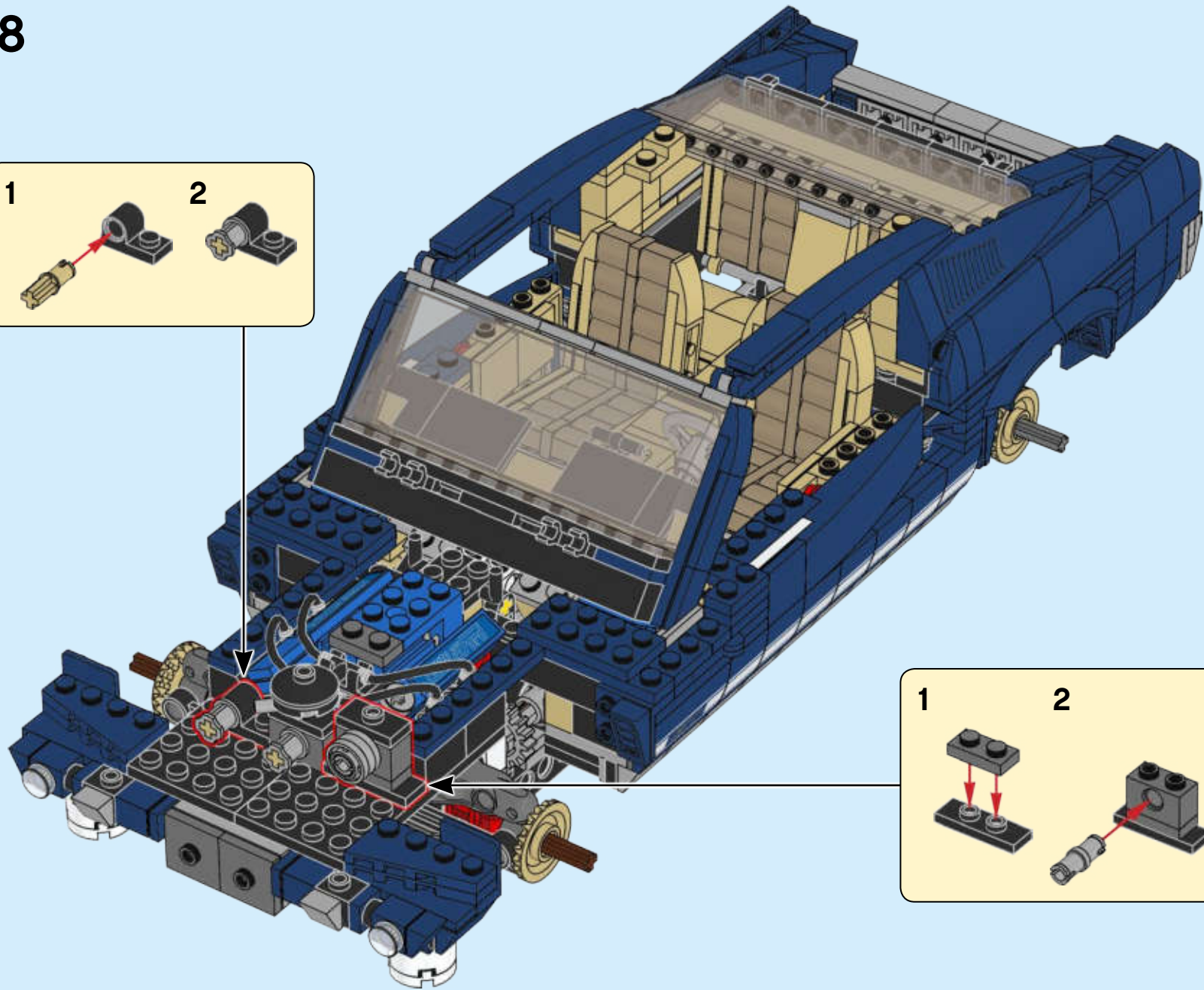
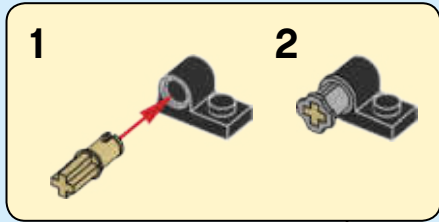


227





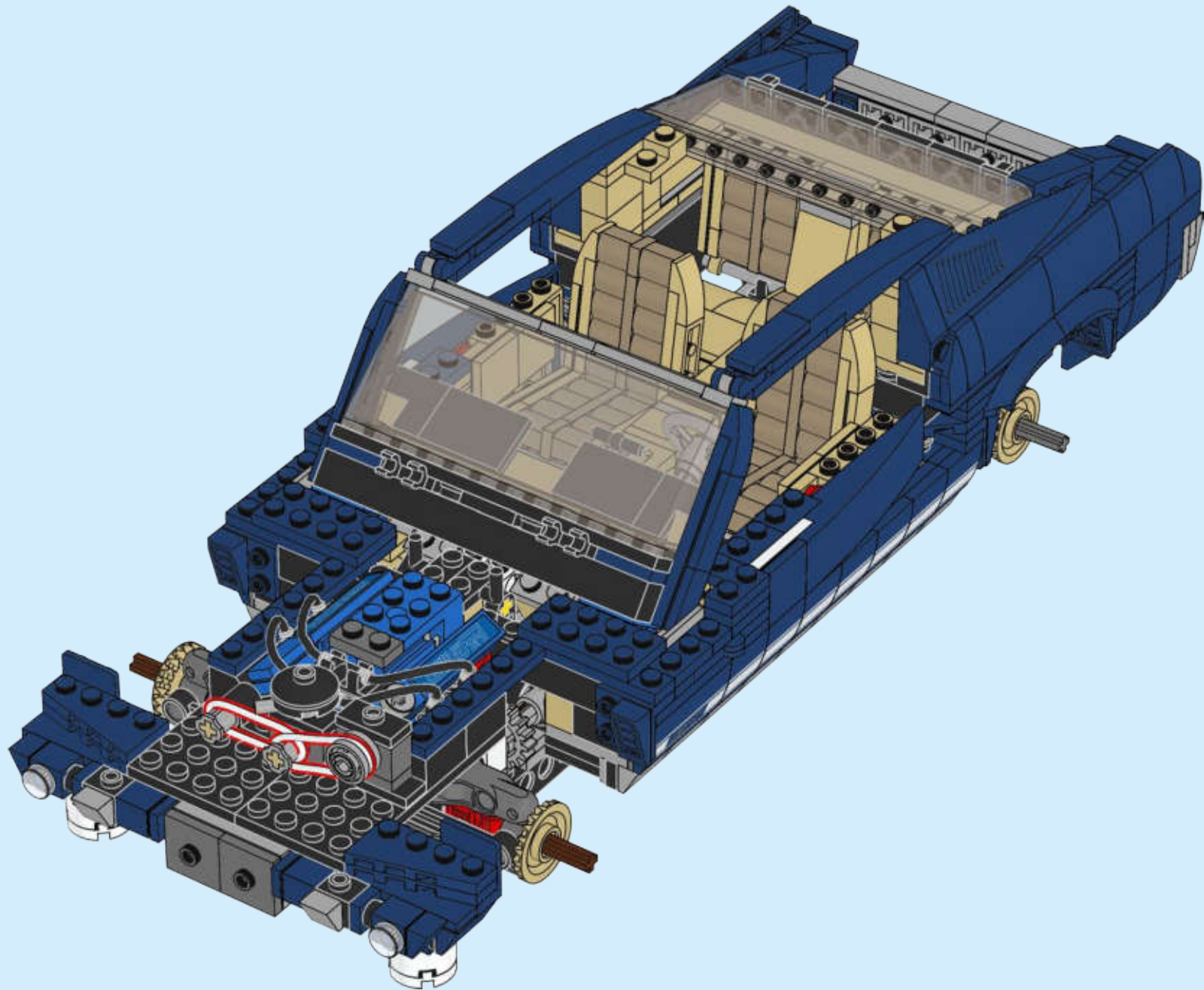
228

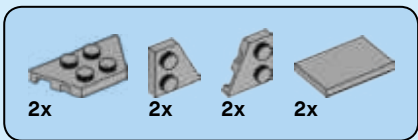




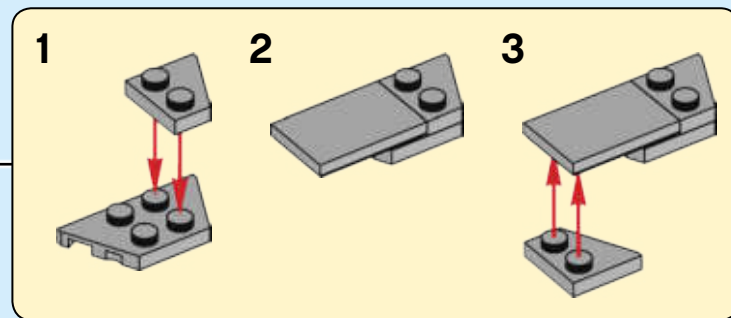
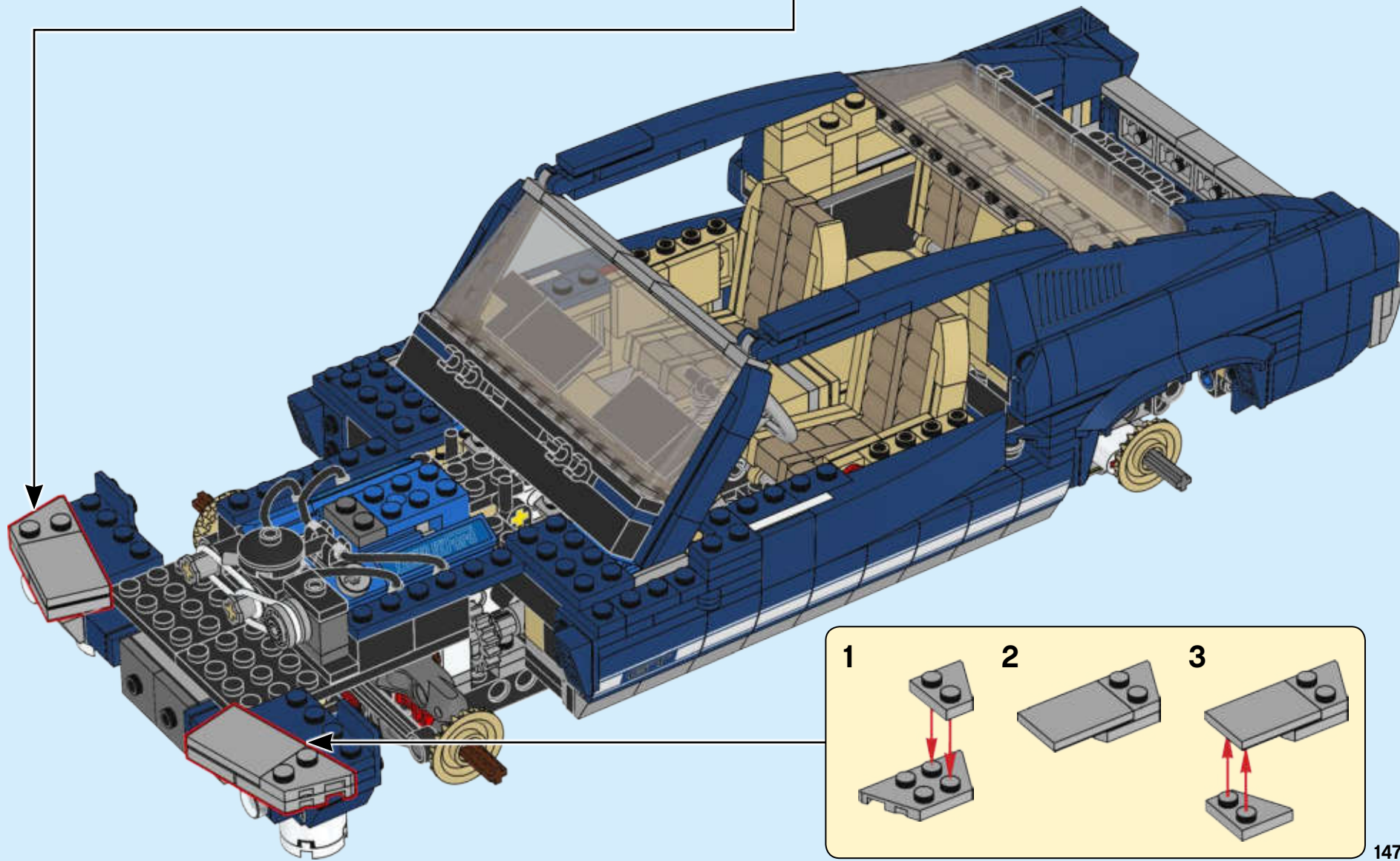
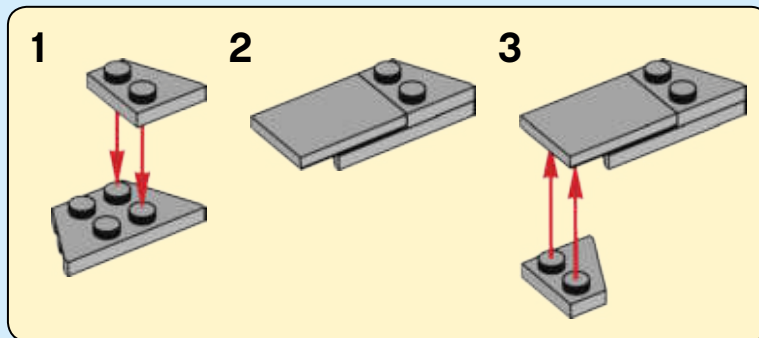
2x

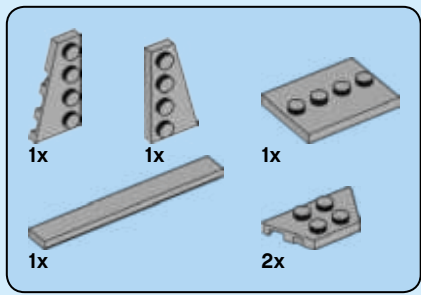
229



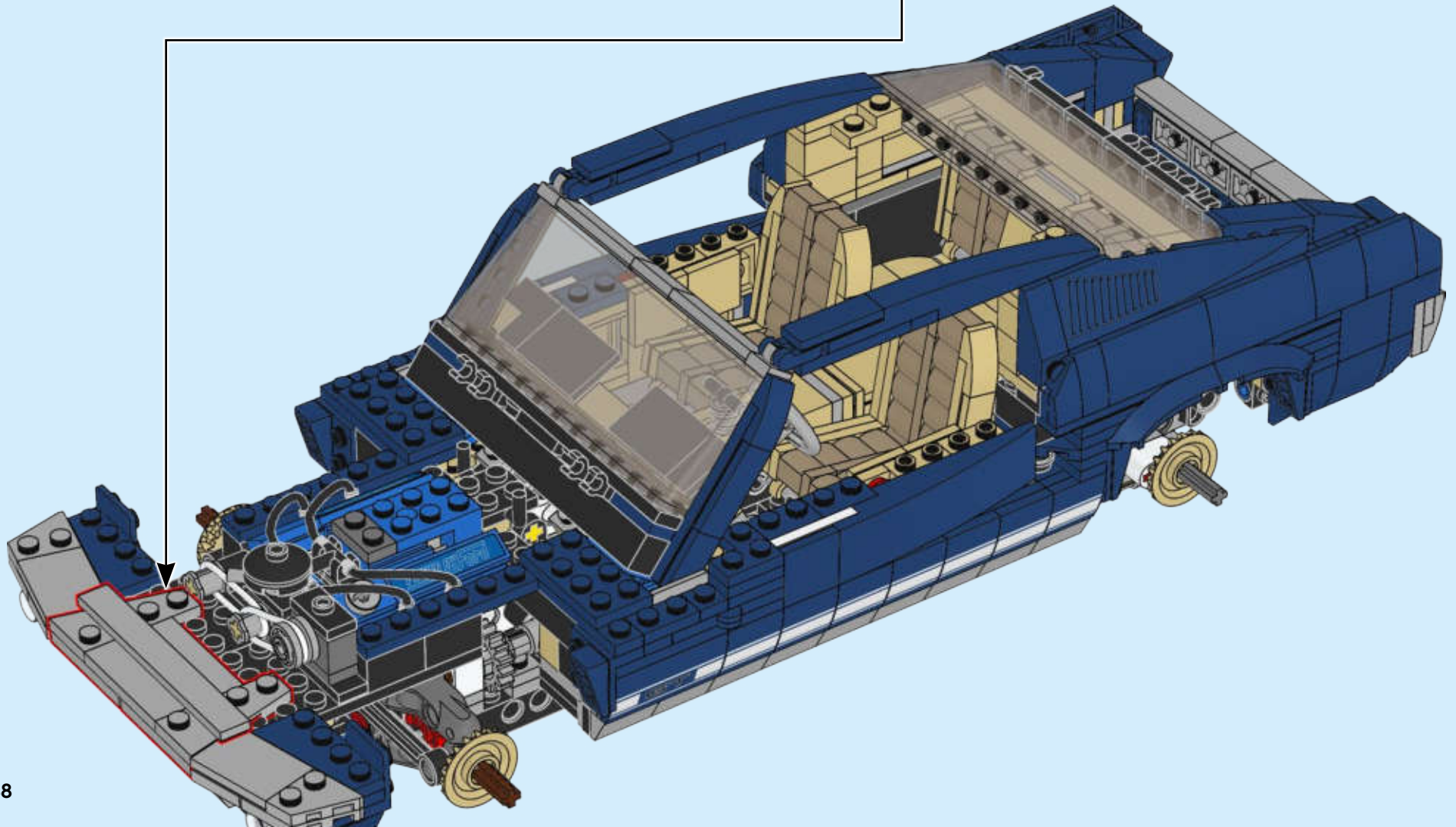
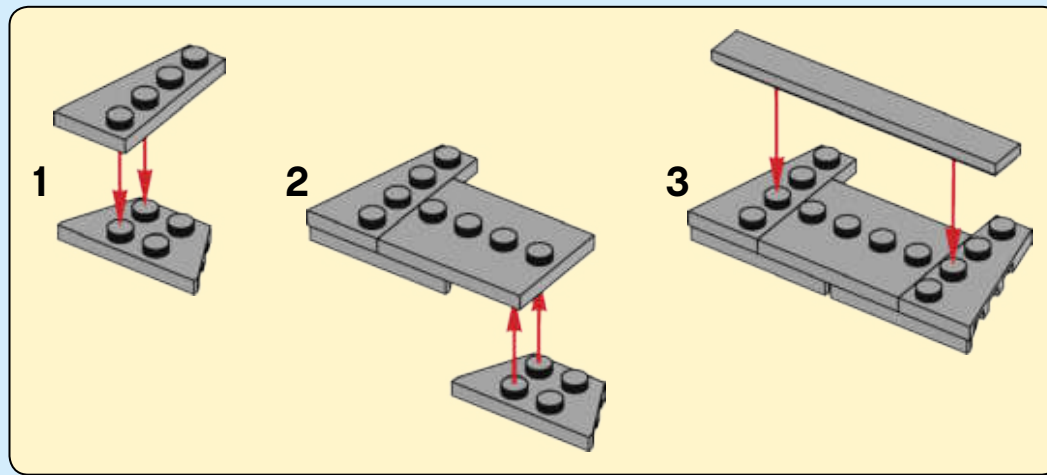


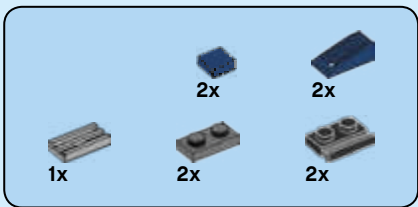
230



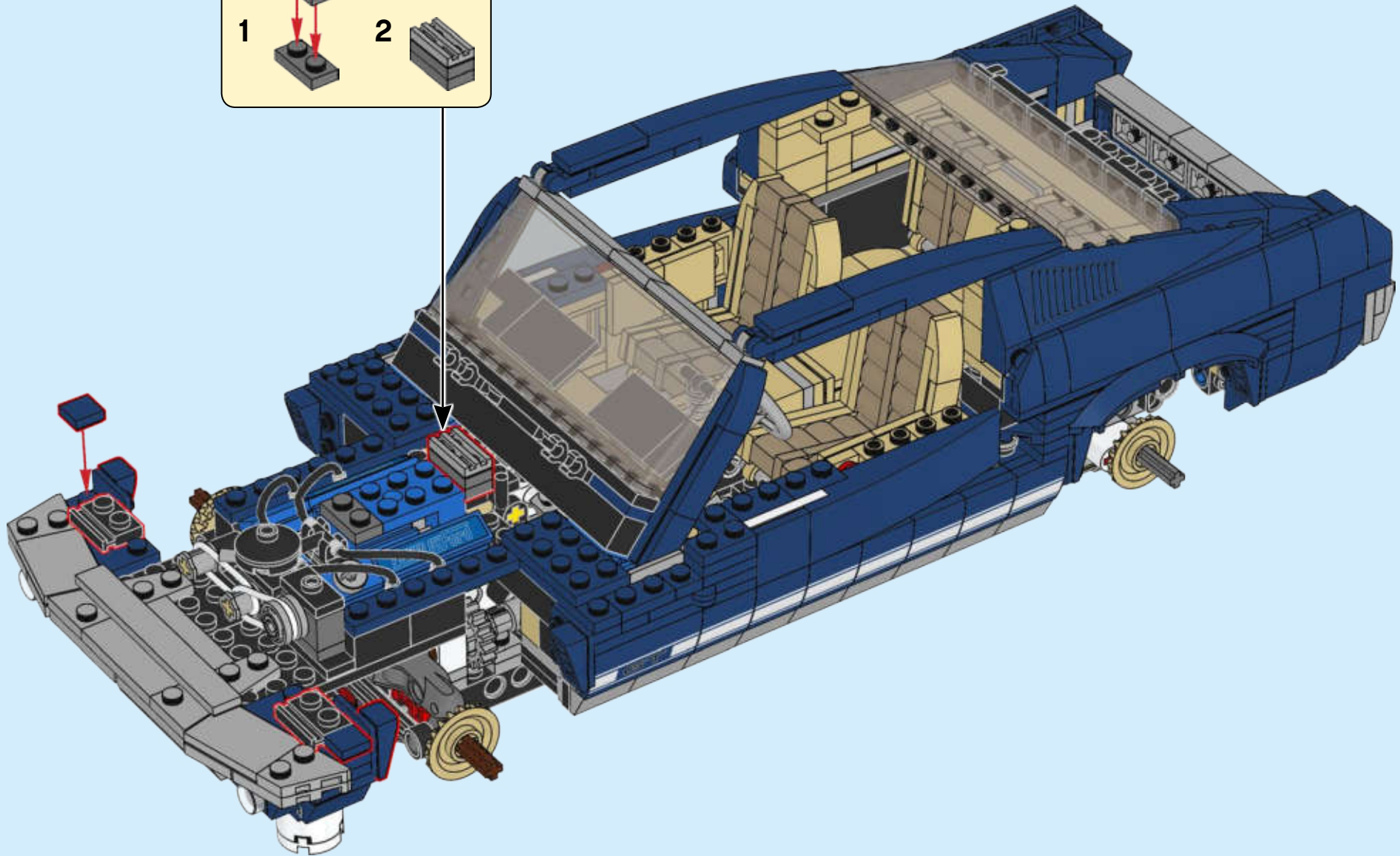
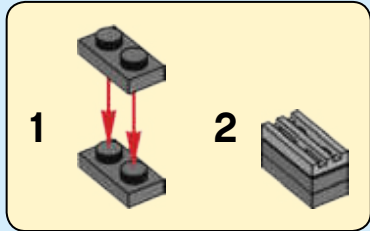


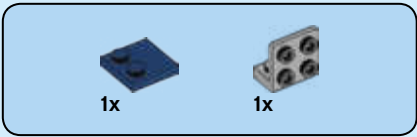
231



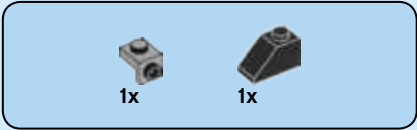
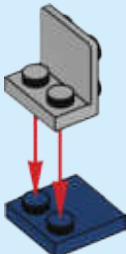


232

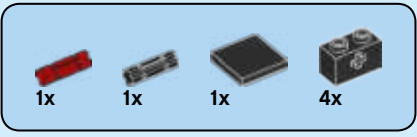
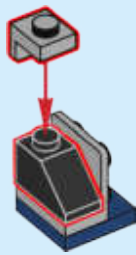




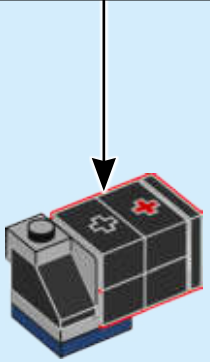
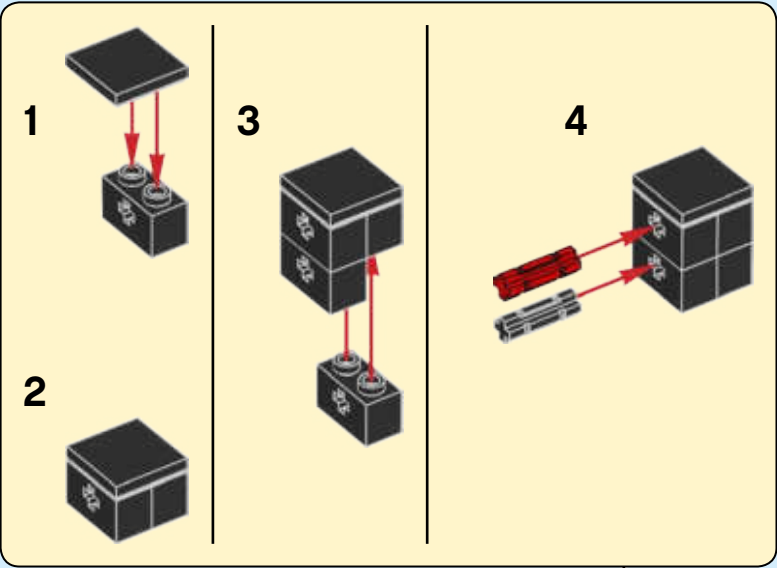
233



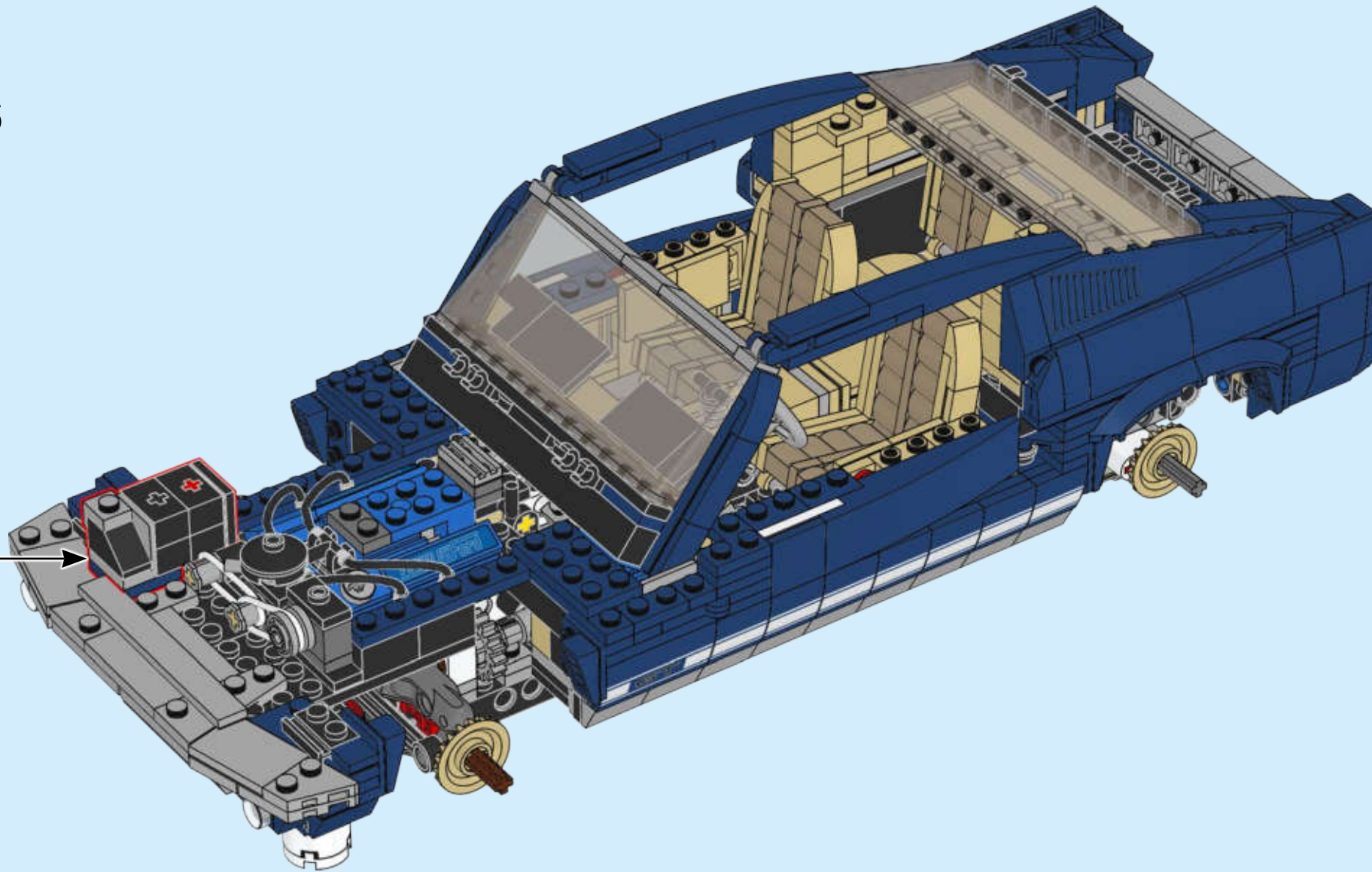
234

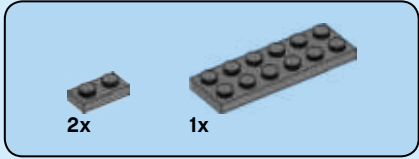


235

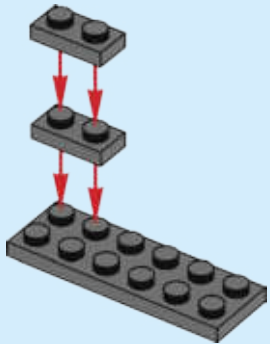


236

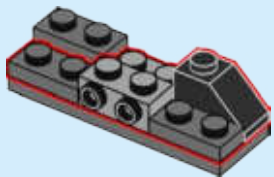




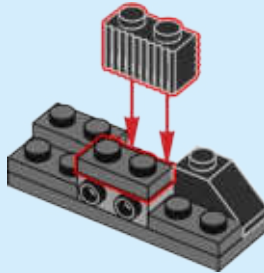
237



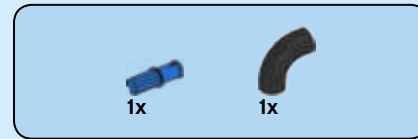
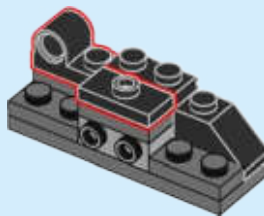
238



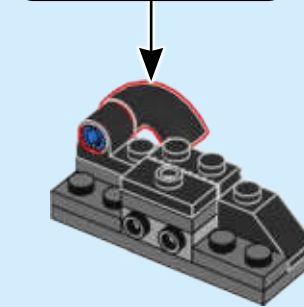
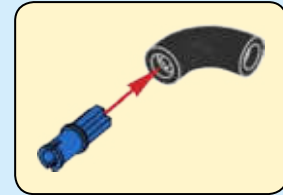
239



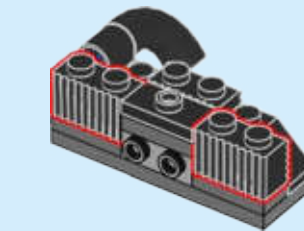
240

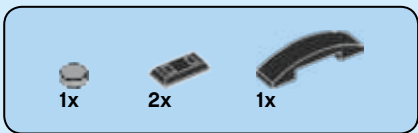


241

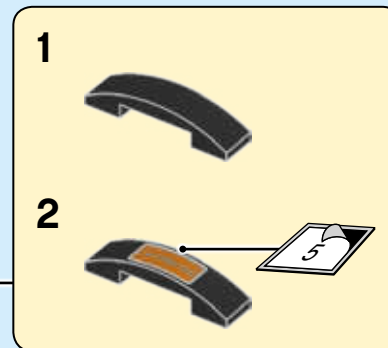
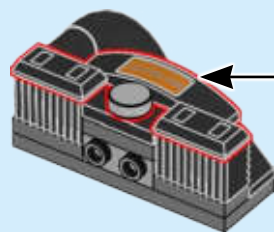


242

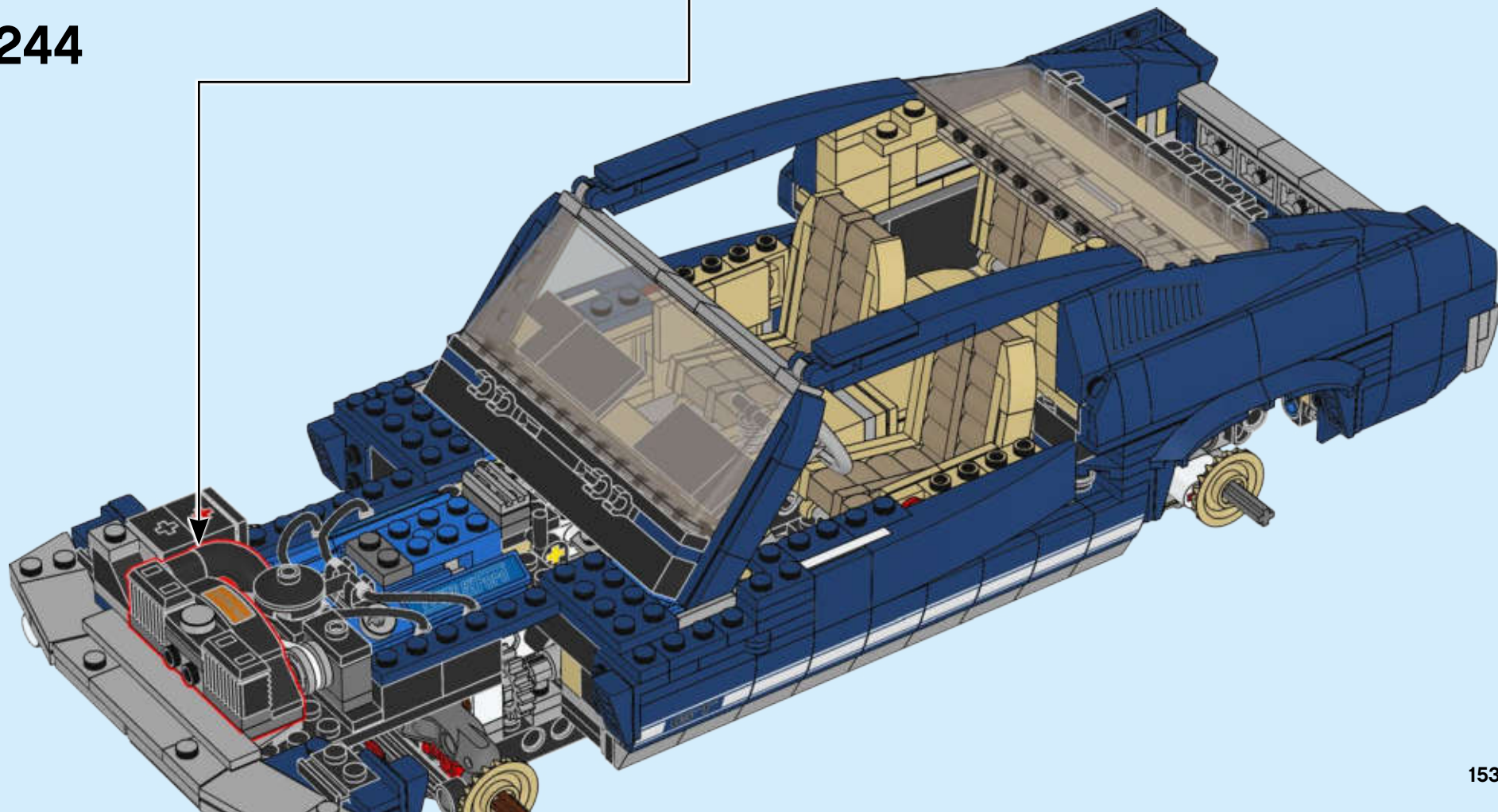


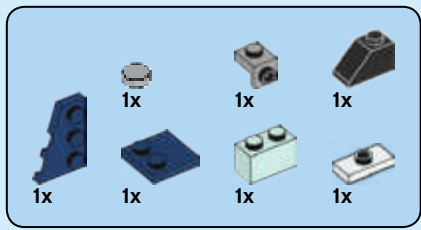


243

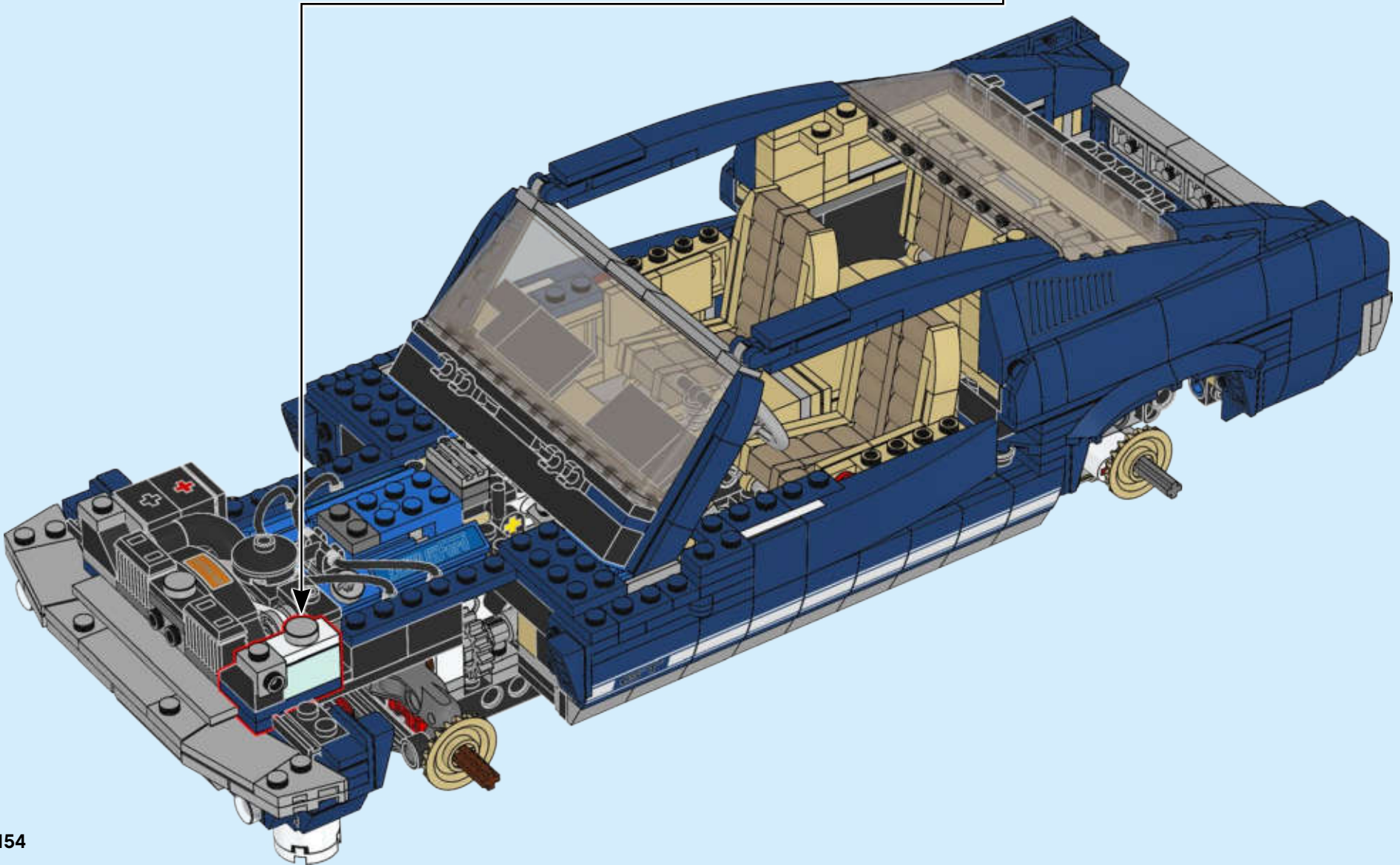
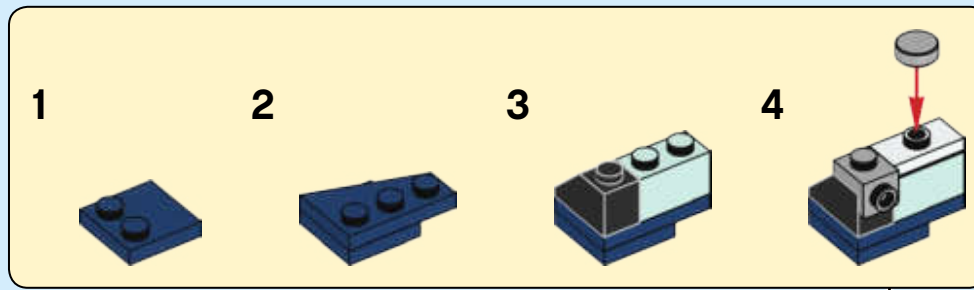


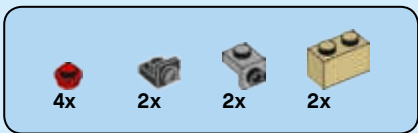
244



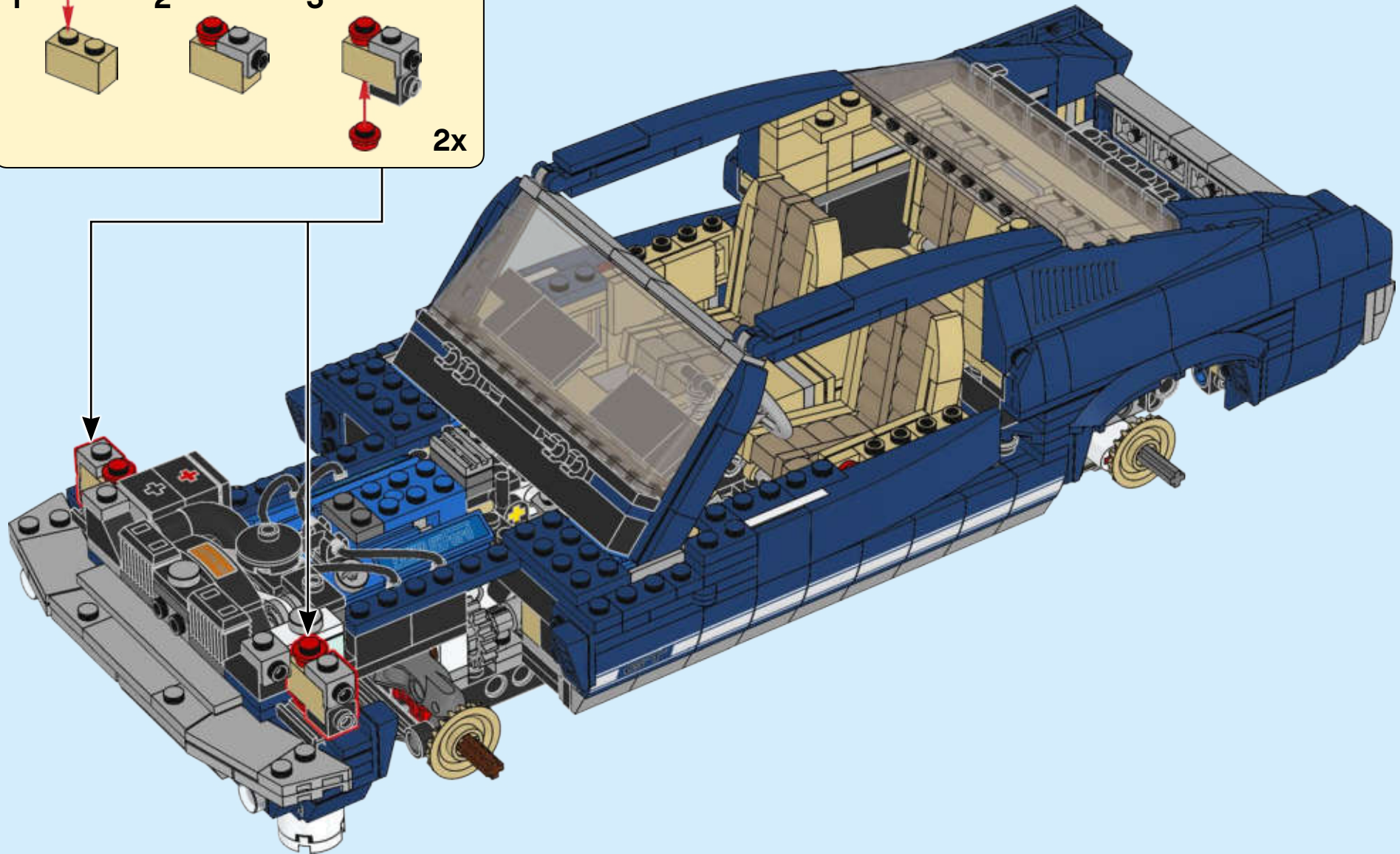
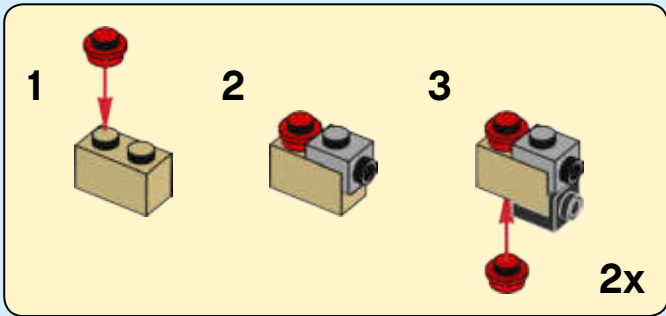


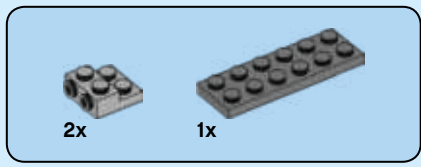
245



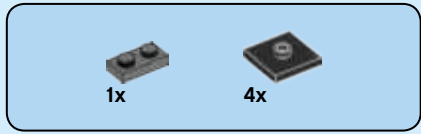
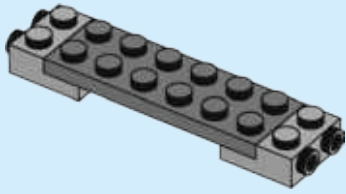


246

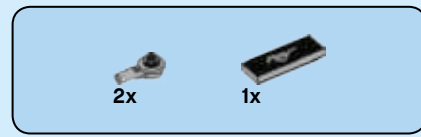
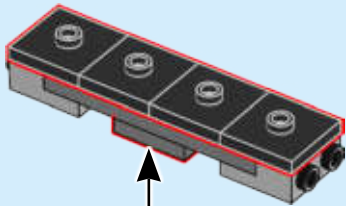




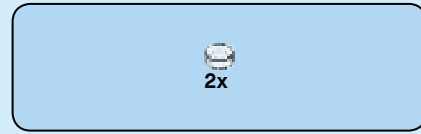
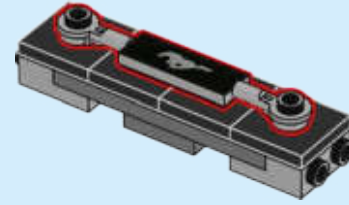
247



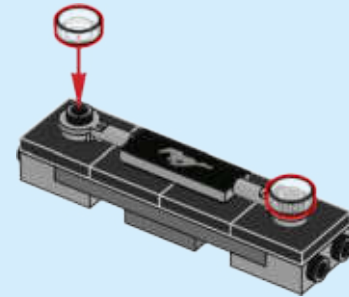
248



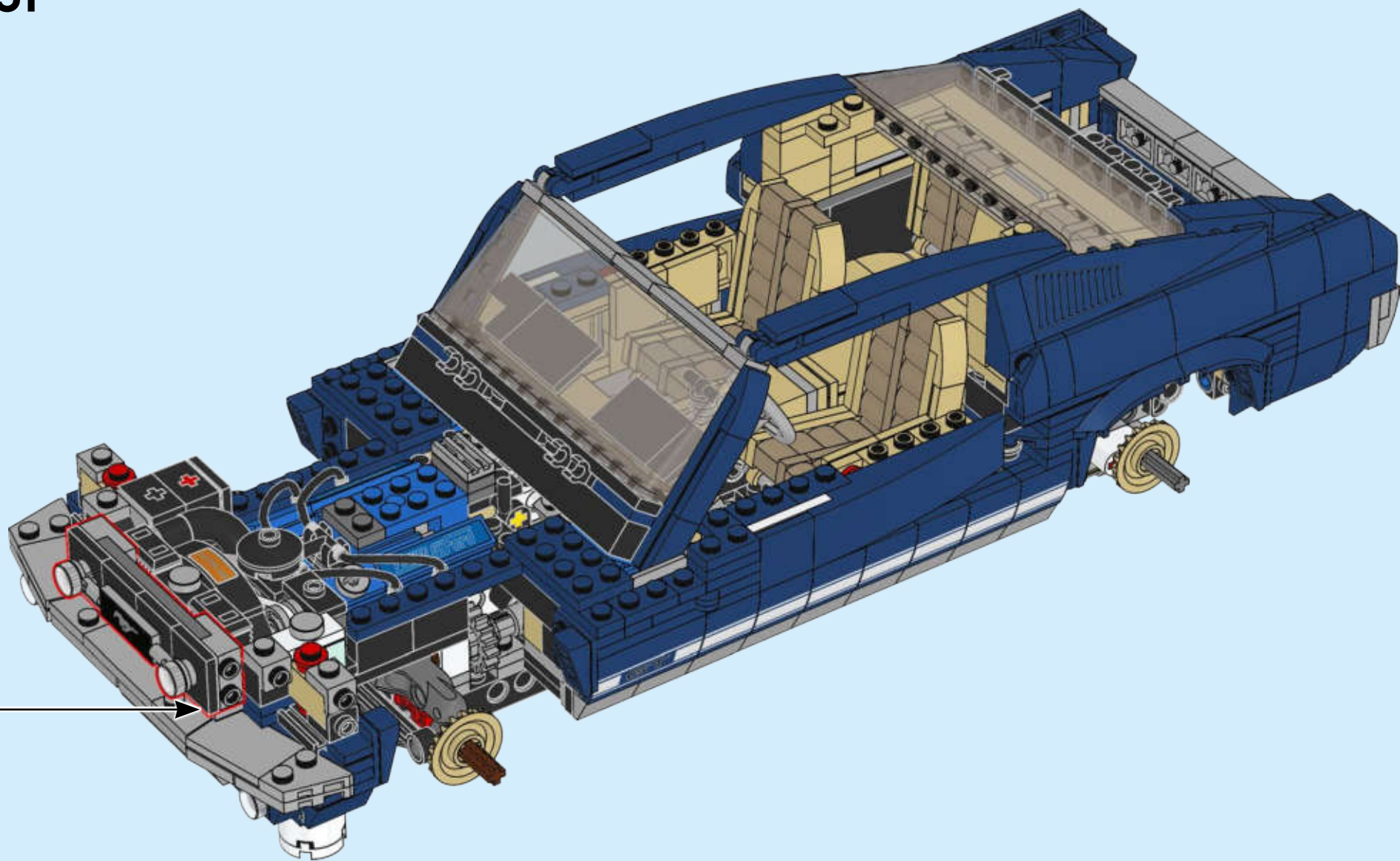
249

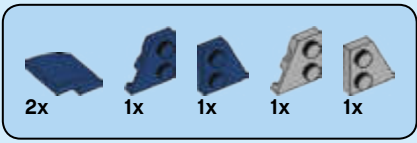


250

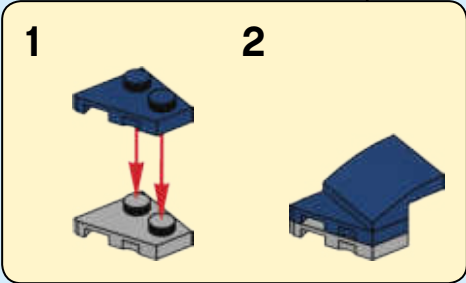
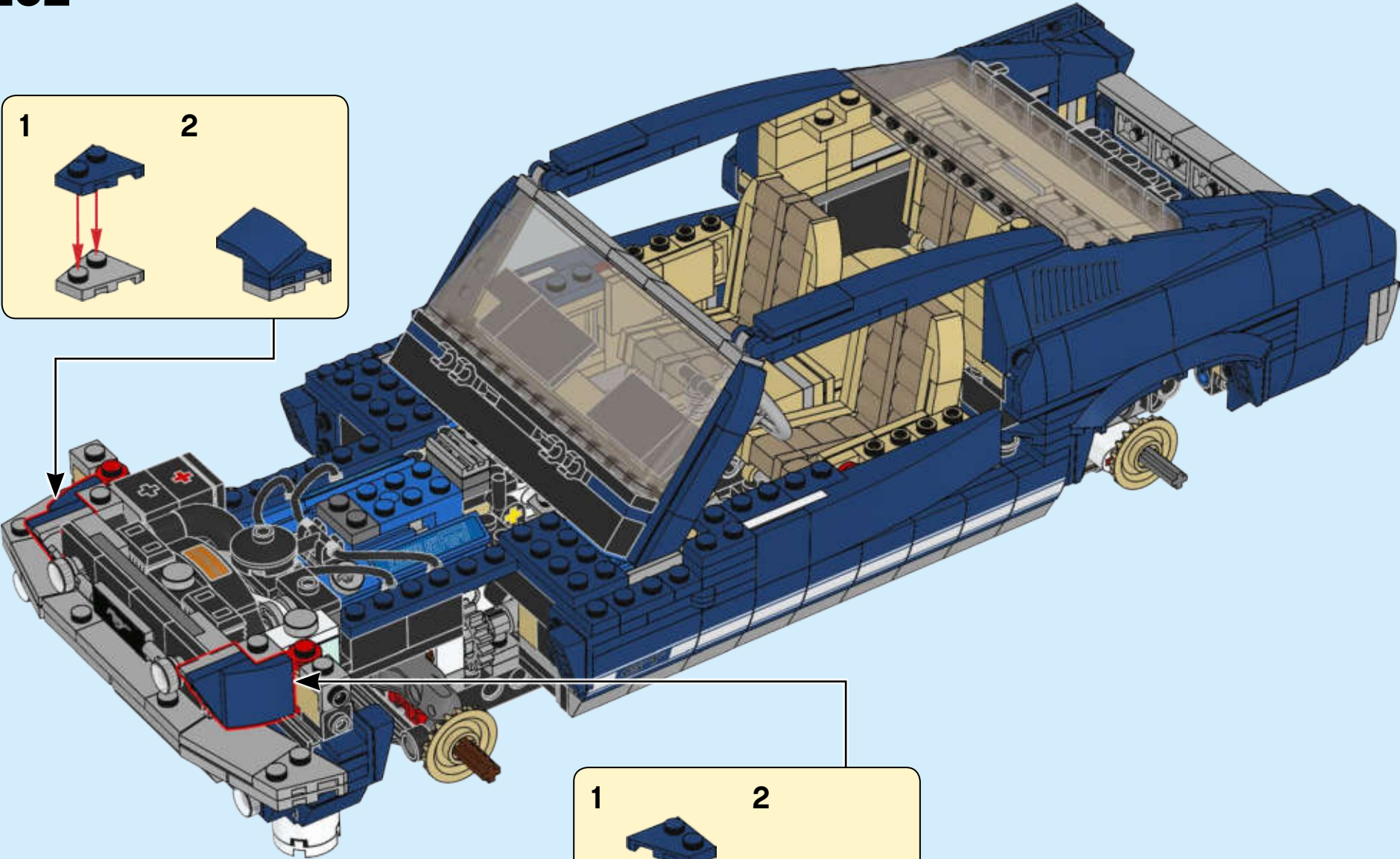
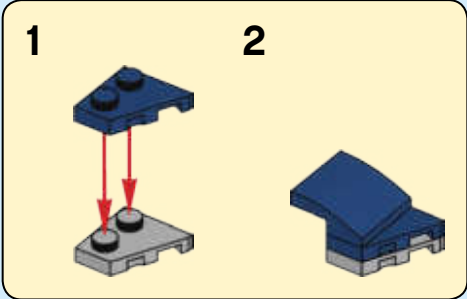


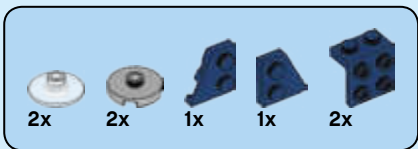
251



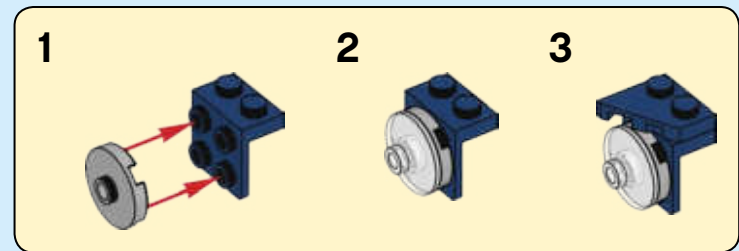
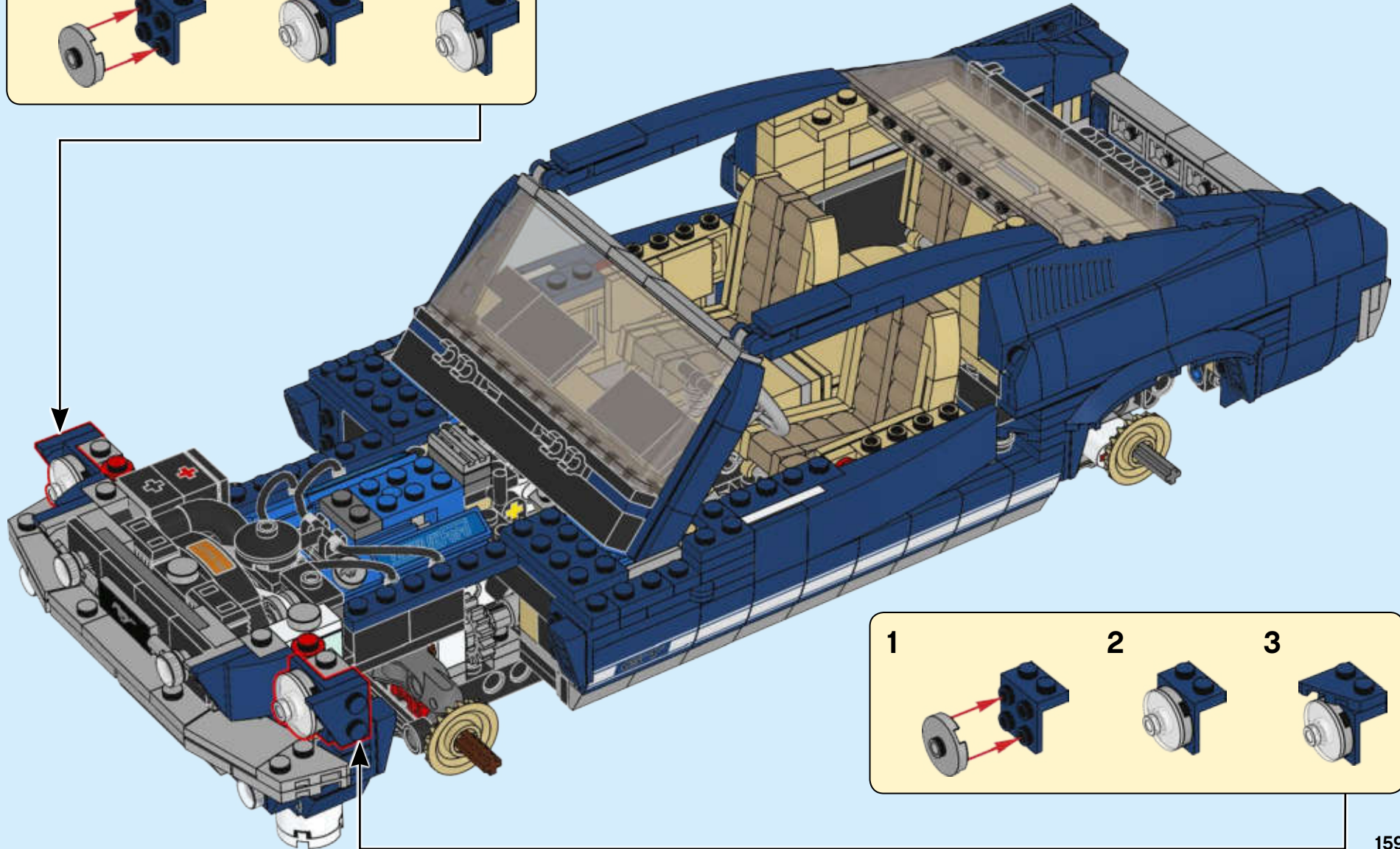
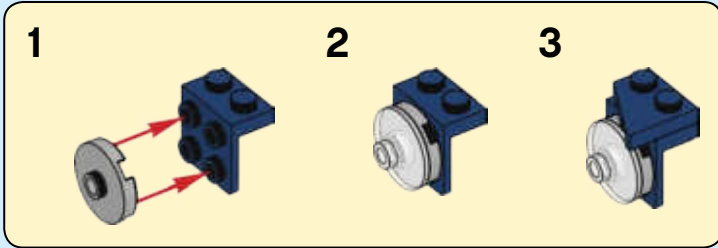


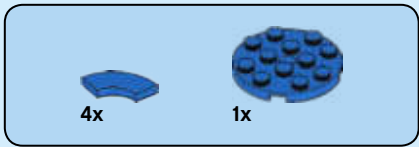
252



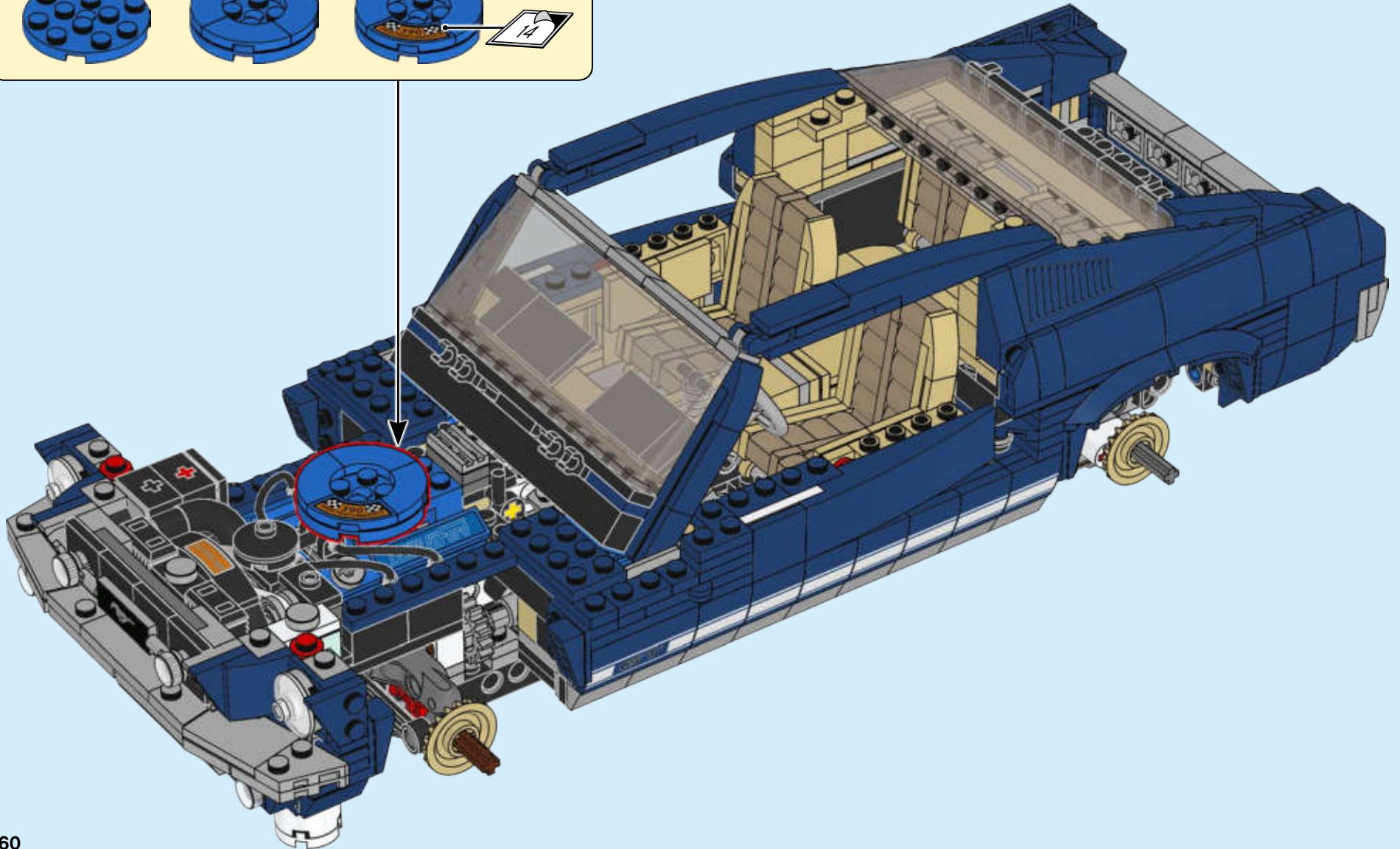
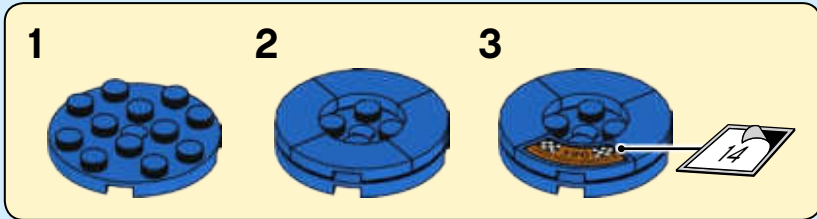


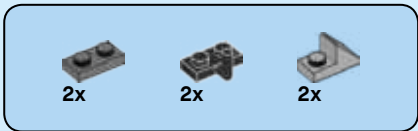
253



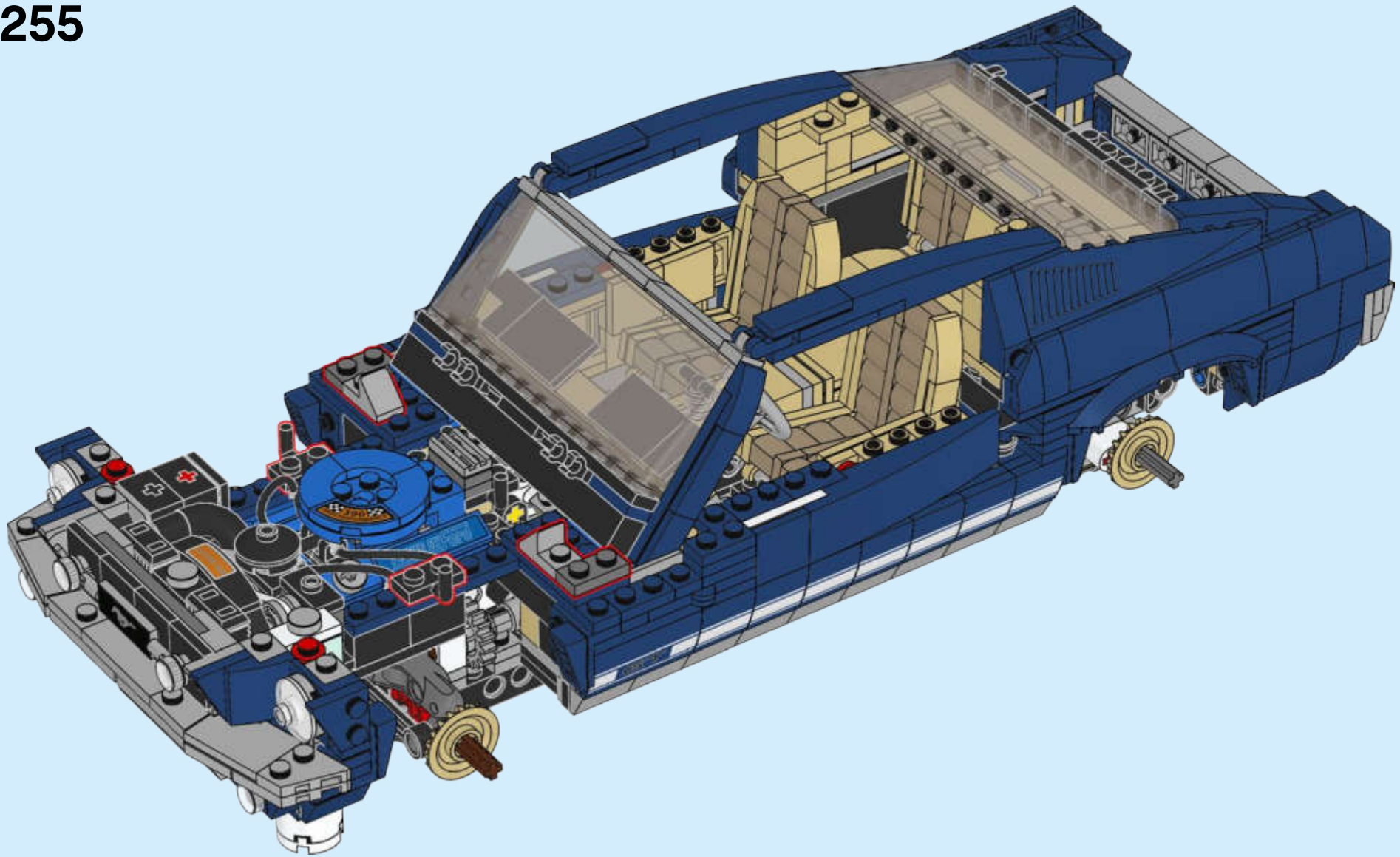


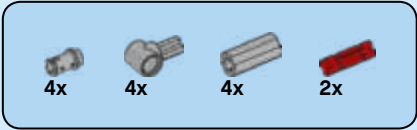
254



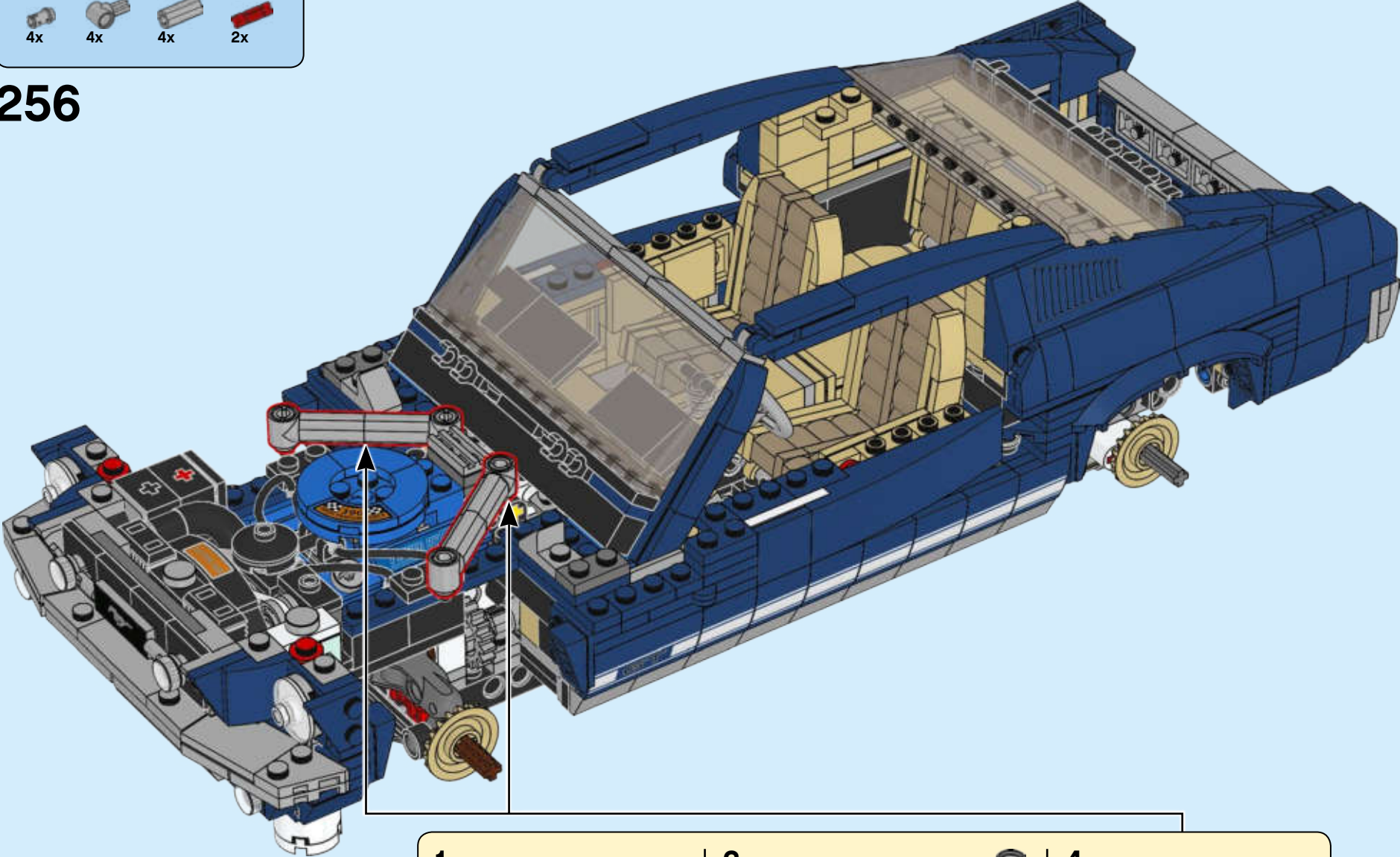


255

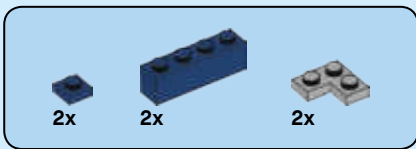




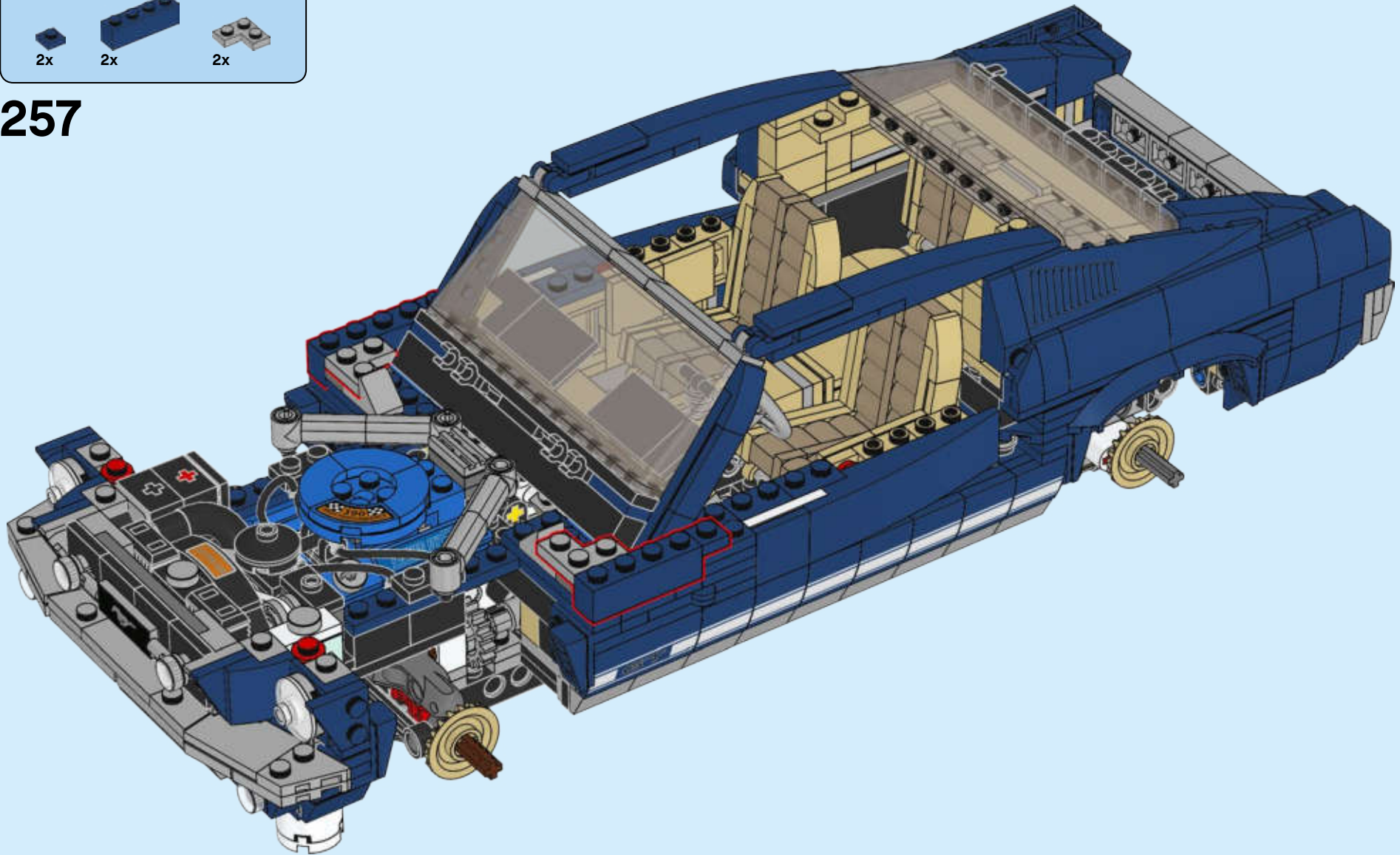
256



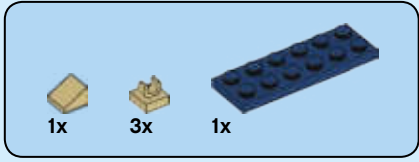
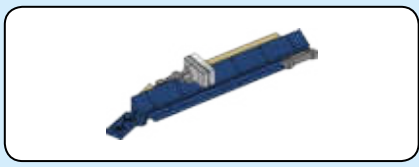
<p>1</p> <p>2</p>	<p>3</p>	<p>4</p> <p>2x</p>
-------------------	----------	--------------------



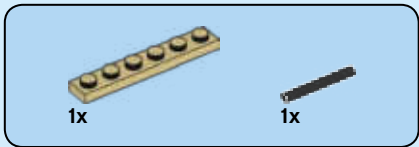
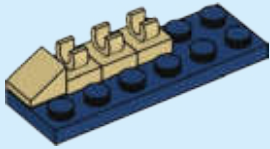
257



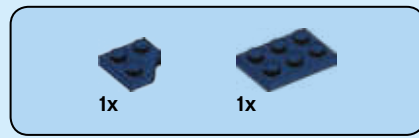
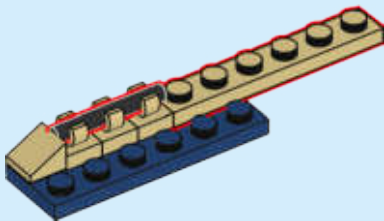
To mark its 50th birthday in 2014, Ford assembled a Mustang on the 86th floor observation deck of the Empire State Building.



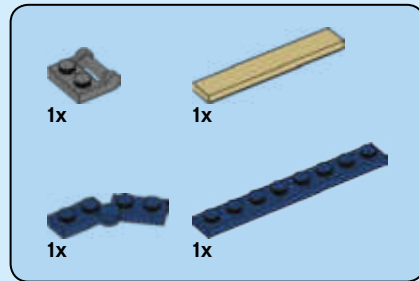
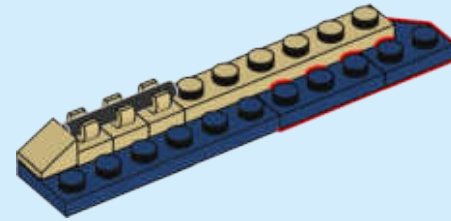
258



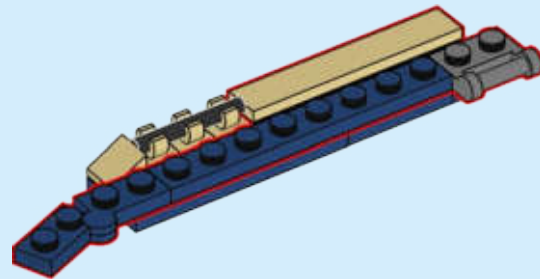
259



260

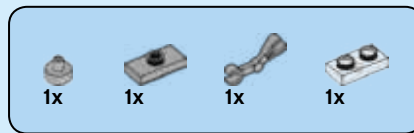
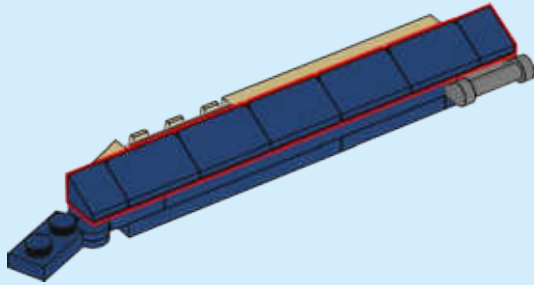


261

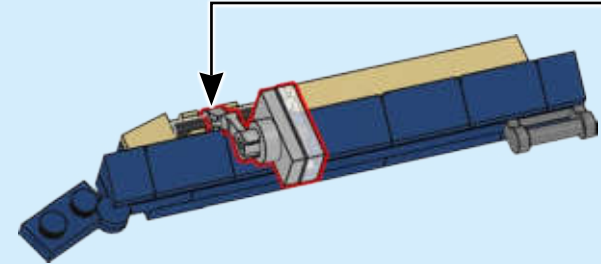
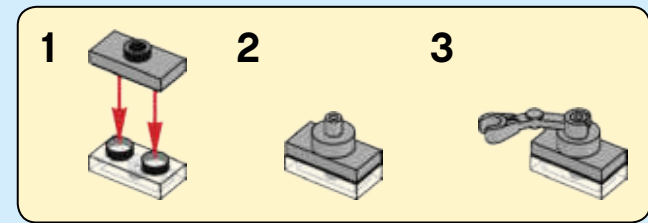




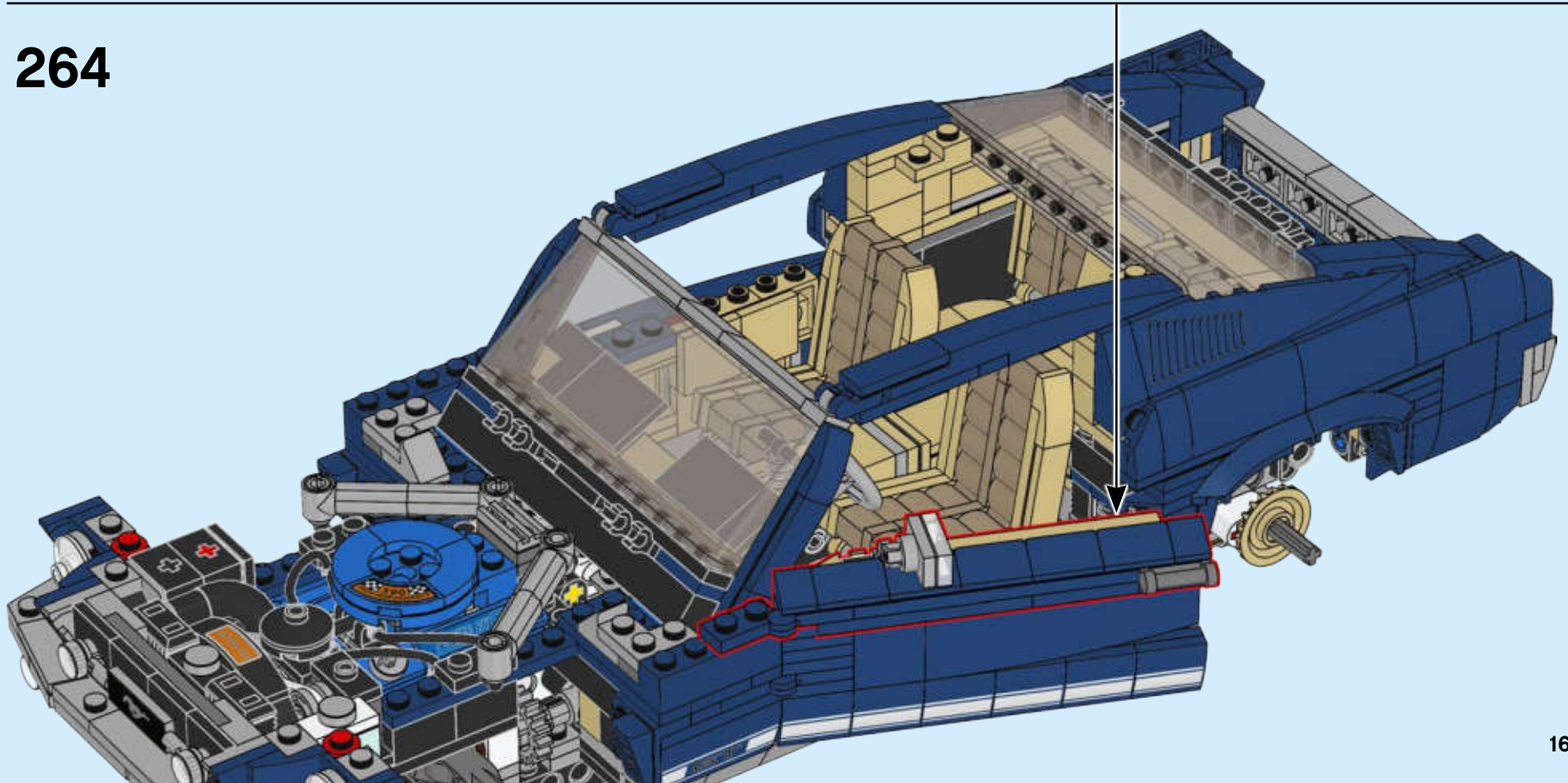
262

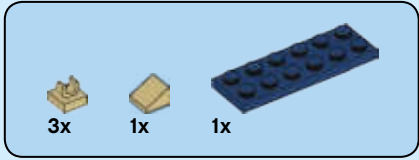


263

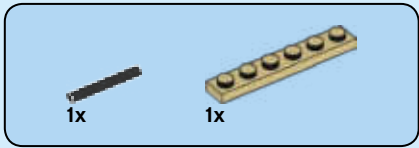
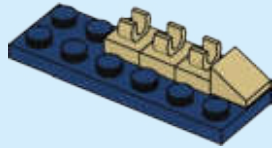


264

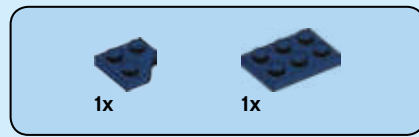
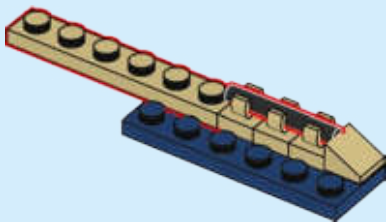




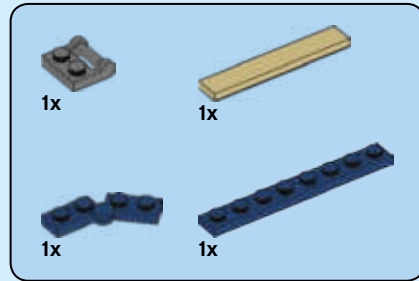
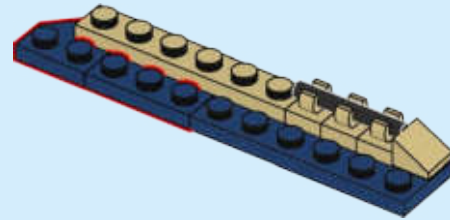
265



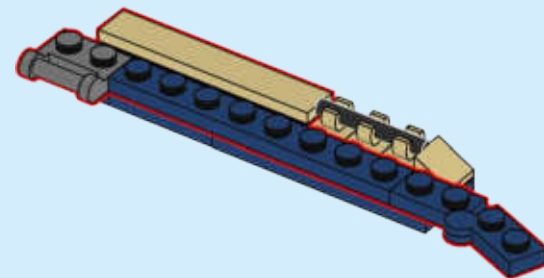
266



267

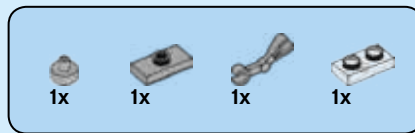
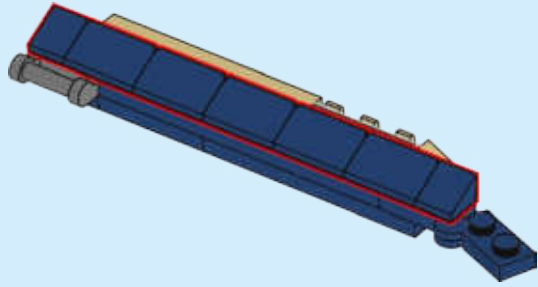


268

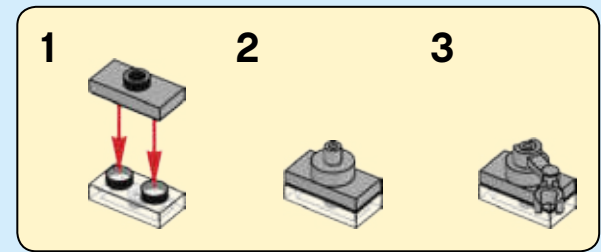
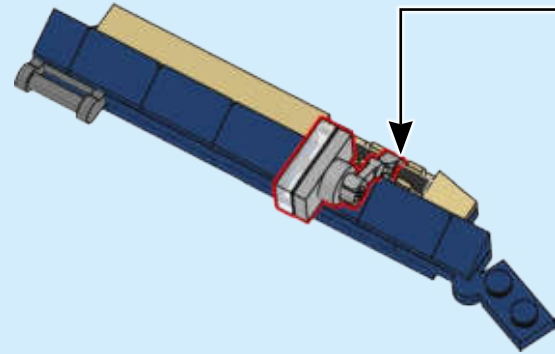




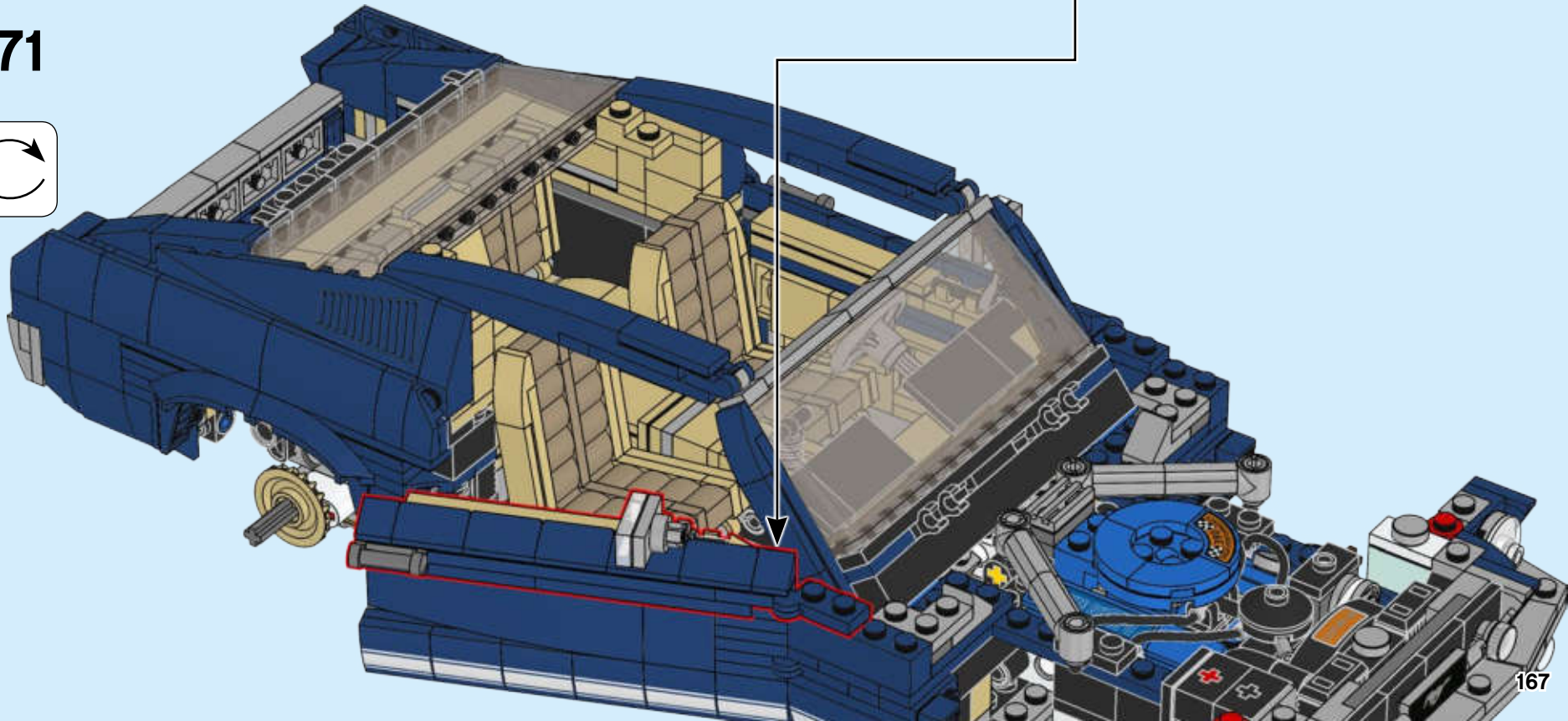
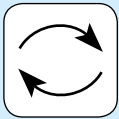
269

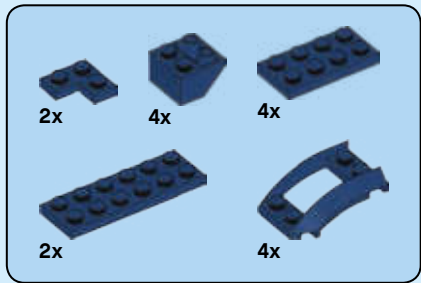


270



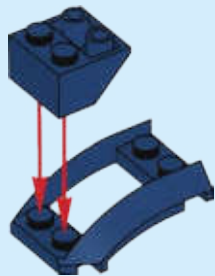
271





272

1



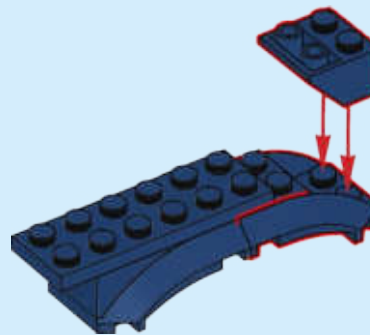
2



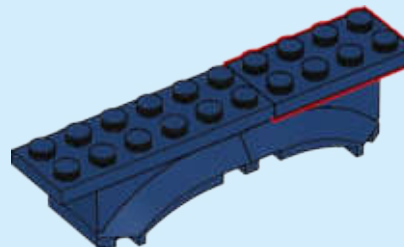
3



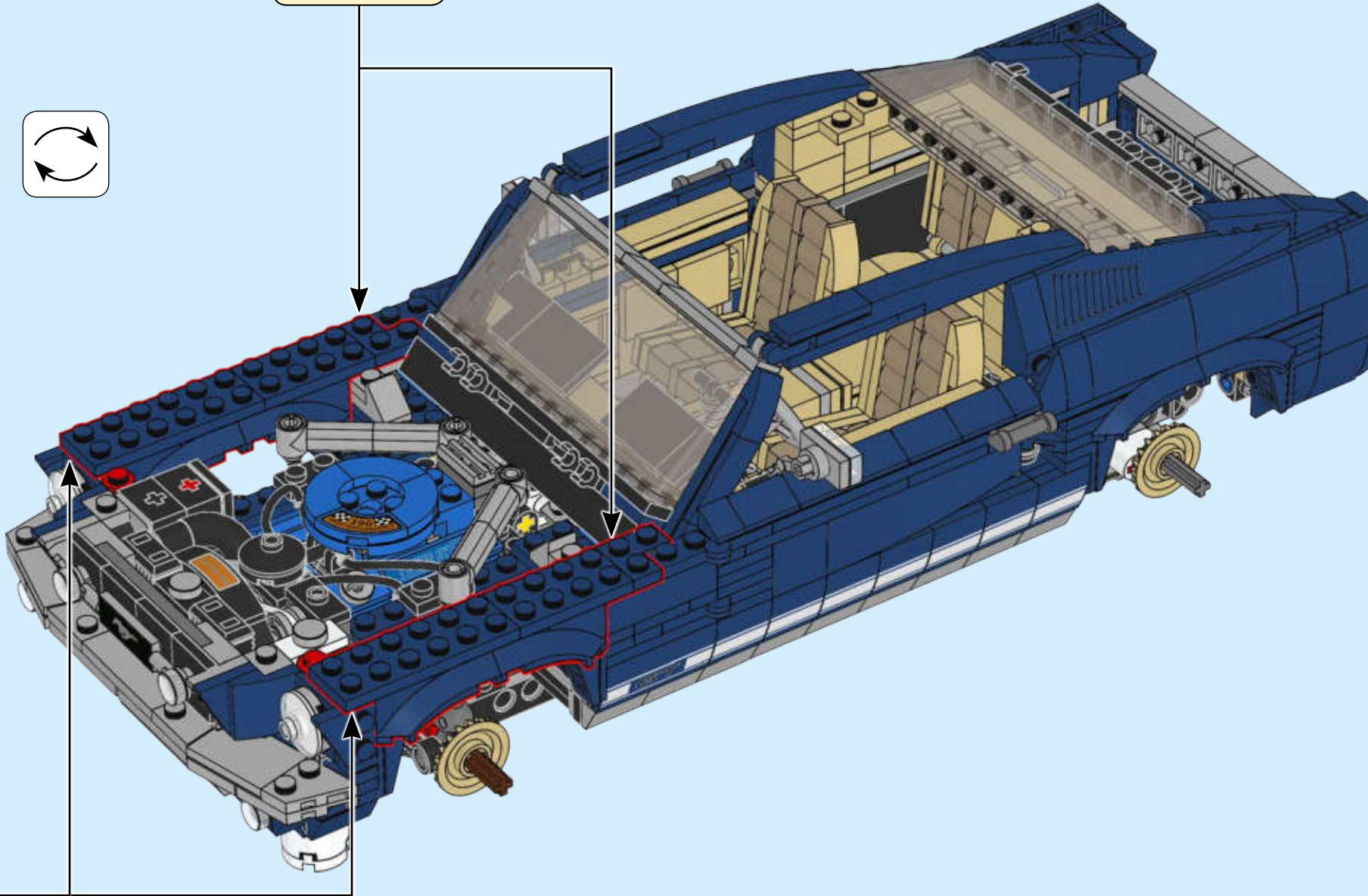
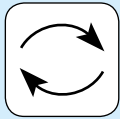
4

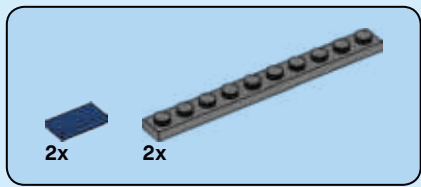


5

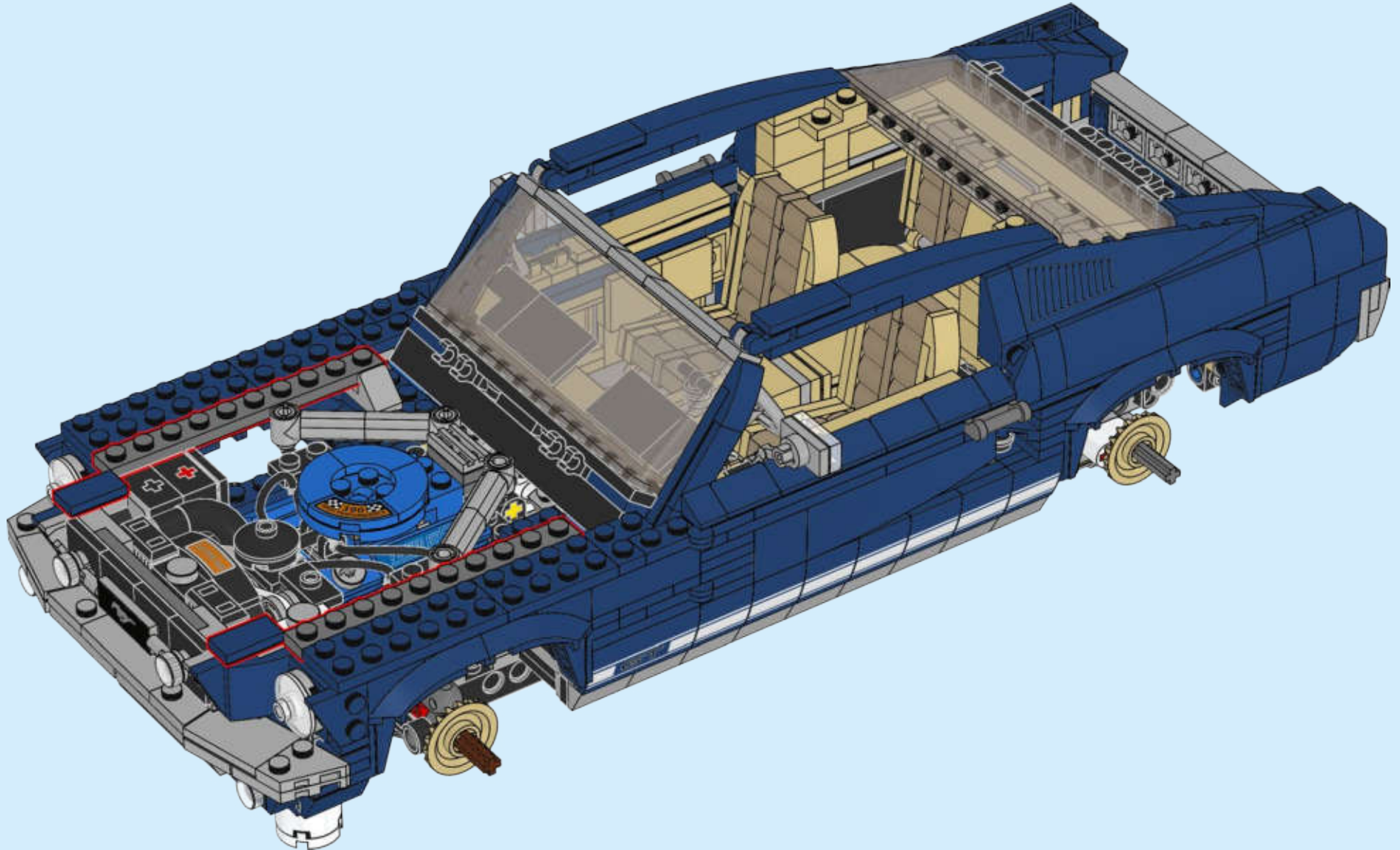


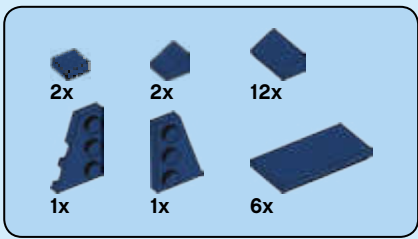
2x



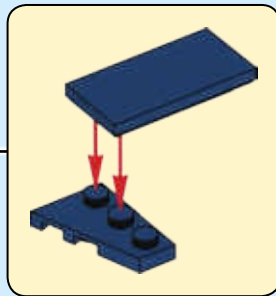
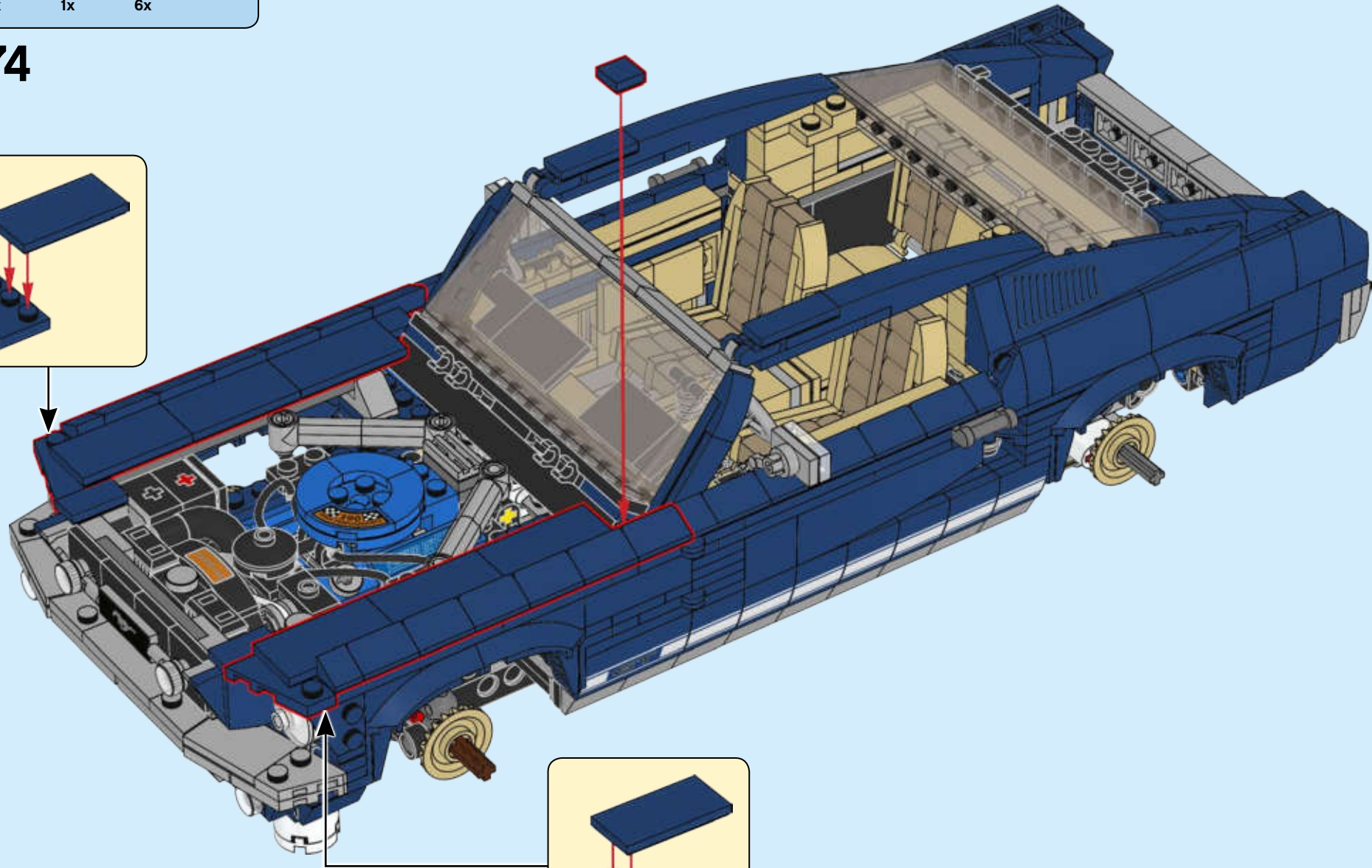
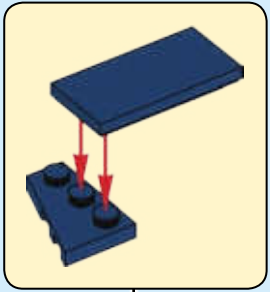


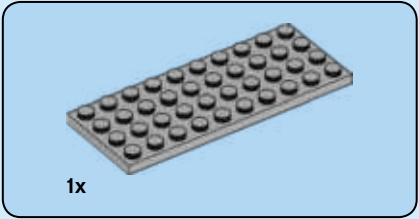
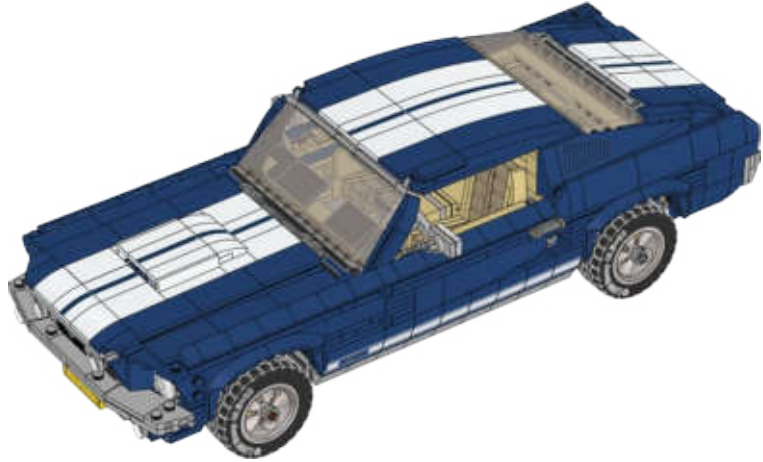
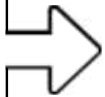
273





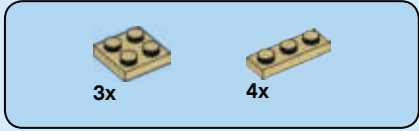
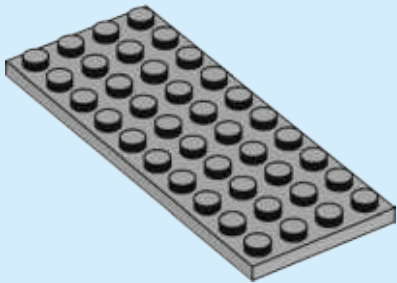
274





1x

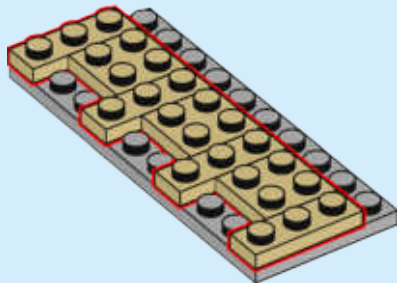
275

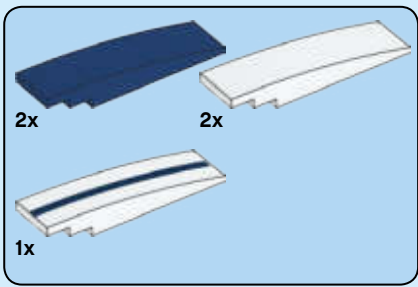


3x

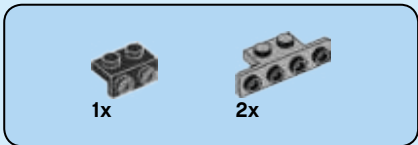
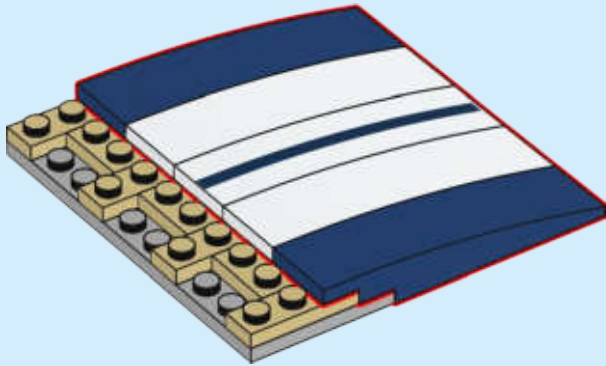
4x

276

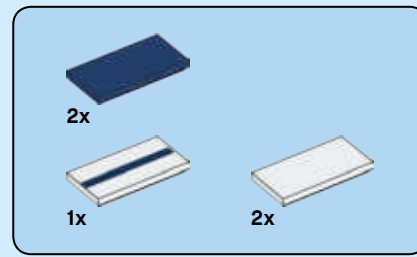
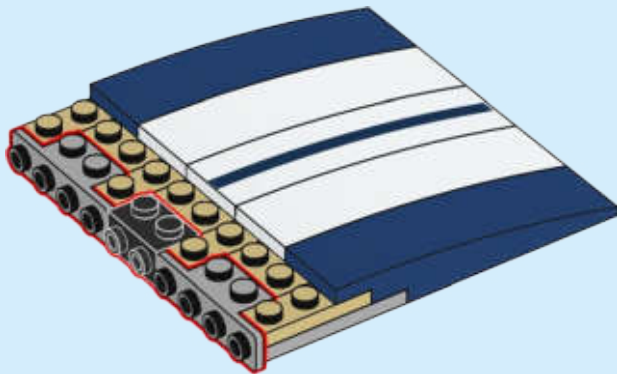




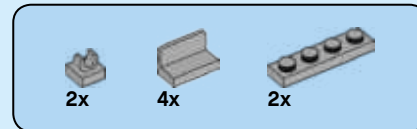
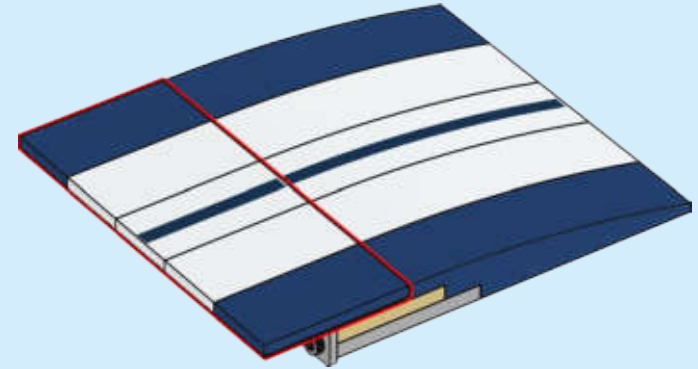
277



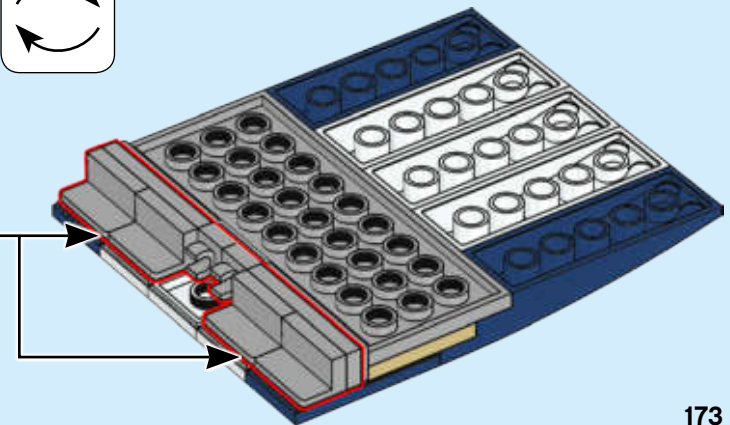
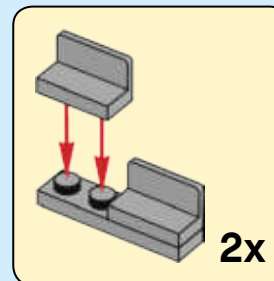
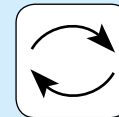
278

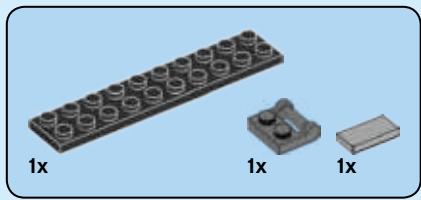


279

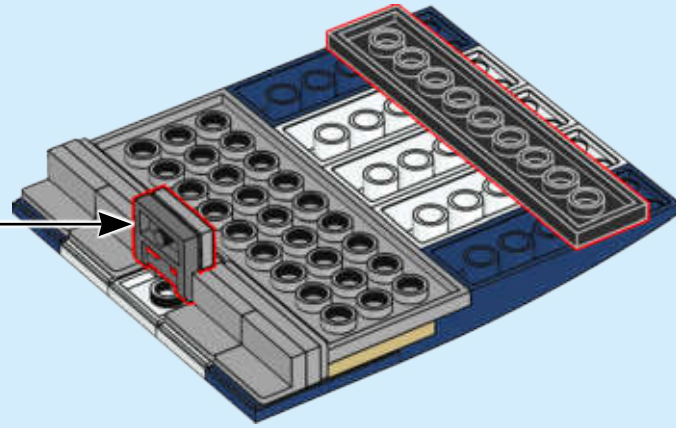
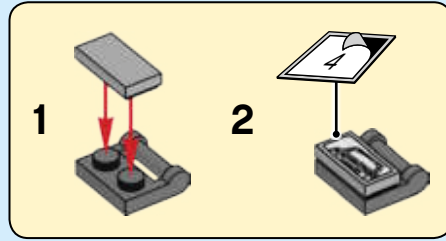


280

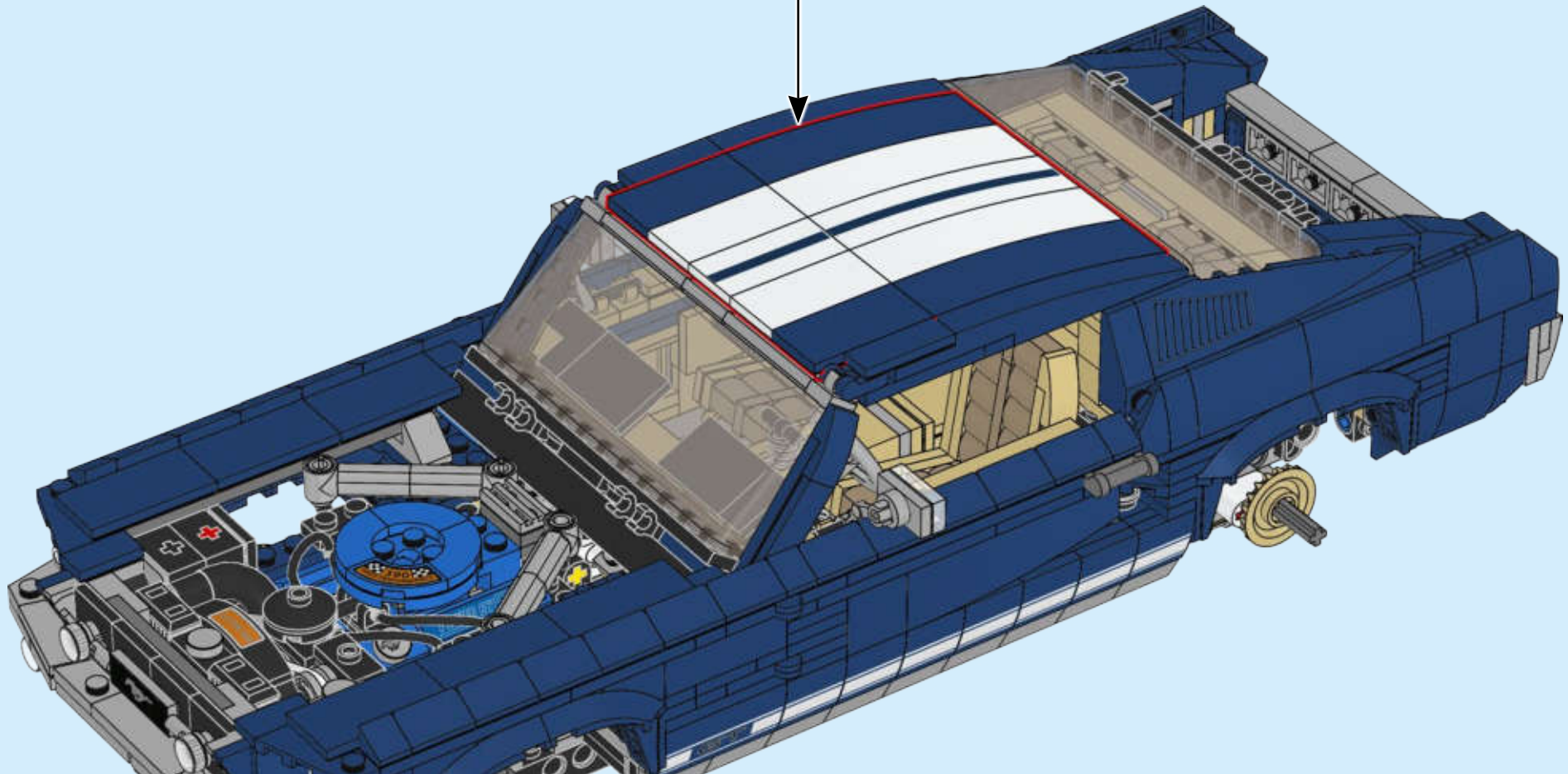


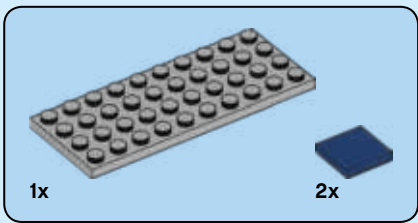


281

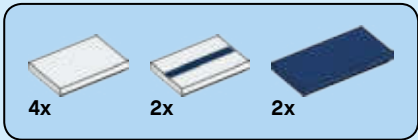
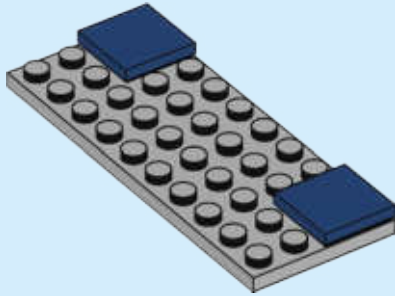


282

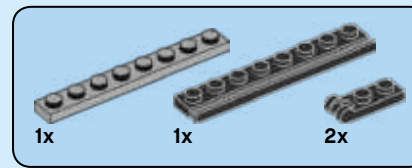
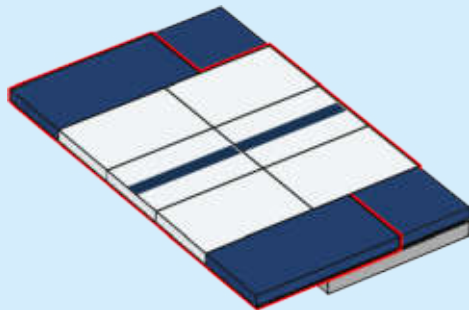




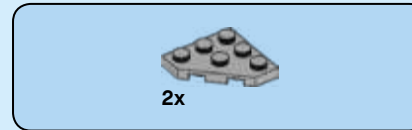
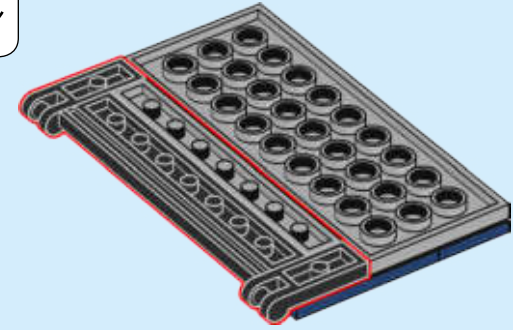
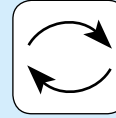
283



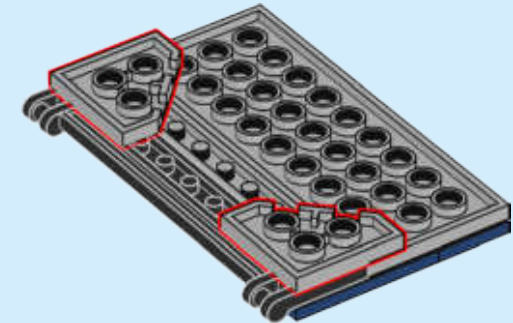
284



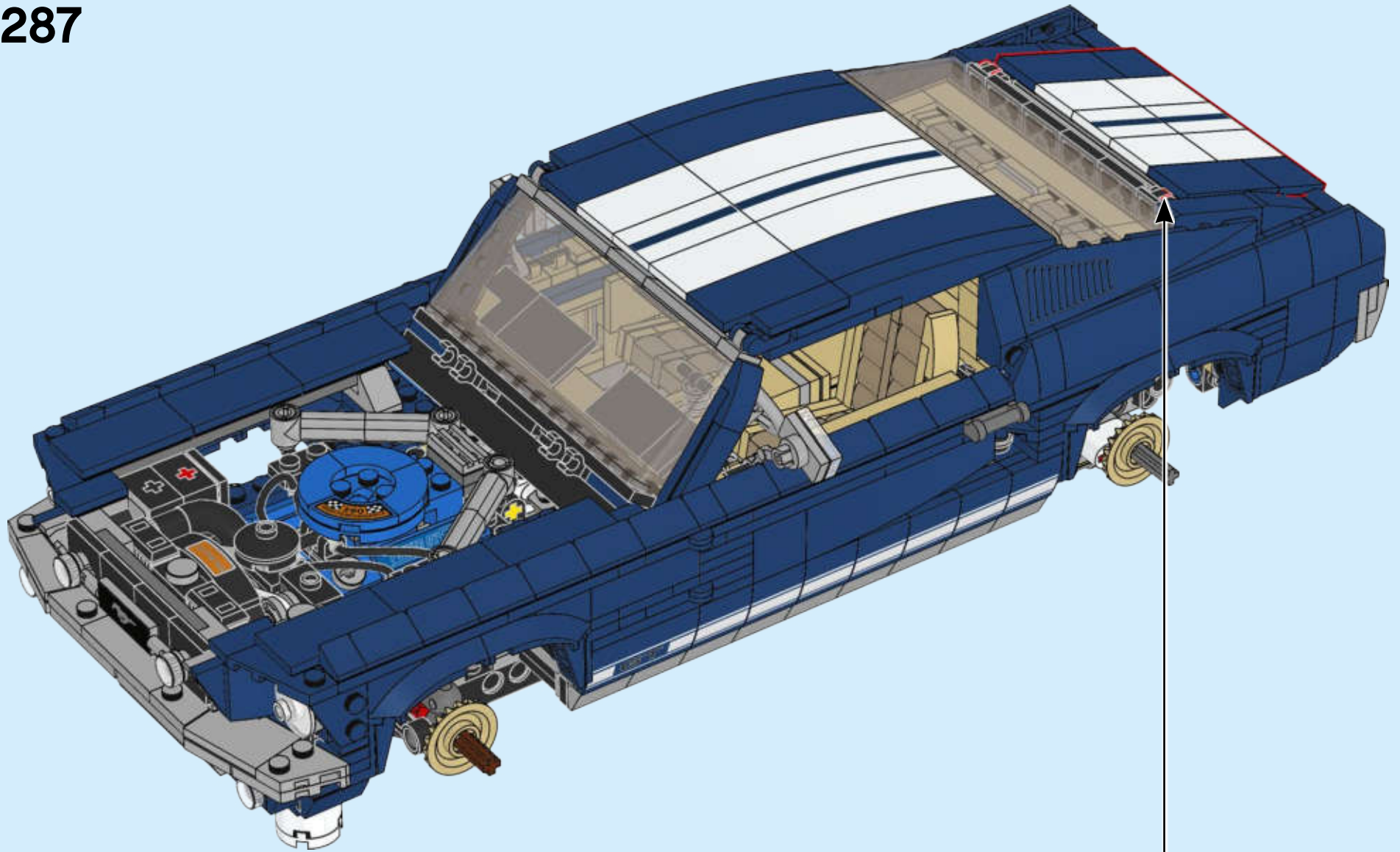
285

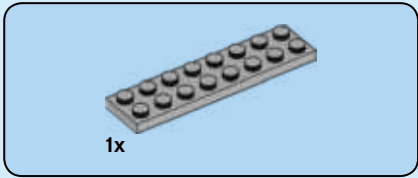
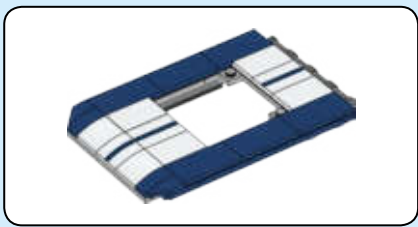


286



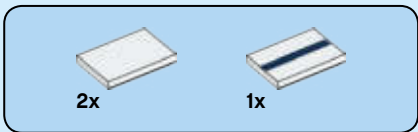
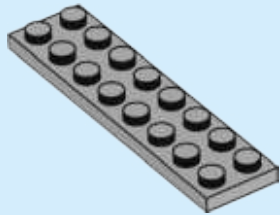
287





1x

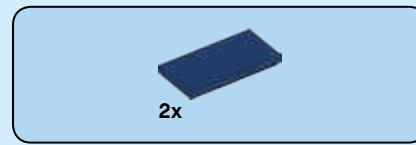
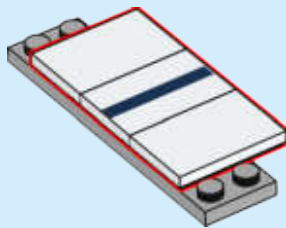
288



2x

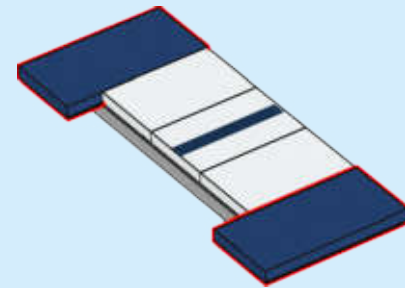
1x

289



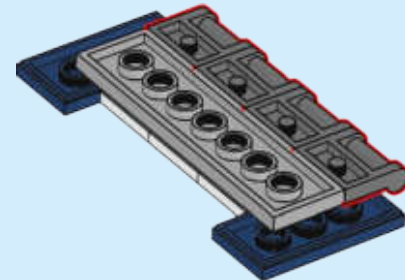
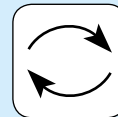
2x

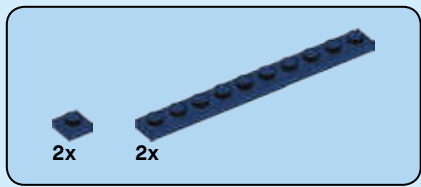
290



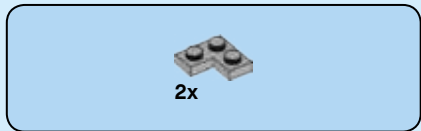
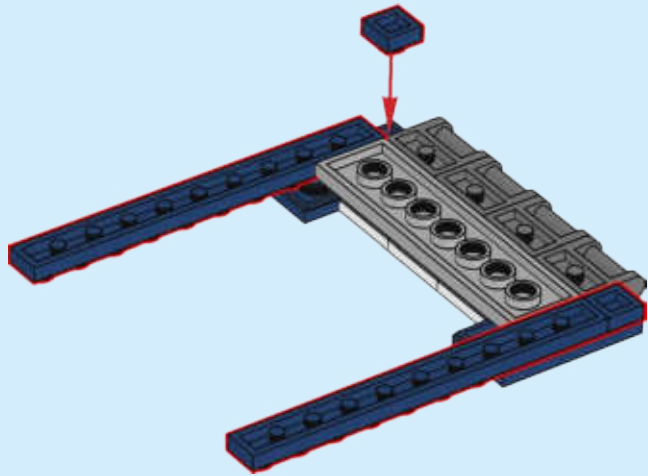
4x

291

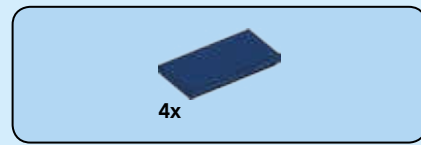
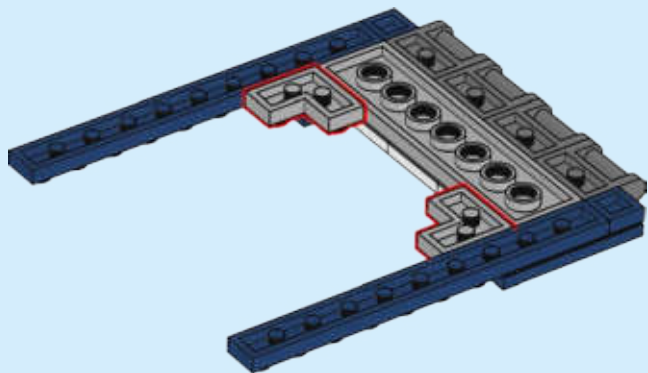




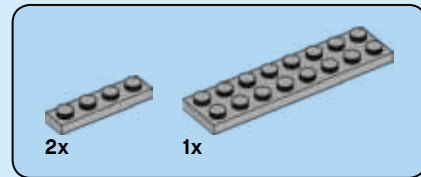
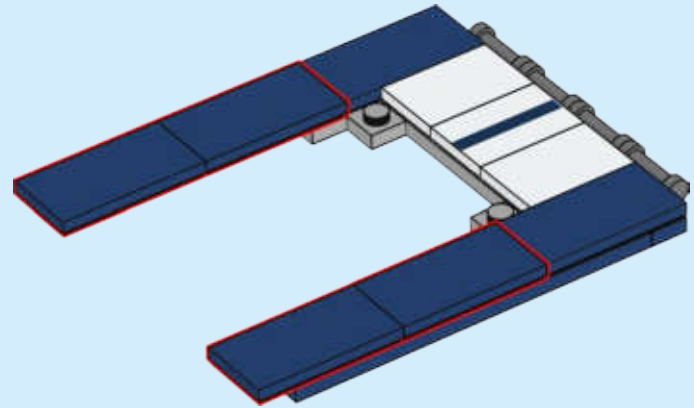
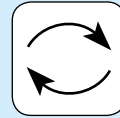
292



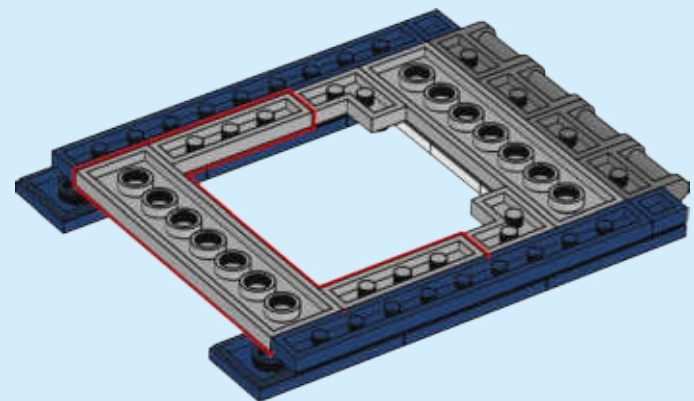
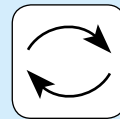
293



294

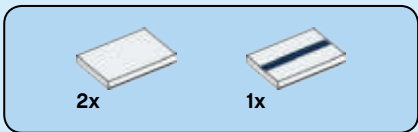
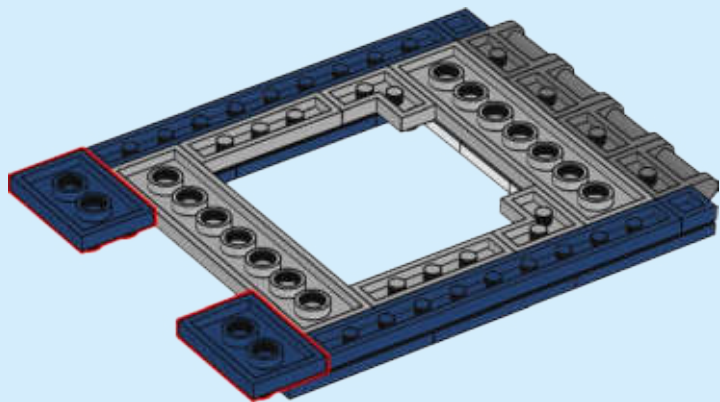


295

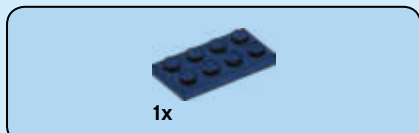
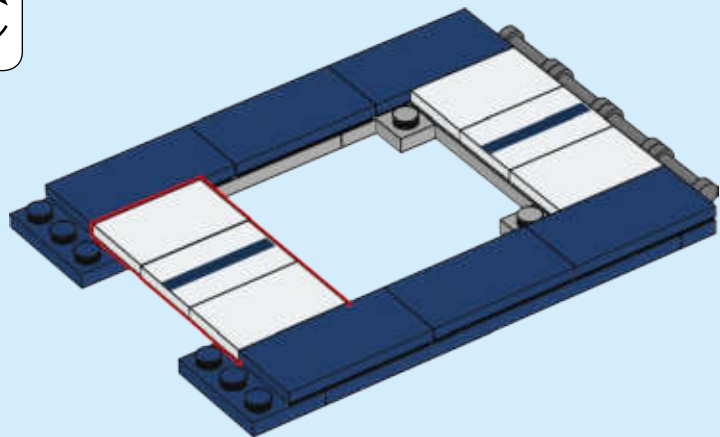
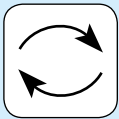




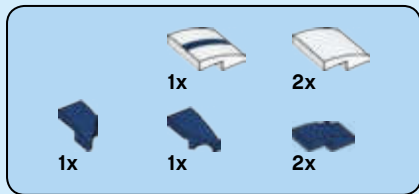
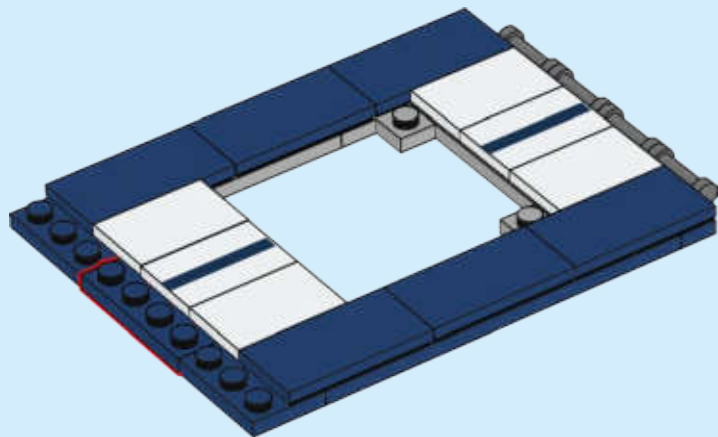
296



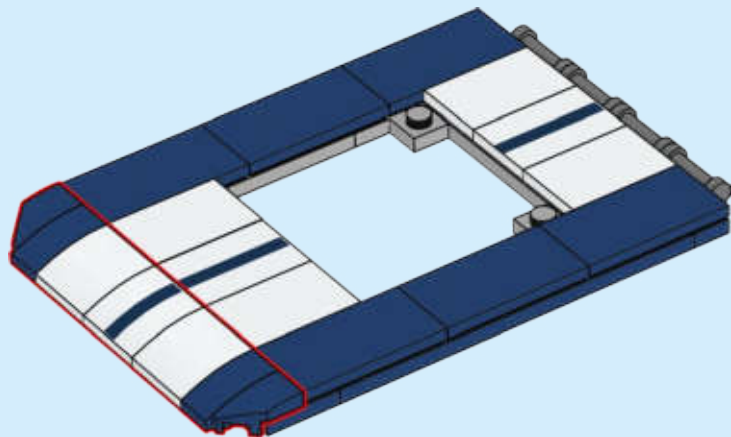
297

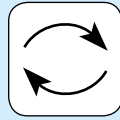
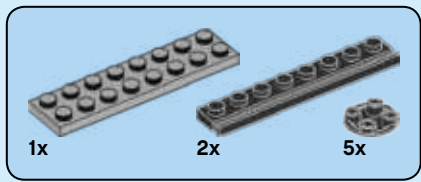


298

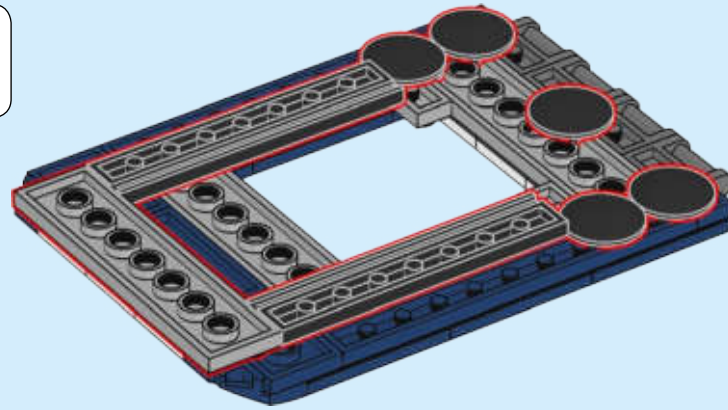


299

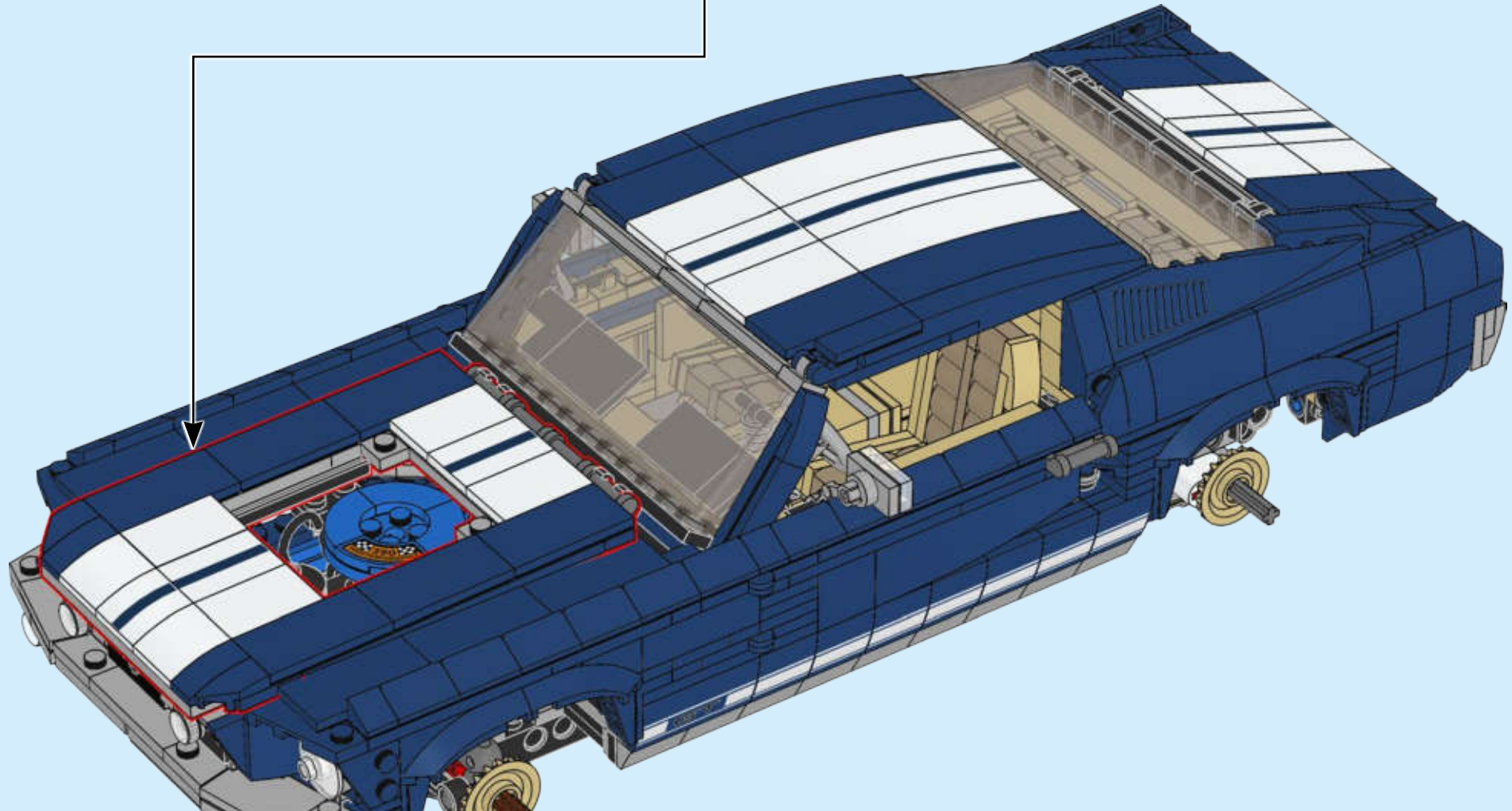


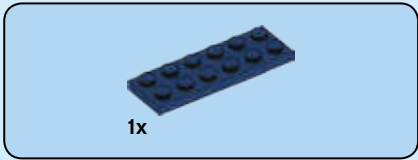


300



301

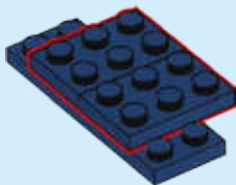




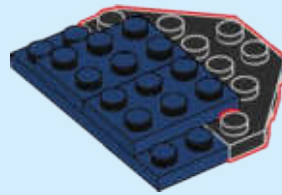
302



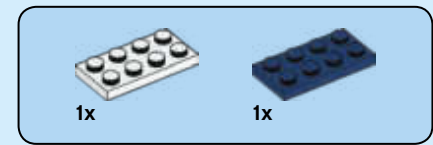
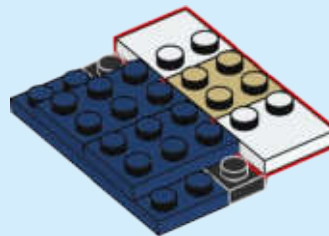
303



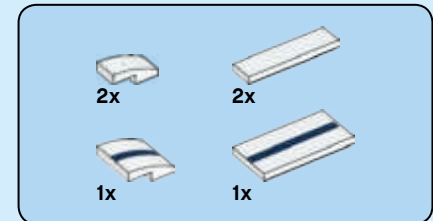
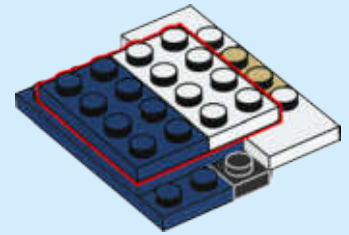
304



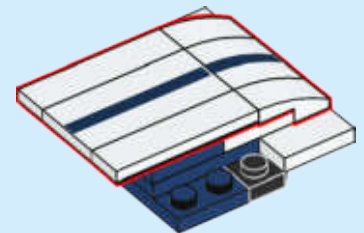
305

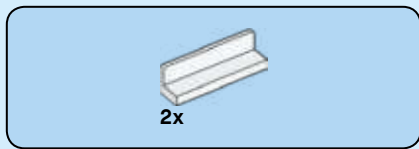


306

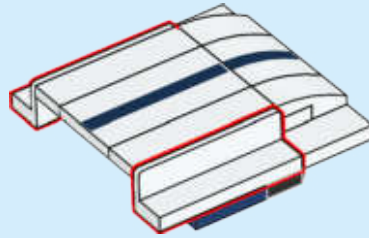


307

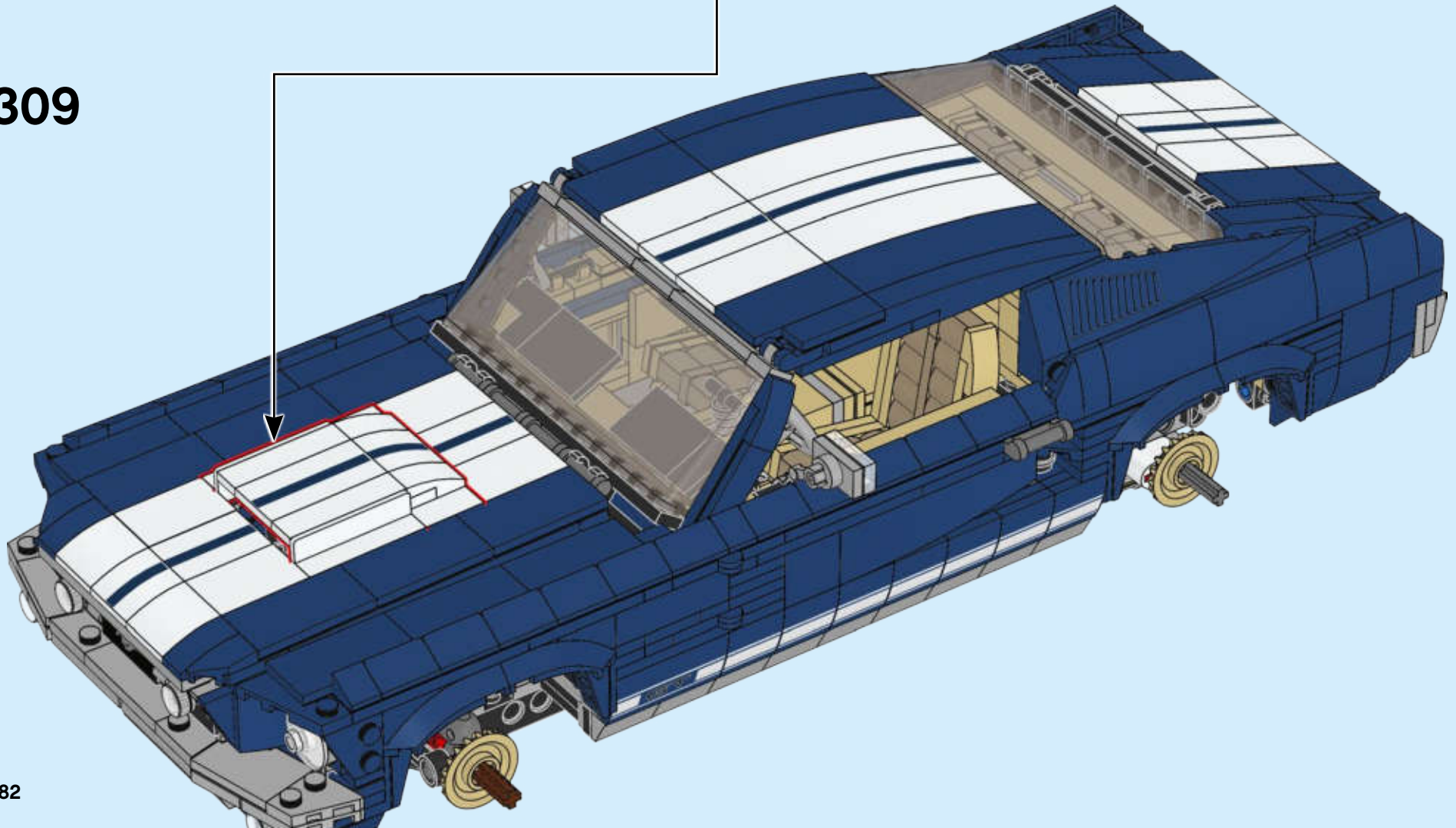


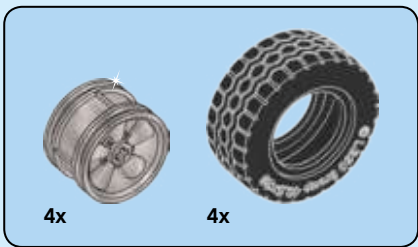


308

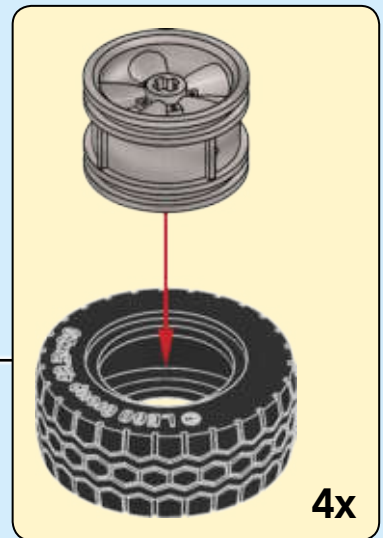
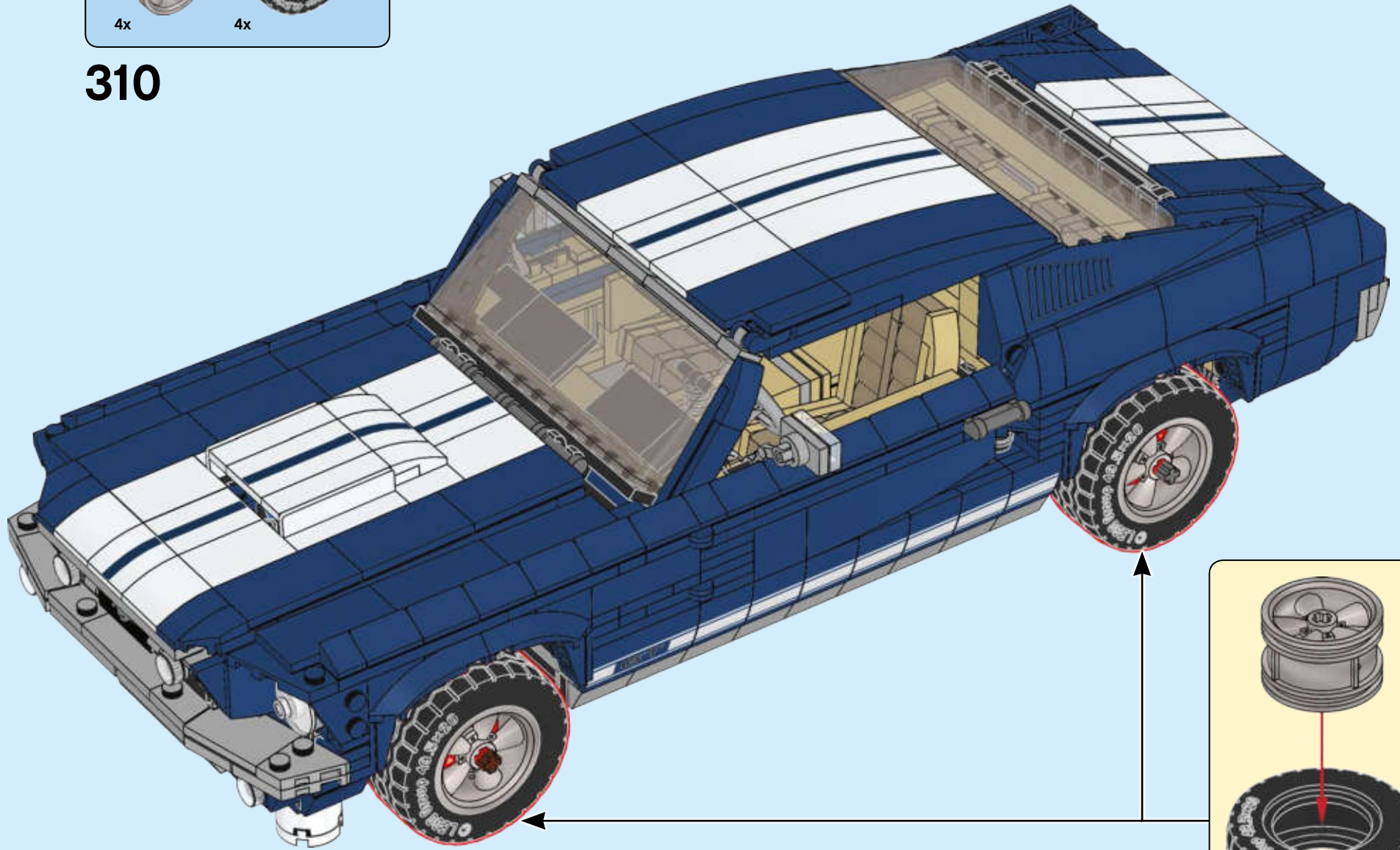


309





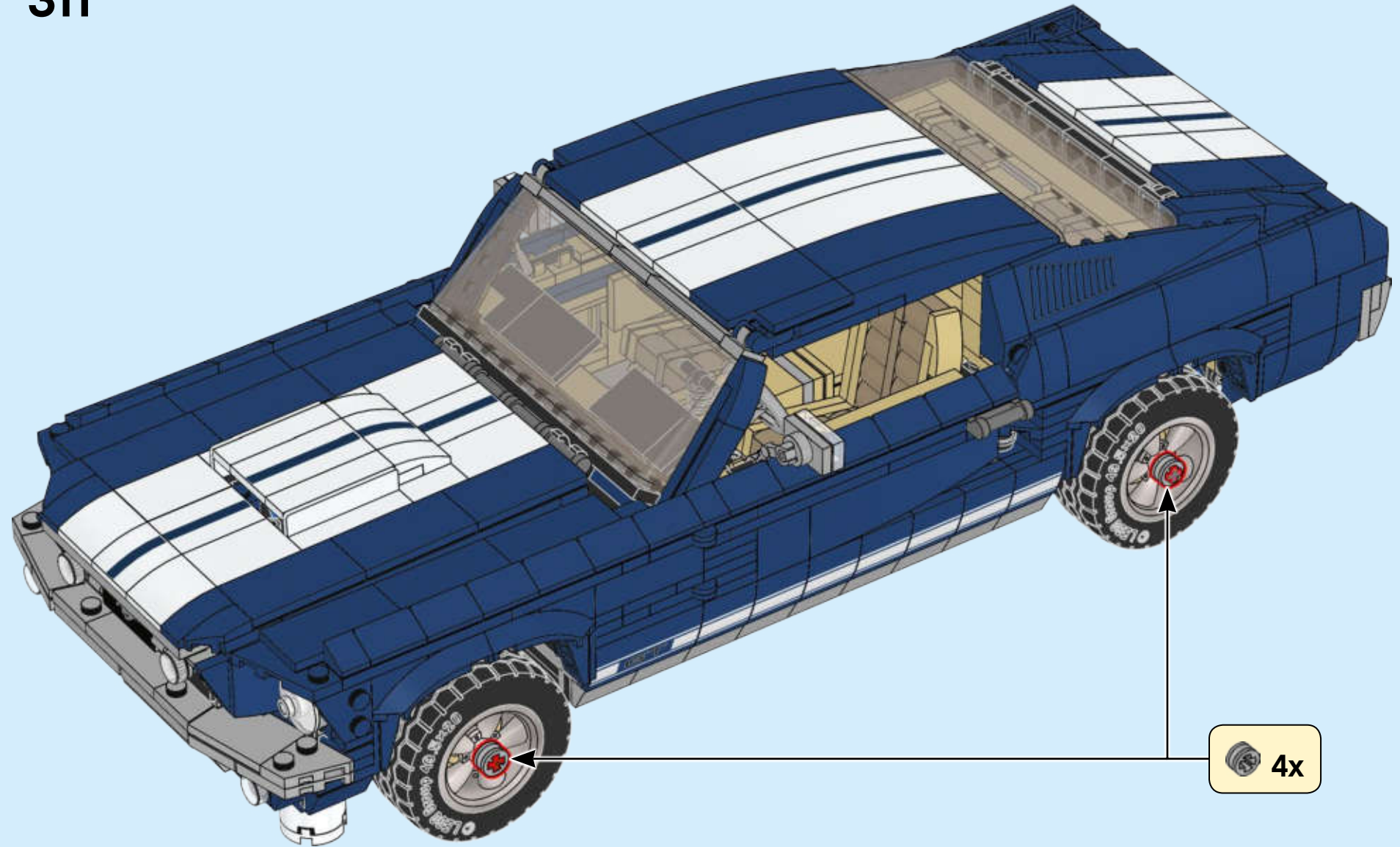
310



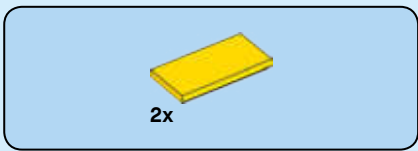


4x

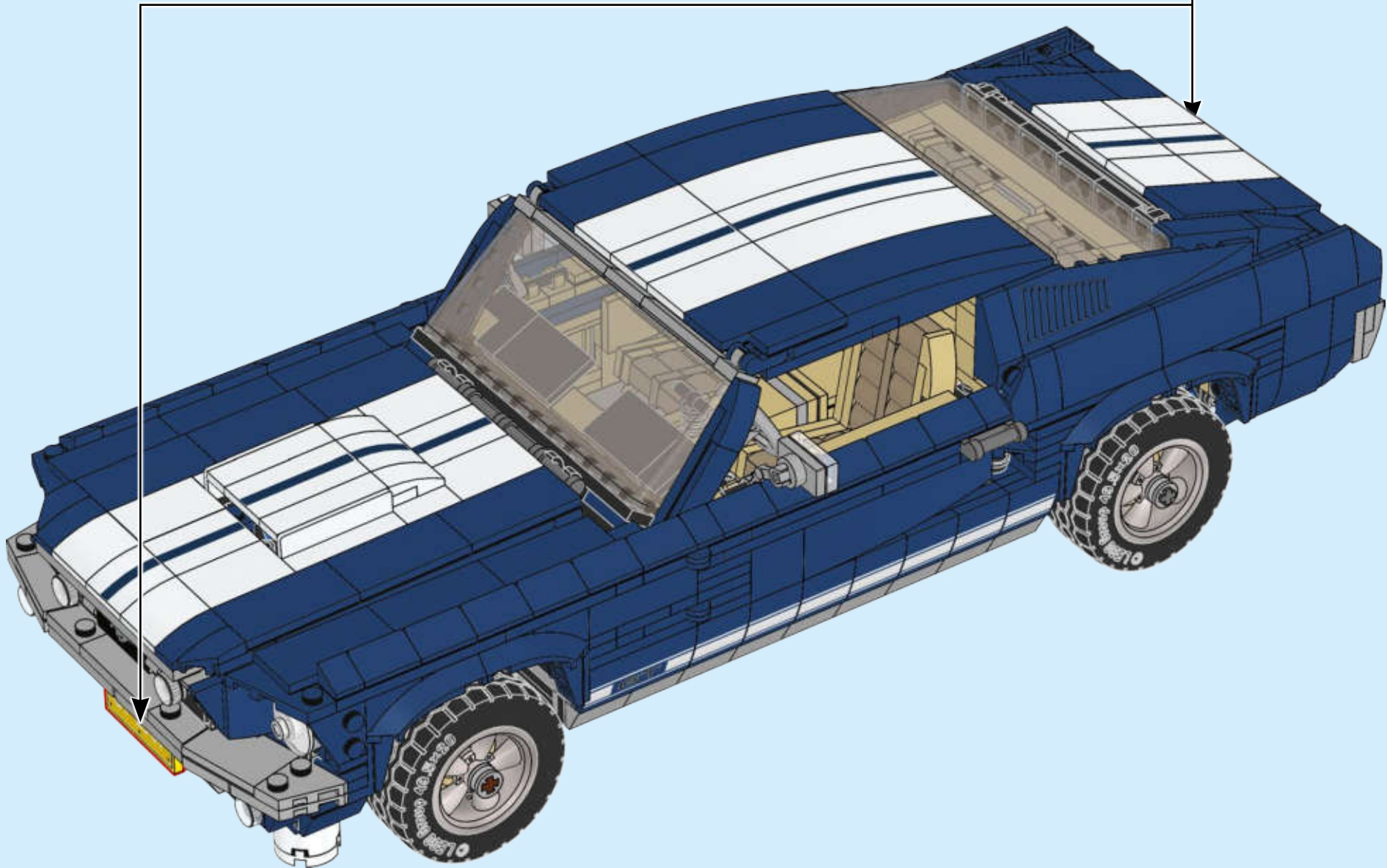
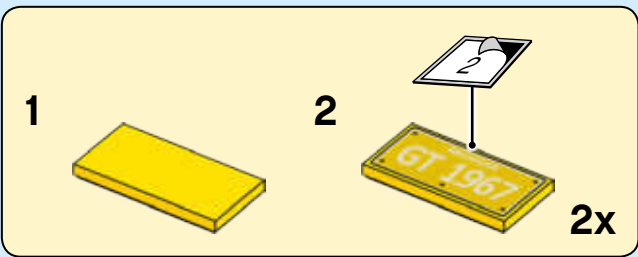
311



4x

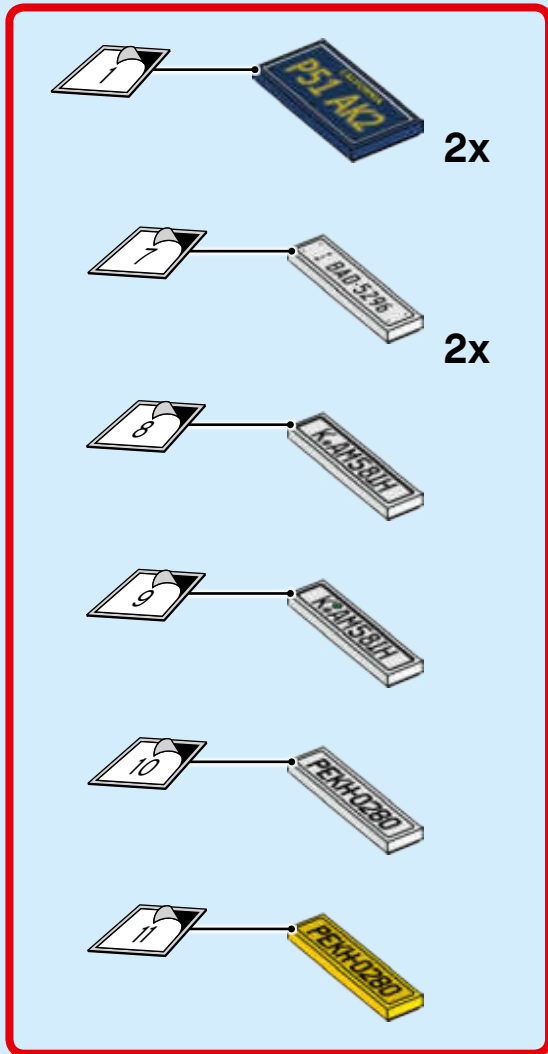


312

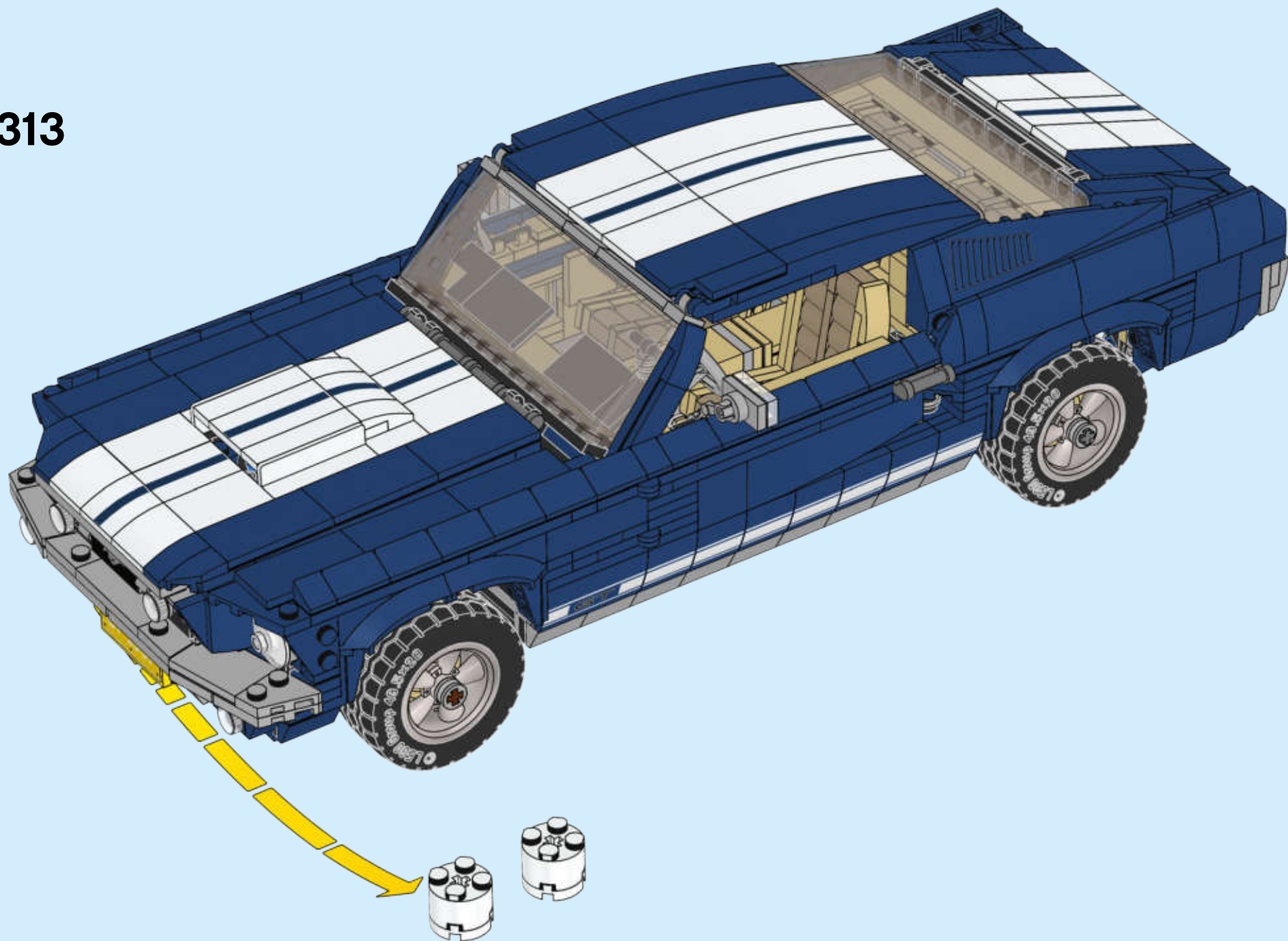




The first Mustang sold was only ever intended to be a demo model - but Eastern Airlines pilot Stanley Tucker convinced a dealer in Canada to sell it to him. Ford were able to reacquire the car after two years... in exchange for the millionth Mustang made.



313



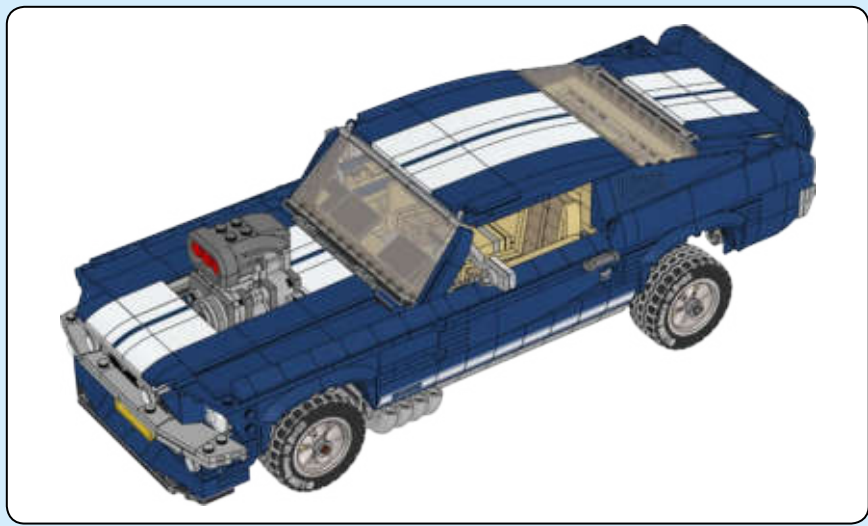
POWER UP YOUR MUSTANG!



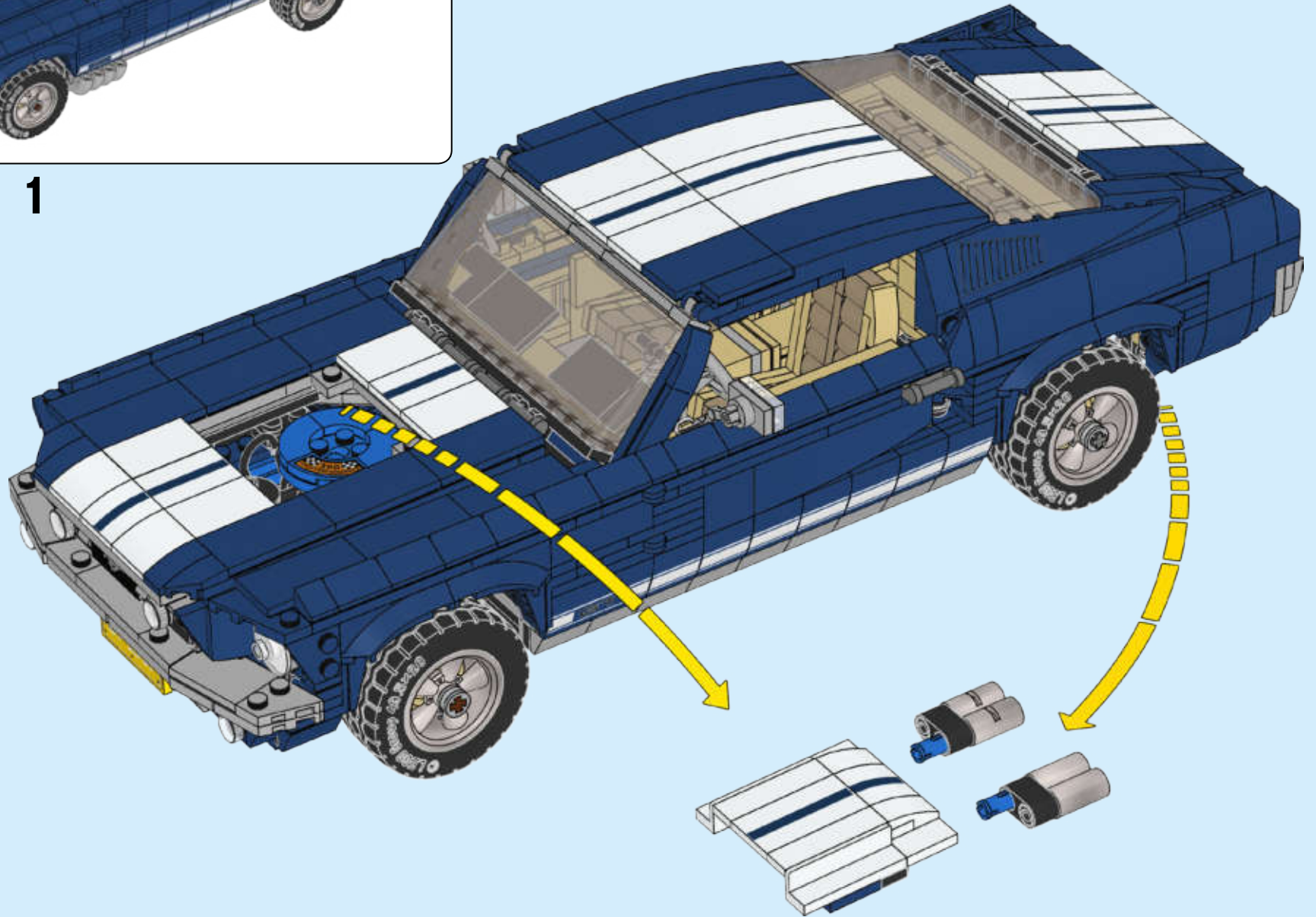
Six ways to customize your Mustang

1. Adjustable rear suspension
2. Shorty exhaust headers
3. Supercharger with scoop intake
4. Front splitter
5. Rear spoiler
6. Nitrous oxide tank

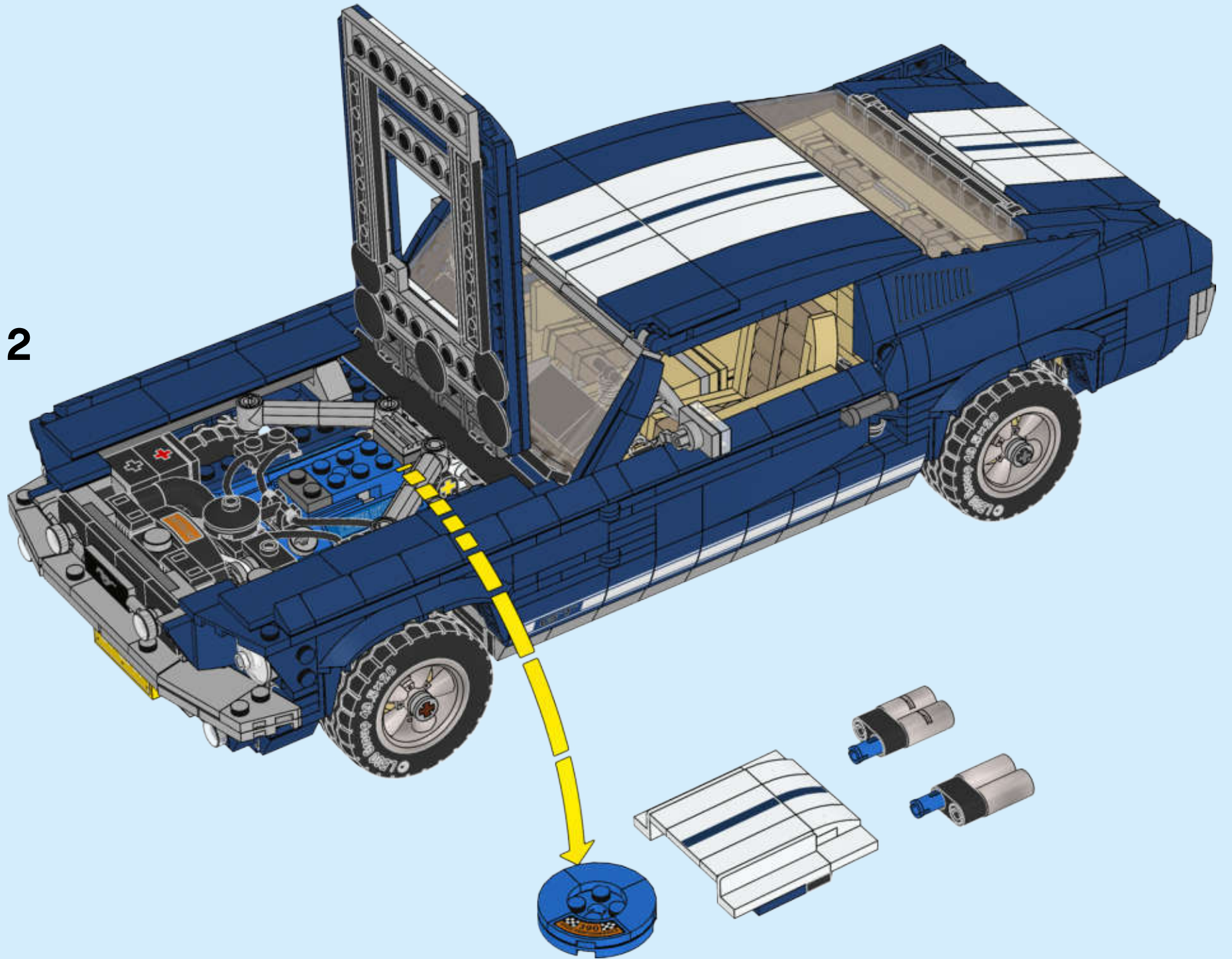


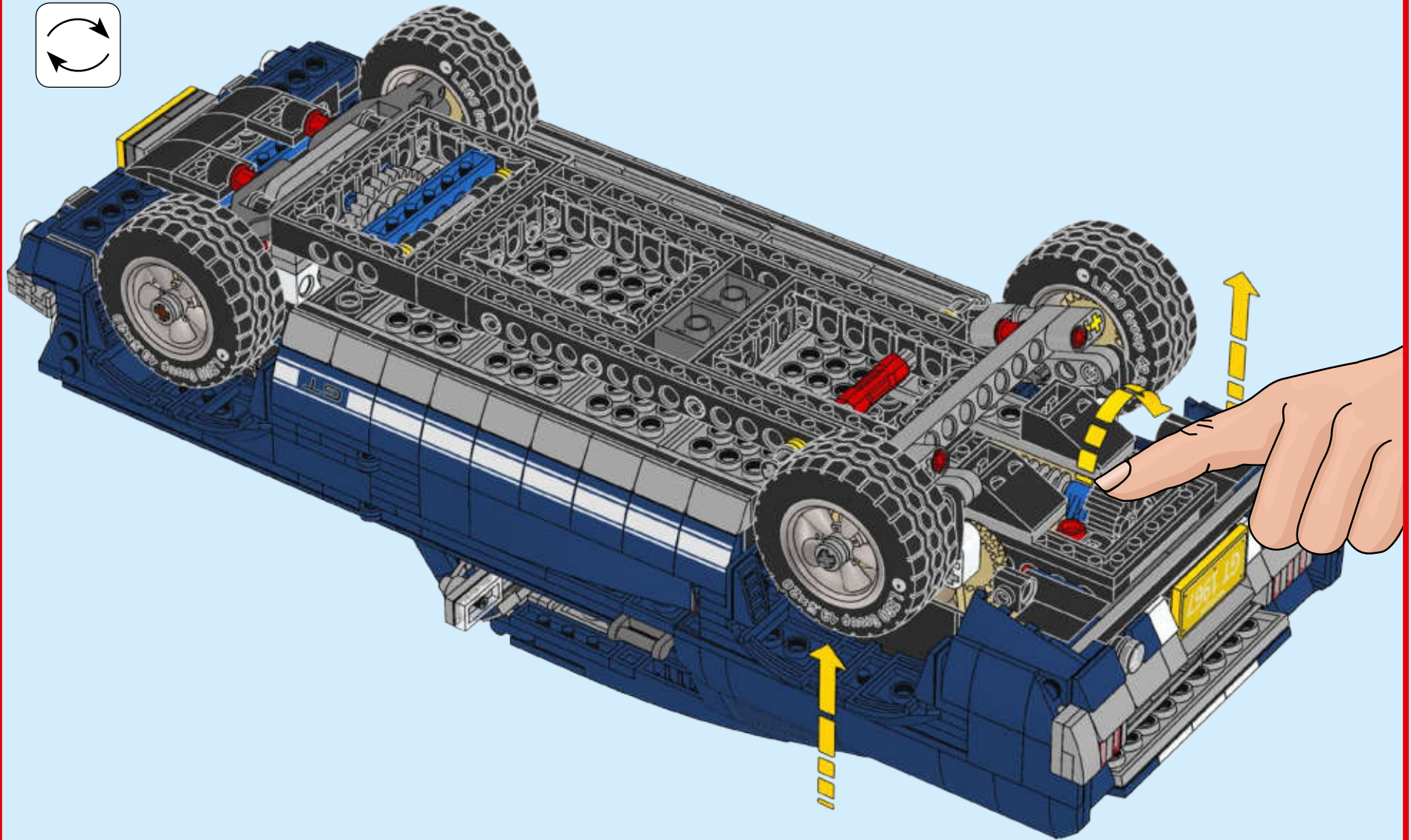
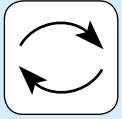


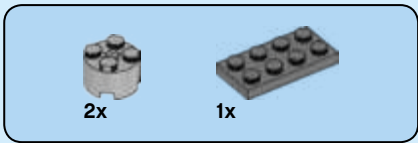
1



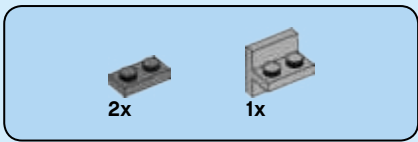
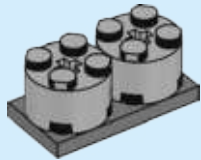
2



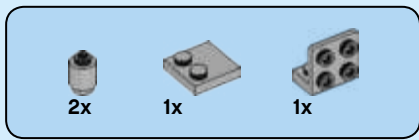
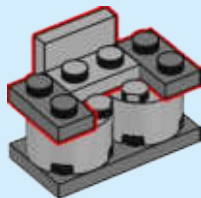




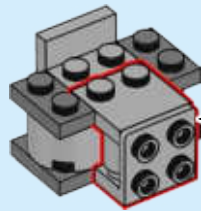
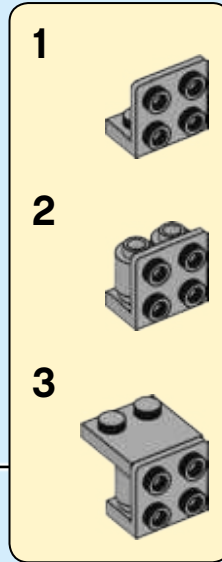
3



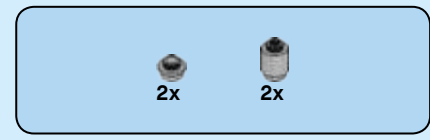
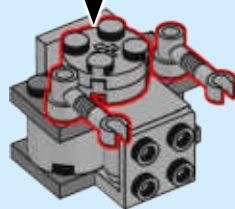
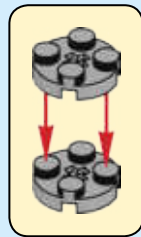
4



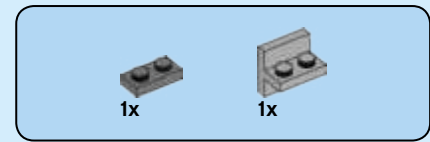
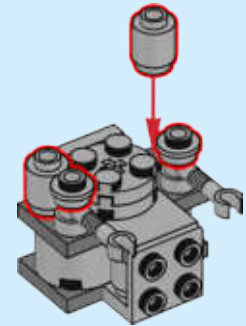
5



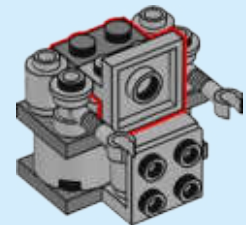
6

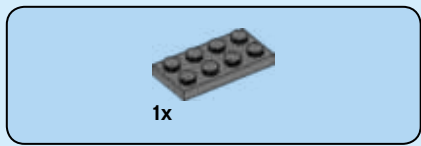


7

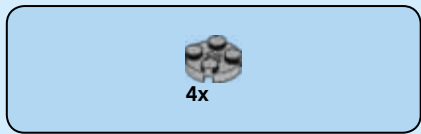
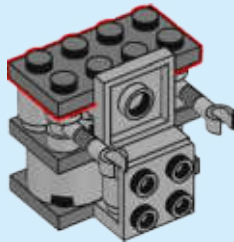


8

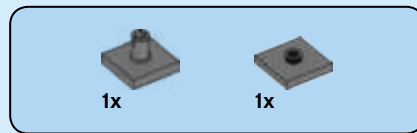
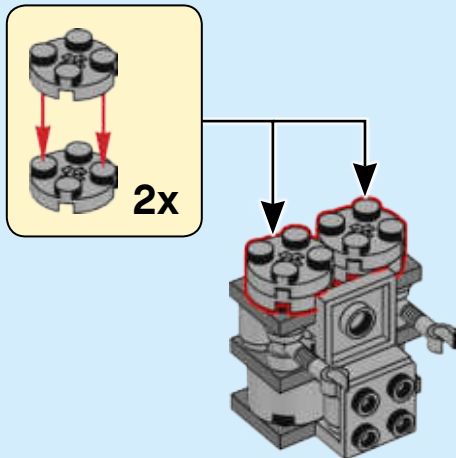




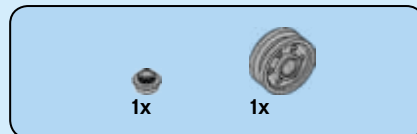
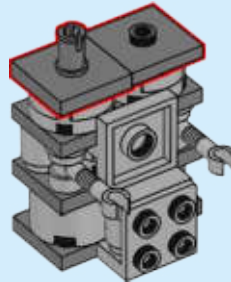
9



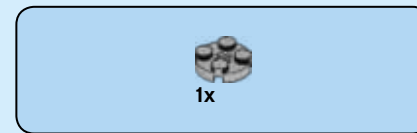
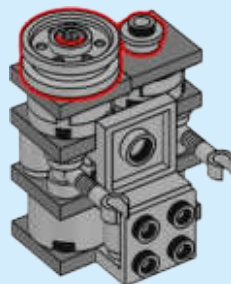
10



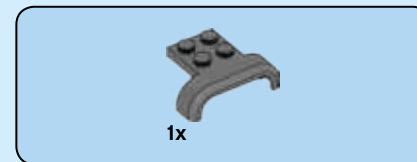
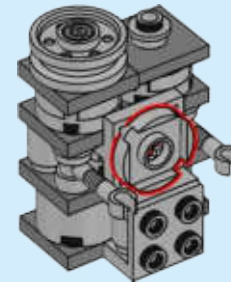
11



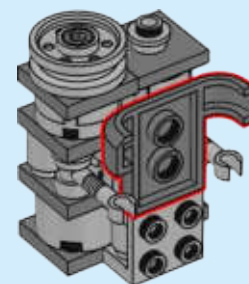
12

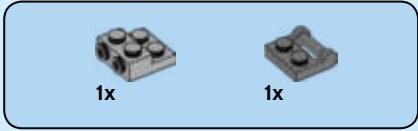


13

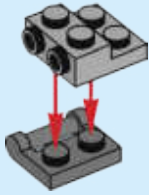


14

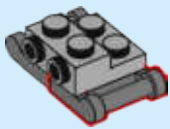




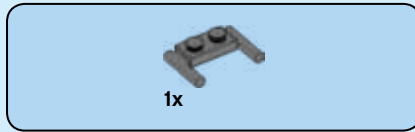
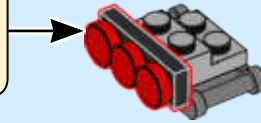
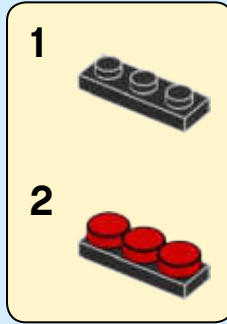
15



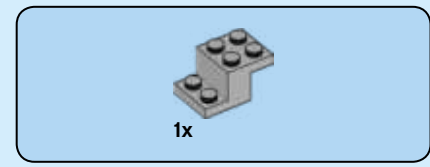
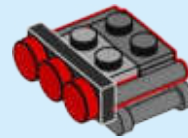
16



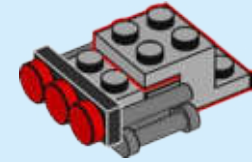
17



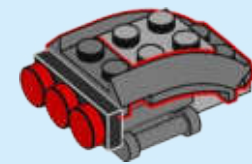
18



19



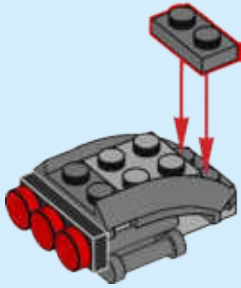
20



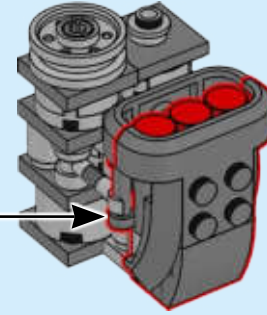


1x

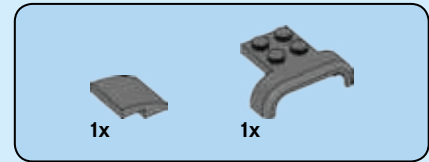
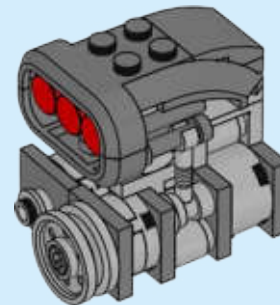
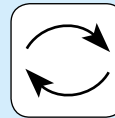
21



23



24



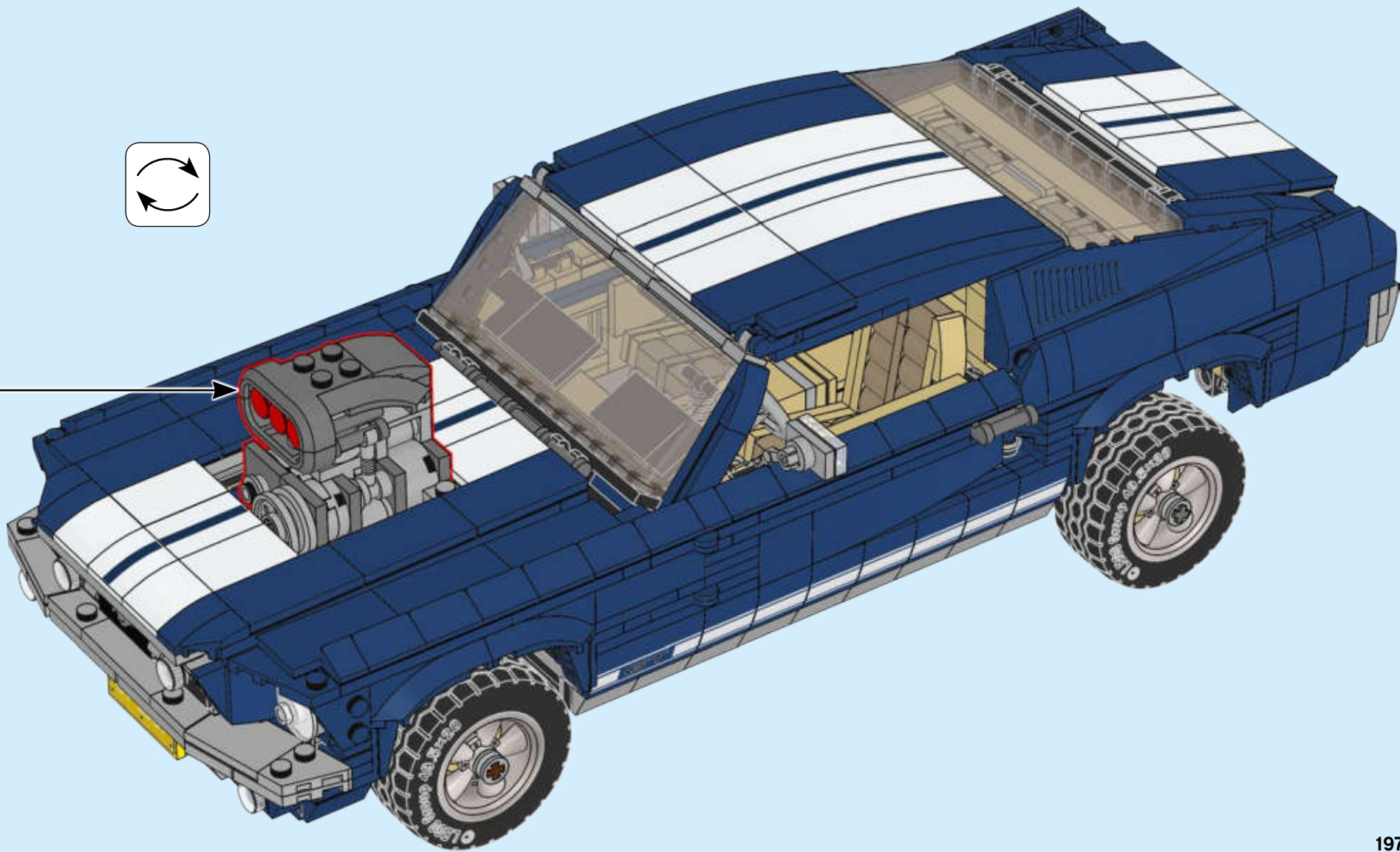
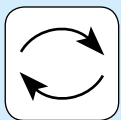
1x

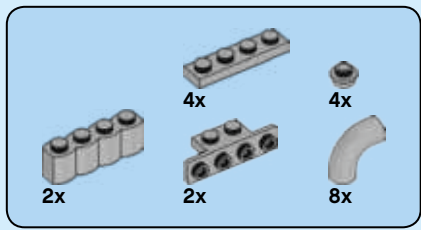
1x

22

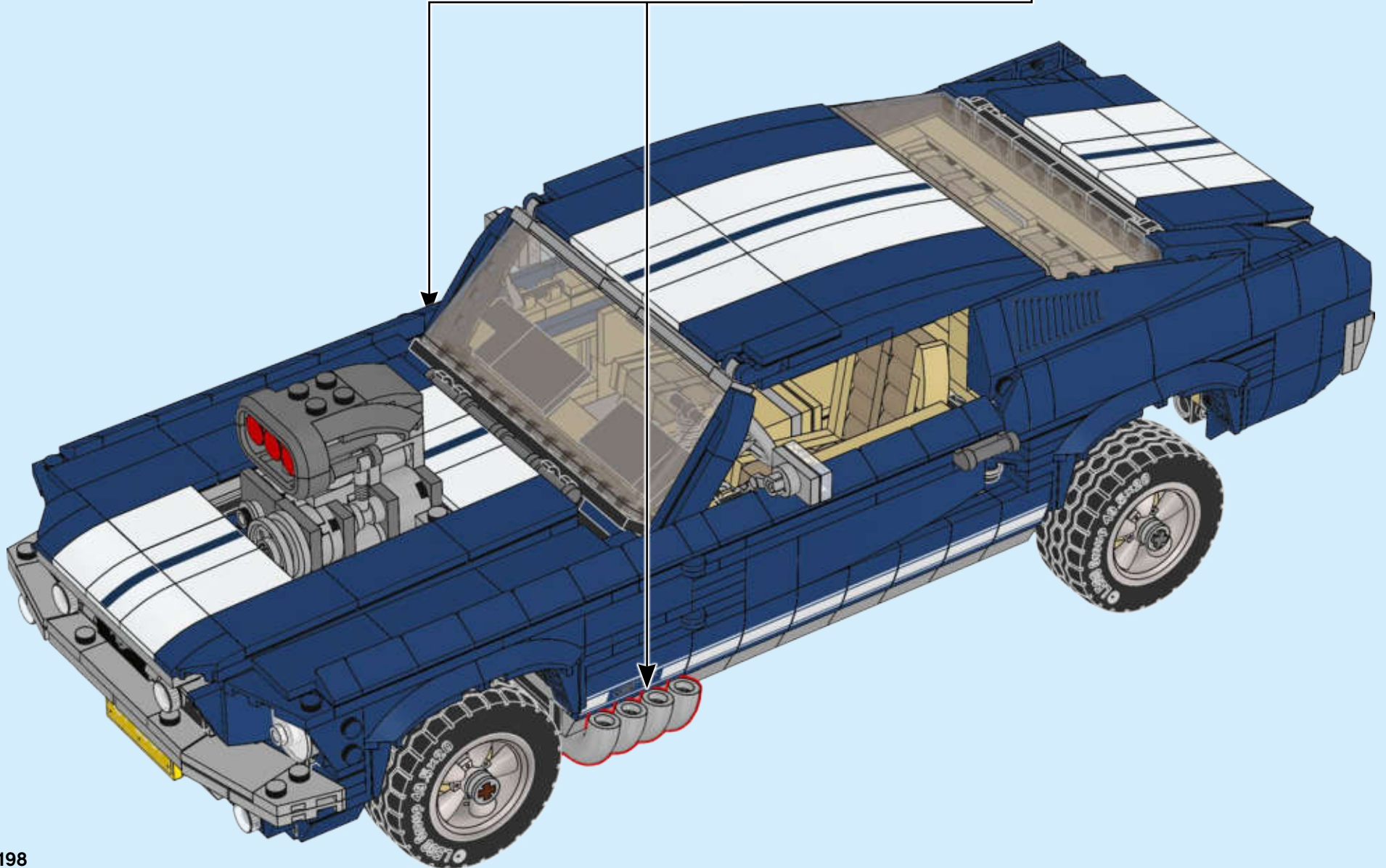
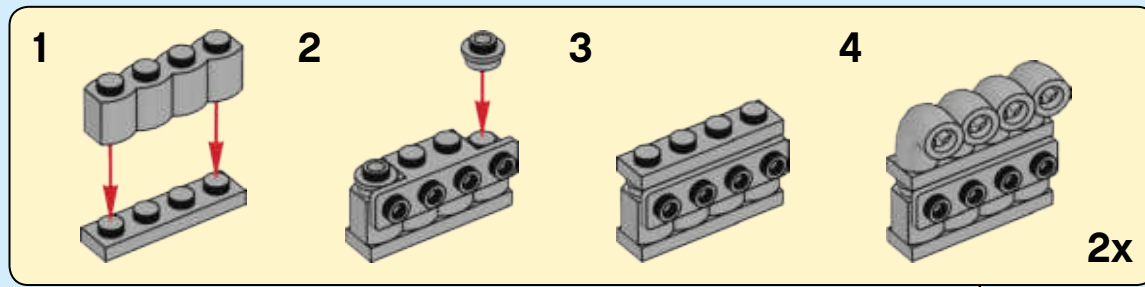


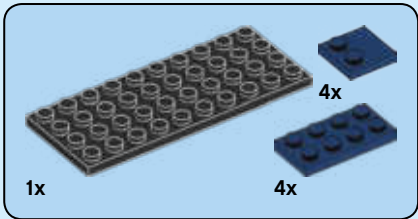
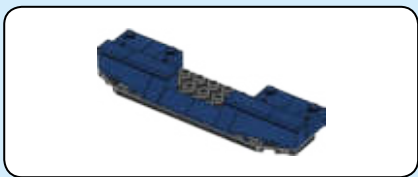
25



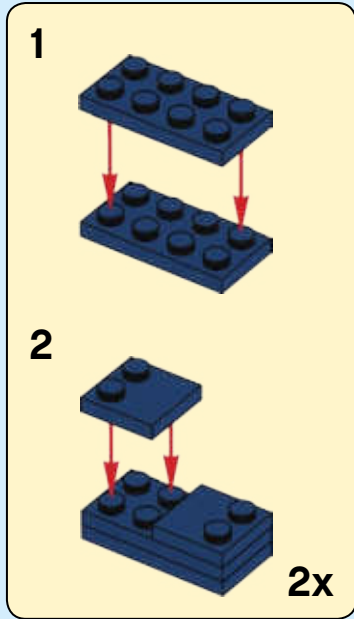


26

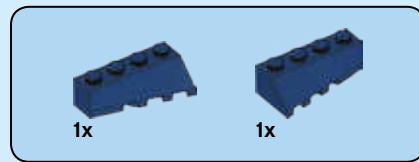
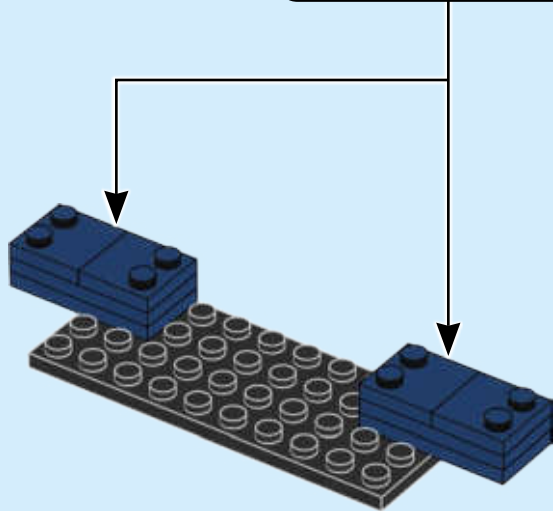
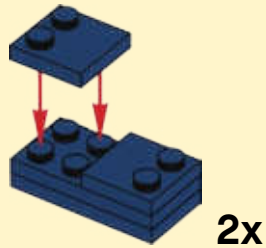




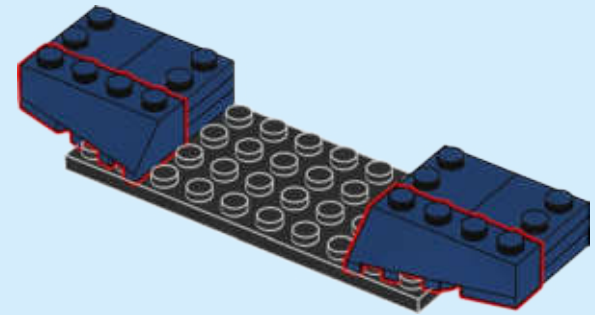
27



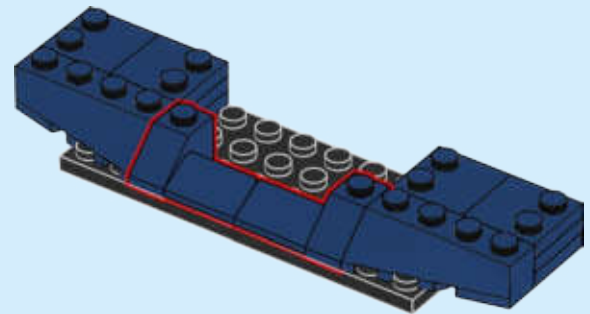
2

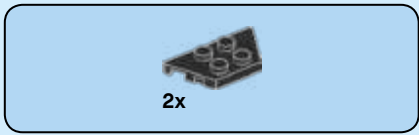


28

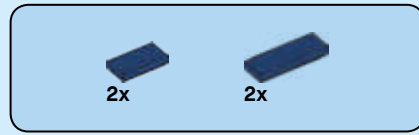
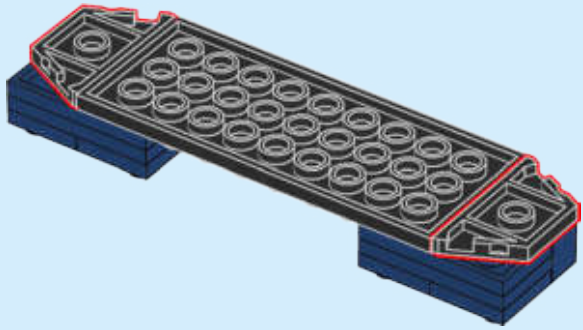
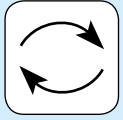


29

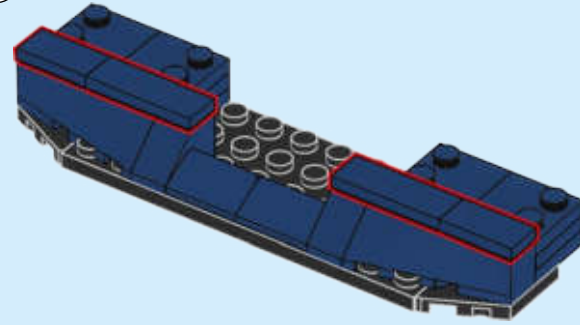
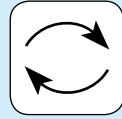




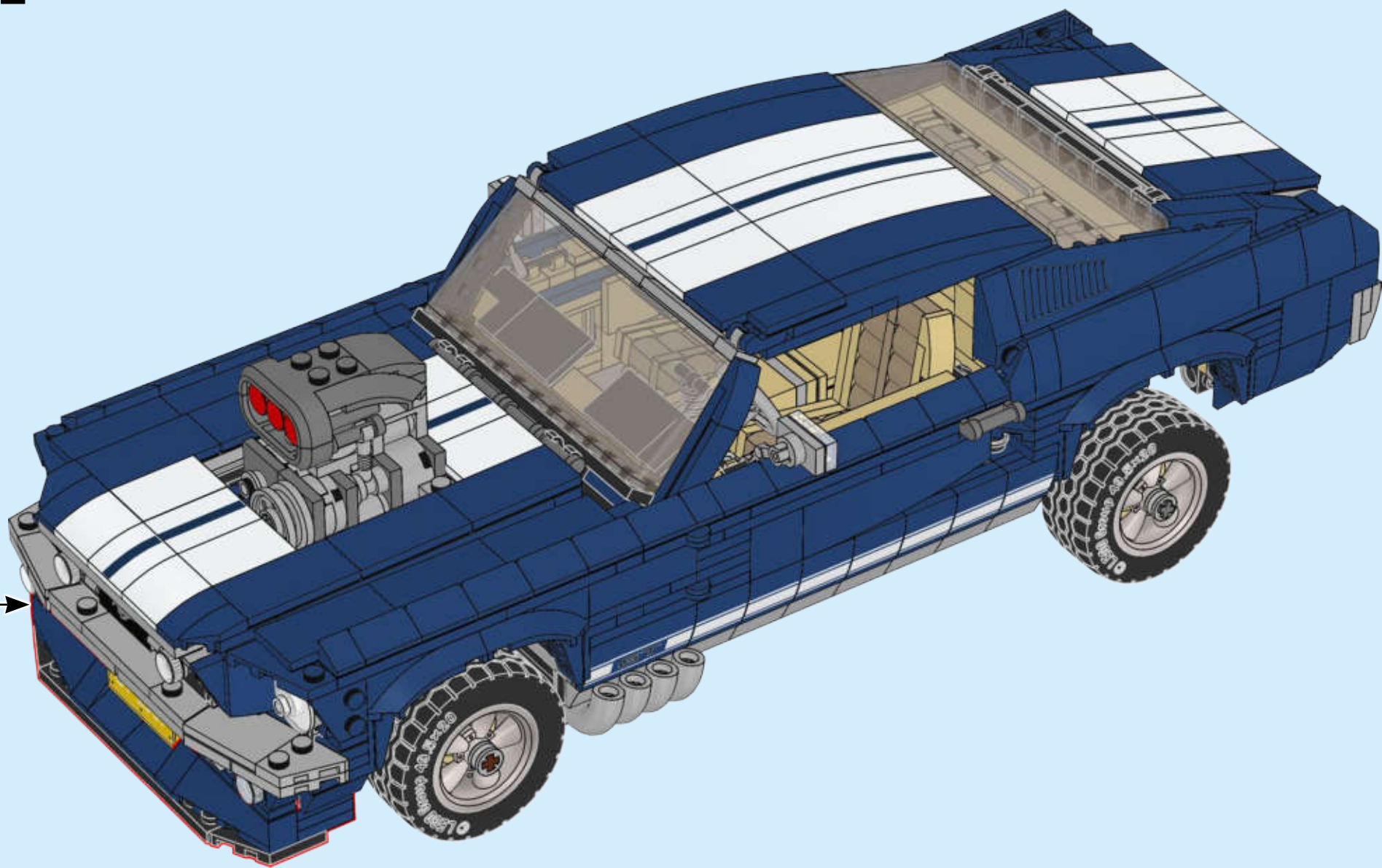
30

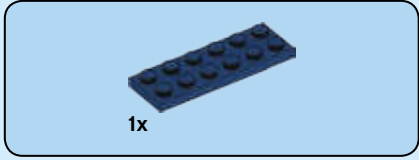


31

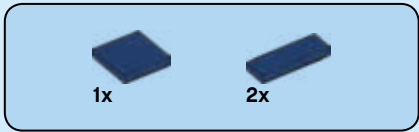


32

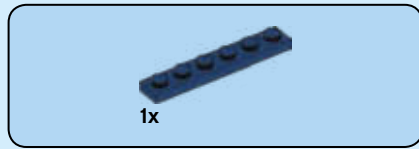
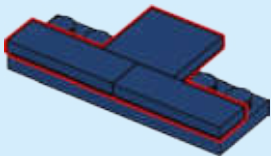




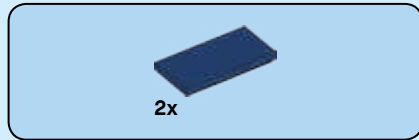
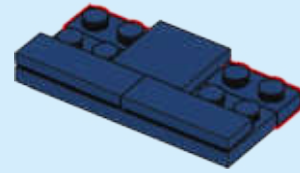
33



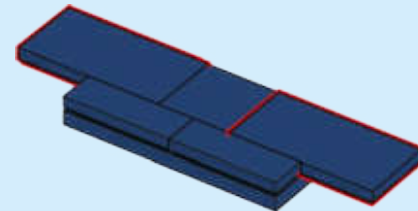
34

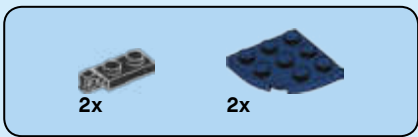


35

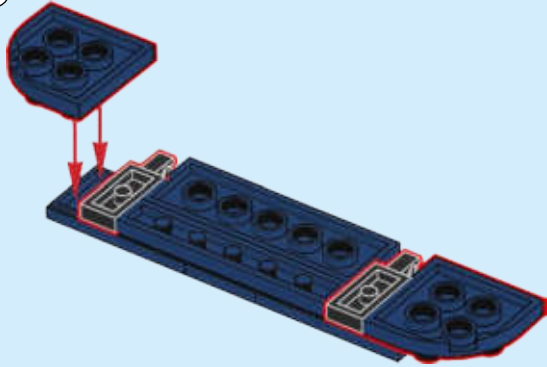
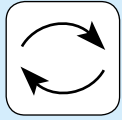


36

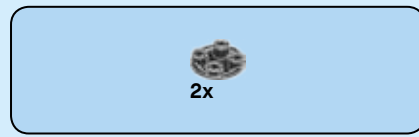
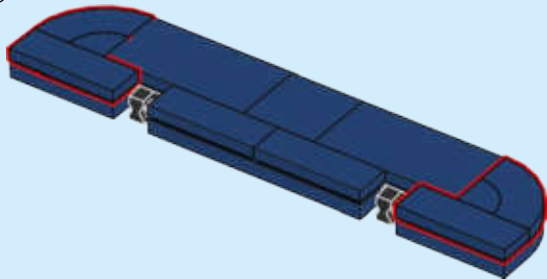
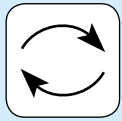




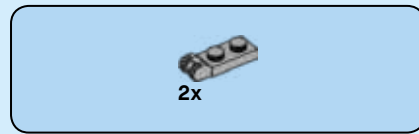
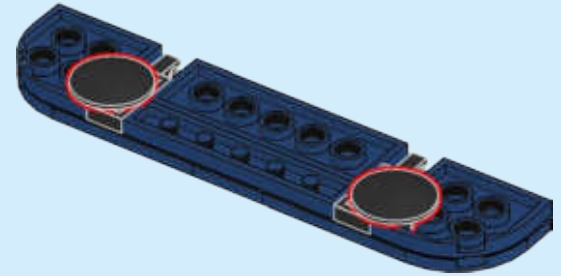
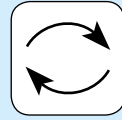
37



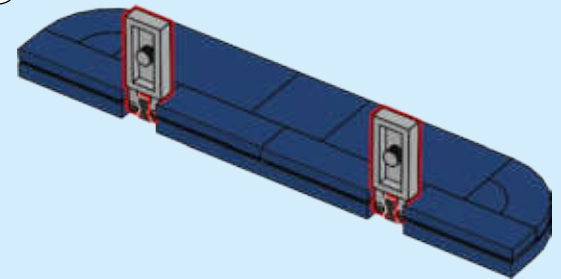
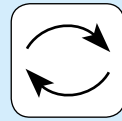
38



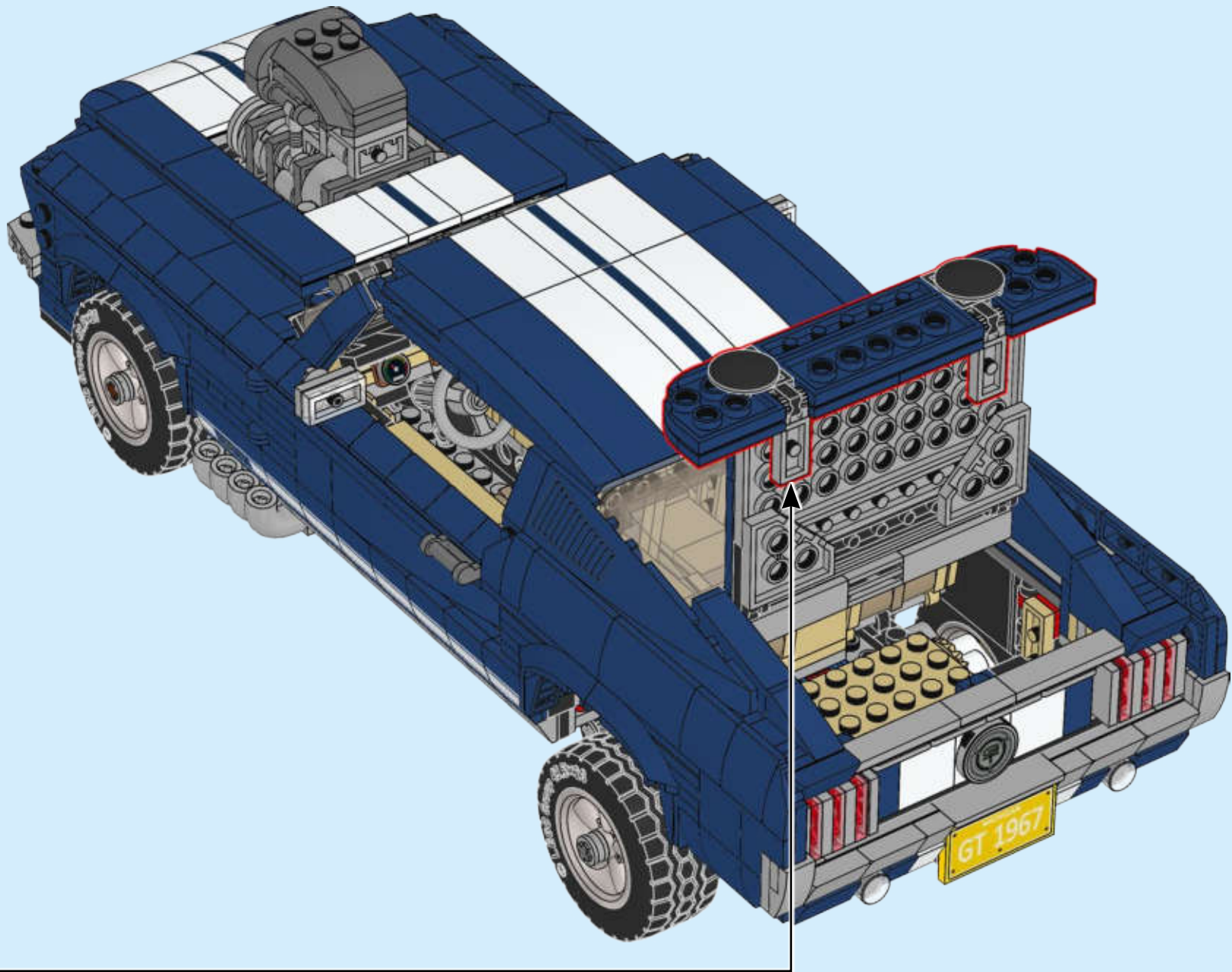
39

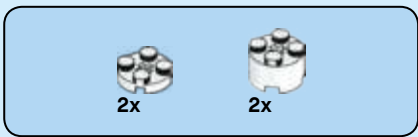


40

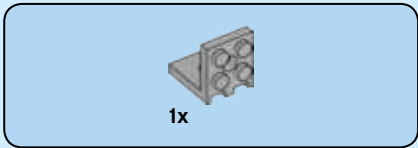
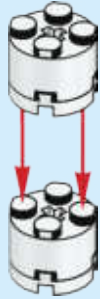


41

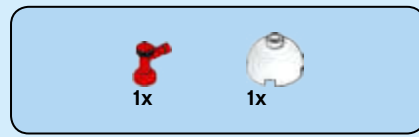
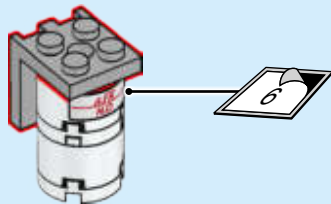




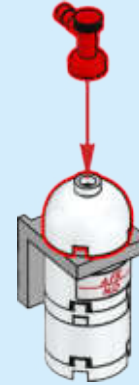
42



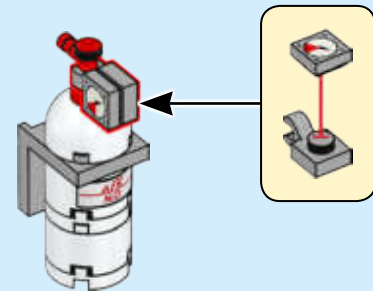
43

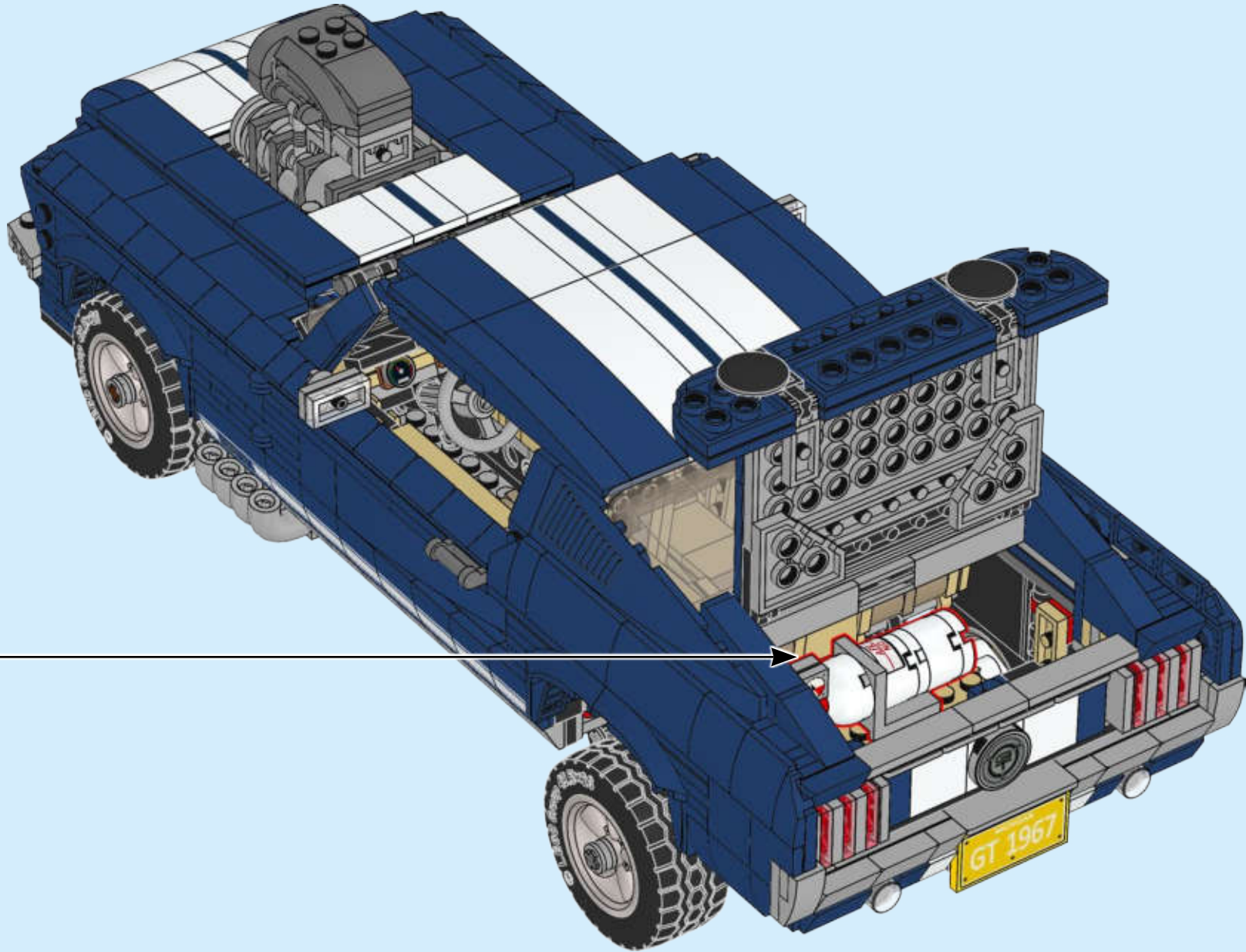


44



45







CREATOR™



LEGO.com/creatorexpert



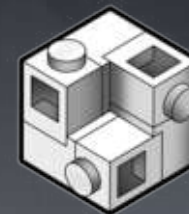
EXPERT



10261



CREATOR™



EXPERT

LICENCE TO BUILD



10262

007™ and James Bond materials © 1962-2018 Danjaq and MGM.
007™ and related James Bond Trademarks,™ Danjaq. All rights reserved.



ASTON MARTIN

007™

2x 4504369
2x 4544140
2x 403201
1x 4216652
2x 614301
4x 6177268
6x 3200001
1x 6051511
2x 6034044
2x 6047220
2x 6218822
2x 306801
2x 6258166
1x 302201
4x 242001
4x 362301
4x 6258380
8x 6156667

7x 243101
2x 6061047
2x 6258071
1x 302001
2x 4560178
2x 6253935
1x 6258674
6x 6252969
2x 4179771
4x 4516055
6x 4159553
2x 6057517
4x 6232135
8x 6029889
2x 4666579
2x 6232037

9x 4109995
4x 6024495
2x 6046922
5x 4114026
2x 6251252
32x 4113917
1x 4612873
6x 6031962
6x 6013081
6x 6221467
4x 4114084
4x 6046924
1x 4185177
1x 6075179
1x 613638
8x 6132769
8x 4121921

6x 4550324
21x 4113233
2x 6195544
4x 6102772
5x 6122047
7x 4124067
2x 4157277
1x 4113988
1x 4125217
1x 6156462
1x 6075179
24x 614121
3x 6063445
1x 459921

3x 6130007
1x 4153707
7x 6271167
1x 370124
1x 243124
2x 4560181
2x 6130008
2x 307021
2x 4524644
2x 4186678
6x 4142865
2x 4118897
2x 6053011
6x 6209519
6x 4140806
1x 6273211
1x 6129995

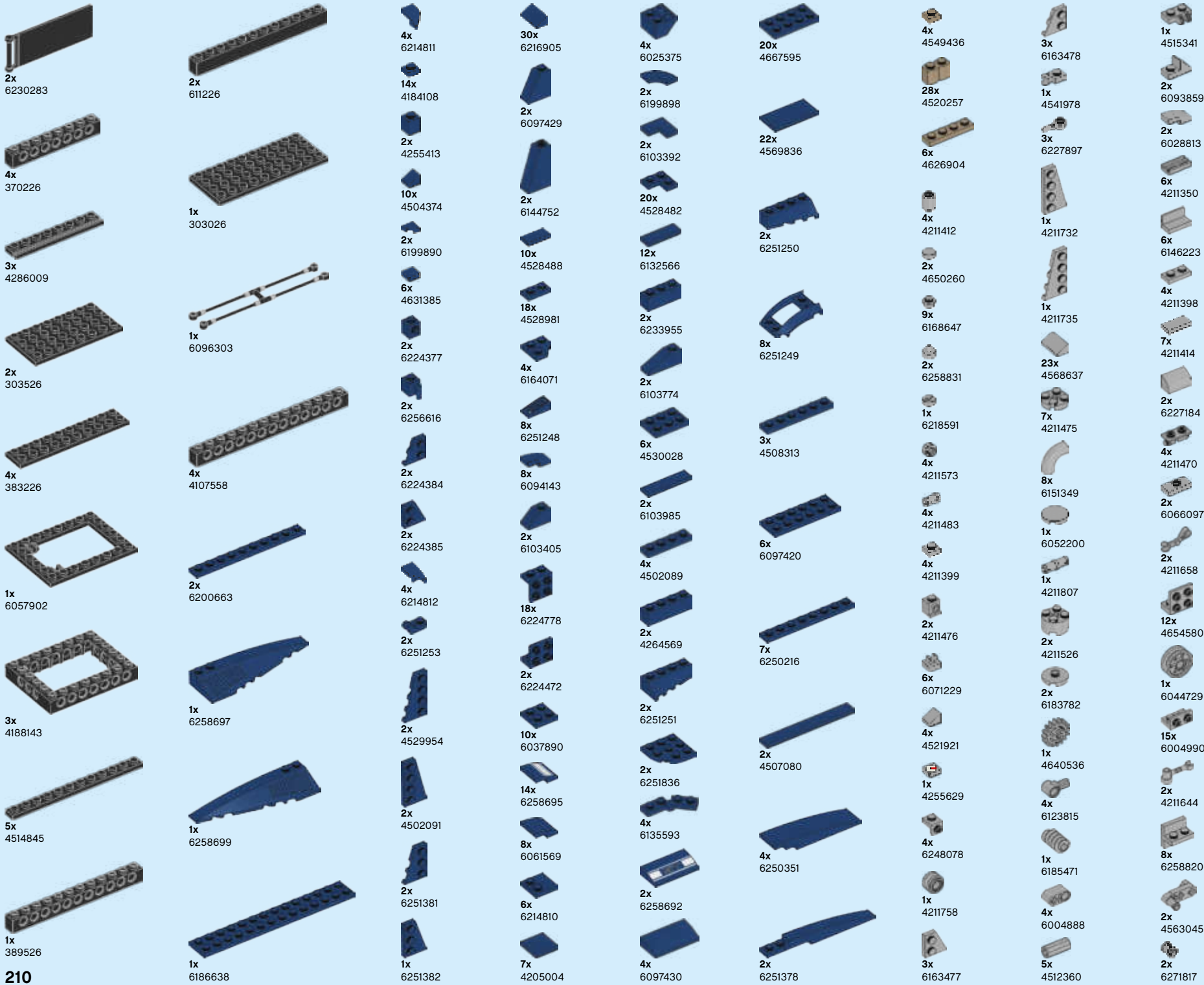
9x 4206482
6x 393723
1x 6092582
1x 306923
2x 6179330
2x 6212141
2x 4195007
4x 6194724
6x 4514553
2x 243123
1x 4212411
1x 4581501
1x 300123
1x 6171063
4x 366623
1x 389423

10x 614126
1x 6073231
2x 4560174
4x 6066102
2x 6187572
6x 6234695
2x 4184169
1x 6104209
1x 4143372
7x 4278359
1x 4109810
2x 4548180
1x 6024730
1x 474026
1x 6179182
2x 4632571
37x 4121715

1x 6195325
2x 4107081
5x 287726
2x 4177444
10x 4598528
4x 4569733
3x 4121966
5x 6092585
2x 6114987
4x 6192309
2x 6156991
6x 6178922
5x 6016172
5x 4556158
2x 6055630
2x 6169990
3x 4107761

2x 4288212
2x 6093525
2x 4183043
4x 306826
3x 6211476
4x 4565323
4x 6192346
2x 6061032
3x 300326
2x 303926
2x 6133722
2x 6089119
6x 235726
5x 455158
2x 6055630
2x 4121667
2x 412822
6x 362326

1x 6199908
2x 4531412
2x 6162892
2x 300226
2x 374726
1x 4613153
2x 6030286
4x 302026
3x 6178922
2x 4629921
1x 241926
3x 379526
2x 4653049
4x 6055626
2x 4495935



6x
4650498

2x
6245306

2x
6240204

6x
6240212

2x
6248949

1x
6022032

3x 3
6135494

1x
6240515

2x
6247783

4x
6245499

4x
6250349

2x
6030333

2x
4666449

10x
4211397

1x
6212077

6x
4211353

2x
4211804

4x
4654577

2x
4538007

1x
4525904

1x
4580510

2x
4211429

1x
6254807

1x
6258156

12x
6168615

4x
6116608

2x 5
4211639

4x
4507056

2x
6171894

1x
6093054

2x
4211833

1x
6071299

8x
4211356

3x
4211394

10x
4211445

2x
6015347

2x
4211361

8x
4503416

5x
4211395

1x
6195314

1x
6079461

5x
4211425

5x
4211481

2x 9
4535768

5x
4211406

2x
4211374

1x 11
4611705

2x
4211402

1x
4211360

4x
4211401

1x
6012451

2x
4211111

30x
4211063

2x
6055629

10x
6146321

3x
6126083

1x
4211129

1x
6071261

4x
6118832

1x
4263176

2x
4211024

2x 4
6083620

2x
6178912

2x
4211065

1x
4294289

3x 5.5
4508553

4x
6074651

2x
4211002

6x
4257526

WIN

GO TO WWW.LEGO.COM/PRODUCTFEEDBACK AND
GIVE US YOUR SHORT **FEEDBACK** ABOUT THIS
LEGO® SET FOR A CHANCE TO WIN
A COOL LEGO PRIZE.

Terms & Conditions apply



LEGO.com/productfeedback

GEWINNE

Erzähle uns auf
www.LEGO.com/productfeedback

etwas über die Erfahrungen, die
du mit diesem LEGO® Set gemacht
hast, und sichere dir die Chance
auf einen coolen LEGO Preis!

Es gelten die
Teilnahmebedingungen

GAGNE

Rends-toi sur
www.LEGO.com/productfeedback

et donne-nous quelques com-
mentaires sur ce produit LEGO®
pour avoir une chance de gagner
un prix LEGO !

Voir Conditions Générales

GANAN

Visita
www.LEGO.com/productfeedback

y envíanos tu opinión acerca de
este set LEGO®, ¡Participarás en el
sorteo de un premio LEGO!

Términos y Condiciones aplicables

获取奖品

登录
www.LEGO.com/productfeedback

给出关于此乐高®套装的简短反馈，
就有机会获得炫酷乐高奖品

《条款及条件》适用

경품 당첨 기회

www.LEGO.com/productfeedback

페이지로 이동하여 이 레고® 세트에
대한 간략한 피드백을 보내 주시고
멋진 레고 경품을 탈 수 있는 기회도
잡으십시오

약관 적용

ЗАПОЛНИ АНКЕТУ И ПОЛУЧИ ПРИЗ

Перейди по ссылке
www.LEGO.com/productfeedback

ответь всего на несколько во-
просов об этом наборе LEGO®,
и у тебя появится шанс выиграть
замечательный приз от компании
LEGO.

Применяются Условия и правила
участия