

PRIME³

EES22



Owner's manual
Bedienungsanleitung
Instrukcja obsługi

Electric scooter
Elektroroller
Hulajnoga elektryczna

Diagram 1

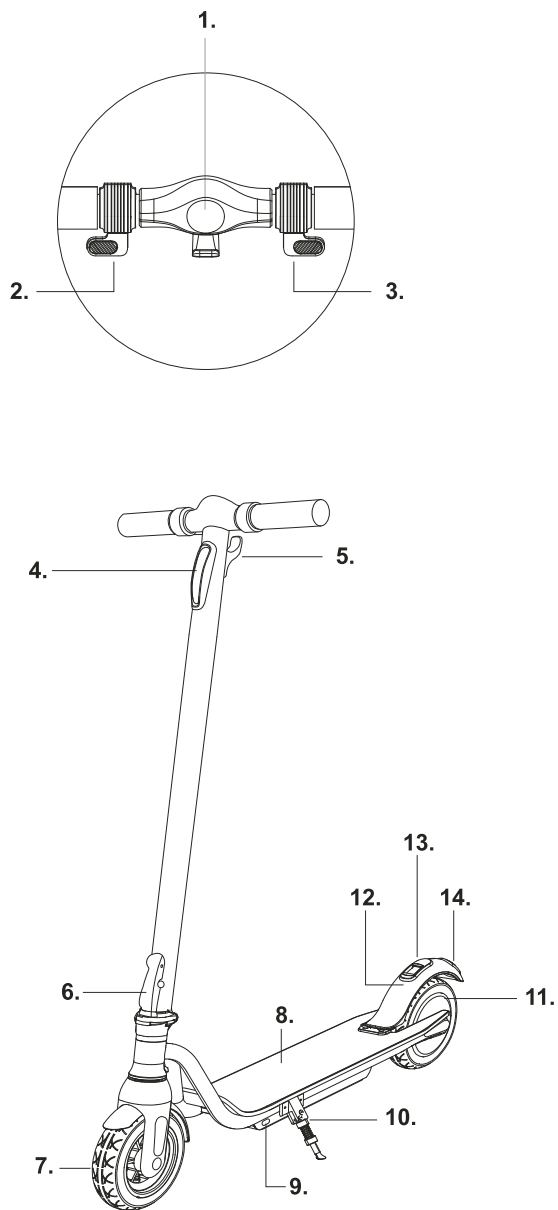


Diagram 2

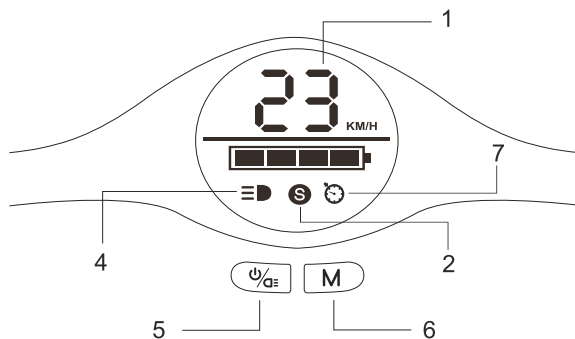
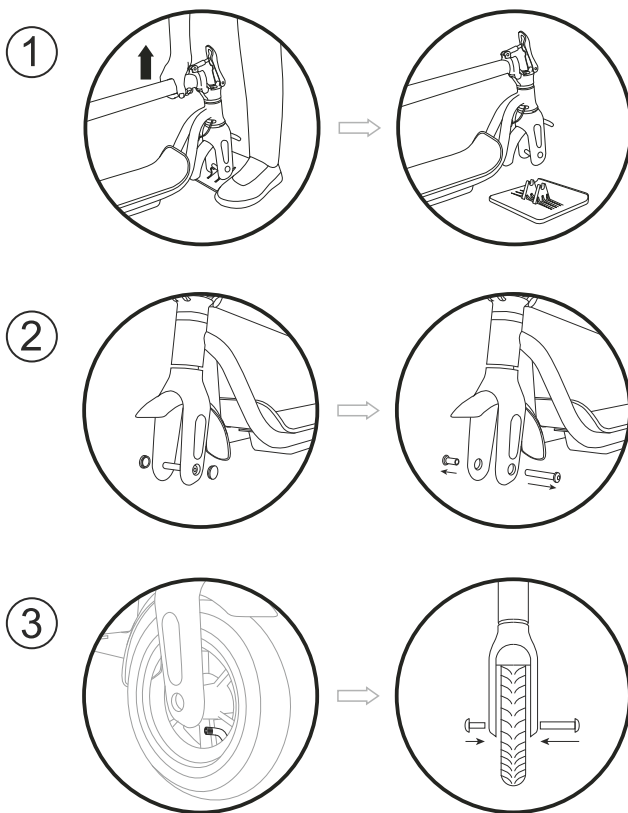
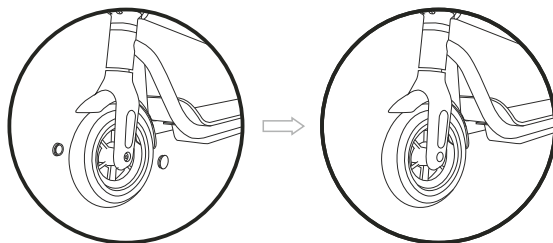


Figure 1



4



5

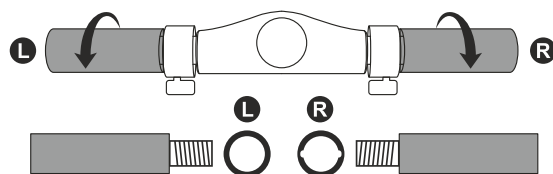
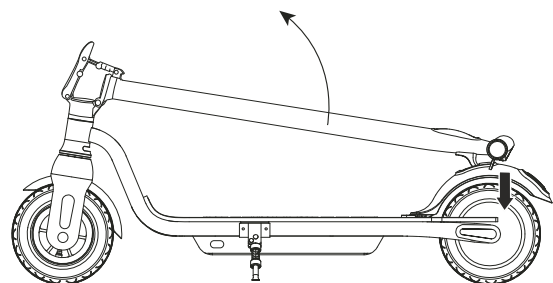


Figure 2

1



2

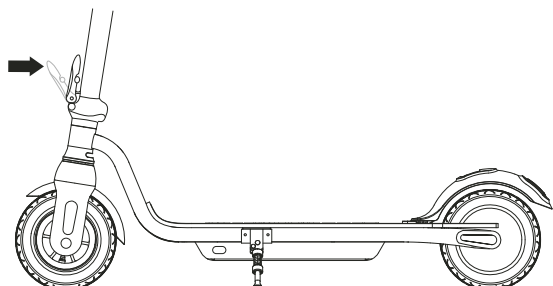


Figure 3

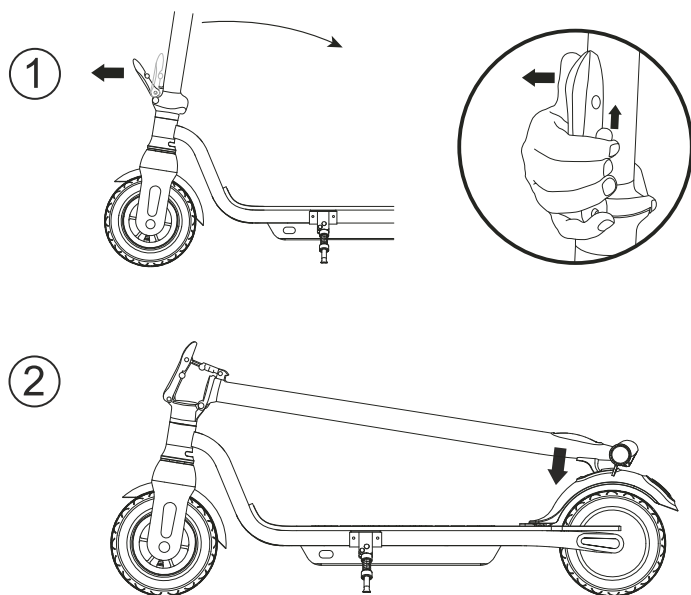
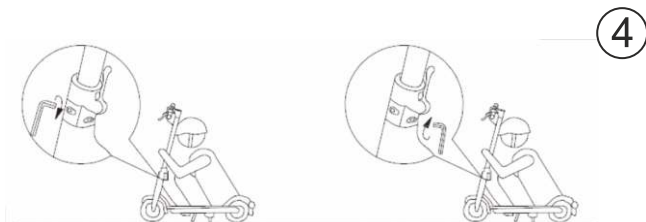


Figure 4



Safety rules:

- Familiarize yourself with and comply with the local road traffic regulations.
- Always wear an approved helmet and other elbow, knee, and wrist protectors.
- Check the battery charge status when the scooter is turned on. If the battery charge is less than 25%, do not drive for a long time.
- Check the appearance and condition of your electric scooter.
- Make sure that no parts are loose and that there are no abnormal noises.
- The user should be healthy, rested, sober and not take any sedatives or psychotropic drugs before driving.
- Remember that you are taller when driving, so be careful when driving through the door, beware of signs, branches and other upper obstacles to protect your head from injury.
- This equipment can be used by children aged 14 years and over under as long as supervision is provided. People with reduced physical or mental capabilities, as well as people with no previous experience of using this equipment must be supervised and made aware of the risks. The instruction manual should be used as a reference for the safe use of this equipment. Children should not play with the equipment. Children without ensured supervision should not be allowed to perform the cleaning and maintenance of equipment.
- Only Original accessories should be used, as well as accessories recommended by the manufacturer. Using accessories which are not recommended by the manufacturer may result in damage of the device and may render the device unsafe for use.
- The AC adapter should be connected to an outlet with characteristics consistent with the values on the rating label.
- If the cord or power plug or adaptor is damaged or the plug has a loose electrical outlet, do not charge the device and do not power it from the mains.

- Unplug the AC adapter from the electrical outlet when not in use.
- Do not connect or disconnect the adaptor from the power source with wet hands.

Completely prohibited

- Do not ride a scooter in areas prohibited by local or national law.
- It is forbidden to move on slopes whose angle of inclination exceeds 15 degrees, do not enter puddles or water reservoirs whose depth is greater than 5 cm.
- Do not ride a scooter on the stairs.
- It is not allowed to ride on roads intended for cars, roadsides or roads on which it is forbidden to ride.
- It is forbidden to move several people on the scooter or to transport children, also in appropriate carrying slings.
- It is forbidden to move on the scooter without holding the handlebar.
- It is forbidden for children under 14 or for people over 60 to move on their own on the scooter. They must be accompanied by other family members or carers. It is forbidden to ride on the scooter for pregnant women, drunk people, people with mental disorders or disabled people with limited steering abilities.
- Do not ride a scooter in dangerous or explosive locations.
- Do not make phone calls while driving the scooter.
- Avoid driving in bad weather such as heavy rain, snow, strong wind and on icy, slippery or muddy roads.

BEFORE DRIVE!

- This scooter has an electric motor installed in the front wheel. Please take a note that riding the scooter in the rain or on wet surfaces may flood the engine and damage it. This malfunction is not covered by the warranty.

- The maximum scooter's range depends on many different factors, such as: user's weight, surface on which the scooter moves, terrain, style and driving mode, weather conditions and the proper air pressure level in the wheels.
- Also keep in mind that battery life drops over the time. This is natural process and should not be treated as a malfunction.



- This scooter has inflatable wheel with inner tubes that absorb vibration while riding, but you need to ensure the correct air pressure in the wheels.
- Check the tire pressure regularly to ensure optimum driving comfort as well as the best possible range on a fully-charged battery. The scooter has standard valves that allow to pump wheels using public compressors. A special adapter that helps to pump the front wheel is included.
- Riding the scooter with low tire pressure is prohibited as it may cause an accident and cause permanent damage of tires. Please note that this malfunction is not covered by the warranty.
- The correct tire pressure range is 2,5 bar (250Kpa, 36PSI).
- Check the tightening of all screw connections regularly. If any clearance is detected, remove it immediately by tightening the appropriate screws. Clearance occurrence in the screw connections is normal and is not covered by the warranty.

Instruction manual

Thank you for purchasing our PRIME3 EES22 electric scooter. Please read this manual and keep it for future reference. The information contained in this manual will help you get acquainted with the following issues:

- Basic operation and learning how to drive on an electric scooter.
- Safety when driving on an electric scooter.
- Construction and maintenance of an electric scooter.



The device complies with the requirements of the following European Union directives:
 - Low-voltage electrical equipment - Low voltage directive (LVD)
 - Electromagnetic compatibility (EMC)
 The product is CE-marked on name plate



If a crossed-out waste bin symbol appears on the appliance, this indicates that the product is covered by European Directive 2012/19/EU. Familiarise yourself with the requirements of your local electrical and electronic waste collection system. Follow your local regulations. Do not dispose of this product with household waste. Proper disposal of the old product will prevent potential negative effects on the environment and human health.



The device is equipped with batteries covered by the European Directive 2006/66/EC. Do not dispose of batteries with household waste. Please refer to your local regulations for separate collection of batteries, as proper disposal will prevent potential negative consequences for the environment and human health.

Information on environmental protection

The packaging contains only the necessary elements. Every effort has been made to ensure that the three packaging materials are easy to separate: cardboard (box), polystyrene foam (internal protection) and polyethylene (handbags, protective sheet). The device is manufactured from recyclable materials and can be used again after its disassembly by a specialized company. Observe local regulations for the disposal of packaging materials, waste batteries and unnecessary equipment.



The product is manufactured from high quality materials and components that can be recycled and reused.

Packing contents

- EES22 electric scooter - 1 pc
- Charger for the battery charging - 1 pc
- Operating manual - 1 pc
- 6 mm hexagonal key for mounting - 2 pcs

Main features of the electric scooter:

The PRIME3 ESS22 is an innovative folding electric scooter. The user can stand on the scooter's platform and adjust the speed using the appropriate handle on the handlebar.

- The front and rear wheels are symmetrical. 8" inflatable (tube) front wheel and 8" honeycomb rear wheel increase driving comfort.
- Electric brake with E-ABS and foot-assist brake ensure the shortest braking distance and can better protect the driver.

- The device uses a 5Ah lithium-ion battery, high power without charging memory effect, no pollution.
- The total weight of the device is 12.4 kg. The foldable design with one key ensures an easy handling and storage.

Design of an electric scooter (Diagram 1):

1. LCD display.
2. Brake lever.
3. Acceleration lever.
4. Front LED light.
5. Safety hook.
6. Folding mechanism.
7. Front wheel.
8. Platform.
9. Charging socket.
10. Kickstand.
11. Motor.
12. Rear auxiliary (foot) brake.
13. Slot for the safety hook.
14. Rear stop light.

Design of a LCD display (Diagram 2):

1. Current speed.
2. Speed mode.
3. Battery charge level indicator.
4. LED lighting.
5. Power button / LED light.
6. Speed mode button.
7. Cruise control icon.

Description of push buttons/features:

1. Power button: Press and hold the power button to turn on / off the power.
2. Accelerator button: Press the right accelerator button to drive and accelerate.
3. Brakes: Depress the brake lever to brake. The rear stop light will turn on when braking.
4. Speed mode: short press speed mode button to select speed mode:
 - a. Beginner mode: low speed (up to 6 km/h), S icon (white).
 - b. Normal mode: medium speed (up to 15 km/h), S icon (orange).
 - c. Sport mode: high speed (up to 25 km/h), S icon (red).
5. LED Light: Press the power button twice to turn on the front light LED; Press twice again to turn off the LED light.
6. Cruise control mode: keep the current speed for about 6 seconds to turn on the cruise control mode; press the accelerator or brake lever to disable the cruise control function.

Unpacking:

After opening the cardboard box, first remove the scooter and make sure that all parts are complete. If anything is missing, contact your dealer. Check the condition of the unit and its appearance to ensure that the folding system is stable enough and that the platform is free from cracks. Check also that the display screen is not damaged.

Installation (Fig. 1)

After unpacking and checking the condition of all elements, you can start assembling the scooter. Follow the instructions in Figure 1:

1. Stand on the plastic support and pull out the scooter fork.
2. Remove the rubber plugs and unscrew the front axle bolt using the 2 6mm hex wrenches (included).
3. Install the front wheel and tighten the front axle bolt using the 2 x 6mm hex wrenches (included).
4. Reinstall the rubber plugs.
5. Tighten the handlebar grips (note the direction of tightening).

Unfolding (Fig. 2)

1. Press the rear fender to release the lock and raise the steering rod to the vertical position.
2. Lock the folding mechanism by lifting the key fully up, secure the key against self-unlocking.

Folding (Fig. 3)

1. Open the folding mechanism by pulling it all the way down.
2. Gently fold the steering rod down by pulling it; Bring the hook on the handlebar to the hole in the rear fender and press down to lock.

Charging the battery

- Make sure that the electrical outlet is dry.
- When charging the battery, open the cover of the battery-charging socket (9) located in the lower part of the platform.
- Plug the adapter plug into the power source, make sure the green charging lamp is lit, insert the other adapter plug into the scooter's charging socket.
- When the red LED on the power supply lights up, the battery is charging correctly, otherwise check all cable connections.
- When the red light turns green, the battery is fully charged. Disconnect the power supply from the power source. Long-lasting charging can shorten battery life.
- Follow the instructions for charging the battery, otherwise it will damage the battery and shorten its service life.
- The time to charge the scooter's battery is about 4 hours. The manufacturer cannot guarantee the same charging time and operation of the battery due to its wear.
- Ensure clean and dry conditions when charging the battery.
- Do not charge the battery when the power outlet is wet.

Guide to safe driving

The content of this chapter is very important, read it carefully and follow all safety rules and procedures. Our company is not responsible for any accidents that result in property or health damage due to the violation of this safe driving guide.

An electric scooter is not only a fun tool but also a means of transport. Following proper safety precautions while driving can protect you and others from an accident. Please note that using your scooter in the field and on public roads can lead to collisions caused by other road users, even if you follow all safety precautions. It is very important to keep a sufficient distance from other road users and from other vehicles.

Driving the scooter

- Observe the local road traffic regulations when driving on a scooter. You should guide the scooter carefully and calmly, paying attention to other people and objects in order to avoid collisions.
- Ride your scooter safely at controlled speed and at a distance from pedestrians and other vehicles.
- Be ready to stop at any time. Avoid sudden acceleration and braking.
- When walking on the pavement, respect pedestrians' rights, give way to them when passing through the belts, and do not frighten passers-by, especially children.
- Adjust the speed of the scooter to other road users in congested areas. If you want to overtake a group of pedestrians, make sure you have enough space and do it safely. Moving in a crowd at high speed is very dangerous.

- Do not park your scooter in a place that will make walking difficult.
- When driving the scooter, you should be relaxed, have knees slightly bent and head raised.



In the event of sudden acceleration or sudden braking while driving at high speed, the driver can easily become unbalanced and ultimately cause an accident. Try to avoid such situations.

First run

Preparation

- Select the desired location. This place can be inside or outside, it must have an area of 10 x 10 meters (about 100 square meters). The place should be flat, neither wet nor slippery, without obstacles, without vehicles, children, pets or any other things that could distract your attention.
- Read this manual carefully, if you have the opportunity to do so, for advice from a person who is more experienced in safe driving.
- Wear helmet and protectors to avoid possible injuries. Move the scooter to the centre of the area where you will be moving and familiarize yourself with the area.

Start

- Press and hold the POWER Button for 3 seconds to switch the scooter on, then select one of the three speed modes.
- Place one foot on the deck plate and with the other foot kick-start the scooter.
- Place the other leg on the deck plate and ensure you keep your balance.
- Press the thumb throttle with your right thumb, and do not ride too fast.
- Press the brake lever to brake.
- You can get off the scooter when it is running at a low speed or after it has come to a complete stop.
- To warn other users that you are nearby, use the bell fitted next to the left brake handle.

Front bar adjustment (Fig. 4)

If you feel that the front bar is not tight enough, use the hex wrench to tighten the two screws in the folding mechanism.

Cleaning and storage

- Clean the scooter after each ride.
- If the rubber surfaces are difficult to clean, use a toothbrush and toothpaste and clean them with a soft cloth. This method can also remove small scratches.
- Store the scooter indoors, in a cool and dry place. Do not expose the scooter to prolonged sunlight.
- When cleaning, the battery charging receptacle must be tightly closed, otherwise you may be electrocuted and the scooter may be seriously damaged. Do not wash your scooter under a high pressure water jet or immerse it in water - this may cause irreparable damage to the unit.

Battery maintenance

The battery is the most important part to maintain. To extend its service life, follow the instructions below:

- Read and follow the notes on battery marking.
- The best battery storage temperature is 10 degrees. Do not store the battery pack at temperatures below -10 degrees or above 35 degrees.

- Do not recharge the battery in ambient temperatures lower than 0 degrees - move the battery to a room where the temperature is higher than 10 degrees and allow a minute before you start recharging the battery.
- Store the battery in a cool and dry place. A very humid place can cause condensation inside the battery, which can quickly damage the battery.
- When the display shows a low level of battery, connect the battery pack to the charger. Try to prevent the battery from draining completely. Please charge the battery fully before starting to drive. Frequent charging will not damage the battery. On the contrary, long-term storage of an uncharged battery can shorten its service life.
- If the scooter has not been used for 30 days, recharge the battery, otherwise there is a risk of battery failure not covered by the warranty.
- When using the device at room temperature, the battery will maintain optimum performance. If the battery is operated at 0°C, its efficiency will decrease significantly; when operated at temperatures below -10°C the maximum distance can be shortened even by half or more.

Features and specification

- Motor: 250 W
- Battery: 36 V 5.0 Ah
- Max speed: up to 25 km/h (3 speed adjustable)
- Range: up to 15 km (depending on the load and type of surface)
- Max loading: 100 kgs
- Climbing slope: 8 degree
- Cruise-control feature
- Brakes: electronic brake + rear fender brake (foot brake)
- Front wheel - 8 " inflatable (tube)
- Rear wheel - 8 " honeycomb
- Front and rear LED light
- LED for indicating speed and battery charge level
- Warning bell
- Easy folding mechanism
- Charging current: 42 V 1.5 A
- Charging time: ~ 4 hours
- Dimensions: 1060 x 420 x 460 /1160 mm (folded/unfolded)
- Net weight: 12.4 kg

Power adaptor information		
Information published	Value and precision	Unit
Manufacturer's name or trade mark Commercial registration number	Shenzhen Fuyuandian Power Co., Ltd 8F, Building A9,TianRui Industrial Park,1st Fuyuan Road, Xinhe,Fuyong,Baoan,Shenzhen	
Model identifier	FY0634201500	
Input voltage	100-240	V
Input AC frequency	50-60	Hz
Output voltage	42	V
Output current	1.5	A
Output power	63	W
Average active efficiency	90	%
Efficiency at low load(10 %)	80	%
No-load power consumption	0.5	W

EC – DECLARATION OF CONFORMITY

01/2021/EES22
2N-Everpol Sp. z o.o.
ul. Puławska 403A
02-801 Warsaw
Poland

PRIME³

Registered office:
Puławska 403A
02-801 Warsaw, Poland

Correspondence address :
Polna 6
05-500 Chyliczki, Poland
Tel +48 22 331 99 59
Fax +48 22 331 99 50

Bank details:
IBAN: PL 97 1160 2202 0000 0000
9062 2569
SWIFT: BIGBPLPW
Bank Millennium S.A

Authorized person to prepare the technical documentation:

Tomasz Jakóbczyk
ul. Puławska 403A
02-801 Warsaw, Poland

We declare under our sole responsibility that our product:

Type of device: **Electric scooter**

Name: **EES22**

If used for its intended use complies with the essential protection requirements relating to the:

2014/30/EU (EMC Directive)
2014/35/EU (LVD Directive)
2006/42/EC (MD Machinery Directive)
2011/65/EU (RoHS Directive)
EC 1907/2006 (REACH Directive) None of substance presented in the article(s)/product(s) is above a concentration limit of 0.1% by weight)

The assessment of this product has been based on the following standards:

EMC standards:

EN 61000-6-1:2007 | EN 61000-3-2:2014
EN 61000-3-3:2013+A1:2019
EN 61000-6-3:2007+A1:2011+AC:2012
EN 55014-1:2006+A1:2009+A2:2011
EN 55014-2:1997+A1:2001+A2:2008

LVD standard:

EN 60335-1:2012+AC:2014+A11:2014+A13:2017+A1:2019+A2:2019+A14:2019

MD standards:

EN 60204-1:2006+AC:2010
EN ISO 12100:2010

RoHS standards:

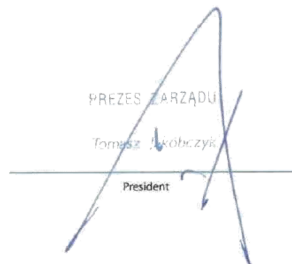
EN 50581:2012

Other standards:

EN 14619:2015
EN 17128:2017

Warsaw, 17.02.2021

PREZES Zarządu
Tomasz Jakóbczyk
President



2N-Everpol Sp. z o.o.
Registered Office:
Puławska 403A
02-801 Warsaw, Poland

Registration Court: XIII Wydz. Gosp. Sądu Rej. Warszawa
President: Tomasz Jakóbczyk
VAT-No.: PL9512079512

Bank Account
IBAN: PL 97 1160 2202 0000 0000 9062 2569
SWIFT: BIGBPLPW
Bank Millennium S.A

Sicherheitsregeln

- **Lesen und befolgen Sie die örtlichen Verkehrsvorschriften.**
- **Tragen Sie immer einen zugelassenen Helm und andere Ellenbogen-, Knie- und Handgelenkschutzelemente.**
- **Überprüfen Sie die Batterieladung, wenn der Elektroroller eingeschaltet ist. Wenn die Batterieladung weniger als 25 % beträgt, sollten Sie keine lange Fahrt unternehmen.**
- **Überprüfen Sie das äußere Erscheinungsbild und den technischen Zustand des Elektrorollers. Achten Sie besonders darauf, dass keine der Komponenten lose sind und das Gerät keine störenden Geräusche abgibt.**
- **Der Benutzer sollte gesund, ausgeschlafen und nüchtern sein und vor dem Fahren keine Beruhigungsmittel oder Psychopharmaka einnehmen.**
- **Denken Sie daran, dass Sie während der Fahrt größer sind, also seien Sie vorsichtig, wenn Sie durch Türen fahren, achten Sie auf Schilder, Äste und andere oben befindliche Hindernisse, um Ihren Kopf vor Verletzungen zu schützen.**
- **Das Gerät darf von Kindern im Alter von mindestens 14 Jahren, von Personen mit eingeschränkter körperlicher bzw. geistiger Leistungsfähigkeit sowie von Personen mit mangelnder Erfahrung und Kenntnis über das Gerät verwendet werden, wenn eine Aufsicht oder Einweisung in den sicheren Umgang in einem Ausmaß erfolgt, dass die damit verbundenen Risiken verstanden werden. Kinder dürfen nicht mit dem Gerät spielen. Die Reinigungs- und Wartungsarbeiten dürfen nicht von Kindern ohne Beaufsichtigung durchgeführt werden.**
- **Verwenden Sie nur Originalzubehör oder vom Hersteller empfohlenes Zubehör. Die Verwendung von nicht vom Hersteller empfohlenem Zubehör kann zu Schäden am Gerät führen und die Sicherheit der Verwendung gefährden.**
- **Schließen Sie das Netzteil nur an eine Steckdose mit den auf dem Typenschild angegebenen Eigenschaften an.**

- Wenn das Netzkabel oder der Stecker beschädigt oder der Stecker in einer Steckdose lose ist, laden Sie das Gerät nicht auf und versorgen es nicht über das Stromnetz mit Strom.
- Trennen Sie das Netzteil von der Steckdose, wenn Sie es nicht benutzen.
- Tauchen Sie das Netzteil niemals in Wasser oder andere Flüssigkeiten ein.
- Schließen Sie das Netzteil nicht mit nassen Händen an die Stromquelle bzw. trennen Sie es nicht von der Stromquelle.

Vollständig verboten

- Fahren Sie mit dem Roller nicht in Gebieten, die nach lokalem oder nationalem Recht verboten sind.
- Es ist verboten, sich an Hängen zu bewegen, deren Neigungswinkel 15 Grad übersteigt, in Pfützen oder Wasserreservoirs mit einer Tiefe von mehr als 5 cm einzudringen. Fahren Sie den Roller nicht auf Treppen.
- Es ist verboten, auf Straßen zu fahren, die für Autos bestimmt sind, am Straßenrand sowie auf Straßen, auf denen es verboten ist zu fahren.
- Es ist verboten, sich in mehreren Personen auf dem Roller zu bewegen und Kinder zu tragen, auch in geeigneten Trägern.
- Es ist verboten, den Roller zu fahren, ohne das Lenkrad zu halten.
- Kinder unter 14 Jahren und Personen über 60 Jahren dürfen den Roller nicht alleine fahren. Sie müssen während der Fahrt von anderen Familienmitgliedern oder Erziehungsberechtigten begleitet werden. Es ist verboten, dass der Roller von schwangeren Frauen, betrunkenen Personen, Personen mit psychischen Störungen oder Personen mit Behinderungen bzw. mit eingeschränkten Lenkfähigkeiten gefahren wird
- Fahren Sie den Roller nicht in gefährlichen und potenziell explosiven Atmosphären.

- Führen Sie keine Telefonate, während Sie den Roller fahren.
- Vermeiden Sie das Fahren bei schlechten Wetterbedingungen wie starkem Regen, Schnee, starkem Wind und auf eisigen, rutschigen oder schlammigen Straßen.

ANWEISUNGEN VOR BEGINN DER FAHRT!

- Dieser Roller hat einen Elektromotor, der im Vorderrad montiert ist. Bitte beachten Sie, dass die Fahrt mit dem Roller bei Regen oder auf nasser Fahrbahn dazu führen kann, dass der Roller nass wird und der Motor beschädigt werden kann. Ein solcher Mangel ist nicht von der Garantie abgedeckt.
- Die maximale Reichweite des Rollers hängt von einer Reihe von Faktoren ab, darunter: das Gewicht des Benutzers; die Oberfläche, auf der sich der Roller bewegt; die Geländebeschaffenheit; der Fahrstil und die Fahrweise; die Wetterbedingungen und der entsprechende Luftdruck in den Rädern.
- Bitte beachten Sie auch, dass die Leistung der Batterie mit der Zeit abnimmt. Das ist ein natürlicher Prozess und sollte nicht als Fehlfunktion betrachtet werden.



- Dieser Roller hat ein aufblasbares Rad mit Schläuchen, die dabei Vibrationen absorbieren. Fahren, aber Sie müssen den richtigen Luftdruck in den Rädern sicherstellen.

- Der Reifendruck sollte regelmäßig überprüft werden, um einen optimalen Fahrkomfort und eine maximale Reichweite mit der vollständig aufgeladenen Batterie zu gewährleisten. Der Roller ist mit Standardventilen ausgestattet, dank denen es möglich ist, die Räder mit Hilfe von öffentlich zugänglichen Kompressoren aufzupumpen. Im Lieferumfang ist auch ein Adapter enthalten, um das Aufpumpen des Vorderrades zu erleichtern.
- Ein Roller mit niedrigem Reifendruck darf nicht betrieben werden, weil dies zu einem Unfall und dauerhaften Schäden am Reifen führen kann, die nicht von der Garantie abgedeckt sind.
- Der richtige Reifendruckbereich liegt bei 2,5 bar. (250Kpa, 36PSI).
- Überprüfen Sie regelmäßig die Anziehung aller Schraubverbindungen. Sollte ein Spiel festgestellt werden, nivellieren Sie es sofort durch Anziehen der entsprechenden Schrauben. Ein Spiel in den Schraubverbindungen ist normal und fällt nicht unter die Garantie.

Wetterbedingungen wie starkem Regen, Schnee, starkem Wind und auf eisigen, rutschigen oder schlammigen Straßen.

Vielen Dank, dass Sie sich für unseren Elektroroller PRIME3 EES22 entschieden haben. Bitte lesen Sie dieses Handbuch durch und bewahren Sie es zum späteren Nachschlagen auf. Die in diesem Handbuch enthaltenen Informationen sollen Ihnen helfen, sich mit den folgenden Problemen vertraut zu machen:

- Grundlegende Bedienung und Erlernen der Fahrweise auf dem Elektroroller.
- Sicherheit beim Fahren auf dem Elektroroller.
- Bau und Wartung des Elektrorollers.



Das Gerät entspricht den Anforderungen der Richtlinien der Europäischen Union:

- Niederspannungs-Elektrogeräte - Niederspannungsrichtlinie (LVD)
- Elektromagnetische Verträglichkeit (EMV)

CE-Kennzeichnung des Produkts auf dem Typenschild



Wenn sich auf dem Gerät ein durchgestrichenes Mülltonnenschild befindet, bedeutet dies, dass das Produkt unter die Bestimmungen der europäischen Richtlinie 2012/19/EU fällt. Lesen Sie die Anforderungen an ein lokales elektrisches und elektronisches Abfallsammelsystem. Befolgen Sie die örtlichen Vorschriften. Entsorgen Sie dieses Produkt nicht im normalen Hausmüll. Die ordnungsgemäße Entsorgung des alten Produkts verhindert mögliche negative Auswirkungen auf die Umwelt und die menschliche Gesundheit. Detaillierte Informationen über die nächstgelegene Sammelstelle erhalten Sie direkt bei Ihrem Händler oder Unternehmen 2N-Everpol Sp. z o.o., ul. Puławska 403A, 02-801 Warszawa, Tel. +48 22 331 9959, E-Mail: info@prime3.pl.



Das Gerät ist mit einem ausgestattet, die unter die europäische Richtlinie 2006/66/EG fallen. Entsorgen Sie den Akku nicht im Hausmüll. Bitte beachten Sie Ihre örtlichen Vorschriften für die getrennte Sammlung von Batterien bzw. Akkus, da eine ordnungsgemäße Entsorgung mögliche negative Auswirkungen auf die Umwelt und die menschliche Gesundheit verhindert.

Informationen zum Umweltschutz

Die Verpackung enthält nur die notwendigen Elemente. Es wurde darauf geachtet, dass die drei Verpackungsmaterialien leicht zu sortieren sind: Karton (Box), Styropor (Innenschutz) und Polyethylen (Beutel, Schutzfolie). Das Gerät besteht aus recycelbaren Materialien und kann nach der Demontage durch einen Fachbetrieb wiederverwendet werden. Beachten Sie die örtlichen Vorschriften für die Entsorgung von Verpackungsmaterialien, gebrauchten Batterien und unnötigen Geräten.



Das Produkt wird aus hochwertigen Materialien und Komponenten hergestellt, die recycelt und wiederverwendet werden können.

Inhalt der Verpackung:

- Elektroroller EES61 - 1 Stück
- Netzteil zum Akkuladen - 1 Stück
- Betriebsanleitung - 1 Stück
- 6mm Schlüssel zur Montage - 2 Satz

Hauptmerkmale des Elektrorollers:

PRIME3 EES22 ist ein innovativer klappbarer Elektroroller. Der Benutzer kann auf der Rollerplattform stehen und die Geschwindigkeit mit dem entsprechenden Lenkergriff einstellen.

- Die Vorder- und Hinterräder sind symmetrisch. Das 8-Zoll-Vorderrad (Schlauch) und das 8-Zoll-Wabenhinterrad erhöhen den Fahrkomfort.

- Elektrische Bremse mit E-ABS und Fußunterstützungsbremse sorgen für den kürzesten Bremsweg und können den Fahrer besser schützen.
- Das Gerät verwendet einen Lithium-Ionen-Akku mit einer Kapazität von 5 Ah und hoher Leistung ohne Laden des Speichers, keine Verschmutzung.
- Das Gesamtgewicht des Gerätes beträgt nur 12.4 kg. Das klappbare Design mit einem Schlüssel garantiert eine komfortable Handhabung und Lagerung.

Bau eines Elektrorollers (Schema 1):

- | | |
|-------------------------|---------------------------------------|
| 1. LCD-Anzeige | 8. Plattform. |
| 2. Bremsgriff. | 9. Ladebuchse des Akkus. |
| 3. Beschleunigungstaste | 10. Ständer. |
| 4. LED-Beleuchtung | 11. Motor. |
| 5. Sicherheitshaken. | 12. Hinterradhilfsbremse (Fußbremse). |
| 6. Klappmechanismus. | 13. Schlitz für den Sicherheitshaken. |
| 7. Vorderrad. | 14. Bremslicht. |

Bauweise der LCD-Anzeige (Schema 2):

1. Tatsächliche Geschwindigkeit.
2. Geschwindigkeitsmodus.
3. Batteriestandsanzeige.
4. LED Lichter.
5. Netzschalter / LED-Beleuchtung.
6. Geschwindigkeitsmodus-Taste.
7. Tempomat.

Beschreibung der Schalter/Funktionen:

1. Netzschalter: drücken Sie lange den Netzschalter, um das Gerät ein- und auszuschalten;
2. Beschleunigungsschalter: drücken Sie den rechten Beschleunigungsschalter, um die Fahrt zu starten und zu beschleunigen.
3. Bremsen: Drücken Sie den Bremshebel, um zu bremsen. Das hintere Bremslicht geht beim Bremsen an.
4. Geschwindigkeitsmodus: Drücken Sie kurz die Geschwindigkeitsmodus-Taste, um den Geschwindigkeitsmodus auszuwählen:
 - a. Anfängermodus: niedrige Geschwindigkeit (bis zu 6 km/h), S-Symbol (weiß).
 - b. Normalmodus: mittlere Geschwindigkeit (bis zu 15 km/h), S-Symbol (orange).
 - c. Sportmodus: hohe Geschwindigkeit (bis zu 25 km / h), S-Symbol (rot).
5. LED-Licht: Drücken Sie den Netzschalter zweimal, um die LED für das Frontlicht einzuschalten. Drücken Sie zweimal, um das LED-Licht auszuschalten.
6. Tempomat-Modus: Erhalten Sie Ihre aktuelle Geschwindigkeit für ca. 6 Sekunden aufrecht, um den Tempomat-Modus zu aktivieren; drücken Sie den Beschleunigungsschalter oder drücken Sie den Bremshebel, um die Tempomat-Funktion zu deaktivieren.

Auspacken:

Nach dem Öffnen des Kartons entfernen Sie zuerst den Roller und überprüfen Sie, ob alle Komponenten vollständig sind. Wenn etwas fehlt, wenden Sie sich bitte an Ihren Händler. Überprüfen Sie den Zustand des Gerätes und sein äußeres Erscheinungsbild, ob das Klappsystem stabil genug ist, ob die Plattform keine Risse aufweist. Überprüfen Sie auch, ob das Display nicht beschädigt ist.

Montage (Abb. 1)

Nachdem Sie den Zustand aller Elemente ausgepackt und überprüft haben, können Sie mit dem Zusammenbau des Scooters beginnen. Befolgen Sie die Anweisungen in Abbildung 1:

1. Stellen Sie sich auf die Kunststoffstütze und ziehen Sie die Rollgabel heraus.
2. Entfernen Sie die Gummistopfen und lösen Sie die Vorderachsschraube mit den 2 6-mm-Inbusschlüsseln (im Lieferumfang enthalten).
3. Das Vorderrad einbauen und die Vorderachsschraube mit den 2 x 6 mm Sechskantschlüsseln (im Lieferumfang enthalten) festziehen.
4. Bringen Sie die Gummistopfen wieder an.
5. Ziehen Sie die Lenkergriffe fest (beachten Sie die Richtung des Festziehens).

Entfalten (Abb. 2)

1. Drücken Sie auf den hinteren Kotflügel, um die Verriegelung zu lösen und die Lenkstange in die vertikale Position zu heben.
2. Verriegeln Sie den Klappmechanismus, indem Sie den Schlüssel ganz anheben, und sichern Sie ihn gegen Selbstentriegelung.

Zusammenklappen (Abb. 3)

1. Öffnen Sie den Klappmechanismus, indem Sie ihn ganz nach unten ziehen.
2. Klappen Sie die Lenkstange vorsichtig nach unten, indem Sie daran ziehen. Bringen Sie den Haken am Lenker in das Loch im hinteren Kotflügel und drücken Sie ihn zum Verriegeln nach unten.

Batterie laden

- Vergewissern Sie sich, dass die Steckdose trocken ist.
- Öffnen Sie beim Laden des Akkus die Abdeckung der Batterieladebuchse (9) im unteren Teil der Plattform.
- Stecken Sie den Netzstecker in die Stromquelle, überprüfen Sie, ob die grüne Ladelampe ordnungsgemäß leuchtet, stecken Sie den zweiten Netzstecker in die Ladebuchse des Rollers.
- Wenn die rote Lampe am Netzteil aufleuchtet, ist der Akku korrekt geladen, ansonsten alle Kabelverbindungen überprüfen.
- Wenn das rote Licht grün wird, ist der Akku vollständig geladen. Das Netzteil vom Stromnetz trennen. Eine zu lange Ladung kann die Lebensdauer des Akkus verkürzen.
- Befolgen Sie die Empfehlungen zum Laden des Akkus, da er sonst beschädigt und seine Lebensdauer verkürzt wird.
- Die Ladezeit des Akkus beträgt ca. 4 Stunden. Der Hersteller kann die gleiche Ladezeit und Batterielaufzeit aufgrund von Verschleiß nicht garantieren.
- Achten Sie beim Laden des Akkus auf saubere und trockene Bedingungen.
- Laden Sie den Akku nicht auf, wenn die Steckdose nass ist.

Leitfaden für sicheres Fahren

Der Inhalt dieses Kapitels ist sehr wichtig, lesen Sie es sorgfältig und befolgen Sie alle Sicherheitsvorschriften und -verfahren. Unser Unternehmen ist nicht verantwortlich für Unfälle, die zu Sach- oder Gesundheitsschäden aufgrund von Verstößen gegen diese Richtlinie für sicheres Fahren führen. Ein Elektroroller ist ein Gerät zur Unterhaltung, aber auch ein Transportmittel. Die Einhaltung der richtigen Sicherheitsvorschriften während der Fahrt kann Sie und andere vor Unfällen schützen. Denken Sie daran, dass die Verwendung eines Rollers im Gelände und auf öffentlichen Straßen das Risiko von Kollisionen durch andere Verkehrsteilnehmer birgt, selbst wenn Sie alle Sicherheitsvorschriften einhalten. Es ist sehr wichtig,

einen ausreichenden Abstand zu anderen Verkehrsteilnehmern und anderen Fahrzeugen einzuhalten.

Fahren

- Beachten Sie beim Fahren auf einem Roller die örtlichen Straßenverkehrsregeln. Fahren Sie den Roller vorsichtig und ruhig und achten Sie auf andere Personen und Gegenstände, um Kollisionen zu vermeiden.
- Fahren Sie sicher auf dem Roller; mit kontrollierter Geschwindigkeit und in angemessenem Abstand zu Fußgängern und anderen Fahrzeugen. Seien Sie bereit, jederzeit anzuhalten. Vermeiden Sie plötzliche Beschleunigungen und plötzliches Bremsen.
- Achten Sie beim Fahren auf dem Bürgersteig auf die Rechte der Fußgänger, weichen Sie ihnen beim Überqueren der Gassen aus, erschrecken Sie die Passanten, insbesondere Kinder, nicht.
- Passen Sie Ihre Rollergeschwindigkeit an andere Verkehrsteilnehmer in Ballungsgebieten an. Wenn Sie eine Gruppe von Fußgängern überholen wollen, achten Sie auf genügend Platz und führen Sie das Manöver sicher durch. Sich mit hoher Geschwindigkeit in einer Menge zu bewegen, ist sehr gefährlich.
- Parken Sie Ihren Roller nicht an einem Ort, der es Fußgängern schwer macht, sich weiterzubewegen.
- Wenn Sie den Roller bewegen, entspannen Sie sich, lassen Sie Ihre Knie leicht gebeugt und Ihren Kopf angehoben.



Bei plötzlicher Beschleunigung oder schnellem Bremsen bei hoher Geschwindigkeit kann der Fahrer leicht das Gleichgewicht verlieren und schließlich zu einem Unfall führen. Versuchen Sie, solche Situationen zu vermeiden.

Erste Fahrt

Vorbereitung

- Wählen Sie einen richtigen Ort aus. Dieser Ort kann innen oder außen sein, er muss eine Fläche von 10 x 10 Metern (ca. 100 Quadratmeter) haben. Der Ort sollte flach, nicht nass und rutschig, ohne Hindernisse, ohne Fahrzeuge, Kinder, Haustiere oder andere Dinge sein, die Ihre Aufmerksamkeit ablenken könnten.
- Lesen Sie dieses Handbuch sorgfältig durch. Wenn Sie die Möglichkeit dazu haben, lassen Sie sich von jemandem beraten, der mehr Erfahrung im Bereich des sicheren Fahrens hat.
- Tragen Sie einen Helm und Protektoren, um mögliche Verletzungen zu vermeiden. Bewegen Sie Ihren Roller in die Mitte der Fläche, an dem Sie sich bewegen werden, und lernen Sie die Gegend kennen.

Inbetriebnahme

- Drücken und halten Sie die POWER-Taste 3 Sekunden lang gedrückt, um den Elektroroller einzuschalten. Wählen Sie dann einen der drei Geschwindigkeitsmodi;
- Stellen Sie einen Fuß auf die Plattform und schieben Sie sich mit dem anderen Fuß an, um den Elektroroller in Bewegung zu setzen;
- Stellen Sie den anderen Fuß auf die Plattform und versuchen Sie, das Gleichgewicht zu halten;
- Drücken Sie den Beschleunigungsschalter mit dem Daumen der rechten Hand, fahren Sie nicht zu schnell;
- Drücken Sie den Bremshebel, um zu bremsen;
- Wenn sich der Elektroroller mit niedriger Geschwindigkeit bewegt oder ganz anhält, können Sie von der Plattform absteigen;
- Um andere Benutzer an dem Ort zu warnen, an dem Sie sich bewegen, verwenden Sie die neben dem Bremshebel angebrachte Klingel;

Einstellung der vorderen Stange (Abb. 4)

Wenn Sie der Meinung sind, dass die vordere Stange nicht fest genug ist, ziehen Sie die beiden Schrauben im Klappmechanismus mit dem Inbusschlüssel fest.

Reinigung und Aufbewahrung

- Reinigen Sie den Roller nach jeder Fahrt.
- Wenn gummierte Oberflächen schwer zu reinigen sind, verwenden Sie eine Zahnbürste und Zahnpasta, dann verwenden Sie ein weiches Tuch, um den Bereich zu reinigen. Diese Methode kann auch kleine Kratzer entfernen.
- Lagern Sie den Roller in Innenräumen an einem kühlen, trockenen Ort. Setzen Sie Ihren Roller nicht längerem Sonnenlicht aus. Beim Reinigen muss die Akkuladebuchse fest verschlossen sein, da Sie sonst einen Stromschlag erleiden und den Roller ernsthaft beschädigen können. Waschen Sie Ihren Roller nicht unter Hochdruck oder tauchen Sie sie in Wasser – dies kann zu irreparablen Schäden an der Maschine führen.

Akkupflege

Der Akku ist das wichtigste Element, der zu warten ist. Um die Lebensdauer zu verlängern, befolgen Sie die folgenden Anweisungen:

- Lesen und befolgen Sie die Hinweise zur Akkuetikettierung.
- Die beste Lagertemperatur für den Akku beträgt 10 Grad. Lagern Sie die Batterie nicht bei Temperaturen unter -10 Grad oder über 35 Grad.
- Wenn die Umgebungstemperatur unter 0 Grad liegt, laden Sie den Akku nicht auf, sondern bringen den Akku an einen Ort, an dem die Temperatur über 10 Grad liegt, warten Sie einen Weile und beginnen erst dann mit dem Laden des Akkus.
- Bewahren Sie den Akku an einem kühlen, trockenen Ort auf. An einem sehr feuchten Ort kann es zu Kondensation von Wasserdampf im Inneren des Akkus kommen, was zu einer schnellen Beschädigung des Akkus führen kann.
- Wenn auf dem Display ein niedriger Akkuladestand angezeigt wird, schließen Sie den zu ladenden Akku an. Versuchen Sie, den Akku nicht vollständig leerzufahren. Laden Sie den Akku vor Fahrtantritt vollständig auf. Durch häufiges Laden wird der Akku nicht beschädigt. Im Gegenteil, die langfristige Lagerung eines ungeladenen Akkus kann seine Lebensdauer verkürzen
- Wenn der Roller 30 Tage lang nicht benutzt wurde, laden Sie den Akku auf, weil sonst die Gefahr eines Ausfalls besteht, der nicht von der Garantie abgedeckt ist.
- Wenn Sie das Gerät bei Raumtemperatur verwenden, hält der Akku die optimale Leistung aufrecht. Wird der Akku bei 0 Grad betrieben, sinkt sein Wirkungsgrad deutlich, und bei Temperaturen unter -10 Grad kann die maximale Strecke sogar um die Hälfte oder mehr verkürzt werden.

Funktionen und Spezifikation

- Motor: 250 W
- Batterie: 36 V 5,0 Ah
- Maximale Geschwindigkeit: bis zu 25 km/h (3-stufige Geschwindigkeitsregelung)
- Reichweite: bis zu 15 km (je nach Belastung und Geländebeschaffenheit)
- Maximale Belastung: 100 kg
- Steigung: 8 Grad
- Tempomat-Funktion
- Bremse: Elektrische Bremse, Hilfsbremse hinten (Fußbremse)
- Vorderrad - 8" Schlauchräder
- Hinterrad - 8" Honeycomb
- LED-Frontlicht und LED-Rücklicht
- LED-Anzeige mit Anzeige der Geschwindigkeit und des Akku-Ladezustandes
- Klingel
- Einfacher Klappmechanismus
- Ladestrom: 42 V 1,5 A
- Ladezeit: ~ 4 Stunden
- Abmessungen: 1060 x 420 x 460 /1160 mm (zusammengeklappt/aufgeklappt)
- Nettogewicht: 12,4 kg

Ladegerät Informationen		
Informationen veröffentlicht	Wert und Präzision	Messeinheit
Name oder Marke des Herstellers Handelsregisternummer	Shenzhen Fuyuandian Power Co., Ltd 8F, Building A9,TianRui Industrial Park, 1st Fuyuan Road,Xinhe,Fuyong,Baoan,Shenzhen	
Modellkennung	FY0634201500	
Eingangsspannung	100-240	V
Eingangswechselfrequenz	50-60	Hz
Ausgangsspannung	42	V
Ausgangsstrom	1.5	A
Ausgangsleistung	63	W
Durchschnittliche aktive Effizienz	90	%
Wirkungsgrad bei geringer Last (10%)	80	%
Leerlaufstromverbrauch	0.5	W

Gwarancja PRIME3 (dotyczy produktów zakupionych od 01.12.2017)

Szanowni Państwo,

dziękujemy za zakup produktu marki PRIME3 i gratulujemy wyboru. 2N-Everpol Sp. z o.o., 02-801 Warszawa, Puławska 403a (zwany w dalszej części dokumentu PRIME3) niniejszym gwarantuje, że produkt jest wolny od wad materiałowych i produkcyjnych w warunkach normalnego użytkowania i konserwacji.

1. Gwarancja na niniejszy produkt wynosi 24 miesiące od daty zakupu, z tym zastrzeżeniem, że gwarancja na baterię znajdującą się w produkcie wynosi 6 miesięcy od daty zakupu. Warunkiem skorzystania z uprawnień gwarancyjnych jest zachowanie dowodu zakupu.
2. Niniejsza gwarancja obowiązuje wyłącznie w odniesieniu do produktów zakupionych na terytorium Rzeczypospolitej Polskiej.
3. Opisane usterki produktu zostaną bezpłatnie usunięte na podstawie zaakceptowanej gwarancji poprzez PRIME3 lub autoryzowany serwis gwarancyjny. Wykonanie obowiązków gwarancyjnych nastąpi w terminie 21 dni od dnia dostarczenia produktu do serwisu.
4. PRIME3 lub autoryzowany serwis zastrzegają sobie prawo do swobodnego decydowania, czy jako alternatywa do naprawy produktu nie nastąpi jego wymiana. Może to być również produkt równoważny. PRIME3 lub autoryzowany serwis nie ponoszą odpowiedzialności za możliwe niezgodności wynikające z różnicy produktów.
5. Prawo do naprawy gwarancyjnej może być dochodzone wyłącznie po dostarczeniu uszkodzonego produktu do serwisu.
6. PRIME3 lub autoryzowany serwis nie ponosi odpowiedzialności za jakiegokolwiek bezpośrednie lub pośrednie straty, np. zysków, wynikające z wady lub usterki produktu.
7. PRIME3 lub autoryzowany serwis nie ponosi odpowiedzialności za utratę danych spowodowaną nieprawidłowym działaniem produktu.
8. PRIME3 lub autoryzowany serwis zastrzegają sobie prawo do odmowy naprawy produktu w okresie gwarancyjnym, jeśli numer seryjny produktu został usunięty, zmieniony lub jest nieczytelny.
9. Gwarancja nie obejmuje zarysowań lub przebarwień. Ponadto, gwarancja wygasa w całości z powodu szkód spowodowanych przez: niewłaściwe/niedbałe obchodzenie się z produktem, nieprzestrzeganie instrukcji obsługi, użycie niezgodnie z przeznaczeniem, naprawy/zmiany lub konserwacje, które nie były wykonywane przez autoryzowany serwis, uszkodzone wyposażenie, niewłaściwe akcesoria, nieprawidłowe podłączenie, niewłaściwy montaż, nieprawidłową instalację oprogramowania, niewłaściwe przechowywanie (w skrajnych temperaturach lub wilgotności), dostanie się wody, piasku, kurzu itp. do produktu, siły wyższe, takie jak błyskawica/przebieganie/ogień.
10. Gwarancja nie obejmuje: czyszczenia produktu, serwisu na życzenie Klienta, aktualizacji oprogramowania, które jest oferowane Państwu do pobrania z naszej strony internetowej.
11. Wszystkie części, które zostały zastąpione lub wymienione w trakcie naprawy, stają się własnością firmy PRIME3.
12. PRIME3 lub autoryzowany serwis powszechnie używają fabrycznie nowych części, jednak zastrzegają sobie prawo do wykorzystania części odnowionych lub naprawianych.
13. Naprawa i serwis produktu przez autoryzowany serwis odbywa się zgodnie ze specyfikacjami firmy PRIME3.
14. Podczas dostarczenia do serwisu, uszkodzony produkt musi zostać dobrze zapakowany/zabezpieczony w oryginalnym opakowaniu w celu ochrony przed dalszymi uszkodzeniami podczas transportu. PRIME3 lub autoryzowany serwis nie ponosi odpowiedzialności za jakiegokolwiek szkody, które mogą powstać w trakcie przesyłki do serwisu w wyniku nieodpowiedniego zabezpieczenia produktu. PRIME3 lub autoryzowany serwis nie ponosi odpowiedzialności za utratę mienia podczas przesyłki do serwisu.
15. PRIME3 lub autoryzowany serwis nie zapewnią Klientowi produktów zastępczych na czas naprawy.
16. Niniejsza gwarancja udzielana jest wyłącznie konsumentom, to jest osobom fizycznym nabywającym produkt na podstawie czynności prawnej niezwiązanej bezpośrednio z ich działalnością gospodarczą lub zawodową.
17. Do reklamowanego na zasadach niniejszej gwarancji produktu musi zostać dołączony oryginalny dowód zakupu oraz szczegółowy opis usterki.
18. Niniejsza gwarancja, nie ogranicza ani nie zawiesza uprawnień kupującego wynikających z przepisów o rękojmi za wady rzeczy sprzedanej.

Celem realizacji niniejszej gwarancji należy skontaktować się bezpośrednio ze sprzedawcą, od którego zakupiono niniejszy produkt; będzie on Państwa przedstawicielem w okresie gwarancyjnym. Dodatkowe informacje można również znaleźć na naszej stronie internetowej. Ponadto, uszkodzony produkt można wysłać bezpośrednio do serwisu:

2N-Everpol Sp. z o.o.

Poła 6, 05-500 Chylczki, tel. 22 331 99 53

info@prime3.pl, www.prime3.pl

Zasady bezpieczeństwa:

- Zapoznaj się i przestrzegaj lokalnych przepisów ruchu drogowego.
- Zawsze noś atestowany kask oraz inne elementy ochraniające łokcie, kolana i nadgarstki.
- Sprawdź stan naładowania akumulatora po włączeniu hulajnogi elektrycznej. Jeśli stan naładowania akumulatora jest niższy niż 25%, nie wybieraj się na dłuższą przejażdżkę.
- Sprawdź wygląd zewnętrzny i stan techniczny hulajnogi elektrycznej. Zwróć szczególną uwagę, czy którekolwiek elementy nie są poluzowane i czy urządzenie nie wydaje niepokojących dźwięków.
- Użytkownik powinien być zdrowy, wyspany, powinien być trzeźwy i nie przyjmować przed jazdą żadnych leków uspokajających i psychotropowych.
- Pamiętaj, że podczas jazdy jesteś wyższy, dlatego uważaj podczas przejazdu przez drzwi, uważaj na znaki, gałęzie oraz inne górne przeszkody, aby chronić głowę przed urazem.
- Niniejszy sprzęt może być użytkowany przez dzieci w wieku co najmniej 14 lat i przez osoby o obniżonych możliwościach fizycznych, umysłowych i osoby o braku doświadczenia i znajomości sprzętu, jeżeli zapewniony zostanie nadzór lub instruktaż odnośnie użytkowania sprzętu w bezpieczny sposób, tak aby związane z tym zagrożenia były zrozumiałe. Dzieci nie powinny bawić się sprzętem. Dzieci bez nadzoru nie powinny wykonywać czyszczenia i konserwacji sprzętu.
- Używaj tylko oryginalnych akcesoriów do urządzenia lub rekomendowanych przez producenta. Używanie akcesoriów nierekomendowanych przez producenta może doprowadzić do uszkodzenia urządzenia oraz zagrozić bezpieczeństwu użytkownika.
- Zasilacz należy podłączyć wyłącznie do gniazdka o charakterystyce zgodnej z wartościami na tabliczce znamionowej.

- Jeśli przewód lub wtyczka zasilacza są uszkodzone bądź wtyczka jest luźna w gniazdku elektrycznym, nie ładuj urządzenia oraz nie zasilaj go z sieci.
- Odłączaj zasilacz od gniazdka elektrycznego, gdy nie jest on używany.
- Nigdy nie zanurzaj zasilacza w wodzie lub innych cieczach.
- Nie podłączaj oraz nie odłączaj zasilacza od źródła zasilania mokrymi rękami.

Całkowicie zabronione:

- Nie wolno jeździć hulajnogą w strefach zakazanych przez prawo lokalne lub krajowe.
- Zabronione jest poruszanie się po zboczach, których kąt nachylenia przekracza 15 stopni, nie wjeżdżaj w kałuże lub zbiorniki wodne, których głębokość jest większa niż 5cm.
- Nie wolno jeździć hulajnogą po schodach.
- Nie wolno jeździć po drogach przeznaczonych dla samochodów, poboczach a także drogach, na których obowiązuje zakaz poruszania się.
- Zabronione jest poruszanie się na hulajnodze w kilka osób a także przewożenie dzieci, również w odpowiednich nosidłach.
- Zabronione jest poruszanie się na hulajnodze bez trzymania kierownicy.
- Zabronione jest samodzielne poruszanie się na hulajnodze dzieciom poniżej 14 lat oraz osobom w wieku powyżej 60 lat. Podczas jazdy muszą takim osobom towarzyszyć inni członkowie rodziny lub opiekunowie. Zabroniona jest jazda na hulajnodze kobietom w ciąży, osobom nietrzeźwym, z zaburzeniami psychicznymi oraz osobom niepełnosprawnym z ograniczoną zdolnością kierowania.
- Nie wolno jeździć na hulajnodze w miejscach niebezpiecznych i zagrożonych pożarem lub wybuchem.
- Nie wolno wykonywać połączeń telefonicznych podczas

przewodzenia hulajnogi.

- Unikaj jazdy podczas złych warunków atmosferycznych, takich jak ulewny deszcz, śnieg, silny wiatr oraz po oblodzonej, śliskiej lub błotnistej drodze.

UWAGI PRZED ROZPOCZĘCIEM JAZDY!

- Niniejsza hulajnoga posiada zamontowany w tylnym kole silnik elektryczny. Należy pamiętać, że poruszanie się hulajnogą w deszczu lub po mokrej nawierzchni, może spowodować zamoczenie a w konsekwencji uszkodzenie silnika. Usterka ta nie jest objęta gwarancją.
- Maksymalny zasięg hulajnogi uzależniony jest od wielu różnych czynników, między innymi takich jak: waga użytkownika, nawierzchnia po jakiej porusza się hulajnoga, ukształtowanie terenu, styl i tryb jazdy, warunki atmosferyczne oraz odpowiedni poziom ciśnienia powietrza w kołach.
- Należy również pamiętać, że z biegiem czasu sprawność akumulatora spada. Jest to naturalny proces i nie należy go traktować jako usterkę.




- Hulajnoga posiada pompowane koło dętkowe, która dzięki odpowiedniemu ciśnieniu powietrza w oponie tłumi drgania podczas jazdy.

- Należy regularnie kontrolować ciśnienie w oponach, zarówno w celu zapewnienia optymalnego komfortu jazdy, jak również uzyskania możliwie największego zasięgu na w pełni naładowanym akumulatorze. Hulajnoga posiada standardowe wentyle, dzięki którym możliwe jest pompowanie kół za pomocą ogólnodostępnych kompresorów. W zestawie dołączony jest również adapter ułatwiający napompowanie przedniego koła.
- Poruszanie się hulajnogą z niskim poziomem ciśnienia w oponach jest zabronione, ponieważ może grozić wypadkiem oraz spowodować trwałe uszkodzenie opony, które nie jest objęte gwarancją.
- Prawidłowy zakres ciśnienia w oponach wynosi 2,5 bara (250Kpa, 36PSI).
- Należy regularnie kontrolować stan dokręcenia wszelkich połączeń śrubowych. Po wykryciu ewentualnych luzów, należy je niezwłocznie skasować dokręcając odpowiednie śruby. Występowanie luzów w połączeniach śrubowych jest zjawiskiem normalnym i nie jest objęte gwarancją.

Instrukcja obsługi

Dziękujemy za zakup naszej hulajnogi elektrycznej PRIME3 EES22. Zapoznaj się z niniejszą instrukcją obsługi i zachowaj ją do późniejszego wykorzystania. Zawarte w instrukcji informacje pomogą Ci się zapoznać z poniższymi zagadnieniami:

- Podstawowa obsługa i nauka jazdy na hulajnodze elektrycznej.
- Bezpieczeństwo podczas jazdy na hulajnodze elektrycznej.
- Budowa i konserwacja hulajnogi elektrycznej.

 Urządzenie jest zgodne z wymogami dyrektyw Unii Europejskiej: - Urządzenia elektryczne niskonapięciowe - Low voltage directive (LVD) - Kompatybilność elektromagnetyczna - Electromagnetic compatibility (EMC) Wyrób oznaczony CE na tabliczce znamionowej.



Jeśli na urządzeniu znajduje się znak przekreślonego kosza na śmieci, oznacza to, że produkt jest objęty postanowieniami dyrektywy europejskiej 2012/19/UE. Należy zapoznać się z wymaganiami dotyczącymi lokalnego systemu zbiórki odpadów elektrycznych i elektronicznych. Należy postępować zgodnie z lokalnymi przepisami. Nie wolno wyrzucać tego produktu razem ze zwykłymi odpadami domowymi. Prawidłowe usunięcie starego produktu zapobiegnie potencjalnym negatywnym skutkom dla środowiska naturalnego i zdrowia ludzkiego. Szczegółowe informacje o najbliższym punkcie zbiórki można uzyskać bezpośrednio od sprzedawcy lub w firmie 2N-Everpol Sp. z o.o., ul. Puławska 403A, 02-801 Warszawa, tel. +48 22 331 9959, email: info@prime3.pl.



Urządzenie jest wyposażone w baterie objęte dyrektywą europejską 2006/66/WE. Baterii nie wolno wyrzucać razem z odpadami gospodarstwa domowego. Należy zapoznać się z lokalnymi przepisami dotyczącymi oddzielnej zbiórki baterii, ponieważ prawidłowa utylizacja zapobiegnie potencjalnym negatywnym skutkom dla środowiska naturalnego i zdrowia ludzkiego.

Informacje o ochronie środowiska naturalnego

Opakowanie zawiera tylko niezbędne elementy. Dołożono wszelkich starań, aby trzy materiały składowe opakowania były łatwe do oddzielenia: karton (pudełko), pianka polistyrenowa (zabezpieczenia wewnątrz) i polietylen (torebki, arkusz ochronny). Urządzenie wyprodukowano z materiałów, które można poddać recyklingowi i użyć ponownie po ich demontażu przez wyspecjalizowaną firmę. Należy przestrzegać lokalnych przepisów dotyczących utylizacji materiałów opakowaniowych, zużytych baterii i niepotrzebnych urządzeń.



Produkt został wyprodukowany z wysokiej jakości materiałów i podzespołów, które można poddać recyklingowi i ponownie użyć.

Zawartość opakowania:

- Hulajnoga elektryczna EES22 – 1 szt.
- Zasilacz do ładowania akumulatora – 1 szt.
- Instrukcja obsługi – 1 szt.
- Klucz sześciokątny 6mm do montażu – 2szt.

Główne cechy hulajnogi elektrycznej:

PRIME3 EES22 to innowacyjna, składana hulajnoga elektryczna. Użytkownik może stać na platformie hulajnogi i regulować prędkość za pomocą odpowiedniej manetki i umieszczonej na kierownicy.

- Przednie i tylne koła są symetryczne. 8" pompowane koło przednie oraz 8" koło tylne typu honeycomb zwiększają komfort jazdy.
- Hamulec elektryczny z systemem E-ABS oraz hamulec wspomagający nożny zapewniają najkrótszą drogę hamowania, i mogą lepiej chronić kierującego.
- W urządzeniu zastosowano akumulator litowo-jonowy o pojemności 5 Ah, wysoka moc bez efektu pamięci ładowania, brak zanieczyszczeń.
- Całkowity ciężar urządzenia to 12.4 kg. Składana konstrukcja z jednym kluczem jest gwarancją wygody przenoszenia i przechowywania.

Budowa hulajnogi elektrycznej (Schemat 1):

- | | |
|----------------------------|---|
| 1. Wyświetlacz LCD. | 8. Platforma. |
| 2. Manetka hamulca. | 9. Gniazdo ładowania. |
| 3. Manetka przyspieszenia. | 10. Stopka. |
| 4. Przednie światło LED. | 11. Silnik. |
| 5. Zaczep zabezpieczający. | 12. Tylny hamulec wspomagający (nożny). |
| 6. Mechanizm składania. | 13. Otwór zaczepu zabezpieczającego. |
| 7. Przednie koło. | 14. Tylne światło stopu. |

Budowa wyświetlacza LCD (Schemat 2):

1. Aktualna prędkość.
2. Tryb prędkości.
3. Wskaźnik poziomu naładowania akumulatora.
4. Oświetlenie LED.
5. Przycisk zasilania/światła LED.
6. Przycisk trybu prędkości.
7. Ikona tempomatu.

Opis przycisków/funkcji:

1. Przycisk zasilania: naciśnij i przytrzymaj przycisk zasilania, aby włączyć / wyłączyć zasilanie.
2. Przycisk przyspieszania: naciśnij prawy przycisk przyspieszenia, aby rozpocząć jazdę i przyspieszyć.
3. Hamulce: naciśnij manetkę hamulca, aby zahamować. Podczas hamowania zaświeci się tylne światło stopu.
4. Tryb prędkości: krótko naciśnij przycisk trybu prędkości, aby wybrać tryb prędkości:
 - a. Tryb dla początkujących: niska prędkość (do 6 km/h), ikona S (biała).
 - b. Tryb normalny: średnia prędkość (do 15 km/h), ikona S (pomarańczowa).
 - c. Tryb sportowy: wysoka prędkość (do 25 km/h), ikona S (czerwona).
5. Oświetlenie LED: Naciśnij dwukrotnie przycisk zasilania, aby włączyć przednie światło LED; ponownie dwukrotnie naciśnij przycisk, aby wyłączyć światło LED.
6. Tryb tempomatu: utrzymuj aktualną prędkość przez około 6 sekund, aby włączyć tryb tempomatu; naciśnij manetkę przyspieszania lub manetkę hamulca aby wyłączyć funkcję tempomatu.

Rozpakowanie:

Po otwarciu kartonowego opakowania, najpierw wyjmij hulajnogę i sprawdź czy wszystkie elementy są kompletne. Jeżeli czegokolwiek brakuje skontaktuj się ze sprzedawcą. Należy sprawdzić stan urządzenia i jego wygląd zewnętrzny, czy system składania jest odpowiednio stabilny, czy platforma nie posiada pęknięć. Sprawdź również czy ekran wyświetlacza nie jest uszkodzony.

Montaż (Rys.1)

Po rozpakowaniu i sprawdzeniu stanu wszystkich elementów można przystąpić do montażu hulajnogi. Postępuj zgodnie z instrukcjami zawartymi w Rysunku 1:

1. Stan na plastikowej podpórcie i wyciągnij widelec hulajnogi.
2. Wyciągnij gumowe zaślepki i odkręć śrubę przedniej osi, używając 2 sześciokątnych kluczy 6 mm (w zestawie).
3. Zamontuj przednie koło i przykręć śrubę przedniej osi, używając 2 sześciokątnych kluczy 6 mm (w zestawie).
4. Załóż ponownie gumowe zaślepki. Hulajnoga jest gotowa do użytku.
5. Dokręć rączki kierownicy (zwróć uwagę na kierunek dokręcania).

Rozkładanie (Rys.2)

1. Naciśnij tylny błotnik, aby zwolnić blokadę i podnieść drążek kierownicy do pozycji pionowej;
2. Zablokuj mechanizm składania podnosząc klucz maksymalnie do góry, zabezpiecz klucz przed samoczynnym odblokowaniem.

Składanie (Rys.3)

1. Otwórz mechanizm zabezpieczający pociągając go maksymalnie do dołu.
2. Delikatnie złóż drążek kierownicy pociągając go w dół; Przybliż hak zamocowany na drążku kierownicy do otworu w tylnym błotniku i dociśnij w celu zablokowania.

Ładowanie akumulatora

- Należy upewnić się, że gniazdko elektryczne jest suche.
- Aby naładować akumulator, otwórz pokrywę gniazda ładowania akumulatora (9) znajdującego się w dolnej części platformy.
- Podłącz wtyczkę zasilacza do źródła zasilania, sprawdź, czy zielona lampka ładowarki świeci normalnie, włóż drugą wtyczkę zasilacza do gniazda ładowania akumulatora hulajnogi.
- Gdy czerwona lampka kontrolna w zasilaczu świeci, oznacza to poprawne ładowanie akumulatora, w przeciwnym razie sprawdź wszystkie połączenia kabli.
- Gdy czerwona lampka kontrolna zmieni kolor na zielony, oznacza to pełne naładowanie akumulatora. Odłącz zasilacz od źródła zasilania. Długotrwałe ładowanie może skrócić żywotność baterii.
- Postępuj zgodnie z zaleceniami dotyczącymi ładowania akumulatora, w przeciwnym razie spowoduje to uszkodzenie akumulatora i skróci jego żywotność.
- Czas ładowania akumulatora hulajnogi wynosi około 4 godzin. Producent nie może zagwarantować takiego samego czasu ładowania i działania akumulatora ze względu na jego zużywanie się.
- Należy zapewnić czyste i suche warunki podczas ładowania akumulatora
- Nie ładuj akumulatora, gdy gniazdko zasilania jest mokre.

Przewodnik bezpiecznej jazdy

Treść tego rozdziału jest bardzo ważna, przeczytaj ją uważnie i przestrzegaj wszystkich zasad i procedur bezpieczeństwa. Nasza firma nie ponosi odpowiedzialności za jakiegokolwiek wypadek, które skutkują stratami majątkowymi lub utratą zdrowia z powodu naruszenia niniejszego przewodnika bezpiecznej jazdy.

Hulajnoga elektryczna to narzędzie do rozrywki ale również środek transportu.

Zachowanie odpowiednich zasad bezpieczeństwa podczas jazdy może uchronić Ciebie i innych przed wypadkiem. Należy pamiętać, że używanie hulajnogi w terenie i na drogach publicznych wiąże się z ryzykiem kolizji spowodowanych przez innych uczestników ruchu, nawet jeśli dostosujesz się do

wszystkich zasad bezpieczeństwa. Bardzo ważne jest, aby zachować odpowiednią odległość od innych uczestników ruchu oraz innych pojazdów.

Poruszanie się na hulajno dze

- Podczas poruszania się na hulajnodze należy przestrzegać lokalnych przepisów ruchu drogowego.
- Należy prowadzić hulajnogę rozważnie i spokojnie, zwracając uwagę na innych ludzi i przedmioty, aby uniknąć kolizji.
- Poruszaj się na hulajnodze w bezpieczny sposób przy zachowaniu kontrolowanej prędkości oraz odpowiedniej odległości od pieszych i innych pojazdów. Bądź gotowy do zatrzymania się w każdym momencie. Unikaj nagłego przyspieszania i gwałtownego hamowania.
- Poruszając się po chodniku szanuj prawa pieszych, ustępuj im podczas przechodzenia przez pasy, nie strasz przechodniów w szczególności dzieci.
- Należy dostosować prędkość poruszania się na hulajnodze do innych użytkowników drogi w miejscach zatłoczonych. Jeśli chcesz wyprzedzić grupę pieszych upewnij się, że masz wystarczająco dużo miejsca i wykonasz ten manewr w sposób bezpieczny. Poruszanie się w tłumie z dużą prędkością jest bardzo niebezpieczne.
- Nie należy parkować hulajnogi w miejscu, które będzie utrudniało poruszanie się pieszym.
- Podczas poruszania się hulajnogą należy być rozluźnionym, mieć delikatnie ugięte kolana i uniesioną głowę.



W przypadku nagłego przyspieszania lub gwałtownego hamowania podczas jazdy z dużą prędkością kierujący bardzo łatwo może stracić równowagę i ostatecznie doprowadzić do wypadku. Staraj się unikać takich sytuacji.

Pierwsza jazda

Przygotowanie

- Wybierz właściwe miejsce. To miejsce może być wewnątrz lub na zewnątrz, musi mieć powierzchnię 10 x 10 metrów (około 100 metrów kwadratowych). Miejsce powinno być płaskie, nie mokre i śliskie, bez przeszkód, bez pojazdów, dzieci, zwierząt domowych lub jakichkolwiek innych rzeczy, które mogłyby odwrócić twoją uwagę.
- Zapoznaj się dokładnie z niniejszą instrukcją, jeśli masz taką możliwość skorzystaj z porad osoby bardziej doświadczonej w zakresie bezpiecznej jazdy.
- Noś kask oraz ochraniacze w celu uniknięcia możliwych obrażeń. Przenieś hulajnogę na środek miejsca, po którym będziesz się poruszał i zapoznaj się z obszarem.

Uruchomienie

- Naciśnij i przytrzymaj przycisk zasilania przez 3 sekundy aby włączyć hulajnogę; Następnie wybierz jeden z trzech trybów prędkości.
- Postaw jedną nogę na platformie, drugą nogą odepchnij się wprawiając hulajnogę w ruch;
- Postaw drugą nogę na platformie i staraj się utrzymać równowagę;
- Kciukiem prawej ręki naciśnij przycisk przyspieszania, nie jedź zbyt szybko;
- Naciśnij manetkę aby zahamować;
- Gdy hulajnoga porusza się z niewielką prędkością lub całkowicie zatrzyma się można zejść z platformy;

Regulacja przedniego drążka (Rys. 4)

Jeśli uważasz, że przedni drążek nie jest wystarczająco napięty, użyj klucza sześciokątnego, aby dokręcić dwie śruby w mechanizmie składania.

Czyszczenie i przechowywanie

- Wyczyść hulajnogę po każdej jeździe.
- Jeśli gumowane powierzchnie mają trudne do czyszczenia zabrudzenia, użyj szczoteczki i pasty do zębów, a następnie wyczyść te miejsca miękką szmatką. Ta metoda może również usunąć niewielkie zarysowania.
- Przechowuj hulajnogę w pomieszczeniach zamkniętych, w chłodnych i suchych miejscach. Nie wystawiaj hulajnogi na długotrwałe działanie promieni słonecznych. Podczas czyszczenia gniazdo ładowania akumulatora musi być szczelnie zamknięte, w przeciwnym razie możesz zostać porażony prądem i poważnie uszkodzić hulajnogę. Nie wolno myć hulajnogi pod strumieniem wody o wysokim ciśnieniu ani zanurzać jej w wodzie – może to spowodować nieodwracalne zniszczenie urządzenia.

Konserwacja akumulatora

Akumulator jest najważniejszą częścią do utrzymania. Aby przedłużyć jego żywotność, postępuj zgodnie z poniższymi instrukcjami:

- Przeczytaj i postępuj zgodnie z uwagami dotyczącymi oznaczenia baterii.
- Najlepsza temperatura przechowywania akumulatora wynosi 0 stopni. Nie należy przechowywać akumulatora w temperaturze niższej niż -10 stopni lub wyższej niż 35 stopni.
- Jeśli temperatura otoczenia jest niższa niż 0 stopni nie ładuj akumulatora, przenieś akumulator w miejsce, gdzie temperatura będzie wyższa, niż 10 stopni, odczekaj chwilę i dopiero zacznij ładować akumulator.
- Przechowuj akumulator w pomieszczeniu, w chłodnym i suchym miejscu. Bardzo wilgotne miejsce może spowodować kondensację pary wodnej wewnątrz akumulatora, co może szybko uszkodzić akumulator.
- Gdy na wyświetlaczu wyświetlany jest niski poziom stanu naładowania akumulatora należy go podłączyć do ładowania. Staraj się nie dopuścić do całkowitego rozładowania akumulatora. Proszę naładować akumulator do pełna przed rozpoczęciem jazdy. Częste ładowanie nie uszkodzi akumulatora. Wręcz przeciwnie, długotrwałe przechowywanie nienaładowanego akumulatora może skrócić jego żywotność.
- Jeśli w ciągu 30 dni hulajnoga nie była używana, należy naładować akumulator, w przeciwnym razie istnieje prawdopodobieństwo jego awarii, która nie jest objęta gwarancją.
- Podczas korzystania z urządzenia w temperaturze pokojowej akumulator będzie zachowywał optymalną sprawność. Jeśli akumulator będzie eksploatowany w temperaturze 0 ° C jego sprawność znacznie spadnie, a w temperaturze poniżej - 10 ° C maksymalny dystans może się skrócić nawet o połowę lub więcej.

Funkcje i specyfikacja

- Silnik: 250 W
- Akumulator: 36 V 5,0 Ah
- Maksymalna prędkość: do 25 km/h (3 stopniowa regulacja prędkości)
- Zasięg: do 15 km (w zależności od obciążenia i rodzaju nawierzchni)
- Maksymalne obciążenie: 100 kg
- Nachylenie podjazdu: 8 stopni
- Funkcja tempomatu
- Hamulce - elektroniczny + wspomagający (nożny) Koło przednie - 8 " pompowane (dętkowe)
- Koło tylne - 8 " typu honeycomb
- Przednie i tylne światło LED
- Wyświetlacz LED pokazujący prędkość i stan naładowania akumulatora
- Dzwonek ostrzegawczy
- Łatwy mechanizm składania
- Prąd ładowania: 42 V 1,5 A
- Czas ładowania: ~ 4 godzin
- Wymiary: 1060 x 420 x 460/1160 mm (złożona/rozłożona)
- Waga netto: 12,4 kg

Informacje o zasilaczu		
Informacje opublikowane	Wartości i dane	Jednostka
Nazwa producenta lub znak towarowy Numer rejestru handlowego	Shenzhen Fuyuandian Power Co., Ltd 8F, Building A9,TianRui Industrial Park, 1st Fuyuan Road,Xinhe,Fuyong,Baoan,Shenzhen	
Identyfikator modelu	FY0634201500	
Napięcie wejściowe	100-240	V
Wejściowa częstotliwość prądu przemiennego	50-60	Hz
Napięcie wyjściowe	42	V
Wyjściowe natężenie prądu	1.5	A
Moc wyjściowa	63	W
Średnia wydajność czynna	90	%
Wydajność przy niskim obciążeniu (10 %)	80	%
Pobór mocy bez obciążenia	0.5	W

WE – DEKLARACJA ZGODNOSCI

01/2021/EES22

2N-Everpol Sp. z o.o.
ul. Puławska 403A
02-801 Warszawa
Poland

PRIME³

Dane rejestrowe:
Puławska 403A
02-801 Warszawa, Polska

Adres korespondencyjny:
Polna 6
05-500 Chylichy, Polska
Telefon +48 22 331 99 59
Fax +48 22 331 99 50

Numer konta
IBAN: PL 97 1160 2202 0000 0000
9062 2569
SWIFT: BIGBPLPW
Bank Millennium S.A

Osoba upoważniona do przygotowania dokumentacji technicznej:
Tomasz Jakóbczyk
ul. Puławska 403A
02-801 Warszawa

Deklarujemy, na naszą wyłączną odpowiedzialność, że produkt:

Typ urządzenia: **Hulajnoga elektryczna**

Symbol: **EES22**

Jeżeli jest stosowany zgodnie z przeznaczeniem, spełnia zasadnicze wymogi w zakresie poniższych dyrektyw:

2014/30/EU (Dyrektywa EMC)

2014/35/EU (Dyrektywa LVD)

2006/42/EC (Dyrektywa maszynowa MD)

2011/65/EU (Dyrektywa RoHS)

EC 1907/2006 (Dyrektywa REACH) Żadna z substancji użytych w produkcji nie przekracza granicy stężenia wagowego 0,1%

Ocena tego produktu została oparta na następujących normach:

Normy EMC:

EN 61000-6-1:2007 | EN 61000-3-2:2014

EN 61000-3-3:2013+A1:2019

EN 61000-6-3:2007+A1:2011+AC:2012

EN 55014-1-2:2006+A1:2009+A2:2011

EN 55014-2:1997+A1:2001+A2:2008

Normy LVD:

EN 60335-1:2012+AC:2014+A11:2014+A13:2017+A1:2019+A2:2019+A14:2019

Normy MD:

EN 60204-1:2006+AC:2010

EN ISO 12100:2010

Norma RoHS:

EN 50581:2012

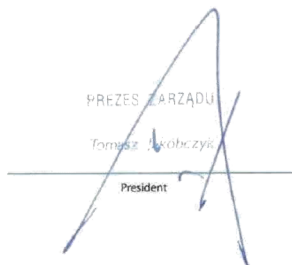
Inne normy:

EN 14619:2015

EN 17128:2017

Warszawa, 17.02.2021

PREZES Zarządu
Tomasz Jakóbczyk
President



2N-Everpol Sp. z o.o.
Dane rejestrowe:
Puławska 403A
02-801 Warszawa, Polska

Sąd Rej.: XIII Wydz. Gosp. Sądu Rej. Warszawa
Prezes: Tomasz Jakóbczyk
NIP.: PL9512079512

Numer konta
IBAN: PL 97 1160 2202 0000 0000 9062 2569
SWIFT: BIGBPLPW
Bank Millennium S.A

Polecamy również inne produkty marki **EPRIME³**



EES21RD/BL/WH



ESS41GR/WH





2N-Everpol Sp. z o.o.
ul. Puławska 403A
02-801 Warsaw, Poland
phone: +48 22 331 99 59
e-mail: info@prime3.pl
www.prime3.pl

W przypadku pytań lub problemów
prosimy o kontakt z naszym serwisem.
In case of questions or problems
please contact our service.
Tel. 00 48 22 331 99 54
E-mail: info@prime3.pl

Wszelkie prawa zastrzeżone. Wszystkie nazwy marek są zarejestrowanymi
znakami towarowymi należącymi do odpowiednich podmiotów.
Dane i parametry techniczne mogą ulec zmianie bez wcześniejszego uprzedzenia.

All rights reserved. All brand names are registered trademarks of their
respective owners. Specifications are subject to change without prior notice.