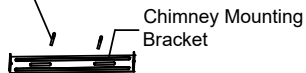
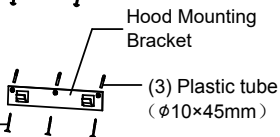


(2) Plastic tube  
( $\phi 10 \times 45 \text{mm}$ )



(2) ST4.2\*30

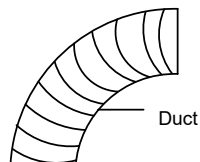


(3) ST5\*45

(2) Plastic tube  
( $\phi 7 \times 27 \text{mm}$ )

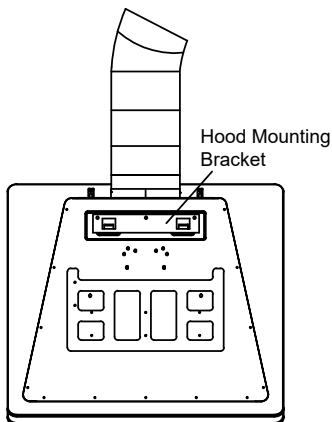
(2) ST2.9\*14

3a

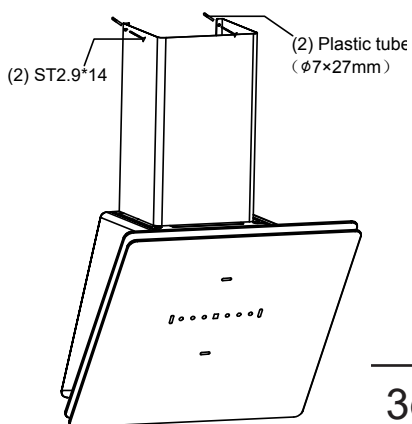


(2) ST3\*6

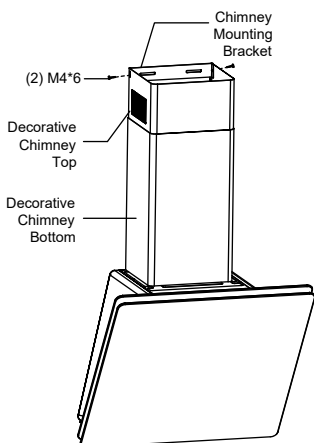
3b



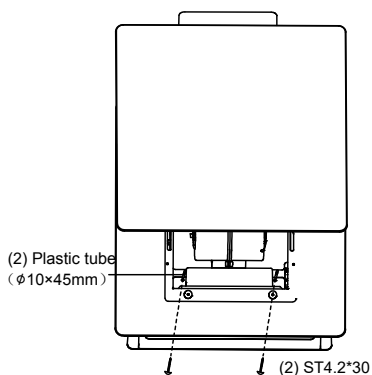
3c



3d



3e



3f