

**Clean Air**  
Optima®

**Manual**

## Clean Air Optima® 2in1: Dehumidifier & Air Purifier

**Model: CA-704 Smart / CA-707 Smart**

User manual  
Gebrauchsanweisung  
Gebruiksaanwijzing  
Mode d'emploi  
Manual del usuario  
Instrukcja obsługi  
Uživatelská příručka  
Manual de utilizare  
Naudotojo vadovas  
Kasutusjuhend  
Lietošanas pamācība  
Руководство  
пользователя  
Прирачник за  
користење

Find more languages on:  
[www.cleanairoptima.com/  
info/manuals](http://www.cleanairoptima.com/info/manuals)

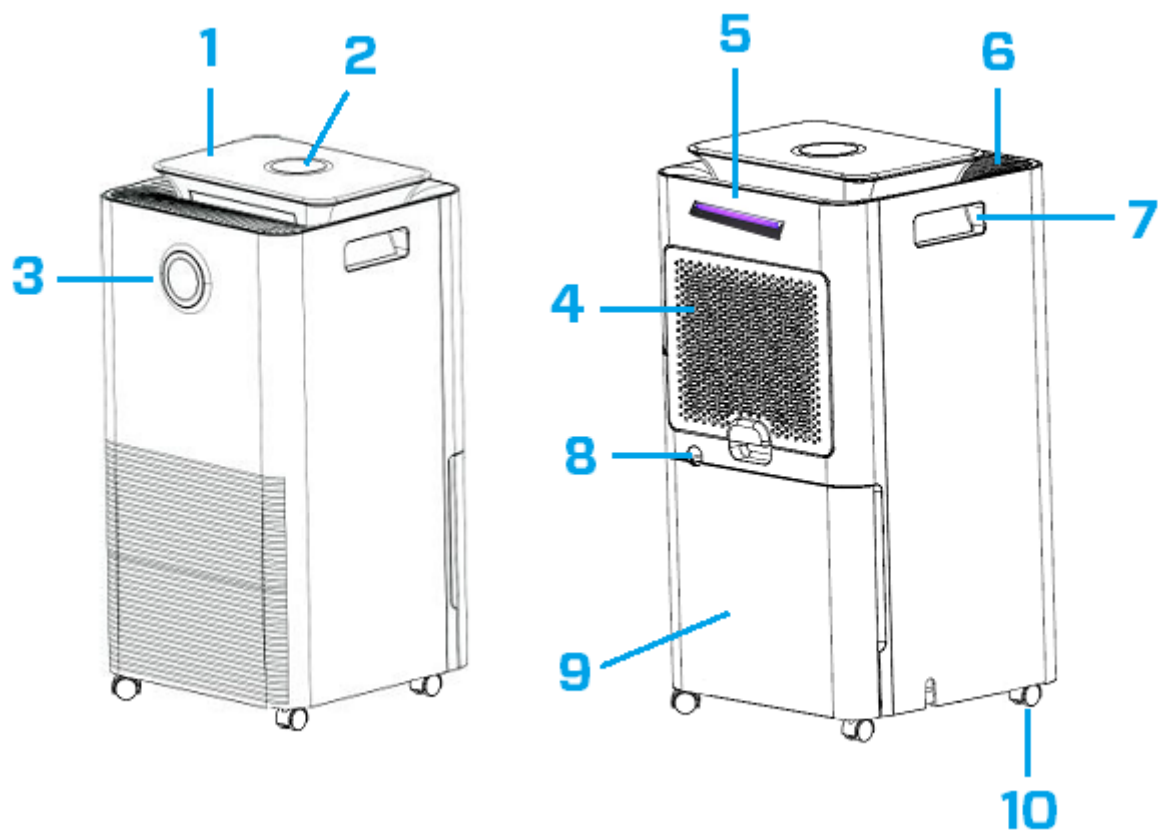


Read these instructions carefully before you start using this Clean Air Optima® device and keep the manual for later usage.

© Copyright: Clean Air Optima®



## CA-704 Smart / CA-707 Smart Main unit



## English

### **Thank you for purchasing the Clean Air Optima® 2in1: Dehumidifier & Air Purifier CA-704 Smart / CA-707 Smart.**

We wish you many years of healthy indoor air with this efficient and effective product. Ensure that all safety precautions are followed when using this electrical appliance for the proper operation of the device. These instructions describe the safety precautions to be observed during operation. They are meant to prevent injuries and to avoid damaging the device.

### **Description**

This Clean Air Optima® device consists of the following main components:

1. Control panel
2. Digital display indicates relative humidity in %, WiFi and function settings
3. Color LED monitor indicates relative humidity in blue (below 53%), green (between 53% - 68%) and red (above 68%)
4. Air inlet and filter frame compartment, includes: Pre-filter, Activated Carbon Filter, True HEPA H13 Filter
5. UV-C lamp position
6. Air outlet and Ionizer position
7. Handle
8. Continuous drainage (water drain, hose connection) Drain hose 1.5 meter included
9. Water tank
10. Caster wheels

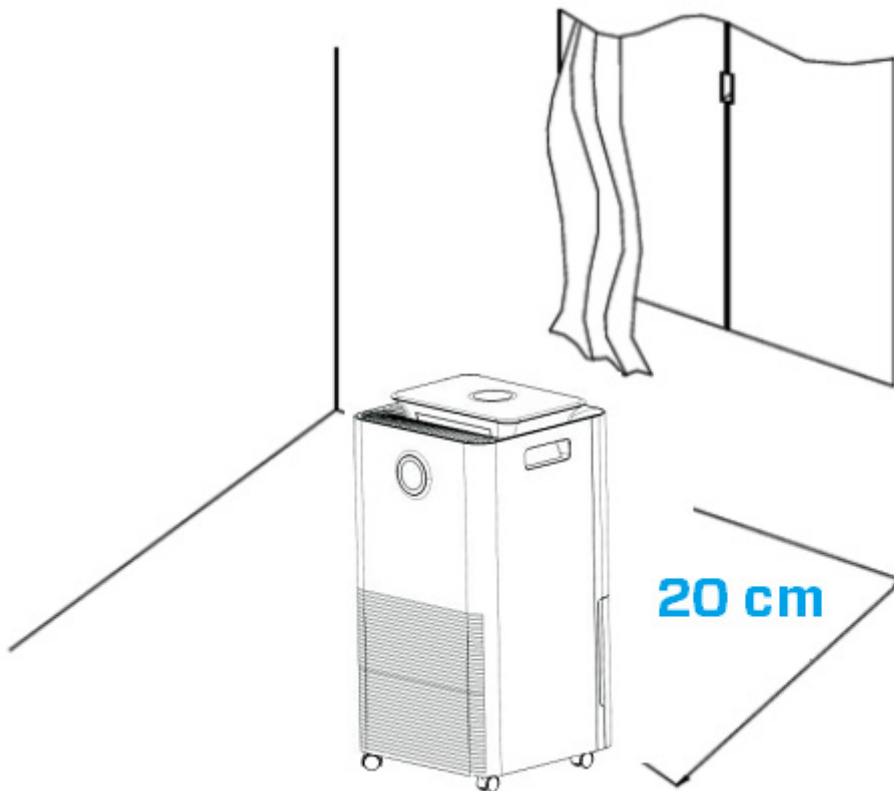
## Safety warnings

This device may only be used in accordance with this safety instructions. Take the following steps to minimize the risk of personal injury caused by for example electric shocks or fire.

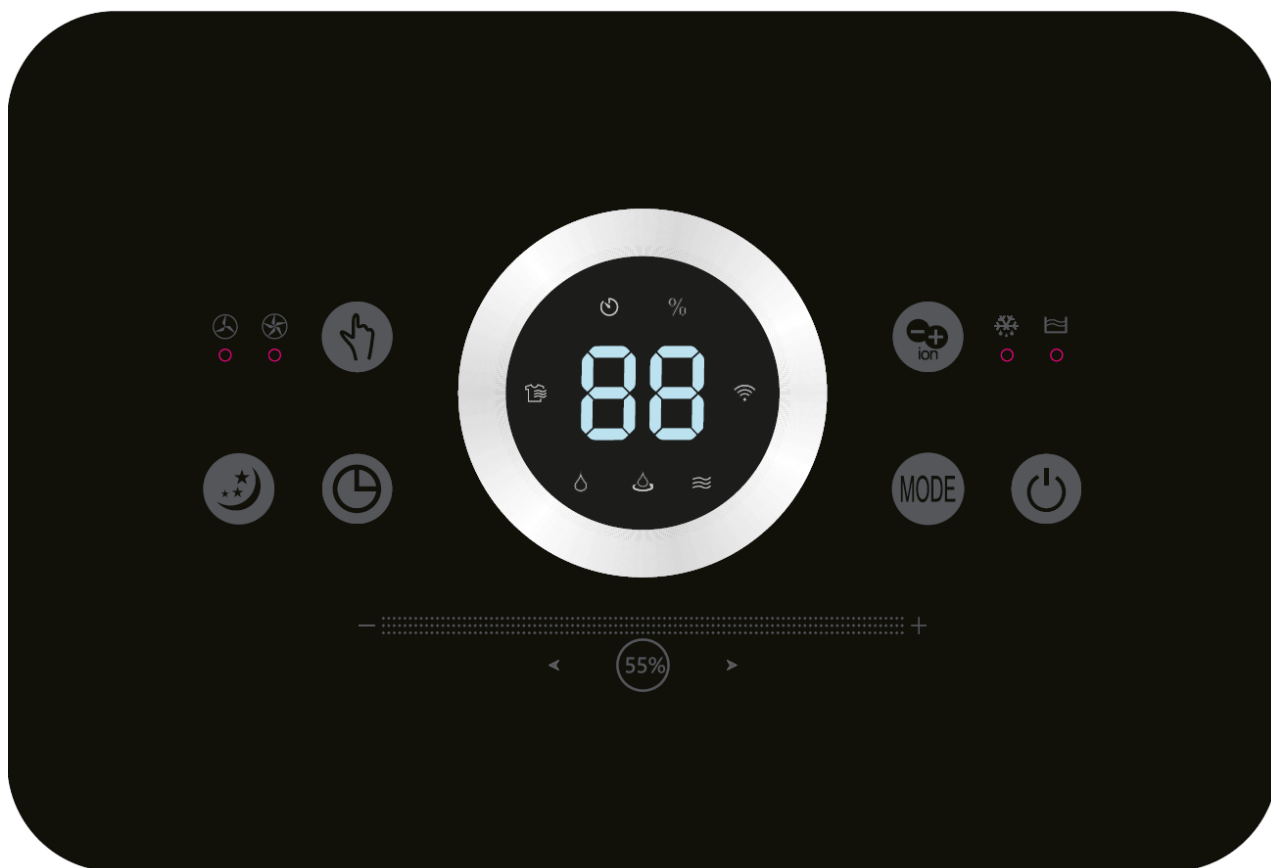
1. Leave the device to stand for at least two hours before use, especially after transportation.
2. Only for indoor use. Do not use or store outdoors.
3. Use proper voltage: AC 220V – 240V, 50/60Hz.
4. Allow a free space of min. 20 cm around the air inlet and air outlet of the device.
5. The appliance is not intended to be used by children or persons with reduced physical, sensory or mental capabilities, unless they are supervised by a person responsible for their safety.
6. Do not use the device when there is visible damage on the electrical cord or on the device itself. Do not repair the device yourself in case of damage. Never pull the device by its cord. If the power cord is damaged, then it must be replaced by an authorized service person to prevent electric shock or fire.
7. Repairs may only performed by authorized service personal. Do not try to repair the device yourself to prevent electric shock or fire.
8. Do not touch the power cord and plug with wet hands.
9. Always switch off the device before disconnecting the plug.
10. Never attempt to turn of the device by disconnecting the plug.
11. Pull the plug when you do not use the device or when you clean internal or external parts of it.
12. For safety use put the device in a steady, horizontal position. Do not move while using.
13. Refrigerant: R290. This refrigerant complies with European environmental regulations. No part of the cooling circuit may be perforated.
14. Do not use the device in rooms where inflammable liquids, gases are stored or close to heat sources like radiator, fire place or heat-generating devices like ceramic heater.
15. Never insert any other object into the body to avoid breakdown.
16. Never cover the air inlet and air outlet grid.
17. Never disassemble or replace the device's inner parts.
18. Use and store the device not under 0°C or above 40°C.
19. Do not tip the unit to any side when the water tank is full.
20. Do not put heavy objects on the unit.
21. Please avoid places with direct sunlight. There is a risk that the device discolors.
22. Never immerse the device in water or other liquids.
23. Empty the water tank regularly. In extreme conditions the water tank may be full after a few hours operation.
24. Clean the Pre-filter regularly, if the Pre-filter is saturated with dust, it will lead to poor purifying and dehumidifying effect. The power consumption will increase, it can cause failure.
25. Replace the Activated Carbon Filter and True HEPA H13 Filter every 3 – 6 months, if the Activated Carbon Filter and True HEPA H13 Filter are saturated, it will lead to poor purifying and dehumidifying effect. The power consumption will increase, it can cause failure.
26. Use, maintain and clean the device as described in this manual.

## Installation

Make sure that the distance from the device is 20 cm away from walls and furniture, see the illustration below.



## Control panel / Operation instruction



### Power

Press the Power Button to activate the device.  
Press the Power Button again, the device turns off.



### MODE

Press the MODE Button to select one of four desired programs:



1. Normal dehumidification (adjustable fan speed and humidity setting)  
*Icon with name in App: Normal*
2. Continuous dehumidification (low fan speed, humidity setting not adjustable)  
*Icon with name in App: Continuous*
3. Continuous air purification (adjustable fan speed, no dehumidifying function)  
*Icon with name in App: Air purification*
4. Dry clothes mode (high fan speed, fan speed and humidity setting not adjustable)  
*Icon with name in App: Dry clothes*



## Humidity sliding setting Button

(Only for MODE program: Normal dehumidification)

By pressing the Humidity sliding setting Button, you can select the desired humidity level by pressing and sliding this button repeatedly until the required humidity level is displayed (from 30% to 80% in increments of 5%). Once you select your desired humidity level, simply stop pressing and sliding the button and your humidity level will be set. When the humidity level in the room reaches the set humidity level, the device will go into automatic sleep state and stops dehumidifying and air purifying. When the room's actual humidity level increases again above your set humidity level, then the device will start dehumidifying and air purifying again.

### Air purification

If the desired humidity level is reached at a constant level, you can switch to program 3 to use the device for continuous air purification.



## Fan Speed

(Only for MODE program: Normal dehumidification and Continuous air purification)

By pressing the Fan Speed Button, you can change the fan speed level. The 2 fan speeds offer individual air flow.



## Negative Ion, *icon with name in App: Ion*

Pressing the Negative Ion Button will activate the negative ion generator with a total capacity of > 3.000.000 negative ions / cm<sup>2</sup> that are spread through out the entire room and thereby neutralize pollutants and smells. Negative ions attach onto dust particles, microorganisms and other unwanted particles in the air and connect them to each other. This way, the particles become heavier than air and fall onto the ground so that you can no longer breathe them in.

Negative ions are most found in the forest, mountains and by the sea.

Negative ions ensures fresh and healthy air.



## Timer

Press the Timer Button to set 0-24 hours timing. Press the button one time, the timer will increase with one hour. When the device is operating, the timer that is set indicates when the device switches off. If the device is in stand-by mode, the timer that is set is to instruct the device when to turn on.



## Sleep

Press the Sleep Button and the sleep mode is activated, the display will turn of in ca. 3 seconds. Press the Sleep Button 2x rapidly to switch back again in the settings before.



## Water Tank Full Indicator Light

When the water tank is full, the device will stop automatically. The Water Tank Full Indicator Light turns on and lights up. Drain the water tank, and return the water tank to the body of the device, the Water Tank Full Indicator Light will turn off. The device will work automatically again.



## Defrosting Indicator Light

The evaporator in the dehumidifier may defrost automatically if it is operated with a room temperature less than 18 °C. The defrosting device in the dehumidifier may start up and operate for some time (about 5 minutes) automatically every 25 minutes or even longer.

- During the defrosting operation, the dehumidification function and air purification function may intermit.
- Don't turn off the power or pull out the power plug of the device during the defrosting operation.

## Operation with Clean Air Optima® App

### Connectivity

#### Compatibility with smartphone and tablet:

iPhone, iPad and Android devices

#### Device connects via WiFi with App:

CleanAirOptima



### About the Clean Air Optima® App

#### Set up WiFi connection

1. Download and install the "CleanAirOptima" App in the App Store or Google Play Store.
2. Make an account and log in.
3. Plug the device into the power socket and switch it on. The WiFi indicator will blink.
4. Make sure that your smartphone or tablet is successfully connected to your WiFi network.
5. Open the 'CleanAirOptima' App and click on 'Add device' . Your device is listed and you can select it. If not choose 'Auto Scan'. Follow the on-screen instructions to connect the device to your network.
6. Choose to add the Clean Air Optima® device on the App, follow the instructions in the App.
7. When the device is paired, the WiFi indicator light stays on constantly.
8. After the configuration is successful, you can use the Clean Air Optima® App to operate the device.



**Note:**

- If your default network has changed, reset the WiFi connection, follow step 1 to 9 in the 'Set up WiFi connection' section.
- If you want to pair multiple devices to your smartphone or tablet, you have to do this one after the other.
- Make sure that the distance between your smartphone or tablet and the device is less than 5 meters and there are no obstacles. Also make sure you are in the same room as the device.

**Reset the WiFi function:**

- The device must be switched off.
- Reset the WiFi by pressing the 'Mode' button for 5 seconds, the indicator light of the WiFi will blink rapidly.

**Turn off WiFi function:**

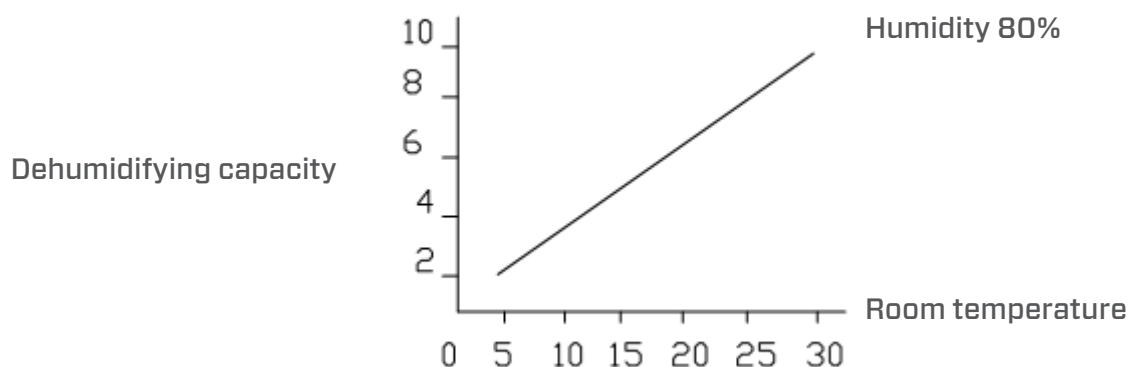
- The device must be switched off.
- Reset the WiFi by pressing the 'Mode' button for 5 seconds, the indicator light of the WiFi will blink rapidly.
- Turn of the WiFi by pressing the 'Mode' button for another 5 seconds, the indicator light of the WiFi will go out.

**Room temperature increases during operation**

The Clean Air Optima<sup>®</sup> dehumidifier doesn't have a cooling function. The device will produce heat during operation and increase the room temperature between 1 °C to 4 °C.

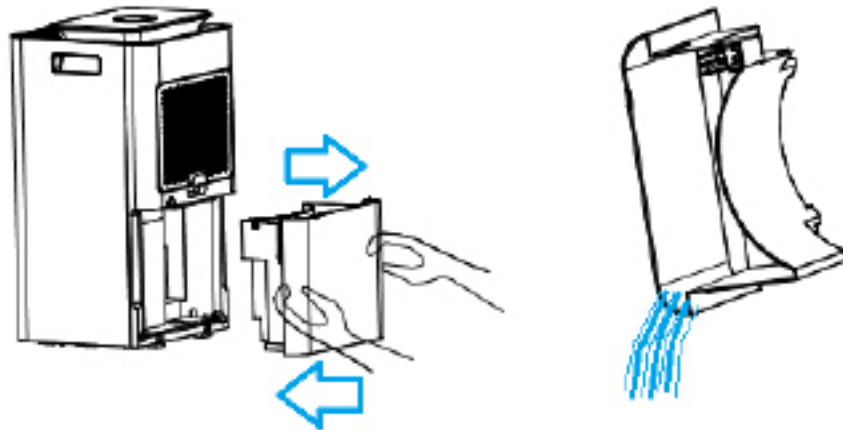
**Dehumidifying capacity**

The illustration below shows the dehumidifying capacity of the Clean Air Optima<sup>®</sup> dehumidifier. By different temperatures and relative humidity, the dehumidifier may have different dehumidifying capacities.



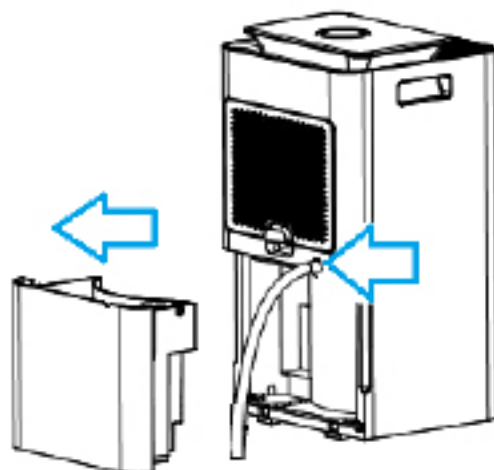
## Water Drainage

The Water Tank Full Indicator Light will light up when the water tank is full. Take out the water tank and empty the water inside. Then put the water tank back into the dehumidifier correctly, see the illustration below.



## Continuous Drainage

For continuous operation you can use the drain hose of 1.5 meter long that is included. Remove the water tank and install the hose to the water drain hose connection correctly, see the illustration below.



## Maintenance

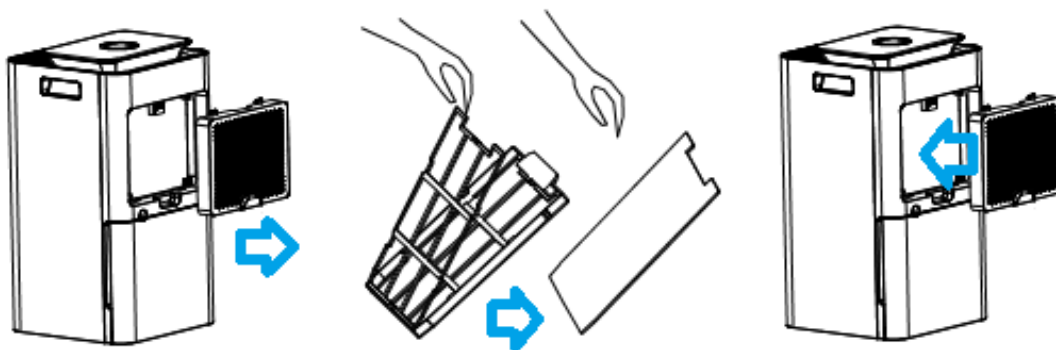
### Cleaning the housing of the Clean Air Optima<sup>®</sup> dehumidifier

1. Switch off the device and pull the plug.
2. Use a soft and humid piece of cloth to clean the device. Do not use chemical solvent such as benzene, alcohol or gasoline.
3. Make sure that **no water** gets into the device, do not sprinkle with water.

### Replacing of filters

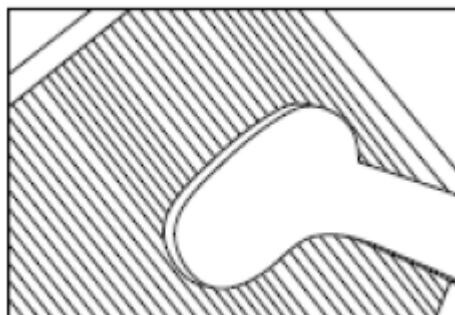
Depending on the use, the **Activated Carbon Filter** and **True HEPA H13 Filter** has a lifespan of approx. 3 – 6 months. The **Pre-filter** and **UV-C lamp** are permanent, no replacement needed.

Take out the filters from the filter frame compartment. After filter replacement or filter cleaning reinstall the filters back into the filter frame compartment and assemble back to the device, see the illustration below.



### Filter cleaning

The best effect for a longer lifespan of the Filters is reached by cleaning the filters once a month. If indoor air is extremely polluted, we advice to clean the filters more often ca. once per two weeks.



Clean the **Pre-filter**, **Activated Carbon Filter** and **True HEPA H13 Filter** carefully with a brush or your vacuum cleaner. That way bigger dust particles like lint, hair, dust and dander of pets can be removed from the filters.

## **Warning!**

Do not damage the filters, the filters must not be cracked. Damaged filters needs to be replaced.

Never wet or rinse the filters (Only for **Activated Carbon Filter** and **True HEPA H13 Filter**) with water. Filters that are rinsed with water needs to be replaced.

## **Signs for used up filters that needs to be replaced**

(Only for **Activated Carbon Filter** and **True HEPA H13 Filter**)

Increased sound, reduced air flow, congested filters, rising presence of smells. Filters needs also to be replaced by new ones when the True HEPA H13 Filter changes its color from white to grey or black. If the True HEPA H13 Filter remains white, there is NO need to replace the filters.

## **How to order filters:**

Contact **Clean Air Optima® Customer Service** tel. + 31 (0) 742670145 or visit our webshop: <https://www.cleanaioptima.com/accessoires/mg/44/>

## **Clean Air Optima® dehumidifier storage**

If the dehumidifier will not be used for an extended period of time:

1. Drain the water tank completely and make sure that there is no water stocked inside the water tank.
2. Unplug the device and fold up the power supply cord.
3. Remove and clean the filters. After cleaning reinstall the filters back into the device.
4. Store the dehumidifier in a cool, dry location, away from direct sunlight, extreme temperature and excessive dust.

## Troubleshooting

The following is a troubleshooting guide to help you solve any issues that you may have using the **Clean Air Optima®** dehumidifier **CA-704 Smart / CA-707 Smart**.

Problem	Possible Cause	Solution
Device does not switch on	The power cord does not connect correctly	Connect the power plug and power socket correctly
Inefficiency dehumidification	The water tank is full or water tank is not in the correct position	Drain the water tank and replace the water tank to the correct position
	The filters are blocked by dust	Clean or replace the filters
	The air inlet and outlet have a blockage	Clean the blockage from the air inlet and outlet
	The setting humidity is higher than environmental humidity	Set the humidity at least 5% lower than environmental humidity
Noise	The dehumidifier is in <b>Continuous air purification MODE</b>	Change the operation MODE
	The device is installed askew	Make sure the device is installed uprightly
Operation stops during spot dehumidifying	The filters are blocked	Clean or replace the filters
	The room temperature is higher than the usable operating temperature	The dehumidifying operation will be started automatically when the temperature lowers
Washed clothes are not dried	The room temperature is too low	Washed clothes are hard to be dried under low temperature conditions
<b>Operation with Clean Air Optima® App</b> does not work	Smartphone or tablet is not connected to WiFi network	Switch off the device and reset the WiFi on the device by pressing the Mode button for 5 seconds, the indicator light of the WiFi will blink rapidly. Then follow step 4 to 8 from chapter <b>Operation with Clean Air Optima® App</b>
	The device has no connection to the network	

## WARNING!

If the above recommended solutions do not work, please contact Clean Air Optima® technical support at the telephone number for your region. Do not attempt to disassemble, reassemble, or repair the device as this may void the warranty.

## Specifications CA-704 Smart

<b>Model</b>	<b>CA-704 Smart</b>
For rooms up to	40m <sup>2</sup> / 100m <sup>3</sup> / 430ft <sup>2</sup>
Rated voltage	220V - 240V, 50Hz
Rated power	200W
Fan capacity	120 m <sup>3</sup> /h
Dehumidifying capacity	10 liters per day at 30°C and 80%RH
Working temperature range	5°C - 32°C
Water tank	3 liter
Air purification with:	Pre-Filter, Activated Carbon Filter, True HEPA H13 Filter, UV-C lamp, Ionizer
Filter performance	99,97%, Sterilization rate 99.9%
Negative ion	>3.000.000 ions/cm <sup>2</sup>
Sound level	Silent fan < 30dB(A) Low / 42dB(A) High
Drain hose	1.5 meter
Dimensions	250 x 250 x 480mm
Weight	9.5kg
Colour	White / black
Refrigerant	R290 / 30g
Complies with EU regulations	CE / WEEE / RoHS

## Specifications CA-707 Smart

<b>Model</b>	<b>CA-707 Smart</b>
For rooms up to	70m <sup>2</sup> / 175m <sup>3</sup> / 750ft <sup>2</sup>
Rated voltage	220V - 240V, 50Hz
Rated power	320W
Fan capacity	195 m <sup>3</sup> /h
Dehumidifying capacity	20 liters per day at 30°C and 80%RH
Working temperature range	5°C - 32°C
Water tank	4 liter
Air purification with:	Pre-Filter, Activated Carbon Filter, True HEPA H13 Filter, UV-C lamp, Ionizer
Filter performance	99,97%, Sterilization rate 99.9%
Negative ion	>3.000.000 ions/cm <sup>2</sup>
Sound level	Silent fan < 30dB(A) Low / 48dB(A) High
Drain hose	1.5 meter
Dimensions	260 x 260 x 618mm
Weight	13.5kg
Colour	White / black
Refrigerant	R290 / 60g
Complies with EU regulations	CE / WEEE / RoHS



Ask your retailer or your municipality for updated information regarding the disposal of the packaging and of the device.



**R290**

**Danger**

Natural refrigerant propane (R290)!



## Service

### Warranty Certificate for the Clean Air Optima® Dehumidifier CA-704 Smart / CA-707 Smart.

Date of purchase: .....  
 Customers name: .....  
 Address: .....  
 Telephone: .....  
 Email: .....  
 Seller's name: .....  
 Address: .....

1. Please fill in completely this Warranty Certificate. Send it with the invoice and the unit, postage pre-paid and using the original packing box, to your distributor. Make sure to include the appropriate return postage for the package.
2. Please enclose a short description of the damage, fault or malfunction, and the circumstances under which these problems arose.

The **Clean Air Optima® Dehumidifier CA-704 Smart / CA-707 Smart** is subjected to strict testing procedures before leaving the factory. If within two years from the date of purchase the product does not perform according to the specifications, because of factory defects, the purchaser is entitled to free repairs or replacement of parts upon presentation of this warranty (provided that the malfunction or damage to the device and/or parts occurred under normal operating conditions). What is covered: All parts defective in material and workmanship. For how long: two years from purchase date. What we will do: Repair or replace any defective parts.

### Other Conditions

The provisions of this warranty are in lieu of any other written warranty whether express or implied, written or oral, including any warranty of merchantability or fitness for a particular purpose. The manufacturer's maximum liability shall not exceed the actual purchase price paid by you for the product. In no event shall the manufacturer be liable for special, incidental, consequential, or indirect damages. This warranty does not cover a defect that has resulted from improper or unreasonable use or maintenance, faulty assembly, accident, natural catastrophes, improper packing, or unauthorized tampering, alteration, or modification as determined solely by us. This warranty is void if the label bearing the serial number has been removed or defaced.



# Thank you for reading!



Share your feedback about the Clean Air Optima®  
Dehumidifier CA-704 Smart / CA-707 Smart on:  
[www.cleanairoptima.com](http://www.cleanairoptima.com)



For frequently asked questions about the CA-704 Smart / CA-707 Smart  
go to: [www.cleanairoptima.com](http://www.cleanairoptima.com) and search for the CA-704 Smart /  
CA-707 Smart



Download PDF instruction manual on:  
[www.cleanairoptima.com/info/manuals](http://www.cleanairoptima.com/info/manuals)



Watch all Clean Air Optima® Product  
animation video's on:  
[www.youtube.com](http://www.youtube.com)

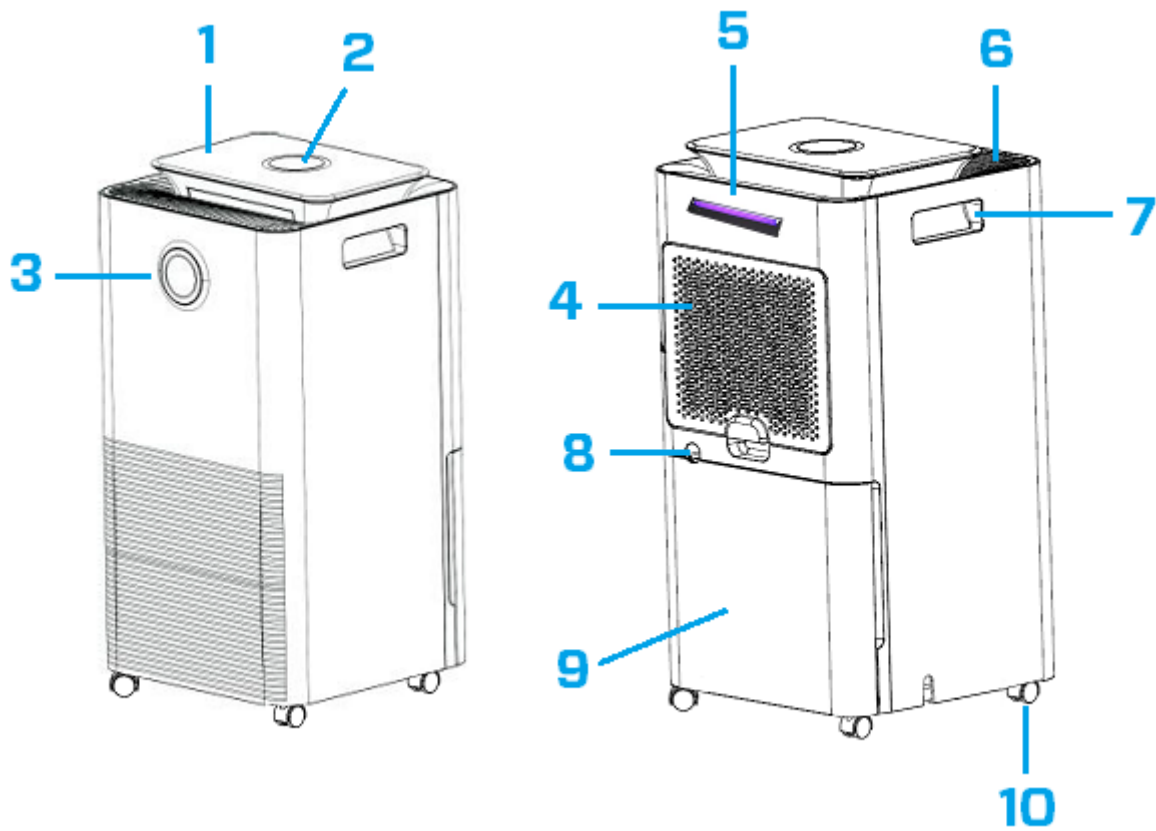
**Clean Air Optima International B.V.** | David Ricardostraat 9-7 / 9-9 | 7559 SH Hengelo (ov)  
The Netherlands | Phone: +31 (0) 74 - 2670145

**Clean Air Optima Germany GmbH** | Enschedestraße 14 | 48529 Nordhorn | Germany  
Phone: +49 (0) 5921 879-121

**E-mail:** [info@cleanairoptima.com](mailto:info@cleanairoptima.com)

**Internet:** [www.cleanairoptima.com](http://www.cleanairoptima.com)

## CA-704 Smart/CA-707 Smart Hauptgerät



## Deutsch

### **Vielen Dank, dass Sie sich für den Clean Air Optima<sup>®</sup> 2 in 1 entschieden haben: Luftentfeuchter und Luftreiniger CA-704 Smart/CA-707 Smart.**

Wir wünschen Ihnen viele Jahre gesunde Raumluft mit diesem effizienten und effektiven Produkt. Treffen Sie für die ordnungsgemäße Funktion dieses elektrischen Geräts unbedingt alle Sicherheitsvorkehrungen, wenn Sie das Gerät verwenden. Diese Anleitung beschreibt die Sicherheitsvorkehrungen, die im Betrieb zu beachten sind. Sie sind dafür vorgesehen, Verletzungen vorzubeugen und Beschädigungen am Gerät zu vermeiden.

### **Beschreibung**

Dieses Clean Air Optima<sup>®</sup> Gerät besteht aus den folgenden Hauptkomponenten:

1. Bedienfeld
2. Das digitale Display zeigt die relative Luftfeuchtigkeit in %, WiFi- und Funktionseinstellungen an
3. Der Farb-LED-Monitor zeigt die relative Luftfeuchtigkeit in Blau (unter 53 %), Grün (zwischen 53 % - 68 %) und Rot (über 68 %) an
4. Lufteinlass- und Filterrahmenfach, einschließlich: Vorfilter, Aktivkohlefilter, True HEPA H13-Filter
5. Position der UV-C-Lampe
6. Luftauslass und Ionisatorposition
7. Griff
8. Kontinuierliche Entwässerung (Wasserablauf, Schlauchanschluss) Abflussschlauch 1,5 Meter im Lieferumfang enthalten
9. Wassertank
10. Laufrollen

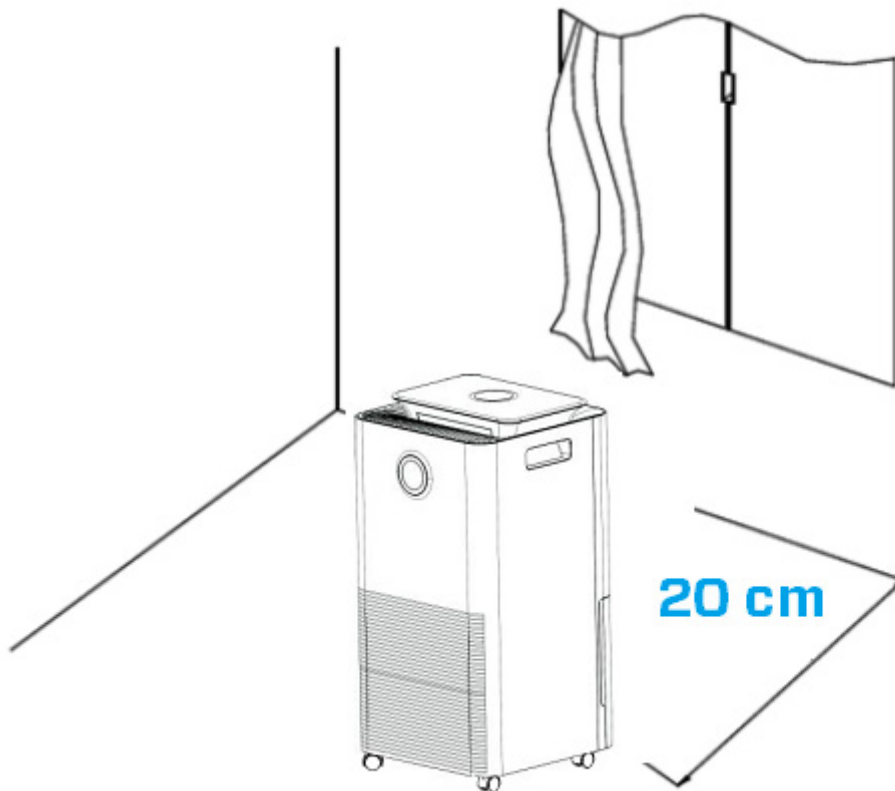
## Sicherheitshinweise

Dieses Gerät darf nur in Übereinstimmung mit diesen Sicherheitshinweisen verwendet werden. Führen Sie die folgenden Schritte aus, um das Verletzungsrisiko für Personen (z.B. durch Stromschläge oder Feuer) zu minimieren.

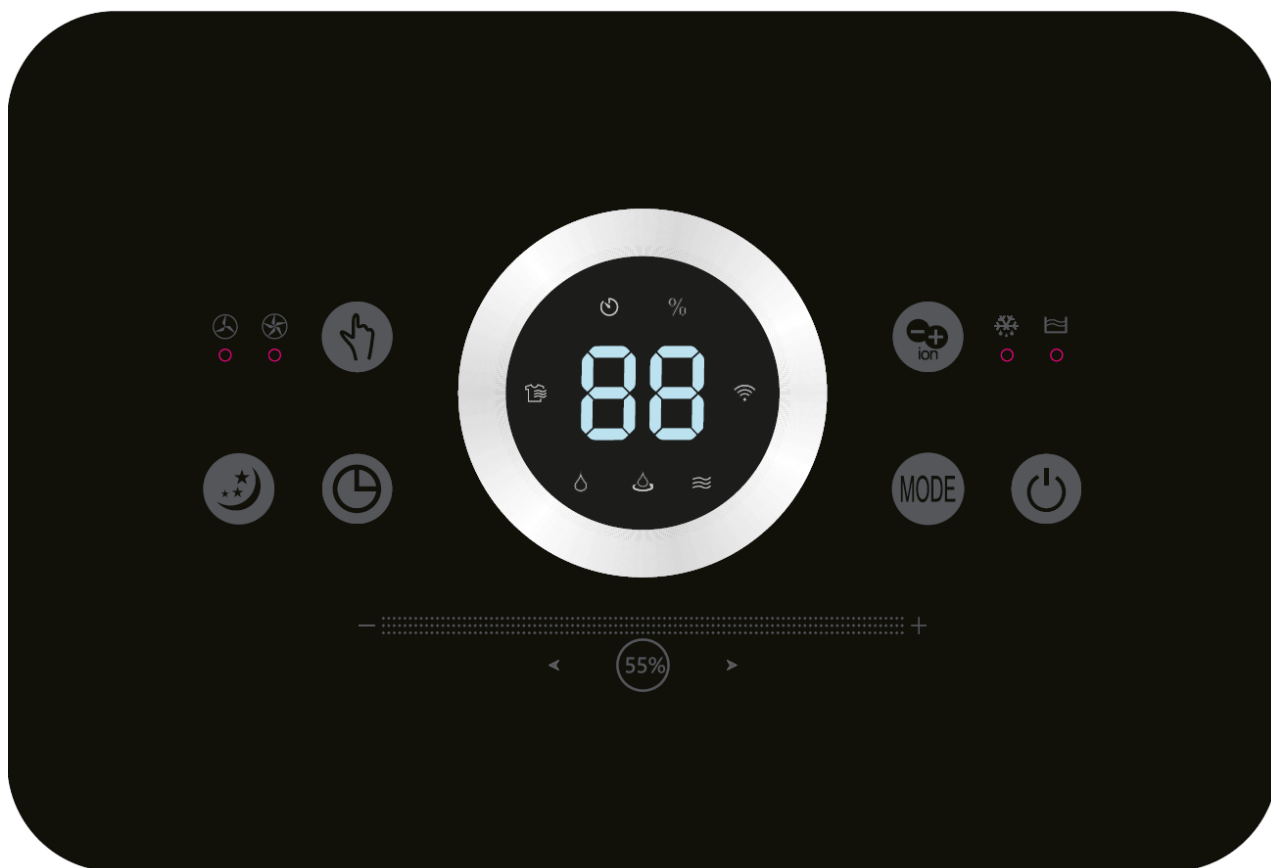
1. Lassen Sie das Gerät vor dem Gebrauch mindestens zwei Stunden stehen, vor allem nach dem Transport.
2. Nur für Innenräume geeignet. Nicht im Freien verwenden oder lagern.
3. Die richtige Spannung verwenden: AC 220V – 240V, 50/60Hz.
4. Lassen Sie um den Lufteinlass und den Luftauslass des Geräts einen Freiraum von mindestens 20 cm.
5. Das Gerät ist nicht für die Verwendung durch Kinder oder Personen mit eingeschränkten körperlichen, sensorischen oder geistigen Fähigkeiten bestimmt, es sei denn, diese Personen werden von einer für ihre Sicherheit verantwortlichen Person beaufsichtigt.
6. Verwenden Sie das Gerät nicht, wenn sichtbare Schäden am Netzkabel oder am Gerät selbst vorhanden sind. Reparieren Sie das Gerät nicht selbst, wenn es beschädigt ist. Ziehen Sie das Gerät niemals an seinem Kabel. Wenn das Netzkabel beschädigt ist, muss es von einer autorisierten Person ausgetauscht werden, um einen Stromschlag oder Brand zu vermeiden.
7. Reparaturen dürfen nur von befugtem Servicepersonal durchgeführt werden. Zur Vermeidung von Stromschlägen und Bränden sollten Sie nicht versuchen, das Gerät selbst zu reparieren.
8. Das Netzkabel nicht mit nassen Händen berühren.
9. Immer das Gerät ausschalten, bevor Sie den Netzstecker abziehen.
10. Versuchen Sie niemals, das Gerät durch Ziehen des Steckers auszuschalten.
11. Den Netzstecker aus der Steckdose ziehen, wenn Sie das Gerät nicht benutzen oder wenn Sie innere oder äußere Teile des Geräts reinigen.
12. Zur Sicherheit das Gerät in eine stabile, horizontale Position stellen. Während des Gebrauchs nicht bewegen.
13. Kältemittel: R290. Dieses Kältemittel entspricht den europäischen Umweltvorschriften. Kein Teil des Kühlkreislaufs darf perforiert sein.
14. Verwenden Sie das Gerät nicht in Räumen, in denen brennbare Flüssigkeiten oder Gase gelagert werden, in der Nähe von Wärmequellen oder in besonders feuchten Räumen (wie im Badezimmer).
15. Nie andere Gegenstände in das Gehäuse einführen, um Ausfällen vorzubeugen.
16. Nie den Lufteinlass und das Luftauslassgitter abdecken.
17. Nie die inneren Teile des Geräts zerlegen oder ersetzen.
18. Verwenden und lagern Sie das Gerät nicht unter 0°C oder über 40°C.
19. Neigen Sie das Gerät nicht zur Seite, wenn der Wassertank voll ist.
20. Keine schweren Gegenstände auf das Gerät stellen.
21. Bitte Orte mit direktem Sonnenlicht vermeiden. Es besteht die Gefahr, dass das Gerät ausbleicht.
22. Das Gerät niemals in Wasser oder andere Flüssigkeiten eintauchen.
23. Den Wassertank regelmäßig entleeren. Unter extremen Bedingungen kann der Wassertank bereits nach wenigen Stunden voll sein.
24. Der Vorfilter sollte regelmäßig gereinigt werden, da ein mit Staub gesättigter Vorfilter zu einer schlechten Reinigungs- und Entfeuchtungswirkung führt. Die Leistungsaufnahme steigt, es kann zu Ausfällen führen.
25. Tauschen Sie den Aktivkohlefilter und den True HEPA H13-Filter alle 3 bis 6 Monate aus. Wenn der Aktivkohlefilter und der True HEPA H13-Filter voll sind, wird die Reinigungs- und Entfeuchtungswirkung beeinträchtigt. Die Leistungsaufnahme steigt, es kann zu Ausfällen führen.
26. Verwenden, warten und reinigen Sie das Gerät wie in dieser Anleitung beschrieben.

## Installation

Achten Sie darauf, dass das Gerät 20 cm von Wänden und Möbeln entfernt steht (siehe Abbildung unten).



## Bedienfeld/Bedienungsanleitung



### Leistung

Drücken Sie die Power-Taste, um das Gerät einzuschalten.  
Wenn Sie erneut auf die Taste Power drücken, schaltet sich das Gerät aus.



### MODUS

Drücken Sie die MODE-Taste, um eines der vier gewünschten Programme auszuwählen:



1. Normale Entfeuchtung (einstellbare Gebläsegeschwindigkeit und Luftfeuchtigkeit)  
*Symbol mit Name in der App: Normal*
2. Kontinuierliche Entfeuchtung (niedrige Gebläsegeschwindigkeit, Luftfeuchtigkeit nicht einstellbar)  
*Symbol mit Namen in der App: Kontinuierlich*
3. Kontinuierliche Luftreinigung (einstellbare Gebläsegeschwindigkeit, keine Entfeuchtung)  
*Symbol mit Namen in der App: Luftreinigung*
4. Wäschetrockner-Modus (hohe Gebläsegeschwindigkeit, Gebläsegeschwindigkeit und Luftfeuchtigkeit nicht einstellbar)  
*Symbol mit Namen in der App: Wäschetrockner*



## **Schieberegler für die Luftfeuchtigkeit**

(Nur für das MODE-Programm: Normal Entfeuchtung)

Mit dem Schieberegler können Sie die gewünschte Luftfeuchtigkeit auswählen. Drücken und schieben Sie diese Taste wiederholt, bis die gewünschte Luftfeuchtigkeit angezeigt wird (von 30 % bis 80 % in Schritten von 5 %). Sobald Sie die gewünschte Luftfeuchtigkeit ausgewählt haben, lassen Sie die Taste einfach los und die Luftfeuchtigkeit ist eingestellt. Wenn die Luftfeuchtigkeit im Raum den eingestellten Wert erreicht, geht das Gerät automatisch in den Ruhezustand über und beendet die Entfeuchtung und Luftreinigung. Wenn die tatsächliche Luftfeuchtigkeit im Raum wieder über den eingestellten Wert ansteigt, beginnt das Gerät erneut mit der Entfeuchtung und Luftreinigung.

## **Luftreinigung**

Wenn die gewünschte Luftfeuchtigkeit stabil erreicht ist, können Sie auf Programm 3 umschalten, um das Gerät zur kontinuierlichen Luftreinigung zu verwenden.



## **Gebläsegeschwindigkeit**

(Nur für das MODE-Programm: Normale Luftentfeuchtung und kontinuierliche Luftreinigung)

Durch Drücken der Taste „Speed“ können Sie die Geschwindigkeitsstufe ändern. Die 2 Ventilatorstufen bieten einen individuellen Luftstrom.



## **Negative Ionen, *Symbol mit Namen in App: Ion***

Das Drücken der Negative-Ionen-Taste aktiviert den Negativ-Ionengenerator mit einer Gesamtkapazität von > 3.000.000 negativen Ionen/cm<sup>2</sup> die sich über den gesamten Raum verteilen und so Schadstoffe und Gerüche neutralisieren. Negative Ionen binden sich an Staubpartikel, Mikroorganismen und andere unerwünschte Partikel in der Luft und verbinden sie miteinander. Dadurch werden die Partikel schwerer als Luft und sinken auf den Boden, so dass sie nicht mehr eingeatmet werden können.

Negative Ionen sind am häufigsten im Wald, in den Bergen und am Meer zu finden. Negative Ionen sorgen für frische und gesunde Luft.



## **Timer**

Drücken Sie die Taste „Timer“, um eine Zeit von 0 - 24 Stunden einzustellen. Drücken Sie die Taste einmal, der Timer wird um eine Stunde erhöht. Wenn das Gerät in Betrieb ist, zeigt der eingestellte Timer an, wann das Gerät ausgeschaltet wird. Wenn sich das Gerät im Standby-Modus befindet, dient der eingestellte Timer dazu, das Gerät anzuweisen, sich einzuschalten.



## **Ruhemodus**

Drücken Sie die Sleep-Taste und der Ruhemodus wird aktiviert, das Display schaltet sich nach ca. drei Sekunden aus. Drücken Sie die Sleep-Taste zweimal schnell, um wieder in die Einstellungen zurückzukehren.



## **Kontrollleuchte „Wassertank voll“**

Wenn der Wassertank voll ist, stoppt das Gerät automatisch. Die Anzeigelampe für den vollen Wassertank schaltet sich ein und leuchtet auf. Leeren Sie den Wassertank und setzen Sie den Wassertank wieder in das Gehäuse des Geräts ein. Die Kontrollleuchte für den Füllstand erlischt. Das Gerät geht automatisch wieder in Betrieb.



## Abtaukontrollleuchte

Der Verdampfer des Luftentfeuchters kann automatisch abtauen, wenn er bei einer Raumtemperatur von weniger als 18 °C betrieben wird. Die Abtauvorrichtung des Luftentfeuchters kann sich automatisch alle 25 Minuten oder sogar noch länger einschalten und für einige Zeit (ca. fünf Minuten) arbeiten.

- Während des Abtauvorgangs können die Entfeuchtungsfunktion und die Luftreinigungsfunktion unterbrochen werden.
- Schalten Sie das Gerät während des Abtauvorgangs nicht aus und ziehen Sie nicht den Netzstecker.

## Betrieb mit Clean Air Optima<sup>®</sup> App

### Konnektivität

#### Kompatibilität mit Smartphone und Tablet:

iPhone, iPad und Android-Geräte



#### Das Gerät verbindet sich über WiFi mit der App:

CleanAirOptima



### Über die Clean Air Optima<sup>®</sup> App

#### WiFi-Verbindung einrichten

1. Laden Sie die App „CleanAirOptima“ im App Store oder Google Play Store herunter und installieren Sie sie.
2. Erstellen Sie ein Konto und melden Sie sich an.
3. Stecken Sie den Stecker des Geräts in die Steckdose und schalten Sie das Gerät ein. Die WiFi-Kontrollleuchte blinkt.
4. Stellen Sie sicher, dass Ihr Smartphone oder Tablet mit Ihrem WiFi-Netzwerk verbunden ist.
5. Öffnen Sie die App „CleanAirOptima“ und klicken Sie auf „Gerät hinzufügen“ . Ihr Gerät wird aufgelistet und Sie können es auswählen. Wenn nicht, wählen Sie „Automatische Suche“. Befolgen Sie die Anweisungen auf dem Bildschirm, um das Gerät mit Ihrem Netzwerk zu verbinden.
6. Fügen Sie das Clean Air Optima<sup>®</sup>-Gerät zur App hinzu und folgen Sie den Anweisungen in der App.
7. Wenn das Gerät verbunden ist, leuchtet die WiFi-Anzeige  dauerhaft.
8. Nach erfolgreicher Konfiguration können Sie die Clean Air Optima<sup>®</sup> App verwenden, um das Gerät zu bedienen.



## Hinweis:

- Wenn sich Ihr Standardnetzwerk geändert hat, setzen Sie die WiFi-Verbindung zurück, indem Sie die Schritte 1 bis 9 des Kapitels „WiFi-Verbindung einrichten“ ausführen.
- Wenn Sie mehrere Geräte mit Ihrem Smartphone oder Tablet verbinden möchten, müssen Sie dies nacheinander tun.
- Stellen Sie sicher, dass der Abstand zwischen Ihrem Smartphone oder Tablet und dem Gerät weniger als fünf Meter beträgt und keine Hindernisse vorhanden sind. Stellen Sie außerdem sicher, dass Sie sich im selben Raum wie das Gerät befinden.

## Setzen Sie die WiFi-Funktion zurück:

- Das Gerät muss ausgeschaltet sein.
- Setzen Sie das WiFi zurück, indem Sie die „Mode“-Taste fünf Sekunden lang gedrückt halten; die WiFi-Anzeige blinkt schnell.

## Schalten Sie die WiFi-Funktion aus:

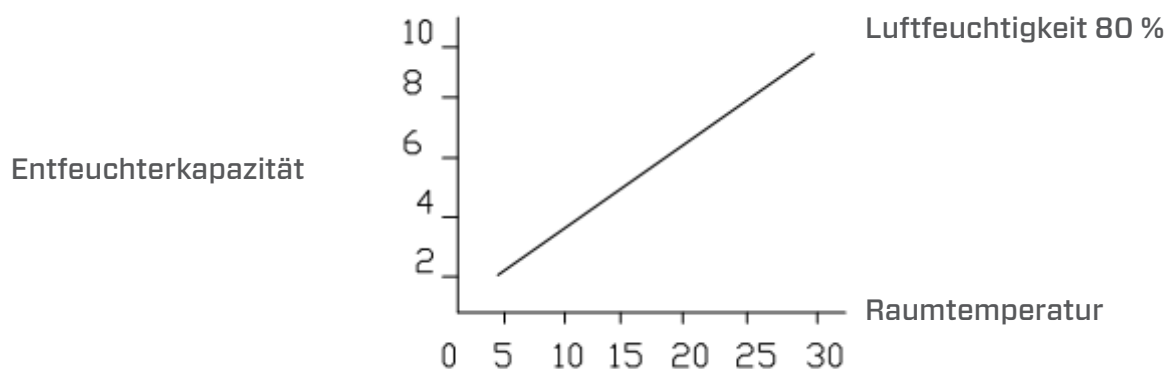
- Das Gerät muss ausgeschaltet sein.
- Setzen Sie das WiFi zurück, indem Sie die „Mode“-Taste fünf Sekunden lang gedrückt halten; die WiFi-Anzeige blinkt schnell.
- Schalten Sie das WiFi aus, indem Sie die „Mode“-Taste weitere fünf Sekunden lang gedrückt halten und die WiFi-Anzeige erlischt.

## Die Raumtemperatur steigt während des Betriebs

Der Clean Air Optima<sup>®</sup> Luftentfeuchter verfügt nicht über eine Kühlfunktion. Das Gerät erzeugt während des Betriebs Wärme und erhöht die Raumtemperatur zwischen 1 °C und 4 °C.

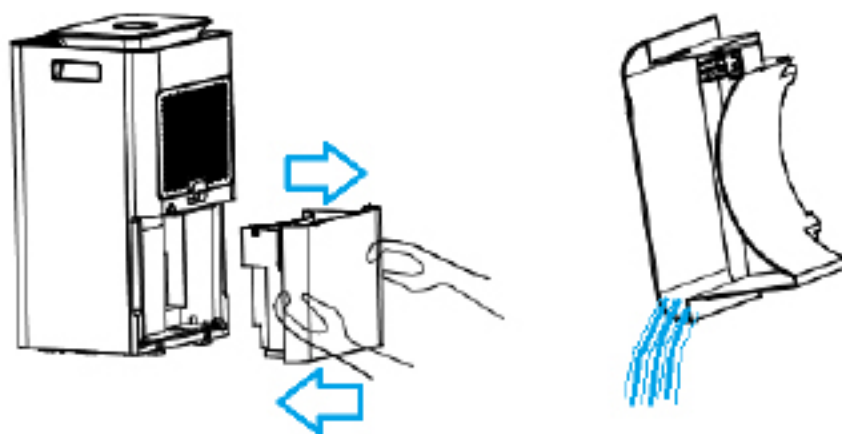
## Entfeuchterkapazität

Die folgende Abbildung zeigt die Entfeuchterkapazität des Clean Air Optima<sup>®</sup> Luftentfeuchters. Bei unterschiedlichen Temperaturen und relativer Luftfeuchtigkeit kann der Luftentfeuchter unterschiedliche Entfeuchtungsleistungen erbringen.



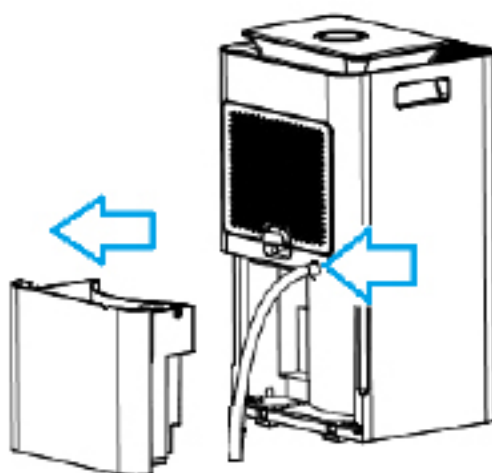
## Wasserableitung

Die Kontrollleuchte „Wassertank voll“ leuchtet rot, wenn der Wassertank voll ist. Nehmen Sie den Wassertank heraus und entleeren Sie ihn. Setzen Sie danach den Wassertank wieder in den Luftentfeuchter ein.



## Kontinuierliche Entwässerung

Für den Dauerbetrieb können Sie den mitgelieferten 1,5 Meter langen Ablaufschlauch verwenden. Entfernen Sie den Wassertank und bringen Sie den Schlauch korrekt am Anschluss für den Wasserablauf an (siehe Abbildung unten).



## Pflege

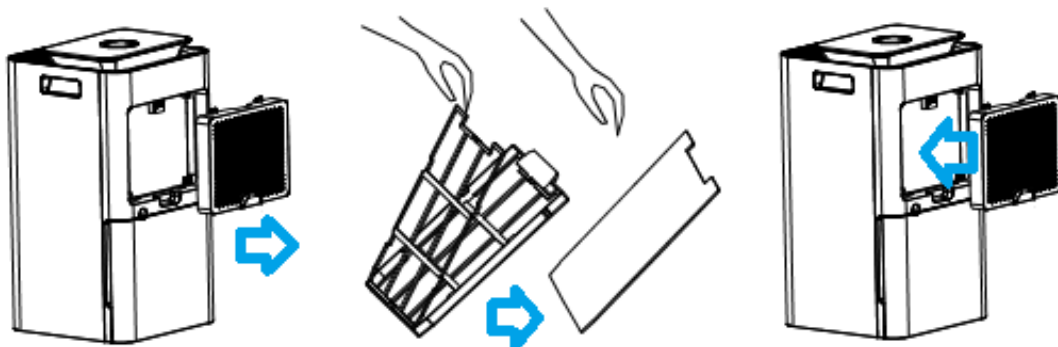
### Das Gehäuse des Clean Air Optima<sup>®</sup> Luftentfeuchters reinigen

1. Schalten Sie das Gerät aus und ziehen Sie den Netzstecker aus der Steckdose.
2. Befreien Sie das Gerät mit einem feuchten, weichen Tuch von Staub und Schmutz. Verwenden Sie keine chemischen Lösungsmittel wie Benzol, Alkohol oder Benzin.
3. Achten Sie darauf, dass **kein Wasser** in das Gerät eindringt, bespritzen Sie es nicht mit Wasser.

## Austausch von Filtern

Je nach Verwendung haben die **Aktivkohlefilter** und **True HEPA H13-Filter** eine Lebensdauer von ca. 3 bis 6 Monaten. Der **Vorfilter** und die **UV-C-Lampe** sind dauerhaft und müssen nicht ausgetauscht werden.

Nehmen Sie die Filter aus dem Filterrahmenfach heraus. Setzen Sie die Filter nach dem Filterwechsel oder der Filterreinigung wieder in das Filterrahmenfach ein und befestigen Sie sie wieder am Gerät, siehe Abbildung unten.



## Filterreinigung

Die längste Lebensdauer des Filters wird erreicht, wenn die Filter einmal im Monat gereinigt werden. Bei extrem verschmutzter Raumluft empfehlen wir, die Filter häufiger zu reinigen, etwa alle zwei Wochen.



Reinigen Sie den **Vorfilter**, den **Aktivkohlefilter** und den **True HEPA H13-Filter** sorgfältig mit einer Bürste oder Ihrem Staubsauger. Auf diese Weise können größere Staubpartikel wie Flusen, Haare und Hautschuppen von Haustieren aus dem Filter entfernt werden.

## **Warnung!**

Die Filter dürfen nicht beschädigt werden, sie dürfen keine Risse aufweisen. Beschädigte Filter müssen ersetzt werden.

Befeuchten oder spülen Sie die Filter (nur **Aktivkohlefilter** und **True HEPA H13-Filter**) niemals mit Wasser. Filter, die mit Wasser gespült wurden, müssen ausgetauscht werden.

## **Anzeichen für verbrauchte Filter, die ausgetauscht werden müssen**

(nur für **Aktivkohlefilter** und **True HEPA H13-Filter**)

Erhöhte Geräuschentwicklung, verringerter Luftstrom, verstopfte Filter, zunehmende Geruchsbildung. Der Filter muss durch einen neuen ersetzt werden, wenn sich die Farbe des HEPA H13-Filters von Weiß zu Grau oder Schwarz geändert hat. Wenn der HEPA H13-Filter noch Weiß ist, ist ein Austausch des Filters nicht erforderlich.

## **Bestellen von Filtern:**

Kontaktieren Sie den **Clean Air Optima<sup>®</sup> Kundenservice** Tel. + 31 (0) 742670145 oder besuchen Sie unseren Webshop: <https://www.cleanairoptima.com/accessoires/mg/44/>

## **Lagerung des Clean Air Optima<sup>®</sup> Luftentfeuchters**

Wenn der Luftentfeuchter längere Zeit nicht benutzt wird:

1. Entleeren Sie den Wassertank vollständig und stellen Sie sicher, dass sich kein Wasser im Wassertank befindet.
2. Ziehen Sie den Netzstecker ab und wickeln Sie das Netzkabel auf.
3. Entfernen und reinigen Sie die Filter. Setzen Sie die Filter nach der Reinigung wieder im Gerät ein.
4. Lagern Sie den Luftentfeuchter an einem kühlen, trockenen Ort, nicht im direkten Sonnenlicht, in extremen Temperaturen und starkem Staub.

## Störungsbehebung

Die folgende Anleitung hilft Ihnen bei der Lösung von Problemen, die bei Verwendung des Clean Air Optima® Luftentfeuchters CA-704 Smart/CA-707 Smart auftreten können.

Problem	Mögliche Ursache	Lösung
Gerät schaltet nicht ein	Das Netzkabel ist nicht richtig angeschlossen	Den Netzstecker und die Steckdose korrekt anschließen
Ineffiziente Entfeuchtung	Der Wassertank ist voll oder nicht in der richtigen Position	Den Wassertank leeren und in der richtigen Position wieder einsetzen
	Die Filter sind durch Staub verstopft	Reinigen oder ersetzen Sie die Filter
	Verstopfung am Lufteinlass und -auslass	Verstopfung am Luftein- und -austritt entfernen
	Die eingestellte Luftfeuchtigkeit ist höher als die Umgebungsfeuchtigkeit	Die Luftfeuchtigkeit mindestens 5% niedriger als die Luftfeuchtigkeit in der Umgebung einstellen
	Der Luftentfeuchter befindet sich im <b>Kontinuierlichen Luftreinigungsmodus</b>	Ändern Sie den Betriebsmodus
Geräusch	Das Gerät ist schräg aufgestellt	Stellen Sie sicher, dass das Gerät aufrecht steht
	Die Filter sind blockiert	Reinigen oder ersetzen Sie die Filter
Der Betrieb stoppt während der Punktentfeuchtung	Die Raumtemperatur ist höher als die nutzbare Betriebstemperatur	Der Entfeuchtungsprozess wird automatisch gestartet, wenn die Temperatur sinkt
Gewaschene Wäsche trocknet nicht	Die Raumtemperatur ist zu niedrig	Gewaschene Kleidung lässt sich bei niedrigen Temperaturen nur schwer trocknen.
<b>Der Betrieb mit der Clean Air Optima® App funktioniert nicht</b>	Das Smartphone oder Tablet ist nicht mit dem WiFi-Netzwerk verbunden	Schalten Sie das Gerät aus und setzen Sie das WiFi auf dem Gerät zurück, indem Sie die Modustaste fünf Sekunden lang drücken; die WiFi-Anzeige blinkt schnell. Führen Sie dann die Schritte 4 bis 8 aus dem Kapitel <b>Betrieb mit Clean Air Optima® App</b> durch
	Das Gerät hat keine Verbindung zum Netzwerk	

## WARNUNG!

Wenn die oben empfohlenen Lösungen nicht funktionieren, wenden Sie sich bitte an den technischen Support von Clean Air Optima<sup>®</sup> unter der für Ihre Region geltenden Telefonnummer. Nicht versuchen, das Gerät zu zerlegen, wieder zusammenzubauen oder zu reparieren, da andernfalls die Garantie erlöschen kann.

## Spezifikationen CA-704 Smart

Modell	CA-704 Smart
Für Räume bis	40m <sup>2</sup> / 100m <sup>3</sup> / 430ft <sup>2</sup>
Nennspannung	220 - 240 V, 50 Hz
Nennleistung	200W
Lüfterleistung	120 m <sup>3</sup> /h
Entfeuchterkapazität	10 Liter pro Tag bei 30°C und 80 % RH
Betriebstemperaturbereich	5°C - 32°C
Wassertank	3 Liter
Luftreinigung mit:	Vorfilter, Aktivkohlefilter, True HEPA H13-Filter, UV-C Lampe, Ionisator
Filterleistung	99,97 %, Sterilisierungsrate 99,9 %
Negatives Ion	>3.000.000 Ionen/cm <sup>2</sup>
Schallpegel	Leiser Lüfter < 30dB(A) Niedrig/42dB(A) Hoch
Ablaufschlauch	1,5 Meter
Maße	250 x 250 x 480mm
Gewicht	9,5kg
Farbe	Weiß/Schwarz
Kältemittel	R290/30 g
Entspricht den EU-Vorschriften	CE / EEAG / RoHS

## Spezifikationen CA-707 Smart

Modell	CA-707 Smart
Für Räume bis	70m <sup>2</sup> / 175m <sup>3</sup> / 750ft <sup>2</sup>
Nennspannung	220 - 240 V, 50 Hz
Nennleistung	320W
Lüfterleistung	195 m <sup>3</sup> /h
Entfeuchterkapazität	20 Liter pro Tag bei 30°C und 80 % RH
Betriebstemperaturbereich	5°C - 32°C
Wassertank	4 Liter
Luftreinigung mit:	Vorfilter, Aktivkohlefilter, True HEPA H13-Filter, UV-C Lampe, Ionisator
Filterleistung	99,97 %, Sterilisierungsrate 99,9 %
Negatives Ion	>3.000.000 Ionen/cm <sup>2</sup>
Schallpegel	Leiser Lüfter < 30dB(A) Niedrig/48dB(A) Hoch
Ablaufschlauch	1,5 Meter
Maße	260 x 260 x 618mm
Gewicht	13,5kg
Farbe	Weiß/Schwarz
Kältemittel	R290/60 g
Entspricht den EU-Vorschriften	CE / EEAG / RoHS



Fragen Sie Ihren Händler oder Ihre Gemeinde nach aktuellen Informationen über die Entsorgung von Verpackung und Gerät.



**R290**

**Gefahr**

Natürliches Kältemittel Propan (R290)!

## Service

### Garantiezertifikat für den Clean Air Optima<sup>®</sup> Luftentfeuchter CA-704 Smart/CA-707 Smart.

Kaufdatum: .....  
Name des Kunden: .....  
Adresse: .....  
Telefon: .....  
E-Mail: .....  
Name des Verkäufers: .....  
Adresse: .....

1. Bitte füllen Sie dieses Garantiezertifikat vollständig aus. Senden Sie es mit der Rechnung und dem Gerät, Porto im Voraus bezahlt und in der Originalverpackung an Ihren Händler. Fügen Sie ausreichendes Rückporto für das Paket bei.
2. Bitte fügen Sie eine kurze Beschreibung des Schadens, der Störung oder des Fehlers und der Umstände bei, unter denen diese Probleme aufgetreten sind.

Der **Clean Air Optima<sup>®</sup> Luftentfeuchter CA-704 Smart/CA-707 Smart** wird vor der Auslieferung strengen Prüfverfahren unterzogen. Wenn das Produkt innerhalb von zwei Jahren ab Kaufdatum aufgrund von Herstellungsfehlern nicht den Spezifikationen entspricht, hat der Käufer gegen Vorlage dieser Garantie Anspruch auf kostenlose Reparatur oder den Ersatz von Teilen (vorausgesetzt, die Fehlfunktion oder Beschädigung des Geräts und/oder der Teile ist unter normalen Betriebsbedingungen aufgetreten). Die Garantie gilt: Für alle in Material und Verarbeitung fehlerhaften Teile. Wie lange: zwei Jahre ab Kaufdatum. Das werden wir tun: Fehlerhafte Teile reparieren oder ersetzen.

### Sonstige Bedingungen

Die Bestimmungen dieser Garantie ersetzen alle anderen schriftlichen Garantien, ob ausdrücklich oder stillschweigend, schriftlich oder mündlich, einschließlich der Garantie der Marktgängigkeit oder Eignung für einen bestimmten Zweck. Die maximale Haftung des Herstellers überschreitet nicht den tatsächlichen Kaufpreis, den Sie für das Produkt gezahlt haben. In keinem Fall haftet der Hersteller für besondere, zufällige, Folge- oder indirekte Schäden. Diese Garantie erstreckt sich nicht auf einen Mangel, der nach unserem alleinigen Ermessen auf unsachgemäße oder unangemessene Verwendung oder Wartung, fehlerhafte Montage, Unfall oder Naturkatastrophen, unsachgemäße Verpackung oder unbefugte Manipulationen, Änderungen oder Modifikationen zurückzuführen ist. Diese Garantie erlischt, wenn der Aufkleber mit der Seriennummer entfernt oder entstellt wurde.



# Vielen Dank für das Lesen!



Senden Sie Ihr Feedback zum Clean Air Optima®  
Luftentfeuchter CA-704 Smart/CA-707 Smart an:  
[www.cleanairoptima.com](http://www.cleanairoptima.com)



Für häufig gestellte Fragen zum CA-704 Smart/CA-707 Smart besuchen  
Sie bitte: [www.cleanairoptima.com](http://www.cleanairoptima.com) und suchen Sie nach „CA-704 Smart/  
CA-707 Smart“.



Laden Sie die PDF-Bedienungsanleitung herunter unter:  
[www.cleanairoptima.com/info/manuals](http://www.cleanairoptima.com/info/manuals)



Alle Videos mit Produktanimationen  
von Clean Air Optima® finden Sie auf:  
[www.youtube.com](http://www.youtube.com)

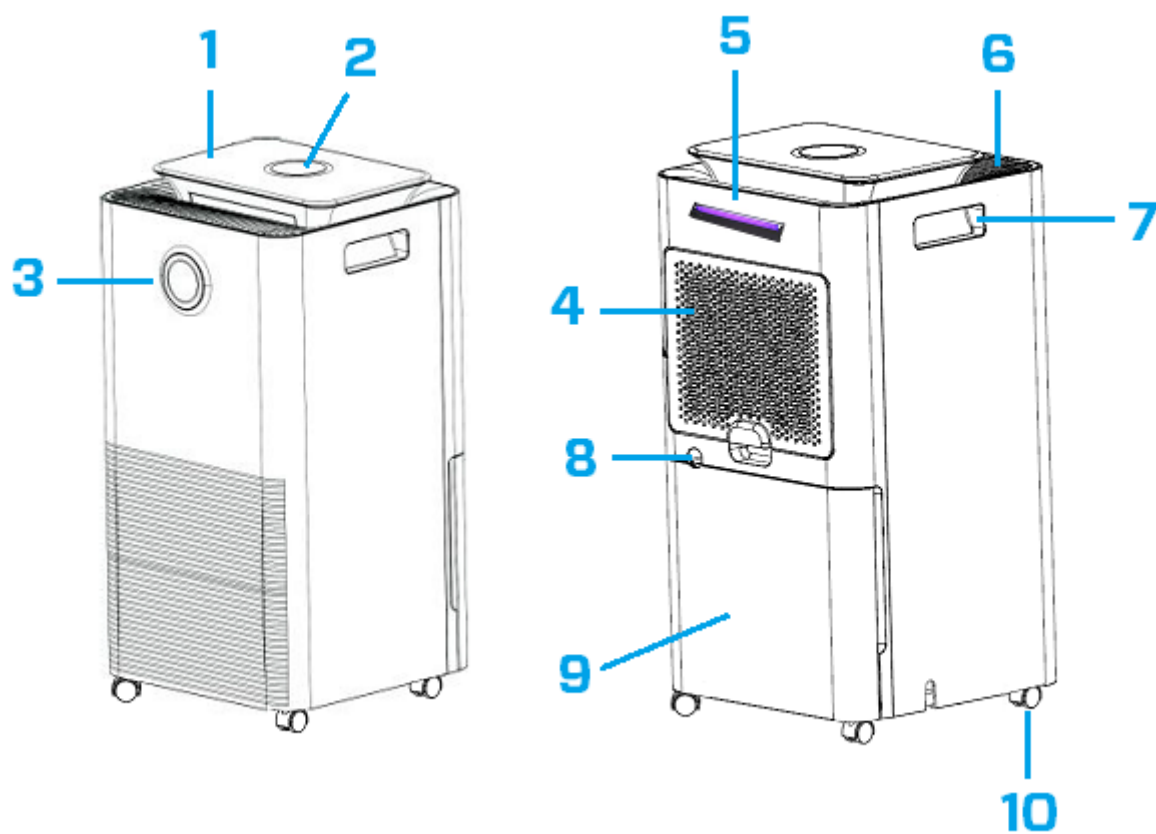
**Clean Air Optima International B.V.** | David Ricardostraat 9-7 / 9-9 | 7559 SH Hengelo (ov)  
Niederlande | Telefon: +31 (0) 74 - 2670145

**Clean Air Optima Germany GmbH** | Enschedestraße 14 | 48529 Nordhorn | Deutschland  
Telefon: +49 (0)5921 879-121

**E-Mail:** [info@cleanairoptima.com](mailto:info@cleanairoptima.com)

**Internet:** [www.cleanairoptima.com](http://www.cleanairoptima.com)

## CA-704 Smart/CA-707 Smart hoofdeenheid



## Nederlands

### **Bedankt voor de aankoop van de Clean Air Optima® 2in1: luchtontvochtiger en luchtreiniger CA-704 Smart/CA-707 Smart.**

Wij wensen u vele jaren gezonde binnenlucht toe met dit efficiënte en doeltreffende product. Voor de juiste werking van dit elektrische apparaat is het belangrijk dat alle veiligheidsvoorschriften tijdens het gebruik in acht worden genomen. Deze instructies beschrijven de veiligheidsvoorschriften die tijdens het gebruik moeten worden nageleefd. Ze zijn bedoeld om verwondingen en schade aan het apparaat te voorkomen.

### **Beschrijving**

Dit Clean Air Optima®-apparaat bestaat uit de volgende hoofdonderdelen:

1. Bedieningspaneel
2. Het digitale display geeft relatieve vochtigheid in %, WiFi en functie-instellingen weer
3. De LED-kleurenmonitor geeft de relatieve vochtigheid aan in blauw (onder 53%), groen (tussen 53% - 68%) en rood (boven 68%)
4. Luchtinlaat en filterframecompartiment, inclusief: voorfilter, actieve-koolstoffilter, True HEPA H13-filter
5. Positie UV-C-lamp
6. Luchtuitlaat en positie ionisator
7. Handgreep
8. Continue afvoer (waterafvoer, slangaansluiting) Afvoerslang 1,5 meter inbegrepen
9. Waterreservoir
10. Zwenkwielen

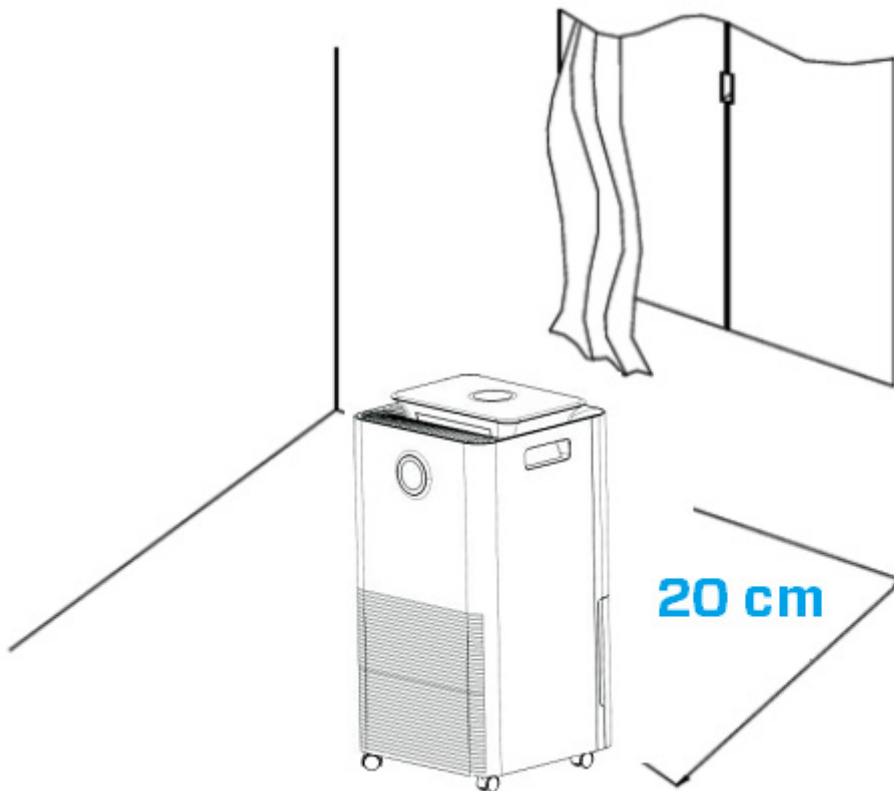
## Veiligheidswaarschuwingen

Dit apparaat mag alleen worden gebruikt in overeenstemming met deze veiligheidsinstructies. Neem volgende stappen om het risico op verwondingen door bijvoorbeeld elektrische schokken of brand tot een minimum te beperken.

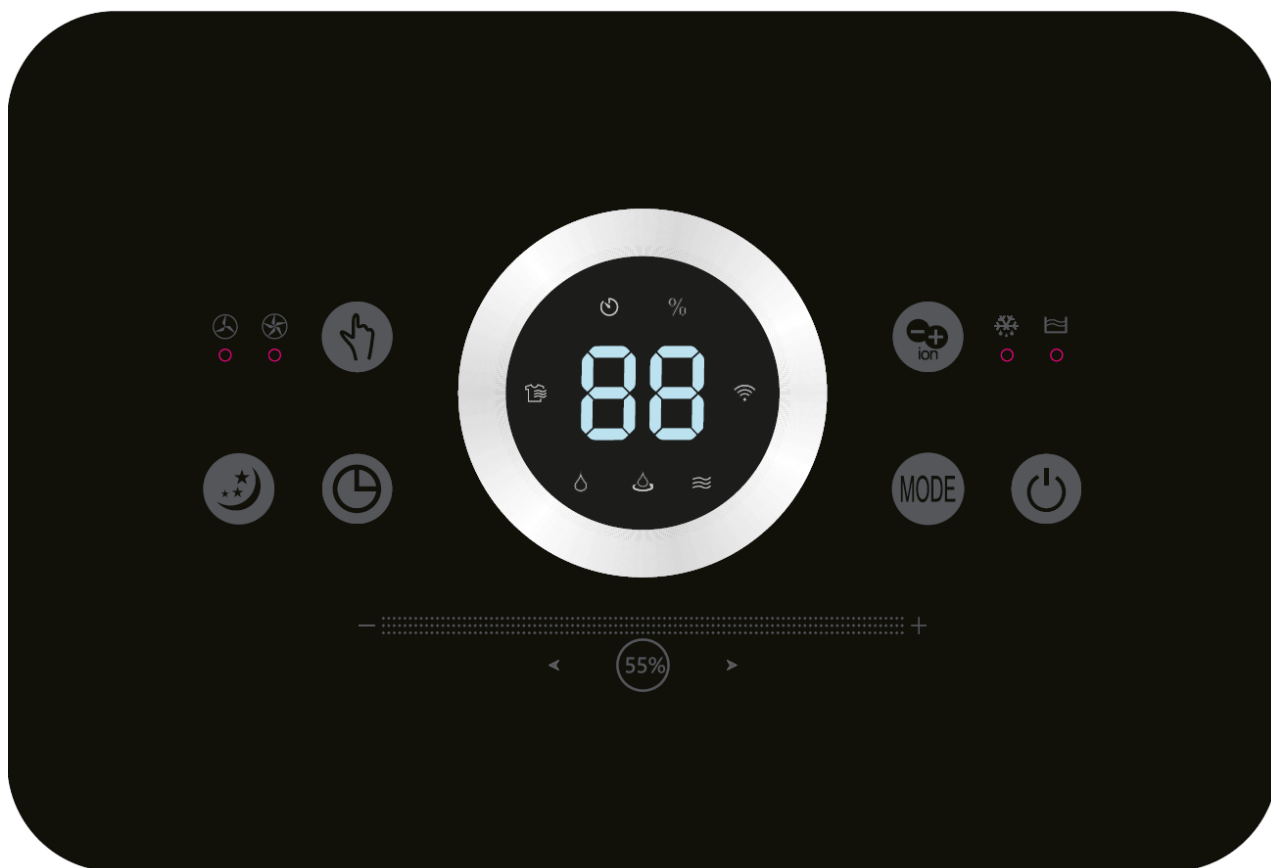
1. Laat het apparaat ten minste twee uur staan alvorens het te gebruiken, vooral na transport.
2. Alleen voor gebruik binnenshuis. Niet buiten gebruiken of opslaan.
3. Gebruik de juiste spanning: AC 220V – 240V, 50/60Hz.
4. Laat een vrije ruimte van min. 20 cm vrij rond de luchtinlaat en luchtuitlaat van het apparaat.
5. Het apparaat is niet bestemd voor gebruik door kinderen of personen met verminderde lichamelijke, zintuiglijke of verstandelijke vermogens, tenzij zij onder toezicht staan van een persoon die verantwoordelijk is voor hun veiligheid.
6. Gebruik het apparaat niet als er zichtbare schade is aan het netsnoer of het apparaat zelf. Repareer een beschadigd apparaat niet zelf. Trek nooit aan het snoer van het apparaat. Als het netsnoer beschadigd is, moet het worden vervangen door erkend servicepersoneel om elektrische schokken of brand te voorkomen.
7. Herstellingen mogen alleen worden uitgevoerd door erkend servicepersoneel. Probeer het apparaat niet zelf te repareren, om elektrische schokken of brand te voorkomen.
8. Raak het netsnoer en de stekker niet met natte handen aan.
9. Schakel het apparaat altijd uit alvorens de stekker los te koppelen.
10. Probeer nooit het apparaat uit te schakelen door de stekker uit het stopcontact te halen.
11. Trek de stekker uit het stopcontact wanneer u het apparaat niet gebruikt of wanneer u interne of externe onderdelen ervan reinigt.
12. Plaats het apparaat uit veiligheidsoverwegingen in een stabiele, horizontale positie. Verplaats het apparaat niet tijdens het gebruik.
13. Koelmiddel: R290. Dit koelmiddel voldoet aan de Europese milieuvoorschriften. Geen enkel deel van het koelcircuit mag geperforeerd zijn.
14. Gebruik het apparaat niet in ruimten waar ontvlambare vloeistoffen of gassen worden bewaard, of in de buurt van warmtebronnen, zoals radiatoren, open haard of keramische kachels.
15. Steek nooit een voorwerp in de behuizing van het apparaat om defecten te vermijden.
16. Dek de luchtinlaat- en luchtuitlaatroosters nooit af.
17. Demonteer of vervang nooit de binnenste delen van het apparaat.
18. Gebruik of bewaar het apparaat niet onder 0°C of boven 40°C.
19. Kantel het apparaat niet met vol waterreservoir op een zijde.
20. Leg geen zware voorwerpen op het apparaat.
21. Vermijd plaatsen met direct zonlicht. Het risico bestaat dat het apparaat verkleurt.
22. Dompel het apparaat nooit onder in water of andere vloeistoffen.
23. Maak het waterreservoir regelmatig leeg. In extreme omstandigheden kan het waterreservoir al na enkele uren gebruik vol zijn.
24. Reinig het voorfilter regelmatig. Als het voorfilter met stof verzadigd is, verslechtert de luchtreinigende en ontvochtigende werking. Het stroomverbruik zal toenemen, het kan storingen veroorzaken.
25. Vervang het actieve-koolstoffilter en het True HEPA H13-filter om de 3 tot 6 maanden. Als het actieve-koolstoffilter en het True HEPA H13-filter verzadigd zijn, verslechtert de luchtreinigende en ontvochtigende werking. Het stroomverbruik zal toenemen, het kan storingen veroorzaken.
26. Gebruik, onderhoud en reinig het apparaat zoals beschreven in deze handleiding.

## Installatie

Zorg dat de afstand van het apparaat tot muren en meubilair 20 cm bedraagt, zie onderstaande illustratie.



## Bedieningspaneel/bedieningsinstructies



### Stroom

Druk op de Power-knop om het apparaat in te schakelen.

Druk nogmaals op de Power-knop om het apparaat uit te schakelen.



### MODE

Druk op de MODE-knop om één van de vier gewenste programma's te kiezen:



1. Normale ontvochtiging (instelbare ventilatorsnelheid en vochtigheidsinstelling)  
*Pictogram met naam in app: Normaal*
2. Continue ontvochtiging (lage ventilatorsnelheid, vochtigheidsinstelling niet instelbaar)  
*Pictogram met naam in app: Continu*
3. Continue luchtreiniging (instelbare ventilatorsnelheid, geen ontvochtigingsfunctie)  
*Pictogram met naam in app: Luchtreiniging*
4. Droge kledingmodus (hoge ventilatorsnelheid, ventilatorsnelheid en vochtigheidsinstelling niet instelbaar) *Pictogram met naam in app: Droge kleding*



## Schuifknop vochtigheidsinstelling

(Alleen voor het MODE-programma: Normaal ontvochtiging)

U kunt de gewenste vochtigheidsgraad kiezen door de schuifknop voor vochtigheidsinstelling in te drukken en deze meermaals te verschuiven tot de gewenste vochtigheidsgraad wordt weergegeven (van 30% tot 80% in stappen van 5%). Zodra u de gewenste vochtigheidsgraad hebt gekozen, stopt u met het indrukken en verschuiven van de knop, de gewenste vochtigheidsgraad is ingesteld. Wanneer de vochtigheidsgraad in de kamer het ingestelde niveau bereikt, gaat het apparaat in de automatische slaapstand en stopt het met ontvochtigen en zuiveren van de lucht. Wanneer de werkelijke vochtigheidsgraad van de kamer weer boven de ingestelde vochtigheidsgraad komt, hervat het apparaat weer de ontvochtiging en luchtreiniging.

## Luchtreiniging

Als de gewenste vochtigheidsgraad op een constant niveau wordt bereikt, kunt u overschakelen op programma 3 om het apparaat te gebruiken voor continue luchtreiniging.



## Ventilatorsnelheid

(Alleen voor het MODE-programma: Normale ontvochtiging en continue luchtreiniging)

Door op de knop Ventilatorsnelheid te drukken, wordt de ventilatorsnelheid gewijzigd. De 2 ventilatorsnelheden bieden een individuele luchtstroom.



## Negatief ion, pictogram met naam in app: Ion

Door op de knop Ion te drukken, wordt de negatieve-ionengenerator geactiveerd met een totale capaciteit van > 3.000.000 negatieve ionen/cm<sup>2</sup>. Deze worden door de hele ruimte verspreid en neutraliseren zo verontreinigende stoffen en geurtjes. Negatieve ionen hechten zich aan stofdeeltjes, micro-organismen en andere ongewenste deeltjes in de lucht en verbinden deze met elkaar. Op die manier worden de deeltjes zwaarder dan lucht en vallen ze op de grond, zodat u ze niet meer kunt inademen.

Negatieve ionen zijn het meest te vinden in bossen, in de bergen en aan zee. Negatieve ionen zorgen voor frisse en gezonde lucht.



## Timer

Druk op de knop Timer om de 0-24 uren timing in te stellen. Eén druk op de toets verhoogt de timer met één uur. Wanneer het apparaat in bedrijf is, geeft de ingestelde timer aan wanneer het apparaat wordt uitgeschakeld. Als het apparaat in de stand-by-modus staat, geeft de ingestelde timer aan wanneer het apparaat wordt ingeschakeld.



## Slaapstand

Druk op de knop Sleep om de slaapstand in te schakelen. Het display schakelt na ca. 3 seconden uit. Druk 2x snel op de knop Sleep om terug te gaan naar de vorige instellingen.



## Indicatorlampje voor vol waterreservoir

Wanneer het waterreservoir vol is, stopt het apparaat automatisch. Het indicatielampje Waterreservoir vol gaat branden. Maak het waterreservoir leeg en plaats het weer in de behuizing van het apparaat. Het controlelampje Waterreservoir vol gaat uit. Het apparaat zal weer automatisch werken.



## Indicatorlampje voor ontthooiing

De verdampert in de luchtontvochtiger kan automatisch ontthooien wanneer deze wordt gebruikt bij een kamertemperatuur van minder dan 18 °C. Het ontthooisysteem in de luchtontvochtiger kan elke 25 minuten automatisch opstarten en enige tijd (ongeveer 5 minuten) in werking zijn, of zelfs langer.

- Tijdens de ontthooifunctie kunnen de ontvochtigingsfunctie en de luchtzuiveringsfunctie worden onderbroken.
- Schakel de stroom niet uit en trek de stekker van het apparaat niet uit het stopcontact tijdens het ontthooien.

## Bediening met Clean Air Optima<sup>®</sup>-app

### Connectiviteit

**Compatibiliteit met smartphone en tablet:**  
iPhone, iPad en Android-toestellen

**Apparaat maakt verbinding via WiFi met app:**  
CleanAirOptima



### Over de Clean Air Optima<sup>®</sup>-app

#### WiFi-verbinding opzetten

1. Download en installeer de CleanAirOptima-app in de App Store of Google Play Store.
2. Maak een account aan en log in.
3. Steek de stekker van het apparaat in het stopcontact en zet het apparaat aan. De WiFi-indicator knippert.
4. Zorg dat uw smartphone of tablet succesvol met uw WiFi-netwerk is verbonden.
5. Open de CleanAirOptima-app en klik op Apparaat toevoegen . Uw apparaat staat in de lijst en u kunt het selecteren. Zo niet, kies Auto Scan. Volg de instructies op het scherm om het apparaat met uw netwerk te verbinden.
6. Kies om het Clean Air Optima<sup>®</sup>-apparaat in de app toe te voegen, volg de instructies in de app.
7. Wanneer het apparaat is gekoppeld, brandt het WiFi-lampje continu.
8. Nadat de configuratie is geslaagd, kunt u de Clean Air Optima<sup>®</sup>-app gebruiken om het apparaat te bedienen.



## Opmerking:

- Als uw standaardnetwerk is gewijzigd, de WiFi-verbinding resetten en stap 1 tot 9 uitvoeren in het gedeelte WiFi-verbinding instellen.
- Als u meerdere apparaten aan uw smartphone of tablet wilt koppelen, moet u dit de een na de ander doen.
- Zorg dat de afstand tussen uw smartphone of tablet en het apparaat minder dan 5 meter is en dat er geen obstakels zijn. Zorg er ook voor dat u in dezelfde kamer bent als het apparaat.

## WiFi-functie resetten:

- Het apparaat moet worden uitgeschakeld.
- Reset de WiFi door de MODE-knop gedurende 5 seconden in te drukken, het indicatorlampje van de WiFi gaat snel knipperen.

## WiFi-functie uitschakelen:

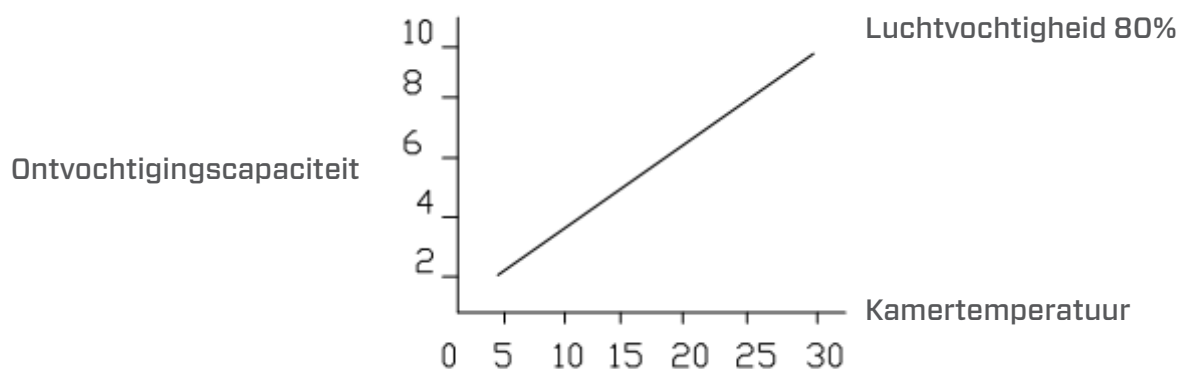
- Het apparaat moet worden uitgeschakeld.
- Reset de WiFi door de MODE-knop gedurende 5 seconden in te drukken, het indicatorlampje van de WiFi gaat snel knipperen.
- Schakel de WiFi uit door de MODE-knop nogmaals gedurende 5 seconden in te drukken, het indicatorlampje van de WiFi gaat uit.

## De kamertemperatuur stijgt tijdens de werking

De Clean Air Optima<sup>®</sup> luchtontvochtiger heeft geen koelfunctie. Het apparaat produceert warmte tijdens de werking en verhoogt de kamertemperatuur met 1 tot 4 °C.

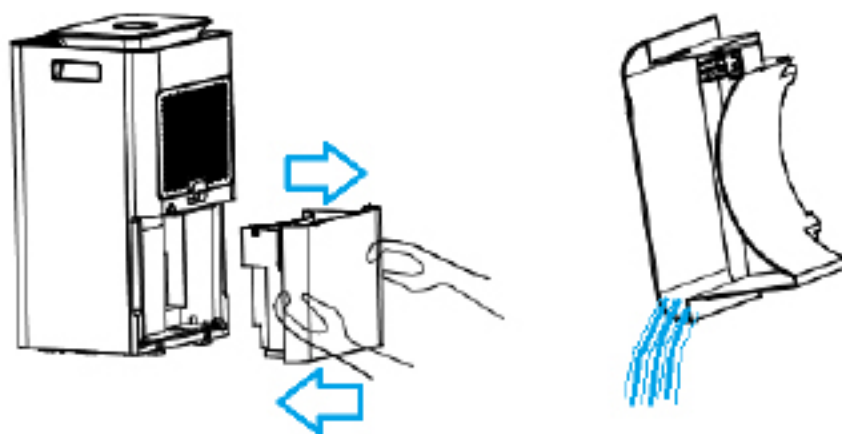
## Ontvochtigingscapaciteit

Onderstaande illustratie toont de ontvochtigingscapaciteit van de Clean Air Optima<sup>®</sup> luchtontvochtiger. Door verschillende temperaturen en relatieve luchtvochtigheid kan de luchtontvochtiger verschillende ontvochtigingscapaciteiten hebben.



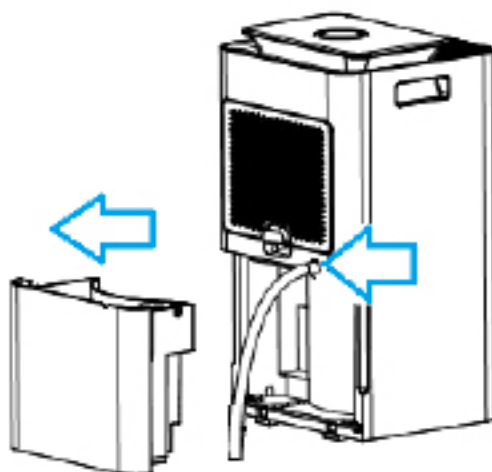
## Waterafvoer

Het indicatorlampje Waterreservoir vol gaat rood branden wanneer het waterreservoir vol is. Verwijder het waterreservoir en maak het vervolgens leeg. Plaats het waterreservoir op de juiste wijze weer in de luchtontvochtiger, zie onderstaande illustratie.



## Doorlopende afvoer

Voor continu gebruik kunt u de bijgeleverde 1,5 m lange afvoerslang gebruiken. Verwijder het waterreservoir en installeer de slang op de juiste wijze op de aansluiting voor de waterafvoerslang, zie onderstaande illustratie.



## Onderhoud

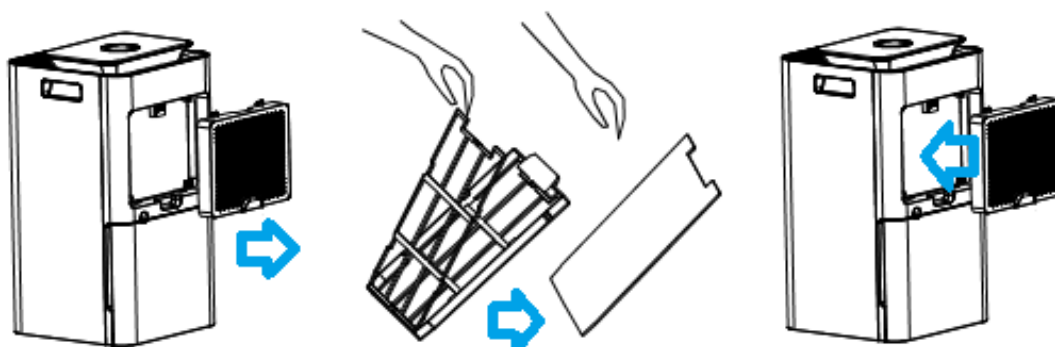
### Reinigen van de behuizing van de Clean Air Optima<sup>®</sup> luchtontvochtiger

1. Schakel het apparaat uit en trek de stekker uit het stopcontact.
2. Gebruik een zachte en vochtige doek om het apparaat te reinigen. Gebruik geen chemische oplosmiddelen zoals benzeen, alcohol of benzine.
3. Zorg dat er **geen water** in het apparaat komt, besprenkel het niet met water.

### Filters vervangen

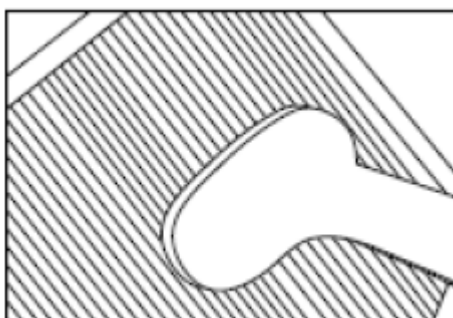
Afhankelijk van het gebruik hebben het **actieve-koolstoffilter** en het **True HEPA H13-filter** een levensduur van ca. 3 tot 6 maanden. Het **voorfilter** en de **UV-C lamp** zijn permanent, vervanging is niet nodig.

Verwijder de filters uit het filterframecompartiment. Na het vervangen of reinigen van de filters moeten de filters weer in het filterframecompartiment worden geplaatst en op het apparaat worden aangebracht, zie onderstaande illustratie.



### Filters schoonmaken

Het beste effect voor een langere levensduur van de filters wordt bereikt door de filters eenmaal per maand te reinigen. Als de binnenlucht erg vervuild is, adviseren wij om de filters vaker te reinigen, ca. één keer per twee weken.



Reinig het **voorfilter**, het **actieve-koolstoffilter** en het **True HEPA H13-filter** zorgvuldig met een borstel of stofzuiger. Op die manier kunnen grotere stofdeeltjes zoals pluizen, haar en huidschilfers van huisdieren uit het filter worden verwijderd.

## Waarschuwing!

Beschadig de filters niet, de filters mogen niet gebarsten zijn. Beschadigde filters moeten worden vervangen.

Maak de filters nooit nat en spoel ze nooit af met water (alleen voor **actieve-koolstoffilter** en **True HEPA H13-filter**). Filters die met water zijn gespoeld, moeten worden vervangen.

## Tekenen van versleten filters die moeten worden vervangen

(alleen voor **actieve-koolstoffilter** en **True HEPA H13-filter**)

Meer geluid, verminderde luchtstroom, verstopte filters, meer geurtjes. De filters moeten ook worden vervangen door nieuwe wanneer het True HEPA H13-filter van kleur verandert, van wit naar grijs of zwart. Als het True HEPA H13-filter wit blijft, hoeft het filter NIET te worden vervangen.

## Filters bestellen:

Neem contact op met de **klantenservice van Clean Air Optima<sup>®</sup>** via nummer

+ 31 (0) 742670145 of bezoek onze webshop: <https://www.cleanairoptima.com/accessoires/mg/44/>

## Opslag Clean Air Optima<sup>®</sup> luchtontvochtiger

Als de luchtontvochtiger gedurende langere tijd niet wordt gebruikt:

1. Laat het waterreservoir helemaal leeglopen, controleer dat er geen water meer in het reservoir aanwezig is.
2. Haal de stekker van het apparaat uit het stopcontact en plooi de voedingskabel samen.
3. Verwijder de filters en reinig ze. Plaats de filters na het reinigen weer terug in het apparaat.
4. Bewaar de luchtontvochtiger op een koele, droge plaats, uit de buurt van direct zonlicht, extreme temperaturen en veel stof.

## Problemen oplossen

Hierna vindt u informatie voor het oplossen van storingen, die u helpt eventuele problemen met de **Clean Air Optima®** luchtontvochtiger **CA-704 Smart/CA-707 Smart** op te lossen.

Probleem	Mogelijke oorzaak	Oplossing
Apparaat kan niet worden ingeschakeld	Het netsnoer kan niet correct worden aangesloten	Steek de netstekker correct in het stopcontact
Inefficiënte ontvochtiging	Het waterreservoir is vol of het waterreservoir is niet juist geplaatst	Laat het waterreservoir leeglopen en plaats het terug in de juiste positie
	De filters zijn verstopt door stof	Reinig of vervang de filters
	De luchtinlaat en -uitlaat zijn verstopt	Reinig de verstopping van de luchtinlaat en -uitlaat
	De ingestelde luchtvochtigheid is hoger dan de omgevingsvochtigheid	Stel de vochtigheidsgraad minstens 5% lager in dan de omgevingsvochtigheid
	De luchtontvochtiger staat in <b>continue luchtreinigingsmodus</b>	Verander de MODE
Geluid	Het apparaat is scheef geïnstalleerd	Zorg dat de machine rechtop is geïnstalleerd
	De filters zijn verstopt	Reinig of vervang de filters
De werking stopt tijdens ontvochtiging	De kamertemperatuur is hoger dan de toegestane bedrijfstemperatuur	De ontvochtiging wordt automatisch gestart wanneer de temperatuur daalt
Gewassen kleren worden niet gedroogd	De kamertemperatuur is te laag	Gewassen kleding kan moeilijk onder lage temperaturen worden gedroogd
<b>Bediening met de Clean Air Optima®-app</b> werkt niet	Smartphone of tablet is niet met het WiFi-netwerk verbonden Het apparaat heeft geen verbinding met het netwerk	Schakel het apparaat uit en reset de WiFi op het apparaat door de MODE-knop gedurende 5 seconden in te drukken, het indicatorlampje van de WiFi gaat snel knipperen. Volg dan stap 4 tot 8 uit hoofdstuk <b>Bediening met Clean Air Optima®-app</b>

## WAARSCHUWING!

Als de hierboven aanbevolen oplossingen niet werken, kunt u contact opnemen met de technische ondersteuning van Clean Air Optima<sup>®</sup> via het telefoonnummer voor uw regio. Probeer het apparaat niet te demonteren, opnieuw in elkaar te zetten of te repareren, aangezien dit de garantie kan doen vervallen.

## Specificaties CA-704 Smart

Model	CA-704 Smart
Voor ruimtes tot	40 m <sup>2</sup> /100 m <sup>3</sup> /430 ft <sup>2</sup>
Nominale spanning	220 V - 240 V, 50 Hz
Nominaal vermogen	200W
Ventilatorvermogen	120 m <sup>3</sup> /h
Ontvochtigingscapaciteit	10 liter per dag bij 30 °C en 80% RH
Bedrijfstemperatuurbereik	5 °C - 32 °C
Waterreservoir	3 liter
Luchtreiniging met:	Voorfilter, actieve-koolstoffilter, True HEPA H13-filter, UV-C-lamp, ionisator
Filterprestaties	99,97%, sterilisatiegraad 99,9%
Negatief ion	>3.000.000 ionen/cm <sup>2</sup>
Geluidsniveau	Stille ventilator < 30 dB(A) laag/42 dB(A) hoog
Afvoerslang	1,5 meter
Afmetingen	250 x 250 x 480mm
Gewicht	9,5kg
Kleur	Wit/zwart
Koelmiddel	R290/30 g
Voldoet aan de EU-regelgeving	CE / WEEE / RoHS

## Specificaties CA-707 Smart

Model	CA-707 Smart
Voor ruimtes tot	70 m <sup>2</sup> /175 m <sup>3</sup> /750 ft <sup>2</sup>
Nominale spanning	220 V - 240 V, 50 Hz
Nominaal vermogen	320W
Ventilatorvermogen	195 m <sup>3</sup> /h
Ontvochtigingscapaciteit	20 liter per dag bij 30 °C en 80% RH
Bedrijfstemperatuurbereik	5 °C - 32 °C
Waterreservoir	4 liter
Luchtreiniging met:	Voorfilter, actieve-koolstoffilter, True HEPA H13-filter, UV-C-lamp, ionisator
Filterprestaties	99,97%, sterilisatiegraad 99,9%
Negatief ion	>3.000.000 ionen/cm <sup>2</sup>
Geluidsniveau	Stille ventilator < 30 dB(A) laag/48 dB(A) hoog
Afvoerslang	1,5 meter
Afmetingen	260 x 260 x 618mm
Gewicht	13,5kg
Kleur	Wit/zwart
Koelmiddel	R290/60 g
Voldoet aan de EU-regelgeving	CE / WEEE / RoHS



Vraag uw verkoper of uw gemeente om actuele informatie over de verwijdering van de verpakking en van het apparaat.



**R290**

**Gevaar**

Natuurlijk koelmiddel propaan (R290)!

## Service

### Garantiecertificaat voor de Clean Air Optima<sup>®</sup> luchtontvochtiger CA-704 Smart/CA-707 Smart.

Aankoopdatum: .....  
Naam van de klant: .....  
Adres: .....  
Telefoon: .....  
E-mail: .....  
Naam van de verkoper: .....  
Adres: .....

1. Gelieve dit garantiecertificaat volledig in te vullen. Verzond het met de factuur en het apparaat, voldoende gefrankeerd en in de originele verpakkingendoos, naar uw verkoper. Zorg dat u ook de retourzending van het pakket voldoende frankeert.
2. Gelieve een korte beschrijving van de schade, fout of storing en de van omstandigheden waarin de problemen zich voordeden bij te voegen.

De **Clean Air Optima<sup>®</sup> luchtontvochtiger CA-704 Smart/CA-707 Smart** ondergaat strenge testprocedures voordat het apparaat de fabriek verlaat. Indien het product binnen de 2 jaar na aankoopdatum wegens fabricagefouten niet volgens de specificaties functioneert, heeft de koper recht op gratis herstelling of vervanging van onderdelen op voorlegging van deze garantie (op voorwaarde dat de storing of beschadiging van het apparaat en/of onderdelen onder normale bedrijfsomstandigheden heeft plaatsgevonden). Wat wordt gedekt: Alle onderdelen met materiaal- of fabricagefouten. Hoe lang: gedurende twee jaar vanaf de aankoopdatum. Wat zullen we doen: Defecte onderdelen repareren of vervangen.

#### Overige voorwaarden

De bepalingen van deze garantie vervangen elke andere schriftelijke of mondelinge, uitdrukkelijke of impliciete garantie, met inbegrip van elke garantie van verkoopbaarheid of geschiktheid voor een bepaald doel. De maximale aansprakelijkheid van de fabrikant bedraagt niet meer dan de aankoopprijs die u daadwerkelijk voor het product heeft betaald. De fabrikant is in geen geval aansprakelijk voor bijzondere schade, incidentele schade, gevolgschade of indirecte schade. Deze garantie dekt geen defecten die het gevolg zijn van onjuist of onredelijk gebruik of onderhoud, foutieve montage, ongeval, natuurrampen, onjuiste verpakking of ongeoorloofde manipulatie, veranderingen of wijzigingen zoals uitsluitend door ons bepaald. Deze garantie vervalt als het etiket met het serienummer is verwijderd of beschadigd.



# Bedankt om dit te lezen!



Geef uw feedback over de Clean Air Optima®  
luchtontvochtiger CA-704 Smart/CA-707 Smart via:  
[www.cleanairoptima.com](http://www.cleanairoptima.com)



Ga voor veelgestelde vragen over de CA-704 Smart/CA-707 Smart  
naar: [www.cleanairoptima.com](http://www.cleanairoptima.com) en zoek naar de CA-704 Smart/  
CA-707 Smart



Download de PDF handleiding op:  
[www.cleanairoptima.com/info/manuals](http://www.cleanairoptima.com/info/manuals)



Bekijk alle Clean Air Optima®-  
productvideo's op:  
[www.youtube.com](http://www.youtube.com)

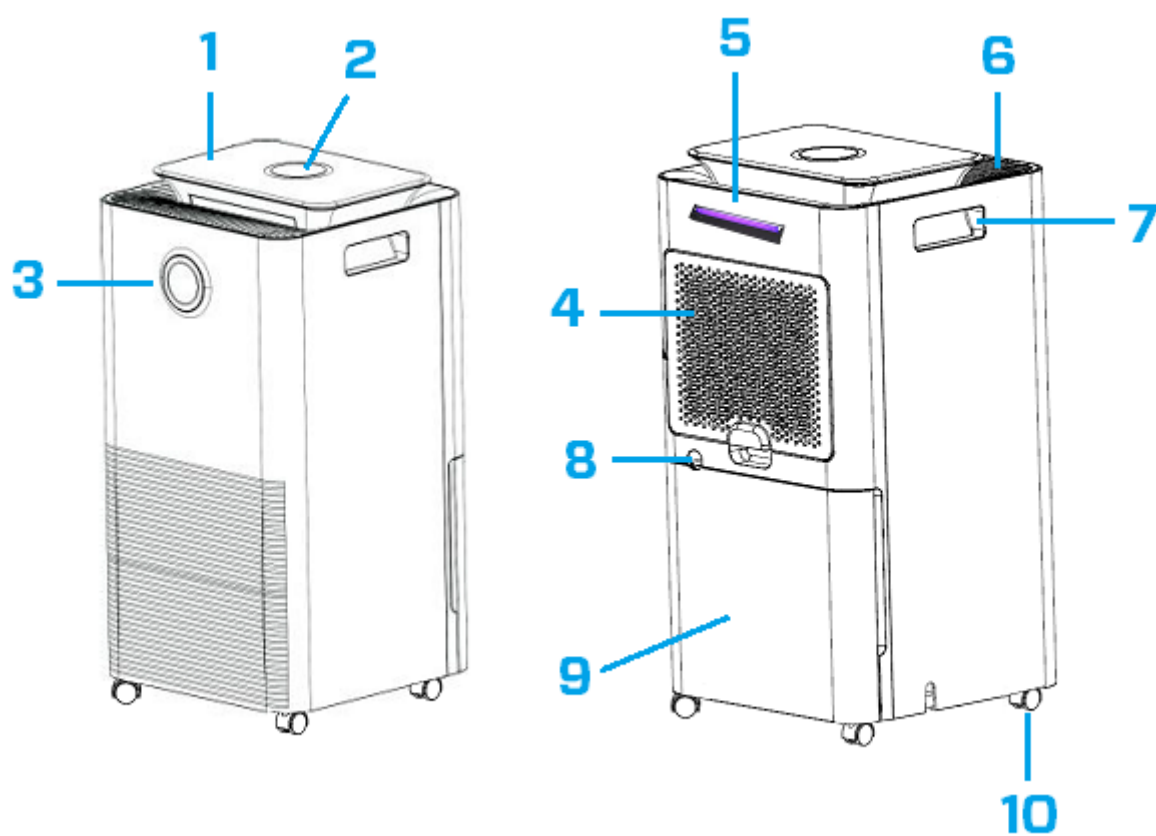
**Clean Air Optima International B.V.** | David Ricardostraat 9-7 / 9-9 | 7559 SH Hengelo (ov)  
Nederland | Telefoon: +31 (0) 74 - 2670145

**Clean Air Optima Germany GmbH** | Enschedestraße 14 | 48529 Nordhorn | Duitsland  
Telefoon: +49 (0) 5921 879-121

**E-mail:** [info@cleanairoptima.com](mailto:info@cleanairoptima.com)

**Internet:** [www.cleanairoptima.com](http://www.cleanairoptima.com)

## Unité principale CA-704 Smart / CA-707 Smart



## Français

### **Merci d'avoir acheté le déshumidificateur et purificateur d'air 2 en 1 Clean Air Optima® CA-704 Smart / CA-707 Smart.**

Grâce à cet appareil efficace, vous bénéficierez d'un air intérieur sain durant de nombreuses années. Assurez-vous que toutes les précautions de sécurité sont respectées lors de l'utilisation de cet appareil électrique, et ce, afin de garantir le bon fonctionnement de celui-ci. Ces instructions décrivent les consignes de sécurité à respecter lors du fonctionnement de l'appareil. Elles sont destinées à prévenir les blessures et à éviter d'endommager l'appareil.

### **Description de l'appareil**

Les principaux composants de cet appareil Clean Air Optima® sont les suivants :

1. Panneau de contrôle
2. L'écran numérique affiche l'humidité relative en %, le wifi et les paramètres de fonction
3. Le moniteur LED couleur affiche l'humidité relative en bleu (inférieure à 53 %), vert (entre 53 % et 68 %) et rouge (supérieure à 68 %)
4. Entrée d'air et logement des filtres, comprenant : Pré-filtre, filtre à charbon actif, filtre True HEPA H13
5. Lampe UV-C
6. Sortie d'air et ioniseur
7. Poignée
8. Vidange en continu (écoulement de l'eau, tuyau de raccord) Tuyau de vidange de 1,5 mètre inclus
9. Réservoir d'eau
10. Roulettes

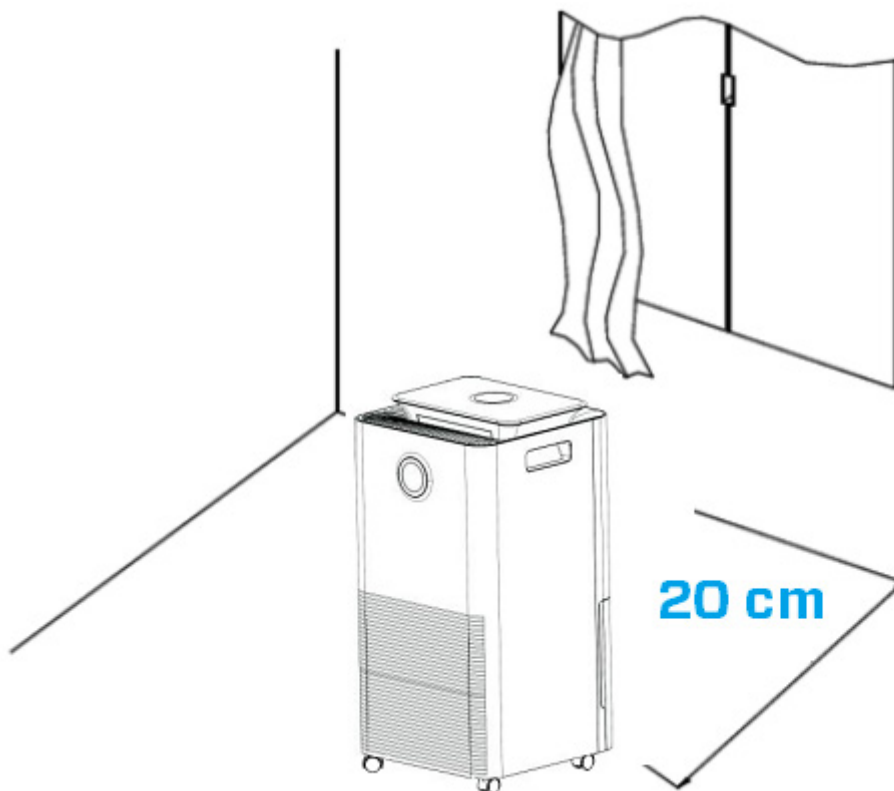
## Avertissements de sécurité

Cet appareil ne peut être utilisé que conformément aux instructions de sécurité indiquées dans le présent document. Veillez à adopter les mesures suivantes afin de minimiser les risques de blessures corporelles dues par exemple à des chocs électriques ou un incendie.

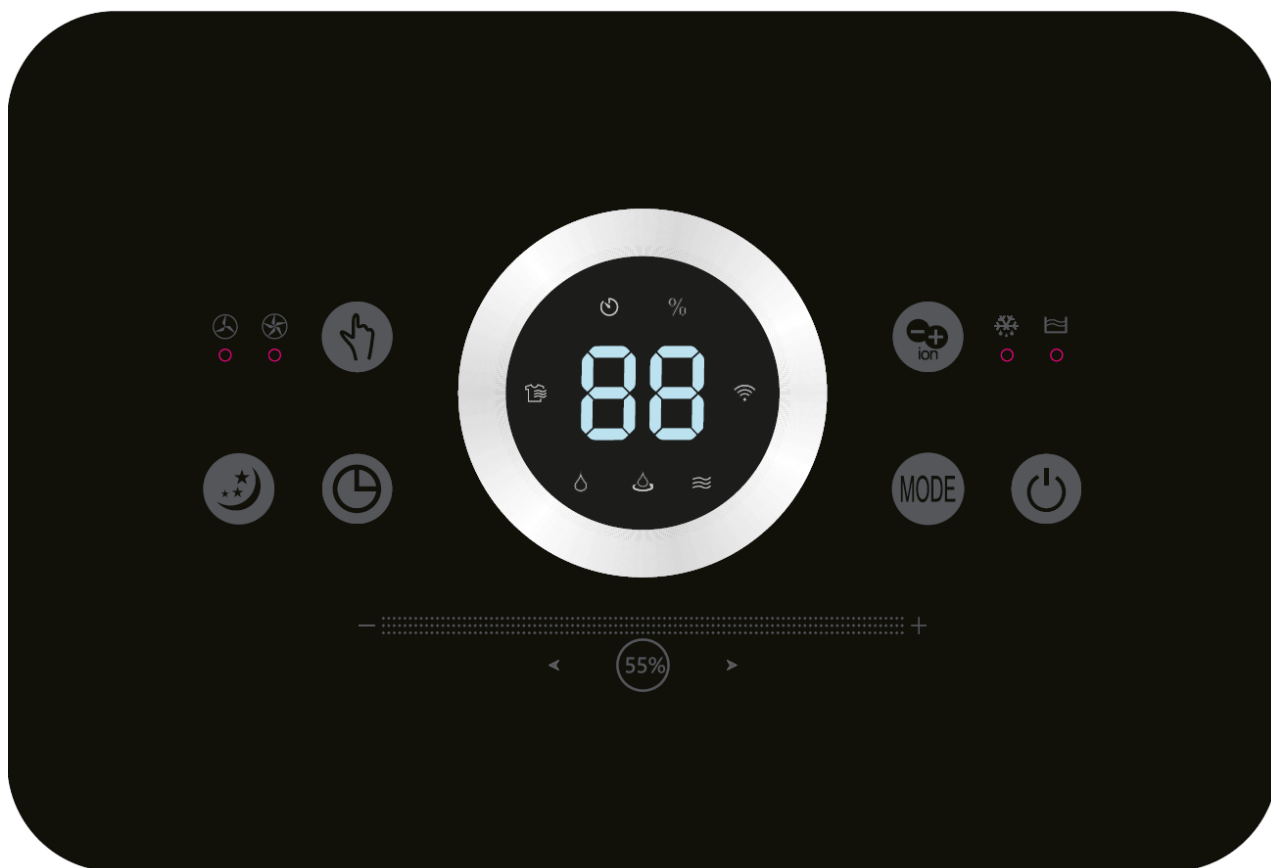
1. Laissez l'appareil reposer pendant au moins deux heures avant utilisation, en particulier après tout transport.
2. Uniquement pour utilisation intérieure. N'utilisez pas et n'entreposez pas l'appareil à l'extérieur.
3. Utilisez la tension appropriée : CA 220V – 240V, 50/60Hz.
4. Prévoyez au moins 20 cm d'espace libre autour de l'entrée et de la sortie d'air de l'appareil.
5. L'appareil n'est pas destiné à être utilisé par des enfants ou des personnes ayant des capacités physiques, sensorielles ou mentales réduites, sauf s'ils sont surveillés par une personne responsable de leur sécurité.
6. N'utilisez pas l'appareil si des dommages visibles sont présents sur le cordon électrique ou l'appareil lui-même. Ne réparez pas l'appareil vous-même en cas de dommages. Ne déplacez jamais l'appareil en tirant sur le cordon d'alimentation. Si le cordon d'alimentation est endommagé, il doit être remplacé par un technicien autorisé, et ce, afin d'éviter tout choc électrique ou incendie.
7. Les réparations ne peuvent être effectuées que par du personnel de service autorisé. N'essayez pas de réparer l'appareil vous-même, et ce, afin d'éviter tout risque d'électrocution ou d'incendie.
8. Ne touchez pas le cordon d'alimentation avec les mains mouillées.
9. Éteignez toujours l'appareil avant de retirer la prise.
10. N'essayez jamais d'éteindre l'appareil en débranchant la prise.
11. Débranchez l'appareil lorsque vous ne l'utilisez pas ou lorsque vous nettoyez des éléments internes ou externes de celui-ci.
12. Pour une utilisation en toute sécurité, placez l'appareil dans une position horizontale et stable. Ne bougez pas l'appareil en cours d'utilisation.
13. Réfrigérant : R290. Ce réfrigérant est conforme à la législation environnementale européenne. Aucune partie du circuit de refroidissement ne doit être perforée.
14. N'utilisez pas l'appareil dans des locaux où sont entreposés des liquides ou des gaz inflammables ou à proximité de sources de chaleur (radiateur, feu ouvert) ou d'équipements générant de la chaleur (radiateur céramique).
15. N'insérez jamais le moindre objet à l'intérieur du caisson de l'appareil, et ce, afin d'éviter une panne.
16. Ne recouvrez jamais les grilles d'entrée et de sortie d'air.
17. Ne démontez ni ne remplacez jamais les éléments internes de l'appareil.
18. N'utilisez pas et n'entreposez pas l'appareil à une température inférieure à 0°C ou supérieure à 40°C.
19. Ne basculez pas l'appareil d'un côté ou de l'autre lorsque le réservoir d'eau est plein.
20. Ne déposez pas d'objets lourds sur l'appareil.
21. Évitez les endroits exposés à la lumière directe du soleil. Il y a en effet un risque de décoloration de l'appareil.
22. Ne plongez jamais l'appareil dans l'eau ni dans aucun autre liquide.
23. Videz régulièrement le réservoir d'eau. Dans des conditions extrêmes, le réservoir d'eau peut être rempli au bout de quelques heures de fonctionnement.
24. Nettoyez régulièrement le préfiltre ; si le préfiltre est saturé de poussières, la purification et la déshumidification de l'air seront de piètre qualité. La consommation d'énergie augmentera et une panne peut survenir.
25. Remplacez le filtre à charbon actif et le filtre True HEPA H13 tous les 3 à 6 mois, si le filtre à charbon actif et le filtre True HEPA H13 sont saturés, la purification et la déshumidification de l'air seront de piètre qualité. La consommation d'énergie augmentera et une panne peut survenir.
26. Utilisez, entretenez et nettoyez l'appareil comme décrit dans ce manuel.

## Installation

Assurez-vous que l'appareil est placé à 20 cm des murs et des meubles, voir l'illustration ci-dessous.



## Panneau de contrôle / Mode d'emploi



### Alimentation

Appuyez sur le bouton d'alimentation pour allumer l'appareil.  
Appuyez à nouveau sur le bouton d'alimentation pour l'éteindre.



### MODE

Appuyez sur le bouton MODE pour sélectionner un des quatre programmes suivants :



1. Déshumidification normale (avec réglage de la vitesse du ventilateur et du taux d'hygrométrie)  *Icône dans l'application : Normal*
2. Déshumidification continue (ventilateur en vitesse lente, pas de réglage possible du taux d'hygrométrie)  *Icône dans l'application : Continu*
3. Purification de l'air en continu (vitesse du ventilateur réglable, pas de fonction de déshumidification)  *Icône dans l'application : Purification de l'air*
4. Mode vêtements secs (ventilateur en vitesse rapide, pas de réglage possible de la vitesse du ventilateur et du taux d'humidité)  *Icône dans l'application : Vêtements secs*



## Bouton de réglage du taux d'humidité

(Uniquement pour le MODE : Déshumidification Normal)

Vous pouvez sélectionner le taux d'humidité souhaité en appuyant plusieurs fois sur le bouton de réglage de l'humidité, jusqu'à ce que le taux d'humidité désiré s'affiche (de 30% à 80 % par pas de 5 %). Une fois que vous avez arrivé au taux d'humidité souhaité, cessez d'appuyer sur le bouton et le taux d'humidité affiché est sélectionné. Lorsque le taux d'humidité dans la pièce atteint la valeur choisie, l'appareil se met automatiquement en veille et arrête de déshumidifier et de purifier l'air. Lorsque le taux d'humidité réel dans la pièce repasse au-dessus du taux d'humidité demandé, l'appareil recommence à déshumidifier et à purifier l'air.

## Purification de l'air

Une fois que le taux d'humidité souhaité est atteint de manière constante, vous pouvez passer au programme 3 afin de passer en mode de purification d'air continue.



## Vitesse du ventilateur

(Uniquement pour le MODE : Déshumidification normale et purification d'air continue)

Vous pouvez modifier la vitesse du ventilateur en appuyant sur le bouton correspondant. Les 2 vitesses de ventilation fournissent un débit d'air spécifique.



## Ion négatif, icône dans l'application : Ion

Une pression sur le bouton Ions négatifs active le générateur d'ions négatifs d'une capacité totale supérieure à 3.000.000 ions négatifs/cm<sup>2</sup>, qui sont répartis dans toute la pièce et neutralisent ainsi les polluants et les odeurs. Les ions négatifs se fixent sur les particules de poussière, les microorganismes et autres particules indésirables présentes dans l'air, et les relient ensemble. Les particules en question deviennent ainsi plus lourdes que l'air et tombent sur le sol, de telle sorte que vous ne risquez plus de les respirer.

On trouve principalement des ions négatifs dans les forêts, les montagnes et sur les côtes.

Ils permettent de garantir un air frais et sain.



## Minuterie

Appuyez sur le bouton Timer pour régler la minuterie de 0 à 24 heures. Appuyez une fois sur le bouton pour augmenter la minuterie d'une heure. Lorsque l'appareil est en fonctionnement, la minuterie réglée indique à quel moment l'appareil doit s'éteindre. Lorsque l'appareil est en mode veille, la minuterie réglée indique à quel moment l'appareil doit s'allumer.



## Veille

Appuyez sur le bouton Sleep pour activer le mode veille, l'affichage s'éteint dans les 3 secondes environ. Appuyez 2 fois rapidement sur le bouton Sleep pour revenir aux paramètres précédents.



## Témoin lumineux de réservoir d'eau plein

L'appareil s'arrête automatiquement lorsque le réservoir d'eau est plein. Le témoin lumineux de réservoir d'eau plein s'allume. Videz le réservoir d'eau et remplacez-le à l'intérieur du caisson de l'appareil ; le témoin lumineux de réservoir d'eau plein s'éteint alors. L'appareil fonctionnera à nouveau automatiquement.



## Témoin lumineux de dégivrage

L'évaporateur du déshumidificateur se dégivre automatiquement lorsqu'il fonctionne à une température ambiante inférieure à 18 °C. Le dispositif de dégivrage à l'intérieur du déshumidificateur peut se mettre en marche et fonctionner pendant un certain temps (environ 5 minutes) automatiquement toutes les 25 minutes, voire plus.

- Pendant l'opération de dégivrage, il se peut que les fonctions de déshumidification et de purification de l'air soient interrompues.
- Ne coupez pas l'alimentation ou ne débranchez pas la prise d'alimentation de l'appareil pendant l'opération de dégivrage.

## Fonctionnement avec l'application Clean Air Optima<sup>®</sup>

### Connectivité

#### Compatibilité smartphone et tablette :

Appareils iPhone, iPad et Android



#### L'appareil se connecte par le wifi à l'application :

CleanAirOptima



### À propos de l'application Clean Air Optima<sup>®</sup>

#### Configurer la connexion wifi

1. Téléchargez et installez l'application « CleanAirOptima » dans l'App Store ou le Google Play Store.
2. Créez un compte et connectez-vous.
3. Branchez la fiche de l'appareil dans la prise électrique et mettez-le sous tension. L'indicateur WiFi clignote.
4. Assurez-vous que votre smartphone ou tablette est correctement connecté à votre réseau wifi.
5. Ouvrez l'application « CleanAirOptima » et cliquez sur « Ajouter un appareil » . Votre appareil est répertorié dans la liste et vous pouvez le sélectionner. Sinon, choisissez 'Auto Scan'. Suivez les instructions à l'écran pour connecter l'appareil à votre réseau.
6. Choisissez l'option « Ajouter l'appareil Clean Air Optima<sup>®</sup> » dans l'application, suivez les instructions de l'application.
7. Lorsque l'appareil est couplé, le témoin wifi reste  allumé en permanence.
8. Une fois la configuration réussie, vous pouvez utiliser l'application Clean Air Optima<sup>®</sup> pour faire fonctionner l'appareil.



## Remarque :

- Si votre réseau par défaut a changé, réinitialisez la connexion wifi, suivez les étapes 1 à 9 de la section « Configurer la connexion wifi ».
- Si vous souhaitez coupler plusieurs appareils à votre smartphone ou tablette, vous devez les appairer l'un après l'autre.
- Assurez-vous que la distance entre votre smartphone ou tablette et l'appareil est inférieure à 5 mètres et qu'il n'y a pas d'obstacles entre eux. Assurez-vous également d'être dans la même pièce que l'appareil.

## Pour réinitialiser la fonction wifi :

- L'appareil doit être éteint.
- Réinitialisez le wifi en appuyant sur le bouton 'Mode' pendant 5 secondes jusqu'à ce que le témoin du wifi clignote rapidement.

## Pour désactiver la fonction wifi :

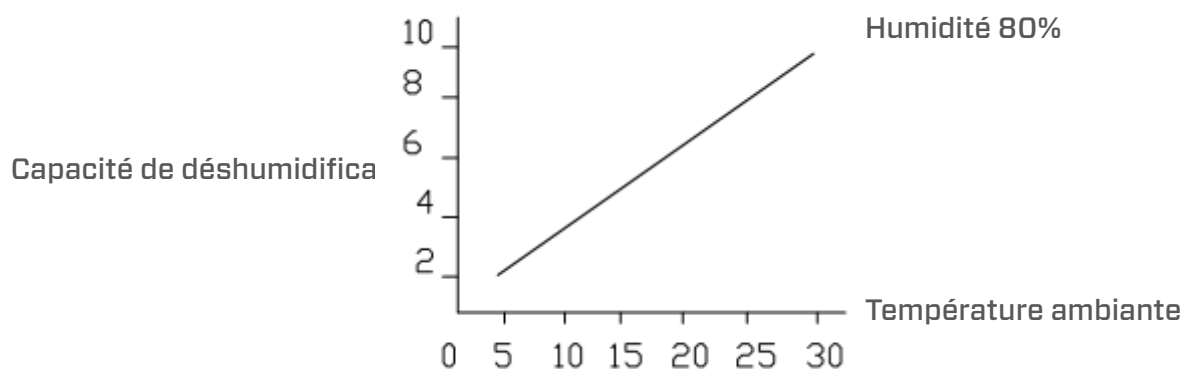
- L'appareil doit être éteint.
- Réinitialisez le wifi en appuyant sur le bouton 'Mode' pendant 5 secondes jusqu'à ce que le témoin du wifi clignote rapidement.
- Éteignez le wifi en appuyant sur le bouton 'Mode' pendant 5 secondes supplémentaires jusqu'à ce que le témoin du wifi s'éteigne.

## La température ambiante augmente pendant le fonctionnement

Le déshumidificateur Clean Air Optima<sup>®</sup> n'a pas de fonction de refroidissement. L'appareil émet de la chaleur pendant son fonctionnement, ce qui fera augmenter de 1 °C à 4 °C la température dans la pièce.

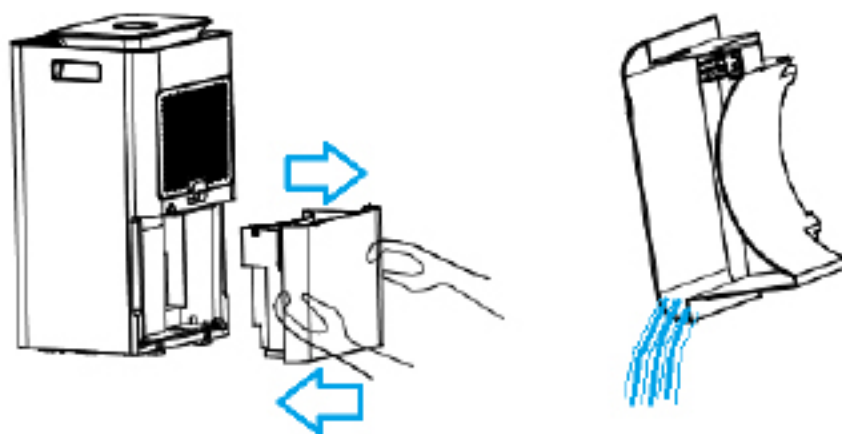
## Capacité de déshumidification

L'illustration ci-dessous donne un aperçu de la capacité de déshumidification du déshumidificateur Clean Air Optima<sup>®</sup>. La capacité de déshumidification de l'appareil varie en fonction de la température et de l'humidité relative.



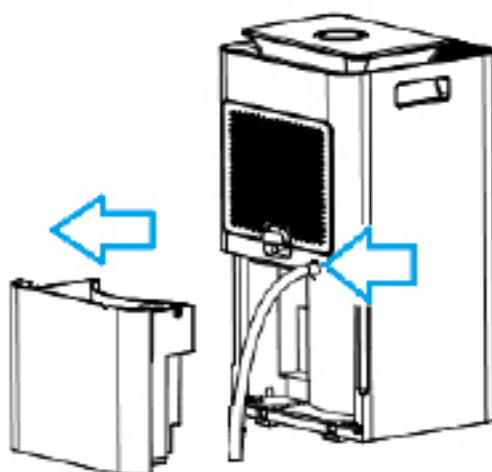
## Vidange de l'eau

Le témoin de réservoir d'eau plein s'allume lorsque le réservoir d'eau est rempli. Sortez le réservoir d'eau et videz l'eau qu'il contient. Remplacez-le ensuite correctement dans le déshumidificateur, voir l'illustration ci-dessous.



## Vidange en continu

Pour vidanger en continu, vous pouvez utiliser le tuyau de vidange de 1,5 mètre de long qui est fourni avec l'appareil. Retirez le réservoir d'eau et installez correctement le tuyau sur le raccord d'évacuation d'eau, voir l'illustration ci-dessous.



## Entretien

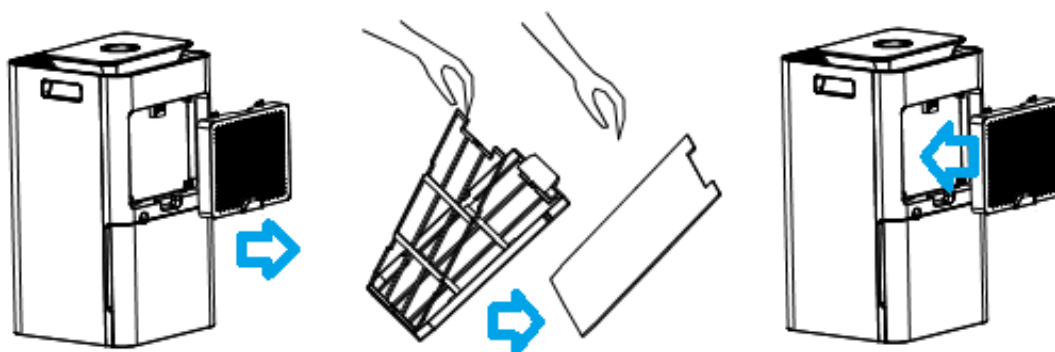
### Nettoyage du caisson du déshumidificateur Clean Air Optima<sup>®</sup>

1. Éteignez l'appareil et débranchez le cordon d'alimentation.
2. Utilisez un chiffon doux et humide pour nettoyer l'appareil. N'utilisez pas de solvant chimique, comme du benzène, de l'alcool ou de l'essence.
3. Veillez à ce qu'il n'y ait **pas d'eau** qui pénètre à l'intérieur de l'appareil. Ne l'aspergez pas d'eau.

## Remplacement des filtres

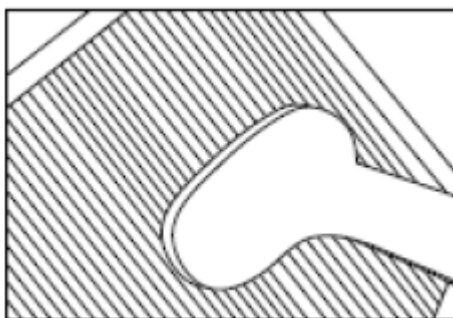
En fonction de l'utilisation qui est faite de l'appareil, le **filtre au charbon actif** et le **filtre True HEPA H13** ont une durée de vie d'environ 3 à 6 mois. Le **préfiltre** et **lampe UV-C** sont permanents et ne doivent pas être remplacés.

Retirez les filtres de leur logement. Après le remplacement ou le nettoyage du filtre, replacez-le dans son logement et refermez ce dernier, voir l'illustration ci-dessous.



## Nettoyage des filtres

Pour prolonger la durée de vie des filtres, il est conseillé de les nettoyer une fois par mois. Si l'air intérieur est extrêmement pollué, nous vous conseillons de nettoyer les filtres plus souvent, environ une fois toutes les deux semaines.



Nettoyez le **pré-filtre**, le **filtre à charbon actif** et le **filtre True HEPA H13** précautionneusement au moyen d'une brosse ou de votre aspirateur. Cela permet de retirer du filtre les plus grosses particules comme les peluches, les poils ou les phanères d'animaux domestiques.

## **Avertissement !**

N'endommagez pas les filtres, les filtres ne peuvent pas être fissurés. Les filtres endommagés doivent être remplacés.

Ne jamais mouiller ni rincer les filtres à l'eau (seulement pour le **filtre à charbon actif** et le **filtre True HEPA H13**). Les filtres rincés à l'eau doivent être remplacés.

## **Signes d'usure indiquant que les filtres doivent être remplacés**

(seulement pour le **filtre à charbon actif** et le **filtre True HEPA H13**)

Augmentation du bruit, débit d'air réduit, filtres encombrés, odeurs de plus en plus fortes.

Les filtres doivent également être remplacés lorsque le filtre True HEPA H13 change de couleur et passe du blanc au gris ou au noir. Tant que le filtre True HEPA H13 reste blanc, il N'EST PAS nécessaire de remplacer les filtres.

## **Comment commander des filtres :**

Contactez le service après-vente de **Clean Air Optima<sup>®</sup>** au numéro + 31 (0) 742670145 ou visitez notre boutique en ligne à l'adresse : <https://www.cleanairoptima.com/accessoires/mg/44/>

## **Stockage du déshumidificateur Clean Air Optima<sup>®</sup>**

En cas de non-utilisation du déshumidificateur durant une période prolongée :

1. Vidangez complètement le réservoir d'eau et assurez-vous qu'il ne contient plus d'eau.
2. Débranchez l'appareil et repliez le cordon d'alimentation.
3. Retirez les filtres pour les nettoyer. Après le nettoyage, replacez-les dans l'appareil.
4. Rangez le déshumidificateur dans un endroit frais et sec, à l'abri des rayons directs du soleil, des températures extrêmes et de la poussière.

## Dépannage

Vous trouverez ci-dessous un guide de dépannage destiné à vous aider à résoudre tous les problèmes que vous pourriez rencontrer en utilisant le déshumidificateur **Clean Air Optima® CA-704 Smart / CA-707 Smart**.

Problème	Cause possible	Solution
L'appareil ne s'allume pas.	Le cordon d'alimentation ne se raccorde pas correctement.	Raccordez correctement la fiche d'alimentation sur la prise de courant.
Déshumidification inefficace	Le réservoir d'eau est plein ou le réservoir d'eau n'est pas dans la bonne position.	Vidangez le réservoir d'eau et remplacez-le dans la bonne position.
	Le préfiltre est bouché à cause de la poussière	Nettoyez ou remplacez les filtres
	L'entrée et la sortie d'air sont obstruées.	Dégagez l'entrée et la sortie d'air.
	L'humidité de consigne est supérieure à l'humidité ambiante.	Réglez l'humidité à au moins 5 % en dessous de l'humidité ambiante.
	Le déshumidificateur est en <b>MODE purification d'air continue</b>	Changez le MODE de fonctionnement
Bruit	L'appareil est installé de travers.	Assurez-vous que l'appareil est installé en position verticale
	Les filtres sont bloqués	Nettoyez ou remplacez les filtres
Le fonctionnement s'arrête pendant la déshumidification ponctuelle	La température ambiante est supérieure à la plage de température tolérée	L'opération de déshumidification démarrera automatiquement lorsque la température baissera
Les vêtements lavés ne sèchent pas	La température ambiante est trop basse	Les vêtements lavés sont difficiles à sécher à basse température
<b>L'appareil ne fonctionne pas avec l'application Clean Air Optima®</b>	Le smartphone ou la tablette n'est pas connecté au réseau wifi  L'appareil n'a pas de connexion au réseau	Éteignez l'appareil et réinitialisez le wifi sur l'appareil en appuyant sur le bouton Mode pendant 5 secondes jusqu'à ce que le témoin du wifi clignote rapidement. Ensuite, suivez les étapes 4 à 8 du chapitre <b>Fonctionnement avec l'application Clean Air Optima®</b>

## AVERTISSEMENT !

Si les solutions préconisées ci-dessus ne fonctionnent pas, veuillez contacter le support technique Clean Air Optima<sup>®</sup> au numéro de téléphone correspondant à votre région. N'essayez pas de démonter, de remonter ou de réparer l'appareil, car cela pourrait avoir pour effet d'annuler la garantie.

## Spécifications CA-704 Smart

### Modèle

Pour des locaux jusqu'à

Tension nominale

Puissance nominale

Capacité du ventilateur

Capacité de déshumidification

Plage de température tolérée

Réservoir d'eau

Purification de l'air avec :

Performances du filtre

Ion négatif

Niveau sonore

Tuyau de drainage

Dimensions

Poids

Couleur

Réfrigérant

Conforme à la réglementation de l'UE

### CA-704 Smart

40 m<sup>2</sup> / 100 m<sup>3</sup> / 430ft<sup>2</sup>

220 V - 240 V, 50 Hz

200W

120 m<sup>3</sup>/h

10 litres par jour à 30 °C et 80%HR

5 °C - 32 °C

3 litres

pré-filtre, filtre à charbon actif, filtre True HEPA H13, lampe UV-C, ioniseur

99,97 %, taux de stérilisation 99,9 %

>3.000.000 ions/cm<sup>2</sup>

Ventilateur silencieux < 30 dB(A) Bas / 42 dB(A) Haut

1,5 mètre

250 x 250 x 480mm

9,5kg

Blanc / noir

R290 / 30 g

CE / WEEE / RoHS

## Spécifications CA-707 Smart

### Modèle

Pour des locaux jusqu'à

Tension nominale

Puissance nominale

Capacité du ventilateur

Capacité de déshumidification

Plage de température tolérée

Réservoir d'eau

Purification de l'air avec :

Performances du filtre

Ion négatif

Niveau sonore

Tuyau de drainage

Dimensions

Poids

Couleur

Réfrigérant

Conforme à la réglementation de l'UE

### CA-707 Smart

70 m<sup>2</sup> / 175 m<sup>3</sup> / 750ft<sup>2</sup>

220 V - 240 V, 50 Hz

320W

195 m<sup>3</sup>/h

20 litres par jour à 30 °C et 80%HR

5 °C - 32 °C

4 litres

pré-filtre, filtre à charbon actif, filtre True HEPA H13, lampe UV-C, ioniseur

99,97 %, taux de stérilisation 99,9 %

>3.000.000 ions/cm<sup>2</sup>

Ventilateur silencieux < 30 dB(A) Bas / 48 dB(A) Haut

1,5 mètre

260 x 260 x 618mm

13,5kg

Blanc / noir

R290 / 60 g

CE / WEEE / RoHS



Renseignez-vous auprès de votre détaillant ou de votre municipalité concernant la mise en décharge de l'emballage et de l'appareil.



**R290**

**Danger**

Réfrigérant naturel propane (R290) !

## Service après-vente

### Certificat de garantie du déshumidificateur Clean Air Optima® CA-704 Smart / CA-707 Smart.

Date d'achat : .....  
Nom du client : .....  
Adresse : .....  
Téléphone : .....  
E-mail : .....  
Nom du revendeur : .....  
Adresse : .....

1. Veuillez remplir intégralement le présent certificat de garantie. Envoyez-le avec la facture et l'appareil, port payé et dans l'emballage d'origine, à votre distributeur. Assurez-vous d'inclure l'affranchissement de retour approprié pour le colis.
2. Veuillez joindre une brève description du dommage, de la panne ou du dysfonctionnement, ainsi que les circonstances à l'origine de ces problèmes.

Le déshumidificateur **Clean Air Optima® CA-704 Smart / CA-707 Smart** est soumis à des procédures d'essai strictes avant de quitter l'usine. Si, dans un délai de deux ans à compter de la date d'achat, le produit ne fonctionne pas conformément aux spécifications en raison de défauts d'usine, l'acheteur a droit à la réparation ou au remplacement gratuit des pièces défectueuses sur simple présentation de cette garantie (à condition que le dysfonctionnement ou les dommages à l'appareil et/ou à ses éléments soient survenus dans des conditions normales de fonctionnement). Ce qui est couvert par la garantie : Toutes les pièces défectueuses, en raison d'un défaut de matériel ou de fabrication. Durée : deux ans à compter de la date d'achat. Ce que nous ferons : Réparer ou remplacer toute pièce défectueuse.

### Autres conditions

Les dispositions de la présente garantie remplacent toute autre garantie écrite, expresse ou implicite, écrite ou orale, y compris toute garantie de qualité marchande ou d'adaptation à un usage particulier. La responsabilité maximale du fabricant ne peut pas excéder le prix d'achat réel que vous avez payé pour le produit. En aucun cas, le fabricant ne pourra être tenu responsable de dommages spéciaux, accidentels, consécutifs ou indirects. Cette garantie ne couvre pas les défaillances résultant d'une utilisation ou d'un entretien inapproprié ou déraisonnable, d'un montage incorrect, d'un accident ou de catastrophes naturelles, d'un emballage inadéquat, ou d'une falsification, altération ou modification non autorisée, tels que déterminés à notre seule discrétion. La présente garantie est nulle si l'étiquette portant le numéro de série a été retirée ou effacée.



# Merci de votre lecture !



Partagez vos commentaires sur le déshumidificateur Clean Air Optima® CA-704 Smart / CA-707 Smart sur le site : [www.cleanairoptima.com](http://www.cleanairoptima.com)



Pour la foire aux questions concernant le CA-704 Smart / CA-707 Smart, rendez-vous sur la page [www.cleanairoptima.com](http://www.cleanairoptima.com) et recherchez le CA-704 Smart / CA-707 Smart



Télécharger le mode d'emploi au format PDF sur : [www.cleanairoptima.com/info/manuals](http://www.cleanairoptima.com/info/manuals)



Regardez toutes les vidéos des produits Clean Air Optima® sur : [www.youtube.com](http://www.youtube.com)

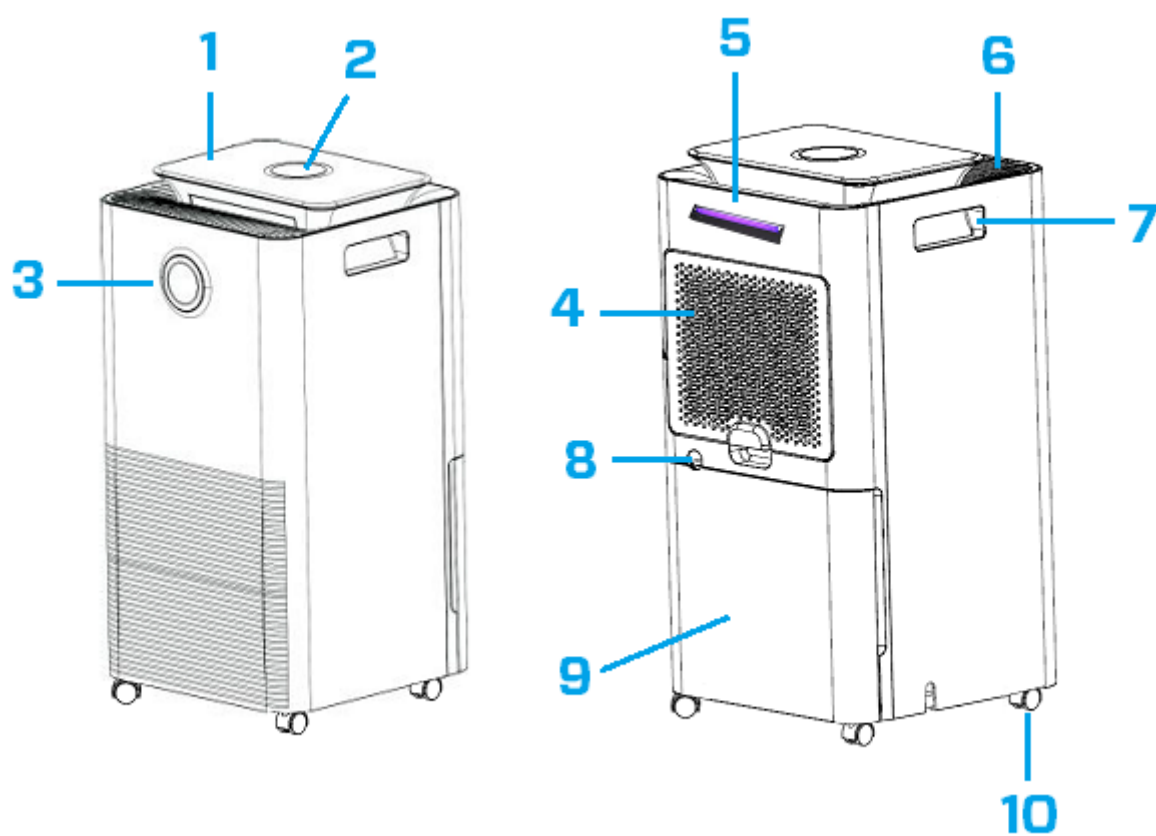
**Clean Air Optima International B.V.** | David Ricardostraat 9-7 / 9-9 | 7559 SH Hengelo (ov)  
Pays-Bas | Téléphone : +31 (0) 74 - 2670145

**Clean Air Optima Germany GmbH** | Enschedestraße 14 | 48529 Nordhorn | Allemagne  
Téléphone : +49 (0) 5921 879-121

**Courriel :** [info@cleanairoptima.com](mailto:info@cleanairoptima.com)

**Internet :** [www.cleanairoptima.com](http://www.cleanairoptima.com)

## Unidad principal CA-704 Smart / CA-707 Smart



## Español

### **Gracias por la compra del humidificador 2 en 1 de Clean Air Optima®: Deshumidificador y purificador de aire CA-704 Smart / CA-707 Smart.**

Este eficiente y eficaz producto le proporcionará muchos años de aire interior saludable.

Cuando utilice este aparato eléctrico, cumpla siempre todas las medidas de seguridad para su correcto funcionamiento. En estas instrucciones se explican las medidas de seguridad que debe respetar durante su funcionamiento, las cuales han sido concebidas para evitar daños personales y al propio aparato.

### **Descripción**

Este aparato de Clean Air Optima® consta de los siguientes componentes principales:

1. Panel de mandos
2. La pantalla digital indica la humedad relativa en %, la red WiFi y la configuración de las funciones
3. El monitor LED en color indica la humedad relativa en azul (por debajo de 53 %), verde (entre 53 % y 68 %) y rojo (por encima de 68 %)
4. Entrada de aire y compartimento del bastidor del filtro, que incluye: Prefiltro, filtro de carbón activo, filtro True HEPA H13
5. Posición de la lámpara UV-C
6. Posición de salida de aire e ionizador
7. Asa
8. Desagüe continuo (desagüe de agua, conexión de manguera), manguera de desagüe de 1,5 metros incluida
9. Depósito de agua
10. Ruedas giratorias

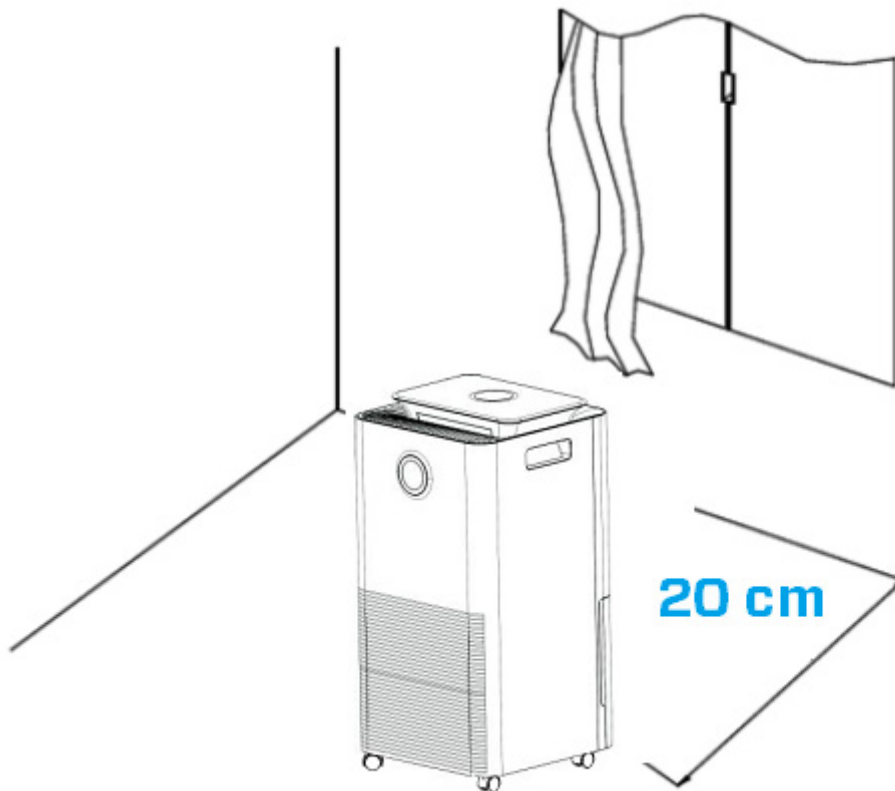
## Advertencias de seguridad

Cumpla estas instrucciones de seguridad siempre que utilice el aparato. Siga estos pasos para limitar al máximo el riesgo de daños personales a causa de, por ejemplo, descargas eléctricas o incendios.

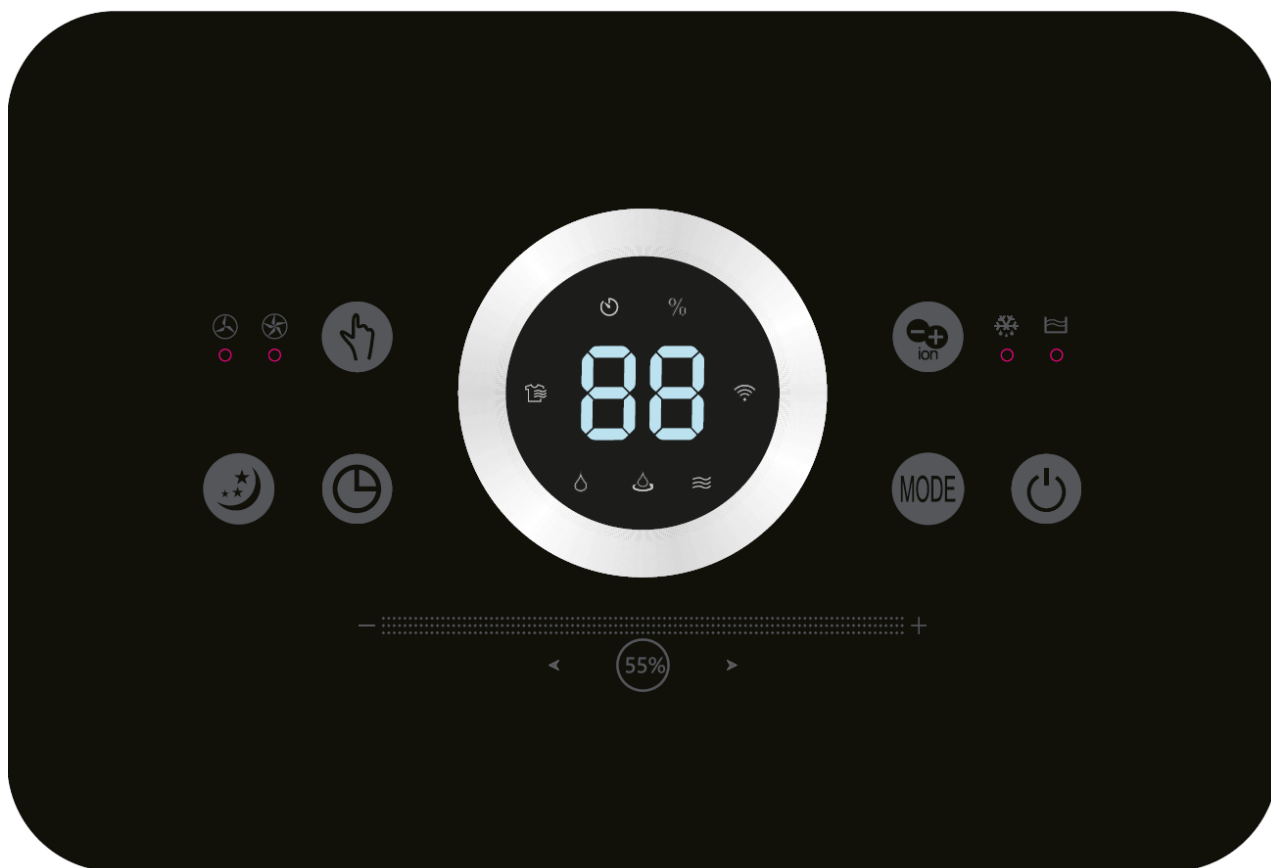
1. Deje reposar el aparato durante al menos dos horas antes de usarlo, especialmente después del transporte.
2. Solo para uso en interiores. No utilizar ni guardar al aire libre.
3. Use el voltaje adecuado: CA 220V – 240V, 50/60Hz.
4. Deje un espacio libre de min. 20 cm alrededor de la entrada y salida de aire del aparato.
5. El aparato no debe ser utilizado por niños o personas con discapacidad física, sensorial o mental, salvo que estén bajo la supervisión de una persona responsable de su seguridad.
6. No utilice el aparato si observa algún daño en el cable eléctrico o el propio aparato. En caso de daños, no repare el aparato por sus propios medios. No mueva el aparato tirando del cable. Si el cable de alimentación ha sufrido algún daño, para evitar descargas eléctricas o incendios debe ser sustituido por un técnico autorizado.
7. Las reparaciones solo pueden ser llevadas a cabo por personal técnico autorizado. Para evitar descargas eléctricas o incendios, no intente reparar el aparato por sus propios medios.
8. No toque el cable de alimentación ni el enchufe con las manos mojadas.
9. Apague siempre el aparato antes de desenchufarlo.
10. Nunca intente apagar el aparato desenchufándolo.
11. Desenchufe el cable cuando no utilice el aparato o cuando limpie sus piezas internas o externas.
12. Por motivos de seguridad, coloque el aparato en una posición horizontal estable. No lo mueva mientras esté en uso.
13. Refrigerante: R290. Este refrigerante cumple con las normativas medioambientales europeas. Ninguna parte del circuito de refrigeración puede estar perforada.
14. No utilice el aparato en habitaciones donde se guarden líquidos o gases inflamables, ni cerca de fuentes de calor como radiadores, chimeneas u otros aparatos que generen calor, como calentadores de cerámica.
15. Para evitar averías, nunca inserte otros objetos en el armazón del aparato.
16. Nunca cubra la rejilla de entrada ni de salida de aire.
17. Nunca extraiga ni sustituya los componentes internos del aparato.
18. El aparato debe utilizarse y almacenarse a una temperatura no inferior a 0°C ni superior a 40°C.
19. No incline el aparato hacia ningún lado mientras el depósito de agua esté lleno.
20. No deposite objetos pesados sobre el aparato.
21. Evite los lugares expuestos a la luz solar directa. El aparato podría decolorarse.
22. Nunca sumerja el aparato en agua o cualquier otro líquido.
23. Limpie el depósito de agua con frecuencia. En condiciones extremas, el depósito de agua puede estar lleno después de unas horas de funcionamiento.
24. Limpie el prefiltro con frecuencia; el polvo puede afectar al funcionamiento del sistema de purificación y deshumidificación, y el consumo de energía aumentará, lo que puede causar fallos.
25. Cambie el filtro de carbón activo y el filtro True HEPA H13 con una frecuencia de entre 3 y 6 meses; si el filtro de carbón activo y el filtro True HEPA H13 están saturados, el sistema de purificación y deshumidificación no funcionará correctamente, y el consumo de energía aumentará, lo que puede causar fallos.
26. Utilice, mantenga y limpie el aparato siguiendo las instrucciones del manual.

## Instalación

Asegúrese de dejar una distancia de 20 cm entre el aparato y las paredes y los muebles, como puede verse en la imagen.



## Panel de control / Instrucciones de funcionamiento



### Encendido/Apagado

Pulse el botón de encendido para poner en marcha el aparato.  
Pulse otra vez el botón de encendido para apagar el aparato.



### MODE

Presione el botón MODE para seleccionar uno de los cuatro programas deseados:



1. Deshumidificación normal (velocidad del ventilador ajustable y ajuste de la humedad)  
*Icono en la aplicación: Normal*
2. Deshumidificación continua (baja velocidad del ventilador, humedad no ajustable)  
*Icono en la aplicación: Continua*
3. Purificación de aire continua (velocidad del ventilador ajustable, sin función de deshumidificación) *Icono en la aplicación: Purificación del aire*
4. Modo de ropa seca (velocidad alta del ventilador, velocidad del ventilador y humedad no ajustables) *Icono en la aplicación: Ropa seca*



## Botón deslizante de ajuste de la humedad

(Solo para el programa MODE: Deshumidificación Normal)

Pulsando repetidamente el botón deslizante de la humedad, se selecciona el nivel de humedad deseado (del 30 % al 80 % en incrementos del 5 %), pulsando y deslizándolo hasta que se muestre en pantalla el nivel deseado. Para dejar seleccionado el nivel de humedad, simplemente deje de pulsar y deslizar el botón. Cuando el nivel de humedad de la habitación alcance el nivel de humedad programado, el aparato pasará a un estado de reposo automático y se detiene la función de deshumidificación y purificación. Cuando el nivel de humedad real de la habitación aumenta nuevamente por encima del nivel de humedad programado, el aparato comenzará a deshumidificar y purificar el aire nuevamente.

## Purificación de aire

Si el nivel de humedad deseado se alcanza a un nivel constante, puede cambiar al programa 3 para utilizar el aparato para la purificación continua del aire.



## Velocidad del ventilador

(Solo para el programa MODE: Deshumidificación normal y purificación de aire continua)

Pulsando el botón de velocidad del ventilador, puede cambiar el nivel de velocidad. Las 2 velocidades del ventilador proporcionan su propia intensidad de circulación del aire.



## Ion negativo, *icono en la aplicación: Ion*

El botón de iones negativos activa el generador de iones negativos con una capacidad total de más de 3 000 000 iones negativos/cm<sup>2</sup>, que se extienden por toda la habitación y neutralizan los contaminantes y los olores. Los iones negativos se adhieren a las partículas de polvo, microorganismos y otras partículas perjudiciales del aire, y se conectan entre sí. De esta manera, las partículas se vuelven más pesadas que el aire y caen al suelo, de modo que ya no pueden inhalarse.

Los iones negativos se encuentran sobre todo en el bosque, en las montañas y en el mar. Estos iones aseguran un aire fresco y saludable.



## Temporizador

Pulse el botón del temporizador para programar la temporización entre 0 y 24 horas. Cada pulsación del botón incrementa el tiempo en una hora. Cuando el aparato está en funcionamiento, el tiempo programado indica cuándo se apagará. Con el aparato en el modo de espera, el tiempo programado indica cuándo se encenderá.



## Reposo

Al presionar este botón se activa el modo de reposo; la pantalla se apaga aproximadamente 3 segundos después. Presione el botón del modo de reposo dos veces rápidamente para volver a cambiar a los ajustes anteriores.



## Indicador de depósito de agua lleno

Cuando el depósito de agua está completamente lleno, el aparato se detiene automáticamente, y se encienden el indicador de depósito de agua lleno y las luces. Vacíe el depósito de agua y vuelva a colocarlo en el armazón del aparato; el indicador de depósito de agua lleno se apagará. El aparato se pondrá en funcionamiento de nuevo automáticamente.



## Indicador de descongelación

El evaporador del deshumidificador puede descongelarse automáticamente si funciona con una temperatura ambiente inferior a 18 °C. El dispositivo de descongelación del deshumidificador puede encenderse y funcionar durante unos 5 minutos automáticamente cada 25 minutos o incluso más.

- Durante la operación de descongelación, la función de deshumidificación y la función de purificación de aire pueden intervenir.
- No apague ni desenchufe el aparato durante la operación de descongelación.

## Funcionamiento con la aplicación Clean Air Optima<sup>®</sup>

### Conectividad

**Compatibilidad con smartphone y tableta:**  
dispositivos iPhone, iPad y Android

**El aparato se conecta a través de WiFi con la aplicación:**  
CleanAirOptima



**Acerca de la aplicación Clean Air Optima<sup>®</sup>**

### Configurar la conexión WiFi

1. Descargue e instale la aplicación "CleanAirOptima" en App Store o Google Play Store.
2. Cree una cuenta e inicie sesión.
3. Enchufe el aparato a la corriente y enciéndalo. El indicador WiFi parpadeará.
4. Asegúrese de que su smartphone o tableta esté conectado correctamente a su red WiFi.
5. Abra la aplicación 'CleanAirOptima' y haga clic en 'Añadir dispositivo' . Su dispositivo aparece en la lista y puede seleccionarlo. De lo contrario, elija 'Escaneado automático'. Siga las instrucciones de la pantalla para conectar el dispositivo a su red.
6. Seleccione Clean Air Optima<sup>®</sup> en la aplicación y siga las instrucciones de esta.
7. Cuando el aparato esté sincronizado, el indicador WiFi quedará encendido.
8. Una vez finalizada la configuración, podrá usar el aparato mediante la aplicación Clean Air Optima<sup>®</sup>.



**Nota:**

- Si su red predeterminada ha cambiado, restablezca la conexión WiFi, siguiendo los pasos del 1 al 9 en la sección 'Configurar conexión WiFi'.
- Si desea emparejar varios aparatos con su smartphone o tableta, debe hacerlo uno tras otro.
- Asegúrese de que la distancia entre su smartphone o tableta y el aparato sea inferior a 5 metros y que no haya obstáculos. También asegúrese de estar en la misma habitación que el aparato.

**Restablecer la función WiFi:**

- El aparato debe estar apagado.
- Reinicie el WiFi presionando el botón 'Mode' durante 5 segundos; el indicador WiFi parpadeará rápidamente.

**Desconexión de la función WiFi:**

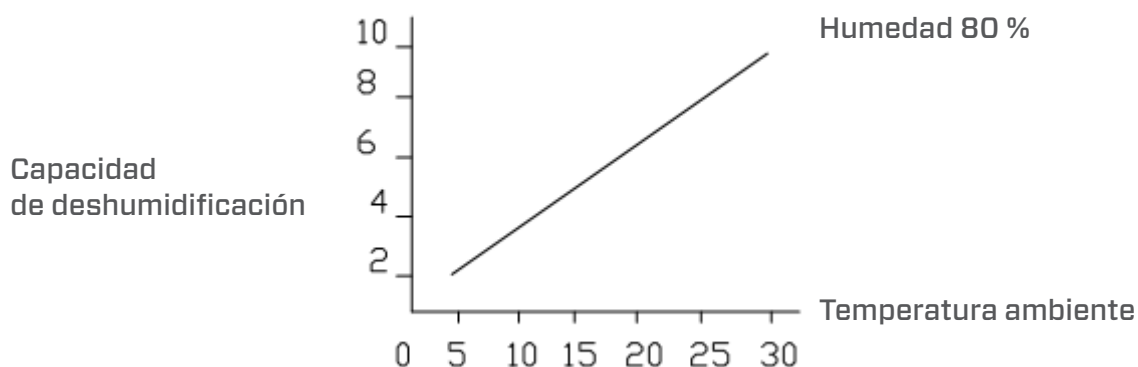
- El aparato debe estar apagado.
- Reinicie el WiFi presionando el botón 'Mode' durante 5 segundos; el indicador WiFi parpadeará rápidamente.
- Desconecte el WiFi presionando el botón 'Mode' durante otros 5 segundos; el indicador WiFi se apagará.

**Aumento de la temperatura ambiente durante el funcionamiento**

El deshumidificador Clean Air Optima<sup>®</sup> no tiene función de enfriamiento. El aparato producirá calor durante el funcionamiento y aumentará la temperatura ambiente entre 1 y 4 ° C.

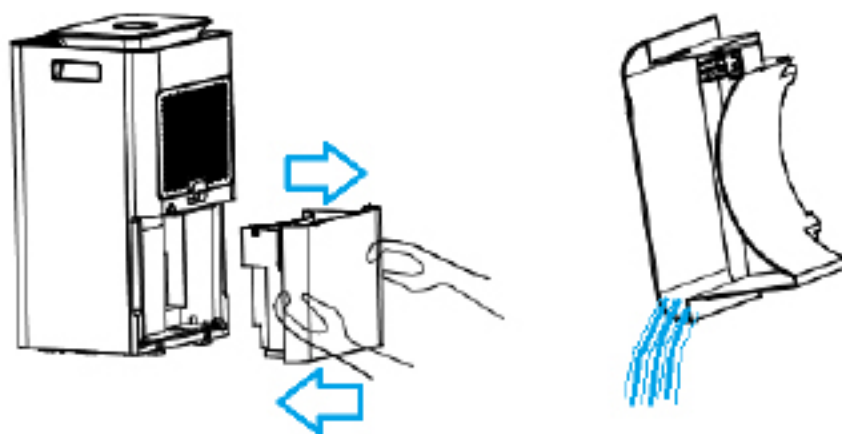
**Capacidad de deshumidificación**

La ilustración muestra la capacidad de deshumidificación del deshumidificador Clean Air Optima<sup>®</sup>. Por diferentes temperaturas y humedad relativa, el deshumidificador puede tener diferentes capacidades de deshumidificación.



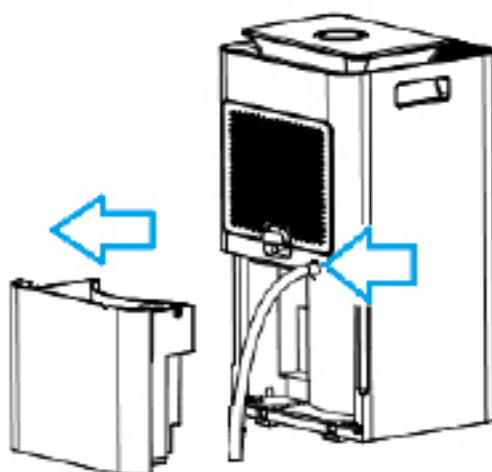
## Vaciado de agua

Cuando el depósito está lleno, el indicador de depósito de agua lleno se enciende. Saque el depósito de agua y vacíe el agua que contiene. a continuación, vuelva a colocar correctamente el depósito de agua en el deshumidificador, como puede verse en la imagen.



## Vaciado continuo

Para un funcionamiento continuo puede utilizar la manguera de desagüe de 1,5 metros incluida con el aparato. Retire el depósito de agua y conecte la manguera de desagüe correctamente, como puede verse en la imagen.



## Mantenimiento

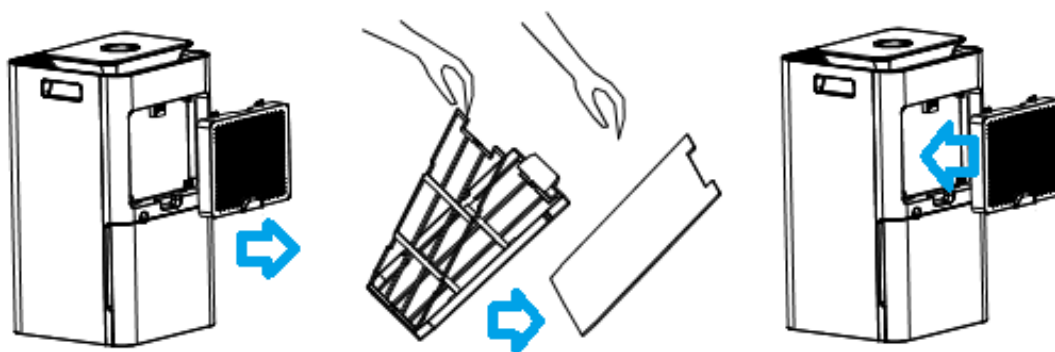
### Limpieza de la carcasa del deshumidificador Clean Air Optima<sup>®</sup>

1. Apague el aparato y desenchufe el cable.
2. Utilice un paño suave y húmedo para limpiar el aparato. No utilice disolventes químicos como benceno, alcohol o gasolina.
3. Asegúrese de que **no hay agua** en el aparato; no lo salpique de agua.

### Sustitución de los filtros

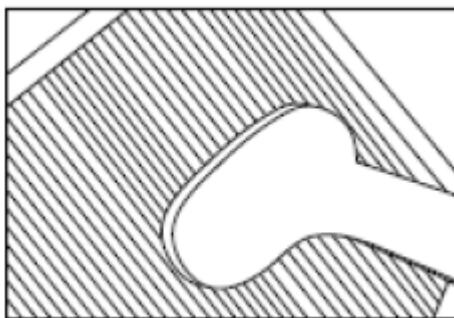
Dependiendo del uso, el **filtro de carbón activo** y el **filtro HEPA H13** tienen una vida útil de entre 3 y 6 meses. El **prefiltro** y la **lámpara UV-C** son permanentes, no necesitan cambiarse.

Saque los filtros del compartimento del bastidor del filtro. Después del cambio o la limpieza del filtro vuelva a instalar los filtros en el compartimento del bastidor y vuelva a montarlos en el aparato, como puede verse en la imagen.



### Limpieza de los filtros

El mejor efecto para una vida útil más larga de los filtros se logra limpiando los filtros una vez al mes. Si el aire interior está extremadamente contaminado, aconsejamos limpiar los filtros con más frecuencia, una vez cada dos semanas por ejemplo.



Limpie el **prefiltro**, el **filtro de carbón activo** y el **filtro True HEPA H13** con cuidado con un cepillo o una aspiradora. De esta manera pueden eliminarse del filtro las partículas de polvo más grandes, como pelusa, pelo y descamaciones de las mascotas.

## **¡Atención!**

No dañe los filtros; los filtros no deben estar agrietados. Los filtros dañados deben cambiarse. Nunca moje ni enjuague los filtros (**filtro de carbón activo** y **filtro True HEPA H13**) con agua. Los filtros que se enjuagan con agua deben cambiarse.

**Indicios de filtros usados que necesitan cambiarse** (solo **filtro de carbón activo** y **filtro HEPA H13**) Mayor ruido, menor flujo de aire, filtros congestionados, más olores. Los filtros deben cambiarse por otros nuevos cuando el filtro True HEPA H13 cambie su color de blanco a gris o negro. Si el filtro HEPA H13 permanece blanco, NO es necesario cambiar los filtros.

## **Cómo pedir filtros:**

Póngase en contacto con el **Servicio de atención al cliente de Clean Air Optima<sup>®</sup>** en el nº de teléfono + 31 (0) 742670145 o visite nuestra tienda virtual: <https://www.cleanairoptima.com/accessoires/mg/44/>

## **Almacenamiento del deshumidificador Clean Air Optima<sup>®</sup>**

Si no va a utilizar el deshumidificador durante un periodo de tiempo prolongado:

1. Vacíe completamente el depósito de agua y asegúrese de que no quede agua dentro.
2. Desenchufe el cable del aparato y recoja el cable de alimentación.
3. Retire y limpie los filtros. Después de limpiarlos, vuelva a colocar los filtros en el aparato.
4. Almacene el deshumidificador en un lugar fresco y seco, donde no esté expuesto a la luz solar, a temperaturas extremas ni a demasiado polvo.

## Solución de problemas

A continuación encontrará una guía que le ayudará a resolver cualquier problema que pueda tener en la utilización del deshumidificador **CA-704 Smart / CA-707 Smart** de **Clean Air Optima®**.

Problema	Causa posible	Solución
El aparato no se enciende	El cable de alimentación no está enchufado correctamente	Enchufe el cable de alimentación correctamente en la toma de corriente
	El depósito de agua está lleno o no está colocado correctamente	Vacíe el depósito de agua y colóquelo en la posición correcta
Deshumidificación ineficiente	El prefiltro está obstruido por el polvo	Limpie o cambie los filtros
	La entrada y salida de aire están obstruidas	Limpie la obstrucción de la entrada y salida de aire
	La humedad programada es mayor que la humedad ambiental	Ajuste la humedad como mínimo en un 5 % por debajo de la humedad ambiental
	El deshumidificador está en <b>MODO de purificación de aire continua</b>	Cambie el MODO de funcionamiento
Ruido	El aparato está inclinado	Asegúrese de instalar el aparato en posición vertical
	Los filtros están bloqueados	Limpie o cambie los filtros
El funcionamiento se detiene durante la deshumidificación puntual	La temperatura ambiente es superior a la temperatura de funcionamiento utilizable	La deshumidificación se iniciará automáticamente cuando la temperatura baje
La ropa lavada no se seca	La temperatura ambiente es demasiado baja	La ropa lavada es difícil de secar con baja temperatura
<b>El aparato no funciona con la aplicación Clean Air Optima®</b>	El smartphone o la tableta no están conectados a la red WiFi	Apague el aparato y reinicie el WiFi en el mismo presionando el botón 'Mode' durante 5 segundos; el indicador WiFi parpadeará rápidamente. a continuación siga los pasos 4 a 8 del capítulo <b>Funcionamiento con la aplicación Clean Air Optima®</b>
	El aparato no tiene conexión a la red	

## ¡ATENCIÓN!

Si las soluciones propuestas no resuelven el problema, póngase en contacto con el servicio técnico de Clean Air Optima<sup>®</sup> llamando al número de teléfono de su región. No intente desmontar, volver a montar o reparar el aparato, ya que la garantía quedaría invalidada.

## Especificaciones del CA-704 Smart

### Modelo

Para habitaciones de hasta

Tensión nominal

Potencia nominal

Capacidad del ventilador

Capacidad de deshumidificación

Rango de temperatura de funcionamiento

Depósito de agua

Purificación de aire con:

Rendimiento del filtro

Iones negativos

Nivel de ruido

Manguera de desagüe

Dimensiones

Peso

Color

Refrigerante

Conformidad con reglamentación UE

### CA-704 Smart

40 m<sup>2</sup> / 100 m<sup>3</sup> / 430 pies<sup>2</sup>

220V - 240V, 50 Hz

200W

120 m<sup>3</sup> / h

10 litros al día a 30 °C y 80 % de HR

5 °C - 32 °C

3 litros

Prefiltro, filtro de carbón activo, filtro True HEPA H13, lámpara UV-C, ionizador

99,97 %, tasa de esterilización 99,9 %

>3 000 000 iones/cm<sup>2</sup>

Ventilador silencioso < 30 dB(A) Bajo /

42 dB(A) Alto

1,5 metros

250 x 250 x 480mm

9,5kg

Blanco / negro

R290 / 30g

CE / WEEE / RoHS

## Especificaciones del CA-707 Smart

### Modelo

Para habitaciones de hasta

Tensión nominal

Potencia nominal

Capacidad del ventilador

Capacidad de deshumidificación

Rango de temperatura de funcionamiento

Depósito de agua

Purificación de aire con:

Rendimiento del filtro

Iones negativos

Nivel de ruido

Manguera de desagüe

Dimensiones

Peso

Color

Refrigerante

Conformidad con reglamentación UE

### CA-707 Smart

70 m<sup>2</sup> / 175 m<sup>3</sup> / 750 pies<sup>2</sup>

220V - 240V, 50 Hz

320W

195 m<sup>3</sup> / h

20 litros al día a 30 °C y 80 % de HR

5 °C - 32 °C

4 litros

Prefiltro, filtro de carbón activo, filtro True HEPA H13, lámpara UV-C, ionizador

99,97 %, tasa de esterilización 99,9 %

>3 000 000 iones/cm<sup>2</sup>

Ventilador silencioso < 30 dB(A) Bajo /

48 dB(A) Alto

1,5 metros

260 x 260 x 618mm

13,5kg

Blanco / negro

R290 / 60g

CE / WEEE / RoHS



Infórmese en su establecimiento o en su municipio sobre cómo desechar este aparato y su embalaje.



**Peligro**

¡Refrigerante natural de propano (R290)!

**R290**

## Servicio

### Certificado de garantía para el deshumidificador CA-704 Smart / CA-707 Smart de Clean Air Optima®.

Fecha de compra: .....  
Nombre del cliente: .....  
Dirección: .....  
Teléfono: .....  
Correo electrónico: .....  
Nombre del vendedor: .....  
Dirección: .....

1. Rellene todos los datos de este certificado de garantía. Envíelo a su distribuidor (junto con la factura y el aparato) con franqueo pagado y en el embalaje original. No olvide incluir el franqueo de retorno pertinente para el paquete.
2. Incluya una descripción breve de los daños, la anomalía o el fallo de funcionamiento, así como las circunstancias en las que ocurrieron estos problemas.

El **deshumidificador CA-704 Smart / CA-707 Smart** de **Clean Air Optima®** se somete a rigurosos procedimientos de prueba antes de salir de fábrica. Si en los dos primeros años a partir de la fecha de compra el producto no funciona conforme a las especificaciones, por defectos de fábrica, el comprador tiene derecho a una reparación gratuita o la sustitución de las piezas con la presentación de esta garantía (siempre que el defecto de funcionamiento o los daños del aparato o sus piezas se hayan producido durante el uso normal del mismo). Cobertura de la garantía: todas las piezas con defectos de materiales o mano de obra. Duración: dos años a partir de la fecha de compra. Nuestra tarea: reparar o sustituir las piezas defectuosas.

#### Otras condiciones

Las disposiciones de esta garantía sustituyen a cualquier otra garantía escrita, ya sea explícita o implícita, por escrito u oral, incluida cualquier garantía de comerciabilidad o idoneidad para un propósito concreto. La responsabilidad máxima del fabricante no podrá sobrepasar el precio de compra pagado por el producto. En ningún caso el fabricante podrá hacerse responsable de daños especiales, incidentales, resultantes o indirectos. Esta garantía no cubre los defectos resultantes del uso o mantenimiento incorrecto o poco razonable, montaje defectuoso, accidente, catástrofes naturales, embalaje incorrecto o manipulación, alteración o modificación no autorizada, a nuestro criterio exclusivo. Esta garantía quedará anulada si se despega o altera la etiqueta del número de serie.



# ¡Gracias por su atención!



Comparta sus comentarios sobre el deshumidificador CA-704 Smart / CA-707 Smart de Clean Air Optima® en: [www.cleanairoptima.com](http://www.cleanairoptima.com)



Si desea consultar las preguntas frecuentes sobre el CA-704 Smart / CA-707 Smart, vaya a [www.cleanairoptima.com](http://www.cleanairoptima.com) y busque CA-704 Smart / CA-707 Smart



Descargue el manual de instrucciones en formato PDF en: [www.cleanairoptima.com/info/manuals](http://www.cleanairoptima.com/info/manuals)



Puede ver todos los vídeos de los productos de Clean Air Optima® en: [www.youtube.com](http://www.youtube.com)

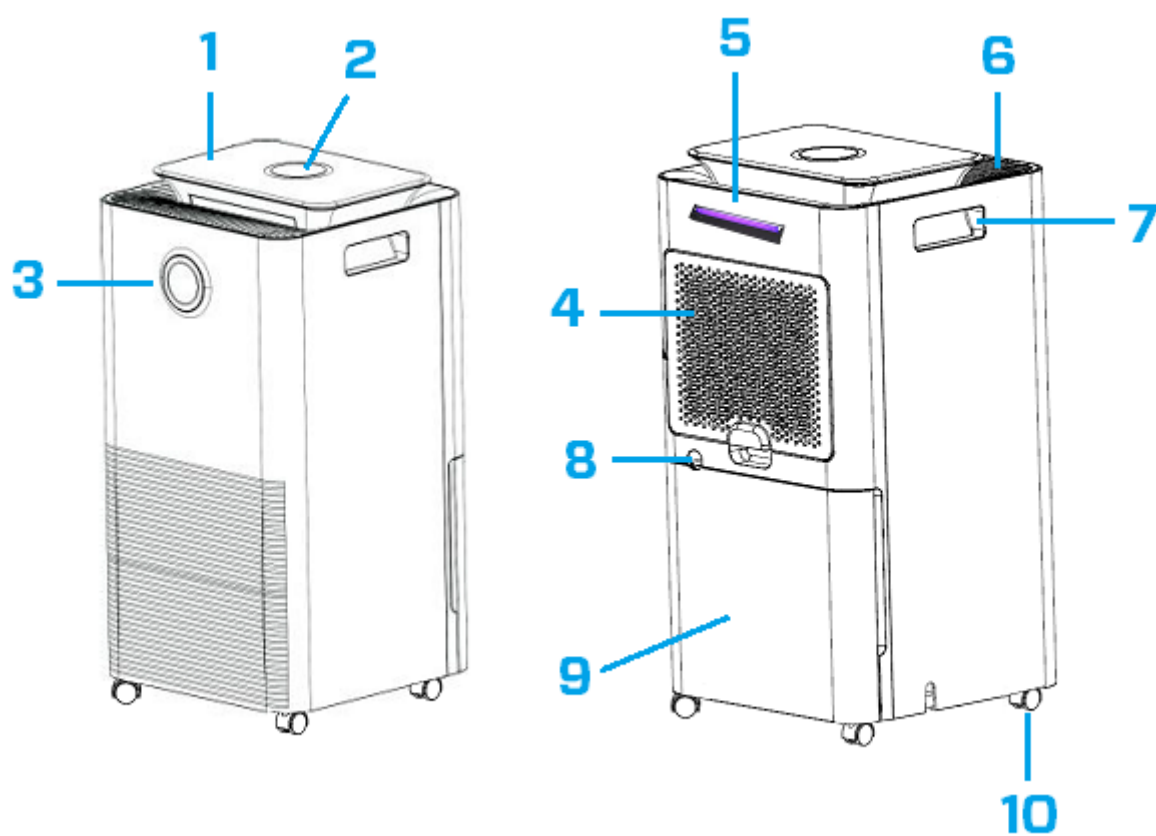
**Clean Air Optima International B.V.** | David Ricardostraat 9-7 / 9-9 | 7559 SH Hengelo (ov)  
Países Bajos | Teléfono: +31 (0) 74 - 2670145

**Clean Air Optima Germany GmbH** | Enschedestraße 14 | 48529 Nordhorn | Alemania  
Teléfono: +49 (0) 5921 879-121

**E-mail:** [info@cleanairoptima.com](mailto:info@cleanairoptima.com)

**Internet:** [www.cleanairoptima.com](http://www.cleanairoptima.com)

## Jednostka główna CA-704 Smart / CA-707 Smart



## Polski

### **Dziękujemy za zakup oczyszczacza i osuszacza powietrza Clean Air Optima® 2in1: CA-704 Smart / CA-707 Smart.**

Życzymy wieloletniego korzystania z tego wydajnego i skutecznego produktu, który zapewnia zdrowe powietrze w pomieszczeniach. W celu zapewnienia prawidłowego działania niniejszego urządzenia elektrycznego podczas jego użytkowania muszą być przestrzegane wszystkie środki ostrożności. W niniejszej instrukcji obsługi opisano zasady bezpieczeństwa, których należy przestrzegać podczas użytkowania. Mają one na celu zapobieganie urazom i uniknięcie uszkodzenia urządzenia.

### **Opis**

Urządzenie Clean Air Optima® składa się z poniższych elementów podstawowych.

1. Panel sterowania
2. Cyfrowy wyświetlacz wskazujący wilgotność względną w %, ustawienia Wi-Fi oraz funkcji
3. Kolorowy monitor LED wskazujący wilgotność względną na niebiesko (poniżej 53%), zielono (między 53% a 68%) i czerwono (ponad 68%)
4. Wlot powietrza i przegroda ramy filtra, w tym: filtr wstępny, filtr z węglem aktywnym, filtr True HEPA H13
5. Pozycja lampy UV
6. Wylot powietrza i pozycja jonizatora
7. Uchwyt
8. Odprowadzanie ciągłe (odprowadzanie wody, złącze węża); w zestawie wąż odprowadzający o długości 1,5 m
9. Zbiornik na wodę
10. Kółka

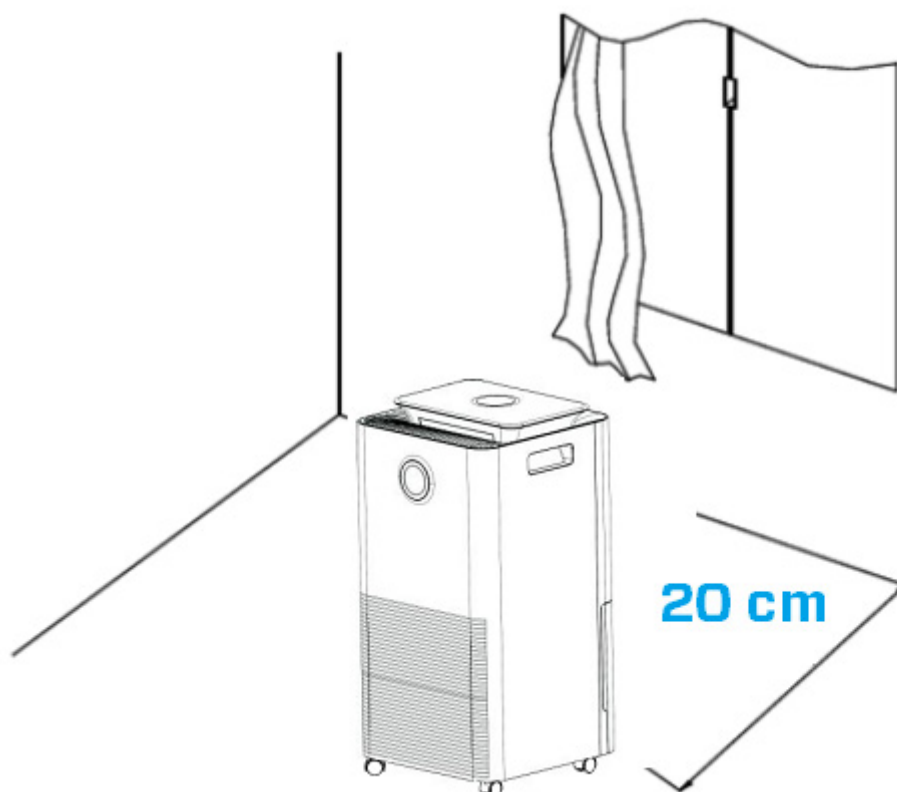
## Ostrzeżenia dotyczące bezpieczeństwa

Urządzenia można używać wyłącznie zgodnie z tymi instrukcjami bezpieczeństwa. Wykonać następujące czynności, aby zminimalizować ryzyko odniesienia obrażeń ciała, na przykład spowodowanych porażeniem prądem elektrycznym lub pożarem.

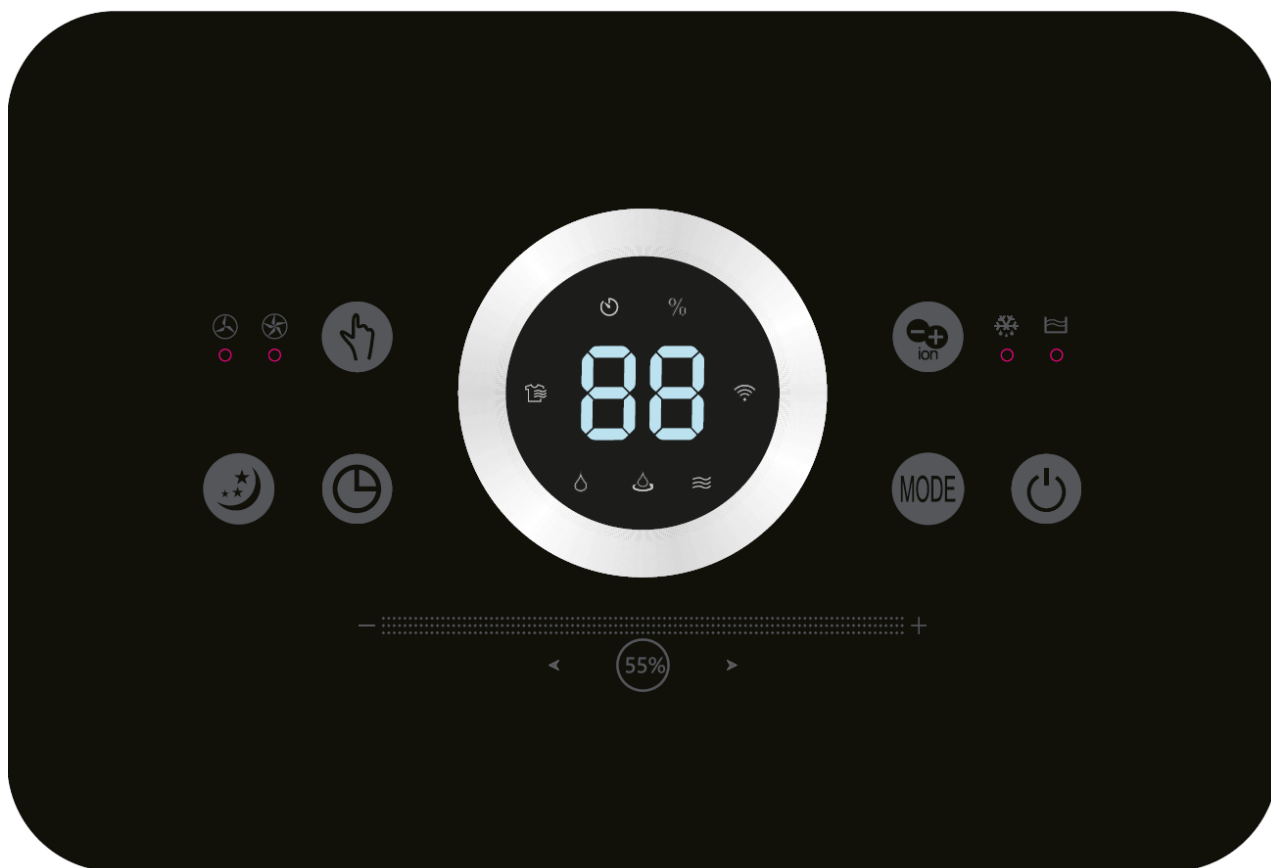
1. Urządzenie należy ustawić w pozycji stojącej na przynajmniej dwie godziny przed użyciem, zwłaszcza po transporcie.
2. Urządzenie jest przeznaczone tylko do użytku w pomieszczeniach. Nie używać ani nie przechowywać na zewnątrz.
3. Należy stosować właściwe napięcie: AC 220–240 V, 50/60 Hz.
4. Należy zapewnić wolną przestrzeń co najmniej 20 cm wokół wlotu i wylotu powietrza.
5. To urządzenie nie jest przeznaczone do użytkowania przez dzieci lub osoby o ograniczonych zdolnościach fizycznych, sensorycznych lub psychicznych, chyba że znajdują się one pod nadzorem osoby odpowiedzialnej za bezpieczeństwo.
6. Jeśli widoczne są uszkodzenia przewodu zasilającego lub urządzenia, nie należy z niego korzystać. W przypadku uszkodzenia urządzenia nie należy naprawiać go samodzielnie. Nigdy nie należy ciągnąć urządzenia za przewód. Jeżeli przewód zasilający jest uszkodzony, musi zostać wymieniony przez autoryzowanego serwisanta, aby uniknąć porażenia prądem lub pożaru.
7. Napraw mogą dokonywać wyłącznie autoryzowani pracownicy serwisu. Nie próbować samodzielnie naprawiać urządzenia, ponieważ grozi to porażeniem prądem lub pożarem.
8. Nie dotykać przewodu zasilającego i wtyczki mokrymi rękami.
9. Zawsze wyłączać urządzenie przed odłączeniem wtyczki.
10. Nigdy nie wyłączać urządzenia poprzez odłączenie wtyczki.
11. Kiedy urządzenie nie jest użytkowane albo podczas czyszczenia jego wewnętrznych lub zewnętrznych części, należy odłączyć wtyczkę.
12. Dla bezpieczeństwa ustawić urządzenie stabilnie i poziomo. Nie przesuwaj go podczas eksploatacji.
13. Czynnik chłodniczy: R290. Ten czynnik chłodniczy jest zgodny z europejskimi przepisami dotyczącymi ochrony środowiska. Żadna część obwodu chłodzącego nie może być przebita.
14. Nie należy użytkować urządzenia w pomieszczeniach, w których przechowywane są łatwopalne ciecze lub gazy, w pobliżu źródeł ciepła takich jak kaloryfer, kominek lub urządzeń wydzielających ciepło takich jak podgrzewacz ceramiczny.
15. Nie wolno wkładać żadnych przedmiotów do korpusu urządzenia, ponieważ grozi to uszkodzeniem.
16. Nie zasłaniać kratki wlotu i wylotu powietrza.
17. Nie demontować ani wymieniać części wewnętrznych urządzenia.
18. Użytkować i przechowywać urządzenie w temperaturze przynajmniej 0°C lub maksymalnie 40°C.
19. Nie przechylać urządzenia na boki, gdy zbiornik na wodę jest pełny.
20. Nie stawiać ciężkich przedmiotów na urządzeniu.
21. Unikać miejsc narażonych na bezpośrednie nasłonecznienie. Zachodzi ryzyko odbarwienia urządzenia.
22. Nie zanurzać urządzenia w wodzie ani innych cieczach.
23. Regularnie opróżniać zbiornik na wodę. W ekstremalnych warunkach zbiornik na wodę może napełnić się po kilku godzinach pracy.
24. Regularnie czyścić filtr wstępny – jeżeli filtr wstępny jest nasycony pyłem, spowoduje to słaby efekt oczyszczania i osuszania. Zużycie energii zwiększy się i może doprowadzić do awarii.
25. Wymieniać filtr z węglem aktywnym i filtr True HEPA H13 co 3–6 miesięcy – jeśli filtr z węglem aktywnym i filtr True HEPA H13 są nasycone, spowoduje to słaby efekt oczyszczania i osuszania. Zużycie energii zwiększy się i może doprowadzić do awarii.
26. Użytkowanie, konserwowanie i czyszczenie urządzenia należy realizować zgodnie z zaleceniami zawartymi w niniejszej instrukcji obsługi.

## Montaż

Upewnić się, że urządzenie jest oddalone o 20 cm od ścian i mebli (patrz rysunek poniżej).



## Panel sterowania / instrukcja obsługi



### Zasilanie

Nacisnąć przycisk zasilania, aby włączyć urządzenie.  
Ponownie nacisnąć przycisk zasilania, aby wyłączyć urządzenie.



### MODE

Nacisnąć przycisk MODE, aby wybrać jeden z czterech programów.



1. Osuszanie normalne (regulowana prędkość wiatraka i ustawienie wilgotności) *Ikona z nazwą w aplikacji: normalne*
2. Osuszanie ciągłe (niska prędkość wiatraka, nieregulowane ustawienie wilgotności) *Ikona z nazwą w aplikacji: ciągłe*
3. Ciągłe oczyszczanie powietrza (regulowana prędkość wiatraka, brak funkcji osuszania) *Ikona z nazwą w aplikacji: oczyszczanie powietrza*
4. Tryb suszenia odzieży (wysoka prędkość wiatraka, nieregulowana prędkość wiatraka i ustawienie wilgotności) *Ikona z nazwą w aplikacji: suszenie ubrań*



## Suwak ustawiania wilgotności

(Tylko dla programu MODE: osuszanie normalne).

Można wybrać oczekiwany poziom wilgotności, naciskając ten suwak ustawiania wilgotności kilkakrotnie aż do wyświetlenia wymaganego poziomu wilgotności (od 30% do 80%, z przyrostem co 5%). Po wybraniu oczekiwanego poziomu wilgotności należy po prostu zwolnić przycisk i przestać go przesuwając, a poziom wilgotności zostanie ustawiony. Gdy poziom wilgotności w pomieszczeniu osiągnie ustaloną wartość, urządzenie przejdzie w stan automatycznego uśpienia oraz przestanie osuszać i oczyszczać powietrze. Gdy rzeczywisty poziom wilgotności w pomieszczeniu ponownie wzrośnie powyżej ustawionego poziomu, urządzenie ponownie rozpocznie osuszanie i oczyszczanie powietrza.

## Oczyszczanie powietrza

Jeśli żądany poziom wilgotności zostanie osiągnięty na stałym poziomie, można przełączyć się na program 3, aby używać urządzenia do ciągłego oczyszczania powietrza.



## Prędkość wiatraka

(Tylko dla programu MODE: normalne osuszanie i ciągłe oczyszczanie powietrza).

Po naciśnięciu przycisku prędkości wiatraka można zmienić prędkość wiatraka. 2 prędkości wentylatora umożliwiają dostosowanie przepływu powietrza.



## Jony ujemne, ikona z nazwą w aplikacji: jony

Naciśnięcie przycisku Jony ujemne aktywuje generator jonów ujemnych o całkowitej wydajności jonów ujemnych  $>3\ 000\ 000 / \text{cm}^2$ , które rozprzestrzeniają się po całym pomieszczeniu, neutralizując zanieczyszczenia i zapachy. Jony ujemne łączą się z cząsteczkami kurzu, drobnoustrojami i innymi niepożądanymi cząsteczkami w powietrzu i zlepiają je ze sobą. W ten sposób cząsteczki stają się cięższe od powietrza i opadają na podłogę, dzięki czemu nie trafiają do dróg oddechowych.

Najwięcej jonów ujemnych występuje w lesie, w górach i nad morzem.

Jony ujemne zapewniają świeże i zdrowe powietrze.



## Minutnik

Nacisnąć przycisk Minutnik, aby ustawić czas w zakresie od 0 do 24 godzin. Nacisnąć przycisk raz – wartość na minutniku zwiększy się o godzinę. Kiedy urządzenie pracuje, ustawiony minutnik wskazuje, kiedy się wyłączy. Jeśli urządzenie jest w trybie czuwania, ustawiony minutnik ma za zadanie włączyć osuszacz.



## Uśpienie

Nacisnąć przycisk Uśpienie, aby włączyć tryb uśpienia. Wyświetlacz wyłączy się po około 3 sekundach. Szybko nacisnąć dwukrotnie przycisk Uśpienia, aby powrócić do poprzednich ustawień.



## Kontrolka pełnego zbiornika na wodę

Kiedy zbiornik na wodę się napełni, urządzenie zatrzyma się automatycznie.

Kontrolka pełnego zbiornika na wodę włącza się i zapala. Opróżnić zbiornik na wodę i ponownie umieścić go w korpusie urządzenia; kontrolka pełnego zbiornika na wodę się wyłączy. Urządzenie automatycznie wznowi pracę.



## Kontrolka odszraniania

Parownik w osuszaczu można odszraniać automatycznie, jeśli jest eksploatowany w pomieszczeniu o temperaturze niższej niż 18°C. Urządzenie odszraniające w osuszaczu może uruchomić się automatycznie i pracować przez jakiś czas (około 5 minut) co 25 minut lub więcej.

- Podczas odszraniania mogą zostać przerwane funkcje osuszania i oczyszczania powietrza.
- Nie wyłączać zasilania i nie wyciągać wtyczki w trakcie odszraniania.

## Obsługa przy pomocy aplikacji Clean Air Optima<sup>®</sup>

### Łączność

**Kompatybilność ze smartfonem i tabletem:**  
urządzenia iPhone, iPad i Android

**Urządzenie łączy się z aplikacją przez Wi-Fi:**  
CleanAirOptima



### Informacje o aplikacji Clean Air Optima<sup>®</sup>

#### Konfiguracja połączenia Wi-Fi

1. Pobrać i zainstalować aplikację „CleanAirOptima” ze sklepu App Store lub Google Play Store.
2. Założyć konto i zalogować się.
3. Podłączyć urządzenie do gniazdka elektrycznego i włączyć je. Zapali się wskaźnik Wi-Fi.
4. Upewnić się, że smartfon lub tablet jest pomyślnie połączony z siecią Wi-Fi.
5. Otworzyć aplikację „CleanAirOptima” i kliknąć „Dodaj urządzenie” . Urządzenie znajduje się na liście i można je wybrać. Jeśli nie, wybrać opcję „Automatyczne skanowanie”. Postępować zgodnie z instrukcjami wyświetlanymi na ekranie, aby podłączyć urządzenie do sieci.
6. Wybrać w celu dodania urządzenia Clean Air Optima<sup>®</sup> w aplikacji. Postępować zgodnie z instrukcjami w aplikacji.
7. Gdy urządzenie jest sparowane, kontrolka Wi-Fi świeci stałym światłem.
8. Po pomyślnej konfiguracji można użyć aplikacji Clean Air Optima<sup>®</sup> do obsługi urządzenia.



## Uwaga:

- Jeśli domyślna sieć uległa zmianie, należy zresetować połączenie Wi-Fi i wykonać kroki od 1 do 9 z sekcji „Konfiguracja połączenia Wi-Fi”.
- Jeśli chcemy sparować wiele urządzeń ze smartfonem lub tabletem, trzeba sparować je jedno po drugim.
- Upewnić się, że odległość między smartfonem lub tabletem a urządzeniem jest mniejsza niż 5 metrów i nie ma żadnych przeszkód. Upewnić się również, że użytkownik znajduje się w tym samym pomieszczeniu co urządzenie.

## Zresetować funkcję Wi-Fi:

- Urządzenie musi być wyłączone.
- Zresetować Wi-Fi, naciskając przycisk „Mode” przez 5 sekund. Wskaźnik Wi-Fi zacznie szybko migać.

## Wyłączyć funkcję Wi-Fi:

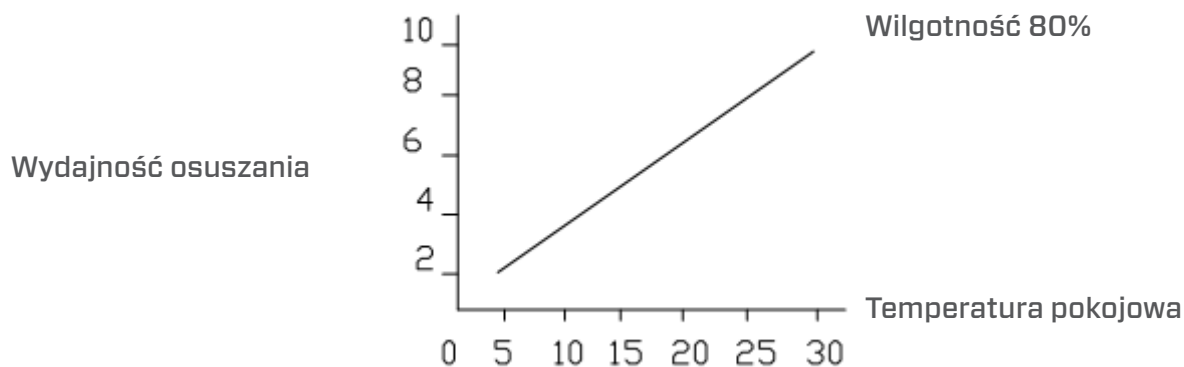
- Urządzenie musi być wyłączone.
- Zresetować Wi-Fi, naciskając przycisk „Mode” przez 5 sekund. Wskaźnik Wi-Fi zacznie szybko migać.
- Wyłączyć Wi-Fi, naciskając przycisk „Mode” przez kolejne 5 sekund. Wskaźnik Wi-Fi zgaśnie.

## Temperatura w pomieszczeniu wzrasta podczas pracy

Osuszacz Clean Air Optima<sup>®</sup> nie ma funkcji chłodzenia. Podczas pracy urządzenie wytwarza ciepło i podwyższa temperaturę w pomieszczeniu od 1°C do 4°C.

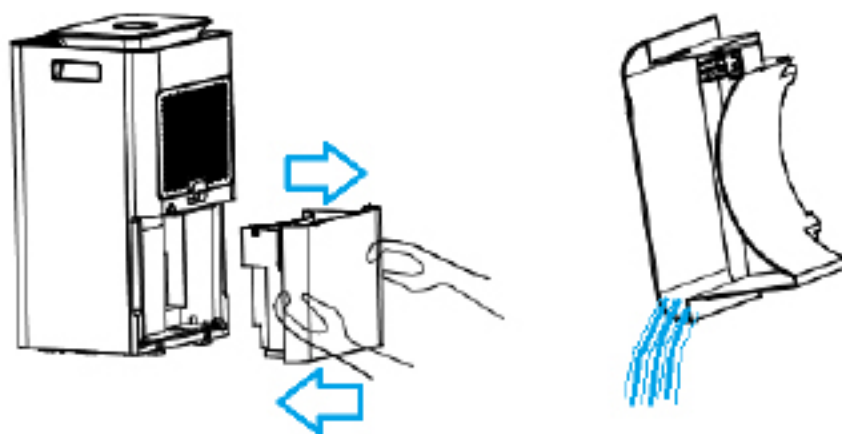
## Wydajność osuszania

Poniższa ilustracja przedstawia wydajność osuszania urządzenia Clean Air Optima<sup>®</sup>. Przy różnych temperaturach i wilgotności względnej osuszacz może mieć różną wydajność osuszania.



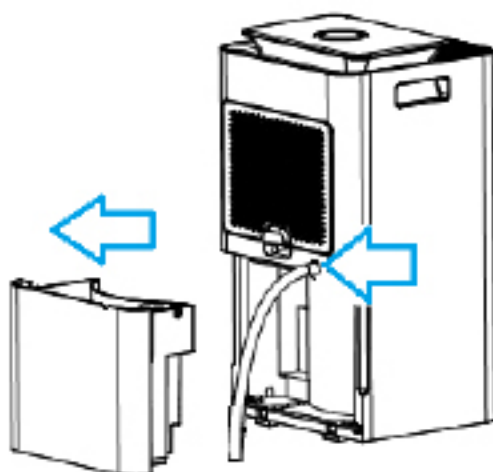
## Odprowadzanie wody

Kontrolka pełnego zbiornika na wodę zapali się, gdy zbiornik na wodę się napełni. Wyjąć zbiornik na wodę i wylać z niego wodę. Następnie prawidłowo włożyć zbiornik na wodę z powrotem do osuszacza (patrz rysunek poniżej).



## Odprowadzanie ciągle

Do ciągłej pracy można użyć węża odprowadzającego o długości 1,5 m, który jest dołączony do urządzenia. Wyjąć zbiornik na wodę i prawidłowo podłączyć wąż odprowadzający (patrz rysunek poniżej).



## Konserwacja

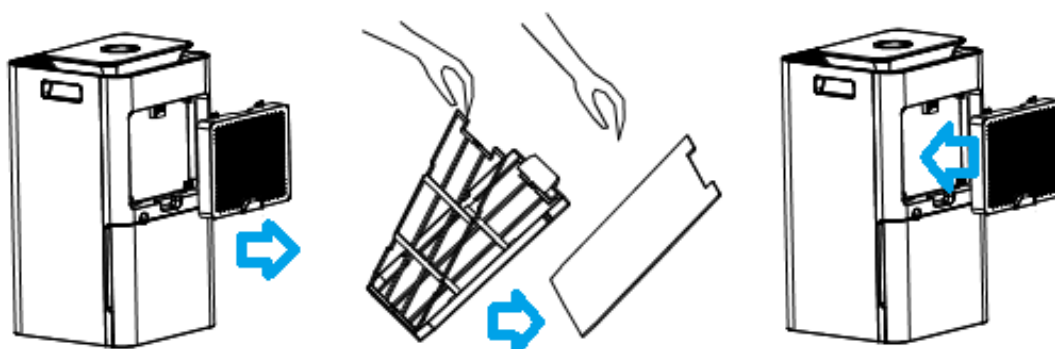
### Czyszczenie obudowy osuszacza Clean Air Optima<sup>®</sup>

1. Wyłączyć urządzenie i odłączyć wtyczkę.
2. Użyć miękkiej, wilgotnej ściereczki, aby wyczyścić urządzenie. Nie używać rozpuszczalników chemicznych, takich jak benzen, alkohol lub benzyna.
3. Upewnić się, że do urządzenia nie przedostała się **woda**, nie spryskiwać urządzenia wodą.

## Wymiana filtrów

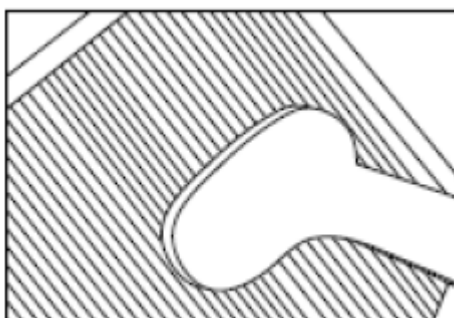
W zależności od zastosowania **filtr z węglem aktywnym** i **filtr True HEPA H13** mają okres eksploatacji wynoszący około 3–6 miesięcy. **Filtr wstępny** i **lampa UV-C** nie wymagają wymiany.

Wyjąć filtry z przegrody ramy filtra. Po wymianie lub czyszczeniu ponownie zainstalować filtry w przegrodzie ramy filtra i zmontować urządzenie (patrz rysunek poniżej).



## Czyszczenie filtrów

Żywotność filtrów można przedłużyć, czyszcząc je raz w miesiącu. Jeśli powietrze w pomieszczeniu jest bardzo zanieczyszczone, zalecamy czyszczenie filtra częściej niż raz w miesiącu, co około 2 tygodnie.



Wyczyścić **filtr wstępny**, **filtr z węglem aktywnym** i **filtr True HEPA H13** ostrożnie przy pomocy szczotki lub odkurzacza. W ten sposób większe cząstki kurzu, takie jak kłaczki, włosy i łupież zwierząt domowych, mogą zostać usunięte z filtra.

## Ostrzeżenie!

Należy uważać, aby nie uszkodzić filtrów! Filtry nie mogą być pęknięte. Uszkodzone filtry należy wymienić.

Nie należy moczyć ani zanurzać filtrów (tylko w przypadku **filtra z węglem aktywowanym** i **filtra True HEPA H13**) w wodzie. Filtry zamoczone w wodzie należy wymienić.

## Oznaki zużycia filtrów, które należy wymienić

(tylko w przypadku **filtra z węglem aktywowanym** i **filtra True HEPA H13**): zwiększony hałas, zredukowany przepływ powietrza, zatkane filtry, coraz bardziej odczuwalne nieprzyjemne zapachy. Filtry należy także wymienić na nowe, gdy filtr True HEPA H13 zmienia kolor z białego na szary lub czarny. Jeśli filtr True HEPA H13 pozostaje biały, NIE trzeba go wymieniać.

## Sposób zamawiania filtrów:

Należy skontaktować się z działem obsługi klienta **Clean Air Optima<sup>®</sup>** pod numerem telefonu + 31 (0) 742670145 lub odwiedzić nasz sklep internetowy: <https://www.cleanairoptima.com/accessoires/mg/44/>

## Przechowywanie osuszacza Clean Air Optima<sup>®</sup>

Jeżeli osuszacz ma nie być używany przez dłuższy okres:

1. Całkowicie opróżnić zbiornik na wodę i upewnić się, że w środku zbiornika nic nie pozostało.
2. Odłączyć urządzenie od zasilania i złożyć przewód zasilający.
3. Wyjąć i wyczyścić filtry. Po czyszczeniu ponownie włożyć filtr do urządzenia.
4. Osuszacz należy przechowywać w chłodnym, suchym miejscu, chronić przed bezpośrednim nasłonecznieniem, bardzo niską i wysoką temperaturą oraz nadmiernym zapyleniem.

## Rozwiązywanie problemów

Poniżej przedstawiono informacje, które są pomocne w rozwiązywaniu problemów z użytkowaniem osuszacza **Clean Air Optima® CA-704 Smart / CA-707 Smart**.

Usterka	Możliwa przyczyna	Rozwiązanie
Urządzenie się nie włącza	Przewód zasilający podłączony nieprawidłowo	Wsunąć prawidłowo wtyczkę przewodu zasilającego do gniazda zasilania
Nieskuteczne osuszanie	Zbiornik na wodę jest pełny lub znajduje się w nieodpowiednim położeniu	Opróżnić zbiornik na wodę i ustawić go w odpowiednim położeniu
	Filtry są zapchane pyłem	Wyczyścić lub wymienić filtry
	Zapchany wlot i wylot powietrza	Usunąć blokadę z wlotu i wylotu powietrza
	Ustawiona wilgotność przekracza wilgotność otoczenia	Ustawić wilgotność przynajmniej o 5% niższą niż wilgotność otoczenia
	Osuszacz jest w <b>TRYBIE ciągłego osuszania powietrza</b>	Zmienić TRYB pracy
Hałas	Urządzenie nie jest zamontowane pionowo	Sprawdzić, czy urządzenie jest zamontowane pionowo
	Filtry są zablokowane	Wyczyścić lub wymienić filtry
Działanie zatrzymuje się podczas osuszania punktowego	Temperatura w pomieszczeniu jest wyższa niż rekomendowana temperatura pracy	Osuszanie rozpocznie się automatycznie, gdy temperatura spadnie
Wyprane ubrania nie są osuszane	Temperatura pokojowa jest za niska	Wyprane ubrania ciężko osuszyć w niskiej temperaturze
<b>Obsługa przy pomocy aplikacji Clean Air Optima® nie działa</b>	Smartfon lub tablet nie jest podłączony do sieci Wi-Fi	Wyłączyć urządzenie i zresetować sieć Wi-Fi na urządzeniu, naciskając przycisk Mode przez 5 sekund. Wskaźnik Wi-Fi zacznie szybko migać. Następnie wykonać kroki 4–8 opisane w rozdziale <b>Obsługa przy pomocy aplikacji Clean Air Optima®</b>
	Urządzenie nie ma połączenia z siecią	

## OSTRZEŻENIE!

Jeśli zalecane rozwiązania wyszczególnione powyżej nie przynoszą rezultatów, należy skontaktować się telefonicznie z lokalnym działem pomocy technicznej firmy Clean Air Optima<sup>®</sup>. Nie należy podejmować prób demontażu, naprawy lub ponownego montażu urządzenia, ponieważ może to spowodować utratę gwarancji.

## Dane techniczne CA-704 Smart

<b>Model</b>	<b>CA-704 Smart</b>
Maksymalne wymiary pomieszczeń	40 m <sup>2</sup> / 100 m <sup>3</sup> / 430 stóp <sup>2</sup>
Napięcie znamionowe	220–240 V, 50 Hz
Moc znamionowa	200 W
Wydajność wentylatora	120 m <sup>3</sup> /h
Wydajność osuszania	10 litrów dziennie przy temperaturze 30°C i wilgotności względnej 80%
Zakres temperatur pracy	5–32°C
Zbiornik na wodę	3 litry
Oczyszczanie powietrza przy pomocy	filtra wstępnego, filtra z węglem aktywnym, filtra True HEPA H13, lampy UV-C i jonizatora
Wydajność filtra	99,97%, współczynnik sterylizacji 99,9%
Jon ujemny	>3 000 000 jonów/cm <sup>2</sup>
Poziom hałasu	Cichy wentylator <30 dB(A) niskie / 42 dB(A) wysokie
Wąż odprowadzający	1,5 m
Wymiary	250 × 250 × 480mm
Waga	9,5kg
Kolor	Biały / czarny
Czynnik chłodniczy	R290 / 30 g
Zgodność z przepisami UE	CE/WEEE/RoHS

## Dane techniczne CA-707 Smart

<b>Model</b>	<b>CA-707 Smart</b>
Maksymalne wymiary pomieszczeń	70 m <sup>2</sup> / 175 m <sup>3</sup> / 750 stóp <sup>2</sup>
Napięcie znamionowe	220–240 V, 50 Hz
Moc znamionowa	320 W
Wydajność wentylatora	195 m <sup>3</sup> /h
Wydajność osuszania	20 litrów dziennie przy temperaturze 30°C i wilgotności względnej 80%
Zakres temperatur pracy	5–32°C
Zbiornik na wodę	4 litry
Oczyszczanie powietrza przy pomocy	filtra wstępnego, filtra z węglem aktywnym, filtra True HEPA H13, lampy UV-C i jonizatora
Wydajność filtra	99,97%, współczynnik sterylizacji 99,9%
Jon ujemny	>3 000 000 jonów/cm <sup>2</sup>
Poziom hałasu	Cichy wentylator <30 dB(A) niskie / 48 dB(A) wysokie
Wąż odprowadzający	1,5 m
Wymiary	260 × 260 × 618mm
Waga	13,5kg
Kolor	Biały / czarny
Czynnik chłodniczy	R290 / 60 g
Zgodność z przepisami UE	CE/WEEE/RoHS



W celu uzyskania aktualnych informacji dotyczących utylizacji opakowania i urządzenia należy się zgłosić do lokalnego dystrybutora lub lokalnego samorządu.



**R290**

**Zagrożenie**

Naturalny czynnik chłodniczy propan (R290)!

## Obsługa serwisowa

### Certyfikat gwarancji dla osuszacza Clean Air Optima<sup>®</sup> CA-704 Smart / CA-707 Smart.

Data zakupu: .....

Imię i nazwisko klienta: .....

Adres: .....

Telefon: .....

E-mail: .....

Nazwa sprzedawcy: .....

Adres: .....

1. Niniejszy certyfikat gwarancji należy wypełnić w całości. Należy przesać go wraz z fakturą i urządzeniem w oryginalnym opakowaniu do lokalnego dystrybutora, pokrywając koszty przesyłki. Ponadto należy uiścić odpowiednią opłatę za przesyłkę zwrotną.
2. Prosimy o załączenie krótkiego opisu uszkodzenia, usterki lub nieprawidłowego działania oraz okoliczności, w których pojawiły się te problemy.

Osuszacz **Clean Air Optima<sup>®</sup> CA-704 Smart / CA-707 Smart** jest poddawany rygorystycznym testom przed wysłaniem z fabryki. Jeżeli w okresie dwóch lat od daty zakupu produkt nie będzie działać zgodnie ze specyfikacją z powodu wad fabrycznych, nabywca ma prawo do bezpłatnej naprawy lub wymiany części po przedstawieniu niniejszej gwarancji (pod warunkiem, że wadliwe działanie lub uszkodzenie urządzenia i / lub jego części wystąpiły w normalnych warunkach użytkowych). Zakres gwarancji: Wszystkie części wadliwe pod względem materiałowym i wykonawczym. Okres gwarancji: dwa lata od daty zakupu. Czynności gwarancyjne: Naprawa lub wymiana wadliwych części.

### Inne warunki

Postanowienia niniejszej gwarancji zastępują wszelkie inne pisemne gwarancje, wyraźne lub dorozumiane, pisemne lub ustne, w tym gwarancje wartości handlowej lub przydatności do określonego celu. Maksymalna odpowiedzialność producenta nie przekracza rzeczywistej ceny zakupu produktu. Producent w żadnym wypadku nie ponosi odpowiedzialności za szkody szczególne, przypadkowe, wynikowe lub pośrednie. Niniejsza gwarancja nie obejmuje wad powstałych w wyniku niewłaściwego lub nieuzasadnionego użytkowania lub konserwacji, wadliwego montażu, wypadku, katastrof naturalnych, niewłaściwego pakowania oraz nieumiejętnych manipulacji, zmian lub modyfikacji, które nie zostały przez nas zatwierdzone. Niniejsza gwarancja jest nieważna w przypadku usunięcia lub uszkodzenia etykiety z numerem seryjnym.



# Dziękujemy za przeczytanie instrukcji!



Prosimy o podzielenie się swoją opinią na temat osuszacza Clean Air Optima® CA-704 Smart / CA-707 Smart na stronie:  
[www.cleanairoptima.com](http://www.cleanairoptima.com)



Najczęściej zadawane pytania dotyczące CA-704 Smart / CA-707 Smart można znaleźć na stronie: [www.cleanairoptima.com](http://www.cleanairoptima.com) po wyszukaniu modelu CA-704 Smart / CA-707 Smart.



Pobierz instrukcję obsługi w formacie PDF ze strony:  
[www.cleanairoptima.com/info/manuals](http://www.cleanairoptima.com/info/manuals).



Wszystkie animacje dotyczące produktów Clean Air Optima® na stronie:  
[www.youtube.com](http://www.youtube.com).

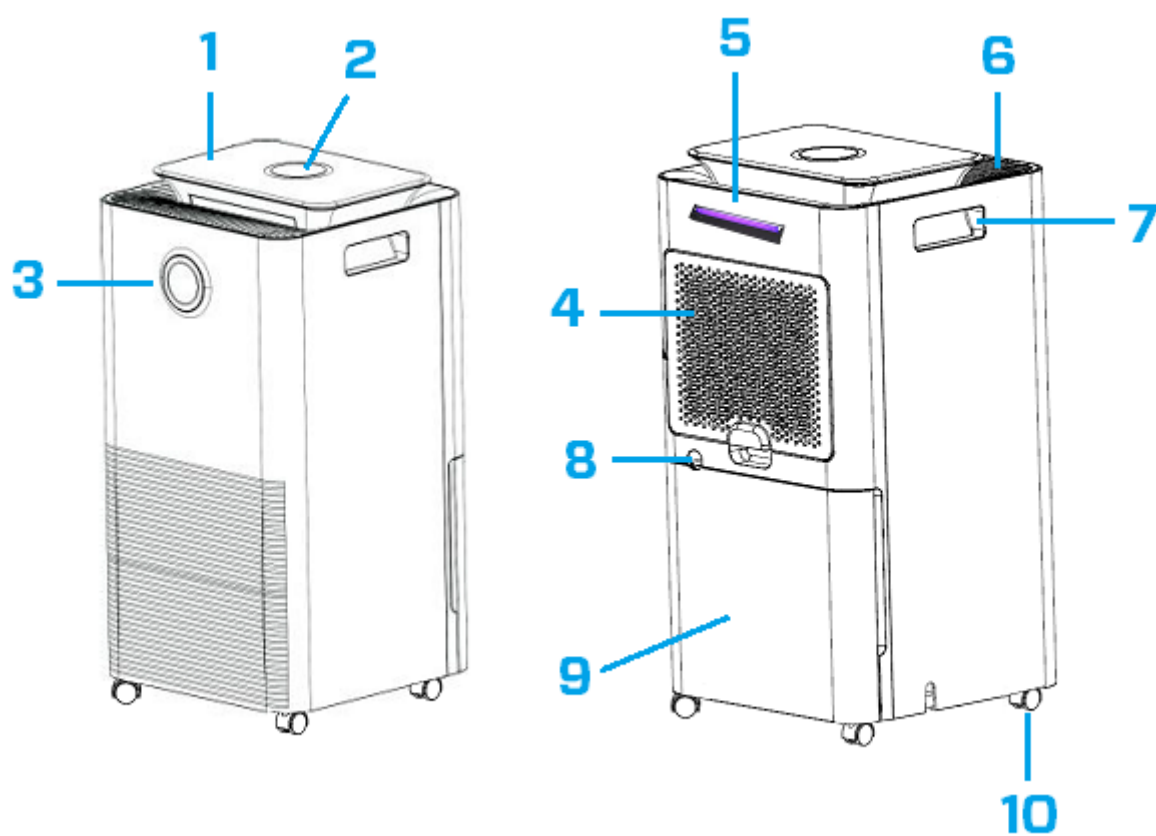
**Clean Air Optima International B.V.** | David Ricardostraat 9-7 / 9-9 | 7559 SH Hengelo (ov)  
Holandia Telefon: +31 (0) 74 - 2670145

**Clean Air Optima Germany GmbH** | Enschedestraße 14 | 48529 Nordhorn | Niemcy  
Telefon: +49 (0) 5921 879-121

Adres e-mail: [info@cleanairoptima.com](mailto:info@cleanairoptima.com)

Strona internetowa: [www.cleanairoptima.com](http://www.cleanairoptima.com)

## CA-704 Smart / Hlavní jednotka CA-707 Smart



## Čeština

### **Děkujeme Vám, že jste zakoupili Clean Air Optima® 2in1: odvlhčovač a čistička vzduchu CA-704 Smart / CA-707 Smart.**

Přejeme Vám, aby Vám tento účinný a efektivní výrobek po mnoho let sloužil jako zdroj zdravého vzduchu uvnitř budov. Zajistěte, aby při používání tohoto elektrického spotřebiče byla dodržována všechna bezpečnostní opatření potřebná pro jeho řádný provoz. Tento návod popisuje bezpečnostní opatření, která je třeba při provozu tohoto zařízení dodržovat. Jejich cílem je prevence úrazů a poškození zařízení.

### **Popis**

Toto zařízení Clean Air Optima® se skládá z následujících hlavních součástí:

1. Ovládací panel
2. Digitální displej zobrazuje relativní vlhkost v %, nastavení WiFi a funkcí
3. Barevný LED monitor zobrazuje relativní vlhkost v modré barvě (pod 53 %), zelené barvě (mezi 53 a 68 %) a červené barvě (nad 68 %)
4. Přívod vzduchu a prostor rámu filtru zahrnují: Předřazený filtr, filtr s aktivním uhlím, filtr True HEPA H13
5. Umístění lampy UV-C
6. Umístění výstupu vzduchu a ionizátoru
7. Úchyt
8. Průběžný odtok (odtok vody, přípojka hadice), odtoková hadice 1,5 metru součástí dodávky
9. Nádržka na vodu
10. Pojezdová kolečka

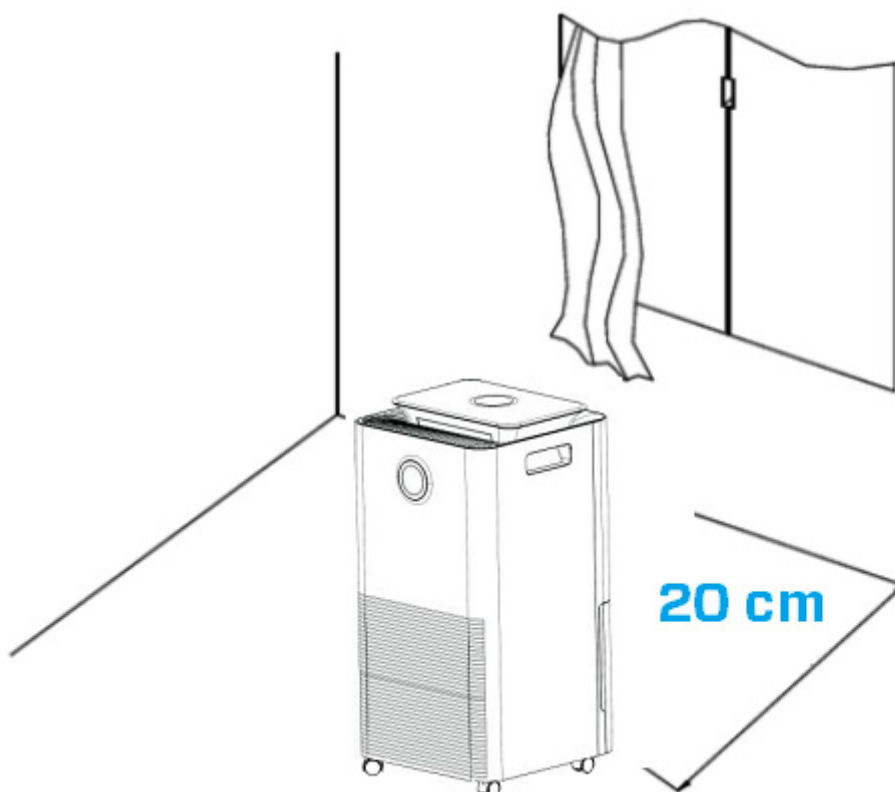
## Bezpečnostní upozornění

Toto zařízení lze používat pouze v souladu s těmito pokyny pro bezpečné používání. Proved'te následující kroky za účelem minimalizace rizika úrazu například elektrickým proudem nebo v důsledku požáru.

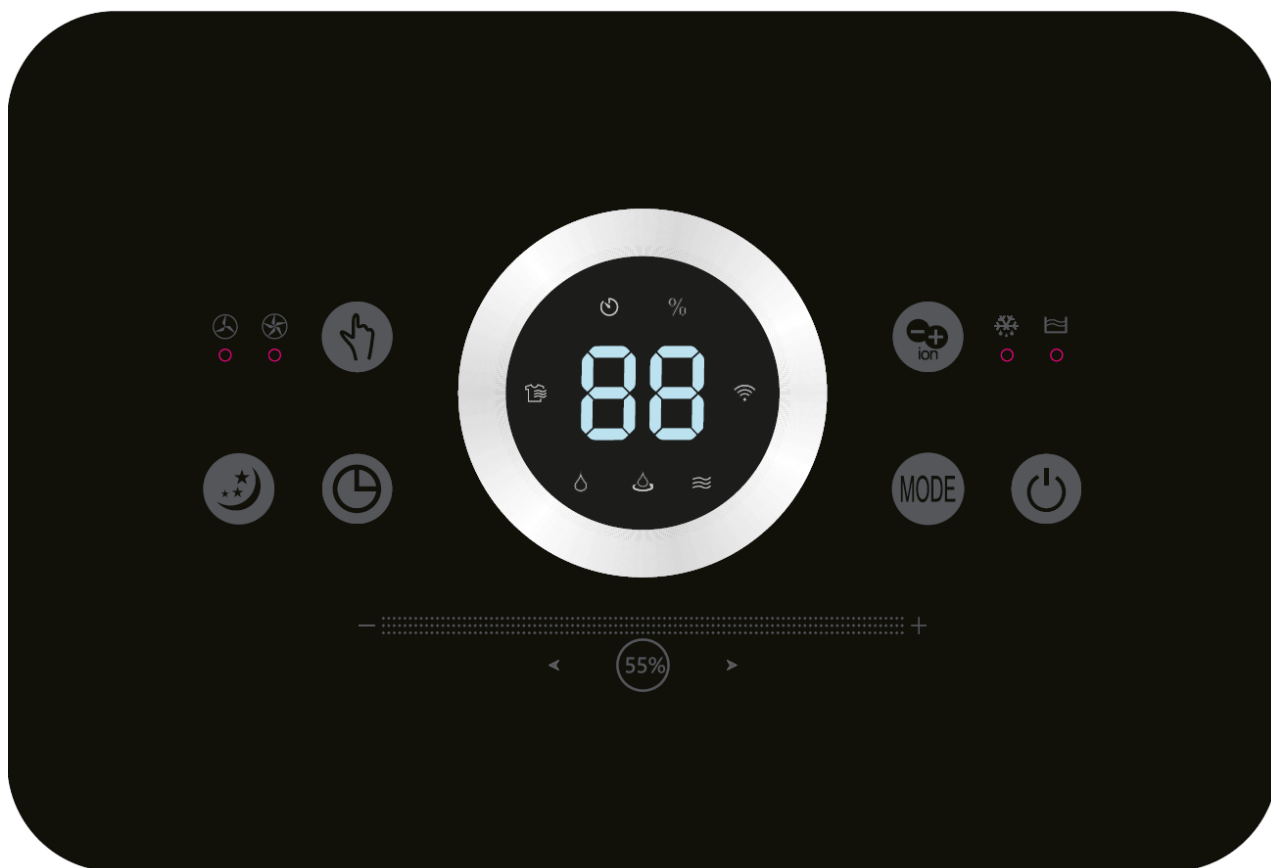
1. Před použitím nechte zařízení nejméně dvě hodiny stát, zejména po přepravě.
2. Pouze pro použití ve vnitřních prostorách. Nepoužívejte ani neskladujte venku.
3. Používejte správné napětí: AC 220 V – 240 V / 50/60 Hz
4. V okolí přívodu a výstupu vzduchu zařízení ponechte volný prostor min. 20 cm.
5. Spotřebič není určen k tomu, aby byl používán dětmi nebo osobami se sníženými fyzickými, smyslovými či duševními schopnostmi bez dohledu osoby odpovědné za jejich bezpečnost.
6. Nepoužívejte toto zařízení, je-li napájecí kabel nebo zařízení samotné viditelně poškozeno. Je-li zařízení poškozené, neopravujte je sami. Nikdy netahejte zařízení za napájecí kabel. Dojde-li k poškození napájecího kabelu, musí být vyměněn kvalifikovaným servisním technikem, aby nedošlo k úrazu elektrickým proudem nebo k požáru.
7. Opravy mohou provádět pouze kvalifikovaní servisní technici. Nepokoušejte se opravovat zařízení sami, aby nedošlo k úrazu elektrickým proudem nebo k požáru.
8. Nedotýkejte se napájecího kabelu a zástrčky mokřkýma rukama.
9. Před odpojením zástrčky zařízení vždy vypněte.
10. Nikdy se nepokoušejte zařízení vypnout odpojením zástrčky.
11. Když zařízení nepoužíváte nebo když čistíte jeho vnitřní a vnější částí, vždy vytáhněte napájecí kabel ze sítě.
12. Za účelem bezpečného používání umístěte zařízení do stabilní vodorovné polohy. Při provozu se zařízením nepohybujte.
13. Chladivo: R290. Toto chladivo je v souladu s evropskými předpisy o životním prostředí. Žádná část chladicího okruhu nesmí být perforovaná.
14. Nepoužívejte toto zařízení v místnostech, kde jsou uskladněny hořlavé kapaliny nebo plyny, ani v blízkosti zdrojů tepla, např. radiátoru, krbu nebo zařízení vytvářejících teplo, např. keramického ohřívače.
15. Nikdy nekládejte žádný předmět do tělesa zařízení. Předejdete tak jeho rozbití.
16. Nikdy nezakrývejte vstup vzduchu ani mřížku výstupu vzduchu.
17. Nikdy nerozebírejte ani nevyměňujte vnitřní součásti zařízení.
18. Zařízení používejte a skladujte při teplotách vyšších než 0°C a nižších než 40°C.
19. Nepřeklápějte zařízení ani na jednu stranu, když je zásobník vody plný.
20. Nepokládejte na zařízení těžké předměty.
21. Neumisťujte zařízení na místa s přímým slunečním světlem. Mohlo by dojít ke změně barvy zařízení.
22. Nikdy neponořujte zařízení do vody ani do jiných kapalin.
23. Nádržku na vodu pravidelně vyprazdňujte. V extrémních podmínkách může být nádržka na vodu po několika hodinách provozu plná.
24. Předřazený filtr pravidelně čistěte. Je-li předřazený filtr zanesen prachem, čistící a odvlhčovací účinek není dostatečný. Spotřeba energie se zvýší a může dojít k poruše.
25. Filtr s aktivním uhlím a filtr True HEPA H13 vyměňujte každých 3–6 měsíců, pokud jsou filtr s aktivním uhlím a filtr True HEPA H13 zaneseny, povede to ke špatnému čistícímu a odvlhčovacímu účinku. Spotřeba energie se zvýší a může dojít k poruše.
26. Používejte, udržujte a čistěte toto zařízení, jak je popsáno v této uživatelské příručce.

## Montáž

Ujistěte se, že je zařízení vzdáleno 20 cm od stěn a nábytku, viz obrázek níže.



## Ovládací panel / Návod k obsluze



### Napájení

Stisknutím tlačítka napájení uvedete zařízení do provozu. Opětovným stisknutím tlačítka napájení se zařízení vypne.



### MODE

Stiskem tlačítka MODE vyberte jeden ze čtyř požadovaných programů:



1

2

3

4

1. Normální odvlhčování (nastavitelná rychlost otáček ventilátoru a vlhkosti) *Ikona s názvem v aplikaci: Normální*
2. Nepřetržitě odvlhčování (nízké otáčky ventilátoru, vlhkost není nastavitelná) *Ikona s názvem v aplikaci: Nepřetržitě*
3. Nepřetržitě čištění vzduchu (nastavitelné otáčky ventilátoru, bez funkce odvlhčování) *Ikona s názvem v aplikaci: Čištění vzduchu*
4. Režim suchého oblečení (vysoké otáčky ventilátoru, rychlost otáček ventilátoru a vlhkost nejsou nastavitelné) *Ikona s názvem v aplikaci: Suché prádlo*



## Tlačítko nastavení vlhkosti

(Pouze pro program MODE: Ruční Normální)

Stisknutím tohoto tlačítka a posuvem prstu můžete na displeji volit požadovanou úroveň vlhkosti (od 30 % do 80 % v krocích po 5 %). Jakmile se dostanete na požadovanou úroveň, stačí tlačítko pustit. Zvolená vlhkost se uloží. Jakmile je v místnosti dosaženo požadované úrovně vlhkosti, zařízení automaticky přejde do režimu spánku a přestane odvlhčovat a čistit vzduch. Pokud se úroveň vlhkosti v místnosti zvýší nad požadovanou úroveň, začne zařízení opět odvlhčovat a čistit vzduch.

## Čištění vzduchu

Pokud je dosaženo konstantní úrovně požadované vlhkosti, můžete přepnout na program 3 a použít zařízení pro nepřetržité čištění vzduchu.



## Rychlost otáček ventilátoru

(Pouze pro program MODE: Normální odvlhčování a nepřetržité čištění vzduchu)

Stisknutím tlačítka Rychlost otáček ventilátoru můžete změnit úroveň otáček ventilátoru. 2 rychlosti ventilátoru nabízejí individuální proudění vzduchu.



## Záporné ionty, ikona s názvem v aplikaci: Ion

Stisknutím tlačítka pro ionizaci zápornými ionty dojde k aktivaci generátoru záporných iontů s celkovým výkonem > 3 000 000 záporných iontů / cm<sup>2</sup>, které jsou rozptýleny po celé místnosti, aby neutralizovaly znečišťující látky a pachy. Záporné ionty na sebe vážou prachové částice, mikroorganismy a jiné nežádoucí částičky v ovzduší a navzájem je propojují. Díky tomu jsou tak částice těžší než vzduch, což znamená, že spadnou na zem. Vy je tak nebudete vdechovat.

Negativní ionty se nejčastěji nachází v lesích, horách a u moře. Zajišťují čerstvé a zdravé ovzduší.



## Časovač

Stisknutím tlačítka časovače můžete nastavit načasování v rozmezí 0 až 24 hodin. Když stisknete tlačítko jednou, hodnota nastavená na časovači se zvětší o jednu hodinu. Když je zařízení v provozu, časovač, pokud je nastaven, ukazuje, kdy se zařízení vypne. Je-li zařízení v pohotovostním režimu, časovač, který je nastaven, vydá příkaz k zapnutí zařízení.



## Spánek

Stisknutím tlačítka Spánek se aktivuje režim spánku; displej se vypne za cca 3 sekundy. Dvojitým rychlým stisknutím tlačítka spánku opětovně přepnete do předchozích nastavení.



## Kontrolka plné nádržky na vodu

Když je nádržka na vodu plná, zařízení se automaticky zastaví. Kontrolka Plná nádržka na vodu se rozsvítí. Nádržku na vodu vyprázdněte a vraťte do zařízení. Kontrolka plné nádržky na vodu zhasne. Zařízení se opět automaticky spustí.



## Kontrolka odmrazování

Výparník v odvlhčovači se může automaticky odmrazovat, je-li provozován při pokojové teplotě nižší než 18 °C. Odmrazovací zařízení v odvlhčovači se spustí a pracuje určitou dobu (asi 5 minut) automaticky každých 25 minut nebo i déle.

- Během odmrazování může dojít k přerušení funkce odvlhčování a čištění vzduchu.
- Během odmrazování nevypínejte napájení ani nevytáhněte zástrčku zařízení.

## Ovládání pomocí aplikace Clean Air Optima<sup>®</sup>

### Konektivita


**Kompatibilita s chytrými telefony a tablety:**  
zařízení iPhone, iPad a Android

**Propojení zařízení přes WiFi s aplikací:**  
CleanAirOptima



### O aplikaci Clean Air Optima<sup>®</sup>

#### Nastavení připojení WiFi

1. Stáhněte si a nainstalujte aplikaci „CleanAirOptima“ v App Store nebo obchodě Google Play.
2. Vytvořte si účet a přihlaste se.
3. Zapojte zařízení do zásuvky a zapněte jej. Ukazatel WiFi začne blikat.
4. Ujistěte se, že je váš chytrý telefon nebo tablet úspěšně připojen k síti Wi-Fi.
5. Otevřete aplikaci „CleanAirOptima“ a klepněte na „Přidat zařízení“ (+). Vaše zařízení je v seznamu a můžete ho vybrat. Pokud ne, zvolte „Automatické skenování“. Pro připojení zařízení k síti postupujte podle pokynů na obrazovce.
6. Přidejte do aplikace zařízení Clean Air Optima<sup>®</sup> a postupujte podle pokynů v aplikaci.
7. Pokud je zařízení spárováno, ukazatel WiFi  zůstane trvale svítit.
8. Po úspěšné konfiguraci můžete zařízení ovládat pomocí aplikace Clean Air Optima<sup>®</sup>.



## Poznámka:

- Pokud se vaše výchozí síť změnila, musíte znovu nastavit připojení Wi-Fi. Postupujte podle kroků 1 až 9 v části „Nastavení připojení Wi-Fi“.
- Pokud chcete s chytrým telefonem nebo tabletem spárovat více zařízení, musíte je spárovat postupně.
- Ujistěte se, že vzdálenost mezi chytrým telefonem nebo tabletem a zařízením je menší než 5 metrů a že neexistují žádné překážky. Také se ujistěte, že jste ve stejné místnosti jako zařízení.

## Resetujte funkci Wi-Fi:

- Zařízení musí být vypnuto.
- Resetujte Wi-Fi stisknutím tlačítka „Mode“ na 5 sekund, ukazatel Wi-Fi bude rychle blikat.

## Vypněte funkci Wi-Fi:

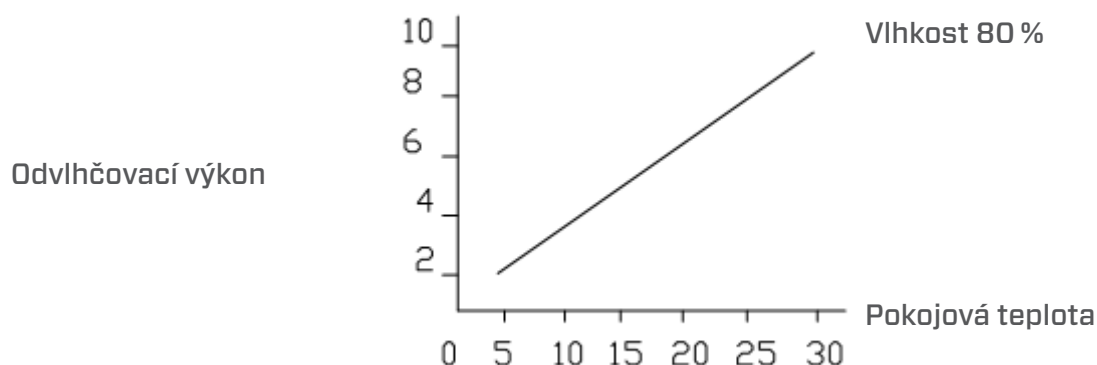
- Zařízení musí být vypnuto.
- Resetujte Wi-Fi stisknutím tlačítka „Mode“ na 5 sekund, ukazatel Wi-Fi bude rychle blikat.
- Vypněte Wi-Fi stisknutím tlačítka „Mode“ na dalších 5 sekund, ukazatel Wi-Fi zhasne.

## Teplota v místnosti se během provozu zvyšuje

Odvlhčovač Clean Air Optima<sup>®</sup> nemá funkci chlazení. Zařízení bude během provozu vytvářet teplo a zvýší pokojovou teplotu v rozmezí 1 až 4 °C.

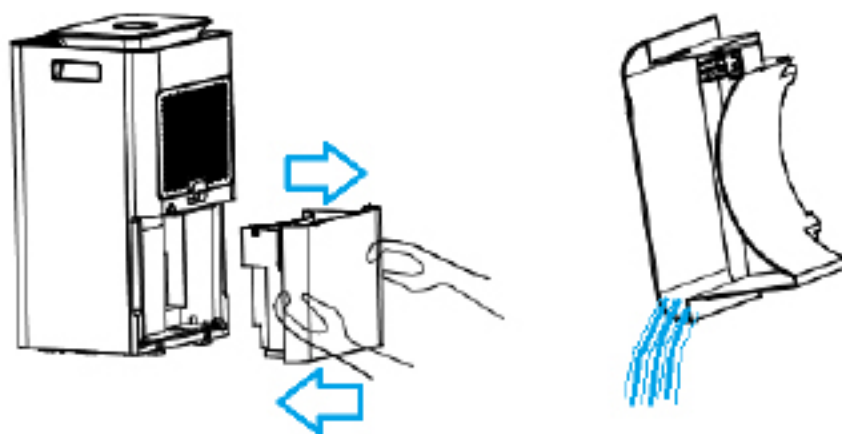
## Odvlhčovací výkon

Na níže uvedeném obrázku je znázorněn odvlhčovací výkon odvlhčovače Clean Air Optima<sup>®</sup>. Při různých teplotách a relativní vlhkosti může mít odvlhčovač různý odvlhčovací výkon.



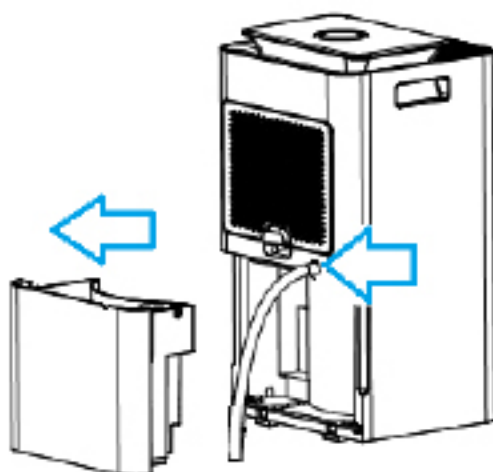
## Vylití vody

Když je nádržka na vodu plná, rozsvítí se červeně kontrolka plné nádržky na vodu. Vyměňte nádržku na vodu a vodu z nádržky vyprázdněte. Poté vraťte nádržku na vodu na správné místo do odvlhčovače, viz obrázek níže.



## Průběžné odstraňování vody

Pro nepřetržitý provoz můžete použít odtokovou hadici o délce 1,5 metru, která je součástí dodávky. Vyměňte nádržku na vodu a namontujte hadici na přípojku odtokové hadice, viz obrázek níže.



## Údržba

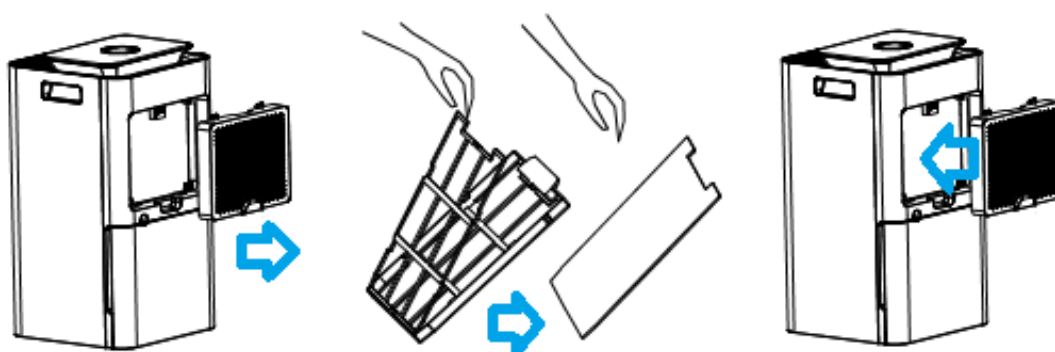
### Čištění krytu odvlhčovače Clean Air Optima<sup>®</sup>

1. Vypněte zařízení a vytáhněte zástrčku.
2. K čištění zařízení použijte měkký a vlhký hadřík. Nepoužívejte chemická rozpouštědla jako jsou například benzen, alkohol nebo benzín.
3. Dbejte, aby se do zařízení nedostala **žádná voda**; nestříkejte na děj vodu.

### Výměna filtrů

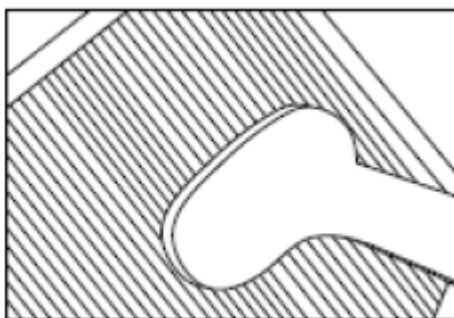
V závislosti na použití mají **filtr s aktivním uhlím** a **filtr True HEPA H13** životnost přibližně 3–6 měsíců. **Předřazený filtr** a **UV-C lampa** jsou trvalé, není nutná výměna.

Vyjměte filtry z prostoru rámu filtru. Po výměně nebo čištění filtru znovu nasadte filtry zpět do prostoru rámu filtru a namontujte je zpět do zařízení, viz obrázek níže.



### Čištění filtru

Nejlepšího efektu pro delší životnost filtrů dosáhnete tak, že filtry jednou za měsíc vyčistíte. Pokud je vnitřní vzduch extrémně znečištěný, doporučujeme filtry čistit častěji, cca. jednou za dva týdny.



**Předřazený filtr, filtr s aktivním uhlím a filtr True HEPA H13** pečlivě vyčistěte kartáčem nebo vysavačem. Tak lze z filtru odstranit větší prachové částice, jako jsou vlákna, prach, vlasy a chlupy domácích mazlíčků.

## Varování!

Dbejte, aby nedošlo k poškození filtrů. Filtry nesmí být prasklé. Poškozené filtry je třeba vyměnit.

Filtry (pouze pro filtr s **aktivním uhlím a filtr True HEPA H13**) nikdy nenamáčejte ani neoplachujte vodou. Pokud dojde k opláchnutí filtrů vodou, je nutné je vyměnit.

**Značky pro použité filtry, které je třeba vyměnit** (pouze pro filtr s **aktivním uhlím a filtr True HEPA H13**) Zvýšený hluk, snížený průtok vzduchu, ucpané filtry, rostoucí přítomnost pachů. Filtry je nutné nahradit novými, pokud filtr True HEPA H13 změnil barvu z bílé na šedou nebo černou. Pokud filtr True HEPA H13 zůstane bílý, NENÍ nutné filtry vyměňovat.

## Objednávání filtrů:

Kontaktujte zákaznický servis **Clean Air Optima<sup>®</sup>** na tel. čísle + 31 (0) 742670145 nebo navštivte náš internetový obchod: <https://www.cleanairoptima.com/accessoires/mg/44/>

## Skladování odvlhčovače Clean Air Optima<sup>®</sup>

Když se odvlhčovač nebude používat po delší dobu:

1. Důkladně vyprázdněte nádržku na vodu, abyste zajistili, že uvnitř nezůstala žádná voda.
2. Vytáhněte napájecí kabel ze sítě a složte jej.
3. Vyjměte a vyčistěte filtry. Po vyčištění znovu nasadte filtry zpět do zařízení.
4. Skladujte odvlhčovač na chladném suchém místě bez přístupu přímého slunečního světla, bez vlivu extrémních teplot a bez nadměrného ukládání prachu.

## Odstraňování závad

Následující návod pro odstraňování závad Vám pomůže vyřešit jakékoli problémy, které mohou nastat při používání odvlhčovače vzduchu **Clean Air Optima® CA-704 Smart / CA-707 Smart**.

Problém	Možná příčina	Řešení
Zařízení není zapnuté	Napájecí kabel není správně připojen	Připojte napájecí kabel k zařízení a do sítě správně
Nedostatečné odvlhčování	Zásobník vody je plný nebo zásobník vody není ve správné poloze	Vyprázdněte zásobník vody a umístěte jej zpět do správné polohy v zařízení
	Filtry jsou ucpané prachem	Vyčistěte nebo vyměňte filtry
	Ucpaný vstup vzduchu a výstup vzduchu	Odstraňte nečistoty ze vstupu a výstupu vzduchu
	Nastavená vlhkost je vyšší než vlhkost okolního prostředí	Nastavte vlhkost na hodnotu, která je přinejmenším o 5 % nižší než vlhkost okolního prostředí
	Odvlhčovač je v <b>REŽIMU nepřetržitého čištění vzduchu</b>	Změňte provozní REŽIM
Hluk	Zařízení stojí nakřivo	Přesvědčte se, že zařízení stojí rovně
	Filtry jsou ucpané	Vyčistěte nebo vyměňte filtry
Provoz se zastaví během odvlhčování na místě	Pokojeová teplota je vyšší než použitelná provozní teplota	Činnost odvlhčování se spustí automaticky, když teplota klesne
Vyprané prádlo není vyschlé	Pokojeová teplota je příliš nízká	Vyprané prádlo se těžko suší při nízkých teplotách
<b>Ovládání pomocí aplikace Clean Air Optima® nefunguje</b>	Chytrý telefon nebo tablet není připojen k síti Wi-Fi	Vypněte zařízení a resetujte WiFi na zařízení stisknutím tlačítka Mode na 5 sekund; ukazatel WiFi bude rychle blikat. Poté postupujte podle kroků 4 až 8 v kapitole <b>Ovládání pomocí aplikace Clean Air Optima®</b>
	Zařízení nemá připojení k síti	

## VAROVÁNÍ!

Pokud výše uvedená řešení nepomohou, obraťte se na technickou podporu Clean Air Optima<sup>®</sup> na telefonním čísle určeném pro váš region. Nepokoušejte se zařízení rozebrat, znovu sestavit nebo opravit, protože může dojít k propadnutí záruky.

## Specifikace zařízení CA-704 Smart

Model	CA-704 Smart
Pro místnosti do velikosti	40 m <sup>2</sup> / 100 m <sup>3</sup> / 430 ft <sup>2</sup>
Jmenovité napětí	220 V-240 V, 50 Hz
Jmenovitý výkon	200W
Výkon ventilátoru	120 m <sup>3</sup> /h
Odvlhčovací výkon	10 litrů denně při teplotě 30 °C a 80% relativní vlhkosti
Rozsah pracovních teplot	5-32 °C
Nádržka na vodu	3 litry
Součástí čištění vzduchu:	Předřazený filtr, filtr s aktivním uhlím, filtr True HEPA H13, UV-C lampa, ionizátor
Výkon filtru	99,97 %, sterilizace 99,9 %
Ionizace zápornými ionty	3 000 000 iontů/cm <sup>2</sup>
Hladina hluku	Tichý ventilátor < 30 dB(A) Nízké / 42 dB (A) Vysoké otáčky
Odtoková hadice	1,5 metru
Rozměry	250 × 250 × 480mm
Hmotnost	9,5kg
Barva	Bílá / černá
Chladivo	R290 / 30 g
Splňuje požadavky předpisů EU	CE/WEEE/RoHS

## Specifikace zařízení CA-707 Smart

Model	CA-707 Smart
Pro místnosti do velikosti	70 m <sup>2</sup> / 175 m <sup>3</sup> / 750 ft <sup>2</sup>
Jmenovité napětí	220 V-240 V, 50 Hz
Jmenovitý výkon	320W
Výkon ventilátoru	195 m <sup>3</sup> /h
Odvlhčovací výkon	20 litrů denně při teplotě 30 °C a 80% relativní vlhkosti
Rozsah pracovních teplot	5-32 °C
Nádržka na vodu	4 litry
Součástí čištění vzduchu:	Předřazený filtr, filtr s aktivním uhlím, filtr True HEPA H13, UV-C lampa, ionizátor
Výkon filtru	99,97 %, sterilizace 99,9 %
Ionizace zápornými ionty	3 000 000 iontů/cm <sup>2</sup>
Hladina hluku	Tichý ventilátor < 30 dB(A) Nízké / 48 dB (A) Vysoké otáčky
Odtoková hadice	1,5 metru
Rozměry	260 × 260 × 618mm
Hmotnost	13,5kg
Barva	Bílá / černá
Chladivo	R290 / 60g
Splňuje požadavky předpisů EU	CE/WEEE/RoHS



Požádejte svého prodejce nebo obec o aktuální informace týkající se likvidace obalu a tohoto zařízení.



**R290**

**Nebezpečí**

Přírodní chladivo propan (R290)!

## Servis

### Záruční list pro odvlhčovač Clean Air Optima<sup>®</sup> CA-704 Smart / CA-707 Smart.

Datum nákupu: .....  
Jméno zákazníka: .....  
Adresa: .....  
Telefon: .....  
E-mail: .....  
Jméno prodejce: .....  
Adresa: .....

1. Tento záruční list prosím kompletně vyplňte. Zašlete jej spolu s fakturou a spotřebičem, s poštovním hrazeným předem a v původním obalu svému distributorovi. Přesvědčte se, že jste uhradili poštovné za vrácení zásilky.
2. Připojte krátký popis poškození, vady nebo poruchy a okolnosti, za kterých k uvedenému došlo.

Odvlhčovač **Clean Air Optima<sup>®</sup> CA-704 Smart / CA-707 Smart** byl u výrobce podroben přísným testům. Pokud v průběhu dvou let od data zakoupení produkt přestane fungovat v souladu se specifikacemi z důvodu výrobních vad, kupující má právo na bezplatnou opravu nebo výměnu součástí na základě předložení tohoto záručního listu (za předpokladu, že k poruše nebo poškození zařízení, případně součástí, došlo za běžných provozních podmínek). Záruka se vztahuje na následující: všechny součásti, u nichž se projeví vada materiálu nebo výrobní vada. Jak dlouho: po dobu dvou let od data zakoupení. Co uděláme: opravíme nebo vyměníme jakékoli vadné součásti.

### Další podmínky

Ustanovení tohoto záručního listu jsou namísto jakékoli písemné záruky, ať již výslovné či mlčky předpokládané, písemné nebo ústní, včetně záruky prodejnosti a vhodnosti pro konkrétní účel. Maximální odpovědnost výrobce nepřekročí aktuální kupní cenu, za kterou bylo zařízení zakoupeno. Za žádných okolností výrobce nenesे odpovědnost za zvláštní, následné ani nepřímé škody. Tato záruka se nevztahuje na vady, které vznikly v důsledku nesprávného nebo nepřiměřeného použití či údržby, vadné montáže, havárie, přírodní katastrofy, nesprávného zabalení nebo neoprávněného zásahu, změny nebo úpravy podle našeho vlastního úsudku. Tato záruka propadá, pokud dojde k odstranění štítku s výrobním číslem nebo pokud se tento štítek stane nečitelným.



# Děkujeme Vám za přečtení těchto pokynů.



Podělte se o své názory ohledně odvlhčovače Clean Air Optima® CA-704 Smart / CA-707 Smart na stránkách:  
[www.cleanairoptima.com](http://www.cleanairoptima.com)



Často kladené otázky týkající se výrobku CA-704 Smart / CA-707 Smart najdete na adrese: [www.cleanairoptima.com](http://www.cleanairoptima.com), kde hledejte CA-704 Smart / CA-707 Smart.



Návod k použití ve formátu PDF stáhnete na:  
[www.cleanairoptima.com/info/manuals](http://www.cleanairoptima.com/info/manuals)



Podívejte se na všechna animovaná videa týkající se výrobků Clean Air Optima® na adrese:  
[www.youtube.com](http://www.youtube.com)

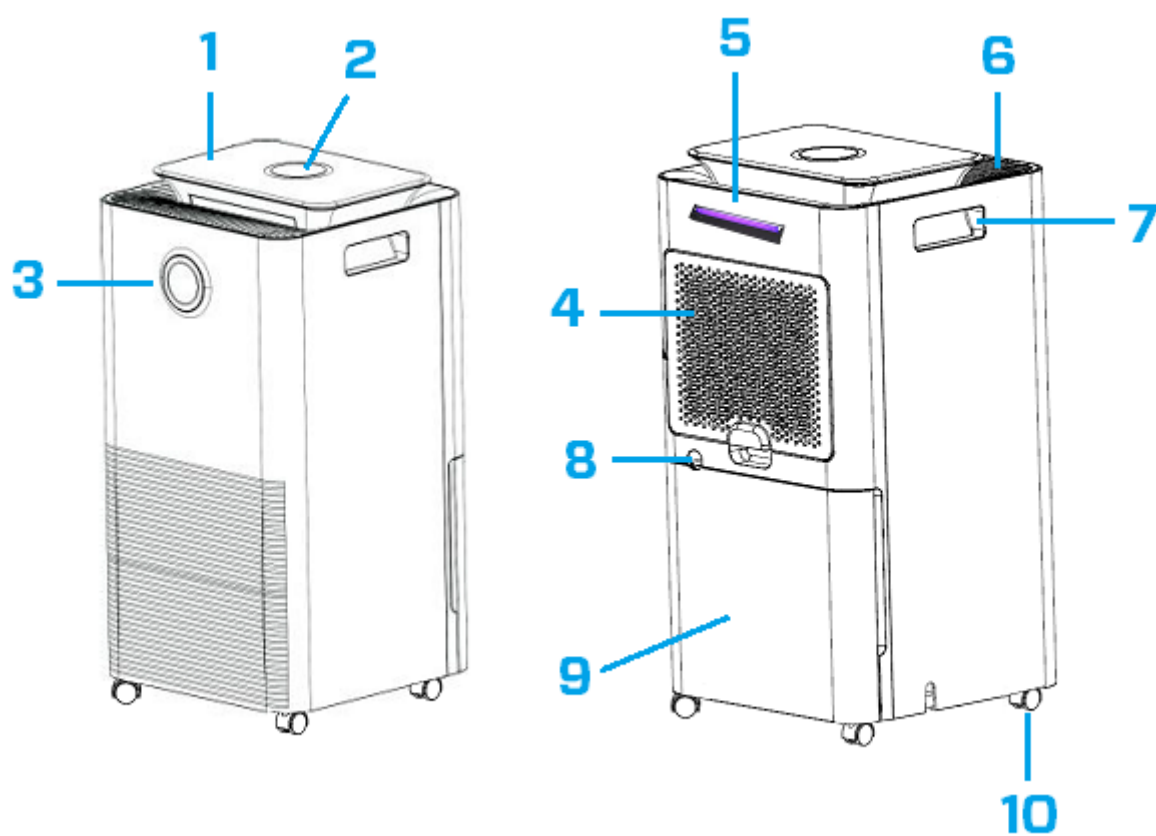
**Clean Air Optima International B.V.** | David Ricardostraat 9-7 / 9-9 | 7559 SH Hengelo (ov)  
Nizozemsko | Telefon: +31 (0) 74-2670145

**Clean Air Optima Germany GmbH** | Enschedestraße 14 | 48529 Nordhorn | Německo  
Telefon: +49 (0) 5921 879-121

**E-mail:** [info@cleanairoptima.com](mailto:info@cleanairoptima.com)

**Internet:** [www.cleanairoptima.com](http://www.cleanairoptima.com)

## Unitate principală CA-704 Smart / CA-707 Smart



## Română

### **Vă mulțumim că ați achiziționat Clean Air Optima® 2in1: Dezumidificator și purificator de aer CA-704 Smart / CA-707 Smart.**

Vă dorim să vă bucurați de mulți ani de aer interior sănătos cu acest produs eficient și eficace. Pentru funcționarea corectă a dispozitivului, asigurați-vă că sunt respectate toate măsurile de precauție pe durata utilizării sale. Aceste instrucțiuni descriu măsurile de precauție care trebuie respectate pe durata funcționării. Acestea sunt menite să prevină răniurile și să evite deteriorarea dispozitivului.

### **Descriere**

Acest dispozitiv Clean Air Optima® este format din următoarele componente principale:

1. Panou de comandă
2. Afișajul digital indică umiditatea relativă în %, setările WiFi și ale funcțiilor
3. Monitorul LED color indică umiditatea relativă în albastru (sub 53%), verde (între 53% - 68%) și roșu (peste 68%)
4. Compartimentul pentru admisia aerului și cadru filtrului include: Prefiltru, filtru cu carbon activ, filtru True HEPA H13
5. Poziția lămpii UV-C
6. Poziția ionizatorului și a ieșirii de aer
7. Mâner
8. Golire continuă (golire apă, conexiune furtun) Furtun de golire 1,5 metri inclus
9. Rezervor de apă
10. Roți pivotante

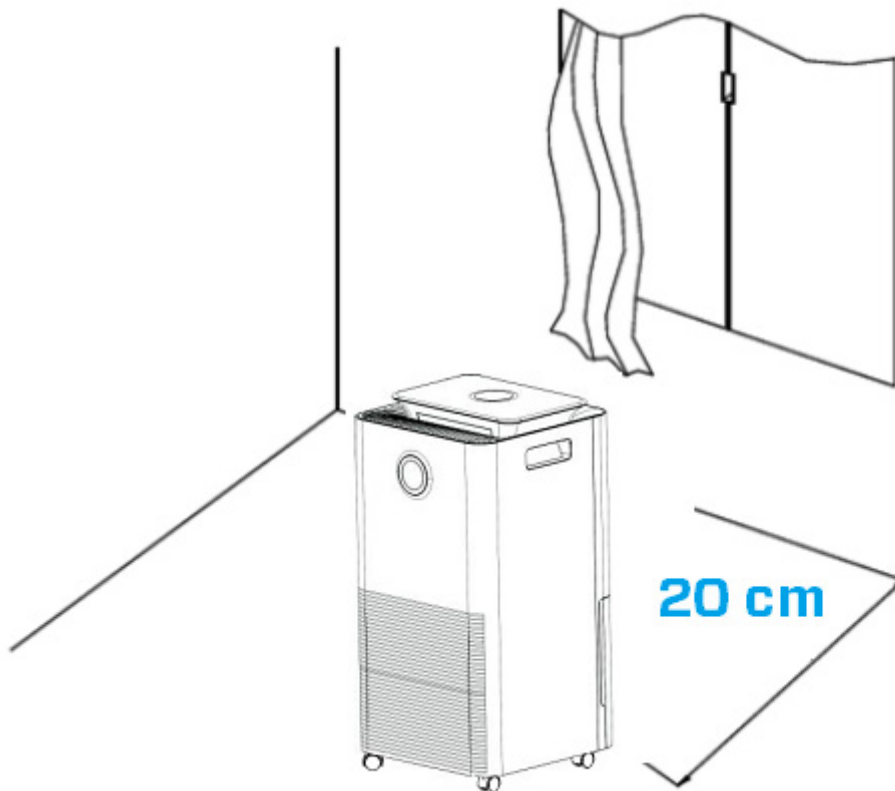
## Avertismente privind siguranța

Acest dispozitiv poate fi utilizat numai în conformitate cu aceste instrucțiuni de siguranță. Efectuați pașii următori pentru a reduce riscul de vătămare corporală provocată, de exemplu, de șocuri electrice sau incendiu.

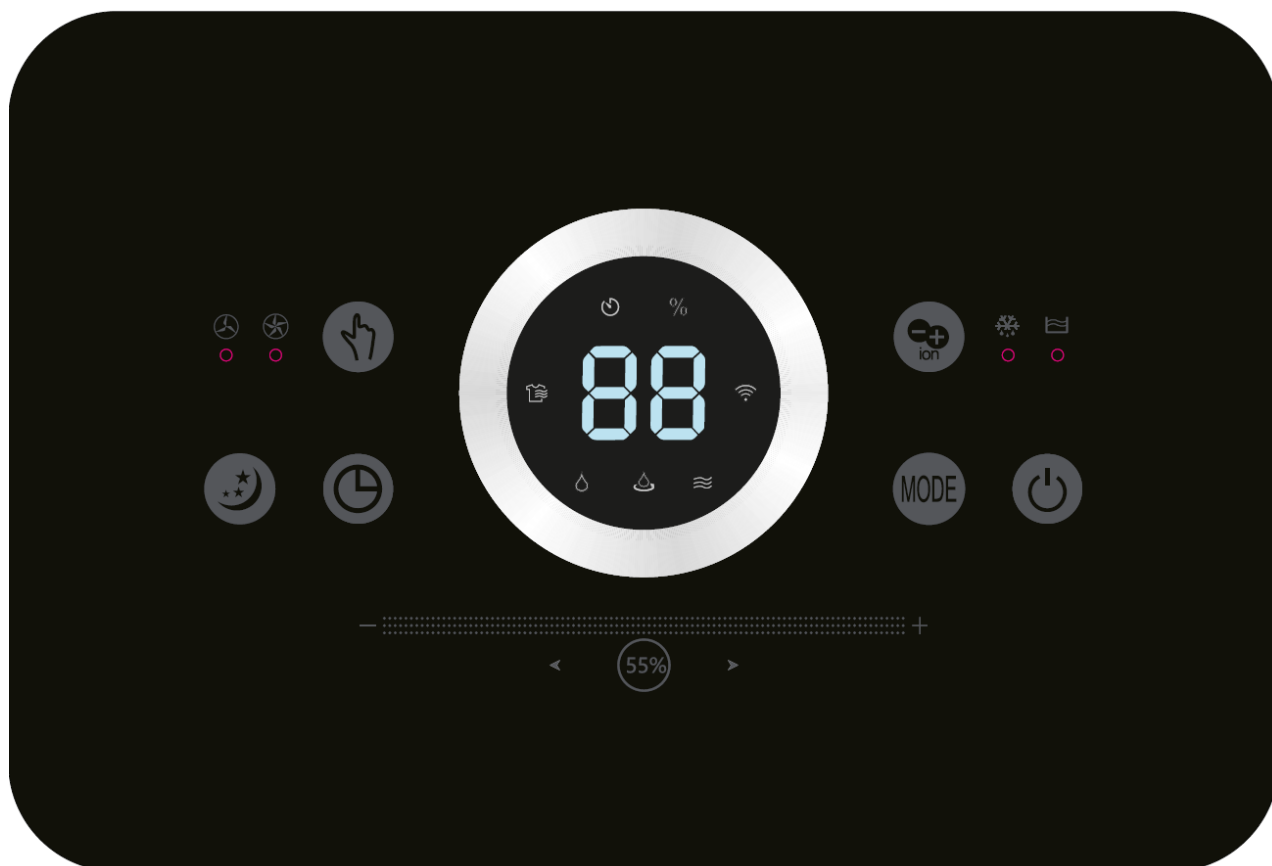
1. Lăsați dispozitivul să stea nefolosit cel puțin două ore înainte de utilizare, mai ales după transport.
2. Numai pentru utilizare în interior. Nu-l utilizați sau depozitați în exterior.
3. Utilizați tensiunea corespunzătoare: 220 V - 240 V CA, 50/60 Hz
4. Lăsați un spațiu liber de min. 20 cm în jurul orificiului de intrare și de evacuare a aerului din dispozitiv.
5. Aparatul nu este destinat utilizării de către copii sau persoane cu capacități fizice, senzoriale sau mentale reduse, decât dacă acestea sunt supravegheate de o persoană responsabilă pentru siguranța acestora.
6. Nu utilizați dispozitivul atunci când există deteriorări vizibile ale cablului electric sau ale dispozitivului. Nu reparați dvs. înșivă dispozitivul în caz de deteriorare. Nu manevrați dispozitivul trăgându-l de cablu. În cazul în care cablul de alimentare este deteriorat, acesta trebuie înlocuit de către o persoană autorizată pentru efectuarea reparațiilor, pentru a preveni un șoc electric sau incendiu.
7. Reparațiile pot fi efectuate numai de personal de service autorizat. Nu încercați să reparați dvs. înșivă dispozitivul, pentru a preveni electrocutarea sau incendiul.
8. Nu atingeți cablul de alimentare și ștecherul cu mâinile ude.
9. Opriți întotdeauna dispozitivul înainte de a deconecta ștecherul.
10. Nu încercați vreodată să opriți dispozitivul deconectând ștecherul.
11. Scoateți fișa atunci când nu utilizați dispozitivul sau când curățați părțile interne sau externe ale acestuia.
12. Pentru utilizarea în condiții de siguranță, puneți dispozitivul într-o poziție orizontală, stabilă. Nu mișcați dispozitivul în timpul utilizării.
13. Agent frigorific: R290. Acest agent frigorific respectă reglementările europene de mediu. Nicio parte a circuitului de răcire nu poate fi perforată.
14. Nu utilizați dispozitivul în încăperi în care sunt depozitate lichide inflamabile, gaze sau în apropierea surselor de căldură cum ar fi caloriferul, șemineul sau a dispozitivelor generatoare de căldură.
15. Nu introduceți niciodată alt obiect în corpul dispozitivului pentru a evita defectarea.
16. Nu acoperiți niciodată grila de admisie sau de evacuare a aerului.
17. Nu demontați și nici nu înlocuiți componentele interioare ale dispozitivului.
18. Nu utilizați sau depozitați dispozitivul sub 0°C sau peste 40°C.
19. Nu înclinați aparatul în nici o parte atunci când rezervorul de apă este plin.
20. Nu puneți obiecte grele pe unitate.
21. Evitați locurile cu lumină solară directă. Există riscul ca dispozitivul să se decoloreze.
22. Nu scufundați niciodată dispozitivul în apă sau alte lichide.
23. Goliți rezervorul de apă în mod regulat. În condiții extreme, rezervorul de apă poate fi plin după câteva ore de funcționare.
24. Curățați prefiltrul în mod regulat, dacă prefiltrul este saturat cu praf, va duce la un efect de purificare și dezumidificare necorespunzător. Consumul de energie va crește și poate provoca defecțiuni.
25. Înlocuiți filtrul cu carbon activ și filtrul True HEPA H13 la fiecare 3 – 6 luni, dacă filtrul cu cărbune activ și filtrul True HEPA H13 sunt saturate, va duce la un efect insuficient de purificare și dezumidificare. Consumul de energie va crește și poate provoca defecțiuni.
26. Utilizați, întrețineți și curățați dispozitivul conform descrierii din acest manual.

## Instalare

Asigurați-vă că distanța de la dispozitiv la pereți și mobilier este de 20 cm, vedeți ilustrația de mai jos.



## Panou de comandă/Instrucțiune de operare



### Pornire

Apăsați butonul Pornire pentru a activa dispozitivul.  
Apăsați din nou butonul Pornire, dispozitivul se oprește.



### MODE

Apăsați butonul MODE pentru a selecta unul dintre cele patru programe dorite:



1

2

3

4

1. Dezumidificare normală (turație reglabilă a ventilatorului și umiditate) *Pictogramă cu nume în aplicație: Normal*
2. Dezumidificare continuă (turație mică a ventilatorului, setarea umidității nu este reglabilă) *Pictogramă cu nume în aplicație: Continuu*
3. Purificare continuă a aerului (viteză reglabilă a ventilatorului, fără funcție de dezumidificare) *Pictogramă cu nume în aplicație: Purificarea aerului*
4. Modul haine uscate (turație mare a ventilatorului, turația ventilatorului și setarea umidității nu sunt reglabile) *Pictogramă cu nume în aplicație: Haine uscate*



## Buton de reglare a umidității prin glisare

(Numai pentru programul MODE: dezumidificare Normal)

Prin apăsarea butonului de setare a umidității prin glisare, puteți selecta nivelul de umiditate dorit apăsând și glisând acest buton în mod repetat până când este afișat nivelul de umiditate necesar (de la 30% la 80% în trepte de 5%). Odată ce ați selectat nivelul de umiditate dorit, nu mai apăsați și glisați butonul și nivelul de umiditate va fi setat. Când nivelul de umiditate din cameră atinge nivelul de umiditate setat, dispozitivul va intra în starea de repaus automat și oprește dezumidificarea și purificarea aerului. Când nivelul real de umiditate al încăperii crește din nou peste nivelul de umiditate setat, atunci dispozitivul va începe dezumidificarea și purificarea aerului din nou.

## Purificarea aerului

Dacă nivelul de umiditate dorit este atins la un nivel constant, puteți trece la programul 3 pentru a utiliza dispozitivul pentru purificarea continuă a aerului.



## Turația ventilatorului

(Numai pentru programul MODE: Dezumidificare normală și purificare continuă a aerului)

Prin apăsarea butonului Turație ventilator, puteți schimba nivelul de turație. Cele două turații ale ventilatorului oferă un debit individual de aer.



## Ion negativ, pictogramă cu nume în aplicație: Ion

Prin apăsarea butonului Ion negativ activați generatorul de ioni negativi cu o capacitate totală > 3 000 000 ioni negativi / cm<sup>2</sup>, care se răspândesc din fluxul de aer al ventilatorului în întreaga cameră, neutralizând astfel agenții de poluare și mirosurile. Ionii negativi se atașează de particulele de praf, microorganisme și alte particule nedorite din aer și le leagă între ele. În acest fel, particulele devin mai grele decât aerul și cad pe podea, pentru a nu mai putea fi inhalate.

Ionii negativi se regăsesc cel mai frecvent în păduri, la munte și la mare.  
Ionii negativi asigură un aer proaspăt și sănătos.



## Temporizator

Apăsați butonul Temporizator pentru a fixa temporizatorul în intervalul 0-24 h.

Apăsați butonul o singură dată, temporizatorul va crește cu o oră. Când dispozitivul funcționează, temporizatorul setat indică momentul în care se va opri dispozitivul.

Dacă dispozitivul este în modul de așteptare („stand-by”), temporizatorul setat indică momentul în care pornește dispozitivul.



## Somn

Apăsați butonul Somn și modul somn este activat, afișajul se va stinge în cca.

3 secunde. Apăsați rapid butonul Somn de 2 ori pentru a comuta înapoi la setările de mai înainte.



## Indicator luminos de rezervor plin

Când rezervorul de apă este plin, dispozitivul se va opri automat. Indicatorul luminos de rezervor de apă plin se aprinde. Goliți rezervorul de apă și reintroduceți-l în corpul dispozitivului, indicatorul luminos de rezervor de apă plin se va stinge. Dispozitivul își va relua funcționalitatea automat.



## Indicatorul luminos de dezghețare

Evaporatorul din dezumidificator se poate dezgheța automat dacă funcționează la o temperatură a camerei mai mică de 18 °C. Dispozitivul de dezghețare din dezumidificator pornește și funcționează un timp (aproximativ 5 minute) automat la fiecare 25 de minute sau chiar mai mult.

- În timpul operațiunii de dezghețare, funcția de dezumidificare și funcția de purificare a aerului se pot întrerupe.
- Nu opriți alimentarea și nu scoateți ștecherul dispozitivului în timpul operațiunii de dezghețare.

## Funcționare cu aplicația Clean Air Optima<sup>®</sup>

### Conectivitate

**Compatibilitate cu smartphone și tabletă:**  
dispozitive iPhone, iPad și Android

**Dispozitivul se conectează prin WiFi cu aplicația:**  
CleanAirOptima



### Despre aplicația Clean Air Optima<sup>®</sup>

#### Configurarea conexiunii WiFi

1. Descărcați și instalați aplicația „CleanAirOptima” din App Store sau Google Play Store.
2. Creați un cont și conectați-vă.
3. Conectați dispozitivul la priza de alimentare și porniți-l. Indicatorul WiFi va lumina intermitent.
4. Asigurați-vă că smartphone-ul sau tableta sunt conectate cu succes la rețeaua WiFi.
5. Deschideți aplicația „CleanAirOptima” și faceți clic pe „Add device” (Adăugare dispozitiv) . Dispozitivul dvs. este listat și îl puteți selecta. Dacă nu, alegeți „Auto Scan” (Scanare automată). Urmați instrucțiunile de pe ecran pentru a conecta dispozitivul la rețea.
6. Alegeți să adăugați dispozitivul Clean Air Optima<sup>®</sup> în aplicație, urmați instrucțiunile din aplicație.
7. Când dispozitivul este asociat, indicatorul luminos WiFi rămâne aprins constant.
8. După ce configurarea are succes, puteți utiliza aplicația Clean Air Optima<sup>®</sup> pentru a utiliza dispozitivul.



**Notă:**

- Dacă rețeaua dvs. implicită s-a schimbat, resetați conexiunea WiFi, urmați pașii de la 1 la 9 din secțiunea „Configurare conexiune WiFi”.
- Dacă doriți să asociați mai multe dispozitive cu smartphone-ul sau tableta dvs., trebuie să faceți acest lucru unul după altul.
- Asigurați-vă că distanța dintre smartphone sau tabletă și dispozitiv este mai mică de 5 metri și că nu există obstacole. De asemenea, asigurați-vă că vă aflați în aceeași cameră cu dispozitivul.

**Resetați funcția WiFi:**

- Dispozitivul trebuie oprit.
- Resetați WiFi apăsând butonul „Mode” timp de 5 secunde, indicatorul luminos al WiFi va clipi rapid.

**Opriți funcția WiFi:**

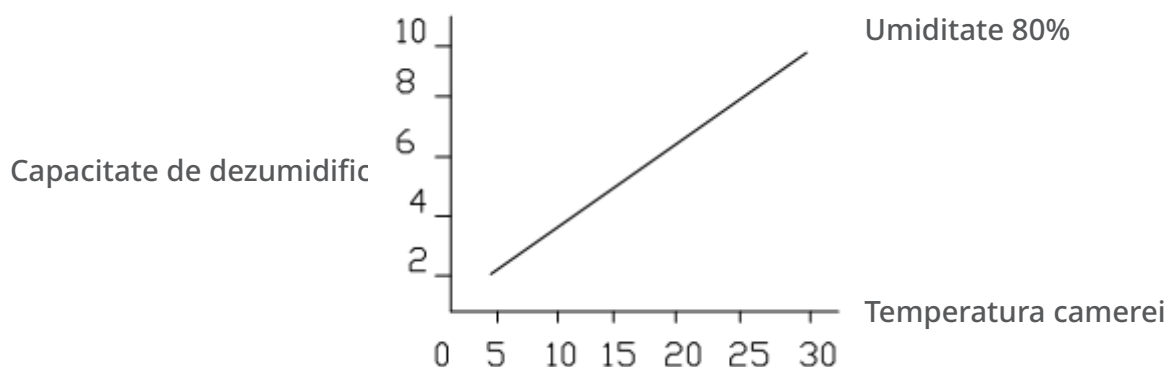
- Dispozitivul trebuie oprit.
- Resetați WiFi apăsând butonul „Mode” timp de 5 secunde, indicatorul luminos al WiFi va clipi rapid.
- Opriți WiFi apăsând butonul „Mode” pentru încă 5 secunde, indicatorul luminos al WiFi se va stinge.

**Temperatura camerei crește în timpul funcționării**

Dezumidificatorul Clean Air Optima<sup>®</sup> nu are funcție de răcire. Dispozitivul va produce căldură în timpul funcționării și va crește temperatura camerei între 1 °C și 4 °C.

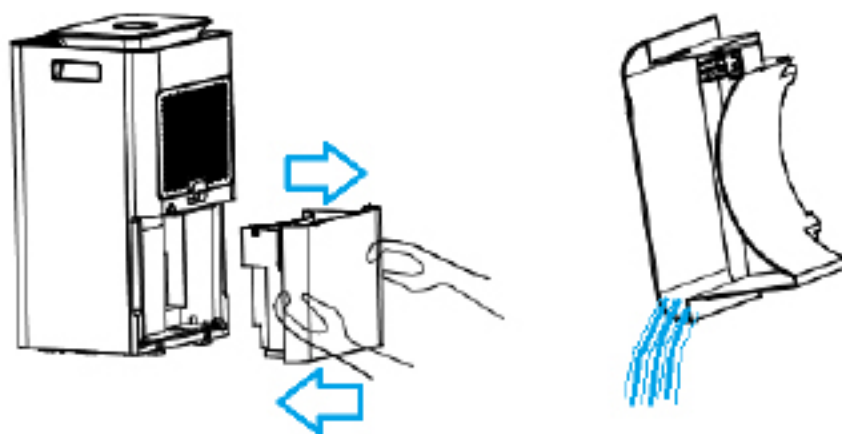
**Capacitate de dezumidificare**

Ilustrația de mai jos arată capacitatea de dezumidificare a dezumidificatorului Clean Air Optima<sup>®</sup>. Prin diferite temperaturi și umiditate relativă, dezumidificatorul poate avea capacități de dezumidificare diferite.



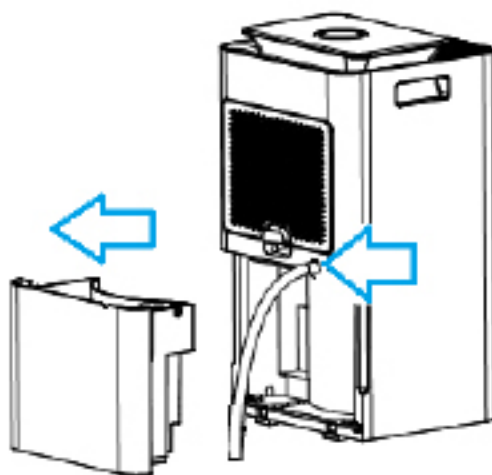
## Golirea de apă

Indicatorul luminos de rezervor de apă plin se va aprinde atunci când rezervorul de apă este plin. Scoateți rezervorul de apă și goliți apa din interior. Apoi puneți rezervorul de apă înapoi în dezumidificator în mod corect, consultați ilustrația de mai jos.



## Golire continuă

Pentru funcționare continuă puteți folosi furtunul de scurgere de 1,5 metri lungime care este inclus. Scoateți rezervorul de apă și instalați corect furtunul la racordul furtunului de golire a apei, consultați ilustrația de mai jos.



## Întreținere

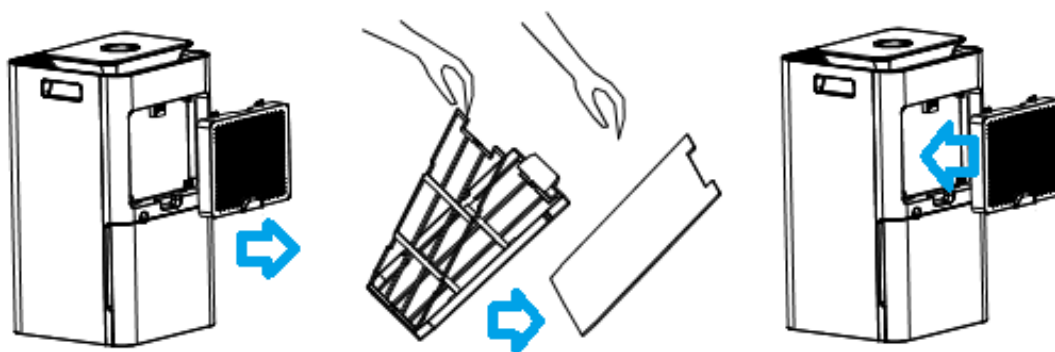
### Curățarea carcasei dezumidicatorului Clean Air Optima<sup>®</sup>

1. Opriți dispozitivul și trageți ștecherul.
2. Utilizați o bucată de pânză moale și umedă pentru a curăța dispozitivul. Nu utilizați solvent chimic cum ar fi benzenul, alcoolul, benzina.
3. Asigurați-vă că **nu intră apă** în dispozitiv, nu stropiți cu apă.

### Înlocuirea filtrelor

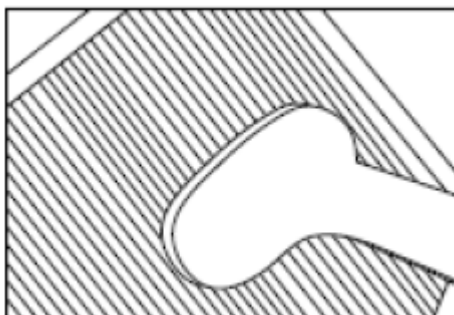
În funcție de utilizare, **filtrul cu carbon activ** și **filtrul True HEPA 13** au o durată de viață de aprox. 3 – 6 luni. **Prefiltrul** și **lampa UV-C** sunt permanente, nu este nevoie de înlocuire.

Scoateți filtrele din compartimentul cadrului filtrului. După înlocuirea filtrului sau curățarea filtrului reinstalați filtrele înapoi în compartimentul cadrului filtrului și asamblați înapoi pe dispozitiv, consultați ilustrația de mai jos.



### Curățarea filtrului

Cel mai bun efect pentru o durată de viață mai lungă a filtrelor este atins prin curățarea filtrelor o dată pe lună. Dacă aerul din interior este extrem de poluat, vă recomandăm să curățați filtrele mai des, aprox. o dată la două săptămâni.



Curățați **prefiltrul**, **filtrul cu carbon activ** și **filtrul True HEPA H13** cu grijă cu o perie sau cu aspiratorul. În acest fel, particule mai mari de praf, cum ar fi scamele, părul, praful și mătreața animalelor de companie, pot fi îndepărtate din filtre.

## **Avertisment!**

Nu deteriorați filtrele, filtrele nu trebuie să fie crăpate. Filtrele deteriorate trebuie înlocuite.

Nu udați și nu clătiți niciodată filtrele (numai pentru **filtru cu carbon activ** și **filtru True HEPA H13**) cu apă. Filtrele care sunt clătite cu apă trebuie înlocuite.

## **Semne pentru filtre uzate care trebuie înlocuite**

(Doar pentru **filtru cu carbon activ** și **filtru True HEPA H13**)

Creșterea zgomotului, reducerea debitului de aer, filtre înfundate, creșterea prezenței mirosurilor.

Filtrele trebuie înlocuite cu altele noi, când filtrul True HEPA H13 își schimbă culoarea de la alb la gri sau negru. Dacă filtrul True HEPA H13 rămâne alb, NU este necesar să înlocuiți filtrele.

## **Cum să comandați filtre:**

Contactați **Serviciul de asistență pentru clienți Clean Air Optima<sup>®</sup>**, tel. + 31 (0) 742670145 sau vizitați magazinul nostru web: <https://www.cleanairoptima.com/accessoires/mg/44/>

## **Depozitarea dezumidicatorului Clean Air Optima<sup>®</sup>**

Dacă dezumidicatorul nu va fi utilizat pentru o perioadă mai lungă de timp:

1. Goliți complet rezervorul de apă și asigurați-vă că nu mai este apă în rezervorul de apă.
2. Deconectați dispozitivul și înfășurați cablul de alimentare.
3. Scoateți și curățați filtrele. După curățare, reinstalați filtrele înapoi în dispozitiv.
4. Depozitați dezumidicatorul într-o locație rece și uscată, departe de lumina directă a soarelui, de temperaturi extreme sau praf excesiv.

## Depanare

Urmează un ghid de depanare care vă poate ajuta să rezolvați problemele pe care le-ați putea avea atunci când utilizați Dezumidificatorul **Clean Air Optima<sup>®</sup> CA-704 Smart / CA-707 Smart**.

Problemă	Cauză posibilă	Soluție
Dispozitivul nu pornește	Cablul de alimentare nu se conectează corect	Conectați corect fișa de alimentare și priza de curent
Dezumidificare inefficientă	Rezervorul de apă este plin sau nu se află în poziția corectă	Goliți rezervorul de apă și puneți-l în poziția corectă
	Filtrele sunt blocate cu praf	Curățați sau înlocuiți filtrele
	Orificiul de admisie și cel de evacuare a aerului au un blocaj	Curățați blocajul de la orificiul de admisie și de evacuare a aerului
	Umiditatea setării este mai mare decât umiditatea mediului	Setați umiditatea cu cel puțin 5% mai mică decât umiditatea mediului
	Dezumidificatorul este în <b>MOD de purificare continuă a aerului</b>	Schimbați MODUL de funcționare
Zgomot	Dispozitivul este instalat în strâmb	Asigurați-vă că dispozitivul este instalat vertical
	Filtrele sunt blocate	Curățați sau înlocuiți filtrele
Funcționarea se oprește în timpul dezumidificării punctuale	Temperatura camerei este mai mare decât temperatura de funcționare utilizabilă	Operația de dezumidificare va începe automat când temperatura scade
Hainele spălate nu sunt uscate	Temperatura camerei este prea scăzută	Hainele spălate sunt greu de uscat în condiții de temperatură scăzută
<b>Funcționarea cu aplicația Clean Air Optima<sup>®</sup> nu funcționează</b>	Smartphone-ul sau tableta nu sunt conectate la rețeaua WiFi  Dispozitivul nu are conexiune la rețea	Opriți dispozitivul și resetați WiFi-ul pe dispozitiv apăsând butonul Mode timp de 5 secunde, indicatorul luminos al WiFi va clipi rapid. Apoi urmați pașii 4 până la 8 din capitolul <b>Funcționare cu aplicația Clean Air Optima<sup>®</sup></b>

## AVERTIZARE!

Dacă soluțiile recomandate mai sus nu funcționează, contactați asistența tehnică Clean Air Optima<sup>®</sup> la numărul de telefon corespunzător regiunii dvs. Nu încercați să dezamblați, să reamblați sau să reparați dispozitivul, deoarece acest lucru poate anula garanția.

## Specificații CA-704 Smart

Model	CA-704 Smart
Pentru încăperi de până la	40 m <sup>2</sup> /100 m <sup>3</sup> /430 ft <sup>2</sup>
Tensiune nominală	220 V-240 V, 50 Hz
Putere nominală	200W
Capacitate ventilator	120 m <sup>3</sup> /h
Capacitate de dezumidificare	10 litri pe zi la 30 °C și 80% UR
Interval de temperatură de lucru	5 °C - 32 °C
Rezervor de apă	3 litri
Purificarea aerului cu:	Prefiltru, filtru cu carbon activ, filtru True HEPA H13, lampă UV-C, ionizator
Performanța filtrului	99,97%, Rata de sterilizare 99,9%
Ion negativ	>3 000 000 ioni/cm <sup>2</sup>
Nivelul sonor	Ventilator silențios < 30 dB(A) Scăzut / 42 dB(A) Ridicat
Furtun de golire	1,5 metri
Dimensiuni	250 x 250 x 480mm
Greutate	9,5kg
Culoare	Alb / negru
Agent frigorific	R290 / 30 g
Respectă reglementările UE	CE/DEEE/RoHS

## Specificații CA-707 Smart

Model	CA-707 Smart
Pentru încăperi de până la	70 m <sup>2</sup> / 175 m <sup>3</sup> / 750 ft <sup>2</sup>
Tensiune nominală	220 V-240 V, 50 Hz
Putere nominală	320W
Capacitate ventilator	195 m <sup>3</sup> /h
Capacitate de dezumidificare	20 litri pe zi la 30 °C și 80% UR
Interval de temperatură de lucru	5 °C - 32 °C
Rezervor de apă	4 litri
Purificarea aerului cu:	Prefiltru, filtru cu carbon activ, filtru True HEPA H13, lampă UV-C, ionizator
Performanța filtrului	99,97%, Rata de sterilizare 99,9%
Ion negativ	>3.000.000 ioni/cm <sup>2</sup>
Nivelul sonor	Ventilator silențios < 30 dB(A) Scăzut / 48 dB(A) Ridicat
Furtun de golire	1,5 metri
Dimensiuni	260 x 260 x 618mm
Greutate	13,5kg
Culoare	Alb / negru
Agent frigorific	R290 / 60 g
Respectă reglementările UE	CE/DEEE/RoHS



Adresați-vă comercianților cu amănuntul sau municipalității dvs. pentru informații actualizate privind eliminarea ambalajului și a dispozitivului.



**R290**

Pericol

Agent frigorific natural propan (R290)!

## Service

### Certificat de garanție pentru Clean Air Optima® Dezumidificator CA-704 Smart / CA-707 Smart.

Data achiziției: .....  
Nume client: .....  
Adresă: .....  
Telefon: .....  
E-mail: .....  
Nume vânzător: .....  
Adresă: .....

1. Completați acest certificat de garanție. Trimiteți-l distribuitorului împreună cu factura și dispozitivul, cu taxe poștale pre-plătite și folosind ambalajul original. Asigurați-vă că includeți taxele poștale pentru retur.
2. Vă rugăm să anexați o scurtă descriere a daunelor sau defecțiunilor și circumstanțele în care au apărut aceste probleme.

Dezumidificatorul **Clean Air Optima® CA-704 Smart / CA-707 Smart** este supus unor proceduri stricte de testare înainte de a părăsi fabrica. Dacă în termen de doi ani de la data achiziționării, produsul nu funcționează în conformitate cu specificațiile din cauza defectelor din fabrică, cumpărătorul are dreptul la reparații gratuite sau la înlocuirea pieselor la prezentarea acestei garanții (cu condiția ca defecțiunea sau deteriorarea dispozitivului și/sau a unor piese să fi apărut în condiții normale de funcționare). Ce este acoperit de garanție: Toate piesele defecte ca material sau manoperă. Pentru cât timp: doi ani de la data cumpărării. Ce vom face: Reparăm sau înlocuim orice piesă defectă.

#### Alte condiții

Prevederile prezentei garanții înlocuiesc orice altă garanție scrisă, expresă sau implicită, scrisă sau orală, inclusiv orice garanție de vandabilitate sau adecvare pentru un anumit scop. Răspunderea maximă a producătorului nu trebuie să depășească prețul real de cumpărare plătit de dvs. pentru produs. În nici un caz producătorul nu va fi responsabil pentru daune speciale, întâmplătoare, subsecvente sau indirecte. Această garanție nu acoperă un defect care a rezultat din utilizarea sau întreținerea necorespunzătoare sau nerezonabilă, asamblarea defectuoasă, accidente, catastrofe naturale, împachetare necorespunzătoare, manipulare, alterare sau modificare neautorizată determinată de noi în mod unic. Această garanție este nulă dacă eticheta care poartă numărul de serie a fost scoasă sau a devenit ilizibilă.



# Vă mulțumim că ați citit!



Comunicați feedbackul despre Clean Air Optima®  
Dezumidicator CA-704 Smart / CA-707 Smart pornit:  
[www.cleanairoptima.com](http://www.cleanairoptima.com)



Pentru întrebări frecvente despre CA-704 Smart / CA-707 Smart mergeți la:  
[www.cleanairoptima.com](http://www.cleanairoptima.com) și căutați CA-704 Smart / CA-707 Smart.



Descărcați manualul de instrucțiuni PDF de pe:  
[www.cleanairoptima.com/info/manuals](http://www.cleanairoptima.com/info/manuals)



Urmăriți toate clipurile video de animație  
despre produsul Clean Air Optima® de pe:  
[www.youtube.com](http://www.youtube.com)

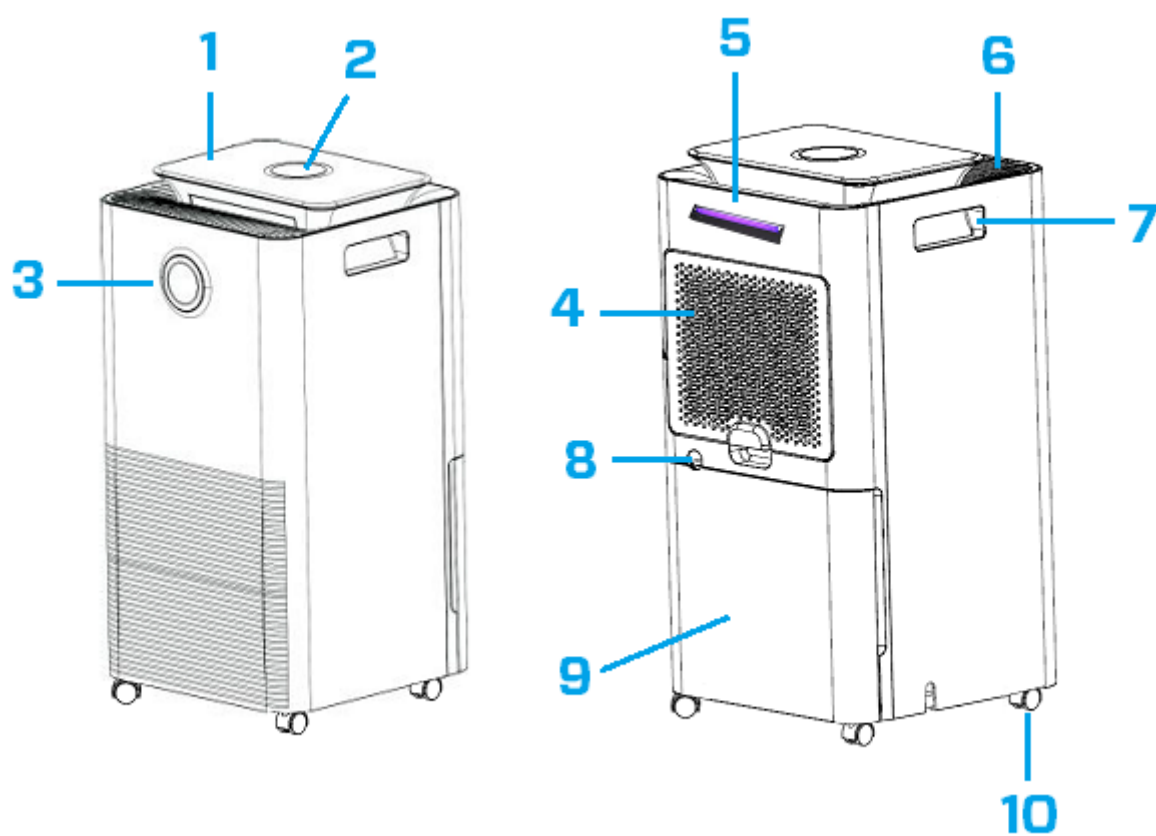
Clean Air Optima International B.V. | David Ricardostraat 9-7/9-9 | 7559 SH Hengelo (ov)  
Țările de Jos | Telefon: +31 (0) 74-2670145

Clean Air Optima Germany GmbH | Enschedestraße 14 | 48529 Nordhorn | Germania  
Telefon: +49 (0) 5921 879-121

E-mail: [info@cleanairoptima.com](mailto:info@cleanairoptima.com)

Internet: [www.cleanairoptima.com](http://www.cleanairoptima.com)

## „CA-704 Smart“ / „CA-707 Smart“ pagrindinis įrenginys



## Lietuvių kalba

### Dėkojame, kad įsigijote „Clean Air Optima® 2in1“: oro sausintuvą ir oro valytuvą „CA-704 Smart“ / „CA-707 Smart“.

Linkime jums ne vienerius metus mėgautis švairiu patalpų oru, naudojant šį veiksmingą ir efektyvų gaminį. Naudodami šį elektros prietaisą pasirūpinkite, kad būtų laikomasi visų saugos nurodymų ir kad prietaisas veiktų tinkamai. Šioje instrukcijoje aprašomi saugos nurodymai, kurių reikia laikytis naudojant prietaisą. Jie skirti apsaugoti nuo traumų ir išvengti prietaiso pažeidimo.

### Aprašas

Šį „Clean Air Optima®“ prietaisą sudaro toliau nurodyti pagrindiniai komponentai:

1. Valdymo pultas
2. Skaitmeninis ekranas, kuriame rodoma santykinė drėgmė (%), „Wi-Fi“ ir funkcijų nustatymai
3. Spalvotas LED monitorius, kuriame santykinė drėgmė rodoma mėlynai (mažiau nei 53 %), žaliai (53–68 %) ir raudonai (daugiau nei 68 %)
4. Oro įleidimo anga ir filtro rėmo skyrius, kurį sudaro: pirminis filtras, aktyvintosios anglies filtras, „True HEPA H13“ filtras
5. UV-C lempos padėtis
6. Oro išleidimo anga ir jonizatoriaus padėtis
7. Rankena
8. Nuolatinis vandens išleidimas (vandens nuotakas, žarnos jungtis) Pridedama 1,5 m išleidimo žarna
9. Vandens bakelis
10. Ratukai

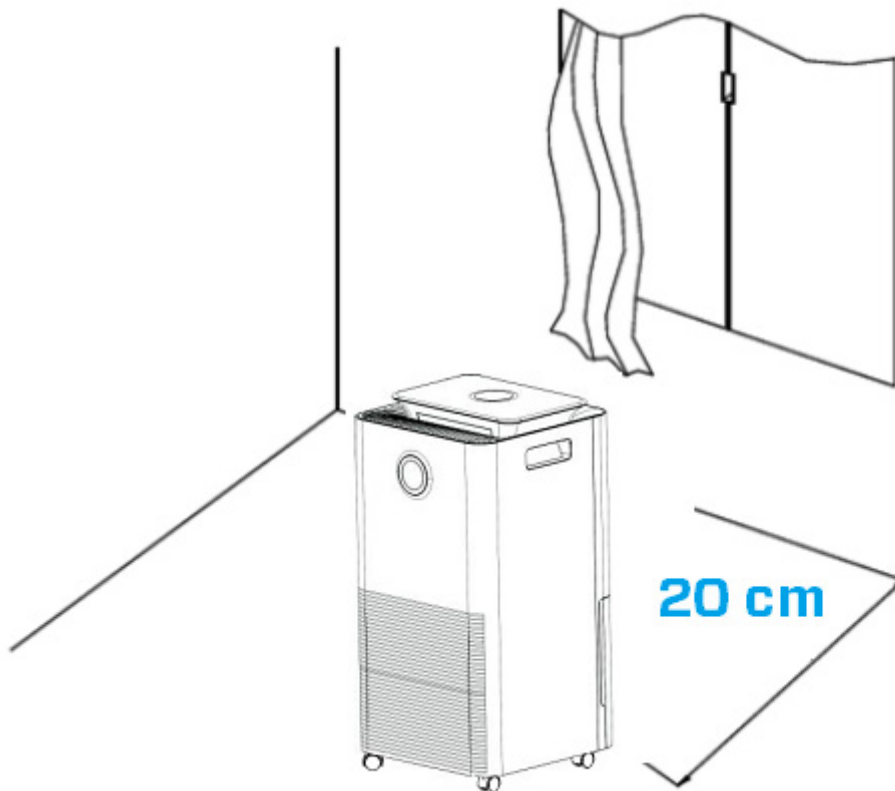
## Saugos įspėjimai

Šį prietaisą galima naudoti tik laikantis šių saugos instrukcijų. Imkitės toliau nurodytų priemonių, kad sumažintumėte traumų riziką, pavyzdžiui, dėl elektros smūgio ar gaisro.

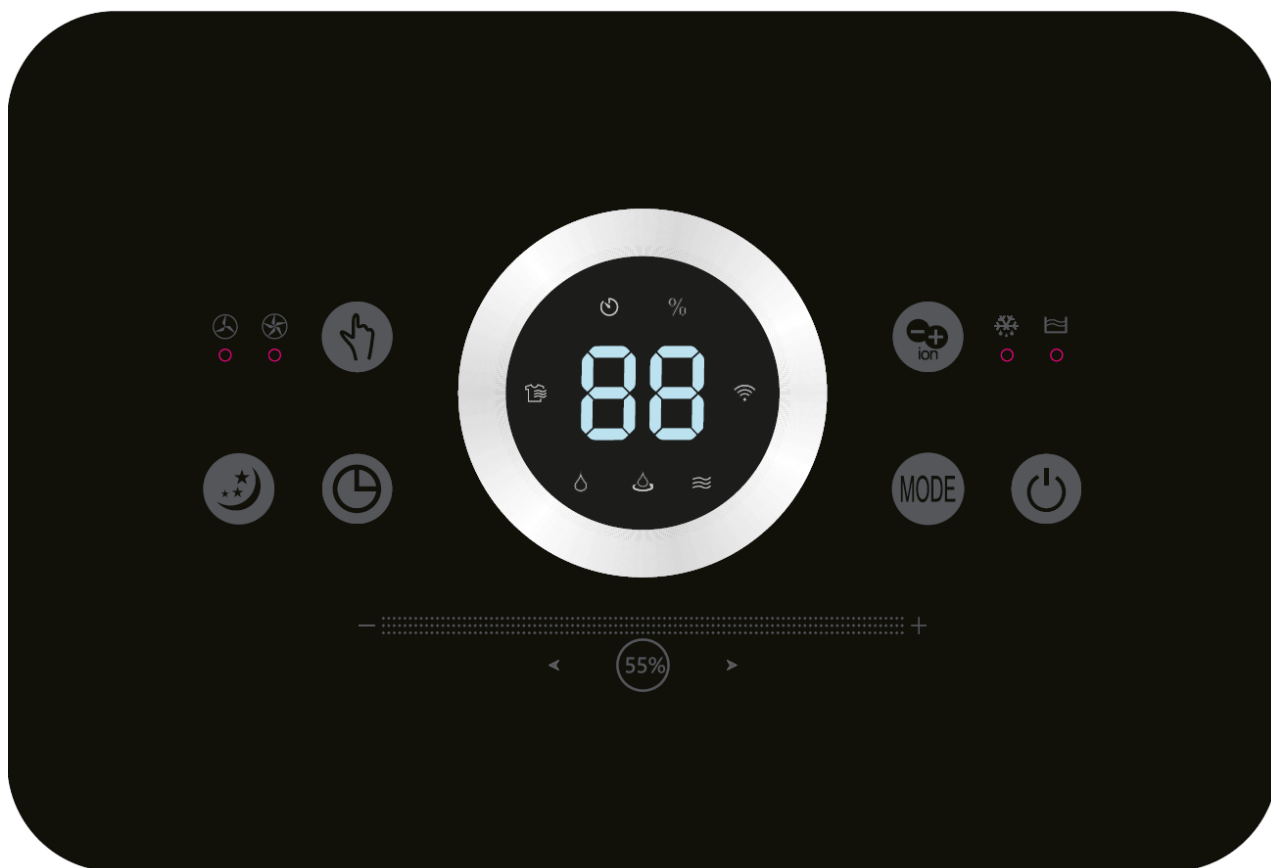
1. Prieš naudojimą palikite prietaisą pastovėti mažiausiai dvi valandas, ypač po gabenimo.
2. Naudokite prietaisą tik patalpose. Nenaudokite ir nelaikykite prietaiso lauke.
3. Naudokite tinkamą įtampą: 220–240 V, 50/60 Hz KS.
4. Pasirūpinkite, kad aplink prietaiso oro įleidimo ir išleidimo angas būtų bent po 20 cm laisvos vietos.
5. Prietaisas neskirtas vaikams ar asmenims, kurių fiziniai, jutiminiai ar protiniai gebėjimai yra riboti, nebent juos prižiūri už jų saugą atsakingas asmuo.
6. Nenaudokite prietaiso, jei elektros laidas arba pats prietaisas yra pastebimai apgadinti. Jei prietaisas sugadintas, netaisykite jo patys. Prietaiso netraukite už laido. Apgadintą maitinimo laidą turi pakeisti įgaliotas techninės priežiūros darbuotojas, kad būtų išvengta elektros smūgio ar gaisro.
7. Remontą gali atlikti tik įgaliotas techninės priežiūros darbuotojas. Siekdami išvengti elektros smūgio ar gaisro, nbandykite taisyti prietaiso patys.
8. Nelieskite maitinimo laido ir kištuko šlapiomis rankomis.
9. Prieš atjungdami kištuką visada išjunkite įrenginį.
10. Niekada nbandykite išjungti prietaiso atjungdami kištuką.
11. Jei prietaiso nenaudosite arba valysite jo vidų ar išorę, ištraukite kištuką.
12. Siekdami užtikrinti saugą, prietaisą padėkite taip, kad jis stovėtų stabiliai ir horizontaliai. Nejudinkite naudojamo prietaiso.
13. Šaldymo medžiaga: R290. Ši šaldymo medžiaga atitinka Europos aplinkos apsaugos reikalavimus. Jokia aušinimo kontūro dalis negali būti pradurta.
14. Nenaudokite prietaiso patalpose, kuriose laikomi degūs skysčiai ar dujos arba arti šilumos šaltinių, pvz., radiatoriaus, židinio arba šilumą generuojančių prietaisų, pvz., keraminio šildytuvo.
15. Kad prietaisas nesugestų, niekada nekiškite jokio objekto į korpusą.
16. Niekada neuždenkite oro įleidimo angos ir oro išleidimo angos grotelių.
17. Niekada neišmontuokite ir nekeiskite prietaiso vidinių dalių.
18. Įrenginį naudokite ir laikykite ne žemesnėje kaip 0°C ir ne aukštesnėje kaip 40°C temperatūroje.
19. Kai vandens bakelis pilnas, neverskite įrenginio į šoną.
20. Ant prietaiso nedėkite sunkių daiktų.
21. Venkite prietaisą naudoti vietose, kur pasiekia tiesioginiai saulės spinduliai. Kyla rizika, kad prietaisas praras spalvas.
22. Niekada nenardinkite prietaiso į vandenį ar į kitus skysčius.
23. Reguliariai ištuštinkite vandens bakelį. Išskirtinėmis sąlygomis vandens bakelis gali prisipildyti per kelias naudojimo valandas.
24. Reguliariai valykite pirminį filtrą; jei pirminis filtras prisotintas dulkių, jo valymo ir sausinimo efektas bus prastas. Padidės energijos sąnaudos, o tai gali sukelti gedimą.
25. Kas 3–6 mėnesius pakeiskite aktyvintosios anglies filtrą ir „True HEPA H13“ filtrą – jei aktyvintos anglies filtras ir „True HEPA H13“ filtras yra prisotinti, tai lems prastą valymo ir sausinimo efektą. Padidės energijos sąnaudos, o tai gali sukelti gedimą.
26. Prietaisą naudokite, prižiūrėkite ir valykite pagal šio vadovo nurodymus.

## Įrengimas

Įsitikinkite, kad atstumas nuo prietaiso iki sienų ir baldų yra 20 cm, žr. toliau pateiktą paveikslėlį.



## Valdymo pultas / valdymo instrukcija



### Maitinimas

Paspauskite maitinimo mygtuką, kad aktyvintumėte prietaisą.  
Dar kartą paspaudus maitinimo mygtuką, prietaisas išsijungia.



### MODE

Paspauskite mygtuką MODE, kad pasirinktumėte vieną iš keturių norimų programų:



1

2

3

4

1. Normalus oro sausinimas (reguliuojamas ventiliatoriaus greitis ir drėgmės nustatymas)  
*Piktograma su pavadinimu programėlėje: „Normalus“*
2. Nuolatinis oro sausinimas (mažas ventiliatoriaus greitis, drėgmės nustatymas nereguliuojamas) *Piktograma su pavadinimu programėlėje: „Nuolatinis“*
3. Nuolatinis oro valymas (reguliuojamas ventiliatoriaus greitis, nėra oro sausinimo funkcijos)  
*Piktograma su pavadinimu programėlėje: „Dro valymas“*
4. Sausų drabužių režimas (didelis ventiliatoriaus greitis, ventiliatoriaus greitis ir drėgmės nustatymas nereguliuojami) *Piktograma su pavadinimu programėlėje: „Sausi drabužiai“*



## Drėgmės slankiojantis nustatymo mygtukas

(Tik MODE programai: Normalus oro sausinimas)

Paspausdami drėgmės slankiojantį nustatymo mygtuką galite pasirinkti norimą drėgmės lygį – pakartotinai spauskite ir slinkite šį mygtuką, kol bus parodytas reikiamas drėgmės lygis (nuo 30 iki 80 %, 5 % žingsniu). Kai pasirinksite norimą drėgmės lygį, tiesiog nebespauskite ir neslinkite mygtuko, kad drėgmės lygis būtų nustatytas. Kai drėgmės lygis patalpoje pasieks nustatytąjį, prietaisas automatiškai pereis į miego būseną ir nustos sausinti bei valyti orą. Kai patalpos faktinis drėgmės lygis dar kartą padidėja virš nustatyto drėgmės lygio, prietaisas vėl pradeda sausinti ir valyti orą.

## Oro valymas

Jei norimas drėgmės lygis pasiektas pastoviu lygiu, galite perjungti į 3 programą, kad prietaisas būtų naudojamas nuolatiniam oro valymui.



## Ventiliatoriaus greitis

(Tik MODE programai: normalus oro sausinimas ir nuolatinis oro valymas)

Paspaudus ventiliatoriaus greičio mygtuką, galima keisti ventiliatoriaus greičio lygį. Pasirinkus iš 2 ventiliatoriaus greičių galima nustatyti skirtingą oro srautą.



## Neigiami jonai, *piktograma su pavadinimu programėlėje: „Jonai“*

Paspaudus neigiamų jonų mygtuką aktyvinamas neigiamų jonų generatorius, gebantis išskirti > 3 000 000 neigiamų jonų / cm<sup>2</sup>, kurie paskleidžiami po visą kambarį ir neutralizuojami teršalai bei kvapai. Neigiami jonai prikimba prie dulkių, mikroorganizmų ir kitų nepageidaujamų dalelių ore ir sujungia jas vienas su kitomis. Tokiu būdu dalelės tampa sunkesnės nei oras ir nukrenta ant grindų, todėl jų nebegalite įkvėpti.

Neigiamų jonų dažniausiai būna miške, kalnuose arba prie jūros.

Neigiami jonai užtikrina, kad oras būtų gaivus ir sveikas.



## Laikmatis

Paspauskite laikmačio mygtuką, kad nustatytumėte 0–24 valandų laikmatį.

Paspaudus mygtuką vieną kartą laikmačio nuostata padidės viena valanda.

Kai įrenginys veikia, nustatyta laikmačio vertė nurodo, kada įrenginys išsijungs.

Jei įrenginys veikia budėjimo režimu, nustatyta laikmačio vertė nurodo įrenginiui, kada įsijungti.



## Miegas

Paspauskite miego mygtuką, kad būtų suaktyvintas miego režimas. Ekranas pasisuks maždaug po 3 sekundžių.

Greitai paspauskite miego mygtuką 2 kartus, kad grąžintumėte ankstesnius nustatymus.



## Pilno vandens bakelio signalinė lemputė

Kai vandens bakelis pilnas, prietaisas automatiškai sustoja. Įsižiebia ir užsidega pilno vandens bakelio signalinė lemputė. Ištuštinkite vandens bakelį ir vėl uždėkite vandens bakelį ant prietaiso korpuso. Pilno vandens bakelio signalinė lemputė išsijungs. Įrenginys vėl automatiškai pradės veikti.



## Atšildymo signalinė lemputė

Oro sausintuve esantis garintuvas gali automatiškai atšilti, jei jis naudojamas esant kambario temperatūrai, kuri žemesnė nei 18 °C. Oro sausintuve esantis atšildymo prietaisas gali automatiškai įsijungti kas 25 minutes ir veikti tam tikrą laiką (apie 5 minutes) ar netgi ilgiau.

- Atšildant gali nutrūkti oro sausinimo ir oro valymo funkcijos.
- Atšildant neišjunkite maitinimo ar neištraukite prietaiso maitinimo kištuko.

## Darbas su „Clean Air Optima<sup>®</sup>“ programėle

### Ryšys

Suderinamumas su išmaniuoju telefonu ir planšetiniu kompiuteriu:

„iPhone“, „iPad“ ir „Android“ prietaisai



Prietaisų ryšys per „Wi-Fi“ su programėle:

„CleanAirOptima“



## Apie „Clean Air Optima<sup>®</sup>“ programėlę

### „Wi-Fi“ ryšio nustatymas

1. Iš „App Store“ arba „Google Play“ parduotuvės atsisiųskite ir įdiekite „CleanAirOptima“ programėlę.
2. Susikurkite paskyrą ir prisijunkite.
3. Prijunkite prietaisą prie maitinimo lizdo ir jį įjunkite. Sumirksės „WiFi“ indikatorius.
4. Įsitikinkite, kad išmanusis telefonas arba planšetinis kompiuteris sėkmingai prijungtas prie „Wi-Fi“ tinklo.
5. Atidarykite „CleanAirOptima“ programėlę ir spustelėkite „Add device“ ( pridėti prietaisą) . Jūsų prietaisas yra sąrašė, todėl galite jį pasirinkti. Jei taip nėra, pasirinkite „Auto Scan“ (automatinis nuskaitymas). Norėdami prijungti prietaisą prie tinklo, vykdykite ekrane pateikiamus nurodymus.
6. Programėlėje pasirinkite įtraukti „Clean Air Optima<sup>®</sup>“ prietaisą, vadovaudamiesi programėlės instrukcijomis.
7. Susiejus prietaisą, „Wi-Fi“ signalinė  lemputė nuolat šviečia.
8. Sėkmingai sukongūravę prietaisą, galite naudoti „Clean Air Optima<sup>®</sup>“ programėlę prietaisui valdyti.



## Pastaba:

- Jei numatytasis tinklas pasikeitė, iš naujo nustatykite „Wi-Fi“ ryšį atlikdami skyriaus „Wi-Fi ryšio nustatymas“ 1–9 veiksmus.
- Jei norite susieti kelis prietaisus su išmaniuoju telefonu ar planšetiniu kompiuteriu, turite tai padaryti vieną po kito.
- Įsitikinkite, kad atstumas tarp išmaniojo telefono ar planšetinio kompiuterio ir prietaiso yra mažesnis nei 5 metrai ir nėra jokių kliūčių. Taip pat įsitikinkite, kad esate toje pačioje patalpoje kaip ir prietaisas.

## Iš naujo nustatykite „Wi-Fi“ funkciją:

- Prietaisas turi būti išjungtas.
- Iš naujo nustatykite „Wi-Fi“ paspausdami mygtuką „Mode“ ir palaikydami 5 sekundes, „Wi-Fi“ signalinė lemputė greitai mirksės.

## Išjunkite „Wi-Fi“ funkciją:

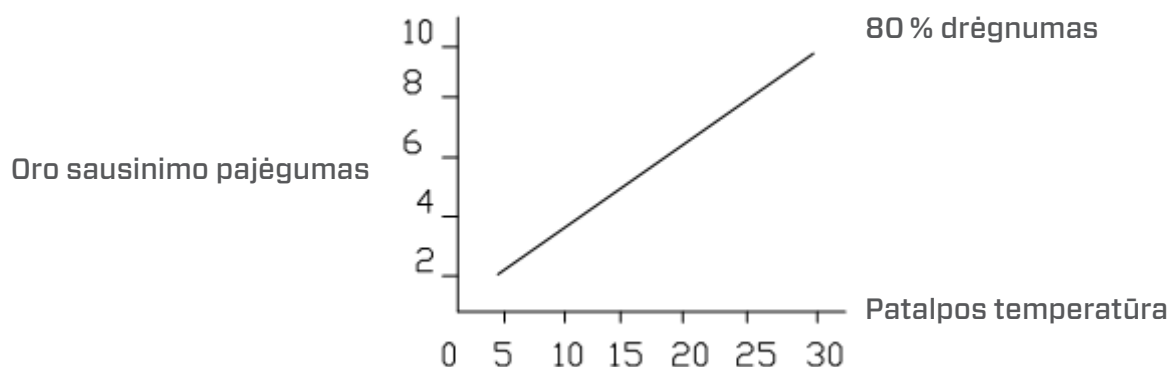
- Prietaisas turi būti išjungtas.
- Iš naujo nustatykite „Wi-Fi“ paspausdami mygtuką „Mode“ ir palaikydami 5 sekundes, „Wi-Fi“ signalinė lemputė greitai mirksės.
- Įjunkite „Wi-Fi“ paspausdami mygtuką „Mode“ ir palaikydami dar 5 sekundes, „Wi-Fi“ signalinė lemputė užges.

## Darbo metu patalpos temperatūra padidėja

„Clean Air Optima<sup>®</sup>“ oro sausintuvas neturi vėsinimo funkcijos. Prietaisas darbo metu gamins šilumą ir padidins patalpos temperatūrą nuo 1 °C iki 4 °C.

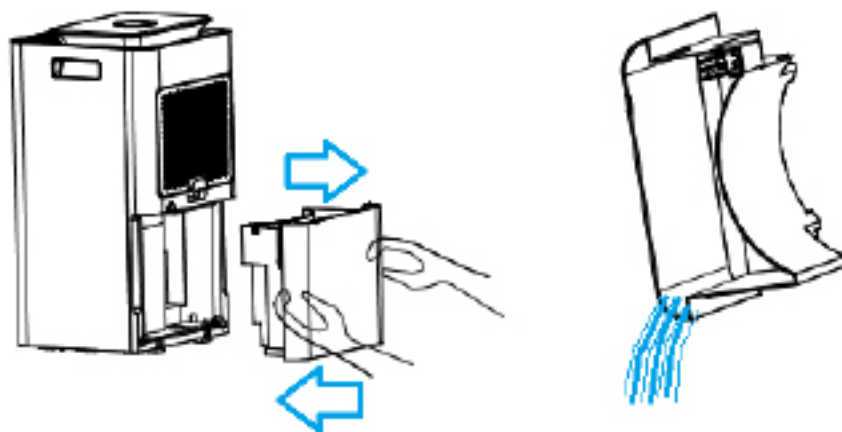
## Oro sausinimo pajėgumas

Toliau pateiktame paveikslėlyje parodytas „Clean Air Optima<sup>®</sup>“ oro sausintuvo oro sausinimo pajėgumas. Dėl skirtingos temperatūros ir santykinės drėgmės oro sausintuvas gali būti skirtingo oro sausinimo pajėgumo.



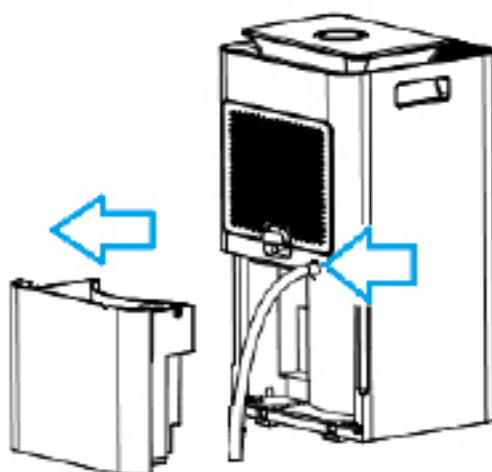
## Vandens išpylimas

Kai vandens bakelis bus pilnas, įsižiebs pilno vandens bakelio signalinė lemputė. Nuimkite vandens bakelį ir išpilkite jame esantį vandenį. Tada iš naujo tinkamai įstatykite vandens bakelį į oro sausintuvą, žr. tolesnį paveikslėlį.



## Nuolatinis vandens nuleidimas

Nuolatiniam darbui galite naudoti pridedamą 1,5 metro ilgio išleidimo žarną. Išimkite vandens bakelį ir tinkamai įstatykite žarną į vandens išleidimo žarnos jungtį, žr. toliau pateiktą paveikslėlį.



## Techninė priežiūra

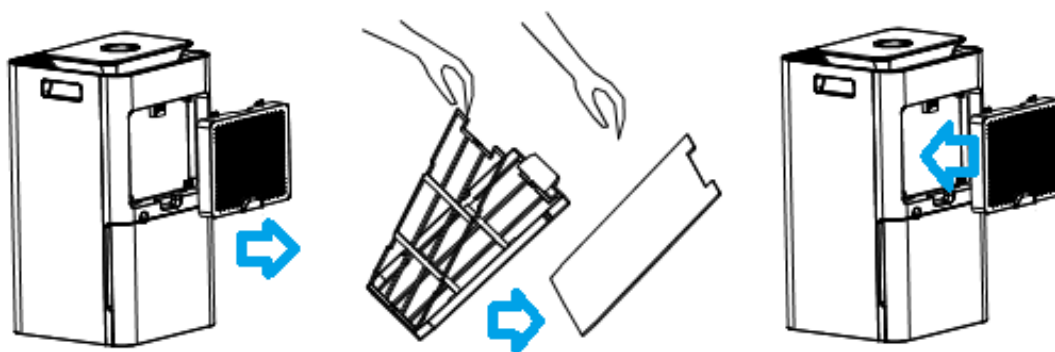
### „Clean Air Optima<sup>®</sup>“ oro sausintuvo korpuso valymas

1. Išjunkite prietaisą ir ištraukite kištuką.
2. Prietaisą valykite minkšta drėgna šluoste. Nenaudokite cheminių tirpiklių, pvz., benzolo, alkoholio, benzino.
3. Įsitinkite, kad į prietaisą **nepateko vandens**, neapšlakstykite jo vandeniu.

## Filtrų keitimas

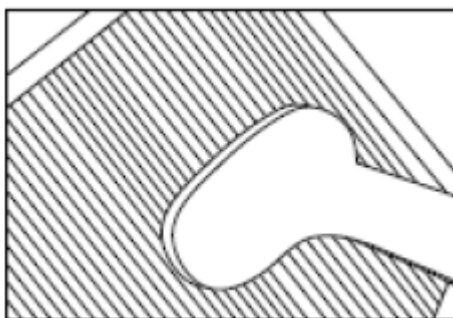
Priklausomai nuo naudojimo, **aktyvintosios anglies filtro** ir „**True HEPA H13**“ filtro eksploatacijos laikotarpis maždaug 3–6 mėnesiai. **Pirminis filtras** ir **UV-C lempa** yra nuolatiniai, jų keisti nereikia.

Išimkite filtras iš filtrų rėmo skyriaus. Pakeitę arba išvalę filtrą, įdėkite filtras atgal į filtrų rėmo skyrių ir surinkite atgal į prietaisą, žr. toliau pateiktą paveikslėlį.



## Filtrų valymas

Didžiausias efektas ilgesnei eksploataavimo trukmei užtikrinti pasiekiamas filtras valant kartą per mėnesį. Jei patalpų oras labai užterštas, patariame filtras valyti dažniau – maždaug kartą per dvi savaites.



Atsargiai išvalykite **pirminį filtrą**, **aktyvintosios anglies filtrą** ir „**True HEPA H13**“ filtrą naudodami šepetį arba dulkių siurbį. Taip iš filtrų galima pašalinti stambesnes dulkių daleles, pavyzdžiui, pūkus, plaukus, dulkes ir augintinių pleiskaną.

## **Įspėjimas!**

Nepažeiskite filtrų, filtrai neturi būti įtrūkę. Pažeistus filtrus reikia pakeisti.

Niekada nedrėkinkite ir vandeniui neskalauskite filtrų (taikoma tik **aktyviosios anglies filtrui** ir **„True HEPA H13“ filtrui**). Filtrus, kurie buvo skalaujami vandeniui, reikia pakeisti.

## **Panaudotų filtrų, kuriuos reikia pakeisti, požymiai**

(taikoma tik **aktyviosios anglies filtrui** ir **„True HEPA H13“ filtrui**): padidėjęs garsas, sumažėjęs oro srautas, užkimšti filtrai, stipriau juntami kvapai. Filtrus taip pat reikia pakeisti naujais, kai „True HEPA H13“ filtro spalva pakinta iš baltos į pilką arba juodą. Jei „True HEPA H13“ filtras vis dar baltas, filtrų keisti NEREIKIA.

## **Kaip užsisakyti filtrų**

Paskambinkite į „Clean Air Optima<sup>®</sup>“ klientų aptarnavimo skyrių tel. + 31 (0) 742670145 arba apsilankykite mūsų internetinėje parduotuvėje <https://www.cleanairoptima.com/accessoires/mg/44/>

## **„Clean Air Optima<sup>®</sup>“ oro sausintuvo saugojimas**

Jei oro sausintuvas nebus naudojamas ilgesnį laiką, jį reikia paruošti, kaip nurodyta toliau.

1. Visiškai ištuštinkite vandens bakelį ir įsitikinkite, kad viduje nebeliko vandens.
2. Atjunkite įrenginį nuo elektros tinklo ir sulankstykite maitinimo laidą.
3. Išimkite ir išvalykite filtrus. Išvalę įdėkite filtrus atgal į prietaisą.
4. Oro sausintuvą laikykite vėsioje, sausoje vietoje, atokiai nuo tiesioginių saulės spindulių, ekstremalios temperatūros ir vietų, kur daug dulkių.

## Trikčių šalinimas

Toliau pateikiamas trikčių šalinimo vadovas, kuris padės išspręsti bet kokias problemas, kurių gali kilti naudojant „Clean Air Optima®“ oro sausintuvą „CA-704 Smart“ / „CA-707 Smart“.

Problema	Galima priežastis	Sprendimas
Prietaisas neįsijungia.	Maitinimo laidas tinkamai neprijungtas.	Tinkamai įjunkite maitinimo laido kištuką į maitinimo lizdą.
Neveiksmingas oro sausinimas	Vandens bakelis pilnas arba vandens bakelis netinkamoje padėtyje	Ištuštinkite vandens bakelį ir įstatykite jį tinkamoje vietoje
	Filtrai užblokuoti dulkių	Išvalykite arba pakeiskite filtrus
	Oro įleidimo anga užblokuota	Nuvalykite užsikimšusią oro įleidimo angą ar oro išleidimo angą
	Nuostatos drėgnumas didesnis nei aplinkos drėgnumas	Nustatykite drėgnumą taip, kad jis būtų 5 % mažesnis nei aplinkos drėgnumas
	Oro sausintuvas veikia <b>nuolatinio oro valymo REŽIMU</b>	Darbo REŽIMO keitimas
Triukšmas	Įrenginys pastatytas kreivai	Įsitikinkite, ar prietaisas pastatytas tiesiai
	Filtrai užblokuoti	Išvalykite arba pakeiskite filtrus
Darbas nutrūksta taškinio oro sausinimo metu	Patalpos temperatūra yra aukštesnė už naudotiną darbinę temperatūrą	Oro sausinimo operacija bus paleista automatiškai, kai temperatūra sumažės
Išskalbti drabužiai nėra išdžiūvę	Patalpos temperatūra yra žema	Išskalbtus drabužius sunku išdžiovinti esant žemai temperatūrai
<b>Nepavyksta dirbti naudojant „Clean Air Optima®“ programėlę</b>	Išmanusis telefonas arba planšetinis kompiuteris neprijungtas prie „Wi-Fi“ tinklo Prietaisas neturi ryšio su tinklu	Išjunkite prietaisą ir iš naujo nustatykite prietaiso „Wi-Fi“ paspausdami mygtuką „Mode“ ir palaikydami 5 sekundes „Wi-Fi“ signalinė lemputė greitai mirksės. Tada atlikite 4–8 veiksmus, nurodytus skyriuje „Darbas su „Clean Air Optima®“ programėle“.

## ĮSPĖJIMAS!

Jei pirmiau rekomenduojami sprendimai nepadedą, susisiekite su „Clean Air Optima<sup>®</sup>“ techninės pagalbos skyriumi jūų regionui skirtu telefono numeriu. Nebandykite išmontuoti, iš naujo surinkti ar taisyti prietaiso, nes gali būti anuliuota garantija.

## „CA-704 Smart“ techniniai duomenys

<b>Modelis</b>	<b>CA-704 Smart</b>
Tinka patalpoms iki	40 m <sup>2</sup> / 100 m <sup>3</sup> / 430 pėd. <sup>2</sup>
Vardinė įtampa	220–240 V, 50 Hz
Vardinė galia	200 W
Ventiliatoriaus galia	120 m <sup>3</sup> /val.
Oro sausinimo pajėgumas	10 litrų per dieną esant 30 °C temperatūrai ir 80 % santykinei drėgmei
Darbinės temperatūros diapazonas	5–32 °C
Vandens bakelis	3 litrai
Oro valymas naudojant:	pirminį filtrą, aktyvintosios anglies filtrą, „True HEPA H13“ filtrą, UV-C lempą, jonizatorių
Filtro eksploatacinės savybės	99,97 %, sterilizavimo vertė 99,9 %
Neigiami jonai	> 3 000 000 jonų/cm <sup>2</sup>
Garso lygis	Tylus ventiliatorius < 30 dB(A) veikiant mažu pajėgumu / 42 dB(A) veikiant dideliu pajėgumu
Išleidimo žarna	1,5 metro
Matmenys	250 x 250 x 480mm
Svoris	9,5kg
Spalva	Balta / juoda
Šaldymo medžiaga	R290 / 30 g
Atitinka ES reglamentus	CE, WEEE, RoHS

## „CA-707 Smart“ techniniai duomenys

<b>Modelis</b>	<b>CA-707 Smart</b>
Tinka patalpoms iki	70 m <sup>2</sup> / 175 m <sup>3</sup> / 750 pėd. <sup>2</sup>
Vardinė įtampa	220–240 V, 50 Hz
Vardinė galia	320W
Ventiliatoriaus galia	195 m <sup>3</sup> /val.
Oro sausinimo pajėgumas	20 litrų per dieną esant 30 °C temperatūrai ir 80 % santykinei drėgmei
Darbinės temperatūros diapazonas	5–32 °C
Vandens bakelis	4 litrai
Oro valymas naudojant:	pirminį filtrą, aktyvintosios anglies filtrą, „True HEPA H13“ filtrą, UV-C lempą, jonizatorių
Filtro eksploatacinės savybės	99,97 %, sterilizavimo vertė 99,9 %
Neigiami jonai	> 3 000 000 jonų/cm <sup>2</sup>
Garso lygis	Tylus ventiliatorius < 30 dB(A) veikiant mažu pajėgumu / 48 dB(A) veikiant dideliu pajėgumu
Išleidimo žarna	1,5 metro
Matmenys	260 x 260 x 618mm
Svoris	13,5kg
Spalva	Balta / juoda
Šaldymo medžiaga	R290 / 60g
Atitinka ES reglamentus	CE, WEEE, RoHS



Naujausios informacijos apie pakuotės ir prietaiso šalinimą  
teiraukitės pardavėjo ar savivaldybės.



**R290**

**Pavojus**

Natūrali šaldymo medžiaga propanas (R290)!

## Klientų aptarnavimas

### „Clean Air Optima<sup>®</sup>“ oro sausintuvo „CA-704 Smart“ / „CA-707 Smart“ garantinis pažymėjimas.

Pirkimo data: .....  
Kliento vardas, pavardė: .....  
Adresas: .....  
Telefonas: .....  
El. paštas: .....  
Pardavėjo pavadinimas: .....  
Adresas: .....

1. Užpildykite visą šį garantinį pažymėjimą. Nusiųskite jį savo platintojui kartu su sąskaita faktūra ir prietaisu originalioje pakuotėje, iš anksto apmokėję siuntimo išlaidas. Nepamirškite prie siuntos pridėti grąžinimo pašto išlaidų kvito.
2. Trumpai aprašykite pažeidimą, triktį ar gedimą, taip pat aplinkybes, kaip ši problema iškilo.

Prieš išsiunčiant iš gamyklos „Clean Air Optima<sup>®</sup>“ oro sausintuvus „CA-704 Smart“ / „CA-707 Smart“ pereina griežtas patikrinimo procedūras. Jei per dvejus metus nuo pirkimo datos dėl gamybos defektų gaminio veikimas ima nebeatitikti specifikacijų, šį garantinį pažymėjimą pateikęs pirkėjas turi teisę į nemokamą remontą ar dalių keitimą (su sąlyga, kad veikimo sutrikimas arba įrenginio ir (arba) jo dalių sugadinimas įvyko įprastomis naudojimo sąlygomis). Garantija taikoma: visoms dalims, kurioms nustatyti medžiagų ar gamybos defektai. Trukmė: dveji metai nuo pirkimo datos. Ką padarysime: sutaisysime arba pakeisime dalis su defektais.

### Kitos sąlygos

Ši garantija pakeičia bet kokias kitas pareikštas ar numanomas rašytines arba žodines garantijas, įskaitant garantiją dėl tinkamumo prekybai ar konkrečiam tikslui. Maksimalūs gamintojo įsipareigojimai neviršys faktinės gaminio kainos, kurią už jį sumokėjote. Gamintojas jokių atveju nebus atsakingas už specialiuosius, atsitiktinius, netiesioginius ar kaip pasekmė kilusius nuostolius. Ši garantija netaikoma defektams, atsiradusiems dėl netinkamo ar nepagrįsto naudojimo arba priežiūros, netinkamo surinkimo, nelaimingų atsitikimų, stichinių nelaimių, netinkamo pakavimo ar neleistino manipuliavimo prietaisu, taip pat dėl jo keitimo ar modifikavimo, kaip nustatome vien savo nuožiūra. Jei etiketė su serijos numeriu pašalinama ar sugadinama, ši garantija anuliuojama.



# Dėkojame, kad perskaitėte!



Pasidalykite atsiliepimais apie „Clean Air Optima®“ oro sausintuvą „CA-704 Smart“ / „CA-707 Smart“ svetainėje [www.cleanairoptima.com](http://www.cleanairoptima.com)



Dažnai užduodamus klausimus apie „CA-704 Smart“ / „CA-707 Smart“ rasite svetainėje [www.cleanairoptima.com](http://www.cleanairoptima.com) ieškodami „CA-704 Smart“ / „CA-707 Smart“.



Atsisiųskite PDF naudojimo instrukciją šiuo adresu:  
[www.cleanairoptima.com/info/manuals](http://www.cleanairoptima.com/info/manuals)



Žiūrėkite „Clean Air Optima®“ produktų animacinius vaizdo įrašus svetainėje [www.youtube.com](http://www.youtube.com)

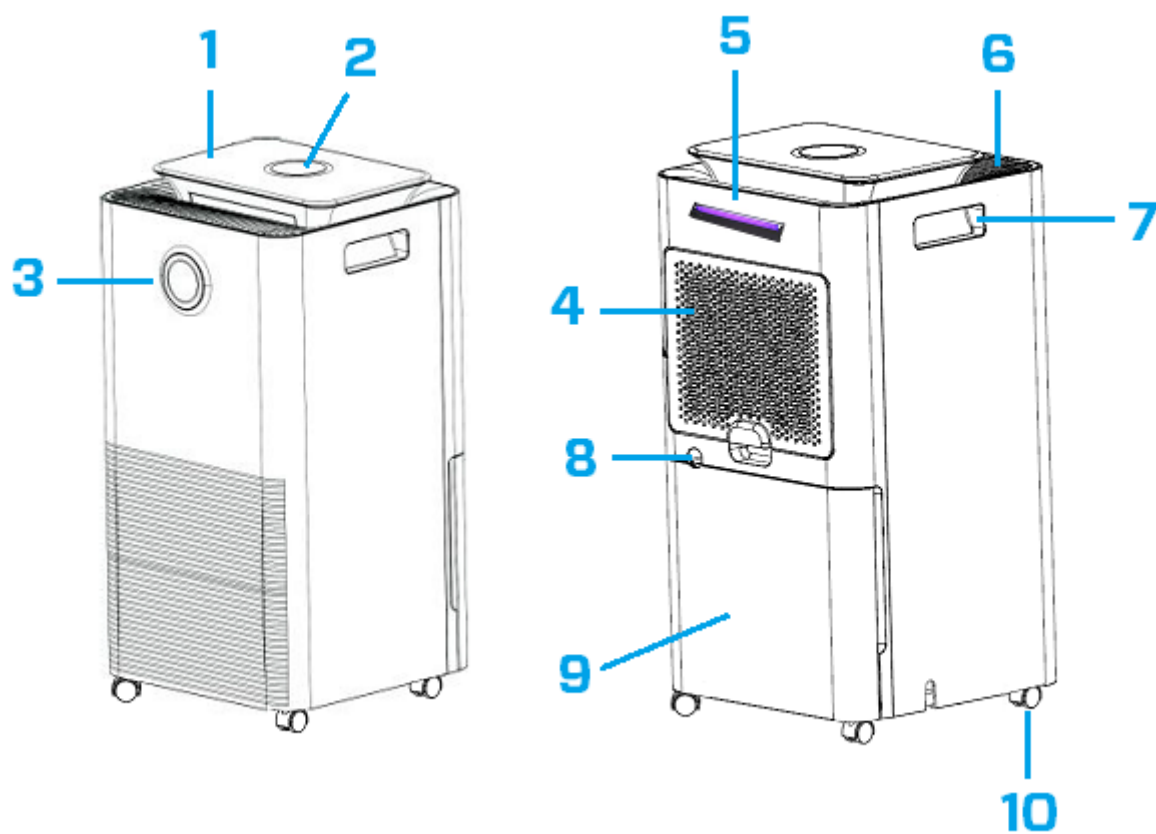
**Clean Air Optima International B.V.** | David Ricardostraat 9-7 / 9-9 | 7559 SH Hengelo (ov)  
Nyderlandai | Telefonas: +31 (0) 74-2670145

**Clean Air Optima Germany GmbH** | Enschedestraße 14 | 48529 Nordhorn | Vokietija  
Telefonas: +49 (0) 5921 879-121

El. paštas: [info@cleanairoptima.com](mailto:info@cleanairoptima.com)

Svetainė: [www.cleanairoptima.com](http://www.cleanairoptima.com)

## CA-704 Smart /CA-707 Smart põhiseade



## Eesti

### **Täname teid Clean Air Optima® 2in1 ostmise eest: õhukuivati ja õhupuhasti CA-704 Smart / CA-707 Smart.**

Loodame, et see tõhus ja energiasäästlik toode varustab teid palju aastaid tervisliku siseõhuga. Tegu on elektriseadmega, mille kasutamisel tuleb järgida ohutusnõudeid. Kasutamisel kehtivad ohutusnõuded on kirjas käesolevas juhendis. Nende eesmärk on vältida kehavigastusi ja seadme kahjustamist.

### **Kirjeldus**

See Clean Air Optima® seade koosneb järgmistest põhikomponentidest:

1. Juhtpaneel
2. Digitaalne ekraan näitab suhtelist õhuniiskust %-des, WiFi ja funktsioonide sätteid
3. Värviline LED-ekraan näitab suhtelist õhuniiskust sinise (alla 53%), rohelise (vahemikus 53% - 68%) ja punasena (üle 68%)
4. Õhu sisselaskeava ja filtriraami sahtel sealhulgas: Eelfilter, aktiivsõega filter, tõeline HEPA H13 filter
5. UV-C-lambi asend
6. Õhu väljalaskeava ja ionisaatori asend
7. Käepide
8. Pidev äravool (vee äravool, voolikuühendus) Äravooluvoolik 1,5 meetrit komplektis
9. Veepaak
10. Rattad

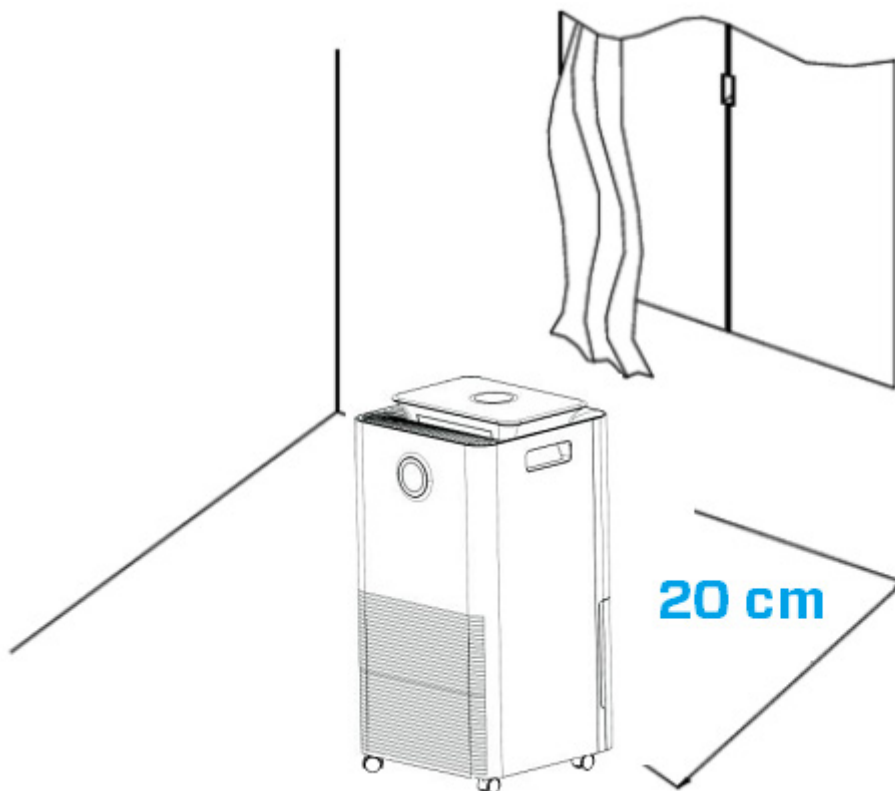
## Ohutusohiatused

Seadet tohib kasutada ainult koos nende ohutusjuhistega. Järgmiste ohutusnõuete järgimine on vajalik, et vältida kehavigastusi, näiteks elektrilöögi või põlengu tulemusel.

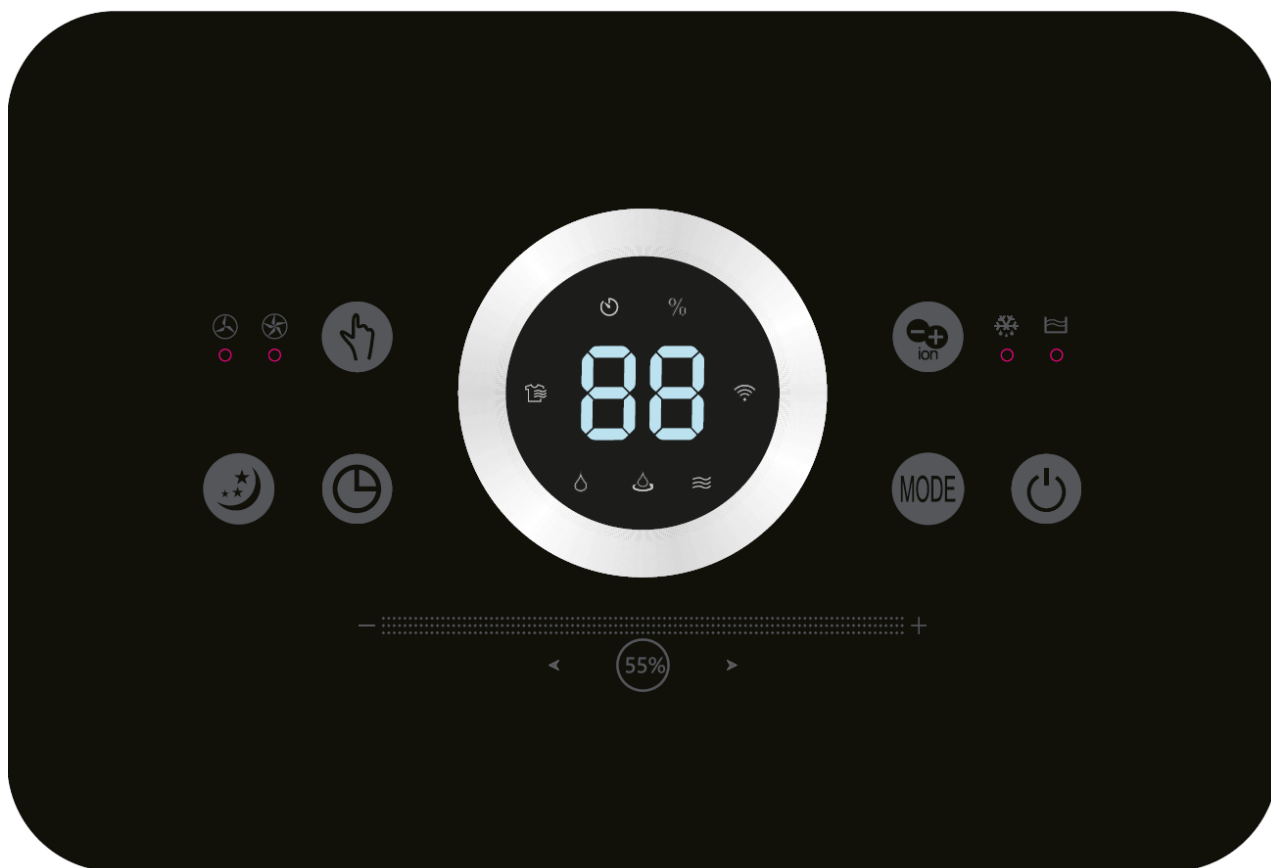
1. Enne seadme sisselülitamist laske sellel vähemalt kaks tundi seista, eriti pärast transportimist.
2. Kasutamiseks ainult siseruumis. Seadme kasutamine või hoiustamine välitingimustes on keelatud.
3. Kasutage õiget pinget: 220–240 V (AC), 50/60 Hz.
4. Seadme õhu sisse- ja väljalaske ümber peab olema vähemalt 20 cm vaba ruumi.
5. Seadet ei tohi kasutada lapsed, füüsilise, taju- või vaimupuudega inimesed, välja arvatud siis, kui nad teevad seda ohutuse eest vastutava isiku järelevalve all.
6. Ärge kasutage seadet, kui toitekaabel või seade ise on nähtavalt kahjustatud. Ärge üritage kahjustatud seadet ise remontida. Seadet ei tohi kunagi toitekaablist tõmmata. Kui toitekaabel on vigastatud, peab selle välja vahetama volitatud hooldustehnik, sest vastasel juhul võib tulemuseks olla elektrilööök või põleng.
7. Remonditöid tohivad teostada ainult volitatud hooldustöötajad. Elektrilöögi või põlengu ennetamiseks ärge üritage seadet ise remontida.
8. Ärge puudutage toitejuhet eha pistikut märgade kätega.
9. Enne pistiku lahtiühendamist lülitage seade alati välja.
10. Ärge kunagi proovige seadet välja lülitada pistikut lahti ühendades.
11. Kui seadet ei ole kavas mõnda aega kasutada või soovite selle sisemust või välispinda puhastada, tõmmake pistik pistikupesast välja.
12. Ohutuks kasutamiseks pange seade horisontaalasendisse. Ärge liigutage seadet kasutamise ajal.
13. Külmutusaine: R290. See külmutusaine vastab Euroopa keskkonnanõuetele. Ükski jahutusahela osa ei tohi olla perforeeritud.
14. Ärge kasutage seadet ruumis, kus hoitakse kergestisüttivaid vedelikke või gaase, ega soojusallikate, nagu radiaator, kamin või soojust genereerivate seadmete, nagu keraamiline küttekeha, läheduses.
15. Tõrgete ennetamiseks ärge kunagi pistke korpuse sisse ühtegi muud eset.
16. Ärge kunagi katke kinni õhusisendi ja -väljundi võret.
17. Ärge kunagi demonteerige või asendage seadme siseosi.
18. Ärge kasutage ega hoidke seadet temperatuuril alla 0°C või üle 40°C.
19. Ärge kallutage seadet ühelegi küljele, kui veepaak on täis.
20. Ärge asetage seadmele raskeid esemeid.
21. Vältige otsese päikesevalgusega kohti. On oht, et seade muudab värvi.
22. Ärge kunagi kastke seadet vette või muudesse vedelikesse.
23. Tühjendage veepaaki regulaarselt. Äärmuslikes tingimustes võib veepaak täituda juba mõne tunniga.
24. Puhastage eelfiltrit regulaarselt. Kui eelfilter on tolmu täis, puhastab seade õhku ja eemaldab niiskust halvasti. Energiatarve suureneb ja võib põhjustada rikke.
25. Asendage aktiivsõega filter ja tõeline HEPA H13-filter iga 3-6 kuu järel. Kui aktiivsõega filter ja tõeline HEPA H13-filter on küllastunud, toob see kaasa halva puhastava ja niiskust eemaldava toime. Energiatarve suureneb ja võib põhjustada rikke.
26. Järgige seadme kasutamisel, hooldamisel ja puhastamisel käesoleva juhendi juhiseid.

## Paigaldamine

Veenduge, et seade oleks seintest ja mööblist 20 cm eemal, vt allolevat joonist.



## Juhtpaneel / kasutusjuhend



### Toide

Vajutage seadme sisselülitamiseks toitenuppu. Vajutage uuesti toitenuppu, seade lülitub välja.



### MODE

Vajutage nuppu MODE, et valida üks neljast soovitud programmist:



1. Tavaline niiskuse eemaldamine (reguleeritav ventilaatori kiirus ja niiskuse seadistus)  
*Ikoon nimega rakenduses: Normaalne*
2. Pidev niiskuse eemaldamine (madal ventilaatori kiirus, niiskuse seadistus ei ole kohandatav) *Ikoon nimega rakenduses: Pidev*
3. Pidev õhupuhastus (reguleeritav ventilaatori kiirus, niiskuse eemaldamise funktsioonita)  
*Ikoon nimega rakenduses: Õhu puhastamine*
4. Kuivade riiete režiim (kõrge ventilaatori kiirus, ventilaatori kiirus ja niiskus ei ole kohandatavad) *Ikoon nimega rakenduses: Kuivad riided*



## Niiskuse libistamise seadistamise nupp

(Ainult MODE programmi jaoks: Normaalne niiskuse eemaldamine)

Nupu Humidity (Niiskus) vajutamisel saate valida soovitud õhuniiskuse taseme, vajutades ja libistades seda nuppu korduvalt, kuni kuvatakse soovitud õhuniiskuse tase (30% kuni 80% sammuga 5%). Kui kuvatakse soovitud õhuniiskuse taset, siis ärge vajutage ega libistage nuppu rohkem, misjärel õhuniiskuse tase salvestub. Kui ruumi õhuniiskus saavutab seadistatud niiskustaseme, siis läheb seade automaatselt unerežiimi ning lõpetab niiskuse eemaldamise ja õhupuhastamise. Kui ruumi tegelik õhuniiskus tõuseb seadistatud tasemest jälle kõrgemale, hakkab seade uuesti niiskust eemaldama ja õhku puhastama.

## Õhupuhastus

Kui soovitud niiskustase saavutatakse konstantsel tasemel, võite lülitada programmile 3, et kasutada seadet pidevaks õhupuhastuseks.



## Ventilaatori kiirus

(Ainult programmi MODE jaoks: Tavaline niiskuse eemaldamine ja pidev õhupuhastus)

Ventilaatori kiiruse nupu vajutamisega saate muuta ventilaatori kiiruse taset. 2 ventilaatori kiirust võimaldavad kohandada õhuvoolu.



## Negatiivne ioon, *ikoon nimega rakenduses: ioon*

Negatiivsete ionide nupu vajutamisel aktiveeritakse negatiivsete ionide generaator koguvõimsusega > 3 000 000 negatiivset iooni / cm<sup>2</sup>, mis levivad kogu ruumis ning seega neutraliseerivad saasteaineid ja lõhnu. Negatiivsed ioonid kinnituvad õhus olevate tolmuosakeste, mikroorganismide ja muude soovimatute osakeste külge ning ühendavad need üksteisega. Nii muutuvad osakesed õhust raskemaks ja langevad maha, nii et te ei saa neid enam sisse hingata.

Negatiivseid ioone leidub enim metsas, mägedes ja mere ääres. Negatiivsed ioonid tagavad värsket ja tervislikku õhku.



## Taimer

Vajutage nuppu Timer (Taimer) 0–24 tunni taimeri seadistamiseks. Vajutage nuppu üks kord, et suurendada taimerit ühe tunni võrra. Kui seade töötab, näitab seadistatud taimer, millal seade välja lülitub. Kui seade on ooterežiimis, määrab seadistatud taimer, millal seade sisse lülitub.



## Uni

Vajutage nuppu Sleep (Uni) ja unerežiim aktiveerub, kuva lülitub sisse umbes 3 sekundi pärast. Vajutage nuppu Sleep 2 korda kiiresti, et eelmistes sätetes uuesti sisse lülituda.



## Täis veepaagi märgutuli

Kui veepaak on täis, lülitub seade automaatselt välja. Veepaagi märgutuli Full (Täis) süttib ja põleb. Tühjendage veepaak ja paigaldage see tagasi seadme korpusesse. Täis veepaagi märgutuli kustub. Seade käivitub uuesti automaatselt.



## Sulatamise märgutuli

Õhukuivatis olev aurusti võib automaatselt sulada, kui seda kasutatakse toatemperatuuril alla 18 °C. Õhukuivatis olev sulatusseade käivitub ja töötab teatud aja (umbes 5 minutit) automaatselt iga 25 minuti või isegi pikema aja järel.

- Sulatamise ajal võivad niiskuse eemaldamise ja õhupuhastamise funktsioonid katkeda.
- Ärge lülitage sulatamise ajal toidet välja ega tõmmake seadme toitepistikut välja.

## Rakenduse Clean Air Optima® kasutamine

### Ühenduvus

Ühilduvus nutitelefoniga ja tahvelarvutiga:  
iPhone'i, iPadi ja Androidi seadmed

Seade ühendub WiFi kaudu rakendusega:  
CleanAirOptima



Teave rakenduse Clean Air Optima® kohta

### Seadistage WiFi-ühendus

1. Laadige alla ja installige rakendus „CleanAirOptima“ App Store 'ist või Google Play Store' ist.
2. Looge konto ja logige sisse.
3. Ühendage seade pistikupessa ja lülitage see sisse. WiFi indikaator hakkab vilkuma.
4. Veenduge, et teie nutitelefon või tahvelarvuti on edukalt WiFi-võrguga ühendatud.
5. Avage rakendus CleanAirOptima ja klõpsake suvandit Lisa seade . Teie seade on loendis ja saate selle valida. Kui mitte, valige Auto Scan (Automaatne skannimine). Seadme võrguga ühendamiseks järgige ekraanil kuvatavaid juhiseid.
6. Valige rakenduse Clean Air Optima® seadme lisamine, järgige rakenduse juhiseid.
7. Kui seade on seotud, jääb WiFi märgutuli pidevalt põlema.
8. Kui konfigureerimine on edukas, saate seadme juhtimiseks kasutada rakendust Clean Air Optima®.



## Märkus.

- Kui teie vaikevõrk on muutunud, lähtestage WiFi-ühendus, järgides juhiseid 1-9 jaotises „WiFi-ühenduse seadistamine”.
- Kui soovite siduda nutitelefoni või tahvelarvutiga mitu seadet, peate seda tegema üksteise järel.
- Veenduge, et nutitelefoni või tahvelarvuti ja seadme vaheline kaugus on alla 5 meetri ja takistusi ei ole. Samuti veenduge, et olete seadmega samas ruumis.

## Lähtestage WiFi-funktsioon:

- seade tuleb välja lülitada;
- lähtestage WiFi, vajutades 5 sekundit nuppu „Mode“ (Režiim), WiFi märgutuli vilgub kiiresti.

## Lülitage WiFi-funktsioon välja:

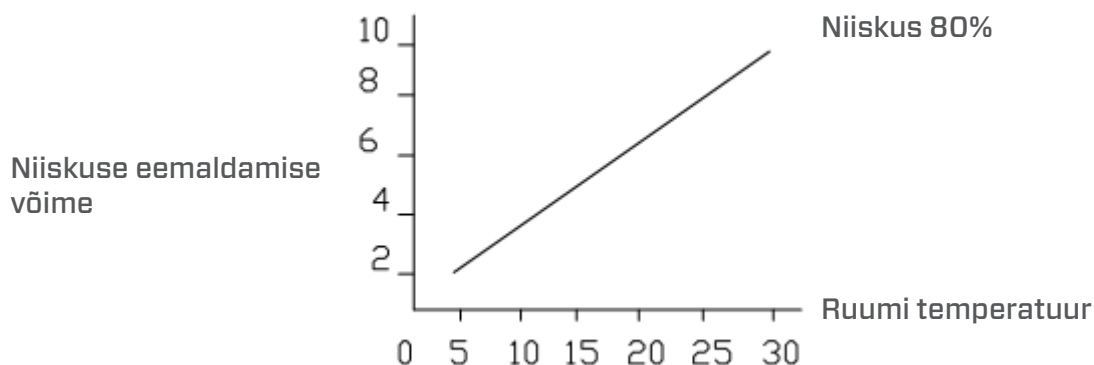
- seade tuleb välja lülitada;
- lähtestage WiFi, vajutades 5 sekundit nuppu „Mode“ (Režiim), WiFi märgutuli vilgub kiiresti.
- lülitage WiFi välja, vajutades veel 5 sekundit nuppu Mode, WiFi märgutuli kustub.

## Ruumi temperatuur tõuseb töötamise ajal

Clean Air Optima<sup>®</sup> õhuniisutajal ei ole jahutusfunktsiooni. Seade tekitab töötamise ajal soojust ja tõstab toatemperatuuri vahemikus 1 °C kuni 4 °C.

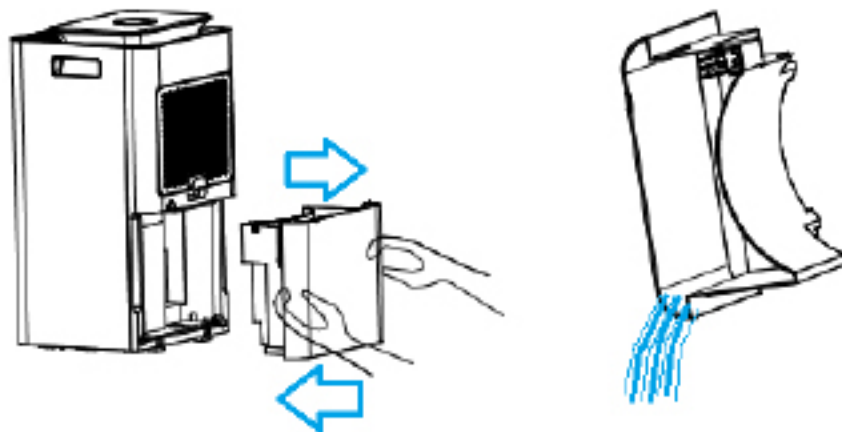
## Niiskuse eemaldamise võime

Alloleval joonisel on näidatud õhukuivati Clean Air Optima<sup>®</sup> niiskuse eemaldamise võime. Erinevate temperatuuride ja suhtelise niiskuse tõttu võib õhukuivatil olla erinev niiskuse eemaldamise võime.



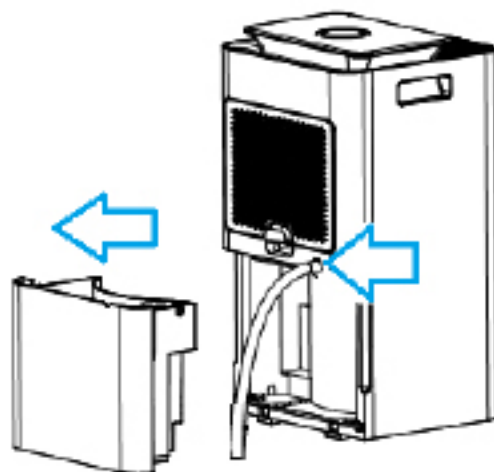
## Vee väljalaskmine

Kui veepaak on täis, süttib täis veepaagi märgutuli. Võtke veepaak välja ja valage vesi välja. Seejärel paigaldage veepaak õigesti tagasi õhukuivatisse, vt allaolevat joonist.



## Pidev väljalase

Pidevaks tööks võite kasutada kaasasolevat 1,5 meetri pikkust äravooluvoolikut. Eemaldage veepaak ja paigaldage voolik korralikult vee äravooluvooliku ühendusele, vt allaolevat joonist.



## Hooldamine

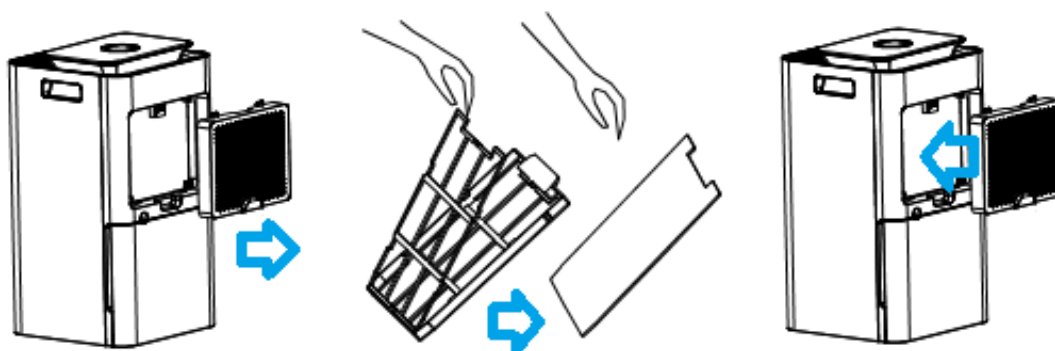
### Õhukuivati Clean Air Optima<sup>®</sup> korpuse puhastamine

1. Lülitage seade välja ja tõmmake pistik pistikupesast.
2. Puhastage seade niiske pehme lapiga. Ärge kasutage keemilisi lahusteid nagu benseen, alkohol või bensiin.
3. Veenduge, et seadmesse **ei satuks vett**, ärge piserdage seda veega.

## Filtrite vahetamine

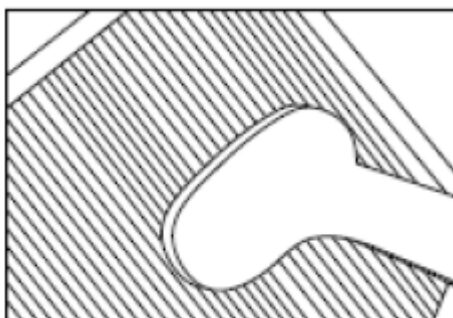
Sõltuvalt kasutusest on **aktiivsõega filtri** ja **tõelise HEPA H13 filtri** kasutusiga umbkaudu 3 - 6 kuud. **Eelfilter** ja **UV-C lamp** on püsivad, asendamist ei ole vaja.

Võtke filtrid filtriraami sahtlist välja. Pärast filtri vahetamist või puhastamist paigaldage filtrid tagasi filtriraami sahtlisse ja pange need koostuna seadme külge, vt allolevat joonist.



## Filtrite puhastamine

Parim mõju filtrite pikema kasutusea jaoks saavutatakse filtrite puhastamisega kord kuus. Kui siseõhk on äärmiselt saastunud, soovitame filtreid puhastada sagedamini – umbkaudu üks kord kahe nädala jooksul.



Puhastage **eelfiltrit**, **aktiivsõefiltrit** ja **tõelist HEPA H13 filtrit** hoolikalt harja või tolmuimejaga. Eesmärk on eemaldada filtri välispinnalt suuremad mustuseosakesed, näiteks riidekiud, juuksed, tolm ning lemmikloomade karvad.

## Hoiatus!

Ärge kahjustage filtreid, filtrid ei tohi olla pragunenud. Kahjustatud filtrid tuleb välja vahetada. Ärge kunagi niisutage ega loputage filtreid veega (ainult **aktiivsöefiltri** ja **tõelise HEPA H13-filtri** puhul). Filtrid, mida loputatakse veega, tuleb välja vahetada.

## Filtrite vahetamise vajaduse tundemärgid

(ainult **aktiivsöega filtri** ja **tõelise HEPA H13 filtri** puhul)

Suurenenud heli, vähenenud õhuvool, ummistunud filtrid, suurenev lõhnade esinemine.

Filter tuleb uuega asendada, kui tõelise HEPA H13 filtri värv muutub valgest halliks või mustaks.

Valget tõelist HEPA H13 filtrit EI OLE vaja vahetada.

## Filtrite tellimine:

võtke ühendust **Clean Air Optima<sup>®</sup>** klienditeenindusega telefonil + 31 (0) 742670145 või külastage meie e-poodi: <https://www.cleanairoptima.com/accessoires/mg/44/>

## Õhukuivati Clean Air Optima<sup>®</sup> hoiustamine

Kui õhukuivatit ei kasutata pikemat aega, toimige järgmiselt.

1. Laske veepaak täielikult tühjaks ja veenduge, et sellesse poleks jäänud vett.
2. Tõmmake pistik pistikupesast välja ja kerige toitekaabel kokku.
3. Eemaldage ja puhastage filtrid. Pärast puhastamist paigaldage filtrid uuesti seadmesse.
4. Pange õhukuivati hoiule jahedasse, kuiva ruumi, kus see on kaitstud otsese päikesevalguse, äärmuslike temperatuuride ja liigse tolmu eest.

## Veaotsing

Järgmine veaotsingujuhend aitab lahendada õhukuivati **Clean Air Optima® CA-704 Smart / CA-707 Smart**.kasutamise käigus tekkida võivaid probleeme.

Probleem	Võimalik põhjus	Lahendamine
Seade ei lülitu sisse	Toitekaabel pole õigesti ühendatud	Ühendage toitepistik ja pistikühendus õigesti
Ebapiisav õhu kuivatamine	Veepaak on täis või pole õiges asendis	Laske veepaak tühjaks ja paigaldage see uuesti õigesse asendisse
	Filtrid on tolmuuga ummistunud	Puhastage või vahetage filtrid
	Õhusisend ja -väljund on blokeeritud	Kõrvaldage õhusisendi ja -väljundi ummistus
	Seadistatud õhuniiskus on keskkonna õhuniiskusest kõrgem	Seadistage õhuniiskus keskkonna õhuniiskusest vähemalt 5% madalamaks
	Õhukuivati on <b>pideva õhupuhastuse REŽIIMI</b>	Muutke TÖÖREŽIIMI
Müra	Seade on viltu paigaldatud	Veenduge, et seade oleks paigaldatud püstiselt
	Filtrid on blokeeritud	Puhastage või vahetage filtrid
Töö seiskub laigu niiskuse eemaldamise ajal	Ruumi temperatuur on kõrgem kui kasutatav töötemperatuur	Kui temperatuur langeb, käivitub niiskuse eemaldamine automaatselt
Pestud riideid ei kuivatata	Ruumi temperatuur on liiga madal	Pestud riideid on madalal temperatuuril raske kuivatada
<b>Rakendusega Clean Air Optima® kasutamine</b> ei toimi	Nutitelefon või tahvelarvuti pole WiFi-võrguga ühendatud	Lülitage seade välja ja lähtestage seadme WiFi, vajutades 5 sekundiks nuppu Mode, WiFi märgutuli vilgub kiiresti.
	Seadmel puudub võrguühendus	Kui järgite juhiseid 4-8 peatükis <b>Kasutamine rakendusega Clean Air Optima®</b>

## HOIATUS!

Kui ülal soovitatud lahendused ei tööta, helistage oma piirkonna Clean Air Optima<sup>®</sup> tehnilise toe telefoninumbrile. Ärge üritage seadet lahti võtta, uuesti kokku panna ega remontida, kuna sel juhul võib kaotada garantii kehtivuse.

## Tehnilised andmed CA-704 Smart

Mudel	CA-704 Smart
Sobiv ruumidele suurusega kuni	40 m <sup>2</sup> / 100 m <sup>3</sup> / 430 ft <sup>2</sup>
Nimipinge	220–240 V, 50 Hz
Nimivõimsus	200 W
Ventilaatori maht	120 m <sup>3</sup> /h
Niiskuse eemaldamise võime	10 liitrit päevas temperatuuril 30 °C ja suhtelise õhuniiskusega 80%
Töötemperatuuri vahemik	5 °C - 32 °C
Veepaak	3 liitrit
Õhu puhastamise meetod:	eelfilter, aktiivsõega filter, tõeline HEPA H13 filter, UV-C lamp, ionisaator
Filtrite jõudlus	99,97%, steriliseerimiskiirus 99,9%
Negatiivsete ionide kontsentratsioon	> 3 000 000 iooni/cm <sup>2</sup>
Müratase	Vaikne ventilaator < 30 dB(A) madal / 42 dB (A) kõrge
Äravooluvoolik	1,5 meetrit
Mõõtmed	250 x 250 x 480mm
Kaal	9,5kg
Värv	Valge/must
Külmutusaine	R290 / 30g
Vastab ELi määrustele	CE / WEEE / RoHS

## Tehnilised andmed CA-707 Smart

Mudel	CA-707 Smart
Sobiv ruumidele suurusega kuni	70 m <sup>2</sup> /175 m <sup>3</sup> / 750 ft <sup>2</sup>
Nimipinge	220–240 V, 50 Hz
Nimivõimsus	320W
Ventilaatori maht	195 m <sup>3</sup> /h
Niiskuse eemaldamise võime	20 liitrit päevas temperatuuril 30 °C ja suhtelise õhuniiskusega 80%
Töötemperatuuri vahemik	5 °C - 32 °C
Veepaak	4 liitrit
Õhu puhastamise meetod:	eelfilter, aktiivsõega filter, tõeline HEPA H13 filter, UV-C lamp, ionisaator
Filtrite jõudlus	99,97%, steriliseerimiskiirus 99,9%
Negatiivsete ionide kontsentratsioon	> 3 000 000 iooni/cm <sup>2</sup>
Müratase	Vaikne ventilaator < 30 dB(A) madal / 48 dB(A) kõrge
Äravooluvoolik	1,5 meetrit
Mõõtmed	260 x 260 x 618mm
Kaal	13,5kg
Värv	Valge/must
Külmutusaine	R290 / 60g
Vastab ELi määrustele	CE / WEEE / RoHS



Pakendi ja seadme kõrvaldamise kohta küsige uusimat teavet seadme müüjalt või kohalikust omavalitsusest.



**R290**

Oht

Looduslik külmutusaine propaan (R290)!

## Remont

### Garantiitõend õhukuivatile Clean Air Optima<sup>®</sup> CA-704 Smart / CA-707 Smart.

Ostmiskuupäev: .....

Kliendi nimi: .....

Aadress: .....

Telefon: .....

E-posti aadress: .....

Müüja nimi: .....

Aadress: .....

1. Täitke garantiitõendi kõik väljad. Saatke see koos ostukviitungi ja seadmega originaalpakendis jaemüüjale, kellelt seadme ostsite, makstes postitasu ise ette. Lisage kindlasti paki tagastamiseks vajalik summa.
2. Lisage lühike kirjeldus kahjustusest, rikkest või tõrkest ja probleemi tekkimise asjaoludest.

Õhukuivati **Clean Air Optima<sup>®</sup> CA-704 Smart / CA-707 Smart** on enne tehasesest lahkumist läbinud ranged testimisprotseduurid. Kui tootel ilmneb kahe aasta jooksul pärast ostukuupäeva rike, mille põhjuseks on tootmisdefekt, siis on ostjal garantiitõendi esitamisel õigus toote tasuta parandamisele või selle osade asendamisele (tingimusel et seadme ja/ või selle osade rike või kahjustus tekkis tavapärasel kasutamisel). Millele garantii kehtib: kõigi osade materjali- ja koostedefektid. Kui kaua: kaks aastat pärast ostmiskuupäeva. Mida me teeme: remondime või asendame defektsed osad.

### Muud tingimused

Käesoleva garantii tingimused asendavad kõik muud kirjalikud ja suulised sõnaselged ja kaudsed garantiid, sh kaubastatavuse ja kindlaks otstarbeks sobivuse garantiid. Tootja vastutus ei ületa mingil juhul toote eest makstud ostuhinda. Erandlike, kaasnevate, ettenägematute ja kaudsete kahjude eest tootja ei vastuta. Garantii ei kehti defektidele, mille põhjuseks on vale või hooletu kasutamine või hooldamine, vale kokkupanemine, õnnetusjuhtum, looduskatastroof, vale pakendamine või loata lahtivõtmine, muutmise või modifitseerimine, kusjuures sellised asjaolud teeme kindlaks meie ainuisikuliselt. Kui seerianumbriga silt on eemaldatud või rikutud, siis garantii ei kehti.



# Täname teid lugemise eest.



Jagage tagasisidet Clean Air Optima® kohta  
Õhukuivati CA-704 Smart / CA-707 Smart aadressil:  
[www.cleanairoptima.com](http://www.cleanairoptima.com)



Korduma kippuvaid küsimusi CA-704 Smart / CA-707 Smart kohta otsige  
veebisaidilt [www.cleanairoptima.com](http://www.cleanairoptima.com) märgusõnaga CA-704 Smart /  
CA-707 Smart



Laadige alla PDF-kasutusjuhend:  
[www.cleanairoptima.com/info/manuals](http://www.cleanairoptima.com/info/manuals)



Kõiki Clean Air Optima® tooteanimatsioonide  
videoid saate vaadata veebisaidil:  
[www.youtube.com](http://www.youtube.com)

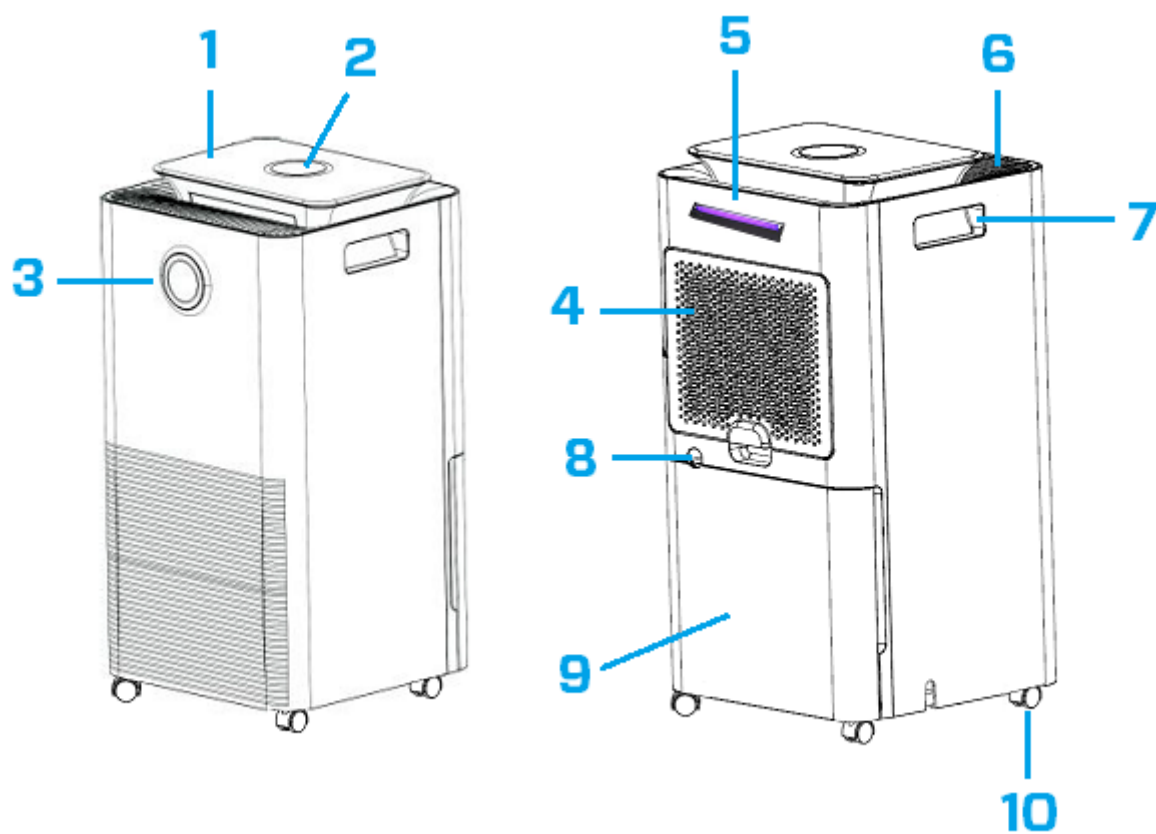
**Clean Air Optima International B.V.** | David Ricardostraat 9-7 / 9-9 | 7559 SH Hengelo (ov)  
The Netherlands | Telefon: +31 (0) 74 - 2670145

**Clean Air Optima Germany GmbH** | Enschedestraße 14 | 48529 Nordhorn | Saksamaa  
Telefon: +49 (0) 5921 879-121

**E-post:** [info@cleanairoptima.com](mailto:info@cleanairoptima.com)

**Internet:** [www.cleanairoptima.com](http://www.cleanairoptima.com)

## CA-704 Smart / CA-707 Smart Main ierīce



## Latviešu valodā

### **Paldies, ka iegādājāties Clean Air Optima® 2in1: mitruma savācēju un gaisa attīrītāju CA-704 Smart / CA-707 Smart.**

Ceram, ka varēsiet ilgstoši izbaudīt veselīgu iekštelpu gaisu, pateicoties šim efektīvajam un lietderīgajam izstrādājumam. Pārliecinieties, vai tiek ievēroti visi drošības pasākumi, lai atbilstoši izmantotu šo elektroierīci. Šajā rokasgrāmatā ir sniegti drošības norādījumi, kas jāievēro darbības laikā. Tie ir paredzēti, lai novērstu traumas un izvairītos no ierīces bojājumiem.

### **Apraksts**

Šī Clean Air Optima® ierīce sastāv no tālāk norādītajiem galvenajiem komponentiem:

1. Vadības panelis
2. Digitālais displejs parāda relatīvo mitrumu %, WiFi un funkciju iestatījumus
3. Krāsu LED monitors parāda relatīvo mitrumu zilā (zem 53 %), zaļā (53 %–68 %) un sarkanā (virs 68 %) krāsā
4. Gaisa ieplūdes un filtra rāmja nodalījumā ir šādas daļas: priekšfiltrs, aktīvās ogles filtrs, True HEPA H13 filtrs
5. UV-C spuldzes pozīcija
6. Gaisa izvades un jonizatora pozīcija
7. Rokturis
8. Nepārtraukta drenāža (ūdens drenāža, šļūtenes savienojums) Drenāžas šļūtene, 1,5 metrus gara, ir iekļauta komplektā
9. Ūdens tvertne
10. Riteņi

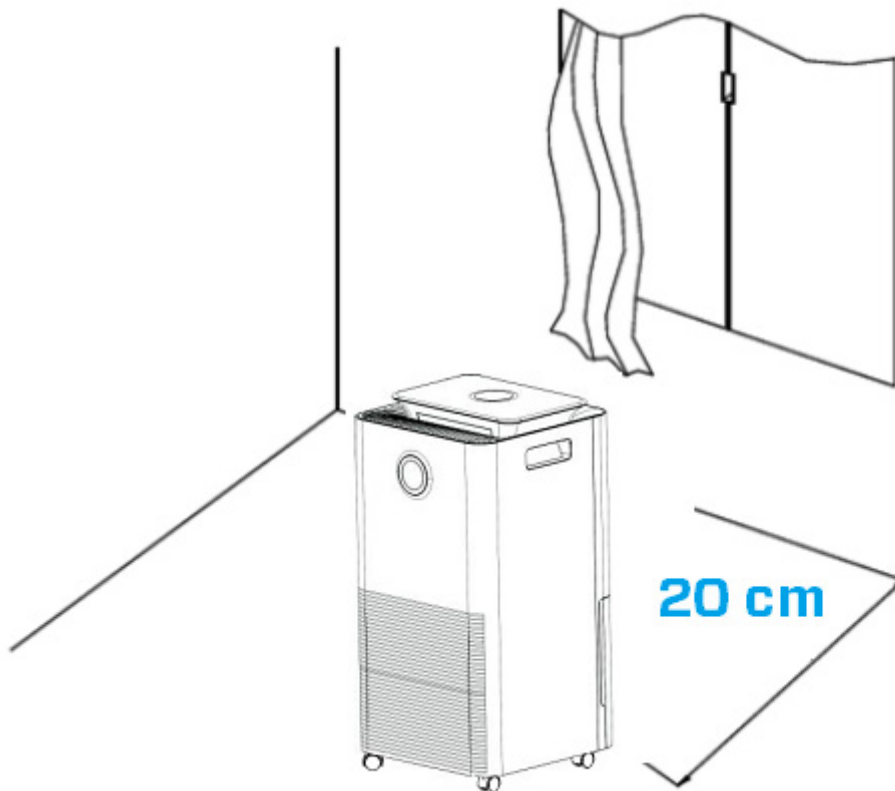
## Drošības brīdinājumi

Šo ierīci drīkst lietot tikai saskaņā ar šiem drošības norādījumiem. Lai maksimāli samazinātu miesas bojājumu risku, ko varētu izraisīt, piemēram, elektriskās strāvas trieciens vai aizdegšanās, ievērojiet tālāk sniegtos norādījumus.

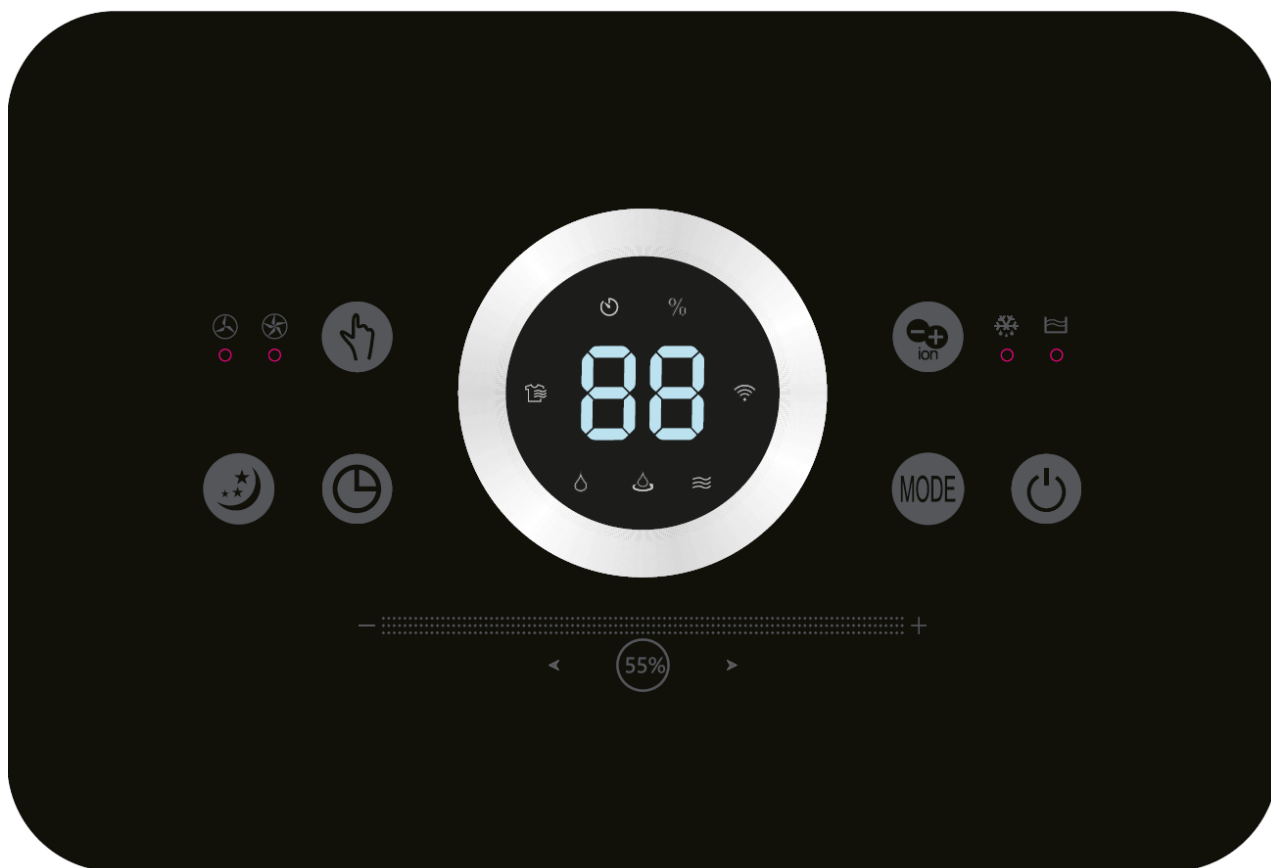
1. Atstājiet to bez darbības vismaz divas stundas pirms izmantošanas, jo īpaši pēc pārvadāšanas.
2. Tikai lietošanai telpās. Nelietojiet un neuzglabājiet ārā.
3. Izmantojiet atbilstošu spriegumu: AC 220 V–240V, 50/60 Hz.
4. Atstājiet vismaz 20 cm brīvu telpu ap ierīces gaisa ieplūdes un izplūdes atveri.
5. Šo ierīci nav paredzēts izmantot bērniem vai personām ar samazinātām fiziskajām, maņu vai garīgajām spējām, izņemot tad, ja tās uzrauga par viņu drošību atbildīga persona.
6. Nelietojiet ierīci, ja konstatējat redzamus elektrības kabeļa vai pašas ierīces bojājumus. Ja radies bojājums, nelabojiet ierīci pats. Nekad nevelciet ierīci aiz kabeļa. Ja elektrības kabelis ir bojāts, tā nomainīta ir jāveic autorizētam apkopes speciālistam, lai novērstu elektriskās strāvas triecienu vai aizdegšanos.
7. Remontdarbus var veikt tikai autorizēts apkopes speciālists. Lai izvairītos no elektriskās strāvas trieciena vai aizdegšanās, nemēģiniet pats veikt ierīces remontu.
8. Nepieskarieties elektrības kabelim un spraudnim ar mitrām rokām.
9. Pirms spraudņa atvienošanas vienmēr izslēdziet ierīci.
10. Nekad nemēģiniet izslēgt ierīci, atvienojot spraudni.
11. Atvienojiet kontaktdakšu no kontaktligzdas, kad nelietojat ierīci vai veicat tās iekšējo vai ārējo daļu tīrīšanu.
12. Drošības iemeslu dēļ novietojiet ierīci stabilā, horizontālā stāvoklī. Nepārvietojiet ierīci lietošanas laikā.
13. Aukstumaģents: R290. Šis aukstumaģents atbilst Eiropas vides aizsardzības noteikumiem. Nevienu dzesēšanas kontūra daļu nedrīkst caurdurt.
14. Nelietojiet ierīci telpās, kurās tiek glabāti uzliesmojoši šķidrumi vai gāzes, tuvu tādiem karstuma avotiem kā radiators vai krāsns vai tādām siltumu ģenerējošām ierīcēm kā keramiskie sildītāji.
15. Lai izvairītos no ierīces bojājumiem, neievietojiet tās korpusā svešķermeņus.
16. Neaizsedziet gaisa ieplūdes un izplūdes režģus.
17. Neizjauciet un nemainiet ierīces iekšējās detaļas.
18. Izmantojiet un uzglabājiet ierīci temperatūrā no 0°C līdz 40°C.
19. Nesasveriet ierīci uz sāniem, kad tās ūdens tvertne ir pilna.
20. Nenovietojiet uz ierīces smagus priekšmetus.
21. Nenovietojiet ierīci tiešā saules gaismā. Ierīces korpuss var mainīt krāsu.
22. Neiemērciet ierīci ūdenī vai citos šķidrumos.
23. Regulāri iztukšojiet ūdens tvertni. Ārkārtas apstākļos ūdens tvertne var piepildīties pēc dažām darba stundām.
24. Regulāri tīriet priekšfiltru; ja priekšfiltrs ir pilns ar putekļiem, netiks nodrošināta pienācīga gaisa attīrīšana un mitruma savākšana. Palielināsies enerģijas patēriņš un var rasties kļūme.
25. Reizi 3–6 mēnešos nomainiet aktīvās ogles filtru un True HEPA H13 filtru, ja aktīvās ogles filtrs un True HEPA H13 filtrs ir pilni, tas izraisīs sliktu attīrīšanas un mitruma savākšanas darbību. Palielināsies enerģijas patēriņš un var rasties kļūme.
26. Lietojiet, uzturiet un tīriet ierīci tā, kā aprakstīts šajā rokasgrāmatā.

## Uzstādīšana

Pārliecinieties, ka ierīce ir 20 cm attālumā no sienām un mēbelēm; skatiet tālāk redzamo attēlu.



## Vadības panelis/lietošanas norādījumi



### Ieslēgšana/izslēgšana

Nospiediet barošanas pogu, lai ieslēgtu ierīci.  
Lai izslēgtu ierīci, vēlreiz nospiediet barošanas pogu.



### REŽĪMS

Nospiediet MODE (Režīms) pogu, lai atlasītu vienu no četrām vēlamajām programmām:



1. Normāla mitruma savākšana (regulējams ventilatora ātrums un mitruma iestatījums)  
*Ikona ar nosaukumu lietotnē: Normāls*
2. Nepārtraukta mitruma savākšana (mazs ventilatora ātrums, mitruma iestatījums nav regulējams)  
*Ikona ar nosaukumu lietotnē: Nepārtraukts*
3. Nepārtraukta gaisa attīrīšana (regulējams ventilatora ātrums, bez mitruma savākšanas funkcijas)  
*Ikona ar nosaukumu lietotnē: Gaisa attīrīšana*
4. Sausu drēbju režīms (liels ventilatora ātrums, ventilatora ātrums un mitruma iestatījums nav regulējami)  
*Ikona ar nosaukumu lietotnē: Veļas žāvēšana*



## Mitruma iestatīšanas slīdpoga

(Tikai REŽĪMA programmai: Normāls mitruma savākšana)

Nospiežot mitruma līmeņa iestatīšanas slīdpogu, varat atlasīt vēlamu mitruma līmeni, atkārtoti spiežot un slidinot šo pogu, līdz ir redzams vēlamais mitruma līmenis (no 30 % līdz 80 %, ar soli 5 %). Kad ir atlasīts vēlamais mitruma līmenis, vairs nespiediet un neslidiniet pogu, un mitruma līmenis būs iestatīts. Kad mitruma līmenis telpā sasniedz iestatīto mitruma līmeni, iekārta pāriet automātiskā miega režīmā un pārstāj mitruma savākšanu un gaisa attīrīšanu. Kad telpas faktiskais mitruma līmenis atkal pārsniedz iestatīto mitruma līmeni, ierīce atkal sāk mitruma savākšanu un gaisa attīrīšanu.

## Gaisa attīrīšana

Ja vēlamais mitruma līmenis ir pastāvīgi sasniegts, varat pārslēgties uz 3. programmu, lai ierīci izmantotu nepārtrauktai gaisa attīrīšanai.



## Ventilatora ātrums

(Tikai REŽĪMA programmai: normāla mitruma savākšana un nepārtraukta gaisa attīrīšana)

Nospiežot ventilatora ātruma pogu, ir iespējams mainīt ventilatora ātruma līmeni. 2 ventilatora ātrumi ļauj izvēlēties pielāgotu gaisa plūsmu.



## Negatīvu jonu, ikona ar nosaukumu lietotnē: Jonu

Nospiežot negatīvo jonu pogu, tiks aktivizēts negatīvo jonu ģenerators ar kopējo jaudu, kas ir > 3 000 000 negatīvie joni / cm<sup>2</sup>, kas izplatās visā telpā un tādējādi neitralizē piesārņotājus un smakas. Negatīvie joni piestiprinās pie putekļu daļiņām, mikroorganismiem un citām nevēlamām daļiņām gaisā un tās savstarpēji savieno. Tādējādi daļiņas kļūst smagākas par gaidu un nokrīt uz zemes, lai jūs tās vairāk neieelpotu.

Negatīvie joni pārsvarā ir atrodami mežā, kalnos un jūras tuvumā.  
Negatīvie joni nodrošina svaigu un veselīgu gaisu.



## Timer (Taimeris)

Nospiediet taimera pogu, lai iestatītu 0–24 stundu taimeri. Nospiežot pogu vienu reizi, taimera laiks palielināsies par vienu stundu. Ierīces darbības laikā iestatītais taimeris norāda ierīces izslēgšanās laiku. Ja ierīce atrodas gaidīšanas režīmā, iestatītais taimeris norāda ierīces ieslēgšanās laiku.



## Miegas

Nospiediet miega pogu, un miega režīms tiks aktivizēts, displejs izslēgsies pēc aptuveni 3 sekundēm. Strauji 2 reizes nospiediet miega pogu, lai atgrieztos iepriekšējos iestatījumos.



## Pilnas ūdens tvertnes indikators

Kad ūdens tvertne ir pilna, ierīce automātiski pārtrauc darbību. Iedegas pilnas ūdens tvertnes indikatori. Iztukšojiet ūdens tvertni un ievietojiet to atpakaļ ierīcē; pilnas ūdens tvertnes indikators izslēgsies. Ierīce automātiski atsāks darbību.



## Atkausēšanas indikators

Mitruma savācēja iztvaicētājs var automātiski atkust, ja to darbina istabas temperatūrā, kas zemāka par 18 °C. Mitruma savācēja atkausēšanas ierīce var ieslēgties un kādu laiku (aptuveni 5 minūtes) automātiski darboties ik pēc 25 minūtēm vai ilgāka laika perioda.

- Atkausēšanas laikā mitruma savākšanas funkcijas un gaisa attīrīšanas funkcijas darbība var uz laiku apstāties.
- Atkausēšanas darbības laikā neizslēdziet barošanu un neizņemiet ierīces spraudni.

## Darbs ar Clean Air Optima<sup>®</sup> lietotni

### Savienojamība

#### Saderība ar viedtālruni un planšetdatoru:

iPhone, iPad un Android ierīces

#### Ierīce veido savienojumu, izmantojot Wi-Fi, ar lietotni:

CleanAirOptima



### Par lietotni Clean Air Optima<sup>®</sup>

#### WiFi savienojuma izveide

1. Lejupielādējiet lietotni CleanAirOptima no App Store vai Google Play un instalējiet to.
2. Izveidojiet kontu un piesakieties.
3. Pieslēdziet ierīci strāvai un ieslēdziet to. WiFi indikators iemirgosies.
4. Pārlicinieties, ka viedtālrunis vai planšetdators ir veiksmīgi savienots ar WiFi tīklu.
5. Atveriet lietotni CleanAirOptima un noklikšķiniet uz "Add device" (Pievienot ierīci) . Ierīce ir norādīta sarakstā, un jūs varat to atlasīt. Ja tā nav, izvēlieties "Auto Scan" (Automātiskā skenēšana). Izpildiet ekrānā redzamos norādījumus, lai pievienotu ierīci tīklam.
6. Lietotnē izvēlieties pievienot ierīci Clean Air Optima<sup>®</sup> un izpildiet tur sniegtos norādījumus.
7. Kad ierīce ir savienota pārī, WiFi indikators nepārtraukti deg.
8. Kad konfigurēšana ir sekmīgi pabeigta, ierīces darbināšanai varat izmantot lietotni Clean Air Optima<sup>®</sup>.



## Piezīme.

- Ja noklusējuma tīkls ir mainījies, atiestatiet WiFi savienojumu un izpildiet sadaļas "WiFi savienojuma iestatīšana" 1.–9. darbību.
- Ja pāri ar viedtālruni vai planšetdatoru vēlaties savienot vairākas ierīces, tas ir jā dara pēc kārtas.
- Pārliedzieties, ka attālums starp viedtālruni vai planšetdatoru un ierīci ir mazāks par 5 metriem un nav šķēršļu. Arī pārliedzieties, ka atrodaties vienā telpā ar ierīci.

## Atiestatiet WiFi funkciju:

- Ierīcei jābūt izslēgtai.
- Atiestatiet WiFi, uz 5 sekundēm nospiežot pogu "Mode" (Režīms), WiFi indikators ātri mirgos.

## Izslēdziet WiFi funkciju:

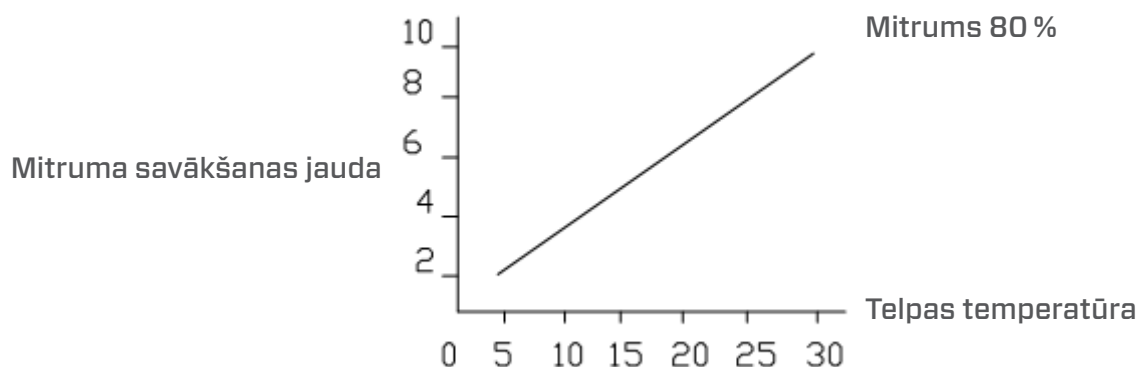
- Ierīcei jābūt izslēgtai.
- Atiestatiet WiFi, uz 5 sekundēm nospiežot pogu "Mode" (Režīms), WiFi indikators ātri mirgos.
- Ieslēdziet WiFi, spiežot pogu "Mode" (Režīms) vēl 5 sekundes, WiFi indikators nodzīsīs.

## Telpas temperatūra darbības laikā paaugstinās

Clean Air Optima<sup>®</sup> mitruma savācējam nav dzesēšanas funkcijas. Tā darbības laikā ierīce izstaros siltumu un paaugstinās telpas temperatūru par 1 °C līdz 4 °C.

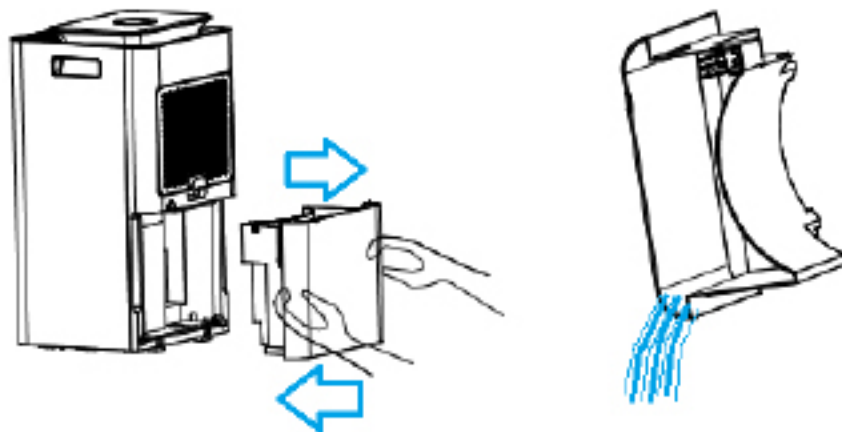
## Mitruma savākšanas jauda

Tālāk redzamajā attēlā ir norādīta mitruma savācēja Clean Air Optima<sup>®</sup> jauda. Atšķirīgas temperatūras un relatīvā mitruma dēļ mitruma savācējam var būt atšķirīga mitruma savākšanas jauda.



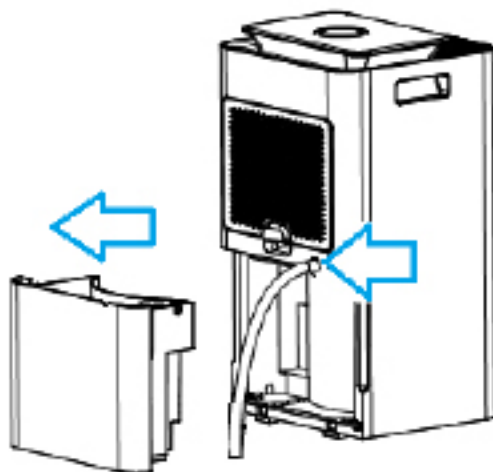
## Ūdens iztukšošana

Kad ūdens tvertne ir pilna, iedegas pilnas ūdens tvertnes indikators. Izņemiet ūdens tvertni un iztukšojiet to. Pēc tam ievietojiet ūdens tvertni atpakaļ mitruma savācējā, skatiet attēlu zemāk.



## Nepārtraukta iztukšošana

Nepārtrauktai darbībai varat izmantot 1,5 metrus garu drenāžas šļūteni, kas ir iekļauta komplektācijā. Izņemiet ūdens tvertni un pareizi savienojiet šļūteni ar ūdens novadīšanas šļūtenes savienojumu, skatiet attēlu zemāk.



## Apkope

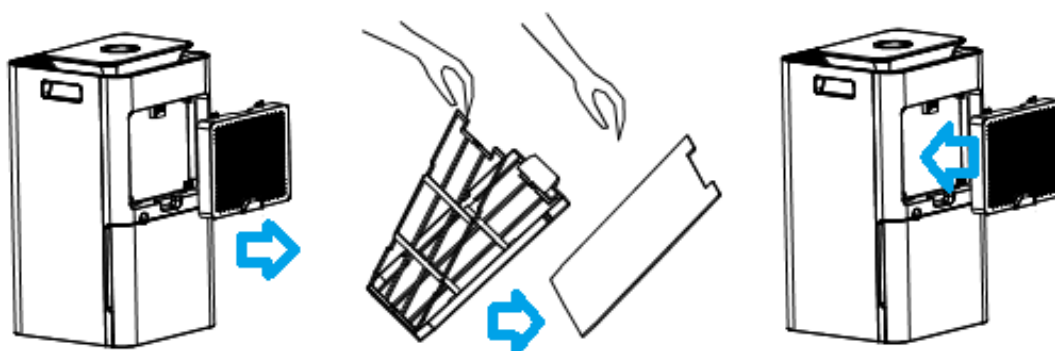
### Mitruma savācēja Clean Air Optima<sup>®</sup> korpusa tīrīšana

1. Izslēdziet ierīci un izvelciet kontaktdakšu no kontaktligzdas.
2. Izmantojiet mīkstu un mitru drānu, lai notīrītu ierīci. Neizmantojiet ķīmiskus šķīdinātājus, piemēram, benzolu, spirtu vai benzīnu.
3. Pārliedzieties, ka ierīcē neiekļūst **ūdens**, nesmidziniet uz tās ūdeni.

## Filtru nomaiņa

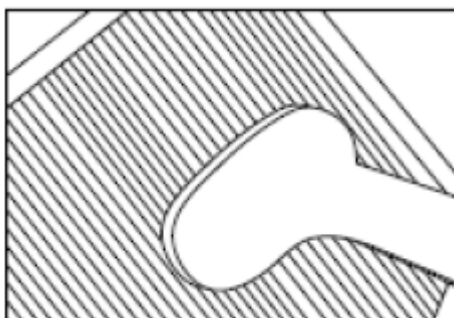
Atkarībā no lietošanas **aktīvās ogles filtra** un **True HEPA H13 filtra** darbības ir aptuveni 3–6 mēneši. **Priekšfiltrs** un **UV-C lampa** ir lietojami pastāvīgi, nomaiņa nav nepieciešama.

Izņemiet filtrus no filtra rāmja nodalījuma. Pēc filtra nomaiņas vai filtra tīrīšanas ievietojiet filtrus atpakaļ filtra rāmja nodalījumā un uzstādiet atpakaļ ierīcē; skatiet attēlu zemāk.



## Filtra tīrīšana

Vislabākais efekts, lai nodrošinātu ilgāku filtru kalpošanas laiku, tiek sasniegts, tīrot filtrus reizi mēnesī. Ja iekštelpu gaiss ir ļoti piesārņots, mēs iesakām filtrus tīrīt biežāk — aptuveni reizi divās nedēļās.



Iztīriet **priekšfiltru**, **aktīvās ogles filtru** un **True HEPA H13 filtru rūpīgi**, izmantojot suku vai putekļsūcēju. Tādējādi no filtriem var iztīrīt tādas lielākās putekļu daļiņas kā šķiedras, matus un dzīvnieku ādas daļiņas.

## Brīdinājums!

Nebojājiet filtrus, tie nedrīkst būt saplaisājuši. Bojāti filtri ir jānomaina.

Nekad nemitriniet un neskalojiet filtrus (spēkā tikai **aktīvās ogles filtram** un **True HEPA H13 filtram**) ar ūdeni. Filtri, kas izskaloti ar ūdeni, ir jānomaina.

## Pazīmes, kas liecina, ka izmantotie filtri ir jānomaina

(tikai **aktīvās ogles filtram** un **True HEPA H13 filtram**)

Palielināta skaņa, samazināta gaisa plūsma, nosprostoti filtri, izteiktākas smakas. Filtri jāaizstāj ar jauniem filtriem, kad True HEPA H13 filtrs maina krāsu no baltas uz pelēku vai melnu.

Ja True HEPA H13 filtrs joprojām ir balts, filtra nomaiņa NAV nepieciešama.

## Kā pasūtīt filtrus:

sazinieties ar **Clean Air Optima<sup>®</sup> klientu apkalpošanas dienestu** pa tālr. + 31 (0) 742670145 vai apmeklējiet mūsu tīmekļa veikalu: <https://www.cleanairoptima.com/accessoires/mg/44/>

## Clean Air Optima<sup>®</sup> mitruma savācēja uzglabāšana

Ja mitruma savācējs ilgāku laiku netiks izmantots, rīkojieties šādi:

1. Pilnībā iztukšojiet ūdens tvertni un pārļiecinieties, ka tajā nav palicis ūdens.
2. Atvienojiet ierīci no strāvas avota un saritiniet strāvas padeves vadu.
3. Izņemiet un iztīriet filtrus. Pēc tīrīšanas ievietojiet filtrus atpakaļ ierīcē.
4. Uzglabājiet mitruma savācēju vēsā, sausā vietā, kas nav pakļauta tiešiem saules stariem, pārmērīgi augstai vai zemei temperatūrai un lielam putekļu daudzumam.

## Problēmu novēršana

Tālāk ir sniegti norādījumi to problēmu novēršanai, kas var rasties, lietojot mitruma savācēju **Clean Air Optima® CA-704 Smart / CA-707 Smart**.

Problēma	Iespējamais cēlonis	Risinājums
Ierīce neieslēdzas	Elektrības kabelis nav atbilstoši pievienots	Pareizi ievietojiet elektrības kabeļa kontaktspraudni un kontaktligzdā
Neeffektīva mitruma savākšana	Ūdens tvertne ir pilna vai nav pareizi ievietota	Iztukšojiet ūdens tvertni un ievietojiet to pareizi
	Filtrus bloķē putekļi	Iztīriet vai nomainiet filtrus
	Gaisa ieplūdes vai izplūdes atvere ir bloķēta	Notīriet gaisa ieplūdes un izplūdes atveres
	Iestatītais mitruma līmenis ir augstāks, nekā apkārtējās vides mitruma līmenis	Iestatiet mitruma līmeni, kas ir vismaz 5% zemāks par apkārtējās vides mitruma līmeni
	Mitruma savācējs darbojas <b>nepārtrauktas gaisa attīrīšanas REŽĪMĀ</b>	Mainiet darbības REŽĪMU
Troksnis	Ierīce ir uzstādīta šķībi	Pārliecinieties, ka ierīce ir uzstādīta taisni
	Filtri ir bloķēti	Iztīriet vai nomainiet filtrus
Darbība apstājas mitruma savākšanas laikā	Telpas temperatūra ir augstāka nekā izmantojamā darba temperatūra	Mitruma savākšanas darbība tiks automātiski uzsākta, kad temperatūra pazemināsies
Izmazgātā veļa nav izžuvusi.	Telpas temperatūra ir pārāk zema	Izmazgātu veļu ir grūti izžāvēt zemā temperatūrā
<b>Clean Air Optima® lietotne</b> nedarbojas	Viedtālrunis vai planšetdators nav savienots ar WiFi tīklu Ierīcei nav savienojuma ar tīklu	Izslēdziet ierīci un atiestatiet ierīces WiFi, nospiežot pogu "Mode" (Režīms) uz 5 sekundēm, WiFi indikators ātri mirgos. Izpildiet 4.–8. darbību, kas aprakstīta nodaļā <b>Darbs ar Clean Air Optima® lietotni</b>

## BRĪDINĀJUMS!

Ja iepriekš sniegtie risinājumi neļauj novērst problēmu, lūdzu, sazinieties ar Clean Air Optima<sup>®</sup> tehniskā atbalsta dienestu pa jūsu reģiona tālruna numuru. Nemēģiniet izjaukt, atkārtoti salikt vai labot ierīci, jo tādējādi garantija var tikt anulēta.

## CA-704 Smart specifikācijas

### Modelis

Piemērots telpām līdz:

Nominālais spriegums

Nominālā jauda

Ventilatora jauda

Mitruma savākšanas jauda

Darba temperatūras diapazons

Ūdens tvertne

Gaisa attīrīšanas metode:

Filtra veiktspēja

Negatīvie joni

Trokšņa līmenis

Drenāžas šļūtene

Izmēri

Svars

Krāsa

Aukstumaģents

Atbilst ES regulām

### CA-704 Smart

40 m<sup>2</sup>/100 m<sup>3</sup>/430 pēdas<sup>2</sup>

220–240 V, 50 Hz

200 W

120 m<sup>3</sup>/h

10 litri dienā 30 °C temperatūrā, ja RM ir 80 %

5 °C–32 °C

3 litri

priekšfiltrs, aktīvās ogles filtrs, True HEPA H13 filtrs, UV-C lampa, jonizators

99,97 %, sterilizācijas līmenis 99,9 %

> 3 000 000 joni/cm<sup>2</sup>

Kluss ventilators < 30 dB(A) Zems/42 dB (A) Augsts

1,5 metri

250 × 250 × 480mm

9,5kg

Melna/balta

R290/30 g

CE/WEEE/RoHS

## CA-707 Smart specifikācijas

### Modelis

Piemērots telpām līdz:

Nominālais spriegums

Nominālā jauda

Ventilatora jauda

Mitruma savākšanas jauda

Darba temperatūras diapazons

Ūdens tvertne

Gaisa attīrīšanas metode:

Filtra veiktspēja

Negatīvie joni

Trokšņa līmenis

Drenāžas šļūtene

Izmēri

Svars

Krāsa

Aukstumaģents

Atbilst ES regulām

### CA-707 Smart

70 m<sup>2</sup>/175 m<sup>3</sup>/750 pēdas<sup>2</sup>

220–240 V, 50 Hz

320W

195 m<sup>3</sup>/h

20 litri dienā 30 °C temperatūrā, ja RM ir 80 %

5 °C–32 °C

4 litri

priekšfiltrs, aktīvās ogles filtrs, True HEPA H13 filtrs, UV-C lampa, jonizators

99,97 %, sterilizācijas līmenis 99,9 %

> 3 000 000 joni/cm<sup>2</sup>

Kluss ventilators < 30 dB(A) Zems/48 dB (A) Augsts

1,5 metri

260 × 260 × 618mm

13,5kg

Melna/balta

R290/60g

CE/WEEE/RoHS



Vaicāriet savam mazumtirgotājam vai pašvaldībai aktuālo informāciju attiecībā uz ierīces iepakojuma izmešanu.



**R290**

**Bīstamība**

Dabīgs aukstumaģents propāns (R290)!

## Apkope

### Garantijas sertifikāts mitruma savācējam Optima<sup>®</sup> Dehumidifier CA-704 Smart / CA-707 Smart.

Iegādes datums: .....

Klienta vārds/nosaukums: .....

Adrese: .....

Tālrunis: .....

E-pasts: .....

Pārdevēja vārds/nosaukums: .....

Adrese: .....

1. Lūdzam pilnībā aizpildīt šo garantijas talonu. Nosūtiet to savam izplatītājam ar rēķinu un ierīci, apmaksājot atpakaļsūtīšanu un izmantojot oriģinālo iepakojumu. Pārliecinieties, vai atpakaļsūtīšanas izdevumi ir apmaksāti pienācīgā apmērā.

2. Lūdzu, iekļaujiet īsu bojājuma, kļūmes vai nepareizas darbības aprakstu, kā arī aprakstiet apstākļus, kādos šīs problēmas radās.

Pirms mitruma savācējs **Clean Air Optima<sup>®</sup> Dehumidifier CA-704 Smart / CA-707 Smart** tiek izvests no rūpnīcas, tam tiek veiktas stingras pārbaudes. Ja divu gadu laikā no iegādes brīža ierīce nedarbojas atbilstoši specifikācijām ražotāja trūkuma dēļ, pircējs var saņemt bezmaksas labošanu vai daļu nomaiņu, uzrādot šo garantiju (ja ierīces un/vai daļu defekts vai bojājums rodas normālos darbības apstākļos). Uz ko attiecas garantija: visas detaļām, kurām ir materiāla vai ražošanas defekts. Cik ilgi: divus gadus no iegādes datuma. Kā rīkosimies: veiksīm remontu vai nomainīsim visas bojātas detaļas.

### Citi nosacījumi

Šīs garantijas nosacījumi aizstāj jebkuru citu rakstisku, skaidri izteiktu vai domātu, rakstisku vai mutisku garantiju, tostarp jebkādu garantiju attiecībā uz atbilstību kvalitātei vai konkrētam mērķim. Ražotāja maksimālais atbildības apmērs nepārsniedz reālo par produktu samaksāto maksu. Ražotājs nekādā gadījumā nav atbildīgs par speciālu, netīšu, izrietošu vai netiešu kaitējumu. Šī garantija neattiecas uz defektu, ja mēs esam noteikuši, ka tas radies nepareizas vai neatbilstošas lietošanas vai apkopes, nepareizas montāžas, negadījuma, dabas katastrofu, neatbilstoša iepakojuma vai nesankcionētu manipulāciju, izmaiņu vai modifikāciju rezultātā. Šī garantija nav derīga, ja etiķete, uz kuras ir sērijas numurs, ir noņemta vai sabojāta.



# Paldies, ka iepazināties ar šiem norādījumiem!



Dalieties savās atsauksmēs par Clean Air Optima®  
mitruma savācēju CA-704 Smart / CA-707 Smart vietnē:  
[www.cleanairoptima.com](http://www.cleanairoptima.com)



Lai skatītu bieži uzdotos jautājumus par CA-704 Smart / CA-707 Smart,  
apmeklējiet vietni [www.cleanairoptima.com](http://www.cleanairoptima.com) un meklējiet CA-704 Smart /  
CA-707 Smart.



Lejupielādēt PDF lietošanas pamācību:  
[www.cleanairoptima.com/info/manuals](http://www.cleanairoptima.com/info/manuals)



Skatiet visu Clean Air Optima® izstrādājumu  
animācijas videoklipus vietnē  
[www.youtube.com](http://www.youtube.com)

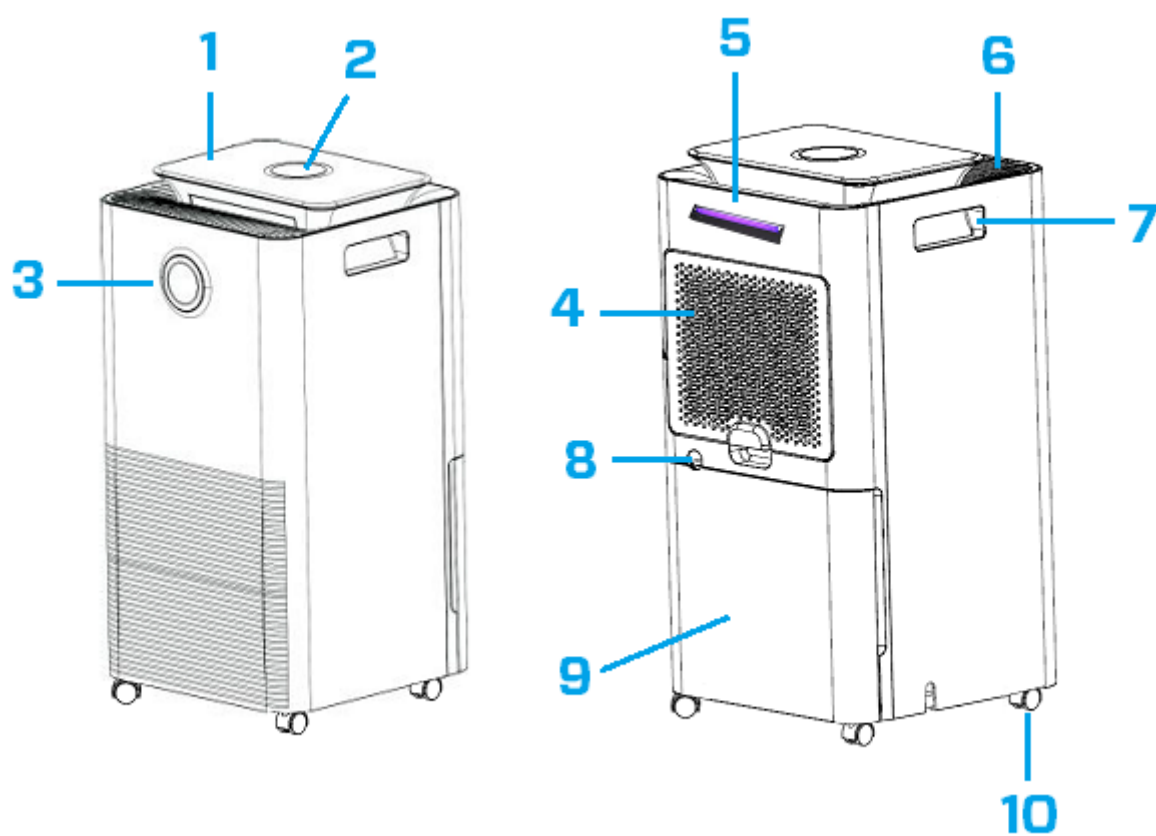
**Clean Air Optima International B.V.** | David Ricardostraat 9-7 / 9-9 | 7559 SH Hengelo (ov)  
Nīderlande | Tālrunis: +31 (0) 74 - 2670145

**Clean Air Optima Germany GmbH** | Enschedestraße 14 | 48529 Nordhorn | Vācija  
Tālrunis: +49 (0) 5921 879-121

E-pasts: [info@cleanairoptima.com](mailto:info@cleanairoptima.com)

Tīmekļa vietne: [www.cleanairoptima.com](http://www.cleanairoptima.com)

## Основной блок CA-704 Smart / CA-707 Smart



## Русский

### **Благодарим вас за покупку Clean Air Optima® «2-в-1» — осушителя-очистителя воздуха CA-704 Smart / CA-707 Smart.**

Этот эффективный высококачественный продукт будет обеспечивать здоровый воздух внутри помещения на протяжении множества лет. При использовании данного электроприбора соблюдайте меры предосторожности, предписанные правилами эксплуатации. Данные инструкции содержат меры предосторожности, которые необходимо соблюдать во время эксплуатации для предотвращения травм и повреждения устройства.

### **Описание**

Прибор Clean Air Optima® состоит из таких основных компонентов:

1. Панель управления
2. Цифровой дисплей, показывающий относительную влажность в %, состояние подключения к сети Wi-Fi и настройки
3. Цветной светодиодный экран, показывающий величину относительной влажности: синим (ниже 53 %), зеленым (53—68 %) и красным (более 68 %) цветом
4. Отверстие для впуска воздуха и отсек рамки фильтров, состоящий из фильтра предварительной очистки, фильтра с активированным углем и фильтра True HEPA H13
5. УФ-лампа
6. Выпускное отверстие и ионизатор
7. Рукоятка
8. Непрерывный слив (слив воды, отверстие для подсоединения шланга); сливной шланг длиной 1,5 м входит в комплект поставки
9. Резервуар для воды
10. Колеса

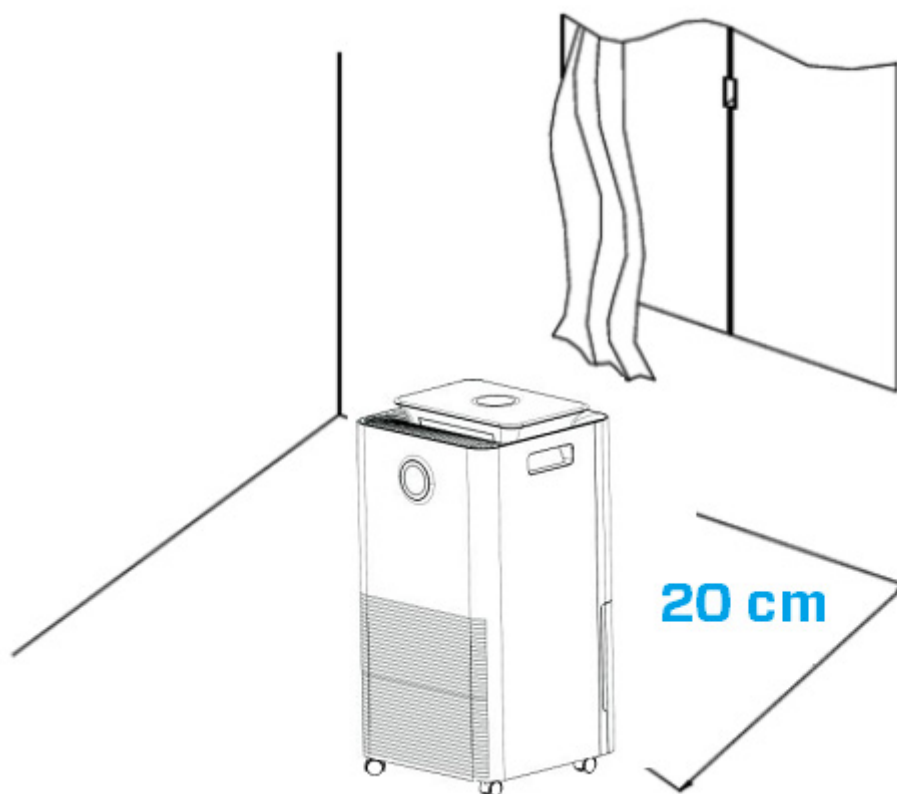
## Предупреждения по технике безопасности

Данный прибор следует использовать в строгом соответствии с настоящими правилами техники безопасности. Во избежание травм, в частности вследствие поражения электрическим током или возгорания, придерживайтесь следующих правил.

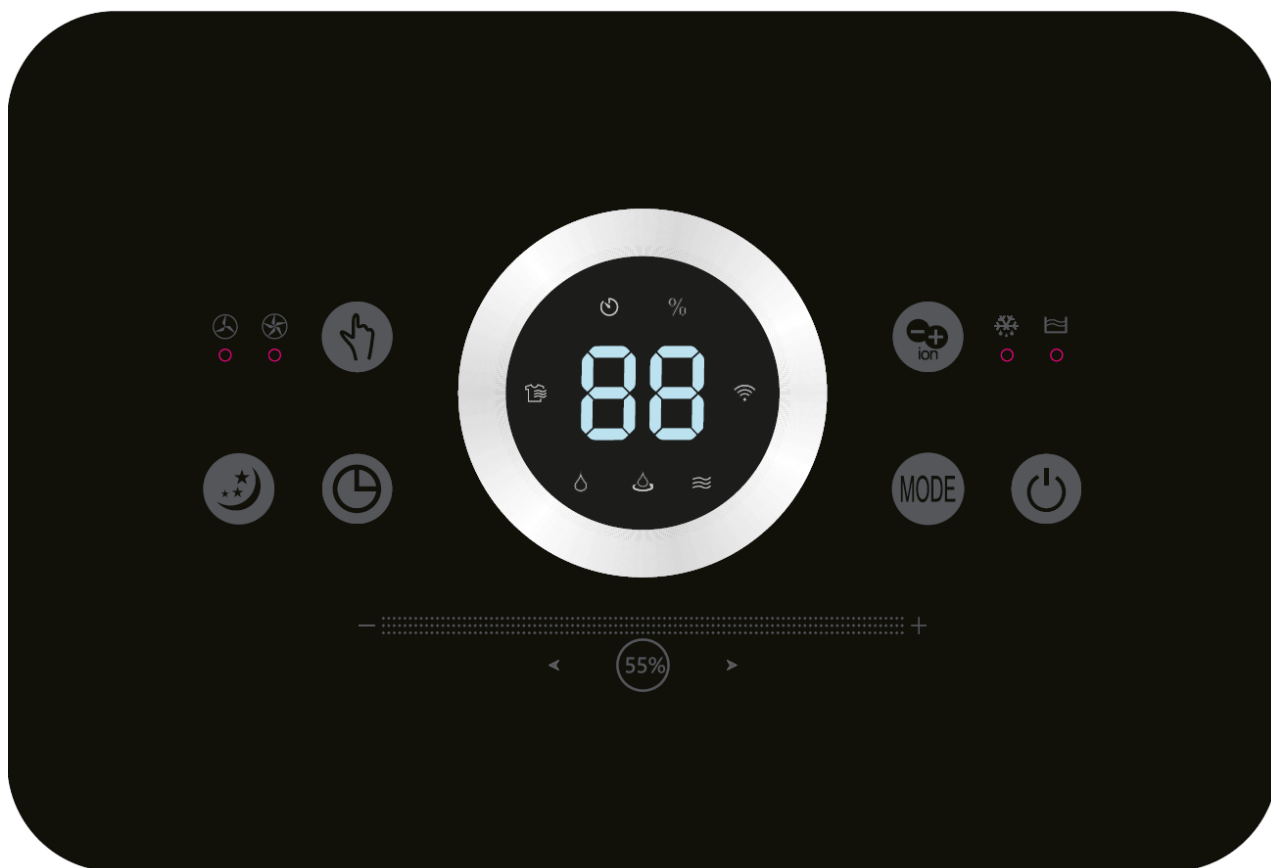
1. Перед использованием прибор должен находиться в неподвижном состоянии не менее двух часов, в особенности после транспортировки.
2. Используйте прибор только в помещениях. Не используйте и не храните прибор на улице.
3. Используйте правильное напряжение: 220—240 В пер. тока, 50/60 Гц
4. Оставьте не менее 20 см свободного пространства перед отверстиями для впуска и выпуска воздуха.
5. Этот прибор не предназначен для использования детьми или лицами с ограниченными физическими, сенсорными или умственными способностями без контроля лиц, ответственных за их безопасность.
6. Не используйте прибор при наличии повреждений электрического кабеля или прибора. Не пытайтесь отремонтировать прибор самостоятельно. Ни в коем случае не тяните прибор за кабель питания. Во избежание поражения электрическим током или возгорания поврежденный кабель питания должен заменять уполномоченный технический специалист.
7. Выполнять ремонт должен только уполномоченный технический специалист. Во избежание поражения электрическим током или возгорания не пытайтесь отремонтировать прибор самостоятельно.
8. Не прикасайтесь к шнуру питания мокрыми руками.
9. Перед отсоединением вилки питания всегда выключайте прибор.
10. Запрещается выключать прибор, извлекая вилку питания из розетки.
11. Если прибор не используется, либо он подвергается очистке, прибор должен быть отключен от источника питания.
12. В целях безопасности устанавливайте прибор в устойчивое горизонтальное положение. Не передвигайте прибор во время его работы.
13. Хладагент: R290 Этот хладагент соответствует европейским экологическим нормам. Категорически запрещено делать отверстия в любой части контура охлаждения.
14. Не используйте прибор в помещениях, где хранятся легковоспламеняющиеся жидкости или газы, а также рядом с источниками тепла (например, батареями отопления, каминами или керамическими обогревателями).
15. Ни в коем случае не вставляйте посторонние предметы в корпус прибора. Это приведет к его поломке.
16. Ни в коем случае не закрывайте воздухозаборник и выпускное отверстие.
17. Ни в коем случае не разбирайте и не заменяйте внутренние компоненты прибора.
18. Используйте и храните прибор при температурах от 0°C до 40°C.
19. Если резервуар для воды заполнен, не наклоняйте прибор.
20. Не кладите тяжелые предметы на прибор.
21. Не допускайте попадания на прибор прямых солнечных лучей. Это может привести к его обесцвечиванию.
22. Категорически запрещено погружать прибор в воду или другие жидкости.
23. Регулярно опорожняйте резервуар для воды. В экстремальных условиях резервуар для воды может быть заполнен после нескольких часов работы.
24. Регулярно очищайте фильтр предварительной очистки: если он загрязнен пылью, очистка и осушение воздуха не будут выполняться надлежащим образом. Потребление энергии увеличится, это может вызвать сбой.
25. Заменяйте фильтр с активированным углем и фильтр True HEPA H13 каждые 3—6 месяцев, Если они загрязнены, очистка и осушение воздуха не будут выполняться надлежащим образом. Потребление энергии увеличится, это может вызвать сбой.
26. В ходе эксплуатации, технического обслуживания и очистки прибора следуйте положениям настоящего руководства.

## Установка

Убедитесь, что прибор размещается на расстоянии не менее 20 см от стен и мебели (см. рисунок ниже).



## Панель управления / Инструкция по эксплуатации



### Питание

Нажмите кнопку «Питание», чтобы включить прибор.  
Чтобы выключить прибор, нажмите кнопку «Питания» повторно.



### MODE

Нажмите кнопку MODE, чтобы выбрать одну из четырех программ:



1. Нормальное осушение (регулируемая скорость вращения вентилятора и уставка влажности) *Значок с названием в приложении: Нормальный*
2. Непрерывное осушение (низкая скорость вентилятора, уставка влажности не регулируется) *Значок с названием в приложении: Непрерывный*
3. Непрерывная очистка воздуха (регулируемая скорость вентилятора, без функции осушения) *Значок с названием в приложении: Очистка воздуха*
4. Сушка одежды (высокая скорость вентилятора, уставки скорости вентилятора и влажности не регулируются) *Значок с названием в приложении: Сушка одежды*



## Кнопка настройки влажности

(Работает только в режиме «Нормальный осушение»)

Позволяет выбрать уровень влажности. Эту кнопку следует нажать несколько раз, перемещая палец, пока не отобразится требуемый уровень влажности (от 30 до 80 % с шагом 5 %). После выбора необходимого уровня влажности перестаньте нажимать кнопку и перемещать палец, чтобы установить нужный уровень влажности. Когда уровень влажности в помещении достигнет заданного, прибор автоматически перейдет в режим ожидания и прекратит осушение и очистку воздуха. Когда фактический уровень влажности в помещении снова превысит заданный, прибор возобновит осушение и очистку воздуха.

## Очистка воздуха

Если требуемый уровень влажности поддерживается постоянно, вы можете переключиться на программу № 3, чтобы использовать прибор для непрерывной очистки воздуха.



## Скорость вращения вентилятора

(Работает только в режимах «Нормальное осушение» и «Непрерывная очистка воздуха»)

Нажмите эту кнопку, чтобы изменить скорость вращения вентилятора. 2 скорости вращения вентилятора обеспечивают индивидуально настраиваемый поток воздуха.



## Ионизация, значок с названием в приложении: *Ион*

Нажмите на эту кнопку, чтобы включить генератор отрицательных ионов с общей производительностью более 3 000 000 отрицательных ионов/см<sup>2</sup>. При помощи создаваемого вентилятором потока воздуха ионы распространяются по всему помещению, нейтрализуя загрязняющие вещества и устраняя запахи. Отрицательные ионы связываются с частицами пыли, микроорганизмами и другими фоновыми частицами в воздухе и соединяют их друг с другом. Таким образом, частицы становятся тяжелее воздуха и оседают вниз, их становится невозможно вдохнуть.

Отрицательные ионы насыщают воздух в лесах, горах и у моря, делая его свежим и полезным для здоровья.



## Таймер

Нажмите эту кнопку, чтобы задать время от 0 до 24 часов. С каждым нажатием кнопки время увеличивается на один час. Во время работы прибора таймер показывает время до выключения. В режиме ожидания таймер устанавливается для включения прибора через заданное время.



## Сон

Эта кнопка переводит прибор в режим сна. Примерно через 3 секунды дисплей отключится. Чтобы вернуться к предыдущим настройкам, кратковременно нажмите эту кнопку два раза.



## Индикатор заполнения резервуара для воды

При заполнении резервуара для воды прибор автоматически прекращает работу. В этом случае активируется индикатор заполнения резервуара для воды. Опорожните резервуар для воды и установите его в корпус прибора. Индикатор заполнения погаснет. Прибор возобновит работу автоматически.



## Индикатор размораживания

Испаритель в осушителе может автоматически размораживаться, если он работает при комнатной температуре менее 18 °С. Устройство размораживания в осушителе автоматически запускается и работает в течение некоторого времени (около 5 минут) каждые 25 минут или через большой промежуток времени.

- Во время размораживания функции осушения и очистки воздуха могут не работать.
- Не выключайте питание и не извлекайте вилку питания прибора из розетки во время размораживания.

## Работа с приложением Clean Air Optima<sup>®</sup>

### Возможность подключения

Совместимость со смартфонами и планшетами:  
устройства iPhone, iPad и Android

Приборы, подключающиеся к приложению по Wi-Fi:  
CleanAirOptima



### О приложении Clean Air Optima<sup>®</sup>

#### Настройка соединения Wi-Fi

1. Загрузите и установите приложение CleanAirOptima в App Store или Google Play.
2. Создайте учетную запись и войдите в систему.
3. Вставьте вилку в электророзетку и включите устройство. Индикатор Wi-Fi начнет мигать.
4. Убедитесь, что смартфон или планшет подключен к сети Wi-Fi.
5. Откройте приложение CleanAirOptima и нажмите кнопку Add device . Ваш прибор должен находиться в списке. Если вы не можете выбрать его, нажмите кнопку Auto Scan. Следуйте инструкциям на экране, чтобы подключить прибор к сети.
6. Добавьте прибор Clean Air Optima<sup>®</sup> в приложение, следуя инструкциям.
7. После установки сопряжения прибора индикатор Wi-Fi светится непрерывно.
8. После завершения настройки приложение Clean Air Optima<sup>®</sup> можно использовать для управления прибором.



## Примечания

- В случае изменения сети по умолчанию сбросьте соединение Wi-Fi и выполните шаги 1—9 в разделе «Настройка соединения Wi-Fi».
- Чтобы подключить к смартфону или планшету несколько приборов, описанные действия следует выполнять поочередно для каждого прибора.
- Убедитесь, что прибор находится на расстоянии не более 5 м от смартфона или планшета, а также в отсутствии между ними препятствий. Кроме того, вы должны находиться в той же комнате, что и прибор.

## Сброс настроек Wi-Fi:

- прибор должен быть выключен;
- сбросьте настройки Wi-Fi, нажав кнопку Mode и удерживая ее в течение 5 секунд, при этом индикатор Wi-Fi будет часто мигать.

## Отключение Wi-Fi:

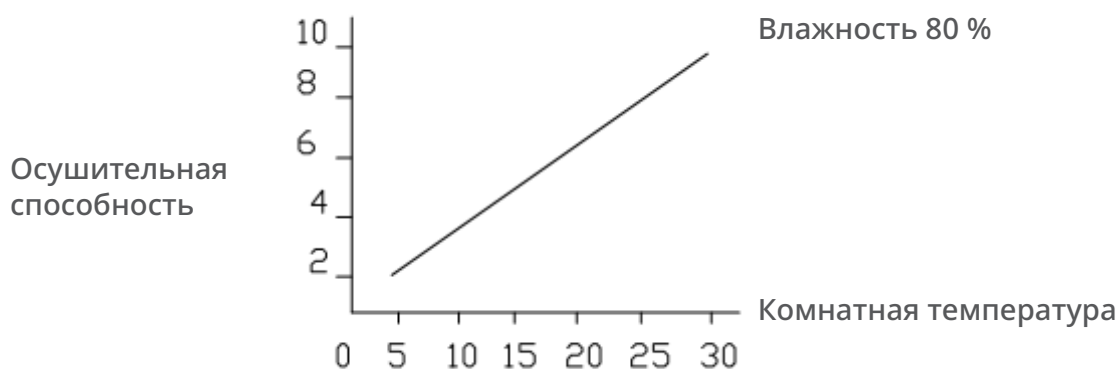
- прибор должен быть выключен;
- сбросьте настройки Wi-Fi, нажав кнопку Mode и удерживая ее в течение 5 секунд, при этом индикатор Wi-Fi будет часто мигать.
- выключите Wi-Fi, нажав кнопку Mode и удерживая ее еще 5 секунд, индикатор Wi-Fi должен погаснуть.

## Повышение температуры в помещении во время работы

Осушитель Clean Air Optima<sup>®</sup> не оснащен функцией охлаждения. Во время работы прибор выделяет тепло и повышает комнатную температуру на 1—4 °C.

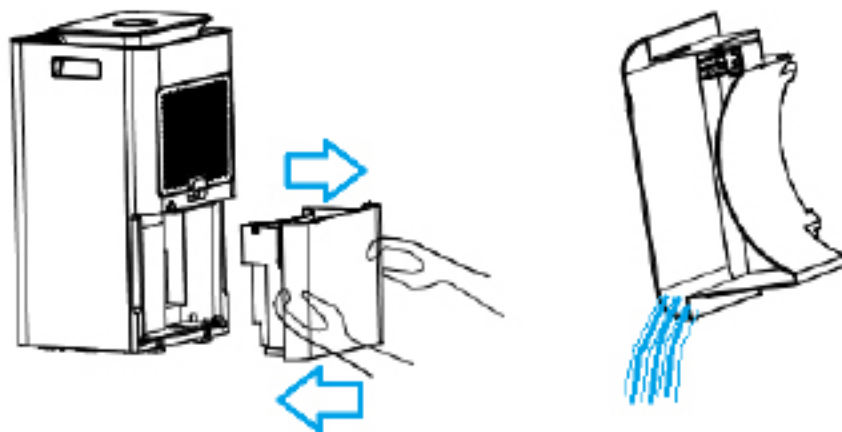
## Осушительная способность

На приведенном ниже рисунке показаны характеристики осушения прибора Clean Air Optima<sup>®</sup>. При различных значениях температуры и относительной влажности характеристики осушения будут различаться.



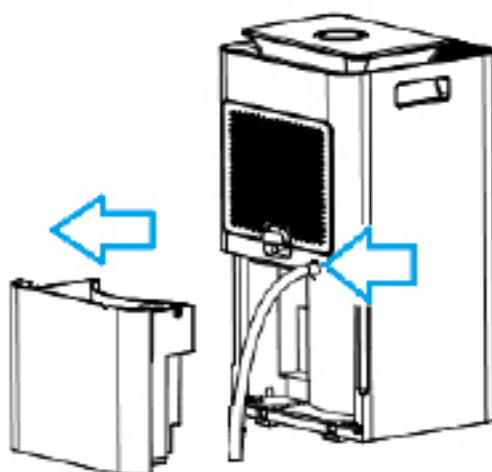
## Слив воды

При заполнении резервуара для воды загорится соответствующий индикатор. Извлеките резервуар и слейте из него воду. Установите резервуар для воды в осушитель в правильном положении (см. рисунок ниже).



## Непрерывный слив

Для непрерывной работы можно использовать входящий в комплект сливной шланг длиной 1,5 метра. Извлеките резервуар для воды и правильно подключите шланг к соответствующему разъему (см. рисунок ниже).



## Техническое обслуживание

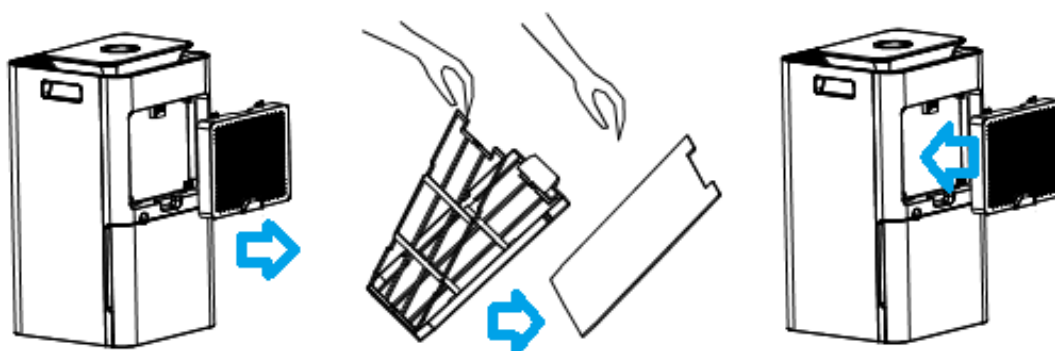
### Очистка корпуса осушителя Clean Air Optima<sup>®</sup>

1. Выключите устройство и выньте вилку из розетки.
2. Очистите прибор мягкой и влажной тканью. Не используйте химические растворители (например, бензол, спирт или бензин).
3. Убедитесь, что в прибор **не попадает вода**, не брызгайте на него водой.

## Замена фильтров

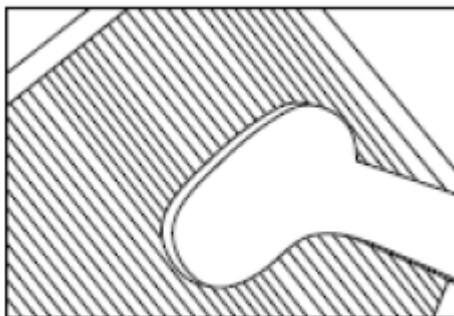
В зависимости от характера использования **фильтр с активированным углем** и **фильтр True HEPA H13** имеют срок службы около 3—6 месяцев. **Фильтр предварительной очистки** и **УФ-лампа** не нуждаются в замене.

Извлеките фильтры из отсека рамки фильтров. После замены или очистки фильтров установите их обратно в отсек рамки фильтров и вставьте в прибор (см. рисунок ниже).



## Очистка фильтра

Оптимальный срок службы фильтров достигается, если очищать их ежемесячно. Если воздух в помещении очень загрязнен, рекомендуется чистить фильтры чаще, примерно раз в две недели.



Аккуратно очистите **фильтр предварительной очистки**, **фильтр с активированным углем** и **фильтр True HEPA H13** щеткой или пылесосом. Так из фильтров можно удалить большие частицы пыли, волосы и перхоть домашних животных.

## **Предупреждение!**

Будьте осторожны, чтобы не повредить фильтры, на них не должны образовываться трещины. Поврежденные фильтры необходимо заменить.

Никогда не смачивайте и не промывайте фильтры с активированным углем и True HEPA H13 водой. Фильтры, промытые водой, необходимо заменить.

**Признаки использованных фильтров с активированным углем и True HEPA H13,** подлежащих замене: повышенный уровень шума, ослабленный поток воздуха, засоренные фильтры, повышенное присутствие запахов. Фильтр True HEPA H13 необходимо заменить, если его цвет изменился с белого на серый или черный. Если фильтр True HEPA H13 остается белым, заменять его не нужно.

## **Как заказывать фильтры:**

Свяжитесь со **службой поддержки клиентов компании Clean Air Optima<sup>®</sup>** по телефону + 31 (0) 742670145 или посетите наш интернет-магазин: <https://www.cleanairoptima.com/accessoires/mg/44/>

## **Хранение осушителя Clean Air Optima<sup>®</sup>**

Если осушитель не будет использоваться в течение длительного периода времени:

1. Полностью слейте воду из резервуара и убедитесь, что в нем больше нет воды.
2. Отключите прибор от источника питания и сложите кабель питания.
3. Извлеките и очистите фильтры. После очистки установите фильтры обратно в прибор.
4. Храните осушитель в сухом прохладном месте, не допуская воздействия прямых солнечных лучей, экстремальных температур и пыли.

## Диагностика и устранение неисправностей

В таблице ниже приводятся указания по диагностике и устранению неисправностей, которые помогут решить возможные проблемы при эксплуатации осушителя Clean Air Optima® CA-704 Smart / CA-707 Smart.

Проблема	Возможная причина	Решение
Прибор не включается	Кабель питания подключен неправильно	Правильно соедините штекер и разъем питания
Недостаточная эффективность осушения	Резервуар для воды заполнен или установлен неправильно.	Опорожните резервуар для воды и установите его в правильном положении.
	Фильтры забиты пылью	Очистите или замените фильтры
	Воздухозаборник и выпускное отверстие заблокированы	Очистите воздухозаборник и выпускное отверстие
	Заданная влажность выше фактической влажности окружающей среды	Установите влажность как минимум на 5% ниже, чем влажность окружающей среды
	Осушитель работает в <b>режиме непрерывной очистки воздуха</b>	Измените режим работы
Шум	Прибор установлен под наклоном	Установите прибор вертикально
	Фильтры заблокированы	Очистите или замените фильтры
Во время точечного осушения прекращается работа	Комнатная температура превышает допустимую	Осушение начнется автоматически после понижения температуры
Постиранная одежда не высушивается	Низкая температура в помещении	Постиранную одежду сложно высушить в условиях низкой температуры
<b>Управление через приложение Clean Air Optima® не работает</b>	Смартфон или планшет не подключен к сети Wi-Fi Прибор не подключен к сети	Выключите прибор и сбросьте настройки Wi-Fi, нажав кнопку Mode и удерживая ее в течение 5 секунд, при этом индикатор Wi-Fi будет часто мигать. Затем выполните шаги 4—8 из раздела <b>Работа с приложением Clean Air Optima®</b>

## ОСТОРОЖНО!

Если описанные выше меры не помогли устранить проблему, обратитесь в службу технической поддержки Clean Air Optima<sup>®</sup> по номеру телефона, указанного для вашего региона. Не пытайтесь разбирать, ремонтировать и снова собирать прибор. Это приведет к аннулированию гарантии.

## Технические характеристики прибора CA-704 Smart

Модель	CA-704 Smart
Подходит для помещений до:	40 м <sup>2</sup> / 100 м <sup>3</sup> / 430 футов <sup>2</sup>
Номинальное напряжение	220 В - 240 В, 50 Гц
Номинальная мощность	200 Вт
Мощность вентилятора	120 м <sup>3</sup> /ч
Осушительная способность	10 л в день при 30 °С и относительной влажности 80 %
Диапазон рабочих температур	5—32 °С
Объем резервуара для воды	3 л
Средства очистки воздуха:	фильтр предварительной очистки, фильтр с активированным углем, фильтр True HEPA H13, УФ-лампа, ионизатор
Фильтрующая способность фильтра	99,97 %, степень стерилизации 99,9 %
Отрицательный ион	Более 3 000 000 ионов/см <sup>2</sup>
Уровень шума	Тихий вентилятор < 30 дБ(А) (низкий) / 42 дБ(А) (высокий)
Сливной шланг	1,5 м
Размеры	250 x 250 x 480 мм
Масса	9,5 кг
Цвет	Белый/черный
Хладагент	R290 / 30 г
Соответствует нормам ЕС	CE / WEEE / RoHS

## Технические характеристики прибора CA-707 Smart

Модель	CA-707 Smart
Подходит для помещений до:	70 м <sup>2</sup> / 175 м <sup>3</sup> / 750 футов <sup>2</sup>
Номинальное напряжение	220 В - 240 В, 50 Гц
Номинальная мощность	320 Вт
Мощность вентилятора	195 м <sup>3</sup> /ч
Осушительная способность	20 л в день при 30 °С и относительной влажности 80 %
Диапазон рабочих температур	5—32 °С
Объем резервуара для воды	4 л
Средства очистки воздуха:	фильтр предварительной очистки, фильтр с активированным углем, фильтр True HEPA H13, УФ-лампа, ионизатор
Фильтрующая способность фильтра	99,97 %, степень стерилизации 99,9 %
Отрицательный ион	Более 3 000 000 ионов/см <sup>2</sup>
Уровень шума	Тихий вентилятор < 30 дБ(А) (низкий) / 48 дБ(А) (высокий)
Сливной шланг	1,5 м
Размеры	260 x 260 x 618 мм
Масса	13,5 кг
Цвет	Белый/черный
Хладагент	R290 / 60 г
Соответствует нормам ЕС	CE / WEEE / RoHS



Запросите у вашего продавца или представителя местного органа управления обновленную информацию по утилизации упаковки и прибора.



**R290**

**Опасно!**

Природный хладагент — пропан (R290)!

## Техническое обслуживание

### Гарантийный талон осушителя Clean Air Optima<sup>®</sup> CA-704 Smart / CA-707 Smart.

Дата покупки: .....  
Ф.И.О. клиента: .....  
Адрес: .....  
Телефон: .....  
Эл. почта: .....  
Наименование продавца: .....  
Адрес: .....

1. Заполните настоящий Гарантийный талон. Отправьте его вместе со счетом-фактурой и прибором в оригинальной упаковке своему дистрибьютору по почте, предварительно оплатив почтовые расходы. Укажите соответствующую стоимость возврата посылки.
2. Приведите краткое описание повреждения, дефекта или неисправности, а также обстоятельства, при которых возникли эти проблемы.

Перед поступлением на рынок осушители **Clean Air Optima<sup>®</sup> CA-704 Smart / CA-707 Smart** проходят строгие заводские испытания. Если в течение двух лет с даты покупки продукт не работает в соответствии с техническими характеристиками из-за заводских дефектов, покупатель имеет право на бесплатный ремонт или замену деталей после представления настоящей гарантии (при условии, что неисправность или повреждение устройства и/или деталей произошли при нормальных рабочих условиях). Что покрывается гарантией: Все детали с дефектами материалов и изготовления. Срок гарантии: два года со дня покупки. Что будет сделано: Ремонт или замена неисправных деталей.

#### Другие условия

Положения настоящей гарантии заменяются любой другой письменной гарантией, выраженной или подразумеваемой, письменной или устной, включая любую гарантию товарной пригодности или пригодности для определенной цели. Максимальная ответственность производителя не должна превышать фактическую стоимость покупки, оплаченную за данное изделие. Ни при каких обстоятельствах производитель не несет ответственности за особые, случайные, последующие или косвенные убытки. Настоящая гарантия не распространяется на дефект, возникший в результате неправильного или неразумного использования или технического обслуживания, неправильной сборки, несчастного случая, стихийных бедствий, неправильной упаковки или несанкционированного вмешательства, изменения или модификации, как определено исключительно нами. Настоящая гарантия аннулируется, если этикетка с серийным номером удалена или повреждена.



# Спасибо за внимание!



Поделитесь своим мнением об осушителе воздуха Clean Air Optima® CA-704 Smart / CA-707 Smart на сайте [www.cleanairoptima.com](http://www.cleanairoptima.com)



Чтобы ознакомиться с ответами на часто задаваемые вопросы о приборах CA-704 Smart / CA-707 Smart, перейдите на сайт [www.cleanairoptima.com](http://www.cleanairoptima.com) и найдите прибор CA-704 Smart / CA-707 Smart.



Загрузить руководство по эксплуатации в формате PDF можно на сайте [www.cleanairoptima.com/info/manuals](http://www.cleanairoptima.com/info/manuals)



С анимационными видеороликами о продукте Clean Air Optima® можно ознакомиться на сайте [www.youtube.com](http://www.youtube.com)

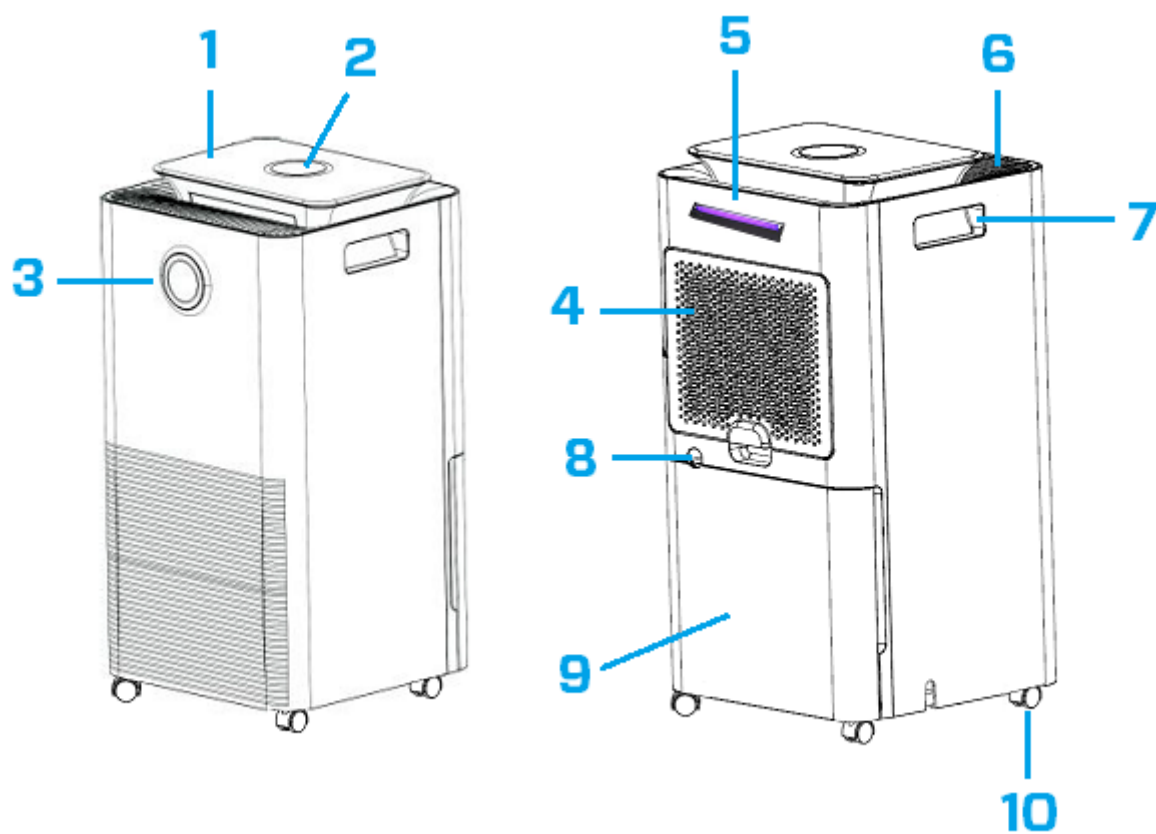
Clean Air Optima International B.V. | David Ricardostraat 9-7 / 9-9 | 7559 SH Хенгело (Оверэйссел)  
Нидерланды | Телефон: +31 (0) 74 - 2670145

Clean Air Optima Germany GmbH | Enschedestraße 14 | 48529 Нордхорн | Германия  
Телефон: +49 (0) 5921 879-121

Эл. почта: [info@cleanairoptima.com](mailto:info@cleanairoptima.com)

Веб-сайт: [www.cleanairoptima.com](http://www.cleanairoptima.com)

## Главна единица CA-704 Smart / CA-707 Smart



## Македонски

### **Ви благодариме што го купивте Clean Air Optima® 2in1: Одвлажнувач и прочистувач на воздух CA-704 Smart / CA-707 Smart.**

Ви посакуваме многу години на здрав воздух во вашите простории со овој ефикасен и ефективен производ. За да функционира правилно овој електричен апарат, погрижете се да ги следите сите безбедносни мерки на претпазливост додека го користите. Упатствата опишуваат безбедносни мерки на претпазливост кои треба да ги почитувате додека работи уредот. Наменети се да помогнат да спречите повреди и да избегнете оштетување на уредот.

### **Опис**

Уредов Clean Air Optima® се состои од следниве главни компоненти:

1. Контролен панел
2. Дигиталниот приказ укажува на релативна влажност во %, Wi-Fi и поставките за функции
3. LED мониторот во боја покажува релативна влажност во сина (под 53 %), зелена (помеѓу 53 % - 68 %) и црвена боја (над 68 %)
4. Преградата за влез на воздух и рамката за филтер вклучуваат:  
Пред-филтер, филтер со активен јаглерод, филтер True HEPA H13
5. Позиција на UV-C светилка
6. Излез на воздух и позиција на јонизаторот
7. Рачка
8. Вклучено е постојано празнење (одвод на вода, поврзување со црево)  
со црево за одвод од 1,5 метри
9. Резервоар за вода
10. Тркалца

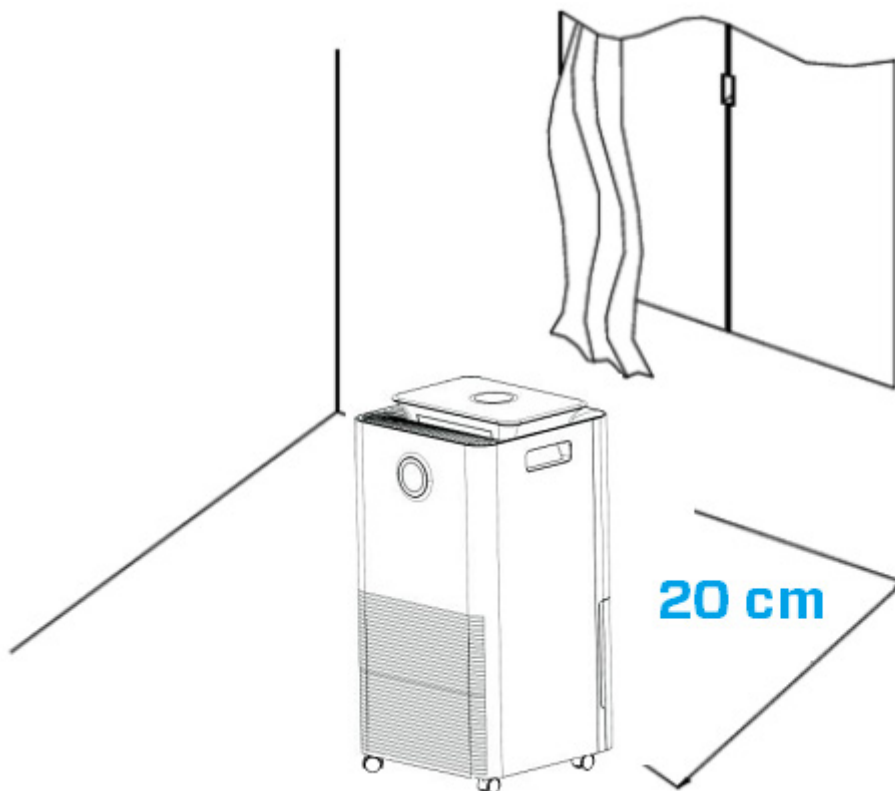
## Безбедносни предупредувања

Уредот може да се користи само во согласност со овие упатства за безбедност. Следете ги следните чекори за да го намалите ризикот од повреда предизвикана, на пример, од електричен удар или пожар.

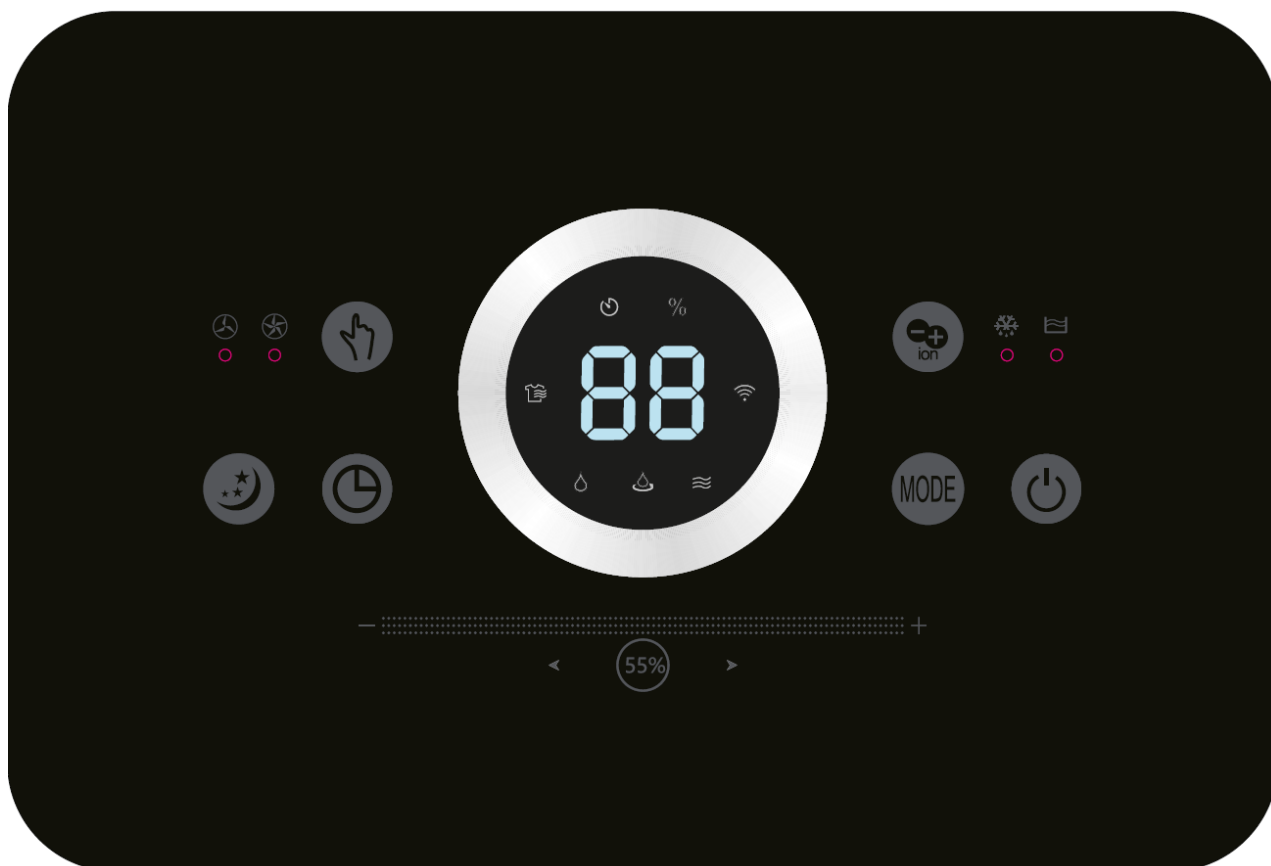
1. Оставете го уредот да отстои најмалку два часа пред употребата, особено по транспорт.
2. Само за затворен простор. Не користете или чувајте на отворено.
3. Соодветен напон за употреба: AC 220 V – 240 V, 50/60 Hz.
4. Овозможете слободен простор од мин. 20 cm околу влезот и излезот на воздух на уредот.
5. Уредот не е наменет за користење од страна на деца или лица со намалени физички, сензорни или ментални способности, освен ако се надгледувани од страна на лицето кое е одговорно за нивната безбедност.
6. Не користете го уредот кога има видливо оштетување на електричниот кабел или на самиот уред. Не поправајте го уредот сами ако се оштети. Никогаш не влечете го уредот за кабелот. Ако кабелот за напојување е оштетен, тогаш мора да го замени овластен сервисер за да спречите електричен удар или пожар.
7. Поправки може да врши само личен овластен сервис. Не обидувајте се сами да го поправите уредот за да спречите електричен шок или пожар.
8. Не допирајте ги кабелот и приклучокот за напојување со влажни раце.
9. Секогаш исклучувајте го уредот пред да го исклучите приклучокот.
10. Никогаш не обидувајте се да го исклучите уредот со исклучување на приклучокот.
11. Извлечете го приклучокот од струја кога не го користите уредот или кога ги чистите неговите внатрешни или надворешни делови.
12. За безбедно користење, ставете го уредот во стабилна, хоризонтална положба. Не поместувајте го додека го користите.
13. Средство за ладење: R290. Средството за ладење е во согласност со европските регулативи за животна средина. Ниту еден дел од кругот на ладење не смее да биде перфориран.
14. Не користете го уредот во простории каде што се чуваат запаливи течности или гасови или блиску до извори на топлина, како радијатор, камин или уреди за генерирање топлина, како керамички греалки.
15. Никогаш не вметнувајте предмети во телото за да избегнете дефект.
16. Никогаш не покривајте ја решетката за влез и излез на воздух.
17. Никогаш не вадете ги или не заменувајте ги внатрешните делови на уредот.
18. Не чувајте го и не користете го уредот на температура под 0°C или над 40°C.
19. Не навалувајте го уредот на ниту една страна додека е полн резервоарот за вода.
20. Не ставајте тешки предмети врз уредот.
21. Избегнувајте места со директна сончева светлина. Постои ризик дека ќе избледи бојата на уредот.
22. Никогаш не потопувајте го уредот во вода или други течности.
23. Редовно празнете го резервоарот за вода. Во екстремни услови, резервоарот за вода може да се наполни по неколку часа работење.
24. Редовно чистете го пред-филтерот ако е наполнет со прашина, инаку ефектот на прочистување и одвлажнување ќе биде слаб. Потрошувачката на енергија ќе се зголеми и може да предизвика дефект.
25. Менувајте ги филтерот со активен јаглерод и филтерот True HEPA H13 на секои 3 – 6 месеци ако филтерот со активен јаглерод и филтерот True HEPA H13 се извалкани, инаку ефект на прочистување и одвлажнување ќе биде слаб. Потрошувачката на енергија ќе се зголеми и може да предизвика дефект.
26. Користете го, одржувајте го и чистете го уредот како што е опишано во овој прирачник.

## Инсталација

Проверете дали уредот е на растојание од 20 cm од ѕидовите и мебелот, видете ја илустрацијата подолу.



## Контролен панел/упатства за користење



### Напојување

Притиснете го копчето Power за да го активирате уредот.  
Со повторно притискање на копчето Power, уредот се исклучува.



### MODE

Притиснете го копчето MODE за да изберете една од четирите посакувани програми:



1. Нормално одвлажнување (прилагодлива брзина на вентилаторот и поставка за влажноста) *Икона со име во апликација: Нормално*
2. Континуирано одвлажнување (мала брзина на вентилаторот, поставката за влажноста не може да се прилагоди) *Икона со име во апликација: Континуирано*
3. Континуирано прочистување на воздухот (прилагодлива брзина на вентилаторот, без функција за одвлажнување) *Икона со име во апликација: Прочистување воздух*
4. Режим на сува облека (голема брзина на вентилаторот, брзината на вентилаторот и поставката за влажноста не може да се прилагодат) *Икона со име во апликација: Суви алишта*



## Лизгачко копче за поставување на влажноста

(Само за програма MODE: Нормално одвлажнување)

Со притискање на лизгачкото копче за поставување на влажноста, може да го изберете саканото ниво на влажност со повеќекратно притискање додека не се прикаже потребното ниво на влажност (од 30 % до 80 % во чекори од по 5 %). Откако ќе го изберете саканото ниво на влажност, едноставно запрете со притискање и лизгање на копчето и ќе се постави нивото на влажност. Кога влажноста во просторијата ќе го достигне поставеното ниво на влажност, уредот ќе премине во автоматска состојба на мирување и ќе престане да го одвлажнува и да го прочистува воздухот. Кога вистинското ниво на влажност во просторијата повторно ќе се зголеми над вашето поставено ниво на влажност, уредот повторно ќе почне да го одвлажнува и да го прочистува воздухот.

## Прочистување на воздухот

Ако посакуваното ниво на влажност е достигнато и остане постојано, може да се префрлите на програмата 3 за да го користите уредот за континуирано прочистување на воздухот.



## Брзина на вентилаторот

(Само за програма MODE: Нормално одвлажнување и континуирано прочистување на воздухот)

Со притискање на копчето за брзина на вентилаторот, можете да го промените нивото на брзина на вентилаторот. Овозможен поединечен проток на воздух со помош на 2 брзини на вентилаторот.



## Негативни јони, икона со име во апликација: Јони

Со притискање на копчето за негативни јони ќе се активира генераторот на негативни јони со вкупен капацитет од > 3.000.000 негативни јони/cm<sup>2</sup> коишто се шират со протокот на воздух низ целата просторија и со тоа се неутрализираат загадувачите и мирисите. Негативните јони се прикачуваат за честичките прав, микроорганизмите и другите непосакувани честички во воздухот и ги спојуваат едни со други. На тој начин, честичките стануваат потешки од воздухот и паѓаат на подот, така што повеќе не можете да ги вдишувате.

Негативните јони најмногу се наоѓаат во шумите, планините и покрај море. Негативните јони гарантираат свеж и здрав воздух.



## Тајмер

Притиснете го копчето Timer за да одредите време на работа од 0 до 24 часа. Со едно притискање на копчето, тајмерот се зголемува за еден час. Кога уредот работи, наместениот тајмер покажува кога уредот ќе се исклучи. Ако уредот е во режим на подготвеност, тајмерот што е поставен кажува кога уредот да се вклучи.



## Мирување

Притиснете го копчето Sleep и ќе се активира режимот за спиење, а дисплејот ќе се исклучи по околу 3 секунди. Притиснете го копчето за мирување 2x брзо за повторно да се префрлите во поставките.



## Индикаторска сијаличка за полн резервоар за вода

Кога резервоарот за вода е полн, уредот автоматски ќе престане да работи. Индикаторската сијаличка за полн резервоар за вода се вклучува. Испразнете го резервоарот за вода и вратете го во уредот, а индикаторската сијаличка за полн резервоар за вода ќе се исклучи. Уредот автоматски ќе се вклучи повторно.



## Индикаторска сијаличка за одмрзнување

Испарувачот во одвлажнувачот може автоматски да се одмрзне ако работи во температура на собата пониска од 18 °C. Уредот за одмрзнување во одвлажнувачот може да стартува и да работи некое време (околу 5 минути) автоматски на секои 25 минути, па дури и подолго.

- За време на одмрзнувањето, функцијата за одвлажнување и функцијата за прочистување на воздухот може да се прекинат.
- Не исклучувајте го напојувањето и не го вадете приклучокот за напојување на уредот за време на одмрзнувањето.

## Работа со апликацијата Clean Air Optima<sup>®</sup>

### Поврзување

Компатибилност со паметен телефон и таблет:  
iPhone, iPad и Android уреди

Уредот се поврзува преку Wi-Fi со апликација:  
CleanAirOptima



### За апликацијата Clean Air Optima<sup>®</sup>

#### Поставете Wi-Fi врска

1. Преземете ја и инсталирајте ја апликацијата „CleanAirOptima“ во App Store или Google Play Store.
2. Создајте сметка и најавете се.
3. Приклучете го апаратот во штекер и вклучете го. Индикаторот за Wi-Fi ќе трепка.
4. Проверете дали вашиот паметен телефон или таблет е успешно поврзан со вашата Wi-Fi мрежа.
5. Отворете ја апликацијата „CleanAirOptima“ и кликнете на „Add device“ (Додај уред) . Вашиот уред е наведен и може да го изберете. Ако не е, изберете „Auto Scan“ (Автоматско скенирање). Следете ги инструкциите на екранот за да го поврзете уредот со вашата мрежа.
6. Додајте го уредот Clean Air Optima<sup>®</sup> во апликацијата и следете ги упатствата во апликацијата.
7. Кога уредот е спарен, индикаторот за Wi-Fi останува вклучен постојано.
8. Откако конфигурацијата ќе биде успешна, може да ја користите апликацијата Clean Air Optima<sup>®</sup> за да управувате со уредот.



## Забелешка:

- Ако ја промените стандардната мрежа, ресетирајте ја Wi-Fi врската, следете го чекорот 1 до 9 во делот „Set up WiFi connection“ (Постави Wi-Fi врска).
- Ако сакате да спарите повеќе уреди со вашиот паметен телефон или таблет, мора да го направите ова едно по друго.
- Осигурајте се дека растојанието помеѓу вашиот паметен телефон или таблет и уредот е помало од 5 метри и дека нема пречки. Исто така, погрижете се да бидете во иста просторија со уредот.

## Ресетирајте ја функцијата Wi-Fi:

- Уредот мора да е исклучен.
- Ресетирајте ја Wi-Fi врската со притискање на копчето „Mode“ 5 секунди и индикаторската сијаличка за Wi-Fi ќе трепка брзо.

## Исклучете ја функцијата Wi-Fi:

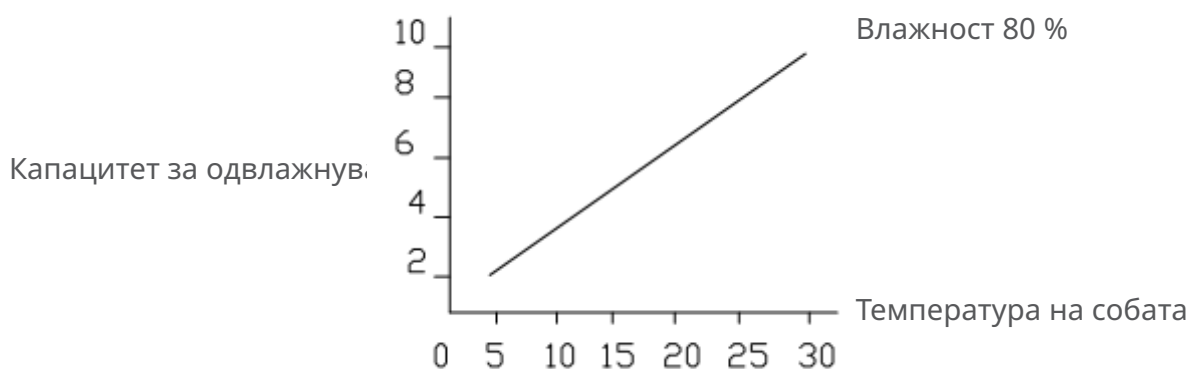
- Уредот мора да е исклучен.
- Ресетирајте ја Wi-Fi врската со притискање на копчето „Mode“ 5 секунди и индикаторската сијаличка за Wi-Fi ќе трепка брзо.
- Исклучете ја функцијата Wi-Fi со притискање на копчето „Mode“ уште 5 секунди и индикаторската сијаличка за Wi-Fi ќе се исклучи.

## Температурата на собата се зголемува за време на работењето

Одвлажнувачот Clean Air Optima<sup>®</sup> нема функција за ладење. Уредот ќе произведува топлина за време на работата и ќе ја зголеми температурата на собата помеѓу 1 °C и 4 °C.

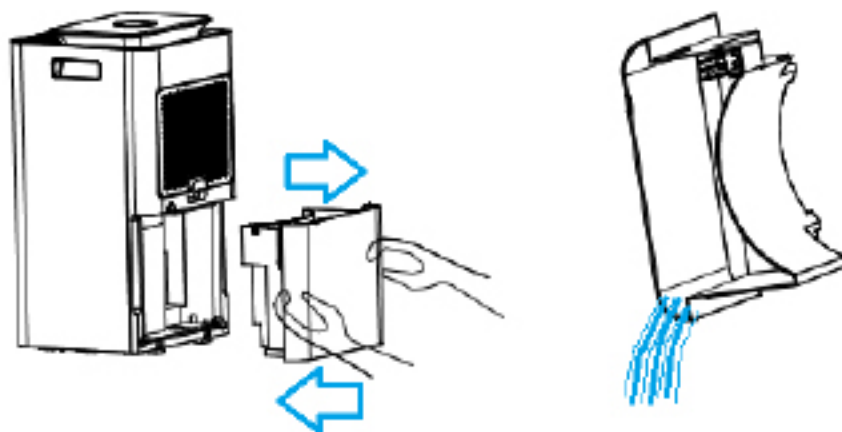
## Капацитет за одвлажнување

Илустрацијата подолу го покажува капацитетот за одвлажнување на одвлажнувачот Clean Air Optima<sup>®</sup>. Со различни температури и релативна влажност, одвлажнувачот може да има различни капацитети за одвлажнување.



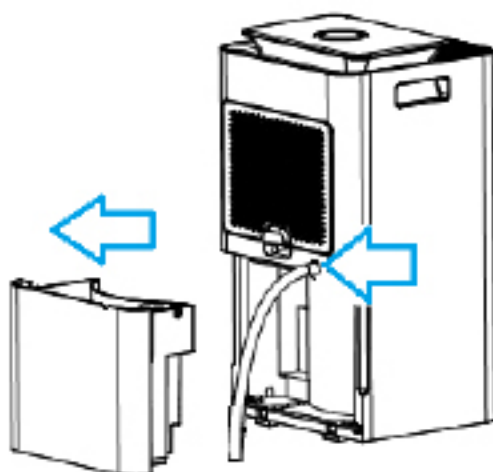
## Празнење вода

Индикаторската сијаличка за полн резервоар за вода ќе светне кога резервоарот ќе се наполни. Извадете го резервоарот за вода и испразнете го. Потоа, правилно вратете го резервоарот за вода во одvlaжнувачот, видете ја илустрацијата долу.



## Постојано празнење

За континуирана работа, може да го користите цреводо за одвод долго 1,5 метри кое е вклучено. Отстранете го резервоарот за вода и правилно поставете го цреводо за одвод за вода, видете ја илустрацијата подолу.



## Одржување

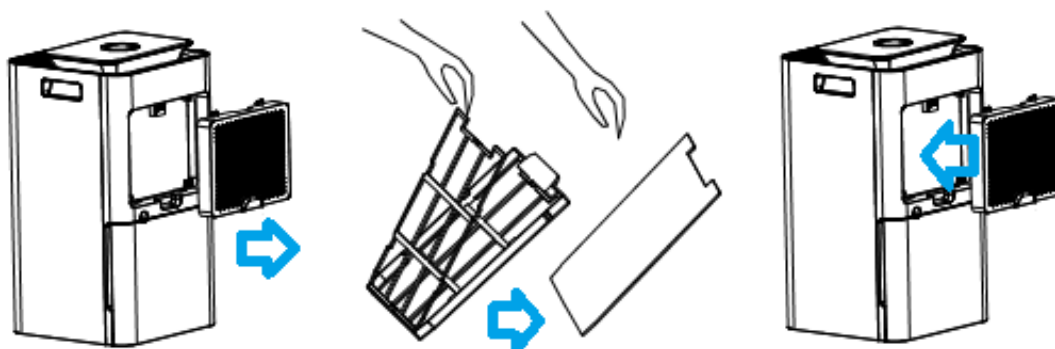
### Чистење на куќиштето на одвлажнувачот Clean Air Optima<sup>®</sup>

1. Исклучете го уредот и извлекете го приклучокот од струја.
2. Користете меко и влажно парче ткаенина за чистење на уредот. Не користете хемиски растворувач, како бензен, алкохол или бензин.
3. Внимавајте да **не навлезе вода** во уредот, не прскајте со вода.

## Замена на филтри

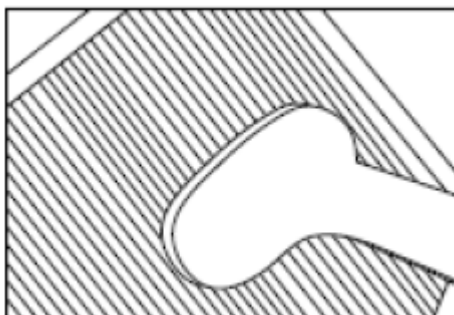
Во зависност од употребата, филтерот со активен јаглен и филтерот True HEPA H13 имаат животен век од приближно 3 до 6 месеци. Пред-филтерот и UV-C светилката се трајни и не се заменуваат.

Извадете ги филтрите од преградата за рамка на филтерот. По замената на филтерот или чистењето на филтерот, повторно инсталирајте ги филтрите во преградата за рамка на филтерот и составете ги назад во уредот, видете ја илустрацијата подолу.



## Чистење филтер

Најдобар ефект за подолг животен век на филтрите се постигнува со чистење на филтрите еднаш месечно. Ако внатрешниот воздух е екстремно загаден, ви советуваме да ги чистите филтрите почесто отколку еднаш на две недели.



Исчистете ги пред-филтерот, филтерот за активен јаглерод и филтерот True HEPA H13 внимателно со четка или правосмукалка. На тој начин може да ги отстраните од филтрите поголемите честички прашина, како влакненцата од ткаенини, косата и првотот од миленичиња.

## Предупредување!

Не оштетувајте ги филтрите, не смее да се напукнати. Оштетените филтри треба да се заменат.

Никогаш не навлажнувајте ги или не плакнете ги филтрите (филтер за активен јаглерод и филтерот HEPA H13) со вода. Филтрите кои се исплакнети со вода треба да се заменат.

**Знаци за искористени филтри кои треба да се заменат**

(само за филтерот со активен јаглерод и филтерот True HEPA H13)

Зголемен звук, намален проток на воздух, затнати филтри, зголемено присуство на мириси. Филтрите треба да се заменат со нови ако филтерот True HEPA H13 ќе ја смени бојата од бела во сива или црна. Ако филтерот True HEPA H13 е бел, НЕМА потреба од замена.

## Како да нарачате филтри:

Контактирајте ја **службата за корисници на Clean Air Optima<sup>®</sup>**, тел. + 31 (0) 742670145 или посетете ја нашата интернет-продавница: <https://www.cleanairoptima.com/accessoires/mg/44/>

## Складирање на одвлажнувачот Clean Air Optima<sup>®</sup>

Ако одвлажнувачот не планирате да го користите подолг временски период:

1. Целосно испразнете го резервоарот за вода и уверете се дека веќе нема вода во резервоарот.
2. Исклучете го уредот и соберете го кабелот за напојување.
3. Извадете ги и исчистете ги филтрите. По чистењето, повторно инсталирајте ги филтрите во уредот.
4. Чувајте го одвлажнувачот на ладна, сува локација, далеку од директна сончева светлина, екстремна температура и прекумерна прашина.

## Справување со проблеми

Следува упатство со чија помош ќе ги решите проблемите околу работата на одвлажнувачот Clean Air Optima® CA-704 Smart / CA-707 Smart.

Проблем	Можна причина	Решение
Уредот не се вклучува	Кабелот за напојување не се поврзува правилно	Правилно ставете го приклучокот на кабелот во штекерот
Неефикасно одвлажнување	Резервоарот за вода е полн или е во неправилна положба	Испразнете го резервоарот за вода и ставете го во правилната положба
	Филтрите се блокирани од прашина	Исчистете ги или заменете ги филтрите
	Блокирани се влезот и излезот за воздухот	Отстранете ја блокадата на влезот и излезот за воздухот
	Влажноста на поставување е повисока од влажноста на средината	Поставете ја влажноста најмалку 5% пониско од влажноста во средината
	Одвлажнувачот е во MODE на <b>континуирано прочистување на воздухот</b>	Направете промена со MODE
Бучава	Уредот е поставен криво	Проверете дали уредот е правилно инсталиран
	Филтрите се блокирани	Исчистете ги или заменете ги филтрите
Работата запира за време на одвлажнувањето на местото	Температурата на собата е повисока од употребливата работна температура	Одвлажнувањето ќе се стартува автоматски кога температурата ќе се намали
Перените алишта не се сушат	Температурата на собата е прениска	Перените алишта тешко се сушат тешко во услови на ниска температура
Работата со апликацијата Clean Air Optima® App не функционира	Паметниот телефон или таблетот не е поврзан со Wi-Fi мрежа	Исклучете го уредот и ресетирајте ја Wi-Fi функцијата на уредот со притискање на копчето Mode 5 секунди и индикаторската сијаличка за Wi-Fi ќе трепка брзо.
	Уредот не е поврзан со мрежата	Потоа следете ги чекорите од 4 до 8 од поглавјето „Работа со апликацијата за Clean Air Optima®“

## ПРЕДУПРЕДУВАЊЕ!

Доколку горепрепорачаните решенија не функционираат, контактирајте ја техничката служба за поддршка на Clean Air Optima<sup>®</sup> на телефонскиот број за вашиот регион. Не обидувајте се да го расклопите, поправите или склопите уредот, затоа што така ќе престане да важи гаранцијата .

## Спецификации за CA-704 Smart

Модел	CA-704 Smart
Погоден за простории до	40 m <sup>2</sup> / 100 m <sup>3</sup> / 430 ft <sup>2</sup>
Номинален напон	220 V - 240 V, 50 Hz
Номинална моќност	200 W
Капацитет на вентилаторот	120 m <sup>3</sup> /ч
Капацитет за одvlaжнување	10 литри на ден на 30 °C и 80 %RH
Опсег на работна температура	5 °C - 32 °C
Резервоар за вода	3 литри
Прочистување на воздухот со:	Пред-филтер, филтер со активен јаглерод, филтер True HEPA H13, UV-C светилка, јонизатор
Перформанси на филтерот	99,97 %, стапка на стерилизација 99,9 %
Негативни јони	>3.000.000 јони/cm <sup>2</sup>
Ниво на звук	Тивок вентилатор < 30 dB(A) ниско / 42 dB(A) високо
Црево за одвод	1,5 метри
Димензии	250 x 250 x 480mm
Тежина	9,5kg
Боја	Бела/црна
Средство за ладење	R290 / 30 g
Во согласност со прописите на ЕУ	CE / WEEE / RoHS

## Спецификации за CA-707 Smart

Модел	CA-707 Smart
Погоден за простории до	70 m <sup>2</sup> / 175 m <sup>3</sup> / 750 ft <sup>2</sup>
Номинален напон	220 V - 240 V, 50 Hz
Номинална моќност	320W
Капацитет на вентилаторот	195 m <sup>3</sup> /ч
Капацитет за одvlaжнување	20 литри на ден на 30 °C и 80 %RH
Опсег на работна температура	5 °C - 32 °C
Резервоар за вода	4 литри
Прочистување на воздухот со:	Пред-филтер, филтер со активен јаглерод, филтер True HEPA H13, UV-C светилка, јонизатор
Перформанси на филтерот	99,97 %, стапка на стерилизација 99,9 %
Негативни јони	>3.000.000 јони/cm <sup>2</sup>
Ниво на звук	Тивок вентилатор < 30 dB(A) ниско / 48 dB(A) високо
Црево за одвод	1,5 метри
Димензии	260 x 260 x 618mm
Тежина	13,5kg
Боја	Бела/црна
Средство за ладење	R290 / 60g
Во согласност со прописите на ЕУ	CE / WEEE / RoHS



Прашајте го продавачот или општината за најнови информации во врска со исфрлањето на амбалажата и на уредот во отпад.



**R290**

Опасност

Природно средство за ладење пропан (R290)!

## Сервис

Гарантен сертификат за одвлажнувачот Clean Air Optima<sup>®</sup>  
CA-704 Smart / CA-707 Smart.

Датум на купување: .....

Име на купувач: .....

Адреса: .....

Телефон: .....

Е-пошта: .....

Име на продавачот: .....

Адреса: .....

1. Пополнете го целосно овој гарантен сертификат. Испратете го до вашиот дистрибутер заедно со фактурата и уредот, платена поштарина и во оригиналната кутија за пакување. Гледајте да ја вклучите цената за поштарина на пакетот.
2. Приложете краток опис на штетата, грешката или дефектот и околностите под кои се појавиле проблемите.

Одвлажнувачот Clean Air Optima<sup>®</sup> CA-704 Smart / CA-707 Smart се изложува на строги тестирања пред да ја напушти фабриката. Ако во рок од две години од денот на купувањето производот не работи според спецификациите поради фабрички дефекти, купувачот има право на бесплатни поправки или замена на делови откако ќе ја приложи оваа гаранција (доколку дефектот или оштетувањето на уредот и/или деловите се случило при нормални услови на работа). Што е опфатено: Сите дефекти во поглед на материјалот и изработката. Колку долго: две години од датумот на купување. Што ќе сториме: Поправка или замена на дефектните делови.

### Други услови

Одредбите од оваа гаранција ги заменуваат кои било други писмени гаранции, без разлика дали тие се изразени или имплицирани, писмени или усни, вклучувајќи и каква било гаранција за продажниот карактер или соодветноста за одредена намена. Максималната одговорност на производителот не треба да ја надминува вистинската куповна цена што купувачот ја платил за производот. Во никој случај производителот не одговара за посебни, случајни, последователни или индиректни штети. Оваа гаранција не покрива дефекти што произлегуваат од несоодветна или неразумна употреба или одржување, погрешно склопување, несреќа, природни катастрофи, несоодветно пакување или неовластено мешање, менување или модификација на деловите, онака како што е определено само од нас. Оваа гаранција е неважечка ако етикетата со сериски број е отстранета или оштетена.



# Ви благодариме за читањето!



Споделете го вашето мислење за Clean Air Optima®  
Одвлажнувач CA-704 Smart / CA-707 Smart на:  
[www.cleanairoptima.com](http://www.cleanairoptima.com)



За најчесто поставуваните прашања за CA-704 Smart / CA-707 Smart  
одете на: [www.cleanairoptima.com](http://www.cleanairoptima.com) и побарајте го моделот CA-704 Smart /  
CA-707 Smart



Преземете ги упатствата за употреба во PDF формат на:  
[www.cleanairoptima.com/info/manuals](http://www.cleanairoptima.com/info/manuals)



Погледнете го целото анимирано  
видео за Clean Air Optima® на:  
[www.youtube.com](http://www.youtube.com)

Clean Air Optima International B.V. | David Ricardostraat 9-7 / 9-9 | 7559 SH Hengelo (ov)  
Холандија | Телефон: +31 (0) 74 - 2670145

Clean Air Optima Germany GmbH | Enschedestraße 14 | 48529 Nordhorn | Германија  
Телефон: +49 (0) 5921 879-121

Е-ошта: [info@cleanairoptima.com](mailto:info@cleanairoptima.com)

Веб-страница: [www.cleanairoptima.com](http://www.cleanairoptima.com)

# A guarantee for healthy indoor air quality!



Designed in Germany

© 2021 Clean Air Optima®, All rights reserved, Made in P.R.C.

More info:  
[www.cleanairoptima.com](http://www.cleanairoptima.com)



Trademarks owned by: Clean Air Optima Germany GmbH,  
Enschedestraße 14, 48529 Nordhorn, Germany