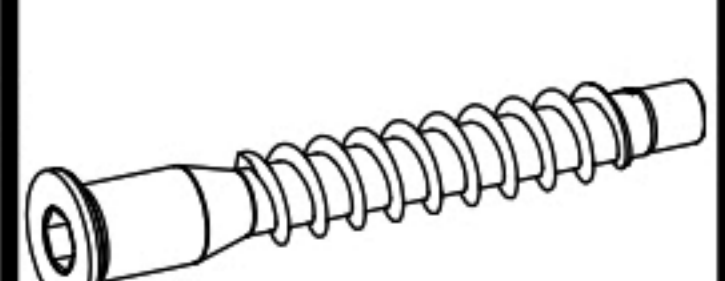
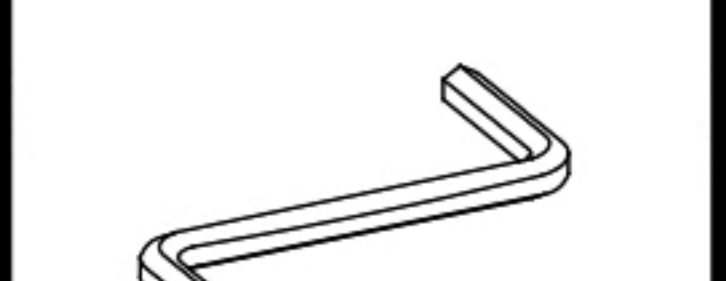
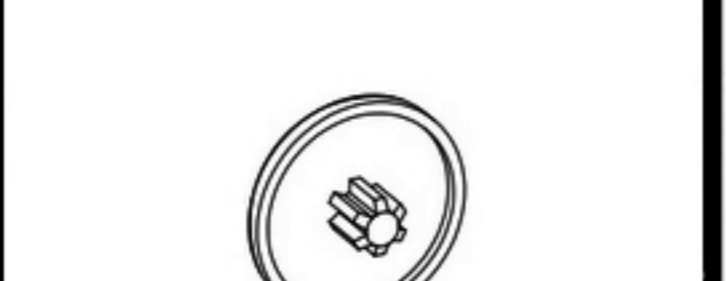
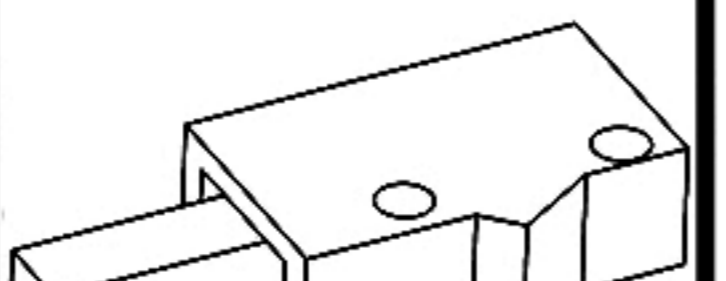

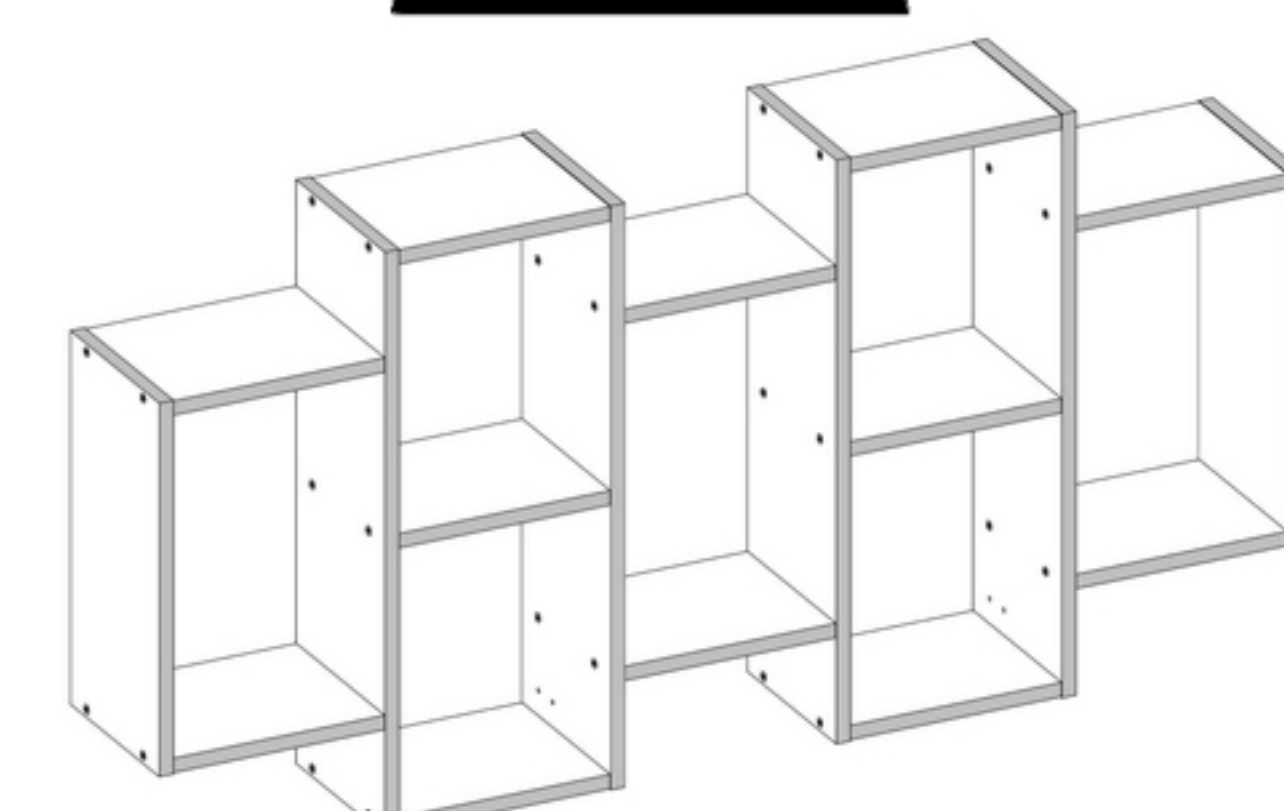
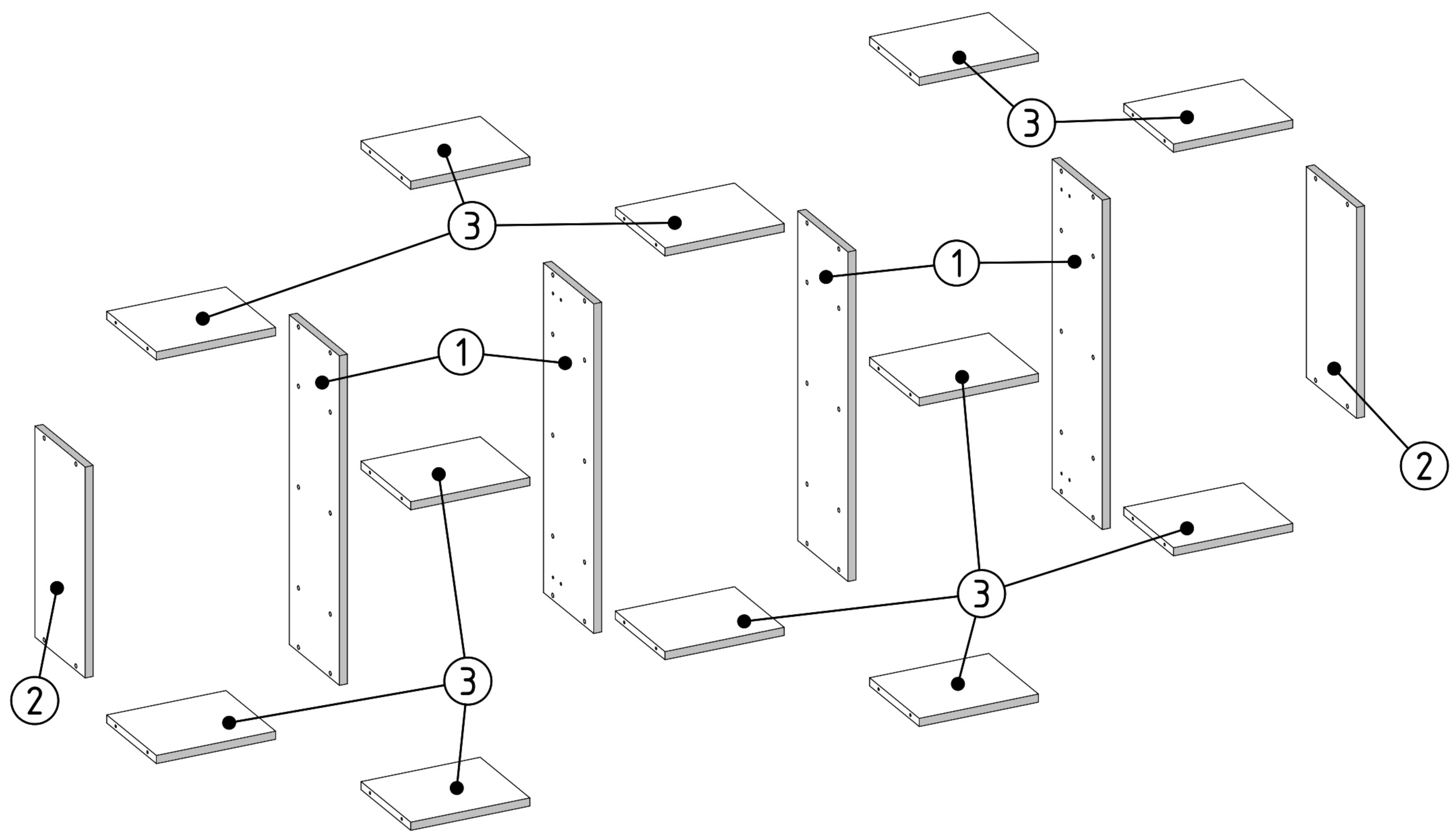
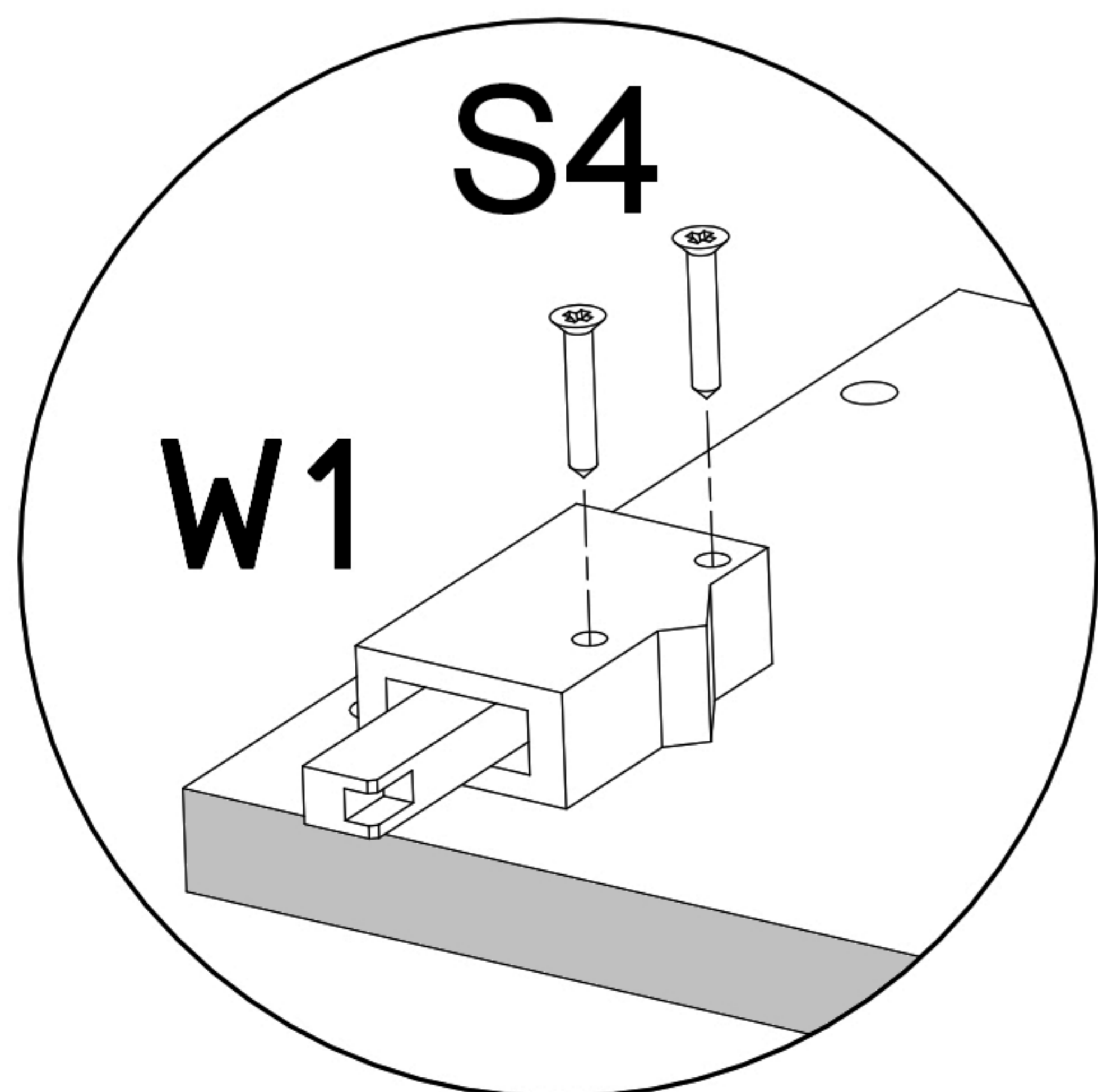
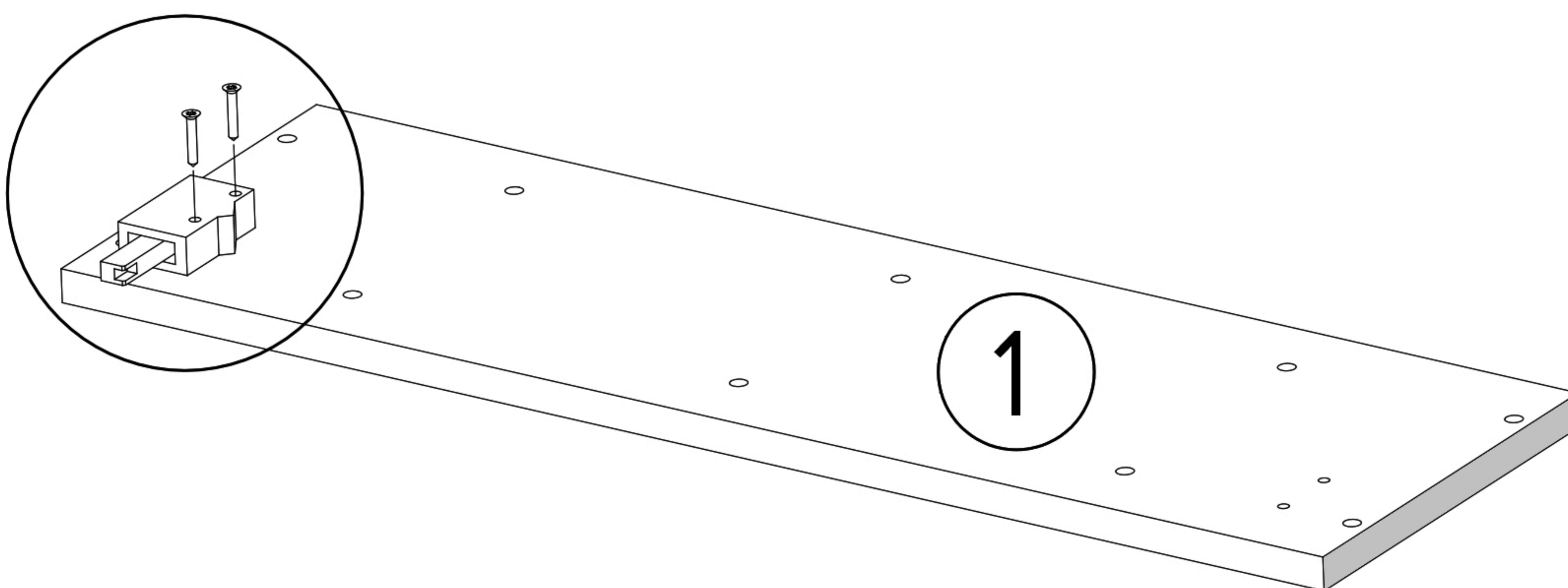
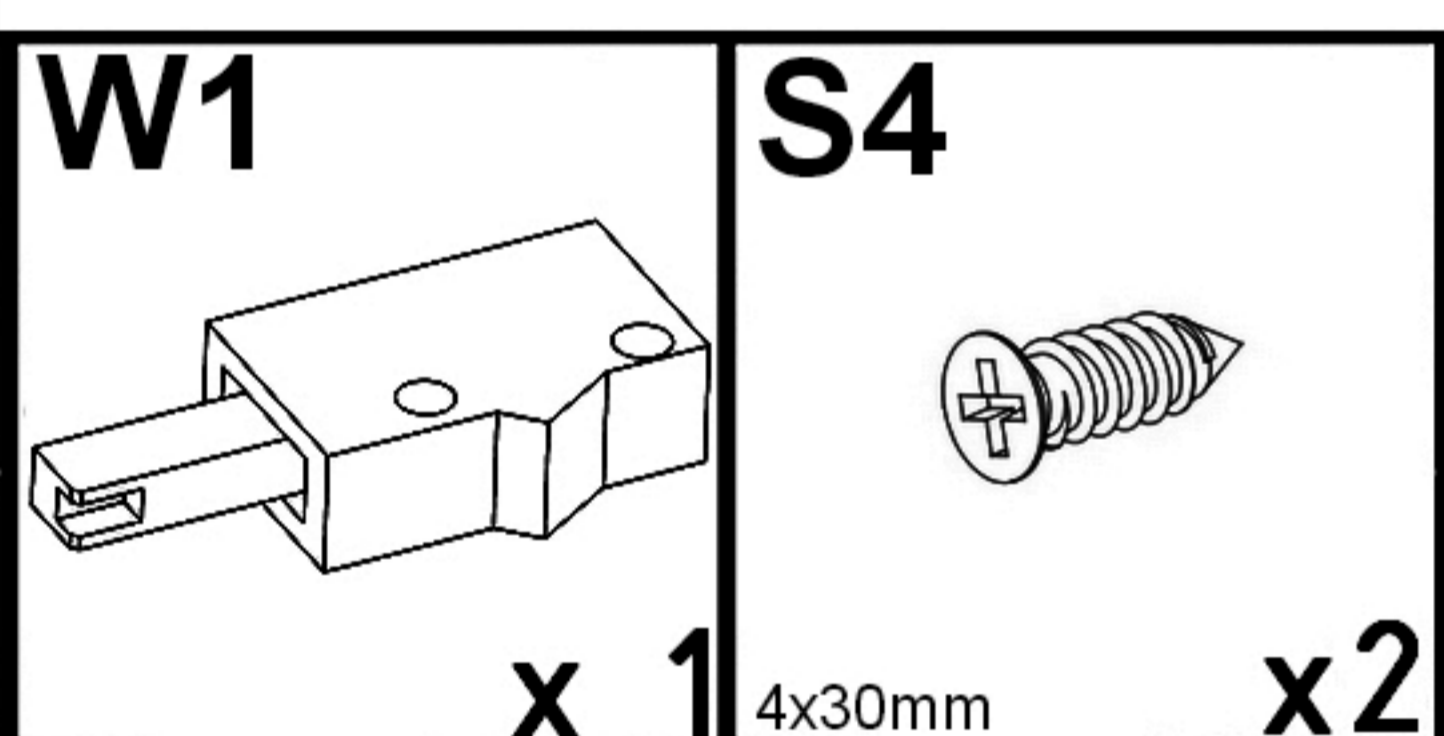
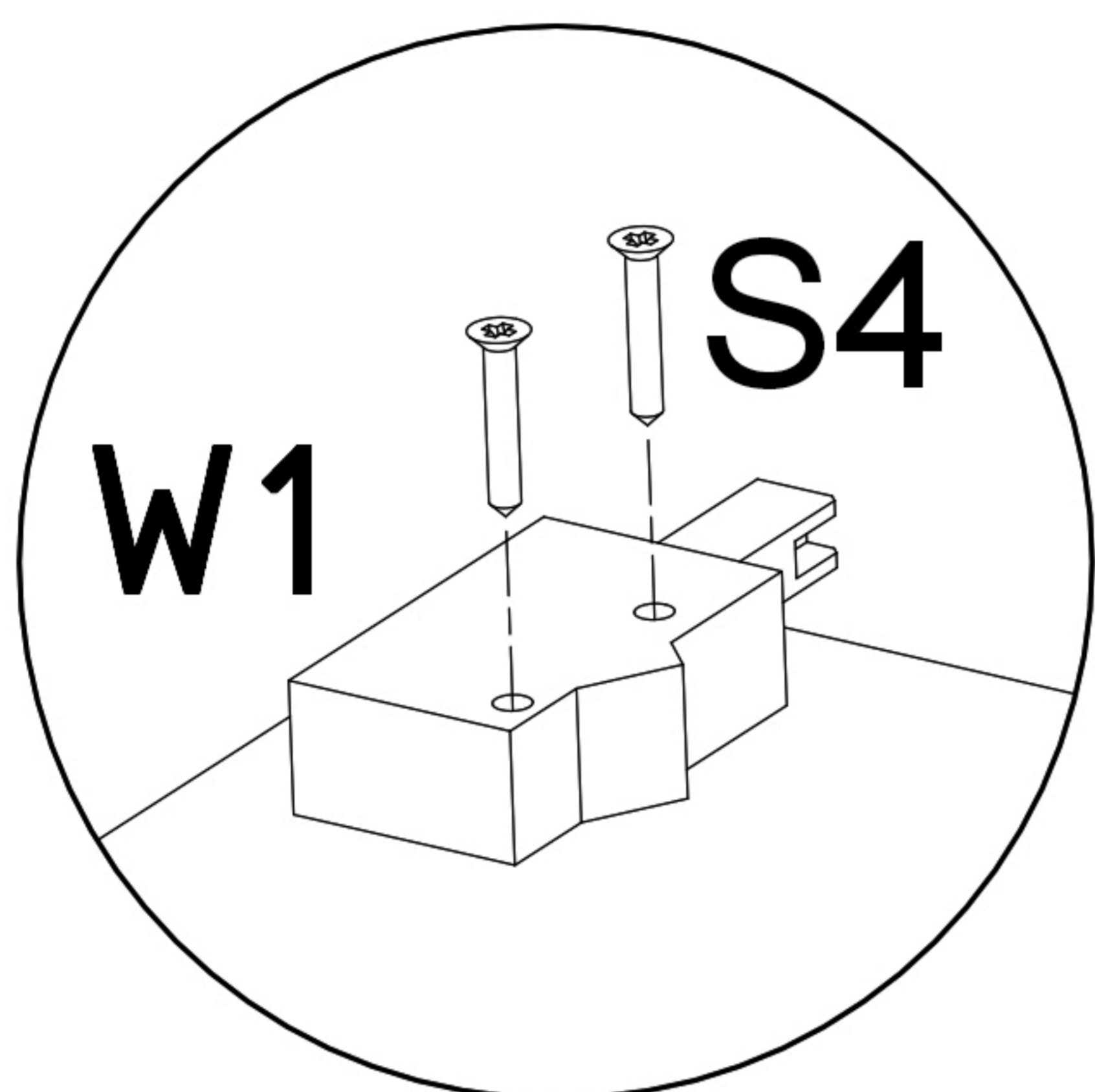
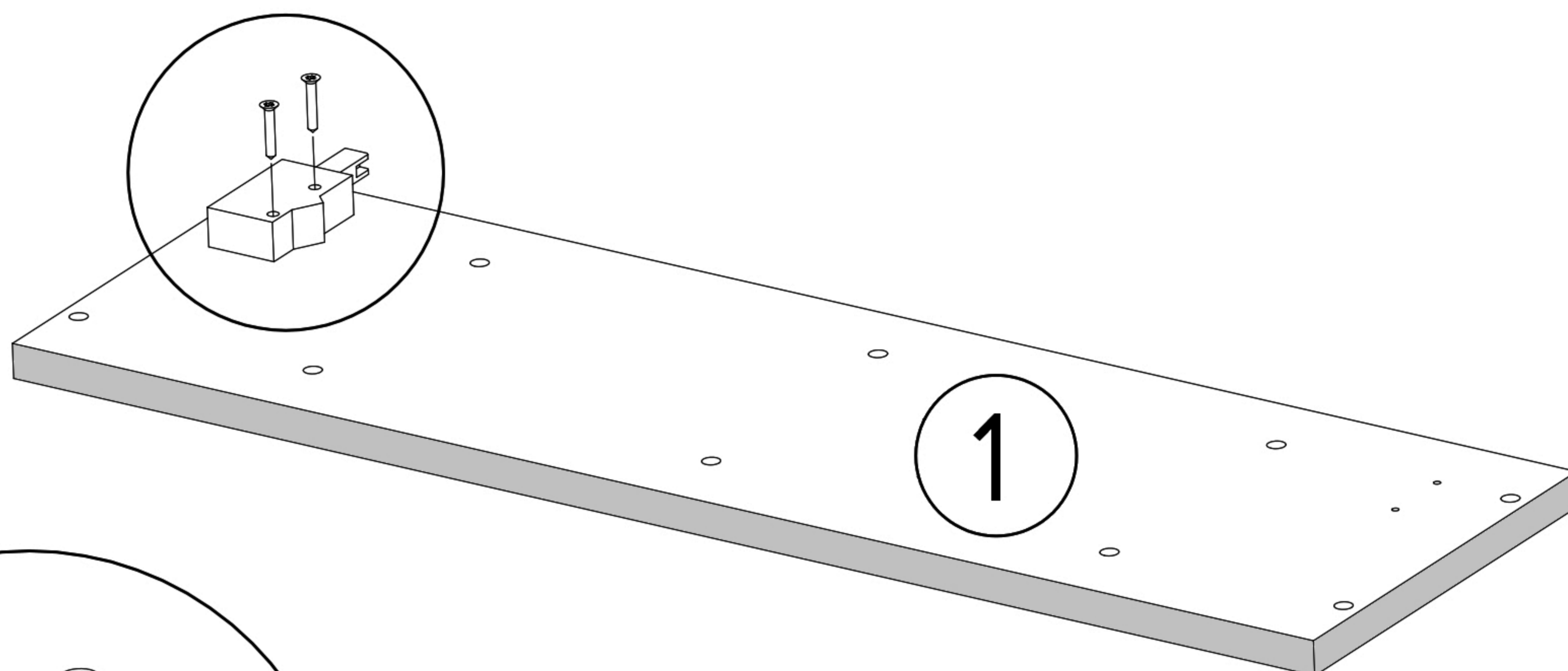
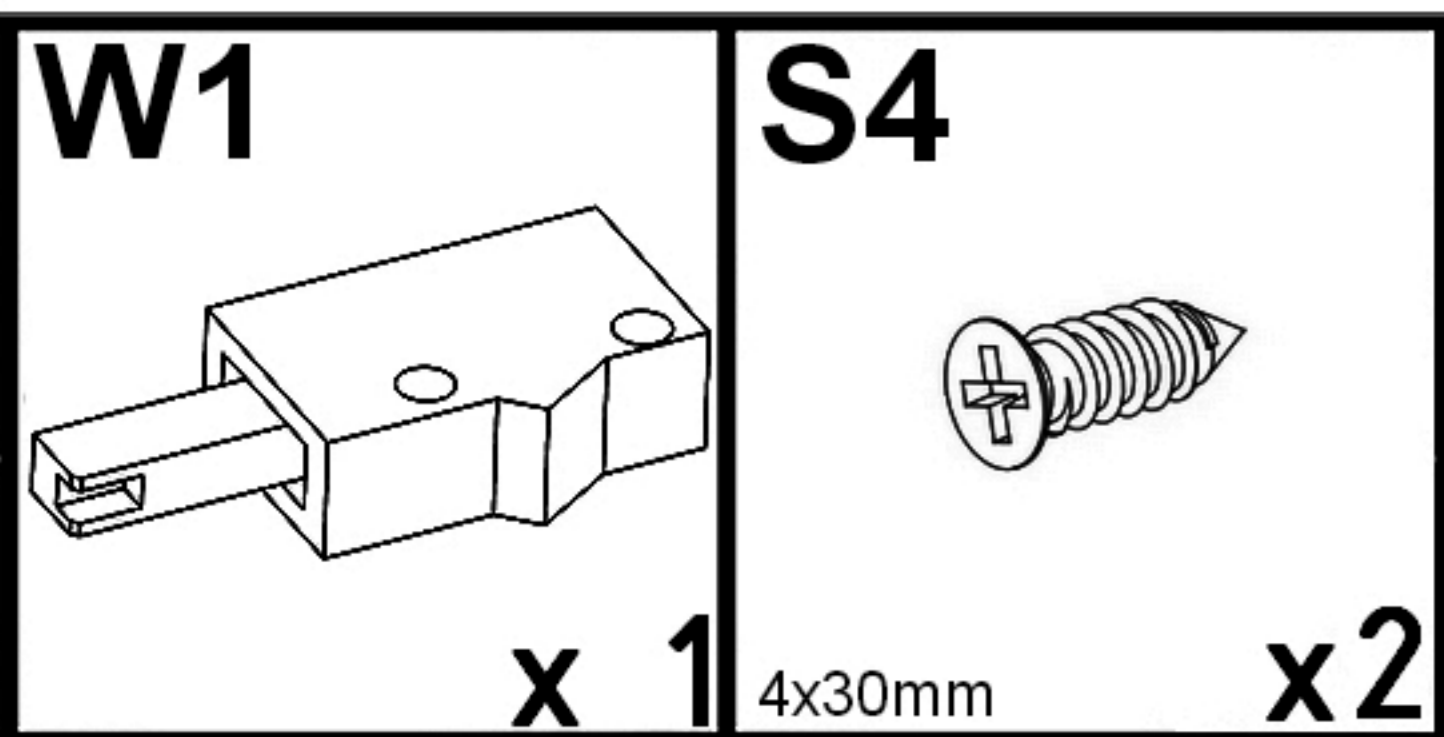


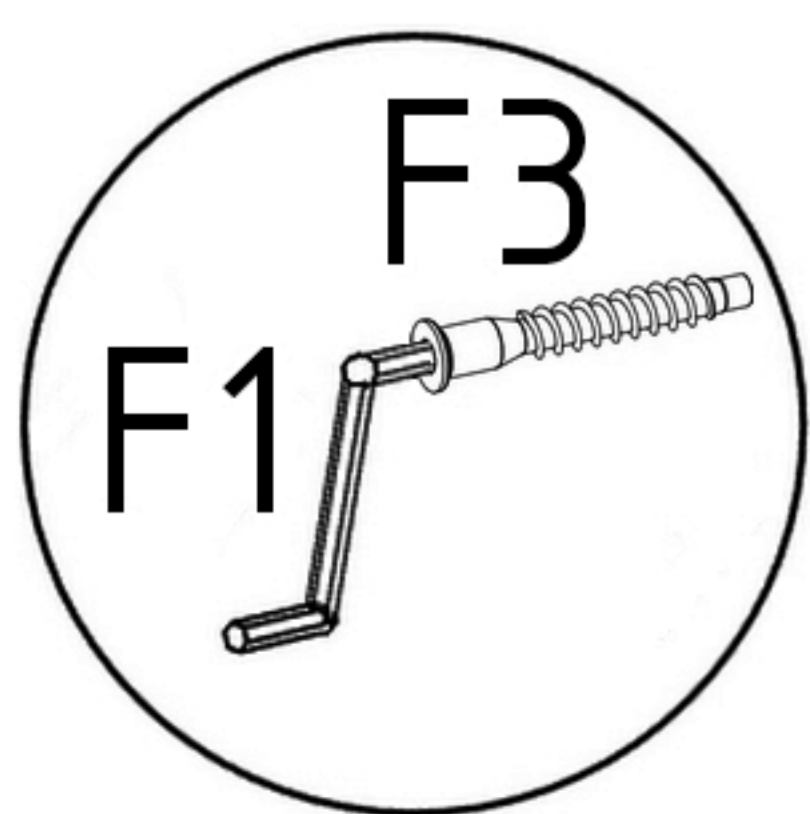
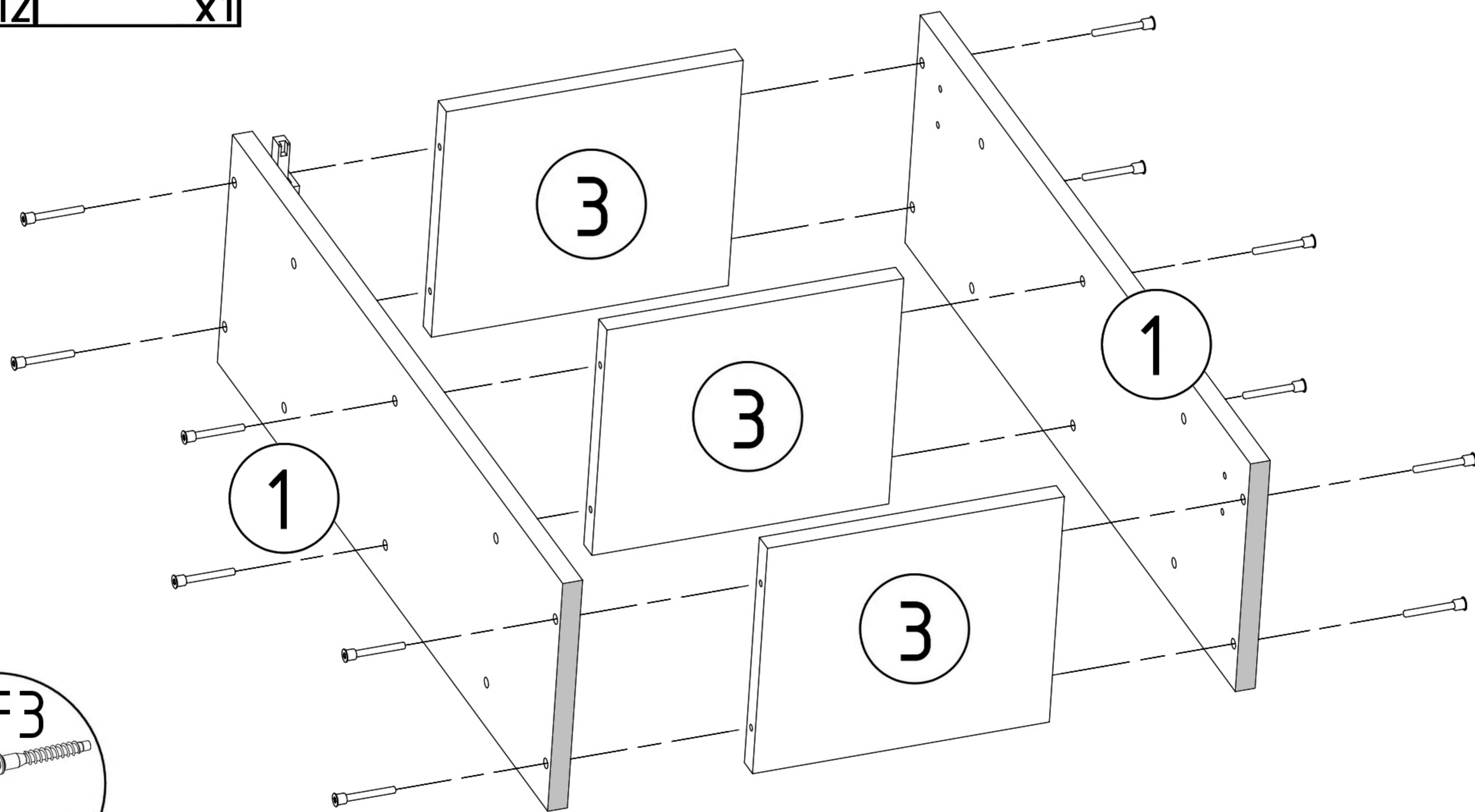
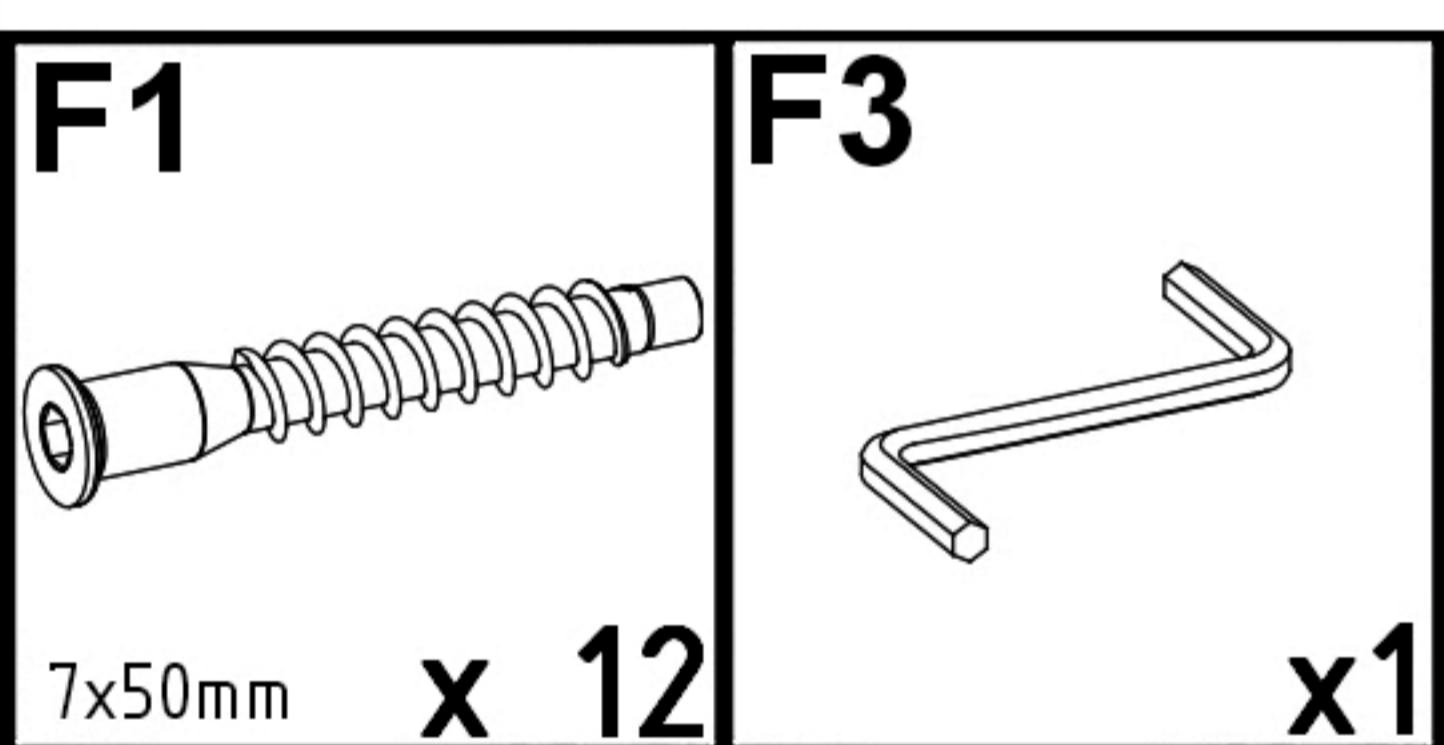
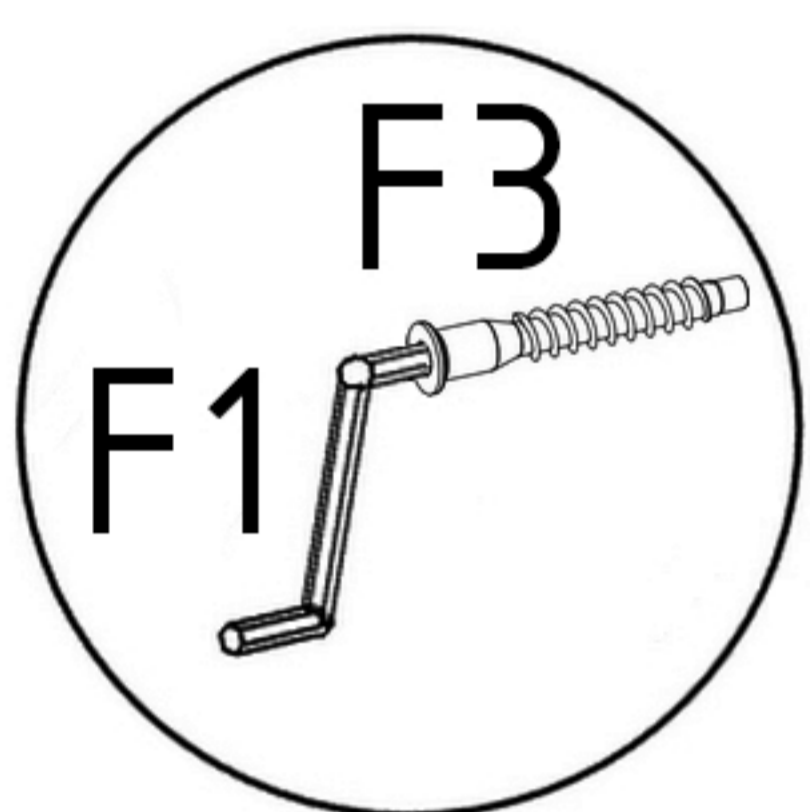
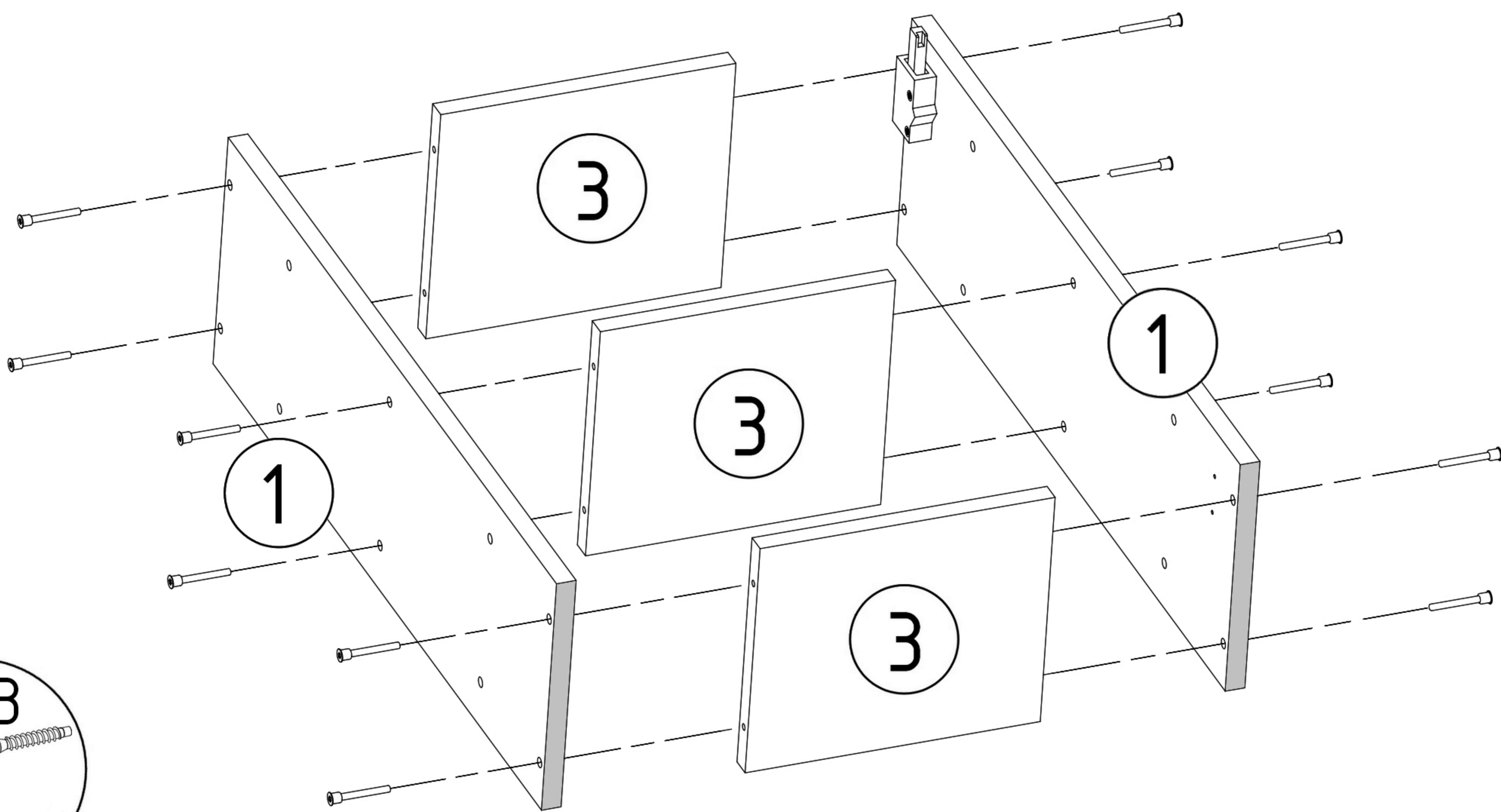
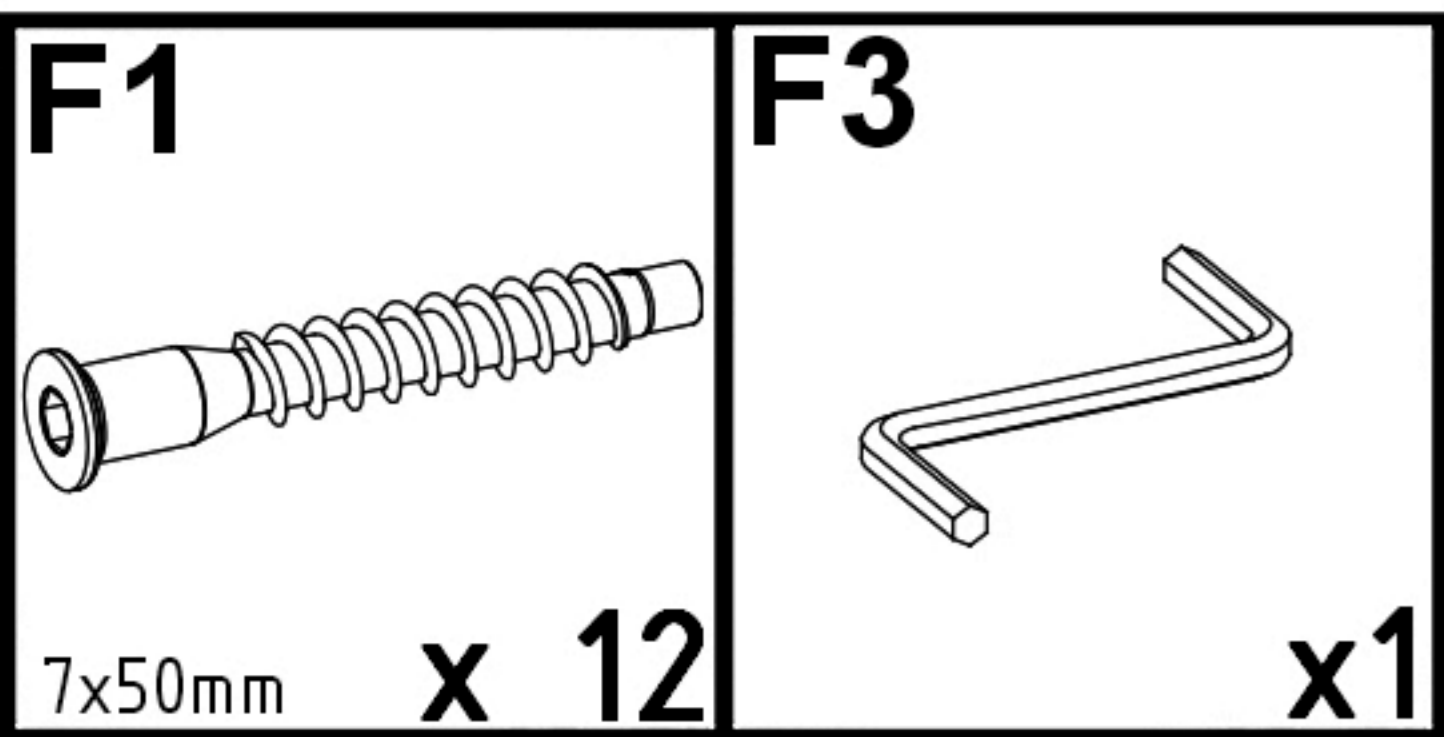
<p>F1</p>  <p>7x50mm x 48</p>	<p>F3</p>  <p>x1</p>	<p>F2</p>  <p>ø12mm x 48</p>	<p>W1</p>  <p>x 2</p>	<p>S4</p>  <p>4x30mm x4</p>
---	---	---	--	---

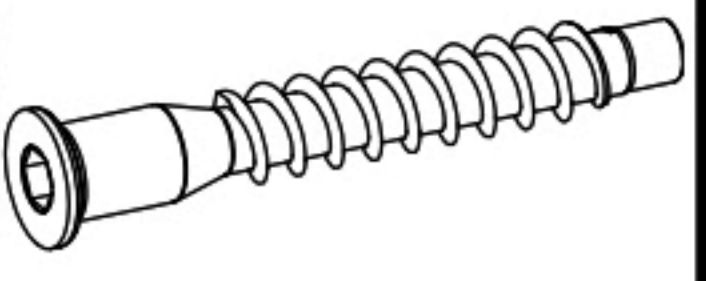
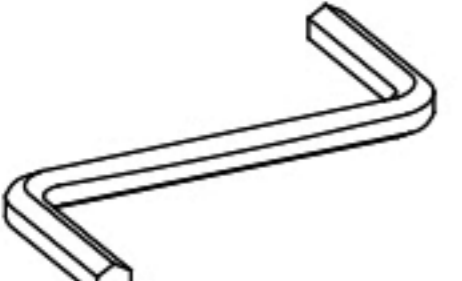


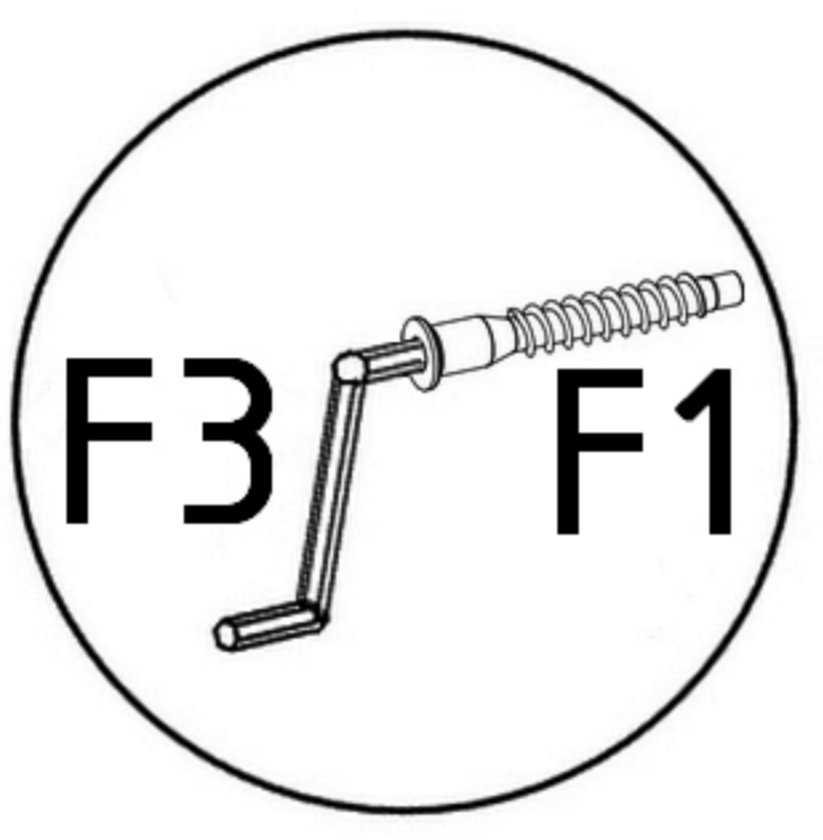
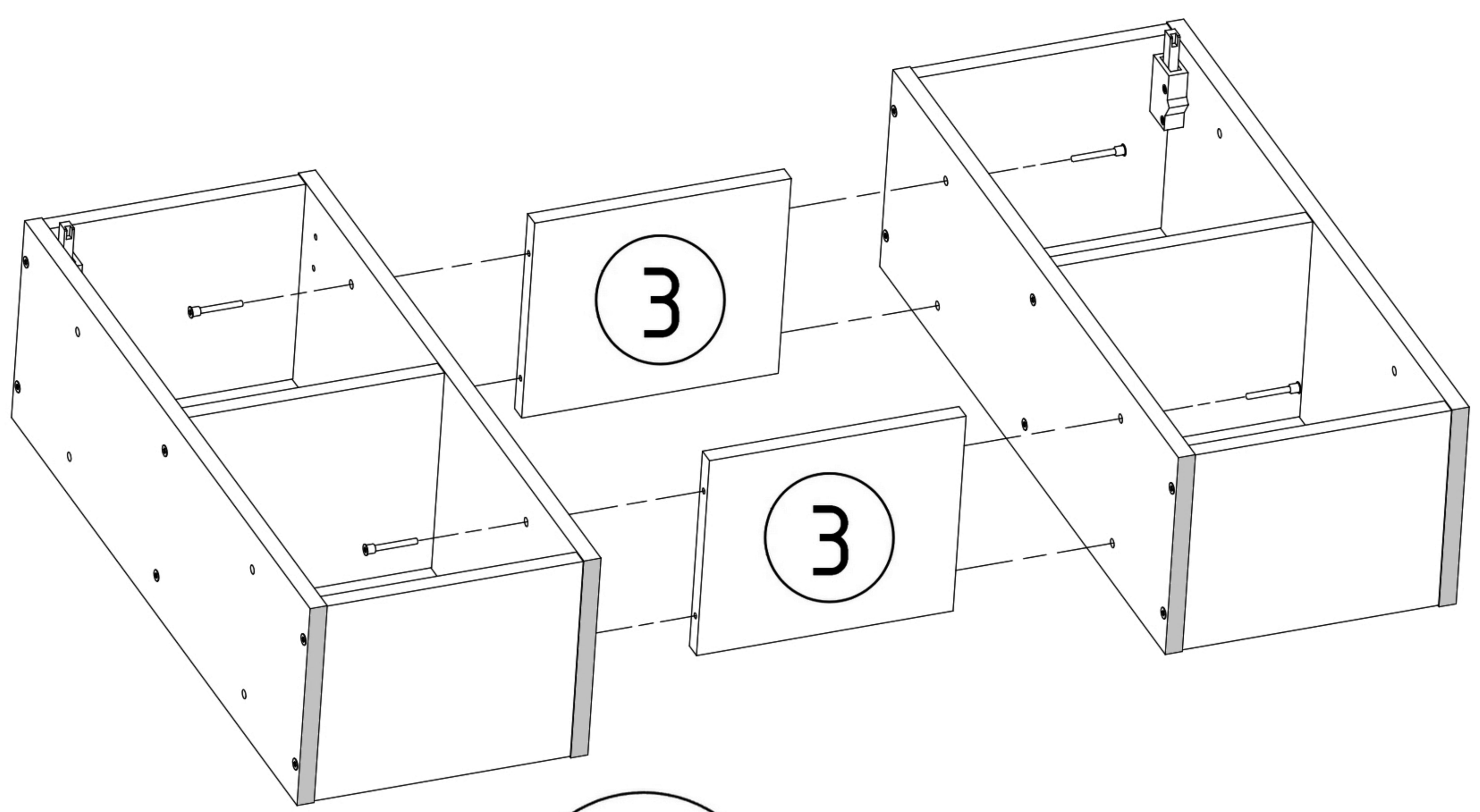


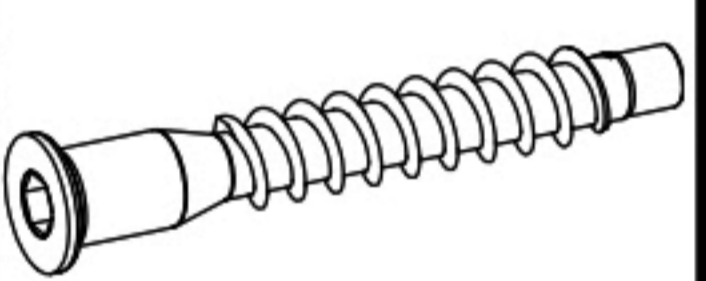


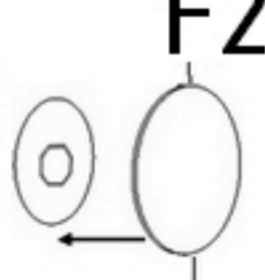
1	x	4
2	x	2
3	x	12





F1  7x50mm x 8	F3  x1
---	--



F1  7x50mm x 16	F3  x1	F2  ø12mm x 48	F1 F2 
--	--	--	--

