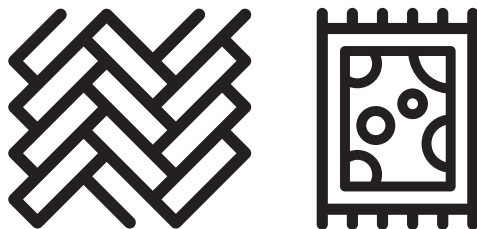




## Robot Vacuum Cleaner

User Manual



VRR 80214 VB - VRR 81214 VW

**EN - FR - IT - PL - RO - SR**



01M-8912263200-1722-01  
01M-8913093200-1722-01




# Please read this guide first!

Dear Customer,

Thank you for choosing a Beko product. We would like you to achieve the optimal efficiency from this high quality product which has been manufactured with the state of the art technology. Please make sure you read and understand this guide and supplementary documentation fully before use and keep it as a reference. Include this guide with the unit if you hand it over to someone else. Observe all warnings and information herein and follow the instructions.

## Symbols and their meanings

Following symbols have been used throughout this guide:

	Important information and beneficial advices regarding the usage of the device.
	<b>WARNING:</b> Warnings about dangerous situations regarding safety of life and property.
	Protection class against electric shock.



This product has been produced in modern facilities that are respectful of the environment without harming the nature.

# CONTENTS

---

<b>ENGLISH</b>	<b>04-30</b>
<b>FRANÇAIS</b>	<b>31-60</b>
<b>ITALIANO</b>	<b>61-89</b>
<b>POLSKI</b>	<b>90-120</b>
<b>ROMANIAN</b>	<b>121-151</b>
<b>SRPSKI</b>	<b>152-178</b>

# 1 Important safety and environmental instructions

This section contains safety instructions to prevent hazards that can result in injury or property damage.

Any warranty is void if these instructions are not followed.

## 1.1 General safety

- This appliance complies with international safety standards.
- This appliance can be used by children 8-years-old over 8 years of age, people with physical, sensory or mental challenges or people with lack of experience or knowledge; as long as control is ensured or information is provided regarding safe usage of the device and the hazards involved. Children must not play with the appliance. Cleaning and user maintenance should not be carried out by unattended children.
- Do not use the appliance if the power cord or the appliance is damaged. Contact authorised service.
- Keep the appliance and its cable out of the reach of children under 8 years of age.
- Do not power your device with multi socket.
- Your mains power supply should be in align with the specified information on the type tag of the appliance.
- Do not use the appliance with an extension cord.
- To prevent damage to the power cord, prevent it from being pinched, crimped or rubbed against sharp edges.
- Do not touch the plug of the appliance with damp or wet hands while the appliance is plugged in.
- Do not pull on the cord while unplugging the appliance.
- Do not vacuum flammable materials and ensure that the cigarette ashes are cooled down before vacuuming them.
- Do not vacuum water and other fluids.



# 1 Important safety and environmental instructions

- Protect the appliance against precipitation, humidity and heat sources.
- Do not use the appliance in or near explosive or flammable environments and substances.
- Unplug the appliance before cleaning and maintenance.
- This product is not designed for commercial use, it is intended for use at home and in applications as follows:
  - In the staff kitchens of the stores, offices and other working environments,
  - In farm houses,
  - By customers in hotels, motels or other accommodation facilities;
  - In hostels, or similar environments.
  - Sleeping places and breakfast environments
- Do not immerse the appliance or its power cord in water for cleaning.
- Do not disassemble the appliance.
- Use only original parts or parts recommended by the manufacturer.
- To prevent blockage of the filter or damage to the motor, do not vacuum cement, plaster or fragments of compressed paper.
- Use the appliance with the adapter delivered with the appliance only.
- Do not use the appliance without filters, it may get damaged.
- If you keep the packaging materials, keep them out of the reach of children.
- This appliance is not intended to be used by persons, including children, with physical, sensory and mental disabilities or those who have not adequate experience and knowledge regarding its use, unless they are under the supervision of a person responsible for their safety or they are informed about the operation of the appliance.
- The children shall be supervised to prevent them from playing with the appliance.

# 1 Important safety and environmental instructions

- Unplug the adapter and remove the battery pack before any cleaning or maintenance procedure.
- To avoid any risk of hazard, a damaged adapter shall be replaced by the manufacturer, the authorised representative of the manufacturer or a similarly qualified technician.
- Keep your fingers, hair and loose clothes away from moving parts or clearances while vacuuming.
- Please discard used batteries in accordance with local laws and regulations.
- The batteries in this appliance may only be replaced by the authorised service.
- Do not use batteries of different types or old and new batteries together.
- Do not short circuit the supply terminals.
- Shall be used with ME1XXFG CM 3200 mAh batteries only.
- This appliance shall not be operated by children and people with limited physical, sensory and cognitive skills or people with lack of experience and knowledge unless they are under supervision or they are provided with the relevant instructions.
- The children shall be supervised to prevent them from playing with the appliance.
- Do not put weight on the appliance. Make sure that the children and domestic animals do not get on the appliance.
- Do not run the appliance on high grounds like table or chair.

# 1 Important safety and environmental instructions

## 1.2 Compliance with the WEEE regulations and waste disposal



This product complies with EU WEEE Directive (2012/19/EU). This product bears a classification symbol for waste electrical and electronic equipment (WEEE).

This symbol indicates that this product shall not be disposed with other household wastes at the end of its service life. Used device must be returned to official collection point for recycling of electrical and electronic devices. To find these collection systems please contact to your local authorities or retailer where the product was purchased. Each household performs important role in recovering and recycling of old appliance. Appropriate disposal of used appliance helps prevent potential negative consequences for the environment and human health.

## 1.3 Packaging information



The product's packaging is made of recyclable materials, in accordance with the National Legislation.

Do not dispose of the packaging waste with the household waste or other wastes, dispose it to the packaging collection areas specified by local authorities.

## 1.4 Waste batteries



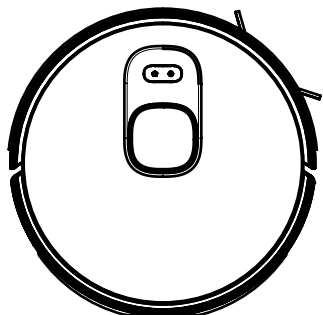
This symbol on rechargeable batteries/batteries or on the packaging indicates that the rechargeable battery/battery may not be disposed of with regular household rubbish. For certain rechargeable batteries/batteries, this symbol may be supplemented by a chemical symbol. Symbols for mercury (Hg) or lead (Pb) are provided if the rechargeable batteries/batteries contain more than 0,0005 % mercury or more than 0,004 % lead.

Rechargeable batteries/batteries, including those which do not contain heavy metal, may not be disposed of with household waste. Always dispose of used batteries in accordance with local environmental regulations. Make enquiries about the applicable disposal regulations where you live.

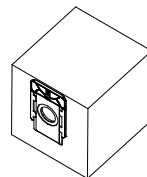
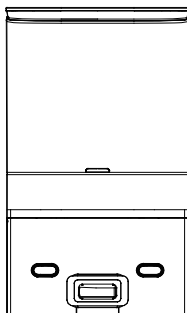
## 1.5 What to do for energy saving

- When using your appliance, adjust the speed settings according to the surface, in order to save energy.
- Normally, lower speeds are used when cleaning hard surfaces while high speeds are used for cleaning carpets.

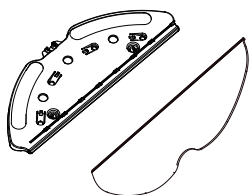
## 2 Box content



Robot Vacuum



Auto dust collector and charging station + internal dust bag

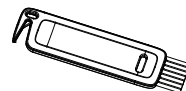


Mopping tool

Mopping cloth



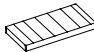
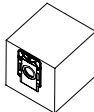


User's manual and product documentation (2 pcs)

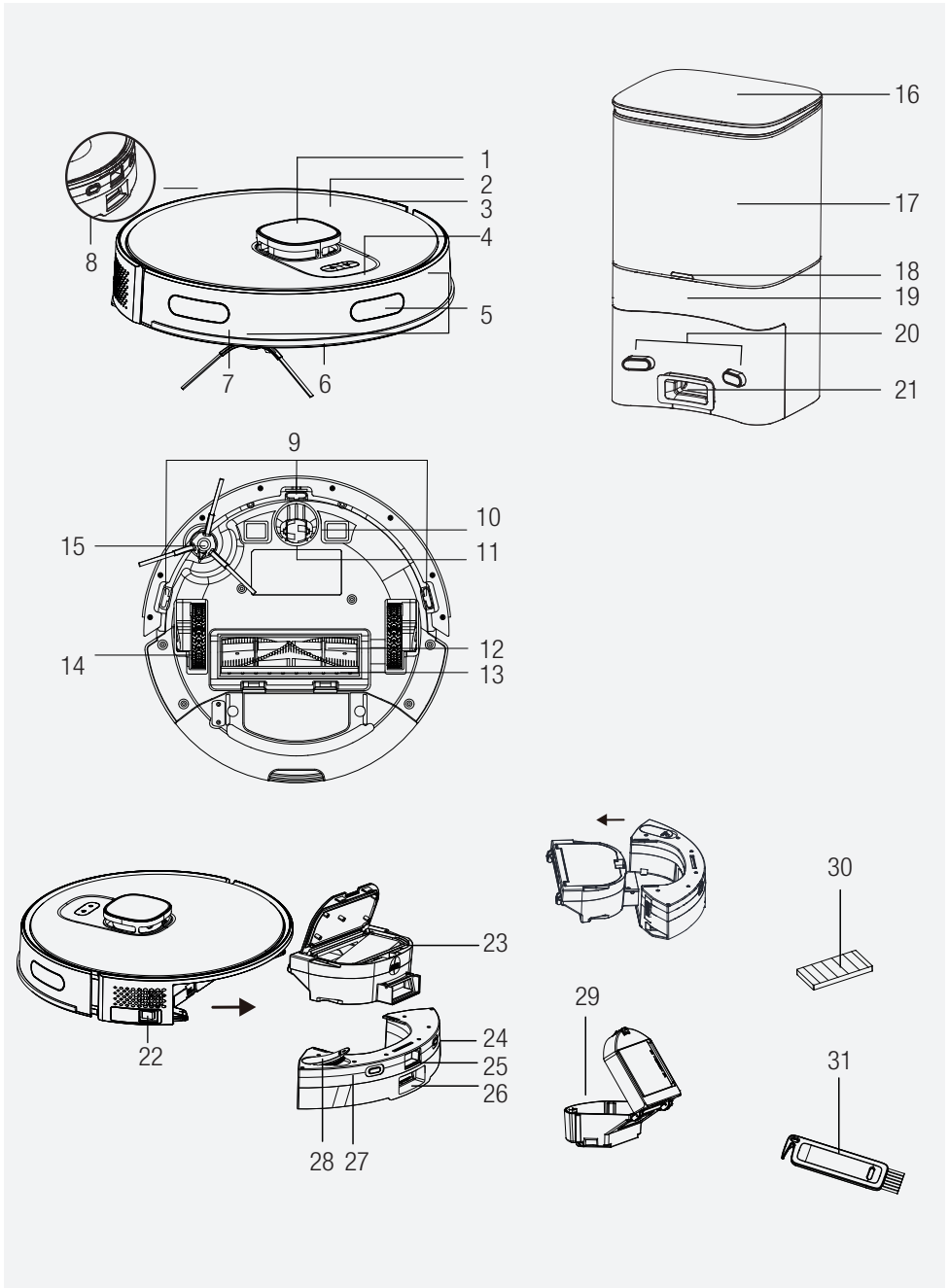


Cleaning brush

### Spare accessories supplied

	1 side brush
	1 mopping cloth
	1 filter
	2 dust bags

# 3 Overview



## 3 Overview

### 2.1 Checks and components

1. Lidar
2. Upper body
3. Central body
4. Start Cleaning-Pause Button / Sending to Charging Stand button
5. Bumper sensor
6. Front bumper
7. Front bumper hitting sensor
8. Charging pins
9. Fall prevention sensor
10. Charging pins
11. Front rotating wheel
12. Rotating brush
13. Rotating brush cover
14. Rear wheel
15. Side brush
16. Charging stand upper lid
17. Charging stand dust container
18. Charging stand light
19. Charging and robot vacuum discharge parkland
20. Charging stand charging communication pins
21. Robot vacuum dust container suction nozzle
22. On/Off button
23. Robot vacuum container EPA filter opening lid
24. Robot vacuum container charging communication pins
25. Robot vacuum dust container ejection button
26. Charging stand dust discharge outlet
27. Mop water container
28. Mop water container filling lid
29. Dust container
30. EPA filter
31. Cleaning brush

### 2.2 Technical data

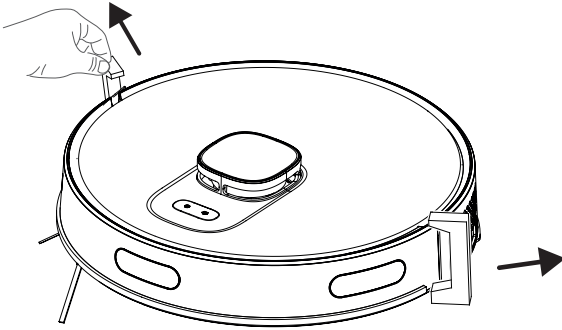
<b>Rated voltage</b>	220-240V, 50-60 Hz
<b>At charging condition</b>	0.4 A
<b>At dust collection condition</b>	4.5 A
<b>Output</b>	24.0V / 1.5 A
<b>Battery</b>	Li-ion: 14.4V / 3.2 Ah
<b>Charging period:</b>	4-5 hours
<b>Operation time</b>	Up to 150 minutes (in mute position)
<b>Dust container capacity</b>	0.4 L
<b>Water tank capacity</b>	0.3 L
<b>Dust collection station capacity</b>	4 L
<b>2.4G Wi-Fi frequency range</b>	2412-2472 MHz
<b>Supported Connections</b>	WLAN IEEE 802.11 b/g/n wireless
<b>2.4G Wi-Fi maximum RF output power</b>	20 dBm
<b>RF exposure information</b>	2.4G Wi-Fi maximum
<b>2.4G Wi-Fi maximum RF output power</b>	20 dBm
<b>Operating time</b>	<b>Maximum:</b> 70 mins <b>Powerful:</b> 80 mins <b>Standard:</b> 120 mins <b>Quiet:</b> 150 mins

**RF exposure information :** The maximum allowed exposure level is calculated according to the 20 cm distance between the appliance and the human body. To comply with the RF exposure condition, a distance of 20 cm should be put between the appliance and the person.

The rights to make technical and design changes are reserved.

## 4 Installation

### 1- Remove the protective sponges.

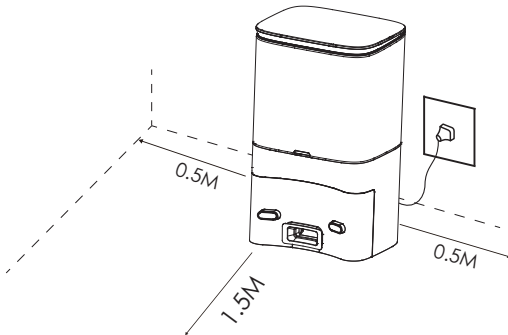


### 2- Install the dust collection and charging station.



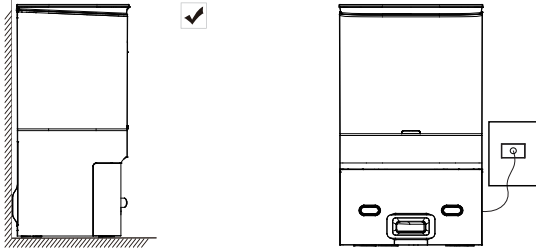
Install the dust collection and charging station in a location where it can easily be accessed by the vacuum cleaner. Install the dust collection and charging station on a hard and level ground rather than a carpet.

To ensure a smooth operation of the robot, it is advised that no obstacles are present within 1.5 m on the front and within 0.5 m on the left and right sides.



## 4 Installation

Install the dust collection and charging station on a hard and level ground so that its back faces the wall and then plug it.



Always keep the dust collection and charging station plugged, otherwise the robot vacuum cleaner cannot return to the charging station automatically.



For a smooth charging operation, do not move the dust collection station. When the location is changed, it may delete the available map and create a new map due to the positioning error.

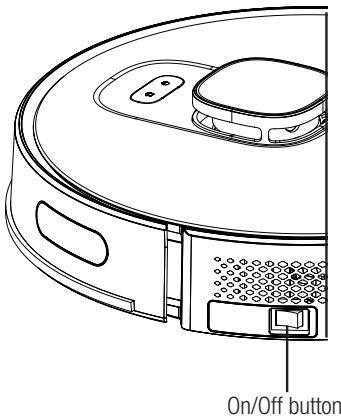
## 5 Operation

### 5.1 Intended use

This appliance is intended for household use and it is not suitable for industrial use.

### 5.2 Charging the appliance

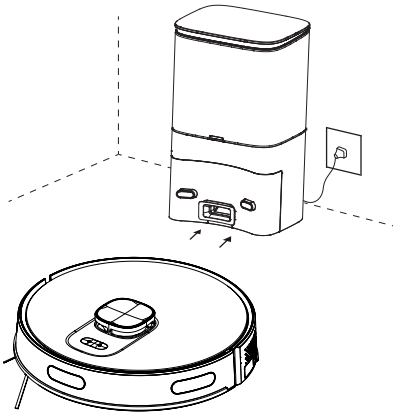
1. Bring the on-off button on the side to the on position for the initial power up.





## 5 Operation

2. Place the appliance to the dust collection station so that it shall be aligned with the charging communication pins.




Charging starts after the lighting indicator of the dust collection and charging station flashes 3 times and then it is turned off completely.



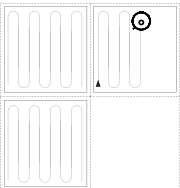
When the appliance is connected to the dust collection station, the dust collection station starts to collect dust. This operation lasts 15 seconds approximately.


### 5.3 Operation

For the first operation, bring the ON/OFF button on the side from “0” to “1” position. Press “” button on the robot vacuum cleaner for 3 seconds to turn it on.

- Do not turn off the appliance using ON/OFF button directly during cleaning; otherwise the data of the robot vacuum cleaner cannot be saved.
- If the ON/OFF button is on OFF position, the robot vacuum cleaner will be turned on automatically when it is placed on the charging dock and turned off automatically when it is removed from the charging dock.
- If the robot vacuum cleaner will not be used for a long period of time, bring the ON/OFF button to off position.

### Starting the cleaning



Press “” button to start the automatic cleaning mode. When it is started, the robot vacuum cleaner is removed from the charging dock, performs an automatic scan to create a map, determines the cleaning route in a smart way and divides the area to several regions. The cleaning route is planned along the wall and the robot vacuum cleaner moves forward and backward to clean different regions in order.



**WARNING:** If the charging level is too low, the cleaning cannot be started. Please charge the appliance before starting the cleaning.

## 5 Operation



**WARNING:** Before the cleaning, tidy up all cables to prevent disconnections due to entanglement/pulling of the cables and to prevent damage to the furniture.



**WARNING:** In the automatic cleaning mode, if the area to be cleaned is less than 10 square meters, the cleaning is performed twice as default.



**WARNING:** Do not move the charging dock or dust collection station during cleaning and make sure that the station is plugged; otherwise the robot vacuum cleaner may not be able to return for recharging.

### Pausing

Press “⏸” button on the body to stop the robot vacuum cleaner while it is operating. The robot vacuum cleaner switches to pause mode.

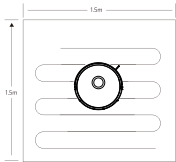
**Automatic charging:** The robot vacuum cleaner returns automatically to recharge after the cleaning is completed.

**Manual charging:** The robot vacuum cleaner returns automatically to the charging station when you press “🏠” button on the upper body when it is in the pause position.

**A.** If the operation is paused, press “🏠” button to recharge automatically.

**B.** If the robot vacuum cleaner is caught up anywhere and cannot find the charging dock, please move the robot vacuum cleaner to the dust collection station yourself to allow it to be charged.

### Point cleaning



Bring the robot vacuum cleaner to the area to be cleaned and press “⏸” button twice. When the mode is activated, the robot vacuum cleaner shall clean a square area of 1.5 x 1.5 m by considering itself as the center.

- It cannot start the point cleaning operation from the charging dock or the dust collection station. When the point cleaning is completed, it does not return to the charging station and remains in its position. Bring it to the charging stand or move it to the charging stand by pressing “🏠” button on the upper body.

## 5 Operation

### Vacuum power selection

(Supported with the relevant mobile application only) You may select the desired cleaning power from the application:

- Quiet
- Standard
- Powerful
- Maximum

### Remote controlled cleaning

(Supported with the relevant mobile application only) You may direct the robot vacuum cleaner to the area to be cleaned by using the manual remote control mode through the application.

### Sleep

The robot vacuum cleaner switches to sleep mode automatically if it remains stationary for 10 minutes. The robot vacuum cleaner switches to sleep mode automatically 10 minutes after it is completely recharged. The sleep mode deactivates the current task.

### Resetting the system

Press “ⓘ” button for 15 seconds in standby position to reset the system. When the system is reset, the map and the original settings (including virtual limits) on the robot vacuum cleaner are deleted.

### 5.3.1 Operation with the application

#### Download the application

To download the application, search for “HomeDirect-SDA” application in the mobile app store. Review the mobile application manual for detailed information.

#### Reset Wi-Fi

Press “ⓘ” “🏠” buttons simultaneously until you hear the aural warning and see the light blinking.

#### Add a device

- Open the app, create a new account and follow the instructions in the application.
- Before setting up the Wi-Fi, ensure that the robot vacuum cleaner and the Wi-Fi network meet the following requirements.

#### A. Robot Vacuum Cleaner:

- The charging level of the robot vacuum cleaner shall be over 20% or the robot vacuum cleaner shall be placed on the charging dock.

## 5 Operation

### B. Wi-Fi network:

- Make sure the password of your wireless network (modem) is correct.
- Do not use any VPN (Virtual private Network).
- Wi-Fi router shall support, 802.11b/g/n and IPv4 protocols.
- The router shall be in the 2.4GHz frequency band or a dual-band router that supports the 2.4GHz band shall be used. The robot vacuum cleaner does not support the 5GHz frequency band.
- If the robot vacuum cleaner cannot connect the 2.4/5GHz dual-band Wi-Fi network, please select 2.4GHz network for Wi-Fi settings. You may switch back to the other frequency band when the setting is completed.
- If you are connecting to a hidden network, please ensure that you enter the network name [SSID (sensitive to capitalization)] correctly and that you are connected to a 2.4GHz wireless network.
- If you are using a wireless network extender, please ensure that the network name (SSID) and the password are the same with the main network.

### Wi-Fi connection error

Wi-Fi Status	Root Cause	Solution
White light is illuminated continuously.	The robot vacuum cleaner is connected to the router (modem), but it cannot connect to the network.	<ul style="list-style-type: none"><li>• Ensure that the modem is connected to the network.</li><li>• Contact your network operator to see if there is a problem in the internet data.</li></ul>
White light is flashing rapidly	The robot vacuum cleaner cannot connect to the modem	<ul style="list-style-type: none"><li>• Ensure that the network name and the password are not changed.</li><li>• Reset the Wi-Fi connection, if required. Please refer to the “Resetting Wi-Fi” section in the “Downloading the Application and Resetting the Wi-Fi” part of this manual.</li></ul>
White light is flashing slowly.	Wi-Fi is reset.	<ul style="list-style-type: none"><li>• Ensure the Wi-Fi connection of the robot vacuum cleaner. Please review the Mobile Application Manual for detailed directions. Reset the Wi-Fi connection, if required. Please refer to the “Resetting the Wi-Fi” section of this manual</li></ul>

## 5 Operation

### Network security requirements:

Use TKIP, PSK and AES/CCMP encrypted WPA and WPA2 networks.

### 5.3.2 Operation modes

#### Map Management

##### A. Real time mapping

Real time creation of a house map may help you understand the cleaning route and the cleaning environment easily. A map of the house is created after cleaning. The map is updated in real time during each vacuuming operation to ensure a normal navigation. To create a complete house map;

- a. Open the doors of your rooms for the robot vacuum cleaner to map each room;
- b. Remove any objects that may cause obstruction or blockage of the robot vacuum cleaner;
- c. Do not change the location of the charging dock or unplug it after the map is created.

##### B. Repositioning and remapping

If the robot vacuum cleaner is relocated or significant changes are made in the environment, the robot vacuum cleaner tries to reposition to adapt to the new environment and may create the relevant map again. The details are as follows:

- a. If repositioning is successful, the robot vacuum cleaner continues on cleaning;
- b. If repositioning is unsuccessful, the robot vacuum cleaner starts over to scan in order to make the mapping again.



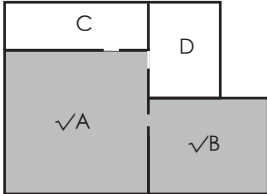
**WARNING:** Ensure that the robot vacuum cleaner always starts the cleaning operation from the charging dock.

During cleaning, do not intervene in the robot vacuum cleaner or change its location.

## 5 Operation

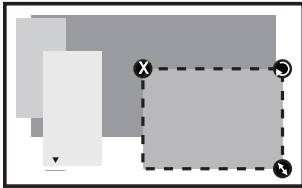
### Room cleaning mode (Supported by the relevant mobile application only)

You may specify the rooms you want to be cleaned with the mobile application, then the robot vacuum cleaner cleans only the room(s) that is/are marked in the map.



- The robot vacuum cleaner may also enter the areas other than the selected area after it starts cleaning; thus please remove the obstacles on the ground around the selected area. Area selection does not provide a secure isolation.
- Regional cleaning may only be started after the robot vacuum cleaner successfully creates a map.

### Regional cleaning mode (Supported by the relevant mobile application only)



The dimensions of the region can be determined by holding from the right bottom corner. In the meantime, the dimensions of the displayed area are written on the screen with the dotted line.

Select regional cleaning mode in the application and then specify a cleaning area. The robot vacuum cleaner only cleans the selected area and then returns to the charging dock.

- Regional cleaning may only be started after the robot vacuum cleaner successfully creates a map.



Refer to the mobile application operation manual for detailed usage tips.

## 5 Operation

### 5.4 Operation of the mop



**WARNING:** Do not use the mopping mode on a carpet.



**WARNING:** Do not put bleach or detergent in the water tank. These chemicals may damage the liquid channels that ensure the water flow in the robot vacuum cleaner or the pump.



**WARNING:** Remove the mopping unit while the robot vacuum cleaner is being charged or when it is not operated.

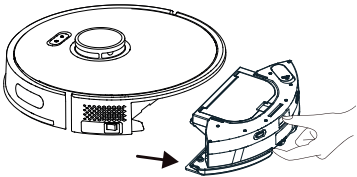


**WARNING:** Remove the mopping unit immediately after the mopping operation is completed to prevent damage to your wooden floors.

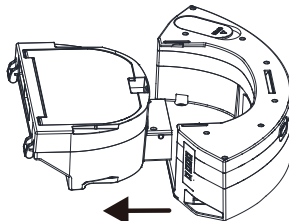


**WARNING:** The robot vacuum cleaner cuts off the water automatically when mopping is paused or ended. However, the mop remains wet and thus it shall not be kept at this condition for a long period and removed without delay.

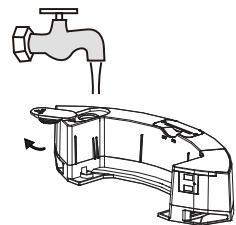
#### 5.4.1 Installation of the wet mopping unit



Remove the dust container and the water tank assembly (2 in 1).

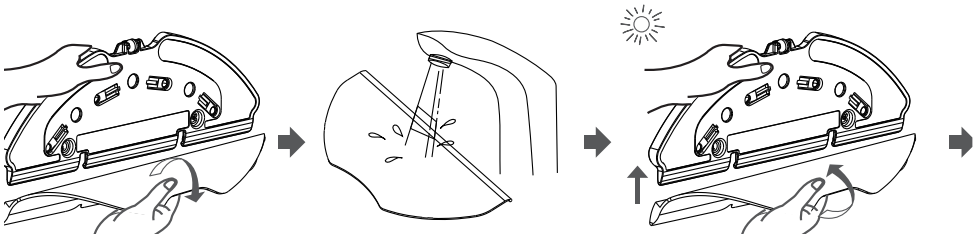


Remove the dust container.



Remove the rubber plug and add water to the water tank from the water inlet.

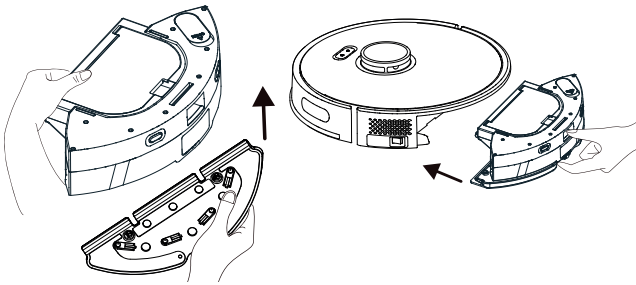
## 5 Operation



Remove the swab on the mop retainer as it is shown.

Moisten the swab before each mopping.

Place the swab to the mop retainer.



Install the mop retainer to the dust container and the water tank assembly (two in one) in the direction of the arrow.

Install the dust container and the water tank assembly (two in one) to the appliance, their places in the direction of the arrow.

### 5.4.2 Wet mopping setting

You may start the cleaning operation by selecting the cleaning mode and set the level of wetness during mopping as desired in the application.

It is advised that you remove your carpets or you add a virtual wall (mop prohibited area) to the carpet area on the application in order to keep the vacuum cleaner away from the carpet to prevent the wetting of the carpet by the robot vacuum cleaner during the mopping operation.



## 6 Cleaning and maintenance

Turn off the appliance and unplug it before cleaning it.



**WARNING:** Never use gasoline, solvent, abrasive cleaners, metal objects or hard brushes to clean the appliance.

### 6.1 Cleaning the dust container and filters



You may call our call center to order a new filter when your filter reaches the end of its expected life, is deformed or needs to be replaced for a reason.

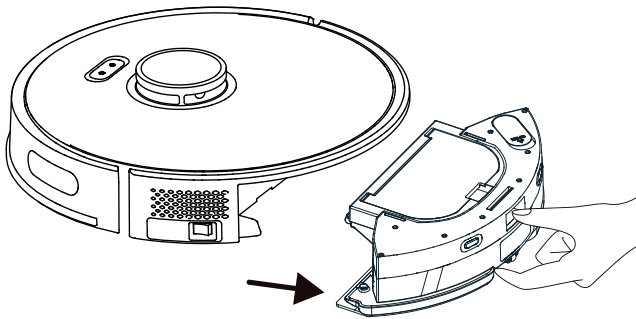


To achieve the maximum performance with EPA filter, clean it with a brush after each cleaning.

EPA filter is a replaceable accessory.

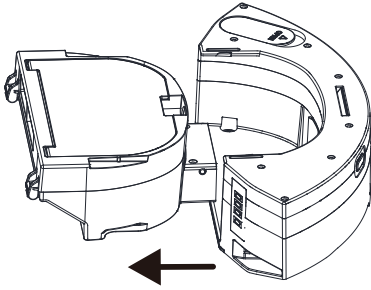
If you performed a cleaning operation in a space where there is construction dust and dust with very tiny particles, replace your filter with a new one in order not to experience a loss of performance.

1. Remove the dust container and the water tank assembly (2 in 1) by pressing the button as shown below.

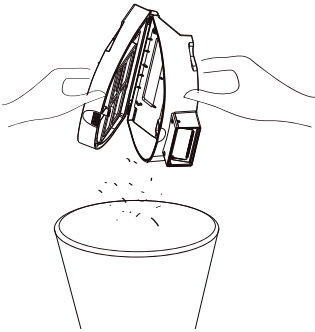


## 6 Cleaning and maintenance

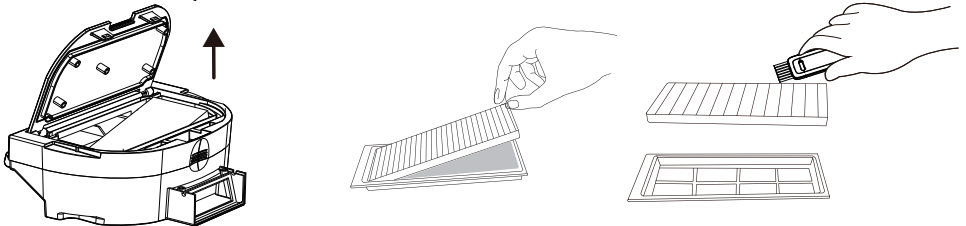
2. Remove the dust container by pulling it in the direction of the arrow.



3. Open the dust container as it is seen below and empty it as it is shown.

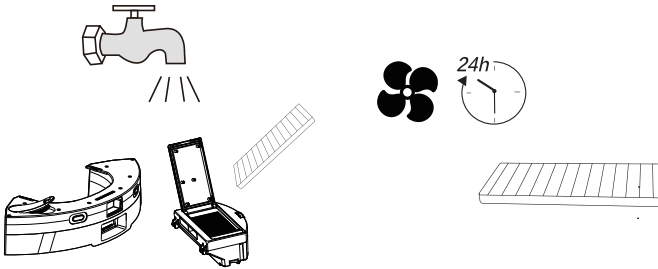


4. Remove the high performance filter and clean the filter using the cleaning brush provided together with the appliance.



## 6 Cleaning and maintenance

5. Wash the water tank, dust container and filter assembly periodically with **cold water** as required as per the frequency of operation.



6. Leave the water tank, dust container and filter assembly to dry after washing, and ensure that they are completely dried.



Drying may take 24 to 48 hours.

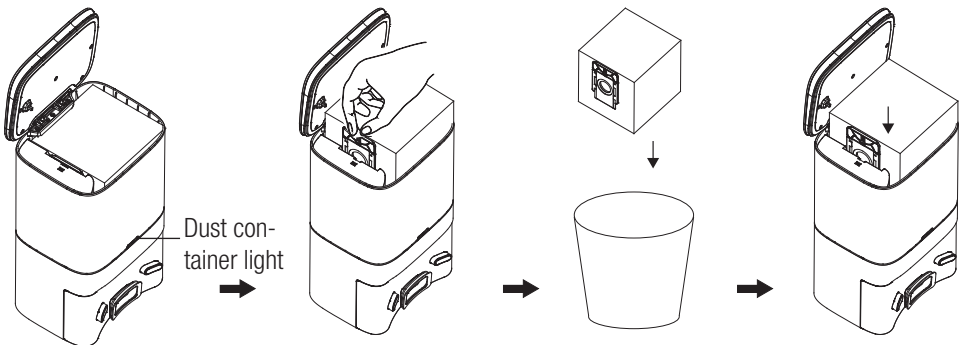
7. Assemble the water tank, dust container and filter assembly after drying them and then install the assembly to the vacuum cleaner.



**WARNING:** Do not operate the robot vacuum cleaner without installing the filter group. Otherwise, the appliance may get damaged.

### 6.2 Replacing the dust bag

When the dust container is full, the indicator of the dust collection station flashes in red or a notification is displayed on the application. Replace the dust bag in a timely manner. When the dust bag is under normal operation, the white light on the dust collection station is illuminated stationally or flashes.



Raise the upper cover.

Pull the handle of the dust bag upwards.

Discard the old dust bag

Install a new dust bag and close the upper cover.

## 6 Cleaning and maintenance



When the dust bag is not installed inside the station, automatic dust collection operation shall not be started when the robot vacuum cleaner returns to the station after the vacuuming operation. When a dust bag is not available, the dust inside the dust container shall be removed manually.

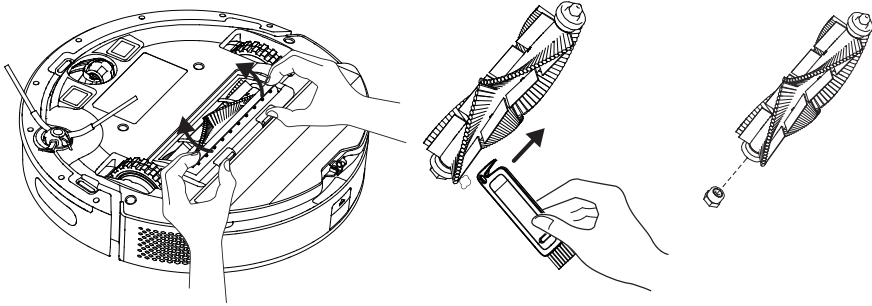


Make the provision of the dust bag in the charging stand from the authorized service. Incompatible and inappropriate bags that you will use in the charging stand of the robot vacuum cleaner may damage the charging stand and your robot vacuum cleaner.

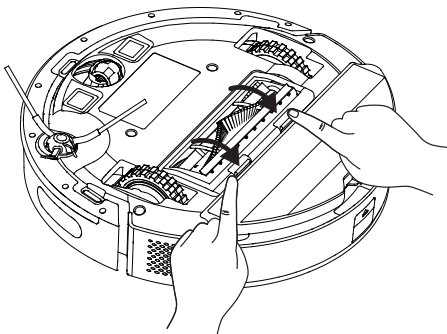
The damage and the reparations caused by the unoriginal dust bags which are used in the charging stand are not under warranty.

### 6.3 Cleaning of the brush

1. Open the upper cover of the main brush by pressing on the tabs. Pull and remove the main roll upwards. Cut the hair lapped on the roller brush with the cutting and sharp side of the cleaning brush. Then clean the dusts on the roller brush with the bristles of the cleaning brush.

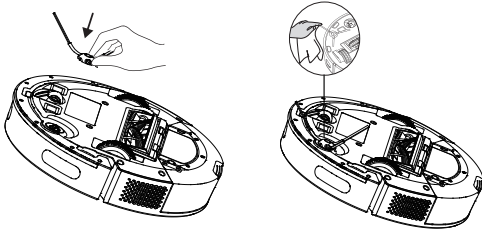


2. Replace the brush after cleaning it and close the cover in the direction of the arrow.



## 6 Cleaning and maintenance

### 6.4 Cleaning and installation of the side brush

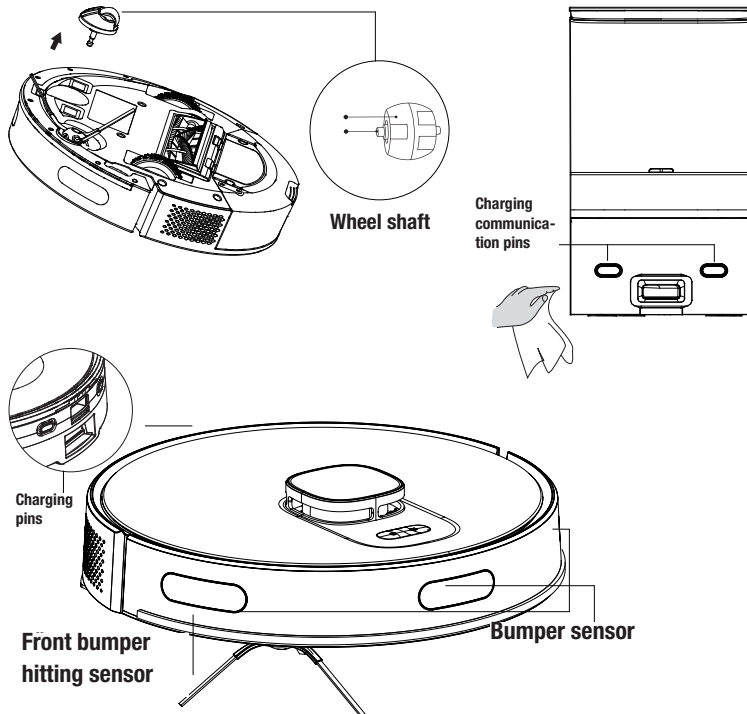


In the long term use, wash the side brush with warm water in order to eliminate the shape deformation. Install it to the robot as it is shown after it has dried.

### 6.5 Cleaning of the sensors

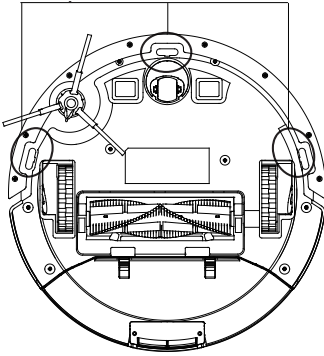
Clean the sensors and charging pins/electrodes regularly and remove the dust using a dry and soft cloth or a cleaning brush.

Information: You get a notification via the application when sensor cleaning is required.



## 6 Cleaning and maintenance

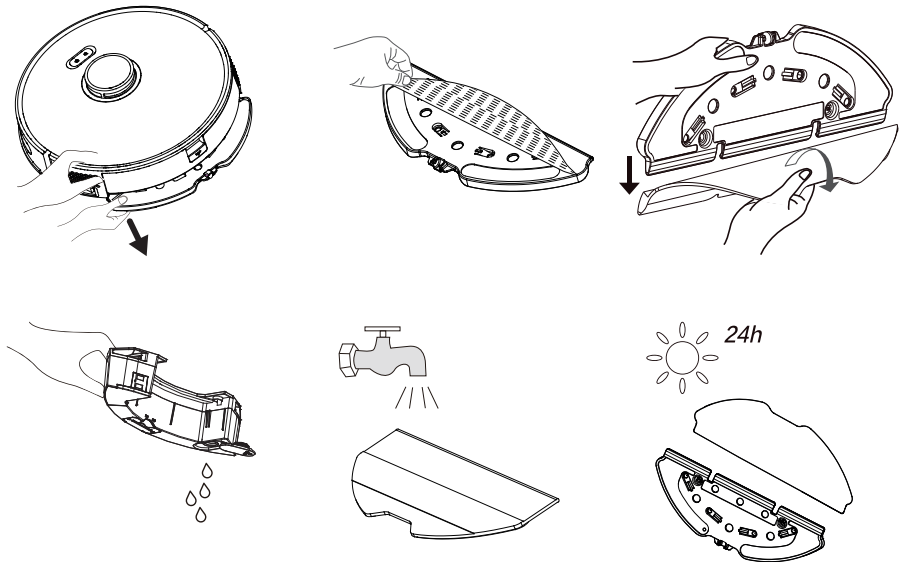
### Fall prevention sensor



### 6.6 Cleaning of the mopping unit

We recommend that you remove the mop holder from one side, drain the water tank, rinse the mop with water and then leave it to dry after each operation of the mopping unit.

You may wash the mop in a washing machine.



## 7 Troubleshooting

### General Error Conditions

Failure	Cause and remedy
Cannot be operated	<ol style="list-style-type: none"><li>1. Charging level is low. Place the robot vacuum cleaner to the charging dock or the dust collection station so that it shall be aligned with the charging poles. Bring the button on the left of the robot vacuum cleaner to position "I"; and the vacuum cleaner shall be operated automatically (When the robot vacuum cleaner is completely discharged, you shall need to charge for a while for automatic operation).</li><li>2. The ambient temperature is very low (under 0 °C) or very high (above 50 °C). Please use the robot vacuum cleaner at an ambient temperature from 0 to 40 °C.</li><li>3. Please ensure that the on/off button on the side of the robot vacuum cleaner is brought to position "I".</li></ol>
Battery not charging	<ol style="list-style-type: none"><li>1. Please remove the robot vacuum cleaner and check if the indicator light on the charging dock or the dust collection station is illuminated and ensure that both ends of the power adaptor of the charging dock are connected.</li><li>2. Loose contact. Please clean the spring contacts on the charging dock and the charging contacts on the robot vacuum cleaner.</li><li>3. Please ensure that the on/off button on the side of the robot vacuum cleaner is brought to position "I".</li></ol>
Does not return to the dock/ station for charging	<ol style="list-style-type: none"><li>1. There are too many obstacles around the charging dock or the dust collection station. Please place the charging dock or the dust collection station to an area free of obstacles.</li><li>2. The robot vacuum cleaner is too far away from the charging dock or the dust collection station. Bring the robot vacuum cleaner closer to the charging dock or the dust collection station and try again.</li><li>3. Make sure that the charging stand station is plugged and there is energy.</li></ol>
Abnormal operation	Turn off and on again.
Operates with abnormal noise.	Foreign materials may have entered to the main brush, side brushes and the wheels. Please turn off the robot vacuum cleaner and clean it.
Cleaning performance is low / dust leaks	<ol style="list-style-type: none"><li>1. Dust container is full. Please clean the dust container.</li><li>2. Filter is clogged. Please clean or replace the filter.</li><li>3. Foreign materials may have entered to the main brush. Please clean the main brush.</li></ol>

## 7 Troubleshooting

Cannot connect to the Wi-Fi network.	<ol style="list-style-type: none"><li>1. Wi-Fi signal is weak. Make sure that the Wi-Fi signal in the location of the robot vacuum cleaner is strong.</li><li>2. There is a cutoff in Wi-Fi connection. Please reset Wi-Fi, download the latest mobile application and try again.</li><li>3. Password is not entered correctly.</li><li>4. The router used is a model that operates in 5G frequency band (this robot vacuum supports the 2.4G frequency band only).</li></ol>
Timed cleaning feature does not operate	Charging level is low. Timed cleaning can only be started when the charge level is higher than 20%.
The vacuum cleaner consumes power while it is in the charging dock	The vacuum cleaner consumes very little amount of power while it is in the charging dock or the dust collection station; this feature allows to keep the battery performance in the best level.
Automatic dust collection operation does not start after the robot vacuum cleaner returns to its charging dock and dust collection station.	<ol style="list-style-type: none"><li>1. Make sure that the dust collection station and charging dock are powered on. When the vacuum cleaner returns to recharge after more than 5 minutes of cleaning, automatic dust collection is started;</li><li>2. Check if the cover of the dust collection station is closed or if it is closed properly (red light is illuminated if it is not properly closed);</li><li>3. Make sure that the dust bag is installed in the dust collection station (red light is illuminated if bag is not installed properly);</li><li>4. For a smooth dust collection performance, it is recommended to allow the vacuum cleaner to automatically return to charge after cleaning (placing the vacuum cleaner yourself in the dust collection station or charging dock will cause connection imbalance and thus affects dust collection performance);</li><li>5. Please regularly check whether the dust bag is full or not; otherwise, the dust bag will be overfilled and torn, the dust collection tube will be clogged, resulting in damage to the dust collection station and the charging dock;</li><li>6. If the problem continues although the solutions above are applied, contact the customer service.</li></ol>



## 7 Troubleshooting

<p>The vacuum cleaner stops after the automatic dust collection operation starts and the dust collection performance is low.</p>	<ol style="list-style-type: none"> <li>1. Check if the dust bag is full. Replace the dust bag if it is full;</li> <li>2. The dust collection outlet of the vacuum cleaner's dust container is clogged with foreign material, causing the container compartment not to open;</li> <li>3. Check for blockage on the air duct of the dust collection station;</li> <li>4. The vacuum cleaner is moved during dust collection (Please do not move the vacuum cleaner during dust collection, otherwise damage may occur);</li> <li>5. Water may have entered the vacuum cleaner's dust container, thus preventing the dust from being easily vacuumed. Please do not let the vacuum cleaner to vacuum water; otherwise, dust collection performance shall decrease.</li> </ol>
<p>The internal compartment where the dust bag is located in the dust collection station is dirty.</p>	<ol style="list-style-type: none"> <li>1. Small dust particles may have passed through the dust bag and adhered to the inner wall of the dust container. Please check and clean these parts regularly;</li> <li>2. The dust bag may be damaged. Please check and replace it if required;</li> <li>3. Excessive accumulation of dirt in the interior affects the fan and air pressure sensor to a certain extent. It is recommended to regularly clean the accumulation of dirt in the interior compartment.</li> </ol>

### Failure List

When the robot vacuum cleaner switches to the error position, the illuminated home button on the upper body starts to blink red and gives an audible warning. Follow the audible warning to resolve the fault.

Audible Warning	Solution
<p><b>Error 1:</b> Battery error. Please refer to the manual or the application.</p>	<ul style="list-style-type: none"> <li>• Battery temperature is very high or very low. Wait until the battery temperature reaches the normal values (0 °C~40 °C/32 °F~104 °F).</li> </ul>
<p><b>Error 2:</b> Wheel error. Please refer to the manual or the application.</p>	<ul style="list-style-type: none"> <li>• Please check for any foreign material stuck in the wheels and restart the vacuum cleaner.</li> </ul>
<p><b>Error 3:</b> Side brush error. Please refer to the manual or the application.</p>	<ul style="list-style-type: none"> <li>• Please check for any foreign material stuck in the side brush and restart the vacuum</li> </ul>
<p><b>Error 4:</b> Main motor error. Please refer to the manual or the application.</p>	<ul style="list-style-type: none"> <li>• Please check whether there is any foreign material stuck at the rear of the rotating brush (in the air flow path) and restart the vacuum cleaner.</li> <li>• Please check the dust container and the filter, and restart the vacuum cleaner.</li> </ul>

## 7 Troubleshooting

<b>Error 5:</b> Turbo brush error. Please refer to the manual or the application.	<ul style="list-style-type: none"><li>• Please remove the rotating brush, and clean the connection part of the rotating brush, rotating brush cover and the dust nozzle. Restart the vacuum cleaner after cleaning.</li></ul>
<b>Error 6:</b> Water pump error. Please refer to the manual or the application.	<ul style="list-style-type: none"><li>• Please clean the water tank and the water flow under the vacuum cleaner and check the mopping module. Please try to restart the vacuum cleaner after cleaning.</li></ul>
<b>Error 7:</b> Laser sensor error. Please refer to the manual or the application.	<ul style="list-style-type: none"><li>• Please check for any foreign material inside the laser sensor, clean if required and restart the vacuum cleaner.</li></ul>
<b>Error 9:</b> Charging operation error. Please clean the charging contact area.	<ul style="list-style-type: none"><li>• Please check for any contamination in the charging area and clean the charging poles.</li></ul>
<b>Error 10:</b> Software error. Please turn off and restart again.	<ul style="list-style-type: none"><li>• Please bring the main button to position 0 and back to position I and restart the vacuum cleaner</li></ul>
<b>Error 12:</b> Abnormal operation. Please make sure that the main button is turned on.	<ul style="list-style-type: none"><li>• Please bring the main button to on position initially</li></ul>


# Veillez d'abord lire ce manuel !

Cher/Chère client(e),

Merci d'avoir choisi un produit Beko. Nous aimerions que vous obteniez une efficacité optimale de ce produit de haute qualité qui a été fabriqué avec une technologie de pointe. Veillez à lire et à comprendre entièrement ce guide et la documentation supplémentaire avant de les utiliser et conservez-les comme référence. Joignez ce guide à l'aspirateur si vous le remettez à quelqu'un d'autre. Respectez tous les avertissements et informations contenues dans le présent document et suivez les instructions.

## Symboles et leurs significations

Les symboles suivants ont été utilisés dans ce guide :

	Informations importantes et conseils utiles concernant l'utilisation de l'appareil.
--	---

	<b>AVERTISSEMENT</b> : Avertissements sur les situations dangereuses concernant la sécurité des personnes et des biens.
--	---

	Classe de protection contre les chocs électriques.
--	--



Cet appareil a été fabriqué dans des installations modernes respectueuses de l'environnement sans nuire à la nature.

# 1 Instructions importantes en matière de sécurité et d'environnement

Cette section contient des instructions de sécurité visant à prévenir les dangers qui peuvent entraîner des blessures ou des dommages matériels.

Toute garantie est nulle si ces instructions ne sont pas suivies.

## 1.1 Sécurité générale

- Cet appareil est conforme aux normes internationales de sécurité.
- Cet appareil peut être utilisé par des enfants de plus de 8 ans, des personnes ayant des difficultés physiques, sensorielles ou mentales ou des personnes manquant d'expérience ou de connaissances, à condition qu'un contrôle soit assuré ou que des informations soient fournies concernant l'utilisation sûre de l'appareil et les risques encourus. Ne laissez pas les enfants jouer avec l'appareil. Le nettoyage et l'entretien par l'utilisateur ne doivent pas être effectués par des enfants sans surveillance.
- N'utilisez pas l'appareil si le cordon d'alimentation ou l'appareil est endommagé. Contactez un service agréé.
- Votre alimentation secteur doit être conforme aux informations spécifiées sur la plaque signalétique de l'appareil.
- N'utilisez pas l'appareil avec une rallonge.
- Pour éviter d'endommager le cordon d'alimentation, évitez qu'il soit pincé, serti ou frotté contre des arêtes vives.
- Ne touchez pas la fiche de l'appareil avec les mains mouillées ou humides lorsque l'appareil est branché.
- Ne tirez pas le cordon pour débrancher l'appareil.
- N'aspirez pas les matériaux inflammables et assurez-vous que les cendres de cigarette sont refroidies avant de les aspirer.
- N'aspirez pas d'eau et d'autres liquides.

# 1 Instructions importantes en matière de sécurité et d'environnement

- Protégez l'appareil de la pluie, de l'humidité et des sources de chaleur.
- N'utilisez pas l'appareil dans ou à proximité d'environnements et de substances explosives ou inflammables.
- Débranchez l'appareil avant le nettoyage et l'entretien.
- N'immergez pas l'appareil ou son cordon d'alimentation dans l'eau pour le nettoyer.
- Ne démontez pas l'appareil.
- Utilisez uniquement les pièces d'origine ou celles recommandées par le fabricant.
- Pour éviter de bloquer le filtre ou d'endommager le moteur, n'aspirez pas le ciment, le plâtre ou les fragments de papier comprimé.
- Utilisez l'appareil uniquement avec l'adaptateur fourni.
- N'utilisez pas l'appareil sans filtres, sinon il pourrait être endommagé.
- Si vous conservez les matériaux d'emballage, gardez-les hors de portée des enfants.
- Cet appareil n'est pas conçu pour être utilisé par des personnes ayant des handicaps physique, sensoriel et mental, les enfants, ou les personnes qui n'ont pas une expérience et une connaissance adéquate par rapport à l'utilisation, sauf si elles sont sous la surveillance d'une personne responsable de leur sécurité ou informées sur le fonctionnement de l'appareil.
- Les enfants doivent être surveillés pour éviter qu'ils ne jouent pas avec l'appareil.
- Débranchez l'adaptateur et retirez le bloc-batteries avant toute procédure de nettoyage ou d'entretien.
- Pour éviter tout risque de danger, un adaptateur endommagé doit être remplacé par le fabricant, le représentant autorisé du fabricant ou un technicien également qualifié.

# 1 Instructions importantes en matière de sécurité et d'environnement

- Tenez vos doigts, vos cheveux et vos vêtements amples à l'écart des pièces mobiles ou des dégagements lorsque vous passez l'aspirateur.
- Les batteries doivent être retirées de l'appareil avant de le mettre au rebut.
- Débranchez l'appareil de la source d'alimentation avant de retirer la batterie.
- Veuillez éliminer les batteries usagées conformément aux lois et règlements locaux.
- Les batteries de cet appareil ne peuvent être remplacées que par un service agréé.
- N'utilisez pas de batteries de différents types ou des batteries usagées et de nouvelles batteries à la fois.
- Vous devez installer les batteries selon la disposition polaire appropriée.
- Ne court-circuitez pas les terminaux d'alimentation.
- Doit être utilisé uniquement avec les batteries ME1XXFG CM 3200 mAh.
- Cet appareil ne peut pas être utilisé par des enfants et par des personnes aux capacités physiques, sensorielles ou mentales réduites ou sans expérience ou connaissance, à condition qu'elles soient surveillées ou qu'elles aient reçu des instructions y relatives.
- Les enfants doivent être surveillés pour éviter qu'ils ne jouent pas avec l'appareil.
- Ne mettez pas de poids sur l'appareil.
- Ne faites pas fonctionner l'appareil sur des supports élevés comme une table ou une chaise.
- Ne posez pas d'objets lourds sur l'appareil. Assurez-vous que les enfants et les animaux domestiques ne montent pas sur l'appareil.

# 1 Instructions importantes en matière de sécurité et d'environnement

- Ce produit n'est pas conçu pour un usage commercial, il est destiné à être utilisé à domicile et dans les applications suivantes :

- les cuisines du personnel de magasins, les bureaux et autres environnements de travail ;
- les maisons de campagne ;
- par les clients dans des hôtels, des motels ou d'autres installations d'hébergement ;
- dans des auberges de jeunesse, ou dans des environnements similaires, et
- les dortoirs et les salles à manger

## 1.2 Respect de la réglementation WEEE et élimination des déchets



Ce produit est conforme à la directive DEEE (2012/19/UE) de l'Union européenne). Ce produit porte un symbole de classification pour la mise au rebut des équipements électriques et électroniques (DEEE). Ce symbole indique que ce produit ne doit pas être jeté avec les déchets ménagers à la fin de sa vie utile. Les appareils usagés doivent être retournés au point de collecte officiel destiné au recyclage des appareils électriques et électroniques. Pour trouver ces systèmes de collecte, veuillez contacter les autorités locales ou le détaillant auprès duquel vous avez acheté le produit. Chaque ménage joue un rôle important dans la récupération et le recyclage des appareils ménagers usagés. L'élimination appropriée des appareils usagés aide à prévenir les conséquences négatives potentielles pour l'environnement et la santé humaine.

## 1.3 Informations sur l'emballage



L'emballage de l'appareil a été fabriqué à partir de matériaux recyclables, conformément à la législation nationale.

Ne pas jeter les déchets d'emballage avec les déchets ménagers ou d'autres déchets, les déposer dans les zones de collecte des emballages spécifiées par les autorités locales.

# 1 Instructions importantes en matière de sécurité et d'environnement

## 1.4 Batteries usagées



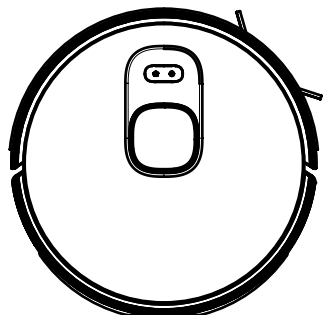
Assurez-vous de mettre au rebut les batteries usagées conformément aux lois et réglementations locales. Le symbole sur la batterie et l'emballage indique que la batterie livrée avec l'appareil ne doit pas être considérée comme un déchet ménager. Ce symbole peut être utilisé en conjonction avec un symbole chimique dans certaines régions. Si les batteries contiennent plus de 0,0005 % de mercure et plus de 0,004 % de plomb, le symbole chimique Hg pour le mercure et le symbole chimique Pb pour le plomb sont ajoutés sous le symbole. En vous assurant que les batteries sont mises au rebut de façon appropriée, vous contribuerez à la prévention des dommages potentiels à l'environnement et à la santé humaine dus à une mise au rebut inappropriée des batteries.

## 1.5 Comment économiser de l'énergie

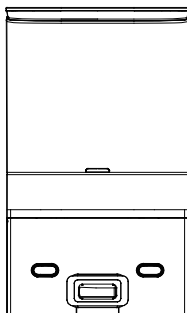
- Lorsque vous utilisez votre appareil, effectuez les réglages de vitesse en fonction de la surface afin d'économiser de l'énergie.
- En général, les vitesses les plus faibles sont utilisées pour le nettoyage des surfaces dures tandis que les vitesses élevées sont utilisées pour le nettoyage des tapis.



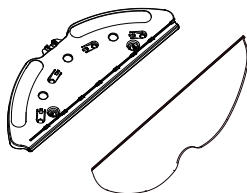
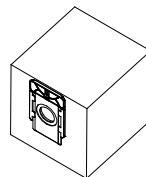
## 2 Contenu de la boîte



Aspirateur Robot



Station de dépoussiérage et de chargement +  
sac à poussière interne

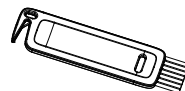


Outil de  
nettoyage

Chiffon de  
nettoyage



Manuel d'utilisation et  
documentation sur le  
produit (2 pièces)

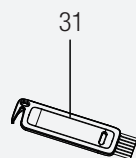
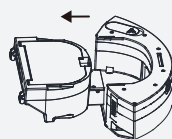
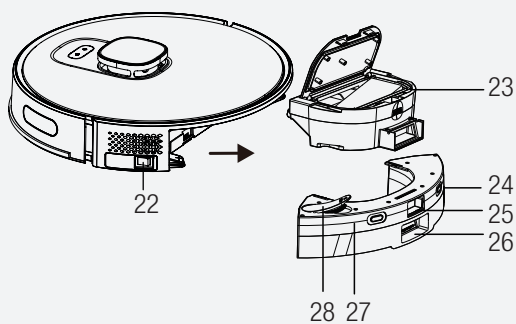
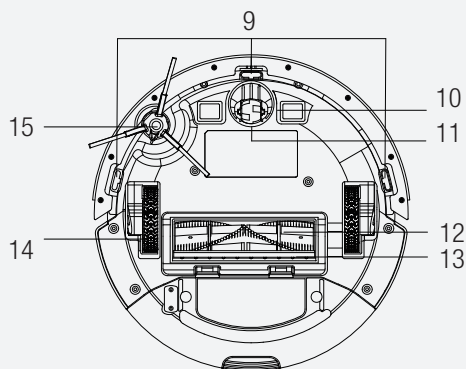
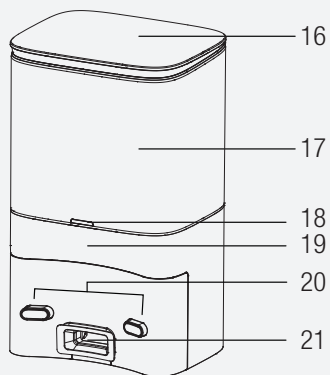
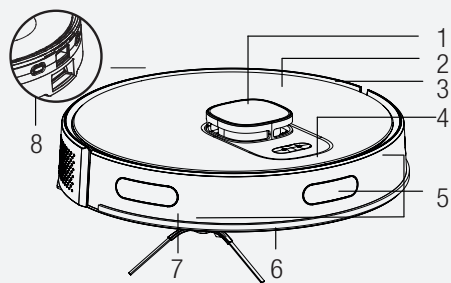


Brosse de nettoyage

### Accessoires de rechange fournis

	1 brosse latérale
	1 chiffon de nettoyage
	1 filtre
	2 sacs à poussière

### 3 Aperçu Général



## 3 Aperçu Général

### 2.1 Contrôles et composants

1. Lidar
2. Corps supérieur
3. Corps central
4. Bouton de démarrage ou de suspension du nettoyage/Bouton d'envoi au socle de charge
5. Capteur de pare-chocs
6. Pare-chocs avant
7. Capteur de choc pour pare-chocs avant
8. Broches de charge
9. Capteur de prévention des chutes
10. Broches de charge
11. Roue rotative avant
12. Brosse rotative
13. Couvercle de la brosse rotative
14. Roue arrière
15. Brosse latérale
16. Couvercle supérieur du support de charge
17. Socle de charge pour récipient à poussière
18. Lampe du socle de charge
19. Parc de charge et de décharge du robot aspirateur
20. Broches de communication de charge du socle de charge
21. Buse aspirante du récipient à poussière du robot aspirateur
22. Bouton Marche / Arrêt
23. Couvercle d'ouverture du filtre HEPA du récipient à poussière du robot aspirateur
24. Broche de communication du récipient du robot aspirateur
25. Bouton d'éjection du récipient à poussière du robot aspirateur
26. Sortie d'évacuation de poussière du socle de charge
27. Nettoyage du récipient à eau
28. Nettoyage du couvercle du récipient à eau
29. Récipient à poussière
30. Filtre HEPA
31. Brosse de nettoyage

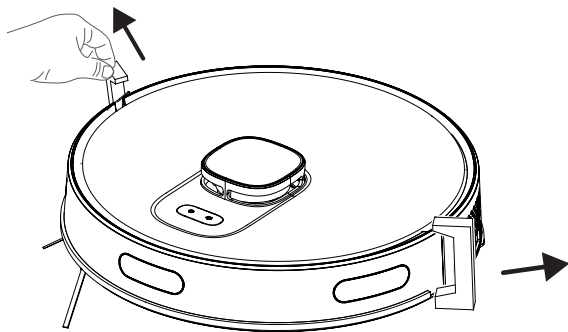
### 2.2 Données techniques

<b>Tension</b>	220-240V, 50-60 Hz
<b>En état de charge</b>	0.4 A
<b>À l'état de dépoussiérage</b>	4.5 A
<b>Sortie</b>	24.0V / 1.5 A
<b>Batterie</b>	Li-ion: 14.4V / 3.2 Ah
<b>Temps de charge</b>	4-5 les heures
<b>Durée de fonctionnement</b>	Jusqu'à 150 minutes (en position muette)
<b>Capacité du récipient à poussière</b>	0.4 L
<b>Capacité du réservoir d'eau</b>	0.3 L
<b>Capacité en eau de la station de dépoussiérage</b>	4 L
<b>Gamme de fréquences Wi-Fi 2,4G</b>	2412-2472 MHz
<b>Connexions Prises en Charge</b>	WLAN IEEE 802.11 b/q/n sans fil
<b>Puissance de sortie RF maximale du Wi-Fi 2.4G</b>	20 dBm
<b>Informations sur l'exposition aux RF</b>	Gamme de fréquences Wi-Fi 2,4 G
<b>Durée de fonctionnement :</b>	<b>Maximum :</b> 70 min <b>Puissant :</b> 80 min <b>Standard :</b> 120 min <b>Silence :</b> 150 min

**Informations sur l'exposition aux RF :** Le niveau d'exposition maximal autorisé est calculé en fonction de la distance de 20 cm entre l'appareil et le corps humain. Pour respecter les conditions d'exposition aux RF, une distance de 20 cm doit être respectée entre l'appareil et la personne.

## 4 Installation

### 1- Retirez les éponges de protection.

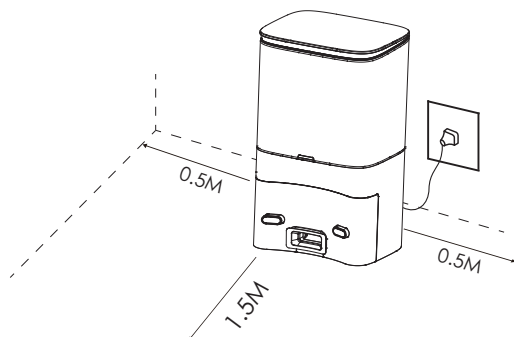


### 2- Installez la station de dépoussiérage et de chargement.



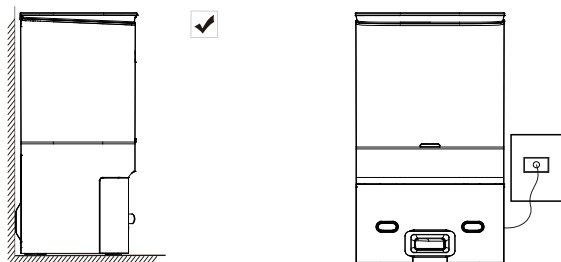
Installez la station de dépoussiérage et de chargement à un endroit où l'aspirateur peut y accéder facilement. Installez la station de dépoussiérage et de chargement sur un sol dur et plat plutôt que sur un tapis.

Pour assurer le bon fonctionnement du robot, il est conseillé de ne pas avoir d'obstacles dans un rayon de 1,5 m à l'avant et de 0,5 m sur les côtés gauche et droit.



## 4 Installation

Installez la station de dépoussiérage et de chargement sur un sol dur et plat de manière à ce que son dos soit tourné vers le mur, puis branchez-la.



Gardez toujours le collecteur de poussière et la station de charge branchés, sinon l'aspirateur ne peut pas revenir automatiquement.



Pour que le chargement se fasse en douceur, ne déplacez pas fréquemment la station de dépoussiérage. Lorsque l'emplacement de l'aspirateur est modifié, il peut supprimer la carte disponible et créer une nouvelle carte en raison de l'erreur de positionnement.

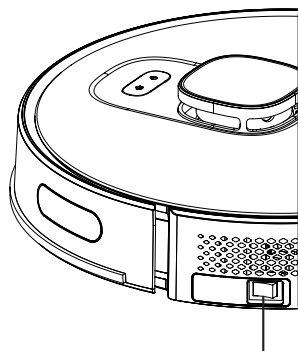
## 5 Fonctionnement

### 5.1 Utilisation prévue

Cet appareil est destiné à un usage domestique et non à un usage industriel.

### 5.2 Charge de l'appareil

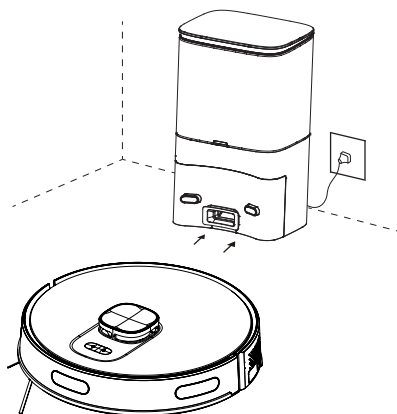
1. Mettez le bouton marche-arrêt situé sur le côté en position marche pour la mise sous tension initiale.



Bouton marche / arrêt

## 5 Fonctionnement

2. Placez l'appareil sur la station de dépoussiérage de manière à ce qu'il soit aligné avec le port de charge.



La charge commence lorsque le voyant bleu de la station de charge clignote 3 fois, puis s'éteint complètement.



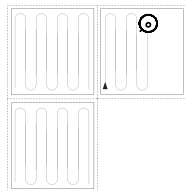
Lorsque l'appareil est connecté à la station de dépoussiérage, celle-ci commence à collecter la poussière. Cette opération dure environ 15 secondes.

### 5.3 Fonctionnement

Pour le premier fonctionnement, amenez le bouton MARCHE/ARRÊT sur le côté de la position 0 à la position I. Pour mettre l'aspirateur en marche, appuyez sur le bouton pendant 3 secondes.

- N'éteignez pas l'appareil en utilisant directement le bouton MARCHE/ARRÊT pendant le nettoyage, sinon les données de l'aspirateur ne pourront pas être sauvegardées.
- Si le bouton MARCHE/ARRÊT est sur la position ARRÊT, l'aspirateur s'allume automatiquement lorsqu'il est placé sur la station de charge et s'éteint automatiquement lorsqu'il est retiré de la station de charge.
- Si l'aspirateur n'est pas utilisé pendant une longue période, mettez le bouton MARCHE/ARRÊT en position arrêt.

### Commencer le nettoyage



Appuyez sur le bouton pour lancer le mode de nettoyage automatique. Au démarrage, l'aspirateur se retire de la station de charge, effectue un balayage automatique pour créer une carte, détermine l'itinéraire de nettoyage de manière intelligente et divise la zone en plusieurs régions. Le parcours de nettoyage est planifié le long du mur et l'aspirateur avance et recule pour nettoyer les différentes régions.

## 5 Fonctionnement



**AVERTISSEMENT :** Si le niveau de charge est trop faible, le nettoyage ne peut pas être lancé. Veuillez charger l'appareil avant de commencer le nettoyage.



**AVERTISSEMENT :** Avant le nettoyage, rangez tous les câbles pour éviter les déconnexions dues à un enchevêtrement/une traction des câbles et pour éviter d'endommager le mobilier.



**AVERTISSEMENT :** En mode de nettoyage automatique, si la surface à nettoyer est inférieure à 10 mètres carrés, le nettoyage est effectué deux fois par défaut.



**AVERTISSEMENT :** Ne déplacez pas la station de charge ou la station de dépoussiérage pendant le nettoyage et assurez-vous que la station ou la station est branchée, sinon l'aspirateur risque de ne pas pouvoir revenir se recharger.

### Pause

Appuyez sur n'importe quel bouton pour mettre l'opération en pause pendant le fonctionnement de l'aspirateur.

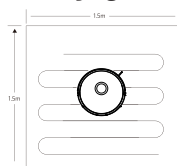
**Chargement automatique:** L'aspirateur revient automatiquement à la charge une fois le nettoyage terminé.

**Chargement manuel:** L'aspirateur robot retourne automatiquement au poste de charge lorsque vous appuyez sur le bouton “” du corps supérieur lorsqu'il est en pause

**A.** Si l'opération est en pause, appuyez sur le bouton pour une recharge automatique.


**B.** Si l'aspirateur est coincé n'importe où et ne trouve pas la station de charge, veuillez déplacer vous-même l'aspirateur vers la station de dépoussiérage pour qu'il puisse être chargé.

### Nettoyage du point fixe



Amenez l'aspirateur sur la zone à nettoyer et appuyez deux fois sur son bouton. Lorsque le mode est activé, l'aspirateur doit nettoyer une zone carrée de 1,5 x 1,5 m en se considérant comme le centre.

• L'aspirateur ne peut pas démarrer l'opération de nettoyage du point fixe depuis la station de charge ou la station de dépoussiérage.

Il ne peut pas démarrer l'opération de nettoyage de la station de charge ou la station de dépoussiérage. Une fois le nettoyage terminé, il ne retourne pas au poste de charge et reste dans sa position. Placez-le sur le socle de charge ou déplacez-le vers le socle de charge en appuyant sur le bouton “” situé sur le corps supérieur.

## 5 Fonctionnement

### Sélection de la puissance du vide

(Prise en charge uniquement avec l'application mobile correspondante) Vous pouvez sélectionner la puissance de nettoyage souhaitée à partir de l'application :

- Silence
- Standard
- Puissant
- Maximal

### Nettoyage contrôlé à distance

(Prise en charge uniquement avec l'application mobile correspondante) \*Vous pouvez diriger l'aspirateur vers la zone à nettoyer en utilisant le mode de commande manuelle via l'application.

### Veille

L'aspirateur passe automatiquement en mode veille s'il reste immobile pendant 10 minutes. L'aspirateur passe automatiquement en mode veille 10 minutes après avoir été complètement rechargé. Le mode veille désactive la tâche en cours.

### Réinitialisation du système

Appuyez sur le bouton du mode veille pendant 15 secondes pour réinitialiser le système. Lorsque le système est réinitialisé, la carte et les paramètres d'origine (y compris les limites virtuelles) de l'aspirateur sont supprimés.

## 5.3.1 Fonctionnement avec l'application

### Télécharger l'application

Pour télécharger l'application, recherchez l'application "HomeDirect-SDA" dans le magasin d'applications mobiles. Consultez le manuel de l'application mobile pour obtenir des informations détaillées.

### Réinitialiser le Wi-Fi

Maintenez les boutons "ⓘ" "🏠" enfoncés simultanément jusqu'à ce que l'avertissement sonore se fasse entendre ; ensuite, le voyant clignote lentement en couleur blanche et l'aspirateur passe en mode d'appairage.

### Ajouter un appareil

Ouvrez l'application, créez un nouveau compte et suivez les instructions de l'application. \* Avant de configurer le Wi-Fi, assurez-vous que l'aspirateur et le réseau Wi-Fi répondent aux exigences suivantes.



## 5 Fonctionnement

### A. Aspirateur :

- Le niveau de charge de l'aspirateur doit être supérieur à 20 % ou l'aspirateur doit être placé sur la station de charge.

### B. Réseau Wi-Fi:

- Obtenez le mot de passe correct du réseau sans fil.
- N'utilisez pas de VPN (Réseau Privé Virtuel).
- Le routeur Wi-Fi doit prendre en charge les protocoles 802.11b/g/n et IPv4.
- Le routeur doit être dans la bande de fréquence de 2,4GHz ou un routeur à double bande qui supporte la bande de 2,4GHz doit être utilisé. L'aspirateur ne supporte pas la bande de fréquence 5GHz.
- Si l'aspirateur ne peut pas se connecter au réseau Wi-Fi bi-bande 2,4/5GHz, veuillez sélectionner le réseau 2,4GHz pour les paramètres Wi-Fi. Vous pouvez revenir à l'autre bande de fréquences lorsque le réglage est terminé.
- Si vous vous connectez à un réseau caché, assurez-vous de saisir correctement le nom du réseau [SSID (sensible aux majuscules)] et de vous connecter à un réseau sans fil de 2,4 GHz.
- Si vous utilisez une extension de réseau sans fil, assurez-vous que le nom du réseau (SSID) et le mot de passe sont les mêmes que ceux du réseau principal.
- Pour connecter l'aspirateur au serveur d'applications, configurez le pare-feu et le port du routeur Wi-Fi selon les besoins.

### Erreur de connexion Wi-Fi

Statut Wi-Fi	Cause profonde	Solution
La lumière blanche est allumée en continu.	L'aspirateur est connecté au routeur (modem), mais il ne peut pas se connecter au réseau.	<ul style="list-style-type: none"><li>• Assurez-vous que le modem est connecté au réseau.</li><li>• Contactez votre opérateur de réseau pour voir s'il y a un problème dans les données Internet.</li></ul>
La lumière blanche clignote rapidement	L'aspirateur ne peut pas se connecter au modem	<ul style="list-style-type: none"><li>• Assurez-vous que le nom du réseau et le mot de passe ne sont pas modifiés.</li><li>• Réinitialisez la connexion Wi-Fi, si nécessaire. Veuillez consulter la section "Réinitialisation du Wi-Fi" dans la partie "Téléchargement de l'Application et Réinitialisation du Wi-Fi" de ce manuel.</li></ul>

## 5 Fonctionnement

La lumière blanche clignote lentement.	Le Wi-Fi est réinitialisé ou n'est pas encore configuré.	<ul style="list-style-type: none"><li>• Assurez-vous de la connexion Wi-Fi de l'aspirateur. Veuillez consulter le Manuel de l'Application Mobile pour des instructions détaillées. Réinitialisez la connexion Wi-Fi, si nécessaire. Veuillez vous reporter à la section "Réinitialisation du Wi-Fi" de ce manuel.</li></ul>
--	--	---

### Exigences de sécurité du réseau:

- Utilisez les réseaux WPA et WPA2 à chiffrement TKIP, PSK et AES/CCMP.

### 4.3.2 Modes de fonctionnement

#### Gestion des Cartes

##### A. Cartographie des salles en temps réel

La création en temps réel d'un plan de la pièce peut vous aider à comprendre facilement l'itinéraire et l'environnement de nettoyage. Un plan de la salle est créé après le nettoyage. La carte est mise à jour en temps réel lors de chaque opération d'aspiration pour assurer une navigation normale. Pour créer un plan complet de la maison ;

- a. Ouvrez les portes de vos pièces pour que l'aspirateur crée une carte de chaque pièce ;
- b. Retirez tout objet susceptible d'obstruer ou de bloquer l'aspirateur ;
- c. Ne changez pas l'emplacement de la station de charge et ne la débranchez pas après la création de la carte.

##### B. Repositionnement et remappage

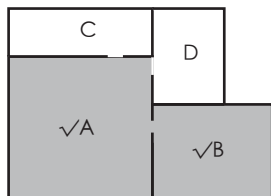
Si l'aspirateur est déplacé ou si des changements importants sont apportés à l'environnement, l'aspirateur essaie de se repositionner pour s'adapter au nouvel environnement et peut créer à nouveau la carte pertinente. Les détails sont les suivants:

- a. Si le repositionnement est réussi, l'aspirateur continue à nettoyer ;
- b. Si le repositionnement n'aboutit pas, l'aspirateur recrée la carte afin de garantir une navigation normale pour l'opération de nettoyage ;
  - Veillez à ce que l'aspirateur démarre toujours l'opération de nettoyage depuis la station de charge.
  - Ne déplacez pas fréquemment l'aspirateur pendant le nettoyage. S'il est déplacé, ramenez-le à sa position initiale.

## 5 Fonctionnement

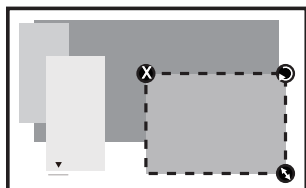
### Mode de nettoyage de la pièce (Pris en charge uniquement par l'application mobile correspondante)

Vous pouvez spécifier les pièces que vous souhaitez nettoyer avec l'application mobile, puis l'aspirateur ne nettoie que la ou les pièces qui sont marquées dans la carte régionale sur l'application.



- L'aspirateur peut également pénétrer dans des zones autres que la zone sélectionnée après avoir commencé à nettoyer ; veuillez donc retirer les obstacles sur le sol autour de la zone sélectionnée. La sélection des zones ne fournit pas une isolation sûre.
- Le nettoyage régional ne peut être lancé qu'après que l'aspirateur ait réussi à créer une carte.

### Mode de nettoyage régional (pris en charge uniquement par l'application mobile concernée)



The dimensions of the region can be determined by holding from the right bottom corner. In the meantime, the dimensions of the displayed area are written on the screen with the dotted line.

Sélectionnez le mode de nettoyage régional dans l'application, puis spécifiez une zone de nettoyage. L'aspirateur ne nettoie que la zone sélectionnée et retourne ensuite sur la station de charge.

- Le nettoyage régional ne peut être lancé qu'après que l'aspirateur ait réussi à créer une carte.



Consultez le manuel d'utilisation de l'application mobile pour obtenir des conseils d'utilisation détaillés.

### 5.4 Fonctionnement du balai à franges



**AVERTISSEMENT :** N'utilisez pas le mode "balayage humide" sur un tapis.

## 5 Fonctionnement



**AVERTISSEMENT :** Ne mettez pas d'eau de Javel ou de détergent dans le réservoir d'eau.



**AVERTISSEMENT :** Retirez l'unité de balayage humide lorsque l'aspirateur est en cours de chargement ou lorsqu'il n'est pas utilisé.

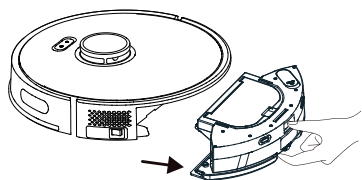


**AVERTISSEMENT :** Retirez l'unité de balayage humide immédiatement après la fin de l'opération de balayage humide pour éviter d'endommager vos sols en bois.

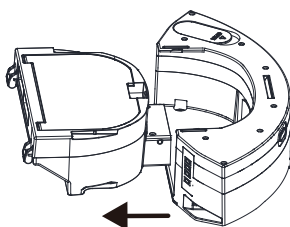


**AVERTISSEMENT :** L'aspirateur coupe automatiquement l'eau lorsque le balayage humide est interrompu ou terminé. Cependant, le balai à franges reste humide, il ne doit donc pas être conservé dans cet état pendant une longue période et doit être retiré sans délai.

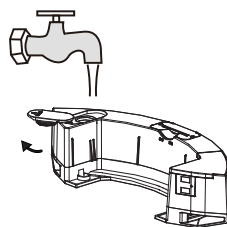
### 5.4.1 Installation de l'unité de balayage humide



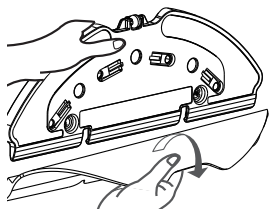
Retirez le récipient à poussière et l'ensemble du réservoir d'eau (2 en 1).



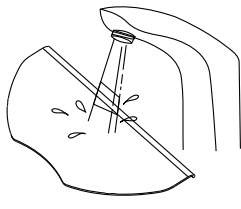
Retirez le récipient à poussière.



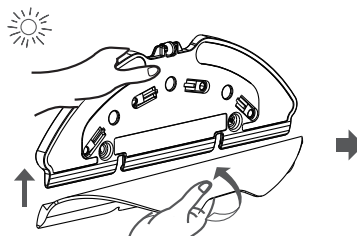
Retirez le bouchon en caoutchouc et ajoutez de l'eau dans le réservoir d'eau par l'entrée d'eau.



Retirez la serpillère sur le dispositif de retenue de la serpillère comme indiqué.

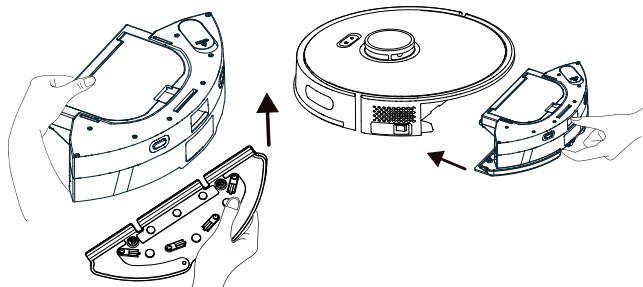


Humidifiez la serpillère avant chaque application.



Placez la serpillère sur le dispositif de retenue de la serpillère.

## 4 Fonctionnement



Installez le conteneur à poussière et l'ensemble du réservoir d'eau (2 en 1) dans le sens de la flèche.

Installez le récipient à poussière et l'ensemble du réservoir d'eau (deux en un) dans le sens de la flèche.

### 5.4.2 Réglage du balayage humide

Vous pouvez commencer l'opération de nettoyage en sélectionnant le mode de nettoyage et en réglant le niveau d'eau de balayage humide comme vous le souhaitez dans l'application.

- Il est conseillé d'ajouter un mur virtuel (zone interdite au balai à franges) à la zone du tapis sur l'application afin d'éloigner l'aspirateur du tapis et d'éviter que l'aspirateur robot ne mouille le tapis pendant l'opération de balayage humide.

## 6 Nettoyage et entretien

Éteignez l'appareil et débranchez-le avant de le nettoyer.



**AVERTISSEMENT :** N'utilisez jamais d'essence, de solvants, de nettoyants abrasifs, d'objets métalliques ou de brosses dures pour nettoyer l'appareil.

### 6.1 Nettoyage du récipient à poussière et des filtres



Vous pouvez appeler notre centre d'appels pour commander un nouveau filtre lorsque votre filtre atteint la fin de sa durée de vie prévue, est déformé ou doit être remplacé pour une raison particulière.

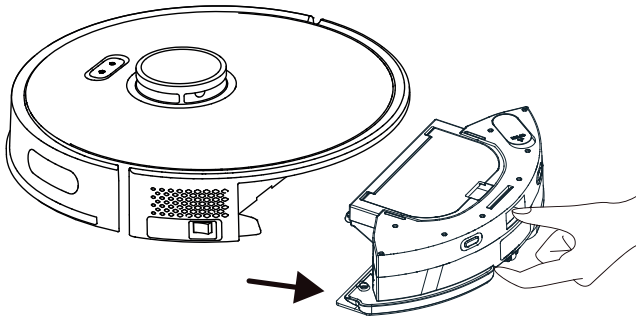


Pour obtenir des performances maximales avec le filtre HEPA, nettoyez-le à l'aide d'une brosse après chaque nettoyage.

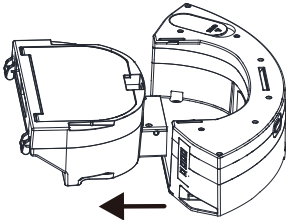
Le filtre HEPA (10) est un accessoire remplaçable.

Si vous avez effectué une opération de nettoyage dans un espace où il y a de la poussière de construction et de la poussière avec de très petites particules, remplacez votre filtre par un nouveau afin de ne pas subir une perte de performance.

1. Retirez le récipient à poussière et l'ensemble du réservoir d'eau (2 en 1) en appuyant sur le bouton comme indiqué ci-dessous.

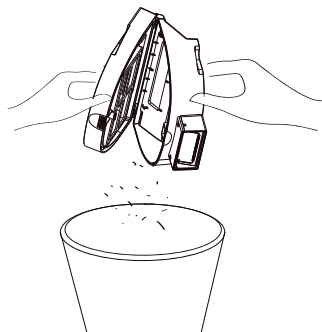


2. Retirez le bac à poussière en le tirant dans le sens de la flèche.

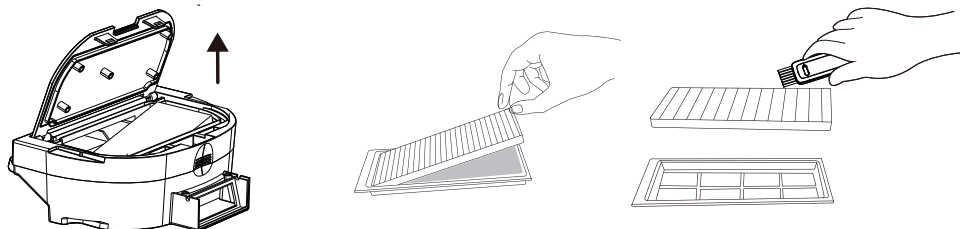


## 6 Nettoyage et entretien

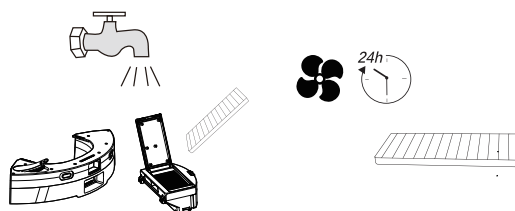
3. Ouvrez le conteneur à poussière comme indiqué ci-dessous. Approchez le récipient à poussière de la poubelle et retirez la poussière grossière en tapant légèrement sur le récipient.



4. Retirez le filtre haute performance et nettoyez-le à l'aide de la brosse de nettoyage fournie avec l'appareil.



5. Lavez périodiquement le réservoir d'eau, le conteneur à poussière et l'ensemble du filtre à l'**eau froide**, en fonction de la fréquence d'utilisation.



6. Laissez sécher le réservoir d'eau, le conteneur à poussière et l'ensemble du filtre après le lavage, et assurez-vous qu'ils sont complètement secs.



Le séchage peut prendre de 24 à 48 heures.

## 6 Nettoyage et entretien

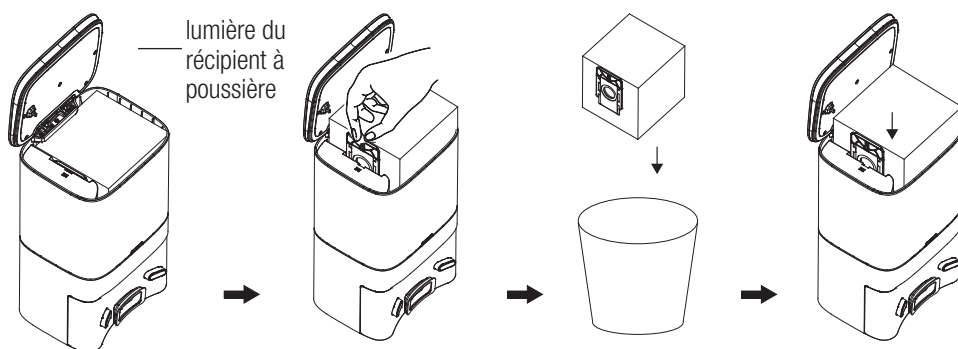
7. Assemblez le réservoir d'eau, le conteneur à poussière et l'ensemble du filtre après séchage à l'air, puis installez l'ensemble sur l'aspirateur.



**AVERTISSEMENT :** Ne faites pas fonctionner l'aspirateur sans avoir installé le groupe de filtres. Sinon, l'appareil risque d'être endommagé.

### 6.2 Remplacement du sac à poussière

Lorsque le conteneur à poussière est plein, l'indicateur de la station de dépoussiérage clignote en rouge ou une notification s'affiche sur l'application. Remplacez le sac à poussière en temps voulu. Lorsque le sac à poussière est en fonctionnement normal, le voyant blanc de la station de dépoussiérage est allumé de façon fixe ou clignote.



Soulevez le couvercle supérieur.

Tirez la poignée du sac à poussière vers le haut.

Jetez le vieux sac à poussière

Installez un nouveau sac à poussière et fermez le couvercle supérieur.



Lorsque le sac à poussière n'est pas installé à l'intérieur de la station, l'opération de dépoussiérage automatique ne doit pas être lancée lorsque le robot revient à la station après l'opération d'aspiration. Lorsqu'un sac à poussière n'est pas disponible, la poussière à l'intérieur du conteneur à poussière doit être enlevée manuellement.



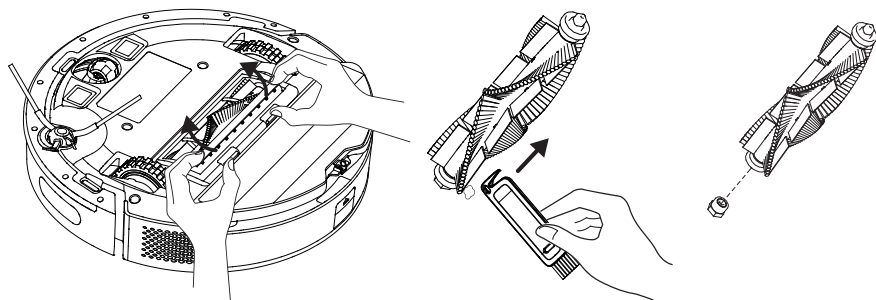
Achetez des sacs à poussière à installer dans le socle de charge auprès de services agréés. L'utilisation de sacs à poussière incompatibles et inappropriés dans le socle de charge de l'aspirateur robot peut endommager le socle de charge, voire l'aspirateur lui-même. Les dommages et réparations causés par l'utilisation de sacs à poussière non originaux dans le socle de charge ne sont pas couverts par la garantie.



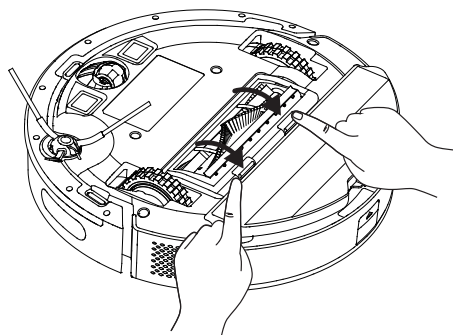
## 6 Nettoyage et entretien

### 6.3 Nettoyage de la brosse

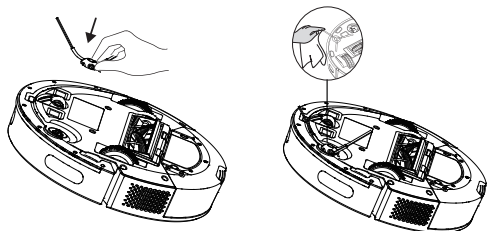
1. Ouvrez le couvercle supérieur de la brosse principale en appuyant sur les languettes. Tirez et retirez le rouleau principal vers le haut. Retirez les cheveux emmêlés sur la brosse de nettoyage avec l'extrémité coupante, et enlevez la poussière sur les poils de la brosse et le rouleau.



2. Remettez la brosse en place après l'avoir nettoyée et refermez le couvercle dans le sens de la flèche.



### 6.4 Nettoyage et installation de la brosse latérale



Après une utilisation prolongée, lavez la brosse latérale à l'eau chaude afin d'en éliminer toute déformation. Installez-la sur le robot tel qu'illustré après qu'elle a séché.

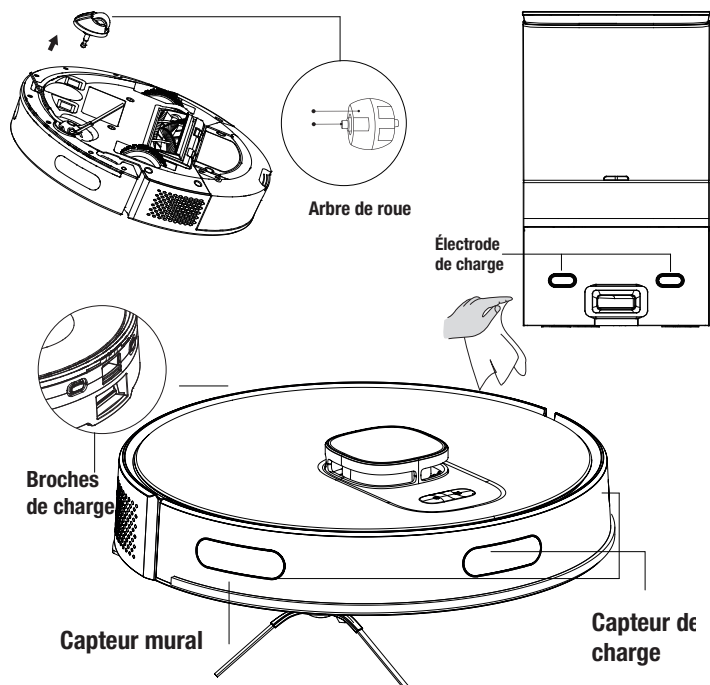
## 6 Nettoyage et entretien

### 6.5 Nettoyage des capteurs

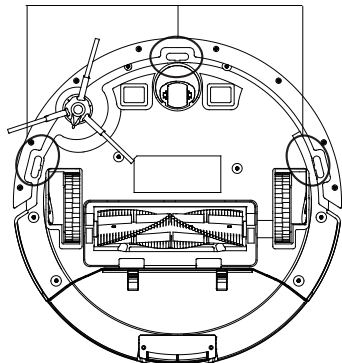
Nettoyez régulièrement les capteurs et enlevez la poussière à l'aide d'un chiffon sec et doux ou d'une brosse de nettoyage.



Vous recevez une notification via l'application lorsque le nettoyage du capteur est nécessaire.



### Capteur de prévention des chutes

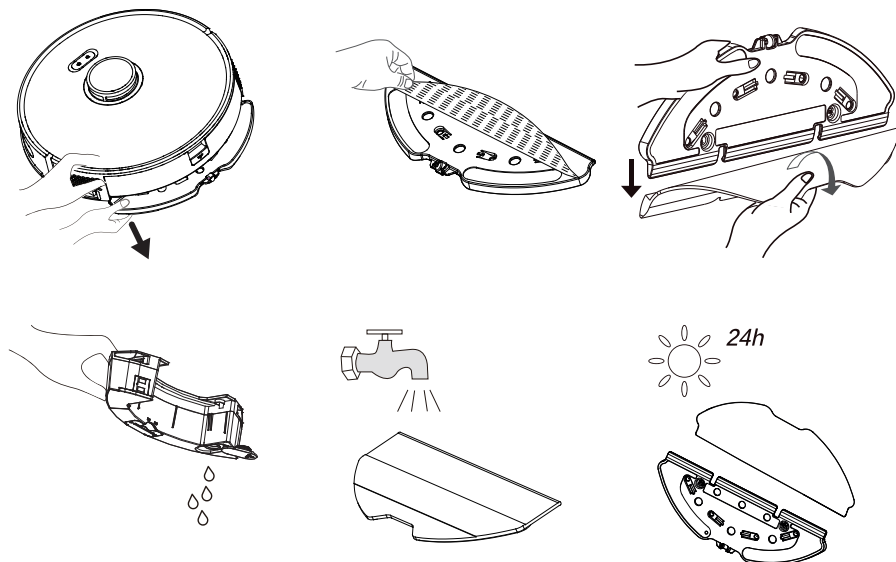


## 6 Nettoyage et entretien

### 6.6 Nettoyage de l'unité de balayage humide

Nous vous recommandons de retirer le support du balai à franges d'un côté, de vider le réservoir d'eau, de rincer le balai à franges à l'eau, puis de le laisser sécher après chaque utilisation de l'appareil.

Vous pouvez laver le balai dans une machine à laver.



## 7 Dépannage

### Conditions Générales d'Erreur

Échec	Cause et remède
Ne peut être utilisé	<ol style="list-style-type: none"><li>1. Le niveau de charge est faible. Placez l'aspirateur sur la station de charge ou la station de dépoussiérage de manière à ce qu'il soit aligné avec les pôles de charge. Amenez le bouton situé à gauche de l'aspirateur sur la position "I" ; l'aspirateur fonctionnera automatiquement (lorsque l'aspirateur est complètement déchargé, vous devrez le recharger pendant un certain temps pour qu'il fonctionne automatiquement).</li><li>2. La température ambiante est très basse (inférieure à 0 °C) ou très élevée (supérieure à 50 °C). Veuillez utiliser l'aspirateur à une température ambiante de 0 à 40 °C.</li><li>3. Veillez à ce que le bouton marche/arrêt situé sur le côté de l'aspirateur soit en position "I".</li></ol>
Batterie non chargée	<ol style="list-style-type: none"><li>1. Veuillez retirer l'aspirateur et vérifier si le témoin lumineux de la station de charge ou de la station de dépoussiérage est allumé et assurez-vous que les deux extrémités de l'adaptateur d'alimentation de la station de charge sont connectées.</li><li>2. Contact défectueux. Veuillez nettoyer les contacts à ressort de la station de charge et les contacts de charge de l'aspirateur.</li><li>3. Veillez à ce que le bouton marche/arrêt situé sur le côté de l'aspirateur soit en position "I".</li></ol>
Ne retourne pas à la station d'accueil pour se recharger.	<ol style="list-style-type: none"><li>1. Il y a trop d'obstacles autour de la station de charge ou de la station de dépoussiérage. Veuillez placer la station de charge ou la station de dépoussiérage dans une zone libre d'obstacles.</li><li>2. L'aspirateur est trop éloigné de la station de charge ou de la station de dépoussiérage. Rapprochez l'aspirateur de la station de charge ou de la station de dépoussiérage et réessayez.</li><li>3. Assurez-vous que le socle de charge est branché et qu'il est alimenté.</li></ol>
Fonctionnement anormal	<ol style="list-style-type: none"><li>1. Éteignez et rallumez.</li></ol>
Fonctionne avec un bruit anormal.	<ol style="list-style-type: none"><li>1. Des matières étrangères peuvent avoir pénétré dans la brosse principale, les brosses latérales et les roues. Veuillez éteindre l'aspirateur et le nettoyer.</li></ol>
Les performances de nettoyage sont faibles /il y a des fuites de poussière	<ol style="list-style-type: none"><li>1. Le conteneur à poussière est plein. Veuillez nettoyer le conteneur à poussière.</li><li>2. Le filtre est bouché. Veuillez nettoyer ou remplacer le filtre.</li><li>3. Des matières étrangères peuvent avoir pénétré dans la brosse principale. Veuillez nettoyer la brosse principale.</li></ol>

## 7 Dépannage

Impossible de se connecter au réseau Wi-Fi.	<ol style="list-style-type: none"><li>1. Le signal Wi-Fi est faible. Assurez-vous que le signal Wi-Fi à l'endroit où se trouve l'aspirateur est puissant.</li><li>2. Il y a une condition anormale dans la connexion Wi-Fi. Veuillez réinitialiser le Wi-Fi, télécharger la dernière application mobile et réessayer.</li><li>3. Le mot de passe n'a pas été saisi correctement.</li><li>4. Le routeur utilisé est un modèle qui fonctionne dans la bande de fréquence 5G (cet aspirateur robot prend en charge la bande de fréquence 2,4G uniquement).</li></ol>
La fonction de nettoyage programmé ne fonctionne pas	Le niveau de charge est faible. Le nettoyage programmé ne peut être lancé que lorsque le niveau de charge est $\geq 20\%$ .
L'aspirateur consomme de l'énergie lorsqu'il est dans la station de charge.	L'aspirateur consomme très peu d'énergie lorsqu'il se trouve dans la station de charge ou dans la station de dépoussiérage ; cette caractéristique permet de maintenir les performances de la batterie à un niveau optimal.
L'aspirateur doit être rechargé pendant 16 heures au cours des trois premières opérations de charge.	La batterie au lithium n'a pas d'effet mémoire lorsqu'elle est utilisée et aucun temps d'attente n'est nécessaire lorsqu'elle est complètement chargée.

## 7 Dépannage

<p>L'opération de dé poussiérage automatique ne démarre pas après le retour de l'aspirateur robot sur sa station de charge et sa station de dé poussiérage.</p>	<ol style="list-style-type: none"><li>1. Assurez-vous que la station de dé poussiérage et la station de charge sont sous tension. Lorsque l'aspirateur revient à la charge après plus de 5 minutes de nettoyage, le ramassage automatique de la poussière est lancé ;</li><li>2. Vérifiez si le couvercle de la station de dé poussiérage est fermé ou s'il est correctement fermé (un voyant rouge s'allume s'il n'est pas correctement fermé) ;</li><li>3. Assurez-vous que le sac à poussière est installé dans la station de dé poussiérage (un voyant rouge s'allume si le compartiment n'est pas correctement fermé) ;</li><li>4. Pour une performance de dé poussiérage sans faille, il est recommandé de laisser l'aspirateur revenir automatiquement en charge après le nettoyage (le fait de placer soi-même l'aspirateur dans la station de dé poussiérage ou la station de charge provoquera un déséquilibre de connexion et affectera ainsi les performances de dé poussiérage) ;</li><li>5. Veuillez vérifier régulièrement si le sac à poussière est plein ou non ; sinon, le sac à poussière sera trop rempli et déchiré, le tube de collecte de la poussière sera bouché, ce qui entraînera des dommages à la station de collecte de la poussière et à la station de charge ;</li><li>6. Si le problème persiste après avoir utilisé les solutions fournies ci-dessus, les pièces peuvent être défectueuses. Contactez le service client.</li></ol>
<p>L'aspirateur s'arrête après le démarrage de l'opération de dé poussiérage automatique et les performances de dé poussiérage sont faibles.</p>	<ol style="list-style-type: none"><li>1. Vérifiez si le sac à poussière est plein. Remplacez le sac à poussière s'il est plein ;</li><li>2. La sortie du bac à poussière de l'aspirateur est obstruée par des corps étrangers, ce qui empêche le compartiment du bac de s'ouvrir ;</li><li>3. Vérifiez que le conduit d'air de la station de dé poussiérage n'est pas obstrué ;</li><li>4. L'aspirateur est déplacé pendant le dé poussiérage (Veuillez ne pas déplacer l'aspirateur pendant le dé poussiérage, sous peine de l'endommager) ;</li><li>5. De l'eau peut avoir pénétré dans le bac à poussière de l'aspirateur, empêchant ainsi la poussière d'être facilement aspirée. Ne laissez pas l'aspirateur aspirer des quantités excessives d'eau, sinon les performances de dé poussiérage diminueront.</li></ol>

## 7 Dépannage

Le compartiment interne où se trouve le sac à poussière dans la station de dé poussierage est sale.	<ol style="list-style-type: none"><li>1. De petites particules de poussière peuvent avoir traversé le sac à poussière et avoir adhéré à la paroi intérieure du conteneur à poussière. Veuillez vérifier et nettoyer ces pièces régulièrement ;</li><li>2. Le sac à poussière risque d'être endommagé. Veuillez le vérifier et le remplacer si nécessaire ;</li><li>3. Une accumulation excessive de saletés à l'intérieur affecte dans une certaine mesure le ventilateur et le capteur de pression d'air. Il est recommandé de nettoyer régulièrement l'accumulation de saletés dans le compartiment intérieur.</li></ol>
---	--

### Liste des Défaillances

Lorsque l'aspirateur présente une défaillance, le voyant rouge de l'aspirateur clignote et un signal sonore correspondant retentit simultanément. Suivez les instructions sonores pour résoudre le problème.

Avertissement Sonore	Solution
<b>Erreur 1:</b> La batterie est anormale. Veuillez vous référer au manuel ou à l'application.	<ul style="list-style-type: none"><li>• Veuillez ouvrir le compartiment de la batterie, vérifier si la connexion de la batterie est correcte et redémarrer l'aspirateur.</li><li>• La température de la batterie est très élevée ou très basse. Attendez que la température de la batterie atteigne les valeurs normales (0 °C~40 °C/32 °F~104 °F).</li></ul>
<b>Erreur 2:</b> Le module de roue est anormal. Veuillez vous référer au manuel ou à l'application.	<ul style="list-style-type: none"><li>• Veuillez vérifier qu'aucun corps étranger n'est coincé dans les roues et redémarrez l'aspirateur.</li></ul>
<b>Erreur 3:</b> Le module de brosse latérale est anormal. Veuillez vous référer au manuel ou à l'application.	<ul style="list-style-type: none"><li>• Vérifiez qu'aucun corps étranger n'est coincé dans la brosse latérale et redémarrez l'aspirateur.</li></ul>
<b>Erreur 4:</b> Le ventilateur est anormal. Veuillez vous référer au manuel ou à l'application.	<ul style="list-style-type: none"><li>• Veuillez vérifier qu'aucun corps étranger n'est coincé dans l'orifice du ventilateur et redémarrer l'aspiration.</li><li>• Veuillez vérifier le bac à poussière et le filtre, et redémarrer l'aspirateur.</li></ul>
<b>Erreur 5:</b> La brosse rotative est anormale. Veuillez vous référer au manuel ou à l'application.	<ul style="list-style-type: none"><li>• Veuillez retirer la brosse rotative, et nettoyer la brosse rotative, la partie de connexion de la brosse, le couvercle de la brosse rotative et la buse à poussière. Redémarrez l'aspirateur après le nettoyage.</li></ul>

## 7 Dépannage

<b>Erreur 6:</b> La pompe à eau est anormale. Veuillez vous référer au manuel ou à l'application.	<ul style="list-style-type: none"><li>• Veuillez nettoyer le réservoir d'eau, les connexions de la pompe à eau dans le réservoir et l'appareil et la sortie d'eau sous l'aspirateur et vérifier le module de balayage humide. Veuillez essayer de redémarrer l'aspirateur après le nettoyage.</li></ul>
<b>Erreur 7:</b> Le capteur laser est anormal. Veuillez vous référer au manuel ou à l'application.	<ul style="list-style-type: none"><li>• Veuillez vérifier l'absence de corps étrangers à l'intérieur du capteur laser, nettoyez-les si nécessaire et redémarrez l'aspirateur.</li></ul>
<b>Erreur 9:</b> L'opération de chargement est anormale. Veuillez nettoyer la zone de contact de la charge.	<ul style="list-style-type: none"><li>• Veuillez vérifier l'absence de contamination dans la zone de charge et nettoyer les pôles de charge.</li><li>• Veuillez vérifier si la batterie est correctement connectée.</li></ul>
<b>Erreur 10:</b> L'aspirateur est anormal. Veuillez éteindre et redémarrer à nouveau.	<ul style="list-style-type: none"><li>• Veuillez mettre le bouton principal en position 0 et le remettre en position I et redémarrer l'aspirateur.</li></ul>
<b>Erreur 12:</b> La performance est anormale. Veuillez vous assurer que le bouton principal est allumé.	<ul style="list-style-type: none"><li>• Veuillez mettre le bouton principal en position I.</li></ul>



# Si prega di leggere questa guida prima dell'uso!

Gentile Cliente,

Grazie per aver scelto un prodotto BEKO. Vorremmo che da questo prodotto di alta qualità fabbricato con tecnologia all'avanguardia ottenessi l'efficienza ottimale. Prima dell'uso assicurati di aver letto e compreso a fondo questa guida e la documentazione supplementare e conservale come riferimento. Fornisci questa guida con l'unità se la consegni a qualcun altro. Osserva tutte le avvertenze e le informazioni qui contenute e segui le istruzioni.

## Simboli e loro significati

In questa guida sono stato utilizzati i seguenti simboli:



Informazioni importanti e consigli utili sull'uso del dispositivo.



**AVVERTENZA:** Avvertenze relative a situazioni pericolose per la vita delle persone e l'integrità delle cose.



Classe di protezione contro le scosse elettriche.



Questo prodotto è stato realizzato presso impianti rispettosi dell'ambiente e moderni senza arrecare nessun danno alla natura.

# 1 Importanti istruzioni di sicurezza e ambientali

Questa sezione contiene istruzioni di sicurezza per prevenire pericoli che possono provocare lesioni o danni materiali.

Qualsiasi garanzia è nulla se queste istruzioni non vengono seguite.

## 1.1 Norme di sicurezza generali

- Questo elettrodomestico è conforme alle norme di sicurezza internazionali.
- Questo dispositivo può essere utilizzato da bambini di età superiore a 8 anni, persone con problemi fisici, uditivi o mentali o persone con mancanza di esperienza o conoscenza; purché ne sia garantito il controllo o vengano fornite informazioni sull'uso sicuro del dispositivo e sui pericoli connessi. I bambini non devono giocare con l'apparecchiatura. La pulizia e la manutenzione non devono essere eseguiti dai bambini non sorvegliati.
- Non utilizzare l'elettrodomestico se il cavo di alimentazione o l'elettrodomestico stesso sono danneggiati. Contattare un servizio autorizzato.
- L'alimentazione di rete deve essere in linea con le informazioni specificate sulla targhetta di identificazione dell'elettrodomestico.
- Non usare l'elettrodomestico con una prolunga.
- Per evitare di danneggiare il cavo di alimentazione, evitare che venga pizzicato, piegato o sfregato contro bordi taglienti.
- Non toccare la spina dell'elettrodomestico se le mani sono bagnate o umide, quando l'elettrodomestico è collegato.
- Non tirare il cavo mentre si scollega l'elettrodomestico.
- Non aspirare materiali infiammabili e assicurarsi che la cenere delle sigarette sia raffreddata prima di aspirarla.
- Non aspirare acqua e altri liquidi.

# 1 Importanti istruzioni di sicurezza e ambientali

- Proteggere l'elettrodomestico da pioggia, umidità e fonti di calore.
- Non utilizzare l'elettrodomestico in ambienti e sostanze esplosive o infiammabili o nelle loro vicinanze.
- Scollegare l'elettrodomestico prima della pulizia e della manutenzione.
- Non immergere l'elettrodomestico o il suo cavo di alimentazione in acqua per la pulizia.
- Non smontare l'elettrodomestico.
- Servirsi unicamente di ricambi originali o consigliati dal produttore.
- Per evitare il blocco del filtro o danni al motore, non aspirare cemento, gesso o frammenti di carta compressa.
- Utilizzare l'elettrodomestico solo con l'adattatore in dotazione.
- Non utilizzare l'elettrodomestico senza filtri, altrimenti potrebbe danneggiarsi.
- Se si conserva il materiale d'imballaggio, tenerlo fuori dal portata dei bambini.
- Questo elettrodomestico non è destinato ad essere utilizzato da persone, compresi i bambini, con disabilità fisiche, sensoriali e mentali o da coloro che non hanno un'adeguata esperienza e conoscenza del suo utilizzo, a meno che non siano sotto la sorveglianza di una persona responsabile della loro sicurezza o siano informati sul funzionamento dell'elettrodomestico stesso.
- I bambini dovranno essere sorvegliati per evitare che giochino con l'elettrodomestico.
- Scollegare l'adattatore e rimuovere il pacco batterie prima di qualsiasi procedura di pulizia o manutenzione.
- Per evitare qualsiasi rischio e pericolo, un eventuale adattatore danneggiato dovrà essere sostituito dal produttore, dal rappresentante autorizzato del produttore o da un tecnico altrettanto qualificato.

# 1 Importanti istruzioni di sicurezza e ambientali

- Durante l'aspirazione, tenere le dita, i capelli e i vestiti larghi lontano dalle parti in movimento o dagli spazi liberi.
- Prima di eliminare l'elettrodomestico le batterie dovranno essere rimosse.
- Prima di rimuovere la batteria, scollegare l'elettrodomestico dalla fonte di alimentazione.
- Smaltire le batterie usate in conformità con le leggi e i regolamenti locali.
- Le batterie incluse in questo elettrodomestico potranno essere sostituite solo da servizi assistenza autorizzati.
- Non utilizzare batterie di tipo diverso o batterie vecchie e nuove insieme.
- Le batterie dovranno essere installate con la corretta disposizione polare.
- Non cortocircuitare i terminali di alimentazione.
- Dovrà essere usato solo con batterie ME1XXFG CM 3200 mAh.
- Questo elettrodomestico non dovrà essere azionato da bambini e da persone con capacità fisiche, sensoriali e cognitive limitate o da persone con mancanza di esperienza e conoscenza, a meno che non siano sorvegliate o abbiano ricevuto le relative istruzioni.
- I bambini dovranno essere sorvegliati per evitare che giochino con l'elettrodomestico.
- Non mettere nessun oggetto sull'elettrodomestico.
- Non far funzionare l'elettrodomestico su piani elevati come un tavolo o una sedia.
- Questo prodotto non è progettato per l'uso commerciale, è destinato all'uso in casa e in applicazioni simili come specificato qui di seguito:
  - Nelle cucine del personale dei negozi, negli uffici e in altri ambienti di lavoro,
  - Nelle fattorie,

# 1 Importanti istruzioni di sicurezza e ambientali

- Negli hotel, da clienti, all'interno di motel e altri ambienti residenziali;
  - In ostelli o ambienti simili.
  - Luoghi di riposo e ambienti per la prima colazione
- Non mettere nessun oggetto sull'elettrodomestico. Accertarsi che i bambini e gli animali domestici non salgano sull'apparecchio.

## 1.2 Conformità con i regolamento WEEE e smaltimento dei rifiuti



Questo apparecchio è conforme alla Direttiva UE WEEE (2012/19/EU). Questo apparecchio riporta il simbolo di classificazione per i rifiuti delle apparecchiature elettriche ed elettroniche (WEEE). Questo simbolo indica che questo prodotto non deve essere smaltito con altri rifiuti domestici al termine della sua vita utile. Il dispositivo usato deve essere portato a un punto di raccolta ufficiale per il riciclaggio di dispositivi elettrici ed elettronici. Per individuare questi punti di raccolta, contattare le proprie autorità locali oppure il rivenditore presso cui è stato acquistato il prodotto. Ciascuna famiglia ha un ruolo importante nel recupero e riciclaggio di vecchi apparecchi. Lo smaltimento appropriato degli apparecchi usati aiuta a prevenire potenziali conseguenze negative per l'ambiente e la salute umana.

## 1.3 Informazioni sull'imballaggio



L'imballaggio del prodotto è realizzato con materiali riciclabili, in conformità con la legislazione nazionale.

Non smaltire i rifiuti di imballaggio con i rifiuti domestici o altri rifiuti, smaltirli nelle aree di raccolta degli imballaggi specificate dalle autorità locali.

## 1.4 Batterie esauste

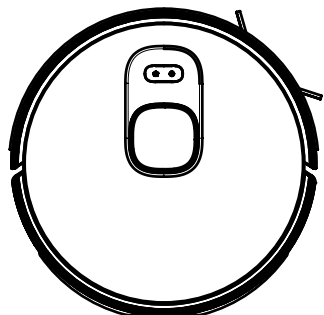


Assicurarsi che le batterie esauste vengano smaltite in conformità alle leggi e ai regolamenti locali. Il simbolo sulla batteria e sull'imballaggio indica che la batteria consegnata con il prodotto non deve essere considerata un rifiuto domestico. In alcune regioni, questo simbolo potrebbe essere usato in combinazione con un simbolo chimico. Se le batterie contengono più dello 0,0005% di mercurio e più dello 0,004% di piombo, il simbolo chimico Hg per il mercurio e il simbolo chimico Pb per il piombo sono aggiunti sotto il simbolo. Assicurandosi che le batterie siano smaltite correttamente, si contribuirà alla prevenzione di potenziali danni all'ambiente e alla salute umana dovuti allo smaltimento improprio delle batterie.

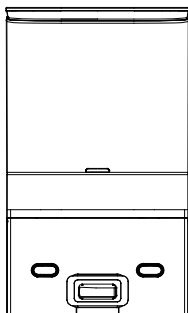
## 1.5 Cosa fare per risparmiare energia

- Quando si utilizza l'apparecchiatura, regolare le impostazioni della velocità in base alla superficie, al fine di risparmiare energia.
- Normalmente, le velocità più basse sono usate quando si puliscono le superfici dure, mentre le alte velocità sono usate per pulire i tappeti.

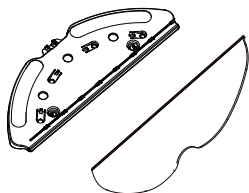
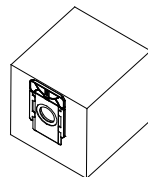
## 2 Contenuto della scatola



Robot aspirapolvere



Stazione di raccolta e ricarica della polvere + sacchetto interno per la polvere

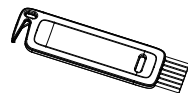


Strumento per la pulizia

Panno per la pulizia



Manuale utente e documentazione prodotto (2 pezzi)

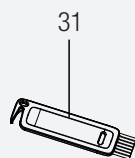
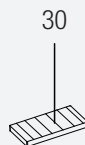
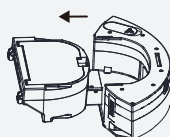
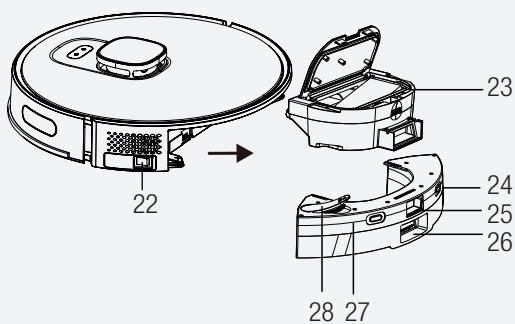
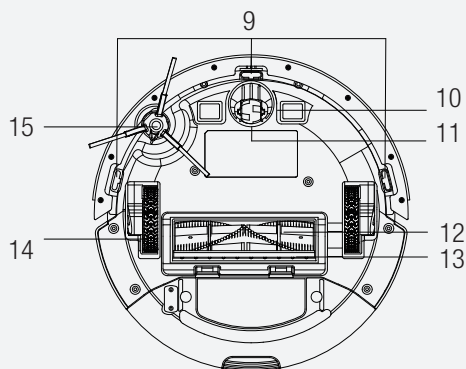
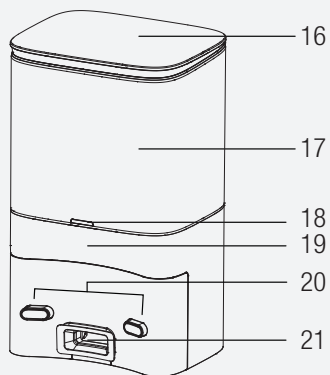
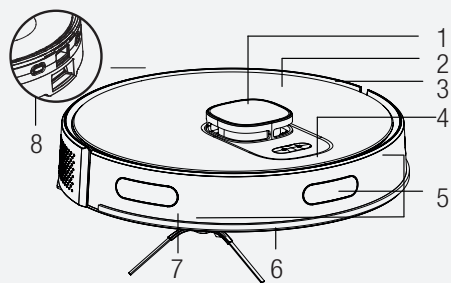


Spazzolino per la pulizia

### Accessori di ricambio in dotazione

	1 Spazzola laterale
	1 Panno per la pulizia
	1 filtro
	2 sacchetti per la polvere

### 3 Panoramica



## 3 Panoramica

### 2.1 Controlli e componenti

1. Lidar
2. Corpo superiore
3. Corpo centrale
4. Pulsante Avvia pulizia-Pausa / Pulsante invio al Supporto di ricarica
5. Sensore paraurti
6. Paraurti anteriore
7. Sensore contatto paraurti anteriore
8. Perni di ricarica
9. Sensore di prevenzione delle cadute
10. Perni di ricarica
11. Ruota girevole anteriore
12. Spazzola rotante
13. Coperchio della spazzola rotante
14. Ruota posteriore
15. Spazzola laterale
16. Coperchio superiore del supporto di ricarica
17. Contenitore della polvere del supporto di ricarica
18. Spia del supporto di ricarica
19. Parco di ricarica e di scarico del vuoto del robot
20. Supporto per la ricarica dei perni di comunicazione
21. Bocchetta di aspirazione del contenitore della polvere del vuoto del robot
22. Pulsante On/Off
23. Coperchio di apertura del filtro EPA del contenitore dell'aspirapolvere del robot
24. Robot vuoto contenitore di ricarica perni di comunicazione
25. Pulsante di espulsione del contenitore della polvere del robot sottovuoto
26. Presa di scarico della polvere del supporto di ricarica
27. Contenitore dell'acqua del mocio
28. Coperchio di riempimento del contenitore dell'acqua del mocio
29. Spia
30. Filtro EPA
31. Spazzolino per la pulizia

### 2.2 Dati tecnici

<b>Tensione</b>	220-240V, 50-60 Hz
<b>In stato di ricarica</b>	0.4 A
<b>In stato raccolta polvere</b>	4.5 A
<b>Uscita</b>	24.0V / 1.5 A
<b>Batteria</b>	Li-ion: 14.4V / 3.2 Ah
<b>Tempo di ricarica</b>	4-5 ore
<b>Tempo di funzionamento</b>	Fino a 150 minuti (in posizione muto)
<b>Capacità del contenitore della polvere</b>	0.4 L
<b>Capacità del serbatoio dell'acqua</b>	0.3 L
<b>Capacità acqua della stazione di raccolta polvere</b>	4 L
<b>Gamma di frequenza Wi-Fi 2,4 G</b>	2412-2472 MHz
<b>Connessioni supportate</b>	WLAN IEEE 802.11 b/q/n senza fili
<b>massima potenza di uscita RF 2,4 G Wi-Fi</b>	20 dBm
<b>Informazioni sull'esposizione alle radiofrequenze</b>	2.4G Wi-Fi massimo
<b>Tempo di funzionamento</b>	<b>Massimo:</b> 70 Min <b>Potente:</b> 80 Min <b>Standard:</b> 120 Min <b>Silenzioso:</b> 150 Min

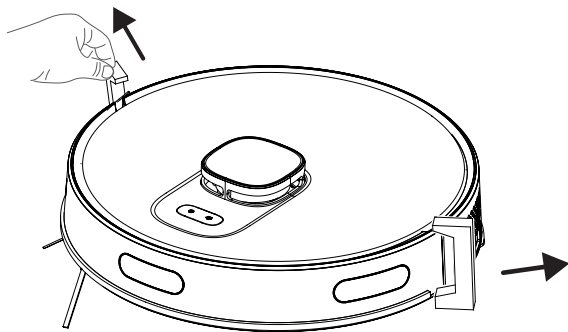
#### Informazioni sull'esposizione alle radiofrequenze:

Il livello massimo di esposizione consentito è calcolato in base alla distanza di 20 cm tra l'elettrodomestico e il corpo umano. Per rispettare la condizione di esposizione RF, tra l'elettrodomestico e la persona dovrebbe essere creata una distanza di 20 cm.



## 4 Installazione

### 1- Rimuovere le spugne protettive.

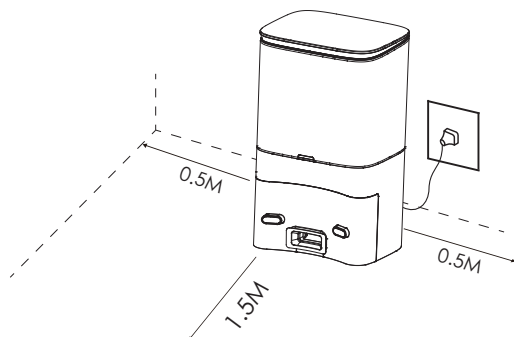


### 2- Installare la stazione di raccolta della polvere e di ricarica.



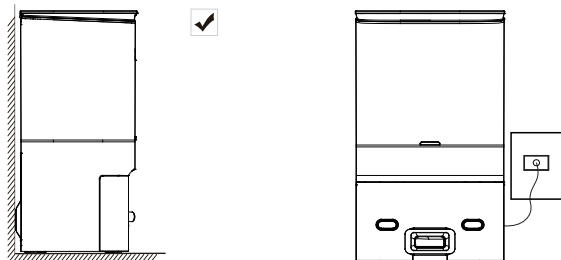
Installare la stazione di raccolta della polvere e di ricarica in una posizione in cui sia facilmente accessibile dall'aspirapolvere. Installare la stazione di raccolta della polvere e di ricarica su un terreno duro e piano piuttosto che su un tappeto.

Per garantire un funzionamento regolare del robot, fare in modo che non vi siano ostacoli entro 1,5 m sul davanti ed entro 0,5 m sui lati destro e sinistro.



## 4 Installazione

Installare la stazione di raccolta della polvere e di ricarica su un terreno duro e piano in modo che la sua parte posteriore sia rivolta verso il muro e poi collegarla.



Tenere sempre collegata la stazione di raccolta della polvere e di ricarica, altrimenti l'aspirapolvere non può tornare in posizione in modo automatico.



Per un funzionamento regolare della ricarica, non spostare frequentemente la stazione di raccolta della polvere. Il cambio della posizione dell'aspirapolvere potrebbe cancellare la mappa disponibile e crearne una nuova a causa dell'errore di posizionamento.

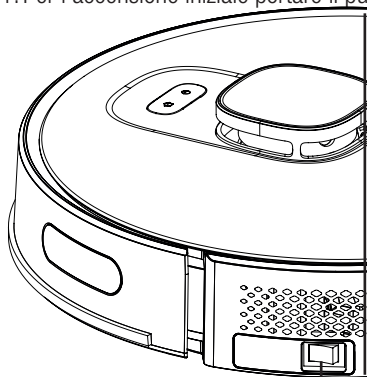
## 5 Funzionamento

### 5.1 Uso previsto

Questo elettrodomestico è destinato all'uso domestico, non è adatto all'uso industriale.

### 5.2 Ricarica dell'elettrodomestico

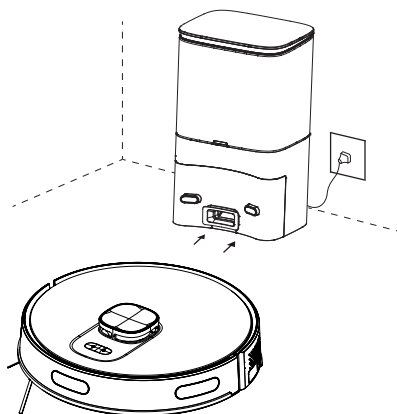
1. Per l'accensione iniziale portare il pulsante on-off sul lato in posizione on.



Pulsante On/Off

## 5 Funzionamento

2. Posizionare l'elettrodomestico sulla stazione di raccolta della polvere in modo che sia allineato con la porta di ricarica.



La ricarica inizia dopo che l'indicatore blu della stazione di ricarica lampeggia 3 volte e poi si spegne completamente.



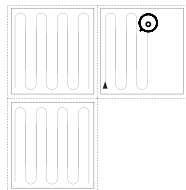
Quando l'elettrodomestico è collegato alla stazione di raccolta della polvere, questa inizia a raccoglierla. Questa operazione dura circa 15 secondi.

### 5.3 Funzionamento

Per il primo funzionamento, portare il pulsante ON/OFF sul lato da 0 a I. Per accendere l'aspirapolvere, premere il pulsante per 3 secondi.

- Non spegnere l'elettrodomestico con il pulsante ON/OFF durante la pulizia, altrimenti i dati dell'aspirapolvere non potranno essere salvati.
- Se il pulsante ON/OFF è sulla posizione OFF, l'aspirapolvere si accenderà automaticamente quando viene posizionato sulla stazione di ricarica e si spegnerà automaticamente quando viene rimosso.
- Se l'aspirapolvere non viene utilizzato per un lungo periodo di tempo, portare il pulsante ON/OFF in posizione off.

### Avvio della pulizia



Premere il pulsante per avviare la modalità di pulizia automatica. Quando viene avviato, l'aspirapolvere viene rimosso dalla stazione di ricarica, esegue una scansione automatica per creare una mappa, determina il percorso di pulizia in modo intelligente e divide l'area in diverse regioni. Il percorso di pulizia è pianificato lungo la parete e l'aspirapolvere si muove avanti e indietro per pulire diverse regioni in ordine.

## 5 Funzionamento



**AVVERTENZA:** La pulizia non può essere avviata se il livello di carica è troppo basso. Si prega di ricaricare l'elettrodomestico prima di iniziare la pulizia.



**AVVERTENZA:** Prima della pulizia, riordinare tutti i cavi per evitare disconnessioni dovute all'impigliamento/tiraggio dei cavi e per evitare danni ai mobili.



**AVVERTENZA:** Nella modalità di pulizia automatica, se l'area da pulire è inferiore a 10 metri quadrati, per impostazione predefinita la pulizia viene eseguita due volte.




**AVVERTENZA:** Durante la pulizia, non spostare il dock di ricarica o la stazione di raccolta della polvere e assicurarsi che il dock o la stazione siano collegati, altrimenti l'aspirapolvere potrebbe non essere in grado di tornare in posizione per la ricarica.

### Mettere in pausa

Per interrompere il funzionamento mentre l'aspirapolvere è in funzione, premere un pulsante qualsiasi.

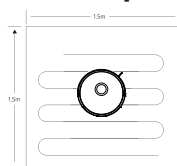
**Ricarica automatica** L'aspirapolvere torna automaticamente a ricaricarsi al termine della pulizia.

**Ricarica manuale:** Il robot aspirapolvere ritorna automaticamente alla stazione di ricarica quando viene premuto il pulsante “” sulla parte superiore del corpo quando è in posizione di pausa.

**A.** Se il funzionamento è in pausa, premere il pulsante  per ricaricare automaticamente.


**B.** Se l'aspirapolvere è impigliato da qualche parte e non riesce a trovare il dock di ricarica, si prega di spostare l'aspirapolvere nella stazione di raccolta della polvere per permettergli di essere ricaricato.

### Pulizia a punto fisso



Portare l'aspirapolvere sull'area da pulire e premere due volte il suo pulsante. Quando la modalità è attivata, l'aspirapolvere pulirà un'area quadrata di 1,5 x 1,5 m considerando il dispositivo stesso come centro.

- L'aspirapolvere non può avviare la pulizia a punto fisso dal dock di ricarica o dalla stazione di raccolta della polvere.

Non può avviare l'operazione di pulizia puntuale dalla stazione di ricarica o dalla stazione di raccolta della polvere. Quando la pulizia del punto è completata, non ritorna alla stazione di ricarica e resta nella sua posizione. Portarlo alla base di ricarica o spostarlo alla base di ricarica premendo il pulsante “” sulla parte superiore del corpo.

## 5 Funzionamento

### Selezione della potenza dell'aspirazione

(Possibile solo con la relativa applicazione mobile) È possibile selezionare la potenza di pulizia desiderata dall'applicazione:

- Leggera
- Standard
- Potente
- Massima

### Pulizia telecomandata

(Possibile solo con la relativa applicazione mobile) \*È possibile dirigere l'aspirapolvere verso l'area da pulire utilizzando la modalità di controllo manuale a distanza attraverso l'applicazione.

### Modalità sleep

L'aspirapolvere passa automaticamente alla modalità sleep se rimane fermo per 10 minuti. L'aspirapolvere passa automaticamente alla modalità sleep 10 minuti dopo essere stato completamente ricaricato. La modalità sleep disattiva l'attività corrente.

### Reset del sistema



Per resettare il sistema premere il pulsante della modalità stand-by per 15 secondi. Quando il sistema viene resettato, la mappa e le impostazioni originali (compresi i limiti virtuali) sull'aspirapolvere vengono cancellate.

## 5.3.1 Funzionamento con l'applicazione

### Download dell'applicazione

Per scaricare l'applicazione, cercare l'applicazione "HomeDirect-SDA" nell'app store delle applicazioni mobili. Consultare il manuale delle applicazioni mobili per informazioni dettagliate.

### Reset del Wi-Fi

Tenere premuti “” “” contemporaneamente i pulsanti fino a quando si sente l'avviso acustico; l'indicatore lampeggia quindi lentamente in colore bianco e l'aspirapolvere passa alla modalità di abbinamento.

### Aggiungere un dispositivo

Aprire l'applicazione, creare un nuovo account e seguire le istruzioni dell'applicazione. \* Prima di impostare il Wi-Fi, assicurarsi che l'aspirapolvere e la rete Wi-Fi soddisfino i seguenti requisiti.

## 5 Funzionamento

### A. Aspirapolvere:

- Il livello di ricarica dell'aspirapolvere dovrà essere superiore al 20% o l'aspirapolvere dovrà essere posizionato sulla base di ricarica.

### B. Rete Wi-Fi:

- Ottenere la password corretta della rete wireless.
- Non usare nessuna VPN (Virtual Private Network).
- Il router Wi-Fi deve supportare i protocolli 802.11b/g/n e IPv4.
- Il router dovrà essere nella banda di frequenza 2,4 GHz o dovrà essere usato un router dual-band che supporti la banda 2,4 GHz. L'aspirapolvere non supporta la banda di frequenza 5 GHz.
- Se l'aspirapolvere non può connettersi alla rete Wi-Fi dual-band 2,4/5GHz, per le configurazioni del Wi-Fi selezionare la rete 2,4 GHz. Al termine della configurazione si potrà tornare all'altra banda di frequenza.
- Se ci si sta collegando a una rete nascosta, assicurarsi di inserire correttamente il nome della rete [SSID (sensibile alla maiuscola)] e di essere collegati a una rete wireless a 2,4 GHz.
- Se si sta usando un estensore di rete wireless, assicurarsi che il nome della rete (SSID) e la password siano gli stessi della rete principale.
- Per collegare l'aspirapolvere al server delle applicazioni, configurare il firewall e la porta del router Wi-Fi come richiesto.

### Errore di connessione Wi-Fi

Stato del Wi-Fi	Causa principale	Soluzione
La luce bianca si illumina continuamente.	L'aspirapolvere è collegato al router (modem), ma non può collegarsi alla rete.	<ul style="list-style-type: none"><li>• Assicurarsi che il modem sia collegato alla rete.</li><li>• Contattare il proprio operatore di rete per vedere se c'è un problema nei dati internet.</li></ul>
La luce bianca lampeggia rapidamente	L'aspirapolvere non può collegarsi al modem	<ul style="list-style-type: none"><li>• Assicurarsi che il nome della rete e la password non siano cambiati.</li><li>• Resettare il collegamento con il Wi-Fi, se necessario. Fare riferimento alla sezione "Reset del Wi-Fi" nella parte "Download dell'applicazione e reset del Wi-Fi" di questo manuale.</li></ul>

## 5 Funzionamento

La luce bianca lampeggia lentamente.	Il Wi-Fi è resettato o non ancora configurato.	<ul style="list-style-type: none"><li>• Verificare il collegamento Wi-Fi dell'aspirapolvere. Consultare il manuale delle applicazioni mobili per istruzioni dettagliate. Resettare il collegamento con il Wi-Fi, se necessario. Fare riferimento alla sezione "Reset del Wi-Fi" di questo manuale</li></ul>
--------------------------------------	--	---

### Requisiti di sicurezza della rete:

- Utilizzare le reti WPA e WPA2 criptate, TKIP, PSK e AES/CCMP.

### 5.3.2 Modalità di funzionamento

#### Gestione delle mappe

##### A. Mappatura della stanza in tempo reale

La creazione in tempo reale di una mappa della stanza potrà aiutare a capire facilmente il percorso di pulizia e l'ambiente di pulizia. Una mappa della stanza viene creata dopo la pulizia. Per garantire una navigazione normale, la mappa viene aggiornata in tempo reale durante ogni operazione di aspirazione. Per creare una mappa completa della casa;

- a. Apri le porte delle stanze per fare in modo che l'aspirapolvere crei una mappa di ogni stanza;
- b. Rimuovere qualsiasi oggetto che possa causare un'ostruzione o un blocco dell'aspirapolvere;
- c. Non cambiare la posizione del dock di ricarica e non scollegarlo dopo che la mappa è stata creata.

##### B. Riposizionamento e rimappatura

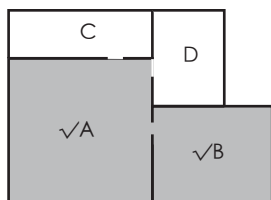
Se l'aspirapolvere viene riposizionato o vengono apportati cambiamenti significativi nell'ambiente, l'aspirapolvere cerca di riposizionarsi per adattarsi al nuovo ambiente e può creare di nuovo la relativa mappa. I dettagli sono i seguenti:

- a. Se il riposizionamento è riuscito, l'aspirapolvere continua a pulire;
- b. Se il riposizionamento non è riuscito, l'aspirapolvere ricrea la mappa per garantire una navigazione normale per la pulizia;
  - Assicurarsi che l'aspirapolvere inizi sempre la pulizia dal dock di ricarica.
  - Non spostare frequentemente l'aspirapolvere durante la pulizia. Se spostato, riportarlo nella posizione originale.

#### Modalità di pulizia della stanza (possibile solo dalla relativa applicazione mobile)

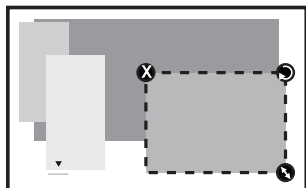
È possibile specificare le stanze che si vuole siano pulite con l'applicazione mobile; l'aspirapolvere quindi pulisce solo la stanza o le stanze che sono segnate nella mappa delle regioni sull'applicazione.

## 5 Funzionamento



- Dopo aver iniziato la pulizia, l'aspirapolvere potrebbe anche entrare in aree diverse da quella selezionata; si prega quindi di rimuovere gli ostacoli sulla superficie intorno all'area selezionata. L'aspirapolvere potrebbe comunque non rispettare l'area selezionata.
- La pulizia delle regioni può essere avviata solo dopo che l'aspirapolvere ha creato con successo una mappa.

### Modalità di pulizia delle regioni (possibile solo dalla relativa applicazione mobile)



Sarà possibile determinare le dimensioni della regione tenendolo dall'angolo in basso a destra. Nel frattempo, le dimensioni dell'area visualizzata sono indicate sullo schermo con la linea tratteggiata.

Selezionare la modalità di pulizia delle regioni nell'applicazione e poi specificare un'area da pulire. L'aspirapolvere pulisce solo l'area selezionata e poi ritorna al dock di ricarica.

- La pulizia delle regioni può essere avviata solo dopo che l'aspirapolvere ha creato con successo una mappa.



Fare riferimento al manuale operativo dell'applicazione mobile per consigli dettagliati.



## 5 Funzionamento

### 5.4 Funzionamento del mop



**AVVERTENZA:** Non usare la modalità mop sui tappeti.



**AVVERTENZA:** Non mettere candeggina o detergente nel serbatoio dell'acqua.



**AVVERTENZA:** Quando l'aspirapolvere è in carica o quando non è in funzione, rimuovere l'unità mop.

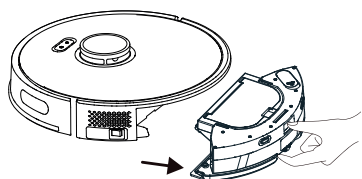


**AVVERTENZA:** Per evitare di danneggiare i pavimenti in legno, rimuovere l'unità mop immediatamente dopo il completamento dell'operazione di pulizia.

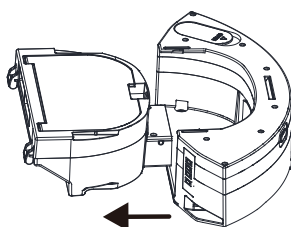


**AVVERTENZA:** Quando il lavaggio viene interrotto o terminato, l'aspirapolvere interrompe automaticamente il passaggio di acqua. Il mop, tuttavia, rimane bagnato e quindi non deve essere tenuto in questa condizione per un lungo periodo e deve essere subito rimosso.

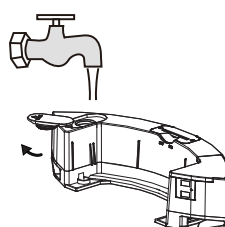
#### 5.4.1 Installazione dell'unità di lavaggio a umido



Rimuovere il contenitore della polvere e il gruppo del serbatoio dell'acqua (2 in 1).

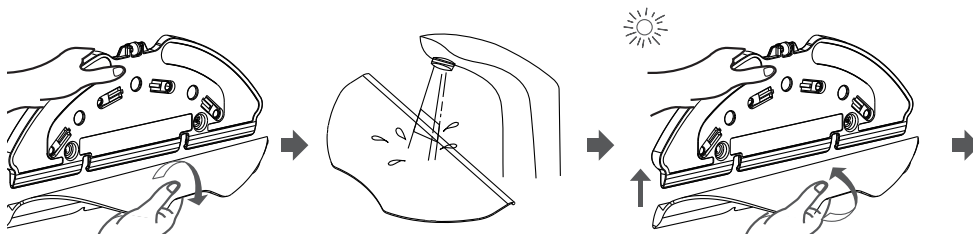


Rimuovere il contenitore della polvere.



Rimuovere il tappo di gomma e aggiungere acqua al serbatoio dell'acqua dall'ingresso acqua.

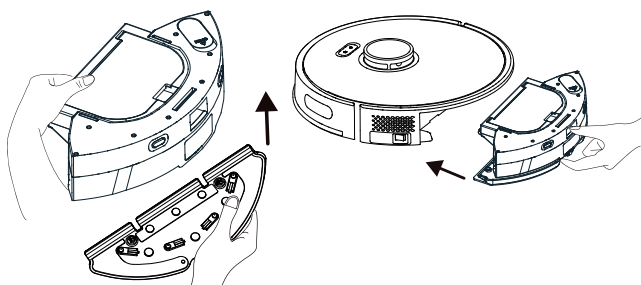
## 5 Funzionamento



Rimuovere lo straccio sul fermo del mocio come indicato nell'immagine.

Inumidire lo straccio prima di ogni lavaggio

Posizionare lo straccio sul fermo del mocio.



Installare il contenitore della polvere e il gruppo del serbatoio dell'acqua (2 in 1) nella direzione della freccia.

Installare il contenitore della polvere e il gruppo del serbatoio dell'acqua (due in uno) sull'apparecchio, i loro posti in direzione della freccia.

### 5.4.2 Impostazione per il lavaggio a umido

Si può iniziare la pulizia selezionando nell'applicazione la modalità di pulizia e impostando il livello dell'acqua di lavaggio come desiderato.

- Si consiglia di aggiungere sull'applicazione un muro virtuale (area proibita per il mop) all'area del tappeto, così che l'aspirapolvere rimanga lontano dal tappeto ed eviti di bagnarlo durante l'operazione di pulizia con il mop.

## 6 Pulizia e manutenzione

Prima della pulizia, spegnere l'elettrodomestico e scollegarlo.



**AVVERTENZA:** Non utilizzare benzina, solventi, detersivi abrasivi, oggetti metallici o spazzole dure per pulire l'elettrodomestico.

### 6.1 Pulizia del contenitore della polvere e dei filtri



Quando il filtro raggiunge la fine della sua vita utile, è deformato o deve essere sostituito per un qualsiasi motivo, è possibile chiamare il nostro call center per ordinarne uno nuovo.

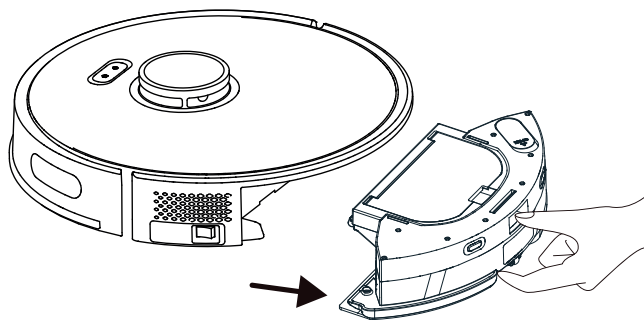


Per ottenere le massime prestazioni del filtro HEPA, pulire con una spazzola dopo ogni pulizia.

Il filtro HEPA (10) è un accessorio sostituibile.

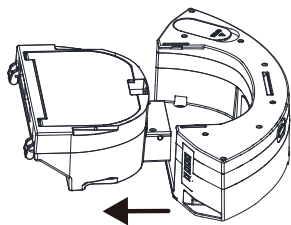
Se avete eseguito un'operazione di pulizia in uno spazio dove c'è polvere di costruzione e polvere con particelle molto piccole, sostituire il filtro con uno nuovo per evitare perdite di performance.

1. Rimuovere il contenitore della polvere e il gruppo del serbatoio dell'acqua (2 in 1) premendo il pulsante come mostrato sotto.

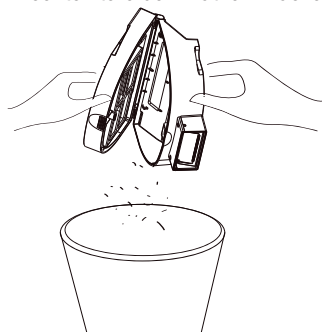


## 6 Pulizia e manutenzione

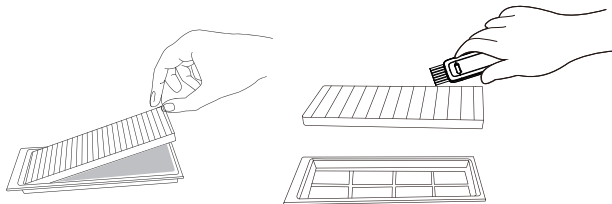
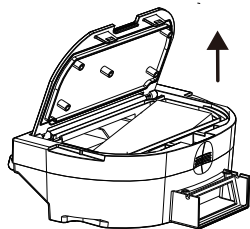
2. Rimuovere il contenitore della polvere tirandolo nella direzione della freccia.



3. Aprire il contenitore della polvere come mostrato qui sotto. Avvicinare il contenitore della polvere al contenitore dei rifiuti e rimuovere la polvere grossolana battendo leggermente sul contenitore.

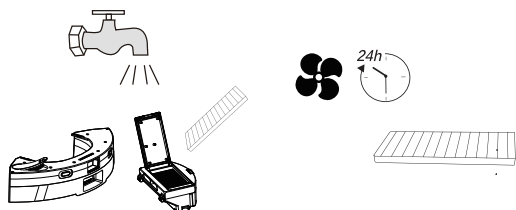


4. Rimuovere il filtro ad alte prestazioni e pulirlo utilizzando la spazzola per la pulizia fornita insieme all'elettrodomestico.



## 6 Pulizia e manutenzione

5. Lavare periodicamente il serbatoio dell'acqua, il contenitore della polvere e il gruppo filtro con **acqua fredda** secondo la frequenza di utilizzo.



6. Lasciare asciugare il serbatoio dell'acqua, il contenitore della polvere e il gruppo filtro dopo il lavaggio, e assicurarsi che siano completamente asciutti.



L'asciugatura potrebbe richiedere dalle 24 alle 48 ore.

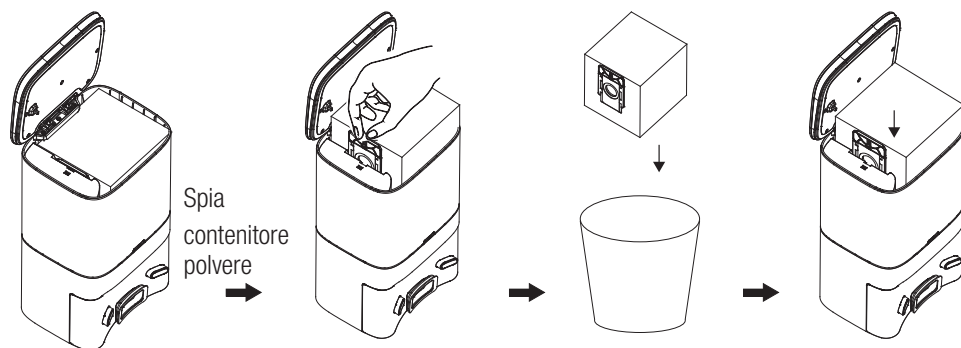
7. Assemblare il serbatoio dell'acqua, il contenitore della polvere e il gruppo filtro dopo l'asciugatura e poi installare il gruppo sull'aspirapolvere.



**AVVERTENZA:** Non mettere in funzione l'aspirapolvere senza aver installato il gruppo filtro. In caso contrario, l'elettrodomestico potrebbe danneggiarsi.

### 6.2 Sostituzione del sacchetto della polvere

Quando il contenitore della polvere è pieno, l'indicatore della stazione di raccolta della polvere lampeggia in rosso o sull'applicazione viene visualizzata una notifica. Sostituire il sacchetto della polvere in modo tempestivo. Quando il sacchetto della polvere è in funzionamento normale, la luce bianca sulla stazione di raccolta della polvere è illuminata in modo stazionario o lampeggia.



Sollevare il coperchio superiore.	Tirare la maniglia del sacchetto della polvere verso l'alto.	Scartare il vecchio sacchetto della polvere	Installare un nuovo sacchetto della polvere e chiudere il coperchio superiore.
-----------------------------------	--	---	--

## 6 Pulizia e manutenzione



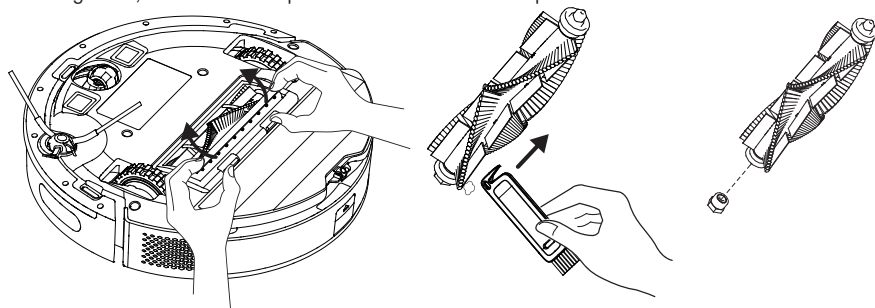
Se il sacchetto della polvere non è installato all'interno della stazione, dopo l'operazione di aspirazione, quando il robot ritorna alla stazione stessa, l'operazione di raccolta della polvere non dovrà essere avviata. Quando non è disponibile un sacchetto della polvere, la polvere all'interno del contenitore della polvere deve essere rimossa manualmente.



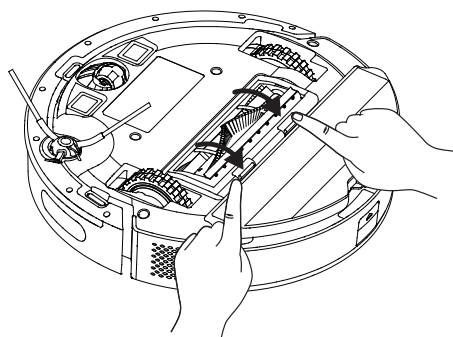
Per acquistare i sacchetti della polvere da sostituire nella base di ricarica invitiamo a rivolgersi al servizio autorizzato. Gli eventuali sacchetti incompatibili e inadeguati che potrebbero essere usati nella base di ricarica del robot aspirapolvere possono danneggiare la base di ricarica e il robot aspirapolvere. I danni e le riparazioni causati da sacchetti di polvere non originali usati nel supporto di ricarica non sono coperti da garanzia.

### 6.3 Pulizia della spazzola

1. Aprire il coperchio superiore della spazzola principale premendo sulle linguette. Tirare e rimuovere il rullo principale verso l'alto. Rimuovere i capelli aggrovigliati sulla spazzola per la pulizia con l'estremità tagliente, e rimuovere la polvere sulle setole della spazzola e sul rullo.

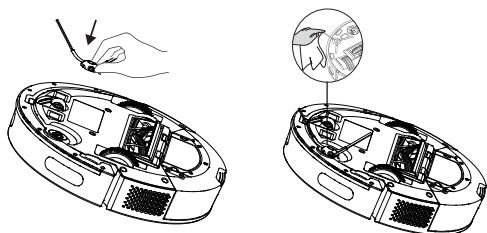


2. Riposizionare la spazzola dopo averla pulita e chiudere il coperchio nella direzione della freccia.



## 6 Pulizia e manutenzione

### 6.4 Pulizia e installazione della spazzola laterale



Nell'uso a lungo termine, lavare la spazzola laterale con acqua calda per eliminare la deformazione della forma. Una volta asciutta, procedere all'installazione sul robot come indicato.

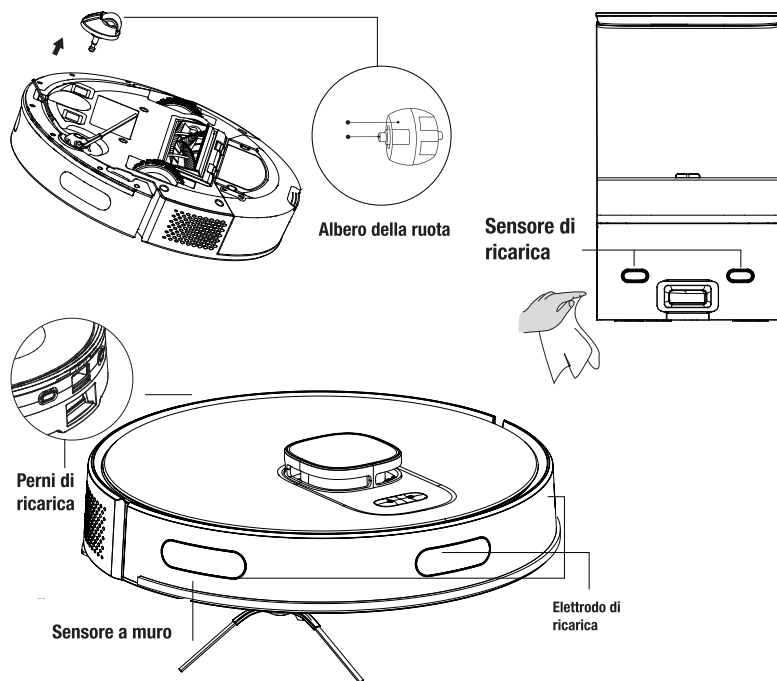
### 6.5 Pulizia dei sensori

Pulire regolarmente i sensori e rimuovere la polvere con un panno asciutto e morbido o una spazzola per la pulizia.

Informazione: Quando è necessaria la pulizia del sensore, l'applicazione invia una notifica.

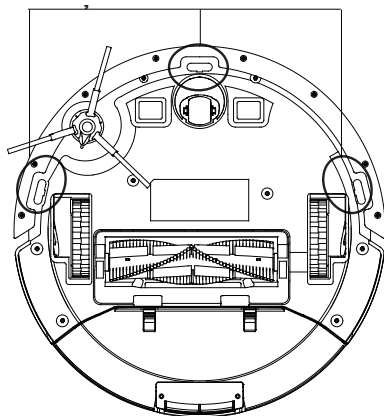


Quando è necessaria la pulizia del sensore, l'applicazione invia una notifica.



## 6 Pulizia e manutenzione

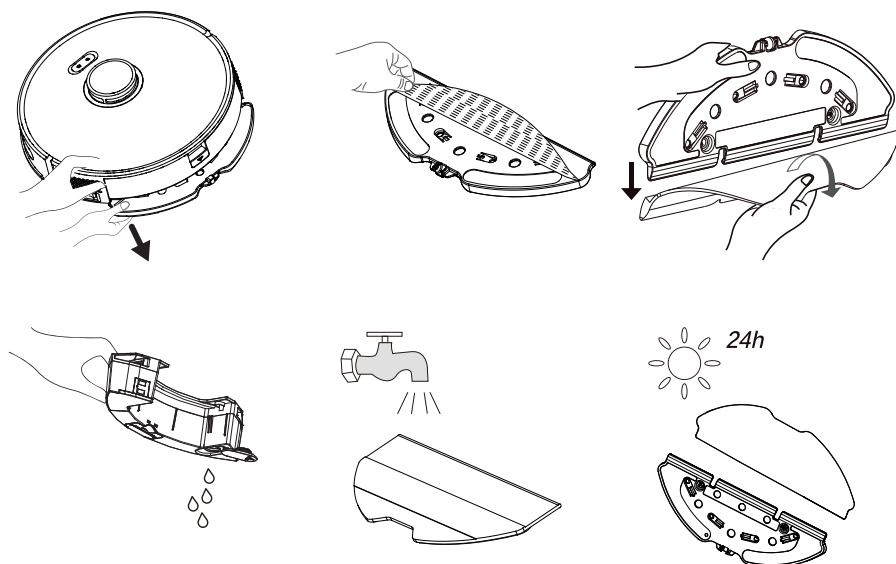
### Sensore di prevenzione delle cadute



### 6.6 Pulizia dell'unità mop

Si consiglia di rimuovere il supporto del mop da un lato, scaricare il serbatoio dell'acqua, sciacquare il mop con acqua e poi lasciarlo asciugare dopo ogni lavaggio.

Il mop è lavabile in lavatrice.





## 7 Guida alla risoluzione dei problemi

### Condizioni generali di errore

<b>Guasto</b>	<b>Causa e rimedio</b>
Non può essere azionato	<ol style="list-style-type: none"><li>1. Il livello di carica è basso. Posizionare l'aspirapolvere sul dock di ricarica o sullastazione di raccolta della polvere in modo che sia allineato con i poli di ricarica. Portare il pulsante a sinistra dell'aspirapolvere in posizione "I"; e l'aspirapolvere sarà azionato automaticamente (quando l'aspirapolvere è completamente scarico, per il funzionamento automatico è necessario ricaricarlo per un po').</li><li>2. La temperatura ambiente è molto bassa (sotto 0 °C) o molto alta (sopra 50 °C). Si prega di utilizzare l'aspirapolvere a una temperatura ambiente da 0 a 40 °C.</li><li>3. Assicurarsi che il pulsante on/off sul lato dell'aspirapolvere sia stato portato in posizione "I".</li></ol>
La batteria non si ricarica	<ol style="list-style-type: none"><li>1. Si prega di rimuovere l'aspirapolvere e controllare se la spia sul dock di ricarica o sulla stazione di raccolta della polvere è accesa e assicurarsi che entrambe le estremità dell'adattatore di alimentazione del dock di ricarica siano collegate.</li><li>2. Contatto allentato. Si prega di pulire i contatti a molla del dock di ricarica e i contatti di ricarica dell'aspirapolvere.</li><li>3. Assicurarsi che il pulsante on/off sul lato dell'aspirapolvere sia stato portato in posizione "I".</li></ol>
Non ritorna al dock/stazione per la ricarica	<ol style="list-style-type: none"><li>1. Ci sono troppi ostacoli intorno al dock di ricarica o alla stazione di raccolta della polvere. Si prega di posizionare il dock di ricarica o la stazione di raccolta della polvere in un'area priva di ostacoli.</li><li>2. L'aspirapolvere è troppo lontano dal dock di ricarica o dalla stazione di raccolta della polvere. Avvicinare l'aspirapolvere al dock di ricarica o alla stazione di raccolta della polvere e riprovare.</li><li>3. Accertarsi che la stazione di ricarica sia collegata e che sia alimentata.</li></ol>
Funzionamento anomalo	<ol style="list-style-type: none"><li>1. Spegnerne e riaccendere.</li></ol>
Funziona ma un rumore anomalo.	<ol style="list-style-type: none"><li>1. Nella spazzola principale, nelle spazzole laterali e nelle ruote potrebbero essere entrati materiali estranei. Si prega di spegnere l'aspirapolvere e pulirlo.</li></ol>
Le prestazioni di pulizia sono basse/ vi sono perdite di polvere	<ol style="list-style-type: none"><li>1. Il contenitore della polvere è pieno. Si prega di pulire il contenitore della polvere.</li><li>2. Il filtro è intasato. Si prega di pulire o sostituire il filtro.</li><li>3. Nella spazzola principale potrebbero essere entrati materiali estranei. Si prega di pulire la spazzola principale.</li></ol>

## 7 Guida alla risoluzione dei problemi

Impossibile collegarsi alla rete Wi-Fi.	<ol style="list-style-type: none"><li>1. Il segnale Wi-Fi è debole. Assicurarsi che il segnale Wi-Fi nel luogo in cui si trova l'aspirapolvere sia forte.</li><li>2. Condizione anomala nel collegamento Wi-Fi. Si prega di resettare il Wi-Fi, scaricare l'ultima applicazione mobile e riprovare.</li><li>3. La password non è stata inserita correttamente.</li><li>4. Il router utilizzato è un modello che opera nella banda di frequenza 5 G (questo aspirapolvere robot supporta solo la banda di frequenza 2,4 G).</li></ol>
La pulizia a tempo non funziona	Il livello di carica è basso. La pulizia a tempo può essere avviata solo quando il livello di carica è $\geq 20\%$ .
Quando è sul dock di ricarica l'aspirapolvere consuma energia.	L'aspirapolvere consuma pochissima energia quando si trova sul dock di ricarica o nella stazione di raccolta della polvere; questa caratteristica permette di mantenere le prestazioni della batteria al livello migliore.
Nelle prime tre operazioni di ricarica, l'aspirapolvere deve essere ricaricato per 16 ore	La batteria al litio non ha effetto memoria quando viene utilizzata e non è necessario alcun tempo di attesa quando è completamente carica.
L'operazione automatica di raccolta della polvere non si avvia dopo che il robot aspirapolvere ritorna al suo dock di ricarica e alla stazione di raccolta della polvere.	<ol style="list-style-type: none"><li>1. Assicurarsi che la stazione di raccolta della polvere e il dock di ricarica siano accesi. Quando l'aspirapolvere torna in posizione per la ricarica dopo più di 5 minuti di pulizia, viene avviata la raccolta automatica della polvere;</li><li>2. Controllare se il coperchio della stazione di raccolta della polvere è chiuso o se è chiuso correttamente (se non è chiuso correttamente la luce rossa è accesa);</li><li>3. Assicurarsi che il sacchetto della polvere sia installato nella stazione di raccolta della polvere (se il vano non è chiuso correttamente la luce rossa è accesa);</li><li>4. Perché l'elettrodomestico esegua una raccolta della polvere senza problemi, si raccomanda di lasciare che l'aspirapolvere ritorni automaticamente in carica dopo la pulizia (mettere l'aspirapolvere manualmente nella stazione di raccolta della polvere o nel dock di ricarica causerà uno squilibrio di connessione e quindi influenzerà le prestazioni di raccolta della polvere);</li><li>5. Si prega di controllare regolarmente se il sacchetto della polvere è pieno o no; se è già pieno, il sacchetto della polvere potrebbe riempirsi troppo fino a strapparsi, il tubo di raccolta della polvere si intaserà, con conseguenti danni alla stazione di raccolta della polvere e al dock di ricarica;</li><li>6. Se il problema persiste anche dopo aver seguito i consigli di cui sopra, le parti potrebbero essere difettose. Chiamare il servizio di assistenza clienti.</li></ol>

## 7 Guida alla risoluzione dei problemi

L'aspirapolvere si ferma dopo l'avvio dell'operazione automatica di raccolta della polvere e le prestazioni di raccolta della polvere sono basse.	<ol style="list-style-type: none"><li>1. Controllare se il sacchetto della polvere è pieno. Sostituire il sacchetto della polvere se è pieno;</li><li>2. L'uscita per la raccolta della polvere del contenitore della polvere è intasata da materiale estraneo, causando la mancata apertura del vano contenitore;</li><li>3. Controllare se ci sono ostruzioni nel condotto dell'aria della stazione di raccolta della polvere;</li><li>4. L'aspirapolvere si sposta durante la raccolta della polvere (Si prega di non spostare l'aspirapolvere durante la raccolta della polvere, altrimenti potrebbero verificarsi dei danni);</li><li>5. Nel contenitore della polvere potrebbe essere entrata dell'acqua e ciò rende difficile l'aspirazione della polvere. Si prega di non lasciare che l'aspirapolvere aspiri quantità eccessive di acqua, altrimenti le prestazioni di raccolta della polvere diminuiranno.</li></ol>
Il vano interno dove si trova il sacchetto della polvere nella stazione di raccolta della polvere è sporco.	<ol style="list-style-type: none"><li>1. Piccole particelle di polvere potrebbero essere passate attraverso il sacchetto della polvere e aver aderito alla parete interna del contenitore della polvere. Si prega di controllare e pulire queste parti regolarmente;</li><li>2. Il sacchetto della polvere potrebbe essere danneggiato. Si prega di controllare e sostituirlo se necessario;</li><li>3. L'eccessivo accumulo di sporcizia all'interno influisce in una certa misura sulla ventola e sul sensore di pressione dell'aria. Si raccomanda di pulire regolarmente l'accumulo di sporco nel vano interno.</li></ol>

### Elenco dei guasti

Quando l'aspirapolvere ha un guasto, l'indicatore rosso dell'aspirapolvere lampeggia e allo stesso tempo viene emesso il suono del relativo cicalino. Per risolvere il guasto seguire gli avvisi acustici.

Avviso acustico	Soluzione
<b>Errore 1:</b> Anomalia della batteria. Si prega di consultare il manuale o l'applicazione.	<ul style="list-style-type: none"><li>• Si prega di aprire il vano batteria, controllare se il collegamento della batteria è a posto e riavviare l'aspirapolvere.</li><li>• La temperatura della batteria è molto alta o molto bassa. Attendere che la temperatura della batteria raggiunga i valori normali (0 °C~40 °C/32 °F~104 °F).</li></ul>
<b>Errore 2:</b> Anomalia del modulo ruota. Si prega di consultare il manuale o l'applicazione.	<ul style="list-style-type: none"><li>• Si prega di controllare che non ci sia materiale estraneo incastrato nelle ruote e riavviare l'aspirapolvere.</li></ul>

## 7 Guida alla risoluzione dei problemi

<b>Errore 3:</b> Anomalie del modulo spazzole laterali. Si prega di consultare il manuale o l'applicazione.	<ul style="list-style-type: none"><li>• Si prega di controllare che non ci sia materiale estraneo incastrato nella spazzola laterale e riavviare l'aspirapolvere.</li></ul>
<b>Errore 4:</b> Anomalia della ventola. Si prega di consultare il manuale o l'applicazione.	<ul style="list-style-type: none"><li>• Si prega di controllare che non ci sia materiale estraneo incastrato nella ventola e riavviare l'aspirapolvere.</li><li>• Si prega di controllare il contenitore della polvere e il filtro e riavviare l'aspirapolvere.</li></ul>
<b>Errore 5:</b> Anomalia della spazzola rotante. Si prega di consultare il manuale o l'applicazione.	<ul style="list-style-type: none"><li>• Si prega di rimuovere la spazzola rotante e pulire la spazzola rotante, l'attacco della spazzola, il coperchio della spazzola rotante e l'ugello della polvere. Riavviare l'aspirapolvere dopo la pulizia.</li></ul>
<b>Errore 6:</b> Anomalia della pompa dell'acqua. Si prega di consultare il manuale o l'applicazione.	<ul style="list-style-type: none"><li>• Si prega di pulire il serbatoio dell'acqua, le connessioni della pompa dell'acqua nel serbatoio e nell'aspirapolvere e l'uscita dell'acqua sotto l'aspirapolvere e controllare il modulo mop. Si prega di riavviare l'aspirapolvere dopo la pulizia.</li></ul>
<b>Errore 7:</b> Anomalia del sensore laser. Si prega di consultare il manuale o l'applicazione.	<ul style="list-style-type: none"><li>• Si prega di controllare che non ci sia materiale estraneo nel sensore laser, pulire se necessario e riavviare l'aspirapolvere.</li></ul>
<b>Errore 9:</b> Anomalia dell'operazione di ricarica. Si prega di pulire l'area di contatto di ricarica.	<ul style="list-style-type: none"><li>• Si prega di controllare che l'area di ricarica sia libera e non ostruita e di pulire i poli di ricarica.</li><li>• Si prega di controllare se la batteria è collegata correttamente.</li></ul>
<b>Errore 10:</b> Anomalia dell'aspirapolvere. Si prega di spegnere e riavviare.	<ul style="list-style-type: none"><li>• Si prega di portare il pulsante principale in posizione 0 e poi di nuovo in posizione I e riavviare l'aspirapolvere.</li></ul>
<b>Errore 12:</b> Il rendimento è anormale. Assicurarsi che il pulsante principale sia acceso.	<ul style="list-style-type: none"><li>• Si prega di portare anzitutto il pulsante principale in posizione on</li></ul>

## CERTIFICATO DI GARANZIA

La presente garanzia commerciale si intende aggiuntiva e non sostitutiva di ogni altro diritto di cui gode il consumatore, intendendo per consumatore esclusivamente colui che utilizza il bene per scopi estranei all'attività imprenditoriale o professionale eventualmente svolta e pertanto per uso domestico/privato, e in particolare non pregiudica in alcun modo i diritti del consumatore stabiliti dal Digs 206/05. BEKO Italy S.r.l. in conformità alla facoltà prevista dalla legge, offre al consumatore una garanzia commerciale aggiuntiva, nei termini e nei modi di seguito indicati.

Questo certificato non deve essere spedito per la convalida. E' valido e operante solo se conservato assieme alla ricevuta fiscale o altro documento reso fiscalmente obbligatorio.

### Condizioni di Garanzia

1. BEKO Italy S.r.l. garantisce l'apparecchio per un periodo di 2 anni dalla data di acquisto (12 mesi se acquistato con fattura di vendita e non con scontrino fiscale).
2. La garanzia è valida esclusivamente sul territorio italiano compresa la Repubblica di San Marino e la città del Vaticano e deve essere comprovata da scontrino fiscale o fattura, che riporti il nominativo del Rivenditore, la data di acquisto dell'apparecchio nonché gli estremi identificativi dello stesso (tipo, modello).
3. Per garanzia s'intende la sostituzione o riparazione gratuita delle parti componenti l'apparecchio che sono risultate difettose all'origine, per vizi di fabbricazione.
4. L'utente decade dai diritti di garanzia se non denuncia il difetto di conformità entro 2 mesi dalla scoperta dello stesso.
5. Diritto di Chiamata: gratuita per i primi 12 mesi di garanzia, a pagamento per gli altri 12 mesi nel caso l'utente non sia in grado di provare che il difetto sia dovuto a vizio di conformità del prodotto.
6. Manodopera e ricambi gratuiti per i 24 mesi del periodo di garanzia.
7. L'intervento di riparazione viene effettuato presso il centro di assistenza reperibile presso il call centre e sul sito [www.beko.it](http://www.beko.it), fatto salvo i casi di impossibilità oggettiva o di forza maggiore.
8. La riparazione o sostituzione dei componenti o dell'apparecchio stesso, non estendono la durata della garanzia.
9. Tutte le parti asportabili e tutte le parti estetiche, non sono coperte da garanzia.
10. Tutti i materiali soggetti ad usura non sono coperti da garanzia a meno che venga dimostrata la difettosità risalente a vizio di fabbricazione delle stesse.
11. La BEKO Italy S.r.l. declina ogni responsabilità per eventuali danni che possano derivare, direttamente od indirettamente, a persone e cose come conseguenza del mancato rispetto delle istruzioni tutte, incluse nell'apposito Manuale per l'uso dell'apparecchio allegato a ciascuno apparecchio, da parte dell'utente ed in particolar modo per quanto concerne le avvertenze relative alla installazione, all'uso ed alla manutenzione dell'apparecchio stesso.
12. La garanzia non diventa operante e l'assistenza sarà effettuata totalmente a pagamento nei seguenti casi:
  - a. Danni dovuti al trasporto o alla movimentazione delle merci.
  - b. Interventi di installazione e montaggio, così come l'errata connessione o errata erogazione dalle reti di alimentazione, mancanza di allacciamento alla presa di terra.
  - c. Installazione errata, imperfetta o incompleta, per incapacità d'uso da parte dell'Utente, se mancano gli spazi necessari ad operare attorno ai prodotti, per eccessiva o scarsa temperatura dell'ambiente,.
  - d. Interventi nei quali non è stato riscontrato il difetto lamentato, o per generici problemi di funzionamento causati da errata impressione del cliente
  - e. Danni causati da agenti atmosferici ( fulmini, terremoti, incendi, alluvioni, ecc.)
  - f. Se il numero di matricola risulta asportato, cancellato o manomesso.
  - g. Riparazioni, modifiche o manomissioni effettuate da persone non autorizzate dal produttore o comunque per cause non dipendenti dal prodotto. Per guasti dovuti a mancanza di regolare manutenzione ( pulizia e manutenzione del prodotto.).
  - h. Mancanza dei documenti fiscali o se gli stessi risultano contraffatti o non inerenti al prodotto.
  - i. L'uso improprio dell'apparecchio, non di tipo domestico o diverso da quanto stabilito dal produttore, fa decadere il diritto alla Garanzia.
  - j. Per tutte le circostanze esterne che non siano riconducibili a difetti di fabbricazione dell'elettrodomestico.
  - k. Si intendono a pagamento anche tutti gli eventuali trasporti necessari per lo svolgimento degli interventi legati ai casi citati.

Il Servizio Assistenza di BEKO Italy S.r.l. è l'unico autorizzato a riparare i prodotti a marchio BEKO. Per ogni controversia è competente il foro di Milano.

Durante e dopo il periodo di garanzia, vi consigliamo di rivolgervi sempre ai nostri centri di assistenza autorizzati. Per contattare il Centro di Assistenza Tecnica Autorizzato operante nella sua zona chiami il numero unico per l'Italia:

**02.03.03**

Prima di contattare l'assistenza tecnica, al fine di agevolare la gestione della chiamata, è necessario avere a portata di mano il modello del prodotto e il documento fiscale di acquisto.




# Proszę najpierw przeczytać tę instrukcję!

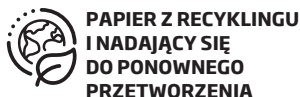
Drogi kliencie,

Dziękujemy za wybór produktu Beko. Chcemy, abyś osiągnął optymalną wydajność dzięki temu wysokiej jakości produktowi, który został wyprodukowany przy użyciu najnowocześniejszej technologii. Przed użyciem należy dokładnie przeczytać i zrozumieć ten przewodnik oraz dokumentację uzupełniającą oraz zachować go do wykorzystania w przyszłości. Dołącz ten przewodnik do urządzenia, jeśli przekazesz go komuś innemu. Przestrzegaj wszystkich ostrzeżeń i informacji zawartych w tym dokumencie i postępuj zgodnie z instrukcjami.

## Symbole i ich znaczenie

Poniższe symbole są używane w tym przewodniku:

	Ważne informacje i zalecenia dotyczące użytkowania urządzenia.
	<b>OSTRZEŻENIE:</b> Ostrzeżenia dotyczące sytuacji zagrażających bezpieczeństwu, życiu i mieniu.
	Klasa ochrony przed porażeniem elektrycznym.



Urządzenie zostało wyprodukowane w przyjaznych dla środowiska nowoczesnych zakładach bez szkody dla przyrody.

# 1 Ważne instrukcje dotyczące bezpieczeństwa i ochrony środowiska

Ta sekcja zawiera instrukcje bezpieczeństwa, aby zapobiec zagrożeniom, które mogą spowodować obrażenia ciała lub uszkodzenie mienia.

Wszelkie gwarancje są nie będą ważne, jeśli instrukcje nie będą przestrzegane.

## 1.1 Ogólne zasady bezpieczeństwa

- Urządzenie jest zgodne z międzynarodowymi normami bezpieczeństwa.
- Z urządzenia mogą korzystać dzieci powyżej 8 roku życia i osoby o ograniczonej sprawności fizycznej, sensorycznej lub umysłowej, bądź o niedostatecznym doświadczeniu i wiedzy jedynie pod nadzorem lub po przeszkoleniu w zakresie bezpiecznej obsługi urządzenia i po poinformowaniu o istniejących zagrożeniach. Dzieciom nie wolno używać urządzenia do zabawy. Czyszczenie i konserwacja nie powinny być wykonywane przez dzieci bez nadzoru.
- Nie używaj urządzenia, jeśli kabel zasilania lub wtyczka są uszkodzone. Skontaktuj się z autoryzowanym serwisem.
- Zasilanie sieciowe powinno być zgodne z informacjami podanymi na tabliczce znamionowej urządzenia.
- Z urządzeniem nie należy używać przedłużaczy.
- Aby zapobiec uszkodzeniu przewodu zasilającego, nie należy go przyciskać, zaciskać ani ocierać o ostre krawędzie.
- Nie wolno dotykać urządzenia i jego wtyczki mokrymi ani wilgotnymi dłońmi, jeśli jest ono podłączone do zasilania.
- Nie należy wyjmować wtyczki z gniazdka, ciągnąc za przewód zasilający.
- Nie odkurzać materiałów łatwopalnych. Należy upewnić się, że popiół z papierosów ostygł przed odkurzaniem.
- Nie odkurzać wody i innych cieczy.

# 1 Ważne instrukcje dotyczące bezpieczeństwa i ochrony środowiska

- Chronić urządzenie przed opadami atmosferycznymi, wilgocią i źródłami ciepła.
- Urządzenia nie należy używać w otoczeniu lub w pobliżu materiałów wybuchowych lub łatwopalnych.
- Przed przystąpieniem do czyszczenia i konserwacji urządzenia należy odłączyć je od zasilania.
- Podczas czyszczenia nie wolno zanurzać urządzenia ani przewodu zasilającego w wodzie.
- Nie demontuj urządzenia.
- Należy stosować wyłącznie oryginalne lub zalecane przez producenta części zamienne.
- Aby zapobiec zatkaniu filtra lub uszkodzeniu silnika, nie należy odkurzać cementu, tynku ani fragmentów prasowanego papieru.
- Urządzenia należy używać wyłącznie z dołączonym zasilaczem.
- Nie używać urządzenia bez filtrów. Może to spowodować jego uszkodzenie.
- Opakowanie urządzenia należy przechowywać poza zasięgiem dzieci.
- Niniejsze urządzenie nie jest przeznaczone dla osób, w tym dzieci, niepełnosprawnych fizycznie, zmysłowo lub umysłowo lub tych, które nie posiadają odpowiedniego doświadczenia i wiedzy na temat jego użytkowania, chyba że znajdują się pod nadzorem osoby odpowiedzialnej za bezpieczeństwo urządzenia lub zostały przeszkolone.
- Nie wolno dopuścić, by dzieci bawiły się urządzeniem.
- Przed przystąpieniem do czyszczenia lub konserwacji, należy odłączyć zasilacz i wyjąć akumulator.
- Aby uniknąć ryzyka obrażeń, uszkodzony zasilacz powinien zostać wymieniony przez producenta, autoryzowanego przedstawiciela lub wykwalifikowanego technika.



# 1 Ważne instrukcje dotyczące bezpieczeństwa i ochrony środowiska

- Trzymaj palce, włosy i luźne części ubrania z dala od otworów oraz ruchomych części urządzenia.
- Przed wyrzuceniem urządzenia należy wyjąć akumulator.
- Przed wyjęciem akumulatora należy odłączyć urządzenie od źródła zasilania.
- Zużyte akumulatory należy utylizować zgodnie z lokalnymi przepisami i regulacjami.
- Akumulatory urządzenia mogą być wymienione tylko przez autoryzowany serwis.
- Nie należy używać akumulatorów różnych typów ani starych i nowych akumulatorów razem.
- Akumulatory należy zainstalować zgodnie z oznaczeniami biegunów.
- Nie wolno zwierać zacisków zasilania.
- Urządzenie powinno być używane tylko z akumulatorami ME1XXFG CM 3200 mAh.
- Niniejsze urządzenie nie jest przeznaczone dla dzieci i osób niepełnosprawnych fizycznie, zmysłowo lub umysłowo lub tych, które nie posiadają odpowiedniego doświadczenia i wiedzy na temat jego użytkowania, chyba że znajdują się pod nadzorem lub zostały przeszkolone.
- Nie wolno dopuścić, by dzieci bawiły się urządzeniem.
- Nie ustawiaj ciężkich przedmiotów na urządzeniu.
- Nie włączaj urządzenia na wysokich podstawach, takich jak stół lub krzesło.

# 1 Ważne instrukcje dotyczące bezpieczeństwa i ochrony środowiska

- Ten produkt nie jest przeznaczony do użytku komercyjnego, jest przeznaczony do użytku domowego i do następujących zastosowań:

- w kuchniach pracowników sklepów, biur i innych środowisk pracy,
- w gospodarstwach rolnych;
- dla klientów w hotelach, motelach lub innych miejscach;
- w hostelach i podobnych miejscach,
- w noclegowniach i miejscach serwujących śniadania

- Nie ustawiaj ciężkich przedmiotów na urządzeniu. Upewnij się, że dzieci i zwierzęta domowe nie wejdą na urządzenie.

## 1.2 Zgodność z Dyrektywą WEEE i utylizacją odpadów



Niniejszy wyrób jest zgodny z dyrektywą Parlamentu Europejskiego i Rady (2012/19/WE). Wyrób ten oznaczony jest symbolem klasyfikacji zużytych urządzeń elektrycznych i elektronicznych (WEEE).

Ten symbol oznacza, że sprzęt nie może być umieszczany łącznie z innymi odpadami gospodarstwa domowego po okresie jego użytkowania. Zużyte urządzenie należy oddać do specjalnego punktu zbiórki zużytego sprzętu elektrycznego i elektronicznego w celu utylizacji. Aby uzyskać informacje o punktach zbiórki w swojej okolicy należy skontaktować się z lokalnymi władzami lub punktem sprzedaży tego produktu. Gospodarstwo domowe spełnia ważną rolę w przyczynianiu się do ponownego użycia i odzysku zużytego sprzętu. Odpowiednie postępowanie ze zużytym sprzętem zapobiega potencjalnym negatywnym konsekwencjom dla środowiska naturalnego i ludzkiego zdrowia.

## 1.3 Opakowanie urządzenia



Opakowanie urządzenia jest wykonane z materiałów nadających się do recyklingu zgodnie z przepisami krajowymi.

Nie należy wyrzucać odpadów opakowaniowych wraz z odpadami pochodzącymi z gospodarstw domowych lub innymi odpadami. Należy oddawać je do punktów zbiórki opakowań wyznaczonych przez władze lokalne.

# 1 Ważne instrukcje dotyczące bezpieczeństwa i ochrony środowiska

## 1.4 Zużyte akumulatory

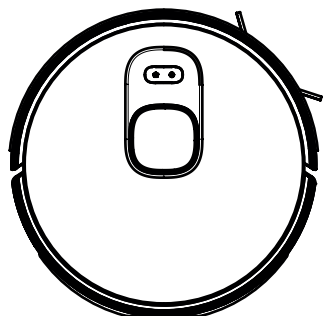


Zużyte akumulatory należy utylizować zgodnie z lokalnymi przepisami. Symbol na akumulatorze lub opakowaniu oznacza, że akumulatory nie mogą być traktowane jako odpady komunalne. Na niektórych akumulatorach symbol ten może być używany razem z symbolem chemicznym. Pod tym symbolem dodaje się symbole chemiczne rtęci (Hg) lub ołowiu (Pb), gdy bateria/akumulator zawiera więcej niż 0,0005% rtęci lub 0,004% ołowiu. Odpowiednio gospodarując zużytymi produktami i akumulatorami, można zapobiec ich potencjalnemu negatywnemu wpływowi na środowisko oraz zdrowie ludzi, jaki mógłby wystąpić w przypadku niewłaściwego obchodzenia się z tymi odpadami.

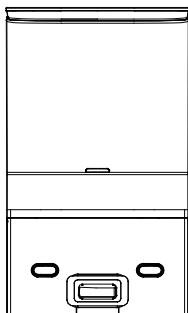
## 1.5. Co robić, aby zaoszczędzić energię.

- Podczas korzystania z urządzenia dostosuj ustawienia prędkości do powierzchni, aby oszczędzać energię.
- Zwykle niższe prędkości są używane do odkurzania twardych powierzchni podczas gdy wysokie do odkurzania dywanów.

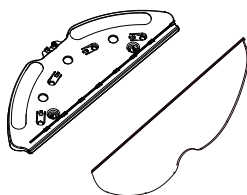
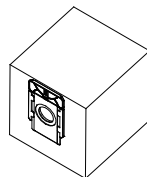
## 2 Zawartość pudełka



Robot odkurzający



Stacja do zbierania kurzu i ładowania + wewnętrzny worek na kurz

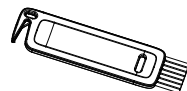


Narzędzie do czyszczenia mopem

Ściereczka do mycia



Podręcznik użytkownika i dokumentacja produktu (2 szt.)

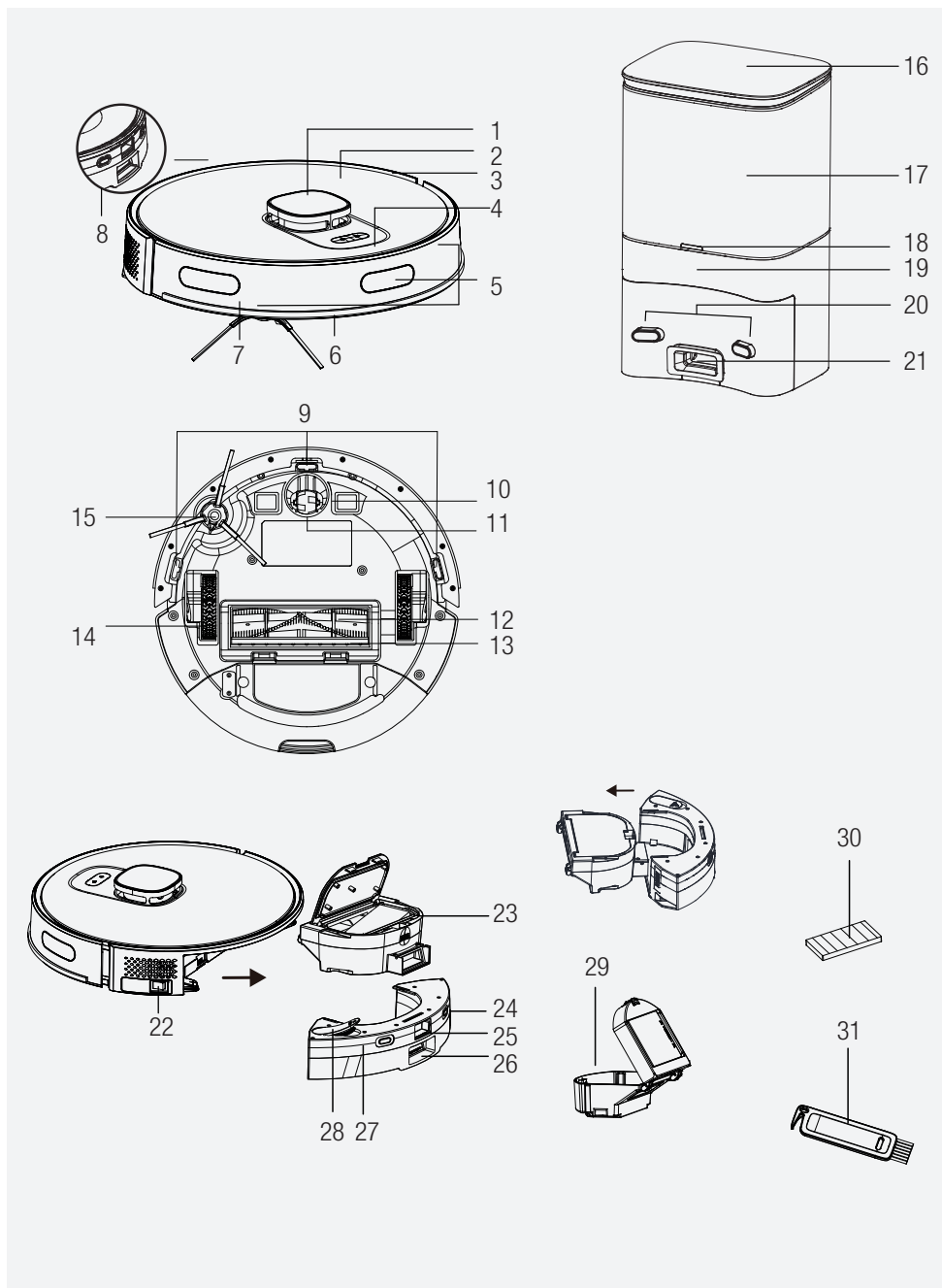


Szczoteczka do czyszczenia

### Dostarczone akcesoria zapasowe

	1 szczotka boczna
	1 ściereczka do mycia
	1 filtr
	2 worki na kurz

### 3 Omówienie



## 3 Omówienie

### 2.1 Elementy sterujące i komponenty

1. Lidar
2. Górna część
3. Korpus środkowy
4. Przyciskrozpoczęcia / zatrzymania sprzątania / Przycisk powrotu do stacji ładującej
5. Czujnik zderzaka
6. Przedni zderzak
7. Czujnik uderzenia przedniego zderzaka
8. Styki ładowania
9. Czujnik zabezpieczenia przed upadkiem
10. Styki ładowania
11. Przednie koło obrotowe
12. Obrotowa szczotka
13. Osłona obrotowej szczotki
14. Tylne koło
15. Szczotka boczna
16. Górna pokrywa stacji ładującej
17. Pojemnik na kurz w stacji ładującej
18. Kontrolka stacji ładującej
19. Ładowanie i opróżnianie pojemnika robota
20. Styki komunikacyjne ładowania stacji ładującej
21. Ssawka zbiornika na kurz robota sprząającego
22. Przycisk wł./wyl.
23. Pojemnik z pokrywą filtra EPA
24. Styki komunikacyjne ładowania pojemnika robota sprząającego
25. Przycisk wysuwania pojemnika na kurz z robota
26. Wylot odprowadzania kurzu do stacji ładującej
27. Pojemnik na wodę do mopa
28. Pokrywa wlewu pojemnika na wodę do mopa
29. Pojemnik na kurz
30. Filtr EPA
31. Szczoteczka do czyszczenia

### 2.2 Dane techniczne

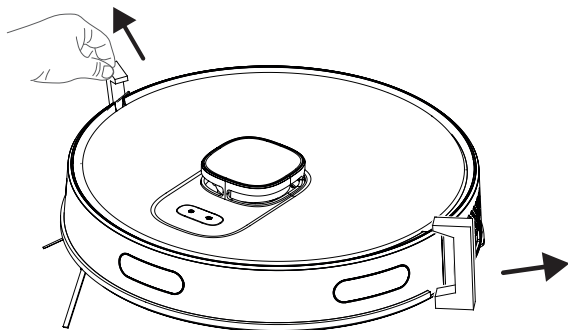
<b>Napięcie</b>	220-240V, 50-60 Hz
<b>W stanie ładowania</b>	0.4 A
<b>W stanie odkurzania:</b>	4.5 A
<b>Parametry wyjściowe</b>	24.0V / 1.5 A
<b>Akumulator</b>	Li-ion: 14.4V / 3.2 Ah
<b>Czas ładowania</b>	4-5 godziny
<b>Czas pracy</b>	do 150 minut (w trybie cichym)
<b>Pojemność pojemnika na kurz</b>	0.4 L
<b>Pojemność zbiornika na wodę</b>	0.3 L
<b>Pojemność pojemnika na kurz w stacji</b>	4 L
<b>Zakres częstotliwości Wi-Fi 2,4G</b>	2412-2472 MHz
<b>Obsługiwane połączenia</b>	Bezprzewodowa sieć WLAN IEEE 802.11 b/q/n
<b>Maksymalna moc wyjściowa częstotliwości radiowych Wi-Fi 2,4 GHz:</b>	20 dBm
<b>Informacje o narażeniu na częstotliwości radiowe</b>	Maksymalnie 2,4G Wi-Fi
<b>Czas pracy</b>	<b>Maksymalne:</b> 70 min. <b>Mocne:</b> 80 min. <b>Standardowe:</b> 120 min. <b>Cicha praca:</b> 150 min.

#### Informacje o narażeniu na częstotliwości radiowe:

Maksymalny dopuszczalny poziom ekspozycji jest obliczany na podstawie 20 cm odległości pomiędzy urządzeniem a ciałem człowieka. Aby zachować zgodność z warunkami narażenia na działanie częstotliwości radiowych, należy zachować odległość 20 cm między urządzeniem a osobą.

## 4 Instalacja

### 1- Usuń gąbki ochronne.

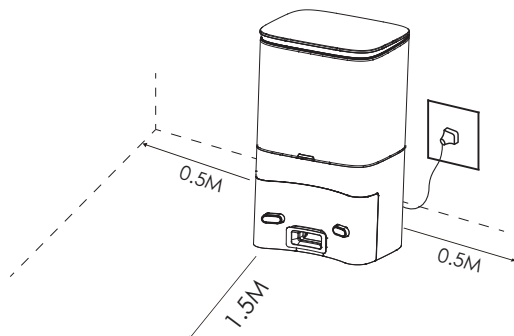


### 2- Zainstaluj stację do zbierania kurzu i ładowania.



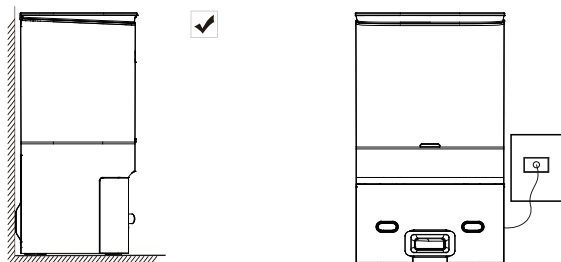
Zainstaluj stację do zbierania kurzu i ładowania w miejscu, w którym odkurzacz będzie miał do niej łatwy dostęp. Zainstaluj stację do zbierania kurzu i ładowania na twardym i równym podłożu, a nie na dywanie.

Aby zapewnić płynną pracę robota, zaleca się, aby w promieniu 1,5 m z przodu oraz w promieniu 0,5 m z lewej i prawej strony nie znajdowały się żadne przeszkody.



## 4 Instalacja

Zainstaluj stację do zbierania kurzu i ładowania na twardym i równym podłożu, tak aby jej tył był skierowany do ściany, a następnie podłącz ją do gniazdka.



Zawsze utrzymuj stację do zbierania kurzu i ładowania w stanie podpiętym; w przeciwnym razie odkurzacz nie będzie mógł powrócić automatycznie.



Aby zapewnić płynne ładowanie, nie przenoś często stacji zbierania kurzu. Zmiana lokalizacji odkurzacza może spowodować usunięcie dostępnej mapy i utworzenie nowej mapy z powodu błędu pozycjonowania.

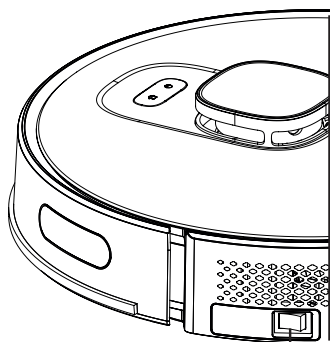
## 5 Obsługa

### 5.1 Przeznaczenie

Niniejsze urządzenie jest przeznaczone do użytku domowego i nie nadaje się do użytku przemysłowego.

### 5.2 Ładowanie urządzenia

1. Ustaw przycisk wł./wył. z boku w pozycji włączonej, aby włączyć zasilanie początkowe.

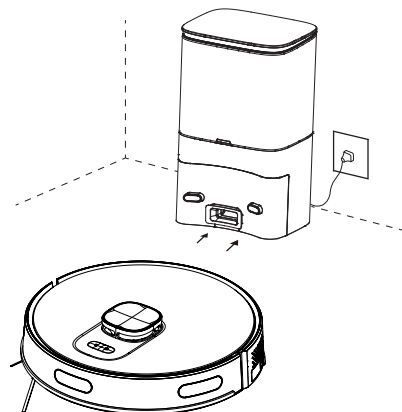


Przycisk wł./wył.



## 5 Obsługa

2. Umieść urządzenie w stacji zbierania kurzu tak, aby było wyrównane z portem ładowania.



Ładowanie rozpoczyna się po trzykrotnym mignięciu niebieskiego wskaźnika stacji ładującej, a następnie jej całkowitym wyłączeniu.



Kiedy urządzenie jest podłączone do stacji zbierania kurzu, stacja zaczyna zbierać kurz. Ta czynność trwa około 15 sekund.

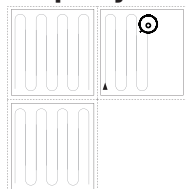
### 5.3 Obsługa


Przy pierwszej operacji przesunij boczny przycisk WŁ./WYŁ. z pozycji 0 do I. Aby włączyć odkurzacz, naciśnij przycisk "ⓘ".

przez 3 sekundy.

- Nie wyłączaj urządzenia za pomocą przycisku WŁ./WYŁ. bezpośrednio podczas czyszczenia; w przeciwnym razie dane odkurzacza nie mogą zostać zapisane.
- Jeśli przycisk WŁ./WYŁ. znajduje się w pozycji WYŁ., odkurzacz włączy się automatycznie po umieszczeniu go w stacji ładującej i wyłączy się automatycznie po wyjęciu ze stacji ładującej.
- Jeśli odkurzacz nie będzie używany przez dłuższy czas, ustaw przycisk WŁ./WYŁ. w pozycji wyłączzonej.

### Rozpoczynanie odkurzania



Naciśnij przycisk , aby uruchomić automatyczny tryb czyszczenia. Po uruchomieniu odkurzacz opuszcza stację dokującą, wykonuje automatyczne skanowanie w celu utworzenia mapy, wyznacza trasę czyszczenia w inteligentny sposób i dzieli obszar na kilka regionów. Trasa sprzątnięcia jest zaplanowana wzdłuż ściany, a odkurzacz porusza się do przodu i do tyłu, aby sprzątać kolejno różne obszary.



**OSTRZEŻENIE:** Jeśli poziom naładowania jest zbyt niski, nie można rozpocząć odkurzania. Proszę naładować urządzenie przed rozpoczęciem odkurzania.

## 5 Obsługa



**OSTRZEŻENIE:** Przed odkurzaniem należy posprzątać wszystkie kable, aby zapobiec rozłączeniu z powodu splątania/wyciągnięcia kabli oraz aby zapobiec uszkodzeniu mebli.



**OSTRZEŻENIE:** W trybie automatycznego odkurzania, jeśli odkurzany obszar jest mniejszy niż 10 metrów kwadratowych, odkurzanie jest domyślnie wykonywane dwukrotnie.



**OSTRZEŻENIE:** Nie przesuwaj stacji dokującej ani stacji do zbierania kurzu podczas odkurzania i upewnij się, że stacja dokująca lub stacja do zbierania kurzu jest podłączona do zasilania; w przeciwnym razie odkurzacz może nie być w stanie powrócić do niej w celu ładowania.

### Pauza

Naciśnij dowolny przycisk, aby wstrzymać pracę podczas pracy odkurzacza.

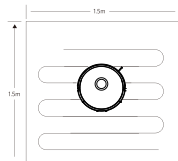
**Automatyczne ładowanie:** Odkurzacz automatycznie powraca do ładowania po zakończeniu odkurzania.


**Ładowanie ręczne:** Odkurzacz robot powraca automatycznie do stacji ładującej po naciśnięciu przycisku “” na górnej części obudowy, gdy znajduje się w pozycji wstrzymania.

**A.** Jeśli operacja jest wstrzymana, naciśnij przycisk, aby automatycznie doładować.


**B.** Jeśli odkurzacz utknie w jakimś miejscu i nie może znaleźć stacji ładującej, należy samodzielnie przenieść odkurzacz do stacji zbierania kurzu, aby umożliwić jego naładowanie.

### Odkurzanie punktu stałego



Przynieś odkurzacz do miejsca, które chcesz odkurzyć i dwukrotnie naciśnij przycisk “”. Gdy tryb ten jest włączony, odkurzacz powinien wyczyścić kwadrat o wymiarach 1,5 x 1,5 m, uważając siebie za środek.

\* Odkurzacz nie może rozpocząć czyszczenia punktu stałego ze stacji dokującej lub stacji do zbierania kurzu.

Po zakończeniu czyszczenia punktowego urządzenie nie wraca do stacji ładującej i pozostaje na swoim miejscu. Umieść je na podstawce ładującej lub przesuń do podstawki ładującej, naciskając przycisk “” na górnej części obudowy.

### Wybór mocy odkurzania

(Obsługiwane tylko przez odpowiednią aplikację mobilną) Możesz wybrać żądaną moc odkurzania z aplikacji:

- Cicha praca
- Standardowe
- Mocne
- Maksymalne

## 5 Obsługa

### Zdalnie sterowane odkurzanie

(Obsługiwane tylko przez odpowiednią aplikację mobilną) \*Możesz skierować odkurzacz do obszaru, który ma być czyszczony, korzystając z trybu ręcznego sterowania zdalnego za pomocą aplikacji.

### Tryb uśpienia

Odkurzacz automatycznie przełącza się w tryb uśpienia, jeśli pozostaje w miejscu przez 10 minut. Odkurzacz automatycznie przełącza się w tryb uśpienia po 10 minutach od całkowitego naładowania. Tryb czuwania wyłącza bieżące zadanie.

### Resetowanie systemu

Naciśnij przycisk trybu gotowości przez 15 sekund, aby zresetować system. Po zresetowaniu systemu mapa i oryginalne ustawienia (w tym wirtualne limity) odkurzacza zostaną usunięte.

#### 5.3.1 Praca z aplikacją

##### Pobierz aplikację

Aby pobrać aplikację, wyszukaj aplikację „HomeDirect-SDA” w sklepie z aplikacjami mobilnymi. Szczegółowe informacje można znaleźć w instrukcji obsługi aplikacji mobilnej.

##### Resetowanie Wi-Fi

Naciśnij i przytrzymaj jednocześnie przyciski “ⓘ” “🏠”, aż rozlegnie się sygnał dźwiękowy; następnie wskaźnik zacznie powoli migać na biało, a odkurzacz przełączy się w tryb parowania.

##### Dodaj urządzenie

Otwórz aplikację, utwórz nowe konto i postępuj zgodnie z instrukcjami w aplikacji. \* Przed skonfigurowaniem sieci Wi-Fi upewnij się, że odkurzacz i sieć Wi-Fi spełniają następujące wymagania.

##### A. Odkurzacz:

\* Poziom naładowania odkurzacza powinien wynosić ponad 20% lub odkurzacz należy umieścić w stacji ładującej.

##### B. Sieć Wi-Fi:

- Uzyskaj prawidłowe hasło sieci bezprzewodowej.
- Nie używaj żadnej sieci VPN (wirtualnej sieci prywatnej).
- Router Wi-Fi obsługuje protokoły 802.11b/g/n i IPv4.
- Router powinien pracować w paśmie częstotliwości 2,4 GHz lub należy użyć routera dwuzakresowego obsługującego pasmo 2,4 GHz. Odkurzacz nie obsługuje pasma częstotliwości 5 GHz.
- Jeśli odkurzacz nie może połączyć się z dwupasmową siecią Wi-Fi 2,4/5 GHz, wybierz sieć 2,4 GHz dla ustawień Wi-Fi. Po zakończeniu ustawień możesz przełączyć się z powrotem na inne pasmo częstotliwości.

## 5 Obsługa

- Jeśli łączysz się z ukrytą siecią, upewnij się, że poprawnie wpisujesz nazwę sieci [SSID (z uwzględnieniem wielkich liter)] i że masz połączenie z siecią bezprzewodową 2,4 GHz.
- Jeśli używasz wzmacniacza sieci bezprzewodowej, upewnij się, że nazwa sieci (identyfikator SSID) i hasło są takie same jak w sieci głównej.
- Aby podłączyć odkurzacz do serwera aplikacji, ustaw zapórę sieciową i port routera Wi-Fi zgodnie z wymaganiami.

### Błąd połączenia Wi-Fi

Status Wi-Fi	Możliwa przyczyna	Rozwiązanie
Biały wskaźnik świeci w sposób ciągły.	Odkurzacz jest podłączony do routera (modemu), ale nie może połączyć się z siecią.	<ul style="list-style-type: none"><li>• Upewnij się, że modem jest podłączony do sieci.</li><li>• Skontaktuj się z operatorem sieci, aby sprawdzić, czy występuje problem z danymi internetowymi.</li></ul>
Biały wskaźnik miga szybko	Odkurzacz nie może połączyć się z modemem	<ul style="list-style-type: none"><li>• Upewnij się, że nazwa sieci i hasło nie zostały zmienione.</li><li>• W razie potrzeby zresetuj połączenie Wi-Fi. Zapoznaj się z sekcją „Resetowanie Wi-Fi” w części „Pobieranie aplikacji i resetowanie Wi-Fi” niniejszej instrukcji.</li></ul>
Biały wskaźnik miga powoli.	Wi-Fi zostało zresetowane lub nie zostało jeszcze ustawione.	<ul style="list-style-type: none"><li>• Upewnij się, że odkurzacz jest podłączony do sieci Wi-Fi. Szczegółowe informacje można znaleźć w instrukcji obsługi aplikacji mobilnej. W razie potrzeby zresetuj połączenie Wi-Fi. Więcej informacji można znaleźć w sekcji „Resetowanie ustawień Wi-Fi” niniejszej instrukcji</li></ul>

## 5 Obsługa

### Wymagania dotyczące bezpieczeństwa sieci:

\* Użyj szyfrowanych sieci WPA i WPA2 TKIP, PSK i AES/CCMP.

### 5.3.2 Tryby działania

#### Zarządzanie mapami

##### A. Mapowanie pokoju w czasie rzeczywistym

Tworzenie mapy pokoju w czasie rzeczywistym może ułatwić zrozumienie trasy odkurzania i otoczenia odkurzania. Po odkurzeniu tworzona jest mapa pomieszczenia. Mapa jest uaktualniana w czasie rzeczywistym podczas każdego odkurzania, aby zapewnić normalną nawigację. Aby utworzyć kompletną mapę domu:

- Otwórz drzwi pomieszczeń, aby upewnić się, że odkurzacz tworzy mapę każdego pomieszczenia;
- Usuń wszelkie przedmioty, które mogą spowodować utrudnienia lub zablokowanie odkurzacza;
- Nie zmieniaj lokalizacji stacji ładującej ani nie odłączaj jej po utworzeniu mapy.

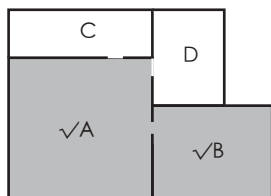
##### B. Zmiana położenia i zmiana mapowania

Jeśli odkurzacz zostanie przeniesiony lub zostaną wprowadzone znaczne zmiany w otoczeniu, odkurzacz próbuje zmienić położenie, aby dostosować się do nowego otoczenia i może ponownie utworzyć odpowiednią mapę. Szczegóły są następujące:

- Jeśli zmiana położenia się powiedzie, odkurzacz kontynuuje czyszczenie;
- Jeśli zmiana położenia nie powiedzie się, odkurzacz odtworzy mapę, aby zapewnić normalną nawigację podczas czyszczenia;
  - Upewnij się, że odkurzacz zawsze rozpoczyna operację odkurzania ze stacji ładującej.
  - Nie przesuвай odkurzacza często podczas odkurzania. Jeśli zostanie przesunięty, ustaw go z powrotem w pierwotnym położeniu.

##### Tryb odkurzania pomieszczenia (obsługiwany tylko przez odpowiednią aplikację mobilną)

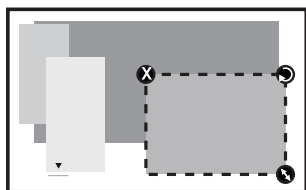
Możesz określić pomieszczenia, które chcesz posprzątać za pomocą aplikacji mobilnej, wtedy odkurzacz odkurzy tylko to pomieszczenie/a, które jest/są zaznaczone na mapie regionu w aplikacji.



## 5 Obsługa

- Odkurzacz może również wejść do obszarów innych niż wybrany obszar po rozpoczęciu odkurzania; dlatego należy usunąć przeszkody na ziemi wokół wybranego obszaru. Wybór obszaru nie zapewnia bezpiecznej izolacji.
- Odkurzanie regionalne można rozpocząć dopiero po pomyślnym utworzeniu przez odkurzacz mapy.

### Tryb odkurzania regionalnego (obsługiwany tylko przez odpowiednią aplikację mobilną)



Wymiary obszaru można określić, przytrzymując go w prawym dolnym rogu. W międzyczasie wymiary wyświetlanego obszaru są zapisywane na ekranie linią przerywaną.

Wybierz w aplikacji tryb odkurzania regionalnego, a następnie określ obszar odkurzania. Odkurzacz wyczyści tylko wybrany obszar, a następnie powróci do stacji dokującej.

\* Odkurzanie regionalne można rozpocząć dopiero po pomyślnym utworzeniu przez odkurzacz mapy.



Szczegółowe wskazówki dotyczące użytkowania znajdują się w instrukcji obsługi aplikacji mobilnej.

### 5.4 Obsługa mopa



**OSTRZEŻENIE:** Nie używaj trybu mopowania na dywanie.



**OSTRZEŻENIE:** Nie wlewaj wybielacza ani detergentu do zbiornika na wodę.



**OSTRZEŻENIE:** Wyjmij moduł mopujący, gdy odkurzacz jest ładowany lub gdy nie jest używany.



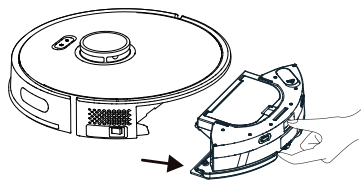
**OSTRZEŻENIE:** Wyjmij moduł mopujący natychmiast po zakończeniu operacji mopowania, aby zapobiec uszkodzeniu podłóg drewnianych.

## 5 Obsługa

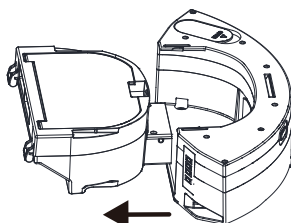


**OSTRZEŻENIE:** Odkurzacz automatycznie odcina wodę po zatrzymaniu lub zakończeniu mopowania. Mop pozostaje jednak mokry i dlatego nie można go przechowywać w tym stanie przez długi czas i należy bezzwłocznie go usunąć.

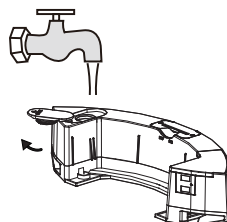
### 5.4.1 Montaż urządzenia do mopowania na mokro



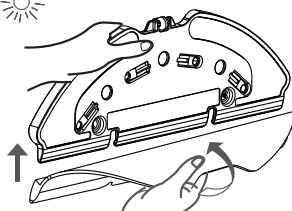
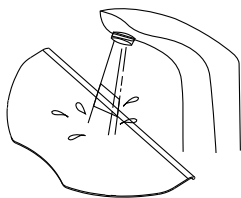
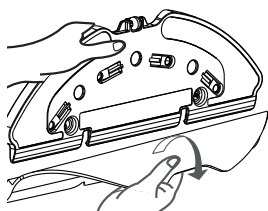
Wymij pojemnik na kurz i zespół zbiornika na wodę (2 w 1).



Wymij pojemnik na kurz.

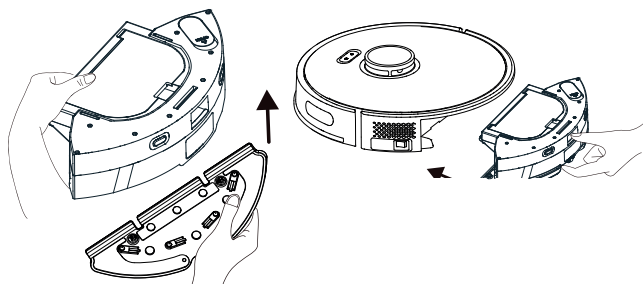


Zdejmij gumowy korek i dolewaj wodę do zbiornika przez wlot wody.



Wymij mopa z uchwytu mopa w sposób przedstawiony na rysunku. Zwilż mopa przed każdym myciem. Umieść mopa na uchwycie mopa przed każdym myciem.

## 5 Obsługa



Zainstaluj pojemnik na kurz i zespół zbiornika na wodę (2 w 1) zgodnie z kierunkiem strzałki.

Zamontuj pojemnik na kurz i zespół zbiornika na wodę (dwa w jednym) na urządzeniu, w miejscu zgodnie z kierunkiem strzałki.

### 5.4.2 Ustawienie mopowania na mokro

Możesz rozpocząć operację czyszczenia, wybierając tryb czyszczenia i ustawiając poziom wody do mycia zgodnie z wymaganiami w aplikacji.

\* Zaleca się dodać wirtualną ścianę (obszar zakazu mopowania) do obszaru dywanu w aplikacji, aby utrzymać odkurzacz z dala od dywanu i zapobiec zmoczeniu dywanu przez robota odkurzającego podczas operacji mopowania.



## 6 Czyszczenie i konserwacja

Przed czyszczeniem urządzenia wyłącz je i wyciągnij wtyczkę z gniazdka.



**OSTRZEŻENIE:** Do czyszczenia urządzenia nie wolno używać benzyny, rozpuszczalników, szorstkich środków czyszczących, przedmiotów metalowych ani twardych szczotek.

### 6.1 Czyszczenie pojemnika na kurz i filtrów



Możesz zadzwonić do naszego centrum obsługi klienta, aby zamówić nowy filtr, gdy Twój osiągnie kres przydatności, jest zdeformowany lub wymaga wymiany z jakiegoś powodu.

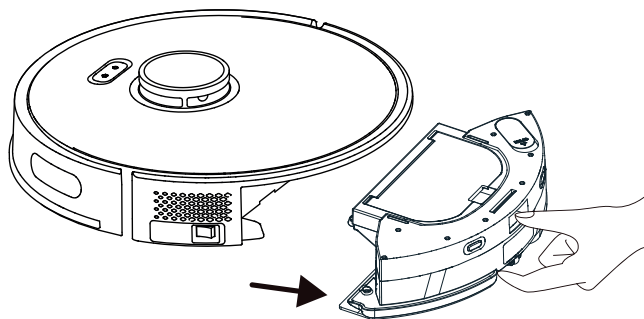


Aby osiągnąć maksymalną wydajność z filtrem HEPA, należy go czyścić szczoteczką po każdym odkurzaniu.

Filtr HEPA (10) jest wymienny.

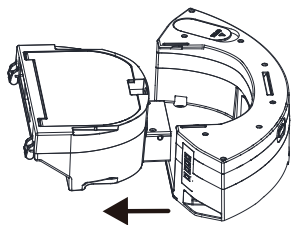
Jeśli czyszczenie zostało przeprowadzone w miejscu, w którym występuje pył budowlany i pył o bardzo drobnych cząsteczkach, należy wymienić filtr na nowy, aby nie doszło do utraty wydajności.

1. Wyjmij pojemnik na kurz i zespół zbiornika na wodę (2 w 1) naciskając przycisk, jak pokazano poniżej.

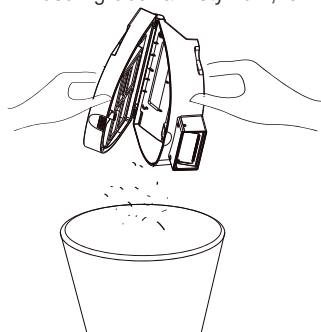


## 6 Czyszczenie i konserwacja

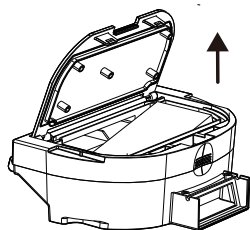
2. Wyjmij pojemnik na kurz, pociągając go w kierunku wskazanym przez strzałkę.



3. Otwórz pojemnik na kurz w sposób pokazany poniżej. Zbliź pojemnik na kurz do pojemnika na śmieci i usuń gruboziarnisty kurz, lekko stukając w pojemnik.

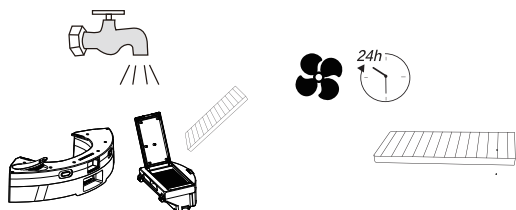


4. Wyjmij filtr o wysokiej wydajności i wyczyść go za pomocą szczoteczki do czyszczenia dostarczonej wraz z urządzeniem.



## 6 Czyszczenie i konserwacja

5. Okresowo myj zbiornik wody, pojemnik na kurz i zespół filtra **zimną wodą**, zgodnie z częstotliwością używania.



6. Po umyciu pozostaw zbiornik wody, pojemnik na kurz i zespół filtra do wyschnięcia i upewnij się, że są całkowicie wysuszone.



Suszenie może potrwać od 24 do 48 godzin.

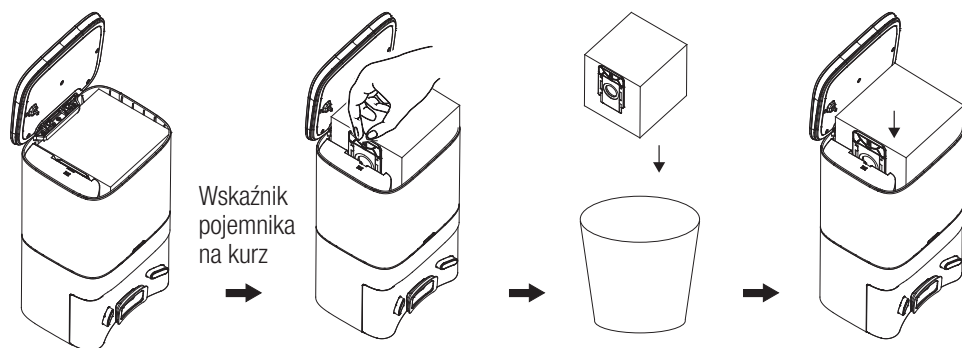
7. Po wysuszeniu na powietrzu złożź zbiornik wody, pojemnik na kurz i zespół filtra, a następnie zamontuj zespół w odkurzaczu.



**OSTRZEŻENIE:** Nie używaj odkurzacza bez zamontowania zespołu filtrów. W przeciwnym razie urządzenie może ulec uszkodzeniu.

### 6.2 Wymiana worka na kurz

Gdy pojemnik na kurz jest pełny, wskaźnik stacji zbierania kurzu miga na czerwono lub w aplikacji jest wyświetlane powiadomienie. Wymień worek na kurz w odpowiednim czasie. Gdy worek na kurz pracuje w normalnym trybie, białe światło na stacji odpylania świeci się na stałe lub miga.



Wskaźnik pojemnika na kurz

Podnieść górną pokrywę.

Pociągnij uchwyt worka na kurz do góry.

Wyrzuć stary worek na kurz

Założ nowy worek na kurz i zamknij górną pokrywę.

## 6 Czyszczenie i konserwacja



Jeżeli worek na kurz nie jest zainstalowany wewnątrz stacji, automatyczna operacja zbierania kurzu nie zostanie uruchomiona, gdy robot powróci do stacji po operacji odkurzania. Jeśli worek na kurz nie jest dostępny, kurz znajdujący się w pojemniku należy usunąć ręcznie.

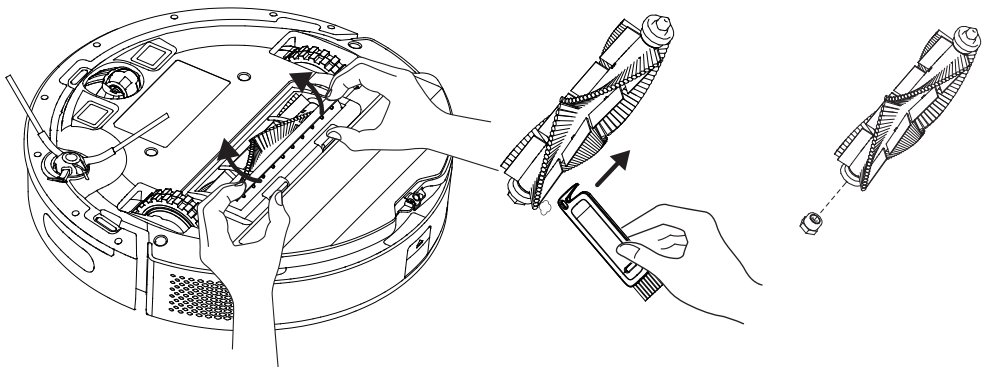


Niekompatybilne i nieodpowiednie worki, które będą używane w stacji ładującej robota, mogą spowodować uszkodzenie stacji ładującej i robota. Uszkodzenia i naprawy spowodowane przez nieoryginalne worki na kurz, które są używane w stacji ładującej, nie są objęte gwarancją.

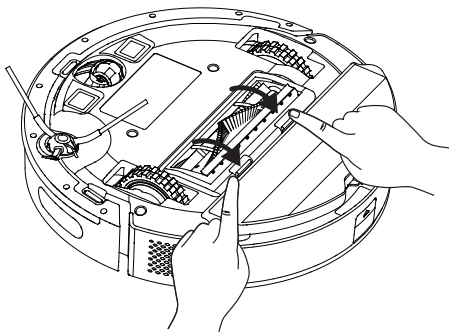
### 6.3 Czyszczenie szczotki

1. Otwórz górną pokrywę szczotki głównej, naciskając na zaczepy. Pociągnij i wyjmij główną rolkę do góry. Usuń włosy splątane na szczotce do czyszczenia końcówką tnącą i usuń kurz z włosa szczotki i rolki.

W przypadku długiego użytkowania należy umyć szczotkę boczną ciepłą wodą, aby uniknąć deformacji kształtu. Po wysuszeniu zamontuj ją na robocie w sposób pokazany na rysunku.

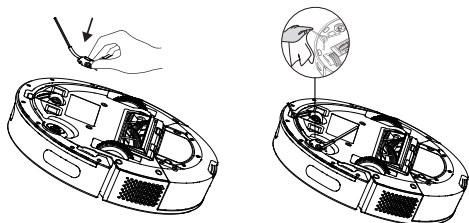


2. Po wyczyszczeniu szczotki załóż ją ponownie i zamknij pokrywę zgodnie z kierunkiem strzałki.



## 6 Czyszczenie i konserwacja

### 6.4 Czyszczenie i montaż szczotki bocznej

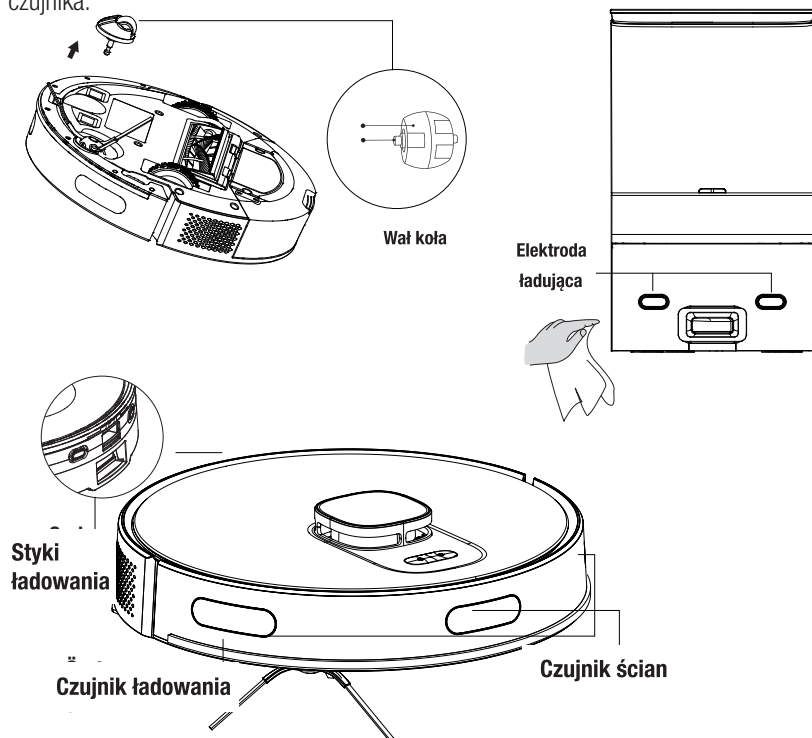


W przypadku długiego użytkowania należy umyć szczotkę boczną ciepłą wodą, aby uniknąć deformacji kształtu. Po wysuszeniu zamontuj ją na robocie w sposób pokazany na rysunku.

### 6.5 Czyszczenie czujników

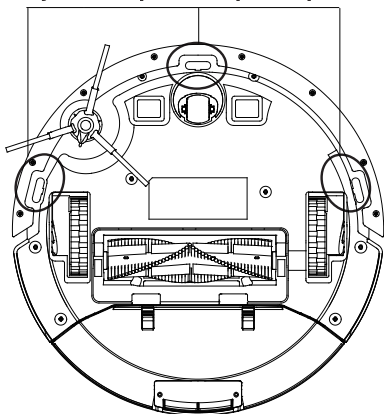
Czujniki należy regularnie czyścić i usuwać kurz za pomocą suchej i miękkiej szmatki lub szczoteczki do czyszczenia.

Informacja: Otrzymasz powiadomienie za pośrednictwem aplikacji, gdy wymagane jest czyszczenie czujnika.



## 6 Czyszczenie i konserwacja

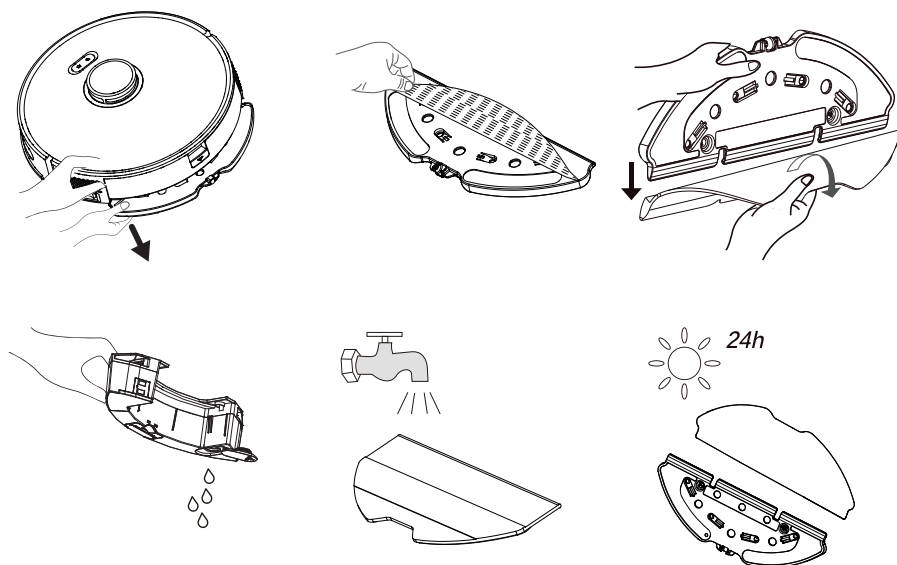
### Czujnik zabezpieczenia przed upadkiem



### 6.6 Czyszczenie modułu mopującego

Zalecamy zdjęcie uchwyty mopa z jednej strony, opróżnienie zbiornika na wodę, opłukanie mopa wodą, a następnie pozostawienie go do wyschnięcia po każdym użyciu modułu mopującego.

Mop można prać w pralce.



## 7 Rozwiązywanie problemów

### Ogólne opisy błędów

Awaria	Przyczyna i środek zaradczy
Nie można obsługiwać	<ol style="list-style-type: none"><li>1. Niski poziom naładowania. Umieść odkurzacz w stacji ładującej lub w stacji do zbierania kurzu tak, aby był wyrównany z biegunem ładującym. Ustaw przycisk po lewej stronie odkurzacza w pozycji „I”; a odkurzacz będzie obsługiwany automatycznie (gdy odkurzacz jest całkowicie rozładowany, do pracy automatycznej konieczne będzie chwilowe ładowanie).</li><li>2. Temperatura otoczenia jest bardzo niska (poniżej 0 °C) lub bardzo wysoka (powyżej 50 °C). Proszę używać odkurzacza w temperaturze otoczenia od 0 do 40 °C.</li><li>3. Upewnij się, że przycisk włączania/wyłączania z boku odkurzacza jest ustawiony w pozycji „I”.</li></ol>
Akumulator nie ładuje się	<ol style="list-style-type: none"><li>1. Wyjmij odkurzacz i sprawdź, czy świeci się kontrolka na stacji ładującej lub stacji do zbierania kurzu i upewnij się, że oba końce zasilacza stacji ładującej są podłączone.</li><li>2. Luźny styk. Oczyszczyć styki sprężynowe w stacji ładującej i styki ładowania w odkurzaczu.</li><li>3. Upewnij się, że przycisk włączania/wyłączania z boku odkurzacza jest ustawiony w pozycji „I”.</li></ol>
Nie powraca do stacji dokującej/stacji w celu naładowania	<ol style="list-style-type: none"><li>1. Wokół stacji ładującej lub stacji do zbierania kurzu jest zbyt wiele przeszkód. Umieść stację ładującą lub stację do zbierania kurzu w miejscu wolnym od przeszkód.</li><li>2. Odkurzacz znajduje się zbyt daleko od stacji ładującej lub stacji do zbierania kurzu. Umieść odkurzacz bliżej stacji ładującej lub stacji do zbierania kurzu i spróbuj ponownie.</li><li>3. Upewnij się, że stacja ładująca jest podłączona i jest zasilana prądem.</li></ol>
Nieprawidłowe działanie	<ol style="list-style-type: none"><li>1. Wyłącz i włącz ponownie.</li></ol>
Działa z nieprawidłowym hałasem.	<ol style="list-style-type: none"><li>1. Do szczotki głównej, szczotki bocznych i kół mogły przedostać się ciała obce. Wyłącz odkurzacz i wyczyść go.</li></ol>
Wydajność czyszczenia jest niska / kurz wysypuje się	<ol style="list-style-type: none"><li>1. Pojemnik na kurz jest pełny. Wyczyść pojemnik na kurz.</li><li>2. Filtr jest niedrożny. Wyczyść lub wymień filtr.</li><li>3. Do szczotki głównej mogły dostać się ciała obce. Wyczyść szczotkę główną.</li></ol>

## 7 Rozwiązywanie problemów

Nie może połączyć się z siecią Wi-Fi.	<ol style="list-style-type: none"><li>1. Sygnał Wi-Fi jest słaby. Upewnij się, że sygnał Wi-Fi w miejscu, w którym znajduje się odkurzacz, jest silny.</li><li>2. Wystąpił nieprawidłowy stan połączenia Wi-Fi. Zresetuj sieć Wi-Fi, pobierz najnowszą aplikację mobilną i spróbuj ponownie.</li><li>3. Hasło nie zostało wprowadzone prawidłowo.</li><li>4. Użyty router to model, który działa w paśmie częstotliwości 5G (ten robot obsługuje tylko pasmo częstotliwości 2,4G).</li></ol>
Funkcja czyszczenia czasowego nie działa	Niski poziom naładowania. Czyszczenie czasowe można rozpocząć tylko wtedy, gdy poziom naładowania wynosi $\geq 20\%$ .
Odkurzacz zużywa energię, gdy znajduje się w stacji ładującej	Odkurzacz zużywa bardzo mało energii, gdy znajduje się w stacji ładującej lub stacji do zbierania kurzu; ta funkcja pozwala utrzymać wydajność akumulatora na najlepszym poziomie.
Odkurzacz wymaga ładowania przez 16 godzin w pierwszych trzech operacjach ładowania	Bateria litowa nie ma efektu pamięci, gdy jest używana i nie wymaga czasu oczekiwania, gdy jest w pełni naładowana.
Automatyczne opróżnianie zbiornika nie rozpoczyna się po powrocie robota odkurzającego do stacji ładującej i stacji do zbierania kurzu.	<ol style="list-style-type: none"><li>1. Upewnij się, że stacja do zbierania kurzu i stacja ładująca są włączone. Gdy odkurzacz powróci do ładowania po więcej niż 5 minutach czyszczenia, rozpocznie się automatyczne odkurzanie;</li><li>2. Sprawdź, czy pokrywa stacji do zbierania kurzu jest zamknięta lub czy jest prawidłowo zamknięta (czerwona lampka świeci, jeśli nie jest prawidłowo zamknięta);</li><li>3. Upewnij się, że worek na kurz jest zainstalowany w stacji do zbierania kurzu (czerwona lampka świeci, jeśli komora nie jest prawidłowo zamknięta);</li><li>4. Aby zapewnić płynne odkurzanie, zaleca się, aby odkurzacz automatycznie powracał do ładowania po czyszczeniu (umieszczenie odkurzacza samodzielnie w stacji lub stacji ładującej spowoduje nierównowagę połączenia, a tym samym wpłynie na wydajność zbierania kurzu);</li><li>5. Proszę regularnie sprawdzać, czy worek na kurz jest pełny, czy nie; w przeciwnym razie worek na kurz zostanie przepełniony i rozdarty, rura odpylająca zostanie zatkana, co spowoduje uszkodzenie stacji do zbierania kurzu i doku ładującego;</li><li>6. Jeśli problem nie ustąpi po zastosowaniu powyższych rozwiązań, części mogą być uszkodzone. Skontaktuj się z obsługą klienta.</li></ol>



## 7 Rozwiązywanie problemów

Odkurzacz zatrzymuje się po rozpoczęciu automatycznego opróżniania zbiornika kurzu, a jego wydajność jest niska.	<ol style="list-style-type: none"><li>1. Sprawdź, czy worek na kurz jest pełny. Wymień worek na kurz jeśli jest pełny;</li><li>2. Wylot kurzu z pojemnika na kurz odkurzacza jest zapchany ciałami obcymi, co powoduje, że pojemnik nie otwiera się;</li><li>3. Sprawdź, czy kanał powietrzny stacji do zbierania kurzu nie jest zablokowany;</li><li>4. Podczas zbierania kurzu odkurzacz jest przesuwany (nie należy przesuwac odkurzacza podczas zbierania kurzu, gdyż może to spowodować jego uszkodzenie);</li><li>5. Do pojemnika na kurz odkurzacza mogła przedostać się woda, uniemożliwiając łatwe odkurzanie. Nie pozwól, aby odkurzacz zebrał nadmierne ilości wody; w przeciwnym razie wydajność zbierania kurzu zmniejszy się.</li></ol>
Komora wewnętrzna, w której znajduje się worek na kurz w stacji do zbierania kurzu, jest zabrudzona.	<ol style="list-style-type: none"><li>1. Małe cząsteczki kurzu mogły przedostać się przez worek na kurz i przyłączyć do wewnętrznej ścianki pojemnika na kurz. Prosimy o regularne sprawdzanie i czyszczenie tych części;</li><li>2. Worek na kurz może być uszkodzony. Sprawdź i wymień w razie potrzeby;</li><li>3. Nadmierne gromadzenie się zanieczyszczeń we wnętrzu wpływa w pewnym stopniu na wentylator i czujnik ciśnienia powietrza. Zaleca się regularne czyszczenie nagromadzonych zanieczyszczeń w komorze wewnętrznej.</li></ol>

### Lista awarii

W przypadku awarii odkurzacza miga czerwona kontrolka odkurzacza i jednocześnie rozlega się odpowiedni sygnał dźwiękowy. Postępuj zgodnie z komunikatami dźwiękowymi, aby usunąć usterkę.

Sygnał dźwiękowy	Rozwiązanie
<b>Błąd 1:</b> Akumulator działa nieprawidłowo. Zapoznaj się z instrukcją obsługi lub aplikacją.	<ul style="list-style-type: none"><li>• Otwórz komorę akumulatora, sprawdź, czy połączenie akumulatora jest prawidłowe i uruchom ponownie odkurzacz.</li><li>• Temperatura akumulatora jest bardzo wysoka lub bardzo niska. Poczekać, aż temperatura akumulatora osiągnie normalne wartości (0 °C~40 °C/32°F~104 °F).</li></ul>
<b>Błąd 2:</b> Moduł koła działa nieprawidłowo. Zapoznaj się z instrukcją obsługi lub aplikacją.	<ul style="list-style-type: none"><li>• Sprawdź, czy w kołach nie ma ciał obcych i uruchom ponownie odkurzacz.</li></ul>
<b>Błąd 3:</b> Moduł szczotki bocznej działa nieprawidłowo. Zapoznaj się z instrukcją obsługi lub aplikacją.	<ul style="list-style-type: none"><li>• Sprawdź, czy w szczotce bocznej nie ma ciał obcych i uruchom ponownie odkurzacz</li></ul>

## 7 Rozwiązywanie problemów

<b>Błąd 4:</b> Wentylator działa nieprawidłowo. Zapoznaj się z instrukcją obsługi lub aplikacją.	<ul style="list-style-type: none"><li>• Sprawdź, czy w wentylatorze nie ma ciał obcych i uruchom ponownie odkurzacz.</li><li>• Sprawdź pojemnik na kurz i filtr, a następnie uruchom ponownie odkurzacz.</li></ul>
<b>Błąd 5:</b> Szczotka obrotowa działa nieprawidłowo. Zapoznaj się z instrukcją obsługi lub aplikacją.	<ul style="list-style-type: none"><li>• Zdejmij szczotkę obrotową i wyczyść szczotkę obrotową, część łączącą szczotki, pokrywę szczotki obrotowej i dyszę do kurzu. Po zakończeniu czyszczenia uruchom ponownie odkurzacz.</li></ul>
<b>Błąd 6:</b> Pompa wody działa nieprawidłowo. Zapoznaj się z instrukcją obsługi lub aplikacją.	<ul style="list-style-type: none"><li>• Wyczyść zbiornik wody, połączenia pompy wody w zbiorniku oraz urządzenie i wylot wody pod odkurzaczem i sprawdź moduł mopujący. Po zakończeniu czyszczenia spróbuj ponownie uruchomić odkurzacz.</li></ul>
<b>Błąd 7:</b> Czujnik laserowy działa nieprawidłowo. Zapoznaj się z instrukcją obsługi lub aplikacją.	<ul style="list-style-type: none"><li>• Sprawdź, czy wewnątrz czujnika laserowego nie żadnych ciał obcych, w razie potrzeby oczyść go i ponownie uruchom odkurzacz..</li></ul>
<b>Błąd 9:</b> Nieprawidłowe działanie ładowania. Oczyść powierzchnię styków ładowania.	<ul style="list-style-type: none"><li>• Sprawdź, czy w obszarze ładowania nie ma żadnych zanieczyszczeń i wyczyść bieguny ładowania.</li><li>• Sprawdź, czy akumulator jest prawidłowo podłączony.</li></ul>
<b>Błąd 10:</b> Odkurzacz działa nieprawidłowo. Wyłącz i uruchom ponownie.	<ul style="list-style-type: none"><li>• Ustaw główny przycisk w pozycji 0 i z powrotem w pozycji I i uruchom ponownie odkurzacz</li></ul>
<b>Błąd 12:</b> Nieprawidłowe działanie. Upewnij się, że główny przycisk jest włączony.	<ul style="list-style-type: none"><li>• Najpierw ustaw główny przycisk w położeniu włączenia</li></ul>

Drodzy Klienci,

Điękujemy za zakup naszych produktów. Jesteśmy przekonani, że nasze urządzenia będą służyć przez lata. KaŹdy produkt firmy Beko jest objęty 2-letnim okresem gwarancji.

## **Warunki gwarancji Beko S.A. (małe urządzenia AGD)**

BEKO spółka akcyjna z siedzibą w Warszawie (02-819), przy ulicy Puławskiej 366, wpisana do rejestru przedsiębiorców prowadzonego przez Sąd Rejonowy dla m.st. Warszawy w Warszawie, XIII Wydział Gospodarczy Krajowego Rejestru Sądowego, pod numerem: 0000078147 (dalej: „BEKO”) udziela gwarancji jakości (dalej: „Gwarancja”) na wprowadzone przez BEKO do obrotu na terenie Polski produkty marki BEKO (dalej: „Urządzenia”) osobom, które nabyły te produkty („Użytkownik”) na następujących warunkach:

### **I. ZAKRES OCHRONY.**

BEKO gwarantuje, że Urządzenie zakupione przez Użytkownika jest wolne od wad produkcyjnych lub materiałowych, powstałych z przyczyn tkwiących w tym Urządzeniu (dalej: „Wada”), które ujawnią się w ciągu terminu określonego w części II. niniejszych Warunków Gwarancji (dalej: „Okres Gwarancyjny”).

W razie ujawnienia się Wady Produktu w trakcie Okresu Gwarancyjnego, zostanie ona usunięta na koszt BEKO w sposób uzależniony od właściwości wady, na zasadach i w zakresie określonym w niniejszych Warunkach Gwarancji.

BEKO zobowiązuje się do usunięcia Wady poprzez dokonanie nieodpłatnej naprawy lub wymiany Urządzenia, bądź też reklamacja zgłoszona na podstawie niniejszych Warunków Gwarancji zostanie rozpatrzona w inny sposób uzgodniony przez BEKO i Użytkownika.

Udzielona gwarancja jest ważna na terytorium Rzeczypospolitej Polskiej.

### **II. CZAS TRWANIA GWARANCJI.**

Okres Gwarancyjny wynosi 24 miesiące licząc od daty zakupu Urządzenia przez pierwsze- go Użytkownika.

### **III. PROCEDURA ZGŁOSZENIA REKLAMACYJNEGO.**

Wady Urządzenia ujawnione w Okresie Gwarancyjnym będą usuwane pod warunkiem przedstawienia przez Użytkownika dowodu zakupu tego Urządzenia zawierającego oznaczenia niezbędne do jego identyfikacji (model, datę zakupu).

Uprawnienia wynikające z niniejszych Warunków Gwarancji mogą być zrealizowane przez Użytkownika wyłącznie w Autoryzowanych Punktach Serwisowych BEKO (dalej: „Serwis”) po uprzednim dokonaniu zgłoszenia na Infolinii BEKO pod numerem telefonu: 22 250 14 14. Urządzenie powinno być odpowiednio zapakowane i zabezpieczone przez Użytkownika na czas transportu do punktu serwisowego Beko.

Wady Urządzenia będą usunięte w terminie 14 dni od daty zgłoszenia Wady na Infolinii BEKO.

Jeżeli część zamienna wymieniana w ramach uprawnień wynikających z niniejszych Warunków Gwarancji Urządzenia jest sprowadzana z zagranicy, termin naprawy, o którym mowa w punkcie 5 powyżej, może ulec wydłużeniu jednak, nie więcej niż do 30 dni licząc odpowiednio od daty zgłoszenia Wady na Infolinii BEKO. Informacje o spodziewanych terminach napraw dostępne są na Infolinii BEKO pod numerem 22 250 14 14. Po usunięciu Wady, Urządzenie zostanie dostarczone Użytkownikowi na koszt BEKO.

## **IV. WYŁĄCZENIA.**

Warunkiem skorzystania z niniejszych Warunków Gwarancji jest:

- użytkowanie Urządzenia zgodnie z Instrukcją Obsługi dołączonej do tego Urządzenia i jego przeznaczeniem, jak również odpowiednie czyszczenie i konserwacje Urządzenia;
- użytkowanie w warunkach indywidualnego gospodarstwa domowego. Urządzenie nie jest używane do celów prowadzenia działalności gospodarczej lub w zastosowaniach eksploatacji masowej, w szczególności w gastronomicznej działalności hoteli, restauracji i innych obiektów turystyczno-rekreacyjnych lub zbiorowego żywienia. Stosowanie osprzętu zalecanego przez producenta; brak ingerencji w Urządzenie przez osoby do tego nieupoważnione; brak ingerencji w tabliczkę znamionową z numerem seryjnym Urządzenia.

Udzielona przez Beko Gwarancja nie obejmuje:

- wad powstałych z przyczyn innych niż tkwiące w Urządzeniu;
- normalnego zużycia elementów eksploatacyjnych tj. akumulatory, baterie, noże, filtry, żarówki, szczotki, itp.;
- czynności przewidzianych w Instrukcji Obsługi, do wykonania których zobowiązany jest Użytkownik Urządzenia we własnym zakresie i na swój koszt, w tym: instruktażu dotyczącego obsługi Urządzenia, instalacji oraz regulacji urządzenia.
- usterek powstałych w wyniku nieprawidłowego lub niewłaściwego użytkowania, niedbalstwa, przypadkowego uszkodzenia Urządzenia, nieodpowiedniego napięcia prądu lub dokonania jakichkolwiek zmian, które mają wpływ na niewłaściwe działanie Urządzenia, i które naprawiane były przez osoby nieupoważnione, używania instalacji niezgodnych z odpowiednimi Polskimi Normami i innych niż wymienione w Instrukcji Obsługi Urządzenia;
- uszkodzeń mechanicznych, termicznych, chemicznych, korozji, innych uszkodzeń spowodowanych działaniem lub zaniedbaniem Użytkownika lub powstałych na skutek działania sił zewnętrznych (do których zalicza się w szczególności wyładowania atmosferyczne, skoki napięcia, wszystkiego rodzaju awarie domowej instalacji wodno-kanalizacyjnej, itp.), a także powstałych na skutek przedostania się zanieczyszczeń lub ciał obcych do Urządzenia, zakamienienia (proces odkamieniania musi być przeprowadzany zgodnie z instrukcją obsługi z użyciem odpowiednich środków czyszczących) elementów ze szkła, plastiku oraz porcelany; odbarwień Urządzenia lub poszczególnych jego części;
- usterek powstałych na skutek przechowywania i użytkowania Urządzenia w warunkach, które są niezgodne z normalnymi warunkami domowymi określonymi wymaganiami powszechnie obowiązujących przepisów prawa i odpowiednich Polskich Norm;

## **V. POZOSTAŁE POSTANOWIENIA.**

Niniejsze warunki gwarancji mają zastosowanie do Urządzeń zakupionych od dnia 01.03.2019 r. Gwarant oświadcza, że niniejsza Gwarancja jest udzielana Użytkownikowi dodatkowo i nie wyłącza, nie ogranicza ani nie zawiesza uprawnień Użytkownika wynikających z przepisów o rękojmi za wady rzeczy sprzedanej na podstawie Kodeksu cywilnego.




# Vă rugăm citiți mai întâi acest ghid!

Stimate client,

Vă mulțumim că ați ales un produs BEKO. Dorim să obțineți eficiența optimă de la acest produs de înaltă calitate fabricat cu tehnologie de ultimă generație. Vă rugăm să citiți și să înțelegeți integral acest ghid și documentația suplimentară înainte de utilizare și să îl păstrați ca referință. Includeți acest ghid împreună cu unitatea dacă o predați altcuiva. Respectați toate avertismentele și informațiile din acest document și urmați instrucțiunile.

## Simboluri și semnificațiile lor

Următoarele simboluri sunt utilizate pe parcursul acestui ghid:

	Informații importante și recomandări utile privind utilizarea aparatului.
	<b>AVERTIZARE:</b> Avertizări despre situații periculoase privind siguranța vieții și bunurilor.
	Clasa de protecție împotriva șocurilor electrice.



Acest produs a fost realizat într-o unitate modernă de producție, respectând normele de mediu, fără a periclita natura.

# 1 Instrucțiuni importante referitoare la siguranță și mediul înconjurător

Această secțiune conține instrucțiuni de siguranță pentru prevenirea pericolelor care pot cauza vătămări corporale sau daune materiale.

Orice garanție este nulă dacă aceste instrucțiuni nu sunt respectate.

## 1.1 Siguranță generală

- Acest aparat este conform cu standardele internaționale de siguranță.
- Acest dispozitiv poate fi utilizat de copiii cu vârsta peste 8 ani, de persoane cu probleme fizice, senzoriale sau psihice ori de persoane fără experiență sau cunoștințe; atâta timp cât se asigură controlul sau le sunt furnizate informații privind utilizarea în siguranță a dispozitivului cât și despre potențialele pericole. Copiii nu trebuie să se joace cu aparatul. Curățarea și operațiunile de întreținere nu trebuie realizate de copii nesupravegheați.
- Nu utilizați aparatul dacă cablul de alimentare sau aparatul este deteriorat. Contactați unitatea autorizată de service.
- Sursa dumneavoastră de alimentare trebuie să fie conformă cu informațiile specificate pe eticheta de tip de pe aparat.
- Nu utilizați aparatul cu un prelungitor.
- Pentru a preveni deteriorarea cablului de alimentare, evitați prinderea, îndoirea sau frecarea acestuia de margini ascuțite.
- Dacă aveți mâinile umede sau ude, nu atingeți ștecherul aparatului când este conectat la priză.
- Nu deconectați aparatul trăgând de cablu.
- Nu aspirați materiale inflamabile și asigurați-vă că scrumul de țigară este stins înainte de a-l curăța.
- Nu aspirați apă sau alte lichide.
- Protejați aparatul de precipitații, umiditate și surse de căldură.

## 1 Instrucțiuni importante referitoare la siguranță și mediul înconjurător

- Nu utilizați aparatul în medii și substanțe explozive sau inflamabile sau în apropierea acestora.
- Înainte de curățare și întreținere, scoateți aparatul din priză.
- Pentru curățare, nu introduceți aparatul sau cablul acestuia în apă.
- Nu dezamblați aparatul.
- Utilizați doar componente originale sau componente recomandate de către producător.
- Pentru a preveni obturarea filtrului sau deteriorarea motorului, nu aspirați ciment, tencuială sau hârtie compactată.
- Utilizați aparatul numai cu adaptorul cu care a fost furnizat.
- Nu utilizați aparatul fără filtre deoarece poate fi deteriorat.
- Dacă păstrați materialele de ambalare, depozitați-le în locuri inaccesibile copiilor.
- Acest aparat nu este destinat utilizării de către persoane, inclusiv copii, cu dizabilități fizice, senzoriale și mentale sau de către persoane fără experiență și cunoștințe adecvate despre utilizarea acestuia, cu excepția cazului în care sunt supravegheate de persoane responsabile pentru siguranța lor sau persoanele au fost informate despre modul de funcționare a aparatului.
- Copiii vor fi supravegheați pentru a preveni joaca cu aparatul.
- Înainte de a începe orice procedură de curățare sau întreținere, decuplați adaptorul și înlăturați acumulatorul.
- Pentru a evita orice risc de pericol, adaptorul deteriorat ar trebui înlocuit de către producător, reprezentantul autorizat al producătorului sau de un tehnician calificat similar.
- În timp ce aspirați, feriți degetele, părul și hainele largi de componentele în mișcare sau de degajări.

## 1 Instrucțiuni importante referitoare la siguranță și mediul înconjurător

- Bateria ar trebui înlăturată din aparat, înainte de a fi scos din uz.
- Deconectați aparatul de la sursa de alimentare, înainte de scoaterea bateriei.
- Vă rugăm să eliminați bateriile în conformitate cu reglementările și legislația locală.
- Bateriile acestui aparat pot fi înlocuite numai la o unitate autorizată de service.
- Nu folosiți tipuri diferite de baterii sau combinații de baterii vechi și noi.
- Bateriile trebuie instalate cu polaritatea corectă.
- Nu scurtcircuitați bornele de alimentare.
- Trebuie utilizat numai cu bateriile LG ME1XXFG CM 3200 mAh.
- Acest aparat nu trebuie utilizat de către copii și persoane cu capacitate fizică sau senzorială sau capacitate cognitivă limitată, sau de persoane fără experiență și cunoștințe, decât dacă sunt supravegheate sau au primit instrucțiuni relevante.
- Copiii vor fi supravegheați pentru a preveni joaca cu aparatul.
- Nu așezați obiecte pe aparat.
- Nu utilizați aparatul pe suprafețe la înălțime precum masă sau scaun.
- Acest produs nu este destinat utilizării comerciale, este destinat utilizării la domiciliu și în aplicații după cum urmează:
  - în bucătăriile pentru personalul magazinelor, birouri și în alte medii de lucru,
  - în ferme,
  - de către clienții în hoteluri, moteluri sau alte unități de cazare;
  - în hosteluri sau alte medii similare.
  - în locuri de dormit și unde se servește micul dejun
- Nu așezați obiecte pe aparat. Asigurați-vă că copiii și animalele domestice nu se urcă pe aparat.



# 1 Instrucțiuni importante referitoare la siguranță și mediul înconjurător

## 1.2 Conformitatea cu Regulamentul WEEE și eliminarea deșeurilor



Acest produs respectă Directiva UE WEEE (2012/19/UE). Produsul este marcat cu un simbol de clasificare pentru deșeurile electrice și electronice (WEEE).

Acest simbol indică faptul că produsul nu trebuie eliminat cu alte deșeurile menajere la finalul perioadei de utilizare. Dispozitivele utilizate trebuie returnate la punctul special de reciclare de dispozitive electrice și electronice. Pentru a găsi aceste sisteme de colectare contactați autoritățile locale sau distribuitorul de la care a fost achiziționat produsul. Fiecare gospodărie are un rol important în recuperarea și reciclarea electrocasnicelor vechi. Eliminarea corespunzătoare a electrocasnicelor utilizate ajută la prevenirea posibilelor consecințe negative pentru mediu și sănătatea umană.

## 1.3 Informații despre ambalaj



Ambalajul produsului este fabricat din materiale reciclabile, în conformitate cu legislația națională.

Nu eliminați deșeurile de ambalaje împreună cu deșeurile menajere sau alte deșeurile, ci eliminați-le în zonele de colectare a ambalajelor specificate de către autoritățile locale.

## 1.4 Baterii uzate

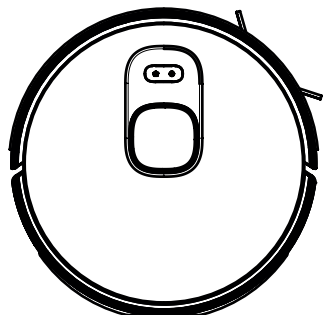


Asigurați-vă că bateriile uzate sunt eliminate în conformitate cu reglementările și legislația locală. Simbolul de pe baterie și de pe ambalaj semnalizează faptul că bateria furnizată cu acest produs nu trebuie eliminată împreună cu deșeurile menajere. În anumite regiuni, acest simbol este reprezentat însoțit de un simbol chimic. În situația în care bateriile conțin mercur mai mult de 0,0005% și plumb mai mult de 0,004%, simbolul chimic Hg este adăugat pentru mercur iar simbolul chimic Pb este adăugat pentru plumb sub simbol. Prin asigurarea unei eliminări corecte a bateriilor, contribuiți la prevenirea potențialelor daune asupra mediului și sănătății umane, pericole rezultate din cauza eliminării necorespunzătoare a bateriilor.

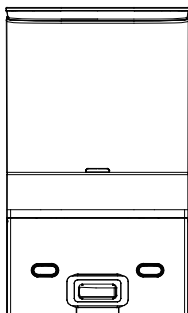
## 1.5 Modalități de reducere a consumului de energie electrică

- Când folosiți aparatul, ajustați setările de viteză în funcție de suprafață pentru a economisi energie.
- În mod normal, pentru curățarea suprafețelor dure sunt necesare viteze reduse, în timp ce pentru curățarea covoarelor sunt necesare viteze ridicate.

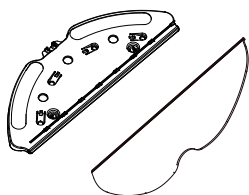
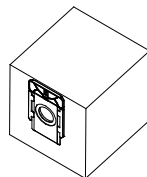
## 2 Conținutul cutiei



ROBOT ASPIRATOR



Stăție de încărcare și colectare a prafului + sac intern pentru praf

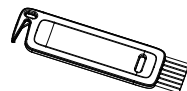


Unealtă de ștergere

Laveta



Manual de utilizare și Documentația produsului (2 bucăți)

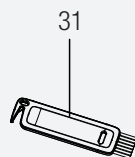
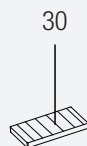
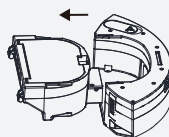
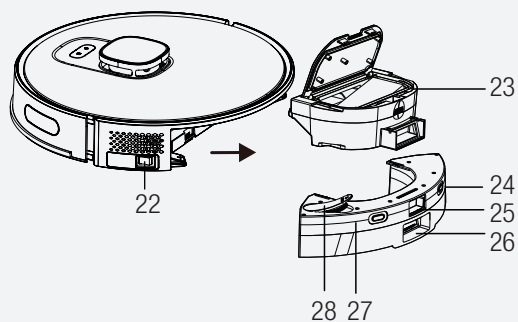
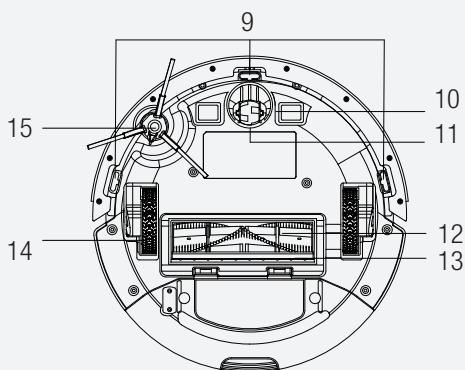
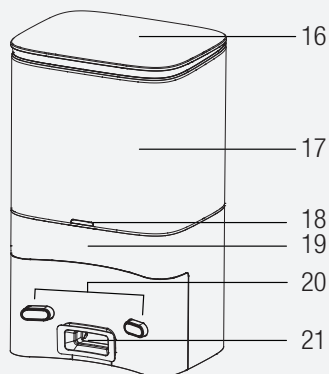
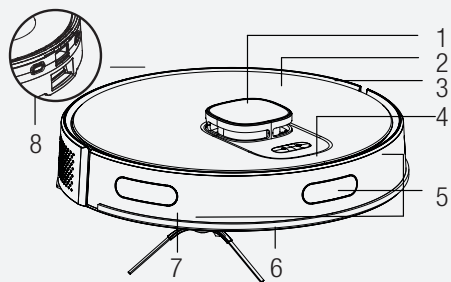


Perie de curățare

### Accesorii de schimb furnizate

	1 Perie laterală
	1 Cârpă de ștergere
	1 Filtru
	2 Saci de praf

### 3 Prezentare generală



## 3 Prezentare generală

### 2.1 Verificări și componente

1. Radar obstacole
2. Corpul superior
3. Corpul central
4. Butonul Pornire curățare-Pauză / Buton Trimitere la suportul de încărcare
5. Senzor bară de protecție
6. Bara de protecție frontală
7. Senzor de lovire bară de protecție frontală
8. Știfturi de încărcare
9. Senzor de prevenție a căderii
10. Știfturi de încărcare
11. Roată rotativă față
12. Peria rotativă
13. Capacul periei rotative
14. Roată spate
15. Perie laterală
16. Capac superior suport de încărcare
17. Recipient praf suport încărcare
18. Lumină suport încărcare
19. Parc de încărcare și descărcare aspirator robot
20. Pini de comunicare încărcare suport încărcare
21. Duză de aspirație recipient praf aspirator robot
22. Buton Pornit/Oprit
23. Capacul deschidere filtru EPA pentru recipient aspirator robot
24. Pini de comunicare încărcare recipient aspirator robot
25. Buton evacuare recipient praf aspirator robot
26. Priză de evacuare a prafului suport de încărcare
27. Recipient apă mop
28. Capac umplere recipient apă mop
29. Recipient praf
30. Filtrul EPA
31. Perie de curățare

### 2.2 Date tehnice

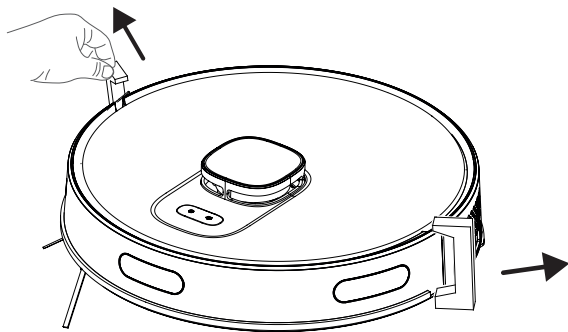
<b>Tensiune</b>	220-240V, 50-60 Hz
<b>În starea de încărcare</b>	0.4 A
<b>În starea de colectare a prafului</b>	4.5 A
<b>Ieșire</b>	24.0V / 1.5 A
<b>Baterie</b>	Li-ion: 14.4V / 3.2 Ah
<b>Temp de încărcare</b>	4-5 ore
<b>Temp de funcționare</b>	Temp de funcționare Până la 150 de minute (in modul silentios)
<b>Capacitatea recipientului de praf</b>	0.4 L
<b>Capacitatea rezervorului de apă</b>	0.3 L
<b>Capacitate apă a stației de colectare a prafului</b>	4 L
<b>Banda de frecvență Wi-Fi 2,4G</b>	2412-2472 MHz
<b>Conexiuni suportate</b>	WLAN IEEE 802.11 b/q/n wireless
<b>Putere maximă de ieșire radiofrecvență Wi-Fi 2,4G</b>	20 dBm
<b>Informații despre expunerea la frecvențe radio</b>	2.4G Wi-Fi maxim
<b>Temp de funcționare</b>	<b>Maxim:</b> 70 minute <b>Puternic:</b> 80 minute <b>Standard:</b> 120 minute <b>Silentios:</b> 150 minute

#### Informații despre expunerea la radiofrecvențe:

Nivelul maxim permis pentru expunere este calculat în conformitate cu distanța de 20 cm între aparat și corpul uman. Pentru conformarea condiției de expunere la radiofrecvență, trebuie păstrată o distanță de 20 cm între aparat și persoană.

## 4 Instalarea

### 1- Îndepărtați bureții de protecție.

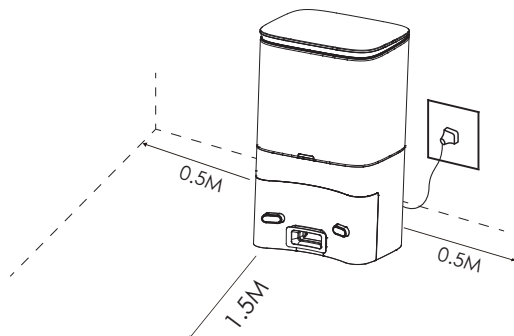


### 2- Instalați stația de încărcare și colectare a prafului.



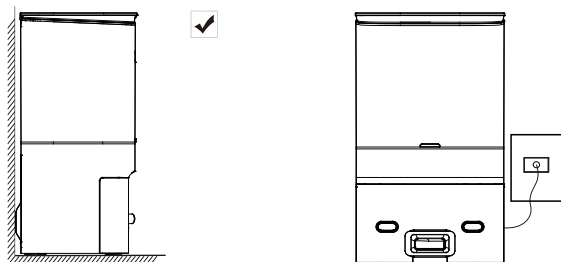
Instalați stația de încărcare și colectare a prafului într-un loc ușor accesibil pentru robotul aspirator. Instalați stația de încărcare și colectare a prafului pe o suprafață dură plană decât pe un covor.

Pentru a asigura operarea lină a robotului, este recomandat să nu existe obstacole până la 1,5 metri în față și până la 0,5 metri în stânga și dreapta.



## 4 Instalarea

Instalați stația de încărcare și colectare a prafului pe o suprafață dură plană astfel încât spatele acesteia să fie orientat spre perete, apoi conectați-o.



Păstrați întotdeauna cuplată stația de încărcare și colectare a prafului; în caz contrar robotul aspirator nu va putea reveni automat.



Pentru încărcare lină, nu mutați frecvent stația de colectare a prafului. Când locația aspiratorului este schimbată, acesta poate șterge harta existentă și va crea o nouă hartă din pricina erorii de poziționare.

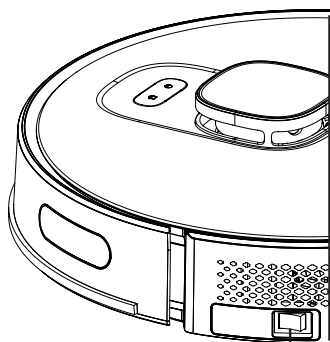
## 5 Funcționarea

### 5.1. Domeniul de utilizare

Acest aparat este destinat pentru uz casnic, nu este adecvat pentru utilizare în scopuri industriale.

### 5.2 Încărcarea aparatului

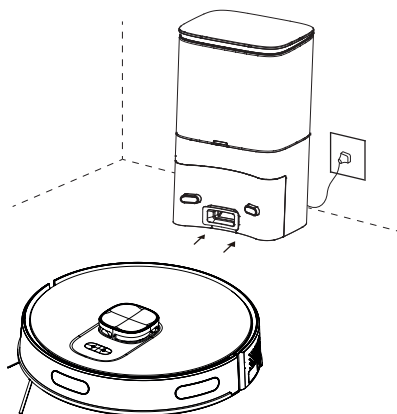
1. Aduceți butonul lateral pornit-oprit în poziția pornit pentru pornirea inițială.



Buton Pornit/Oprit

## 5 Funcționarea

2. Așezați aparatul la stația de încărcare și colectare a prafului astfel încât să se alinieze cu portul de încărcare.



Încărcarea începe după ce indicatorul albastru de pe stația de încărcare clipește de 3 ori și apoi se oprește în totalitate.



Când aparatul este conectat la stația de încărcare și colectare a prafului, aceasta începe să colecteze praful. Această operațiune durează aproximativ 15 secunde.

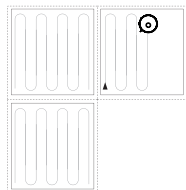
### 5.3 Operarea

Pentru prima utilizare, aduceți butonul lateral PORNIT/OPRIT din poziția 0 în poziția I. Pentru a porni aspiratorul, apăsați

butonul pentru 3 secunde.

- În timpul curățării, nu opriți aparatul utilizând în mod direct butonul PORNIT/OPRIT; în caz contrar datele aspiratorului nu pot fi salvate.
- Dacă butonul PORNIT/OPRIT este în poziția OPRIT, aspiratorul va fi pornit automat când este așezat în stația de încărcare și oprit automat când este înlăturat din stația de încărcare.
- Dacă aspiratorul nu va fi utilizat o perioadă lungă de timp, aduceți butonul PORNIT/OPRIT în poziția oprit.

### Începerea curățării



Apăsați butonul pentru a începe curățarea în modul automat. Când este pornit, aspiratorul este înlăturat din stația de încărcare, și va efectua o scanare automată pentru a crea harta, va determina în mod inteligent ruta de curățare și va diviza zona în câteva regiuni. Ruta de curățare este planificată de-a lungul peretelui iar aspiratorul se mișcă înainte și înapoi pentru a curăța în ordine diferite regiuni.



**AVERTIZARE:** Dacă nivelul de încărcare este prea scăzut, curățarea nu poate fi începută. Vă rugăm încărcați aparatul înainte de a începe curățarea.

## 5 Funcționarea



**AVERTIZARE:** Înainte de curățare, aranjați toate cablurile, pentru a preîntâmpina deconectările din pricina încurcării/ tragerii acestora și pentru a preveni deteriorarea mobilierului.



**AVERTIZARE:** În modul automat de curățare, dacă zona de curățat este mai mică de 10 metri pătrați, curățarea este făcută implicit de două ori.



**AVERTIZARE:** Nu mutați stația de încărcare sau colectare a prafului în timpul curățării și asigurați-vă că puntea sau stația este cuplată; în caz contrar aspiratorul s-ar putea să nu poată reveni pentru reîncărcare.

### Punerea pe pauză

Apăsați orice buton pentru a pune pe pauză operațiunea în timp ce aspiratorul este în utilizare.

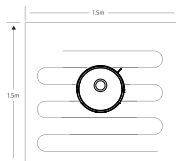
**Încărcarea automată:** După ce curățarea este finalizată, aspiratorul revine automat pentru reîncărcare.

**Încărcarea manuală:** Aspiratorul robot revine automat la stația de încărcare atunci când apăsați butonul “🏠” de corpul superior atunci când este în poziția de pauză.

**A.** Dacă operarea este pusă pe pauză, apăsați butonul  pentru a reîncărca automat.

**B.** Dacă aspiratorul este prins undeva și nu poate găsi stația de încărcare, vă rugăm mutați dumneavoastră aspiratorul la stația de colectare a prafului pentru a îi permite să se încarce.

### Curățarea punctelor fixe



Aduceți aspiratorul în zona care trebuie curățată și apăsați butonul acestuia de două ori. Când modul este activat, aspiratorul va curăța o zonă pătrată de 1,5 x 1,5 metri considerându-se ca fiind în mijloc.

\* Aspiratorul nu poate începe operațiunea de curățare în punct fix de la stația de încărcare sau colectare a prafului.

Nu poate începe operațiunea de curățare în punct fix de la stația de încărcare sau colectare a prafului. Când curățarea în punct fix este finalizată, nu revine la stația de încărcare și rămâne în poziția sa. Chemați-l la suportul de încărcare apăsând butonul “🏠” de pe corpul superior,

### Selectarea puterii de aspirație

(Suportată numai cu aplicația mobilă relevantă) Din aplicație puteți selecta puterea dorită pentru curățare:

- Silențios
- Standard
- Puternic
- Maxim



## 5 Funcționarea

### Curățarea prin comandă de la distanță

(Suportată numai cu aplicația mobilă relevantă) \*Puteți direcționa aspiratorul către zona de curățat prin utilizarea modului de control manual de la distanță prin intermediul aplicației.

### Repaus

Aspiratorul comută automat în modul repaus dacă rămâne staționar pentru 10 minute. Aspiratorul comută automat în modul repaus după 10 minute de la încărcarea sa completă. Modul repaus dezactivează sarcinile actuale.

### Resetarea sistemului



Pentru resetarea sistemului, apăsați pentru 15 secunde butonul pentru modul în așteptare. Când sistemul este resetat, harta și setările originale (inclusiv limitele virtuale) din aspirator sunt șterse.

#### 5.3.1 Operarea cu ajutorul aplicației

### Descărcați aplicația

Pentru descărcarea aplicației, căutați aplicația „HomeDirect-SDA” în magazinul de aplicații mobile. Pentru informații detaliate consultați manualul aplicației mobile.

### Resetare Wi-Fi

Mențineți butoanele “” “” apăsați simultan până când auziți un sunet de avertizare; apoi indicatorul clipește încet în culoarea albă și aspiratorul comută în modul de asociere.

### Adăugarea unui dispozitiv

Deschideți aplicația, creați un cont nou și urmați instrucțiunile din aplicație. \* Înainte de a seta Wi-Fi, asigurați-vă că aspiratorul și rețeaua Wi-Fi întrunesc următoarele cerințe:

#### A. Aspiratorul:

\* Nivelul de încărcare al aspiratorului să fie peste 20% sau aspiratorul să fie așezat pe stația de încărcare.

#### B. Rețeaua Wi-Fi:

- Obțineți parola corectă a rețelei wireless.
- Nu utilizați nicio VPN (Rețea Virtuală Privată).
- Routerul Wi-Fi să suporte protocoalele 802.11b/g/n și IPv4.
- Routerul să fie în banda de frecvență 2,4GHz sau un router cu bandă duală care suportă banda 2,4GHz, să utilizeze această. Aspiratorul nu suportă banda de frecvență 5GHz.
- Dacă aspiratorul nu se poate conecta la rețeaua Wi-Fi cu bandă duală 2,4/5GHz, pentru setările rețelei Wi-Fi vă rugăm selectați 2,4GHz. Când setarea este finalizată puteți comuta înapoi la altă bandă de frecvență.

## 5 Funcționarea

- Dacă conectați la o rețea ascunsă, vă rugăm să vă asigurați că introduceți corect numele rețelei [SSID (sensibil la majuscule)] și că sunteți conectat la o rețea wireless 2,4 GHz.
- Dacă utilizați un extinzător de rețea wireless, vă rugăm asigurați-vă că numele rețelei (SSID) și parola sunt aceleași cu rețeaua principală.
- Pentru conectarea aspiratorului la serverul de aplicații, setați firewall-ul și portul routerului Wi-Fi după cum este solicitat.

### Eroare conexiune Wi-Fi

Stare Wi-Fi	Cauză principală	Soluție
Lumina albă este aprinsă continuu	Aspiratorul este conectat la router (modem), dar nu se poate conecta la rețea.	<ul style="list-style-type: none"><li>• Verificați ca modemul să fie conectat la rețea.</li><li>• Contactați operatorul dumneavoastră de rețea pentru a afla dacă este o problemă cu datele de internet.</li></ul>
Lumina albă clipește rapid	Aspiratorul nu se poate conecta la modem	<ul style="list-style-type: none"><li>• Asigurați-vă că numele și parola rețelei nu sunt schimbate.</li><li>• Resetați conexiunea Wi-Fi dacă este cazul. Vă rugăm consultați secțiunea „Resetare Wi-Fi” din capitolul „Descărcarea aplicației și resetare Wi-Fi” din acest manual.</li></ul>
Lumina albă clipește încet.	Wi-Fi este resetat sau nu este încă setat.	<ul style="list-style-type: none"><li>• Asigurați-vă conexiunea Wi-Fi a aspiratorului. Pentru îndrumări detaliate vă rugăm consultați manualul aplicației mobile. Resetați conexiunea Wi-Fi dacă este cazul. Vă rugăm consultați secțiunea „Resetare Wi-Fi” a acestui manual.</li></ul>

## 5 Funcționarea

### Cerințele de securitate ale rețelei:

\* Utilizați rețele WPA și WPA2 criptate TKIP, PSK și AES/CCMP.

### 5.3.2 Moduri de operare

#### Managementul hărții

##### A. Maparea încăperii în timp real

Crearea unei hărți a încăperii în timp real vă poate ajuta să înțelegeți mai ușor ruta de curățare și mediul de curățat. După curățare este creată o hartă a încăperii. Pentru a asigura o navigare normală, harta este actualizată în timp real pe durata operațiunii de aspirare. Pentru a crea o hartă completă a casei;

- Deschideți ușile încăperilor dumneavoastră pentru a vă asigura că aspiratorul creează o hartă a fiecărei încăperi;
- Înlăturați orice obiect care poate obstrucționa sau bloca aspiratorul;
- Nu schimbați locația punții de încărcare și nu o decuplați după ce harta a fost creată.

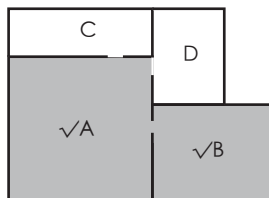
##### B. Repoziționarea și recrearea hărții

Dacă aspiratorul este relocat sau sunt făcute schimbări semnificative în mediul înconjurător, aspiratorul va încerca să se repositioneze pentru a se adapta la noul mediu înconjurător și ar putea crea din nou o hartă relevantă. Detaliile sunt după cum urmează:

- Dacă repositionarea a fost realizată cu succes, aspiratorul continuă curățarea;
- Dacă repositionarea a eșuat, aspiratorul va recrea harta pentru a asigura navigarea normală pentru operațiunea de curățare;
  - Asigurați-vă că aspiratorul începe operațiunea de curățare întotdeauna de la stația de încărcare.
  - Nu mutați frecvent aspiratorul în timpul curățării. Dacă este mutat, aduceți-l înapoi în poziția de origine.

##### Modul curățare încăpere (Suportat numai de aplicația mobilă relevantă)

Cu aplicația mobilă puteți specifica încăperile care doriți să fie curățate, apoi aspiratorul va curăța numai încăperea(rile) care este/sunt marcate în harta regională a aplicației.

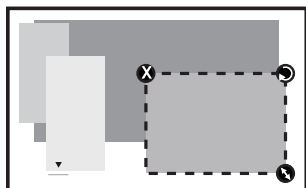


## 5 Funcționarea

\* Aspiratorul poate pătrunde de asemenea și în alte zone decât cele selectate după ce începe curățarea; prin urmare vă rugăm să înlăturați obstacolele de la sol din jurul zonei selectate. Selecția zonei nu oferă o izolare sigură.

\* Curățarea regională poate fi începută doar după ce aspiratorul a creat harta cu succes.

### Modul curățare regională (Suportat numai de aplicația mobilă relevantă)



Dimensiunile regiunii pot fi determinate ținând din colțul din dreapta jos. Între timp, dimensiunile zonei afișate sunt scrise pe ecran cu linie punctată.

Selectați în aplicație modul de curățare regională și apoi specificați zona de curățat. Aspiratorul va curăța numai zona selectată apoi revine la stația de încărcare.

\* Curățarea regională poate fi începută doar după ce aspiratorul a creat harta cu succes.



Pentru sfaturi detaliate de utilizare consultați manualul de operare din aplicația mobilă.

### 5.4 Operațiune cu mop



**AVERTIZARE:** Nu utilizați pe covor modul de curățare cu mop.



**AVERTIZARE:** Nu puneți înălbitor sau detergent în rezervorul de apă.



**AVERTIZARE:** Când aspiratorul nu este utilizat sau este la încărcat, înlăturați unitatea cu mop.



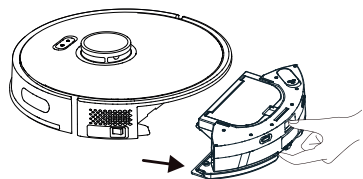
**AVERTIZARE:** Pentru a preveni deteriorarea podelelor din lemn, înlăturați imediat unitatea cu mop la finalizarea operațiunii de curățare cu mop.



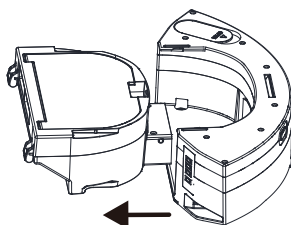
**AVERTIZARE:** Când operațiunea de curățare cu mop este pusă pe pauză sau finalizată, aspiratorul decuplează apa automat. În orice caz, mopul rămâne ud, din această cauză nu trebuie ținut în această condiție pentru mult timp și prin urmare trebuie înlăturat fără întârziere.

## 5 Funcționarea

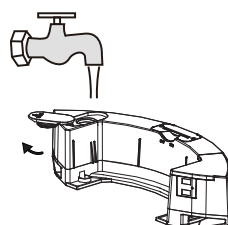
### 5.4.1 Instalarea unității cu mop umed



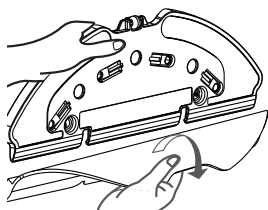
Înlăturați ansamblul recipient pentru praf și rezervor de apă (2 în 1)



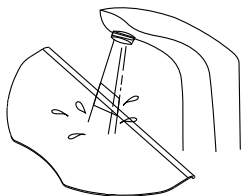
Înlăturați recipientul pentru praf.



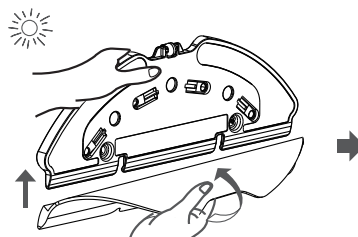
Înlăturați dopul din cauciuc de la orificiul de alimentare și adăugați apă în rezervorul pentru apă.



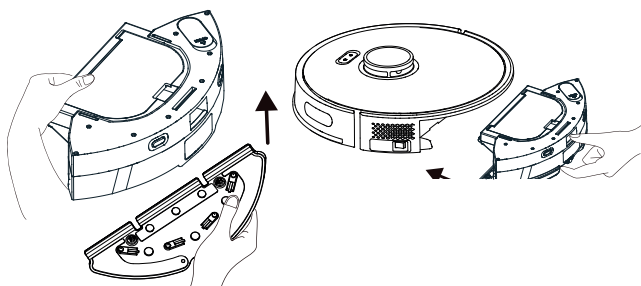
Scoateți laveta de pe dispozitivul de susținere a mopului așa cum este prezentat.



Umeziți pământul înainte de fiecare șters cu mopul.



Dispuneți pământul pe dispozitivul de susținere a mopului.



Instalați ansamblul recipient pentru praf și rezervor de apă (2 în 1) în direcția săgeții.

Instalați ansamblul recipient pentru praf și rezervor de apă (2 în 1) pe aparat, cu locul în direcția săgeții.

## 5 Funcționarea

### 5.4.2 Setare pentru utilizarea mopului umed

Puteți începe operațiunea de curățare prin selectarea modului de curățare și setați nivelul apei pentru operațiunea cu mop după cum doriți, în aplicație.

- Este recomandat să adăugați în aplicație un perete virtual (zonă interzisă pentru mop) zonelor cu covoare pentru a ține departe aspiratorul de acestea în scopul prevenirii udării covoarelor de către aspirator în timpul operațiunii de curățare cu mop.

## 6 Curățarea și întreținerea

Opriti aparatul și deconectați-l de la priză înainte de curățarea acestuia.



**AVERTIZARE:** Nu utilizați benzină, solvenți, agenți abrazivi de curățare, obiecte metalice sau perii dure pentru a curăța aparatul.

### 6.1 Curățarea filtrelor și a recipientului pentru praf



Puteți apela serviciul nostru de relații cu clienții pentru a comanda un nou filtru când filtrul actual a atins ciclul complet de utilizare, s-a deformat sau trebuie schimbat dintr-un motiv.

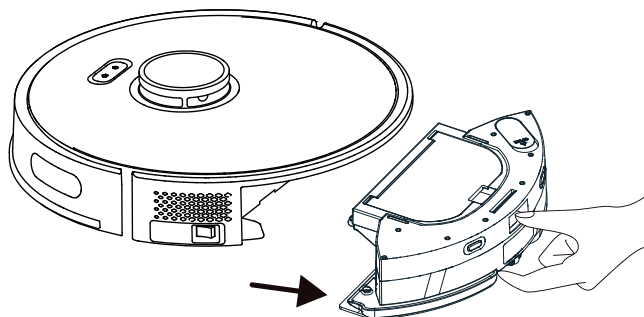


Pentru a obține performanța maximă a filtrului HEPA, după fiecare curățare curățați-l cu o perie.

Filtrul HEPA este un accesoriu schimbabil.

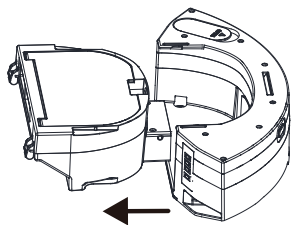
Dacă ați efectuat o operațiune de curățare într-un spațiu în care există praf rezultat în urma construcțiilor și praf cu particule foarte mici, înlocuiți filtrul cu unul nou pentru ca performanța să nu fie redusă,

1. Îndepărtați ansamblul recipient pentru praf și rezervor de apă (2 în 1) prin apăsarea butonului așa cum este prezentat mai jos.



## 6 Curățarea și întreținerea

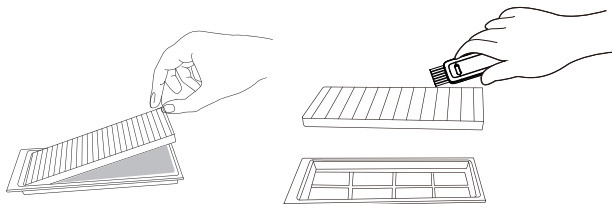
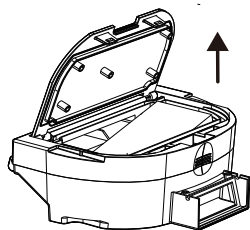
2. Înlăturați recipientul pentru praf trăgându-l în direcția săgeții.



3. Deschideți recipientul pentru praf așa cum este prezentat mai jos. Aduceți recipientul pentru praf aproape de un coș de gunoi și înlăturați praful grosier lovind ușor recipientul.

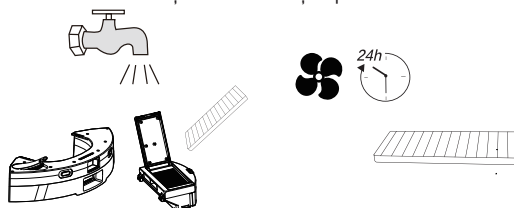


4. Înlăturați filtrul de înaltă performanță și curățați filtrul cu ajutorul periei de curățare furnizate împreună cu aparatul.



## 6 Curățarea și întreținerea

5. Spălați periodic ansamblul rezervor de apă, recipient pentru praf și filtru cu **apă rece** după cum este necesar în funcție de frecvența operărilor.



6. După spălare, lăsați ansamblul rezervor de apă, recipient pentru praf și filtru să se usuce, și asigurați-vă că acestea sunt uscate complet.



Uscarea poate dura 24 până la 48 de ore.

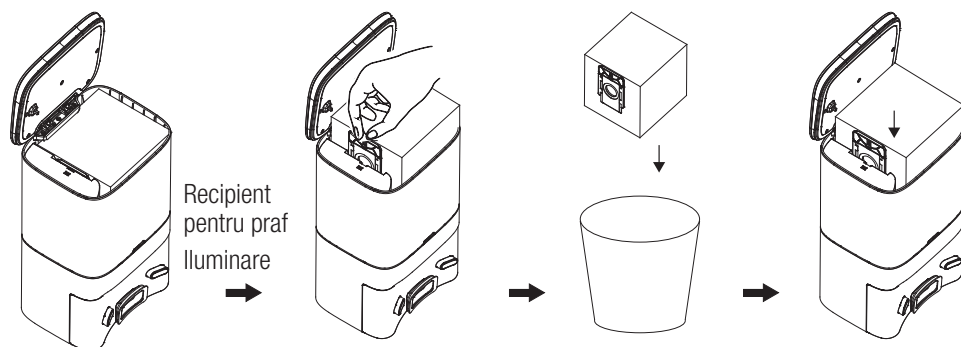
7. Asamblați ansamblul rezervor de apă, recipient pentru praf și filtru după uscarea la aer, și instalați ansamblul la aspirator.



**AVERTIZARE:** Nu operați aspiratorul fără a avea instalat grupul filtru. În caz contrar, aparatul poate fi deteriorat.

### 6.2 Înlocuirea sacului pentru praf

Când recipientul pentru praf plin, indicatorul stației de colectare a prafului clipește în culoarea roșie, sau în aplicație este afișată o notificare în acest sens. Înlocuiți în timp optim sacul pentru praf. Când sacul pentru praf este în condiții normale de operare, lumina albă de pe stația de colectare a prafului luminează staționar sau clipește.



Recipient  
pentru praf  
Iluminare

Ridicați capacul superior.	Trageți în sus mânerul sacului pentru praf.	Aruncați sacul vechi pentru praf	Instalați un sac nou pentru praf și închideți capacul superior.
----------------------------	---	----------------------------------	---



## 6 Curățarea și întreținerea



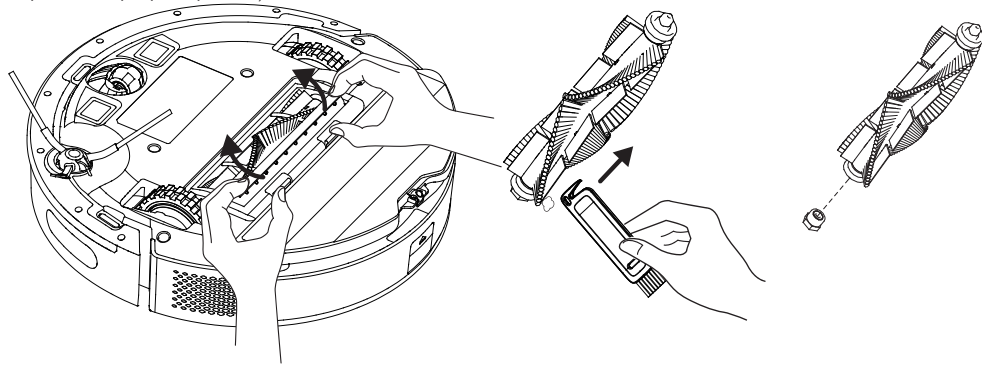
Când sacul pentru praf nu este instalat în interiorul stației, operațiunea de colectare automată a prafului nu poate fi inițiată când robotul revine la stație după operațiunea de aspirare. Când nu este disponibil un sac pentru praf, praful din interiorul recipientului pentru praf se înlătură manual.



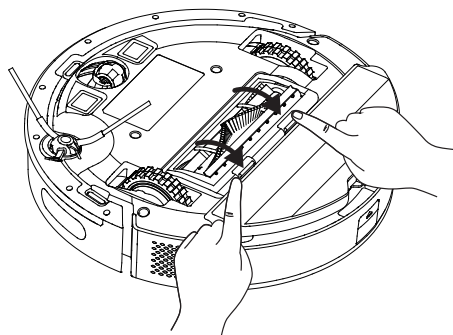
Achiziționați saci de praf de rezervă de la service-ul autorizat. Sacii incompatibili și inadecvați utilizați la suportul de încărcare al aspiratorului robot pot deteriora suportul de încărcare și aspiratorul robot. Deteriorările și reparațiile cauzate de sacii de praf care nu sunt originali și sunt utilizați în suportul de încărcare nu sunt incluși în garanție.

### 5.3 Curățarea periei

1. Deschideți capacul superior al periei principale prin apăsarea agățătoarelor. Trageți în sus și scoateți rola principală. Îndepărtați părul încurcat de pe peria de curățare cu capătul de tăiere și înlăturați praful de pe perii periei și rolă.

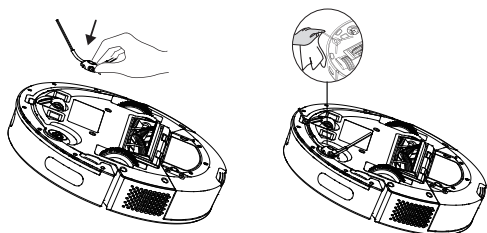


2. Reașezați peria după ce ați curățat-o și închideți capacul în direcția săgeții.



## 6 Curățarea și întreținerea

### 5.4 Curățarea și instalarea periei laterale

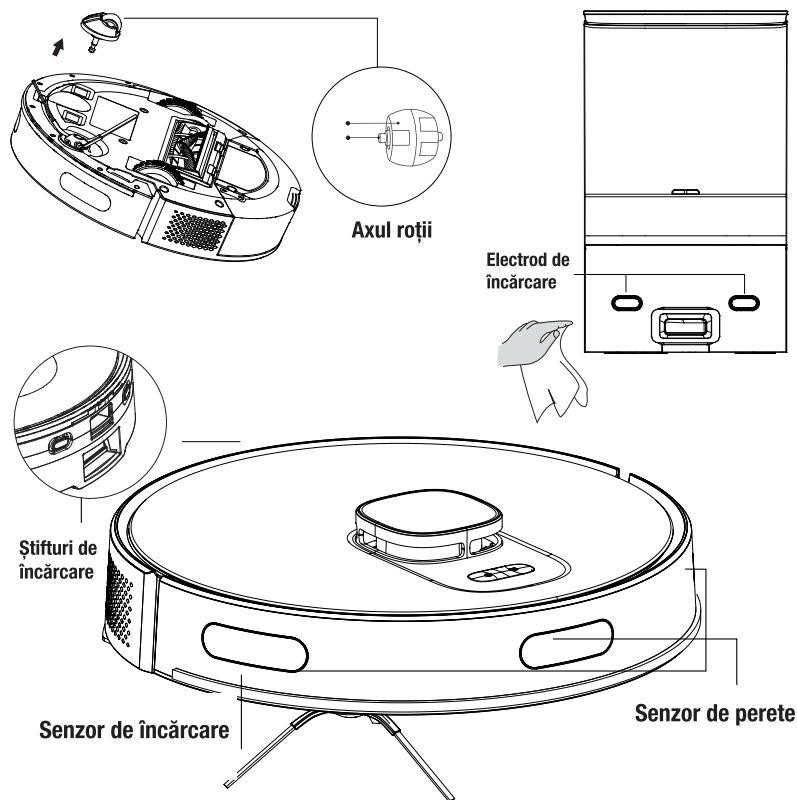


În cazul utilizării pe termen lung, spălați peria laterală cu apă caldă pentru a evita deformarea formei acesteia. După ce s-a uscat montați-o înapoi pe robot.

### 6.5 Curățarea senzorilor

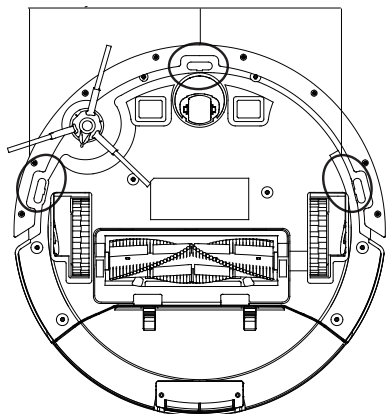
Curățați regulat senzorii și înlăturați praful utilizând o cârpă moale și uscată sau o perie de curățare.

Informații: Când este necesară curățarea senzorului, veți primi o notificare în aplicație.



## 6 Curățarea și întreținerea

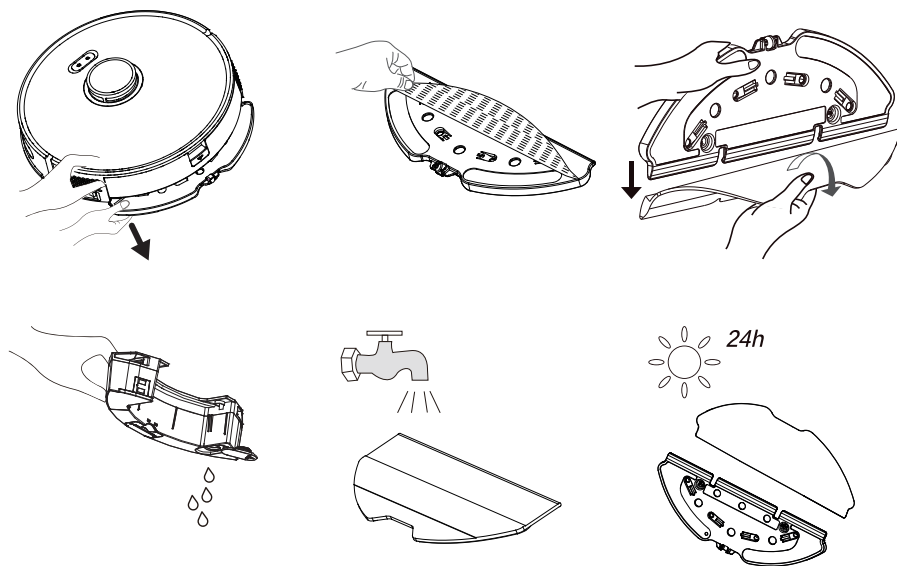
### Senzor de prevenție a căderii



### 6.6 Curățarea unității cu mop

Vă recomandăm ca după fiecare operațiune cu unitatea cu mop să înlăturați suportul de mop dintr-o parte, să drenați rezervorul de apă, să limpeziți mopul cu apă și să îl lăsați să se usuce.

Puteți spăla mopul în mașina de spălat.



## 7 Depanare

### Condiții generale de eroare

<b>Eșec</b>	<b>Cauză și remediu</b>
Nu poate fi operat	<ol style="list-style-type: none"><li>1. Nivelul de încărcare este scăzut. Așezați aspiratorul pe stația de încărcare sau colectare a prafului astfel încât să se alinieze cu bornele de încărcare. Aduceți butonul din stânga aspiratorului în poziția „I”; iar aspiratorul operează automat (Când aspiratorul este complet descărcat, va trebui să îl lăsați o perioadă la încărcat pentru operarea automată).</li><li>2. Temperatura ambientală este foarte scăzută (sub 0°C) sau foarte ridicată (peste 50°C). Vă rugăm utilizați aspiratorul la o temperatură ambientală de la 0 până la 40°C.</li><li>3. Vă rugăm să vă asigurați că butonul pornit/oprit din lateralul aspiratorului este adus în poziția „I”.</li></ol>
Bateria nu se încarcă	<ol style="list-style-type: none"><li>1. Vă rugăm înlăturați aspiratorul și verificați dacă indicatorul luminos de pe stația de încărcare sau colectare a prafului este iluminat și asigurați-vă că ambele capete ale adaptorului de alimentare ale stației de încărcare sunt conectate.</li><li>2. Contact slab. Vă rugăm curățați contactele arcuite de pe stația de încărcare și contactele de încărcare de pe aspirator.</li><li>3. Vă rugăm să vă asigurați că butonul pornit/oprit din lateralul aspiratorului este adus în poziția „I”.</li></ol>
Nu revine la punte/stație pentru încărcare	<ol style="list-style-type: none"><li>1. Sunt prea multe obstacole în preajma stației de încărcare sau colectare a prafului. Vă rugăm așezați stația de încărcare sau colectare a prafului într-o zonă fără obstacole.</li><li>2. Aspiratorul este mult prea departe de stația de încărcare sau colectare a prafului. Aduceți aspiratorul mai aproape de stația de încărcare sau colectare a prafului și încercați din nou.</li><li>3. Asigurați-vă că stația suport de încărcare este alimentată la curent și că există curent.</li></ol>
Operare anormală	<ol style="list-style-type: none"><li>1. Opriți și reporniți din nou.</li></ol>
Operează cu zgomot anormal.	<ol style="list-style-type: none"><li>1. Este posibil să fi pătruns corpuri străine la peria principală, periile laterale sau la roți. Vă rugăm opriți aspiratorul și curățați-l.</li></ol>
Performanță scăzută de curățare/ pierderi de praf	<ol style="list-style-type: none"><li>1. Recipientul pentru praf este plin. Vă rugăm curățați recipientul pentru praf.</li><li>2. Filtrul este înfundat. Vă rugăm curățați sau schimbați filtrul.</li><li>3. Posibil să fi pătruns corpuri străine la peria principală. Vă rugăm curățați peria principală.</li></ol>

## 7 Depanarea

Nu se poate conecta la rețeaua Wi-Fi.	<ol style="list-style-type: none"><li>1. Semnalul Wi-Fi este slab. Asigurați-vă că semnalul Wi-Fi este puternic în locația unde este aspiratorul.</li><li>2. Este o condiție anormală în conexiunea Wi-Fi. Vă rugăm resetați Wi-Fi, descărcați cea mai recentă aplicație mobilă și încercați din nou.</li><li>3. Parola nu a fost introdusă corect.</li><li>4. Routerul utilizat este un model ce funcționează în banda de frecvență 5GHz (acest robot aspirator suportă numai banda de frecvență 2,4GHz).</li></ol>
Caracteristica de curățare programată nu funcționează	Nivelul de încărcare este scăzut. Curățarea programată poate fi începută numai când nivelul de încărcare este $\geq 20\%$ .
Aspiratorul consumă energie în timp ce este în stația de încărcare	Aspiratorul consumă o cantitate foarte mică de energie când este în stația de încărcare sau colectare a prafului; această caracteristică permite păstrarea performanței bateriei la cel mai bun nivel.
În primele trei operațiuni de încărcare, aspiratorul necesită a fi încărcat 16 ore.	Bateria cu litiu nu are efect de memorie atunci când este utilizată și nu este necesar timp pentru așteptare atunci când este complet încărcată.
Operațiunea de colectare automată a prafului nu începe după ce robotul aspirator revine la stația de încărcare sau colectare a prafului.	<ol style="list-style-type: none"><li>1. Asigurați-vă că stația de încărcare sau colectare a prafului este pornită. Când aspiratorul revine pentru reîncărcare după mai mult de 5 minute de curățat, operațiunea de colectare automată a prafului este pornită;</li><li>2. Verificați dacă capacul stației de colectare a prafului este închis sau este închis corespunzător (lumina roșie este aprinsă dacă nu este închis corespunzător);</li><li>3. Asigurați-vă că sacul pentru praf este instalat în stația de colectare a prafului (lumina roșie este aprinsă dacă compartimentul nu este închis corespunzător);</li><li>4. Pentru o performanță lină de colectare a prafului, este recomandat să permiteți aspiratorului revenirea automată pentru încărcare după curățare (dacă așezați dumneavoastră personal aspiratorul în stația de încărcare sau colectare a prafului vor fi cauzate dezechilibre ale conexiunii și prin urmare performanța de colectare a prafului va fi afectată);</li><li>5. Vă rugăm verificați regulat indiferent dacă sacul pentru praf este plin sau nu; în caz contrar, sacul pentru praf este prea plin și se rupe, tubul de colectare a prafului se va înfunda, rezultând deteriorarea stației de încărcare sau colectare a prafului</li><li>6. Dacă problema persistă după utilizarea soluțiilor furnizate mai sus, posibil să fie piese defecte. Contactați service-ul pentru clienți.</li></ol>

## 7 Depanarea

Aspiratorul se oprește după ce a început operațiunea de colectare automată a prafului iar performanța de colectare a prafului este scăzută.	<ol style="list-style-type: none"><li>1. Verificați dacă sacul pentru praf este plin. Înlocuiți sacul pentru praf dacă este plin.</li><li>2. Orificiul de colectare a prafului din recipientul pentru praf al aspiratorului este înfundat cu corpuri străine, cauzând imposibilitatea deschiderii compartimentului recipientului;</li><li>3. Verificați eventuale blocaje ale conductei de aer a stației de colectare a prafului;</li><li>4. Aspiratorul este mutat în timpul colectării prafului (vă rugăm nu mutați aspiratorul în timpul colectării prafului, în caz contrar poate apărea o deteriorare);</li><li>5. Este posibil să fi pătruns apă în recipientul pentru praf al aspiratorului, astfel împiedicând aspirarea ușoară a prafului. Vă rugăm nu lăsați aspiratorul să aspire cantități de apă în exces; în caz contrar performanța de aspirare a prafului va scădea.</li></ol>
Compartimentul intern unde se află sacul pentru praf în stația de colectare a prafului, este murdar.	<ol style="list-style-type: none"><li>1. Mici particule de praf au trecut prin sacul pentru praf și au aderat pe perețele interior al recipientului pentru praf. Vă rugăm verificați și curățați regulat aceste piese;</li><li>2. Sacul pentru praf poate fi deteriorat. Vă rugăm verificați și schimbați dacă este necesar.</li><li>3. Acumularea excesivă de murdărie în interior afectează într-o anumită măsură ventilatorul și senzorul pentru presiunea aerului. Este recomandat să curățați regulat acumulările de murdărie din interiorul compartimentului.</li></ol>

### Listă de eșecuri

Când aspiratorul are o defecțiune, indicatorul roșu al aspiratorului clipește și se va auzi un avertizor sonor relevant. Urmați indicațiile sonore pentru rezolvarea defecțiunii.

Avertizare sonoră	Soluție
<b>Eroare 1:</b> Manifestare anormală a bateriei. Vă rugăm consultați manualul sau aplicația.	<ul style="list-style-type: none"><li>• Vă rugăm deschideți compartimentul bateriei, verificați dacă conexiunea bateriei este OK și reporniți aspiratorul.</li><li>• Temperatura bateriei este prea ridicată sau prea scăzută. Așteptați până când temperatura bateriei atinge valori normale (0°C~40°C / 32°F~104°F).</li></ul>
<b>Eroare 2:</b> Modulul roții funcționează anormal. Vă rugăm consultați manualul sau aplicația.	<ul style="list-style-type: none"><li>• Vă rugăm verificați pentru eventuale corpuri străine prinse la roți și reporniți aspiratorul.</li></ul>
<b>Eroare 3:</b> Modulul periilor laterale funcționează anormal. Vă rugăm consultați manualul sau aplicația.	<ul style="list-style-type: none"><li>• Vă rugăm verificați pentru eventuale corpuri străine prinse la periile laterale și reporniți aspiratorul.</li></ul>

## 7 Depanarea

<b>Eroare 4:</b> Ventilatorul funcționează anormal. Vă rugăm consultați manualul sau aplicația.	<ul style="list-style-type: none"><li>• Vă rugăm verificați pentru eventuale corpuri străine prinse în orificiul ventilatorului și reporniți aspiratorul.</li><li>• Vă rugăm verificați recipientul pentru praf și filtrul, și reporniți aspiratorul.</li></ul>
<b>Eroare 5:</b> Peria rotativă funcționează anormal. Vă rugăm consultați manualul sau aplicația.	<ul style="list-style-type: none"><li>• Vă rugăm înlăturați peria rotativă, curățați peria rotativă, piesa de conectare a periei, capacul periei rotative și duza de praf. După curățare, reporniți aspiratorul.</li></ul>
<b>Eroare 6:</b> Pompa de apă funcționează anormal. Vă rugăm consultați manualul sau aplicația.	<ul style="list-style-type: none"><li>• Vă rugăm curățați rezervorul de apă, conexiunile pompei din rezervor și aparatul, evacuarea de apă de sub aspirator și verificați modulul pentru operare cu mop. După curățare vă rugăm încercați să reporniți aspiratorul.</li></ul>
<b>Eroare 7:</b> Senzorul cu laser funcționează anormal. Vă rugăm consultați manualul sau aplicația.	<ul style="list-style-type: none"><li>• Vă rugăm verificați pentru eventuale corpuri străine în interiorul senzorului cu laser și reporniți aspiratorul.</li></ul>
<b>Eroare 9:</b> Operațiunea de încărcare funcționează anormal. Vă rugăm curățați zona contactelor pentru încărcare.	<ul style="list-style-type: none"><li>• Vă rugăm verificați pentru eventuale contaminări în zona de încărcare și curățați bornele de încărcare.</li><li>• Vă rugăm verificați dacă bateria este conectată corespunzător.</li></ul>
<b>Eroare 10:</b> Aspiratorul funcționează anormal. Vă rugăm opriți-l și reporniți-l din nou.	<ul style="list-style-type: none"><li>• Vă rugăm aduceți butonul principal în poziția 0 și înapoi în poziția I și reporniți aspiratorul.</li></ul>
<b>Eroare 12:</b> Performanța este anormală. Vă rugăm asigurați-vă că butonul principal este pornit.	<ul style="list-style-type: none"><li>• Vă rugăm aduceți inițial butonul principal în poziția pornit.</li></ul>



# CERTIFICAT DE GARANȚIE

Tensiune de alimentare/frecvență: 220-240V~, 50-60Hz

Importator: ARCTIC S.A., Găești, Dâmbovița, str. 13 Decembrie nr. 210, email: office@arctic.ro

**TIP:**  Aspirator  Fier /Stație de călcat  Radiator electric  
 Aerotermă  Ventilator  Sterilizator UV  
 Convector electric

Model / Serie:.....

## VÂNZĂTOR

Nr. factură:.....Data: .....

Vânzător (firma, localitatea): .....

## CUMPĂRĂTOR

Nume .....Localitatea .....

Str. ....Nr. ....Bloc .....Sc. ....Et. ....Ap. ....

Județ ..... Telefon .....E-mail .....

S-a efectuat proba de funcționare a aparatului, s-a prezentat modul de folosire, s-au predat instrucțiunile de utilizare și toate accesoriile. Am primit aparatul în perfectă stare de funcționare.

Stimați clienți,

La cumpărare vă recomandăm să solicitați efectuarea probei de funcționare și să verificați existența instrucțiunilor de utilizare și a accesoriilor.

Pentru a putea beneficia de toate avantajele produselor și serviciilor noastre vă rugăm:

- să citiți cu atenție și să respectați recomandările prezentate în "Instrucțiunile de utilizare".
- să păstrați cu grijă acest certificat pentru a-l putea prezenta (împreună cu documentul fiscal de achiziție), personalului SERVICE ARCTIC, la orice sesizare efectuată în perioada de garanție.

Vă mulțumim că ați optat pentru cumpărarea unui produs Beko!

## Garanția legală de conformitate

**Durata medie de utilizare a produsului este de 5 ani!**

**Perioada de garanție legală de conformitate este de 2 ani de la livrarea produsului\*,**

\*prin „produs” se înțelege „bun” conform OUG nr. 140/2021<sup>1</sup>

Perioada de garanție legală de conformitate pentru conținutul digital sau serviciul digital în cazul bunurilor cu elemente digitale pentru care contractul de vânzare-cumpărare prevede furnizarea continuă de conținut digital sau a serviciului digital pe durată determinată este de:

- 2 ani de la livrare, respectiv de la livrarea bunului - pentru produse cu durata medie de utilizare de 5 ani (art. 9 (3) din OUG nr. 140/2021);
- 5 ani de la livrare, respectiv de la livrarea bunului - pentru produse cu durata medie de utilizare mai mare de 5 ani (art. 9 (3) din OUG nr. 140/2021);
- Pe tot parcursul perioadei de furnizare a conținutului / serviciului digital - pentru furnizare continuă a conținutului / serviciului digital pe o perioadă mai mare de 5 ani (art. 9 (4) din OUG nr. 140/2021).

<sup>1</sup>Ordonanță de urgență 140/2021 privind anumite aspecte referitoare la contractele de vânzare de bunuri







## **Remedii incluse în garanția legală de conformitate conform OUG nr. 140/2021**

(vă rugăm să aveți în vedere prevederile de mai jos)

### **ARCTIC garantează toate drepturile legale prevăzute de OUG nr. 140/2021 în beneficiul consumatorilor cu privire la garanția legală de conformitate. Dispozițiile prezentului certificat de garanție legală de conformitate se completează, în mod corespunzător, cu dispozițiile OUG nr. 140/2021.**

În caz de neconformitate, consumatorul are dreptul de a beneficia de aducerea în conformitate a bunurilor, de a beneficia de o reducere proporțională a prețului sau de a obține încetarea contractului, în condițiile legii - art. 11 (1).

Consumatorii pot să opteze pentru o anumită măsură corectivă în cazul în care neconformitatea bunurilor este constatată la scurt timp după livrare, fără a depăși 30 de zile calendaristice - art. 11 (7).

Pentru ca bunurile să fie aduse în conformitate, consumatorul poate opta între reparație și înlocuire, cu excepția cazului în care măsura corectivă aleasă ar fi imposibilă sau, în comparație cu cealaltă măsură corectivă disponibilă, ar impune vânzătorului costuri care ar fi disproportionale, luând în considerare toate circumstanțele (ex. valoarea bunurilor în cazul în care nu ar fi existat neconformitatea, gravitatea neconformității sau dacă măsura corectivă alternativă ar putea fi executată fără vreun inconvenient semnificativ pentru consumator) - art. 11 (2).

#### **Instalarea incorectă a bunurilor (art. 7).**

Orice neconformitate cauzată de instalarea incorectă a bunurilor este considerată ca reprezentând o neconformitate a bunurilor, în oricare din următoarele situații:

- a) instalarea face parte din contractul de vânzare și a fost realizată de vânzător sau sub răspunderea vânzătorului;
- b) instalarea, destinată să fie realizată de consumator, a fost realizată de acesta și instalarea incorectă s-a datorat unor deficiențe în instrucțiunile de instalare furnizate de vânzător sau, în cazul bunurilor cu elemente digitale, de către vânzătorul sau furnizorul conținutului digital sau al serviciului digital.

#### **Proba neconformității.**

Orice neconformitate care este constatată în termen de un an de la data la care bunurile (inclusiv cele cu elemente digitale) au fost livrate este prezumată a fi existat deja în momentul livrării bunurilor până la proba contrarie sau cu excepția cazului în care această prezumție este incompatibilă cu natura bunurilor sau cu natura neconformității - art. 10 (1).

În cazul bunurilor cu elemente digitale pentru care contractul de vânzare prevede furnizarea continuă de conținut digital sau de servicii digitale pentru o anumită perioadă, sarcina probei cu privire la conformitatea conținutului digital sau a serviciului digital pe parcursul perioadelor de garanție legală îi revine vânzătorului în cazul unei neconformități care este constatată pe parcursul acestei perioade - art. 10 (3).

#### **Remediere prin reparație.**

În cazul în care neconformitatea este remediată prin reparație, termenele de garanție legală se prelungesc cu timpul de nefuncționare a bunului, din momentul la care a fost adusă la cunoștința vânzătorului lipsa de conformitate până la predarea efectivă a bunului în stare de utilizare normală către consumator - art. 12 (6).

## **Remediere prin înlocuire.**

În cazul în care neconformitatea este remediată prin înlocuire, pentru bunurile care înlocuiesc bunurile neconforme, termenele legale de garanție pentru produsul înlocuit încep să curgă de la data înlocuirii cu noul produs - art. 12 (7).

## **Reducerea prețului și încetarea contractului.**

Consumatorul are dreptul fie să obțină o reducere proporțională a prețului în conformitate cu legea, fie să obțină încetarea contractului de vânzare în condițiile legii, în oricare dintre următoarele cazuri - art. 11(4):

- a) vânzătorul nu a finalizat reparația sau înlocuirea sau, după caz, nu a finalizat reparația sau înlocuirea potrivit prevederilor legii sau vânzătorul a refuzat să aducă în conformitate bunurile potrivit prevederilor legii;
- b) se constată o neconformitate, în pofida eforturilor vânzătorului de a o remedia;
- c) neconformitatea este de o asemenea gravitate încât justifică o reducere de preț sau dreptul la încetarea imediată a contractului de vânzare;
- d) vânzătorul a declarat că nu va aduce bunurile în conformitate într-un termen rezonabil sau fără inconveniente semnificative pentru consumator ori acest lucru reiese clar din circumstanțele cazului.

Consumatorul are dreptul de a suspenda plata unei părți restante din prețul bunurilor sau a unei părți a acesteia până în momentul în care vânzătorul își va fi îndeplinit obligațiile care îi revin în temeiul legii - art. 11(6). Reducerea de preț este proporțională cu diminuarea valorii bunurilor primite de consumator în comparație cu valoarea pe care bunurile ar avea-o dacă ar fi în conformitate - art.13.

## **Încetarea contractului:**

- a) nu poate fi solicitată dacă vânzătorul dovedește că neconformitatea este minoră;
- b) poate fi solicitată pentru totalitatea bunurilor achiziționate și livrate, deși motivul de încetare vizează doar anumite bunuri, în cazul în care consumatorului nu i se poate pretinde în mod rezonabil să accepte să păstreze numai bunurile conforme;
- c) determină obligația consumatorului de a returna vânzătorului bunurile, pe cheltuiala vânzătorului;
- d) determină obligația vânzătorului de a rambursa consumatorului prețul plătit pentru bunuri la primirea bunurilor sau a unei dovezii prezentate de consumator că bunurile au fost returnate; vânzătorul va folosi aceleași modalități de plată ca și cele folosite de consumator pentru tranzacția inițială, cu excepția cazului în care consumatorul a fost de acord cu o altă modalitate de plată și cu condiția de a nu cădea în sarcina consumatorului plata de comisioane în urma rambursării.

Garanția legală pentru viciu ascuns este aplicabilă în condițiile legii, conform OG nr. 21/1992 (revizia 2) privind protecția consumatorului, OUG nr. 140/2021 și Codului Civil. Viciul ascuns reprezintă deficiența calitativă a unui produs livrat sau a unui serviciu prestat care nu a fost cunoscută și nici nu putea fi cunoscută de către consumator prin mijloacele obișnuite de verificare.



Service-ul acestui produs este asigurat de ARCTIC S.A. cu sediul în Găești, Dâmbovița, str. 13 Decembrie nr. 210. • \*9010 • [www.arctic.ro](http://www.arctic.ro) • [www.beko.ro](http://www.beko.ro) • e-mail: [service@arctic.ro](mailto:service@arctic.ro)  
Program Call Center: Luni - Vineri 08:30 - 20:00; Sâmbătă 08:30 - 17:00

## UNITĂȚILE SERVICE ALE ARCTIC S.A. EXECUTĂ REPARAȚII ÎN TERMENUL DE GARANȚIE ȘI ÎN AFARA ACESTUIA

Nr. crt.	Data Reclamației	Data primirii în reparație	Reparat		Reparația curentă și/sau componenta înlocuită	Prelungirea termenului de garanție	Efectuarea verificării	
			Programat	Data ridicării aparatului			Cauza întârzierii	SERVICE

### CONDIȚII SUPPLEMENTARE DE GARANȚIE LEGALĂ DE CONFORMITATE:

Pentru orice defecțiune aparută în perioada de garanție legală, apelează la vânzător (respectiv, prin magazinul de unde a fost achiziționat produsul sau direct, prin Call Center Arctic). Prelungirea termenului de garanție se va înscrie în certificatul de garanție de către unitatea SERVICE care a efectuat reparația. Garanția acoperă repararea și/sau înlocuirea pieselor constatate ca neconforme în sensul OUG nr. 140/2021. (necauzate de consumator) de către tehnicienii Service Arctic.

Termenul de realizare a operațiilor de reparație, înlocuire sau întreținere este de 15 zile calendaristice de la data la care cumpărătorul a sesizat lipsa de conformitate către vânzător (respectiv, prin magazinul de unde a achiziționat produsul sau direct prin Call Center Arctic).

Reparațiile / înlocuirile se efectuează cu respectarea următoarelor condiții - art. 12(1)-(5) din OUG nr. 140/2021:

- fără costuri și fără vreun inconvenient semnificativ pentru consumator, ținând seama de natura bunurilor și de scopul pentru care consumatorul a solicitat bunurile în cauză;
- obligăția de a repara sau înlocui bunurile include, după caz, demontarea bunurilor neconforme și instalarea bunurilor de înlocuire sau a bunurilor reparate sau suportarea costurilor aferente demontării și instalării;
- consumatorul nu este obligat să plătească pentru utilizarea normală a bunurilor înlocuite în perioada care a precedat înlocuirea acestora.

### Reclamațiile referitoare la aspectele prevăzute mai jos, se rezolvă numai contra cost:

- piesele și accesoriile care prezintă lovituri, zgârieturi, sparturi sau deformări din vina exclusivă a consumatorului.

### PRODUSUL NU BENEFICIAZĂ DE GARANȚIE LEGALĂ DE CONFORMITATE ÎN URMĂTOARELE CAZURI:

- Nu au fost respectate instrucțiunile de transport, manipulare, instalare, întreținere și întreținere, prescrite.
- Subansamblurile și accesoriile casabile care se deteriorează în timpul transportului vor fi înlocuite de vânzător (în cazul în care transportul e asigurat de vânzător sau sub responsabilitatea acestuia).
- Garanția nu se acordă subsansamblelor și accesoriilor casabile ale produselor care suferă deteriorări din vina exclusivă a consumatorului.
- Tensiunea de alimentare are valori care nu se încadrează în limitele prevăzute de standarde (SR EN 50160).
- Instalația electrică a utilizatorului prezintă improvizații sau neconformități.
- Produsul a fost folosit în alte scopuri decât cel pentru care a fost proiectat.
- Produsul a suportat intervenții (reparații, modificări) din partea unor persoane neautorizate de producător.

### Drepturile consumatorului sunt cele prevăzute în OUG nr. 140/2021 și OG 21/1992 (repUBLICATĂ).

În cadrul acestui proces, Arctic vă prelucrează date cu caracter personal, cu respectarea legilor aplicabile privind confidențialitatea și protecția datelor. Pentru informații complete despre modul în care vă prelucreăm datele, precum și despre drepturile dumneavoastră, vă rugăm să consultați secțiunea "Protecția datelor personale", accesând site-ul nostru la adresa <https://www.beko.ro/>.

# Najpre pročitate ovaj priručnik!

Poštovani kupci,

Zahvaljujemo vam što ste odabrali proizvod kompanije Beko. Želimo da postignete optimalnu efikasnost ovog visokokvalitetnog proizvoda koji je proizveden uz primenu vrhunske tehnologije. Obavezno je pročitati i potpuno razumeti ovaj vodič i dodatnu dokumentaciju pre upotrebe, i isti čuvati za naknadne upute. Ne odvajajte ovaj vodič od jedinice ako želite da je predate nekom drugom licu. Pridržavajte se svih upozorenja i informacija datim ovde i sledite uputstva.

## Simboli i njihova značenja

Dole navedeni simboli su upotrebljeni u ovom vodiču:

	Važne informacije i povoljne preporuke u vezi s korišćenjem uređaja.
--	--

	<b>UPOZORENJE:</b> Upozorenja na opasne situacije koje se odnose na bezbednost života i imovine.
--	--

	Klasa zaštite od strujnog udara.
--	----------------------------------



Ovaj proizvod je proizveden u ekološkim modernim postrojenjima bez štetnog uticaja na prirodu.

# 1 Važna uputstva u vezi sa bezbednošću i zaštitom životne sredine

Ovaj odeljak sadrži bezbednosna uputstva za sprečavanje opasnosti koje mogu dovesti do povreda ili materijalne štete.

Svaka garancija će prestati da bude važeća ako se ne poštuju ova uputstva.

## 1.1 Opšta bezbednost

- Ovaj uređaj je usklađen sa međunarodnim standardima bezbednosti.
- Ovaj uređaj mogu koristiti deca starija od 8 godina, lica sa fizičkim, čulnim ili mentalnim problemima ili lica sa nedostatkom iskustva ili znanja; sve dok su pod nadzorom ili su im pružene informacije u vezi sa bezbednim korišćenjem uređaja odnosno povezanim opasnostima. Deca ne smeju da se igraju sa uređajem. Deca ne smeju da čiste niti da održavaju aparat bez odgovarajućeg nadzora.
- Ne koristite uređaj ako je kabl za napajanje ili sam uređaj oštećen. Obratite se ovlašćenom servisu.
- Vaše mrežno napajanje mora biti usklađeno s navedenim informacijama na oznaci tipa uređaja.
- Nemojte koristiti uređaj s produžnim kablom.
- Da biste sprečili oštećenje kabla za napajanje, vodite računa da isti nije pritisnut, uvrnut ili nategnut preko oštarih ivica.
- Ne dodirujte utikač uređaja vlažnim ili mokrim rukama dok je uređaj priključen na napajanje električnom energijom.
- Kada uređaj isključujete iz struje, ne vucite ga za kabl.
- Ne usisavajte zapaljive materijale i vodite računa da se pepeo cigareta ohladi pre nego što ga usisate.
- Nemojte da usisavate vodu ili druge tečnosti.
- Zaštitite uređaj od padavina, vlage i izvora toplote.
- Ne koristite aparat u eksplozivnom ili zapaljivom okruženju ili u blizini istog.
- Izvucite utikač uređaja iz struje pre čišćenja i održavanja.

# 1 Važna uputstva u vezi sa bezbednošću i zaštitom životne sredine

- Nemojte uranjati uređaj ili njegov kabl za napajanje u vodu za potrebe čišćenja.
- Nemojte rasklapati ovaj uređaj.
- Koristite samo originalne delove ili delove koje je preporučio proizvođač.
- Da biste sprečili blokadu filtera ili oštećenje motora, nemojte usisavati cement, gips ili fragmente komprimovanog papira.
- Koristite uređaj isključivo sa adapterom isporučenim uz uređaj.
- Nemojte da koristite uređaj bez filtera, jer se tako može oštetiti.
- Ako čuvate ambalažu, čuvajte je van domašaja dece.
- Ovaj uređaj ne smeju da koriste osobe sa ograničenim fizičkim, čulnim ili mentalnim sposobnostima (uključujući decu), niti osobe koje nemaju dovoljno znanja ili iskustva u korišćenju ovog uređaja, osim ako su pod nadzorom osobe koja je odgovorna za njihovu bezbednost i ako su od nje dobile uputstva o pravilnom korišćenju ovog uređaja.
- Decu treba nadzirati kako bi se sprečilo da se igraju sa ovim uređajem.
- Isključite adapter i uklonite bateriju pre bilo kakvog postupka čišćenja ili održavanja.
- Da biste izbegli bilo kakvu opasnost, oštećeni adapter mora da zameni proizvođač, ovlašćeni predstavnik proizvođača ili podjednako kvalifikovan tehničar.
- Držite prste, kosu i široku odeću dalje od pokretnih delova ili praznina tokom usisavanja.
- Baterije treba izvaditi iz uređaja pre nego što uređaj odložite u otpad.
- Isključite aparat iz napajanja pre uklanjanja baterije.
- Bacite istrošene baterije u skladu sa lokalnim zakonima i propisima.
- Dozvoljeno je da baterije isporučene sa ovim uređajem menjaju samo ovlašćeni serviser.

# 1 Važna uputstva u vezi sa bezbednošću i zaštitom životne sredine

- Nemojte da koristite istovremeno različite vrste baterija, ili stare i nove baterije.
- Baterije moraju biti postavljene pravilnim rasporedom polova.
- Nemojte napraviti kratak spoj stezaljkama za napajanje.
- Treba da se koristi samo sa baterijama LG ME1XXFG CM 3200 mAh.
- Ovaj uređaj ne smeju da koriste deca ili lica sa fizičkim, čulnim ili mentalnim ograničenjima ili lica sa nedostatkom iskustva ili znanja, osim ako su pod nadzorom ili su im pružene informacije u vezi sa opasnostima.
- Decu treba nadzirati kako bi se sprečilo da se igraju sa ovim uređajem.
- Nemojte opterećivati uređaj.
- Nemojte pokretati uređaj na visokim predmetima, npr. stolu ili stolici.
- Ovaj proizvod nije dizajniran za komercijalnu upotrebu, namenjen je za upotrebu u domaćinstvu i primenama kao što je navedeno u nastavku:
  - u kuhinjama zaposlenih prodavnica, kancelarija i drugih radnih okruženja
  - u seoskim kućama;
  - za goste u hotelima, motelima i drugim sličnim vrstama smeštajnih objekata;
  - u hostelima ili sličnim okruženjima.
  - mestima za prenoćište i okruženjima za pružanje usluga doručka
- Nemojte opterećivati uređaj. Vodite računa da se deca i domaće životinje ne penju na uređaj.

# 1 Važna uputstva u vezi sa bezbednošću i zaštitom životne sredine

## 1.2 Informacije o usklađenosti sa WEEE propisima i odlaganju otpada



Ovaj proizvod je usaglašen sa WEEE direktivom Evropske unije (2012/19/EU). Ovaj proizvod nosi simbol klasifikacije za električni i elektronski otpad (WEEE).

Ovaj simbol označava da se ovaj proizvod ne sme odlagati zajedno s ostalim kućnim otpadom na kraju njegovog radnog veka. Korišćeni uređaj mora se vratiti na službeno mesto za sakupljanje za recikliranje električnih i elektronskih uređaja. Da biste pronašli ove sisteme za sakupljanje, obratite se lokalnim nadležnim telima ili prodavcu gde je proizvod kupljen. Svako domaćinstvo ima važnu ulogu u vraćanju i recikliranju starih uređaja. Odgovarajuće odlaganje iskorišćenog aparata pomaže u sprečavanju potencijalnih negativnih posledica po životnu sredinu i zdravlje ljudi.

## 1.3 Informacije o pakovanju



Ambalaža proizvoda je napravljena od materijala koji mogu da se recikliraju, u skladu sa nacionalnim propisima o zaštiti životne sredine.

Ambalažu ne odložite sa kućnim otpadom ili drugim vrstama otpada već je odložite u sabirne centre za ambalažu koje su navele lokalne vlasti.

## 1.4 Istrošene baterije



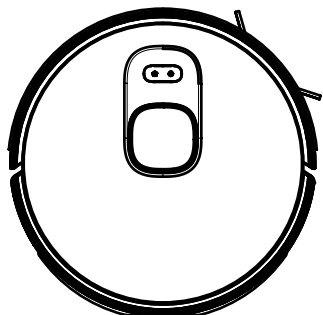
Obavezno odložite istrošene baterije u skladu sa lokalnim zakonima i propisima. Simbol na bateriji i pakovanju označava da bateriju isporučenu sa proizvodom ne treba smatrati kućnim otpadom. Ovaj simbol se može koristiti u kombinaciji sa hemijskim simbolom u nekim regionima. Ako baterije sadrže više od 0,0005% žive i više od 0,004% olova, hemijski simbol Hg se dodaje za živu, a hemijski simbol Pb za olovo ispod predmetnog simbola. Ako obezbedite pravilno odlaganje baterija, doprinećete sprečavanju potencijalne štete po životnu sredinu i zdravlje ljudi usled nepropisnog odlaganja baterija.

## 1.5 Kako se štedi energija

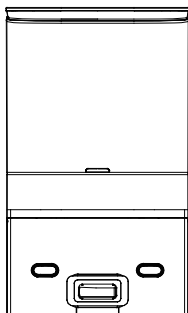
- Kada koristite uređaj, podesite podešavanja brzine prema površini da biste uštedeli energiju.
- Obično se pri čišćenju tvrdih površina koriste niže brzine dok se kod čišćenja tepiha koriste velike brzine.



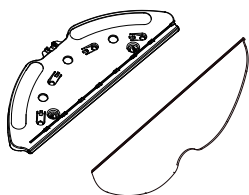
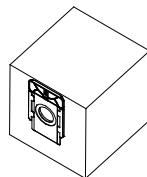
## 2 Sadržaj pakovanja



Robot usisivač



Stanica za sakupljanje prašine i punjenje + unutrašnja kesica za prašinu

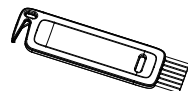


Alat za brisanje

Krpa za brisanje



Uputstvo za upotrebu i dokumentacija proizvoda (2 kom)

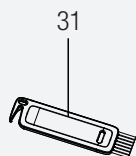
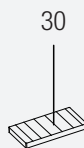
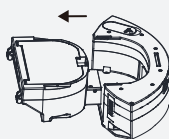
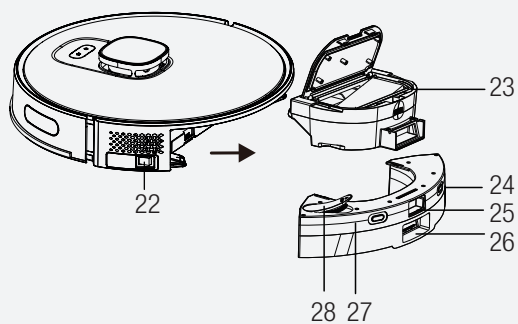
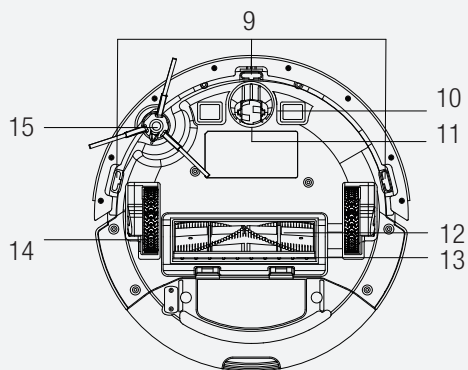
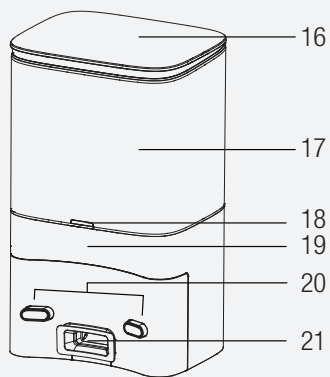
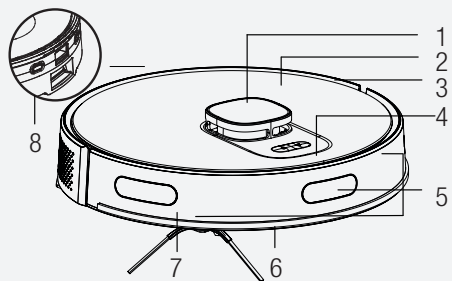


Četkica za čišćenje

### Isporučuje se rezervni pribor

A line drawing of a side brush with three bristles.	1 bočna četka
A line drawing of a rectangular cleaning cloth.	1 krpa za brisanje
A line drawing of a rectangular filter with a grid pattern.	1 filter
A line drawing of a small rectangular dust bag.	2 kese za prašinu

### 3 Pregled



## 3 Pregled

### 2.1 Provere i komponente

1. Lidar
2. Gornji deo kućišta
3. Centralno kućište
4. Dugme za početak čišćenja-pauzu / Dugme za slanje na postolje za punjenje
5. Senzor branika
6. Prednji odbojnik
7. Senzor udara u prednji branik
8. Igle za punjenje
9. Senzor za sprečavanje pada
10. Igle za punjenje
11. Prednji rotirajući točak
12. Rotirajuća četka
13. Poklopac rotirajuće četke
14. Zadnji točak
15. Bočna četka
16. Gornji poklopac postolja za punjenje
17. Posuda za prašinu na postolju za punjenje
18. Svetlo postolja za punjenje
19. Mesto za zaustavljanje i punjenje ispraznjenog robot usisivača
20. Igle za komunikaciju tokom punjenja na postolju za punjenje
21. Usisna mlaznica posude za prašinu robota usisivača
22. Dugme za uključivanje/isključivanje
23. Poklopac za otvaranje EPA filtera za posudu robot usisivača
24. Igle za komunikaciju tokom punjenja na posudi robota usisivača
25. Dugme za izbacivanje posude za prašinu robota usisivača
26. Izlaz za ispuštanje prašine na postolju za punjenje
27. Posuda za vodu za krpu
28. Poklopac za punjenje posude za vodu
29. Posuda za sakupljanje prašine
30. EPA filter
31. Četkica za čišćenje

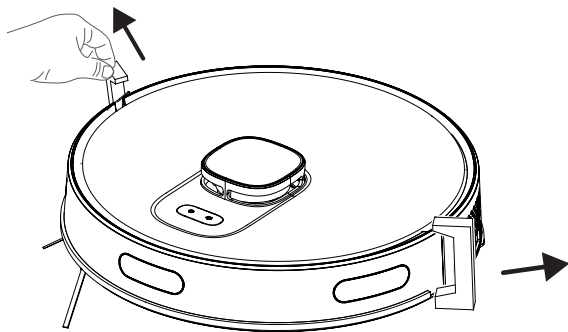
### 2.2 Tehnički podaci

<b>Napon</b>	220-240V, 50-60 Hz
<b>U stanju punjenja</b>	0.4 A
<b>U stanju sakupljanja prašine</b>	4.5 A
<b>Izlazna snaga</b>	24.0V / 1.5 A
<b>Baterija</b>	Li-ion: 14.4V / 3.2 Ah
<b>Vreme punjenja</b>	4-5 sati
<b>Vreme rada</b>	Do 150 minuta (u nemoj poziciji)
<b>Kapacitet spremnika za prašinu</b>	0.4 L
<b>Kapacitet posude za vodu</b>	0.3 L
<b>Kapacitet vode stanice za sakupljanje prašine</b>	4 L
<b>Frekvencijski opseg za Wi-Fi 2.4G</b>	2412-2472 MHz
<b>Podržane veze</b>	WLAN IEEE 802.11 b/q/n bežični
<b>2,4G WiFi maksimalna izlazna snaga radio-frekvencije</b>	20 dBm
<b>Informacije o izloženosti radio-frekvencijama</b>	2.4G Najviše Wi-Fi od:
<b>Vreme rada</b>	<b>Maksimalna snaga:</b> 70 min <b>Snažno:</b> 80 min <b>Standardno:</b> 120 min <b>Tiho:</b> 150 min

**Informacije o izloženosti radio-frekvencijama:** Maksimalni dopušteni nivo izlaganja se izračunava na osnovu 20 cm rastojanja između uređaja i ljudskog tela. Za poštivanje uslova izlaganja radiofrekvencijama između uređaja i ljudi treba biti rastojanje od 20 cm.

## 4 Instalacija

### 1- Skinite zaštitne sundere.

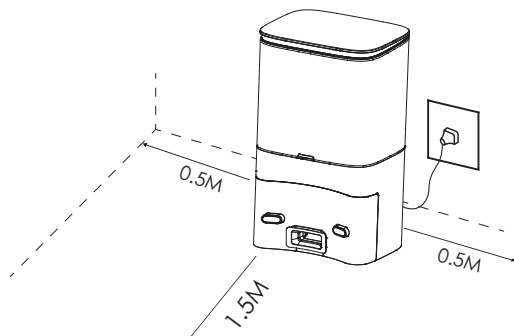


### 2- Instalirajte stanicu za sakupljanje prašine i punjenje.



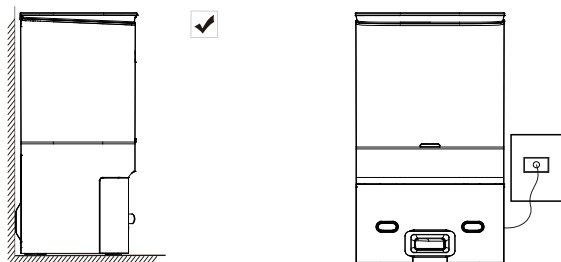
Instalirajte stanicu za sakupljanje prašine i punjenje na mesto gde mu usisivač može lako pristupiti. Postavite stanicu za sakupljanje prašine i punjenje na tvrdu i ravnu podlogu, a ne na tepih.

Da bi se obezbedio nesmetan rad robota, savetuje se da nema prepreka u krugu od 1,5 m sa prednje i unutar 0,5 m sa leve i desne strane.



## 4 Instalacija

Postavite stanicu za sakupljanje prašine i punjenje na tvrdu i ravnu podlogu tako da je zadnjim delom okrenuta prema zidu, a zatim je uključite.



Stanicu za sakupljanje prašine i punjenje uvek držite uključenu; inače se usisivač neće moći vratiti automatski.



Da bi postupak punjenja bio nesmetan, nemojte često pomerati stanicu za prikupljanje prašine. Kada se promeni lokacija usisivača, on može izbrisati dostupnu mapu i napraviti novu mapu zbog greške u pozicioniranju.

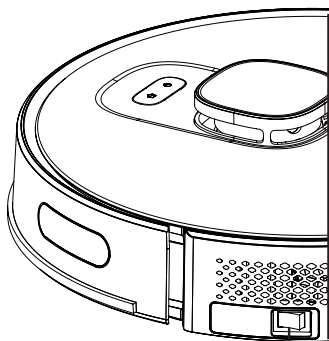
## 5 Rad

### 5.1 Predviđena upotreba

Uređaj je namenjen samo za kućnu upotrebu i nije pogodan za industrijsku upotrebu.

### 5.2 Punjenje uređaja

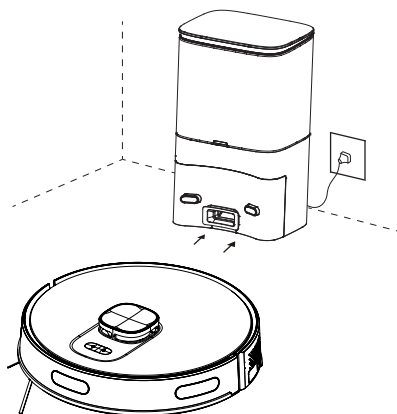
1. Postavite dugme za uključivanje-isključivanje sa strane u položaj za uključivanje za početno napajanje.



Dugme za uključivanje / isključivanje

## 5 Rad

2. Postavite uređaj na stanicu za sakupljanje prašine tako da bude u ravni sa priključkom za punjenje.



Punjenje počinje nakon što plavi indikator priključne stanice za punjenje treperi 3 puta, a zatim se potpuno isključuje.



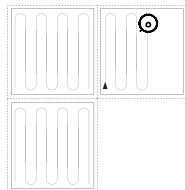
Kada je uređaj povezan na stanicu za sakupljanje prašine, stanica za sakupljanje prašine počinje da sakuplja prašinu. Ova operacija traje otprilike 15 sekundi.

### 5.3 Rad

Za prvu operaciju, pomerite dugme za Uključivanje/Isključivanje sa strane iz položaja 0 u I. Da biste uključili usisivač, pritisnite dugme 3 sekunde.

- Ne isključujte uređaj koristeći dugme Uključivanje/Isključivanje direktno tokom čišćenja; inače podaci usisivača ne mogu da se sačuvaju.
- Ako je dugme Uključivanje/Isključivanje u položaju Isključeno, usisivač će se automatski uključiti kada se stavi na stanicu za punjenje i automatski će se isključiti kada se ukloni sa priključne stanice za punjenje.
- Ako se usisivač neće koristiti duže vreme, pomerite dugme za uključivanje/isključivanje u položaj za isključeno.

### Početak čišćenja



Pritisnite dugme za pokretanje automatskog režima čišćenja. Kada se pokrene, usisivač se uklanja sa priključne stanice za punjenje, vrši automatsko skeniranje da bi napravio mapu, određuje rutu čišćenja na pametan način i deli područje na nekoliko regiona. Ruta čišćenja je planirana duž zida i usisivač se kreće napred-nazad da čisti različite regione po redu.



**UPOZORENJE:** Ako je nivo napunjenosti prenizak, čišćenje se ne može započeti. Napunite uređaj pre početka čišćenja.

## 5 Rad



**UPOZORENJE:** Pre čišćenja, sklonite sve kablove kako biste sprečili isključivanje usled zaplitanja/povlačenja kablova i kako biste sprečili oštećenje nameštaja.



**UPOZORENJE:** U automatskom režimu čišćenja, ako je površina koju treba očistiti manja od 10 kvadratnih metara, čišćenje se vrši dvostruko više od podrazumevane vrednosti.



**UPOZORENJE:** Nemojte pomerati priključnu stanicu za punjenje ili stanicu za sakupljanje prašine tokom čišćenja i vodite računa da je priključna stanica ili stanica uključena; u suprotnom usisivač možda neće moći da se vrati na punjenje.

### Pauziranje

Pritisnite bilo koje dugme da pauzirate rad dok usisivač radi.

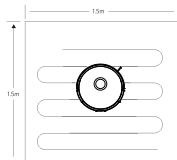
**Automatsko punjenje:** Usisivač se automatski vraća na punjenje nakon završetka čišćenja.

**Ručno punjenje:** Robot usisivač se automatski vraća na stanicu za punjenje kada pritisnete dugme "🏠" na gornjem delu kućišta kada je u položaju pauze.

**A.** Ako je rad pauziran, pritisnite dugme za automatsko punjenje.

**B.** Ako se usisivač negde zaglavio i ne može da pronađe priključnu stanicu za punjenje, sami premestite usisivač do stanice za sakupljanje prašine kako biste omogućili punjenje.

### Čišćenje precizno određene tačke



Donesite usisivač na područje koje treba očistiti i dvaput pritisnite dugme na njemu. Kada je režim aktiviran, usisivač će očistiti kvadratnu površinu od 1,5 x 1,5 m pri čemu će mjesto njegovog postavljanja biti centar.

\* Usisivač ne može da pokrene operaciju čišćenja precizno određene tačke sa priključne stanice za punjenje ili stanice za sakupljanje prašine.

Ne može da pokrene operaciju čišćenja određene tačke sa priključne stanice za punjenje ili stanice za sakupljanje prašine. Kada je čišćenje određene tačke završeno, on se ne vraća na stanicu za punjenje i ostaje na svom položaju. Donesite ga do postolja za punjenje ili ga premestite na postolja za punjenje pritiskom na dugme "🏠" na gornjem delu kućišta

### Izbor snage usisavanja

(Podržano samo sa odgovarajućom mobilnom aplikacijom) Možete odabrati željenu snagu čišćenja iz aplikacije:

- Tih
- Standardno
- Snažno
- Maksimalno

### Čišćenje na daljinsko upravljanje

(Podržano samo sa odgovarajućom mobilnom aplikacijom) \*Možete da usmerite usisivač na područje koje treba očistiti korišćenjem režima ručnog daljinskog upravljanja kroz aplikaciju.

### Režim mirovanja

Usisivač automatski prelazi u režim mirovanja ako je neaktivan 10 minuta. Usisivač se automatski prebacuje u režim mirovanja 10 minuta nakon što se potpuno napuni. Režim mirovanja deaktivira trenutni zadatak.

### Resetovanje sistema



Pritisnite dugme za režim pripravnosti 15 sekundi da biste resetovali sistem. Kada se sistem resetuje, mapa i originalna podešavanja (uključujući virtuelna ograničenja) na usisivaču se brišu.

#### 5.3.1 Rad sa aplikacijom

### Preuzmite aplikaciju

Da biste preuzeli aplikaciju, potražite aplikaciju „HomeDirect-SDA“ u prodavnici mobilnih aplikacija. Detaljnije se informišite u uputstvu za mobilnu aplikaciju.

### Resetovanje Wi-Fi-ja

Držite dugmad “” “” pritisnutim istovremeno dok se ne čuje zvučno upozorenje; tada indikator polako treperi belom bojom i usisivač prelazi u režim uparivanja.

### Dodavanje uređaja

Otvorite aplikaciju, kreirajte novi nalog i pratite uputstva u aplikaciji. \* Pre podešavanja Wi-Fi-ja, vodite računa da usisivač i Wi-Fi mreža ispunjavaju sledeće zahteve.

### USISIVAČ:

- Nivo napunjenosti usisivača treba da bude preko 20% ili će usisivač biti postavljen na priključnu stanicu za punjenje.



### B. Wi-Fi mreža:

- Obezbedite ispravnu lozinku za bežičnu mrežu.
- Nemojte koristiti nikakav VPN (virtuelna privatna mreža).
- Ruter za Wi-Fi treba da podržava 802.11b/g/n i IPv4 protokole.
- Ruter treba da bude u frekvencijskom opsegu od 2,4 GHz ili treba koristiti dvopojasni ruter koji podržava opseg od 2,4 GHz. Usisivač ne podržava frekvencijski opseg od 5 GHz.
- Ako usisivač ne može da se poveže na dvopojasnu Wi-Fi mrežu od 2,4/5GHz, izaberite mrežu od 2,4GHz za podešavanja Wi-Fi-ja. Možete se vratiti na drugi frekvencijski opseg kada se podešavanje završi.
- Ako se povezujete na skrivenu mrežu, vodite računa da ispravno unesete naziv mreže [SSID (osetljiv na velika slova)] i da ste povezani na bežičnu mrežu od 2,4 GHz.
- Ako koristite proširenje bežične mreže, uverite se da su naziv mreže (SSID) i lozinka isti kao i glavna mreža.
- Da biste usisivač povezali sa serverom aplikacija, podesite zaštitni zid i port Wi-Fi rutera prema potrebi.

### Greška u Wi-Fi vezi

Status Wi-Fi-ja	Osnovni uzrok	Rešenje
Bela svetlost neprekidno svetli.	Usisivač je povezan na ruter (modem), ali ne može da se poveže na mrežu.	<ul style="list-style-type: none"><li>• Proverite je li modem povezan s internetom.</li><li>• Obratite se svom mrežnom operateru da vidite da li postoji problem sa prenosom internet podataka</li></ul>
Bela svetlost ubrzano treperi	Usisivač ne može da se poveže sa modемом	<ul style="list-style-type: none"><li>• Proverite da naziv mreže i lozinka nisu promenjeni.</li><li>• Resetujte Wi-Fi vezu, ako je potrebno. Pogledajte odeljak „Resetovanje Wi-Fi-ja” u odeljku „Preuzimanje aplikacije i resetovanje Wi-Fi-ja” ovog uputstva.</li></ul>
Bela svetlost sporo treperi.	Wi-Fi je resetovan ili još nije podešen.	<ul style="list-style-type: none"><li>• Obezbedite povezanost usisivača na Wi-Fi mrežu. Pogledajte detaljna uputstva u Priručniku za mobilne aplikacije. Resetujte Wi-Fi vezu, ako je potrebno. Pogledajte odeljak „Resetovanje Wi-Fi mreže” u ovom priručniku</li></ul>

### Zahtevi za bezbednost mreže:

- Koristite mreže WPA i WPA2 šifrovane sa TKIP, PSK i AES/CCMP.

### 5.3.2 Režimi rada

#### Upravljanje mapama

##### A. Mapiranje prostorija u realnom vremenu

Kreiranje mape sobe u realnom vremenu može vam pomoći da lako razumete rutu čišćenja i okruženje za čišćenje. Nakon čišćenja kreira se mapa sobe. Mapa se ažurira u realnom vremenu tokom svake operacije usisavanja kako bi se obezbedila normalna navigacija. Da biste izradili kompletnu mapu kuće;

- a. Otvorite vrata prostorija kako biste bili sigurni da usisivač kreira mapu svake prostorije;
- b. Uklonite sve predmete koji mogu uzrokovati opstrukciju ili blokadu usisivača;
- c. Ne menjajte lokaciju priključne stanice za punjenje niti je isključujte nakon kreiranja mape.

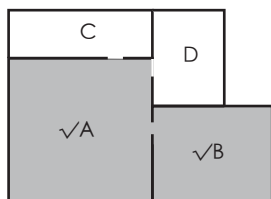
##### B. Repozicioniranje i ponovno mapiranje

Ako se usisivač premesti ili se izvrše značajne promene u okruženju, usisivač pokušava da se repositionira da bi se prilagodio novom okruženju i može ponovo da kreira relevantnu mapu. Podaci su sledeći:

- a. Ako je ponovno pozicioniranje uspešno, usisivač nastavlja sa čišćenjem;
  - b. Ako je ponovno pozicioniranje neuspešno, usisivač ponovo kreira mapu kako bi obezbedio normalnu navigaciju za operaciju čišćenja;
- Vodite računa da usisivač uvek započinje operaciju čišćenja sa priključne stanice za punjenje.
  - Nemojte često pomerati usisivač tokom čišćenja. Ako se pomeri, vratite ga u prvobitni položaj.

##### Režim čišćenja sobe (podržan samo relevantnom mobilnom aplikacijom)

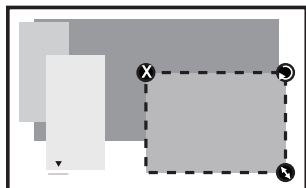
Možete da odredite prostorije koje želite da očistite pomoću mobilne aplikacije, a zatim usisivač čisti samo prostorije koje su označene na regionalnoj mapi u aplikaciji.



- Usisivač može da uđe i u druge oblasti osim u izabranu oblast nakon što počne sa čišćenjem; stoga vas molimo da uklonite prepreke na podu oko izabranog područja. Izbor područja ne obezbeđuje bezbednu izolaciju.
- Čišćenje izvesnog područja može započeti tek nakon što usisivač uspešno kreira mapu.

## 5 Rad

### Režim čišćenja izvesnog područja (podržan samo relevantnom mobilnom aplikacijom)



Dimenzije regiona se mogu odrediti držanjem iz desnog donjeg ugla. U međuvremenu, isprekidanom linijom na ekranu se ispisuju dimenzije prikazane oblasti.

Izaberite režim čišćenja izvesnog područja u aplikaciji, a zatim odredite oblast čišćenja. Usisivač čisti samo izabranu oblast, a zatim se vraća na priključnu stanicu za punjenje.

- Čišćenje izvesnog područja može započeti tek nakon što usisivač uspešno kreira mapu.



Pogledajte u uputstvu za upotrebu u mobilnoj aplikaciji detaljne savete za korišćenje.

### 5.4 Rad sa nastavkom za pod



**UPOZORENJE:** Ne koristite režim brisanja na tepisima.



**UPOZORENJE:** Ne stavljajte izbeljivač ili deterdžent u posudu za vodu.



**UPOZORENJE:** Uklonite jedinicu za brisanje dok se usisivač puni ili kada se ne koristi.



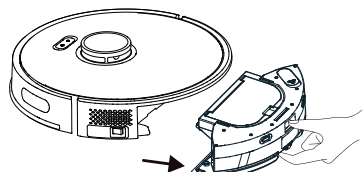
**UPOZORENJE:** Uklonite jedinicu za brisanje odmah nakon završetka rada da biste sprečili oštećenje drvenih podova.



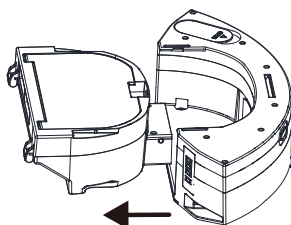
**UPOZORENJE:** Usisivač automatski obustavlja dovod vode kada se brisanje zaustavi ili završi. Međutim, krpa ostaje mokra i stoga se ne sme dugo držati u ovom stanju i potrebno je ukloniti bez odlaganja.

## 5 Rad

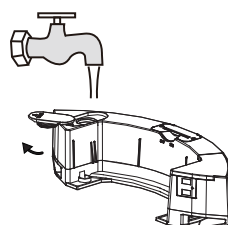
### 5.4.1 Instalacija jedinice za brisanje mokrom krpom



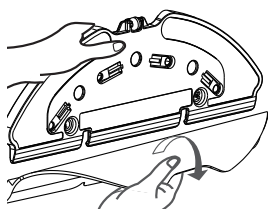
Uklonite posudu za prašinu i sklop posude za vodu (2 u 1).



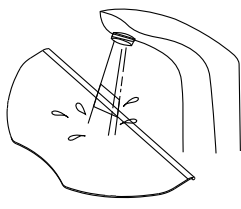
Uklonite posudu za prašinu.



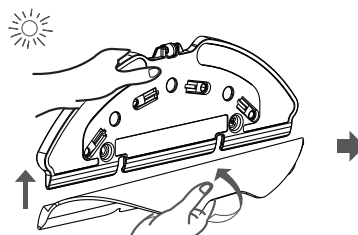
Uklonite gumeni čep i dodajte vodu u posudu za vodu iz ulaza za vodu.



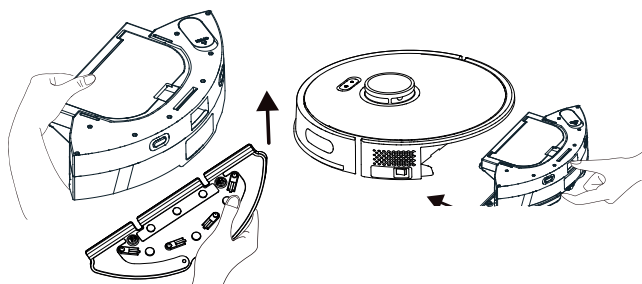
Uklonite tampon sa držača krpe kao što je prikazano.



Navlažite tampon pre svakog brisanja



Stavite tampon na držač krpe.



Postavite posudu za prašinu i sklop posude za vodu (2 u 1) u smeru strelice.

Postavite posudu za prašinu i sklop posude za vodu (2 u 1) na uređaj, u smeru strelice.

### 5.4.2 Podešavanje brisanja mokrom krpom

Možete započeti operaciju čišćenja odabirom režima čišćenja i podešavanjem nivoa vode za brisanje po želji u aplikaciji.

- Preporučljivo je da dodate virtuelni zid (zabranjeno brisanje) području tepiha na aplikaciji kako biste usisivač zadržali od tepiha i sprečili vlaženje tepiha robotom usisivačem tokom operacije brisanja.

## 6 Čišćenje i održavanje

Isključite aparat i raskačite s mrežnog napajanja pre nego ga počnete čistiti.



**UPOZORENJE:** Nikada nemojte koristiti benzin, rastvarač, abrazivna sredstva za čišćenje, metalne predmete ili grube četke za čišćenje ovog uređaja.

### 6.1 Čišćenje posude za prašinu i filtera



Možete nazvati naš centar za korisnike da biste poručili novi filter kada vaše filter dostigne kraj očekivanog roka trajanja, ako se deformiše ili treba da se zameni i bilo kojeg razloga.

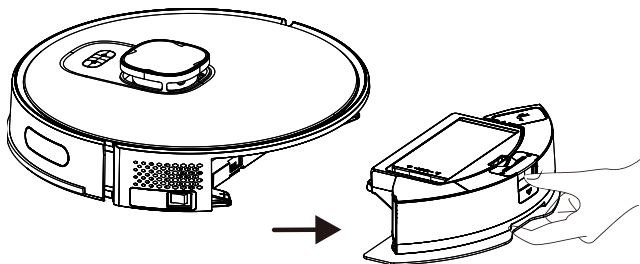


Da bi se postigle maksimalne performanse u radu sa HEPA filterom, očistite ga četkom nakon svakog čišćenja.

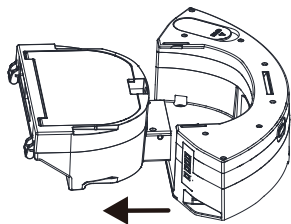
HEPA filter je pribor koji može da se zameni.

Ako ste obavili čišćenje u prostoru gde ima građevinske prašine i prašine sa veoma sitnim česticama, zamenite filter novim kako ne biste iskusili gubitak performansi.

1. Uklonite posudu za prašinu i sklop posude za vodu (2 u 1) pritiskom na dugme kao što je prikazano u nastavku.

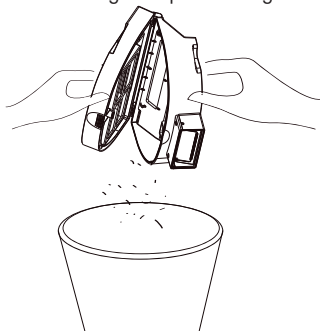


2. Uklonite posudu za prašinu tako što ćete je povući u pravcu strelice.

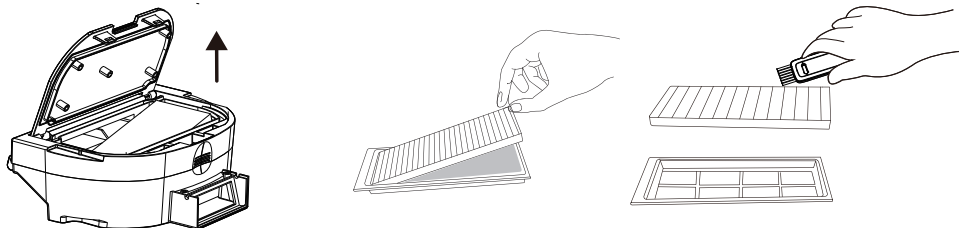


## 6 Čišćenje i održavanje

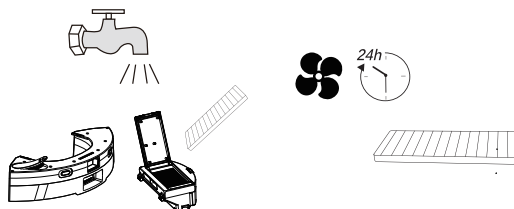
3. Otvorite posudu za prašinu kao što je prikazano ispod. Približite posudu za prašinu kanti za otpad i uklonite grubu prašinu laganim tapkanje po posudi.



4. Uklonite filter visokih performansi i očistite filter pomoću četke za čišćenje koju ste dobili zajedno sa uređajem.



5. Povremeno perite posudu za vodu, posudu za prašinu i sklop filtera **hladnom vodom** u zavisnosti od učestalosti rada.



6. Ostavite posudu za vodu, posudu za prašinu i sklop filtera da se osuše nakon pranja i vodite računa da se potpuno osuše.



Sušenje može trajati 24 do 48 sati.

7. Sastavite posudu za vodu, posudu za prašinu i sklop filtera nakon sušenja na vazduhu, a zatim montirajte sklop na usisivač.

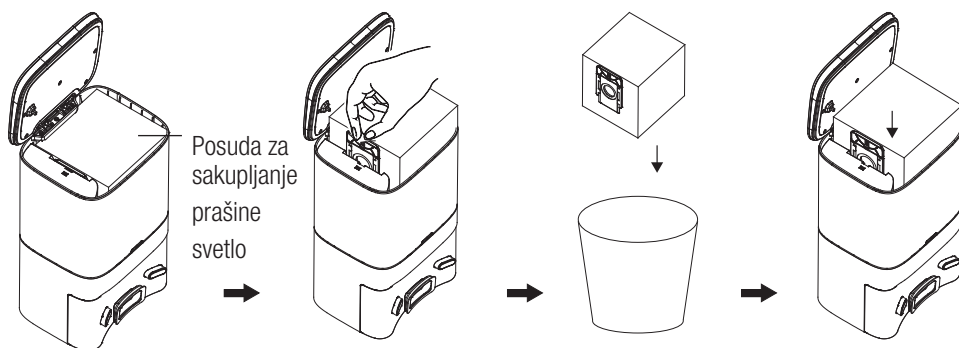
## 6 Čišćenje i održavanje



**UPOZORENJE:** Nemojte koristiti usisivač bez instaliranja grupe filtera. U suprotnom, uređaj se može oštetiti.

### 6.2 Zamena kesice za prašinu

Kada je posuda za prašinu puna, indikator stanice za sakupljanje prašine treperi crvenom bojom ili se na aplikaciji prikazuje obaveštenje. Zamenite kesicu za prašinu blagovremeno. Kada je kesica za prašinu u režimu redovnog rada, belo svetlo na stanici za sakupljanje prašine svetli ili treperi.



Podignite gornji poklopac.	Povucite ručku kesice za prašinu nagore.	Bacite staru kesicu za prašinu	Postavite novu kesicu za prašinu i zatvorite gornji poklopac.
----------------------------	--	--------------------------------	---



Kada kesica za prašinu nije postavljena unutar stanice, automatski rad sakupljanja prašine neće biti pokrenut kada se robot vrati u stanicu nakon operacije usisavanja. Kada kesica za prašinu nije dostupna, prašina unutar posude za prašinu mora se ukloniti ručno.

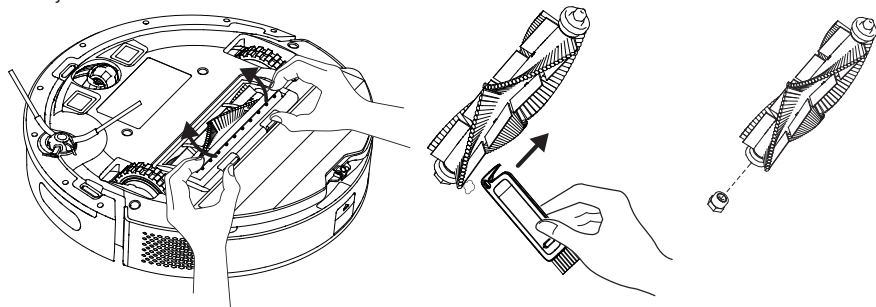


Kesu za prašinu na postolje za punjenje obezbedite od ovlašćenog servisa. Nekompatibilne i neodgovarajuće kese koje ćete koristiti za postolje za punjenje robota usisivača mogu oštetiti postolje za punjenje i vaš robot usisivač. Oštećenja i reparacije uzrokovane neoriginalnim kesama za prašinu koje se koriste u postolju za punjenje nisu pokrivena garancijom.

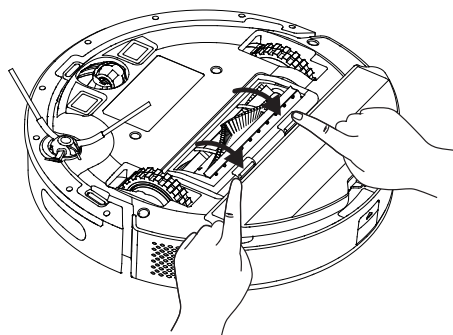
## 6 Čišćenje i održavanje

### 6.3 Čišćenje četke

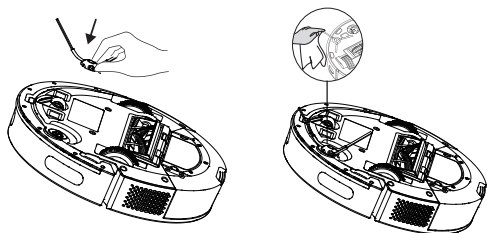
1. Otvorite gornji poklopac glavne četke pritiskom na jezičke. Povucite i uklonite glavni valjak nagore. Uklonite dlaku zamršenu na četki za čišćenje tako što ćete ih preseći i uklonite prašinu sa čekinja i valjka.



2. Zamenite četku nakon čišćenja i zatvorite poklopac u pravcu strelice.



### 6.4 Čišćenje i ugradnja bočne četke



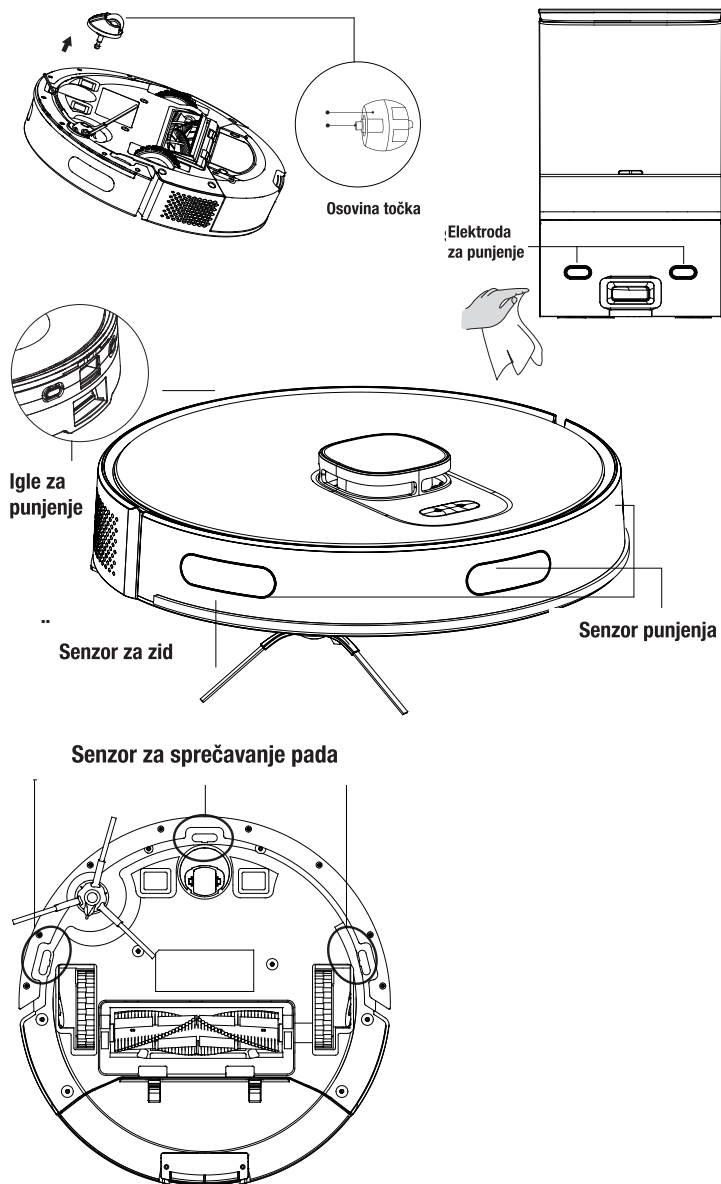
Pri dugotrajnoj upotrebi, operite bočnu četku toplom vodom kako biste eliminisali deformaciju oblika. Nakon što se osuši, postavite je na robota kao što je prikazano.



## 6 Čišćenje i održavanje

### 6.5 Čišćenje senzora

Redovno čistite senzore i uklanjajte prašinu suvom i mekom krpom ili četkom za čišćenje. Informacije: Preko aplikacije dobijate obaveštenje kada je potrebno čišćenje senzora.

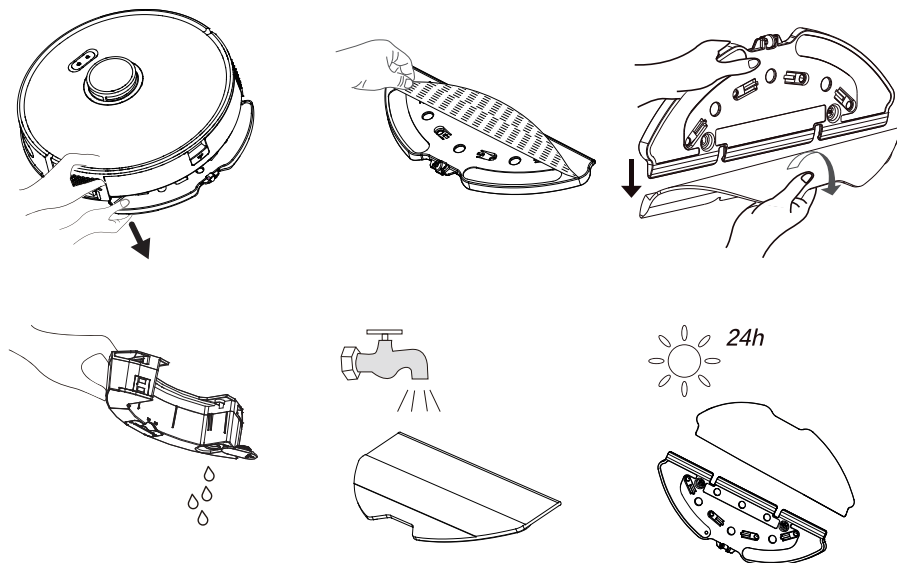


## 6 Čišćenje i održavanje

### 6.6 Čišćenje jedinica za čišćenje krpom

Preporučujemo da uklonite držač krpe sa jedne strane, ispraznite posudu za vodu, isperite krpu vodom i zatim je ostavite da se osuši nakon svakog rada jedinice za brisanje.

Krpu možete prati u mašini za pranje veša.



## 7 Rešavanje problema

### Opšti uslovi greške

Greška	Uzrok i rešenje
Ne radi	<ol style="list-style-type: none"><li>1. Nivo napunjenosti je nizak. Postavite usisivač na stanicu za punjenje ili stanicu za sakupljanje prašine tako da bude u ravni sa stubovima za punjenje. Dovedite dugme sa leve strane usisivača u položaj „I“; a usisivač će raditi automatski (Kada se usisivač potpuno isprazni, moraćete da ga punite neko vreme kako bi mogao automatski da radi).</li><li>2. Temperatura okoline je veoma niska (ispod 0 °C) ili veoma visoka (iznad 50 °C). Koristite usisivač na temperaturi okoline od 0 do 40 °C.</li><li>3. Vodite računa da je dugme za uključivanje/isključivanje na bočnoj strani usisivača dovedeno u položaj „I“.</li></ol>
Baterija se ne puni	<ol style="list-style-type: none"><li>1. Uklonite usisivač i proverite da li indikatorska lampica na stanici za punjenje ili stanici za sakupljanje prašine svetli i uverite se da su oba kraja adaptera za napajanje priključne stanice za punjenje povezana.</li><li>2. Labav kontakt. Očistite opružne kontakte na stanici za punjenje i kontakte za punjenje na usisivaču.</li><li>3. Vodite računa da je dugme za uključivanje/isključivanje na bočnoj strani usisivača dovedeno u položaj „I“.</li></ol>
Ne vraća se na priključnu stanicu da bi se punio	<ol style="list-style-type: none"><li>1. Previše je prepreka oko priključne stanice za punjenje ili stanice za sakupljanje prašine. Postavite priključnu stanicu za punjenje ili stanicu za sakupljanje prašine na mesto na kojem nema prepreka.</li><li>2. Usisivač je previše udaljen od priključne stanice za punjenje ili stanice za sakupljanje prašine. Približite usisivač stanici za punjenje ili stanici za sakupljanje prašine i pokušajte ponovo.</li><li>3. Vodite računa da je stanica za punjenje uključena i da je ostvareno napajanje električnom energijom.</li></ol>
Neadekvatan rad	<ol style="list-style-type: none"><li>1. Isključite i ponovo uključite.</li></ol>
Rad uz neredovnu buku.	<ol style="list-style-type: none"><li>1. Strani materijali su možda zaglavljani u glavnoj četki, bočnoj četki i točkovima. Isključite usisivač i očistite ga.</li></ol>
Performanse čišćenja su niske/prašina izbija	<ol style="list-style-type: none"><li>1. Posuda za prašinu je puna. Očistite posudu za prašinu.</li><li>2. Filter je začepljen. Očistite ili zamenite filter.</li><li>3. Strani materijali su se možda zaglavili u glavnoj četki. Očistite glavnu četku.</li></ol>

## 7 Rešavanje problema

Povezivanje na Wi-Fi mrežu nije moguće.	<ol style="list-style-type: none"><li>1. Wi-Fi signal je slab. Vodite računa da je Wi-Fi signal na mestu gde se nalazi usisivač jak.</li><li>2. Stanje sa povezanošću na Wi-Fi mrežu nije redovno. Resetujte Wi-Fi, preuzmite najnoviju mobilnu aplikaciju i pokušajte ponovo.</li><li>3. Lozinka nije ispravno uneta.</li><li>4. Ruter koji se koristi je model koji radi u frekventnom opsegu od 5G (ovaj robot usisivač podržava samo frekvencijski opseg od 2,4G).</li></ol>
Funkcija određenog vremena čišćenja ne radi	Nivo napunjenosti je nizak. Određeno vreme čišćenja može započeti samo kada je nivo napunjenosti $\geq 20\%$ .
Usisivač troši energiju dok je na priključnoj stanici za punjenje	Usisivač troši veoma malo energije dok je na stanici za punjenje ili na stanici za prikupljanje prašine; ova funkcija omogućava održavanje performansi baterije na najboljem nivou.
Usisivač treba da se puni 16 sati u prve tri operacije punjenja	Litijumska baterija nema memorijski efekat kada se koristi i nije potrebno vreme čekanja kada je potpuno napunjena.
Automatsko sakupljanje prašine ne počinje nakon što se robot usisivač vrati na svoju stanicu za punjenje i stanicu za sakupljanje prašine.	<ol style="list-style-type: none"><li>1. Vodite računa da su stanica za prikupljanje prašine i priključna stanica za punjenje uključeni. Kada se usisivač vrati na punjenje nakon više od 5 minuta čišćenja, pokreće se automatsko sakupljanje prašine;</li><li>2. Proverite da li je poklopac stanice za sakupljanje prašine zatvoren odnosno da li je adekvatno zatvoren (crveno svetlo svetli ako nije pravilno zatvoren);</li><li>3. Vodite računa da je kesica za prašinu postavljena u stanicu za sakupljanje prašine (crveno svetlo svetli ako odeljak nije dobro zatvoren);</li><li>4. Za nesmetane performanse sakupljanja prašine, preporučuje se da se usisivaču omogući da se automatski vrati na punjenje nakon čišćenja (postavljanje usisivača na stanicu za sakupljanje prašine ili priključnu stanicu za punjenje će uzrokovati neravnotežu povezanosti i na taj način uticati na performanse sakupljanja prašine);</li><li>5. Redovno proveravajte da li je kesica za prašinu puna ili ne; u suprotnom, kesica za prašinu će biti prepuna i pocepaće se, cev za sakupljanje prašine će biti začepljena, što će dovesti do oštećenja stanice za sakupljanje prašine i priključne stanice za punjenje;</li><li>6. Ako se problem nastavi nakon sprovođenja gore navedenih rešenja, moguće je da su delovi neispravni. Obratite se korisničkoj službi.</li></ol>

## 7 Rešavanje problema

Usisivač se zaustavlja nakon što započne automatsko sakupljanje prašine, a učinak sakupljanja prašine je nizak.	<ol style="list-style-type: none"><li>1. Proverite da li je kesica za prašinu puna. Zamenite kesicu za prašinu ako je puna;</li><li>2. Izlaz za sakupljanje prašine u posudi za prašinu usisivača je začepljen stranim materijalom, zbog čega se odeljak posude ne otvara;</li><li>3. Proverite da li postoji blokada na vazдушnom kanalu stanice za sakupljanje prašine;</li><li>4. Usisivač se pomera tokom sakupljanja prašine (Ne pomerate jusisivač tokom sakupljanja prašine, inače može doći do oštećenja);</li><li>5. Voda je možda ušla u posudu za prašinu usisivača, čime se sprečava da se prašina lako usisava. Nemojte dozvoliti da usisivač usisa prevelike količine vode; u suprotnom, učinak sakupljanja prašine će se smanjiti.</li></ol>
Unutrašnji odeljak u kome se nalazi kesica za prašinu u stanici za sakupljanje prašine je prljav.	<ol style="list-style-type: none"><li>1. Male čestice prašine su možda prošle kroz kesicu za prašinu i zalepile se za unutrašnji zid posude za prašinu. Redovno proveravajte i čistite ove delove;</li><li>2. Kesica za prašinu je možda oštećena. Proverite i zamenite je po potrebi;</li><li>3. Prekomerno nakupljanje prljavštine u unutrašnjosti u određenoj meri utiče na ventilator i senzor pritiska vazduha. Preporučuje se redovno čišćenje nakupina prljavštine u unutrašnjosti.</li></ol>

### Lista grešaka

Kada je usisivač u kvaru, crveni indikator usisivača treperi i istovremeno se oglašava odgovarajuće zvučno upozorenje. Pratite zvučna upozorenja da biste rešili grešku.

Zvučno upozorenje	Rešenje
<b>Greška 1:</b> Stanje baterije nije redovno. Pogledajte uputstvo ili aplikaciju.	<ul style="list-style-type: none"><li>• Otvorite odeljak za baterije, proverite da li je priključak baterije u dobrom stanju i ponovo pokrenite usisivač.</li><li>• Temperatura baterije je veoma visoka ili veoma niska. Sačekajte dok temperatura baterije ne dostigne normalne vrednosti (0 °C~40 °C/32 °F~104 °F).</li></ul>
<b>Greška 2:</b> Stanje modula točka nije redovno. Pogledajte uputstvo ili aplikaciju.	<ul style="list-style-type: none"><li>• Proverite da li se u točkovima zaglavio strani materijal i ponovo pokrenite usisivač.</li></ul>
<b>Greška 3:</b> Stanje modula bočne četke nije redovno. Pogledajte uputstvo ili aplikaciju.	<ul style="list-style-type: none"><li>• Proverite da li se strani materijal zaglavio u bočnoj četki i ponovo pokrenite usisivač</li></ul>

## 7 Rešavanje problema

<b>Greška 4:</b> Stanje ventilatora nije redovno. Pogledajte uputstvo ili aplikaciju.	<ul style="list-style-type: none"><li>• Proverite da li se strani materijal zaglavio u ulazu ventilatora i ponovo pokrenite usisivač.</li><li>• Proverite posudu za prašinu i filter i ponovo pokrenite usisivač.</li></ul>
<b>Greška 5:</b> Stanje rotirajuće četke nije redovno. Pogledajte uputstvo ili aplikaciju.	<ul style="list-style-type: none"><li>• Uklonite rotirajuću četku a zatim očistite rotirajuću četku, priključni deo četke, poklopac rotirajuće četke i mlaznicu za prašinu. Ponovo pokrenite usisivač nakon čišćenja.</li></ul>
<b>Greška 6:</b> Stanje pumpe za vodu nije redovno. Pogledajte uputstvo ili aplikaciju.	<ul style="list-style-type: none"><li>• Očistite posudu za vodu, priključke pumpe za vodu u posudi i uređaj i izlaz za vodu ispod usisivača i proverite modul za brisanje krpom. Pokušajte da ponovo pokrenete usisivač nakon čišćenja.</li></ul>
<b>Greška 7:</b> Stanje laserskog senzora nije redovno. Pogledajte uputstvo ili aplikaciju.	<ul style="list-style-type: none"><li>• Proverite da li ima bilo kakvog stranog materijala unutar laserskog senzora, očistite po potrebi i ponovo pokrenite usisivač.</li></ul>
<b>Greška 9:</b> Aktivnost punjenja nije uredna. Očistite kontaktnu oblast za punjenje.	<ul style="list-style-type: none"><li>• Proverite da li ima bilo kakve kontaminacije u oblasti za punjenje i očistite stubove za punjenje.</li><li>• Proverite da li je baterija pravilno povezana.</li></ul>
<b>Greška 10:</b> Stanje usisivača nije redovno. Isključite i ponovo pokrenite.	<ul style="list-style-type: none"><li>• Vratite glavno dugme u položaj 0 i vratite u položaj I i ponovo pokrenite usisivač</li></ul>
<b>Greška 12:</b> Performanse nisu uredne. Proverite da li je glavno dugme uključeno.	<ul style="list-style-type: none"><li>• Prvo postavite glavno dugme u položaj za uključeno</li></ul>

**Arçelik A.S. Karaağaç Cad. No: 2-6  
34445 Sütluçe, İstanbul, Türkiye**

**[www.beko.com](http://www.beko.com)**