

Haier

ENGLISH	INSTALLATION AND USER'S MANUAL
SPANISH	MANUAL DE INSTALACIÓN Y USO
POLSKI	INSTRUKCJA OBSŁUGI I INSTALACJI
PORTUGUÊS	MANUAL DE INSTALAÇÃO E UTILIZADOR
DEUTSCH	INSTALLATIONS- UND BEDIENUNGSANLEITUNG
БЪЛГАРСКИ	РЪКОВОДСТВО ЗА МОНТАЖ И ЕКСПЛОАТАЦИЯ
SERBIAN	INSTALACIJA I UPUTSTVO ZA UPOTREBU

INSTALLATION AND USER'S MANUAL

CONTENT

INTRODUCTION	03
SAFETY PRECAUTION	03
ELECTRICAL INSTALLATION	05
SPECIFICATION	06
INSTALLATION (VENT OUTSIDE)	07
INSTALLATION (VENT INSIDE)	11
DESCRIPTION OF COMPONENTS	16
OPERATION	17
MAINTENANCE	19
TROUBLESHOOTING	20
CONFORMITY WITH DIRECTIVES	20
ENVIRONMENTAL PROTECTION	21

INTRODUCTION

Thank you for choosing this cooker hood.

This instruction manual is designed to provide you with all required instructions related to the installation, use and maintenance of the appliance. In order to operate the unit correctly and safety, please read this instruction manual carefully before installation and usage.

The cooker hood uses high quality materials, and is made with a streamlined design. Equipped with large power electric motor and centrifugal fan, it also provides strong suction power, low noise operation, non-stick grease filter and easy assembly installation.



By placing the CE marking on this product, we declare, on our own responsibility, compliance to all of European safety, health and environmental requirements stated in the legislation for this product.

SAFETY PRECAUTION

- Never let the children operate the machine.
- The cooker hood is for home use only, not suitable for barbecue, roast shop and other commercial purpose.
- The cooker hood and its filter should be clean regularly in order to keep in good working condition.
- Clean the cooker hood according to the instruction manual and keep the unit from danger of burning.
- Forbid the direct baking from the gas cooker. Please keep the kitchen room a good convection.
- Before connecting this appliance check that the power supply cord is not damaged. A damage supply cord must be replaced by qualified service personnel only.
- There shall be adequate ventilation of the room when the range hood is used at the same time as appliances burning gas or other fuels;

- The air must not be discharged into a flue that is used for exhausting fumes from appliances burning gas or other fuels;
- Regulations concerning the discharge of air have to be fulfilled.

- Children should be supervised to ensure that they do not play with the appliance.
- Do not flambé under the range hood.
- The range hood is not intended to be installed over a hob having more than four hob elements

- These shall be adequate ventilation of the room when the range hood is used at the same time as appliances burning gas or other fuels(not applicable to appliances that only discharge the air back into the room);
- the details concerning the method and frequency of cleaning.
- there is a fire risk if cleaning is not carried out in accordance with the instructions;
- do not flame under the range hood;
- CAUTION: Accessible parts may become hot when used with cooking appliances.

Electrical Shock Hazard

- Only plug this unit into a properly earthed outlet. If in doubt seek advice from a suitably qualified engineer.
- Failure to follow these instructions can result in death, fire, or electrical shock.

Electrical Installation

All installation must be carried out by a competent person or qualified electrician. Before connecting the mains supply ensure that the mains voltage corresponds to the voltage on the rating plate.

Direct Connection

The appliance must be connected directly to the mains using an omnipolar circuit breaker with a minimum opening of 3mm between the contacts.

The installer must ensure that the correct electrical connection has been made and that it complies with the wiring diagram.

The cable must not be bent or compressed.

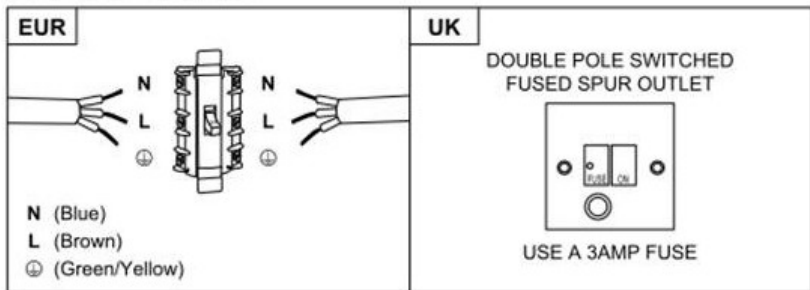
Regularly check the power plug and power cord for damage. If the supply cord is damaged, it must be replaced by a special cord or assembly available from the manufacturer or its service agent.

WARNING: This is a Class I appliance and **MUST** be earthed This appliance is supplied with a 3 core mains cable coloured as follows:

Brown = L or Live

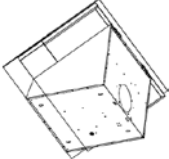










Blue = N or Neutral

Green and Yellow = E or Earth 



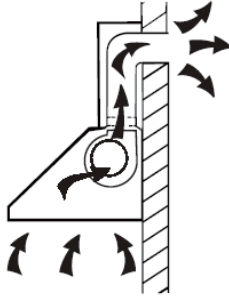
The fuse must be rated at 3 Amps.

Standard Installation Accessories List

Spec.	Illustration Picture	Qty
Hood body		1
Lower chimney (500mm)		1
Upper chimney (500mm)		1
Upper chimney bracket		1
Lower chimney bracket		1
Cooker hood bracket		1
φ8 rawl plugs φ8×φ6 white color		9
Screw (ST4 * 30 mm)		9
Screw (ST4 * 8 mm)		6
Air outlet		1
Carbon filter		2

INSTALLATION (wall mounting)

If you have an outlet to the outside, your cooker hood can be connected as below picture by means of an extraction duct (enamel, aluminum, flexible pipe non flammable with an interior diameter of 150mm)



1. Before installation, turn the unit off and unplug it from the outlet.



2. The cooker hood should be placed at a distance of 65~75cm above the cooking plane for best effect.

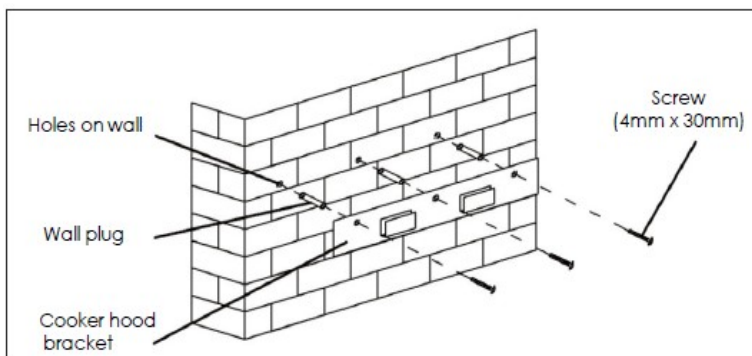


INSTALLING THE HOOD

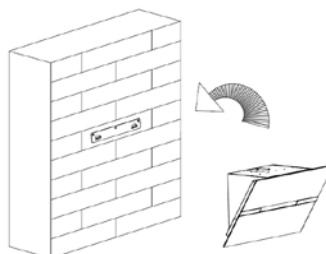
Position the hood at the desired height respecting the minimum height above the hob.

Mark the location of the wall bracket.(Placed the holes between 700 and 800 mm above the worktop) Remove the hood and position the wall bracket to mark the locations of the holes on the wall.

Drill the 3 holes in the wall to insert the appropriate fastening system (screw ST4x30mm)..



Hang the hood in the notches of the wall bracket.

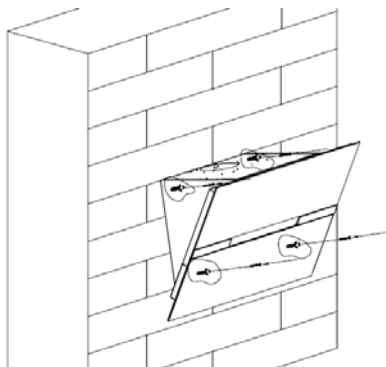


INSTALLING THE HOOD

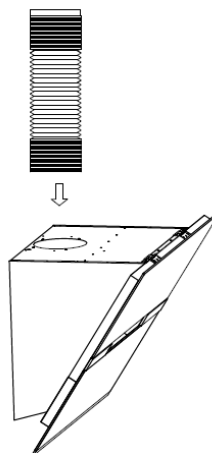
Once the hood is in place, locate the location of the 4 additional wall mount screws as shown in the following diagram.

Remove the hood to puncture the wall and install wall plugs.

Secure the body of the hood with 4 screws of 4 mm in diameter using dowels adapted to your wall.



If the extraction mode is selected, place the exhaust air duct on the air outlet as shown.



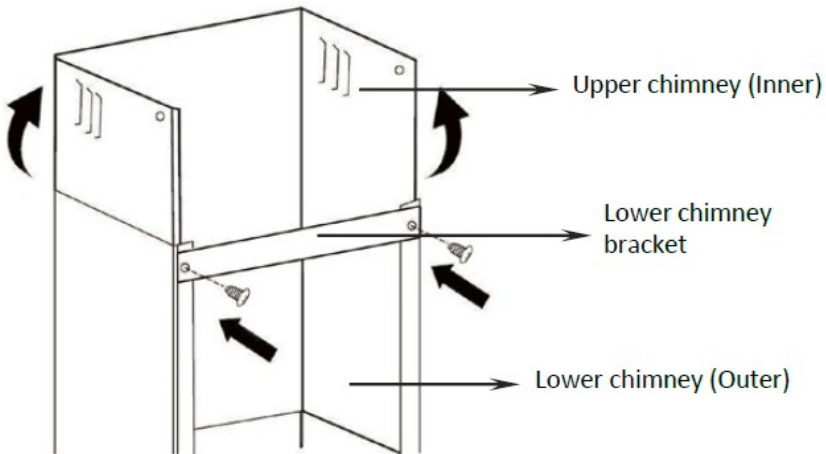
INSTALLING THE HOOD

Attach the lower chimney support to the lower chimney as shown.

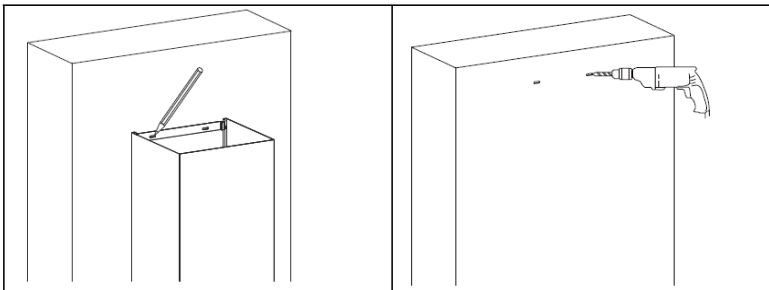
Use 2 screws ST4x8mm.

(Do not over tighten the screws, make sure the upper chimney can slide easily into the lower chimney)

Insert the upper chimney into the lower chimney.



Position the bottom chimney in the appliance, then mark the holes on the wall.

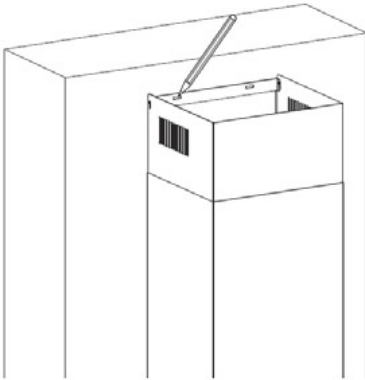
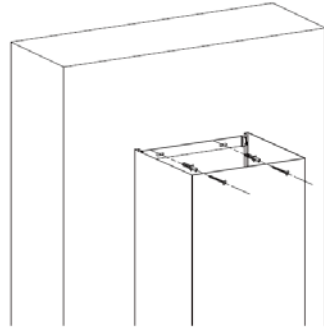


Remove the lower chimney, then drill holes in the wall: hole for screw diameter $\Phi 8$ mm

Use the dowels adapted to your wall

INSTALLING THE HOOD

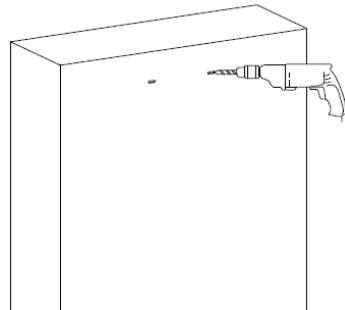
Install the lower chimney, then screw it to the wall with 2 screws of diameter Φ 8 mm



Then pull the upper chimney upwards to the desired height. Mark the locations of the mounting holes of the upper chimney support.

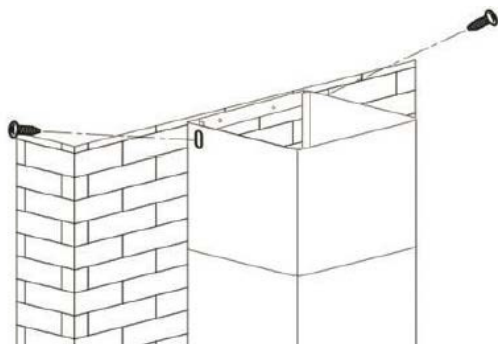
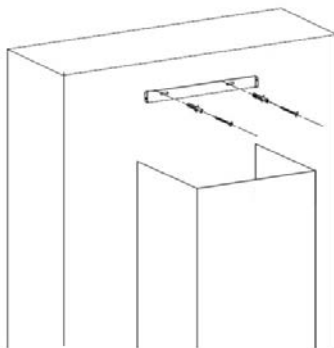
Lower the upper chimney and then drill holes in the wall.

Insert the dowels adapted to your wall



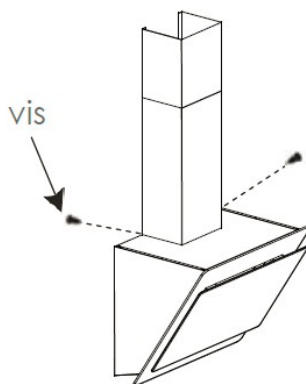
INSTALLING THE HOOD

Secure the wall bracket of the upper chimney to the wall using the selected dowels (8 mm screws recommended).








Reassemble the upper chimney and fix it to the wall bracket with 2 screws ST4x8mm

Fasten the lower chimney to the lugs of the kitchen hood using 2 screws ST4x8mm.



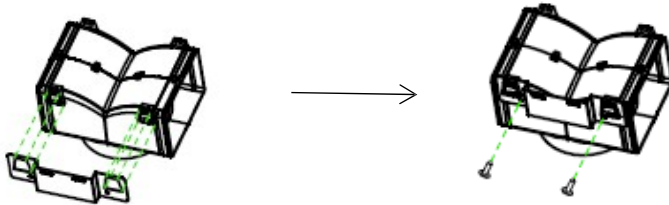
Standard Installation Accessories List

Spec.	Illustration Picture	Qty
Air Deflector		1
Bracket		1
φ8 rawl plugs φ8×φ6 white color		2
Screws ST4.0×30		2
Screws ST3.5×12		2

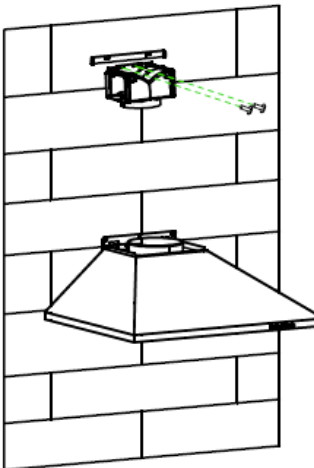
INSTALLATION(AIR DEFLECTOR FOR T-SHAPE,CURVED GLASS,FLAT GLASS MODELS):

Air deflector is mentioned as included and not optional.

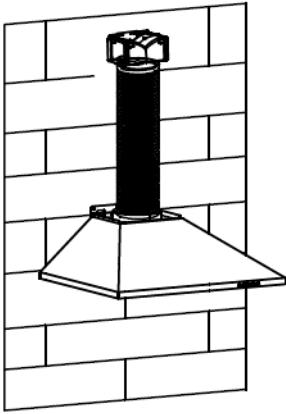
1. Fix the bracket to the T-shaped plastic outlet with 2pcs ST3.5x12mm screws provided as shown below:



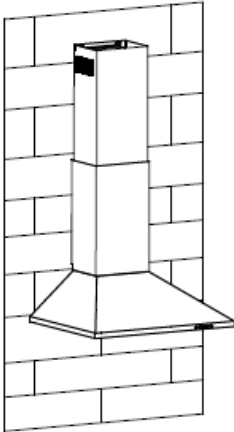
2. Drill 2 holes on the wall to accommodate the wall plugs, then screw and tighten the bracket onto the wall with 2pcs ST4x30mm screws provided.



3. Attach the exhaust pipe onto the air outlet of the cooker hood as shown below:



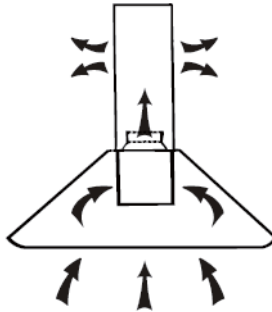
4. Install the chimney to the unit and fix it.



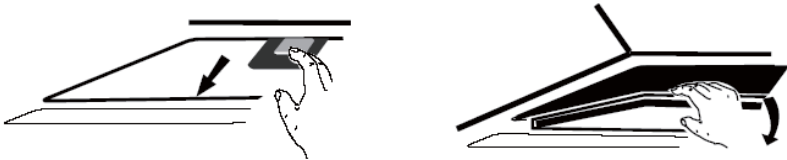
- o “Please kindly be noted: T-shaped plastic outlet and v-flaps can not be used at the same time. You can use them in two ways: 1) Add v-flap on existing outlet; 2) Use T-shaped plastic outlet, no add v-flap.”
- o “Note: The product is provided with v-flap accessory. This accessory is not mandatory for installation, operation and use of the product.”

INSTALLATION (VENT INSIDE)

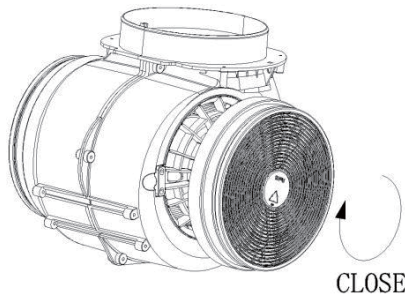
If you do not have an outlet to the outside, exhaust pipe is not required and the installation is similar to the one show in section “INSTALLATION (VENT OUTSIDE)”.



Activated carbon filter can be used to trap odors. In order to install the activated carbon filter, the grease filter should be detached first. Press the lock and pull it downward.



Plug the activated carbon filter into the unit and turn it in clockwise direction. Repeat the same on the other side.



NOTE:

- o *Make sure the filter is securely locked. Otherwise, it would loosen and cause dangerous.*
- o *When activated carbon filter attached, the suction power will be lowere*

DESCRIPTION OF COMPONENTS



—



+



OPERATION



Timer button

1. **Setting the time of the day**
When hood in standby mode (motor not working), press the timer button to enter the time setting.
Press the '**Fan speed**' key to set the hour of the day and press the '**Light**' key to set the minute.
2. **Setting the Timer**
When the hood is in operation mode, press the timer button to set the countdown.
Press the timer button one timer then the countdown will increase one minute. The max countdown is 60 minutes.

—

Speed decrease button

The button is with indicate backlit, — for increasing the speed of the fan or turn off the fan; when you press the button from speed 3 and the backlit is on, the fan will be decreasing the speed from speed 3-2-1 by press the — button, when you press the — button from speed 1, the fan will be in standby mode. and the backlit will be turned off.

+

Speed plus button

The button is with indicate backlit, + for turn on the fan or increasing the speed of the fan when you long press the button at standby mode, the backlit will be turned on and the fan will be turned on at low speed. then the fan will be increasing the speed from speed 1-2-3 by press the + button



LIGHT Button

For lighting ON & OFF.

LCD display



1. Motor symbol, will rotate when the motor is working;
2. Time display;
3. Timer symbol, will appear when timer is setting and counting;
4. Light symbol;
5. Motor speed;
6. Turbo speed symbol, will appear when the speed is highest setted;
7. Alarm symbol, will appear 5 seconds when the counting down of timer is over.
8. Cleanning alarm, appear when total working time up to 14 hours or at the first time using after plugging.

MAINTENANCE

Before cleaning switch the unit off and pull out the plug.

I. Regular Cleaning

Use a soft cloth moistened with hand-warm mildly soapy water or household cleaning detergent. Never use metal pads, chemical, abrasive material or stiff brush to clean the unit.

II. Monthly Cleaning for Grease Filter

ESSENTIAL: Clean the filter every month can prevent any risk of fire.

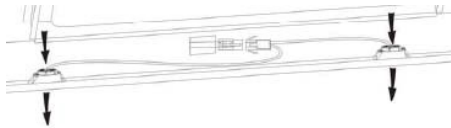
The filter collects grease, smoke and dust..... so the filter is directly affecting the efficiency of the cooker hood. If not cleaned, the grease residue (potential flammable) will saturate on the filter. Clean it with household cleaning detergent.

III. Annual Cleaning for Activated Carbon Filter

Apply SOLELY to unit that installed as a recirculation unit (not vented to the outside). This filter traps odors and must be replaced at least once a year depending on how frequent the cooker hood used.

IV. Changing a light bulb

Remove the screws on the glass, take off the hood glass. Find the bulb that requires replacement, you will find it located in the light fixture which is inside the exposed section of the canopy.



Disconnect the light wiring point and remove the bulb holders and wiring from the hood. Important: It's not possible to replace the bulbs individually, it will be necessary to obtain the bulbs, bulb holders and wiring as a complete part. (LED light: MAX 1.5W)

Fit the replacement bulbs, bulb holders and wiring in the same manners as the originals. Then reconnect the light wiring point.

Refit the hood glass and fasten the glass screws. Make sure the screws are fully tightened.

TROUBLESHOOTING

Fault	Cause	Solution
Light on, but fan does not work	The fan blade is jammed.	Switch off the unit and repair by qualified service personnel only.
	The motor is damaged.	
Both light and fan do not work	Halogen light bulb burn.	Replace the bulb with correct rating.
	Power cord looses.	Plug in to the power supply again.
Serious Vibration of the unit	The fan blade is damaged.	Switch of the unit and repair by qualified service personnel only.
	The fan motor is not fixed tightly.	Switch off the unit and repair by qualified service personnel only.
	The unit is not hung properly on the bracket.	Take down the unit and check whether the bracket is in proper location.
Suction performance not good	Too long distance between the unit and the cooking plane	Readjust the distance to 65-75cm

CUSTOMER ASSISTANCE SERVICE

If you cannot identify the cause of the operating anomaly, switch off the appliance and contact the Assistance Service.

PRODUCT SERIAL NUMBER. Where can I find it?

It is important you to inform the Assistance Service of your product code and its serial number (a 16 character code which begins with the number 3); this can be found on the guarantee certificate or on the data plate located on the appliance.

It will help to avoid wasted journeys to technicians, thereby (and most significantly) saving the corresponding callout charges.

This appliance is marked according to the European directive 2012/19/EU on Waste Electrical and Electronic Equipment (WEEE).

WEEE contains both polluting substances (which can cause negative consequences for the environment) and basic components (which can be re-used). It is important to have WEEE subjected to specific



treatments, in order to remove and dispose properly all pollutants, and recover and recycle all materials.

Individuals can play an important role in ensuring that WEEE does not become an environmental issue; it is essential to follow some basic rules:

WEEE should not be treated as household waste;

WEEE should be handed over to the relevant collection points managed by the municipality or by registered companies. In many countries, for large WEEE, home collection could be present.

In many countries, when you buy a new appliance, the old one may be returned to the retailer who has to collect it free of charge on a one-to-one basis, as long as the equipment is of equivalent type and has the same functions as the supplied equipment.

MANUAL DE INSTALACIÓN Y USO

CONTENIDO

INTRODUCCIÓN	23
PRECAUCIÓN DE SEGURIDAD	23
INSTALACIÓN ELÉCTRICA	25
ESPECIFICACIÓN	26
INSTALACIÓN (VENTILACIÓN EXTERIOR)	27
INSTALACIÓN (VENTILACIÓN EN EL INTERIOR)	36
DESCRIPCIÓN DE LOS COMPONENTES	37
FUNCIONAMIENTO	37
MANTENIMIENTO	39
SOLUCIÓN DE PROBLEMAS	40
CONFORMIDAD CON LAS DIRECTIVAS	40
PROTECCIÓN DEL MEDIO AMBIENTE	41

INTRODUCCIÓN

Gracias por elegir esta campana de cocina.

Este manual de instrucciones está diseñado para proporcionarle todo lo necesario con instrucciones relacionadas con la instalación, el uso y el mantenimiento del aparato. Con el fin de operar el aparato correctamente y con seguridad, por favor lea este manual de instrucciones cuidadosamente antes de la instalación y el uso.

La campana extractora utiliza materiales de alta calidad y está fabricada con un diseño aerodinámico. Equipada con un motor eléctrico de gran potencia y un ventilador centrífugo, también proporciona una fuerte potencia de succión, un funcionamiento de bajo ruido, un filtro de grasa antiadherente y una instalación de fácil montaje.

Declaramos, por nuestra cuenta responsabilidad, el cumplimiento de todos los requisitos europeos de seguridad, salud y medio ambiente establecidos en la legislación de este producto.

PRECAUCIÓN DE SEGURIDAD

- Nunca dejes que los niños operen la máquina.
- La campana extractora es sólo para uso doméstico, no es adecuada para barbacoas, asadores y otros fines comerciales.
- La campana extractora y su filtro deben ser limpiados regularmente para mantenerlos en buenas condiciones de funcionamiento.
- Limpie la campana extractora de acuerdo con el manual de instrucciones y evite que el aparato se queme.
- Prohíba el horneado directo de la cocina de gas. Por favor, mantenga una buena convección en la cocina.
- Antes de conectar el aparato, compruebe que el cable de alimentación no esté dañado. Un cable de alimentación dañado sólo debe ser sustituido por personal de servicio técnico cualificado.
- La habitación deberá estar suficientemente ventilada cuando la campana extractora se utilice al mismo tiempo que los aparatos de gas u otros combustibles;
- El aire no debe descargarse en una chimenea que se utilice para expulsar los gases de los aparatos que queman gas u otros combustibles;
- Deben cumplirse las normas relativas a la descarga de aire.
- Los niños deben ser supervisados para asegurarse de que no jueguen con el aparato.
- No flamee bajo la campana extractora.
- La campana extractora no está diseñada para ser instalada sobre una placa de cocina que tenga más de cuatro elementos.
- que haya una ventilación adecuada de la sala cuando la campana extractora se utilice al mismo tiempo que los aparatos de gas u otros combustibles (no aplicable a los aparatos que sólo devuelven el aire a la sala); los detalles relativos al método y la frecuencia de la limpieza

- existe un riesgo de incendio si la limpieza no se realiza de acuerdo con las instrucciones
- no encienda fuego bajo la campana de la cocina
- **PRECAUCIÓN:** Las partes accesibles pueden calentarse cuando se usan con aparatos de cocina.

Peligro de choque eléctrico

- Peligro de choque eléctrico
- Enchufe esta unidad sólo en una toma de corriente con conexión a tierra. En caso de duda, pida consejo a un ingeniero debidamente cualificado.
- El incumplimiento de estas instrucciones puede provocar la muerte, un incendio o una descarga eléctrica.

Toda instalación debe ser realizada por una persona competente o un electricista cualificado. Antes de conectar la alimentación de la red, asegúrese de que la tensión de la red corresponda a la tensión que figura en la placa de características.

Conexión directa

El aparato debe conectarse directamente a la red eléctrica mediante un interruptor omnipolar con una apertura mínima de 3 mm entre los contactos.

El instalador debe asegurarse de que se ha realizado la conexión eléctrica correcta y que ésta se ajusta al esquema de cableado.

El cable no debe estar doblado ni comprimido.

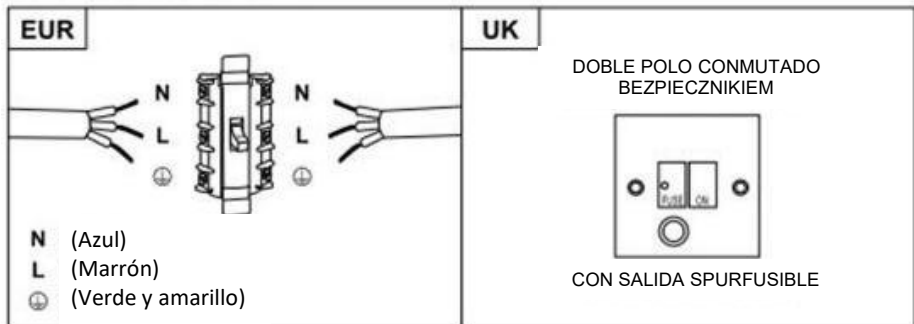
Compruebe regularmente que el enchufe y el cable de alimentación no estén dañados. Si el cable de alimentación está dañado, debe ser sustituido por un cable o conjunto especial disponible en el fabricante o su agente de servicio.

ADVERTENCIA: Este es un aparato de clase I y DEBE estar conectado a tierra. Este aparato se suministra con un cable de alimentación de 3 hilos del siguiente color:

Marrón = L o Vivo

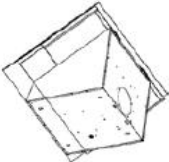
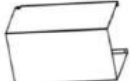









Azul = N o Neutro

Verde y amarillo = E o Tierra (⊕)



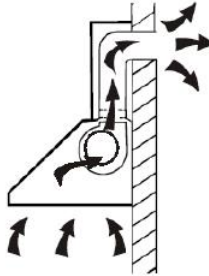
El fusible debe tener una capacidad de 3 amperios.

Lista de accesorios de instalación estándar

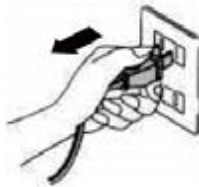
Espec.	Imagen	CANTIDAD
Cuerpo de la campana		1
Chimenea inferior (500mm)		1
Chimenea superior (500mm)		1
Soporte superior de la chimenea		1
El soporte inferior de la chimenea		1
Soporte de la campana de la cocina		1
φ8 taco φ8×φ6 color blanco		9
Tornillo (ST4 * 8 mm)		9
Tornillo (ST4 * 30 mm)		6
Salida de aire		1
Filtro de carbono		2

INSTALACIÓN (montaje en la pared)

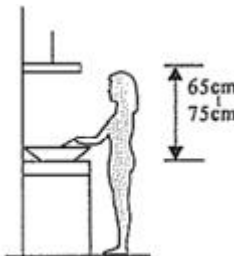
Si tiene una salida al exterior, su campana extractora puede ser conectada como en la foto de abajo por medio de un conducto de extracción (esmalte, aluminio, tubo flexible no inflamable con un diámetro interior de 150mm)



1. Antes de la instalación, apague la unidad y desenchúfela de la toma de corriente.

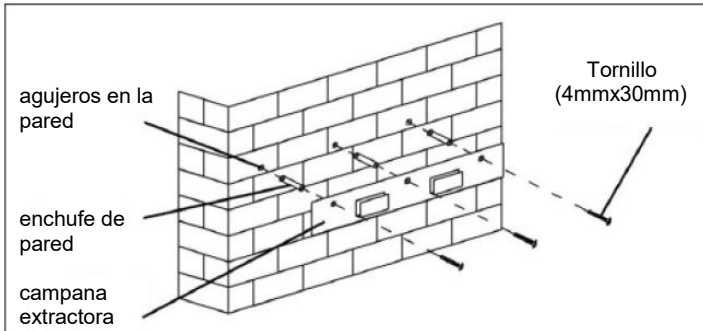


2. La campana extractora debe ser colocada a una distancia de 65~75cm sobre el plano de cocción para un mejor resultado.

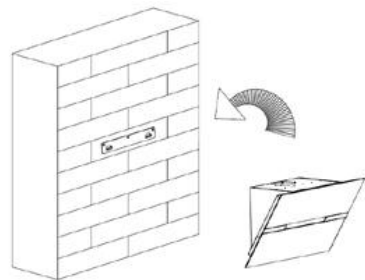


INSTALACIÓN DE LA CAMPANA

Coloca la campana a la altura deseada respetando la altura mínima sobre la placa. Marque la ubicación del soporte de pared. (Coloque los agujeros entre 700 y 800 mm por encima de la encimera) Retire la campana y coloque el soporte de pared para marcar la ubicación de los agujeros en la pared. Perfore los 3 agujeros de la pared para insertar el sistema de fijación adecuado (tornillo ST4x30mm).

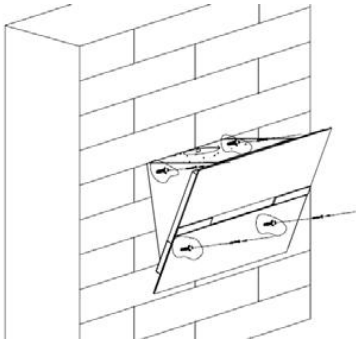


Cuelgue la campana en las muescas del soporte de la pared.

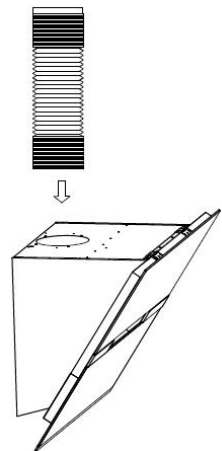


INSTALANDO LA CAMPANA

Una vez que la campana esté en su lugar, localice la ubicación de los 4 tornillos adicionales de montaje en la pared como se muestra en el siguiente diagrama. Retire la campana para perforar la pared e instale los tacos de la pared. Asegure el cuerpo de la campana con 4 tornillos de 4 mm de diámetro utilizando tacos adaptados a su pared.

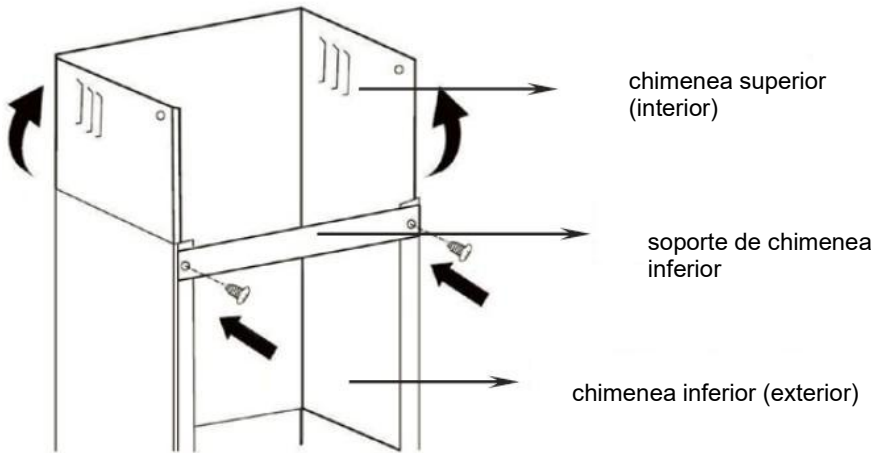


Si se selecciona el modo de extracción, coloque el conducto de aire de salida en la salida de aire como se muestra.

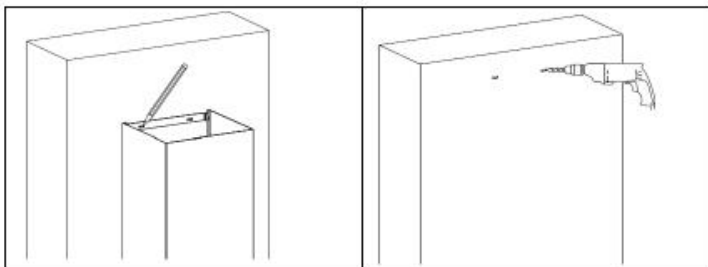


INSTALANDO LA CAMPANA

Ate el soporte de la chimenea inferior a la chimenea inferior como se muestra. Utilice 2 tornillos ST4x8mm. (No apriete demasiado los tornillos, asegúrese de que la chimenea superior pueda deslizarse fácilmente en la chimenea inferior) Inserte la chimenea superior en la chimenea inferior.



Coloca la chimenea inferior en el aparato y marca los agujeros en la pared.

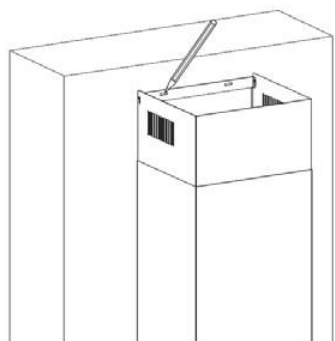
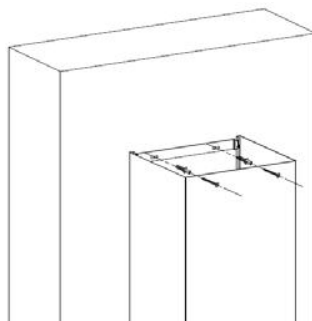


Quitar la chimenea inferior, y luego perforar los agujeros en la pared: agujero para el tornillo diámetro $\Phi 8$ mm

Use las clavijas adaptadas a su pared.

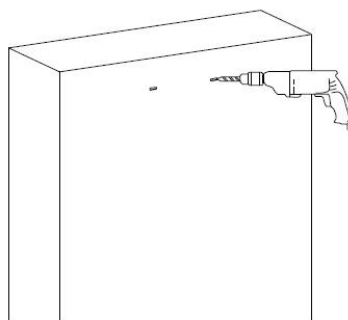
INSTALANDO LA CAMPANA

Instalar la chimenea inferior, luego atornillarla a la pared con 2 tornillos de diámetro Φ 8 mm.



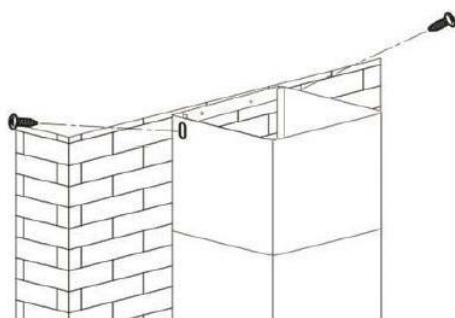
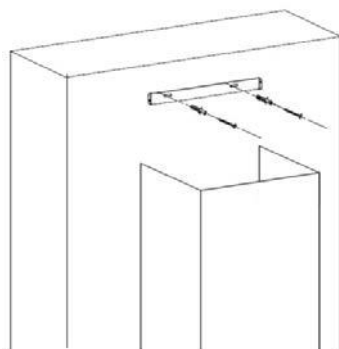
Luego tire de la chimenea superior hacia arriba hasta la altura deseada. Marque la ubicación de los agujeros de montaje del soporte de la chimenea superior.

Bajar la chimenea superior y luego hacer agujeros en la pared.
Inserte las clavijas adaptadas a su pared.



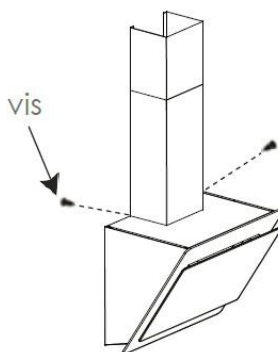
INSTALANDO LA CAMPANA

Asegure el soporte de la chimenea superior a la pared con los tacos seleccionados (se recomiendan tornillos de 8 mm).








Reensamblar la chimenea superior y fijarla al soporte de la pared con 2 tornillos ST4x8mm

Fijar la chimenea inferior a las lengüetas de la campana de la cocina con 2 tornillos ST4x8mm.



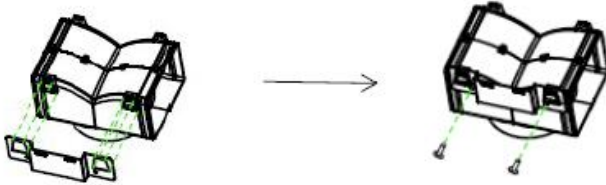
Lista de accesorios de instalación estándar

Espec.	Imagen	CANTIDAD
Deflector de aire		1
Soporte		1
φ8 tacos φ8×φ6 color blanco		2
Tornillos ST4.0×30		2
Tornillos ST3.5×12		2

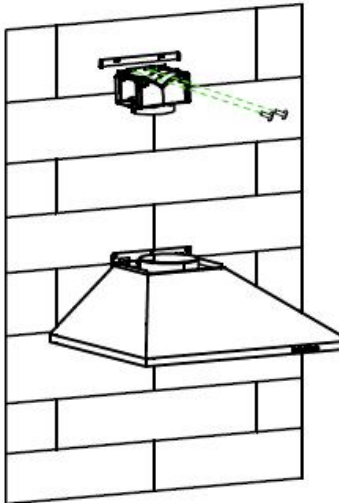
INSTALACIÓN (DEFLECTOR DE AIRE PARA MODELOS CON FORMA DE T, VIDRIO CURVO, VIDRIO PLANO):

El deflector de aire se menciona como incluido y no como opcional.

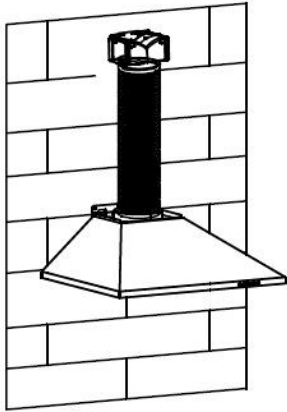
1. Fijar el soporte a la salida de plástico en forma de T con 2pcs ST3.5x12mms tornillos proporcionados como se muestra a continuación:



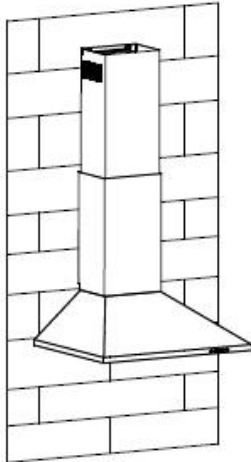
2. Taladrar 2 agujeros en la pared para acomodar los tacos, luego atornillar y apretar el soporte en la pared con 2 pcs de tornillos ST4x30mm provistos.



3. Coloque el tubo de extracción en la salida de aire de la campana extractora como se muestra a continuación:



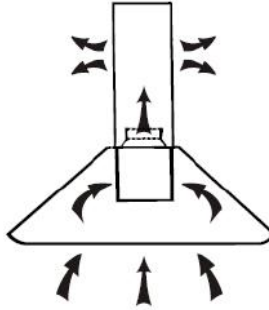
4. Instala la chimenea a la unidad y arrégla.



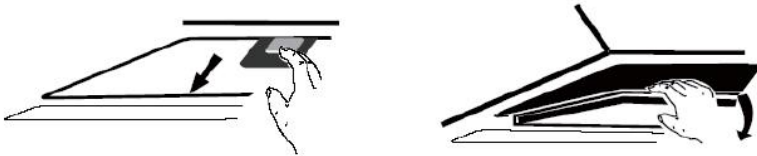
- "Por favor, tenga la amabilidad de tomar nota: La salida de plástico en forma de T y las aletas en V no pueden ser usadas al mismo tiempo. Puedes usarlas de dos maneras: 1) Agregar v-flap en la salida existente; 2) Usar la salida de plástico en forma de T, sin agregar v-flap."
- "Nota: El producto se suministra con el accesorio v-flap. Este accesorio no es obligatorio para la instalación, operación y uso del producto".

INSTALACIÓN (VENTILACIÓN EN EL INTERIOR)

Si no tiene una salida al exterior, no se requiere un tubo de escape y la instalación es similar a la que se muestra en la sección "INSTALACIÓN (SALIDA AL EXTERIOR)".



El filtro de carbón activado puede utilizarse para atrapar olores. Para instalar el filtro de carbón activado, primero hay que quitar el filtro de grasa. Presione el bloqueo y tire de él hacia abajo.



Enchufe el filtro de carbón activado en la unidad y gírelo en el sentido de las agujas del reloj. Repita lo mismo en el otro lado.



NOTA:

- *Asegúrate de que el filtro esté bien cerrado. De lo contrario, se aflojaría y sería peligroso.*
- *Cuando el filtro de carbón activado está conectado, la potencia de succión será menor.*

DESCRIPCIÓN DE LOS COMPONENTES



FUNCIONAMIENTO



Botón del temporizador

1. Ajustar la hora del día
Cuando la campana esté en modo de espera (el motor no funciona), pulse el botón del temporizador para entrar en el ajuste de la hora. Presione la tecla 'Fan speed' para ajustar la hora del día y presione la tecla 'Light' para ajustar los minutos.
2. Ajuste del temporizador
Cuando la campana esté en modo de funcionamiento, pulse el botón del temporizador para iniciar la cuenta atrás. La cuenta atrás máxima es de 60 minutos.



Botón de disminución de la velocidad

El botón está con indicación de retroiluminación, — para aumentar la velocidad del ventilador o apagar el ventilador; cuando presione el botón desde la velocidad 3 y la retroiluminación esté encendida, el ventilador estará disminuyendo la velocidad desde la velocidad 3-2-1 al presionar el botón —, cuando presione el botón — desde la velocidad 1, el ventilador estará en modo de espera. y la retroiluminación se apagará.



Botón de velocidad plus:

El botón está con indicación de retroiluminación, + para encender el ventilador o aumentar la velocidad del ventilador cuando se pulsa durante mucho tiempo el botón en el modo de espera, la retroiluminación se encenderá y el ventilador se encenderá a baja velocidad. entonces el ventilador aumentará la velocidad desde la velocidad 1-2-3 mediante la pulsación del botón +.



Botón de luz

Botón de luz para encender y apagar la luz.

DISPLAY LCD



1. El símbolo del motor, girará cuando el motor esté funcionando;
2. Visualización de la hora;
3. El símbolo del temporizador, aparecerá cuando el temporizador se esté ajustando y contando;
4. Símbolo de la luz;
5. Velocidad del motor;
6. El símbolo de la velocidad del turbo, aparecerá cuando la velocidad sea la más alta establecida;
7. Símbolo de alarma, aparecerá 5 segundos cuando la cuenta atrás del temporizador termine.
8. Alarma de limpieza, aparecerá cuando el tiempo total de trabajo sea de hasta 14 horas o cuando se utilice por primera vez después de enchufar.

MANTENIMIENTO

Antes de la limpieza, apague la unidad y saque el enchufe.

I. Limpieza regular

Use un paño suave humedecido con agua jabonosa tibia o detergente de limpieza para el hogar. Nunca use almohadillas metálicas, químicas, abrasivas material o un cepillo rígido para limpiar la unidad.

II. Limpieza mensual del filtro de grasa

ESENCIAL: Limpiar el filtro cada mes puede prevenir cualquier riesgo de incendio.

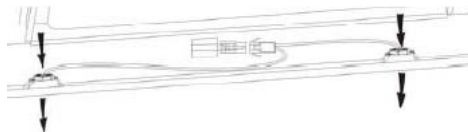
El filtro recoge la grasa, el humo y el polvo... por lo que el filtro afecta directamente a la eficiencia de la campana extractora. Si no se limpia, los residuos de grasa (potencialmente inflamables) se saturarán en el filtro. Límpielo con un detergente de limpieza doméstico.

III. Limpieza anual del filtro de carbón activado

Aplicar SOLAMENTE a la unidad que se instaló como unidad de recirculación (no ventilada al exterior). Este filtro atrapa los olores y debe ser reemplazado al menos una vez al año dependiendo de la frecuencia con la que la campana de la cocina se utiliza.

IV. Cambiar una bombilla

Quita los tornillos del cristal, quita el cristal de la campana. Encuentra la bombilla que requiere ser reemplazada, la encontrarás ubicada en la lámpara que está dentro de la sección expuesta del capó.



Desconecte el punto de cableado de la luz y retire los soportes de la bombilla y el cableado de la campana. Importante: No es posible reemplazar las bombillas individualmente, será necesario obtener las bombillas, los portalámparas y el cableado como una pieza completa. (Luz LED: MAX 1.5W)

Coloca las bombillas de repuesto, los portalámparas y el cableado de la misma manera que los originales. Luego reconecte el punto de cableado de la luz.

Vuelva a colocar el vidrio de la campana y apriete los tornillos del vidrio. Asegúrate de que los tornillos estén completamente apretados.

SOLUCIONADOR DE PROBLEMAS

FALLO	CAUSA	SOLUCION
La luz se enciende, pero el ventilador no funciona	La aspa del ventilador está atascada.	Apague la unidad y repárela sólo por personal de servicio calificado.
	El motor está dañado.	
Tanto la luz como el ventilador no funcionan	Se queman las bombillas halógenas.	Reemplaza la bombilla con la clasificación correcta.
	El cable de alimentación se suelta.	Enchúfalo a la fuente de alimentación de nuevo.
Vibración grave de la unidad	La aspa del ventilador está dañada.	Cambio de la unidad y reparación por personal de servicio calificado solamente.
	El motor del ventilador no está bien fijado.	Apague la unidad y repárela sólo por personal de servicio calificado.
	La unidad no está bien colgada en el soporte.	Desmonta la unidad y comprueba si el soporte está en su sitio.
El rendimiento de la succión no es bueno	Demasiada distancia entre la unidad y el plano de succión	Reajuste la distancia a 65-75cm

SERVICIO DE ASISTENCIA AL CLIENTE

Si no puede identificar la causa de la anomalía de funcionamiento, apague el aparato y póngase en contacto con el Servicio de Asistencia.

NÚMERO DE SERIE DEL PRODUCTO. ¿Dónde puedo encontrarlo?

Es importante que comunique al Servicio de Asistencia el código del producto y su número de serie (un código de 16 caracteres que comienza con el número 3); éste se encuentra en el certificado de garantía o en la placa de datos situada en el aparato.

Esto ayudará a evitar viajes inútiles a los técnicos, ahorrando así (y lo que es más importante) los correspondientes gastos de llamada.

Este aparato está marcado de acuerdo con la directiva europea 2012/19/UE sobre residuos de aparatos eléctricos y electrónicos (RAEE).



Los RAEE contienen ambas sustancias contaminantes (que pueden causar consecuencias negativas para el medio ambiente) y componentes básicos (que pueden ser reutilizados). Es importante que los RAEE se sometan a unapara

eliminar y eliminar adecuadamente todos los contaminantes, y recuperar y reciclar todos los materiales.

Los individuos pueden desempeñar un papel importante para asegurar que los RAEE no se conviertan en un problema ambiental; es esencial seguir algunas reglas básicas:

Los RAEE no deben tratarse como residuos domésticos; Los RAEE deben entregarse en los puntos de recogida correspondientes gestionados por el municipio o por empresas registradas. En muchos países, en el caso de los RAEE de gran tamaño, la recogida domiciliaria podría estar presente.

En muchos países, cuando se compra un nuevo aparato, el antiguo puede devolverse al minorista, que debe recogerlo gratuitamente en forma individual, siempre que el aparato sea de tipo equivalente y tenga las mismas funciones que el suministrado.

INSTRUKCJA OBSŁUGI I INSTALACJI

SPIS TREŚCI

WPROWADZENIE	43
ŚRODKI OSTROŻNOŚCI	43
INSTALACJA ELEKTRYCZNA	45
SPECYFIKACJA TECHNICZNA	46
INSTALACJA (OBIEG OTWARTY)	47
INSTALACJA (OBIEG ZAMKNIĘTY)	56
OPIS FUNKCJI PANELU STEROWANIA	57
DZIAŁANIE	57
KONSERWACJA	59
ROZWIĄZYWANIE PROBLEMÓW	60
ZGODNOŚĆ Z DYREKTYWAMI	60
OCHRONA ŚRODOWISKA	61


WPROWADZENIE

Dziękujemy za wybranie tego okapu kuchennego.

Niniejsza instrukcja obsługi zawiera wszystkie niezbędne wskazówki związane z instalacją, użytkowaniem i konserwacją urządzenia.

W celu prawidłowej obsługi urządzenia i zapewnienia bezpieczeństwa, przed instalacją i rozpoczęciem użytkowania należy uważnie przeczytać instrukcję obsługi.

Okap kuchenny został wykonany z materiałów wysokiej jakości i posiada minimalistyczny kształt. Został wyposażony w silnik elektryczny o dużej mocy oraz wentylator promieniowy, które zapewniają dużą moc ssania i cichą pracę, a także filtr przeciwtłuszczowy z nieprzywierającą powłoką. Jest łatwy w montażu.

Umieszczając oznakowanie  na tym produkcie, oświadczamy na własną odpowiedzialność, że produkt jest zgodny ze wszystkimi europejskimi wymogami dotyczącymi bezpieczeństwa, zdrowia i ochrony środowiska, określonymi w przepisach mających związek z produktem.

ZASADY BEZPIECZEŃSTWA

- Nie wolno pozwalać dzieciom na obsługiwanie urządzenia.
- Okap kuchenny jest przeznaczony wyłącznie do użytku domowego; nie nadaje się do stosowania nad grillem, opiekaczem czy do celów komercyjnych.
- Aby utrzymać okap kuchenny w dobrym stanie, obudowa i filtr powinny być regularnie czyszczone.
- Okap kuchenny należy czyścić zgodnie z instrukcją obsługi i zabezpieczyć go przed działaniem płomieni.
- Należy bezwzględnie chronić okap przedwysoką temperaturą płyty gazowej. Należy zadbać o dobrą wentylację w pomieszczeniu kuchennym.
- Przed podłączeniem urządzenia sprawdzić, czy przewód zasilający nie jest uszkodzony. Uszkodzony przewód zasilający może wymienić wyłącznie wykwalifikowany personel serwisu technicznego.
- Należy zapewnić odpowiednią wentylację pomieszczenia, gdy w tym samym czasie co okap kuchenny używane jest inne urządzenie spalające gaz lub inne paliwo;
- Wylot okapu nie może być podłączony do komina, który jest używany do odprowadzania spalin z urządzeń spalających gaz lub inne paliwa;
- Należy zapewnić zgodność z przepisami dotyczącymi odprowadzania powietrza.
- Dzieci powinny znajdować się pod ciągłym nadzorem, aby mieć pewność, że nie bawią się urządzeniem.
- Pod okapem nie wolno flambirować potraw.
- Okap kuchenny nie jest przeznaczony do montażu nad płytą kuchenną posiadającą więcej niż cztery elementy grzewcze.

- W pomieszczeniu należy zapewnić odpowiednią wentylację, gdy okap kuchenny jest używany w tym samym czasie, co urządzenia spalające gaz lub inne paliwa (nie dotyczy tylko okapów odprowadzających powietrze z powrotem do pomieszczenia);
- Należy przestrzegać instrukcji dotyczących metod i częstotliwości czyszczenia.
- Nieprzestrzeganie instrukcji czyszczenia może doprowadzić do wybuchu pożaru.
- Nie używać otwartego ognia pod okapem.
- **ZACHOWAJ OSTROŻNOŚĆ:** Dostępne części mogą się nagrzewać pod wpływem działania innych urządzeń do gotowania.

Zagrożenie porażeniem prądem

- Podłączać urządzenie tylko do prawidłowo uziemionego gniazdka. W razie wątpliwości należy zasięgnąć porady fachowca z odpowiednimi uprawnieniami.
- Nieprzestrzeganie powyższych wskazówek może spowodować śmierć, pożar lub porażenie prądem.

Instalacja elektryczna

Cała instalacja musi być wykonana przez kompetentną osobę lub wykwalifikowanego elektryka. Przed podłączeniem zasilania sieciowego upewnij się, że napięcie sieciowe odpowiada napięciu na tabliczce znamionowej.

Bezpośrednie podłączenie do zasilania

Urządzenie należy podłączyć bezpośrednio do zasilania za pomocą wyłącznika wielobiegunowego z minimalnym odstępem 3 mm między stykami.

Instalator musi upewnić się, że połączenie elektryczne wykonano prawidłowo, i że jest ono zgodne ze schematem elektrycznym.

Kabel nie może być zgięty ani przygnieciony.

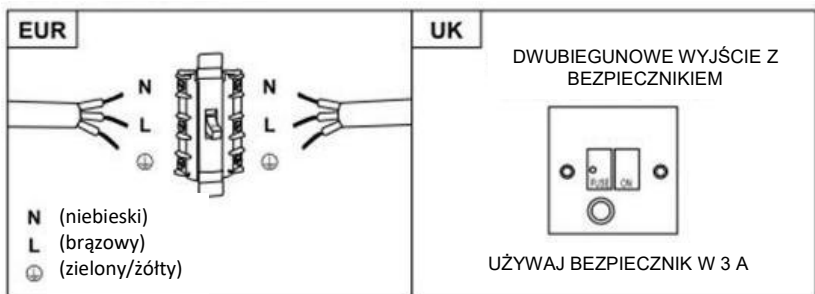
Regularnie sprawdzaj wtyczkę i przewód zasilający pod kątem uszkodzeń. Jeśli przewód zasilający jest uszkodzony, należy go wymienić na specjalny przewód lub zestaw dostępny u producenta lub jego przedstawiciela serwisowego.

OSTRZEŻENIE: Urządzenie należy do Klasy I i MUSI być uziemione. Urządzenie jest dostarczane z 3-żyłowym kablem zasilającym, z żyłami w następujących kolorach:

Brązowy = L lub pod napięciem

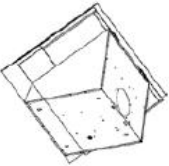






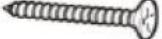



Niebieski = N lub neutralny

Zielony i żółty = E lub uziemiający (⊕)



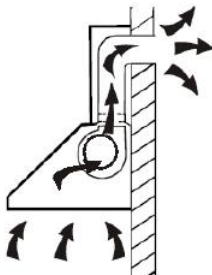
Bezpiecznik musi mieć wartość znamionową 3 A.

Lista standardowych akcesoriów instalacyjnych

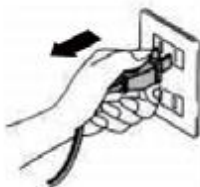
Część	Ilustracja	Ilość
Obudowa okapu		1
Górny przewód kominowy (500mm)		1
Dolny przewód kominowy (500mm)		1
Wspornik górnego przewodu kominowego		1
Wspornik dolnego przewodu kominowego		1
Wspornik do okapu		1
Kołki rozporowe $\varnothing 8/6$ mm białe		9
Wkręty (ST4.0 * 30 mm)		9
Wkręty (ST4.0 * 8 mm)		6
Wylot powietrza		1
Filtr węglowy		2

INSTALACJA (montaż ścienny)

Jeśli posiadasz możliwość odprowadzenia powietrza na zewnątrz, okap kuchenny można podłączyć w sposób pokazany poniżej, tj. za pomocą przewodu wentylacyjnego (emaliowanego, z aluminium lub w formie elastycznej rury z materiału niepalnego o średnicy wewnętrznej 150 mm).



1. Przed instalacją wyłącz urządzenie i wyjmij wtyczkę z gniazdka.



2. Aby uzyskać najlepszą skuteczność, okap kuchenny powinien być umieszczony w odległości 65 ~ 75 cm nad płytą do gotowania.

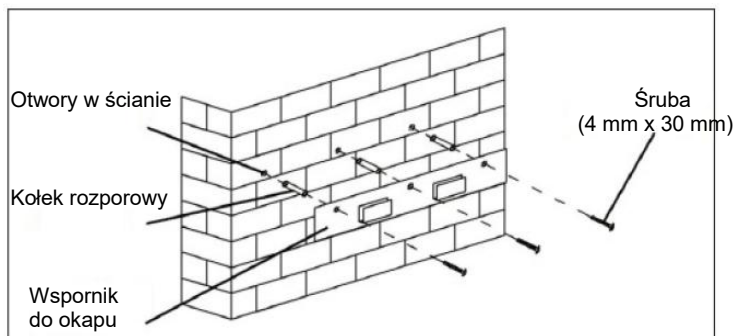


INSTALACJA OKAPU

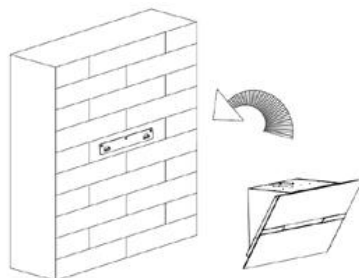
Ustaw okap na żądanej wysokości z zachowaniem minimalnej wysokości nad płytą kuchenną.

Zaznacz położenie wspornika ściennego. (Umieść otwory między 700 a 800 mm nad blatem) Zdejmij okap i umieść wspornik ścienny, aby zaznaczyć położenie otworów w ścianie.

Wywierć 3 otwory w ścianie, aby wprowadzić odpowiedni system mocowania (śruba ST4x30mm).



Zawieś okap na rowkach wspornika ściennego.

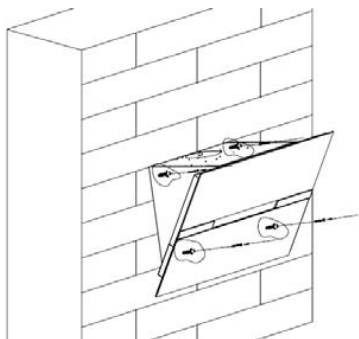


INSTALACJA OKAPU

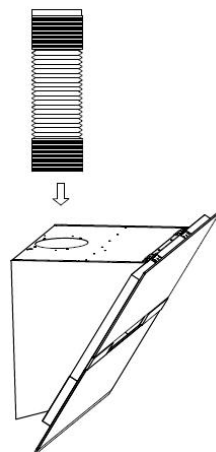
Po założeniu okapu zlokalizuj położenie 4 dodatkowych śrub do montażu na ścianie, jak pokazano na poniższym schemacie.

Zdejmij okap, aby wywiercić otwory w ścianie i zainstaluj kołki rozporowe.

Przymocuj korpus okapu 4 śrubami o średnicy 4 mm za pomocą kołków dostosowanych do rodzaju ściany.



Jeśli wybrano podłączenie do systemu wentylacyjnego, umieść przewód powietrza wywiewanego na wylocie powietrza, jak pokazano na rysunku.



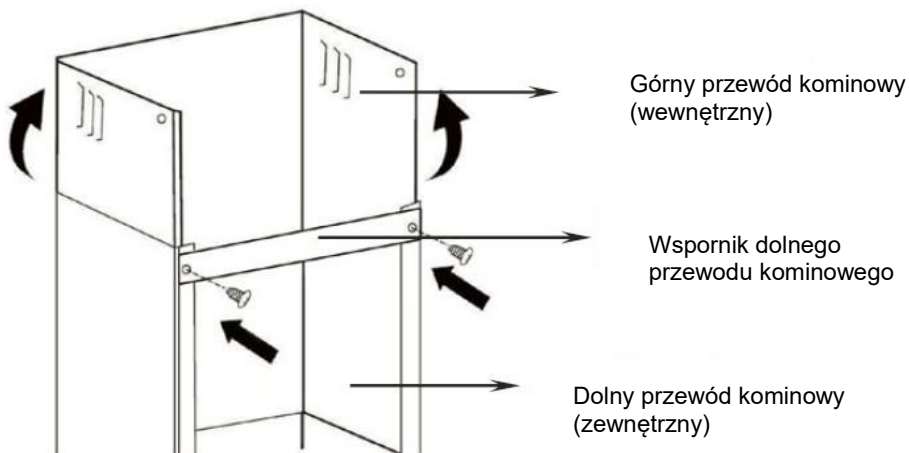
INSTALACJA OKAPU

Przymocuj wspornik dolnego przewodu kominowego do dolnego przewodu kominowego, jak pokazano na rysunku.

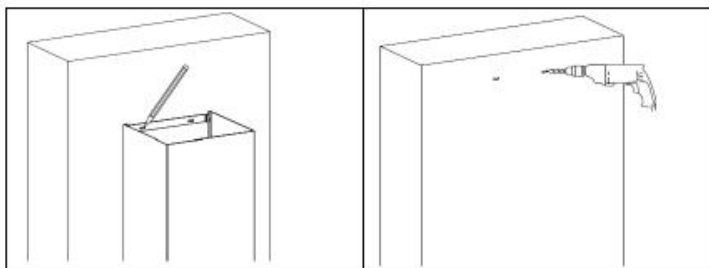
Użyj 2 śrub ST4x8mm.

(Nie dokręcaj zbyt mocno śrub, upewnij się, że górny przewód kominowy może łatwo wsunąć się w dolny przewód kominowy).

Włóż górny przewód kominowy do dolnego przewodu kominowego.



Umieść dolny przewód kominowy w urządzeniu, a następnie zaznacz miejsca otwory na ścianie.

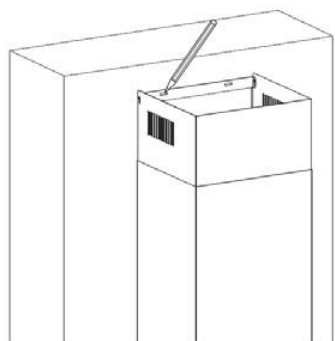
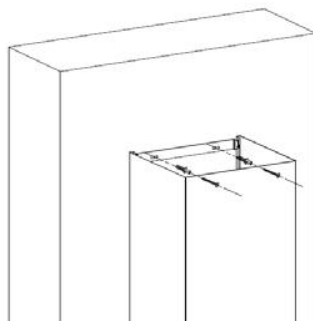


Zdejmij dolny przewód kominowy, a następnie wywierć otwory w ścianie: otwór na śrubę o średnicy $\Phi 8$ mm

Użyj kołków dostosowanych do rodzaju ściany.

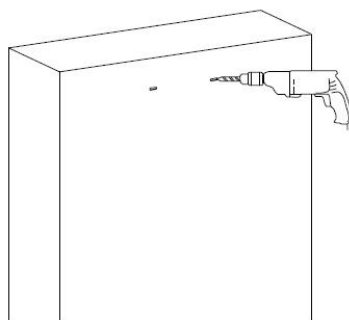
INSTALACJA OKAPU

Zamontuj dolny przewód kominowy, a następnie przykręć go do ściany 2 śrubami o średnicy Φ 8 mm.



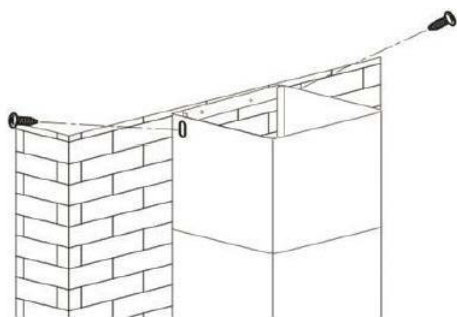
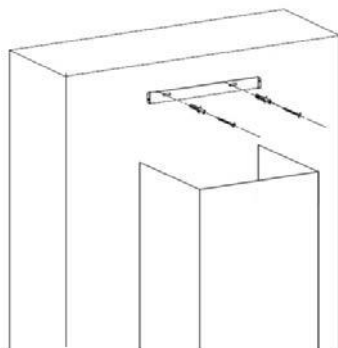
Następnie pociągnij górny przewód kominowy do góry na żądaną wysokość. Zaznacz położenie otworów montażowych wspornika górnego przewodu kominowego.

Opuść górny przewód kominowy, a następnie wywierć otwory w ścianie. Włóż kołki dostosowane do Twojej ściany



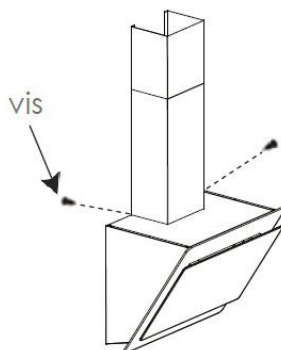
INSTALACJA OKAPU

Przymocuj wspornik górnego przewodu kominowego do ściany za pomocą wybranych kołków (zalecane śruby 8 mm).








Zmontuj górny przewód kominowy i przymocuj go do wspornika ściennego za pomocą 2 śrub ST4x8mm

Dolny przewód kominowy przymocuj do występow okapu za pomocą 2 śrub ST4x8mm.



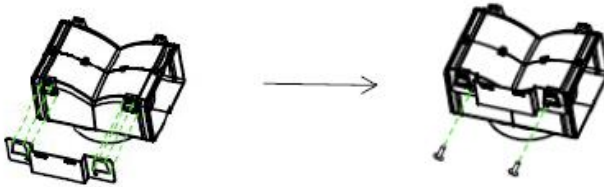
Lista standardowych akcesoriów instalacyjnych

Część	Ilustracja	Ilość
Deflektor		1
Wspornik		1
Kołki rozporowe ø8/6 mm białe		2
Wkręty ST4.0×30		2
Wkręty ST3.5×12		2

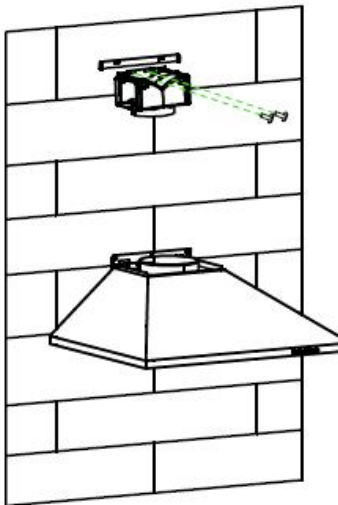
INSTALACJA (DEFLEKTOR DO MODELI T-SHAPE, CURVED GLASS, FLAT GLASS)

Deflektor jest dołączony do urządzenia, a jego instalacja nie jest opcjonalna.

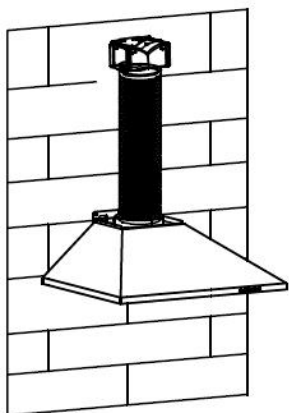
1. Zamocuj wspornik do plastikowego wylotu w kształcie litery T za pomocą 2 dostarczonych śrub ST3,5x12mm jak pokazano poniżej.



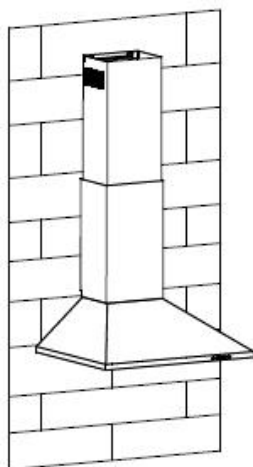
2. Wywierć 2 otwory pod kołki rozporowe, a następnie przykręć i dokręć wspornik do ściany za pomocą 2 dostarczonych śrub ST4x30mm



3. Zamocuj rurę na wylocie powietrza, jak pokazano poniżej:



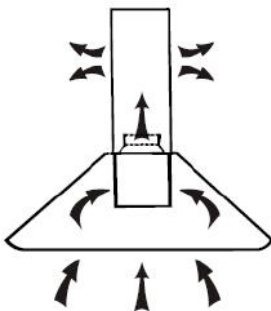
4. Zamontuj przewód kominowy na urządzeniu i zamocuj go.



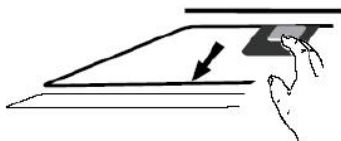
- Uwaga: Plastikowy wylot w kształcie litery T i kłapy w kształcie litery V nie mogą być zamontowane jednocześnie. Możesz użyć tych elementów na dwa różne sposoby: 1) Zamontuj kłapy w kształcie litery V na istniejącym wylocie powietrza; 2) Użyj plastikowego wylotu w kształcie litery T nie instalując kłapy w kształcie litery V.
- Uwaga: Produkt jest dostarczany z kłapą w kształcie litery V. Element ten nie musi być zainstalowany, aby urządzenie działało w prawidłowy sposób.

INSTALACJA (OBIEG ZAMKNIĘTY)

Jeśli nie posiadasz systemu odprowadzania powietrza na zewnątrz pomieszczenia, rura wentylacyjna nie jest potrzebna, choć montaż przebiega podobnie do pokazanego w sekcji „INSTALACJA (WENTYLACJA NA ZEWNĄTRZ)”.



Do wychwytywania zapachów może być wykorzystany filtr węglowy. Aby zainstalować filtr zawierający węgiel aktywny, najpierw należy usunąć filtr przeciwtłuszczowy. Naciśnij blokadę i pociągnij w dół.



Podłącz filtr węglowy do urządzenia i obróć go w kierunku zgodnym z ruchem wskazówek zegara. Powtórz to samo po drugiej stronie.



UWAGA:

- *Upewnij się, że filtr został bezpiecznie zablokowany. W przeciwnym razie może się poluzować i zagrozić bezpieczeństwu.*
- *Po podłączeniu filtra z węglem aktywnym moc zassania będzie niższa.*

OPIS FUNKCJI PANELU STEROWANIA



DZIAŁANIE



Przycisk przełącznika czasowego

1. Ustawienia czasu
Gdy okap jest w trybie czuwania (silnik nie działa), naciśnij przycisk timera, aby wprowadzić ustawienie czasu.
Naciśnij przycisk „**Prędkość wentylatora**”, aby ustawić godzinę, i przycisk „**Oświetlenie**”, aby ustawić minuty.
2. Ustawienia przełącznika czasowego
Gdy okap jest w trybie pracy, naciśnij przycisk przełącznika czasowego, aby ustawić odliczanie.
Naciśnij jeden raz przycisk przełącznika czasowego, a ustawienia wzrosną o jedną minutę. Maksymalny czas odliczania to 60 minut.



Przycisk zmniejszania prędkości

Podświetlony przycisk – służy do zmniejszania prędkości wentylatora lub wyłączenia wentylatora; po naciśnięciu przycisku przy prędkości 3 i podświetleniu go, wentylator będzie zmniejszał prędkość w kolejności 3-2-1 po każdorazowym naciśnięciu przycisku – ;po naciśnięciu – przy prędkości 1 wentylator przejdzie w tryb czuwania, a podświetlenie zostanie wyłączone.



Przycisk zwiększania prędkości

Podświetlony przycisk+ służy do włączenia wentylatora lub zwiększenia jego prędkości; po dłuższym naciśnięciu przycisku w trybie czuwania, podświetlenie zostanie włączone, a wentylator zacznie pracować na niskich obrotach. Następnie wentylator będzie zwiększał prędkość w kolejności 1-2-3 po każdorazowym naciśnięciu przycisku +.



Przycisk OŚWIETLENIA

Służy do włączania i wyłączania oświetlenia.

Wyświetlacz LCD



1. Gdy silnik pracuje, symbol silnika będzie się obracał;
2. Wyświetlanie czasu;
3. Symbol timera pojawi się podczas ustawiania i odliczania timera;
4. Symbol oświetlenia;
5. Prędkość silnika;
6. Symbol prędkości turbo pojawi się, gdy prędkość zostanie ustawiona na najwyższą;
7. Symbol alarmu pojawi się na 5 sekund po zakończeniu odliczania timera.
8. Alarm czyszczenia, pojawia się, gdy upłynie 14 godzin pracy urządzenia oraz przy pierwszym użyciu zaraz po podłączeniu.

KONSERWACJA

Przed czyszczeniem wyłącz urządzenie i wyciągnij wtyczkę z gniazdka.

I. Codzienne czyszczenie

Używaj miękkiej szmatki zwilżonej letnią wodą z niewielkim dodatkiem mydła lub domowego środka czyszczącego. Nigdy nie używaj do czyszczenia urządzenia metalowych gąbek, środków chemicznych i materiałów ściernych ani ostrych szczotek.

II. Comiesięczne czyszczenie filtra przeciw tłuszczowemu

WAŻNE: Czyść filtr co miesiąc, aby wyeliminować ryzyko pożaru.

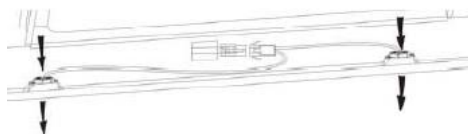
Filtr zbiera tłuszcz, dym i kurz - ma więc bezpośredni wpływ na wydajność okapu kuchennego. Jeśli nie zostanie oczyszczony, pozostałości tłuszczu (potencjalnie łatwopalne) nagromadzą się na filtrze. Oczyszć go za pomocą domowego detergentu do czyszczenia.

III. Coroczne czyszczenie filtra węglowego

Dotyczy WYŁĄCZNIE urządzeń, które zostały zainstalowane jako urządzenie recykulacyjne (nie odprowadzające powietrza na zewnątrz). Filtr ten zatrzymuje zapachy i należy go wymieniać co najmniej raz w roku, w zależności od częstotliwości używania okapu kuchennego.

IV. Wymiana żarówki

Odkręć śruby na szybie, zdejmij szybę z okapu. Znajdź żarówkę, która wymaga wymiany, znajdziesz ją w oprawie, która znajduje się wewnątrz odsłoniętej części daszka.



Odłącz punkt podłączenia kabla i wyjmij oprawki żarówek i przewody z maski. **Ważne:** wymiana pojedynczych żarówek nie jest możliwa, konieczne będzie zakupienie żarówek, oprawek i okablowania w zestawie. (Światło LED: MAX 1,5 W)

Zamontuj nowe żarówki, oprawki żarówek i okablowanie w taki sam sposób jak oryginały. Następnie podłącz ponownie kabel.

Ponownie załóż szybę okapu i przykręć śruby. Upewnij się, że śruby są dobrze dokręcone.

ROZWIĄZYWANIE PROBLEMÓW

Usterka	Przyczyna	Rozwiązanie
Światło świeci, ale wentylator nie działa	Łopatką wentylatora jest zablokowana.	Wyłącz urządzenia - naprawa może być wykonana wyłącznie przez wykwalifikowany personel serwisowy.
	Silnik jest uszkodzony.	
Zarówno światło, jak i wentylator nie działają	Żarówka jest przepalona	Wymień żarówkę na właściwą.
	Przewód zasilający jest poluzowany.	Podłącz ponownie do źródła zasilania.
Poważne wibracje urządzenia	Łopatką wentylatora jest uszkodzona.	Wyłącz urządzenia - naprawa może być wykonana wyłącznie przez wykwalifikowany personel serwisowy.
	Silnik wentylatora nie jest solidnie zamocowany.	Wyłącz urządzenia - naprawa może być wykonana wyłącznie przez wykwalifikowany personel serwisowy.
	Urządzenie nie jest prawidłowo zawieszona na wsporniku.	Zdejmij urządzenie i sprawdź, czy wspornik znajduje się we właściwym miejscu.
Wydajność ssania nie jest dobra	Zbyt duża odległość między urządzeniem a płytą grzewczą	Ponownie ustaw odległość na 65-75 cm

SERWIS TECHNICZNY DLA KLIENTA

Jeśli nie możesz zidentyfikować przyczyny nieprawidłowego działania urządzenia, wyłącz je i skontaktuj się z serwisem technicznym.

NUMER SERYJNY PRODUKTU. Gdzie mogę to znaleźć?

Ważne jest, aby podać kodu produktu i jego numer seryjny (16-cyfrowy kod rozpoczynający się cyfrą 3) serwisowi technicznemu; można go znaleźć na karcie gwarancyjnej lub na tabliczce znamionowej umieszczonej na urządzeniu. Pomoże to uniknąć marnowania czasu na podróże techników i (co najważniejsze) obniży opłaty za wezwanie.

Niniejsze urządzenie jest oznakowane zgodnie z europejską dyrektywą 2012/19/UE w sprawie zużytego sprzętu elektrycznego i elektronicznego (en. WEEE).

ZSEE obejmuje zarówno substancje zanieczyszczające (mogące powodować negatywne skutki dla środowiska), jak i podstawowe komponenty (które mogą być ponownie wykorzystane). Ważne jest poddanie ZSEE określonej obróbce w celu usunięcia i właściwej utylizacji wszystkich zanieczyszczeń oraz odzyskania i recyklingu wszystkich materiałów.



Osoby fizyczne mogą odegrać ważną rolę w zapewnieniu, że ZSEE nie stanie się problemem środowiskowym; konieczne jest przestrzeganie kilku podstawowych zasad:

ZSEE nie powinien być traktowany jako odpad z gospodarstwa domowego;

ZSEE należy przekazać do odpowiednich punktów zbiórki zarządzanych przez gminę lub zarejestrowane firmy. W wielu krajach w przypadku ZSEE o dużych gabarytach możliwy jest odbiór z domu.

W wielu krajach przy zakupie nowego urządzenia stare urządzenie można zwrócić sprzedawcy, który musi je bezpłatnie odebrać na zasadzie odbioru indywidualnego, o ile sprzęt jest tego samego typu i spełnia te same funkcje jak dostarczony sprzęt.

MANUAL DE INSTALAÇÃO E UTILIZADOR

CONTEÚDOS

APRESENTAÇÃO	63
PRECAUÇÃO DE SEGURANÇA	63
Instalação Elétrica.....	65
INSTALAÇÃO (montagem mural).....	67
INSTALAÇÃO DO EXAUSTOR.....	68
Lista de Acessórios de Instalação Padrão.....	73
INSTALAÇÃO (DEFLETOR DE AR PARA MODELOS EM T, VIDRO CURVO, VIDRO PLANO):	74
INSTALAÇÃO (VENTILAÇÃO INTERNA)	76
DESCRIÇÃO DOS COMPONENTES	77
OPERAÇÃO	77
MANUTENÇÃO	79
RESOLUÇÃO DE PROBLEMAS	80
SERVIÇO DE ASSISTÊNCIA AO CLIENTE	80

APRESENTAÇÃO

Obrigado por ter escolhido este exaustor.

Este manual de instruções foi desenhado para fornecer todas as instruções necessárias relacionadas com a instalação, utilização e manutenção do aparelho. Para operar a unidade corretamente e em segurança, leia este manual de instruções atentamente antes da instalação e utilização.

O exaustor utiliza materiais de alta qualidade e é fabricado com um design aerodinâmico. Equipado com motor elétrico de grande potência e ventilador centrífugo, fornece grande potência de sucção, operação de baixo ruído, filtro de gordura antiaderente e facilidade de montagem.



Ao colocar a  marcação neste produto, confirmamos, sob nossa responsabilidade,

a conformidade com todos os requisitos europeus de segurança, saúde e meio ambiente estabelecidos na legislação para este produto

PRECAUÇÃO DE SEGURANÇA

- Não deixe uma criança mexer na máquina.
- O exaustor é apenas para uso doméstico, não é apropriado para churrasqueiras, charcutarias ou outros usos comerciais.
- O exaustor e o seu filtro de malha devem ser limpos regularmente para manter o aparelho em boas condições de funcionamento.
- Limpe o exaustor de acordo com o manual de instruções e evite assim o risco de ocorrência de queimaduras.
- Não cozinhe diretamente no fogão a gás. Mantenha uma boa convecção na cozinha.
- Antes de ligar este aparelho, verifique se o cabo de alimentação não está danificado. Um cabo de alimentação danificado deve ser substituído apenas por pessoal de serviço qualificado.
- Deve existir ventilação adequada quando o exaustor for usado ao mesmo tempo que os aparelhos que queimam gás ou outros combustíveis;
- A descarga do ar não deve ser para um tubo usado para exaustão de fumo de aparelhos que queimam gás ou outros combustíveis;
- Os regulamentos relativos a descarga de ar devem ser cumpridos.

- As crianças devem ser supervisionadas para garantir que não brincam com o equipamento.
- Não flamejar alimentos por baixo do exaustor.

- O exaustor não se destina a ser instalado sobre uma placa com mais de quatro elementos de fogão
 - Estes devem ter ventilação adequada da sala quando o exaustor é usado ao mesmo tempo que aparelhos que queimam gás ou outros combustíveis (não aplicável a aparelhos que apenas descarregam o ar de volta para a sala);
 - detalhes relativos ao método e à frequência da limpeza.
 - existe risco de incêndio se a limpeza não for realizada de acordo com as instruções;
 - não faça chamas debaixo do exaustor;
 - CUIDADO: As peças acessíveis podem ficar quentes quando usadas com aparelhos de cozinha.

Perigo de choque elétrico

- Ligue esta unidade a uma tomada devidamente ligada à terra. Em caso de dúvida, procure a ajuda de um engenheiro qualificado.
- O não cumprimento destas instruções pode resultar em morte, incêndio ou choque elétrico.

Instalação Elétrica

Todo o trabalho de instalação deve ser realizado por um técnico ou por um eletricista qualificado. Antes de fazer a ligação à corrente elétrica, deve assegurar-se de que a tensão elétrica corresponde à tensão indicada na placa de identificação.

Ligação Direta

O aparelho deve ser ligado diretamente à rede elétrica utilizando um disjuntor omnipolar com uma abertura mínima de 3 mm entre os contactos.

O instalador deve garantir que foi efetuada uma ligação elétrica correta e em conformidade com o esquema de cablagem.


O cabo não deve ser dobrado ou comprimido.

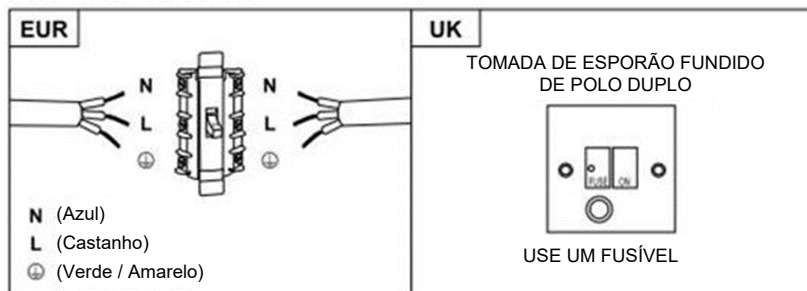
Verifique regularmente se a ficha e o cabo de alimentação apresentam danos. Se o cabo de alimentação estiver danificado, deve ser substituído por um cabo especial ou conjunto disponível no fabricante ou no seu agente de serviço.

AVISO: Este aparelho é de Classe I e DEVE ser ligado à terra. Este aparelho é fornecido com um cabo de rede de 3 núcleos colorido da seguinte forma:

Castanho = L ou Vivo

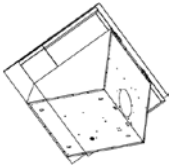
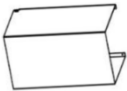






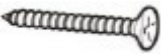



Azul = N ou Neutro

Verde e Amarelo = E ou Terra 



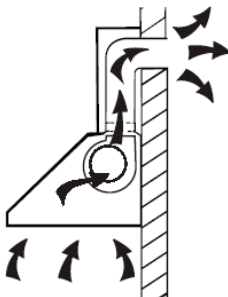
O fusível deve ser classificado em 3 Amps.

Lista de Acessórios de Instalação Padrão

Especific.	Imagem de Ilustração	Qtd.
Corpo do capuz		1
Chaminé inferior (500mm)		1
Chaminé superior (500mm)		1
Tubo		1
Suporte superior da chaminé		1
Suporte inferior da chaminé		1
Suporte do exaustor		1
Ø8 Buchas de Ø8× Ø6 de cor branca		9
Parafuso (ST4 * 30 mm)		9
Parafuso (ST4 * 8 mm)		6
Saída de ar		1
Filtro de carbono		2

INSTALAÇÃO (montagem mural)

Se tiver uma saída para o exterior, o exaustor pode ser ligado como na imagem abaixo através de uma conduta de extração (esmalte, alumínio, tubo flexível não inflamável com um diâmetro interno de 150 mm)



1. Antes da instalação, desligue a unidade da tomada.



2. O exaustor deve ser colocado a uma distância de 65~75cm acima da superfície de cozedura para um funcionamento melhor.

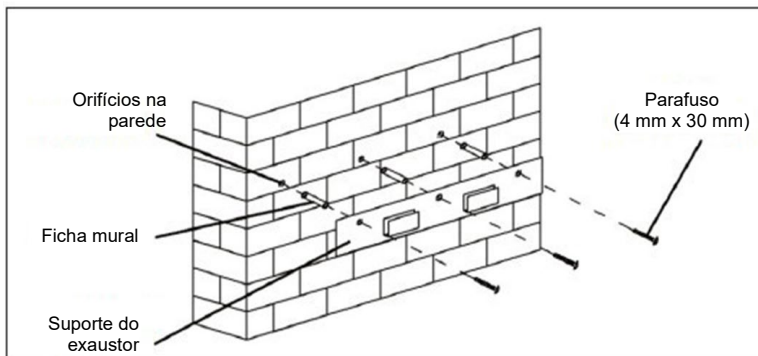


INSTALAÇÃO DO EXAUSTOR

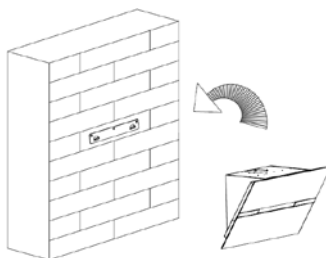
Posicione o exaustor na altura desejada respeitando a altura mínima acima da placa.

Marque a localização do suporte de parede. (Coloque os furos entre 700 e 800 mm acima da bancada) Remova o exaustor e posicione o suporte de parede para marcar os locais dos furos na parede.

Faça os 3 furos na parede para inserir o sistema de fixação apropriado (parafuso ST4x30mm).



Pendure o exaustor nos entalhes do suporte de parede.

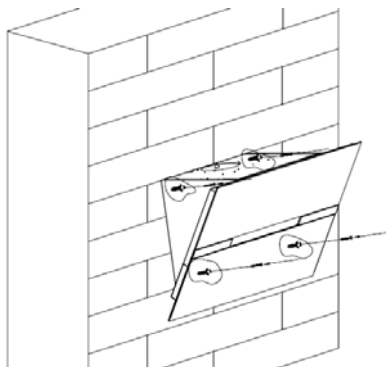


INSTALAÇÃO DO EXAUSTOR

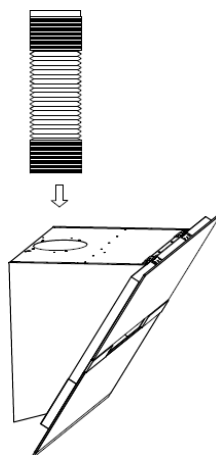
Depois do exaustor estar no lugar, identifique a localização dos 4 parafusos de fixação de parede adicionais, como mostrado no esquema seguinte.

Remova o exaustor para furar a parede e instale buchas de parede.

Fixe o corpo do exaustor com 4 parafusos de 4 mm de diâmetro usando buchas adaptadas à sua parede.



Se o modo de extração for selecionado, coloque a conduta de ar de exaustão na saída de ar, como mostrado.

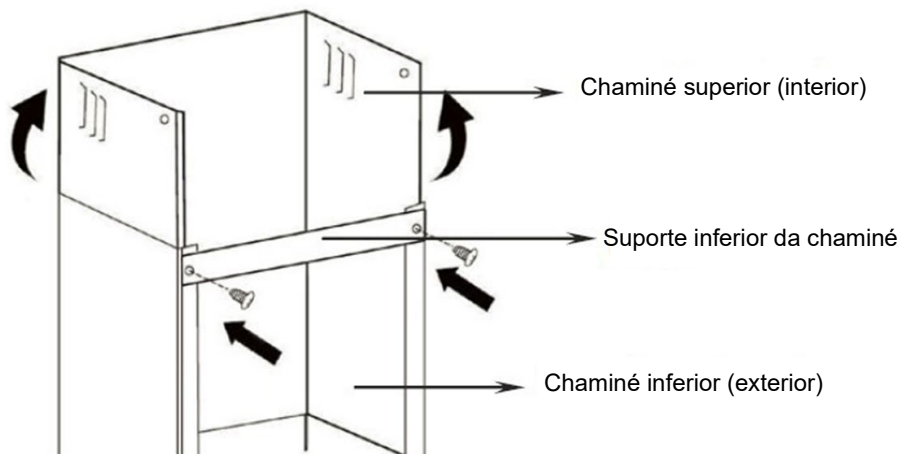


INSTALAÇÃO DO EXAUSTOR

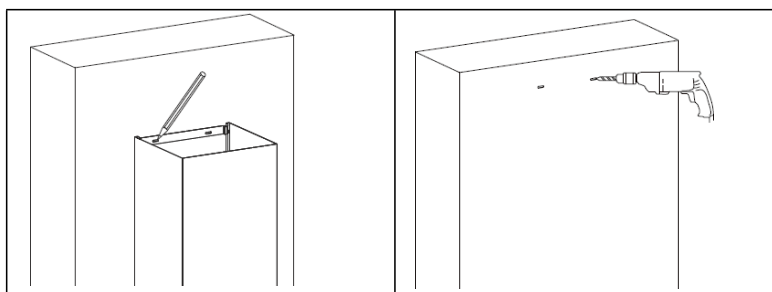
Ligue o suporte da chaminé inferior à chaminé inferior, como mostrado. Use 2 parafusos ST4x8mm.

(Não aperte demasiado os parafusos, certifique-se de que a chaminé superior pode deslizar facilmente para a chaminé inferior)

Insira a chaminé superior na chaminé inferior.



Coloque a chaminé inferior no aparelho e, de seguida, marque os orifícios na parede.

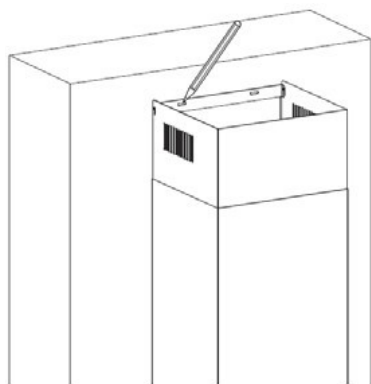
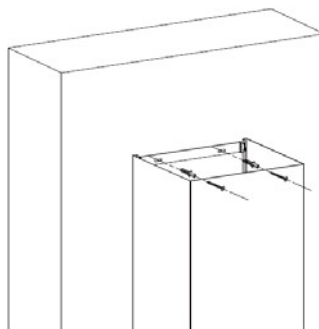


Remova a chaminé inferior e, de seguida, faça furos na parede: furo para diâmetro do parafuso Ø8 mm

Use as cavilhas adaptadas à sua parede

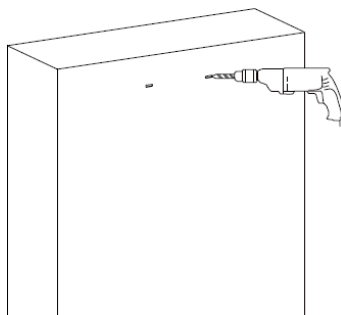
INSTALAÇÃO DO EXAUSTOR

Instale a chaminé inferior e, de seguida, aparafuse na parede com 2 parafusos de diâmetro Φ 8 mm



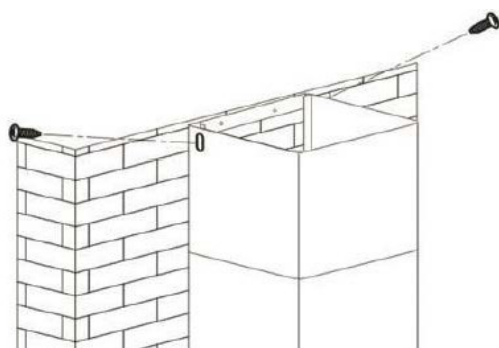
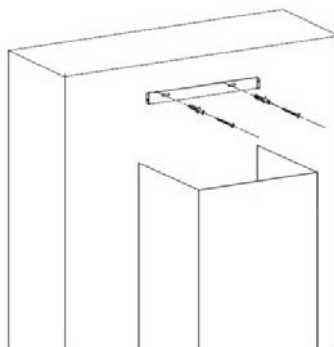
De seguida, puxe a chaminé superior para cima até a altura pretendida. Marque os locais dos orifícios de montagem do suporte da chaminé superior.

Baixe a chaminé superior e, de seguida, faça furos na parede. Insira as cavilhas adaptadas à sua parede



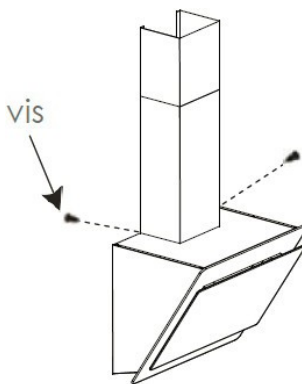
INSTALAÇÃO DO EXAUSTOR

Fixe o suporte de parede da chaminé superior à parede usando as buchas selecionadas (parafusos de 8 mm recomendados).








Aperte a chaminé inferior aos olhais do exaustor da cozinha usando 2 parafusos ST4x8mm.

Volte a montar a chaminé superior e fixe-a ao suporte de parede com 2 parafusos ST4x8mm



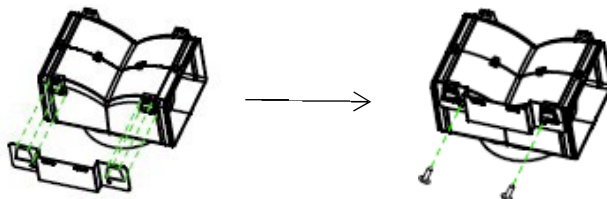
Lista de Acessórios de Instalação Padrão

Especif.	Imagem de Ilustração	Qtd.
Defletor de ar		1
Suporte		1
Ø8 Buchas de Ø8× Ø6 de cor branca		2
Parafusos ST4.0×30		2
Parafusos ST3.5×12		2

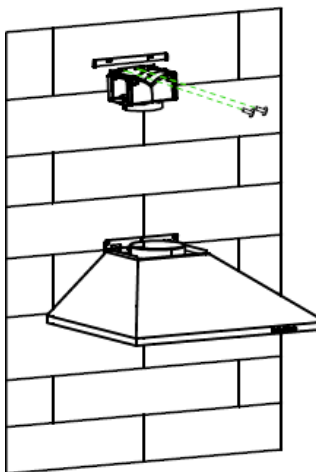
INSTALAÇÃO (DEFLETOR DE AR PARA MODELOS EM T, VIDRO CURVO, VIDRO PLANO):

O defletor de ar está incluído e não é opcional.

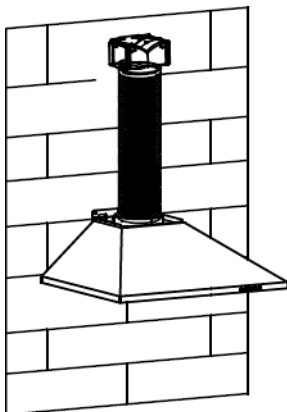
1. Fixe o suporte na saída de plástico em forma de T com os 2 parafusos ST3.5X12 mm fornecidos, como apresentado abaixo:



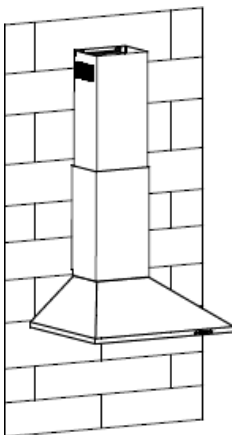
2. Faça 2 furos para acomodar as buchas de parede e, de seguida, aparafuse e aperte o suporte na parede com os 2 parafusos ST 4x30 mm fornecidos.



3. Ligue o tubo de exaustão na saída de ar do exaustor, conforme mostrado abaixo:



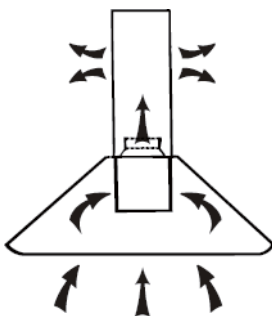
4. Instale a chaminé na unidade e fixe-a.



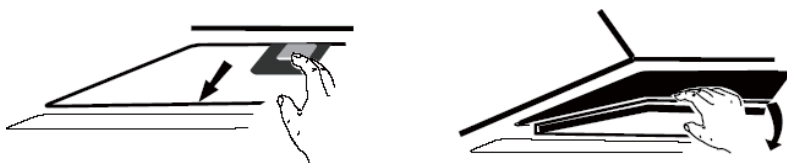
- o “Atenção: A saída de plástico em forma de T e as abas em V não podem ser usadas ao mesmo tempo. Pode tentar usá-las de duas formas: 1) Adicione a aba em V na saída existente; 2) Use a saída de plástico em forma de T, sem adicionar a aba em V.”
- o “Nota: O produto é fornecido com acessório v-flap. Este acessório não é obrigatório para instalação, operação e utilização do produto.”

INSTALAÇÃO (VENTILAÇÃO INTERNA)

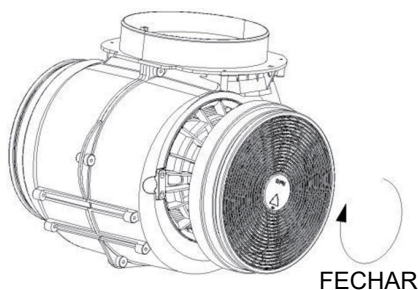
Se não tiver uma saída para o exterior, o tubo de exaustão não é necessário e a instalação é semelhante à mostrada na secção “INSTALAÇÃO (VENTILAÇÃO EXTERNA)”.



O filtro de carvão ativado pode ser usado para capturar odores. Para instalar o filtro de carvão ativado, deve retirar primeiro o filtro de gordura. Pressione o bloqueio e puxe-o para baixo.



Ligue o filtro de carvão ativado na unidade e rode-o para a direita. Repetir o mesmo do outro lado.



NOTA:

- o *Verifique se o filtro está bem bloqueado. Caso contrário, pode soltar-se e ser perigoso.*
- o *Quando o filtro de carvão ativado estiver colocado, a potência de sucção será inferior.*

DESCRIÇÃO DOS COMPONENTES



—



+



OPERACÃO



Botão de temporizador

1. Definir a hora do dia

Quando o exaustor estiver em modo de espera (o motor não está funcionando), pressione o botão do temporizador para entrar na configuração de tempo.

Pressione a tecla '**Velocidade do ventilador**' para definir a hora do dia e pressione a tecla '**Luz**' para definir o minuto.

2. Ajuste do Temporizador

Quando o exaustor estiver no modo de operação, pressione o botão do temporizador para definir a contagem regressiva.

Pressione o botão do temporizador e a contagem regressiva aumentará um minuto. A contagem regressiva máxima é de 60 minutos.

— Botão de diminuição de velocidade

O botão é com indicar retroiluminado, — para aumentar a velocidade do ventilador ou desligar o ventilador; quando você pressionar o botão da velocidade 3 e o retroiluminado estiver ligado, o ventilador estará diminuindo a velocidade da velocidade 3-2-1 pressionando o — botão, quando você pressionar o — botão da velocidade 1, o ventilador estará no modo de espera e o retroiluminado será desligado.

+ Botão aumento de velocidade

O botão tem indicação retroiluminada, + para ligar o ventilador ou aumentar a velocidade quando pressionar o botão no modo standby, a retroiluminação será ligada e o ventilador será ligado a baixa velocidade. em seguida, o ventilador aumenta a velocidade de 1-2-3 pressionando o + botão



Botão LÂMPADA

Para ligar e desligar a iluminação.

Visor LCD



1. O símbolo do motor roda quando o motor estiver a funcionar;
2. Apresentação das horas
3. O símbolo do temporizador aparece quando o temporizador estiver a configurar e a contar;
4. Símbolo da lâmpada;
5. Velocidade do motor;
6. O símbolo de velocidade turbo, aparece quando a velocidade mais alta for definida;
7. O símbolo de alarme, aparece durante 5 segundos quando a contagem regressiva do temporizador termina.
8. Alarme de limpeza, aparece quando o tempo total de trabalho é superior a 14 horas ou na primeira utilização depois da ligação.

MANUTENÇÃO

Antes de limpar, desligue a unidade da tomada elétrica.

I. Limpeza regular

Use um pano macio humedecido com água morna e sabão ou detergente de limpeza doméstica. Nunca use peças metálicas, produtos químicos, materiais abrasivos ou escovas rígidas para limpar a unidade.

II. Limpeza mensal do filtro de gordura

IMPORTANTE: Limpar o filtro todos os meses pode evitar o risco de incêndio.

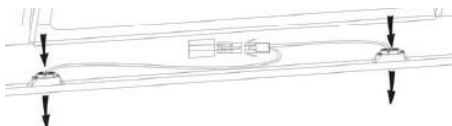
O filtro recolhe gordura, fumo e poeira... por isso o filtro afeta diretamente afetando a eficiência do exaustor. Se não for limpo, os resíduos de gordura (potencial inflamável) saturam no filtro. Limpe-o com detergente doméstico.

III. Limpeza anual do filtro de carvão ativado

Aplica-se APENAS para unidades instaladas como unidades de recirculação (não ventilada para o exterior). Este filtro retém odores e deve ser substituído pelo menos uma vez por ano dependendo da frequência de utilização do exaustor.

IV. Trocar uma lâmpada

Retire os parafusos do vidro, retire o vidro do exaustor. Encontre a lâmpada a substituir na luminária que está no interior da secção exposta da cobertura.



Desligue o ponto de cablagem da luz e remova os suportes das lâmpadas e a cablagem do exaustor. Importante: Não é possível substituir as lâmpadas individualmente, será necessário adquirir as lâmpadas, suportes de lâmpadas e cablagem como uma parte completa. (Lâmpada LED: MAX 1.5W)

Encaixe as lâmpadas, os suportes das lâmpadas e a cablagem da mesma forma que as originais. Em seguida, volte a ligar o ponto de cablagem da lâmpada.

Volte a colocar o vidro do exaustor e aperte os parafusos do vidro. Certifique-se de que os parafusos estão totalmente apertados.

RESOLUÇÃO DE PROBLEMAS

Falha	Causa	Solução
Luz acesa, mas o ventilador não funciona	A pá do ventilador está encravada.	Desligar a unidade e reparar apenas por pessoal qualificado.
	O motor está danificado.	
A lâmpada e o ventilador não funcionam	Lâmpada de halogéneo queimada.	Substitua a lâmpada com a classificação correta.
	Perdas do cabo de alimentação.	Ligue novamente a fonte de alimentação.
Vibração séria da unidade	A pá do ventilador está danificada.	Desligar a unidade e reparar apenas por pessoal qualificado.
	O motor do ventilador não está bem apertado.	Desligar a unidade e reparar apenas por pessoal qualificado.
	A unidade não está pendurada corretamente no suporte.	Retire a unidade e verifique se o suporte está no local correto.
O desempenho de sucção não é bom	Distância muito longa entre a unidade e a superfície de cozedura	Reajuste a distância para 65-75cm

SERVICO DE ASSISTÊNCIA AO CLIENTE

Se não conseguir identificar a causa da avaria de funcionamento, desligue o aparelho e contacte o Serviço de Assistência.

NÚMERO DE SÉRIE DO PRODUTO Onde posso encontrá-lo?

É importante informar o Serviço de Assistência sobre o código de produto e do número de série (um código de 16 caracteres que começa com o número 3); isto pode ser encontrado no certificado de garantia ou na chapa de características no aparelho.

Isto ajudará a evitar visitas perdidas aos técnicos e desta forma (e de maneira mais significativa) poupar as cobranças das chamadas correspondentes.

Este equipamento está marcado em conformidade com a Diretiva Europeia 2012/19/UE sobre Resíduos Elétricos e Equipamento Eletrónico (REEE).

REEE contém substâncias poluentes (que podem trazer consequências negativas para o ambiente) e componentes básicos (que podem



ser reutilizados). É importante que os REEE sejam submetidos a tratamentos específicos, para remover e eliminar adequadamente todos os poluentes e recuperar e reciclar todos os materiais.

As pessoas desempenham um papel importante para garantir que os REEE não representem um problema ambiental; para isso, é essencial que sejam cumpridas algumas regras básicas:

Os REEE não devem ser tratados como lixo doméstico;

Os REEE devem ser entregues nos pontos de recolha adequados administrados pelo município ou por empresas registadas. Em muitos países, para grandes REEE, pode estar disponível recolha doméstica.

Em muitos países, quando é comprado um aparelho novo, o antigo pode ser devolvido ao retalhista, que deve proceder à recolha gratuitamente, desde que o equipamento seja de tipo equivalente e tenha as mesmas funções do equipamento fornecido.

INSTALLATIONS- UND BEDIENUNGSANLEITUNG


INHALT

EINFÜHRUNG	83
SICHERHEITSVORKEHRUNGEN.....	83
ELEKTRISCHE EINRICHTUNG	85
INSTALLATION (Wandmontage)	87
MONTAGE DER HAUBE	88
Liste der Standard-Installationszubehörteile.....	93
INSTALLATION (LUFTFÜHRUNG FÜR T-FORM, GEWÖLBTES GLAS, FLACHGLASMODELLE).....	94
INSTALLATION (ENTLÜFTUNG INNEN)	96
BESCHREIBUNG DER BAUTEILE.....	97
BETRIEB	97
INSTANDHALTUNG	99
FEHLERBEHEBUNG.....	100
KUNDENDIENST.....	100

EINFÜHRUNG

Vielen Dank, dass Sie sich für diese Dunstabzugshaube entschieden haben.

Diese Bedienungsanleitung soll Ihnen alle notwendigen Anweisungen zur Installation, Verwendung und Wartung des Gerätes geben. Um das Gerät ordnungsgemäß und sicher zu betreiben, lesen Sie bitte diese Bedienungsanleitung vor der Installation und Verwendung sorgfältig durch. Die Dunstabzugshaube besteht aus hochwertigen Materialien und hat ein modernes Design. Sie ist mit einem leistungsstarken Elektromotor und Radialventilator ausgestattet, bietet zudem eine starke Saugleistung, einen geräuscharmen Betrieb, einen Antihaft-Fettfilter, und lässt sich einfach montieren.

Mit der Verwendung des Kennzeichens  auf diesem Produkt erklären wir auf eigene Verantwortung, dass sämtliche Sicherheits-, Gesundheits- und Umweltvorschriften eingehalten werden, die für dieses Produkt in Europa gesetzlich festgelegt sind.

SICHERHEITSVORKEHRUNGEN

- Lassen Sie niemals Kinder die Maschine bedienen.
- Die Dunstabzugshaube ist nur für den häuslichen Gebrauch vorgesehen und nicht für andere Zwecke wie Grillpartys, Feinkostgeschäfte oder eine gewerbliche Nutzung geeignet.
- Die Dunstabzugshaube und ihr Filter müssen regelmäßig gereinigt werden, um einen einwandfreien Betrieb zu gewährleisten.
- Reinigen Sie die Dunstabzugshaube gemäß Bedienungsanleitung, und schützen Sie das Gerät vor einer Brandgefahr.
- Das Gerät ist nicht für den Betrieb mit einem Gasherd vorgesehen. Bitte sorgen Sie für eine gute Belüftung in der Küche.
- Vergewissern Sie sich vor dem Anschluss dieses Gerätes, dass das Netzkabel nicht beschädigt ist. Ein beschädigtes Netzkabel darf nur von qualifiziertem Servicepersonal ausgetauscht werden.
- Es muss eine ausreichende Belüftung des Raumes gewährleistet sein, wenn die Abzugshaube gleichzeitig

mit Geräten zur Verbrennung von Gas oder anderen Brennstoffen verwendet wird.

- Die Luft darf nicht in einen Rauchabzug geleitet werden, der zur Absaugung von Rauch aus Geräten zur Verbrennung von Gas oder anderen Brennstoffen verwendet wird.
- Vorschriften bezüglich der Luftableitung müssen erfüllt werden.
- Kinder müssen beaufsichtigt werden, um sicherzugehen, dass sie nicht am Gerät herumspielen.
- Flambieren Sie nicht unter der Dunstabzugshaube.
- Die Dunstabzugshaube ist nicht für die Installation über einem Kochfeld mit mehr als vier Kochstellen vorgesehen.
- Diese müssen eine ausreichende Belüftung des Raums gewährleisten, wenn die Dunstabzugshaube gleichzeitig mit Geräten verwendet wird, die Gas oder andere Brennstoffe verbrennen (gilt nicht für Geräte, die nur die Luft zurück in den Raum leiten).
- Einzelheiten zur Art und Häufigkeit der Reinigung.
- Es besteht Brandgefahr, wenn die Reinigung nicht vorschriftsmäßig durchgeführt wird.
- Flambieren Sie nicht unter der Dunstabzugshaube.
- **ACHTUNG:** Während des Betriebs können zugängliche Teile des Kochgeräts heiß werden.

Stromschlaggefahr

- Schließen Sie dieses Gerät nur an eine ordnungsgemäß geerdete Steckdose an. Lassen Sie sich im Zweifelsfall von einem entsprechend qualifizierten Ingenieur beraten.
- Bei Nichtbeachtung dieser Anweisung besteht die Gefahr schwerer oder sogar tödlicher Verletzungen oder eines Brandes.

ELEKTRISCHE EINRICHTUNG

Alle Installationen müssen von einer kompetenten Person oder einem qualifizierten Elektriker durchgeführt werden. Stellen Sie vor dem Anschluss des Netzteils sicher, dass die Netzspannung der Spannung auf dem Typenschild entspricht.

Direkte Verbindung

Das Gerät muss mit einem allpoligen Trennschalter mit einer Mindestöffnung von 3 mm zwischen den Kontakten direkt an das Netz angeschlossen werden.

Der Installateur muss sicherstellen, dass die korrekte elektrische Verbindung hergestellt wurde und dem Schaltplan entspricht.

Das Kabel darf weder geknickt noch gequetscht werden.

Überprüfen Sie regelmäßig den Netzstecker und das Netzkabel auf Beschädigungen. Ein beschädigtes Netzkabel darf nur durch ein Spezialkabel ausgetauscht werden, das entweder beim Händler oder bei seinem technischen Kundendienst erhältlich ist.

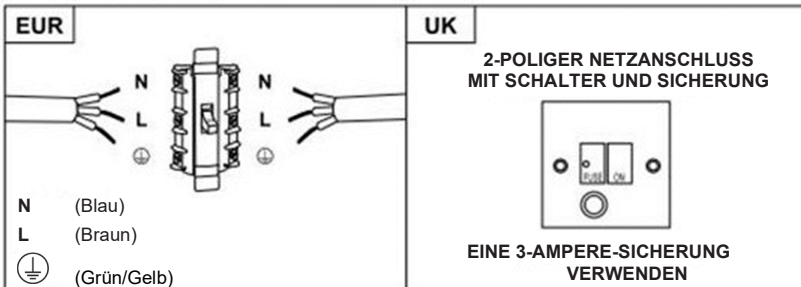
WARNUNG: Dies ist ein Gerät der Klasse I und MUSS geerdet werden.

Dieses Gerät wird mit einem 3-adrigen Netzkabel geliefert, das wie folgt gefärbt ist:

Braun = L oder Live (spannungsführend)

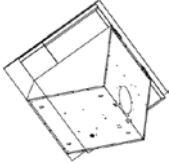
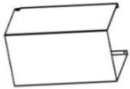
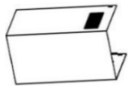








Blau = N oder Neutral

Grün und Gelb = E oder Erde (⊕)



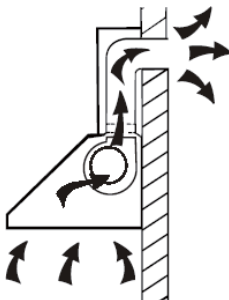
Die Sicherung muss für 3 Ampere ausgelegt sein.

Liste der Standard-Installationszubehörteile

Teil	Darstellung	Menge
Dunstabzugsgehäuse		1
Unterer Abzug (500 mm)		1
Oberer Abzug (500 mm)		1
Obere Abzugshalterung		1
Untere Abzugshalterung		1
Dunstabzugshalterung		1
Ø 8 Dübel Ø 8× Ø 6 weiß		9
Schraube (ST4 * 30 mm)		9
Schraube (ST4 * 8 mm)		6
Luftauslass		1
Aktivkohlefilter		2

INSTALLATION (Wandmontage)

Wenn Sie einen Auslass nach außen haben, kann Ihre Abzugshaube wie unten abgebildet über einen Absaugkanal (Emaille, Aluminium, Flexrohr oder feuerfestes Material mit einem Innendurchmesser von 150 mm) angeschlossen werden.



1. Schalten Sie das Gerät vor der Installation aus und ziehen Sie den Stecker aus der Steckdose.



2. Um eine optimale Wirkung zu erzielen, sollte die Abzugshaube in einem Abstand von 65~75 cm von der Kochstelle montiert werden.

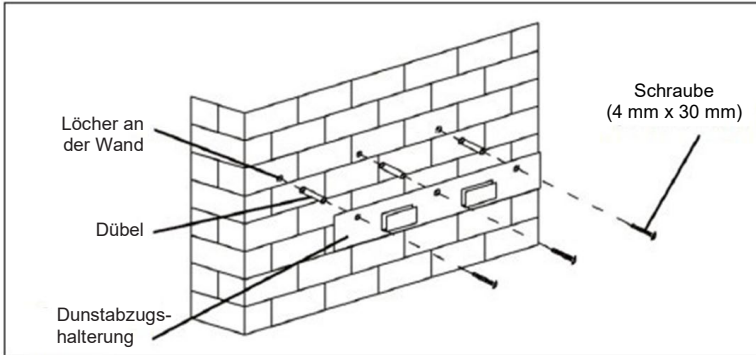


MONTAGE DER HAUBE

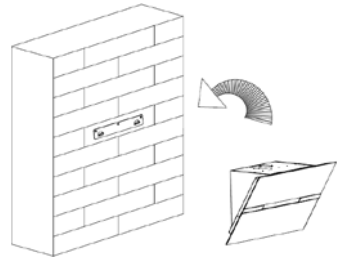
Positionieren Sie die Haube in der gewünschten Höhe unter Einhaltung der Mindesthöhe über dem Kochfeld.

Markieren Sie die Position der Wandhalterung. (Setzen Sie die Löcher zwischen 700 und 800 mm über der Arbeitsplatte.) Entfernen Sie die Haube und positionieren Sie die Wandhalterung, um die Lage der Löcher an der Wand zu markieren.

Bohren Sie die 3 Löcher in die Wand, um das entsprechende Befestigungssystem anzubringen (Schraube ST4x30 mm).

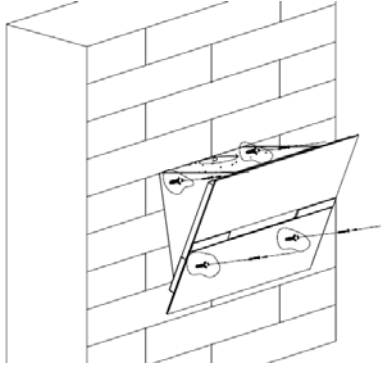


Hängen Sie die Haube in die Nuten der Wandhalterung.

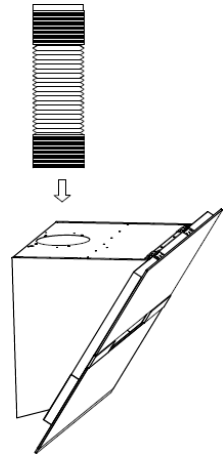


MONTAGE DER HAUBE

Wenn die Haube an ihrem Platz ist, legen Sie die Lage der 4 zusätzlichen Wandbefestigungsschrauben fest, wie in der folgenden Abbildung gezeigt. Entfernen Sie die Haube, um die Löcher in die Wand zu bohren, und setzen Sie die Dübel ein. Befestigen Sie das Haubengehäuse mit 4 Schrauben und den 4-mm-Dübeln an der Wand.



Zur Benutzung der Absaugfunktion bringen Sie den Abluftkanal wie gezeigt am Luftauslass an.

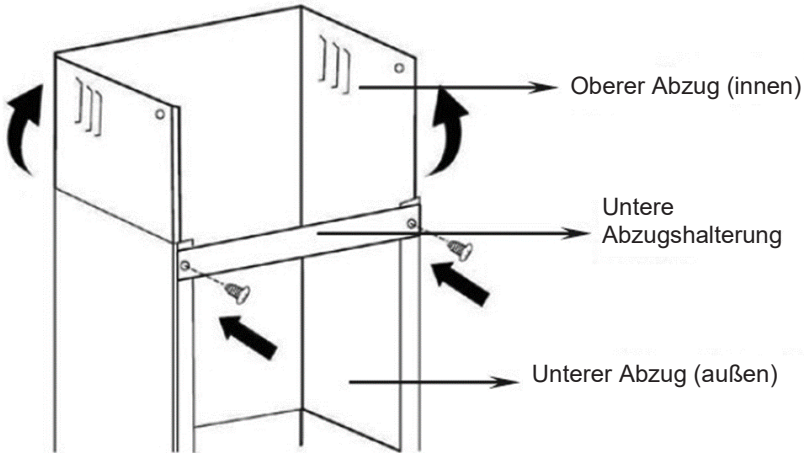


MONTAGE DER HAUBE

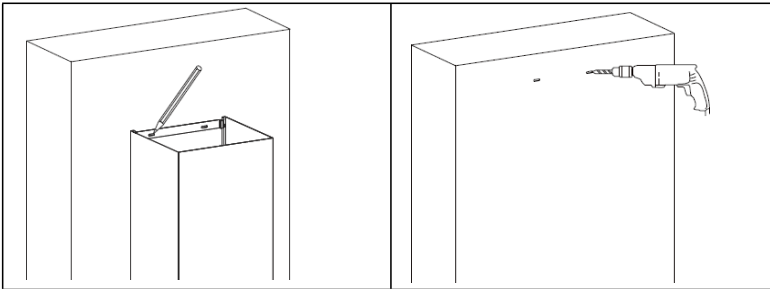
Befestigen Sie die untere Abzugshalterung wie abgebildet am unteren Abzug.
Verwenden Sie 2 Schrauben St4x8 mm.

(Schrauben nicht zu fest anziehen; der obere Abzug sollte leicht in den unteren Abzug gleiten können)

Setzen Sie den oberen Abzug in den unteren Abzug ein.



Positionieren Sie den unteren Abzug im Gerät und markieren Sie dann die Löcher an der Wand.

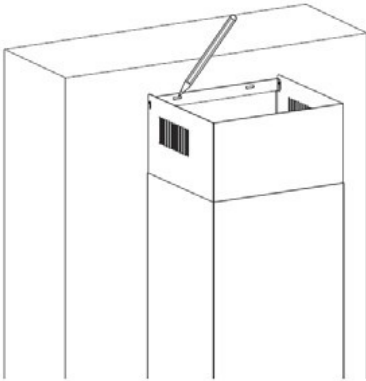
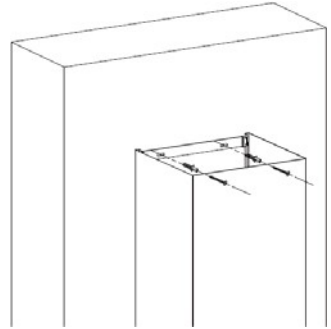


Entfernen Sie den unteren Abzug und bohren Sie dann Löcher in die Wand: Loch für Schraubendurchmesser \varnothing 8 mm.

Benutzen Sie für Ihre Wand geeignete Dübel.

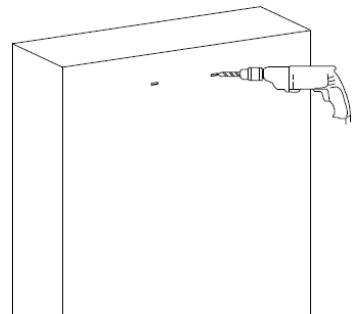
MONTAGE DER HAUBE

Installieren Sie den unteren Abzug, indem Sie ihn mit 2 Schrauben mit einem Durchmesser von \varnothing 8 mm an der Wand anbringen.



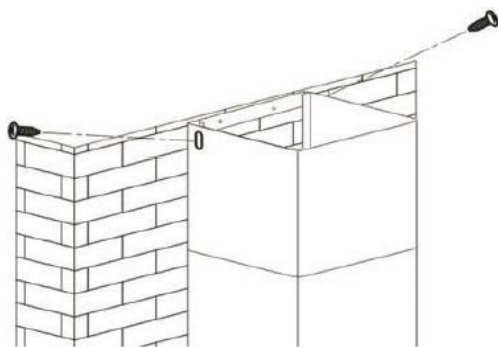
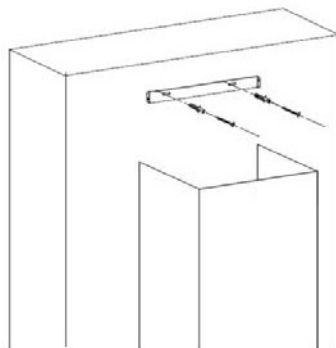
Ziehen Sie dann den oberen Abzug auf die gewünschte Höhe nach oben. Markieren Sie die Positionen der Montagelöcher der oberen Abzugshalterung.

Senken Sie den oberen Abzug ab, und bohren Sie dann Löcher in die Wand. Setzen Sie die Dübel ein.



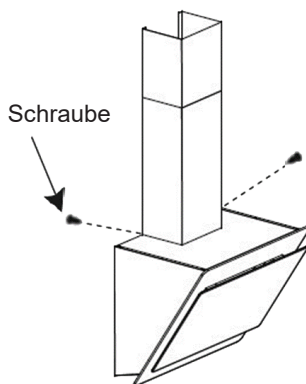
MONTAGE DER HAUBE

Befestigen Sie die Wandhalterung des oberen Abzugs mit den gewählten Dübeln (8-mm-Schrauben empfohlen) an der Wand.








Montieren Sie den oberen Abzug wieder und befestigen Sie ihn mit 2 Schrauben ST4x8 mm an der Wandhalterung

Befestigen Sie den unteren Abzug mit 2 Schrauben ST4x8mm an den Laschen der Dunstabzugshaube.



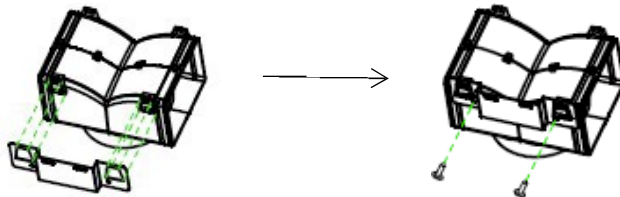
Liste der Standard-Installationszubehörteile

Teil	Darstellung	Menge
Luftleitblech		1
Halterung		1
Ø8 Dübel Ø8×Ø6 weiß		2
Schrauben ST4.0×30		2
Schrauben ST3.5×12		2

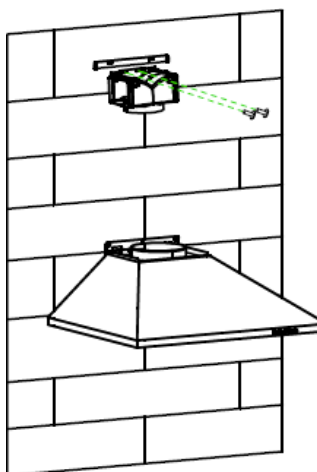
INSTALLATION (LUFTFÜHRUNG FÜR T-FORM, GEWÖLBTES GLAS, FLACHGLASMODELLE)

Die Luftführung ist im Lieferumfang enthalten und nicht optional.

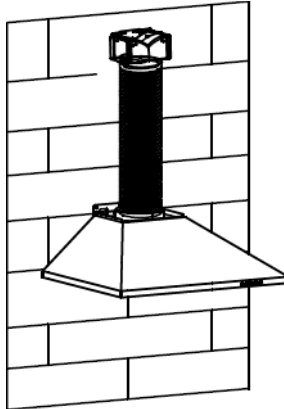
1. Befestigen Sie die Halterung am T-förmigen Kunststoffauslass mit 2 ST3,5x12mm-Schrauben, wie unten gezeigt:



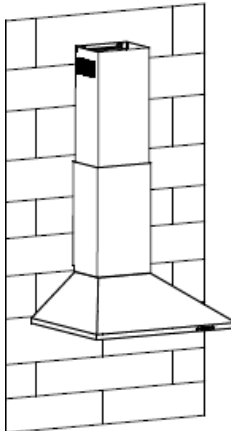
2. Bohren Sie 2 Löcher für die Dübel in die Wand. Befestigen Sie die Halterung mit den 2 mitgelieferten ST4x30mm-Schrauben an der Wand fest.



3. Befestigen Sie das Abluftrohr wie unten gezeigt am Luftauslass der Dunstabzugshaube:



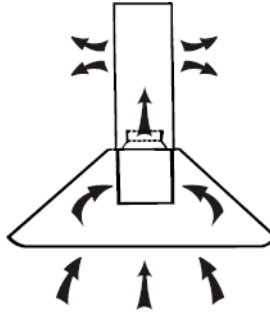
4. Bringen Sie den Abzug am Gerät an.



- Bitte beachten Sie: T-förmiger Kunststoffauslass und V-Klappen können nicht gleichzeitig verwendet werden. Sie können sie auf zwei Arten verwenden: 1. V-Klappe zum vorhandenen Auslass hinzufügen; 2. T-förmigen Kunststoffauslass verwenden, keine V-Klappe hinzufügen.
- Hinweis: Das Produkt ist mit V-Klappen-Zubehör ausgestattet. Dieses Zubehör ist für die Installation, den Betrieb und die Verwendung des Produkts nicht zwingend erforderlich.

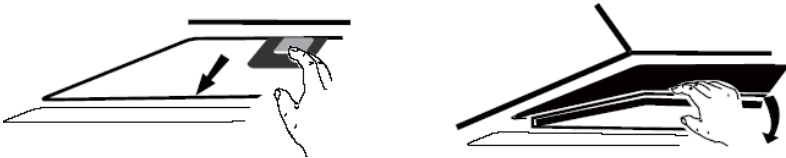
INSTALLATION (ENTLÜFTUNG INNEN)

Wenn Sie keinen Auslass nach außen haben, ist kein Abluftrohr erforderlich. Die Installation entspricht der im Abschnitt „INSTALLATION (ENTLÜFTUNG AUSSEN)“ beschriebenen Vorgehensweise.

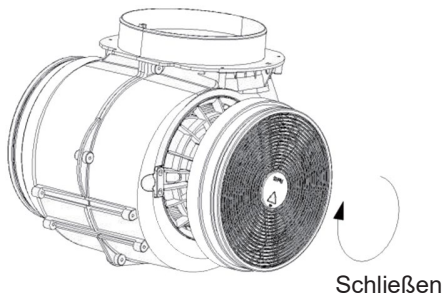


Ein Aktivkohlefilter kann zur Geruchsbindung eingesetzt werden.

Um den Aktivkohlefilter zu installieren, sollte zuerst der Fettfilter entfernt werden. Drücken Sie auf die Verriegelung und ziehen Sie sie nach unten.



Setzen Sie den Aktivkohlefilter in das Gerät ein und drehen Sie ihn im Uhrzeigersinn. Wiederholen Sie diesen Vorgang auf der anderen Seite.



HINWEIS:

- o Vergewissern Sie sich, dass der Filter sicher verriegelt ist. Andernfalls könnte er sich lösen und zu einer Gefahr werden.
- o Bei angeschlossenem Aktivkohlefilter wird die Saugleistung reduziert

BESCHREIBUNG DER BAUTEILE



–



+



BETRIEB



Timer-Taste

1. Einstellen der Uhrzeit

Wenn sich die Motorhaube im Standby-Modus befindet (Motor funktioniert nicht), drücken Sie die Timer-Taste, um die Zeiteinstellung aufzurufen. Drücken Sie die Taste „**Lüftergeschwindigkeit**“, um die Tageszeit einzustellen, und drücken Sie die Taste „**Licht**“, um die Minute einzustellen.

2. Timer einstellen

Wenn sich die Motorhaube im Betriebsmodus befindet, drücken Sie die Timer-Taste, um den Countdown-Zähler einzustellen.

Wenn Sie die Timer-Taste einmal drücken, erhöht sich der Countdown-Zähler um eine Minute. Der maximale Countdown-Zeit beträgt 60 Minuten.

— Taste zur Leistungsverringering

Die Taste — hat eine Hintergrundbeleuchtung und dient dazu, die Drehzahl des Lüfters zu erhöhen oder den Lüfter auszuschalten. Wenn Sie die Taste bei Stufe 3 drücken und die Beleuchtung an ist, verringert sich die Lüfterleistung durch Drücken der — Taste wie folgt: 3-2-1. Wenn Sie die — Taste bei Stufe 1 drücken, befindet sich der Lüfter im Standby-Modus und die Hintergrundbeleuchtung wird ausgeschaltet.

+ Taste zur Leistungserhöhung

Die + hat eine Hintergrundbeleuchtung und dient dazu, den Lüfter einzuschalten oder die Lüfterleistung zu erhöhen. Wenn Sie die Taste im Standby-Modus lange drücken, wird die Hintergrundbeleuchtung eingeschaltet, und der Lüfter läuft mit geringer Leistung. Drücken der + Taste, erhöht sich die Lüfterleistung wie folgt: 1-2-3.



Beleuchtungstaste

Hiermit schalten Sie die Beleuchtung EIN und AUS.

LCD-Display



1. Motorsymbol; dreht sich, wenn der Motor läuft
2. Zeitanzeige
3. Timer-Symbol; erscheint, wenn Timer eingestellt ist und läuft
4. Licht-Symbol
5. Motorleistung
6. Turbo-Symbol; erscheint, wenn die maximale Leistung eingestellt ist
7. Alarm-Symbol; erscheint für 5 Sekunden, wenn der Timer-Countdown abgelaufen ist
8. Reinigungsalarm; erscheint nach einer Betriebsdauer von 14 Stunden oder bei der Erstinbetriebnahme

INSTANDHALTUNG

Schalten Sie vor dem Reinigen das Gerät aus und ziehen Sie den Netzstecker.

I. Regelmäßige Reinigung

Verwenden Sie ein weiches Tuch, das mit handwarmem, mildem Seifenwasser oder Haushaltsreiniger befeuchtet ist. Verwenden Sie zur Reinigung des Geräts niemals Metallpads, Chemikalien, scheuerndes Material oder harte Bürsten.

II. Monatliche Reinigung des Fettfilters

WICHTIG: Reinigen Sie den Filter jeden Monat, um eine Brandgefahr zu vermeiden.

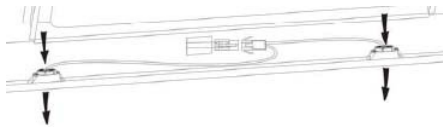
Im Filter sammeln sich Fett, Rauch und Staub.... somit hat der Filter direkten Einfluss auf die Effizienz der Dunstabzugshaube. Wird der Filter nicht gereinigt, lagern sich die (potenziell brennbaren) Fettrückstände im Filter ab. Reinigen Sie den Filter mit einem Haushaltsreiniger.

III. Jährliche Reinigung des Aktivkohlefilters

Dies gilt ausschließlich für Geräte, die im Umluftmodus betrieben werden (keine Abluft nach außen). Der Aktivkohlefilter fängt Gerüche ab und muss mindestens einmal im Jahr ausgetauscht werden, je nachdem, wie häufig die Dunstabzugshaube verwendet wird.

IV. Auswechseln des Leuchtmittels

Lösen Sie die Schrauben der Glasabdeckung und entfernen Sie diese. Machen Sie die auszutauschende Glühbirne ausfindig, die sich im Lampensockel im freiliegenden Teil der Abdeckung befindet.



Trennen Sie die Verkabelung und entfernen Sie den Lampensockel und die Verdrahtung von der Abdeckung. Wichtig! Es ist nicht möglich, die Glühbirnen einzeln auszutauschen. Die Glühbirnen, die Lampenfassungen und die Verkabelung müssen als komplettes Bauteil ausgetauscht werden. (LED-Licht: MAX 1,5 W)

Montieren Sie die Ersatzlampen, Lampenfassungen und Kabel entsprechend des Original-Bauteils. Schließen Sie anschließend die Verdrahtung erneut an.

Setzen Sie die Glashaube wieder auf, und ziehen Sie die Glasschrauben an. Vergewissern Sie sich, dass die Schrauben vollständig angezogen sind.

FEHLERBEHEBUNG

Störung	Ursache	Lösung
Die Leuchte geht an, aber das Gebläse läuft nicht	Der Gebläseflügel ist blockiert.	Schalten Sie das Gerät aus und lassen Sie es ausschließlich durch qualifiziertes Servicepersonal reparieren.
	Der Motor ist defekt.	
Sowohl Licht als auch Gebläse funktionieren nicht.	Die Halogen-Glühbirne ist durchgebrannt.	Ersetzen Sie die Glühbirne durch eine mit entsprechender Leistung.
	Das Netzkabel löst sich.	Stecken Sie das Netzkabel wieder ein.
Starke Vibrationen des Gerätes	Der Gebläseflügel ist beschädigt.	Schalten Sie das Gerät aus und lassen Sie es ausschließlich durch qualifiziertes Servicepersonal reparieren.
	Der Gebläsemotor ist nicht korrekt befestigt.	Schalten Sie das Gerät aus und lassen Sie es ausschließlich durch qualifiziertes Servicepersonal reparieren.
	Das Gerät ist nicht ordnungsgemäß an der Halterung aufgehängt.	Nehmen Sie das Gerät ab und überprüfen Sie, ob sich die Halterung an der richtigen Stelle befindet.
Die Saugleistung ist nicht ausreichend	Zu großer Abstand zwischen Gerät und Kochfeld	Passen Sie den Abstand auf 65-75 cm an.

KUNDENDIENST

Wenn Sie die Ursache der Betriebsstörung nicht feststellen können, schalten Sie das Gerät aus und wenden Sie sich an den Kundendienst.

SERIENNUMMER DES PRODUKTS. Wo befindet sich die Seriennummer?

Es ist wichtig, dass Sie dem Kundendienst Ihren Produktcode und seine Seriennummer (ein 16-stelliger Code, der mit der Nummer 3 beginnt) mitteilen; diese finden Sie auf dem Garantiezertifikat oder auf dem Typenschild am Gerät. Dies trägt dazu bei, unnötige Anfahrten für Techniker und damit (und insbesondere) anfallende Kosten zu vermeiden.

Dieses Gerät ist entsprechend der EU-Richtlinie 2012/19/EC für Elektro- und Elektronik-Altgeräte (WEEE) gekennzeichnet. Die WEEE umfasst sowohl umweltschädliche Stoffe (die negative Auswirkungen auf die Umwelt haben) als auch grundlegende Komponenten (die recyclingfähig sind). Elektro- und Elektronik-Altgeräte sollten immer einer speziellen



Behandlung unterzogen werden, um alle Schadstoffe zu entfernen und ordnungsgemäß zu entsorgen und alle Materialien zurückzugewinnen und zu recyceln.

Jeder kann dazu beitragen, dass Altelektrogeräte nicht zu einem Umweltproblem werden. Daher sollten unbedingt einige Grundregeln beachtet werden:

Elektro- und Elektronik-Altgeräte dürfen nicht als Hausmüll entsorgt werden;

Elektro- und Elektronik-Altgeräte sollten bei den vorgesehenen Sammelstellen der Kommune oder den von ihr beauftragten Unternehmen abgegeben werden. In vielen Ländern ist es unter Umständen möglich, große Elektro- und Elektronik-Altgeräte zu Hause abholen zu lassen.

In vielen Ländern können beim Kauf eines neuen Geräts Altgeräte im Tausch kostenlos an den Händler zurückgegeben werden, solange das Gerät demselben Typ entspricht und über die gleichen Funktionen wie das gelieferte Gerät verfügt.

РЪКОВОДСТВО ЗА МОНТАЖ И ЕКСПЛОАТАЦИЯ

СЪДЪРЖАНИЕ

ПРЕДПАЗНИ МЕРКИ.....	103
ЕЛЕКТРИЧЕСКА ИНСТАЛАЦИЯ	105
МОНТАЖ (стенен монтаж).....	107
МОНТИРАНЕ НА АБСОРБАТОРА	108
МОНТИРАНЕ НА АБСОРБАТОРА	109
МОНТИРАНЕ НА АБСОРБАТОРА	110
МОНТИРАНЕ НА АБСОРБАТОРА	111
МОНТИРАНЕ НА АБСОРБАТОРА	112
Списък на стандартните аксесоари за монтаж.....	113
МОНТАЖ(ДЕФЛЕКТОР ЗА ВЪЗДУШНИЯ ПОТОК ЗА Т-ОБРАЗНИ МОДЕЛИ, МОДЕЛИ С ИЗВИТО СЪГЪЛКО, МОДЕЛИ С ПЛОСКО СЪГЪЛКО).....	114
МОНТАЖ (ВЪТРЕШНА ВЕНТИЛАЦИЯ).....	116
ОПИСАНИЕ НА КОМПОНЕНТИТЕ.....	117
ЕКСПЛОАТАЦИЯ	117
ПОДДРЪЖКА.....	119
ОТСТРАНЯВАНЕ НА ПОВРЕДИ	120
ОБСЛУЖВАНЕ НА КЛИЕНТИ	120

ВЪВЕДЕНИЕ

Благодарим Ви, че избрахте този абсорбатор.

Настоящото ръководство за експлоатация е предназначено да Ви предостави всички необходими инструкции, свързани с монтажа, експлоатацията и поддръжката на уреда. За да работите правилно и безопасно с устройството, моля, прочетете внимателно това ръководство преди монтиране и експлоатация.

Абсорбаторът е изработен от висококачествени материали и е с модерен дизайн. Благодарение на мощния си електрически мотор и центробежен вентилатор той е със силна засмукваща мощност, работи с ниски нива на шума, разполага с незалепващ филтър за мазнини и е лесен за монтиране.



С поставяне на маркировката **CE** върху този продукт ние декларираме на наша отговорност, съответствие с всички европейски изисквания, свързани с безопасността, здравето и околната среда, предвидени в законодателството относно този продукт.

ПРЕДПАЗНИ МЕРКИ

- Никога не позволявайте на децата да работят с машината.
- Абсорбаторът е само за домашна употреба, не е подходящ за барбекю, заведения за приготвяне на месо и за други търговски цели.
- Абсорбаторът и филтърът му трябва да се почистват редовно, за да се поддържат в добро експлоатационно състояние.
- Почистете абсорбатора в съответствие с инструкциите за експлоатация и пазете уреда от изгаряне.
- Не допускате пряка топлина от газова печка. Поддържайте добра конвенция в кухнята.
- Преди да свържете уреда, проверете дали хранващият кабел не е повреден. Повреденият хранващ кабел трябва да се подменя само от квалифициран сервизен персонал.

- Помещението трябва да се проветрява добре, когато абсорбаторът се използва едновременно с уреди, които работят на газ или други горива;
- Въздухът не трябва да се изпуска в димоотвод, който се използва за отвеждане на изпаренията от уреди, които работят на газ или други горива;
- Трябва да се спазват правилата относно отвеждането на въздуха.
- Децата трябва да се наблюдават, за да не се допуска да си играят с уреда.
- Не фламбирайте под абсорбатора.
- Абсорбаторът не е предназначен за монтиране над готварски плот с повече от четири котлона.
- Когато абсорбаторът се използва едновременно с уреди, използващи газ или други горива, стаята трябва да бъде добре проветрена (не се прилага за уреди, които само отвеждат въздуха обратно в стаята).
- Информация относно метода и честотата на почистване.
- Има опасност от пожар, ако уредът не се почиства в съответствие с инструкциите.
- Не допускайте пламъци под абсорбатора.
- **ВНИМАНИЕ:** достъпните части може да се нагряват, когато устройството се използва с уред за готвене.

Опасност от токов удар

- Включвайте това устройство само в правилно заземен контакт. Ако не сте сигурни, потърсете съвет от подходящо квалифициран инженер.
- Неспазването на тези инструкции може да причини смърт, пожар или токов удар.

ЕЛЕКТРИЧЕСКА ИНСТАЛАЦИЯ

Целият монтаж трябва да се извърши от компетентно лице или квалифициран електротехник. Преди да свържете мрежовото захранване, уверете се, че мрежовото напрежение съответства на напрежението, посочено на табелката с данни.

Директна връзка

Уредът трябва да бъде свързан директно към електрическата мрежа с помощта на универсален прекъсвач с минимален отвор от 3 mm между контактите.

Монтажникът трябва да се увери, че е направена правилната електрическа връзка и че тя е в съответствие със схемата на свързване.


Кабелът не бива да се прегъва и притиска.

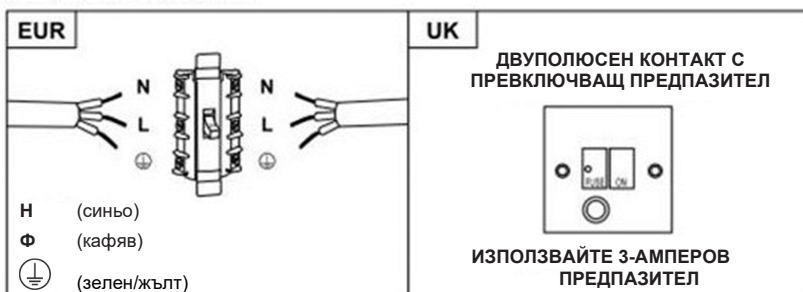
Редовно проверявайте щепсела и захранващия кабел за повреди. Ако захранващият кабел е повреден, той трябва да се замени със специален кабел или комплект, които се предоставят от производителя или неговия сервизен представител.

ВНИМАНИЕ: Това е уред от клас I и ТРЯБВА да бъде заземен Този уред е в комплект с 3-жилен захранващ кабел в следните цветове:

Кафяв = Ф или Фаза

Син = Н или Нула

Зелен и жълт = З или Земя 



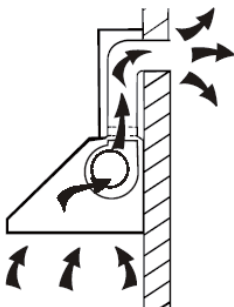
Предпазителят трябва да бъде определен като 3-амперов

Списък на стандартните аксесоари за монтаж

Спец.	Примерна снимка	Кол-во
Тяло на абсорбатора		1
Долен комин (500 mm)		1
Горен комин (500 mm)		1
Скоба на горния комин		1
Скоба на долния комин		1
Скоба на абсорбатора		1
∅ 8 винтове с дюбел ∅ 8× ∅ 6 в бяло		9
Винт (ST4 * 30 mm)		9
Винт (ST4 * 8 mm)		6
Въздушен отвор		1
Въглероден филтър		2

МОНТАЖ (стенен монтаж)

Ако имате изход навън, абсорбаторът може да бъде свързан, както е показано по-долу, с помощта на въздухоотвод (емайлирана, алуминиева гъвкава незапалима тръба с вътрешен диаметър 150 mm).



1. Преди монтаж изключете устройството и извадете щепсела му от контакта.



2. За най-добър ефект абсорбаторът трябва да се постави на разстояние 65~75 cm над равнината на готвене.

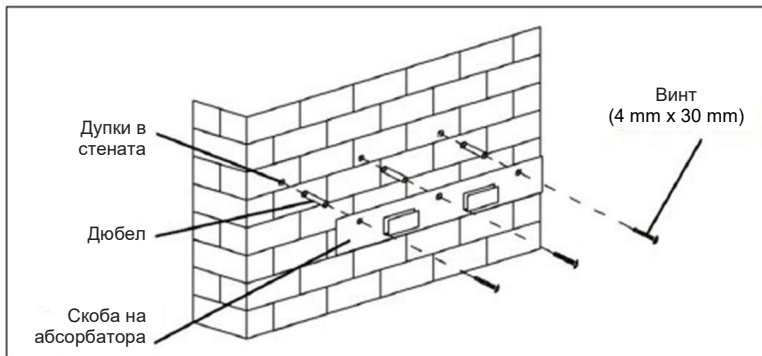


МОНТИРАНЕ НА АБСОРБАТОРА

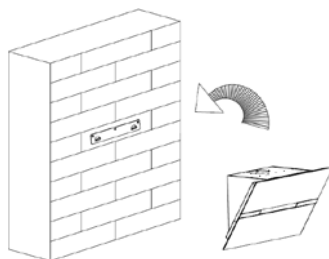
Позиционирайте абсорбатора на желаната височина, като спазвате минималната височина над плота за готвене.

Отбележете мястото на скобата за стена. (Поставете отворите между 700 и 800 mm над работния плот) Свалете абсорбатора и позиционирайте скобата за стена, за да отбележите местата на отворите на стената.

Пробийте 3-те отвора в стената, за да поставите подходящата система за закрепване (винт ST4 x 30 mm).

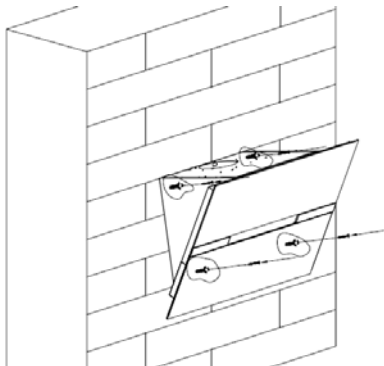


Закачете абсорбатора в прорезите на скобата за стена.

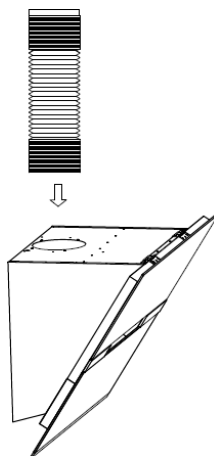


МОНТИРАНЕ НА АБСОРБАТОРА

След като капакът е поставен, определете мястото на 4 - те допълнителни винта за стенен монтаж, както е показано на следващата диаграма. Свалете абсорбатора, за да пробиете стената и да поставите дюбелите. Закрепете корпуса на абсорбатора с 4 винта от 4 mm, като използвате дюбели, подходящи за вашата стена.



Ако е избран режим на отвеждане на въздуха, изпускателната тръба се поставя на изхода за въздуха, както е показано.

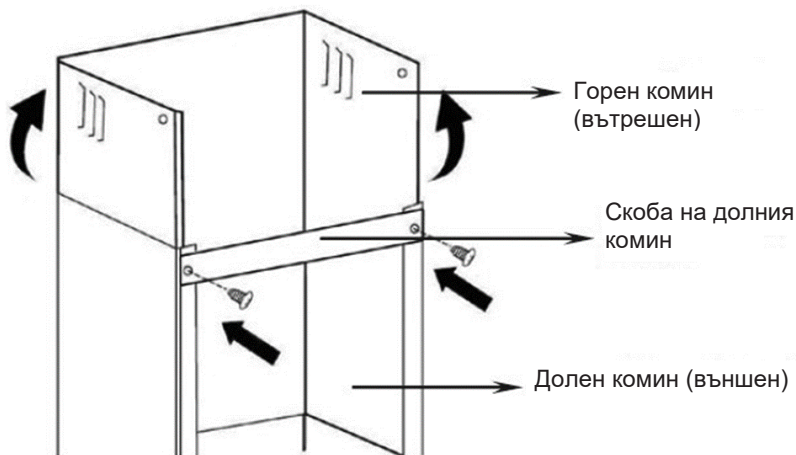


МОНТИРАНЕ НА АБСОРБАТОРА

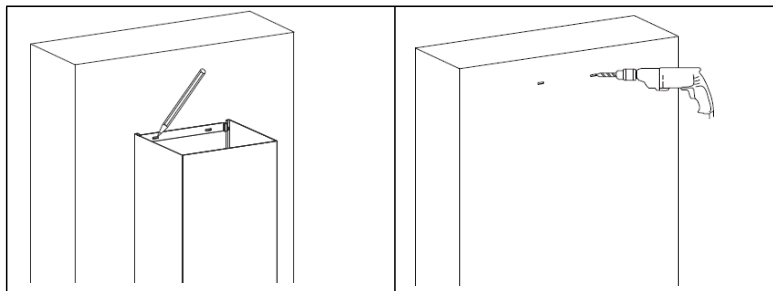
Прикрепете долната опора на комина към долния комин, както е показано. Използвайте 2 винта от ST4 x 8 mm.

(Не затягвайте винтовете прекалено много, уверете се, че горният комин може лесно да се влезе в долния.)

Поставете горния комин в долния комин.



Позиционирайте долния комин в уреда, след което отбележете отворите на стената.

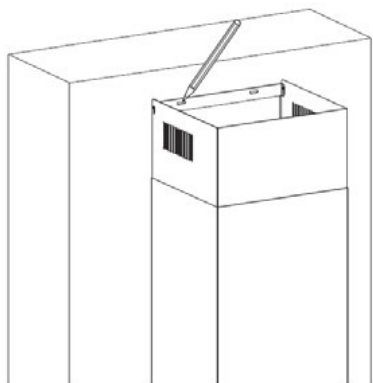
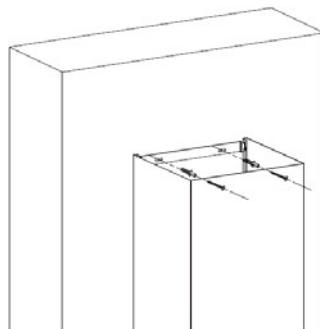


Свалете долния комин, след което пробийте дупки в стената: дупка за винт с диаметър \varnothing 8 mm.

Използвайте дюбели, подходящи за вашата стена.

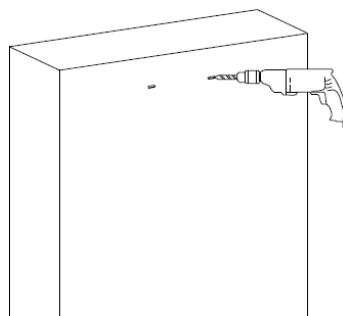
МОНТИРАНЕ НА АБСОРБАТОРА

Монтирайте долния комин, след което го завинтете към стената с 2 винта с диаметър \varnothing 8 mm



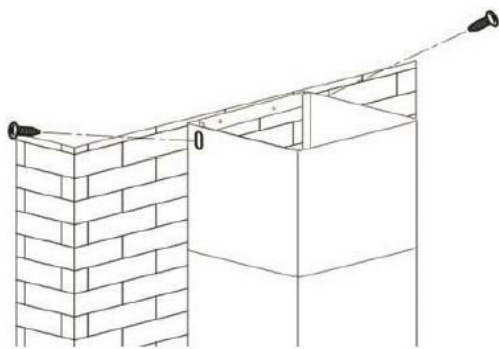
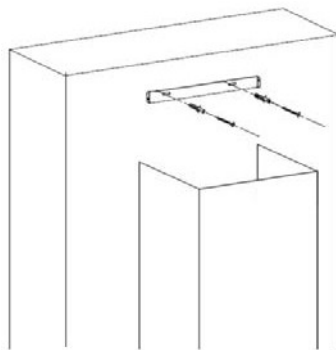
След това издърпайте горния комин нагоре до желаната височина. Отбележете местата на монтажните отвори на опората на горния комин.

Спуснете горния комин и след това пробийте дупки в стената. Поставете дюбели, подходящи за вашата стена.



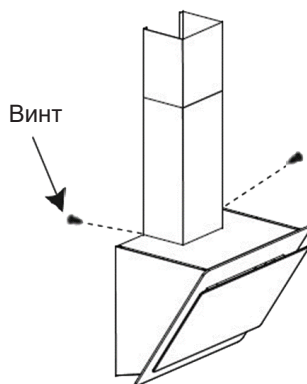
МОНТИРАНЕ НА АБСОРБАТОРА

Закрепете скобата за стена на горния комин към стената с помощта на избраните дюбели (препоръчват се винтове 8 mm).








Сглобете отново горния комин и го закрепете към скобата за стена с 2 винта ST4 x 8 mm.

Закрепете долния комин към дюбелите на абсорбатора с помощта на 2 винта ST4 x 8 mm.



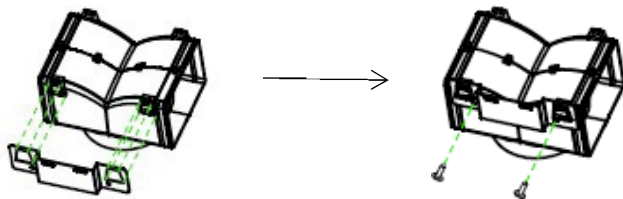
Списък на стандартните аксесоари за монтаж

Спец.	Примерна снимка	Кол-во
Дефлектор за въздушния поток		1
Скоба		1
Ø8 винтове с дюбел Ø8 × Ø6 с бял цвят		2
Винтове ST4.0 × 30		2
Винтове ST3.5 × 12		2

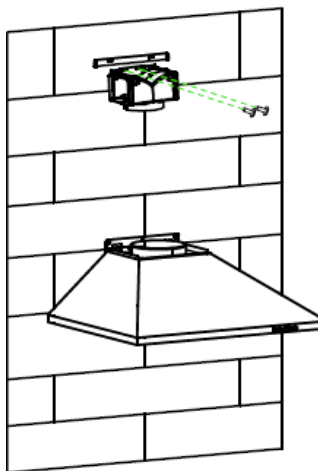
МОНТАЖ(ДЕФЛЕКТОР ЗА ВЪЗДУШНИЯ ПОТОК ЗА Т-ОБРАЗНИ МОДЕЛИ, МОДЕЛИ С ИЗВИТО СТЪКЛО, МОДЕЛИ С ПЛОСКО СТЪКЛО)

Дефлекторът за въздушния поток е посочен като включен и не е незадължителен.

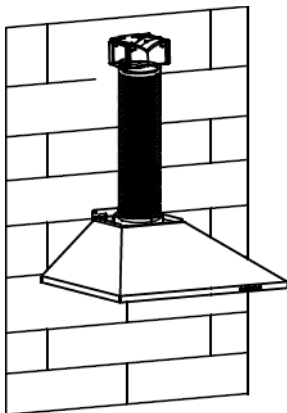
1. Закрепете скобата към Т-образния пластмасов изход с осигурените 2 бр винтове ST3.5 x 12 mm, както е показано по-долу:



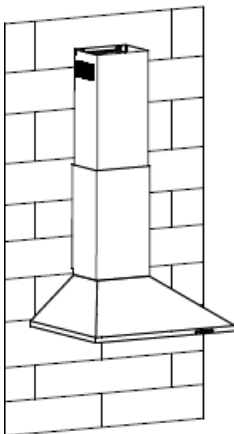
2. Пробийте 2 отвора на стената, за да поставите дюбелите, след което завинтете и затегнете скобата към стената с осигурените 2 бр винтове ST4 x 30 mm.



3. Прикрепете изпускателната тръба към изхода за въздух на абсорбатора, както е показано по-долу:



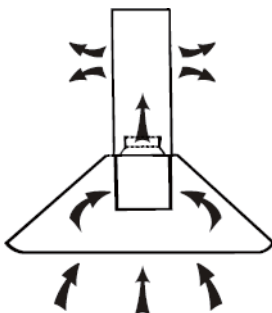
4. Монтирайте комина върху устройството и го фиксирайте.



- Имайте предвид, че Т-образният пластмасов изход и V-образните клапи не могат да се използват едновременно. Можете да ги използвате по два начина: 1) Добавете V-образна клапа на съществуващ изход; 2) Използвайте Т-образен пластмасов изход, без да добавяте V-образна клапа.
- Забележка: Продуктът е в комплект с V-образна клапа. Този аксесоар не е задължителен за монтажа, експлоатацията и употребата на продукта.

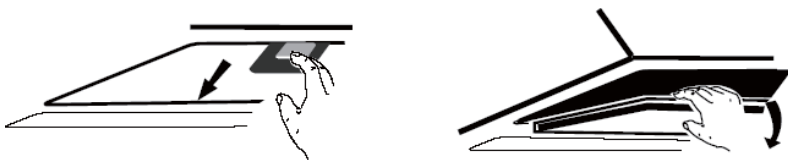
МОНТАЖ (ВЪТРЕШНА ВЕНТИЛАЦИЯ)

Ако нямате изход навън, не Ви е необходима изпускателна тръба и монтажът е подобен на този, който е показан в раздел „МОНТАЖ (ВЪНШНА ВЕНТИЛАЦИЯ)“.

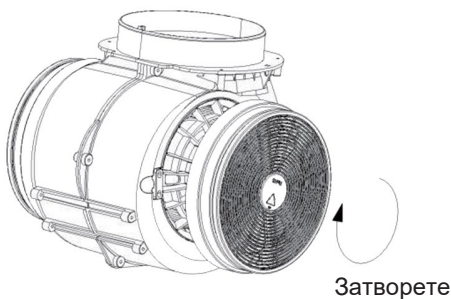


За улавяне на миризми може да се използва филтър с активен въглен.

За да монтирате филтъра с активен въглен, първо трябва да свалите филтъра за мазнини. Натиснете ключалката и я дръпнете надолу.



Поставете филтъра с активен въглен в устройството и го завъртете по посока на часовниковата стрелка. Повторете същото от другата страна.



ЗАБЕЛЕЖКА:

- o Уверете се, че филтърът е здраво захванат. В противен случай ще се разхлаби и ще причини опасност.
- o Когато е поставен филтър с активен въглен, засмукващата мощност ще бъде по-ниска.

ОПИСАНИЕ НА КОМПОНЕНТИТЕ



—



+



ЕКСПЛОАТАЦИЯ



Бутон на таймера

1. Задаване на час

Когато абсорбаторът е в режим на готовност (моторът не работи), натиснете бутона на таймера, за да влезете в настройката за часа. Натиснете бутон „**Скорост на вентилатора**“, за да зададете часа, и бутон „**Светлина**“, за да зададете минутите.

2. Настройване на таймера

Когато абсорбаторът е в работен режим, натиснете бутона на таймера, за да настроите обратното броене. Натиснете бутона на таймера веднъж, след което обратното броене ще се увеличи с една минута. Максималното обратно броене е 60 минути.

— Бутон за намаляване на скоростта

Бутонът е с индикаторна подсветка, — за увеличаване на скоростта на вентилатора или изключване на вентилатора; когато натиснете бутона от скорост 3 и подсветката се включва, скоростта на вентилатора ще се намалява от скорост 3-2-1 с натискане на бутон —, когато натиснете бутон — от скорост 1, вентилаторът ще бъде в режим на готовност и подсветката ще се изключи.

+ Бутон за увеличаване на скоростта

Бутонът е с индикаторна подсветка, + за включване на вентилатора или увеличаване на скоростта на му, когато натиснете и задържите бутона в режим на готовност, подсветката ще се включи и вентилаторът ще започне да работи на ниска скорост. След това вентилаторът ще увеличава скоростта си от скорост 1-2-3 с натискане на + бутон.



Бутон СВЕТЛИНА

За включване и изключване на светлината.

LCD екран



1. Символ „мотор“; ще се върти, когато моторът работи.
2. Показване на часа.
3. Символът „таймер“; ще се появява, когато таймерът се настройва и отброява.
4. Символ „светлина“.
5. Скорост на двигателя.
6. Символ „турбо скорост“; ще се появява, когато е зададена най-високата скорост.
7. Символ „аларма“; ще се появи за 5 секунди, когато отброяването на таймера приключи.
8. Напомняне за почистване, появява се, когато общото време на работа е до 14 часа или при първото използване след **ВКЛЮЧВАНЕ**.

ПОДДРЪЖКА

Преди почистване изключете устройството и извадете щепсела.

I. Редовно почистване

Използвайте мека кърпа, навлажнена с леко сапунена вода или домакински почистващ препарат. Никога не използвайте метални четки, химикали, абразивни материали или твърди четки за почистване на устройството.

II. Месечно почистване на филтъра за мазнини

ВАЖНО: Почистването на филтъра всеки месец може да предотврати риска от пожар.

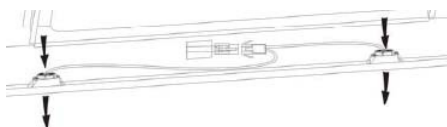
Филтърът събира мазнини, дим и прах..... затова той е от пряко значение за ефективността на абсорбатора. Ако не се почиства, остатъците от мазнина (потенциално запалими) ще се просмучат във филтъра. Почистете го с домакински почистващ препарат.

III. Годишно почистване на филтъра с активен въглен

Прилага се САМО за устройствата, които са монтирани за рецикулация (без външна вентилация). Този филтър улавя миризмите и трябва да се подменя поне веднъж годишно в зависимост от честотата на използване на абсорбатора.

IV. Смяна на крушка

Отстранете винтовете на стъклото и го свалете. Намерете крушката, която трябва да се подмени – тя се намира в осветителното тяло, разположено във видимата част на абсорбатора.



Прекъснете монтажната точка на лампата и свалете от абсорбатора държачите за крушките и окабеляването. Важно: Невъзможно е да подмените само крушките; ще трябва да си набавите крушки, държачи за крушките и окабеляването в комплект. (LED лампа: МАКС. 1.5W)

Поставете новите крушки, държачите за крушки и окабеляването по същия начин като оригиналните. След това свържете отново монтажната точка.

Поставете отново стъклото на абсорбатора и затегнете стъклените винтове. Уверете се, че винтовете са напълно затегнати.

ОТСТРАНЯВАНЕ НА ПОВРЕДИ

Повреда	Причина	Решение
Лампата свети, но вентилаторът не работи	Перката на вентилатора е заяла.	Изключете устройството и го дайте за ремонт само на квалифициран сервизен персонал.
	Моторът е повреден.	
Светлината и вентилаторът не работят	Изгаряне на халогенна крушка.	Сменете крушката с такава от правилната категория.
	Захранващият кабел се разхлабва.	Включете отново в захранването.
Силно вибриране на устройството	Перката на вентилатора е повредена.	Включете устройството и го дайте за ремонт само на квалифициран сервизен персонал.
	Моторът на вентилатора не е плътно закрепен.	Изключете устройството и го дайте за ремонт само на квалифициран сервизен персонал.
	Устройството не е закачено правилно на скобата.	Свалете устройството и проверете дали скобата е на правилното място.
Всмукването не е достатъчно ефективно	Твърде голямо разстояние между устройството и абсорбатора	Регулирайте разстоянието до 65-75 см.

ОБСЛУЖВАНЕ НА КЛИЕНТИ

Ако не можете да установите причината за неправилното функциониране, изключете уреда и се свържете със сервиза за техническо обслужване.

СЕРИЕН НОМЕР НА ПРОДУКТА. Къде мога да го намеря?

Важно е да посочите кода на продукта и серийния му номер (код с 16 знака, който започва с номер 3) на сервиза за техническо обслужване; можете да ги намерите на гаранционната карта или на табелката с данни, която се намира на уреда.

По този начин ще си спестите напразни посещения при техници, а по този начин и (което е най-важното) съответните такси за повикване.

Този уред е обозначен съгласно Европейската директива 2012/19/ЕС относно отпадъци от електрическо и електронно оборудване (ОЕЕО).

ОЕЕО съдържат и замърсяващи вещества (които могат да се отразят неблагоприятно върху околната среда) и основни компоненти (които могат да се използват повторно). Важно е ОЕЕО да преминават специфична



обработка, за да се отстранят и изхвърлят правилно всички замърсители и да се оползотворят и рециклират всички материали. Хората имат важна роля за това да се гарантира, че ОЕЕО не се превръщат в екологичен проблем; важно е да следвате някои основни правила:

ОЕЕО не трябва да се третират като битови отпадъци;

ОЕЕО трябва да се предават на съответните събирателни пунктове, управлявани от общински или от регистрирани дружества. В много държави е възможно да е осигурено събиране и извозване на ОЕЕО по домовете.

В много държави, когато купувате нов уред, можете да върнете стария на търговеца, който трябва да го вземе от дома Ви безплатно в замяна на новия уред, при условие че оборудването е от еквивалентен тип и има същите функции както доставеното оборудване.

INSTALACIJA I UPUTSTVO ZA UPOTREBU

SADRŽAJ

BEZBEDNOSNE MERE.....	123
ELEKTRIČNE INSTALACIJE	125
INSTALACIJA (zidna montaža).....	127
INSTALACIJA ASPIRATORA	128
INSTALACIJA ASPIRATORA	129
INSTALACIJA ASPIRATORA	130
INSTALACIJA ASPIRATORA	131
INSTALACIJA ASPIRATORA	132
Lista standardne instalacione opreme.....	133
INSTALACIJA (DEFLEKTOR VAZDUHA ZA MODELE T-OBLIKA, SA ZAKRIVLJENIM STAKLOM, SA RAVNIM STAKLOM)	134
INSTALACIJA (UNUTRAŠNJA VENTILACIJA).....	136
OPIS KOMPONENTI	137
RAD	137
ODRŽAVANJE.....	139
REŠAVANJE PROBLEMA	140
KORISNIČKA SLUŽBA	140


UVOD

Hvala vam što ste izabrali ovaj aspirator.

Ovo uputstvo za upotrebu je dizajnirano da vam pruži sva potrebna uputstva u vezi sa instalacijom, korišćenjem i održavanjem uređaja. Da biste pravilno i bezbedno koristili uređaj, pažljivo pročitajte ovo uputstvo za upotrebu pre instalacije i upotrebe.

Aspirator je izrađen od visokokvalitetnih materijala i odlikuje ga moderan dizajn. Opremljen elektromotorom velike snage i centrifugalnim ventilatorom, takođe obezbeđuje snažnu usisnu snagu, nizak nivo buke pri radu, filter za masnoću protiv lepljenja i jednostavnu montažu.



Stavljanjem oznake  na ovaj proizvod, izjavljujemo, na sopstvenu odgovornost, usklađenost sa svim evropskim bezbednosnim, zdravstvenim i ekološkim zahtevima navedenim u zakonodavstvu za ovaj proizvod.

BEZBEDNOSNE MERE

- Nikada ne dozvolite deci da upravljaju mašinom.
- Ovaj aspirator je samo za kućnu upotrebu, nije pogodan za roštilj, gril i u druge komercijalne svrhe.
- Aspirator i njegov filter treba redovno da se čiste kako bi mogli pravilno da rade.
- Čistite aspirator u skladu sa uputstvom za upotrebu i držite ga dalje od izvora paljenja.
- Zabranite direktno pečenje iz gasnog šporeta. Održavajte dobru konvekciju u kuhinji.
- Pre uključivanja ovog uređaja u struju proverite da kabl za napajanje nije oštećen. Oštećeni kabl za napajanje može da zameni samo kvalifikovani serviser.
- Mora biti obezbeđena adekvatna ventilacija prostorije kada se aspirator koristi istovremeno sa uređajima na gas ili druga goriva;
- Vazduh se ne sme ispuštati u odvod koji se koristi za odvođenje isparenja iz uređaja na gas ili druga goriva;
- Neophodno je pridržavati se propisa o odvodu vazduha.

- Na decu treba paziti kako bi se obezbedilo da se ona ne igraju s uređajem.
- Nemojte da flambirate ispod aspiratora.
- Aspirator nije predviđen za ugradnju iznad ploče za kuvanje koja ima više od četiri elementa.
- U prostoriji u kojoj se istovremeno koriste aspirator i uređaji koji sagorevaju gas ili druga goriva mora da postoji odgovarajuća ventilacija (ne važi za uređaje koji samo ispuštaju vazduh nazad u prostoriju).
- Detalji o načinu i učestalosti čišćenja.
- U slučaju da se čišćenje ne obavi u skladu sa uputstvom postoji rizik od požara.
- Ispod aspiratora ne sme da bude plamen.
- OPREZ: dostupni delovi mogu da se zagreju kada se koriste sa uređajem za kuvanje.

Opasnost od strujnog udara

- Uključite ovaj uređaj samo u pravilno uzemljenu utičnicu. Ako ste u nedoumici, potražite savet od kvalifikovanog inženjera.
- Nepridržavanje ovih uputstava može dovesti do smrti, požara ili strujnog udara.

ELEKTRIČNE INSTALACIJE

Sve instalacije mora da izvede nadležno lice ili kvalifikovani električar. Pre povezivanja na izvor napajanja proverite da li napon mreže odgovara naponu na nazivnoj pločici.

Direktno povezivanje

Uređaj mora biti direktno povezan na mrežu pomoću onipolarnog prekidača sa minimalnim otvorom od 3 mm između kontakata.

Lice koje vrši instalaciju mora da se uveri da je napravljen ispravan električni priključak i da je u skladu sa dijagramom ožičenja.

Kabl ne sme biti savijen ili sabijen.

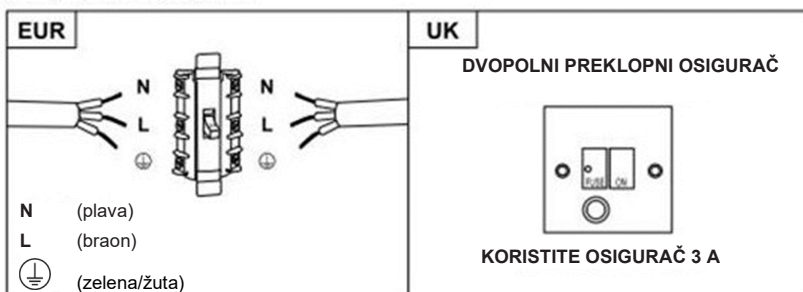
Redovno proveravajte da utikač i kabl za napajanje nisu oštećeni. Ako je kabl za napajanje oštećen, mora biti zamenjen posebnim kablom ili sklopom koji se može nabaviti kod proizvođača ili njegovog servisera.

UPOZORENJE: Ovo je uređaj klase I i MORA biti uzemljen. Ovaj uređaj se isporučuje sa trožilnim kablom za napajanje koji je obojen na sledeći način:

braon = L ili faza

plava = N ili nula

zelena i žuta = E ili uzemljenje (⊥)



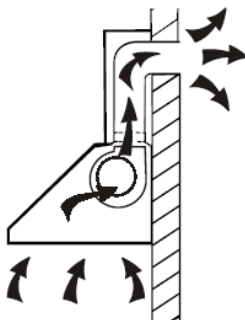
Osigurač mora biti određen na 3 ampera.

Lista standardne instalacione opreme

Specifikacije	Ilustracija	Količina
Kućište aspiratora		1
Donji dimnjak (500 mm)		1
Gornji dimnjak (500 mm)		1
Nosač gornjeg dimnjaka		1
Nosač donjeg dimnjaka		1
Nosač aspiratora		1
Ø 8 umeci za zavrtnje Ø 8× Ø 6 bela boja		9
Zavrtnaj (ST4 * 30 mm)		9
Zavrtnaj (ST4 * 8 mm)		6
Odvod vazduha		1
Karbonski filter		2

INSTALACIJA (zidna montaža)

Ako imate izlaz ka spolja, aspirator se može povezati kao na slici ispod pomoću odvodnog kanala (emajl, aluminijum, nezapaljiva fleksibilna cev sa unutrašnjim prečnikom od 150 mm).



1. Pre instalacije isključite uređaj i izvucite kabl iz utičnice.



2. Aspirator treba da bude postavljen na udaljenosti od 65~75 cm iznad ploče za kuvanje kako bi se postigao najbolji efekat.

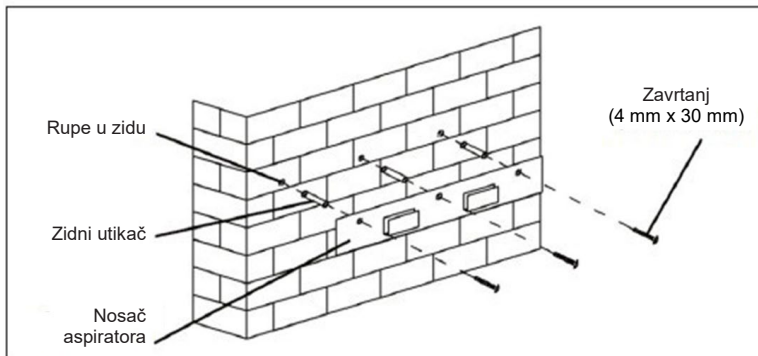


INSTALACIJA ASPIRATORA

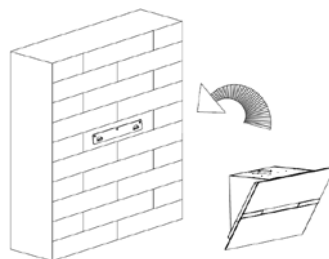
Postavite aspirator na željenu visinu poštujući minimalnu visinu iznad ploče za kuvanje.

Označite lokaciju zidnog nosača (postavite rupe između 700 i 800 mm iznad radne površine). Skinite aspirator i postavite zidni nosač kako biste označili mesta rupa na zidu.

Izbušite 3 rupe u zidu da biste umetnuli odgovarajući sistem za pričvršćivanje (šraf ST4 x 30 mm).



Okačite aspirator na zaseke zidnog nosača.

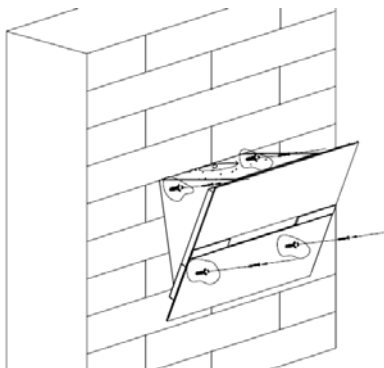


INSTALACIJA ASPIRATORA

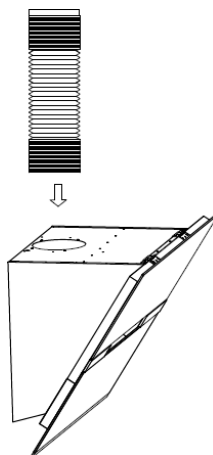
Kada je aspirator postavljen, pronađite mesta 4 dodatna zavrtnja za montažu na zid kao što je prikazano na sledećem dijagramu.

Skinite aspirator da biste probili zid i instalirali zidne utikače.

Pričvrstite kućište aspiratora pomoću 4 zavrtnja prečnika 4 mm pomoću tipli prilagođenih vašem zidu.



Ako je izabran režim ekstrakcije, postavite odvod izduvnog vazduha na izlaz vazduha kao što je prikazano.

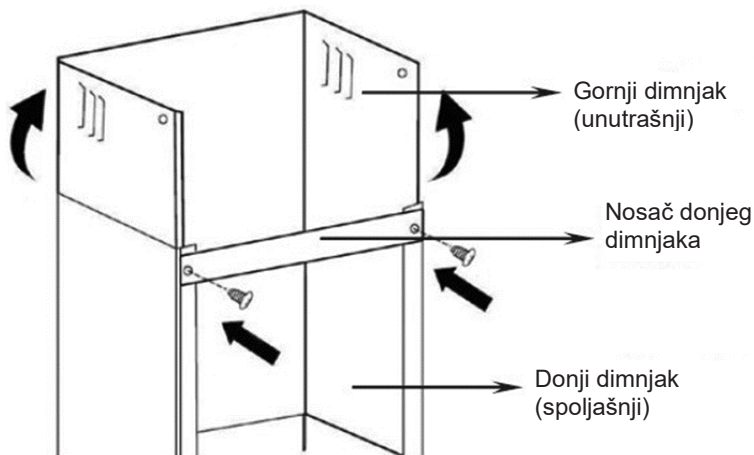


INSTALACIJA ASPIRATORA

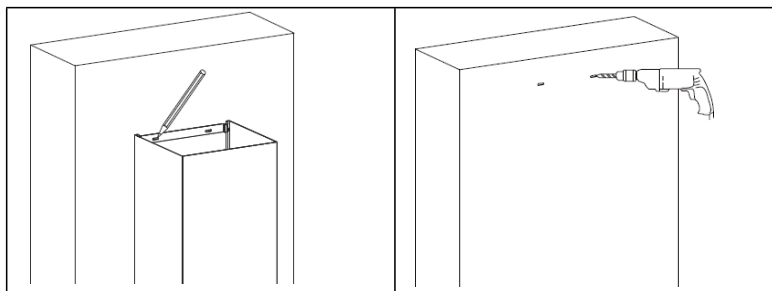
Pričvrstite nosač donjeg dimnjaka na donji dimnjak kao što je prikazano. Koristite 2 zavrtnja ST4 x 8 mm.

(Nemojte previše zatezati zavrtnje, uverite se da gornji dimnjak može lako da sklizne u donji dimnjak)

Umetnite gornji dimnjak u donji dimnjak.



Postavite donji dimnjak u uređaj, a zatim označite rupe na zidu.

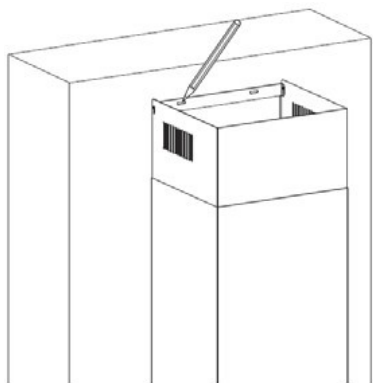
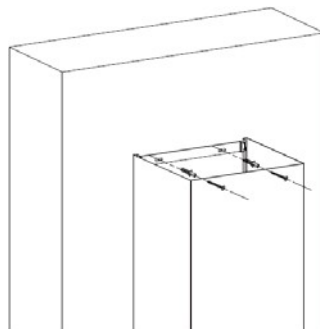


Uklonite donji dimnjak, a zatim izbušite rupe u zidu: otvor za zavrtnj prečnika Ø 8 mm.

Koristite tiple prilagođene vašem zidu.

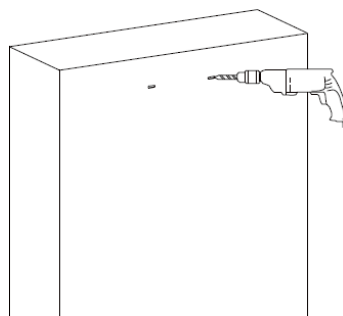
INSTALACIJA ASPIRATORA

Ugradite donji dimnjak, a zatim ga pričvrstite za zid sa 2 zavrtnja prečnika \varnothing 8 mm.



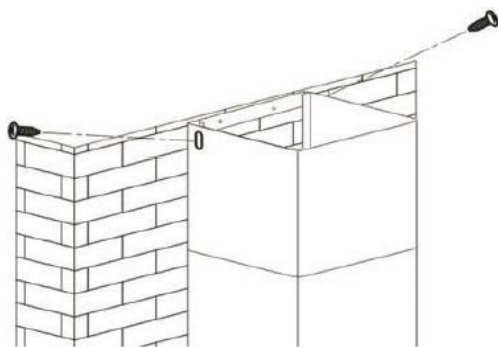
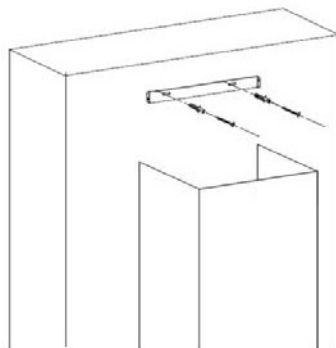
Zatim povucite gornji dimnjak na željenu visinu. Označite mesta montažnih otvora nosača gornjeg dimnjaka.

Spustite gornji dimnjak i izbušite rupe u zidu. Umetnite tiple prilagođene zidu.



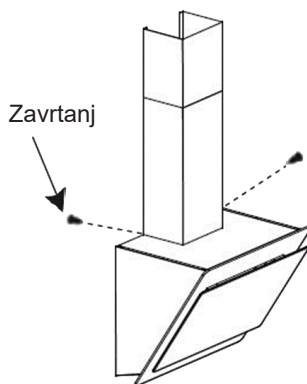
INSTALACIJA ASPIRATORA

Pričvrstite zidni nosač gornjeg dimnjaka za zid pomoću izabranih tipli (preporučuju se zavrtnji od 8 mm).








Ponovo montirajte gornji dimnjak i pričvrstite ga za zidni nosač pomoću 2 zavrtnja ST4 x 8 mm.

Pričvrstite donji dimnjak na nosače aspiratora pomoću 2 zavrtnja ST4 x 8 mm.



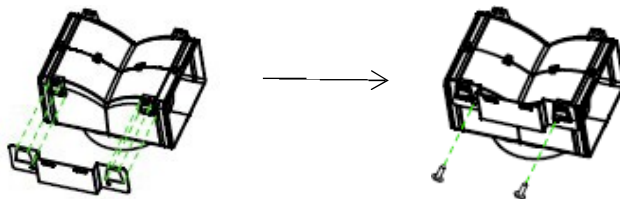
Lista standardne instalacione opreme

Specifikacije	Ilustracija	Količina
Deflektor vazduha		1
Nosač		1
Ø 8 umeci za zavrtnje Ø 8 × Ø 6 bela boja		2
Zavrtnji ST4.0 × 30		2
Zavrtnji ST3.5 × 12		2

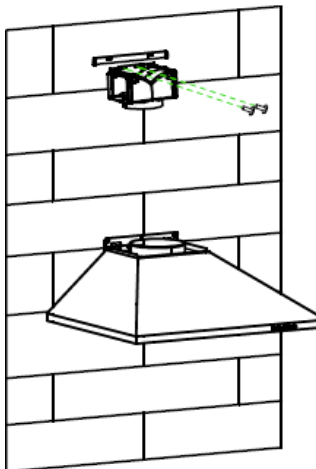
INSTALACIJA (DEFLEKTOR VAZDUHA ZA MODELE T-OBLIKA, SA ZAKRIVLJENIM STAKLOM, SA RAVNIM STAKLOM)

Deflektor vazduha je naveden kao sastavni deo, a ne kao opcija.

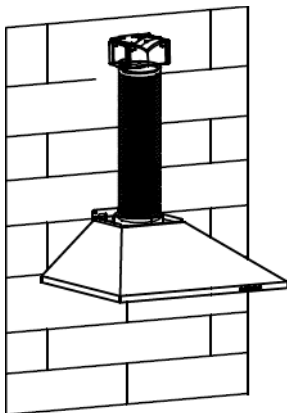
1. Pričvrstite nosač na plastičnu utičnicu u obliku slova T pomoću 2 isporučena zavrtnja ST3.5 x 12 mm kao što je prikazano u nastavku:



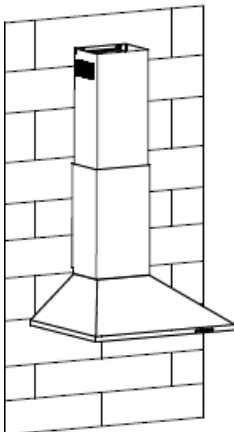
2. Izbušite 2 rupe na zidu da biste postavili zidne utikače, zatim zavrtnite i zategnite nosač na zid isporučenim zavrtnjima (2 kom, ST4 x 30 mm).



3. Pričvrstite izduvnu cev na izlaz vazduha iz aspiratora kao što je prikazano u nastavku:



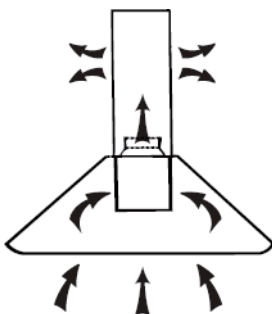
4. Postavite dimnjak na jedinicu i pričvrstite ga.



- Imajte na umu: Plastična utičnica u obliku slova T i v-poklopac ne mogu se koristiti istovremeno. Možete ih koristiti na dva načina: 1) dodajte v-poklopac na postojeću utičnicu; 2) koristite plastičnu utičnicu u obliku slova T, bez dodavanja v-poklopca.
- Napomena: Proizvod je opremljen dodatkom v-poklopac. Ovaj dodatak nije neophodan za instalaciju, rad i upotrebu proizvoda.

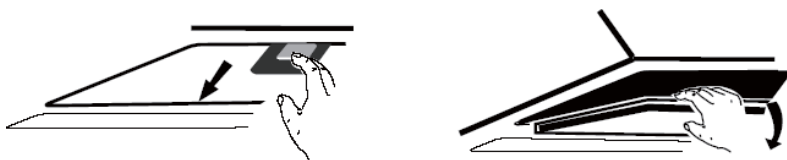
INSTALACIJA (UNUTRAŠNJA VENTILACIJA)

Ako nemate izlaz ka spolja, izduvna cev nije potrebna i instalacija je slična onoj prikazanoj u odeljku „INSTALACIJA (SPOLJAŠNJA VENTILACIJA)“.

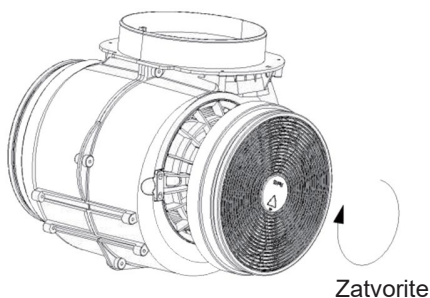


Filter sa aktivnim ugljem se može koristiti za upijanje neprijatnih mirisa.

Da biste instalirali filter sa aktivnim ugljem, prvo treba ukloniti filter za masnoću. Pritisnite bravicu i povucite je nadole.



Uključite filter sa aktivnim ugljem u jedinicu i okrenite ga u smeru kazaljke na satu. Isto ponovite i na drugoj strani.



NAPOMENA:

- o *Proverite da li je filter dobro zaključan. Inače bi se mogao olabaviti i prouzrokovati opasnost.*
- o *Kada je pričvršćen filter sa aktivnim ugljem, usisna snaga će biti manja*

OPIS KOMPONENTI



—



+



RAD



Taster tajmera

1. Podešavanje doba dana

Kada je aspirator u stanju pripravnosti (motor ne radi), pritisnite taster tajmera da biste ušli u podešavanje vremena.

Pritisnite taster „**Brzina ventilatora**“ da biste podesili sat i pritisnite taster „**Svetlo**“ da biste podesili minut.

2. Podešavanje tajmera

Kada je aspirator u režimu rada, pritisnite taster tajmera da biste podesili odbrojavanje.

Pritisnite taster tajmera jednom i odbrojavanje će se povećati za jedan minut. Maksimalno odbrojavanje je 60 minuta.

— Taster za smanjenje brzine

Taster ima pozadinsko osvetljenje za indikaciju, — za povećanje brzine ventilatora ili isključivanje ventilatora; kada pritisnete taster iz brzine 3 i pozadinsko osvetljenje je uključeno, ventilator će smanjiti brzinu iz brzine 3-2-1 pritiskom na taster —, kada pritisnete taster — iz brzine 1, ventilator će biti u stanju pripravnosti i pozadinsko osvetljenje će biti isključeno.

+ Taster za veću brzinu

Taster ima pozadinsko osvetljenje za indikaciju, + za uključivanje ventilatora ili povećanje brzine ventilatora; kada dugo pritisnete taster u režimu pripravnosti, pozadinsko osvetljenje će se uključiti i ventilator će se uključiti pri maloj brzini; zatim će ventilator povećati brzinu od brzine 1-2-3 pritiskom na + taster.



Taster OSVETLJENJA

Za UKLJUČIVANJE i ISKLJUČIVANJE osvetljenja.

LCD ekran



1. Simbol motora će se rotirati kada motor radi.
2. Prikaz vremena.
3. Simbol tajmera će se pojaviti kada se tajmer podešava i dok odbrojava.
4. Svetlosni simbol.
5. Brzina motora
6. Simbol turbo brzine će se pojaviti kada je brzina podešena na najveću.
7. Simbol alarma pojaviće se na 5 sekundi kada se odbrojavanje tajmera završi.
8. Alarm za čišćenje pojavljuje se kada je ukupno vreme rada do 14 sati ili prilikom prvog korišćenja nakon uključivanja u struju.

ODRŽAVANJE

Pre čišćenja isključite uređaj i izvucite utikač.

I. Redovno čišćenje

Koristite meku krpu navlaženu blagom sapunicom ili deterdžentom za čišćenje u domaćinstvu. Nikada nemojte koristiti metalne jastučice, hemijske, abrazivne materijale ili krute četke za čišćenje jedinice.

II. Mesečno čišćenje filtera za masnoću

OSNOVNO: Čišćenje filtera svakog meseca sprečava opasnost od požara.

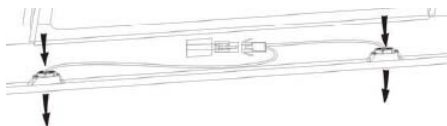
Filter prikuplja masnoću, dim i prašinu..... tako da filter direktno utiče na efikasnost aspiratora. Ako se ne očisti, ostaci masnoće (potencijalno zapaljivi) će natopiti filter. Očistite ga deterdžentom za čišćenje domaćinstva.

III. Godišnje čišćenje filtera sa aktivnim ugljem

Koristite ISKLJUČIVO s jedinicom koja je instalirana kao recirkulaciona jedinica (ne odzračuje se ka spolja). Ovaj filter upija neprijatne mirise i mora se zameniti najmanje jednom godišnje, u zavisnosti od učestalosti korišćenja aspiratora.

IV. Zamena sijalice

Uklonite zavrtnje na staklu, skinite staklo aspiratora. Pronađite sijalicu koju treba zameniti, a koja se nalazi u svetiljki unutar otvorenog dela nadstrešnice.



Isključite tačku ožičenja i uklonite držače sijalice i ožičenje sa aspiratora. Važno: Nije moguće zameniti sijalice pojedinačno, moraćete da nabavite sijalice, držače sijalica i ožičenje kao komplet. (LED svetlo: MAKS. 1,5 W)

Postavite zamenske sijalice, držače sijalica i ožičenje na isti način kako su bili postavljeni originali. Zatim ponovo spojite tačku ožičenja osvetljenja.

Ponovo postavite staklo aspiratora i pričvrstite zavrtnje za staklo. Uverite se da su zavrtnji potpuno zategnuti.

REŠAVANJE PROBLEMA

Kvar	Uzrok	Rešenje
Svetlo je uključeno, ali ventilator ne radi	Lopatica ventilatora se zaglavila.	Isključite jedinicu i angažujte samo ovlašćenog servisera za popravku.
	Motor je oštećen.	
Svetlo i ventilator ne rade	Halogena sijalica je pregorela.	Zamenite je odgovarajućom sijalicom.
	Kabel za napajanje se izvukao.	Ponovo uključite uređaj u struju.
Jedinica snažno vibrira	Lopatica ventilatora je oštećena.	Isključite jedinicu i angažujte samo ovlašćenog servisera za popravku.
	Motor ventilatora nije dobro pričvršćen.	Isključite jedinicu i angažujte samo ovlašćenog servisera za popravku.
	Uređaj nije pravilno okačen na nosač.	Skinite jedinicu i proverite da li je nosač na odgovarajućem mestu.
Učinak usisavanja nije dobar	Prevelika udaljenost između uređaja i ploče za kuvanje	Podesite rastojanje na 65-75 cm.

KORISNIČKA SLUŽBA

Ako ne možete da identifikujete uzrok nepravilnosti u radu, isključite uređaj i obratite se Korisničkoj službi.

SERIJSKI BROJ PROIZVODA. Gde se nalazi?

Važno je da obavestite Korisničku službu o šifri vašeg proizvoda i njegovom serijskom broju (šifra od 16 znakova koja počinje brojem 3); ona se nalazi na garanciji ili na pločici sa podacima koja se nalazi na uređaju.

To će pomoći da se izbegnu nepotrebni odlasci u servis, čime će se (i što je najznačajnije) uštedeti troškovi izlaska na teren.

Ovaj uređaj je označen u skladu sa direktivom Evropske unije 2012/19/EU o otpadnoj elektronskoj i električnoj opremi (OEEO). OEEO sadrži obe zagađujuće supstance (koje mogu imati negativne posledice po životnu sredinu) i osnovne komponente (koje se mogu ponovo koristiti). Važno je da OEEO bude podvrgnuta posebnim



tretmanima u cilju uklanjanja i pravilnog odlaganja svih zagađujućih materija, kao i prikupljanja i recikliranja svih materijala.

Pojedinci mogu da igraju važnu ulogu u obezbeđivanju da OEEO ne postane ekološki problem; neophodno je pratiti neka osnovna pravila:

OEEO se ne sme tretirati kao kućni otpad;

OEEO se predaje mestima nadležnim za prikupljanje takvog otpada kojima upravlja opština ili registrovana preduzeća. U mnogim zemljama, za velike OEEO dostupna je usluga preuzimanja na kućnoj adresi.

U mnogim zemljama, kada kupite novi uređaj, stari možete da vratite prodavcu koji treba da ga preuzme besplatno po principu jedan-za-jedan, sve dok je oprema odgovarajućeg tipa i ima iste funkcije kao isporučena oprema.