

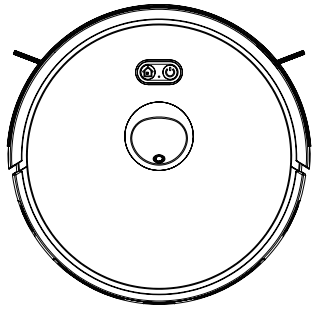
User manual
Bedienungsanleitung
Instrukcja obsługi
Manuale d'uso
Manuel de l'Utilisateur
Manual de usuario
Handleiding
Посібник користувача
Vartotojo vadovas
Korisnički priručnik

Zonder
Robo Vision

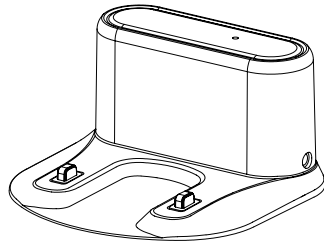
EN DE PL IT FR
ES NL UK LT HR



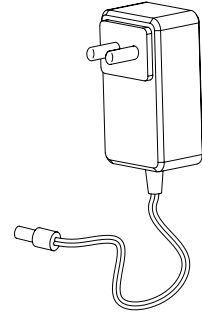
ZEEGMA



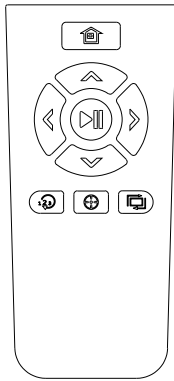
A



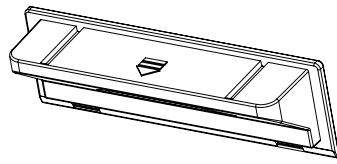
B



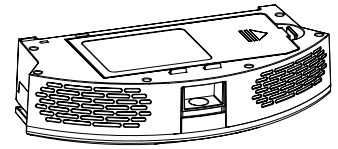
C



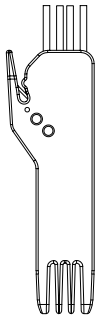
D



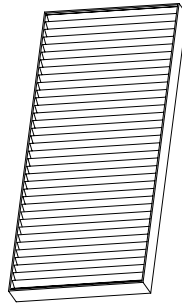
E



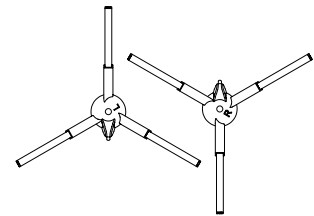
F



G

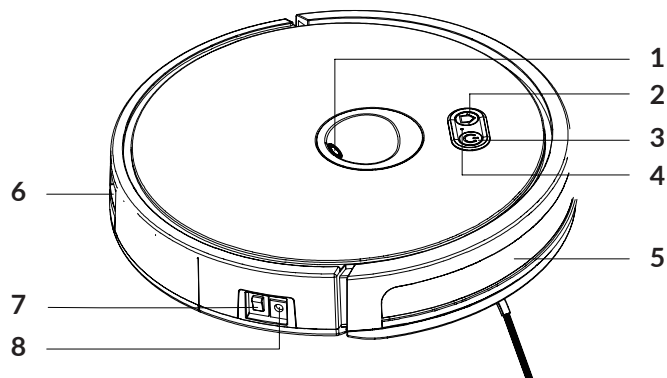


H

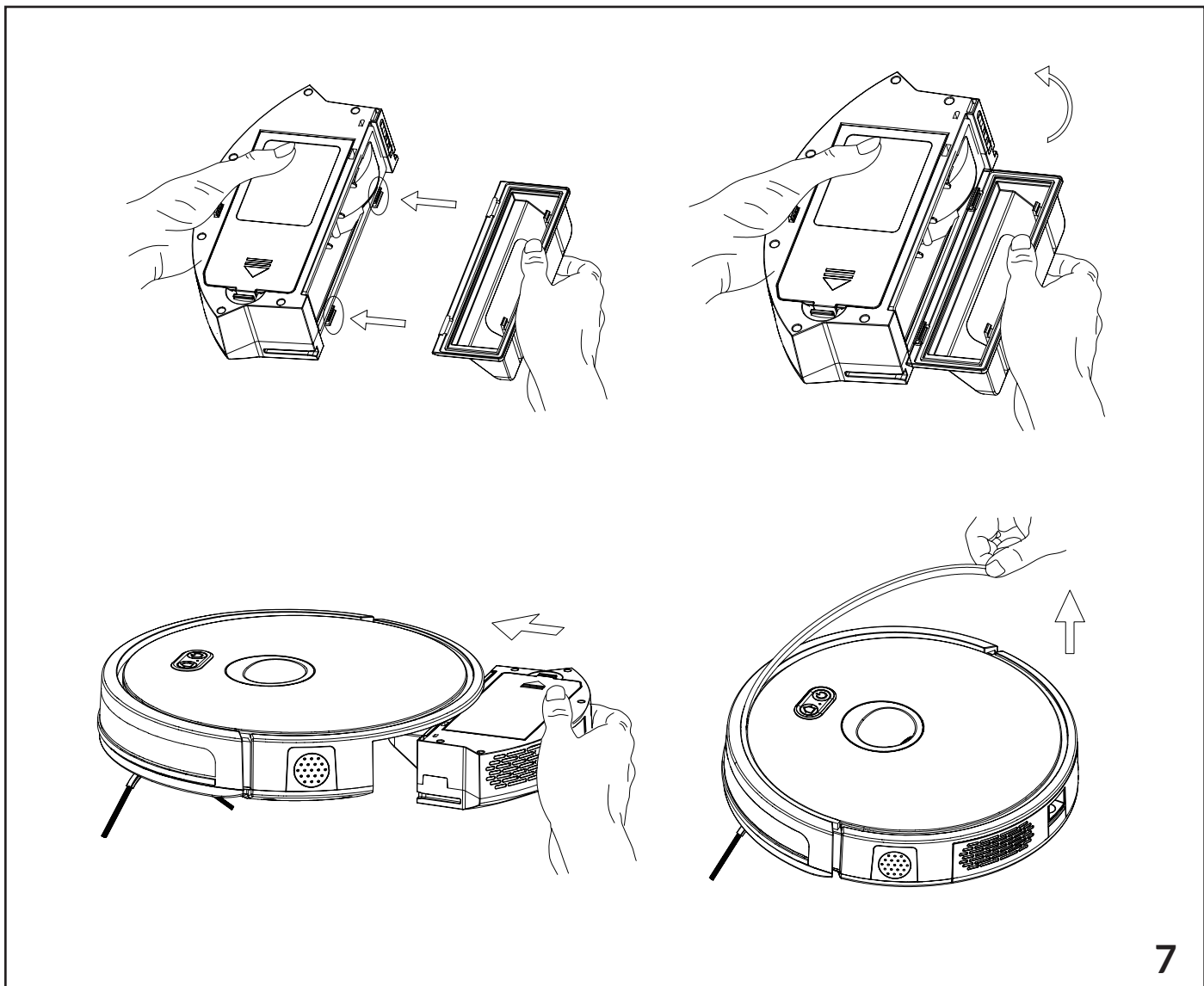
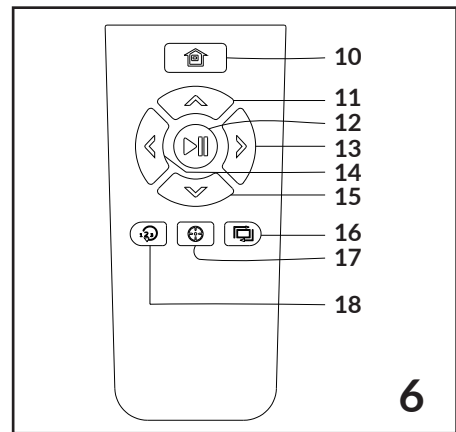
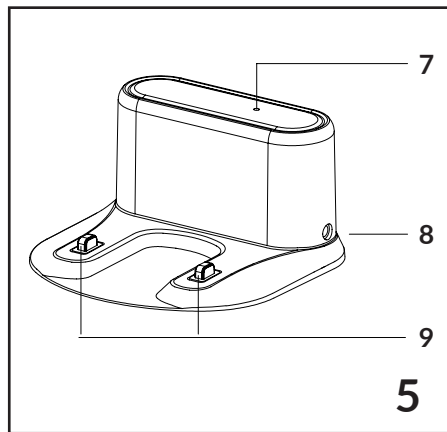
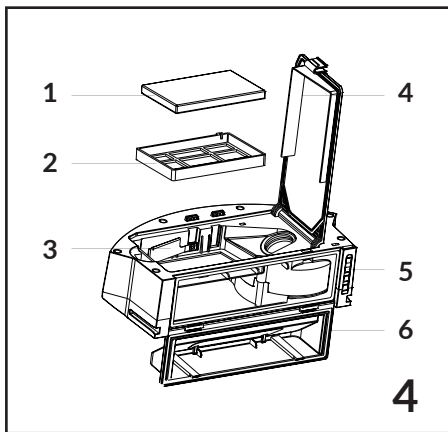
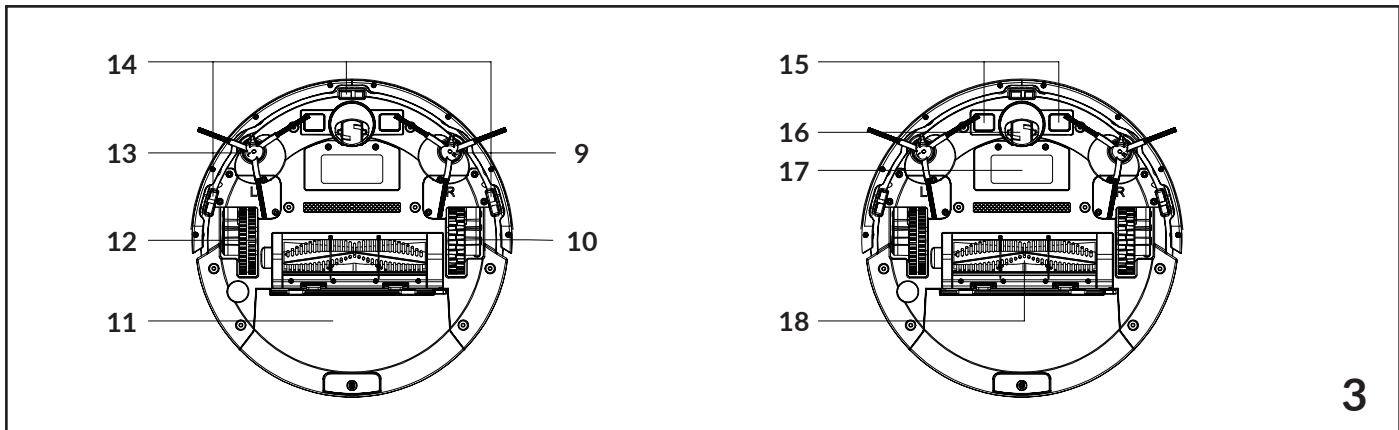


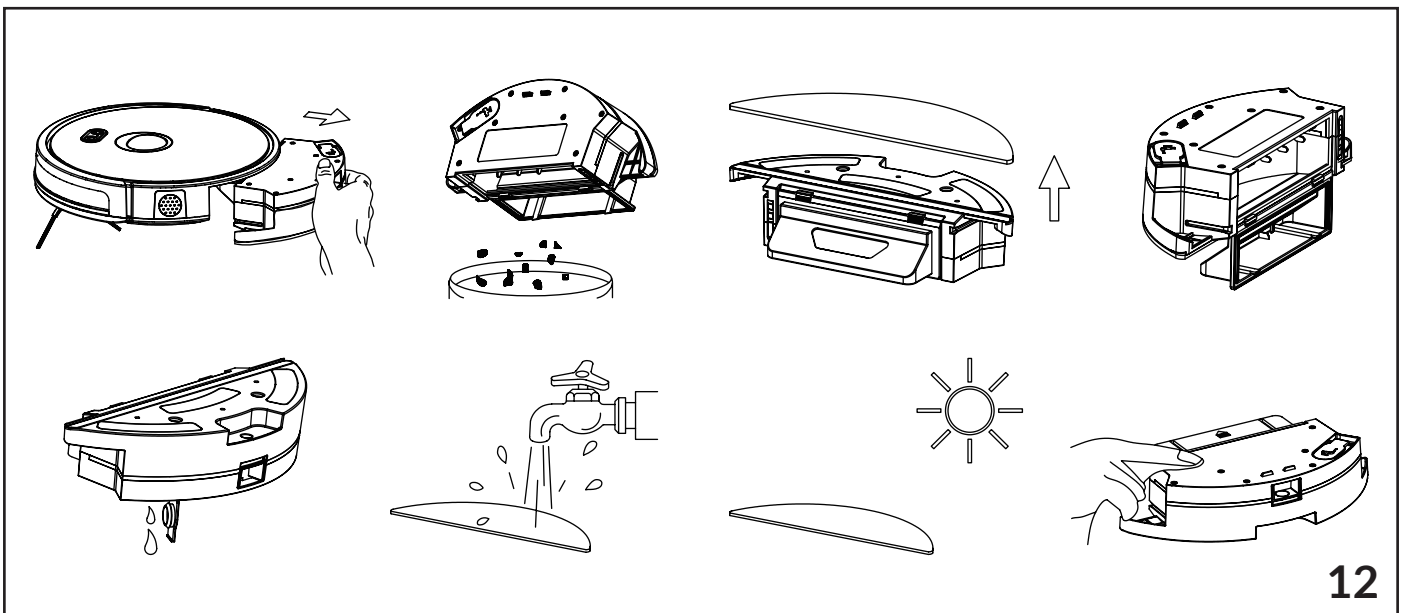
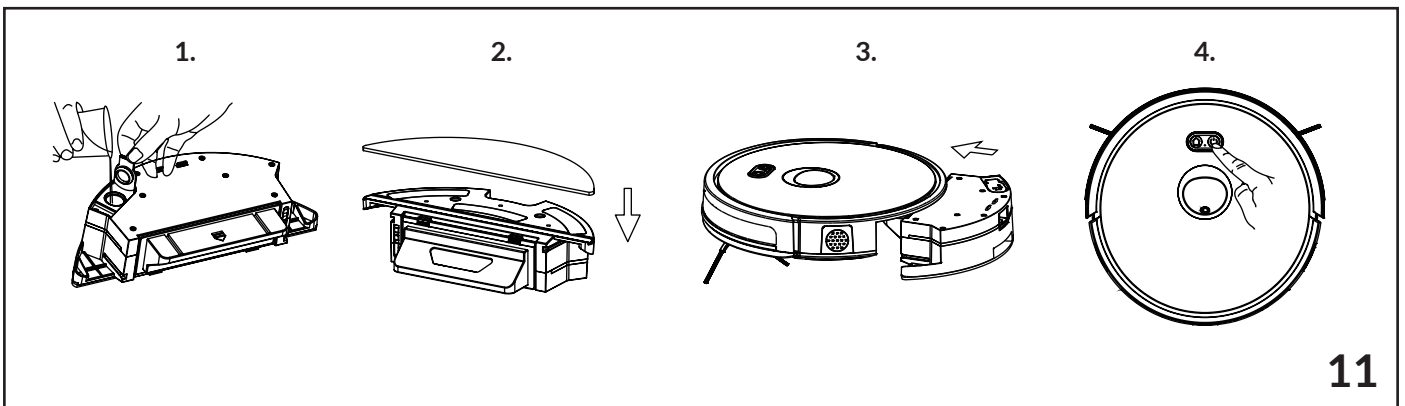
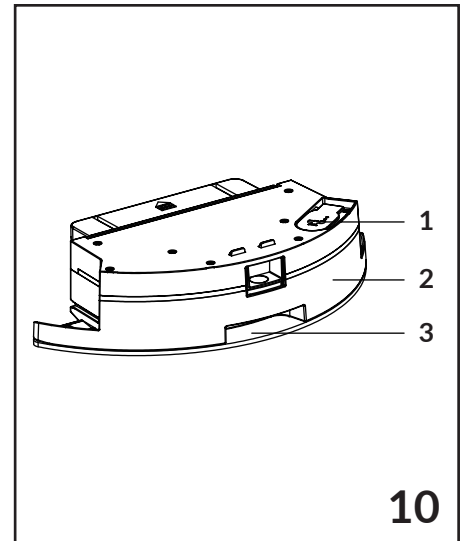
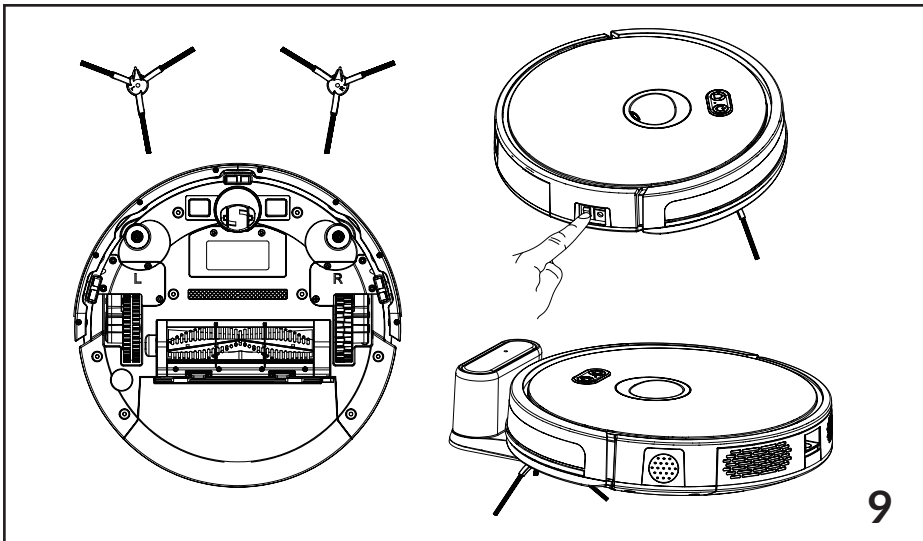
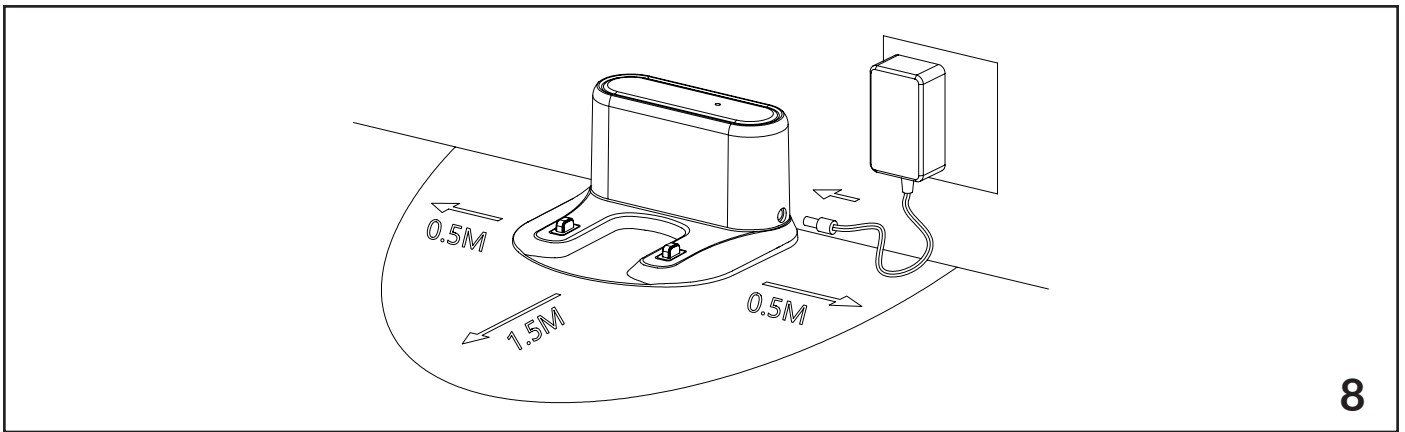
I

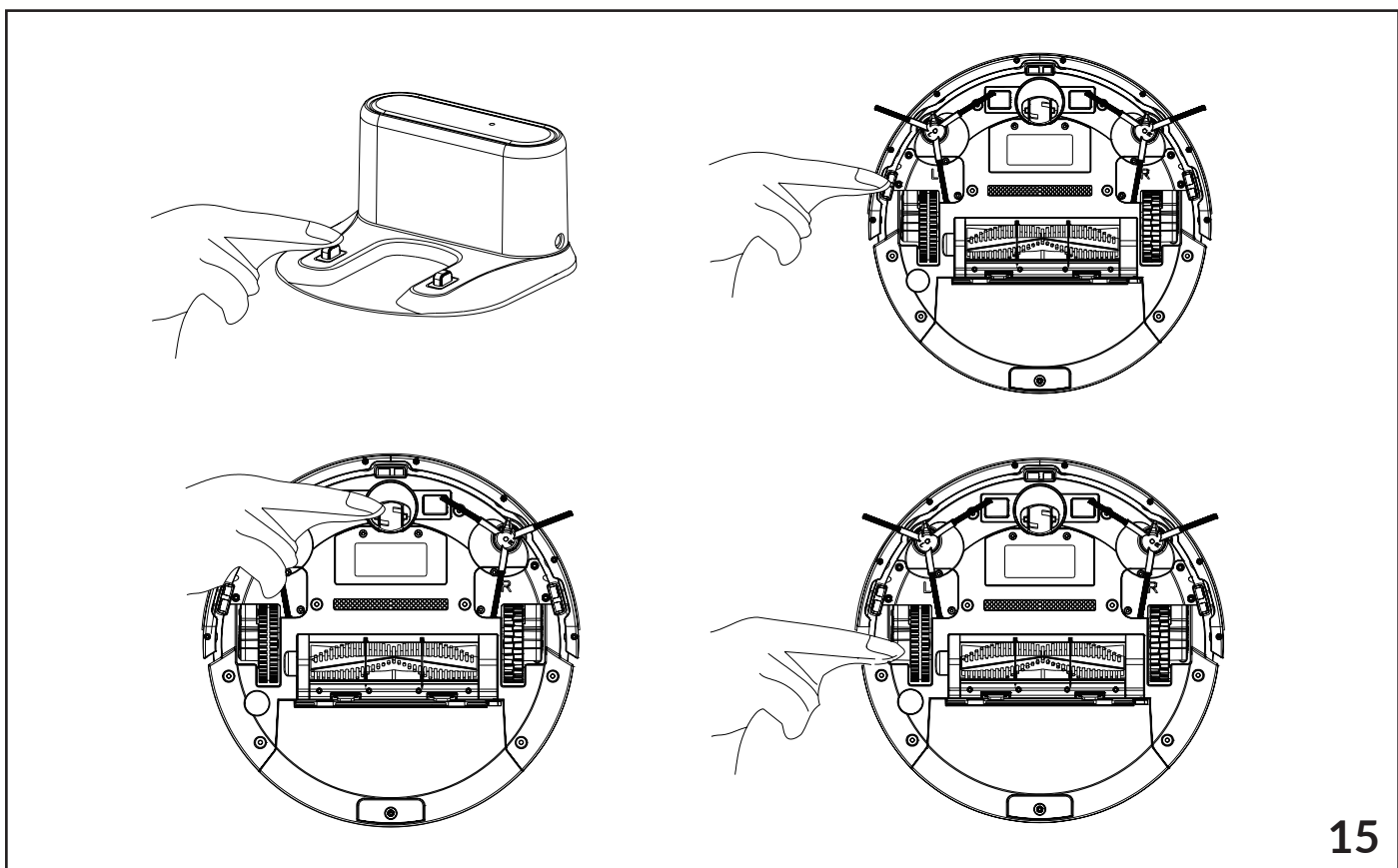
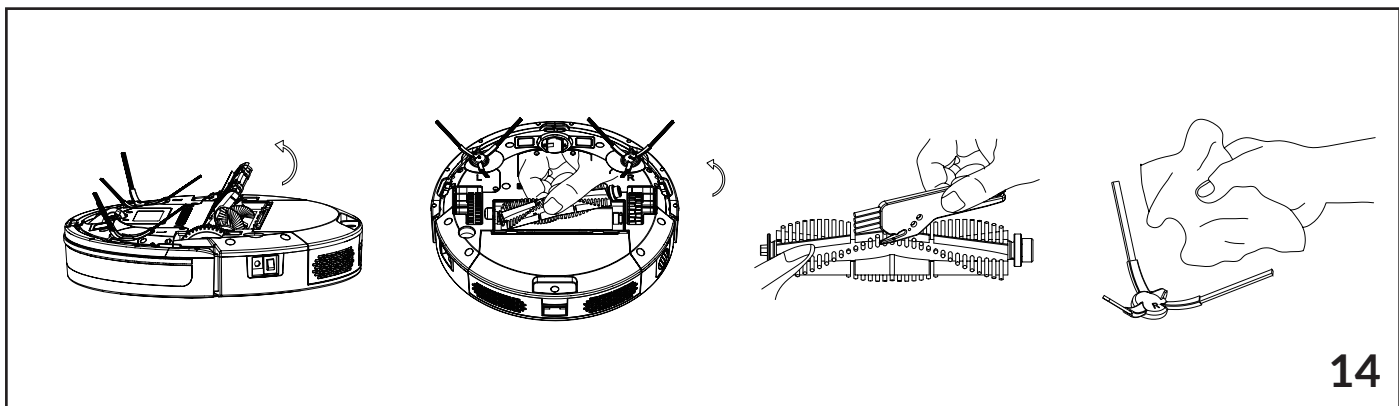
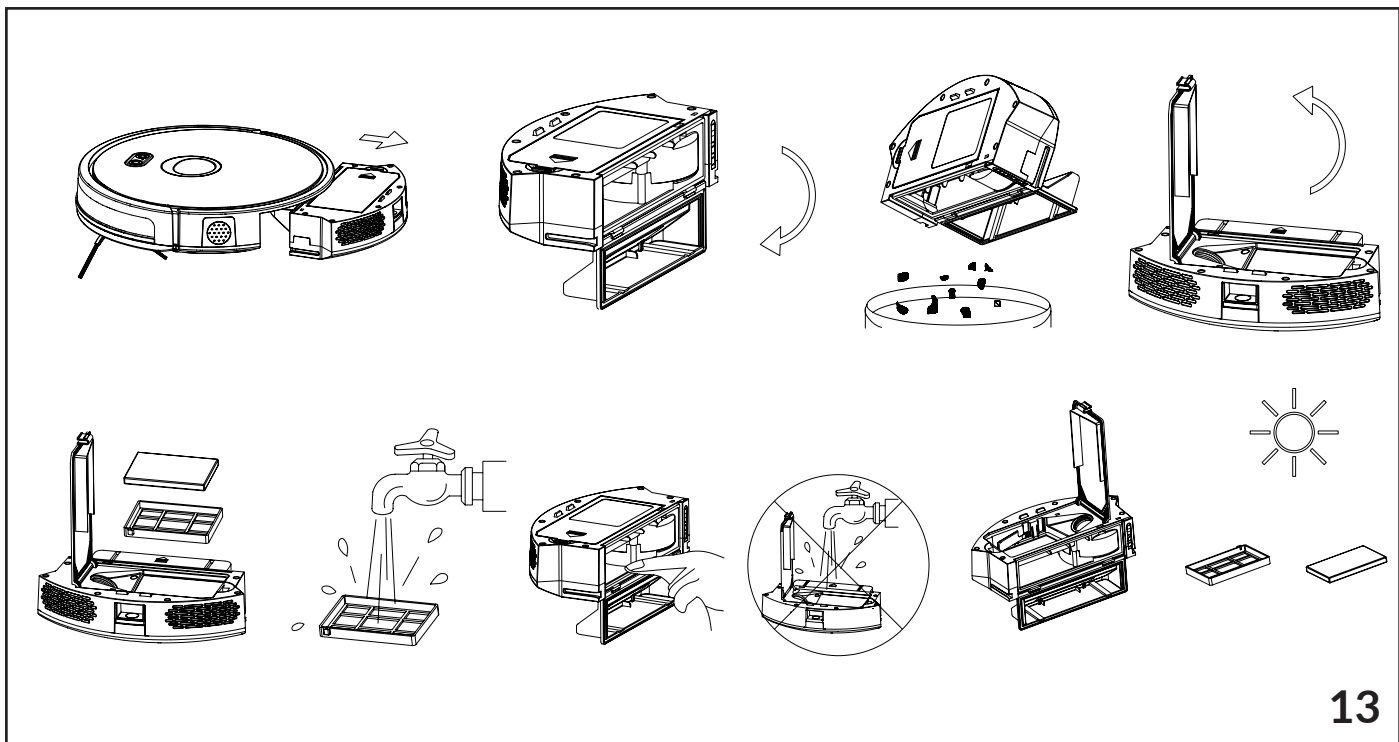
1



2





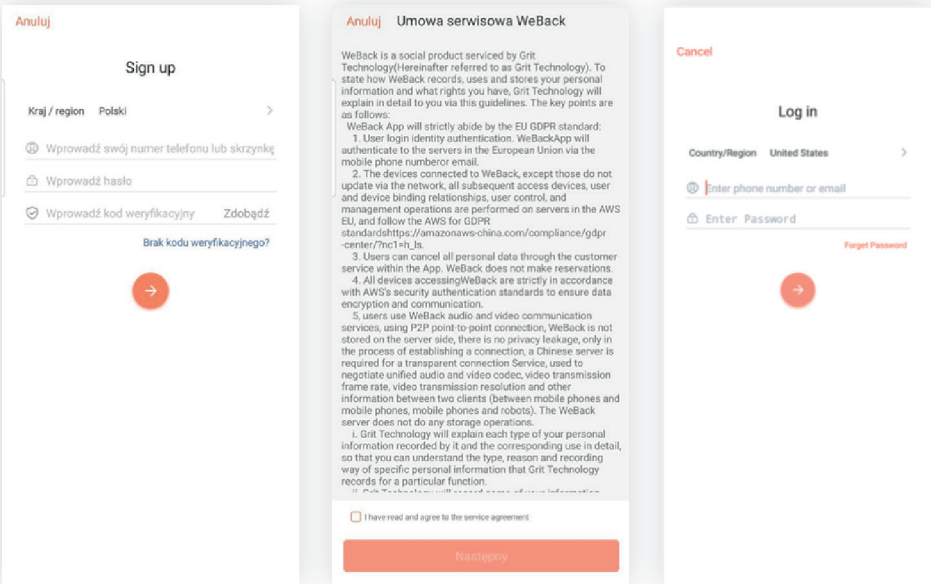




IOS

Google Play

16



Anuluj

Sign up

Kraj / region **Polski**

Wprowadź swój numer telefonu lub skrzynkę

Wprowadź hasło

Wprowadź kod weryfikacyjny **Zdobądź**

Brak kodu weryfikacyjnego?

Anuluj

Umowa serwisowa WeBack

WeBack is a social product serviced by Grit Technology (Hereinafter referred to as Grit Technology). To state how WeBack records, uses and stores your personal information and what rights you have, Grit Technology will explain in detail to you via this guidelines. The key points are as follows:

WeBack App will strictly abide by the EU GDPR standard:

1. User login identity authentication. WeBackApp will authenticate to the servers in the European Union via the mobile phone number or email.
2. The devices connected to WeBack, except those do not update via the network, all subsequent access devices, user and device binding relationships, user control, and management operations are performed on servers in the AWS EU, and follow the AWS for GDPR standard: <https://amazonaws-china.com/compliance/gdpr-center/?ref=1-1-1a>
3. Users can cancel all personal data through the customer service within the App. WeBack does not make reservations.
4. All devices accessing WeBack are strictly in accordance with AWS's security authentication standards to ensure data encryption and communication.
5. Users use WeBack audio and video communication services, using P2P point-to-point connection, WeBack is not stored on the server side, there is no privacy leakage, only in the process of establishing a connection, a Chinese server is required for a transparent connection Service, used to negotiate unified audio and video codec, video transmission frame rate, video transmission resolution and other information between two clients (between mobile phones and mobile phones, mobile phones and robots). The WeBack server does not do any storage operations.

Grit Technology will explain each type of your personal information recorded by it and the corresponding use in detail, so that you can understand the type, reason and recording way of specific personal information that Grit Technology records for a particular function.

I have read and agree to the service agreement

Następny

Cancel

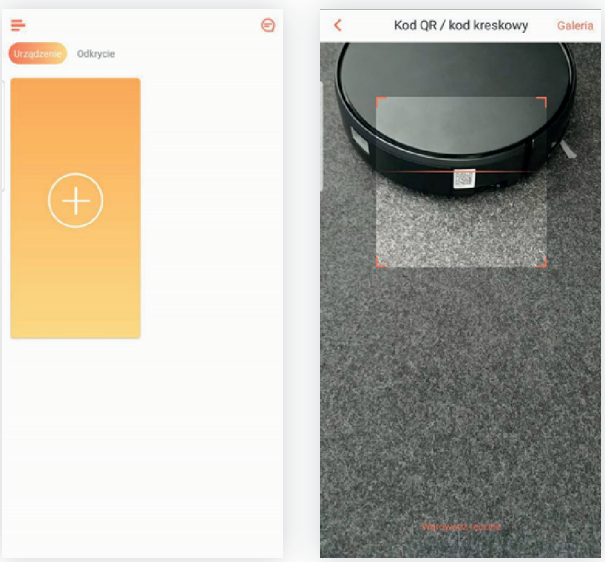
Log in

Country/Region **United States**

Enter phone number or email

Enter Password **Forget Password**

17

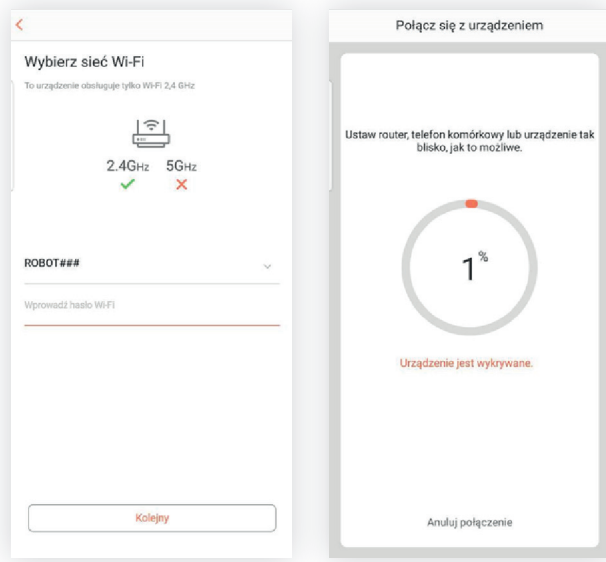


Urządzenie Odkrycie

Kod QR / kod kreskowy Galeria

Wprowadź robot

18



Wybierz sieć Wi-Fi

To urządzenie obsługuje tylko Wi-Fi 2,4 GHz

2.4GHz 5GHz

ROBOT###

Wprowadź hasło Wi-Fi

Kolejny

Połącz się z urządzeniem


Ustaw router, telefon komórkowy lub urządzenie tak blisko, jak to możliwe.

1%

Urządzenie jest wykrywane.

Anuluj połączenie

19



Zresetuj urządzenie

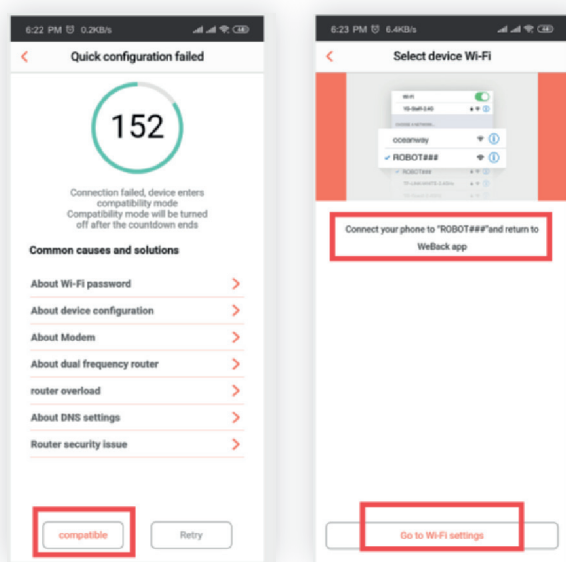
xs-g20

Uruchom ponownie robota, nacisnij i przytrzymaj przez 3-5 sekund, urządzenie wyemituje dźwięk.

Potwierdzono powyżej

Kolejny

20



Quick configuration failed

152

Connection failed, device enters compatibility mode. Compatibility mode will be turned off after the countdown ends.

Common causes and solutions

- About Wi-Fi password
- About device configuration
- About Modem
- About dual frequency router
- router overload
- About DNS settings
- Router security issue

compatible Retry

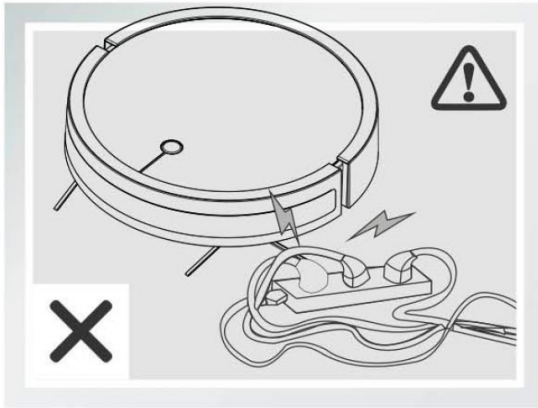
Select device Wi-Fi

ROBOT###

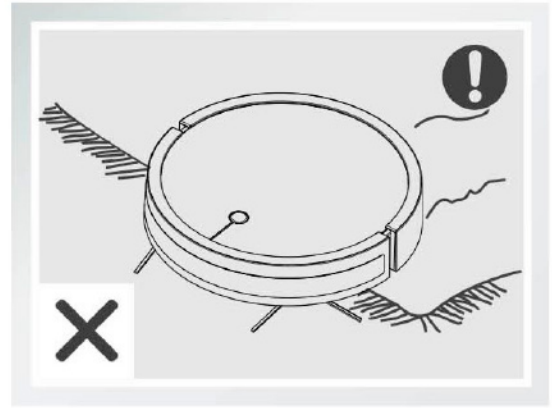
Connect your phone to "ROBOT###" and return to WeBack app

Go to Wi-Fi settings

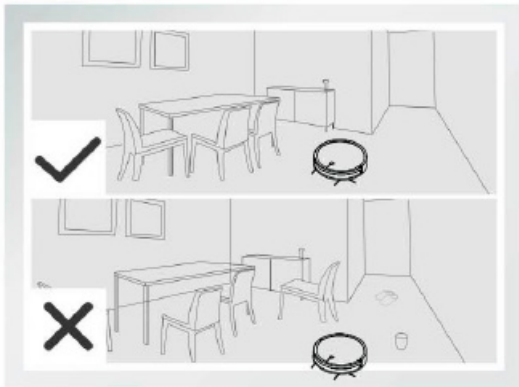
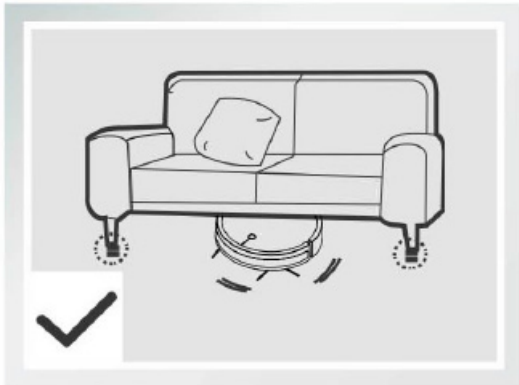
21



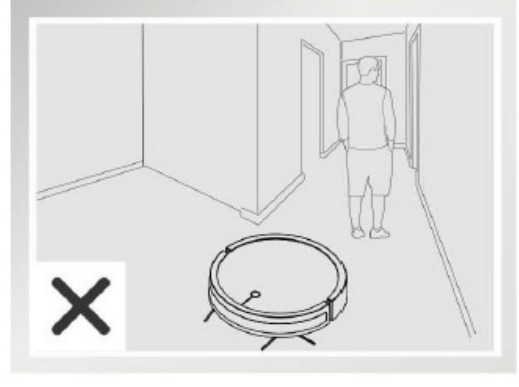
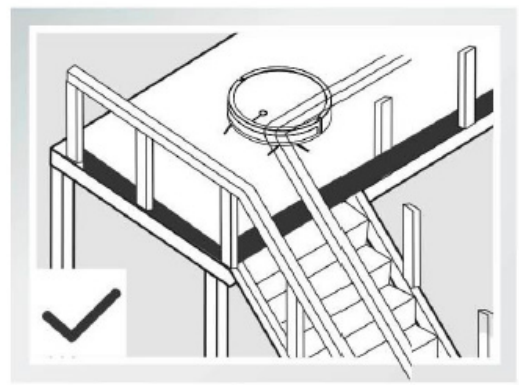
22



23



24



25

INTRODUCTION

Dear customer!

Thank you for placing trust in us and choosing Zeegma.

We provide you with a product perfect for everyday use thanks to the use of high-quality materials and modern solutions.

We are sure that the product will satisfy your requirements as it has been designed with utmost care. Before you use the product, please read this manual carefully.

Should you have any remarks or questions concerning the product, please contact us:
support@zeegma.com

IMPORTANT

Please read this manual before you start using the device to get familiar with its functions and use them in accordance with intended use. A failure to follow the safety guidelines and use at variance with the manual may lead to electric shock, fire and serious injuries.

IMPORTANT! KEEP THIS MANUAL FOR FUTURE REFERENCE!

1. Do not repair or modify the device. Only an authorized service technician is allowed to perform these operations.
2. Do not start the device if you have noticed any damage. This applies to the docking station and power supply.
3. Do not use the device when it starts acting up, has been dropped or wetted, overhead extensively, is discolored or deformed, emits abnormal sounds, odors and when other atypical circumstances occur. In such cases please contact the authorized service center.
4. If you do not use the device for a long time, turn off the cleaning robot using the main switch and unplug the docking station.
5. The device is not intended for vacuuming industrial surfaces.
6. The device is not intended for vacuuming wet surfaces. It may damage the product.
7. This device is not a toy. Do not let children play with it.
8. The device should operate at the room temperature. Do not switch the device on at low temperatures. Before you start it, the device should be left at the room temperature for at least 30 minutes.
9. The device is not waterproof, do not immerse it in water or store in humid area.
10. Place the device on a flat and horizontal surface, and avoid slopes. Do not place it on very soft surfaces.
11. Use the device away from sources of heat, high temperatures, hot surfaces, direct sunlight, sources of ignition, naked flame, oils and sharp edges.
12. Do not use chemicals to clean the device.
13. Before you start cleaning, switch the device off and disconnect the power supply.
14. Do not use the device for other purposes than designed.
15. Do not suck mud, paste-like elements, ash, plaster and sharp items. It may lead to damage to dustbin, filter and motor.
16. Do not suck hair, large paper elements, plastic bags which may cause the suction tube to clog. Remove them from the floor before you start vacuuming.

17. Do not obstruct the air inlet at the back of the vacuum cleaner. It may lead to overheating and damage the product.
18. Do not place any items on the vacuum cleaner.
19. **WARNING:** To charge the battery, use only the original power adapter or charging station.
20. Do not use the vacuum cleaner without filters and dustbin.
21. The vacuum cleaner is intended for vacuuming short-hair floors and carpets.
22. Do not drag the power supply cable through sharp edges of walls and furniture, do not trap it in doors and do not wrap too tight after use.
23. The manufacturer shall not be held responsible for all damage arising from misuse and use at variance with the device manual.
24. This appliance can be used by children aged from 8 years and above and persons with reduced physical, sensory or mental capabilities or lack of experience and knowledge if they have been given supervision or instruction concerning use of the appliance in a safe way and understand the hazards involved.
25. Cleaning and user maintenance shall not be made by children without supervision.
26. **WARNING:** This appliance contains a UV emitter. Do not stare at the light source.
27. Note: do not lift or move the machine while it is operating. It may disturb cleaning and lead to problems with finding the docking station or cause the apartment map to reset.

1. Description of parts in the box (see fig. 1):

- | | |
|--------------------------|----------------------|
| A. Vacuum cleaner | F. Dustbin |
| B. Docking station | G. Cleaning brush |
| C. Power supply | H. HEPA filter (x2) |
| D. Remote control | I. Side brushes (x4) |
| E. Side cover of dustbin | |

2. Descriptions:

External part of the vacuum cleaner (see fig. 2):

- | | |
|------------------------------|---------------------|
| 1. Visual navigation sensor | 5. Sensors |
| 2. Return to docking station | 6. Dustbin open key |
| 3. Start/pause key | 7. Main switch |
| 4. Wi-Fi control light | 8. Charging port |

Internal part of the vacuum cleaner (see fig. 3):

- | | |
|-----------------------------------|---|
| 9. Right side brush | 15. Charging port (charging in docking station) |
| 10. Right wheel | 16. Central wheel |
| 11. Dustbin | 17. Battery |
| 12. Left wheel | 18. Central brush |
| 13. Left side brush | |
| 14. Physical sensor + edge sensor | |

Dustbin (see fig. 4):

1. HEPA filter
2. Preliminary filter
3. HEPA filter sensor
4. HEPA filter cover
5. Correct tank assembly sensor
6. Side cover for tank emptying

Docking station (see fig. 5):

7. Power LED
8. Power port
9. Charging port

Remote control (see fig. 6):

10. Return to docking station
11. Forward key
12. Start/pause key
13. Turn right
14. Turn left
15. Reverse key
16. Edge cleaning
17. Spot cleaning
18. Suction power adjustment

3. How to assemble (see fig. 7):

- Fix the side cover for dust bin emptying: Firmly press the side cover and adapt to two fasteners.
- Close the side cover for dust bin emptying.
- Install the dustbin in the relevant place of the vacuum cleaner.
- Before you use the product, remove the protective strip.

4. How to use:**How to place and charge:**

- Place the docking station by the wall, on a flat surface. Leave some free space around the station, that is 0,5m to the left and right, and 1,5m before the station (see fig. 8).
- Supply power to the docking station and plug in (see fig. 8).
- Fix side brushes, left and right (L/R) (see fig. 9).
- Activate the main switch of the product. „I” stands for ON, and „O” means OFF (see fig. 9).

Two ways of charging (see fig. 9):

1. Place the product on the docking station.
2. For charging, use the power supply (when charging, the signaling light flashes, when charging is over, it turns green).

- When the battery goes flat during cleaning, the product automatically switches into charging mode and goes to the docking station to initiate charging.
- Activate the charging mode with the return-to-docking-station key on the remote control or via the application.

Charging notes:

1. The docking station must not be used in a direct sunlight.
2. Before you start using the product, remember to fully charge it. Charging takes 4 hours.
3. When charging, do not fix the water tank in the product to make sure the charging is safe.

Description of vacuuming modes and functions:

1. Automatic vacuuming: activate the main switch of the product. When the control light goes on, the product is active. Press start/pause key on the cleaner or remote control and the cleaner will start vacuuming automatically.
2. Spot vacuuming: press the spot vacuuming on the remote control to start cleaning.
3. Edge vacuuming: press the edge vacuuming key on the remote control to start cleaning.
4. Manual control: use remote control keys to choose direction of cleaner's movements (forward, backward, left and right).
5. Suction power adjustment: choose 1 of 3 suction powers. Press the suction power adjustment key on the remote control or in the application, every time you press the key, you change the aforesaid power.

Options:

- Pause: when the cleaner operates, press start/pause key on the cleaner, remote control or in the application to stop its operation.
- „Wake up”: The cleaner will go to sleep if it remains inactive for 10 minutes. To „wake it up”, press any key on the cleaner, remote control or in the application.
- Deactivation: to switch the cleaner off, press start/pause key and hold for a couple of seconds or deactivate the main switch on the product.
- When the work is done, direct the vacuum cleaner into the docking station to charge it.

4a. How to install the water tank:**Description of parts (see fig. 10):**

1. Water inlet hole
2. Water tank
3. Mop

How to use water tank (see fig. 11):

1. Open the tank and pour water into the water inlet hole.
2. Close the water tank and fix the mop on the dedicated external surface.
3. Fix the water tank and install in the cleaner.
4. Press the start/pause key to make the cleaner start wet-cleaning.

How to adjust water consumption for wet cleaning, depending on surface:

Press the suction power adjustment key on the remote control or in the application and choose 1 of 3 suction powers. Every press changes the water consumption to low/medium/high.

How to clean and empty the water tank and mop (see fig. 12):

1. Remove the water tank.
2. Pour water out of the tank.
3. Remove the mop.
4. Clean the water tank.
5. Clean and dry the mop.
6. Dry the water tank.

5. How to clean the dustbin (see fig. 13):

1. Press the dustbin open key to remove the bin.
2. Remove the bin and open the side cover for emptying the dustbin.
3. Empty the dustbin, dispose of rubbish into a rubbish bin.
4. Open the cover and remove HEPA filter and preliminary filter.
5. It is not advisable to wash HEPA filter under running water, gently remove dust.
6. Wash the preliminary filter under running water.
7. Next you can clean the interior with a wet cloth.
8. Do not wash the entire dustbin under running water.
9. Dry the bin and filter before another use. Do not expose filters to direct sunlight.
10. Wash the preliminary filter every 15-30 days, the life of HEPA filter is about 3 months.
11. Make sure the filters are dry before you reinstall them.
12. Close the dustbin emptying cover and install the bin in the cleaner.

6. How to clean side brushes and central brush (see fig. 14):

1. To remove the central brush, remove the cover and brush.
2. Use the cleaning brush to remove remains on the brush.
3. Detach side brushes and wipe with a dry cloth.

7. How to clean sensors and wheels (see fig. 15):

- Clean a charging port of the docking station, all sensors, central wheel and side wheels with a dry cloth.

8. How to store:

- If you do not use the vacuum cleaner for a long time, fully charge it before storing. Charge the device every 3 months to prevent extensive deterioration of battery life.

PROBLEM	POTENTIAL CAUSE	SOLUTION
The vacuum cleaner does not charge.	No connection with the docking station.	Make sure charging ports of the vacuum cleaner and docking station are properly connected. Try to place the product on the docking station manually.
	The battery does not charge.	Make sure the docking station is plugged in. If you have not used the vacuum cleaner for a long time and battery does not charge, place the cleaner on the docking station and charge for 3 minutes, then stop charging. Repeat 3 times and then start charging the vacuum cleaner normally.
The vacuum cleaner has difficulties in vacuuming.	The vacuum cleaner wraps in elements of the room (cables, drapes, etc.).	The vacuum cleaner tries to steer clear of obstacles. If it is impossible, remove obstacles before you start another vacuuming.
The vacuum cleaner returns to the docking station automatically.	Low battery.	This operation is normal.
	End of work time.	This operation is normal.
The vacuum cleaner does not activate during scheduled vacuuming.	Vacuum cleaner is off	Switch the vacuum cleaner on.
	Low battery	Charge the battery.
	Dustbin is clogged or other elements are obstructed.	Switch the device off and clean the dustbin and filters.
Remote control does not work	Batteries in remote control are flat.	Replace batteries in the remote control.
	The vacuum cleaner is off or battery is low.	Switch the device on and/or charge the battery.
	Infrared signal is not received by the device.	Clean the infrared sensor on the device and remote control. Check the space between the remote control and device for any obstacles blocking the signal and other items emitting infrared signal (e.g. TV remote control).

APPLICATION

1. Download and install „WeBack” application (see fig. 16)

- Scan QR code or find „WeBack” application in GooglePlay store or iOS store, download it and install.

2. Sign up/ log in (see fig. 17)

- Enter the application, enter your phone number or e-mail address. Enter your password to receive the verification code. Next read and accept the Privacy Policy.
- Enter the verification code in the empty field. Go further.
- Next log in the application by entering the correct phone number or e-mail address and password.

3. Scan the vacuum cleaner with QR code (see fig. 18)

- Log in the application, click „+”, scan QR code on mobile device and click „enter manually”.

4. Connect to Wi-Fi network (see fig. 19)

The product supports Wi-Fi 2.4 GHz only, it does not support Wi-Fi 5 GHz.

Before you configure Wi-Fi, set router parameters. Wi-Fi password must not include special characters.

- Make sure the router and vacuum cleaner are close to each other to allow fast configuration of the device.
- Select the device and enter correct password, next click „next”. Wait for connection to Wi-Fi network.

5. How to reset device (see fig. 20)

- Press the main switch on the device to turn the cleaner off.
- Restart the device, press start/pause key and hold for 3-5 seconds.
- The device is properly resetted if you can hear a sound.

6. If connection to Wi-Fi network fails

- Select „compliance mode” and enter phone Wi-Fi settings site, connect to hot spot robot###, return to application and keep waiting for connection.
- You can follow the instructions displayed to find the cause of lack of connection and try again.

9. How to prepare rooms for vacuuming

1. Remove cables and other items which may get tangled in the vacuum cleaner from the floor (fig. 22).
2. The vacuum cleaner is intended to clean floors and thin short-hair carpets. Do not use the cleaner on long-hair carpets (fig. 23).
3. Position the furniture in a way that the vacuum cleaner cannot get stuck (fig. 24).
4. Remove all obstacles from narrow areas (fig. 25).

The pictures are for reference only. The real design of the products may differ from the pictures presented.

EINFÜHRUNG

DE

Sehr geehrter Kunde!

Wir möchten uns bei Ihnen bedanken, dass Sie uns vertraut und die Marke Zeegma gewählt haben.

Wir übergeben Ihnen ein Produkt, das sich dank hochqualitativer Materialien und moderner technologischer Lösungen perfekt für den täglichen Gebrauch eignet.

Wir sind sicher, dass die sorgfältige Ausführung Ihre Anforderungen erfüllt.

Vor der Benutzung des Produkts machen Sie sich mit der vorliegenden Bedienungsanleitung vertraut.

Falls Sie Fragen oder Anmerkungen zu dem eingekauften Produkt haben, setzen Sie sich mit uns in Verbindung:

support@zeegma.com

WICHTIGE INFORMATIONEN

Lesen Sie bitte die vorliegende Bedienungsanleitung, bevor Sie das Gerät verwenden, um sich mit seinen Funktionen vertraut zu machen und es bestimmungsgemäß zu benutzen.

Die Nichtbeachtung der Bedienungsanleitung und nicht vorschriftsmäßige Verwendung des Produkts kann zum Stromschlag, Brand oder zu schweren Verletzungen führen.

WICHTIG! BEWAHREN SIE DIESE BEDIENUNGSANLEITUNG ZUM SPÄTEREN NACHLESEN AUF!

1. Man soll das Gerät nicht reparieren oder modifizieren. Das kann nur vom autorisierten Service vorgenommen werden.
2. Betätigen Sie das Gerät nicht, wenn Sie Beschädigungen bemerkt haben. Das betrifft auch die Dockingstation und das Ladegerät.
3. Verwenden Sie das Gerät nicht, wenn es fehlerhaft funktioniert, heruntergefallen ist oder nass wurde, wenn es sich übermäßig erhitzt, wenn Verfärbungen oder Ausbuchtungen auftauchen, wenn das Gerät ungewöhnliche Töne, Gerüche abgibt oder wenn andere ungewöhnliche Erscheinungen auftreten. Setzen Sie sich in diesem Fall mit dem autorisierten Service in Verbindung.
4. Wenn das Gerät über einen längeren Zeitraum hinweg nicht verwendet wird, Schalten Sie den Reinigungsroboter mit dem Hauptschalter aus und trennen Sie die Dockingstation vom Strom.
5. Das Gerät ist nicht zum Staubsaugen der Industrieflächen geeignet.
6. Das Gerät ist nicht zum Staubsaugen der nassen Flächen geeignet. Das kann zur Beschädigung des Roboters führen.

7. Das Gerät ist kein Spielzeug. Lassen Sie die Kinder damit nicht spielen.
8. Das Gerät soll bei Raumtemperatur arbeiten. Betätigen Sie das Gerät nicht bei niedriger Temperatur. Vor der Betätigung soll das Gerät mindestens 30 Minuten lang bei Raumtemperatur gelassen werden.
9. Das Gerät ist nicht wasserdicht, tauchen Sie es nicht im Wasser ein, bewahren Sie es nicht an feuchten Plätzen auf.
10. Stellen Sie das Gerät auf eine flache, gerade Fläche und vermeiden Sie geneigte Flächen. Stellen Sie das Gerät nicht auf sehr weichen Flächen.
11. Verwenden Sie das Gerät fern von Wärmequellen, hohen Temperaturen, heißen Flächen, direkter Sonneneinstrahlung, Funkquellen, offenem Feuer, Ölen und scharfen Kanten.
12. Verwenden Sie keine chemischen Mittel zur Reinigung des Geräts.
13. Vor der Reinigung schalten Sie das Gerät ab und trennen Sie das Ladegerät.
14. Verwenden Sie das Gerät nur bestimmungsgemäß.
15. Staubsaugen Sie nicht Schlamm, Substanzen mit der Konsistenz der Paste, Asche, Putz und scharfe Dinge. Dadurch können der Staubbehälter, Filter und Motor beschädigt werden.
16. Staubsaugen Sie nicht Haare, große Papierelemente, Plastiktaschen, die den Saugweg verstopfen können. Entfernen Sie sie vom Boden, bevor Sie zu staubsaugen beginnen.
17. Blockieren Sie nicht den Luftauslass, der sich im hinteren Teil des Roboters befindet. Das kann zur Überhitzung und Beschädigung des Staubsaugers führen.
18. Man soll auf den Staubsauger keine Gegenstände stellen.
19. **WARNUNG:** Verwenden Sie zum Laden des Akkus nur das Original-Netzteil oder die Ladestation.
20. Benutzen Sie den Staubsauger nicht ohne die Filter und den Staubbehälter.
21. Der Roboter ist zum Staubsaugen der Böden und Teppiche mit kurzem Haargarn geeignet.
22. Ziehen Sie das Kabel des Ladegeräts nicht über scharfe Kanten der Wände und Möbel, klemmen Sie es nicht in der Tür ein und rollen Sie es nicht zu eng nach der Benutzung.
23. Der Produzent haftet nicht für die Beschädigungen, die auf eine vorschriftswidrige Verwendung des Geräts zurückzuführen sind.
24. Dieses Gerät kann von Kindern ab 8 Jahren und Personen mit eingeschränkter körperlicher, sensorischer oder geistiger Leistungsfähigkeit oder mangelnder Erfahrung und Kenntnis verwendet werden, wenn sie beaufsichtigt oder unterwiesen wurden, das Gerät auf sichere Weise zu verwenden und die Gefahren zu verstehen beteiligt.
25. Reinigung und Wartung durch den Benutzer dürfen nicht von Kindern ohne Aufsicht durchgeführt werden.
26. **WARNUNG:** Dieses Gerät enthält einen UV-Emitter. Starren Sie nicht auf die Lichtquelle.

- 27. Achtung:** man soll es vermeiden, das Gerät im Betrieb hochzuheben oder zu übertragen. Das kann den Reinigungszyklus stören, die Wohnungskarte zurücksetzen oder es erschweren, die Dockingstation zu finden.

1. Beschreibung der Teile in der Verpackung (Abb. 1):

- | | |
|--|------------------------------|
| A. Reinigungsroboter | F. Staubbehälter |
| B. Dockingstation | G. Reinigungsbürste |
| C. Ladegerät | H. HEPA-Filter (x2) |
| D. Fernbedienung | I. Seitenbürsten (x4) |
| E. Seitenschutz für den Staubbehälter | |

2. Beschreibung:

Die Außenseite des Reinigungsroboters (Abb. 2):

- | | |
|---------------------------------------|--|
| 1. Visueller Navigationssensor | 5. Sensoren |
| 2. Zurück zur Dockingstation | 6. Taste zur Öffnung des Staubbehälters |
| 3. Start-/Pause-Taste | 7. Hauptschalter |
| 4. Wi-Fi-Kontrollleuchte | 8. Ladeport |

Innenseite des Reinigungsroboters (Abb. 3):

- | | |
|---|---|
| 9. Rechte Seitenbürste | 15. Ladeport (Aufladung in der Dockingstation) |
| 10. Rechtes Rad | 16. Zentrales Rad |
| 11. Staubbehälter | 17. Batterie |
| 12. Linkes Rad | 18. Zentrale Bürste |
| 13. Linke Seitenbürste | |
| 14. Physischer Sensor + Sensor der Kantenerkennung | |

Staubbehälter (Abb. 4):

- | | |
|-----------------------------------|--|
| 1. HEPA-Filter | 5. Sensor für die richtige Montage des Staubbehälters |
| 2. Vorfilter | 6. Seitendecke für die Leerung des Staubbehälters |
| 3. Sensor des HEPA-Filters | |
| 4. Schutz des HEPA-Filters | |

Dockingstation (Abb. 5):

- 7.** Diode der Versorgung
- 8.** Steckplatz für den Abschluss der Stromversorgung
- 9.** Ladeport

Fernbedienung (Abb. 6):

- | | |
|--------------------------------------|--------------------------------------|
| 10. Zurück zur Dockingstation | 15. Zurück-Taste |
| 11. Taste nach vorne | 16. Kantenreinigung |
| 12. Start-/Pause-Taste | 17. Punktreinigung |
| 13. Drehung nach rechts | 18. Regulierung der Saugkraft |
| 14. Drehung nach links | |

3. Bedienungsanleitung der Montage (Abb. 7):

- Montieren Sie die Seitendecke des Staubbehälters: drücken Sie die Seitendecke zu und passen Sie sie an die Haken an.
- Schließen Sie die Seitendecke des Staubbehälters.
- Befestigen Sie den Staubbehälter an die richtige Stelle des Staubbehälters.
- Vor der Benutzung des Roboters entfernen Sie den Schutzstreifen.

4. Bedienungsanleitung:**Befestigung und Aufladung:**

- Stellen Sie die Dockingstation an die Wand auf eine flache Fläche. Lassen Sie einen freien Raum rund um die Dockingstation, mit der folgenden Entfernung: 0,5 m nach links und rechts und 1,5 m vor der Dockingstation (Abb. 8).
- Schließen Sie die Dockingstation an die Stromversorgung an (Abb. 8).
- Befestigen Sie die Seitenbürsten, die linke und die rechte (L / R) (Abb. 9).
- Schalten Sie den Hauptschalter ein. „I“ bedeutet die Einschaltung, und „O“ die Ausschaltung des Roboters (Abb. 9).

2 Methoden der Aufladung des Roboters (Abb. 9):

- 1.** Stellen Sie den Roboter auf die Dockingstation.
 - 2.** Benutzen Sie das Ladegerät zur Aufladung (während der Aufladung blinkt die Signalleuchte, nach der Aufladung ändert sie die Farbe auf grün).
- Wenn während der Reinigung die Batterie leer wird, startet der Reinigungsroboter automatisch die Aufladung und fährt zur Dockingstation, um die Batterie aufzuladen.
 - Schalten Sie die Aufladung mit der Taste der Rückkehr zur Dockingstation auf der Fernbedienung oder durch die Applikation ein.

Anmerkungen zur Aufladung:

- 1.** Die Dockingstation darf nicht unter dem direkten Sonnenlicht benutzt werden.

2. Vor dem Beginn der Arbeit, laden Sie den Reinigungsroboter voll auf. Die Ladezeit beträgt 4 Stunden.
3. Während der Aufladung befestigen Sie den Wasserbehälter nicht an den Roboter, um die Sicherheit bei der Aufladung zu bewahren.

Beschreibung der Reinigungsmodi und Funktionen:

1. Automatische Reinigung: schalten Sie den Hauptschalter des Reinigungsroboters ein, wenn die Kontrollleuchte leuchtet, ist der Roboter eingeschaltet. Dann drücken Sie die Start-/Pause-Taste auf dem Roboter oder auf der Fernbedienung, der Roboter beginnt dann die automatische Reinigung.
2. Punktreinigung: drücken Sie die Taste der Punktreinigung auf der Fernbedienung, um die Reinigung zu beginnen.
3. Kantenreinigung: drücken Sie die Taste der Kantenreinigung auf der Fernbedienung, um die Reinigung zu beginnen.
4. Handsteuerung: mit den Tasten auf der Fernbedienung wählen Sie die Richtung, in die sich der Roboter bewegen soll (nach vorne, nach hinten, nach rechts und nach links).
5. Regulierung der Saugkraft: wählen Sie 1 von 3 Saugkräften. Drücken Sie die Taste der Regulierung der Saugkraft auf der Fernbedienung oder in der Applikation, jedes folgende Drücken der Taste ändert die Saugkraft.

Beschreibung:

- Pause: während der Arbeit des Roboters drücken Sie die Start-/Pause-Taste auf dem Roboter, auf der Fernbedienung oder in der Applikation, der Roboter unterbricht die Arbeit.
- „Wecken“: der Roboter geht nach 10 Minuten der Unterbrechung in den automatischen Standby-Modus über. Um den Roboter zu „wecken“, drücken Sie die beliebige Taste auf dem Roboter, auf der Fernbedienung oder in der Applikation.
- Ausschalten: um den Staubsauger auszuschalten, drücken Sie die Start-/Pause-Taste ein paar Sekunden lang oder schalten Sie den Hauptschalter auf dem Roboter aus.
- Nach der Arbeit lenken Sie den Roboter zur Dockingstation, um ihn aufzuladen.

4a. Anleitung zur Montage des Wasserbehälters:

Beschreibung der Teile (Abb. 10):

1. Öffnung für Wasser
2. Wasserbehälter
3. Mopp

Benutzung des Wasserbehälters (Abb. 11):

1. Öffnen Sie den Wasserbehälter und gießen Sie das Wasser in die Öffnung.
2. Schließen Sie den Wasserbehälter und befestigen Sie den Mopp auf die dazu bestimmte Außenfläche.
3. Befestigen Sie den Wasserbehälter und installieren Sie ihn im Roboter.
4. Drücken Sie die Start-/Pause-Taste und der Roboter beginnt die Nassreinigung.

Regulierung des Wasserverbrauchs zur Nassreinigung je nach der Fläche:

Drücken Sie die Taste der Regulierung der Saugkraft auf der Fernbedienung oder in der Applikation und wählen Sie 1 von 3 Saugkräften. Jedes folgende Drücken ändert den Wasserverbrauch auf niedrig/mittel/hoch.

Reinigung und Leerung des Wasserbehälters und Mopp (Abb. 12):

1. Nehmen Sie den Wasserbehälter aus.
2. Gießen Sie das Wasser aus dem Behälter aus.
3. Entfernen Sie den Mopp.
4. Reinigen Sie den Wasserbehälter.
5. Reinigen und trocknen Sie den Mopp.
6. Trocken Sie den Wasserbehälter.

5. Reinigung des Staubbehälters (Abb. 13):

1. Drücken Sie die Taste für die Öffnung des Staubbehälters, um den Staubbehälter herauszunehmen.
2. Nehmen Sie den Staubbehälter aus und öffnen Sie die Seitendecke, um den Staubbehälter zu leeren.
3. Leeren Sie den Staubbehälter.
4. Öffnen Sie die Decke und nehmen Sie den HEPA-Filter und den Vorfilter heraus.
5. Es ist nicht empfohlen, den HEPA-Filter unter laufendem Wasser zu waschen, entfernen Sie den Staub behutsam.
6. Waschen Sie den Vorfilter unter laufendem Wasser.
7. Dann können Sie das Innere mit einem weichen Tuch reinigen.
8. Waschen Sie den ganzen Staubbehälter nicht unter laufendem Wasser.
9. Trocknen Sie den Behälter und die Filter vor der erneuten Verwendung. Lassen Sie die Filter nicht unter dem direkten Sonnenlicht trocknen.
10. Waschen Sie den Vorfilter jede 15 - 30 Tage, die Lebensdauer des HEPA-Filters beträgt ca. 3 Monate.

11. Stellen Sie sicher, dass die Filter trocken sind, bevor Sie sie erneut installieren.
12. Schließen Sie die Decke des Staubbehälters und installieren Sie den Behälter im Roboter.

6. Reinigung der Seitenbürsten und der Zentralbürste (Abb. 14):

1. Um die Zentralbürste herauszunehmen, nehmen Sie zuerst die Decke aus.
2. Verwenden Sie eine kleine Reinigungsbürste, um die Reste auf der Zentralbürste zu entfernen.
3. Nehmen Sie die Seitenbürsten ab und wischen Sie sie mit einem trockenen Tuch.

7. Reinigung der Sensoren und der Räder (Abb. 15):

- Ladeport der Dockingstation, alle Sensoren und zentrales Rad und Seitenräder reinigen Sie mit einem trockenen Tuch.

8. Aufbewahrung:

- Wenn Sie den Reinigungsroboter über einen längeren Zeitraum nicht verwenden, laden Sie ihn vor der Aufbewahrung auf. Laden Sie das Gerät jede 3 Monate auf, damit sich die Batterie nicht zu viel entlädt.

PROBLEM	MÖGLICHE URSACHE	LÖSUNG
Der Reinigungsroboter lädt sich nicht auf.	Es gibt keine Verbindung mit der Dockingstation.	Stellen Sie sicher, dass die Ladeports des Staubsaugers und der Dockingstation sich richtig verbinden. Versuchen Sie den Roboter auf die Dockingstation zu stellen.
	Die Batterie lädt sich nicht auf.	Stellen Sie sicher, dass die Dockingstation an den Strom angeschlossen ist. Wenn der Roboter über längeren Zeitraum nicht verwendet wurde, und die Batterie sich nicht auflädt, stellen Sie den Roboter auf die Dockingstation und laden Sie ihn 3 Minuten lang auf, dann unterbrechen Sie die Aufladung. Wiederholen Sie es 3-mal, und schließen Sie den Roboter an die Aufladung an.
Der Staubsauger hat Probleme mit dem Staubsaugen.	Der Roboter verwickelt sich in Elemente im Raum (Kabel, Vorhänge usw.).	Der Roboter versucht, die Hindernisse zu umgehen. Wenn es nicht gelingt, entfernen Sie die Hindernisse vor dem nächsten Staubsaugen.
Der Staubsauger kommt automatisch zur Dockingstation zurück.	Schwache Batterie.	Das ist normal.
	Die Arbeitszeit geht zu Ende.	Das ist normal.
Der Staubsauger aktiviert sich nicht während des geplanten Staubsaugens.	Der Staubsauger ist ausgeschaltet.	Schalten Sie den Staubsauger ein.
	Schwache Batterie.	Laden Sie die Batterie auf.
	Der Staubbehälter ist verstopft oder andere Elemente sind blockiert.	Schalten Sie den Roboter aus und reinigen Sie den Staubbehälter und die Filter.

Die Fernbedienung funktioniert nicht.	Leere Batterie auf der Fernbedienung.	Wechseln Sie die Batterien in der Fernbedienung.
	Der Roboter ist ausgeschaltet oder die Batterie ist schwach.	Schalten Sie den Roboter ein und/oder laden Sie die Batterie auf.
	Der Roboter empfängt das Infrarotsignal nicht.	Reinigen Sie den Infrarot-Sensor auf dem Roboter und der Fernbedienung. Überprüfen Sie, ob es zwischen der Fernbedienung und dem Roboter keine Hindernisse gibt, die das Signal stören und ob es keine anderen Gegenstände gibt, die das Infrarotsignal senden (z.B. Fernbedienung für den Fernseher).

APPLIKATION

1. Laden Sie herunter und installieren Sie die Applikation „WeBack“ (Abb. 16)

- Scannen Sie den QR-Code oder suchen Sie die Applikation „WeBack“ im Shop GooglePlay oder iOS Store, laden Sie sie herunter und installieren.

2. Registrieren Sie sich / Loggen Sie sich ein (Abb. 17)

- Öffnen Sie die Applikation, führen Sie die Telefonnummer oder die E-Mail-Adresse ein. Geben Sie ein individuelles Passwort ein, um den Verifizierungscode zu erhalten. Dann lesen und akzeptieren Sie die Datenschutzerklärung.
- Tragen Sie den Verifizierungscode in das leere Feld ein. Gehen Sie weiter.
- Loggen Sie sich in die Applikation ein, indem Sie die richtige Telefonnummer oder die E-Mail-Adresse und das Passwort eintragen.

3. Scannen des Reinigungsroboters mit dem QR-Code (Abb. 18)

- Loggen Sie sich in die Applikation ein, klicken Sie „+“ an, scannen Sie den QR-Code auf dem mobilen Gerät und klicken Sie „manuell einführen“ an.

4. Verbindung mit dem Wi-Fi-Netzwerk (Abb. 19)

Das Produkt bedient nur das Wi-Fi-Netzwerk 2.4 GHz, bedient aber nicht die Wi-Fi-Netzwerke 5 GHz. Vor der Konfiguration stellen Sie die Parameter des Routers ein. Das Wi-Fi-Netzwerk soll keine Sonderbuchstaben enthalten.

- Stellen Sie sicher, dass der Router und der Roboter möglichst nah sind, um die schnelle Konfiguration des Geräts zu ermöglichen.
- Wählen Sie das Gerät und geben Sie das richtige Passwort ein, dann klicken Sie „weiter“ an. Warten Sie auf die Verbindung mit dem Wi-Fi-Netzwerk.

5. Reset des Geräts (Abb. 20)

- Drücken Sie den Hauptschalter auf dem Roboter, um das Gerät auszuschalten.
- Betätigen Sie den Roboter erneut, drücken und halten Sie die Start-/Pause-Taste 3 - 5 Sekunden lang.
- Der Roboter wurde richtig zurückgesetzt, wenn Sie ein Tonsignal hören.

6. Wenn die Verbindung mit dem Wi-Fi-Netzwerk scheitert

- Wählen Sie das Feld „Kompatibilitätsmodus“, dann öffnen Sie die Seite der Wi-Fi-Einstellungen im Telefon, verbinden Sie sich mit dem Hotspot robot###, kommen Sie zur Applikation zurück und warten Sie weiter auf die Verbindung.
- Handeln Sie gemäß den angezeigten Anleitungen, um die Ursache der Probleme mit der Verbindung zu finden und erneut zu versuchen.

9. Vorbereitung der räume für das staubsaugen

1. Entfernen Sie vom Boden alle Kabel und andere Elemente, die sich in den Staubsauger verwickeln können (Abb. 22).
2. Der Staubsauger ist zur Reinigung der Böden und dünnen Teppiche mit kurzem Haargarn geeignet. Man soll den Staubsauger nicht auf Teppichen mit langem Haargarn verwenden (Abb. 23).
3. Stellen Sie die Möbelstücke so auf, dass der Staubsauger nirgendwo eingeklemmt wird (Abb. 24).
4. Entfernen Sie alle Hindernisse in engen Räumen (Abb. 25).

Die Abbildungen sind schematisch, das wirkliche Aussehen der Produkt e kann von den Abbildungen abweichen.

WPROWADZENIE

Drogi Kliencie!

Dziękujemy za obdarzenie nas zaufaniem i wybranie marki Zeegma.

Oddajemy w Twoje ręce produkt idealny do codziennego użytkowania dzięki wykorzystaniu wysokiej jakości materiałów i nowoczesnych rozwiązań technicznych.

Jesteśmy pewni, że ogromna staranność wykonania sprawi, że spełni on Twoje wymagania. Przed użyciem produktu zapoznaj się dokładnie z poniższą instrukcją obsługi.

Jeśli masz jakiegokolwiek uwagi lub pytania do zakupionego produktu, skontaktuj się z nami:

support@zeegma.com

WAŻNE INFORMACJE

Prosimy o przeczytanie tej instrukcji przed przystąpieniem do obsługi urządzenia, aby zapoznać się z jego funkcjami i wykorzystać je zgodnie z przeznaczeniem. Niestosowanie się do instrukcji bezpieczeństwa oraz użycie niezgodne z instrukcją, może skutkować porażeniem elektrycznym, pożarem oraz poważnymi urazami.

WAŻNE! ZACHOWAJ TĘ INSTRUKCJĘ DO PRZYSZŁEGO ZASTOSOWANIA!

1. Nie należy naprawiać oraz dokonywać modyfikacji urządzenia. Czynności te może wykonać tylko autoryzowany serwis.
2. Nie uruchamiaj urządzenia, jeżeli zauważyłeś jakiegokolwiek uszkodzenia. Dotyczy to również stacji dokującej oraz zasilacza.
3. Nie używaj urządzenia, gdy zaczyna wadliwie działać, zostało upuszczone lub zamoczone, nadmiernie nagrzewa się, pojawią się odbarwienia, wyrzuszenia, wydaje nienaturalne dźwięki, zapachy oraz gdy wystąpią inne nietypowe zjawiska. W takich przypadkach skontaktuj się z autoryzowanym serwisem.
4. Jeżeli urządzenie nie jest używane przez dłuższy czas, wyłącz robota sprzątającego za pomocą głównego przełącznika i odłącz stację dokującą od prądu.
5. Urządzenie nie jest przystosowane do odkurzania powierzchni przemysłowych.
6. Urządzenie nie jest przystosowane do odkurzania mokrych powierzchni. Może to doprowadzić do uszkodzenia robota.
7. To urządzenie nie jest zabawką. Nie pozwól, aby dzieci się nim bawiły.
8. Urządzenie powinno pracować w temperaturze pokojowej. Nie uruchamiaj urządzenia w niskiej temperaturze. Przed uruchomieniem urządzenie powinno być pozostawione w temperaturze pokojowej przez minimum 30 minut.

9. Urządzenie nie jest wodoodporne, nie zanurzaj go w wodzie, ani nie trzymaj w wilgotnym miejscu.
10. Stawiaj urządzenie na płaskiej, poziomej powierzchni i unikaj przechyleń. Unikaj stawiania na bardzo miękkich powierzchniach.
11. Używaj urządzenia z dala od źródeł ciepła, wysokich temperatur, gorących powierzchni, bezpośredniego światła słonecznego, źródeł iskrzenia, otwartego ognia, olei oraz ostrych krawędzi.
12. Nie używaj substancji chemicznych do czyszczenia urządzenia
13. Przed czyszczeniem wyłącz urządzenie i odłącz zasilacz.
14. Nie używaj urządzenia do innych celów, niż do których zostało ono zaprojektowane.
15. Nie wciągaj odkurzaczem błota, elementów o konsystencji pasty, popiołu, tynku oraz ostrych przedmiotów. Może to spowodować uszkodzenie zbiornika na kurz, filtra oraz silnika.
16. Nie wciągaj odkurzaczem włosów, dużych papierowych elementów, plastikowych toreb, które mogą spowodować zatkanie drogi ssącej. Usuń je z podłogi przed rozpoczęciem odkurzania.
17. Nie blokuj wylotu powietrza znajdującego się z tyłu odkurzacza. Może to spowodować przegrzanie i uszkodzenie odkurzacza.
18. Nie należy kłaść na odkurzaczu żadnych przedmiotów.
19. **OSTRZEŻENIE:** W celu naładowania baterii używaj tylko oryginalnego zasilacza lub stacji ładującej.
20. Nie używaj odkurzacza bez filtrów oraz pojemnika na kurz.
21. Robot sprząający jest przeznaczony do odkurzania podłóg oraz dywanów z krótkim włosiem.
22. Nie przeciągaj przewodu zasilacza przez ostre krawędzie ścian i mebli, nie zatraskuj go drzwiami oraz nie zwijaj za mocno po użyciu.
23. Producent nie bierze odpowiedzialności za wszelkie uszkodzenia wynikające z nieprawidłowego i niezgodnego z instrukcją korzystania urządzenia.
24. To urządzenie może być używane przez dzieci w wieku od 8 lat i starsze oraz osoby o ograniczonych zdolnościach fizycznych, sensorycznych lub umysłowych lub bez doświadczenia i wiedzy, jeśli są one pod nadzorem lub zostały poinstruowane odnośnie korzystania z urządzenia w bezpieczny sposób i rozumieją zagrożenia.
25. Dzieci bez nadzoru nie mogą czyścić ani konserwować urządzenia.
26. **OSTRZEŻENIE:** To urządzenie zawiera emiter UV. Nie patrz na źródło światła.
27. Uwaga: powinno się unikać podnoszenia i przenoszenia robota podczas pracy. Może to zakłócić jego cykl sprzątania i skutkować problemami ze znalezieniem stacji dokującej lub resetem mapy mieszkania.

1. Opis części w opakowaniu (patrz rys. 1):

- | | |
|------------------------------------|----------------------------|
| A. Robot sprząający | F. Pojemnik na kurz |
| B. Stacja dokująca | G. Szczotka do czyszczenia |
| C. Zasilacz | H. Filtr HEPA (x2) |
| D. Pilot | I. Szczotki boczne (x4) |
| E. Osłona boczna pojemnika na kurz | |

2. Opisy:

Zewnętrzna część robota sprząającego (patrz rys. 2):

- | | |
|---------------------------------|--|
| 1. Wizualny czujnik nawigacyjny | 5. Czujniki |
| 2. Powrót do stacji dokującej | 6. Przycisk otwarcia pojemnika na kurz |
| 3. Przycisk startu/pauzy | 7. Główny przełącznik |
| 4. Lampka kontrolna Wi-Fi | 8. Port ładowania |

Wewnętrzna część robota sprząającego (patrz rys. 3):

- | | |
|---|---|
| 9. Prawa boczna szczotka | 15. Port ładowania (ładowanie w stacji dokującej) |
| 10. Prawe koło | 16. Centralne koło |
| 11. Pojemnik na kurz | 17. Bateria |
| 12. Lewe koło | 18. Szczotka centralna |
| 13. Lewa boczna szczotka | |
| 14. Czujnik fizyczny + czujnik krawędzi | |

Pojemnik na kurz (patrz rys. 4):

- | | |
|------------------------|--|
| 1. Filtr HEPA | 5. Czujnik poprawnego montażu zbiornika |
| 2. Filtr wstępny | 6. Boczna pokrywa do opróżniania zbiornika |
| 3. Czujnik filtra HEPA | |
| 4. Osłona filtra HEPA | |

Stacja dokująca (patrz rys. 5):

7. Dioda zasilania
8. Gniazdo podłączenia do zasilania
9. Port ładowania

Pilot (patrz rys. 6):

- | | |
|---------------------------------------|----------------------------------|
| 10. Powrót do stacji dokującej | 15. Przycisk cofania |
| 11. Przycisk naprzód | 16. Czyszczenie krawędzi |
| 12. Przycisk start/pauza | 17. Czyszczenie punktowe |
| 13. Obrót w prawo | 18. Regulacja siły ssania |
| 14. Obrót w lewo | |

3. Instrukcja montażu (patrz rys. 7):

- Zamontuj boczną pokrywę pojemnika do opróżniania kurzu: Dociśnij mocno boczną pokrywę i dopasuj do dwóch zaczepów.
- Zamknij boczną pokrywę pojemnika do opróżniania na kurz.
- Zamontuj pojemnik na kurz w przyporządkowane miejsce robota sprzątającego.
- Przed użyciem robota, usuń pasek ochronny.

4. Instrukcja użytkowania:

Umieszczenie i ładowanie:

- Stację dokującą umieść przy ścianie, na płaskiej powierzchni. Zostaw wolną przestrzeń wokół stacji, w odległości: 0,5m w lewo i prawo oraz 1,5m przed stacją (patrz rys. 8).
- Podłącz zasilanie do stacji dokującej i podłącz do prądu (patrz rys. 8).
- Zamontuj szczotki boczne, odpowiednio lewą i prawą (L / R) (patrz rys. 9).
- Włącz główny przełącznik robota. „I” oznacza włączenie, a „O” oznacza wyłączenie robota (patrz rys.9).

Dwa sposoby ładowania robota (patrz rys. 9):

- 1.** Umieść robota na stacji dokującej.
 - 2.** Do ładowania użyj zasilacza (podczas ładowania lampka sygnalizacyjna miga, po zakończeniu ładowania zmienia kolor na zielony).
- Podczas czyszczenia, w momencie rozładowania baterii robot automatycznie uruchamia tryb ładowania i kieruje się do stacji dokującej, w celu ładowania.
 - Włącz tryb ładowania za pomocą przycisku powrotu do stacji dokującej na pilocie lub przez aplikację.

Ładowanie - uwagi:

- 1.** Stacja dokująca nie może być używana w bezpośrednim świetle słonecznym.
- 2.** Przed rozpoczęciem pracy robota, naładuj go w pełni. Czas ładowania to 4 godziny.
- 3.** Podczas ładowania nie montuj zbiornika na wodę do robota, aby zapewnić bezpieczeństwo ładowania.

Opis trybów czyszczenia i funkcji:

1. Automatyczne czyszczenie: włącz główny przełącznik robota, gdy lampka kontrolna się świeci, robot jest włączony. Następnie naciśnij przycisk startu/pauzy na robocie lub na pilocie i robot rozpocznie automatyczne czyszczenie.
2. Czyszczenie punktowe: naciśnij przycisk czyszczenia punktowego na pilocie, aby rozpocząć czyszczenie.
3. Czyszczenie krawędzi: naciśnij przycisk czyszczenia krawędzi na pilocie, aby rozpocząć czyszczenie.
4. Sterowanie ręczne: przyciskami na pilocie wybierz kierunek w którym ma poruszać się robot (przód, tył, w prawo i w lewo).
5. Regulacja mocy ssania: wybierz 1 z 3 mocy ssania. Naciśnij przycisk regulacji siły ssania na pilocie lub w aplikacji, każde następne naciśnięcie przycisku zmienia siłę ssącą.

Opcje:

- Pauza: podczas pracy robota, naciśnij przycisk startu/pauzy na robocie, pilocie lub w aplikacji, robot wstrzyma pracę.
- „Obudź”: robot po 10 minutach wstrzymania przejdzie w tryb automatycznego uśpienia. Aby „obudzić” robota naciśnij dowolny przycisk na robocie, pilocie lub w aplikacji.
- Wyłączenie: aby wyłączyć odkurzacz, naciśnij przez kilka sekund przycisk startu/pauzy lub wyłącz główny przełącznik na robocie.
- Po zakończonej pracy, skieruj robota do stacji dokującej w celu naładowania.

4a. Instrukcja montażu zbiornika na wodę:**Opis części (patrz rys. 10):**

1. Otwór wlewania wody
2. Zbiornik na wodę
3. Mop

Użytkowanie zbiornika na wodę (patrz rys. 11):

1. Otwórz zbiornik i wlej wodę do otworu wlewania wody.
2. Zamknij zbiornik na wodę i zamontuj mop na zewnętrzną, przystosowaną w tym celu powierzchnię.
3. Zamontuj zbiornik na wodę i zainstaluj w robocie.
4. Naciśnij przycisk startu/pauzy i robot rozpocznie czyszczenie na mokro.

Regulacja zużycia wody do czyszczenia na mokro w zależności od powierzchni:

Naciśnij przycisk regulacji siły ssania na pilocie lub w aplikacji i wybierz 1 z 3 mocy ssania. Każde następne naciśnięcie przycisku zmienia zużycie wody, odpowiednio na małą/średnią/dużą.

Czyszczenie i opróżnianie zbiornika na wodę oraz mop (patrz rys. 12):

1. Wyjmij zbiornik na wodę.
2. Wylej wodę ze zbiornika.
3. Usuń mop.
4. Wyczyść zbiornik na wodę.
5. Wyczyść i wysusz mop.
6. Wysusz zbiornik na wodę.

5. Czyszczenie pojemnika na kurz (patrz rys. 13):

1. Naciśnij przycisk otwarcia pojemnika na kurz, aby wyjąć pojemnik.
2. Wyciągnij pojemnik i otwórz boczną pokrywę do opróżniania pojemnika na kurz.
3. Opróżnij zawartość pojemnika do śmietnika.
4. Otwórz pokrywę i wyjmij filtra HEPA oraz filtr wstępny.
5. Nie zaleca się mycia filtra HEPA pod bieżącą wodą, delikatnie usuń kurz.
6. Umyj filtr wstępny pod bieżącą wodą.
7. Następnie możesz wyczyścić wnętrze wilgotną szmatką.
8. Nie myj pod bieżącą wodą całego pojemnika na kurz.
9. Wysusz pojemnik i filtry przed ponownym użyciem. Nie wystawiaj filtrów na bezpośrednie działanie słońca.
10. Myj filtr wstępny co 15-30 dni, żywotność filtra HEPA wynosi około 3 miesięcy.
11. Upewnij się, że filtry są suche, przed ponownym ich zainstalowaniem.
12. Zamknij pokrywę pojemnika do opróżniania kurzu i zainstaluj pojemnik w robocie.

6. Czyszczenie szczotek bocznych i szczotki centralnej (patrz rys. 14):

1. Aby wyciągnąć szczotkę centralną, wyciągnij pokrywę i szczotkę.
2. Użyj szczoteczki do czyszczenia, aby usunąć pozostałości na szczotce.
3. Zdejmij boczne szczotki i wytrzyj suchą szmatką.

7. Czyszczenie czujników i kół (patrz rys. 15):

- Port ładowania stacji dokującej, wszystkie czujniki, centralne koło oraz koła boczne czyść suchą szmatką.

8. Przechowywanie:

- Jeśli nie używasz robota sprzątającego przez dłuższy czas, naładuj go do pełna przed przechowywaniem. Ładuj urządzenie co 3 miesiące, aby zapobiec nadmiernemu rozładowaniu baterii.

PROBLEM	PRAWDOPODOBNA PRZYCZYNA	ROZWIĄZANIE
Robot sprzątający nie ładuje się .	Nie ma połączenia ze stacją dokującą.	Upewnij się, że porty ładowania odkurzacza i stacji dokującej łączą się poprawnie. Spróbuj ręcznie położyć robota na stacji dokującej.
	Bateria się nie ładuje.	Upewnij się, że stacja dokująca jest podłączona do prądu. Jeśli robot nie był używany przez dłuższy czas i bateria się nie ładuje, połóż robota na stacji dokującej i ładuj przez 3 minuty, po czym przerwij ładowanie. Powtórz 3 razy, a następnie podłącz robota normalnie do ładowania.
Odkurzacze ma problemy z odkurzaniem.	Robot zawija się w elementy w pokoju (przewody, firany itd.).	Robot spróbuje ominąć przeszkody. Jeśli się nie uda, usuń przeszkody przed następnym odkurzaniem.
Odkurzacze automatycznie wraca do stacji dokującej.	Niski poziom baterii.	To działanie jest normalne.
	Skończony czas pracy.	To działanie jest normalne.
Odkurzacze nie aktywuje się podczas zaplanowanego odkurzania.	Odkurzacze jest wyłączony	Włącz odkurzacze.
	Poziom baterii jest niski	Naładuj baterię.
	Pojemnik na kurz jest zapchany lub inne elementy są zablokowane.	Wyłącz robota i wyczyść pojemnik na kurz i filtry.
Pilot nie działa	Rozładowane baterie w pilocie.	Wymień baterie w pilocie.
	Robot jest wyłączony lub jest niski poziom baterii.	Włącz robota i/lub naładuj baterię.
	Sygnal podczerwieni nie jest odbierany przez robota.	Wyczyść czujnik podczerwieni na robocie i pilocie. Sprawdź, czy między pilotem, a robotem nie ma przeszkód blokujących sygnał oraz że nie ma żadnych innych przedmiotów emitujących sygnał podczerwieni (np. pilot do telewizora).

APLIKACJA

1. Pobierz i zainstaluj aplikację „WeBack” (patrz rys. 16)

- Zeskanuj kod QR, lub wyszukaj aplikację „WeBack” w sklepie GooglePlay lub iOS store, pobierz ją i zainstaluj.

2. Zarejestruj się / Zaloguj się (patrz rys. 17)

- Wejdź do aplikacji, wprowadź numer telefonu lub adres e-mail. Wpisz indywidualne hasło, w celu otrzymania kodu weryfikacyjnego. Następnie przeczytaj i zaakceptuj Politykę Prywatności.
- Wpisz kod weryfikacyjny w puste pole. Przejdź dalej.

- Następnie zaloguj się do aplikacji, wpisując prawidłowy numer telefonu lub adres e-mail i hasło.

3. Skanowanie robota sprząającego przy pomocy kodu QR (patrz rys. 18)

- Zaloguj się do aplikacji, kliknij „+”, zeskanuj kod QR na urządzeniu mobilnym i kliknij „wprowadź ręcznie”.

4. Połącz się z siecią Wi-Fi (patrz rys. 19)

Produkt obsługuje tylko sieć Wi-Fi 2.4 GHz, nie obsługuje natomiast sieci Wi-Fi 5 GHz. Przed skonfigurowaniem Wi-Fi ustaw parametry routera. Hasło Wi-Fi nie powinno zawierać znaków specjalnych.

- Upewnij się, że ruter i robot sprząający są najbliżej siebie, aby umożliwić szybką konfigurację urządzenia.
- Wybierz urządzenie i wpisz prawidłowe hasło, następnie kliknij „kolejny”. Poczekaj na połączenie z siecią Wi-Fi.

5. Resetowanie urządzenia (patrz rys. 20)

- Naciśnij główny przełącznik na robocie, w celu wyłączenia urządzenia.
- Uruchom ponownie robota, naciśnij i przytrzymaj przycisk startu/pauzy przez 3-5 sekund.
- Robot został poprawnie zresetowany, jeśli usłyszysz sygnał dźwiękowy.

6. Jeśli połączenie z siecią Wi-Fi nie powiedzie się

- Wybierz pole „tryb zgodności”, następnie wejdź na stronę ustawień Wi-Fi telefonu, połącz się z hot spotem robot###, powróć do aplikacji i kontynuuj oczekiwanie na połączenie.
- Możesz postępować zgodnie z wyświetlanymi instrukcjami, aby znaleźć przyczynę braku połączenia i spróbować ponownie.

9. Przygotowanie pomieszczeń do odkurzania

1. Usuń z podłogi przewody i inne elementy, które mogą zaplątać się w odkurzacz (rys. 22).
2. Odkurzacz jest przeznaczony do czyszczenia podłóg oraz cienkich dywanów z krótkim włosiem. Nie należy używać odkurzacza na dywanach z długim włosiem (rys. 23).
3. Ustaw elementy mebli w taki sposób, żeby odkurzacz nigdzie nie utknął (rys. 24).
4. Usuń wszelkie przeszkody z wąskich pomieszczeń (rys. 25).

Zdjęcia mają charakter poglądowy, rzeczywisty wygląd produktów może różnić się od prezentowanego na zdjęciach.

INTRODUZIONE

Gentile Cliente!

Grazie per aver riposto in noi la Vostra fiducia e aver scelto prodotto di un marchio Zeegma. I nostri prodotti sono realizzati con la massima cura per garantire il comfort del Vostro bambino e la sua sicurezza. Grazie all'impiego di materiali di alta qualità e la cura nella realizzazione, Vi offriamo un prodotto perfetto per l'uso quotidiano.

Prima di utilizzare il dispositivo per la prima volta, leggere attentamente questo manuale. Se avete commenti o domande su un prodotto acquistato, non esitate a contattarci:

support@zeegma.com

INFORMAZIONI IMPORTANTI

Si prega di leggere questo manuale prima di utilizzare il dispositivo per scoprire le sue funzioni e utilizzarlo come previsto. La mancata osservanza delle istruzioni di sicurezza e l'uso non conforme alle istruzioni può provocare scosse elettriche, incendi e gravi lesioni.

IMPORTANTE! MANTENERE QUESTA ISTRUZIONE PER USI FUTURI!

1. Non riparare o modificare il dispositivo. Queste azioni possono essere eseguite solo da un centro di assistenza autorizzato.
2. Non avviare il dispositivo se si notano danni. Questo vale anche per la docking station e l'alimentazione elettrica.
3. Non utilizzare il dispositivo quando inizia a funzionare male, è caduto o si è bagnato, si surriscalda, si scolorisce, si formano rigonfiamenti, suoni innaturali, odori e si verificano altri fenomeni insoliti. In questi casi, si prega di contattare un centro di assistenza autorizzato.
4. Se il dispositivo non viene utilizzato per un lungo periodo di tempo, spegnere il robot di pulizia utilizzando l'interruttore principale e scollegare la docking station dall'alimentazione elettrica.
5. Il dispositivo non è adatto per l'aspirazione di superfici industriali.
6. Il dispositivo non è adatto per l'aspirazione di superfici bagnate. Questo potrebbe danneggiare il robot.
7. Questo dispositivo non è un giocattolo. Non lasciate che i bambini ci giochino.
8. Il dispositivo dovrebbe funzionare a temperatura ambiente. Non azionare il dispositivo a bassa temperatura. Lasciare il dispositivo a temperatura ambiente per almeno 30 minuti prima di avviarlo.
9. Il dispositivo non è impermeabile, non immergerlo in acqua e non tenerlo in un luogo umido.

10. Posizionare il dispositivo su una superficie piana e orizzontale ed evitare di inclinarla. Evitare di appoggiare su superfici molto morbide.
11. Utilizzare il dispositivo lontano da fonti di calore, alte temperature, superfici calde, luce solare diretta, fonti di scintille, fuoco aperto, olio e spigoli vivi.
12. Non usare prodotti chimici per pulire il dispositivo.
13. Spegnerne il dispositivo e scollegare l'alimentazione prima della pulizia.
14. Non utilizzare il dispositivo per scopi diversi da quelli per cui è stato progettato.
15. Non aspirare fango, pasta, cenere, gesso e oggetti appuntiti con l'aspirapolvere. Ciò può danneggiare il contenitore della polvere, il filtro e il motore.
16. Non usare l'aspirapolvere per tirare i capelli, parti di carta di grandi dimensioni, sacchetti di plastica che possono ostruire il percorso di aspirazione. Togliarli dal pavimento prima di passare l'aspirapolvere.
17. Non bloccare l'uscita dell'aria sul retro dell'aspirapolvere. Questo può causare surriscaldamento e danni all'aspirapolvere.
18. Non appoggiare alcun oggetto sull'aspirapolvere.
19. **AVVERTENZA:** per caricare la batteria, utilizzare solo l'adattatore di alimentazione o la stazione di ricarica originali.
20. Non utilizzare un aspirapolvere senza filtri e un contenitore per la polvere.
21. Il robot aspirapolveri è progettato per l'aspirazione di pavimenti e tappeti a pelo corto.
22. Non tirare il cavo di alimentazione attraverso i spigoli delle pareti e dei mobili, non sbattere la porta e non arrotolarlo troppo fortemente dopo l'uso.
23. Il produttore non si assume alcuna responsabilità per eventuali danni derivanti da un uso scorretto e incoerente del dispositivo.
24. Questo apparecchio può essere utilizzato da bambini di età pari o superiore a 8 anni e da persone con capacità fisiche, sensoriali o mentali ridotte o con mancanza di esperienza e conoscenza se sono stati supervisionati o istruiti sull'uso dell'apparecchio in modo sicuro e comprendono i pericoli coinvolti.
25. La pulizia e la manutenzione dell'utente non devono essere eseguite da bambini senza supervisione.
26. **ATTENZIONE:** questo apparecchio contiene un emettitore UV. Non fissare la fonte di luce.
27. **Attenzione:** durante il lavoro si dovrebbe evitare di spostare o sollevare il robot. Questo potrebbe disturbare il suo ciclo di pulizia e in conseguenza creare dei problemi con la ricerca della stazione di ricarica oppure con il reset della mappa dell'appartamento.

1. Descrizione del componente nella confezione (vedi fig. 1):

- | | |
|---|--------------------------------------|
| A. Robot aspirapolvere | F. Contenitore per la polvere |
| B. Docking station | G. Spazzola da spazzolare |
| C. Alimentatore | H. Filtro HEPA (x2) |
| D. Telecomando | I. Spazzole laterali (x4) |
| E. Riparo laterale del contenitore della polvere | |

2. Descrizioni:

Parte esterna del robot aspirapolvere (vedi fig. 2):

- | | |
|--|--|
| 1. Sensore visuale di navigazione | 6. Pulsante di apertura del contenitore della polvere |
| 2. Ritorno alla docking station | 7. Interruttore principale |
| 3. Pulsante di start/pausa | 8. Porta di ricarica |
| 4. Lampadina di controllo Wi-Fi | |
| 5. Sensori | |

Parte interna del robot aspirapolvere (vedi fig. 3):

- | | |
|---|--|
| 9. Spazzola laterale destra | 15. Porta di ricarica (caricamento nella docking station) |
| 10. Ruota destra | 16. Ruota centrale |
| 11. Contenitore della polvere | 17. Batteria |
| 12. Ruota sinistra | 18. Spazzola centrale |
| 13. Spazzola laterale sinistra | |
| 14. Sensore fisico + sensore del bordo | |

Contenitore della polvere (vedi fig. 4):

- | | |
|-----------------------------------|--|
| 1. Filtro HEPA | 5. Sensore del montaggio corretto del serbatoio |
| 2. Filtro preliminare | 6. Coperchio laterale del serbatoi da svuotare |
| 3. Sensore del filtro HEPA | |
| 4. Riparo del filtro HEPA | |

Stazione di ricarica (vedi fig. 5):

- 7.** Diodo di alimentazione
- 8.** Presa di collegamento all'alimentazione
- 9.** Porta di ricarica

Telecomando (vedi fig. 6):

- | | |
|---|---|
| 10. Ritorno alla docking station | 15. Pulsante di ritiro |
| 11. Pulsante avanti | 16. Pulizia del bordo |
| 12. Pulsante start/pausa | 17. Pulizia puntuale |
| 13. Giro a destra | 18. Regolazione della potenza di aspirazione |
| 14. Giro a sinistra | |

3. Istruzione di montaggio (vedi fig. 7):

- Montare il coperchio laterale del contenitore della polvere: Spingere il coperchio laterale e adattare ai due agganci.
- Chiudere il coperchio laterale del contenitore della polvere da svuotare.
- Montare il contenitore della polvere nella posizione assegnata al robot aspirapolvere.
- Prima di utilizzare il robot, rimuovere la striscia protettiva.

4. Istruzione d'uso:**Posizionamento e caricamento:**

- Posizionare le docking station accanto alla parete, su una superficie piana. Lasciare uno spazio libero intorno alla stazione, a distanza: 0,5 m a sinistra e a destra e 1,5 m prima della stazione (vedi fig. 8).
- Collegare l'alimentazione alla docking station e collegare l'alimentazione (vedi fig. 8).
- Montare le spazzole laterali, rispettivamente quella sinistra e destra (L / R) (vedi fig. 9).
- Accendere l'interruttore generale del robot. „I” significa l'accensione, e „O” significa lo spegnimento del robot (vedi fig.9).

Due metodi di ricarica del robot (vedi fig. 9):

- 1.** Mettere il robot sulla stazione di docking.
 - 2.** Utilizzare l'alimentatore per la ricarica (durante la ricarica, la spia luminosa lampeggia e diventa verde quando la ricarica è completa).
- Durante il processo di pulizia, quando la batteria è scarica, il robot avvia automaticamente la modalità di carica e si dirige verso la docking station per la ricarica.
 - Attivare la modalità di carica con l'impulso di ritorno alla docking station sul telecomando o tramite l'applicazione.

Note sulla ricarica:

1. La docking station non deve essere utilizzata alla luce diretta del sole.
2. Caricare completamente il robot prima di iniziare a lavorare. Il tempo di ricarica è di 4 ore.
3. Non fissare il serbatoio dell'acqua al robot durante la carica per garantire una carica sicura.

Descrizione delle modalità di pulizia e delle funzioni:

1. Pulizia automatica: Accendere l'interruttore principale del robot quando la spia è accesa, il robot è acceso. Poi premere il pulsante di avvio/pausa sul robot o sul telecomando e il robot inizierà la pulizia automatica.
2. Pulizia puntuale: premere il pulsante di pulizia a punti sul telecomando per avviare la pulizia.
3. Pulizia dei bordi: premere il pulsante di pulizia bordi sul telecomando per iniziare la pulizia.
4. Comando manuale: con pulsanti del telecomando selezionare la direzione in cui il robot deve muoversi (davanti, dietro, a destra e a sinistra).
5. Regolazione della potenza di aspirazione: selezionare 1 di 3 potenze di aspirazione. Premere il pulsante di regolazione della potenza di aspirazione sul telecomando o nell'applicazione, ogni successiva pressione del pulsante modifica la potenza di aspirazione.

Opzioni:

- Pausa: mentre il robot è in funzione, premere l'impulso di avvio/pausa del robot, del telecomando o dell'applicazione, il robot smetterà di funzionare.
- „Sveglia”: il robot dopo 10 minuti di sospensione passerà in modalità di stand by automatico. Per „svegliare” il robot, premere un qualsiasi pulsante sul robot, telecomando o nell'applicazione.
- Spegnimento: per spegnere l'aspirapolvere, premere per alcuni secondi il pulsante start/pausa o disattivare l'interruttore generale sul robot.
- Una volta terminato, dirigere il robot verso la docking station per la ricarica.

4a. Istruzione di montaggio del serbatoio dell'acqua:**Descrizione della parte (vedi fig. 10):**

1. Apertura di ingresso dell'acqua
2. Serbatoio dell'acqua
3. Mop

Utilizzo del serbatoio dell'acqua (vedi fig. 11):

1. Aprire il serbatoio e versare l'acqua nell'ingresso dell'acqua.
2. Chiudere il serbatoio dell'acqua e installare il mop su una superficie esterna adattata a questo scopo.

3. Installare il serbatoio dell'acqua e installarlo nel robot.
4. Premere il pulsante start/pausa, il robot comincerà a pulire ad umido.

Regolazione del consumo d'acqua per la pulizia a umido a seconda della superficie:

Premere il pulsante di controllo della potenza di aspirazione sul telecomando o nell'applicazione e selezionare 1 di 3 potenze di aspirazione. Ogni successiva pressione del pulsante cambia il consumo di acqua rispettivamente in basso / medio / alto.

Pulizia e svuotamento del serbatoio dell'acqua e del mop (vedi fig. 12):

1. Togliere il serbatoio dell'acqua.
2. Versare l'acqua fuori dal serbatoio.
3. Rimuovere il mop.
4. Pulire il serbatoio dell'acqua.
5. Pulire e asciugare il mop.
6. Asciugare il serbatoio dell'acqua.

5. Pulizia del contenitore della polvere (vedi fig. 13):

1. Spingere il pulsante dell'apertura del contenitore della polvere per rimuovere il contenitore.
2. Estrarre il contenitore e aprire il coperchio laterale per lo svuotamento del contenitore della polvere.
3. Svuotare il contenuto del contenitore nella spazzatura..
4. Aprire il coperchio ed estrarre il filtro HEPA e il filtro preliminare.
5. Non si consiglia lavare il filtro HEPA sotto acqua corrente, delicatamente rimuovere la polvere.
6. Lavare il filtro preliminare sotto acqua corrente.
7. Si può quindi pulire l'interno con un panno umido.
8. Non lavare l'intero contenitore della polvere sotto l'acqua corrente.
9. Asciugare il contenitore ed i filtri prima di riutilizzarli. Non esporre i filtri alla luce diretta del sole.
10. Lavare il filtro preliminare ogni 15-30 giorni, la vita di utilizzo del filtro HEPA è circa 3 mesi.
11. Prima di reinstallarli assicurarsi che i filtri sono asciutti.
12. Chiudere il coperchio del contenitore da scuotere la polvere e installare il contenitore nel robot.

6. Pulizia delle spazzole laterali e della spazzola centrale (vedi fig. 14):

1. Per estrarre la spazzola centrale, estrarre il coperchio e la spazzola.
2. Utilizzare la spazzola di pulizia per rimuovere i residui sulla spazzola.
3. Rimuovere le spazzole laterali e passare con un panno asciutto.

7. Pulizia dei sensori e delle ruote (vedi fig. 15):

- Porta di ricarica della docking station, tutti i sensori, ruota centrale e ruote laterali pulire con un panno asciutto.

8. Conservazione:

- Se non si utilizza il robot aspirapolvere per un lungo periodo di tempo, ricaricarlo completamente prima di riporlo. Caricarlo ogni 3 mesi per evitare che la batteria si scarichi eccessivamente.

PROBLEMA	PROBABILE CAUSA	RISOLUZIONE
Il robot aspirapolvere non si carica.	Non c'è collegamento con docking station.	Assicurarsi che le porte di ricarica dell'aspirapolvere e della docking station si colleghino correttamente. Provare a posizionare manualmente il robot sulla docking station.
	La batteria non si carica.	Assicurarsi che la docking station sia collegata all'alimentazione elettrica. Se il robot non è stato utilizzato per un lungo periodo di tempo e la batteria non è in carica, posizionare il robot sulla docking station e caricare per 3 minuti, quindi interrompere la carica. Ripetere 3 volte, e poi collegare il robot normalmente alla stazione di ricarica.
L'aspirapolvere ha problemi di aspirazione.	Il robot è avvolto da elementi nella stanza (fili, tende, ecc.).	Il robot cercherà di evitare gli ostacoli. Se non riesce, rimuovere gli ostacoli prima dell'aspirazione successiva.
L'aspiratore ritorna automaticamente alla docking station.	Livello di batteria basso.	Questa azione è normale.
	Tempo di lavoro terminato.	Questa azione è normale.
L'aspiratore non si attiva durante l'aspirazione programmata.	L'aspirapolvere è disattivato	Accendere l'aspirapolvere.
	Il livello di batteria è basso	Caricare la batteria.
	Il contenitore della polvere è intasato o altri oggetti sono bloccati.	Spegnere il robot e pulire il contenitore della polvere e filtri.
Il telecomando non funziona	Batterie scariche nel telecomando.	Sostituire le batterie nel telecomando.
	Il robot è spento oppure il livello di batteria è basso.	Accendere il robot e/o caricare la batteria.
	Il segnale a infrarossi non viene ricevuto dal robot.	Pulire il sensore a infrarossi del robot e del telecomando. Verificare che non vi siano ostacoli che bloccano il segnale tra il telecomando e il robot e che non vi siano altri oggetti che emettono segnali a infrarossi (ad es. un telecomando TV).

APPLICAZIONE

1. Scarica e installa l'applicazione „WeBack”(vedi fig. 16)

- Scannerizza il codice QR o cerca l'applicazione „WeBack” nel negozio GooglePlay oppure iOS store, scaricala e installala.

2. Registrati / Effettua il login (vedi fig. 17)

- Vai all'applicazione, inserisci il tuo numero di telefono o l'indirizzo e-mail. Inserisci la tua password individuale per ricevere il codice di verifica. Quindi leggi e accetta l'informativa sulla privacy.
- Inserisci il codice di verifica nella casella vuota. Passa avanti
- Quindi accedi all'applicazione inserendo un numero di telefono o un indirizzo e-mail e una password validi.

3. Scannerizzazione del robot aspirapolvere tramite il codice QR (vedi fig. 18)

- Accedi all'applicazione, cliccate su „+”, scansiona il codice QR sul tuo dispositivo mobile e clicca su „inserisci manualmente”.

4. Collegati con la rete Wi-Fi (vedi fig. 19)

Il prodotto supporta solo Wi-Fi a 2,4 GHz, non a 5 GHz. Imposta i parametri del router prima di configurare il Wi-Fi. La password Wi-Fi non deve contenere caratteri speciali.

- Assicurati che il router e il robot di pulizia siano i più vicini tra loro per una rapida configurazione.
- Seleziona il dispositivo e inserire la password corretta, quindi fai clic su „successivo”. Attendere una connessione Wi-Fi.

5. Reset del dispositivo (vedi fig. 20)

- Premi l'interruttore principale del robot per spegnere il dispositivo.
- Riavvia il robot, premere e tenere premuto il pulsante start/pausa per 3-5 secondi.
- Il robot è stato resettato correttamente se sentirai un segnale acustico.

6. Se la connessione con la rete Wi-Fi non si riesce a stabilirsi

- Seleziona la casella „Modalità di compatibilità”, quindi vai alla pagina delle impostazioni Wi-Fi del telefono, connettiti all'hot spot del robot###, torna all'applicazione e continua ad attendere una chiamata.
- Puoi seguire le istruzioni visualizzate per trovare il motivo del collegamento mancante e riprovare.

9. Preparazione dei locali per la depolverizzazione

1. Rimuovere dal pavimento cavi e altri oggetti che possono rimanere impigliati nell'aspirapolvere (fig. 22).
2. L'aspirapolvere è progettato per pulire pavimenti e tappeti sottili con pelo corto. Non usare l'aspirapolvere su tappeti a pelo lungo (fig. 23).
3. Posizionare i mobili in modo tale che l'aspirapolvere non rimanga bloccato (fig. 24).
4. Rimuovere tutti gli ostacoli dai locali stretti (fig. 25).

Le fotografie sono solo a scopo illustrativo, l'aspetto reale dei prodotti può differire da quello mostrato nelle immagini.

INTRODUCTION

Cher client !

Merci de nous faire confiance et de choisir Zeegma.

Nous vous offrons un produit idéalement adapté pour un usage quotidien grâce à l'utilisation de matériaux de haute qualité et de solutions techniques modernes. Nous sommes sûrs qu'il répondra à vos exigences grâce au grand soin apporté à sa fabrication.

Veuillez lire attentivement les instructions suivantes avant d'utiliser le produit.

Si vous avez des commentaires ou des questions sur le produit que vous avez acheté, veuillez nous contacter:

support@zeegma.com

INFORMATIONS IMPORTANTES

Veuillez lire ce manuel avant d'utiliser l'appareil afin de vous familiariser avec ses fonctions et de l'utiliser conformément à sa destination. Le non-respect des consignes de sécurité et l'utilisation conforme aux instructions peuvent entraîner un choc électrique, un incendie et des blessures graves.

IMPORTANT! CONSERVEZ CE MANUEL POUR RÉFÉRENCE FUTURE!

1. Ne pas réparer ou modifier l'appareil. Cela ne peut être fait que par un centre de services agréé.
2. Ne faites pas fonctionner l'appareil si vous remarquez des dommages. Cela comprend aussi la station d'accueil et l'alimentation électrique.
3. N'utilisez pas l'appareil s'il commence à mal fonctionner, s'il est tombé ou a été mouillé, s'il devient excessivement chaud, s'il se décolore, se gonfle, émet des sons ou des odeurs non naturels ou si d'autres phénomènes inhabituels se produisent. Dans ce cas, contactez un centre de service agréé.
4. Si l'appareil n'est pas utilisé pendant une longue période, éteignez le robot de nettoyage à l'aide de l'interrupteur principal et débranchez la station d'accueil de l'alimentation électrique.
5. L'appareil n'est pas adapté à l'aspiration de surfaces industrielles.
6. L'appareil n'est pas adapté à l'aspiration de surfaces humides. Cela peut entraîner des dommages à l'appareil.
7. Cet appareil n'est pas un jouet. Ne laissez pas les enfants jouer avec.
8. L'appareil doit fonctionner à température ambiante. Ne faites pas fonctionner l'appareil à basse température. L'appareil doit être laissé à température ambiante pendant au moins 30 minutes avant la mise en marche.
9. L'appareil n'est pas étanche, ne l'immergez pas dans l'eau et ne le gardez pas dans un endroit humide.

10. Placez l'appareil sur une surface plane et horizontale et évitez de l'incliner. Évitez de le poser sur des surfaces molles.
11. Utilisez l'appareil loin des sources de chaleur, des températures élevées, des surfaces chaudes, de la lumière directe du soleil, des sources d'étincelles, des flammes nues, des huiles et des arêtes vives.
12. N'utilisez pas de produits chimiques pour nettoyer l'appareil.
13. Éteignez l'appareil avant de le nettoyer et débranchez l'alimentation.
14. N'utilisez pas l'appareil à des fins autres que celles pour lesquelles il a été conçu.
15. N'aspirez pas la boue, les objets pâteux, les cendres, le plâtre ou les objets pointus. Cela peut endommager le conteneur à poussière, le filtre et le moteur.
16. N'utilisez pas l'aspirateur pour aspirer les cheveux, les gros articles en papier, les sacs en plastique qui peuvent obstruer le passage de l'aspirateur. Retirez-les du sol avant de passer l'aspirateur.
17. Ne bloquez pas la sortie d'air à l'arrière de l'aspirateur. Cela peut provoquer une surchauffe et endommager l'aspirateur.
18. Ne placez aucun objet sur l'aspirateur.
19. **AVERTISSEMENT** : Utilisez uniquement l'adaptateur d'alimentation ou la station de charge d'origine pour charger la pile.
20. N'utilisez pas l'aspirateur sans filtre et sans récipient à poussière.
21. Le robot de nettoyage est conçu pour aspirer les sols et les tapis à poils courts.
22. Ne tirez pas le cordon d'alimentation sur les bords tranchants des murs et des meubles, ne claquez pas les portes dessus et ne l'enroulez pas trop après utilisation.
23. Le fabricant n'est pas responsable des dommages résultant d'une utilisation incorrecte et non conforme au mode d'emploi.
24. Cet appareil peut être utilisé par des enfants à partir de 8 ans et par des personnes dont les capacités physiques, sensorielles ou mentales sont limitées ou qui manquent d'expérience et de connaissances, à condition qu'elles soient supervisées ou qu'elles aient reçu des instructions sur l'utilisation sûre de l'appareil et qu'elles comprennent les dangers.
25. Les enfants ne doivent pas nettoyer ou entretenir l'appareil sans surveillance.
26. **AVERTISSEMENT** : Cet appareil contient un émetteur UV. Ne regardez pas la source de lumière.
27. Attention : il convient d'éviter de soulever et de porter le robot lorsqu'il est activé. Ceci peut perturber son cycle de nettoyage et l'empêcher de trouver la station d'accueil ou entraîner la réinitialisation du plan de l'appartement.

1. Description des pièces de l'emballage (voir figure 1) :

- | | |
|--|----------------------------------|
| A. Robot de nettoyage | F. Récipient à poussière |
| B. Station d'accueil | G. Brosse de nettoyage |
| C. Alimentation | H. Filtre HEPA (x2) |
| D. Pilote | I. Brosses latérales (x4) |
| E. Couvercle latéral du conteneur à poussière | |

2. Descriptions :

L'extérieur du robot de nettoyage (voir figure 2) :

- | | |
|---|---|
| 1. Capteur visuel de navigation | 6. Bouton d'ouverture du conteneur à poussière |
| 2. Retour à la station d'accueil | 7. Interrupteur principal |
| 3. Bouton de démarrage/pause | 8. Port de chargement |
| 4. Témoin lumineux Wi-Fi | |
| 5. Capteurs | |

L'intérieur du robot de nettoyage (voir figure 3) :

- | | |
|---|--|
| 9. Brosse latérale droite | 15. Port de chargement (chargement dans la station d'accueil) |
| 10. Roue droite | 16. Roue centrale |
| 11. Récipient à poussière | 17. Pile |
| 12. Roue gauche | 18. Brosse centrale |
| 13. Brosse latérale gauche | |
| 14. Capteur physique + capteur de bord | |

Récipient à poussière (voir figure 4) :

- | | |
|------------------------------------|---|
| 1. Filtre HEPA | 5. Capteur pour une installation correcte du réservoir |
| 2. Préfiltre | 6. Couvercle latéral pour la vidange de la trémie |
| 3. Capteur du filtre HEPA | |
| 4. Couvercle de filtre HEPA | |

Station d'accueil (voir figure 5) :

- 7.** LED d'alimentation
- 8.** Prise de connexion électrique
- 9.** Port de chargement

Pilote (voir figure 6) :

10. Retour à la station d'accueil
11. Bouton d'envoi
12. Bouton de démarrage/pause
13. Tour à droite
14. Tour à gauche

15. Bouton de retour
16. Nettoyage des bords
17. Nettoyage des taches
18. Réglage de la puissance d'aspiration

3. Instructions d'installation (voir figure 7) :

- Installez le couvercle latéral du conteneur à poussière : Serrez fermement le couvercle latéral et insérez-le dans les deux crochets.
- Fermez le couvercle latéral du conteneur à poussière :
- Installez le conteneur à poussière à l'endroit assigné au robot de nettoyage.
- Avant d'utiliser le robot, retirez la bande de protection.

4. Mode d'emploi :**Installation et chargement :**

- Placez la station d'accueil contre un mur sur une surface plane. Laissez un espace libre autour de la station à distance : 0,5 m à gauche et à droite et 1,5 m devant la station (voir figure 8).
- Connectez l'alimentation électrique à la station d'accueil et branchez-la (voir figure 8).
- Montez les brosses latérales, respectivement à gauche et à droite (L / R) (voir figure 9).
- Allumez l'interrupteur principal du robot. « I » signifie allumer et « O » signifie éteindre le robot (voir figure 9).

Deux façons de charger le robot (voir figure 9) :

1. Placez le robot sur la station d'accueil.
 2. Utilisez l'adaptateur électrique pour charger (le voyant clignote pendant la charge, devient vert lorsque la charge est terminée).
- Pendant le nettoyage, lorsque la pile est faible, le robot passe automatiquement en mode de charge et se dirige vers la station d'accueil pour se recharger.
 - Activez le mode de chargement à l'aide du bouton « Retour à la station d'accueil » de la télécommande ou via l'application.

Chargement - remarques :

1. La station d'accueil ne doit pas être utilisée en plein soleil.
2. Avant de démarrer le robot, chargez-le complètement. Le temps de chargement est de 4 heures.

3. Lors du chargement, ne montez pas le réservoir d'eau sur le robot pour assurer un processus de chargement sans aucun danger.

Description des modes et fonctions de nettoyage :

1. Nettoyage automatique : allumez l'interrupteur principal du robot, lorsque le témoin lumineux est allumé, le robot est en marche. Appuyez ensuite sur la touche démarrage/pause sur le robot ou sur la télécommande et le robot commencera à nettoyer automatiquement.
2. Nettoyage des taches : appuyez sur la touche de nettoyage des taches de la télécommande pour commencer le nettoyage.
3. Nettoyage des bords : appuyez sur la touche de nettoyage des bords de la télécommande pour commencer le nettoyage.
4. Contrôle manuel : utilisez les boutons de la télécommande pour choisir la direction dans laquelle le robot doit se déplacer (avant, arrière, droite et gauche).
5. Puissance d'aspiration réglable : choisissez une des trois puissances d'aspiration. Appuyez sur le bouton de réglage de la puissance d'aspiration sur la télécommande ou dans l'application, chaque appui ultérieur sur le bouton modifie la puissance d'aspiration.

Options :

- Pause : pendant que le robot est en marche, appuyez sur la touche démarrage/pause sur le robot, la télécommande ou dans l'application, le robot fera une pause.
- Veille : le robot se met en veille automatique après 10 minutes de pause. Pour « réveiller » le robot, appuyez sur n'importe quel bouton du robot, de la télécommande ou de l'application.
- Éteindre : pour éteindre l'aspirateur, appuyez sur le bouton démarrage/pause pendant quelques secondes ou éteignez l'interrupteur principal du robot.
- Lorsque vous avez terminé, dirigez le robot vers la station d'accueil pour le recharger.

4a. Instructions d'installation du réservoir d'eau :

Description des pièces (voir figure 10) :

1. Ouverture d'entrée d'eau
2. Réservoir d'eau
3. Serpillière

Utilisation du réservoir d'eau (voir figure 11) :

1. Ouvrez le réservoir et versez de l'eau dans l'orifice de remplissage.
2. Fermez le réservoir d'eau et montez la serpillière sur une surface extérieure adaptée à cet effet.

3. Installez le réservoir d'eau, puis installez-les dans le robot.
4. Appuyez sur le bouton démarrage/pause et le robot commencera le nettoyage humide.

Ajustement de la consommation d'eau de nettoyage humide en fonction de la surface :

Appuyez sur le bouton de contrôle de l'aspiration sur la télécommande ou dans l'application et sélectionnez 1 des 3 puissances d'aspiration. Chaque pression ultérieure sur le bouton fait passer la consommation d'eau respectivement à faible/moyen/grand.

Nettoyage et vidange du réservoir d'eau et la serpillière (voir figure 12) :

1. Retirez le réservoir d'eau.
2. Versez l'eau du réservoir.
3. Retirez la serpillière.
4. Nettoyez le réservoir d'eau.
5. Nettoyez et séchez la serpillière.
6. Séchez le réservoir d'eau.

5. Nettoyage du conteneur à poussière (voir figure 13) :

1. Appuyez sur le bouton d'ouverture du conteneur à poussière pour le retirer.
2. Sortez le conteneur et ouvrez le couvercle latéral pour vider le conteneur à poussière.
3. Videz le contenu du conteneur dans la poubelle.
4. Ouvrez le couvercle et retirez le filtre HEPA et le filtre éponge.
5. Il n'est pas recommandé de laver le filtre HEPA à l'eau courante, enlevez doucement la poussière.
6. Lavez le préfiltre sous l'eau courante.
7. Vous pouvez ensuite nettoyer l'intérieur avec un chiffon humide.
8. Ne lavez pas tout le récipient à poussière sous l'eau courante.
9. Séchez le récipient et les filtres avant de les réutiliser. N'exposez pas les filtres à la lumière directe du soleil.
10. Lavez le préfiltre tous les 15-30 jours, la durée de vie du filtre HEPA est d'environ 3 mois.
11. Assurez-vous que les filtres sont secs avant de les réinstaller.
12. Fermez le couvercle latéral du conteneur à poussière et installez le conteneur dans le robot.

6. Nettoyage des brosses latérales et de la brosse centrale (voir figure 14) :

1. Pour retirer la brosse centrale, sortez le couvercle et la brosse.
2. Utilisez une brosse de nettoyage pour enlever les résidus sur la brosse.
3. Retirez les brosses latérales et essuyez-les avec un chiffon sec.

7. Nettoyage des capteurs et des roues (voir figure 15) :

- Nettoyez le port de chargement de la station d'accueil, tous les capteurs, la roue centrale et les roues latérales avec un chiffon sec.

8. Stockage :

- Si vous n'utilisez pas le robot de nettoyage pendant une longue période, chargez-le complètement avant de le ranger. Chargez votre appareil tous les 3 mois pour éviter une décharge excessive de la pile.

PROBLÈME	CAUSE POSSIBLE	SOLUTION
Le robot de nettoyage ne charge pas.	Il n'y a pas de connexion à la station d'accueil.	Assurez-vous que les ports de chargement de l'aspirateur et de la station d'accueil se connectent correctement. Essayez de placer manuellement le robot sur la station d'accueil.
	La pile ne se recharge pas.	Veillez à ce que la station d'accueil soit branchée. Si le robot n'a pas été utilisé pendant une longue période et que la pile ne se recharge pas, placez le robot sur la station d'accueil et chargez pendant 3 minutes, puis arrêtez la charge. Répétez l'opération 3 fois, puis connectez le robot normalement au chargeur.
L'aspirateur a du mal à aspirer.	Le robot s'enveloppe dans les éléments de la pièce (fils, rideaux, etc.).	Le robot essaiera d'éviter les obstacles. En cas d'échec, retirez les obstructions avant la prochaine aspiration.
L'aspirateur retourne automatiquement à la station d'accueil.	Faible niveau de piles.	Cette action est normale.
	Temps de travail terminé.	Cette action est normale.
L'aspirateur ne s'active pas pendant l'aspiration programmée.	L'aspirateur est éteint.	Allumez l'aspirateur.
	Le niveau de la pile est faible.	Chargez les piles.
	Le conteneur à poussière est bouché ou d'autres composants sont bloqués.	Éteignez le robot et nettoyez le conteneur de poussière et les filtres.
La télécommande ne fonctionne pas.	Piles déchargées dans la télécommande.	Remplacez les piles de la télécommande.
	Le robot est éteint ou le niveau de la pile est faible.	Allumez le robot ou chargez la pile.
	Le signal infrarouge n'est pas reçu par le robot.	Nettoyez le capteur infrarouge du robot et la télécommande. Vérifiez qu'aucun obstacle ne bloque le signal entre la télécommande et le robot, et qu'il n'y a pas d'autres objets émettant le signal infrarouge (comme une télécommande de télévision).

APPLICATION

1. Téléchargez et installez l'application « WeBack » (voir figure 16)

- Scannez le code QR, ou recherchez l'application « WeBack » dans la boutique GooglePlay ou iOS, téléchargez-la et installez-la.

2. Enregistrement / Connexion (voir figure 17)

- Saisissez l'application, entrez votre numéro de téléphone ou votre adresse électronique. Entrez votre mot de passe individuel pour recevoir un code de vérification. Lisez et acceptez ensuite la politique de confidentialité.
- Entrez le code de vérification dans le champ vide. Continuez.
- Ensuite, connectez-vous à l'application en entrant votre numéro de téléphone ou votre adresse électronique valide ainsi que votre mot de passe.

3. Scannez le robot de nettoyage avec le code QR (voir figure 18)

- Connectez-vous à l'application, cliquez sur « + », scannez le code QR sur votre appareil mobile et cliquez sur « entrer manuellement ».

4. Connectez-vous à un réseau Wi-Fi (voir figure 19)

Le produit ne prend en charge que le Wi-Fi 2,4 GHz et non le Wi-Fi 5 GHz. Avant de mettre en place le Wi-Fi, réglez les paramètres de votre routeur. Le mot de passe Wi-Fi ne doit pas contenir de caractères spéciaux.

- Assurez-vous que le routeur et le robot de nettoyage sont les plus proches l'un de l'autre pour une installation rapide.
- Sélectionnez l'appareil et entrez le mot de passe correct, puis cliquez sur « suivant ». Attendez une connexion au réseau Wi-Fi.

5. Réinitialisation de l'appareil (voir figure 20)

- Appuyez sur l'interrupteur principal du robot pour éteindre l'appareil.
- Redémarrez le robot, appuyez sur le bouton démarrage/pause et maintenez-le enfoncé pendant 3 à 5 secondes.
- Le robot a été réinitialisé avec succès si vous entendez un bip.

6. Si la connexion au réseau Wi-Fi échoue

- Sélectionnez la case « mode de compatibilité », puis allez à la page des paramètres Wi-Fi de votre téléphone, connectez-vous au hot spot du robot###, revenez à l'application et continuez à attendre une connexion.
- Vous pouvez suivre les instructions affichées pour trouver la cause de la connexion manquante et réessayer.

9. Préparation des pièces au dépoussiérage

1. Enlevez tous les câbles et d'autres éléments qui peuvent s'emmêler avec l'aspirateur (fig. 22).
2. L'aspirateur est destiné au nettoyage des sols et des tapis fins à poils ras. Il convient de ne pas utiliser l'aspirateur sur des tapis à poils longs (fig. 23).
3. Placez les éléments de meubles de façon que l'aspirateur ne soit coincé nulle part (fig. 24).
4. Enlevez tous les obstacles qui se trouvent dans les pièces étroites (fig. 25).

Les photos sont fournies à titre d'illustration uniquement, l'aspect réel des produits peut différer de celui présenté sur les photos.

INTRODUCCIÓN

¡Estimado Cliente!

Gracias por confiar en nosotros y elegir la marca Zeegma.

Le ofrecemos un producto perfecto para el uso diario gracias al uso de materiales de alta calidad y modernas soluciones técnicas. Estamos seguros de que el gran cuidado de la ejecución hará que cumpla con sus requisitos.

Antes de utilizar el producto, lea atentamente el siguiente manual de usuario.

Si tiene algún comentario o pregunta sobre el producto comprado, póngase en contacto con nosotros:

support@zeegma.com

INFORMACIÓN IMPORTANTE

Lea este manual antes de utilizar el dispositivo para familiarizarse con sus funciones y utilícelo según lo previsto. El incumplimiento de las instrucciones de seguridad y el uso contrario a las instrucciones puede provocar descargas eléctricas, incendios y lesiones graves.

¡IMPORTANTE! ¡GUARDE ESTAS INSTRUCCIONES PARA USO FUTURO!

1. No repare ni modifique el dispositivo. Estas actividades solo pueden ser realizadas por un servicio autorizado.
2. No encienda el dispositivo si nota algún daño. Esto también se aplica a la estación de acoplamiento y la fuente de alimentación.
3. No utilice el dispositivo si empieza a funcionar mal, se ha caído o se ha mojado, se calienta excesivamente, aparecen decoloraciones, abultamientos, emite ruidos atípicos, olores o se producen otros fenómenos inusuales. En tales casos, comuníquese con un centro de servicio autorizado.
4. Si el dispositivo no se utiliza durante un período de tiempo prolongado, apague el robot de limpieza con el interruptor principal y desenchufe la estación de acoplamiento.
5. El dispositivo no es adecuado para aspirar superficies industriales.
6. El dispositivo no es adecuado para aspirar superficies húmedas. Esto puede dañar el robot.
7. Este dispositivo no es un juguete. No deje que los niños jueguen con él.
8. El dispositivo debe funcionar a temperatura ambiente. No haga funcionar el dispositivo a bajas temperaturas. Antes de comenzar, el dispositivo debe dejarse a temperatura ambiente durante un mínimo de 30 minutos.
9. El dispositivo no es resistente al agua, no lo sumerja en agua ni lo guarde en un lugar húmedo.

10. Coloque el dispositivo sobre una superficie plana y nivelada y evite inclinarlo. Evite colocarlo sobre superficies muy blandas.
11. Utilice el dispositivo lejos de las fuentes de calor, altas temperaturas, superficies calientes, luz solar directa, chispas, llamas abiertas, aceites y bordes afilados.
12. No utilice productos químicos para limpiar el dispositivo.
13. Apague el dispositivo y desconecte la fuente de alimentación antes de limpiarlo.
14. No utilice el dispositivo para otros fines que no sean para los que fue diseñado.
15. No aspire barro, elementos pastosos, cenizas, yeso ni objetos afilados. Esto puede dañar el contenedor de polvo, el filtro y el motor.
16. No aspire cabello, trozos de papel grandes, bolsas de plástico, ya que pueden obstruir el camino de succión. Retírelos del piso antes de aspirar.
17. No bloquee la salida de aire en la parte posterior de la aspiradora. Esto puede causar sobrecalentamiento y dañar la aspiradora.
18. No coloque ningún objeto encima de la aspiradora.
19. **ADVERTENCIA:** Utilice únicamente la fuente de alimentación o la estación de acoplamiento originales para cargar la batería.
20. No utilice la aspiradora sin filtros ni un contenedor de polvo.
21. El robot de limpieza está diseñado para aspirar suelos y alfombras de pelo corto.
22. No pase el cable de alimentación a través de bordes afilados de paredes o muebles, no lo cierra con la puerta ni lo enrolle demasiado apretado después de su uso.
23. El fabricante no se hace responsable de ningún daño resultante de un uso inadecuado del dispositivo y contrario a estas instrucciones.
24. Este dispositivo puede ser utilizado por mayores de 8 años y personas con capacidades físicas, sensoriales o mentales reducidas o sin experiencia y conocimientos, siempre que estén supervisados o hayan recibido instrucciones sobre el uso seguro del dispositivo y comprendan los peligros.
25. Los niños no pueden limpiar o mantener el dispositivo sin supervisión.
26. **ADVERTENCIA:** Este dispositivo contiene un emisor de UV. No mire la fuente de luz.
27. Atención: debe evitar levantar o mover el robot durante su funcionamiento. Esto puede alterar su ciclo de limpieza y dar lugar a problemas para encontrar la estación de acoplamiento o restablecer el mapa de la vivienda.

1. Descripción de las piezas en el envase (ver fig. 1):

- | | |
|---|----------------------------|
| A. Robot de limpieza | F. Contenedor de polvo |
| B. Estación de acoplamiento | G. Cepillo de limpieza |
| C. Fuente de alimentación | H. Filtro HEPA (x2) |
| D. Mando a distancia | I. Cepillos laterales (x4) |
| E. Cubierta lateral del contenedor de polvo | |

2. Descripciones:

Parte exterior del robot de limpieza (ver fig.2):

1. Sensor de navegación visual
2. Retorno a la estación de acoplamiento
3. Botón de inicio/pausa
4. Luz indicadora de Wi-Fi
5. Sensores
6. Botón de apertura del contenedor de polvo
7. Interruptor principal
8. Puerto de carga

Parte interior del robot de limpieza (ver fig. 3):

9. Cepillo lateral derecho
10. Rueda derecha
11. Contenedor de polvo
12. Rueda izquierda
13. Cepillo lateral izquierdo
14. Sensor físico + sensor de borde
15. Puerto de carga (carga en la estación de acoplamiento)
16. Rueda central
17. Batería
18. Cepillo central

Contenedor de polvo (ver fig. 4):

1. Filtro HEPA
2. Prefiltro
3. Sensor de filtro HEPA
4. Cubierta de filtro HEPA
5. Sensor de la correcta instalación del tanque
6. Tapa lateral para vaciar el tanque

Estación de acoplamiento (ver fig. 5):

7. LED de encendido
8. Toma de conexión de energía
9. Puerto de carga

Mando a distancia (ver fig. 6):

10. Retorno a la estación de acoplamiento
11. Botón adelante
12. Botón de inicio/pausa
13. Giro a la derecha
14. Giro a la izquierda
15. Botón de retroceso
16. Limpieza de bordes
17. Limpieza de puntos
18. Ajuste de la potencia de succión

3. Instrucciones de montaje (ver fig. 7):

- Instale la cubierta lateral del contenedor de polvo: Presione firmemente la cubierta lateral y hágala coincidir con las dos pestañas.

- Cierre la cubierta lateral del contenedor de polvo:
- Instale el contenedor de polvo en la posición prevista del robot de limpieza.
- Antes de utilizar el robot, retire la tira protectora.

4. Instrucciones de uso:

Colocación y carga:

- Coloque la estación de acoplamiento junto a la pared sobre una superficie plana. Deje espacio libre alrededor de la estación con una distancia de: 0,5 m a izquierda y derecha y 1,5 m delante de la estación (ver fig. 8).
- Conecte la alimentación a la estación de acoplamiento y enchúfela (ver fig. 8).
- Instale los cepillos laterales izquierdo y derecho (L/R) respectivamente (ver fig. 9).
- Encienda el interruptor principal del robot. «I» significa encender y «O» significa apagar el robot (ver fig. 9).

Dos modos de cargar el robot (ver fig. 9):

1. Coloque el robot en la estación de acoplamiento.
 2. Utilice la fuente de alimentación para cargar (la luz indicadora parpadea durante la carga y se vuelve verde cuando la carga está completa).
- Durante la limpieza, cuando la batería está descargada, el robot entra automáticamente en el modo de carga y se dirige a la estación de acoplamiento para cargar.
 - Encienda el modo de carga con el botón de retorno a la estación de acoplamiento en el mando a distancia o mediante la aplicación.

Carga - Notas:

1. La estación de acoplamiento no se puede utilizar bajo la luz solar directa.
2. Cargue completamente su robot antes de comenzar a trabajar. El tiempo de carga es de 4 horas.
3. No conecte el tanque de agua al robot durante la carga para garantizar la seguridad de la carga.

Descripción de los modos de limpieza y funciones:

1. Limpieza automática: encienda el interruptor principal del robot, cuando la luz indicadora se enciende, el robot está encendido. Luego presione el botón de inicio/pausa en el robot o el mando a distancia y el robot comenzará a limpiar automáticamente.
2. Limpieza por puntos: presione el botón de limpieza por puntos del mando a distancia para comenzar a limpiar.

3. Limpieza de bordes: presione el botón de limpieza de bordes del mando a distancia para comenzar a limpiar.
4. Control manual: utilice los botones del mando a distancia para seleccionar la dirección en la que se moverá el robot (adelante, atrás, a la derecha y a la izquierda).
5. Ajuste de potencia de succión: elija 1 de 3 niveles de succión. Presione el botón de succión en el mando a distancia o en la aplicación, cada presión subsiguiente del botón cambia el nivel de succión.

Opciones:

- Pausa: mientras el robot está funcionando, presione el botón de inicio/pausa en el robot, el mando a distancia o la aplicación, el robot se detendrá.
- «Despertar»: el robot entrará en modo de espera automático después de 10 minutos de suspensión. Para «despertar» al robot, presione cualquier botón del robot, mando a distancia o aplicación.
- Apagado: para apagar la aspiradora, presione el botón de inicio/pausa durante unos segundos o apague el interruptor principal del robot.
- Después de terminar el trabajo, dirija el robot a la estación de acoplamiento para cargarlo.

4a. Instrucciones de montaje del tanque de agua:**Descripción de las piezas (ver fig. 10):**

1. Orificio de llenado de agua
2. Tanque de agua
3. Fregona

Uso del tanque de agua (ver fig. 11):

1. Abra el tanque y vierta agua en el orificio de llenado de agua.
2. Cierre el tanque de agua y monte la fregona en la superficie exterior prevista para este fin.
3. Monte el tanque de agua e instálelo en el robot.
4. Presione el botón de inicio/pausa y el robot comenzará a limpiar en húmedo.

Ajuste del consumo de agua para limpieza en húmedo en función de la superficie:

Presione el botón de ajuste de potencia de succión en el mando a distancia o en la aplicación y seleccione 1 de 3 niveles de succión. Cada presión posterior del botón cambia el consumo de agua a bajo / medio / alto respectivamente.

Limpieza y vaciado del tanque de agua y la fregona (ver fig. 12):

1. Retire el tanque de agua.
2. Vacíe el agua del tanque.

3. Retire la fregona.
4. Limpie el tanque de agua.
5. Limpie y seque la fregona.
6. Seque el tanque de agua.

5. Limpieza del contenedor de polvo (ver fig. 13):

1. Presione el botón de apertura del contenedor de polvo para retirarlo.
2. Retire el contenedor de polvo y abra la tapa de vaciado lateral del mismo.
3. Vacíe el contenido del contenedor en la basura.
4. Abra la tapa y saque el filtro HEPA y el prefiltro.
5. No se recomienda lavar el filtro HEPA con agua corriente, retire suavemente el polvo.
6. Lave el prefiltro con agua corriente.
7. Luego puede limpiar el interior con un paño húmedo.
8. No lave todo el contenedor de polvo con agua corriente.
9. Seque el contenedor y los filtros antes de volver a usarlos. No exponga los filtros a la luz solar directa.
10. Lave el prefiltro cada 15 a 30 días, la vida útil del filtro HEPA es de aproximadamente 3 meses.
11. Asegúrese de que los filtros estén secos antes de reinstalarlos.
12. Cierre la tapa del contenedor de polvo e instale el contenedor en el robot.

6. Limpieza de los cepillos laterales y del cepillo central (ver fig. 14):

1. Para sacar el cepillo central, saque la tapa y el cepillo.
2. Utilice el cepillo de limpieza para eliminar la suciedad que queda en el cepillo.
3. Retire los cepillos laterales y límpielos con un paño seco.

7. Limpieza de los sensores y las ruedas (ver fig. 15):

- Limpie el puerto de carga de la estación de acoplamiento, todos los sensores, la rueda central y las ruedas laterales con un paño seco.

8. Almacenamiento:

- Si no utiliza su robot de limpieza durante mucho tiempo, cárguelo por completo antes de guardarlo. Cargue el dispositivo cada 3 meses para evitar una descarga excesiva de la batería.

PROBLEMA	CAUSA POSIBLE	SOLUCIÓN
El robot de limpieza no se carga.	No hay conexión con la estación de acoplamiento.	Asegúrese de que los puertos de carga de la aspiradora y la estación de acoplamiento se conecten correctamente. Intente colocar el robot en la estación de acoplamiento a mano.
	La batería no se carga.	Asegúrese de que la estación de acoplamiento esté enchufada. Si el robot no se ha utilizado durante mucho tiempo y la batería no se carga, coloque el robot en la estación de acoplamiento y cárguelo durante 3 minutos, luego deje de cargar. Repita 3 veces y luego conecte el robot normalmente a la carga.
La aspiradora tiene problemas para aspirar.	El robot se envuelve en los elementos de la habitación (cables, cortinas, etc.).	El robot intentará esquivar los obstáculos. Si no lo consigue, elimine la obstrucción antes de volver a limpiar.
La aspiradora regresa automáticamente a la estación de acoplamiento.	Batería baja.	Esta operación es normal.
	Se acabó el tiempo de trabajo.	Esta operación es normal.
La aspiradora no se activa durante la limpieza programada.	La aspiradora está apagada	Encienda la aspiradora.
	El nivel de la batería es bajo.	Cargue la batería.
	El contenedor de polvo está atascado u otras partes están bloqueadas.	Apague el robot y limpie el contenedor de polvo y los filtros.
El mando a distancia no funciona.	Las pilas del mando a distancia están descargadas.	Sustituya las pilas del mando a distancia.
	El robot está apagado o la batería está baja.	Encienda el robot y/o cargue la batería.
	El robot no recibe la señal de infrarrojos.	Limpie el sensor de infrarrojos del robot y el mando a distancia. Compruebe que no haya obstáculos que bloqueen la señal entre el mando a distancia y el robot, y que no haya otros objetos que emitan una señal de infrarrojos (p. ej., el mando a distancia del televisor).

APLICACIÓN

1. Descargue e instale la aplicación «WeBack» (ver fig. 16)

- Escanee el código QR o busque la aplicación «WeBack» en la tienda GooglePlay o iOS, descárguela e instálela.

2. Registrarse / Iniciar sesión (ver fig. 17)

- Ingrese a la aplicación, inserte el número de teléfono o la dirección de correo electrónico. Ingrese una contraseña individual para recibir el código de verificación. Luego lea y acepte la Política de privacidad.
- Ingrese el código de verificación en el campo en blanco. Siga.
- Luego inicie sesión en la aplicación ingresando el número de teléfono o dirección de correo electrónico y contraseña válidos.

3. Escanear el robot de limpieza utilizando el código QR (ver fig. 18)

- Inicie sesión en la aplicación, haga clic en «+», escanee el código QR en su dispositivo móvil y haga clic en «ingresar manualmente».

4. Conéctese a una red Wi-Fi (consulte la figura 19)

El producto solo admite redes Wi-Fi de 2,4 GHz y no redes Wi-Fi de 5 GHz. Antes de configurar Wi-Fi, configure los parámetros del enrutador. La contraseña de Wi-Fi no debe contener caracteres especiales.

- Asegúrese de que el enrutador y el robot de limpieza estén lo más cerca uno del otro para una configuración rápida del dispositivo.
- Seleccione el dispositivo e inserte la contraseña correcta, luego haga clic en «siguiente». Espere la conexión a la red Wi-Fi.

5. Reinicio del dispositivo (ver fig. 20):

- Presione el interruptor principal del robot para apagar el dispositivo.
- Reinicie el robot, mantenga presionado el botón de inicio/pausa durante 3 a 5 segundos.
- El robot se ha reiniciado correctamente si escucha un pitido.

6. Si falla la conexión a la red Wi-Fi

- Seleccione el campo «modo de compatibilidad», luego vaya a la página de configuración de Wi-Fi del teléfono, conéctese al punto de acceso robot###, regrese a la aplicación y continúe esperando la conexión.
- Puede seguir las instrucciones en pantalla para encontrar el motivo del error de conexión y volver a intentarlo.

9. Preparación de habitaciones para aspiración

1. Retire las mangueras y otros elementos del piso que puedan enredarse con el aspirador (fig. 22).
2. El aspirador está diseñado para limpiar pisos y alfombras delgadas de pelo corto. No utilice el aspirador en alfombras de pelo largo (fig. 23).
3. Coloque el mueble de tal forma que el aspirado no se atasque en ninguna parte (fig. 24).
4. Retire cualquier obstáculo de habitaciones estrechas (fig. 25).

Las fotos son solo ilustrativas, la apariencia real de los productos puede diferir de la que se presenta en las fotos.

INLEIDING

Geachte Klant!

Wij danken u voor het vertrouwen in ons merk Zeegma.

Wij bieden u een product dat ideaal is voor dagelijks gebruik dankzij de toepassing van hoogwaardige materialen en moderne technische oplossingen. We zijn er zeker van dat de grote zorg bij de afwerking aan uw eisen voldoet.

Lees deze handleiding zorgvuldig door voordat u het product gaat gebruiken.

Hebt u opmerkingen of vragen over het product, neem dan contact met ons op:

support@zeegma.com

BELANGRIJKE GEGEVENS

Lees alle bedieningsinstructies voor u uw apparaat gebruikt om met zijn functies kennis te maken en het voor het beoogde doel te gebruiken. Het niet navolgen van de veiligheidsinstructies en gebruik niet in overeenstemming met de handleiding kan leiden tot elektrische schok, brand en ernstig letsel.

BELANGRIJK! BEWAAR DEZE HANDLEIDING VOOR TOEKOMSTIG GEBRUIK!

1. Het apparaat niet repareren of aanpassen. Het wordt enkel door een erkend servicecentrum gedaan.
2. Gebruik het apparaat niet wanneer een schade wordt geconstateerd. Het betreft ook het dockingstation en de stroomvoorziening.
3. Gebruik het apparaat niet als het niet goed functioneert, is gevallen of nat is geworden, overmatig warm wordt, verkleuringen vertoont, uitstulpingen heeft, onnatuurlijke geluiden maakt, stinkt of andere ongewone voorvallen vertoont. Neem in dat geval contact op met een erkend servicecentrum.
4. Als het apparaat lange tijd niet wordt gebruikt, schakel de robotstofzuiger met de hoofdschakelaar uit en koppel het dockingstation van de stroomvoorziening los.
5. Het apparaat is niet geschikt om de industriële oppervlakken op te zuigen.
6. Het apparaat is niet geschikt om de natte oppervlakken op te zuigen. Het kan de robot beschadigen.
7. Het apparaat is geen speelgoed. Kinderen dienen niet met het apparaat te spelen.
8. Gebruik het apparaat uitsluitend in bij kamertemperatuur. Gebruik het apparaat niet bij lage temperatuur. Vooraleer met het apparaat wordt gewerkt, moet het ten minste 30 minuten op kamertemperatuur blijven staan.

9. Het apparaat is niet waterdicht, dompel het niet onder in water en bewaar het niet op een vochtige plaats.
10. Plaats het apparaat op een vlakke, horizontale ondergrond en vermijd kantelen. Vermijd het plaatsen ervan op zeer zachte oppervlakken.
11. Gebruik het apparaat uit de buurt van warmtebronnen, hoge temperaturen, hete oppervlakken, direct zonlicht, vonken, open vuur, olie en scherpe randen.
12. Gebruik geen chemicaliën om het apparaat te reinigen
13. Schakel het apparaat uit en haal de stekker uit het stopcontact voordat het wordt gereinigd.
14. Gebruik het apparaat niet voor andere doeleinden dan deze waarvoor het is ontworpen.
15. Zuig geen modder, kleverige voorwerpen, as, gips of scherpe voorwerpen op. Het kan schade aan de opvangbak, de filter en de motor veroorzaken.
16. Gebruik de stofzuiger niet voor het opzuigen van haar, grote papieren voorwerpen of plastic zakjes die de zuigweg kunnen verstoppen. Verwijder ze van de vloer voordat het wordt opgeruimd.
17. Verstopt de luchtuitlaat aan de achterkant van de robot niet. Dit kan tot overhitting en schade op de robotstofzuiger leiden.
18. Plaats geen voorwerpen op de robotstofzuiger.
19. **WAARSCHUWING:** Gebruik uitsluitend de originele netadapter of het oplaadstation om de batterij op te laden.
20. Gebruik de robotstofzuiger niet zonder filters en opvangbak.
21. De robotstofzuiger met dweilfunctie is geschikt voor het stofzuigen van vloeren en tapijten met korte draden.
22. Trek het netsnoer niet over scherpe randen van muren en meubilair, sla er niet met deuren op en rol het na gebruik niet te strak op.
23. De fabrikant is niet verantwoordelijk voor schade als gevolg van onjuist en verkeerd gebruik.
24. Dit apparaat kan gebruikt worden door kinderen van 8 jaar en ouder en personen met verminderde lichamelijke, zintuiglijke en verstandelijke vaardigheden of die onvoldoende ervaring of kennis hebben, indien zij onder toezicht staan of goed geïnformeerd zijn en zij de risico's begrijpen.
25. Schoonmaak en gebruikersonderhoud mogen niet door kinderen worden uitgevoerd tenzij onder toezicht staan.
26. **WAARSCHUWING:** Het apparaat is voorzien van een UV-straler. Kijk niet naar de lichtbron.
27. Let op: u moet voorkomen dat u de robot optilt of verplaatst tijdens het gebruik. Dit kan de schoonmaakcyclus verstoren en resulteren in problemen bij het vinden van het koppelstation of het resetten van de woningplattegrond.

1. Omschrijving van de onderdelen in de verpakking (zie afb. 1):

- A. Robotstofzuiger met dweilfunctie
- B. Dockingstation
- C. Netadapter
- D. Afstandsbediening
- E. Zijafschermkap opvangbak
- F. Opvangbak
- G. Schoonmaakborstel
- H. HEPA filter (x2)
- I. Zijborstels (x4)

2. Omschrijvingen:

Zijaanzicht robotstofzuiger (zie afb. 2):

- 1. Visuele navigatiesensor
- 2. Terug naar het dockingstation
- 3. Start/pauzeknop
- 4. Wi-Fi - lampje
- 5. Sensoren
- 6. Ontgrendelingsknop van opvangbak
- 7. Hoofdschakelaar
- 8. Oplaadpoort

Binnenaanzicht robotstofzuiger (zie afb. 3):

- 9. Rechter borstel
- 10. Rechterwielmodule
- 11. Opvangbak
- 12. Linkerwielmodule
- 13. Linker borstel
- 14. Fysieke sensor + afgrondsensoren
- 15. Oplaadpoort (opladen in het dockingstation)
- 16. Centraal wiel
- 17. Batterij
- 18. Centrale borstel

Opvangbak (zie afb. 4):

- 1. HEPA filter
- 2. Voorfilter
- 3. Sensor HEPA filter
- 4. Afscherming HEPA filter
- 5. Sensor voor correcte installatie van de opvangbak
- 6. Zijafschermkap voor het leeg maken van de opvangbak

Dockingstation (zie afb. 5):

- 7. Voedings-LED
- 8. Aansluiting stroomvoorziening
- 9. Oplaadpoort

Afstandsbediening (zie afb. 6):

- 10. Terug naar het dockingstation
- 11. Vooruit-knop
- 12. Start/pauze - knop
- 13. Rechtsaf
- 14. Linksaf
- 15. Terug-knop
- 16. Reiniging van de randen
- 17. Vlekkenreiniging
- 18. Zuigkracht afstelling

3. Montage (zie afb. 7):

- Installeer de zijafschermkap van de opvangbak: Draai de zijafschermkap stevig vast en pas deze in de twee klemmen aan.
- Sluit de zijafschermkap van de stofopvangbak.
- Installeer de stofopvangbak op de bestemde plaats van de robotstofzuiger.
- Vooraleer de robot wordt gebruikt de beschermstrook verwijderen.

4. Gebruiksaanwijzing:

Plaatsen en opladen:

- Plaats het dockingstation een harde, vlakke ondergrond tegen een muur. Laat een vrije ruimte rond het dockingstation, een afstand van: 0,5 m links en rechts en 1,5 m voor het station (zie afb. 8).
- Sluit de voeding op het dockingstation aan en steek de stekker in het stopcontact (zie afb. 8).
- Installeer de zijborstels, respectievelijk links en rechts (L / R) (zie afb. 9).
- Zet de hoofdschakelaar van de robotstofzuiger aan. „I” - aan en „O” - uit (zie afb. 9).

Twee manieren om de robotstofzuiger op te laden (zie afb. 9):

1. Plaats de robot op het dockingstation.
 2. Gebruik de netadapter om op te laden (het statuslampje knippert tijdens het opladen en wordt groen wanneer het opladen is voltooid).
- Wanneer de batterij bijna leeg is, schakelt de robotstofzuiger tijdens het schoonmaken automatisch over op de oplaadmodus en richt zich naar het dockingstation om op te laden.
 - Schakel de oplaadmodus in met de terug-knop naar het dockingstation op de afstandsbediening of via de app.

Opladen - opmerkingen:

1. Het dockingstation mag niet in direct zonlicht worden gebruikt.
2. Laad de robotstofzuiger volledig op voordat het wordt gewerkt. Opladtijd is 4 uur.
3. Installeer de watertank tijdens het opladen niet aan de robotstofzuiger om veilig opladen te verzekeren.

Omschrijving van de reinigingsmodi en functies:

1. Automatische reiniging: zet de hoofdschakelaar van de robot aan als het lampje brandt, is de robot ingeschakeld. Druk vervolgens op de start/pauzeknop op de robot of op de afstandsbediening en de robot begint automatisch met reinigen.

2. Vlekkenreiniging: druk op de knop vlekkenreiniging op de afstandsbediening om de reiniging te starten.
3. Randenreiniging: druk op de knop Randenreiniging op de afstandsbediening om de reiniging te starten.
4. Handmatige besturing: met de knoppen op de afstandsbediening de richting kiezen waar de robot moet verplaatsen (vooruit, achteruit, rechts en links).
5. Instelbare zuigkracht: kies 1 van de 3 zuigkrachtstanden. Druk op de knop om de zuigkracht op de afstandsbediening of in de app af te stellen, elke volgende druk op de knop verandert de zuigkracht.

Opties:

- Pauze: terwijl de robot werkt, moet op de start/pauzeknop op de robot, de afstandsbediening of in de app worden gedrukt, de robot stopt met werken.
- „Wakker maken”: de robot gaat in automatische slaapstand na 10 minuten pauze. Om de robot „wakker” te maken op een knop op de robot, de afstandsbediening of in het app drukken.
- Uitschakelen: om de robotstofzuiger uit te schakelen, enkele seconden de start/pauzeknop ingedrukt houden of de hoofdschakelaar van de robot uitschakelen.
- Wanneer de robot klaar is met reinigen, zal hij naar zijn dockingstation terugkeren om op te laden

4a. Montage van de watertank:**Omschrijving van de onderdelen (zie afb. 10):**

1. Tankdop
2. Watertank
3. Reinigingspad

Watertank gebruiken (zie afb. 11):

1. Open de watertank en vul de robot met water.
2. Sluit de watertank en zet de reinigingspad op een daarvoor geschikt buitenoppervlak.
3. Installeer de watertank en monteer het in de robot.
4. Druk op de start/pauzeknop en de robot begint met nat dweilen.

Afstelling van het waterverbruik voor de nat dweilen aangepast aan het oppervlak:

Druk op de knop van de zuigkracht op de afstandsbediening of in de app en selecteer de stand 1 tot 3. Bij elke volgende druk op de knop wordt het waterverbruik met respectievelijk lage/gemiddelde/grote kracht veranderd.

Watertank reinigen en leeg maken en reinigingspad (zie afb. 12):

1. Haal de watertank.
2. Giet het water uit de tank.
3. Haal de reinigingspad.
4. Maak de watertank schoon.
5. Reinig en droog de mop.
6. Maak de watertank droog.

5. Opvangbak reinigen (zie afb. 13):

1. Druk op de knop van de opvangbak om het te verwijderen.
2. Haal de opvangbak en open de zijafschermkap om de opvangbak leeg te maken.
3. Leeg de inhoud van de opvangbak in de vuilnisbak.
4. Open het deksel en haal de HEPA filter en de voorfilter.
5. Het wordt niet aangeraden om het HEPA filter onder stromend water te wassen, verwijder voorzichtig het stof.
6. Was de voorfilter onder stromend water.
7. Veeg de binnenste met een vochtig doekje.
8. Was niet de hele opvangbak onder stromend water.
9. Maak de opvangbak en de filters droog vooraleer ze opnieuw worden gebruikt. Stel de filters niet bloot aan direct zonlicht.
10. Was de voorfilter elke 15-30 dagen, de levensduur van het HEPA filter is ongeveer 3 maanden.
11. Zorg ervoor dat de filters droog zijn voordat ze opnieuw worden geïnstalleerd.
12. Sluit de zijafschermkap van de opvangbak en installeer de opvangbak in de robot.

6. Zijborstels en centrale borstel reinigen (zie afb. 14):

1. Om de centrale borstel te verwijderen het kapje en de borstel halen.
2. Gebruik een reinigingsborstel om resten op de robotborstel te verwijderen.
3. Verwijder de zijborstels en veeg ze met een droog doekje af.

7. Sensoren en wielen reinigen (zie afb. 15):

- Maak de oplaadpoort van het dockingstation, alle sensoren, het centrale wiel en de zijwielen met een droog doekje schoon.

8. Opslag:

- Indien de robotstofzuiger voor lange tijd niet wordt gebruikt, moet dan volledig worden opgeladen voordat het wordt opgeslagen. Laad het apparaat elke 3 maanden om overmatige ontlading te voorkomen.

PROBLEEM	WAARSCHIJNLIJKE OORZAAK	OPLOSSING
De robotstofzuiger laadt niet.	De verbinding met het dockingstation.	Zorg ervoor dat de oplaadpoorten van de robotstofzuiger en het dockingstation goed aansluiten. Probeer de robot handmatig op het dockingstation te plaatsen.
	De batterij laadt niet.	Zorg ervoor dat het dockingstation correct is aangesloten. Wanneer de robot lang niet wordt gebruikt en de batterij niet wordt opgeladen, plaats dan de robot op het dockingstation en laad gedurende 3 minuten op, stop daarna met het opladen. Herhaal 3 keer en sluit vervolgens de robot normaal aan de lader op.
Robot heeft problemen met stofzuigen.	De robot zit vast in de voorwerpen in de kamer (kabels, gordijnen, e.d.).	De robot probeert obstakels te ontwijken. Als dat niet lukt, moeten de obstakels worden verwijderd voordat de volgende keer wordt gezogen.
De robotstofzuiger keert automatisch naar het dockingstation terug.	Batterij bijna leeg.	Dit is normaal.
	Klaar met werken.	Dit is normaal.
Het geplande stofzuigen wordt niet geactiveerd.	De robotstofzuiger is uit.	Zet de robotstofzuiger aan.
	Batterij bijna leeg.	Laad de batterij op.
	De opvangbak is verstopt of andere voorwerpen zijn geblokkeerd.	Zet de robot uit en maak de opvangbak en de filters schoon.
De afstandsbediening werkt niet	De batterijen in de afstandsbediening leeg.	Vervang de batterijen in de afstandsbediening.
	De robot is uitgeschakeld of de batterijen zijn bijna leeg.	Zet de robot aan en/of laad de batterij op.
	Het infrarode signaal is niet door de robot ontvangen.	Maak de infrarode sensor op de robot en de afstandsbediening schoon. Controleer of er geen obstakels zijn die het signaal tussen de afstandsbediening en de robot blokkeren en of er geen andere voorwerpen zijn die het infrarode signaal uitzenden (bv. Tv-afstandsbediening).

APP

1. Download en installeer de „WeBack” aap (zie afb. 16)

- Scan de QR-code, of zoek naar de „WeBack” app in de GooglePlay of iOS store, download en installeer.

2. Registreren / Inloggen (zie afb. 17)

- Open de app, voer het telefoonnummer of e-mailadres in. Voer het wachtwoord in om de verificatiecode te ontvangen. Lees en accepteer vervolgens het Privacybeleid.
- Voer de verificatiecode in het lege veld in. Ga verder.
- Log vervolgens op de app in door het telefoonnummer of e-mailadres en wachtwoord in te voeren.

3. De robotstofzuiger met de QR-code scannen (zie afb. 18)

- Log met de app in, klik op „+”, scan de QR-code op het mobiele apparaat en klik op „handmatig invoeren”.

4. Maak verbinding met Wi-Fi (zie afb. 19)

Het product ondersteunt alleen de 2,4 band Wi-Fi netwerk en geen 5 GHz. Voordat Wi-Fi wordt ingesteld, moeten de parameters van de router worden ingesteld. Het wachtwoord voor de Wi-Fi hoeft geen speciale tekens te bevatten

- Zorg ervoor dat de router en de robotstofzuiger zich het dichtst bij elkaar bevinden om een snelle configuratie van het apparaat mogelijk te maken.
- Selecteer het apparaat en voer het juiste wachtwoord in, klik dan op „volgende”. Wacht op de installatie met Wi-Fi-netwerk.

5. Het apparaat resetten (zie afb. 20)

- Druk op de hoofdschakelaar van de robot om het apparaat uit te schakelen.
- Herstart de robot, druk en houd de start/pauzeknop 3-5 seconden ingedrukt.
- De robotstofzuiger is met succes gereset als een piep hoorbaar is.

6. Verbinding met het Wi-Fi-netwerk mislukt

- Selecteer „conformiteitsmodus”, ga verder naar de Wi-Fi instellingen van uw telefoon, maak verbinding met de robot## hotspot, keer terug naar de app en maak de verbinding opnieuw.
- U kunt de instructies volgen om de oorzaken van de storing te vinden en opnieuw te proberen.

9. De ruimte voorzien voor het stofzuigen

1. Verwijder kabels en andere voorwerpen van de vloer die in de stofzuiger verstrikt kunnen raken (afb. 22).
2. De stofzuiger is ontworpen voor het reinigen van vloeren en dunne tapijten met een korte pool. Gebruik de stofzuiger niet op hoogpolig tapijt (afb. 23).
3. Plaats de meubels zodanig dat de stofzuiger niet gekneld kan raken (afb. 24).
4. Verwijder eventuele obstakels uit smalle ruimten (afb. 25).

De afbeeldingen dienen alleen ter illustratie, het werkelijke uiterlijk van de producten kan van het uiterlijk op de afbeeldingen verschillen.

ВСТУПНЕ СЛОВО

Шановний клієнте!

Ми безмежно вдячні за те, що Ви довірилися нам та вибрали торгову марку Zeegma. Завдяки використанню матеріалів найвищої якості та сучасних технологічних рішень ми передаємо у Ваші руки виріб, ідеальний для повсякденного використання. Ми переконані, що завдяки незвичайній якості його виготовлення він виправдає усі Ваші очікування. Перед використанням виробу детально ознайомтесь з нижченаведеною інструкцією обслуговування.

Якщо у вас виникли будь-які запитання або зауваження щодо виробу, зв'яжіться з нами.

support@zeegma.com

ВАЖЛИВА ІНФОРМАЦІЯ:

Будь-ласка, ознайомтеся з інструкцією перед початком користування виробом, щоб довідатися про його можливості та цілі призначення. Недотримання положень інструкції та неправильне використання виробу може призводити до враження електричним струмом, пожежі та серйозних травм.

ВАЖЛИВО! ЗБЕРЕЖІТЬ ІНСТРУКЦІЮ ДЛЯ ПОДАЛЬШОГО ВИКОРИСТАННЯ!

1. Не проводьте самостійного ремонту та модифікації виробу. На це має право лише авторизований сервіс.
2. Не вмикайте виробу, якщо зауважили будь-які пошкодження. Також це відноситься до док-станції та блоку живлення.
3. Не користуйтеся виробом, якщо він почав неправильно працювати, упав або замочився, надто нагрівається, на ньому pojawiaються відтінки, випуклості, пристрій видає нехарактерні звуки, запахи, а також коли мають місце інші нехарактерні явища. У цьому випадку зв'яжіться з авторизованим сервісом виробника.
4. Якщо пристрій не використовується тривалий час, вимкніть робот-пилосос за допомогою головного вимикача та від'єднайте док-станцію від джерела живлення.
5. Пристрій не призначений для прибирання промислових поверхонь.
6. Пристрій не призначений для прибирання мокрих поверхонь. Це може спричинити до пошкодження робота.
7. Даний пристрій - не іграшка. Не дозволяйте ним гратися дітям.
8. Пристрій повинен працювати при кімнатній температурі. Не вмикайте пристрою при низьких температурах. Перед увімкненням пристрій повинен постояти у кімнатній температурі протягом мінімум 30 хвилин.

9. Пристрій не є водостійким, не занурюйте його у воду та не тримайте у вологому середовищі.
10. Використовуйте пристрій на плоскій, горизонтальній поверхні, уникайте похилених поверхонь. Уникайте установки на дуже м'яких поверхнях.
11. Користуйтеся виробом здалека від джерел тепла, високих температур, гарячих поверхонь, прямих сонячних променів, іскор, відкритого вогню, масел та гострих кутів.
12. Не використовуйте хімічних засобів для чистки виробу.
13. Перед чисткою вимкніть пристрій та від'єднайте від електромережі.
14. Не використовуйте виріб для інших цілей ніж цілі його призначення.
15. Пристроєм не можна прибирати болота, пастоподібних речовин, попелу, штукатурки та гострих предметів. Це може призвести до пошкодження смітцевого резервуара, фільтра та двигуна.
16. Не прибирайте пилососом волосся, великих паперових елементів, пластикових пакетів, це може привести до закупорювання втягувального каналу. Зберіть їх з підлоги до початку прибирання.
17. Не блокуйте шахти виходу повітря, що знаходиться позаду пилососа. Це може призвести до перегріву та поломки пилососа.
18. На пилосос не можна класти жодних предметів.
19. **ПОПЕРЕДЖЕННЯ:** Для заряджання використовуйте виключно оригінальний блок живлення та док-станцію.
20. Не використовуйте пилососа без установлених фільтрів та смітцевого резервуара.
21. Робот-пилосос призначений для чистки виключно короткошерстих підлог та коврів.
22. Не перетягуйте шнура живлення через гострі кути стін та меблів, не перетискайте його дверима та сильно не скручуйте по використанні.
23. Виробник не несе відповідальності за шкоду внаслідок неправильного використання пристрою, використання не згідно з інструкцією.
24. Діти у віці 8+ років, особи з обмеженими фізичними та розумовими можливостями, обмеженими можливостями сенсорної інтеграції, особи без необхідних знань та досвіду у користуванні пристроєм, можуть користуватися пристроєм у випадку ведення за ними нагляду, або ж після проведення інструктажу з техніки безпеки та ознайомлення з ризиками під час використання пристрою, розуміння цих ризиків.
25. Діти без нагляду не повинні користуватися та обслуговувати пристрій.
26. **ПОПЕРЕДЖЕННЯ:** Цей пристрій оснащений УФ випромінювачем. Не дивіться на джерело світла.
27. Увага: Уникайте підняття та перенесення робота, поки він працює. Це може порушити його цикл прибирання та спричинити проблеми з пошуком док-станції або перезавантаженням карти квартири.

1. Опис комплекту (див. рис 1):

- | | |
|--|-------------------------------|
| A. Робот-пилосос | F. Сміттєвий резервуар |
| B. Док-станція | G. Щітка для чистки |
| C. Блок живлення | H. Фільтр HEPA (x2) |
| D. Пульт | I. Бічні щітки (x4) |
| E. Бічна панель сміттєвого резервуара | |

2. Опис:

Зовнішня частина робота-пилососа (див. рис 2):

- | | |
|---|--|
| 1. Зовнішній навігаційний датчик | 6. Кнопка витягування сміттєвого резервуара |
| 2. Повернення на док-станцію | 7. Головний вимикач |
| 3. Кнопка старту/паузи | 8. Роз'єм для зарядки |
| 4. Індикатор Wi-Fi | |
| 5. Датчики | |

Внутрішня частина робота-пилососа (див. рис 3):

- | | |
|---|--|
| 9. Права бічна щітка | кутів |
| 10. Праве колесо | 15. Контакти зарядки (зарядка на док-станції) |
| 11. Сміттєвий резервуар | 16. Центральне колесо |
| 12. Ліве колесо | 17. Батарея |
| 13. Ліва бічна щітка | 18. Центральна щітка |
| 14. Датчик фізичних величин + датчик | |

Сміттєвий резервуар (див. рис. 4):

- | | |
|-------------------------------|--|
| 1. Фільтр HEPA | 5. Датчик правильної установки резервуару |
| 2. Первинний фільтр | 6. Бічна панель спорожнення резервуару |
| 3. Датчик фільтру HEPA | |
| 4. Панель фільтру HEPA | |

Док-станція (див. рис 5):

- 7.** Індикатор живлення/підключення
- 8.** Роз'єм для блоку живлення
- 9.** Контакти стиковки (зарядження пилососу)

Пульт (див. рис. 6):

- | | |
|--------------------------------------|--|
| 10. Повернення на док-станцію | 15. Кнопка «Назад» |
| 11. Кнопка вперед | 16. Прибирання кутів та важкодоступних місць. |
| 12. Кнопка старт/пауза | 17. Вибіркове прибирання |
| 13. Поворот вправо | 18. Регулювання сили втягування |
| 14. Поворот вліво | |

3. Інструкція монтажу (див. рис. 7):

- Установка бічної панелі сміттьового резервуару: Притисніть бічну панель та зачепіть за два кріплення.
- Замкніть бічну панель сміттьового резервуару.
- Установіть сміттєвий резервуар у відведене місце на роботі-пилососі.
- Перед користуванням зніміть захисну смужку.

4. Інструкція користування:

Локалізація та заряджання:

- Установіть док-станцію біля стіни на плоскій поверхні. Залиште вільний простір поблизу док-станції на відстані: 0,5м вліво та вправо, 1,5м перед станцією (див. рис. 8).
- Під'єднайте блок живлення до док-станції та увімкніть його в розетку (див. рис. 8).
- Установіть бічні щітки, відповідно ліву та праву (Л /) (див. рис 9).
- Увімкніть головний вимикач робота. „I” означає увімкнення, „O” вимкнення робота (див. рис.9).

Два способи зарядження робота (див. рис. 9):

1. Установіть робота на док-станції.
 2. Для заряджання під'єднайте блок живлення (під час заряджання індикатор мигає, по завершенню змінює колір на зелений).
- Під час роботи у момент розрядки батареї робот автоматично вмикає режим заряджання та відправляється на док-станцію для зарядки.
 - Увімкніть режим заряджання за допомогою кнопки на пульті або через додаток.

Заряджання - зауваження:

1. Док-станцію не можна установлювати у місце попадання прямих сонячних променів.
2. Перед початком роботи повністю зарядіть робот-пилосос. Час заряджання триває 4 години
3. Під час заряджання не установлюйте водяного резервуару на пристрій для безпечного перебігу процесу зарядження.

Опис режимів прибирання та функціональності:

1. Автоматичне прибирання: увімкніть головний вимикач робота, загорання індикатора свідчить про увімкнення пристрою. Далі натисніть кнопку старт/пауза на роботі або на пульті, пристрій почне автоматичне прибирання.
2. Вибіркове прибирання: для початку прибирання натисніть відповідну кнопку на пульті.
3. Прибирання кутів та важкодоступних місць: для початку прибирання натисніть відповідну кнопку на пульті.
4. Ручне керування: кнопками на пульті вкажіть напрямок, в котрому повинен рухатись робот (перед, назад, вправо, вліво).
5. Регулювання сили втягування: виберіть 1 з 3 режимів втягування. Натисніть кнопку регулювання сили втягування на пульті або у додатку, кожне натискання кнопки змінює її значення.

Режими:

- Пауза: під час роботи пристрою натисніть кнопку старт/пауза на роботі, пульті або в додатку, робот перерве роботу.
- Пробудження: після 10 хвилин бездіяльності робот автоматично перейде у режим сну. Для того, щоб «пробудити» робота, натисніть на будь-яку кнопку на ньому, пульті або в додатку.
- Вимкнення: для вимкнення пилососу натисніть та потримайте декілька секунд кнопку старту/паузи або вимкніть головний вимикач на роботі.
- Після завершення роботи відправте пилосос на док-станцію для заряджання.

4а. Інструкція монтажу водяного резервуару:

Опис елемента (див. рис 10):

1. Отвір для наповнення
2. Резервуар для води
3. Швабра

Обслуговування водяного резервуару (див. рис. 11):

1. Відкрийте резервуар та залийте воду у отвір для наповнення.
2. Закрийте водяний резервуар та установіть швабру на зовнішню, спеціально пристосовану для цього поверхню.
3. Закрийте водяний резервуар та установіть його на пристрій.
4. Натисніть кнопку старт/пауза на роботі щоб він почав вологе прибирання.

Регулювання витрати води при вологому прибиранні, в залежності від поверхні:

Натисніть кнопку регулювання сили втягування на пульті або в додатку та виберіть 1 з 3 режимів. Кожне наступне натискання кнопки змінює витрати води на відповідно малу/середню/велику кількість.

Чистка та зливання водяного резервуара, обслуговування швабри (див. рис. 12):

1. Витягніть водяний резервуар.
2. Злийте воду з резервуара.
3. Зніміть швабру.
4. Помийте водяний резервуар.
5. Помийте та висушіть швабру.
6. Висушіть водяний резервуар.

5. Чистка сміттевого резервуара та фільтрів (див. рис. 13):

1. Натисніть кнопку витягування сміттевого резервуара аби його зняти.
2. Витягніть резервуар та відкрийте бічну панель спорожнення резервуара.
3. Викиньте вміст резервуара у смітник.
4. Відкрийте панель та витягніть фільтр HEPA та губчастий фільтри.
5. Не рекомендується мити HEPA та губчастий фільтри під проточною водою, делікатно очистіть їх від пилу.
6. Помийте первинний фільтр під проточною водою.
7. Після цього можна протерти простір всередині вологою ганчіркою.
8. Не мийте під проточною водою цілого сміттевого резервуара.
9. Висушіть резервуар та фільтри перед повторним використанням. Не виставляйте фільтри під безпосередню дію сонячних променів.
10. Мийте первинний фільтр кожних 15-30 днів, термін служби фільтру HEPA становить близько 3 місяців.
11. Перед повторним використанням та установкою переконайтеся, що фільтри сухі.
12. Закрийте панель сміттевого резервуара та установіть резервуар у пилосос.

6. Чистка бічних та центральної щіток (див. рис. 14):

1. Для того, щоб зняти центральну щітку, зніміть кришку, після цього щітку.
2. Використовуйте спеціальну щітку для чистки щоб позбутися залишків сміття на центральній щітці.
3. Зніміть бічні щітки та протріть сухою ганчіркою.

7. Чистка датчиків та коліс (див. рис. 15):

- Роз'єм для зарядки док-станції, усі датчики, центральне та бічні колеса необхідно чистити сухою ганчіркою.

8. Зберігання:

- Якщо робот не буде у використанні тривалий період часу, зарядіть його батарею до максимуму. Заряджайте пристрій кожних 3 місяці для запобігання надмірному розрядженню акумулятора.

ПРОБЛЕМА	ЙМОВІРНА ПРИЧИНА	РІШЕННЯ
Робот-пилосос не заряджається.	Немає з'єднання з док-станцією.	Переконайтесь, що контакти для зарядження пилососу та док-станції стикаються у відповідний спосіб. Спробуйте вручну зістикувати робот з док-станцією.
	Батарея не заряджається.	Переконайтесь, що док-станція під'єднана до джерела живлення. Якщо пристрій не використовувався на протязі тривалого часу та батарея не заряджається - покладіть пилосос на док-станцію і заряджайте на протязі 3 хвилин, після чого перервіть процес. Повторіть це три рази після чого розпочніть звичайне заряджання.
Пилосос має проблеми з втягуванням.	Робот замотується у різні кімнатні елементи (шнури, штори та ін.).	Робот спробує оминати перешкоди. Якщо не вдасться, усуньте перешкоди до наступного прибирання.
Пилосос автоматично повертається на док-станцію.	Низький рівень заряду батареї.	Така поведінка є нормальною.
	Роботу завершено.	Така поведінка є нормальною.
Пилосос не активується для запланованого прибирання.	Пилосос вимкнений.	Увімкніть пилосос.
	Низький заряд батареї.	Зарядіть батарею.
	Сміттєвий контейнер переповнений або заблоковано інші елементи пилососу.	Вимкніть пристрій та почистіть сміттєвий резервуар та фільтри.
Пульт не працює.	Посаджені батарейки у пульті.	Замініть батарейки у пульті.
	Пилосос вимкнений або у нього низький заряд акумулятора.	Увімкніть робот-пилосос та/або зарядіть батарею.
	Інфрачервоний сигнал не приймається пилососом.	Почистіть інфрачервоний датчик на пилососові та пульті. Переконайтесь, що між пилососом та пультом відсутні перешкоди, котрі блокують сигнал, а також немає інших пристроїв, здатних передавати інфрачервоний сигнал (наприклад пульт від телевізора).

ДОДАТОК

1. Завантажте та установіть додаток „WeBack” (див. рис. 16)

- Зіскануйте QR-код або знайдіть додаток у маркеті GooglePlay або iOS store, завантажте та установіть його.

2. Зареєструйтеся / Увійдіть (див. рис. 17)

- Увійдіть у додаток, введіть номер телефону або адресу ел. пошти. Введіть індивідуальний пароль для отримання верифікаційного коду. Після цього ознайомтесь та прийміть Політику конфіденційності.
- Введіть верифікаційний код у пустому полі. Перейдіть далі.
- Увійдіть у додаток подаючи правильний номер телефону/адресу ел. пошти та пароль.

3. Сканування робота-пилососа за допомогою QR-коду (див. рис. 18)

- Увійдіть у додаток, виберіть „+”, зскануйте QR-код на мобільний пристрій та натисніть «ввести вручну».

4. Підключення до мережі Wi-Fi (див. рис 19)

Пристрій обслуговує виключно мережу Wi-Fi 2.4 GHz та не обслуговує мережі Wi-Fi 5 GHz. Перед налаштуванням Wi-Fi установіть параметри роутера. Пароль Wi-Fi не повинен містити спеціальних символів.

- Переконайтеся, що роутер та робот-пилосос розташовані близько один до одного, для забезпечення швидкого з'єднання між собою.
- Виберіть пристрій та впишіть правильний пароль, після чого виберіть «наступний». Зачекайте на з'єднання з мережею Wi-Fi.

5. Перезапуск пристрою (див. рис 20)

- Натисніть головний вимикач на роботіві-пилососі для вимкнення пристрою.
- Запустіть пристрій заново, натисніть та потримайте 3-5 секунд кнопку старту/паузи.
- Звуковий сигнал буде свідчити, що робот успішно перезапущено.

6. Якщо не вдасться з'єднатися з мережею Wi-Fi

- Виберіть поле «режим сумісності», після чого увійдіть у розділ налаштувань Wi-Fi на мобільному пристрої, з'єднайтеся з точкою доступу robot###, після чого поверніться у додаток та чекайте на з'єднання пристрою.
- При відсутності з'єднання ви можете використовувати дані кроки для пошуку причини, після чого спробувати заново.

9. Підготовка приміщень для пилососення

1. Усуньте з підлоги електричні шнури та інші предмети, в які може заплутатися пилосос (рис. 22).
2. Пилосос призначений для чищення підлоги та тонких килимів з коротким ворсом. Не використовуйте пилосос на килимах з довгим ворсом (рис. 23).
3. Розташуйте елементи меблів таким чином, щоб пилосос ніде не застряг (рис. 24).
4. Усуньте усі перешкоди з вузьких приміщень (рис. 25).

Фотографії носять ознайомлювальний характер, фактичний вигляд виробу може відрізнятися від представленого на фотографіях.

Gerbiamas Kliente!

Dėkojame, kad pasitikėjote mumis ir pasirinkote „Zeegma“ prekės ženklą. Dėl aukštos kokybės medžiagų naudojimo ir modernių technologinių sprendimų mes siūlome jums produktą, kuris puikiai tinka naudoti kasdien. Esame įsitikinę, kad dėka didelio rūpesčio puikiai atitiks Jūsų reikalavimus. Prieš naudodami gaminį, atidžiai perskaitykite šį vartotojo vadovą.

Jei turite komentarų ar klausimų apie įsigytą produktą, susisiekite su mumis:

support@zeegma.com

SVARBI INFORMACIJA

Prašome perskaityti šį vadovą prieš naudodamiesi prietaisu, kad susipažintų su jo funkcijomis ir naudoti pagal paskirtį. Nesilaikant saugos instrukcijų ir naudojant priešingai, įmanomas elektros smūgis, gaisras ir sunkūs sužalojimai.

SVARBU! SAUGOKITE ŠĮ VADOVĄ, NES ČIA YRA SVARBIOS INFORMACIJOS!

1. Neremontuokite ir neatlikite prietaiso pakeitimų. Šiuos veiksmus gali atlikti tik įgaliotas aptarnavimo centras.
2. Neįjunkite prietaiso, jei pastebėjote kokių nors pažeidimų. Tai taip pat taikoma prijungimo dokui ir maitinimo šaltiniui.
3. Nenaudokite prietaiso, kai pradeda blogai veikti, tampa labai karštas, atrodo spalvos pakitęs, išsipūtęs, sklaidžia nenatūralius garsus, kvapus ir kitus neįprastus reiškinius. Tokiais atvejais kreipkitės į įgaliotą aptarnavimo centrą.
4. Jei prietaisas nenaudojamas ilgą laiką, išjunkite valymo robotą naudodami pagrindinį jungiklį ir atjunkite prijungimo doką.
5. Prietaisas netinka pramoniniams paviršiams siurbti.
6. Prietaisas nėra skirtas šlapių paviršių siurbimui. Tai gali sugadinti robotą.
7. Šis prietaisas nėra žaislas. Neleiskite vaikams žaisti juo.
8. Prietaisas turėtų veikti kambario temperatūroje. Neįjunkite prietaiso šaltoje temperatūroje. Prieš pradėdant, prietaisą reikia palikti kambario temperatūroje mažiausiai 30 minučių.
9. Prietaisas nėra atsparus vandeniui, nepamirškite jo į vandenį ir nelaikykite drėgnoje vietoje.
10. Įdėkite mašiną ant lygaus, horizontalaus paviršiaus ir venkite jo pakreipimo. Venkite įdėti ant labai minkštų paviršių.

11. Prietaisą naudokite atokiau nuo šilumos šaltinių, aukštos temperatūros, karštų paviršių, tiesioginių saulės spindulių, žiežirbų, atviros liepsnos, alyvų ir aštrių kraštų.
12. Nenaudokite cheminių medžiagų prietaiso valymui
13. Prieš valymą išjunkite prietaisą ir atjunkite maitinimo šaltinį.
14. Prietaisas nėra atsparus vandeniui, nemerkite jo į vandenį ir nelaikykite drėgnoje vietoje.
15. Įdėkite mašiną ant lygaus, horizontalaus paviršiaus ir venkite jo pakreipimo. Venkite įdėti ant labai minkštų paviršių.
16. Prietaisą naudokite atokiau nuo šilumos šaltinių, aukštos temperatūros, karštų paviršių, tiesioginių saulės spindulių, žiežirbų, atviros liepsnos, alyvų ir aštrių kraštų.
17. Nenaudokite cheminių medžiagų prietaiso valymui
18. Prieš valymą išjunkite prietaisą ir atjunkite maitinimo šaltinį.
19. **ĮSPĖJIMAS:** Norėdami įkrauti baterijas, naudokite tik originalų maitinimo adapterį arba įkrovimo stotį.
20. Nenaudokite dulkių siurblio be filtrų ir dulkių surinktuvo.
21. Valymo robotas yra skirtas grindų ir trumpų polių kilimų siurbimui.
22. Netempkite maitinimo laido per aštirus sienų ir baldų kraštus, užtrenkite durelėmis ir po naudojimo nevyniokite per stipriai.
23. Gamintojas neatsako už jokią žalą, atsiradusią dėl netinkamo ir ne pagal instrukcijas prietaiso naudojimo.
24. Šį prietaisą gali naudoti vaikai nuo 8 metų ir vyresni, taip pat žmonės, turintys ribotų fizinių, jutiminių ar protinių gebėjimų arba neturintys patirties ir žinių, jei yra prižiūrėti arba buvo apmokyti saugiai naudotis prietaisu ir suprasti pavojus.
25. Vaikai negali valyti ar prižiūrėti prietaiso be priežiūros.
26. **ĮSPĖJIMAS:** Šiame prietaise yra UV emiteris. Nežiūrėkite į šviesos šaltinį.
27. Pastaba: jo veikimo metu reikia vengti pakelti ir nešioti robotą. Tai gali sutrikdyti jo valymo ciklą ir sukelti problemų ieškant įkrovos stoties ar iš naujo nustatyti buto žemėlapij.

1. Pakuotėje esančių dalių aprašymas (žr. pav. 1):

- | | |
|--------------------------------------|---------------------------|
| A. Valymo robotas | F. Dulkių surinktuvas |
| B. Prijungimo dokas | G. Valymo šepetys |
| C. Maitinimo šaltinis | H. HEPA filtras (x2) |
| D. Valdymo pultas | I. Šoniniai šepečiai (x4) |
| E. Dulkių surinktuvo šoninis dangtis | |

2. Aprašymai:

Valymo roboto išorinė dalis (žr. pav. 2):

1. Vaizdinis navigacijos jutiklis
2. Grįžimas į prijungimo doką
3. Paleidimas/Pauzė
4. „WiFi“ indikatoriaus lemputė
5. Jutikliai
6. Dulkių surinktuvo atidarymo mygtukas
7. Pagrindinis jungiklis
8. Įkrovimo stotis

Valymo roboto vidinė dalis (žr. pav. 3):

9. Dešinės šoninis šepetys
10. Dešinysis ratas
11. Dulkių surinktuvas
12. Kairysis ratas
13. Kairysis šoninis šepetys
14. Fizinis jutiklis + krašto jutiklis
15. Įkrovimo stotis (įkrovimas prijungimo doke)
16. Centrinis ratas
17. Baterija
18. Centrinis šepetys

Dulkių surinktuvas (žr. pav. 4):

1. HEPA filtras
2. Išankstinis filtras
3. HEPA filtro jutiklis
4. HEPA filtro dangtis
5. Teisingo surinktuvo montavimo jutiklis
6. Šoninis dangtelis surinktuvui ištuštinti

Prijungimo dokas (žr. pav. 5):

7. Maitinimo diodas
8. Maitinimo prijungimo lizdas
9. Įkrovimo stotis

Valdymo pultas (žr. pav. 6):

10. Grįžimas į prijungimo doką
11. Į priekį
12. Paleidimas/Pauzė
13. Pasukimas į dešinę
14. Pasukimas į kairę
15. Atbulinės eigos mygtukas
16. Kraštų valymas
17. Taškinis valymas
18. Siurbimo galios reguliavimas

3. Montavimas (žr. pav. 7):

- Pritvirtinkite šoninį dulkių surinktuvo dangtį: tvirtai prispauskite šoninį dangtelį ir sulygiuokite su dviem spragtukais.

- Uždarykite dulkių surinktuvo šoninį dangtį.
- Sumontuokite dulkių surinktuvą tam skirtoje valymo roboto vietoje.
- Prieš naudodami robotą, nuimkite apsauginę juostelę.

4. Naudojimas:

Įtraukimas ir įkrovimas:

- Įtraukite prijungimo doką prie sienos ant lygaus paviršiaus. Palikite laisvą vietą aplink stotį, 0,5 m į kairę ir į dešinę ir 1,5 m priešais doką (žr. pav. 8).
- Prijunkite maitinimą prie doko ir prijunkite prie elektros (žr. pav. 8).
- Įdėkite šoninius šepetčius, atitinkamai kairį ir dešinį (L / R) (žr. pav. 9).
- Įjunkite pagrindinį roboto jungiklį. „I“ reiškia roboto įjungimą, o „O“ – išjungimą (žr. pav. 9).

Du roboto įkrovimo būdai (žr. pav. 9):

1. Įdėkite robotą ant prijungimo doką.
 2. Įkrovimui naudokite maitinimo šaltinį (įkrovimo metu indikatorius lemputė mirksi ir, kai įkrovimas baigėsi, tampa žalia).
- Valymo metu, kai baterija išsikrauna, robotas automatiškai pradeda įkrovimo režimą ir grįžta į doką.
 - Įjunkite įkrovimo režimą naudodamiesi grįžimo į doką mygtuku valdymo pulte arba per programą.

Įkrovimas – pastabos:

1. Prijungimo doko negalima naudoti esant tiesioginiams saulės spinduliams.
2. Prieš darbą, robotą visiškai įkraukite. Įkrovimo laikas yra 4 valandos.
3. Įkrovimo metu vandens talpyklos nemontuokite prie roboto, kad užtikrintų įkrovimo saugumą.

Valymo režimų ir funkcijų aprašymas:

1. Automatinis valymas: įjunkite pagrindinį roboto jungiklį, degant indikatorius lemputei – robotas įjungtas. Tada paspauskite roboto arba valdymo pulto paleidimo / pauzės mygtuką ir robotas pradės valyti automatiškai.
2. Taškinis valymas: norėdami pradėti valymą, paspauskite taškinio valymo mygtuką valdymo pulte.
3. Kraštų valymas: norėdami pradėti valymą, paspauskite kraštų valymo mygtuką valdymo pulte.
4. Rankinis valymas: valdymo pulto mygtukais pasirinkite kryptį, kuria robotas turi judėti (į priekį, atgal, į dešinę, į kairę).

5. Siurbimo galios reguliavimas: pasirinkite 1 iš 3 siurbimo galios lygių. Paspauskite valdymo pulto arba programos siurbimo galio mygtuką, kiekvieną kartą paspaudus mygtuką, pasikeičia siurbimo galia.

Opcijos:

- **Pauzė:** Kol robotas dirba, paspauskite paleidimo / pauzės mygtuką robote, valdymo pulte ar programoje ir robotas sustos.
- **Suaktyvinimas:** robotas persijungs į automatinio miego režimą po 10 minučių stabdymo. Norėdami „pažadinti“ robotą, paspauskite bet kurį mygtuką robote, valdymo pulte ar programoje.
- **Išjungimas:** norėdami išjungti dulkių siurblį, kelias sekundes paspauskite paleidimo / pauzės mygtuką arba išjunkite pagrindinį roboto jungiklį.
- **Baigę darbą,** nukreipkite robotą į įkrovimo doką.

4a. Vandens talpyklos montavimas:

Dalių aprašymas (žr. pav. 10):

1. Vandens įleidimo anga
2. Vandens talpykla
3. Plaušinė šluota

Vandens talpyklos naudojimas (žr. pav. 11):

1. Atidarykite talpyklą ir supilkite vandenį į vandens įleidimo angą.
2. Uždarykite vandens talpyklą ir pritvirtinkite plaušinę šluotą ant išorinio pagrindo, tinkančio šiam tikslui.
3. Įmontuokite vandens talpyklą ir įdėkite į robotą.
4. Paspauskite paleidimo / pauzės mygtuką ir robotas pradės valyti šlapu būdu.

Reguliuojamas vandens suvartojimas valymui šlapiu būdu, atsižvelgiant į paviršius:

Paspauskite valdymo pulte arba programoje esantį siurbimo galios reguliavimo mygtuką ir pasirinkite 1 iš 3 siurbimo galios lygių. Kiekvienas kitas mygtuko paspaudimas pakeičia vandens sunaudojimą atitinkamai į mažą/vidutinį/aukštą.

Vandens talpyklos bei plaušinės šluotos valymas ir ištuštinimas (žr. pav. 12):

1. Išimkite vandens talpyklą.
2. Išpilkite vandenį iš talpyklos.
3. Išimkite plaušinę šluotą.
4. Išvalykite vandens talpyklą.
5. Išvalykite ir nusausinkite plaušinę šluotą.
6. Nusausinkite vandens talpyklą.

5. Dulkių surinktuvo ir filtrų valymas (žr. pav. 13):

1. Paspauskite dulkių surinktuvo atidarymo mygtuką, kad išimtų surinktuvą.
2. Ištraukite dulkių surinktuvą ir atidarykite dulkių surinktuvo šoninį ištuštinimo dangtį.
3. Ištuštinkite surinktuvo turinį į šiukšliadėžę.
4. Atidarykite dangtį ir išimkite HEPA filtrą, išankstinį filtrą ir kempininį filtrą.
5. Nerekomenduojama HEPA filtrą ir kempininį filtrą plauti po tekančiu vandeniu, švelniai nuvalykite dulkes.
6. Išankstinį filtrą nuplaukite po tekančiu vandeniu.
7. Tada galite išvalyti vidų drėgna šluoste.
8. Neplaukite viso dulkių surinktuvo po tekančiu vandeniu.
9. Prieš pakartotinį naudojimą nusausinkite surinktuvą ir filtrus. Saugokite filtrus nuo tiesioginių saulės spindulių.
10. Plaukite išankstinį filtrą kas 15-30 dienų, HEPA filtro tarnavimo laikas yra apie 3 mėnesius.
11. Prieš įdėdami filtrus, įsitikinkite, kad yra sausi.
12. Uždarykite dulkių surinktuvo dangtį ir įdėkite surinktuvą į robotą.

6. Centrinio ir šoninių šepėčių valymas (žr. pav. 14):

1. Norėdami nuimti centrinį šepetį, ištraukite dangtelį ir šepetį.
2. Valymo šepetėliu pašalinkite visus likučius ant šepetėlio.
3. Nuimkite šoninius šepėčius ir nuvalykite sausu skudurėliu.

7. Jutiklių ir ratų valymas (žr. pav. 15):

- Išvalykite prijungimo doko įkrovimo stotį, visus jutiklius, centrinį ratą ir šoninius ratus sausa šluoste.

8. Laikymas:

- Jei valymo roboto nenaudojate ilgą laiką, prieš laikydami jį visiškai įkraukite. Įkraukite prietaisą kas 3 mėnesius, kad būtų išvengta per didelio baterijos išsikrovimo.

PROBLEMA	GALIMA PRIEŽASTIS	SPRENDIMAS
Valymo robotas nesikrauna.	Nėra prijungimo prie doko.	Įsitikinkite, kad dulkių siurblio ir prijungimo doko įkrovimo stotys tinkamai sujungtos. Pabandykite ranka įdėti robotą į doką.
	Baterija nesikrauna.	Įsitikinkite, kad dokas prijungtas prie elektros. Jei robotas nebuvo naudojamas ilgą laiką ir baterijos nesikrauna, įdėkite robotą į doką ir įkraukite per 3 minutes, tada nustokite krauti. Pakartokite 3 kartus ir tada prijunkite robotą prie įkrovimo.
Dulkių siurblys turi problemų su siurbimu.	Robotas apsvynioja kambaryje (laidai, užuolaidos ir kt.).	Robotas bandys išvengti kliūčių. Jei nepavyksta, prieš valydami dar kartą pašalinkite kliūtį.
Dulkių siurblys automatiškai grįžta į doką.	Žemas baterijos lygis.	Ši operacija yra normali.
	Darbo laikas baigtas.	Ši operacija yra normali.
Suplanuoto valymo metu dulkių siurblys neįsijungia.	Dulkių siurblys išjungtas.	Įjunkite dulkių siurblį.
	Žemas baterijos lygis.	Įkraukite bateriją.
	Dulkių surinktuvas užsikimšęs arba užblokuotas kitos dalys.	Išjunkite robotą ir išvalykite dulkių surinktuvą bei filtrus.
Neveikia valdymo pultas	Valdymo pulto baterijos išsikrovusios.	Pakeiskite valdymo pulto baterijas.
	Robotas išjungtas arba žemas baterijos lygis.	Įjunkite robotą ir (arba) įkraukite bateriją.
	Robotas negauna infraraudonųjų spindulių signalo.	Išvalykite roboto ir valdymo pulto infraraudonųjų spindulių jutiklį. Patikrinkite, ar nėra kliūčių, blokuojančių signalą tarp valdymo pulto ir roboto, ir ar nėra kitų objektų, sklaidžiančių infraraudonųjų spindulių signalą (pvz. televizoriaus valdymo pultas).

PROGRAMA

1. Atsisiųskite ir įdiekite „WeBack“ programą (žr. pav. 16)

- Nuskaitykite QR kodą arba ieškokite „WeBack“ programos „GooglePlay“ ar „iOS“ parduotuvėse, atsisiųskite ir įdiekite.

2. Registruotis / Prisijungti (žr. pav. 17)

- Programoje įveskite telefono numerį arba el. pašto adresą. Įveskite asmeninį slaptažodį, kad gautumėte patvirtinimo kodą. Tada perskaitykite ir sutikite su Privatumo politika.
- Tuščiame lauke įveskite patvirtinimo kodą. Pereikite toliau.
- Tada prisijunkite prie programos, įvesdami galiojantį telefono numerį arba el. pašto adresą ir slaptažodį.

3. Valymo roboto nuskaitymas naudojant QR kodą (žr. pav. 18)

- Prisijunkite prie programos, spustelėkite „+“, nuskaitykite QR kodą mobiliajame įrenginyje ir spustelėkite „įvesti rankiniu būdu“.

4. Prisijunkite prie „Wi-Fi“ (žr. pav. 19)

Produktas palaiko tik 2,4 GHz „Wi-Fi“ tinklą, o ne 5 GHz „Wi-Fi“ tinklus. Prieš nustatydami „Wi-Fi“, nustatykite maršrutizatoriaus parametrus. „Wi-Fi“ slaptažodyje neturėtų būti specialių simbolių.

- Norėdami greitai nustatyti prietaisą, įsitikinkite, kad maršrutizatorius ir valymo robotas yra arčiausiai vienas kito.
- Pasirinkite prietaisą ir įveskite teisingą slaptažodį, tada spustelėkite „kitas“. Palaukite prisijungimo prie „Wi-Fi“ tinklo.

5. Prietaiso nustatymas iš naujo (žr. pav. 20)

- Norėdami išjungti prietaisą, paspauskite pagrindinį roboto jungiklį.
- Paleiskite robotą iš naujo, 3-5 sekundes palaikykite paspaudę paleidimo / pauzės mygtuką.
- Jei girdite garso signalą, robotas tinkamai nustatytas iš naujo.

6. Jei nepavyksta prisijungti prie „Wi-Fi“

- Pasirinkite lauką „suderinamumo režimas“, tada įveskite telefono „Wi-Fi“ nustatymų puslapį, prisijunkite prie „###“ roboto karštojo taško, grįžkite į programą ir toliau laukite prisijungimo.
- Galite vadovautis ekrane pateikiamomis instrukcijomis, norėdami rasti priežastį, kodėl nesate prisijungę, ir bandykite dar kartą.

9. Patalpų paruošimas siurbimui

1. Nuimkite laidus ir kitus daiktus nuo grindų, kurie gali įsipainioti į dulkių siurblių (22 pav.).
2. Dulkių siurblys skirtas grindims ir ploniems trumpų plaukų kilimams valyti. Nenaudokite dulkių siurblio ant ilgo plauko kilimų (23 pav.).
3. Baldus pastatykite taip, kad dulkių siurblys niekur neužstrigtų (24 pav.).
4. Pašalinkite visas kliūtis iš siaurų patalpų (25 pav.).

Nuotraukos yra tik informacinės. Tikroji gaminių išvaizda gali skirtis nuo parodytų nuotraukose.

Poštovani kupci

Zahvaljujemo što ste nam ukazali povjerenje i odabrali marku Zeegma. Zahvaljujući upotrebi visokokvalitetnih materijala i modernih tehnoloških rješenja, nudimo vam proizvod savršen za svakodnevnu upotrebu. Sigurni smo da će udovoljiti vašim zahtjevima zahvaljujući velikoj pažnji tijekom izrade.

Prije uporabe proizvoda, pažljivo pročitajte ovaj korisnički priručnik.

Ako imate bilo kakvih komentara ili pitanja o proizvodu koji ste kupili, kontaktirajte nas:

support@zeegma.com

VAŽNE INFORMACIJE

Molimo pročitajte i slijedite upute u ovom korisničkom priručniku prije uporabe uređaja. Nepridržavanje sigurnosnih uputa iz ovog uputstva može dovesti do strujnog udara i uzrokovati rizik od požara i ozbiljne ozljede.

VAŽNO! DRŽITE OVE UPUTE ZA BUDUĆU REFERENCU!

1. Nemojte popravljati ili vršiti izmjene na uređaju. Te aktivnosti može obavljati samo ovlašteni servisni centar.
2. Nemojte pokretati uređaj ako primijetite bilo kakvo oštećenje. Odnosi se također na priključnu stanicu za napajanje.
3. Ne koristite uređaj kad počne pogrešno djelovati, ako je spao ili je mokar, pretjerano se grije, dolazi do promjene boje, ispušćenja, daje neprirodne zvukove, miris i druge neobične pojave. U takvim slučajevima kontaktirajte ovlašteni servisni centar.
4. Ako se uređaj ne koristi dulje vrijeme, isključite robota za čišćenje, glavni prekidač i odspojite priključnu stanicu od struje.
5. Uređaj nije prikladan za usisavanje industrijskih površina.
6. Uređaj nije predviđen za usisavanje mokrih površina. To može oštetiti robota.
7. Ovaj uređaj nije igračka. Ne dopustite djeci da se igraju s njim.
8. Uređaj treba raditi na sobnoj temperaturi. Uređaj nemojte pokretati na niskoj temperaturi. Prije pokretanja uređaja treba ga ostaviti na sobnoj temperaturi najmanje 30 minuta.
9. Uređaj nije vodootporan, nemojte ga potapati u vodu ili držati na vlažnom mjestu.
10. Postavite stroj na ravnu, horizontalnu površinu i izbjegavajte njegovo naginjanje. Izbjegavajte postavljanje na vrlo mekane površine.
11. Uređaj držite podalje od izvora topline, visokih temperatura, vrućih površina, izravne sunčeve svjetlosti, iskri, otvorenog plamena, ulja i oštih rubova.

12. Ne koristite kemikalije za čišćenje uređaja
13. Isključite uređaj i odspojite napajanje prije čišćenja.
14. Uređaj nemojte koristiti u druge svrhe osim za one za koje je dizajniran.
15. Ne usisavajte blato, elementa poput paste, pepela, gipsa i oštih predmeta. To može oštetiti sakupljač prašine, filter i motor.
16. Ne usisavajte kosu, velike papirnate elemente, plastične vrećice koje mogu začepiti usisni put. Uklonite ih s poda prije usisavanja.
17. Ne blokirajte izlaz zraka na stražnjoj strani usisavača. Može uzrokovati pregrijavanje i oštećenje usisavača.
18. Ne stavljajte nikakve predmete na usisavač.
19. **UPOZORENJE:** Za punjenje baterije koristite samo originalni adapter za napajanje ili stanicu za punjenje.
20. Ne koristite usisavač bez filtera i spremnika za prašinu.
21. Robot za čišćenje dizajniran je za usisavanje podova i tepiha s kratkom dlakom.
22. Ne povlačite kabel za napajanje kroz oštre rubove zidova i namještaja, nemojte ga zaglaviti vratima i nemojte ga previše premotavati nakon upotrebe.
23. Proizvođač nije odgovoran za bilo kakvu štetu nastalu nepravilnom uporabom uređaja i koja nije u skladu s uputama za uporabu.
24. Ovaj uređaj mogu koristiti djeca starija od 8 godina i više, kao i pojedinci sa smanjenim tjelesnim, osjetilnim ili mentalnim sposobnostima ili bez iskustva i znanja, pod uvjetom da su pod nadzorom ili ako su upućeni u sigurnu uporabu uređaja i ako razumiju opasnosti.
25. Djeca ne smiju čistiti ili održavati uređaj bez nadzora.
26. **UPOZORENJE:** Ovaj uređaj sadrži emiter UV zračenja. Ne gledajte izravno u izvor svjetlosti.
27. Pažnja: potrebno je izbjegavati dizanje i prenošenje robota tijekom rada. Ovo može poremetiti ciklus čišćenja i uzrokovati probleme s pronalaskom stanice za punjenje ili s resetiranjem karte stana.

1. Opis dijelova u pakiranju (vidi sliku 1):

- | | |
|-------------------------------------|------------------------|
| A. Robot za čišćenje | F. Spremnik za prašinu |
| B. Priključna stanica | G. Četka za čišćenje |
| C. Napajanje | H. Filter HEPA (x2) |
| D. Daljinski upravljač | I. Bočne četke (x4) |
| E. Bočni poklopac posude za prašinu | |

2. Opisi:

Vanjski dio robotskog usisavača (vidi sliku 2):

1. Vizualni senzor za navigaciju
2. Natrag na priključnu stanicu
3. Gumb za start/pauzu
4. Indikacijska lampica Wi-Fi
5. Senzori
6. Gumb otvaranja spremnika za prašinu
7. Glavni prekidač
8. Port za punjenje

Unutarnji dio robotskog usisavača (vidi slika 3):

9. Desna bočna četka
10. Desni kotač
11. Spremnik za prašinu
12. Lijevi kotač
13. Lijeva bočna četka
14. Fizički senzor + rubni senzor
15. Priključak za punjenje (punjenje u priključnoj stanici)
16. Središnji kotač
17. Baterija
18. Središnja četka

Spremnik za prašinu (vidi slika 4):

1. Filtar HEPA
2. Predfiltar
3. Senzor filtra HEPA
4. Poklopac filtera HEPA
5. Senzor ispravne montaže spremnika
6. Bočni poklopac za pražnjenje spremnika

Priključna stanica (vidi sliku 5):

7. Dioda napajanja
8. Utičnica za priključivanje za napajanje
9. Priključak punjenja

Daljinski upravljač (vidi sliku 6):

10. Povratak na priključnu stanicu
11. Gumb naprijed
12. Gumb start/pauza
13. Sretanje desno
14. Skretanje lijevo
15. Gumb natrag
16. Čišćenje rubova
17. Čišćenje u mjestu
18. Regulacija snage usisavanja

3. Upute za instalaciju (vidi slika 7)

- Pričvrstite bočni poklopac spremnika za pražnjenje prašine: Čvrsto pritisnite bočni poklopac i poravnajte ga za dvije kuke.
- Zatvorite bočni poklopac spremnika za prašinu.
- Spremnik za prašinu montirajte na zadani položaj robota za čišćenje.
- Prije upotrebe robota uklonite zaštitnu traku.

4. Upute za uporabu:

Postavljanje i utovarjanje:

- Postavite priključnu stanicu na zid na ravnu površinu. Ostavite slobodan prostor oko stanice, na udaljenosti od 0,5 m lijevo i desno i 1,5 m ispred stanice (vidi sliku 8).
- Spojite napajanje na priključnu stanicu i priključite ga na struju (pogledajte sliku 8).
- Postavite bočne četke, odnosno lijevu i desnu (L / R) (vidi sliku 9).
- Uključite glavni prekidač robota. „I” znači uključivanje, a „O” znači isključivanje robota (vidi sliku 9).

Dva načina punjenja robota (vidi sliku 9):

1. Postavite robota na priključnu stanicu.
 2. Upotrijebite adapter za napajanje za punjenje (indikatorska lampica trepće tijekom punjenja, a svijetli zeleno kad je punjenje završeno).
- Tijekom čišćenja, kada se baterija isprazni, robot automatski prelazi u način punjenja i kreće prema priključnoj stanici za punjenje.
 - Aktivirajte način punjenja tipkom za povratak u stanicu na daljinskom upravljaču ili putem aplikacije.

Punjenje - napomene:

1. Priključna stanica se ne može koristiti na izravnoj sunčevoj svjetlosti.
2. Prije početka rada potpuno napunite robota. Vrijeme punjenja je 4 sata..
3. Tijekom punjenja, nemojte stavljati spremnik za vodu na robota kako biste osigurali sigurnost punjenja.

Opis načina i funkcija čišćenja:

1. Automatsko čišćenje: uključite glavnu sklopku robota, kada kontrolna lampica svijetli, robot je uključen. Zatim pritisnite gumb pokretanja / pauze na robotu ili daljinskom upravljaču i robot će automatski započeti čišćenje.

2. Čišćenje na mjestu: pritisnite gumb čišćenja na mjestu na daljinskom upravljaču kako bi počeli čišćenje.
3. Čišćenje rubova: pritisnite gumb za rubno čišćenje na daljinskom upravljaču da biste započeli čišćenje.
4. Ručno upravljanje: tipkama na daljinskom upravljaču odaberite smjer u kojem ćete se kretati robot se kreće (naprijed, natrag, udesno i ulijevo).
5. Podešavanje snage usisavanja: odaberite 1 od 3 snage usisavanja. Pritisnite gumb postavljanja snage usisavanja na daljinskom upravljaču ili u aplikaciji, svaki sljedeći pritisak gumba mijenja snagu usisavanja.

Opcije:

- Pauza: dok robot radi, pritisnite gumb pokretanja / pauze na robotu, daljinskom upravljaču ili aplikaciji, robot će pauzirati rad.
- „Probudi se”: robot će prijeći u automatski način mirovanja nakon 10 minuta čekanja. Da biste „probudili” robota, pritisnite bilo koju tipku na robotu, daljinskom upravljaču ili aplikaciji.
- Isključivanje: da biste isključili usisavač, pritisnite tipku start / pauza nekoliko sekundi ili isključite glavnu sklopku na robotu.
- Kad završite, usmjerite robota na priključnu stanicu radi punjenja.

4a. Upute za postavljanje spremnika za vodu:

Opis dijelova (gledaj sliku. 10):

1. Rupa za ulijevanje vode
2. Spremnik za vodu
3. Krpa za čišćenje

Upotreba spremnika za vodu (vidi sliku 11):

1. Otvorite spremnik i ulijte vodu u otvor za punjenje..
2. Zatvorite spremnik za vodu i montirajte krpu s vanjske strane, za prikladnu za tu svrhu površinu.
3. Postavite spremnik za vodu i ugradite ga u robota.
4. 4. Pritisnite tipku za pokretanje / pauzu i robot započinje mokro čišćenje.

Prilagođavanje potrošnje vode za mokro čišćenje ovisno o površini:

Pritisnite gumb za usisavanje na daljinskom upravljaču ili u aplikaciji i odaberite 1 od 3 snage usisavanja. Svakim sljedećim pritiskom na tipku mijenja se potrošnja vode na nisku / srednju / veliku.

Čišćenje i pražnjenje spremnika za vodu i krpe (vidi sliku 12):

1. Uklonite spremnik za vodu.
2. Ispustite vodu iz spremnika.
3. Uklonite krpu.
4. Očistite spremnik za vodu.
5. Očistite spremnik za vodu i osušite krpu.
6. Osušite spremnik za vodu.

5. Čišćenje spremnika za prašinu (vidi sliku 13):

1. Pritisnite gumb za otvaranje spremnika za prašinu da biste izvadili spremnik za prašinu.
2. Izvucite spremnik za prašinu i otvorite bočni poklopac za pražnjenje spremnika za prašinu.
3. Ispraznite sadržaj spremnika u kantu za smeće.
4. Otvorite poklopac i uklonite HEPA filter i predfilter.
5. Ne preporučuje se pranje HEPA filtra pod tekućom vodom, nježno uklonite prašinu.
6. Operite predfilter pod mlazom vode.
7. Zatim unutrašnjost možete očistiti vlažnom krpom.
8. Ne perite cijeli spremnik za prašinu pod mlazom vode.
9. Osušite spremnik i filtere prije ponovne upotrebe. Ne izlažite filtere izravnoj sunčevoj svjetlosti.
10. Operite predfilter svakih 15-30 dana, vijek trajanja HEPA filtra je oko 3 mjeseca.
11. Prije ponovne instalacije provjerite jesu li filteri suhi.
12. Zatvorite poklopac spremnika za uklanjanje prašine i postavite spremnik za prašinu u robota.

6. Čišćenje bočnih četki i središnje četke (vidi sliku 14):

1. Da biste uklonili središnju četku, izvucite poklopac i četku..
2. Pomoću četke za čišćenje uklonite ostatke s četke.
3. Uklonite bočne četke i obrišite suhom krpom.

7. Čišćenje senzora i kotača (vidi sliku 15):

- Očistite otvor za punjenje priključne stanice, sve senzore, središnji kotač i bočne kotače suhom krpom.

8. Skladištenje:

- Ako dulje vrijeme ne koristite robot usisavač, napunite ga potpuno prije skladištenja. Punite uređaj svaka 3 mjeseca kako biste spriječili prekomjerno pražnjenje baterije.

PROBLEM	MOGUĆI RAZLOG	RJEŠENJE
Robot za čišćenje se ne puni .	Ne ma priključka s priključnom stanicom.	Provjerite jesu li priključci za punjenje usisavača i priključna stanica pravilno povezani. Pokušajte ručno staviti robota na priključnu stanicu.
	Baterija se ne puni.	Provjerite je li priključna stanica priključena. Ako se robot već dulje vrijeme ne koristi, a baterija se ne puni, stavite robota na punjač i punite ga 3 minute, a zatim zaustavite punjenje. Ponovite 3 puta, a zatim normalno spojite robota na punjenje.
Usisavač ima problema s usisavanjem	Robot se omotava po sobi (žice, zavjese itd.)	Robot spróbuje oinač prazskody. Ješli się nie uda, usuń prazskody przed następnym odkurzaniem.
Usisavač se automatski vraća u priključnu stanicu.	Slaba baterija.	Ovo djelovanje je normalno.
	Završen rad.	Ovo djelovanje je normalno.
Usisavač se ne aktivira tijekom planiranog čišćenja.	Usisavač je isključen	Uključite usisavač.
	Nivo napunjenosti baterije je nizak	Napunite baterije
	Spremnik zza prašinu je začepljen ili drugi elementi su blokirani.	Isključite robota i očistite sprenik za prašinu i filtere.
Daljinski upravljač ne radi	Baterije za daljinsko upravljanje se prazne	Promijenite baterije u daljinskom upravljaču..
	Robot je isključen ili je baterija prazna	Uključite robota i/ili napunite baterije.
	Infracrveni signal robot ne prima	Očistite infracrveni senzor na robotu i daljinskom upravljaču. Provjerite ne postoje li prepreke koje blokiraju signal između daljinskog upravljača i robota te da li postoje drugi predmeti koji emitiraju infracrveni signal (npr. TV daljinski upravljač)

APLIKACIJA

1. Preuzmite i instalirajte aplikaciju „WeBack” (vidi sliku 16)

- Skenirajte QR kod ili potražite aplikaciju „WeBack” u trgovini GooglePlay ili iOS, preuzmite je i instalirajte.

2. Registrirajte se / prijavite se (vidi sliku 17)

- Otvorite aplikaciju, unesite telefonski broj ili e-adresu. Unesite pojedinačnu lozinku za primanje kontrolnog koda. Zatim pročitajte i prihvatite Pravila o privatnosti.
- Unesite kontrolni kod u prazno polje. Idi dalje.
- Zatim se prijavite u aplikaciju unošenjem važećeg telefonskog broja ili adrese e-pošte i lozinke.

3. Skeniranje robota za čišćenje pomoću QR koda (vidi sliku 18)

- Prijavite se u aplikaciju, kliknite „+“, skenirajte QR kod na svom mobilnom uređaju i kliknite „Unesite ručno“.

4. Povežite se s Wi-Fi mrežom (pogledajte sliku 19)

Proizvod podržava samo 2,4 GHz Wi-Fi mrežu, a ne 5 GHz Wi-Fi mreže. Prije postavljanja Wi-Fi mreže, postavite parametre usmjerivača. Lozinka za Wi-Fi ne smije sadržavati posebne znakove.

- Provjerite jesu li router i robot za čišćenje najbliži brzinom konfiguracije uređaja.
- Odaberite uređaj i unesite ispravnu lozinku, a zatim kliknite „Dalje“. Pričekajte vezu s Wi-Fi mrežom.

5. Resetiranje uređaja (vidi sliku 20)

- Pritisnite glavni prekidač na robotu da biste isključili uređaj.
- Ponovo pokrenite robota, pritisnite i držite gumb za pokretanje / pauzu 3-5 sekundi.
- Robot je ispravno resetiran ako začujete zvučni signal.

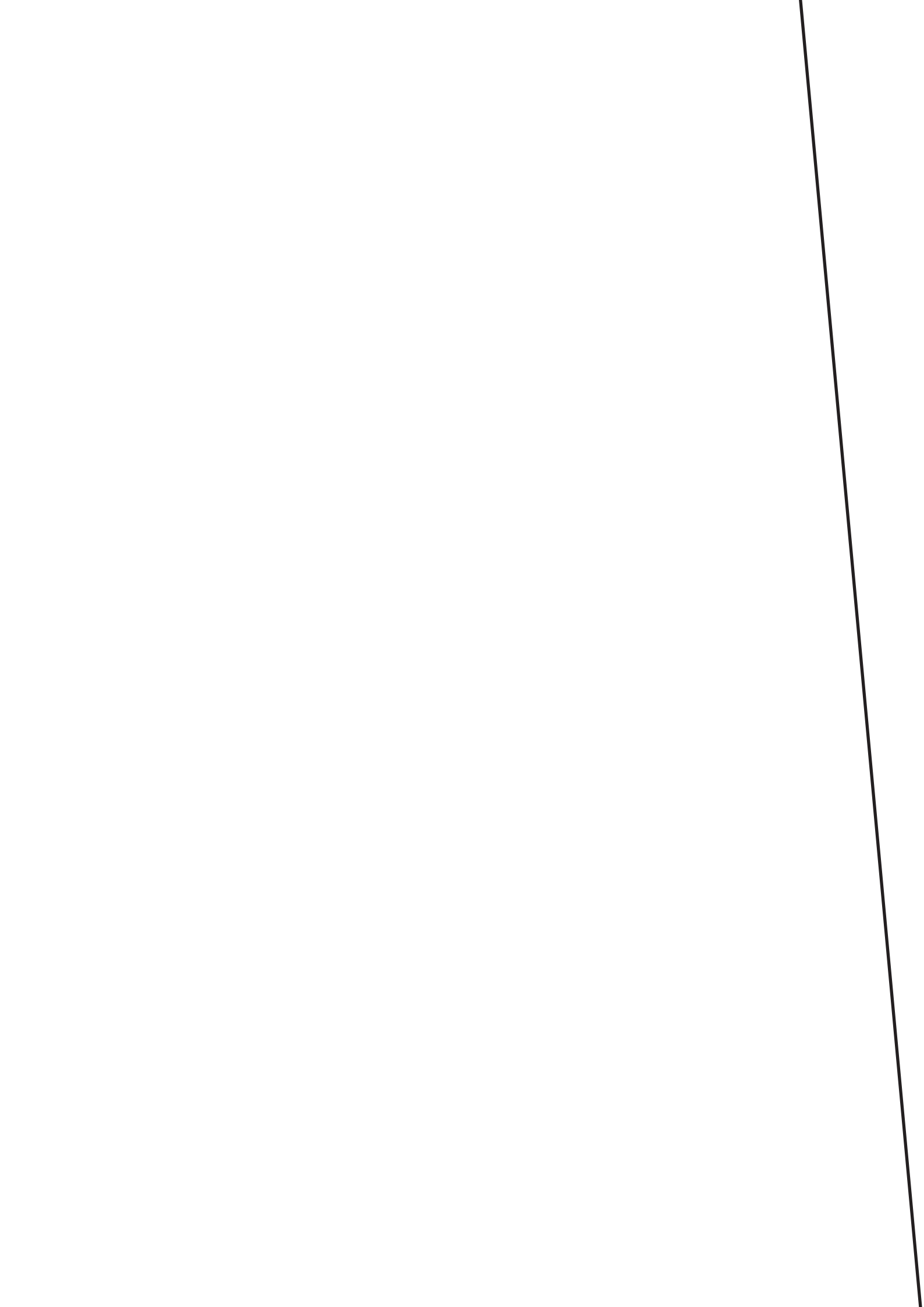
6. Ako veza s Wi-Fi mrežom ne uspije

- Odaberite polje „način kompatibilnosti“, a zatim idite na stranicu s Wi-Fi postavkama telefona, povežite se s ### hot spotom robota, vratite se u program i nastavite čekati vezu.
- Možete slijediti upute na zaslonu kako biste pronašli uzrok nema veze i pokušajte ponovo.

9. Priprema prostorija za usisavanje

1. Ukloni s poda kablove i druge elemente, koji mogu zapeti u usisivaču (slika 22).
2. Usisivač je namijenjen za čišćenje podova i tankih tepiha niskog flora. Usisivač se ne smije koristiti na tepesima visokog flora. (slika 23).
3. Stavi elemente namještaja tako da usisivač ne može zapeti (slika 24).
4. Ukloni sve prepreke iz uskih prostorija (slika 25).

Fotografije služe samo za ilustraciju, stvarni izgled proizvoda može se razlikovati od fotografija.





EN: The product complies with requirements of EU directives.

Pursuant to the Directive 2012/19/EU, this product is subject to selective collection. The product must not be disposed of along with domestic waste as it may pose a threat to the environment and human health. The worn-out product must be handed over to the electricians and electronics recycling center.

DE: Das Produkt stimmt mit den Richtlinien der Europäischen Union.

Gemäß der Richtlinie 2012/19/UE unterliegt das Produkt einer getrennten Sammlung. Das Produkt darf man nicht zusammen mit kommunalen Abfällen entsorgen, weil das die Gefahr für die Umwelt und die Gesundheit der Menschen bilden kann. Das verbrauchte Produkt soll man in einem entsprechenden Rücknahmepunkt für Elektro- und Elektronik-Altgeräte zurückgeben.

PL: Produkt zgodny z wymaganiami dyrektyw Unii Europejskiej.

Zgodnie z Dyrektywą 2012/19/UE, niniejszy produkt podlega zbiórce selektywnej. Produktu nie należy wyrzucać wraz z odpadami komunalnymi, gdyż może stanowić on zagrożenie dla środowiska i zdrowia ludzi. Zużyty produkt należy oddać do punktu recyklingu urządzeń elektrycznych i elektronicznych.

IT: Prodotto conforme ai requisiti delle direttive dell'Unione Europea.

In conformità alla direttiva 2012/19/UE, questo prodotto è soggetto a raccolta differenziata. Il prodotto non deve essere smaltito con i rifiuti domestici perché può costituire una minaccia per l'ambiente e la salute umana. Si prega di restituire il vecchio prodotto al punto di raccolta applicabile per il riciclaggio di apparecchiature elettriche ed elettroniche.

FR: Le produit est conforme aux exigences des directives de l'Union européenne.

Conformément à la Directive 2012/19/UE, le présent produit est soumis à la collecte séparée. Il convient de ne pas jeter le produit avec les déchets ménagers, car il peut constituer un danger pour l'environnement et la santé humaine. Le produit usé devrait être remis au point de recyclage des appareils électriques et électroniques.

ES: El producto cumple los requisitos de las directivas de la Unión Europea.

De acuerdo con la Directiva 2012/19/UE, este producto está sujeto a recogida selectiva. El producto no debe eliminarse con los residuos municipales, ya que puede suponer una amenaza para el medio ambiente y la salud humana. Por favor, entrega el producto que ya no vayas a utilizar a un centro de reciclaje de dispositivos eléctricos y electrónicos.

NL: Product in overeenstemming met de eisen van de richtlijnen van de Europese Unie.

In overeenstemming met Richtlijn 2012/19/EU moet dit product gescheiden worden ingezameld. Het product mag niet met het huisvuil worden weggegooid omdat het een bedreiging kan vormen voor het milieu en de volksgezondheid. Lever uw oude product in bij het daarvoor bestemde inzamelpunt voor recycling van elektrische en elektronische apparatuur.

UK: Продукт відповідає вимогам директив Європейського Союзу.

Відповідно до Директиви 2012/19/ЄС цей продукт підлягає вибіркового збору. Продукт не слід утилізувати разом із побутовими відходами, оскільки це може становити загрозу навколишньому середовищу та здоров'ю людей. Використаний продукт слід здати до пункту переробки електричних та електронних пристроїв.

LT: Produktas atitinka Europos Sąjungos direktyvų reikalavimus.

Pagal 2012/19 / ES Direktyvą šis produktas yra rūšiuojamas. Produkto negalima išmesti su komunalinėmis atliekomis, nes tai gali kelti grėsmę aplinkai ir žmonių sveikatai. Panaudotą gaminį reikia nugabenti į elektros ir elektroninės įrangos perdavimo punktą.

HR: Proizvod je sukladan propisima Direktive Europske Unije.

Sukladno Direktivi 2012/19/UE ovaj proizvod spada u selektivno skupljanje. Proizvod se ne smije bacati skupa s drugim komunalnim otpadom, jer može predstavljati prijetnju za okoliš i ljudsko zdravlje. Potrošeni proizvod je potrebno odnijeti u centar za zbrinjavanje električnih i elektroničkih uređaja.

BrandLine Group Service – Support

List of Authorized Service Centers:
Liste der Autorisierten Herstellerservicezentren:
Lista autoryzowanych centrów serwisowych:
Elenco dei centri di assistenza autorizzati:
Liste des centres de service autorisés:
Lista de centros de servicio autorizados:
Lijst met erkende servicecentra:
Список уповноважених сервісних центрів:
Įgaliotų aptarnavimo centrų sąrašas:
Popis ovlaštenih servisnih centara:

www.zeegma.com/en/service

Croatia
Uvoznik: Viva-net d.o.o.
A.T. Mimare 8
10090 Zagreb

Tel: 01/ 56 01 715, Fax: 01/ 56 01 945

Thank you for purchasing our product!
Vielen Dank für den Kauf unseres Produkts!
Dziękujemy za zakup urządzenia naszej marki!
Grazie per aver acquistato il nostro dispositivo di marca
Merci d'avoir acheté notre produit!
¡Gracias por adquirir nuestro producto!
Bedankt voor het aanschaffen van ons product!
Дякуємо за придбання нашого продукту!
Dėkojame, kad įsigijote mūsų produktą!
Zahvaljujemo na kupnji našeg proizvoda!

Home completed