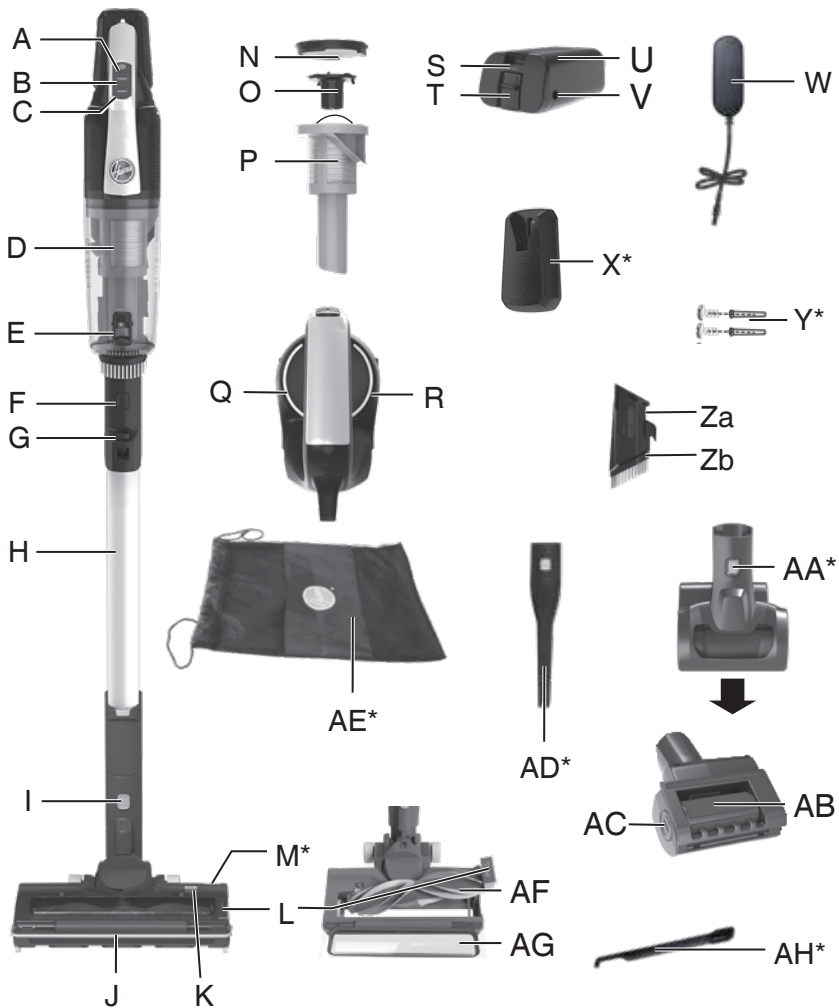


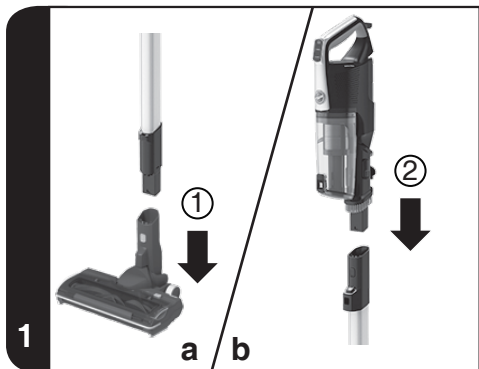


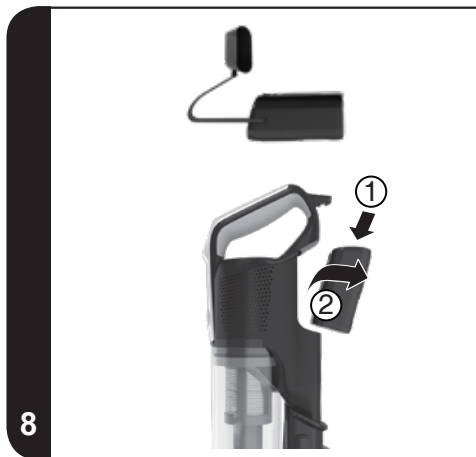
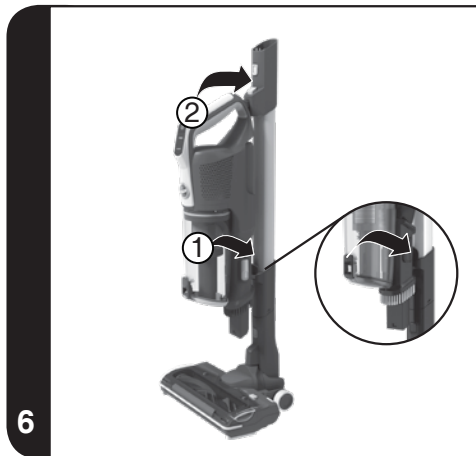
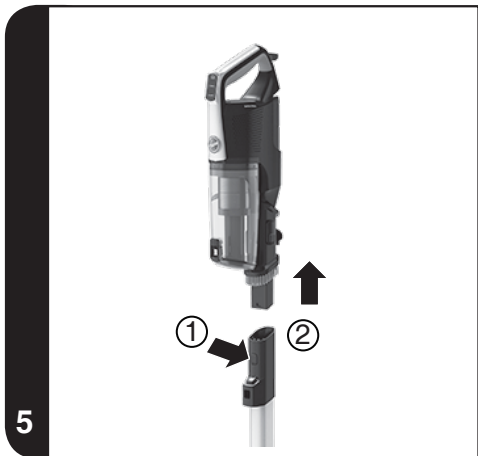
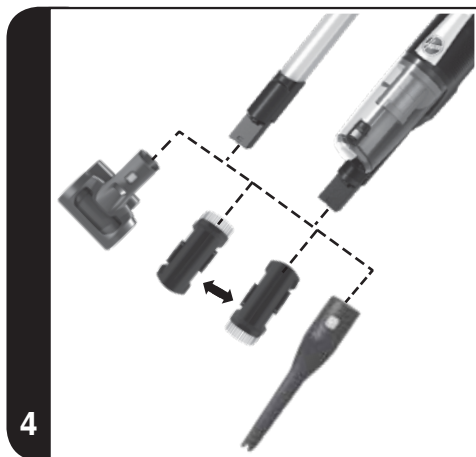
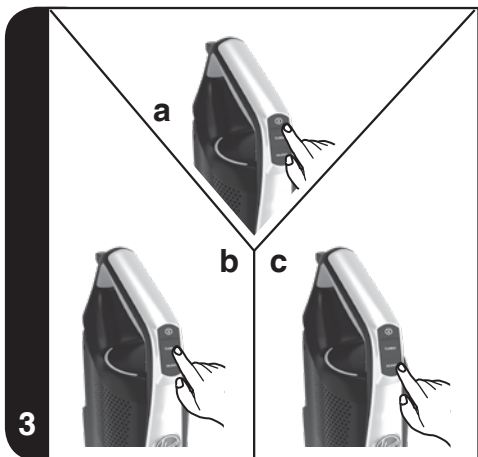
|                                  |       |
|----------------------------------|-------|
| USER MANUAL (GB) .....           | P 03  |
| MANUEL D'UTILISATION (FR) .....  | P 10  |
| BEDIENUNGSANLEITUNG (DE).....    | P 17  |
| MANUALE D'ISTRUZIONI (IT).....   | P 24  |
| MANUAL DE INSTRUÇÕES(PT).....    | P 31  |
| MANUAL DE INSTRUCCIONES(ES)..... | P 38  |
| GEBRUIKERSHANDLEIDING(NL).....   | P 45  |
| BRUGERVEJLEDNING(DK).....        | P 52  |
| BRUKSANVISNING(NO).....          | P 59  |
| INSTRUKTIONSMANUAL(SE).....      | P 66  |
| ΚΑΥΤΤΟΟΗJE(FI).....              | P 73  |
| ΟΔΗΓΙΕΣ ΧΡΗΣΕΩΣ(GR).....         | P 80  |
| РУКОВОДСТВО ПОЛЬЗОВАТЕЛЯ(RU)...  | P 87  |
| INSTRUKCJA OBSŁUGI(PL).....      | P 94  |
| NÁVOD K OBSLUZE(CZ).....         | P 101 |
| NAVODILA ZA UPORABO(SI).....     | P 108 |
| KULLANIM KILAVUZU(TR).....       | P 115 |

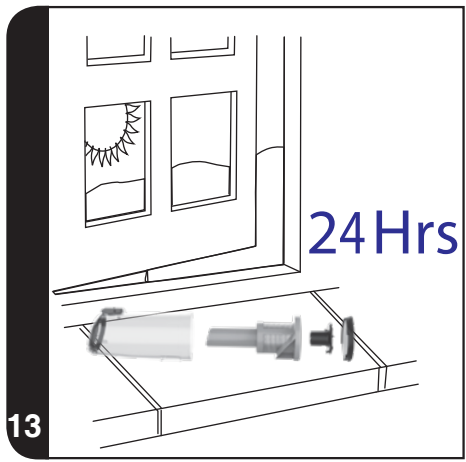
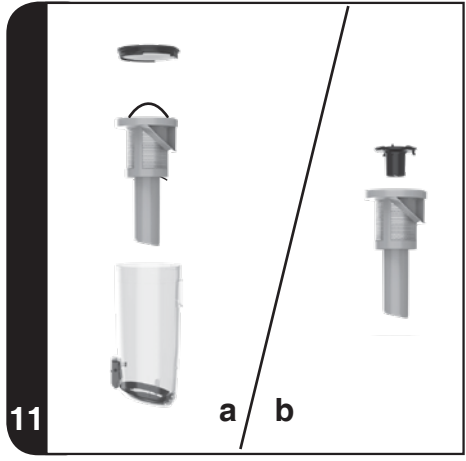
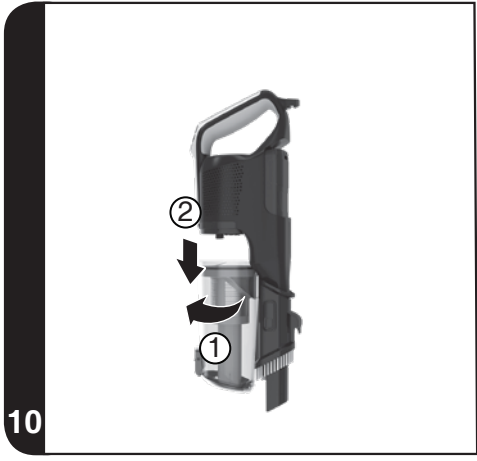
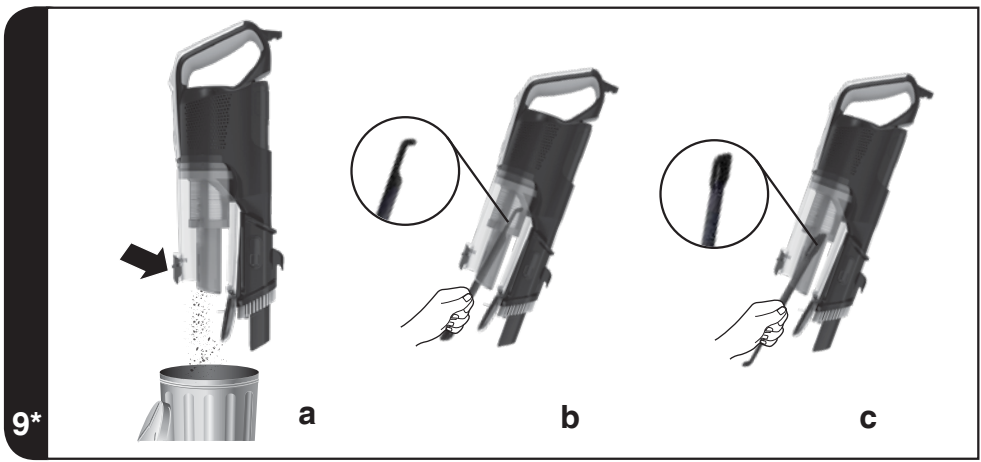


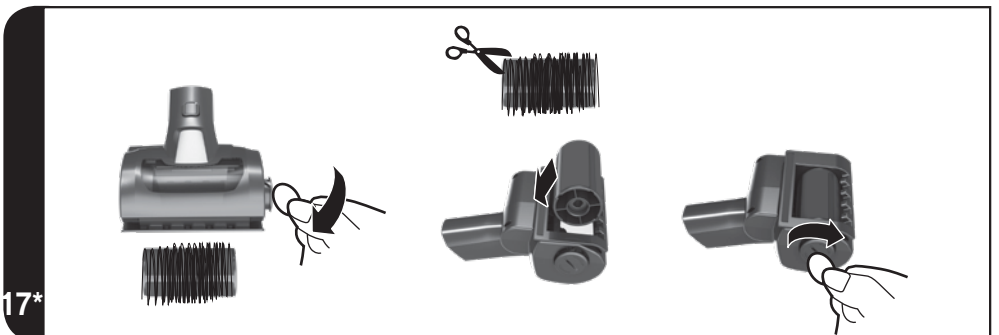
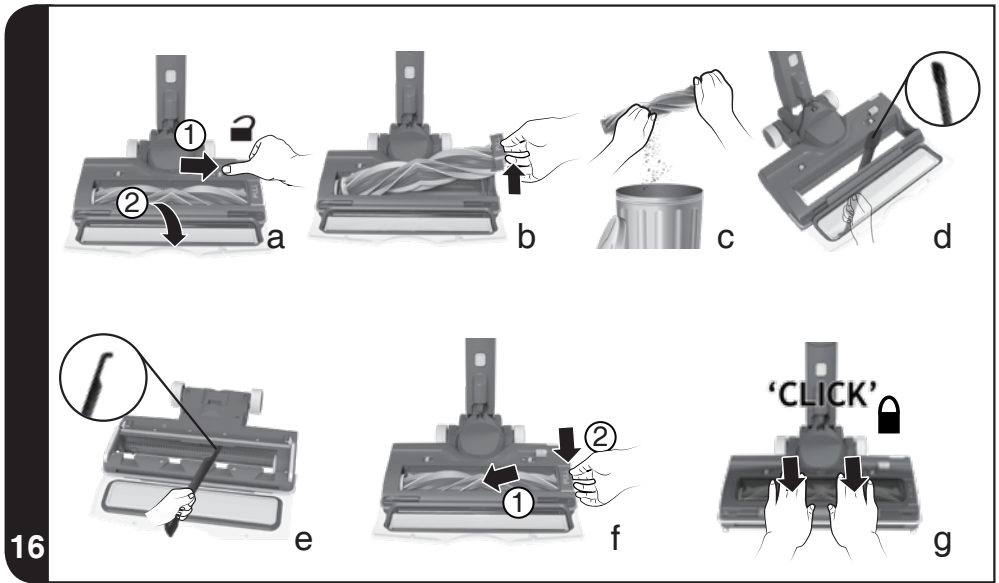
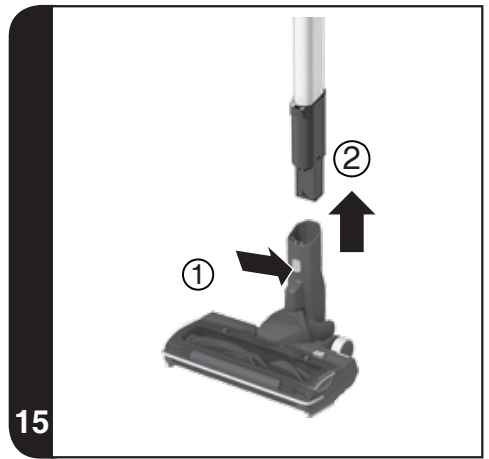
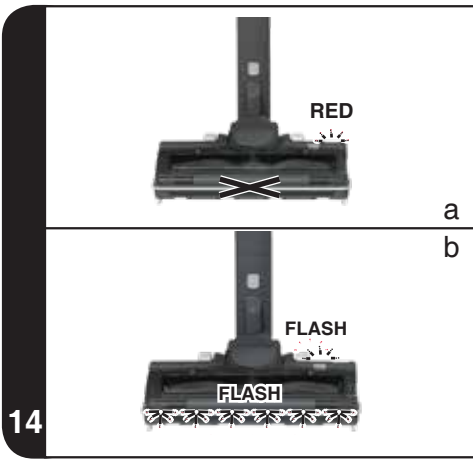


\* Certain models only, accessories may vary according to model









## INSTRUCTIONS FOR SAFE USE

This appliance should only be used for domestic cleaning, as described in this user guide. Please ensure that this guide is fully understood before operating the appliance.

Always switch off and remove the charger from the socket before cleaning the appliance or any maintenance task.

This appliance can be used by children aged from 8 years and above and persons with reduced physical, sensory or mental capabilities or lack of experience and knowledge if they have been given supervision or instruction concerning use of the appliance in a safe way and understand the hazards involved. Children shall not play with the appliance. Cleaning and user maintenance shall not be made by children without supervision.

If the power cord is damaged stop using the appliance immediately. To avoid a safety hazard, an authorised Hoover service engineer must replace the power cord.

Keep hands, feet, loose clothing and hair away from rotating brushes.

Use only the original charger supplied with the appliance.

Check that your supply voltage is the same as that stated on the charger.

This appliance is supplied with a double insulated battery charger which is only suitable for insertion in a 230V (UK 240V) socket outlet.

Plug the charger in to suitable socket outlet and connect the charger jack plug to the appliance.

Switch off the appliance before charging.

The battery pack LED light will illuminate RED during charging and will turn WHITE when fully charged.

Re-connect the appliance to the charger after use to recharge the battery.

Never charge the batteries in temperatures above 37°C or below 0°C.

It is normal for the charger to become warm to the touch when charging.

Do not unplug the charger by pulling on the power cord.

Unplug the charger in the event of prolonged absence (holidays,

etc.). Recharge appliance again before use as batteries may self discharge over increased periods of storage.

If the appliance is to be disposed of the batteries must first be removed. The appliance must be disconnected from the supply mains when removing the battery. Dispose of the batteries safely. Run the appliance until it stops because the batteries are fully discharged. Used batteries should be taken to a recycling station and not disposed of with household waste. To remove the batteries, please contact the Hoover Customer Centre or proceed according to the following instructions.

**IMPORTANT:** Always fully discharge the batteries before removal and ensure the charger is unplugged.

Run the cleaner until the batteries are completely empty.

Remove the charger jack plug from the appliance.

Press the battery pack release buttons and slide to remove.

**NOTE:** Should you experience any difficulty in dismantling the unit or for more detailed information on treatment, recovery and recycling of this appliance, please contact your local city office or your household waste disposal service.

Use only attachments, consumables or spares recommended or supplied by Hoover.

**Static electricity:** Some carpets can cause a small build up of static electricity. Any static discharge is not hazardous to health.

Do not use your appliance out of doors or on any wet surface or for wet pick up.

Do not pick up hard or sharp objects, matches, hot ashes, cigarette ends or other similar items. Do not spray with or pick up flammable liquids, cleaning fluids, aerosols or their vapours.

Do not run over the power cord when using your appliance or remove the plug by pulling on the power cord. Do not continue to use your appliance or charger if it appears faulty.

**Hoover service:** To ensure the continued safe and efficient operation of this appliance we recommend that any servicing or repairs are only carried out by an authorised Hoover service engineer.

Do not use the appliance to clean animals or people.

## Do not replace the batteries with non-rechargeable batteries.

### The Environment:

This appliance is marked according to the European directive 2011/65/EC on Waste Electrical and Electronic Equipment (WEEE). By ensuring this product is disposed of correctly, you will help prevent potential negative consequences for the environment and human health, which could otherwise be caused by inappropriate waste handling of this product. The symbol on the product indicates that this product may not be treated as household waste. Instead it shall be handed over to the applicable collection point for the recycling of electrical and electronic equipment. Disposal must be carried out in accordance with local environmental regulations for waste disposal. For more detailed information about treatment, recovery and recycling of this product, please contact your local city office, your household waste disposal service or the shop where you purchased the product.



This product complies with the European Directives 2014/35/EU, 2014/30/EU and 2011/65/EU.

CANDY HOOVER GROUP S.r.l. Via Privata Eden Fumagalli, 20861 Brugherio (MB) Italy

## PRODUCT COMPONENTS

- |                                  |                                             |
|----------------------------------|---------------------------------------------|
| A. ON/OFF Button                 | R. Maintenance status LED Light             |
| B. Turbo Button                  | S. Battery Charging Light                   |
| C. Silent Button                 | T. Battery Release Button                   |
| D. Dust Cup                      | U. Battery Pack                             |
| E. Dust Bin Flap Release Button  | V. Battery Charging Inlet                   |
| F. Handheld Release Button       | W. Charger                                  |
| G. Storage Release Button        | X. Wall Mount*                              |
| H. Tube                          | Y. Wall Mount Screws*                       |
| I. Nozzle Release Button         | Za. Integrated 2in1 Furniture Tool          |
| J. Nozzle Front LED lights       | Zb. Integrated 2in1 Dusting Brush           |
| K. Brushbar Release Cover Slider | AA. Mini Power Nozzle*                      |
| L. Brushbar Release End Cap      | AB. Mini Power Nozzle Brushbar              |
| M. Brushbar Status LED*          | AC. Mini Power Nozzle Brushbar Release Flap |
| N. Pre-Motor Filter              | AD. Long Crevice Tool*                      |
| O. Single Cyclone Vortex Finder  | AE. Accessories Bag*                        |
| P. Single Cyclone                | AF. Brushbar                                |
| Q. Battery Status LED Light      | AG. Nozzle Window                           |
|                                  | AH. Cleaning Tool*                          |

## PREPARING YOUR CLEANER

Carefully remove your product from the packaging.

- Pick up the nozzle and tube, assemble one end of the tube into the nozzle neck until you hear it 'click' into location. **[1a]**
- Pick up the Handheld unit and assemble onto the tube until you hear it 'click' into location. **[1b]**
- Fix the Wall Mount to your wall using the screws and screw plugs provided. **[2]**
- To fully charge the appliance, connect the charger jack plug to the battery pack. It will take around 2.5Hrs or 6Hrs depending on your model.

**NOTE:** To remove the nozzle, press the nozzle release button and pull away from the main body.

**NOTE:** Use only the charger supplied with your cleaner to recharge. It is normal for the charger to become warm to touch when charging.

\* Certain Models Only



## USING YOUR CLEANER

There are 4 working modes.

- **STANDARD MODE:** When you press ON-OFF button, the cleaner is ready to clean thoroughly with the main motorized nozzle. [3a]
- **TURBO MODE:** Press the Turbo button to fully power the product for hard cleaning tasks. [3b]
- **SILENT MODE:** Press the Silent Mode button to clean thoroughly at the lowest noise level of this product. [3c]
- **AUTO MODE:** When you remove the nozzle or the tube, the product automatically adapts to lower power for above floor cleaning, with non-motorized tools.

**NOTE:** When in this mode, if you require higher power, press the TURBO button: once to get extra power or twice to get full power. If you want to go back to AUTO MODE, press Silent button.

**NOTE:** This cleaner has a Brushbar on the front side of the nozzle and allows pick up of dust and debris from hard floors, parquet and carpets.

### BRUSHBAR STATUS

The brush bar status LED on the nozzle will stay illuminated white during all floor cleaning modes and will turn red if the safety protection system is activated. [14]

## STORAGE FUNCTION

After use, your cleaner has 2 convenient storage methods.

#### 1. WALL MOUNT STORAGE

Your product is supplied with a wall mount for convenient easy storage. Using the screws provided, fix the Wall mount to your wall. After product use, simply place your cleaner into location. [2]

#### 2. COMPACT STORAGE/PARKING MODE

To store the product on the tube, remove the handheld unit by pressing the handheld release button. [5]

Ensure the integrated 2in1 tool (z) is returned to its original position as supplied ensuring the tool is located fully home with the dusting brush and locating hook in the downward position.

Assemble the locating hook into the lower slot on the tube, and push the rear handle fully home into the locking mechanism located at the top of the tube. [6]

## SAFETY PROTECTION SYSTEMS

To ensure the reliability of the product is not affected if used under arduous conditions, the product features three integrated Safety protection systems, one on the cleaner and two on the nozzle.

**NOTE:** The Safety protection systems will action in three conditions:

1. If there are obstructions in the air inlet or in the tube, the cleaner will be protected and turn OFF, and the LED light on the main unit turns to red. If this happens simply check if there are any obstructions in the tube or in the air inlet of the handheld. Remove it and switch ON again.
2. If the brushbar has a blockage or is locked, once actioned, the brushbar will stop rotating and the WHITE LED lights of the brushbar Status LED will turn to RED. [14a] If this happens, simply turn off your product and clear the brushbar obstruction. To resume cleaning, press the on/off button and the product will start working again.
3. If the nozzle window is not completely closed the brushbar will not rotate, the brushbar status LED and the nozzle front LED lights will flash WHITE continuously. [14b]

If this happens, simply turn off your product and ensure the nozzle window is completely closed and switch on again.

## BATTERY

This cleaner is equipped with a Battery Status LED Light. When the product is ON, the LED light illuminates in different colours to show the battery level.

#### BATTERY LEVEL:

White colour: 100% - 10% charge

Red colour blinking: <10% charge

#### There are 2 methods of charging:

Charge the battery when fitted to the product.

Insert the battery charger jack to the battery. The LED status indicator will illuminate RED when charging. When charging

\* Certain Models Only

is complete, the LED status indicator will illuminate WHITE for 1 min then switch off. [7]

Charge the battery when removed from the product.

Remove the battery from the product by pressing the battery release buttons.

Insert the battery charger jack to the battery. The battery pack LED will illuminate RED when charging. When charging is complete, the LED indicator will illuminate WHITE. [8]

**NOTE:** It is normal for the charger to become warm to touch when charging. Use only the charger supplied with your product.

## ACCESSORIES

**Integrated Crevice Tools** - ideal for accessing tight spaces.

**Dusting Brush** - ideal for cleaning surfaces without damaging or scratching.

**Furniture Tool** - ideal for cleaning surfaces like sofa.

**Mini Power Nozzle\*** - ideal for deep cleaning textile surfaces (i.e. sofas) and pet hair removal. The working angle can be adjusted when move backwards and forwards.

**NOTE:** After using, please rotate the brushbar release flap anti-clockwise with a coin to take out the brushbar, and then remove hair / threads collected on the brush. [17]

All the accessories except cleaning tool can be fitted on the main product and on the tube. [4]

**Long Crevice Tool\*** - Ideal for tight and difficult areas.

**Cleaning Tool\*** - ideal to remove the dust, debris and hair in the dust bin or in the nozzle. [9]

### ACCESSORY BAG\*

Accessories can be stored in the accessory bag.

### Wall Mount\*

If required, fix the wall mount to the wall, using the two screws and plugs provided. [2]

## CLEANER MAINTENANCE

Pre-filter maintenance reminder. If the pre-filter needs maintenance, the red light on the cleaner starts to blink in red colour.

### Emptying the Dust Cup

1. Press the handheld release button and remove the tube. [5]
2. Press the dust cup empty button to release the bin flap and empty the contents. [9a]
3. Close the dust cup flap, you will hear a click when fully locked.

**NOTE:** It is recommended to empty the dust cup after each use or when dust is up to the max fill line.

### Quick Daily Cleaning of Dust Cup

Just open the dust bin flap and remove the dust with the help of the cleaning tool.

1. Use the hook end to pull out the dust collected inside the dust bin. [9b]
2. Use the brush end to clean the fine dust stuck around the metal mesh filter. [9c]

### Cleaning the Dust Cup and Filter

The LED indicator on the product will flash RED to indicate the cleaning Pre-motor Filter is required.

1. Press the handheld release button and remove the handheld unit from the tube. [5]
2. Press the battery release button and remove the battery.
3. Remove the dust bin assembly by turning it clockwise and pulling away from the unit. [10]
4. Remove the Pre-Motor filter pulling the support from the bin assembly. [11a]
5. Remove the single cyclone system pulling the metal ring from the bin assembly. [11a]
6. Remove vortex finder by rotating clockwise and pull from the cyclone system. [11b]
7. Wash the filter and single cyclone system in lukewarm water and leave to dry for 24 hours. [12,13]
8. Reassemble once completely dry and refit to the product.

**NOTE:** Do not use hot water or detergents when cleaning the pre-motor filter. In the unlikely event of the pre-motor filter becoming damaged, fit a genuine Hoover replacement. Please ensure you refit the pre-motor filter before assembling dust bin to cleaner main body otherwise the filter protection mechanism will be activated.

**IMPORTANT:** For optimum performance, always keep your filter clean. We recommend that the filter should be washed at least once a month.

\* Certain Models Only

### Cleaning the brushbar and the nozzle

**IMPORTANT:** Always switch off the cleaner before changing and cleaning the brushbar.

If there are any obstructions or fine dust around the brushbar:

1. Remove the nozzle from the tube. [15]
2. Move the slider to the right and the nozzle window will pop open. [16a]
3. Fully open the nozzle window to remove the hybrid brushbar. [16a]
4. Hold the brushbar release end cap and remove the brushbar. [16b]
5. If there is remaining dirt in the brushbar, remove it manually or with the help of the cleaning tool. [16c]
6. If there is dirt inside the nozzle or around the comb, remove it by using the brush of the cleaning tool. [16d]
7. To ensure nozzle is fully clear of any obstructions, turn the nozzle over and check along the bottom area. If required, clean this area using the Hook of the cleaning tool provided. [16e]
8. Turn the nozzle to the initial position and re-fit the brushbar. The brushbar can only fit in one direction and press the end slightly to make sure the brushbar is in place. [16f]
9. Close the window by pressing the middle area of window until you hear it “click” into place. Check the window is completely locked by pressing on both sides. [16g]

### Replacing the Batteries

This cleaner is fitted with a rechargeable lithium ion battery pack which is replaceable.

**WARNING:** Only use approved replacement parts for your cleaner. Using parts not validated by hoover are dangerous and will invalidate your guarantee.

**WARNING:** Do not try to open the battery pack and repair it by yourself.

1. Press the battery release buttons and pull the battery outside. [8]
2. Removed the old battery pack and replace with the new battery pack.
3. Dispose of the batteries safely. Used batteries should be taken to a recycling station and not disposed of with household waste.

## TROUBLE SHOOTING

Should you have any problem with the cleaner, follow this simple check list before calling the Hoover Customer Service Centre:

### A. Cleaner does not switch on

Check if the cleaner is charged.

Check if the battery pack is assembled in place.

### B. Cleaner stop working

Check if there is an obstruction in air inlet or in the tube, clear it and ensure the product is OFF. Once this is done simply press the on/off button, the product will start working again.

### C. Loss of suction or no suction

Empty the dust cup and wash the pre-filter and separation system. [12, 13]

Remove nozzle and check for any blockages in the duct.

### D. Batteries cannot be charged

This may be a result of very long storage periods (over half year).

Contact Hoover customer service to arrange battery replacement.

If the problem persists, contact the Hoover customer service center.

### E. Brushbar Status LED is RED

There is a blockage in the nozzle or an obstruction to the brushbar. See Cleaner Maintenance section.

### F. Brushbar Status LED and nozzle front LED lights are flashing WHITE

The nozzle window has not been completely closed.

If this happens, simply turn off your product and ensure the nozzle window is completely closed and switch on again.

## HOOVER SPARES AND CONSUMABLES

Always replace parts with genuine Hoover spares. These are available from your local Hoover dealer or direct from Hoover. When ordering parts always quote your model number.

## YOUR GUARANTEE

The guarantee conditions for this appliance are as defined by our representative in the country in which it is sold. Details regarding these conditions can be obtained from the dealer from whom the appliance was purchased. The bill of sale or receipt must be produced when making any claim under the terms of this guarantee.

**IMPORTANT:** the battery in this cleaner is guaranteed for 2 years from the date of purchase. After 2 years the customer is liable for the cost of a new battery.

Subject to change without notice.

## INSTRUCTIONS DE SÉCURITÉ D'UTILISATION

Cet appareil ne doit être utilisé que pour un nettoyage domestique, conformément à ce guide d'utilisation. Veuillez vous assurer que ces instructions sont parfaitement comprises avant d'utiliser l'appareil.

Il convient de toujours éteindre et mettre le chargeur hors tension avant d'entreprendre des opérations de nettoyage ou d'entretien de l'appareil.

Cet appareil peut être utilisé par des enfants âgés d'au moins 8 ans et par des personnes ayant des capacités physiques, sensorielles ou mentales réduites, ou n'ayant pas d'expérience ou de connaissances en la matière. Ces dernières doivent recevoir des instructions sur l'utilisation de l'appareil en toute sécurité et comprendre les risques impliqués. Les enfants ne doivent pas jouer avec l'appareil. Le nettoyage et l'entretien ne devraient pas être effectués par des enfants sans supervision.

Si le cordon d'alimentation est endommagé, arrêtez immédiatement d'utiliser l'appareil. Pour éviter les risques d'accident, un réparateur Hoover agréé doit remplacer le cordon d'alimentation.

Maintenez les mains, pieds, vêtements et cheveux à distance des brosses rotatives.

Utilisez uniquement le chargeur d'origine qui vous a été fourni avec l'appareil.

Vérifiez que la tension de l'alimentation est la même que celle indiquée sur le chargeur.

Cet appareil Candy est fourni avec un chargeur de batterie doublement isolé qui n'est adapté qu'à une prise de 230 V (240 V Grande-Bretagne).

Branchez le chargeur dans une prise adaptée et connectez la prise jack du chargeur dans l'appareil.

Éteignez l'appareil avant de le charger.

Le voyant LED du bloc batterie s'illumine en ROUGE lors de la charge et deviendra BLANC lorsque l'appareil est entièrement chargé.

Rebranchez l'appareil au chargeur après l'utilisation pour recharger les batteries.

Ne rechargez jamais les batteries dans des températures de plus de 37°C ou en-dessous de 0°C.

Il est normal que le chargeur devienne chaud au toucher lorsqu'il est en train de charger.

Ne débranchez pas l'appareil en tirant sur le cordon d'alimentation. Le chargeur doit être débranché en cas d'absence prolongée (vacances, etc.). Rechargez l'appareil de nouveau avant de l'utiliser car les batteries peuvent se décharger toutes seules si elles sont stockées pendant longtemps.

Si vous mettez l'appareil à la poubelle, il convient de retirer les batteries d'abord. L'appareil ne doit pas être branché à la prise lorsque vous retirez les batteries. Jetez les batteries dans un endroit sûr. Laissez fonctionner l'appareil jusqu'à l'arrêt total de l'appareil provoqué par le déchargement complet des batteries. Les batteries usées doivent être amenées à un point de recyclage et non pas être éliminées avec les ordures ménagères. Pour retirer les batteries, veuillez contacter le centre d'assistance Hoover ou suivez les instructions suivantes.

**IMPORTANT** : Déchargez toujours complètement les piles avant de les retirer.

Utilisez votre aspirateur jusqu'à ce que la batterie soit complètement déchargée.

Retirez la prise jack du chargeur de l'appareil. Appuyez sur les boutons de déverrouillage du bloc batterie et faites glisser le bloc batterie pour le retirer.

**REMARQUE** : Si vous rencontrez des difficultés en démontant l'unité ou si vous souhaitez obtenir de plus amples informations concernant le traitement, la maintenance et le recyclage de cet appareil, veuillez contacter les services de votre ville locale ou un centre de traitement des ordures ménagères.

N'utilisez que les accessoires, les consommables et les pièces de rechange recommandés ou fournis par Hoover.

**Électricité statique** : certains tapis peuvent entraîner une petite accumulation d'électricité statique. Les décharges d'électricité statique ne sont pas dangereuses pour la santé.

N'utilisez pas votre appareil à l'extérieur, sur une surface humide ou aspirer des débris humides.

N'aspirez pas d'objets durs ou tranchants, d'allumettes, de cendres chaudes, de mégots de cigarettes ou d'autres objets similaires. Ne pulvérisez ou n'aspirez pas de liquides inflammables, des produits d'entretien liquides, des aérosols ou leurs vapeurs.

Ne marchez pas sur le cordon d'alimentation lorsque vous utilisez votre appareil et ne le débranchez pas de la prise en tirant sur le cordon d'alimentation. Ne continuez pas à utiliser votre appareil ou votre chargeur s'il semble défectueux.

**Service Hoover :** Pour assurer l'utilisation sûre et efficace de cet appareil, nous recommandons de n'en confier l'entretien et les réparations qu'à un réparateur Hoover agréé.

N'utilisez pas l'appareil sur des personnes ou des animaux.

Ne remplacez pas les batteries avec des batteries non rechargeables.

#### Environnement :

Cet appareil porte des marquages conformes à la directive européenne 2011/65/EC relative aux déchets d'équipements électriques et électroniques (DEEE). Si vous jetez ce produit convenablement, vous contribuerez à éviter des conséquences potentiellement nuisibles pour l'environnement et pour la santé. Le symbole figurant sur le produit indique qu'il ne peut pas être mis à la poubelle avec les ordures ménagères. Vous devez le déposer dans un centre de recyclage des déchets électriques et électroniques. La déposition doit être effectuée conformément à la réglementation locale en matière de déchets. Pour obtenir des compléments d'information sur le traitement, la récupération et le recyclage de ce produit, merci de contacter votre municipalité, le service local des ordures ménagères ou le lieu d'achat du produit.



Cet appareil est conforme aux Directives européennes 2014/35/UE, 2014/30/EUE et 2011/65/UE.

CANDY HOOVER GROUP S.r.l. Via Privata Eden Fumagalli, 20861 Brugherio (MB) Italy

### COMPOSANTS DU PRODUIT

- |                                                          |                                                   |
|----------------------------------------------------------|---------------------------------------------------|
| A. Commutateur Marche/Arrêt                              | S. Voyant de charge de la batterie                |
| B. Bouton turbo                                          | T. Bouton de déverrouillage de la batterie        |
| C. Bouton silencieux                                     | U. Bloc batterie                                  |
| D. Bac à poussière                                       | V. Entrée de charge de la batterie                |
| E. Bouton de déverrouillage du volet du bac à poussière  | W. Chargeur                                       |
| F. Bouton de déverrouillage du manche du balai           | X. Support mural*                                 |
| G. Bouton de déverrouillage du réservoir                 | Y. Vis de montage mural*                          |
| H. Tube                                                  | Za. Accessoire de meuble 2en1 intégré             |
| I. Bouton pour détacher la brosse                        | Zb. Brosse de dépoussiérage 2en1 intégrée         |
| J. Voyants LED avant de la brosse                        | AA. Brosse à puissance mini*                      |
| K. Variateur du couvercle de déverrouillage de la brosse | AB. Brosse gicleur mini power                     |
| L. Capuchon d'extrémité de déverrouillage de la brosse   | AC. Rabat de déverrouillage du gicleur mini power |
| M. Led état brosse*                                      | AD. Suceur long*                                  |
| N. Filtre pré-moteur                                     | AE. Sac d'accessoires*                            |
| O. Détecteur Vortex à cyclone unique                     | AF. Brosse                                        |
| P. Simple Cyclone                                        | AG. Gicleur pour fenêtres                         |
| Q. Voyant LED d'état de la batterie                      | AH. Nettoyeur*                                    |
| R. Voyant LED d'état d'entretien                         |                                                   |

### PREPARATION DE L'APPAREIL

Enlevez soigneusement le produit de l'emballage.

1. Ramassez la brosse et le tube, montez une extrémité du tube dans le col de la brosse jusqu'à ce qu'elle s'enclenche en place. **[1a]**
2. Ramassez l'unité portable et montez-la sur le tube jusqu'à ce qu'elle s'enclenche en place. **[1b]**
3. Fixez le support mural au mur à l'aide des vis et des chevilles en plastique. **[2]**
4. Pour entièrement charger l'appareil, connectez la prise jack du chargeur à la batterie. Cela prendra entre 2,5 heures et 6 heures environ selon votre modèle.

**REMARQUE :** Pour enlever la brosse, appuyez sur le bouton pour détacher la brosse et enlevez-la du corps principal.

**REMARQUE :** N'utilisez que le chargeur fourni avec votre nettoyeur pour recharger. Il est normal pour le chargeur de devenir chaud au toucher lorsqu'il est en train de charger.

\* Sur certains modèles uniquement

## UTILISATION DE L'APPAREIL

Il existe 4 modes de fonctionnement :

- **MODE STANDARD** : Lorsque vous appuyez sur le bouton MARCHÉ-ARRÊT, l'aspirateur est prêt à nettoyer à fond à l'aide de la brosse motorisée principale. [3a]
  - **MODE TURBO** : Appuyez sur le bouton Turbo afin d'obtenir la pleine puissance nécessaire pour le nettoyage des sols durs après avoir mis en marche votre aspirateur. [3b]
  - **MODE SILENCIEUX** : Appuyez sur le bouton silence pour nettoyer au niveau sonore le plus bas après avoir mis en marche votre aspirateur. [3c]
  - **MODE AUTOMATIQUE** : Lorsque vous retirez la brosse ou le tube, le produit s'adapte automatiquement à une puissance inférieure destinée au nettoyage des sols en hauteur, à l'aide d'accessoires non motorisés.
- REMARQUE** : Grâce ce mode, si vous avez besoin de plus de puissance, appuyez sur le bouton TURBO : une fois pour obtenir de la puissance supplémentaire ou deux fois pour obtenir la pleine puissance. Si vous voulez revenir en MODE AUTOMATIQUE, appuyez sur le bouton Silent.
- REMARQUE** : Ce nettoyeur est doté d'une brosse à l'avant du gicleur et permet de ramasser la poussière et les débris sur les sols durs, les parquets et les tapis.

### ÉTAT BROSSÉ

Le voyant LED d'état de l'électrobrosse sur la buse reste illuminé en blanc pendant tous les modes de nettoyage de sol et devient rouge si le système de protection de sécurité s'active. [14]

## FONCTION DE STOCKAGE

Après usage, votre aspirateur peut être stocké de 2 manières appropriées.

#### 1. RANGEMENT SUR SUPPORT MURAL

Votre produit est fourni avec un support mural destiné à faciliter son rangement. À l'aide des vis fournies, fixez le support mural à votre mur. Après avoir utilisé le produit, placez simplement votre aspirateur à cet endroit. [2]

#### 2. MODE RANGEMENT COMPACT/PARKING

Pour fixer le produit sur le tube, retirez la partie haute en appuyant sur le bouton de déverrouillage. [5]

Assurez-vous que l'accessoire 2 en 1 intégré (z) est rentré dans sa position initiale tel que fourni, tout en vous assurant que l'accessoire est placé dans sa position d'origine, la brosse de dépoussiérage et le crochet de localisation se trouvant dans la position basse.

Montez le crochet de localisation dans la fente inférieure sur le tube, et poussez la poignée arrière pour qu'elle retrouve sa position d'origine dans le mécanisme de verrouillage placé en haut du tube. [6]

## SYSTÈMES DE PROTECTION DE SÉCURITÉ

Pour s'assurer que la fiabilité du produit n'est pas affectée en cas d'utilisation dans des conditions difficiles, le produit a été équipé de trois systèmes de protection de sécurité intégrés, un sur l'aspirateur et deux sur la brosse.

**REMARQUE** : Le système de protection de sécurité s'actionne dans trois conditions :

1. S'il y a des obstructions dans l'entrée d'air ou dans le tube, l'aspirateur se protège et s'éteint ; le voyant LED sur l'unité principale devient rouge. Si cela se produit, vérifiez simplement s'il y a des obstructions dans le tube ou l'arrivée d'air de l'unité principale. Retirez-les et allumez à nouveau l'appareil.
2. Si la brosse est bloquée ou verrouillée, une fois actionnée, la brosse s'arrête de tourner et les voyants BLANCS LED de la led d'état de la brosse passent au ROUGE. [14a] Si cela se produit, éteignez simplement le produit et dégagez l'obstruction de la brosse. Pour reprendre le nettoyage, appuyez sur le bouton de marche/arrêt et le produit redémarrera en mode normal.
3. Si le gicleur pour fenêtres n'est pas complètement fermé, la brosse ne tournera pas, la LED d'état de la brosse et les voyants LED avant du gicleur clignoteront en permanence en BLANC. [14b]

Si cela se produit, il faut tout simplement éteindre votre appareil et vous assurer que le gicleur pour fenêtres est complètement fermé et, puis, vous pouvez le rallumer.

## BATTERIE

Cet aspirateur est équipé d'un voyant LED d'état de la batterie. Lorsque le produit est allumé, le voyant LED s'illumine en différentes couleurs pour indiquer le niveau de batterie.

\* Sur certains modèles uniquement



**NIVEAU DE BATTERIE :**

Couleur blanche : 100% - 10% charge

Rouge clignotant : <10% charge

**Il existe 2 procédés de charge :**

Chargez la batterie lorsqu'elle est fixée au produit.

Insérez la prise jack du chargeur de batterie dans la batterie. L'indicateur d'état LED s'allume en ROUGE lors de la charge. Lorsque la charge est complète, l'indicateur d'état LED s'allume en BLANC pendant 1 min, puis s'éteint. [7]

Chargez la batterie lorsqu'elle est retirée du produit.

Retirez la batterie du produit en appuyant sur les boutons de déverrouillage de la batterie.

Insérez la prise jack du chargeur de batterie dans la batterie. Le voyant LED du bloc batterie s'allume en ROUGE lors de la charge. Lorsque la charge est complète, l'indicateur LED s'allume en BLANC. [8]

**REMARQUE :** Il est normal pour le chargeur de devenir chaud au toucher lorsqu'il est en train de charger. N'utilisez que le chargeur fourni avec votre nettoyeur.

**ACCESSOIRES**

**Suceurs plats intégrés** - idéal pour l'accès d'espaces étroits.

**Brosse meuble** - idéal pour le nettoyage de surfaces sans dommages ni égratignures.

**Accessoire de meuble** - idéal pour le nettoyage de surfaces comme le canapé.

**Brosse à puissance mini\*** - Idéal pour le nettoyage en profondeur des surfaces textiles (c.-à-d. les canapés) et pour le retrait de poils d'animaux domestiques. L'angle de travail peut être réglé en bougeant en avant et en arrière.

**REMARQUE :** Après utilisation, veuillez tourner le clapet de déverrouillage de la brosse dans le sens inverse des aiguilles d'une montre à l'aide d'une pièce de monnaie pour retirer la brosse, puis retirez les cheveux/fils accumulés sur la brosse.

[17]

Tous les accessoires sauf le nettoyeur peuvent être montés sur le corps principal et sur le tube. [4]

**Suceur long\*** - Idéal pour les endroits étroits et d'accès difficile.

**Nettoyeur\*** - idéal pour éliminer la poussière, les débris et les cheveux dans le bac à poussière ou dans le gicleur. [9]

**Sac accessoires\***

Les accessoires supplémentaires peuvent être rangés dans le sac accessoires.

**Support mural\***

Si nécessaire, fixez le support mural au mur, à l'aide de deux vis et des chevilles fournies. [2]

**ENTRETIEN DE L'ASPIRATEUR**

Rappel de maintenance du pré-filtre. Si le pré-filtre a besoin de maintenance, le voyant rouge sur l'aspirateur commence à clignoter en couleur rouge.

**Vider le bac à poussière**

1. Appuyez sur le bouton de déverrouillage manuel et retirez le tube. [5]
2. Appuyez sur le bouton de vidage du bac à poussière pour ouvrir le clapet du bac et videz-le. [9a]
3. Fermez le clapet du bac à poussière ; vous entendrez un déclic une fois complètement verrouillé.

**REMARQUE :** Il est recommandé de vider le bac à poussière après chaque usage ou lorsque la poussière atteint la ligne de remplissage maximale.

**Nettoyage quotidien rapide du bac à poussière.**

Il suffit d'ouvrir le volet du bac à poussière à l'aide du nettoyeur.

1. Utilisez l'extrémité du crochet pour faire sortir la poussière collectée à l'intérieur du bac à poussière. [9b]
2. Utilisez l'extrémité de la brosse pour éliminer la poussière fine coincée autour du filtre en toile métallique. [9c]

**Nettoyez le bac à poussière et le filtre**

L'indicateur LED sur le produit clignote en ROUGE pour indiquer que le nettoyage du filtre pré-moteur est requis.

1. Appuyez sur le bouton de déverrouillage de la partie mobile et retirez l'unité portable du tube. [5]
2. Appuyez sur le bouton de déverrouillage de la batterie et retirez la batterie.
3. Retirez l'ensemble du bac à poussière en le tournant dans le sens horaire et en le tirant de l'unité. [10]
4. Retirez le filtre pré-moteur en tirant le support de l'ensemble bac. [11a]
5. Enlevez le système de cyclone unique en tirant l'anneau métallique de l'ensemble bac. [11a]
6. Retirez la protection du filtre en tournant dans le sens horaire et retirez-la du système de cyclone. [11b]
7. Lavez le filtre et le système de cyclone unique dans de l'eau tiède et laissez-les sécher pendant 24 heures. [12,13]
8. Remontez-le quand il est complètement sec et remplacez-le sur le produit.

\* Sur certains modèles uniquement

**REMARQUE** : N'utilisez pas d'eau chaude ou des détergents lorsque vous nettoyez le filtre pré-moteur. Dans le cas peu probable où le filtre pré-moteur s'endommage, fixez une pièce de rechange certifié Hoover. Veuillez-vous assurer de refixer le filtre pré-moteur avant de monter le bac à poussière dans le corps principal de l'aspirateur, étant donné que le mécanisme de protection du filtre s'activera.

**IMPORTANT** : Pour des performances optimales, conservez le filtre propre. Nous recommandons que le filtre soit lavé au moins une fois par mois.

### Nettoyer la brosse et le gicleur

**IMPORTANT** : Arrêtez toujours l'appareil avant de changer ou de nettoyer la brosse.

S'il y a des obstructions ou de la poussière fine autour de la brosse :

1. Retirez la brosse du tube. **[15]**
2. Déplacez le variateur vers la droite et le gicleur pour fenêtres s'ouvrira. **[16a]**
3. Ouvrez complètement le gicleur pour fenêtres afin de retirer la brosse hybride. **[16a]**
4. Tenez le capuchon d'extrémité de déverrouillage de la brosse et retirez la brosse. **[16b]**
5. S'il y a de la saleté résiduelle sur la brosse, retirez-la manuellement ou à l'aide du nettoyeur. **[16c]**
6. S'il y a de la saleté à l'intérieur ou autour du peigne, retirez-le à l'aide de la brosse du nettoyeur. **[16d]**
7. Pour s'assurer que le gicleur soit complètement libre de toute obstruction, tournez le gicleur et vérifiez le dessous. Si nécessaire, nettoyez cette partie à l'aide du crochet du nettoyeur fourni. **[16e]**
8. Tournez le gicleur jusqu'à le reporter en position initiale et remontez la brosse. La brosse ne peut s'adapter que dans un seul sens. Appuyez légèrement sur l'extrémité pour vous assurer que la brosse est en place. **[16f]**
9. Fermez la fenêtre en appuyant sur la partie centrale de la fenêtre jusqu'à ce que vous entendiez un « clic ». Vérifiez que la fenêtre est complètement verrouillée en appuyant sur les deux côtés. **[16g]**

### Remplacement des batteries

L'aspirateur est équipé d'un bloc batterie Lithium ion rechargeable qui est remplaçable.

**MISE EN GARDE** : Utilisez uniquement les pièces de rechange compatibles avec votre aspirateur. L'utilisation de pièces non approuvées par Hoover est dangereuse et invalidera votre garantie.

**MISE EN GARDE** : N'essayez pas d'ouvrir la batterie pour la réparer vous-même.

1. appuyez sur les boutons de déverrouillage de la batterie et tirez la batterie vers l'extérieur. **[8]**
2. Enlevez l'ancienne batterie et remplacez-la par une nouvelle.
3. Jetez les batteries dans un endroit sûr. Les batteries usées doivent être amenées à un point de recyclage et non pas être éliminées avec les ordures ménagères.

## DÉPANNAGE

Si vous avez des problèmes avec votre nettoyeur, suivez cette simple liste de vérification avant d'appeler le service clientèle Hoover :

### A. L'aspirateur ne s'allume pas

Vérifiez que le nettoyeur est chargé.

Vérifiez que la batterie est bien en place.

### B. L'aspirateur s'arrête de fonctionner

Vérifiez s'il y a une obstruction dans l'entrée d'air ou dans le tube, dégagez-la et assurez-vous que le produit est éteint. Une fois que cela est fait, appuyez simplement sur le bouton marche/arrêt, le produit recommencera à fonctionner.

### C. Aspiration insuffisante ou pas d'aspiration du tout

Videz le bac à poussière et lavez le pré-filtre et le système de séparation. **[12, 13]**

Enlevez la brosse et vérifiez qu'il n'y a pas de blocages dans les conduites.

### D. La batterie ne charge pas

Cela peut être dû à de très longues périodes de stockage (plus de 6 mois).

Contactez le service clientèle Hoover pour effectuer le changement de batterie.

Si le problème persiste, contactez le service clientèle Hoover.

### E. La LED état brosse est ROUGE

Il y a un blocage dans le gicleur ou une obstruction au niveau de la brosse. Veuillez vous référer à la section ENTRETIEN DE L'ASPIRATEUR.

### F. LED état brosse et voyants LED avant clignotent en BLANC

Le gicleur pour fenêtres n'a pas été complètement fermé.

Si cela se produit, il faut tout simplement éteindre votre appareil et vous assurer que le gicleur pour fenêtres est complètement fermé et, puis, vous pouvez le rallumer.

## PIÈCES DÉTACHÉES ET CONSOMMABLES HOOVER

Toujours remplacer les pièces par des pièces détachées de la marque Hoover. Celles-ci sont disponibles auprès de votre revendeur Hoover. Lors de la commande de pièces, veuillez toujours préciser le numéro de votre modèle.

## VOTRE GARANTIE

Les conditions de garantie de cet appareil sont définies par notre représentant dans le pays où il est vendu et peuvent être obtenues auprès de votre revendeur. Les détails concernant ces conditions peuvent être obtenus auprès du revendeur auprès duquel l'appareil a été acheté. La facture d'achat ou le reçu doivent être présentés pour toutes réclamations relevant des conditions de cette garantie.

**IMPORTANT** : La batterie de cet aspirateur bénéficie d'une garantie de 2 ans à partir de la date d'achat. Passés les deux ans, le client est responsable du coût d'acquisition d'une nouvelle batterie.

Ces conditions peuvent être modifiées sans préavis.

## HINWEISE FÜR DIE SICHERE BENUTZUNG

Dieses Gerät ist nur zum Gebrauch im Haushalt und nicht für gewerbliche Zwecke bestimmt. Sie sollten das Gerät ausschließlich gemäß den Angaben in dieser Bedienungsanleitung verwenden. Vor dem Gebrauch des Gerätes muss die vorliegende Bedienungsanleitung vollständig gelesen und verstanden worden sein.

Schalten Sie das Gerät immer aus und ziehen den Stecker des Ladegerätes, bevor Sie das Gerät reinigen oder irgendwelche Wartungsarbeiten durchführen.

Dieses Gerät darf von Kindern ab 8 Jahren, sowie körperlich, geistig oder sensorisch behinderten Personen bzw. Personen ohne Erfahrung und Kenntnisse im Gebrauch nur unter Aufsicht oder unter Anleitung für die sichere Benutzung und den damit verbundenen Gefahren benutzt werden. Kinder sollten nicht mit dem Gerät spielen. Reinigungs- und Wartungsarbeiten dürfen von Kindern nur unter Aufsicht ausgeführt werden.

Ist das Netzkabel beschädigt, darf das Gerät NICHT mehr benutzt werden. Im Falle eines Defektes, darf das Netzkabel nur durch einen autorisierten Hoover-Kundendiensttechniker ausgetauscht werden.

Hände, Füße, lose Kleidung und Haare von den rotierenden Bürsten fernhalten.

Verwenden Sie nur das Originalladegerät, das mit dem Gerät geliefert wurde.

Stellen Sie sicher, dass die Versorgungsspannung mit der auf dem Ladegerät angegebenen Spannung übereinstimmt.

Dieses Haushaltsgerät von Hoover wird mit einem schutzisolierten Batterieladegerät geliefert, welches ausschließlich für 230 V (GB 240 V) Steckdosen geeignet ist.

Stecken Sie das Netzteil in eine geeignete Steckdose und schließen Sie den Stecker am Gerät an.

Schalten Sie das Gerät vor dem Aufladen des Akkus aus.

Die Akku-LED-Leuchte leuchtet während des Ladevorgangs ROT und nach dem Aufladen WEISS.

Schließen Sie das Gerät nach der Benutzung wieder an das Netzteil an, um die Akkus wieder aufzuladen.

Akkus niemals bei Temperaturen über 37°C oder unter 0°C aufladen! Es ist normal, dass sich das Ladegerät während des Ladevorgangs erwärmt.

Ziehen Sie den Netzstecker des Ladegerätes NIEMALS durch

Ziehen am Kabel heraus.

Ziehen Sie im Fall einer längeren Abwesenheit, z. B. Urlaub usw. den Stecker des Ladegerätes aus der Steckdose. Laden Sie nach einer längeren Zeit der Lagerung/Nichtbenutzung das Gerät vor der erneuten Benutzung wieder komplett auf, da sich die Akkus von selber entladen können.

Wenn das Gerät entsorgt wird, müssen zuvor die Akkus entfernt werden. Das Gerät muss von der Stromnetz getrennt sein, wenn die Akkus entnommen werden. Entsorgen Sie die Akkus ordnungsgemäß. Lassen Sie das Gerät laufen, bis die Akkus leer sind und es von selber stoppt. Gebrauchte Akkus sollten zum Recycling zurückgegeben und nicht mit dem Hausmüll entsorgt werden. Um die Akkus herauszunehmen, wenden Sie sich bitte an das Hoover-Kundendienst oder führen Sie folgende Schritte aus.

**WICHTIG:** Entladen Sie die Akkus zunächst vollständig, bevor Sie diese herausnehmen und vergewissern sich, dass das Ladegerät nicht angeschlossen ist.

Lassen Sie dafür das Gerät laufen, bis die Akkus vollständig entladen sind.

Ziehen Sie den Stecker des Ladegeräts aus dem Gerät.

Drücken Sie die Freigabetaste des Akkus und schieben Sie ihn heraus, um ihn zu entnehmen.

**HINWEIS:** Sollten Sie irgendwelche Schwierigkeiten beim Auseinandernehmen des Gerätes haben oder detailliertere Informationen zur Behandlung, Reparatur oder zum Recycling des Geräts benötigen, kontaktieren Sie bitte Ihre Stadtverwaltung oder den lokalen Entsorgungsdienst für Haushaltsabfälle.

Verwenden Sie nur Zubehör, Verbrauchsmaterial oder Ersatzteile, die von Hoover empfohlen oder geliefert werden.

**Statische Aufladung:** Manche Teppiche können die Bildung statischer Elektrizität verursachen. Diese ist nicht gesundheitsschädlich.

Benutzen Sie das Gerät nicht im Freien, auf nassen Oberflächen oder zur Aufnahme von feuchtem Schmutz.

Vermeiden Sie es, harte oder scharfe Gegenstände, Streichhölzer, heiße Asche, Zigarettenkippen oder Ähnliches aufzusaugen. Niemals entzündliche Flüssigkeiten, Reinigungsmittel, Aerosole oder deren Dämpfe auf das Gerät sprühen oder damit aufsaugen.

Während des Betriebs nicht über das Netzkabel fahren. Nicht am Kabel ziehen, um den Gerätestecker aus der Steckdose zu ziehen. Stellen Sie die Verwendung des Gerätes oder des Ladegerätes ein, wenn ein Defekt vermutet wird.

**Hoover-Kundendienst:** Um auf Dauer den sicheren und effizienten Betrieb dieses Gerätes zu gewährleisten, empfehlen wir, Wartungs- und Reparaturarbeiten ausschließlich von einem zugelassenen Hoover-Kundendiensttechniker durchführen zu lassen.

Benutzen Sie das Gerät nicht zur Reinigung von Menschen oder Tieren.

Ersetzen Sie die Akkus nicht durch Einwegbatterien.

#### Umweltschutz:

Dieses Elektrohaushaltsgerät ist entsprechend der EU-Richtlinie 2011/65/EC über Elektro- und Elektronik-Altgeräte (WEEE) gekennzeichnet. Durch die sichere und umweltgerechte Entsorgung dieses Produkts tragen Sie dazu bei, mögliche negative Auswirkungen auf die Umwelt und die Gesundheit des Menschen zu verhindern. Das am Produkt angebrachte Symbol gibt an, dass dieses Produkt nicht als Hausmüll behandelt werden darf, sondern an einer entsprechenden Sammelstelle für das Recycling von elektrischen und elektronischen Geräten zu entsorgen ist. Die Entsorgung ist in Übereinstimmung mit allen geltenden Vorschriften für die umweltgerechte Abfallentsorgung vorzunehmen. Ausführlichere Informationen über die Müllbehandlung und das Recycling dieses Geräts erhalten Sie von der zuständigen Umweltbehörde, der Müllentsorgungsstelle Ihrer Kommune oder dem Händler, bei dem Sie das Gerät erworben haben.



Dieses Gerät erfüllt die Europäischen Richtlinien 2014/35/EG, 2014/30/EG und 2011/65/EG.

CANDY HOOVER GROUP S.r.l. Via Privata Eden Fumagalli, 20861 Brugherio (MB) Italy

### PRODUKTBESTANDTEILE

- |                                                   |                                                            |
|---------------------------------------------------|------------------------------------------------------------|
| A. Ein/Aus-Taste                                  | S. Anzeigeleuchte Akku-Laden                               |
| B. Taste für Turbo-Betriebsmodus                  | T. Akkupack-Freigabetaste                                  |
| C. Taste für Silent-Betriebsmodus                 | U. Akku                                                    |
| D. Staubbehälter                                  | V. Anschluss zum Laden des Akkus                           |
| E. Staubbehälterklappen-Freigabetaste             | W. Ladegerät                                               |
| F. Handgerät-Freigabetaste                        | X. Wandhalterung*                                          |
| G. Freistellfunktionstaste                        | Y. Wandbefestigungsschrauben*                              |
| H. Rohr                                           | Za. Integrierter 2in1-Möbelpinsel                          |
| I. Taste zum Entfernen der Bodendüse              | Zb. Integrierte 2in1-Staubbürste                           |
| J. LED-Leuchten Vordere Düsen                     | AA. Mini-Turbodüse*                                        |
| K. Bürstwalzenentriegelung Schiebereglerabdeckung | AB. Bürstwalze für Miniturbobodendüse                      |
| L. Bürstwalzenentriegelung Endkappe               | AC. Entriegelungsklappe für Miniturbo-Bodendüsenbürstwalze |
| M. Bürstwalzenstatus-LED*                         | AD. Lange Fugendüse*                                       |
| N. Vormotorfilter                                 | AE. Zubehörtasche*                                         |
| O. Einzel-Zyklon Vortex Finder                    | AF. Bürstwalze                                             |
| P. Einzel-Zyklon                                  | AG. Düsenfenster                                           |
| Q. LED-Leuchte Akku-Status                        | AH. Reinigungszubehör*                                     |
| R. LED-Leuchte Wartungsstatus                     |                                                            |

### VORBEREITUNG DES STAUBSAUGERS

Nehmen Sie Ihr Gerät vorsichtig aus der Verpackung.

- Nehmen Sie die Düse und das Verlängerungsrohr in die Hand und stecken Sie ein Ende des Rohrs in den Düsenstutzen. Sie werden ein Klicken hören, wenn es eingerastet ist. **[1a]**
- Nehmen Sie das Handgerät in die Hand und schieben Sie sie auf das Rohr, bis sie hörbar einrastet. **[1b]**
- Befestigen Sie die Wandhalterung mit den mitgelieferten Schrauben und Dübeln an der Wand. **[2]**
- Um das Gerät vollständig aufzuladen, stecken Sie den Stecker des Ladegeräts in das Akkupack. Das Aufladen dauert, abhängig von Ihrem Modell, ungefähr 2,5 oder 6 Stunden.

**HINWEIS:** Zum Abnehmen der Bodendüse drücken Sie auf die Düsenfreigabetaste und ziehen diese ab.

**HINWEIS:** Verwenden Sie zum Aufladen nur das mit dem Gerät mitgelieferte Ladegerät. Es ist normal, dass sich das Ladegerät während des Ladevorgangs erwärmt.

\* Geräteausstattung ist modellabhängig

## GEBRAUCH DES GERÄTES

Es gibt 4 Betriebsarten:

- **STANDARD MODUS:** Wenn Sie die EIN-/AUS-Taste drücken, ist der Staubsauger bereit, um mit der angetriebenen Hauptdüse gründlich zu reinigen. **[3a]**
- **TURBO MODUS:** Drücken Sie die Turbo-Taste für volle Leistung für anspruchsvolle Reinigungsarbeiten. **[3b]**
- **SILENT MODUS:** Drücken Sie die Taste für Silent-Modus, um mit diesem Gerät so leise wie möglich zu reinigen. **[3c]**
- **AUTO MODUS:** Wenn Sie die Düse oder das Rohr abnehmen, passt sich das Gerät bei der Reinigung von Fußböden mit nicht motorisiertem Zubehör automatisch an eine niedrigere Leistungsstufe an.

**HINWEIS:** Wenn Sie in diesem Modus eine höhere Leistung benötigen, drücken Sie die TURBO-Taste: Einmal, um zusätzliche Leistung zu erhalten, oder zweimal, um die volle Leistung zu erhalten. Wenn Sie zum AUTO MODUS zurückkehren möchten, drücken Sie die Leisetaste.

**HINWEIS:** Dieser Staubsauger verfügt an der Vorderseite der Düse über eine Bürstwalze. Sie ermöglicht die Aufnahme von Staub und Schmutz von Hartböden, Parkett und Teppichböden.

### BÜRSTWALZEN-STATUS

Die Bürstwalzen-Status-LED auf der Düse leuchtet während aller Fußbodenreinigungsarten weiß und leuchtet rot, wenn das Sicherheitssystem aktiviert ist. **[14]**

## AUFBEWAHRUNGSFUNKTION

Nach dem Gebrauch verfügt Ihr Staubsauger über zwei praktische Aufbewahrungsmethoden.

### 1. AUFBEWAHRUNG IN WANDHALTERUNG

Ihr Produkt wird mit einer Wandhalterung zur einfachen und bequemen Aufbewahrung geliefert. Befestigen Sie die Wandhalterung mit den mitgelieferten Schrauben an Ihrer Wand. Hängen Sie Ihren Staubsauger nach dem Gebrauch einfach an ihr auf. **[2]**

### 2. KOMPAKTE AUFBEWAHRUNG/LAGER-MODUS

Um das Gerät auf dem Rohr aufzubewahren, nehmen Sie das Handgerät ab. Drücken Sie hierzu auf die Freigabetaste des Handgeräts. **[5]**

Stellen Sie sicher, dass sich das integrierte 2in1-Zubehör (**z**) wieder in der ursprünglichen Position (wie geliefert) befindet und dass das Zubehör mit dem Möbelpinsel und dem Aufbewahrungshaken nach unten zeigen.

Stecken Sie den Aufbewahrungshaken in den unteren Schlitz des Rohrs und drücken Sie den hinteren Griff oben am Rohr vollständig in den Verriegelungsmechanismus. **[6]**

## SICHERHEITSSCHUTZSYSTEME

Um zu gewährleisten, dass die Zuverlässigkeit des Geräts bei Gebrauch unter schwierigen Bedingungen nicht beeinträchtigt wird, wurde das Gerät mit drei integrierten Sicherheitssystemen, eins auf dem Staubsauger und zwei auf der Düse, ausgestattet.

**HINWEIS:** Die Sicherheitssysteme funktionieren unter drei Bedingungen:

1. Wenn der Lufteinlass oder das Rohr verstopft ist, wird der Staubsauger geschützt und schaltet sich AUS und die LED-Anzeige am Hauptgerät leuchtet rot. Überprüfen Sie in diesem Fall einfach, ob sich Hindernisse im Rohr oder im Lufteinlass des Handgeräts befinden. Entfernen Sie diese und schalten Sie das Gerät wieder ein.
2. Einmal aktiviert, hört die Bürstwalze, wenn sie verstopft oder blockiert ist, auf zu rotieren und die WEISSE LED der Bürstwalzenstatus-LED schaltet nach ROT um. **[14a]** Wenn dies geschieht, schalten Sie einfach Ihr Gerät aus und beseitigen Sie das Hindernis an der Bürstwalze. Um weiter zu reinigen, drücken Sie die Ein-/Aus-Taste und das Gerät startet wieder im Normalbetrieb.
3. Wenn das Düsenfenster nicht vollständig geschlossen ist, dreht sich die Bürstwalze nicht und die Status-LED der Bürstwalze und die Düsenbeleuchtungs-LED an der Vorderseite der Düse blinken kontinuierlich WEISS. **[14b]** Schalten Sie in diesem Fall einfach das Gerät aus, vergewissern Sie sich, dass das Düsenfenster vollständig geschlossen ist, und schalten Sie das Gerät wieder ein.

## BATTERIE

Der Staubsauger ist mit einer Akku-Status LED-Leuchte ausgestattet. Die LED-Leuchte leuchtet in verschiedenen Farben und zeigt den Ladezustand des Akkus an.

\* Geräteausstattung ist modellabhängig

**AKKULADEZUSTAND:**

Weiß: 100% - 10% Laden

Rot blinkend: &lt;10% Laden

**Es gibt 2 Lademethoden:**

Laden Sie den Akku auf, wenn er am Gerät befestigt ist.

Stecken Sie den Stecker des Ladegeräts in den Akku. Die LED-Statusanzeige leuchtet während des Ladevorgangs ROT.

Nach Abschluss des Ladevorgangs leuchtet die LED-Statusanzeige 1 Minute lang WEISS und erlischt dann. [7]

Laden Sie den Akku auf, wenn Sie ihn aus dem Gerät genommen haben.

Nehmen Sie den Akku aus dem Gerät. Drücken Sie hierzu Akkufreigabetaste.

Stecken Sie den Stecker des Ladegeräts in den Akku. Die Akku-LED leuchtet beim Laden ROT. Nach Abschluss des

Ladevorgangs leuchtet die LED-Anzeige WEISS. [8]

**HINWEIS:** Es ist normal, dass sich das Ladegerät während des Ladevorgangs erwärmt. Verwenden Sie zum Aufladen nur das mit dem Staubsauger mitgelieferte Ladegerät.**ZUBEHÖR****Integrierte Fugendüse** - Ideal für den Zugang zu engen Räumen.**Möbelpinsel** - Ideal zum Reinigen von Oberflächen, ohne sie zu beschädigen oder Kratzer zu hinterlassen.**Möbelpinsel** - Ideal zum Reinigen von Oberflächen wie Polstermöbel.**Mini-Turbodüse\*** - Ideal für die Reinigung von Textiloberflächen (z. B. Sofas) und zum Entfernen von Tierhaaren. Der

Arbeitswinkel kann, wenn Sie sich vorwärts und rückwärts bewegen, eingestellt werden.

**HINWEIS:** Drehen Sie nach dem Gebrauch die Bürstwalzen-Entriegelungsklappe mit einer Münze entgegen dem Uhrzeigersinn, um die Bürstwalze heraus zu nehmen, und entfernen Sie danach die auf der Bürste angesammelten Haare/Fäden. [17]

Das gesamte Zubehör mit Ausnahme des -Reinigungszubehörs kann am Hauptprodukt und am Rohr befestigt werden. [4]

**Lange Fugendüse\*** - Ideal für enge und schwer zugängliche Bereiche.**Reinigungszubehör\*** - Ideal, um Staub, Schmutz und Haare im Staubbehälter oder in der Düse zu entfernen. [9]**Zubehörtasche\***

Alles weitere Zubehör kann in der Zubehörtasche aufbewahrt werden.

**Wandhalterung\***

Bei Bedarf befestigen Sie die Wandhalterung mit den mitgelieferten zwei Schrauben und Dübeln an der Wand. [2]

**WARTUNG DES GERÄTES**

Erinnerung Vorfilterreinigung. Wenn der Vorfilter gereinigt werden muss, beginnt das rote Licht am Staubsauger rot zu blinken.

**Entleeren des Staubbehälters**

1. Drücken Sie die Freigabetaste des Handgerätes und nehmen Sie das Rohr ab. [5]

2. Drücken Sie die Staubfangbehälter-Entleerungstaste nach unten, um die Behälterklappe zu entriegeln und den Behälter zu entleeren. [9a]

3. Schließen Sie die Staubbehälterklappe. Sie werden ein "Klicken" hören, wenn diese vollständig verschlossen ist.

**HINWEIS:** Es wird empfohlen den Staubbehälter nach jedem Gebrauch, oder wenn der Staub bis zur maximalen Fülllinie reicht, zu entleeren.**Schnelle tägliche Reinigung des Staubbehälters**

Öffnen Sie einfach die Staubbehälterklappe und entfernen Sie den Staub mit Hilfe des Reinigungszubehörs.

1. Verwenden Sie das Hakenende, um den im Staubbehälter gesammelten Staub herauszuziehen. [9b]

2. Verwenden Sie das Bürstenende, um den feinen Staub zu reinigen, der um den Metallmaschenfilter herum haftet. [9c]

**Reinigen Sie den Staubbehälter und den Filter.**

Die LED-Kontrollleuchte am Gerät blinkt ROT, um anzuzeigen, dass der Vormotorfilter gereinigt werden muss.

1. Drücken Sie die Freigabetaste auf dem Handgerät und nehmen Sie das Handgerät vom Rohr ab. [5]

2. Drücken Sie die Akku-Freigabetaste und nehmen Sie den Akku ab.

3. Entfernen Sie die Staubbehälterbaugruppe, indem Sie sie im Uhrzeigersinn drehen und vom Gerät abziehen. [10]

4. Entfernen Sie den Vormotorfilter, indem Sie sie drehen und vom Gerät abziehen. [11a]

5. Nehmen Sie danach das Zyklonsystem heraus und ziehen Sie den Metallring aus der Behälterbaugruppe. [11a]

6. Entfernen Sie zum Schluss den Vortex Finder. Drehen Sie es hierzu im Uhrzeigersinn und ziehen Sie es vom Zyklonsystem ab. [11b]

\* Geräteausstattung ist modellabhängig



7. Waschen Sie den Filter und den Einzel-Zyklon mit lauwarmem Wasser und lassen Sie beide 24 Stunden lang trocknen. **[12,13]**
8. Setzen Sie den Filter, nachdem er vollständig getrocknet ist, wieder in das Gerät ein.  
**HINWEIS:** Verwenden Sie kein heißes Wasser oder Reinigungsmittel zum Reinigen des Vormotorfilters. Im unwahrscheinlichen Fall, dass der Vormotorfilter beschädigt ist, tauschen Sie ihn nur gegen einen Hoover-Originalfilter aus. Bitte stellen Sie sicher, dass Sie den Vormotorfilter wieder einbauen, bevor Sie den Staubbehälter am Staubsaugergehäuse befestigen, da sonst der Filterschutzmechanismus aktiviert wird.  
**WICHTIG:** Halten Sie den Filter für optimale Leistung immer sauber. Wir empfehlen, den Filter je nach Nutzungshäufigkeit mindestens einmal pro Monat zu reinigen.

### Reinigen Sie die Bürstwalze und die Düse

**WICHTIG:** Schalten Sie vor einem Austausch oder Reinigen der Bürstwalze den Staubsauger immer aus.

Wenn sich um die Bürstwalze herum Hindernisse oder feiner Staub befinden:

1. Nehmen Sie die Düse vom Rohr ab. **[15]**
2. Schieben Sie den Schieberegler nach rechts und das Düsenfenster wird aufklappen. **[16a]**
3. Öffnen Sie das Düsenfenster vollständig, um die Hybrid-Bürstwalze zu entfernen. **[16a]**
4. Halten Sie die Endkappe der Bürstwalzenentriegelung fest und entfernen Sie die Bürste. **[16b]**
5. Wenn sich noch Schmutz in der Bürstwalze befindet, entfernen Sie ihn von Hand oder mit Hilfe des Reinigungszubehörs. **[16c]**
6. Wenn sich Schmutz in der Düse oder um die Kombibürste befindet, entfernen Sie ihn mit der Bürste des Reinigungszubehörs. **[16d]**
7. Um sicherzustellen, dass die Düse frei von Verstopfungen ist, drehen Sie die Düse um und prüfen Sie den unteren Bereich. Falls erforderlich, reinigen Sie diesen Bereich mit dem Haken des mitgelieferten Reinigungszubehörs. **[16e]**
8. Drehen Sie die Düse in die Anfangsposition und bringen Sie die Bürstwalze wieder an. Drücken Sie das Ende leicht hinein, um sicherzustellen, dass die Bürstwalze richtig sitzt. **[16f]**
9. Schließen Sie das Fenster, indem Sie auf den mittleren Bereich des Fensters drücken, bis es hörbar einrastet. Prüfen Sie, ob das Fenster vollständig verriegelt ist. Drücken Sie hierzu auf beide Seiten. **[16g]**

### Akku ersetzen

Dieser Staubsauger ist mit einem wiederaufladbaren, austauschbaren Lithium-Ionen-Akku ausgestattet.

**WARNUNG:** Verwenden Sie nur Hoover Originalersatzteile für Ihren Staubsauger. Das Verwenden von Teilen, die nicht von Hoover zugelassen wurden, ist gefährlich und führt eventuell dazu, dass Ihre Garantie erlischt.

**WARNUNG:** Versuchen Sie nicht den Akku zu öffnen und selbst zu reparieren.

1. Drücken Sie die Akku-Freigabetaste und ziehen Sie den Akku nach außen. **[8]**
2. Entfernen Sie den alten Akku und ersetzen sie ihn durch einen neuen.
3. Entsorgen Sie die Akkus ordnungsgemäß. Gebrauchte Akkus sollten zum Recycling zurückgegeben und nicht mit dem Hausmüll entsorgt werden.

## FEHLERBEHEBUNG

Falls Sie ein Problem mit Ihrem Gerät haben, befolgen Sie, bevor Sie den Hoover-Kundendienst kontaktieren, bitte folgende einfache Checkliste:

### A. Das Gerät lässt sich nicht einschalten

Überprüfen Sie, ob die Akkus aufgeladen sind.

Überprüfen Sie, ob der Akku richtig eingesetzt ist.

### B. Der Staubsauger funktioniert nicht mehr

Überprüfen Sie, ob der Lufteinlass oder das Rohr verstopft ist. Überprüfen Sie, dass das Gerät ausgeschaltet ist und beseitigen Sie die Verstopfung. Drücken Sie danach einfach die Ein-/Aus-Taste, damit das Gerät wieder neu startet.

### C. Niedrige Saugleistung oder das Gerät saugt überhaupt nichts an.

Entleeren Sie den Staubfangteller und waschen Sie den Vormotorfilter und das Abscheidersystem. **[12, 13]**

Entfernen Sie die Düse und überprüfen Sie diese auf Verstopfungen.

### D. Die Akkus können nicht aufgeladen werden

Dies ist nach einem langen Zeitraum (über ein halbes Jahr) der Nichtbenutzung/Lagerung möglich.

Wenden Sie sich bitte an den Hoover-Kundendienst, um einen Austausch der Akkus zu veranlassen.

Wenn das Problem weiterhin besteht, wenden Sie sich bitte an den Hoover-Kundendienst.

**E. Status-LED der Bürstwalze leuchtet ROT**

Die Düse ist verstopft oder die Bürstwalze ist blockiert. Bitte beachten Sie den Abschnitt WARTUNG DES GERÄTS.

**F. Die Status-LED der Bürstenleiste und die Düsenbeleuchtungs-LED an der Vorderseite der Düse blinken WEISS**

Das Düsenfenster ist nicht vollständig geschlossen.

Schalten Sie in diesem Fall einfach das Gerät aus, vergewissern Sie sich, dass das Düsenfenster vollständig geschlossen ist, und schalten Sie das Gerät wieder ein.

**HOOVER ORIGINAL-ERSATZTEILE UND VERBRAUCHSARTIKEL**

Verwenden Sie stets Originalersatzteile von Hoover. Diese sind über den Hoover-Kundendienst erhältlich. Geben Sie bei der Bestellung von Ersatzteilen bitte stets die komplette 16stellige Artikelnummer (Typenplakette auf der Rückseite des Gerätes) Ihres Gerätemodells an.

**GARANTIEERKLÄRUNG**

Die Garantiebestimmungen für dieses Gerät entsprechen den Richtlinien des Landes, in dem Sie das Gerät erworben haben. Weitere Einzelheiten dazu erhalten Sie vom Händler, bei dem Sie das Gerät erworben haben oder aus dem Garantieheft, das der Verpackung beiliegt. Bitte bewahren Sie den Kaufbeleg sorgfältig auf, denn er wird für eventuell auftretende Garantieansprüche benötigt.

**WICHTIG:** Die Garantie des Akkus beträgt 2 Jahre ab Kaufdatum. Nach Ablauf der 2 Jahre trägt der Kunde die Kosten für einen neuen Akku.

Änderungen vorbehalten.

## ISTRUZIONI PER UN USO SICURO

Questo apparecchio deve essere utilizzato esclusivamente in ambito domestico per interventi di pulizia, secondo le istruzioni riportate nel presente documento. Accertarsi di aver compreso le istruzioni prima di mettere in funzione l'apparecchio.

Prima di procedere alla pulizia dell'apparecchio o effettuare qualsiasi operazione di manutenzione, spegnerlo sempre e rimuovere il caricatore dalla presa.

Questo elettrodomestico non è destinato a essere utilizzato da bambini di età inferiore a 8 anni e da persone dalle ridotte capacità fisiche, sensoriali o mentali, o senza esperienza a causa di una inadeguata informazione sull'uso in sicurezza dell'apparecchio e sui relativi pericoli. Controllare che i bambini non giochino con l'apparecchio. Pulizia e manutenzione non possono essere eseguite da bambini senza sorveglianza da parte di una persona responsabile.

Se il cavo di alimentazione è danneggiato, interrompere immediatamente l'utilizzo dell'apparecchio. Per evitare pericoli, il cavo di alimentazione dovrà essere sostituito da un tecnico del servizio assistenza autorizzato Hoover.

Tenere le mani, i piedi, i capi di abbigliamento non attillati e i capelli lontani dalle spazzole rotanti.

Per ricaricare l'apparecchio, usare solo il caricatore in dotazione. Controllare che i dati indicati sul caricatore corrispondano alla vostra tensione di alimentazione.

Questo prodotto Candy è dotato di un caricabatteria doppio isolato che può essere collegato unicamente a una presa 230V (UK 240V). Inserire la spina del caricatore in una presa adatta e collegare il connettore jack del caricatore all'apparecchio.

Spegnerlo prima della ricarica.

Durante la ricarica il LED della batteria si illumina di colore ROSSO e ritornerà di colore BIANCO a carica completamente terminata.

Dopo l'uso, ricollegare l'apparecchio al caricatore per ricaricare le batterie.

Mai caricare le batterie a temperature superiori ai 37 °C o inferiori a 0 °C.

È normale che il caricatore si scaldi mentre è in funzione.

Non scollegare il caricatore tirando il cavo.

Scollegare il caricatore in caso di assenza prolungata (ferie, ecc.). Dopo lunghi periodi di inutilizzo ricaricare l'apparecchio perchè le batterie potrebbero essersi scaricate automaticamente.

Se l'apparecchio è da smaltire, le batterie devono prima essere rimosse. Rimuovere la batteria solo quando l'apparecchio è scollegato dalla rete di alimentazione. Smaltire le batterie in sicurezza. Far funzionare l'apparecchio fino al suo arresto ed assicurarsi che le batterie siano completamente scariche. Le batterie usate devono essere riposte in un centro di riciclaggio e non smaltite con i rifiuti domestici. Per rimuovere le batterie, si prega di contattare il Centro Servizi per Assistenza Clienti Hoover o procedere in base alle seguenti istruzioni.

**IMPORTANTE:** Scaricare sempre completamente le batterie prima della rimozione ed assicurarsi che il caricatore sia scollegato.

Far funzionare l'apparecchio finché le batterie non sono completamente scariche.

Rimuovere il connettore jack per la ricarica dall'apparecchio.

Premere il pulsante di rilascio per far scorrere la batteria ed estrarla.

**NOTA:** Se si riscontrano difficoltà a smantellare l'unità o per informazioni più dettagliate sul trattamento, recupero e riciclaggio di questo apparecchio, si prega di contattare l'ufficio comunale per il servizio smaltimento rifiuti.

Utilizzare solo accessori o parti di consumo e di ricambio consigliati o forniti da HOOVER.

**Elettricità statica:** Alcuni tappeti possono produrre un piccolo accumulo di elettricità statica. Le cariche di elettricità statica non sono pericolose per la salute.

Non utilizzare l'apparecchio all'aperto, su superfici bagnate o per aspirare liquidi.

Non aspirare oggetti solidi o appuntiti, fiammiferi, ceneri calde, mozziconi di sigaretta o similari. Non vaporizzare o aspirare liquidi infiammabili, detergenti, bombolette o i loro vapori.

Non calpestare il cavo di alimentazione durante l'utilizzo dell'apparecchio o scollegare la spina dalla presa tirando il cavo di alimentazione. Non continuare a utilizzare l'apparecchio o il caricatore in caso di presunto guasto.

**Assistenza Hoover:** per garantire un funzionamento sempre sicuro ed efficiente dell'apparecchiatura, si consiglia di fare eseguire eventuali interventi di assistenza o di riparazione dai

tecnici del servizio assistenza autorizzato Hoover.

Non utilizzare l'apparecchio per l'igiene della persona o degli animali.

Non sostituire le batterie con batterie non ricaricabili.

#### Ambiente:

L'apparecchio è contrassegnato in conformità con la Direttiva Europea 2011/65/EC sulla gestione dei rifiuti da apparecchiature elettriche ed elettroniche. Garantendo il corretto smaltimento del prodotto, il cliente contribuisce alla salvaguardia della salute delle persone e alla protezione dell'ambiente che potrebbero altrimenti essere compromessi da uno smaltimento eseguito in maniera non idonea. Il simbolo apposto sul prodotto indica che lo stesso non può essere smaltito come i normali rifiuti domestici, bensì deve essere portato al punto di raccolta o al centro di riciclaggio delle apparecchiature elettriche ed elettroniche più vicino. Lo smaltimento deve essere eseguito in conformità alle normative locali vigenti per la salvaguardia dell'ambiente e lo smaltimento dei rifiuti. Per ulteriori informazioni sul trattamento, il recupero e il riciclaggio di questo prodotto, contattare l'unità territoriale competente per il servizio di smaltimento o il negozio in cui il prodotto è stato acquistato.



Questo prodotto è conforme alle Direttive Europee 2014/35/EU, 2014/30/EU e 2011/65/EU.

CANDY HOOVER GROUP S.r.l. Via Privata Eden Fumagalli, 20861 Brugherio (MB) Italy

### COMPONENTI DELL'APPARECCHIO

- |                                                                         |                                                          |
|-------------------------------------------------------------------------|----------------------------------------------------------|
| A. Pulsante di accensione/spengimento                                   | R. Spia LED per lo stato di manutenzione                 |
| B. Pulsante modalità Turbo                                              | S. Spia carica batteria                                  |
| C. Pulsante modalità Silent                                             | T. Pulsante di rilascio batteria                         |
| D. Contenitore raccogli-polvere                                         | U. Batteria                                              |
| E. Pulsante di sblocco dello sportello del contenitore raccogli-polvere | V. Ingresso per la ricarica della batteria               |
| F. Pulsante di sblocco unità portatile                                  | W. Caricatore                                            |
| G. Pulsante di rilascio dallo stazionamento                             | X. Supporto a Parete*                                    |
| H. Tubo                                                                 | Y. Viti per supporto a parete*                           |
| I. Pulsante rilascio spazzola                                           | Za. Spazzola integrata 2in1 per mobili e imbottiti       |
| J. Luci led frontali della spazzola                                     | Zb. Spazzola a pennello integrata 2 in 1                 |
| K. Cursore del coperchio per il rilascio del rullo                      | AA. Mini Turbo spazzola*                                 |
| L. Tappo per il rilascio del rullo                                      | AB. Rullo della Mini turbo spazzola                      |
| M. LED stato del rullo*                                                 | AC. Leva di rilascio del rullo della Mini Turbo spazzola |
| N. Filtro Pre-motore                                                    | AD. Bocchetta per fessure lunga*                         |
| O. Finder Vortex del ciclone                                            | AE. Borsa accessori*                                     |
| P. Ciclone                                                              | AF. Rullo                                                |
| Q. Spia LED stato della batteria                                        | AG. Sportellino della spazzola                           |
|                                                                         | AH. Accessorio per la pulizia*                           |

### PREPARAZIONE DELL'APPARECCHIO

Disimballare con cura l'apparecchio.

- Prendere la spazzola e il tubo, inserire un'estremità del collo della spazzola fino a sentire un "click" di posizionamento. **[1a]**
- Prendere l'unità portatile ed inserirla nel tubo fino a sentire un "click" di posizionamento. **[1b]**
- Fissare il supporto a muro al muro utilizzando le viti e i tasselli forniti. **[2]**
- Inserire il connettore jack del caricatore al set batteria per caricare completamente l'apparecchio. Questo richiederà circa 2,5 o 6 ore secondo il modello.

**NOTA:** Premere il pulsante di rilascio spazzola per rimuovere la spazzola e staccarla dal corpo principale dall'apparecchio.

**NOTA:** Per ricaricare l'apparecchio, usare solo il caricatore in dotazione. È normale che il caricatore si scaldi mentre è in funzione.

\* Solo su alcuni modelli

## UTILIZZO DELL'APPARECCHIO

L'apparecchio ha 4 modalità di funzionamento:

- **MODALITÀ STANDARD:** All'accensione del pulsante di accensione-spegnimento ON-OFF, l'apparecchio è pronto per pulire con la spazzola motorizzata principale. **[3a]**
  - **MODALITÀ TURBO:** Premere il tasto Turbo per azionare la piena potenza dell'apparecchio per una pulizia profonda. **[3b]**
  - **MODALITÀ SILENT:** Premere il pulsante Modalità Silent per pulire a fondo con il livello di rumore più basso di questo apparecchio. **[3c]**
  - **MODALITÀ AUTOMATICA:** Se vengono rimossi la spazzola o il tubo, l'apparecchio automaticamente diminuisce di potenza per pulire superfici alte con accessori non motorizzati.
- NOTA:** In questa modalità, premere il pulsante TURBO per aumentare la potenza: una volta per una potenza maggiore e due volte per la massima potenza. Se si desidera ritornare alla MODALITÀ AUTO, premere il pulsante Silent.
- NOTA:** Questo apparecchio ha un rullo sul lato anteriore della spazzola che consente di raccogliere polvere e detriti da pavimenti duri, parquet e tappeti.

### STATO DEL RULLO

Il LED dello stato del rullo sulla spazzola è di colore bianco durante tutte le modalità di pulizia, diventa invece di colore rosso quando si attiva il sistema di protezione di sicurezza. **[14]**

## STAZIONAMENTO

Dopo l'uso, l'apparecchio può essere riposto in 2 modi.

#### 1. STAZIONAMENTO CON SUPPORTO A PARETE

L'apparecchio è dotato di supporto a parete per un facile stazionamento. Fissare il supporto a muro utilizzando le viti fornite. Dopo l'uso, riporre semplicemente l'apparecchio nel supporto. **[2]**

#### 2. MODALITÀ DI STAZIONAMENTO E PARCHEGGIO

Per riporre l'apparecchio sul tubo, rimuovere l'unità portatile premendo il pulsante di rilascio dell'unità stessa. **[5]**

Accertarsi che l'accessorio 2in1 (**z**), la bocchetta e la spazzola a pennello siano riposti correttamente nelle loro posizioni originali e che il gancio di stazionamento sia rivolto verso il basso.

Inserire il gancio di stazionamento nella scanalatura inferiore del tubo e spingere completamente la maniglia posteriore nel sistema di blocco nell'estremità superiore del tubo. **[6]**

## SISTEMI DI PROTEZIONE

Al fine di salvaguardare l'affidabilità del prodotto quando utilizzato in condizioni non corrette, l'apparecchio è dotato di tre sistemi di protezione integrati, uno sull'apparecchio stesso e due sulla spazzola.

**NOTA:** Il sistema di protezione entra in funzione al verificarsi di tre condizioni:

1. Se vi sono ostruzioni nella presa d'aria o nel tubo, l'apparecchio si spegne e la spia LED sull'unità principale diventa di colore rosso. Se ciò accade, controllare semplicemente se ci sono ostruzioni nel tubo o nella presa d'aria dell'unità portatile. Rimuoverle e riaccendere.
  2. Se è presente un blocco sul rullo, la rotazione verrà interrotta e la spia LED BIANCA sulla spazzola si illuminerà di colore ROSSO. **[14a]** Se ciò dovesse accadere, spegnere semplicemente l'apparecchio e pulire il rullo dall'ostruzione. Per riprendere la pulizia, premere il pulsante accensione/spegnimento e l'apparecchio riprenderà a funzionare normalmente.
  3. Se lo sportellino della spazzola non è completamente chiuso, il rullo non ruoterà, il LED stato del rullo e la spia LED anteriore della spazzola continueranno a lampeggiare in colore BIANCO. **[14b]**
- Se ciò dovesse accadere, spegnere semplicemente l'apparecchio ed assicurarsi che lo sportellino della spazzola sia chiuso correttamente, poi riaccendere l'apparecchio.

## BATTERIA

Questo apparecchio è dotato di spia LED indicante lo stato della batteria. Quando l'apparecchio è acceso, la spia LED si illumina di colori diversi per indicare il livello di carica della batteria:

#### LIVELLO CARICA BATTERIA:

Colore bianco: 100% - 10% carico

Colore rosso lampeggiante: <10% carico

\* Solo su alcuni modelli

**Ci sono 2 modalità di ricarica:**

Caricare la batteria quando è installata sull'apparecchio.

Inserire il jack del caricabatterie nella batteria. Il LED di stato batteria è di colore ROSSO durante la ricarica. A ricarica completamente terminata, il LED di stato batteria si illumina di colore BIANCO per un minuto, poi si spegne. [7]

Caricare la batteria separatamente dall'apparecchio.

Estrarre la batteria dall'apparecchio premendo i pulsanti di rilascio della batteria stessa.

Inserire il jack del caricabatterie nella batteria. Il LED di stato della batteria è di colore ROSSO durante la ricarica. A ricarica completata, la spia LED si illuminerà di colore BIANCO. [8]

**NOTA:** È normale che il caricatore si scaldi mentre è in funzione. Usare solo il caricatore in dotazione.

**ACCESSORI**

**Bocchetta per fessure integrata** - Ideale per accedere in spazi ristretti.

**Spazzola a pennello** - ideale per la pulizia di superfici senza danneggiarle o graffiarle.

**Spazzola per mobili e imbottiti** - Ideale per la pulizia di superfici imbottite come i divani.

**Mini Turbo spazzola\*** - Ideale per la pulizia profonda di tessuti (come ad esempio divani) e per rimuovere i peli degli animali domestici. L'angolazione è regolabile mentre ci si sposta avanti e indietro.

**NOTA:** Dopo l'utilizzo, è consigliabile ruotare la leva di rilascio del rullo in senso antiorario usando una moneta, per poi estrarre il rullo e quindi rimuovere capelli/residui raccolti. [17]

Tutti gli accessori, ad eccezione dell'accessorio per la pulizia, possono essere inseriti nell'apparecchio principale e nel tubo. [4]

**Bocchetta per fessure lunga\*** - Ideale per accedere a spazi ristretti.

**Accessorio per la pulizia\*** - Ideale per rimuovere polvere, detriti e capelli dal contenitore raccogli-polvere e dalla spazzola. [9]

**BORSA ACCESSORI\***

Gli altri accessori possono essere riposti nella apposita borsa.

**Supporto a Parete\***

Se richiesto, fissare il supporto a muro utilizzando le 2 viti e i tasselli forniti. [2]

**MANUTENZIONE DELL'APPARECCHIO**

Promemoria per la manutenzione del filtro pre motore. Se il filtro pre motore necessita di manutenzione, la spia rossa sull'apparecchio inizia a lampeggiare.

**Svuotamento contenitore raccogli-polvere**

1. Premere il pulsante di rilascio dell'unità portatile e rimuovere il tubo. [5]
2. Premere il pulsante per lo svuotamento del contenitore raccogli-polvere per aprirlo e svuotarne il contenuto. [9a]
3. Chiudere lo sportello del contenitore raccogli-polvere, si udirà un "click" quando completamente bloccato.

**NOTA:** Si consiglia di svuotare il contenitore raccogli-polvere dopo ogni utilizzo o quando la polvere supera il livello massimo di riempimento.

**Pulizia Veloce e Giornaliera del Contenitore Raccogli-polvere**

Basta aprire lo sportello del contenitore e rimuovere la polvere con l'aiuto dell'apposito accessorio.

1. Utilizzare l'estremità ad uncino per estrarre la polvere accumulata all'interno del contenitore. [9b]
2. Utilizzare l'estremità a spazzola per pulire la polvere più fine intrappolata nel filtro metallico a rete. [9c]

**Pulizia del contenitore raccogli-polvere e del filtro**

La spia LED sull'apparecchio comincia a lampeggiare di colore ROSSO per avvisare che il filtro pre-motore deve essere pulito.

1. Premere il pulsante di rilascio dell'unità portatile e staccarla dal tubo. [5]
2. Premere il pulsante di rilascio della batteria per estrarla.
3. Estrarre il gruppo contenitore raccogli-polvere ruotandolo in senso orario e tirandolo dall'unità. [10]
4. Rimuovere il filtro premotore tirando la levetta del contenitore del gruppo raccogli-polvere. [11a]
5. Estrarre l'unità ciclonica tirando l'anello metallico presente sul contenitore del gruppo raccogli-polvere. [11a]
6. Estrarre il condotto d'uscita dall'unità ciclonica ruotando in senso orario e tirando. [11b]
7. Lavare il filtro e l'unità ciclonica in acqua tiepida e lasciare asciugare per 24 ore. [12,13]
8. Quando completamente asciutti, rimontarli e riposizionarli nell'apparecchio.

\* Solo su alcuni modelli

**NOTA:** Non utilizzare acqua bollente o detersivi durante la pulizia del filtro premotore. Se accidentalmente il filtro premotore viene danneggiato, sostituirlo con ricambio originale Hoover. Assicurarsi di rimontare il filtro pre-motore prima di assemblare il contenitore della polvere sul corpo principale dell'apparecchio, per non attivare il sistema di protezione del filtro.

**IMPORTANTE:** Per mantenere prestazioni ottimali, tenere sempre il filtro pulito. Si raccomanda di lavare il filtro almeno una volta al mese.

### **Pulizia del rullo e della spazzola**

**IMPORTANTE:** Spegnerne sempre l'apparecchio prima di sostituire o pulire il rullo.

Se ci sono ostruzioni o polvere fine intorno al rullo:

1. Staccare la spazzola dal tubo. **[15]**
2. Sposta il cursore verso destra e lo sportellino della spazzola si aprirà. **[16a]**
3. Aprire completamente lo sportellino della spazzola per estrarre il rullo. **[16a]**
4. Tenere il tappo per il rilascio del rullo, poi estrarre il rullo. **[16b]**
5. Se è rimasto dello sporco nel rullo, rimuoverlo manualmente o aiutandosi con l'accessorio per la pulizia. **[16c]**
6. Se c'è dello sporco nella spazzola o attorno al pettine, rimuoverlo utilizzando la spazzola dell'accessorio per la pulizia. **[16d]**
7. Per assicurarsi che la spazzola sia completamente libera da ostruzioni, si raccomanda di capovolgerla e controllare anche il lato sotto. Se necessario, pulire questo lato utilizzando il gancio dell'accessorio per la pulizia in dotazione. **[16e]**
8. Girare la spazzola nella posizione iniziale e rimontare il rullo. Il rullo può essere inserito in una sola direzione. Premere leggermente l'estremità del rullo per assicurarsi che sia in posizione. **[16f]**
9. Chiudere lo sportellino premendolo al centro per bloccarlo fino a quando si udirà un "click". Verificare che lo sportellino sia completamente bloccato premendo su entrambi i lati. **[16g]**

### **Sostituzione delle batterie**

L'apparecchio è dotato di un set batterie ricaricabili al litio che possono essere sostituite.

**ATTENZIONE:** Utilizzare solo parti di ricambio originali per il vostro apparecchio. L'uso di parti non originali Hoover può risultare pericoloso ed invalida la garanzia.

**ATTENZIONE:** Non tentare di aprire o riparare la batteria.

1. Premere i pulsanti di rilascio e tirate per estrarre la batteria. **[8]**
2. Estrarre il vecchio set batteria e sostituirlo con uno nuovo.
3. Smaltire le batterie in sicurezza. Le batterie usate devono essere riposte in un centro di riciclaggio e non smaltite con i rifiuti domestici.

## **RISOLUZIONE DEI PROBLEMI**

In caso di problemi con l'apparecchio, completare questa semplice checklist utente prima di chiamare il Centro per l'Assistenza Clienti Hoover:

### **A. L'apparecchio non si accende**

Controllare che l'apparecchio sia carico.

Controllare che il set di batterie sia posizionato correttamente.

### **B. L'apparecchio smette di funzionare**

Controllare se ci sono ostruzioni nella presa d'aria o nel tubo e nel caso pulirli assicurandosi prima che l'apparecchio sia spento. Quindi premere semplicemente l'interruttore accensione/spegnimento e l'apparecchio riprenderà a funzionare.

### **C. Forza aspirante bassa o nulla**

Svuotare il contenitore raccogli-polvere, lavare il filtro pre-motore e il sistema di separazione. **[12, 13]**

Rimuovere la spazzola e controllare eventuali ostruzioni nel condotto.

### **D. Le batterie non si caricano**

Potrebbe essere a causa di lunghi periodi di inutilizzo (oltre un semestre).

Contattare un Centro per l'Assistenza Clienti Hoover per la sostituzione delle batterie.

Se il problema persiste, contattare il Centro per l'Assistenza Tecnica Hoover più vicino.

### **E. Il LED stato del rullo è di colore ROSSO**

C'è un blocco nella spazzola o un'ostruzione nel rullo. Consultare la sezione "MANUTENZIONE DELL'APPARECCHIO".

### **F. Il LED stato del rullo e la spia LED anteriore della spazzola stanno lampeggiando in colore BIANCO**

Lo sportellino della spazzola non è completamente chiuso.

Se ciò dovesse accadere, spegnere semplicemente l'apparecchio ed assicurarsi che lo sportellino della spazzola sia chiuso correttamente, poi riaccendere l'apparecchio.



**INFORMAZIONI IMPORTANTI****PARTI DI RICAMBIO E DI CONSUMO HOOVER**

Utilizzare sempre parti di ricambio originali Hoover, che è possibile acquistare dal distributore locale Hoover o direttamente sul sito internet Hoover. Quando si ordinano delle parti di ricambio, ricordarsi sempre di fornire il numero di modello dell'apparecchio utilizzato.

**ASSISTENZA E GARANZIA HOOVER**

Questo prodotto è garantito, oltre che ai sensi di legge, alle condizioni e nei termini riportati sul certificato di garanzia convenzionale inserito nel prodotto. Il certificato dovrà essere conservato e mostrato al nostro Centro di Assistenza Tecnica Autorizzato, in caso di necessità, insieme allo scontrino comprovante l'acquisto dell'elettrodomestico. Puoi consultare le condizioni di garanzia anche sul nostro sito internet. Per ottenere assistenza compila l'apposito form on-line oppure contattaci al numero che trovi indicato nella pagina di assistenza del nostro sito internet. Queste condizioni potrebbero venire modificate senza obbligo di preavviso.

## INSTRUÇÕES PARA UMA UTILIZAÇÃO SEGURA

Este aparelho só deve ser utilizado para limpeza doméstica, conforme descrito neste guia do utilizador. Certifique-se de que este manual é totalmente compreendido antes de utilizar o aparelho.

Desligue sempre o aparelho e retire o carregador da tomada antes de limpar o aparelho ou efetuar qualquer tarefa de manutenção.

Este aparelho pode ser utilizado por crianças com idade igual ou superior a 8 anos e por pessoas com capacidades mentais, sensoriais e físicas reduzidas ou sem experiência e conhecimento caso lhes sejam fornecidas instruções e supervisão relativas à utilização do aparelho de modo seguro e caso compreendam os perigos envolvidos. As crianças não devem brincar com o aparelho. A limpeza e a manutenção não devem ser efetuadas por crianças sem supervisão.

Se o cabo de alimentação estiver danificado deixe de utilizar o aparelho imediatamente. Para evitar um risco de segurança, o cabo de alimentação deve ser substituído por um técnico de assistência autorizado da Hoover.

Mantenha as mãos, os pés, as roupas largas e o cabelo longe das escovas rotativas.

Utilize apenas o carregador original fornecido com o aparelho.

Verifique que a tensão de alimentação corresponde à indicada no carregador.

Este eletrodoméstico da Hoover vem com um carregador de baterias duplamente isolado que é apenas adequado para alimentação elétrica de 230 V (240 V no Reino Unido).

Ligue o carregador a uma tomada elétrica adequada e ligue a ficha do carregador ao eletrodoméstico.

Desligue o aparelho antes do carregamento.

A luz LED do pack de baterias irá acender a VERMELHO durante o carregamento e irá acender a BRANCO quando totalmente carregado.

Volte a ligar o aparelho ao carregador depois da utilização para recarregar a bateria.

Nunca troque as baterias em temperaturas acima de 37°C ou abaixo de 0°C.

É normal que o carregador aqueça enquanto estiver a carregar.

Não desligue o carregador puxando o cabo.

Desligue o carregador em caso de ausência prolongada (férias, etc.). Recarregue novamente o produto antes de utilizar,

pois a bateria pode descarregar durante longos períodos de armazenamento.

Se for necessário eliminar o aparelho, primeiro retire as baterias. O aparelho deve ser desligado da fonte de alimentação ao remover a bateria. Elimine as baterias em segurança. Deixe o aparelho em funcionamento até parar devido ao facto de as baterias estarem completamente descarregadas. As pilhas usadas devem ser levadas para uma estação de reciclagem e não devem ser colocadas no lixo doméstico. Para remover as baterias, contacte o centro de apoio ao cliente da Hoover ou prossiga de acordo com as instruções seguintes.

**IMPORTANTE:** Descarregue, sempre, na totalidade as baterias antes de as remover.

Coloque o aspirador em funcionamento até a bateria estar totalmente descarregada.

Remova a ficha de tomada do carregador do aparelho.

Prima os botões de libertação do pack de baterias e deslize para remover.

**Nota:** Caso experiencie qualquer dificuldade na desmontagem da unidade ou necessite de informações mais detalhadas sobre o trabalho, recuperação e reciclagem deste aparelho, contacte o departamento da sua cidade ou o serviço de eliminação de lixo doméstico.

Utilize apenas acessórios, consumíveis ou peças sobressalentes recomendadas ou fornecidas pela Hoover.

**Eletricidade estática:** Algumas alcatifas podem provocar uma pequena acumulação de eletricidade estática. A descarga de eletricidade estática não constitui qualquer perigo para a saúde. Não utilize o aparelho no exterior, em superfícies húmidas ou para aspirar líquidos.

Não aspire objetos duros ou afiados, fósforos, cinzas quentes, pontas de cigarro ou outros itens semelhantes. Não pulverize nem aspire líquidos inflamáveis, líquidos de limpeza, aerossóis ou respetivos vapores.

Não passe por cima do cabo de alimentação ao utilizar o aspirador nem retire a ficha puxando pelo cabo de alimentação. Não continue a utilizar o aparelho ou o carregador caso aparente estar defeituoso.

**Assistência da Hoover:** Para assegurar o funcionamento seguro e eficiente deste aparelho, recomendamos que todas as intervenções de assistência ou reparação sejam efetuadas apenas por um técnico de assistência autorizado da Hoover.

# Não utilize o aparelho para limpar pessoas ou animais. Não substitua as baterias por baterias não recarregáveis.

## Ambiente:

Este eletrodoméstico está marcado de acordo com o disposto na diretiva europeia 2011/65/EC relativa aos resíduos de equipamentos elétricos e eletrônicos (REEE). Ao garantir que este produto é eliminado de forma correta, estará a contribuir para evitar potenciais consequências negativas para o ambiente e a saúde humana, o que pode ocorrer devido a um tratamento inadequado dos resíduos deste produto. O símbolo no produto indica que este não pode ser tratado como resíduo doméstico. Pelo contrário, deve ser encaminhado para o ponto de recolha aplicável para reciclagem de equipamento elétrico e eletrónico. A eliminação deve ser realizada em conformidade com as leis ambientais locais relativas à eliminação de resíduos. Para obter informações mais detalhadas sobre o tratamento, recuperação e reciclagem deste produto, contacte as autoridades locais, o serviço de eliminação de resíduos domésticos ou a loja onde adquiriu o produto.



Este aparelho encontra-se em conformidade com as Diretivas Europeias 2014/35/UE, 2014/30/UE e 2011/65/UE.

CANDY HOOVER GROUP S.r.l. Via Privata Eden Fumagalli, 20861 Brugherio (MB) Italy

## COMPONENTES DO PRODUTO

- |                                                          |                                                        |
|----------------------------------------------------------|--------------------------------------------------------|
| A. Botão ON/OFF (Ligar/Desligar)                         | R. Luz LED do estado de manutenção                     |
| B. Botão Turbo                                           | S. Luz de carregamento da bateria                      |
| C. Botão Silent                                          | T. Botão de libertação da bateria                      |
| D. Compartimento para o pó                               | U. Conjunto de baterias                                |
| E. Trínco da aba do depósito de pó                       | V. Entrada de carregamento da bateria                  |
| F. Botão de libertação manual                            | W. Carregador                                          |
| G. Botão de libertação para arrumação                    | X. Montagem de parede*                                 |
| H. Tubo                                                  | Y. Parafusos de montagem na parede*                    |
| I. Botão de libertação da escova                         | Za. Acessório integrado 2 em 1 para móveis             |
| J. Luzes LED dianteiras da escova                        | Zb. Escova integrada 2 em 1 para pó                    |
| K. Deslizador da tampa de libertação da barra da escova  | AA. Mini escova elétrica*                              |
| L. Tampa da extremidade de libertação da barra da escova | AB. Escova elétrica Mini Turbo                         |
| M. LED de estado da barra de escova*                     | AC. Aba de libertação da barra da escova do mini turbo |
| N. Filtro do pré-motor                                   | AD. Acessório longo para cantos*                       |
| O. Localizador em espiral de ciclone simples             | AE. Saco para acessórios*                              |
| P. Ciclónico único                                       | AF. Barra da escova                                    |
| Q. Luz LED do estado da bateria                          | AG. Acessório para janelas                             |
|                                                          | AH. Acessório de limpeza*                              |

## PREPARAR O SEU ASPIRADOR

Retire o produto da embalagem com cuidado.

1. Segure a escova e o tubo, monte uma extremidade do tubo no gargalo da escova até ouvir um "clique", o que significa que encaixou no sitio certo. **[1a]**
2. Pegue na unidade portátil e monte no tubo até ouvir um "clique", que significa que encaixou no lugar. **[1b]**
3. Fixe a montagem de parede utilizando os parafusos e tampões com porca fornecidos. **[2]**
4. Para carregar totalmente o aparelho, ligue a ficha de tomada do carregador ao pacote da bateria. Levará cerca de 2,5 horas ou 6 horas, dependendo do modelo.

**NOTA:** Para remover a escova, pressione o botão de libertação da escova e retire do corpo principal.

**NOTA:** Utilize apenas o carregador fornecido com o aspirador para recarregar. É normal que o carregador aqueça enquanto estiver a carregar.

\* Apenas em alguns modelos

## UTILIZAR O SEU APARELHO

Possui 4 modos de aspiração:

- **MODO STANDARD:** Quando prima o botão Ligar/Desligar, o aspirador está pronto para limpar cuidadosamente com a escova principal motorizada. [3a]
  - **MODO TURBO:** Prima o botão Turbo para a potência total para tarefas de limpeza a fundo. [3b]
  - **MODO SILENCIOSO:** Pressione o botão de silêncio para limpar totalmente no nível de ruído mais baixo do produto. [3c]
  - **MODO AUTOMÁTICO:** Quando remove a escova ou o tubo, o produto adapta-se automaticamente a uma energia mais baixa para limpeza acima dos pavimentos, com acessórios não motorizadas.
- NOTA:** Quando se encontra neste modo, se precisar de mais potência, pressione o botão TURBO: uma vez para obter potência extra ou duas vezes para obter a potência máxima. Se pretende voltar ao MODO AUTO, pressione o botão Silêncio.
- NOTA:** Este produto de limpeza tem uma barra de escova rotativa na frente da escova e permite a recolha de pó e detritos de pavimentos duros, parquet e carpetes.

### ESTADO DA BARRA DA ESCOVA

O LED de estado da barra da escova no bocal permanece iluminado a branco durante todos os modos de limpeza do pavimento e fica vermelho se o sistema de proteção de segurança estiver ativado. [14]

## FUNÇÃO DE ARRUMAÇÃO

Após a utilização, o aspirador tem 2 modos de arrumação convenientes.

### 1. ARRUMAÇÃO POR MONTAGEM NA PAREDE

O produto é fornecido com um modo de montagem na parede para uma arrumação fácil e conveniente. Utilizando os parafusos fornecidos, fixe o suporte de montagem na parede à parede. Após a utilização do produto, basta colocar o aspirador no devido local. [2]

### 2. MODO DE ARRUMAÇÃO COMPACTA

Para arrumar o produto no tubo, remova a unidade portátil premindo o botão de libertação da unidade portátil. [5] Certifique-se de que o acessório 2 em 1 integrado (**z**) volta à posição original, conforme fornecida, garantindo que o acessório está totalmente no sítio com a escova de pó e o gancho de localização na posição virada para baixo. Monte o gancho de localização na ranhura inferior do tubo e empurre o manípulo traseiro totalmente para o sítio no mecanismo de bloqueio situado na parte superior do tubo. [6]

## SISTEMAS DE PROTEÇÃO DE SEGURANÇA

Para garantir que a fiabilidade do produto não é afetada se este for utilizado em condições exigentes, o produto inclui três sistemas de proteção de segurança integrados, um no aspirador e dois na escova.

**NOTA:** O sistema de proteção de segurança será ativado em três condições.

1. Se houver obstruções na entrada de ar ou no tubo, o aspirador será protegido e desligado e a luz LED da unidade principal ficará vermelha. Se isto acontecer, basta verificar se há alguma obstrução no tubo ou na entrada de ar da unidade portátil. Remova-a e volte a ligar.
2. Se a barra da escova rotativa estiver bloqueada ou travada, uma vez acionada, a escova rotativa deixará de girar e as luzes LED BRANCAS do LED de estado da barra da escova rotativa ficarão VERMELHAS. [14a] Se tal acontecer, basta desligar o seu produto e limpar a obstrução da barra da escova rotativa. Para terminar a limpeza, pressione o botão on/off e o produto reinicia no modo normal.
3. Se a janela da escova não estiver completamente fechada, a escova rotativa não girará, o LED de estado da escova rotativa e as luzes dianteiras do LED da escova piscarão continuamente em BRANCO. [14b] Se tal acontecer, basta desligar o seu produto e garantir que a janela da escova está completamente fechada e ligar novamente.

## BATERIA

Este aspirador está equipado com uma luz LED de estado da bateria. Quando o produto está ligado, a luz LED acende-se em diferentes cores para mostrar o nível da bateria.

\* Apenas em alguns modelos

**NÍVEL DA BATERIA:**

Branco: 100% - 10% carregar

Vermelho intermitente: <10% carregar

**Há 2 métodos de carregamento:**

Carregue a bateria quando encaixada no produto.

Insira o conector do carregador da bateria na bateria. O indicador LED de estado irá acender-se a VERMELHO durante o carregamento. Quando o carregamento estiver concluído, o indicador LED de estado irá acender-se a BRANCO durante 1 minuto e depois irá desligar-se. [7]

Carregue a bateria quando removida do produto.

Remova a bateria do produto premindo os botões de libertação da bateria.

Insira o conector do carregador da bateria na bateria. O LED do pack da bateria irá acender-se a VERMELHO durante o carregamento. Quando o carregamento estiver concluído, o indicador LED irá acender-se a BRANCO. [8]

**NOTA:** É normal que o carregador aqueça enquanto estiver a carregar. Utilize apenas o carregador fornecido com o aspirador.

**ACESSÓRIOS**

**Acessórios para cantos integrado** - ideais para conseguir chegar a espaços apertados.

**Escova para pó** - ideais para limpar superfícies sem danificar nem riscar.

**Escova para móveis** - ideais para limpar superfícies como sofás.

**Mini escova elétrica\*** - Ideal para limpar a fundo superfícies têxteis (por exemplo, sofás) e remover pelos de animais. O ângulo de trabalho pode ser ajustado quando se desloca para trás e para a frente.

**NOTA:** Depois de usar, gire a aba de libertação da barra da escova rotativa no sentido anti-horário com uma moeda para retirar a barra da escova rotativa e, em seguida, remova os cabelos/fios recolhidos na escova. [17]

Todos os acessórios, exceto o acessório de limpeza, podem ser instalados no produto principal e no tubo. [4]

**Acessório longo para cantos\*** - Ideal para áreas estreitas e de difícil acesso.

**Acessório de limpeza\*** - ideal para remover o pó, os detritos e o cabelo no depósito de pó ou na escova. [9]

**SACO PARA ACESSÓRIOS\***

Podem ser arrumados acessórios adicionais no saco de acessórios.

**Montagem de parede\***

Se necessário, fixe o suporte de parede à parede utilizando dois parafusos e as buchas fornecidas. [2]

**MANUTENÇÃO DO APARELHO**

Lembrete de manutenção do pré-filtro. Se o pré-filtro precisar de manutenção, a luz vermelha do aspirador começa a piscar a vermelho.

**Despejar o depósito de pó**

1. Prima o botão de libertação portátil e retire o tubo. [5]
2. Empurre o botão de esvaziamento do compartimento para pó para soltar a aba do recipiente e esvazie o conteúdo. [9a]
3. Feche a aba do compartimento para pó, ouvirá um clique quando estiver encaixado.

**NOTA:** É recomendado esvaziar o compartimento para pó depois de cada utilização ou quando o pó estiver até à linha máxima de enchimento.

**Limpeza diária rápida do depósito de pó**

Basta abrir a aba do depósito de pó e remover o pó com a ajuda da ferramenta de limpeza.

1. Utilize a extremidade do gancho para extrair o pó recolhido no interior do depósito de pó. [9b]
2. Utilize a extremidade da escova para limpar o pó fino agarrado em redor do filtro de rede metálico. [9c]

**Limpe o depósito de pó e o filtro**

O indicador LED do produto irá piscar a VERMELHO, indicando que é necessário limpar o filtro do pré-motor.

1. Prima o botão de libertação da unidade portátil e remova a unidade portátil do tubo. [5]
2. Utilize o botão de libertação da bateria e remova a bateria.
3. Remova o conjunto do depósito de pó, rodando-o para a direita e puxando-o para fora da unidade. [10]
4. Primeiro, remova o filtro do pré-motor, puxando o suporte do conjunto do depósito. [11a]
5. Remova o sistema de ciclone único, retirando o anel de metal do conjunto do depósito. [11a]
6. Remova o localizador de vórtice, rodando-o para a direita e puxando-o para fora do sistema de ciclone. [11b]

\* Apenas em alguns modelos

7. Lave o filtro e o sistema de ciclone simples com água morna e deixe secar durante 24 horas. [12,13]
8. Volte a montar assim que estiver completamente seco e volte a colocar no produto.

**NOTA:** Não use água quente nem detergentes para limpar o filtro do pré-motor. No caso improvável de o filtro do pré-motor ficar danificado, utilize um sobressalente original da Hoover. Não se esqueça de voltar a instalar o filtro do pré-motor antes de montar o compartimento do pó na estrutura principal do aspirador, pois o mecanismo de proteção do filtro será ativado.

**IMPORTANTE:** Para um desempenho ideal, mantenha sempre o filtro limpo. Recomendamos lavar o filtro mensalmente.

#### Limpeza da barra da escova e da escova

**IMPORTANTE:** Desligue sempre o produto de limpeza antes de trocar e limpar a barra da escova rotativa.

Se houver obstruções ou pó fino ao redor da barra da escova rotativa:

1. Remova a escova do tubo. [15]
2. Mova o deslizador para a direita e a janela da escova abrir-se-á. [16a]
3. Abra totalmente a janela da escova para remover a barra da escova híbrida. [16a]
4. Segure a barra da escova rotativa. Solte a tampa da extremidade e remova a barra da escova rotativa. [16b]
5. Se houver sujidade que resta na barra da escova, remova-a manualmente ou com a ajuda do acessório de limpeza. [16c]
6. Se houver sujidade no interior da escova ou à volta do pente, remova-o utilizando a escova do acessório de limpeza. [16d]
7. Para garantir que a escova esteja totalmente livre de quaisquer obstruções, vire a escova e verifique ao longo da área inferior. Se necessário, limpe esta área utilizando o gancho do acessório de limpeza fornecida. [16e]
8. Rode a escova para a posição inicial e volte a montar a barra da escova. A barra da escova rotativa só pode ser inserida numa direção e pressione a extremidade ligeiramente para garantir que a barra da escova rotativa esteja no lugar. [16f]
9. Feche a janela pressionando a área central da janela até ouvi-la “clicar” no lugar. Verifique se a janela está completamente bloqueada pressionando em ambos os lados. [16g]

#### Substituição das baterias

Este aspirador está equipado com um pack de bateria de iões de lítio recarregável que pode ser substituído.

**ATENÇÃO:** Utilize apenas peças de substituição aprovadas para o aspirador. A utilização de peças não aprovadas pela Hoover é perigosa e irá tornar a sua garantia inválida.

**ATENÇÃO:** Não tente abrir o conjunto de baterias e repará-lo.

1. prima os botões de libertação da bateria e puxe a bateria para fora. [8]
2. Retire a bateria antiga e substitua-a por uma bateria nova.
3. Elimine as baterias em segurança. As pilhas usadas devem ser levadas para uma estação de reciclagem e não devem ser colocadas no lixo doméstico.

## RESOLUÇÃO DE PROBLEMAS

Se tiver qualquer problema com o aspirador, siga esta lista de verificação simples antes de contactar o Centro de Assistência ao Cliente da Hoover:

#### A. O aspirador não liga

Verifique se o aspirador está carregado.

Verifique se o pacote da bateria está montado no sítio certo.

#### B. O aspirador parou de trabalhar.

Verifique se há alguma obstrução na entrada de ar ou no tubo, elimine-a e certifique-se de que o produto está desligado. Depois de fazer isto, basta premir o botão Ligar/Desligar e o produto irá começar a funcionar novamente.

#### C. Perda de sucção ou sem sucção

Esvazie o depósito de pó e lave o pré-filtro e o sistema de separação. [12, 13]

Retire a escova e verifique se existe qualquer obstrução na conduta.

#### D. Não é possível carregar a bateria

Isto pode dever-se a um período de armazenamento muito longo (mais de meio ano).

Contacte o serviço de apoio ao cliente da Hoover para que a bateria seja substituída.

Se o problema persistir, contacte o centro de assistência ao cliente da Hoover.

#### E. O LED de estado da barra da escova está VERMELHO

Há um bloqueio no bocal ou uma obstrução na barra da escova rotativa. Consulte a secção MANUTENÇÃO DO APARELHO.

**F. O LED de estado da barra da escova e as luzes LED frontais do bocal estão a piscar em BRANCO.**

A janela do bocal não foi completamente fechada.

Se tal acontecer, basta desligar o seu produto e garantir que a janela da escova está completamente fechada e ligar novamente.

**PEÇAS SOBRESSALENTES E CONSUMÍVEIS HOOVER**

Substitua sempre as peças por peças sobressalentes Hoover genuínas. Pode obtê-las junto do seu representante local ou diretamente da Hoover. Quando encomendar peças, mencione sempre o número do seu modelo.

**A SUA GARANTIA**

As condições de garantia para este aparelho são as definidas pelo nosso representante no país onde foi vendido. Pode obter detalhes sobre estas condições junto do agente a quem adquiriu o aparelho. A fatura de venda ou o recibo deverão ser entregues quando apresentar uma reclamação ao abrigo dos termos da garantia.

**IMPORTANTE:** A bateria neste aspirador possui uma garantia de 2 anos a partir da data de compra. Após 2 anos, o comprador é responsável pelo custo da nova bateria.

Sujeito a alteração sem aviso prévio.



## INSTRUCCIONES PARA UN USO SEGURO

Este aparato solo debe utilizarse para la limpieza doméstica, como se describe en este manual de usuario. Asegúrese de haber comprendido todo el contenido de este manual antes de poner en funcionamiento el aparato.

Apague y quite el cargador de la toma de corriente antes de limpiar el aparato o de efectuar cualquier operación de mantenimiento.

Este aparato puede ser usado bajo supervisión por niños de 8 años en adelante o por personas con capacidades físicas, sensoriales o mentales reducidas o falta de experiencia siempre con una explicación previa de las instrucciones con respecto al uso del aparato y comprendiendo los riesgos implicados. Los niños no deben jugar con el aparato. Los niños no deben limpiar ni dar mantenimiento sin supervisión.

Si el cable de alimentación está dañado, deje de utilizar el aparato inmediatamente. Para evitar riesgos de seguridad, el cable de alimentación sólo puede ser cambiado por un especialista de un Servicio Técnico Oficial de Hoover.

Mantener lejos de los cepillos rotatorios los pies, manos, ropa y cabellos.

Utilice únicamente el cargador original suministrado con el aparato.

Controle que el voltaje de la corriente eléctrica sea el mismo que el indicado en el cargador.

Este aparato Hoover se proporciona con un cargador de baterías con doble aislamiento que solo se puede conectar en una toma de corriente de 230V (240V en Reino Unido).

Enchufe el cargador en una toma de corriente adecuada y conecte la clavija del cargador al electrodoméstico.

Apague el aparato antes de efectuar la carga.

La luz led del paquete de baterías se iluminará de color rojo durante la carga y se volverá de color BLANCO cuando la carga esté completa.

Conecte el cargador al electrodoméstico después del uso para recargar la batería.

Nunca cargue la batería a temperaturas superiores a los 37 °C o inferiores a 0 °C.

Es normal que el cargador se caliente mientras se está cargando. No tire del cable para desenchufar el cargador.

Desenchufe el cargador en caso de ausencias prolongadas

(vacaciones, etc.). Vuelva a cargar el aparato nuevamente antes de usarlo, ya que la batería se podría descargar durante períodos de almacenamiento prolongados.

Para desechar el aparato, primero es necesario extraer la batería. Cuando extraiga la batería, el electrodoméstico debe estar desconectado de la corriente eléctrica. Extraiga la batería de manera segura. Haga funcionar el electrodoméstico hasta que se detenga cuando la batería esté totalmente descargada. Las baterías usadas deben llevarse a un punto de reciclaje y no deben desecharse con los residuos domésticos. Para quitar la batería, contacte con el Servicio Técnico de Hoover o siga las siguientes instrucciones.

**IMPORTANTE:** Descargue siempre las baterías completamente antes de desecharlas y asegúrese de que el cargador está desenchufado.

Haga funcionar el aspirador hasta que las baterías estén completamente descargadas.

Quite el conector jack del cargador del electrodoméstico.

Pulse los botones de desenganche del paquete de baterías y deslice para extraerlo.

**Nota:** Si llega a experimentar problemas al desmontar el aspirador o para obtener más información sobre el funcionamiento, la recuperación y el reciclaje de este electrodoméstico, contacte con su Ayuntamiento o con el servicio de recogida de residuos domésticos de su zona.

Utilice únicamente accesorios, consumibles o repuestos recomendados o distribuidos por Hoover.

**Electricidad estática:** Algunas alfombras pueden provocar una pequeña acumulación de electricidad estática. Las descargas estáticas no son peligrosas para la salud.

No utilice el aparato al aire libre, en superficies húmedas o para recoger líquidos.

No aspire objetos duros o afilados, cerillas, cenizas calientes, colillas de cigarrillo u objetos similares. No acompañe la limpieza con líquidos inflamables o aerosoles.

No pase por encima del cable de alimentación cuando utilice el aparato ni lo desenchufe tirando del cable. No siga utilizando el electrodoméstico o el cargador si parece estar defectuoso.

**Servicio Técnico Oficial de Hoover:** Para garantizar el funcionamiento seguro, eficaz y duradero del aspirador, recomendamos que las tareas de mantenimiento sean

realizadas exclusivamente por técnicos autorizados del Servicio Técnico Oficial de Hoover.

No utilice el aparato sobre personas ni animales.

No sustituya las baterías por baterías no recargables.

#### El Medio Ambiente:

Este aparato está marcado de acuerdo con la Directiva Europea 2011/65/EC sobre residuos de aparatos eléctricos y electrónicos (RAEE). Al cerciorarse de que este producto se elimine correctamente, usted ayudará a prevenir las posibles consecuencias perjudiciales para el medio ambiente y la salud humana que, de otro modo, podrían producirse en caso de un manejo inadecuado de los residuos de este producto. El símbolo que puede verse en el producto indica que éste no puede tratarse como residuo doméstico. En vez de esto debe entregarse en un punto de recogida de electrodomésticos para el reciclaje de equipos eléctricos y electrónicos. La eliminación debe llevarse a cabo según los reglamentos medioambientales locales sobre eliminación de residuos. Para información más detallada sobre cómo funciona la recogida y el reciclaje de este producto, póngase en contacto con su Ayuntamiento, su servicio de recogida de residuos domésticos o con el establecimiento donde haya comprado el producto.



Este aparato cumple con las Directivas europeas 2014/35/EU, 2014/30/EU y 2011/65/EU.

CANDY HOOVER GROUP S.r.l. Via Privata Eden Fumagalli, 20861 Brugherio (MB) Italy

### COMPONENTES DEL PRODUCTO

- |                                                               |                                                                             |
|---------------------------------------------------------------|-----------------------------------------------------------------------------|
| A. Botón de Encendido/Apagado                                 | S. Luz de carga de la batería                                               |
| B. Botón Turbo                                                | T. Botón de liberación de la batería                                        |
| C. Botón Modo Silencio                                        | U. Batería                                                                  |
| D. Depósito de suciedad                                       | V. Entrada de carga de la batería                                           |
| E. Pulsador de desbloqueo del depósito de suciedad            | W. Cargador                                                                 |
| F. Botón de extracción del aspirador de mano.                 | X. Soporte de pared*                                                        |
| G. Botón de desbloqueo de almacenamiento                      | Y. Tornillos del soporte de pared*                                          |
| H. Tubo                                                       | Za. Accesorio para muebles integrado 2 en 1                                 |
| I. Botón desbloqueo del cepillo                               | Zb. Cepillo para polvo integrado 2 en 1                                     |
| J. Luces led delanteras del cepillo                           | AA. Minitobera motorizada*                                                  |
| K. Deslizador de la tapa de liberación de la barra de cepillo | AB. Barra de cepillo de la minitobera motorizada                            |
| L. Tapa final de liberación de la barra de cepillo            | AC. Solapa de liberación de la barra de cepillo de la minitobera motorizada |
| M. Led de estado de la barra de cepillo*                      | AD. Accesorio largo para rincones*                                          |
| N. Filtro pre-motor                                           | AE. Bolsa para accesorios*                                                  |
| O. Conducto de salida del monociclón                          | AF. Barra de cepillo                                                        |
| P. Monociclón                                                 | AG. Ventana de la tobera                                                    |
| Q. Luz led de estado de la batería                            | AH. Herramienta de limpieza*                                                |
| R. Luz led de estado de mantenimiento                         |                                                                             |

### PREPARACIÓN DEL ASPIRADOR

Extraiga con cuidado el electrodoméstico del embalaje.

1. Agarre la tobera y el tubo, monte un extremo del tubo en el interior del cuello de la tobera hasta que encaje en su lugar y se oiga un "clic". **[1a]**
2. Agarre la unidad portátil y ensamble en el tubo hasta que encaje en su lugar y se oiga un "clic". **[1b]**
3. Fije el soporte de pared a la pared utilizando los tornillos y los tapones de tornillos suministrados. **[2]**
4. Para cargar por completo el electrodoméstico, conecte el jack del cargador al paquete de baterías. Tardará unas 2,5 o 6 h dependiendo del modelo.

**NOTA:** Para retirar el cepillo principal, presione el botón de desbloqueo y retirelo del cuerpo principal.

**NOTA:** Solo utilice el cargador proporcionado con su aspirador para recargar la batería. Es normal que el cargador esté caliente al tacto mientras se está cargando.

\* Disponible solo en algunos modelos

## USO DEL APARATO

Hay 4 modos de funcionamiento:

- **MODO ESTÁNDAR:** Al pulsar el botón de ENCENDIDO-APAGADO, el aspirador está listo para limpiar con la tobera principal motorizada. **[3a]**
- **MODO TURBO:** Pulse el botón Turbo para activar una limpieza profunda. **[3b]**
- **MODO SILENCIO:** Pulse el botón de Modo Silencio para limpiar con un nivel de ruido reducido. **[3c]**
- **MODO AUTOMÁTICO:** Al quitar la tobera o el tubo, el aparato se adapta automáticamente a una potencia inferior para limpiar encima del suelo, sin accesorios motorizados.

**NOTA:** Cuando se encuentre en este modo, si necesita una mayor potencia, pulse el botón TURBO: pulse una vez para obtener potencia extra o dos veces para obtener la máxima potencia. Si desea volver al MODO AUTOMÁTICO, pulse el botón Silencio.

**NOTA:** Este aspirador tiene una barra de cepillo en la parte delantera de la tobera y permite recoger el polvo y los residuos de los suelos duros, el parquet y las alfombras.

### ESTADO DE LA BARRA DE CEPILLO

El led de estado de la barra del rodillo ubicado en la tobera permanecerá iluminado de color blanco durante todos los modos de limpieza del suelo y se volverá rojo si se activa el sistema de protección de seguridad. **[14]**

## FUNCIÓN ALMACENAMIENTO

Después del uso, el aspirador tiene dos cómodos métodos de almacenamiento.

### 1. ALMACENAMIENTO CON EL SOPORTE DE PARED

El aparato se suministra con un soporte de pared para un almacenamiento fácil y cómodo. Fije el soporte de pared a la pared utilizando los tornillos suministrados. Después de utilizar el aspirador, simplemente colóquelo en su lugar. **[2]**

### 2. MODO ESTACIONAMIENTO/ALMACENAMIENTO COMPACTO

Para guardar el electrodoméstico en el tubo, extraiga la unidad portátil pulsando el botón de desbloqueo de la unidad portátil. **[5]**

Asegúrese de que el accesorio integrado 2 en 1 **(z)** haya vuelto a la posición original, como se había proporcionado, controlando que dicho accesorio esté perfectamente encajado en el cepillo para polvo y el gancho de fijación esté hacia abajo.

Ensamble el gancho de fijación en la ranura inferior del tubo y empuje el mango trasero hasta que encaje perfectamente en el mecanismo de bloqueo ubicado en la parte superior del tubo. **[6]**

## SISTEMAS DE PROTECCIÓN DE SEGURIDAD

Para asegurar que el electrodoméstico mantenga su fiabilidad si se usa en condiciones difíciles, el aparato está dotado de tres sistemas de protección de seguridad integrados, uno en la aspiradora y uno en la tobera.

**NOTA:** El sistema de protección de seguridad se accionará en tres condiciones:

1. Si hay obstrucciones en la entrada del aire o en el tubo el aspirador estará protegido, se apagará y la luz led de la unidad principal se vuelve roja. Si esto sucede, controle si hay una obstrucción en el tubo o en la entrada del aire de la unidad portátil. Elimínela y vuelva a encender.

2. Si la barra de cepillo tiene un bloqueo o está bloqueada, una vez accionada, la barra de cepillo dejará de girar y las luces LED BLANCAS del led de estado de la barra de cepillo cambiarán a ROJAS. **[14a]** Si esto sucede, apague el electrodoméstico y elimine la obstrucción de la barra de cepillo. Para reanudar la limpieza presione el botón de encendido/apagado y el electrodoméstico volverá a encenderse en modo normal.

3. Si la ventana de la boquilla no está completamente cerrada, la barra de cepillo no girará, el LED de estado de la barra de cepillo y las luces LED frontales de la boquilla parpadearán en color BLANCO continuamente. **[14b]**

Si esto ocurre, simplemente apague su producto y asegúrese de que la ventana de la boquilla está completamente cerrada y vuelva a encenderlo.

## BATERÍA

El aspirador está dotado de Luz led de estado de la batería. Cuando el aparato está encendido, la luz led se iluminará de diferentes colores para indicar el nivel de la batería:

\* Disponible solo en algunos modelos

**NIVEL DE LA BATERÍA:**

Color blanco: 100% - 10% carga

Rojo intermitente: <10% carga

**Hay 2 métodos de carga:**

Cargue la batería cuando esté encajada en el aparato.

Introduzca el conector jack del cargador en la batería. El indicador de estado led se iluminará de color ROJO durante el proceso de carga. Cuando la carga esté completa, el indicador de estado led se iluminará de color BLANCO durante 1 min y luego se apaga. [7]

Cargue la batería cuando se haya extraído del aparato.

Extraiga la batería del aparato presionando los botones de desbloqueo de la batería.

Introduzca el conector jack del cargador en la batería. El paquete de baterías led se iluminará de color ROJO durante la carga. Cuando la carga esté completa, el indicador led se iluminará de color BLANCO. [8]

**NOTA:** Es normal que el cargador esté caliente al tacto mientras se está cargando. Sólo utilice el cargador proporcionado con el aspirador.

**ACCESORIOS**

**Accesorios para rincones integrado** - Ideal para espacios estrechos.

**Cepillo para polvo** - Ideal para limpiar superficies sin dañarlas o rayarlas.

**Accesorio para muebles** - Ideal para limpiar superficies como el sofá.

**Minitobera motorizada\*** - Ideal para la limpieza profunda de superficies de tejido (por ej. sofás) y la eliminación de pelo de animales domésticos. El ángulo de trabajo se puede regular al mover hacia adelante y hacia atrás.

**NOTA:** Después del uso, por favor, gire la solapa de liberación de la barra de cepillo en sentido contrario a las agujas del reloj con una moneda para sacar la barra de cepillo, y luego retire los pelos/hilos recogidos en el cepillo. [17]

Todos los accesorios, excepto la herramienta de limpieza, se pueden encajar en el aparato principal y en el tubo. [4]

**Accesorio largo para rincones\*** - Ideal para zonas estrechas y difíciles.

**Herramienta de limpieza\*** - ideal para eliminar polvo, residuos y cabello en el interior del depósito de suciedad o en la tobera. [9]

**BOLSA PARA ACCESORIOS\***

Los accesorios adicionales se pueden guardar en la bolsa para accesorios.

**SOPORTE DE PARED\***

De ser necesario, fije el soporte de pared a la pared, utilizando los dos tornillos y tapones suministrados. [2]

**MANTENIMIENTO DEL APARATO**

Recordatorio del mantenimiento del pre-filtro. Si el pre-filtro necesita mantenimiento, la luz roja situada en el aspirador comienza a parpadear de color rojo.

**Vaciado del depósito de suciedad**

1. Pulsa el botón de desenganche del aspirador extraíble y extraiga el tubo. [5]

2. Presione el botón de vaciado del depósito de suciedad para desenganchar la solapa del contenedor y vaciar el contenido. [9a]

3. Cierre la solapa del depósito de suciedad, cuando esté totalmente bloqueada se escuchará un clic.

**NOTA:** Se recomienda vaciar el depósito de suciedad después de cada uso o cuando la suciedad llegue a la línea de llenado máximo.

**Limpieza cotidiana rápida del contenedor de polvo**

Simplemente, abra la solapa del depósito de suciedad y elimine el polvo utilizando la herramienta de limpieza.

1. Utilice el extremo del gancho para extraer la suciedad recogida en el interior del depósito de suciedad. [9b]

2. Utilice el extremo del cepillo para limpiar el polvo fino depositado alrededor del filtro de malla metálico. [9c]

**Limpieza del depósito y el filtro**

El indicador led del aparato parpadeará de color ROJO para indicar que es necesario limpiar el filtro pre-motor.

1. Presione el botón de desbloqueo de la unidad portátil y extraiga la unidad portátil del tubo. [5]

2. Pulse el botón de desbloqueo de la batería y extraiga la batería.

3. Extraiga el depósito de suciedad girando en el sentido de las agujas del reloj y desprendiéndolo de la unidad. [10]

4. Extraiga el filtro pre-motor desprendiendo el soporte del grupo contenedor. [11a]

\* Disponible solo en algunos modelos

5. Saque el sistema monociclón, tirando la anilla metálica del grupo contenedor. **[11a]**
6. Extraiga el conducto de salida girando en el sentido de las agujas del reloj y desprenda del sistema ciclón. **[11b]**
7. Lave el filtro y el sistema monociclón con agua tibia y deje secar durante 24 horas. **[12,13]**
8. Colóquelo de nuevo en el aspirador una vez esté completamente seco.

**NOTA:** No utilice agua caliente o detergentes para limpiar el filtro pre-motor. En el caso poco probable de que el filtro pre-motor se dañe, utilice un repuesto original Hoover. Asegúrese de volver a encajar el filtro pre-motor antes de ensamblar el recolector de polvo en el cuerpo principal del aspirador ya que se activará el mecanismo de protección del filtro.

**IMPORTANTE:** Para obtener un rendimiento óptimo, mantenga siempre limpio el filtro. Le recomendamos que lave el filtro una vez al mes.

#### **Limpieza de la barra de cepillo y de la tobera**

**IMPORTANTE:** Siempre apague el aspirador antes de cambiar y limpiar la barra cepillo.

Si hay alguna obstrucción o polvo fino alrededor de la barra de cepillo:

1. Extraiga la tobera del tubo. **[15]**
2. Mueva el deslizador hacia la derecha y la ventana de la tobera se abrirá. **[16a]**
3. Abra completamente la ventana de la tobera para quitar la barra de cepillo híbrida. **[16a]**
4. Sujete la tapa del extremo de liberación de la barra de cepillo y retire la barra de cepillo. **[16b]**
5. Si quedan restos de suciedad en la barra de cepillo, elimínelos manualmente o con la ayuda de la herramienta de limpieza. **[16c]**
6. Si hay restos de suciedad dentro de la tobera o alrededor del peine, elimínelos con el cepillo de la herramienta de limpieza. **[16d]**
7. Para asegurarse de que la tobera esté completamente libre de obstrucciones, voltee la tobera y verifique a lo largo del área inferior. De ser necesario, limpie esta área con el gancho de la herramienta de limpieza provista. **[16e]**
8. Gire la tobera a la posición inicial y vuelva a colocar la barra de cepillo. La barra de cepillo solo puede encajar en una dirección, presione ligeramente el extremo para asegurarse de que la barra de cepillo está en su sitio. **[16f]**
9. Cierre la ventana presionando la zona central de la misma hasta que oiga que hace "clic" al encajar en su sitio. Compruebe que la ventana está completamente bloqueada presionando en ambos lados. **[16g]**

#### **Reemplazar las baterías**

Este aspirador está dotado de un paquete de baterías recargables de ion-litio, que es reemplazable.

**ADVERTENCIA:** Utilice únicamente piezas de repuesto aprobadas para su aspirador. El uso de piezas no homologadas por Hoover es peligroso e invalidará su garantía.

**ADVERTENCIA:** No trate de abrir la batería ni de repararla por su cuenta.

1. Pulse los botones de desbloqueo de la batería y extraiga la batería. **[8]**
2. Extraiga el viejo paquete de baterías y sustitúyalo con el nuevo.
3. Extraiga la batería de manera segura. Las baterías usadas deben llevarse a un punto de reciclaje y no deben desecharse con los residuos domésticos.

## **RESOLUCIÓN DE PROBLEMAS**

Si tiene algún problema con su aspirador, siga esta simple lista de verificación antes de llamar al Servicio Técnico de Hoover:

#### **A. El aspirador no se enciende**

Verifique si el aspirador está cargado.

Verifique si el paquete de baterías está montado correctamente.

#### **B. El aspirador deja de funcionar**

Controle si hay una obstrucción en la entrada del aire o en el tubo, elimínala y asegúrese de que el aparato esté apagado.

Una vez que se haya hecho esto, pulse el botón de encendido/apagado, el aparato, comenzará a funcionar nuevamente.

#### **C. Pérdida de potencia de aspiración o succión.**

Vacíe el depósito de suciedad y lave el prefiltro y el sistema de separación. **[12, 13]**

Extraiga la tobera y controle si hay obstrucciones en el tubo

#### **D. Las baterías no se pueden cargar**

Este puede ser el resultado de periodos de almacenamiento muy prolongados (más de 6 meses).

Comuníquese con el servicio técnico oficial de Hoover para solicitar un reemplazo de baterías.

Si el problema continúa, contacte con el servicio técnico de Hoover.

**E. El LED de estado de la barra de cepillo está ROJO**

Hay un bloqueo en la boquilla o una obstrucción en la barra de cepillo. Consulte la sección MANTENIMIENTO DEL APARATO.

**F. El LED de estado de la barra de cepillo y las luces LED frontales de la boquilla parpadean en color BLANCO**

La ventana de la boquilla no se ha cerrado completamente.

Si esto ocurre, simplemente apague su producto y asegúrese de que la ventana de la boquilla está completamente cerrada y vuelva a encenderlo.

**PIEZAS DE REPUESTO Y CONSUMIBLES HOOVER**

Utilice siempre piezas de repuesto originales de Hoover. Puede adquirirlas a través de su Servicio Técnico Oficial de Hoover. Cuando realice pedidos de piezas, indique siempre el número de serie del producto.

**GARANTÍA**

Las condiciones de garantía para este aparato vienen definidas por nuestro representante en el país de venta. Puede obtener los detalles acerca de estas condiciones en el establecimiento donde haya comprado este aparato. Debe mostrarse la factura de compra o el tíquet al hacer alguna reclamación en virtud de las condiciones de garantía.

**IMPORTANTE:** La batería de este aspirador tiene una garantía de 2 años a partir de la fecha de compra. Después de 2 años el coste de una nueva batería está a cargo del cliente.

Sujeto a cambios sin previo aviso.

## INSTRUCTIES VOOR VEILIG GEBRUIK

Dit toestel mag enkel gebruikt worden voor reiniging in het huis, zoals beschreven in deze handleiding. Zorg ervoor dat u de handleiding volledig begrijpt voordat u het apparaat in gebruik neemt.

Oplader altijd afzetten en stekker uit het stopcontact halen voor u het toestel schoonmaakt of enige andere onderhoudstaak verricht.

Dit toestel kan gebruikt worden door kinderen vanaf 8 jaar en personen met verminderde lichamelijke, zintuiglijke of mentale capaciteiten. Ook personen met een gebrek aan ervaring of kennis kunnen dit toestel gebruiken, indien ze toezicht of instructies hebben gekregen over het veilig gebruik van het toestel en de gevaren in kwestie begrijpen. Kinderen mogen niet met het toestel spelen. Reinigings- en gebruikersonderhoud mag niet uitgevoerd worden door kinderen zonder toezicht.

Indien het stroomsnoer beschadigd is, stop dan onmiddellijk met het toestel te gebruiken. Om veiligheidsrisico's te voorkomen, moet de kabel worden vervangen door een erkend monteur van Hoover.

Houd handen, voeten, losse kleding en haar uit de buurt van roterende borstels.

Gebruik alleen de oplader die oorspronkelijk bij het toestel geleverd is.

Controleer of uw netspanning dezelfde is als deze vermeld op de lader.

Dit Hoover-apparaat is voorzien van een dubbel geïsoleerde batterijoplader, die alleen geschikt is om in een 230V (UK 240V) stopcontact te steken.

Steek de oplader in een geschikt stopcontact en steek de aansluitingstekker van de oplader in het apparaat.

Schakel het apparaat uit voordat u het oplaadt.

Het LED-lampje van het batterijpakket gaat tijdens het opladen ROOD branden en wordt WIT als het volledig is opgeladen.

Sluit het toestel na gebruik weer aan op de lader om de batterij op te laden.

Laad de batterijen niet op bij temperaturen boven 37°C of onder 0°C. Het is normaal dat de lader warm wordt bij het opladen.

Haal de oplader niet uit het stopcontact door aan het stroomsnoer



te trekken.

Haal bij langere afwezigheid (vakanties, etc.) de oplader uit het stopcontact. Laad het product opnieuw op voor gebruik, aangezien batterijen uit zichzelf kunnen ontladen tijdens langere opslagperiodes.

In het geval dat u het apparaat weg doet, dienen de batterijen eerst verwijderd te worden. Bij het verwijderen van de batterij moet het apparaat ontkoppeld zijn van het net. Gooi de batterijen veilig weg. Laat het apparaat doorwerken totdat het stopt en de batterijen volledig ontladen zijn. Gebruikte batterijen moeten naar een recyclagecentrum gebracht worden en mogen niet bij het huishoudelijk afval weggegooid worden. Om de batterijen te verwijderen neem contact op met de Hoover klantendienst, of ga verder volgens deze instructies.

**BELANGRIJK:** Ontlaad de batterijen volledig alvorens deze te verwijderen en ontkoppel de lader.

Laat de reiniger draaien totdat de batterijen helemaal leeg zijn.

Verwijder de stekker van de oplader uit het toestel.

Druk op de ontgrendelingsknoppen van de batterij en schuif deze eruit om te verwijderen.

**Opmerking:** Mocht u enige problemen ondervinden met het uit elkaar halen van het voorwerp, of voor meer gedetailleerde informatie over behandeling, herstel en recyclage van dit apparaat, neem contact op met uw lokale gemeente of de afvalreinigingsdienst.

Gebruikenkeltoebehoren,gebruiksartikelenofreserveonderdelen die door Hoover aanbevolen of geleverd worden.

**Statische elektriciteit:** sommige tapijten kunnen een kleine opbouw van statische elektriciteit veroorzaken. Ontladingen van statische elektriciteit zijn onschadelijk voor uw gezondheid.

Gebruik uw toestel nooit buiten, op natte oppervlaktes of op een vochtige ondergrond.

Raap geen harde of scherpe objecten op zoals lucifers, hete assen, sigaretten of andere gelijkaardige items. Spuit niet met ontvlambare vloeistoffen, reinigingsvloeistoffen, aerosols of hun dampen en zuig ze ook niet op.

Loop niet over het stroomsnoer wanneer u het toestel gebruikt of verwijder de stekker niet door aan het stroomsnoer te trekken. Gebruik uw apparaat of oplader niet als deze defect blijkt te zijn.

**Hoover service:** Om de veilige en doeltreffende werking van het apparaat te verzekeren, adviseren wij om onderhoud of

reparaties alleen door een erkende onderhoudsmonteur van Hoover te laten uitvoeren.

Gebruik het toestel niet om dieren of mensen te reinigen.

Vervang de batterijen niet met onoplaadbare batterijen.

#### Het milieu:

Dit toestel is conform de Europese richtlijn 2011/65/EC betreffende afgedankte elektrische en elektronische apparatuur (AEEA) gemarkeerd. Door dit product aan het einde van de levensduur op verantwoorde wijze weg te gooien, voorkomt u mogelijke negatieve gevolgen voor het milieu en de gezondheid, die zouden kunnen ontstaan door een onverantwoorde afvalverwerking van dit product. Het symbool op dit product geeft aan dat het niet mag worden beschouwd als huishoudelijk afval. In plaats daarvan moet u het inleveren bij een inzamelpunt voor het recyclen van elektrische en elektronische apparatuur. U moet het toestel weggooien in overeenstemming met de lokale voorschriften voor afvalverwerking. Voor meer informatie over verwerking, hergebruik en recyclen van dit product, kunt u contact opnemen met uw lokale overheid, uw afvalverwerkingsbedrijf of de winkel waar u het product heeft gekocht.



Dit toestel voldoet aan de Europese Richtlijnen 2014/35/EU, 2014/30/EU en 2011/65/EU.

CANDY HOOVER GROUP S.r.l. Via Privata Eden Fumagalli, 20861 Brugherio (MB) Italy

### PRODUCTONDERDELEN

- |                                                        |                                                    |
|--------------------------------------------------------|----------------------------------------------------|
| A. AAN-UITKNOP                                         | S. Laadlampje batterij                             |
| B. Turboknop                                           | T. Ontgrendelingsknop batterij                     |
| C. Silent knop                                         | U. Batterijpak                                     |
| D. Stofreservoir                                       | V. Laadingang batterij                             |
| E. Knop voor het opendoen van flap van de vuilnisemmer | W. Oplader                                         |
| F. Vrijgaveknop handgreep                              | X. Wandhouder*                                     |
| G. Vrijgaveknop opslag                                 | Y. Schroeven wandhouder*                           |
| H. Buis                                                | Za. Geïntegreerd 2-in-1-meubelmondstuk             |
| I. Ontgrendelingsknop mondstuk                         | Zb. Geïntegreerde 2-in-1-stofborstel               |
| J. LED-lichten mondstuk                                | AA. Mini Power mondstuk*                           |
| K. Schuifregelaar Ontgrendeling Borstelstaaf           | AB. Mini Power Mondstuk Borstelstaaf               |
| L. Eindkap Ontgrendeling Borstelstaaf                  | AC. Mini Power Mondstuk Ontgrendeling Borstelstaaf |
| M. Status Led Borstelstaaf*                            | AD. Lang hulpstuk*                                 |
| N. Pre-motor filter                                    | AE. Zak voor accessoires*                          |
| O. Enkele Cyclonische Vortex Finder                    | AF. Borstelstaaf                                   |
| P. Enkele cycloon                                      | AG. Mondstuk opening                               |
| Q. Status Batterij LED-lampje                          | AH. Reinigingsgereedschap*                         |
| R. LED-lampje onderhoudsstatus                         |                                                    |

### UW STOFZUIGER IN ELKAAR ZETTEN

Haal uw product voorzichtig uit de verpakking.

1. Pak het mondstuk en de verlengbuis op en monteer het ene uiteinde van de buis in de hals van het mondstuk totdat u hoort dat het 'klikt'. **[1a]**
2. Pak de handgreep op en monteer deze op de buis totdat u hoort dat deze op het apparaat "klikt". **[1b]**
3. Bevestig de muurhouder aan de wand met behulp van de bijgeleverde schroeven en pluggen. **[2]**
4. Verbind de stekker van de oplader met de accu om het apparaat volledig op te laden. Het duurt ongeveer 2,5 uur of 6 uur, afhankelijk van uw model.

**OPMERKING:** Om het mondstuk af te nemen, druk op de ontgrendelingsknop van het mondstuk en haal deze los van de romp.

**OPMERKING:** Gebruik uitsluitend de bijgeleverde oplader om de stofzuiger op te laden. Het is normaal dat de lader warm wordt bij het opladen.

\* Alleen bepaalde modellen

## UW STOFZUIGER GEBRUIKEN

Er zijn 4 werkwijzen:

- **STANDAARD MODUS:** Wanneer u op de ON-OFF-knop drukt, is de reiniger klaar voor een grondige reiniging met het gemotoriseerde hoofdmondstuk. **[3a]**
  - **TURBO MODUS:** Druk op de Turbo knop voor een volledig vermogen voor een zware reinigingstaak. **[3b]**
  - **SILENT MODUS:** Druk op de silent knop om grondig te reinigen met het laagste geluidsniveau voor dit product. **[3c]**
  - **AUTO MODUS:** Wanneer u het mondstuk of de buis verwijdert, past het product zich automatisch aan op een lager vermogen voor reiniging boven de vloer, met niet-gemotoriseerd gereedschap.
- OPMERKING:** Als u in deze modus meer vermogen nodig heeft, drukt u op de TURBO knop: één keer voor meer vermogen of twee keer voor maximaal vermogen. Als u wilt terugkeren naar AUTO modus, drukt u op de Silent-knop.
- OPMERKING:** Deze reiniger heeft een Borstelstaaf aan de voorkant van de zuigmond en maakt het mogelijk om stof en vuil van harde vloeren, parket en tapijten op te zuigen.

### STATUS BORSTELSTAAF

De LED-statusbalk van de borstel op het mondstuk blijft wit branden tijdens alle soorten reiniging voor de vloer en wordt rood als het veiligheidsbeschermingssysteem geactiveerd is. **[14]**

## OPSLAGMETHODEN

Na gebruik heeft uw stofzuiger 2 handige opslagmethoden.

### 1. OPSLAG MET MUURBEVESTIGING

Uw product wordt geleverd met een muurbevestiging voor gemakkelijke opslag. Bevestig de muurbevestiging met behulp van de meegeleverde schroeven aan uw muur. Plaats het apparaat na gebruik gewoon op zijn plaats. **[2]**

### 2. COMPACTE OPSLAG/PARKEERMODUS

Om het product op de buis op te bergen, verwijdert u de handgehouden eenheid door op de ontgrendelknop in te drukken. **[5]**

Zorg ervoor dat het onboard 2-in-1-gereedschap (**z**) in de oorspronkelijke positie wordt teruggezet, zoals bij levering, en zorg ervoor dat het gereedschap zich volledig op zijn plaats bevindt, met de stofborstel en de plaatsingshaak in naar beneden gericht.

Monteer de plaatsingshaak in de onderste gleuf op de buis en duw de achterste hendel volledig naar binnen in het vergrendelingsmechanisme aan de bovenkant van de buis. **[6]**

## VEILIGHEIDSBESCHERMINGSSYSTEMEN

Om ervoor te zorgen dat de betrouwbaarheid van het product niet wordt aangetast bij gebruik onder zware omstandigheden, is het product voorzien van drie geïntegreerde veiligheidsbeschermingssystemen, één op de reiniger en twee op het mondstuk.

**OPMERKING:** De veiligheidssystemen werken onder drie voorwaarden:

1. Als er obstructies zijn in de luchtinlaat of in de buis, wordt de reiniger beschermd en uitgeschakeld en gaat het LED-lampje op de hoofdeenheid rood branden. Als dit gebeurt, controleer dan of er obstructies zijn in de buis of in de luchtinlaat van de handgehouden eenheid. Verwijder het en zet het opnieuw AAN.
2. Als de borstelstaaf een blokkade heeft of vergrendeld is, stopt de borstel met draaien zodra hij ingeschakeld wordt en worden de WITTE LED-lampjes van de status-led van de borstelstaaf ROOD. **[14a]** Als dit gebeurt, schakelt u gewoon uw product uit en verwijdert u de obstructie van de borstelstaaf. Om opnieuw te beginnen reinigen, druk op de on/off-knop en het product zal in normale modus terug beginnen werken.
3. Als het mondstukvenster niet volledig gesloten is, zal de borstel niet draaien, en zullen de status-LED van de borstel en de LED-lampjes aan de voorkant van het mondstuk voortdurend WIT knipperen. **[14b]**

Als dit gebeurt, zet u gewoon uw product uit en zorgt u ervoor dat het mondstukvenster volledig gesloten is en schakelt u het weer in.

## BATTERIJ

Deze reiniger is uitgerust met een batterijstatus LED-lampje. Wanneer het product is ingeschakeld, gaat het LED-lampje in verschillende kleuren branden om het batterijniveau aan te geven.

\* Alleen bepaalde modellen

**NIVEAU BATTERIJ**

Wit: 100% - 10% opladen

Rood knipperend: <10% opladen

**Er zijn 2 oplaadmethodes:**

Laad de batterij op wanneer deze op het product is bevestigd.

Steek de stekker van de batterijlader in de batterij. De LED-statusindicator zal tijdens het opladen ROOD oplichten.

Wanneer het opladen voltooid is, gaat de LED-statusindicator 1 minuut WIT branden en schakelt dan uit. [7]

Laad de batterij op wanneer ze uit het product verwijderd is.

Verwijder de batterij uit het product door op de ontgrendelingsknoppen van de batterij te drukken.

Steek de stekker van de batterijlader in de batterij. De LED van het batterijpakket brandt ROOD tijdens het opladen.

Wanneer het opladen voltooid is, gaat de LED-indicator WIT branden. [8]

**OPMERKING:** Het is normaal dat de lader warm wordt bij het opladen. Gebruik alleen de oplader die bij uw reiniger is meegeleverd.

**ACCESSOIRES**

**Geïntegreerde kierenzuiger** - ideaal voor het bereiken van nauwe ruimtes.

**Stofborstel** - ideaal voor het reinigen van oppervlaktes zonder ze te beschadigen of te krassen.

**Meubelzuigmond** - ideaal voor oppervlaktes zoals zetels te reinigen.

**Mini Power mondstuk\*** - Ideaal voor het grondig reinigen van textielproducten (bv. sofa's) en om haar van huisdieren te verwijderen. De werkhoeek kan worden aangepast bij het achteruit- en vooruitbewegen.

**OPMERKING:** Draai na gebruik de ontgrendeling van de borstelstaaf tegen de klok in met een muntstuk om de borstelstaaf te verwijderen en verwijder vervolgens de haren/draden die op de borstel zijn verzameld. [17]

Alle accessoires behalve het reinigingsgereedschap kunnen op het hoofdproduct en op de buis gemonteerd worden. [4]

**Lang hulpstuk\*** - Ideaal voor nauwe en moeilijk bereikbare plaatsen.

**Reinigingsgereedschap\*** - ideaal om stof, vuil en haren uit de stofbak of uit het mondstuk te verwijderen. [9]

**ACCESSOIRE ZAK\***

Overige toebehoren kunnen in de zak voor accessoires bewaard worden.

**Wandhouder\***

Bevestig indien nodig de wandhouder aan de wand met behulp van de twee bijgeleverde schroeven en pluggen. [2]

**ONDERHOUD STOFZUIGER**

Herinnering onderhoud voor-filter Als het voorfilter onderhoud nodig heeft, begint het rode lampje op de robot rood te knipperen.

**Het stofreservoir legen**

1. Druk op de ontgrendelingsknop op het draagbare gedeelte en verwijder de buis. [5]

2. Druk de stofreservoir ledigknop in om de klep van de bak te ontgrendelen en de inhoud te ledigen. [9a]

3. Sluit de klep van de stofreservoir, je hoort een klik als deze volledig vergrendeld is.

**OPMERKING:** Het is aangeraden om het stofreservoir te legen na elk gebruik of als het stof tot de maximale vullijn komt.

**Snelle dagelijkse reiniging van de stofbak**

Open gewoon de klep van de stofbak en verwijder het stof met behulp van het reinigingsgereedschap.

1. Gebruik het haakuiteinde om het stof dat in de stofbak zit eruit te trekken. [9b]

2. Gebruik het borsteluiteinde om het fijne stof rond het metalen gaasfilter te verwijderen. [9c]

**Maak het stofreservoir en de filter schoon**

De LED-indicator op het product knippert ROOD om aan te geven dat het voor-filter moet worden gereinigd.

1. Druk op de vrijgaveknop van het handvat en verwijder het handvat van de buis. [5]

2. Druk op de ontgrendelingsknop van de batterij en verwijder de batterij.

3. Verwijder het stofreservoir door deze rechtsom te draaien en van het apparaat te trekken. [10]

4. Verwijder het inlaatfilter van de motor door de steun van het stofreservoir te trekken. [11a]

5. Pak vervolgens de single cyclone-eenheid door de metalen ring uit het stofreservoir te trekken. [11a]

6. Verwijder de vortex finder door deze rechtsom te draaien en uit het cyclone-systeem te trekken. [11b]

7. Was het filter en het enkele cycloonsysteem in lauw water en laat 24 uur drogen. [12,13]

8. Zet opnieuw en elkaar wanneer deze helemaal droog is en bevestig deze weer aan het product.

\* Alleen bepaalde modellen

**OPMERKING:** Gebruik geen heet water of reinigingsmiddelen bij het reinigen van het voormotorfilter. In het onwaarschijnlijke geval dat het voormotorfilter wordt beschadigd, gebruikt u een origineel Hoover-reserveonderdeel. Zorg ervoor dat u het voormotorfilter opnieuw installeert voordat u de stofbeker in de schonere hoofdeenheid monteert, omdat anders het filterbeschermingsmechanisme geactiveerd wordt.

**BELANGRIJK:** Houd uw filter altijd proper voor optimale prestaties. Wij raden aan de filter eenmaal per maand te wassen.

### Reinig de borstel en het mondstuk

**BELANGRIJK:** Schakel de reiniger altijd uit voordat u de teleradiograaf vervangt en reinigt.

Als er zich obstakels of fijn stof rond de borstelstaaf bevinden:

1. Verwijder het mondstuk uit de buis. **[15]**
2. Verplaats de schuifregelaar naar rechts en de opening van het mondstuk zal open gaan. **[16a]**
3. Open het venster van het mondstuk volledig om de hybride borstel te verwijderen. **[16a]**
4. Houd de borstelstaaf vast. Maak de eindkap los en verwijder de borstelstaaf. **[16b]**
5. Als er nog vuil in de borstel zit, verwijder dit dan handmatig of met behulp van het reinigingsgereedschap. **[16c]**
6. Als er vuil in het mondstuk of rond de kam zit, verwijder dit dan met de borstel van het reinigingsgereedschap. **[16d]**
7. Om er zeker van te zijn dat het mondstuk volledig vrij is van obstakels, draait u het mondstuk om en controleert u het langs de onderkant. Reinig dit gebied indien nodig met de haak van het meegeleverde reinigingsgereedschap. **[16e]**
8. Draai het mondstuk naar de aanvankelijke positie en monteer de borstel terug. De borstelstaaf kan maar in één richting passen; druk lichtjes op het uiteinde om ervoor te zorgen dat de borstelstaaf op zijn plaats zit. **[16f]**
9. Sluit het venster door op het middelste gedeelte van de opening te drukken totdat u het op zijn plaats hoort "klikken". Controleer of het mondstuk volledig is vergrendeld door aan beide zijden te drukken. **[16g]**

### Batterijen vervangen

Deze reiniger is uitgerust met een oplaadbaar lithium-ionbatterijpak dat kan worden vervangen.

**WAARSCHUWING:** Gebruik alleen erkende vervangingsonderdelen voor uw toestel. Het gebruik van niet door Hoover gevalideerde onderdelen maakt uw garantie ongeldig.

**WAARSCHUWING:** Het batterijpak niet openen om het zelf proberen te repareren.

1. Druk op de ontgrendelingsknoppen van de batterij en trek de batterij naar buiten. **[8]**
2. Verwijder het oude batterijpak en vervang deze met het nieuwe batterijpak.
3. Gooi de batterijen veilig weg. Gebruikte batterijen moeten naar een recyclagecentrum gebracht worden en mogen niet bij het huishoudelijk afval weggegooid worden.

## WAT TE DOEN BIJ PROBLEMEN

Mocht u problemen hebben met uw reiniger, volg dan eerst deze eenvoudige checklist voordat u het Hoover-klantenservicecentrum belt:

### A. De stofzuiger gaat niet aan

Controleer of de reiniger is opgeladen.

Controleer of de batterij op zijn plaats zit.

### B. Het apparaat werkt niet meer

Controleer of er een obstructie is in de luchtinlaat of in de buis, maak deze schoon en zorg ervoor dat het product UIT staat.

Zodra dit is gebeurd, drukt u gewoon op de aan / uitknop, het product zal weer gaan werken.

### C. Verminderde of helemaal geen zuigkracht

Leeg de stofbak en was het voorfilter en het scheidingsstelsel. **[12, 13]**

Verwijder het mondstuk en kijk of er iets de buis blokkeert.

### D. Batterijen kunnen niet worden opgeladen

Dit zou het resultaat kunnen zijn van een zeer lange opberg periode (meer dan 6 maanden).

Neem contact op met de Hoover-klantenservice om vervanging van de accu te regelen.

Indien het probleem aanhoudt, neem contact op met het Hoover-klantenservicecentrum.

### E. Status-LED borstelbalk is ROOD

Er is een verstopping in het mondstuk of een obstructie van de borstel. Raadpleeg het hoofdstuk ONDERHOUD STOFZUIGER.

### F. Status-LED borstelbalk en LED-lampjes vooraan knipperen WIT

Het mondstukvenster is niet volledig gesloten.

Als dit gebeurt, zet u gewoon uw product uit en zorgt u ervoor dat het mondstukvenster volledig gesloten is en schakelt u het weer in.

## HOOVER RESERVEONDERDELEN EN GEBRUIKSARTIKELEN

Gebruik uitsluitend originele reserveonderdelen van Hoover. Deze zijn verkrijgbaar bij uw Hoover dealer. Als u onderdelen bestelt, vermeld dan altijd het modelnummer.

## UW GARANTIE

De garantievoorwaarden voor dit toestel worden bepaald door onze vertegenwoordiger in het land waar het toestel wordt verkocht. Details omtrent deze voorwaarden zijn verkrijgbaar bij de dealer waar u het toestel hebt gekocht. Wanneer u aanspraak wilt maken op deze garantie, dan moet u het verkoop- of ontvangstbewijs voorleggen.

**BELANGRIJK:** De batterij van deze reiniger heeft een garantie van twee jaar vanaf de aankoopdatum. Na twee jaar moet de klant zelf de kosten van een nieuwe accu betalen.

Wijzigingen zijn zonder voorafgaande kennisgeving mogelijk.

## INSTRUKTIONER FOR SIKKER ANVENDELSE

Denne støvsuger må kun anvendes til almindelig husholdningsrengøring, som beskrevet i brugsanvisningen. Du bør sikre dig, at du har forstået indholdet af denne brugervejledning fuldt ud, inden apparatet tages i brug.

Inden du rengør eller foretager nogen som helst vedligeholdelse af apparatet, skal du altid slukke for det og tage stikket ud af stikkontakten.

Dette udstyr kan anvendes af børn, der er 8 år gamle og derover, og af personer med nedsatte fysiske, sensoriske eller mentale evner eller manglende erfaring og viden, hvis de er under opsyn eller vejledning i at bruge udstyret på en sikker måde og forstår de risici, der er involveret. Børn må ikke lege med udstyret. Rengøring og vedligeholdelse må ikke udføres af børn uden en voksen tilstede.

Hvis netledningen er ødelagt, skal du stoppe med at bruge støvsugeren øjeblikkeligt. For at undgå en sikkerhedsrisiko skal en autoriseret Hoover-servicetekniker udskifte strømledningen.

Hold hænder, fødder, løstsiddende tøj og hår væk fra roterende børster.

Brug kun den originale oplader, der blev leveret sammen med apparatet.

Sørg for at stømmen i dit forsyningsnet er den samme som anført på opladeren.

Denne støvsuger er forsynet med en dobbelt isoleret batterioplader, der kun er beregnet til tilslutning til en 220 V stikdåse.

Sæt opladeren i en passende stikkontakt og tilslut opladeren til apparatet.

Sluk for apparatet før opladning.

Batteripakkens LED lys vil lyse RØDT under opladning, og vil skifte til HVID når den er fuldt opladet.

Støvsugeren skal tilsluttes opladeren igen efter brug, så batterierne kan blive genopladet.

Oplad aldrig batterierne ved over 37°C eller under 0°C.

Det er normalt for opladeren at blive varm at røre ved under opladning.

Opladeren må ikke trækkes ud af stikdåsen ved at trække i kablet.

Træk opladeren ud af stikket ved længere tids fravær (ferie o.lign.). Genoplad støvsugeren igen før brug, da batterierne kan selvaflade ved længere tids stilstand.

Hvis dit apparat skal kasseres, skal batterierne fjernes inden. Apparatet skal afbrydes fra lysnettet når batteriet fjernes. Bortskaf batterierne på en sikker måde. Tænd apparatet, indtil det stopper, fordi batterierne er helt afladet. Brugte batterier skal afleveres på en genbrugsstation og ikke smides ud sammen med husholdningsaffald. Hvis batterierne skal fjernes, bedes du kontakte Hoover-kundeservice eller handle i henhold til følgende anvisninger.

**VIGTIGT:** Aflad altid batterierne helt, før de fjernes.

Kør med støvsugeren, indtil batterierne er helt tomme.

Fjern opladeren fra apparatet.

Tryk på batteripakkens udløsningsknapper, og fjern pakken.

**BEMÆRK:** Hvis du får problemer med at afmontere enheden eller ønsker mere detaljerede oplysninger om behandling, genanvendelse og genbrug af dette produkt, bedes du kontakte kommunen eller skraldeselskabet.

Anvend kun tilbehør, udstyr og reservedele leveret af Hoover.

**Statisk elektricitet:** Visse tæpper kan forårsage en mindre akkumulering af statisk elektricitet. Udledning af statisk elektricitet er ikke sundhedsfarligt.

Brug ikke støvsugeren udendørs eller på våde overflader eller til opsugning af væsker.

Undlad at opsuge hårde eller skarpe genstande, tændstikker, varm aske, cigaretstumper eller andre lignende genstande. Undlad at sprøjte med eller opsuge brændbare væsker, rensesvæsker, spraydåser eller spray fra disse.

Undlad at køre over strømkablet når du bruger din støvsuger og undlad at trække stikket ud ved at trække i strømkablet, men hold fast i stikket. Hvis apparatet eller opladeren ser ud til at være beskadigede, skal det tages ud af brug.

**Hoover service:** For at sikre løbende sikker og effektiv drift af denne støvsuger anbefaler vi, at eftersyn eller reparationer



# udelukkende udføres af en autoriseret Hoover-servicetekniker.

## Undlad at bruge apparatet på at rengøre mennesker eller dyr.

### Batterierne må ikke udskiftes med ikke-genopladelige batterier.

#### Miljøet:

Denne håndstøvsuger er mærket i overensstemmelse med det europæiske direktiv 2011/65/EC om affald af elektrisk og elektronisk udstyr (WEEE). Ved at sikre at dette produkt bortskaffes korrekt er du med til at forhindre eventuelle negative konsekvenser for miljø og sundhed, som ellers kunne forårsages på grund af forkert bortskaffelse af dette produkt. Symbolet på produktet angiver, at produktet ikke må behandles som husholdningsaffald. Det skal i stedet afleveres til en affaldsstation for genbrug af elektrisk og elektronisk udstyr. Bortskaffelse skal ske i overensstemmelse med de lokale miljøregler vedrørende bortskaffelse af affald. Du kan få flere detaljerede oplysninger om behandling, genvinding og genbrug af dette produkt ved at kontakte din lokale kommune, renovationsfirmaet eller den butik, hvor du købte produktet.



Dette apparat overholder bestemmelserne i EU Direktiverne 2014/35/EU, 2014/30/EU og 2011/65/EU.

CANDY HOOVER GROUP S.r.l. Via Privata Eden Fumagalli, 20861 Brugherio (MB) Italy

## PRODUKTKOMPONENTER

- |                                             |                                                          |
|---------------------------------------------|----------------------------------------------------------|
| A. Tænd/sluk-knap                           | S. Lys for batteriopladning                              |
| B. TÆPPE-position                           | T. Udløsningsknap til batteriet                          |
| C. Knap til lydløs tilstand                 | U. Batteripakke                                          |
| D. Støvbeholder                             | V. Indgang til batteriopladning                          |
| E. Udløsningsknap til støvbeholderklap      | W. Oplader                                               |
| F. Håndholdt udløserknap                    | X. Vægholder*                                            |
| G. Opbevaring udløserknap                   | Y. Vægmonterings skruer*                                 |
| H. Rør                                      | Za. Integreret 2-i-1 møbelmundstykke                     |
| I. Knap til afmontering af mundstykke       | Zb. Integreret 2-i-1 støvbørste                          |
| J. Mundstykke LED frontlys                  | AA. Mini power-mundstykke*                               |
| K. Skyder til udløserdæksel for børstestang | AB. Mini strømmundstykke til børstestang                 |
| L. Hætte til udløserdæksel for børstestang  | AC. Udløserklap til mini strømmundstykke til børstestang |
| M. Status LED for børstestang*              | AD. Langt Fugemundstykke*                                |
| N. Præ-Motor Filter                         | AE. Etui til tilbehør*                                   |
| O. Enkel cyklon hvirvelfinder               | AF. Børstestang                                          |
| P. Enkel cyklon                             | AG. Mundstykkevindue                                     |
| Q. Batteristatus LED lys                    | AH. Rengøringsværktøj*                                   |
| R. LED lys for vedligeholdelsesstatus       |                                                          |

## SÅDAN KLARGØRES STØVSUGEREN

Fjern forsigtigt dit produkt fra emballagen.

1. Tag mundstykket og forlængerrøret, placer en ende af røret i enden af mundstykket, indtil du hører det 'klikker' på plads. **[1a]**
2. Tag den håndholdte enhed op, og placer den på røret, indtil du hører det 'klikker' på plads. **[1b]**
3. Fastgør vægholderen vha. de medfølgende skruer og skruetrækkere. **[2]**
4. For fuld opladning af apparatet, skal opladerens stikkontakt tilsluttes batteripakken. Det tager omkring 2,5 eller 6 timer, afhængigt af din model.

**BEMÆRK:** Mundstykket tages af, ved at trykke på udløserknappen, hvorefter mundstykket trækkes af hoveddelen.

**BEMÆRK:** Brug kun den oplader, der er leveret sammen med støvsugeren, til opladning. Det er normalt for opladeren at blive varm at røre ved under opladning.

\* Kun til visse modeller

## BRUG AF STØVSUGEREN

Der er 4 arbejdstilstande:

- **STANDARD TILSTAND:** Når du trykker på tænd/sluk knappen, er støvsugeren klar til en omhyggelig rengøring med det motoriserede hovedmundstykke. **[3a]**
  - **TURBO INDSTILLING:** Tryk på turbo-knappen for fuld styrke til svære rengøringsopgaver. **[3b]**
  - **LYDLØS TILSTAND:** tryk på lydløsknappen for en omhyggelig rengøring, ved det lavest mulige støjniveau for dette produkt. **[3c]**
  - **AUTO-TILSTAND:** Når du fjerner mundstykket eller røret, vil produktet automatisk tilpasse sig til en lavere effekt for rengøring over gulvet, med ikke-motoriserede rengøringsværktøjer.
- BEMÆRK:** Når du er i denne tilstand, og hvis du har brug for mere effekt, skal du trykke på TURBO knappen: en gang for mere effekt, og to gange for fuld effekt. Hvis du ønsker at returnere til AUTO TILSTAND, skal du trykke på lydløs knappen.
- BEMÆRK:** Denne støvsuger har en børstestang på forsiden af mundstykket, og giver derfor mulighed for at opsamle støv og snavs fra hårde gulve, parketgulve og gulvtæpper.

### STATUS FOR BØRSTESTANG

Børstestang status LED på mundstykket vil forblive oplyst i hvidt, under alle gulvrengøringstilstande, og vil skifte til rødt hvis sikkerhedsbeskyttelsessystemet aktiveres. **[14]**

## OPBEVARINGSFUNKTION

Efter anvendelse har din støvsuger 2 bekvemme opbevaringsmetoder.

### 1. VÆGMONTERET OPBEVARING

Dit produkt leveres med vægmontering for en bekvem og nem opbevaring. Anvend de medfølgende skruer, og fastgør vægmonteringen til din væg. Efter produktanvendelse skal du blot placere din støvsuger på dens plads. **[2]**

### 2. KOMPAKT OPBEVARING/PARKERINGSTILSTAND

For at opbevare produktet på røret, skal du fjerne den håndholdte enhed, ved at trykke på den håndholdte udløserknapp. **[5]**

Sørg for, at det integrerede 2 i 1 værktøj (z) returneret til dets oprindelige position, så det sikres, at rengøringsværktøjet er placeret komplet med støvbørste og placeringskrog i en nedadgående position.

Monter placeringskrogen i den nederste åbning på røret, og skub håndtaget helt på plads, ind i låsemekanismen, som er placeret øverst på røret. **[6]**

## SIKKERHEDSBESKYTTELSESSYSTEMER

For at sikre, at produktets pålidelighed ikke påvirkes ved brug under vanskelige forhold, kommer produktet med tre integrerede sikkerhedsbeskyttelsessystemer, en på støvsugen og to på mundstykket.

**BEMÆRK:** Sikkerhedsbeskyttelsessystemet fungerer ved tre forhold:

1. Hvis der er forhindringer i luftindgangen eller i røret, vil støvsugeren blive beskyttet ved at slukke, og LED lyset på hovedenheden vil skifte til rødt. Hvis det sker, skal du blot kontrollere om der er tilstopninger i røret, eller i luftindgangen på den håndholdte enhed. Fjern det, og tænd for støvsugeren igen.
2. Hvis børstestangen har en blokering eller er låst, og når dette registreres, vil børstestangen stoppe med at dreje, og de HVIDE LED lys på status LED for børstestangen vil skifte til RØD. **[14a]** Hvis dette sker, skal du blot slukke for støvsugeren, og fjerne blokeringen i børstestangen. For at genoptage rengøringen, skal du trykke på tænd/sluk-knappen, og produktet starter igen i normal tilstand.
3. Hvis vinduet på mundstykket ikke er helt lukket, vil børstestangen ikke rotere, status LED'en for børstestangen samt mundstykkets forreste LED vil blinke HVIDT på samme tid. **[14b]**

Hvis dette sker, skal du blot slukke for støvsugen og søre for, at vinduet på mundstykket er helt lukket, og derefter tænde for den igen.

## BATTERI

Denne støvsuger er udstyret med LED lys for batteristatus. Når produktet er tændt, vil LED lyset lyse i forskellige farver, for at vise batteriniveauet.

### BATTERINIVEAU:

Hvid farve: 100% - 10% oplad

Blinkende rød: <10% oplad

\* Kun til visse modeller

**Der er 2 metoder til opladning:**

Oplad batteriet mens det sidder på produktet.

Indsæt batteriopladerens jackstik i batteriet. LED statusindikatoren vil lyse RØDT når der oplades. Når opladning er gennemført, vil LED statusindikatoren lyse HVIDT i 1 min., og derefter slukke. [7]

Oplad batteriet når det ikke er på produktet.

Fjern batteriet fra produktet ved at trykke på batteriets udløserknapper.

Indsæt batteriopladerens jackstik i batteriet. Batteripakkens LED vil lyse RØDT under opladning. Når opladning er gennemført, vil LED indikatoren lyse HVIDT. [8]

**BEMÆRK:** Det er normalt for opladeren at blive varm at røre ved under opladning. Brug kun den oplader, der leveres sammen med støvsugeren.

**TILBEHØR**

**Integreret fugemundstykke** - ideel for adgang til smalle områder.

**Børstemundstykke** - ideel til rengøring af overflader, uden at beskadige eller ridse dem.

**Møbelmundstykke** - ideel til rengøring af overflader som en sofa.

**Mini power-mundstykke\*** - Ideel til grundig rengøring af tekstiloverflader (dvs. sofaer) og til at fjerne hår fra kæledyr. Arbejdsvinklen kan justeres når det bevæges bagud og fremad.

**BEMÆRK:** Efter brug skal du dreje udløserklappen på børstestangen mod uret med en mønt, for at tage børstestangen ud, hvorefter du fjerner hår/tråde som er opsamlet på børsten. [17]

Alt tilbehør, undtagen rengøringsværktøjet, kan monteres på apparatet og på røret. [4]

**Langt Fugemundstykke\*** - Ideel til mindre og svært tilgængelige områder

**Rengøringsværktøj\*** - ideel til at fjerne støv, snavs og hår i støvbeholderen eller i mundstykket. [9]

**TILBEHØRSTASKE\***

Tilbehørsudstyr kan gemmes i tilbehørstasken.

**Vægholder\***

Hvis påkrævet, fastgøres vægholderen til væggen vha. de to medfølgende skruer og rawlplugs. [2]

**VEDLIGEHOLDELSE AF STØVSUGEREN**

Vedligeholdelsespåmindelse for forfilter. Hvis forfilteret kræver vedligeholdelse, vil det røde lys på støvsugeren begynde at blinke rødt.

**Tømning af støvbeholder**

1. Tryk på udløserknappen til den håndholdte enhed og fjern røret. [5]
2. Tryk på knappen til tømning af støvbeholderen for at udløse beholderklappen og tømme indholdet. [9a]
3. Luk klappen på støvbeholderen, hvorefter du vil høre en kliklyd, når den er helt lukket i.

**BEMÆRK:** Det anbefales at tømme støvbeholderen efter hvert brug, eller når støvet når til den maksimale fyldlinje.

**Hurtig daglig rengøring af støvbeholder**

Du skal blot åbne klappen på støvbeholderen, og fjerne støvet ved hjælp af rengøringsværktøjet.

1. Brug krogenden til at trække det støv ud, der har samlet sig inde i støvbeholderen. [9b]
2. Brug børsteenheden til at rense det fine støv der sidder fast rundt om metaltråfilteret. [9c]

**Rengør støvbeholderen og filteret**

LED indikatoren på produktet vil lyse RØDT for at indikere, at rengøring af motorens forfilter er påkrævet.

1. Tryk på udløserknappen på den håndholdte enhed, og fjern den håndholdte enhed fra røret. [5]
2. Tryk på batteriets udløserknap, og fjern batteriet.
3. Fjern støvbeholderenheden ved at dreje den med uret, og trække den væk fra maskinen. [10]
4. Fjern motorens forfilter ved at fjerne støtten fra beholderenheden. [11a]
5. Fjern det enkelte cyklonsystem ved at fjerne metalringen fra beholderenheden. [11a]
6. Fjern hvirvelløseren ved at dreje med uret, og derefter fjerne fra cyklonsystemet. [11b]
7. Vask filteret og det enkelte cyklon system i lunkent vand, og lad det tørre i 24 timer. [12,13]
8. Saml filterpakkerne, når de er helt tørre, og monter dem i produktet igen.

**BEMÆRK:** Anvend ikke varmt vand eller rengøringsmidler, når du rengør motorens forfilter. I tilfælde af, at motorens forfilter blive beskadiget, skal du montere et nyt originalt Hoover filter. Sørg venligst for, at de genmonterer motorens forfilter før du monterer støvbeholderen til støvsugerens hovedenhed, idet filterets beskyttelsesmekanisme vil blive aktiveret.

\* Kun til visse modeller

**VIGTIGT:** For at opnå optimal effekt skal filtret altid holdes rent. Vi anbefaler, at filtret vaskes en gang om måneden.

### Rengøring af børstestang og mundstykke

**VIGTIGT:** Sluk altid for støvsugeren før du skifter og rengører børstestangen.

Hvis der er blokeringer eller fin støv omkring børstestangen:

1. Fjern mundstykket fra røret. **[15]**
2. Flyt skyderen til højre, og mundstykkets vindue vil åbne. **[16a]**
3. Åbn mundstykkets vindue helt, for at fjerne hybrid-børstestangen. **[16a]**
4. Hold hæften til udløserdækslet for børstestangen, og fjern børstestangen. **[16b]**
5. Hvis der er resterende snavs i børstestangen, fjernes det manuelt, eller ved hjælp af rengøringsværktøjet. **[16c]**
6. Hvis der er snavs inde i mundstykket, eller omkring selve kammen, fjernes det med børsten på rengøringsværktøjet. **[16d]**
7. For at sikre, at mundstykket er helt fri for blokeringer, vendes mundstykket om, og kontrolleres langs bunden. Hvis nødvendigt, rengøres dette område med krogen på rengøringsværktøjet. **[16e]**
8. Vend mundstykket til dets oprindelige position, og geninstaller børstestangen. Børstestangen kan kun monteres i én retning, og du skal trykke let på enden for at sikre, at børstestangen sidder korrekt. **[16f]**
9. Luk vinduet ved at trykke på midten af vinduet, indtil du hører det "klikke" på plads. Kontrollér, at vinduet er helt lukket, ved at trykke på begge sider. **[16g]**

### Udskiftning af batterierne

Denne støvsuger er udstyret med en genopladelige litium-ion batteripakke, som kan udskiftes.

**ADVARSEL:** Brug kun godkendte udskiftningsdele for din støvsuger. Dele, som ikke er godkendt af Hoover, er farlige og gør din garanti ugyldig.

**ADVARSEL:** Forsøg ikke at åbne batteripakken og reparere den selv.

1. tryk på udløserknapperne til batteriet, og tag batteriet ud. **[8]**
2. Fjern den gamle batteripakke og udskift med en ny batteripakke.
3. Bortskaf batterierne på en sikker måde. Brugte batterier skal afleveres på en genbrugsstation og ikke smides ud sammen med husholdningsaffald.

## FEJLFINDING

Hvis du har problemer med støvsugeren, bedes du følge følgende enkle tjekliste, før du kontakter Hoovers kundeservicecenter:

### A. Støvsugeren starter ikke

Kontroller om støvsugeren er opladet.

Kontrollér om batteripakken sidder korrekt.

### B. Støvsugeren stopper med at fungere

Kontroller om der er en tilstopning i luftindgangen eller i røret, ryd det, og sørg for, at produktet er slukket. Når det er gjort, skal du blot trykke på tænd/sluk knappen, og produktet vil fungere igen.

### C. Tab af sugeevne eller ingen sugning

Tøm støvbeholderen, og vask forfilteret og adskillelsessystemet. **[12, 13]**

Fjern mundstykket og kontrollér for eventuel tilstopning af kanalen.

### D. Batterier kan ikke oplades

Dette kan opstå som følge af lange opbevaringsperioder (over et halvt år).

Kontakt Hoover kundeservice for at bestille udskiftning af batteriet.

Kontakt Hoover kundeservice, hvis problemet bliver ved.

### E. Børstestangens status LED lyser RØDT

Der er en blokering i mundstykket, eller en forhindring på børstestangen. Se afsnittet VEDLIGEHOLDELSE AF STØVSUGEREN.

### F. Børstestangens status LED og mundstykkets forreste LED blinker HVIDT

Vinduet på mundstykket er ikke helt lukket.

Hvis dette sker, skal du blot slukke for støvsugen og søre for, at vinduet på mundstykket er helt lukket, og derefter tænde for den igen.

## HOOVER RESERVEDELE OG FORBRUGSSTOFFER

Udskift altid dele med ægte Hoover reservedele. Disse fås fra Hoovers reservedelsforhandler, check [www.hoover.dk](http://www.hoover.dk) Når du bestiller dele, skal du altid opgive modelnummer.

## DIN GARANTI

Garantibetingelserne for dette apparat er som defineret af vores repræsentant i det land, hvor det er solgt. Oplysninger vedrørende disse betingelser kan indhentes hos den forhandler, apparatet er købt hos. Kvitteringen skal fremvises i forbindelse med ethvert krav under disse garantibetingelser.

**VIGTIGT:** Garantien til støvsugerens batteri gælder i 2 år fra købsdatoen. Efter 2 år er udgifterne for et nyt batteri kundens ansvar.

Ret til ændringer uden varsel forbeholdes

## INSTRUKSJONER FOR SIKKER BRUK

Dette apparatet må kun brukes til husrengjøring, og slik denne bruksanvisningen beskriver. Sørg for at denne veiledningene er forstått fullstendig før du bruker apparatet.

Slå alltid av og koble laderen fra støpselet før enheten rengjøres eller vedlikeholdes.

Apparatet kan brukes av barn fra 8 år, og av personer med nedsatte fysiske, sanselige eller mentale evner, eller manglende erfaring og kunnskap, dersom de er under oppsyn eller har fått opplæring i sikker bruk av apparatet og forstår farene bruk av apparatet kan medføre. Barn skal ikke leke med apparatet. Rengjøring og vedlikehold skal ikke utføres av barn uten oppsyn.

Bruken av apparatet må opphøre umiddelbart dersom strømledningen er skadet. Av sikkerhetshensyn må en autorisert Hoover-tekniker erstatte strømledningen.

Hold hender, føtter, løse klær og hår unna roterende børster.

Bruk den opprinnelige laderen som fulgte med apparatet.

Kontroller at forsyningsspenningen er den samme som er angitt på laderen.

Dette Hoover-apparatet leveres med dobbeltisolert batterilader, som kun kan settes i et 230V (britisk 240V) strømuttak.

Koble laderen til et egnet strømuttak, og koble laderens kontakt til apparatet.

Slå av apparatet før lading.

LED-lampen på batteriene lyser RØDT under lading og skifter til HVITT når ladingen er fullført.

Koble apparatet tilbake i laderen etter bruk, slik at batteriet lades opp.

Lad aldri batteriene i temperaturer over 37 °C eller under 0 °C.

Det er vanlig at laderen er varm ved berøring under lading.

Ikke koble fra laderen ved å trekke i ledningen.

Koble fra laderen dersom du er borte over langre tid (f.eks. ferie). Produktet bør lades opp igjen før bruk, da batteriene kan selvutløses ved lengre tids lagring.

Hvis apparatet skal avhendes, bør batteriene fjernes først. Apparatet må være frakoblet strømmettet når du fjerner batteriet. Kast batteriene på en trygg måte. La apparatet gå til den stopper fordi batteriene er helt tømt. Brukte batterier bør leveres til en gjenbruksstasjon, og ikke kastes sammen med husholdningsavfall. For å fjerne batteriene, bør du kontakte Hoovers kundesenter, eller fortsette som anvist nedenfor:

**VIKTIG:** Tøm alltid batteriene helt før fjerning, og kontroller at laderen er koblet fra.

La rengjøringsapparatet gå til batteriene er helt tømt.

Ta laderkontakten ut av apparatet.

Trykk på knappene som frigjør batteripakken og dra den ut.

**Merk:** Hvis du har vanskeligheter med å demontere enheten eller ønsker mer detaljert informasjon om behandling, gjenvinning og resirkulering av apparatet, ta kontakt med kommunen eller renovasjonsselskapet.

Bruk kun tilbehør, forbruksvarer eller reservedeler som anbefales eller leveres av Hoover.

**Statisk elektrisitet:** Enkelte tepper kan bygge opp små mengder statisk elektrisitet. Utladning av statisk elektrisitet er ikke helseskadelig.

Du må ikke bruke apparatet utendørs, på våte overflater eller til å støvsuge væske.

Du må ikke støvsuge harde eller skarpe objekter, varm aske, sigarettneiper eller andre liknende gjenstander. Apparatet må ikke utsettes for eller støvsuge opp brennbare væsker, rengjøringsmidler, aerosoler eller damp fra slike væsker.

Unngå å kjøre over ledningen eller trekke ut støpselet under bruk. Ikke fortsett å bruke rengjøringsapparatet eller laderen hvis det virker som om det er noe feil med dem.

**Hoover-service:** For å sikre at apparatet fortsatt virker som det skal, og er trygt å bruke, anbefaler vi at all service og alle reparasjoner blir utført av en autorisert Hoover-tekniker.

Du må ikke bruke apparatet til å rengjøre dyr eller mennesker.

Ikke erstatt batteriene med ikke-oppladbare batterier.

**Miljøet:**

Dette apparatet er merket i henhold til EU-direktiv 2011/65/EC om elektrisk avfall og elektronisk utstyr (WEEE). Ved å sørge for at dette produktet avhendes på riktig måte, bidrar du til å forhindre eventuelle negative konsekvenser for miljø og menneskelig helse, som ellers kunne ha blitt forårsaket av uriktig avfallshåndtering av dette produktet. Symbolet på produktet angir at dette produktet ikke kan behandles som husholdingsavfall. Det må istedet leveres til passende oppsamlingspunkt for resirkulering av elektrisk og elektronisk utstyr. Avhendingen må gjennomføres i samsvar med lokale miljøforskrifter for avfallshåndtering. For mer informasjon om behandling, gjenvinning og resirkulering av dette produktet, ta kontakt med den kommunale etaten for avfallshåndtering eller butikken der du kjøpte produktet.



Dette produktet overholder EU-direktiv 2014/35/EU, 2014/30/EU og 2011/65/EU.

CANDY HOOVER GROUP S.r.l. Via Privata Eden Fumagalli, 20861 Brugherio (MB) Italy

**PRODUKTKOMPONENTER**

- |                                                   |                                                   |
|---------------------------------------------------|---------------------------------------------------|
| A. PÅ/AV - Knapp                                  | R. Vedlikeholdsstatus LED-lampe                   |
| B. Turboknapp                                     | S. Lampe for batterilading                        |
| C. Lydløs knapp                                   | T. Batteriets utløserknapp                        |
| D. Støvbeholder                                   | U. Batteripakke                                   |
| E. Utløserknapp for støvbeholderklaff             | V. Inngang for batterilading                      |
| F. Håndholdt utløserknapp                         | W. Lader                                          |
| G. Knapp for å frigjøre oppsamlingsbeholderen     | X. Veggmontering*                                 |
| H. Rør                                            | Y. Skruer til veggfestet*                         |
| I. Utløserknapp for munnstykket                   | Za. Integrrert 2-i-1 møbelredskap                 |
| J. LED-lamper foran på munnstykket.               | Zb. Integrrert 2-i-1 støvtørkingsredskap          |
| K. Børstestangens utløserglidebryter for dekselet | AA. Mini kraftmunnstykke*                         |
| L. Børstestangens utløser for endehetten          | AB. Mini kraftmunnstykke børstestang              |
| M. Børstestangens LED-statusindikator*            | AC. Mini kraftmunnstykke børstestang utløserklaff |
| N. Pre-motor filter                               | AD. Langt Verktøy for Sprekker*                   |
| O. Enkelsyklon virvelstrømpopdager                | AE. Pose med tilbehør*                            |
| P. Enkelsyklon                                    | AF. Børstestang                                   |
| Q. Batteristatus LED-lampe                        | AG. Munnstykkevindu                               |
|                                                   | AH. Rengjøringsverktøy*                           |

**FORBEREDING AV STØVSUGEREN**

Vær forsiktig når du pakker produktet ut av emballasjen.

1. Ta opp munnstykket og forlengerslangen, og sett den ene enden av slangen inn i munnstykket til du hører det klikke på plass. **[1a]**
2. Ta opp den håndholdte rengjøringsdelen og sett den på slangen så langt inn at den klikker på plass. **[1b]**
3. Fest veggmonteringsbraketten til veggen ved bruk av de medfølgende skruapluggene. **[2]**
4. For å lade apparatet helt opp, må du koble ladekontakten til batteripakken. Dette vil ta omtrent 2,5 time eller 6 timer avhengig av modellen din.

**MERK:** Du fjerner munnstykket ved å trykke på munnstykkets utløserknapp og trekke den unna hoveddelen.

**MERK:** Bruk kun laderen som ble levert med rengjøringsapparatet. Det er vanlig at laderen er varm ved berøring under lading.

\* Bare enkelte modeller



## BRUK AV APPARATET

Det er finnes 4 driftsmoduser:

- **STANDARD-MODUS** Når du har trykket på PÅ-AV-knappen er rengjøringsmaskinen klar til utføre grundig rengjøring ved hjelp av det motoriserte munnstykket. [3a]
- **TURBO-MODUS:** Trykk på Turboknappen for full styrke til en kraftig vask. [3b]
- **LYDLØS MODUS:** trykk på den stille effektknappen for å rengjøre grundig med redusert støynivå. [3c]
- **AUTO-MODUS:** Når du fjerner slangen eller munnstykket vil produktet automatisk redusere kraften til rengjøring over gulvnivå, med ikke-motoriserte redskaper.

**MERK:** Hvis du ønsker mer kraft i denne modusen: trykk én gang på TURBO-knappen ekstra kraft eller to ganger for maks kraft. Hvis du ønsker å gå tilbake til AUTO-MODUS, trykk på Lydløs-knappen.

**MERK:** Dette rengjøringsapparatet har en børstestang på forsiden av munnstykket som gjør det mulig å fange opp støv og rester fra harde gulv, parkett og tepper.

### BØRSTESTANGENS STATUS

Børstestangens LED-statusindikator på munnstykket vil lyse hvitt i alle gulvrengjøringsmodusene, og skifte til rødt hvis det beskyttende sikkerhetssystemet aktiveres. [14]

## OPPBEVARINGSFUNKSJON

Etter bruk kan rengjøringsmaskinen oppbevares på to praktiske måter.

### 1. VEGGMONTERT OPPBEVARING

Produktet kommer med et veggfeste for praktisk og enkel oppbevaring. Bruk de medfølgende skruene for å montere veggfestet der du ønsker det. Etter bruk kan rengjøringsmaskinen enkelt settes tilbake på plass. [2]

### 2. KOMPAKT OPPBEVARING/PARKERINGSMODUS

For å oppbevare produktet på slangen, må den håndholdte delen fjernes ved å trykke på knappen for å frigjøre den håndholdte komponenten. [5]

Påse at to-i-ett-redskapet (**z**) er satt tilbake til sin opprinnelige plass på produktet for å sikre at redskapet er samlet og at støvbørsten og plasseringskroken peker nedover.

Sett plasseringskroken inn i det nederste sporet på slangen, og trykk håndtaket helt inn i låsemekanismen på toppen av slangen. [6]

## SIKKERHETSSYSTEMER

For å sikre at påliteligheten til produktet ikke påvirkes hvis det brukes under vanskelige forhold, har produktet tre integrerte sikkerhetssystemer, ett på støvsugeren og to på munnstykket.

**MERK:** Sikkerhetssystemene vil virke under tre forhold:

1. Hvis det oppstår blokkeringer ved luftinntaket eller i slangen vil rengjøringsmaskinen skru seg AV som en beskyttelsesmekanisme, og LED-lampen på hoveddelen vil lyse rødt. Hvis dette skjer, kontrollere rett og slett om det er blokkeringer i slangen eller ved luftinntaket til den håndholdte delen. Fjern blokkeringen og skru PÅ igjen.
2. Dersom børstestangen er blokkert eller låst, vil den ved påslåing stoppe å rotere og det HVITE LED-lyset på børstestangens Statusindikator vil lyse RØDT. [14a] Dersom dette skjer, slå av produktet ditt og fjern hindringen i børstestangen. For å gjenoppta rengjøringen trykker man på on/off-knappen og produktet vil gjenstarte i normal modus.
3. Hvis dysevinduet ikke er helt lukket, vil børstestangen ikke rotere, børstestangens status-LED og dysefront-LEDene vil blinke kontinuerlig HVITT. [14b]

Hvis dette skjer, må du bare slå av produktet og sørge for at dysevinduet er helt lukket og slå på igjen.

## BATTERI

Rengjøringsmaskinen er utstyrt med en LED-lampe som indikerer batteristatus. Når produktet er PÅ, er LED-lampen tent og lyser i forskjellige farger som indikerer batterinivå.

### BATTERINIVÅ:

Hvit farge: 100% - 10% lade

Rød blinking: <10% lade

### Lading kan utføres på to metoder:

Batteriet kan lades mens det er montert på produktet.

\* Bare enkelte modeller

Sett batteriladeren på batteriet: LED-lampen som indikerer batteristatus lyser RØDT under lading. Når oppladingen er fullført vil LED-statusindikatoren lyse HVITT i ett minutt, og deretter skru seg av. [7]

Opplading av batteriet når det er fjernet fra produktet.

Fjerne batteriet fra produktet ved å trykke på knappene for frigjøring av batteriet.

Sett batteriladeren på batteriet: LED-lampen på batteriet vil lyse RØDT under lading. Når oppladingen er fullført vil LED-indikatoren lyse HVITT. [8]

**MERK:** Det er vanlig at laderen er varm ved berøring under lading. Bruk kun laderen som leveres med rengjøringsapparatet.

## TILBEHØR

**Integrerte redskaper for å komme til i sprekker** - ideelle for å komme til på trange steder.

**Støvbørste** - ideelle for å rengjøre overflater uten å skade eller ripe.

**Møbelverktøy** - ideelle for rengjøre overflater som sofaer.

**Mini kraftmunnstykke\*** - Ideell for dyrens av tekstiloverflater (f.eks. sofaer) og fjerning av dyrehår. Arbeidsvinkelen kan justeres ved bevegelse forover og bakover.

**MERK:** Etter bruk, vennligst roter børstestangens utløserklaff i motsatt retning av klokken med en mynt for å ta ut børstestangen, og fjern deretter hår/tråder som har samlet seg på børsten. [17]

Alt tilbehør unntatt rengjøringsverktøy, kan monteres på hovedproduktet og på slangen. [4]

**Langt Verktøy for Sprekker\*** - Ideell for trange og vanskelige områder.

**Rengjøringsverktøy\*** - ideell for å fjerne støv, skitt og hår fra støvbeholderen eller munnstykket. [9]

## TILBEHØRPOSE\*

Annet tilbehør kan lagres i tilbehørposen.

## Veggmontering\*

Dersom nødvendig, fest veggmonteringen til veggen ved å bruke de to skruene og pluggene som følger med. [2]

## VEDLIKEHOLD AV STØVSUGEREN

Påminnelse om vedlikehold av forfilteret. Hvis forfilteret krever vedlikehold vil det røde lyset på rengjøringsmaskinen begynne å blinke rødt.

### Tømme støvbeholderen

1. Trykk ned utløserknappen og trekk ut slangen. [5]
2. Skyv ned tømmeknappen for støvsamleren for å løse støvbeholderklaffen og tømme ut innholdet. [9a]
3. Lås støvsamleren fast med klaffen opp. En klikkelyd høres når den er låst fast.

**MERK:** Det anbefales at du tømmer støvbeholderen etter hver bruk, eller når støvet når opp til makslinjen.

### Rask daglig rengjøring av støvbeholderen

Åpne støvbeholderklaffen og fjern støvet med rengjøringsverktøyet.

1. Bruk enden med hake til å dra ut støv som har satt seg fast inne i støvbeholderen. [9b]
2. Bruk enden med kost for å fjerne det fine støvet som har satt seg fast i metallnettet på filteret. [9c]

### Rengjør støvbeholderen og filteret

LED-indikatoren på produktet vil blinke RØDT for å indikere at det er nødvendig å rengjøre formotor-filteret.

1. Trykk på frigjøringsknappen for den håndholdte enheten, og fjern den fra slangen. [5]
2. Trykk på frigjøringsknappen for batteriet og fjern det.
3. Fjern støvbeholderen ved å dreie den i retningen med klokken samtidig som du trekker den bort fra enheten. [10]
4. Fjern formotor-filteret ved å trekke støtten bort fra beholderen. [11a]
5. Fjern det enkle syklonsystemet ved å trekke metallringen bort fra beholderen. [11a]
6. Fjern virvelvind-søkeren ved å rotere den i retning med klokken og trekk den bort fra syklonsystemet. [11b]
7. Vask filteret og enkelt syklonsystemet i lunke vann og legg til tork i et døgn. [12,13]
8. Sett sammen igjen etter at det har tørket elt, og sett det tilbake på produktet.

**MERK:** Ikke bruk varmt vann eller såpe for å gjøre rent filteret formotor-filteret. Hvis premotor-filteret, mot formodning, skulle bli ødelagt, må det skiftes ut med en original Hoover-reservedel. Vennligst påse at du monterer formotor-filteret før du setter støvbeholderen tilbake på rengjøringsmaskinens hoveddel, siden dette aktiverer mekanismen som beskytter filteret.

**VIKTIG:** For å sikre optimal ytelse, bør filteret alltid holdes rent. Vi anbefaler at filteret vaskes én gang i måneden.

\* Bare enkelte modeller

## Rengjøring av børstestangen og munnstykket

**VIKTIG:** Slå alltid av rengjøringsapparatet før utskifting og rengjøring av børstestangen.

Dersom det finnes hindringer eller fint støv rundt børstestangen:

1. Fjern munnstykket fra slangen. **[15]**
2. Flytt glidebryteren til høyre og munnstykkevinduet åpnes. **[16a]**
3. Åpne munnstykkevinduet helt for å fjerne hybrid-børstestangen. **[16a]**
4. Hold inne børstestangens utløser for endehetten og fjern børstestangen. **[16b]**
5. Hvis det er skitt igjen i børstestangen, fjern det manuelt eller med rengjøringsverktøyet. **[16c]**
6. Hvis det er skitt på innsiden av munnstykket eller rundt kammene, fjern det med rengjøringsverktøyets børste. **[16d]**
7. For å sikre at hele munnstykket er fritt for hindringer, snu det og kontroller i bunnområdet. Hvis nødvendig, rengjør området med rengjøringsverktøyets hake. **[16e]**
8. Snu munnstykket til utgangsposisjon og sett inn børstestangen. Børstestangen passer kun i én retning, og trykk enden forsiktig inn for å forsikre deg om at børstestangen er på plass. **[16f]**
9. Lukk vinduet ved å trykke på det midtre området av vinduet inntil du hører at det "klikker" på plass. Sjekk at vinduet er helt låst ved å trykke på begge sider. **[16g]**

## Bytte batteriene

Denne rengjøringsmaskinen er utstyrt med oppladbare litiumbatterier som kan skiftes ut.

**ADVARSEL:** Bruk bare godkjente reservedeler til rengjøringsapparatet. Å bruke deler som ikke er godkjent av Hoover er farlig og vil ugyldiggjøre garantien.

**ADVARSEL:** Ikke prøv å åpne batteripakken og reparere den selv.

1. trykk på batteriets frigjøringsknapp og trekk ut batteriet. **[8]**
2. Fjern den gamle batteripakken og erstatt den med den nye batteripakken.
3. Kast batteriene på en trygg måte. Brukte batterier bør leveres til en gjenbruksstasjon, og ikke kastes sammen med husholdningsavfall.

## FEILSØKING

Dersom du får problemer med rengjøringsapparatet, kan du følge denne enkle kontrollisten før du tar kontakt med Hoover kundeservice:

### A. Støvsugeren slås ikke på

Kontroller at rengjøringsapparatet er ladet opp.

Sjekk om batteripakken er montert på plass.

### B. Rengjøringsapparatet har sluttet å virke.

Kontroller om det er blokkeringer i luftinntaket eller i slangen, fjern dem og kontroller at produktet er skrudd AV. Når dette er gjort, er det bare å trykke på på/avknappen for å skru på produktet igjen.

### C. Tap av sugeeffekt eller ingen sugeeffekt.

Tom støvbegeret og vask forfilteret og separasjonssystemet. **[12, 13]**

Ta av dysen og se etter blokkasje i røret.

### D. Batteriene kan ikke lades

Dette kan skyldes lagring over lenger tid (mer enn et halvt år).

Ta kontakt med Hoover kundeservice for å avtale utskifting av batteri.

Ta kontakt med Hoover kundeservice dersom problemet vedvarer.

### E. Børstestangens status-LED er RØDT

Det er en blokkering i munnstykket eller en hindring for børstestangen. Se delen «Vedlikehold av apparatet».

### F. Status-LED for børstestangen og LED-lyset foran blinker HVITT

Dysevinduet er ikke helt lukket.

Hvis dette skjer, må du bare slå av produktet og sørge for at dysevinduet er helt lukket og slå på igjen.

## ORIGINALDELER FRA HOOVER

Bruk alltid originale deler fra Hoover. Disse er tilgjengelige fra din lokale Hoover-forhandler eller direkte fra Hoover. Når du bestiller deler, må du alltid oppgi modellnummeret ditt.

## DIN GARANTI

Garantibetingelsene for dette apparatet er som definert av vår representant i det landet der det ble solgt. Detaljer vedrørende disse betingelsene fås fra forhandleren der apparatet ble kjøpt. Salgskvitteringen må fremvises ved fremsetting av krav under betingelsene i denne garantien..

**VIKTIG:** Batteriet som medfølger dette rengjøringsapparatet har 2 års garanti fra kjøpsdato. Etter 2 år må kunden selv stå for kostnaden av et nytt batteri.

Kan endres uten forvarsel.

## INSTRUKTIONER FÖR SÄKER ANVÄNDNING

Som beskrivs i denna bruksanvisning, får denna apparat endast användas vid städning av hemmet. Se till att du förstår anvisningarna helt innan du börjar använda maskinen.

Stäng alltid av och ta bort laddaren från uttaget innan du rengör apparaten eller utför något underhåll.

Den här apparaten kan användas av barn från 8 års ålder och personer med en nedsatt fysisk, sensorisk eller mental förmåga och som inte har den erfarenhet och kunskaper som behövs, förutsatt att de övervakas eller har fått instruktioner om hur apparaten används på ett säkert vis och förstår riskerna som är involverade. Barn får inte leka med apparaten. Rengöring och underhåll som användaren ska utföra, får inte göras av barn utan överinseende.

Om nätsladden är skadad, sluta då omedelbart att använda produkten. För att undvika säkerhetsrisker så måste en behörig Hoover-servicetekniker byta nätsladden.

Håll händer, fötter, lösa klädesplagg och hår borta från roterande borstar.

Använd endast den ursprungliga laddaren som följer med apparaten.

Kontrollera att din nätspänning är samma som är angiven på laddaren.

Denna Hoover produkt levereras med en dubbelisolerad batteriladdare som endast är lämplig i ett 230V (Storbritannien 240V) uttag.

Koppla in laddaren i lämpligt eluttag och anslut laddaren till apparaten.

Stäng av apparaten innan laddning.

Batterilampan kommer att lysa röd under laddning och vit när laddningen är slutförd.

Anslut apparaten till laddaren igen efter användning för att ladda batteriet.

Ladda aldrig batterier i temperaturer över 37°C eller under 0°C.

Det är normalt att laddaren blir varm när laddning pågår.

Dra inte ut kontakten till laddaren genom att dra i kabeln.

Koppla ur laddaren vid långvarig frånvaro (semester, etc.). Ladda produkten igen innan användning då batterierna kan själv urladdas under förlängd förvaring.

Om maskinen ska kasseras måste batterierna först tas bort. Maskinen måste kopplas bort från elnätet vid borttagning av batterierna. Kassera batterierna på ett säkert sätt. Kör apparaten tills den stannar på grund av att batterierna är helt urladdade. Använda batterier bör tas till en återvinningsstation och inte disponeras med hushållssoporna. För att ta bort batterierna, kontakta kundtjänsten på Hoover eller fortsätt enligt följande instruktioner.

**VIKTIGT:** Ladda alltid ur batterier helt innan de tas ut.

Kör apparaten tills det att batterierna är helt tomma.

Dra ur laddarens stickpropp ur apparaten.

Tryck på batteriets frikopplingsknapp och skjut fram för att ta bort det.

**OBS!** Om du upplever några svårigheter med att montera ner enheten eller för mer information om hantering eller återvinning av den här maskinen, var god och kontakta dina lokala myndigheter eller din återvinningsstation.

Använd endast tillbehör, förbrukningsvaror och reservdelar som rekommenderas eller levereras av Hoover.

**Statisk elektricitet:** vissa mattor kan orsaka en liten uppbyggnad av statisk elektricitet. Elektrostatiska urladdningar är inte hälsofarliga.

Använd inte apparaten utomhus eller på något vått underlag eller för våtupptagning.

Dammsug inte hårda eller vassa föremål, tändstickor, het aska, fimpar eller andra liknande föremål. Plocka inte upp eller spraya med brandfarliga vätskor, rengöringsmedel, aerosoler eller ångor.

Kör inte över sladden när du använder apparaten eller dra ut kontakten genom att dra i sladden. Fortsätt inte att använda apparaten eller laddaren om den verkar vara defekt.

**Hoover service:** För att se till att maskinen fortsätter att vara effektiv och fungerar som den ska rekommenderar vi att service

och reparationer endast utförs av behöriga servicetekniker från Hoover.

Använd inte apparaten för att rengöra djur eller människor.

Ersätt inte batterierna med icke-uppladdningsbara batterier.

#### Miljön:

Denna produkt är märkt enligt det europeiska direktivet 2011/65/EC gällande elektroniskt avfall och elektronisk utrustning (WEEE). Genom att se till att produkten avfallshandteras på rätt sätt kan du hjälpa till att hindra möjliga negativa konsekvenser för miljö och hälsa. Symbolen på produkten visar att den inte får hanteras som hushållsavfall. Den ska i stället lämnas in på en insamlingsplats för återvinning av elektrisk och elektronisk utrustning. Avfallshanderingen ska utföras enligt de lokala miljöbestämmelserna. Mer utförlig information om hantering och återvinning av produkten kan du få från kommunen, återvinningsanläggningen eller den butik där du köpte produkten.



Denna apparat uppfyller de europeiska direktiven 2014/35/EU, 2014/30/EU och 2011/65/EU.

CANDY HOOVER GROUP S.r.l. Via Privata Eden Fumagalli, 20861 Brugherio (MB) Italy

### PRODUKTKOMPONENTER

- |                                            |                                               |
|--------------------------------------------|-----------------------------------------------|
| A. PÅ/AV-knapp                             | S. Batteriladdningslampa                      |
| B. Turbo-knappen                           | T. Batteriets frigöringsknapp                 |
| C. Tyst-knappen                            | U. Batteri                                    |
| D. Dammbehållare                           | V. Batteriladdningsuttag                      |
| E. Frigöringsknapp för dammbehållarklaffen | W. Laddare                                    |
| F. Handhållna frigöringsknapp              | X. Väggfäste*                                 |
| G. Frigöringsknapp förvaring               | Y. Vägghmonteringskruvar*                     |
| H. Slang                                   | Za. Integrerad 2 i 1 möbelverktyg             |
| I. Knapp för frigörande av munstycke       | Zb. Integrerad 2 i 1 dammborste               |
| J. LED-lampor på framsida av munstycke     | AA. Mini drivmunstycke*                       |
| K. Borstmunstyckets skyddsreglage          | AB. Mini munstycke för borstmunstycke         |
| L. Borstmunstyckets ändkåpa                | AC. Mini munstyckets klaff för borstmunstycke |
| M. Borstmunstyckets statuslampa*           | AD. Långt Fogmunstycke*                       |
| N. Förmotorfilter                          | AE. Tillbehörspåse*                           |
| O. Enkel cyklon Vortex Finder              | AF. Borstmunstycke                            |
| P. Enkel cyklon                            | AG. Munstyckets fönster                       |
| Q. LED-lampa batteristatus                 | AH. Rengöringsverktyg*                        |
| R. Underhållsstatus LED-lampa              |                                               |

### FÖRBEREDA DIN DAMMSUGARE

Avlägsna produkten försiktigt från förpackningen.

1. Ta upp munstycket och förlängningsröret och för in den ena änden av röret i munstyckshalsen tills du hör ett klick. **[1a]**
2. Ta upp den handhållna enheten och montera den på röret tills du hör ett klick. **[1b]**
3. Fäst väggfästet i väggen med skruvar och skruvpluggar som medföljer. **[2]**
4. Anslut laddarens stickpropp till batterisatsen för att ladda upp apparaten. Det tar cirka 2,5 timmar eller 6 timmar beroende på din modell.

**OBS!** För att ta bort munstycket, tryck på utlösningknappen till munstycket och dra bort från dammsugaren.

**OBS!** Använd endast laddare som medföljde produkten. Det är normalt att laddaren blir varm när laddning pågår.

\* Endast vissa modeller

## ANVÄNDA PRODUKTEN

Det finns 4 arbetslägen:

- **STANDARDLÄGE:** När du trycker på PÅ/AV-knappen är dammsugaren redo för noggrann dammsugning med det motoriserade huvudmunstycket. [3a]
  - **TURBOLÄGE:** Tryck på turboknappen för att full effekt vid tuffa rengöringsuppgifter. [3b]
  - **TYST LÄGE:** Tryck på tyst lägeknappen för noggrann rengöring med denna produkts lägsta ljudnivå. [3c]
  - **AUTOLÄGE:** När du avlägsnar munstycket från röret slår produkten automatiskt om till lägre effekt för dammsugning ovanför golvet, med icke-motoriserade verktyg.
- OBS!** Om du behöver högre kraft i detta läget, tryck på TURBO-knappen: en gång för extra kraft eller två gånger för full kraft. Om du vill återgå till AUTO LÄGE, tryck på Tystnadsknappen
- OBS!** Denna dammsugare har ett borstmunestycke på munstyckets framsida och tillåter upptagning av damm och skräp från hårda golv, parkett och mattor.

### BORSTMUNSTYCKETS STATUS

Munstyckets LED-lampa för borsthållarstatus lyser vitt vid alla golvdammsugningslägen och kommer att lysa rött om säkerhetssystemet aktiveras. [14]

## FÖRVARINGSFUNKTION

Efter användning kan din dammsugare förvaras på två smidiga sätt.

#### 1. FÖRVARING GENOM VÄGGMONTERING

Din produkt är utrustad med ett väggfäste för smidig förvaring. Fäst väggfästet på väggen med hjälp av de medföljande skruvarna. Placera din dammsugare på fästet efter användning. [2]

#### 2. KOMPAKT FÖRVARING/PARKERINGSLÄGE

Avlägsna den handhållna enheten genom att trycka på den handhållna enhetens frigöringsknapp, för förvaring av produkten på röret. [5]

Se till att det medföljande 2-i-1-verktyget (z) placeras i sitt ursprungliga läge med dammborsten och lokaliseringskroken i nedåtgående läge.

Montera lokaliseringskroken i den lägre springan på röret och tryck det bakre handtaget ända in i låsmekanismen som är placerad längst upp på röret. [6]

## SÄKERHETSSKYDDSSYSTEM

För att säkerställa att produktens tillförlitlighet inte påverkas om den används under svåra förhållanden har produkten tre integrerade säkerhetsskyddssystem, ett på dammsugaren och två på munstycket.

**OBS!** Säkerhetsskyddssystemen fungerar i tre tillstånd:

1. Om det finns hinder i luftinloppet eller i röret, kommer dammsugaren att skyddas och stängas av och LED-lampan på huvudenheten lyser rött. Om detta händer kontrollerar du det finns några hinder i röret eller i luftinloppet på den handhållna enheten. Avlägsna dessa och sätt igång dammsugaren igen.
  2. Om borstmunstycket är blockerat eller är låst kommer borstmunstycket att sluta rotera och de VITA LED-lamporna på borstmunstyckets statuslampa blir RÖDA när blockeringen väl har åtgärdats. [14a] Om detta händer ska du helt enkelt stänga av din produkt och ta bort blockeringen från borstmunstycket. Tryck på på-/av-knappen för att återuppta rengöringen och produkten kommer att starta om i normalt läge.
  3. Om munstycksfönstret inte är helt stängt kommer borststängens inte att rotera, borststängens statuslysdiod och munstyckets främre lysdiod blinkar VITT kontinuerligt. [14b]
- Om detta händer ska du helt enkelt stänga av din produkt och se till att munstycksfönstret är helt stängt och slå på den igen.

## BATTERI

Dammsugaren är utrustad med en LED-lampa som indikerar batteristatus. När produkten är igång lyser LED-lampan i olika färger för att visa batterinivå.

#### BATTERINIVÅ:

Vit färg: 100% - 10% laddning

Röd blinkande: <10% laddning

\* Endast vissa modeller



**Det finns två laddningsmetoder:**

Ladda batteriet när det monteras i produkten.

Anslut batteriladdarens stickpropp till batteriet. LED-statusindikatorn kommer att lysa RÖTT när batteriet laddas. När laddningen är slutförd lyser LED-lampan VITT i en minut för att sedan stängas av. [7]

Ladda batteriet när det inte sitter i produkten.

Avlägsna batteriet från produkten genom att trycka på batteriets frigöringsknapp.

Anslut batteriladdarens stickpropp till batteriet. Batteripaketets LED-lampa lyser RÖTT under laddning. När laddningen är slutförd kommer LED-indikatorn att lysa VITT. [8]

**OBS!** Det är normalt att laddaren blir varm när laddning pågår. Använd endast laddare som medföljde produkten.

**TILLBEHÖR**

**Integrerat fogmunstycke** - idealiskt för trånga utrymmen.

**Dammborste** - idealiskt för dammsugning utan att repa eller skada ytorna.

**Munstycke för möbler** - idealiskt för dammsugning av soffor och liknande.

**Mini drivmunstycke\*** - perfekt för djuprengöring av ytor av textil (t.ex. soffor) och för borttagning av djurhår. Arbetsvinkel kan justeras när du går bakåt och framåt.

**OBS!** Efter användning ska du vrida borstmunstyckets klaff moturs med ett mynt för att ta ut borstmunstycket och ta sedan bort hår/trådar som samlats på borsten. [17]

Alla tillbehör utom rengöringsverktyget kan monteras på huvudprodukten och på röret. [4]

**Långt Fogmunstycke\*** - Idealisk för trånga och svåråtkomliga ytor.

**Rengöringsverktyg\*** - perfekt för att ta bort damm, skräp och hår i dammbehållaren eller i munstycket. [9]

**TILLBEHÖRSVÄSKA\***

Ytterligare tillbehör kan förvaras i tillbehörsväska.

**Väggfäste\***

Fäst väggfästet på väggen med hjälp av de två medföljande skruvarna och pluggarna. [2]

**UNDERHÅLL AV DAMMSUGAREN**

Underhållspåminnelse förfilter. Om förfiltret är i behov av underhåll kommer den röda lampan på dammsugaren att blinka rött.

**Töm dammbehållaren**

1. Tryck på den handhållna frigöringsknappen och ta bort röret. [5]
2. Tryck ner knappen för tömning av dammupsamlaren för att frigöra klaffen och tömma innehållet. [9a]
3. Stäng klaffen till dammupsamlaren. Du hör ett klickljud när den är låst.

**OBS!** Du rekommenderas att tömma dammupsamlaren efter varje användning eller när dammet når upp till max-linjen.

**Snabb daglig rengöring av dammbehållare**

Öppna bara luckan till dammbehållaren och ta bort dammet med hjälp av rengöringsverktyget.

1. Använd kroken för att få ut det uppsamlade dammet i dammbehållaren. [9b]
2. Använd borsten för att ta bort dammet som fastnat runt metallnätfiltret. [9c]

**Rengör dammbehållare och filter**

LED-indikatorn på produkten blinkar RÖTT för att indikera att dammsugarens förmotorfilter kräver rengöring.

1. Tryck på den handhållna enhetens frigöringsknapp för att avlägsna den handhållna enheten från röret. [5]
2. Tryck på batteriets frigöringsknapp för att avlägsna batteriet.
3. Avlägsna dammbehållarenheten genom att vrida den och dra ut den från enheten. [10]
4. Avlägsna förmotorfiltret genom att dra loss stödet från behållarenheten. [11a]
5. Avlägsna enkelcyklonsystemet genom att dra loss metallringen från behållarenheten. [11a]
6. Avlägsna vortex finder genom att rotera det medsols och dra loss det från cyklonsystemet. [11b]
7. Rengör filtret och enkelcyklonsystemet i ljummet vatten och låt torka i 24 timmar. [12,13]
8. Montera ihop när det är helt torrt och sätt tillbaka det i produkten.

**OBS!** Använd inte varmt vatten eller rengöringsprodukter vid rengöring av förmotorfiltret. Om förmotorfiltret mot förmodan skulle skadas, ska det ersättas med ett originalfilter från Hoover. Se till att förmotorfiltret är monterat innan du monterar dammbehållaren i dammsugarens huvudkropp för aktivering av filterskyddsmekanismen.

**VIKTIGT:** För optimal prestanda bör du alltid hålla filtret rent. Vi rekommenderar att filtret tvättas en gång i månaden.

\* Endast vissa modeller

### Rengöra borststängan och munstycket

**VIKTIGT:** Stäng alltid av dammsugaren innan du byter och rengör borstmunstycket.

Om det finns någon blockering eller fint damm runt borstmunstycket:

1. Avlägsna munstycket från röret. **[15]**
2. Flytta reglaget till höger så öppnas munstyckets fönster. **[16a]**
3. Öppna munstyckets fönster helt för att ta bort hybridborststängan. **[16a]**
4. Håll i borstmunstycket. Lossa ändkåpen och ta bort borstmunstycket. **[16b]**
5. Om det finns smuts kvar på borststängan ska du ta bort den manuellt eller med rengöringsverktyget. **[16c]**
6. Om det finns smuts inuti munstycket eller runt kammen ska du ta bort den med borsten på rengöringsverktyget. **[16d]**
7. Vrid på munstycket och kontrollera undersidan för att se till att munstycket är helt fritt från alla blockeringar. Vi behov kan du rengöra området med kroken på rengöringsverktyget som medföljer. **[16e]**
8. Vrid munstycket till ursprungsläget och sätt tillbaka borststängan. Borstmunstycket kan bara passa i en riktning. Tryck på änden något för att se till att borstmunstycket är på plats. **[16f]**
9. Stäng fönstret genom att trycka på mitten av fönstret tills du hör att det "klickar" på plats. Kontrollera att fönstret är helt låst genom att trycka på båda sidorna. **[16g]**

### Byta batterier

Denna dammsugare är utrustad med ett laddningsbart litiumionbatteri som är utbytbart.

**WARNING:** Använd endast godkända reservdelar för din dammsugare. Användning av delar som inte är godkända av Hoover är farligt och kan ogiltigförklara din garanti.

**WARNING:** Försök inte att öppna batteripaketet och reparera det själv.

1. Tryck på batteriets frigöringsknapp och dra ut batteriet. **[8]**
2. Ta bort det gamla batteripaketet och byt ut det med det nya batteripaketet.
3. Kassera batterierna på ett säkert sätt. Använda batterier bör tas till en återvinningsstation och inte disponeras med hushållsoporna.

## FELSÖKNING

Om du har något problem med din ångrengörare, följ denna enkla checklista innan du ringer Hoovers kundtjänstcenter:

#### A. Dammsugaren slår inte på

Kontrollera om ångrengöraren är laddad.

Kontrollera att batterisatsen sitter på plats.

#### B. Dammsugaren slutat fungera

Kontrollera om den finns något hinder i luftinloppet eller i röret, avlägsna eventuella hinder och se till att produkten är avstängd. Tryck därefter på På/Av-knappen för att starta produkten igen.

#### C. Förlust av insugningstryck eller inget sug alls

Töm dammskålen och tvätta förfiltret och separationssystemet. **[12, 13]**

Ta bort munstycket och kontrollera om det kanalen är igentäppt.

#### D. Batterierna kan inte laddas

Det kan bero på att den har förvarats under en väldigt lång period (mer än ett halvår).

Kontakta Hoovers kundtjänst för att ordna batteribyte.

Om problemet kvarstår kontakta Hoovers kundtjänstcenter.

#### E. Borststängens status-lysdiod är RÖD

Det finns en blockering i munstycket eller ett hinder för borststängan. Se avsnittet **PRODUKTENS UNDERHÅLL**.

#### F. Borststängens status-lysdiod och munstyckets främre lysdioder blinkar VITA

Munstycksfönstret har inte stängts helt.

Om detta händer ska du helt enkelt stänga av din produkt och se till att munstycksfönstret är helt stängt och slå på den igen.

## HOOVER RESERVDELAR OCH FÖRBRUKNINGSVAROR

Använd alltid originaldelar från Hoover vid byte. Du kan beställa delar från närmaste Hoover-återförsäljare eller direkt från Hoover. Uppge alltid modellnummer när du beställer delar.

## DIN GARANTI

Garantivillkoren för produkten definieras av vår representant i det land där produkten säljs. Du kan få uppgifter om aktuella villkor från återförsäljaren. Kvittot måste visas upp när man kräver ersättning enligt garantin.

**VIKTIGT:** Batteriet i den här damsugaren har en garantitid på 2 år från inköpsdatumet. Efter 2 år måste kunden stå för kostnaden av ett nytt batteri.

Specifikationerna kan ändras utan föregående meddelande.

## OHJEET TURVALLISTA KÄYTTÖÄ VARTEN

Tämä laite on tarkoitettu ainoastaan kotikäyttöön tämän käyttöoppaan kuvaamalla tavalla. Tutustu tähän käyttöoppaaseen huolellisesti ennen laitteen käyttöä.

Kytke laturista virta ja irrota laturi virtalähteestä aina käytön jälkeen, sekä myös ennen kuin puhdistat laitteen tai teet huoltotoimenpiteitä.

Tätä laitetta voivat käyttää yli 8-vuotiaat lapset ja henkilöt, joilla on vähentynyt fyysinen, aistillinen tai henkinen kyky, tai joilla ei ole aikaisempaa kokemusta tai tietoja, mikäli heille on annettu ohjausta ja valvontaa koskien laitteen turvallista käyttöä, ja he ymmärtävät käyttöön liittyvät vaaratekijät. Lapset eivät saa leikkiä laitteella. Käyttäjän suorittamaa puhdistusta ja huoltoa ei tule suorittaa lasten toimesta ilman valvontaa.

Lopeta laitteen käyttö välittömästi, jos virtajohto on vahingoittunut. Virtajohdon saa turvallisuussyistä vaihtaa vain valtuutettu Hoover-huoltoliike.

Pidä kädet, jalat, löysät vaatteet ja hiukset poissa pyörivistä harjoista.

Käytä vain laitteen mukana toimitettua laturia.

Varmista, että laturiin merkityt arvot vastaavat syöttöjännitettä.

Tämä Hoover-laite on varustettu kaksoiseristetyllä akkulaturilla joka sopii liitettäväksi vain 230V:n (Iso-Britannia 240V) pistorasiaan.

Kytke laturi sopivaan pistorasiaan ja yhdistä laturin liitin laitteeseen.

Sammuta laite ennen lataamista.

Akkuyksikön LED-valo on PUNAINEN latauksen aikana, ja se muuttuu VALKOISEKSI kun laite on ladattu täyteen.

Kytke laite käytön jälkeen takaisin laturiin akun lataamiseksi.

Älä koskaan lataa akkuja yli 37°C:n tai alle 0°C:n lämpötiloissa.

Laturin lämpeneminen latauksen aikana on aivan normaalia.

Älä irrota laturia virtalähteestä johdosta vetämällä.

Irrota laturi pistorasiasta mikäli laitetta ei käytetä pitkään aikaan (loma-ajat jne.). Lataa laite uudelleen ennen käyttöä, koska akut voivat purkaantua varauksesta pitkien säilytysjaksojen aikana.

Jos laite hävitetään, akut on ensin poistettava laitteesta. Laitteen täytyy olla irrotettu verkkovirrasta akkua vaihdettaessa. Kierrätä akut turvallisesti. On suositeltavaa käyttää laitetta, kunnes se pysähtyy, jotta akut tyhjentyvät kokonaan. Vie käytetyt akut kierrätyskeskukseen. Älä hävitä niitä kotitalousjätteen mukana. Irrottaaksesi akut ota yhteyttä valtuutettuun Hoover-huoltoliikkeeseen tai noudata seuraavia ohjeita.

**TÄRKEÄÄ:** Tyhjennä akut aina kokonaan ennen niiden poistamista.

Käytä imuria kunnes akut ovat täysin tyhjä.

Irrota laturin liitin laitteesta.

Paina akkuyksikön vapautuspainikkeita ja irrota liu'uttamalla.

**Huomaa:** Jos sinulla on vaikeuksia purkaa laitetta tai tarvitset yksityiskohtaisempaa tietoa laitteen jälkikäsitteystä, talteenotosta ja kierrätyksestä, ota yhteyttä paikallisiin kierrätysviranomaisiin tai kotitalouksien jätehuoltoon.

Käytä ainoastaan Hooverin toimittamia tai suosittelemia lisävarusteita tai varaosia.

**Staattinen sähkö:** jotkut matot voivat aiheuttaa vähäisen määrän staattista sähköä. Staattisen sähköön purkaus ei ole vaarallinen terveydelle.

Älä käytä laitettasi ulkona tai märällä alustalla. Älä imuroi nesteitä.

Älä imuroi kovia tai teräviä esineitä, tulitikkuja, kuumaa tuhkaa, tupakantumppeja tai muita vastaavia esineitä. Älä ruiskuta laitteelle tai imuroi laitteella syttyviä nesteitä, puhdistusnesteitä, aerosoleja tai näiden höyryjä.

Älä aja laitteella verkkojohdon yli tai irrota pistoketta pistorasiasta johdosta vetämällä. Älä käytä laitetta tai laturia, jos se vaikuttaa vialliselta.

**Hoover-huolto:** Laitteen käyttöturvallisuuden ja tehokkaan toiminnan varmistamiseksi suosittelemme, että huolto ja korjaukset teetetään vain valtuutetussa Hoover-huollossa.

Älä käytä laitetta ihmisten tai eläinten puhdistamiseen.

Älä vaihda akkuja ei-ladattaviin akkuihin.



### Ympäristö:

Tämä laite on merkitty sähkö- ja elektroniikkalaiteromusta annetun direktiivin 2011/65/EC (WEEE) mukaisesti. Hävittämällä tämän laitteen oikein estät mahdollisia ympäristölle ja ihmisterveydelle aiheutuvia haittavaikutuksia, joita saattaa syntyä laitteen väärinlaisen hävittämisen seurauksena. Laitteessa oleva symboli osoittaa, että laitetta ei saa hävittää kotitalousjätteenä. Se täytyy luovuttaa kodinkoneiden keräyspisteeseen sähkölaitteiden kierrätystä varten. Hävittäminen on suoritettava paikallisten jätteiden hävittämistä koskevien ympäristösäännösten mukaisesti. Saat lisätietoja tämän tuotteen käsittelemisestä, hyötykäytöstä ja kierrätyksestä paikallisilta viranomaisilta, kotitalouksien jätehuollosta tai liikkeestä, josta ostit tuotteen.

Tämä tuote on yhdenmukainen Euroopan direktiivien 2014/35/EU, 2014/30/EU ja 2011/65/EU kanssa.

CANDY HOOVER GROUP S.r.l. Via Privata Eden Fumagalli, 20861 Brugherio (MB) Italy

## TUOTTEEN OSAT

- |                                                   |                                              |
|---------------------------------------------------|----------------------------------------------|
| A. ON/OFF-painike                                 | R. Huollon tilan ilmoittava merkkivalo       |
| B. Turbo-painike                                  | S. Akun latauksen merkkivalo                 |
| C. Hiljainen tila-painike                         | T. Akun vapautuspainike                      |
| D. Pölysäiliö                                     | U. Akku                                      |
| E. Pölysäiliön läpän vapautuspainike              | V. Akun latausportti                         |
| F. Rikkaimurin vapautuspainike                    | W. Laturi                                    |
| G. Säiliön vapautuspainike                        | X. Seinäasennus*                             |
| H. Putki                                          | Y. Seinäteline ruuvit*                       |
| I. Suulakkeen vapautuspainike                     | Za. Integroitu 2in1 huonekalusuutin          |
| J. Suulakkeen etuvalot                            | Zb. Integroitu 2in1 pölyharja                |
| K. Kannen liukupainike harjarullan vapauttamiseen | AA. Pieni tehosuulake*                       |
| L. Harjarullan vapautuksen päätykansi             | AB. Pienen tehosuulakkeen harjarulla         |
| M. Harjarullan tilan merkkivalo*                  | AC. Minisuulakkeen harjarullan vapautusläppä |
| N. Moottorin esisuodatim                          | AD. Pitkät rakosuutin*                       |
| O. Yksinkertaisen pyörrepuhdistimen putki         | AE. Lisävarustepussi*                        |
| P. Yksittäinen sykloni                            | AF. Harjarulla                               |
| Q. Akun tilan ilmoittava merkkivalo               | AG. Ikkunasuulake                            |
|                                                   | AH. Puhdistusyökalu*                         |

## LAITTEEN KOKOAMINEN

Poista tuote pakkauksesta varovaisesti.

1. Asenna pitenevän putken toinen pää suuttimen päähän niin, että kuulet napsahduksen. **[1a]**
2. Kiinnitä kannettava yksikkö putkeen niin, että kuulet napsahduksen. **[1b]**
3. Kiinnitä seinäasennus seinään toimitetuilla ruuveilla ja seinätulpilla. **[2]**
4. Lataa laite täyteen kiinnittämällä latausliitin akkuun. Lataus kestää noin 2,5 tuntia tai 6 tuntia mallista riippuen.

**HUOMAA:** Irrota suulake painamalla suulakkeen vapautuspainiketta ja vetämällä suulaketta runko-osasta ulospäin.

**HUOMAA:** Käytä vain imurisi kanssa toimitettua laturia imurin lataukseen. On normaalia, että laturi lämpenee latauksen aikana.

\* Vain joissakin malleissa

## LAITTEEN KÄYTTÖ

Laitteella on 4 eri toimintatilaa:

- **VAKIOTILA:** Kun painat ON-OFF-painiketta, imuri on valmis puhdistamaan perusteellisesti moottoridulla pääsuulakkeella. [3a]
  - **TURBO-TILA:** Paina turbo-painiketta, jos haluat käyttää laitetta täydellä teholla hankalissa puhdistustehtävissä. [3b]
  - **HILJAINEN-TILA:** Paina hiljainen-painiketta puhdistaksesi perusteellisesti tämän tuotteen alimmalla melutasolla. [3c]
  - **AUTOMAATTINEN TILA:** Kun suutin tai putki poistetaan, tuote mukauttaa tehoansa matalammaksi niin, että lattian yläpuolelta voidaan siivota moottoroimattomilla välineillä.
- HUOMAA:** Jos tarvitset lisätehoa tätä toimintatilaa käyttäessäsi, paina TURBO-painiketta kerran saadaksesi lisätehoa ja kahdesti saadaksesi täyden tehon käyttöösi. Mikäli haluat palata takaisin automaattiseen toimintatilaan, paina hiljainen-painiketta.
- HUOMAA:** Imurissa on harjarulla suulakkeen etusivussa, mikä mahdollistaa pölyn ja roskien keräämisen koviilta lattioilta, parkettilta ja matoilta.

### HARJARULLAN TILA

Harjarullan tilasta kertova merkkivalo suulakkeessa pysyy valkoisena kaikkia lattianpuhdistukseen tarkoitettuja tiloja käytettäessä, ja se muuttuu punaiseksi, jos turvajärjestelmä käynnistyy. [14]

## LAITTEEN SÄILYTYS

Käytön jälkeen voit säilyttää laitetta kahdella käteväällä tavalla.

### 1. SÄILYTYS SEINÄTELINEESSÄ

Tuoteesi on varustettu seinätelineellä, jossa voit säilyttää sitä kätevästi ja helposti. Voit kiinnittää telineen seinääsi mukana tulleilla ruuveilla. Aseta vain imuri paikoilleen käytön jälkeen. [2]

### 2. KOMPAKTI SÄILYTYS/PARKKEERAUS

Säilyttääksesi tuotetta putkessa, poista rikkaimuri painamalla vapautuspainiketta. [5]

Varmista, että mukana tuleva 2in1 osa (z) palautetaan takaisin sen alkuperäiseen paikkaan, jotta se on pölyharjan ja paikannusripustimen läheisyydessä, alaspäin olevassa asennossa.

Kiinnitä paikannusripustin putken alempaan osaan ja paina taaempi kahva täysin paikoilleen lukkomekanismiin putken yläosassa. [6]

## TURVAJÄRJESTELMÄT

Jotta tuotteen suorituskyky säilyisi myös hankalissa käyttöolosuhteissa, tuotteessa on sisäänrakennettuna kolme turvajärjestelmää; yksi imurissa ja kaksi suulakkeessa.

**HUOMAA:** Turvajärjestelmä aktivoituu kolmessa tapauksessa:

1. Jos ilma-aukossa tai putkessa on tukoksia, imuri sammuu itsestään, ja pääyksikön merkkivalo muuttuu punaiseksi. Jos näin käy, tarkista vain onko putkessa tai rikkaimurin ilma-aukossa tukoksia. Poista tukos ja paina uudestaan ON-painiketta.
2. Jos harjarullassa on tukos tai se on lukittu, kun sitä käytetään, harjarullan pyöriminen loppuu ja harjarullan tilan VALKOISET MERKKIVALOT muuttuvat PUNAISIKSI. [14a] Jos tämä tapahtuu, sammuta laite ja poista este harjarullasta. Jatka laitteen käyttöä painamalla on/off-painiketta; laite käynnistyy uudelleen normaalissa toimintatilassa.
3. Jos suulakeikkuna ei ole kunnolla kiinni, harjarulla ei pyöri, harjarullan tilan merkkivalo ja suulakkeen etuvalot vilkkuvat jatkuvasti valkoisina. [14b]

Jos näin käy, sammuta laite ja varmista, että suutinikkuna on kunnolla kiinni ja käynnistä uudelleen.

## AKKU

Tämä imuri on varustettu akun varauksen ilmoittavalla merkkivalolla. Kun laite on käynnissä, eri väriset merkkivalot näyttävät akun varauksen.

### AKUN VARAUS:

Valkoinen väri: 100% - 10% lataus

Punainen vilkkuu: <10% lataus

### Laite voidaan ladata kahdella eri tavalla:

Lataa akku sen ollessa kiinnitettyä laitteeseen.

\* Vain joissakin malleissa

Aseta akun latausjohto kiinni akkuun. Merkkivalo palaa ladattaessa punaisena. Kun akku on ladattu täyteen, merkkivalo palaa valkoisena yhden minuutin ajan, minkä jälkeen se sammuu. [7]

Lataa akku kun se on irroitettu laitteesta.

Irrota akku tuotteesta painamalla akun vapautuspainikkeita.

Aseta akun latausjohto kiinni akkuun. Akun merkkivalo palaa ladattaessa PUNAISENA. Kun akku on ladattu täyteen, merkkivalo palaa VALKOISENA. [8]

**HUOMAA:** On normaalia, että laturi lämpenee latauksen aikana. Käytä vain imurin kanssa toimitettua laturia.

## LISÄVARUSTEET

**Integroidut rakesuuttimet** - ihanteellinen ahtaiden paikkojen saavuttamiseen.

**Pölyharja** - ihanteellinen puhdistamaan pintoja vahingoittamatta tai raapimatta niitä.

**Huonekalusuutin** - ihanteellinen puhdistamaan sohvan kaltaisia pintoja.

**Pieni tehosuulake\*** - ihanteellinen tekstiilipintojen syväpuhdistukseen (esim. sohvait) ja lemmikkieläinten karvojen imurointiin. Voit säätää työskentelykulmaa sekä taakse- että eteenpäin liikuttaessa.

**HUOMAA:** Kierrä käytön jälkeen harjarullan vapautuslappää vastapäivään kolikolla ottaaksesi harjarullan ulos ja poistaaksesi siitä harjaan kertyneet hiukset/langat. [17]

Kaikki lisätarvikkeet puhdistustyökäluä lukuun ottamatta sopivat sekä pääyksikköön että putkeen. [4]

**Pitkä rakesuutin\*** - Ihanteellinen ahtaille ja vaikeasti saavutettavissa oleville alueille.

**Puhdistustyökäluä\*** - sopii ihanteellisesti pölyn, roskien ja hiuksien poistamiseen pölysäiliöstä tai suulakkeesta. [9]

## LISÄVARUSTELAUKKU\*

Lisävarusteita voi säilyttää lisävarustelaukussa.

## Seinäasennus\*

Asenna tarpeen vaatiessa seinäteline seinälle käyttämällä kahta mukana tulevaa ruuvia ja tulppaa. [2]

## LAITTEEN KUNNOSSAPITO

Esisuodattimen ylläpitomuistutus. Jos esisuodattin vaatii ylläpitoa, imurin punainen valo alkaa vilkkua punaisena.

### Pölysäiliön tyhjennys

1. Paina rikkaimurin vapautuspainiketta ja irrota putki. [5]

2. Paina pölysäiliön tyhjennyspainiketta säiliön kannen avaamiseksi ja tyhjennä se. [9a]

3. Sulje pölysäiliön kansi; sen lukituessa kuuluu napsahdus.

**HUOMAA:** Pölysäiliö kannattaa tyhjentää aina käytön jälkeen, tai viimeistään kun se on täynnä maksimirajaan asti.

### Pölysäiliön päivittäinen pikapuhdistus

Avaa pölysäiliön lappä ja poista pöly puhdistustyökäluän avulla.

1. Vedä pölysäiliöön kertynyt pöly ulos koukkupäätä käyttämällä. [9b]

2. Poista metallisen verkkosuodattimen ympärille kertynyt hienopöly harjapään avulla. [9c]

### Pölysäiliön ja suodattimen puhdistus

Tuotteen LED-näytön merkkivalo vilkkuu PUNAISENA, kun moottorin esisuodatin pitää puhdistaa.

1. Paina rikkaimurin vapautuspainiketta ja irrota rikkaimuri putkesta. [5]

2. Paina akun vapautuspainiketta ja irrota akku.

3. Irrota pölysäiliö kääntämällä sitä myötäpäivään ja vetämällä se irti laitteesta. [10]

4. Irrota moottorin esisuodatin vetämällä tuki irti pölysäiliöstä. [11a]

5. Irrota yksittäinen syklonijärjestelmä vetämällä metallirengasta säiliökokonaisuudesta. [11a]

6. Poista syklonin putki kääntämällä myötäpäivään ja vedä irti syklonijärjestelmästä. [11b]

7. Pese suodatin ja yksittäinen syklonijärjestelmä haaleassa vedessä ja anna kuivua 24 tunnin ajan. [12,13]

8. Asenna suodatin takaisin laitteeseen sen olessa täysin kuiva.

**HUOMAA:** Älä käytä kuumaa vettä tai pesuaineita kun puhdistat moottorin esisuodatinta. Jos moottorin esisuodattimet jostain syystä vahingoittuvat, asenna tilalle Hooverin alkuperäinen varaosa. Varmista, että kiinnitit aina moottorin esisuodattimen takaisin paikoilleen ennen kuin kiinnität pölysäiliön pääyksikköön, sillä muuten suodattimen suojausmekanismi menee päälle.

**TÄRKEÄÄ:** Pidä suodatin aina puhtaana parhaan mahdollisen suorituskyvyn takaamiseksi. Suosittelemme, että suodatin pestään ainakin kerran kuukaudessa.

\* Vain joissakin malleissa



## Harjarullan ja suulakkeen puhdistus

**TÄRKEÄÄ:** Sammuta imurin virta aina ennen harjarullan vaihtoa ja puhdistusta.

Jos harjarullan ympärillä on tukoksia tai hienoa pölyä:

1. Irrota suulake putkesta. **[15]**
2. Siirrä liukupainike oikealle, jolloin suulakeikkuna ponnahtaa auki. **[16a]**
3. Avaa suulakeikkuna kokonaan poistaaksesi hybridiharjarullan. **[16a]**
4. Pitele harjarullan vapautuksen päätykantta ja irrota harjarulla. **[16b]**
5. Jos harjarullassa on likajäämiä, poista ne manuaalisesti tai puhdistustyökalun avulla. **[16c]**
6. Jos suulakkeessa tai kamman ympärillä on likaa, poista se puhdistustyökalun harjalla. **[16d]**
7. Käännä suulake ympäri ja tarkista sen pohjaosa varmistaaksesi, ettei suulakkeessa ole minkäänlaisia tukoksia. Puhdista alue tarvittaessa käyttämällä mukana olevan puhdistustyökalun koukkua. **[16e]**
8. Käännä suulake alkuperäiseen asentoon ja kiinnitä harjarulla takaisin. Harjarullan voi asentaa vain yhteen suuntaan; paina sen päätä kevyesti varmistaaksesi, että harjarulla on paikallaan. **[16f]**
9. Sulje ikkuna painamalla ikkunan keskialuetta, kunnes kuulet, että se napsahtaa paikalleen. Tarkista, että ikkuna on lukittu kunnolla painamalla sen molempia sivuja. **[16g]**

## Akkujen vaihtaminen

Imuriin sopii ladattava litiumioniakku, joka on mahdollista vaihtaa.

**VAROITUS:** Asenna imuriin vain hyväksytyt varaosia. Varaosien, jotka eivät ole Hooverin hyväksymiä, käyttäminen on vaarallista ja mitätöi takuun.

**VAROITUS:** Älä yritä avata ja korjata akkua itse.

1. Paina akun vapautuspainikkeita ja vedä akku ulos. **[8]**
2. Poista vanha akku ja laita tilalle uusi.
3. Kierrätä akut turvallisesti. Vie käytetyt akut kierrätyskeskukseen. Älä hävitä niitä kotitalousjätteen mukana.

## VIANMÄÄRITYS

Mikäli sinulla on ongelmia imurisi kanssa, noudata seuraavaa yksinkertaista tarkistuslistaa ennen kuin soitat valtuutettuun Hoover- huoltoliikkeeseen:

### A. Imuri ei käynnisty

Tarkista imurin lataus.

Tarkista, onko akku asennettu paikalleen.

### B. Imuri lakkaa toimimasta

Tarkista, onko ilma-aukossa tai putkessa tukosta, poista se ja varmista, että laite on pois päältä. Kun tämä on tehty, paina on/off-painiketta, jolloin laite alkaa taas toimia.

### C. Imun vähäisyys tai ei imua

Tyhjennä pölysäiliö ja pese esisuodatin ja erotinjärjestelmä. **[12, 13]**

Irrota suulake ja tarkista, ettei putkessa ole tukoksia.

### D. Akkuja ei voida ladata

Voi johtua pitkästä (yli puolen vuoden) varastointijaksosta.

Ota yhteyttä valtuutettuun Hoover huoltoliikkeeseen, mistä voit ostaa uudet akut.

Mikäli ongelma ei ratkea, ota yhteyttä valtuutettuun Hoover- huoltoliikkeeseen.

### E. Harjarullan tilan merkkivalo on PUNAINEN

Suulakkeessa on tukos tai harjarullassa on este. Tutustu osioon LAITTEEN KUNNOSSAPITO.

### F. Harjarullan tilan merkkivalo ja suulakkeen etuvalot vilkkuvat VALKEINA

Suulakeikkuna ei ole kunnolla suljettu.

Jos näin käy, sammuta laite ja varmista, että suutinikkuna on kunnolla kiinni ja käynnistä uudelleen.

## HOOVER-VARAOSAT JA -TARVIKKEET

Käytä vain alkuperäisiä Hoover-varaosia. Niitä on saatavana paikalliselta Hoover-jälleenmyyjältä tai valtuutetusta huoltoliikkeestä. Mainitse varaosatilauksen yhteydessä laitteen tyyppinumero.

## TAKUU

Tämän laitteen takuehdot määrittelee ostamaan Hoover-edustaja. Yksityiskohtaiset tiedot näistä ehdoista saa laitteen myyneeltä jälleenmyyjältä. Tämän takuun mukaisia vaateita esitettäessä on esitettävä myyntitodistus tai ostokuitti.

**TÄRKEÄÄ:** Tässä imurissa olevalla akulla on 2 vuoden takuu ostopäivästä alkaen. 2 vuoden jälkeen uuden akun ostosta koitua kustannus on asiakkaan vastuulla.

Oikeus muutoksiin pidätetään.

**ΟΔΗΓΙΕΣ ΑΣΦΑΛΟΥΣ ΧΡΗΣΗΣ**

Η συσκευή πρέπει να χρησιμοποιείται αποκλειστικά για οικιακή χρήση, σύμφωνα με τις οδηγίες χρήσης. Πριν δοκιμάσετε να χρησιμοποιήσετε τη συσκευή, βεβαιωθείτε ότι έχετε κατανοήσει τις οδηγίες που περιέχει το βιβλίο που κρατάτε στα χέρια σας.

Πριν από τον καθαρισμό της συσκευής ή οποιαδήποτε εργασία συντήρησης, να απενεργοποιείτε πάντα τη συσκευή και να βγάζετε το φορτιστή από την πρίζα.

Η χρήση της συσκευής από παιδιά άνω των 8 ετών, ηλικιωμένους και ΑΜΕΑ προϋποθέτει την παρουσία ενήλικα που θα φέρει την ευθύνη για την ασφαλεία τους. Η χρήση της συσκευής από άτομα που δεν έχουν εξοικειωθεί στη χρήση παρόμοιων συσκευών μπορεί να γίνει μόνο αφού γίνει κατανοητός ο κίνδυνος που ενέχει η χρήση της συσκευής. Μην αφήνετε τα παιδιά να παίζουν με τη συσκευή. Οι εργασίες καθαρισμού και συντήρησης της συσκευής δεν πρέπει να γίνονται από τα παιδιά χωρίς την επίβλεψη ενήλικα που θα φέρει την ευθύνη για την ασφαλεία τους.

Εάν το καλώδιο σύνδεσης με το δίκτυο παροχής εμφανίσει φθορές διακόψτε την λειτουργία της συσκευής αμέσως. Η αντικατάσταση του καλώδιου σύνδεσης με το δίκτυο ηλεκτρικής ενέργειας, πρέπει για λόγους ασφαλείας, να γίνεται αποκλειστικά από τεχνικό του δικτύου τεχνικής υποστήριξης Glas Service.

Μην πλησιάζετε τις περιστρεφόμενες βούρτσες με τα χέρια, τα πόδια, τα μαλλιά ή τα ρούχα σας.

Χρησιμοποιείτε μόνο τον αυθεντικό φορτιστή που παρέχεται με τη συσκευή.

Ελέγξτε ότι η τάση τροφοδοσίας είναι η ίδια με αυτή που αναγράφεται στο φορτιστή.

Η συσκευή Candy διατίθεται με φορτιστή μπαταρίας με διπλή μόνωση, ο οποίος είναι κατάλληλος μόνον για πρίζες με τάση 230 V (240 V - Ηνωμένο Βασίλειο).

Βάλτε τον φορτιστή σε κατάλληλη πρίζα και συνδέστε το βύσμα του φορτιστή στη συσκευή.

Απενεργοποιήστε τη συσκευή πριν τη φόρτιση.

Η λυχνία LED της μπαταρίας θα ανάψει με κόκκινο χρώμα κατά τη διάρκεια της φόρτισης και θα μετατραπεί σε ΛΕΥΚΟ όταν είναι πλήρως φορτισμένη.

Μετά τη χρήση, βάλτε τη συσκευή στον φορτιστή για την επαναφόρτιση της μπαταρίας.

Μη φορτίζετε ποτέ τις μπαταρίες σε θερμοκρασία μεγαλύτερη από 37°C ή μικρότερη από 0°C.

Κατά την διάρκεια της φόρτισης ο φορτιστής θερμαίνεται.

Μην αποσυνδέετε το φορτιστή τραβώντας το καλώδιο.

Σε περίπτωση μακράς απουσίας (διακοπές, κλπ) αποσυνδέστε τον φορτιστή από την παροχή. Σε μακροχρόνιες περιόδους αποθήκευσης της συσκευής, επαναφορτίστε την συσκευή πριν την χρησιμοποιήσετε, καθώς οι μπαταρίες μπορεί να έχουν αδειάσει.

Εάν η συσκευή πρόκειται να απορριφθεί, πρώτα πρέπει να αφαιρεθούν οι μπαταρίες. Η συσκευή πρέπει να αποσυνδεθεί από το ηλεκτρικό ρεύμα κατά την αφαίρεση των μπαταριών. Απορρίψτε τις μπαταρίες με ασφαλή τρόπο. Αφήστε τη συσκευή να λειτουργεί μέχρι να σταματήσει λόγω πλήρους αποφόρτισης των μπαταριών. Οι χρησιμοποιημένες μπαταρίες πρέπει να προσκομίζονται σε σημείο ανακύκλωσης και δεν πρέπει να απορρίπτονται με τα οικιακά απορρίμματα. Για να αφαιρέσετε τις μπαταρίες, επικοινωνήστε με το κέντρο εξυπηρέτησης πελατών της Hoover ή ακολουθήστε τις παρακάτω οδηγίες.

**ΕΠΙΣΗΜΑΝΣΗ:** Αδειάστε πλήρως τις μπαταρίες πριν τις αφαιρέσετε. Λειτουργείστε τη σκούπα μέχρι να αδειάσουν πλήρως οι μπαταρίες.

Βγάλτε το βύσμα του φορτιστή από τη συσκευή.

Πιέστε τα πλήκτρα απελευθέρωσης της μπαταρίας και σύρετε για να την αφαιρέσετε.

**ΣΗΜΕΙΩΣΗ:** Εάν συναντήσετε δυσκολίες κατά την αποσυναρμολόγηση της μονάδας ή για περισσότερες πληροφορίες για την διαδικασία ανάκτησης ή ανακύκλωσης της, επικοινωνήστε με την δημοτική αρχή ή την υπηρεσία συλλογής οικιακών απορριμμάτων. Χρησιμοποιείτε αποκλειστικά τα εξαρτήματα, αναλώσιμα ή ανταλλακτικά που συνιστώνται ή διατίθενται από τη Hoover.

**Στατικός ηλεκτρισμός:** ορισμένα χαλιά μπορεί να προκαλέσουν συσσώρευση στατικού ηλεκτρισμού. Τυχόν στατικές εκκενώσεις δεν είναι επικίνδυνες για την υγεία.

Μη χρησιμοποιείτε τη συσκευή σας σε εξωτερικούς χώρους, σε υγρή επιφάνεια ή για τη συλλογή υγρών.

Μην συλλέγετε με τη συσκευή σκληρά ή αιχμηρά αντικείμενα, ψιλή σκόνη ή χρώματα, καυτή στάχτη, αποτσίγαρα ή άλλα παρόμοια αντικείμενα. Μην ψεκάζετε ή συλλέγετε εύφλεκτα υγρά, υγρά καθαρισμού, σπρέυ ή τους ατμούς τους.

Ενώσω χρησιμοποιείτε τη συσκευή δεν πρέπει να πατάτε επάνω στο καλώδιο, μην τραβάτε το καλώδιο για να αποσυνδέσετε τη συσκευή από την παροχή. Μη συνεχίσετε να χρησιμοποιείτε τη συσκευή ή το φορτιστή αν παρουσιάζουν βλάβη.

**Τεχνική Υποστήριξη Hoover:** Για τις εργασίες συντήρησης ή αποκατάστασης κακής λειτουργίας ή βλάβης πρέπει να

απευθύνεστε αποκλειστικά στα κέντρα τεχνικής υποστήριξης Hoover, έτσι εξασφαλίζετε την ασφαλή και αποτελεσματική λειτουργία της συσκευής.

Μη χρησιμοποιείτε τη συσκευή για να καθαρίζετε ζώα ή άτομα.

Μην αντικαθιστάτε τις μπαταρίες με μη επαναφορτιζόμενες μπαταρίες.

#### Για την προστασία του περιβάλλοντος:

Αυτή η συσκευή φέρει σήμανση σύμφωνα με την υπ' αριθμ. 2011/65/EK, οδηγία για Απόβλητα Ηλεκτρικού και Ηλεκτρονικού Εξοπλισμού (WEEE). Η σωστή απόσυρση της συσκευής συμβάλλει στην αποφυγή αρνητικών επιπτώσεων για το περιβάλλον και τον άνθρωπο που μπορεί να προκληθούν από την λανθασμένη διαχείριση στην διαδικασία απόσυρσης της συσκευής. Η σήμανση του προϊόντος επισημαίνει ότι το συγκεκριμένο προϊόν δεν πρέπει να απορρίπτεται μαζί με τα οικιακά απορρίμματα. Η συσκευή αυτή πρέπει να αποσύρεται στα ειδικά σημεία συγκέντρωσης για ανακύκλωση ηλεκτρικού και ηλεκτρονικού εξοπλισμού. Η απόρριψη της συσκευής πρέπει να γίνει σύμφωνα με την ισχύουσα κατά τόπο νομοθεσία για την απόρριψη ηλεκτρονικών και ηλεκτρικών αποβλήτων. Για περισσότερες πληροφορίες σχετικά με τη διαχείριση, την ανάκτηση και την ανακύκλωση του προϊόντος, επικοινωνήστε με την αρμόδια τοπική υπηρεσία, την υπηρεσία αποκομιδής οικιακών απορριμμάτων ή το κατάστημα που το αγοράσατε.



Αυτή η συσκευή πληροί τις υπ' αριθμ. 2014/35/EU, 2014/30/EU και 2011/65/EU Ευρωπαϊκές Οδηγίες.

CANDY HOOVER GROUP S.r.l. Via Privata Eden Fumagalli, 20861 Brugherio (MB) Italy

#### ΕΞΑΡΤΗΜΑΤΑ ΠΡΟΪΟΝΤΟΣ

- |                                                       |                                                     |
|-------------------------------------------------------|-----------------------------------------------------|
| A. Πλήκτρο λειτουργίας (On/Off)                       | S. Φως φόρτισης μπαταρίας                           |
| B. Πλήκτρο λειτουργίας Turbo                          | T. Κουμπί απελευθέρωσης μπαταρίας                   |
| C. Κουμπί σίγασης                                     | U. Συστοιχία μπαταριών                              |
| D. Κάδος σκόνης                                       | V. Στόμιο φόρτισης μπαταρίας                        |
| E. Κουμπί απασφάλισης πτερυγίου κάδου σκόνης          | W. Φορτιστής                                        |
| F. Πλήκτρο Απασφάλισης Χειρολαβής                     | X. ΕΠΙΤΟΙΧΙΑ ΤΟΠΟΘΕΤΗΣΗ*                            |
| G. Κουμπί απελευθέρωσης αποθήκευσης                   | Y. Βίδες επιτοίχιας τοποθέτησης*                    |
| H. Σωλήνας                                            | Za. Ενσωματωμένο εργαλείο επίτλιων 2 σε 1           |
| I. Πλήκτρο Απασφάλισης Ακροφυσίου                     | Zb. Ενσωματωμένη βούρτσα ξεσκονίσματος 2 σε 1       |
| J. Εμπρός φώτα Led πέλατος                            | AA. Μίνι ακροφύσιο ισχύος*                          |
| K. Διακόπτης απελευθέρωσης βούρτσας ξεσκονίσματος     | AB. Βούρτσα μίνι ακροφυσίου                         |
| L. Κάλυμμα άκρου απελευθέρωσης βούρτσας ξεσκονίσματος | AC. Πτερύγιο απελευθέρωσης βούρτσας μίνι ακροφυσίου |
| M. Φωτισμός LED βούρτσας*                             | AD. Μακρύ ρύγχος γωνιών*                            |
| N. Φίλτρο πριν το μοτέρ                               | AE. Τσάντα αποθήκευσης εξαρτημάτων*                 |
| O. Εντοπιστής στροβίλου μονού κυκλώνα                 | AF. Βούρτσα                                         |
| P. Μονός κυκλώνας                                     | AG. Παράθυρο ακροφυσίου                             |
| Q. Φως LED κατάσταση μπαταρίας                        | AH. Εργαλείο καθαρισμού*                            |
| R. Φως LED κατάσταση συντήρησης                       |                                                     |

#### ΠΡΟΕΤΟΙΜΑΣΙΑ ΤΗΣ ΣΚΟΥΠΑΣ

Βγάλετε προσεκτικά το προϊόν από τη συσκευασία

1. Σηκώστε το ακροφύσιο και τον σωλήνα επέκτασης, τοποθετήστε το ένα άκρο του σωλήνα στον λαίμο του ακροφυσίου μέχρι να ακούσετε να “κουμπώσει” στη θέση του. **[1a]**
2. Σηκώστε τη μονάδα χειρός και τοποθετήστε την στον σωλήνα μέχρι να την ακούσετε να “κουμπώσει” στη θέση της. **[1b]**
3. Στερεώστε την επιτοίχια βάση στον τοίχο με τις βίδες και τα ούπα που παρέχονται. **[2]**
4. Για να φορτίσετε πλήρως τη συσκευή, συνδέστε το βύσμα του φορτιστή στην μπαταρία. Θα χρειαστούν περίπου 2,5 ώρες ή 6 ώρες ανάλογα με το μοντέλο σας.

**ΣΗΜΕΙΩΣΗ:** Για να αφαιρέσετε το ακροφύσιο, πιέστε το κουμπί απασφάλισης του ακροφυσίου και τραβήξτε το από το κύριο σώμα της σκούπας.

**ΣΗΜΕΙΩΣΗ:** Για να φορτίσετε τη συσκευή χρησιμοποιείτε αποκλειστικά το φορτιστή που διατίθεται με τη σκούπα σας. Είναι φυσιολογικό κατά τη φόρτιση, να θερμαίνεται ο φορτιστής.

\* Μόνο ορισμένα μοντέλα

## ΟΔΗΓΙΕΣ ΧΡΗΣΕΩΣ

Υπάρχουν 4 τρόποι λειτουργίας:

- **ΚΑΝΟΝΙΚΟΣ ΤΡΟΠΟΣ:** Όταν πατάτε το κουμπί ON-OFF, η σκούπα είναι έτοιμη για καθαρισμό με το κύριο μηχανοκίνητο ακροφύσιο. [3a]
- **ΛΕΙΤΟΥΡΓΙΑ TURBO:** Πατήστε το κουμπί Turbo για πλήρη ισχύ σε απαιτητικές εργασίες καθαρισμού. [3b]
- **ΑΘΟΡΥΒΗ ΛΕΙΤΟΥΡΓΙΑ:** Πατήστε το κουμπί σίγασης για να καθαρίσετε σε βάθος με τη χαμηλότερη στάθμη θορύβου. [3c]
- **ΛΕΙΤΟΥΡΓΙΑ ΑΥΤΟ (ΑΥΤΟΜΑΤΗ):** Όταν αφαιρείτε το πέλμα ή τον σωλήνα, το προϊόν προσαρμόζεται αυτόματα σε χαμηλότερη ισχύ για τον καθαρισμό του δαπέδου, χωρίς μηχανοκίνητα εργαλεία.

**ΣΗΜΕΙΩΣΗ:** Όταν είστε σε αυτήν την λειτουργία, αν χρειάζεστε μεγαλύτερη ισχύ, πατήστε το κουμπί TURBO: μια φορά για επιπλέον ισχύ ή δυο φορές για πλήρη ισχύ. Αν θέλετε να επιστρέψετε στην ΑΥΤΟΜΑΤΗ ΛΕΙΤΟΥΡΓΙΑ, πατήστε το κουμπί σίγασης.

**ΣΗΜΕΙΩΣΗ:** Αυτή η σκούπα διαθέτει μια μπάρα βούρτσας στην μπροστινή πλευρά του ακροφυσίου και επιτρέπει τη συλλογή σκόνης και υπολειμμάτων από σκληρά δάπεδα, παρκέ και χαλιά.

### ΚΑΤΑΣΤΑΣΗ ΡΑΒΔΟΥ ΒΟΥΡΤΣΑΣ

Η λυχνία LED της ράβδου βούρτσας στο ακροφύσιο θα παραμείνει φωτεινό λευκό κατά τη διάρκεια όλων των λειτουργιών καθαρισμού δαπέδου και θα γίνει κόκκινη εάν ενεργοποιηθεί το σύστημα προστασίας ασφαλείας. [14]

## ΟΔΗΓΙΕΣ ΑΠΟΘΗΚΕΥΣΗΣ

Μετά τη χρήση, η σκούπα σας μπορεί να αποθηκευθεί με 2 εύκολους τρόπους.

### 1. ΕΠΙΤΟΙΧΙΑ ΑΠΟΘΗΚΕΥΣΗ

Το προϊόν παρέχεται με επιτοίχια βάση για εύκολη αποθήκευση. Χρησιμοποιώντας τις βίδες που παρέχονται, στερεώστε τη βάση τοίχου στον τοίχο σας. Μετά τη χρήση του προϊόντος, απλά τοποθετήστε τη σκούπα σας στη θέση της. [2]

### 2. ΣΥΜΠΛΗΡΗΣ ΑΠΟΘΗΚΕΥΣΗ/ΛΕΙΤΟΥΡΓΙΑ ΣΤΑΘΜΕΥΣΗΣ

Για να αποθηκεύσετε το προϊόν στο σωλήνα, αφαιρέστε τη μονάδα χειρός πατώντας το κουμπί απελευθέρωσης μονάδας χειρός. [5]

Βεβαιωθείτε ότι το ενσωματωμένο εργαλείο 2 σε 1 (z) επιστρέφει στην αρχική του θέση όπως παρέχεται, εξασφαλίζοντας ότι το εργαλείο βρίσκεται καλά στη θέση του με τη βούρτσα ξεσκονίσματος και το άγκιστρο τοποθέτησης στην θέση προς τα κάτω.

Συναρμολογήστε το άγκιστρο τοποθέτησης στην κάτω υποδοχή του σωλήνα και σπρώξτε την πίσω λαβή τέρμα στο εσωτερικό του μηχανισμού ασφάλισης που βρίσκεται στο επάνω μέρος του σωλήνα. [6]

## ΣΥΣΤΗΜΑΤΑ ΠΡΟΣΤΑΣΙΑΣ ΑΣΦΑΛΕΙΑΣ

Για να διασφαλιστεί ότι η αξιοπιστία του προϊόντος δεν επηρεάζεται εάν χρησιμοποιείται εάν χρησιμοποιείται υπό σκληρές συνθήκες, το προϊόν διαθέτει τρία ενσωματωμένα συστήματα προστασίας ασφαλείας, ένα στην σκούπα και δύο στο ακροφύσιο.

**ΣΗΜΕΙΩΣΗ:** Τα συστήματα προστασίας της ασφάλειας θα ενεργούν υπό τρεις προϋποθέσεις:

1. αν υπάρχουν εμπόδια στην είσοδο αέρα ή στον σωλήνα, η σκούπα θα προστατευθεί και θα σβήσει και η λυχνία LED στην κεντρική μονάδα θα γίνει κόκκινη. Εάν συμβεί αυτό, ελέγξτε αν υπάρχουν εμπόδια στον σωλήνα ή στην είσοδο αέρα της μονάδας χειρός. Αφαιρέστε τα και ενεργοποιήστε ξανά την σκούπα.
2. Εάν η μπάρα βουρτσίσματος έχει μπλοκάρει ή είναι κλειδωμένη, μετά την ενεργοποίησή της, η μπάρα θα σταματήσει να περιστρέφεται και οι ΛΕΥΚΕΣ ενδεικτικές λυχνίες LED της λυχνίας κατάστασης της μπάρας θα γίνουν ΚΟΚΚΙΝΕΣ. [14a] Εάν συμβεί αυτό, απλώς απενεργοποιήστε το προϊόν σας και καθαρίστε την μπάρα. Για να συνεχίσετε το καθάρισμα, πατήστε το κουμπί on/off και η συσκευή θα τεθεί σε λειτουργία.
3. Εάν το παράθυρο του ακροφυσίου δεν είναι εντελώς κλειστό, η ράβδος βούρτσας δεν θα περιστραφεί, η λυχνία LED κατάστασης της ράβδου βούρτσας και οι ενδεικτικές λυχνίες LED του μπροστινού ακροφυσίου θα αναβοσβήνουν συνεχώς ΛΕΥΚΑ. [14b] Εάν συμβεί αυτό, απλώς απενεργοποιήστε το προϊόν σας και βεβαιωθείτε ότι το παράθυρο του ακροφυσίου είναι εντελώς κλειστό και ενεργοποιήστε το ξανά.

## ΜΠΑΤΑΡΙΑ

Αυτή η σκούπα είναι εφοδιασμένη με ένδειξη LED κατάστασης μπαταρίας. Όταν το προϊόν είναι ενεργοποιημένο, το LED ανάβει σε διαφορετικά χρώματα για να δείξει τη στάθμη της μπαταρίας.

### ΕΠΙΠΕΔΟ ΜΠΑΤΑΡΙΑΣ:

Λευκό χρώμα: 100% - 10% φόρτιση

Κόκκινο που αναβοσβήνει: <10% φόρτιση

\* Μόνο ορισμένα μοντέλα

## Υπάρχουν 2 μέθοδοι φόρτισης:

Φορτίστε τη μπαταρία όταν είναι τοποθετημένη στο προϊόν.

Τοποθετήστε το βύσμα του φορτιστή μπαταρίας στη μπαταρία. Η ένδειξη κατάστασης LED θα ανάψει με ΚΟΚΚΙΝΟ χρώμα κατά τη φόρτιση. Όταν ολοκληρωθεί η φόρτιση, η ενδεικτική λυχνία LED θα ανάψει ΛΕΥΚΟ για 1 λεπτό και στη συνέχεια θα σβήσει. [7] Φορτίστε τη μπαταρία όταν την βγάλετε από το προϊόν.

Αφαιρέστε την μπαταρία από το προϊόν πατώντας τα κουμπιά απελευθέρωσης της μπαταρίας.

Τοποθετήστε το βύσμα του φορτιστή μπαταρίας στη μπαταρία. Το ενδεικτικό LED μπαταρίας θα ανάψει με ΚΟΚΚΙΝΟ χρώμα κατά τη φόρτιση. Όταν η φόρτιση ολοκληρωθεί, το LED θα ανάψει ΛΕΥΚΟ. [8]

**ΣΗΜΕΙΩΣΗ:** Είναι φυσιολογικό κατά τη φόρτιση, να θερμαίνεται ο φορτιστής. Χρησιμοποιείτε μόνο τον φορτιστή που συνοδεύει τη συσκευή σας.

## ΕΞΑΡΤΗΜΑΤΑ

**Ενσωματωμένα εργαλεία γωνιών** - Ιδανικά για καθαρισμό σε στενούς χώρους.

**Βούρτσα ξεσκονισματος** - Ιδανικά για τον καθαρισμό επιφανειών χωρίς κίνδυνο να γρατζουνιστεί.

**Εργαλείο επίπλων** - Ιδανικά για τον καθαρισμό επιφανειών, όπως καναπέδες.

**Μίνι ακροφύσιο ισχύος\*** - Ιδανικό για βαθύ καθαρισμό υφασμάτων επιφανειών (π.χ. καναπέδες) και για να απομακρύνετε τις τρίχες των κατοικίδιων. Η γωνία λειτουργίας μπορεί να προσαρμοστεί όταν την μετακινείτε εμπρός και πίσω.

**ΣΗΜΕΙΩΣΗ:** Μετά τη χρήση, περιστρέψτε το πτερύγιο απελευθέρωσης της βούρτσας αριστερόστροφα με ένα νόμισμα για να βγάλετε τη ράβδο βούρτσας και, στη συνέχεια, αφαιρέστε τις τρίχες/τις κλωστές που μαζεύτηκαν στη βούρτσα. [17]

Όλα τα εξαρτήματα εκτός από το εργαλείο καθαρισμού μπορούν να τοποθετηθούν στο κύριο προϊόν και στον σωλήνα. [4]

**Μακρύ ρύγχος γωνιών\*** - Ιδανικό για στενά και δύσκολα σημεία.

**Εργαλείο καθαρισμού\*** - Ιδανικό για να αφαιρεί τη σκόνη, τα υπολείμματα και τις τρίχες στον κάδο σκόνης ή στο ακροφύσιο. [9]

## Τσάντα Αξεσουάρ\*

Τα πρόσθετα αξεσουάρ μπορείτε να τα αποθηκεύσετε στη τσάντα αξεσουάρ.

## ΕΠΙΤΟΙΧΙΑ ΤΟΠΟΘΕΤΗΣΗ\*

Αν χρειαστεί, στερεώστε την επιτοίχια βάση στον τοίχο, με τις δυο βίδες και τα βύσματα που παρέχονται. [2]

## ΣΥΝΤΗΡΗΣΗ ΚΑΙ ΚΑΘΑΡΙΣΜΟΣ

Υπενθύμιση συντήρησης προ-φίλτρου. Εάν το προ-φίλτρο χρειάζεται συντήρηση, το κόκκινο φως στη σκούπα αρχίζει να αναβοσβήνει με κόκκινο χρώμα.

### Άδειασμα του δοχείου σκόνης

1. Πατήστε το κουμπί απελευθέρωσης και βγάλτε τον σωλήνα. [5]

2. Πατήστε το κουμπί για το άδειασμα δοχείου σκόνης για να απελευθερώσετε το πτερύγιο κάδου και να αδειάσετε τα περιεχόμενα. [9a]

3. Κλείστε το πτερύγιο δοχείου σκόνης, θα ακούσετε ένα κλικ όταν κλειδωθεί καλά.

**ΣΗΜΕΙΩΣΗ:** Συνιστάται να αδειάζετε το δοχείο σκόνης μετά από κάθε χρήση ή όταν η σκόνη είναι μέχρι τη γραμμή μέγιστης πλήρωσης.

### Γρήγορος καθημερινός καθαρισμός του δοχείου σκόνης

Απλώς ανοίξτε το πτερύγιο του κάδου σκόνης και αφαιρέστε τη σκόνη με τη βοήθεια του εργαλείου καθαρισμού.

1. Χρησιμοποιήστε το άκρο με το άγκιστρο για να βγάλετε τη σκόνη που μαζεύεται στο δοχείο σκόνης. [9b]

2. Χρησιμοποιήστε το άκρο με τη βούρτσα για να καθαρίσετε την ψιλή σκόνη που κολλάει γύρω από το φίλτρο μεταλλικού πλέγματος [9c]

### Καθαρίστε το δοχείο σκόνης και το φίλτρο

Η ένδειξη LED στο προϊόν θα αναβοσβήνει ΚΟΚΚΙΝΗ για να υποδείξει ότι χρειάζεται καθαρισμός στο φίλτρο του κινητήρα.

1. Πατήστε το κουμπί απελευθέρωσης της μονάδας χειρός και αφαιρέστε τη μονάδα από τον σωλήνα. [5]

2. Πατήστε το κουμπί απελευθέρωσης της μπαταρίας και αφαιρέστε την μπαταρία.

3. Αφαιρέστε το σύστημα κάδου σκόνης περιστρέφοντάς το δεξιόστροφα και τραβώντας το από τη μονάδα. [10]

4. Αφαιρέστε το φίλτρο πριν τον κινητήρα τραβώντας το στήριγμα από το σώμα του κάδου. [11a]

5. Βγάλτε το μονό σύστημα κυκλώνα, τραβώντας τον μεταλλικό δακτύλιο από το σώμα του κάδου. [11a]

6. Αφαιρέστε τον εντοπιστή στροβίλου περιστρέφοντας δεξιόστροφα και τραβώντας το από το σύστημα κυκλώνα. [11b]

7. Πλύνετε το φίλτρο και το σύστημα κυκλώνα σε χλιαρό νερό και αφήστε το να στεγνώσει για 24 ώρες. [12,13]

8. Συναρμολογήστε και πάλι όταν στεγνώσει εντελώς και βάλτε το ξανά στο προϊόν.

**ΣΗΜΕΙΩΣΗ:** Μην χρησιμοποιείτε ζεστό νερό ή απορρυπαντικά κατά τον καθαρισμό του φίλτρου πριν τον κινητήρα. Στην

\* Μόνο ορισμένα μοντέλα

απίθανη περίπτωση που το φίλτρο προ του κινητήρα καταστραφεί, τοποθετήστε γνήσιο ανταλλακτικό Hoover. Βεβαιωθείτε ότι έχετε τοποθετήσει ξανά το φίλτρο πριν από τη συναρμολόγηση του δοχείου σκόνης στο κύριο σώμα της σκούπας, καθώς θα ενεργοποιηθεί ο μηχανισμός προστασίας φίλτρου.

**ΕΠΙΣΗΜΑΝΣΗ:** Για μέγιστη απόδοση, φροντίστε το φίλτρο σας να είναι πάντα καθαρό. Συνιστούμε να καθαρίζετε το φίλτρο μια φορά το μήνα.

### Καθαρισμός της βούρτσας και του ακροφυσίου

**ΕΠΙΣΗΜΑΝΣΗ:** Απενεργοποιείτε πάντα την σκούπα πριν αλλάξετε και καθαρίσετε τον κύλινδρο καθαρισμού.

Εάν υπάρχουν εμπόδια ή λεπτή σκόνη γύρω από τη βούρτσα:

1. Αφαιρέστε το ακροφύσιο από τον σωλήνα. **[15]**
2. Μετακινήστε το ρυθμιστικό προς τα δεξιά και το παράθυρο του ακροφυσίου θα ανοίξει. **[16a]**
3. Ανοίξτε εντελώς το παράθυρο του ακροφυσίου για να αφαιρέσετε την υβριδική βούρτσα. **[16a]**
4. Κρατήστε τη ράβδο βούρτσας, απελευθερώστε το καπάκι του άκρου και αφαιρέστε τη ράβδο βούρτσας. **[16b]**
5. Εάν υπάρχουν ακόμα υπολείμματα στη βούρτσα, αφαιρέστε τα με το χέρι ή με τη βοήθεια του εργαλείου καθαρισμού. **[16c]**
6. Εάν υπάρχει βρωμιά μέσα στο ακροφύσιο ή γύρω από τη χτένα, αφαιρέστε τη χρησιμοποιώντας τη βούρτσα του εργαλείου καθαρισμού. **[16d]**
7. Για να βεβαιωθείτε ότι το ακροφύσιο είναι απολύτως καθαρό από τυχόν εμπόδια, γυρίστε το ακροφύσιο και ελέγξτε κατά μήκος της κάτω περιοχής. Εάν απαιτείται, καθαρίστε αυτήν την περιοχή χρησιμοποιώντας το γάντζο του παρεχόμενου εργαλείου καθαρισμού. **[16e]**
8. Γυρίστε το ακροφύσιο στην αρχική θέση και τοποθετήστε ξανά τη βούρτσα. Η βούρτσα μπορεί να μπει μόνο σε μία κατεύθυνση και πιέστε ελαφρά το άκρο για να βεβαιωθείτε ότι η βούρτσα είναι στη θέση της. **[16f]**
9. Κλείστε το παράθυρο πατώντας τη μεσαία περιοχή του παραθύρου μέχρι να ακούσετε το «κλικ» στη θέση του. Ελέγξτε ότι το παράθυρο είναι πλήρως κλειδωμένο πατώντας και στις δύο πλευρές. **[16g]**

### Αντικατάσταση μπαταριών

Αυτή η σκούπα είναι εφοδιασμένη με επαναφορτιζόμενη μπαταρία ιόντων λιθίου, η οποία αντικαθίσταται.

**ΠΡΟΣΟΧΗ:** Χρησιμοποιείτε μόνο εγκεκριμένα ανταλλακτικά για τη σκούπα σας. Η χρήση μη γνήσιων ανταλλακτικών Hoover είναι επικίνδυνη και θα ακυρώσει την εγγύηση της συσκευής.

**ΠΡΟΣΟΧΗ:** Μην ανοίξετε τη συστοιχία μπαταριών για να την επισκευάσετε μόνοι σας.

1. Πατήστε τα κουμπιά απελευθέρωσης της μπαταρίας και τραβήξτε την έξω. **[8]**
2. Αφαιρέστε την παλιά συστοιχία μπαταριών και αντικαταστήστε την με καινούρια.
3. Απορρίψτε τις μπαταρίες με ασφαλή τρόπο. Οι χρησιμοποιημένες μπαταρίες πρέπει να προσκομίζονται σε σημείο ανακύκλωσης και δεν πρέπει να απορρίπτονται με τα οικιακά απορρίμματα.

## ΑΝΤΙΜΕΤΩΠΙΣΗ ΠΡΟΒΛΗΜΑΤΩΝ

Εάν αντιμετωπίσετε οποιοδήποτε πρόβλημα με τη σκούπα σας, πριν καλέσετε το Κέντρο Τεχνικής Υποστήριξης Hoover ακολουθείστε τις οδηγίες που αναγράφονται στον πίνακα:

### A. Η σκούπα δεν τίθεται σε λειτουργία

Ελέγξτε αν η σκούπα είναι φορτισμένη.

Ελέγξτε αν η μπαταρία έχει τοποθετηθεί στη θέση της.

### B. Η σκούπα σταμάτησε να λειτουργεί

Ελέγξτε εάν υπάρχει εμπόδιο στην είσοδο αέρα ή στον σωλήνα, καθαρίστε το και βεβαιωθείτε ότι το προϊόν είναι απενεργοποιημένο. Μόλις γίνει αυτό, απλά πατήστε το κουμπί on/off, το προϊόν θα αρχίσει να λειτουργεί ξανά.

### C. Απώλεια απορρόφησης ή καθόλου απορρόφηση.

Αδειάστε το δοχείο σκόνης και πλύνετε το προφίλτρο και το σύστημα διαχωρισμού. **[12, 13]**

Αφαιρέστε το ακροφύσιο και ελέγξτε για τυχόν εμπόδια στον αγωγό.

### D. Οι μπαταρίες δεν φορτίζουν

Αυτό μπορεί να συμβεί εάν η συσκευή έχει να χρησιμοποιηθεί για μεγάλο διάστημα (πάνω από εξάμηνο).

Επικοινωνήστε με το Κέντρο Τεχνικής Υποστήριξης Hoover για να φροντίσετε για την αντικατάσταση των μπαταριών.

Εάν το πρόβλημα παραμένει επικοινωνήστε με το Κέντρο Τεχνικής Υποστήριξης Hoover.

### E. Το LED κατάστασης ΡΑΒΔΟΥ ΒΟΥΡΤΣΑΣ είναι ΚΟΚΚΙΝΟ

Υπάρχει εμπόδιο στο ακροφύσιο ή στη ράβδο βούρτσας Ανατρέξτε στην ενότητα ΣΥΝΤΗΡΗΣΗ ΣΚΟΥΠΑΣ.



**F. Το LED κατάσταση ράβδου βούρτσας και το εμπρός LED ακροφυσίου αναβοσβήνουν με ΛΕΥΚΟ χρώμα**

Το παράθυρο ακροφυσίου δεν έχει κλείσει εντελώς.

Εάν συμβεί αυτό, απλώς απενεργοποιήστε το προϊόν σας και βεβαιωθείτε ότι το παράθυρο του ακροφυσίου είναι εντελώς κλειστό και ενεργοποιήστε το ξανά.

**ΑΝΤΑΛΛΑΚΤΙΚΑ ΚΑΙ ΑΝΑΛΩΣΙΜΑ HOOVER**

Όταν παραστεί η ανάγκη χρησιμοποιείτε αποκλειστικά γνήσια ανταλλακτικά Hoover. Τα ανταλλακτικά Hoover διατίθενται από τον τοπικό αντιπρόσωπο Hoover ή απευθείας από τη Hoover. Κατά την παραγγελία εξαρτημάτων να αναφέρετε πάντα τον αριθμό μοντέλου.

**Η ΕΓΓΥΗΣΗ ΣΑΣ**

Οι όροι ισχύος της εγγύησης της συσκευής καθορίζονται από τον αντιπρόσωπο της χώρας στην οποία έχει πραγματοποιηθεί η πώληση. Περισσότερες πληροφορίες σχετικά με τους όρους εγγύησης μπορείτε να ζητήσετε από τον αντιπρόσωπο που αγόρασατε τη συσκευή. Η προσκόμιση του τιμολογίου ή της απόδειξης αγοράς είναι βασική προϋπόθεση για την ισχύ της εγγύησης.

**ΕΠΙΣΗΜΑΝΣΗ:** Η μπαταρία σε αυτή τη σκούπα διαθέτει εγγύηση 2 ετών από την ημερομηνία αγοράς. Μετά τα 2 χρόνια ο πελάτης επιβαρύνεται με το κόστος της καινούργιας μπαταρίας.

Ο κατασκευαστής διατηρεί το δικαίωμα να επιφέρει αλλαγές χωρίς προγενέστερη ενημέρωση.

## ИНСТРУКЦИИ ПО БЕЗОПАСНОМУ ИСПОЛЬЗОВАНИЮ

Данный прибор предназначен только для домашнего использования в соответствии с описанием, приведенным в настоящем Руководстве пользователя. Использование этого устройства в условиях, отличных от домашних, или с функциями, отличными от обычных функций домашнего хозяйства, такое как коммерческое использование исключено. Ненадлежащее использование устройства приводит к снижению срока его службы и прекращает действие гарантии производителя. Производитель не несет ответственности за повреждение устройства, убыток или потери, вызванные использованием. Прежде чем приступить к эксплуатации данного бытового электроприбора, убедитесь в том, что вы понимаете настоящее руководство.

Перед очисткой или обслуживанием всегда вынимайте вилку из розетки.

Данный прибор не предназначен для использования лицами (включая детей) с пониженными физическими, психическими или умственными способностями или при отсутствии у них опыта или знаний, если они не находятся под контролем или не проинструктированы об использовании прибора лицом, отвечающим за их безопасность. Дети должны находиться под присмотром для недопущения игры с прибором. Все упаковочные материалы должны храниться в недоступном для детей месте (риск удушья).

Если провод питания поврежден, немедленно отключите прибор. Во избежание несчастных случаев замену провода должен осуществлять только специалист авторизованного сервисного центра производителя.

Не приближайте вращающиеся щетки к рукам, ногам, болтающейся одежде и волосам.

Пользуйтесь только оригинальным зарядным устройством, входящим в комплект поставки прибора.

Убедитесь, что напряжение источника питания соответствует параметрам зарядного устройства.

Это пылесос Hoover снабжен зарядным устройством с двойной изоляцией, которое подходит только для розетки 230В (240В в Великобритании).

Вставьте зарядное устройство в подходящую розетку и подсоедините разъем зарядного устройства к пылесосу.

Выключите прибор перед зарядкой.

Светодиодный индикатор аккумуляторной батареи будет гореть красным во время зарядки и станет белым при полной зарядке.

После использования всегда устанавливайте прибор на зарядное устройство с целью подзарядки аккумуляторной батареи.

Запрещается зарядка аккумуляторной батареи при температуре выше

37 С или ниже 0 С.

Совершенно нормально, если во время зарядки коснуться зарядного устройства, то оно будет теплым.

Никогда не отключайте зарядное устройство, потянув за провод. Отключите зарядное устройство в случае длительного отсутствия (отпуск и т.д.) Зарядите пылесос снова перед использованием, так как аккумуляторная батарея может саморазрядиться за период хранения.

При необходимости утилизации прибора выньте из него аккумуляторную батарею. Перед тем, как достать батарею, отключите прибор от электросети. Соблюдайте правила техники безопасности при утилизации аккумуляторной батареи. Используйте прибор до тех пор, пока батарея полностью не разрядится. Использованные аккумуляторные батареи необходимо сдавать в специальный пункт приема и не выбрасывать с обычными бытовыми отходами. Чтобы извлечь батарею, свяжитесь с авторизованным сервисным центром или следуйте приведенным далее инструкциям

**ВНИМАНИЕ!** Перед тем как извлечь батарею из пылесоса, она должна быть полностью разряжена, а зарядное устройство должен быть отключено от сети.

Для этого используйте пылесос до полной разрядки аккумуляторной батареи.

Выньте вилку зарядного устройства из прибора.

Нажмите на кнопку извлечения аккумуляторной батареи и выньте ее из устройства.

**Примечание:** В случае возникновения каких-либо сложностей или при необходимости получения более подробной информации об обслуживании, утилизации и переработке данного прибора, обратитесь в местные органы власти или в местную службу по утилизации бытовых отходов.

Используйте только рекомендуемые производителем насадки, расходные материалы или запасные части.

**Статическое электричество:** Некоторые виды ковров могут накапливать небольшое количество статического электричества. Разряд статического электричества не представляет опасности для здоровья.

Не применяйте прибор вне помещений, на влажных поверхностях или для сбора жидкостей.

Не используйте прибор для сбора острых предметов, спичек, горячего пепла, окурков или аналогичных предметов. Не распыляйте или не собирайте горючие жидкости, чистящие средства, аэрозоли или прочие пары.

Не перевозите пылесос через провод питания и не тяните за провод, вынимая вилку из розетки. Не используйте прибор или зарядное устройство, если они неисправны.

**Сервисное обслуживание:** Для обеспечения продолжительной, безопасной и эффективной работы данного бытового электроприбора любой вид ремонта рекомендуется производить только специалистом авторизованного сервисного центра производителя. Не используйте прибор для очистки животных или людей. Не используйте обычные перезаряжаемые батареи вместо перезаряжаемых аккумуляторных батарей.

#### Окружающая среда:

Прибор маркируется согласно Европейской директиве 2011/65/EC по отходам электрического и электронного оборудования (WEEE). Соблюдая правила утилизации данного электроприбора, вы помогаете предотвратить возможные отрицательные последствия для окружающей среды и здоровья человека, которые могли бы иметь место при неправильной утилизации данного устройства. Символ на данном устройстве означает, что его нельзя утилизировать как бытовые отходы. Его необходимо доставить в соответствующий пункт утилизации электрического и электронного оборудования. Утилизация должна проводиться в соответствии с местными правилами по защите окружающей среды и утилизации отходов. Для получения более подробной информации по обращению и переработке данного устройства обратитесь к городским властям, в службу утилизации бытовых отходов или в магазин, в котором было куплено изделие.



Данный прибор отвечает требованиям Европейских Директив 2014/35/EU, 2014/30/EU и 2011/65/EU.

CANDY HOOVER GROUP S.r.l. Via Privata Eden Fumagalli, 20861 Brugherio (MB) Italy

### ПОЗНАКОМЬТЕСЬ С КОНСТРУКЦИЕЙ ВАШЕГО ПЫЛЕСОСА

- |                                                               |                                                |
|---------------------------------------------------------------|------------------------------------------------|
| A. Кнопка Вкл./Выкл.                                          | S. Световой индикатор процесса зарядки батареи |
| B. Кнопка включения режима ТУРБО                              | T. Кнопка извлечения аккумуляторной батареи    |
| C. Кнопка включения режима ТИХИЙ                              | U. Аккумуляторная батарея                      |
| D. Контейнер для сбора пыли                                   | V. Разъем зарядного устройства                 |
| E. Кнопка открытия контейнера для сбора пыли                  | W. Зарядное устройство                         |
| F. Кнопка отсоединения основного устройства                   | X. Настенное крепление*                        |
| G. Кнопка извлечения контейнера для сбора пыли                | Y. Винт с дюбелем*                             |
| H. Труба                                                      | Za. Встроенная насадка для мебели 2-в-1        |
| I. Кнопка отсоединения основной насадки                       | Zb. Встроенная щетка для удаления пыли 2-в-1   |
| J. Светодиодная подсветка насадки                             | AA. Мини насадка*                              |
| K. Ползунок отсоединения крышки валика электрощетки           | AB. Мини насадка с валиком электрощетки        |
| L. Торцевой колпачок отсоединения валика электрощетки         | AC. Лючок мини насадки с валиком электрощетки  |
| M. Светодиодный индикатор валика электрощетки*                | AD. Длинная щелевая насадка*                   |
| N. Предмоторный фильтр                                        | AE. Сумка для аксессуаров*                     |
| O. Вихревой уловитель циклонного сепаратора                   | AF. Валик электрощетки                         |
| P. Циклоническая система                                      | AG. Окошко насадки                             |
| Q. Светодиодный индикатор уровня заряда батареи               | AN. Щетка для очистки*                         |
| R. Светодиодный индикатор необходимости обслуживания пылесоса |                                                |

### ПОДГОТОВКА ПЫЛЕСОСА К РАБОТЕ

Извлеките прибор из упаковки.

1. Вставьте насадку в трубу до щелчка. **[1a]**
2. Вставьте другую сторону трубы в основной корпус. **[1b]**
3. Закрепите настенное крепление на стене с помощью винтов с дюбелями из комплекта поставки. **[2]**
4. Полностью зарядите аккумуляторную батарею, подсоединив к ней зарядное устройство. Это займет от 2,5 до 6 часов в зависимости от вашей модели.

**ПРИМЕЧАНИЕ:** Чтобы снять насадку, нажмите на кнопку отсоединения основной насадки и снимите ее.

**ПРИМЕЧАНИЕ:** Для зарядки используйте только зарядное устройство, поставляемое с пылесосом. Совершенно нормально, если во время зарядки коснуться зарядного устройства, то оно будет теплым.

\* Только у некоторых моделей

## ЭКСПЛУАТАЦИЯ ПЫЛЕСОСА

Пылесос может работать в 4 режимах:

- **СТАНДАРТНЫЙ РЕЖИМ** При нажатии кнопки Вкл./Выкл. пылесос начинает работу с использованием основной моторизованной насадки. [3a]
  - **РЕЖИМ ТУРБО:** Нажмите кнопку включения режима Турбо, чтобы запустить пылесос на полную мощность для уборки сильно загрязненных участков. [3b]
  - **РЕЖИМ ТИХИЙ:** Нажмите кнопку включения режима ТИХИЙ (SILENT), чтобы провести уборку при максимально низком уровне шума для данной модели. [3c]
  - **АВТОМАТИЧЕСКИЙ РЕЖИМ:** При снятии насадки или трубы устройство автоматически подстраивается к работе на более низкой мощности для уборки поверхностей при помощи других аксессуаров, кроме основной насадки.
- ПРИМЕЧАНИЕ:** Работая этом режиме, вы можете нажать кнопку TURBO один раз для получения дополнительной мощности и два раза для работы на полной мощности. Чтобы перейти обратно в режим АВТО, нажмите кнопку режима ТИХИЙ (Silent).
- ПРИМЕЧАНИЕ:** В этом пылесосе в передней части насадки установлен валик электрощетки, которым удобно собирать пыль и мусор с твердых напольных покрытий, паркета и ковров.

### СОСТОЯНИЕ ВАЛИКА ЭЛЕКТРОЩЕТКИ

Светодиодный индикатор состояния валика, расположенный на насадке, будет гореть белым во время всех режимов уборки и станет красным при активации системы защиты. [14]

## ХРАНЕНИЕ

После эксплуатации вы можете хранить пылесос одним из двух удобных для вас способов:

#### 1. ХРАНЕНИЕ НА СТЕНЕ

Пылесос идет в комплекте с настенным креплением для удобного хранения. Закрепите настенное крепление на стене с помощью винтов с дюбелями, поставляемых в комплекте. После эксплуатации просто установите пылесос на крепление. [2]

#### 2. КОМПАКТНОЕ ХРАНЕНИЕ/ РЕЖИМ ПАРКОВКИ

Для хранения пылесоса в режиме парковки на трубе, нажмите на кнопку отсоединения основного устройства и снимите его. [5]

Убедитесь, что встроенная насадка 2-в-1 (z) установлена на свое исходное место, как было предусмотрено при поставке, при этом щетка для пыли и нижний фиксирующий элемент для вертикальной парковки находятся в положении “вниз”.

Установите нижний фиксирующий элемент для вертикальной парковки в нижнюю секцию трубы и защелкните верхний фиксирующий элемент в запирающем механизме, расположенном в верхней части трубы. [6]

## СИСТЕМЫ ЗАЩИТЫ

Для обеспечения надежной работы прибора в сложных условиях эксплуатации он оснащается тремя встроенными системами защиты: одна в пылесосе и две в насадке.

**ПРИМЕЧАНИЕ:** Системы защиты срабатывают в трех случаях:

1. В случае засора в воздушной системе пылесоса система защиты сработает, и пылесос выключится, а светодиодный индикатор на основном устройстве загорится красным. В таком случае следует проверить воздушную систему пылесоса и трубу на наличие засоров. Устраните засор и включите пылесос снова.
2. Если валик электрощетки застрял, то при включении он не будет вращаться, и БЕЛЫЙ светодиодный индикатор валика электрощетки загорится КРАСНЫМ. [14a] В таком случае просто отключите пылесос и устраните засор на валике электрощетки. Чтобы продолжить уборку, нажмите кнопку Вкл./Выкл., и прибор возобновит работу в обычном режиме.
3. Если окно насадки закрыто не полностью, щетка не будет вращаться, светодиодный индикатор состояния щетки и передний светодиодный индикатор насадки будут непрерывно мигать БЕЛЫМ светом. [14b]

В этом случае просто выключите прибор, убедитесь, что окно насадки полностью закрыто, и снова включите прибор.

## АККУМУЛЯТОРНАЯ БАТАРЕЯ

Пылесос оснащен светодиодным индикатором уровня заряда батареи. Когда пылесос включен, цвет светодиодного индикатора указывает на уровень заряда батареи:

#### УРОВЕНЬ ЗАРЯДА БАТАРЕИ:

Белый: 100% - 10% заряда

Мигающий красный: <10% заряда

\* Только у некоторых моделей

**Вы можете зарядить пылесос двумя способами:**

Зарядка батареи, установленной в пылесосе.

Вставьте штекер зарядного устройства в аккумуляторную батарею. Во время зарядки индикатор горит красным цветом. Как только пылесос полностью зарядится, светодиодный индикатор будет гореть белым в течение 1 минуты, а затем выключится. [7]

Вы также можете зарядить аккумуляторную батарею отдельно от пылесоса.

Нажмите кнопку извлечения аккумуляторной батареи и извлеките ее из пылесоса.

Вставьте штекер зарядного устройства в аккумуляторную батарею. Светодиодный индикатор зарядки будет гореть красным во время процесса зарядки. По завершении зарядки светодиодный индикатор загорится белым цветом. [8]

**ПРИМЕЧАНИЕ:** Совершенно нормально, если во время зарядки коснуться зарядного устройства, то оно будет теплым. Используйте только зарядное устройство, поставляемое в комплекте с пылесосом.

**ДОПОЛНИТЕЛЬНЫЕ АКСЕССУАРЫ**

**Встроенная щелевая насадка** - идеально подходит для уборки узких пространств.

**Щетка для удаления пыли** - идеально подходит для уборки поверхностей, не допуская появления царапин и других повреждений.

**Насадка для мебели** - идеально подходит для уборки диванов или другой мебели.

**Мини насадка\*** - Идеально подходит для очистки текстильных поверхностей (например, диванов) и удаления шерсти животных. Рабочий угол может быть изменен движением вперед и назад.

**ПРИМЕЧАНИЕ:** После использования поверните лючок валика электрощетки против часовой стрелки с помощью монетки, чтобы вынуть валик, а затем очистите его от скопившихся на нем волос и ворса. [17]

Все насадки, кроме щетки для очистки, можно использовать, присоединив их на корпус пылесоса или на трубу. [4]

**Длинная щелевая насадка\*** - Идеально подходит для уборки труднодоступных мест.

**Щетка для очистки\*** - идеально подходит для уборки пыли, мусора и волос внутри контейнера для сбора пыли или насадки. [9]

**СУМКА ДЛЯ АКСЕССУАРОВ\***

Дополнительные аксессуары можно хранить в специальной сумке.

**Настенное крепление\***

Закрепите крепление на стене с помощью двух винтов с дюбелями, поставляемых в комплекте. [2]

**ТЕХНИЧЕСКОЕ ОБСЛУЖИВАНИЕ ПЫЛЕСОСА**

**Обслуживание предмоторного фильтра** Если предмоторный фильтр нуждается в обслуживании, светодиодный индикатор пылесоса начинает мигать красным цветом.

**Опустошение контейнера для пыли**

1. Нажмите кнопку отсоединения основного устройства и снимите трубу. [5]
2. Нажмите на кнопку опустошения контейнера для пыли, чтобы открыть откидную крышку и опустошить контейнер. [9a]
3. Закройте откидную крышку; при этом вы услышите щелчок, если крышка закрыта правильно.

**ПРИМЕЧАНИЕ:** Рекомендуется опустошать контейнер после каждого использования или при его заполнении до максимальной отметки.

**Быстрая ежедневная чистка контейнера для сбора пыли**

Откройте крышку и удалите пыль при помощи специальной щетки для очистки.

1. Используйте крючок для извлечения пыли, накопившейся внутри контейнера. [9b]
2. Используйте щеточку для уборки мелкой пыли, скопившейся вокруг сетчатого фильтра. [9c]

**Очистка контейнера для сбора пыли и фильтра.**

Светодиодный индикатор пылесоса будет мигать красным, указывая на то, что предмоторный фильтр нуждается в очистке.

1. Нажмите на кнопку отсоединения основного устройства для того, чтобы отсоединить его от трубы. [5]
2. Нажмите на кнопку извлечения аккумуляторной батареи и достаньте ее.
3. Извлеките контейнер для пыли, повернув его по часовой стрелке и потянув его наружу. [10]
4. Достаньте предмоторный фильтр из контейнера. [11a]
5. Извлеките циклонный сепаратор из контейнера, потянув за металлическое кольцо. [11a]
6. Снимите вихревой уловитель, повернув его по часовой стрелке и потянув его из циклонической системы. [11b]
7. Промойте фильтр и циклоническую систему в теплой воде, оставьте сохнуть в течение 24 часов. [12,13]
8. Полностью просушив, соберите фильтр и циклонный сепаратор, и установите их обратно в пылесос.

\* Только у некоторых моделей

**ПРИМЕЧАНИЕ:** Не используйте горячую воду или моющие средства, когда моете предмоторный фильтр. Повреждение предмоторного фильтра маловероятно, но если это произошло, то используйте на замену только оригинальный фильтр Hoover. Убедитесь, что предмоторный фильтр установлен на свое место перед тем, как устанавливать контейнер для сбора пыли в корпус пылесоса, так как в таком случае сработает система защиты фильтра.

**ВНИМАНИЕ!** Для обеспечения оптимальной производительности всегда следите, чтобы фильтр был чистым. Мы рекомендуем промывать фильтр хотя бы раз в месяц.

#### **Очистка валика электрощетки и насадки**

**ВНИМАНИЕ!** Обязательно выключайте пылесос перед заменой и очисткой валика электрощетки.

При наличии закупорок или мелкой пыли вокруг валика электрощетки:

1. Снимите насадку с трубы. **[15]**
2. Переместите ползунок вправо, при этом откинется окошко насадки. **[16a]**
3. Полностью откройте окошко насадки, чтобы вынуть гибридный валик электрощетки. **[16a]**
4. Удерживая торцевой колпачок отсоединения валика электрощетки, снимите валик. **[16b]**
5. Если на валике электрощетки осталась грязь, удалите ее вручную или с щетки для очистки. **[16c]**
6. Если внутри насадки или вокруг гребня скопилась грязь, удалите ее с помощью щетки для очистки. **[16d]**
7. Чтобы убедиться, что насадка полностью очищена от каких-либо препятствий, переверните ее и проверьте нижнюю часть. При необходимости очистите эту область с помощью крючка прилагаемой щетки для очистки. **[16e]**
8. Поверните насадку в исходное положение и снова установите валик электрощетки. Валик электрощетки вставляется только в одном направлении, затем нужно слегка прижать торец, чтобы убедиться, что валик сел на место. **[16f]**
9. Закройте окошко, прижав его посередине до щелчка. Убедитесь, что окошко полностью закрылось, прижав его с обеих сторон. **[16g]**

#### **Замена аккумуляторной батареи**

Пылесос идет в комплекте с заряжаемой литий-ионной аккумуляторной батареей, которая может быть заменена.

**ВНИМАНИЕ:** Используйте только авторизованные запасные части для вашего пылесоса. Использование запасных частей, которые не одобрены компанией Hoover, является опасным и приводит к аннулированию вашей гарантии.

**ВНИМАНИЕ:** Не пытайтесь вскрывать аккумуляторную батарею и ремонтировать ее самостоятельно.

1. Нажмите на фиксатор аккумулятора и извлеките его наружу. **[8]**
2. Замените старую аккумуляторную батарею на новую.
3. Соблюдайте правила техники безопасности при утилизации аккумуляторной батареи. Использованные аккумуляторные батареи необходимо сдавать в специальный пункт приема и не выбрасывать с обычными бытовыми отходами.

## **ПОИСК И УСТРАНЕНИЕ НЕИСПРАВНОСТЕЙ**

Если у вас есть какие-либо проблемы с пылесосом, пожалуйста, выполните простую проверку перед звонком в центр обслуживания клиентов компании Hoover:

#### **A. Пылесос не включается**

Проверьте, заряжен ли пылесос.

Проверьте, правильно ли установлена аккумуляторная батарея.

#### **B. Пылесос перестал работать**

Проверьте воздушную систему пылесоса и трубу на наличие засоров, устранили их и убедитесь, что пылесос находится в выключенном состоянии. После совершения этой процедуры, нажмите на кнопку включения, и пылесос будет работать снова.

#### **C. Потеря или отсутствие мощности всасывания**

Опорожните контейнер для сбора пыли и промойте предмоторный фильтр и систему сепаратора. **[12, 13]**

Снимите насадку и проверьте, нет ли засора в трубе.

#### **D. Аккумуляторная батарея не заряжается**

Такое может случиться в результате длительного хранения без работы (более полугода).

Свяжитесь с центром обслуживания клиентов для организации замены аккумуляторной батареи.

Если проблема не устранена, обратитесь в авторизованный сервисный центр.

#### **E. Светодиодный индикатор валика электрощетки - КРАСНОГО цвета**

Имеет место засорение насадки или препятствие на валике щетки. См. раздел ТЕХНИЧЕСКОЕ ОБСЛУЖИВАНИЕ ПЫЛЕСОСА.

**Г. Светодиодный индикатор валика электрощетки и передний светодиодный индикатор насадки мигают БЕЛЫМ цветом**

Окно насадки закрыто не полностью.

В этом случае просто выключите прибор, убедитесь, что окно насадки полностью закрыто, и снова включите прибор.

**ЗАПАСНЫЕ ЧАСТИ И РАСХОДНЫЕ МАТЕРИАЛЫ**

При замене частей используйте только оригинальные запасные части и расходные материалы компании Hoover. Их можно приобрести у вашего местного дилера компании Hoover или в официальном интернет-магазине [shop.hoover.ru](http://shop.hoover.ru) (кроме запасных частей). При оформлении заказа на запасные части обязательно указывайте номер модели пылесоса.

**УСЛОВИЯ ГАРАНТИИ**

Условия гарантии для данного бытового электрического прибора определяются нашим представительством в стране, где этот электроприбор продан. Более подробную информацию об этих условиях вы можете получить у продавца или из гарантийного сертификата на данный прибор. В случае возникновения ситуации, покрываемой гарантийными обязательствами изготовителя, при обращении в уполномоченную сервисную организацию необходимо предъявить товарно-кассовый чек или иной документ, подтверждающий начало истечения гарантийного срока, предусмотренного условиями гарантии для данного прибора.

**ВНИМАНИЕ!** Производитель не берет на себя ответственность за ошибки в данной инструкции, возникшие в процессе печати. Производитель имеет право вносить в свои изделия изменения, которые он сочтет полезными для своих изделий, сохраняя при этом основные характеристики

Вся представленная в инструкции информация, касающаяся комплектации, технических характеристик, функций, цветовых сочетаний и т.д. носит информационный характер и ни при каких условиях не является публичной офертой. Изготовитель не устанавливает условия и положения покупки, они должны соответствовать требованиям регионального и/или национального законодательства страны продажи товаров.



## INSTRUKCJE BEZPIECZNEGO UŻYTKOWANIA

Urządzenie to jest przeznaczone wyłącznie do użytku domowego w sposób opisany w niniejszej instrukcji użytkownika. Prosimy o dokładne zapoznanie się z instrukcją przed rozpoczęciem używania odkurzacza.

Należy zawsze wyłączyć i wyjąć ładowarkę z gniazdka przed przystąpieniem do czyszczenia urządzenia lub wykonaniem jakichkolwiek czynności konserwacyjnych.

Urządzenia mogą obsługiwać dzieci w wieku co najmniej 8 lat, a osoby o ograniczonych zdolnościach fizycznych, sensorycznych lub mentalnych, a także osoby nieposiadające odpowiedniego doświadczenia oraz wiedzy, jedynie pod warunkiem że odbywać się będzie to pod nadzorem lub po przeszkoleniu na temat bezpiecznego użycia urządzenia oraz związanych z nim zagrożeń. Dzieci nie mogą bawić się urządzeniem. Urządzenia nie powinny czyścić ani konserwować dzieci bez nadzoru.

Jeśli przewód zasilający uległ uszkodzeniu, należy natychmiast zaprzestać korzystania z urządzenia. Ze względów bezpieczeństwa, przewód zasilający powinien zostać wymieniony przez serwisanta autoryzowanego punktu serwisowego firmy Hoover.

Nie zbliżać rąk, stóp, luźnej odzieży ani włosów do obracających się szczotek.

Należy stosować wyłącznie ładowarkę dostarczoną wraz z urządzeniem.

Należy sprawdzić, czy napięcie zasilania w gniazdku jest zgodne z podanym na tabliczce znamionowej ładowarki.

Niniejsze urządzenie Candy zasilane jest podwójnie izolowaną ładowarką akumulatorów, która może być podłączana do gniazd 230V (UK 240V).

Podłączyć ładowarkę od odpowiedniego gniazdka, a przewód ładowarki do urządzenia.

Przed ładowaniem należy wyłączyć urządzenie.

Dioda LED akumulatora zaświeci się na CZERWONO podczas ładowania i zmieni kolor na BIAŁY po całkowitym naładowaniu.

Po użyciu ponownie podłączyć urządzenie do ładowarki, aby doładować akumulator.

Nigdy nie ładować akumulatorów w temperaturze powyżej 37°C lub poniżej 0°C.

Nieznaczne nagrzewanie się ładowarki podczas ładowania jest normalnym zjawiskiem.

NIE wyjmować wtyczki ładowarki z gniazdka, ciągnąc za przewód

zasilający.

W razie dłuższej nieobecności (urlop itp.) odłączyć ładowarkę od zasilania. Po dłuższej przerwie w eksploatacji urządzenie należy doładować przed użyciem, ponieważ bezczynność powoduje rozładowanie akumulatorów.

Jeżeli urządzenie ma być złomowane, należy z niego najpierw usunąć akumulatory. Podczas wyjmowania akumulatora urządzenie musi być odłączone od zasilania. Akumulatory należy utylizować w sposób bezpieczny dla środowiska. Włączyć urządzenie i pozwolić, aby pracowało aż do całkowitego wyczerpania akumulatorów. Zużyte akumulatory należy przekazać do recyklingu. Nie należy ich wyrzucać ze śmieciami domowymi. W celu wyjęcia akumulatorów należy skontaktować się z Centrum Serwisowym Hoover lub postępować zgodnie z następującymi instrukcjami.

**WAŻNE:** Przed usunięciem należy całkowicie rozładować akumulatory.

Włączyć odkurzacz i pozwolić, aby pracował aż do pełnego wyczerpania akumulatorów.

Wyjąć wtyczkę przewodu ładowarki z urządzenia.

Naciśnij przyciski zwalniające zestaw baterii i wysuń go.

**UWAGA:** W razie napotkania jakichkolwiek problemów z demontażem lub w razie konieczności uzyskania dodatkowych informacji na temat sposobu utylizacji, złomowania i recyklingu urządzenia należy skontaktować się z lokalnym urzędem gminy lub komunalnym zakładem utylizacji odpadów.

Należy korzystać wyłącznie z końcówek, materiałów eksploatacyjnych oraz części zamiennych zalecanych lub dostarczonych przez firmę Hoover.

**Ładunki elektrostatyczne:** odkurzanie niektórych dywanów może powodować niewielkie naelektryzowanie się urządzenia. Tego rodzaju ładunki elektrostatyczne nie stanowią zagrożenia dla zdrowia.

Nie używać urządzenia na zewnątrz domu, do odkurzania mokrych powierzchni ani do zbierania wody.

Nie wolno wciągać twardych lub ostrych przedmiotów, zapalek, gorącego popiołu, niedopałków papierosów ani innych podobnych przedmiotów. Nie spryskiwać łatwopalnymi cieczami, środkami czyszczącymi w aerozolu ani parą.

Nie stąpać po przewodzie zasilającym podczas korzystania z urządzenia i nie wyjmować wtyczki, ciągnąc za przewód zasilający. Nie wolno kontynuować eksploatacji uszkodzonego urządzenia lub ładowarki.

**Serwis firmy Hoover:** Aby zapewnić bezpieczne i sprawne działanie tego urządzenia, zalecamy zlecenie prac serwisowych lub napraw wyłącznie serwisantom autoryzowanego punktu serwisowego firmy Hoover.

Nie używać urządzenia do odkurzania ludzi lub zwierząt.

Nie wolno stosować jednorazowych baterii zamiast akumulatorów.

#### Ochrona środowiska:

Niniejsze urządzenie posiada oznaczenia zgodnie z Dyrektywą Europejską nr 2011/65/WE w sprawie zużytego sprzętu elektrycznego i elektrotechnicznego (WEEE). Zapewniając prawidłowe złomowanie niniejszego urządzenia, przyczyniają się Państwo do ograniczenia ryzyka wystąpienia negatywnego wpływu produktu na środowisko i zdrowie ludzi, które mogłoby zaistnieć w przypadku niewłaściwej utylizacji urządzenia. Symbol umieszczony na produkcie lub na dołączonych do niego dokumentach oznacza, że niniejszy produkt nie jest klasyfikowany jako odpad z gospodarstwa domowego. Urządzenie należy zdać w odpowiednim punkcie utylizacji w celu recyklingu komponentów elektrycznych i elektronicznych. Urządzenie należy złomować zgodnie z lokalnymi przepisami w sprawie utylizacji odpadów. Dodatkowe informacje na temat sposobu utylizacji, złomowania i recyklingu urządzenia można uzyskać w lokalnym urzędzie miejskim, w komunalnym zakładzie utylizacji odpadów lub w sklepie, w którym produkt został zakupiony.



Urządzenie spełnia wymogi dyrektyw europejskich 2014/35/WE, 2014/30/WE oraz 2011/65/WE.

CANDY HOOVER GROUP S.r.l. Via Privata Eden Fumagalli, 20861 Brugherio (MB) Italy

## KOMPONENTY URZĄDZENIA

- |                                                |                                                           |
|------------------------------------------------|-----------------------------------------------------------|
| A. Przycisk ON/OFF                             | S. Kontrolka ładowania akumulatora                        |
| B. Przycisk Turbo                              | T. Przycisk zwalniania akumulatora                        |
| C. Przycisk wyciszania                         | U. Zestaw akumulatorów                                    |
| D. Pojemnik na kurz                            | V. Wejście ładowania akumulatora                          |
| E. Przycisk zwolnienia klapy pojemnika na kurz | W. Ładowarka                                              |
| F. Ręczny przycisk zwalniania                  | X. Wspornik do montażu na ścianie*                        |
| G. Przycisk zwalniania blokady                 | Y. Śruby wspornika do montażu na ścianie*                 |
| H. Rura                                        | Za. Zintegrowane narzędzie do mebli 2w1                   |
| I. Przycisk zwalniania końcówki                | Zb. Zintegrowana szczotka do kurzu 2w1                    |
| J. Przednie diody led końcówki                 | AA. Mini Szczotka Power*                                  |
| K. Suwak pokrywy zwolnienia wałka szczotki     | AB. Wałek szczotki przystawki mini power                  |
| L. Osłona zwolnienia wałka szczotki            | AC. Kłapa zwolnienia wałka szczotki przystawki mini power |
| M. Dioda led statusu wałka szczotki*           | AD. Długa ssawka szczelinowa*                             |
| N. Filtr przed silnikiem                       | AE. Worek na akcesoria*                                   |
| O. Rurka wirowa pojedynczego cyklonu           | AF. Wałek szczotka                                        |
| P. Pojedynczy cyklon                           | AG. Okno końcówki                                         |
| Q. Dioda LED statusu akumulatora               | AH. Przyrząd do czyszczenia*                              |
| R. Dioda LED stanu konserwacji                 |                                                           |

## PRZYGOTOWYWANIE ODKURZACZA

Ostrożnie wyjmij produkt z opakowania.

1. Podnieś szczotkę i rurę przedłużającą, zamontuj jeden koniec rury na zwiężeniu szczotki. Poprawny montaż potwierdza "kliknięcie". **[1a]**
2. Podnieś urządzenie przenośne i zmontuj je na rurze. Poprawny montaż potwierdza "kliknięcie". **[1b]**
3. Zamocuj wspornik na ścianie wykorzystując dostarczone śruby i wkręty. **[2]**
4. Aby całkowicie naładować urządzenie, podłącz wtyczkę przewodu ładowarki do urządzenia. Czas ładowania to od 2,5 do 6 godzin w zależności od modelu.

**UWAGA:** Aby wyjąć końcówkę, nacisnąć przycisk zwalniania końcówkę i wyciągnąć ją z obudowy odkurzacza.

**UWAGA:** Do ładowania należy stosować wyłącznie ładowarkę dostarczoną wraz z urządzeniem. Nieznaczne nagrzewanie się ładowarki podczas ładowania jest normalnym zjawiskiem.

\* Tylko w niektórych modelach

## KORZYSTANIE Z ODKURZACZA

Dostępne są 4 tryby pracy:

- **TRYB STANDARDOWY:** Po naciśnięciu przycisku ON-OFF odkurzacz jest gotowy do dokładnego czyszczenia za pomocą głównej końcówki z napędem elektrycznym. [3a]
- **TRYB TURBO:** Naciśnij przycisk Turbo, aby uzyskać pełną moc czyszczenia twardych powierzchni. [3b]
- **Tryb cichy:** Naciśnij przycisk wyciszenia, aby dokładnie odkurzać przy najniższym możliwym poziomie hałasu dla tego produktu. [3c]
- **TRYB AUTO:** Po zdjęciu końcówki lub rurki produkt automatycznie dostosowuje się do niższej mocy czyszczenia podłóg przy użyciu narzędzi bez napędu elektrycznego.

**UWAGA:** Jeśli urządzenie jest w tym trybie i potrzebujesz większej mocy, naciśnij przycisk TURBO: jednokrotnie, aby uzyskać dodatkową moc lub dwukrotnie, aby uzyskać pełną moc. Jeśli chcesz wrócić do TRYBU AUTO, naciśnij przycisk wyciszenia.

**UWAGA:** Odkurzacz posiada wałek szczotki w przedniej części końcówki, który pozwala na zbieranie kurzu i śmieci z podłóg, parkietów, dywanów i wykładzin.

### STATUS WAŁKA SZCZOTKI

Dioda LED statusu wałka szczotki na końcówce będzie świecić na biało podczas wszystkich trybów czyszczenia podłogi i zmieni kolor na czerwony, jeśli system zabezpieczający jest aktywny. [14]

## FUNKCJA PRZECHOWYWANIA

Możesz przechowywać swój odkurzacz na dwa sposoby.

### 1. NA ŚCIANIE

Do Twojego produktu dołączony jest uchwyt ścienny dla wygodnego i łatwego przechowywania. Za pomocą dołączonych śrub przymocuj uchwyt ścienny do ściany. Po prostu odwieś odkurzacz po zakończeniu jego użytkowania. [2]

### 2. PRZECHOWYWANIE KOMPAKTOWE/TRYB PRZERWY W PRACY

Aby przechowywać produkt na rurze, należy wyjąć urządzenie przenośne, naciskając przycisk zwalnający. [5]

Upewnij się, że urządzenie do przechowywania 2 w 1 (z) powróciło do pozycji wyjściowej w zestawie, upewniając się, że narzędzie znajduje się w pełni w na swoim miejscu, a szczotka do odkurzania i hak znajduje się w pozycji dolnej.

Zamontuj hak w dolnym rowku na rurze i włóż całkowicie tylną rączkę do wnętrza mechanizmu blokującego znajdującego się w górnej części rury. [6]

## SYSTEMY BEZPIECZEŃSTWA

Aby zapewnić, że niezawodność produktu nie ulegnie pogorszeniu w przypadku użytkowania w trudnych warunkach, produkt jest wyposażony w trzy zintegrowane systemy bezpieczeństwa: jeden na odkurzaczu i dwa na szczotce.

**UWAGA:** Systemy bezpieczeństwa uruchomią się w trzech sytuacjach:

1. Jeżeli przy wlocie powietrza lub na rurze znajdują się przeszkody, urządzenie czyszczące będzie chronione i wyłączone, a dioda LED umieszczona na korpusie produktu zmieni kolor na czerwony. Jeśli tak się stanie, należy sprawdzić, czy nie ma żadnych przeszkód w rurze lub na wlocie powietrza urządzenia przenośnego. Należy je usunąć i włączyć ponownie urządzenie.
2. Jeśli wałek szczotki jest zablokowany, po uruchomieniu urządzenia przestanie się obracać i BIAŁA dioda LED informująca o stanie wałka szczotki zmieni kolor na CZERWONY. [14a] W takim przypadku należy wyłączyć urządzenie i usunąć zator z wałka szczotki. Aby zakończyć czyszczenie, należy nacisnąć przycisk ON/OFF; urządzenie wznowi pracę w normalnym trybie.
3. Jeśli okienko szczotki nie jest całkowicie zamknięte, wałek szczotki nie będzie się obracać, a diody LED stanu wałka szczotki oraz przednie diody LED szczotki będą ciągle migać na BIAŁO. [14b]

W takim przypadku wystarczy wyłączyć urządzenie, sprawdzić, czy okienko szczotki jest całkowicie zamknięte, a następnie włączyć urządzenie z powrotem.

## AKUMULATOR

Ten odkurzacz jest wyposażony w diodę LED stanu akumulatora. Gdy produkt jest włączony, dioda LED świeci w różnych kolorach, aby pokazać poziom naładowania akumulatora.

\* Tylko w niektórych modelach

**POZIOM NAŁADOWANIA AKUMULATORA:**

Kolor biały: 100% - 10% ładowanie

Miganie na czerwono: <10% ładowanie

**Istnieją 2 sposoby ładowania:**

Można naładować akumulator po jego wcześniejszym zamontowaniu na produkcie.

Włożyć wtyczkę ładowarki do akumulatora. Wskaźnik LED statusu świeci się na CZERWONO podczas ładowania. Po zakończeniu ładowania wskaźnik LED statusu zaświeci się na BIAŁO przez 1 minutę, a następnie wyłączy się. [7]

Ładowanie akumulatora po jego wyjęciu z produktu.

Należy wyjąć akumulator z produktu, naciskając przyciski zwalniające akumulator.

Włożyć wtyczkę ładowarki do akumulatora. Podczas ładowania dioda LED akumulatora będzie świeciła się na CZERWONO. Po zakończeniu ładowania wskaźnik LED zaświeci się na BIAŁO. [8]

**UWAGA:** Nieznaczne nagrzewanie się ładowarki podczas ładowania jest normalnym zjawiskiem. Stosować wyłącznik ładowarkę dostarczoną w komplecie z odkurzaczem.

**DODATKOWE AKCESORIA**

**Zintegrowana ssawka szczelinowa** - idealna, aby dostać się do wąskich miejsc.

**Szczotka do kurzu** - idealna do czyszczenia powierzchni bez ryzyka ich uszkodzenia lub zarysowania.

**Ssawka do mebli** - idealna do czyszczenia powierzchni takich jak sofy.

**Mini Szczotka Power\*** - Idealnie nadaje się do dogłębnego czyszczenia powierzchni tapicerowanych (np. sof) oraz do usuwania sierści zwierząt domowych. Kąt nachylenia może być regulowany podczas ruchu do tyłu i do przodu.

**UWAGA:** Po użyciu obrócić monetą kłapę zwolnienia wałka szczotki w kierunku przeciwnym do ruchu wskazówek zegara, aby wyjąć wałek, a następnie usunąć wszystkie włosy / zanieczyszczenia ze szczotki. [17]

Wszystkie akcesoria za wyjątkiem przyrządu do czyszczenia można zamontować na produkcie głównym oraz na rurze. [4]

**Długa ssawka szczelinowa\*** - Idealny do ciasnych i trudno dostępnych miejsc.

**Przyrząd do czyszczenia\*** - idealnie nadaje się do usuwania kurzu, śmieci oraz włosów z pojemnika na kurz lub końcówki. [9]

**Worek na akcesoria\***

Dodatkowe akcesoria można przechowywać w worku na akcesoria.

**Wspornik do montażu na ścianie\***

W razie potrzeby przy pomocy wspornik do montażu do ściany za pomocą dwóch dostarczonych śrub i wkrętów. [2]

**KONSERWACJA URZĄDZENIA**

Przypomnienie o konserwacji filtra wstępnego. Jeśli filtr wstępny wymaga konserwacji, czerwone światło na odkurzaczu zaczyna migać na czerwono.

**Opróżnianie pojemnika na kurz**

1. Naciśnij przycisk zwalniający i wyjmij rurę. [5]
2. Nacisnąć przycisk opróżniania pojemnika na kurz, aby zwolnić kłapę pokrywy i opróżnić pojemnik. [9a]
3. Zamknąć kłapę pojemnika na kurz. Kiedy zaskoczy, oznacza to, że jest prawidłowo zablokowana.

**UWAGA:** Zaleca się opróżnianie pojemnika na kurz po każdym użyciu oraz zawsze wtedy, kiedy kurz sięga linii poziomu maksymalnego napełnienia.

**Szybkie codzienne czyszczenie pojemnika na kurz**

Wystarczy otworzyć kłapę pojemnika na kurz i usunąć kurz przyrządem do czyszczenia.

1. Użyj końcówki haka do wyciągnięcia kurzu zebranego wewnątrz pojemnika. [9b]
2. Użyj końcówki szczotki do czyszczenia drobnego kurzu, który przywarł do metalowej siatki filtracyjnej. [9c]

**Czyszczenie pojemnika na kurz i filtra**

Wskaźnik LED na produkcie zacznie migać na czerwono, wskazując, że należy wyczyścić filtr wstępny silnika.

1. Nacisnąć przycisk ręcznego zwalniania i zdjąć urządzenie przenośne z rury. [5]
2. Nacisnąć przycisk zwalniania akumulatora i wyjąć akumulator.
3. Zdjąć zespół pojemnika na kurz, obracając go w prawo i odsuwając od urządzenia. [10]
4. Najpierw należy usunąć filtr przedsilnikowy, wyciągając wspornik z zespołu pojemnika. [11a]
5. Następnie należy wyjąć system pojedynczego cyklonu, wyciągając metalowy pierścień z zespołu pojemnika. [11a]
6. Należy usunąć rurkę wirową, obracając ją w kierunku zgodnym z ruchem wskazówek zegara i wyciągnąć z systemu cyklonowego. [11b]

\* Tylko w niektórych modelach

7. Umyć filtr i system pojedynczego cyklonu w letniej wodzie i pozostawić do wyschnięcia na 24 godziny. [12,13]

8. Po całkowitym wyschnięciu zmontować ponownie filtr.

**UWAGA:** Nie używać gorącej wody ani detergentów do czyszczenia filtra przedsilnikowego. W mało prawdopodobnym przypadku uszkodzenia filtra przed silnikiem należy zamontować oryginalną część zamienną Hoovera. Przed zamontowaniem pojemnika na kurz należy upewnić się, że filtr przed silnikiem został ponownie zamontowany w korpusie produktu, ponieważ zostanie aktywowany mechanizm zabezpieczający filtr.

**WAŻNE:** Aby zapewnić optymalną wydajność odkurzania, należy regularnie czyścić filtry. Zalecamy mycie filtra co najmniej raz na miesiąc.

#### Czyszczenie wałka szczotki oraz końcówki

**WAŻNE:** Zawsze wyłączać odkurzacz przed wymianą oraz czyszczeniem wałka szczotka.

W razie jakichkolwiek zatorów lub drobnego kurzu wokół wałka szczotki:

1. Usunąć szczotkę z rury. [15]
2. Przesunąć suwak w prawo, aby otworzyło się okienko końcówki. [16a]
3. Całkowicie otworzyć okienko końcówki, aby wyjąć hybrydowy wałek szczotki. [16a]
4. Przytrzymać osłonę zwolnienia wałka szczotki i wyjąć wałek. [16b]
5. Jeśli na wałku szczotki pozostały zabrudzenia, usunąć je ręcznie lub za pomocą przyrządu do czyszczenia. [16c]
6. Jeśli wewnątrz końcówki lub wokół grzebienia są zabrudzenia, usunąć je za pomocą szczotki przyrządu do czyszczenia. [16d]
7. Aby zapewnić, że końcówka jest wolna od wszelkich zatorów, odwrócić dyszę i sprawdzić obszar u jej podstawy. Jeśli jest to konieczne, oczyścić ten obszar za pomocą haka dołączonego do przyrządu do czyszczenia. [16e]
8. Odwrócić końcówkę z powrotem do pozycji początkowej i zamontować wałek szczotki. Wałek szczotki można zamontować tylko w jednym kierunku. Lekko docisnąć końcówkę, aby upewnić się, że wałek jest prawidłowo założony. [16f]
9. Zamknąć okno. Nacisnąć w tym celu środkową część okna i upewnić się, że słychać kliknięcie. Sprawdzić, czy okno jest prawidłowo zamknięte. W tym celu docisnąć je z obu stron. [16g]

#### Wymiana akumulatorów

Ten odkurzacz jest wyposażony w akumulator litowo-jonowy, który można wymieniać.

**Ostrzeżenie:** W odkurzaczu stosować wyłącznie zatwierdzone części zamienne. Używanie innych części niż te zatwierdzone przez firmę Hoover, jest niebezpieczne i powoduje utratę gwarancji urządzenia.

**Ostrzeżenie:** Nie próbować otwierać lub samodzielnie naprawiać zestawu akumulatorów.

1. nacisnąć przyciski zwalniające akumulator i wyjąć akumulator. [8]
2. Wyjąć stary zestaw akumulatorów i wymienić na nowy.
3. Akumulatory należy utylizować w sposób bezpieczny dla środowiska. Zużyte akumulatory należy przekazać do recyklingu. Nie należy ich wyrzucać ze śmieciami domowymi.

## ROZWIĄZYWANIE PROBLEMÓW

W razie wystąpienia jakiegokolwiek problemu z urządzeniem przed skontaktowaniem się z lokalnym serwisem firmy Hoover należy przeprowadzić proste kontrole zgodnie z poniższą listą:

#### A. Odkurzacz się nie włącza

Sprawdzić, czy odkurzacz jest naładowany.

Upewnić się, że zestaw bateryjny jest poprawnie zamocowany.

#### B. Przerwanie pracy odkurzacza

Należy sprawdzić, czy nie ma przeszkód w dopływie powietrza lub w rurze, oczyścić ją i upewnić się, że produkt jest wyłączony. Po wykonaniu tej czynności wystarczy nacisnąć przycisk włączania/wyłączania, a produkt ponownie zacznie działać.

#### C. Utrata mocy ssania lub brak ssania

Opróżnić pojemnik na kurz, wyczyścić filtr wstępny oraz system separacji. [12, 13]

Zdjąć końcówkę i sprawdzić, czy wąż lub rura nie są zatkane.

#### D. Nie można naładować akumulatorów

Może to wynikać z bardzo długiego okresu bezczynności (ponad pół roku).

Skontaktować się z centrum serwisowym firmy Hoover, aby zlecić wymianę akumulatorów.

Jeżeli problem nie znika, skontaktować się z centrum serwisowym firmy Hoover.

#### E. Dioda LED stanu wałka szczotki jest CZERWONA

Szczotka lub wałek szczotki są zablokowane. Patrz rozdział KONSERWACJA ODKURZACZA.

**F. Dioda LED stanu wałka szczotki oraz przednie diody LED szczotki migają na BIAŁO.**

Okienko szczotki nie zostało całkowicie zamknięte.

W takim przypadku wystarczy wyłączyć urządzenie, sprawdzić, czy okienko szczotki jest całkowicie zamknięte, a następnie włączyć urządzenie z powrotem.

**CZĘŚCI ZAPASOWE I MATERIAŁY EKSPLOATACYJNE MARKI HOOVER**

Należy zawsze wymieniać części na oryginalne części zapasowe firmy Hoover. Można je nabyć w lokalnym serwisie firmy Hoover lub bezpośrednio w firmie Hoover. Przy zamawianiu części zawsze należy podać numer danego modelu.

**GWARANCJA**

Warunki gwarancji na niniejsze urządzenie są określone przez naszego przedstawiciela w kraju, w którym urządzenie jest sprzedawane. Szczegółowe informacje na temat warunków gwarancji można uzyskać w punkcie, w którym urządzenie zostało nabyte. Przy zgłaszaniu wszelkich roszczeń w ramach gwarancji należy przedstawić dowód sprzedaży lub pokwitowanie.

**WAŻNE:** Bateria w tym odkurzaczku jest objęta gwarancją przez 2 lata od daty zakupu. Po okresie 2 lat użytkownik jest odpowiedzialny za zapewnienie nowej baterii.

Zastrzegamy sobie możliwość wprowadzania zmian bez wcześniejszego powiadomienia.

## NÁVOD K BEZPEČNÉMU POUŽITÍ

Tento vysavač by měl být používán pouze pro úklid domácnosti a v souladu s touto uživatelskou příručkou. Než začnete spotřebič používat, prosím, ujistěte se, že rozumíte tomuto návodu.

Po použití, před čištěním nebo jakoukoli údržbou zařízení vždy vypněte a síťový kabel vytáhněte ze zásuvky.

Tento přístroj smí používat děti od 8 let výše. Osoby se sníženými fyzickými, smyslovými nebo mentálními schopnostmi nebo s nedostatkem zkušeností a znalostí smí tento přístroj používat, pokud jsou pod dohledem nebo jim byly dány pokyny týkající se bezpečného používání a byly seznámeny s možnými riziky. S přístrojem si nesmí hrát děti. Čištění a údržbu nesmí provádět děti bez dozoru.

Jestliže je poškozen síťový kabel, okamžitě přestaňte zařízení používat. Síťový kabel musí vyměnit autorizovaný servisní technik společnosti Hoover, aby se předešlo ohrožení bezpečnosti.

Udržujte dostatečnou vzdálenost rukou, nohou, volného oděvu a vlasů z dosahu otočných kartáčů.

K dobíjení používejte pouze nabíječku dodanou se zařízením.

Zkontrolujte, zda napětí a hodnoty uvedené na štítku nabíječky odpovídají napětí v místní síti.

Tento vysavač společnosti Candy je vybaven dvojitě odizolovanou nabíjecí baterií, která je vhodná k zapojení pouze do zásuvky 230V (UK 240V).

Zapojte nabíječku do vhodné zásuvky a konektor nabíječky připojte k vstupu na vysavači.

Před nabíjením spotřebič vypněte.

Během nabíjení se LED dioda baterie rozsvítí ČERVENĚ a při plném nabití se rozsvítí BÍLE.

Po použití znovu připojte přístroj k nabíječce k dobíjení baterie.

Důležité: Nikdy nenabíjejte baterie při teplotě vyšší než 37°C nebo nižší než 0°C.

Je běžné, že se nabíječka při nabíjení zahřívá.

Nevytahujte nabíječku ze zásuvky taháním za síťový kabel.

V případě delší nepřítomnosti (dovolená apod.), nabíječku



odpojte. Vysavač před použitím znovu dobijte, protože baterie se mohou při delší době skladování vybit.

Před likvidací zařízení z něj nejprve vyjměte baterie. Před odstraněním baterie se ujistěte, že je výrobek odpojen od elektrické sítě. Zlikvidujte baterie bezpečně a ekologicky. Používejte zařízení dokud baterie nejsou plně vybité. Použité baterie by měly být přijaté do recyklační stanice a nesmějí být vyhazované dohromady s domovním odpadem. Pro vyjmutí baterií prosím kontaktujte Zákaznické servisní středisko Hoover, které najdete na internetových stránkách [www.hoover.cz/cs\\_CZ/servis](http://www.hoover.cz/cs_CZ/servis) nebo postupujte podle následujících pokynů:

**DŮLEŽITÉ:** Před vyjmutím je nutno baterii zcela vybit.

Nenabíjejte vysavač, dokud nebudou baterie zcela vybité.

Odpojte nabíječku od spotřebiče.

Stiskněte tlačítko uvolnění baterie a posunutím jí vyndejte.

**POZNÁMKA:** Budete-li mít při demontáži jednotky jakékoli problémy nebo budete-li požadovat podrobnější informace o manipulaci, novém využití a recyklaci tohoto výrobku, kontaktujte, prosím, místní úřad nebo středisko sběrných surovin.

Používejte výhradně příslušenství, spotřební materiály a náhradní díly doporučené nebo dodávané firmou Hoover.

**Statická elektřina:** Při čištění některých koberců vzniká malé množství statické elektřiny. Vzniklé výboje statické elektřiny nejsou zdraví nebezpečné.

Nepoužívejte vaše zařízení venku, nebo na mokré povrchy a na mokrá vysávání.

Nevysávejte tvrdé nebo ostré předměty, zápalky, žhavý popel, cigaretové nedopalky a podobné předměty. Nestříkejte při používání vysavače nebo nevysávejte hořlavé kapaliny, čisticí tekutiny, aerosoly nebo jejich výpary.

Během používání vysavače nepřejíždějte přes síťový kabel a nevytahujte síťový kabel ze zásuvky taháním za něj. Nepoužívejte vysavač nebo nabíječku, pokud vám připadají vadné.

**Autorizované servisní středisko Hoover najdete na internetových stránkách: [www.hoover.cz/cs\\_CZ/servis](http://www.hoover.cz/cs_CZ/servis).** Spolehlivý provoz a vysoká účinnost tohoto spotřebiče jsou zajištěny pouze v případě, že bude prováděn pravidelný servis

a opravy, které musí zajišťovat autorizovaný servisní technik společnosti Hoover.

Nepoužívejte vysavač k čištění zvířat a osob.

Nenahrazujte baterie jinými, které nelze dobíjet.

#### Životní prostředí:

Tento spotřebič je označen v souladu s Evropskou Směrnicí 2011/65/ES o omezení používání nebezpečných látek v elektrických a elektronických zařízeních (WEEE). Zajištěním správné likvidace tohoto výrobku pomůžete předcházet případným negativním důsledkům na životní prostředí a lidské zdraví, které by jinak mohly být způsobeny nesprávnou likvidací tohoto výrobku. Symbol na výrobku označuje, že tento výrobek nesmí být likvidován jako domovní odpad. Měl by být předán na příslušné místo sběru pro recyklaci elektrických a elektronických zařízeních. Likvidace musí proběhnout v souladu s místními ekologickými předpisy pro likvidaci odpadu. Pro další detailní informace o zacházení, regeneraci a recyklaci tohoto výrobku prosím kontaktujte váš místní úřad, místní společnost pro sběr odpadu nebo obchod, kde jste jej zakoupili.



Tento výrobek je v souladu s Evropskými směrnicemi 2014/35/ES, 2014/30/ES a 2011/65/ES.

CANDY HOOVER GROUP S.r.l. Via Privata Eden Fumagalli, 20861 Brugherio (MB) Italy

### KOMPONENTY PRODUKTU

- |                                                |                                               |
|------------------------------------------------|-----------------------------------------------|
| A. Tlačítko ON/OFF (ZAP/VYP)                   | S. Kontrolka nabíjení baterie                 |
| B. Tlačítko Turbo                              | T. Tlačítko pro uvolnění baterie.             |
| C. Tlačítko Tichého chodu                      | U. Baterie                                    |
| D. Nádoba na prach                             | V. Vstup pro nabíjení baterie                 |
| E. Tlačítko uvolnění víka nádoby na prach      | W. Nabíječka                                  |
| F. Tlačítko uvolnění ručního vysavače          | X. Nástěnný držák*                            |
| G. Tlačítko pro skladování                     | Y. Nástěnné montážní šrouby*                  |
| H. Trubice                                     | Za. Integrovaný nábytkový kartáč 2v1          |
| I. Tlačítko pro uvolnění hubice                | Zb. Integrovaný prachový kartáč 2v1           |
| J. Přední LED diody hubice                     | AA. Miniturbo hubice*                         |
| K. Tlačítko pro uvolnění krytu kartáče         | AB. Kartáč Miniturbo hubice                   |
| L. Koncová pojistka kartáče                    | AC. Koncová pojistka kartáče Miniturbo hubice |
| M. Stavová kontrolka kartáčové lišty*          | AD. Dlouhá štěrbínová hubice*                 |
| N. Předmotorový filtr                          | AE. Sáček na příslušenství*                   |
| O. Samostatná cyklónová jednotka Vortex Finder | AF. Kartáčová lišta                           |
| P. Samostatný cyklón                           | AG. Průhledný kryt kartáčové lišty            |
| Q. LED kontrolka stavu baterie                 | AH. Čisticí nástroj*                          |
| R. LED kontrolka údržby                        |                                               |

### PŘÍPRAVA VYSAVAČE

Produkt opatrně vyjměte z obalu.

1. Zvedněte hubici a trubici, namontujte jeden konec trubice do hrdla hubice, dokud neuslyšíte, jak zapadne na své místo. **[1a]**
2. Zvedněte ruční jednotku a nasadte ji na na trubici, dokud neuslyšíte, jak zapadne na své místo. **[1b]**
3. Připevněte nástěnný držák ke zdi pomocí šroubků a matek. **[2]**
4. Pro úplné nabití vysavače připojte k baterii konektor nabíječky. V závislosti na modelu to bude trvat přibližně 2,5 hodiny nebo 6 hodin.

**POZNÁMKA:** Abyste sundali hubici, stiskněte tlačítko pro uvolnění hubice a tahem ji sejměte z hlavního těla.

**POZNÁMKA:** K dobíjení používejte pouze nabíječku dodanou s vysavačem. Je běžné, že se nabíječka při nabíjení zahřívá.

\* Pouze u některých modelů

## JAK POUŽÍVAT VYSAVAČ

K dispozici jsou 4 pracovní režimy:

- **STANDARDNÍ REŽIM:** Když stisknete tlačítko VYP/ZAP (ON/OFF), je vysavač připraven na vysávání s hlavní motorizovanou hubicí. [3a]
- **TURBO REŽIM:** Stisknete tlačítko Turbo pro plný výkon při náročném vysávání. [3b]
- **TICHÝ REŽIM:** Stisknutím tlačítka "tichý režim" můžete důkladně čistit při nejnižší úrovni hluku. [3c]
- **AUTOMATICKÝ REŽIM:** Když vyndáte hubici nebo trubici, produkt se automaticky přizpůsobí nižšímu výkonu pro výše uvedené čištění podlahy pomocí nemotorizovaných nástrojů.

**POZNÁMKA:** Pokud se nacházíte v tomto režimu a potřebujete vyšší výkon, stisknete tlačítko TURBO: jedním stiskem zvýšíte na extra výkon, nebo stisknete dvakrát, čímž zvýšíte na plný výkon. Pokud se chcete vrátit do AUTOMATICKÉHO REŽIMU, stisknete tlačítko Tichý režim.

**POZNÁMKA:** Tento vysavač má na přední straně hubice kartáčovou lištu a umožňuje odstraňování prachu a nečistot z tvrdých podlah, parket a koberců.

### STAV KARTÁČOVÉ LIŠTY

LED kontrolka na hubici zůstane svítit bíle během všech režimů čištění podlahy a začne svítit červeně, pokud je aktivován bezpečnostní systém. [14]

## FUNKCE SKLADOVÁNÍ

Po použití vysavače využijte jednu ze 2 vhodných metod skladování.

### 1. PŘIPEVNĚNÍ NA STĚNU

Váš výrobek je dodáván s držákem na stěnu pro pohodlné a snadné uskladnění. Pomocí dodaných šroubů upevněte nástěnný držák ke zdi. Po použití výrobku jednoduše umístíte vysavač na místo. [2]

### 2. REŽIM KOMPAKTNÍHO USKLADNĚNÍ / PARKOVACÍ POZICE

Chcete-li vysavač uskladnit ještě lépe, vyjměte ruční část stisknutím uvolňovacího tlačítka. [5]

Zajistěte, aby byl vestavěný nástavec 2 v 1 (z) vrácen do původní polohy, ve které je dodáván, a zajistěte, aby byl nástroj umístěn zcela ve své poloze s kartáčem na prach a háčkem směrem dolů.

Háček vložte do drážky na spodní části trubice a zatlačte zadní rukojeť zcela dovnitř do blokovacího mechanismu umístěného v horní části trubice. [6]

## OCHRANNÉ BEZPEČNOSTNÍ SYSTÉMY

Aby spolehlivost produktu nebyla ohrožena použitím v náročných podmínkách, má výrobek tři integrované Ochranné bezpečnostní systémy, jeden na těle vysavače a dva na hubici.

**POZNÁMKA:** Ochranné bezpečnostní systémy budou aktivovány ve třech případech:

1. Pokud je sání vzduchu nebo trubice zablokováno, vysavač bude chráněn a vypnut a kontrolka LED na hlavní jednotce začne svítit červeně. Pokud k tomu dojde, jednoduše zkontrolujte, zda v trubici nebo na přívodu vzduchu ruční části nejsou překážky. Překážku odstraňte a vysavač znovu zapněte.
2. Pokud je kartáčová lišta zanesená nebo zablokována, po spuštění se kartáčová lišta přestane otáčet a BÍLÁ KONTROLKA LED na kartáčové liště začne svítit ČERVENĚ. [14a] V takovém případě jednoduše vypněte zařízení a vyčistěte kartáčovou lištu. Pro opětovné spuštění vysavače stisknete tlačítko zapnutí/vypnutí (ON/OFF) a zařízení začne znovu pracovat v normálním režimu.
3. Pokud není kryt hubice úplně zavřený, kartáč se nebude otáčet a LED stavová kontrolka a přední LED osvětlení hubice budou nepřetržitě BÍLE blikat. [14b] Pokud k tomu dojde, jednoduše vypněte produkt a ujistěte se, že je okénko hubice úplně zavřené, a znovu jej zapněte.

## BATERIE

Tento vysavač je vybaven LED kontrolkou stavu baterie. Je-li produkt zapnutý, LED kontrolka se rozsvítí v různých barvách, aby se zobrazila úroveň nabití baterie.

### ÚROVEŇ NABÍTÍ BATERIE:

Bílá barva: 100% - 10% nabití

Červené blikání: <10% nabití

\* Pouze u některých modelů

**Existují 2 způsoby nabíjení:**

Nabíjejte baterii, když je umístěná ve vysavači.

Zapojte konektor nabíječky do baterie. Kontrolka LED se při nabíjení rozsvítí ČERVENĚ. Když je nabíjení dokončeno, LED kontrolka se rozsvítí BÍLE na dobu 1 minuty a poté se vypne. [7]

Nabíjejte baterii samostatně po vyjmutí z přístroje.

Stisknutím tlačítek pro uvolnění baterie vyjměte baterii.

Zapojte konektor nabíječky do baterie. LED dioda baterie se při nabíjení rozsvítí ČERVENĚ. Po dokončení nabíjení se LED kontrolka rozsvítí BÍLE. [8]

**POZNÁMKA:** Je běžné, že se nabíječka při nabíjení zahřívá. Používejte pouze nabíječku, která byla dodána k vysavači.

**PŘÍSLUŠENSTVÍ**

**Integrované štěrbinové nástavce** - ideální pro vysávání úzkých prostor.

**Prachový kartáč** - ideální pro čištění choulolistivých povrchů bez poškození nebo poškrábání.

**Hubice na nábytek a čalounění** - ideální pro čištění povrchů jako jsou pohovky.

**Miniturbo hubice\*** - Ideální pro hloubkové čištění textilních povrchů (například pohovky) a k odstranění zvířecích chlupů. Pracovní úhel lze nastavit při pohybu směrem dozadu a dopředu.

**POZNÁMKA:** Po použití otočte uvolňovací pojistku kartáčové lišty proti směru hodinových ručiček pomocí mince, vyjměte kartáč a poté odstraňte vlasy, vlákna a nečistoty nashromážděné na kartáči. [17]

Všechna příslušenství, kromě čistících nástrojů, lze namontovat na hlavní tělo vysavače a trubici. [4]

**Dlouhá štěrbinová hubice\*** - Ideální pro úzká a těžko přístupná místa.

**Čistící nástroj\*** - ideální pro odstranění prachu, zbytků a vlasů uvnitř nádoby na prach nebo na hubici. [9]

**SÁČEK NA PŘÍSLUŠENSTVÍ\***

Dodatečné příslušenství lze uskladnit v sáčku na příslušenství.

**Nástěnný držák\***

V případě potřeby připevněte držák ke zdi pomocí dvou dodaných šroubů a matic. [2]

**ÚDRŽBA VYSAVAČE**

Připomenutí údržby vstupního filtru. Pokud vstupní filtr vyžaduje údržbu červená kontrolka na vysavači začne blikat červeně.

**Vyprázdnění nádoby na prach**

1. Stiskněte tlačítko uvolnění ruční jednotky a sejměte trubicu. [5]
2. Stiskněte tlačítko pro uvolnění víka nádoby na prach a vysypte obsah. [9a]
3. Uzavřete víko nádoby na prach, při úplném zajištění uslyšíte cvaknutí.

**POZNÁMKA:** Doporučujeme vyprazdňovat nádobu na prach po každém použití, nebo při naplnění po maximální úroveň.

**Rychlé každodenní čištění nádoby na prach**

Jednoduše otevřete víko nádoby na prach a odstraňte prach pomocí čistícího nástroje.

1. Pomocí háčku vytáhněte prach nahromaděný uvnitř nádoby na prach. [9b]
2. Koncem kartáčku odstraňte jemný prach přilepený na kovové síťce filtru. [9c]

**Čištění nádoby na prach a filtru**

LED kontrolka na výrobku bude blikat ČERVENĚ - indikuje, že je nutné vyčistit předmotorový filtr.

1. Stiskněte uvolňovací tlačítko na ruční jednotce a vyjměte ruční část vysavače z trubice. [5]
2. Stiskněte uvolňovací tlačítko baterie a vyjměte baterii.
3. Odeberte sestavu nádoby na prach otočením ve směru hodinových ručiček a vytažením z jednotky. [10]
4. Odstraňte předmotorový filtr zatáhnutím podpěry nádoby na prach. [11a]
5. Poté, vyjměte samotný cyklonový systém ze sestavy nádoby na prach tak, že zatáhnete za kovový kroužek. [11a]
6. Vyjměte Vortex Finder otáčením ve směru hodinových ručiček a vytáhněte jej z cyklonového systému. [11b]
7. Filtr a samostatný cyklonový systém omyjte vlažnou vodou a nechte schnout po dobu 24 hodin. [12,13]
8. Sestavte zpět až když je vše úplně suché.

**POZNÁMKA:** Při čištění vstupního filtru motoru nepoužívejte horkou vodu ani čistící prostředky. V nepravděpodobném případě poškození vstupních filtrů nahradte originálními náhradními díly Hoover. Před vrácením nádoby na prach do vysavače vraťte zpět předmotorový filtr, jinak se spustí ochranný mechanismus filtru.

**DŮLEŽITÉ:** Pro optimální výkon udržujte váš filtr vždy čistý. Doporučujeme, abyste filtr umývali alespoň jednou za měsíc.

\* Pouze u některých modelů

## Čištění kartáčové lišty a hubice

**DŮLEŽITÉ:** Před výměnou a čištěním kartáčové lišty vysavač vždy vypněte.

Pokud se kolem kartáčové lišty nacházejí nějaké překážky nebo jemný prach:

1. Vyjměte hubici z trubice. **[15]**
2. Přesuňte posuvník doprava, poté se otevře průhledný kryt kartáče. **[16a]**
3. Zcela otevřete kryt kartáče a vyjměte kartáčovou lištu. **[16a]**
4. Přidržete koncový jistič pro uvolnění kartáčové lišty a vyjměte ji. **[16b]**
5. Pokud se na kartáčové liště vyskytují i nadále nečistoty, odstraňte je ručně nebo pomocí čistícího nástroje. **[16c]**
6. Pokud se nečistoty nacházejí uvnitř hubice nebo kolem hřebene, odstraňte je pomocí čistícího nástroje. **[16d]**
7. Abyste zajistili, že na hubici nejsou žádné překážky, otočte hubici a zkontrolujte její spodní část. V případě potřeby vyčistěte tuto oblast pomocí háčku na čistícím nástroji. **[16e]**
8. Otočte hubici do výchozí polohy a znovu kartáč namontujte. Kartáčovou lištu lze zasunout pouze v jednom směru. Konec kartáčové lišty mírně zatlačte a ujistěte se, že je na svém místě. **[16f]**
9. Zavřete kryt stisknutím střední části dokud neuslyšíte „zacvaknutí“ na své místo. Zkontrolujte, zda je kryt zcela zajištěný stisknutím na obou stranách. **[16g]**

## Výměna baterií

Tento vysavač je vybaven dobíjecí lithium-iontovou baterií, která je vyměnitelná.

**VAROVÁNÍ:** Pro váš vysavač používejte pouze schválené náhradní díly. Používání dílů neschválených firmou Hoover je nebezpečné a přichází tím o záruku.

**VAROVÁNÍ:** Nepokoušejte se sami rozmontovat nebo opravit baterii.

1. Stiskněte uvolňovací tlačítka baterie a vytáhněte baterii ven. **[8]**
2. Vyjměte starou baterii a nahraďte ji novou baterií.
3. Zlikvidujte baterie bezpečně a ekologicky. Použité baterie by měly být přijaté do recyklační stanice a nesmějí být vyhazované dohromady s domovním odpadem.

## ŘEŠENÍ POTÍŽÍ

Budete-li mít s vysavačem nějaký problém, postupujte podle tohoto jednoduchého kontrolního seznamu, než zavoláte do Zákaznického servisního střediska Hoover:

### A. Vysavač nejde zapnout

Zkontrolujte, zda je nabitý.

Zkontrolujte, jestli je baterie na svém místě.

### B. Vysavač přestal pracovat

Zkontrolujte, zda není v přívodu vzduchu nebo v trubici překážka, odstraňte ji a zkontrolujte, zda je výrobek vypnutý. Po dokončení tohoto kroku, jednoduše stiskněte tlačítko zapnout/ vypnout (ON/OFF), výrobek začne znovu pracovat.

### C. Ztráta sacího výkonu nebo žádné sání

Vyprázdněte nádobu na prach, omyjte vstupní filtr a separační systém. **[12, 13]**

Sundejte hubici a zkontrolujte, zda nejsou průchody trubice zablokované.

### D. Baterii nelze nabíjet

To může být následkem velmi dlouhé doby skladování a nenabíjení (více než půl rok).

Kontaktujte Zákaznické servisní středisko Hoover a dojednejte si výměnu baterií.

Pokud problém přetrvává, kontaktujte Zákaznické servisní středisko Hoover: [www.hoover.cz/cs\\_CZ/servis](http://www.hoover.cz/cs_CZ/servis).

### E. LED stavová kontrolka kartáčové lišty svítí ČERVENĚ

Hubice je ucpaná nebo se na kartáčové liště nachází překážka. Viz část ÚDRŽBA VYSAVAČE.

### F. LED stavová kontrolka kartáčové lišty a přední LED osvětlení hubice blikají BÍLE

Průhledný kryt hubice nebyl zcela uzavřen.

Pokud k tomu dojde, jednoduše vypněte produkt a ujistěte se, že je okénko hubice úplně zavřené, a znovu jej zapněte.

## NÁHRADNÍ DÍLY A SPOTŘEBNÍ MATERIÁLY HOOVER

Vždy používejte originální náhradní díly společnosti Hoover. Získáte je u místního prodejce výrobků Hoover nebo u servisních partnerů. Při objednávce dílů laskavě vždy uvádějte číslo modelu.

## VAŠE ZÁRUKA

Záruční podmínky pro tento vysavač stanovuje váš zástupce v zemi, v níž je prodáván. Přesné znění podmínek vám poskytne prodejce, u něhož jste si zařízení zakoupili. Při reklamaci podle těchto záručních podmínek je nutno předložit doklad o koupi nebo účtenku.

**DŮLEŽITÉ:** Záruka na baterii v tomto produktu je 2 roky od zakoupení. Po 2 letech je zákazník odpovědný za náklady na novou baterii.

Právo změny bez předchozího upozornění vyhrazeno.

## NAVODILA ZA VARNO UPORABO

Sesalnik lahko uporabljate le za čiščenje stanovanjskih prostorov, kot je opisano v tem priročniku. Prosimo, da se pred uporabo sesalnika temeljito seznanite s temi navodili.

Pred čiščenjem naprave ali kakršnimi koli vzdrževalnimi deli vedno izklopite sesalnik in odstranite polnilnik iz vtičnice.

To napravo lahko uporabljajo otroci, starejši od 8 let ter osebe z zmanjšanimi telesnimi, zaznavnimi in mentalnimi sposobnostmi ali osebe s pomanjkljivimi izkušnjami in znanjem, če so pod nadzorom ali so bile ustrezno podučene o varni uporabi naprave ter se zavedajo nevarnosti, ki so povezane z njegovo uporabo. Otroci se ne smejo igrati z aparatom. Otroci ne smejo čistiti ali vzdrževati aparata brez nadzora.

Če je napajalni električni kabel poškodovan, nemudoma prenehajte z uporabo sesalnika. Da bi se izognili nevarnosti, mora napajalni električni kabel zamenjati pooblaščen Hooverjev serviser.

Imejte roke, noge, ohlapna oblačila in lase proč od vrtljivih krtač.

Uporabljajte le originalni polnilnik, ki je priložen napravi.

Preverite, ali je napajalna napetost enaka tisti, ki je navedena na polnilniku.

Ta Candyjev aparat je dobavljen z dvojno izoliranim polnilcem baterij, ki je primeren samo za priključitev na 230-V (UK 240V) vtičnico.

Polnilnik priključite v ustrezno vtičnico in nato drugi del priključite še v napravo.

Pred polnjenjem ugasnite napravo.

Med polnjenjem bo LED luč za baterijo svetila RDEČE in se bo obarvala BELO, ko bo naprava popolnoma napolnjena.

Po uporabi naprave spet priključite polnilnik in tako vnovič napolnite baterijo.

Nikoli ne polnite baterij pri temperaturah višjih od 37 °C ali nižjih od 0 °C.

Normalno je, da se polnilnik med polnjenjem segreva.

Ne izklaplajte polnilnika tako, da povlečete za kabel.

Polnilec izklopite v primeru daljše odsotnosti (počitnice, itd.).

Pred ponovno uporabo spet napolnite baterije, saj se lahko te izpraznijo samodejno, če sesalnika dlje časa ne uporabljate.

Če boste napravo odvrgli, morate najprej odstraniti baterije. Ko želite odstraniti baterije, morate napravo izključena iz električnega toka. Baterije odvrzite na varen način. Napravo pustite delovati dokler baterije niso popolnoma prazne. Uporabljene baterije je treba odnesti v enoto za recikliranje. Baterije se ne smejo odvreči v gospodinjske odpadke. Za odstranitev baterij vas prosimo, da se obrnete na Hooverjev center za kupce ali nadaljujete po sledečih navodilih.

**POMEMBNO:** Pred odstranjevanjem baterije vedno popolnoma izpraznite.

Sesalnik naj deluje toliko časa, da se baterije do konca izpraznijo.

Vtikač polnilca odstranite iz naprave.

Pritisnite na gumba za odstranitev baterije in jo odstranite tako, da jo potegnete v stran.

**OPOMBA:** V primeru težav z razstavljanjem naprave ali za podrobnejše informacije o ravnanju z izdelkom, obnovi ali recikliranju izdelka se obrnite na krajevni urad ali komunalno podjetje za odvoz gospodinjskih odpadkov.

Uporabljajte le dodatke, potrošni material ali nadomestne dele, ki jih priporoča ali dobavi Hoover.

**Statična elektrika:** določene vrste preprog lahko ustvarijo manjšo količino statične elektrike. Noben statični električni naboj ne ogroža zdravja.

Sesalnika ne smete uporabljati na prostem, na kakršni koli mokri površini ali za sesanje tekočin.

Ne smete sesati trdih ali ostrih predmetov, vžigalic, vročega pepela, cigaretnih ogorkov ali drugih podobnih snovi. Ne smete pršiti ali sesati vnetljivih tekočin, čistil, osvežilcev zraka ali njihovih hlapov.

Ne smete zapeljati prek napajalnega kabla med uporabo sesalnika ali izvleči vtikača tako, da bi vlekli za kabel. Ne smete uporabljati naprave ali polnilnika, če ne delujeta pravilno.

**Hooverjev servis:** Za zagotovitev nenehnega varnega in učinkovitega delovanja naprave priporočamo, da servis ali popravila izvrši le pooblaščen Hooverjev serviser.



# Sesalnika ne smete uporabljati za sesanje na živalih ali ljudeh. Polnljivih baterij ne smete zamenjati z navadnimi baterijami.

## Okolje:

Ta naprava je označena v skladu z evropsko direktivo 2011/65/ES o odpadni električni in elektronski opremi (OEEO). S pravilnim odstranjevanjem izdelka boste pripomogli k preprečevanju morebitnih negativnih vplivov na okolje in človekovo zdravje, do česar bi utegnilo priti ob neprimerni odstranitvi tega izdelka. Simbol na izdelku pomeni, da izdelka ne smete odstraniti kot gospodinjski odpadke. Oddati ga morate na zbirnem mestu za recikliranje električne in elektronske opreme. Odstranitev morate izvesti v skladu s krajevnimi okoljskimi predpisi glede odstranjevanja odpadkov. Za podrobnejše informacije o ravnanju z izdelkom, obnovi in recikliranju izdelka se obrnite na občinski urad, komunalno podjetje za odvoz gospodinjskih odpadkov ali trgovino, kjer ste izdelek kupili.



Ta naprava je v skladu z evropskimi direktivami 2014/35/EU, 2014/30/EU in 2011/65/EU.

CANDY HOOVER GROUP S.r.l. Via Privata Eden Fumagalli, 20861 Brugherio (MB) Italy

## SESTAVNI DELI IZDELKA

- |                                                                           |                                                          |
|---------------------------------------------------------------------------|----------------------------------------------------------|
| A. Gumb ON/OFF                                                            | R. LED luči za stanje vzdrževanja                        |
| B. Turbo Gumb                                                             | S. Luč za polnjenje baterije                             |
| C. Gumb za tihi način                                                     | T. Gumb za sprostitve baterije                           |
| D. Posoda za prah                                                         | U. Baterija                                              |
| E. Gumb za sprostitve lopute posode za prah                               | V. Vhod za polnjenje baterije                            |
| F. Ročni gumb za sprostitve                                               | W. Polnilnik                                             |
| G. Gumb za sprostitve prostora za shranjevanje                            | X. Stenski nosilec*                                      |
| H. Cev                                                                    | Y. Vijaki za pritrditev na steno*                        |
| I. Gumb za sproščanje nastavkov                                           | Za. Vgrajen pripomoček za pohištvo 2v1                   |
| J. Sprednje LED luči krtače                                               | Zb. Vgrajena krtača za prah 2v1                          |
| K. Sprostitve zaklopke pokrova krtače                                     | AA. Mini sesalni nastavek*                               |
| L. Sprostitve končnega pokrova krtače                                     | AB. Mini nastavek za turbo krtačo                        |
| M. LED luči stanja krtače*                                                | AC. Zaklopka za sprostitve mini nastavka za turbo krtačo |
| N. Filter pred motorjem                                                   | AD. Dolg nastavek za sesanje rež*                        |
| O. Pripomoček za ločevanje prašnih delcev<br>v enojnem ciklonskem sistemu | AE. Vrečka za pripomočke*                                |
| P. Enojni ciklonski sistem                                                | AF. Krtača                                               |
| Q. LED luč za stanje baterije                                             | AG. Okno nastavka                                        |
|                                                                           | AH. Pripomoček za čiščenje*                              |

## PRIPRAVA VAŠEGA SESALNIKA

Svoj proizvod previdno odstranite iz embalaže.

1. Vzemite krtačo in cev za podaljšanje, vstavite en konec cevi na odprtino krtače, dokler ne zaslišite klika, ki nakazuje, da je na svojem mestu. **[1a]**
2. Vzemite držalo cevi in ga nameščajte na cev, dokler ne zaslišite klika, ki nakazuje, da je na svojem mestu. **[1b]**
3. Stenski nosilec pritrdite na steno, uporabite priložene vijake in matice. **[2]**
4. Če želite napravo povsem napolniti, polnilnik povežite z baterijo. Odvisno je od modela, trajalo bo od 2,5 do 6 ur.

**OPOMBA:** Nastavek snamete tako, da pritisnete gumb za sproščanje nastavka in ga izvlečete iz osnovnega dela.

**OPOMBA:** Pri ponovnem polnjenju uporabite samo polnilnik, ki je dobavljen z vašim sesalnikom. Normalno je, da se polnilnik med polnjenjem segreva.

\* Le pri določenih modelih

## UPORABA SESALNIKA

Obstajajo 4 načini delovanja:

- **STANDARDNI NAČIN:** Ko pritisnete gumb ON-OFF, je sesalnik pripravljen za temeljito čiščenje z glavno motorizirano krtačo. [3a]
- **NAČIN TURBO:** Za čiščenje zelo umazanih površin pritisnite na gumb za turbo delovanje. [3b]
- **TIHI NAČIN:** Pritisnite na gumb za popolno čiščenje pri zmanjšani ravni hrupa. [3c]
- **NAČIN AUTO:** Ko odstranite krtačo ali cev, izdelek samodejno prilagodi manjšo moč za čiščenje nad tlemi z nemotoriziranimi orodji.

**OPOMBA:** Ko je naprava v tem načinu in želite večjo moč, pritisnite na gumb TURBO; enkrat za več moči ali dvakrat za največjo moč. Če se želite vrniti na SAMODEJNI NAČIN, pritisnite na gumb za Tihi način.

**OPOMBA:** Ta sesalnik ima krtačo na sprednji strani nastavka in omogoča pobiranje prahu in delcev umazanije s trdnih tal, parketa in preprog.

### STANJE KRTAČE

LED-lučka stanja ščetke na krtači sveti belo med vsemi načini čiščenja tal in postane rdeča, če je aktiviran varnostni sistem zaščite. [14]

## FUNKCIJE SHRANJEVANJA

Vaš sesalnik ima 2 priročna načina za shranjevanje po uporabi.

### 1. SHRANJEVANJE Z MONTAŽO NA STENO

Vašemu proizvodu je dodano ogrodje za montažo na steno za priročno in enostavno shranjevanje. S pomočjo dodanih vijakov pritrdite ogrodje za shranjevanje na steni na steno. Po uporabi enostavno namestite svoj proizvod na temu namenjeni prostor. [2]

### 2. KOMPAKTNO SHRANJEVANJE/NAČIN ZA PARKIRANJE

Če želite izdelek shraniti na cev, odstranite enoto držala s pritiskom na gumb za sprostitev na držalu. [5]

Zagotovite, da se orodje 2v1 (z) vrne v prvotni položaj tako, da zagotovite, da je orodje v celoti nameščeno na pravi položaj s krtačo za prah in kljuko v spodnjem položaju.

Pritrdite kljuko v spodnjo režo na cevi in potisnite zadnji ročaj do konca v zaporni mehanizem, ki se nahaja na vrhu cevi. [6]

## SISTEMI VARNOSTNEGA SISTEMA

Za zagotavljanje, da zanesljivost proizvoda ni ogrožena, če je uporabljen v težkih pogojih, ima proizvod tri vgrajene sisteme zaščitnega varovanja, enega na čistilniku in dva na nastavku.

**OPOMBA:** Sistemi zaščitnega varovanja bodo delovali v treh pogojih:

1. Če so ovire na dovodu zraka ali v cevi, bo sesalnik zaščiten in izklopljen, LED-lučka na glavni enoti pa bo postala rdeča. Če se to zgodi, enostavno preverite, če so kakšne ovire v cevi ali v dovodu zraka držala. Odstranite ovire in ga ponovno prižgite.
2. Če ima krtača oviro ali je zaklenjena, se bo, ko bo enkrat zagnana, krtača nehala obračati in BELA LUČKA na LED lučeh stanja krtače se bo obarvala RDEČE. [14a] Če se to zgodi, ugasnite napravo in iz krtače odstranite oviro. Če želite spet zagnati napravo, pritisnite tipko on/off in naprava bo spet začela delovati v normalnem načinu.
3. Če odprta nastavka ni popolnoma zaprta, se krtača ne bo obračala, LED luč za stanje krtače in sprednja LED luč na nastavku bosta stalno utripali BELO. [14b]

Če se to zgodi, enostavno izklopite svoj proizvod in zagotovite, da je odprta nastavka popolnoma zaprta, nato pa ga spet vklopite.

## BATERIJA

Ta proizvod je opremljen z LED lučjo za stanje baterije. Ko je naprava vklopljena, lučka LED sveti v različnih barvah, da prikaže raven baterije.

### NIVO BATERIJE

Bela barva: 100% - 10% polnjenje

Utripajoče rdeče: <10% polnjenje

\* Le pri določenih modelih

**Obstajata 2 metodi polnjenja:**

Napolnite baterijo, ko se drži proizvoda.

Vstavite vtič polnilnika baterije v baterijo. Med polnjenjem LED indikator stanja sveti rdeče. Ko je polnjenje končano, LED indikator stanja sveti 1 min, nato pa se ugasne. [7]

Polnite baterijo, ko ni nameščena na izdelek.

Baterijo odstranite s proizvoda tako, da pritisnete na gumbe za sprostitev baterije.

Vstavite vtič polnilnika baterije v baterijo. Med polnjenjem se bo LED luč obarvala RDEČE. Ko bo polnjenje dokončano, se bo LED luč obarvala BELO: [8]

**OPOMBA:** Normalno je, da se polnilnik med polnjenjem segreva. Uporabljajte samo polnilnik, dobavljen z vašim sesalcem.

**DODATNI PRIKLJUČKI**

**Vgrajeni nastavki za čiščenje rež** - idealni za doseganje ozkih prostorov.

**Krtača za prah** - Idealna za čiščenje površin brez poškodb in prask.

**Nastavek za pohoštvo** - Idealen za čiščenje površin, podobnih kavču.

**Mini sesalni nastavek\*** - Idealen za globinsko čiščenje tekstilnih površin (na primer naslanjačev) in za odstranjevanje živalskih dlak. Delovni kot lahko prilagajate pri premikanju nazaj in naprej.

**OPOMBA:** Po uporabi prosimo, da obrnete zaklopko za sprostitev krtače v nasprotni smeri urinega kazalca s pomočjo kovanca zato, da izvlčete krtačo, in nato odstranite lase/niti, ki so se nabrali na krtači. [17]

Vsi pripomočki, razen pripomočka za čiščenje, se lahko namestijo na glavni del in na cev. [4]

**Dolg nastavek za sesanje rež\*** - Idealen za ozka in težko dostopna mesta.

**Pripomoček za čiščenje\*** - Idealen za odstranjevanje prahu, umazanije in las iz posode za prah ali s krtače. [9]

**Torba za pripomočke\***

Dodatne pripomočke lahko shranite v torbo za pripomočke.

**Stenski nosilec\***

Če je to zahtevano, namestite držalo za steno na steno tako, da uporabite priložena vijaka in stikal. [2]

**VZDRŽEVANJE SESALNIKA**

Opomnik za vzdrževanje pred filtra. Če predfilter potrebuje vzdrževanje, začne rdeča luč na aparatu utripati v rdeči barvi.

**Praznjenje posode za prah**

1. Pritisnite gumb za ročno sprostitev in odstranite cev. [5]
2. Gumb za izpraznitev posode za prah potisnite navzdol ter tako sprostite pokrov posode in zatem izpraznite vsebino. [9a]
3. Zaprite pokrov posode za prah. Ko se pokrov povsem zapre, zaslišite "klik".

**OPOMBA:** Posodo za prah izpraznite po vsaki uporabi sesalnika ali ko prah doseže zgornjo oznako največje dovoljene količine prahu.

**Hitro dnevno čiščenje posode za prah**

Enostavno odprite loputo posode za prah in odstranite prah s pomočjo pripomočka za čiščenje.

1. Uporabite stran s kavljem zato, da izvlčete prah, ki se je nabral v posodi za prah. [9b]
2. Uporabite stran s krtačo, da očistite fini prah, ki se je zagozdil okoli kovinskega mrežnega filtra. [9c]

**Čiščenje posode za prah in filtra**

LED luč na izdelku bo zasvetila RDEČE in vas opozorila, da je potrebno čiščenje predmotornega filtra.

1. Pritisnite na gumb za sprostitev na držalu in odstranite enoto držala s cevi. [5]
2. Pritisnite gumb za sprostitev baterije in odstranite baterijo.
3. Odstranite sklop posode za prah tako, da ga obračate v smeri urinega kazalca in ga povlečete stran od enote. [10]
4. Odstranite predmotorni filter tako, da povlečete podporo iz sklopa posode. [11a]
5. Izvlčite enojni ciklonski sistem tako, da povlečete kovinski obroč iz sklopa posode. [11a]
6. Na koncu odstranite vrtljivo cev tako, da jo obračate v smeri urinega kazalca in jo povlecite iz ciklonskega sistema. [11b]
7. Filter in enojni ciklonski sistem operite v mlačni vodi in pustite, da se 24 ur sušita. [12,13]
8. Ko je filter povsem suh, ga spet sestavite in vnovič namestite na sesalnik.

**OPOMBA:** Pri čiščenju predmotornega filtra ne uporabljajte vroče vode ali detergentov. Če se predmotorni filter poškoduje (kar je zelo redko), namestite originalno Hoover zamenjavo. Poskrbite, da boste pred montažo posode za prah na čistilec ponovno namestili predmotorni filter, saj se bo aktiviral zaščitni mehanizem filtra.

\* Le pri določenih modelih

**POMEMBNO:** Za optimalno učinkovitost naj bodo filtri vedno čisti. Priporočamo, da filter operete enkrat na mesec.

### Čiščenje krtače za prah in nastavka

**POMEMBNO:** Pred zamenjavo in čiščenjem krtače vedno ugasnite sesalnik.

Če so prisotne ovire ali fini prah v okolici krtače:

1. Odstranite krtačo s cevi. **[15]**
2. Premaknite drsnik na desno in okno krtače se bo nenadoma odprlo. **[16a]**
3. Popolnoma odprite okno krtače zato, da odstranite hibridno krtačo. **[16a]**
4. Držite končno zaklopko za sprostitvev krtače in odstranite krtačo. **[16b]**
5. Če v krtači ostaja umazanija, jo odstranite ročno ali s pomočjo pripomočka za čiščenje. **[16c]**
6. Če je v krtači ali okoli glavnika prisotna umazanija, jo odstranite z uporabo krtače pripomočka za čiščenje. **[16d]**
7. Zato, da se prepričate, da v nastavku ni nobenih ovir, obrnite nastavek navzdol in preverite spodnje območje. Če je potrebno, ta del očistite z uporabo kavlja priloženega pripomočka za čiščenje. **[16e]**
8. Nastavek obrnite v prvoten položaj in ga ponovno namestite na krtačo. Krtačo lahko namestite samo v eni smeri, nato rahlo pritisnete na konec, da se prepričate, da je krtača na mestu. **[16f]**
9. Zaprite okno s pritiskanjem na srednji del okna, dokler ne zaslišite "klika" na pravem mestu. Prepričajte se, da je okno popolnoma zaprto tako, da pritisnete na obe strani. **[16g]**

### Menjava baterij

Ta naprava za čiščenje je opremljena z litijsko baterijo, ki jo je mogoče ponovno napolniti in jo je mogoče zamenjati.

**OPOZORILO:** Za svoj sesalnik uporabite samo odobrene nadomestne dele. Uporaba delov, ki jih Hoover ne priporoča, je nevarna in bo razveljavila garancijo.

**OPOZORILO:** Ne poskušajte sami odpreti in popraviti baterije.

1. pritisnite gumbe za sprostitvev baterije in izvlecite baterijo. **[8]**
2. Odstranite staro baterijo in jo nadomestite z novo.
3. Baterije odvrzite na varen način. Uporabljene baterije je treba odnesti v enoto za recikliranje. Baterije se ne smejo odvreči v gospodinjske odpadke.

## ODPRAVLJANJE TEŽAV

Če boste imeli kakršne koli težave z vašim sesalnikom, preden pokličete Hooverjev servisni center za stranke s pomočjo enostavnega seznama v nadaljevanju preverite naslednje:

### A. Sesalnik se ne vklopi

Preverite, če je sesalnik napolnjen.

Preverite, ali je baterija pravilno nameščena.

### B. Sesalnik ne deluje

Preverite, ali je prišlo do ovire v dovodu zraka ali v cevi, odstranite jo in se prepričajte, da je izdelek izklopljen. Ko to naredite, enostavno pritisnite na gumb za vklop/izklop, izdelek bo ponovno pričel delati.

### C. Sesalna moč je manjša ali pa sesalnik sploh ne vsesava

Izpraznite posodo za prah in operite predfilter in sistem ločevanja. **[12, 13]**

Odstranite krtačo in preverite, ali se v cevi nahaja kakršenkoli predmet, ki onemogoča prehod.

### D. Baterij ne morete napolniti

To je morebitna posledica zelo dolgega obdobja shranjevanja (več kot pol leta).

Kontaktirajte Hooverjev servis za stranke, da se dogovorite za zamenjavo baterij.

Če se težava nadaljuje, kontaktirajte Hooverjev servisni center za stranke.

### E. LED lučka za stanje krtače je RDEČA

V nastavku je blokada ali pa je ovira v krtači. Prosimo, da pogledate del VZDRŽEVANJE ČISTILNIKA.

### F. LED luč za stanje krtače in sprednje LED luči na nastavku utripajo BELO

Odprtina nastavka ni bila popolnoma zaprta.

Če se to zgodi, enostavno izklopite svoj proizvod in zagotovite, da je odprtina nastavka popolnoma zaprta, nato pa ga spet vklopite.

## NADOMESTNI DELI IN POTROŠNI MATERIAL HOOVER

Vedno uporabljajte originalne nadomestne dele Hoover. Dobite jih pri lokalnem prodajalcu Hooverjevih izdelkov. Pri naročanju delov vedno navedite številko modela.

## GARANCIJA

Garancijski pogoji za to napravo so taki, kot jih določi zastopnik v državi, kjer je naprava prodana. Podrobnosti glede garancijskih pogojev lahko dobite od prodajalca, pri katerem ste napravo kupili. Če želite uveljavljati kakršno koli garancijo, potrebujete potrdilo o nakupu ali račun.

**POMEMBNO:** Baterija tega sesalnika ima dveletno garancijo, ta pa stopi v veljavo na dan nakupa. Po dveh letih je stranka sama odgovorna za nakup in plačilo nove baterije.

Garancija se lahko spreminja brez predhodnega obvestila.

## GÜVENLİ KULLANIM TALİMATLARI

Bu ürün kullanım kılavuzunda belirtildiği gibi yalnızca ev temizliği için kullanılmalıdır. Lütfen ürünü kullanmadan önce bu kılavuzun tam olarak anlaşıldığından emin olun.

Cihazı temizlemeden ya da herhangi bir bakım işlemi uygulamadan önce daima cihazı kapatın ve şarj aletini prizden çıkarın.

Bu cihaz 8 yaş ve üzeri çocuklar ve yetersiz fiziksel, duyuşal veya zihinsel kabiliyete sahip kişiler ya da deneyim ve bilgi yoksunu kişiler tarafından bir yetişkinin gözetiminde veya cihazın güvenli bir şekilde kullanımı ile ilgili talimatı ve bulunan tehlikelerin açıkça anlatılması ile kullanılabilir. Çocuklar cihaz ile oynamamalıdır. Temizleme ve bakım işlemi denetimsiz şekilde çocuklar tarafından yapılmamalıdır.

Güç kablosu hasar görürse cihazı kullanmayı derhal bırakın. Herhangi bir yaralanmaya engel olmak için güç kablosunun mutlaka yetkili bir Hoover servisi tarafından değiştirilmesi gereklidir.

Ellerinizi, ayaklarınızı, bol giysileri ve saçlarınızı dönen fırçalardan uzak tutun.

Yalnızca cihazla birlikte verilen şarj aletini kullanın.

Besleme voltajının şarj aleti üzerinde belirtilen değerle aynı olup olmadığını kontrol edin.

Bu Hoover ev aleti sadece 230V (İngiltere: 240V) prize takılması uygun olan çift izolasyonlu bir batarya şarj cihazıyla verilmektedir.

Şarj cihazını uygun bir prize takın ve şarj aleti jakının prizini cihaza takın.

Şarj işlemi öncesinde cihazı kapalı konuma getirin.

Pil takımı LED ışığı şarj sırasında KIRMIZI renkte yanacak ve şarj tamamlandığında BEYAZA dönecektir.

Pilleri yeniden şarj etmek için kullanım sonrasında cihazı yeniden şarj cihazına bağlayın.

Pilleri kesinlikle 37°C'nin üzerindeki veya 0°C'nin altındaki sıcaklıklarda şarj etmeyin.

Şarj aletinin şarj olurken ısınması doğaldır.

Şarj aletinin fişini kablosundan çekerek çıkarmayın.

Uzun süre evde bulunmayacaksanız (tatil vs. gibi nedenlerle) şarj aletini prizden çekin. Uzun süre kullanılmayan elektrikli süpürge'nin şarjı kendi kendine bitebileceğinden, yeniden kullanmadan önce süpürgeyi iyice şarj edin.

Cihaz atılacağı zaman, öncelikle piller çıkartılmalıdır. Pil çıkartılırken, cihaz şebeke beslemesinden çıkartılmalıdır. Pilleri güvenli bir şekilde imha edin. Pillerin tamamen boşalması için cihazı durana kadar çalıştırın. Kullanılmış piller bir geri dönüştürme istasyonuna götürülmeli ve evsel atıklarla birlikte atılmamalıdır. Pilleri çıkarmak için, lütfen Hoover Müşteri Merkezi ile temasa geçin veya aşağıdaki talimatlara göre devam edin.

**ÖNEMLİ:** Pilleri çıkarmadan önce daima tamamen boşaltın ve şarj ünitesinin fişten çıkarıldığından emin olun.

Süpürgeyi piller tamamen boşalana kadar çalıştırın.

Şarj cihazı jak fişini cihazdan çıkarın.

Pil takımı serbest bırakma düğmelerine basın ve çıkarmak için kaydırın.

**Not:** Birimin parçalarına ayrılması ile ilgili zorluk yaşarsanız ya da cihazın tamiri, onarımı ya da geri dönüşümü ile ilgili daha ayrıntılı bilgiye ihtiyaç duyarsanız lütfen belediyeniz ya da ev atıkları imha hizmetleri ile görüşün.

Yalnızca Hoover tarafından önerilen veya sağlanan aparatları, malzemeleri ve yedek parçaları kullanın.

**Statik elektrik:** bazı halılar statik elektrik oluşuma neden olabilir. Statik elektrik deşarjı sağlığa zararlı değildir.

Cihazınızı dış mekanlarda veya ıslak yüzeylerde ya da ıslak toplama için kullanmayın.

Sert veya keskin nesnelere, kibritleri, sıcak külleri, sigara izmaritleri veya diğer benzeri öğeleri toplamayın. Yanıcı sıvıları, temizleme sıvılarını, aerosollerini veya spreyleri püskürtmeyin ya da toplamayın.

Cihazı kullanırken güç kablosu üzerine basmayın veya güç kablosundan çekerek prizden çıkarmayın. Arıza görünürse cihazı veya şarj aletini kullanmayı bırakın.

**Hoover teknik servisi:** Cihazın uzun süre güvenli ve verimli kullanımını sağlamak için, servis ve bakımlarının yetkili Hoover

servisinde yapılmasını tavsiye ederiz.

Cihazı hayvanları veya insanları temizlemek için kullanmayın.

Pilleri şarj edilemeyen pillerle değiştirmeyin.

#### Çevre:

Bu cihaz Atık Elektrikli ve Elektronik Teçhizat (WEEE) hakkında Avrupa direktifi 2011/65/EC'ye uygunluk işaretine sahiptir. Bu ürünün doğru bir şekilde atılmasını sağlayarak, yanlış atılmasından dolayı çevre ve insan sağlığında oluşabilecek olumsuz etkilerin önlenmesine katkıda bulunacaksınız. Ürünün üzerindeki sembol, bu ürünün ev atığı olarak değerlendirilmeyeceğini gösterir. Bunun yerine ürün, elektrikli ve elektronik cihazların geri dönüştürülmesi için oluşturulan geçerli bir toplama noktasına bırakılmalıdır. İmha, atık imhası için düzenlenen yerel çevre yönetmeliklerine uygun olarak yapılmalıdır. Ürünün nasıl elden çıkarılacağı konusunda daha detaylı bilgi için bağlı bulunduğunuz muhtarlığa, çöp toplama şirketine veya ürünü satın almış olduğunuz mağazaya müracaat edin.



Bu ürün 2014/35/EU, 2014/30/EU ve 2011/65/EU' Avrupa Direktiflerine göre uygundur.

CANDY HOOVER GROUP S.r.l. Via Privata Eden Fumagalli, 20861 Brugherio (MB) Italy

### ÜRÜN BİLEŞENLERİ

- |                                                 |                                                            |
|-------------------------------------------------|------------------------------------------------------------|
| A. AÇIK/KAPALI Düğmesi                          | R. Bakım durumu LED Işığı                                  |
| B. Turbo düğmesi                                | S. PİL Şarj Işığı                                          |
| C. Sessiz Düğmesi                               | T. Batarya Serbest Bırakma Düğmesi                         |
| D. Toz haznesi                                  | U. Batarya Grubu                                           |
| E. Toz Haznesi Kanadını Serbest Bırakma Düğmesi | V. PİL Şarj Girişi                                         |
| F. El Ünitesi Çıkarma Düğmesi                   | W. Şarj Aleti                                              |
| G. Saklama Alanı Çıkarma Düğmesi                | X. Duvara Montaj*                                          |
| H. Boru                                         | Y. Duvara Montaj Vidaları*                                 |
| I. Başlık Çıkarma Düğmesi                       | Za. Entegre 2'si 1 Arada Mobilya Aparatı                   |
| J. Başlık Ön LED Işıkları                       | Zb. Entegre 2'si 1 Arada Toz Fırçası                       |
| K. Rulo Fırça Serbest Bırakma Kapak Kaydırıcı   | AA. Mini Elektrikli Başlık*                                |
| L. Rulo Fırça Serbest Bırakma Uç Başlığı        | AB. Mini Güçlü Başlık Rulo Fırça                           |
| M. Rulo Fırça Durum Led'i*                      | AC. Mini Güçlü Başlık Rulo Fırça Serbest Bırakma Kanatçığı |
| N. Ön Motor Filtresi                            | AD. Uzun destek parçası*                                   |
| O. Siklonik Girdap Bulucu                       | AE. Aksesuar çantası*                                      |
| P. Siklonik                                     | AF. Rulo Fırça                                             |
| Q. PİL Durumu LED Işığı                         | AG. Başlık Penceresi                                       |
|                                                 | AH. Temizleme Aracı*                                       |

### SÜPÜRGENİZİN HAZIRLANMASI

Ürününüzü dikkatlice ambalajından çıkarın.

1. Başlığı ve uzatma borusunu alın, borunun bir ucunu yerine oturduğunu gösteren 'tık' sesini duyana kadar başlığın boyun kısmına takın. **[1a]**
2. El ünitesini alın ve yerine oturduğunu gösteren 'tık' sesini duyana kadar boruya takın. **[1b]**
3. Ürünle birlikte verilen vida ve vida tapalarını kullanarak Duvara montaj parçasını duvara sabitleyin. **[2]**
4. Cihazı tamamen şarj etmek için şarj cihazı ucunu batarya takımına bağlayın. Modelinize bağlı olarak yaklaşık 2,5 sa. veya 6 sa. sürebilir.

**NOT:** Başlığı çıkarmak için başlık çıkarma düğmesine basın ve başlığı çekerek ana gövdeden çıkarın.

**NOT:** Sadece elektrikli süpürmenizle birlikte verilen şarj aletini kullanın. Şarj aletinin şarj olurken ısınması doğaldır.

\* Sadece bazı modeller için



## TEMİZLEYİCİNİN KULLANIMI

4 çalışma modu vardır:

- **STANDART MOD:** AÇMA-KAPAMA düğmesine bastığınızda, süpürge ana motorlu başlık ile temizlik yapmaya hazır olacaktır. [3a]
  - **TURBO MODU:** Zorlu temizlik görevlerinde tam güç vermek için Turbo Düğmesine basın. [3b]
  - **SESSİZ MOD:** Bu ürün için en düşük gürültü seviyesinde iyice temizlemek için sessiz düğmesine basın. [3c]
  - **OTOMATİK MOD:** Başlığı veya boruyu çıkardığınızda, ürün, motorlu olmayan araçlar ile zemin üstü temizlik için otomatik olarak daha düşük bir güç düzeyi uygulayacaktır.
- NOT:** Bu modda iken daha yüksek güce ihtiyaç duyarsanız, ekstra güç için bir defa, tam güç için iki defa TURBO düğmesine basın. OTOMATİK MODA geri dönmek isterseniz, Sessiz düğmesine basın.
- NOT:** Bu elektrik süpürgesi başlığın ön tarafından bir Rulo Fırça'ya sahiptir, bu sert zeminlerden, parke veya halılardan toz ve kalıntıların toplanmasına izin verir.

### RULO FIRÇA DURUMU

Başlık üzerindeki fırça çubuğu durum LED'i tüm zemin temizleme modlarında beyaz renkte yanacak ve sistemin güvenlik koruma sistemi etkinleştirildiğinde kırmızıya dönecektir. [14]

## DEPOLAMA İŞLEVİ

Kullanım sonrasında, süpürgeyi depolamanız için 2 rahat yöntem bulunmaktadır.

#### 1. DUVARA MONTE EDEREK DEPOLAMA

Ürününüzü, kolay ve rahat depolama için duvara montaj birimi ile birlikte temin edilmektedir. Ürünle birlikte verilen vidaları kullanarak Duvara montaj parçasını duvarınıza sabitleyin. Ürünü kullandıktan sonra, süpürgeyi yerine yerleştirmeniz yeterli olacaktır. [2]

#### 2. KOMPAKT DEPOLAMA/PARK MODU

Ürünü boru üzerinde depolamak için el ünitesini çıkarma düğmesine basarak el ünitesini çıkarın. [5]

Cihaz üzerindeki 2'si 1 arada aracı (z) temin edildiği zamanki ilk konumuna getirildiğinden emin olun ve toz alma fırçası ile konum kancasının aşağı bakmasını sağlayarak aracın yerine tam oturduğundan emin olun.

Konum kancasını borunun alt yuvasına takın ve arka kolu borunun en üstünde, kilitleme mekanizması içindeki yerine tamamen oturacak şekilde itin. [6]

## GÜVENLİK KORUMA SİSTEMLERİ

Zorlu koşullarda kullanıldığında ürünün güvenilirliğinin etkilenmemesini sağlamak için ürün, biri temizleyici ve ikisi nozulda olmak üzere üç entegre Güvenlik koruma sistemine sahiptir.

**NOT:** Güvenlik koruma sistemleri üç koşulda eyleme geçecektir:

1. Hava girişinde veya boru içinde bir tıkanıklık olması halinde, temizleyici koruma amaçlı olarak KAPALI duruma getirilecek ve ana ünite üzerindeki LED ışık kırmızı renkte yanacaktır. Bunun olması halinde, boruda ya da el ünitesinin girişinde herhangi bir tıkanıklık olup olmadığını kontrol edin. Bunu giderin ve ürünü tekrar AÇIK konuma getirin.
  2. Rulo fırçada bir tıkanıklık varsa veya kilittiyse, harekete geçirildiğinde rulo fırça dönmeyi durduracak ve rulo fırça Durum Led'i'nin BEYAZ LED ışıkları KIRMIZI'ya dönecektir. [14a] Bu olursa, tek yapmanız gereken ürününüzü kapatmak ve rulo fırça tıkanıklığını gidermektir. Temizliğe devam etmek için açma/kapama düğmesine basın; ürün normal moda yeniden başlatılacaktır.
  3. Nozul penceresi tamamen kapatılmazsa, fırça çubuğu dönmez, fırça çubuğu durum LED'i ve nozul ön LED ışıkları sürekli olarak BEYAZ yanıp söner. [14b]
- Böyle bir durumda, ürününüzü kapatın ve nozul penceresinin tamamen kapalı olduğundan emin olun ve tekrar açın.

## PİL

Bu süpürge, PİL Durumu LED Işığı ile donatılmıştır. Ürün AÇIK durumda olduğunda, LED ışığı, pil seviyesini göstermek için farklı renklerde yanar.

### PİL SEVİYESİ:

Beyaz renk: 100% - 10% şarj

Kırmızı yanıp sönen: <10% şarj

\* Sadece bazı modeller için

## 2 şarj yöntemi bulunur:

Pili ürüne takılı halde şarj etme.

Pil şarj cihazının fişini pile takın. Şarj sırasında, LED durum göstergesi KIRMIZI renkte yanacaktır. Şarj işlemi tamamlandığında LED durumu göstergesi 1 dakikalığına BEYAZ renkte yanacak ve sönecektir. [7]

Pili, üründen çıkarılmış haldeyken şarj etme.

Pil çıkarma düğmelerine basarak pili üründen çıkarın.

Pil şarj cihazının fişini pile takın. Şarj sırasında, pil takımı LED'i KIRMIZI renkte yanacaktır. Şarj işlemi tamamlandığında, LED gösterge BEYAZ renkte yanacaktır. [8]

**NOT:** Şarj aletinin şarj olurken ısınması doğaldır. Sadece elektrikli süpürgeyle birlikte verilen şarj aletini kullanın.

## AKSESUARLAR

**Entegre Kenar Köşe Aparatları** - dar alanlara erişim için idealdir.

**Toz Alma Fırçası** - yüzeyleri zarar vermeden veya çizmeden temizlemek için idealdir.

**Mobilya Başlığı** - kanepelere gibi yüzeylerin temizlenmesi için idealdir.

**Mini Elektrikli Başlık** - Kumaş yüzeylerin (koltuklar gibi) derinlemesine temizliği ve hayvan tüylerinin giderilmesi için idealdir. İleri ve geri hareket sırasında çalışma açısı ayarlanabilir.

**NOT:** Kullanımdan sonra fırça ruloyu çıkartmak için fırça rulo serbest bırakma kanatçığını bir madeni para ile saat yönünün tersi istikametinde çevirin ve sonra fırçaya toplanan tüy / ipikleri temizleyin. [17]

Temizleme aracı dışındaki tüm aksesuarlar, ana ürün ve boru üzerine takılabilir. [4]

**Uzun destek parçası\*** - Dar ve erişimi güç alanlar için mükemmeldir.

**Temizleme Aracı\*** - toz haznesi veya başlıktaki toz, kalıntı ve saçları gidermek için idealdir. [9]

### Aksesuar Çantası\*

İlave aksesuarlar aksesuar çantasında saklanabilir.

### Duvara Montaj\*

Gerekirse, ürünle birlikte verilen vida ve vida tapalarını kullanarak Duvara montaj parçasını duvara sabitleyin. [2]

## TEMİZLEYİCİNİZİN BAKIMI

Ön filtre bakımı için hatırlatma Ön filtreye bakım uygulanması gerekiyorsa, süpürge üzerindeki kırmızı ışık yanıp sönmeye başlar.

### Toz Haznesini Boşaltma

1. El ünitesi çıkarma düğmesine basın ve boruyu çıkarın. [5]
2. Toz haznesini kapağını açıp içindekileri boşaltmak için toz haznesi boşaltma düğmesine basın. [9a]
3. Toz haznesi kapağını kapatın, tam olarak kilitletiğinizde bir tık sesi duyacaksınız.

**NOT:** Toz haznesinin her kullanım sonrasında veya toz maksimum dolma çizgisine geldiğinde boşaltılması önerilir.

### Toz Haznesinin Hızlı Günlük Temizliği

Toz haznesi kapağını açın ve toz haznesini temizleme aracının yardımıyla çıkarın.

1. Toz haznesinin içinde biriken dozu dışarı çekmek için kanca ucunu kullanın. [9b]
2. Metal ağ filtre çevresine yapışan ince tozları temizlemek için fırça ucunu kullanın. [9c]

### Toz haznesini ve filtreyi temizleyiniz

Ürün üzerindeki LED gösterge, Motor öncesi Filtrede temizlik yapılması gerektiğini göstermek için KIRMIZI renkte yanıp sönecektir.

1. El ünitesi çıkarma düğmesine basın ve el ünitesini borudan çıkarın. [5]
2. Pili çıkarma düğmesine basın ve pili çıkarın.
3. Toz haznesi grubunu saat yönünde çevirerek ve üniteden çekerek çıkarın. [10]
4. Hazne grubundan desteği çekerek Ön Motor filtresini çıkarın. [11a]
5. Metal halkayı hazne grubundan çekerek tekli siklon sistemi çıkarın. [11a]
6. Saat yönünde döndürerek girdap bulucuyu çıkarın ve siklon sisteminden çekin. [11b]
7. Filtreyi ve siklonik sistemi ılık suda yıkayın ve 24 saat boyunca kurumaya bırakın. [12,13]
8. Tamamen kurduğunda süpürgeye yerine yeniden takınız.

**NOT:** Motor öncesi filtreyi temizlerken sıcak su veya deterjan kullanmayın. Motor öncesi filtrenin hasar görmesi halinde, orijinal bir Hoover yedek parçası takın. Filtre koruma mekanizması etkinleştirileceğinden, toz haznesini süpürge ana gövdesine takmadan önce motor öncesi filtreyi taktığınızdan lütfen emin olun.

**ÖNEMLİ:** En yüksek performans için filtreyi her zaman temiz tutun. Filtrenin en az ayda bir kez yıkanmasını öneririz.

\* Sadece bazı modeller için

### Rulo fırça ve başlığın temizlenmesi

**ÖNEMLİ:** Rulo fırçayı değiştirmeden ve temizlemeden önce her zaman elektrik süpürgesini kapatın.

Rulo fırçanın çevresinde herhangi bir tıkanıklık veya ince toz varsa:

1. Başlığı buradan çıkarın. **[15]**
2. Kaydırıcıyı sağa doğru hareket ettirin, başlık penceresi açılacaktır. **[16a]**
3. Hibrit rulo fırçayı çıkarmak için başlık penceresini tamamen açın. **[16a]**
4. Rulo fırça Serbest Bırakma Uç Başlığını tutun ve rulo fırçayı çıkarın. **[16b]**
5. Rulo fırçada kir kalmışsa, bunları elle ya da temizleme aracının yardımıyla giderin. **[16c]**
6. Başlık içinde veya tarak çevresinde kir varsa, bunları temizleme aracının fırçasını kullanarak giderin. **[16d]**
7. Başlıkta hiçbir engel bulunmadığından emin olmak için başlığı baş aşağı çevirin ve taban kısmını tamamen kontrol edin. Gerekli olması durumunda, sağlanan temizleme aracının Kancasını kullanarak bu alanı temizleyin. **[16e]**
8. Başlığı ilk konuma çevirin ve rulo fırçayı yeniden takın. Rulo fırça yalnızca bir yönde takılabilir, fırçanın yerine oturmasını sağlamak için hafifçe uca bastırın. **[16f]**
9. Pencerenin orta alanına 'klik' sesiyle yerine oturduğunu duyana kadar bastırarak pencereyi kapatın. Her iki taraftan bastırarak Pencere'nin tamamen kilitleyip kilitlemediğini kontrol edin. **[16g]**

### Pillerin değiştirilmesi

Bu süpürge, değiştirilebilir ve şarj edilebilir bir lityum iyon pil takımı ile donatılmıştır.

**UYARI:** Yalnızca elektrik süpürge için onaylanmış yedek parçaları kullanın. Hoover tarafından onaylanmamış parçaların kullanılması tehlikelidir ve garantinizi geçersiz kılar.

**UYARI:** Batarya grubunu açmaya ve kendiniz onarmaya çalışmayın.

1. pili çıkarma düğmelerine basın ve pili dışarı çekin. **[8]**
2. Eski batarya grubunu çıkarın ve yeni batarya grubuyla değiştirin.
3. Pilleri güvenli bir şekilde imha edin. Kullanılmış piller bir geri dönüşüm istasyonuna götürülmeli ve evsel atıklarla birlikte atılmamalıdır.

## SORUN GİDERME

Elektrikli süpürgeyle ilgili bir sorun yaşarsanız, Hoover Müşteri Hizmetleri Merkezi'ni aramadan önce aşağıdaki kontrol listesini inceleyin:

### A. Elektrikli süpürge açılmıyor

Süpürge'nin şarj olduğundan emin olun.

Batarya grubunun yerine monte edilmiş olup olmadığını kontrol edin.

### B. Süpürge çalışmayı durdurdu

Girişte veya boruda bir tıkanıklık olup olmadığını kontrol edin, tıkanıklığı giderin ve ürünün KAPALI olduğundan emin olun.

Bu işlem sonrasında, açma/düğme düğmesine bastığınızda ürün tekrar çalışmaya başlayacaktır.

### C. Emme zayıf veya emme yapılmıyor.

Toz haznesini boşaltın, ön filtreyi ve ayırıcıyı yıkayın. **[12, 13]**

Başlığı çıkarın ve kanalda tıkanma olup olmadığını kontrol edin.

### D. Bataryalar şarj edilemiyor

Bu, çok uzun süre saklamadan dolayı olabilir (altı aydan fazla).

Batarya değişimi için Hoover müşteri hizmetlerine başvurun.

Sorun devam ederse Hoover Müşteri Hizmetleri Merkezi'ne başvurun.

### E. Fırça Çubuğu Durum LED'i KIRMIZI

Nozulda bir tıkanıklık veya fırça çubuğunda bir engel var. Lütfen TEMİZLEYİCİNİZİN BAKIMI bölümüne bakın.

### F. Fırça Çubuğu Durum LED'i ve nozul ön LED ışıkları BEYAZ yanıp sönüyor.

Nozul penceresi tamamen kapatılmamış.

Böyle bir durumda, ürününüzü kapatın ve nozul penceresinin tamamen kapalı olduğundan emin olun ve tekrar açın.

## HOOVER YEDEK PARA VE SARF MALZEMELERİ

Paraları daima orijinal Hoover paraları ile deęiřtirin. Bu paraları Hoover servislerinden tedarik edebilirsiniz. Para sipariři verirken mutlaka cihazın model numarasını belirtin.

## GARANTİNİZ

Bu cihaz için garanti kořulları, cihazın satıldıęı ÷lkedeki temsilcimiz tarafından tanımlanmaktadır. Bu kořullara iliřkin ayrıntılar cihazın satın alındıęı bayiden edinilebilmektedir. Bu garanti kořulları altında yapılan talepte satıř fiři(faturası) ve makbuzu ibraz edilmiř olmalıdır.

**ÖNEMLİ:** Bu süpürgenin bataryası satın alım tarihinden itibaren 2 yıl garantilidir. 2 yıl sonra, yeni batarya maliyeti müřterinin sorumluluęunda olacaktır.

Haber verilmeksizin deęiřiklikler yapılabilir.

