

# CANDY

## HOBS

*USER INSTRUCTIONS*

**GB - IE**

## TABLES DE CUISSON

*NOTICE D'EMPLOI*

**FR**

## VARNÉ DESKY

*NÁVOD POUŽITÍ*

**CZ**

## UND BEDIENUNGSANLEITUNG

*INSTALLATIONS*

**DE**

## ENCIMERAS

*INSTRUCCIONES DE USO*

**ES**

## INSTRUKCJE

*UŻYCIA I MONTAŻU*

**PL**

## ANKASTRE OCAK

*KULLANIM KLAVUZU*

**TR**

## ВАРОЧНЫЕ ПОВЕРХНОСТИ

*ИНСТРУКЦИЯ ПОЛЬЗОВАТЕЛЯ*

**RU**

## NAVODILA ZA UPORABO

*VGRADNJO IN PRIKLJUČITEV*

**SL**

## PIANI COTTURA

*ISTRUZIONI PER L'USO*

**IT**

## PLACAS

*INSTRUÇÕES DE UTILIZAÇÃO*

**PT**

## TŰZHELYLAPOK

*HASZNÁLATI UTASÍTÁS*

**HU**

## PLITE

*MANUAL DE UTILIZARE*

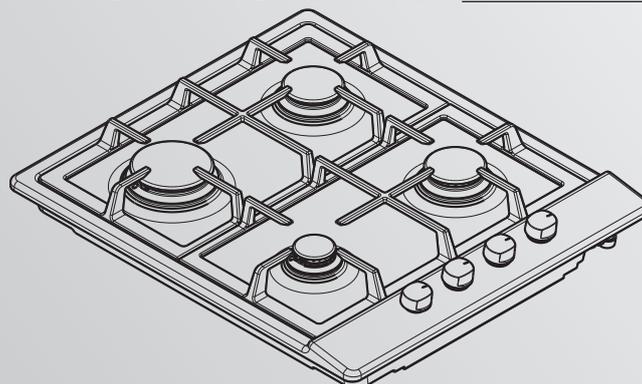
**RO**

## KOOKPLAATS

*MANUAL DE UTILIZARE*

**NL**

**EAC**



CONTENT	GB - IE
Safety Instructions .....	05
<b>1. Instructions For The Installer .....</b>	<b>06</b>
1.1. Bulding In .....	06
1.2. Suitable Location .....	06
<b>2. Electrical Connection (For U.K. Only) .....</b>	<b>06</b>
2.1. Electrical Connection .....	06
2.2. Gas Connection (For U.K. Only).....	06
2.3. Adapting The Hob To Different Types Of Gas .....	07
2.4. Regulating The Minimum Flame .....	07
<b>3. Use Of Hob - User Instructions .....</b>	<b>07</b>
3.1. Using The Gas Burner .....	07
3.2. Use Of Cooktop Electrical Plates .....	07
<b>4. Maintenance and Cleaning .....</b>	<b>08</b>
<b>5. Aftercare .....</b>	<b>08</b>
<b>6. Protection Of The Environment .....</b>	<b>08</b>

OBSAH	CZ
<b>Bezpečnostní Pokyny .....</b>	<b>13</b>
<b>1. Pokyny pro instalátora .....</b>	<b>14</b>
1.1. Vestavba .....	14
1.2. Vhodné místo instalace .....	14
2.1. Připojení k elektrické síti .....	14
2.2. Připojení plynu .....	14
2.3. Změna varné desky na jiný druh plynu .....	15
2.4. Nastavení minimálního plamene .....	15
<b>3. Použití varné desky .....</b>	<b>15</b>
3.1. Použití plynového hořáku .....	15
3.2. Použití Elektrických Ploten .....	15
<b>4. Údržba a čištění .....</b>	<b>16</b>
<b>5. Servis .....</b>	<b>16</b>
<b>6. Ochrana životního prostředí .....</b>	<b>16</b>

CONTENIDO	ES
<b>Instrucciones Para Un Uso Seguro .....</b>	<b>21</b>
<b>1. Instrucciones Para El Instalador .....</b>	<b>22</b>
1.1. Integración .....	22
1.2. Ubicación Ideal .....	22
2.1. Conexión Eléctrica .....	22
2.2. Conexión Del Gas .....	22
2.3. Adaptación De La Placa A Distintos Tipos De Gas .....	23
2.4. Regulación De La Llama Mínima .....	23
<b>3. Utilización De La Placa Instrucciones Para El Usuario .....</b>	<b>23</b>
3.1. Utilización Del Quemador De Gas .....	23
3.2. Uso De La Cocina De Las Placas Eléctricas .....	23
<b>4. Mantenimiento Y Limpieza .....</b>	<b>24</b>
<b>5. Servicio Técnico .....</b>	<b>24</b>
<b>6. Protección Del Medioambiente .....</b>	<b>24</b>

İÇİNDEKİLER	TR
<b>Güvenlik Uyarıları .....</b>	<b>29</b>
<b>1. Kurulum Talimatları .....</b>	<b>30</b>
1.1. Ankastr Montaj .....	30
1.2. Uygun Yer Tespiti .....	30
2.1. Elektrik Bağlantısı .....	30
2.2. Gaz Bağlantısı .....	30
2.3. Ocağın Farklı Gaz Türlerine Uyarlanması .....	30
2.4. Minimum Alevin Ayarlanması .....	31
<b>3. Ocak Kullanımı Kullanım Talimatları .....</b>	<b>31</b>
3.1. Gazlı Ocak Gözlerinin Kullanımı .....	31
3.2. Elektrikli Isıtıcının Kullanımı .....	31
<b>4. Bakım Ve Temizlik .....</b>	<b>32</b>
<b>5. Satış Sonrası Servis .....</b>	<b>32</b>
<b>6. Çevrenin Korunması .....</b>	<b>32</b>
<b>Garanti Belgesi .....</b>	<b>33</b>

CONTENU	FR
<b>Conseils De Sécurité .....</b>	<b>09</b>
<b>1. Installation .....</b>	<b>10</b>
1.1. Encastrement .....	10
1.2. Caracteristiques Requis .....	10
2.1. Raccordement Electrique .....	10
2.2. Raccordement Gaz .....	10
2.3. Adapter La Table A Differents Types De Gaz .....	11
2.4. Reguler La Flamme Au Minimum .....	11
<b>3. Utilisation De La Table .....</b>	<b>11</b>
3.1. Using The Gas Burner .....	11
3.2. Manuel D'utilisation Des Pl Au Es Chauffantes Electriques Sur Comptoirs .....	11
<b>4. Maintenance Et Entretien .....</b>	<b>12</b>
<b>5. Assistance Technique .....</b>	<b>12</b>
<b>6. Protection De L'environnement .....</b>	<b>12</b>

INHALT	DE
<b>Sicherheitsvorschriften .....</b>	<b>17</b>
<b>1. Installationsanweisung .....</b>	<b>18</b>
1.1. Einbau .....	18
1.2. Geeigneter Standort .....	18
2.1. Elektrischer Anschluss .....	18
2.2. Gasanschluss .....	18
2.3. Umstellung Auf Eine Andere Gasar .....	19
2.4. Einstellen Der Gasmindestzufuhr .....	19
<b>3. Bedienungsanleitung .....</b>	<b>19</b>
3.1. Inbetriebnahme Der Brenner .....	19
3.2. Benutzung Der Elektrischen Kochplatten .....	19
<b>4. Wartung Und Reinigung .....</b>	<b>20</b>
<b>5. Technischer Kundendienst .....</b>	<b>20</b>
<b>6. Umweltgerechte Entsorgung .....</b>	<b>20</b>

SPIS TREŚCI	PL
<b>Instrukcje Bezpieczeństwa .....</b>	<b>25</b>
<b>1. Instrukcje Dla Instalatora .....</b>	<b>26</b>
1.1. Zabudowa .....	26
1.2. Odpowiednie Pomieszczenie .....	26
2.1. Podłączenie Do Sieci Elektrycznej .....	26
2.2. Podłączenie Do Gazu .....	26
2.3. Przystosowanie Płyty Do Różnych Rodzajów Gazu .....	27
2.4. Regulacja Płomienia Minimalnego .....	27
<b>3. Użytkowanie Płyty - Instrukcje Dla Użytkownika .....</b>	<b>27</b>
3.1. Używanie Palników Gazowych .....	27
3.2. Eksploatacja Kuchenek Z Płytami Elektrycznymi .....	27
<b>4. Czyszczenie I Konserwacja .....</b>	<b>28</b>
<b>5. Obsługa Serwisowa .....</b>	<b>28</b>
<b>6. Ochrona Środowiska .....</b>	<b>28</b>

СОДЕРЖАНИЕ	RU
<b>Правила Техники Безопасности .....</b>	<b>34</b>
<b>1. Инструкции по выполнению установки .....</b>	<b>35</b>
1.1. Встраиваемые варочные поверхности .....	35
1.2. Выбор места для установки варочной поверхности .....	35
<b>2. Подключение к электросети (только для Великобритании) .....</b>	<b>35</b>
2.1. Подключение к электросети .....	35
2.2. Подключение к линии газоснабжения (только для Великобритании) .....	36
2.3. Адаптация варочной поверхности на другие типы газа .....	36
2.4. Регулировка минимального пламени .....	36
<b>3. Инструкции по эксплуатации варочной поверхности .....</b>	<b>36</b>
3.1. использование газовой конфорки .....	36
3.2. Руководство По Использованию Электрических Плит .....	36
<b>4. Обслуживание и чистка .....</b>	<b>37</b>
<b>5. Послепродажное обслуживание .....</b>	<b>37</b>
<b>6. Защита окружающей среды .....</b>	<b>37</b>

**VSEBINA****SL**

Varnostna Navodila .....	39
<b>1. Vgradnja In Priključitev .....</b>	<b>40</b>
1.1. Vgradnja .....	40
1.2. Ustrezen Prostor .....	40
2.1. Priključitev Na Električno Omrežje .....	40
2.2. Priključitev Plina .....	40
2.3. Prilaganje Kuhalne Plošče Za Drugo Vrsto Plina .....	41
2.4. Nastavljanje Minimalnega Plamena Gorilnika .....	41
<b>3. Uporaba Kuhalne Plošče Navodila Za Uporabnika .....</b>	<b>41</b>
3.1. Uporaba Gorilnikov .....	41
3.2. Uporaba Električnih Kuhališč .....	41
<b>4. Vzdrževanje In Čiščenje .....</b>	<b>42</b>
<b>5. Servisiranje .....</b>	<b>42</b>
<b>6. Protection De L'environnement .....</b>	<b>42</b>

**ÍNDICE****PT**

Instruções De Segurança .....	47
<b>1. Instruções Para O Instalador .....</b>	<b>48</b>
1.1. Preparação .....	48
1.2. Localização Adequada .....	48
2.1. Ligação Eléctrica .....	48
2.2. Ligação À Rede De Gás .....	48
2.3. Adaptação Da Placa A Diferentes Tipos De Gás .....	49
2.4. Regulação Da Altura Mínima Da Chama .....	49
<b>3. Utilização Da Placa Instruções Para O Utilizador .....</b>	<b>49</b>
3.1. Como Utilizar O Queimador De Gás .....	49
3.2. Utilização Das Placas Eléctricas De Vitrocerâmica .....	49
<b>4. Manutenção E Limpeza .....</b>	<b>50</b>
<b>5. Antes De Chamar A Assistência Técnica .....</b>	<b>50</b>
<b>6. Protecção Do Ambiente .....</b>	<b>50</b>

**CUPRINS****RO**

<b>1. Instrucțiuni de Instalare .....</b>	<b>55</b>
1.1. Incorporare .....	56
1.2. Amplasare .....	56
<b>2. Conexiunea electrică (numai pentru G.B.) .....</b>	<b>56</b>
2.1. Conexiunea electrică .....	56
2.2. Conectarea la gaz (numai pentru G.B.) .....	56
2.3. Adaptarea la diverse tipuri de gaz .....	57
2.4. Reglarea flăcării minime .....	57
<b>3. Utilizarea plitei Instrucțiuni de utilizare .....</b>	<b>57</b>
3.1. Utilizarea arzătoarelor .....	57
3.2. Utilizarea Plăcilor Electrice Pentru Aragaz .....	57
<b>4. Întreținere și curățare .....</b>	<b>58</b>
<b>5. Service .....</b>	<b>58</b>
<b>6. Protejarea mediului .....</b>	<b>58</b>
Gas Type Tables .....	63-64-65

**INDICE****IT**

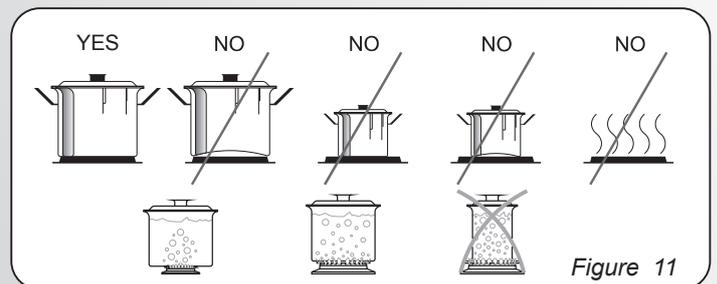
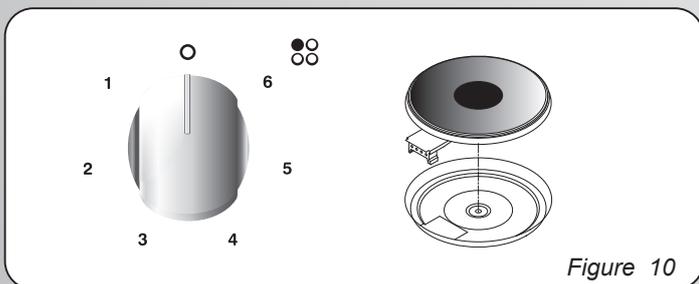
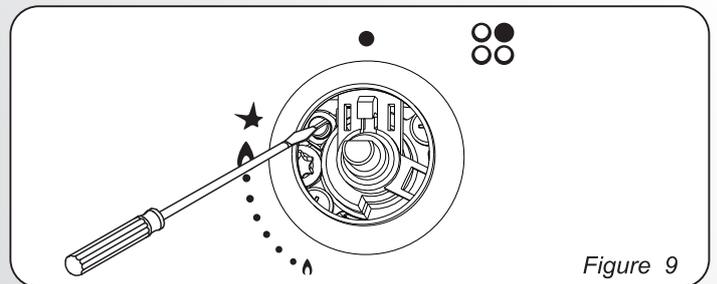
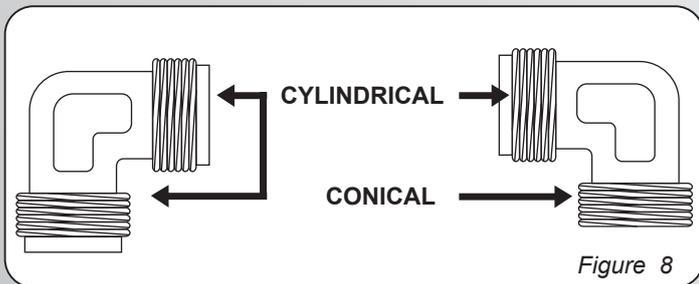
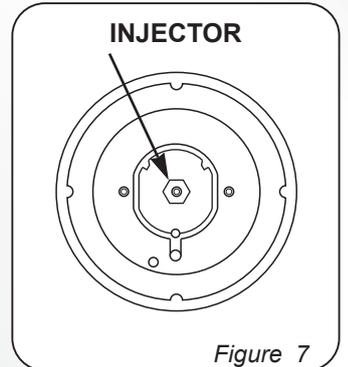
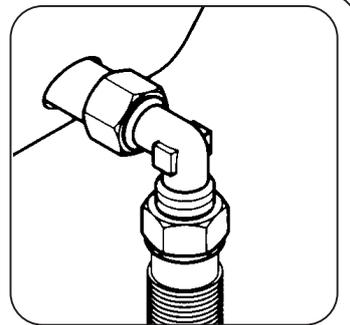
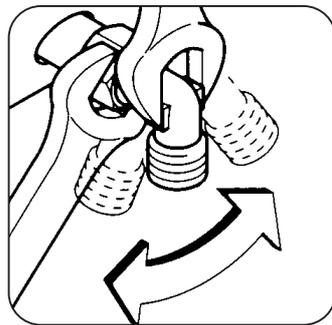
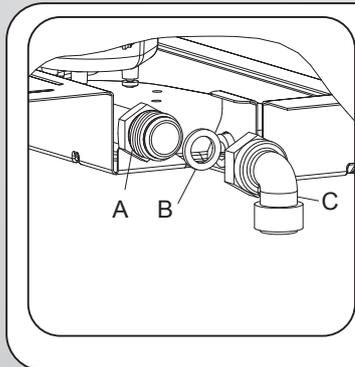
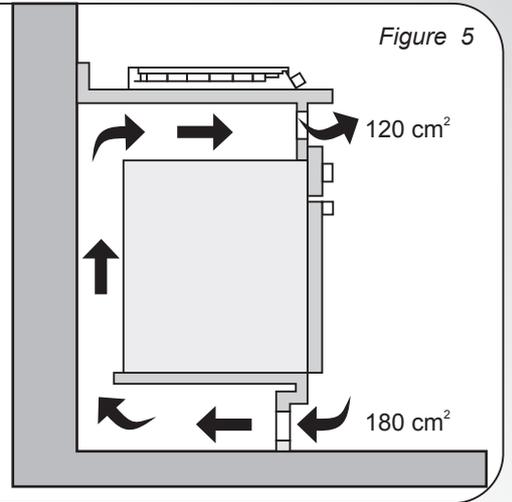
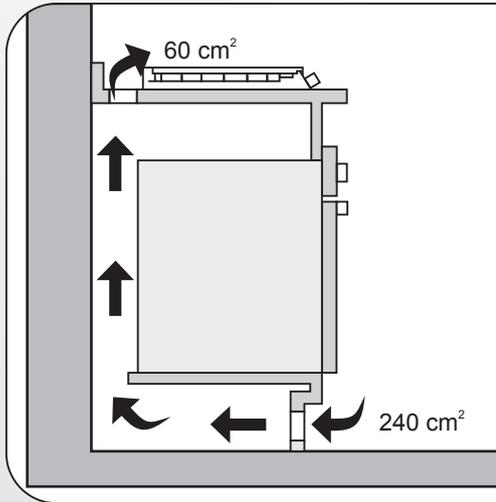
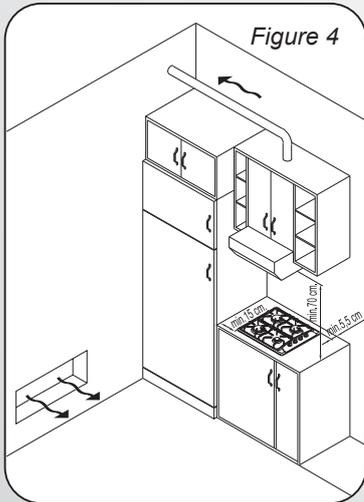
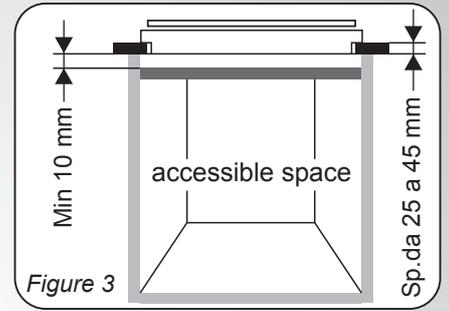
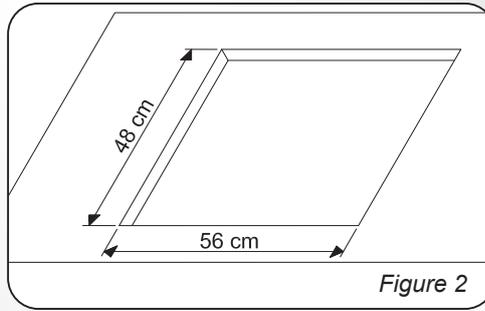
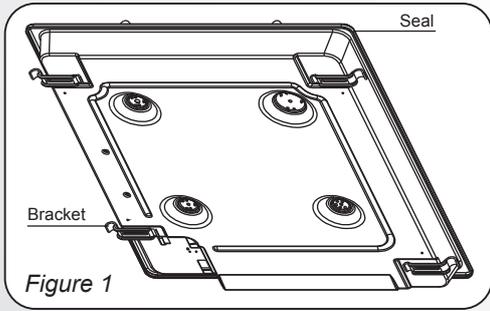
Indicazioni Di Sicurezza .....	43
<b>1. Istruzioni Per L'installatore .....</b>	<b>44</b>
1.1. Installazione .....	44
1.2. Locazioni Consigliate .....	44
2.1. Connessione Elettrica .....	44
2.2. Connessione Gas .....	44
2.3. Adattare Il Piano Cottura Con Diversi Tipi Di Gas .....	45
2.4. Regolare Il Minimo Della Fiamma .....	45
<b>3. Uso Del Piano - Istruzioni Utente .....</b>	<b>45</b>
3.1. Uso Del Bruciatore Gas .....	45
3.2. Uso Di Fornelli Con Le Piastre Elettriche .....	45
<b>4. Manutenzione E Pulizia .....</b>	<b>46</b>
<b>5. Ripristino .....</b>	<b>46</b>
<b>6. Rispetto Dell'ambiente .....</b>	<b>46</b>

**TARTALOMJEGYZÉK****HU**

<b>1. Utasítások a telepítő számára .....</b>	<b>51</b>
1.1. Beépítés .....	52
1.2. Alkalmas helyszín .....	52
<b>2. Elektromos bekötés (csak az Egyesült Királyságban) .....</b>	<b>52</b>
2.1. Elektromos bekötés .....	52
2.2. Gázbekötés (csak az Egyesült Királyságban) .....	52
2.3. A tűzhelylap beállítása különböző gáztípusokhoz .....	53
2.4. A minimális lángméret beállítása .....	53
<b>3. A tűzhelylap használata Felhasználói utasítások .....</b>	<b>53</b>
3.1. A gázégő használata .....	53
3.2. Önállóan Beépíthető Elektromos Főzőlap Használati Útmutatója .....	53
<b>4. Karbantartás és tisztítás .....</b>	<b>54</b>
<b>5. Vevőszolgálat .....</b>	<b>54</b>
<b>6. Környezetvédelem .....</b>	<b>54</b>

**INHOUD****NL**

Veiligheidsvoorschriften .....	59
1. Inbouwen .....	60
1.2. De juiste omgeving .....	60
<b>2. Elektrisch gedeelte aansluiten .....</b>	<b>60</b>
2.1. Elektrisch gedeelte aansluiten .....	60
2.2. Gas aansluiting .....	60
2.3. Aanpassen aan diverse soorten gas .....	61
2.4. Afstellen van de branders .....	61
<b>3. GEBRUIK VAN DE KOOKPLAAT .....</b>	<b>61</b>
3.1. Gebruik van de gasbranders .....	61
3.2. Gebruik van elektrisch Gedeelte .....	61
<b>4. Onderhoud en reinigen .....</b>	<b>62</b>
<b>5. Technische dienst .....</b>	<b>62</b>
<b>6. Milieubescherming .....</b>	<b>62</b>



## SAFETY INSTRUCTIONS

**WARNING:** The appliance and its accessible parts become hot during use. Care should be taken to avoid touching heating elements.

- Children under 8 Year of age must be kept away from the appliance unless they are continuously supervised.
- This appliance can be used by children aged from 8 years and above and persons with reduced physical, sensory or mental capabilities or lack of experience and knowledge if they have been given supervision or instruction concerning use of the appliance in a safe way and understand the hazards involved.
- Children must not play with the appliance.
- Cleaning and user maintenance shall not be made by children without supervision

**WARNING:** Unattended cooking on a hob with fat or oil can be dangerous and may result in fire.

- NEVER try to extinguish a fire with water, but switch off the appliance and then cover flame e.g. with a lid or a fire blanket.

**WARNING:** Danger of fire: do not store items on the cooking surfaces.

**WARNING:** If the surface is cracked, switch off the appliance to avoid the possibility of electric shock.

- Do not use a steam cleaner for cleaning operations.
- Any spillage should be removed from the lid before opening.
- The hob surface must be allowed to cool down before closing the lid.
- This appliance is not intended to be operated by means of an external timer or separate remote-control system.
- The means for disconnection must be incorporated in the fixed wiring in accordance with the wiring rules.
- The instructions state the type of cord to be used, taking into account the temperature of the rear surface of the appliance.
- If the supply cord is damaged, it must be replaced by a special cord or assembly available from the manufacturer or its service agent.

**CAUTION:** In order to avoid a hazard due to inadvertent resetting of the thermal cutout, this appliance must not be supplied through an external switching device, such as a timer, or connected to a circuit that is regularly switched on and off by the utility.

- This appliance must be installed in accordance with the regulations in force and only used in a well ventilated space. Read the instructions before installing or using this appliance.
- "These instructions are only valid if the country symbol appears on the appliance. If the symbol does not appear on the appliance, it is necessary to refer to the technical instructions which will provide the necessary instructions concerning modification of the appliance to the conditions of use of the country".
- "Prior to installation, ensure that the local distribution conditions (nature of the gas and gas pressure) and the adjustment of the appliance are compatible";
- "The adjustment conditions for this appliance are stated on the label (or data plate)";
- "This appliance is not connected to a combustion products evacuation device. It shall be installed and connected in accordance with current installation regulations. Particular attention shall be given to the relevant requirements regarding ventilation".
- The use of a gas cooking appliance results in the production of heat and moisture in the room in which it is installed. Ensure that the kitchen is well ventilated: keep natural ventilation holes open or install a mechanical ventilation device (mechanical extractor hood). Prolonged intensive use of the appliance may call for additional ventilation, for example opening of a window, or more effective ventilation, for example increasing the level of mechanical ventilation where present.

## 1. INSTRUCTIONS FOR THE INSTALLER

**INSTALLING A DOMESTIC APPLIANCE CAN BE A COMPLICATED OPERATION WHICH IF NOT CARRIED OUT CORRECTLY, CAN SERIOUSLY AFFECT CONSUMER SAFETY. IT IS FOR THIS REASON THAT THE TASK SHOULD BE UNDERTAKEN BY A PROFESSIONALLY QUALIFIED PERSON WHO WILL CARRY IT OUT IN ACCORDANCE WITH THE TECHNICAL REGULATIONS IN FORCE. IN THE EVENT THAT THIS ADVICE IS IGNORED AND THE INSTALLATION IS CARRIED OUT BY AN UNQUALIFIED PERSON, THE MANUFACTURER DECLINES ALL RESPONSIBILITY FOR ANY TECHNICAL FAILURE OF THE PRODUCT WHETHER OR NOT IT RESULTS IN DAMAGE TO GOODS OR INJURY TO INDIVIDUALS.**

### 1.1 BUILDING IN

The hob may be installed in any worktop which is heat resistant to a temperature of 100°C, and has a thickness of 25-45 mm. The dimensions of the insert to be cut out of the worktop are in shown in *Figure 2*.

If the Hob is fitted next to a cabinet on either side, the distance between the Hob and the cabinet must be at least 15 cm (*see Figure 4*); while the distance between the hob and the rear wall must be at least 5,5 cm.

The distance between the hob and any other unit or appliance above it (e.g. An extractor hood) must be no less than 70 cm (*Figure 4*).

When there is an accessible space between the built-in hob and the cavity below, a dividing wall made of insulating material should be inserted (wood or a similar material) (*Figure 3*).

**Important - The diagram in figure 1 shows how the sealant should be applied.**

The Hob unit is fitted by attaching the Fixing Clamps supplied, using the holes at the base of the unit.

If a hob of 60 cm is fitted above an oven which is not equipped with fan cooling system it is recommended that openings are created within the built in furniture to ensure correct air circulation.

The size of these openings must be at least 300 cm<sup>2</sup> and placed as shown in *Figure 5*.

When a 75 cm hob is fitted over a built in oven, the latter must be fan cooled.

This appliance is not intended to be operated by means of an external timer or separate remote-control system.

### 1.2. SUITABLE LOCATION

This appliance must be installed in accordance with the regulations in force and only used in a well ventilated space. Read the instructions before installing or using this appliance.

A gas-powered cooking appliance produces heat and humidity in the area in which it is installed. For this reason you should ensure good ventilation either by keeping all natural air passages open or by installing an extractor hood with an exhaust flue. Intensive and prolonged use of the appliance may require extra ventilation, such as the opening of a window or an increase in speed of the electric fan, if you have one.

If a hood can not be installed, an electric fan should be fitted to an outside wall or window to ensure that there is adequate ventilation.

The electric fan should be able to carry out a complete change of air in the kitchen 3-5 times every hour. The installer should follow the relevant national standards.

## 2. ELECTRICAL CONNECTION (FOR U.K. ONLY)

### Warning - this appliance must be earthed

This appliance is designed for domestic use only. Connection to the main supply must be made by a competent electrician, ensuring that all current regulations concerning such installations are observed.

The appliance must only be connected to a suitably rated spur point, a 3 pin 13 amp plug/socket is not suitable. A double pole switch must be provided and the circuit must have appropriate fuse protection. Further details of the power requirement of the individual product will be found in the users' instruction and on the appliance rating plate. In the case of built-in product you are advised, should you wish to use a longer cable than the one supplied, that a suitably rated heat resistant type must be used.

The wiring must be connected to the mains supply as follows:

CONNECT	TO SPUR TERMINAL
Green & Yellow Wire	Earth Connection
Blue Wire	Neutral Connection

Brown Wire Live Connection

**Note:** We do not advocate the use of earth leakage devices with electric cooking appliances installed to spur points because of the «nuisance tripping» which may occur. You are again reminded that the appliance must be correctly earthed, the manufacturer declines any responsibility for any event occurring as a result of incorrect electrical installation.

### 2.1. ELECTRICAL CONNECTION

Check the data on the rating plate, located on the outside of the unit, to ensure that the supply and input voltage are suitable.

Before connection, check the earthing system.

By Law, this appliance must be earthed. If this regulation is not complied with, the Manufacturer will not be responsible for any damage caused to persons or property. If a plug is not already attached, fit a plug appropriate to the load indicated on the rating plate. The earth wire is coloured yellow/green. The plug should always be accessible.

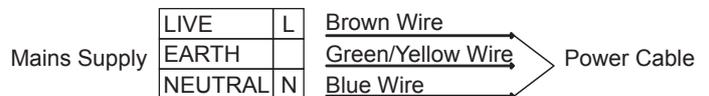
Where the Hob is connected direct to the electricity supply, a circuit breaker must be fitted.

If the power supply cord is damaged this is to be replaced by a qualified engineer so as to prevent any potential risk.

The earth wire ( green and yellow coloured ) must be at least 10 mm longer than the live and neutral wires.

The section of the cable used must be of the correct size in relation to the absorbed power of the hob.

Please check rating plate for the power details and ensure that the power supply cord is of the type 3x0.75 mm<sup>2</sup> H05RR-F.



If an appliance is not fitted with a supply cord and a plug, or with other means for disconnection from the supply mains having a contact separation in all poles that provide full disconnection under overvoltage category III conditions, the instructions shall state that means for disconnection must be incorporated in the fixed wiring in accordance with the wiring rules.

### 2.2. GAS CONNECTION

These instructions are for qualified personnel, installation of equipment must be in line with the relevant national standard. **(For U.K. only: by law the gas installation/commissioning must be carried out by a "Gas Safe" installer)**

All work must be carried out with the electricity supply disconnected.

The rating plate on the hob shows the type of gas with which it is designed to be used. Connection to the mains gas supply or gas cylinder should be carried out after having checked that it is regulated for the type of gas with which it will be supplied. If it is not correctly regulated see the instructions in the following paragraphs to change gas setting.

For liquid gas (cylinder gas) use pressure regulators which comply with the relevant national standards.

Use only pipes, washers and sealing washers which comply with the relevant national standards.

For some models a conic link is furnished to outfit for the installation in the countries where this type of link is obligatory; in picture 8 it is pointed out how to recognize the different types of links (CY = cylindrical, CO = conic). In every case the cylindrical part of the link has to be connected to the hob.

When connecting the hob to the gas supply via use offlexible hoses please ensure that the maximum distance covered by the hose does not exceed 2 metres.

The flexible tube shall be fitted in such a way that it cannot come into contact with a moveable part of the housing unit (e.g. a drawer) and does not pass through any space where it may become crushed/kinked or damaged in any way.

To prevent any potential damage to the hob please carry out the installation following this sequence (picture 6):

**1)As illustrated, assemble parts in sequence:**

- A: 1/2 Male Adaptor Cylindrical
- B: 1/2 Seal
- C: 1/2 Female Gas Adaptor Conical-Cylindrical or Cylindrical-Cylindrical

**2)Tighten the joints with the spanner, remembering to twist the pipes into position.**

**3)Attach fitting C to mains gas supply using rigid copper pipe or flexible steel pipe.**

**IMPORTANT: carry out a final check for leaks on the pipe connections using a soapy solution. NEVER USE A FLAME. Also, make sure that the flexible pipe cannot come into contact with a moving part of the cabinet (eg.adrawer) and that it is not situated where it could be damaged.**

**Warning:** If gas can be smelt in the vicinity of this appliance turn off the gas supply to the appliance and call the engineer directly. Do not search for a leak with a naked flame.

**2.3. ADAPTING THE HOB TO DIFFERENT TYPES OF GAS**

To adapt the Hob for use with different types of gas, carry out the following instructions:

- remove the grids and burners
- insert on hexagonal spanner (7 mm) into the burner support (Figure 7)
- Unscrew the injector and replace it with one suitable for the gas to be used (see gas type table)

**2.4. REGULATING THE MINIMUM FLAME**

After lighting the burners, turn the control knob to the minimum setting and then remove the knob (this can easily be removed by applying gentle pressure).

Using a small «Terminal» type screwdriver the regulating screw can be adjusted as in Figure 9. Turning the screw clockwise reduces the gas flow, whilst turning it anticlockwise increases the flow – Use this adjustment to obtain a flame of approximately 3 to 4 mm in length and then replace the control knob.

When the gas supply available is LPG - the screw to set the idle flame must be turned (clockwise) to the end stop.

When you have carried out the new gas regulation, replace the old gas rating plate on your appliance with one (supplied with hob) suitable for the type of gas for which it has been regulated.

**3. USE OF HOB - USER INSTRUCTIONS**

This appliance must only be used for the purpose for which it is intended, domestic cooking, and any other use will be considered improper and could therefore be dangerous. The Manufacturer will not be responsible for any damage or loss resulting from improper use.

**3.1. USING THE GAS BURNER**

To ignite the burners, place a lighted taper close to the burner, press in and turn the control knob anti-clockwise.

If the burners have not been used for a couple of days, wait for a few seconds before lighting the burner, this will allow any air present in the pipes to escape.

For appliances fitted with electronic ignition carry out the following:

- push in and turn the knob anticlockwise to the ignition symbol.
- ignite the burner by pressing the sparker button.

For hobs fitted with automatic ignition simply push in and turn the knob to the ignition symbol.

The ignition system will continue to generate sparks as long as the control knob is being pressed.

If the burner has not ignited within 5 seconds, turn the knob to the 0 position and repeat the operation.

For models fitted with a safety tap (which cuts-off the flow of gas if the flame is accidentally extinguished) the burners are ignited and described above, but care must be taken.

Prior to switching on the gas hob ensure that the burners and burner caps are correctly placed within their position.

**GENERAL ADVISE**

For best results, use cooking vessels with a flat surface. The size of the surface should match the gas burner side as follows. Table A.

Burner Type	Ø pan / pot (cm)	Power (kW)	G20/20 mbar (Methane)	G30/28-30 mbar (LPG)
AUX Auxiliary Burner	12 - 18	1	95 l/h	73 g/h
SR Semi Rapid Burner	18 - 24	1,7	162 l/h	124 g/h
R Rapid Burner	24 - 26	2,7	257 l/h	196 g/h

Table A

For smaller containers the gas burner should be regulated so that the flame does not overlap the base of the pan. Vessels with a concave or convex base should not be used.

**WARNING: If a flame is accidentally extinguished, turn the knob to the off position and do not attempt to re-ignite if for at least 1 minute.**

If over the years the gas taps become stiff to turn it is necessary to lubricate them.

**Such operation must be carried out only by qualified Service Engineers.**

**3.2. USE OF COOKTOP ELECTRICAL PLATES**

Turn the knob to the position for the required temperature of the hot plate. The indicator light of the hot plate will come on and the hot plate will start to heat.

When cooking is completed, turn the knob to the "O" position. (Figure 10). Do not leave the hot plate turned on without a pan on it. The diameter and the base of the pan you use is critical. The maximum diameter of the pan base is 14 cm and the base should be flat.

Leave the hot plate to heat up for 5 minutes before placing a pan on it the first time you use it. This will allow the heat resistant coating of the plate to harden due to burning.

Use a wet cloth and detergent for cleaning the hot plates. Do not remove food residues from the hot plates with a knife or any other hard, sharp object.

Turn on the hot plate for a few moments to dry it after cleaning. However, it must never be left on for more than a few moments without a pan on top.

Position	Power (Watt)	Power (Watt)	Explanation
0	0	0	Off
1	100 W	135 W	Heating
2	180 W	220 W	Cooking at low temperature
3	250 W	300 W	Cooking at low temperature
4	500 W	850 W	Cooking, Roasting, Boiling
5	750 W	1150 W	Cooking, Roasting, Boiling
6	1000 W	1500 W	Cooking, Roasting, Boiling

**Suitability of Cooking Pans (Figure 11)**

Keep in mind that larger pans have larger heating surfaces.

This will help them to cook the food faster than pans with smaller heating surfaces.

Always use pan sizes proportionate to the amount of the food to be cooked. In order to prevent splashing, do not use very small pans, especially for foods with excess liquid. If you use excessively large pans for quick cooked foods, sausages and liquids will stick and residues will remain attached to the pan after being emptied.

Closed pans and baking trays or moulds are suggested for cooking sweets. Splashed sugar and juices from an open pan may stick to the cooker surface and will be difficult to remove.

This is especially important for pans used for roasting or pressurized cooking at high temperature.

Do not leave burners unattended without a pan or with an empty pan on top.

Check the suitability of cooking pans with respect to the following criteria; They should be heavy.

They should completely cover the burner surface; they may be a little bigger but no smaller.

Base surfaces should be completely flat and fit well on the cooking surface.

•For the best use of the electric hotplates and to minimize energy consumption, only pans with smooth flat bases should be used. The size of the pan should be as close as possible to the diameter of the hotplate, and never smaller. The base of the pan should be dry and spillage should be avoided. Empty pans must not be left on the plates, and the plates should not be left switched on without a pan.

## 4. MAINTENANCE AND CLEANING

Before cleaning the hob, ensure the appliance has cooled down. Remove the plug from the socket or (if connected directly) switch off the electricity supply.

Cleaning and user maintenance shall not be made by children without supervision.

Never use abrasives, corrosive detergents, bleaching agents or acids. Avoid any acid or alkaline substances (lemon, juice, vinegar etc.) on the enamelled, varnished or stainless steel sections.

When cleaning the enamelled, varnished or chrome sections, use warm soapy water or a non caustic detergent. For stainless steel use an appropriate cleaning solution.

The burners can be cleaned with soapy water. To restore their original shine, use a household stainless steel cleaner. After cleaning, dry the burners and replace.

**It is important the Burners are replaced correctly.**

### Chromed grids and burners

Chromed grids and burners have a tendency to discolour with use. This does not jeopardize the functionality of the hob.

Our After Sales Service Centre can provide spare parts if required.

## 5. AFTERCARE

Before calling out a Service Engineer please check the following:

- that the plug is correctly inserted and fused;
- that the gas supply is not faulty.

If the fault cannot be detected:

Switch off the appliance and call the After Service Centre. **DO NOT TAMPER WITH THE APPLIANCE.**

## 6. PROTECTION OF THE ENVIRONMENT



This appliance is marked according to the European directive 2012/19/EU on Waste Electrical and Electronic Equipment (WEEE). WEEE contains both polluting substances (which can cause negative consequences for the environment) and basic components (which can be re-used). It is important to have WEEE subjected to specific treatments, in order to remove and dispose properly all pollutants, and

recover and recycle all materials.

Individuals can play an important role in ensuring that WEEE does not become an environmental issue; it is essential to follow some basic rules:

- WEEE shall not be treated as household waste.
- WEEE shall be handed over to the relevant collection points managed by the municipality or by registered companies. In many countries, for large WEEE, home collection could be present.
- When you buy a new appliance, the old one may be returned to the retailer who has to collect it free of charge on a one-to-one basis, as long as the equipment is of equivalent type and has the same functions as the supplied equipment.

**Declaration of compliance:** This equipment, in the parts intended to come into contact with food, complies with the regulations laid down in EEC directives 89/109.



Appliance complies with European Directives 2006/95/EC, 2004/108/EC and 2009/142/EC, and subsequent amendments.

*The Manufacturer will not be responsible for any inaccuracy resulting from printing or transcript errors contained in this brochure. We reserve the right to carry out modifications to products as required, including the interests of consumption, without prejudice to the characteristics relating to safety or function.*

Table 1

BUILT IN HOBS		
Burner	1	2
	4 gas R / 2SR / AUX	3 gas R / SR / AUX / E
Type / reference	S60 / HBGS	S60 / HBGS
Flame failure device	YES	YES
Auxiliary burner (AUX Ø 50 mm)	1	1
Electric Plate	-	1
Semirapid burner (SR Ø 75 mm)	2	1
Rapid burner (R Ø 100 mm)	1	1
<b>Installed Gas Type / Power:</b>		
Gas Power	7.1 kW	5.4 kW
G 20/20 mbar (methane)	676 l/h	514 l/h
G 30/28-30 mbar (LPG)	516 g/h	393 g/h
Installation Class	3	3
Voltage / Frequency V / Hz	220-240 V / 50-60 Hz	220-240 V / 50-60 Hz
Electrical input power	15 W	1500 W
Electric ignition	YES	YES
Product dimension	585 x 510	585 x 510

*This appliance has been designed for non-professional, i.e. domestic, use.*

**AVERTISSEMENT:** L'appareil et les parties accessibles deviennent chauds pendant l'utilisation. Des précautions doivent être prises pour éviter de toucher les éléments chauffants.

- Les enfants de moins de 8 ans doivent être tenus à l'écart à moins d'être surveillés continuellement.
- Cet appareil n'est pas destiné à être utilisé par des personnes (y compris les enfants) dont les capacités physiques, sensorielles ou mentales sont réduites, ou ayant un manque d'expérience et de connaissances, à moins qu'elles n'aient été formées à l'utilisation de l'appareil, par une personne responsable de leur sécurité.
- Les enfants ne doivent jouer avec l'appareil.
- Le nettoyage et l'entretien par l'utilisateur ne doit pas être fait par des enfants sans surveillance.

**ATTENTION:** La cuisson sans surveillance sur une plaque de cuisson avec de la graisse ou d'huile peut être dangereuse et peut entraîner un incendie.

- Ne jamais tenter d'éteindre un incendie avec de l'eau, mais éteindre l'appareil, puis couvrir la flamme par exemple avec un couvercle ou une couverture anti-feu.

**AVERTISSEMENT:** Danger d'incendie: ne pas stocker des éléments sur les surfaces de cuisson.

**ATTENTION:** Si la surface est fêlée, éteindre l'appareil pour éviter les risques de choc électrique.

- Ne pas utiliser de nettoyeurs vapeur pour le nettoyage.
- Tout liquide doit être enlevé du couvercle avant ouverture.
- Il est recommandé de laisser refroidir la table de cuisson avant de refermer le couvercle.
- L'appareil n'est pas destiné à être utilisé avec une minuterie externe ou un système de contrôle à distance.
- Un système de déconnexion doit être incorporé dans le compteur conformément aux règles de câblage.

- Les instructions indiquent le type de cordon à utiliser, en tenant compte de la température de la surface arrière de l'appareil.

- Si le cordon d'alimentation est endommagé, il doit être remplacé par un cordon spécial disponible auprès du fabricant ou de stations de dépannage agréées.

**ATTENTION:** Pour éviter tout danger dû à une réinitialisation accidentelle, cet appareil ne doit pas être alimenté par un dispositif de commutation externe, comme une minuterie, ou connecté à un circuit qui est régulièrement allumé et éteint par l'utilisateur.

- Cet appareil doit être installé en conformité avec la réglementation en vigueur et utilisé uniquement dans un espace ventilé. Lisez les instructions avant d'installer ou utiliser cet appareil.

- Ces instructions ne sont valables que si le symbole du pays apparaît sur l'appareil. Si le symbole n'apparaît pas sur l'appareil, il est nécessaire de se référer à la notice technique qui fournira les instructions nécessaires concernant la modification de l'appareil selon les conditions d'utilisation du pays.

- Avant l'installation, s'assurer que les conditions de distribution locale (la nature du gaz et la pression) et le réglage de l'appareil sont compatibles"

- Les conditions de réglage de cet appareil sont indiqués sur l'étiquette (ou données de la plaque) ;

- "Cet appareil n'est pas relié à un dispositif d'évacuation des produits de combustion. Il doit être installé et raccordé conformément aux règles d'installation en cours. Une attention particulière doit être accordée aux exigences concernant la ventilation "

- "Les résultats de la table gaz dans la production de chaleur dépend de l'humidité dans la pièce dans laquelle elle est installée. Veillez à ce que la cuisine soit bien ventilée. Laissez les ouvertures de ventilation naturelle ouvertes ou installez un dispositif de ventilation mécanique (hotte aspirante mécanique). Une utilisation intensive prolongée de l'appareil peut faire appel à l'utilisation d'une ventilation supplémentaire, par exemple d'ouverture d'une fenêtre, ou plus efficace de ventilation mécanique, par exemple en augmentant le niveau de la ventilation mécanique présent.

## 1. INSTALLATION

La mise en place fonctionnelle des appareils ménagers dans leur environnement est une opération délicate qui, si elle n'est pas correctement effectuée, peut avoir de graves conséquences sur la sécurité des consommateurs. Dans ces conditions, il est impératif de confier cette tâche à un professionnel qui la réalisera conformément aux normes techniques en vigueur. Si malgré cette recommandation, le consommateur réalisait lui-même l'installation, le constructeur déclinerait toute responsabilité en cas de défaillance technique du produit entraînant ou non des dommages aux biens et/ou aux personnes.

### 1.1. ENCASTREMENT

Le meuble ou le support dans lequel doit être encastrée la table, ainsi que les parois du meuble qui pourraient juxtaposer celui-ci, doivent être d'une matière résistante à une température élevée (jusqu'à 100°C) et d'une épaisseur comprise entre 25 et 45 cm.

Les dimensions d'encastrement sont indiquées sur le schéma 2.

Si la table est installée entre deux meubles de cuisine, la distance entre la table et les meubles doit être au moins de 15 cm (voir schéma 4); tandis que la distance entre la table et le mur du fond doit être au moins de 5,5 cm. La distance entre la table et tout autre appareil ou meuble situé au dessus (par exemple une hotte) doit être au moins de 70 cm (voir schéma 4).

Si, en fonction de l'installation de la table, la partie inférieure de son caisson se trouve à proximité d'une zone normalement accessible lors de manipulations et/ou de rangements, placer une cloison (bois ou similaire) pour éviter tous risques de brûlure ou de détérioration (schéma 3).

**Attention : Lors de la mise en place, un soin particulier doit être porté au joint entourant le bord de la table afin d'éviter toute infiltration dans le meuble support (schéma 1).**

Lors de la mise en place du joint sur la partie arrière, veiller à ne pas obstruer les passages d'air nécessaires à la combustion.

Le caisson de la table est équipé en dessous de 4 emplacements prévus pour recevoir les brides de fixation destinées à l'immobilisation de la table sur le meuble. Placer les 4 brides de fixation de manière à ce que la table de travail soit parfaitement plaquée au meuble.

Si une table de 60 cm de large est installée au-dessus d'un four qui n'est pas équipé de ventilation tangentielle, il est recommandé de créer des ouvertures dans le caisson de cuisine pour faire ainsi circuler l'air.

La taille de ces ouvertures doit être au moins de 300 cm<sup>2</sup> et placées comme indiqué sur le schéma 5.

Si c'est une table de 75cm de large qui est installée au-dessus du four, ce dernier doit être équipé d'une ventilation tangentielle.

l'appareil n'est pas destiné à être utilisé avec une minuterie externe ou un système de contrôle à distance.

### 1.2. CARACTERISTIQUES REQUISES

Cet appareil doit être installé en conformité avec la réglementation en vigueur et utilisé uniquement dans un espace ventilé. Lisez les instructions avant d'installer ou utiliser cet appareil.

Un appareil de cuisson alimenté par le gaz produit de la chaleur et de l'humidité à l'endroit où il est installé. Pour cette raison, veuillez assurer la bonne ventilation de la pièce en gardant des courants d'air ou en installant une hotte.

Une utilisation intensive et prolongée de l'appareil peut requérir une ventilation plus importante, telle que l'ouverture d'une fenêtre ou une puissance d'aspiration plus intense de la VMC si vous en êtes équipés.

Si il n'est pas possible d'installer une hotte, une VMC devrait être installée sur un mur donnant sur l'extérieur ou sur une fenêtre.

La VMC devrait être en mesure d'apporter un changement complet de l'air de la cuisine 3 à 5 fois par heure. L'installateur doit installer la VMC conformément aux règles en vigueur dans le pays d'installation

### 2.1. RACCORDEMENT ELECTRIQUE

**"L'installation recevant l'appareil cité en référence doit être conforme à la norme en vigueur dans le pays d'installation". Le constructeur décline toute responsabilité en cas de non respect de cette disposition.**

Vérifier les données sur la plaque signalétique, située à l'extérieur de l'unité, pour assurer que l'alimentation et le voltage conviennent.

Avant le branchement, vérifier le système de mise à la terre.

**Attention : vérifier la continuité de la terre de l'installation avant de procéder au raccordement. Notre responsabilité ne saurait être engagée pour tout incident ou ses conséquences éventuelles qui pourraient survenir à l'usage d'un appareil non relié à la terre, ou relié à une terre dont la continuité serait défectueuse.**

Si une prise n'est pas déjà fournie, installer une prise appropriée pour la charge indiquée sur la plaque signalétique.

La prise devrait toujours être accessible.

Le fil de terre est de couleur jaune / vert.

Lorsque la table de cuisson est reliée directement à l'alimentation en électricité, un disjoncteur doit être installé.

Si le cordon d'alimentation est endommagé, il doit être remplacé par un technicien qualifié afin d'éviter tout risque potentiel.

Le fil de terre (couleur vert et jaune) doit être au moins 10mm plus long que les fils de phase et neutre.

La section du câble utilisé doit être de la bonne taille par rapport à la puissance absorbée de la table de cuisson.

Veuillez vérifier la plaque signalétique pour les détails de puissance et veiller à ce que le cordon d'alimentation électrique soit de type 3x0.75 mm<sup>2</sup> I'H05RR F.



Si l'appareil n'est pas muni d'un cordon d'alimentation et d'une prise, ou d'un autre moyen assurant que l'appareil puisse être déconnecté du réseau d'alimentation dans le cas d'un surtension répondant aux conditions de catégorie III, il est nécessaire d'intégrer un système de disjoncteur dans le câblage, conformément aux règles établies en la matière.

### 2.2. RACCORDEMENT GAZ

L'appareil doit être installé et raccordé conformément aux règles

En vigueur dans le pays d'installation. Une attention particulière sera accordée aux dispositions applicables en matière De ventilation.

Tous les travaux d'installation doivent être effectués avec l'électricité déconnectée.

La plaque signalétique sur la plaque indique le type de gaz qui doit être utilisé. Le raccordement au réseau d'approvisionnement en gaz cylindre doit être effectuée qu'après avoir vérifié qu'il est réglementé pour le type de gaz avec lequel il sera distribué. S'il n'est pas correctement réglementé, voir les instructions dans les paragraphes suivants pour modifier les paramètres du gaz.

Pour le gaz liquide (bouteille de gaz), utiliser des régulateurs de pression conformes aux normes en vigueur.

Utilisez uniquement des tuyaux, des rondelles et des rondelles d'étanchéité conformes aux normes en vigueur.

Pour certains modèles un lien conique est fourni pour installation l'appareil, dans les pays où ce type de lien est obligatoire ; sur le schéma 8, il est indiqué comment reconnaître les différents types de liens (CY = cylindrique, CO = conique). Dans tous les cas, la partie cylindre du lien doit être connecté à la table.

Lorsque vous connectez la table de cuisson à l'alimentation du gaz via l'utilisation de tuyaux flexibles, veuillez faire en sorte que la distance maximum couverte par le tuyau ne dépasse pas 2 mètres.

Le tube flexible doit être installé de manière à ne pas entrer en contact avec un élément mobile de la cuisine (par exemple un tiroir) et à ne pas passer dans un espace pouvant être encombré.

Pour éviter tout dommage potentiel à la table de cuisson, veuillez effectuer l'installation suivant les indications du schéma 6.

1) Comme illustré dans le schéma, assembler les pièces en séquence :

A: ½ Adaptateur Cylindrique mâle  
 B: ½ Obturation  
 C: ½ Adaptateur gaz Femelle conique-cylindrique ou cylindrique-cylindrique.

- 2) Serrer les joints avec des clés à molette, pensez à placer les tuyaux en position.
- 3) Fixer le raccord C au réseau d'approvisionnement en gaz à l'aide tuyau rigide ou en acier flexi-ble.

**IMPORTANT: effectuer une dernière vérification pour détecter les fuites sur les raccords de tuyauterie en utilisant une solution savonneuse. Ne jamais utiliser une flamme. Aussi, assurez vous que le tuyau flexible ne peut pas entrer en contact avec une partie mobile du meuble de cuisine (par exemple un tiroir) et qu'il ne se trouve pas à un endroit où il pourrait être endommagé.**

**Attention:** Si vous sentez des émanations de gaz en provenance de l'appareil, coupez immédiatement l'alimentation en gaz et appelez directement une personne qualifiée. Ne cherchez pas une fuite à l'aide d'une flamme.

### 2.3. ADAPTER LA TABLE A DIFFERENTS TYPES DE GAZ

Pour adapter la table de cuisson à différents types de gaz, veuillez exécuter les instructions suivantes:

- Enlever les grilles, chapeaux et corps de brûleurs
- Insérez une clé à pipe (7 mm) dans le support du brûleur (*schéma 7*)
- Dévisser le/les injecteurs et le/les remplacer par un/des injecteurs adaptés au gaz à utiliser (voir le type de gaz préconisé sur la table)
- Visser le/les injecteurs à fond
- Régler la bague d'air
- Replacer les corps de brûleurs, le chapeau de brûleur et les grilles

### 2.4. REGULER LA FLAMME AU MINIMUM

Après l'allumage du brûleur, tourner le bouton de commande au réglage minimum, puis enlever la manette de commande (ce qui peut facilement être enlevé par appliquer une légère pression). En utilisant un petit « Terminal » type tournevis, la vis de réglage peut être ajustée (cf Schéma 9). En tournant la vis dans le sens des aiguilles d'une montre, cela réduit le débit de la flamme, alors qu'en tournant dans le sens inverse, cela l'augmente. Utilisez ce réglage pour obtenir une flamme d'environ 3 à 4 mm de longueur, puis replacer la manette de commande.

Lorsque l'approvisionnement en gaz disponible est du butane/propane (gaz de bouteilles), la vis pour régler la flamme au ralenti doit être tournée dans le sens des aiguilles d'une montre, jusqu'à la butée.

Lorsque vous avez effectué la régulation du gaz, remplacer l'ancienne plaque signalétique de votre appareil avec celle adaptée au type de gaz installé (fournie avec plaque de cuisson).

## 3. UTILISATION DE LA TABLE

Cet appareil ne doit être utilisé que pour des fins pour lesquelles il est destiné : la cuisson domestique. Toute autre utilisation sera considérée comme abusive et peut donc être dangereuse. Le fabricant ne sera pas responsable pour tout dommage ou perte découlant d'une utilisation abusive.

### 3.1. USING THE GAS BURNER

Pour allumer les brûleurs, placez une flamme (allume-feu, allumette, briquet etc...) près du brûleur, appuyez et tournez la manette de commande.

Si les brûleurs n'ont pas été utilisés depuis quelques jours, attendre quelques secondes avant d'allumer le brûleur, ce qui permettra l'air éventuellement présent dans les tuyaux de s'échapper.

Pour les appareils équipés d'allumage électronique, effectuer les opérations suivantes:

- Pousser et tourner la manette de commande sur le symbole d'allumage.
- Allumer le brûleur en appuyant sur le bouton d'allumage

Pour les tables de cuisson équipées d'allumage électronique intégré, il suffit de pousser et tourner le bouton sur le symbole d'allumage.

Le système d'allumage continuera à produire des étincelles aussi longtemps que le robinet de gaz est actionné.

Si le brûleur ne s'enflamme pas dans les 5 secondes, tournez le bouton vers la position 0 et répéter l'opération.

Pour les modèles équipés d'un robinet de sécurité par thermocouple (qui coupe l'écoulement du gaz si la flamme est accidentellement éteint), les brûleurs sont allumés et décrit ci-dessus, mais il faut prendre soin de garder la manette de commandes enfoncée pendant 5 ou 6 secondes après que la flamme est allumée.

**ATTENTION :** Avant d'allumer la table gaz, veillez à ce que les brûleurs et les chapeaux de brûleur soient correctement placés dans leur position.

### CONSEIL

Pour de meilleurs résultats, la taille de casseroles à fond plat doit correspondre à la taille des brûleurs comme suit :

Type de brûleurs	Ø casserole (cm)	GazPower (kW)	G20/20 mbar (Gaz de naturel: Méthane)	G30/28-30 mbar (Butane/Propane)
A Brûleur auxiliaire	12 - 18	1	95 l/h	73 g/h
SR Brûleur semi-rapide	18 - 24	1,7	162 l/h	124 g/h
R Brûleur rapide	24 - 26	2,7	257 l/h	196 g/h

Table A

Pour les petites casseroles/poêles, le brûleur à gaz doit être réglé de telle manière que la flamme ne chevauche pas le fond de la casserole. Les récipients à fond concave ou convexe ne doivent pas être utilisés.

**ATTENTION: Si un brûleur est accidentellement éteint, tournez le bouton vers la position fermée et ne pas tenter de relancer pendant au moins 1 minute.**

Si au fil des années les robinets de gaz deviennent raides, il est nécessaire de les lubrifier.

**Cette opération doit être effectuée que par un technicien agréé.**

### 3.2. MANUEL D'UTILISATION DES PL AU ES CHAUFFANTES ELECTRIQUES SUR COMPTOIRS

Placer le bouton sur la température voulue pour régler la température de la plaque chauffante électrique. Le voyant lumineux s'allume et la plaque chauffante électrique commence à se réchauffer.

Après la cuisson placer le bouton à la position "0" pour éteindre la plaque chauffante électrique (Schéma 10). Ne laisser jamais allumer la plaque chauffante électrique lorsqu'il y a un récipient dessus. Le diamètre et la forme du fond du récipient utilisé a une très grande importance. Le fond du récipient doit être plat et son diamètre ne doit être supérieur à 14 cm. Avant de la première utilisation, avant d'y placer un récipient, réchauffer la plaque chauffante électrique durant 5 minutes. Cette opération permettra l'endurcissement de la couverture de la plaque chauffante électrique qui est résistante à la haute température. Pour nettoyer les plaques chauffantes électriques utiliser du chiffon mouillé et du détergent à vaisselle. N'essayer jamais à enlever en grattant les restes des produits cuits sur les plaques chauffantes à l'aide d'un couteau ou autres instruments aigus et durs. Après le nettoyage des plaques chauffantes électriques laisser les allumées pendant quelques minutes pour les faire sécher. Ne les laisser jamais allumer plus de quelques minutes quand les surfaces des plaques chauffantes électriques sont vides.

Position	Puissance (Watt)	Puissance (Watt)	Remarques
0	0	0	Fermée
1	100 W	135 W	Réchauffage
2	180 W	220 W	Cuisson à basse température
3	250 W	300 W	Cuisson à basse température
4	500 W	850 W	Cuisson, Torrification, Ebullition
5	750 W	1150 W	Cuisson, Torrification, Ebullition
6	1000 W	1500 W	Cuisson, Torrification, Ebullition

#### La conformité des récipients de cuisson (Schéma 11)

N'oubliez pas que des récipients plus grands ont des surfaces de réchauffement plus larges.

Des grands récipients permettent une cuisson plus rapide par rapport aux récipients ayant des petites surfaces de réchauffement.

Utiliser toujours des récipients qui sont conformes aux quantités des plats à cuire. Pour que les plats ne se débordent pas, surtout pour la cuisson des plats relativement liquides, n'utilisez pas des petits récipients. En cas d'utilisation des grands récipients pour les plats dont leurs cuissons sont rapides, la sauce du plat restera collée au récipient et quand vous le transférez dans une assiette de service, les restes du plat resteront aussi collés au fond du récipient.

Pour la cuisson des desserts, il est conseillé d'utiliser des récipients fermés ou des récipients de four ou des moules de gâteaux. Dans des récipients ouverts, la sauce sucrée pourrait déborder, donc le nettoyage de la plaque chauffante électrique serait plus difficile. Ceci est surtout important pour des cuissons à haute température ou des cuissons à pression (cocotte minute). Ne laissez jamais allumer le chalumeau quand il n'y a pas de récipient dessus, ou quand il y a un récipient vide.

Contrôlez la conformité des récipients selon les critères suivants :  
Il faut qu'ils soient lourds.

Il faut qu'ils couvrent entièrement la surface du chalumeau (Ils peuvent être un peu plus grands, jamais plus petits par rapport à la surface du chalumeau) La surface du fond du récipient doit être plate et doit se poser entièrement sur la surface de cuisson de la plaque chauffante électrique.

#### 4. MAINTENANCE ET ENTRETIEN

Avant de nettoyer la table de cuisson, assurez-vous que cet appareil est refroidi. Retirez la fiche de la prise ou (s'il est connecté directement), éteindre l'alimentation d'électricité.

Le nettoyage et l'entretien par l'utilisateur ne doit pas être fait par des enfants sans surveillance.

Ne jamais utiliser de produits abrasifs, de détergents corrosifs, agents de blanchiment ou d'acides. Éviter les substances acides ou alcalines (citron, jus, vinaigre etc...) sur l'émail ou l'acier.

Lors du nettoyage de l'émail, vernis ou des sections chromées, utilisez de l'eau chaude savonneuse ou un détergent non corrosif. Pour l'acier inoxydable, utilisez une solution de nettoyage appropriée.

Les brûleurs peuvent être nettoyés avec de l'eau savonneuse. Pour restaurer leur éclat d'origine, utilisez un nettoyant ménager pour acier inoxydable. Après nettoyage, séchez les brûleurs et les replacer.

**Il est important que les brûleurs soient remplacés correctement à leur position.**

#### Grilles chromées et brûleurs

Les grilles chromées et les brûleurs ont tendance à foncer à l'utilisation. Il s'agit d'un phénomène normal et inévitable, mais elle ne compromet pas la fonctionnalité de la table de cuisson.

Si besoin, des pièces de rechange sont disponibles dans notre centre de service après-vente.

#### 5. ASSISTANCE TECHNIQUE

Avant d'appeler le Service d'Assistance Technique, vérifiez les points suivants:

- La prise est bien insérée ;
- L'approvisionnement en gaz n'est pas défectueux.

Si la panne ne peut être identifiée:

Éteignez l'appareil (ne pas l'utiliser) et appelez le Service d'Assistance Technique.

#### 6. PROTECTION DE L'ENVIRONNEMENT



Le présent appareil est marqué conformément à la directive 2012/19/UE relative aux déchets d'équipements électriques et électroniques (DEEE). Les DEEE contiennent à la fois des substances polluantes (qui peuvent avoir des conséquences négatives sur l'environnement) et des éléments de base (réutilisables). Il est important de soumettre les DEEE à des traitements spécifiques, en vue d'extraire et d'éliminer de façon appropriée toutes les substances polluantes, puis de récupérer et recycler tous les matériaux.

Chacun peut jouer un rôle important quant à la protection de l'environnement contre les DEEE. Pour atteindre cet objectif, il est impératif de suivre quelques règles élémentaires :

- Les DEEE ne doivent pas être traités comme des déchets ménagers.
- Ils doivent être remis aux points de collecte appropriés gérés par la municipalité ou par des sociétés immatriculées. Dans plusieurs pays, il est possible de collecter à domicile les DEEE volumineux.
- Lorsque vous achetez un nouvel appareil, vous devez retourner l'ancien au vendeur qui le récupère gratuitement, au cas par cas, à condition que l'équipement soit de type équivalent et possède les mêmes fonctions que celui fourni.

**Déclaration de conformité:** cet équipement, dans les parties destinées à entrer en contact avec les aliments, est conforme aux normes fixées par les directives CEE 89/109.



L'appareil est conforme aux directives européennes 2006/95/EC, 2004/108/EC et 2009/142/EC, et ses modifications ultérieures.

*Le constructeur décline toute responsabilité concernant d'éventuelles inexactitudes imputables à des erreurs d'impression ou de transcription contenue dans cette notice. Le constructeur se réserve le droit de modifier les produits en cas de nécessité, même dans l'intérêt de l'utilisation, sans causer de préjudices aux caractéristiques de fonctionnement de sécurité des appareils.*

Table 1

TABLES DE CUISSON		
	1	2
Foyers	4 gaz R / 2SR / AUX	3 gaz R / SR / AUX / E
Modèle	S60 / HBGS	S60 / HBGS
Sécurité gaz par thermocouple	YES	YES
Brûleur auxiliaire(AØ 50 mm)	1	1
Plancha electrica	-	1
Brûleur semi-rapide(SR Ø 75 mm)	2	1
Brûleur rapide(R Ø 100 mm)	1	1
<b>Type de gaz installé / Puissance :</b>		
Gaz Power	7.1 kW	5.4 kW
G 20/20 mbar (Gaz de naturel : Méthane)	676 L/h	514 L/h
G 30/28-30 mbar (Butane/Propane)	516 g/h	393 g/h
Classe d'installation	3	3
Voltage / Frequency V / Hz	220-240 V / 50-60 Hz	220-240 V / 50-60 Hz
Puissance électrique	15 W	1500 W
Allumage électronique intégré	YES	YES
Dimensions appareil (LxP) mm	585 x 510	585 x 510

Cet appareil a été dessiné pour un usage non professionnel, usage domestique uniquement

**UPOZORNĚNÍ:** Spotřebič a jeho přístupné části se během použití zahřívají. Nedotýkejte se topných prvků.

- Děti do 8 let držte mimo dosah spotřebiče, pokud nejsou neustále pod dohledem.
- Tento spotřebič smí používat děti starší 8 let a osoby se sníženými fyzickými, sensorickými nebo mentálními schopnostmi nebo bez dostatečných zkušeností, pokud jsou pod dohledem a byly poučeny o použití spotřebiče a možném riziku.
- Nedovolte dětem hrát si se spotřebičem.
- Čištění a údržbu nesmí provádět děti bez dohledu.

**UPOZORNĚNÍ:** Vaření na desce s tuky a oleji bez dohledu je nebezpečné a může způsobit požár.

- NIKDY se nepokoušejte uhasit plamen vodou, vypněte spotřebič a poté překryjte plamen pokličkou nebo protipožární přikrývkou.

**UPOZORNĚNÍ:** Pokud je povrch varné desky prasklý, spotřebič vypněte, abyste zabránili riziku zasažení elektrickým proudem.

- K čištění nepoužívejte vysokotlaké parní čističe.
- Nečistoty z krytu odstraňte před otevřením.
- Varnou desku nechte před zavřením krytu vychladnout.
- Spotřebič nesmíte ovládat pomocí externího časovače nebo samostatného dálkového ovládání.
- Odpojovací zařízení musí být včleněno do napájení v souladu s platnými předpisy.
- Pokud je poškozený přívodní kabel, musíte jej vyměnit za speciální kabel dostupný u výrobce nebo servisního technika.

**UPOZORNĚNÍ:** abyste zabránili nebezpečí z neúmyslného resetování tepelné pojistky, tento spotřebič nesmíte napájet přes externí spínací zařízení, jako je časovač, nebo připojovat k obvodu, který se pravidelně zapíná a vypíná elektrikářskou službou.

- Tento spotřebič musí být instalován v souladu s platnými předpisy a používat na dobře větraném místě. Před instalací a použitím spotřebiče si přečtěte pokyny k použití.

• "Tyto pokyny platí pouze v případě, pokud je symbol země uvedený na spotřebiči. Pokud není, je nutné prostudovat si technické instrukce, týkající se příslušných změn spotřebiče podle dané země".

• "Před instalací se ujistěte, zda místní napájecí podmínky (typ plynu a tlak plynu) a nastavení spotřebiče odpovídají";

• "Podmínky nastavení tohoto spotřebiče jsou uvedeny na výrobním štítku";

• "Tento spotřebič není připojený k systému odvodu spalin. Musí být instalován a připojován v souladu s platnými instalačními předpisy. Zvyšte pozornost na příslušné požadavky týkající se ventilace".

• "Použití plynových varných spotřebičů způsobuje tvorbu tepla a vlhkosti v místnosti, kde je spotřebič instalován. Ujistěte se, zda je kuchyň dobře větraná: udržujte přirozené větrací otvory volné nebo instalujte mechanické větrací zařízení (odsavač par). Dlouhodobé intenzivní použití spotřebiče může vyžadovat další větrání, například otevření dveří nebo okna, nebo efektivnější větrání, například zvýšením úrovně mechanické ventilace".

**UPOZORNĚNÍ:** Riziko požáru: neskladujte žádné předměty na varné desce.

## 1. POKYNY PRO INSTALATÉRA

**INSTALACE DOMÁCÍCH SPOTŘEBIČŮ MŮŽE BÝT SLOŽITÁ OPERACE, KTERÁ, POKUD NENÍ PROVEDENA SPRÁVNĚ, MŮŽE VÁŽNĚ OHROZIT BEZPEČNOST UŽIVATELE. Z TOHOTO DŮVODU POŽÁDEJTE O INSTALACI KVALIFIKOVANÉHO SERVISNÍHO TECHNIKA, KTERÝ INSTALACI PROVEDE PODLE PLATNÝCH PŘEDPISŮ. V PŘÍPADĚ NEOPRÁVNĚNÉ INSTALACE VÝROBCE NENESE ŽÁDNOU ODPOVĚDNOST ZA TECHNICKÉ ZÁVADY VÝROBKU, KTERÉ MOHOU VÉST KE POŠKOZENÍ VÝROBKU NEBO ZRANĚNÍ OSOB.**

### 1.1 VESTAVBA

Varnou desku lze instalovat do pracovní desky, která je z teplu odolného materiálu do 100°C a má tloušťku 25-45 mm. Rozměry výřezu v pracovní desce jsou na *obrázku 2*.

Pokud je varná deska připevněná k nábytku na kterékoli straně, vzdálenost mezi varnou deskou a nábytkem musí být nejméně 15 cm (*viz obrázek 4*); zatímco vzdálenost mezi varnou deskou a zadní stěnou musí být nejméně 5,5 cm.

Vzdálenost mezi varnou deskou a spotřebičem nad ní (např. odsavač par) musí být nejméně 70 cm (*obrázek 4*).

Pokud není volný prostor mezi varnou deskou a skříňkou pod ní, je nutné instalovat vhodné mezidno (dřevěné nebo z podobného materiálu) (*obrázek 3*).

**Důležité - Obrázek 1 znázorňuje aplikaci těsnění.**

Varná deska se upevňuje pomocí dodaných upevňovacích svorek, pomocí otvorů ve spodní části spotřebiče.

Pokud je 60 cm varná deska nad troubou, která není vybavená chladičím ventilátorem, doporučujeme udělat větrací otvory v nábytku pro zajištění správné ventilace.

Velikost otvorů musí být nejméně 300 cm<sup>2</sup> a umístění podle *obrázku 5*.

Pokud je 75 cm varná deska nad troubou, musí být přidán chladič Ventilátor.

Spotřebič nesmíte ovládat pomocí externího časovače nebo samostatného dálkového ovládání.

### 1.2 VHODNÉ MÍSTO INSTALACE

Tento spotřebič musí být instalován v souladu s platnými předpisy a používat na dobře větraném místě. Před instalací a použitím spotřebiče si přečtěte pokyny k použití.

PLynové spotřebiče produkují teplo a vlhkost v místě instalace. Z tohoto důvodu musíte zajistit dostatečnou ventilaci udržením volných přirozených otvorů nebo instalací odsavače.

Intenzivní a dlouhodobé použití spotřebiče může vyžadovat extra ventilaci, jako je otevření okna nebo zvýšení výkonu ventilátoru, pokud je.

Pokud nelze instalovat odsavač, je nutné instalovat ventilátor do vnější stěny nebo okna. Elektrický ventilátor musí být schopný vyměnit vzduch 3-5 násobku objemu kuchyně každou hodinu, instalatér musí dodržovat platná pravidla.

### 2.1. PŘIPOJENÍ K ELEKTRICKÉ SÍTI

Zkontrolujte data na výrobním štítku, na vnější straně přístroje, pro kontrolu, zda napětí odpovídá napětí elektrické sítě. Před připojením zkontrolujte uzemnění. Tento spotřebič musí být uzemněný. Pokud tuto podmínku nesplníte, výrobce neneše žádnou odpovědnost za poškození spotřebiče nebo úrazy osob. Pokud přívodní kabel není vybavený zástrčkou, připojte vhodnou zástrčku podle údajů na výrobním štítku.

Uzemňovací systém je barevně označen žlutozelenou. Zástrčka musí zůstat i po instalaci snadno přístupná.

Pokud je varná deska připojená přímo k elektrické síti, musíte instalovat odpojovací zařízení. Pokud se poškodí přívodní kabel, musí jej vyměnit kvalifikovaný servisní technik, aby se zabránilo možnému nebezpečí.

Uzemňovací vodič (žlutozelený) musí být nejméně o 10 mm delší než živý a neutrální vodič. Použijte vhodný kabel podle parametrů výkonu trouby. Zkontrolujte výrobní štítek a ujistěte se, zda je přívodní kabel typu 3x0.75 mm<sup>2</sup> H05RR-F.



Pokud spotřebič není vybaven přívodním kabelem se zástrčkou, nebo jiným typem odpojovacího zařízení nabízejícím odstup kontaktu v odpojeném stavu podle požadavků proti přepětí III kategorie, musíte uskutečnit toto připojení podle platných směrnic.

### 2.2. PŘIPOJENÍ PLYNU

Tyto pokyny jsou pro kvalifikovaného technika, instalace musí být v souladu s národními předpisy.

Všechny práce se musí provádět při odpojeném napájení.

Výrobní štítek na varné desce definuje typ plynu, pro který je navržena. Připojení k hlavní přípojce plynu nebo k plynové láhvi může být provedeno po ověření, že je vhodný pro typ přiváděného plynu. Pokud není správně regulovaný, viz pokyny v následujících odstavcích pro úpravu nastavení.

Pro tekutý plyn (plyn v láhvi) použijte regulátor tlaku plynu vyhovující mezinárodním standardům.

Některé modely jsou vybavené kónickou přípojkou pro instalace v zemích, kde je tento typ povinný; v *obrázku 8* je popsáno jak rozeznat různé typy spojů (CY = cylindrický, CO = kónický). V každém případě, cylindrická část připojení musí být připojena k varné desce.

Pokud připojujete varnou desku k přípojce plynu pomocí ohebné hadice, zajistěte, aby maximální délka hadice nepřesahovala 2 metry.

Flexibilní trubku je nutné připevnit tak, aby nepřišla do kontaktu s pohyblivými díly skříňky (např. šuplíkem) a neprecházela přes příliš úzké prostory.

Abyste zabránili možnému nebezpečí, proveďte instalaci v následujícím pořadí (*obrázek 6*):

#### 1) Podle obrázku sestavte díly v pořadí:

A: 1/2 cylindrický adaptér,

B: 1/2 těsnění,

C: 1/2 kónický-cylindrický nebo cylindrický-cylindrický adaptér plynu

#### 2) Utáhněte spoje kleštěmi, umístěte trubky do správné pozice.

#### 3) Připevněte díl C k hlavní přípojce plynu pomocí pevné měděné trubky nebo ohebné ocelové trubky.

**DŮLEŽITÉ: proveďte konečnou kontrolu těsnosti spojů pomocí roztoku vody a saponátu. Nikdy nepoužívejte plamen. Také se ujistěte, zda ohebná trubka není v kontaktu s pohyblivými díly skříňky (např. šuplíkem) a není instalovaná v místě, kde se může poškodit.**

**Upozornění:** Pokud ucítíte plyn v okolí spotřebiče, okamžitě vypněte přívod plynu a kontaktujte servisního technika. Nepokoušejte se najít únik plynu pomocí plamene.

## 2.3. ZMĚNA VARNÉ DESKY NA JINÝ DRUH PLYNU

Pro úpravu varné desky na jiný typ plynu proveďte následující kroky:

- sejměte mřížky a hořáky
- vložte klíč (7 mm) do podložky hořáku (obrázek 7)
- vyšroubujte trysku a nahraďte vhodnou pro daný typ používaného plynu (viz tabulku typů Plynů)

## 2.4. NASTAVENÍ MINIMÁLNÍHO PLAMENE

Po zapálení hořáků, otočte ovládacím knoflíkem na minimální nastavení a poté sejměte ovládací knoflík (můžete jej sejmout jemným potažením).

Pomocí malého šroubováku nastavte regulační šroub podle obrázku 9. Otočením šroubu ve směru hodinových ručiček snížíte plamen, otočením proti směru hodinových ručiček plamen zvětšíte. Pomocí tohoto nastavení nastavte plamen o délce přibližně 3 až 4 a poté nasadte ovládací knoflík.

Pokud je dodávaný plyn LPG (plyn v láhvích) - šroub pro nastavení počátečního plamene musíte otočit ve směru hodinových ručiček do konce.

Po dokončení nastavení plynu nahraďte výrobní štítek s typem plynu za nový, podle instalovaného Plynů.

## 3. POUŽITÍ VARNÉ DESKY

Tento spotřebič se musí používat pouze k účelům, pro které byl navržen a to pro vaření v domácnosti. Jakékoli jiné použití je nesprávné a může být nebezpečné. Výrobce nenese žádnou odpovědnost za poškozené vyplývající z nesprávného použití tohoto spotřebiče.

### 3.1. POUŽITÍ PLYNOVÉHO HOŘÁKU

K zapálení hořáků přiložte zdroj otevřeného plamene k hořáku, stiskněte a otočte knoflíkem ovládaní plynu proti směru hodinových ručiček.

Pokud jste hořák nepoužívali několik dní, před zapálením počkejte několik sekund, toto odstraní přítomný vzduch v trubkách.

Pro spotřebiče s elektrickým zapalováním proveďte následující kroky:

- stiskněte a otočte knoflík proti směru hodinových ručiček na symbol zapálení.
- zapalte hořák stisknutím tlačítka jiskření.

Pro varné desky vybavené automatickým zapalováním pouze stiskněte a otočte knoflík na symbol zapálení.

Systém zapalování opakuje jiskření, dokud držíte stisknutí ovládací knoflík.

Pokud se hořák nezapálí do 5 sekund, otočte knoflík na pozici 0 a postup opakujte.

Pro modely vybavené bezpečnostním ventilem (který vypne přívod plynu v případě náhodného zhasnutí plamene) se hořák zapaluje podle výše uvedeného postupu, ale knoflík musíte držet stisknutý 6 sekund po zapálení plamene.

#### UPOZORNĚNÍ:

Před zapnutím varné desky se ujistěte, zda jsou hořáky a víčka hořáků správně nasazené.

#### VŠEOBECNÉ POKYNY

Pro nejlepší výsledky používejte nádobí s rovným dnem, které vyhovují průměru hořáků. *Tabulka A.*

Typ hořáku	Ø pánev / pot (cm)	Výkon (kW)	G20/20 mbar (Metan)	G30/28-30 mbar (LPG)
A Pomocný hořák	12 - 18	1	95 l/h	73 g/h
SR Půlrychlý hořák	18 - 24	1,7	162 l/h	124 g/h
R Silný hořák	24 - 26	2,7	257 l/h	196 g/h

Tabulka A

Pro menší nádoby nastavte plyn tak, aby plamen nepřesahoval za okraj dna nádoby. Nepoužívejte nádoby s vypuklým dnem.

**UPOZORNĚNÍ: Pokud plamen nečekaně zhasne, otočte knoflíkem do pozice vypnuté a nepokoušejte se jej zapalovat do 1 minuty.**

Pokud se knoflík po letech použití otáčí těžko, je nutné jej namazat. **Tuto činnost smí provádět pouze kvalifikovaný technik.**

## 3.2. POUŽITÍ ELEKTRICKÝCH PLOTEN

Otočte voličem do pozice požadované teploty.

Rozsvítí se kontrolka příslušné plotny a plotna se začne zahřívat.

Po skončení vaření otočte voličem zpět do pozice „O. (Obrázek 10). Nenechávejte varnou plotnu zapnutou bez nádobí. Průměr plotny a použitého nádobí je velmi důležitý. Maximální průměr dna je 14 cm a dno musí být rovné.

Při prvním použití nechte plotnu zahřát po dobu 5 minut, než na ni postavíte nádobí. To umožní vytvrdnutí povrchu vypálením.

K čištění horké plotny použijte vlhkou utěrku a čisticí prostředek. Neodstraňujte zbytky pokrmů z plotny pomocí nože ani jiných ostrých předmětů.

Po čištění zapněte plotnu na několik sekund k vysušení. Nenechávejte ji však zapnutou dlouhou dobu.

Pozice	Výkon (Watty)	Výkon (Watty)	Popis
0	0	0	Vypnutá
1	100 W	135 W	Ohřev
2	180 W	220 W	Vaření na nízké teplotě
3	250 W	300 W	Vaření na nízké teplotě
4	500 W	850 W	Vaření, pečení
5	750 W	1150 W	Vaření, pečení
6	1000 W	1500 W	Vaření, pečení

#### Vhodnost varného nádobí (Obrázek 11)

Mějte na paměti, že větší pánve mají větší ohřevný povrch.

To umožňuje rychlejší přípravu než u nádobí s menším průměrem dna. Vždy používejte velikosti nádobí vhodné k množství připravovaného pokrmu. Pro zabránění stříkání nepoužívejte příliš malé nádobí, zejména pro pokrmy s velkým množstvím tekutin.

Pokud používáte nadměrně velké nádobí pro rychle připravované pokrmy, omáčky a šťáva se přilepí a zbytky mohou zůstat na dně nádobí.

Uzavřené nádoby a pečící plechy nebo formy se doporučují pro přípravu cukroví. Vytečený cukr a šťáva z otevřených nádob se může přilepit na povrch plotny a je obtížné jej odstranit.

Toto je zejména důležité pro nádobí používané pro pečení nebo tlakové vaření při vysoké teplotě.

Nenechávejte plotny bez nádobí ani prázdné nádobí na plotně.

Zkontrolujte vhodnost nádobí s ohledem na následující požadavky; Musí být těžké.

Musí zcela zakrývat povrch plotny; mohou být o něco větší, nikoli menší. Dno nádoby musí být rovné.

• Pro nejlepší použití elektrických varných ploten a k minimalizaci spotřeby elektrické energie používejte pouze nádobí s hladkým rovným dnem. Velikost nádobí musí být shodná s průměrem varné plotny, nikdy menší. Dno nádoby musí být suché. Na plotně nenechávejte prázdné nádoby a plotny nepoužívejte bez nádobí.

## 4. ÚDRŽBA A ČIŠTĚNÍ

Před čištěním varné desky se ujistěte, zda dostatečně vychladla. Odpojte zástrčku od elektrické zásuvky nebo vypněte jistič. Čištění a údržbu nesmí provádět děti bez dohledu. K čištění nepoužívejte drsné, korosivní prostředky, bělidla, nebo kyseliny. Vyhněte se jakýkoli kyselinám (citrónová šťáva, ocet, apod.) Na smaltovaném nebo nerezovém povrchu.

Pokud čistíte smaltovaný, lakovaný nebo chromový povrch, použijte roztok saponátu a vody. Pro nerezovou ocel používejte vhodný čistící prostředek.

Hořáky můžete čistit vodou se saponátem. K obnovení původního lesku použijte čistič na nerezovou ocel. Po vyčištění nechte hořáky vysušit a vraťte na své místo.

**Je důležité nasadit hořáky správně.**

### Chromové mřížky a hořáky

Chromové mřížky a hořáky mají při použití tendenci ztmavnout. Toto je normální a neodvratný fenomén, ale nemá vliv na funkčnost varné desky. V případě potřeby jsou náhradní díly dostupné v servisním středisku.

## 5. SERVIS

Dříve než zavoláte servis, zkontrolujte následující:

- je připojena zástrčka k síťové zásuvce;
- není problém v přípoje plynu.

Pokud nelze závadu odstranit: vypněte spotřebič, nedemontujte jej a kontaktujte autorizované servisní středisko.

## 6. OCHRANA ŽIVOTNÍHO PROSTŘEDÍ



Tento spotřebič je označen v souladu s evropskou směrnicí 2012/19/EU o odpadu z elektrického a elektronického zařízení (WEEE). WEEE obsahuje jak škodlivé látky (které mohou vyvolat nepříznivý dopad na životní prostředí), tak i suroviny (které lze použít opakovaně). Je nutno používat speciální zacházení vzhledem k WEEE, aby se všechny nečistoty likvidovaly správně a bylo možno recyklovat všechny materiály.

Jednotlivci mohou hrát významnou úlohu při zajišťování toho, aby se z WEEE nestal ekologický problém; je nezbytné dodržovat některá základní pravidla:

- WEEE nelikvidujte jako běžný domovní odpad.
- WEEE předávejte na příslušná sběrná místa řízená městskými úřady nebo registrovanými společnostmi. V řadě zemí může být používán systém domácího odběru velkých WEEE.
- Když kupujete nový spotřebič, můžete starý vrátit prodejci, který jej musí zdarma odebrat na principu kus za kus, pokud jde o zařízení odpovídajícího typu, které má stejné funkce jako dodávané zařízení.

**Prohlášení o shodě:** Tento spotřebič přicházející do kontaktu s potravinami vyhovuje předpisům směrnice EEC 89/109.



Spotřebič vyhovuje Evropské směrnici 2006/95/EC a 2004/108/EC a 2009/142/EC, a následným změnám.

*Výrobce nenese žádnou odpovědnost za nepřednosti vyplývající z tisku nebo překladu v tomto návodu. Vyhrazujeme si právo na změny výroby, včetně bodů o spotřebě, bez předchozího upozornění, které nemají vliv na funkčnost nebo bezpečnost výroby.*

Tabulka 1

Vestavné varné desky		
Hořák	1	2
	4 plynové R / 2SR / AUX	3 plynové R / SR / AUX / E
Typ / reference	S60 / HBGS	S60 / HBGS
Bezpečnostní zařízení	ANO	ANO
Pomocný hořák (A Ø 50 mm)	1	1
Elektrických Ploten	-	1
Normální hořák (SR Ø 75 mm)	2	1
Silný hořák (R Ø 100 mm)	1	1
<b>Typ plynu/výkon:</b>		
Výkon	7.1 kW	5.4 kW
G 20/20 mbar (metan)	676 l/h	514 l/h
G 30/28-30 mbar (LPG)	516 g/h	393 g/h
Instalační třída	3	3
Napětí/frekvence V / Hz	220-240 V / 50-60 Hz	220-240 V / 50-60 Hz
Příkon	15 W	1500 W
Elektrické zapalování	ANO	ANO
Rozměry spotřebiče	585 x 510	585 x 510

*Tento spotřebič je navržený pro nekomerční použití v domácnosti.*

**WARNUNG:** Das Gerät und die zugänglichen Teile des Gerätes werden während des Betriebs heiß. Das Berühren der heißen Geräteteile sollte vermieden werden.

- Kinder unter 8 Jahren sollten ohne Aufsicht nicht in die Nähe des Gerätes gelassen werden.
- Dieses Gerät ist nicht bestimmt zum Gebrauch durch Personen (einschließlich Kindern) mit beeinträchtigten körperlichen, sensorischen oder geistigen Fähigkeiten oder durch Personen, die keine entsprechenden Erfahrungen oder Kenntnisse besitzen, es sei denn, sie werden beaufsichtigt oder angewiesen durch eine Person, die für ihre Sicherheit verantwortlich ist.
- Kinder dürfen nicht mit dem Gerät spielen.
- Die Reinigung und Wartung des Gerätes darf nicht durch Kinder ohne Aufsicht durchgeführt werden.

**WARNUNG:** unbeaufsichtigtes Kochen auf dem Herd mit Fett oder Öl kann gefährlich sein und Feuerentstehung verursachen.

- Versuchen Sie NIEMALS das Feuer mit Wasser zu löschen; schalten Sie den Herd aus und bedecken sie die Flamme mit z.B. einem Deckel oder einer Feuerlöschdecke.

**WARNUNG:** FEUERGEFAHR - Bewahren Sie keine Gegenstände auf der Herdoberfläche auf.

**WARNUNG:** ist die Herdoberfläche beschädigt, schalten Sie das Gerät aus, um einen Stromschlag zu vermeiden.

- Nutzen Sie kein Dampfreinigungsgerät zur Reinigung des Ofens.
- Jegliche verschüttete Lebensmittel sollten vom Deckel entfernt werden, bevor Sie diesen öffnen.
- Die Herdoberfläche sollte erst abkühlen, bevor Sie den Deckel schließen.
- Das Gerät sollte nicht durch einen externen Timer oder eine Fernbedienung gesteuert werden.
- Die Abschaltung muss mit einer festen Verdrahtung im Einklang mit den Verkabelungsregeln durchgeführt werden.
- Ist das Geräte Kabel beschädigt, muss es durch ein spezielles Kabel ersetzt werden, welches beim Kundendienst/Hersteller erhältlich ist.

**ACHTUNG:** Um elektrische Schläge durch unbeabsichtigtes Zurückstellen des Wärmerelais zu vermeiden, sollte das Gerät nicht über eine externe Schalteinrichtung versorgt werden, wie beispielsweise ein Timer oder einem Stromkreislauf, der regelmäßig ausgeschaltet wird.

- Das Gerät sollte gemäß den Installationsanweisungen installiert werden und genügend Belüftung gewährleistet werden. Lesen Sie bitte die Anweisungen, bevor Sie das Gerät installieren.
- "Diese Anleitung ist nur gültig, wenn das entsprechende Landessymbol auf dem Gerät zu finden ist. Wenn das Symbol nicht auf dem Gerät angebracht ist, ist es notwendig, die technischen Anweisungen, welche die notwendigen Anweisungen zur Änderung des Gerätes an die Einsatzbedingungen des jeweiligen Landes beinhalten, zu beachten".
- Vor der Installation vergewissern Sie sich, dass die örtliche Bedingungen (Art des Gases und Gasdruck) und die Anpassung des Gerätes kompatibel sind»
- Die Einstellung für dieses Gerät sind auf dem Etikett (oder Typenschild) angegeben"
- "Dieses Gerät nicht in die Nähe von leicht entflammaren Materialien positionieren. Es soll gemäß den geltenden Installationsvorschriften montiert und angeschlossen werden. Besonderes Augenmerk sollte auf die Anforderungen hinsichtlich der Belüftung gelegt werden."
- «Der Einsatz eines Gaskochgerätes erzeugt Wärme und Feuchtigkeit in dem Raum, in dem es installiert ist. Vergewissern Sie sich, dass die Küche gut belüftet ist. Halten Sie die Belüftungsschlitze geöffnet oder installieren Sie eine mechanische Lüftungseinrichtung (mechanische Dunstabzugshaube). Längere intensive Nutzung des Gerätes kann eine zusätzliche Belüftung erfordern, z. B. Öffnen eines Fensters oder die Erhöhung der mechanischen Belüftung, falls vorhanden."

## 1. INSTALLATIONSANWEISUNG

Die Installation eines Haushaltsgeräts kann unter Umständen eine komplexe Arbeit sein; wenn diese nicht korrekt ausgeführt wird, könnte es zu schweren Beeinträchtigungen der Sicherheit des Benutzers kommen. Das ist der Grund, warum sie von einem qualifizierten Fachmann unter Einhaltung der geltenden technischen Regeln durchgeführt werden soll. Falls diese Empfehlung nicht beachtet und die Installation des Gerätes durch eine nicht qualifizierte Person durchgeführt werden sollte, lehnt der Hersteller jede Verantwortung für eventuelle technische Fehler des Produktes ab, gleichviel, ob es zu Schäden an Personen oder Sachen führt.

### 1.1. EINBAU

Die Arbeitsplatte, in der diese Kochmulde eingebaut werden soll, kann aus beliebigem Material sein, vorausgesetzt, es ist hitzebeständig und kann eine Temperatur von 100°C aushalten. Die Arbeitsplatte kann zwischen 25 und 40 mm dick sein. Die Einbaumaße entnehmen Sie bitte der Abb. 2.

Falls an einer Seite der Kochmulde die Wand eines Möbels ist, muss der Abstand der Mulde zur Möbelwand mindestens 15 cm betragen (s. Abb. 4). Zwischen Küchenwand und Mulde muss ein Abstand von mindestens 5,5 cm eingehalten werden. Der Abstand zwischen der Kochmulde und einem eventuell darüber befindlichen Element (z.B. Dunstabzugshaube) muss mindestens 70 cm betragen (s. Abb. 4). Wenn unter der Kochmulde ein zugängliches Möbelteil vorhanden ist, muss zwischen der Kochmulde und der unteren Möbelnische eine Trennplatte aus isolierendem, hitzebeständigem Material (Holzplatte o.Ä.) dazwischen gebaut werden (s. Abb. 3).

**Wichtig: Entnehmen Sie der Abb. 1, wie die Dichtungsstreifen angebracht werden müssen.**

Die Befestigung an das Möbel erfolgt mit Fixierbügel, die als Zubehör zur Mulde mitgeliefert werden. Am Geräteboden sind die Bohrungen zum Verschrauben der Fixierbügel bereits vorhanden.

Falls unter der Kochmulde (60 cm) ein Backofen ohne Kühlungsventilator installiert sein sollte, müssen in der Einbaunische Öffnungen angebracht werden, damit die Luftzirkulation gewährleistet ist. Diese Öffnungen müssen eine freie Oberfläche von mindestens 300 cm<sup>2</sup> gewährleisten, verteilt wie in der Abb. 5 gezeigt. Unter der Kochmulde mit 75 cm Breite kann nur ein Backofen mit Kühlungsventilator installiert werden.

Das Gerät sollte nicht durch einen externen Timer oder eine Fernbedienung gesteuert werden.

### 1.2. GEEIGNETER STANDORT

Das Gerät sollte gemäß den Installationsanweisungen installiert werden und genügend Belüftung gewährleistet werden. Lesen Sie bitte die Anweisungen, bevor Sie das Gerät installieren.

Beim Gebrauch eines Gasherdes entstehen Hitze und Feuchtigkeit, die sich im Raum verbreiten. Daher ist es wichtig, eine ausreichende Belüftung des Raumes zu gewährleisten, entweder durch Lüftungsöffnungen oder durch eine Dunstabzugshaube mit Außenanschluss. Bei einem längeren Gebrauch des Gerätes ist es ratsam, die Belüftung zu fördern, z.B. durch zusätzliches Öffnen eines Fensters oder durch Erhöhung der Dunstabzugsleistung.

Sollte der Einbau einer Dunstabzugshaube nicht möglich sein, ist die Verwendung eines Elektroventilators vonnöten, der entweder an der Außenwand oder am Fenster angebracht wird, sofern der Raum über ausreichend Lufteinlassöffnungen verfügt. Der Elektroventilator muss eine Leistung aufweisen, die ausreicht, um den 3- bis 5- fachen Luftvolumen der Küche pro Stunde auszutauschen.

Beachten Sie bitte die im jeweiligen Land geltenden Standardregeln für Gasinstallationen.

### 2.1. ELEKTRISCHER ANSCHLUSS

Überprüfen Sie die auf dem Matrikelschild angegebenen Daten. Das Matrikelschild befindet sich auf der unteren Seite des Gerätegehäuses. Notieren Sie alle Daten wie Matrikel- und Seriennummer am besten direkt auf dem Deckblatt der Bedienungsanleitung, da diese Angaben in einem eventuellen Servicefall vom Kundendienst benötigt werden. Überprüfen Sie, dass die Netzspannung und die Leistung für den Betrieb des Gerätes geeignet sind.

Vor dem elektrischen Anschluss ist die einwandfreie Erdung der elektrischen Hausinstallation zu prüfen. Die Erdung des Gerätes ist gesetzlich vorgeschrieben. Der Hersteller weist jede Verantwortung für Sach- oder Personenschäden zurück, die auf fehlende bzw. mangelhafte Erdung zurückzuführen sind. Bei den Modellen, die ohne Stecker geliefert werden, ist ein genormter Stecker an das Kabel zu montieren, welcher für die auf das Matrikelschild angegebene Belastung geeignet ist. Der Erdleiter ist durch das gelb-grüne Kabel gekennzeichnet. Der Stecker muss in jedem Fall zugänglich sein.

Soll das Gerät an einer festen Anschlussdose angeschlossen werden, ist zwischen dem Gerät und dem Versorgungsnetz eine der Last entsprechende, genormte Abschaltvorrichtung einzubauen.

Sollte das Netzkabel beschädigt sein, muss dieser durch einen qualifizierten Fachmann ausgewechselt werden.

Der gelb-grüne Erdleiter muss mindestens 10 mm länger sein als die Phasenleiter. Der Querschnitt der Kabel muss der Leistung der Kochmulde entsprechen (s. Matrikelschild). Benutzen Sie ausschließlich ein Netzkabel des Typs 3x0.75 mm<sup>2</sup> H05RR-F.



Um das Gerät direkt an das Stromnetz anzuschließen, beachten Sie bei der Verkabelung die elektronischen Vorschriften sowie die Bedingungen eines Überspannungsschutz Klasse 3.

## 2.2. GASANSCHLUSS

Diese Anweisung richtet sich an das für die Installation autorisierte Fachpersonal und muss lt. geltenden Richtlinien ausgeführt werden.

Jeder Eingriff am Gerät muss bei ausgeschalteter Stromversorgung erfolgen.

Auf dem Gerät finden Sie Aufkleber, auf denen der Gastyp angegeben ist, für den die Kochmulde eingestellt ist. Der Anschluss am Gasversorgungsnetz bzw. an der Gasflasche muss unter Berücksichtigung der geltenden Vorschriften durchgeführt werden. Stellen Sie sicher, dass das Gerät für das von Ihnen verwendete Gas eingestellt ist.

Sollte das Gerät mit Flüssiggas aus Gasflaschen betrieben werden, benutzen Sie bitte nur vorschriftsmäßige Druckregler, die den geltenden Normen entsprechen.

Benutzen Sie ausschließlich genormte Schläuche und Dichtungen, die den nationalen Standards entsprechen.

Bei einigen Modellen wird ein konischer Anschlussadapter mitgeliefert, da die Gasinstallation in einigen Ländern diesen Adapter vorschreibt. In der Abb. 8 werden die zwei unterschiedlichen Adaptertypen dargestellt (CY: zylindrisch, CO: konisch). In jedem Fall muss die zylindrische Seite des Anschlussadapters an die Gaskochmulde angeschlossen werden.

Werden bei der Installation biegsame Rohre benutzt, achten Sie bitte darauf, dass sie nicht länger als 2 Meter sind.

Der Schlauch soll so eingebaut werden, so dass er nicht mit einem beweglichen Teil des Gehäuses in Berührung kommen kann (z.B. einer Schublade). Der Schlauch darf nicht durch Räumlichkeiten verlegt werden indem er Überlastungen standhalten muss.

Um den Installationsvorgang zu erleichtern und um Undichtigkeiten am Gasrohr zu vermeiden, empfiehlt es sich, den Anschluss des Gasversorgungsrohres in der untenstehenden Reihenfolge vorzunehmen (s. Abb. 6)

#### 1. Montieren Sie die Teile in der abgebildeten Reihenfolge:

A: 1/2 Anschlussstutzen zylindrisch

B: 1/2 Dichtung

C: 1/2 Gasadapter konisch-zylindrisch bzw. zylindrisch-zylindrisch

#### 2) Schrauben Sie das Verbindungsstück mit dem Sechskantschlüssel fest an. Richten Sie dabei die bewegliche Verbindung in die gewünschte Position.

#### 3) Verbinden Sie den Rohrbogen C mit dem Gasversorgungsnetz entweder mit einem starren Rohr aus Kupfer oder mit einem biegsamen aus Stahl.

**Achtung:** Nach der Montage überprüfen Sie die Verbindungen auf ihre Dichtigkeit durch Beschmieren mit einfachem Seifenwasser. Benutzen Sie hierzu niemals eine offene Flamme! Versichern Sie sich außerdem, dass das biegsame Rohr nicht eingeklemmt oder beschädigt werden kann (z.B. durch eine Schublade des Einbauschrankes).

**Achtung:** Sollten Sie Gasgeruch in der Nähe des Gerätes wahrnehmen, schalten Sie die Gasversorgung umgehend ab und rufen Sie den Kundendienst. Suchen Sie Gasleckagen niemals mit offener Flamme!

### 2.3. UMSTELLUNG AUF EINE ANDERE GASART

Für die Länder, für die das Gerät für den Betrieb mit einer anderen Gasart zugelassen ist, kann das Gerät von der werkseitigen Einstellung auf eine andere Gasart umgestellt werden. Gehen Sie dabei wie folgt vor:

- Topfträger entfernen
- Brennerdeckel und Brennerköpfe entfernen
- Schrauben Sie die Düsen ab und ersetzen Sie diese mit einer für die gewünschte Gasart geeigneten Düse (s. Tabelle der Gasarten)

Anmerkung: In Deutschland und Österreich ist der Betrieb nur für Erdgas vorgesehen.

### 2.4. EINSTELLEN DER GASMINDESTZUFUHR

Zünden Sie jeden Brenner und drehen Sie den entsprechenden Drehschalter auf die kleinste Stufe, ziehen Sie dann den Drehschalter durch leichte Kraftanwendung heraus.

Mithilfe eines Schraubendrehers regulieren Sie die Einstellschraube wie in der Abb. 9 dargestellt. Durch Drehen der Einstellschraube im Uhrzeigersinn wird die Gaszufuhr reduziert, in die andere Richtung dagegen erhöht. Stellen Sie die Schraube so ein, dass die Flamme ca. 3-4 mm lang ist und setzen Sie schließlich den Drehschalter wieder ein.

Nach der Einstellung der Gasflamme ersetzen Sie das Matrikelschild mit der alten Gasart durch ein neues (mitgeliefertes) Matrikelschild entsprechend der neuen Gasart.

## 3. BEDIENUNGSANLEITUNG

Dieses Gerät ist ausschließlich für den Gebrauch gedacht, Speisen zuzubereiten. Jede andere Verwendung wäre zweckfremd und gegebenenfalls gefährlich. Der Hersteller kann für eventuelle Schäden, die auf einen ungeeigneten, fehlerhaften und unvernünftigen Einsatz zurückzuführen sind, nicht haftbar gemacht werden.

### 3.1. INBETRIEBNAHME DER BRENNER

Um die Brenner des Kochfeldes anzuzünden, nähern Sie eine Flamme an den gewünschten Brenner. Drücken Sie dann und drehen Sie den entsprechenden Schalterknopf gegen den Uhrzeigersinn.

Für Geräte mit elektronischer Zündvorrichtung gehen Sie wie folgt vor:

- drücken Sie und drehen Sie den Schalterknopf gegen den Uhrzeigersinn bis zum Zündungssymbol
- zünden Sie den Brenner durch Betätigen der Zündungstaste

Für Geräte mit automatischer Zündvorrichtung genügt es, den Schalterknopf zu drücken und bis zum Zündsymbol zu drehen. Solange Sie den Knopf gedrückt halten, werden kleine Funken durch die Zündvorrichtung entladen. Wenn die Flamme sich nicht innerhalb von 5 Sekunden anzündet, drehen Sie den Schalterknopf wider auf die Position 0 und wiederholen Sie den Vorgang.

Bei den Geräten mit Sicherheitsgashahn wird die Gaszufuhr bei einem ungewollten Auslöschen der Flamme automatisch unterbrochen. Das Zünden der Brenner erfolgt bei diesen Geräten wie oben beschrieben, **jedoch muss der Schalterknopf mindestens 5-6 Sekunden nach Entzünden der Flamme gedrückt gehalten werden.** Nach dieser Zeit ist die Sicherheitsvorrichtung eingeschaltet und die Flamme bleibt stabil.

#### ACHTUNG:

Bevor Sie das Gaskochfeld einschalten, überprüfen Sie, dass die Brenner richtig aufliegen und die Funktion der Zündkerzen nicht beeinträchtigen.

## ALLGEMEINER HINWEIS

Um die Flamme optimal und energiesparend auszunutzen, benutzen Sie nur Töpfe und Pfannen, deren Durchmesser für den jeweiligen Brenner geeignet ist. Vergleichen Sie dazu folgende Tabelle A:

Brennertyp	Topfdurchmesser (cm)	Leistung (kW)	G20/20 mbar (Erdgas)	G30/28-30 mbar (LPG)
A Hilfsbrenner	12 - 18	1	95 l/h	73 g/h
SR Normalbrenner	18 - 24	1,7	162 l/h	124 g/h
R Schnellbrenner	24 - 26	2,7	257 l/h	196 g/h

Tabelle A

Bei Pfannen oder Töpfen mit kleinem Durchmesser regulieren Sie die Leistung des Brenners so, dass die Flamme den Topf- bzw. Pfannenboden nicht überlappt.

Verwenden Sie bitte nur Pfannen oder Töpfe mit flachem Boden!

**HINWEIS: Sollte die Flamme ungewollt ausgehen, schalten Sie die Gaszufuhr durch Drehen des Schalterknopfes aus und warten Sie mindestens eine Minute, bevor Sie den Brenner wieder anzünden.**

Sollten die Gashähne mit der Zeit schwergängig werden, müssen sie mit einem geeigneten Schmierstoff neu geschmiert werden. **Dieser Vorgang darf ausschließlich durch den Werkskundendienst durchgeführt werden.**

### 3.2. BENUTZUNG DER ELEKTRISCHEN KOCHLATTEN

Drehen Sie bitte den Knopf, um die gewünschte Temperatur der Kochplatte einzustellen. Das Anzeigelicht beginnt zu leuchten und die Kochplatte wird heiß.

Nachdem der Kochvorgang beendet ist, drehen Sie bitte den Knopf wieder auf die Position "0" (Abbildung 10). Lassen Sie die Kochplatte auf keinem Fall in eingeschalteter Position, wenn kein Kochgeschirr darauf steht. Der Durchmesser und die untere Form des Kochgeschirrs, welches Sie benutzen, sind wichtig. Der maximale Durchmesser des Kochgeschirrs sollte 14 cm sein.

Die untere Form sollte eben sein. Bei der ersten Benutzung warten Sie bitte 5 Minuten nachdem Sie die Kochplatte eingeschaltet haben, bevor Sie dann ein Kochgeschirr darauf stellen. Durch die erste Erhitzung härten die Kochplatten vollständig aus.

Zur Säuberung der Kochplatte benutzen Sie bitte ein feuchtes Tuch und ein Putzmittel. Entfernen Sie auf keinem Fall Lebensmittelrückstände mit einem Messer oder mit anderen harten, scharfen Gegenständen von der Kochplatte.

Nach dem Putzen schalten Sie bitte die Kochplatte ein paar Sekunden ein, damit sie dadurch trocknet. Bitte beachten Sie dabei, dass die Kochplatte niemals länger als ein paar Sekunden eingeschaltet werden darf, wenn kein Kochgeschirr darauf steht.

Position	Leistung (Watt)	Leistung (Watt)	Erläuterung
0	0	0	Ausgeschaltet
1	100 W	135 W	Erwärmung
2	180 W	220 W	Kochen in niedriger Temperatur
3	250 W	300 W	Kochen in niedriger Temperatur
4	500 W	850 W	Kochen, Braten, Garen
5	750 W	1150 W	Kochen, Braten, Garen
6	1000 W	1500 W	Kochen, Braten, Garen

#### Geeignetes Kochgeschirr (Abbildung 11)

Denken Sie bitte daran, dass größeres Kochgeschirr größere Flächen hat, die erwärmt werden.

Das führt im Vergleich zu Kochgeschirr mit kleineren Flächen dazu, dass Lebensmittel schneller zubereitet werden können.

Verwenden Sie bitte immer nur diejenige Kochgeschirrgöße, die angesichts der zuzubereitenden Lebensmittel als erforderlich erscheint. Um Spritzer zu vermeiden, sollten Sie kein allzu kleines Kochgeschirr benutzen. Besonders bei Lebensmitteln mit großen Flüssigkeitsanteilen. Wenn Sie großes Kochgeschirr für schnell zubereitbare Lebensmittel verwenden, können z.B. Soßen und Flüssigkeiten anbrennen und deren Rückstände im Kochgeschirr bleiben.

Zur Zubereitung von Desserts empfehlen wir Kochgeschirr mit Deckel und Backofenbleche bzw. Kuchenformen. Aus einem Kochgeschirr ohne Deckel können Zucker und Säfte herausspritzen, wobei diese dann auf der Kochoberfläche kleben bleiben, einbrennen können und schwer zu entfernen sind.

Das ist vor allem bei Kochgeschirr zu beachten, mit dem bei hohen Temperaturen z.B. Braten zubereitet werden. Auch während des Kochens unter hohem Druck sollten Sie unserer Empfehlung folgen.

Lassen Sie Kochplatten bitte nicht unbeaufsichtigt eingeschaltet, wenn kein Kochgeschirr darauf steht oder wenn nur ein leeres Kochgeschirr darauf steht.

Kontrollieren Sie bitte die Eignung des Kochgeschirrs unter Berücksichtigung der folgenden Kriterien:

Das Kochgeschirr muss schwer sein.

Das Kochgeschirr muss die Wärmeplatte vollständig bedecken. Achten Sie unbedingt darauf, dass der Durchmesser des Kochgeschirrs nicht kleiner ist als die Kochplatte. Der Topfboden muss gerade sein und eben auf der Kochplatte stehen. Zur bestmöglichen Um den Energieverbrauch zu minimieren, verwenden Sie bitte nur solches Kochgeschirr, das eine ebene untere Fläche hat. Die untere Seite des Kochgeschirrs sollte trocken sein, wobei Spritzer vermieden werden müssen. Leeres Kochgeschirr darf auf der Platte nicht stehen gelassen werden. Die Kochplatten dürfen nicht eingeschaltet werden, wenn kein Kochgeschirr darauf steht.

#### 4. WARTUNG UND REINIGUNG

Vor jedem Vorgang zur Reinigung des Gerätes schalten Sie den Strom durch Ziehen des Steckers aus der Steckdose oder durch Ausschalten der Haussicherung ab. Bevor Sie das Gerät reinigen, warten Sie, bis es vollständig abgekühlt ist.

Die Reinigung und Wartung des Gerätes darf nicht durch Kinder ohne Aufsicht durchgeführt werden.

Verwenden Sie bitte niemals scheuernde oder korrosive Reinigungsmittel, auch kleine Bleichmittel oder Säuren. Achten Sie darauf, dass keine säurehaltigen bzw. ätzenden Substanzen (Zitronensäure, Essig, o.Ä.) auf die emaillierten bzw. lackierten Flächen liegen bleiben.

Reinigen Sie die emaillierten, verchromten oder lackierten Teile mit lauwarmem Seifenwasser oder mit nicht scheuernden Flüssigmitteln. Für die Edelstahlteile verwenden Sie bitte die handelsüblichen Mittel zur Pflege von Edelstahl.

Reinigen Sie die Gasbrenner mit Seifenwasser. Um den ursprünglichen Glanz zu bewahren, verwenden Sie einen handelsüblichen Spezialreiniger für Aluminiumlegierungen. Nach der Reinigung sind die Brenner sorgfältig zu trocken, bevor sie wieder aufgesetzt werden.

**Kontrollieren Sie bitte unbedingt, dass die Brenner wieder richtig aufliegen, da eine fehlerhafte Montage der Brenner zur mangelhaften Verbrennung des Gases führen kann.**

#### Gitterroste und Chromteile

Die Gitterroste und die verchromten Teile neigen mit der Zeit dazu, sich zu verfärben.

Dies ist ein natürliches Phänomen, das sich zwar nicht vermeiden lässt,

jedoch in keiner Weise die Funktion des Gerätes beeinträchtigt. Auf Wunsch sind entsprechende Ersatzteile erhältlich. Fragen Sie bitte bei dem Werkskundendienst nach.

#### 5. TECHNISCHER KUNDENDIENST

Sollte Ihr Gerät einmal nicht ordnungsgemäß funktionieren, kontrollieren Sie bitte folgendes, bevor Sie den technischen Kundendienst rufen:

- überprüfen Sie, dass das Gerät stromversorgt ist
- überprüfen Sie, dass die Gaszufuhr in Ordnung ist.

Sollte die Ursache für die Funktionsstörung nicht ermittelt werden können, trennen Sie das Gerät vom Stromnetz und rufen Sie den Kundendienst. Unternehmen Sie nichts auf eigene Faust!

#### 6. UMWELTGERECHTE ENTSORGUNG



Dieses Gerät ist in Übereinstimmung mit der europäischen Richtlinie 2012/19/EU zu elektrischen und elektronischen Altgeräten (WEEE) gekennzeichnet. Elektrische und elektronische Altgeräte enthalten sowohl Schadstoffe (die negative Auswirkungen auf die Umwelt haben können) als auch Basiskomponenten (die wiederverwendet werden können). Es ist wichtig, dass elektrische und elektronische Altgeräte spezifischer Handhabung unterliegen, damit alle Schadstoffe angemessen entfernt und entsorgt und alle Materialien wiederverwertet und recycelt werden.

Verbraucher spielen eine wichtige Rolle bei der Gewährleistung, dass elektrische und elektronische Altgeräte nicht zu Umweltproblemen werden; es ist wichtig, einige grundlegende Regeln zu befolgen:

- Elektrische und elektronische Altgeräte können nicht als Haushaltsabfall behandelt werden.
- Elektrische und elektronische Altgeräte sollten an relevante Sammelpunkte übergeben werden, die von der Stadtverwaltung oder eingetragenen Unternehmen verwaltet werden. In vielen Ländern können bei großen elektrischen und elektronischen Altgeräten heimische Sammeldienste verfügbar sein.
- Wenn Sie ein neues Gerät erwerben, kann das alte Gerät möglicherweise an den Händler übergeben werden, der es kostenlos auf einer 1:1-Basis sammeln muss, solange das Gerät von dem gleichen Typ ist und dieselben Funktionen hat wie das gelieferte Gerät.

**Konformitätserklärung:** Dieses Gerät entspricht in den Teilen, die mit Lebensmitteln in Berührung kommen, den Vorgaben der Europäischen Richtlinie EEC 89/109.

**CE** Das Gerät entspricht den Europäischen Richtlinien 2006/95/EC, 2004/108/EC und 2009/142/EC und deren nachfolgenden Änderungen.

*Der Hersteller übernimmt keine Haftung für eventuelle Fehler, die durch den Druck, die Transkription oder Übersetzung dieser Broschüre entstanden sein könnten, ab. Wir behalten uns das Recht vor, technische Änderungen im Interesse der Konsumenten an den Produkten vorzunehmen, ohne die Sicherheitseigenschaften oder die Funktion der Geräte zu verändern.*

Tabelle 1

EINBAUKOCHMULDE		
	1	2
Brenner	4 gas R / 2SR / AUX	3 gas R / SR / AUX / E
Typ / Bezeichnung	S60 / HBGS	S60 / HBGS
Thermosicherung	JA	JA
Hilfsbrenner (A Ø 50 mm)	1	1
Elektrischen kochplate	-	1
Normalbrenner (SR Ø 75 mm)	2	1
Schnellbrenner (R Ø 100 mm)	1	1
<b>Eingestellter Gastyp/Leistung:</b>		
Leistung	7.1 kW	5.4 kW
G 20/20 mbar (Erdgas)	676 l/h	514 l/h
G 30/28-30 mbar (LPG)	516 g/h	393 g/h
Installationsklasse	3	3
Spannung / Frequenz V / Hz	220-240 V / 50-60 Hz	220-240 V / 50-60 Hz
Gesamtanschlusswert	15 W	1500 W
Elektrische Zündung	JA	JA
Gerätemaße	585 x 510	585 x 510

Dieses Gerät ist für die nichtprofessionelle Benutzung, d.h. Für Haushaltsnutzung, vorgesehen

## INSTRUCCIONES PARA UN USO SEGURO

**ADVERTENCIA:** El aparato y sus componentes accesibles se calientan durante el uso. Se debe tener cuidado de no tocar los elementos calefactores.

- Los niños menores de 8 años deben permanecer alejados o supervisados de forma continuada por una persona adulta.
- Este aparato puede ser usado por niños mayores de 8 años y personas con capacidades físicas, sensoriales o mentales reducidas o falta de experiencia y conocimiento siempre y cuando hayan sido supervisadas o instruidas sobre el uso del aparato de forma segura y del conocimiento de los riesgos que comporta.
- Los niños no deben jugar con el aparato.
- La limpieza y el mantenimiento que debe realizar el usuario no será realizada por niños sin supervisión.

**ADVERTENCIA:** Desatender cocinas, utilizando grasas o aceites, es peligroso y puede ocasionar un incendio.

- **NUNCA** trate de apagar un incendio con agua, apague el aparato y cubra la llama con una tapa o manta ignífuga.

**ADVERTENCIA:** Peligro de incendio: no almacene artículos en las superficies de cocción.

**ADVERTENCIA:** Si la superficie está agrietada, apague el aparato para evitar la posibilidad de una descarga eléctrica.

- No utilice limpiadores de vapor para la limpieza del aparato.
  - Elimine cualquier tipo de derrame de la tapa antes de abrirlo.
- se debe enfriar la superficie de la placa antes de cerrar la tapa.
- El aparato no está ideado para ser utilizado mediante un temporizador externo o un sistema de control remoto independiente.
  - Los medios de desconexión deben ser incorporados en el cableado fijo en conformidad con las reglas del cableado.

las instrucciones indicarán el tipo de cable a utilizar, teniendo en cuenta la temperatura de la parte posterior del aparato.

- Si el cable de alimentación está dañado, se debe sustituir por un cable o conjunto especial suministrado por el fabricante o el servicio técnico.

**PRECAUCIÓN:** Con el fin de evitar peligros derivados de alteraciones en el suministro energético, este aparato no debe ser suministrado a través de un dispositivo de conmutación externo, como un temporizador, o conectado a un circuito que sea encendido y apagado frecuentemente por los servicios públicos.

- “Este aparato debe ser instalado según normativa vigente y utilizado en un espacio lo suficientemente ventilado. Lea las instrucciones antes de instalar o de utilizar este aparato.”
- “Estas instrucciones son válidas únicamente si aparece en símbolo del país en el aparato. Si no aparece el símbolo en el aparato, es necesario referirse a las instrucciones técnicas que proporcionarán las instrucciones necesarias referentes sobre la modificación del aparato según las condiciones de uso del país.”
- “Antes de la instalación, asegúrese de que las condiciones de distribución locales (naturaleza del gas y presión) y el ajuste del aparato son compatibles”
- “Las condiciones de ajuste para este aparato están indicadas en la etiqueta (o placa de datos)”.
- “Este aparato no está conectado a un dispositivo de evacuación de productos de combustión. Deberá ser instalado y conectado conforme a la normativa de instalación actual. Se deberá prestar especial atención a los requerimientos sobre ventilación”
- “El uso de un aparato de cocción a gas resulta de la producción de calor y humedad del lugar donde está instalado. Asegúrese de que la cocina está bien ventilada: mantenga abierto los conductos de ventilación o instale un sistema de ventilación mecánico (campana extractora mecánica). Un uso intensivo prolongado puede requerir ventilación adicional, por ejemplo, de la apertura de una ventana, o de una ventilación más efectiva, incrementando el nivel de ventilación mecánica presente”

## 1. INSTRUCCIONES PARA EL INSTALADOR

LA INSTALACIÓN DE UN ELECTRODOMÉSTICO PUEDE SER UNA OPERACIÓN QUE PUEDE AFECTAR GRAVEMENTE A LA SEGURIDAD DEL USUARIO SI NO SE REALIZA ADECUADAMENTE. POR ELLO ES UNA TAREA QUE HA DE REALIZAR UNA PERSONA AUTORIZADA Y CUALIFICADA QUE PUEDA HACER LA INSTALACIÓN DE ACUERDO CON LA NORMATIVA TÉCNICA EN VIGOR. EN CASO DE DESATENDER ESTA ADVERTENCIA Y QUE QUIEN REALICE LA INSTALACIÓN NO SEA UNA PERSONA CUALIFICADA, EL FABRICANTE NO ASUME RESPONSABILIDAD ALGUNA POR POSIBLES FALLOS TÉCNICOS DEL PRODUCTO DERIVEN O NO EN DAÑOS MATERIALES O PERSONALES.

### 1.1. INTEGRACIÓN

La placa puede instalarse en cualquier superficie que sea resistente al calor a 100°C y cuyo grosor sea de entre 25 y 45 mm. Las dimensiones para el corte de la superficie y la inclusión de la placa se muestran en la *Figura 2*.

Si la placa se coloca entre dos armarios, la distancia entre la misma y el armario ha de ser de al menos 15 cm (véase *Figura 4*); mientras que la distancia entre la placa y la pared posterior tiene que ser de al menos 5,5 cm.

La distancia entre la placa y otra unidad o electrodoméstico que tenga encima (por ejemplo, el extractor) tiene que ser superior a 70 cm (*Figura 4*).

En caso de haber espacio entre la placa incrustada y la cavidad inferior, ha de colocarse una separación divisoria hecha de un material aislante (madera o similar) (*Figura 3*).

**Importante** el diagrama de la figura 1 muestra cómo ha de aplicarse el sellado.

La placa se encaja con las sujeciones proporcionadas utilizando los agujeros de la base de la unidad.

Si se coloca una placa de 60 cm encima de un horno que no disponga de un sistema de refrigeración por ventilador, se recomienda la creación de aperturas en el mueble en el que se vaya a colocar para garantizar una circulación correcta del aire.

La dimensión de estas aperturas ha de ser de al menos 30 cm<sup>2</sup> y han de hacerse como se muestra en la *Figura 5*.

Cuando se coloque una placa de 75 cm sobre un horno, el horno ha de tener un sistema de refrigeración por ventilador.

El aparato no está ideado para ser utilizado mediante un temporizador externo o un sistema de control remoto independiente.

### 1.2. UBICACIÓN IDEAL

Este aparato debe ser instalado según normativa vigente y utilizado en un espacio lo suficientemente ventilado. Lea las instrucciones antes de instalar o de utilizar este aparato.

Un electrodoméstico que funciona con gas produce calor y humedad en la zona en la que se coloca. Por ello ha de asegurarse una buena ventilación así como conductos de ventilación natural o extractores de gran potencia. La utilización intensa y prolongada del electrodoméstico puede requerir una ventilación adicional tal como abrir una ventana o aumentar la velocidad del ventilador eléctrico si dispone de uno.

Si no puede instalar una campana extractora debe disponerse de un ventilador eléctrico en la pared exterior o en la ventana para que se formen corrientes de aire en la zona.

El ventilador eléctrico tiene que poder cambiar el aire de la cocina entre 3 y 5 veces en una hora. El instalador ha de tener en cuenta los estándares nacionales pertinentes.

### 2.1. CONEXIÓN ELÉCTRICA

Comprobar la placa informativa situada en la parte exterior de la unidad para asegurar que el voltaje de entrada es el adecuado.

Antes de la conexión compruebe la toma de tierra.

Por ley este electrodoméstico tiene que tener toma de tierra. En caso de no cumplirse ese requisito el Fabricante no se responsabiliza de daños personales o materiales. Si no se adjunta enchufe alguno conecte un enchufe adecuado con la carga indicada en la placa de información. El cable de la toma de tierra es verde/amarillo. El enchufe tiene que estar siempre accesible.

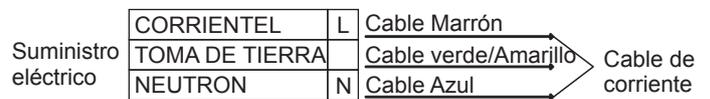
Cuando la Cocina se conecta directamente a la corriente eléctrica ha de instalarse también un cortacircuitos.

Si el cable está dañado le corresponde a una persona autorizada su sustitución para evitar posibles riesgos.

El cable de la toma de tierra (verde o amarillo) tiene que tener una longitud mínima de 10 mm más que los cables neutro y de corriente.

La sección del cable utilizada tiene que tener la dimensión correcta según la potencia que requiera la placa.

Compruébese la placa de información para información sobre suministro eléctrico y asegúrese de que el cable eléctrico es del tipo 3x0.75 mm<sup>2</sup> H05RR-F.



Si una unidad no dispone de cable eléctrico y un enchufe, y no dispone de otros medios de desconexión de la red eléctrica como por ejemplo una separación de contacto de los polos que proporcione una desconexión total según las condiciones de sobrecarga de voltaje de la categoría III, las instrucciones han de indicar que han de incorporarse al cableado fijo medios de desconexión de acuerdo con las normas de cableado.

### 2.2. CONEXIÓN DEL GAS

Estas instrucciones son para el personal cualificado, la instalación del equipo ha de hacerse de acuerdo con los estándares nacionales de aplicación. **(Sólo para el Reino Unido: por leu la instalación/conexión del gas tiene que realizarlo un instalador "Corgi" autorizado).**

Todos los trabajos han de realizarse con la corriente desconectada.

La placa de información de la placa muestra el tipo de gas para el que está diseñada. La conexión con el suministro de gas o el cilindro de gas debe realizarse una vez comprobada la regulación del tipo de gas suministrado. Si no está correctamente regulado véanse las instrucciones en los apartados siguientes para cambiar la configuración del gas.

Para el caso de gas líquido (gas en cilindro) utilícense reguladores de presión que cumplan los estándares nacionales pertinentes.

Utilícense sólo tuberías, lavadores y lavadores de sellado que cumplan los estándares nacionales pertinentes.

En algunos modelos se proporciona una conexión cónica para colocar en el momento de la instalación en países en los que este tipo de conexión es obligatoria; en la imagen 8 se señala cómo reconocer los diferentes tipos de conexiones (CY= cilíndrica; CO= cónica). En cada caso la parte cilíndrica de la conexión tiene que conectarse a la placa.

Cuando se conecte la placa al gas mediante los latiguillos flexibles asegúrese de que la distancia máxima que abarca el latiguillo no excede los dos metros.

El tubo flexible se deberá instalar de tal forma que no pueda entrar en contacto con alguna parte móvil de la unidad de la vivienda (por ejemplo, un cajón) y no atraviese algún espacio susceptible de bloqueo.

Para evitar posibles daños en la placa proceda con la instalación como se indica en la secuencia (imagen 6):

1) **Como se muestra, montaje de las piezas en la secuencia**

A: Adaptador cilíndrico macho 1/2

B: Sello 1/2

C: Adaptador de Gas Cónico-Cilíndrico Hembra 1/2 o Cilíndrico-Cilíndrico

2) **Ajustar las juntas con la llave inglesa, recuérdese colocar las tuberías.**

3) **Adjuntar la pieza C al gas utilizando una tubería rígida de cobre o una tubería flexible de acero.**

**IMPORTANTE:** realícese una comprobación final de posibles pérdidas en las conexiones de las tuberías utilizando una solución jabonosa. No utilice jamás llamas para dicha comprobación. Asegúrese también que la tubería flexible no puede tocar pieza móvil alguna de la caldera (por ejemplo, la parte inferior) y que no se encuentra en un lugar donde pueda dañarse.

**Advertencia:** si huele a gas cerca de la unidad corte el suministro de gas y llámese directamente al técnico. No busque la fuga mediante llama directa.

## 2.3. ADAPTACIÓN DE LA PLACA A DISTINTOS TIPOS DE GAS

Para adaptar la placa a los distintos tipos de gas, siganse las instrucciones siguientes:

- retire las rejillas y los quemadores
- inserte una llave hexagonal (de 7 mm) en el soporte del quemador (*Imagen 7*)
- Desenrosque el inyector y sustitúyase por uno adecuado al tipo de gas que se va a utilizar (*véase la tabla del tipo de gas*)

## 2.4. REGULACIÓN DE LA LLAMA MÍNIMA

Una vez encendidos los quemadores, gire el mando de control al mínimo y luego retire el mando (se puede retirar con facilidad presionando ligeramente).

Con un destornillador pequeño tipo "Terminal" se puede ajustar el regulador como se muestra en la *Imagen 9*. Girar el tornillo en el sentido de las agujas del reloj reduce el flujo de gas, mientras que si se gira en sentido contrario el flujo aumenta. Utilice este ajuste para lograr una llama de unos 3 ó 4 mm de altura y vuelva a colocar el mando de control.

Cuando el tipo de gas disponible es LPG (Bombona) el tornillo para configurar la llama permanente ha de girarse (en el sentido de las agujas del reloj) hasta el final.

Cuando se realice un nuevo ajuste del gas sustitúyase la placa de información del gas anterior que figura en la unidad por una (que se proporciona con la placa) adecuada para el tipo de gas para el que está regulada)

## 3. UTILIZACIÓN DE LA PLACA INSTRUCCIONES PARA EL USUARIO

La unidad sólo puede utilizarse para el fin para el que está diseñado, la cocina casera, y otros posibles utilizaciones se considerarán inadecuados y podrían ser peligrosos. El Fabricante declina toda responsabilidad por daños o pérdidas que puedan derivarse de una utilización inadecuada.

### 3.1. UTILIZACIÓN DEL QUEMADOR DE GAS

Para encender los quemadores colóquese una vela encendida al quemador, presionar y girar el mando de control en el sentido contrario a las agujas del reloj.

Si los quemadores no se han utilizado en un par de días espérese unos segundos antes de encender el quemador, esto permitirá que se elimine el aire que haya en los conductos.

Para unidades de ignición eléctrica realícese lo siguiente:

\* empuje hacia dentro y gire el mando en el sentido contrario a las agujas del reloj hasta el símbolo de ignición.

\* enciéndase el quemador presionando el botón de chispa.

Para las placas de ignición automática simplemente empújese hacia dentro y gírese el mando hasta la posición de ignición.

El sistema de ignición seguirá generando chispazos hasta que presione el mando del gas.

Si el quemador no se prende en 5 segundos gírese el mando a la posición 0 y repítase la operación.

En el caso de modelos con válvula de seguridad (que interrumpe el flujo de gas si la llama se apaga por accidente), los quemadores se encienden como se describe arriba, pero **ha de mantenerse pulsado el mando durante 5 o 6 segundos una vez prendida la llama.**

#### ATENCIÓN:

Antes de encender la placa de gas asegúrese de que los quemadores y los mandos correspondientes están en la posición adecuada.

#### CONSEJO GENERAL

Para un mejor resultado la dimensión de la base de la batería de cocina ha de coincidir con la dimensión del quemador tal y como se indica. *Tabla A.*

Tipo de Quemador	Ø batería (cm)	Potencia (kW)	G20/20 mbar (metano)	G30/28-30 mbar (LPG)
A Quemador Auxiliar	12 - 18	1	95 l/h	73 g/h
SR Quemador Semi-rápido	18 - 24	1,7	162 l/h	124 g/h
R Quemador Rápido	24 - 26	2,7	257 l/h	196 g/h

Tabla A

En caso de recipientes más pequeños el quemador ha de regularse con el fin de que la llama no sobrepase la base de la cazuela o sartén. No es recomendable utilizar baterías con bases cóncavas o convexas.

**ADVERTENCIA: Si un quemador se apaga por accidente, gire el mando hasta la posición de apagado y no intente volver a encender la llama hasta que transcurra como mínimo 1 minuto.**

Si con los años los reguladores del gas se endurecen y resulta difícil girarlos será necesario lubricarlos.

**Esta operación sólo la puede realizar, única y exclusivamente, personas del Servicio Técnico cualificadas.**

## 3.2. USO DE LA COCINA DE LAS PLACAS ELÉCTRICAS

Gire el mando hasta la posición de potencia deseada de la zona a calentar. Se encenderá la luz correspondiente a la zona encendida y la placa comenzará a calentarse. Una vez acabada la cocción, gire el botón de nuevo a la posición de "0" (figura 10). No deje encendida la placa cuando no haya una cacerola encima.

Es muy importante tener en cuenta el diámetro y la base de la cacerola que vaya a usar. El diámetro máximo de la cacerola debe ser 14cm y la base debe ser plana. En el primer uso de la placa, es aconsejable encenderla durante 5 minutos sin ninguna cacerola. Esto hará que la placa se curte con el calentamiento. Para limpiar las placas use un paño mojado y jabón. No use ni cuchillos ni objetos afilados para quitar los restos de comida de los platos.

Después de limpiar las placas déjelas encendidas durante unos minutos sin ninguna cazuela para secar. Aparte de para esto, no se debe dejar encendida la placa sin nada encima.

Posición	Potencia(Wat)	Potencia(Wat)	Explicación
0	0	0	Apagado
1	100 W	135 W	Calentar
2	180 W	220 W	La cocción a baja temperatura
3	250 W	300 W	La cocción a baja temperatura
4	500 W	850 W	Cocción, tueste, ebullición
5	750 W	1150 W	Cocción, tueste, ebullición
6	1000 W	1500 W	Cocción, tueste, ebullición

#### La apropiación de las cacerolas: (Figura 11)

No olvide que las cacerolas con base más ancha tienen más superficie del calentamiento.

Con las cacerolas de base ancha se cocina más rápido.

Siempre utilice cacerolas adecuadas teniendo en cuenta la cantidad de comida que se quiera preparar. Para evitar las salpicaduras, especialmente en la preparación de comidas caldosas es aconsejable no utilizar cacerolas pequeñas.

Si se utiliza cacerolas grandes para cocinar comida rápidamente, se puede pegartoda la salsa en la superficie de la cazuela, y al sacarla a un plato, se quedaría incrustada y pegada.

Si se van a cocinar dulces, es recomendable utilizar cazuelas cerradas, bandejas de horno o moldes de tarta, ya que si no se tapan, la salpicadura del azúcar y los jugos podrían pegarse en la cocina lo que dificultaría su limpieza.

Esto es especialmente importante cuando se cocina con temperaturas muy altas. Controle la adecuación de las cacerolas con respecto los criterios indicados abajo:

Deben ser pesadas.

Deben cubrir completamente la superficie de las placas calientes; pueden ser un poco más grandes de la superficie pero no más pequeñas.

La base de la superficie debe ser completamente plana y con una buena fijación encima de la superficie de las placas de cocina.

•Esto es debido a que se minimiza el consumo de energía y se hace un mejor uso de las placas eléctricas. El tamaño de la cacerola debe ser casi igual al diámetro de la placa de la cocina, pero nunca más pequeña. La base de las cacerolas debe estar. Las cacerolas vacías no se deben dejar puestas en las placas encendidas.

## 4. MANTENIMIENTO Y LIMPIEZA

Antes de limpiar la placa ésta tiene que estar fría. Desenchúfese o (si está conectada directamente) desconéctese de la corriente.

La limpieza y el mantenimiento que debe realizar el usuario no será realizada por niños sin supervisión.

No utilice jamás detergentes abrasivos y corrosivos, lejía o ácidos. Evite los ácidos o sustancias parecidas (zumo de limón, vinagre, etc.) en las secciones lacadas, barnizadas o de acero inoxidable.

Para limpiar las zonas esmaltadas, barnizadas o cromadas utilícese agua templada con jabón o detergente no cáustico. Después de limpiarla séquense los quemadores y vuelvan a colocarse.

**Es importante que los Quemadores se coloquen correctamente.**

### Rejillas cromadas y quemadores

Las rejillas cromadas y los quemadores tienen tendencia a ponerse oscuros con el uso. Es algo normal e inevitable, pero es algo que no altera en absoluto el funcionamiento de la placa de cocina.

En todo caso en nuestro centro de servicio de post-venta pueden encontrarse piezas de recambio.

## 5. SERVICIO TÉCNICO

Antes de llamar al Servicio Técnico compruebe lo siguiente:

- que el enchufe está correctamente insertado y que el fusible funciona;
- que no hay problema con el suministro de gas.

Si no puede identificarse el fallo:

Desenchufe la placa no intente averiguarlo- llame al Servicio Técnico.

## 6. PROTECCIÓN DEL MEDIOAMBIENTE



Este aparato está etiquetado conforme a la Directiva europea 2012/19/EU sobre residuos de aparatos eléctricos y electrónicos.

(RAEE). La RAEE contiene tanto sustancias contaminantes (que pueden generar consecuencias negativas para el medio ambiente) como componentes básicos (que pueden reutilizarse). Es importante someter los RAEE a tratamientos

específicos, con el fin de

retirar y eliminar correctamente todos los contaminantes y reciclar todos los materiales.

Los usuarios pueden desempeñar una función importante para garantizar que los RAEE no representen un problema ambiental; es esencial que se sigan algunas reglas:

- Los RAEE no se deben tratar como residuos domésticos.
- Los RAEE se deben depositar en los puntos de recolección correspondientes gestionados por la municipalidad o por empresas registradas. En muchos países, para los RAEE de gran tamaño, puede existir la recolección domiciliaria.
- Cuando compre un nuevo aparato, el anterior debe devolverse al vendedor que lo debe recolectar gratuitamente de manera individual, siempre que el equipo sea de un tipo equivalente y que tenga las mismas funciones que el equipo entregado.

**Declaración de cumplimiento:** en este equipo, las piezas que se prevé que puedan estar en contacto con los alimentos, cumplen las regulaciones de la CEE indicadas en la directiva 89/109.



Electrodoméstico que cumple las Directivas europeas 2006/95/EC y 2004/108/EC y 2009/142/EC y sus Correspondientes enmiendas.

*El Fabricante no se responsabiliza de las posibles imprecisiones derivadas de la impresión o transcripción que se contengan en este librito. Nos reservamos el derecho de realizar las modificaciones necesarias de los productos, incluidos los intereses de consumo, sin perjuicio de las características relacionadas con la seguridad o el funcionamiento.*

Tabla 1

PLACAS INTEGRADAS		
Quemador	1	2
	4 gas R / 2SR / AUX	3 gas R / SR / AUX / E
Tipo / referencia	S60 / HBGS	S60 / HBGS
Dispositivo de fallo en llama	Sí	Sí
Quemador auxiliar (A Ø 50 mm)	1	1
Placa Eléctrica	-	1
Quemador Semi-rápido (SR Ø 75 mm)	2	1
Quemador Rápido (R Ø 100 mm)	1	1
Tipo de Gas Instalado/ Potencia		
Potencia	7.1 kW	5.4 kW
G 20/20 mbar (metano)	676 l/h	514 l/h
G 30/28-30 mbar (LPG)	516 g/h	393 g/h
Clase de instalación	3	3
Voltaje / Frecuencia V / Hz	220-240 V / 50-60 Hz	220-240 V / 50-60 Hz
Potencia de entrada	15 W	1500 W
Ignición eléctrica	Sí	Sí
Dimensión del producto	585 x 510	585 x 510

Este electrodoméstico está pensado para aquellos que no son profesionales, es decir, uso casero.

UWAGA: Podczas pracy urządzenie oraz jego elementy są gorące. Należy zachować ostrożność i nie dotykać gorących części.

- Dzieci w wieku do 8 lat nie mogą zbliżać się do urządzenia chyba że pozostają one pod ciągłym nadzorem.
- Dzieci w wieku powyżej 8 lat oraz osoby z ograniczeniami ruchowymi, umysłowymi, czuciowymi lub nie posiadające odpowiedniej wiedzy lub doświadczenia mogą obsługiwać urządzenie jedynie pod nadzorem lub po przeszkoleniu odnośnie bezpiecznego użytkowania urządzenia i związanych z tym zagrożeń.
- Dzieci nie mogą bawić się urządzeniem.
- Dzieci bez nadzoru nie mogą obsługiwać ani czyścić urządzenia.

UWAGA: gotowanie na płycie z użyciem oleju lub tłuszczu bez nadzoru może być niebezpieczne i spowodować pożar.

- NIGDY nie gasić ognia wodą, należy wyłączyć urządzenie i przykryć płomień np. pokrywką lub kocem ognioodpornym.

UWAGA: niebezpieczeństwo pożaru. Nie wolno przechowywać przedmiotów na powierzchniach grzejnych.

UWAGA: w razie uszkodzenia powierzchni należy wyłączyć urządzenie aby uniknąć niebezpieczeństwa porażenia prądem elektrycznym.

- Nie stosować do czyszczenia urządzeń parowych.
- usunąć wylany płyn z pokrywy przed otwarciem.
- Poczekać aż powierzchnia płyty ostygnie przed zamknięciem pokrywy.
  - Urządzenie nie jest przeznaczone do sterowania zewnętrznym minutnikiem lub oddzielnym układem zdalnego sterowania.
  - Wyłącznik musi być podłączony do okablowania zgodnie z obowiązującymi przepisami.

instrukcja musi określać jaki rodzaj przewodu może być zastosowany, z uwzględnieniem temperatury tylnej ścianki urządzenia.

• Jeżeli przewód zasilający jest uszkodzony należy go wymienić na nowy dostarczony przez producenta lub autoryzowany serwis.

UWAGA: w celu uniknięcia zagrożeń związanych z przypadkowym zadziałaniem zabezpieczeń termicznych urządzenie nie może być zasilane z sieci sterowanej niezależnie lub z obwodów które są regularnie włączane i wyłączane.

- Urządzenie musi być zainstalowane zgodnie z obowiązującymi przepisami i w miejscu dobrze wentylowanym. Proszę zapoznać się z instrukcją przed przystąpieniem do instalacji.

Te instrukcje są ważne jedynie dla krajów których symbol pojawia się na urządzeniu. Jeżeli symbol kraju jest nieobecny należy odnieść się do instrukcji technicznej określającej zmiany urządzenia wprowadzone dla danego kraju.

- "Przed instalacją należy upewnić się czy lokalne warunki (rodzaj i ciśnienie gazu) są zgodne z ustawieniami urządzenia";
- "Ustawienia urządzenia są podane na tabliczce znamionowej";
- Urządzenie nie jest podłączone do układu odprowadzania gazów spalinowych. Musi być podłączone do takiego układu zgodnie z przepisami ze szczególnym uwzględnieniem wymagań odnośnie wentylacji.
- Użytkowanie gazowych urządzeń kuchennych wiąże się z wytwarzaniem ciepła i wilgoci w pomieszczeniu. Kuchnia musi być dobrze wentylowana za pomocą wentylacji grawitacyjnej lub wymuszonej (mechanicznej). Dłuższe intensywne gotowanie może wymagać dodatkowej wentylacji jak otwarcia okien lub zwiększenia mocy wentylacji wymuszonej.

## 1. INSTRUKCJE DLA INSTALATORA

INSTALACJA URZĄDZENIA DOMOWEGO MOŻE BYĆ SKOMPLIKOWANĄ OPERACJĄ, KTÓRA JEŻELI NIE BĘDZIE WYKONANA PRAWIDŁOWO, MOŻE POWAŻNIE ZAGROZIĆ BEZPIECZEŃSTWU UŻYTKOWNIKA. DLATEGO TEŻ, ZADANIE TO POWINNO BYĆ WYKONANE PRZEZ OSOBĘ O ODPOWIEDNICH KWALIFIKACJACH ORAZ ZGODNIE Z OBOWIĄZUJĄCYMI PRZEPISAMI. W PRZYPADKU ZIGNOROWANIA NINIEJSZEGO ZALECENIA I WYKONANIA INSTALACJI PRZEZ OSOBĘ BEZ ODPOWIEDNICH KWALIFIKACJI, PRODUCENT NIE PONOSI ŻADNEJ ODPOWIEDZIALNOŚCI ZA JAKIEKOLWIEK USTERKI TECHNICZNE, BEZ WZGLĘDU NA TO, CZY SPOWODUJĄ ONE SZKODY W MIENIU, CZY TEŻ USZKODZENIA CIAŁA U LUDZI.

### 1.1. ZABUDOWA

Płytę można zamontować w dowolnym blacie kuchennym, który jest odporny na działanie temperatury do 100C oraz posiada grubość 25-45 mm. Wymiary otworu, który należy wyciąć w blacie kuchennym, podane są na *Rysunku 2*.

Jeżeli kuchenka jest montowana obok szafki kuchennej, odległość pomiędzy płytą i szafką musi być co najmniej 15 cm (*patrz Rysunek 4*); natomiast odległość pomiędzy płytą i ścianą kuchni musi być co najmniej 5,5 cm.

Odległość pomiędzy płytą i szafką lub jakimkolwiek urządzeniem zamontowanym nad kuchenką (np. okapem) musi być nie mniejsza niż 70 cm (*Rysunek 4*).

Jeżeli pod zabudowaną płytą znajduje się dostępna przestrzeń, konieczne jest zamontowanie przegrody z materiału izolacyjnego (np. drewna) (*Rysunek 3*).

**Uwaga - Na Rysunku 1 pokazano sposób przyklejenia uszczelki.**

Płytę należy zamocować przy użyciu uchwytów znajdujących się w jej wyposażeniu, korzystając z otworów wykonanych w podstawie płyty.

W przypadku montowania płyty o szerokości 60 cm nad piekarnikiem, który nie jest wyposażony w obieg chłodzący, zaleca się utworzenie otworów w zabudowie w celu zapewnienia prawidłowego przepływu powietrza.

Wielkość tych otworów powinna wynosić co najmniej 300 cm<sup>2</sup> i należy je rozmieścić w sposób pokazany na *Rysunku 5*.

W przypadku montowania płyty o szerokości 75 cm nad piekarnikiem do zabudowy, piekarnik musi być wyposażony w obieg chłodzący. urządzenie nie jest przeznaczone do sterowania zewnętrznym minutnikiem lub oddzielnym układem zdalnego sterowania.

### 1.2. ODPOWIEDNIE POMIESZCZENIE

Urządzenie musi być zainstalowane zgodnie z obowiązującymi przepisami i w miejscu dobrze wentylowanym. Proszę zapoznać się z instrukcją przed przystąpieniem do instalacji.

W przestrzeni, w której zainstalowana jest kuchenka gazowa powstają duże ilości ciepła i pary. Dlatego też, konieczne jest zapewnienie dobrej wentylacji poprzez utrzymywanie naturalnego obiegu powietrza lub poprzez zamontowanie okapu kuchennego z wyciągiem. W przypadku długiego i intensywnego użytkowania kuchenki, konieczne może być zastosowanie dodatkowej wentylacji, na przykład poprzez otwarcie okna lub zwiększenie obrotów wentylatora.

Przy braku możliwości zamontowania okapu, w ścianie zewnętrznej lub w oknie należy zainstalować wentylator elektryczny pod warunkiem, że pomieszczenie posiada otwory odpowietrzające.

Wentylator elektryczny powinien zapewniać pełną wymianę powietrza w kuchni w tempie 3-5 razy na godzinę. Instalator powinien przestrzegać obowiązujących w danym kraju przepisów.

### 2.1. PODŁĄCZENIE DO SIECI ELEKTRYCZNEJ

Upewnij się, że napięcie w sieci odpowiada napięciu podanemu na tabliczce znamionowej znajdującej się na obudowie urządzenia. Przed podłączeniem, sprawdź obwód uziemienia.

Zgodnie z przepisami prawa, niniejsze urządzenie musi być uziemione. W razie nie przestrzegania tego wymagania, producent nie poniesie żadnej odpowiedzialności za jakiegokolwiek szkody w stosunku do osób lub mienia. Jeżeli kabel zasilający nie posiada wtyczki, należy zamontować wtyczkę dopasowaną do obciążenia wskazanego na tabliczce znamionowej urządzenia. Przewód uziemienia jest w kolorze żółtozielonym. Wtyczka powinna być zawsze dostępna.

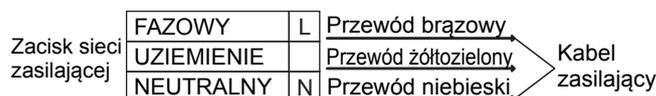
W przypadku gdy płyta podłączona jest bezpośrednio do sieci elektrycznej, konieczne jest zainstalowanie wyłącznika automatycznego.

W razie uszkodzenia kabla zasilającego, musi on być wymieniony przez wykwalifikowanego elektryka w celu wyeliminowania potencjalnych zagrożeń.

Przewód uziemienia (w kolorze żółtozielonym) musi być co najmniej 10 mm dłuższy niż przewód fazowy i neutralny.

Przekrój poprzeczny kabla zasilającego musi być o wielkości dostosowanej do mocy pobieranej przez płytę.

Sprawdź na tabliczce znamionowej dane dotyczące podłączenia do sieci elektrycznej oraz upewnij się, że kabel zasilający jest typu 3x0.75 mm<sup>2</sup> H05RR-F.



Jeśli urządzenie nie posiada kabla i wtyczki lub innego rozwiązania umożliwiającego odłączenie od odpowiednio zabezpieczonej sieci elektrycznej pozwalającej na pełne odłączenie przy wystąpieniu nadnapięcia spełniającego warunki kategorii III, instrukcja stwierdza, że sposoby odłączenia muszą być wbudowane w instalację elektryczną, zgodnie z zasadami okablowania.

### 2.2. PODŁĄCZENIE DO GAZU

Poniższe instrukcje przeznaczone są dla wykwalifikowanego personelu, instalacja urządzenia musi być zgodna z obowiązującymi normami krajowymi. **(Wyłączenie dla Wielkiej Brytanii: zgodnie z przepisami prawa, instalacja gazowa i jej odbiór muszą być przeprowadzone przez instalatora zarejestrowanego w CORGI)**

Wszystkie prace muszą być wykonane przy odłączonym zasilaniu elektrycznym.

Na tabliczce znamionowej urządzenia wskazany jest rodzaj gazu do którego zostało ono przystosowane. Podłączenie do sieci gazowej lub do butli z gazem płynnym należy przeprowadzić po uprzednim upewnieniu się, że urządzenie jest wyregulowane dla danego rodzaju gazu, który ma być podłączony. Jeżeli urządzenie nie jest prawidłowo wyregulowane, patrz instrukcje w kolejnym punkcie na temat zmiany ustawień gazowych.

W przypadku butli z gazem płynnym (butli gazowej) należy zastosować regulator ciśnienia zgodny z obowiązującymi normami krajowymi.

Należy stosować wyłącznie rury, podkładki i uszczelki, które są zgodne z obowiązującymi normami krajowymi.

W niektórych modelach, na wyposażeniu urządzenia znajduje się łącznik stożkowy, przeznaczony do zamontowania na terenie krajów, w których ten typ łącznika jest obligatoryjny; na rysunku 8 pokazano w jaki sposób rozróżnić poszczególne typy łącznika (CY = cylindryczny, CO = stożkowy). W każdym przypadku, cylindryczna część łącznika musi być podłączona do płyty gazowej.

W przypadku podłączania płyty do gazu przy użyciu przewodów elastycznych, należy zapewnić, aby maksymalna odległość łączenia tym przewodem nie przekroczyła 2 metrów.

Giętkiej rurki, powinny być wyposażone w taki sposób, że nie może wejść w kontakt z ruchomą częścią mieszkania (np. szuflady) i nie przechodzi przez wszelkie miejsca, gdzie może stać się zgnieciony / załamany lub uszkodzony w inny sposób.

Aby zapobiec ewentualnemu uszkodzeniu płyty, należy zachować następującą kolejność podczas instalacji (rysunek 6):

#### 1) Jak pokazano na rysunku, kolejno zamontować:

A: Łącznik cylindryczny męski 1/2"

B: Uszczelka 1/2"

C: Łącznik gazowy damski stożek-cylinder lub cylinder-cylinder 1/2"

#### 2) Zaciśnąć połączenie przy użyciu kluczy, pamiętając o ułożeniu przewodów rurowych w odpowiednim położeniu.

#### 3) Podłączyć łącznik C do domowej instalacji gazowej przy użyciu sztywnego przewodu miedzianego lub stalowego przewodu elastycznego.

**UWAGA: sprawdzić szczelność połączeń przewodów rurowych przy użyciu roztworu wody z mydłem. Nigdy nie należy do tego celu używać płomienia. Należy również upewnić się, że przewód elastyczny nie wejdzie w kontakt z ruchomą częścią szafki (np. szufladą), oraz że jest on ułożony w sposób wykluczający jego uszkodzenie.**

**Ostrzeżenie:** Jeżeli w pobliżu urządzenie wyczuwalny jest gaz, należy natychmiast odciąć dopływ gazu do urządzenia i wezwać instalatora. Nie próbować wykrywania nieszczelności przy pomocy otwartego płomienia.

### 2.3. PRZYSTOSOWANIE PŁYTY DO RÓŻNYCH RODZAJÓW GAZU

W celu przystosowania płyty do różnych rodzajów gazu, należy wykonać następujące czynności:

- zdjąć ruszty i palniki
- umieścić klucz sześciokątny (7 mm) we wsporniku palnika (*Rysunek 7*)
- Odkręcić dysze i wymienić je na dysze odpowiednie do danego rodzaju gazu (*patrz tabela rodzajów gazu*).

### 2.4. REGULACJA PŁOMIENIA MINIMALNEGO

Po zapaleniu palników, ustawić pokrętko w pozycji płomienia minimalnego i następnie zdjąć pokrętko (można je łatwo zdjąć wywierając niewielki nacisk).

Przy użyciu małego wkrętaka można następnie wyregulować śrubę regulacyjną w sposób pokazany na *Rysunku 9*. Obracanie śruby w kierunku zgodnym z ruchem wskazówek zegara powoduje zmniejszenie przepływu gazu, natomiast obracanie w kierunku przeciwnym do ruchu wskazówek zegara powoduje zwiększenie przepływu. Regulację należy przeprowadzać do momentu uzyskania płomienia o długości około 3-4 mm, poczym należy założyć pokrętko.

W przypadku korzystania z butli z gazem płynnym (LPG) śrubę do regulacji płomienia minimalnego należy obrócić (zgodnie z kierunkiem ruchu wskazówek zegara) aż do oporu.

Po przeprowadzeniu regulacji dla nowego rodzaju gazu, należy wymienić starą tabliczkę znamionową umieszczoną na urządzeniu na nową tabliczkę (znajdującą się na wyposażeniu płyty) odpowiednią dla rodzaju gazu, dla którego przeprowadzono regulację.

### 3. UŻYTKOWANIE PŁYTY - INSTRUKCJE DLA UŻYTKOWNIKA

Urządzenie może być używane wyłącznie do celu, do którego zostało przeznaczone, tzn. do przyrządzania potraw w gospodarstwie domowym, i jego używanie do wszelkich innych celów będzie traktowane jako niewłaściwe i może być niebezpieczne. Producent nie ponosi odpowiedzialności za wszelkie szkody spowodowane niewłaściwym użytkowaniem urządzenia.

### 3.1. UŻYWANIE PALNIKÓW GAZOWYCH

Aby zapalić palnik, należy umieścić w jego pobliżu zapaloną świeczkę, nacisnąć i obrócić pokrętko w kierunku przeciwnym do ruchu wskazówek zegara.

Jeżeli palniki nie były używane przez kilka dni, należy odczekać kilka sekund przed zapaleniem palnika, pozwoli to na wydostanie się powietrza zgromadzonego w przewodach rurowych.

W przypadku urządzeń wyposażonych w zapalacze elektroniczne, należy wykonać następujące czynności:

nacisnąć i obrócić pokrętko w kierunku przeciwnym do ruchu wskazówek zegara do pozycji symbolu zapłonu, zapalić palnik naciskając na przycisk iskrownika.

W przypadku płyt wyposażonych w zapalacze automatyczne, wystarczy po prostu nacisnąć i obrócić pokrętko do pozycji symbolu zapłonu.

System zapłonowy będzie generował iskry przez cały czas, gdy naciśnięty jest kurek gazowy.

Jeżeli palnik nie zostanie zapalony po upływie 5 sekund, należy obrócić pokrętko do pozycji 0 i powtórzyć czynność.

W przypadku modeli wyposażonych w zabezpieczenie przeciwywływowe (które odcina dopływ gazu w razie przypadkowego zgaśnięcia płomienia), zapalenie palników odbywa się w sposób opisany powyżej, przy czym należy pamiętać, że **po zapaleniu płomienia pokrętko należy jeszcze przytrzymać w pozycji wciśniętej przez 5 do 6 sekund**.

### UWAGA:

Przed włączeniem płyty gazowej, należy upewnić się, że palniki i nakrywki palników są prawidłowo umieszczone na swoich miejscach.

### UWAGA OGÓLNA

W celu maksymalnego wykorzystania palników, należy używać naczyń z płaskim dnem o średnicy odpowiednio dopasowanej do wielkości palnika. *Tabela A*.

Typ palnika	Średnica naczynia/garnka (cm)	Moc (kW)	G20/20 mbar (metan)	G30/28-30 mbar (LPG)
A Quemador Auxiliar	12 - 18	1	95 l/h	73 g/h
SR Quemador Semi-rápido	18 - 24	1,7	162 l/h	124 g/h
R Quemador Rápido	24 - 26	2,7	257 l/h	196 g/h

*Tabela A*

W przypadku korzystania z mniejszych naczyń, palnik należy wyregulować tak, aby płomień nie wychodził poza brzeg naczynia. Naczynia z wypukłym lub wklęsłym dnem nie powinny być używane.

**OSTRZEŻENIE: W razie przypadkowego zgaśnięcia płomienia, należy wyłączyć palnik i spróbować powtórnie go zapalić dopiero po upływie co najmniej 1 minuty.**

Jeżeli z biegiem lat kurki gazowe zaczną się ciężko obracać, konieczne będzie ich naoliwienie.

**Czynność ta może być przeprowadzona wyłącznie przez wykwalifikowany personel serwisu.**

### 3.2. EKSPLOATACJA KUCHENEK Z PŁYTAMI ELEKTRYCZNYMI

Pokrętko nastawić do żądanej temperatury płyty grzewczej. Zapala się lampka wskazująca włączenie i płyta grzewcza zaczyna się grzać.

Po zakończeniu gotowania zakręcić pokrętko do pozycji "0" (*rys. 10*). Kuchenki nie zostawiać w stanie włączonym bez naczynia. Ważne są średnica i podstawa używanego naczynia do gotowania. Maksymalna średnica podstawy naczynia wynosi 14 cm a podstawa powinna być płaska.

Przy pierwszym używaniu płyty zostawić ją na 5 minut do ogrzania, zanim postawisz na niej naczynie. Pozwoli to na zahartowanie powłoki odpornej na temperaturę na płycie grzewczej.

Do czyszczenia płyt grzewczych należy używać wilgotnej ściereczki i detergentów. Do usuwania wyschniętych pozostałości potraw z płyty grzewczej nie należy używać noży lub innych twardych i ostrych przedmiotów. Po czyszczeniu płytę grzewczą pozostawić na kilka minut do wyschnięcia. Płyty grzewczej nie należy jednak zostawiać włączonej na dłużej niż kilka minut bez naczynia znajdującego się na niej.

Położenie	Moc (Watt)	Moc (Watt)	Objaśnienie
0	0	0	Zakręcona
1	100 W	135 W	Grzanie
2	180 W	220 W	Grzanie w niskiej temperaturze.
3	250 W	300 W	Grzanie w niskiej temperaturze.
4	500 W	850 W	Gotowanie, Smażenie, Duszenie
5	750 W	1150 W	Gotowanie, Smażenie, Duszenie
6	1000 W	1500 W	Gotowanie, Smażenie, Duszenie

### Stosowność naczyń do gotowania: (*Rys. 11*)

Należy pamiętać, że większe naczynia posiadają szersze powierzchnie ogrzewania. To powoduje, że potrawy gotują się szybciej w większych naczyniach niż w naczyniach o mniejszej powierzchni ogrzewania.

Zawsze należy wybierać naczynie o wielkości stosownej do ilości gotowanej potrawy. Dla zapobiegania pryskaniu nie używać bardzo małych naczyń do potraw o dużej ilości płynu. Jeżeli będziesz używać nadmiernie dużego naczynia do gotowania szybkich potraw z dużą ilością płynu, sos potrawy przylepi się do wewnętrznych ścianek naczynia i po przełożeniu potrawy pozostanie tam.

Do przyrządzania deserów proponujemy używać naczyń zamkniętych, blach i form do ciast. Rozpryski cukru lub syropu z naczynia otwartego mogą przykleić się na powierzchnię grzewczą i sprawiać trudności podczas czyszczenia.

Jest to ważne zwłaszcza dla naczyń używanych do smażenia lub do gotowania w wysokich temperaturach pod ciśnieniem.

Płyty nie zostawiać włączonej bez opieki bez naczynia lub z pustym naczyniem na niej.

Stosowność naczyń do gotowania należy sprawdzać pod kątem następujących kryteriów:

Powinny być ciężkie.

Powinny całkowicie pokrywać powierzchnię grzewczą. Mogą być trochę większe ale nie mniejsze.

Powierzchnia podstawy powinna być płaska, przylegająca do powierzchni płyty grzewczej.

Dla optymalnego zużycia energii na płytach grzewczych używane naczynia powinny mieć płaskie podstawy. Wielkość naczynia powinna być jak najbardziej zbliżona do średnicy płyty grzewczej, ale nigdy nie mniejsza od niej. Dolna powierzchnia podstawy naczynia powinna być sucha. Należy zapobiegać wykipieniu. Pustych naczyń nie należy zostawiać na płytach grzewczych a płyt nie należy włączać bez naczyń.

## 4. CZYSZCZENIE I KONSERWACJA

Przed przystąpieniem do czyszczenia, należy upewnić się, że płyta wystygła. Wyjąć wtyczkę z gniazdka zasilania lub (w przypadku podłączenia bezpośredniego) wyłączyć zasilanie elektryczne.

Dzieci bez nadzoru nie mogą obsługiwać ani czyścić urządzenia.

Do czyszczenia płyty nigdy nie należy używać środków ściernych, środków zawierających substancje żrące, wybielające lub kwasy. Należy również unikać stosowania substancji kwaśnych lub alkalicznych (sok z cytryny, ocet itp.) do części emaliowanych, lakierowanych lub wykonanych ze stali nierdzewnej.

Podczas czyszczenia emaliowanych, lakierowanych lub chromowanych części, należy używać ciepłej wody z mydłem lub detergentu nie zawierającego substancji żrących. Do czyszczenia części ze stali nierdzewnej, należy używać odpowiedniego roztworu czyszczącego.

Palniki można czyścić wodą z mydłem. Aby przywrócić ich oryginalny blask, należy stosować domowy płyn do czyszczenia stali nierdzewnej. Po wyczyszczeniu, palniki należy wysuszyć i umieścić na płycie.

**Istotne jest, aby palniki były umieszczone dokładnie na swoim miejscu.**

### Chromowane ruszty i palniki

Chromowane ruszty i palniki mają tendencję do ciemnienia w miarę ich używania. Jest to zjawisko normalne i nieuchronne, w żadnym stopniu jednak nie pogarszające funkcjonalności płyty gazowej.

W każdym bądź razie, są one dostępne w naszym centrum serwisowym jako części zamienne.

## 5. OBSŁUGA SERWISOWA

Przed zadzwonieniem do pracownika serwisu, należy upewnić się, że:

- wtyczka jest prawidłowa umieszczona w gniazdku;
- nie ma awarii zasilania gazowego.

Jeżeli nie można zidentyfikować źródła usterki:

urządzenie należy wyłączyć - nie próbować go samodzielnie naprawiać - zadzwonić do centrum serwisowego.

## 6. OCHRONA ŚRODOWISKA



Urządzenie to jest oznaczone zgodnie z Dyrektywą Europejską 2012/19 / UE w sprawie zużytego sprzętu elektrycznego i elektronicznego (WEEE). Zużyty sprzęt elektryczny i elektroniczny zawiera zarówno substancje zanieczyszczające (o negatywnym oddziaływaniu na środowisko naturalne), jak i podstawowe elementy (które można użytkować wielokrotnie). Ważne, aby zużyty sprzęt

elektryczny i elektroniczny poddawać specjalnej obróbce w celu bezpiecznego usunięcia i pozbycia się wszystkich środków zanieczyszczających i odzyskania wszystkich surowców wtórnych.

Poszczególne osoby odgrywają ważną rolę w zapobieganiu szkodliwemu oddziaływaniu zużytego sprzętu elektrycznego i elektronicznego na środowisko, ważne aby przestrzegać kilku podstawowych zasad:

- Zużyty sprzęt elektryczny i elektroniczny nie może być traktowany jako odpad komunalny.
- Zużyty sprzęt elektryczny i elektroniczny przekazuje się do właściwych punktów zbiórki prowadzonych przez gminy lub koncesjonowane firmy. W wielu krajach, gdzie jest dużo zużytego sprzętu elektrycznego i elektronicznego, odbiera się go z domów.
- gdy kupuje się nowe urządzenie, zużyte można zwrócić do sprzedawcy, który musi je przyjąć bezpłatnie, na zasadzie zamiany jeden za jeden, o ile urządzenie to jest tego samego rodzaju i ma takie same funkcje, jak urządzenie dostarczone.

**Deklaracja zgodności:** Niniejsze urządzenie, w części przeznaczonej do kontaktu ze środkami spożywczymi spełnia wymagania przepisów ustanowionych w Dyrektywie 89/109/EWG.

 Urządzenie spełnia wymagania Dyrektyw 2006/95/EC i 2004/108/EC i 2009/142/EC, z późniejszymi zmianami.

*Producent nie ponosi odpowiedzialności za jakiegokolwiek niedokładności spowodowane błędami w druku lub w transkrypcji zawarte w niniejszej broszurze. Zastrzegamy sobie prawo do dokonywania modyfikacji produktu zgodnie z potrzebami, w tym w interesie konsumenta, bez uszczerbku dla charakterystyki dotyczącej bezpieczeństwa lub funkcjonalności.*

Tabela 1

PŁYTY DO ZABUDOWY		
Palnik	1	2
		4 palniki gazowe R / 2SR / AUX
Typ / odnośnik	S60 / HBGS	S60 / HBGS
Zabezpieczenie przeciwwyływowe	TAK	TAK
Palnik pomocniczy (A Ø 50 mm)	1	1
Płytami Elektrycznymi	-	1
Palnik średni (SR Ø 75 mm)	2	1
Palnik szybki (R Ø 100 mm)	1	1
Rodzaj gazu / Moc		
Moc	7.1 kW	5.4 kW
G 20/20 mbar (metan)	676 l/h	514 l/h
G 30/28-30 mbar (LPG)	516 g/h	393 g/h
Klasa instalacji	3	3
Napięcie / Częstotliwość V / Hz	220-240 V / 50-60 Hz	220-240 V / 50-60 Hz
Moc elektryczna pobierana	15 W	1500 W
Zapłon elektryczny	TAK	TAK
Wymiary produktu	585 x 510	585 x 510

Niniejsze urządzenie przeznaczone jest do użytku domowego.

## GÜVENLİK UYARILARI

UYARI: Cihaz ve aparatları kullanım sırasında ısınır. Isınmış parçalara dokunmaktan kaçınınız.

- 8 yaşın altındaki çocukları cihazdan uzakta tutmalı ve sürekli denetlemelisiniz.
- Bu cihaz, 8 yaş ve üzeri çocuklar ve fiziksel, duyuşsal veya zihinsel yetenekleri veya bilgi ve tecrübe açısından yetersiz kişiler tarafından ancak yetişkin bir bireyin denetiminde ve cihazın nasıl kullanılacağına dair verilen talimatların uygulanması durumunda ve oluşabilecek tehlikeleri kavradıkları takdirde güvenle kullanılabilir.
- Çocuklar cihazla oynamamalıdır.
- Cihazın temizlik ve bakımı gözetmen olmaksızın çocuklar tarafından yapılmamalıdır.

UYARI: Sadece yağın ocak üzerinde bırakılması tehlikeli olabilir ve yangına neden olabilir.

- Yangını HİÇBİR ZAMAN su ile söndürmeyin, cihazı kapatınız ve kapak gibi bir aparatla yada yangın battaniyesi ile alevi örtterek kontrol altına alınız.

UYARI: Yangın tehlikesi: Ocak yüzeyini bir takım malzemelerinizi depolamak için kullanmayınız, yüzeyi boş bırakınız.

UYARI: Yüzey kırık ise elektrik çarpması olasılığını önlemek için, cihazı kapatınız.

- Fırını temizlerken buharlı temizleyiciler kullanmayınız.
- Kapağa dökülen artıklar temizliğe başlamadan önce çıkarılmalıdır.
- Ocak yüzey kapağını kapatmadan önce soğumasına izin verilmelidir.
- Cihaz, harici bir zamanlayıcı veya ayrı uzaktan kumanda sistemi ile kontrol edilmeye uygun değildir.
- Bağlantının sağlanamaması kablolu kurallarına göre kabloların bağlanmamasından kaynaklanmıştır.
- Talimatlarda kullanılacak priz tipi cihazın arka kısmındaki sıcaklık düşünülerek belirtilmelidir.
- Elektrik kablosu hasarlı ise, özel bir kablo ya da üretici veya yetkili servisin uygun gördüğü kablo ile değiştirilmelidir.

Uyarı: Termal ısı kesici dikkatsizce yerleşiminden doğacak zararları engellemek için, bu cihaz kaynağı zamanlayıcı veya sürekli açık ya da kapalı olacak devre gibi dış devre cihazlarına bağlanmamalıdır.

- Bu cihaz, yürürlükteki mevzuata uygun olarak kurulmalıdır ve sadece iyi havalandırılan bir alanda kullanılmalıdır.
- Cihazı kurarken veya kullanmadan önce talimatları okuyun."
- Bu talimatlar sadece ülke sembolleri cihaz üzerinde olduğu zaman geçerlidir. Eğer cihaz üzerinde sembol yoksa, ürün üzerinde kullanılacak ülkenin koşullarına uygun modifikasyonların nasıl yapılacağını tarif eden teknik talimatları incelemek gerekmektedir.
- "Kurulum işleminden önce, yerel dağıtım koşulları (gaz ve gaz basıncı niteliği) ve cihazın ayarlara uyumlu olması garanti altına alınmalıdır."
- "Bu cihaz için gerekli tüm koşullar tip etiket üzerinde belirtilmiştir."
- Bu cihaz yanmalı ürünlerin tahliye aparatlarına bağlanmamalıdır. Cihaz mevcut montaj yönetmeliğine göre kurulum yapılmalıdır. Havalandırma ile ilgili gerekli şartların sağlanması için özel önem gösterilmelidir.
- Gazlı pişirme cihazlarının kullanımı montajlandığı yere göre oda içinde ısı ve nem yaratmaktadır. Mutfağın iyi havalandırılmış olduğundan emin olun: Doğal havalandırma delikleri açın veya mekanik bir havalandırma cihazı (mekanik aspiratör) takın. Cihazın uzun süre yoğun kullanımı durumunda ilave bir havalandırma yapın; örneğin bir pencere açın veya mekanik ventilasyon düzeyini artırarak daha etkili bir havalandırma yapın.

## 1. KURULUM TALİMATLARI

**EVDE KULLANIMA YÖNELİK BİR CİHAZIN KURULUMU, DOĞRU ŞEKİLDE YAPILMAZSA MÜŞTERİNİN GÜVENLİĞİNİ CİDDİ BİÇİMDE ETKİLEYEBİLECEK KARMAŞIK BİR İŞLEM OLABİLİR. BU NEDENLE, BU İŞLEM MESLEKİ YETERLİLİĞE SAHİP BİR KİŞİ TARAFINDAN, YÜRÜRLÜKTEKİ TEKNİK MEVZUATA UYGUN OLARAK GERÇEKLEŞTİRİLMELİDİR. BU ÖNERİNİN GÖZ ARDI EDİLMESİ VE KURULUMUN YETKİSİZ BİR KİŞİ TARAFINDAN YAPILMASI DURUMUNDA ÜRETİCİ, İSTER ÜRÜNLERİN, İSTER KİŞİLERİN ZARAR GÖRMESİYLE SONUÇLANSIN, ÜRÜNÜN HİÇBİR TEKNİK ARIZASINDA SORUMLULUK KABUL ETMEZ.**

### 1.1. ANKASTRE MONTAJ

Ocak 100 °C sıcaklığa dayanıklı ve 25-45 mm kalınlıkta bir tezgah içine yerleştirilebilir. Tezgah içinde oluşturulacak bölmenin boyutları *Şekil 2'*de verilmiştir.

Ocak bir kabinin yanına yerleştirilecekse, Ocak ile kabin arasındaki mesafe en az 15 cm olmalıdır (*Şekil 4'e bakın*); ocak ile arkasındaki duvar arasındaki mesafe de en az 5,5 cm olmalıdır.

Ocak ile diğer herhangi bir ünite veya cihaz (örn, hava tahliye aspiratörü) arasındaki mesafe 70 cm'den az olmamalıdır (*Şekil 4*).

Ankastre ocak ile aşağıdaki boşluk arasındaki erişilebilir bir mesafe olduğunda, izole bir malzemedan yapılmış bir bölme duvarı yerleştirilmelidir (ahşap malzeme veya benzeri bir başka malzeme) (*Şekil 3*).

**Önemli Şekil 1'deki diyagram dolgu malzemesinin nasıl uygulanacağını göstermektedir.**

Ocak ünitesi, ünite kaidesindeki delikler kullanılarak Sabitleme Keleççeleriyle yerleştirilir.

60 cm'lik ocak, soğutucu sistemi olmayan bir fırın üzerine yerleştirilecekse, doğru hava sirkülasyonunun sağlanması için ankastre mobilyada hava çıkışlarının oluşturulması tavsiye edilir. Bu hava delikleri en az 300cm olmalıdır ve *Şekilde* gösterildiği gibi yerleştirilmelidir.

Ankastre fırın üzerinde 75 cm'lik bir ocak yerleştirilecekse, fırının fan soğutucusu olmalıdır.

### 1.2. UYGUN YER TESPİTİ

Bu cihaz, yürürlükteki mevzuata uygun olarak kurulmalıdır ve sadece iyi havalandırılan bir alanda kullanılmalıdır. Cihazı kurarken veya kullanmadan önce talimatları okuyun.

Cihazın yoğun ve uzun süreli kullanımı pencereyi açmak gibi ilave havalandırmayı veya varsa elektrikli soğutucunun hızını artırmayı gerektirebilir.

Aspiratör kurulumuyorsa, mekanda hava çıkışı olduğu sürece, duvarın veya pencerenin dışına bir elektrikli soğutucu yerleştirilmelidir. Elektrikli soğutucu saatte 3-5 kez havayı tamamen sirküle edebilecek kapasitede olmalıdır. Montaj uzmanı ilgili ulusal standartları izlemelidir.

### 2.1. ELEKTRİK BAĞLANTISI

Ünitenin dışına yerleştirilmiş olan değer plakasındaki verilerin, güç kaynağı ve giriş voltajı değerlerine uygun olduğunu kontrol edin. Bağlantı öncesinde, topraklama sistemini kontrol edin. Kanun gereğince, bu cihaz topraklanmalıdır. Bu düzenlemeye uyulmadığı takdirde, Üretici kişilere veya mülkiyete verilecek zararlardan sorumlu olmayacaktır. Fiş henüz takılmadıysa, değer plakasında gösterilen yüke uygun bir fiş takınız. Topraklama teli sarı/yeşil renklidir. Fiş her zaman erişilebilir durumda olmalıdır.

Ocağın doğrudan bir elektrik kaynağına bağlandığı yerde, bir devre kesicisi (şalter) tesis edilmelidir.

Güç kaynağı kablo zarar görürse, potansiyel bir riski önlemek için ehliyetli bir mühendis tarafından değiştirilmelidir. Topraklama kablo (yeşil veya sarı renkli) aktif ve nötr kablolardan en az 10 mm daha uzun olmalıdır.

Kullanılan kablo bölümü, ocağın çektiği elektrige göre uygun ölçülerde olmalıdır.

Lütfen güç bilgileri için değer plakasını kontrol edin ve güç kaynağı kablusunun 3x0.75 mm<sup>2</sup> H05RR-F tipinde olmasını sağlayın.

Ana Güç Kaynağı	AKTİF	L	Kahverengi Kablo	Güç Kablusu
	TOPRAK		Yeşil/Sarı Kablo	
	NOTR	N	Mavi Kablo	

Eğer ocak, kablo veya fiş bağlantısına sahip değilse veya diğer bir deyişle aşırı voltaj kategorisi şartları altında bütün kutuplar ana şebeke bağlantısından ayrılma durumu varsa yönergelerce belirlenen kablolama kurallarına uygun bağlantı sağlanmalıdır.

### 2.2. GAZ BAĞLANTISI

Bu talimatlar sadece ehliyet sahibi uzman personel için hazırlanmıştır, ekipmanın kurulumu geçerli ulusal standartlara uygun olmalıdır.

Tüm işler elektrik bağlantısı kesilmiş durumda yapılmalıdır.

Ocak üzerindeki değer plakası, ocakla birlikte kullanılması tasarlanmış olan gaz türünü göstermektedir. Ana gaz kaynağına veya gaz tüpüne yapılan bağlantı, cihazın verilecek gaz türüne göre ayarlandığı kontrol edildikten sonra, gerçekleştirilmelidir. Doğru şekilde ayarlanmamışsa, gaz ayarını değiştirmek için aşağıdaki paragraflardaki talimatlara bakın. Likit gaz için (tüp gaz), geçerli ulusal standartlara uyumlu olan basınçlı regülatörleri kullanın.

Sadece ulusal standartlara uyumlu olan boru, pul veya conta pulu kullanın.

Bazı modeller için, konik bağlantı tipinin zorunlu olduğu ülkelerde, montaj için konik bir bağlantı verilmektedir; Resim 8'de farklı bağlantı türlerinin nasıl tanınacağı anlatılmaktadır (CY= silindirik, CO = konik). Her tür durumda, bağlantının konik parçası ocağa bağlanmalıdır.

Ocağı gaz kaynağına esnek hortumlarla bağlayacaksanız, lütfen hortumun kaplayacağı maksimum mesafenin 2 metreyi geçmemesini temin edin.

Esnek hortum, ocağın yerleştirildiği mobilyanın çekmece gibi hareketli parçalarına temas etmeyecek şekilde montajlanmalı ve tıkanıklık yaratabilecek hassas bölümlerden geçmemelidir.

Ocağın herhangi bir şekilde zarar görmesinin önüne geçmek için, lütfen aşağıdaki adımları sırayla takip ederek montaj işlemini gerçekleştirin (Resim 6)

#### 1) Gösterildiği şekilde, parçaları sırayla birleştirin:

A: 1/2 Erkek Adaptör Silindirik,

B: 1/2 Conta,

C: 1/2 Dişi Gaz Adaptörü Konik-Silindirik veya Silindirik-Silindirik

#### 2) Boruları pozisyona sokmak için, anahtarlarla bağlantı yerlerini sıkın.

#### 3) Sert bakır boru veya esnek çelik boru kullanarak ana gaz kaynağına C rakoru takın.

**ÖNEMLİ:** Sabunlu bir çözelti yardımıyla son kez borularda sızıntı olup olmadığını kontrol edin. Asla ateş kullanmayın. Ayrıca esnek boruyu, kabinin hareket eden bir parçasıyla (örn çekmece) ile temas etmeyecek şekilde ayarlayın veya borunun zarar görebilecek bir konumda olmamasını temin edin.

**Uyarı:** Bu cihazın yanında herhangi bir gaz kokusu aldığınız zaman, cihaza giden gaz kaynağını kapatın ve doğrudan mühendisi arayın. Sızıntıyı tespit etmek için çıplak ateş kullanmayın.

### 2.3. OCAĞIN FARKLI GAZ TÜRLERİNE UYARLANMASI

Ocağı farklı gaz türleriyle birlikte kullanmak için, aşağıdaki talimatları gerçekleştirin.

• Izgaraları ve ocak gözlerini çıkarın

• Ocak gözü desteği için altıgen bir anahtar (7mm), (*Şekil 7*) kullanın

• Enjektörü çıkarın ve kullanılacak olan gaz türü için uygun olan yeni enjektörü takın (*gaz türleri tablosuna bakın*)

## 2.4. MİNİMUM ALEVİN AYARLANMASI

Ocak gözlerini yaktıktan sonra, kontrol düğmesini kısık ayara getirin ve sonra da düğmeyi yerinden çıkarın (hafifçe bastırmak suretiyle kolayca çıkarılabilir).

Küçük bir «Terminal» tipi tornavida kullanarak, ayar vidası Şekil 9'da gösterildiği gibi ayarlanabilir. Vidayı saat yönüne çevirirseniz, gaz akışını azaltırsınız, saat yönünün tersine çevirirseniz, akışı artırırınız - yaklaşık 3-4 mm uzunlukta bir alev seviyesi ayarlayın ve daha sonra kontrol düğmesini tekrar yerine takın.

Gaz kaynağı LPG ise (tüp gaz) - boş alevi ayarlama vidası, uçtaki stop noktasına kadar (saat yönünde) döndürülmelidir.

Yeni gaz ayarlamasını yaptığınızda, cihazınızın üzerindeki eski gaz değer plakasını, yeni ayarladığınız gaz türüne uygun olan değer plakasıyla (ocakla birlikte teslim edilmiştir) değiştirin.

## 3. OCAK KULLANIMI KULLANIM TALİMATLARI

Bu cihaz sadece evde yemek pişirmek için tasarlanmıştır ve bu amaçla kullanılmalıdır. Diğer kullanım türleri sakıncalı olup tehlikeli durumlara neden olabilir. Üretici uygunsuz ve sakıncalı kullanımlardan kaynaklanan zarar ve ziyandan sorumlu olmayacaktır. **UYARI:** Yangın tehlikesi: Ocak yüzeyini bir takım malzemelerinizi depolamak için kullanmayınız, yüzeyi boş bırakınız.

## 3.1. GAZLI OCAK GÖZLERİNİN KULLANIMI

Ocağın gözlerini yakmak için, ateş kaynağını gözün yakınında tutun, kontrol düğmesine bastırın ve saat yönüne çevirin.

Ocak birkaç günlüğüne kullanılmadıysa, yakmadan önce birkaç saniye bekleyin, böylece borularda mevcut olan havanın tahliye olması sağlanmış olacaktır.

Elektronik tutuşturma sistemi olan cihazlar için, aşağıdaki işlemleri gerçekleştirin.

• Düğmeye bastırın ve tutuşturma sembolüne kadar saat yönünün tersine çevirin.

• Ateşleme butonuna basarak ocak gözünü yakın.

Otomatik çakmağı olan ocaklar için, sadece düğmeye bastırın ve tutuşturma sembolüne kadar çevirin.

Ateşleme sistemi gaz vanasına basıldığı sürece kıvılcım çıkarmaya devam edecektir.

Ocak gözü 5 saniye içerisinde yanmazsa, düğmeyi 0 konumuna getirin ve işlemi tekrarlayın.

**Güvenlik vanasına sahip modellerde (ateş kazayla söndüğünde gaz akışını kesen modeller), ocak gözü yukarıda anlatılan şekilde yakılır; fakat yakma sonrasında düğme 5 veya 6 saniye boyunca basılı tutulmalıdır.**

### DİKKAT:

Gaz ocağını açmadan önce, ocak gözlerinin ve ocak gözü kapaklarının yerlerine yerleştirildiğinden emin olun.

### GENEL TAVSİYELER

En iyi sonuçları almak için, düz tabanlı tencerelerin ölçüleri aşağıdaki şekilde gaz ocağı gözü ölçülerine uygun olmalıdır. *Tablo A.*

Ocak Gözü Türü	Ø Tav /Tencere (cm)	Güç (kW)	G20/20 mbar (metano)	G30/28-30 mbar (LPG)
A Yardımcı Ocak Gözü	12 - 18	1	95 l/h	73 g/h
SR Yarı Hızlı Ocak Gözleri	18 - 24	1,7	162 l/h	124 g/h
R Hızlı Ocak Gözü	24 - 26	2,7	257 l/h	196 g/h

Tablo A

Daha küçük kaplar için, gaz ocağı gözlerinin, alevin tavanın tabanını aşmayacak şekilde ayarlanması gerekir. Konkav veya konveks tabanlı kaplar kullanılmamalıdır.

**UYARI: Ocak yanlışlıkla söndürülürse, düğmeyi kapalı (off) konuma getirin ve tekrar yakmadan önce en az 1 dakika bekleyin.**

Zaman içerisinde, gaz vanaları açılıp kapatılırken sertleşirse, yağlanmaları gerekir.

**Bu işlem sadece ehliyetli Bakım Mühendisleri tarafından yapılmalıdır.**

## 3.2. ELEKTRİKLİ ISITICININ KULLANIMI

İstenilen sıcaklığa göre elektrikli ısıtıcının düğmesini çevirin. Elektrikli ısıtıcı çalışmaya başladığında uyarı lambası yanacaktır. Pişirme tamamlandığında düğmeyi "O" kapalı pozisyona getirin. (Şekil 10). Pişirme kabı üzerinde olmadan elektrikli ısıtıcıyı çalıştırma durumunda bırakmayın. Kullanılacak pişirme kabı çapları önemlidir. Pişirme kabı tabanı düz olmalı ve çapı 14 cm yi geçmemelidir. İlk kullanımda, pişirme kabı koymadan önce 5 dakika elektrikli ısıtıcıyı çalıştırın. Bu ısınma sonucunda rezistansın kaplamasının sertleşmesi sağlanacaktır.

Elektrikli ısıtıcıyı temizlemek için ıslak bez ve deterjan kullanınız. Elektrikli ısıtıcı üzerinde kalmış yemek parçalarını bıçak ve benzeri sert ve keskin malzemelerle temizlemeyiniz.

Temizlemeden sonra elektrikli ısıtıcıyı kurutmak için bir kaç dakika çalıştırın. Bununla beraber, elektrikli ısıtıcıyı üzerinde pişirme kabı olmadan bir kaç dakikadan fazla çalıştırmayın.

Pozisyon	Güç (Watt)	Güç (Watt)	Açıklama
0	0	0	Kapalı
1	100 W	135 W	Isıtma
2	180 W	220 W	Düşük sıcaklıkta pişirme
3	250 W	300 W	Düşük sıcaklıkta pişirme
4	500 W	850 W	Pişirme, kızartma, kaynatma
5	750 W	1150 W	Pişirme, kızartma, kaynatma
6	1000 W	1500 W	Pişirme, kızartma, kaynatma

### Pişirme kabının uygunluğu (Şekil 11)

Büyük pişirme kaplarının büyük pişirme yüzeylerine sahip olduğunu unutmayınız.

Büyük pişirme yüzeyli kaplar, küçük pişirme yüzeyli kaplardan daha hızlı pişirmeyi sağlayacaktır. Her zaman pişirilecek yiyecek miktarına göre pişirme kabı seçiniz. Özellikle çok fazla sıvı içeren yiyeceklerin pişirme esnasında sıçramasını önlemek için çok küçük pişirme kapları seçmeyiniz. Aşırı büyük pişirme kapları seçilirse, kabın boşaltılmasından sonra sos ve sıvıların pişirme kabına yapışarak kalacaktır. Tatlıların pişirilmesinde pişirme kabının kapatılması tavsiye edilir. Açık kalan kapaktan sıçrayan şeker ve meyve suları pişirme yüzeyine yapışabilir. Bu atıkların yüzeyden temizlenmesi güçtür.

Bu özellikle yüksek sıcaklıkta basınçla pişen yemekler ve kızartmalar için önemlidir. Isıtıcıları, üzerinde boş pişirme kabı veya pişirme kabsız olarak çalıştırmayınız.

Aşağıdaki kriterlere göre pişirme kabının uygunluğunu kontrol ediniz;

Pişirme kapları ağır olmalı.

Pişirme kapları ısıtıcının tüm yüzeyini kaplamalı veya bu yüzeyden biraz büyük olmalı, ancak küçük olmamalı.

Pişirme kabı tabanı düz olmalı ve pişirme yüzeyine uygun olmalı.

Elektrikli ısıtıcının en iyi şekilde kullanımı ve en az enerji tüketimi için, sadece düz tabana sahip pişirme kapları kullanılmalıdır. Pişirme kabının çapı, ısıtıcı ölçüsüne yakın olmalı ancak hiç bir zaman küçük olmamalıdır. Pişirme kabının tabanı kuru olmalı ve kabın dökülmesi önlenmelidir. Boş pişirme kapları ısıtıcı üzerinde bırakılmamalı ve pişirme kabı konulmadan ısıtıcı çalıştırılmamalıdır.

## 4. BAKIM VE TEMİZLİK

Ocağı temizlemeden önce, cihazın soğutulmasını sağlayın. Fişini prizden çekin veya (direkt bağlıysa) güç kaynağını kapatın.

Cihazın temizlik ve bakımı gözetmen olmaksızın çocuklar tarafından yapılmamalıdır.

Asla, zımpara, yıpratıcı deterjan, ağartıcı veya asit ürünü kullanmayın. Emaye kaplı, vernikli veya paslanmaz çelik bölümlerin üzerine asit veya alkalın madde (limon suyu, sirke, vb.) dökmeyin.

Emaye kaplı, vernikli veya krom yüzeyleri temizlerken, sıcak sabunlu su veya aşındırıcı olmayan deterjanlar kullanın. Paslanmaz çelik için, uygun bir temizleme çözümü kullanın.

Ocak gözleri sabunlu suyla temizlenebilir. Orijinal parlaklıklarını muhafaza etmek için, evsel bir paslanmaz çelik temizleyici kullanın. Temizleme işlemi sonunda, ocak gözlerini kurutun ve yerine takın.

**Ocak gözlerinin doğru yerleştirilmesi önemlidir.**

**Krom ızgara ve ocak gözleri**

Krom ızgaralar ve ocak gözleri kullanıldıkça kararırma eğilimi gösterirler. Bu durum normaldir ve kaçınılmazdır ama ocağın işlevselliğini tamamen tehlikeye atmaz.

Herhangi bir durumda, satış sonrası servis merkezimizden, yedek parçaları alabilirsiniz.

## 5. SATIŞ SONRASI SERVİS

Bir Servis Teknisyeni çağırılmadan önce, lütfen aşağıdaki kontrolleri yapın:

- fiş doğru şekilde takılmış ve yerine oturmuş;
- gaz kaynağı hatalı değil.

Arıza belirlenemiyorsa:

cihazı kapatın -kurcalamayın- ve Satış Sonrası Servis Merkezini arayın.

## 6. ÇEVRENİN KORUNMASI



Bu cihaz, Atık Elektrikli ve Elektronik Cihazlar (AEEE) hakkındaki 2012/19/EU Avrupa Birliği Yönergesine uygun biçimde işaretlenmiştir.

AEEE, hem kirletici maddeleri (bunlar çevre üzerinde olumsuz etkilere neden olabilir) hem de temel bileşenleri (bunlar yeniden kullanılabilir) içerir. Tüm kirleticilerin düzgün bir şekilde bertaraf edilmesi ve atılması ve tüm malzemelerin geri kazanılıp ve dönüştürülmesi için AEEE'nin özel işlemlere tabi tutulması önemlidir.

Kişiler, AEEE'nin bir çevre sorununa dönüşmemesini sağlamakta önemli bir rol üstlenir; bazı basit kuralların izlenmesi gerekir:

- AEEE'lere ev atıkları olarak davranılmamalıdır.
- AEEE'ler, belediye veya kayıtlı şirketler tarafından yönetilen ilgili toplama noktalarına teslim edilmelidir. Pek çok ülkede, büyük AEEE'ler için evden toplama hizmeti verilir.
- Yeni bir cihaz satın aldığınızda, eskisi satıcıya verilebilir ve satıcı yeni teslim ettiği cihaz başına bir adet olmak üzere ücretsiz olarak bu cihazı teslim alabilir, bunun için alınacak ekipmanın teslim edilen ekipman ile aynı türden ve aynı fonksiyonlara sahip olması gerekir.

**Uygunluk Beyanı:** Bu ekipman, gıdalarla temas ettiği parçalarda, 89/109 sayılı EEC Direktifinde öngörülen düzenlemelere uygundur.

**CE** Cihaz, 2006/95/EC, 2004/108/EC ve 2009/142/EC sayılı Avrupa Direktiflerine uygundur.

Üretici bu broşürde bulunan basım veya kopyalama hatalarından kaynaklanan herhangi bir eksiklikten sorumlu olmayacaktır. Güvenlik veya işlevle ilgili özelliklere zarar vermeden tüketim istekleri dahil olmak üzere ürünlerde gerektiğinde değişiklik yapma hakkımız mahfuzdur.

Tablo 1

ANKASTRE OCAKLAR		
	1	2
Gazlı Ocak Gözü	4 gaz R / 2SR / AUX	3 gaz R / SR / AUX / E
Tür / referans	S60 / HBGS	S60 / HBGS
Gaz Emniyeti	EVET	EVET
Yardımcı Ocak Gözü (A Ø 50 mm)	1	1
Elektrikli Isıtıcı	-	1
Yarı Hızlı Ocak Gözü (SR Ø 75 mm)	2	1
Hızlı Ocak Gözü (R Ø 100 mm)	1	1
<b>Kurulumu Yapılan Gaz Türü/Elektrik :</b>		
Güç	7.1 kW	5.4 kW
G 20/20 mbar	676 l/h	514 l/h
G 30/28-30 mbar (LPG)	516 g/h	393 g/h
Montaj Sınıfı	3	3
Voltaj / Frekans V/Hz	220-240 V / 50-60 Hz	220-240 V / 50-60 Hz
Elektrik Giriş Gücü	15 W	1500 W
Elektrikli Ateşleme	EVET	EVET
Ürün Boyutları	585 x 510	585 x 510

Bu cihaz, profesyonel kullanım için değil yalnızca evde kullanılmak üzere tasarlanmıştır.

# TÜKETİCİ HİZMETLERİ

Yetkili servislerimizden hizmet talebiniz olduğunda veya ürünlerimizle ilgili genel öneri ve talepleriniz için aşağıdaki numaradan ulaşabilirsiniz.

## TÜKETİCİ HATTI: 444 03 98

Sabit telefonlardan veya cep telefonlarından alan kodu çevirmeden arayınız.

Ürününüzü kullanmadan önce montaj ve kullanma kılavuzunu mutlaka okuyunuz. Ürünün montaj ve kullanım kılavuzunda yer alan hususlara aykırı kullanılması, kullanım hataları ve cihazın standart kullanım şartları / amaçları haricinde kullanılması halinde ürün garanti kapsamı dışında kalacaktır.

Ürünün standart ve sorunsuz çalışma koşullarının sağlanması için gerekli / zorunlu olan montaj ve kullanım kılavuzunda belirtilen teknik özelliklerinin (su basıncı, voltaj değeri, gaz besleme basıncı, sigorta değeri, topraklama, yakıt cinsi, yakıt kalitesi vb.) uygun olmaması, sabit olmaması ve/veya değişken olması halinde, cihazda meydana gelebilecek arızalar ve sorunlar garanti kapsamı dışında kalacaktır.

Candy Hoover Euroasia tarafından sağlanan garanti şartları aşağıdaki koşullarda geçersiz olacaktır.

• Ürüne, yetkili servis dışındaki kişiler tarafından müdahale edilmesi, elektrik-su kesintisi ve üründen kaynaklanmayan kaçaklar garanti kapsamı dışındadır.  
• Kullanım hatalarından dolayı oluşan arıza ve hasarlar, elektrik-gaz -su tesisatı ve / veya tesisat ekipmanları nedeniyle meydana gelebilecek arızalar garanti kapsamı dışındadır.

• Ürünün, müşteriye ulaştırılması sonrası yapılan taşıma işlemine bağlı arıza ve hasarlar, tüketici tarafından yapılan yanlış depolama ve ortam koşulları nedeniyle cihazda meydana gelen hasarlar ve arızalar garanti kapsamı dışındadır.

• Hatalı elektrik tesisatı, ürünün üzerinde belirtilen voltajdan farklı voltajda kullanılması veya şebeke voltajındaki dalgalanmalar sonucu oluşan arıza ve hasarlar, doğal afetler, üründen kaynaklanmayan harici/fiziki dış etkenler, mevsimsel hava şartları ve çevresel etkenler (deprem, yangın, sel, su basması, şiddetli rüzgar, yıldırım düşmesi, kireç, nem, rutubet, toz, nakliye, taşıma, ürünün dona maruz kalması, susuz çalışma vb.) nedeniyle oluşan arızalar garanti kapsamı dışında kalacaktır.

• Kullanım kılavuzunda belirtilen hususlara aykırı kullanılmasından kaynaklanan arızalar ve hasarlar.

Yukarıda belirtilen arızaların giderilmesi ücret karşılığı yapılır.

Ürünün kullanım ömrü 10 (on) yıldır. Bu ürünün tanımlandığı şekilde çalışabilmesi için gerekli yedek parçaları bulundurma süresidir.

Üretim yeri Türkiye'dir.

### İTHALATCI FİRMA:

CANDY HOOVER EUROASIA EV GEREÇLERİ SAN. VE TİC. A.Ş.

İçerenköy Mh. Hal Yolu Cd. Çayır Yolu Sk. No: 11

Sayar İş Merkezi Kat: 7 34752 Ataşehir / İSTANBUL/ TÜRKİYE

Tel: 0216 466 42 42 • Fax: 0216 466 15 45

www.hoover.com.tr • servis@hoover.com.tr

### ÜRETİCİ FİRMA:

CANDY HOOVER GROUP

Via Privata E. Fumagalli 20861 Brugherio (MB) - ITALY

Tel: 039.2086.1 • Fax: 039.2086.403

www.candy-group.com

**CANDY**

## GARANTİ BELGESİ

### ANKASTRE OCAK

Ankastre ocak kullanma kılavuzunda gösterildiği şekilde kullanılması ve yetkili kıldığımız servis elemanları dışındaki şahıslar tarafından bakımı, onarımı veya başka bir nedenle müdahale edilmemesi şartıyla bütün parçaları dahil olmak üzere tamamı malzeme, işçilik ve üretim hatalarına karşı ürünün teslim tarihinden itibaren **3 ( ÜÇ ) YIL SÜRE İLE CANDY HOOVER EUROASIA A.Ş. TARAFINDAN GARANTİ EDİLMİŞTİR.**

Malın bütün parçaları dahil olmak üzere tamamı garanti kapsamındadır.

Malın ayıplı olduğunun anlaşılması durumunda tüketici, 6502 sayılı Tüketicinin Korunması Hakkında Kanununun 11 inci maddesinde yer alan;

a) Satılanı geri vermeye hazır olduğunu bildiren sözleşmeden dönme,

b) Satılanı alıkoymuş ayıp oranında satış bedelinde indirim isteme,

c) Aşırı bir masraf gerektirmediği takdirde, bütün masrafları satıcıya ait olmak üzere satılanın ücretsiz onarılmasını istem,

ç) İmkân varsa, satılanın ayıpsız bir misli ile değiştirilmesini isteme, seçimlik haklarından birini kullanabilir.

Tüketicinin, Kanununun 11. maddesinde yer alan seçimlik haklarından ücretsiz onarım hakkını seçmesi durumunda satıcı; işçilik masrafı, değiştirilen parça bedeli ya da başka herhangi bir ad altında hiçbir ücret talep etmeksizin malın onarımını yapmak veya yaptırmakla yükümlüdür. Tüketici ücretsiz onarım hakkını üretici veya ithalatçıya karşı da kullanabilir. Satıcı, üretici ve ithalatçı tüketicinin bu hakkını kullanmasından müteselsilen sorumludur.

Tüketicinin, ücretsiz onarım hakkını kullanması halinde malın;

• Garanti süresi içinde tekrar arızalanması,

• Tamiri için gereken azami sürenin aşılması,

• Tamirinin mümkün olmadığı, yetkili servis istasyonu, satıcı, üretici veya ithalatçı tarafından bir raporla belirlenmesi durumlarında;

tüketici malın bedel iadesini alıp, ayıp oranında bedel indirimini veya imkân varsa malın ayıpsız misli ile değiştirilmesini satıcıdan talep edebilir. Satıcı, tüketicinin talebini reddetmez. Bu talebin yerine getirilmemesi durumunda satıcı, üretici ve ithalatçı müteselsilen sorumludur.

**Garanti uygulaması sırasında değiştirilen malın garanti süresi, satın alınan malın kalan garanti süresi ile sınırlıdır.**

Malın tamir süresi 20 iş gününü geçemez. Bu süre, garanti süresi içerisinde mala ilişkin arızanın yetkili servis istasyonuna veya satıcıya bildirim tarihinde, garanti süresi dışında ise malın yetkili servis istasyonuna teslim tarihinden itibaren başlar. Malın arızasının 10 iş günü içerisinde giderilememesi halinde, üretici veya ithalatçı; malın tüketicinin kullanımına tahsis etmek zorundadır. Malın garanti süresi içerisinde arızalanması durumunda, tamirde geçen süre garanti süresine eklenir.

Malın kullanma kılavuzunda yer alan hususlara aykırı kullanılmasından kaynaklanan arızalar garanti kapsamı dışındadır.

Tüketici, garantiden doğan haklarının kullanılmasına ilgili olarak çıkabilecek uyuşmazlıklarda yerleşim yerinin bulunduğu veya tüketici işleminin yapıldığı yerdeki Tüketici Hakem Heyetine veya Tüketici Mahkemesine başvurabilir.

**Garanti belgesinin tekemmül ettirilerek tüketiciye verilmesi ve bu yükümlülüğün yerine getirildiğinin ispatı satıcıya aittir.**

**Satılan mala ilişkin olarak düzenlenen faturalar garanti belgesi yerine geçmez.**

Satıcı tarafından bu Garanti Belgesinin verilmemesi durumunda, tüketici Gümrük ve Ticaret Bakanlığı Tüketicinin Korunması ve Piyasa Gözetimi Genel Müdürlüğüne başvurabilir.

### CANDY-HOOVER-EUROASIA EV GEREÇLERİ SAN VE TİC. A.Ş.

Model:.....

Bandrol ve Seri No:.....

Teslim Tarihi Yeri: .....

Fatura Tarihi No: .....

Satıcı Firma Ünvanı: .....

Genel Müdür: .....

Adres: .....

Tel - Fax: .....

Satıcı Firma (Kaşe ve İmza):.....

CANDY HOOVER EUROASIA EV  
GEREÇLERİ SAN. VE TİC. A.Ş.  
İçerenköy Mh. Hal Yolu Cd. Çayır Yolu Sk. No:11  
Sayar İş Merkezi Kat:7 PK:34752 Ataşehir / İSTANBUL  
Tel:0 (216) 466 42 42 Fax:0 (216) 466 15 45  
Kozyatağı Vezne Dairesi:703 003 9546

Bu bölümü, ürünü aldığınız Yetkili Satıcı imzalayacak ve kaşeyecektir.

Bu garanti belgesi ile kesilen fatura garanti süresi boyunca garanti belgesi ile muhafaza edilmesi önerilir.

**ПРЕДУПРЕЖДЕНИЕ:** Бытовой электроприбор и его открытые части во время работы могут нагреваться до высокой температуры. Соблюдайте осторожность, не дотрагивайтесь до них.

- Дети моложе 8 лет не должны приближаться к бытовому прибору без постоянного надзора.
- Данным бытовым электроприбором могут пользоваться дети старше 8 лет, а также люди с нарушенными физическими или умственными способностями или с отсутствием надлежащего опыта в том случае, если они находятся под наблюдением и проинструктированы относительно безопасного использования бытового прибора, а также, если они осведомлены об имеющихся опасностях.
- Не разрешайте детям играть с бытовым прибором.
- Чистка и обслуживание бытового прибора не должны выполняться детьми без надзора взрослых.

**ПРЕДУПРЕЖДЕНИЕ:** Приготовление пищи на варочной поверхности с использованием жира или масла без надлежащего присмотра может быть опасным и может привести к пожару.

**НИКОГДА** не пытайтесь погасить пламя водой. Выключите бытовой электроприбор, и накройте пламя крышкой, или огнестойкой тканью.

**ПРЕДУПРЕЖДЕНИЕ:** Опасность возгорания: не используйте варочную поверхность для хранения на ней предметов.

**ПРЕДУПРЕЖДЕНИЕ:** В случае появления на варочной поверхности трещины выключите бытовой прибор, чтобы предотвратить поражение электрическим током.

- Не пользуйтесь для чистки парогенератором.
- перед закрыванием крышки дайте варочной поверхности остынуть.
- бытовой электроприбор не предназначен для управления с помощью внешнего таймера или отдельной системы дистанционного управления.
- Электрическое подключение бытового прибора должно быть выполнено с использованием разъединительного устройства в соответствии с действующими правилами и нормами электробезопасности.
- в инструкции должен быть указан тип электрошнура. При этом должна учитываться температура задней стенки электроприбора.
- В случае повреждения шнура питания он должен быть заменен специальным шнуром питания, который можно приобрести у производителя или у агента по техобслуживанию.

**ВНИМАНИЕ:** Чтобы избежать опасности, связанной со случайным сбросом устройства тепловой защиты, данный бытовой электроприбор не должен запитываться через наружные переключающие устройства, например, таймер, или другое устройство, которое регулярно включает и выключает электроприбор.

"Данный бытовой прибор должен устанавливаться в соответствии с действующими правилами, и только в хорошо проветриваемых помещениях. Перед установкой или использованием бытового прибора прочтите инструкцию".

- "Данная инструкция имеет силу только в том случае, если на бытовом приборе имеется символ страны. Если такого символа нет, то необходимо обратиться к техническому описанию, в котором содержатся необходимые инструкции относительно модификации прибора в соответствии с условиями эксплуатации в данной стране."
- "перед выполнением установки проверьте, что местные условия распределения (тип газа и давление газа) и регулировки прибора совместимы друг с другом";
- "условия регулировок для данного бытового прибора указаны на ярлыке (или в паспортной табличке)";
- "данный бытовой прибор не подсоединен к вытяжке продуктов сгорания. Он должен быть установлен и подключен в соответствии с действующими правилами подключения. Необходимо обратить особое внимание на требования относительно вентиляции"
- "Эксплуатация газовой плиты сопровождается выделением тепла и влаги в комнате, где установлена плита. Убедитесь в том, что кухня хорошо вентилируется: отверстия естественной вентиляции не должны быть загорожены, или установите механическое вентиляционное устройство (вытяжка). При продолжительном и интенсивном использовании печи может потребоваться дополнительная вентиляция, например открывание окна, или более эффективная вентиляция, например, увеличение производительности вытяжки (если она используется).

## 1. ИНСТРУКЦИИ ПО ВЫПОЛНЕНИЮ УСТАНОВКИ

УСТАНОВКА БЫТОВОЙ ТЕХНИКИ ЯВЛЯЕТСЯ СЛОЖНОЙ РАБОТОЙ, НЕПРАВИЛЬНОЕ ВЫПОЛНЕНИЕ КОТОРОЙ МОЖЕТ ОТРИЦАТЕЛЬНО СКАЗАТЬСЯ НА БЕЗОПАСНОСТИ ПОЛЬЗОВАТЕЛЯ. ПО ЭТОЙ ПРИЧИНЕ УСТАНОВКА БЫТОВОЙ ТЕХНИКИ ДОЛЖНА ВЫПОЛНЯТЬСЯ ВЫСОКОКВАЛИФИЦИРОВАННЫМИ СПЕЦИАЛИСТАМИ, КОТОРЫЕ ВЫПОЛНЯТ УСТАНОВКУ С СОБЛЮДЕНИЕМ ВСЕХ ДЕЙСТВУЮЩИХ ПРАВИЛ И НОРМ. В ТОМ СЛУЧАЕ, ЕСЛИ ЭТО ПРЕДОСТЕРЕЖЕНИЕ БУДЕТ ПРОИГНОРИРОВАНО, И УСТАНОВКА БУДЕТ ВЫПОЛНЕНА ЛИЦОМ, НЕ ИМЕЮЩИМ ДОСТАТОЧНОЙ КВАЛИФИКАЦИИ, ПРОИЗВОДИТЕЛЬ НЕ БУДЕТ ПРИНИМАТЬ НИКАКИХ ПРЕТЕНЗИЙ ОТНОСИТЕЛЬНО ВЫХОДА ОБОРУДОВАНИЯ ИЗ СТРОЯ И НАНЕСЕННОГО ПРИ ЭТОМ УЩЕРБА ИМУЩЕСТВУ ИЛИ ЗДОРОВЬЮ ЛЮДЕЙ.

### 1.1. ВСТРАИВАЕМЫЕ ВАРОЧНЫЕ ПОВЕРХНОСТИ

Варочная поверхность может устанавливаться на любой рабочей поверхности кухонного стола, которая выдерживает нагрев до температуры 100 °С, и имеет толщину от 25 до 40 мм. Размеры отверстия, которое должно быть вырезано в рабочей поверхности кухонного стола, показаны на рис. 2.

Если варочная поверхность устанавливается так, что по обе ее стороны располагаются шкафы, то расстояние между варочной поверхностью и шкафом должно быть не меньше 15 см (см. рис. 4), а расстояние между варочной поверхностью и расположенной сзади стеной должно быть не меньше 5,5 см.

Расстояние между варочной поверхностью и другим электроприбором (например, вытяжной колпак) должно быть не меньше 70 см (см. рис. 4).

Если под варочной поверхностью имеется свободное пространство, то под варочной поверхностью нужно установить разделительную панель, изготовленную из теплоизоляционного материала (например, из дерева) (см. рис. 3).

**Важная информация** На рис. 1 показано, как наносится герметик

Варочная поверхность крепится с помощью фиксирующих зажимов, которые вставляются в отверстия, расположенные на основании варочной поверхности.

Если варочная поверхность 60 см устанавливается над духовкой, в которой нет системы охлаждения с вентилятором, то во встраиваемой мебели рекомендуется сделать отверстия для обеспечения нормальной циркуляции воздуха.

Площадь этих отверстий должна быть не меньше 300 см<sup>2</sup> и эти отверстия должны располагаться так, как показано на рис. 5.

Если варочная поверхность 75 см крепится над духовкой, то в духовке должна быть система охлаждения с вентилятором.

### 1.2. ВЫБОР МЕСТА ДЛЯ УСТАНОВКИ ВАРОЧНОЙ ПОВЕРХНОСТИ

Данный бытовой прибор должен устанавливаться в соответствии с действующими правилами, и только в хорошо проветриваемых помещениях. Перед установкой или использованием бытового прибора прочтите инструкцию.

В местах, где установлены газовые плиты, выделяется тепло и влага. Поэтому вы должны обеспечить хорошую вентиляцию в помещении либо с помощью отверстий для естественной вентиляции, либо с помощью электрической вытяжки. При интенсивной и продолжительной эксплуатации плиты может потребоваться дополнительная вентиляция, обеспечиваемая, например, с помощью открывания окна, и проветривания помещения или с помощью увеличения скорости вращения электрического вентилятора системы принудительной вентиляции (если он установлен).

Если нет возможности установить вытяжной колпак, то в стене или в оконном проеме нужно установить электрический втяжной вентилятор.

Вытяжной вентилятор должен иметь мощность, достаточную для того, чтобы воздух в кухне полностью заменялся 3-5 раз в час. Установка должна выполняться в соответствии с требованиями национальных правил и норм.

## 2. ПОДКЛЮЧЕНИЕ К ЭЛЕКТРОСЕТИ (ТОЛЬКО ДЛЯ ВЕЛИКОБРИТАНИИ)

**Внимание** данный электроприбор должен быть заземлен  
Данный электроприбор предназначен только для бытовых применений. Подключение к электросети должно выполняться только опытным электриком с соблюдением всех действующих правил и норм электробезопасности. Данный электроприбор должен подключаться к ответвлению электросети с достаточной нагрузочной способностью. 3-штырьковая вилка/розетка на 13 А не подходит для данного подключения. В линии электропитания должен быть

установлен двухполюсный выключатель, и цепь должна быть защищена с помощью плавкого предохранителя соответствующего номинала. Более подробная информация относительно требований, предъявляемых к электропитанию для конкретного изделия, представлена в инструкции по эксплуатации и в паспортной табличке, закрепленной на изделии. Если длина кабеля питания, поставляемого в комплекте с варочной поверхностью, является недостаточной, то следует использовать более длинный теплостойкий кабель питания с достаточной нагрузочной способностью. Подключение к электросети должно быть выполнено следующим образом:

#### ПОДСОЕДИНИТЕ

Зелено-желтый провод  
Синий провод  
Коричневый провод

#### К КЛЕММЕ ОТВОДА ЭЛЕКТРОСЕТИ

Земля  
Нейтраль  
Фаза

**Примечание:** Не подключайте варочную поверхность через устройство обнаружения утечки тока на землю, так как это может привести к "ложным отключениям". Еще раз напоминаем, что электроприбор должен быть правильно заземлен, и что производитель не принимает никаких претензий в случае повреждений и несчастных случаев, возникших в результате неправильного подключения электроприбора к электросети.

## 2.1. ПОДКЛЮЧЕНИЕ К ЭЛЕКТРОСЕТИ

Проверьте данные, приведенные в паспортной табличке, закрепленной снаружи на варочной поверхности, для того, чтобы убедиться в том, что входное напряжение варочной поверхности соответствует напряжению электросети.

Перед подключением варочной поверхности к электросети проверьте систему заземления.

Данный электроприбор обязательно должен быть заземлен. В случае несоблюдения этого требования производитель снимает с себя ответственность за нанесение вреда здоровью людей и повреждение имущества. Если к кабелю питания не подсоединена вилка, подсоедините к кабелю питания вилку, нагрузочная способность которой соответствует указанной в паспортной табличке. Провод заземления имеет желто-зеленый цвет. К электрической розетке должен всегда обеспечиваться свободный доступ.

Если варочная поверхность подключается к электросети напрямую, то должен быть установлен автоматический выключатель.

Для предотвращения опасностей замена поврежденного кабеля питания должна выполняться только квалифицированным специалистом.

Провод заземления (желто-зеленый) должен быть приблизительно на 10 мм длиннее проводов фазы и нейтрали.

Сечение проводников кабеля питания должно соответствовать мощности, потребляемой варочной поверхностью.

Проверьте значение мощности, потребляемой электроприбором, указанное в паспортной табличке, а также проверьте, что используется кабель питания типа 3x0.75 mm<sup>2</sup> H05RR-F.



Если электроприбор поставляется без кабеля питания с вилкой, или без других устройств для отсоединения от электросети с отсоединением всех фаз, что обеспечивает полное отсоединение электроприбора от электросети в случае возникновения перенапряжения категории III, то электроприбор должен подключаться через разъединяющее устройство с жесткой электропроводкой, смонтированной в соответствии с правилами прокладки электропроводки.

## 2.2. ПОДКЛЮЧЕНИЕ К ЛИНИИ ГАЗОСНАБЖЕНИЯ

Данные инструкции предназначены для специалистов, имеющих достаточную квалификацию для выполнения установки оборудования в соответствии с требованиями национальных правил и норм. **Только для Великобритании. Согласно закону, установка/ввод в эксплуатацию должны выполняться только сотрудником службы "Gas Safe".**

Все работы должны выполняться с отсоединенным электропитанием.

В закрепленной на варочной поверхности паспортной табличке указан тип газа, на котором должна работать варочная поверхность. Перед подключением варочной поверхности к линии газоснабжения или к газовому баллону необходимо проверить, что варочная поверхность отрегулирована на тот тип газа, который будет в нее подаваться. Если варочная поверхность не отрегулирована на нужный тип газа, обратитесь к инструкциям, приведенным в последующих параграфах, где описано, как изменить регулировки.

При работе на сжиженном газе (газ в баллоне) следует пользоваться регулятором давления, отвечающего требованиям национальных стандартов.

Трубы, шайбы и уплотнительные прокладки должны соответствовать требованиям национальных стандартов.

Некоторые модели поставляются с коленом (переходником), имеющим коническую резьбу. В некоторых странах использование таких переходников является обязательным. На рис. 8 показано, как отличить переходник с цилиндрической резьбой от переходника с конической резьбой (CY = цилиндрическая, CO = коническая). В любом случае цилиндрическая резьба должна быть. В любом случае, конец переходника с цилиндрической резьбой должен подсоединяться к варочной поверхности.

Гибкая трубка монтируется таким образом, чтобы она не контактировала с подвижными частями мебели (например, ящиком) и не пролежала в местах, где может быть пережата.

Если подключение варочной поверхности к линии газоснабжения осуществляется с помощью гибкого шланга, проверьте, что длина гибкого шланга не превышает 2 м.

Чтобы не повредить варочную поверхность, выполните ее установку, как описано (см. рис. 6).

### 1) Подсоедините детали, как показано на рисунке:

- A) Переходник с наружной цилиндрической резьбой 1/2 дюйма
- B) Прокладка 1/2 дюйма
- C) Газовый переходник с внутренней резьбой 1/2 дюйма, коническая цилиндрическая, или цилиндрическая цилиндрическая.

### 2) Затяните соединение с помощью гаечных ключей. Перед тем как затянуть соединение установите трубы в нужное положение.

### 3) Подсоедините колено C к линии подачи газа с помощью жесткой медной трубы или гибкой стальной трубы.

**ВАЖНОЕ ЗАМЕЧАНИЕ:** После подсоединения варочной поверхности к линии газоснабжения проверьте на отсутствие утечек газа все трубные соединения с помощью мыльного раствора. **НИКОГДА НЕ ИСПОЛЬЗУЙТЕ ДЛЯ ПРОВЕРКИ УТЕЧЕК ГАЗА ПЛАМЯ.** Проверьте также, что гибкий шланг не соприкасается с движущимися частями кухонной мебели (например, выдвижной ящик) и не проходит в таком месте, где он может быть поврежден.

**Предупреждение:** Если вблизи варочной поверхности вы почувствуете запах газа, перекройте подачу газа на варочную поверхность и вызовите специалиста. Не ищите место утечки газа с помощью открытого пламени.

## 2.3. АДАПТАЦИЯ ВАРОЧНОЙ ПОВЕРХНОСТИ НА ДРУГИЕ ТИПЫ ГАЗА

Для адаптации варочной поверхности для работы с другими газами выполните описанные ниже инструкции:

- снимите решетки и конфорки
- вставьте шестигранный ключ (7 мм) в основание конфорки (рис. 7)
- выверните форсунку и замените ее форсункой, соответствующей тому типу газа, который будет использоваться (см. таблицу типов газа).

## 2.4. РЕГУЛИРОВКА МИНИМАЛЬНОГО ПЛАМЕНИ

После зажигания конфорки установите ручку регулятора высоты пламени в положение, соответствующее минимальному пламени, а затем снимите ручку регулятора, приложив небольшое усилие.

Регулировка минимального пламени выполняется с помощью винта и маленькой отвертки, как показано на рис. 9. Поворот винта по часовой стрелке уменьшает поток газа, а поворот винта против часовой стрелки увеличивает поток газа. С помощью этой регулировки получите пламя высотой 3-4 мм, а затем установите на место ручку регулятора.

Если используется сжиженный нефтяной газ (СНГ), поверните винт до упора по часовой стрелке.

После выполнения регулировок для адаптации варочной поверхности на другой тип газа замените старую табличку, закрепленную на варочной поверхности, в которой указан тип газа, на новую (поставляется в комплекте с варочной поверхностью), в которой указан тип газа, на который переведена варочная поверхность.

## 3. ИНСТРУКЦИИ ПО ЭКСПЛУАТАЦИИ ВАРОЧНОЙ ПОВЕРХНОСТИ

Данный электроприбор предназначен только для использования по его прямому назначению, то есть, для приготовления пищи в домашних условиях. Любое другое применение варочной поверхности считается неправильным, и поэтому может быть опасным. Производитель не несет ответственности за повреждения и потери, являющиеся следствием неправильного использования варочной поверхности.

### 3.1. ИСПОЛЬЗОВАНИЕ ГАЗОВОЙ КОНФОРКИ

Чтобы зажечь конфорку, поднесите к ней зажженную спичку, нажмите на ручку регулировки высоты пламени, и поверните ее против часовой стрелки.

Если конфорки не использовались в течение двух или более дней, то прежде чем зажечь конфорку подождите несколько секунд для того, чтобы из трубок вышел воздух.

Чтобы зажечь конфорку варочной поверхности, снабженную устройством электроподжига, выполните следующие операции:

- нажмите на ручку регулировки высоты пламени и поверните ее против часовой стрелки в положение, обозначенное поджига.
- зажгите конфорку с помощью нажатия кнопки электроподжига.

Если варочная поверхность снабжена автоматическим электроподжигом, просто нажмите на ручку регулировки высоты пламени и установите ее в положение, обозначенное значком поджига. Система электроподжига будет постоянно генерировать искры, до тех пор, пока ручка регулировки пламени будет находиться в нажатом положении.

Если конфорка не загорается в течение 5 секунд, установите ручку регулировки в положение 0, и повторите описанную выше операцию.

В моделях, снабженных защитным клапаном, который автоматически перекрывает подачу газа в случае внезапного погасания пламени, конфорки зажигаются, как описано выше, но при этом после зажигания конфорки необходимо соблюдать осторожность.

Перед включением газовой варочной поверхности проверьте, что конфорки и крышки конфорок правильно установлены на варочную поверхность.

### ПОЛЕЗНЫЕ СОВЕТЫ

Для получения наилучших результатов пользуйтесь сковородами и кастрюлями с плоским дном, размеры которых соответствуют размерам газовых конфорок (см. Табл. А).

Тип конфорки	Ø сковороды/кастрюли (см)	Мощность (kW)	G20/20 мбар (метан)	G30/28-30 мбар (СНГ)
AUX Маленькая конфорка	12 - 18	1	95 л/час	73 л/час
SR Полубыстрая конфорка	18 - 24	1,7	162 л/час	124 л/час
R Быстрая конфорка	24 - 26	2,7	257 л/час	196 л/час

Таблица А

При использовании сковороды или кастрюли меньшего размера пламя должно быть отрегулировано таким образом, чтобы оно не выходило за пределы дна сковороды или кастрюли. Не следует пользоваться посудой с выпуклым или вогнутым дном.

**ПРЕДУПРЕЖДЕНИЕ:** Если горелка случайно погаснет, установите ручку регулировки в положение **ВЫКЛ.**, и не пытайтесь зажечь пламя в течение, по крайней мере, одной минуты.

Если через несколько лет работы варочной поверхности газовые краны будут туго поворачиваться, то их необходимо смазать. Эта работа должна выполняться только квалифицированным специалистом по обслуживанию.

## 3.2. РУКОВОДСТВО ПО ИСПОЛЬЗОВАНИЮ ЭЛЕКТРИЧЕСКИХ ПЛИТ

Для выбора необходимой температуры нагрева электроплиты поверните выключатель в соответствующее положение. При этом загорится световой индикатор и электроплита начнет нагреваться.

Поверните выключатель в положение "0" по окончании процесса приготовления. (Рисунок 10). Не оставляйте пустую электроплиту включенной. Диаметр и форма дна используемой посуды является очень важным фактором. Максимальный диаметр дна посуды - 14 см, рекомендуется пользоваться посудой с плоским и ровным дном.

При первом включении электроплиты подождите 5 минут перед тем, как поставить посуду. Это позволит жаростойкому покрытию плиты затвердеть в результате нагрева.

Используйте влажную ткань и моющее средство для очистки поверхности электроплиты. Не используйте ножи или другие острые и твердые предметы для удаления остатков пищи с поверхности электроплиты.

После очистки поверхности, включите электроплиту на несколько секунд до полного высыхания конфорок. Однако, не следует оставлять пустую электроплиту включенной более чем на несколько секунд.

Положение	Мощность (Вт)	Мощность (Вт)	Пояснение
0	0	0	Выключено
1	100 W	135 W	Нагревание
2	180 W	220 W	Приготовление при низкой температуре
3	250 W	300 W	Приготовление при низкой температуре
4	500 W	850 W	Варка, Жаренье, Кипячение
5	750 W	1150 W	Варка, Жаренье, Кипячение
6	1000 W	1500 W	Варка, Жаренье, Кипячение

### Рекомендуемые размеры посуды (Рисунок 11)

Не следует забывать, что посуда большего размера имеет большую площадь нагрева.

Это обеспечивает более быстрое приготовление по сравнению с посудой с меньшей площадью нагрева.

Всегда используйте посуду, размером соответствующую количеству приготавливаемой пищи. Во избежание проливания или разбрызгивания не следует использовать посуду небольших размеров, в особенности для жидких блюд. Не используйте слишком большую посуду для быстро приготавливаемой пищи, так как она может прилипнуть и остатки пищи останутся на поверхности посуды.

Для выпечки сладкого следует использовать закрытую посуду, противни или форму. Пролитый сок или сахар из незакрытой посуды могут прилипнуть к поверхности электроплиты и их будет трудно удалить.

Это особенно важно для посуды для жарки или готовки под давлением при высокой температуре.

Не оставляйте без присмотра пустую конфорку или конфорку с пустой посудой.

Проверьте соответствие посуды следующим критериям:

Она должна быть тяжелой.

Она должна полностью покрывать поверхность конфорки; может быть немного больше, но ни в коем случае не меньше.

Дно должно быть абсолютно плоским и плотно прилегать к поверхности конфорки.

• Для лучшего использования электроплиты и сокращения потребления электроэнергии, используйте посуду с ровным, плоским дном. Размер посуды должен быть равен или чуть больше диаметра конфорки, но ни в коем случае не меньше. Избегайте попадания жидкости на поверхность конфорки и не ставьте на конфорку мокрую посуду. Не оставляйте пустую посуду на конфорке, и не оставляйте пустую конфорку включенной.

## 4. ОБСЛУЖИВАНИЕ И ЧИСТКА

Перед тем как приступить к выполнению чистки варочной поверхности, проверьте, что она остыла. Выньте вилку из розетки, или (если варочная поверхность подсоединена к электросети напрямую), выключите питающее напряжение.

Чистка и обслуживание бытового прибора не должны выполняться детьми без надзора взрослых.

Запрещается использовать абразивные и коррозирующие чистящие средства, отбеливающие вещества, или кислоты. Не пользуйтесь для чистки эмалированных и лакированных деталей, а также деталей из нержавеющей стали кислотами и щелочами (лимонный сок, уксус и т. п.)

Очистка эмалированных, лакированных и хромированных поверхностей должна выполняться с помощью мыльной воды или нейтрального моющего средства. Для очистки поверхностей из нержавеющей стали необходимо пользоваться подходящим чистящим раствором.

Конфорки можно очищать с помощью мыльной воды. Для восстановления их первоначального блеска используйте бытовое чистящее средство для нержавеющей стали. После чистки горелок высушите их и установите на место.

**Проследите за тем, чтобы конфорки были собраны правильно.**

### Хромированные решетки и конфорки

Хромированные решетки и конфорки со временем темнеют.

Это нормальное и неизбежное явление, которое не оказывает негативного влияния на работу варочной поверхности.

Вы можете приобрести запасные части в отделе послепродажного обслуживания нашей компании.

## 5. ПОСЛЕПРОДАЖНОЕ ОБСЛУЖИВАНИЕ

Перед тем как вызвать специалиста по техническому обслуживанию для выполнения ремонта варочной поверхности, выполните следующие проверки:

• Проверьте, что вилка кабеля питания правильно вставлена в электрическую розетку, и что не перегорел плавкий предохранитель.

• Проверьте, что газ подается.

Если вы не можете самостоятельно определить причину неисправности:

Выключите варочную поверхность и обратитесь в центр послепродажного обслуживания. НЕ ПЫТАЙТЕСЬ ОТРЕМОНТИРОВАТЬ ЭЛЕКТРОПРИБОР САМОСТОЯТЕЛЬНО.

## 6. ЗАЩИТА ОКРУЖАЮЩЕЙ СРЕДЫ



Данный прибор имеет маркировку в соответствии с Европейской директивой 2012/19/ЕС об отходах производства электрического и электронного оборудования (WEEE). Отходы производства электрического и электронного оборудования содержат загрязняющие вещества (которые могут негативно влиять на окружающую среду) и основные компоненты (которые подлежат

повторному использованию). Важно, чтобы отходы производства электрического и электронного оборудования подвергались специальной обработке с целью удаления и утилизации всех загрязняющих веществ, а также регенерации и повторного использования всех материалов.

Каждый может сделать существенный вклад в предотвращение экологических проблем, вызываемых отходами производства электрического и электронного оборудования; для этого важно придерживаться некоторых основных правил:

• Нельзя обращаться с отходами производства электрического и электронного оборудования, как с бытовыми отходами.

• Отходы производства электрического и электронного оборудования следует передавать в пункты сбора, контролируемые органами местной власти или зарегистрированными компаниями. Во многих странах при наличии большого количества отходов производства электрического и электронного оборудования сбор отходов осуществляется на дому.

• При покупке нового прибора старый прибор можно вернуть розничному торговому предприятию, которое обязано принять его бесплатно на основе взаимно-однозначного соответствия, если это приборы аналогичного типа, и возвращаемый прибор имеет те же функции, что и продаваемый.

**Декларация соответствия:** Данное оборудование, детали которого вступают в контакт с пищей, отвечает требованиям Европейской директивы 89/109/ЕЕС.

**CE** Этот электроприбор соответствует требованиям Европейских директив 2006/95/ЕС, 2004/108/ЕС и 2009/142/ЕС, и последующих поправок к ним.

*Производитель не несет ответственности за опечатки и неточности, которые могут встретиться в данной инструкции. Мы оставляем за собой право вносить изменения в конструкцию выпускаемых нами изделий с целью улучшения качества выпускаемой продукции. При этом основные функции изделия и его безопасность будут оставаться неизменными.*



Это изделие соответствует техническим регламентам Таможенного Союза:  
 - ТР ТС 004/2011 «О соответствии низковольтного оборудования»  
 - ТР ТС 016/2011 «О безопасности аппаратов, работающих на газообразном топливе»  
 - ТР ТС 020/2011 «Электромагнитная совместимость технических средств»

Таблица 1

<b>ВСТРАИВАЕМЫЕ ВАРОЧНЫЕ ПОВЕРХНОСТИ</b>		
Конфорки	<b>1</b>	<b>2</b>
	4 газовые R / 2SR / AUX	3 газовые R / SR / AUX / E
Тип / обозначение	S60 / HBGS	S60 / HBGS
Устройство защиты от погасания пламени	ДА	ДА
Маленькая конфорка ( AUX Ø 50 mm)	1	1
Электрическая плита	-	1
Полубыстрая конфорка ( SR Ø 75 mm)	2	1
Быстрая конфорка ( R Ø 100 mm)	1	1
Мощность	7.1 кВт	5.4 кВт
G20/20 мбар (метан)	676 л/час	514 л/час
G30/28-30 мбар (СНГ)	516 л/час	393 л/час
Класс установки	3	3
Напряжение/Частота В/Гц	220-240 V / 50-60 Hz	220-240 V / 50-60 Hz
Входная электрическая мощность	15 Вт	1500 Вт
Электроподжиг	ДА	ДА
Размеры варочной поверхности	585 x 510	585 x 510
* Установка производителя	IE категория II2H3 +	GB категория II2H3 +

*Данное изделие предназначено только для бытовых применений.*

**OPOZORILO:** Aparat in njegovi dostopni deli se med uporabo segrejejo. Pazite, da se ne dotaknete grelcev!

- Otroci, mlajši od 8 let, naj se aparatu ne približujejo nenadzorovani.
- Otroci, starejši od 8 let, ter osebe z zmanjšanimi fizičnimi, zaznavnimi ali umskimi sposobnostmi ali pomanjkljivimi izkušnjami ter znanjem lahko uporabljajo aparat le pod nadzorom oseb, ki so odgovorne za njihovo varnost, in ki so jih seznanili z varno uporabo aparata ter le v primeru, da razumejo tveganje, ki je s tem povezano.
- Otroci se ne smejo igrati z aparatom.
- Otroci lahko sodelujejo pri čiščenju in vzdrževalnih delih le pod nadzorom odraslih.

**OPOZORILO:** Pri segrevanju maščobe ali olja se ne oddaljajte od aparata, saj se te snovi zlahka vnamejo in povzročijo požar.

- NIKOLI ne gasite ognja z vodo, ampak izklopite aparat in nato pokrijte plamen - npr. s pokrovko ali primerno nevnetljivo krpo ali odejo.

**OPOZORILO:** Nevarnost vžiga! Na kuhalno površino ne odlagajte nikakršnih predmetov.

**OPOZORILO:** Če je površina razpokana, takoj izklopite aparat, da se izognete tveganju za električni udar!

- Pri čiščenju ne uporabljajte aparatov za čiščenje s paro.
- Če se vam po pokrovu razlije tekočina, jo pred dviganjem pokrova obrišite.
- Pred zapiranjem pokrova počakajte, da se kuhalna plošča ohladi.
- Aparat ni namenjen priključitvi na zunanjo programsko uro ali poseben sistem za daljinsko upravljanje.
- Pri fiksni priključitvi mora biti zagotovljena možnost izklopa iz električnega omrežja skladno z veljavnimi predpisi.
- V navodilih je navedena ustrezna vrsta priključnega kabla, saj je potrebno upoštevati temperaturo na hrbtni strani aparata.
- Če je priključni električni kabel poškodovan, ga je treba zamenjati z enakovrednim ali sklopom, ki vam je na voljo pri pooblaščenem servisu.

**POZOR:** Da bi se izognili slučajnemu resetiranju termičnega prekinjala, aparat ne sme biti napajan preko zunanje naprave, npr. programske ure, ter ne sme biti priključen na tokokrog, ki ga redno vklaplja oz. izklaplja dobavitelj energije.

- "Aparat mora biti inštaliran skladno z vsemi veljavnimi predpisi in uporabljan samo v ustrezno zračnih prostorih. Pred inštalacijo in uporabo preberite navodila za uporabo.»
- "Ta navodila veljajo samo v državi, s katere simbolom je aparat označen. Če simbola ni na aparatu, upoštevajte tehnična navodila, v katerih so podana potrebna navodila za prilagoditev aparata pogojem uporabe v vaši državi."
- "Pred inštalacijo se prepričajte o ustreznosti lokalnih pogojev (vrsta in tlak plina) ature of the gas and gas pressure) in možnostjo prilagoditve aparata na te pogoje";
- "POgoji za prilagoditev aparata so navedeni na nalepki (ali tablici s podatki)";
- "Ta aparat se ne priključi na napravo za odvajanje plinov, ki nastajajo pri izgorevanju. Inštaliran in priključen mora biti skladno z vsemi veljavnimi predpisi. Posebno pozornost posvetite ustreznim predpisom o zračenju".
- Uporaba plinskih štedilnikov in kuhalnih plošč povzroča toploto in vlago v prostoru, kjer se uporabljajo. Poskrbite za dobro prezračevanje kuhinje; naravne odprtine za prezračevanje morajo biti odprte, ali pa vgradite mehansko napravo za prezračevanje (mehansko kuhinjsko napo). Dolgotrajna intenzivna uporaba aparata bo morda pogojevala dodatno prezračevanje, npr. odpiranje okna, ali bolj učinkovito prezračevanje, npr. vklop višje stopnje pri obstoječi napravi za prezračevanje.

## 1. VGRADNJA IN PRIKLJUČITEV

VGRADNJA IN PRIKLJUČITEV GOSPODINJSKEGA APARATA JE DOKAJ ZAPLETEN POSTOPEK, KI MORA BITI OPRAVLJEN BREZHIBNO, SICER OBSTAJA TVEGANJE ZA VARNOST UPORABNIKA. ZATO PRIPOROČAMO, DA DELO PREPUSTITE USTREZNO USPOSOBLJENIM STROKOVNJAKOM, KI BODO PRI TEM UPOŠTEVALI TUDI VSE VELJAVNE PREDPISE. PROIZVAJALEC NE PREVZEMA ODGOVORNOSTI ZA ŠKODO ALI POŠKODBE ZARADI NEPRAVILNE VGRADNJE IN PRIKLJUČITVE.

### 1.1. VGRADNJA

Kuhalna plošča je namenjena vgradnji v kuhinjski pult debeline med 25 in 45 mm, ki so odporne na temperature do 100°C. Mere izreza v kuhinjskem pultu so prikazane na *sliki 2*.

Če namestite kuhhalno ploščo ob visoko kuhinjsko omarico na eni strani, mora biti razdalja med kuhhalno ploščo in stranico omarice vsaj 15 cm (*gl. sliko 4*), kuhhalna ploščica pa mora biti na zadnji strani od zidu oddaljena vsaj 5,5 cm.

Razdalja med kuhhalno ploščo in elementom nad njo (npr. kuhinjsko napo) mora znašati vsaj 70 cm (*slika 4*).

Če je pod vgradno kuhhalno ploščo prazen prostor, mora biti dostop do nje s spodnje strani onemogočen z vgradnjo predelne stene iz izolacijskega materiala (les ali podoben material) (*slika 3*).

**Pomembno:** Na *sliki 1* je prikazano nameščanje tesnila.

Kuhhalna ploščica je opremljena s sponkami za pritrditev, ki jih namestite v za to predvidene luknje na spodnji strani kuhhalne ploščice.

Če je kuhhalna ploščica širine 60 cm vgrajena nad pečico, ki ni opremljena z ventilatorskim sistemom za hlajenje, priporočamo, da z izrezom v kuhinjski omarici omogočite pravilno kroženje zraka.

Površina odprtine za zračenje mora biti vsaj 300 cm<sup>2</sup>, izrežite pa jo tako, kot je to prikazano na *sliki 5*.

Če vgradite nad pečico kuhhalno ploščico širine 75 cm, mora biti pečica opremljena z ventilatorjem za hlajenje.

### 1.2. USTREZEN PROSTOR

Aparat mora biti inštaliran skladno z vsemi veljavnimi predpisi in uporabljan samo v ustrezno zračnih prostorih. Pred inštalacijo in uporabo preberite navodila za uporabo.

Upoštevajte, da plinski kahalniki v prostoru, kjer se uporabljajo, ustvarjajo toploto in vlago. Zato morate poskrbeti za primerno zračenje ali s pomočjo odprtini, ki omogočajo izmenjavo zraka, ali s pomočjo kuhinjske nape, ki odvaja zrak na prosto. Ob intenzivni ali dolgotrajni raba kuhhalne ploščice bo morda potrebno dodatno zračenje, na primer z odpiranjem okna na prosto ali povečanjem stopnje hitrosti delovanja električnega ventilatorja, če je prostor z njim opremljen.

Če v kuhinji ni možno namestiti kuhinjske nape, lahko na zunanji zid ali na okno namestite električni ventilator, če je prostor opremljen z odprtini za zračenje.

Električni ventilator mora biti tako zmogljiv, da omogoča izmenjavo zraka v prostoru v celoti 3- do 5-krat na uro. Pri priključitvi je potrebno upoštevati vse veljavne predpise.

### 2.1. PRIKLJUČITEV NA ELEKTRIČNO OMREŽJE

Prepričajte se, da vrednosti v hišnem električnem omrežju ustrezajo predpisanemu napajanju in napetosti. Podatki so navedeni na tablici na zunanji strani kuhhalne ploščice.

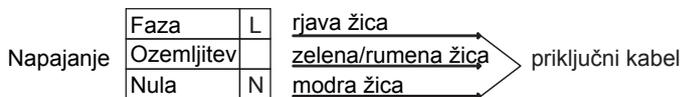
Kuhhalna ploščica mora biti ozemljena. Proizvajalec ne prevzema odgovornosti za morebitno škodo ali poškodbe v primeru neupoštevanja teh navodil. Če kuhhalna ploščica ni opremljena z vtikačem, uporabite ustrezen vtikač za obremenitev, navedeno na tablici s podatki. Ozemljitveni vod je obarvan rumeno/zeleno. Vtikač mora biti dosegljiv tudi po vgradnji.

V primeru fiksne priključitve je potrebno vgraditi prekinjalo.

Če je priključni električni kabel poškodovan, ga mora zamenjati ustrezen usposobljen strokovnjak pooblaščenega servisa, da se izognete morebitnemu tveganju.

Ozemljitveni vod (obarvan rumeno/zeleno) mora biti vsaj 10 mm daljši od faze in nule.

Presek kabla mora po velikosti ustrezati odvzemni moči kuhhalne ploščice. Prosimo, da preverite vrednosti, navedene na tablici s podatki, in se prepričate, da je uporabljen kabel tipa 3x0.75 mm<sup>2</sup> H05RR-F.



Če aparat ni opremljen s priključnim električnim kablom in vtikačem, ali z drugo napravo za izključitev iz električnega omrežja z ločenimi kontakti na vseh polih, ki zagotavlja popolno izključitev v primeru preobremenjenosti v pogojih kategorije III, mora biti v navodilih za priključitev navedeno, da mora biti naprava za izključitev vgrajena v fiksni priklop skladno z vsemi veljavnimi predpisi.

### 2.2. PRIKLJUČITEV PLINA

Vsa potrebna dela morajo opraviti ustrezno usposobljene strokovne osebe skladno z vsemi veljavnimi predpisi.

Med priključevanjem mora biti kuhhalna ploščica izklopljena iz električnega omrežja.

Na tablici s podatki je navedena vrsta plina, za katero je kuhhalna ploščica tovarniško prirejena. Pred priključitvijo na dovod plina ali plinsko jeklenko preverite, da je kuhhalna ploščica prirejena za izbrano vrsto plina. V nasprotnem primeru morate opraviti v nadaljevanju opisane prilagoditve.

Če kuhhalno ploščico priključite na tekoči plin (v jeklenki), uporabite regulatorje tlaka skladno z vsemi veljavnimi predpisi.

Uporabiti smete samo take cevi, podložke in tesnila, ki so skladni z vsemi veljavnimi predpisi.

Nekaterim modelom je priložen konusni priključek, ki je v določenih državah predpisani način priključitve. Na *sliki 8* so prikazani različni načini priključevanja (CY cilindrični, CO konusni). V vsakem primeru pa mora biti cilindrični del priključka priključen na kuhhalno ploščico.

Če za priključitev plina uporabite gibljivo cev, dolžina cevi ne sme presegati 2 m.

Gibljivo cev namestite tako, da ne more priti v stik s premičnimi deli ohišja (npr. predalom). Pazite, da je ne napeljete mimo mest, kjer obstaja možnost, da bi prišlo do oviranja pretoka zaradi stisnjenosti.

Da bi preprečili morebitno poškodbo kuhhalne ploščice, pri priključevanju upoštevajte spodaj navedeno zaporedje (*slika 6*):

**1) Kot je to prikazano na skici, sestavite dele v naslednjem zaporedju:**

A: ½ moški cilindrični adaptor

B: ½ tesnilo

C: ½ ženski adaptor za plin, konusni-cilindrični ali cilindrični-cilindrični

**2) Zategnite spoje s pomočjo ključa; ne pozabite pravilno namestiti cevi.**

**3) Priključek C namestite na cev za dovod plina; uporabite togo bakreno cev ali gibljivo cev iz nerjavečega jekla.**

**POMEMBNO: Preverite, da spoji ne puščajo; uporabite milnico. Nikoli ne preverjajte tesnosti z odprtim plamenom! Prepričajte se tudi, da gibljiva cev ne more priti v stik s premičnimi deli omarice (npr. Predalom) ter da je napeljana tako, da se ne more poškodovati.**

**Opozorilo:** Če zavohate plin v bližini kuhhalne ploščice, takoj zaprite dovod plina do kuhhalne ploščice ter pokličite strokovnjaka. Ne poskušajte ugotoviti mesta puščanja z odprtim plamenom!

## 2.3. PRILAGAJANJE KUHALNE PLOŠČE ZA DRUGO VRSTO PLINA

Kuhalno ploščo prilagodite za drugo vrsto plina na naslednji način:

- odstranite mreže za posodo in gorilnike
- namestite šesterkotni ključ (7 mm) na nosilec gorilnika (slika 7)
- odvijte šobo in jo nadomestite z ustrežno za izbrano vrsto plina (gl. vrsto plina na tablici s podatki)

## 2.4. NASTAVLJANJE MINIMALNEGA PLAMENA GORILNIKA

Po vžiganju gorilnikov obrnite gumb na minimalno stopnjo, nato pa odstranite gumb (povsem enostavno, z rahlim pritiskom).

Z majhnim izvijačem lahko regulirate vijak, kot je to prikazano na sliki 9. Z obračanjem vijaka na desno dotok plina zmanjšate, z obračanjem vijaka na levo pa dotok plina povečate. Na ta način nastavite velikost plamena na približno 3 do 4 mm, nato pa ponovno namestite gumb.

Če uporabljate plin LPG (v jeklenkah), vijak za nastavljanje minimalnega plamena obrnite do konca na desno.

Ko prilagodite kuhalno ploščo za drugo vrsto plina, nadomestite tudi tablico s podatki o vrsti plina z ustrežno (priložena kuhalni plošči), tako da se bodo podatki ujemali z vrsto plina, za katero je kuhalna plošča prilagojena.

## 3. UPORABA KUHALNE PLOŠČE NAVODILA ZA UPORABNIKA

Dovoljena je samo namenska uporaba kuhalne plošče, tj. za kuhanje v gospodinjstvih. Drugačna uporaba ni dovoljena in predstavlja tveganje za uporabnika. Proizvajalec ne prevzema odgovornosti za poškodbe ali škodo zaradi nenamenske uporabe.

### 3.1. UPORABA GORILNIKOV

Gorilnik prižgete tako, da pridržite npr. vžigalico ob gorilniku, pritisnete na gumb za izbrani gorilnik in ga obrnete na levo.

Če gorilnika nekaj dni niste uporabljali, pred prižiganjem počakajte nekaj sekund, kar omogoči uhajanje zraka, ki je morda prisoten v ceveh.

Pri kuhalnih ploščah, opremljenih z elektronskim vžigom, pa:

- pritisnite na gumb za izbrani gorilnik in ga obrnite na lev, na simbol iskre;
- s pritiskom na gumb za proizvodnjo isker prižgite plamen.

Pri kuhalnih ploščah, opremljenih s samodejnim vžigom, pa enostavno pritisnite na gumb za izbrani gorilnik in ga obrnite na simbol iskre. Sistem za vžig bo proizvajal isker, dokler pritisnete na gumb.

Če plamen v roku 5 sekund ne zagori, obrnite gumb nazaj na 0 in poskusite ponovno.

Pri modelih, ki so opremljeni z varnostnim priključkom, ki prekine dotok plina, če plamen slučajno ugasne, gorilnike prižigate na enak način, toda pri tem morate paziti, da **ohranite pritisk na gumb še 5 do 6 sekund potem, ko plamen zagori.**

#### Pozor:

Pred prižiganjem gorilnikov se prepričajte, da so vsi deli pravilno nameščeni.

#### KORISTEN NASVET

Priporočamo, da uporabljate posodo z ravnim dnom in ustreznih velikosti za izbrani gorilnik (gl. Razpredelnico):

Vrsta gorilnika	Ø posode (cm)	Moč (kW)	G20/20 mbar (metan)	G30/28-30 mbar (LPG-propan)
A Pomožni gorilnik	12 - 18	1	95 l/h	73 g/h
SR Srednje hitri gorilnik	18 - 24	1,7	162 l/h	124 g/h
R Hitri gorilnik	24 - 26	2,7	257 l/h	196 g/h

gl. Razpredelnico

Če uporabite manjšo posodo, zmanjšajte plamen, tako da ne sega izpod dna posode. Ne uporabljajte posodo s konkavnim ali konveksnim dnom.

**OPOZORILO: Če plamen slučajno ugasne, obrnite gumb v izklopljeni položaj in počakajte vsaj 1 minuto, šele nato ponovno prižgite gorilnik.**

Če po večletni uporabi opazite, da se gumbi težje obračajo, je to znak, da jih je treba podmazati. **Obrnite se na najbližji pooblaščen servis.**

## 3.2. UPORABA ELEKTRIČNIH KUHALIŠČ

Obrnite gumb na ustrežno stopnjo, skladno z zeleno temperaturo kuhališča. Osvetli se kontrolna lučka kuhališče in kuhališče se začne segrevati

Ko ste s kuhanjem zaključili, obrnite gumb na "0". (Slika 10). Kuhališče naj ne bo vklopljeno, če na njem ni posode. Zelo pomembno je, da kuhate v posodi ustreznih velikosti in ustreznega premera dna. Največji dovoljeni - premer dna je 14 cm, dno pa mora biti povsem ravno.

Ko prvič vklopite kuhališče, ga pustite 5 minut, da se segreva prazno, šele potem položite nanj posodo. To je potrebno zato, da se na toploto odporna prevleka, s katero je prevlečeno kuhališče, zaradi toplote strdi.

Kuhališča čistite z mokro krpo in ustreznim čistilom. Za odstranjevanje ostankov hrane ne uporabljajte noža ali drugih trdih, ostrih predmetov. Po čiščenju za nekaj trenutkov vklopite kuhališče, da se poосуši, vendar naj ne bo nikoli vklopljeno več kot par sekund, če na njem ni posode.

Stopnja	Moč (W)	Moč (W)	Pojasnilo
0	0	0	Izklopljeno
1	100 W	135 W	Segrevanje
2	180 W	220 W	Kuhanje na nizki temperaturi
3	250 W	300 W	Kuhanje na nizki temperaturi
4	500 W	850 W	Kuhanje, pečenje, segrevanje do vrelišča
5	750 W	1150 W	Kuhanje, pečenje, segrevanje do vrelišča
6	1000 W	1500 W	Kuhanje, pečenje, segrevanje do vrelišča

#### Ustrezna posoda (Slika 11)

Upoštevajte, da imajo večje posode tudi večjo grelni površino.

Zato je jed v večji posodi hitreje kuhana kot v manjši posodi, ki ima manjšo grelni površino.

Vedno izberite ustrežno veliko posodo za količino, ki jo želite skuhati. Ne kuhajte v premajhnih posodah, predvsem jedi z veliko tekočine, da se izognete kipenju. Če uporabite zelo veliko posodo za kuhanje živil, ki so zelo hitro kuhana, se bo živilo, npr. klobase in tekočina oprijelo dna in sten in del ga bo ostal v posodi. Za sladke jedi priporočamo kuhanje v posodah s pokrovom. Sladkor in sokove, ki bi brizgali iz nepokrite posode, je zelo težko očistiti.

To je še posebej pomembno upoštevati pri posodah, namenjeni pečenju ali kuhanju pod tlakom pri visokih temperaturah.

Ne vžigajte gorilnikov, če na njih ni posode oziroma je na njih prazna posoda. Primernost svoje posode ugotovite s pomočjo spodnjih kriterijev:

Posoda mora biti težka

Posoda mora v celoti prekrivati površino gorilnika; lahko je nekoliko večja, toda ne manjša.

Dno mora biti povsem ravno in se dobro prilegati kuhalni površini.

• Da bi kar najbolje izrabili odlike električnih kuhališč in porabili kar najmanj energije, uporabljajte samo posodo s povsem ravnim dnom. Premer dna posode naj bo kar se da podoben premeru kuhališče, nikoli manjši. Dno posode naj bo vedno čisto; pazite, da se vam živilo ne razlije ali raztrosi po kuhalni plošči. Na kuhališče ne postavljajte praznih posod; kuhališča ne puščajte vklopljenega, če na njem ni posode.

## 4. VZDRŽEVANJE IN ČIŠČENJE

Pred čiščenjem počakajte, da se vsi deli ohladijo. Potegnite vtičač iz vtičnice ali odvijte varovalko, da izključite kuhalno ploščo iz električnega omrežja.

Otroci lahko sodelujejo pri čiščenju in vzdrževalnih delih le pod nadzorom odraslih.

Nikoli ne uporabljajte grobih čistil ali čistilnih pripomočkov; korozivnih detergentov, belil ali kislin. Izogibajte se tudi kislim ali alkalnim snovem (limonin sok, kis ipd.) na emajliranih ali lakiranih površinah ali površinah iz nerjavečega jekla.

Za čiščenje emajliranih, lakiranih ali kromiranih površin uporabljajte toplo milnico in blagi detergent. Površine iz nerjavečega jekla čistite z namenskim čistilom.

Gorilnike čistite z milnico; lesk jim lahko povrnete z namenskim čistilom za nerjaveče jeklo. Po čiščenju jih obrišite do suhega in ponovno namestite.

**Pomembno je, da so gorilniki pravilno sestavljeni.**

### **Kromirane mreže in gorilniki**

Kromirane mreže in gorilniki z uporabo potemniijo. To je običajen pojav, ki se mu ni mogoče izogniti, ki pa na delovanje kuhalne plošče ne vpliva.

Pri pooblaščenem servisu lahko naročite nadomestne dele.

## 5. SERVISIRANJE

Preden se obrnete na pooblaščen servis, preverite:

- da je vtičač pravilno v vtičnici;
- da je dovod plina brezhiben

Če vam ne uspe odpraviti nepravilnosti v delovanju, izključite kuhalno ploščo in pokličite najbližji pooblaščen servis.

## 6. PROTECTION DE L'ENVIRONNEMENT



Ta naprava je označena v skladu z določili Evropske direktive 2012/17/EU o odpadni električni in elektronski opremi (OEEO). OEEO so tako snovi, ki onesnažujejo okolje (lahko negativno učinkujejo na okolje) kot osnovni sestavni deli (ki jih je možno ponovno uporabiti). Pomembno je pravilno ravnanje z OEEO, da pravilno odstranimo in zavržemo vse snovi, ki onesnažujejo, okolje, ter obnovimo in recikliramo vse materiale.

Kot posamezniki lahko pomembno vplivamo na to, da OEEO ne postane okoljska težava; upoštevati moramo le nekaj osnovnih pravil:

- Z OEEO ne smemo ravnati kot z ostalimi hišnimi odpadki.
- OEEO moramo odnesti v ustrezne centre za zbiranje odpadkov, ki jih upravlja občina ali pooblaščen podjetje. V več državah imajo urejen prevzem večjih kosov OEEO na domu.
- Ob nakupu nove lahko staro napravo vrnemo prodajalcu, ki jo je dolžen brezplačno prevzeti na osnovi ena za eno, če je oprema enake vrste in ima enake funkcije kot dobavljena.

**CE Izjava o skladnosti:** Deli aparata, ki prihajajo v stik z živili, so izdelani skladno z določili, navedenimi v direktivi 89/106. Aparat ustreza evropskim smernicam št. 2006/95/EC, 2004/108/EC in 2009/142/EC ter kasnejšim spremembam in dopolnitvam.

Proizvajalec ne prevzema odgovornosti za morebitne tiskarske napake v tej knjižici. Pridržujemo si pravico do sprememb na izdelku brez predhodnega obvestila.

Razpredelnica 1

VGRADNE KUHALNE PLOŠČE		
Število gorilnikov	1	2
	4 gaz R / 2SR / AUX	3 gaz R / SR / AUX / E
Tip/referenca	S60 / HBGS	S60 / HBGS
Varnostna naprava	DA	DA
Pomožni gorilnik (...)	1	1
Električni ohrevalec	-	1
Srednje hitri gorilnik	2	1
Hitri gorilnik	1	1
<b>Vrsta plina / Moč</b>		
Moč	7.1 kW	5.4 kW
G20/20 mbar (metan)	676 l/h	514 l/h
G30/28-30 mbar (LPG-propan)	516 g/h	393 g/h
Razred	3	3
Napetost/Frekvenca	220-240 V / 50-60 Hz	220-240 V / 50-60 Hz
El. priključna moč	15 W	1500 W
Električni vžig	DA	DA
Mere izdelka	585 x 510	585 x 510

Aparat je namenjen za neprofesionalno uporabo v gospodinjstvih.

## INDICAZIONI DI SICUREZZA

**ATTENZIONE:** l'apparecchio e le parti accessibili diventano calde durante l'uso. Prestare attenzione a non toccare le parti calde.

- I bambini al di sotto di 8 anni dovrebbero essere tenuti a distanza se non continuamente supervisionati.
- L'apparecchio può essere usato da bambini dagli 8 anni in su e persone con ridotte capacità fisiche, sensoriali o mentali o senza esperienza e conoscenza del prodotto se supervisionate o dando loro istruzioni riguardo al funzionamento dell'apparecchio in maniera sicura e cosciente del rischio possibile.
- I bambini non dovrebbero giocare con l'apparecchio.
- La pulizia e la manutenzione non dovrebbero essere fatte da bambini senza supervisione.

**ATTENZIONE:** cucinare senza supervisione grasso o olio sul piano cottura può essere pericoloso e può provocare incendi.

- MAI provare a spegnere il fuoco con acqua. Prima spegnere l'apparecchio e poi coprire le fiamme, ad esempio con un coperchio o un telo non infiammabile.

**ATTENZIONE:** pericolo di incendio: non lasciare oggetti sul piano cottura.

**ATTENZIONE:** Se la superficie è incrinata, spegnere l'apparecchio per evitare la possibilità di scosse elettriche.

- Non utilizzare un pulitore a vapore.
- Rimuovere gli eventuali liquidi traciimati dal coperchio prima di aprirlo.
- Far raffreddare la superficie del piano di cottura prima di chiudere il coperchio.
- L'apparecchio non è progettato per funzionare con un timer esterno o con un sistema di comando separato.
- Il mezzo di disconnessione deve essere incorporato nel cablaggio fisso in accordo con le leggi di cablaggio.
- Le istruzioni devono indicare quale tipo di cavo debba essere utilizzato, tenendo presente la temperatura della superficie posteriore dell'apparecchio.
- Se il cavo di alimentazione è danneggiato, esso deve essere sostituito da un cavo o un assieme speciali disponibili presso il costruttore o il suo servizio assistenza tecnica.

**ATTENZIONE:** Al fine di evitare ogni pericolo dovuto al riarmo accidentale del dispositivo termico di interruzione, il presente apparecchio non deve essere alimentato con un dispositivo di manovra esterno, quale un temporizzatore oppure essere connesso a un circuito che viene regolarmente alimentato o disalimentato dal servizio.

- Questo apparecchio può essere installato in accordo con il regolamento vigente e solo in un ambiente ben ventilato. Leggere le istruzioni prima dell'installazione o l'uso dell'apparecchio.
- Queste istruzioni sono valide solamente se appare il simbolo del paese sull'apparecchio. Se non appare il simbolo sull'apparecchio, è necessario consultare le istruzioni tecniche che vi daranno le istruzioni necessarie riguardo alle modifiche delle condizioni d'uso dell'apparecchio nel paese di riferimento.
- Prima dell'installazione, assicurarsi che le condizioni di distribuzione del locale (natura del gas e pressione del gas) e l'aggiustamento dell'apparecchio siano compatibili;
- le condizioni di aggiustamento dell'apparecchio sono indicate nell'etichetta (o nella targa);
- l'apparecchio non è connesso a un sistema di avacuazione dei prodotti di combustione. Dovrebbe essere installato e connesso in accordo con le correnti norme di installazione. Particolare attenzione deve essere posta sui rilevanti requisiti riguardo alla ventilazione.
- L'utilizzo di un apparecchio a gas causa calore e umidità nella stanza in cui è installato. Assicurarsi che la cucina sia ben ventilata: lasciare aperti i fori di ventilazione naturale o installare un dispositivi di ventilazione meccanica (cappa meccanica aspirante). L'uso intensivo prolungato dell'apparecchio potrebbe richiedere un sistema di ventilazione addizionale, per esempio aumentando il livello di ventilazione meccanica dove presente.

## 1. ISTRUZIONI PER L'INSTALLATORE

INSTALLARE UN ELETTRODOMESTICO PUÒ ESSERE UN'OPERAZIONE COMPLICATA CHE, SE NON ESEGUITA CORRETTAMENTE, PUÒ COMPROMETTERE SERIAMENTE LA SICUREZZA DELL'UTENTE. È PER QUESTA RAGIONE CHE L'OPERAZIONE DEV'ESSERE CONDOTTA DA PERSONALE PROFESSIONALMENTE QUALIFICATO CHE TENGA PRESENTE LE NORME VIGENTI. NEL CASO IN CUI QUESTO AVVISO VENGA IGNORATO E L'INSTALLAZIONE VENGA ESEGUITA DA PERSONALE NON QUALIFICATO, IL PRODUTTORE DECLINA OGNI RESPONSABILITÀ PER OGNI PROBLEMA TECNICO DEL PRODOTTO SIA IN CASO DI DANNI A COSE O PERSONE SIA IN ASSENZA DI ESSI.

### 1.1. INSTALLAZIONE

Il piano cottura può essere installato in qualsiasi top che sia resistente ad una temperatura di 100°C e abbia uno spessore di 25-45 mm. La dimensione del vano di inserimento del piano cottura è mostrata in *Figura 2*.

Qualora il piano venga incassato in modo che sul suo lato sinistro o destro ci sia una parete, la distanza non dev'essere inferiore a 15 cm (*vedere Figura 4*); mentre la distanza tra la parete posteriore e il piano deve essere di almeno 5,5 cm.

La distanza tra il piano cottura e qualsiasi altro apparecchio sopra di esso (es. una cappa) non deve essere inferiore a 70 cm (*Figura 4*). Qualora sotto il piano cottura vi sia un vano accessibile bisogna predisporre un parete di divisione in materiale isolante (legno o simili) (*Figura 3*).

Importante - Il diagramma in figura 1 mostra come deve essere applicato il sigillante.

Il piano cottura è fissato grazie a morsetti di supporto agganciati alla base.

Se un piano cottura da 60 cm è posizionato sopra un forno non equipaggiato con un sistema di raffreddamento a ventola si raccomanda di predisporre delle aperture che assicurino una corretta circolazione d'aria.

La dimensione di queste aperture deve essere di almeno 300 cm<sup>2</sup> e posizionate come in *Figura 5*.

Quando un piano cottura da 75 cm viene posizionato sopra un forno, la parte posteriore deve essere raffreddata ad aria.

### 1.2. LOCAZIONI CONSIGLIATE

Questo apparecchio può essere installato in accordo con il regolamento vigente e solo in un ambiente ben ventilato. Leggere le istruzioni prima dell'installazione o l'uso dell'apparecchio.

Un piano gas produce umidità e calore nell'area in cui è installato. Per questa ragione bisogna garantire una buona ventilazione sia tramite passaggio di aria naturale sia grazie all'installazione di una cappa d'aspirazione. Un uso intensivo e prolungato dell'apparecchio richiede una ventilazione maggiore, come l'apertura di una finestra o aumentando la velocità di ventole di raffreddamento, se possibile. Se non vi è la possibilità di installare una cappa, un aspiratore può essere installato su una parete esterna o su una finestra affinché ci siano delle correnti d'aria nell'area.

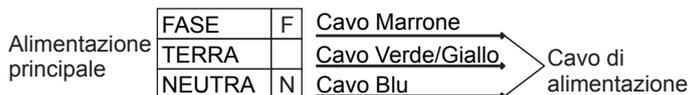
Una ventola elettrica è in grado di assicurare un cambio d'aria completo nella cucina 3-5 volte ogni ora. L'installatore dovrà seguire gli standard nazionali pertinenti.

### 2.1. CONNESSIONE ELETTRICA

Controllare i dati sulla placca segnaletica, situata sotto l'unità, per assicurarsi che il collegamento elettrico sia corretto. Prima della connessione, controllare l'impianto di messa a terra. Per legge, quest'apparecchio deve avere la messa a terra. Se questa operazione non viene eseguita, il produttore non sarà responsabile di eventuali danni occorsi a persone o proprietà. Se non è già applicata una spina, applicarne una appropriata come indicato sulla placca segnaletica. Il cavo di messa a terra è di color verde/giallo. La spina deve essere posizionata in modo tale che sia sempre accessibile. Qualora il piano cottura sia connesso direttamente all'alimentazione principale, bisognerà predisporre anche un salvavita. Se il cavo di alimentazione è danneggiato dovrà essere sostituito da personale qualificato in modo da prevenire qualsiasi potenziale rischio.

Il cavo di messa a terra (di color verde/giallo) deve essere più lungo di almeno 10 mm rispetto ai cavi neutro e fase. La sezione del cavo usato deve essere delle giuste dimensioni in base all'assorbimento dell'apparecchio.

Si prega di controllare la placca segnaletica per i dettagli riguardanti la potenza dell'apparecchio e assicurare che il cavo di connessione sia dei tipi 3x0.75 mm<sup>2</sup> H05RR-F.



Per il collegamento diretto alla rete, è necessario prevedere un dispositivo che assicuri la disconnessione dalla rete, con una distanza di apertura dei contatti che consenta la disconnessione completa nelle condizioni della categoria di sovratensione III, conformemente alle regole di installazione.

### 2.2. CONNESSIONE GAS

Queste istruzioni sono per personale qualificato, l'installazione dell'apparecchio deve seguire le direttive standard nazionali. **(Solo per U.K.: per legge l'installazione deve essere commissionata ad un operatore "Corgi")**

Qualsiasi operazione deve essere svolta staccando la corrente elettrica.

La placca segnaletica sotto il piano cottura mostra il tipo di gas con cui bisogna allacciare l'apparecchio. La connessione all'alimentazione gas principale deve essere apportata dopo aver controllato che sia regolata in base al tipo di gas previsto dall'apparecchio. Se non è regolata correttamente guardare le istruzioni nei paragrafi seguenti per cambiare le impostazioni gas.

Per il gas liquido GPL usare dei regolatori di pressione che siano conformi con gli standard nazionali.

Usare solo tubazioni, guarnizioni e sigillanti che siano conformi con gli standard nazionali.

Per alcuni modelli viene fornito in dotazione un raccordo conico, come attrezzatura per l'installazione, nei paesi dove è obbligatorio per legge; in *Figura 8* viene mostrato come riconoscere i diversi tipi di raccordi (CY=cilindrico, CO=conico). In qualsiasi caso la parte cilindrica del raccordo sarà connessa al piano cottura.

Quando la connessione del piano all'alimentazione gas verrà effettuata utilizzando manicotti flessibili assicurarsi che la distanza massima coperta dal tubo non superi i 2 metri.

Il tubo flessibile deve essere sistemato in modo tale che non possa entrare in contatto con parti mobile dell'unità abitativa (ad esempio un cassetto) e non passi attraverso alcuno spazio che sia suscettibile a congestionamento.

Per prevenire qualsiasi danno al piano seguire l'installazione seguendo questa sequenza (*Figura 6*):

#### 1) Come illustrato, assemblare le parti in sequenza:

A: 1/2 Adattatore cilindrico maschio

B: 1/2 Sigillante

C: 1/2 Adattatore gas femmina conico-cilindrico o cilindrico-cilindrico

#### 2) Stringere le giunture con la chiave inglese, ricordando di mettere le tubature in posizione.

#### 3) Attaccare l'elemento C all'alimentazione gas usando tubi di rame o manicotti flessibili in acciaio.

**IMPORTANTE: eseguire un ultimo controllo con una soluzione a base di sapone per controllare che le tubature non perdano. Non usare mai una fiamma. Inoltre assicurarsi che il manicotto flessibile non venga a contatto con una parte mobile della cucina (es. cassetto) e che non sia situato dove possa essere danneggiato.**

**Attenzione:** se si avverte odore di gas in vicinanza dell'apparecchio spegnere l'alimentazione e chiamare il tecnico. Non cercare un'eventuale perdita con una fiamma.

### 2.3. ADATTARE IL PIANO COTTURA CON DIVERSI TIPI DI GAS

Per adattare il piano cottura all'uso di diversi tipi di gas, seguire le seguenti istruzioni:

- rimuovere le griglie e i bruciatori
- inserire una chiave esagonale a tubo (7 mm) dentro il supporto bruciatore (Figura 7)
- svitare l'iniettore e sostituirlo con uno compatibile con il tipo di gas che verrà utilizzato (vedere la tabella tipi di gas).

### 2.4. REGOLARE IL MINIMO DELLA FIAMMA

Dopo aver acceso i bruciatori, girare la manopola del gas sul minimo quindi rimuovere la manopola (può essere rimossa con una leggera pressione).

L'apparecchio può essere usato da bambini dagli 8 anni in su e persone con ridotte capacità fisiche, sensoriali o mentali o senza esperienza e conoscenza del prodotto se supervisionate o dando loro istruzioni riguardo al funzionamento dell'apparecchio in maniera sicura e coscente del rischio possibile.

Usare una piccola estermità come un cacciavite per regolare la vite come mostrato in Figura 9. Girando la vite in senso orario si riduce il flusso di gas, viceversa in senso antiorario si aumenta il flusso - Usate questi aggiustamenti per ottenere una fiamma approssimativamente di 3/4 mm di lunghezza dopodiché riposizionare la manopola. Nel caso in cui l'alimentazione sia di tipo GPL - la vite per regolare la fiamma ideale deve essere ruotata (in senso orario) verso fine corsa.

Una volta che si è impostata la nuova regolazione, sostituire la vecchia placca segnaletica sull'apparecchio con una adatta al tipo di alimentazione gas che è stata installata.

## 3. USO DEL PIANO - ISTRUZIONI UTENTE

Quest'apparecchio deve essere utilizzato solo per gli scopi con cui è stato pensato, qualsiasi altro utilizzo può essere considerato improprio e quindi pericoloso. Il produttore non è responsabile per qualsiasi danno o perdita dovuti ad un uso inappropriato.

### 3.1. USO DEL BRUCIATORE GAS

Per l'accensione basta premere e girare la manopola sul simbolo di accensione.

Il sistema di accensione partirà generando scintille. Quando la fiamma si è accesa, tenere premuta la manopola per 5/6 secondi dopodiché regolare la potenza.

Se non c'è corrente elettrica, accendere la fiamma con un fiammifero. Se il bruciatore non si accende entro 3 secondi girare la manopola sulla posizione 0, attendere un minuto e ripetere l'operazione.

#### ATTENZIONE:

Prima di accendere il gas assicurarsi che i bruciatori e i rispettivi coperchi siano al loro posto.

#### AVVISI GENERICI:

Per risultati migliori, la dimensione delle pentole deve seguire la dimensione del bruciatore come mostrato qui a seguito. *Tabella A.*

Tipo di bruciatore	Ø / (cm)	Potenza (kW)	G20/20 mbar (metano)	G30/28-30 mbar (LPG)
A Ausiliario	12 - 18	1	95 l/h	73 g/h
SR Semi rapido	18 - 24	1,7	162 l/h	124 g/h
R Rapido	24 - 26	2,7	257 l/h	196 g/h

Tabella A

Per contenitori più piccoli il bruciatore gas può essere regolato in modo che la fiamma non superi la pasc della pentola. Recipienti con una base concava o convessa non possono essere usati.

**ATTENZIONE: se un bruciatore si spegne accidentalmente, riportare la monopola sulla posizione spenta e non tentare di riaccenderlo prima che sia passato 1 minuto.**

Se col passare del tempo il rubinetto del gas si indurisce è necessario lubrificarlo.

**Questo tipo di operazione deve essere eseguita da personale qualificato.**

### 3.2. USO DÍ FORNELLI CON LE PIASTRE ELETTRICHE

Girare la manopola alla posizione per la temperatura richiesta della piastra. L'indicatore luminoso della piastra calda sarà acceso e la piastra si avvia al calore.

Quando la cottura è completata, girare la manopola per la posizione "0". (Figura 10). Non lasciare la piastra accesa senza una padella su di esso. Il diametro e la base di pentola da usare sono critica. Il diametro massimo della base di pentola deve essere 14 centimetri e la base piatta. Per la prima volta che si utilizza, lasciare la piastra a riscaldarsi per 5 minuti prima di mettere un tegame su di esso. Questo consentirà il rivestimento resistente al calore della piastra per indurire a causa di combustione. Utilizzare un panno umido e detersivo per la pulizia delle piastre. Non rimuovere residui di cibo dalle piastre con un coltello o di qualsiasi altro disco, oggetto appuntito. Accendere il piatto caldo per qualche minuto ad asciugare dopo la pulizia. Tuttavia, essa non deve mai essere lasciata per più di qualche minuto senza un tegame in cima.

Posizione	Potenza (Watt)	Potenza (Watt)	Descrizione
0	0	0	Spento
1	100 W	135 W	Riscalda
2	180 W	220 W	Cottura alla bassa temperatura
3	250 W	300 W	Cottura alla bassa temperatura
4	500 W	850 W	Cottura, Arrostitimento, bollitura
5	750 W	1150 W	Cottura, Arrostitimento, bollitura
6	1000 W	1500 W	Cottura, Arrostitimento, bollitura

#### Idoneità delle pentole di cucina (Figura 11)

Tieni presente che le pentole più grandi sono più grandi superfici di riscaldamento. Questo li aiuterà a cuocere il cibo più veloce di vaschette con piccole superfici di riscaldamento. Utilizzare sempre il tegame quale dimensione è proporzionata alla quantità di cibo da cucinare. Al fine di evitare spruzzi, non usare molto piccole padelle, in particolare per prodotti alimentari con eccesso di liquido. Se si usa le padelle troppo grandi per cibi cotti rapidamente, salsicce e liquidi bastone e rimangono residui allegata al tegame dopo essere stati svuotati. Chiuso padelle e vassoi di cottura o stampi sono suggeriti per cucinare i dolci. Spruzzata di zucchero e succhi di frutta da una pentola aperta può attaccare alla superficie del fornello e sarà difficile da rimuovere.

Questo è particolarmente importante per le padelle di arrostitimento o utilizzati per la cottura a pressione ad alta temperatura. Non lasciare incustoditi bruciatori senza una padella o tegame o senza coperchio. Controlla l'idoneità di pentole da cucina con il rispetto dei seguenti criteri. Devono essere pesanti.

Essi dovrebbero coprire completamente la superficie del bruciatore; ma può essere un po' più grande, ma non minore.

Le superfici della base devono essere completamente pianeggianti e adatta bene alla cottura.

•X Per la migliore utilizzazione delle piastre calde a elettrico e per ridurre al minimo il consumo di energia, solo le padelle con le basi buoni piatti dovrebbero essere usato. La dimensione della pentola dovrebbe essere al più vicino possibile al diametro della piastra, e mai più piccoli. La base della vasca deve essere asciutta e la fuoriuscita deve essere evitato. Tegami vuoti non devono essere lasciati sui piatti, e le lastre non devono essere lasciato acceso senza una padella.

## 4. MANUTENZIONE E PULIZIA

Prima di pulire il piano cottura, assicurarsi che l'apparecchio si sia raffreddato.

La pulizia e la manutenzione non dovrebbero essere fatte da bambini senza supervisione.

Rimuovere la spina dalla presa corrente o (se connessa direttamente all'alimentazione generale) togliere la corrente dall'impianto generale.

Non usare sostanze abrasive, detersivi corrosivi, agenti sbiancanti o acidi. Evitare ogni tipo di acido o sostanza alcalina (limone, aceto, etc.) per pulire le parti smaltate, laccate o in acciaio inox.

Quando bisogna pulire le parti smaltate, laccate o cromate, usare acqua calda con sapone o un detersivo non corrosivo. Per l'acciaio antimacchia usare una soluzione appropriata.

I bruciatori possono essere puliti con acqua e sapone. Per ripristinare la loro brillantezza originale, usare un comune prodotto di pulizia per superfici in acciaio. Dopo averli puliti, asciugarli e ricollocarli al loro posto.

**È importante che i bruciatori vengano riposizionati correttamente.**

### Griglie cromate e bruciatori

Le griglie cromate e i bruciatori tendono a diventare scuri con l'uso. Questo è un fenomeno normale ed inevitabile, che tuttavia non compromette assolutamente il buon funzionamento del piano cottura. In ogni caso sono disponibili, presso i centri servizio post vendita, i pezzi di ricambio.

## 5. RIPRISTINO

Prima di contattare un tecnico del Centro Assistenza si prega di controllare:

- che la spina sia ben inserita e collegata;
- che l'alimentazione gas non sia difettosa.

Se il malfunzionamento non è identificabile: spegnere l'apparecchio - non manometterlo - e chiamare il Centro Assistenza.

## 6. RISPETTO DELL'AMBIENTE



Questo apparecchio è contrassegnato in conformità alla Direttiva europea 2012/19/EU sulle apparecchiature elettriche ed elettroniche (WEEE). I WEEE contengono sia le sostanze inquinanti (che possono provocare conseguenze negative sull'ambiente) che componenti di base (che possono essere riutilizzati). È importante che i WEEE siano soggetti a trattamenti specifici, per rimuovere e smaltire correttamente tutti gli inquinanti e recuperare e riciclare tutti i materiali.

I singoli possono giocare un ruolo importante nell'assicurare che i WEEE non diventino un problema ambientale; è essenziale seguire alcune regole di base:

- I WEEE non devono essere trattati come rifiuti domestici.
- I WEEE devono essere portati ai punti di raccolta appositi gestiti dal comune o da società registrate. In molti Paesi, per i WEEE grandi, potrebbe essere presente la raccolta domestica.
- Quando si acquista un nuovo apparecchio, quello vecchio potrebbe essere restituito al rivenditore che deve acquisirlo gratuitamente su base singola, sempre che l'apparecchio sia del tipo equivalente e abbia le stesse funzioni di quello acquistato.

Dichiarazione di conformità: questo apparecchio, nelle parti progettate per venire a contatto con cibi, è conforme con le regolamentazioni espresse nelle direttive EEC 89/109.

**CE** Apparecchio conforme con le direttive Europee 2006/95/EC, 2004/108/EC e 2009/142/EC, e emendamenti successivi.

*// produttore non si rende responsabile per alcuna imprecisione dovuta a errori di stampa o trascrizione contenuti nel libretto. Ci riserviamo il diritto di apportare modifiche al prodotto qualora sia necessario, inclusi i consumi, senza compromettere le caratteristiche inerenti la sicurezza del funzionamento.*

Tabella 1

PIANI COTTURA DA INCASSO		
Bruciatore	1	2
	4 gas R / 2SR / AUX	3 gas R / SR / AUX / E
Nome prodotto	S60 / HBGS	S60 / HBGS
Dispositivo sicurezza fiamma	Sì	Sì
Ausiliario (A Ø 50 mm)	1	1
Piastra elettrica	-	1
Semirapido (SR Ø 75 mm)	2	1
Rapido (R Ø 100 mm)	1	1
Tipologia di gas e potenza installata		
Potenza	7.1 kW	5.4 kW
G 20/20 mbar (metano)	676 l/h	514 l/h
G 30/28-30 mbar (LPG)	516 g/h	393 g/h
Classe di installazione	3	3
Voltaggio / Frequenza (V / Hz)	220-240 V / 50-60 Hz	220-240 V / 50-60 Hz
Potenza elettrica in ingresso	15 W	1500 W
Iniezione elettrica	Sì	Sì
Dimensione prodotto (mm)	585 x 510	585 x 510

Questo apparecchio è stato progettato per uso domestico e non professionale.

## INSTRUÇÕES DE SEGURANÇA

**AVISO:** Durante a sua utilização, tanto o aparelho, como os componentes acessíveis do mesmo ficam muito quentes. Evite sempre tocar nos elementos de aquecimento.

- Mantenha as crianças de com menos de 8 anos afastadas do aparelho, excepto se estiverem a ser supervisionadas por um adulto.
- Este electrodoméstico pode ser utilizado por crianças com oito anos ou mais e por pessoas com capacidades físicas, sensoriais ou mentais diminuídas, ou que não disponham da experiência e dos conhecimentos necessários, desde que lhes tenham sido dadas instruções sobre a utilização do aparelho por uma pessoa responsável pela sua segurança, ou que o utilizem sob sua supervisão.
- Nunca deixe as crianças brincarem com este aparelho.
- Crianças sem supervisão não devem nem limpar, nem manter este aparelho.

**AVISO:** Nunca deixe a placa sem vigilância sempre que a utilizar para confeccionar alimentos com gorduras, caso contrário corre o risco de incêndio.

- **NUNCA** utilize água para extinguir um incêndio; desligue o aparelho e, em seguida, abafe a chama com uma tampa ou uma manta anti-fogo.

**AVISO:** Perigo de incêndio: nunca utilize as superfícies de cozedura para arrumar objectos.

**AVISO:** Se a superfície da placa estiver estalada, desligue o aparelho para evitar a possibilidade de choque eléctrico.

- Nunca utilize um sistema de limpeza a vapor para limpar este aparelho.
- Remova sempre eventuais líquidos derramados da tampa antes de a abrir.
- Espere sempre que a placa arrefeça antes de baixar a tampa.

Este aparelho nunca pode ser operado com um temporizador externo nem com qualquer outro sistema de comando à distância.

- O sistema de desligamento tem de estar integrado na instalação fixa, de acordo com as regras aplicáveis à instalação e ligação eléctrica.
- As instruções têm de indicar o tipo de cabo a ser utilizado, tendo em consideração a temperatura registada na superfície traseira do aparelho.
- Se o cabo de alimentação estiver danificado, tem de ser substituído por um cabo ou conjunto especial, que pode ser obtido junto do fabricante ou do seu serviço de assistência técnica.

**CUIDADO:** Com vista a evitar perigos resultantes da reposição accidental do disjuntor térmico, este aparelho não pode ser alimentado a partir de um comutador externo como, por exemplo, um temporizador, nem pode ser ligado a um circuito que seja regularmente ligado e desligado pela empresa abastecedora de electricidade.

- Este aparelho tem de ser instalado de acordo com as normas e regulamentos em vigor e só pode ser utilizado num local bem ventilado. Leia as instruções antes de instalar ou de utilizar este aparelho.
- Estas instruções só são válidas se o aparelho tiver o símbolo do país. Se o aparelho não tiver o símbolo do país, tem de consultar as instruções técnicas, onde encontrará as instruções necessárias para modificar o aparelho de modo a ficar em conformidade com as condições de utilização no país.
- Antes de proceder à instalação, certifique-se sempre de que o aparelho está regulado para as condições de distribuição locais (tipo e pressão do gás);
- As regulações a realizar neste aparelho estão indicadas na etiqueta (ou na placa de características);
- Este aparelho não está ligado a um dispositivo de evacuação dos produtos da combustão. Este aparelho tem de ser instalado e ligado de acordo com os regulamentos de instalação e ligação em vigor.
- Deve ser prestada uma atenção muito especial aos requisitos aplicáveis à ventilação.

A utilização de um forno ou fogão a gás dá azo à produção de calor e de humidade no compartimento em que está instalado. Certifique-se sempre de que a cozinha é bem ventilada: mantenha as aberturas de ventilação natural abertas ou instale um dispositivo mecânico de ventilação (exaustor mecânico). Uma utilização intensa prolongada do aparelho pode tornar necessária uma ventilação adicional, como, por exemplo, a abertura de uma janela, ou uma ventilação mais eficaz, aumentando, por exemplo, a velocidade do exaustor.

## 1. INSTRUÇÕES PARA O INSTALADOR

A INSTALAÇÃO DE ELECTRODOMÉSTICOS PODE SER UMA OPERAÇÃO COMPLICADA QUE, SE NÃO FOR EFECTUADA CORRECTAMENTE, PODE AFECTAR SERIAMENTE A SEGURANÇA DO CONSUMIDOR. POR ESTA RAZÃO, ESTA TAREFA DEVE SER EXECUTADA POR UMA PESSOA QUALIFICADA PROFISSIONALMENTE, QUE A FARÁ DE ACORDO COM OS REGULAMENTOS TÉCNICOS EM VIGOR. SE ESTE CONSELHO FOR IGNORADO, E SE A INSTALAÇÃO FOR EXECUTADA POR UMA PESSOA NÃO QUALIFICADA, O FABRICANTE DECLINA TODAS AS RESPONSABILIDADES POR FALHA TÉCNICA DO PRODUTO, QUE PROVOQUE OU NÃO DANOS DE PROPRIEDADE OU FERIMENTOS.

### 1.1 PREPARAÇÃO

A placa pode ser instalada em qualquer bancada que seja resistente até uma temperatura de 100°C e que tenha uma espessura de 25-45 mm. As dimensões da abertura para o encastramento, a ser feita na bancada, estão indicadas na *Figura 2*.

Se a placa for instalada numa bancada ficando com um armário de qualquer um dos lados, a distância entre a placa e o armário tem de ser de, pelo menos, 15 cm (vide a *Figura 4*); já a distância entre a placa e a parede traseira tem de ser de, pelo menos, 5,5 cm.

A placa deve sempre ficar a uma distância de, pelo menos, 70 cm de qualquer unidade ou aparelho instalado sobre ela (como, por exemplo, um extractor). (*Figura 4*)

Sempre que houver um espaço que seja acessível entre a placa encastrada e a cavidade por baixo dela, tem de ser instalada uma divisória feita de material isolante, como, por exemplo, madeira ou um material semelhante, entre ambas (*Figura 3*).

Importante O diagrama apresentado na figura 1 mostra a forma de aplicação do vedante.

Para poder encastrar a placa tem de instalar os grampos de fixação, inserindo-os nos orifícios existentes na base da placa.

Sempre que uma placa de 60 cm for instalada sobre um forno que não esteja equipado com um sistema de refrigeração por ventoinha, o fabricante recomenda que sejam introduzidas aberturas no móvel em que as unidades vão ser encastradas, a fim de assegurar uma circulação correcta do ar.

Estas aberturas devem ter uma área mínima de 300 cm<sup>2</sup> e devem estar localizadas nos pontos indicados na *Figura 5*.

Sempre que uma placa de 75 cm for instalada sobre um forno encastrado, esse forno tem de estar equipado com um sistema de refrigeração por ventoinha.

### 1.2 LOCALIZAÇÃO ADEQUADA

Este aparelho tem de ser instalado de acordo com as normas e regulamentos em vigor e só pode ser utilizado num local bem ventilado. Leia as instruções antes de instalar ou de utilizar este aparelho.

Um fogão ou placa a gás produzem calor e humidade na zona em que são instalados. Por isso, deve sempre certificar-se de que a ventilação nesse local é boa, seja mantendo todas as passagens para o ar natural abertas, seja instalando um extractor com um tubo de evacuação. Se o electrodoméstico for submetido a uma utilização intensa e prolongada, poderá ser necessária uma ventilação adicional, como, por exemplo, a abertura de uma janela ou o aumento da velocidade da ventoinha de exaustão eléctrica, caso esteja instalada uma.

Se não puder ser instalado um extractor, deve ser instalada uma ventoinha eléctrica numa parede exterior ou numa janela, conquanto a zona disponha de aberturas para ventilação e passagem de ar.

A ventoinha eléctrica tem de estar apta a renovar completamente o ar no interior da cozinha 3 a 5 vezes por hora. O instalador deve cumprir todos os regulamentos e normas nacionais aplicáveis.

### 2.1. LIGAÇÃO ELÉCTRICA

Verifique os dados indicados na placa de características do aparelho, afixada do lado de fora da placa, para se certificar de que tanto a alimentação de energia como a tensão de entrada são as adequadas. Antes de proceder à ligação do aparelho, verifique o sistema de ligação à terra.

Por lei, esta placa tem de ser ligada à terra. Se este requisito não for cumprido, o fabricante declina toda e qualquer responsabilidade por eventuais danos materiais ou lesões pessoais. Se o aparelho não estiver equipado com uma ficha, instale uma ficha adequada para a carga indicada na placa de características. O fio de ligação à terra é o fio amarelo/verde. A ficha tem de estar sempre acessível.

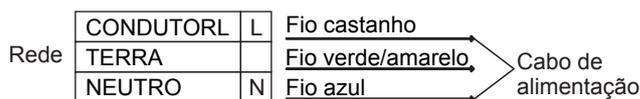
Sempre que a placa for directamente ligada à rede eléctrica, tem de ser instalado um disjuntor no circuito.

Sempre que o cabo de alimentação de energia estiver danificado deverá o mesmo ser substituído por um técnico devidamente qualificado, de modo a evitar qualquer risco potencial.

O fio de ligação à terra (verde e amarelo) deve ser pelo menos 10 mm mais comprido do que os fios condutor e neutro.

O cabo de alimentação de energia deve ter uma secção transversal adequada à potência máxima absorvida pela placa.

O fabricante recomenda que consulte a placa de características do aparelho para se informar sobre as características eléctricas do mesmo e ainda que se assegure de que o cabo de alimentação de energia seja do tipo 3x0.75 mm<sup>2</sup> H05RR-F



Se um equipamento não estiver equipado com um cabo de alimentação e uma ficha, ou com outros meios para desligar da alimentação, precisa de uma separação de contacto em todos os pólos que permita a desconexão total em condições de sobretensão de categoria III, e as instruções devem indicar que devem ser incorporados meios para desligar na cablagem fixa de acordo com os regulamentos de ligação.

### 2.2. LIGAÇÃO À REDE DE GÁS

Estas instruções destinam-se a pessoal qualificado, a instalação do equipamento deve estar de acordo com as normas nacionais relevantes. **(Apenas para o Reino Unido: por lei, a instalação/fornecimento de gás deve ser efectuada por um instalador registado "Corgi")**

O trabalho deve ser efectuada com a alimentação eléctrica desligada.

A placa de classificação na placa indica o tipo de gás que deve ser utilizado. A ligação à alimentação de gás ou à botija de gás deve ser executada depois de ter verificado que é adequada para o tipo de gás que vai ser fornecido. Se não estiver regulado correctamente, consulte as instruções dos parágrafos seguintes para alterar a configuração do gás

Para gás líquido (botija de gás), utilize reguladores de pressão que estejam em conformidade com as normas nacionais relevantes.

Utilize apenas tubos, anilhas e juntas que estejam em conformidade com as normas nacionais relevantes.

Nalguns modelos, é fornecida uma peça de ligação cónica para colocar na instalação em países onde este tipo de ligação é obrigatório; na figura 8 está indicado como reconhecer os diferentes tipos de ligação (CY = cilíndrica, CO = cónica). Em todos os casos, a peça cilíndrica da ligação tem de ser ligada à placa.

Quando liga a placa à alimentação de gás com manguelras flexíveis, assegure que a distância máxima coberta pela manguelra não ultrapassa os 2 metros.

O tubo flexível deve ser montado de forma a não estar em contacto com uma parte móvel da unidade (por exemplo, uma gaveta), e não passar por espaços que possam ficar bloqueados.

Para evitar danos potenciais na placa, execute a instalação seguindo esta sequência (*figura 6*):

1) Tal como é ilustrado, monte as peças pela sequência:

A: Adaptador cilíndrico macho 1/2,

B: Junta 1/2,

C: Adaptador cónico-cilíndrico fêmea de gás 1/2 ou cilíndrico-cilíndrico

2) Aperte as justas com as chaves, recordando que deve colocar os tubos em posição.

3) Ligue o encaixe C na alimentação de gás utilizando um tubo rígido de cobre ou um tubo de aço flexível.

**IMPORTANTE:** faça uma verificação final de fugas nas ligações dos tubos utilizando uma saponária. Nunca utilize uma chama. Igualmente, certifique-se que o tubo flexível não está em contacto com uma peça móvel do armário (por exemplo, gaveta) e que não está situado onde possa ser danificado.

**Aviso:** Se cheirar a gás perto deste equipamento, desligue a alimentação de gás do equipamento e contacte directamente o técnico. Não procure a fuga com uma chama viva.

### 2.3. ADAPTAÇÃO DA PLACA A DIFERENTES TIPOS DE GÁS

Para adaptar a placa aos diferentes tipos de gás deverá executar as operações que passamos a descrever em seguida:

- remova as grelhas e os queimadores
- insira uma chave hexagonal (7 mm) no suporte do queimador (Figura 7)
- Desenrosque o injector e substitua-o por um que seja adequado ao tipo de gás que vai ser utilizado (consulte a tabela dos tipos de gás.)

### 2.4. REGULAÇÃO DA ALTURA MÍNIMA DA CHAMA

Depois de acender os queimadores, rode o botão de comando para a posição correspondente ao mínimo e remova o botão da placa (basta aplicar uma pressão ligeira).

Servindo-se de uma chave de fendas pequena, pode ajustar a posição do parafuso da forma indicada na Figura 9.

Se rodar o parafuso para a direita está a reduzir o fluxo de gás, e se o rodar para a esquerda está a aumentá-lo. Ajuste o parafuso desta forma até obter uma chama com uma altura aproximada de 3 a 4 mm e, em seguida, volte a montar o botão de comando.

Sempre que o gás disponível for o gás GPL (gás de garrafa), o parafuso de regulação da chama piloto tem de ser rodado (para a direita) até prender.

Depois de ter regulado a placa para o tipo de gás que vai ser utilizado, substitua a placa de características antiga, com os dados relativos ao gás para que a placa estava preparada, pela placa adequada ao tipo de gás para que a placa foi regulada (esta placa é fornecida com a placa).

### 3. UTILIZAÇÃO DA PLACA INSTRUÇÕES PARA O UTILIZADOR

Esta placa só pode ser utilizada para o fim para que foi concebida, ou seja, para uma utilização doméstica, sendo qualquer outra utilização considerada imprópria e, por conseguinte, perigosa. O fabricante declina toda e qualquer responsabilidade por danos decorrentes de uma utilização imprópria da placa.

#### 3.1. COMO UTILIZAR O QUEIMADOR DE GÁS

Para ligar os queimadores, aproxime um fósforo acesso do queimador, empurre o botão de comando para dentro e rode-o para a esquerda.

Se os queimadores não tiverem sido utilizados durante alguns dias, espere alguns segundos antes de acender o queimador, para permitir a evacuação de ar que se tenha acumulado nos canos.

Se a sua placa dispuser de um isqueiro electrónico, proceda da seguinte forma:

empurre o botão de comando para dentro e rode-o para a esquerda, para a posição com o símbolo do isqueiro.

ligue o queimador, premindo o botão com o símbolo da faísca.

Se a sua placa estiver equipada com ignição electrónica só tem de empurrar o botão de comando para dentro e de o rodar até ao símbolo de ignição

O sistema de ignição (isqueiro) continuará a gerar faíscas enquanto o botão de comando estiver a ser premido.

Se o queimador não se acender em 5 segundos, rode o botão de comando para a posição 0 e repita a operação.

No caso dos modelos com torneira de segurança (que corta a alimentação de gás no caso de a chama se apagar acidentalmente), os queimadores são acesos da forma descrita acima, sendo que, no

entanto, deve manter o botão de comando premido durante cerca de 5 a 6 segundos depois de o queimador estar aceso.

#### ATENÇÃO:

Antes de ligar a placa a gás, deverá certificar-se de que os queimadores e os espalhadores estão correctamente instalados.

#### CONSELHOS GERAIS

Para assegurar os melhores resultados possíveis, deverá ter o cuidado de ajustar o tamanho dos recipientes de fundo plano ao tamanho dos queimadores de gás, conforme pode ver na tabela abaixo. Tabela A.

Tipo di queimador	Ø recipiente (cm)	Energia (kW)	G20/20 mbar (metano)	G30/28-30 mbar (GPL)
A Auxiliar	12 - 18	1	95 l/h	73 g/h
SR Semi-rápido	18 - 24	1,7	162 l/h	124 g/h
R Rápido	24 - 26	2,7	257 l/h	196 g/h

Tabela A

Sempre que utilizar recipientes pequenos, regule o queimador de modo a que a chama não saia pelos lados do recipiente. Nunca utilize recipientes com um fundo concave ou convexo.

**AVISO:** Se um queimador se apagar acidentalmente, rode o botão para a posição de desligado e espere pelo menos 1 minuto antes de o voltar a tentar ligar.

Se, com o passar do tempo, as torneiras do gás ficarem perras é necessário lubrificá-las.

**Trata-se de uma operação que só deve ser levada a cabo por um técnico devidamente qualificado.**

### 3.2. UTILIZAÇÃO DAS PLACAS ELÉCTRICAS DE VITROCERÂMICA

Gire o botão até à posição desejada para ter placa quente e o calor desejado. A lâmpada do Indicador da placa quente acende e a mesma começa a aquecer-se.

Gire o botão para posição "0" depois da cozedura. (Figura 10). Não deixe a placa quente ligada quando não há uma panela sobre a mesma. A base e o diâmetro da panela usada têm grande importância. O diâmetro máximo da base da panela é de 14 cm e deve ser rasa. Aqueça a placa durante 5 minutos sem colocar nenhuma panela sobre a mesma, quando usada pela primeira vez. Esta faz com que o revestimento da placa, que é resistível ao calor, se endureça graças ao fogo.

Use detergente e um pano molhado para limparas placas quentes. Não tente eliminar os restos de comida com uma faca ou outros objectos duros e afiados.

Deixe a placa quente ligada por uns minutos para que esta fique seca depois da limpeza. Não a deixe ligada vários minutos caso não tenha uma panela sobre a mesma.

Posição	Potência (Watt)	Potência (Watt)	Definição
0	0	0	Desligada
1	100 W	135 W	Aquecimento
2	180 W	220 W	Cozer a baixa temperatura
3	250 W	300 W	Cozer a baixa temperatura
4	500 W	850 W	Cozer, Assar, Ferver
5	750 W	1150 W	Cozer, Assar, Ferver
6	1000 W	1500 W	Cozer, Assar, Ferver

#### Adequabilidade das panelas da cozedura: (Figura 11)

Não se esqueça que maiores panelas têm maiores superfícies de cozedura. Panelas grandes fazem com que o prato seja cozido mais rapidamente em comparação com panelas pequenas.

Use panelas apropriadas para a quantidade do prato que deseja cozinhar. Para prevenir salpicos, não use panelas muito pequenas, sobretudo quando coze pratos com mais molho. Os molhos da comida ficam colados à panela, e ficam restos na mesma quando o prato é deitado para outro recipiente caso use uma grande panela para os pratos que são cozidos rapidamente. Aconselha-se a utilização de panelas cobertas, tabuleiros de fogão e formas de bolos para cozer sobremesas. Molhos e açúcar que salpicam de uma panela aberta podem ficar colados à superfície da cozedura e a remoção destes pode ser difícil.

Isto é importante sobretudo para panelas que são usadas para assar a temperaturas altas e cozer sob pressão.

Não deixe a zona de cozedura abandonada quando não há uma panela ou uma panela vazia sobre o mesmo.

Verifique as superfícies das panelas tendo em conta os seguintes pontos: Devem ser pesadas.

Devem cobrir totalmente a superfície da zona de cozedura (podem ser um pouco maiores mas não devem ser de nenhum modo menores).

As superfícies da base devem ser totalmente rasas e colocadas devidamente na superfície da cozedura.

• Usam-se as panelas com superfícies rasas para reduzir o consumo de energia e para utilizar as placas eléctricas da melhor forma. O tamanho da panela deve ser tão próximo quanto possível ao diâmetro da placa, não deve ser menor de nenhum modo. A base da panela deve estar seca e os salpicos do prato devem ser impedidos. Panelas vazias não devem ser deixadas sobre a placa e a mesma não deve ser deixada ligada quando não há uma panela sobre ela.

#### 4. MANUTENÇÃO E LIMPEZA

Antes de limpar a placa, certifique-se de que ela já está fria. Desligue a ficha do cabo de alimentação da tomada de rede ou, no caso de a placa estar directamente ligada à rede, corte a alimentação de energia à placa.

Crianças sem supervisão não devem nem limpar, nem manter este aparelho.

Nunca utilize abrasivos, detergentes corrosivos, produtos de branqueamento ou ácidos. Evite quaisquer produtos ácidos ou alcalinos (limão, sumo, vinagre, etc.) nas zonas esmaltadas, envernizadas ou de aço inoxidável.

Quando limpa as zonas esmaltadas, envernizadas ou cromadas, utilize uma saponária quente ou um detergente não cáustico. No aço inoxidável, utilize uma solução de limpeza apropriada.

Os queimadores podem ser limpos com uma saponária. Para restaurar o seu brilho original, utilize um produto doméstico para aço inoxidável. Depois de limpar, seque os queimadores e coloque-os de novo.

**É importante que os queimadores sejam colocados correctamente.**

*Grelhas e queimadores cromados*

As grelhas e os queimadores cromados têm tendência para escurecer com o passar do tempo. Isto é perfeitamente normal, inevitável até, e não prejudica o bom funcionamento da placa.

No entanto, se quiser proceder à substituição das grelhas e dos queimadores escurecidos, basta entrar em contacto com a nossa assistência técnica, à qual poderá adquirir as peças sobressalentes em causa.

#### 5. ANTES DE CHAMAR A ASSISTÊNCIA TÉCNICA

Antes de solicitar a comparência de um técnico do Serviço de Assistência Técnica, agradecemos que proceda às seguintes verificações:

- certifique-se de que a ficha está devidamente inserida na tomada e de que o fusível tem a amperagem correcta e não disparou;
- de que o gás está a ser devidamente alimentado à placa.

Se não conseguir detectar o problema:

desligue o aparelho, não o tente reparar, e entre em contacto com a Assistência Técnica.

#### 6. PROTECÇÃO DO AMBIENTE



Este aparelho está classificado de acordo com a Diretiva Europeia 2012/19/UE relativa aos Resíduos de Equipamentos Eléctricos e Electrónicos (REEE). Os REEE incluem substâncias poluentes (que podem provocar consequências negativas no meio ambiente) e componentes básico (que podem ser reutilizados). É importante que os REEE sejam submetido a tratamentos específicos, a fim de

remover e eliminar corretamente todos os poluentes e recuperar e reciclar todos os materiais.

Os cidadãos individualmente podem desempenhar um papel importante no sentido de garantir que os REEE não se tornam num problema ambiental; é essencial seguir algumas regras básicas:

- Os REEE não devem ser tratados como lixo doméstico.
- Os REEE deverão ser entregues nos pontos de recolha relevantes geridos pelo município ou por empresas registadas. Em muitos países, no caso de grande REEE, poderão existir serviços de recolha ao domicílio.
- quando compra um novo aparelho, o antigo pode ser devolvido ao comerciante que terá a obrigação de o transportar gratuitamente numa base de um-para-um, desde que o equipamento seja de tipo equivalente e tenha as mesmas funções que o equipamento fornecido.

Declaração de conformidade: Este equipamento, nas zonas destinadas a estar em contacto com alimentos, está em conformidade com os regulamentos constantes nas directivas EEC 89/109.

**CE** O equipamento cumpre as Directivas Europeias 2006/95/EC, 2004/108/EC e 2009/142/EC, e emendas posteriores.

*O fabricante não será responsável por qualquer imprecisão resultante da impressão ou erros de transcrição contidos desta documentação. Reservamos o direito de efectuar modificações aos produtos de acordo com o necessário, incluindo os direitos de consumo, sem prejuízo das características relacionadas com segurança ou função.*

Tabela 1

PIANI COTTURA DA INCASSO		
Queimador	1	2
	4 gás R /2SR / AUX	3 gás R / SR / AUX / E
Tipo/referência	S60 / HBGS	S60 / HBGS
Dispositivos de protecção em caso de apagamento accidental da chama	SIM	SIM
Auxiliar(AØ 50 mm)	1	1
Placa Eléctrica	-	1
Semi-rápido(SR Ø 75 mm)	2	1
Rápido(R Ø 100 mm)	1	1
<b>Tipo de gás/energia instalados:</b>		
Energia	7.1 kW	5.4 kW
G 20/20 mbar (metano)	676 l/h	514 l/h
G 30/28-30 mbar (GPL)	516 g/h	393 g/h
Classe de instalação	3	3
Tensão/frequência V/Hz	220-240 V / 50-60 Hz	220-240 V / 50-60 Hz
Potência absorvida	15 W	1500 W
Isqueiro (ignição eléctrica)	SIM	SIM
Dimensões do produto	585 x 510	585 x 510

Este aparelho foi exclusivamente concebido para uma utilização não profissional, ou seja, doméstica.

**FIGYELMEZTETÉS:** A készülék és a hozzáférhető részei használat közben felmelegszenek. A fűtőelemeket nem szabad megérinteni.

- A 8 évnél fiatalabb gyerekeket – folyamatos felügyelet hiányában – távol kell tartani a készüléktől.
- A készüléket csak akkor használhatják 8 éven felüli gyerekek, csökkent fizikai, érzékszervi vagy szellemi képességű, illetve tapasztalatokkal és ismeretekkel nem rendelkező személyek, ha felügyeletben részesülnek vagy útmutatást kaptak a készülék biztonságos használatáról, és megértették a készülék használatában rejlő veszélyeket.
- A gyerekek nem játszhatnak a készülékkel.
- A tisztítást és a karbantartást nem végezhetik felügyelet nélküli gyerekek.

**FIGYELMEZTETÉS:** A zsírral vagy olajjal végzett felügyelet nélküli sütés-főzés veszélyes lehet és tüzet okozhat.

- SOHA ne próbálja meg vízzel eloltani a tüzet. Kapcsolja ki a készüléket, majd pedig takarja le a lángot például egy fedővel vagy egy takaróval.

**FIGYELMEZTETÉS:** Tűzveszély: ne tároljon semmit a főzőfelületeken.

**FIGYELMEZTETÉS:** Ha a felület megrepedt, kapcsolja ki a készüléket az esetleges áramütés elkerülése érdekében.

- A tisztításhoz ne használjon gőzsugaras tisztítóberendezést.
- A felnyitás előtt törölje le a fedőlapra fröccsent maradékokat.
- A fedél lecsukása előtt hagyja kihűlni a tűzhelylap felületét.
- A készülék nem működtethető külső időkapcsolóval vagy külön távvezérlő rendszerrel.
- A kikapcsolást szolgáló eszközt a huzalozási szabályoknak megfelelően a fix vezetékbe kell beépíteni.
- A készülék hátsó felülete hőmérsékletének figyelembevételével az előírások határozzák meg a használandó vezeték típusát.
- Ha a hálózati kábel megsérült, akkor azt a gyártótól vagy a helyi szervizközpontban beszerezhető speciális kábellel kell kicserélni.
- A hálózati kábel nem cserélhető. Ha kábel megsérült, a készüléket ki kell selejtezni.

**FIGYELMEZTETÉS:** A hőkioldó véletlen visszaállítása miatti veszélyek elkerülése érdekében a készülék áramellátását nem szabad külső kapcsolóberendezésen, például időkapcsolón keresztül biztosítani, illetve nem szabad olyan áramkörre kapcsolni, amelyet a szolgáltató rendszeresen ki-be kapcsol.

- A készüléket az érvényes szabályoknak megfelelően kell telepíteni, és csak jól szellőztetett helyiségekben szabad használni. A készülék telepítése vagy használata előtt olvassa el az utasításokat.
- Ezek az utasítások csak akkor érvényesek, ha az ország-szimbólum megtalálható a készüléken. Ha a szimbólum nem látható a készüléken, akkor olvassa el a műszaki utasításokat, amelyek az adott ország használati feltételeinek megfelelően tartalmazzák a készülék módosításához szükséges útmutatásokat.
- A telepítés előtt ellenőrizze, hogy megfelelőek a helyi körülmények (gáztípus és gáznyomás) és a készülék beállítása";
- A készülék beállítási feltételei a címkén (vagy az adattáblán) található";
- A készülék nincs elszívó berendezéshez csatlakoztatva. Az elszívó berendezés a hatályos telepítési előírásoknak megfelelően csatlakoztatható. Nagy figyelmet kell fordítani a szellőztetéssel kapcsolatos követelményekre."
- A gáztűzhely használata közben hő és nedvesség keletkezik a telepítés helyszínén. Gondoskodjon a konyha megfelelő szellőztetéséről: hagyja nyitva a természetes szellőzőnyílásokat vagy szereljen fel mechanikus szellőztető berendezést (szagelszívót). A készülék tartós, intenzív használata esetén kiegészítő szellőztetésre lehet szükség, például ablaknyitásra, vagy még hatékonyabb szellőztetésre, például a mechanikus szellőztető berendezés teljesítményszintjének növelésére.

# 1. UTASÍTÁSOK A TELEPÍTŐ SZÁMÁRA

A HÁZTARTÁSI KÉSZÜLÉKEK TELEPÍTÉSE BONYOLULT MŰVELET LEHET, AMELYNEK HELYTELEN ELVÉGZÉSE KOMOLYAN VESZÉLYEZTETHETI A FOGYASZTÓK BIZTONSÁGÁT. EZÉRT FONTOS AZ, HOGY EZT A FELADATOT SZAKKÉPZETT SZEMÉLY VÁLLALJA, AKI A MUNKÁT A HATÁLYOS MŰSZAKI ELŐÍRÁSOKNAK MEGFELELŐEN VÉGZI EL. HA EZT A TANÁCSOT FIGYELMEN KÍVÜL HAGYJÁK ÉS A TELEPÍTÉST SZAKKÉPZETLEN SZEMÉLY VÉGZI EL, A GYÁRTÓ SEMMILYEN FELELŐSSÉGET SEM VÁLLAL A TERMÉK MŰSZAKI MEGHIBÁSODÁSÁÉRT, FÜGGETLENÜL ATTÓL, HOGY AZ OKOZ-E ANYAGI KÁROKAT VAGY SZEMÉLYI SÉRÜLÉSEKET.

## 1.1. BEÉPÍTÉS

A tűzhelylap olyan munkalapra helyezhető, amelynek hőálló képessége 100°C, vastagsága pedig 25-45 mm. A munkalapról kivágandó betét méretei a 2. ábrán láthatók.

Ha a tűzhelylapot mindkét oldalon szekrény mellé helyezjük, akkor a tűzhelylap és a szekrény közötti távolságnak legalább 15 cm-nek (lásd a 4. ábrát), míg a tűzhelylap és a hátsó fal közötti távolságnak legalább 5,5 cm-nek kell lennie.

A tűzhelylap és más, fölötté lévő egységek vagy készülékek (például szagelszívó) közötti távolságnak legalább 70 cm-nek kell lennie (4. ábra). Ha szabad tér van a beépített tűzhelylap és az alatta lévő üreg között, akkor szigetelőanyagból (fából vagy hasonló anyagból) készült válaszfalat kell beilleszteni (3. ábra).

**Fontos! Az 1. ábra a tömítőanyag elhelyezésének módját mutatja be.**

A tűzhelylapot a mellékelt rögzítőkapcsokkal kell rögzíteni az egység aljában lévő furatok felhasználásával.

Ha a 60 cm-es tűzhelylapot olyan sütő fölé helyezi, amely nem rendelkezik ventilátoros hűtőrendszerrel, javasoljuk, hogy a megfelelő levegőáramlás biztosítása érdekében alakítson ki nyílásokat a bútorban. A nyílások mérete legalább 300 cm<sup>2</sup> legyen, elhelyezésüket az 5. ábra mutatja be.

## 1.2. ALKALMAS HELYSZÍN

Ha szagelszívó nem telepíthető, akkor elektromos ventilátort kell felszerelni a külső falra vagy az ablakra, ha vannak szellőzőcsatornák a helyszínen.

Az elektromos ventilátornak óránként 3-5 alkalommal kell teljes levegőcserét végeznie a konyhában. A telepítőnek be kell tartania a vonatkozó országos előírásokat.

## 2. ELEKTROMOS BEKÖTÉS (CSAK AZ EGYESÜLT KIRÁLYSÁGBAN)

**Figyelmeztetés: A készüléket földelni kell.**

A készüléket kizárólag háztartási célra tervezték. A hálózatra történő csatlakoztatást szakképzett villanyszerelőnek kell elvégeznie a telepítéssel kapcsolatos szabályok szigorú betartása mellett. A készüléket csak megfelelő, előírt csatlakozási pontra szabad csatlakoztatni, a 3-csapos 13 A-es dugó/aljzat nem felel meg. Kétsarkú kapcsolót kell biztosítani, és az áramkört megfelelő biztosító-védelemmel kell ellátni. Az egyes termékek teljesítményigényével kapcsolatos további részletek a felhasználói utasításban és a készülék géptörzslapján található. Beépített készülék esetén javasoljuk, hogy ha a meglévőnél hosszabb kábelt szeretne, akkor megfelelő, hőálló típust használjon.

A vezetékeket az alábbiak szerint kell a hálózatra csatlakoztatni:

CSATLAKOZTATÁSA	CSOMÓPONTTRA
Zöld-sárga vezeték	Földvezeték
Kék vezeték	Nullavezeték
Barna vezeték	Feszültség alatti vezeték

**Megjegyzés:** Nem javasoljuk földzárlati készülékek használatát a csomópontokra telepített elektromos tűzhelyekkel, mert ún. „terheléskidás” következhet be. Ismételt emlékeztetjük, hogy a készüléket megfelelően földelni kell; a gyártó elhárít minden felelősséget a hibás elektromos telepítésből származó eseményekkel kapcsolatban.

## 2.1. ELEKTROMOS BEKÖTÉS

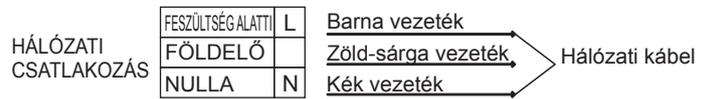
Ellenőrizze a készülék külső részén elhelyezett géptörzslapon lévő adatokat, hogy a hálózati és bemeneti feszültség megfelelő-e. A csatlakoztatás előtt ellenőrizze a földelő rendszert. Az előírásoknak megfelelően a készüléket földelni kell. Ennek az előírásnak a be nem tartása esetén a gyártó nem vállal felelősséget a személyi sérülésekért és az anyagi károkért. Ha a csatlakozódugó még nincs felszerelve, akkor a géptörzslapon jelzett terhelésnek megfelelő dugót használjon. A földelőkábel színe sárga-zöld. A csatlakozódugónak mindig hozzáférhetőnek kell lennie.

A tűzhelylap elektromos hálózatra történő közvetlen csatlakoztatása esetén megszakítót kell beépíteni.

Ha a hálózati kábel sérült, az esetleges veszélyek elkerülése érdekében cseréjét szakképzett szerelőnek kell elvégeznie. A (zöld/sárga színű) földvezetéknek legalább 10 mm-rel hosszabbnak kell lennie a feszültség alatti vezetékénél és a nullavezetékénél.

A tűzhelylap felvett teljesítményéhez viszonyítva a kábelnek megfelelő méretűnek kell lennie.

Ellenőrizze a teljesítménnyel kapcsolatos adatokat a géptörzslapon, és ügyeljen arra, hogy a hálózati kábel H05RR-F, H05W-F, H05V2V2-F típusú legyen.



## 2.2. GÁZBEKÖTÉS

Az alábbi utasítások szakképzett szerelők részére készültek, amelyeket az érvényes országos előírásokkal együtt kell betartani. **(Csak az Egyesült Királyságban: a törvény értelmében a gázbekötést/üzembe helyezést úgynevezett "Gas Safe" szerelőnek kell elvégeznie)**

A munkálatok megkezdése előtt ki kell kapcsolni az elektromos ellátást.

A tűzhelylap géptörzslapja tartalmazza a felhasználható gáztípust. A gázhálózatra vagy a gázpalackra történő csatlakoztatást annak ellenőrzése után kell elvégezni, hogy a készülék a hálózati gáz típusához van-e beszabályozva. Ha a készülék nincs megfelelően beszabályozva, akkor olvassa el a gázbeállítás módosításával kapcsolatos utasításokat a következő bekezdésben.

Folyékony (palackos) gáz esetében használjon a vonatkozó országos szabályoknak megfelelő nyomásszabályozókat. Csak olyan csöveket, alátéteket vagy tömítéseket használjon, amelyek megfelelnek a vonatkozó országos előírásoknak.

Egyes típusok esetében kúpos csatlakozót szállítunk a berendezésekhez azokban az országokban, amelyekben az ilyen típusú csatlakozó használata kötelező; a 8. ábrán mutatjuk be, hogyan ismerhetők fel a különböző típusú csatlakozók (CY = hengeres, CO = kúpos). Minden esetben a csatlakozó hengeres részét kell a tűzhelylaphoz csatlakoztatni.

A rugalmas tömlőt úgy kell felszerelni, hogy ne érintkezzen a burkolat mozgó részeivel (például egy fiókkal), és ne haladjon át olyan helyen, ahol összenyomódhat.

Ha a tűzhelylapot rugalmas tömlővel csatlakoztatja a hálózatra, ügyeljen arra, hogy a tömlő hossza ne haladja meg a 2 métert.

A tűzhelylap esetleges sérüléseinek elkerülése érdekében a telepítést az alábbi sorrendben végezze (6. Ábra):

**1) Az ábra szerint az alábbi sorrendben szerelje össze az alkatrészeket:**

A: 1/2 dugós illesztődarab hengeres

B: 1/2 tömítés

C: 1/2 hüvelyes illesztődarab kúpos-hengeres vagy Hengeres-hengeres

**2) Húzza meg a csatlakozásokat a csavarkulccsal, és csavarja a csöveket a helyükre.**

**3) Tegye fel a szerelvényt (C) a fővezetékre merev rézcső vagy rugalmas acélcső segítségével.**

**FONTOS! A csövezeték végleges szivárgásellenőrzését szappanos oldattal végezze el. LÁNG HASZNÁLATA TILOS! Ügyeljen arra is, hogy a rugalmas tömlő ne érintkezzen a szekrény mozgó alkatrészeivel (például fiókkal), illetve ne helyezkedjen el sérülésveszélyes területeken.**

**Figyelmeztetés:** Ha gázszagot érez a készülék közelében, kapcsolja ki a készülék gázellátását és haladéktalanul hívjon szerelőt. Ne keresse nyílt lánggal a szivárgás helyét.

## 2.3. A TŰZHELYLAP ÁTÁLLÍTÁSA KÜLÖNBÖZŐ GÁZTÍPUSOKHOZ

A tűzhelylap különböző gáztípusokhoz történő átállításához végezze el a következőket:

- vegye le a rácsokat és az égőfejeket;
- helyezze be a csavarkulcsot (7 mm) az égőfejtartóba (7. Ábra);
- csavarozza ki a fűvókát, és cserélje ki a felhasználandó gázhoz alkalmas fűvókával (lásd a gáztípus táblázatot).

## 2.4. A MINIMÁLIS LÁNGMÉRET BEÁLLÍTÁSA

Az égőfejek meggyújtása után fordítsa el a szabályozógombot a minimális állásba, majd pedig vegye le a gombot (enyhe nyomással ez könnyen elvégezhető).

Egy kis „kapocscsavarhúzóval” állítható be a szabályozócsavar a 9. ábrán látható módon. A csavar óramutató járásával megegyező irányba (jobbra) fordításával csökken a gázáramlás, az óramutató járásával ellenkező irányba (balra) fordításával pedig növekszik. Ezzel a beállítással alakítson ki körülbelül 3-4 mm-es lángot, majd pedig tegye vissza a szabályozógombot.

Ha kisnyomású gázt használ, a lángbeállító csavart az óramutató járásával megegyező irányba (jobbra) a legszélső állásig kell elfordítani.

Az új gázbeállítás elvégzése után cserélje ki a készüléken lévő régi géptörzslapot a megfelelő, beszabályozott gáztípusra vonatkozó (tűzhellyel együtt szállított) géptörzslappal.

## 3. A TŰZHELYLAP HASZNÁLATA FELHASZNÁLÓI UTASÍTÁSOK

A készüléket csak rendeltetésszerűen, háztartási célra szabad használni, az ettől eltérő használat nem minősül megfelelőnek, és ezért veszélyes lehet. A gyártó nem vállal felelősséget a helytelen használatból eredő károkért és veszteségekért.

### 3.1. A GÁZÉGŐ HASZNÁLATA

A gázégők begyújtásához helyezzen egy gázgyújtót az égőfejhez, nyomja be és fordítsa el az óramutató járásával ellenkező irányba (balra) a szabályozógombot.

Ha a gázégőket néhány napig nem használta, várjon néhány másodpercig az égőfej begyújtása előtt, ezáltal eltávolíthat a csövekben lévő levegőt.

Az elektronikus gyújtású készülékek esetében az eljárás a következő:

- nyomja be és fordítsa el az óramutató járásával ellenkező irányba (balra) a gombot a gyújtás jelig,
- a szikraadó gomb benyomásával gyújtsa be a gázégőt.

Az automatikus gyújtással ellátott tűzhelylapok esetében egyszerűen csak nyomja be és fordítsa el a gombot a gyújtás jelig.

A gyújtórendszer addig fejleszt szikrákat, amíg a gomb be van nyomva.

Ha a gázégő nem gyullad be 5 másodpercen belül, fordítsa a gombot a 0 állásba, és ismétlje meg a műveletet.

A biztonsági csappal ellátott típusok esetében (amely elzárja a gázáramlást, ha a láng véletlenül kialszik) a gázégők begyújtása a fenti módon történik, de körültekintően kell eljárni.

A tűzhelylap bekapcsolása előtt ellenőrizze, hogy a gázégők és az égőcsészék a helyükön vannak-e.

### ÁLTALÁNOS TANÁCS

A legjobb eredmény elérése érdekében használjon lapos felületű főzőedényeket. Az edények felülete feleljen meg a gázégő méretének az alábbiak szerint. A. Táblázat

Égőfej típusa	Edény/fazék átmérője (cm)	Teljesítmény(kW)	G20/20 mbar (metán)	G30/28-30 mbar (kisnyomású gáz)
AUX Kiegészítő égőfej	12 - 18	1	95 l/h	73 g/h
SR Középerős égőfej	18 - 24	1,7	162 l/h	124 g/h
R Erős égőfej	24 - 26	2,7	257 l/h	196 g/h

A. Táblázat

A kisebb edények esetében a gázégőt úgy kell beszabályozni, hogy a láng ne nyúljon túl az edény alaplapján. Kerülje a homorú és a domború fenekű edények használatát.

**FIGYELMEZTETÉS: Ha a láng véletlenül elszik, fordítsa a gombot kikapcsolt helyzetbe, és legalább 1 percig ne próbálkozzon az újragyújtással.**

Ha az évek folyamán a gázcsapok szorossá válnak, akkor el kell végezni kenésüket.

Ezt a műveletet csak szakképzett szerelők végezhetik.

## 3.2. ÖNÁLLÓAN BEÉPÍTHETŐ ELEKTROMOS FŐZŐLAP HASZNÁLATI ÚTMUTATÓJA

Ahhoz, hogy az elektromos főzőlap a megfelelő hőmérséklet elérje, a szabályozó gombot a megfelelő állapotba kell elfordítani. Az elektromos főzőlap mutatólámpája kiég és a főzőfelület melegedni kezd. Amikor a főzés befejeződött, fordítsa vissza a szabályozó gombot '0' fokra (10. ábra). Ne hagyja bekapcsolva a főzőfelületet, ha nincs az elektromos főzőlafelületen edény. A használt edény átmérőjének és aljának nagyon fontos szerepe van.

Az edény maximum átmérője 14 cm lehet, fontos, hogy az alja sima legyen. Ha először használja az elektromos főzőlapot, 5 percig melegítse be mielőtt az edényt felhelyezné a főzőfelületre. Ez biztosítja, hogy a melegedésnek ellenálló főzőlap felszíne a melegedésnek köszönhetően megkeményedjen.

Az elektromos főzőlap tisztításához nedves törlőrongyot és mosogatószert használjon. A főzőlapon maradt ételmaradékot késsel vagy más durva és éles eszközzel nem szabad eltávolítani. A főzőlap megtisztítását követően a könnyebb száradás érdekében néhány percig hagyja bekapcsolva a főzőlapot. Ügyeljen arra, hogy ha nincs edény a főzőfelületen, akkor néhány percnél semmiképpen nem szabad tovább bekapcsolva hagyni.

Állapot	Energia (Watt)	Energia (Watt)	Magyarázat
0	0	0	Kikapcsolva
1	100 W	135 W	Melegítés
2	180 W	220 W	Alacsony hőmérsékleten való főzés
3	250 W	300 W	Alacsony hőmérsékleten való főzés
4	500 W	850 W	Főzés, Sütés, Forralás
5	750 W	1150 W	Főzés, Sütés, Forralás
6	1000 W	1500 W	Főzés, Sütés, Forralás

### A megfelelő főző edények (11. ábra)

Ne felejtse el, hogy a nagyobb edények nagyobb melegítő felszínnel rendelkeznek. A nagyobb edények a kisebb melegítő felülettel rendelkező edényeknél gyorsabban főzik meg az ételt.

Mindig akkora edényt válasszon a főzéshez, amekkora mennyiséget főzni szeretne. Az étel kifröccsenésének megelőzése érdekében, különösen a vizes ételek főzésekor ne használjon nagyon kicsi edényt. Ha a gyorsan megfőlő ételekhez nagyon nagy edényt használ, akkor a szósok és az ételből kipárolgó víz egy része ráragad az edényre, majd amikor tálaljuk az ételt, a használt edényben ételmaradékok lesznek találhatóak.

Javasoljuk, hogy abban az esetben, ha edességet készít, zárt edényt, sütő edényt vagy süteményformát használjon. Ha fedetlen edényt használ, akkor az edényből a cukor vagy a szirup kipattoghat és ráragadhat a felületre, ami megnehezítheti a tisztítást.

Ez elsősorban a magas hőmérsékleten történő sütés és főzés esetében fontos.

Ne hagyja bekapcsolva a főzőfelületet, ha nincs rajta edény, vagy ha a rajta lévő edény üres.

Az alábbi szempontok szerint ellenőrizze, hogy az edény megfelelő-e: Fontos, hogy súlyos legyen.

A főzőlap felszínét takarja el (lehet egy kicsit nagyobb, de semmiképp ne legyen kisebb). Az edény alja teljesen legyen sima, alkalmazkodjon a főző felülethez.

• A legjobb használat és az energiatakarékosság szempontjából az elektromos főzőlapon csak teljesen sima aljú edényt használjon. Amennyire csak lehetséges, az edény magassága feleljen meg a főzőfelület átmérőjének, viszont semmiképpen ne legyen kisebb. Az edény alja száraz legyen, és amennyire lehetséges, figyelni kell arra, hogy az étel ne fusson ki. Nem szabad az üres edényt a főzőfelületen hagyni, és ha nincs edény rajta, akkor nem szabad bekapcsolva hagyni. Hálózati kábel nélküli sütők

## 4. KARBANTARTÁS ÉS TISZTÍTÁS

A tűzhelylap tisztítása előtt hagyja a készüléket lehűlni. Húzza ki a dugót a csatlakozóaljzatból, vagy közvetlen csatlakoztatás esetén kapcsolja ki az áramellátást.

Soha ne használjon dörzsölő hatású, korróziót okozó tisztítószereket, fehérítőszerket vagy savakat. A zománcozott, lakkozott vagy rozsdamentes acélból készült felületeken kerülje a lúgos vagy savas anyagok (citromlé, ecet stb.) Alkalmazását.

A zománcozott, lakkozott vagy krómozott részek tisztításakor használjon meleg szappanos vizet vagy maró hatástól mentes tisztítószert. A rozsdamentes acélhoz használjon megfelelő tisztítóoldatot.

Az égőfejek szappanos vízzel tisztíthatók. Eredeti fényük helyreállításához használjon háztartási rozsdamentesacél-tisztítót. A tisztítás után szárítsa meg és tegye vissza az égőfejeket a helyükre.

**Fontos, hogy az égőfejek megfelelően kerüljenek vissza a helyükre.**

## 5. VEVŐSZOLGÁLAT

A szerelő kihívása előtt kérjük, ellenőrizze a következőket:

- a csatlakozódugó megfelelően van-e bedugva és biztosítékkal ellátva;
- nincs-e hiba a gázellátásában.

Ha a hiba nem azonosítható:

Kapcsolja ki a készüléket és hívja a vevőszolgálatot. **KERÜLJE A KÉSZÜLÉK SZAKSZERÜTLEN KEZELÉSÉT.**

## 6. KÖRNYEZETVÉDELEM



A készülék jelölése az elektromos és elektronikus berendezések hulladékairól (WEEE) szóló uniós irányelv (2012/19/EU) előírásainak megfelelően történt. Az elektromos és elektronikus berendezések hulladécai szennyezőanyagokat (melyek hatása káros lehet a környezetre) és

alapanyagokat (melyeket újra fel lehet használni) egyaránt tartalmaznak. Fontos, hogy az elektromos és elektronikus berendezések hulladécai különleges kezelésben részesüljenek, melyek során

megfelelően eltávolítják és ártalmatlanítják az összes szennyezőanyagot, és kinyerik az újrahasznosítható anyagokat.

Az egyéni felhasználók is fontos szerepet játszanak annak biztosításában, hogy az elektromos és elektronikus berendezések hulladécai ne okozhassanak környezeti problémát; ennek érdekében néhány alapvető szabályt be kell tartani:

• Az elektromos és elektronikus berendezések hulladécai nem kezelhetők háztartási hulladékként.

• Az elektromos és elektronikus berendezések hulladékait az önkormányzat vagy hivatalos vállalkozások által működtetett begyűjtési pontokon kell leadni. Számos országban nagy méretű elektromos és elektronikus berendezések hulladékai esetén megoldható, hogy az elszállító cég házhoz jöjjön.

Amikor új készüléket vásárol, a régit visszaviheti a kereskedőnek, aki köteles azt ingyenesen begyűjteni (egy új termékért egy régit), amennyiben a régi berendezés ugyanolyan típusú, és ugyanolyan funkciókkal rendelkezik, mint az új.

Amikor új készüléket vásárol, a régit visszaviheti a kereskedőnek, aki köteles azt ingyenesen begyűjteni (egy új termékért egy régit), amennyiben a régi berendezés ugyanolyan típusú, és ugyanolyan funkciókkal rendelkezik, mint az új.

Amikor új készüléket vásárol, a régit visszaviheti a kereskedőnek, aki köteles azt ingyenesen begyűjteni (egy új termékért egy régit), amennyiben a régi berendezés ugyanolyan típusú, és ugyanolyan funkciókkal rendelkezik, mint az új.

**Megfelelőségi nyilatkozat:** A berendezés a fával érintkező alkatrészek tekintetében megfelel a 89/109/EGK irányelvben meghatározott szabályoknak.

**CE** A készülék megfelel a 2006/95/EK és a 2004/108/EK Irányelvvel felváltott, és a későbbiekben módosított 73/23/EGK és 89/336/EGK európai irányelveknek.

*A gyártó nem vállal felelősséget e kiadványban előforduló nyomtatási és átírási hibákból eredő pontatlanságokért. A biztonsággal vagy a működéssel kapcsolatos jellemzők sérelme nélkül fenntartjuk a jogot a termékek szükség szerinti változtatására.*

1. Táblázat

BEÉPÍTETT TŰZHELYLAPOK		
Égőfej	1	2
	4 gáz R / 2SR / AUX	3 gáz R / SR / AUX / E
Típus / referencia	S60 / HBGS	S60 / HBGS
Lánghibajelző készülék	IGEN	IGEN
Kiegészítő égőfej (AUX Ø 50 mm)	1	1
Elektromos tányér	-	1
Középerős égőfej (SR Ø 75 mm)	2	1
Erős égőfej (R Ø 100 mm)	1	1
<b>Gáztípus/teljesítmény:</b>		
Teljesítmény	7.1 kW	5.4 kW
G 20/20 mbar (metán)	676 l/h	514 l/h
G 30/28-30 mbar (kisnyomású gáz)	516 g/h	393 g/h
Telepítési osztály	3	3
Feszültség/Frekvencia, V/Hz	220-240 V / 50-60 Hz	220-240 V / 50-60 Hz
Elektromos bemeneti teljesítmény	15 W	1500 W
Elektromos gyújtás	IGEN	IGEN
A termék mérete	585 x 510	585 x 510

A készüléket nem nagyüzemi, hanem háztartási felhasználásra tervezték.

## INSTRUCȚIUNI PRIVIND SIGURANȚA

**AVERTIZARE:** Aparatul și părțile accesibile devin fierbinti în timpul utilizării. Aveți grijă să nu atingeți elementele fierbiniți.

- Nu permiteți copiilor mai mici de 8 ani să stea în preajma aparatului, fără supravegherea adulților.
- Nu permiteți copiilor și persoanelor cu capacități fizice, senzoriale sau mentale reduse sau care nu cunosc modul de utilizare al aparatului să îl utilizeze, fără stricta supraveghere a unui adult responsabil pentru siguranța lor sau dacă nu au fost instruiți asupra modului de utilizare și a potențialelor pericole care pot apărea în timpul utilizării aparatului.
- Nu permiteți copiilor să se joace cu acest aparat.
- Nu permiteți copiilor să realizeze operațiuni de curățare și întreținere, fără supravegherea unui adult.

**AVERTIZARE:** Nu lăsați nesupravegheate recipientele în care preparați alimente cu ulei sau grăsimi, deoarece există pericol de incendiu.

- NU încercați să stingeți focul cu apă, ci opriți funcționarea aparatului și acoperiți flacăra, de exemplu cu un capac sau o pătură.

**AVERTIZARE:** Pericol de incendiu: nu depozitați obiecte pe suprafața de preparare.

**AVERTIZARE:** Dacă suprafața este fisurată, opriți funcționarea aparatului, pentru a evita pericolul de electrocutare.

- Nu utilizați un dispozitiv pe bază de abur pentru curățarea aparatului.
- Reziduurile alimentare trebuie îndepărtate de pe capac înainte de deschidere.

lăsați suprafața plitei să se răcească înainte de a închide capacul.

aparatul nu poate fi controlat prin intermediul unui programator extern sau al unui sistem de control de la distanță.

- Cablul de alimentare al aparatului trebuie să respecte reglementările în vigoare.

În instrucțiuni trebuie specificat tipul de cablu care trebuie utilizat, având în vedere temperatura din partea din spate a aparatului.

- În cazul în care cablul de alimentare este deteriorat, acesta trebuie înlocuit cu un cablu special de către o persoană calificată de la un centru de service autorizat

**ATENȚIE:** Pentru a se evita orice pericol ca urmare a resetării dispozitivului de siguranță, acest aparat nu trebuie alimentat prin intermediul unui echipament de întrerupere extern, cum ar fi un programator sau un alt tip de circuit care este pornit și oprit periodic de către un alt dispozitiv.

- Acest aparat trebuie instalat în conformitate cu reglementările în vigoare și trebuie utilizat numai într-un spațiu bine ventilat. Citiți instrucțiunile înainte de a instala sau utiliza acest aparat.»

• Aceste instrucțiuni sunt valabile numai pentru țara al cărui cod apare menționat pe aparat. Dacă nu apare pe aparat simbolul corespunzător, va fi necesar să citiți instrucțiunile tehnice care vă oferă informațiile necesare pentru modificarea aparatului în funcție de țara unde este utilizat".

- "Înainte de instalare, verificați dacă acele condiții de distribuție locale (tipul de gaz și presiunea gazului) și reglajele aparatului sunt compatibile";

• Condițiile de reglare pentru acest aparat sunt menționate pe plăcuța cu date tehnice;

• Acest aparat nu trebuie conectat la un echipament pentru evacuarea produselor rezulate prin combustie. Acesta trebuie instalat și conectat în conformitate cu reglementările de instalare în vigoare. O atenție deosebită trebuie acordată cerințelor specifice referitoare la ventilație.

- Utilizarea unui aparat de preparare pe gaz duce la formarea de căldură și umezeală în încăperea în care este instalat. Verificați ca bucătăria să fie bine aerisită: lăsați spațiile de ventilație naturală deschise sau instalați un echipament pentru ventilație mecanică (o hotă de evacuare). Utilizarea îndelungată și prelungită a aparatului poate necesita o sursă de ventilație suplimentară, de exemplu deschiderea unei ferestre sau mărirea vitezei de evacuare a hotei, acolo unde este instalată o hotă.

## 1. INSTRUCȚIUNI DE INSTALARE

**INSTALAREA UNUI APARAT ELECTROCASNIC REPREZINTĂ O OPERAȚIUNE COMPLICATĂ CARE, DACĂ NU ESTE CORECT REALIZATĂ, POATE AVEA CONSECINȚE NEPLĂCUTE ASUPRA SIGURANȚEI UTILIZATORULUI. DE ACEEA, INSTALAREA TREBUIE REALIZATĂ NUMAI DE CĂTRE O PERSOANĂ CALIFICATĂ ÎN ACEST SENS, CARE SĂ RESPECTE REGLEMENTĂRILE ÎN VIGOARE PRIVIND INSTALAREA. ÎN CAZUL ÎN CARE INSTALAREA NU ESTE REALIZATĂ DE CĂTRE O PERSOANĂ CALIFICATĂ, PRODUCĂTORUL NU ÎȘI ASUMĂ NICIO RESPONSABILITATE PENTRU EVENTUALELE PROBLEME SAU DEFECTIUNI.**

### 1.1. INCORPORARE

Plita poate fi instalată în orice blat de lucru care rezistă la o temperatură de până la 100°C și are o grosime de 25-45 mm. Dimensiunile cadrului în care poate fi incorporată plita sunt indicate în *Figura 2*.

Dacă plita va fi fixată în apropierea unui corp de mobilier, distanța dintre plită și corpul de mobilier trebuie să fie de cel puțin 15 cm ( *vezi Figura 4* ); distanța dintre plită și peretele din spate trebuie să fie de cel puțin 5,5 cm.

Distanța dintre plită și orice corp de mobilier sau aparat (ex. Hotă) situat deasupra plitei trebuie să fie de minimum 70 cm (*Figura 4*).

Dacă există un spațiu care este accesibil între plita incorporabilă și cavitatea de sub aceasta, este recomandat să fie fixat un panou de izolare (din lemn sau un material similar) (*Figura 3*).

**Important** Diagrama din figura 1 arată modul de aplicare a garniturii de etanșare.

Plita se fixează cu ajutorul clemelor de fixare furnizate și se utilizează găurile de la baza aparatului.

Dacă instalați o plită de 60 cm deasupra unui cuptor care nu este prevăzut cu sistem de ventilație pentru răcire, se recomandă realizarea unor fante de aerisire în corpul de mobilier pentru a permite circulația corectă a aerului.

Dimensiunea acestor fante de ventilație trebuie să fie de cel puțin 300 cm<sup>2</sup> și să fie amplasate așa cum se poate observa din *Figura 5*.

### 1.1. AMPLASARE

Acest aparat trebuie instalat în conformitate cu reglementările în vigoare și trebuie amplasat în locații în care este asigurată o bună ventilație. Înainte de a utiliza acest aparat, vă recomandăm să citiți cu atenție manualul de utilizare.

Dacă o hotă nu poate fi instalată, un ventilator electric ar trebui fixat pe un perete exterior sau fereastra atât timp cât există guri de aerisire în zona.

Ventilatorul electric trebuie să efectueze schimbarea completă a aerului din bucatărie de la 3 până la 5 ori pe ora. Instalatorul trebuie să urmeze standardele naționale relevante.

## 2. CONEXIUNEA ELECTRICĂ (NUMAI PENTRU G.B.)

**Avertizare** Acest aparat trebuie conectat la o priză prevăzută cu împământare. Acest aparat este destinat numai pentru uz casnic. Conexiunea la sursa de alimentare trebuie efectuată de către un electrician autorizat, care să respecte toate reglementările în vigoare referitoare la instalare.

Aparatul trebuie conectat la o priză adecvată o priză cu 3 pini de 13 amp nu este adecvată. Trebuie să existe un comutator bipolar și circuitul trebuie să aibă o siguranță de protecție adecvată. Mai multe detalii referitoare la sursa de alimentare pentru acest produs se regăsesc în manualul de utilizare și pe plăcuța cu date tehnice a produsului. În cazul în care cablul de alimentare al plitei nu este suficient de lung și va trebui înlocuit cu un altul mai lung, trebuie să utilizați un cablu rezistent la temperaturi ridicate.

Firele cablului de alimentare trebuie conectate astfel:

CONECTARE	TERMINAL
Fir galben și verde	Împământare
Fir albastru	Nul
Fir maro	Fază

**Observație:** Vă rugăm să verificați ca împământarea să fie realizată corect. În cazul în care apar defecțiuni ca urmare a unei împământări realizate incorect, producătorul își declină orice responsabilitate.

### 2.1. CONEXIUNEA ELECTRICĂ

Verificați informațiile de pe plăcuța cu date tehnice, situată pe exteriorul aparatului, pentru a vă asigura că sursa de alimentare la care va fi conectată plita este corespunzătoare.

Înainte de a realiza conectarea, verificați împământarea.

În conformitate cu legea, aparatul trebuie conectat la o priză prevăzută cu împământare. În cazul în care această recomandare nu este respectată, producătorul își declină orice responsabilitate pentru eventualele pagube sau avarii care se produc. În situația în care cablul de alimentare nu este prevăzut cu un ștecher, respectați diagrama de conectare a firelor. Cablul pentru împământare este colorat în verde și galben. Ștecherul trebuie să fie întotdeauna accesibil.

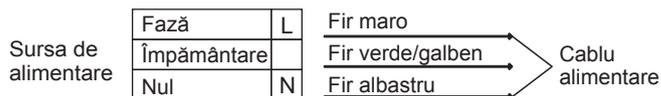
În cazul în care plita este conectată direct la sursa de alimentare, trebuie montat un întrerupător de circuit.

Dacă este deteriorat cablul de alimentare, acesta trebuie înlocuit de către un electrician autorizat, astfel încât să se evite orice risc.

Firele pentru împământare (colorat în verde și galben) trebuie să fie cu 10 mm mai lung decât firele pentru fază și nul.

Secțiunea cablului utilizat trebuie să fie corespunzătoare cu puterea absorbită a plitei.

Vă rugăm să verificați plăcuța cu date tehnice pentru mai multe detalii și cablul de alimentare trebuie să fie unul din următoarele tipuri H05RR-F, H05VV-F, H05V2V2-F.



### 2.2. CONEXIUNEA LA GAZ

Aceste instrucțiuni sunt destinate numai personalului calificat iar instalarea trebuie efectuată cu respectarea reglementărilor în vigoare (**Numai pentru G.B.: conectarea la gaze trebuie efectuată numai de către un instalator autorizat pentru gaze**).

În timpul efectuării oricăror operațiuni, aparatul trebuie să fie deconectat de la sursa de alimentare cu energie electrică.

Pe plăcuța cu date tehnice aplicată pe aparat este indicat tipul de gaz la care trebuie conectată plita. Conectarea la sursa de alimentare cu gaz sau la butelie trebuie efectuată numai după ce s-a verificat ca aparatul să fie reglat pentru tipul de gaz cu care va fi alimentat. Dacă reglajele nu sunt corecte, citiți instrucțiunile din paragrafele următoare pentru a realiza modificările pentru diverse tipuri de gaz.

Pentru gaz lichid (butelie) trebuie utilizate regulatoare de presiune care să corespundă cu standardele naționale în vigoare.

Utilizați numai conducte, piulițe și garnituri de etanșare care respectă standardele naționale în vigoare.

Pentru unele modele este furnizată o conexiune conică pentru instalare în țările în care acest tip de conexiune este obligatorie; în figura 8 sunt ilustrate diversele tipuri de conexiuni (CY = cilindric, CO = conic). În oricare dintre situații, partea cilindrică a conexiunii trebuie conectată la plită.

Dacă realizați conexiunea la sursa de alimentare cu gaz prin intermediul unor tuburi rigide, lungimea maximă a tubului nu trebuie să depășească 2 metri.

Pentru a evita orice deteriorări ale plitei, vă rugăm să efectuați instalarea parcurgând următoarele etape (*figura 6*).

**1) Așa cum este ilustrat, fixați părțile componente în următoarea ordine:**

A: Adaptor cilindric 1/2

B: Garnitură 1/2

C: Adaptor gaz cilindric-cilindric sau cilindric - conic mamă 1/2

**2) Strângeți îmbinările cu o cheie, având grijă ca tuburile să fie răsucite corect.**

**3) Fixați adaptorul C la sursa de alimentare cu gaz prin intermediul unei țevi rigide din cupru sau a unei țevi flexibile din inox.**

**IMPORTANT:** pentru verificarea finală a etanșeității conexiunilor, utilizați o soluție de apă cu săpun. **NU UTILIZAȚI FLACĂRĂ.** De asemenea, verificați ca țeava flexibilă să nu vină în contact cu părți mobile ale corpului de mobilier (de exemplu, un sertar) și să nu fie amplasată în locații în care poate fi deteriorată.

**Avertizare:** Dacă se simte gaz în apropierea plitei, opriți imediat alimentarea cu gaz și luați legătura cu un specialist. **NU încercați să identificați zona de scurgere a gazelor cu ajutorul unei flăcări.**

## 2.3 ADAPTAREA PLITEI LA DIVERSE TIPURI DE GAZ

Pentru a adapta funcționarea plitei la diverse tipuri de gaz, procedați astfel:

- Scoateți suporturile și arzătoarele
- Introduceți o cheie hexagonală (7 mm) prin suportul arzătorului (Figura 7)
- Deșurubați injectorul și înlocuiți-l cu un injector adecvat pentru tipul de gaz ce va fi utilizat (vezi tabelul pentru tipul de gaz).

## 2.4 REGLAREA FLĂCĂRII MINIME

După aprinderea arzătoarelor, rotiți butonul de control pe setarea minimă și scoateți butonul (poate fi scos ușor prin apăsare).

Utilizați o șurubelniță cu cap drept, mică, pentru a roti șurubul de reglare, așa cum se poate observa din Figura 9. Rotiți șurubul în sensul acelor de ceasornic pentru a reduce intensitatea flăcării și rotiți în sens invers acelor de ceasornic pentru a mări intensitatea flăcării. Realizați aceste reglaje pentru a obține o flăcără cu înălțimea de 3 sau 4 mm și apoi puneți butonul la loc.

Dacă sursa de alimentare este GPL șurubul trebuie rotit până la capăt (în sensul acelor de ceasornic).

După realizarea unui reglaj pentru un nou tip de gaz, înlocuiți plăcuța de pe aparat cu o plăcuță pe care să fie indicat noul tip de gaz utilizat.

## 3. UTILIZAREA PLITEI INSTRUCȚIUNI DE UTILIZARE

Acest aparat trebuie utilizat numai în scopul pentru care a fost creat și anume, pentru uz casnic, pentru prepararea mâncării. Utilizarea în alte scopuri este considerată improprie și periculoasă. Producătorul nu se consideră responsabil pentru eventualele pagube și deteriorări care apar ca urmare a unei utilizări necorespunzătoare a acestui aparat.

### 3.1 UTILIZAREA ARZĂTOARELOR

Pentru a aprinde arzătoarele, așezați un aprinzător în apropierea arzătorului, apăsați pe aprinzător și rotiți butonul corespunzător arzătorului în sens invers acelor de ceasornic.

Dacă nu ați folosit arzătoarele timp de câteva zile, așteptați câteva secunde înainte de a aprinde arzătorul, pentru a permite eliminarea aerului de pe țevi.

Pentru aparatele prevăzute cu aprindere electrică:

- Împingeți și rotiți butonul corespunzător arzătorului în sens invers acelor de ceasornic, către simbolul de aprindere
  - Aprindeți arzătorul prin apăsarea butonului pentru aprindere
- Pentru plitele cu aprindere automată pur și simplu apăsați butonul corespunzător arzătorului și rotiți-l către simbolul de aprindere.

Sistemul de aprindere va continua să genereze scânteie atât timp cât butonul de control este menținut apăsat.

Dacă arzătorul nu se aprinde în 5 secunde, rotiți butonul în poziția 0 și repetați operațiunea.

Pentru modelele prevăzute cu supapă de siguranță (la care fluxul de gaz este întrerupt dacă flacăra se stinge accidental) arzătoarele se aprind așa cum este descris mai sus, însă trebuie să fiți foarte atenți.

Înainte de a pune plita în funcțiune, verificați ca arzătoarele și coroanele arzătoarelor să fie corect așezate.

### RECOMANDĂRI GENERALE

Pentru rezultate de preparare cât mai bune, trebuie să utilizați recipiente cu baza plată. Dimensiunea bazei recipientului trebuie să se potrivească dimensiunii arzătorului utilizat, așa cum este prezentat în Tabelul A:

Tip arzător	Ø tigaie/cratită (cm)	Putere (kW)	G20/20 mbar (metan)	G30/28-30 mbar (GPL)
AUX Arzător auxiliar	12 - 18	1	95 l/h	73 g/h
SR Arzător semi rapid	18 - 24	1,7	162 l/h	124 g/h
R Arzător rapid	24 - 26	2,7	257 l/h	196 g/h

Tabelul A

Pentru recipientele mai mici va trebui să reglați intensitatea flăcării, astfel încât aceasta să nu depășească baza recipientului. Nu utilizați recipiente cu bază concavă sau convexă.

**AVERTIZARE: Dacă flacăra se stinge accidental, rotiți butonul corespunzător arzătorului respectiv în poziția oprit și nu încercați să reaprindeți arzătorul decât după 1 minut.**

Dacă, în timp, robinetul de gaz devine rigid, acesta va trebui uns. **Această operațiune trebuie efectuată numai de către un specialist.**

## 3.2. UTILIZAREA PLĂCILOR ELECTRICE PENTRU ARAGAZ

Pentru a obține temperatura dorită a plăcii calde întoarceți butonul la poziția arătată, indicatorul cu lumina a plăcii calde se va aprinde și placa caldă va începe să se încălzească.

Atunci când ați terminat de gătit, întoarceți butonul în poziția "0" (Figura 10). Nu lasați placa caldă aprinsă atunci când există o cratită pe ea. Diametrul și baza cratitii pe care o utilizați sunt critice. Diametrul maxim a bazei cratitii este 14 cm și baza trebuie să fie complet dreaptă.

Atunci când gătiți pentru prima dată lasați placa caldă să se încălzească pentru 5 minute înainte de a pune o cratită pe ea. În acest fel stratul rezistent la căldură al plăcii se va întări datorită arderii.

Utilizați o cârpă umedă și detergent pentru a curăța placa caldă. Nu îndepărtați rămășițele de mâncare de pe placa caldă cu un cuțit sau alte obiecte dure și ascuțite. Deschideți placa caldă pentru câteva secunde pentru a o usca după curățare. Dar nu o lasați niciodată deschisă atunci când se afla o cratită pe ea mai mult decât câteva secunde.

Poziție	Putere(Watt)	Putere(Watt)	Descriere
0	0	0	Închisă
1	100 W	135 W	Încălzire
2	180 W	220 W	Gătire la temperatura scăzută
3	250 W	300 W	Gătire la temperatura scăzută
4	500 W	850 W	Gătire, prajire, fierbere
5	750 W	1150 W	Gătire, prajire, fierbere
6	1000 W	1500 W	Gătire, prajire, fierbere

### Adecvarea Cratitelor de Gătit (Figura 11)

Nu uitați ca cratitele mai mari vor necesita suprafețe de căldură mai mare.

În felul acesta va vor ajuta să gătiți mâncarea mult mai repede în comparație cu cratitele care au suprafețe de încălzire mai mici.

Întotdeauna utilizați cratiti cu mărimea proporțională cu cantitatea de mâncare pe care o gătiți. Pentru a preveni darea în foc a mâncării nu utilizați cratiti mici, în special atunci când gătiți o mâncare care conține lichid excesiv. Dacă utilizați cratiti foarte mari pentru produse care să gătesc repede, de exemplu carnați și lichide, acestea se vor lipi și rămășițele vor ramane pe fundul cratitei după ce o veți goli. Pentru gătirea dulciurilor va recomandăm cratiti cu capac, tavi pentru coacere sau forme speciale. Zahărul care poate curge și fructele dintr-o cratită deschisă se pot lipi de suprafața aragazului și vor fi foarte greu de scos.

Asta este important în special pentru cratiti utilizate pentru prajire sau fripturi sau gătire cu presiune la temperaturi înalte.

Nu lasați aragazul deschis fără o cratită pe el sau cu o cratită goală. Controlați adecvarea cratitilor în respectul criteriilor de mai jos: Ele trebuie să fie grele.

Ele trebuie să acopere suprafața aragazului complet; pot fi un pic mai mari, dar în nici un caz mult mai mici.

Suprafața bazei trebuie să fie complet dreaptă și să stea foarte bine pe suprafața de gătit.

• Pentru cea mai bună utilizare a plăcilor calde electrice și pentru a minimiza consumul de energie, utilizați numai cratiti cu baze drepte. Mărimea cratitei trebuie să fie cât mai apropiată de cea a diametrului plăcii, dar în nici un caz mai mici. Baza cratitei trebuie să fie uscată; nu lasați mâncarea să dea în foc. Cratitele goale nu trebuie lăsate pe foc, și plăcile nu trebuie lăsate aprinse atunci când nu există o cratită pe ele.

## 4. ÎNTREȚINERE ȘI CURĂȚARE

Înainte de a curăța plita, lăsați-o să se răcească. Scoateți ștecherul din priză sau (dacă este conexiune directă) deconectați aparatul de la sursa de alimentare cu energie.

Nu utilizați substanțe abrazive, detergenți corozivi, agenți de înnălbire sau substanțe acide. Nu aplicați substanțe alcaline sau acide (suc de lămâie, oțet etc.) pe suprafețele emailate, lăcuite sau din inox.

Pentru curățarea suprafețelor din email, lăcuite sau cromate, utilizați o soluție de apă și detergent lichid sau un detergent care să nu fie caustic. Pentru suprafețele din inox, utilizați o soluție specială pentru curățarea inoxidului.

Arzătoarele pot fi spălate cu o soluție de apă cu detergent lichid. Pentru a le reda strălucirea originală, puteți utiliza o soluție specială pentru curățarea suprafețelor din inox. După curățare, ștergeți bine arzătoarele și așezați-le la loc.

**Este foarte important ca arzătoarele să fie așezate corect.**

## 5. SERVICE

Înainte de a apela la service, vă rugăm să verificați următoarele:

- Dacă ștecherul este corect introdus în priză
- Dacă alimentarea cu gaz este corectă

În cazul în care defecțiunea nu poate fi detectată:

Oprii imediat funcționarea aparatului și luați legătura cu un centru de service autorizat. **NU ÎNCERCAȚI SĂ REPARAȚI DUMNEAVOASTRĂ APARATUL!**

## 6. PROTECȚIA MEDIULUI



Acest aparat este marcat în conformitate cu Directiva europeană 2012/19/UE privind deșeurile de echipamente electrice și electronice (DEEE). DEEE cuprind atât substanțele poluante (care pot cauza consecințe negative pentru mediu), cât și componentele de bază (care pot fi reutilizate). Este important ca DEEE să fie supuse unor anumite tratamente pentru a îndepărta și elimina corespunzător

toate substanțele poluante și pentru a recupera și recicla toate materialele.

Persoanele pot juca un rol important în a se asigura că DEEE nu devin un pericol pentru mediu. Astfel, este esențial ca acestea să respecte unele reguli de bază:

- DEEE nu trebuie tratate ca deșeuri menajere.
- DEEE trebuie predate la punctele de colectare corespunzătoare gestionate de municipalitate sau de companiile înregistrate. În numeroase țări, pentru DEEE de dimensiuni mari, poate fi prezentă colectarea de la domiciliu.
- când cumpărați un aparat nou, cel vechi poate fi returnat comerciantului, care este obligat să-l colecteze în mod gratuit și individual, atât timp cât echipamentul este de tip echivalent și are aceleași funcții ca echipamentul furnizat.

**Declarație de conformitate:** Acest aparat și părțile care vin în contact cu alimentele respectă reglementările stipulate în Directiva 89/109 CEE.



Aparatul este în conformitate cu Directivele Europene 73/23/CEE și 89/336/CEE, înlocuite de 2006/95/CE și 2004/108/CE, precum și cu amendamentele ulterioare.

Importator: **CANDY HOOVER ROMANIA SRL**  
Calea Victoriei, 155, bl.D1, sc.7, et.4, sector 1, Bucuresti  
Tel/Fax: 021 318 32 97; 021 318 32 98

Tabelul 1

PLITE INCORPORABILE		
Arzător	1	2
	4 gaz R / 2SR / AUX	3 gaz R / SR / AUX / E
Tip/referință	S60 / HBGS	S60 / HBGS
Dispozitiv detectare probleme flacără	DA	DA
Arzător auxiliar (AUX Ø 50 mm)	1	1
Electrice placă	-	1
Arzător semi rapid (SR Ø 75 mm)	2	1
Arzător rapid (R Ø 100 mm)	1	1
<b>Tip gaz instalat / Putere</b>		
Putere	7.1 kW	5.4 kW
G 20/20 mbar (metan)	676 l/h	514 l/h
G 30/28-30 mbar (GPL)	516 g/h	393 g/h
Clasa de instalare	3	3
Voltaj / Frecvență V / Hz	220-240 V / 50-60 Hz	220-240 V / 50-60 Hz
Putere intrare	15 W	1500 W
Aprindere electrică	DA	DA
Dimensiuni produs	585 x 510	585 x 510

Acest produs este destinat pentru uz casnic.

## VEILIGHEIDSVOORSCHRIFTEN

- **WAARSCHUWING:** Het apparaat en de bereikbare delen worden heet tijdens het gebruik. Zorg ervoor dat u de verwarmde elementen niet aanraakt.
- Kinderen jonger dan 8 jaar niet bij het apparaat laten mits onder continu toezicht.
- Dit apparaat kan op een veilige manier worden gebruikt door kinderen van 8 jaar en ouder en personen met verminderde lichamelijke, zintuiglijke of geestelijke vermogens of gebrek aan ervaring en kennis als zij onder toezicht staan of worden geïnstrueerd over het gebruik van het apparaat.
- Kinderen niet met het apparaat laten spelen.
- Schoonmaak en onderhoud niet door kinderen laten doen zonder toezicht.
- **WAARSCHUWING:** Onbeheerd koken op een kookplaat met olie en vet kan gevaarlijk zijn en kan brand als gevolg hebben.
- Probeer **NOOIT** een vuur met water te doven, maar zet het apparaat uit en dek de vlam af met een deksel of blusdeken.
- **WAARSCHUWING:** Gevaar voor brand; bewaar geen items op de kookplaat.
- **WAARSCHUWING:** Als de kookplaat gebarsten is, zet de kookplaat uit om een mogelijke elektrische schok te voorkomen.
- Gebruik geen stoomreiniger.
- Gemorst vuil moet voor het openen van het deksel worden verwijderd.
- Het kookoppervlak moet afgekoeld zijn voordat u het deksel sluit.
- Het apparaat is niet bedoeld om te worden bediend door middel van een externe timer of een afstandsbediening.
- De middelen voor ontkoppeling moeten zijn opgenomen in de vaste bedrading in overeenstemming met de bedradingsregels
- De instructie vermeldt het type van de kabel dat moet worden gebruikt, rekening houdend met de temperatuur van de achterkant van het apparaat
- Als het snoer beschadigd is, moet het worden vervangen door de fabrikant, de dealer of vergelijkbare bekwame personen om een brand te voorkomen.
- **LET OP:** Om een gevaar als gevolg van onbedoeld resetten van de thermische beveiliging te voorkomen, moet dit apparaat niet worden gevoed via een externe schakelaar, zoals een timer, of aangesloten worden op een circuit dat regelmatig wordt in- en uitgeschakeld.
- Dit apparaat moet worden geïnstalleerd in overeenstemming met de geldende voorschriften en mag alleen gebruikt worden in een goed geventileerde ruimte. Lees de instructies voor het installeren of gebruiken van dit apparaat."
- Deze instructies zijn alleen geldig wanneer het land symbool verschijnt op het apparaat. Als het symbool niet verschijnt op het apparaat, is het noodzakelijk te verwijzen naar de technische instructies die voor de nodige informatie zullen zorgen met betrekking tot een wijziging aan het toestel
- "•" zorg voorafgaand aan de installatie dat de lokale distributie voorwaarden (aard van de gas-en gasdruk) en de aanpassing van de applicatie compatibel zijn" ";
- "" de aanpassing van de voorwaarden voor dit apparaat zijn vermeld op het etiket (of typeplaatje) "";
- "" Dit apparaat is niet aangesloten op een verbrandingsproducten evacuatie apparaat. Het wordt geïnstalleerd en aangesloten in overeenstemming met de huidige installatie voorschriften. Bijzondere aandacht wordt geschonken aan de relevante eisen ten aanzien van ventilatie
- Het gebruik van een gasfornuis resulteert in de productie van warmte en vocht in de ruimte waarin deze is geïnstalleerd. Zorg ervoor dat de keuken goed geventileerd is. Houd bestaande ventilatiegaten open of installeer een mechanisch ventilatie-apparaat (afzuigkap). Aanhoudend en intensief gebruik van het apparaat kan een beroep doen op extra ventilatie, bijvoorbeeld het openen van een raam, of meer effectieve ventilatie, bijvoorbeeld verhoging van het niveau van mechanische ventilatie indien aanwezig.

## 1. RICHTLIJNEN VOOR DE INSTALLATEUR

HET INSTALLEREN VAN EEN HUISHOUDELIJK APPARAAT IS EEN COMPLEXE OPERATIE DIE, INDIEN HET NIET CORRECT WORDEN UITGEVOERD, ERNSTIGE GEVOLGEN KAN HEBBEN VOOR DE VEILIGHEID VAN DE CONSUMENT. HET IS OM DEZE REDEN DAT DE TAAK MOET WORDEN UITGEVOERD DOOR EEN GEKWALIFICEERDE PERSOON DIE DIT TOT UITVOERING ZAL BRENGEN IN OVEREENSTEMMING MET DE TECHNISCHE VOORSCHRIFTEN DIE VAN KRACHT ZIJN. IN HET GEVAL DAT DIT ADVIES WORDT GENEGEERD EN DE INSTALLATIE WORDT UITGEVOERD DOOR EEN NIET GEKWALIFICEERD PERSOON, WIJST DE FABRIKANT ELKE VERANTWOORDELIJKHEID AF VOOR ELK TECHNISCH DEFECT VAN HET PRODUCT DAT AL DAN NIET LEIDT TOT SCHADE AAN GOEDEREN OF LETSELAAN PERSONEN.

### 1.1 INBOUWEN

Deze inbouwkookplaten zijn bestemd voor installatie in een werkblad dat bestand is tegen temperaturen van 100 °C en een dikte hebben tussen 25 en 45 mm. Voor de inbouwmaat dient u zich te houden aan de maten zoals aangegeven in figuur 2.

De kookplaat dient zo te worden ingebouwd dat er aan de linker- en rechterzijde minstens 15 cm. ruimte is tussen kookplaat en kasten of verticale panelen (zie figuur 4). De afstand tussen kookplaat en achterwand dient minstens 5,5 cm. te zijn.

De afstand tussen de kookplaat en ieder ander apparaat erboven (bijv. een afzuigkap) mag nooit kleiner zijn dan 70 cm. (fig. 4)

Wanneer er een ruimte is tussen de inbouw kookplaat en de ruimte daaronder moet er een scheidingsplaat van isolatiemateriaal geplaatst worden (bijvoorbeeld hout) (figuur 3).

Belangrijk : op figuur 1 kunt u zien hoe de afdichtingskit moet worden aangebracht.

Het vastzetten in het meubel geschiedt door de bijgeleverde bevestigingsbeugels die aan de onderzijde op de daarvoor bestemde plaats worden vastgedraaid.

Wanneer de kookplaat (60 cm) geïnstalleerd wordt boven een oven zonder mantelkoeling, is het aan te bevelen dat er ventilatieopeningen worden gemaakt om een goede ventilatie te waarborgen.

De afmeting van deze opening dient ten minste 300 cm<sup>2</sup> te zijn met plaatsing zoals is weergegeven in fig. 5.

### 1.2. DE JUISTE OMGEVING

Dit apparaat moet worden geïnstalleerd in overeenstemming met de geldende voorschriften en alleen in een goed geventileerde ruimte. Lees de instructies voor het installeren of gebruiken van dit apparaat.

Een gaskookplaat produceert tijdens het gebruik warmte en vocht in de ruimte waarin deze is geïnstalleerd. Wilt u zeker zijn van een goede ventilatie van de ruimte open daar dan de ventilatieroosters of installeer een afzuigkap met een afvoer.

Bij een intensief en langdurig gebruik van het apparaat kan het nodig zijn extra te ventileren door bijvoorbeeld een raam open te zetten of de afzuigkap op de hoogste stand te zetten.

Voor de installatie dient u ervoor te zorgen dat de lokale distributie omstandigheden (aard van het gas en de gasdruk) en de afstelling van het apparaat compatibel zijn. De afstellingsvoorwaarden voor deze toepassing worden vermeld op het etiket (of typeplaatje). Dit apparaat is niet aangesloten op een evacuatiesysteem. Het wordt geïnstalleerd en aangesloten in overeenstemming met de huidige installatievoorschriften met bijzondere aandacht voor de relevante eisen inzake ventilatie.

In het geval dat er geen mogelijkheid is om een afzuigkap te installeren, is het nodig een elektrische ventilator te plaatsen, met afvoer of in het raam. Deze ventilator moet geschikt zijn voor een keuken en een capaciteit hebben van 3 tot 5 maal het volume van de keuken per uur. De installateur dient zich te houden aan de geldende wetgeving.

### 2. ELEKTRISCH GEDEELTE AANSLUITEN

“ De installatie van het geciteerde apparaat dient overeen te komen met de plaatselijk geldende normen.”.

#### 2.1. ELEKTRISCH GEDEELTE AANSLUITEN

Controleer de gegevens op het typeplaatje op het apparaat, die zich bevindt aan de binnenzijde onder in de kookplaat, en verzeker u er vervolgens van dat het apparaat goed geaard is en gevoed.

Voor het aansluiten, dat wettelijk verplicht is.

Opgelet : controleer de aarding van het apparaat alvorens aan te sluiten. De fabrikant is niet verantwoordelijk voor eventuele materiële of persoonlijke schade als gevolg van een gebruik van een niet geaard toestel of na beschadiging opgetreden aan het netsnoer.

Voor apparaten zonder stekker dient u een stekker op het aansluitsnoer te monteren die het vermogen als aangegeven op het typeplaatje kan verwerken. De kabel moet altijd bereikbaar zijn. De aarde kabel is uitgevoerd in groengeel.

Wanneer de plaat direct verbonden is met het elektriciteitsnet moet een stroomonderbreker geïnstalleerd worden.

Wanneer die voedingskabel beschadigd is, dient deze vervangen te worden door een erkende reparateur, om onnodige risico's te vermijden.

De aarde-draad (groen en geel van kleur) moet ten minste 10 mm langer zijn dan de beide andere draden. De doorsnee van de kabel moet in een goede verhouding staan tot de maximale aansluitwaarde van de kookplaat. Zie voor de netspanningsgegevens het typeplaatje op de kookplaat en controleer of het nieuwe netsnoer van het type H05RRF, H05VV-F, F-H05V2v2 is.



In het onwaarschijnlijke geval dat een scheur zou verschijnen op het glas, haal onmiddellijk de stekker uit het contact en neem contact op met de klantenservice. Het apparaat is niet bedoeld voor gebruik met een externe timer of afstandsbediening.

### 2.2. GAS AANSLUITEN

Het aansluiten van het apparaat op het gasnet of gasflessen dient te gebeuren volgens de wettelijk geldende voorschriften.

Speciale aandacht zal worden besteed aan voorzieningen voor ventilatie. Alle installatie werkzaamheden dienen te worden gedaan met de stroom afgekoppeld van het stroomnet.

Op het typeplaatje is aangegeven voor welke type gas dit apparaat geschikt is.

De gasaansluiting dient te gebeuren volgens de voorschriften van het land van de installatie, pas nadat u gecontroleerd hebt of het type gas uit de fabriek overeenstemt met de installatie. Als dit niet het geval is, volg de onderstaande stappen.

Voor gas-vloeistof (gasfles), gebruik drukregelaars die voldoen aan de huidige normen. Gebruik alleen kranen, afdichtingsringen, fittingen en flexibele leidingen die voldoen aan de normen in het land van installatie. Voor sommige modellen is een conische koppeling voorzien voor het installeren van het apparaat, in landen waar dit type koppeling is verplicht in figuur 8, is te zien hoe de verschillende soorten koppelingen te herkennen (CY = cilindrische, CO = conische) in alle gevallen dient het cilindrische gedeelte van de koppeling verbonden te worden met de plaat. Wanneer u de kookplaat aansluit op de gastoevoer door het gebruik van slangen, mag de maximale afstand overbrugd door de slang niet meer dan 2 meter overschrijden.

Om mogelijke schade aan de kookplaat te voorkomen, voert u de installatie zoals aangegeven in schema 6 uit :

- 1) zoals weergegeven in het schema, monteer de delen achtereenvolgens:  
A: cilindrische mannelijke adaptor  
B: afdichting  
C: vrouwelijke gasadaptor cilindrisch-conisch of cilindrisch-cilindrisch
- 2) Draai de dichtingen vast. Denk eraan de buizen in positie te zetten.
- 3) Bevestig de aansluiting C met het gasnet met een vaste buis of flexibel staal.

**Belangrijk: controleer nadat u alle installatie handelingen heeft verricht de aansluitpunten op een goede afsluiting. Gebruik hiervoor een zeepopje. Nooit een vlam. Controleer ook of de flexibele slang niet in aanraking komt met bewegende delen van de keukenmeubelen zoals een lade zodat de slang wordt beschadigd.**

Let op: als u een gasgeur ruikt die uit het toestel lijkt te komen, schakel dan onmiddellijk de gastoevoer dicht en bel een gekwalificeerde persoon. Ga niet op zoek naar een lek met een vlam.

## 2.3. AANPASSEN AAN VERSCHILLENDE GASSOORTEN

Om de kookplaat aan een andere gassoort aan te passen, dient u de volgende handelingen uit te voeren.

- verwijder pannendrager en branders
- gebruik de bijgeleverde pijpsleutel (7mm) om via de opening (fig. 7) van de branders bij de branderbasis te komen
- draai de inspuiter los en vervang deze door het passende type (zie tabel gasverbruik)
  - . Schroef de inspuiter goed vast
- Stel de brander af.
  - . Zet de pannendragers en branders terug op hun plaats.

## 2.4. AFSTELLEN VAN DE BRANDERS

Na het aansteken van de brander, draait u de bedieningsknop op de laagste stand en verwijder de bedieningsknop, die gemakkelijk kan worden verwijderd met lichte druk.

Met een kleine 'terminal' type schroevendraaier, kan het waakvlamschroefje worden aangepast (figuur 9). Door deze schroef in wijzerzin te draaien, vermindert het debiet van de vlam, door het draaien in tegenwijzerzin, verhoogt het debiet. Gebruik deze instelling om een vlam te verkrijgen van ongeveer 3 tot 4 mm lang, en vervang de bedieningsknop. Wanneer het beschikbare gas butaan of propaan is (flessen gas), moet het waakvlamschroefje in wijzerzin worden gedraaid tot op het einde.

Zodra u klaar bent met de aanpassing van de vlam van de gasbrander, vervangt u het oude typeplaatje door het nieuwe type geïnstalleerd gas (meegeleverd met fornuis).

## 3. GEBRUIK VAN DE KOOKPLAAT

Dit apparaat is ontwikkeld en geproduceerd voor koken bij huishoudelijk gebruik. Elke andere vorm van gebruik is onjuist en derhalve gevaarlijk.

De fabrikant kan niet aansprakelijk worden gesteld voor eventuele schade veroorzaakt door onjuist, onredelijk en onverantwoord gebruik.

Kinderen jonger dan 8 jaar moeten op veilige afstand worden gehouden, tenzij continu bewaakt. Dit apparaat is niet bedoeld voor gebruik door personen (inclusief kinderen) met een lichamelijke, zintuiglijke of verstandelijke handicap of met een gebrek aan ervaring en kennis, tenzij ze zijn opgeleid en begeleid in het gebruik van het apparaat door een persoon die verantwoordelijk is voor hun veiligheid.

Bij het koken met vet of olie, loop niet weg van de kookplaat. Oververhitte vetten of oliën kunnen snel ontbranden. Probeer nooit een brand met water te blussen, maar schakel eerst het toestel uit en bedek de vlam met een deksel of een branddeken. Tijdens de werking van de kookplaat, kunnen bereikbare delen zeer heet worden, dus het is aan te raden om jonge kinderen te verwijderen. Kinderen moeten onder toezicht worden gehouden zodat ze niet met het apparaat gaan spelen.

## 3.1. GEBRUIK VAN DE GASBRANDERS

Om de brander aan te steken, houdt u eerst een vlam bij de brander en drukt u de knop naar beneden en draait u de knop tegen de wijzers van de klok in tot maximum.

Als u de branders lange tijd niet gebruikt heeft, kan het zijn dat er een beetje lucht in de gasbuizen zit. Houdt er rekening mee dat de ontsteking dan iets langer kan duren.

Voor apparaten met een elektronische ontsteking geldt het volgende:

Druk en draai de knop tegen de klok in naar het \* symbool. Ontsteek de brander door het indrukken van een ontstekingsknop. Bij een kookplaat met een automatische ontsteking hoeft u slechts de knop in te drukken en vervolgens naar het \* symbool te draaien. De vonkontsteking werkt continu zolang de knop wordt ingedrukt. Wanneer de vlam niet binnen 5 seconden is ontstoken draai de knop terug naar nul en herhaal de procedure.

Voor modellen uitgevoerd met een veiligheidsventiel, welke de gastoevoer afsluit wanneer de vlam gedoofd is, worden de branders op dezelfde manier ontstoken. Het is belangrijk om de knop 5 à 6 seconden ingedrukt te houden nadat de vlam ontstoken is.

Daarna zal de vlam blijven branden.

LET OP: Voordat de kookplaat wordt gebruikt dient u er zeker van te zijn dat de branders en branderdeksele op een correcte wijze zijn geplaatst.

**Voor optimaal gebruik van de branders raden wij u aan pannen te gebruiken die bij de branders passen.**

Om de branders optimaal te benutten, raden wij u aan pannen te gebruiken waarvan de diameter niet kleiner is dan hieronder aangeduid:

Table A

Brander Type	Ø pannen (cm)	Vermogen (kW)	G20/20 mbar (methane)	G30/28-30 mbar (LPG)
AUX Aux	12 - 18	1	95 l/h	73 g/h
SR Half snel	18 - 24	1,7	162 l/h	124 g/h
R Snel	24 - 26	2,7	257 l/h	196 g/h

In het geval dat u kleinere pannen wilt gebruiken, dient u zich er van te verzekeren dat u de vlam zo instelt dat deze net de onderzijde van de pan raakt. Het gebruik van holle of bolle pannen wordt ernstig afgeraden.

**WAARSCHUWING: in het geval dat de vlam een keer te groot wordt, draai dan de knop dicht en wacht minstens 1 minuut alvorens u de gaspit weer ontsteekt.**

Als na verloop van tijd de gaskranen moeilijk vast te draaien zijn, is het noodzakelijk deze te smeren. **Dit kan enkel worden uitgevoerd door een erkende technicus.**

## 3.2. GEBRUIK VAN HET ELEKTRISCH GEDEELTE

Voordat u voor de eerste keer de kookplaat gaat gebruiken, verwarm een paar minuten (zonder kookpot erop) op maximaal vermogen om het verharden van de beschermende coating mogelijk te maken. Plaats het handvat op de positie om te koken.

Wanneer de elektrische plaat in gebruik is zal een indicatielampje blijven branden.

Om te stoppen draait u de knop in de tegenovergestelde richting op "0" (figuur 10). Zet de kookplaat nooit in werking zonder kookpot op. De diameter en de vorm van de bodem van het vat is van groot belang. De bodem van de houder moet dik, vlak en groot genoeg zijn om volledig de plaat te bedekken.

**Onderhoud van de elektrische kookplaat**

Verhit een paar minuten indien het voedsel zich heeft gevestigd op de kookplaat. Daarna uit zetten en laten afkoelen om tenslotte af te vegen met een papieren doek. In ieder geval moet de plaat worden weerhouden van vocht. Gebruik geen schuurmiddelen. Na elk gebruik, veeg de beschermende coating af met een doek die lichtjes vet is.

Posities	Vermogen (Watt)	Tips
0	0	Off
1	135 W	Verwarming
2	220 W	Koken op lage temperatuur
3	300 W	Koken op lage temperatuur
4	850 W	Koken, Roosteren, Kokend water
5	1150 W	Koken, Roosteren, Kokend water
6	1500 W	Koken, Roosteren, Kokend water

**Keuze van de pannen (figuur 11).**

Denk eraan dat grotere pannen en potten een groter verwarmingsoppervlak hebben. Grote potten koken sneller in vergelijking met kleine.

Gebruik altijd kookmateriaal dat voldoet aan de hoeveelheden te koken voedsel. Gebruik groot kookmateriaal voor gerechten die eerder vloeibaar zijn om overstromen te voorkomen. Bij gebruik van grote schotels voor gerechten die een snelle bereiding vereisen, kan de saus aan de bodem van de schotel blijven kleven. Voor het bereiden van desserts, is het raadzaam om gesloten kookmateriaal te gebruiken om te vermijden dat de zoete saus kan overlopen waardoor het schoonmaken van de kookplaat moeilijker wordt. Controleer of het materiaal voldoet aan de volgende criteria: zwaar en een volledige oppervlakte (een beetje groter mag, kleiner zeker niet). De onderkant van de potten en pannen moet droog en vlak zijn en volledig op het oppervlak van de plaat passen. Al deze maatregelen bevorderen de voordelen van de kookplaat en minimaliseren het verbruik van elektrische energie.

## 4. ONDERHOUD EN REINIGEN

Voordat u gaat demonteren of schoonmaken dient u de stroomvoorziening af te sluiten door de stekker uit het stopcontact te halen of de stroomtoevoer via de zekering af te sluiten. Zorg ervoor dat het apparaat volledig is afgekoeld.

Reinig de geëmailleerde, verchroomde en geverfde delen met handwarm water en met een niet agressieve allesreiniger.

Gebruik voor de roestvrijstalen delen een rvs reiniger die gewoon in de winkel verkrijgbaar is.

Aluminium kunt u het beste reinigen door eerst met een met olie doordrenkte doek te poetsen en dit vervolgens met een alcoholhoudend middel af te nemen.

Gebruik tijdens het schoonmaken nooit: schuurmiddelen, bijtende schoonmaakmiddelen, bleekmiddel of zuren.

Voorkom dat er op de geëmailleerde, roestvrijstalen of geverfde delen zuren blijven liggen (azijn, citroensap etc.)

De brandervoet kunt u reinigen met water en allesreinger. Als u de oorspronkelijke glans terug wilt krijgen, kunt u een speciaal schoonmaakmiddel voor aluminiumlegeringen gebruiken.

De branderdeksel, gemaakt van staal met emaille, kunt u reinigen in warm water met reinigingsmiddel. U dient alle aangekoekte deeltjes te verwijderen die onregelmatigheid in de vlam kunnen veroorzaken.

Na het reinigen moeten brandervoet en branderdeksel goed worden gedroogd. Let hierbij op de de buisjes in de brandervoet. Zet daarna de branders zorgvuldig op hun plaats.

**LET OP: Zorg er voor dat na het schoonmaken de branders op de juiste plaats zitten en dat het branderdeksel goed op de brandervoet zit. Dit om een slecht vlambeeld en schade aan de brandervoet te voorkomen.**

Het wordt aanbevolen om alles wat kan smelten zoals plastic, suiker of producten met een hoog suikergehalte weg te houden van de kookplaat.

- Neem een paar druppels van een specifiek reinigingsmiddel voor glazen oppervlakken

- Wrijf met kracht op de vervuilde onderdelen, indien mogelijk, met een zachte doek of een licht vochtige papieren doek

- Droog met een zachte doek of keukenpapier totdat het oppervlak schoon is. Indien erna nog steeds vlekken blijven:

- neem opnieuw een doek met een paar druppels glasreiniger

- verwijder de vlekken met een schraper in een hoek van 30 ° tot er geen hardnekkige vlekken meer zijn

- Veeg met een zachte doek of keukenpapier droog totdat het oppervlak schoon is

- Herhaal indien nodig

het gebruik van het scheermes of schraper kan het oppervlak niet beschadigen indien een hoek van 30 ° wordt gerespecteerd. Hou het mes buiten het bereik van kinderen.

Tips: Regelmatig reinigen is van essentieel belang om een

bescherm laag te laten die krassen en slijtage voorkomt. Zorg ervoor dat het oppervlak schoon is voordat u de kookplaat opnieuw gebruikt. Om sporen van water en kalksteen te verwijderen, wacht tot de plaat is afgekoeld en gebruik een paar druppels witte azijn of citroensap. Veeg tenslotte de druppels weg met een papieren doek en een paar druppels van het specifieke product.

## 5. TECHNISCHE DIENST

Het kan natuurlijk gebeuren dat er met uw kookplaat iets niet in orde is. Alvorens de service dienst te bellen (in het geval dat de kookplaat niet goed werkt):

- controleer of de stekker juist is aangesloten en in het stopcontact zit;

- controleer of de gastoevoer goed is.

In het geval dat er iets niet functioneert, haal dan de stroom van het apparaat. Maak het apparaat in geen geval open maar neem contact op met de Technische dienst.

## 6. MILIEUBESCHERMING



Dit apparaat is gemarkeerd volgens de Europese norm 2012/19/EU inzake Afval van elektrisch en elektronisch apparatuur (WEEE). WEEE bevat zowel verontreinigende substanties (die negatieve gevolgen op het milieu kunnen hebben) en basiscomponenten (die hergebruikt kunnen worden). Het is belangrijk om WEEE aan bepaalde behandelingen te onderwerpen om alle vervuilende onderdelen te verwijderen en op

juist wijze afstand van te doen, en alle materialen te herstellen en te recyclen.

Particulieren kunnen hier een belangrijke rol in spelen door te zorgen dat een WEEE geen milieukwestie wordt; het is essentieel de volgende basisregels te volgen:

• WEEE mag niet als huishoudelijk afval worden beschouwd.

• WEEE moet worden overhandigd aan relevante inzamelpunten die worden beheerd door de gemeente of door geregistreerde bedrijven. In veel landen bestaat er voor grote WEEE een ophaaldienst.

• Als u een nieuw apparaat koopt, kan het oude bij de leverancier worden ingeleverd, welke het gratis bij u moet afhalen op een één-op-één basis, zolang het apparaat van soortgelijk type is en dezelfde functies heeft als de geleverde apparatuur.

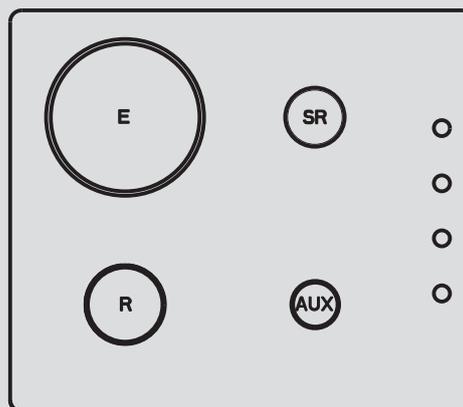


Conformiteitsverklaring: dit toestel is conform aan de normen vastgelegd in de richtlijn CEE89/109 (voor wat betreft de onderdelen die in contact komen met voedingsmiddelen).

Het apparaat is conform de Europese richtlijnen 73/23/CEE en 89/336/CEE, vervangen door 2006/95/CE en 2004/108/CE en verdere wijzigingen.

Table 1

INBOUW KOOKPLATEN		
Branders	1	2
	4 gas R / 2SR / AUX	3 gas R / SR / AUX / E
Type / Referentie	S60 / HBGS	S60 / HBGS
Beveiliging	JA	JA
Brander Aux (AUX Ø 50 mm)	1	1
Elektrische plaat	-	1
Brander Half Snel (SR Ø 75 mm)	2	1
Brander Snel (R Ø 100 mm)	1	1
<b>Gastype geïnstalleerd / vermogen:</b>		
Vermogen:	7.1 kW	5.4 kW
G 20/20 mbar (methane)	676 l/h	514 l/h
G 30/28-30 mbar (LPG)	516 g/h	393 g/h
Installatie klasse	3	3
Spanning (V) / Frequentie (Hz)	220-240 V / 50-60 Hz	220-240 V / 50-60 Hz
Elektrisch vermogen	15 W	1500 W
Ontsteking	JA	JA
Afmeting product (mmxmm)	585 x 510	585 x 510



## HOBS GAS TYPE

II2HS3B/P

HU

Gaz típusa			<b>G20</b>
Gaz nyomása			<b>25 mbar</b>
	P (Kw)		
	Max (kW)	Min (kW)	
<b>A</b>	1.00	0.60	0.83
<b>SR</b>	1.85	0.85	1.00
<b>R</b>	2.95	1.20	1.20
Gaz típusa			<b>G25.1</b>
Gaz nyomása			<b>25 mbar</b>
	P (Kw)		
	Max (kW)	Min (kW)	
<b>A</b>	1.00	0.60	0.83
<b>SR</b>	1.70	0.85	1.00
<b>R</b>	2.65	1.20	1.20
Gaz típusa			<b>G30 / G31</b>
Gaz nyomása			<b>30 / 30 mbar</b>
	P (Kw)		
	Max (kW)	Min (kW)	
<b>A</b>	1.00	0.60	0.50
<b>SR</b>	1.70	0.85	0.65
<b>R</b>	2.70	1.20	0.85

II2ELS3B/P

PL

Rodzaj gazu/Type de gaz/Gassoort/Gasart			<b>G20</b>
Cisnienie gazu/Pression gaz/Gasdruck			<b>20 mbar</b>
	P (Kw)		
	Max (kW)	Min (kW)	
<b>A</b>	1.00	0.60	0.83
<b>SR</b>	1.70	0.85	1.00
<b>R</b>	2.70	1.20	1.20
Rodzaj gazu/Type de gaz/Gassoort/Gasart			<b>G30</b>
Cisnienie gazu/Pression gaz/Gasdruck			<b>37 mbar</b>
	P (Kw)		
	Max (kW)	Min (kW)	
<b>A</b>	1.00	0.60	0.50
<b>SR</b>	1.75	0.85	0.65
<b>R</b>	2.95	1.20	0.85
Rodzaj gazu/Type de gaz/Gassoort/Gasart			<b>G2.350</b>
Cisnienie gazu/Pression gaz/Gasdruck			<b>13 mbar</b>
	P (Kw)		
	Max (kW)	Min (kW)	
<b>A</b>	1.00	0.60	1.10
<b>SR</b>	1.70	0.85	1.35
<b>R</b>	2.70	1.20	1.70

**UWAGA!** PL G2.350 - 13 mbar (Ls) Jeśli G2.350 - 13 mbar (Ls) jest używany można wykorzystać dysze o kodzie 35000231, Bardzo prosimy o zaopatrzenie autoryzowanym serwisie.

Tipo di gas/Gas type/Gassoort/Gasart/Type de gaz Tipo de gás/Tύπος αερίου/Gaz type/Gaz Tipi			<b>G20</b>
Pressione gas/Gas pressure/Pression gaz/ Gasdruck/Presion gas/Πίεση του αερίου/ Pressão gás/Tlak plina/Ciśnienie gazu/ Gáz nyomása/Gaz Basıncı			<b>20 mbar</b>
	<b>P (Kw)</b>		
	<b>Max (kW)</b>	<b>Min (kW)</b>	
<b>A</b>	1.00	0.60	0.83
<b>SR</b>	1.70	0.85	1.00
<b>R</b>	2.70	1.20	1.20
Tipo di gas/Gas type/Gassoort/Gasart/Type de gaz/ Tipo de gás/Tύπος αερίου/Tipo de gás/Gaz type/ Vrsta plina/Pritisk plina/Typ gazu/Rodzaj gazu			<b>G30 / G31</b>
Pressione gas/Gas pressure/Pression gaz/ Gasdruck/Presion gas/Πίεση του αερίου/ Pressão gás/Tlak gasa/Tlak plina/Ciśnienie gazu/ Gáz nyomása			<b>28-30/37 mbar</b>
	<b>P (Kw)</b>		
	<b>Max (kW)</b>	<b>Min (kW)</b>	
<b>A</b>	1.00	0.60	0.50
<b>SR</b>	1.70	0.85	0.65
<b>R</b>	2.70	1.20	0.85

Tipo di gas/Gas type/Gassoort/Gasart/ Type de gaz/Tipo de gás/Tύπος αερίου/Gaz type			<b>G20</b>
Pressione gas/Gas pressure/Pression gaz/ Gasdruck/Presion gas/Πίεση του αερίου/ Pressão gás/Tlak gasa/Tlak plina/Ciśnienie gazu/ Gáz nyomása			<b>20 mbar</b>
	<b>P (Kw)</b>		
	<b>Max (kW)</b>	<b>Min (kW)</b>	
<b>A</b>	1.00	0.60	0.83
<b>SR</b>	1.70	0.85	1.00
<b>R</b>	2.70	1.20	1.20
Tipo di gas/Gas type/Gassoort/Gasart/Type de gaz/ Tipo de gás/Tύπος αερίου/Tipo de gás/Gaz type/ Vrsta plina/Pritisk plina/Typ gazu/Rodzaj gazu			<b>G30 / G31</b>
Pressione gas/Gas pressure/Pression gaz/ Gasdruck/Presion gas/Πίεση του αερίου/ Pressão gás/Tlak gasa/Tlak plina/Ciśnienie gazu/ Gáz nyomása			<b>30/30 mbar</b>
	<b>P (Kw)</b>		
	<b>Max (kW)</b>	<b>Min (kW)</b>	
<b>A</b>	1.00	0.60	0.50
<b>SR</b>	1.70	0.85	0.65
<b>R</b>	2.70	1.20	0.85

Tipo di gas/Gas type/Gassoort/Gasart/Type de gaz			<b>G25</b>
Pressione gas/Gas pressure/Pression gaz/ Gasdruck/Presion gas			<b>25 mbar</b>
	<b>P (Kw)</b>		
	<b>Max (kW)</b>	<b>Min (kW)</b>	
<b>A</b>	1.00	0.60	0.83
<b>SR</b>	1.70	0.85	1.00
<b>R</b>	2.70	1.20	1.20
Tipo di gas/Gas type/Gassoort/Gasart/Type de gaz			<b>G30 / G31</b>
Pressione gas/Gas pressure/Pression gaz/ Gasdruck/Presion gas			<b>30/30 mbar</b>
	<b>P (Kw)</b>		
	<b>Max (kW)</b>	<b>Min (kW)</b>	
<b>A</b>	1.00	0.60	0.50
<b>SR</b>	1.70	0.85	0.65
<b>R</b>	2.70	1.20	0.85

Tipo di gas/Gas type/Gassoort/Gasart/Type de gaz			<b>G20</b>
Pressione gas/Gas pressure/Pression gaz/ Gasdruck/Presion gas			<b>20 mbar</b>
	<b>P (Kw)</b>		
	<b>Max (kW)</b>	<b>Min (kW)</b>	
<b>A</b>	1.00	0.60	0.83
<b>SR</b>	1.70	0.85	1.00
<b>R</b>	2.70	1.20	1.20
Tipo di gas/Gas type/Gassoort/Gasart/Type de gaz			<b>G30 / G31</b>
Pressione gas/Gas pressure/Pression gaz/ Gasdruck/Presion gas			<b>50/50 mbar</b>
	<b>P (Kw)</b>		
	<b>Max (kW)</b>	<b>Min (kW)</b>	
<b>A</b>	1.00	0.60	0.45
<b>SR</b>	1.70	0.85	0.60
<b>R</b>	2.70	1.20	0.70

**Wichtig:** Österreich, Deutschland und der Schweiz - **AT, DE, CH G30/31 - 50 mbar (3B/P)** Beim Gastyp **G30/31 - 50 mbar (3B/P)** dagegen müssen die Gasdüsen Art.-Nr. **35000230** benutzt werden. Bitte bestellen Sie die entsprechenden Gasdüsenätze bei unserem autorisierten Werkskundendienst.

Tipo di gas/Gas type/Gassoort/Gasart/ Type de gaz/Tipo de gás/Tύπος αερίου/Gaz type			<b>G20</b>
Pressione gas/Gas pressure/Pression gaz/ Gasdruck/Presion gas/Πίεση του αερίου/ Pressão gás/Tlak gasa/Tlak plina/Ciśnienie gazu/ Gáz nyomása			<b>20 mbar</b>
	<b>P (Kw)</b>		
	<b>Max (kW)</b>	<b>Min (kW)</b>	
<b>A</b>	1.00	0.60	0.83
<b>SR</b>	1.70	0.85	1.00
<b>R</b>	2.70	1.20	1.20
Tipo di gas/Gas type/Gassoort/Gasart/ Type de gaz/Tipo de gás/Tύπος αερίου/Gaz type			<b>G25</b>
Pressione gas/Gas pressure/Pression gaz/ Gasdruck/Presion gas/Πίεση του αερίου/ Pressão gás/Tlak gasa/Tlak plina/Ciśnienie gazu/ Gáz nyomása			<b>25 mbar</b>
	<b>P (Kw)</b>		
	<b>Max (kW)</b>	<b>Min (kW)</b>	
<b>A</b>	1.00	0.60	0.83
<b>SR</b>	1.70	0.85	1.00
<b>R</b>	2.70	1.20	1.20
Tipo di gas/Gas type/Gassoort/Gasart/Type de gaz/ Tipo de gás/Tύπος αερίου/Tipo de gás/Gaz type/ Vrsta plina/Pritisk plina/Typ gazu/Rodzaj gazu			<b>G30 / G31</b>
Pressione gas/Gas pressure/Pression gaz/ Gasdruck/Presion gas/Πίεση του αερίου/ Pressão gás/Tlak gasa/Tlak plina/Ciśnienie gazu/ Gáz nyomása			<b>28-30/37 mbar</b>
	<b>P (Kw)</b>		
	<b>Max (kW)</b>	<b>Min (kW)</b>	
<b>A</b>	1.00	0.60	0.50
<b>SR</b>	1.70	0.85	0.65
<b>R</b>	2.70	1.20	0.85

Tipo di gas/Gas type/Gassoort/Gasart/Type de gaz			<b>G20</b>
Pressione gas/Gas pressure/Pression gaz/ Gasdruck/Presion gas			<b>20 mbar</b>
	<b>P (Kw)</b>		
	<b>Max (kW)</b>	<b>Min (kW)</b>	
<b>A</b>	1.00	0.60	0.83
<b>SR</b>	1.70	0.85	1.00
<b>R</b>	2.70	1.20	1.20
Tipo di gas/Gas type/Gassoort/Gasart/Type de gaz			<b>G30 / G31</b>
Pressione gas/Gas pressure/Pression gaz/ Gasdruck/Presion gas			<b>50/50 mbar</b>
	<b>P (Kw)</b>		
	<b>Max (kW)</b>	<b>Min (kW)</b>	
<b>A</b>	1.00	0.60	0.45
<b>SR</b>	1.70	0.85	0.60
<b>R</b>	2.70	1.20	0.70

**Wichtig:** Österreich, Deutschland und der Schweiz - **AT, DE, CH G30/31 - 50 mbar (3B/P)** Beim Gastyp **G30/31 - 50 mbar (3B/P)** dagegen müssen die Gasdüsen Art.-Nr. **35000230** benutzt werden. Bitte bestellen Sie die entsprechenden Gasdüsensätze bei unserem autorisierten Werkskundendienst.

**Remarque:** Autriche, Allemagne et Suisse - **AT, DE, CH G30/31 - 50 mbar (3B/P)** Si le gaz utilisé est de type **G30/31 - 50 mbar (3B/P)**, vous pouvez utiliser le jeu d'injecteurs **35000230**. Merci de vous rapprocher du service approprié pour obtenir le jeu d'injecteurs.

**Nota:** Austria, Germania, Svizzera - **AT, DE, CH G30/31 - 50 mbar (3B/P)** Se dovete installare il gas **G30/31 - 50 mbar (3B/P)**, va utilizzato il set di iniettori di cui al codice **35000230**. Prego richiedere il set di iniettori al servizio assistenza autorizzato.

**GB - IE**

The manufacturer will not be responsible for any inaccuracy resulting from printing or transcript errors contained in this brochure. We reserve the right to carry out modifications to products as required, including the interests of consumption, without prejudice to the characteristics relating to safety or function.

**FR**

Le constructeur décline toute responsabilité concernant d'éventuelles inexactitudes imputables à des erreurs d'impression ou de transcription contenue dans cette notice. Le constructeur se réserve le droit de modifier les produits en cas de nécessité, même dans l'intérêt de l'utilisation, sans causer de préjudices aux caractéristiques de fonctionnement de sécurité des appareils.

**CZ**

Výrobce nezodpovídá za nepřesnosti obsažené v této příručce vzniklé při tisku nebo překladu. Vyhrazuje si právo provádět úpravy výrobku podle potřeby, aniž by byly dotčeny charakteristiky vztahující se k bezpečnosti nebo provozu.

**DE**

Der Hersteller übernimmt keine Haftung für eventuelle Druck- oder Übersetzungsfehler dieser Bedienungsanleitung. Der Hersteller behält sich vor technische Änderungen zur Verbesserung der Produktqualität im Interesse des Endverbrauchers vorzunehmen.

**ES**

La empresa constructora declina toda responsabilidad derivada de eventuales errores de impresión contenidos en el presente libro. Se reserva además el derecho de realizar las modificaciones que se consideren útiles a los productos sin comprometer las características esenciales.

**PL**

Producent nie będzie ponosić odpowiedzialności za jakiegokolwiek niedokładności wynikające z druku lub błędów tłumaczenia występujące w niniejszej broszurze. Zastrzegamy sobie prawo do wprowadzania modyfikacji produktu zgodnie z potrzebami, w tym w interesie konsumenta, bez szkody dla charakterystyk dotyczących bezpieczeństwa lub działania.

**TR**

Üretici, bu klavuzda meydana gelecek baskı hatalarından sorumlu değildir. Üretici gerekli olması durumunda ürünün emniyet ve işlevine ilişkin olmamak kaydıyla üründe değişiklik yapma hakkını saklı tutar.

**RU**

Производитель не несет ответственности за опечатки и неточности, которые могут встретиться в данной инструкции. Мы оставляем за собой право вносить изменения в конструкцию выпускаемых нами изделий с целью улучшения качества выпускаемой продукции. При этом основные функции изделия и его безопасность будут оставаться неизменными.

**SL**

Proizvajalec ni odgovoren za napake v tej knjižici, ki bi nastale ob tisku ali prepisu. Pridržujemo si pravico izvajanja potrebnih sprememb na izdelku, tudi tistih, ki se nanašajo na porabo, brez škode za varnost in funkcionalnost naprave.

**IT**

La Ditta costruttrice declina ogni responsabilità per eventuali errori di stampa contenuti nel presente libretto. Si riserva inoltre il diritto di apportare le modifiche che si renderanno utili ai propri prodotti senza compromettere le caratteristiche essenziali.

**PT**

O fabricante não será responsável por quaisquer imprecisões resultantes de impressão ou transcrição de erros contidos na presente brochura. Reservamo-nos ao direito de efectuar alterações aos produtos, conforme necessário, incluindo as taxas de consumo, sem prejuízo das características relacionadas com a segurança ou funcionamento.

**HU**

A gyártó nem vállal felelősséget az ebben a kiadványban előforduló nyomtatási és elírási hibákból eredő pontatlanságokért. A biztonsággal vagy a működéssel kapcsolatos jellemzők sérelme nélkül fenntartjuk a jogot a termékek szükség szerinti változtatására.

**RO**

Producătorul nu se face responsabil pentru erorile de printare din acest manual. Ne rezervăm dreptul de a realiza modificări asupra produselor fără a afecta caracteristicile privind siguranța sau funcționarea. Versiunea în limba engleză este de referință.

**NL**

De fabrikant stelt zich niet aansprakelijk voor eventuele drukfouten in deze brochure. Kleine veranderingen en technische ontwikkelingen zijn voorbehouden.