

# CANDY

Instruction Manual For Induction Hob

ENGLISH

Table De Cuisson Induction

FRENCH

Návod k použití pro indukční varnou desku

CECK

Brugervejledning til induktionskogetop

DANISH

Manuale di istruzioni per piano cottura a induzione

ITALIAN

Manual de instrucciones para encimera de inducción

SPANISH

Induktiokeittotason ohjekirja.

FINN

Gebrauchsanleitung für Induktions-Kochfeld

GERMAN

Bruksanvisning for induksjonsplatetopp

NORWEGIAN

Instrukcja użytkowania indukcyjnej płyty grzejnej

POLISH

Руководство по эксплуатации индукционной варочной панели

RUSSIAN

Instruktionshandbok för induktionshäll

SWEDISH

Gebruiksa anwijzing inductiekookplaat

DUTCH

Manual de Instruções da placa de indução

PORTUGUESE

Navodila za uporabo indukcijskih kuhalnih plošč

SLOVENIAN

CIE4630B3

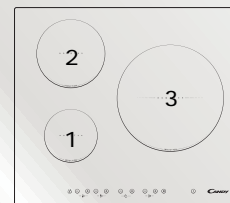
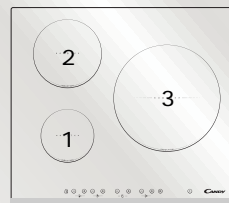
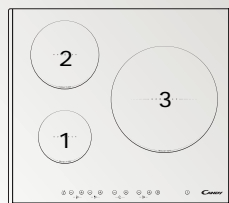
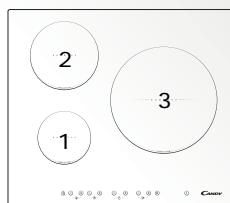
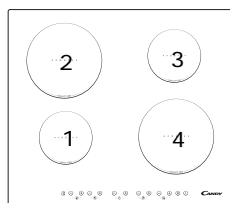
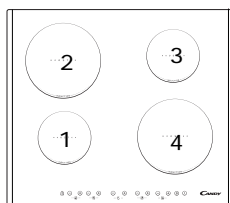
CIE4630B

CIE3637B

CIE3640B3

CIE3640X

CIE363



Thank you for purchasing the CANDY induction hob. Please read this instruction manual carefully before using the hob and keep it in a safe place for future reference.

**Dear Customer:**

Thank you for purchasing the CANDY induction hob. We hope it will give many years of good service.

Please read this instruction manual carefully before using the hob and keep it in a safe place for future reference.

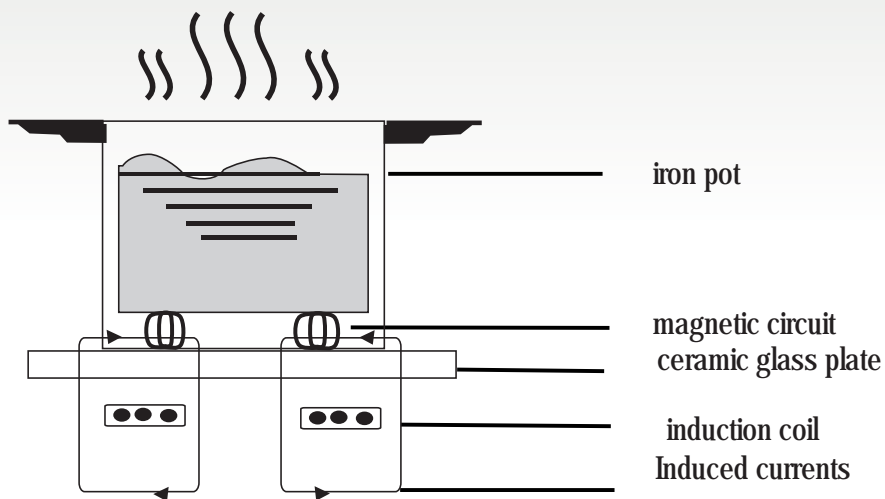
## Product Introduction

The induction hob caters for all kind of cooking,with its electromagnetic cookingzones, and its micro-computerised controls and multi-functions, making it the ideal choice for today's family.

Manufactured with specially imported materials, the induction hob is extremely user-friendly, durable and safe.

## Working Principle

The induction hob comprises a coil, a hotplate made of ferromagnetic material and a control system. Electrical current generates a powerful magnetic field through the coil. This produces a large number of vortices which in turn generate heat which is then transmitted through the cookingzone to the cooking vessel.



## Safety

This hob was specially designed for domestic use.

In its constant search to improve its products, CANDY reserves the right to modify any technical, programme or aesthetic aspects of the appliance at any time.

### ● Protection from over-heating

A sensor monitors the temperature in the cooking zones. When the temperature exceeds a safe level, the cooking zone is automatically switched off.

### ● Detection of small or non-magnetic items

When a pan with a diameter of less than 80mm, or some other small item (e.g. knife, fork, key) or a non-magnetic pan (e.g. aluminium) has been left on the hob, a buzzer sounds for approximately one minute, after which the hob goes automatically on to standby.

### ● Residual heat warning

When the hob has been operating for some time, there will be some residual heat. The letter "H" appears to warn you to keep away from it.

### ● Auto shutdown

Another safety feature of the induction hob is auto shutdown. This occurs whenever you forget to switch off a cooking zone. The default shutdown times are shown in the table below:

Power level	The heating zone shut down automatically after
1~3	8 hours
4~6	4 hours
7~9	2 hours

When the pan is removed from the cooking zone, it stops heating immediately and switches itself off after the buzzer has sounded for one minute.

**Warning:** Anyone who has been fitted with a heart pacemaker should consult a doctor before using the induction hotplate.

## Installation

1. Cut a hole in the worktop of the dimension shown in the diagram below. A minimum of 50 mm space should be left around the hole. The worktop should be at least 30 mm thick and made of heat-resistant material. As shown in Figure (1)

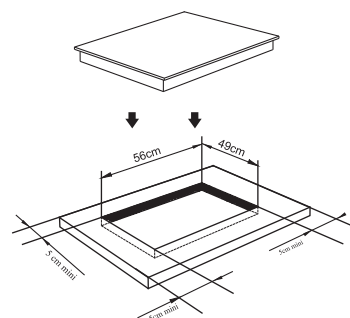
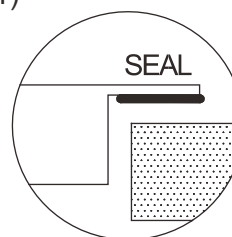


Figure (1)



2. It is essential that the induction hob is well ventilated and that the air intake and exit are not blocked. Make sure the hob is correctly installed as shown in Figure 2.

Figure (2)

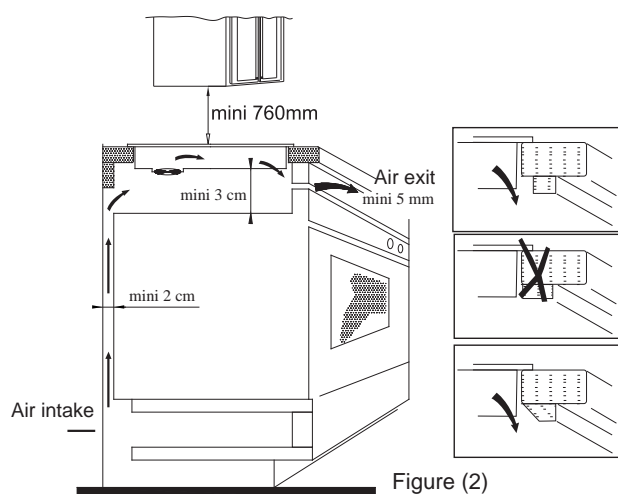
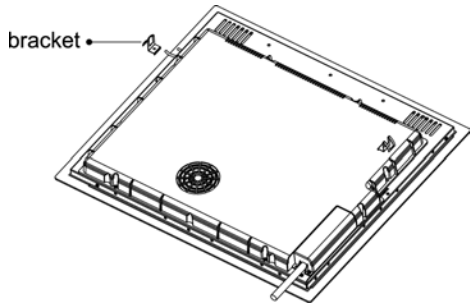


Figure (2)

**NB:** For safety, the gap between the hob and any cupboard above it should be at least 760 mm.

3. Fix the hob to the worktop using the four brackets on the base of the hob. The position of the brackets can be adjusted according to the thickness of the top.



**Warnings:**

- (1) The induction hob must be installed by a properly qualified person. We have our own qualified installers. Never try to install the appliance yourself.
- (2) The induction hob must not be installed above refrigerators, freezers, dishwashers or tumble dryers.
- (3) The induction hob should be installed so that optimum radiation of heat is possible.
- (4) The wall and the area above the hob should be able to withstand heat.
- (5) To avoid any damage, the sandwich layer and adhesive should be heat-resistant.

**4. Connection to power supply**

The socket should be connected in compliance with the relevant standard, to a single-pole circuit breaker. The method of connection is shown in Figure 3.

Voltage&frequency	Wire connection				
400V 2-N 50/60Hz	1 L1	2 L2	3 —	4 N	5 —
	Brown	Black	Gray&Blue	Yellow/Green	
220-240V 50/60Hz	1 —	2 L	3 —	4 N	5 —
	Brown&Black	Gray&Blue	Yellow/Green		

Figure (3)

If the cable is damaged or needs replacing, this should be done by an after-sales technician using the proper tools, so as to avoid any accidents.

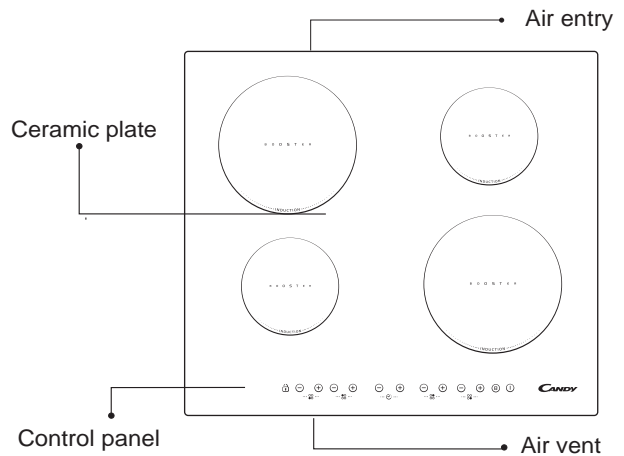
If the appliance is being connected directly to the mains supply, an omnipolar circuit breaker must be installed with a minimum gap of 3 mm between the contacts.

The installer must ensure that the correct electrical connection has been made and that it complies with safety regulations.

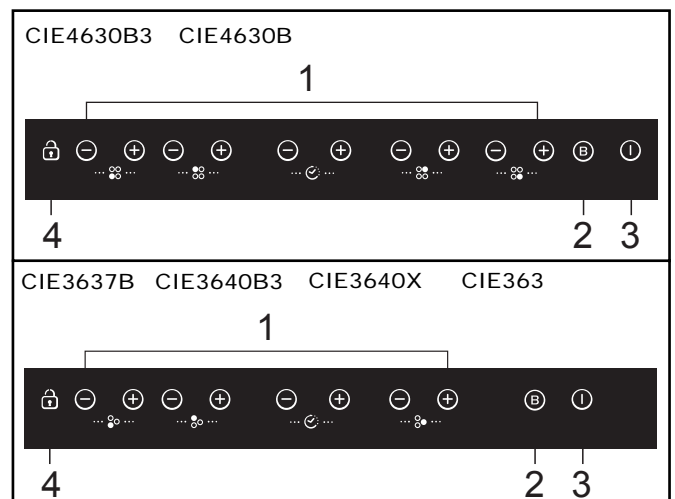
The cable must not be bent or compressed.

The cable must be checked regularly and only replaced by a properly qualified person.

**Diagram of induction hob:**



**Schematic diagram of the control panel**



- 1. Power/Timer regulating key
- 2. Boost
- 3. ON/OFF
- 4. Childproof lock key

## Instructions for Use

### Preparation before using:

When the power is switched on, the buzzer will sound once and all the indicators will come on for one second and then go out. The hob is now in standby mode.

Place the pan in the centre of the cooking zone.

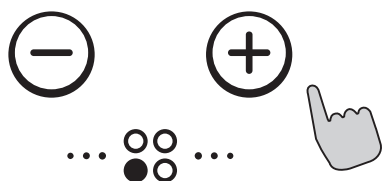


### Operating instructions

When the ON/OFF key is pressed, all the indicators show "-". Select the power level by pressing the "+" or "-" key for the relevant hotplate. To begin with the indicator shows "5". Adjust up or down by pressing the "+" or "-" key. If you press the "+" and "-" keys simultaneously, the power setting returns to "0", and the cooking zone switches off.

See the table on Page 6 for the power specific to each cooking zone.

**NB:** When the ON/OFF key is pressed, the induction hob returns to standby mode if no other operation is carried out within one minute.



### Boost mode

To heat up more quickly, press "BOOST" after selecting the cooking zone, with the power level indicator showing "P".

### NB:

1. The boost function only operates for 5 minutes, after which the cooking zone returns to its original setting.
2. The boost function works on the all cooking zones.

As the boost function of the 1<sup>st</sup> cooking zone is activated, the 2<sup>nd</sup> cooking zone is limited under level 2 automatically, vice versa. As the boost function of the 3<sup>rd</sup> cooking zone is activated, the 4<sup>th</sup> cooking zone is limited under level 2 automatically, vice versa.

### Cancelling the "BOOST" mode

When in the "Boost" mode, Select the corresponding cooking zone and press the "Boost" key or the "-" to cancel the Boost mode, then the cooking zone will revert to its original setting.



### Timing function

Press the "+" or "-" key of that zone, the corresponding indicator will be flashing. To activate timer function by press the "+" or "-" of timer key, the set time is between 1 and 99 minutes. Pressing the "+" of the timer key once the time will increase by one minute. Keeping on the "+" of timer key, the time will increase by 10 minutes, if the setting time exceeds 99 minutes, it will automatically return to "0" minutes. Same logic for "-".



### Timing confirmation

1. Pressing the "+" or "-" of the timer key, the time can be set now.
2. When the timing indicator has been flashing for 5 seconds, the set time will be automatically confirmed.

## Timer cancellation

If pressing the "-" and "+" keys simultaneously, the indicator will display "0".and the the timer will be cancel.

## Safety mode

To ensure the safety of children, the induction hob is fitted with an interlock device.

To lock: hold down the "Interlock" ; the hob then goes into "Interlock" mode, the timer shows "Lo " and the rest of the keys are disabled except the "ON/OFF"key.

## Unlocking

Hold down the "Interlock" key for 3 seconds and the hob will return to normal working.



## The maximum power of cooking zones is as follows:

Heating zone	CIE4630B3	CIE4630B	CIE3640B3	CIE3640X	CIE3637B	CIE363
	Normal	Boost	Normal	Boost	Normal	Boost
1	1200	1500	1200	1500	1200	1500
2	2300	3000	2300	2600	2300	2600
3	1200	1500	3000	4000	3000	3700
4	2300	3000	-----	-----	-----	-----

The above may vary according to the size of the pan and the material it is made from

## Selection of cooking vessels



Iron oil frying pan



Stainless steel pot



Iron pan



Iron kettle



Enamel stainless steel kettle



Enamel cooking utensil



Iron plate

You may have a number of different cooking vessels

- 1 This induction hob can identify a variety of cooking vessels, which you can test by one of the following methods:

Place the vessel on the cooking zone. If the corresponding cooking zone displays a power level, then the vessel is suitable. If "E" flashes, then the vessel is not suitable for use with the induction hob.

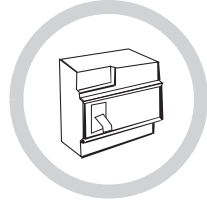
- 2 Hold a magnet to the vessel. If the magnet is attracted to the vessel, it is suitable for use with the induction hob.

NB: The base of the vessel must contain magnetic material.

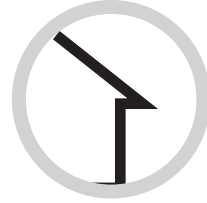
It must have a flat bottom with a diameter of more than 14 cm.

- 3 Use pans whose diameter is as large as the graphic of the zone selected. Using a pot a slightly wider energy will be used at its maximum efficiency. If you use smaller pot efficiency could be less than expected. Pot less than 140 mm could be undetected by the hob.

## Safety Reminding and Maintenance:



A dedicated power protection air switch must be used.



For indoor use only.



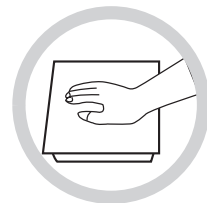
Never wash the induction hob directly with water.



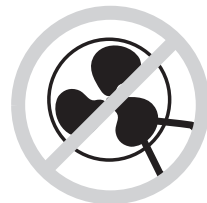
Always open sealed containers, such as cans, before heating them, otherwise they may explode.



Never have the induction hotplate to work without food inside, otherwise its operational performance may be affected and danger may happen.



When a cooking zone has been on for a long time the surface remains hot for some time afterwards - so do not touch the ceramic surface.



From time to time check that nothing (e.g. glass, paper, etc.) is obstructing the air intake beneath the induction hob.



Do not leave metallic objects, such as knives, forks, spoons and lids on the hob as they may get hot.



Never use the induction hob near another appliance which generates a high temperature, such as a gas cooker or a paraffin heater.



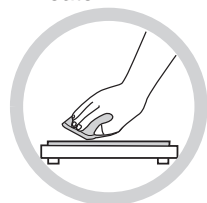
Do not store detergents or flammable materials beneath the hob.



If the surface of the hob is cracked, switch off the appliance to avoid any possibility of electric shocks.



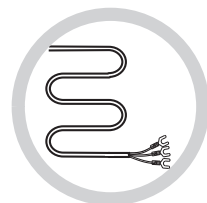
Do not place rough or uneven vessels on the hob, as they may damage the ceramic surface.



Clean the induction hob regularly to stop foreign objects from getting into the fan and preventing the appliance from working properly.



Keep children or infirm persons away from the appliance. Never let them use it unsupervised.



If the supply cord is damaged, it must be replaced by the manufacturer, its service agent or similar qualified person in order to avoid a hazard.

This appliance is not intended for use by persons (including children) with reduced physical, sensory or mental capabilities, or lack of experience and knowledge, unless they have been given supervision or instruction concerning use of the appliance by a person responsible for their safety.

Children should be supervised to ensure that they do not play with the appliance.



**DISPOSAL:** Do not dispose this product as unsorted municipal waste. Collection of such waste separately for special treatment is necessary.

**This appliance is labelled in compliance with European directive 2002/96/EC for Waste Electrical and Electronic Equipment (WEEE).**

**By ensuring that this appliance is disposed of correctly, you will help prevent any possible damage to the environment and to human health, which might otherwise be caused if it were disposed of in the wrong way.**

**The symbol on the product indicates that it may not be treated as normal household waste. It should be taken to a collection point for the recycling of electrical and electronic goods.**

**This appliance requires specialist waste disposal. For further information regarding the treatment, recovery and recycling of this product please contact your local council, your household waste disposal service, or the shop where you purchased it.**

**For more detailed information about treatment, recovery and recycling of this product, please contact your local city office, your household waste disposal service or the shop where you purchased the product.**

## Cleanness and Maintenance

The surface of the induction hob may be easily cleaned in the following way:

Type of contamination	Method of cleaning	Cleaning materials
Light	Immerse in hot water and wipe dry	Cleaning sponge
Rings and lime scale	Apply white vinegar to the area, wipe with a soft cloth or use a commercially available product	Special adhesive for ceramic glass
Sweetmeat, melted aluminium or plastics	Use a special scraper for ceramic glass to remove residue (a silicon product is best)	Special adhesive for ceramic glass

**NB:** Disconnect the power supply before cleaning.

## Failure Display and Inspection

If any abnormality occurs, the induction hob will automatically go into protective mode and display one of the following codes:

Fault	Possible cause	Solutions
F0/F1/F2	Fan failure	Contact the supplier
F3-F8	Temperature sensor failure	Contact the supplier
E1/E2	Abnormal voltage in power supply	Check if power supply is normal. Power on after power supply returns to normal.
E3/E4	Abnormal temperature	Check the pan
E5/E6	Poor heat radiation in cooking zone	Restart when cooking zone cools down

The above table shows how to assess and check common faults. Do not dismantle the appliance yourself, otherwise you may damage the induction hob.

## Customer Care Service

If a fault should occur, before calling After Sales Service, please do the following:

- Check that the appliance is correctly plugged in
- Read the failure and display table above

If you are still unable to resolve the problem, switch off the appliance, do not try to dismantle it, and call

After Sales Service.



### **Special Declaration**

---

The contents of this manual have been carefully checked. However, the company cannot be held responsible for any misprints or omissions. Also, any technical modifications may be included in a revised version of the manual without notice. The appearance and colour of the appliance in this manual may differ from the actual one.

---

**Cher Client,**

Nous vous remercions de nous avoir fait confiance pour l'achat de cette table induction CANDY, un produit étudié pour vous satisfaire et répondre à vos exigences. Lisez attentivement ce mode d'emploi avant toute utilisation et conservez-le soigneusement de façon à pouvoir le consulter ultérieurement en cas de besoin.

## Introduction

La table de cuisson induction est un appareil moderne, sûr et performant qui procure d'excellents résultats pour tous les types de cuisson grâce à l'énergie électromagnétique et un système de commande électronique.

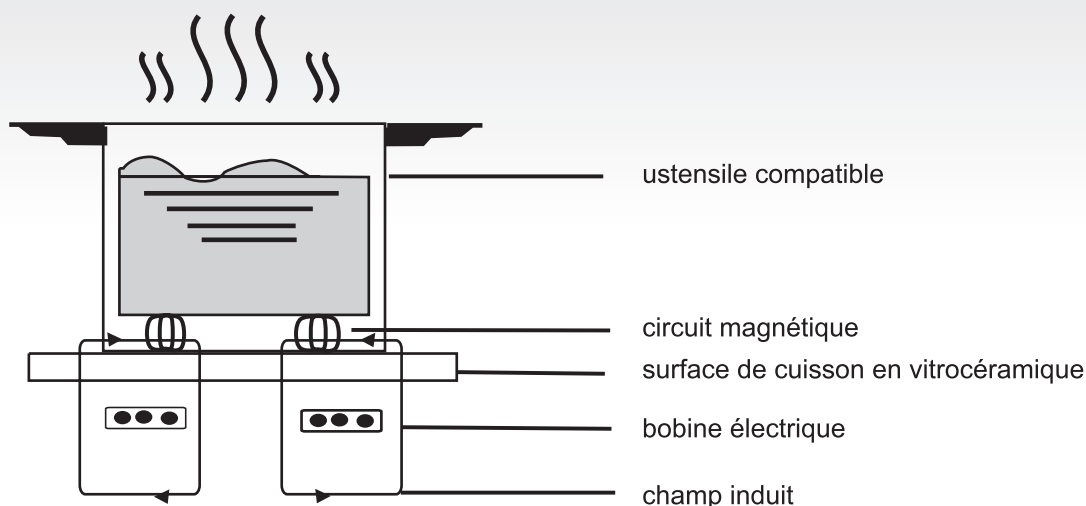
Lors de sa conception, nous avons apporté une attention particulière à la simplicité d'utilisation et à la fiabilité de cette table de cuisson.

## Fonctionnement

La table induction comprend une bobine électrique, une plaque en matériau ferromagnétique et un système de commande.

Le courant électrique génère un champ électro-magnétique au contact duquel un récipient qui contient du fer se met à chauffer.

Avec l'induction, c'est donc le fond de la casserole qui chauffe directement les aliments à cuire. C'est donc plus rapide et plus économique.



## Sécurité

Nous avons conçu cette table de cuisson pour un usage domestique.

Comme nous veillons à améliorer nos produits, nous nous réservons le droit d'apporter des modifications qui suivraient d'éventuelles nouvelles avancées techniques.

### ● Protection anti-surchauffe

Un capteur contrôle la température à l'intérieur de la table de cuisson. S'il relève une chaleur excessive, la table de cuisson s'éteindra automatiquement.

### ● Signalisation d'objets en contact avec la table de cuisson

Si vous posez, sur la table de cuisson, un ustensile dont le diamètre serait inférieur à 80 mm ou qui ne serait pas compatible (comme par exemple les casseroles en aluminium ou en verre) ou encore, si vous laissez des couteaux, des fourchettes, des pinces ou des clés, un signal sonore se déclenchera automatiquement et retentira pendant environ une minute. Ce signal vous indiquera que la table ne fonctionne pas et qu'elle se mettra automatiquement en veille.

### ● Indication de chaleur

Lorsque l'utilisation de la table de cuisson se prolonge dans le temps, la température de la zone de cuisson s'élève. Dans ce cas, le témoin lumineux "H" s'allume, vous avertissant ainsi de vous en tenir éloigné.

### ● Sécurité extinction automatique

L'extinction automatique est une fonction de sécurité de votre table induction. Elle s'éteint automatiquement si vous l'oubliez alors qu'elle est en marche. L'extinction automatique dépend du niveau d'intensité utilisé, comme le montre le tableau ci-dessous:

Niveau d'intensité	La zone de cuisson s'éteint automatiquement après
1~3	8 heures
4~6	4 heures
7~9	2 heures

En fin de cuisson, lorsque vous déplacez la casserole, la table de cuisson ne chauffe plus et s'éteint après un signal sonore d'une minute.

### ATTENTION:

**les personnes portant un pacemaker ne peuvent utiliser cet appareil électroménager que sous le contrôle de leur médecin.**

## Installation

### Modalités d'installation

1. Découper une ouverture sur le plan de travail aux dimensions spécifiées sur le schéma. Pour pouvoir l'installer correctement, vous devez disposer d'un espace d'au moins 50 mm entre le bord de la découpe et le mur et/ou les meubles. S'assurer que l'épaisseur du plan de travail soit d'au moins 30 mm et que le matériau dont il est fait soit résistant aux hautes températures afin d'éviter qu'il ne se déforme à cause de la chaleur provenant de la table de cuisson (figure 1).

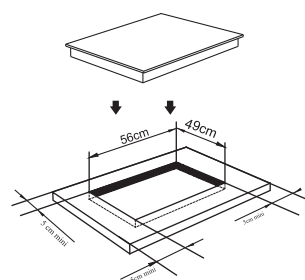
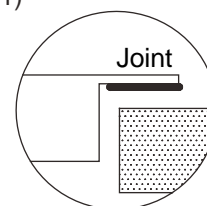


Figure (1)



2. Toujours s'assurer que la table de cuisson électrique est bien encastrée dans le plan de travail et qu'elle est bien ventilée par de l'air entrant et sortant. (figure 2).

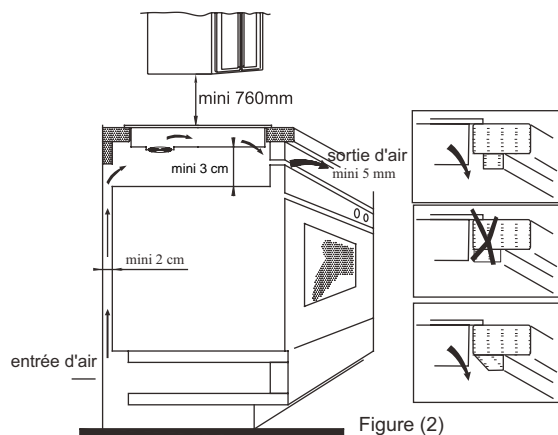
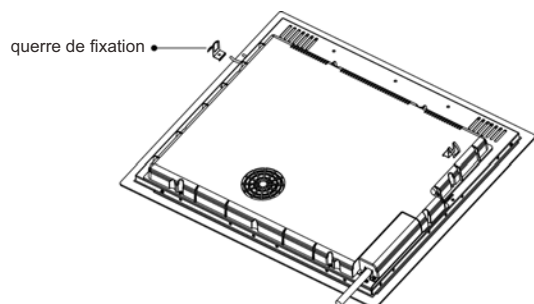


Figure (2)

**Attention:** il doit y avoir un espace d'au moins 760 mm entre la table de cuisson et le bas des meubles suspendus se trouvant au-dessus de la table.

3. Après avoir positionné la table de cuisson, la fixer au plan de travail avec 4 vis (comme indiqué sur la figure). Puis ajuster chaque vis en fonction de l'épaisseur du plan de travail.



### Recommandations

- (1) La table de cuisson électrique doit être installée par un personnel technique qualifié. Ne pas procéder seul à l'installation.
- (2) La table de cuisson électrique ne doit pas être installée sur un réfrigérateur, un lave-vaisselle ou un lave-linge.
- (3) La table de cuisson électrique doit être installée de façon à pouvoir garantir sa fiabilité.
- (4) La paroi et la zone au-dessous de la table de cuisson électrique doivent résister à la chaleur.

Le joint qui entoure la table de cuisson doit être résistant à la chaleur.

### 4. Schéma des branchements électriques

La prise électrique doit être branchée selon la réglementation en vigueur, en fonction du voltage et de la fréquence utilisés, à un interrupteur. Les modalités de raccordement sont indiquées figure 3:

Voltage & Fréquence	Connexion électrique															
400V 2-N 50/60Hz	<table style="width: 100%; border-collapse: collapse;"> <tr> <td style="text-align: center;">1</td> <td style="text-align: center;">2</td> <td style="text-align: center;">3</td> <td style="text-align: center;">4</td> <td style="text-align: center;">5</td> </tr> <tr> <td style="text-align: center;">L1</td> <td style="text-align: center;">L2</td> <td colspan="2" style="text-align: center;">— N</td> <td style="text-align: center;">—</td> </tr> <tr> <td style="text-align: center;">Marron</td> <td style="text-align: center;">Noir</td> <td colspan="2" style="text-align: center;">Gris &amp; Bleu</td> <td style="text-align: center;">Jaune/Vert</td> </tr> </table>	1	2	3	4	5	L1	L2	— N		—	Marron	Noir	Gris & Bleu		Jaune/Vert
1	2	3	4	5												
L1	L2	— N		—												
Marron	Noir	Gris & Bleu		Jaune/Vert												
220-240V 50/60Hz	<table style="width: 100%; border-collapse: collapse;"> <tr> <td style="text-align: center;">1</td> <td style="text-align: center;">2</td> <td style="text-align: center;">3</td> <td style="text-align: center;">4</td> <td style="text-align: center;">5</td> </tr> <tr> <td colspan="2" style="text-align: center;">— L</td> <td colspan="2" style="text-align: center;">— N</td> <td style="text-align: center;">—</td> </tr> <tr> <td colspan="2" style="text-align: center;">Marron &amp; Bleu</td> <td colspan="2" style="text-align: center;">Gris &amp; Bleu</td> <td style="text-align: center;">Jaune/Vert</td> </tr> </table>	1	2	3	4	5	— L		— N		—	Marron & Bleu		Gris & Bleu		Jaune/Vert
1	2	3	4	5												
— L		— N		—												
Marron & Bleu		Gris & Bleu		Jaune/Vert												

Figure (3)

Si le cordon d'alimentation est endommagé, il ne doit être remplacé que par un personnel spécialisé afin d'éviter les accidents.

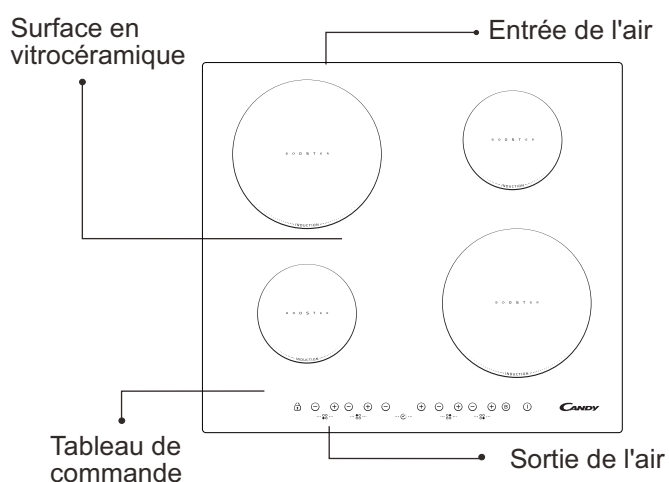
Si l'installation est directement raccordée au circuit principal, installer un disjoncteur différentiel ou un circuit de sécurité avec une ouverture de contact d'au moins 3 mm.

L'installateur doit s'assurer que le branchement électrique soit bien fait et que l'installation soit conforme aux normes de sécurité.

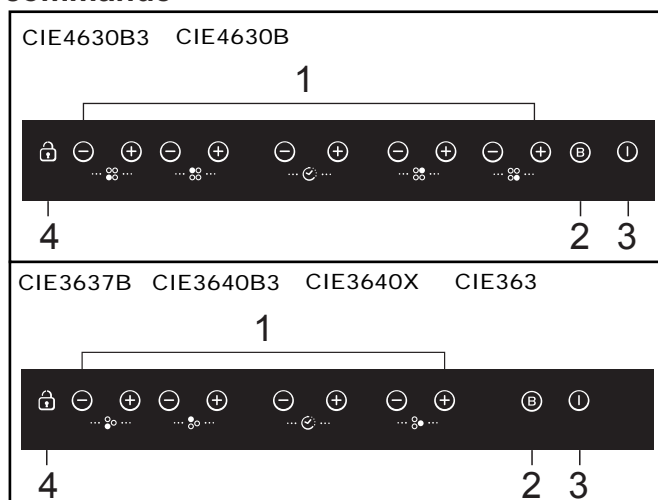
Le cordon d'alimentation ne doit être ni plié ni écrasé.

Le cordon d'alimentation doit être régulièrement contrôlé et remplacé uniquement par un personnel autorisé.

### Description de la table de cuisson électrique



### Diagramme schématique du tableau de commande



1. Réglage de la puissance
2. Booster
3. ON/OFF
4. Blocage des commandes

## Mode d'emploi

### Avant l'utilisation:

Juste après l'allumage, la table de cuisson émet un signal sonore, tous les voyants clignotent pendant une seconde, signalant ainsi que la table de cuisson est en veille.

**Placer la casserole sur la zone de cuisson choisie.**



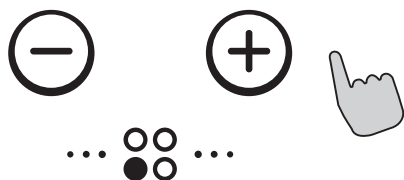
Mode de fonctionnement:

Après avoir appuyé sur la touche "ON/OFF", tous les voyants affichent le symbole "-".

Sélectionner la zone de cuisson sur laquelle se trouve la casserole; le voyant de niveau de puissance de la zone choisie clignotera. Appuyer alors sur les touches "+" ou "-", l'afficheur indique 5, c'est le réglage standard; régler avec les touches "+" ou "-" pour obtenir le niveau d'intensité souhaité. En appuyant simultanément sur la touche "+" et sur la touche "-", les réglages précédents sont remis à zéro et la zone de cuisson s'éteint.

Se référer au tableau de la page 14 pour prendre connaissance de la puissance spécifique de chaque foyer.

**Remarque:** après avoir appuyé sur la touche "ON/OFF", la table de cuisson électrique reste en veille si aucune opération n'est effectuée dans les 1 minute suivantes.



### Fonction BOOSTER (cuisson rapide)

Pour une cuisson plus rapide, appuyer sur la touche "BOOST", après avoir sélectionné la zone de cuisson, l'afficheur indiquera "P".

#### Remarque:

1. La fonction BOOSTER dure au maximum 5 minutes, après quoi la table revient à la position de cuisson précédente.

2. La fonction Booster fonctionne sur toutes les zones de cuisson

3. Quand la fonction Booster est activée sur la 1<sup>ère</sup> zone de cuisson, la puissance de la 2<sup>ème</sup> zone de cuisson est automatiquement limitée au niveau 2, et vice versa. Quand la fonction Booster est activée sur la 3<sup>ème</sup> zone de cuisson, la puissance de la 4<sup>ème</sup> zone de cuisson est automatiquement limitée au niveau 2, et vice versa.

### Annulation de la fonction " BOOSTER "

Sélectionner la zone qui est en mode BOOSTER et appuyer sur la touche BOOSTER pour annuler la fonction. Le niveau se rétablit automatiquement sur la puissance précédemment choisie.

En appuyant sur la touche "-" alors que la fonction BOOSTER est activée, on revient à un niveau de puissance 9.



### Fonction Minuterie

Appuyer sur la touche "+" ou "-" de cette zone, le voyant correspondant clignote. Pour activer le minuteur, appuyer sur la touche "+" ou "-" du minuteur, la durée programmable se situe entre 1 et 99 minutes. Chaque pression sur la touche « + » du minuteur, augmente le temps d'une minute. En maintenant appuyée la touche « + » du minuteur, le temps augmente de 10 minutes. Si le temps réglé dépasse 99 minutes, il revient automatiquement à « 0 ». Même logique avec « - ».



### Validation de la Minuterie

1. Après avoir appuyé sur la touche "+" ou "-" du minuteur, la durée peut être réglée.

2. Le voyant du minuteur clignote pendant 5 secondes, la durée programmée est automatiquement validée.

### Annulation de la Minuterie

En appuyant simultanément sur les touches « - » et « + », l'indication « 0 » s'affiche et la durée programmée est annulée.

## Sécurité enfants / Verrouillage des commandes

Pour assurer la sécurité des enfants, la table induction est équipée d'un système de verrouillage des commandes

Pour bloquer : appuyer sur la touche "verrouillage" ; la table passe en mode "verrouillage" , le minuteur affiche "Lo" et les commandes sont bloquées à l'exception de la touche "ON/OFF".

### Déblocage

Appuyer sur la touche "verrouillage" pendant 3 secondes et la table revient en mode de fonctionnement normal.



## Puissance maximale de chaque zone de cuisson

Zone de cuisson	CIE4630B3	CIE4630B	CIE3640B3	CIE3640X	CIE3637B	CIE363
	Normale	Avec la fonction BOOSTER	Normale	Avec la fonction BOOSTER	Normale	Avec la fonction BOOSTER
1	1200	1500	1200	1500	1200	1500
2	2300	3000	2300	2600	2300	2600
3	1200	1500	3000	4000	3000	3700
4	2300	3000	-----	-----	-----	-----

Les puissances indiquées peuvent varier en fonction de la matière et des dimensions des casseroles.

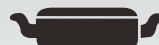
## Sélection de batterie de cuisine pour la cuisson



poêle en fer pour la friture



casserole en acier inoxydable



casserole en fer



poêle en fer



bouilloire en acier inoxydable émaillé



casserole émaillée



plat en fer

- Il existe de nombreux ustensiles adaptés à la cuisson sur des tables électriques. Cette table de cuisson est en mesure de les identifier et de les tester, en appliquant une des méthodes suivantes:  
positionner la casserole sur une zone de cuisson. Si sur l'indicateur de cette zone de cuisson apparaît un niveau de puissance, la casserole est adaptée; si, au contraire, c'est le symbole "L" qui apparaît, c'est que la casserole n'est pas adaptée à la cuisson électrique.
- Passer un aimant sur la casserole: s'il est attiré par la casserole, c'est qu'elle est adaptée à la cuisson à induction.
  - La casserole: le dessous doit contenir des matériaux qui permettent la conduction magnétique.
  - La forme de la casserole: le diamètre doit être supérieur à 14 cm.
- Les foyers inductions sont auto-dimensionnants. Mais pour générer la puissance maximale, nous vous recommandons d'utiliser des casseroles qui couvrent le dessin de la zone. Ainsi, l'idéal est d'utiliser une casserole légèrement plus grande que le dessin afin d'obtenir le meilleur rendement.  
Si vous utilisez une casserole plus petite que la zone, la puissance obtenue sera moindre. Il est donc important de toujours choisir le foyer le plus adapté à la taille de la casserole. A noter que les casseroles d'un diamètre inférieur à 140mm risquent, elles, de ne pas être détectées par le foyer induction.

# Sécurité et entretien



Utiliser un interrupteur de sécurité adapté à la puissance de l'appareil.



Usage exclusivement à l'intérieur.



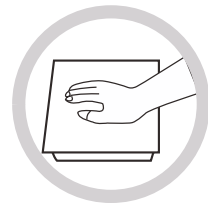
Ne jamais laver la table de cuisson électrique directement avec de l'eau afin de ne pas l'endommager.



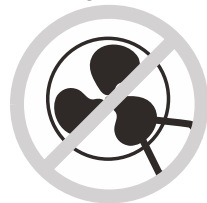
Ne jamais utiliser la table induction à proximité d'un poêle à gaz ou à kérosène.



Ne pas chauffer d'aliments en boîte sans avoir, au préalable, ouvert la boîte de façon à éviter que cette dernière n'éclate à cause de la dilatation provoquée par la chaleur.



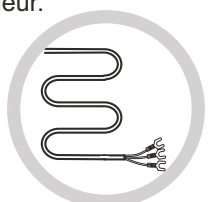
Après une utilisation prolongée, la zone de cuisson reste chaude pendant longtemps. Pour éviter tout risque de brûlure, ne pas toucher la surface de la table de cuisson.



Vérifier périodiquement que, sous la table de cuisson, la circulation de l'air ne soit pas obstruée (verre, papier, etc.).



Ne pas laisser d'objets métalliques tels que des couteaux, des fourchettes, des cuillères ou des couvercles sur la table de cuisson, afin d'éviter qu'ils ne chauffent, à leur tour.



Si le cordon d'alimentation est endommagé, il doit être remplacé par le personnel technique spécialisé CANDY.



Ne pas placer de détergers, de détergents, ou de matériaux inflammables sous la table de cuisson électrique.



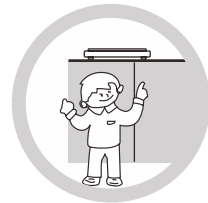
Si la surface de la table de cuisson se fissure, arrêtez immédiatement l'appareil afin d'éviter tout risque de décharge électrique.



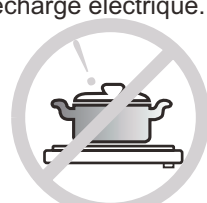
Ne pas utiliser de casseroles dont le dessous serait rugueux afin d'éviter d'endommager la surface en vitrocéramique de la table de cuisson.



Nettoyer régulièrement la table de cuisson afin d'éviter que la saleté ne s'accumule et n'entrave le bon fonctionnement de l'appareil électroménager.



Tenir l'appareil électroménager hors de la portée des enfants et n'en consentir l'utilisation que s'ils sont surveillés par un adulte.



Ne jamais utiliser de casserole vide (sans nourriture à cuire à l'intérieur), cela pourrait l'endommager, voire être dangereux.

Cet appareil n'est pas destiné à être utilisé par des personnes (notamment les enfants) incapables, irresponsables ou sans connaissance sur l'utilisation du produit, à moins qu'elles ne soient surveillées, ou instruites sur l'utilisation de l'appareil, par une personne responsable de leur sécurité.

Surveillez les enfants pour être sûr qu'ils ne jouent pas avec l'appareil.



ATTENTION: ne pas mettre au rebut ce produit avec les déchets ménagers. Il doit être éliminé séparément.

Cet appareil électroménager est produit conformément à la Directive Européenne 2002/96/CE concernant la mise au rebut de déchets d'équipements électriques et électroniques

Le fait que cet article ait été réalisé en conformité avec les normes en vigueur, contribue à prévenir toute conséquence nuisible pour l'environnement et la santé, la simple mise au rebut de cet appareil provoquerait en revanche de graves dommages.

Ce symbole indique que ce produit ne peut en aucun cas être traité comme un déchet ménager, il doit être remis à un centre de collecte chargé du recyclage des équipements électriques et électroniques.

**Pour obtenir de plus amples détails au sujet du traitement, de l'élimination et du recyclage de cet appareil, contacter le service local de collecte des déchets ou bien s'adresser au magasin dans lequel l'article a été acheté.**

## Nettoyage et entretien

La surface la table de cuisson peut être nettoyée comme indiqué ci-dessous:

Niveau de salissure	Comment nettoyer	Accessoire à utiliser pour le nettoyage
peu sale	avec de l'eau chaude; puis essuyer	éponge
très sale	avec de l'eau chaude et laver avec une éponge abrasive spéciale pour revêtement vitrocéramique	éponge spéciale pour revêtement vitrocéramique
résidus	verser du vinaigre blanc sur les résidus et nettoyer avec un linge doux	Produits spéciaux pour revêtement vitrocéramique
sucré fondu avec du plastique ou de l'aluminium	Pour enlever les résidus, utiliser un racloir pour revêtement vitrocéramique (pour protéger le verre, il est préférable d'utiliser un produit à base de silicone). Le sucre se retire à chaud. Attention de ne pas vous brûler.	Produits spéciaux pour revêtement vitrocéramique

**Remarque: débrancher l'appareil électroménager avant de le nettoyer.**

## Signalisation de pannes et solutions

Si une anomalie se produit, la table induction déclenche automatiquement un mode protection et les codes suivants apparaissent sur l'afficheur:

Problème	Causes probables	Solution
F0/F1/F2	ventilateur endommagé	contacter le fournisseur
F3-F8	capteur de température endommagé	contacter le fournisseur
E1/E2	tension électrique anormale	vérifier que l'appareil est sous tension. Après cette vérification, allumer, à nouveau, l'appareil
E3/E4	température anormale	vérifier la casserole
E5/E6	rayonnement de la chaleur insuffisant	après son refroidissement, allumer à nouveau l'appareil

Ceci est une liste des pannes les plus courantes.  
Ne pas démonter la table de cuisson électrique seul afin d'éviter tout risque ou même de provoquer des dégâts plus importants.

## Service Après-Vente

Si l'appareil électroménager ne fonctionne pas bien, avant de contacter le service après-vente, nous vous conseillons de:

- vérifier que la fiche est correctement insérée dans la prise électrique.
- Lire le tableau de signalisation des pannes page 11.

Si, après ces vérifications, le problème persiste, éteindre l'appareil, ne pas le démonter et appeler le Service Après-Vente.



## Note spéciale

---

Tous les contenus de ce mode d'emploi ont été attentivement contrôlés. Candy ne peut être tenu pour responsable d'erreur d'impression ou d'omission. En outre, d'éventuelles modifications techniques peuvent être apportées, sans avertissement, lors d'une révision du manuel. L'apparence du produit dans le manuel révisé peut alors différer du model actuel.

---

## Vážený zákazníku,

chceme Vám poděkovat za to, že jste rozhodl pro koupi indukční varné desky značky CANDY, výrobku, který zcela určitě uspokojí Vaše potřeby po dlouhou řadu let.

Před zahájením provozu přečtěte prosím pozorně tento návod k použití a poté jej pečlivě uschovejte pro další potřeby.

## Úvod

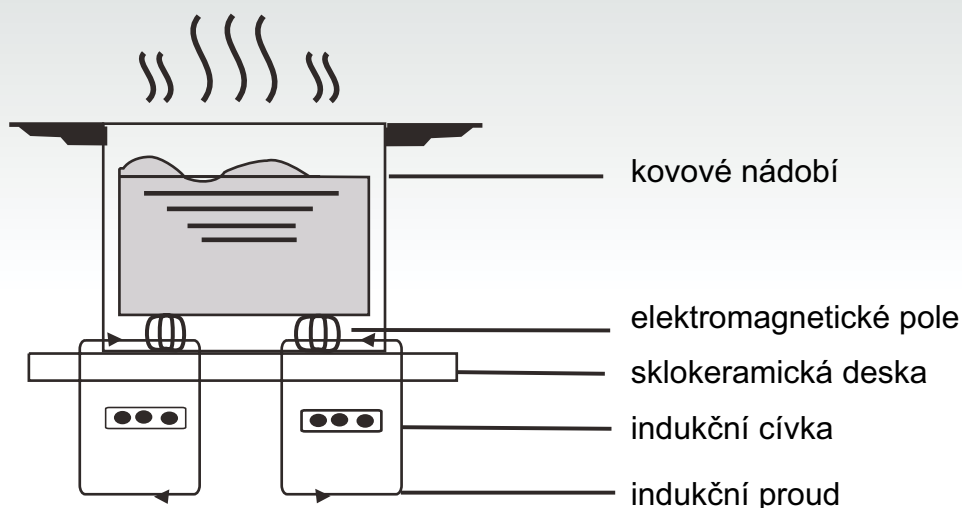
Vestavná indukční varná deska, je schopna splnit většinu požadavků, které vyžaduje moderní vaření s použitím elektromagnetického zahřívání.

Svým multifunkčním vybavením a mikropočítačově řízenými ovladači představuje optimální volbu pro moderní rodinu.

Je vyrobena ze speciálních materiálů za použití moderních technologií, díky nimž je varná deska Candy výjimečně uživatelsky přívětivá, spolehlivá a bezpečná.

## Princip chodu

Indukční varná deska se skládá z elektrické cívky, z ferromagnetického jádra a z kontrolního systému. Elektrický proud vytváří kolem cívky silné elektromagnetické pole. Díky tomu dochází k vytváření série elektromagnetických vln, následně přeměněných na teplo, které je skrze varnou zónu předáváno na dno varné nádoby.



## Bezpečnost

Tato varná deska byla vyvinuta pro domácí použití. Výrobce si vyhrazuje právo provedení technických úprav, úprav vzhledu či programů, v souvislosti s neustálým technickým vývojem.

### ● Ochrana proti přehřátí

Teplota varných zón je kontrolována pomocí čidlem. Pokud je zjištěno překročení bezpečné teploty, varná zóna je automaticky vypnuta.

### ● Signalizace malých nebo ne-magnetických předmětů

Pokud je na varnou desku položen hrnec o průměru menším než 80 mm, nebo nějaký malý předmět (např. nůž, vidlička, klíč), anebo ne-magnetický předmět, (např. hliníkový hrnec), je automaticky vydáván zvukový signál po dobu zhruba 1 minuty, poté je deska automaticky přepnuta do pohotovostního stavu (standby).

### ● Signalizace zbytkového tepla

Pokud byla varná deska v provozu, i po jejím vypnutí zůstává zbytkové teplo z varné zóny. Rozsvítí se kontrolka "H" varující před dotýkáním se horké desky.

### ● Automatické vypnutí

Dalším bezpečnostním prvkem desky je její automatické vypnutí. Automaticky vypne desku v případě, že spotřebič zůstane omylem zapnutý. Automatické vypnutí varné desky závisí na používaném stupni intenzity a je znázorněno v následující tabulce:

Stupeň intenzity	Spotřebič se automaticky vypne po uplynutí
1-3	8 hodin
4-6	4 hodin
7-9	2 hodin

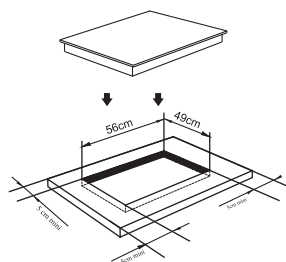
Po odstavení varné nádoby ze zapnuté varné zóny, přestane zóna okamžitě hřát a po ukončení zvukového signálu, který trvá 1 minutu, se automaticky vypne.

### Upozornění:

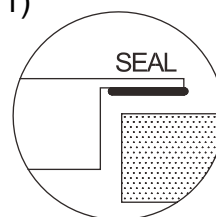
Osoby s kardiostimulátorem mohou používat tento spotřebič pouze po konzultaci se svým lékařem.

## Postup při instalaci

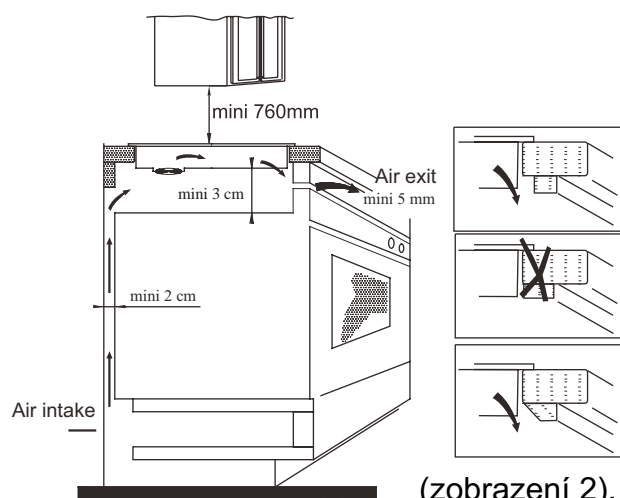
1. Podle rozměrů, které jsou uvedeny na výkresu, vyvrtejte do pracovní desky otvory. K provedení správné instalace musí být okolo otvoru zachován volný prostor alespoň 50 mm. Zkontrolujte kvalitu a výšku pracovní desky, která musí mít alespoň 30 mm a být vyrobena z teplotně odolného materiálu, aby se předešlo možnosti deformace následkem horka, které vytváří varná deska během svého provozu. (zobrazení 1).



(zobrazení 1)



2. Je nutné zkontrolovat, zda je indukční varná deska pevně uchycena na pracovní a zda je zajištěna dobrá ventilace vzduchu (zobrazení 2).



(zobrazení 2).

**Poznámka:** mezi varnou deskou a nábytkem, který se případně nachází nad ní, musí být zachován prostor alespoň 760 mm.



## Návod k používání

### Příprava před použitím:

Ihned po zapnutí vydá varná deska zvukový signál, všechny světelné kontrolky se rozsvítí po dobu 1 vteřiny, tím signalizují, že varná deska se nachází v pohotovém stavu (stand by).

Postavte varnou nádobu na zvolenou zónu.

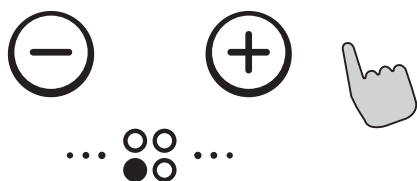


### Pokyny pro správný provoz

Poté co bylo stisknuto tlačítko "ON/OFF", začnou všechny kontrolky signalizovat symbol "-". Zvolte úroveň výkonu pro danou zónu stiskem "+" nebo "-". Na začátku je zobrazen stupeň 5 jako standardní nastavení. Nastavte větší nebo nižší výkon stiskem tlačítka "+" nebo "-". Současným stisknutím tlačítek "+" a "-" se vynulují předešlé naprogramované hodnoty a varná zóna se vypne.

Tabulka na str. 22 znázorňuje stupeň výkonu pro každou z varných zón.

Poznámka : Po stisknutí tlačítka "ON/OFF" zůstane indukční varná deska v pohotovém režimu standby, pokud není proveden do 1 minut jiný příkaz.



### Funkce BOOST (rychlé vaření)

Pokud je požadováno rychlejší rozehrání zóny, stiskněte po zvolení příslušné varné zóny tlačítko "BOOST", na displeji se objeví písmeno "P".

#### Poznámka:

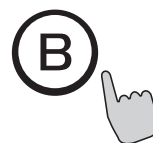
1. Funkce BOOST je zapnutá po dobu 5 minut, poté se varná zóna vrátí k počátečnímu nastavení.
2. Booster je funkční na všech varných zónách

3. Pokud je Booster aktivován na 1. varné zóně, 2. varná zóna je automaticky limitována pod úroveň výkonu 2 a tak dále. Pokud je Booster aktivován na 3. varné zóně, 4. varná zóna je automaticky limitována pod úroveň výkonu 2 a tak dále.

### Zrušení funkce BOOST

Zvolte zónu, pro kterou je v provozu funkce vaření BOOST, stiskem tlačítka BOOST tento režim zrušíte. Výkon varné zóny se vrátí na původní navolený stupeň.

Během provozu na funkci BOOST je stiskem tlačítka "-" nastaven výkon na úroveň „9“.



### Funkce časovače

Stiskněte tlačítko "+" nebo "-" požadované zóny, bude blikat odpovídající kontrolka. K aktivaci funkce časovače použijte tlačítko "+" nebo "-" časovače, nastavte čas v rozmezí 1 a 99 minut. Stisknutím tlačítka časovače "+" jednou se čas prodlouží o jednu minutu. Podržením tlačítka "+" zvyšujete čas po 10 minutách. Pokud nastavení přesáhne 99 minut, automaticky se vrátí na "0" minut. Stejný postup platí pro tlačítko "-".



### Potvrzení časovače

1. Stisknutím tlačítka "+" nebo "-" tlačítek časovače můžete nastavit časovač.
2. Když za bliká kontrolka časovače 5 sekund, automaticky bude potvrzený nastavený čas.

### Zrušení časovače

Současným stisknutím tlačítek "-" a "+" se zobrazí "0". a časovač je zrušený.

## Bezpečnostní režim

Pro zajištění bezpečnosti dětí je indukční deska osazena zařízením interlock.

Pro uzamčení: stiskněte tlačítko 'Interlock', deska se poté přepne do režimu 'interlock', časovač ukazuje "Lo" a zbývající tlačítka jsou nefunkční s výjimkou tlačítka "Vypnuto/Zapnuto" ("ON/OFF").

## Odblokování:

Držte stisknuté tlačítko "Interlock" po dobu 3 sekund a deska se vrátí do normálního režimu.



## Maximální výkon pro jednotlivé varné zóny

Varná zóna	CIE4630B3	CIE4630B	CIE3640B3	CIE3640X	CIE3637B	CIE363
	Normál	Boost	Normál	Boost	Normál	Boost
1	1200	1500	1200	1500	1200	1500
2	2300	3000	2300	2600	2300	2600
3	1200	1500	3000	4000	3000	3700
4	2300	3000	-----	-----	-----	-----

Uvedené výkony jsou orientační a mohou se měnit v závislosti na materiálu a rozměrech použité varné nádoby.

## Výběr sady nádobí pro vaření



kovová pánev pro smažení



hrnec z nerez oceli



kovový kastrol



kovový kotlík



smaltovaná konvice z nerez oceli



smaltovaný hrnec



kovový talíř

Pro přípravu pokrmů na indukční varné desce existuje široký výběr nádobí. Tato varná deska je schopna rozpoznat mnoho druhů nádobí, jehož vhodnost můžete otestovat některou z následujících metod:

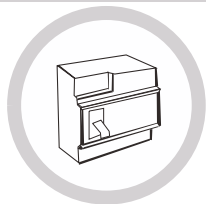
1. Umístěte varnou nádobu na varnou zónu. Pokud se na indikátoru zobrazí stupeň výkonu, znamená to, že varná nádoba je vhodná; pokud se ale objeví symbol "E", varná nádoba není vhodná pro použití na této varné desce.
2. Přiložte na varnou nádobu magnet: pokud je magnet varnou nádobou přitahován, je nádoba vhodná pro použití na této varné desce.

**Poznámka:** Varná nádoba: dno musí být vyrobeno z materiálů, které jsou magneticky vodivé.

Tvar varné nádoby: musí mít ploché dno o průměru více než 14 cm.

3. Používejte nádobí, kterého průměr je větší než zvolená zóna. Použitím mírně širší nádoby se energie využije s maximální účinností. Pokud použijete nádobí s menším průměrem, účinnost nebude postačující. Nádoby s průměrem dna menším než 140 mm varná deska nedetekuje.

## Bezpečnost a údržba



Používat bezpečnostní spínač k tomu určený.



Pouze pro použití v budově.



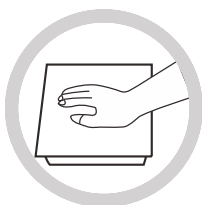
Indukční varná deska nesmí být nikdy myta přímo vodou.



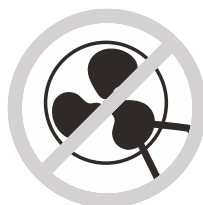
Pokud se povrch indukční varné desky rozbije, zcela ji vypněte, abyste zabránili úrazu elektrickým proudem.



Neohřívejte konzervy, které nebyly předem otevřeny, předejdete tak riziku, že konzerva následkem tepelné rozpínivosti vybuchne.



Po delší době provozu zůstává varná zóna velmi horká. Nedotýkejte se povrchu varné desky, hrozí nebezpečí popálení.



Pravidelně kontrolujte, zda pod varnou deskou není překážka, která brání proudění vzduchu (sklo, papír apod.).



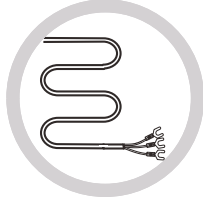
Nenechávejte na varné desce položené kovové předměty, jako např. nože, vidličky, lžičky, pokličky apod., aby nedošlo k jejich zahřívání.



Nikdy neprovozujte indukční varnou desku v blízkosti zařízení produkujících žár, jako například kamna na plyn nebo na kerosén.



Nenechávejte pod indukční varnou deskou čisticí prostředky nebo jiné hořlavé materiály.



Pokud dojde k poškození přírodní elektrické šňůry, je nutné provést její výměnu specializovaným technikem.



Nepoužívejte varné nádoby s drsným dnem, které by mohly poškrábat keramický povrch varné desky.



Provádějte pravidelné čištění varné desky tak, abyste předešli nahromadění nečistot, které by mohly mít negativní vliv na správný chod spotřebiče.



Spotřebič je třeba udržovat v bezpečné vzdálenosti mimo dosah dětí, jeho používání smí být dětem dovoleno pouze za dozoru dospělé osoby.



Nikdy nenechávejte na spotřebiči prázdnou varnou nádobu bez potravin k vaření. Kromě toho, že je to nebezpečné, mohlo by dojít k jejímu poškození.

Tento spotřebič není určen pro použití osobami (včetně dětí) s omezenými fyzickými, sensorickými nebo mentálními schopnostmi, nebo bez zkušeností a znalostí spotřebiče, pouze pokud nejsou pod dohledem nebo poučené osobou odpovědnou za jejich bezpečnost.

Zabraňte dětem, aby se hrály se spotřebičem.



**POZOR:** tento výrobek nesmí být likvidován společně s komunálním odpadem. Je třeba zajistit jeho likvidaci odděleně.

Tento elektrospotřebič byl vyroben v souladu s nařízením evropské směrnice 2002/96/EC o likvidaci elektrických a elektronických zařízení.

Jistota, že tento výrobek byl vyroben za respektování předepsaných nařízení, napomáhá prevenci možných škod na životním prostředí a na zdraví, ke kterým by došlo při nerespektování tohoto nařízení.

Tento symbol značí, že tento výrobek nesmí být zlikvidován společně s běžným domácím odpadem, je nutné, aby jeho likvidaci zajistilo některé ze specializovaných recyklačních center pro elektrický a elektronický materiál.

Pro získání potřebných informací o nakládání s výrobkem a o jeho likvidaci je vhodné kontaktovat místní sběrné středisko anebo se obrátit na prodejnu, kde byl tento výrobek zakoupen.

## Čištění s údržba

Čištění povrchu varné desky je třeba provádět podle následujících doporučení:

Typ nečistoty	Způsob vyčištění	Pomůcka k provedení čištění
malé zašpinění	s použitím teplé vody; následně osušit	mycí houba
větší zašpinění	s použitím teplé vody a speciální drátěnky pro sklokeramické povrchy ; následně osušit	speciální houba pro povrchy ze sklokeramiky
usazeniny	polít usazeninu bílým octem a poté osušit měkkou utěrkou	lepící fólie pro povrchy ze sklokeramiky
rozpuštěný cukr, plasty nebo hliník	Odstranit zbytky pomocí stěrky vhodné k použití na povrchy ze sklokeramiky (pro ochránění skla je lépe používat výrobky na bázi silikonu)	lepící fólie pro povrchy ze sklokeramiky

**Poznámka:** před čištěním je vždy třeba odpojit spotřebič od zdroje el. proudu.

## Signalizace poruch a příslušná kontrola

Pokud se objeví anomálie v chodu v provozu indukční varné desky, automaticky se přepne do chráněného módu a displej signalizuje některý z následujících kódů :

Porucha	Možné příčiny	Řešení
F0/F1/F2	porucha na ventilátoru	kontaktovat servisní středisko
F3-F8	porucha na čidle pro teplotu	kontaktovat servisní středisko
E1/E2	anomálie v elektrickém napětí	zkontrolovat přívod elektrického proudu. Po provedení této kontroly znovu přístroj zapnout
E3/E4	anomálie teploty	zkontrolovat varnou nádobu
E5/E6	nedostatečné vyzařování tepla	nechat přístroj vychladnout a poté jej znovu zapnout

Tato tabulka obsahuje nejčastěji se vyskytující závady.

Nikdy neprovádějte demontáž varné desky sami, předejdete tak riziku způsobení ještě větších škod.

## SERVISNÍ SLUŽBA ZÁKAZNÍKŮM

### Před žádostí o servisní opravu

V případě závady v chodu spotřebiče doporučujeme nejprve:

- zkontrolovat zda je zástrčka správně zasunuta v zásuvce elektrického proudu;
- zkontrolovat zda závada není popsána v dále uvedené tabulce závad.

V případě, že se nepodaří zjistit příčinu závady v chodu:

vypnout spotřebič a kontaktovat Technickou servisní službu zákazníkům.



## **Dodatek**

---

Obsah celého tohoto návodu k použití byl pečlivě zkontrolován. Přesto nemůže výrobce zodpovídat za tiskové chyby nebo výpadky v textu.

Dále upozorňujeme, že případné revize tohoto návodu k použití mohou být provedeny bez předchozího upozornění.

Ilustrace výrobku se vztahuje k právě aktuálnímu provedení.

---

## Kære kunde,

tak fordi De har valgt en induktionskogetop fra CANDY, et produkt som De helt sikkert vil få glæde af i mange år.

Læs denne brugervejledning grundigt igennem, før De tager produktet i brug, og opbevar den omhyggeligt, så De kan slå op i den, hvis det bliver nødvendigt.

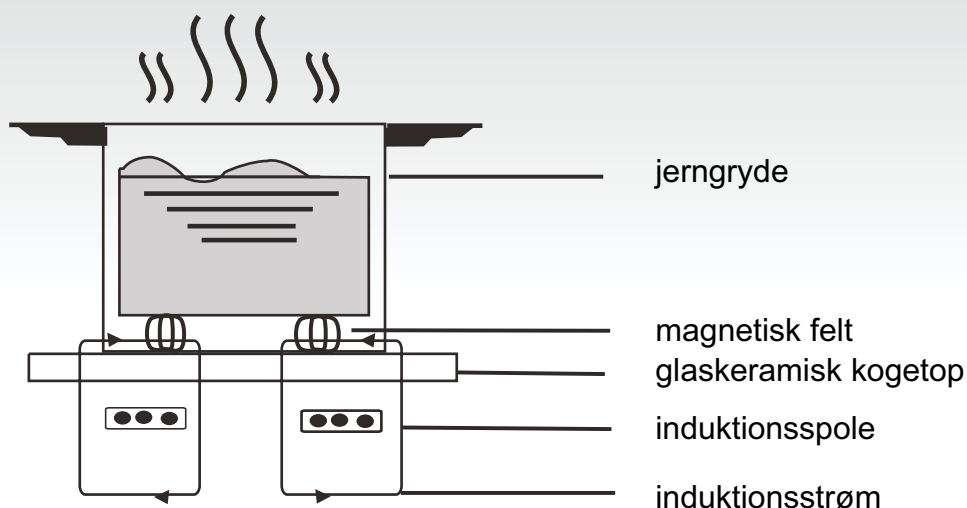
## Indledning

Induktionskogetoppen kan opfylde de mange forskellige behov som kræver kogning via elektromagnetisk opvarmning. Takket være et micro-computerstyret kontrolsystem med flere funktioner er den det rette valg til moderne familier.

Denne induktionskogetop er fremstillet i særlige materialer og er sikker, slidstærk og særdeles nem at bruge.

## Sådan virker den

Induktionskogetoppen består af en elektrisk spole, en plade i ferromagnetisk materiale og et kontrolsystem. Strømmen generer et kraftigt elektromagnetisk felt omkring spolen. Dette skaber en række bølger som genererer varmen, der ledes videre til beholderen på kogetoppens overflade.



## Sikkerhed

Denne kogetop er udviklet til privat brug. Vi er altid opmærksomme på at forbedre vore produkter og forbeholder os ret til at foretage ændringer i takt med eventuel ny teknologisk udvikling.

### ● Overophedningsbeskyttelse

En sensor kontrollerer temperaturen inde i kogetoppen. Hvis temperaturen overstiger sikkerhedsniveauet, slukkes kogetoppen automatisk.

### ● Besked om genstande i berøring med kogepladerne

Hvis der på kogetoppen placeres en gryde med en diameter på under 80 mm, små genstande (som knive, gafler, nøgler) eller en gryde som ikke er magnetisk (fx af aluminium), aktiveres der automatisk et lydsignal, som vil lyde i ca. 1 minut. Hvis problemet varer ved, vil kogetoppen automatisk gå i stand-by.

### ● Eftervarme alarm

Hvis kogetoppen bruges i længere tid, kan den efter brug være varm. Bogstavet "H" på displayet advarer om, at kogetoppen er varm og at den ikke skal berøres.

### ● Beskyttelse via automatisk slukning

Automatisk slukning er en ekstra sikkerhedsfunktion på Deres induktionskogetop, som aktiveres, når man glemmer at slukke den. Den automatiske slukning af kogetoppen afhænger af den anvendte intensitet, som det fremgår af tabellen vist herunder:

Intensitetsniveau	Kogefeltet slukker automatisk efter
1-3	8 timer
4-6	4 timer
7-9	2 timer

Når gryden efter kogningen fjernes, opvarmer induktionskogetoppen ikke længere og vil, efter at lydsignalet har lydt i et minut, slukkes.

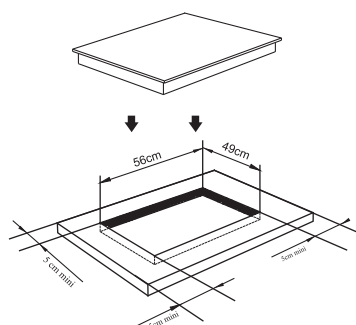
### Bemærk:

personer med pacemaker må kun anvende dette husholdningsapparat efter aftale med egen læge.

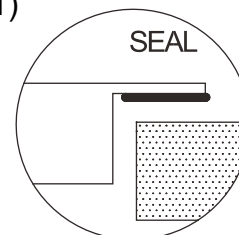
## Installation

### Fremgangsmåde for installation

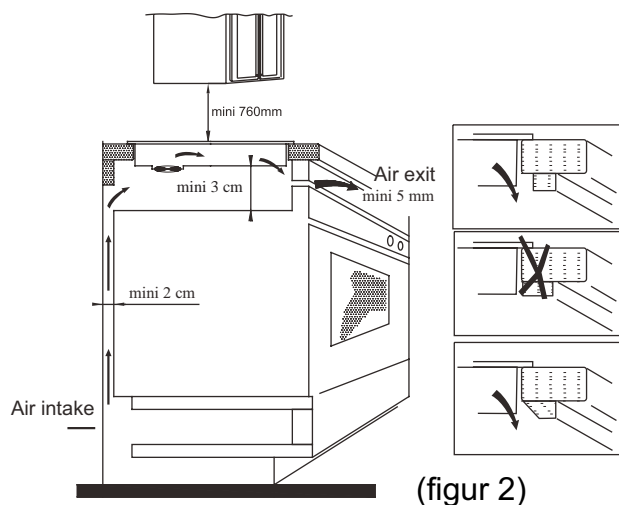
1. Bor et hul i møblets overflade, idet målene på tegningen overholdes; For en korrekt installation skal der desuden være fri plads omkring kogetoppen på mindst 5 cm. Det skal sikres, at bordpladen som kogetoppen skal placeres på har en tykkelse på mindst 30 mm, og at den er fremstillet i et materiale, som kan tåle høje temperaturer, da den ellers kan deformeres af varmen fra kogetoppen (figur 1).



(figur 1)



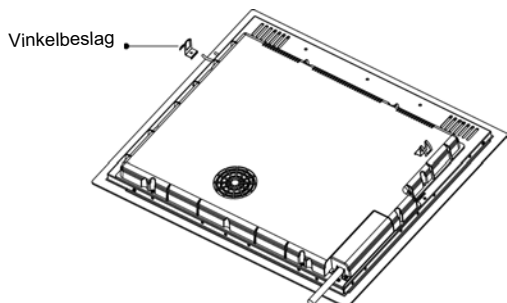
2. Sørg altid for at induktionskogetoppen sidder tæt fast på bordets overflade, og at den er tilstrækkelig ventileret (figur 2).



(figur 2)

**Bemærk:** mellem kogetoppen og et eventuelt køkkenmodul ovenover, skal der være en afstand på mindst 760 mm.

3. Efter at have placeret kogetoppen i hullet, skal den fastgøres til overfladen, den hviler på med 4 vinkelbeslag, (som vist på billedet). Justér hver enkelt beslag afhængigt af tykkelsen på overfladen, som kogetoppen hviler på.



### Sikkerhedsforanstaltninger

- (1) Induktionskogetoppen skal installeres af en faguddannet person. Foretag ikke selv installationen.
- (2) Induktionskogetoppen må ikke monteres på køleskabe, opvaske- eller tørretumblere.
- (3) Kogetoppen skal installeres på en sådan måde, at der sikres optimal varmeafgivelse.
- (4) Væggen og området under kogetoppen skal være varmeresistente.
- (5) For at undgå skader, skal den tynde film, som limer kogetoppen til overfladen, den hviler på, være varmeresistent.

### 4. Eletriske tilslutninger

Tilslutning til strømforsyningsnettet skal foretages af en faguddannet person og i henhold til gældende regler.

Fremgangsmåden for tilslutningen af kogetoppen er angivet i figur 3.

Spænding og frekvens	elektrisk forbindelse				
400V 2-N 50/60Hz	1 • L1	2 • L2	3 —	4 • N	5 ⏏
	Sort	Brun	Grå og blå	Gul/grøn	
220-240V 50/60Hz	1 •	2 • L	3 —	4 • N	5 ⏏
	Sort og brun		Grå og blå	Gul/grøn	

Kontrollér at det elektriske anlæg er forsynet med en effektiv jordforbindelse i henhold til gældende regler. Jordforbindelsen er obligatorisk.

Fabrikanten fraskriver sig ethvert ansvar for eventuelle skader på personer eller genstande, som er forårsaget af manglende overholdelse af denne regel.

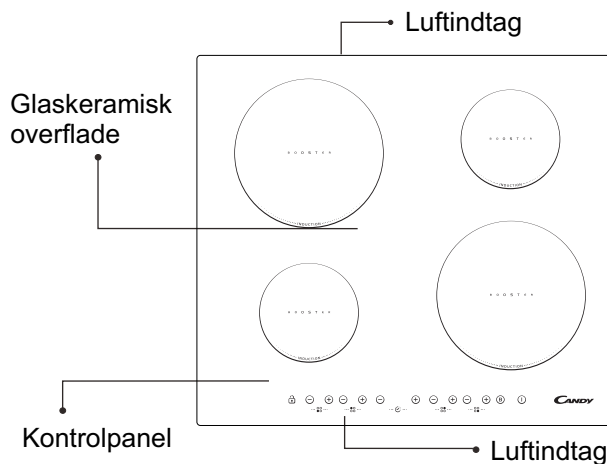
Hvis apparatet ikke har noget stik monteres der på kablet et standardstik, som er i stand til at tåle den belastning, som er angivet på typeskiltet.

Hvis der ønskes en fast tilslutning til nettet skal der mellem apparatet og nettet placeres en afbryder med en kontaktafstand på mindst 3 mm

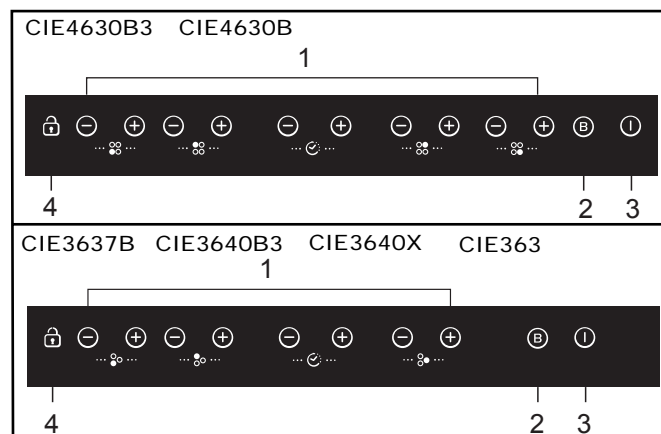
Hvis kablet er beskadiget må det kun udskiftes af en faguddannet person.

Kablet må ikke være bøjet eller klemt.

### Beskrivelse af induktionskogetoppen



### Diagram over kontrolpanelet



1. Effektregulering      3 ON/OFF  
2. Boost                      4. Børnesikringstast

## Brugervejledning

### Klargøring før brug:

Så snart der tændes for kogetoppen lyder der et lydssignal, alle kontrollamper blinker i 1 sekund, hvilket angiver, at kogtoppen står i stand-by.

Stil gryden på det valgte kogefelt.

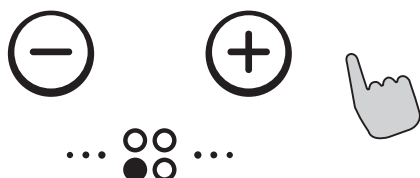


### Driftsvejledning

Efter at have trykket på tasten "ON/OFF", viser alle lysdioderne symbolet "-". Vælg det kogefelt som gryden befinder sig på, lysdioden for effektniveauet på det valgte felt blinker. Tryk herefter på tasterne "+" eller "-", displayet viser 5 som standard, indstil med tasterne "+" eller "-" det ønskede intensitetsniveau. Ved at trykke på "+" og "-" – tasten samtidig, vil de tidligere indstillinger blive nulstillet og kogefeltet på kogetoppen slukkes.

Se tabellen på side 30 for den specifikke effekt for hvert kogefelt.

**Bemærk:** efter at have trykket på tasten "ON/OFF", vil induktionskogetoppen forblive i stand-by, hvis der ikke foretages andre operationer inden for 1 minutter.



### BOOST funktion (opkogning)

For at opnå en hurtigere opkogning trykkes på tasten "BOOST" efter at kogefeltet er blevet valgt, displayet viser "P".

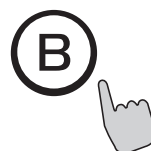
#### Bemærk:

- BOOST funktionen varer højst 5 minutter, hvorefter kogefeltet tilbagestilles til den oprindelige indstilling.
- Booster funktionen virker på alle zoner.

- Når den første booster funktion er aktiveret, indstilles den anden zone automatisk på 2. Når den tredje zone aktiveres, indstilles den fjerde automatisk på 2.

### Annullering af "BOOST" funktionen

Når BOOST funktionen er aktiv, vælg bageste højre kogefelt og tryk på tasten BOOST eller tasten "-" for at slette BOOST funktionen. Kogefeltet resettes til den før indstillede styrke.



### Timer funktion

Tryk på "+" eller "-" knappen for en gældende zone, indikator blinker. For at aktivere timer funktionen tryk på "+" eller "-" knappen, der kan indstilles mellem 1 og 99 minutter. Ved tryk på "+" knappen ændres indstillingen med 1 minut. Holdes knappen ind ændres tiden med 10 minutter. Hvis de 99 minutter overskrides, så startes der automatisk igen fra 0. Det samme gælder for "-".



### Timer bekræftning

- Ved tryk på "+" eller "-" knappen, så kan tiden indstilles.
- Når timer indikator har blinket i 5 sekunder, så er den indstillede tid bekræftet.

### Timer sletning

Ved at trykke samtidigt på "-" og "+" knapperne, vil indikator vise "0" og den indstillede tid er slettet.

## Børnesikring

Af hensyn til børns sikkerhed er induktionskogetoppen forsynet med en børnesikring, hvormed funktionerne kan låses.

For at låse funktionerne holdes låsetasten (Interlock) nede: kogetoppen blive låst, timerens display viser symbolet "Lo" og alle de andre funktioner er spærret.

## Låse op funktion

Tryk på låsetasten (Interlock) i 3 sekunder.



## Maksimumeffekt på hvert kogefelt

Zone de cuisson	CIE4630B3	CIE4630B	CIE3640B3	CIE3640X	CIE3637B	CIE363
	Normal	Boost	Normal	Boost	Normal	Boost
1	1200	1500	1200	1500	1200	1500
2	2300	3000	2300	2600	2300	2600
3	1200	1500	3000	4000	3000	3700
4	2300	3000	-----	-----	-----	-----

Den angivne effekt kan variere afhængigt af grydens materiale og størrelse.

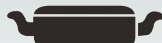
## Valg af kogegrej



jernpande til friturestegning



gryde i rustfrit stål



lav pande i jern



pande i jern



emaljeret kedel i rustfrit stål



emaljeret gryde



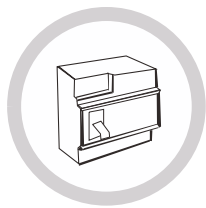
tallerken i jern

Der kan anvendes mange forskellige typer kogegrej på induktionskogetoppen.

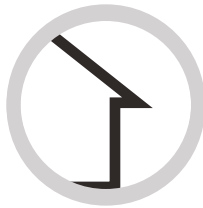
1. Denne kogetop er i stand til at identificere og teste dem ved hjælp af én af følgende metoder:  
stil gryden på et kogefelt. Hvis der på indikatoren for dette kogefelt vises et effektniveau, er gryden induktionseget; hvis den derimod viser symbolet "Lo", er gryden ikke induktionseget.
2. Placér en magnet på gryden: hvis magneten tiltrækkes af gryden, vil denne være induktionseget.

**NB:** bunden af gryden skal indeholde materiale som påvirkes af en magnet. Gryden skal have en flad bund med en diameter på mere end 14 cm.

## Sikkerhed og vedligeholdelse



Brug en sikkerhedsafbryder som udelukkende bruges til dette husholdningsapparat.



Kun til indendørs brug.



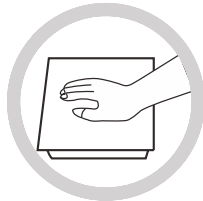
Vask aldrig induktionskogetoppen direkte med vand.



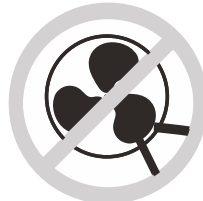
Brug aldrig en tom gryde på kogetoppen (uden mad som skal tilberedes), da den kan blive ødelagt, og da det under alle omstændigheder er farligt.



Opvarm ikke madvarer på dåse uden først at have åbnet dåsen, da den ellers kan revne, når den udvider sig pga. varmen.



Efter længere tids brug vil kogefeltet være meget varmt. Rør ikke ved kogetoppens overflade for at undgå forbrændinger.



Kontrollér jævnligt at luften under kogetoppen kan cirkulere frit og ikke er blokeret (fx af glas, papir, osv.).



Efterlad ikke genstande i metal som knive, gafler, skeer eller låg på kogetoppen, da disse også bliver varme.



Brug aldrig induktionskogetoppen i nærheden af gas- eller kerosenbrændere.



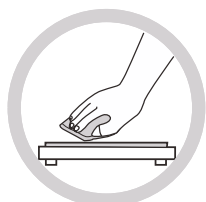
Anbring ikke brændbare materialer eller rengørings- og rensmidler under induktionskogetoppen.



Hvis overfladen på kogetoppen går i stykker, skal apparatet slukkes for at undgå elektrisk stød.



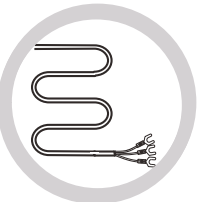
Brug ikke gryder med ru bund da kogetoppens glaskeramiske overflade ellers kan blive ødelagt.



Rengør regelmæssigt kogetoppen for at undgå, at der ophober sig snavs, som kan hindre den i at fungere korrekt.



Hold husholdningsapparatet uden for børns rækkevidde og tillad kun børn at bruge det sammen med en voksen.



Hvis energiforsyningskablet er beskadiget, skal det udskiftes af en faguddannet person.

Denne maskine er ikke beregnet til at blive anvendt af personer (herunder børn) med nedsatte fysiske og mentale evner samt sanser eller af personer med manglende erfaring eller viden, medmindre disse har modtaget vejledning eller instruktion i anvendelsen af maskinen af en person, der er ansvarlig for deres sikkerhed.

Børn skal være under opsyn for at sikre, at de ikke leger med maskinen.



**ADVARSEL:** dette produkt må ikke bortskaffes sammen med almindeligt husholdningsaffald. Det skal bortskaffes separat.

Dette husholdningsapparat er fremstillet i overensstemmelse med det europæiske direktiv 2002/96/EC om bortskaffelse af elektrisk og elektronisk udstyr.

Ved overholdelse af direktiverne omkring bortskaffelse af dette husholdningsapparat forebygges eventuelle skader på miljøet og på sundheden, som en forkert bortskaffelse ellers kan medføre.

Dette symbol angiver, at produktet ikke må bortskaffes som almindeligt husholdningsaffald, men at det skal bortskaffes via særlige centre for genanvendelse af elektrisk og elektronisk materiale.

For yderligere oplysninger om behandling, bortskaffelse og genanvendelse af dette produkt bedes De kontakte Deres kommune eller henvende Dem til forretningen, hvor produktet er blevet købt.

## Rengøring og vedligeholdelse

Overfladen på kogetoppen kan rengøres på følgende måde:

Type snavs	Sådan gøres det rent	Materiale til rengøring
kun lidt snavset	med varmt vand, hvorefter der tørres efter	svamp
meget snavset	med varmt vand, hvorefter der tørres efter med en særlig slibesvamp til glaskeramik	særlig svamp til glaskeramik
fastbrændt mad o.l.	hæld lys eddike på det fastbrændte materiale og rens med en blød klud, eller brug et passende rengøringsmiddel	særligt klæbebepapir til glaskeramik
Smeltet sukker, plastic eller aluminium	For at fjerne resterne skal der bruges en skraber som er egnet til glaskeramik (for at beskytte glasset er det bedst at bruge et skraber med silikone)	særligt klæbebepapir til glaskeramik

**Bemærk: kobl strømmen fra før apparatet rengøres.**

## Fejlvisning og eftersyn

Hvis der opstår en fejl vil induktionskogetoppen automatisk tilkoble en beskyttelsesfunktion og på displayet vil der blive vist følgende koder:

Fejl	Mulig årsag	fejretning
F0/F1/F2	fejl i ventilatoren	kontakt leverandøren
F3-F8	fejl ved temperaturføleren	kontakt leverandøren
E1/E2	fejl i den elektriske spænding	kontrollér at strømmen er tilsluttet Herefter tændes apparatet igen
E3/E4	temperaturfejl	kontrollér gryden
E5/E6	varmestrålingen er utilstrækkelig	tænd igen for apparatet efter at det er kølet af

Dette er en liste over de mest almindelige fejl.

Skil ikke selv induktionskogetoppen ad, da der herved er risiko for alvorligere fejl.

## KUNDESERVICE

### Før De kontakter kundeservice

Hvis produktet ikke virker korrekt beder vi Dem:

- kontrollere om stikket sidder korrekt i stikkontakten;
- læse skemaet over fejl og mulige årsager angivet på de foregående sider.

Hvis årsagen til fejlen herefter ikke er fundet, bedes De :

slukke for apparatet og kontakte Kundeservice.



## Særlig erklæring

---

Indholdet i denne manual er blevet kontrolleret omhyggeligt. Fabrikanten fraskriver sig ansvar for trykfejl og eventuelle udeladelser opstået under trykningen.

Herudover kan der ved en eventuel revidering af brugervejledningen blive tilføjet tekniske ændringer uden forudgående varsel. Det afbillede produkt er det aktuelle. ✚

---

## Gentile Cliente,

desideriamo ringraziarLa per aver scelto il piano cottura a induzione CANDY, un prodotto che sicuramente soddisferà per molti anni le Sue esigenze.

Legga attentamente questo manuale di istruzioni prima dell'uso e lo conservi con cura per poterlo consultare in futuro in caso di necessità.

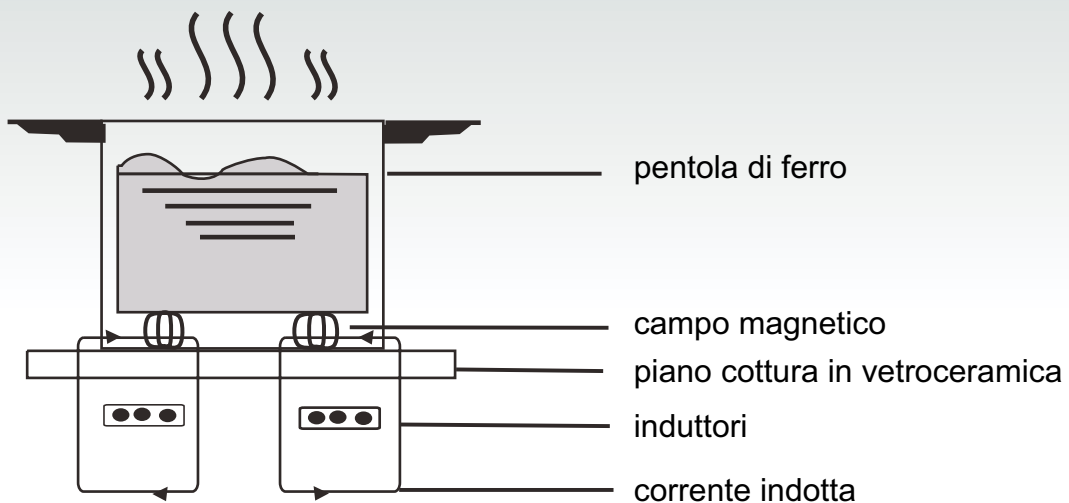
## Introduzione

Il piano cottura a induzione è in grado di soddisfare le tante esigenze che richiedono una cottura tramite riscaldamento elettromagnetico, grazie a un sistema di controllo multifunzione e microcomputerizzato che lo rendono la scelta ideale per le famiglie moderne.

Realizzato con materiali speciali, questo elettrodomestico è estremamente facile da usare, resistente e sicuro.

## Come funziona

Il piano cottura a induzione è costituito da una serpentina elettrica, da una lastra in materiale ferromagnetico e da un sistema di controllo. La corrente elettrica genera un potente campo elettromagnetico intorno alla serpentina. Ciò produce una serie di onde che generano il calore trasmesso poi al recipiente dalla superficie del piano cottura.



## Sicurezza

Questo piano cottura è stato progettato per l'uso domestico.

Sempre attenti a migliorare i nostri prodotti, ci riserviamo il diritto di apportare modifiche in caso di eventuali evoluzioni tecniche.

### ● Protezione contro il surriscaldamento

Un sensore controlla la temperatura all'interno del piano cottura. Se la temperatura supera il livello di sicurezza, il piano cottura si spegne automaticamente.

### ● Segnalazione di oggetti a contatto del piano cottura

Se sul piano cottura si pone una pentola con un diametro inferiore a 80 mm, piccoli oggetti (come coltelli, forchette, chiavi) o una pentola non magnetica (ad esempio in alluminio), un segnale acustico scatta automaticamente e suona per circa 1 minuto. Se quindi il problema persiste, il piano cottura entra automaticamente in stand-by.

### ● Allarme calore residuo

Quando l'uso del piano cottura è prolungato nel tempo, potrebbe rimanere del calore residuo. La lettera "H" sul display avverte di non toccare il piano.

### ● Protezione tramite auto spegnimento

L'auto spegnimento è un'ulteriore funzione di sicurezza del vostro piano cottura a induzione, che si attiva automaticamente se lo si dimentica acceso. Lo spegnimento automatico del piano cottura dipende dal livello di intensità utilizzato, come mostra la tabella qui di seguito:

Livello di intensità	La zona di cottura si spegne automaticamente dopo
1-3	8 ore
4-6	4 ore
7-9	2 ore

Quando, a fine cottura, la pentola viene rimossa, il piano cottura a induzione non scalda più e, dopo il segnale acustico della durata di 1 minuto, si spegne.

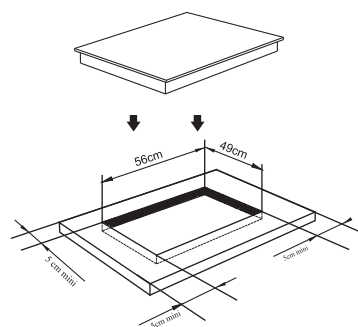
### Nota bene:

le persone portatrici di pacemaker possono usare questo elettrodomestico solo sotto il controllo del proprio medico.

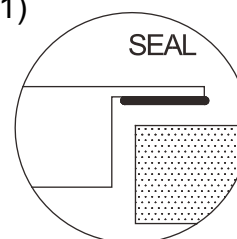
## Installazione

### Procedimento di installazione

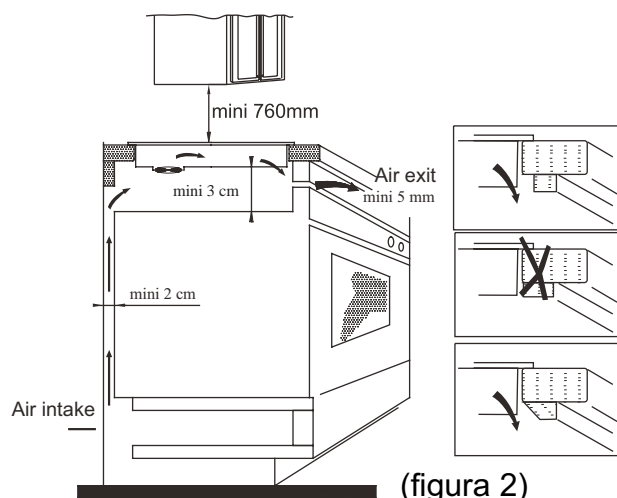
1. Praticare un foro sulla superficie del mobile, rispettando le misure indicate sul disegno; per una corretta installazione deve inoltre essere previsto uno spazio libero intorno al piano pari ad almeno 5 cm. Assicurarsi che lo spessore del supporto in cui deve essere incassato il piano sia di almeno 30 mm e che il materiale di cui è composto lo stesso sia resistente alle alte temperature per evitare che si deformi a causa del calore proveniente dal piano cottura (figura 1).



(figura 1)



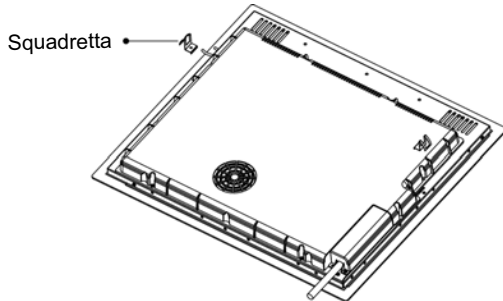
2. Assicurarsi sempre che il piano cottura a induzione sia ben saldo sul piano di appoggio e ben ventilato (figura 2).



(figura 2)

**Nota:** tra il piano cottura ed un eventuale elemento superiore, deve essere previsto uno spazio di almeno 760 mm.

3. Dopo avere posizionato il piano cottura, fissarlo con quattro squadrette alla superficie d'appoggio (come indicato dalla figura). Regolare poi ogni singola squadretta in base allo spessore del piano d'appoggio.



### Precauzioni

- (1) Il piano cottura a induzione deve essere installato da personale tecnico qualificato. Non effettuare l'installazione da soli.
- (2) Il piano cottura a induzione non deve essere montato su frigoriferi, lavastoviglie o asciugatrici.
- (3) Il piano cottura a induzione deve essere installato in modo da poter garantire lo smaltimento ottimale del calore.
- (4) La parete e la zona sottostanti il piano cottura a induzione devono essere resistenti al calore.
- (5) Onde evitare danni, la sottile pellicola che incolla il piano di cottura al piano di appoggio deve essere resistente al calore.

### 4. Collegamenti elettrici

L'allacciamento alla rete elettrica deve essere eseguita da personale qualificato e secondo le norme vigenti. Le modalità di connessione del piano sono indicate nella figura 3.

Vtaggio e frequenza	Connessione elettrica			
	1	2	3	4
400V 2-N 50/60Hz	1 • L1	2 • L2	3 — N	4 — N
220-240V 50/60Hz	1 — L	2 — L	3 — N	4 — N

Verificare che l'impianto elettrico sia munito di un efficace collegamento di terra secondo le norme e le disposizioni di legge. La messa a terra è obbligatoria.

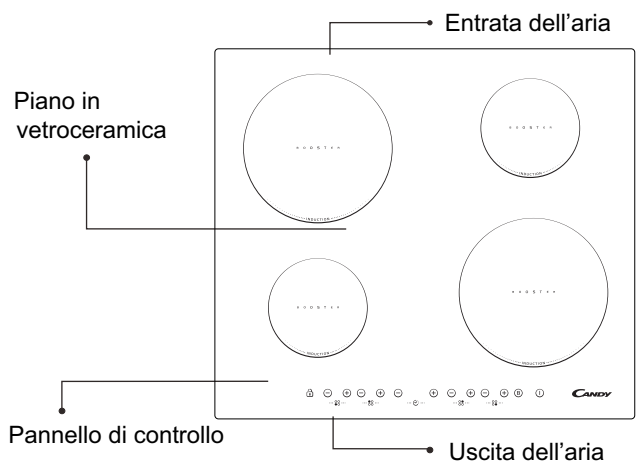
La Casa Costruttrice declina ogni responsabilità per eventuali danni a persone o a cose derivanti dalla mancata osservanza di questa norma.

Se l'apparecchio è sprovvisto di spina, applicare sul cavo una spina normalizzata che sia in grado di sopportare il carico indicato in targhetta.

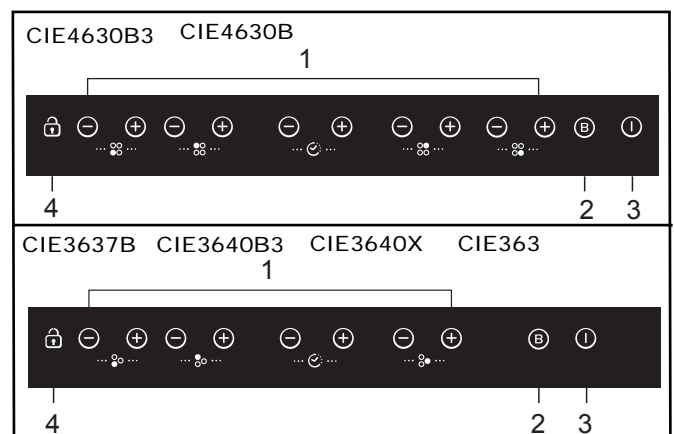
Nel caso si desideri una connessione fissa alla rete, si dovrà interporre, tra l'apparecchio e la rete, un dispositivo omipolare di interruzione con distanza dei contatti di almeno 3 mm

Se il cavo è danneggiato, deve essere sostituito solo da personale specializzato. Il cavo non deve essere piagato o schiacciato.

### Descrizione del piano cottura a induzione



### Schema del pannello di controllo



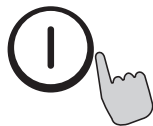
- 1.Regolazione potenza
- 2.Boost
- 3.ON/OFF
- 4.Tasto blocco di sicurezza

## Istruzioni per l'uso

### Preparazione prima dell'uso:

Subito dopo l'accensione il piano cottura emette un segnale acustico, tutti i led lampeggiano per 1 secondo segnalando che il piano cottura è in stand-by.

Mettere la pentola sopra la zona di cottura prescelta.

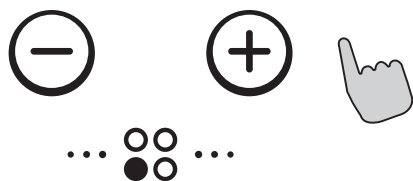


### Istruzioni di funzionamento

Dopo avere premuto il tasto "ON/OFF", tutti i led segnalano il simbolo "-". Selezionare la zona di cottura su cui si trova la pentola; il led del livello di potenza della zona prescelta lampeggerà. Premere quindi i tasti "+" o "-", il display indica 5 come standard, regolare con i tasti "+" o "-" il livello d'intensità desiderato. Premendo simultaneamente il tasto "+" ed il tasto "-", le impostazioni precedenti si azzerano e la zona del piano cottura si spegne.

Si veda la tabella a pag. 38 per la potenza specifica di ogni zona di cottura del piano.

**Nota** dopo avere premuto il tasto "ON/OFF", il piano cottura a induzione rimane in stand-by se non si effettuano altre operazioni entro 1 minuti.



### Funzione BOOST (cottura rapida)

Per avere una maggiore rapidità di cottura, premere il tasto "BOOST" dopo aver scelto la zona del piano di cottura, il display indicherà "P".

#### Nota

1. La durata della funzione BOOST arriva a un massimo di 5 minuti, dopo i quali il piano di cottura torna alla sua impostazione iniziale.

2. La funzione Booster può essere attivata su tutte le zone cottura
3. Nel momento in cui la funzione Booster è attivata sulla prima zona di cottura, la seconda zona si auto-limita automaticamente al livello 2 e vice-versa. Quando la funzione Booster è in funzione sulla terza zona, la quarta zona di cottura si auto-limita automaticamente al livello di potenza 2 e vice-versa.

### Annullamento della funzione "BOOST"

Selezionare la zona in cui è in funzione la modalità BOOST e premere il tasto BOOST per cancellare questa impostazione. Il livello si ripristina sulla potenza precedentemente impostata.

Se si preme il tasto "-" durante la funzione BOOST si imposta il livello di potenza "9".



### Funzione Timer

Premere i tasti "+" o "-" della zona cottura interessata, l'indicatore corrispondente inizierà a lampeggiare. Per attivare la funzione Timer è necessario premere i tasti "+" o "-" del timer; il timer funziona da 1 a 99 minuti. Premere il tasto "+" del timer per avanzare di minuto in minuto. Mantenendo il tasto "+" premuto il timer avanzerà di 10 minuti in 10 minuti, una volta superati i 99 minuti, il timer ripartirà da 0. Stessa logica per il tasto "-".



### Conferma Timer

1. Premendo i tasti "+" o "-" del timer, è possibile impostare la funzione "timer"
2. Se i tasti di impostazione del Timer non vengono premuti per 5 secondi le informazioni verranno salvate automaticamente

### Annullamento funzione Timer

Premendo il tasto "+" o "-" del timer simultaneamente l'indicatore mostrerà "0" e la funzione "timer" sarà annullata

## Dispositivi di sicurezza

Per assicurare l'incolumità dei bambini, il piano ad induzione Candy è dotato di un sistema di blocco comandi

Attivazione blocco comandi : premendo il tasto apposito i comandi si bloccano e il display del timer visualizza "Lo". Quando il blocco dei comandi è attivo è comunque possibile spegnere/attivare il piano cottura ad induzione

## Disattivazione blocco comandi

Premere il tasto apposito per 3 secondi ed il piano tornerà al normale funzionamento



## Potenza massima di ogni zona di cottura

Zone de cuisson	CIE4630B3	CIE4630B	CIE3640B3	CIE3640X	CIE3637B	CIE363
	Normale	Boost	Normale	Boost	Normale	Boost
1	1200	1500	1200	1500	1200	1500
2	2300	3000	2300	2600	2300	2600
3	1200	1500	3000	4000	3000	3700
4	2300	3000	-----	-----	-----	-----

Le potenze indicate possono variare a seconda del materiale di cui è fatta la pentola e delle sue dimensioni.

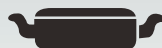
## Selezione di recipienti da cucina per la cottura



padella in ferro per fritti



pentola in acciaio inox



tegame in ferro



padella in ferro



bollitore in acciaio inossidabile smaltato



pentola smaltata



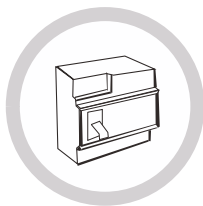
piatto in ferro

1. Ci sono molteplici strumenti adatti per la cottura su piano a induzione. Questo piano di cottura è in grado di identificarli e di testarli applicando uno dei seguenti metodi:  
posizionare la pentola su una zona di cottura. Se sull'indicatore di questa zona di cottura appare un livello di potenza, la pentola è adatta; se appare invece il simbolo "Lo", la pentola non è adatta alla cottura a induzione.
2. Applicare una calamita sulla pentola: se la calamita viene attratta dalla pentola, quest'ultima è adatta alla cottura a induzione.

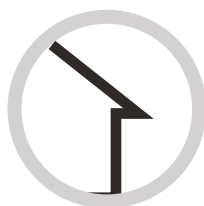
**NB:** il fondo del recipiente deve contenere materiali che permettano la conduzione magnetica.

La pentola deve avere un fondo piatto con un diametro superiore a 14 cm.

## Sicurezza e manutenzione



Utilizzare un interruttore di alimentazione di sicurezza dedicato.



Solo per uso interno.



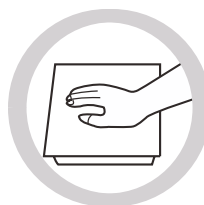
Non lavare mai direttamente con acqua il piano cottura a induzione.



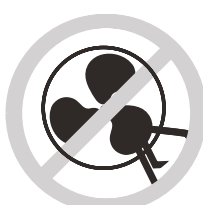
Non usare mai la pentola vuota (senza all'interno il cibo da cuocere), perché si può danneggiare ed è comunque pericoloso.



Non scaldare i cibi confezionati in scatola senza prima aprire la confezione per evitare che quest'ultima scoppi a causa della dilatazione dovuta al calore.



Dopo un uso prolungato la zona di cottura rimane molto calda. Per evitare ustioni, non toccare la superficie del piano di cottura.



Controllare periodicamente che, sotto il piano cottura, la circolazione dell'aria non sia ostruita (ad es. da vetro, carta, ecc.).



Non lasciare oggetti metallici come coltelli, forchette, cucchiai e coperchi sul piano di cottura per evitare che si scaldino a loro volta.



Non usare mai il piano cottura a induzione in vicinanza di stufe a gas o a kerosene.



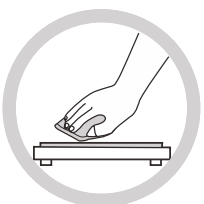
Non riporre detersivi, detergenti o materiali infiammabili sotto il piano cottura a induzione.



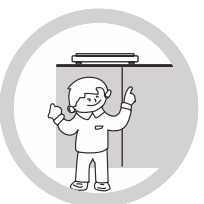
Se la superficie del piano cottura si rompe, spegnere tutto per evitare scosse elettriche.



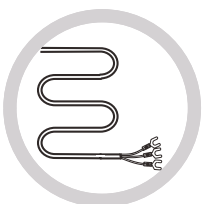
Non usare pentole con il fondo ruvido per evitare di danneggiare la superficie in vetroceramica del piano cottura.



Pulire regolarmente il piano cottura per evitare che lo sporco si accumuli e precluda il buon funzionamento dell'elettrodomestico.



Tenere l'elettrodomestico lontano dalla portata dei bambini o consentirne l'uso solo con la supervisione di un adulto.



Se il cavo di alimentazione è danneggiato deve essere sostituito da personale tecnico specializzato.

Questo apparecchio non è destinato ad essere usato da bambini e persone incapaci o inesperte all'uso del prodotto, a meno che non vengano sorvegliate o istruite riguardo all'uso dell'apparecchio da una persona responsabile della loro sicurezza.

Sorvegliare i bambini in modo tale da assicurarsi che non giochino con l'apparecchio.



**ATTENZIONE:** non smaltire questo prodotto tra i rifiuti domestici. Deve essere eliminato separatamente.

Per ulteriori informazioni sul trattamento, lo smaltimento ed il riciclo di questo prodotto, contattare il servizio smaltimento rifiuti locale oppure rivolgersi al negozio in cui l'articolo è stato acquistato.

Questo elettrodomestico è prodotto secondo la direttiva europea 2002/96/CE sullo smaltimento delle attrezzature elettriche ed elettroniche.

Rispettando le direttive imposte sullo smaltimento di questo dispositivo, si aiuta a prevenire eventuali danni all'ambiente e alla salute provocati da un errato smaltimento.

Questo simbolo indica che il prodotto non può essere smaltito come i normali rifiuti domestici, ma attraverso i centri di riciclo di materiale elettrico ed elettronico.

## Pulizia e manutenzione

La superficie del piano cottura può essere pulita come segue:

Tipo di sporco	Come pulire	Materiale per la pulizia
poco sporco	con acqua calda; poi asciugare	spugna
molto sporco	con acqua calda ed asciugare con una spugna abrasiva specifica per vetroceramica	spugna speciale per vetroceramica
incrostazioni	versare aceto bianco sull'incrostazione e pulire con un panno morbido, oppure usare un detergente apposito	foglio adesivo specifico per vetroceramica
Zucchero, plastica o alluminio fuso	Per rimuovere i residui usare un raschietto adatto per vetroceramica (per proteggere il vetro, è meglio usare un prodotto a base di silicone)	foglio adesivo specifico per vetroceramica

**Nota:** scollegare l'elettrodomestico prima di pulirlo.

## Segnalazione guasto e controllo

Se si verifica un'anomalia, il piano cottura a induzione inserisce automaticamente una funzione di protezione e sul display appaiono i seguenti codici:

Problema	Possibili cause	soluzione
F0/F1/F2	guasto alla ventola	contattare il fornitore
F3-F8	guasto al sensore della temperatura	contattare il fornitore
E1/E2	tensione elettrica anomala	controllare che ci sia alimentazione elettrica. Dopo questa verifica accendere nuovamente l'apparecchio
E3/E4	temperatura anomala	controllare la pentola
E5/E6	irradiazione del calore insufficiente	riaccendere l'apparecchio dopo che si è raffreddato

Questa è una lista dei guasti più comuni.

Non smontare il piano cottura a induzione da soli per evitare pericoli e provocare danni maggiori.



## SERVIZIO ASSISTENZA CLIENTI

### Prima di chiamare il servizio di Assistenza Tecnica

In caso di mancato funzionamento del prodotto vi consigliamo di:

- verificare il buon inserimento della spina nella presa di corrente;
- verificare la tabella guasti soprariportata.

Nel caso non si individui la causa di mal funzionamento:

spegnere l'apparecchio non manometterlo e chiamare il Servizio di Assistenza Tecnica.

### CERTIFICATO DI GARANZIA CONVENZIONALE: cosa fare?

Il Suo prodotto è garantito, alle condizioni e nei termini riportati sul certificato inserito nel prodotto ed in base alle previsioni del decreto legislativo 24/02, nonché del decreto legislativo 6 settembre 2005, n. 206, per un periodo di 24 mesi decorrenti dalla data di consegna del bene.

Così come riportato nei testi dei Decreti Legislativi citati, il certificato di garanzia dovrà essere da Lei conservato, debitamente compilato, per essere mostrato al Servizio Assistenza Tecnica Autorizzato, in caso di necessità, unitamente ad un documento fiscalmente valido rilasciato dal rivenditore al momento dell'acquisto (bolla di consegna, fattura, scontrino fiscale, altro) sul quale siano indicati il nominativo del rivenditore, la data di consegna, gli estremi identificativi del prodotto ed il prezzo di cessione

Resta pure inteso che, salvo prova contraria, poiché si presume che i difetti di conformità che si manifestano entro sei mesi dalla consegna del bene esistessero già a tale data, a meno che tale ipotesi sia incompatibile con la natura del bene o con la natura del difetto di conformità, il Servizio di Assistenza Tecnica Autorizzato Gias, verificato il diritto all'intervento, lo effettuerà senza addebitare il diritto fisso di intervento a domicilio, la manodopera ed i ricambi. Per contro, nel successivo periodo di diciotto mesi di vigenza della garanzia, sarà invece onere del consumatore che intenda fruire dei rimedi accordati dalla garanzia stessa provare l'esistenza del difetto di conformità del bene sin dal momento della consegna; nel caso in cui il consumatore non fosse in grado di fornire detta prova, non potranno essere applicate le condizioni di garanzia previste e pertanto il Servizio di Assistenza Tecnica Autorizzato Gias effettuerà l'intervento addebitando al consumatore tutti i costi relativi.

### ESTENSIONE DELLA GARANZIA FINO A 5 ANNI : come?

Le ricordiamo inoltre che sullo stesso certificato di garanzia convenzionale Lei troverà le informazioni ed i documenti necessari per prolungare la garanzia dell'apparecchio sino a 5 anni e così, in caso di guasto, non pagare il diritto fisso di intervento a domicilio, la manodopera ed i ricambi.

Per qualsiasi informazione necessitasse, La preghiamo rivolgersi al numero telefonico del Servizio Clienti 199 12 13 14 .

### ANOMALIE E MALFUNZIONAMENTI: a chi rivolgersi ?

Per qualsiasi necessità il centro assistenza autorizzato è a Sua completa disposizione per fornirLe i chiarimenti necessari; comunque qualora il Suo prodotto presenti anomalie o mal funzionamenti, prima di rivolgersi al Servizio Assistenza Autorizzato, consigliamo **vivamente** di effettuare i controlli indicati sopra.

### UN SOLO NUMERO TELEFONICO PER OTTENERE ASSISTENZA.

Qualora il problema dovesse persistere, componendo il "Numero Utile" sotto indicato, sarà messo in contatto direttamente con il Servizio Assistenza Tecnica Autorizzato che opera nella Sua zona di residenza. **NUMERO UTILE** Assistenza Tecnica **199.123.123** **Attenzione, la chiamata è a pagamento;** il costo verrà comunicato, tramite messaggio vocale, dal Servizio clienti dell'operatore telefonico utilizzato. Dettagli sono presenti sul sito internet [www.candy.it](http://www.candy.it)

### MATRICOLA DEL PRODOTTO. Dove si trova?

E' indispensabile che comunichi al Servizio Assistenza Tecnica Autorizzato la sigla del prodotto ed il numero di matricola (16 caratteri che iniziano con la cifra 3) che troverà sul certificato di garanzia oppure sulla targa matricola del prodotto (figura in ultima pagina). In questo modo Lei potrà contribuire ad evitare trasferte inutili del tecnico, risparmiando oltretutto i relativi costi.

## **Dichiarazione speciale**

---

Tutti i contenuti di questo manuale sono stati attentamente controllati. Tuttavia, il produttore non si assume responsabilità per errori od omissioni nella stampa. Inoltre, in un'eventuale revisione del manuale di istruzioni, potranno essere inserite modifiche tecniche senza preavviso. L'immagine del prodotto si riferisce a quello attuale.

---

**Estimado Cliente,**

deseamos darle las gracias por haber elegido la encimera de inducción CANDY, un producto que seguramente satisfará por muchos años sus exigencias.

Lea con atención este manual de instrucciones antes del uso y consérvelo con cuidado para poderlo consultar más adelante en caso de necesidad.

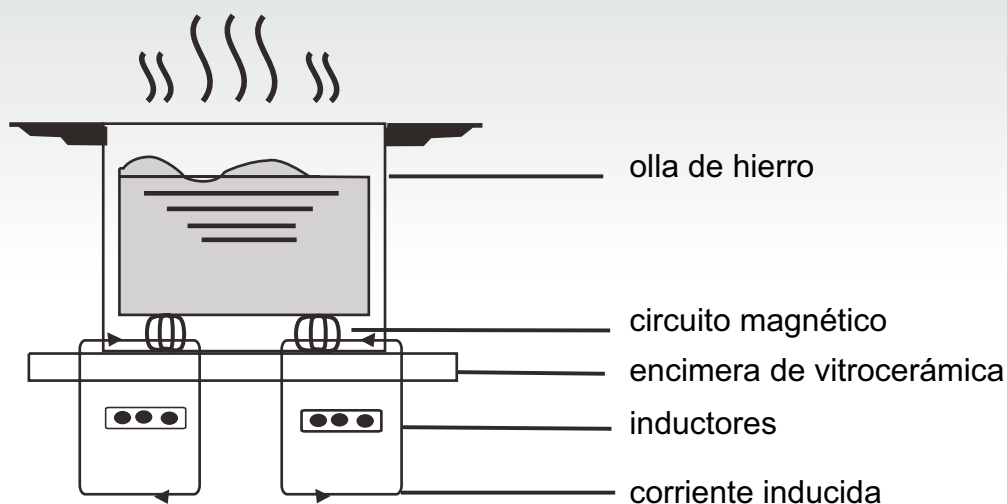
**Introducción**

La encimera de inducción es capaz de satisfacer las muchas exigencias que requieren una cocción a través de calentamiento electromagnético, gracias a un sistema de control multifunción y microcomputerizado, que le permiten ser la elección correcta para las familias modernas.

Realizado con materiales especiales, este electrodoméstico es extremadamente fácil de usar, resistente y seguro.

**Cómo funciona**

La encimera de inducción está formada por un serpentín eléctrico, por una lámina de material ferromagnético y por un sistema de control. La corriente eléctrica genera un potente campo electromagnético alrededor del serpentín. Esto produce una serie de ondas que generan el calor que luego se transmite de la superficie de la encimera al recipiente.



## Seguridad

Esta encimera se ha diseñado para uso doméstico.

Siempre atentos a mejorar nuestros productos, nos reservamos el derecho de aportar modificaciones relativas a eventuales nuevas evoluciones técnicas.

### ● Protección contra el sobrecalentamiento

Un sensor controla la temperatura al interior de la encimera. Si la temperatura supera el nivel de seguridad, la encimera se apaga automáticamente.

### ● Señal de objetos a contacto de la encimera

Si sobre la encimera se coloca una olla con un diámetro inferior a 80 mm., pequeños objetos (como cuchillos, tenedores, pinzas o llaves) o una olla no magnética (por ejemplo de aluminio), una señal acústica se dispara automáticamente y suena durante aproximadamente 1 minuto. Por lo tanto, si el problema persiste, la encimera se pone automáticamente en stand-by.

### ● Alarma calor residual

Cuando el uso de la encimera es prolongado en el tiempo, podría quedar calor residual. La letra "H" en el visor digital advierte que no hay que tocar la encimera.

### ● Protección a través de apagado automático

El apagado automático es una función de seguridad de su encimera de inducción, que se activa automáticamente si se olvida encendida. El apagado automático de la encimera depende del nivel de intensidad utilizada, como muestra la tabla a continuación:

Nivel de intensidad	La zona de cocción se apaga automáticamente después de
1-3	8 horas
4-6	4 horas
7-9	2 horas

Cuando, al final de la cocción, la olla se aparta, la encimera de inducción deja de calentar y, después de la señal acústica de 1 minuto de duración, se apaga.

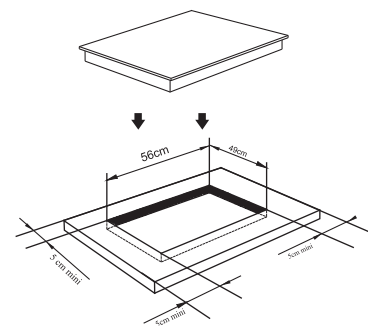
### Nota bien:

las personas que llevan marcapasos pueden usar este electrodoméstico solo bajo el control del propio médico.

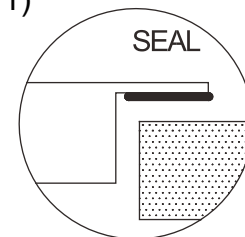
## Instalación

### Procedimiento de instalación

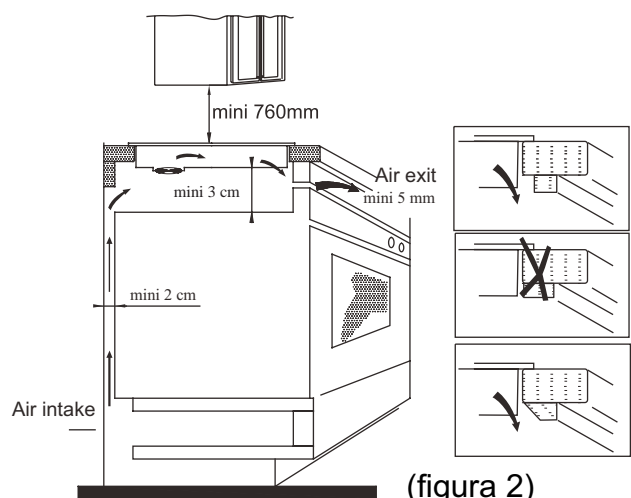
1. Hacer un taladro en la superficie del mueble, respetando las medidas indicadas en el dibujo; además, para una correcta instalación, tiene que existir un espacio libre de al menos 5 cm. alrededor de la superficie. Asegurarse de que el espesor del mueble en el que se va a empotrar la encimera sea de al menos 30 mm. y que el material del que está hecho sea resistente a las altas temperaturas para evitar que se deforme a causa del calor procedente de la encimera (figura 1).



(figura 1)



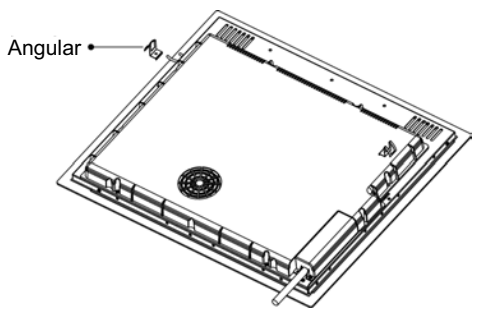
2. Asegúrese siempre de que la encimera de inducción esté bien firme en la superficie de apoyo y bien ventilado (figura 2).



(figura 2)

**Nota:** entre la encimera y el eventual elemento superior, tiene que haber un espacio de al menos 760 mm.

3. Después de posicionar la encimera, fijarla con cuatro angulares a la superficie de apoyo (como indicado en la figura). Luego regular cada angular en base al espesor de la superficie de apoyo.



**Precauciones**

- (1) La encimera de inducción tiene que ser instalada por personal técnico cualificado. No efectuar la instalación solos.
- (2) La encimera de inducción no ha de montarse sobre neveras, lavavajillas o lavadoras.
- (3) La encimera de inducción ha de instalarse de modo que se pueda asegurar la eliminación ideal del calor.
- (4) La pared y la zona de abajo de la encimera de inducción tienen que resistir al calor.
- (5) A fin de evitar daños, la fina película que pega la encimera a la superficie de apoyo tiene que resistir al calor.

**4. Conexiones eléctricas**

La conexión a la red eléctrica ha de ser realizada por personal cualificado y según las normas vigentes. Las modalidades de conexión de la encimera están indicadas en la figura 3.

Voltaje y frecuencia	Conexión eléctrica			
400V 2-N 50/60Hz	1 • L1 Negro	2 • L2 Marrón	3 — 4 — — N	5 ⏏ Amarillo/verde
220-240V 50/60Hz	1 — 2 — — L	3 — 4 — — N	5 ⏏ Amarillo/verde	

Comprobar que la instalación eléctrica esté dotada de una eficaz conexión a tierra según las normas y las disposiciones de ley. La toma a tierra es obligatoria.

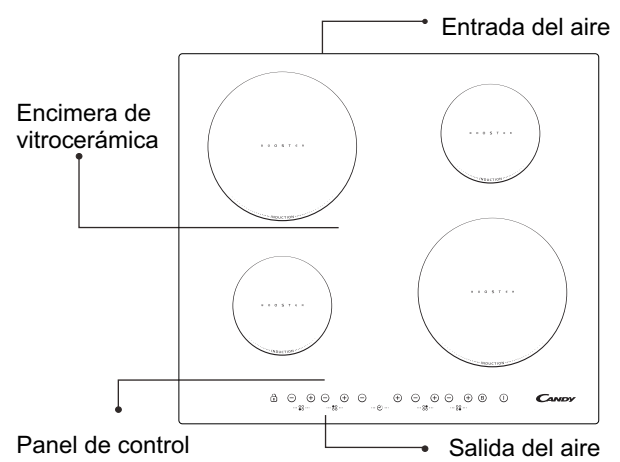
La Casa Constructora declina toda responsabilidad por eventuales daños a personas o a cosas derivadas por no observar esta norma.

Si el aparato está desprovisto de enchufe, aplicar en el cable un enchufe normalizado capaz de soportar la carga indicada en la placa.

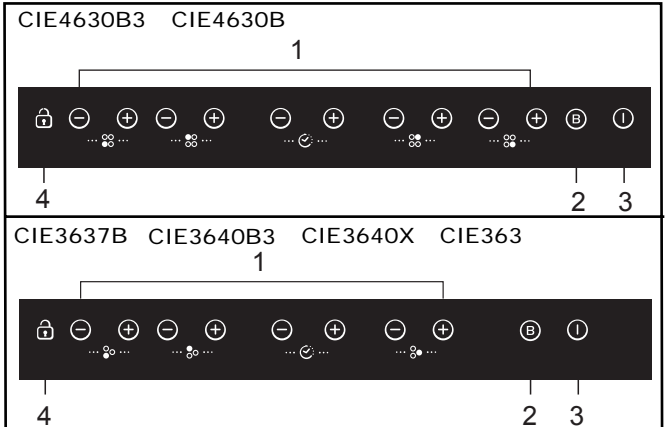
En caso de que se desea una conexión fija a la red, habrá que interponer, entre el aparato y la red, un dispositivo omnipolar de interrupción con distancia de los contactos de al menos 3 mm

Si el cable está dañado, tiene que ser sustituido solo por personal especializado. El cable no tiene que ser plegado o aplastado.

**Descripción de la encimera de inducción**



**Esquema del panel de control**



- 1.Regulación potencia
- 2.Boost
- 3.ON/OFF
- 4.Sistema de bloqueo

## Instrucciones para el uso

### Preparación antes del uso:

Enseguida después de encenderla, la encimera emite una señal acústica, todos los led destellan por 1 segundo señalando que la encimera está en stand-by.

Poner la olla encima de la zona de cocción seleccionada.

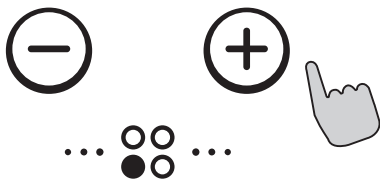


### Instrucciones de funcionamiento

Después de pulsar la tecla "ON/OFF", todos los led señalan el símbolo "-". Seleccionar la zona de cocción en la que se halla la olla; el led del nivel de potencia de la zona elegida destellará. Luego pulsar las teclas "+" o "-", el display indica 5 como estándar, regular con las teclas "+" o "-" el nivel de intensidad deseado. Pulsando simultáneamente la tecla "+" y la tecla "-", las configuraciones precedentes se ponen a cero y la zona de la encimera se apaga.

Ver la tabla a pág. 47 para la potencia específica de cada zona de cocción de la encimera.

**Nota** después de haber pulsado la tecla "ON/OFF", la encimera de inducción se queda en stand-by si no se efectúan otras operaciones dentro de 1 minuto.



### Función BOOST (cocción rápida)

Para tener una mayor rapidez de cocción, pulsar la tecla "BOOST" después de haber elegido la zona de la encimera, el display indicará "P".

#### Nota:

1. La duración de la función BOOST llega a un máximo de 5 minutos, pasado este tiempo la encimera vuelve a su configuración inicial.

2. La función Booster puede trabajar en todas las zonas
3. Al activarse la función Booster de la primera zona de cocción, la segunda zona es limitada por debajo del nivel 2 automáticamente y viceversa. Del mismo modo; al activarse la función Booster en la tercera zona, la cuarta zona baja automáticamente por debajo del nivel 2 y viceversa.

### Anulación de la función "BOOST"

Seleccionar la zona en la que está en función la modalidad BOOST, pulsar la tecla BOOST para borrar esta configuración. El nivel se pone en la potencia precedentemente configurada.

Si se presiona la tecla "-" durante la función BOOST se configura el nivel de potencia "9".



### Función programación

Al Pulsar de esta zona las teclas "+" o "-", el indicador correspondiente empezará a parpadear. Para activar la función tiempo pulsando las teclas "+" o "-" la selección de tiempo es entre 1 y 99 minutos. Pulsando la tecla "+" el tiempo se incrementará en un minuto. Manteniendo la tecla "+" el tiempo se incrementará en diez minutos. Si el tiempo elegido excede de los 99 minutos, volverá automáticamente a 0. La misma lógica para la tecla "-".



### Confirmación programación

1. Presionando las teclas "+" o "-" del programador, se puede ajustar el tiempo.
2. Cuando el indicador de tiempo ha parpadeado durante 5 segundos, la selección del tiempo se confirmará automáticamente.

### Cancelación programación

Si se presionan a la vez las teclas "+" y "-", el indicador marcará "0" y la programación será cancelada.

**Modo seguro:**

Para garantizar la seguridad de los niños, la placa de inducción está dotada con un mecanismo de bloqueo.

Para bloquear: pulsar la tecla de bloqueo, entonces la placa estará en el modo bloqueo, en el temporizador aparecerá "Lo" y el resto de las teclas quedarán inutilizables excepto la de "ON/OFF"

**Desbloqueando**

Mantén pulsado durante dos segundos la tecla de bloqueo y la placa volverá a funcionar con normalidad.

**Potencia máxima de cada zona de cocción**

Zona de cocción	CIE4630B3	CIE4630B	CIE3640B3	CIE3640X	CIE3637B	CIE363
	Normal	Boost	Normal	Boost	Normal	Boost
1	1200	1500	1200	1500	1200	1500
2	2300	3000	2300	2600	2300	2600
3	1200	1500	3000	4000	3000	3700
4	2300	3000	-----	-----	-----	-----

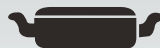
Las potencias indicadas pueden variar según el material del que está hecha la olla y de sus dimensiones.

**Selección de batería de cocina para la cocción**

paella de hierro para fritos



olla de acero inox



sartén de hierro



paella de hierro



hervidor de acero inoxidable esmaltado



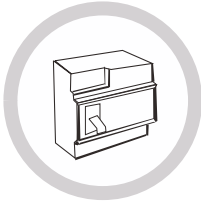
olla esmaltada



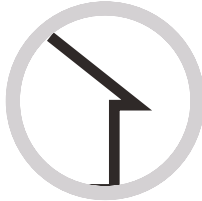
plato de hierro

- Hay muchos instrumentos adecuados para la cocción sobre encimera de inducción. Esta encimera es capaz de identificarlos y testarlos aplicando uno de los siguientes métodos:  
posicionar la olla en una zona de cocción. Si en el indicador de esta zona de cocción aparece un nivel de potencia, la olla es adecuada; en cambio, si aparece el símbolo "U", la olla no es adecuada a la cocción a inducción.
- Aplicar un imán en la olla: si el imán es traído por la olla, ésta última es adecuada a la cocción a inducción.  
**NB:** el fondo tiene que contener materiales que permiten la conducción magnética.  
La olla tiene que tener un fondo llano con un diámetro superior a 14 cm.
- Utilice ollas cuyo diámetro sea más grande que el gráfico de la zona seleccionada.  
Si se utiliza una olla ligeramente más ancha se empleará la energía con su eficiencia máxima.  
Si utiliza una olla más pequeña a la eficiencia podría ser inferior a la prevista.  
Una olla de menos de 140 mm podría no ser detectada por la placa

## Seguridad y mantenimiento



Utilizar un interruptor de alimentación de seguridad adecuada.



Solo para uso interno.



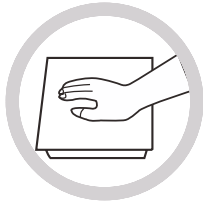
No lavar nunca directamente con agua la encimera de inducción



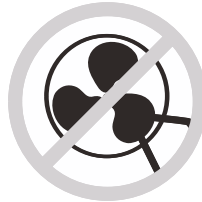
No usar nunca la olla vacía (sin comida por cocer al interior), porque se puede dañar y de todas formas es peligroso.



No calentar la comida empaquetada sin antes haber abierto la caja para evitar que esta última explote a causa de la dilatación debida al calor.



Después de utilizarla por mucho tiempo, la zona de cocción se queda muy caliente. Para evitar quemaduras, no tocar la superficie de la encimera.



Controlar periódicamente que, debajo de la encimera, la circulación del aire no esté obstruida (por ej. por vidrio, papel, etc.).



No dejar objetos metálicos como cuchillos, tenedores, cucharas y tapadoras sobre la encimera para evitar que se calienten a su vez.



No usar nunca la encimera de inducción cerca de calentadores de gas o de keroseno.



No guardar abrasivos, detergentes o materiales inflamables debajo de la encimera de inducción.



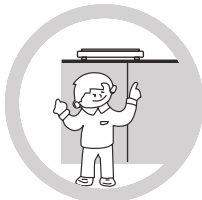
Si la superficie de la encimera se rompe, apagar todo para evitar una sacudida eléctrica.



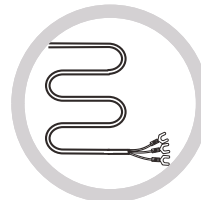
No usar ollas con el fondo rudo para evitar dañar la superficie de vitrocerámica de la encimera.



Limpiar regularmente la encimera para evitar que la suciedad se acumule y comprometa el buen funcionamiento del electrodoméstico.



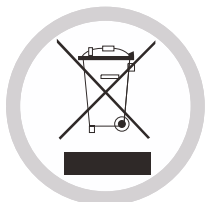
Mantener el electrodoméstico lejos del alcance de los niños o consentir el uso sólo con la supervisión de un adulto.



Si el cable de alimentación está dañado tiene que ser sustituido por personal técnico especializado.

Este aparato no esta destinado a ser usado por niños, personas discapacitadas o inexpertas en su uso a no ser que sean vigiladas o instruidas sobre el uso del aparato por una persona responsable de su seguridad.

Vigile a los niños de manera que se asegure que no juegan con el aparato.



**ATENCIÓN:** no eliminar este producto entre los desechos domésticos. Tiene que ser eliminado separadamente.

Este electrodoméstico se ha producido según la directiva europea 2002/96/EC sobre la eliminación de los equipos eléctricos y electrónicos. Respetando las directivas impuestas sobre la eliminación de este dispositivo, se ayuda a prevenir eventuales daños al medioambiente y a la salud provocados por una eliminación equivocada.

Este símbolo indica que el producto no se puede eliminar como los normales desechos domésticos, sino a través de los centros de reciclaje de material eléctrico y electrónico.

Para más información sobre el tratamiento, la eliminación y el reciclaje de este producto, contactar con el servicio eliminación desechos local o dirigirse a la tienda donde se compró el artículo.



## Limpieza y mantenimiento

La superficie de la encimera se puede limpiar de la siguiente manera:

Tipo de suciedad	Cómo limpiar	Utensilio a usar para limpiar
poco sucio	con agua calda; después secar	esponja
muy sucio	con agua caliente y secar con una esponja abrasiva específica para vitrocerámica	esponja especial para vitrocerámica
incrustaciones	verter vinagre blanco sobre la incrustación y limpiar con un paño suave, o usar un detergente específico	hoja adhesiva específica para vitrocerámica
azúcar, plástico o aluminio disueltos	Para eliminar los residuos usar una rasqueta adecuada para vitrocerámica (para proteger el vidrio, es mejor usar un producto a base de silicona)	hoja adhesiva específica para vitrocerámica

**Nota:** desconectar el electrodoméstico antes de limpiarlo.

## Aviso avería y control

Si ocurre una anomalía, la encimera de inducción conecta automáticamente una función de protección y en el display aparecen los siguientes códigos:

Problema	Posibles causas	Solución
F0/F1/F2	avería al ventilador	contactar al proveedor
F3-F8	avería al sensor de la temperatura	contactar al proveedor
E1/E2	tensión eléctrica anómala	controlar que haya alimentación eléctrica. Después de esta comprobación, encender otra vez el aparato
E3/E4	temperatura anómala	controlar la olla
E5/E6	irradiación del calor insuficiente	volver a encender el aparato después de que se haya enfriado

Esta es una lista de las averías más comunes.

No desmontar la encimera de inducción solos para evitar peligros y provocar daños mayores.

## SERVICIO ATENCIÓN AL CLIENTE

### Antes de contactar al Servicio Atención Clientes

En caso de que el producto no funcione, aconsejamos:

- comprobar si el enchufe está correctamente introducido en la toma de corriente.
- comprobar la tabla averías de arriba.

En caso de no localizar la causa del funcionamiento incorrecto:

apagar el aparato, no modificarlo y llamar al Servicio de Asistencia Técnica.

## **Declaración especial**

---

Todos los contenidos de este manual han sido atentamente controlados. Sin embargo, el productor no se asume responsabilidades por errores u omisiones en la impresión.

Además, en una eventual revisión del manual de instrucciones, se podrán introducir modificaciones técnicas sin aviso previo. La imagen del producto se refiere al modelo actual.

---

## Arvoisa Asiakas,

Haluamme kiittää sinua siitä, että olet valinnut CANDYn induktiokeittotason. Tuotteen, josta on sinulle iloa vuosiksi eteenpäin.

Lue tämä ohjekirja huolellisesti ennen käyttöä ja säilytä se mahdollista tulevaa tarvetta varten.

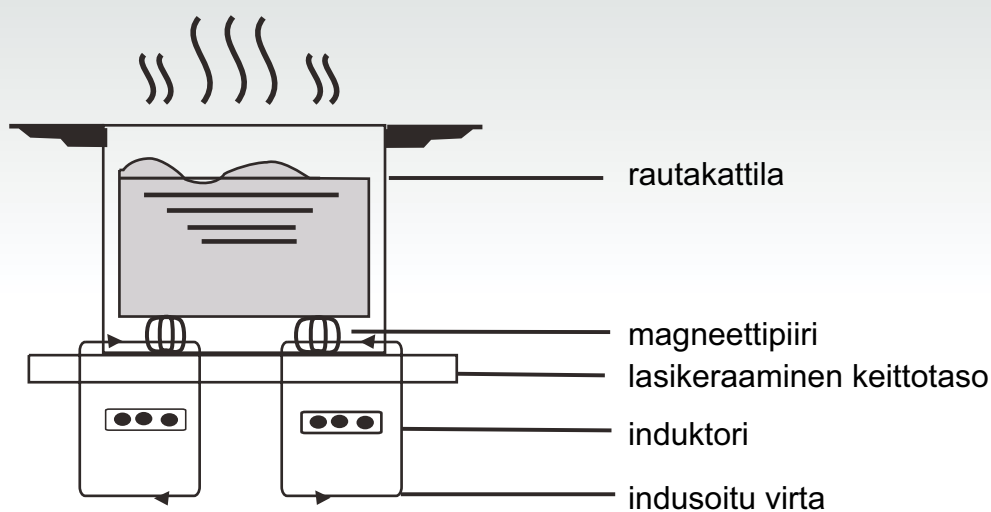
## Johdanto

Induktiokeittotaso pystyy täyttämään kaikki tarpeet, jotka vaativat keittämistä sähkömagneettisen lämmityksen avulla. Kiitos monitoimisen ja mikrotietokoneistetun ohjausjärjestelmän, tämä on oikea valinta nykyaikaisille perheille.

Tämä keittotaso on valmistettu erityismateriaaleista ja sitä on erittäin helppo käyttää ja lisäksi se on kestävä ja varma.

## Toiminta

Induktiokeittotaso koostuu sähkökierukasta, rautamagneettisesta laatasta ja ohjausjärjestelmästä. Sähkövirta tuottaa voimakkaan sähkömagneettisen kentän kierukan ympärillä. Tämä tuottaa sarjan aaltoja, jotka tuottavat lämpöä ja tämä lämpö vuorostaan siirtyy keittoastiaan keittotason välityksellä.



## Turvallisuus

Olemme suunnitelleet tämän keittotason kotitalouskäyttöön.

Olemme aina valmiita parantamaan tuotteitamme ja siksi varaamme oikeuden tehdä tekniseen kehitykseen liittyviä muutoksia.

### ● Ylikuumenemissuoja

Sensori kontrolloi lämpötilaa keittotason sisässä. Jos lämpötila ylittää turvatason, levy sammuu automaattisesti.

### ● Ilmoitus keittolevyllä olevista esineistä

Jos levyllä laitetaan kattila, jonka halkaisija on alle 80 mm tai pieniä esineitä (kuten veitsiä, haarukoita, avaimia) tai ei magneettinen kattila (esim. alumiinista valmistettu), akustinen ilmoitus laukeaa automaattisesti ja soi noin 1 minuutin ajan. Jos ongelma jatkuu, keittotaso menee automaattisesti valmiustilaan.

### ● Jälkilämmön hälytys

Kun keittolevyä käytetään pidemmän aikaa, saattaa jäädä jälkilämpöä. Näytössä näkyvä kirjain "H" varoittaa koskemasta keittotasoon.

### ● Suoja automaattisammutuksella

Automaattisammutus on yksi induktiokeittotason suojatoimista. Automaattisammutus aktivoituu automaattisesti, jos keittotaso on unohdettu päälle. Keittotason automaattisammutus riippuu käytetystä tehosta, kuten käy ilmi seuraavasta taulukosta:

Tehotaso	Aika, jonka jälkeen keittoalue sammuu automaattisesti
1-3	8 tuntia
4-6	4 tuntia
7-9	2 tuntia

Kun lopuksi kattila otetaan pois, induktiokeittotaso ei enää lämmitä ja 1 minuutin pituisen, akustisen merkinannon jälkeen keittotaso sammuu.

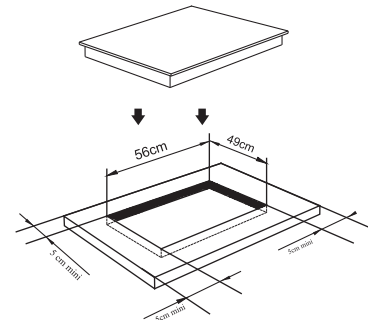
### Huomio

Sydämentahdistinta käyttävät henkilöt voivat käyttää tätä kotitalouskonetta ainoastaan lääkärin seurannassa.

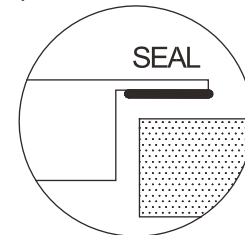
## Asennus

### Asennuksen suoritus

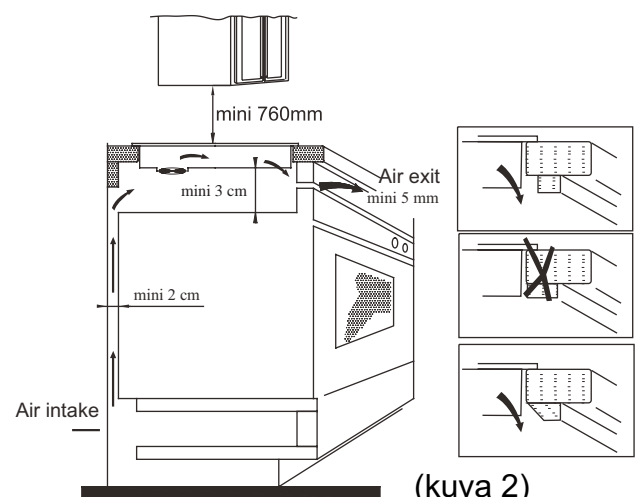
1. Tee reikä huonekalun pintaan kuvassa annettuja mittoja noudattaen. Oikea asennus vaatii vähintään 5 cm tilan tason ympärille. Varmista, että tuki johon taso upotetaan, on vähintään 30 mm paksu ja että sen valmistusmateriaali kestää korkeita lämpötiloja. Näin vältetään, ettei keittotason tuottama lämpö vääristä tuen muotoa (kuva 1).



(kuva 1)



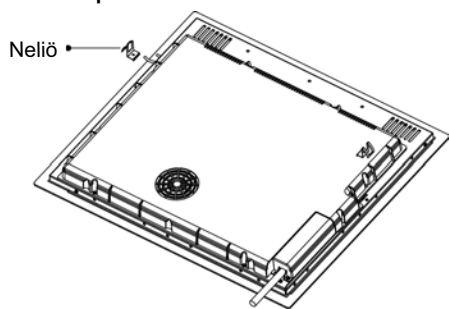
2. Varmista aina, että induktiokeittotaso on lujasti kiinni tukitasossa ja hyvin tuuletettu (kuva 2).



(kuva 2)

**Huomio:** keittotason ja sen yläpuolella mahdollisesti olevan elementin välillä on oltava ainakin 760 mm:n tila.

3. Asetettuasi keittotason, kiinnitä se tukitasoon neljällä neliöllä (kuten kuvassa). Säädä sitten jokainen neliö tukitason paksuuden mukaan.



### Varoimenpiteet

- (1) Induktiokeittotason saa asentaa ainoastaan tehtävään koulutettu henkilökunta. Älä asenna itse.
- (2) Induktiokeittotaso ei saa asentaa jääkaappien, astianpesukoneiden tai kuivaajien päälle.
- (3) Induktiokeittotaso tulee asentaa niin, että voidaan taata optimaalinen käytettävissä oleva lämpö.
- (4) Keittotason alapuolella olevien seinien ja alueiden on oltava lämmönkestäviä.
- (5) Keittotason tukitasoon kiinnittävän ohuen kalvon on oltava lämmönkestävää vaurioiden välttämiseksi.

### 4. Sähkökytkennät

Kytkenään sähköverkkoon saa suorittaa ainoastaan tehtävään koulutettu henkilökunta ja kytkentä on tehtävä voimassaolevia normeja noudattaen. Keittotason kytkentätavat on annettu kuvassa 3:

Jännite ja taajuus	Sähkökytkentä			
400V 2-N 50/60Hz	1 • L1	2 • L2	3 — 4 N	5 ⏏ Keltainen/ Vihreä
220-240V 50/60Hz	1 — 2 L	3 — 4 N	5 ⏏ Keltainen/ Vihreä	

Varmista, että sähkölaitteisto on varustettu tehokkaalla maattokytkenällä säädösten ja määräysten mukaan. Maadoitus on pakollista.

Valmistaja ei ole vastuussa vahingoista henkilöille tai esineille, jotka johtuvat tämän säädöksen noudattamatta jättämisestä.

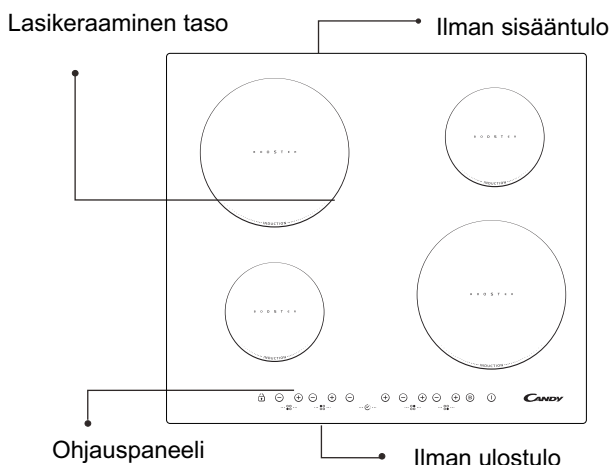
Jos laitteesta puuttuu pistoke, liitä kaapeliin standardisoitu pistoke, joka kestää kilvessä ilmoitetun kuormituksen.

Jos halutaan kiinteä liitäntä verkkoon, on laitteen ja verkon välille asennettava moninapainen katkaisin, jonka kontaktien väli on ainakin 3 mm.

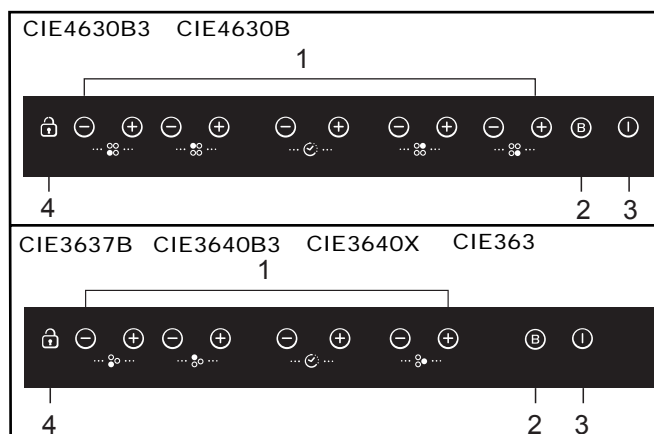
Jos kaapeli on vaurioitunut, saa sen vaihtaa ainoastaan tehtävään pätevä henkilökunta.

Kaapeli ei saa taittaa tai litistää.

### Induktiokeittotason kuvaus



### Ohjauspaneelin kaavio



1. Tehon säätö
2. Boost
3. ON/OFF
4. Turvalukituksen painike

# Käyttöohjeet

## Valmistelut ennen käyttöä:

Heti keittotason sytyttämisen jälkeen kuuluu akustinen signaali ja kaikki valodiodit vilkkuvat 1 sekunnin ajan osoittaen keittotason olevan valmiustilassa. Aseta kattila valitulle keittoalueelle

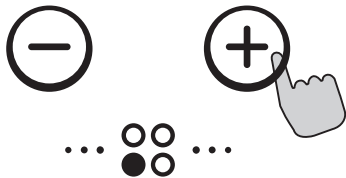


## Toimintaohjeet

Painikkeen "ON/OFF" painamisen jälkeen kaikki valodiodit näyttävät merkkiä "-". Valitse keittoalue, jossa kattila on. Valitun alueen tehotason valodiodi vilkkuu. Paina painikkeita "+" tai "-", näytössä näkyy standardiasetuksena 5. Säädä painikkeilla "+" tai "-" haluttu tehotaso. Painamalla yhtä aikaa painikkeita "+" ja "-", aikaisemmat asetukset nollataan ja keittotason alue sammuu.

Katso taulukosta sivulla 55 keittotason eri alueiden tehot.

**Huomio:** painettuasi painiketta "ON/OFF", induktiokeittotaso pysyy valmiustilassa jos mitään toimenpiteitä ei tehdä 1 minuuttiin.



## BOOST-toiminto (pikalämmitys)

Keittämisen nopeuttamiseksi, paina painiketta "BOOST" valittuasi keittoalueen. Näytössä näkyy "P".

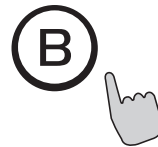
### Huomio:

1. BOOST-toiminto kestää korkeintaan 5 minuuttia, jonka jälkeen keittotaso palaa alkuasetuksiin.

2. Tehostintoiminto toimii kaikilla keittoalueella
3. Kun tehostintoiminto on käytössä ensimmäisellä keittoalueella, toisen keittoalueen teho laskee automaattisesti tasolle 2 ja päinvastoin. Kun tehostintoiminto on käytössä kolmannella keittoalueella, neljännen keittoalueen teho laskee automaattisesti tasolle 2 ja päinvastoin.

## "BOOST"-toiminnon peruutus

Kun BOOST toiminto on valittuna, valitse kolmas (oikealla, takana) keittoalue ja paina BOOST -painiketta tai "-" -painiketta peruuttaaksesi BOOST -toiminnon. Keittoalue palautuu nyt alkuperäiseen asetukseen.



## Ajastus

Paina kyseessä olevan keittoalueen "+" tai "-" painiketta, jolloin vastaava merkkivalo alkaa vilkkua. Aktivoidaksesi ajastuksen paina "+" tai "-" painiketta, ajastusmahdollisuus on 1 – 99 min. Painamalla "+" painiketta kerran, aika lisääntyy yhdellä minuutilla. Jatkamalla "+" painikkeen painamista, aika lisääntyy 10 minuutilla. Mikäli aika-asetus ylittää 99 min, ajastus palaa automaattisesti "0" minuuttiin. Käytäntö on sama "-" painikkeella.



## Ajastuksen vahvistus

1. Painamalla "+" tai "-" painiketta, ajastus voidaan nyt asettaa.
2. Kun ajastuksen merkkivalo on vilkkunut 5 sekunnin ajan, asetettu aika on automaattisesti vahvistettu.

## Ajastuksen peruutus

Painamalla "+" ja "-" painikkeita samanaikaisesti, näytössä näkyy "0" ja ajastus on peruutettu.

## Turvatoiminto

lasten turvallisuuden vuoksi, induktiokeittotaso on varustettu lukituslaitteella.

Lukitaksesi paina lukituspainiketta (Interlock): keittotaso lukittuu, ajastimen näytössä näkyy symboli "Lo" ja kaikki muut toiminnot ovat poissa päältä.

## Lukituksen avaaminen

Pidä lukituslaitteen (Interlock) painiketta painettuna 3 sekunnin ajan.



## Keittoalueiden maksimiteho

Keittoalue	CIE4630B3	CIE4630B	CIE3640B3	CIE3640X	CIE3637B	CIE363
	Normaali	Boost	Normaali	Boost	Normaali	Boost
1	1200	1500	1200	1500	1200	1500
2	2300	3000	2300	2600	2300	2600
3	1200	1500	3000	4000	3000	3700
4	2300	3000	-----	-----	-----	-----

Annetut tehot voivat vaihdella kattilan valmistusmateriaalin ja mittojen mukaan.

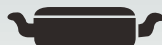
## Kattiloiden valinta



valurautapaistinpannu  
paistettuja ruokia varten



teräskattila



valurautakasari



valurautapannu



emaloitu teräskeitin



emalikattila



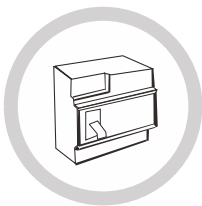
valurauta-astia

1. On olemassa laaja valikoima sopivia astioita käytettäväksi induktiokeittotasolla. Tämä keittotaso tunnistaa ne ja testaa ne käyttämällä yhtä seuraavista tavoista: Aseta kattila keittoalueelle. Jos keittoalueen näyttöön ilmestyy teho, kattila on sopiva. Jos taas ilmestyy symboli "Lo", kattila ei sovi induktiokeittotasolle.
2. Laita magneetti kattilaan. Jos kattila vetää magneettia puoleensa, on kattila sopiva käytettäväksi induktiokeittotasolla.

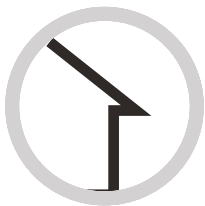
**HUOM:** Kattilan pohjan on oltava materiaalista, joka mahdollistaa magneettisen induktion.

Kattilan pohjan on oltava tasainen ja halkaisijan on oltava yli 14 cm.

## Turvallisuus ja huolto



Käytä syöttöä varten olevaa turvakytintä.



Ainoastaan sisäkäyttöön.



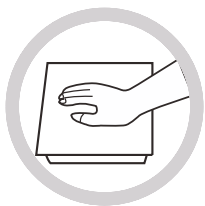
Älä ikinä pese suoraan vedellä induktiokeittotasoa.



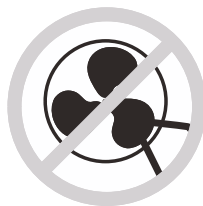
Älä ikinä käytä tyhjää kattilaa (ilman, että kattilassa on valmistettavaa ruokaa), koska kattila saattaa vahingoittua ja tämä on muutenkin vaarallista.



Älä lämmitä pakkauksissa olevia ruokia ilman, että avaat ne ensin. Näin vältät, etteivät pakkaukset räjähdä lämpölaajenemisesta johtuen.



Pitkän käytön jälkeen keittoalue pysyy hyvin lämpimänä. Palovammojen välttämiseksi, älä koske keittotason pintaa.



Tarkista säännöllisesti, että keittotason alla ilma pääsee kiertämään vapaasti (ettei tukkeena ole esim. lasia, paperia ym.).



Älä jätä keittotasolle metalliesineitä kuten veitsiä, haarukoita, lusikoita tai kattilan kansia, koska ne saattavat kuumentua.



Älä ikinä käytä sähköistä keittotasoa kaasukeittimien tai kerosiini­lämmittimien lähellä.



Älä säilytä induktiokeittotason alla puhdistusaineita, pesuaineita tai syttyviä materiaaleja.



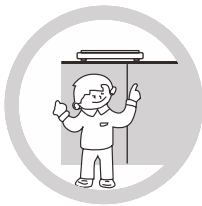
Jos keittotason pinta hajoaa, sammuta kaikki välttääksesi saamasta sähköiskua.



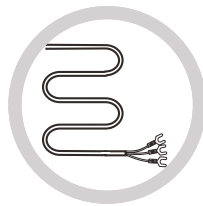
Älä käytä karkeapohjaisia kattiloita, koska ne saattavat vahingoittaa keittotason lasikeraamista pintaa.



Puhdista keittotaso säännöllisesti välttääksesi lian kasaantumista ja että laitteen hyvä toiminta heikkenisi.



Pidä laite lasten ulottumattomissa tai anna lasten käyttää ainoastaan aikuisen valvonnassa.



Jos syöttöjohto on vahingoittunut, tehtävään koulutettu tekninen henkilökunta saa vaihtaa sen.

Laitetta ei ole tarkoitettu lasten tai sellaisten henkilöiden käyttöön, joiden fyysinen tai henkinen toimintakyky on rajoittunut tai joilla ei ole kokemusta tai tietoa laitteen käytöstä, muuten kuin heidän turvallisuudestaan vastaavan henkilön valvonnassa ja ohjauksessa.

Pikkulapsia on valvottava, etteivät he pääse leikkimään laitteella.



**HUOMIO:** älä hävitä tätä laitetta yleisjätteen seassa. Laite on hävitettävä erikseen.

Lisätietoja hävittämisestä ja kierrätyksestä saa paikallisilta jätteiden hävityksestä vastaavilta viranomaisilta tai siitä liikkeestä, josta tuote on ostettu.

Tämä kodinkone on valmistettu sähkö- ja elektronisten laitteiden hävitystä koskevan direktiivin 2002/96/EC mukaan.

Laitteen hävittäminen direktiivejä noudattaen auttaa ehkäisemään ympäristölle ja terveydelle aiheuttamia vahinkoja, jotka olisivat mahdollisia jos laite hävitettäisiin muulla tavalla.

Tämä symboli osoittaa, että tuotetta ei voi hävittää tavallisten kotitalousjätteiden seassa, vaan se on toimitettava sähkö ja elektronisten laitteiden kierrätyskeskukseen.



## Puhdistus ja huolto

Keittotason pinta on puhdistettava seuraavalla tavalla:

Likatyyppi	Miten puhdistetaan	Puhdistukseen käytettävä väline
vähän likainen	kuumalla vedellä, kuivaa sen jälkeen	sieni
erittäin likainen	kuumalla vedellä ja kuivaa sitten lasikeramiikalle tarkoitettulla hankaussienellä.	lasikeramiikalle tarkoitettu erikoissieni
pinttynyt lika	Kaada vaaleaa etikkaa kohtiin, joissa on pinttynyttä likaa ja puhdistu pehmeällä rievulla tai käytä tähän tarkoitukseen olevaa puhdistusainetta.	lasikeramiikalle tarkoitettu tarrapaperi
sulanut sokeri, muovi tai alumiini	poistaaksesi jäänteet käytä lasikeramiikalle tarkoitettua raappaa (lasin suojelemiseksi on parempi käyttää silikonipohjaista tuotetta).	lasikeramiikalle tarkoitettu tarrapaperi

**Huomio:** kytke kodinkone irti ennen puhdistamista.

## Vikailmoitus ja tarkistus

Vian ilmetessä induktiokeittotaso laittaa päälle automaattisesti suojaominnon ja näytössä näkyvät seuraavat koodit:

Ongelma	Mahdolliset syyt	ratkaisu
F0/F1/F2	vika tuulettimessa	ota yhteyttä myyjään
F3-F8	lämpötila-anturissa vika	ota yhteyttä myyjään
E1/E2	normaalista poikkeava sähköjännite	tarkista sähkön syöttö ja tämän jälkeen laita laite uudelleen päälle.
E3/E4	normaalista poikkeava lämpötila	tarkista kattila
E5/E6	riittämätön lämmön säteily	sytytä laite uudestaan sen jälkeen kun se on jäähtynyt

Tämä on luettelo yleisimmistä vioista.

Vältäaksesi vaarat ja välttääksesi aiheuttamasta isompia vahinkoja, älä purkaa itse induktiokeittotasoa.

## ASIAKASPALVELU

### Ennen tekniseen tukeen soittamista

Jos laite ei toimi suosittlemme:

- tarkistamaan, että pistoke on kunnolla laitettu pistorasiaan;
- tarkistamaan yllä annetun taulukon yleisimmistä vioista.

Jos vian syytä ei löydy:

sammuta laite ja soita tekniseen tukeen.

## **Eritysilmoitus**

---

Tämän käsikirjan sisältö on tarkastettu huolella. Valmistaja ei ole vastuussa painossa tapahtuneista virheistä tai puuttuvista osista.

Lisäksi ohjekirjan tarkistuksen yhteydessä, mahdolliset tekniset muutokset voidaan lisätä ilman etukäteisilmoitusta. Tuotteen kuva viittaa tämänhetkiseen tuotteeseen.

---

## Sehr geehrter Kunde!

Wir danken Ihnen für den Kauf des CANDY Induktions-Kochfeldes. Dieses Produkt wird Ihren Ansprüchen sicherlich viele Jahre lang gerecht werden.

Lesen Sie dieses Handbuch vor der Verwendung aufmerksam durch und bewahren Sie es sorgfältig auf, damit es im Bedarfsfall auch in Zukunft konsultiert werden kann.

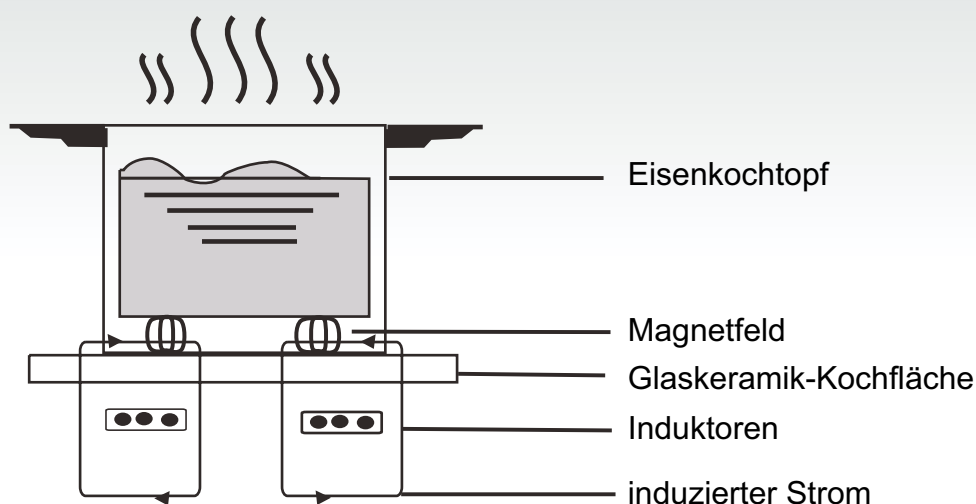
## Einleitung

Dank eines Multifunktions-Kontrollsystems mit Mikrocomputer ist das Induktions-Kochfeld imstande, zahlreichen Kocharten durch elektromagnetische Erhitzung gerecht zu werden: Die richtige Wahl für moderne Familien.

Dieses Elektrohaushaltsgerät wurde aus speziellen Materialien hergestellt, es gewährleistet einfachste Handhabung und ist widerstandsfähig und sicher.

## Funktionsprinzip

Das Induktions-Kochfeld besteht aus einer Magnetspule, einer Platte aus ferromagnetischem Material und einem Kontrollsystem. Der elektrische Strom erzeugt ein starkes elektromagnetisches Feld um die Magnetspule. Dies führt zur Entstehung einer Reihe von Wellen, die Wärme erzeugen, die in der Folge von der Kochfeldoberfläche auf den Kochtopf übertragen werden.



## Sicherheit

Dieses Kochfeld wurde für die Verwendung im Haushalt entwickelt.

Wir legen stets größten Wert darauf, unsere Produkte zu verbessern und behalten uns das Recht vor, infolge neuer technischer Entwicklungen Änderungen vorzunehmen.

### Überhitzungsschutz

Ein Sensor kontrolliert die Temperatur innerhalb der Kochzone. Wenn die Temperatur das Sicherheitsniveau überschreitet, schaltet sich die Kochzone automatisch ab.

### Meldung von Gegenständen auf dem Kochfeld

Wenn ein Kochtopf mit einem Durchmesser von weniger als 80 mm, kleine Gegenstände (wie Messer, Gabeln, Schlüssel) oder ein nicht magnetischer Kochtopf (beispielsweise aus Aluminium) auf die Kochzone gestellt bzw. gelegt werden, kommt es zur automatischen Auslösung eines akustischen Signals, das etwa 1 Minute lang ertönt. Wenn das Problem nicht behoben wird, geht das Induktionskochfeld automatisch in den Standby-Betrieb über.

### Restwärme-Alarm

Wenn das Kochfeld für einen langen Zeitraum verwendet wird, könnte Restwärme vorhanden sein. Der Buchstabe „H“ auf dem Display warnt davor, die Oberfläche zu berühren.

### Schutz durch automatische Ausschaltfunktion

Die Selbstausschaltung ist eine weitere Sicherheitsfunktion Ihres Induktions-Kochfeldes, die automatisch eingreift, wenn Sie vergessen, die Kochmulde auszuschalten. Die automatische Ausschaltung des Kochfeldes hängt von der verwendeten Intensitätsstufe ab, siehe unten stehende Tabelle:

Intensitätsstufe	Der Kochbereich schaltet sich automatisch aus nach
1-3	8 Stunden
4-6	4 Stunden
7-9	2 Stunden

Wenn der Kochtopf nach beendeter Garzeit entfernt wird, erhitzt sich das Induktions-Kochfeld nicht mehr und nach dem akustischen Signal, das 1 Minute lang dauert, schaltet es sich aus.

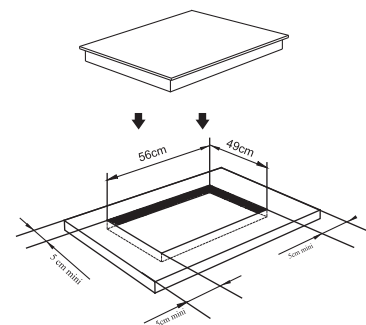
### Hinweis:

Personen mit Herzschrittmacher dürfen dieses Elektrohaushaltsgerät nur unter Aufsicht ihres Arztes verwenden.

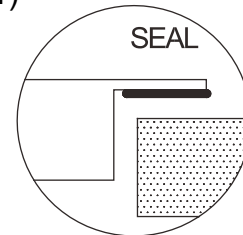
## Installation

### Vorgangsweise bei der Installation

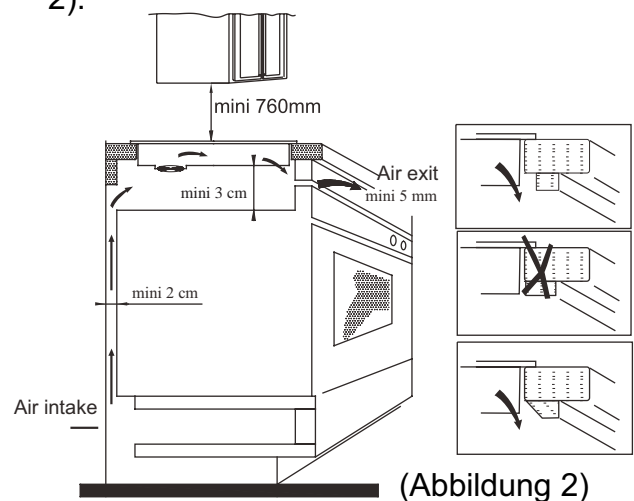
- Die Möbeloberfläche gemäß den Angaben auf der Zeichnung bohren; zur korrekten Installation muss rund um das Kochfeld ein Freiraum von mindestens 5 cm eingeplant werden. Sicherstellen, dass die Basis, in die die Kochmulde eingebaut wird, mindestens 30 mm dick ist und dass das Basismaterial hohen Temperaturen standhält, um zu vermeiden, dass diese sich durch die vom Kochfeld erzeugte Hitze verformt (Abb. 1).



(Abb. 1)



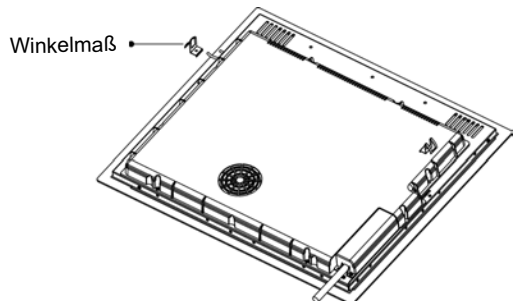
- Stets sicherstellen, dass das Induktions-Kochfeld fest auf der Auflagefläche aufliegt und es gut belüftet ist (Abbildung 2).



(Abbildung 2)

**Hinweis:** Zwischen Kochfeld und eventuell darüber befindlichen Elementen muss ein Freiraum von mindestens 760 mm vorgesehen sein.

- Nachdem das Kochfeld korrekt eingesetzt wurde, mit vier Winkelmaßen an der Auflagefläche befestigen (siehe Abbildung). Dann jedes einzelne Winkelmaß je nach Dicke der Auflagefläche einstellen.



### Vorsichtsmaßnahmen

- Das Induktions-Kochfeld muss von technischem Fachpersonal installiert werden. Nehmen Sie die Installation nicht alleine vor.
- Das Induktions-Kochfeld darf nicht auf Kühlschränken, Geschirrspülmaschinen oder Waschmaschinen montiert werden.
- Das Induktions-Kochfeld muss so installiert werden, dass eine optimale Hitzeabfuhr gewährleistet ist.
- Die Wand und der Bereich unter dem Induktions-Kochfeld müssen hitzefest sein.
- Um Schäden zu vermeiden muss die dünne Folie, mit der das Kochfeld an die Auflagefläche geklebt ist, hitzefest sein.

### 4. Elektrischer Anschluss

Der Anschluss an das Stromnetz muss von Fachpersonal und gemäß den geltenden Vorschriften vorgenommen werden. Die Anschlüsse für das Kochfeld sind auf Abbildung 3 dargestellt.

Spannung und Frequenz	Elektrischer Anschluss			
400V 2-N 50/60Hz	1 L1 Schwarz	2 L2 Braun	3 4 N Grau und Blau	5 Gelb/Grün
220-240V 50/60Hz	1 2 L Schwarz und Braun		3 4 N Grau und Blau	5 Gelb/Grün

Sichergehen, dass die elektrische Anlage gemäß den Vorschriften und gesetzlichen Bestimmungen über einen wirksamen Erdschluss verfügt. Die Erdung ist obligatorisch.

Die Herstellerfirma übernimmt keine Haftung für etwaige Schäden an Personen oder Sachen, die durch die Nichtbeachtung dieser Vorschrift verursacht wurden.

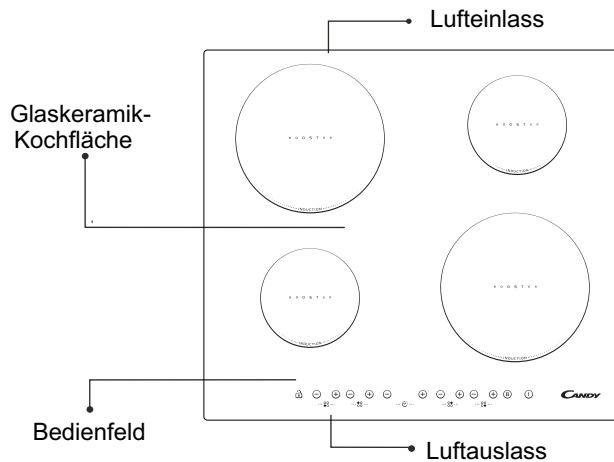
Wenn das Gerät über keinen Stecker verfügt, am Kabel einen genormten Stecker anbringen, der die auf dem Kennschild angegebene Last aushalten kann.

Ist ein fester Netzanschluss gewünscht, muss zwischen Gerät und Stromnetz eine allpolige Ausschaltvorrichtung geschaltet werden; der Abstand zwischen den Kontakten muss mindestens 3 mm betragen.

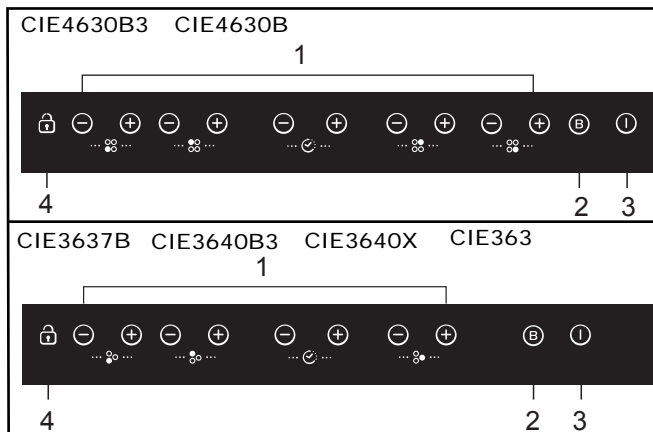
Beschädigte Kabel dürfen nur von Fachpersonal ausgetauscht werden.

Das Kabel darf nicht geknickt oder gequetscht werden.

### Beschreibung des Induktions-Kochfeldes



### Schematische Darstellung des Bedienfeldes



1. Taste Leistungsregelung
2. Boost
3. ON/OFF
4. Taste Sicherheitssperre

# Gebrauchsanleitung

## Vorbereitung vor der Verwendung:

Unmittelbar nach dem Einschalten gibt das Kochfeld ein akustisches Signal ab, alle LEDs blinken 1 Sekunde lang und zeigen damit an, dass sich das Kochfeld im Standby-Betrieb befindet.

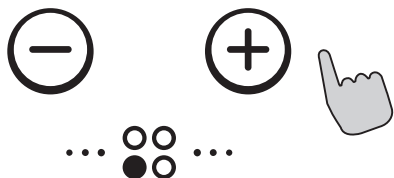
Den Kochtopf auf die gewählte Kochzone stellen.



## Betriebsanleitung

Nach Betätigung der "ON/OFF"-Taste zeigen alle LEDs das Symbol "-" an. Die Kochzone wählen, auf der sich der Kochtopf befindet; die LED für die Leistungsstufe der gewählten Zone blinkt. Dann die Tasten "+" oder "-" drücken; das Display zeigt als Standard 5 an, die gewünschte Intensitätsstufe mit den Tasten "+" und "-" einstellen. Durch gleichzeitige Betätigung der Tasten "+" und "-" werden die vorherigen Einstellungen nullgestellt und die Kochzone schaltet sich aus. Für die spezifische Leistung jeder Kochzone siehe die Tabelle auf Seite 63.

**Hinweis:** Nach Betätigung der "ON/OFF"-Taste bleibt das Induktions-Kochfeld im Standby-Betrieb, wenn innerhalb von 1 Minuten keine weitere Betätigung erfolgt.



## BOOST-Funktion (Schnellgarfunktion)

Für schnelleres Garen nach Wahl der Kochzone die "BOOST"-Taste drücken, das Display zeigt in der Folge "P" an.

### Hinweis:

1. Die Dauer der BOOST-Funktion beträgt maximal 5 Minuten, danach kehrt das Kochfeld wieder zu ihrer anfänglichen Einstellung zurück.
2. Die Boosterfunktion (Powerstufe) kann bei allen Kochzonen zugeschaltet werden.

3. Wenn also die Boosterfunktion für die erste Kochzone eingeschaltet ist, reduziert sich die Leistung der zweiten Kochzone automatisch auf Stufe 2 und umgekehrt. Wenn die Boosterfunktion für die dritte Kochzone eingeschaltet ist, reduziert sich die Leistung der vierten Kochzone automatisch auf Stufe 2 und umgekehrt.

## Nullstellung der "BOOST"-Funktion

Die Zone wählen, die mit dem BOOST-Modus arbeitet und die BOOST-Taste drücken, um diese Einstellung zu löschen. Die Leistung kehrt wieder zur vorherigen Einstellungsstufe zurück.

Wenn während der BOOST-Funktion die Taste "-" gedrückt wird, wird Leistungsstufe 9 eingestellt.



## TIMER-Funktion

Nach Betätigung der TIMER-Taste blinkt die LED auf dem Display und somit kann die Zeit eingestellt werden. Mit den Tasten "+" oder "-" kann die Zeit von 1 bis 99 Minuten eingestellt werden. Bei Betätigung der Taste "+" wird die Einstellung jeweils um 1 Minute erhöht; bei Betätigung der Taste "-" wird die Einstellung jeweils um 1 Minute verringert. Bei längerem Betätigen der Taste "+" wird die Einstellung jeweils um 10 Minuten erhöht. Wenn mehr als 99 Minuten eingestellt werden, kehrt der Timer automatisch auf den Wert 0 zurück. Die gleiche Logik gilt für die Taste "-"



## Bestätigung der TIMER-Funktion

Die "Timer"-Taste "+" oder "-" drücken, um die Zeit einzustellen. Nachdem der Timer etwa 5 Sekunden lang geblinkt hat, wird die eingestellte Zeit automatisch bestätigt.

## Nullstellung der TIMER-Funktion

Die "Timer"-Tasten "+" und "-" gleichzeitig drücken, um die vorher eingestellte Funktion zu löschen. Das Display zeigt daraufhin "0" an.

### Sicherheitsmodus

Die Kindersicherung ist durch eine Verriegelungsvorrichtung auf dem Induktionskochfeld gewährleistet.

Um die Kindersicherung zu aktivieren, drücken Sie die Sensortaste "Verriegelung". Das Kochfeld wechselt nun in den Verriegelungsmodus. Der Timer zeigt "Lo" an. Alle anderen Sensortasten bis auf die "ON/OFF" -Taste sind nun gesperrt.

### Entsperren

Drücken Sie die Sensortaste "Verriegelung" für 3 Sekunden. Das Kochfeld wechselt nun in den Standard-Modus zurück.



### Maximale Leistung jeder Kochzone

Kochzone	CIE4630B3	CIE4630B	CIE3640B3	CIE3640X	CIE3637B	CIE363
	Normal	Boost	Normal	Boost	Normal	Boost
1	1200	1500	1200	1500	1200	1500
2	2300	3000	2300	2600	2300	2600
3	1200	1500	3000	4000	3000	3700
4	2300	3000	-----	-----	-----	-----

Die angegebenen Leistungswerte können je nach Material und Abmessungen des Kochtopfs variieren.

### Geeignete Kochbehälter



Eisenpfanne zum Frittieren



Kochtopf aus rostfreiem Stahl



Flacher Eisenkochtopf



Eisenpfanne



Wasserkessel aus emailliertem rostfreiem Stahl



Emaillierter Kochtopf



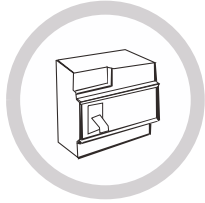
Eisenplatte

1. Es gibt zahlreiche Behälter, die zum Garen auf dem Induktions-Kochfeld geeignet sind. Dieses Kochfeld ist in der Lage, sie zu erkennen und auf ihre Eignung zu testen, und zwar wie folgt:  
Den Kochtopf auf eine der Kochzonen stellen. Wenn auf der Anzeige für diese Kochzone eine Leistungsstufe aufscheint, ist der Kochtopf geeignet; wenn hingegen das Symbol "E" erscheint, ist der Kochtopf zum Induktionsgaren nicht geeignet.
2. Einen Magneten am Kochtopf anbringen: Wenn der Magnet vom Kochtopf angezogen wird, ist dieser zum elektrischen Garen geeignet.

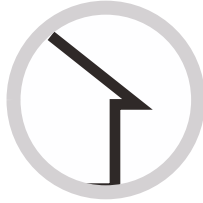
**Hinweis:** Der Kochtopfboden muss Materialien enthalten, die magnetisch leitfähig sind.

Der Kochtopfboden muss flach sein und einen Durchmesser von mehr als 14 cm aufweisen.

## Sicherheit und Wartung



Verwenden Sie einen speziellen Sicherheits-Versorgungsschalter.



Nur für die Verwendung in Innenräumen bestimmt.



Das Induktions-Kochfeld nie direkt mit Wasser reinigen.



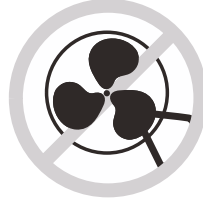
Das Induktions-Kochfeld nie in der Nähe von Gas- oder Kerosinöfen verwenden.



Nie in Dosen verpackte Speisen aufwärmen, ohne die Dose vorher zu öffnen, um zu vermeiden, dass diese durch die hitzebedingte Ausdehnung explodiert.



Nach einer längeren Verwendung bleibt die Kochzone sehr heiß. Um Verbrennungen zu vermeiden, die Oberfläche des Kochfeldes nicht berühren.



Regelmäßig sichergehen, dass die Luftzirkulation unter dem Kochfeld nicht behindert ist (Verstopfung durch Glas, Papier, usw.).



Keine Metallgegenstände wie Messer, Gabeln, Löffel und Deckel auf dem Kochfeld liegen lassen, um deren Erhitzung zu vermeiden.



Nie leere Kochtöpfe (ohne Speisen, die gegart werden sollen) verwenden, denn es könnten dadurch Schäden entstehen und es ist auf jeden Fall gefährlich.



Unter dem Induktions-Kochfeld keine Spül- und Reinigungsmittel oder entflammare Materialien aufbewahren.



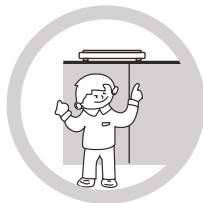
Sollte die Oberfläche des Kochfeldes einen Riss aufweisen, Gerät ausschalten, um elektrische Schläge zu vermeiden.



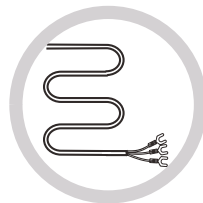
Keine Kochtöpfe mit rauem Boden verwenden, damit die Glaskeramik-Oberfläche des Kochfeldes nicht beschädigt wird.



Das Kochfeld regelmäßig reinigen, um Schmutzansammlungen zu vermeiden, durch die der einwandfreie Betrieb des Elektrohaushaltsgeräts beeinträchtigt wird.



Das Elektrohaushaltsgerät außerhalb der Reichweite von Kindern installieren bzw. dessen Verwendung nur unter der Aufsicht eines Erwachsenen gestatten.



Sollte das Versorgungskabel beschädigt werden, darf es nur von technischem Fachpersonal ausgetauscht werden.

Kinder oder Personen mit eingeschränkten körperlichen oder geistigen Fähigkeiten oder mit ungenügenden Kenntnissen und Erfahrung dürfen nur dann das Gerät benutzen, wenn sie beaufsichtigt werden oder hinreichend Anweisungen zur sicheren Behandlung des Gerätes durch eine für ihre Sicherheit verantwortliche Person erhalten haben.

Kinder sind zu beaufsichtigen, um sicher zu stellen, dass sie nicht mit dem Gerät spielen.



**ACHTUNG:** Dieses Produkt darf nicht mit dem normalen Hausabfall entsorgt werden. Es muss getrennt entsorgt werden.

Dieses Elektrohaushaltsgerät wurde entsprechend der europäischen Richtlinie 2002/96/EG zur Entsorgung von Elektro- und Elektronikaltgeräten hergestellt.

Die Einhaltung der Richtlinien für die Entsorgung dieses Geräts hilft bei der Vorbeugung eventueller Umwelt- und Gesundheitsschäden, die eine falsche Entsorgung verursachen würde.

Dieses Symbol zeigt an, dass das Produkt nicht als normaler Hausabfall entsorgt werden kann, sondern in Recyclingzentren für Elektro- und Elektronikmaterial.

Für nähere Informationen zur Aufbereitung, Entsorgung und Wiederverwertung dieses Produkts setzen Sie sich bitte mit dem lokalen Abfallentsorgungsdienst oder mit dem Geschäft in Verbindung, in dem der Artikel gekauft wurde.



## Reinigung und Wartung

Die Kochmulden-Oberfläche muss wie folgt gereinigt werden:

Schmutzart	Reinigung	Reinigungsgerät
geringfügiger Schmutz	Mit warmem Wasser; danach abtrocknen	Schwamm
starker Schmutz	Mit warmem Wasser, danach mit einem speziellen Scheuerschwamm für Glaskeramik abtrocknen	Spezielschwamm für Glaskeramik
Verkrustungen	Weißweinessig auf die Verkrustung geben und mit einem weichen Tuch reinigen oder ein Spezialreinigungsmittel verwenden	Spezielle Klebefolie für Glaskeramik
Zucker, Kunststoff oder geschmolzenes Aluminium	Zur Entfernung der Reste einen für Glaskeramik geeigneten Schaber verwenden (zum Schutz des Glases ist es besser, ein Produkt auf Silikonbasis zu verwenden)	Spezielle Klebefolie für Glaskeramik

**Hinweis:** Den Stecker des Elektrohaushaltsgeräts vor der Reinigung abziehen.

## Fehlermeldung und Kontrolle

Wenn es zu einer Störung kommt, schaltet das Induktions-Kochfeld automatisch eine Schutzfunktion ein, und auf dem Display werden folgende Codes angezeigt:

Problem	Mögliche Ursachen	Lösung
F0/F1/F2	Störung am Lüfterrad	Kundendienst kontaktieren.
F3-F8	Störung am Temperatursensor	Kundendienst kontaktieren.
E1/E2	Anormale elektrische Spannung	Sichergehen, dass elektrische Versorgung vorhanden ist. Nach dieser Kontrolle das Gerät erneut einschalten.
E3/E4	Anormale Temperatur	Den Kochtopf kontrollieren.
E5/E6	Ungenügende Wärmeausstrahlung	Das Gerät erneut einschalten, nachdem es abgekühlt ist.

Diese Liste enthält die am häufigsten auftretenden Störungen.

Das Induktions-Kochfeld nicht eigenmächtig demontieren, um Gefahren zu vermeiden und keine Schäden am Gerät zu verursachen.

## KUNDENDIENST

### Bevor Sie den Kundendienst anrufen

Bei Betriebsstörungen des Geräts empfehlen wir Ihnen:

- zu überprüfen, ob der Stecker korrekt in die Steckdose eingesteckt wurde;;
- die obige Fehlertabelle zu kontrollieren.

Wenn die Betriebsstörung nicht herausgefunden werden kann:

das Gerät ausschalten, nicht öffnen, und den Kundendienst anrufen.

### SERVICENUMMER FÜR DEN KUNDENDIENST

Im Servicefall wenden Sie sich bitte an unseren autorisierten Werkskundendienst.

Bitte wählen Sie für Deutschland **aus dem Festnetz** die bundesweite einheitliche Service-Rufnummer 01805-62 55 62 (0,15 €/Min., Stand 1.1.2007), die Sie automatisch mit dem zuständigen Werkskundendienst in Ihrer Nähe verbindet.

Für Österreich wählen Sie aus dem Festnetz die Servicenummer 0820-220 224 (0,15 €/Min, Stand Nov. 2006).

Für die Schweiz wählen Sie die Servicenummer 0848-780 780.

## **Sondererklärung**

---

Der gesamte Inhalt dieses Handbuchs wurde sorgfältig kontrolliert. Der Hersteller übernimmt keine Haftung für etwaige Druckfehler oder Auslassungen.

Bei einer etwaigen Revision der Gebrauchsanleitung können technische Änderungen außerdem ohne Vorankündigung eingefügt werden. Die Abbildung des Produkts bezieht sich auf den aktuellen Stand.

---

**Kjære Kunde,**

takk for at du har valgt CANDY induksjonsplatetopp, et produkt som vi er sikre på du kommer til å ha glede av i mange år fremover.

Les denne bruksanvisningen nøye før bruk og oppbevar den omhyggelig for senere bruk.

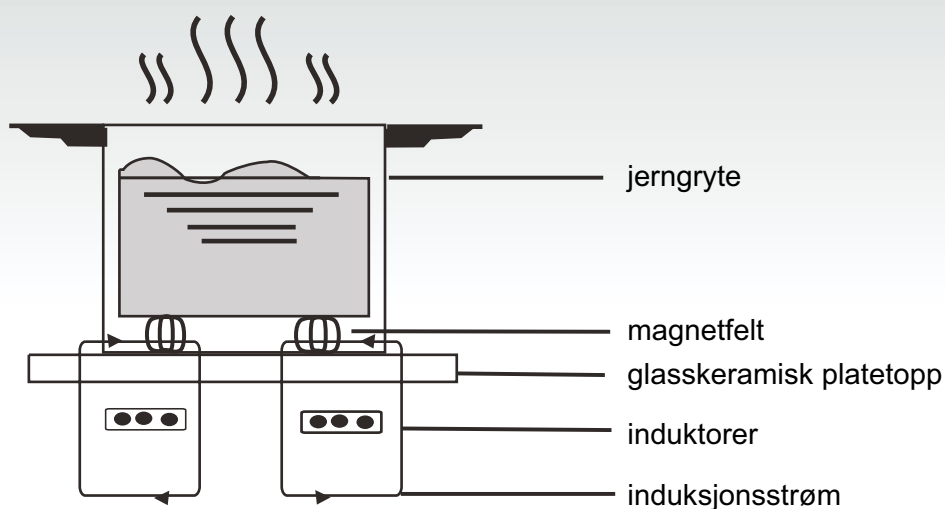
## Introduksjon

Induksjonsplatetopp tilfredsstillter alle krav og behov ved matlaging med elektromagnetisk oppvarming, takket være et mikrodastyrte og multifunksjonelt kontrollsystem, og er et meget bra valg for moderne familier.

Dette husholdningsproduktet som er produsert med spesialmaterialer er utrolig lett å bruke og meget holdbart og sikkert.

## Hvordan den fungerer

Induksjonsplatetoppen består av en elektrisk spole, en plate av ferromagnetisk materiale og av et kontrollsystem. Elektrisk strøm lager et kraftig elektromagnetisk felt rundt spolen. Dette lager en serie bølger som produserer varme, som igjen overføres fra kokeplatens overflate til kokekaret.



## Sikkerhet

Denne platetoppen er kun beregnet for hjemmebruk.

Våre produkter er stadig i utvikling og vi forbeholder oss derfor retten til å endre og oppdatere produktet med eventuelle nye tekniske utviklinger.

### ● Beskyttelse mot overoppheting

En sensor kontrollerer temperaturen i platetoppen. Dersom temperaturen overskrider sikkerhetsgrensen slukkes platetoppen automatisk.

### ● Varsel om gjenstander som ligger på platetoppen

Hvis man setter en gryte med en diameter på mindre enn 80 mm, små gjenstander (f.eks. kniver, gafler eller nøkler) eller en ikke magnetisk gryte (for eksempel aluminiumsgryte) på platen, utløses automatisk et lydsignal som varer i ca. 1 minutt. Hvis problemet ikke løses, vil platetoppen automatisk gå over til stand-by.

### ● Alarm for restvarme

Når platetoppen har stått på lenge kan den forsette å avgi restvarme. Bokstaven "H" på displayet varslers at man ikke må berøre platetoppen.

### ● Selvslukningssikring

Selvslukning er også en sikkerhetsfunksjon som aktiveres automatisk i induksjonsplatetoppen dersom man skulle glemme å slukke platen. Den automatiske selvslukningssikringen aktiveres etter som hvilken varmestyrke man har innstilt, som vist i tabellen under:

Varmestyrke	Kokesonen slås automatisk av etter
1-3	8 timer
4-6	4 timer
7-9	2 timer

Når maten er ferdig og du fjerner gryten slutter induksjonsplatetoppen å avgi varme og, etter et lydsignal som varer i 1 minutt, blir den slått av.

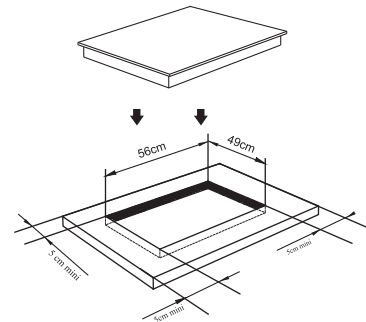
### NB!

personer med pacemaker må ikke bruke dette husholdningsapparatet uten at de først har konsultert legen.

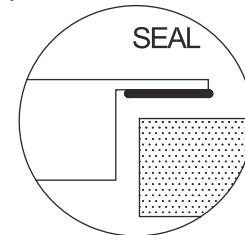
## Installasjon

### Installasjon av platetoppen

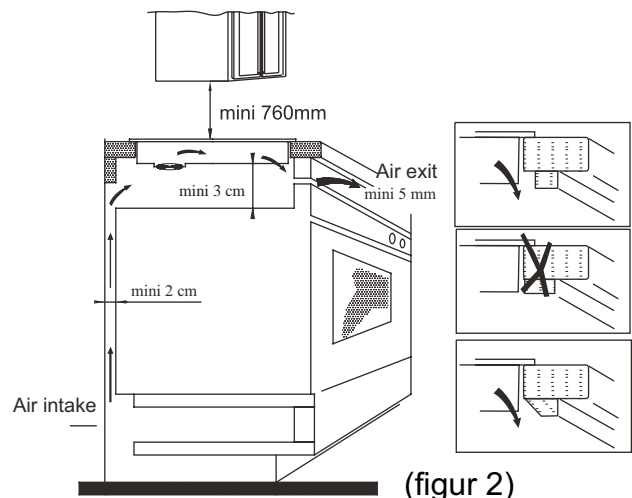
1. Følg målene du finner på tegningen og lag et hull i møbelet; for en korrekt installasjon må det dessuten være minst 5 cm avstand rundt platen. Pass på at bordplaten hvor platetoppen skal installeres har en tykkelse på minst 30 mm, og at den er laget av et materiale som tåler høye temperaturer slik at den ikke deformeres pga varmen fra kokeplaten (figur 1).



(figur 1)



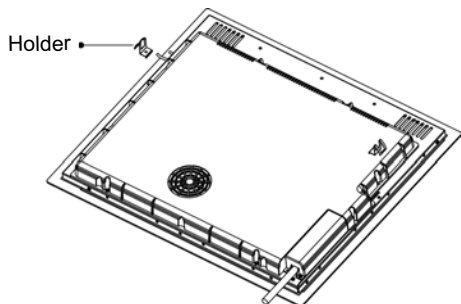
2. Pass alltid på at induksjonsplatetoppen hviler støtt på bordplaten, og at det er god ventilasjon (figur 2).



(figur 2)

**OBS:** pass på at det er en avstand på minst 760 mm mellom platetoppen og et eventuelt skap over den.

3. Når du har plassert platetoppen fester du den til bordplaten med fire holdere (som vist på figuren). Reguler deretter hver holder etter bordplatenes tykkelse.



### Sikkerhetsforholdsregler

- (1) Induksjonsplatetoppen skal installeres av en autorisert installatør. Gjør ikke installasjonen selv.
- (2) Induksjonsplatetoppen må ikke monteres på kjøleskap, oppvaskmaskiner eller vaskemaskiner.
- (3) Induksjonsplatetoppen skal installeres slik at det garanteres en optimal varmeavledning.
- (4) Veggen og flaten under induksjonsplatetoppen må være varmebestandige.
- (5) For å unngå skader må den tynne filmen som kleber platetoppen til bordflaten være varmebestandig.

### 4. Elektrisk tilkoping

Tilkoplingen til el-nettet skal utføres av teknisk kyndig personale og i henhold til gjeldende forskrifter. I figur 3 vises det hvordan platetoppen skal tilkoples.

Spenning og frekvens	Elektrisk tilkoping			
400V 2-N 50/60Hz	1 • L1 Svart	2 • L2 Brun	3 — 4 — N Grå og Blå:	5 ⏏ Gul/grønn
220-240V 50/60Hz	1 — 2 — L Svart og Brun	3 — 4 — N Grå og Blå:	5 ⏏ Gul/grønn	

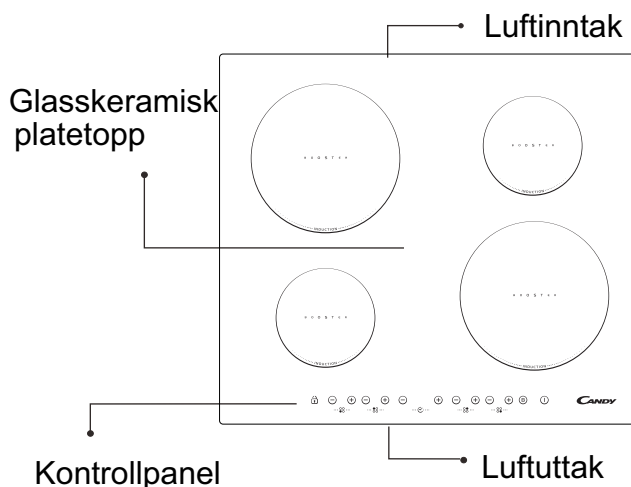
Kontroller at det elektriske anlegget har forsvarlig jording i henhold til gjeldende lover og forskrifter. Jording er obligatorisk. Produsenten frasier seg ethvert ansvar for personskader eller skader på gjenstander som skyldes at denne forskriften ikke overholdes.

Dersom apparatet ikke er utstyrt med støpsel skal man sette et normalisert støpsel, egnet for belastningen som angis på skiltet, på kabelen.

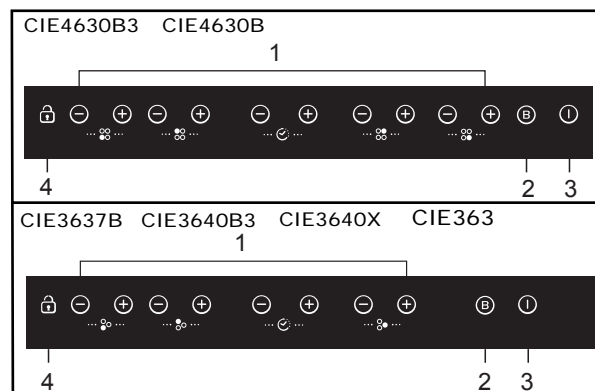
Dersom man ønsker en fast tilkoping til nettet må man installere, mellom apparatet og nettet, en flerpolet bryterenhet med kontaktavstand på minst 3 mm.

Dersom ledningen er ødelagt må den straks skiftes ut av en teknisk kyndig person. Ledningen må ikke være bøyd eller ligge i klem.

### Beskrivelse av induksjonsplatetoppen



### Skjema over kontrollpanelet



1. Strømstyrkeregulering
2. Boost
3. PÅ/AV
4. Tast for sikkerhetssperre

## Bruksanvisning

### Forberedelser før bruk:

Men en gang du setter på platetoppen vil du høre et lydsignal og alle ledlampene blinker i ett sekund; det betyr at kokeplaten står i "stand-by".

Sett gryten på kokesonen du ønsker å bruke.

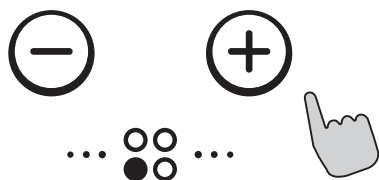


### Betjeningsforklaring

Når du trykker på tasten "ON/OFF" viser alle ledlampene dette symbolet "-". Velg den kokesonen hvor du har satt gryten, ledlampen som viser varmenivået for den valgte sone begynner å blinke. Trykk deretter på tasten "+" eller "-", displayet viser i utgangspunktet 5, deretter regulerer du styrken som du ønsker med tasten "+" eller "-". Trykker du tasten "+" og "-" inn samtidig, nullstilles alle tidligere innstillinger og kokesonen slås av.

Se tabell på side 71 for de enkelte kokesonenes spesielle strømstyrke.

**OBS:** etter at du har trykket på "ON/OFF"-tasten blir induksjonsplatetoppen stående i stand-by dersom du ikke fortsetter innen 1 minutter.



### BOOST-funksjon (hurtigkoking)

For en raskere matlaging trykker du på "BOOST"-tasten etter at du har valgt kokesonen, deretter viser displayet "P".

### OBS:

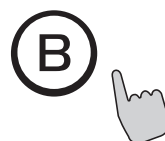
1. BOOST-funksjonen varer i maksimum 5 minutter; deretter slutter kokeplaten å varme.

2. Booster funksjonen virker på alle zoner.

3. Når den første booster funksjonen er aktivert, innstilles den andre zone automatisk på 2. Når den tredje zone aktiveres, innstilles den fjerde automatisk på 2.

### Avbryte BOOST-funksjonen

Når BOOST funksjonen er aktiv, velg høyre bakre kokesone og trykk på tasten BOOST eller tasten "-" for å avbryte BOOST funksjonen. Kokesonen instiller seg på det same nivået som var innstilt tidligere.



### Tidsfukstion ( indstilling av tid)

Trykk på "+" eller "-" knappen for den aktuelle kokesonen, lampen/indikatoren for denne vil blinke. For at aktivere/bruke tidsfunksjonen/timer trykk på "+" eller "-" på denne, tiden kan settes mellom 1 min. til 99 min. Ved å presse "+" på tidsfunksjonen/timer en gang vil tiden øke med 1min. Ved å holde knappen presset nede, vil tiden øke med 10 min. Hvis tiden går over 99 min, vil tiden automatisk gå tilbake til 0. Den samme rutine gjelder for "-".



### Visning av tidsfunksjonen

1. Ved å trykke på "+" eller "-" knappen, kan du aktivere tidsfunksjonen.

2. Når tidsfunksjonen`s lampe har blinket i 5 sekunder, vil den satte tid blive automatisk vist.

### Anulering av tidsindstilling

Ved å trykke på "+" og "-" knappene samtidig, vil der i vinduet/displayet vises 0, og tidsfunksjonen vil blive annulleret.

## Sikkerhetsfunksjon

Platetoppen er utstyrt med barnesikring som sperrer bruken av induksjonsplaten. Trykk inn tasten for sperreanordningen (Interlock) for å sperre: kokeplaten sperres, timerdisplayet viser symbolet "Lo" og alle de andre funksjonene er utkoplet.

## Oppheve sperren

Hold tasten for sperreanordningen (Interlock) inne i 3 sekunder:



## Maksimal strømstyrke for hver kokesone.

Kokesone	CIE4630B3	CIE4630B	CIE3640B3	CIE3640X	CIE3637B	CIE363
	Normal	Boost	Normal	Boost	Normal	Boost
1	1200	1500	1200	1500	1200	1500
2	2300	3000	2300	2600	2300	2600
3	1200	1500	3000	4000	3000	3700
4	2300	3000	-----	-----	-----	-----

Strømstyrken vist i tabellen kan variere etter hva slags materiale gryten er laget av og hvor stor den er.

## Utvalg av gryter og kokekar



jernpanne til steking



gryte i rustfritt stål



jerngryte



jernpanne



kjele av emaljert rustfritt stål



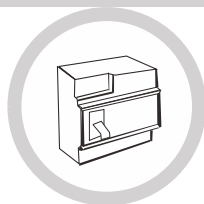
emaljert gryte



flat jerngryte

1. Mange forskjellige kokekar er egnet for bruk på induksjonsplater. Denne kokeplaten er i stand til å identifisere dem og kontrollere om de er egnet på en av følgende måter:  
sett kokekaret på en av kokesonene. Dersom denne sonens indikator viser et strømstyrkenivå er kokekaret egnet for induksjonsplaten; hvis indikatoren viser "Lo" kan du ikke bruke det.
2. Prøv med en magnet på gryten: hvis magneten tiltrekkes av gryten kan den brukes på induksjonsplaten.  
**NB.** grytebunnen må inneholde magnetisk ledende materiale.  
Gryten skal ha flat bunn med en diameter på over 14 cm.
3. Nutzen Sie Pfannen, deren Durchmesser genauso groß ist wie der des Kochfeldes. Unter Verwendung eines Topfes wird die Energie bis hin zur maximalen Effizienz genutzt. Nutzen Sie einen kleineren Topf, kann die Effizienz geringer sein als erwartet. Töpfe mit einem Durchmesser von weniger als 140mm werden vom Kochfeld nicht erkannt und entsprechend nicht erhitzt.

## Sikkerhetsforskrifter og vedlikehold



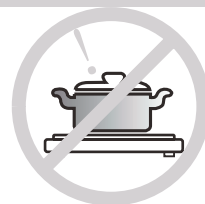
Bruk en egnet sikkerhetsbryter.



Kun for innendørs bruk



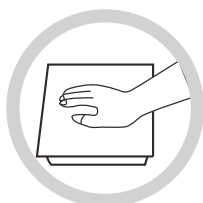
Ha ikke vann direkte på induksjonsplaten når du rengjør den.



Bruk aldri tom gryte (uten mat i) da den kan bli ødelagt og, i alle tilfeller, kan det være farlig.



Varm aldri opp boksemat uten først å åpne boksen. Boksen kan eksplodere fordi innholdet utvider seg når det blir varmet opp.



Når kokesonen har stått på lenge blir den veldig varm. Rør ikke platetoppen for det er lett å brenne seg.



Kontroller med jevne mellomrom at det ikke ligger noe som hindrer luft sirkulasjonen under platetoppen (glass, papir osv.).



La ikke metallgjenstander som kniver, gafler, skjeer og grytelokk ligge på platetoppen slik at de blir varme.



Benytt aldri induksjonsplatetoppen i nærheten av gass- eller parafinovner.



Oppbevar ikke vaske- og rensedmidler eller lett antennelige materialer under induksjonsplatetoppen.



Dersom platetoppen går i stykker, må du straks slå av alt så du ikke får elektrisk støt.



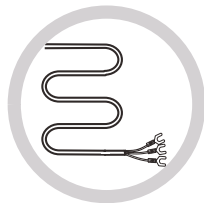
Bruk ikke gryter med ru bunn som kan skade den glasskeramiske toppen på kokeplaten.



Rengjør platetoppen ofte slik at det ikke samler seg opp skitt som kan forårsake at komfyren ikke fungerer som den skal.



La ikke barn oppholde seg i nærheten av komfyren, og la dem bruke komfyren bare når du selv eller en annen voksen passer på.



Dersom ledningen er ødelagt må den straks skiftes ut av en teknisk kyndig person.

Dette apparatet skal ikke brukes av personer (inkludert barn) med redusert syn eller reduserte fysiske eller mentale evner. Det skal heller ikke brukes av personer uten erfaring med eller kunnskap om apparatet, med mindre de er under oppsyn eller har fått opplæring av en person som er ansvarlig for denne personens sikkerhet.

Ikke la små barn leke med apparatet.



**ADVARSEL:** dette produktet må ikke håndteres som vanlig husavfall. Det skal behandles særskilt.

Dette husholdningsproduktet er produsert i henhold til EU-direktivet 2002/96/CE som omhandler behandling av avfall fra elektrisk og elektronisk utstyr.

Når du hjelper oss med å overholde forskriftene om avfallsbehandling av dette produktet bidrar du til å unngå at uriktig behandling forårsaker helse- og miljøskader.

Dette symbolet viser at produktet ikke skal behandles som vanlig husavfall, men leveres til en miljøstasjon for gjenvinning og behandling av avfall fra elektriske og elektroniske materialer.

Vennligst kontakt nærmeste miljøstasjon for videre opplysninger om behandling, avsetting og gjenvinning av produktet, eller henvend deg til forhandleren hvor du har kjøpt dette produktet.



## Rengjøring og vedlikehold

Platetoppen kan rengjøres som forklart nedenfor:

Type smuss	Rengjøres slik	Rengjøringsutstyr
lite smuss	med varmt vann, tørkes tørt	rengjøringssvamp
mye smuss	med varmt vann og tørkes av med en spesialsvamp for glasskeramiske flater	spesialsvamp for glasskeramiske flater
inntørket smuss	hell hvit eddik på flekken og vask med en myk klut, eller bruk et spesielt rengjøringsmiddel	selvklebende papir for glasskeramiske flater
Sukker, plast eller smeltet aluminium	Bruk en skrape for glasskeramiske flater (bruk helst et silikonholdig produkt som beskytter glasset)	selvklebende papir for glasskeramiske flater

**OBS:** ta ut støpselet før apparatet rengjøres

## Feilsignal og kontroll

Dersom det oppstår et problem eller en feil, aktiveres automatisk en beskyttelsesfunksjon i induksjonsplatetoppen og displayet viser følgende koder:

Problem	Mulige årsaker	Løsning
F0/F1/F2	feil på viften	Kontakt leverandøren
F3-F8	feil på temperaturmåleren	Kontakt leverandøren
E1/E2	unormal spenning	sjekk strømtilførselen Deretter setter du på apparatet igjen.
E3/E4	unormal temperatur	kontroller gryten
E5/E6	utilstrekkelig varmestråling	sett på apparatet igjen når platen er blitt kald

Dette er en liste over de vanligste feil som kan oppstå.

Prøv ikke å ta fra hverandre platetoppen på egen hånd. Det kan være farlig og kan forårsake større skader.

## KUNDESERVICE

Før du ringer Kundeservicesenteret

Dersom apparatet ikke fungerer ber vi deg om å kontrollere:

- at støpselet sitter i stikkontakten
- lese feilsøkingstabellen ovenfor

Dersom apparatet, etter at du har kontrollert, fremdeles ikke fungerer:

slå av apparatet, prøv ikke å reparere det på egen hånd og ring straks Kundeservicesenteret

## **Spesiell erklæring**

---

Innholdet i denne håndbok er nøye kontrollert. Produsenten frasier seg imidlertid et hvert ansvar for eventuelle feil eller utelatelser i den trykte teksten. Eventuelle tekniske endringer vil bli tilføyd uten varsel i eventuelle reviderte utgaver av denne bruksanvisningen. Bildet gjelder det aktuelle produktet.

---

**Szanowny Kliencie,**

pragniemy podziękować Ci za dokonany wybór indukcyjnej płyty grzejnej CANDY, produktu, który z pewnością zadowoli Twoje oczekiwania przez wiele lat.

Przed rozpoczęciem używania urządzenia prosimy o uważne zapoznanie się z niniejszą instrukcją obsługi oraz zachowanie jej w celu ewentualnej konsultacji w przyszłości.

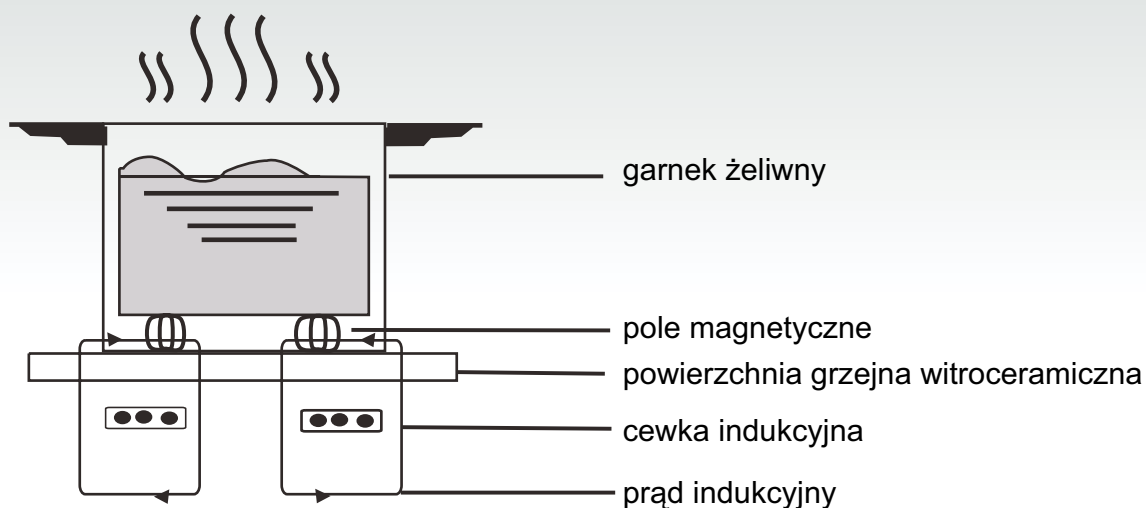
**Wstęp**

Dzięki wielofunkcyjnemu i mikrokomputerowemu systemowi sterowania, indukcyjna płyta grzejna jest w stanie zadowolić różne wymagania związane z gotowaniem z wykorzystaniem indukcji elektromagnetycznej. To właściwy wybór dla nowoczesnej rodziny.

Wykonana ze specjalnych materiałów płyta ta jest wyjątkowo łatwa w użyciu, wytrzymała i bezpieczna.

**Jak działa**

Indukcyjna płyta grzejna składa się z cewki indukcyjnej, płyty wykonanej z materiału ferromagnetycznego oraz z systemu kontrolnego. Prąd elektryczny, przepływając przez cewkę wytwarza silne pole elektromagnetyczne. Powoduje to powstawanie całej serii fal, które wytwarzają ciepło przekazywane następnie do garnka poprzez powierzchnię płyty grzejnej.



## Bezpieczeństwo

Niniejsza płyta grzejna przeznaczona jest do użytku domowego.

Staramy się stale doskonalić nasze produkty i dlatego zastrzegamy sobie prawo dokonywania zmian w przypadku ewentualnych postępów w technice.

### ● Zabezpieczenie przed przegrzaniem

Czujnik kontroluje temperaturę wewnątrz pola grzewczego. Jeżeli temperatura przekracza dopuszczalny poziom bezpieczeństwa, powierzchnia pola grzewczego zostanie automatycznie wyłączona.

### ● Sygnalizacja przedmiotów na powierzchni grzewczej

Jeżeli na płycie grzejnej zostanie ustawione naczynie o średnicy mniejszej niż 80 mm., małe przedmioty (takie jak noże, widelce, klucze) lub naczynie, które nie posiada dna magnetycznego (na przykład aluminiowe), automatycznie włączony zostanie sygnał akustyczny na okres około 1 minuty. Jeżeli problem nie zostanie rozwiązany, płyta grzejna przejdzie automatycznie na tryb stand-by.

### ● Wskaźnik ciepła resztkowego

Gdy używanie pola grzewczego zostaje przedłużone w czasie może dojść do pojawienia się ciepła resztkowego. Pojawiający się na wyświetlaczu symbol "H" ostrzega aby nie dotykać pola grzewczego.

### ● Zabezpieczenie poprzez samoczynne wyłączenie

Samoczynne wyłączenie jest dodatkową funkcją zabezpieczającą indukcyjną płytę grzejną. Funkcja ta włącza się automatycznie w przypadku zapomnienia jej wyłączenia. Automatyczne wyłączenie powierzchni grzewczej zależy od używanego poziomu natężenia, tak jak zostało to przedstawione w poniższej tabeli:

Poziom natężenia	Pole grzewcze wyłącza się automatycznie po
1-3	8 godzinach
4-6	4 godzinach
7-9	2 godzinach

W momencie usunięcia naczynia z pola grzewczego, indukcyjna płyta grzewcza przestaje ogrzewać i po sygnale akustycznym trwającym 1 minutę wyłącza się.

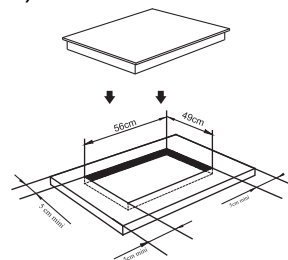
### Uwaga:

Osoby z rozrusznikiem serca mogą używać ten sprzęt gospodarstwa domowego wyłącznie pod kontrolą lekarza prowadzącego.

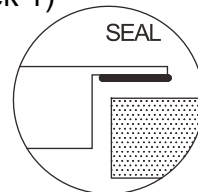
## Instalacja

### Montaż urządzenia

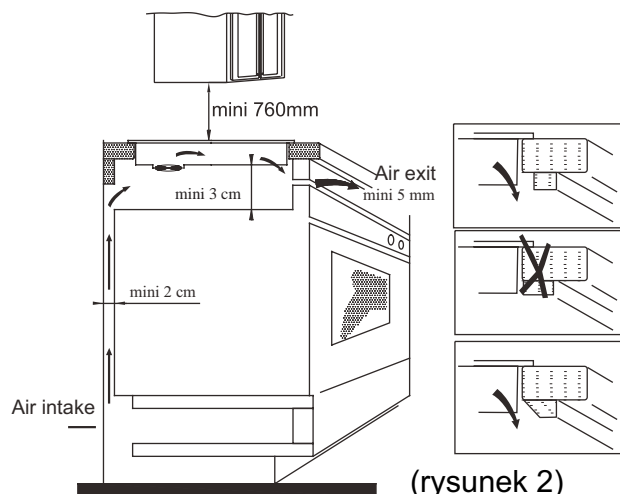
1. Wykonać otwór na powierzchni mebli zastosowując się do wymiarów przedstawionych na rysunku. Dla poprawnej instalacji przewidziana musi być również wolna przestrzeń wynosząca przynajmniej 5 cm wokół płyty. Należy upewnić się, że grubość blatu roboczego na którym zainstalowana zostaje płyta wynosi przynajmniej 30 mm. i że blat został wykonany z materiałów odpornych na wysokie temperatury, które nie dopuszczają do deformacji wskutek ciepła pochodzącego z płyty grzejnej (rysunek 1).



(rysunek 1)



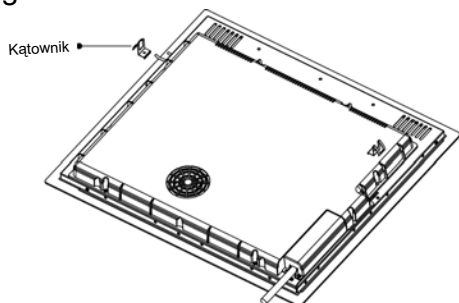
2. Należy zawsze upewnić się, że indukcyjna płyta grzejna jest odpowiednio przymocowana do mebli oraz posiada właściwą wentylację. (otwory wlotu i wylotu powietrza nie są zablokowane) (rysunek 2).



(rysunek 2)

**Uwaga:** pomiędzy płytą grzejną a ewentualnym elementem meblowym na górze musi być pozostawiona wolna przestrzeń wynosząca co najmniej 760 mm.

3. Po umieszczeniu płyty grzejnej, należy przymocować ją czterema kątownikami do blatu roboczego (tak jak zostało to przedstawione na rysunku). Następnie należy wyregulować każdy pojedynczy kątownik w zależności od grubości blatu roboczego.



### Ostrzeżenia

- (1) Indukcyjna płyta grzejna musi być instalowana przez wykwalifikowanego technika. Nie należy wykonywać instalacji we własnym zakresie.
- (2) Indukcyjna płyta grzejna nie może być montowana na lodówkach, zmywarkach czy suszarkach do bielizny.
- (3) Indukcyjna płyta grzejna musi być zainstalowana w taki sposób aby zagwarantować optymalną likwidację ciepła.
- (4) Ścianka oraz część znajdująca się pod indukcyjną płytą grzejną muszą być odporne na ciepło.
- (5) W celu uniknięcia szkód cienka błona przyklejająca powierzchnię grzejną do powierzchni oparcia musi być odporna na ciepło.

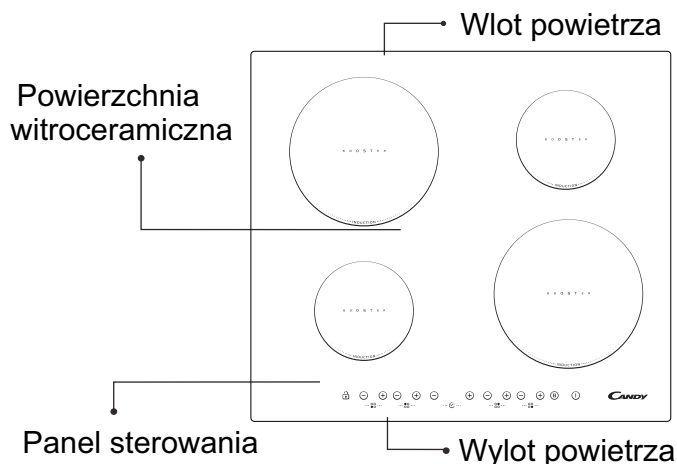
### 4. Schemat połączeń

Podłączenie do sieci elektrycznej musi być wykonane przez wyspecjalizowany personel techniczny według obowiązujących przepisów. Czynności podłączające płytę zostały przedstawione na rysunku 3:

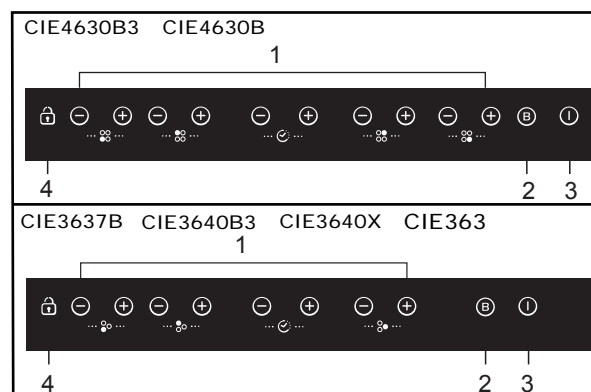
Napięcie i częstotliwość	Podłączenie przewodów
400V 2-N 50/60Hz	<p>1 2   3 4 5 L1 L2   N Żółto-zielony Czarny i Brązowy Szary i Niebieski</p>
220-240 V 50/60Hz	<p>1 2   3 4 5 L N Żółto-zielony Czarno-brązowy Szary i Niebieski</p>

Sprawdzić czy instalacja elektryczna zaopatrzona jest we właściwe uziemienie według obowiązujących norm i przepisów prawnych. **Uziemienie jest obowiązkowe.** Producent nie ponosi żadnej odpowiedzialności za ewentualne szkody wyrządzone osobom lub rzeczom, wynikłe z niezastosowania się do tej normy. Jeżeli urządzenie nie posiada wtyczki należy zainstalować na przewodzie znormalizowaną wtyczkę, która właściwa będzie dla ładunku wskazanego na tabliczce znamionowej. W przypadku podłączenia stałego do sieci należy zainstalować wielobiegunowy przełącznik odcinający z przerwą między stykami co najmniej 3 mm. Instalator musi potwierdzić, że połączenie elektryczne jest poprawne, a instalacja zgodna z normami bezpieczeństwa. W przypadku uszkodzenia przewodu musi on zostać wymieniony na nowy wyłącznie przez wyspecjalizowany personel techniczny. Przewód nie może być zagięty ani przyciśnięty.

### Opis indukcyjnej płyty grzejnej



### Schemat panelu sterowania



- 1.Regulacja mocy
- 2.Boost
- 3.ON/OFF
- 4.Przycisk blokady

## Instrukcje używania

Przygotowanie przed użyciem:

Zaraz po włączeniu płyta grzejna wydaje sygnał akustyczny, wszystkie diody mrugają przez 1 sekundę sygnalizując, że płyta grzejna znajduje się w trybie stand-by.

Położyć naczynie na wybrane pole grzewcze.

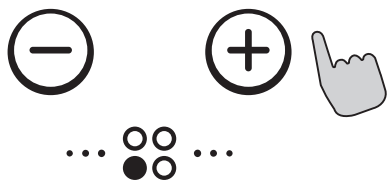


### Instrukcje dotyczące funkcjonowania

Po naciśnięciu przycisku "ON/OFF", wszystkie diody wskazują symbol "-". Należy wybrać pole grzewcze na którym ustawione zostało naczynie; wybrana dioda poziomu mocy będzie mrugać. Następnie należy naciskać przyciski "+" lub "-", wyświetlacz wskazuje poziom 5 jako poziom standardowy, regulacja przyciskami "+" lub "-" pozwoli na osiągnięcie wymaganej mocy. Naciskając jednocześnie przycisk "+" oraz przycisk "-", wcześniejsze ustawienia zostaną wyzerowane a pole grzewcze zostanie wyłączone.

Prosimy o zapoznanie się z tabelą na stronie 79 opisującą poszczególne moce dla każdego pola grzewczego płyty.

**Uwaga:** po naciśnięciu przycisku "ON/OFF", jeżeli w przeciągu 1 minut nie zostaną przeprowadzone inne czynności, indukcyjna płyta grzejna przejdzie na tryb stand-by.



### Funkcja BOOST (szybkie gotowanie)

Aby zwiększyć szybkość gotowania po wcześniejszym wybraniu pola grzewczego należy nacisnąć na przycisk "BOOST", na wyświetlaczu pojawi się symbol "P".

**Uwaga:**

1. Funkcja BOOST działa maksymalnie przez 5 minut po czym pole grzewcze powraca do swojego ustawienia początkowego.
2. Funkcja "przyspieszacza gotowania" może być użyta na każdym z pól grzewczych.

3. Kiedy funkcja "przyspieszacza gotowania" na polu grzewczym numer 1 jest włączona, na polu grzewczym numer 2 maksymalna możliwa moc jest obniżona do poziomu 2 i vice versa.

Kiedy funkcja "przyspieszacza gotowania" na polu grzewczym numer 3 jest włączona, na polu grzewczym numer 4 maksymalna możliwa moc jest obniżona do poziomu 2 i vice versa.

### Anulowanie funkcji "BOOST"

Wybrać pole wyposażone w funkcję BOOST, nacisnąć przycisk BOOST w celu wymazania tego ustawienia. Poziom powraca na wcześniej ustawioną moc.

Naciskając przycisk "-" podczas trwania funkcji BOOST nastąpi ustawienie poziomu mocy "9".



### Ustawienie timera

Wciśnij "+" lub "-" strefy timera, odpowiedni wyświetlacz zacznie migać. W celu uruchomienia timera należy ustawić czas w zakresie od 1 do 99 minut za pomocą przycisków "+" lub "-". Jednorazowe wciśnięcie przycisku "+" powoduje zwiększenie czasu o 1 minutę. Przytrzymanie przycisku "+" powoduje zwiększenie czasu o 10 minut. Po przekroczeniu wartości 99 minut ustawienie automatycznie powraca do 0 minut. Logika działania przycisku "-" jest analogiczna.



### Zapamiętanie ustawienia timera

1. Ustaw timer za pomocą przycisków "+" lub "-"
2. Wyświetlacz timera miga przez 5 sekund po czym ustawienie timera zostaje automatycznie zapamiętane.

### Kasowanie ustawienia timera

Wciśnij jednocześnie przyciski "+" i "-". Na wyświetlaczu pojawi się "0" i ustawienie timera zostanie skasowane.

## Zabezpieczenie - blokada

W celu zabezpieczenia dzieci przed poparzeniem płyta indukcyjna wyposażona jest w blokadę działania.

Blokowanie: wcisnąć przycisk "Interlock"; płyta przechodzi w stan zablokowania, na wyświetlaczu pojawia się wskazanie "Lo", wszystkie przyciski poza ON/OFF są nieaktywne.

## Odblokowywanie

Wcisnąć przycisk "Interlock" na 3 sekundy, płyta przechodzi w normalny tryb pracy.



## Maksymalna moc dla każdego pola grzewczego

Pole grzewcze	CIE4630B3	CIE4630B	CIE3640B3	CIE3640X	CIE3637B	CIE363
	Normalna	Boost	Normalna	Boost	Normalna	Boost
1	1200	1500	1200	1500	1200	1500
2	2300	3000	2300	2600	2300	2600
3	1200	1500	3000	4000	3000	3700
4	2300	3000	-----	-----	-----	-----

Przedstawione moce mogą zmieniać się w zależności od materiału, z którego wykonany został garnek oraz od jego wymiarów.

## Wybieranie naczyń kuchennych stosowanych do gotowania



patelnia żelazna



garnek ze stali inox



rondel żelazny



patelnia żelazna



czajnik ze stali emaliowanej nierdzewnej



garnek ze stali emaliowanej



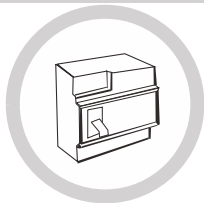
garnek żelazny

- Istnieje wiele naczyń nadających się do gotowania na płycie indukcyjnej. Powierzchnia ta jest w stanie wykryć je i przetestować stosowując jedną z poniższych metod: ustawić garnek na polu grzewczym. Jeżeli na wskaźniku w tym polu pojawi się poziom mocy, oznacza to, że garnek jest odpowiedni; jeżeli pojawi się natomiast symbol "E", oznacza to że naczynie nie nadaje się do tego gotowania indukcyjnego.
- Należy nałożyć magnes na garnek: jeżeli magnes będzie przyciągany przez garnek, oznacza to, że naczynie to jest odpowiednie do używania na płycie indukcyjnej.

**UWAGA:** spód garnka musi być wykonany z materiałów pozwalających na przewodność magnetyczną.

Garnek musi posiadać płaski spód o średnicy przekraczającej 14 cm.

## Bezpieczeństwo i konserwacja



Płyta powinna być podłączona do odrębnej linii zasilania, chronionej bezpiecznikiem.



Tylko do użytku w pomieszczeniach zamkniętych.



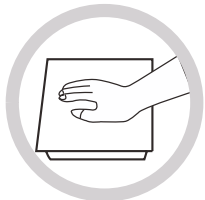
Zabrania się bezpośredniego mycia wodą indukcyjnej płyty grzewczej.



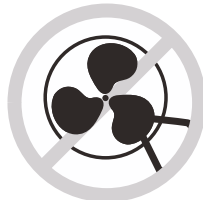
Nigdy nie używać indukcyjnej płyty grzewczej w pobliżu piecyków gazowych lub nafty oświetleniowej.



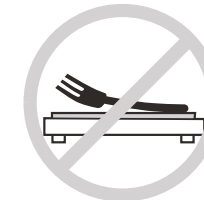
Nie podgrzewać żywności szczelnie zamkniętej, gdyż na skutek rozszerzenia cieplnego może dojść do wybuchu.



Po długim używaniu pole grzewcze pozostaje bardzo gorące. Aby uniknąć oparzeń, zabrania się dotykać powierzchni płyty grzewczej.



Okresowo sprawdzać czy pod powierzchnią gotowania nie doszło do zapchania obiegu powietrza (szkło, papier, itp.).



Nie pozostawiać metalowych przedmiotów takich jak noże, widelce, łyżki i pokrywki na płycie indukcyjnej ponieważ mogą ulec nagrzanemu.



Zabrania się używania pustych garnków, ponieważ mogłyby dojść do uszkodzenia i pojawienia się niebezpieczeństwa.



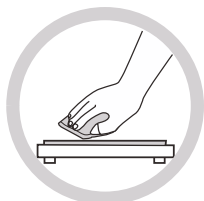
Nie przechowywać proszków, płynów lub materiałów łatwopalnych pod powierzchnią indukcyjnego pola grzewczego.



W przypadku pęknięcia szyby grzewczej należy odłączyć wszystko w celu uniknięcia porażenia prądem elektrycznym.



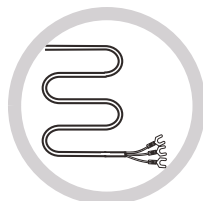
Nie używać garnków o szorstkim dnie co pozwoli na uniknięcie uszkodzenia vitroceramicznej płyty grzewczej.



Regularnie czyścić płytę grzewczą, aby zapobiec zbieraniu się zabrudzeń, których obecność wpływa na stopień prawidłowego funkcjonowania urządzenia.



Zadbać aby dzieci nie przebywały w pobliżu pól grzewczych urządzenia lub zezwolić im na używanie wyłącznie pod nadzorem osoby dorosłej.



Jeżeli uszkodzony został przewód zasilania, powinien zostać wymieniony przez wyspecjalizowany personel techniczny.

To urządzenie nie jest przeznaczone do obsługi przez dzieci lub osoby nie posiadające wiedzy do jego użytkowania, chyba że pozostają pod nadzorem lub zostały przeszkolone w zakresie obsługi urządzenia przez osobę odpowiedzialną za ich bezpieczeństwo.

Proszę nadzorować dzieci tak aby nie bawiły się urządzeniem.



**UWAGA:** zabrania się traktowania tego produktu jako odpadów normalnych. Musi on zostać usunięty oddzielnie.

Szczegółowe informacje dotyczące postępowania, odzyskiwania i recyklingu niniejszego produktu można uzyskać od lokalnych służb odpowiedzialnych za odpady lub w sklepie, w którym zakupiono produkt.

Niniejsze urządzenie gospodarstwa domowego wyprodukowane zostało zgodnie z dyrektywą europejską 2002/96/KE dotyczącą zużytego sprzętu elektrycznego i elektronicznego.

Zapewniając właściwy sposób realizacji niniejszego sprzętu w poszanowaniu obowiązujących dyrektyw, użytkownik zapobiega jego potencjalnemu negatywnemu wpływowi na środowisko naturalne i zdrowie ludzi, który mógłby być efektem niewłaściwego obchodzenia się z produktem.

Symbol ten wskazuje, że produkt nie może być traktowany jako odpady domowe lecz powinien być przekazany do odpowiedniego punktu zbierającego odpady elektryczne i elektroniczne.



## Czyszczenie i konserwacja

Powierzchnia płyty grzejnej może być czyszczona w następujący sposób:

Rodzaj zabrudzenia	Jak czyścić	Materiał do czyszczenia
lekko brudna	ciepłą wodą; następnie wysuszyć	gąbka
bardzo brudna	ciepłą wodą i wysuszyć specjalną ściernalną gąbką do powierzchni vitroceramicznych	specjalna gąbka do powierzchni vitroceramicznych
osady	Nalać na osad biały ocet i wyczyścić miękką szmatką, lub użyć specjalny środek myjący	folia przylepna specjalna do vitroceramiki
Stopiony cukier wraz z plastykiem lub aluminium	Aby usunąć pozostałości należy posłużyć się specjalnym drapakiem z ostrzem do powierzchni vitroceramicznych (aby zabezpieczyć szkło najlepiej jest używać produkt na bazie sylikonu)	folia przylepna specjalna do vitroceramiki

**Uwaga:** przed rozpoczęciem czyszczenia odłączyć urządzenie z zasilania.

## Sygnalizacja usterek i czynności kontrolne

W momencie pojawienia się nieprawidłowości indukcyjna płyta grzejna wprowadza automatycznie funkcję zabezpieczenia a na wyświetlaczu pojawiają się następujące kody:

Problem	Możliwe przyczyny	Rozwiązanie
F0/F1/F2	Usterka w wiatraku	skontaktować się z serwisem
F3-F8	Usterka w czujniku temperatury	skontaktować się z serwisem
E1/E2	Nieprawidłowe napięcie elektryczne	sprawdzić czy włączone jest zasilanie elektryczne. Po sprawdzeniu ponownie włączyć urządzenie
E3/E4	Nieprawidłowa temperatura	sprawdzić garnek
E5/E6	Niewystarczające emitowanie ciepła	po wcześniejszym oziębieniu ponownie włączyć urządzenie

Jest to tylko lista najczęściej pojawiających się usterek.

Zabrania się rozmontowywania indukcyjnej płyty grzejnej we własnym zakresie co mogłoby doprowadzić do wyrządzenia większych szkód.

## SERWIS TECHNICZNY

### Przed wezwaniem serwisu .

W przypadku nie działania produktu zalecamy:

- sprawdzić czy wtyczka została prawidłowo wprowadzona do gniazdka sieciowego;
- sprawdzić powyżej przedstawioną tabelę usterek.

W przypadku gdy nie zostanie wykryta przyczyna nieprawidłowego funkcjonowania należy odłączyć urządzenie bez rozmontowywania go i następnie skontaktować się z Serwisem Technicznym .

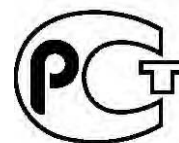
## **Deklaracja specjalna**

---

Cała treść niniejszej instrukcji obsługi została uważnie sprawdzona. Producent nie bierze na siebie odpowiedzialności za błędy lub ominięcia w fazie wydruku.

Producent zastrzega sobie prawo do wprowadzania zmian natury technicznej bez konieczności wcześniejszego powiadomienia. Zdjęcie produktu odnosi się do jego aktualnej wersji.

---



**АЯ46**

### **Уважаемые господа!**

Доводим до Вашего сведения, что данное изделие сертифицировано на соответствие требованиям безопасности органом по сертификации промышленной продукции «РОСТЕСТМОСКВА».

Сведения о номере сертификата и сроке его действия Вы можете получить у продавца магазина, в котором было приобретено данное изделие.

В соответствии с Постановлением Правительства Российской Федерации № 720 от 16.06.1997 г. производитель должен определить срок службы выпускаемых им изделий.

Срок службы наших изделий, при условии их нормальной эксплуатации в домашних условиях с соблюдением всех требований, содержащихся в Инструкции по эксплуатации, в зависимости от типа изделия составляет от 7 до 15 лет, а именно:

Стиральные машины	от 7 до 10 лет
Посудомоечные машины	от 7 до 10 лет
Холодильники	от 7 до 15 лет
Плиты	от 10 до 15 лет
Пылесосы (все типы)	от 7 до 10 лет
Воздухоочистители	от 7 до 10 лет

Часть срока службы, соответствующая тому, что в международной практике известно как срок гарантии, составляет двенадцать месяцев. Данное положение действительно для всех торговых марок, входящих в Группу (Candy, Hoover, Zerowatt, Rosieres, Iberna, Otsein, Kelvinator).

Фирма-изготовитель не несет ответственности за ошибки печати, которые могут содержаться в инструкциях, и оставляет за собой право улучшения качества собственных изделий, сохраняя неизменными основные технические характеристики.

# КАНДИ ЭЛЕТТРОДОМЕСТИЧИ Бругерио (Милан) УСЛОВИЯ ГАРАНТИЙНОГО ОБСЛУЖИВАНИЯ

## 1. Сертификат

Гарантия действительна только при наличии действительного Гарантийного Сертификата.

Гарантийный Сертификат недействителен при наличии в нем ошибок, исправлений и несоответствий.

В Сертификате должны быть заполнены графы: наименование изделия, модель, серийный номер изделия, дата продажи, подпись продавца, печать торговой организации. При отсутствии даты продажи срок гарантии автоматически исчисляется от даты изготовления изделия.

## 2. Транспортировка и хранение

Любые дефекты изделия, вызванные небрежной транспортировкой и хранением изделия, не подлежат бесплатному гарантийному ремонту.

## 3. Установка и эксплуатация

Бесплатный гарантийный ремонт не производится, если дефект изделия вызван: неправильным подключением изделия к сетям электро, водо и газоснабжения, а также несоответствием параметров вышеуказанных сетей параметрам, предъявляемым обязательными Государственными Стандартами и Инструкцией по эксплуатации; использованием изделия не в соответствии с Инструкцией по эксплуатации, а также небрежной эксплуатацией, повлекшими возникновение механических или других типов дефектов;

использованием изделия не в соответствии с его прямым назначением или не в домашних нуждах.

## 4. Ремонт

Бесплатный гарантийный ремонт не производится, если изделие:

имеет следы постороннего вмешательства или ремонта не уполномоченными фирмой лицами;

имеет несанкционированные фирмой изменения конструкции или неприемлемые комплектующие;

имеет повреждения, вызванные непредсказуемыми явлениями и действиями стихии;

имеет повреждения, вызванные использованием нестандартных и неприемлемых расходных материалов и принадлежностей;

имеет повреждения, вызванные попаданием внутрь изделия посторонних предметов, агрессивных веществ, животных или насекомых;

не имеет серийного номера или его невозможно установить.

Гарантия не распространяется на расходные материалы и аксессуары.

## 5. Ответственность

Фирма не несет ответственности за любой причиненный Вам и окружающим ущерб по причине нарушения правил Инструкции по эксплуатации, в особенности вызванный неправильным подключением изделия к сетям электро, водо и газоснабжения, и недопустимыми отклонениями параметров в вышеперечисленных сетях, неправильной эксплуатацией, несанкционированным ремонтом, использованием изделия не по прямому назначению.

Ввод изделия в эксплуатацию и доработка сетей электро, водо и газоснабжения для совместимости с изделием не являются зоной ответственности фирмы и фирмой не оплачиваются.

В случае возникновения каких-либо проблем с Вашим изделием, перед тем как вызвать мастера, проверьте правильность установки и функционирования в соответствии с Инструкцией по эксплуатации. Оплату вызова Вы будете производить за свой счет, если изделие было в рабочем состоянии или было неправильно установлено или использовано.

**Уважаемый клиент,**

хотим поблагодарить Вас за то, что вы остановили свой выбор на индукционной варочной панели CANDY - приборе, который, без сомнения, на протяжении многих лет удовлетворит Ваши потребности.

Внимательно прочитайте данное руководство перед тем, как приступить к эксплуатации прибора, и бережно храните его, чтобы в будущем вы могли обратиться к нему в момент необходимости.

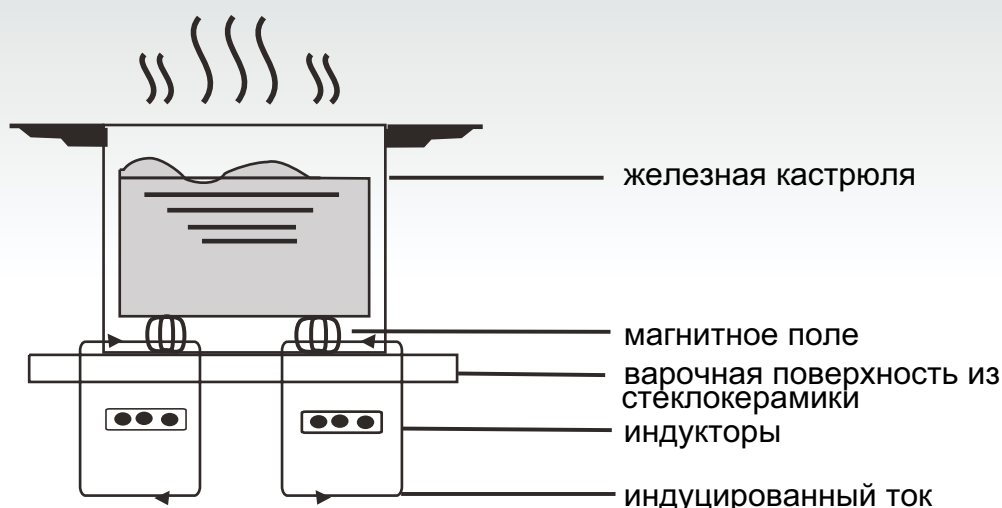
**Введение**

Индукционная варочная панель способна удовлетворить многочисленные нужды, связанные с приготовлением пищи способом электромагнитного нагрева, благодаря многофункциональной системе управления со встроенным микропроцессором, что делает ее идеальным решением для современной семьи.

Этот электробытовой прибор, выполненный из специальных материалов, отличается простотой в использовании, прочностью и надежностью.

**Принцип работы**

Индукционная варочная панель состоит из электрической спирали, плиты из ферромагнитного сплава и системы управления. Электрический ток генерирует вокруг спирали мощное электромагнитное поле. Это приводит к возникновению волн, генерирующих тепло, которое затем передается емкости, расположенной на варочной панели.



## Техника безопасности

Данная варочная панель предназначена для использования в домашних условиях.

Мы стремимся к постоянному усовершенствованию нашей продукции и поэтому оставляем за собой право вносить изменения в наши изделия в соответствии с новейшими достижениями науки и техники.

### ● Защита от перегрева

Внутри варочной панели имеется датчик, контролирующий температуру. Если температура превышает безопасный уровень, варочная панель автоматически выключается.

### ● Обозначение предметов, соприкасающихся с варочной панелью

Если поместить на варочную панель кастрюлю диаметром менее 80 мм, мелкие предметы (ножи, вилки, ключи) или кастрюлю из немагнитного материала (например, алюминия), то автоматически подается звуковой сигнал, который звучит приблизительно в течение 1 минуты. Если причина не будет устранена, варочная панель автоматически переключается в режим ожидания.

### ● Аварийный сигнал остаточного тепла

Если варочная панель использовалась в течение длительного времени, в ней может оставаться остаточное тепло. Буква "H" на дисплее предупреждает, что нельзя прикасаться к панели.

### ● Защита путем автоматического выключения

Функция автоматического выключения представляет собой дополнительную защиту Вашей индукционной варочной панели, которая автоматически подключается, если по забывчивости панель остается включенной. Время срабатывания автоматического выключения варочной панели зависит от используемого уровня мощности в соответствии с приведенной ниже таблицей:

Уровень мощности	Нагревательная зона автоматически отключается через
1-3	8 часов
4-6	4 часа
7-9	2 часа

Когда по завершению процесса варки кастрюля снимается, индукционная варочная панель больше не нагревает и после подачи звукового сигнала продолжительностью около 1 минуты отключается.

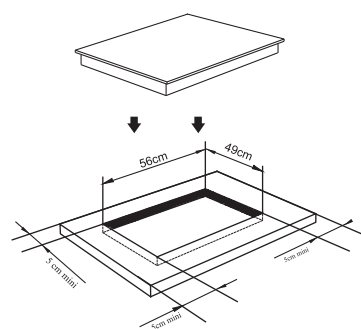
### Примечание:

лица, использующие электрокардиостимуляторы, могут эксплуатировать данный прибор только с разрешения своего лечащего врача.

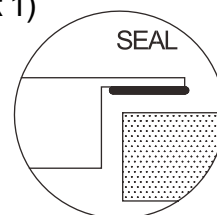
## Монтаж

### Порядок монтажа

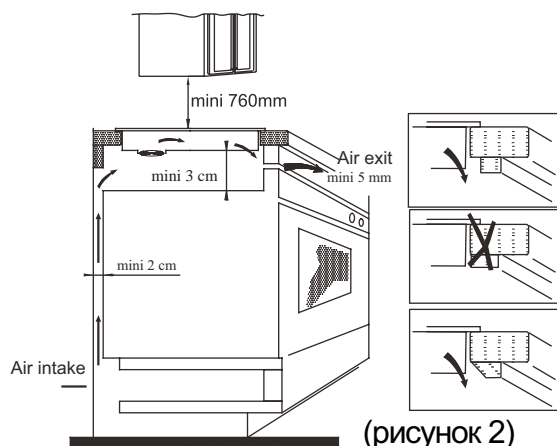
1. Вырезать проем на поверхности шкафа, соблюдая размеры, указанные на чертеже; для правильного монтажа необходимо, чтобы от панели до краев опорной поверхности оставалось не менее 5 см. Убедиться, что толщина опорной поверхности, в которую встраивается варочная панель, составляет, по крайней мере, 30 мм, и что поверхность выполнена из жаростойкого материала в целях избежания ее деформации под воздействием тепла, выделяемого варочной панелью (рисунок 1).



(рисунок 1)



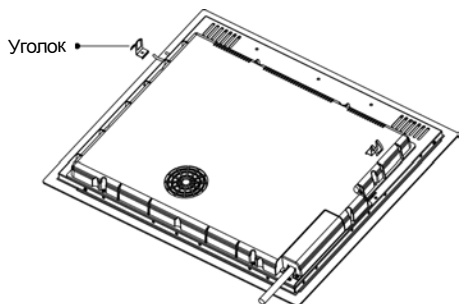
2. Обязательно проверить, чтобы индукционная варочная панель была прочно вмонтирована в опорную поверхность и хорошо вентилировалась (рисунок 2).



(рисунок 2)

**Примечание:** расстояние между варочной панелью и расположенным выше предметом не должно быть менее 760 мм.

3. После установки варочной панели зафиксировать ее четырьмя уголками к опорной поверхности (как показано на рисунке). Отрегулировать каждый отдельный уголок в зависимости от толщины опорной поверхности.



### Меры предосторожности

- (1) Монтаж индукционной варочной панели должен осуществляться квалифицированным техническим персоналом. Не пытайтесь провести установку самостоятельно.
- (2) Нельзя монтировать индукционную варочную панель на холодильниках, посудомоечных или сушильных машинах.
- (3) Необходимо установить индукционную варочную панель таким образом, чтобы обеспечить оптимальный отвод тепла.
- (4) Стенки и зона, находящиеся под индукционной варочной панелью, должны быть жаростойкими.
- (5) Чтобы избежать повреждений, тонкая пленка, с помощью которой варочная поверхность приклеивается к опорной поверхности, должна быть жаростойкой.

### 4. Подключение к сети электропитания

Подключение к сети электропитания должно проводиться квалифицированным персоналом в соответствии с действующими нормативами. Схема соединения панели показана на рисунке 3.

напряжение и частота	Электрическое соединение			
400В 2-N 50/60Гц	1 • L1 Черный	2 • L2 Коричневый	3 — 4 — N Серый и синий	5 ⏏ Желтый/зеленый
220-240В 50/60Гц	1 — 2 — L Черный и коричневый	3 — 4 — N Серый и синий	5 ⏏ Желтый/зеленый	

Убедиться, что варочная поверхность подсоединена к эффективной системе заземления в соответствии со стандартами и положениями закона. Наличие заземления является обязательным.

Фирма-производитель отклоняет какую-либо ответственность за ущерб, нанесенный людям или имуществу, вследствие несоблюдения данного правила.

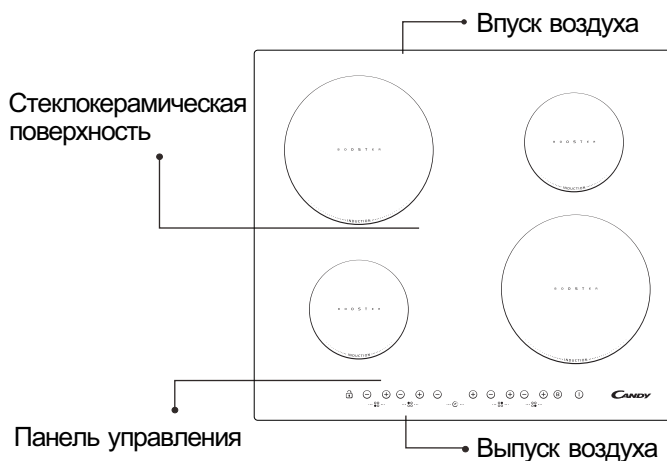
Если прибор не оснащен штепселем, подсоединить к кабелю стандартный штепсель, способный выдерживать нагрузку, указанную на табличке с паспортными данными.

Если потребуется выполнить стационарное подключение к сети электропитания, необходимо установить между прибором и сетью электропитания многополюсное размыкающее устройство с зазором между контактами не менее 3 мм.

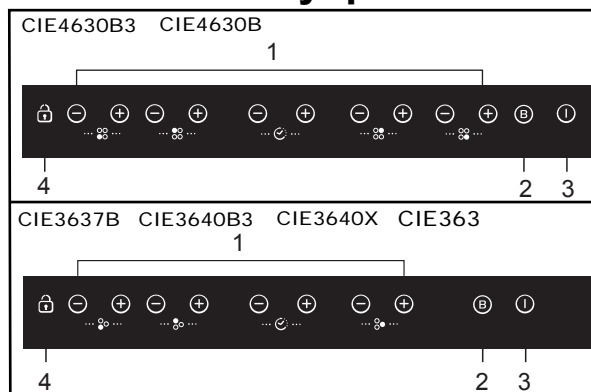
Если кабель поврежден, необходимо обеспечить его замену, которая должна выполняться только квалифицированными специалистами.

Не допускать перегиба или сжатия кабеля.

### Описание индукционной варочной панели



### Схема панели управления



1. Регулировка мощности
2. Интенсивный нагрев
3. ВКЛ./ВЫКЛ.
4. Клавиша защитной блокировки

## Инструкции по эксплуатации

### Подготовка перед использованием:

Сразу же после включения варочная поверхность подает звуковой сигнал, все светодиоды мигают в течение 1 минуты, обозначая, что варочная поверхность находится в режиме ожидания.

Поставить кастрюлю в выбранную нагревательную зону.

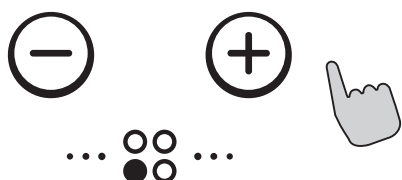


### Эксплуатация

После нажатия клавиши "ВКЛ./ВЫКЛ." все светодиоды показывают символ "-". Выбрать нагревательную зону, в которой находится кастрюля; светодиод уровня мощности выбранной зоны начнет мигать. Нажать клавишу "+" или "-", на дисплее отобразится базовое значение 5, настроить на желаемый уровень с помощью клавиш "+" или "-". Одновременно нажимая клавишу "+" и клавишу "-", значения предыдущих настроек обнуляются и нагревательная зона варочной панели выключается.

В таблице на стр. 89 указан максимальный уровень мощности для каждой нагревательной зоны панели.

**Примечание:** Если после нажатия клавиши "ВКЛ./ВЫКЛ." на панели в течение 1 минут не проводится каких-либо операций, индукционная варочная панель переходит в режим ожидания.



### Функция ИНТЕНСИВНОГО НАГРЕВА (быстрое приготовление)

Для более быстрого приготовления пищи нажать клавишу "ИНТЕНСИВНЫЙ НАГРЕВ", предварительно выбрав нагревательную зону; на дисплее появится символ "P".

#### Примечание:

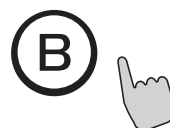
1. Функция ИНТЕНСИВНОГО НАГРЕВА действует в течение не более 5 минут, после чего варочная панель возвращается к своим первоначальным настройкам.
2. У всех конфорок есть функция форсированного нагрева.

3. При включении функции форсированного нагрева 1-ой конфорки, 2-ая конфорка автоматически блокируется на нагрев не далее 2-го уровня, и наоборот. При включении функции форсированного нагрева 3-ей конфорки, 4-ая конфорка автоматически блокируется на нагрев не далее 2-го уровня, и наоборот.

### Отмена функции ИНТЕНСИВНОГО НАГРЕВА

Выбрать зону, в которой включен режим ИНТЕНСИВНОГО НАГРЕВА, нажать клавишу ИНТЕНСИВНОГО НАГРЕВА для выключения данной функции. Уровень мощности установится на заданное ранее значение.

При нажатии клавиши "-" в режиме ИНТЕНСИВНОГО НАГРЕВА задается уровень мощности "9".



### Функция Таймера

Нажмите кнопку "+" или "-", соответствующий индикатор будет мигать. Функция таймера активируется нажатием кнопки "+" или "-" и время может устанавливаться от 1 до 99 минут. При однократном нажатии на кнопку "+", время увеличивается на 1 минуту. При удерживании кнопки "+", время увеличивается на 10 минут. В случае, если установленное время превышает 99 минут, таймер автоматически будет установлен на "0" минут. Такая же логика применима к кнопке "-".



### Подтверждение функции таймера

1. Время может быть установлено при нажатии на кнопку "+" или "-"
2. Установленное время будет подтверждено, после того, как световой индикатор будет мигать 5 секунд.

### Отмена функции таймера

При одновременном нажатии на кнопки "+" и "-", на индикаторе высветится "0" и функция таймер будет отменена



### Безопасное состояние

Для обеспечения безопасности детей индукционная панель оборудована блокировкой. Для блокировки: нажмите кнопку “Interlock”, панель перейдет в состояние блокировки “Interlock”, на таймере появится надпись “Lo”. Все кнопки, за исключением ON/OFF работать не будут.

### Разблокировка

Нажмите и удерживайте кнопку 3 секунды кнопку “Interlock”, панель вернется в рабочее состояние



### Максимальная мощность каждой нагревательной зоны

Нагревательная зона	CIE4630B3 CIE4630B		CIE3640B3 CIE3640X		CIE3637B CIE363	
	Нормальный	Интенсивный	Нормальный	Интенсивный	Нормальный	Интенсивный
1	1200	1500	1200	1500	1200	1500
2	2300	3000	2300	2600	2300	2600
3	1200	1500	3000	4000	3000	3700
4	2300	3000	-----	-----	-----	-----

Указанные значения мощности могут изменяться в зависимости от материала, из которого изготовлена кастрюля, и от ее размеров.

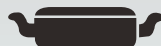
### Выбор кухонной посуды для приготовления пищи



железная сковорода для жарки



кастрюля из нержавеющей стали



железный котелок



железная сковорода




эмалированный кипятильник из нержавеющей стали эмалированная кастрюля



плоская



железная сковорода

1. Существует большое разнообразие кухонной посуды, которая годится для использования с индукционной варочной панелью. Данная варочная панель способна распознавать посуду. Можно проверить пригодность посуды одним из описанных ниже методов: поместить кастрюлю в одну из нагревательных зон. Если на индикаторе этой нагревательной зоны появляется отображение уровня мощности, значит кастрюля годится к использованию; если же отображается символ “”, это означает, что эту кастрюлю нельзя использовать для индукционного нагрева.
2. Поднести к кастрюле магнит: если магнит притягивается к кастрюле, это означает, что она пригодна для индукционного нагрева.

**Прим.:** днище посуды должно быть выполнено из материалов, обладающих магнитной проводимостью.

Днище кастрюли должно быть плоским, диаметром более 14 см.

## Правила техники безопасности и техобслуживание



Использовать отдельный предохранительный выключатель питания.



Только для использования в помещении.



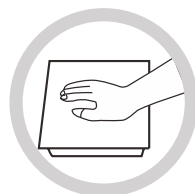
Никогда не мыть струями воды варочную панель во избежание ее повреждения.



Никогда не использовать индукционную варочную панель вблизи газовых или керосиновых обогревателей.



Не разогревать продукты в закрытых жестяных банках. Необходимо сначала открыть банку, чтобы избежать разрыва емкости в результате теплового расширения.



После длительного использования нагревательная зона остается очень горячей. Чтобы избежать ожогов, не дотрагиваться до поверхности варочной панели.



Периодически проверять, чтобы под варочной панели не было препятствий для циркуляции воздуха (напр. ,стекло, бумага и т.д.).



Не оставлять на варочной панели металлических предметов, таких как ножи, вилки, ложки и крышки, во избежание их нагревания.



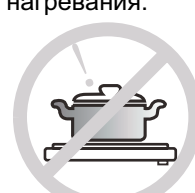
Не использовать кастрюли с шершавым дном, чтобы не повредить стеклокерамической поверхности варочной панели.



Не помещать под индукционной варочной панелью стиральных порошков, чистящих средств или горючих материалов.



В случае поломки поверхности варочной панели, полностью обесточить прибор во избежание поражения электрическим током.



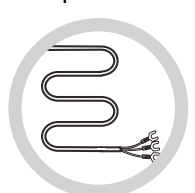
Нельзя использовать пустую кастрюлю (без пищевых продуктов), т.к. это может повредить кастрюлю и, в любом случае, является опасным



Регулярно чистить варочную панель, чтобы не допускать скопления грязи и снижения работоспособности прибора.



Держать электроприбор вне досягаемости детей или разрешать использование только под присмотром взрослых.



Если кабель поврежден, необходимо обратиться к квалифицированным специалистам для его замены.

Данным изделием нельзя пользоваться людям (включая детей) с ограниченными физическими и ментальными возможностями или людям, не имеющим достаточного опыта и знаний, если они не находятся под присмотром людей, давших им необходимые инструкции по использованию изделия и отвечающих за их безопасность.

Чтобы дети не могли играть с изделием, они должны находиться под надежным присмотром.



**ВНИМАНИЕ:** не выбрасывать данный прибор, как обычные бытовые отходы. Он подлежит отдельной утилизации.

Для получения более подробной информации по переработке и утилизации этого изделия обратиться в местный центр утилизации отходов или в магазин, где было приобретено изделие.

Настоящий электрический прибор выполнен в соответствии с европейской директивой 2002/96/CE по утилизации электрического и электронного оборудования.

Соблюдение директив, касающихся утилизации данного прибора, помогает предотвратить ущерб, который может быть нанесен окружающей среде и здоровью в результате обычной утилизации.

Этот символ означает, что изделие не подлежит утилизации в качестве бытовых отходов, а должно быть направлено в организацию, занимающуюся сбором электрических и электронных компонентов.

## Чистка и техобслуживание

Поверхность варочной панели можно чистить следующим образом:

Тип загрязнения	Метод чистки	Материал для чистки
небольшие загрязнения	вымыть горячей водой и высушить	губка
сильное загрязнение	вымыть горячей водой и высушить чистить абразивной губкой для стеклокерамики	специальная абразивная губка для стеклокерамики
накипь	полить белым уксусом загрязненный участок и почистить мягкой тканью или использовать специальное чистящее средство	специальная клейкая пленка для стеклокерамики
Расплавленный сахар, пластмасса или алюминий	Для удаления загрязнений использовать специальный скребок для стеклокерамики (чтобы защитить стекло, рекомендуется использовать средство на основе силикона)	специальная клейкая пленка для стеклокерамики

**Примечание:** перед проведением чистки, отсоединить прибор от источника питания.

## Индикация неисправностей и проверки

В случае возникновения сбоев в работе индукционной варочной панели, автоматически включается защитная функция, и на дисплее отображаются следующие коды неисправностей:

Неисправность	Возможные причины	Метод устранения
F0/F1/F2	неисправность вентилятора	обратиться к поставщику
F3-F8	неисправность температурного датчика	обратиться к поставщику
E1/E2	ненормальное напряжение питания	проверить наличие электрического питания; после проведения проверки вновь включить прибор
E3/E4	ненормальная температура	проверить кастрюлю
E5/E6	недостаточный уровень излучения тепла	дождаться охлаждения прибора и вновь включить его

В данном перечне приведены наиболее часто встречающиеся неисправности.

Не демонтировать самостоятельно индукционную варочную панель, чтобы избежать опасности и не причинить большего вреда.

## СЛУЖБА СЕРВИСНОГО ОБСЛУЖИВАНИЯ КЛИЕНТОВ

### Перед тем, как звонить в службу сервисного обслуживания

В случае возникновения неполадок в работе прибора рекомендуется:

- убедиться, что штепсель правильно подсоединен к электрической розетке;
- прочитать приведенную выше таблицу с по выявлению неисправностей.


Если причина неисправности не установлена:

выключить прибор, не разбирать его и позвонить в службу сервисного обслуживания клиентов.

## **Специальная декларация**

---

Вся информация, приведенная в данном руководстве, была тщательно проверена. Тем не менее, производитель не несет ответственности за ошибки, допущенные при печати. Кроме того, в случае выхода новой редакции руководства по эксплуатации, в него могут быть вносятся технические изменения без предварительного уведомления.

Изображение изделия соответствует действительности. 

---

**Сервис продукции всех марок группы Sandy, оригинальные запасные части,  
расходные материалы, аксессуары**

<b>Город</b>	<b>Сервисный центр</b>	<b>Телефон</b>	<b>Адрес</b>
<b>Беларусь</b>			
Брест	ОДО «Золак»	(80162) 426394	224028, ул. Орловская, 10
Витебск	ЧП Сиваченко А.К.	(80212) 916448	210033, ул. Туристская, 28
Гомель	ЧПТУП «НораСервис»	8 (10375232) 530916, 531173	246050, Интернациональная, 10, офис 717
Гродно	УЧТСП «Салби»	(80152) 315113, 780759	230009, ул. Горького, 72, к. 210
Минск	ООО «Техноторговая фирма «Вяткасервис»	(81037517) 2237239, 2268873	220035, ул. Заславская, 17
Минск	ТЧУП «МИНТЕХПРОМЦЕНТР»	(017) 2222330	220007, Левкова, 3, корп. 1
Могилев	ИП Козловский А.Я.	(80222) 252540	212030, ул. Лепешинского, 12
<b>Казахстан</b>			
Актау	ТОО «STSCo. Ltd»	8 (329) 2513000, 2518712	466200, 2й микрорайон, здание 12
Актобе	ЗАО ТоСТ	(3132) 518197	463000, прт АбулхайрХана, 58
Алматы	ТОО «Планета СервисЦентр»	(3272) 737222, 738222	480002, прт ЖибекЖолы, 32
Алматы	ТОО «КОМБИТЕХНОЦЕНТР»	(8327) 2689898, 682652, 434330	480008, Шевченко, 147в
Астана	ТОО «ПТНСервис»	(3172) 366455	473000, прт АбылайХана, 8/1 кор. 2, оф. 1
Павлодар	ТОО фирма «Отрар2»	(3182) 451035	Циолковского, 11
Петрозаводск	ТОО «Фирма Логика»	8(3152) 338700	642023, Интернациональная, 61
Семипалатинск	ТОО «ДЕЛЬТА»	(3222) 640607	490002, 20 квартал, дом 14
Тараз	ЧП Михальчук	(3262) 451356, 450999	484039, Толе би, 51
УстьКаменогорск	ТОО «Оптимист»	(3232) 261201, 275277	492000, Орджоникидзе, 50, оф. 44
Шымкент	ЧП «Мусаев» СЦ «ЭВРИКА»	(3252) 567692, 562887	486050, прт Б. Момышулы, 7
<b>Молдова</b>			
Кишинев	«ВЛАНАТЭКС»	(3722) 545474	MD2001, Бул. Гагарина, 2
<b>Россия</b>			
Абакан	Сити Сервис (ЧП Кобылянский)	(39022) 66564	655017, ул. Вяткина, 12.
Альметьевск	Триумф	(8431) 227953	423450, ул. Джалиля, 47
Альметьевск	Филиал ООО «ЭлекамСервис Плюс»	(8553) 371789	Герцена, 80
Архангельск	ЧП Ульянов	(8182) 276912	163061, ул. Суворова, 12
Астрахань	ЧП Савин Н.К. ООО СЦ АТЛАНТ 2001	(8512) 382867, 383584, 251232	ул. СенСимона, 4226
Астрахань	АстраСервис (ЧП Кузнецов А.Ф.)	(8512) 398216	414041, ул. Яблочкова, 1В
Барнаул	ООО «ХелмиСервис»	(3852) 239402, 235988	656049, Пролетарская, 113
Барнаул	ПБООЛ Пахомов Е.С.	(3852) 353750, 353751	656049, прт Красноармейский, 36, оф. 310, 311
Барнаул	Пром'Экс	(3852) 772323	656011, пр. Калинина, 24А
Белгород	ООО «ВыборСервис»	(0722) 329652	308013, Энергетиков, 2
Белгород	Союзсервис (ЧП Богушева)	(0722) 253400	308034, прт Ватутина, 5А
Биробиджан	ООО «Реал Электроник»	(42622) 40721	679016, ЕАО Димитрова, 3
Благовещенск	ООО «Фирма Олакс»	(4162) 522000, 524000	675002, Ленина, 27
Братск	ИП Маняхин В.Н.	(3953) 476907	665708, Пионерская, 23
Брянск	МТКсервис	(0832) 756900	241001, ул. Красноармейская, 170
Бузулук	ЧП Кудашев В.А. СЦ «Альянс»	(3534) 227147	461049, 2 микр., 34
Великий Новгород	Региональный сервисный центр Ч.П. Богдасаров Б.Г.	(8162) 191150	173526, п. Панковка, Промышленная, 1
Великий Новгород	СЦ «Электроника», Смирнов В.В. ЧП	(816) 643654	173008, Большая СПбетербургская ул., 81А
Владивосток	СЦ «МореСервис» (ПБООЛ Занегин В.Г.)	(4232) 400999, 401420	690600, ул. Алеутская, 45А
Владикавказ	Арктикасервис	(8672) 755007	362015, прт Коста, 15

Владикавказ	ООО «АльдаСервис»	(8672) 548202	362007, Кутузова, 82
Владимир	ООО «РостСервис»	(0922) 305055	600031, Юбилейная, 60
Владимир	Видео Сервис (ЧП Осинцев)	(0922) 240819	600022, ул. Новоямская, 73
Владимир	Домовой	(0922) 322309	600000, ул.Урицкого, 26
Владимир	Мастер Сервис	(0922) 324846	600000, ул.Большая Московская, 19
Волгоград	ООО «РБТСЕРВИС»	(8442) 306105	4000081, ул. Калеганова, 3
Волгоград	ООО «КлассикаСервис»	(8442) 975010	400120, Елецкая, 173
Волгоград	ООО «Толиман»	(8442) 325817, 377919	400050, Рокоссовского, 58
Волгоград	ООО фирма «Мир Видео 1»	(8442) 344136	400005, прт Ленина, 58/1
Волжский	ООО фирма «Мир Видео 1»	(8443) 566022	404127, Дружбы, 21
Вологда	ЧП Зверев Е.А. фирма «Лот»	(8172) 716394	160026, Панкратова, 75А
Вологда	ЧП Астапович	(8172) 254526	610000, ул. Карла Маркса, 89
Воронеж	ЗАО «Беркут»	(0732) 701670	394006, ул. Ворошилова, 2
Воронеж	ОАО ВТТЦ «Орбитасервис»	(0732) 774329, 774397, 520544	394030, Донбасская, 1
Воронеж	ООО «КвантСервис»	(0732) 394173, 564675	394000, Старых большевиков, 1в
Воронеж	ООО «РадиоимпортСервис»	(0732) 362595, 769600	394052, Матросова, 66а
Воронеж	ООО «Технопрофсервис»	(0732) 463179, 567461	394026, проспект Труда, 91
Воскресенск	ООО «Эпикур»	(244) 50177	140200, Советская, 4а, ком. 411
ГусьХрустальный	ООО «СуперСервис»	(09241) 34801	601505, Калинина, 52
Димитровград	СЦ Эльдорадо	(84235) 75121	433513, ул. Льва Толстого, 53
Долгопрудный	ООО «Долгопрудный цех ремонта бытовых машин и приборов»	(095) 4088887	141700, Долгопрудный, Дирижабельная, 4
Екатеринбург	ООО «Уральский вал – Сервис»	(3432) 520107, 520110, 520114, 734768	620050, ул. Монтажников, 4
Екатеринбург	НордСервис	(3432) 340828, 342378, 359442	620057, ул. Донская, 31
Екатеринбург	ООО «Компания БонусПлюс»	(3432) 746162	620078, Малышева, 138
Екатеринбург	ООО «Корепанов и К»	(3432) 746162	620050, Техническая, 34
Екатеринбург	ООО «СоникоЕк»	(3432) 691948	620130, Ст. Разина, 109
Ессентуки	Симпэкс	(87934) 35090, 38861	357600, ул. Пятигорская, 143
Ессентуки	Стинол	(87934) 52044	357600, ул. Чапаева, 65
Железногорск	ООО «ЭриданСервис»	(39197) 44958	662978, Ленинградский проспект, 35
Заинск	Филиал ООО «ЭлекамСервис Плюс»	(25558) 20489	Рафикова, 8б
Зеленоград	ООО «Протор сервис»	(095) 5378207, 5378212	124683, корпус 1534
Иваново	ООО «Центр Ремонтных Услуг»	(0932) 291510, 23671, 291738	153048, Ген. Хлебникова, 36

**Сервис продукции всех марок группы Sandv, оригинальные запасные части,  
расходные материалы, аксессуары**

<b>Город</b>	<b>Сервисный центр</b>	<b>Телефон</b>	<b>Адрес</b>
Иваново	ООО «АСЦ Спектр»	(0932) 293942	153035, 1 Полевая, 33
Ивантеевка	Берингов пролив Магнум	(253) 61194, 5000560	141250, Советский проспект, 2А
Ижевск	ООО «Служба сервиса Ваш дом»	(3412) 753464, 757777	426063, ул. Ключевой поселок, 63А
Ижевск	Аргуссервис	(3412) 226336, 436982	426000, ул. К. Маркса, 395
Ижевск	ООО «РИТСервис»	(3412) 432039, 430667	426008, Пушкинская, 216
Иркутск	Комту Сервис	(3912) 271157	664081, ул. 4я Советская, 65
Иркутск	ТИС	(3952) 513109, 333859	664000, ул. Партизанская, 149
ЙошкарОла	Розовый дельфин	(8362) 112389	424000, прт Гагарина, 7
Казань	ООО «Ваш Дом – Сервис»	(8432) 722444, 723246	420073, ул. А. Кутуя, 8А
Казань	ООО «ЛУАЗО»	(8432) 993303, 993427	420126, Ямашева, 82
Калининград	ООО Техноторговый центр «Вега»	(0112) 434904, 461981	236038, ул. Гагарина, 41\45
Калуга	ООО «МастерСервис»	(0842) 561822, 561821	248600, Рылеева, 39, корп. 2
Кемерово	КВЭЛ	(3842) 358319	650004, ул. Соборная, 8
Кемерово	ООО «ТЦ Архимед»	(3842) 379570	650070, Тухачевского, 29А
Кемерово	Сибирская сервисная компания	(3842) 361222	650099, ул. Островского, 12А
Кимры	СЦ «ПрестижСервис», ПБООЛ Сазонов А.Н.	(08236) 32138	171506, Урицкого, 9
Киров	Квадрат	(8332) 373273	610027, ул. К. Маркса, 127
Киров	ООО фирма «Электронсервис»	(8332) 271974	610021, Производственная, 18
Ковров	ООО «БытСервис+»	(09232) 31281	601900, Лопатина, 19
Коломна	Росинка2	(26) 141486	140400, Московская обл., прт Кирова, 15
Кольчугино	МУП «Старт»	(09245) 22657	601786, ул. 50 лет Октября, 15
Кострома	Гепард	(0942) 312501	156000, ул. Молочная гора, 3, Рыбные ряды, к. 1
Краснодар	ЧП Пузенко	(8612) 521281, 521160, 520934	350072, Московская 5 (зд РИП)
Красноярск	ЧП Близнецов	(3912) 276720, 653441	660020, ул. Дудинская, 12А
Красноярск	ЧП КуршаковаКвалком	(3912) 555063, 669869	660000, ул. Борисевича, 20
Курган	ТВсервис (ЧП Горланов)	(3522) 461542	640000, ул. Кирова, 83
Курган	Товарищество предпринимателей	(3522) 457683	640020, ул. Красина, 41
Курск	Сервисный центр «Сунцов»	(0712) 521340	305004, ул. Л. Тостого, 9
Липецк	ТОМсервис	(0742) 345252, 346750	398016, ул. Космонавтов, 10
Магадан	Видео Сервис (ЧП Осинцев)	(41322) 75706	685000, ул. Гагарина, 28В, офис 64
Магадан	Предприниматель Шантиленко П.М.	(41322) 75844	685000, Пролетарская, 59
Магнитогорск	МУП завод «Рембыттехника»	(3519) 232464	Ленинградская, 17
Майкоп	Джун Ltd	(87722) 47527, 70013, 70016	385000, ул. Хакурате, 155
Майкоп	ООО «Электрон – Сервис»	(87722) 66238	385018, Димитрова, 25
Махачкала	АСЦ «Техник ISE»	(8722) 647133, 642895	367026, ул. Имама Шамиля, 20
Миасс	Сервисный центр «Мастер»	(35135) 72462	пр. Автозаводцев, 49
Минеральные Воды	ПБООЛ Богданов В.А.	(87922) 76145	357202, Московская, 29а
Москва	ГТЦ «Мир и Сервис»	(095) 7440014	115477, Пролетарский прт, 23
Москва	ЗАО «КДС – Технический центр» / CPS – Technical Centre	(095) 7973434	121290, Шелепихинская набережная, 18
Москва	МВидеоСервис	(095) 7420101	109202, 2ая Карачаровская ул., 14
Москва	ООО «АМО БытСервис»	(095) 3212001, 3915027	115551, Домодедовская, 7, кор. 3
Москва	ООО РТЦ «Совинсервис»	(095) 4739003	129081, Ясный проезд, 10
Московская область	ООО «СТИ РемБытСервис»	(095) 2593663, 2590626	123100, Москва, ул. Анатолия Живова, 8, стр.1
Мурманск	ООО РТТЦ «ЭлектроникаСервис»	(8152) 595027	183050, пр. Ледокольный, 5

Мурманск	СиПиЭс	(8152) 237233	183038, ул. Марата, 1
Муром	ООО «ИнросСервис»	(09234) 46060	602252, Московская, 111
Набережные Челны	ООО «ЭлекамСервис Плюс»	(8552) 538527	423815, прт Вахитова, 30/05
Набережные Челны	Филиал ООО «ЭлекамСервис Плюс»	(8552) 497337	Набережная Тукая, 10/70
Нефтеюганск	СЦ Юганск (ЧП Якимов)	(34612) 52232, 52242	628303, 10 микрон, д. 9, кв. 53
Нижнекамск	Филиал ООО «ЭлекамСервис Плюс»	(8555) 348350	Студенческая, 6
Нижний Новгород	ООО «НИСКОМ»	(8312) 650203	603009, Пятигорская, 4 А
Нижний Новгород	ПБООЛ Зорькин А.Я. СЦ «Бытовая автоматика»	(8312) 783552	603105, Ошарская, 88/1
Нижний Новгород	Гарант Грешнихин	(8312) 623601, 620029, 163141	603146, ул.Заярская, 18
Нижний Новгород	ООО Сервисный центр «Электроника»	(8312) 546818, 594620	603158, Лескова, 8
Нижний Новгород	ПБООЛ Божев Н.А. (Сервисный Центр «ТОКИО»)	(8312) 296366, 704251	603003, Заводской парк, 21
Нижний Тагил	ЦТО Ока	(3435) 410008, 295687	622036, ул. Октябрьской революции, 66
Новокузнецк	ЧП Волков	(3843) 554531	654038, ул. 40 лет ВЛКСМ, 34
Новомосковск	АВСцентр	(08762) 69920, 62227	301650, ул. Московская, 1
Новосибирск	Фрегат	(3832) 180207	630004, ул. Ленина, 53
Новосибирск	ООО «ИРП»	(3832) 101024	630007, Советская, 5а
Новосибирск	ООО «Сибирский Сервис»	(3832) 924712	630054, Плахотного, 39
Новосибирск	ООО РТЦ «Совинсервис»	(3832) 230661, 232775	630091, Красный проспект, 50, Дом быта, 5 эт.
Норильск	Сервисцентр «Норильск Регион Сервис»	(3919) 481043	663300, Комсомольская, 4822
Обнинск	Радиотехника	(08439) 53131	249037, пл. Треугольная, 1
Омск	ООО «Телетекст сервис»	(3812) 312530	644042, пр. Маркса, 18
Омск	СБТ	(3812) 251610	644007, ул. Чернышевского, 2
Орел	ЗР ОО ОО ОО ВОИ	(0862) 51956	302001, ул. Черкасская, 2



**Сервис продукции всех марок группы Sandv, оригинальные запасные части,  
расходные материалы, аксессуары**

<b>Город</b>	<b>Сервисный центр</b>	<b>Телефон</b>	<b>Адрес</b>
Орел	МастерЪ	(0862) 751480	302016, ул. Латышских Стрелков, 1
Оренбург	ТОО «Технический Центр «ЛикосСервис»	(3532) 775505, 776554, 779189	460006, Невельская, 8А
Орск	АльянсС	(3537) 266266	462428, ул. Краматорская, 10
Пенза	ООО «Техносервис»	(8412) 544301	440600, Пушкина, 10
Пенза	Техсервис	(8412) 558598	440044, ул. Коммунистическая, 28
Пермь	ООО «ИмпортСервис»	(3422) 656983, 661260	614107, Инженерная, 10
Пермь	СатурнР	(3422) 910281, 906163	614066, ул. Чайковского, 35
Пермь	СЦ «ЕвроСервис» (ИП Мосунов А.Л.)	(3422) 135333, 361394	614000, Большевикская, 134
Петрозаводск	СЦ «Быттехника»	(8142) 519008, 517239	185026, ул. Сортавальская, 14
Псков	САМ Беляев	(8112) 165527	180004, прт Октябрьский, 56
Пятигорск	ПБЮЮЛ Родионов Д.А.	(87933) 40666	357500, прт Калинина, 54а
Раменское	ООО «Сервисцентр Техника»	8 (096) 4674385, 73499, 32127	140100, МО, ул. Школьная, 9
РостовнаДону	ООО «Абрис плюс»	(8632) 443590	344018, пр. Буденновский, 72а
РостовнаДону	Ростовский филиал ООО «РТЦ Совинсервис»	(8632) 405782	344006, Соколова, 11
РостовнаДону	ЭЛТЕХ	(8632) 474152, 474152, 625268	344079, ул. Ленина, 63
Рыбинск	ООО «Трансэкспедиция», АСЦ «МЭДЖИК»	(0855) 556572, 286572	152920, пр. Серова, 8. АСЦ «МЭДЖИК»
Рыбинск	Служба «Техносервис» ЧП Удальцов	(0855) 520472, 246006	ул. Свободы, 12А
Рязань	ООО «Торговая компания НИСА»	(0912) 329281	390041, Зубковой, 17Б
Рязань	ООО «Фонограф Сервис»	(0912) 721712	390026, пл. 50летия Октября, 1
Рязань	Сервисный центр	(0912) 210734, 251580, 292300	390011, Куйбышевское ш., 21
Рязань	СпаркС	(0912) 215720, 774096	390046, ул. Горького, 17, офис 20
Самара	ООО «ОрбитаСервис»	(8462) 626262, 628869	443074, Мориса Тореза, 137
Самара	Политехсервис (ЧП Идрисов)	(8462) 311740	443010, ул. Льва Толстого, 14
Самара	СервисЦентр	(8462) 349428, 349463	443096, ул. Мичурина, 15, ТТЦ «Аквариум», 1й этаж, секция 1/2
СанктПетербург	«ВяткаСервис», ООО	(812) 3712464, 3270470, 3719228	196158, Московское шоссе, 5
СанктПетербург	ООО РТЦ «Совинсервис» СПб филиал	(812) 2750121, 2750571, 2750556	193144, Суворовский пр., 35
Саранск	Верона ООО	(8342) 483111	430000, ул. Пролетарская, 36
Саранск	ВидеоСервис (ЧП Гришин В.П.)	(8342) 245485, 249858	430016, ул. В. Терешковой, 18А
Саратов	Скарт	(8452) 484131, 484132	410040, прт 50 лет Октября, 110А
Саратов	СарСервис	(8452) 510099, 520520	410078, ул. Аткарская, 42/54
Северодвинск	ЧП Ульянов	(81842) 23184	ул. Воронина, 27А
Серпухов	ЧП Чиков Д.М. (ТЦ «Топаз»)	(27) 354300	142201, 1ая Московская, 44
Смоленск	Гарант	(0812) 683500	214000, ул. Ленина, 22/6
Смоленск	Гарант	(0812) 618800	214000, ул. Фрунзе, 22
Сочи	ТехИнСервис	(8622) 620295	354002, Курортный проспект, 76
Ставрополь	НордСервис	(8652) 393030	355044, прт Кулакова, 24
Старый Оскол	ООО «Техномаркет»	(0725) 441082, 440574	309530, мкрн Рудничный, 24
Сургут	ИП Олейник	(3462) 252563	628405, прт Комсомольский, 44
Сызрань	ООО «Сервисэлектро»	(8464) 980389, 910692	446000, пр. 50 лет Октября, 60 б
Сыктывкар	Атлантсервис	(8212) 310580	167000, ул. Индустриальная, 10
Сыктывкар	ООО ТТЦ «Сыктывкар»	(8212) 442001, 249542	167010, Первомайская, 32
Сыктывкар	СЦ «Бытовая Техника» (ООО ЛигаСервис)	(8212) 432856	167004, ул. Октябрьский проспект, 3
Тамбов	Атлантсервис	(0752) 726346	392000, ул. Московская, 23А
Тамбов	БВС2000	(0752) 751718	392002, ул. Энгельса, 5, мн «Юбилейный»
Тверь	ВесыВеста	(0822) 423389, 428494	170001, ул. Спартака, 50
Тверь	ООО «СтэкоСервис»	(0822) 320023	170002, Чайковского, 100
Тверь	Стэко	(0822) 320023	170002, прт Чайковского, 100

Тольятти	ООО «ВолгаТехника Холдинг»	(8482) 227185, 227241	445022, бр 50 лет Октября, 26
Тольятти	ЭПРО	(8482) 207256, 706512	445051, Приморский бр, 2, оф. 5
Томск	ДС	(3822) 247428, 593345, 597939	634034, ул. Учебная, 26, ООО «ДС»
Томск	ООО «АкадемияСервис»	(3822) 258580, 259808	634021, пр. Академический, 1, блок А, оф. 205
Томск	ООО «ГлавБытСервис»	(3822) 266865	634021, Некрасова, 12
Томск	СБсервис	(3822) 527772	634061, ул. Никитина, 37А
Тула	ООО «АрхимедСервис»	(0872) 361917	300000, Ф. Энгельса, 40
Тула	ЗАО ПКФ «Профит» Сервисный Центр	(0872) 309565, 309464	300034, Вересаева, 1
Тула	ООО фирма «БАВИКС»	(0872) 363180, 311151, 364448 (доб. 217)	300045, Морозова, 1Б
Тула	ПБЮЮЛ Кузьмичев Сергей Николаевич	(0872) 325607	300600, Ф. Энгельса, 89
Тюмень	Аверс Сервис	(3452) 391218, 391229	625007, ул. Мельникайте, 131А
Тюмень	ООО «МетизМ»	(3452) 227124, 243202	625035, пр. Геологоразведчиков, 33
Тюмень	ООО «ТЦ Тюмень Импорт Сервис»	(3452) 224596	625026, Мельникайте, 97
УланУдэ	Кондорсервис	(3012) 442344	670034, ул. Гагарина, 15
УланУдэ	ПБЮЮЛ Митрофанов С.А.	(3012) 410700	670013, Ключевская, 59
Ульяновск	АСЦ «РИО» (ЧП Мураев)	(8422) 646236	432063, ул. Кузоватовская, 29
Ульяновск	Лидинг	(8422) 209781	432072, прт Ульяновский, 10
Ульяновск	ТСЦ «Вятка» (ЧП Дрязгов)	(8422) 201522	432072, прт Ленинского Комсомола, 41
Уссурийск	Полукс ООО	(42341) 21035, 40039	692519, ул. Советская, 29
Уссурийск	ЧП «Дубовой Виталий Васильевич»	(42341) 37474	692503, Ленина, 134а
Уфа	Центр «Импорт Сервис»	(3472) 281701, 524697	450078, ул. Воровского, 93
Уфа	Планета Люкс	(3472) 234485	450000, ул. Сочинская, 8
Уфа	СервисЦентр Техно	(3472) 229918, 232394	450000, ул. Чернышевского, 88
Ухта	Бытовая техника (ЧП Коновалов)	(82147) 47099	169300, ул. Бушуева, 18
Ухта	ООО «АВВА»	(82147) 63613	169300, Семяшкина, 8А
Хабаровск	ЗАО «ЕВГО» (СЦ «Парад Электроники»)	(4212) 328320	680000, Тургенева, 74
Хабаровск	СЦ Народная компания	7960841	680007, ул. Волочаевская, 8
Химки	МПФ «ЕВИК»	(095) 5731483	141400, Химки, Маяковского, 2

**Сервис продукции всех марок группы Sandv, оригинальные запасные части,  
расходные материалы, аксессуары**

<b>Город</b>	<b>Сервисный центр</b>	<b>Телефон</b>	<b>Адрес</b>
Чебоксары	Белая Техника (ЧП Мельник)	(8352) 425003, 420900	428018, Московский проспект, 3
Челябинск	ООО ТТЦ «Рембыттехника»	(3512) 492020, 492070, 492424	454008, Производственная, 8б
Челябинск	ЗАО ГСЦ «ТАТЬЯНА»	(3512) 722826	454081, Котина, 72
Челябинск	ЗАО Техносервис «Мир техники»	(3512) 424641	454021, Молодогвардейцев, 35Б
Челябинск	ООО «ЭлектроН»	(3512) 410151, 640084	454112, пр. Победы, 302
Чита	СЦ «СлавянскийЭлектроника» ЧП Любин А.В.	(3022) 325522	672010, Ингодинская, 35
Чита	Техномаркет	(3022) 324500	672000, ул. Ленина, 121
ЮжноСахалинск	ЭлектроЛюксСервис (ЧП Петров)	(4242) 724357, 429754	693006, ул. Ленина, 2171
Якутск	БытСервис (ЧП Чураков)	(4112) 439966	677009, ул. Халтурина, 18
Ярославль	ЗАО фирма «ТАУ»	(0852) 796677, 796678, 796679	150049, ул. Свободы, 101
<b>Украина</b>			
Белая Церковь	ООО «АТЛАНТ ПЛЮС»	(04463) 67515	09113, ул. Клиническая, 6
Винница	СПД Ваниев Л.М.	(0432) 464393	21030, прт Юности, 16
Днепродзержинск	СЦ «Росток»	(0569) 535480	51934, пр. Ленина, 66
Днепропетровск	«Техносервис»	(0562) 335638	49051, ул. Философская, 21
Днепропетровск	ДФ СП «Транс Сервис»	(0562) 342391	49027, ул. Коцюбинского, 16
Днепропетровск	ООО «Интерсервис»	(0562) 271570	49051, ул. Калиновья, 1
Днепропетровск	СЦ «Бюро проката»	(056) 3702322	49000, ул. Плеханова, 20
Донецк	«ВесыСервис»	(062) 3456190	83052, пр. Ильича, 103
Донецк	«СИТИСЕРВИС»	(0622) 940033	83052, бул. Шахтостроителей, 1/17
Донецк	Фокстрот	(062) 3853755	83000, прт Мира, 13
Житомир	ЧМП «Выбор»	(0412) 418826	10014, ул. Победы, 32
Запорожье	ЗФ ООО «Интерсервис»	(0612) 154801	69006, пр. Металлургов, 12А
Запорожье	ЗФ СП «Транс Сервис»	(0612) 120303	69035, ул. 40летия Сов. Украины, 39б
ИваноФранковск	ООО «КаскадКарпаты»	(03422) 43262	76000, ул. Галицкая, 22
ИваноФранковск	СЦ «Бриз»	(03422) 22402	76002, ул. Нова, 5 и 19А
Измаил	Экран	(048) 7433968	68600, ул. Котовского, 59
Керчь	СЦ «МЕРКУРИЙ»	(06561) 21373	98302, ул. Пирогова, 1
Керчь	Фокстрот	(06561) 23062	98300, ул. Кирова, 3
Киев	КФ СП «Транс Сервис»	(044) 5685150	01034, ул. Золотоваворотская, 2а, оф. 24
Киев	ООО «Равис»	(044) 5404992	02218, ул. Радужная, 25б
Киев	ООО «ЭЛЕКТРОСЕРВИС»	(044) 4160534	01050, ул. Глубочицкая, 53, 3 эт.
Киев	ООО «ДТС»	(044) 4515896	04212, ул. Тимошенко, 9
Киев	Фокстрот	(044) 4405233	04060, ул. Щусева, 44
Кировоград	КФ ООО «Интерсервис»	(0522) 301653	25030 пр. Правды, 16
Кировоград	СПД Ваниев Л.М.	(0522) 249647	25006, прт Коммунистический, 1/7
Краматорск	«ВесыСервис»	(0626) 444898	84301, ул. Дворцовая, 57
Краматорск	ВалдисСервис	(06264) 56456	84313, ул. Парковая, 15
Кременчуг	«ИНЭКРЕМЕНЬ»	(05366) 31121	39600, ул. Победы, 17/6
Кременчуг	Фокстрот	(0536) 746725	39600, 101 квартал, дом 3
Кривой Рог	Домтехсервис	(0564) 743615	50069 ул. Волгоградская, 4
Кривой Рог	Фокстрот	(0564) 400764	50103, ул. Карла Либкнехта, 1
Луганск	ООО НПП «Корсак»	(0642) 345606	91058, ул. Коцюбинского, 27
Луганск	ЧП «Терещенко»	(0642) 588762	91005, ул. Фрунзе, 136 б
Львов	ЛФ СП «Транс Сервис»	(0322) 975588	79008, ул. Винниченко, 30
Львов	ООО «МаркетЛьвов»	(0322) 337063	79018, ул. Стороженко, 12
Мариуполь	«ВесыСервис»	(0629) 521521	87547, пр. Строителей, 132
Мариуполь	Нейтрон	(0629) 529282	87500, пр. Металлургов, 94
Николаев	НФ ООО «Интерсервис»	(0512) 471519	54017, пр. Ленина, 55
Николаев	ЧП «Осипенко»	(0512) 575235	54003, пр. Ленина, 184
Одесса	ОФ СП «Транс Сервис»	(048) 7771140	65029, ул. Новосельского, 64
Одесса	Фокстрот	(0482) 372192	65029, Александровский прт, 4, кв. 12
Павлоград	«Пинфок»	(05632) 31193	51409, ул. Ленинградская, 3а
Полтава	НПО «Промэлектроника»	(0532) 186691	34022, ул. Пролетарская, 22

Полтава	ПФ ООО «Интерсервис»	(0532) 509889	36014 ул. Октябрьская, 73
Ровно	ЗАО «Бытрадиотехника»	(0362) 235303	33012, ул. Бендеры, 45
Севастополь	СЦ Кауф	(0692) 456072	99011, ул. Большая Морская, 41
Севастороль	ООО «ПанорамаС»	(0692) 231055	99000, ул. Руднева, 33
Северодонецк	ПКП «Сев. радиотехника»	(06452) 43030	93400, ул. Маяковского, 13
Симферополь	Предприятие «НАДИР»	(0652) 510176	95011, ул. Самокиша, 22
Симферополь	ЧП «Гарант»	(0652) 493770	95013, ул. Трубаченко, 7
Сумы	Фокстрот	(0542) 365058	40024, ул. Прокофьева, 19
Сумы	ЧПКФ «Сервисцентр»	(0542) 210679	40030, ул. Героев Сталинграда, 3
Тернополь	ООО «ТернаваСервис»	(0352) 433022	46024, ул. Злуки, 39
Тернополь	Фокстрот	(0352) 433887	46023, ул. С. Петлюры, 4
Феодосия	Фокстрот	(06562) 31284	98100, ул. Базарная, 4
Харьков	Фокстрот	(0572) 588319	61001, ул. Кирова, 38
Харьков	ХФ СП «Транс Сервис»	(0572) 142472	61072, пр. Ленина, 31
Харьков	ЧП Глазунов К.Э.	(057) 7123860	61052, ул. Полтавский Шлях, 30
Херсон	ООО «Радио»	(0552) 226121	73000, ул. Советская, 23
Херсон	ХФ ООО «Интерсервис»	(0552) 420286	73014, ул. Суворова, 4
Хмельницкий	ООО «Тритон ЛТД»	(03822) 60233	28009, ул. Козацкая, 42
Черкассы	ООО «ЕвразияС»	(0472) 663653	18023, ул. Одесская, 8
Черкассы	Фокстрот	(0472) 475811	18002, ул. Шевченко, 241/83
Чернигов	ООО «Лагрос»	(0462) 101493	14005, пр. Мира, 80
Чернигов	Фокстрот	(0462) 175858	14000, ул. Полуботько, 18
Черновцы	Фокстрот	(0372) 554720	58003, ул. Л. Кобылицы, 51/4

**Сервисная сеть постоянно развивается, поэтому в данном списке возможны изменения.**

**Bäste Kund,**

vi tackar dig för att du valt induktionshällen CANDY, en produkt som vi är säkra på att du kommer att trivas med i många år.

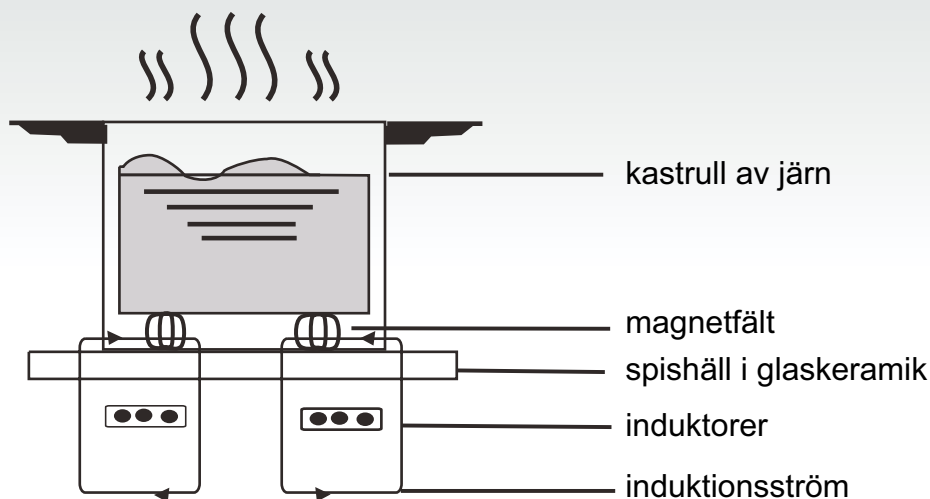
Läs noga igenom denna instruktionsbok innan spishällen tas i bruk och förvara den för framtida bruk.

## Introduktion

Induktionshällen är i stånd att tillfredsställa alla de behov som kräver en tillagning med elektromagnetisk uppvärmning, tack vare ett mikrodatorstyrt och multifunktionellt kontrollsystem, ett bra val för moderna familjer. Denna köksutrustning, som tillverkats av specialmaterial, är otroligt lätt att använda, motståndskraftig och säker.

## Hur den fungerar

Induktionshällen utgörs av en elektrisk slinga, en yta i ferromagnetiskt material och av ett kontrollsystem. Elektrisk ström skapar ett kraftigt elektromagnetiskt fält runt slingan. Detta skapar en rad med vågor som ger upphov till värmen som sedan överförs till kärlet från hällens kokyta.



## Säkerhet

Denna spishäll har skapats för hemmabruk. Eftersom vi hela tiden utvecklar våra produkter förbehåller vi oss rätten att utföra ändringar vid eventuella tekniska rön.

### ● Skydd mot överhettning

En sensor kontrollerar temperaturen inuti hällen. Om temperaturen överskrider säkerhetsgränsen stängs hällen av automatiskt.

### ● Indikation om föremål på hällen

Om man på hällen placerar en kastrull vars diameter är mindre än 80 mm, små föremål (som knivar, gafflar eller nycklar) eller en icke magnetisk kastrull (till exempel i aluminium), utlöses omedelbart en ljudsignal som sedan hörs i cirka 1 minut. Om problemet kvarstår försätts hällen automatiskt i stand-by.

### ● Alarm om resterande värme

När hällen används under en längre tid kan resterande värme kvarstå. Bokstaven "H" på displayen tänds till varning för att man inte skall vidröra hällen.

### ● Säkerhet genom självavstängning

Självavstängningen är ytterligare en säkerhetsfunktion för induktionshällen som aktiveras automatiskt om man glömmer bort att stänga av hällen. Den automatiska avstängningen av spishällen beror på den värmenivå som används, i enlighet med nedanstående tabell:

Värmenivå	Kokzonen stängs av automatiskt efter
1-3	8 timmar
4-6	4 timmar
7-9	2 timmar

När kastrullen, efter avslutad kokning, tas bort värmer inte induktionshällen längre och stängs sedan av efter ljudsignalen som pågår under 1 minut.

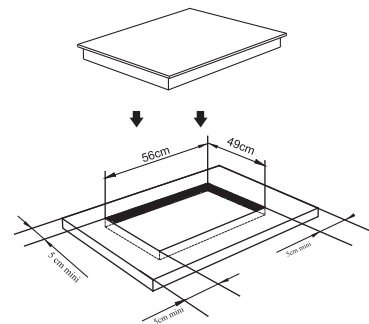
### OBS:

personer som bär pacemaker får endast använda denna köksutrustning under kontroll av läkare.

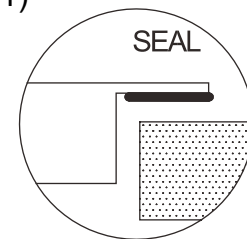
## Installation

### Installation av spishällen

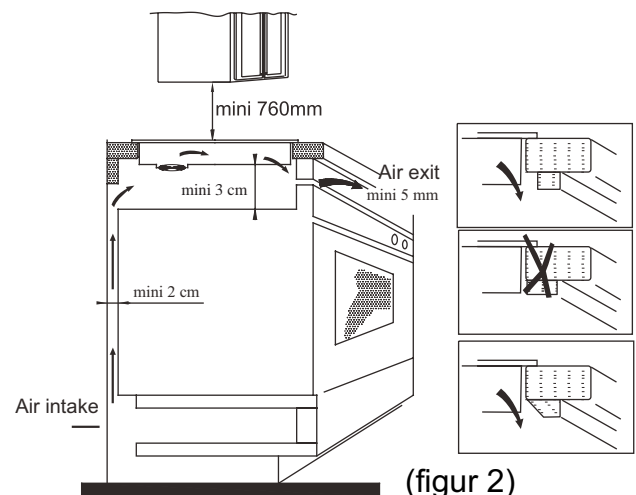
1. Gör ett hål i möbeln i enlighet med de mått som visas på ritningen; för en korrekt installation skall det finnas ett utrymme på minst 5 cm. runt ytan. Kontrollera att tjockleken på stödet där hällen skall passas in är minst 30 mm. och att det material det är gjort av klarar höga temperaturer, detta för att undvika att de deformeras på grund av värmen som kommer från spishällen (figur 1).



(figur 1)



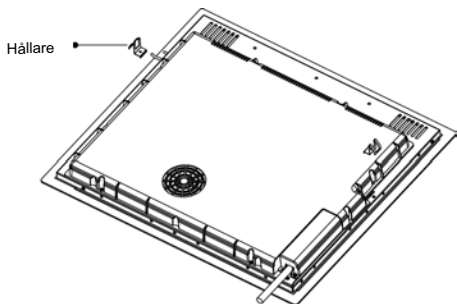
2. Kontrollera alltid att induktionshällen vilar stadigt på stödytan och att den ventileras ordentligt (figur 2).



(figur 2)

**OBS:** mellan spishällen och en eventuell ovanliggande möbel skall det finnas ett utrymme på minst 760 mm.

- Efter att man har placerat hällen skall den sättas fast med hjälp av fyra hållare i stödytan (på det sätt som visas på bilden). Reglera sedan varje hållare på basis av stödytans tjocklek.



### Säkerhetsåtgärder

- Induktionshällen skall installeras av kvalificerad installatör. Utför inte installationen själv.
- Induktionshällen får inte monteras på kylskåp, diskmaskiner eller torktumlare.
- Induktionshällen skall installeras på ett sådant sätt att en optimal värmeavyttring kan garanteras.
- Väggen och området under induktionshällen skall vara värmetåliga.
- För att undvika skador skall den tunna filmen som häftar spishällen vid stödytan vara värmetålig.

### 4. Elektriska anslutningar

Anslutningen till elnätet skall göras av kvalificerad personal och i enlighet med gällande normer. Anslutningssätten för hällen visas i figur 3:

Spänning och frekvens	Elektrisk anslutning			
400V 2-N 50/60Hz	1 • L1 Svart	2 • L2 Brun	3 4 — N Grå och blå	5 ⏏ Gul/grön
220-240V 50/60Hz	1 2 — L Svart och brun		3 4 — N Grå och blå	5 ⏏ Gul/grön

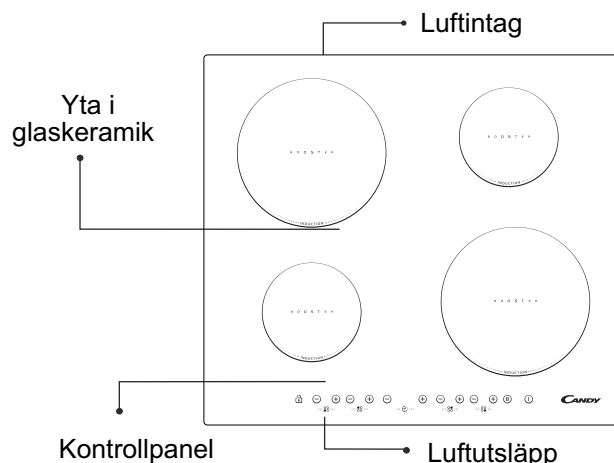
Kontrollera att den elektriska anläggningen är utrustad med ett effektivt jordsystem i enlighet med gällande normer och lagar. Anslutning till jordnätet är obligatorisk. Tillverkningsföretaget avsäger sig allt ansvar för eventuella personskador eller skador på föremål som uppstår på grund av att denna norm inte iakttas.

Om apparaten inte är utrustad med elkontakt skall man sätta på en normaliserad elkontakt på kabeln som är i stånd att klara den belastning som anges på skylten.

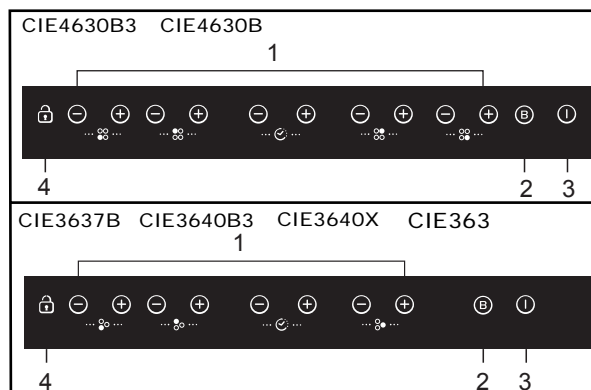
Om man önskar en fast anslutning till elnätet skall man placera en omnipolär strömbrytare med ett kontaktavstånd på minst 3 mm mellan apparaten och nätet.

Om kabeln är trasig eller skadad får den endast bytas ut av auktoriserad personal. Kabeln får inte vara klämd.

### Beskrivning av induktionshällen



### Schema över kontrollpanelen



- Effektinställning
- Boost
- PÅ/AV
- Knapp för säkerhetslås

## Instruktioner för användning

### Förberedelser innan användning:

Så fort man slår på spishällen hörs en ljudsignal och alla kontrollampor blinkar under 1 sekund för att indikera att spishällen är i stand-by.

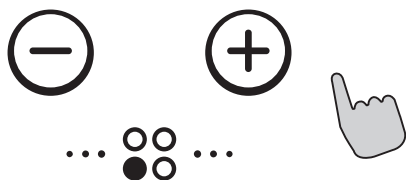
**Att placera kastrullen ovanpå den önskade kokzonen**



### Instruktioner

Efter att man har tryckt på knappen "ON/OFF", visar alla kontrollampor symbolen "-". Välj den kokzon på vilken kastrullen står; kontrollampen för den valda kokzonens värmenivå börjar att blinka. Tryck sedan på knappen "+" eller "-", på displayen visas 5 som standardvärde, och reglera den önskade styrkan med hjälp av knappen "+" eller "-". Om man samtidigt trycker på knappen "+" och på knappen "-" nollställs tidigare inställningar och kokzonen stängs av. Se tabellen på sidan 105 för styrkan på de olika kokzonerna på spishällen.

**OBS:** efter att man tryckt på knappen "ON/OFF" förblir induktionshällen i standby-läge om inget annat görs inom 1 minuter.



### BOOST-funktion (snabbtillagning)

För en snabbare tillagning skall man trycka på knappen "BOOST" efter att man valt kokzon på hällen, därefter visas "P" på displayen.

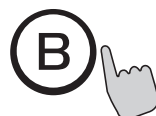
### OBS:

1. BOOST-funktionen håller på i max 5 minuter och därefter återgår hällen till initialinställningen.
2. Boost-funktionen är disponibel för alla kokzoner

3. När Boost-funktionen är aktiverad i den första kokzonen, sänker effektnivån i den andra kokzonen automatiskt till nivå 2 och vice versa. När Boost-funktionen är aktiverad i den tredje kokzonen, sänker effektnivån i den fjärde kokzonen automatiskt till nivå 2 och vice versa.

### Att annullera BOOST-funktionen

När BOOST -funktionen är vald, välj den tredje kokzonen (bakre högra) och tryck på BOOST -knappen eller på "-" -knappen för att annullera BOOST-funktionen. Kokzonen återställs på den tidigare inställda styrkan.



### Timer function

Tryck på + eller - för den aktuella kokzonen, motsvarande indikator börjar då blinka. För att aktivera timer funktionen tryck + eller - på klocksymbolen, tiden kan sättas mellan 1 och 99 minuter. Med att trycka på + en gång kommer tiden att öka med en minut. Håller man + nedtryckt ökas tiden med 10 minuter. Om inställningen överskrider 99 minuter, går den aut-Matiskt tillbaka till 0 minuter. Samma logik för "-".



### Tid konfirmation

1. Tryck på + eller -, så tiden kan bestämmas.
2. När tidindikatorn har blinkat i 5 sekunder, så blir den bestämda tiden automatiskt bekräftad.

### Tids annullering

Om + och - knapparna trycks ner samtidigt, kommer indikatorn vis 0 och tiden annulleras.



**Säkerhetsfunktion:** för att garantera barnens säkerhet har induktionshällen utrustats med en låsfunktion.

För att låsa den skall man hålla knappen "låsanordning" (Interlock) nedtryckt: spishällen blockeras, displayen för timern visar symbolen "Lo" och alla andra funktioner är urkopplade.

**Avaktivering:** tryck på knappen "låsanordning" (Interlock) i 3 sekunder.



### Maximal styrka för varje kokzon

Kokzon	CIE4630B3	CIE4630B	CIE3640B3	CIE3640X	CIE3637B	CIE363
	Normal	Boost	Normal	Boost	Normal	Boost
1	1200	1500	1200	1500	1200	1500
2	2300	3000	2300	2600	2300	2600
3	1200	1500	3000	4000	3000	3700
4	2300	3000	-----	-----	-----	-----

De indikerade styrkorna kan variera beroende på vilken typ av material kastrullen är gjord av samt dess storlek.

### Val av kastruller för matlagning



stekpanna av järn för stekning



kastrull av rostfritt stål



eldfast form av järn



stekpanna av järn



kokkärl i rostfritt lackat stål



lackad kastrull



järntallrik

1. Det finns ett flertal redskap som lämpar sig för kokning på elektrisk spishäll. Denna spishäll är i stånd att identifiera dem och testa dem med hjälp av en av följande metoder:  
 placera kastrullen på en kokzon. Om det på indikatorn för denna kokzon visas en värmenivå betyder detta att kastrullen är lämplig; om i stället symbolen "L" visas betyder detta att kastrullen inte är lämpad för bruk på induktionshäll.
  2. Sätt en magnet på kastrullen: om magneten dras till kastrullen betyder detta att kastrullen är lämplig för bruk på elektrisk häll.
- OBS:** Kastrullens botten skall innehålla material som möjliggör magnetisk ledning.  
 Kastrullen skall ha en platt botten med en diameter som överskrider 14 cm.

## Säkerhet och underhåll



Använd en säkerhetsbrytare.



Endast för inre bruk.



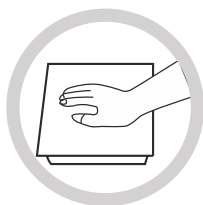
Rengör aldrig induktionshällen direkt med vatten.



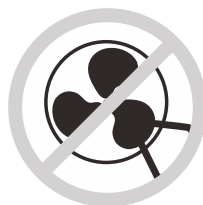
Använd aldrig en tom kastrull (utan mat i), eftersom denna kan skadas och det kan vara farligt.



Värm aldrig mat på burk utan att först ha öppnat burken eftersom denna annars kan explodera på grund av värmen.



När den använts länge blir kokzonen mycket varm. För att undvika att bränna sig bör man inte vidröra spishällen.



Kontrollera med jämna mellanrum att luftcirkulationen under spishällen inte blockeras (av glas, papper, etc.).



Lämna inte föremål som knivar, gafflar, skedar och lock på spishällen för att undvika att dessa också värms upp.



Använd aldrig den elektriska spishällen i närheten av gas- eller fotogenkaminer.



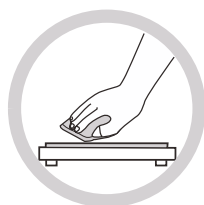
Placera inte rengöringsmedel eller brandfarligt material under induktionshällen.



Om spishällens yta går sönder skall man stänga av allt som är på för att undvika att få en elektrisk stöt.



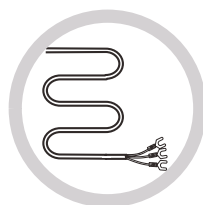
Använd aldrig kastruller med skrovlig botten för att undvika att ytan i glaskeramik skadas.



Rengör spishällen med jämna mellanrum för att undvika att eventuell smuts samlas och nedsätter köksutrustningens goda funktion.



Låt inte barn använda denna köksutrustning eller endast under uppsyn av vuxna.



Om kabeln är trasig eller skadad får den endast bytas ut av auktoriserad personal.

Enheten får inte användas av personer (inklusive barn) med nedsatt fysisk, sensorisk eller mental förmåga, eller med bristande erfarenhet eller kunskap, om de inte övervakas eller har instruerats av en person som ansvarar för deras säkerhet.

Se till att barn inte leker med produkten.



**VIKTIGT:** avyttra inte denna produkt som hushållsavfall. Den skall avyttras separat.

Denna köksutrustning är tillverkad i enlighet med EU-direktiv 2002/96/EG beträffande avyttring av elektrisk och elektronisk utrustning.

Vetskaben om att denna produkt har utformats i enlighet med gällande direktiv är behjälplig vad det gäller att förebygga eventuella hälso- och miljökador som en annan typ av avyttring kan leda till.

Denna symbol indikerar att produkten inte kan avyttras som vanligt hushållsavfall, men på stationer för återanvändning av elektriskt och elektroniskt material.

För ytterligare information om hantering, avyttring och återanvändning av denna produkt, kontakta den lokala uppsamlingsplatsen eller den affär där produkten har köpts.

## Rengöring och underhåll

Ytan på spishällen kan rengöras på följande sätt:

Typ av smuts	Rengör på följande sätt	Material till rengöringen
lätt smuts	med varmt vatten; torka torrt	svamp
mycket smuts	med varmt vatten och torka av med en speciell svamp för glaskeramik	speciell svamp för glaskeramik
beläggningar	häll vitvinsvinäger på beläggningen och rengör med en mjuk trasa eller använd ett speciellt rengöringsmedel	speciellt häftpapper för glaskeramik
Socket, plast eller smält aluminium	För att avlägsna resterna använd en skrapa som lämpar sig för glaskeramik (för att skydda glaset är det bättre att använda en produkt med silikon)	speciellt häftpapper för glaskeramik

**OBS:** koppla ur köksutrustningen från strömtillförseln innan den rengörs.

## Felindikationer och kontroll

Om ett fel uppstår aktiverar induktionshällen automatiskt en skyddsfunktion och följande koder visas på displayen:

Problem	Möjlig orsak	Lösning
F0/F1/F2	fel på fläkten	kontakta leverantören
F3-F8	fel på temperatursensorn	kontakta leverantören
E1/E2	felaktig spänning	kontrollera strömtillförseln Efter denna kontroll slå på apparaten igen
E3/E4	felaktig temperatur	kontrollera kastrullen
E5/E6	otillräcklig värmespridning	slå på apparaten igen efter att den svalnat

Detta är en lista över de vanligaste felen.

Montera inte ned induktionshällen på egen hand, detta för att undvika risker eller att den skadas ytterligare.

## TEKNISK KUNDTJÄNST

Innan man kontaktar den tekniska kundtjänsten

Om utrustningen inte fungerar som den ska rekommenderar vi att du kontrollerar följande:

- att kontakten är ordentligt isatt i eluttaget.
- läs felsökningstabellen på sidan 11.

Om apparaten, efter dessa kontroller, fortfarande inte fungerar stäng av den utan att montera ned den och kontakta den tekniska kundtjänsten.

## **Speciell deklARATION**

---

Allt innehåll i denna instruktionsbok har noga kontrollerats. Tillverkaren avsäger sig emellertid allt ansvar för eventuella fel eller utebliven text i den tryckta versionen. Eventuella ändringar i denna instruktionsmanual kan göras utan att meddelandeplikt föreligger. Bilden gäller för den aktuella produkten.

---

Geachte Klant,

wij willen u hartelijk bedanken voor uw keuze van de inductiekookplaat van Candy. U zult ongetwijfeld vele jaren plezier hebben van dit product.

Lees deze handleiding aandachtig door voordat u het product in gebruik neemt en bewaar hem goed, zodat u hem in de toekomst indien nodig altijd kunt raadplegen.

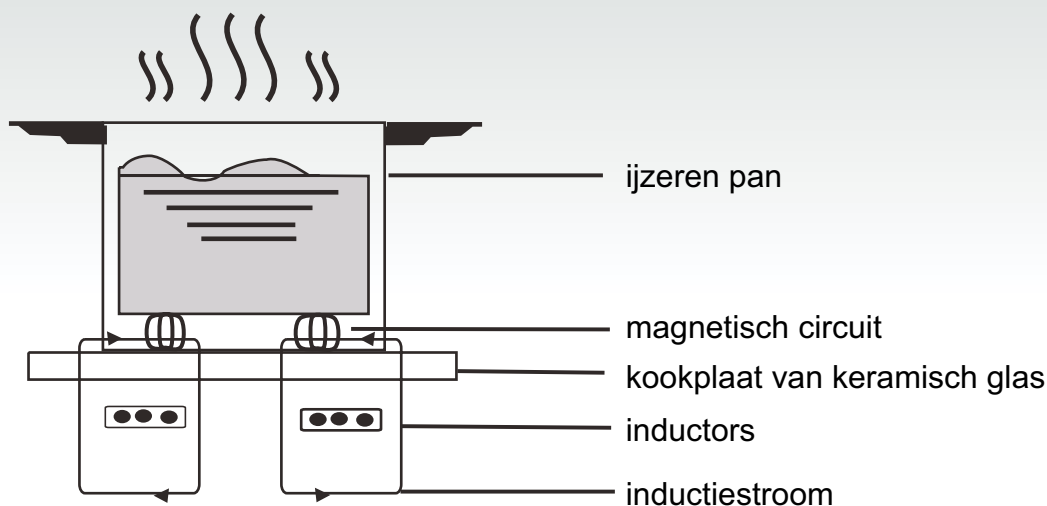
## Inleiding

De inductiekookplaat beantwoordt aan de verschillende wensen op het gebied van elektromagnetische verwarming, dankzij een multifunctioneel en gemicrocomputeriseerd bedieningssysteem: de ideale keuze voor het moderne gezin.

Dit met speciale materialen uitgevoerde apparaat is uiterst eenvoudig in het gebruik, stevig en veilig.

## Hoe werkt deze plaat

Deze inductiekookplaat bestaat uit een elektrisch verwarmingsspiraal, een kookplaat in ferromagnetisch materiaal en een bedieningsinrichting. De elektrische stroom genereert een krachtig magneetveld om de spiraal. Hierdoor ontstaat er een reeks wervels, die de hitte genereren. De hitte wordt vervolgens vanaf het oppervlak van de kookplaat de pan binnendringt.



## Veiligheid

Deze kookplaat is ontworpen voor huishoudelijk gebruik.

Gericht op een voortdurende verbetering van onze producten, behouden we ons het recht voor wijzigingen aan te brengen naar aanleiding van eventuele nieuwe technologische ontwikkelingen.

### ● Beveiliging tegen oververhitting

Door een sensor wordt de temperatuur binnenin de kookplaat gecontroleerd. Zodra de temperatuur het veiligheidsniveau overschrijdt, schakelt de kookplaat automatisch uit.

### ● Signalering van voorwerpen op de kookplaat

Wanneer men een pan met een diameter kleiner dan 80 mm, kleine voorwerpen (bijvoorbeeld messen, vorken, sleutels) of een pan met een niet-magnetische bodem (bijvoorbeeld van aluminium) op de kookplaat zet, wordt er automatisch een geluidssignaal ingeschakeld, dat ongeveer een minuut aanhoudt. Indien het probleem niet wordt opgelost, schakelt de kookplaat automatisch over op de stand-by status.

### ● Alarmsignaal restwarmte

Wanneer de kookplaat langere tijd achtereen in gebruik is, kan er restwarmte aanwezig zijn. Met de letter "H" op de display wordt gewaarschuwd dat de plaat niet mag worden aangeraakt.

### ● Beveiliging door automatische uitschakeling

De automatische uitschakelfunctie is nog een veiligheidsfunctie van uw inductiekookplaat: deze functie treedt automatisch in werking wanneer u vergeet de kookplaat uit te schakelen. De tijd van de automatische uitschakeling van de kookplaat hangt af van het eerder gekozen vermogensniveau, zoals uit de onderstaande tabel blijkt:

Vermogensniveau	De kookzone schakelt automatisch uit
1-3	8 uur
4-6	4 uur
7-9	2 uur

Wanneer de pan na het koken van de inductiekookplaat wordt gehaald, blijft deze niet meer warm en schakelt na het één minuut durende geluidssignaal uit.

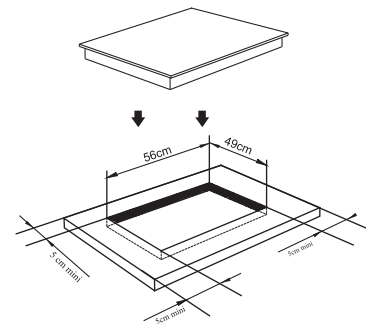
### Nota bene:

personen die een pacemaker dragen mogen dit huishoudapparaat uitsluitend gebruiken onder begeleiding van hun arts.

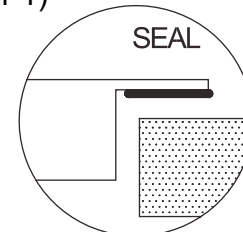
## Installatie

### Installatieprocedure

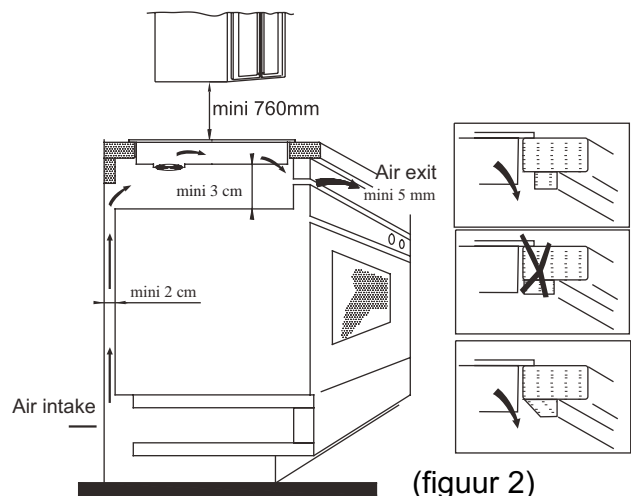
1. Boor een gat in het bovenblad van het meubel aan de hand van de maten die in de tekening staan. Voor een correcte installatie moet er rondom de kookplaat een ruimte van minimaal 5 cm overblijven. Verzekert u ervan dat het steunvlak, waarin de kookplaat wordt geplaatst, ten minste 30 mm dik is en dat het materiaal waarvan de tafel gemaakt is tegen hoge temperaturen bestand is, om te vermijden dat deze vervormd raakt door de hitte die van de kookplaat komt (figuur 1).



(figuur 1)



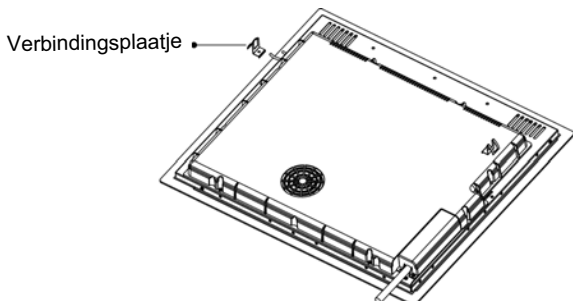
2. Verzekert u er altijd van dat de inductiekookplaat stevig op zijn plaats zit en goed geventileerd is (figuur 2).



(figuur 2)

**Opmerking:** tussen de kookplaat en een eventueel element boven de plaat moet een ruimte van ten minste 760 mm worden voorzien.

- Nadat u de kookplaat op zijn plaats hebt gebracht, zet u deze met vier verbindingsplaatjes vast op het steunoppervlak (zoals aangegeven in de figuur). Regel vervolgens elke verbinding afzonderlijk, naar gelang de dikte van het steunvlak.



### Voorzorgsmaatregelen

- De inductiekookplaat mag uitsluitend door een vakman worden geïnstalleerd. Voer de installatie nooit alleen uit.
- De inductiekookplaat mag beslist niet op een koelkast, vaatwasmachine of wasmachine gemonteerd worden.
- De inductiekookplaat moet zodanig geïnstalleerd worden, dat een optimale verwerking van de hitte gegarandeerd is.
- De wand en de zone onder de kookplaat moeten hittebestendig zijn.
- Ter voorkoming van schade moet het dunne applicatielaagje waarmee de kookplaat op het steunvlak is vastgeplakt hittebestendig zijn.

### 4. Elektrische aansluitingen

De elektrische aansluiting moet door bevoegd personeel en volgens de geldende wettelijke voorschriften uitgevoerd worden. In figuur 3 wordt aangegeven hoe de kookplaat moet worden aangesloten:

Voltage en frequentie	Elektrische aansluiting			
400V 2-N 50/60Hz	1 L1 Zwart	2 L2 Bruin	3 4 N Grijs en Blauw	5 Geel/Groen
220-240V 50/60Hz	1 2 L Zwart en Bruin	3 4 N Grijs en Blauw	5 Geel/Groen	

Controleer of de elektrische installatie van een goede aardverbinding is voorzien, volgens de wettelijke voorschriften. Aarding is verplicht.

De Fabrikant wijst elke aansprakelijkheid af voor eventuele schade aan personen of zaken, als gevolg van het niet inachtnemen van deze norm.

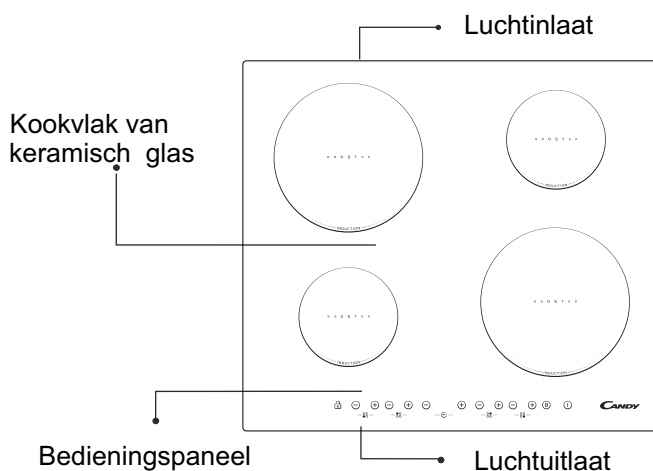
Indien het apparaat niet van een stekker is voorzien, moet er een genormaliseerde stekker op het snoer worden aangebracht, bestand tegen de belasting die op het gegevensplaatje vermeld staat.

Indien men een vaste aansluiting op het lichtnet tot stand wenst te brengen, moet er tussen het apparaat en het lichtnet een meerpolige stroomonderbreker worden geplaatst met een contactopening van minimaal 3.

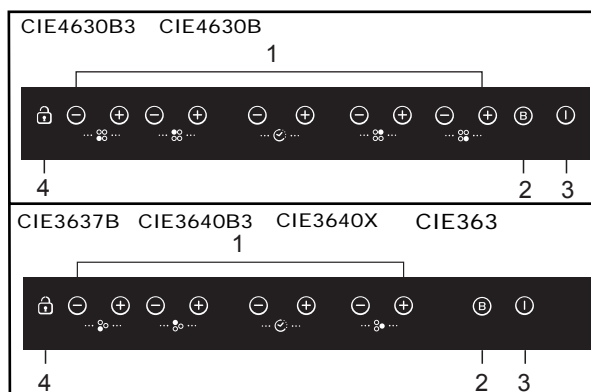
Als het snoer beschadigd is, mag dit uitsluitend door een vakman vervangen worden.

Het snoer mag niet verbogen zijn of platgedrukt.

### Beschrijving van de inductiekookplaat



### Schema bedieningspaneel



- Instelling vermogen
- Boost
- ON/OFF
- Veiligheidsvergrendeling

## Aanwijzingen voor het gebruik

### Vorbereidingen voor het gebruik:

Direct nadat de kookplaat aangeschakeld is, hoort u een geluidssignaal en alle leds knipperen één seconde waarmee wordt aangegeven dat de kookplaat in de stand-by status is.

Zet de pan op de door u gekozen kookzone.

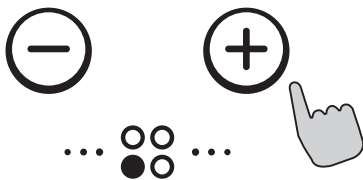


### Werkwijze

Nadat op de "ON/OFF" toets gedrukt is, geven alle leds het teken "-" aan. Selecteer de kookzone waarop de pan staat; de led van het vermogensniveau van de gekozen zone gaat knipperen. Druk op de toetsen "+" of "-", op de display wordt 5 als standaardwaarde aangegeven, regel met de toetsen "+" of "-" het gewenste vermogensniveau. Door gelijktijdig op de toetsen "+" en "-" te drukken, worden de eerdere instellingen weer op nul gezet en de kookzone wordt uitgeschakeld.

Zie de tabel op pag. 113 voor het specifieke vermogen van elke kookzone van de plaat.

**Opmerking:** nadat op de toets "ON/OFF" is gedrukt, blijft de inductiekookplaat in de stand-by status, als er binnen 1 minuten geen andere handelingen worden uitgevoerd.



### BOOST functie (snelkookfunctie)

Druk voor een hoger kookvermogen op de "BOOST" toets, na eerst de zone van de kookplaat gekozen te hebben: op de display verschijnt een "P".

#### Opmerking:

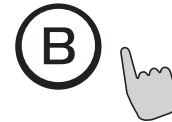
1. De BOOST functie heeft een tijdsduur van maximaal 5 minuten, waarna de kookplaat niet meer opwarmt.
2. De boost functie kan op alle zones worden gekozen

3. Wanneer de boost functie op de 1<sup>ste</sup> zone wordt geactiveerd, zal de 2<sup>de</sup> zone automatisch met 2 niveaus naar beneden gaan en andersom. Wanneer de boost functie op de 3<sup>de</sup> zone wordt geactiveerd, zal de 4<sup>de</sup> zone automatisch met 2 niveaus naar beneden gaan en andersom

### Uitschakeling van de "BOOST" functie

Selecteer de zone waarbinnen de BOOST functie ingeschakeld is, druk op de BOOST toets om deze instelling te annuleren. Het vermogensniveau wordt weer teruggeschakeld naar het eerder ingestelde vermogen.

Als op de toets "-" wordt gedrukt gedurende de BOOST functie, wordt naar het vermogensniveau 9 teruggeschakeld.



### Timer functie

Druk de "+" of "-" toets van de zone, de bijbehorende indicator gaat knipperen. Om de timer te activeren drukt u de "+" of "-", de tijd is in te stellen tussen 1 en 99 minuten. Door de "+" toets 1 keer in te drukken zal de tijd met 1 minuut worden verhoogd. Als u de toets vast houdt zal de timer met 10 min verhogen. Als de timer voorbij de 99 minuten gaat zal deze automatisch weer naar 0 minuten gaan. Deze logica geldt ook voor "-".



### Tijd bevestiging

1. Druk de + of de - de tijd kan nu ingesteld worden
2. Als de tijd indicatie 5 sec heeft geknippert zal de tijd automatisch bevestigd worden.

### Timer annuleren

Door de "-" en de "+" tegelijk in te drukken zal de indicator "0" tonen en de timer is geannuleerd.



## Kinderslot

Voor de veiligheid van uw kinderen is deze kookplaat voorzien van een slot

Inschakelen: druk op de "slot" toets, de kookplaat gaat nu op de "slot" stand de timer geeft "Lo" de rest van de toetsen kan nu niet gebruikt worden met uitzondering van ON/FF toets

## slot opheffen

druk de "Slot" toets 3 seconden in de kookplaat werkt nu weer op d normale manier.



## Maximum vermogen van elke kookzone

Kookzone	CIE4630B3	CIE4630B	CIE3640B3	CIE3640X	CIE3637B	CIE363
	Normaal	Boost	Normaal	Boost	Normaal	Boost
1	1200	1500	1200	1500	1200	1500
2	2300	3000	2300	2600	2300	2600
3	1200	1500	3000	4000	3000	3700
4	2300	3000	-----	-----	-----	-----

De hierboven aangegeven vermogensniveaus kunnen variëren afhankelijk van het materiaal en de afmetingen van de pan.

## Keuze van de juiste pannen



ijzeren frituur-steelpan



roestvrijstalen pan



ijzeren braadpan



ijzeren braadpan



geëmailleerde roestvrijstalen ketel



geëmailleerde pan



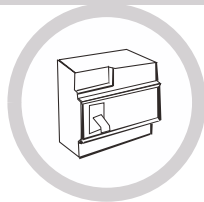
platte ijzeren braadpan

1. Er bestaan veel verschillende middelen die geschikt zijn voor gebruik op een inductiekookplaat. Deze kookplaat is in staat om ze te herkennen en te testen op één van de volgende manieren:  
plaats de pan op een kookzone. Als er op de indicator van deze kookzone een vermogensniveau verschijnt, is de pan geschikt; verschijnt daarentegen het teken "L", dan is de pan niet geschikt voor inductiekoken.
2. Plaats een magneet op de pan: als de magneet door de pan wordt aangetrokken, dan is de pan geschikt voor inductiekoken.

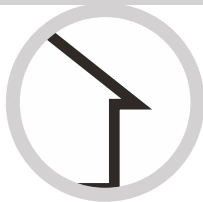
**De pan:** de bodem moet magnetiseerbare materialen bevatten,

De vorm van de pan: de pan moet een diameter van meer dan 14 cm hebben.

## Veiligheid en onderhoud



Gebruik een voor het vermogen geschikte veiligheidsschakelaar.



Uitsluitend voor gebruik binnenshuis.



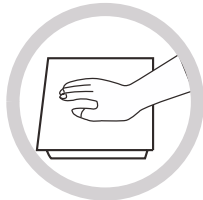
Maak de inductiekookplaat nooit direct met water schoon.



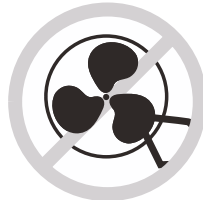
Gebruik de kookplaat nooit in de nabijheid van gas- of oliëkachels.



Verwarm nooit blikvoedsel zonder eerst het blik te hebben geopend, om te vermijden dat het blik ontploft doordat het uitzet vanwege de hitte.



Na langdurig gebruik blijft de kookzone zeer heet. Raak om brandwonden te vermijden nooit het oppervlak aan van de kookplaat.



Controleer regelmatig of de luchtventilatie onder de kookplaat niet wordt belemmerd (bijvoorbeeld door glas, papier, enz.).



Laat nooit metalen voorwerpen zoals messen, vorken, lepels en deksels op de kookplaat liggen, om te vermijden dat deze ook heet worden.



Gebruik de pan nooit wanneer deze leeg is (dus geen voedsel bevat): de pan kan daardoor beschadigd raken en het is in elk geval gevaarlijk.



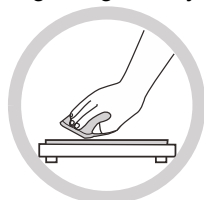
Berg geen schoonmaakmiddelen, oplosmiddelen of ontvlambare materialen onder de inductiekookplaat op.



Schakel alles uit als het oppervlak van de kookplaat breekt, om elektrische schokken te voorkomen.



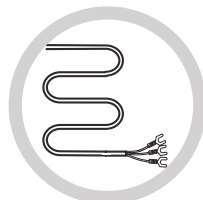
Gebruik nooit pannen met een ruwe bodem, om te voorkomen dat het oppervlak van keramisch glas beschadigd raakt.



Maak de kookplaat regelmatig schoon om te voorkomen dat het vuil zich ophoopt, wat de goede werking van dit huishoudapparaat belemmert.



Zorg dat het apparaat buiten het bereik van kinderen blijft en sta gebruik ervan alleen toe onder begeleiding van een volwassen persoon.



Als het snoer beschadigd is, mag dit uitsluitend door bevoegd personeel vervangen worden.

Het gebruik van dit apparaat is niet bedoeld voor personen (inclusief kinderen) met verminderde lichamelijke, zintuiglijke of geestelijke capaciteiten of tekort van ervaring en kennis, tenzij er toezicht of instructie is van een persoon die verantwoordelijk is voor hun veiligheid.

Kinderen moeten in de gaten worden gehouden worden, om er zeker van te zijn dat ze niet met het apparaat gaan spelen.



LET OP: dit product mag niet bij het gewone huisvuil afgedankt worden. Het dient apart te worden geëlimineerd.

Voor gedetailleerdere informatie over de behandeling, afdanking en recycling van dit product dient u contact op te nemen met de plaatselijke afvalverwerking, of u moet zich wenden tot de winkel waar dit artikel is gekocht.

Dit huishoudapparaat is vervaardigd volgens de Europese richtlijn 2002/96/EG betreffende afgedankte elektrische en elektronische apparatuur.

Door de wettelijke richtlijnen met betrekking tot het afdanken van dit apparaat in acht te nemen, helpt u eventuele schade voor het milieu en onze gezondheid te voorkomen door verkeerde behandeling bij het afdanken van het product.

Met dit symbool wordt aangegeven dat het product niet als gewoon huisafval mag worden beschouwd maar door het plaatselijke grofvuilverzamelpunt van elektrisch en elektronisch afval verwerkt moet worden.

## Reiniging en onderhoud

Het oppervlak van de kookplaat kan als volgt gereinigd worden:

Soort vuil	Hoe reinigt u de kookplaat	Wat gebruikt u
niet zo vuil	met warm water; daarna afdrogen	spons
zeer vuil	met warm water en drogen met een schuursponsje speciaal voor keramisch glas	speciale spons voor keramisch glas
aangebakken vuil	witte azijn op het vuil gieten en met een zachte doek reinigen	zelfklevende folie voor keramisch glas
gesmolten suiker, plastic of aluminium	Gebruik voor het verwijderen van vuilresten een schrapertje special geschikt voor keramisch glas (ter bescherming van het glas kunt u beter een product op siliconenbasis gebruiken)	zelfklevende folie voor keramisch glas

**Opmerking:** Haal de stekker van het apparaat uit het stopcontact voordat u het reinigt.

## Meldingen van storingen en controle

Bij storingen schakelt de kookplaat automatisch een veiligheidsfunctie in en op de display verschijnen de volgende codes:

Probleem	Mogelijke oorzaken	oplossing
F0/F1/F2	ventilator defect	contact opnemen met de leverancier
F3-F8	temperatuursensor defect	contact opnemen met de leverancier
E1/E2	spanning is niet normaal	controleren of er elektrische stroom aanwezig is Na deze controle het apparaat weer aanzetten
E3/E4	temperatuur is niet goed	pan controleren
E5/E6	onvoldoende warmtestraling	het apparaat weer aanzetten zodra het afgekoeld is

In deze lijst staan de meest voorkomende storingen.

Demonteer de inductiekookplaat niet in uw zonder hulp, om risico's en grotere schade te voorkomen.

## KLANTENSERVICE

### Voordat u contact opneemt met de Technische Assistentie:

Indien het apparaat niet werkt adviseren wij u om:

- te controleren of de stekker goed in het stopcontact zit;
- de bovenstaande tabel met storingsmeldingen te controleren.

In het geval de oorzaak van het probleem niet kan worden achterhaald:

het apparaat uitschakelen, beslist niet demonteren en de Technische Assistentie bellen.

## **Bijzondere verklaring**

---

Alles wat in deze gebruiksaanwijzing staat is nauwkeurig gecontroleerd. De fabrikant stelt zich echter niet aansprakelijk voor fouten of weglatingen in de gedrukte versie.

Bij een eventuele revisie van de gebruiksaanwijzing kunnen bovendien zonder waarschuwing vooraf technische wijzigingen ingevoerd worden. De afbeelding van het product heeft betrekking op het huidige product.

---

**Caro Cliente,**

Obrigado por ter preferido a placa de indução CANDY, um produto que o poderá servir com total satisfação, durante muitos anos.

Antes de instalar e utilizar o aparelho, leia com atenção este Manual de Instruções e conserve-o para posteriores consultas.

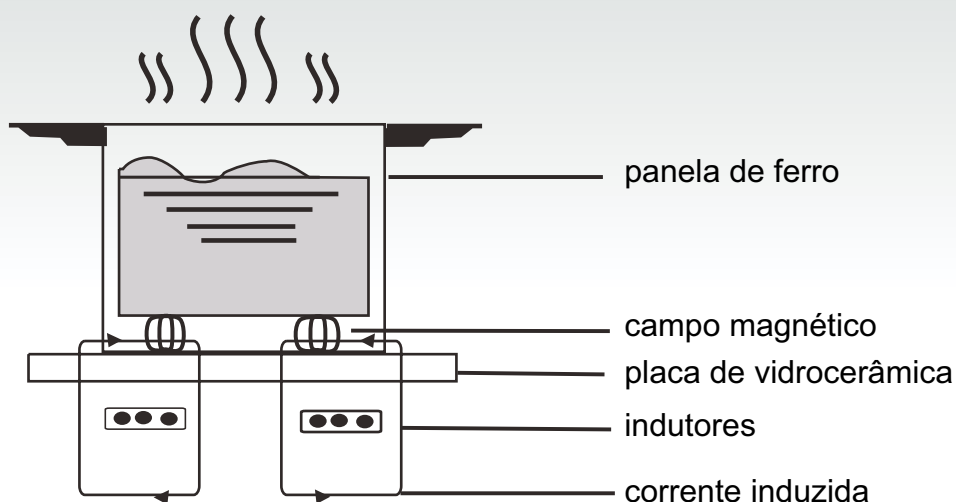
## Introdução

A placa de indução pode dar resposta às mais variadas exigências de cozedura com aquecimento electromagnético, graças a um sistema de controlo microinformatizado, multifunções. A escolha ideal para as famílias modernas.

Feito com materiais especiais, este electrodoméstico é extremamente fácil de utilizar, resistente e seguro.

## Princípio de funcionamento

A placa de indução é constituída por uma bobina de indução, uma placa de material ferromagnético e um sistema de controlo. A corrente eléctrica gera um campo electromagnético potente à volta da serpentina, produzindo uma série de ondas que geram o calor que é depois difundido pela superfície da placa.



## Segurança

**Esta placa é destinada a uso doméstico.**

Preocupados em melhorar constantemente os nossos produtos, reservamo-nos o direito de os alterar para que acompanhem a evolução técnica.

### ● Protecção contra sobreaquecimento

Um sensor de temperatura verifica constantemente a temperatura dentro da placa. Quando se regista uma temperatura superior à do nível de segurança, a placa desliga-se automaticamente.

### ● Sinalização de objectos em contacto com a placa

Quando o diâmetro da panela colocada sobre o disco for inferior a 80 mm, se a panela em causa for não magnética (como por exemplo as panelas de alumínio) ou ainda, em caso de abandono de pequenos utensílios (como facas, garfos ou chaves) sobre a placa, o sistema disparará um sinal sonoro automaticamente, durante cerca de 1 minuto. Se o problema persistir, a placa entra automaticamente em *standby*.

### ● Aviso de calor residual

Quando a placa for utilizada durante um período de tempo prolongado, há que ter em conta que a placa se mantém com calor residual durante algum tempo. Assim, a letra "H" no display aparece, para avisar que é necessário manter-se afastado da placa.

### ● Autodesactivação como protecção

A autodesactivação é outra função de segurança da sua placa de indução. Activa-se automaticamente se a placa for deixada acesa. Os tempos predefinidos para desactivar automaticamente a placa do fogão variam em função do nível de potência utilizada e vêm indicados no quadro abaixo:

Nível de potência	A zona de cozedura desliga-se automaticamente após
1-3	8 horas
4-6	4 horas
7-9	2 horas

Quando a panela é retirada do disco no fim da cozedura, a placa de indução não pode parar o aquecimento imediatamente, desligando-se apenas depois do sinal sonoro tocar durante 1 minuto.

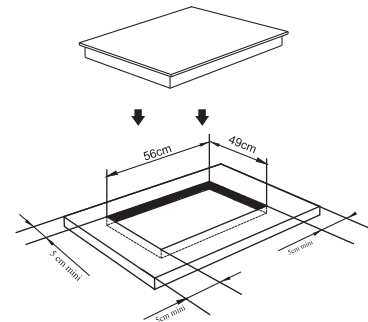
### Muito importante:

Pessoas com pacemaker devem utilizar este electrodoméstico sob orientação do seu médico.

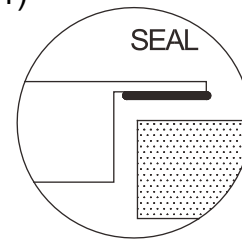
## Instalação

### Seleção do equipamento de instalação

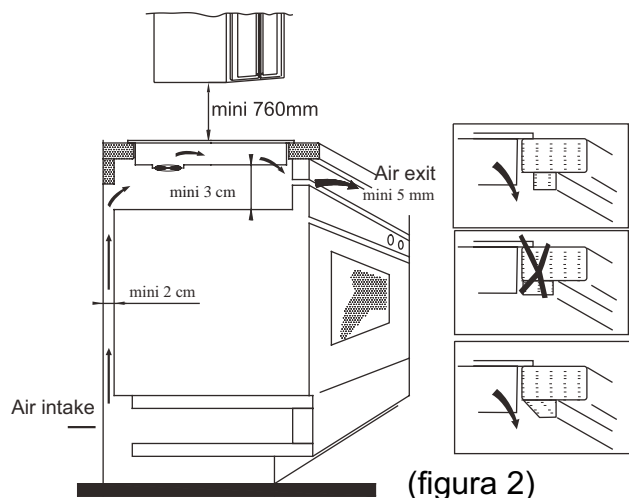
1. Fure o tampo da banca segundo as medidas indicadas na figura. Para uma instalação correcta é necessário deixar um espaço de, pelo menos, 5 cm à volta do furo. Verifique se a espessura do tampo de suporte da placa do fogão é, pelo menos, de 30 mm e se o material que o constitui é resistente a temperaturas altas, a fim de evitar deformações por radiação do calor da placa (figura 1).



(figura 1)



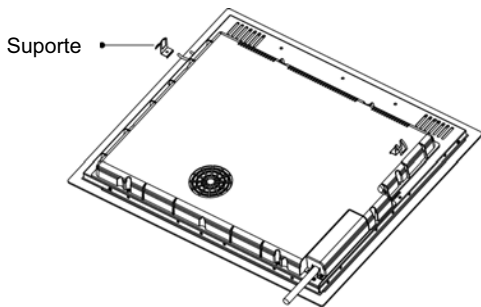
2. Verifique sempre se a placa de indução está bem fixada na sua base de fixação e se o ar que entra e sai circula perfeita e livremente (figura 2).



(figura 2)

**Nota:** A distância mínima de segurança entre a placa e o eventual armário colocado superiormente deve ser de, pelo menos, 760 mm.

- Após colocar a placa na posição de montagem, fixe-a à banca com quatro suportes (conforme figura). A seguir, ajuste cada um dos suportes segundo a espessura do tampo da banca.



**Advertências**

- A placa de indução tem de ser instalada por pessoal qualificado. Não faça a instalação sozinho.
- A placa de indução não pode ser montada em frigoríficos, congeladores, máquinas de lavar louça ou secadores de roupa.
- A placa de indução deve ser instalada de modo a garantir a melhor irradiação de calor possível.
- A parede e a área por baixo da placa de indução têm de ser resistentes ao calor.
- Para evitar danos, a película de cola entre a placa do fogão e a superfície de fixação também tem de ser resistente ao calor.

**4. Ligações eléctricas**

A ligação da placa do fogão à rede eléctrica deverá ser feita por pessoal qualificado e respeitando as normas em vigor. Os vários modos de ligação da placa estão indicados na figura 3.

Voltagem e frequência	Ligação eléctrica			
	1	2	3 4	5
400V 2-N 50/60Hz	1 • L1 Preto	2 • L2 Castanho	3 — 4 • — • N Cinzento e Azul	5 — — — Amarelo/verde
220-240V 50/60Hz	1 — 2 • — • L Preto e Castanho	3 — 4 • — • N Cinzento e Azul	5 — — — Amarelo/verde	

Verifique se a instalação eléctrica da sua casa é provida de uma ligação à terra eficaz segundo as normas e disposições de lei. A ligação à terra é obrigatória.

O fabricante declina toda e qualquer responsabilidade por eventuais danos decorrentes do não cumprimento desta norma.

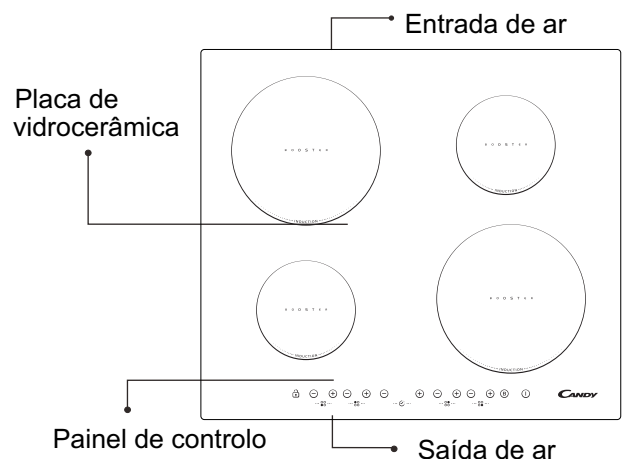
Se o aparelho for desprovido de ficha de ligação à corrente eléctrica, aplique no cabo uma ficha normalizada com capacidade para aguentar a carga indicada na placa de características do aparelho em questão.

Se desejar uma ligação à rede eléctrica fixa, será necessário intercalar entre o aparelho e a rede um dispositivo de corte omipolar com distância mínima entre os contactos de 3 mm.

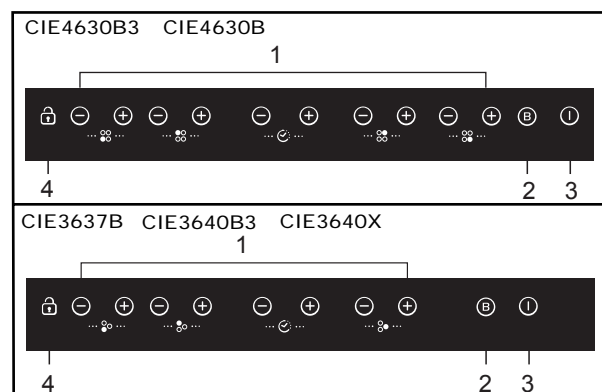
Se o cabo eléctrico estiver danificado ou a precisar de ser substituído, é necessário que a operação seja feita por pessoal especializado.

O cabo não pode ser dobrado ou esmagado.

**Descrição da placa de indução**



**Esquema do painel de controlo**



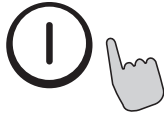
- Regulação de potência
- Boost
- ON/OFF
- Botão de segurança

## Instruções para utilização

### Preparação antes de utilizar:

Imediatamente após a ligação, a placa emite um sinal sonoro e todos os indicadores luminosos começam a piscar durante 1 segundo, indicando que a placa de indução está em standby.

Coloque a panela sobre a zona de cozedura seleccionada.



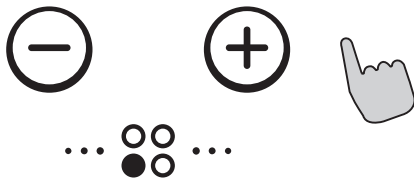
### Instruções de funcionamento

Após pressão do botão "ON/OFF", todos os indicadores luminosos mostram o símbolo "-". Selecciona a zona de cozedura em que colocou a panela. O indicador luminoso do nível de potência da zona seleccionada começa a piscar. Prima, então, as teclas "+" ou "-". O display indicará 5 como valor standard. Regule o nível de potência desejado com as teclas "+" ou "-".

Premindo as teclas "+" e "-" simultaneamente, as programações anteriores serão anuladas e a zona da placa de indução desligada.

Ver quadro da pág. 121 para informações sobre a potência específica de cada zona de cozedura da placa de fogão.

**Nota:** Após pressão da tecla "ON/OFF", a placa de indução permanece em standby se não se fizer nenhuma operação no prazo máximo de 1 minutos.



### Função BOOST (cozedura rápida)

Para maior rapidez de cozedura prima o botão "BOOST", depois de seleccionar a zona da placa, com o indicador de potência a indicar "P".

#### Nota:

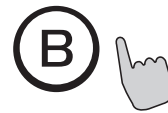
1. A função BOOST dura um máximo de 5 minutos. Decorrido este período de tempo a placa volta à sua programação de origem.
2. A função "boost" pode trabalhar em todas as zonas de cozedura.

3. Quando a função "boost" da 1ª zona de cozedura é activada, a 2ª zona de cozedura passa automaticamente para o nível 2 e, vice versa. Quando a função "boost" da 3ª zona de cozedura é activada, a 4ª zona de cozedura passa automaticamente para o nível 2 e, vice versa.

### Cancelamento da função "BOOST"

Seleccione a zona em que está em função o modo de funcionamento BOOST e prima o botão BOOST para cancelar esta programação. A potência regressará ao nível original.

Se a tecla "-" for premida durante a função BOOST, o sistema define o nível de potência 9.



### Utilização do temporizador

Prima a tecla "+" ou "-" dessa zona de cozedura; o indicador luminoso correspondente fica a piscar. Para activar a função de temporização, prima uma das teclas "+" ou "-" do temporizador; pode definir um tempo entre 1 e 99 minutos. De cada vez que premir individualmente a tecla "+" do temporizador, o tempo aumenta em incrementos de um minuto. Se mantiver a tecla "+" do temporizador premida, o aumento do tempo é feito em incrementos de 10 minutos. Se o tempo assim regulado exceder os 99 minutos, o temporizador será automaticamente repostado a zero (ou seja, é regulado um tempo de "0" minutos). O mesmo se aplica à tecla "-" do temporizador.



### Confirmação da regulação do temporizador

1. Pode agora regular o tempo, premindo uma das teclas "+" ou "-" do temporizador.
2. Regulado o tempo pretendido, o indicador luminoso do temporizador pisca durante 5 segundos, para confirmar automaticamente o tempo assim regulado.



## Anulação da regulação do temporizador

Se pretender anular a regulação do temporizador, prima simultaneamente as teclas "-" e "+"; o indicador apresenta a indicação "0" e a regulação do temporizador é anulada.

## Modo de segurança

Para assegurar a segurança de crianças, a placa de indução possui um dispositivo de bloqueio. Para bloquear: pressione a tecla "Interlock", a placa entra em modo "Interlock", no relógio surgem as letras "Lo". As outras teclas estão desactivadas excepto a tecla "ON/OFF".

## Desbloquear

Pressione a tecla "Interlock" durante 3 segundos e a placa voltará ao seu funcionamento normal.



## Potência máxima de cada uma das zonas de cozedura

Zona de cozedura	CIE4630B3	CIE4630B	CIE3640B3	CIE3640X	CIE3637B	CIE363
	Normal	Boost	Normal	Boost	Normal	Boost
1	1200	1500	1200	1500	1200	1500
2	2300	3000	2300	2600	2300	2600
3	1200	1500	3000	4000	3000	3700
4	2300	3000	-----	-----	-----	-----

As potências indicadas podem variar segundo o material e dimensões da panela.

## Seleção dos recipientes de cozinha para cozinhar



sertã de ferro



panela de aço inoxidável



tacho de ferro



fervedor de ferro



chaleira de aço inoxidável esmaltado



caçarola esmaltada



frigideira de ferro

- Há múltiplos recipientes indicados para utilização em cozedura na placa de indução. Esta placa de indução permitir-lhe-á identificá-los e testá-los, aplicando um dos métodos seguintes:

Coloque a panela sobre a zona de cozedura. Se no indicador desta zona de cozedura aparecer referido um nível de potência, significa que a panela é utilizável mas se, em vez disso, começar a piscar o símbolo "L", é sinal de que a panela não é própria para utilizar em placa de indução.

- Coloque um íman na panela. Se houver atracção entre os dois elementos, significa que a panela é própria para cozedura em placa de indução.

**Nota:** O fundo do recipiente terá de conter materiais que permitam condução magnética.

A panela deverá ter base plana e diâmetro superior a 14 cm.

## Avisos de segurança e manutenção



Utilize um interruptor de alimentação de segurança próprio.



Exclusivamente para utilização em interior.



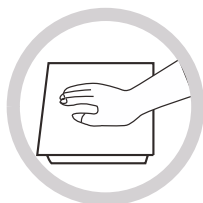
Na lavagem da placa de indução não use água directamente.



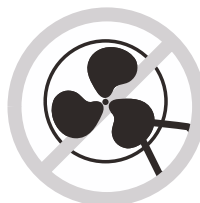
Nunca utilize a panela sem alimentos no interior para cozinhar porque, além de poder danificar-se, é perigoso!



Não aqueça alimentos embalados em caixa sem abrir previamente a respectiva tampa, para evitar riscos de explosão, por dilatação provocada pelo calor.



Após utilização prolongada, a zona de cozedura fica muito quente. Não toque na superfície da placa, para evitar queimaduras!



Verifique periodicamente se, por baixo da placa, há objectos que possam impedir a livre circulação de ar (por ex. vidro, papel, etc.).



Não deixe sobre a placa utensílios de metal, como facas, garfos e colheres, porque também aquecem.



Nunca utilize a placa de indução próximo de aquecedores a gás ou fogões a querosene.



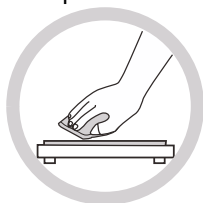
Não arrume detergentes ou materiais inflamáveis ou materiais inflamáveis debaixo da placa de indução.



Se a superfície da placa se partir, desligue tudo para evitar choques eléctricos.



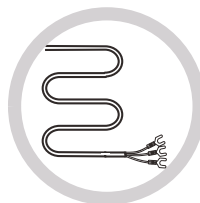
Não utilize panelas com fundo rugoso ou irregular, para evitar danificar a superfície vidrocerâmica da placa.



Limpe a placa de indução com regularidade, a fim de evitar que a acumulação de sujidade impeça o bom funcionamento do electrodoméstico.



Mantenha o aparelho fora do alcance das crianças e de todas as pessoas sem pleno uso das suas faculdades e não permita que utilizem o aparelho sem supervisão.



Se o cabo eléctrico estiver danificado, tem de ser substituído por pessoal técnico especializado.

Este aparelho não está indicado para ser utilizado por crianças e por pessoas incapazes ou inexperientes no que toca à utilização do produto, excepto se forem devidamente supervisionadas ou instruídas sobre a utilização do aparelho por uma pessoa responsável pela sua segurança.

As crianças devem ser vigiadas de modo a assegurar que não brinquem com o aparelho.



**ATENÇÃO!** Não eliminar este produto como resíduo doméstico. É necessário que seja recolhido separadamente, para submeter a tratamento especial.

Este electrodoméstico está marcado de acordo com a Directiva Europeia 2002/96/CE sobre eliminação de resíduos de equipamentos eléctricos e electrónicos (REEE).

Respeitando as directivas impostas sobre a eliminação deste produto, contribuirá para prevenir potenciais efeitos negativos para o meio ambiente e a saúde que, diversamente, poderiam decorrer da sua eliminação inadequada. Este símbolo aplicado no produto indica que não pode ser eliminado como resíduo doméstico normal e que tem de ser levado a um centro de recolha selectiva próprio para reciclagem de equipamentos eléctricos e electrónicos.

Para mais informações sobre o tratamento, eliminação e reciclagem deste produto, contacte os serviços municipalizados locais ou dirija-se à loja onde comprou o aparelho.

## Limpeza e manutenção

A superfície da placa de indução pode ser limpa, segundo um dos processos indicados no quadro abaixo:

Tipo de sujidade	Como limpar	Material a utilizar na limpeza
Pouco sujo	Molhar com água quente e depois secar	Esponja
Muito sujo	Molhar com água quente e secar com uma esponja abrasiva própria para vidrocerâmica	Esponja especial para vidrocerâmica
Incrustações	Deitar vinagre branco sobre a incrustação e limpar depois com um pano macio, ou utilizar um detergente específico.	Folha adesiva específica para vidrocerâmica
Açúcar, plástico ou alumínio fundido	Para remover os resíduos, utilizar um raspador próprio para vidrocerâmica (para proteger o vidro, é preferível utilizar produtos à base de silicone)	Folha adesiva específica para vidrocerâmica

**Nota:** Antes de qualquer operação de limpeza, desligue sempre o aparelho da rede eléctrica.

## Avárias e soluções

Em caso de anomalia, a placa de indução activa automaticamente as suas funções de protecção e dispara os códigos de protecção correspondentes:

Problema	Causa possível	Solução
F0/F1/F2	Avaria da ventoinha	Contactar o fornecedor
F3-F8	Avaria no sensor de temperatura	Contactar o fornecedor
E1/E2	Tensão eléctrica anómala	Verificar se há corrente eléctrica. Após a verificação, ligar de novo o aparelho
E3/E4	Temperatura anómala	Verificar a panela
E5/E6	Irradiação de calor insuficiente	Ligar de novo o aparelho depois de arrefecido

Esta é uma lista das avárias mais comuns.

Não desmonte a placa de indução por si, para evitar perigos e não provocar danos maiores.

## SERVIÇO DE ASSISTÊNCIA A CLIENTES

### Antes de chamar o serviço de Assistência Técnica

Se o aparelho não funcionar, aconselhamos:

- Verificar se a ficha está bem adaptada na tomada de corrente;
- Verificar o quadro de avárias indicado acima.

Se não conseguir localizar a causa do problema de funcionamento:

desligue o aparelho, não lhe mexa e chame o Serviço de Assistência Técnica.

## **Declaração especial**

---

Todo o conteúdo deste manual foi submetido a cuidadosa verificação. No entanto, o fabricante declina toda e qualquer responsabilidade por erros ou omissões na impressão.

Além disso, numa eventual revisão do Manual de Instruções, o fabricante reserva-se o direito de introduzir eventuais alterações técnicas, sem qualquer aviso prévio. O aspecto e cor do equipamento correspondem aos do produto actual.

---

Dragi kupec,

zahvaljujemo vam se, ker ste izbrali indukcijsko kuhhalno ploščo Candy. Upamo, da vam bo dolgo let dobro služila.

Prosimo, da pred uporabo kuhhalne plošče pozorno preberete ta navodila in jih shranite na varno, saj jih boste morda še potrebovali.

## Predstavitev izdelka

Indukcijska kuhhalna plošča je primerna za vse načine kuhanja. Opremljena je z elektromagnetnimi kuhališči, mikro-računalniškimi krmiljenjem in številnimi koristnimi funkcijami, tako da je res idealna izbira za sodobne družine.

Indukcijske kuhhalne plošče Candy so izdelane iz posebnih materialov, zato so izjemno prijazne do uporabnikov, trajne in varne.

## Princip delovanja

Indukcijska kuhhalna plošča je sestavljena iz navitij, plošče iz feromagnetne snovi in krmilnega sistema. Električni tok preko navitja ustvarja močno magnetno polje. To proizvaja vrtince, ki ustvarjajo toploto, ki se nato preko kuhališča prenaša do posode.



## Varnost

Kuhalna plošča je namensko zasnovana za uporabo v gospodinjstvih.

CANDY konstantno izboljšuje svoje izdelke, zato si pridržuje pravico do sprememb na področju tehničnih značilnosti, programa in zunanjega videza aparatov.

### ● Zaščita pred pregrevanjem

Tipalo nadzira temperaturo v kuhališču. Če se temperatura dvigne nad varno stopnjo, se kuhališče izklopi.

### ● Zaznavanje premajhnih ali nemagnetnih predmetov

Če na kuhališče postavite premajhno posodo (premera pod 80 mm), odložite nanj manjši predmet (npr. nož, vilico, ključ) ali nemagnetno posodo (npr. iz aluminija), se približno 1 minuto oglašča zvočni signal, nato pa se kuhalna plošča preklopi v stanje pripravljenosti.

### ● Opozorilo o preostali toploti

Če kuhališče po določenem času izklopite, ostane nekoliko vroče. V takem primeru se prikaže črka »H«, ki vas opozori, da bi se lahko na vročem kuhališču opekli.

### ● Samodejen izklop

Dodatna varnostna funkcija indukcijske kuhalne plošče je samodejen izklop; to je predvsem koristno, če kdaj pozabite izklopiti kuhališče. V spodnji razpredelnici je naveden čas, po katerem se kuhališče samodejno izklopi:

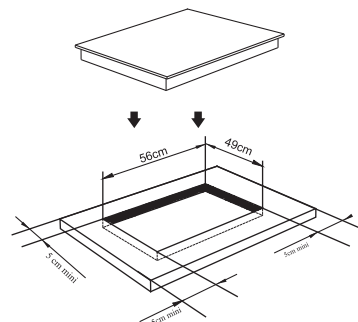
Izbrana stopnja	Kuhališče se avtomatsko izklopi po
1-3	8 urah
4-6	4 urah
7-9	2 urah

Ko posodo odstranite s kuhališča, se to takoj preneha segregati; za eno minuto se orlasi zvočni signal, nato pa se kuhališče izklopi.

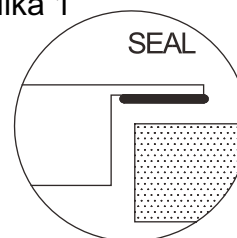
**Opozorilo:** Osebe s srčnim spodbujevalnikom se morajo pred uporabo indukcijske kuhalne plošče posvetovati z zdravnikom.

## Vgradnja

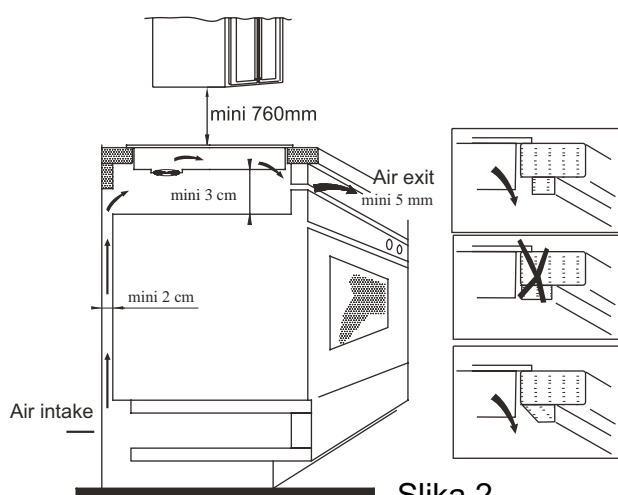
1. V kuhinjski pult izrežite luknjo ustrezne velikosti (mere so navedene na spodnji sliki). Okoli izreza mora ostati vsaj 50 mm površine. Kuhinjski pult mora biti debel vsaj 30 mm in izdelan iz na vročino odporne snovi. (mere so prikazane na sliki 1).



(tesnilo) Slika 1



2. Za brezhibno delovanje indukcijske kuhalne plošče je ključnega pomena zadostno zračenje; odprtine za zrak ne smejo biti zakrite. Prepričajte se, da je kuhalna plošča pravilno vgrajena, kot je to prikazano na sliki 2.

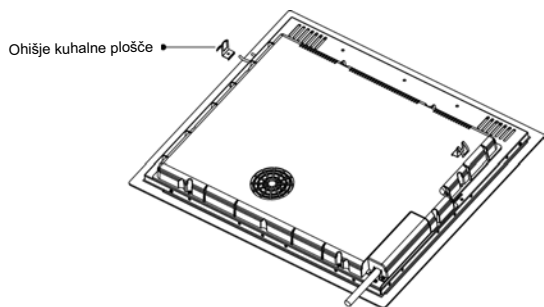


Slika 2

Odprtina za vstop zraka  
Odprtina za izstop zraka

**OPOMBA:** Zaradi varnosti mora biti razdalja med kuhavno ploščo in visečo kuhinjsko omarico vsaj 760 mm.

3. Pritrdite kuhalno ploščo na kuhinjski pult s pomočjo štirih nosilcev na spodnji strani. Nosilce lahko prilagodite debelini kuhinjskega pulta.



### Opozorila:

- (1) Vgradnjo in priključitev indukcijske kuhalne plošče prepustite ustrezno usposobljenim strokovnjakom; priporočamo, da se obrnete na naše pooblaščen servisne službe. Nikoli ne poskušajte sami vgraditi in priključiti kuhalno ploščo.
- (2) Indukcijske kuhalne plošče ne smete vgraditi nad hladilnik, zamrzovalnik, pomivalni stroj ali sušilni stroj.
- (3) Indukcijska plošča mora biti vgrajena tako, da je možno optimalno izžarevanje toplote.
- (4) Zid in druge površine nad kuhalno ploščo morajo biti iz na vročino odporne snovi.
- (5) Tudi pohištvo (iverne plošče, lepila) mora biti izdelano iz na vročino odpornih snovi.

### 4. Priključitev na električno omrežje

Vtikač priključite na vtičnico, skladno z veljavnimi predpisi, z enopolnim prekinjalom. Pravilni načini so prikazani v spodnji razpredelnici (slika 3).

Napetost in frekvenca	Električna povezava			
400V 2-N 50/60Hz	1 L1	2 L2	3 N	4 N
	Rjava Črna	Siva in modra	Rumena/zelena	
220-240V 50/60Hz	1 L	2 L	3 N	4 N
	Rjava in črna	Siva in modra	Rumena/zelena	

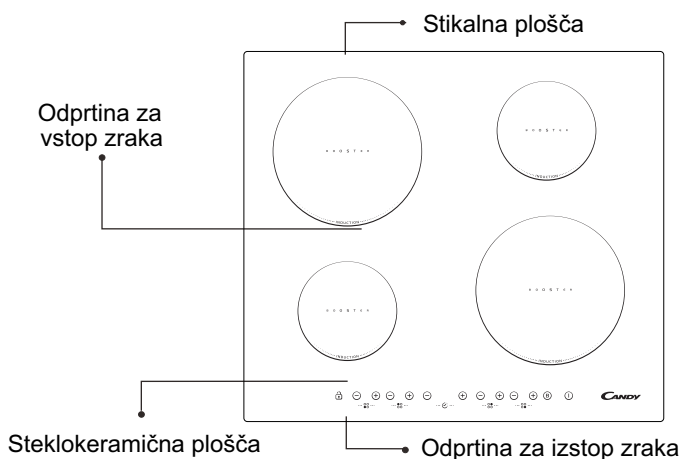
Če je priključni kabel poškodovan in ga je treba zamenjati, to delo prepustite strokovnjaku pooblaščenega servisa, ki ima na voljo ustrezno orodje; tako se boste izognili nepotrebnemu tveganju.

Če bo kuhalna plošča fiksno priključena na električno omrežje, morate vgraditi večpolno stikalo z razdaljo med kontakti vsaj 3 mm. Strokovnjak, ki bo opravil potrebna dela, mora upoštevati ta navodila in vse veljavne varnostne predpise.

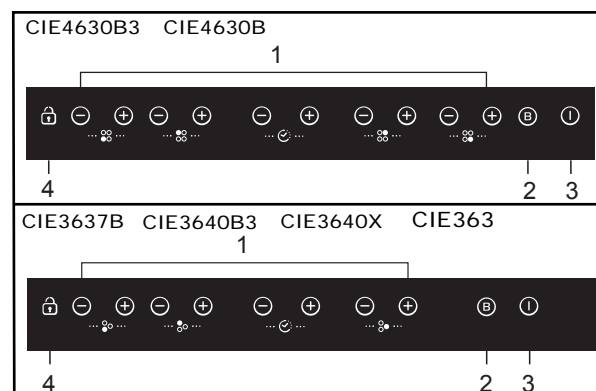
Priključni kabel ne sme biti upognjen ali stisnjen.

Redno preverjajte stanje kablo; zamenjavo prepustite ustrezno usposobljenim strokovnjakom.

### Skica indukcijske kuhalne plošče



### Skica stikalne plošče



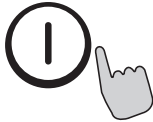
1. Tipka za izbiranje stopenj
2. Segrevanje z ojačano močjo
3. Vklon/izklop
4. Tipka za zaklepanje

## Navodila za uporabo

### Pred prvo uporabo

Ko vklopite kuhhalno ploščo, se oglasi zvočni signal, za eno sekundo se osvetlijo vsi indikatorji, nato pa ugasnejo. Kuhhalna plošča je zdaj v stanju pripravljenosti.

Postavite posodo na sredino kuhališča.

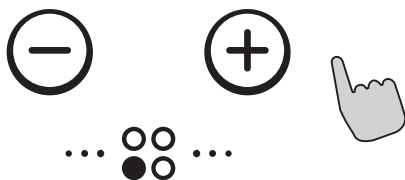


Navodila za upravljanje kuhhalne plošče

Ko pritisnete na tipko za vklop/izklop, vsi indikatorji kažejo „-“. Ustrezno stopnjo za izbrano kuhališče nastavite s pomočjo tipke „+“ ali „-“. Na indikatorju se najprej prikaže stopnja „5“; stopnjo prilagodite s pomočjo tipke „+“ ali „-“. Če hkrati pritisnete na obe tipki, „+“ in „-“, s tem nastavite stopnjo „0“ in kuhališče se izklopi.

Podatki o moči posameznih kuhališč so prikazani v razpredelnici na strani 129.

**Opomba:** Če po pritisku na tipko za vklop/izklop dlje kot 1 minuti ne vnesete novih ukazov, se indukcijska kuhhalna plošča preklopi v stanje pripravljenosti.



### Segrevanje z ojačano močjo (Boost)

Če želite, da se živilo hitreje segreva, po izbiranju kuhališča pritisnite na tipko „BOOST“. Indikator kaže „P“;

#### Opomba:

1. Funkcija segrevanja z ojačano močjo deluje samo 5 minut, nakar se kuhališče preklopi na prej nastavljeno stopnjo.
2. Funkcija segrevanja z ojačano močjo (boost) je na voljo za vsa kuhališča.

3. Ko je funkcija ogrevanja z ojačano močjo aktivna za kuhališče 1, se kuhališče 2 samodejno preklopi na stopnjo 2, in obratno. Ko je funkcija ogrevanja z ojačano močjo aktivna za kuhališče 3, se kuhališče 4 samodejno preklopi na stopnjo 2, in obratno.

### Preklic segrevanja z ojačano močjo (BOOST)

Izberite tretje kuhališče in ponovno pritisnite na tipko „BOOST“. S tem prekličete segrevanje z ojačano močjo in preklopite na prej izbrano stopnjo. Če je izbran način „BOOST“, ob pritisku na tipko „-“ nastavite stopnjo „9“.



### Funkcija programske ure

Ob pritisku na tipko „+“ ali „-“ za izbrano kuhališče začne utripati ustrezní indikator. Če želite aktivirati funkcijo programske ure, pritisnite na tipko „+“ ali „-“ in nastavite čas med 1 in 99 minut. Ob vsakem pritisku na tipko „+“ se vrednost poveča za eno minuto, če pa ohranite pritisk na tipko „+“, se vrednost viša v korakih po 10 minut. Če poskušate nastaviti vrednost nad 99 minut, se znova prikaže vrednost 0 minut. Na enak način poteka tudi nastavljanje vrednosti s tipko „-“.



### Potrditev nastavitve programske ure

1. Pritisnite na tipko programske ure „+“ ali „-“ Zdaj lahko nastavite čas.
2. Indikator utripa 5 sekund; sledi samodejna potrditev nastavljenega časa.



## Preklic nastavitve programske ure

Če hkrati pritisnete na tipki "-" in "+", se spet prikaže vrednost "0". S tem prekličete predhodno nastavitvev programske ure.

## Varnostni način

Zaradi varnosti otrok je indukcijska plošča opremljena z napravo za »zaklepanje«.

Če pritisnete na tipko »Interlock«, se kuhalna plošča preklopi v način »Interlock« (zaklenjeno), na programski uri je viden napis »Lo«, onemogočene so vse tipke razen tipke za vklop/izklop.

## Odklepanje

2 sekundi pritiskajte na tipko »Interlock«; kuhalna plošča se preklopi v normalen način delovanja.



## Največja možna moč posameznih kuhališč

Kuhališče	CIE4630B3	CIE4630B	CIE3640B3	CIE3640X	CIE3637B	CIE363
	Običajna	Boost	Običajna	Boost	Običajna	Boost
1	1200	1500	1200	1500	1200	1500
2	2300	3000	2300	2600	2300	2600
3	1200	1500	3000	4000	3000	3700
4	2300	3000	-----	-----	-----	-----

Navedene vrednosti se lahko razlikujejo glede na velikost posode in snov, iz katere je ta izdelana.

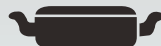
## Izbira ustreznih posod



železna ponev za ocvrte jedi



lonec iz nerjavečega jekla



železna ponev



železen lonec



kotliček iz emajliranega nerjavečega jekla



emajliran lonec



železna ponev

Na indukcijski kuhalni plošči lahko kuhate v različnih posodah.

1. Ta indukcijska kuhalna plošča prepozna številne posode; uporabnost teh lahko preverite s preprostim preizkusom:

Postavite posodo na kuhališče. Če se za izbrano ploščo prikaže stopnja moči, je posoda ustrežna. Če pa namesto tega utripa črka „E“, posoda ni primerna za kuhanje na indukcijski kuhalni plošči.

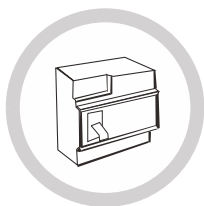
2. Približajte magnet dnu posode. Če snov privlači magnet, je posoda primerna za kuhanje na indukcijski kuhalni plošči.

**Opomba:** Dno posode mora biti izdelano iz magnetnega materiala.

Dno posode mora biti ravno, premer pa nad 14 cm.

3. Uporabite posodo, katere dno je enakega premera kot oznaka na izbranem kuhališču. Nekoliko širša posoda bo zagotovila maksimalno učinkovito izrabo energije. Če uporabite manjšo posodo, bo učinkovitost manjša od pričakovane. Možno je, da kuhališče ne zazna posode s premerom pod 140 mm.

## Varnostni ukrepi in vzdrževanje



Pri priključitvi vgradite varnostno stikalo



Kuhalna plošča ni primerna za uporabo na prostem



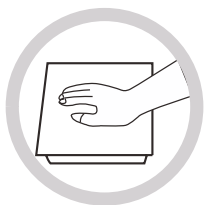
Nikoli ne potaplajte indukcijske kuhalne plošče v vodo



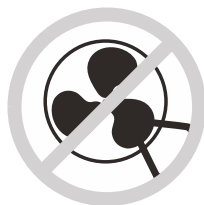
Ne vklopljajte kuhališča, če je na njem prazna posoda. S tem bi lahko poškodovali kuhhalno ploščo in povzročili nevarnost



Nikoli ne segrevajte hermetično zaprtih posod, npr. konzerv – vedno jih najprej odprite, saj v nasprotnem primeru obstaja nevarnost, da eksplodirajo



Po dolgotrajnem kuhanju ostane kuhališče vroče. Pazite, da se ne opečete – ne dotikajte se steklokeramične površine z golo roko.



Občasno se prepričajte, da so odprtine za zračenje pod kuhhalno ploščo proste in da lahko zrak neovirano kroži.



Ne odlagajte kovinskih predmetov (npr. nožev, vilic, žlic ali pokrovk) na kuhhalno ploščo, saj bi se lahko ti segreli.



Ne uporabljajte kuhhalne plošče v bližini drugih naprav, ki proizvajajo visoko temperaturo (npr. štedilnik na plin ali peč na kerozin).



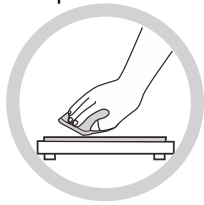
V omarici pod kuhhalno ploščo ne hranite čistil ali drugih vnetljivih snovi.



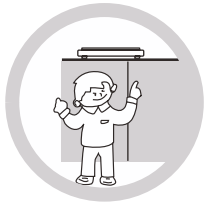
Na kuhhalno ploščo ne postavljajte posod z grobim dnom, saj bi te lahko poškodovale steklokeramično površino.



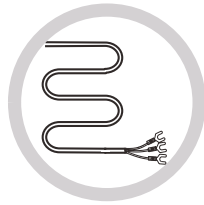
Če steklokeramična površina počni, takoj izklopite kuhhalno ploščo iz električnega omrežja, da se izognete nevarnosti za električni udar.



Redno čistite steklokeramično površino, da preprečite, da bi tujski zašli v ventilator, kar bi onemogočilo brezhibno delovanje aparata.



Pazite, da se otroci ali osebe, ki se ne zavedajo nevarnosti, ne približujejo kuhhalni plošči in ne dovolite, da bi uporabljali kuhhalno ploščo brez nadzora.



Če se priključni kabel poškoduje, ga mora zamenjati pooblaščen servisier ali druga ustrezno usposobljena oseba.

Osebe (vključno z otroci) z zmanjšanimi fizičnimi, zaznavnimi ali duševnimi sposobnostmi ter osebe, ki nimajo zadostnih izkušenj ali predznanja, smejo uporabljati aparat le pod nadzorom in z navodili oseb, ki so seznanjene s pravilno uporabo aparata in ki so odgovorni za njihovo varnost.

Otroke med uporabo aparata nadzirajte. Poskrbite, da se ne bodo igrali z aparatom.



Pridržujemo si pravico do sprememb brez predhodnega obvestila in do tiskarskih napak.

Izdelek je označen skladno z direktivo evropske Gospodarske zbornice 2002/96 o odpadni električni in elektronski opremi (WEEE).

S pravilnim načinom odstranjevanja izdelka boste pomagali preprečiti morebitne negativne posledice na okolje in zdravje ljudi, ki bi jih lahko povzročilo nepravilno odstranjevanje aparata.

Simbol na izdelku označuje, da s tem izdelkom ni dovoljeno ravnati kot z običajnimi gospodinjstskimi odpadki. Izdelek odpeljite na ustrezno zbirno mesto za predelavo električne in elektronske opreme.

Odstranjevanje mora biti opravljeno skladno z lokalnimi okoljevarstvenimi predpisi o odstranjevanju odpadkov.

Za podrobnejše informacije o odstranjevanju in predelavi tega izdelka se obrnite na pristojen mestni organ za odstranjevanje odpadkov, komunalno službo ali trgovino, v kateri ste izdelek kupili.

## Čiščenje in vzdrževanje

Čiščenje indukcijske kuhalne plošče je povsem enostavno:

Vrsta nečistoče	Čiščenje	Pripomoček za čiščenje
Manj umazana površina	Namočite z vročo vodo in obrišite do suhega	Gobica
Madeži in sledi vodnega kamna	Nanesite malo belega kisa na madež, obrišite z mehko krpo ali uporabite namensko čistilo	Posebna lepilna folija za steklokeramiko
Staljeni sladkor, alufolija ali plastika	Nečistočo odstranite s posebnim strgalom za steklokeramiko (najboljša so silikonska)	Posebna lepilna folija za steklokeramiko

**Opomba:** Pred čiščenjem izklopite aparat.

## Prikaz in odpravljanje nepravilnosti v delovanju

Napaka	Možni razlogi	Rešitev
F0/F1/F2	okvara ventilatorja	obrnite se na pooblaščen servis
F3-F8	okvara senzorja temperature	obrnite se na pooblaščen servis
E1/E2	neustrezna električna napetost	preverite električno napajanje, nato ponovno vklopite aparat
E3/E4	nepravilna temperatura	preverite ustreznost posode
E5/E6	nezadostna toplota	ponovno vklopite aparat potem, ko se je shladil

V zgornji razpredelnici je naveden seznam najbolj pogostih nepravilnosti v delovanju. Indukcijske kuhalne plošče nikoli ne razstavljajte sami, saj bi lahko povzročili še hujšo okvaro.

## Servisiranje

Če se kuhalna plošča pokvari:

- najprej preverite, da je pravilno priključena na električno omrežje; nato
- poskusite odpraviti napako s pomočjo zgornje razpredelnice.

Če vam problema ne uspe odpraviti, izključite kuhavno ploščo iz električnega omrežja. Ne poskušajte je sami popraviti, ampak se obrnite na najbližji pooblaščen servis.