



Refrigerator
Chłodziarko

CNA365EC0DX

Please read this user manual first!

Dear Customer,

We hope that your product, which has been produced in modern plants and checked under the most meticulous quality control procedures, will provide you an effective service.

Therefore, read this entire user manual carefully before using the product and keep it as a reference. If you handover the product to someone else, give the user manual as well.

The user manual will help you use the product in a fast and safe way.


- Read the manual before installing and operating the product.
- Make sure you read the safety instructions.
- Keep the manual in an easily accessible place as you may need it later.
- Read the other documents given with the product.


Remember that this user manual is also applicable for several other models. Differences between models will be identified in the manual.

Explanation of symbols

Throughout this user manual the following symbols are used:

 Important information or useful tips.

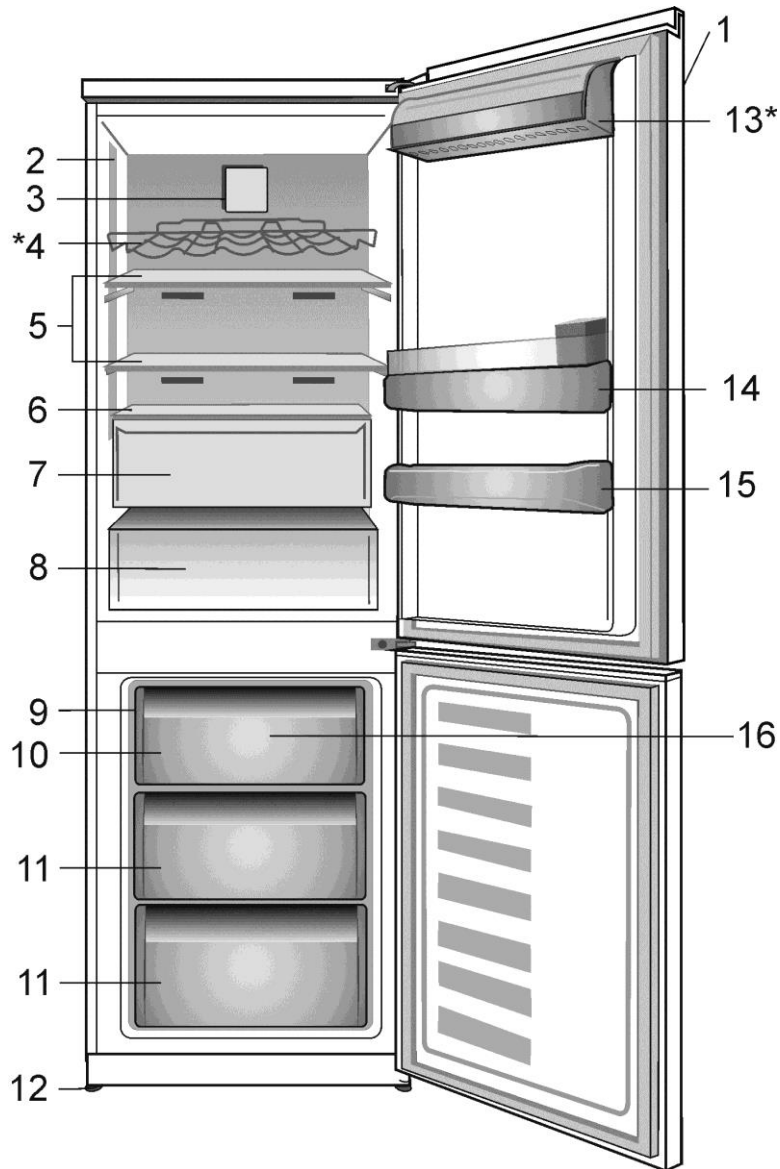
 Warning against dangerous conditions for life and property.

 Warning against electric voltage.

CONTENTS

<u>1 Your refrigerator</u>	<u>4</u>	<u>4 Preparation</u>	<u>12</u>
<u>2 Important Safety Warnings</u>	<u>5</u>	<u>5 Using your refrigerator</u>	<u>13</u>
Intended use.....	5	Indicator Panel.....	13
General safety.....	5	Dual cooling system:.....	15
For products with a water dispenser.....	7	Using the water dispenser	16
Child safety.....	7	Freezing fresh food.....	18
Compliance with the AEEE Regulation and Disposing of the Waste Product.....	7	Recommendations for preservation of frozen food.....	19
Package information.....	8	Defrosting.....	19
HCA warning.....	8	Placing the food.....	19
Things to be done for energy saving.....	8	Deep-freeze information.....	20
<u>3 Installation</u>	<u>9</u>	Recommendations for the fresh food compartment.....	20
Points to be paid attention to when the relocation of the refrigerator.....	9	<u>6 Maintenance and cleaning</u>	<u>21</u>
Before you start the refrigerator,.....	9	Protection of plastic surfaces	21
Electrical connection.....	10	<u>7 Troubleshooting</u>	<u>22</u>
Disposing of the packaging.....	10		
Disposing of your old refrigerator.....	10		
Placing and Installation.....	10		
Changing the illumination lamp	11		
Changing the door opening direction... ..	11		
Adjusting the legs.....	11		

1 Your refrigerator



- | | |
|--------------------------------|---|
| 1. Control panel | 10. Compartment for quickly freezing |
| 2. Interior light | 11. Compartments for frozen foods keeping |
| 3. Fresh Food fan | 12. Adjustable front feet |
| 4*. Wine bottles support | 13. Dairy Compartment |
| 5. Adjustable Cabinet shelves | 14. Water dispenser reservoir |
| 6. Cover glass | 15. Shelf |
| 7. Chiller | 16. Freezer fan |
| 8. Salad crispers | |
| 9. Ice tray support & ice tray | |

*** Optional**

i Figures that take place in this instruction manual are schematic and may not correspond exactly with your product. If the subject parts are not included in the product you have purchased, then it is valid for other models.

2 Important Safety Warnings

Please review the following information. Failure to observe this information may cause injuries or material damage. Otherwise, all warranty and reliability commitments will become invalid.

The service life of your product is 10 years. During this period, original spare parts will be available to operate the product properly.

Intended use

This product is intended to be used

- indoors and in closed areas such as homes;
- in closed working environments such as stores and offices;
- in closed accommodation areas such as farm houses, hotels, pensions.
- It should not be used outdoors.

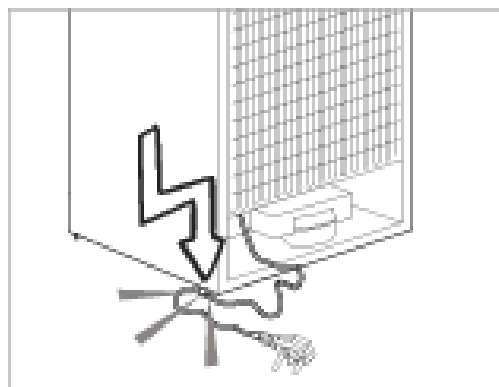
General safety

- When you want to dispose/scrap the product, we recommend you to consult the authorized service in order to learn the required information and authorized bodies.
- Consult your authorized service for all your questions and problems related to the refrigerator. Do not intervene or let someone intervene to the refrigerator without notifying the authorised services.
- For products with a freezer compartment; Do not eat cone ice cream and ice cubes immediately after you take them out of the freezer compartment! (This may cause frostbite in your mouth.)

- For products with a freezer compartment; Do not put bottled and canned liquid beverages in the freezer compartment. Otherwise, these may burst.
- Do not touch frozen food by hand; they may stick to your hand.
- Unplug your refrigerator before cleaning or defrosting.
- Vapor and vaporized cleaning materials should never be used in cleaning and defrosting processes of your refrigerator. In such cases, the vapor may get in contact with the electrical parts and cause short circuit or electric shock.
- Never use the parts on your refrigerator such as the door as a means of support or step.
- Do not use electrical devices inside the refrigerator.
- Do not damage the parts, where the refrigerant is circulating, with drilling or cutting tools. The refrigerant that might blow out when the gas channels of the evaporator, pipe extensions or surface coatings are punctured causes skin irritations and eye injuries.
- Do not cover or block the ventilation holes on your refrigerator with any material.
- Electrical devices must be repaired by only authorised persons. Repairs performed by incompetent persons create a risk for the user.

- In case of any failure or during a maintenance or repair work, disconnect your refrigerator's mains supply by either turning off the relevant fuse or unplugging your appliance.
- Do not pull by the cable when pulling off the plug.
- Place the beverage with higher proofs tightly closed and vertically.
- Never store spray cans containing flammable and explosive substances in the refrigerator.
- Do not use mechanical devices or other means to accelerate the defrosting process, other than those recommended by the manufacturer.
- This product is not intended to be used by persons with physical, sensory or mental disorders or unlearned or inexperienced people (including children) unless they are attended by a person who will be responsible for their safety or who will instruct them accordingly for use of the product.
- Do not operate a damaged refrigerator. Consult with the service agent if you have any concerns.
- Electrical safety of your refrigerator shall be guaranteed only if the earth system in your house complies with standards.
- Exposing the product to rain, snow, sun and wind is dangerous with respect to electrical safety.
- Contact authorized service when there is a power cable damage to avoid danger.
- Never plug the refrigerator into the wall outlet during installation. Otherwise, risk of death or serious injury may arise.

- This refrigerator is intended for only storing food items. It must not be used for any other purpose.
- Label of technical specifications is located on the left wall inside the refrigerator.
- Never connect your refrigerator to electricity-saving systems; they may damage the refrigerator.
- If there is a blue light on the refrigerator, do not look at the blue light with optical tools.
- For manually controlled refrigerators, wait for at least 5 minutes to start the refrigerator after power failure.
- This operation manual should be handed in to the new owner of the product when it is given to others.
- Avoid causing damage on power cable when transporting the refrigerator. Bending cable may cause fire. Never place heavy objects on power cable.
- Do not touch the plug with wet hands when plugging the product.



- Do not plug the refrigerator if the wall outlet is loose.
- Water should not be sprayed on inner or outer parts of the product for safety purposes.

- Do not spray substances containing inflammable gases such as propane gas near the refrigerator to avoid fire and explosion risk.
- Never place containers filled with water on top of the refrigerator; in the event of spillages, this may cause electric shock or fire.
- Do not overload the refrigerator with food. If overloaded, the food items may fall down and hurt you and damage refrigerator when you open the door.
- Never place objects on top of the refrigerator; otherwise, these objects may fall down when you open or close the refrigerator's door.
- As they require a precise temperature, vaccines, heat-sensitive medicine and scientific materials and etc. should not be kept in the refrigerator.
- If not to be used for a long time, refrigerator should be unplugged. A possible problem in power cable may cause fire.
- The plug's tip should be cleaned regularly with a dry cloth; otherwise, it may cause fire.
- Refrigerator may move if adjustable legs are not properly secured on the floor. Properly securing adjustable legs on the floor can prevent the refrigerator to move.
- When carrying the refrigerator, do not hold it from door handle. Otherwise, it may be snapped.
- When you have to place your product next to another refrigerator or freezer, the distance between devices should be at least 8cm. Otherwise, adjacent side walls may be humidified.

For products with a water dispenser;

Pressure of water mains should be minimum 1 bar. Pressure of water mains should be maximum 8 bars.


- Use only potable water.

Child safety

- If the door has a lock, the key should be kept away from reach of children.
- Children must be supervised to prevent them from tampering with the product.

Compliance with the AEEE Regulation and Disposing of the Waste Product



The symbol  on the product or on packaging indicates that this product may not be treated as household waste. Instead it shall be handed over to the applicable collection point for the recycling of electrical and electronic equipment. By ensuring this product is disposed of correctly, you will help prevent potential negative consequences for the environment and human health, which could otherwise be caused by inappropriate waste handling of this product. For more detailed information about recycling of this product, please contact your local city office, your household waste disposal service or the shop where you purchased the product.

Package information

Packaging materials of the product are manufactured from recyclable materials in accordance with our National Environment Regulations. Do not dispose of the packaging materials together with the domestic or other wastes. Take them to the packaging material collection points designated by the local authorities.

Do not forget...

Any recycled substance is an indispensable matter for nature and our national asset wealth.

If you want to contribute to the reevaluation of the packaging materials, you can consult to your environmentalist organizations or the municipalities where you are located.

HCA warning

If your product's cooling system contains R600a:

This gas is flammable. Therefore, pay attention to not damaging the cooling system and piping during usage and transportation. In the event of damage, keep your product away from potential fire sources that can cause the product catch a fire and ventilate the room in which the unit is placed.

Type of gas used in the product is stated in the type label which is on the left wall inside the refrigerator.

Never throw the product in fire for disposal.

Things to be done for energy Saving

- Do not leave the doors of your refrigerator open for a long time.
- Do not put hot food or drinks in your refrigerator.
- Do not overload your refrigerator so that the air circulation inside of it is not prevented.
- Do not install your refrigerator under direct sunlight or near heat emitting appliances such as ovens, dishwashers or radiators. Keep your refrigerator at least 30cm away from heat emitting sources and at least 5cm from electrical ovens.
- Pay attention to keep your food in closed containers.
- For products with a freezer compartment; You can store maximum amount of food items in the freezer when you remove the shelf or drawer of the freezer. Energy consumption value stated for your refrigerator has been determined by removing freezer shelf or drawer and under maximum load. There is no harm to use a shelf or drawer according to the shapes and size of food to be frozen.
- Thawing frozen food in fridge compartment will both provide energy saving and preserve the food quality.

3 Installation

⚠ In case the information which are given in the user manual are not taken into account, manufacturer will not assume any liability for this.

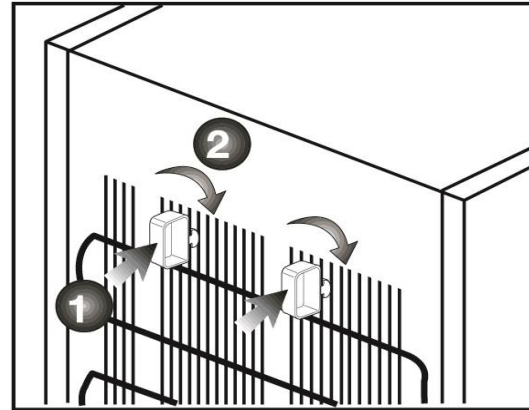
Points to be paid attention to when the relocation of the refrigerator

1. Your refrigerator should be unplugged. Before transportation of your refrigerator, it should be emptied and cleaned.
2. Before it is re-packaged, shelves, accessories, crisper, etc. inside your refrigerator should be fixed with adhesive tape and secured against impacts. Package should be bound with a thick tape or sound ropes and the transportation rules on the package should be strictly observed.
3. Original packaging and foam materials should be kept for future transportations or moving.

Before you start the refrigerator,

Check the following before you start to use your refrigerator:

1. Attach 2 plastic wedges as illustrated below. Plastic wedges are intended to keep the distance which will ensure the air circulation between your refrigerator and the wall. (The picture is drawn up as a representation and it is not identical with your product.)




2. Clean the interior of the refrigerator as recommended in the “Maintenance and cleaning” section.
3. Connect the plug of the refrigerator to the wall socket. When the fridge door is opened, fridge internal lamp will turn on.
4. When the compressor starts to operate, a sound will be heard. The liquid and gases sealed within the refrigeration system may also give rise to noise, even if the compressor is not running and this is quite normal.
5. Front edges of the refrigerator may feel warm. This is normal. These areas are designed to be warm to avoid condensation.


Electrical connection

Connect your product to a grounded socket which is being protected by a fuse with the appropriate capacity. Important:

The connection must be in compliance with national regulations.

- The power plug must be easily accessible after installation.
- Electrical safety of your refrigerator shall be guaranteed only if the earth system in your house complies with standards.
- The voltage stated on the label located at left inner side of your product should be equal to your network voltage.
- **Extension cables and multi plugs must not be used for connection.**

 A damaged power cable must be replaced by a qualified electrician.

 Product must not be operated before it is repaired! There is the risk of electric shock!

Disposing of the packaging

The packing materials may be dangerous for children. Keep the packing materials out of the reach of children or dispose of them by classifying them in accordance with the waste instructions stated by your local authorities. Do not throw away with regular house waste, throw away on packaging pick up spots designated by the local authorities.

The packing of your refrigerator is produced from recyclable materials.


Disposing of your old Refrigerator

Dispose of your old refrigerator without giving any harm to the environment.

- You may consult your authorized dealer or waste collection center of your municipality about the disposal of your refrigerator.

Before disposing of your refrigerator, cut out the electric plug and, if there are any locks on the door, make them inoperable in order to protect children against any danger.

Placing and Installation

 If the entrance door of the room where the refrigerator will be installed is not wide enough for the refrigerator to pass through, then call the authorized service to have them remove the doors of your refrigerator and pass it sideways through the door.

1. Install your refrigerator to a place that allows ease of use.
2. Keep your refrigerator away from heat sources, humid places and direct sunlight.
3. There must be appropriate air ventilation around your refrigerator in order to achieve an efficient operation. If the refrigerator is to be placed in a recess in the wall, there must be at least 5 cm distance with the ceiling and at least 5 cm with the wall. Do not place your product on the materials such as rug or carpet.
4. Place your refrigerator on an even floor surface to prevent jolts.

Changing the illumination Lamp

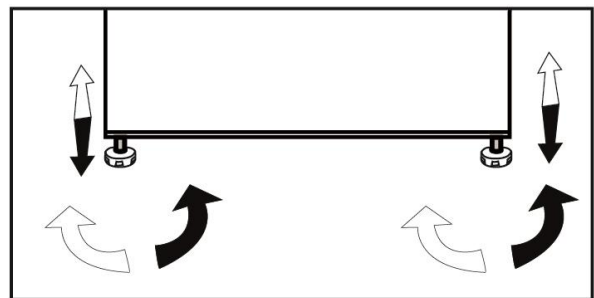
To change the Bulb/LED used for illumination of your refrigerator, call your Authorized Service.

Changing the door opening Direction

Door opening direction of your refrigerator can be changed according to the place you are using it. If this is necessary, please call your nearest Authorized Service.

Adjusting the legs

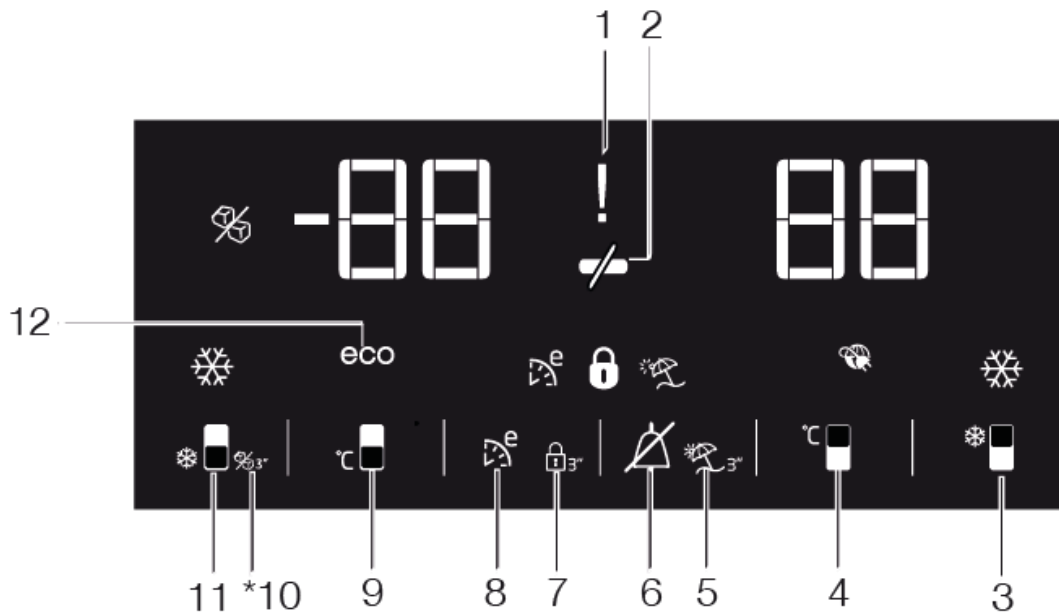
If your refrigerator is unbalanced; You can balance your refrigerator by turning its front legs as illustrated in the figure. The corner where the leg exists is lowered when you turn in the direction of black arrow and raised when you turn in the opposite direction. Taking help from someone to slightly lift the refrigerator will facilitate this process.



4 Preparation

- Your refrigerator should be installed at least 30 cm away from heat sources such as hobs, ovens, central heater and stoves and at least 5 cm away from electrical ovens and should not be located under direct sunlight.
- The ambient temperature of the room where you install your refrigerator should at least be 10°C. Operating your refrigerator under cooler conditions is not recommended with regard to its efficiency.
- Please make sure that the interior of your refrigerator is cleaned thoroughly.
- If two refrigerators are to be installed side by side, there should be at least 2 cm distance between them.
- When you operate your refrigerator for the first time, please observe the following instructions during the initial six hours.
- The door should not be opened frequently.
- It must be operated empty without any food in it.
- Do not unplug your refrigerator. If a power failure occurs out of your control, please see the warnings in the “Recommended solutions for the problems” section.
- Original packaging and foam materials should be kept for future transportations or moving.

5 Using your refrigerator



Indicator Panel

Indicator panel allows you to set the temperature and control the other functions related to the product without opening the door of the product. Just press the inscriptions on relevant buttons for function settings.

1. Power failure/High temperature / error warning indicator

This indicator (!) illuminates during power failure, high temperature failures and error warnings.

During sustained power failures, the highest temperature that the freezer compartment reaches will flash on the digital display. After checking the food located in the freezer compartment (🚫) press the alarm off button to clear the warning.

Please refer to "remedies advised for troubleshooting" section on your manual if you observe that this indicator is illuminated.

2. Energy saving function (display off):


If the product doors are kept closed for a long time energy saving function is automatically activated and energy saving symbol is illuminated. (🚫)

When energy saving function is activated, all symbols on the display other than energy saving symbol will turn off. When the Energy Saving function is activated, if any button is pressed or the door is opened, energy saving function will be canceled and the symbols on display will return to normal.

Energy saving function is activated during delivery from factory and cannot be canceled.

i *Optional: The figures in this user guide are intended as drafts and may not perfectly match your product. If your product does not comprise the relevant parts, the information pertains to other models.

3. Quick fridge function

The button has two functions. To activate or deactivate the quick cool function press it briefly. Quick Cool indicator will turn off and the product will return to its normal settings. ()


i Use quick cooling function when you want to quickly cool the food placed in the fridge compartment. If you want to cool large amounts of fresh food, activate this function before putting the food into the product.

i If you do not cancel it, quick cooling will cancel itself automatically after 8 hours or when the fridge compartment reaches to the required temperature.



i If you press the quick cooling button repeatedly with short intervals, the electronic circuit protection will be activated and the compressor will not start up immediately.

i This function is not recalled when power restores after a power failure.

4. Fridge compartment temperature setting button

Press this button to set the temperature of the fridge compartment to 8, 7, 6, 5, 4, 3, 2, 8... respectively. Press this button to set the fridge compartment temperature to the desired value. ()

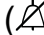
5. Vacation Function

In order to activate vacation function, press the this button () for 3 seconds, and the vacation mode indicator () will be activated.

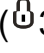
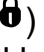
When the vacation function is activated,

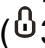
“- -” is displayed on the fridge compartment temperature indicator and no active cooling is performed on the fridge compartment. It is not suitable to keep the food in the fridge compartment when this function is activated. Other compartments shall be continued to be cooled as per their set temperature. To cancel this function press **Vacation function** button again.

6. Alarm off warning:


In case of power failure/high temperature alarm, after checking the food located in the freezer compartment press the alarm off button () to clear the warning.

7. Key lock

Press key lock button () simultaneously for 3 seconds. Key lock symbol () will light up and key lock mode will be activated. Buttons will not function if the Key lock mode is active. Press key lock button simultaneously for 3 seconds again. Key lock symbol will turn off and the key lock mode will be exited.


Press the **key lock** button if you want to prevent changing of the temperature setting of the refrigerator ().

8. Eco fuzzy

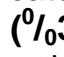
Press and hold eco fuzzy button for 1 seconds to activate eco fuzzy function. Refrigerator will start operating in the most economic mode at least 6 hours later and the economic usage indicator will turn on when the function is active (). Press and hold eco fuzzy function button for 3 seconds to deactivate eco fuzzy function.


This indicator is illuminated after 6 hours when eco fuzzy is activated.

9. Freezer compartment temperature setting button


Press this button to set the temperature of the freezer compartment to -18,-19,-20,-21, -22, -23,-24, -18... respectively. Press this button to set the freezer compartment temperature to the desired value. ()


10. Icematic off indicator

Indicates whether the icematic is on or off. () If On, then the icematic is not operating. To operate the icematic again press and hold the On-Off button for 3 seconds.


 Water flow from water tank will stop when this function is selected. However, ice made previously can be taken from the icematic.


11. Quick freeze function button/ icematic on-off button

Press this button to activate or deactivate the quick freezing function. When you activate the function, the freezer compartment will be cooled to a temperature lower than the set value. ()

 To turn on and off the icematic press and hold it for 3 seconds.


Use the quick freeze function when you want to quickly freeze the food placed in fridge compartment. If you want to freeze large amounts of fresh food, activate this function before putting the food into the product.

 If you do not cancel it, Quick Freeze will cancel itself automatically after 4 hours or when the fridge compartment reaches to the required temperature.

 This function is not recalled when power restores after a power failure.

12. Economic usage indicator

Indicates that the product is running in energy-efficient mode. (**eco**) This indicator will be active if the Freezer Compartment temperature is set to -18 or the energy efficient cooling is being performed due to Eco-Extra function.

 Economic usage indicator is turned off when quick cooling or quick freeze functions are selected.

Dual cooling system:

Your refrigerator is equipped with two separate cooling systems to cool the fresh food compartment and freezer compartment. Thus, air in the fresh food compartment and freezer compartment do not get mixed.

Thanks to these two separate cooling systems, cooling speed is much higher than other refrigerators. Odors in the compartments do not get mixed. Also additional power saving is provided since the defrosting is performed individually.

Using the water dispenser

*optional

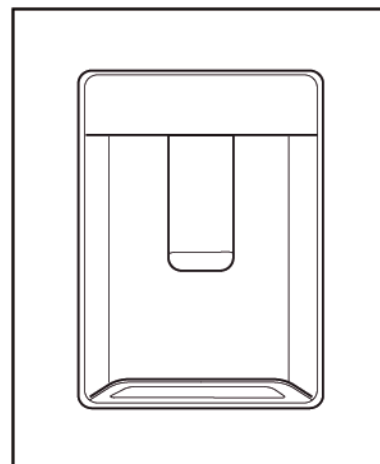
i It is normal for the first few glasses of water taken from the dispenser to be warm.

i If the water dispenser is not used for a long period of time, dispose of first few glasses of water to obtain fresh water.

1. Push in the lever of the water dispenser with your glass. If you are using a soft plastic cup, pushing the lever with your hand will be easier.
2. After filling the cup up to the level you want, release the lever.

i Please note, how much water flows from the dispenser depends on how far you depress the lever. As the level of water in your cup / glass rises, gently reduce the amount of pressure on the lever to avoid overflow.

If you slightly press the arm, the water will drip; this is quite normal and not a failure.



Filling the water dispenser's tank

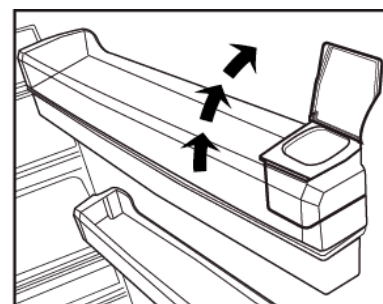
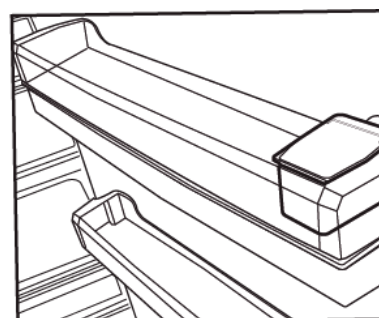
Water tank filling reservoir is located inside the door rack.

1. Open the cover of the tank.
2. Fill the tank with fresh drinking water.
3. Close the cover.

i Do not fill the water tank with any other liquid except for water such as fruit juices, carbonated beverages or alcoholic drinks which are not suitable to use in the water dispenser. Water dispenser will be irreparably damaged if these kinds of liquids are used. Warranty does not cover such usages.

Some chemical substances and additives contained in these kinds of drinks/liquids may damage the water tank.

i Use clean drinking water only.

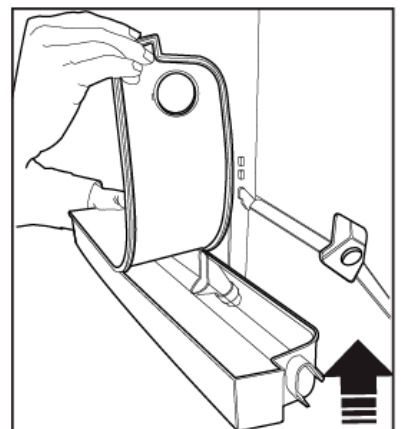
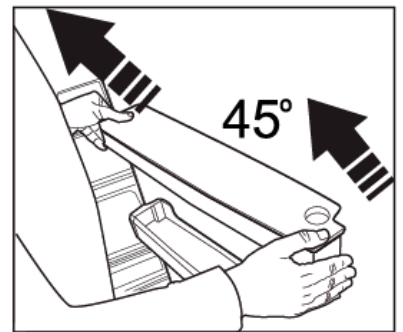
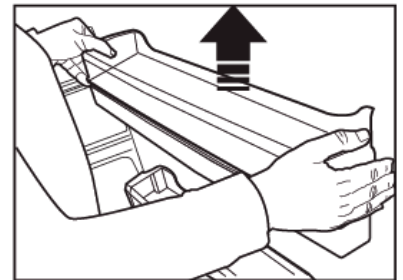
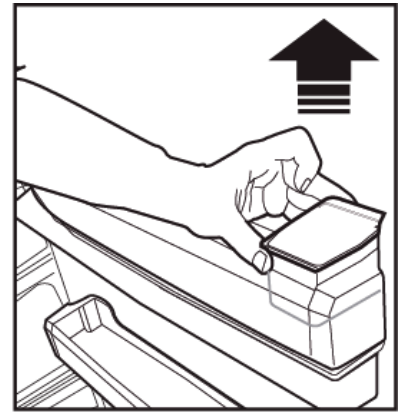


i Capacity of the water tank is 3 liters; do not overfill.

Cleaning the water tank

1. Remove the water filling reservoir inside the door rack.
2. Remove the door rack by holding from both sides.
3. Grab the water tank from both sides and remove it with an angle of 45°C.
4. Remove the cover of the water tank and clean the tank.

i Components of the water tank and water dispenser should not be washed in dishwasher.

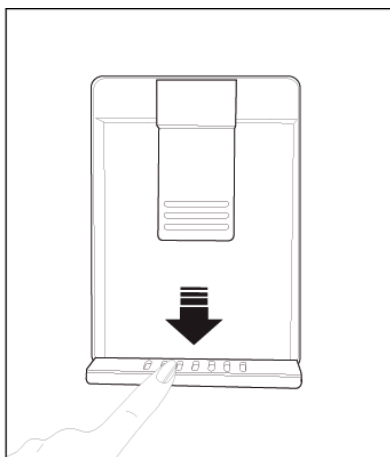


Drip tray

Water that dripped while using the water dispenser accumulates in the spillage tray.

Remove the plastic filter as shown in the figure.

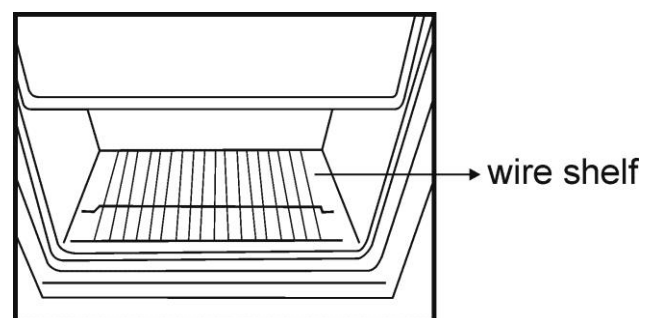
With a clean and dry cloth, remove the water that has accumulated.



Freezing fresh food

- Wrap or cover the food before placing them in the refrigerator.
- Hot food must cool down to the room temperature before putting them in the refrigerator.
- The foodstuff that you want to freeze must be fresh and in good quality.
- Foodstuff must be divided into portions according to the family's daily or meal based consumption needs.
- Foodstuff must be packaged in an airtight manner to prevent them from drying even if they are going to be kept for a short time.
- Materials to be used for packagings must be resistant to cold and humidity and they must be airtight. The packaging material of the food must be at a sufficient thickness and durability. Otherwise the food hardened due to freezing may puncture the packaging. It is important for the packaging to be closed securely for safe storage of the food.
- Frozen food must be used immediately after they are thawed and they should never be re-frozen.
- Placing warm food into the freezer compartment causes the cooling system to operate continuously until the food is frozen solid.

- Please observe the following instructions to obtain the best results.
 1. Do not freeze too large quantities of food at one time. The quality of the food is best preserved when it is frozen right through to the core as quickly as possible.
 2. Take special care not to mix already frozen food and fresh food.
 3. Make sure raw foods are not in contact with cooked foods in the fridge.
 4. Maximum frozen food storage volume is achieved without using the drawers provided in the freezer compartment. Energy consumption of your appliance is declared while the freezer compartment is fully loaded on shelves without the use of the drawers. Use the given wire shelf at the bottom of the freezer compartment for a better energy consumption performance.
 5. It is recommended that you place foodstuffs on top shelf of freezer for initial freezing.



Freezer Compartment Setting	Fridge Compartment Setting	Explanations
-18°C	4°C	This is the normal recommended setting.
-20, -22 or -24°C	4°C	These settings are recommended when the ambient temperature exceeds 30°C.
Quick Freeze	4°C	Use when you wish to freeze your food in a short time. It is recommended to be used to maintain the quality of meat and fish products.
-18°C or colder	2°C	If you think that your fridge compartment is not cold enough because of the hot conditions or frequent opening and closing of the door.
-18°C or colder	Quick Fridge	You can use it when your fridge compartment is overloaded or if you wish to cool down your food rapidly. It is recommended that you activate quick fridge function 4-8 hours before placing the food.

Recommendations for preservation of frozen food

- Pre-packed commercially frozen food should be stored in accordance with the frozen food manufacturer's instructions in a frozen food storage compartment.

- To ensure that the high quality supplied by the frozen food manufacturer and the food retailer is maintained, following points should be noted:

1. Put packages in the freezer as quickly as possible after purchase.

2. Ensure that contents of the package are labeled and dated.

3. Do not exceed "Use By", "Best Before" dates on the packaging.

Defrosting

The freezer compartment defrosts automatically.

Placing the food

Freezer compartment shelves	Various frozen food such as meat, fish, ice cream, vegetables and etc.
Egg holder	Egg
Fridge compartment shelves	Food in pans, covered plates and closed containers
Fridge compartment door shelves	Small and packaged food or drinks (such as milk, fruit juice and beer)
Crisper	Vegetables and fruits
Fresh zone compartment	Delicatessen products (cheese, butter, salami and etc.)

Deep-freeze information

Food must be frozen as rapidly as possible when they are put in the freezer in order to keep them in good quality.

The TSE norm requires (according to certain measurement conditions) the refrigerator to freeze at least 4.5 kg of foodstuff at 32°C ambient temperature to -18°C or lower within 24 hours for every 100-liters of freezer volume.

It is possible to preserve the food for a long time only at -18°C or lower temperatures.

You can keep the freshness of food for many months (at -18°C or lower temperatures in the deep freeze).

WARNING! ⚠

- Foodstuff must be divided into portions according to the family's daily or meal based consumption needs.
- Foodstuff must be packaged in an airtight manner to prevent them from drying even if they are going to be kept for a short time.

Materials necessary for packaging:

- Cold resistant adhesive tape
- Self-adhesive label
- Rubber rings
- Pen

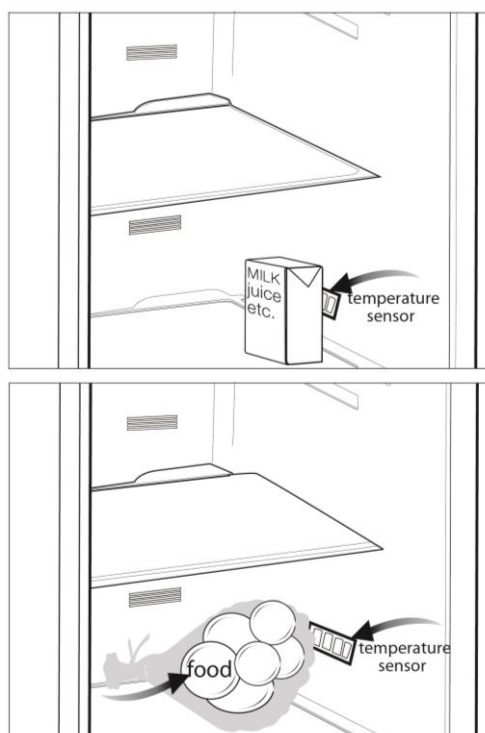
Materials to be used for packaging the foodstuff must be tear-proof and resistant to cold, humidity, dour, oils and acids.

Foodstuff to be frozen should not be allowed to come in contact with the previously frozen items to prevent their partial thawing. Thawed out food must be consumed and must not be frozen again.

Recommendations for the fresh food compartment

*optional

- Do not allow the food to touch the temperature sensor in fresh food compartment. To allow the fresh food compartment keep its ideal storage temperature, sensor must not be hindered by food.
- Do not place hot foods in the product.



6 Maintenance and cleaning

- ⚠ Never use gasoline, benzene or similar substances for cleaning purposes.
- ⚠ We recommend that you unplug the appliance before cleaning.
- ⚠ Never use any sharp abrasive instrument, soap, household cleaner, detergent and wax polish for cleaning.
- ℹ Use lukewarm water to clean the cabinet of your refrigerator and wipe it dry.
- ℹ Use a damp cloth wrung out in a solution of one teaspoon of bicarbonate of soda to one pint of water to clean the interior and wipe it dry.
- ⚠ Make sure that no water enters the lamp housing and other electrical items.
- ⚠ If your refrigerator is not going to be used for a long period of time, unplug the power cable, remove all food, clean it and leave the door ajar.
- ℹ Check door seals regularly to ensure they are clean and free from food particles.
- ⚠ To remove door racks, remove all the contents and then simply push the door rack upwards from the base.

- ⚠ Never use cleaning agents or water that contain chlorine to clean the outer surfaces and chromium coated parts of the product. Chlorine causes corrosion on such metal surfaces.

Protection of plastic surfaces

- ℹ Do not put the liquid oils or oil-cooked meals in your refrigerator in unsealed containers as they damage the plastic surfaces of your refrigerator. In case of spilling or smearing oil on the plastic surfaces, clean and rinse the relevant part of the surface at once with warm water.

7 Troubleshooting

Please review this list before calling the service. It will save your time and money. This list includes frequent complaints that are not arising from defective workmanship or material usage. Some of the features described here may not exist in your product.

The refrigerator does not operate.

- The plug is not inserted into the socket correctly. >>>Insert the plug into the socket securely.
- The fuse of the socket which your refrigerator is connected to or the main fuse have blown out. >>>Check the fuse.

Condensation on the side wall of the fridge compartment (MULTIZONE, COOL CONTROL and FLEXI ZONE).

- Ambient is very cold. >>>Do not install the refrigerator in places where the temperature falls below 10 °C.
- Door has been opened frequently. >>>Do not open and close the door of refrigerator frequently.
- Ambient is very humid. >>>Do not install your refrigerator into highly humid places.
- Food containing liquid is stored in open containers. >>>Do not store food with liquid content in open containers.
- Door of the refrigerator is left ajar. >>>Close the door of the refrigerator.
- Thermostat is set to a very cold level. >>>Set the thermostat to a suitable level.

Compressor is not running

- Protective thermic of the compressor will blow out during sudden power failures or plug-out plug-ins as the refrigerant pressure in the cooling system of the refrigerator has not been balanced yet. The refrigerator will start running approximately after 6 minutes. Please call the service if the refrigerator does not startup at the end of this period.
- The fridge is in defrost cycle. >>>This is normal for a full-automatically defrosting refrigerator. Defrosting cycle occurs periodically.
- The refrigerator is not plugged into the socket. >>>Make sure that the plug is fit into the socket.
- Temperature settings are not made correctly. >>>Select the suitable temperature value.
- There is a power outage. >>>Refrigerator returns to normal operation when the power restores.

The operation noise increases when the refrigerator is running.

- The operating performance of the refrigerator may change due to the changes in the ambient temperature. It is normal and not a fault.

The refrigerator is running frequently or for a long time.

- New product may be wider than the previous one. Larger refrigerators operate for a longer period of time.
- The room temperature may be high. >>>It is normal that the product operates for longer periods in hot ambient.
- The refrigerator might be plugged in recently or might be loaded with food. >>>When the refrigerator is plugged in or loaded with food recently, it will take longer for it to attain the set temperature. This is normal.
- Large amounts of hot food might be put in the refrigerator recently. >>>Do not put hot food into the refrigerator.
- Doors might be opened frequently or left ajar for a long time. >>>The warm air that has entered into the refrigerator causes the refrigerator to run for longer periods. Do not open the doors frequently.
- Freezer or fridge compartment door might be left ajar. >>>Check if the doors are closed completely.
- The refrigerator is adjusted to a very low temperature. >>>Adjust the refrigerator temperature to a warmer degree and wait until the temperature is achieved.
- Door seal of the fridge or freezer may be soiled, worn out, broken or not properly seated. >>>Clean or replace the seal. Damaged/broken seal causes the refrigerator to run for a longer period of time in order to maintain the current temperature.

Freezer temperature is very low while the fridge temperature is sufficient.

- The freezer temperature is adjusted to a very low value. >>>Adjust the freezer temperature to a warmer degree and check.

Fridge temperature is very low while the freezer temperature is sufficient.

- The fridge temperature is adjusted to a very low value. >>>Adjust the fridge temperature to a warmer degree and check.

Food kept in the fridge compartment drawers is frozen.

- The fridge temperature is adjusted to a very high value. >>>Adjust the fridge temperature to a lower value and check.

Temperature in the fridge or freezer is very high.

- The fridge temperature is adjusted to a very high value. >>>Fridge compartment temperature setting has an effect on the temperature of the freezer. Change the temperatures of the fridge or freezer and wait until the relevant compartments attain a sufficient temperature.
- Doors are opened frequently or left ajar for a long time. >>>Do not open the doors frequently.
- Door is ajar. >>>Close the door completely.
- The refrigerator is plugged in or loaded with food recently. >>>This is normal. When the refrigerator is plugged in or loaded with food recently, it will take longer for it to attain the set temperature.
- Large amounts of hot food might be put in the refrigerator recently. >>>Do not put hot food into the refrigerator.

Vibrations or noise.
<ul style="list-style-type: none"> • The floor is not level or stable. >>> If the refrigerator rocks when moved slowly, balance it by adjusting its feet. Also make sure that the floor is strong enough to carry the refrigerator, and level. • The items put onto the refrigerator may cause noise. >>>Remove the items on top of the refrigerator.
There are noises coming from the refrigerator like liquid flowing, spraying, etc.
<ul style="list-style-type: none"> • Liquid and gas flows occur in accordance with the operating principles of your refrigerator. It is normal and not a fault.
Whistle comes from the refrigerator.
<ul style="list-style-type: none"> • Fans are used in order to cool the refrigerator. It is normal and not a fault.
Condensation on the inner walls of refrigerator.
<ul style="list-style-type: none"> • Hot and humid weather increases icing and condensation. It is normal and not a fault. • Doors are opened frequently or left ajar for a long time. >>>Do not open the doors frequently. Close them if they are open. • Door is ajar. >>>Close the door completely.
Humidity occurs on the outside of the refrigerator or between the doors.
<ul style="list-style-type: none"> • There might be humidity in the air; this is quite normal in humid weather. When the humidity is less, condensation will disappear.
Bad odour inside the refrigerator.
<ul style="list-style-type: none"> • No regular cleaning is performed. >>>Clean the inside of the refrigerator regularly with a sponge, lukewarm water or carbonate dissolved in water. • Some containers or package materials may cause the smell. >>>Use a different container or different brand packaging material. • Food is put into the refrigerator in uncovered containers. >>>Keep the food in closed containers. Microorganisms spreading out from uncovered containers can cause unpleasant odours. • Remove the foods that have expired best before dates and spoiled from the refrigerator.
The door is not closing.
<ul style="list-style-type: none"> • Food packages are preventing the door from closing. >>>Replace the packages that are obstructing the door. • The refrigerator is not completely even on the floor. >>>Adjust the feet to balance the refrigerator. • The floor is not level or strong. >>>Make sure that the floor is level and capable to carry the refrigerator.
Crispers are stuck.
<ul style="list-style-type: none"> • The food is touching the ceiling of the drawer. >>>Rearrange food in the drawer.

Prosimy najpierw przeczytać tę instrukcję obsługi!

Droży Klienci,

Mamy nadzieję, że nasz wyrób, wyprodukowany w nowoczesnym zakładzie i sprawdzony według najbardziej drobiazgowych procedur kontroli jakości, będzie Wam dobrze służył.

Dlatego prosimy uważnie przeczytać całą instrukcję obsługi chłodziarki przed jej użyciem i zachować ją do późniejszego wglądu. Przy przekazaniu tej chłodziarki komuś innemu, prosimy także przekazać tę instrukcję.

Niniejsza instrukcja obsługi pomoże korzystać z tej chłodziarki sprawnie i bezpiecznie.

- Proszę przeczytać tę instrukcję przed zainstalowaniem i uruchomieniem chłodziarki.
- Prosimy na pewno przeczytać wskazówki na temat bezpieczeństwa.
- Prosimy przechowywać tę instrukcję w łatwo dostępnym miejscu, bo może się przydać później.
- Prosimy przeczytać również inne dokumenty dostarczone wraz z chłodziarką.

Zwracamy uwagę, że instrukcja ta odnosi się także do kilku innych modeli. Różnice pomiędzy modelami zostaną wskazane w instrukcji.

Objaśnienie symboli

W niniejszej instrukcji obsługi używa się następujących symboli:

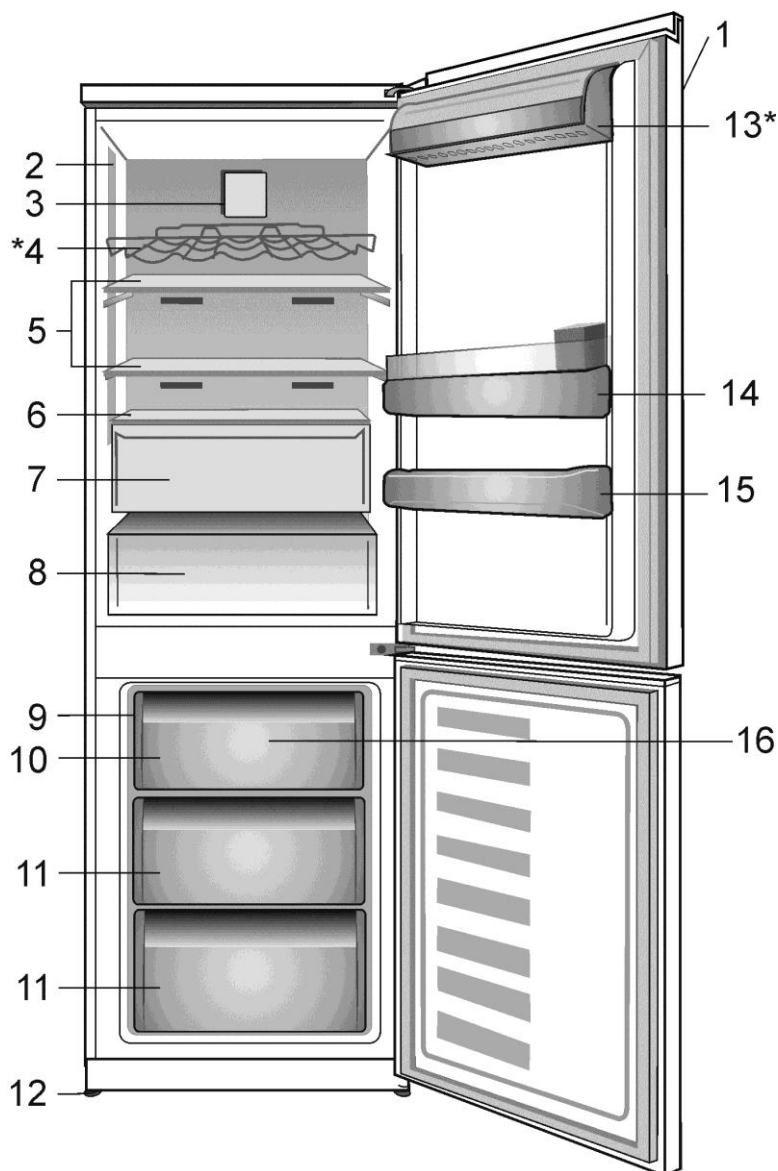
 Ważne informacje i przydatne wskazówki.

 Ostrzeżenie przed zagrożeniem życia i mienia.

 Ostrzeżenie przed porażeniem elektrycznym.

<u>1 Oto Wasza chłodziarka</u>	<u>3</u>	<u>4 Przygotowanie</u>	<u>11</u>
<u>2 Ważne zasady bezpieczeństwa</u>	<u>4</u>	<u>5 Obsługa chłodziarki</u>	<u>12</u>
Zamierzone przeznaczenie.....	4	Panel wskaźników.....	12
Ogólne zasady bezpieczeństwa.....	4	Korzystanie z dozownika wody.....	15
Dotyczy modeli z dozownikiem wody.....	6	Zamrażanie żywności świeżej	17
Bezpieczeństwo dzieci.....	6	Zalecenia co do przechowywania	
Zgodność z przepisami AEEE i utylizacja		mrozonek.....	18
zużytej chłodziarki.....	6	Rozmrażanie.....	18
Informacje na opakowaniu.....	7	Zalecenia co do komory na żywność	
Ostrzeżenie HCA.....	7	świeżą.....	18
Co robić, aby oszczędzać energię.....	7	<u>6 Konserwacja i czyszczenie</u>	<u>19</u>
<u>3 Instalacja</u>	<u>8</u>	Jak unikać nieprzyjemnych	
Na co należy zwrócić uwagę przy		zapachów.....	19
przenoszeniu chłodziarki.....	8	Zabezpieczenia powierzchni	
Przed uruchomieniem chłodziarki.....	8	plastykowych.....	19
Połączenia elektryczne.....	9	<u>7 Rozwiązywanie problemów</u>	<u>20</u>
Utylizacja opakowania.....	9		
Utylizacja starej chłodziarki.....	9		
Ustawienie i instalacja.....	9		
Wymiana lampki oświetlenia.....	9		
Nastawianie nóżek.....	9		

1 Otu chłodziarka



- | | |
|---|--|
| 1. Panel wskaźników | 10. Komora szybkiego zamrażania |
| 2. Oświetlenie wewnętrzne | 11. Komory do przechowywania żywności mrożonej |
| 3. Wentylator komory chłodzenia | 12. Nastawiane nóżki przednie |
| 4*. Podpěra na láchve vína | 13*. Pojemnik na nabiał |
| 5. Nastawialne półki komory chłodziarki | 14. Zbiornik dozownik wody |
| 6. Szyba pokrywy | 15. Półka |
| 7. Komora schładzania | 16. Wentylator komory zamrażania |
| 8. Pojemniki na świeże warzywa | |
| 9. Podpory tacki na lód i tacka na lód | |

*** Opcjonalnie**

i Rysunki w niniejszej instrukcji to tylko schematy i nie muszą ściśle odpowiadać Waszemu modelowi chłodziarki. Jeśli pewnych części nie ma w Waszej chłodziarce, to znaczy, że odnoszą się do innych modeli.

2 Ważne ostrzeżenia dot. bezpieczeństwa

Prosimy przeczytać następujące ostrzeżenia. Niestosowanie się do tej informacji może spowodować obrażenia lub szkody materialne.

W takim przypadku tracą ważność wszelkie gwarancje i zapewnienia niezawodności.

Okres użytkowania tego wyrobu to 10 lat. W tym okresie dostępne będą oryginalne części zamienne potrzebne do jego prawidłowej pracy.

Zamierzone przeznaczenie

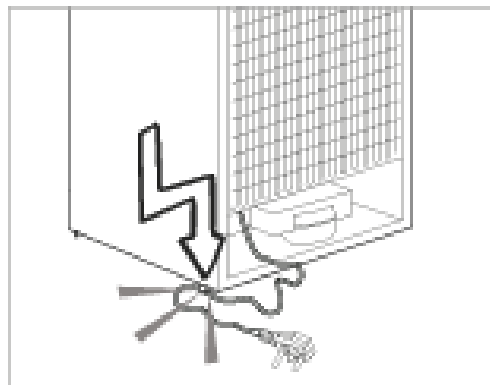
- Chłodziarka jest przeznaczona do używania we wnętrzach i obszarach zamkniętych, takich jak domy;
- w zamkniętych pomieszczeniach roboczych, takich jak sklepy i biura;
- w zamkniętych pomieszczeniach mieszkalnych, takich jak domy w gospodarstwach wiejskich, hotele i pensjonaty.
- Nie należy używać jej na dworze.

Ogólne zasady bezpieczeństwa

- Gdy zechcecie pozbyć się tego urządzenia/zezłomować je, zalecamy skonsultowanie się z autoryzowanym serwisem, aby uzyskać potrzebne informacje i poznać kompetentne podmioty.
- W sprawach wszelkich pytań i problemów związanych z tą chłodziarką konsultujcie się z Waszym autoryzowanym serwisem. Bez powiadomienia autoryzowanego serwisu nie interweniujcie sami i nie pozwalajcie interweniować innym w funkcjonowanie chłodziarki.
- Dotyczy modeli z zamrażalnikiem: Nie jedzcie lodów ani kostek lodu bezpośrednio po wyjęciu ich z zamrażalnika! (Może to spowodować odmrożenia w ustach).

- Dotyczy modeli z zamrażalnikiem: Nie wkładajcie do zamrażalnika napojów w butelkach ani w puszkach. Mogą wybuchnąć.
- Nie dotykajcie palcami mrożonej żywności, bo może do nich przylgnąć.
- Przed czyszczeniem lub rozmrażaniem chłodziarki wyjmujcie jej wtyczkę z gniazdka.
- Do czyszczenia i rozmrażania chłodziarki nie wolno stosować pary ani środków czyszczących w tej postaci. W takich przypadkach para może zetknąć się z częściami urządzeń elektrycznych i spowodować zwarcie albo porażenie elektryczne.
- Nie wolno używać żadnych części chłodziarki, takich jak drzwiczki, jako podpory ani stopnia.
- Wewnątrz chłodziarki nie wolno używać urządzeń elektrycznych.
- Nie wolno uszkadzać obwodu chłodzącego, w którym krąży środek chłodzący, narzędziami do wiercenia i cięcia. Środek chłodzący, który może wybuchnąć skutkiem przedziurawienia przewodów gazowych parownika, przedłużeń rur lub powłok powierzchni, powoduje podrażnienia skóry lub obrażenia oczu.
- Nie przykrywajcie żadnym materiałem ani nie blokujcie otworów wentylacyjnych w chłodziarce.
- Urządzenia elektryczne mogą naprawiać tylko osoby z uprawnieniami. Naprawy wykonywane przez osoby niekompetentne stwarzają zagrożenie dla użytkowników.

- W razie jakiegokolwiek awarii, a także w trakcie prac konserwacyjnych lub napraw, odłączcie chłodziarkę od zasilania z sieci, wyłączając odnośny bezpiecznik albo wyjmując wtyczkę z gniazdka.
- Wyjmując przewód zasilający z gniazdka, należy ciągnąć za wtyczkę, nie za przewód.
- Napoje o wyższej zawartości alkoholu wkładajcie do chłodziarki w dokładnie zamkniętych naczyniach i w pozycji pionowej.
- Nie wolno przechowywać w chłodziarce puszek do rozpylania substancji łatwopalnych lub wybuchowych.
- W celu przyspieszenia procesu rozmrażania chłodziarki nie należy używać żadnych urządzeń mechanicznych ani innych środków poza zalecanymi przez jej producenta.
- Wyrób ten nie jest przeznaczony do użytku osób o ograniczonej sprawności fizycznej, zmysłowej lub umysłowej oraz osoby bez odpowiedniego doświadczenia i umiejętności (w tym dzieci), o ile nie zapewni się im nadzoru lub instrukcji jego użytkownika ze strony osoby odpowiedzialnej za ich bezpieczeństwo.
- Nie uruchamiajcie chłodziarki, jeśli jest uszkodzona. W razie jakichkolwiek obaw skontaktujcie się z pracownikiem serwisu.
- Bezpieczeństwo elektryczne tej chłodziarki gwarantuje się tylko wówczas, jeśli system uziemienia Waszej instalacji domowej spełnia wymogi norm.
- Wystawianie tego urządzenia na działanie deszczu, śniegu, słońca i wiatru zagraża jego bezpieczeństwu elektrycznemu.
- W razie uszkodzenia przewodu zasilającego skontaktujcie się z autoryzowanym punktem serwisowym aby uniknąć zagrożenia.
- W trakcie instalowania chłodziarki nigdy nie wolno włączać wtyczki w gniazdko w ścianie. Może to zagrażać śmiercią lub poważnym urazem.
- Chłodziarka ta przeznaczona jest wyłącznie do przechowywania żywności. Nie wolno jej używać w żadnym innym celu.
- Tabliczka z danymi technicznymi umieszczona jest na lewej ścianie wewnątrz chłodziarki.
- Chłodziarki nie wolno przyłączać do systemów oszczędzających energię elektryczną, może to ją uszkodzić.
- Jeśli na chłodziarce pali się niebieskie światło, nie należy patrzeć na nie przez przyrządy optyczne.
- Jeśli chłodziarka obsługiwana jest ręcznie, po awarii zasilania należy odczekać przynajmniej 5 minut przed jej ponownym załączeniem.
- Przy przekazaniu chłodziarki nowemu posiadaczowi wraz z nią należy przekazać niniejszą instrukcję.
- Przy transporcie chłodziarki należy unikać uszkodzenia jej przewodu zasilającego. Zagięcie przewodu może spowodować pożar. Na przewodzie zasilającym nie wolno ustawiać żadnych ciężkich przedmiotów.
- Nie wolno wkładać wtyczki do gniazdka mokrymi dłońmi.



- Nie wolno wkładać wtyczki chłodziarki do obłuzowanego gniazdka.
- Ze względów bezpieczeństwa nie wolno przyskać wodą bezpośrednio na żadne wewnętrzne i zewnętrzne części chłodziarki.

- Nie wolno rozpylać substancji zawierających łatwopalny gaz, np. propan, w pobliżu chłodziarki, ponieważ grozi to pożarem i wybuchem.
- Nie wolno stawiać na chłodziarce pojemników napełnionych wodą, ponieważ może to spowodować porażenie prądem elektrycznym lub pożar.
- Nie przeciążajcie chłodziarki nadmierną zawartością. W przeładowanej chłodziarce po otwarciu drzwiczek żywność może spadać z półek, powodując urazy użytkowników i uszkodzenia chłodziarki.
- Nie wolno stawiać żadnych przedmiotów na chłodziarce, ponieważ mogą spaść przy otwieraniu lub zamykaniu drzwiczek.
- Ponieważ szczepionki, lekarstwa wrażliwe na ciepło, materiały naukowe, itp. wymagają ściśle regulowanej temperatury, nie należy ich przechowywać w chłodziarce.
- Jeśli chłodziarka nie będzie używana przez dłuższy czas, należy wyjąć jej wtyczkę z gniazdka. Ewentualny problem z przewodem zasilającym może spowodować pożar.
- Czubki wtyczki należy regularnie czyścić suchą ściereczką, w przeciwnym razie mogą spowodować pożar.
- Jeśli nastawiane nóżki nie są bezpiecznie ustawione na podłodze, chłodziarka może się przemieszczać. Właściwe zabezpieczenie nastawianych nóżek na podłodze może temu zapobiec.
- Przy przenoszeniu chłodziarki nie chwytajcie za klamkę w drzwiczkach. W ten sposób można ją urwać.
- Gdy chłodziarkę trzeba ustawić obok innej chłodziarki lub zamrażarki, należy zachować przynajmniej 8 cm odstępu pomiędzy nimi. W przeciwnym razie przylegające do siebie ścianki mogą pokrywać się wilgocią.

Dotyczy modeli z dozownikiem wody:

Ciśnienie wody w kranie powinno wynosić przynajmniej 1 bar. Ciśnienie wody w kranie nie powinno przekraczać 8 bar.


- Należy używać wyłącznie wody pitnej.

Bezpieczeństwo dzieci

- Jeśli drzwiczki zamykane są na klucz, należy go chronić przed dostępem dzieci.
- Należy zwracać uwagę, aby dzieci nie bawiły się, manipulując chłodziarką.

Zgodność z przepisami AEEE i utylizacja zużytej chłodziarki



Symbol  na wyrobie lub opakowaniu oznacza, że wyrób ten nie może być traktowany jako odpadki domowe. Zamiast tego należy je dostarczyć do właściwego punktu zbierania surowców wtórnych z urządzeń elektrycznych i elektronicznych. Zapewniając odpowiednie złomowanie tego wyrobu przyczyniamy się do zapobiegania potencjalnie szkodliwym konsekwencjom dla środowiska naturalnego oraz zdrowia ludzi, które w przeciwnym razie mogłyby być spowodowane nieprawidłowym jego nieodpowiednim złomowaniem. Aby uzyskać bardziej szczegółowe informacje o odzyskiwaniu surowców wtórnych z tego wyrobu, prosimy skontaktować się ze swym organem administracji lokalnej, służbą oczyszczania miasta lub ze sklepem, gdzie wyrób ten został zakupiony.

Informacje opakowaniu

Materiały opakowania tego wyrobu są wykonane z surowców wtórnych, zgodnie z naszymi krajowymi przepisami dotyczącymi ochrony środowiska.

Materiałów opakunkowych nie wolno wyrzucać z odpadami z gospodarstwa domowego lub innymi. Należy przekazać je do punktu zbiórki surowców wtórnych.

Nie zapomnijcie...

Wszelkie substancje recyklingowane mają ogromne znaczenie dla środowiska i bogactwa naszego kraju.

Jeśli chcecie wziąć udział w oceniw materiałów do pakowania, skontaktujcie się z organizacjami ekologicznymi w swojej okolicy lub władzami lokalnymi.

Ostrzeżenie HCA

Jeśli system chłodniczy Waszej chłodziarki zawiera R600a:

Gaz ten jest łatwopalny. Należy zatem uważać, aby w trakcie jego użytkowania i transportu nie uszkodzić systemu i przewodów chłodzenia. W razie uszkodzenia, należy trzymać chłodziarkę z dala od potencjalnych źródeł ognia, które mogą spowodować jej pożar i należy wietrzyć pomieszczenie, w którym jest umieszczona.

Rodzaj zastosowanego gazu podano na tabliczce umieszczonej na lewej ścianie wewnątrz chłodziarki.

Nie wolno pozbywać się tego wyrobu poprzez jego spalanie.

Co robić, aby oszczędzać energię

- Nie zostawiajcie drzwiczek chłodziarki otwartych na dłużej.
 - Nie wkładajcie do chłodziarki gorących potraw ani napojów.
 - Nie przeladowujcie chłodziarki, ponieważ będzie to utrudniać krążenie powietrza w jej wnętrzu.
 - Nie instalujcie chłodziarki tam, gdzie narażona będzie na bezpośrednie działanie słońca, ani w pobliżu urządzeń wydzielających ciepło, takich jak piecyki, zmywarki do naczyń lub grzejniki. Chłodziarkę instaluje się co najmniej 30 cm od źródeł ciepła oraz co najmniej 5 cm od kuchenek elektrycznych.
 - Pamiętajcie, aby żywność przechowywać w zamkniętych pojemnikach.
 - W zamrażalniku chłodziarki zmieścić można najwięcej żywności, jeśli wyjmie się z niego półkę z szufladą. Deklarowane zużycie energii przez chłodziarkę określono przy szufladach wyjętych z komory zamrażalnika. Używanie półki lub szuflady odpowiednio do kształtów i rozmiarów zamrażanej żywności jest bezpieczne.
 - Rozmrażanie mrożonek w komorze zamrażalnika pozwala zarówno oszczędzać energię, jak i zachować jakość żywności.
- i** Temperatura otoczenia w pomieszczeniu, gdzie instaluje się chłodziarkę, powinna wynosić co najmniej -15°C. Ze względu na wydajność chłodziarki nie zaleca się użytkowania jej w niższych temperaturach.
- i** Trzeba dokładnie oczyścić wnętrze chłodziarki.

3 Instalacja

⚠ W przypadku zignorowania podanych w tej instrukcji obsługi informacji, producent nie ponosi za to żadnej odpowiedzialności.

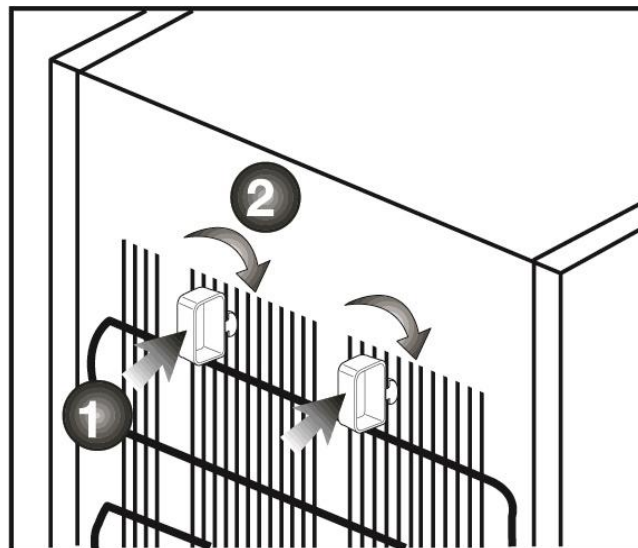
Na co należy zwrócić uwagę przy przenoszeniu chłodziarki

1. Należy wyjąć wtyczkę chłodziarki z kontaktu. Przed transportem należy chłodziarkę opróżnić i oczyścić.
2. Przed ponownym opakowaniem chłodziarki, półki, akcesoria, pojemnik na świeże warzywa itp. w jej wnętrzu należy przymocować za pomocą taśmy klejącej i zabezpieczyć przed uszkodzeniem. Opakowanie należy obwiązać grubą taśmą lub solidnym sznurem i ściśle przestrzegać zasad transportowania takich pakunków.
3. Oryginalne opakowanie i elementy z pianki należy zachować do przyszłego transportu lub przeprowadzek.

Przed uruchomieniem chłodziarki

Zanim zaczniecie korzystać z chłodziarki, sprawdźcie, co następuje:

1. Załóżcie 2 kliny z tworzywa sztucznego, jak na rysunku poniżej. Kliny z tworzywa sztucznego zapewniają odstęp dla cyrkulacji powietrza pomiędzy chłodziarką a ścianą. (Rysunek ten służy celom poglądowym i nie musi być identyczny z Waszą chłodziarką.)



2. Oczyścić wnętrze chłodziarki, zgodnie z zaleceniami podanymi w rozdziale „Konserwacja i czyszczenie”.
3. Wsadź wtyczkę chłodziarki w gniazdko w ścianie. Po otwarciu drzwiczek chłodziarki, zapali się światło w jej wnętrzu.
4. Gdy zaczyna działać sprężarka, słychać będzie jej odgłos. Płyny i gazy zawarte w systemie chłodzenia także mogą powodować szumy, nawet jeśli nie działa sprężarka i jest to zupełnie normalne.
5. Przednie krawędzie chłodziarki mogą się nagrzewać. Jest to całkiem normalne. Te obszary powinny się nagrzewać, co zapobiega skraplaniu się pary.

Połączenia elektryczne

Chłodziarkę przyłącza się do gniazdka z uziemieniem, zabezpieczonego bezpiecznikiem o odpowiedniej wydajności.

Ważne:

Przyłączenie chłodziarki musi być zgodne z przepisami krajowymi.

- Po instalacji wtyczka zasilania musi być łatwo dostępna.
- Bezpieczeństwo elektryczne tej chłodziarki gwarantuje się tylko wówczas, jeśli system uziemienia Waszej instalacji domowej spełnia wymogi norm.
- Napięcie podane na etykiecie wewnątrz chłodziarki po lewej powinno być równe napięciu w sieci.
- **Do przyłączenia nie można używać przedłużaczy ani przewodów z wieloma wtyczkami.**

⚠ Uszkodzony przewód zasilający musi wymienić upoważniony i wykwalifikowany elektryk.

⚠ Nie można ponownie uruchamiać produktu przed jego naprawieniem! Grozi to porażeniem elektrycznym!

Usuwanie opakowania

Materiały opakunkowe mogą być niebezpieczne dla dzieci. Należy chronić materiały opakunkowe przed dostępem dzieci, albo usunąć je zgodnie z podaną przez miejscowe władze instrukcją odpowiednią dla odpadków ich kategorii. Nie należy wyrzucać ich wraz ze zwykłymi odpadkami domowymi, ale na wyznaczony przez lokalne władze śmietnik opakowań.

Opakowanie tej chłodziarki wyprodukowano z surowców wtórnych.

Utylizacja starej chłodziarki

Starej chłodziarki należy pozbyć się tak, aby nie zaszkodzić środowisku naturalnemu.

- W sprawie utylizacji chłodziarki możecie skonsultować się z autoryzowanym sprzedawcą lub punktem zbiórki surowców wtórnych w swojej miejscowości.

Przed utylizacją chłodziarki należy odciąć wtyczkę zasilania elektrycznego, a jeśli w drzwiczkach są jakieś zamki, należy je trwale uszkodzić, aby zapobiec zagrożeniu dzieci.

Ustawienie i instalacja

⚠ Jeśli drzwi wejściowe do pomieszczenia, w którym ma być zainstalowana chłodziarka, są zbyt wąskie, aby mogła przez nie przejść, należy wezwać autoryzowany serwis, który zdemontuje z niej drzwiczki i przeniesie ją bokiem przez drzwi.

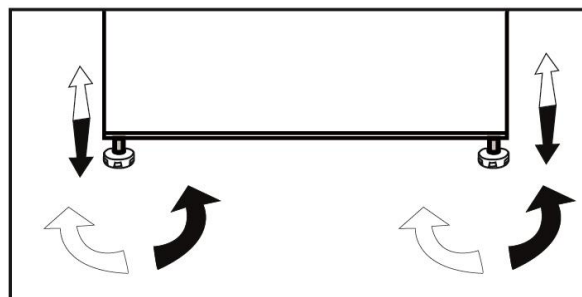
1. Chłodziarkę należy zainstalować w miejscu, w którym łatwo będzie ją używać.
2. Chłodziarka musi stać z dala od źródeł ciepła, miejsc wilgotnych i bezpośrednio nasłonecznionych.
3. Aby uzyskać wydajną pracę chłodziarki, należy zapewnić odpowiednią wentylację wokół niej. Jeśli chłodziarka ma stanąć we wnęce w ścianie, należy zachować co najmniej 5 cm odstęp od sufitu i ściany. Nie stawiaj chłodziarki na dywanie, wykładzinie dywanowej, ani żadnym podobnym podłożu.
4. Aby uniknąć wstrząsów, chłodziarkę należy ustawić na równej powierzchni podłogi.

Wymiana lampki oświetlenia

Aby wymienić żarówkę/diodę LED używaną do oświetlenia chłodziarki, należy wezwać autoryzowany serwis.

Nastawianie nóżek

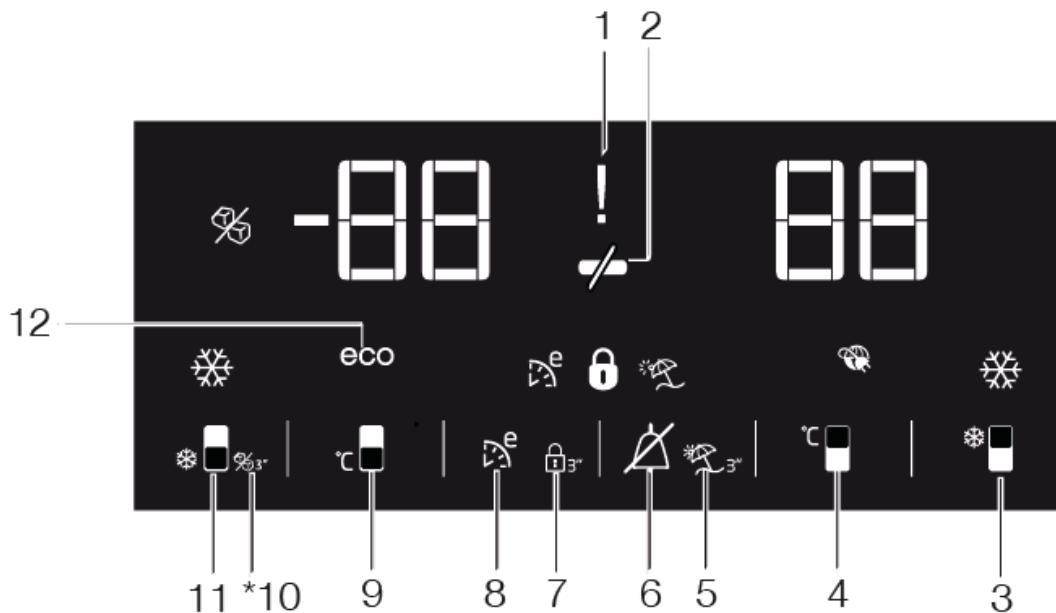
Jeśli chłodziarka nie stoi równo: Można wyrównać jej ustawienie, obracając przednie nóżki, tak jak pokazano na rysunku. Narożnik lodówki obniża się obracając nóżkę w tym narożniku w kierunku czarnej strzałki, lub podnosi obracając nóżkę w przeciwnym kierunku. Takie działanie ułatwi lekkie uniesienie chłodziarki z pomocą innej osoby.



4 Przygotowanie

- Chłodziarkę należy zainstalować przynajmniej 30 cm od źródeł ciepła takich jak kuchenka, kaloryfer lub piec, i przynajmniej 5 cm od piecyka elektrycznego, a także należy chronić ją przed bezpośrednim działaniem słońca.
- Należy upewnić się, że wnętrze chłodziarki zostało dokładnie oczyszczone.
- Jeśli zainstalowane mają być dwie chłodziarki obok siebie, należy zachować co najmniej 2 cm odstępu między nimi.
- Przy pierwszym uruchomieniu chłodziarki należy przez pierwsze sześć godzin przestrzegać następujących instrukcji.
- Nie należy zbyt często otwierać drzwiczek.
- Należy uruchomić ją pustą, bez żadnej żywności we wnętrzu.
- Nie należy wyjmować wtyczki chłodziarki z gniazdka. W przypadku awarii zasilania, której nie można samemu naprawić, należy zastosować się do ostrzeżenia z rozdziału „Zalecane rozwiązania problemów”.
- Produkt jest przeznaczony do pracy w temperaturze nieprzekraczającej 43°C. Nawet jeśli temperatura otoczenia spadnie do -15 °C, mrożona żywność w zamrażalniku nie rozmrozi się dzięki zaawansowanemu elektronicznemu systemowi sterowania temperaturą. W przypadku pierwszej instalacji NIE należy ustawiać produktu w miejscach o niskiej temperaturze otoczenia. Uniemożliwia to bowiem ustawienie w zamrażarce standardowej temperatury pracy. Po uzyskaniu ciągłego działania chłodziarkę można przenieść w inne miejsce. A zatem później można umieścić chłodziarkę w garażu lub nieogrzewanym pomieszczeniu bez obaw o zepsucie zamrożonej żywności. Jednakże istnieje prawdopodobieństwo, że powyżej wymienionych niskich temperatur żywność w komorze chłodniczej może ulec zamrożeniu, z tego względu zaleca się wykorzystanie żywności z chłodziarki w kontrolowany sposób. Gdy temperatura otoczenia wróci do normalnego poziomu, można zmienić ustawienie przycisku odpowiednio do potrzeb.
- Jeśli temperatura otoczenia spadła poniżej 0°C, zawartość komory chłodniczej zamarza. Zaleca się więc aby przy tak niskich temperaturach otoczenia nie używać komory chłodzenia. Natomiast z komory zamrażalnika można nadal korzystać jak zwykle.

5 Obsługa chłodziarki



Panel wskaźników

Panel wskaźników umożliwia nastawianie temperatury i sterowanie innymi funkcjami produktu bez otwierania drzwi. Po prostu naciśnij napisy na odpowiednich przyciskach, aby ustawić funkcje.

1. Wskaźnik ostrzegawczy o awarii zasilania/ wysokiej temperaturze

Wskaźnik ten (!) zapala się w razie awarii zasilania, zbyt wysokiej temperatury lub ostrzeżeń o błędach.

Podczas długotrwałych przerw w zasilaniu, najwyższa temperatura w zamrażarce będzie migać na wyświetlaczu cyfrowym. Po sprawdzeniu produktów w komorze zamrażalnika naciśnij przycisk wyłączenia alarmu (⚡) aby skasować to ostrzeżenie.

Jeśli wskaźnik ten zapali się, proszę poszukać środków zaradczych w rozdziale tej instrukcji dotyczącym „Zalecanych środków rozwiązywania problemów”.

2. Funkcji oszczędzania energii (wyświetlacz wyłączony)

Jeśli drzwiczki chłodziarki są zamknięte przez dłuższy czas, funkcja oszczędzania energii uruchamia się automatycznie i zapala się symbol oszczędzania energii. (⚡) Gdy czynna jest funkcja oszczędzania energii, gasną wszystkie inne symbole na wyświetlaczu. Funkcja oszczędzania energii wyłącza się za naciśnięciem dowolnego przycisku lub za otwarciem drzwiczek, a symbole na wyświetlaczu powracają do stanu normalnego.

Funkcja oszczędzania energii jest uruchamiana w czasie dostawy z fabryki i nie można jej skasować.

i *Opcjonalne: Podane w tej instrukcji liczby mają wartości orientacyjne i nie muszą dokładnie odnosić się do tej konkretnej chłodziarki. Jeśli ta konkretna chłodziarka nie zawiera jakichś części, o których mowa w tej instrukcji, oznacza to, że informacje te odnoszą się do jej innych modeli.

3. Funkcja szybkiego chłodzenia

Przycisk ma dwie funkcje. Aby włączyć lub wyłączyć funkcję szybkiego chłodzenia, naciśnij go krótko. Wskaźnik „Quick Cool” zgaśnie i ustawienia powrócą do normalnych wartości. (•❏)

i Korzystaj z funkcji szybkiego chłodzenia, kiedy chcesz szybko schłodzić żywność umieszczoną w komorze chłodzenia. Jeśli schłodzona ma być znaczna ilość świeżej żywności, zaleca się uruchomienie tej funkcji przed włożeniem żywności do chłodziarki.

i Jeśli nie wyłączysz szybkiego chłodzenia, funkcja ta wyłączy się automatycznie po 8 godzinach lub gdy temperatura w komorze chłodzenia osiągnie żadaną wartość.

i Jeśli będziesz naciskać przycisk szybkiego zamrażania Quick Freeze kilkakrotnie co chwilę, uruchomi się elektroniczne zabezpieczenie i sprężarka nie zostanie bezzwłocznie uruchomiona.

i Funkcja ta nie zostanie wywołana przy przywróceniu zasilania po jego awaryjnym wyłączeniu.

4. Przycisk nastawienia temperatury w komorze chłodzenia

Naciśnij ten przycisk, aby nastawić temperaturę w komorze chłodzenia odpowiednio na 8, 7,6, 5,4,3, 2, 8... Naciśnij ten przycisk, aby nastawić żadaną temperaturę w komorze chłodzenia. (•❏)

5. Funkcja Vacation (Wakacje)

Aby wyłączyć funkcję Vacation naciśnij i przez 3 sekundy przytrzymaj ten przycisk (❏), a włączy się wskaźnik trybu Vacation (☂).

Gdy czynna jest funkcja opróżniania, na wskaźniku temperatury w komorze chłodzenia wyświetla się "--", i komora ta nie jest aktywnie chłodzona.

Gdy ta funkcja ta jest załączona, nie należy trzymać żywności w komorze chłodzenia. Inne komory będą nadal chłodzone odpowiednio do nastawionych w nich temperaturach.

Aby wyłączyć tę funkcję, ponownie naciśnij przycisk **funkcji Vacation**.

6. Wyłączanie alarmu:

W przypadku alarmu awarii zasilania / wysokiej temperatury, po sprawdzeniu produktów w komorze zamrażarki naciśnij przycisk wyłączania alarmu (⚡) aby skasować to ostrzeżenie.

7. Blokada przycisków


Naciśnij przycisk blokady przycisków (❏3") na 3 sekundy. Zapali się ikonka blokady przycisków (❏) i załączy się blokada. Przy załączonej blokadzie przyciski nie działają. Ponownie naciśnij przycisk Key Lock [Blokada przycisków] na 3 sekundy. Ikonka blokady przycisków zgaśnie i blokada wyłączy się.

Naciśnij przycisk **blokady przycisków**, jeśli chcesz uniemożliwić zmianę ustawień temperatury w chłodziarce (❏3").

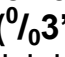
8. Eco fuzzy


Naciśnij i przez 1 sekundę przytrzymaj przycisk eco fuzzy, aby uruchomić funkcję oszczędnego użytkowania eco fuzzy. Chłodziarka zostanie uruchomiona w najbardziej oszczędnym trybie co najmniej 6 godzin później, a gdy funkcja ta jest aktywna zapali się wskaźnik oszczędnego użytkowania (☂^e). Naciśnij i przez 3 sekundy przytrzymaj przycisk funkcji eco fuzzy, aby wyłączyć funkcję oszczędnego użytkowania eco fuzzy. Wskaźnik ten zapala się po 6 godzinach, gdy jest włączona jest funkcja eco fuzzy.

9. Przycisk nastawienia temperatury w komorze zamrażalnika.

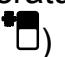
Naciśnij ten przycisk, aby nastawić temperaturę w komorze zamrażalnika odpowiednio na -18, -19, -20, -21, -22, -23, -24 oraz -18. Naciśnij ten przycisk, aby nastawić żadaną temperaturę w komorze zamrażalnika. ()


10. Wskaźnik wyłączenia Icematic


Wskazuje, czy kostkarka Icematic jest włączona czy wyłączona. () Jeśli jest aktywny, Icematic nie działa. Aby ponownie włączyć Icematic, naciśnij i przytrzymaj przez 3 sekundy przycisk wł.-wyl.


 Kiedy wybrana jest ta funkcja, woda przestaje wypływać ze zbiornika. Jednak już zrobiony lód można wybrać z kostkarki Icematic.

11. Przycisk funkcji szybkiego zamrażania / włączania wyłączenia Icematic

Aby włączyć lub wyłączyć funkcję szybkiego zamrażania, naciśnij ten przycisk. Kiedy włączysz tę funkcję, komora zamrażalnika zostanie schłodzona do temperatury niższej niż ustawiona wartość. ()

 Aby włączyć lub wyłączyć kostkarkę Icematic, naciśnij ten przycisk i przytrzymaj go przez 3 sekundy. Korzystaj z funkcji szybkiego chłodzenia, kiedy chcesz szybko schłodzić żywność umieszczoną w komorze chłodzenia. Jeśli schłodzona ma być znaczna ilość świeżej żywności, zaleca się uruchomienie tej funkcji przed włożeniem żywności do chłodziarki.


 Jeśli nie wyłączysz szybkiego zamrażania, funkcja ta wyłączy się automatycznie po 4 godzinach lub gdy temperatura w komorze chłodzenia osiągnie żadaną wartość.

 Funkcja ta nie zostanie wywołana przy przywróceniu zasilania po jego awaryjnym wyłączeniu.

12. Wskaźnik oszczędnego użytkownika

Pokazuje, że chłodziarka pracuje w trybie energooszczędnym.

(**eco**) Wskaźnik ten będzie aktywny, jeśli temperaturę komory zamrażania nastawiono na -18 stopni lub zgodnie z funkcją Eco-Extra chłodzenie przebiega w trybie energooszczędnym.

 Wskaźnik użytkownika oszczędnego gaśnie, gdy zostanie wybrana funkcja szybkiego chłodzenia lub szybkiego zamrażania.

Podwójny system chłodzący:

Chłodziarka ta wyposażona jest w dwa odrębne systemy chłodzące do chłodzenia komory na żywność świeżą oraz komory zamrażalnika. A więc powietrze w komorze na żywność świeża nie miesza się z powietrzem w zamrażalniku.

Dzięki tym dwóm odrębnym systemom chłodzącym chłodzenie zachodzi szybciej niż w innych chłodziarkach. Nie mieszają się zapachy w tych komorach. Ponadto dodatkowo oszczędza się energię, ponieważ odszranianie wykonywane jest indywidualnie.

Korzystanie z dozownika wody

* opcja

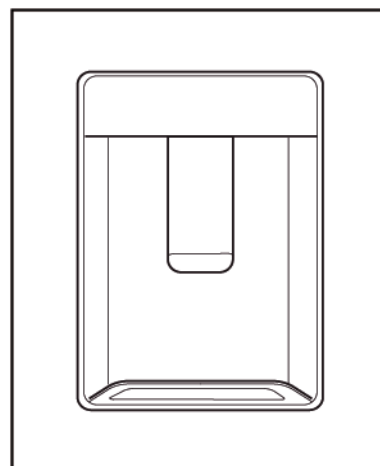
i Pierwsze kilka szklanek wody z dozownika mogą być ciepłe i jest to całkiem normalne.

i Jeżeli dozownika wody nie używa się przez dłuższy czas, wylewa się pierwsze kilka szklanek wody, aby uzyskać wodę świeżą.

1. Naciśnij szklanką na dźwignię dozownika wody. Jeśli korzystasz z miękkiego plastikowego kubka, naciśnięcie dźwigni ręką będzie łatwiejsze.

2. Po napełnieniu kubka dożądanego poziomu, zwolnij dźwignię.

i Prosimy zwrócić uwagę, że ilość wody wypływającej z dozownika zależy od tego, jak bardzo wciśnięto dźwignię. W miarę jak podnosi się poziom wody w kubku lub szklance delikatnie zmniejszaj nacisk na dźwignię, aby uniknąć przelania się wody. Jeśli lekko naciśnąc ramię, woda kapie, co jest całkiem normalne i nie świadczy o awarii.



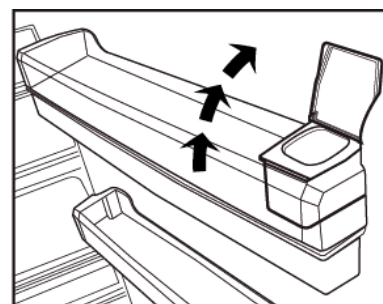
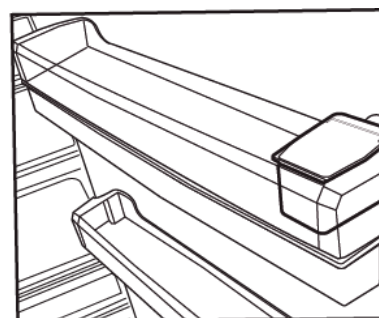
Napełnianie zbiornika dozownika wodą

Zbiornik wody mieści się w stelażu na drzwiach.

1. Otwórz pokrywę zbiornika.
2. Napełnij zbiornik świeżą wodą pitną.
3. Zamknij pokrywę.

i Nie napełniaj zbiornika na wodę innym płynem niż woda, np. sokiem owocowym, napojem gazowanym, czy napojem alkoholowym, które nie nadają się do stosowania w zbiorniku na wodę. Użycie płynu tego rodzaju spowoduje trwałe uszkodzenie dozownika. Użytkowania takiego nie obejmuje gwarancja. Pewne zawarte w takich płynach substancje chemiczne i dodatki mogą uszkodzić zbiornik na wodę.

i Używaj wyłącznie czystej wody pitnej.

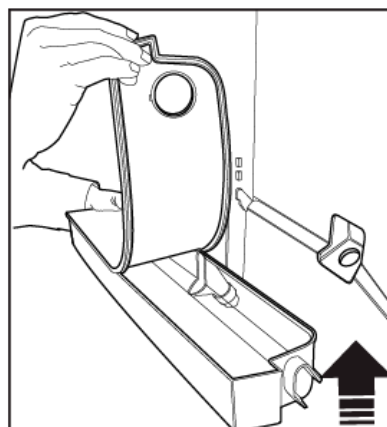
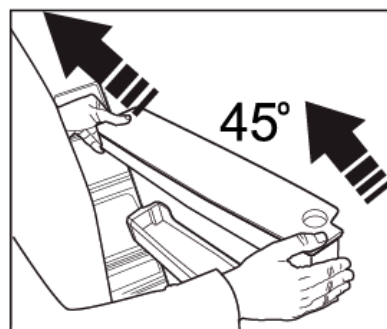
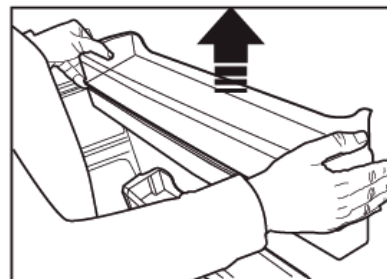
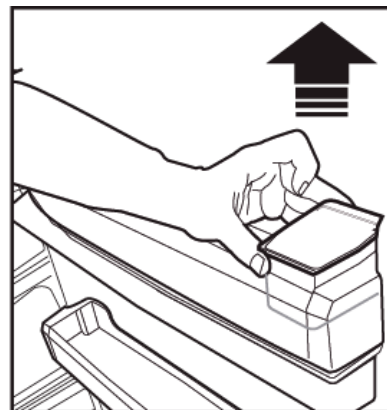


i Pojemność zbiornika wynosi 3 litery; nie wolno jej przekraczać.

Czyszczenie zbiornika na wodę

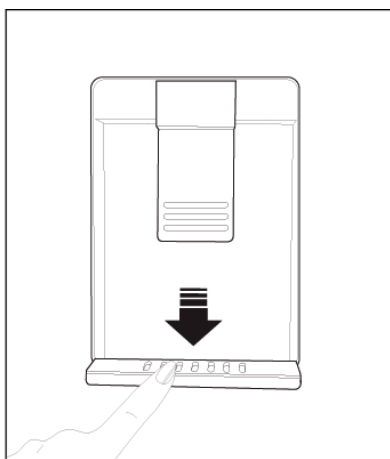
1. Wyjmij zbiornik na wodę ze stelaża na drzwiach.
2. Wyjmij stelaż na drzwiach, trzymając go z obu stron.
3. Chwyć zbiornik na wodę z obu stron i wyjmij go pod kątem 45°.
4. Zdejmij pokrywę zbiornika na wodę i wyczyść go.

i Elementów zbiornika i dozownika nie należy myć w zmywarkach do naczyń.



Tacka na krople

Woda, która kapie przy korzystaniu z dozownika zbiera się w tacce na krople. Wyjmij plastikowy filtr tak jak pokazano na rysunku. Wytrzyj zebraną wodę za pomocą czystej i suchej ściereczki.



Zamrażanie żywności

świeżej

- Przed włożeniem do lodówki żywność świeżą należy opakować lub przykryć.
- Przed włożeniem do lodówki gorące potrawy trzeba najpierw ostudzić do temperatury pokojowej.
- Żywność przeznaczona do zamrożenia musi być świeża i dobrej jakości.
- Żywność należy podzielić na porcje, stosownie do dziennych potrzeb konsumpcyjnych rodziny.
- Żywność musi być hermetycznie zapakowana aby zapobiec jej wysychaniu, nawet jeśli ma być przechowywana przez krótki czas.
- Materiały użyte do opakowania muszą być mocne i odporna na zimno, wilgotność, zapachy, olej i kwas, a także muszą być hermetyczne. Ponadto muszą być dobrze zamknięte i muszą być zrobione z łatwych do użycia i nadających się do zastosowania przy głębokim zamrażaniu materiałów.
- Przeznaczoną do zamrażania żywność wkłada się do komory zamrażalnika. (Nie należy dopuścić, aby stykała się z uprzednio zamrożoną żywnością, co grozi ich częściowym rozmarznięciem. Wydajność zamrażania tej lodówki podano wśród danych technicznych).
- Należy przestrzegać czasów przechowywania podanych w odniesieniu do głębokiego zamrażania.
- Zamrożoną żywność należy spożywać bezpośrednio po odmrożeniu i nie wolno jej ponownie zamrażać.

- Aby uzyskać najlepsze rezultaty prosimy przestrzegać następujących instrukcji:

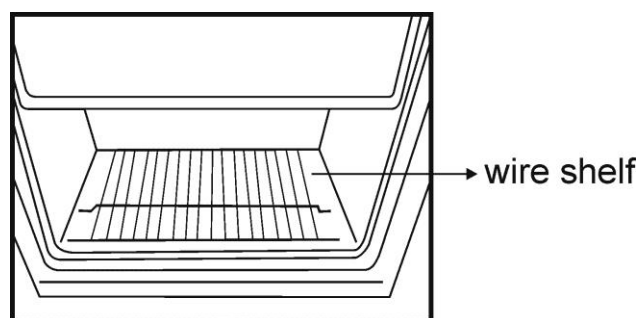
1. Nie należy zamrażać zbyt dużych ilości żywności na raz. Jakość żywności zachowuje się najlepiej zamrażając ją na wskroś najszybciej, jak to możliwe.

2. Umieszczenie w komorze zamrażalnika żywności ciepłej powoduje ciągłą pracę systemu chłodzącego aż do całkowitego jej zamrożenia.

3. Należy specjalnie zadbać, aby nie mieszać żywności już zamrożonej ze świeżą.

4. Maksymalna pojemność przechowywania zamrożonej żywności osiąga się bez korzystania z szuflady przewidzianych w zamrażalniku. Zużycie energii w Twoim urządzeniu jest zadeklarowane podczas zamrażalnika jest w pełni załadowany na półkach bez użycia drawers. Use podane ruszt na dnie komory zamrażarki dla lepszej wydajności zużycia energii.

5. Zaleca się umieszczenie środków spożywczych na górnej półce zamrażarki do początkowego zera.



Zalecenia co do przechowywania mrożonek

Pakowane mrożonki ze sklepu należy przechowywać zgodnie z instrukcjami ich producentów dla ******** (4-gwiazdkowych) komór do przechowywania mrożonek.

- Aby utrzymać wysoką jakość mrożonek, którą zapewnili im producenci i sprzedawcy detaliczni należy pamiętać, co następuje:

1. Paczki z mrożonkami należy wkładać do zamrażalnika możliwie szybko po ich zakupie.
2. Sprawdzić, czy paczki zaopatrzone są w etykiety oznaczające zawartość oraz datę.
3. Nie przekraczajcie terminów podanych na opakowaniu jako terminy przydatności do spożycia.

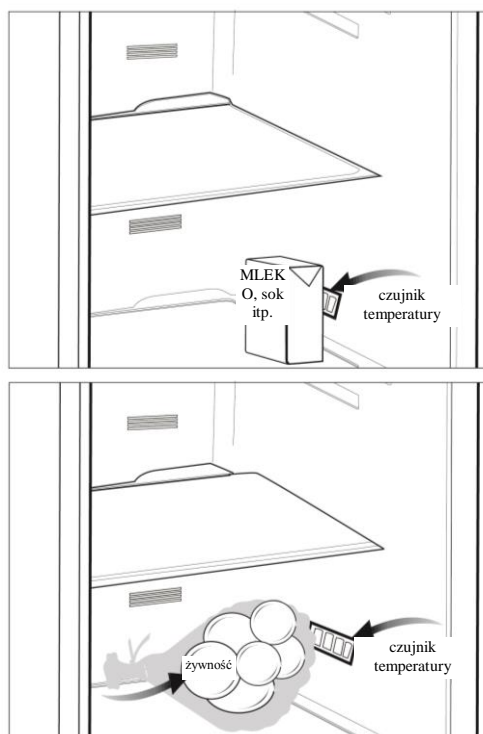
Rozmrażanie

Zamrażalnikiem rozmraża się automatycznie.

Zalecenia co do komory na żywność świeżą

*opcja

- Nie należy dopuszczać do tego, aby żywność dotykała czujnika temperatury w komorze na żywność świeżą. Aby można było utrzymać idealną temperaturę w komorze na żywność świeżą, żywność nie może zasłaniać tego czujnika.
- Do chłodziarki nie wolno wkładać gorącej żywności.



6 Konserwacja i czyszczenie

- ⚠** Do czyszczenia chłodziarki nie wolno używać benzyny, benzenu ani podobnych substancji.
- ⚠** Zaleca się wyjęcie wtyczki chłodziarki z gniazdka przed jej czyszczeniem.
- ⚠** Do czyszczenia nie wolno stosować żadnych szorstkich narzędzi, mydła, domowych środków czystości, detergentów ani wosku do polerowania.
- i** Należy umyć obudowę chłodziarki letnią wodą i wytrzeć ją do sucha.
- i** Wnętrze należy czyścić wyżętą ściereczką zamoczoną w roztworze jednej łyżeczki do herbaty sody oczyszczonej w 0,5 litra wody, a następnie wytrzeć do sucha.
- ⚠** Należy zadbać, aby do obudowy lampki i innych urządzeń elektrycznych nie dostała się woda.
- ⚠** Jeśli chłodziarka ma być nieużywana przez dłuższy okres czasu, należy ją wyłączyć i całkowicie opróżnić z żywności, oczyścić i pozostawić z uchylonymi drzwiczkami.
- i** Należy regularnie sprawdzać, czy uszczelki w drzwiczkach są czyste i nie osadzają się na nich cząstki żywności.
- ⚠** Aby wyjąć półki z drzwiczek, należy opróżnić je z zawartości, a potem po prostu nacisnąć od podstawy ku górze.
- ⚠** Do czyszczenia powierzchni zewnętrznych i chromowanych części produktu nie należy używać środków czyszczących ani wody z zawartością chloru. Chlor powoduje korozję takich powierzchni metalowych.

Jak unikać nieprzyjemnych zapachów

Do wyrobu chłodziarek nie są używane materiały powodujące nieprzyjemne zapachy.

Jednak w wyniku niewłaściwego przechowywania żywności i nieczyszczenia wnętrza chłodziarki mogą powstawać nieprzyjemne zapachy. Aby uniknąć tego problemu, zwracaj uwagę na następujące sprawy:

- Ważne jest utrzymywanie chłodziarki w czystości.
- Nieprzyjemne zapachy mogą być powodowane przez resztki żywności, plamy itd. A zatem co 15 dni czyść chłodziarkę roztworem węgla w wodzie. Nie używaj detergentów ani mydła.
- Żywność przechowuj w zamkniętych pojemnikach. Wydostające się z odkrytych pojemników mikroorganizmy mogą powodować nieprzyjemne zapachy.
 - W chłodziarce nie wolno przechowywać żywności zepsutej ani takiej, której termin przydatności do spożycia upłynął.

Zabezpieczenia powierzchni plastikowych

- i** Nie należy wkładać do chłodziarki oleju ani potraw smażonych na oleju w nieszczelnych pojemnikach, ponieważ może to uszkodzić jej plastikowe powierzchnie. W razie rozlania się lub rozsmarowania oleju na plastikowej powierzchni, od razu oczyścić i opłukać ciepłą wodą jej zabrudzoną część.

7 Usuwanie usterek

Prosimy zapoznać się z tym wykazem przed wezwaniem serwisu. Może to oszczędzić Wasz czas i pieniądze. Wykaz ten zawiera częste kłopoty, które nie wynikają z wadliwego wykonania ani zastosowania wadliwych materiałów. Niektóre z opisanych tu funkcji mogą nie występować w tym modelu urządzenia.

Chłodziarka nie działa.

- Wtyczka nie jest prawidłowo włożona do gniazdka. >>>Włóż wtyczkę do gniazdka prawidłowo.
- Zadziałał bezpiecznik gniazdka, do którego chłodziarka jest przyłączona, albo bezpiecznik główny. >>>Sprawdź bezpiecznik.

Skropliny na bocznej ścianie komory chłodzenia (MULTIZONE, COOL CONTROL oraz FLEXI ZONE).

- Bardzo zimne otoczenie. >>>Nie instaluje się chłodziarki w miejscu, gdzie temperatura spada poniżej 10°C.
- Zbyt często otwierano drzwiczki. >>>Rzadziej otwieraj i zamykaj drzwiczki chłodziarki.
- Bardzo wilgotne otoczenie. >>>Nie instaluje się chłodziarki w miejscach bardzo wilgotnych.
- Żywność o zawartości płynu przechowywana jest w otwartych pojemnikach. >>>Nie przechowuj żywności w płynie w otwartych pojemnikach.
- Drzwiczki chłodziarki pozostawiono uchylone. >>>Zamknij drzwiczki chłodziarki.
- Termostat ustawiony na bardzo niską temperaturę. >>>Nastaw termostat na odpowiednią temperaturę.

Sprężarka nie działa

- Zabezpieczenie termiczne sprężarki zadziała w trakcie nagłego zaniku zasilania lub załącza się i wyłącza, ponieważ nie wyrównało się jeszcze ciśnienie w systemie chłodzącym chłodziarki. Chłodziarka zacznie działać po ok. 6 minutach. Jeśli po upływie tego czasu chłodziarka nie zacznie działać, prosimy wezwać serwis.
- Chłodziarka jest w cyklu rozmrażania. >>>To normalne dla chłodziarki z całkowicie automatycznym rozmrażaniem. Cykl rozmrażania następuje okresowo.
- Chłodziarka nie jest włączona do gniazdka. >>>Upewnij się, że wtyczka jest włożona do gniazdka.
- Nieprawidłowo nastawiono temperaturę. >>>Wybierz odpowiednią temperaturę.
- Przerwa w zasilaniu elektrycznym. >>>Chłodziarka powróci do normalnej pracy po przywróceniu zasilania.

Gdy chłodziarka pracuje, poziom hałasu wrasta.

- Z powodu zmian temperatury otoczenia zmieniły się charakterystyki eksploatacyjne chłodziarki. Jest to stan normalny, nie awaria.

Chłodziarka pracuje często lub przez zbyt długi czas.

- Nowa chłodziarka może być szersza od poprzedniej. Większe chłodziarki działają przez dłuższy czas.
- Zbyt wysoka temperatura pokojowa. >>>To normalne, że w gorącym otoczeniu chłodziarka pracuje dłużej.
- Chłodziarka została niedawno załączona lub jest przeładowana żywnością. >>>Gdy chłodziarka została niedawno włączona do gniazdka lub naładowana żywnością, osiągnięcie nastawionej temperatury potrwa dłużej. Jest to całkiem normalne.
- Ostatnio włożono do chłodziarki znaczne ilości gorącej żywności. >>>Nie wkłada się gorącej żywności do chłodziarki.
- Zbyt często otwierano drzwiczki lub na dłużej pozostawiano je uchylone. >>>Ciepłe powietrze, które dostało się do chłodziarki, powoduje, że działa ona dłużej. Nie otwierajcie drzwiczek zbyt często.
- Pozostawiono uchylone drzwiczki komory chłodzenia lub zamrażania. >>>Sprawdź, czy drzwiczki są całkowicie zamknięte.
- Chłodziarka jest nastawiona na bardzo niską temperaturę. >>>Nastaw chłodziarkę na wyższą temperaturę i odczekaj, aż zostanie ona osiągnięta.
- Uszczelka w drzwiczkach chłodziarki lub zamrażalnika jest zabrudzona, uszkodzona, pęknięta lub nieprawidłowo włożona. >>>Oczyść lub wymień uszczelkę. Uszkodzona/pęknięta uszczelka powoduje, że lodówka pracuje przez dłuższy czas, aby utrzymać bieżącą temperaturę.

Temperatura zamrażalnika jest bardzo niska, a temperatura chłodzenia jest wystarczająca.

- Chłodziarka jest nastawiona na bardzo niską temperaturę zamrażania. >>>Nastaw chłodziarkę na wyższą temperaturę zamrażania i sprawdź.

Temperatura chłodzenia jest bardzo niska, a temperatura zamrażania jest wystarczająca.

- Chłodziarka jest nastawiona na bardzo niską temperaturę chłodzenia >>>Nastaw chłodziarkę na wyższą temperaturę chłodzenia i sprawdź.

Żywność przechowywana w szufladach komory chłodzenia zamarza.

- Chłodziarka jest nastawiona na bardzo wysoką temperaturę chłodzenia >>>Nastaw chłodziarkę na niższą temperaturę chłodzenia i sprawdź.

Bardzo wysoka temperatura w chłodziarce lub zamrażalniku.

- Chłodziarka jest nastawiona na bardzo wysoką temperaturę chłodzenia. >>>Nastawienia komory chłodzenia wpływają na temperaturę w zamrażalniku. Zmień temperaturę zamrażalnika lub chłodziarki i odczekaj, aż temperatura w odnośnej komorze osiągnie odpowiedni poziom.
- Zbyt często otwierano drzwiczki lub na dłużej pozostawiano je uchylone. >>>Nie otwieraj drzwiczek zbyt często.
- Pozostawiono uchylone drzwiczki. >>>Szczelnie zamknij drzwiczki..
- Chłodziarkę załączono lub załadowano niedawno żywnością. >>>Jest to całkiem normalne. Gdy chłodziarka została niedawno włączona do gniazdka lub naładowana żywnością, osiągnięcie nastawionej temperatury potrwa dłużej.
- Ostatnio włożono do chłodziarki znaczne ilości gorącej żywności. >>>Nie wkłada się gorącej żywności do chłodziarki.

Drgania lub hałas.
<ul style="list-style-type: none"> • Podłoga nie jest równa lub dość stabilna. >>> Jeśli chłodziarka kołysze się przy powolnym poruszeniu, wyrównaj jej położenie, odpowiednio nastawiając nóżki. Sprawdź także, czy podłoga jest równa i wytrzymuje ciężar chłodziarki. • Przedmioty postawione na chłodziarce mogą powodować hałas. >>>Zdejmij wszystko z chłodziarki.
Z chłodziarki dochodzą odgłosy przelewania się i syczenia płynu.
<ul style="list-style-type: none"> • Zgodnie z zasadą funkcjonowania chłodziarki następują przepływy płynu lub gazu. Jest to stan normalny, nie awaria.
Z chłodziarki dochodzi świst.
<ul style="list-style-type: none"> • Do ochłodzenia chłodziarki użyto wentylatorów. Jest to stan normalny, nie awaria.
Skropliny na wewnętrznych ściankach chłodziarki.
<ul style="list-style-type: none"> • Ciepła i wilgotna pogoda sprzyja oblodzeniu i skraplaniu. Jest to stan normalny, nie awaria. • Zbyt często otwierano drzwiczki lub na dłużej pozostawiano je uchylone. >>>Nie otwieraj drzwiczek zbyt często. Jeśli są otwarte, zamknij je. • Pozostawiono uchylone drzwiczki. >>>Szczelnie zamknij drzwiczki..
Na zewnątrz chłodziarki, lub pomiędzy drzwiczkami pojawia się wilgoć.
<ul style="list-style-type: none"> • Być może w powietrzu jest wilgoć; to całkiem normalne przy wilgotnej pogodzie. Gdy wilgoć w powietrzu ustąpi, skropliny znikną.
Nieprzyjemna woń wewnątrz chłodziarki.
<ul style="list-style-type: none"> • Nie wykonuje się regularnego czyszczenia. >>>Regularnie czyść wnętrze chłodziarki gąbką namoczoną w ciepłej wodzie lub roztworze sody oczyszczonej. • Nieprzyjemny zapach powodują jakieś pojemniki lub materiały opakowaniowe. >>>Używaj innych pojemników lub materiałów opakowaniowych innej marki. • Do chłodziarki wstawiono żywność w niezamkniętych pojemnikach. >>>Żywność przechowuje się w zamkniętych pojemnikach. Wydostające się z odkrytych pojemników mikroorganizmy mogą powodować nieprzyjemne zapachy. • Wyjmuj z chłodziarki produkty, które przekroczyły termin przydatności do spożycia.
Nie można zamknąć drzwiczek.
<ul style="list-style-type: none"> • Opakowania z żywnością uniemożliwiają zamknięcie drzwiczek. >>>Przełóż na inne miejsce żywność, która przeszkadza w zamknięciu drzwiczek. • Chłodziarka nie stoi całkiem równo na podłodze. >>>Nastaw nóżki chłodziarki, aby wyrównać jej położenie. • Podłoga nie jest równa lub dość wytrzymała. >>>Sprawdź, czy podłoga jest równa i wytrzymuje ciężar chłodziarki.
Szuflady do przechowywania świeżych warzyw się zablokowały.
<ul style="list-style-type: none"> • Żywność dotyka sufitu szuflady. >>>Zmień ułożenie żywności w szufladzie.

4578335782/AB
EN-PL