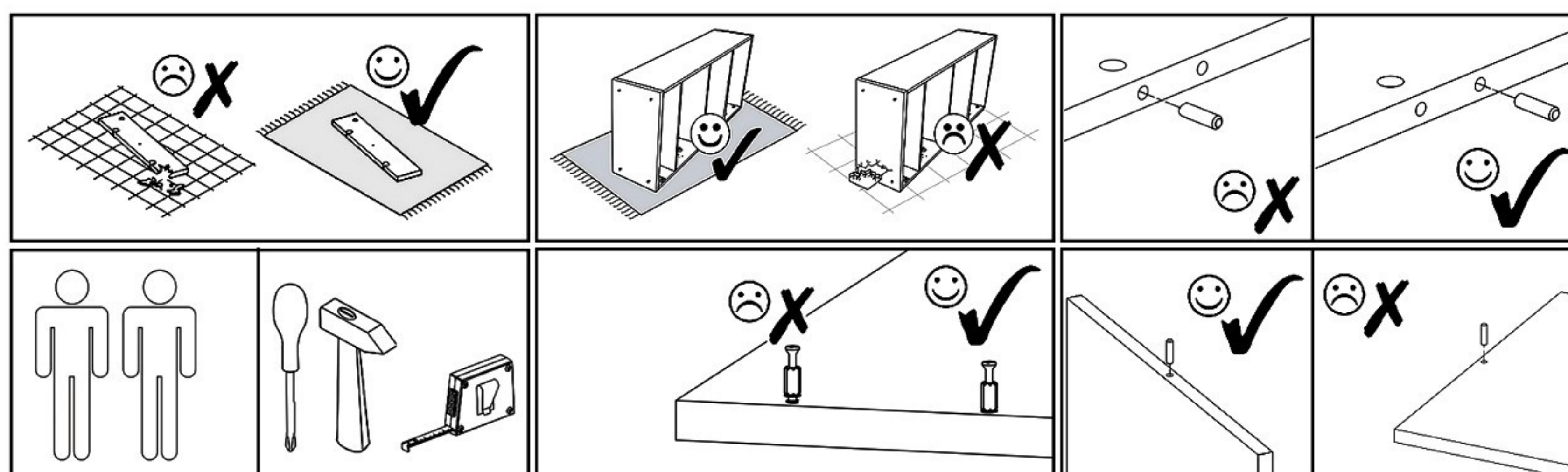
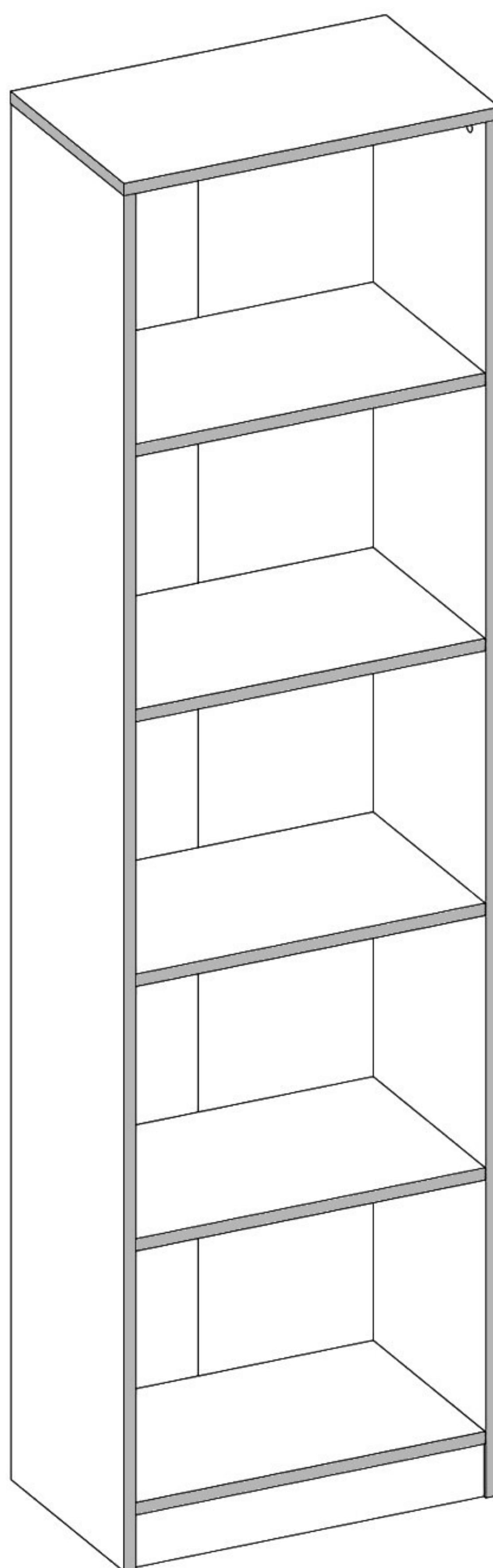
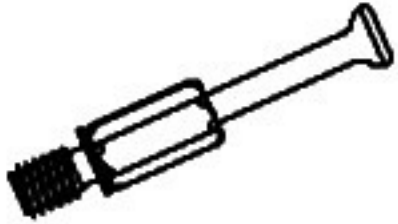





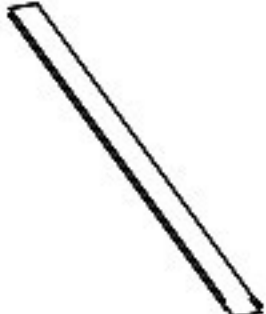


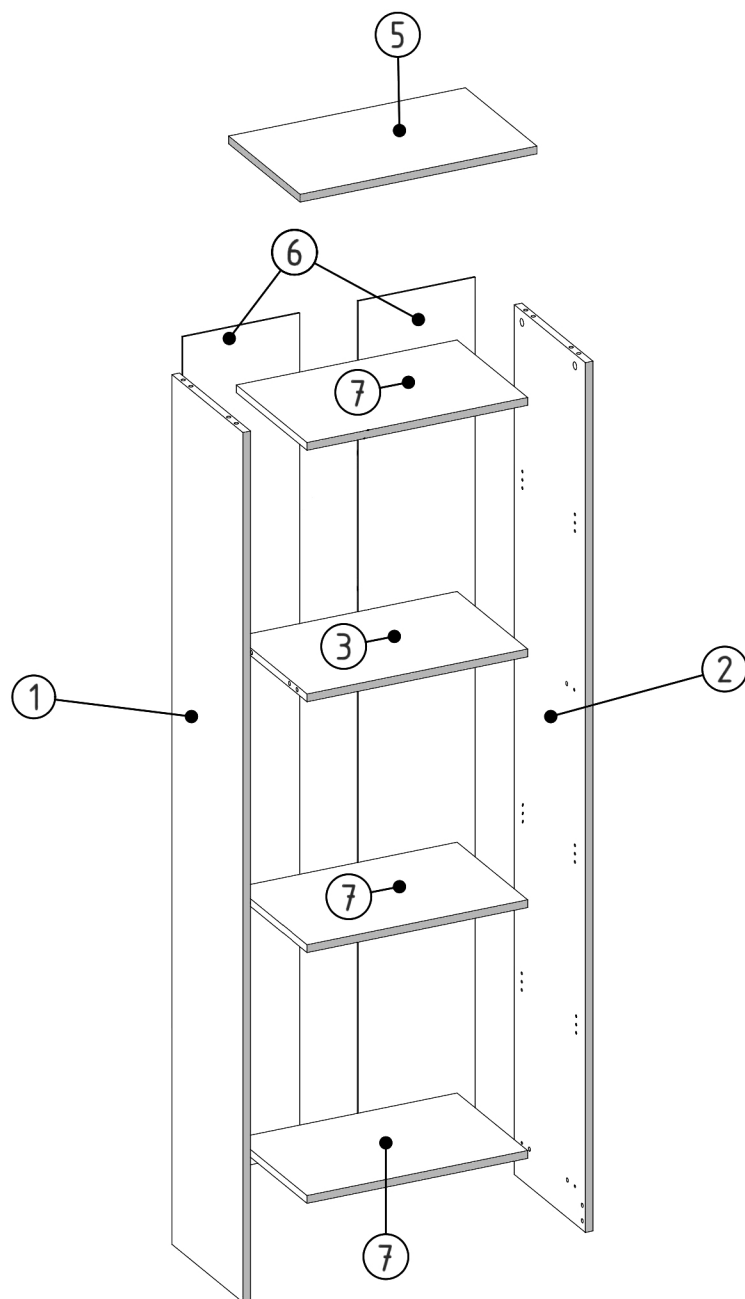


06/10/2022

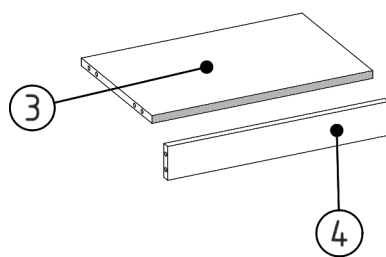
R40 60







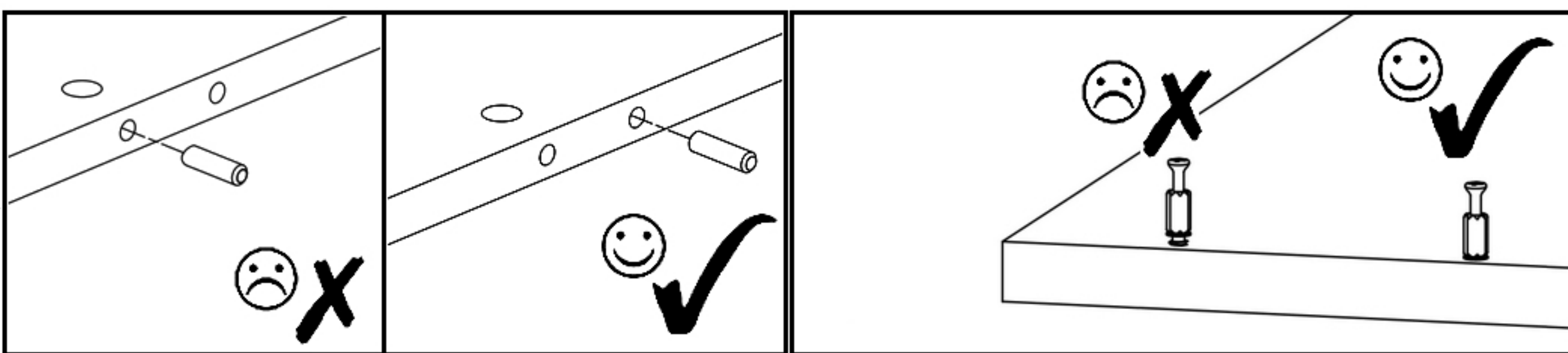
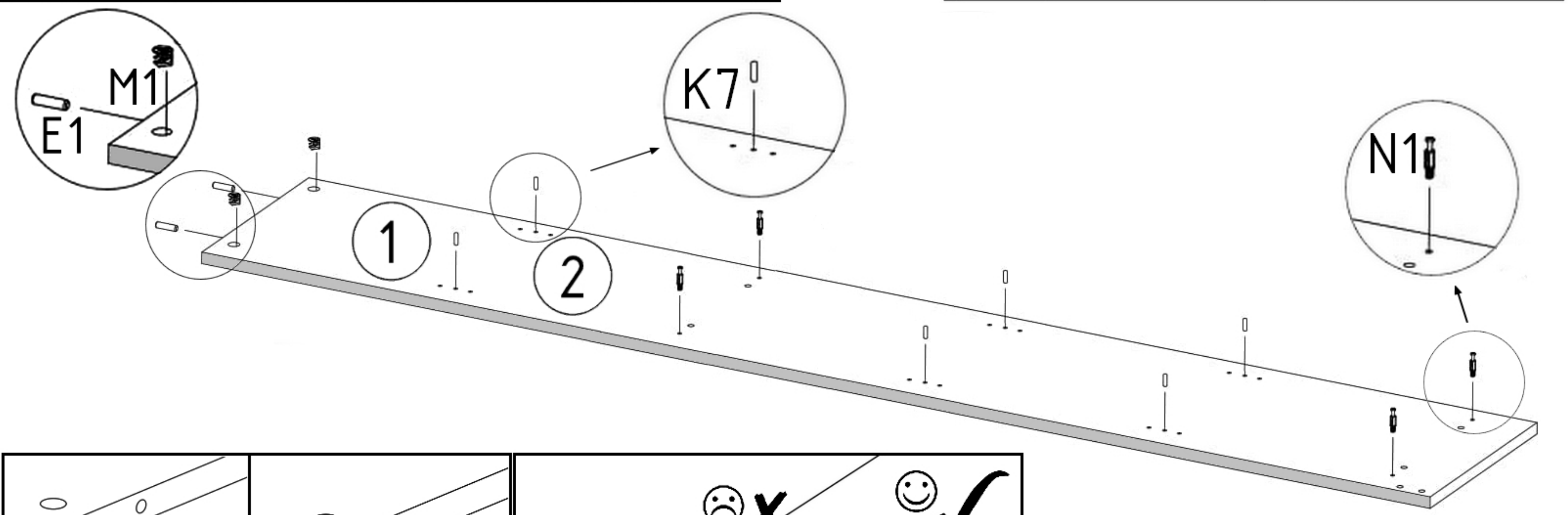
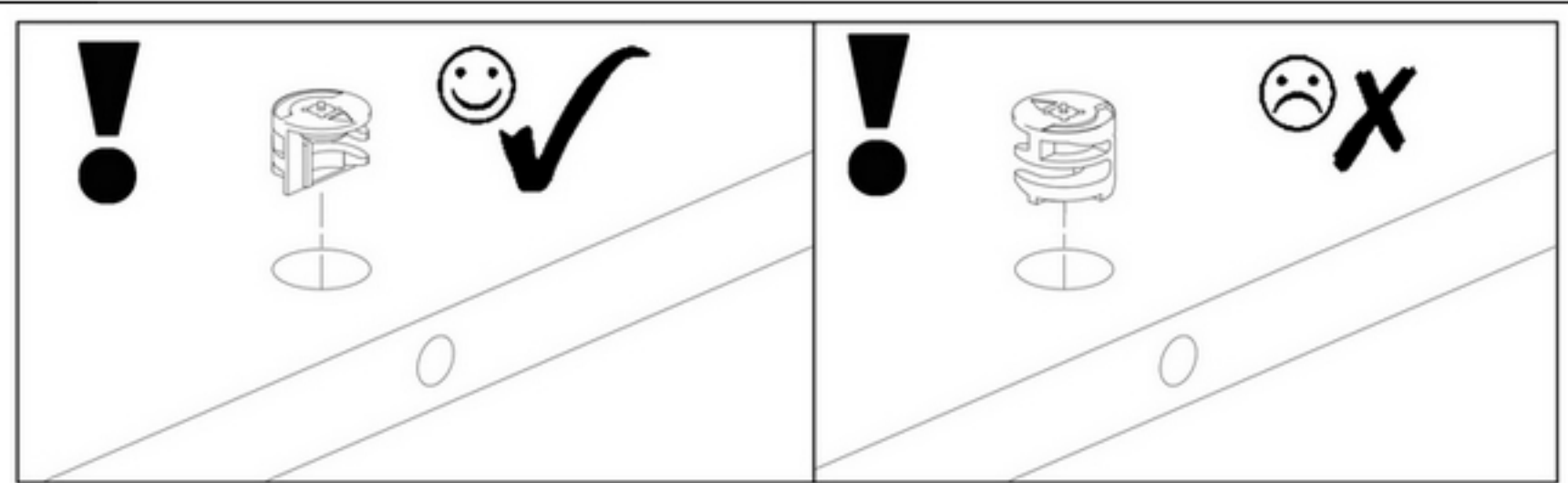
N1  L=45mm x12	M1  12x15mm x12	K2  x1	K7  L=16mm x12	
Z2  x 50	E1  8x35mm x16	L1  L=1712mm x 1	T1  x4	M2  ø16mm x4





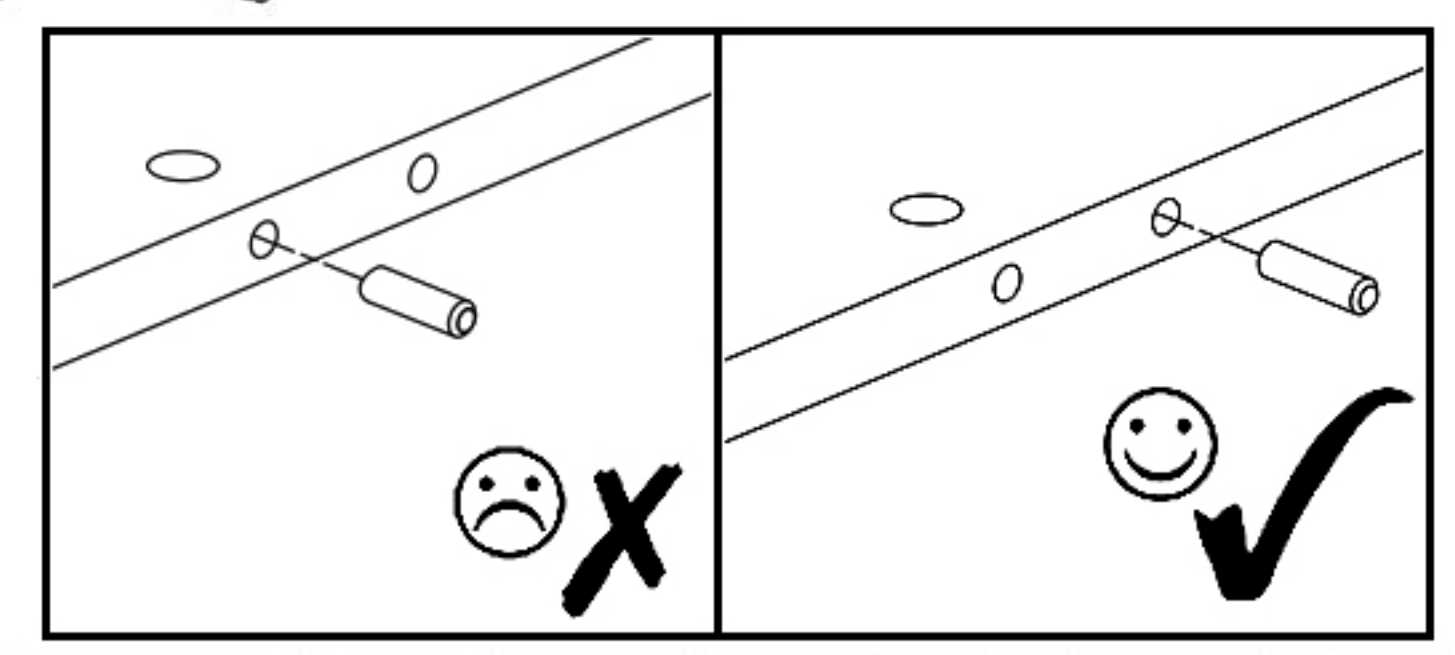
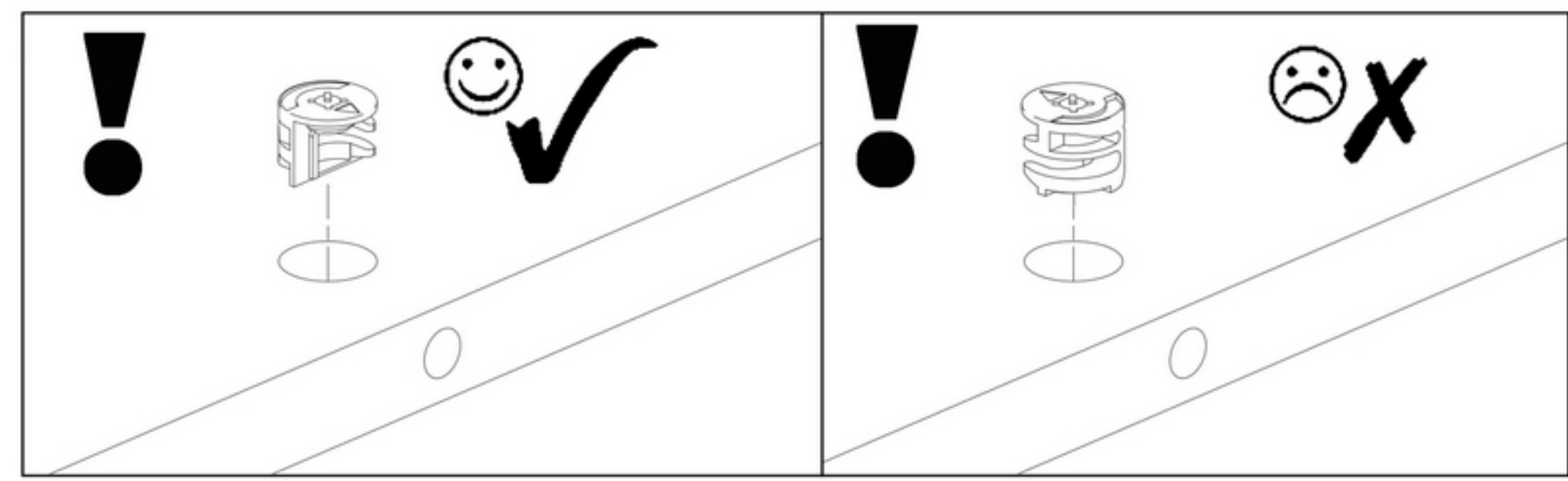
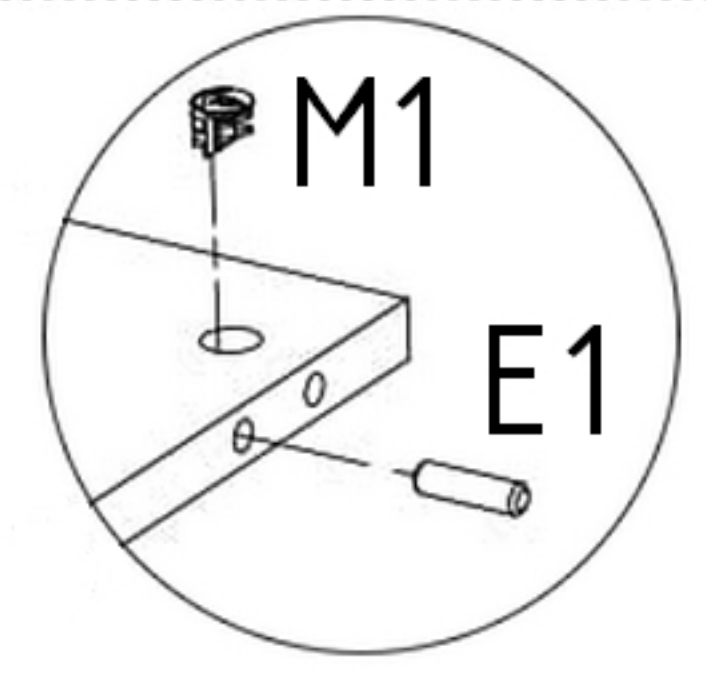
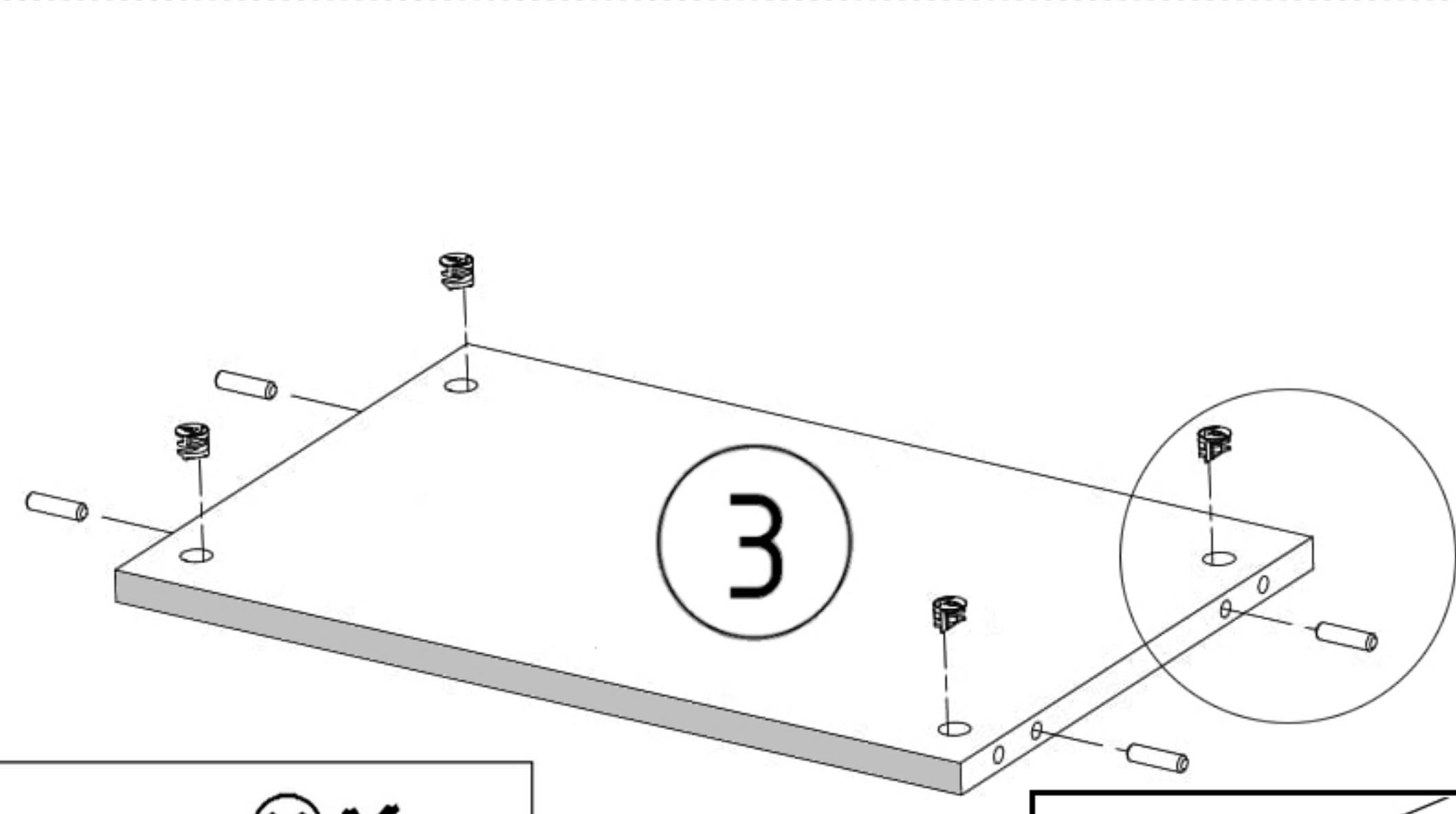
1	x	1
2	x	1
3	x	2
4	x	1
5	x	1
6	x	2
7	x	3

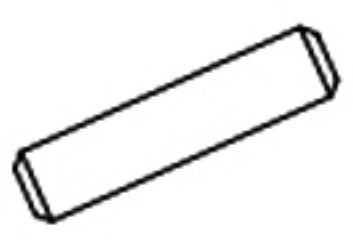


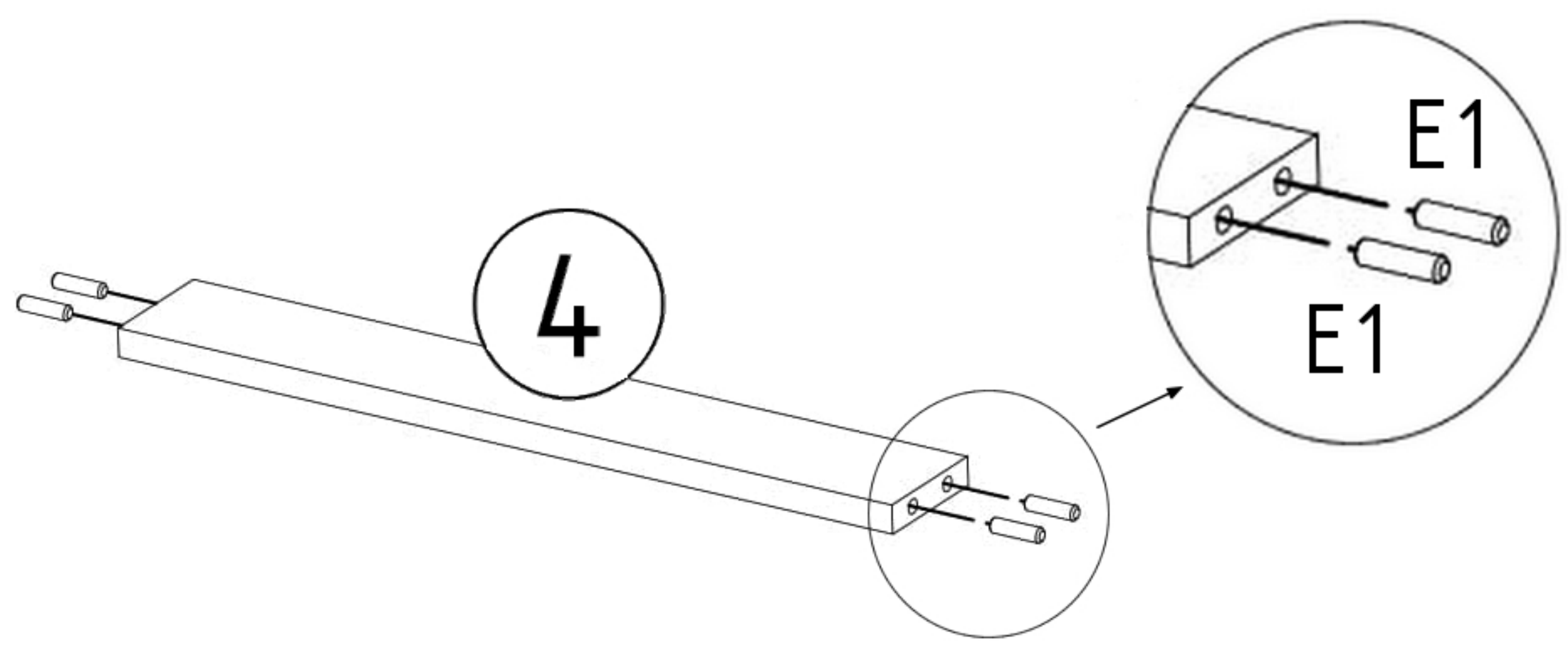
N1  L=45mm	M1  12x15mm	E1  8x35mm	K7  L=16mm
X4	X2	X2	X6

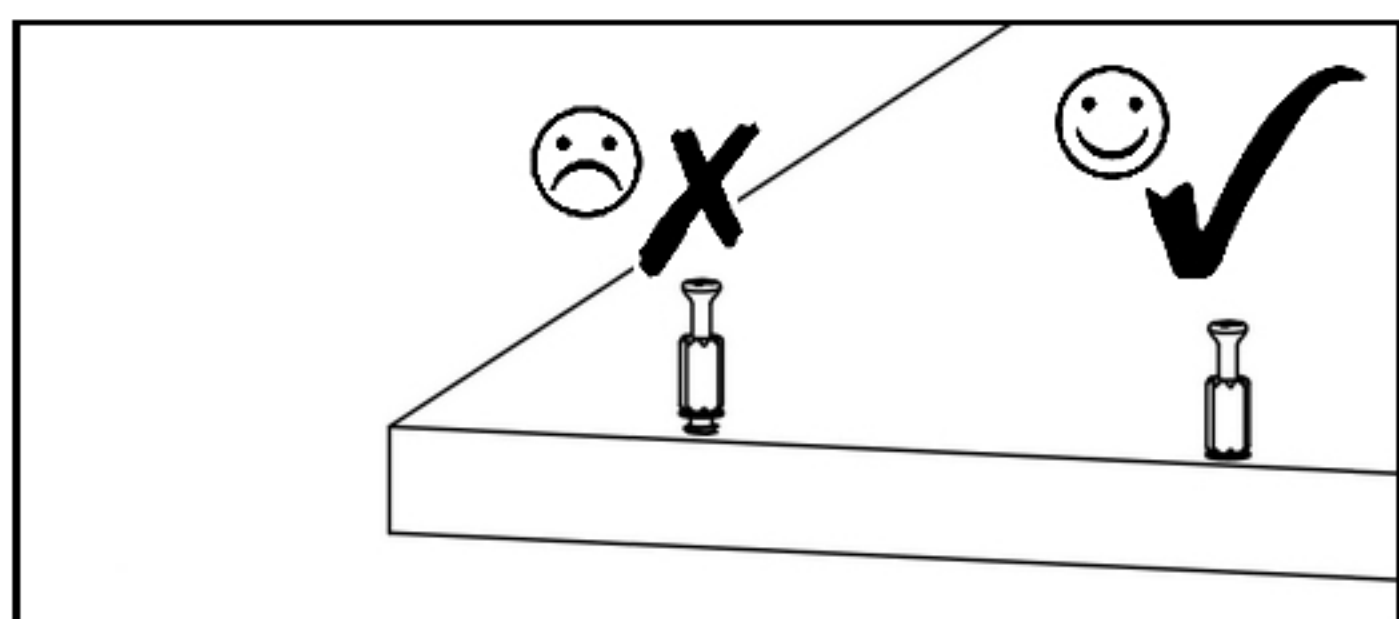
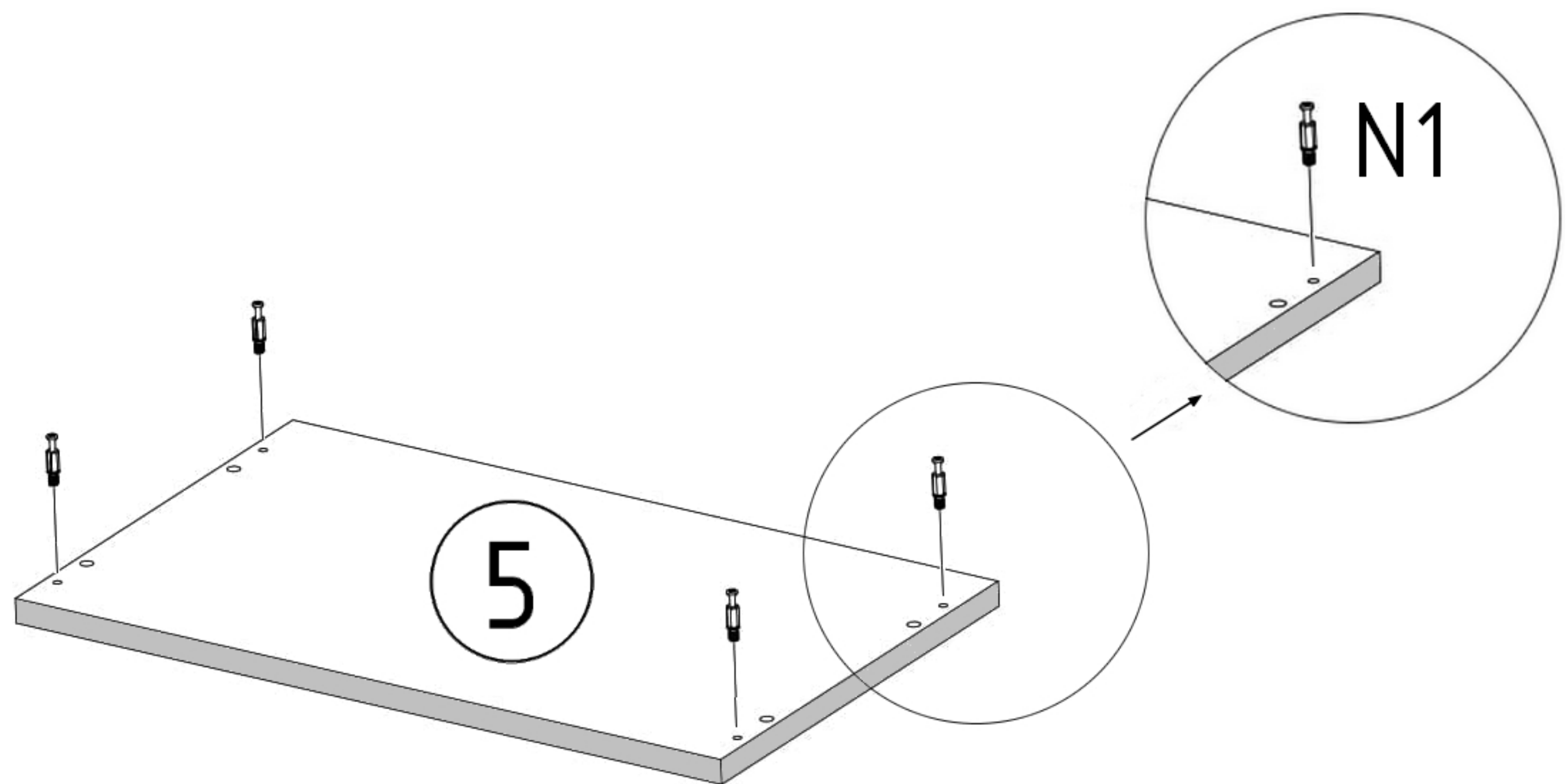
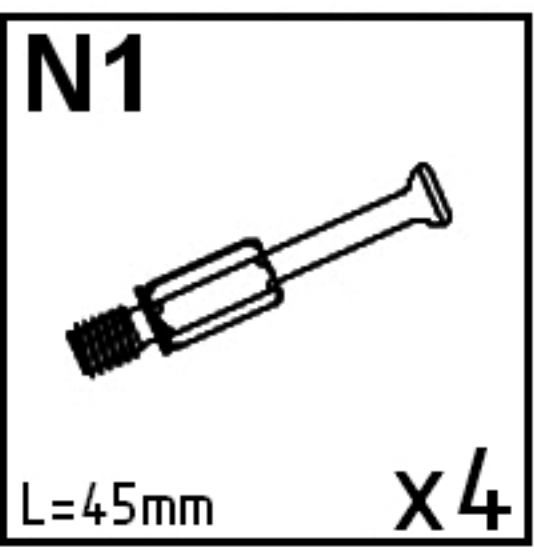
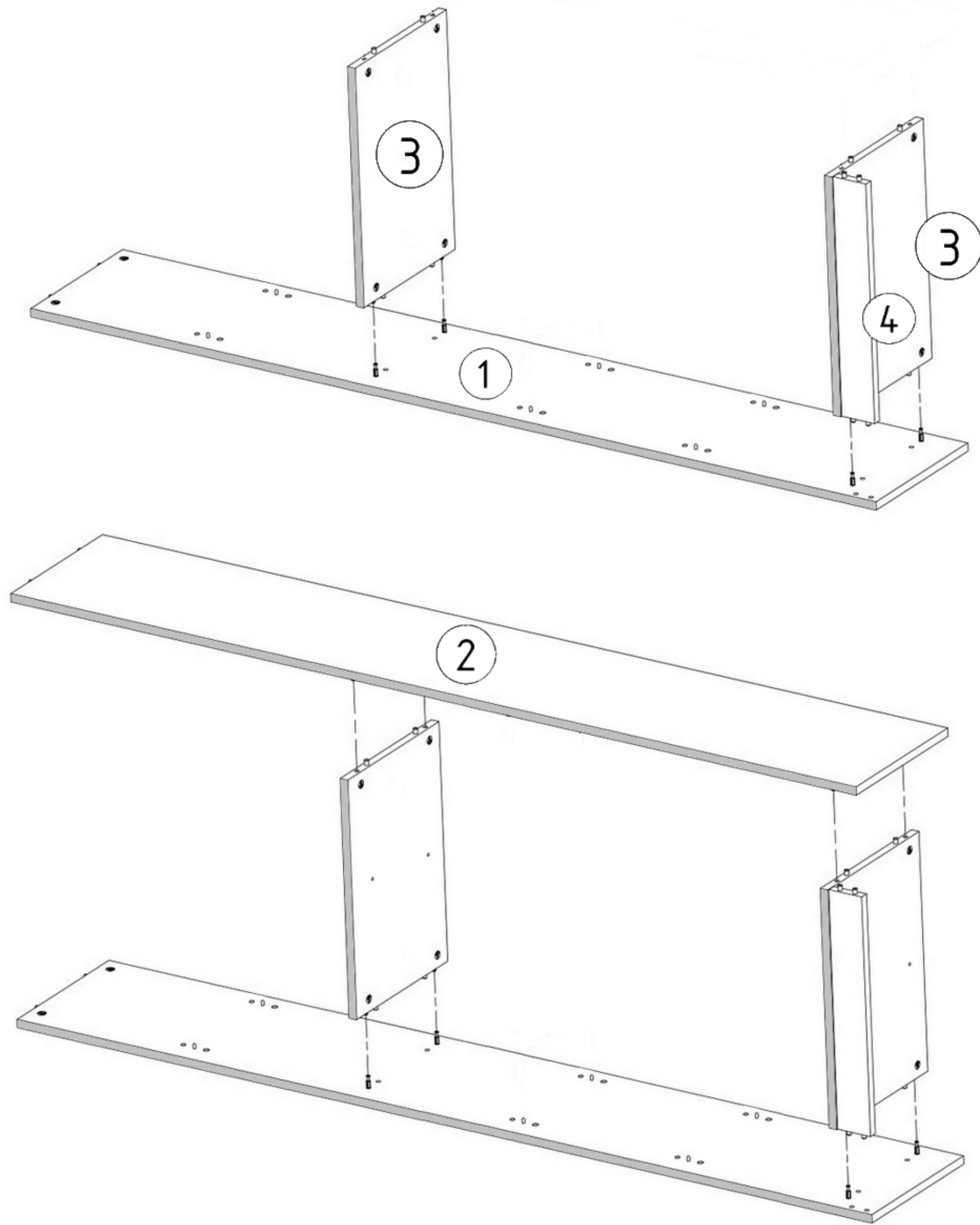
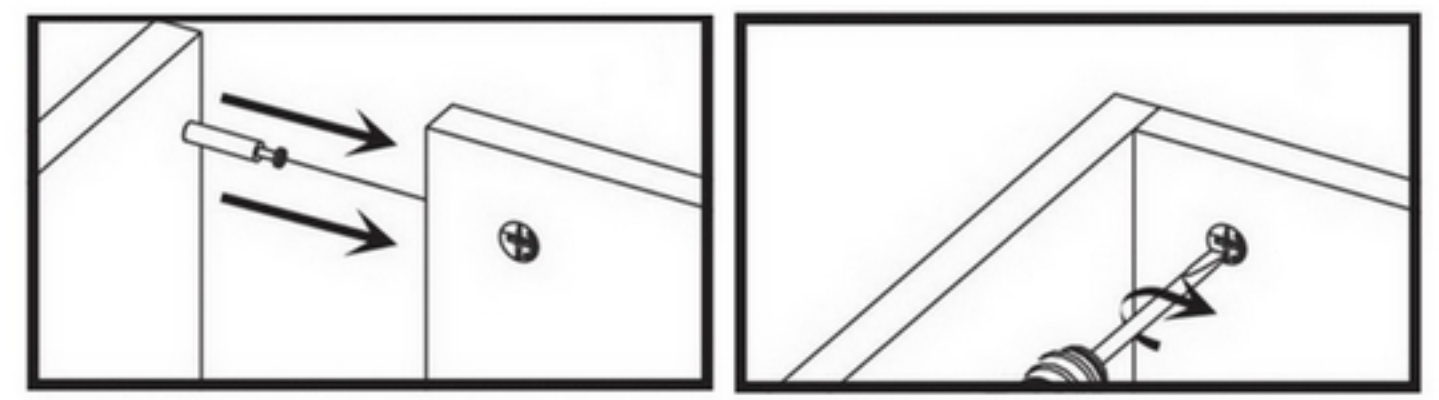


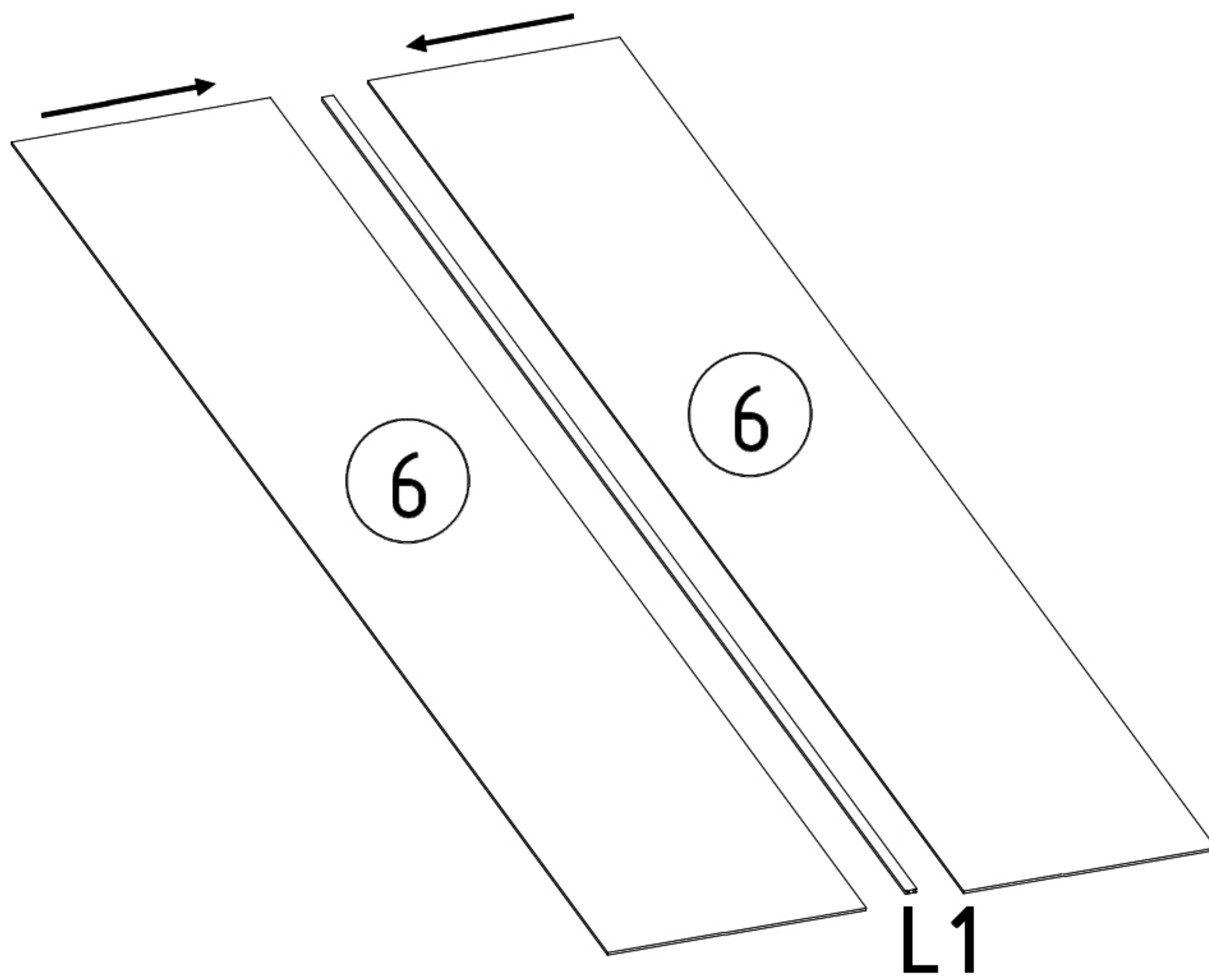
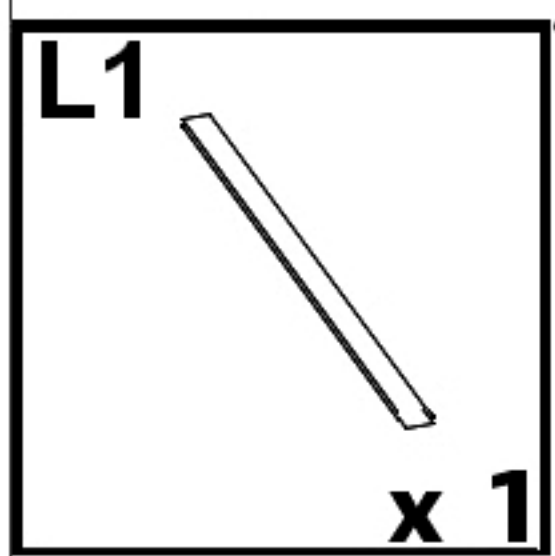
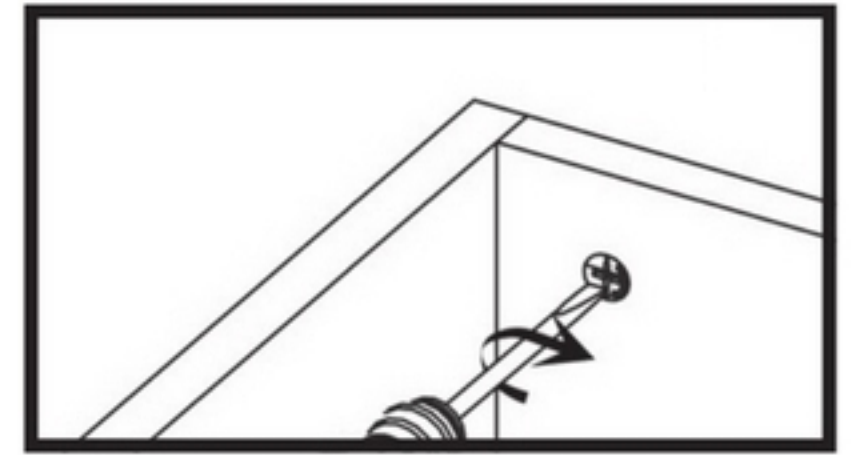
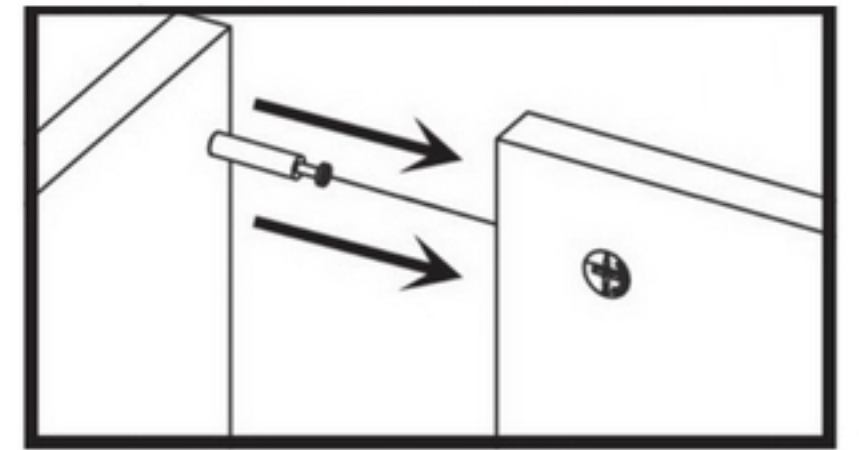
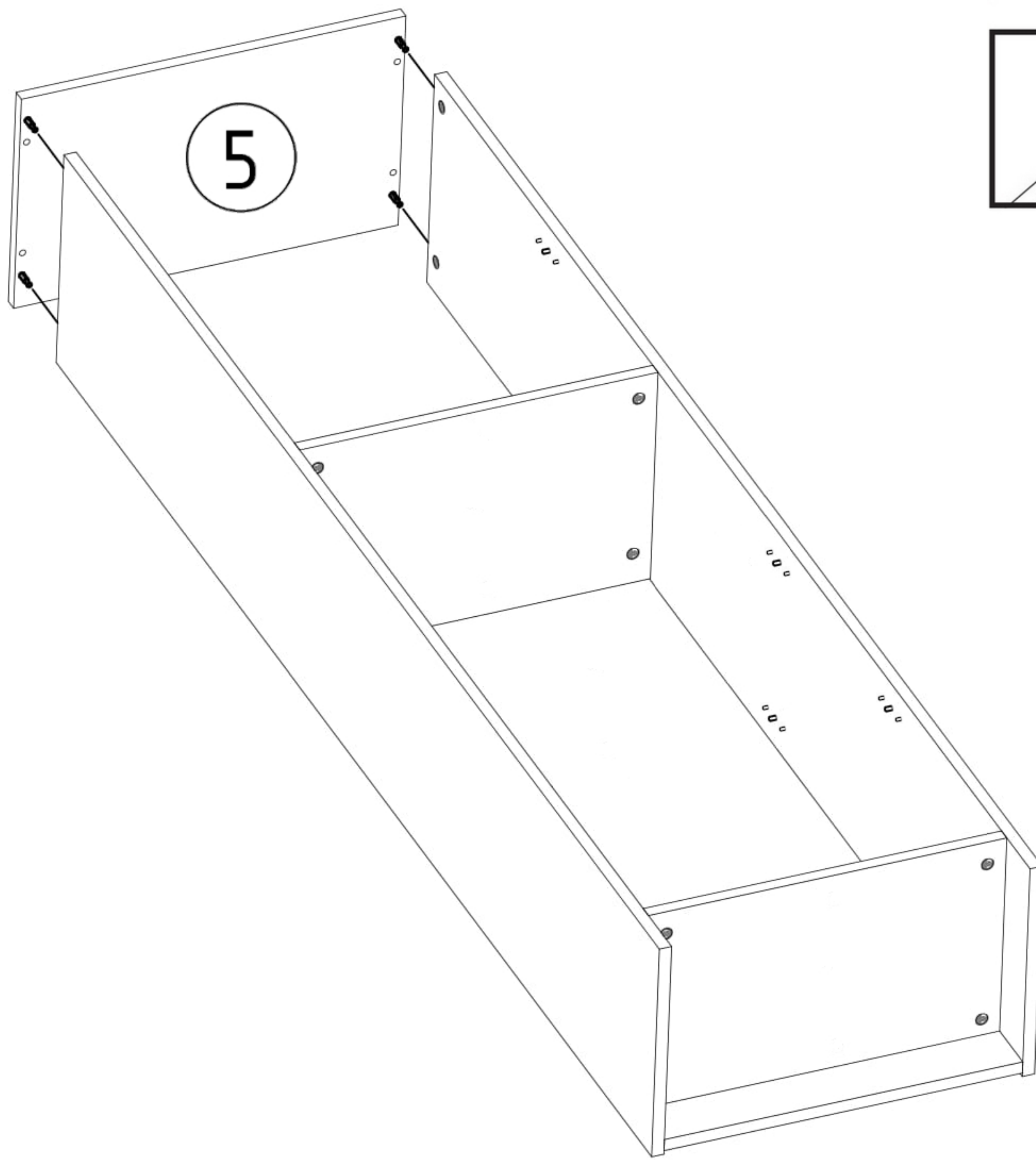
M1  12x15mm	E1  8x35mm
X4	X4

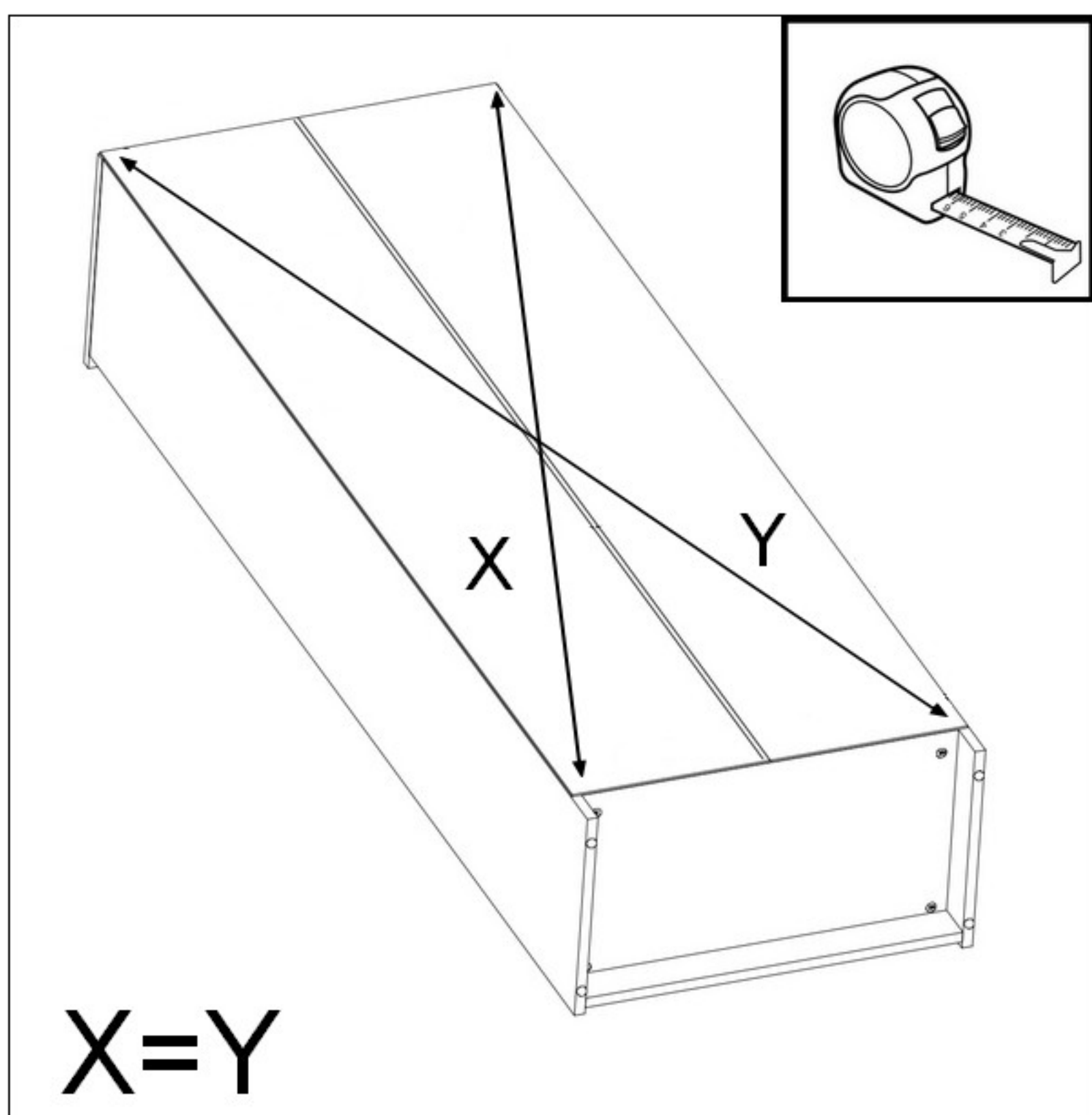
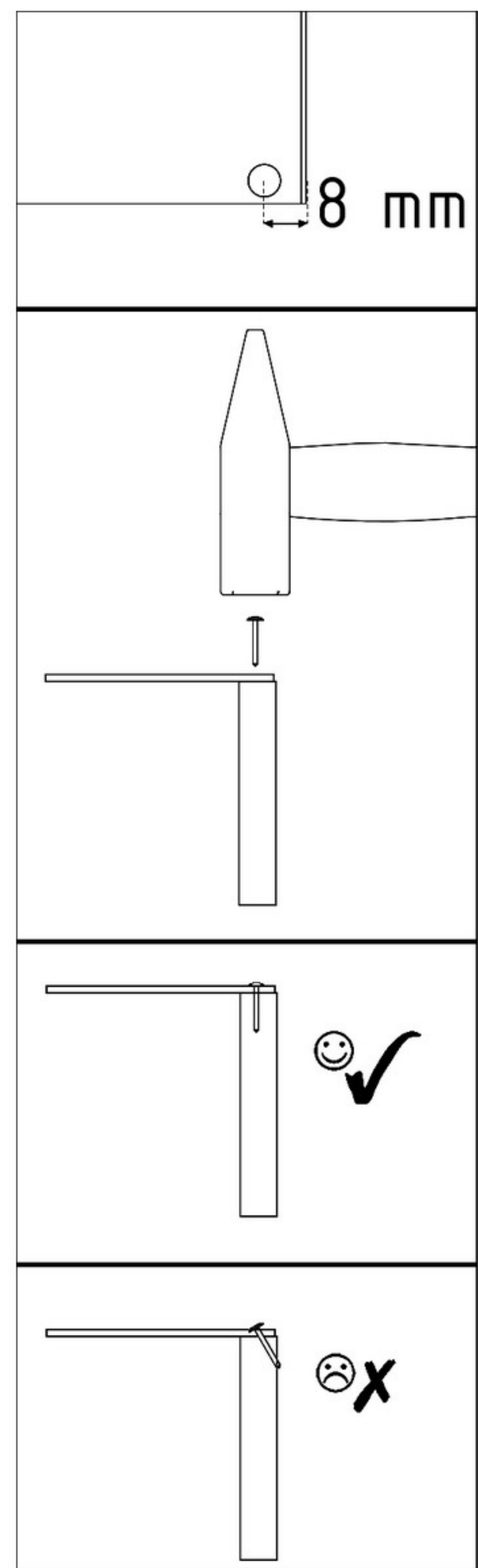
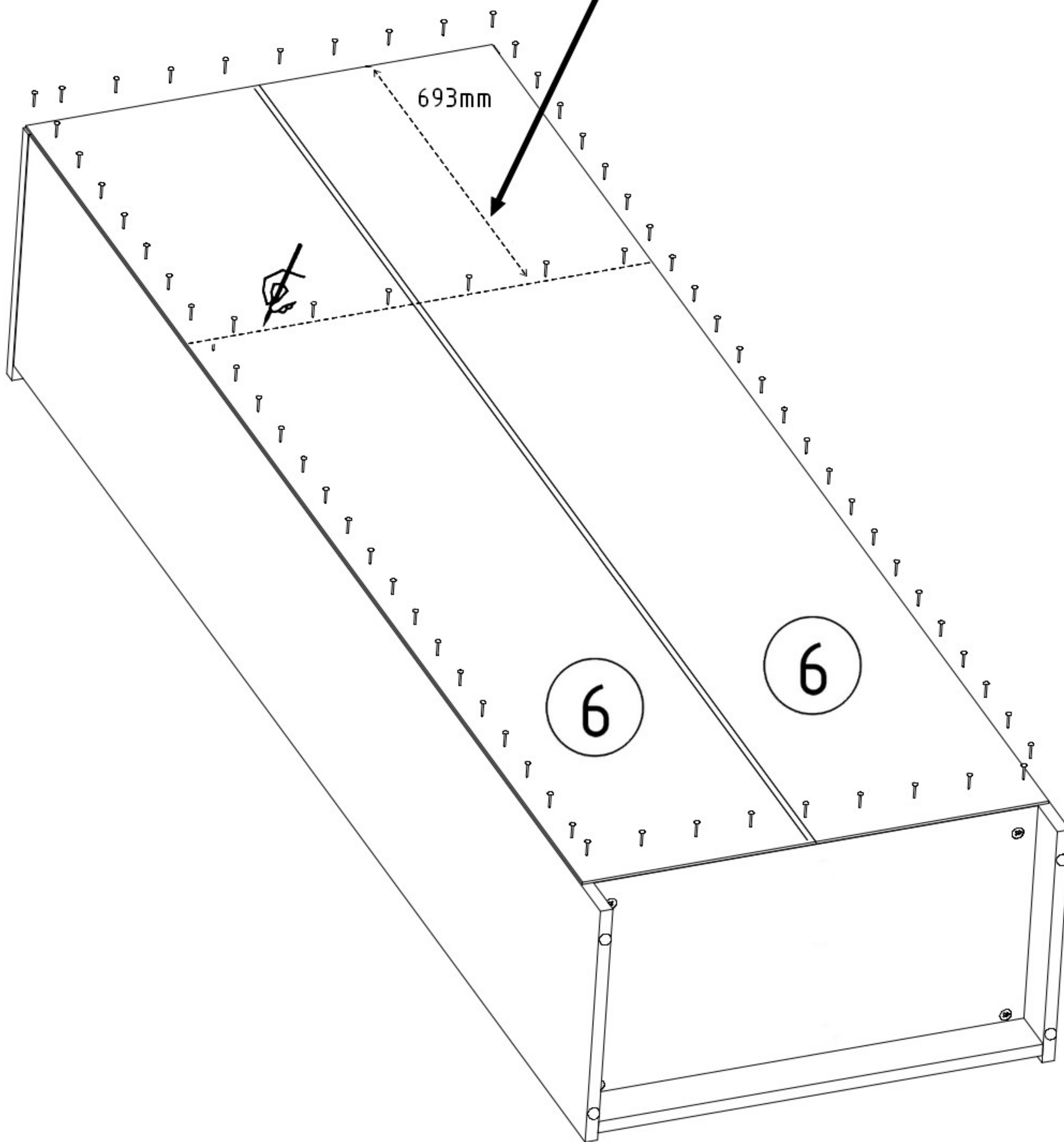
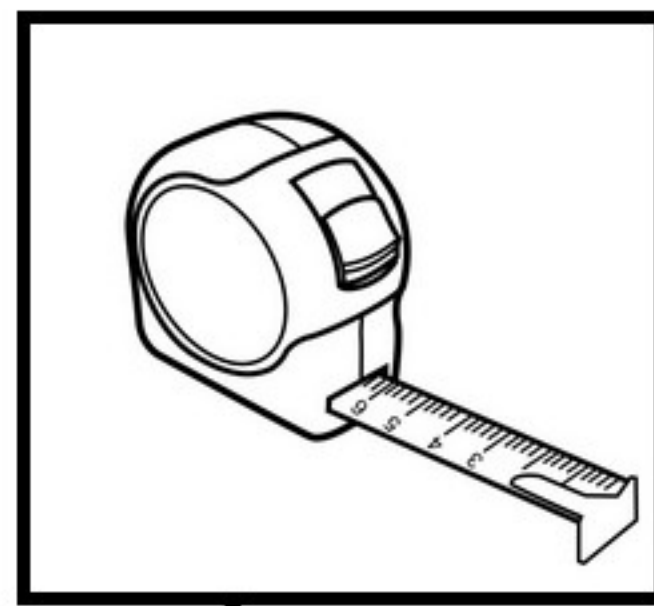
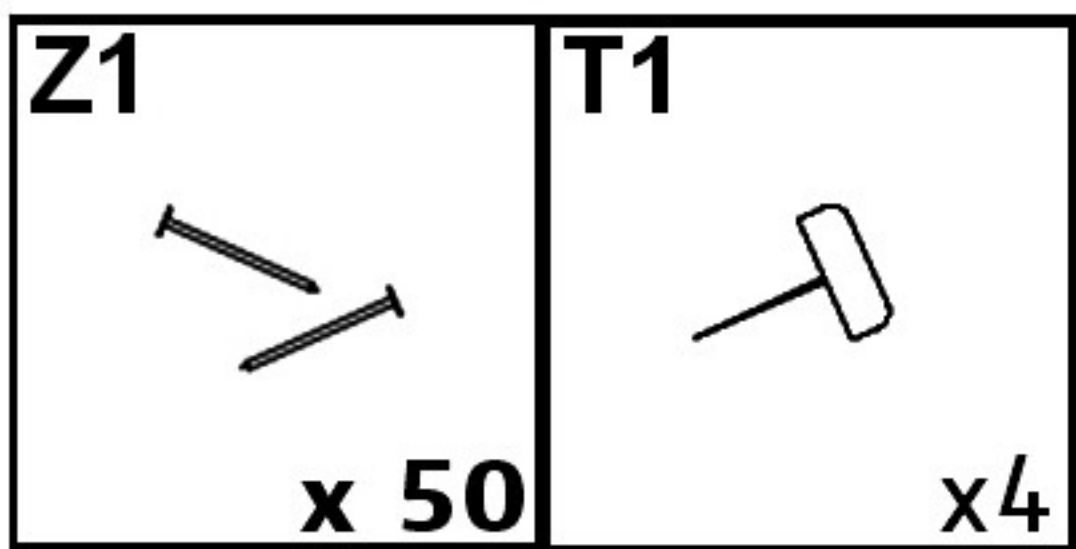




E1  8x35mm
X4





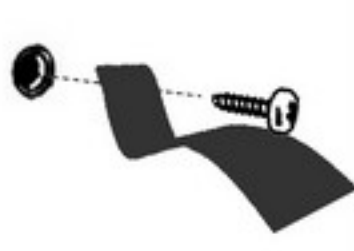











K2  x1	M2  ø16mm x4
---	--

				K2 	K2 
---	---	---	---	--	--



M1 	M2 
--	--

