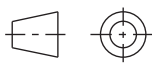
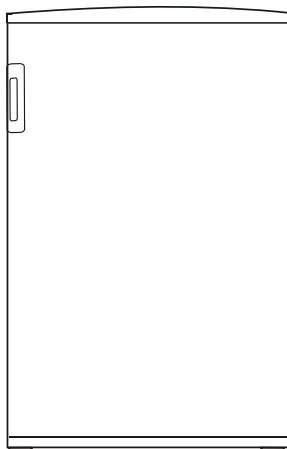


A	CKCD-D01D		重要度	[B]						
B	<h3 style="margin: 0;">技术要求</h3> <ol style="list-style-type: none"> 1. 颜色要求：封面：黑白印刷 内页：黑白印刷； 批量时要求统一，不能有明显色差， 2. 版面内容：图案与文字应印刷清晰、规范，不能有印刷缺陷； 3. 页面印刷：双面印刷； 4. 成型方式：； 5. 成品尺寸：A5 (140X210)， 尺寸公差按GB/T 1804-c； 6. 批量生产前须送样确认。 									
C										
D										
借(通)用件登记									封面：105g双铜 内页：70g双胶	广东奥马电器股份有限公司
出图审查	标志	处数	更改文件号	签名	日期	会签	重量	比例	说明书	
日期	设计			制图	标准化	刘金利	共 1 张 第 1 张		CKCD-D01-D	
	审核			批准	李梅方	视角符号 				
	工艺			日期	201.!.!.!					



USER'S MANUAL



- Ⓔ EN REFRIGERATOR
- Ⓔ PL LODÓWKA
- Ⓔ CZ CHLADNIČKA
- Ⓔ IT FRIGORIFERO
- Ⓔ FR REFRIGERATEUR
- Ⓔ RO FRIGIDER
- Ⓔ ES FRIGORÍFICO
- Ⓔ SV INSTRUKTIONSHANDBOK
- Ⓔ NO BRUKSANVISNING
- Ⓔ FI KÄYTTÖOPAS
- Ⓔ EL ΟΔΗΓΙΕΣ ΧΡΗΣΗΣ
- Ⓔ DE Kühlschrank
- Ⓔ UA ХОЛОДИЛЬНИК
- Ⓔ SL HLADILNIK
- Ⓔ BG ХЛАДИЛНИК
- Ⓔ SK Chladnička
- Ⓔ RU холодильник-морозильник
- Ⓔ KAZ ТОҒАЗЫТҚЫШ
- Ⓔ PT FRIGORÍFICO
- Ⓔ NL KOELKAST

Please read this instruction booklet carefully before using your Candy Refrigerator

Thank you for purchasing this product.

Before using your refrigerator, please carefully read this instruction manual in order to maximize its performance. Store all documentation for subsequent usage or other owners. This product is intended solely for household use or similar applications such as:

- the kitchen area for personnel in shops, offices and other working environments
- on farms, by clientele of hotels, motels and other environments of a residential type
- at bed and breakfasts (B & B)
- For catering services and similar applications not for retail sale.

This appliance must be used only for purposes of storage of food, any other use is considered dangerous and the manufacturer will not be responsible for any omissions. Also, it is recommended that you take note of the warranty conditions.

SAFETY INFORMATION

The refrigerator contains a refrigerant gas (R600a: isobutene) and insulating gas (cyclopentane), with high compatibility with the environment, that are, however, inflammable.

We recommend that you follow the following regulations so as to avoid situations dangerous to you:

Before performing any operation, unplug the power cord from the power socket.

- The refrigeration system positioned behind and inside the appliance contains refrigerant. Therefore, avoid damaging the tubes.**
- If in the refrigeration system a leak is noted, do not touch the wall outlet and do not use open flames. Open the window and let air into the room. Then call a service center to ask for repair.**
- Do not scrape with a knife or sharp object to remove frost or ice that occurs. With these, the refrigerant circuit can be damaged, the spill from which can cause a fire or damage your eyes.**
- Do not install the appliance in humid, oily or dusty places, nor expose it to direct sunlight and to water.**
- Do not install the appliance near heaters or inflammable materials.**
- Do not use extension cords or adapters.**
- Do not excessively pull or fold the power cord or touch the plug with wet hands.**
- Do not damage the plug and/or the power cord; this could cause electrical shocks or fires.**
- It is recommended to keep the plug clean, any excessive dust**

- residues on the plug can be the cause fire.
- Do not use mechanical devices or other equipment to hasten the defrosting process.
 - Absolutely avoid the use of open flame or electrical equipment, such as heaters, steam cleaners, candles, oil lamps and the like in order to speed up the defrosting phase.
 - Do not use or store inflammable sprays, such as spray paint, near the appliance, it could cause an explosion or fire.
 - Do not use electrical appliances inside the food storage compartments, unless they are of the type recommended by the manufacturer.
 - Do not place or store inflammable and highly volatile materials such as ether, petrol, LPG, propane gas, aerosol spray cans, adhesives, pure alcohol, etc. These materials may cause an explosion.
 - Do not store medicine or research materials in the appliance. When the material that requires a strict control of storage temperatures is to be stored, it is possible that it will deteriorate or an uncontrolled reaction may occur that can cause risks.
 - Maintain the ventilation openings in the appliance enclosure or in the built-in structure, free of obstruction.
 - Do not place objects and/or containers filled with water on the top of the appliance.
 - Do not perform repairs on this appliance. All interventions must be performed solely by qualified personnel.
 - This appliance can be used by children aged from 8 years and above and by persons with reduced physical, sensory or mental capabilities or with a lack of experience and knowledge; provided that they have been given adequate supervision or instruction concerning how to use the appliance in a safe way and understand the hazards involved.
 - Children should not play with the appliance. Cleaning and user maintenance should not be made by children without supervision

SCRAPPING OLD APPLIANCE



This appliance is marked according to the European directive 2012/19/EU on Waste Electrical and Electronic Equipment (WEEE).


WEEE contains both polluting substances (which can cause negative consequences for the environment) and basic components (which can be re-used). It is important to have

WEEE subjected to specific treatments, in order to remove and dispose properly all pollutants, and recover and recycle all materials. Individuals can play an important role in ensuring that WEEE does not become an environmental issue; it is essential to follow some basic rules:

- WEEE should not be treated as household waste;
- WEEE should be handed over to the relevant collection points managed by the municipality or by registered companies. In many countries, for large WEEE, home collection could be present.

In many countries, when you buy a new appliance, the old one may be returned to the retailer who has to collect it free of charge on a one-to-one basis, as long as the equipment is of equivalent type and has the same functions as the supplied equipment.

CE Conformity

By placing the  mark on this product, we are confirming compliance to all relevant European safety, health and environmental requirements which are applicable in legislation for this product.

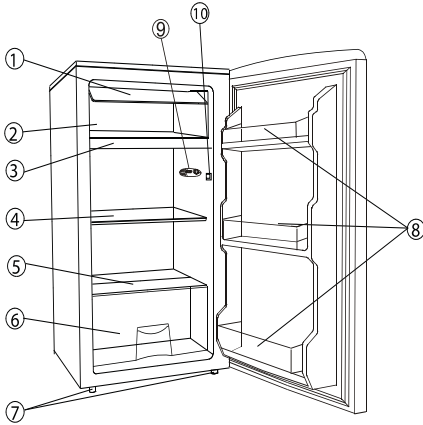
ENERGY SAVINGS

For better energy savings, we suggest:

- Installing the appliance away from heat sources and not exposed to direct sunlight and in a well ventilated room.
- Avoid putting hot food into the refrigerator to avoid increasing the internal temperature and therefore causing continuous functioning of the compressor.
- Do not excessively stuff foods so as to ensure proper air circulation.
- Defrost the appliance in case there is ice (see DEFROSTING) to facilitate the transfer of cold.
- In case of absence of electrical energy, it is advisable to keep the refrigerator door closed.
- Open or keep the doors of the appliance open as little as possible
- Avoid adjusting the thermostat to temperatures too cold.
- Remove dust present on the rear of the appliance (see CLEANING).
- Total no frost Audy (with display on door): remove all the baskets in freezer compartment;
- Total no frost (with internal user interface for fridge and knob for freezer): remove other baskets in freezer compartment but keep bottom drawer in its position .
- Frost free model: remove other baskets in freezer compartment but keep bottom drawer in its position.
- All normal static models: remove all drawers in freezer compartment .

1.Name of parts

PARTS AND FEATURES



- ① Freezer Compartment Door
- ② Freezer Compartment
- ③ Drip Tray
- ④ Glass Shelf
- ⑤ Glass cover
- ⑥ Crisper box
- ⑦ Leveling Legs
- ⑧ Bottle Balconies
- ⑨ Temperature Control Knob
- ⑩ Door switch

2.Correctly positioning

Well Ventilating

There is need of good ventilation around the refrigerator for easy dissipation of heat, high efficiency of refrigeration and low power consumption. For this purpose, sufficient clear space should be need around the refrigerator. Its back is at least 100mm away from the wall, its sides at least have a space of 100mm separately and the height from over its top is not less than 200mm. A clear space should be left to open its doors to 160°

Power Supply

The refrigerator is only applied with power supply of single phase alternating current of (220-240)V~/50Hz;230V~/60Hz.If fluctuation of voltage in the district user is of so large that the voltage exceeds the above scope, for safety sake, be sure to apply a.c. automatic voltage regulator to the refrigerator. The refrigerator must employ a special power socket instead of common one with other electric appliances. Its plug must match the socket with ground wire.

Power Line Cord

The cord should be neither lengthened nor folded into coil during operation. Moreover, it is forbidden that cord is kept close onto the compressor at the back of the refrigerator, the surface temperature of which is quite high when operating. Touching with it would deactivate the insulation or cause leakage for electricity.

Protection from Moisture

Avoiding placing the refrigerator in a place where heavy moisture is present so as to minimize possibility of rusty for its metal parts. Still more, the refrigerator is forbidden to be directly sprayed by water, otherwise, poor insulation and current leakage would occur.

Protection from Heat

The refrigerator should be far away from any heat source or direct sunshine.

Fixing Stable

Floor on which refrigerator will be placed must be flat and solid. It should not be laid on any soft material such as foam plastic, etc. If the refrigerator is not on the same level, adjust the screws suitably. The refrigerator should not be placed near anything which may echo.

Keep Away from Danger

It is inadvisable that the refrigerator is placed near any volatilizable or combustible such as gas, petrol, alcohol, lacquer and banana oil, etc. The above-mentioned objects can not be stored in the refrigerator.

Moving

When fixed or moved, the refrigerator can not be set horizontally or declined to more than 45° or upside-down.

3.Cautions

- ★ Water contained in food or getting into air inside the refrigerator by opening doors may form a layer of frost inside. It will weaken the refrigerator when the frost is thick, while it is more than 2mm thick, you should defrost.

- ★ Defrosting in freezer chamber is operated manually. Before defrosting, take the food, the ice tray and the shelf out into the cold storing chamber temporarily then set the knob of the temperature regulator to position "0" (where the compressor will stop working) and leave the door open until ice and frost dissolve thoroughly deposited at the bottom of the freezer chamber, wipe off the water with soft cloth. In the case of speeding up the defrosting, you may put a bowl of warm water (about 50°C) into the freezer chamber, and be sure to set the knob of the temperature regulator to original position after defrosting.

- ★ It's inadvisable to heat the freezer chamber directly with hot water or hair dryer while defrosting to prevent deformation of the inner case.

- ★ It's also inadvisable to scrape off ice and frost or separate food from the containers which have been congealed together with the food with sharp tool or wooden bars, so as not to damage the inner casing or the surface of the evaporator.

- ★ If the supply cord of this appliance is damaged, it must only be replaced by a repair shop appointed by the manufacturer, because special purpose tools are required.

4. Changing the reversible door

This refrigerator has been built with the door hinges on the right. If you wish to change the opening direction, follow the instructions below:

1. Remove the small plastic cover (7) and the screws (6) which fix the worktop to disassembly the worktop.
2. Remove the two screws (1) that hold the upper hinge (5) (right side) to the frame. Take away the upper hinge (5).
3. Lift the door and place it on a padded surface to prevent scratching it.
4. Remove the two screws(8) that hold the lower hinge(2) and Make sure to Remove the lower hinge(2).
5. Remove the left front leg (4) and transfer it to the right side.
6. Before placing this lower hinge(2), remove the bolt-pin (9) and reverse the direction of the lower hinge(2). Then install the lower hinge (2) onto the left side of the lower frame with two screws (8).
7. Insert the bolt-pin(9) to the lower hinge (2).
8. Set the door to its place making sure the door seat at the lower hinge(2)
9. While holding the door in the closed position secure the upper hinge (5) in the top frame of left side with two screws (1). Please remember that do not tighten the two screws(1) until the top of the door is levelled with the counter top.
10. Install the worktop onto the top of the cabinet with screws(6) and cover the small plastic cover(7)
11. Remove the door handle (10) from the left side to the right side.

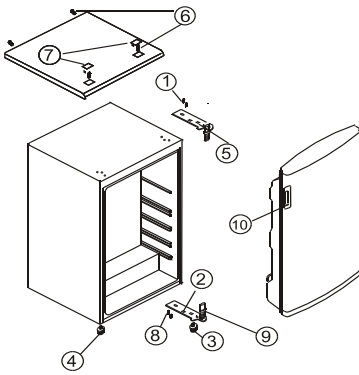


FIGURE 1

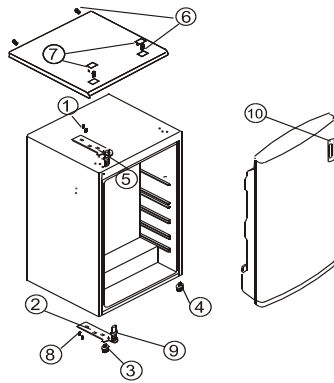


FIGURE 2

FIGURE 1 - REPRESENTS POSITION OF COMPONENTS PRIOR TO DOOR REVERSAL.

FIGURE 2 - REPRESENTS POSITION OF COMPONENTS AFTER DOOR REVERSAL.

5.Maintenance

Clean the outside using a soft cloth.

Prolonged disuse

1. Empty the refrigerator.
 2. Disconnect the appliance from the power supply.
 3. Defrost and clean the interior.
 4. In the event of prolonged disuse, leave the door open to prevent the formation of mould, odours and oxidation.
 5. Clean the appliance.
 - . Clean the inside of the low temperature compartment (where fitted) when defrosting.
 - . Periodically clean the inside of the refrigerator compartment with a sponge dampened in warm water and/or neutral detergent. Rinse and dry with a soft cloth.
- Do not use abrasive products. Do not use abrasive products, scourers, stain-removers e.g. acetone, trichloroethylene) or vinegar.

Replacing bulbs:

When replacing the bulb, Unplug the appliance from the mains, proceed as follows: Squeeze the tabs on the sides of the lamp cover and remove it. Replace the bulb with a new one maximum 10 W. Put the lamp cover back on and wait 5 minutes before plugging the appliance back into the mains.

6. Troubleshooting

1. When the refrigerator does not work

Check if there is a power failure.

Check if the power plug is plugged into the power outlet.

Check that the fuse has not blown.

2. When the refrigerator is cooling excessively

The temperature control dial may be set too high.

If you place foodstuffs containing a lot of moisture directly under the cool air outlets, they will freeze easily. This does not indicate a malfunction.

3. When the refrigerator is not cooling sufficiently

The food may be packed too tightly together which will block the flow of cool air. You may have put something hot or a lot of foodstuffs into the refrigerator .

The door may not have been closed properly.

The door gaskets may be damaged.

The refrigerator may not be ventilated.

There may be insufficient clearance between the refrigerator and the surfaces immediately both sides and above.

The temperature control dial may not be set properly.

4. When the defrosting water overflows inside the refrigerator and onto the floor.

Check that the drain pipe and the drain hose are not clogged.

Check that the drain pan is housed properly.

5. When condensation form on the outside of the refrigerator.

Condensation may form on the outside when the humidity is high such as during a wet season. This is the same result as the condensation formed when chilled water is poured into a glass. It does not, therefore, indicate a failure, wipe dry with a dry cloth.

6. When you hear a sound like water flowing .

A sound like water flowing is the refrigerant flowing. It does not Indicate a malfunction.

7. When the cabinet's side panel heats up

The side panel of the cabinet will heat up when the door is opened or closed frequently, when starting the unit and when the unit operates in summer with high ambient outside temperature, In such case, do not touch the panel, it results from the dissipation of the heat from inside the cabinet, and it does not mean that something is wrong with the refrigerator.

7. Technical specifications

*For the detailed technical specifications, please refer to the nameplate at the back of the refrigerator..

*Specifications are subject to change without prior notice.

Dziękujemy za zakup tego produktu.

Przed użyciem swojej lodówki zapoznaj się uważnie z niniejszą instrukcją obsługi, aby zapewnić jej jak najlepsze działanie. Zachowaj całą dokumentację w razie potrzeby użycia jej w przyszłości lub dla kolejnych właścicieli. Produkt ten przeznaczony jest wyłącznie do użytku domowego lub podobnych zastosowań, na przykład:

- w strefie kuchennej dla personelu w sklepach, biurach oraz innych środowiskach roboczych;
- w gospodarstwach rolnych, hotelach, motelach oraz innych środowiskach typu mieszkalnego;
- w pensjonatach typu B&B;
- w ramach usług cateringowych i podobnych zastosowań niezwiązanych ze sprzedażą detaliczną.

Urządzenia tego należy używać wyłącznie do przechowywania żywności. Wszelkie inne zastosowania uważane są za niebezpieczne i producent nie będzie ponosił odpowiedzialności za jakiegokolwiek zaniedbania. Należy również mieć na uwadze warunki gwarancji.

INFORMACJE DOTYCZĄCE BEZPIECZEŃSTWA

Lodówka zawiera czynnik chłodniczy (R600a: izobutylen) i gaz izolacyjny (cyklopentan) o wysokiej kompatybilności ze środowiskiem, które jednak są łatwopalne.

Zalecamy przestrzeganie poniższych zaleceń, aby uniknąć sytuacji niebezpiecznych:

Przed wykonaniem jakiegokolwiek czynności odłącz kabel zasilający od gniazdka zasilającego.

- Układ chłodniczy, znajdujący się za i wewnątrz urządzenia, zawiera czynnik chłodniczy. Należy więc uważać, aby nie uszkodzić przewodów.
- W razie zauważenia wycieku z układu chłodniczego nie należy dotykać gniazdka ściennego ani używać otwartych płomieni. Otwórz okno i poczekaj aż powietrze wydostanie się z pomieszczenia. Następnie wezwij serwisanta w celu naprawienia urządzenia.
- Nie próbuj usuwać nożem ani żadnym ostrym przedmiotem powstałego w urządzeniu szronu lub lodu. W taki sposób można uszkodzić obwód czynnika chłodniczego, a wyciek może doprowadzić do pożaru lub uszkodzenia oczu.
- Nie instaluj urządzenia w wilgotnych, oleistych lub zakurzonych pomieszczeniach ani nie narażaj go na bezpośrednie promienie słoneczne lub wodę.
- Nie instaluj urządzenia w pobliżu grzejników lub materiałów łatwopalnych.
- Nie używaj przedłużaczy lub adapterów.
- Nie dociskaj nadmiernie ani nie zginaj przewodu zasilającego i nie dotykaj wtyczki mokrymi dłońmi.
- Nie dopuść do uszkodzenia wtyczki i/lub przewodu zasilającego; może to doprowadzić do porażenia prądem lub pożaru.
- Zaleca się utrzymywać wtyczkę w czystości. Wszelkie nadmierne pozostałości kurzu na wtyczce mogą spowodować pożar.

- Nie używaj urządzeń mechanicznych ani innego sprzętu do przyspieszania procesu rozmrażania.
- Absolutnie unikaj stosowania otwartego ognia lub sprzętu elektrycznego, na przykład grzejników, czyszczarek parowych, świec, lamp olejowych i tym podobnych w celu przyspieszenia etapu rozmrażania.
- Nie używaj ani nie przechowuj łatwopalnych sprejów, jak farba w aerozolu, w pobliżu urządzenia. Może to doprowadzić do eksplozji lub pożaru.
- Nie używaj urządzeń elektrycznych wewnątrz komór do przechowywania żywności, o ile nie są to urządzenia zalecane przez producenta.
- Nie umieszczaj w urządzeniu ani nie przechowuj w nim łatwopalnych i wysoce lotnych materiałów, jak eter, benzyna, LPG, gaz propanowy, puszki aerozolowe, kleje, czysty alkohol itp. Materiały takie mogą doprowadzić do eksplozji.
- Nie przechowuj w urządzeniu materiałów medycznych lub badawczych. Gdy wymagane jest przechowanie materiału wymagającego ścisłej kontroli temperatur przechowywania, możliwe jest pogorszenie się jego stanu lub może mieć miejsce niekontrolowana reakcja, która powoduje zagrożenia.
- Nie zasłaniaj otworów wentylacyjnych w obudowie urządzenia lub w szafce, w której je zabudowano.
- Nie umieszczaj na górnej części urządzenia przedmiotów i/lub pojemników wypełnionych wodą.
- Nie wykonuj napraw w tym urządzeniu. Wszelkie czynności powinny być wykonywane wyłącznie przez wykwalifikowany personel.
- Urządzenie to może być obsługiwane przez dzieci powyżej 8 roku życia oraz osoby o ograniczonej zdolności fizycznej, czuciowej lub psychicznej bądź nieposiadające doświadczenia i wiedzy, jeśli są one pod odpowiednim nadzorem lub poinstruowano je w zakresie bezpiecznej obsługi urządzenia i zrozumiąły one ewentualne zagrożenia.
- Nie należy zezwalać dzieciom na zabawę z urządzeniem. Czyszczenie i konserwacja urządzenia nie powinny być przeprowadzane przez dzieci bez nadzoru.

USUWANIE STAREGO URZĄDZENIA




Urządzenie to posiada oznaczenie zgodne z dyrektywą europejską 2012/19/UE w sprawie zużytego sprzętu elektrycznego i elektronicznego (WEEE). WEEE zawiera zarówno substancje zanieczyszczające (które mogą powodować negatywne skutki dla środowiska), jak i podstawowe komponenty (które mogą zostać ponownie użyte). Ważne jest poddawanie WEEE specyficznej obróbce, aby usunąć i prawidłowo utylizować wszelkie elementy zanieczyszczające, a także odzyskiwać i poddawać recyklingowi wszelkie możliwe materiały. Osoby fizyczne mogą odgrywać ważną rolę w zapewnieniu, że WEEE nie stanie się problemem dla środowiska; ważne jest przestrzeganie kilku podstawowych zasad:

- WEEE nie powinien być traktowany tak samo jak inne odpady domowe;
- WEEE powinien być przekazywany do właściwych punktów zbiórki odpadów obsługiwanych przez gminę lub zarejestrowane przedsiębiorstwa. W wielu krajach w przypadku dużych WEEE może być przewidziany odbiór bezpośrednio z posesji.

W wielu krajach, kiedy kupuje się nowe urządzenie, stare urządzenie można zwrócić sprzedawcy, który odbierze je za darmo na zasadzie „urządzenie za urządzenie”, pod warunkiem, że urządzenie jest odpowiedniego typu i posiada te same funkcje co nowy dostarczony sprzęt.

Zgodność CE



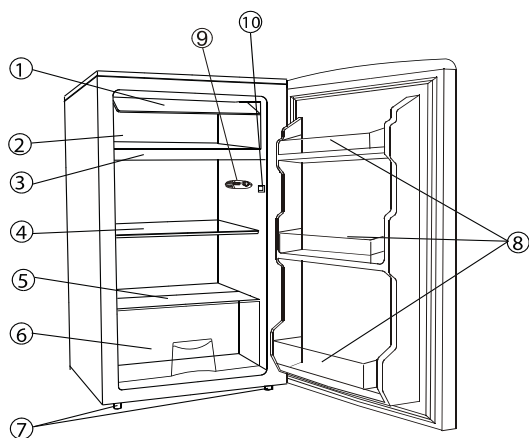
Poprzez umieszczenie oznaczenia  na tym produkcie potwierdzamy, że urządzenie to jest zgodne z wszelkimi dotyczącymi tego produktu obowiązującymi prawnie wymogami europejskimi w zakresie bezpieczeństwa, zdrowia i środowiska.

OSZCZĘDNOŚĆ ENERGII

- Aby zapewnić wyższą oszczędność energii, sugerujemy:
- zainstalować urządzenie z dala od źródeł ciepła i nie wystawiać go na bezpośrednie działanie promieni słonecznych, w dobrze wentylowanym pomieszczeniu;
- unikać umieszczania w chłodzarnie gorącej żywności, aby zapobiec wzrostowi temperatury zewnętrznej, a tym samym powodowaniu ciągłego działania sprężarki;
- nie wkładać nadmiernej ilości żywności, aby zapewnić prawidłową cyrkulację;
- rozmrozić urządzenie w razie pojawienia się w niej lodu (patrz ROZMRAŻANIE) w celu ułatwienia przenikania zimna;
- w razie braku energii elektrycznej zaleca się pozostawić drzwi lodówki zamknięte;
- jak najrzadziej otwierać drzwi urządzenia i jak najkrócej pozostawiać je otwarte;
- unikać ustawiania termostatu na zbyt niskie temperatury;
- usuwać kurz z tylnej części urządzenia (patrz CZYSZCZENIE).
- Urządzenie typu Total no frost Audy (z wyświetlaczem na drzwiczkach): wyjmij wszystkie kosze znajdujące się w komorze zamrażarki;
- Urządzenie typu Total no frost (z wewnętrznym interfejsem użytkownika dla chłodziarki i pokrętelem dla zamrażarki): wyjmij pozostałe kosze znajdujące się w komorze zamrażarki, ale dołną szufladę pozostaw na miejscu.
- Model w wersji Frost free: wyjmij pozostałe kosze znajdujące się w komorze zamrażarki, ale dołną szufladę pozostaw na miejscu.
- Wszystkie modele standardowe: wyjmij wszystkie szuflady znajdujące się w komorze zamrażarki.

1. Ogólny schemat urządzenia

CZĘŚCI I WŁAŚCIWOŚĆ



- ① Drzwi zamrażalnika
- ② Zamrażalnik
- ③ Taca zbierająca wodę
- ④ Szklana półka
- ⑤ Pokrywa szklana
- ⑥ Pojemnik na warzywa
- ⑦ Nóżki regulowane
- ⑧ Balkony z butelkami
- ⑨ Pokrętło regulatora temperatury
- ⑩ Wyłącznik światła

2. Poprawne umieszczenie urządzenia

Właściwa wentylacja

Konieczna jest dobra wentylacja wokół lodówki, aby zwiększyć wydajność chłodzenia i obniżyć zużycie energii. Lodówka powinna zostać umieszczona w taki sposób, aby jej tylna część znajdowała się przynajmniej w odległości 100mm od ściany, po bokach zapewnić przestrzeń około 100mm, natomiast w górnej części należy zapewnić przestrzeń nie mniejszą niż 200mm. Należy również zapewnić swobodne otwieranie się drzwi na szerokość 160 stopni.

Źródło zasilania

Lodówka została przystosowana do zasilania jednofazowym prądem zmiennym o napięciu (220-240)V~/50Hz;230V~/60Hz. Jeśli wahania napięcia będą tak duże, że napięcie przekroczy ustalony powyżej zakres, należy zainstalować automatyczny regulator napięcia. Lodówka musi być podłączona do osobnego gniazdka, nie razem z innymi urządzeniami elektrycznymi. Wtyczka lodówki powinna pasować do gniazdka w ścianie i posiadać uziemienie

Przewód zasilający

Podczas pracy urządzenia, przewód zasilający nie powinien być zwijany ani przedłużany. Ponadto niedozwolone jest, by przewód był umieszczony zbyt blisko tylnej części lodówki, gdyż temperatura umieszczonego tam kompresora jest duża i może być przyczyną zniszczenia przewodu. Zniszczeniu może ulec izolacja przewodu, co z kolei może być przyczyną przebieć elektrycznych.

Ochrona przed wilgocią

Należy unikać umieszczania lodówki w miejscach występowania dużej wilgoci, aby zminimalizować możliwość zardzewienia metalowych części lodówki. Ponadto, należy unikać bezpośredniego kontaktu lodówki z wodą, gdyż może to być przyczyną osłabienia izolacji i wystąpienia przebieć elektrycznych.

Ochrona przed przegrzewaniem się

Lodówka powinna znajdować się z dala od źródeł ciepła i nie powinna być wystawiana na bezpośrednie działanie promieni słonecznych.

Zapewnienie stabilności

Podłoże, na którym jest umieszczana lodówka, powinno być płaskie i stabilne. Nie należy umieszczać urządzenia na miękkim podłożu, takim jak gąbka plastikowa, i tym podobne. Lodówka nie powinna być umieszczana w pobliżu materiałów i przedmiotów odbijających dźwięk.

Unikać niebezpiecznych materiałów

Nie należy umieszczać lodówki w pobliżu materiałów łatwopalnych, takich jak gaz, benzyna, alkohol, lakier, octan amylu, etc. Wymienione powyżej materiały nie mogą być również przechowywane w lodówce.

Przesuwanie

Podczas przesuwania lub naprawiania lodówki, nie wolno ustawiać jej w pozycji poziomej, lub przechylać o więcej niż 45 stopni od pozycji pionowej.

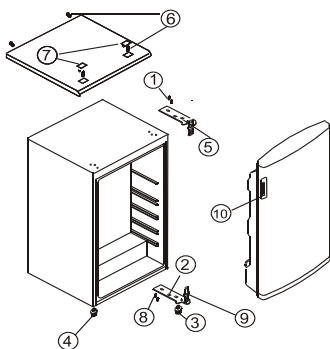
3. Uwagi

- ★ Woda zawarta w żywności lub przedostająca się do powietrza wewnątrz lodówki, może być przyczyną powstawania warstwy lodu i szronu. Gdy warstwa lodu stanie się gruba, może być przyczyną zmniejszenia sprawności działania urządzenia. Gdy warstwa lodu osiągnie grubość 2mm lub więcej, należy lodówkę rozmrozić.
- ★ Rozmrażanie komory zamrażalnika lodówki przeprowadza się ręcznie. Przed rozpoczęciem rozmrażania, należy wyjąć z lodówki żywność, tace na lód oraz półki i umieścić je w chłodnym miejscu. Pokrętko regulatora temperatury ustawić na wartość „0” (kompresor przestanie pracować). Drzwi lodówki pozostawić otwarte, dopóki lód i szron osadzony na ścianach lodówki rozmrozi się. Wodę powstałą podczas rozmrażania w dolnej części lodówki, należy wytrzeć miękką szmatką. Aby przyspieszyć proces rozmrażania, można w dolnej części lodówki umieścić miskę z ciepłą wodą (temp. około 50°C). Po zakończeniu rozmrażania należy ustawić temperaturę na poprzednią wartość.
- ★ Podczas rozmrażania nie należy podgrzewać zamrażalnika bezpośrednio gorącą wodą lub suszarką do włosów. Może to spowodować deformację wewnętrznej obudowy lodówki pod wpływem ciepła.
- ★ Nie należy zeskrobywać lodu ani szronu ze ścianek zamrażalnika, ani nie próbować oddzielać żywności od pojemników, w których jest przechowywana za pomocą ostrych lub drewnianych narzędzi, aby nie zniszczyć wewnętrznej powierzchni obudowy parownika.
- ★ W przypadku, gdy uszkodzeniu ulegnie przewód zasilający, należy go wymienić. Wymianę przewodu należy powierzyć warsztatowi wyznaczonemu przez sprzedawcę, ponieważ czynność ta wymaga użycia specjalistycznych narzędzi.

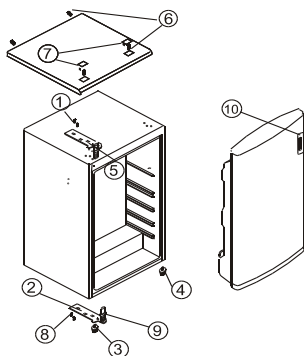
4. Zmiana kierunku otwierania drzwi

Lodówka została zaopatrzona w zawiasy drzwiowe znajdujące się po prawej stronie. Jeśli istnieje potrzeba zmiany kierunku otwierania drzwi, należy postępować zgodnie z poniższymi wskazówkami:

1. Zdjąć osłonę zawiasu (6).
2. Odkręcić dwie śruby (1) przytrzymujące górny zawias (5) (prawa strona) do framugi drzwi. Zdjąć górny zawias (5).
3. Podnieść drzwi i umieścić je na miękkim podłożu, zabezpieczającym przed przypadkowym zarysowaniem.
4. Odkręcić dwie śruby (8) przytrzymujące dolny zawias (2), a następnie zdjąć dolny zawias (2).
5. Wyjąć przednią lewą nóżkę (4) i zamontować ją po prawej stronie.
6. Zamontować osłonę otworu (7) na stronę prawą lodówki.
7. Przed instalacją dolnego zawiasu (2), wyjąć sworzeń (9) i zmienić kierunek montowania dolnego zawiasu (2). Zamontować dolny zawias (2) po lewej stronie dolnej części framugi za pomocą dwóch śrub (8).
8. Włożyć sworzeń (9) do dolnego zawiasu (2).
9. Umieścić drzwi we właściwym położeniu, upewnić się, czy drzwi wiszą na dolnym zawiasie (2).
10. Przytrzymując drzwi w pozycji zamkniętej, umocować górny zawias (5) w górnej części framugi po lewej stronie za pomocą dwóch śrub (1). Nie dociskać śrub mocujących (1), dopóki górna część drzwi nie zostanie wyrównana z górną częścią obudowy lodówki.
11. Zainstalować osłonę górnego zawiasu (6).



RYСУNEK 1



RYСУNEK 2

RYСУNEK 1 – SCHEMAT UMIESZCZENIA POSZCZEGÓLNYCH CZĘŚCI PRZED ZMIANĄ KIERUNKU OTWIERANIA DRZWI

RYСУNEK 2 – SCHEMAT UMIESZCZENIA POSZCZEGÓLNYCH CZĘŚCI PO ZMIANIE KIERUNKU OTWIERANIA DRZWI

5. Konserwacja

- ★ Lodówka powinna być myta i konserwowana raz na miesiąc.
- ★ Przed rozpoczęciem konserwacji, należy wyłączyć zasilanie wyciągając wtyczkę z gniazdka zasilającego.
- ★ Wytrzeć wewnętrzne i zewnętrzne powierzchnie lodówki oraz jej poszczególne części za pomocą wilgotnej szmatki. Jeśli są zbyt brudne, należy użyć neutralnego środka chemicznego, a następnie umyć wodą i wytrzeć do sucha. Następnie zaleca się wytrzeć do połysku powierzchnię lodówki fanelową szmatką.
- ★ W przypadku mycia lodówki nie używać gorącej wody, rozcieńczaczy, benzyny, alkoholu, nafty, proszku do prania, płynów do czyszczenia, środków alkaicznych, kwasów, itp. Wszystkie wymienione powyżej substancje mogą zniszczyć warstwę lakieru oraz części plastikowe lodówki. Nie wolno narażać lodówki na bezpośredni kontakt z wodą. Może to być przyczyną rdzewienia lub niszczenia izolacji lodówki.
- ★ Należy szczególnie dbać o gumowe uszczelki zamontowane na drzwiach lodówki. Powinny być zawsze czyszczone.
- ★ Jeśli części plastikowe lodówki zostaną zanieczyszczone przez dłuższy okres czasu olejem (pochodzenia zwierzęcego lub roślinnego), mogą szybciej ulec zniszczeniu. Wewnętrzne pojemniki lodówki łatwo ulegają zabrudzeniu, jeśli nie są często myte, ponadto może to być przyczyną powstawania nieprzyjemnego zapachu we wnętrzu urządzenia. Należy dopilnować częstego ich mycia.

6. Rozwiązywanie problemów

1. Jeśli lodówka nie działa:
Sprawdzić, czy nie ma przerwy w dostawie energii.
Sprawdzić, czy przewód zasilający jest podłączony do gniazdka.
Sprawdzić, czy bezpieczniki są sprawne.
2. Jeśli lodówka nadmiernie mrozi:
Pokrętko regulatora temperatury może być ustawione na zbyt dużą wartość.
Jeśli produkty żywnościowe zawierające dużo wilgoci zostaną umieszczone bezpośrednio pod wylotami zimnego powietrza, ulegną szybkiemu zamrożeniu. Nie jest to wynikiem złego funkcjonowania urządzenia.
3. Jeśli lodówka nie chłodzi w sposób wystarczający:
Żywność umieszczona w lodówce może być ułożona zbyt blisko siebie, co z kolei może być przyczyną złego przepływu chłodzącego powietrza we wnętrzu urządzenia.
W lodówce została umieszczona gorąca żywność lub lodówka jest przeładowana.
Drzwi lodówki są niedomknięte.
Uszczelki drzwiowe są zniszczone.
Lodówka nie jest wentylowana.
Nie został zapewniony odpowiedni prześwit pomiędzy powierzchniami lodówki a sąsiadującymi z nią powierzchniami.
Pokrętko regulatora temperatury nie jest we właściwej pozycji.
4. Jeśli woda powstała w wyniku rozmrażania przelewa się z lodówki na podłogę:
Sprawdzić, czy rurka odprowadzająca wodę oraz wąż odprowadzający wodę nie są zatkane
Sprawdzić, czy zbiornik odprowadzający wodę jest właściwie zamontowany.
5. Jeśli para wodna skrapla się na zewnątrz lodówki:
Para wodna może skraplać się na zewnątrz lodówki, jeśli wilgotność powietrza jest bardzo duża, np. w porze deszczowej (podczas deszczu). Jest to ten sam efekt, gdy podczas wlewania zimnej wody do szklanki woda skrapla się na zewnętrznych ściankach szklanki. Nie jest to wynikiem niepoprawnego funkcjonowania urządzenia. Należy te miejsca wycierać do sucha szmatką.
6. Gdy słyszalny jest odgłos przypominający przepływającą wodę:
Odgłos ten towarzyszy przepływowi środka chłodzącego systemie chłodzenia. Nie jest to oznaką awarii urządzenia.
7. Jeśli obudowa lodówki nagrzej się zbyt mocno:
Boczna obudowa lodówki nagrzewa się, gdy drzwi lodówki są otwierane i zamykane zbyt często, podczas uruchamiania urządzenia oraz, gdy lodówka pracuje w wysokiej temperaturze otoczenia (na przykład w lecie). Jest to wynikiem przekazywania ciepła do wnętrza obudowy i nie oznacza, że lodówka pracuje niepoprawnie.

7. Specyfikacje techniczne

*Szczegółowe specyfikacje techniczne umieszczone są na tabliczce znamionowej w tylnej części lodówki.

*Specyfikacja techniczne mogą być przedmiotem zmian bez uprzedniego powiadomienia.

Děkujeme vám za zakoupení tohoto výrobku.

Před použitím chladničky si pozorně přečtěte tento návod k použití, abyste mohli maximálně využít jejich možností. Uchovejte veškerou dokumentaci pro budoucí použití nebo další vlastníky. Tento výrobek je určen výhradně pro použití v domácnosti nebo podobně použití, jako jsou:

- v kuchyňské kouty pro zaměstnance v obchodech, kancelářích nebo na jiných pracovištích
- statky, hotely, motely a další ubytovací zařízení
- v ubytovacích zařízeních typu B&B (ubytování se snídaní)
- Pro stravovací služby a podobné účely, nikoliv však pro maloobchodní prodej.

Tento spotřebič se může používat pouze pro účely skladování potravin, přičemž jakékoliv jiné použití je považováno za nebezpečné a výrobce nenese odpovědnost za případné nedodržení pokynů. Doporučujeme vám také, abyste se seznámili se záručními podmínkami.

BEZPEČNOSTNÍ INFORMACE

Chladnička obsahuje chladicí plyn (R600a: isobutan) a izolační plyn (cyklopentan), které jsou šetrné k životnímu prostředí, nicméně jsou hořlavé.

Doporučujeme vám, abyste dodržovali následující pokyny, čímž se vyhnete nebezpečným situacím:

Před provedením jakéhokoli úkonu, odpojte napájecí kabel ze zásuvky.

- **Chladicí systém, který se nachází za zadní stěnou a uvnitř spotřebiče, obsahuje chladivo. Proto dávejte pozor, aby nedošlo k poškození trubek.**
- **Pokud zjistíte únik z chladicího systému, nedotýkejte se zásuvky a nepoužívejte otevřený oheň. Otevřete okno a místnost vyvětrejte. Pak kontaktujte servisní středisko a požádejte o provedení opravy.**
- **Nepoužívejte nůž ani jiné ostré předměty k odstranění námrazy nebo ledu, který se nahromadí. Mohlo by dojít k poškození chladicího okruhu a následný únik, který může způsobit požár nebo poškození zraku.**
- **Neumist'ujte spotřebič ve vlhkém, mastném nebo prašném prostředí, ani jej nevystavujte přímému slunečnímu záření a působení vody.**
- **Neumist'ujte spotřebič do blízkosti topných těles nebo hořlavých materiálů.**
- **Nepoužívejte prodlužovací kabely nebo adaptéry.**
- **Netahejte silou za přívodní kabel ani jej neskládejte a nedotýkejte se zástrčky mokryma rukama.**
- **Dávejte pozor, abyste nepoškodili zástrčku nebo napájecí kabel, což by mohlo způsobit úraz elektrickým proudem nebo požár.**
- **Doporučuje se udržovat zástrčku v čistotě, neboť nadměrný nános prachu na zástrčce může být příčinou požáru.**
- **Nepoužívejte mechanické nástroje ani jiné prostředky k urychlení rozmrazování.**

- V žádném případě nepoužívejte otevřený oheň nebo elektrická zařízení, jako jsou topná tělesa, parní čističe, svíčky, olejové lampy a podobně, abyste urychlili rozmrazování.
- Nepoužívejte ani neukládejte v blízkosti spotřebiče hořlavé spreje, jako je například lak ve spreji, protože by mohlo dojít k výbuchu nebo vzniku požáru.
- Nepoužívejte elektrické spotřebiče uvnitř úložných oddělení pro potraviny, pokud nejsou přímo doporučeny výrobcem.
- Nevkládejte ani neskladujte hořlavé a vysoce těkavé materiály, jako je éter, benzín, LPG, propan, aerosolové spreje, lepidla, čistý alkohol atd. Tyto materiály mohou způsobit výbuch.
- Neuchovávejte ve spotřebiči lékařské nebo výzkumné látky. V případě uložení materiálu, který vyžaduje přesné dodržení skladovací teploty, může dojít ke zhoršení jeho kvality nebo nekontrolované reakci, což může představovat riziko.
- Větrací otvory ve skříni spotřebiče nebo ve vestavné konstrukci musí zůstat volné.
- Nepokládejte předměty nebo nádoby naplněné vodou na horní plochu spotřebiče.
- Neprovádějte žádné opravy na tomto spotřebiči. Veškeré zásahy mohou provádět pouze kvalifikovaní pracovníci.
- Tento spotřebič nesmějí používat děti do 8 let a osoby se sníženými fyzickými, smyslovými nebo duševními schopnostmi, nebo bez patřičných zkušeností a znalostí, pokud je nesledují osoby odpovědné za jejich bezpečnost, nebo jim nedávají příslušné pokyny k bezpečnému použití spotřebiče, a pokud si tyto osoby a děti neuvědomují možná nebezpečí.
- Děti si se spotřebičem nesmějí hrát. Děti nesmějí bez dozoru dospělých spotřebič čistit ani provádět činnosti údržby.

LIKVIDACE VYŘAZENÉHO SPOTŘEBIČE



Tento spotřebič je označen v souladu s evropskou směrnicí 2012/19/EU o likvidaci elektrického a elektronického zařízení (WEEE). WEEE obsahuje znečišťující látky (které mohou mít negativní dopad na životní prostředí) a základní díly (které mohou být znovu použity). Je nutné provést speciální zpracování WEEE, aby se odstranily a správně zlikvidovaly všechny znečišťující látky a získaly a recyklovaly všechny materiály. Každý jednotlivec může hrát důležitou roli při zajištění toho, aby WEEE nepředstavovalo nebezpečí pro životní prostředí; je bezpodmínečně nutné dodržovat několik základních pravidel:

- WEEE se nesmí likvidovat jako domovní odpad;
- WEEE se musí předat na příslušné sběrné místo pod správou obce nebo autorizovaných společností. V mnoha zemích je zaveden odběr WEEE v domácnostech.

V mnoha zemích lze při zakoupení nového spotřebiče vrátit starý spotřebič prodejci, který je povinen jej odebrat bezplatně kus za kus, pokud je zařízení obdobného typu a má stejnou funkci jako dodané zařízení.

Prohlášení o shodě CE



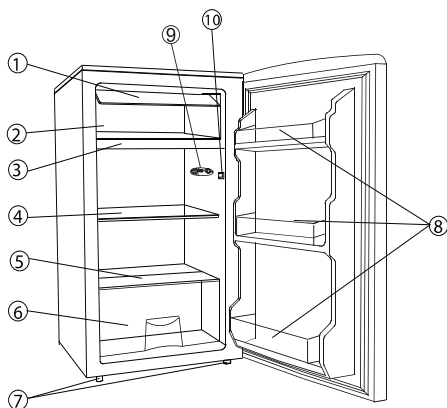
Umístěním značky **CE** na tento produkt jsme potvrdili shodu se všemi příslušnými požadavky evropské bezpečnosti, ochrany zdraví a životního prostředí, které jsou v právních předpisech platné pro tento produkt.

ÚSPORA ENERGIE

- Pro úsporu energie doporučujeme:
- Umístit spotřebič v dobře větrané místnosti mimo dosah zdrojů tepla a chránit jej před přímým slunečním zářením.
- Nevkládat do chladničky teplé jídlo, aby se zabránilo zvýšení vnitřní teploty a následně nepřetržité činnosti kompresoru.
- Neukládejte nadměrné množství potravin, aby bylo zajištěno dostatečné proudění vzduchu.
- Proveďte odmrazování spotřebiče v případě vzniku vrstvy ledu (viz ROZMRAZOVÁNÍ), aby byl zajištěn dostatečný přenos chladu.
- V případě výpadku elektrické energie se doporučuje nechat dvířka chladničky zavřená.
- Otevírejte nebo ponechávejte dvířka spotřebiče otevřená v co nejmenším možném rozsahu.
- Nenastavujte termostat na příliš nízkou teplotu.
- Odstraňte prach ze zadní strany spotřebiče (viz ČIŠTĚNÍ).
- Bez odmrazování (Total No Frost Audyt) (s displejem na dvířkách): vyjměte všechny koše z mrazničky;
- Bez odmrazování (Total No Frost) (s vnitřním uživatelským rozhraním pro chladničku a knoflíkovým ovladačem pro mrazničku): vyjměte koše z mrazničky, ale ponechte tam dolní zásuvku.
- Beznámrazový model: vyjměte koše z mrazničky, ale ponechte tam dolní zásuvku.
- Všechny normální statické modely: vyjměte všechny koše z mrazničky.

1. Popis spotřebiče

Části a funkce



- ① Dvířka mrazicího prostoru
- ② Mrazicí prostor
- ③ Odkapávací zásobník
- ④ Skleněná police
- ⑤ Skleněný kryt
- ⑥ Zásobník na potraviny
- ⑦ Nastavitelné nožičky
- ⑧ Balkony na láhve
- ⑨ Ovladač nastavení teploty
- ⑩ Dveřní spínač

2. Správné umístění

Dobré větrání

Pro odvod tepla, vysokou účinnost a nízkou spotřebu energie je potřebné dobré větrání. Proto nechejte kolem chladničky dodatečný volný prostor. Ze zadní strany nejméně 100 mm od stěny, po stranách spotřebiče nejméně 100 mm a z horní strany spotřebiče nejméně 200 mm. Volný prostor potřebný pro otevření dveří by měl být 160°.

Napájení

Chladnička je vhodná na jednofázový střídavý proud (220-240)V~/50Hz;230V~/60Hz. Pokud je kolísání proudu v různých zemích mimo uvedený rozsah, z důvodu bezpečnosti aplikuje automaticky napěťový regulátor. Chladnička musí obsahovat speciální vidlici přívodního kabelu namísto standardního. Její konektor musí odpovídat zásuvce s uzemňovacím vodičem.

Přívodní kabel

Kabel nesmí být prodlužován ani smotán do cívky během provozu. Dbejte na to, aby se přívodní kabel nedotýkal kompresoru na zadní stěně spotřebiče, protože povrch může být horký během provozu a kontakt s kabelem může poškodit izolaci a způsobit zkrat.

Ochrana proti vlhkosti

Neumísťujte chladničku na místa, kde je vysoký obsah vlhkosti, zabráníte tím možné korozi kovových částí. Spotřebič nesmí být vystaven vodě, protože to způsobí nesprávnou izolaci a zkrat.

Ochrana před teplem

Spotřebič by měl být umístěn mimo zdrojů tepla a přímého slunečního záření.

Vyvážení

Povrch, na kterém bude stát spotřebič musí být pevný a rovný. Nedoporučujeme žádný měkký povrch. Pokud není spotřebič vyvážen, přizpůsobte jej pomocí nastavitelných nožiček.

Zabraňte nebezpečí

Neumísťujte spotřebič do blízkosti hořlavých látek jako je plyn, benzín, alkohol, lak, amylacetát, atd.

Tyto předměty nevkládejte do spotřebiče.

Přemísťování

Při přemísťování spotřebiče jej nenaklánějte horizontálně ani do úhlu pod 45°.

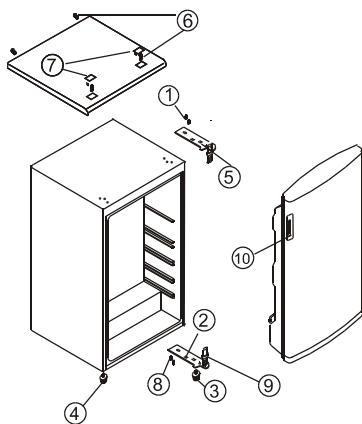
3. Upozornění

- Voda obsažena v potravinách nebo ve vzduchu se dostává do chladničky při otevření dveří a způsobuje formování námrazy, ovlivňuje správný chod chladničky v případě silné vrstvy. Když je silnější než 2 mm, musíte chladničku odmrazit.
- Odmrazování chladničky se provádí manuálně. Před odmrazováním vyjměte potraviny, zásobník ledu a dočasně uložte na chladné místo, poté nastavte ovladač teploty do pozice „0“ (kompresor přestane pracovat) a nechejte otevřené dvířka, dokud se led a námraza nerozpustí na dno chladničky. Vodu utřete jemným hadrem. V případě urychlení odmrazování můžete umístit nádobu s horkou vodou (přibližně 50°C) do vnitřního prostoru chladničky. Po odmrazení nezapomeňte nastavit ovladač teploty do původní pozice.
- Není vhodné odmrazovat chladničku přímo horkou vodou nebo fénem na vlasy, protože můžete poškodit vnitřní prostor.
- Neodstraňujte led a námrazu ani neoddělujte potraviny, které jsou zmrazené dohromady, ostrými předměty nebo dřevěnými hůlkami, protože můžete poškodit vnitřní prostor chladničky nebo výparníku.
- Pokud je poškozen přívodní kabel spotřebiče, musí jej vyměnit servisní technik.

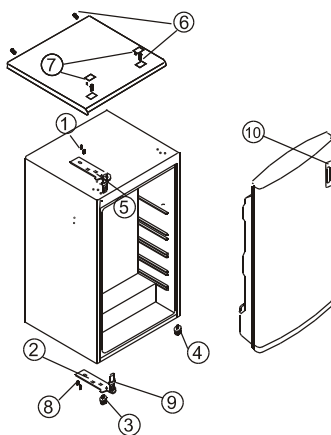
4 Pokyny ke změně směru otevírání dveří

Chladnička je dodávána se závěsy dveří na pravé straně. Pokud chcete změnit směr otvírání, postupujte podle následujících pokynů:

1. Sundejte plastový kryt (7) a šrouby (6) upevňující pracovní desku.
2. Vyjměte dva šrouby (1), které drží horní závěs (5) (pravá strana) na chladničce. Sundejte horní závěs (5).
3. Nadzvedněte dveře a uložte je na měkký podklad, aby se nepoškrábaly.
4. Vyjměte dva šrouby (8), které drží spodní závěs (2) a sejměte spodní závěs (2).
5. Vyjměte přední levou nožičku (4) a přeložte ji na pravou stranu.
6. Před nasazením spodního závěsu (2) vyndejte kolík (9) a otočte směr spodního závěsu (2). Instalujte spodní závěs (2). Poté instalujte spodní závěs (2) na levou spodní stranu chladničky pomocí dvou šroubů (8).
7. Založte kolík (9) do spodního závěsu (2).
8. Založte dveře na spodní závěs (2)
9. V uzavřené pozici dveří upevněte horní závěs (5) v horní levé části chladničky dvěma šrouby (1). Neutahujte dva šrouby (1), dokud nejsou dveře srovnány s horním panelem spotřebiče.
10. Instalujte pracovní desku na spotřebič pomocí šroubů (6) a nasadte malý plastový kryt (7).
11. Sundejte rukověť (10) a nasadte na pravou stranu.



OBRÁZEK 1



OBRÁZEK 2

Obrázek 1: představuje pozici komponentů před výměnou závěsu dveří.

Obrázek 2: představuje pozici komponentů po změně závěsu dveří.

5. Údržba

Vnější povrch čistíte jemným hadříkem.

1. Vyprázdněte chladničku.
2. Odpojte spotřebič od elektrické zásuvky.
3. Odmrazte a vyčistěte vnitřek.
4. V případě delšího nepoužívání nechejte dvířka otevřená, abyste zabránili tvorbě plísní, zápachů a oxidace.
5. Vyčistěte spotřebič.
 - Po odmrazení vyčistěte mrazicí prostor.
 - Pravidelně čistěte vnitřní prostor chladničky pomocí houby namočené v teplé vodě a/nebo neutrálním saponátu. Opláchněte a vysušte jemným hadříkem.Nepoužívejte drsné prostředky. Nepoužívejte drsné prostředky, škrabky, odstraňovače skvrn např. aceton, trichlor nebo ocet.

Výměna žárovek:

Před výměnou žárovky odpojte spotřebič od elektrické zásuvky, postupujte následovně:

Stiskněte pojistky po stranách krytu žárovky a sundejte jej.

Vyměňte žárovku za novou s hodnotou maximálně 10 W.

Nasadte kryt žárovky a počkejte 5 minut před opětovným připojením spotřebiče k elektrické zásuvce.

6. Odstranění případných problémů

1. Pokud chladnička nefunguje:
Zkontrolujte, zda není výpadek proudu.
Zkontrolujte, za je vidlice přívodního kabelu připojena k elektrické zásuvce.
Zkontrolujte, zda není vypálena pojistka.
2. Pokud chladnička příliš chladí:
Ovladač nastavení teploty je nastaven na vysokou hodnotu.
Pokud umístíte potraviny s velkým množstvím vlhkosti přímo pod výstup chladného vzduchu, rychle namrznou. Toto neznamená poruchu.
3. Pokud chladnička dostatečně nechladí:
Potraviny jsou baleny příliš těsně při sobě, což brání proudění chladného vzduchu.
Vložili jste něco horkého nebo velké množství do chladničky.
Dveře nejsou zavřené správně.
Těsnění dveří je poškozené.
Chladnička není větraná.
Je nedostatečný prostor mezi chladničkou a stěnami kolem spotřebiče a nad spotřebičem.
Nastavení teploty je nesprávné.
4. Během rozmrazování voda teče po vnitřku chladničky a na podlahu:
Zkontrolujte, zda není odtoková hadička ucpaná.
Zkontrolujte, zda je odkapávací zásobník umístěn správně.
5. Když se tvoří kondenzace na vnějších stěnách chladničky:
Kondenzace se může tvořit na vnějších stranách, když je vysoká vlhkost, například během vlhkého ročního období. Toto je stejný výsledek, jako když nalijete studenou vodu do sklenice. Nejedná se o závadu, proto vlhkost pouze otřete suchým hadrem.
6. Když slyšíte zvuk, jako když teče voda:
Zvuk tekoucí vody představuje tok chladicí náplně. Nejedná se o závadu.
7. Když se hřejí stěny chladničky:
Boční panel spotřebiče se ohřívá, pokud se dveře otevírají příliš často, při spuštění spotřebiče a když spotřebič pracuje v létě při vysoké okolní vlhkosti. V takovém případě se nedotýkejte panelu, je to výsledkem odvodu tepla zevnitř spotřebiče a nejedná se o poruchu chladničky.

7 Technické údaje

*Pro podrobnější technické informace viz výrobní štítek na zadním panelu chladničky.

*Právo na změnu technických údajů vyhrazené.

Vi ringraziamo per aver scelto questo nostro prodotto.

Prima di utilizzare il frigorifero, leggere il presente manuale di istruzioni per massimizzare le prestazioni del prodotto. Riporre tutta la documentazione per utilizzo futuro o per i successivi proprietari. Questo apparecchio è destinato unicamente in ambiente domestico o per applicazioni simili quali:

- la zona cucina destinata al personale di negozi, uffici e altri ambienti lavorativi
 - di beauty farm, alla clientela di hotel, motel e altri ambienti di tipo residenziale
 - nei Bed&Breakfast (B&B)
 - Per servizi di catering ed applicazioni simili esclusa la vendita al dettaglio.
- Questo elettrodomestico deve essere utilizzato unicamente per la conservazione degli alimenti; qualsiasi altro uso è considerato pericoloso e il produttore non è ritenuto responsabile per eventuali omissioni. Si consiglia anche di leggere con attenzione le condizioni di garanzia.

INFORMAZIONI DI SICUREZZA

Il frigorifero contiene un gas refrigerante (R600a: isobutene) e gas isolante (ciclopentano) con elevata compatibilità con l'ambiente. Tuttavia, questi gas sono infiammabili.

Si consiglia di rispettare le normative seguenti per evitare situazioni pericolose:

Prima di ogni intervento occorre disinserire l'alimentazione elettrica all'elettrodomestico.

- **Il sistema di refrigerazione posizionato dietro e all'interno dell'elettrodomestico contiene refrigerante. Pertanto, evitare di danneggiare i tubi.**
- **Se si rileva una perdita nel sistema di refrigerazione, non toccare la presa a muro e non usare fiamme libere. Aprire le finestre e aerare la stanza. Quindi, rivolgersi ad un centro di assistenza per richiedere la riparazione.**
- **Non utilizzare coltelli o oggetti acuminati per togliere il ghiaccio o la brina formati all'interno. Questi oggetti potrebbero danneggiare il circuito del refrigerante, e il gas potrebbe incendiarsi o provocare danni agli occhi.**
- **Non montare l'elettrodomestico in ambienti polverosi, in presenza di olio o umidità, non esporlo alla luce solare diretta e all'acqua.**
- **Non montare l'elettrodomestico vicino a stufe o materiali infiammabili.**
- **Non usare prolunghe o adattatori.**
- **Non piegare troppo o avvolgere il cavo di alimentazione e non toccare la spina con le mani bagnate.**
- **Non danneggiare la spina e/o il cavo di alimentazione, si rischia di provocare elettrocuzioni o incendi.**
- **Si consiglia di mantenere pulita la spina: eventuali residui di sporco sulla spia possono provocare incendi.**

- Non utilizzare dispositivi meccanici o simili per accelerare il processo di sbrinamento.
- Evitare assolutamente di utilizzare fiamme libere o attrezzature elettriche, quali stufe, pulitrici a vapore, candele, lampade ad olio e simili per accelerare la fase di sbrinamento.
- Non conservare o riporre spray infiammabili, quali ad esempio le vernici a spruzzo, in prossimità dell'elettrodomestico, in quanto si rischia di provocare esplosioni o incendi.
- Non usare apparecchi elettrici all'interno degli scomparti per la conservazione degli alimenti, se questi non sono del tipo raccomandato dal costruttore.
- Non riporre o conservare materiali infiammabili o altamente volatili, quali etere, petrolio, GPL, gas propano, lattine spray di aerosol, adesivi, alcool puro, ecc... Questi materiali possono provocare un'esplosione.
- Non riporre medicine o materiali per la ricerca nell'elettrodomestico. I materiali che richiedono un rigoroso controllo delle temperature di stoccaggio possono danneggiarsi o causare una reazione incontrollata potenzialmente pericolosa.
- Mantenere le aperture di ventilazione nel luogo in cui si trova l'elettrodomestico o nella struttura nella quale è incassato libere da qualsiasi ostruzione.
- Non collocare oggetti e/o contenitori con acqua all'interno nella parte superiore dell'elettrodomestico.
- Non effettuare riparazioni su questo elettrodomestico. Tutti gli interventi devono essere effettuati unicamente da personale qualificato.
- L'elettrodomestico può essere utilizzato da bambini di età superiore a 8 anni e da persone con ridotte capacità fisiche, sensoriali o mentali, oppure prive di esperienza e conoscenza, se supervisionate o istruite riguardo all'uso dell'elettrodomestico in sicurezza, e se comprendono i rischi che derivano dall'uso dello stesso.
- I bambini non devono giocare con l'elettrodomestico. La pulizia e la manutenzione da parte dell'utente non possono essere effettuate da bambini senza supervisione

SMALTIMENTO DELLE APPARECCHIATURE USATE



Questo elettrodomestico dispone di contrassegno ai sensi della direttiva europea 2012/19/UE sui rifiuti di apparecchiature elettriche ed elettroniche (RAEE). La direttiva RAEE riguarda le sostanze inquinanti (che possono causare conseguenze negative per l'ambiente) e i componenti principali (che possono essere riutilizzati). È importante che i RAEE siano sottoposti a trattamenti specifici in modo da togliere e smaltire in modo corretto gli inquinanti, nonché recuperare e riciclare tutti i materiali. Spetta ai singoli individui garantire che i RAEE non diventino un problema a livello ambientale. Esistono alcune regole specifiche da rispettare:

- i RAEE non devono essere trattati come rifiuti domestici;
- i RAEE devono essere consegnati a specifici centri di raccolta gestiti dai comuni o da società autorizzate. In molti stati è disponibile anche un servizio di raccolta porta a porta per i RAEE.

In caso di acquisto di nuovi elettrodomestici, quelli vecchi possono essere affidati al venditore che li deve ritirare gratuitamente in numero corrispondente agli elettrodomestici acquistati, a condizione che i singoli elettrodomestici siano di tipo simile e con le stesse funzioni di quelli acquistati.

Conformità CE



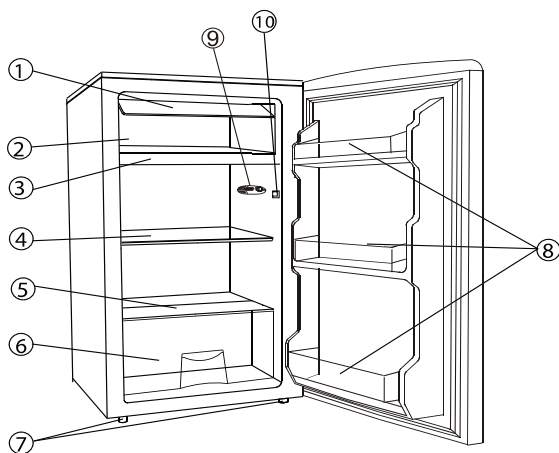
Apponendo il marchio **CE** su questo prodotto, confermiamo la conformità a tutti i requisiti di legge europei in materia di sicurezza, salute e tutela ambientale applicabili per legge a questo prodotto.

RISPARMIO ENERGIA

- Per un maggiore risparmio di energia, si consiglia di procedere come segue:
- Installare l'elettrodomestico lontano da fonti di calore, al riparo dall'irradiazione diretta dei raggi solari e in un ambiente ben ventilato.
- Evitare di conservare alimenti caldi nel frigorifero per evitare di aumentare la temperatura interna provocando un funzionamento continuo del compressore.
- Non riempirlo eccessivamente in modo tale da garantire una corretta ventilazione dell'aria.
- Sbrinare l'elettrodomestico in presenza di ghiaccio (vedere SBRINAMENTO) per facilitare il trasferimento del freddo.
- In caso di mancanza di energia elettrica, si consiglia di lasciare chiusa la porta del frigorifero.
- Aprire o tenere aperte le porte dell'elettrodomestico il meno possibile.
- Evitare di regolare il termometro a temperature troppo fredde.
- Togliere la polvere presente nella parte posteriore dell'elettrodomestico (vedere PULIZIA).
- Audy Total no frost (con display sulla porta): rimuovere tutti i cestelli del comparto freezer;
- Total no frost (con interfaccia utente interna per il frigorifero e manopola per il freezer): rimuovere i cestelli del comparto freezer ma lasciare il cassetto inferiore al suo posto.
- Modulo Frost free: rimuovere i cestelli del comparto freezer ma lasciare il cassetto inferiore al suo posto.
- Tutti i modelli statici normali: rimuovere tutti i cestelli del comparto freezer.

1. Nome delle parti

PARTIE FUNZIONI



1. Sportello del vano congelatore
2. Vano congelatore
3. Vassoio di gocciolamento
4. Mensola di vetro
5. Copertura in vetro
6. Cassetto verdure
7. Piedini di livellamento
8. Balconi bottiglia
9. Manopola per l'impostazione della temperatura
10. Interruttore sportello

2. Posizionamento corretto

Ventilazione adeguata

Una buona ventilazione su tutti i lati dell'unità è essenziale per garantire la corretta dissipazione del calore, un funzionamento ottimale dell'unità e consumi elettrici ridotti. Per questo motivo, è sempre necessario lasciare spazio sufficiente intorno a tutti e quattro i lati del frigorifero. Il retro dell'unità deve essere collocato ad almeno 100 mm dalla parete, i lati ad almeno 100 mm e sul lato superiore è necessario mantenere una distanza di sicurezza minima di 200 mm. Tenere conto anche che lo sportello deve poter essere aperto a 160°.

Alimentazione

L'unità può essere alimentata solo tramite un'alimentazione monofase a corrente alternata a (220-240)V~/50Hz;230V~/60Hz. Se nell'area di residenza ci sono frequenti oscillazioni di tensione oppure se la tensione supera i valori indicati, è consigliabile installare un dispositivo automatico di regolazione della tensione CA per proteggere l'unità stessa. Collegare l'unità a una presa elettrica dedicata diversa da quella usata per le altre apparecchiature elettriche. Verificare che le caratteristiche della spina corrispondano a quelle della presa a muro con messa a terra.

Cavo di alimentazione

Non piegare il cavo di alimentazione e non collegarlo a prolunghe mentre l'unità è in uso. Inoltre, fare molta attenzione a non collocare il cavo di alimentazione vicino al compressore sul retro dell'unità, poiché la superficie di questo componente può raggiungere temperature molto alte durante l'uso. L'eventuale contatto con questo componente può rendere inefficace l'isolamento oppure provocare la dispersione di corrente.

Protezione dall'umidità

Non installare l'unità in luoghi molto umidi, anche per evitare che le parti in metallo del frigorifero possano arrugginirsi. Inoltre, non spruzzare direttamente acqua sul frigorifero per evitare di rendere l'isolamento inefficace e provocare la dispersione di corrente.

Protezione dal calore

Non installare l'unità vicino a fonti di calore o alla luce diretta del sole.

Stabilità

Installare sempre l'unità su una superficie resistente e stabile. Non collocare il frigorifero su materiali morbidi come schiuma, plastica o altro materiale di questo tipo. Se l'unità non è allineata, regolare le viti. Non collocare l'unità vicino a oggetti che producono echi.

Fonti di pericolo

Non installare l'unità vicino a materiali volatili o combustibili, quali gas, petrolio, alcol, lacca, olio vegetale, ecc. Non usare mai l'unità per conservare questi materiali.

Movimentazione

Durante l'installazione o lo spostamento del frigorifero, non collocarlo mai in una posizione orizzontale, inclinarlo di 45° o capovolgerlo.

3. Indicazioni di pericolo

L'acqua contenuta in alcuni alimenti o nell'aria che penetra all'interno del frigorifero durante l'apertura delle porte, può formare una patina di brina all'interno dello stesso. Uno strato di brina molto spesso può ridurre le prestazioni del frigorifero. Quindi, se lo strato di brina supera lo spessore di 2 mm, è opportuno sbrinare il frigorifero.

Lo sbrinamento del vano congelatore deve essere effettuata manualmente. Prima di eseguire questa operazione, rimuovere gli alimenti, il vassoio porta-ghiaccio e i ripiani, spostandoli temporaneamente nel vano frigorifero. Quindi, impostare la manopola per la regolazione della temperatura in posizione "0" (per arrestare il compressore) e lasciare lo sportello aperto fino a quando il ghiaccio non si scioglie completamente depositandosi in fondo al vano congelatore. A questo punto, è possibile asciugare l'acqua con un panno morbido. Per rendere l'operazione più veloce, è possibile collocare un contenitore di acqua calda (a una temperatura di circa 50°C) nel vano congelatore. Ricordarsi di riportare la manopola di impostazione della temperatura nella posizione di origine al termine dello sbrinamento.

Non tentare di riscaldare direttamente il vano congelatore con acqua calda o un asciugacapelli per rendere più veloce lo sbrinamento, poiché questa operazione può deformare il rivestimento interno.

Non è generalmente consigliabile raschiare il ghiaccio o la brina oppure tentare di staccare gli alimenti da contenitori congelati utilizzando un utensile appuntito o aste di legno, poiché queste operazioni possono danneggiare il rivestimento interno oppure la superficie dell'evaporatore.

Se il cavo di alimentazione è danneggiato, farlo sostituire solo a un centro di assistenza autorizzato del produttore. L'operazione di sostituzione del cavo di alimentazione richiede l'uso di utensili speciali.

4. Spostamento dello sportello sull'altro lato

Questo frigorifero è munito di cerniere per lo sportello sul lato destro. Per modificare la direzione di apertura dello sportello, è sufficiente effettuare le seguenti operazioni:

1. Rimuovere la piccola copertura in plastica (7) e le viti (6) che fissano in posizione il ripiano di lavoro per smontarlo.
2. Rimuovere le due viti (1) che fissano in posizione la cerniera superiore (5) (sul lato destro) alla struttura. Rimuovere la cerniera superiore (5).
3. Sollevare lo sportello e collocarlo su una superficie imbottita per evitare di graffiarlo.
4. Rimuovere le due viti (8) che fissano in posizione la cerniera inferiore (2) e rimuoverla.
5. Rimuovere il piedino anteriore sinistro (4) e montarlo sul lato destro.
6. Prima di montare la cerniera inferiore (2), rimuovere il perno di fissaggio (9) e invertire la direzione della cerniera inferiore (2). Quindi, montare la cerniera inferiore (2) sul lato sinistro della struttura inferiore, bloccandola in posizione con due viti (8).
7. Inserire il perno di fissaggio (9) nella cerniera inferiore (2).
8. Collocare lo sportello in posizione, verificando che sia inserito nella cerniera inferiore (2).
9. Tenendo lo sportello in posizione chiusa, fissare la cerniera superiore (5) al lato sinistro della struttura superiore e bloccarla in posizione con due viti (1). Fare attenzione a serrare saldamente le due viti (1) solo dopo aver allineato lo sportello con la contropiastra.
10. Montare il piano di lavoro sulla sezione superiore del vano e fissarlo in posizione con le viti (6), quindi coprirlo con la piccola copertura in plastica (7).
11. Rimuovere la maniglia dello sportello (10) dal lato sinistro e montarla sul lato destro.

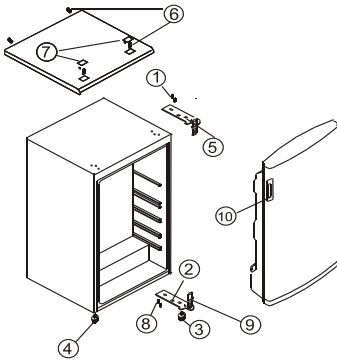


FIGURA 1

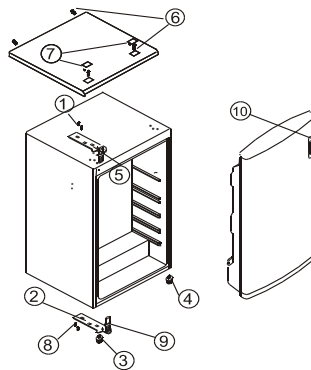


FIGURA 2

FIGURA 1 – POSIZIONE DELLE PARTI PRIMA DELL'INVERSIONE DELLO SPORTELLO.
FIGURA 2 – POSIZIONE DELLE PARTI DOPO L'INVERSIONE DELLO SPORTELLO.

5. Manutenzione

Pulire le superfici esterne con un panno morbido.

Assenze per lunghi periodi di tempo

1. Svuotare il frigorifero.
 2. Scollegare il frigorifero dalla rete elettrica.
 3. Sbrinare e pulire l'interno del frigorifero.
 4. Se si prevede di non usare l'unità per lunghi periodi di tempo, lasciare la porta aperta per evitare che si formino muffa, cattivi odori e ossidazione.
 5. Pulire l'unità.
- Pulire l'interno del vano a bassa temperatura (se presente).
 - Pulire regolarmente l'interno del vano frigorifero con una spugna imbevuta di acqua calda e/o detergente neutro. Sciacquare e asciugare con un panno morbido.
- Non usare prodotti abrasivi, candeggina, smacchiatori (come acetone o tricloroetilene) o aceto.

Sostituzione delle lampadine

Prima di sostituire la lampadina, scollegare l'unità dalla rete elettrica. Quindi, eseguire le operazioni descritte di seguito. Premere le linguette sui lati della copertura della lampadina e rimuovere la stessa. Sostituire la lampadina con una nuova della potenza massima di 10 W. Rimontare il coperchio della lampadina e attendere 5 minuti prima di ricollegare l'unità alla rete elettrica.

6. Risoluzione dei problemi

1. Se il frigorifero non funziona:
Verificare che non ci siano interruzioni nell'alimentazione.
Verificare che la spina di alimentazione sia inserita nella presa a muro.
Verificare che il fusibile non sia bruciato.
2. Se la temperatura di refrigerazione è troppo alta:
Verificare che la manopola di impostazione della temperatura sia impostata sul valore corretto.
Se gli alimenti contenenti molta condensa vengono collocati direttamente sotto alle prese dell'aria, è possibile che si congelino velocemente. Questa condizione non indica un guasto.
3. Se la temperatura di refrigerazione è troppo bassa:
Gli alimenti sono troppo vicini gli uni agli altri e ostruiscono il flusso dell'aria.
Si sono inseriti alimenti troppo caldi o una quantità eccessiva di alimenti nel frigorifero.
Lo sportello non è stato chiuso correttamente.
Le guarnizioni dello sportello sono danneggiate.
La ventilazione è insufficiente.
Il frigorifero è stato installato troppo vicino alla parete o ad altri oggetti (sopra o ai lati).
La manopola di regolazione della temperatura non è stata impostata correttamente.
4. Se l'acqua prodotta durante lo sbrinamento cade nel frigorifero e sul pavimento:
Verificare che il tubo e l'apertura di scarico non siano danneggiati.
Verificare che il contenitore di raccolta dell'acqua sia stato posizionato correttamente.
5. Se si forma condensa sulle superfici esterne del frigorifero:
La condensa può talvolta formarsi sulle superfici esterne del frigorifero se l'umidità è molto alta o l'ambiente è molto umido.
Questa condensa è simile a quella che si forma quando si versa acqua fredda in un bicchiere e non indica quindi un problema del frigorifero. Rimuovere la condensa con un panno asciutto.
6. Se si sente un rumore simile all'acqua che scorre:
Questo rumore è generalmente prodotto dal refrigerante che scorre e non indica un guasto.
7. Se il pannello laterale del vano si riscalda:
Il pannello laterale del vano si riscalda quando si apre e si chiude frequentemente la porta, quando si accende l'unità o se la temperatura ambientale esterna è molto alta. In questo caso, è opportuno non toccare il pannello. Il surriscaldamento del pannello è prodotto dalla dissipazione del calore all'interno del vano e non indica un guasto.

7. Specifiche tecniche

*Per informazioni dettagliate sulle specifiche tecniche, fare riferimento alla targhetta applicata sul retro del frigorifero.

*Le specifiche possono essere modificate senza preavviso.

Nous vous remercions d'avoir acheté ce produit.

Avant d'utiliser votre réfrigérateur, veuillez lire attentivement ces instructions d'utilisation afin de maximiser ses performances. Conservez cette documentation pour pouvoir vous y référer ultérieurement et pour les éventuels futurs propriétaires. Ce produit est destiné uniquement à un usage domestique ou autres usages similaires tels que :

- l'espace cuisine réservé au personnel dans un magasin, des bureaux ou autres lieux de travail,
- dans les fermes-auberges, pour la clientèle des hôtels, motels et autres lieux de type résidentiel,
- dans les chambres d'hôtes.
- Chez les traiteurs et autres services similaires, ce produit ne convient pas à la vente au détail.

Cet appareil doit être utilisé uniquement pour conserver de la nourriture ; tout autre usage est considéré comme dangereux et le fabricant ne sera pas tenu responsable en cas de mauvaise utilisation. Il est donc recommandé de prendre connaissance des conditions de garantie.

INFORMATIONS DE SÉCURITÉ

Le réfrigérateur contient des gaz réfrigérants (R600a : isobutène) et des gaz isolants (cyclopentane), respectueux de l'environnement mais qui sont toutefois inflammables.

Nous vous recommandons de suivre les instructions ci-dessous de manière à éviter toute situation dangereuse :

Avant toute intervention, débranchez le cordon d'alimentation de la prise murale.

- **Le système de réfrigération positionné derrière et dans l'appareil contient le réfrigérant. De ce fait, il est conseillé d'éviter d'endommager les tuyaux.**
- **Si une fuite est détectée dans le système de réfrigération, ne touchez pas la prise murale et n'utilisez pas de flammes nues. Ouvrez la fenêtre et aérez la pièce. Appelez ensuite le Centre de service pour demander une réparation.**
- **Ne grattez pas avec un couteau ou un autre objet pointu pour enlever le givre ou la glace qui se forme. Vous pourriez endommager le circuit réfrigérant. Toute fuite de liquide réfrigérant pourrait provoquer un incendie ou vous blesser au niveau des yeux.**
- **N'installez pas l'appareil dans un endroit humide, gras ou poussiéreux et ne l'exposez pas à la lumière directe du soleil ni à l'eau.**
- **N'installez pas l'appareil à proximité de sources de chaleur ou de matériaux inflammables.**
- **N'utilisez pas de rallonges ou d'adaptateurs.**
- **Ne tirez pas et ne pliez pas excessivement le cordon d'alimentation et ne touchez pas la prise avec les mains mouillées.**
- **N'endommagez pas la prise et/ou le cordon d'alimentation ; cela pourrait provoquer des chocs électriques ou des incendies.**
- **Il est recommandé de maintenir la prise propre ; les résidus excessifs de poussière sur la prise peuvent provoquer un incendie.**

- **N'utilisez pas d'outils mécaniques ou autres équipements pour accélérer le processus de dégivrage.**
- **N'utilisez jamais de flamme nue ou d'équipements électriques, par exemple des appareils de chauffage, des nettoyeurs à vapeur, des bougies, des lampes à huile et autres objets similaires pour accélérer le dégivrage.**
- **N'utilisez pas et ne stockez pas d'aérosols inflammables, tels que des pulvérisateurs de peinture, à proximité de l'appareil, car cela pourrait provoquer une explosion ou un incendie.**
- **N'utilisez pas d'appareils électriques dans les compartiments de conservation de la nourriture, excepté s'ils sont du type recommandé par le fabricant.**
- **Ne déposez pas et ne stockez pas de matériaux inflammables ou hautement volatils tels que de l'éther, de l'essence, du GPL, du gaz propane, des aérosols, des colles, de l'alcool pur, etc. Ces matériaux peuvent provoquer une explosion.**
- **Ne stockez pas de médicaments ou de matériels de recherche dans l'appareil. Lorsqu'un matériel nécessitant un contrôle strict des températures de conservation doit être conservé, il est possible qu'il se détériore ou qu'une réaction non contrôlée survienne pouvant entraîner des risques.**
- **N'obstruez pas les orifices d'aération dans l'appareil ou dans la structure dans laquelle il est intégré.**
- **Ne placez pas d'objets et/ou de récipients remplis d'eau au-dessus de l'appareil.**
- **N'effectuez pas de réparations sur cet appareil. Toutes les interventions doivent être réalisées par un personnel qualifié uniquement.**
- **Cet appareil peut être utilisé par des enfants âgés de 8 ans et plus et des personnes dont les capacités physiques, sensorielles ou mentales sont réduites, ou des personnes dénuées d'expérience et de connaissances, à condition qu'ils aient été informés de la manière d'utiliser l'appareil en toute sécurité et qu'ils comprennent les risques impliqués.**
- **Les enfants ne doivent pas jouer avec l'appareil. La maintenance et le nettoyage ne doivent pas être effectués par des enfants sans surveillance.**

MISE AU REBUT DE L'ANCIEN APPAREIL



Cet appareil est marqué conformément à la directive européenne 2012/19/EU sur les déchets des équipements électriques et électroniques (DEEE). Les DEEE couvrent à la fois les substances polluantes (pouvant avoir des retombées négatives sur l'environnement) et les composants de base (pouvant être réutilisés). Il est important de soumettre les DEEE à des traitements spécifiques, afin d'enlever et éliminer tous les polluants de manière adéquate et de récupérer et recycler tous les matériaux. Chacun peut jouer un rôle important afin de garantir que les DEEE ne deviennent pas un problème pour l'environnement ; il est essentiel de respecter quelques règles de base :

- Les DEEE ne doivent pas être traités comme des déchets ménagers ;
- Les DEEE doivent être remis aux points de collecte appropriés gérés par la municipalité ou par des sociétés reconnues. Dans de nombreux pays, pour des DEEE encombrants, la collecte à domicile peut être organisée.

Dans de nombreux pays, lorsque vous achetez un nouvel appareil, l'ancien peut être retourné au détaillant qui est en devoir de le récupérer sans frais de manière individualisée, tant que l'équipement est de type équivalent et a les mêmes fonctions que l'équipement fourni.

Conformité CE

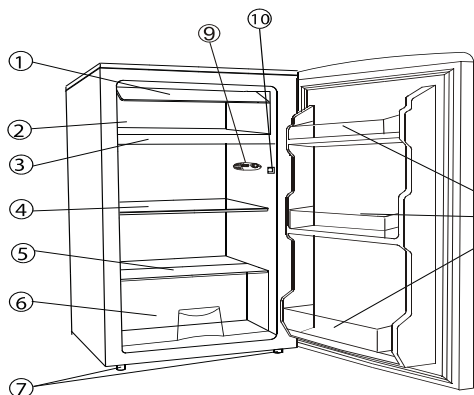


En apposant la marque CE sur ce produit, nous confirmons la conformité à toutes les exigences européennes concernant la protection de l'environnement et de la santé et de la sécurité, applicables selon la loi à ce produit.

ÉCONOMIES D'ÉNERGIE

- Pour faire davantage d'économies d'énergie, nous suggérons :
- **Installez l'appareil dans un endroit aéré, loin de sources de chaleur et ne l'exposez pas à la lumière directe du soleil.**
- **Évitez de mettre de la nourriture chaude dans le réfrigérateur pour éviter d'accroître la température intérieure et, par conséquent, de faire fonctionner le compresseur en permanence.**
- **Ne tassez pas trop les denrées conservées de manière à garantir une circulation de l'air correcte.**
- **Si de la glace s'est formée, dégivrez l'appareil (voir le paragraphe DÉGIVRAGE) pour faciliter le transfert du froid.**
- **En cas de coupure de l'alimentation électrique, il est conseillé de garder la porte du réfrigérateur fermée.**
- **Ouvrez ou laissez la porte du réfrigérateur ouverte le moins possible.**
- **Évitez de régler le thermostat à des températures trop basses.**
- **Retirez la poussière accumulée à l'arrière de l'appareil (voir le paragraphe NETTOYAGE)**
- **Total No Frost Audy (affichage sur la porte) : retirer tous les paniers du congélateur ;**
- **Total No Frost (avec interface utilisateur interne pour le réfrigérateur et bouton de réglage pour le congélateur) : retirer les autres paniers du congélateur mais garder le tiroir inférieur en place.**
- **Modèle Frost Free : retirer les autres paniers du congélateur mais garder le tiroir inférieur en place.**
- **Tous les modèles statiques normaux : retirer tous les tiroirs du congélateur.**

1/ VUE D'ENSEMBLE DE L'APPAREIL



- 1/ Porte du compartiment congélateur
- 2/ Compartiment congélateur
- 3/ Plateau anti-gouttes
- 4/ Étagère en verre
- 5/ Clayette de couverture du bac à légumes en verre
- 6/ Bac à légumes
- 7/ Pieds réglables
- 8/ Balcons de bouteille
- 9/ Contrôle des températures
- 10/ Poignée

2/ INSTRUCTIONS D'INSTALLATION

Une bonne ventilation

Pour des raisons de sécurité, d'économies d'énergie et de longévité de votre appareil, vous devez veiller à laisser un espace suffisant sur les côtés et à l'arrière de l'appareil : au moins 100mm entre l'arrière de l'appareil et le mur ainsi que sur les côtés, et au moins 200mm au-dessus de l'appareil. Un espace suffisant doit également être prévu pour permettre une ouverture de porte à 160°.

Alimentation électrique

L'appareil est seulement compatible avec une prise de 220-240V~/50Hz ; 230V~/60Hz. Si vous souhaitez brancher votre réfrigérateur dans un lieu où le voltage ou la fréquence sont différents de ceux précédemment préconisés, il est important, par mesure de sécurité, que vous vous rapprochiez d'un électricien ou d'un professionnel qualifié de manière à faire les adaptations nécessaires.

Cordon d'alimentation

Le fil ne doit pas être plié lorsque l'appareil est en service ni rallongé. Par ailleurs, il est important de veiller à ce que le fil ne soit pas proche ou ne touche pas le compresseur à l'arrière de l'appareil car il peut chauffer lorsqu'il fonctionne et l'isolant peut ainsi s'altérer et provoquer une fuite électrique.

Protection de l'humidité

Évitez de placer l'appareil dans une pièce où il y a un fort taux d'humidité afin de minimiser la possibilité qu'une pièce métallique ne rouille. Il est également impératif de veiller à ce que l'appareil ne soit pas éclaboussé d'eau. Cela pourrait impacter le pouvoir d'isolation et causer une perte d'énergie.

Protection de la chaleur

Le réfrigérateur ne doit pas être directement exposé à une source de chaleur et aux rayons du soleil.

La surface au sol

La surface sur laquelle le réfrigérateur est positionné doit être parfaitement plate et solide. Il ne doit absolument pas être posé sur une surface instable. Les pieds de l'appareil vous permettent d'ajuster sa hauteur à souhait.

Eviter tout danger

Il est déconseillé de placer le réfrigérateur à proximité d'un quelconque combustible tel que du gaz, de l'essence, de l'alcool... Ces derniers ne doivent pas non plus être stockés dans votre appareil.

Déplacer l'appareil

Ne couchez pas l'appareil horizontalement ou à un angle inférieur à 45° lorsque vous le déplacez.

3/ PRECAUTIONS D'EMPLOI

- L'eau contenue dans les aliments ou dans l'air du réfrigérateur est susceptible de former une couche de glace à l'intérieur de l'appareil. Une fine couche affaiblira légèrement la puissance du réfrigérateur. Il est nécessaire de procéder à un dégivrage lorsqu'elle atteint une épaisseur de 2mm.
- Le dégivrage du compartiment congélateur doit être effectué manuellement. Avant d'y procéder, veillez à enlever toute la nourriture se trouvant dans l'appareil ainsi que le bac à glaçons et les étagères, puis tournez le bouton de contrôle sur la position « 0 » (l'appareil s'arrêtera alors de fonctionner). Il convient de laisser la porte ouverte jusqu'à ce que la totalité de la glace et du givre soit fondue. Si vous souhaitez accélérer le dégivrage, placez un récipient d'eau chaude (à environ 50°C) à l'intérieur du compartiment congélateur. Veillez à repositionner le bouton de contrôle sur la position initiale lorsque le dégivrage est terminé.
- Il est déconseillé de réchauffer le compartiment congélateur en y déposant directement de l'eau chaude ou avec un sèche-cheveux afin d'éviter la déformation de la cuve.
- Il est également déconseillé de gratter la glace et le givre ou de séparer les aliments qui se sont collés à la surface du compartiment avec des instruments coupants ou en bois ; cela risquerait d'endommager la cuve intérieure ou l'évaporateur.
- Si le câble électrique de l'appareil est endommagé, il doit impérativement être remplacé par un réparateur agréé qui est muni d'outils spécifiques adaptés.

4/ INVERSION DU SENS D'OUVERTURE DES PORTES

Votre réfrigérateur vous est livré avec les charnières de la porte montées à droite. Voici les instructions à suivre si vous désirez changer le sens d'ouverture de la porte :

- 1/ Retirer les petits caches en plastique (7) et les vis (6) qui fixent le plateau supérieur.
- 2/ Enlever les deux vis (1) qui lient la charnière supérieure (5) (côté droit) au cadre.
- 3/ Soulever la porte et la placer dans un endroit sûr pour éviter de l'abîmer.
- 4/ Retirer les deux vis (8) qui tiennent la charnière inférieure et enlever cette charnière (2).
- 5/ Enlever le pied gauche avant (4) et le repositionner du côté droit.
- 6/ Avant de replacer la charnière inférieure (2), enlever l'écrou et inverser le sens de la charnière (2). Puis installer cette dernière du côté gauche à l'aide de deux vis (8).
- 7/ Revisser l'écrou (9) de la charnière inférieure (2).
- 8/ Replacer la porte en veillant à ce qu'elle s'encastre bien dans la charnière inférieure (2).
- 9/ Après avoir repoussé la porte pour la fermer, replacer la charnière supérieure (5) du côté gauche avec deux vis (1). Veiller à ne pas resserrer les deux vis (1) avant que le positionnement du haut de la porte ne soit ajusté avec celui du plateau supérieur.
- 10/ Réinstaller le plateau sur le dessus de l'appareil avec des vis (6), puis remettre les petits caches en plastique à leurs emplacements (7).
- 11/ Déplacer la poignée de la porte du côté gauche au côté droit.

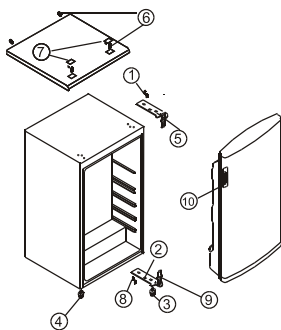


Schéma 1

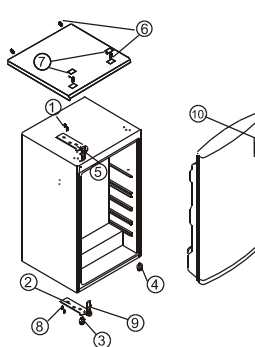


Schéma 2

Schéma 1 – Positionnement de chaque pièce avant l'inversion du sens d'ouverture.
Schéma 2 – Positionnement de chaque pièce après l'inversion du sens d'ouverture.

5/ ENTRETIEN DE L'APPAREIL

Il convient de nettoyer votre appareil à l'aide d'un chiffon doux.

En cas de non-utilisation prolongée

1/ Vider le réfrigérateur

2/ Débrancher l'appareil de la prise de courant.

3/ Dégivrer et nettoyer l'intérieur de l'appareil.

4/ Laisser la porte entrouverte pour prévenir de la formation moisissure, d'odeurs inopportunes ou d'oxydation.

5/ Nettoyer l'appareil :

- Laver l'intérieur du compartiment congélateur lorsque ce dernier est dégivré.
- Laver l'intérieur du compartiment réfrigérateur avec une éponge mouillée et/ou un détergent doux. Rincer et essuyer avec un chiffon.
- Ne pas utiliser de produits abrasifs pour rincer ou enlever les tâches tels que de l'acétone, du trichloréthylène ou du vinaigre.

Remplacement d'une ampoule

Lors du remplacement de l'ampoule, débrancher l'appareil et procéder comme suit :

Enlever le cache sur le côté du bloc où se trouve l'ampoule.

Remplacer l'ampoule avec une nouvelle de 10W maximum.

Remettre le cache et attendre 5 minutes avant de rebrancher l'appareil.

6/ DYSFONCTIONNEMENTS EVENTUELS

Vous pouvez résoudre facilement la plupart des problèmes classiques de votre réfrigérateur, en vous économisant un appel au service après-vente.

Prenez soin de lire attentivement les informations ci-dessous avant d'appeler votre service après-vente.

PROBLEME	CAUSE POSSIBLE
Le réfrigérateur ne fonctionne pas.	<ul style="list-style-type: none">- Vérifier qu'il soit bien branché.- Vérifier que le bouton soit bien en position de marche.- Vérifier que le disjoncteur de la maison n'ai pas sauté ou qu'un fusible ne soit pas grillé.
Le réfrigérateur est trop froid.	<ul style="list-style-type: none">- Le bouton de contrôle du thermostat est peut-être réglé sur une position trop élevée.- Si vous placez des aliments très humides directement sous les ouïes d'évacuation d'air, ils sont susceptibles de congeler facilement. Cela n'est pas témoin d'un mauvais fonctionnement.
Le réfrigérateur n'est pas assez froid.	<ul style="list-style-type: none">- Les aliments sont peut-être stockés trop près les uns des autres, ce qui empêche une bonne circulation de l'air.- Vous avez peut-être mis de la nourriture chaude dans votre réfrigérateur ou stocké un trop grand nombre d'aliments.- La porte n'est pas correctement fermée.- Les joints des portes sont endommagés.- Le réfrigérateur n'est peut-être pas suffisamment ventilé. <p>Veillez à respecter une espace suffisant entre l'appareil et les éléments qui l'entourent.</p> <ul style="list-style-type: none">- Le bouton de contrôle du thermostat est-il bien réglé ?
L'eau de dégivrage se déverse par terre ou dans l'appareil.	<ul style="list-style-type: none">- Vérifier que le tuyau et le trou d'évacuation ne sont pas bouchés.- Vérifier que le récipient de récupération d'eau est correctement positionné.
De la condensation apparaît à l'extérieur de l'appareil.	<ul style="list-style-type: none">- De la condensation est susceptible d'apparaître quand l'air a un taux d'humidité élevé (notamment pendant la saison des pluies). <p>Ce phénomène n'est pas le signe d'un problème. Il suffit d'essuyer l'humidité avec un chiffon propre.</p>
Vous entendez un bruit d'eau.	Ce bruit d'eau est du au fonctionnement du circuit de réfrigération et est normal.
La carrosserie de l'appareil se réchauffe.	Les côtés dû réfrigérateur peuvent se réchauffer si vous ouvrez et fermez trop fréquemment la porte, lorsque vous allumer l'appareil ou que ce dernier fonctionne en été alors qu'il fait très chaud. Dans ce cas, ne touchez pas les côtés de l'appareil. Cela résulte de la dissipation de la chaleur contenue dans l'appareil et ne signale en aucun cas un dysfonctionnement.

7/ SPECIFICATIONS TECHNIQUES

Pour des spécifications techniques détaillées, merci de vous référer à la plaque de données située à l'arrière du produit.

Les spécifications techniques du produit sont susceptibles de changer en raison d'améliorations constantes.

Vă mulțumim că ați cumpărat acest produs.

Înainte de a utiliza frigiderul, citiți cu atenție acest manual de instrucțiuni pentru a obține o performanță maximă. Păstrați toate documentele pentru o utilizare ulterioară sau pentru alți proprietari ai produsului. Acest produs este destinat exclusiv uzului casnic sau unor aplicații similare, cum ar fi:

- zona de bucătărie pentru angajații unui magazin, birou sau altor medii de lucru;
- în ferme, de către clienții hotelurilor, motelurilor sau altor medii de tip rezidențial;
- la unități de cazare cu mic dejun inclus (bed and breakfast -B&B)
- Pentru servicii de catering și aplicații similare și nu pentru vânzarea cu amănuntul.

Aparatul trebuie utilizat doar pentru a depozita alimente și orice altă utilizare este considerată periculoasă, iar producătorul nu va fi răspunzător pentru nicio omisiune. De asemenea se recomandă să citiți condițiile privind garanția.

INFORMAȚII PRIVIND SIGURANȚA

Frigiderul conține un gaz de răcire (R600a: izobutan) și un gaz izolant (ciclopentan), care nu afectează în niciun fel mediul dar care sunt inflamabile.

Vă recomandăm să respectați următoarele reguli pentru a evita situațiile care vă pot pune în pericol:

Înainte de a efectua orice operație, scoateți cablul de alimentare din priza de curent.

- **Sistemul de răcire amplasat în spatele și în interiorul aparatului conține un agent de răcire. Prin urmare, evitați deteriorarea țevilor.**
- **Dacă se observă o scurgere în sistemul de răcire, nu atingeți priza de perete și nu folosiți flacăra deschisă. Deschideți fereastra și lăsați aerul curat să pătrundă în încăperea. Apoi apelați un centru de service pentru a solicita repararea aparatului.**
- **Nu folosiți cuțite sau alte obiecte ascuțite pentru a îndepărta gheața formată. Acestea pot deteriora circuitul de răcire, iar scurgerea acestuia poate duce la apariția unui incendiu sau vă poate afecta ochii.**
- **Nu instalați aparatul în locuri cu umezeală, grăsimi sau praf și nu îl expuneți la razele directe ale soarelui sau la apă.**
- **Nu instalați aparatul în apropierea radiatoarelor sau materialelor inflamabile.**
- **Nu folosiți prelungitoare sau adaptoare.**
- **Nu trageți excesiv de cablul de alimentare, nu îl îndoiiți și nu atingeți ștecherul cu mâinile ude.**
- **Nu deteriorați ștecherul și/sau cablul de alimentare, deoarece astfel se pot produce electrocutări sau incendii.**
- **Se recomandă să mențineți ștecherul curat; orice reziduuri excesive de praf de pe acesta pot conduce la apariția unui incendiu.**
- **Nu utilizați dispozitive mecanice sau alte echipamente pentru a grăbi procesul de dezghețare.**

- Evitați sub orice formă utilizarea flăcării deschise sau a echipamentelor electrice, cum ar fi radiatoare, aparate de curățat cu aburi, lumânări, lămpi cu petrol și altele pentru a grăbi etapa de dezghețare.
- Nu utilizați și nu depozitați sprayuri inflamabile, cum ar fi sprayurile cu vopsea, în apropierea aparatului, deoarece ar putea produce o explozie sau un incendiu.
- Nu utilizați aparatură electrocasnică în interiorul compartimentelor de depozitare a alimentelor, cu excepția cazului când aparțin categoriei recomandate de către producător.
- Nu așezați și nu depozitați materiale inflamabile sau foarte volatile, ca de exemplu eter, benzină, GPL, gaz propan, recipiente pentru pulverizare cu aerosoli, adezivi, alcool pur etc. Aceste materiale pot produce o explozie.
- Nu depozitați medicamente sau materiale de cercetare în aparatul electrocasnic. Atunci când trebuie depozitat un material care necesită un control strict al temperaturii de depozitare, este posibil ca acesta să se deterioreze sau să aibă loc o reacție necontrolată care să implice riscuri.
- Nu obstrucționați orificiile de ventilație din carcasa aparatului sau din structura incorporabilă.
- Nu așezați obiecte și/sau recipiente umplute cu apă pe partea superioară a aparatului.
- Nu efectuați reparații asupra acestui aparat electrocasnic. Toate intervențiile trebuie efectuate doar de către personal calificat.
- Acest aparat poate fi folosit de copii cu vârste de peste 8 ani și de persoane cu abilități fizice, senzoriale sau mentale sau lipsite de experiență și cunoștințe doar dacă sunt supravegheate sau instruite corespunzător cu privire la utilizarea în siguranță a aparatului și dacă înțeleg pericolele aferente.
- Este interzis copiilor să se joace cu acest aparat. Curățarea și întreținerea efectuate de către utilizator nu se vor face de către copii fără a fi supravegheați

CASAREA APARATULUI VECHI



Prezentul aparat este marcat în conformitate cu Directiva europeană 2012/19/UE privind Deșeurile de echipamente electrice și electronice (DEEE).

DEEE conțin atât substanțe poluante (care au consecințe negative asupra mediului), cât și componente de bază (care pot fi refolosite). Este important ca DEEE să fie supuse unor tratamente specifice, pentru a elimina corect toate elementele poluante și pentru a recupera și recicla toate materialele. Persoanele joacă un rol important, asigurându-se că DEEE nu devin o problemă de mediu; este foarte important să respectați anumite reguli de bază:

- DEEE nu trebuie tratate ca deșeurii menajere;
- DEEE trebuie trimise la puncte de colectare corespunzătoare, gestionate de primăria sau de companiile autorizate. În numeroase țări, pentru DEEE mari este posibilă colectarea de la domiciliu.

În multe țări, atunci când cumpărați un aparat electrocasnic nou, cel vechi poate fi returnat distribuitorului, care trebuie să îl colecteze gratuit la schimb, în măsura în care echipamentul este de tip similar și are aceleași funcții cu echipamentul livrat.

Conformitatea cu CE

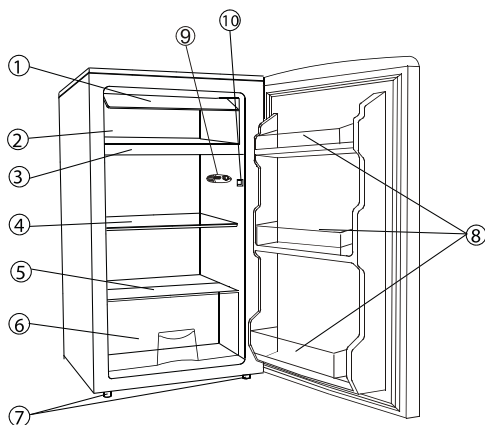


Prin amplasarea marcatului **CE** pe acest produs, confirmăm faptul că îndeplinim toate cerințele europene relevante privind siguranța, sănătatea și mediul, aplicabile în legislația referitoare la acest produs.

ECONOMIA DE ENERGIE

- Pentru o mai bună economisire a energiei, vă recomandăm:
- Să instalați aparatul departe de sursele de căldură, să nu fie expus la razele directe ale soarelui și să fie amplasat într-un spațiu bine ventilat.
- Să evitați să puneți alimente fierbinți în frigider pentru a evita creșterea temperaturii din interior și, prin urmare, să determinați funcționarea continuă a compresorului.
- Să nu introduceți cantități excesive de alimente, pentru a permite o bună circulație a aerului.
- Să dezghețați aparatul dacă se formează gheață (a se vedea DECONGELAREA), pentru a facilita transferul aerului rece.
- Dacă apare o pană de curent, se recomandă să mențineți închisă ușa frigiderului.
- Să deschideți sau lăsați deschise ușile aparatului cât mai puțin timp posibil.
- Să evitați să reglați setările pentru temperatură pe valori prea mici.
- Să îndepărtați praful din partea posterioară a aparatului (a se vedea CURĂȚAREA).
- Total no frost Audy (cu afișaj pe ușă): îndepărtați toate coșurile din compartimentul congelator;
- Total no frost (cu interfață internă cu utilizatorii pentru frigider și buton pentru congelator): îndepărtați toate coșurile din compartimentul congelator, însă mențineți poziția sertarului inferior.
- Model fără gheață: îndepărtați restul coșurilor din compartimentul congelator, însă mențineți poziția sertarului inferior.
- Toate modelele statice normale: îndepărtați toate sertarele din compartimentul congelator.

1. Numele părților componente



1. Ușă compartiment congelator
2. Compartiment congelator
3. Tavă colectoare
4. Rafturi de sticlă
5. Capac din sticlă
6. Cutie legume și fructe
7. Picioare reglabile
8. Sticlă cu balcoane
9. Buton control temperatură
10. Buton ușă

2. Poziționare corespunzătoare

Aerisire corespunzătoare

Trebuie să existe o aerisire corespunzătoare în jurul frigiderului pentru disiparea corespunzătoare a căldurii, pentru eficiență maximă a frigiderului cu un consum redus. Lăsați un spațiu suficient în jurul frigiderului. În spate trebuie să existe un spațiu de cel puțin 100 mm față de perete iar în părțile laterale de minim 200 mm. Trebuie să fie lăsat un spațiu deschis pentru a deschide ușile la 160°.

Alimentare

Frigiderul poate fi alimentat de la o sursă de alimentare ce furnizează un curent alternativ monofazic (220-240)V ~/50Hz; 230V~/60Hz. Dacă fluctuațiile sunt mari, pentru siguranța dumneavoastră aplicați un dispozitiv de reglare al voltajului pentru frigider. Acesta trebuie să utilizeze o priză special în locul celei normale împreună cu alte echipamente electrice. Ștecherul trebuie să se potrivească cu priza prevăzută cu împământare.

Cablu alimentare

Cablul nu trebuie să fie prelungit sau îndoit în timpul utilizării. Este interzisă așezarea cablului prea aproape de compresorul din partea din spate a frigiderului deoarece suprafața acestuia este ridicată în timpul utilizării. Aingerea poate dezactiva izolația sau se pot produce scurgeri de electricitate.

Protecția împotriva umezelii

Evitați așezarea frigiderului în locuri cu multă umezeală pentru a reduce posibilitatea de ruginire a părților metalice. Mai mult, este interzisă stropirea frigiderului cu apă deoarece în cazul unei izolații necorespunzătoare, se pot produce scurgeri de energie.

Protejarea împotriva căldurii

Frigiderul trebuie să fie instalat la distanță de sursele de căldură sau de acțiunea directă a soarelui.

Suport stabil

Pardoseala pe care este așezată aparatul trebuie să fie dreaptă și solidă. Nu trebuie să fie așezat pe un material moale cum ar fi plasticul spumă, etc. Dacă frigiderul nu se află la același nivel, ajustați șuruburile corespunzător. Frigiderul nu trebuie să fie așezat în locuri unde se poate produce ecou.

Protejați aparatul de pericole

Nu este recomandabil ca frigiderul să fie așezat în apropierea produselor volatile sau combustibile cum ar fi gaz, petrol, alcool, lacuri, etc. Obiectele menționate mai sus nu pot fi depozitate în frigider.

Transportarea

Atunci când este fixat sau este transportat, frigiderul nu poate fi setat orizontal sau înclinat la un unghi mai mare de 45° sau cu partea de jos în sus.

3. Avertizări

- Apa din alimente sau cea din aerul care pătrunde în frigider prin deschiderea ușii poate duce la formarea unui strat de gheață în interior. Va fi redusă capacitatea frigiderului atunci când stratul de gheață este gros. Atunci când aceasta depășește 2mm grosime, trebuie să fie decongelată.
- Decongelarea din compartimentul congelatorului este realizată manual. Înainte de decongelare, scoateți alimentele, tava pentru gheață și rafturile în compartimentul pentru depozitare rece apoi setați butonul pentru temperatură pe poziția „0” (compresorul s-a oprit din funcționare) și lăsați ușa deschisă până când gheața este topită din partea de jos a congelatorului, ștergeți cu un material moale. În cazul în care doriți să grăbiți procesul de decongelare, puteți introduce un recipient cu apă caldă (în jur de 50°C) în compartimentul congelatorului și setați butonul pentru temperatură în poziția originală după decongelare.
- Nu este recomandabil să încălziți compartimentul congelatorului în mod direct cu apă caldă sau cu un uscător de păr în timpul decongelării pentru a preveni deformarea carcsei.
- Nu este recomandabil să îndepărtați gheața sau să separați alimentele din recipiente care au fost congelate împreună cu obiecte ascuțite deoarece puteți avaria carcasa sau suprafața evaporatorului.

4. Schimbarea sensului de deschidere a ușii

Acest frigider a fost prevăzu cu balamale pentru ușa în partea dreaptă. Dacă doriți să modificați direcția de deschidere, respectați instrucțiunile de mai jos:

1. Îndepărtați dispozitivele mici din plastic (7) și șuruburile (6) care fixează suprafața de lucru și dezasamblați suprafața de lucru.
2. Îndepărtați cele două șuruburi (1) care susțin balamaua superioară (5) (partea dreaptă) de cadru. Scoateți balamaua superioară (5).
3. Ridicați ușa și așezați-o pe o suprafață moale pentru a împiedica zgârierea.
4. Îndepărtați cele două șuruburi (8) care susțin balamaua inferioară (2). Asigurați-vă de faptul că ați îndepărtat balamaua inferioară (2).
5. Îndepărtați piciorul din față stânga (4) și transferați-l în partea dreaptă.
6. Înainte de a fixa balamaua inferioară (2), îndepărtați bolțul (9) și inversați direcția balamalei inferioare (2). Instalați balamaua inferioară (2) în partea stângă a cadrului inferior cu două șuruburi (8).
7. Introduceți bolțul (9) în balamaua de jos (2).
8. Fixați ușa asigurându-vă de faptul că ușa se sprijină în balamaua de jos (2).
9. Atunci când susțineți ușa în poziția închisă, fixați balamaua superioară (5) în cadrul de sus în partea stângă a celor două șuruburi (1). Nu uitați să strângeți cele două șuruburi (1) până când partea superioară este așezată la nivel cu suprafața de lucru.
10. Instalați suprafața de lucru în partea de sus a carcasi cu ajutorul șuruburilor (6) și acoperiți cu dispozitivele mici din plastic (7).
11. Îndepărtați mânerul (10) din partea stângă pe partea dreaptă.

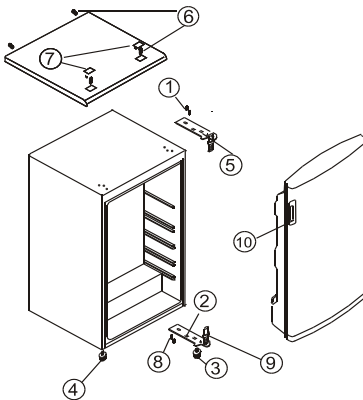


FIGURA 1

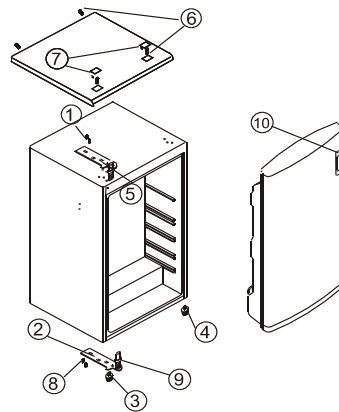


FIGURA 2

FIGURA 1 – REPREZINTĂ POZIȚIA COMPONENTELOR ÎNAINTE DE INVERSAREA SENSULUI DE DESCHIDERE AL UȘII.

FIGURA 2 – REPREZINTĂ POZIȚIA COMPONENTELOR DUPĂ INVERSAREA SENSULUI DE DESCHIDERE AL UȘII.

5. Întreținere

Curățați partea exterioară cu ajutorul unui material moale.

Aparatul nu va fi utilizat o perioadă îndelungată de timp

1. Goliți frigiderul.
2. Deconectați cablul de alimentare din priză.
3. Decongețați și curățați partea interioară.
4. În cazul unei perioade îndelungate de neutilizare, lăsați ușa deschisă pentru a preveni formarea de mucegai, mirosuri neplăcute sau oxidare.
5. Curățați aparatul.

Curățați partea interioară a compartimentului cu temperatură scăzută (dacă există) atunci când decongețați.

Curățați în mod periodic interiorul compartimentului frigiderului cu ajutorul unui burete umezit cu apă caldă și / sau detergent neutru. Clătiți și ștergeți cu ajutorul unui material moale. Nu utilizați produse abrazive. Nu utilizați produse abrazive, produse pentru îndepărtarea petelor, de exemplu acetonă, tricloretilenă sau oțet.

Înlocuirea becului:

Atunci când înlocuiți becul, scoateți aparatul din priză și procedați în felul următor:

Strângeți dispozitivele din părțile laterale ale capacului becului și îndepărtați-l.

Înlocuiți becul cu unul nou de maxim 10W.

Puneți capacul la loc și așteptați 5 minute înainte de a introduce aparatul înapoi în priză.

6 . Întreținere

1. Verificați dacă frigiderul funcționează.

Verificați dacă există o întrerupere de alimentare cu energie.

Verificați dacă ștecherul este introdus în priză.

Verificați dacă siguranța este arsă.

2. Atunci când frigiderul răcește în exces.

Butonul pentru controlul temperaturii poate fi setat pe o valoare prea mare.

Dacă introduceți alimente cu un conținut mare de umezeală direct sub orificiile pentru aer rece, acesta vor îngheța ușor. Acest lucru nu reprezintă o defecțiune.

3. Atunci când frigiderul nu răcește suficient.

Alimentele pot fi ambalate prea strâns, blocând aerul rece.

Ați introdus alimente calde în frigider.

Ușa nu s-a închis corespunzător.

Frigiderul nu se aerisește corespunzător.

Nu există un spațiu suficient între frigider și suprafețele laterale sau de deasupra.

Butonul pentru controlul temperaturii se poate întâmpla să nu fie setat corespunzător.

4. Atunci când apa produsă în urma decongelării pătrunde în interiorul frigiderului și curge pe pardoseală.

Verificați dacă conducta de evacuare și furtunul de evacuare nu sunt blocate.

Verificați recipientul de colectare.

5. Atunci când se formează condensare pe partea exterioară a frigiderului.

Se poate forma condensare pe partea exterioară atunci când umiditatea este ridicată în sezonul umed de exemplu. Este același rezultat ca atunci când se formează condensare în urma turnării de apă rece în pahar. Ștergeți cu un material uscat.

6. Atunci când se aude un sunet ca și cum ar curge apa.

Se va auzi un zgomot de apă curgând. Nu indică o defecțiune.

7. Partea laterală a aparatului se încălzește.

Panoul lateral al carcasi se va încălzi atunci când ușa este deschisă sau închisă în mod frecvent, atunci când porniți aparatul și atunci când funcționează pe timpul verii, în medii cu temperatură ridicată. În acest caz, nu atingeți panoul de control. Se va disipa căldura din interiorul aparatului iar acest lucru nu reprezintă o defecțiune.

7. Specificații tehnice

* Pentru specificații tehnice mai detaliate, vezi plăcuța cu date tehnice din partea din spate a frigiderului.

* Specificațiile pot fi modificate fără o notificare prealabilă.

* Versiunea în limba engleză este de referință.

Gracias por comprar este producto.

Antes de utilizar el frigorífico, lea con atención el manual de instrucciones para aprovechar al máximo sus prestaciones. Guarde toda la documentación para utilizarla más adelante o para otros propietarios. Este producto es para uso doméstico o para aplicaciones similares exclusivamente; por ejemplo:

- Cocina para el personal de tiendas, oficinas y otros lugares de trabajo
- Fincas rústicas, clientes de hoteles, moteles y otros entornos residenciales
- Habitaciones de huéspedes (Bed and Breakfasts)
- Servicios de catering y aplicaciones similares no destinadas a la venta al por menor

Este electrodoméstico solo debe utilizarse para conservar alimentos, cualquier otro uso se considera peligroso y el fabricante no se responsabilizará cuando se incumplan las instrucciones. Asimismo, se recomienda tomar nota de las condiciones de la garantía.

INFORMACIÓN DE SEGURIDAD

El frigorífico contiene gas refrigerante (R600a: isobuteno) y gas aislante (ciclopentano) que son inflamables, a pesar de su gran compatibilidad con el medio ambiente.

Se recomienda respetar las normas siguientes para evitar situaciones de peligro:

Antes de realizar cualquier operación, desconecte el cable eléctrico de la toma de corriente.

- **El sistema de refrigeración que se encuentra detrás en el interior del aparato contiene refrigerante. Por tanto, evite dañar los tubos.**
- **Si descubre una fuga en el sistema de refrigeración, no toque la toma de corriente de la pared ni utilice llamas abiertas. Abra la ventana y permite que el lugar se ventile. Luego llame al centro de servicio para solicitar que reparen el producto.**
- **No rasque el hielo o la escarcha que se generen con cuchillos u objetos afilados para eliminarlos. Podría dañar el circuito del refrigerante y el refrigerante podría derramarse, con la consiguiente posibilidad de ocasionar un incendio o lesiones oculares.**
- **No instale el electrodoméstico en lugares húmedos, con grasa o polvo, ni lo exponga a la luz solar directa y al agua.**
- **No instale el electrodoméstico cerca de calentadores o materiales inflamables.**
- **No utilice cables prolongadores ni adaptadores.**
- **No tire del cable ni doble demasiado; tampoco debe tocar el enchufe con las manos mojadas.**
- **No permita que el enchufe o el cable eléctrico se dañen, ya que podrían producirse descargas eléctricas o incendios.**
- **Se recomienda mantener limpio el enchufe. Cualquier acumulación excesiva de polvo en el enchufe podría originar un incendio.**
- **No utilice dispositivos mecánicos ni otro equipo para acelerar el proceso de descongelación.**

- Evite por completo el uso de llamas abiertas o equipo eléctrico, como calentadores, aparatos de limpieza a vapor, velas, lámparas de aceite y similares, para acelerar la fase de descongelación.
- No utilice ni guarde aerosoles inflamables, como pintura en aerosol, cerca del electrodoméstico; podría producirse una explosión o un incendio.
- No utilice aparatos eléctricos dentro de los compartimentos para la conservación de alimentos, a menos que sean del tipo que recomienda el fabricante.
- No coloque ni guarde materiales inflamables y altamente volátiles, como éter, gasolina, LPG, gas propano, aerosoles en lata, pegamentos, alcohol puro y demás. Estos materiales podrían ocasionar una explosión.
- No guarde medicinas ni material de investigación en el electrodoméstico. Si se guarda material que requiera un control estricto de las temperaturas de conservación, es posible que se deteriore o que se produzca una reacción incontrolada peligrosa.
- Mantenga despejadas las ranuras de ventilación de la carcasa del electrodoméstico o de la estructura integrada.
- No coloque objetos o recipientes llenos de agua sobre el electrodoméstico.
- No repare este electrodoméstico. Estas intervenciones son responsabilidad exclusiva del personal cualificado.
- Este electrodoméstico pueden utilizarlo niños a partir de 8 años de edad y personas con facultades físicas, sensoriales o mentales reducidas, o con falta de experiencia y conocimiento, si lo emplean bajo supervisión adecuada o se les instruye acerca de la seguridad del producto y entienden los riesgos que comporta.
- Los niños no deben jugar con el electrodoméstico. Los niños no deberían limpiar ni mantener el producto sin supervisión.

DESGUACE DEL ELECTRODOMÉSTICO ANTIGUO



Este electrodoméstico tiene la marca de conformidad con la Directiva europea 2012/19/UE sobre residuos de aparatos eléctricos y electrónicos (RAEE). Los RAEE contienen sustancias contaminantes (que pueden tener consecuencias negativas para el medio ambiente) y componentes básicos (que pueden reutilizarse). Es importante someter los RAEE a procedimientos específicos para eliminar y desechar de manera correcta todos los contaminantes, además de recuperar y reciclar todos los materiales. Todos personalmente somos importantes cuando se trata de garantizar que los RAEE no se conviertan en un problema ambiental. Para esto, es fundamental respetar algunas reglas básicas:

- Los RAEE no deben tratarse como residuos domésticos.
- Los RAEE deben entregarse en los puntos de recogida pertinentes que gestionan los municipios o las empresas autorizadas. En algunos países existe un servicio de recogida de RAEE de gran tamaño.

En muchos países se puede entregar el electrodoméstico antiguo al comprar otro nuevo en el establecimiento, que deberá recogerlo de forma gratuita siempre que se trate de un aparato equivalente y que tenga las mismas funciones que el suministrado.

Conformidad CE

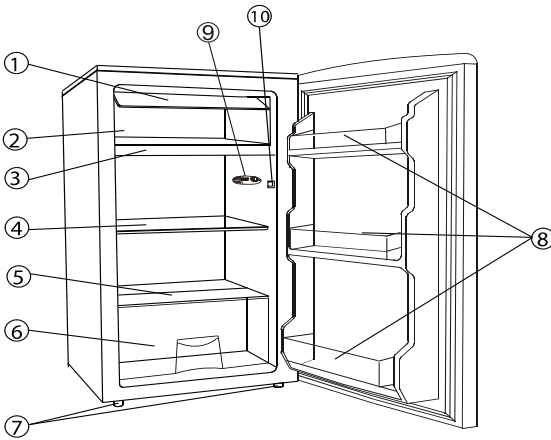


Al colocar la marca CE en este producto, ratificamos el cumplimiento todos los requisitos ambientales, sanitarios y de seguridad aplicables a este producto según la legislación europea.

AHORRO ENERGÉTICO

- Para ahorrar más energía, recomendamos lo siguiente:
- Instale el electrodoméstico en un lugar con buena ventilación, que esté lejos de fuentes de calor y no quede expuesto a la luz solar directa.
- Procure no guardar alimentos calientes en el frigorífico para evitar que la temperatura interior aumente y el compresor funcione de manera continua.
- No introduzca demasiados alimentos para garantizar una circulación de aire adecuada.
- Descongele el electrodoméstico si tiene hielo (véase DESCONGELACIÓN) para facilitar la transferencia del frío.
- Si se corta la corriente eléctrica, es aconsejable mantener las puertas del frigorífico cerradas.
- Abra las puertas o manténgalas abiertas lo menos posible.
- Evite ajustar el termostato en temperaturas demasiado bajas.
- Elimine el polvo de la parte trasera del electrodoméstico (véase LIMPIEZA).
- Total No Frost Audy (con indicador en la puerta): extraiga todas las cestas del congelador.
- Total No Frost (con interfaz de usuario interna para frigorífico y mando para congelador): extraiga las demás cestas del congelador, pero mantenga el cajón inferior colocado en su sitio.
- Modelo Frost Free: extraiga las demás cestas del congelador, pero mantenga el cajón inferior colocado en su sitio.
- Todos los modelos estáticos: extraiga todos los cajones del congelador.

PIEZAS Y FUNCIONES



1. Puerta del congelador
2. Compartimento del congelador
3. Depósito de deshielo
4. Estante de vidrio
5. Balda de cristal
6. Cajón para fruta y verdura
7. Patas de nivelación
8. Balcones de la botella
9. Regulador de temperatura
10. Interruptor de puerta

2. Colocación correcta

Buena ventilación

El frigorífico debe contar con una buena ventilación en torno al mismo para facilitar la disipación del calor, un buen rendimiento del frigorífico y un bajo consumo energético. Para ello debe disponer de hueco suficiente alrededor del frigorífico. Su parte trasera debe estar, como mínimo, a 100mm de la pared, sus laterales a un mínimo de 100mm y la parte superior a una distancia mínima de 200mm de ningún obstáculo o pared. Las puertas deben tener espacio suficiente para poder abrirse a 160°.

Suministro eléctrico

El frigorífico solo se puede utilizar con un suministro eléctrico monofásico de corriente alterna de (220 – 240) V ~ / 50Hz; 230V~ / 60Hz. Si la fluctuación de tensión en la zona donde reside el usuario fuera tan grande como para que la tensión superara el rango anterior, deberá utilizar, por motivos de seguridad, un regulador automático de tensión para CA con el frigorífico. El frigorífico debe contar con una toma de corriente especial en lugar de una estándar igual a la del resto de electrodomésticos. Su enchufe debe encajar en la toma de corriente provista de toma de tierra.

Cable de alimentación

No debe alargarse el cable ni enrollarlo en espiral mientras esté funcionando. Asimismo, está prohibido colocar el cable cerca del compresor de la parte posterior del aparato, ya que esta superficie alcanza temperaturas elevadas mientras está en funcionamiento. Si el cable llegara a entrar en contacto con esta superficie podría desactivar el aislamiento o provocar pérdidas de electricidad.

Protección contra la humedad

Procure no colocar el frigorífico en lugares de elevada humedad ambiental con el fin de reducir al mínimo la posibilidad de oxidación de las piezas metálicas. Más aún, queda terminantemente prohibido pulverizar agua directamente sobre el electrodoméstico, de lo contrario, ocasionaría daños en el aislamiento y podrían incluso provocar pérdidas de corriente.

Protección contra el calor

El frigorífico debe situarse lejos de toda fuente de calor y alejado de la luz directa del sol.

Ubicación estable

El frigorífico debe colocarse sobre un suelo liso y firme. No debe colocarse sobre materiales blandos como espuma de plástico o similares. Si el frigorífico no estuviera nivelado deberá regular los tornillos para conseguir nivelarlo. No debe situar el frigorífico cerca de un aparato que pueda vibrar.

Mantenerlo alejado de peligros

No se recomienda colocar el frigorífico cerca de materiales volátiles o combustibles como por ejemplo gas, gasolina, alcohol, lacas o aceite de plátano, etc. Los elementos anteriormente citados no pueden guardarse en el interior del frigorífico.

Manipulación

Al colocar o al mover el frigorífico no lo sitúe nunca en posición horizontal ni lo incline más de 45°.

3. Precauciones

- ❖ El agua que contienen los alimentos o que entra en el frigorífico al abrir y cerrar las puertas podría llegar a formar una capa de escarcha en el interior. Si esta capa de escarcha llegara a tener cierto espesor, influiría negativamente en el rendimiento del frigorífico. Cuando el grosor de la escarcha alcance los 2mm deberá descongelar el frigorífico.
- ❖ La descongelación del congelador se realiza manualmente. Antes de proceder a descongelarlo, saque los alimentos, la bandeja de los hielos y la balda, y déjelos temporalmente en la cámara frigorífica. Gire el regulador de temperatura para colocarlo en la posición “0” (el compresor dejará de funcionar) y deje la puerta abierta hasta que el hielo y la escarcha se disuelvan por completo y se depositen en el fondo del congelador. A continuación, seque el agua con una bayeta. Para acelerar el proceso de descongelación puede meter un recipiente con agua caliente (a unos 50° C) en el congelador y asegurarse de que el regulador de temperatura está en la posición original después de descongelarse.
- ❖ No se recomienda calentar el congelador directamente con agua caliente o con un secador de pelo mientras se está descongelando para evitar que se produzcan deformaciones en la caja interior.
- ❖ Tampoco se recomienda rascar el hielo o la escarcha ni despegar los alimentos de los recipientes donde se han solidificado con ayuda de herramientas afiladas o de madera para no causar daños en el revestimiento interior ni en la superficie del evaporador.
- ❖ Si el cable de alimentación estuviera estropeado solamente podrá ser sustituido en una tienda de reparaciones certificada por el fabricante, ya que es necesario utilizar herramientas especiales.

4. Cambiar la puerta reversible

Este frigorífico ha sido fabricado con las bisagras situadas en el lado derecho. Si quisiera cambiar el sentido de apertura de la puerta, siga las instrucciones que constan a continuación:

1. Retire la tapita de plástico (7) y los tornillos (6) que sujetan la pieza superior del frigorífico para desmontarla.
2. Quite los dos tornillos (1) que sujetan la bisagra de arriba (5) (lado derecho) al bastidor del aparato. Extraiga la bisagra superior (5).
3. Tire de la puerta hacia arriba para sacarla y apóyela en una superficie acolchada para evitar que se raye.
4. Quite los dos tornillos (8) mientras sujeta la bisagra inferior (2) No se olvide de extraer la bisagra inferior (2).
5. Quite la pata delantera izquierda (4) y cámbiela al lado derecho.
6. Antes de colocar la bisagra inferior (2) quite el pasador (9) y cambie el sentido de la bisagra inferior (2). A continuación, instale la bisagra inferior (2) en el lado izquierdo de la parte inferior del bastidor y sujétela con dos tornillos (8).
7. Introduzca el pasador (9) en la bisagra inferior (2).
8. Coloque la puerta en su sitio asegurándose de que encaja en la bisagra inferior (2)
9. Mientras sujeta la puerta en la posición de cerrado, instale la bisagra superior (5) en la parte superior izquierda del bastidor con ayuda de dos tornillos (1). No se olvide de que no debe apretar los dos tornillos (1) hasta que la parte superior de la puerta esté nivelada con la parte superior del bastidor del frigorífico.
10. Vuelva a colocar la pieza superior del electrodoméstico sujetándola con tornillos (5) y la tapita de plástico (7).
11. Cambie el asa de la puerta (10) del lado derecho al izquierdo.

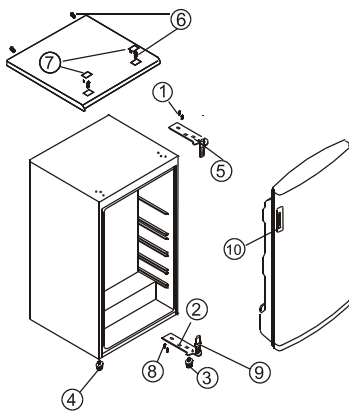


FIGURA 1

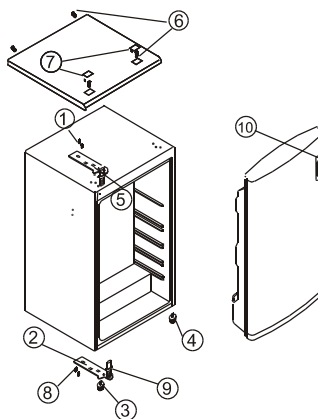


FIGURA 2

FIGURA 1 – REPRESENTA LA POSICIÓN DE LOS COMPONENTES ANTES DE CAMBIAR LA PUERTA DE POSICIÓN

FIGURA 2 – REPRESENTA LA POSICIÓN DE LOS COMPONENTES DESPUÉS DE CAMBIAR LA PUERTA DE POSICIÓN

Limpie la `parte exterior del aparato utilizando una bayeta.

Periodos prolongados sin utilizar

1. Vacíe el frigorífico.
2. Desconecte el aparato de la alimentación de corriente.
3. Descongele el aparato y limpie su interior
4. En caso de que se disponga a no utilizar el frigorífico durante un periodo prolongado, deje la puerta abierta para evitar que se formen moho o malos olores o se oxide.
5. Limpie el electrodoméstico
 - Limpie el interior del compartimento de baja temperatura (cuando lo haya) tras descongelarlo.
 - Limpie regularmente el interior del compartimento del frigorífico con una esponja humedecida en agua caliente o con un detergente neutro. Aclárelo y séquelo con una bayeta.

No utilice productos abrasivos como por ejemplo limpiadores en polvo, quitamanchas como acetona, tricloroetileno o vinagre.

Cambiar las bombillas:

Para cambiar una bombilla, desenchufe el aparato de la toma de corriente y siga estos pasos:

Presione en las pestañas situadas en los laterales de la carcasa de la bombilla y quítela. Cambie la bombilla por otra nueva de máximo 10 vatios.

Vuelva a colocar la carcasa de la bombilla en su sitio y espere 5 minutos antes de conectar el electrodoméstico de nuevo a la toma de corriente.

6. Resolución de problemas

1. Cuando el frigorífico no funciona:
 - Compruebe si hay un fallo en la alimentación eléctrica.
 - Compruebe que el enchufe está conectado al aparato y a la toma de corriente.
 - Compruebe el fusible por si estuviera fundido.
2. Cuando el frigorífico enfría demasiado:
 - Puede que el regulador de temperatura esté colocado en una temperatura demasiado alta.
 - Si coloca alimentos con un alto grado de humedad justo debajo de las salidas de aire refrigerante es muy fácil que se congelen. Esto no indica que el electrodoméstico no funcione correctamente.
3. Cuando el frigorífico no enfría lo suficiente:
 - Puede que los alimentos estén guardados demasiado juntos impidiendo circular el aire frío.
 - Puede que haya metido algún alimento caliente o demasiados alimentos en el frigorífico.
 - Puede que la puerta esté mal cerrada.
 - Puede que las juntas de la puerta estén en mal estado.
 - Puede que el frigorífico no cuente con la ventilación adecuada
 - Puede que no haya suficiente espacio entre el frigorífico y las superficies colindantes por los laterales y por la parte superior.
 - Puede que el regulador de temperatura esté en una posición inadecuada.
4. Cuando el agua del deshielo se desborda por el interior del frigorífico y por el suelo:
 - Compruebe que la tubería y el manguito de desagüe no están atascados
 - Compruebe que la bandeja de drenaje está bien colocada.
5. Cuando se forma condensación en el exterior del frigorífico:
 - Se puede formar condensación en el exterior del frigorífico cuando existe un alto grado de humedad ambiental, como por ejemplo durante la temporada de lluvias.
 - Esta condensación es la misma que se forma cuando se vierte agua muy fría en un vaso. Por consiguiente, no significa que exista un mal funcionamiento del aparato, séquelo con una bayeta.
6. Cuando oiga un sonido parecido al de agua corriendo:
 - Un sonido como el de agua corriendo se debe al fluir del refrigerante y no indica un mal funcionamiento del electrodoméstico.
7. Cuando los paneles laterales del electrodoméstico se calientan:
 - Los paneles laterales del electrodoméstico se calentarán cuando abra y cierre la puerta muchas veces, cuando ponga en marcha el aparato y cuando el electrodoméstico funcione en temporada estival con elevadas temperaturas en el exterior. En estos casos, no toque los paneles laterales, el calor que presentan se debe a la disipación del calor procedente del interior del aparato y no implica que le pase nada al frigorífico.

7. Especificaciones técnicas

* Si desea obtener las especificaciones técnicas pormenorizadas, le rogamos que se remita a la placa identificativa que encontrará en la parte posterior del electrodoméstico.

* Las especificaciones están sujetas a sufrir modificaciones sin necesidad de previo aviso.

Tack för att du köpte den här produkten.

Innan du använder ditt kylskåp ska du noggrant läsa denna bruksanvisning för att få bästa resultat. Spara all dokumentation för senare användning eller för andra användare. Den här produkten är endast avsedd för hushållsbruk eller liknande, som:

- i personalkök i butiker, på kontor och liknande platser
- på lantgårdar, på hotell eller liknande för gästernas bruk
- på bed and breakfast-inrättningar
- För cateringtjänster och liknande (förutom detaljhandel).

Apparaten får endast användas för förvaring av livsmedel. All annan användning anses farlig och tillverkaren tar inte ansvar för sådan användning. Vi rekommenderar även att du läser garantivillkoren.

SÄKERHETSINFORMATION

Kylskåpet innehåller kylmedium (R600a: isobutan) och isolerande gas (cyklopentan). Dessa är miljövänliga men brandfarliga.

Vi rekommenderar att du följer riktlinjerna nedan för att undvika farliga situationer:

- **Innan du utför åtgärder på apparaten drar du ut nätkabeln ur nätuttaget.**
- **Kylsystemet bakom och inuti apparaten innehåller kylmedium. Undvik därför att skada rören.**
- **Om du upptäcker en läcka i systemet ska du inte röra vid vägguttaget eller använda öppna lågor. Öppna fönstret och släpp in luft i rummet. Ring sedan ett servicecenter och beställ en reparation.**
- **Skrapa inte med en kniv eller andra vassa redskap för att ta bort frost eller is. Det kan skada kylkretsarna och läckaget kan orsaka en brand eller skada dina ögon.**
- **Installera inte apparaten i fuktiga, oljiga eller dammiga miljöer och utsätt den inte för direkt solljus eller vatten.**
- **Installera inte apparaten nära element eller brandfarligt material.**
- **Använd inte förlängningskablar eller adapterar.**
- **Undvik att dra eller vika nätkabeln mer än nödvändigt och rör inte vid kontakten med våta händer.**
- **Undvik att skada kontakten och/eller nätkabeln. Det kan leda till elektriska stötar eller bränder.**
- **Vi rekommenderar att du ser till att kontakten är väl rengjord**

eftersom damm på den kan orsaka brand.

- Använd inte mekaniska apparater eller annan utrustning för att få avfrostningen att gå snabbare.
- Undvik under alla omständigheter att använda öppen låga eller elektrisk utrustning som element, ångstationer, ljus, oljelampor eller annat för att få avfrostningen att gå snabbare.
- Undvik att använda eller förvara brandfarliga sprayer, exempelvis sprayfärg, nära apparaten. Det kan orsaka explosion eller brand.
- Använd inte elektriska apparater i apparatens förvaringsfack, såvida de inte är av den typ som rekommenderas av tillverkaren.
- Undvik att placera eller förvara brandfarliga eller volatila material såsom eter, bensin, gasol, propangas, aerosolsprayburkar, lim, ren alkohol osv. i kylskåpet. Sådana ämnen kan orsaka explosioner.
- Förvara inte mediciner eller forskningsmaterial i apparaten. Det finns risk för att ämnen med strikta temperaturkrav tar skada eller också kan det uppstå en okontrollerbar reaktion som i sin tur kan innebära en risk.
- Se till att ventilationsöppningarna på apparatens hölje eller inbyggnad inte är blockerade.
- Placera inte föremål eller behållare fyllda med vatten ovanpå apparaten.
- Utför inte reparationer på kylskåpet. Endast kvalificerad personal får utföra reparationer.
- Produkten får användas av barn över 8 års ålder och personer med nedsatt fysisk, sensorisk eller mental förmåga, eller som saknar nödvändig erfarenhet och kunskap, förutsatt att de får tillräckligt bistånd och anvisningar om säker användning och förstår vilka risker som finns.
- Låt inte barn leka med apparaten. Låt inte barn utföra rengöring eller underhåll utan tillsyn.

AVYTTRANDE AV GAMLA APPARATER



Apparaten är märkt enligt EU-direktiv 2012/19/EU om avfall som utgörs av eller innehåller elektrisk och elektronisk utrustning (WEEE-avfall).

WEEE-avfall innehåller både förorenande ämnen (som kan orsaka miljöskador) och grundläggande komponenter (som kan återanvändas). Det är viktigt att WEEE-avfall behandlas på rätt sätt, så att alla förorenande ämnen omhändertas och att allt material samlas in och återvinns.

Även som privatperson spelar du en viktig roll i att WEEE-avfall inte orsakar miljöskada och det är av största vikt att följa vissa grundläggande regler:

- WEEE-avfall ska inte behandlas som hushållsavfall.
- WEEE-avfall ska lämnas in på godkända kommunala eller privata återvinningsstationer. I många länder går det att beställa hämtning av större volymer WEEE-avfall.

I många länder går det att återlämna den gamla apparaten till butiken när du köper en ny. De måste då ta emot den utan extra kostnad så länge som den är av samma produktslag och har samma funktioner som den apparat som ursprungligen levererades.

Överensstämmelse

Genom att markera produkten med  bekräftar vi överensstämmelse med alla relevanta europeiska säkerhets-, hälso- och miljökrav som är tillämpliga i lagstiftningen för denna produkt.

Energibesparing

För bättre energibesparing rekommenderar vi:

Installera inte apparaten i närheten av värmekällor eller i direkt solljus, på en plats med god ventilation.

Undvik att placera varm mat i kylskåpet, för att undvika att kylskåpstemperaturen höjs och kompressorn drivs kontinuerligt.

Packa inte livsmedlen så tätt att luftcirkulationen hindras.

Frosta av apparaten om det bildats is som förhindrar att kylan sprids.

Vid strömavbrott rekommenderar vi att du håller kylskåpsdörren stängd.

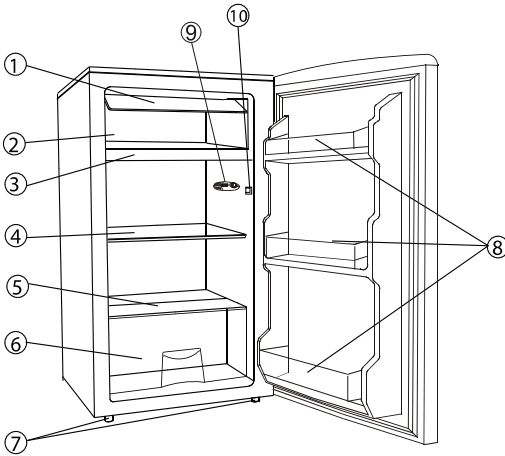
Öppna dörrarna så lite och under så kort tid som möjligt

Ställ inte in termostaten på alltför låga temperaturer.

Avlägsna damm på apparatens baksida

1. Namn på delarna

DELAR OCH FUNKTIONER



1. Dörr till frysen
2. Frysen
3. Droppuppsamlingsbricka
4. Glashylla
5. Glastäckning
6. Låda till grönsaker
7. Inställningsfötter
8. Flask balkonger
9. Knapp för inställning av temperatur
10. Strömbrytare i dörr

2. Rätt uppställning

Lämplig ventilation

En god ventilation på alla kylskåpets sidor är nödvändig för att garantera en korrekt avledning av värmen, en optimal funktion av kylskåpet och minskad elektrisk förbrukning. Av denna orsak skall man alltid lämna ett tillräckligt stort utrymme runt kylskåpets alla fyra sidor. Kylskåpets baksida skall placeras på minst 100 mm från väggen, sidorna på minst 100 mm och för den övre delen måste man bibehålla ett säkerhetsavstånd på minst 200 mm. Kom även i håg att dörren måste kunna öppnas i 160°.

Strömförsörjning

Kylskåpet kan endast strömförsörjas med enfas växelström på (220-240)V~/50Hz;230V~/60Hz. Om det på området ofta förekommer spänningssvängningar eller om spänningen överskrider de indikerade värdena, bör man installera en automatisk anordning för reglering av spänningen (växelström) för att skydda själva kylskåpet. Anslut kylskåpet till ett elektriskt separat uttag som inte används till andra elektriska apparater. Kontrollera att elproppens egenskaper motsvarar de i vägguttaget med jordanslutning.

Elektrisk sladd

Vik inte den elektriska sladden och anslut den inte till förlängningssladdar då kylskåpet är i funktion. Se dessutom noga till att den elektriska sladden placeras i närheten av kompressorn på kylskåpets baksida, eftersom denna komponents yta kan uppnå mycket höga temperaturer under användningen. En eventuell kontakt med denna komponent kan förstöra isoleringen eller orsaka läckström.

Skydd mot fukt

Installera inte kylskåpet på mycket fuktiga platser, detta även för att undvika att kylskåpets metalledlar skall rosta. Spruta inte heller vatten direkt på kylskåpet, detta för att undvika att isoleringen förstörs och läckström uppstår.

Skydd mot värme

Installera inte kylskåpet i närheten av värmekällor eller i direkt solljus.

Stabilitet

Installera alltid kylskåpet på en motståndskraftig och stabil yta. Placera inte kylskåpet på mjuka material som skum, plast eller annat material av denna typ. Om kylskåpet inte är uppriktad reglera med skruvarna. Placera inte kylskåpet i närheten av föremål som skapar eko.

Riskällor

Installera inte kylskåpet i närheten av flyktiga eller brännbara material som gas, råolja, sprit, spray, vegetabilisk olja, etc. Använd aldrig kylskåpet för att bevara dessa typer av material.

Förflyttning

Under installation eller förflyttning av kylskåpet skall det aldrig placeras horisontalt, lutas i 45 grader eller vändas upp och ned.

3. Indikation om fara

Vattnet som finns i vissa livsmedel eller i luften och som tränger in i kylskåpet när dörren öppnas kan skapa en hinna med frost inuti detta. Ett tjockt frostsikt kan mycket ofta minska kylskåpets effektivitet. Om frostsiktet överskrider 2 mm bör man frosta av kylskåpet.

Avfrostningen av frysen skall göras manuellt. Innan detta görs skall man tömma den på livsmedel, isbrickan och hyllorna, och tillfälligt placera dem i kylskåpet. Ställ alltså in knappen för reglering av temperatur på position "0" (för att stänga av kompressorn) och lämna dörren öppen tills isen smälter helt och hamnar på botten av frysen. Det är nu möjligt att torka upp vattnet med en mjuk trasa. För att göra denna operation snabbare är det möjligt att placera en behållare med varmt vatten (med en temperatur på cirka 50°C) i frysen. Kom ihåg att ställa tillbaka knappen för reglering av temperatur i den position den tidigare befann sig i efter avslutad avfrostning.

Försök inte att direkt värma upp frysen med varmt vatten eller med en hårtork för att göra avfrostningen snabbare, eftersom detta kan leda till att det inre höljet deformeras.

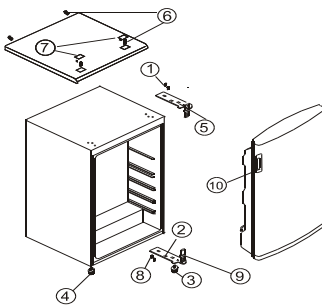
Vanligtvis rekommenderas det inte att man försöker skrapa bort isen eller frosten eller försöka lossa livsmedel från behållare med hjälp av ett spetsigt verktyg eller tråpinnar eftersom dessa operationer kan skada det inre höljet eller evaporatorns yta.

Om den elektriska sladden är skadad skall den endast bytas ut av ett av tillverkaren auktoriserat assistanscentrum. Byte av den elektriska sladden kräver användning av speciella verktyg.

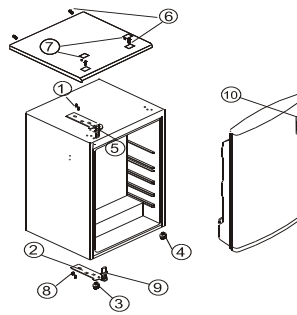
4. Att flytta dörren till den andra sidan

Detta kylskåp är utrustat med gångjärn till dörren placerade på höger sida. För att ändra riktning på dörrens öppning räcker det att utföra följande operationer:

1. Ta bort den lilla plastkåpan (7) och skruvarna (6) som håller fast arbetsytan på plats för att kunna montera ned den.
2. Ta bort de två skruvarna (1) som håller fast det övre gångjärnet (5) på plats (på höger sida) på strukturen. Ta bort det övre gångjärnet (5).
3. Lyft av dörren och placera den på en mjuk yta så att den inte repas.
4. Ta bort de två skruvarna (8) som håller fast det nedre gångjärnet (2) på plats och ta bort det.
5. Ta bort den vänstra främre foten (4) och montera på den på höger sida.
6. Innan man monterar på det nedre gångjärnet (2), skall man ta bort fäststiftet (9) och invertera riktningen för det nedre gångjärnet (2). Montera därefter på det nedre gångjärnet (2) på vänster sida på den nedre strukturen och blockera den på plats med hjälp av två skruvar (8).
7. Sätt i fäststiftet (9) i det nedre gångjärnet (2).
8. Placera dörren i position och kontrollera att den är isatt i det nedre gångjärnet (2).
9. Håll dörren stängd, sätt fast det övre gångjärnet (5) på vänster sida på den övre strukturen och blockera den på plats med hjälp av två skruvar (1). Se till att de två skruvarna (1) skruvas fast ordentligt först efter att dörren har upplinjerats med motplattan.
10. Montera på arbetsytan på den övre sektionen och sätt fast den i position med hjälp av skruvarna (6), täck den sedan med den lilla plastkåpan (7).
11. Skruva loss handtaget från dörrens vänstra sida (10) och montera på det på den högra sidan.



Figur 1



FIGUR "2"

FIGUR 1 – DELARNAS POSITION INNAN DÖRRENS ÖPPNING ÄNDRAS.

FIGUR 2 – DELARNAS POSITION EFTER ATT DÖRRENS ÖPPNING ÄNDRATS.

5. Underhåll

Rengör de yttre ytorna med en mjuk trasa.

Om kylskåpet inte skall användas under en längre period.

1. Töm kylskåpet.
 2. Koppla ur kylskåpet från det elektriska nätet.
 3. Frostas av och rengör insidan på kylskåpet.
 4. Om kylskåpet inte skall användas under en längre period skall man lämna dörren öppen för att undvika att mögel, dålig lukt och oxidering uppstår.
 5. Att rengöra kylskåpet.
 - . Rengör insidan på en låg temperatur (om befintlig).
 - . Rengör regelbundet insidan av kylskåpet med en svamp som blötts i varmt vatten och/eller ett neutralt rengöringsmedel. Skölj och torka torrt med en mjuk trasa.
- Använd inte repande produkter eller produkter som innehåller blekmedel, fläckborttagningsmedel (som aceton eller trikloretylen) eller vinäger.

Att byta lampa

Innan man byter lampor skall man koppla ur kylskåpet från det elektriska nätet. Utför sedan nedan beskrivna operationer. Tryck på flikarna på lampans skydd och ta bort det. Byt ut lamporna mot en ny med maximal effekt 10 W. Sätt tillbaka lampans skydd och vänta i 5 minuter innan du kopplar kylskåpet till det elektriska nätet igen.

6. Åtgärdande av problem

1. Om kylskåpet inte fungerar:

Kontrollera att strömförsörjningen inte är avbruten.

Kontrollera att elkontakten sitter i vägguttaget.

Kontrollera att säkringen inte är utbränd.

2. Om kyltemperaturen är alltför hög:

Kontrollera att knappen för reglering av temperaturen står på rätt värde.

Om livsmedel som innehåller mycket kondens placeras direkt under luftintagen är det möjligt att dessa fryses snabbt. Detta förhållande betyder inte att ett fel uppstått.

3. Om kyltemperaturen är alltför låg:

Livsmedlen är placerade alltför nära varandra och täpper till luftströmmen.

Alltför varm mat eller alltför mycket mat har lagts i kylskåpet.

Dörren har inte stängts på rätt sätt.

Tätninglisterna på dörren är skadade.

Ventilationen är otillräcklig.

Kylskåpet har installerats alltför nära väggen eller andra föremål

(ovanför eller på sidorna).

Inställningsknappen för temperaturen har inte ställts in på rätt sätt.

4. Om det vatten som uppstår under avfrostningen rinner ner i kylskåpet eller på golvet:

Kontrollera att slangen och avrinningsöppningen inte är skadade.

Kontrollera att vattenuppsamlingsbehållaren har placerats på rätt sätt.

5. Om kondens bildas på kylskåpets utsidor:

Kondens kan ibland bildas på kylskåpets utsidor om fuktnivån är mycket hög eller om miljön är mycket fuktig. Denna kondens liknar den som formas när man håller kallt vatten i ett glas och indikerar inte att fel uppstått med kylskåpet. Ta bort kondensen med en torr trasa.

6. Om man hör ett ljud som påminner om rinnande vatten:

Detta ljud kommer vanligtvis från kylmedlet som flyter och indikerar inte att ett fel har uppstått.

7. Om sidopanelen värms upp:

Sidopanelen värms upp när man ofta öppnar och stänger dörren, när man slår på kylskåpet eller om temperaturen i den yttre miljön är mycket hög. I detta fall bör man inte vidröra panelen. Överhettningen av panelen beror på avledning av värmen inuti kylskåpet och indikerar inte att ett fel har uppstått.

7. Tekniska detaljer

*För detaljerad information vad det gäller de tekniska detaljerna se märkplåten som sitter på kylskåpets baksida.

*Detaljerna kan ändras när som helst utan att meddelandeplikt föreligger.

Takk for at du kjøpte dette produktet.

Før du bruker kjøleskapet, bør du lese denne bruksanvisningen nøye for å maksimere ytelsen. Oppbevar all dokumentasjon for senere bruk eller andre eiere. Dette produktet er utelukkende beregnet for hjemmebruk eller lignende bruksområder som:

personalkjøkkenet i butikker, kontorer og i andre arbeidsmiljøer

på gårder, med klientell av hoteller, moteller og andre miljøer av en boligtype

på bed & breakfast (B & B)

For cateringtjenester og lignende bruksområder som ikke er for detalj salg.

Dette apparatet må kun brukes til formål for oppbevaring av mat, enhver annen bruk anses som farlig, og produsenten vil ikke være ansvarlig for eventuelle utelatelser. Dessuten anbefales det at du merker deg garantibetingelsene.

SIKKERHETSINFORMASJON

Kjøleskapet inneholder en kjølegass (R600a: isobuten) og isolerende gass (cyklopentan), med høy kompatibilitet med omgivelsene, som er lett antennelig.

Vi anbefaler at du følger følgende regler for å unngå situasjoner som er farlige for deg:

- Før du utfører en operasjon, trekk ut strømledningen fra stikkkontakten.
- Kjølesystemet som er plassert bak og inne i apparatet inneholder kuldemedium. Du må derfor unngå å skade rørene.
- Hvis det oppdages en lekkasje i kjølesystemet, ikke rør stikkkontakten og ikke bruk åpen ild. Åpne vinduet og slipp frisk luft inn i rommet. Ring deretter et servicesenter for å be om reparasjon.
- Ikke skrap med en kniv eller en skarp gjenstand for å fjerne rim eller is som oppstår. Disse kan skade kjølekretsen, og slippe ut gass som kan føre til brann eller føre til øyeskade.
- Ikke monter apparatet i miljøer som er fuktige, oljete eller støvete, det må heller ikke utsettes for direkte sollys og vann.
- Ikke monter apparatet i nærheten av varmeovner eller brennbare materialer.
- Ikke bruk skjoteledninger eller adaptere.
- Ikke dra eller brett strømledningen for hardt eller ta på støpselet med våte hender.
- Ikke ødelegg støpselet og / eller strømledningen; dette kan føre til elektrisk støt eller brann.

- Det anbefales å holde pluggen ren, for mye støv på pluggen kan føre til brann.
- Ikke bruk mekaniske enheter eller annet utstyr for å fremskynde avrimingen.
- Unngå all bruk av åpen flamme eller elektrisk utstyr som ovner, damprensere, stearinlys, oljelamper og lignende for å fremskynde avrimingsfasen.
- Ikke bruk eller oppbevar brennbare sprayer, for eksempel spraymaling, i nærheten av apparatet, da det kan føre til eksplosjon eller brann.
- Ikke bruk elektriske apparater inne i oppbevaringsrommet for mat, med mindre de er av en type som anbefales av produsenten.
- Ikke plasser eller oppbevar brennbare og svært flyktige materialer som eter, bensin, LPG, propangass, aerosol-spraybokser, lim, ren alkohol, etc. Disse materialene kan føre til eksplosjon.
- Ikke oppbevar medisin eller forskningsmaterialer i apparatet. Når materialer som krever en streng kontroll av lagringstemperaturer skal lagres, kan det hende at det forringes, eller at det forekommer en ukontrollert reaksjon som kan være farlige.
- Sørg for at ventilasjonsåpningene i apparatets kabinett eller i den innebygde strukturen er åpne.
- Ikke plasser gjenstander og / eller beholdere fylt med vann på toppen av apparatet.
- Ikke utfør reparasjoner på dette apparatet. Alle inngrep må utføres utelukkende av kvalifisert personell.
- Dette apparatet kan brukes av barn fra 8 år og oppover, personer med redusert fysisk, sensorisk eller mental evne, eller mangel på erfaring og kunnskap, hvis de har fått tilstrekkelig veiledning eller instruksjoner i sikker bruk av apparatet, og forstår risikoen ved bruk.
- Barn bør ikke leke med apparatet. Rengjøring og vedlikehold må ikke gjøres av barn uten tilsyn.

AVHENDING AV BRUKTE KJØKKENAPPARATER



Dette produktet er merket i samsvar med det europeiske 2012/19/EC-direktivet om avfallshåndtering for elektriske og elektroniske produkter (WEEE).

Avfall fra elektrisk og elektronisk utstyr (WEEE) omfatter både forurensende stoffer (som kan skape negative konsekvenser for miljøet) og grunnleggende komponenter (som kan resirkuleres). Det er viktig at avfall fra elektrisk og elektronisk utstyr (WEEE) underlegges spesifikk behandling, for å fjerne og avhende alle forurensende materialer riktig, og gjenvinne og resirkulere alle materialer.

Individer kan spille en viktig rolle når det kommer til å sikre at avfall fra elektrisk og elektronisk utstyr (WEEE) ikke blir et miljøproblem. Det er helt essensielt å følge noen grunnleggende regler:

- Avfall fra elektrisk og elektronisk utstyr (WEEE) må ikke behandles som husholdningsavfall.
- Avfall fra elektrisk og elektronisk utstyr (WEEE) skal leveres inn til hensiktsmessige innsamlingspunkter som eies av kommunen eller av registrerte firmaer. I mange land finnes det hjemmehenting for store artikler med avfall fra elektrisk og elektronisk utstyr (WEEE).

I mange land vil gamle apparater returneres til forhandleren når du kjøper en ny, og forhandleren er forpliktet til å samle slike inn gratis på en-til-en basis, så lenge apparatet er av lik type og har samme funksjoner som det leverte utstyret.

Samsvar

Ved å plassere **CE**-merket på dette produktet bekrefter vi at det er i samsvar med alle relevante europeiske krav til helse- miljø og sikkerhet som er lovbestemt for dette produktet.

Energisparing

For bedre energisparing, anbefaler vi følgende:

Installer kjøleskapet unna varmekilder og direkte sollys, og i et rom med god ventilasjon.

Unngå å sette varm mat inn i kjøleskapet for å unngå innvendig temperaturøkning og dermed tvinge kompressoren til sammenhengende drift.

Ikke plasser for mye mat i kjøleskapet for å sikre god luftsirkulasjon.

Avrim kjøleskapet hvis det oppstår is for å hjelpe overføringen av kulde.

Ved strømbrydd anbefales det at døren på kjøleskapet holdes lukket.

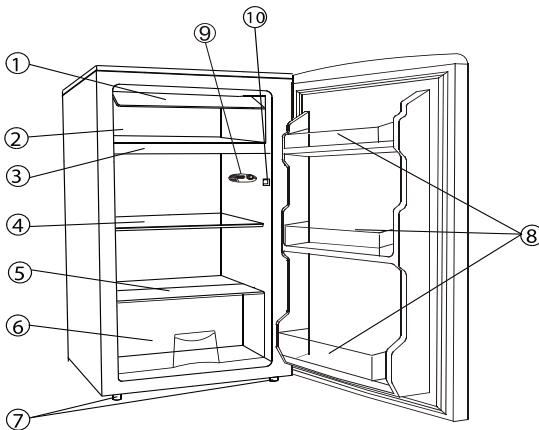
Åpne eller holde dørene på kjøleskapet åpne så lite som mulig.

Unngå å stille temperaturen på termostaten for lavt.

Fjern støv som befinner seg på baksiden av skapet.

1. Navn på deler

DELER OG FUNKSJONER



1. Fryserens dør
2. Fryser
3. Dryppbrett
4. Glasshyll
5. Deksel i glass
6. Grønnsaksskuff
7. Nivelleringsføtter
8. Flaske balkonger
9. Knott for innstilling av temperaturen
10. Dørbryter

2. Korrekt plassering

Passende ventilasjon

En god ventilasjon på alle sidene av kjøleskapet er grunnleggende for å sikre korrekt bortføring av varmen, en optimal drift av kjøleskapet og begrenset energiforbruk. Av denne årsaken er det alltid nødvendig å la det være igjen nødvendig plass på alle fire sidene av kjøleskapet. Kjøleskapets bakre del må plasseres minst 100 mm fra veggen, sidene ved minst 100 mm og på den øvre siden er det nødvendig å holde en sikkerhetsavstand på minimum 200 mm. Husk også på at døren skal kunne åpnes med 160°.

Strømtilførsel

Kjøleskapet kan bare strømføres med en enfaset strømtilførsel med vekselstrøm ac ved (220-240)V~/50Hz; 230V~/60Hz. Hvis det oppstår hyppige svingninger i spenningen eller hvis spenningen overskrider angitte verdier i boligstrøket ditt, anbefales det å installere en innretning for automatisk justering av spenningen AC for å beskytte selve kjøleskapet. Koble kjøleskapet til et dedisert uttak som ikke er det samme som benyttes for de andre elektriske apparatene. Kontroller at støpselets egenskaper tilsvarer vegguttaket med jording.

El-kabel

Ikke brykk strømkabelen og koble den ikke til skjøteledninger mens kjøleskapet er i bruk. Pass dessuten på å ikke plassere el-kabelen nær kompressoren på baksiden av kjøleskapet, fordi overflaten til denne kompressoren kan nå svært høye temperaturer under bruk. En eventuell kontakt med denne komponenten kan gjøre isoleringen ubrukelig eller medføre strømtap.

Beskyttelse mot fuktighet

Ikke installer kjøleskapet på svært fuktige steder, også for å unngå at kjøleskapets deler i metall kan ruste. Sprut dessuten ikke direkte vann på kjøleskapet, for å unngå og gjøre isoleringen ubrukelig og medføre strømtap.

Beskyttelse mot varme

Ikke installere kjøleskapet nær varmekilder eller i direkte sollys.

Stabilitet

Installer alle alltid kjøleskapet på en motstandsdyktig og stabil overflate. Ikke plassere kjøleskapet på myke materialer som skum, plast eller andre lignende materialer. Hvis kjøleskapet ikke står rett, justere skruene. Ikke plassere kjøleskapet nær gjenstander som lager ekko.

Farekilder

Ikke installere kjøleskapet nær flyktige eller brennbare materialer, som gass, olje, alkohol, sprayflasker, vegetabilsk olje, etc. Bruk aldri kjøleskapet for å oppbevare noen av disse materialene.

Bevegelse

Under installasjonen eller forflytting av kjøleskapet, plassere det aldri horisontalt, len det med 45° eller snu det opp ned.

3. Varsel om fare

Vannet som finnes i noen matvarer eller i luften som trenger inn i kjøleskapet når dørene åpnes, kan danne et lag rim inne i selve kjøleskapet. Et veldig tykt lag med rim kan forringe kjøleskapets ytelser. Så hvis tykkelsen på rimet overskrider 2 mm, anbefales det å avrime kjøleskapet.

Avrimingen av fryseren skal utføres for hånd. Før dette inngrepet utføres, ta ut matvarene, isholderbrettet og hyllene, og sett dem midlertidig inn i kjøleskapet. Sett deretter knotten for justering av temperaturen i stilling "0" (for å stanse kompressoren) og la døren stå åpen inntil isen smelter fullstendig og renner ned på bunnen av fryseren. Det er nå mulig å tørke opp vannet med en myk klut. For å gjøre inngrepet hurtigere, er det mulig å sette en beholder med varmt vann (med en temperatur på cirka 50°C) i fryseren. Husk å sette knotten for innstilling av temperaturen i den opprinnelige stillingen etter endt avriming.

Ikke forsøk å varme opp direkte fryseren med varmt vann eller med en fønør for å påskynde avrimingen, siden dette inngrepet kan deformere den innvendige beklædningen.

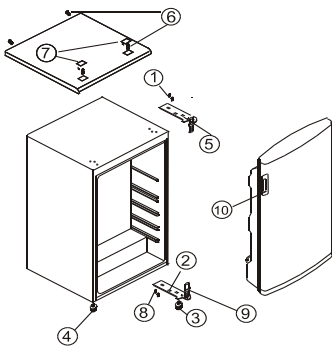
Det er generelt ikke tilrådelig å skrape bort isen eller rimet eller forsøke å løse matvarene fra frose beholdere ved bruk av spisse gjenstander eller tresleiver, fordi disse inngrepene kan skade den innvendige beklædningen eller overflaten til fordamperen.

Hvis el-kabelen er skadet, la bare et assistansesenter som er godkjent av produsenten skifte den ut. Inngrepet med utskifting av el-kabelen krever bruk av spesialutstyr.

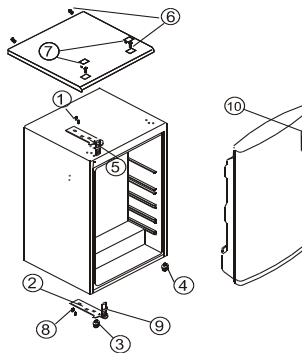
4. Flytte døren på den andre siden

Dette kjøleskapet er utstyrt med hengsler for feste på døren høyre side. For å endre retningen som døren åpner, er det tilstrekkelig å utføre følgende inngrep:

1. Fjern det lille plastdekslet (7) og skruene (6) som fester arbeidshyllen i posisjon for å demontere den.
2. Fjern de to skruene (1) som fester det øvre hengslet i posisjon (5) (på høyre side) til strukturen. Fjern det øvre hengslet (5).
3. Løft døren og plassere den på en vattert overflate for å unngå å lage riper på den.
4. Fjern de to skruene (8) som fester det nedre hengslet i posisjon (2) og fjern hengslet.
5. Ta bort den fremre venstre foten (4) og monter den på høyre side.
6. Før det nedre hengslet (2) monteres, fjern festestiften (9) og bytt om det nedre hengselets retning (2). Monter deretter det nedre hengslet (2) på venstre side til den nedre strukturen, og forrigle det i stilling med to skruer (8).
7. Sett inn festestiften (9) i det nedre hengslet (2).
8. Sett døren i stilling, og kontroller at den er satt inn i det nedre hengslet (2).
9. I det døren holdes i lukket posisjon, fest det øvre hengslet (5) på venstre side til den øvre strukturen, og forrigle det i stilling med to skruer (1). Pass på at de to skruene (1) festes ordentlig bare etter at døren er satt på linje med motslagplaten.
10. Monter arbeidsplaten på den øvre delen og fest den i stilling med skruene (6), så dekk den til med et lite plastdeksel (7).
11. Fjern dørhåndtaket (10) fra den venstre siden og monter den på høyre side.



Figur 1



FIGUR "2"

FIGUR 1 – DELENES POSISJON FØR DØRENS SLAGRETNING SKIFTES.

FIGUR 2 – DELENES POSISJON ETTER AT DØRENS SLAGRETNING ER ENDRET.

5. Vedlikehold

Rengjøre de ytre overflatene med en myk klut.

Fravær over lengre tid

1. Tøm kjøleskapet.
 2. Koble kjøleskapet fra el-nettet.
 3. Avrime og rengjøre kjøleskapet innvendig.
 4. Hvis kjøleskapet ikke skal brukes over en lengre periode, la døren stå åpen for å unngå at det dannes mugg, dårlig lukt eller oksydering.
 5. Rengjøre kjøleskapet.
 - . Rengjøre innsiden ved lav temperatur (der dette finnes).
 - . Rengjøre innsiden av kjøleskapet regelmessig med en svamp dyppet i varmt vann og/eller nøytral såpe. Skyll og tørk med en myk klut.
- Bruk ikke produkter som lager riper, klor, flekkjernere (som aceton eller trikloretylen) eller eddik.

Utskifting av lyspærene

Før lyspæren skiftes ut, koble kjøleskapet fra el-nettet. Utføre deretter inngrepene som beskrives her:
 Trykk på vingene på siden av lyspærens deksel og fjern lyspæren.
 Skift ut lyspæren med en ny en med maksimal effekt på 10 W.
 Montere lyspærens deksel og vent 5 minutter før kjøleskapet kobles til el-nettet på nytt.

6. Problemløsning

1. Hvis kjøleskapet ikke virker:

Kontrollere at det ikke oppstår strømbrudd.
Kontrollere at strømstøpslet er satt inn i vegguttaket.
Kontrollere at sikringen ikke er gått.

2. Hvis kjøletemperaturen er altfor høy:

Kontrollere at knotten for innstilling av temperaturen er satt på riktig verdi.
Hvis matvarene som inneholder mye kondens plasseres direkte under luftinntakene, er det mulig at de fryses fort. Dette forholdet angir ikke en driftsfeil.

3. Hvis kjøletemperaturen er altfor lav:

Matvarene ligger altfor tett sammen og hindrer fri flyt av luft.
Matvarene som er lagt inn, er for varme, eller for mye mat er lagt inn i kjøleskapet.
Døren er ikke ordentlig lukket igjen.
Dørens tetningslister er skadet.
Ventilasjonen er utilstrekkelig.
Kjøleskapet er installert for nært veggen eller andre gjenstander (over eller på sidene).
Knotten for innstilling av temperaturen er ikke stilt inn på riktig verdi.

4. Hvis vannet som dannes under avrimingen faller ned i kjøleskapet eller på gulvet:

Kontrollere at slangen og tømmeåpningen ikke er skadet.
Kontrollere at beholderen for oppsamling av vann er korrekt plassert.

5. Hvis det oppstår kondens på kjøleskapets ytre overflater:

Kondens kan noen ganger dannes på kjøleskapets ytre overflater hvis fuktigheten er høy eller rommet er veldig fuktig. Denne kondensen er lik den som dannes når det helles kaldt vann i et glass og angir derfor ikke et problem med kjøleskapet. Fjern kondensen med en tørr klut.

6. Hvis du hører en lyd som ligner på rennende vann:

Denne lyden dannes normalt av kjølevæsken og angir ikke en feil.

7. Hvis kjøleskapets sidepanel varmes opp:

Kjøleskapets sidepanel varmes opp når døren åpnes og lukkes hyppig, når kjøleskapet settes i gang eller hvis den ytre romtemperaturen er veldig høy. I dette tilfellet anbefales det å ikke ta på panelet. Overopphetingen av panelet produseres av bortføring av varme inne i kjøleskapet og angir ikke en driftsfeil.

7. Tekniske spesifikasjoner

*For detaljerte opplysninger om de tekniske spesifikasjonene, se merkeskiltet som er plassert bak på kjøleskapet.

*Spesifikasjonene kan endres uten forhåndsvarsel.

Kiitos, että ostit tämän tuotteen.

Lue tämä käyttöohje ennen jääkaapin käyttämistä, niin saat siitä parhaan hyödyn. Säilytä kaikki asiakirjat myöhempää käyttöä tai myöhempiä omistajia varten. Tämä tuote on tarkoitettu käytettäväksi yksinomaan kotitalouksissa ja vastaavissa kohteissa, kuten

- myymälöiden, toimistojen ja muiden työpaikkojen henkilöstön keittiötiloissa
- maatiloilla sekä hotellien, motellien ja muiden asutustilojen asiakkaille
- majataloissa
- ateriapalveluissa ja vastaavassa käytössä, johon ei liity vähittäismyyntiä.

Tätä laitetta saa käyttää vain ruoan säilyttämiseen. Kaikkien muiden käyttötarkoitusten katsotaan olevan vaarallisia, eikä valmistaja ole vastuussa laiminlyönneistä. Lisäksi suosittelemme tutustumaan takuuehtoihin.

TURVALLISUUSTIETOJA

Jääkaappi sisältää jäähdytysainekaasua (R600a: isobutaani) ja eristekaasua (syklopentaani), jotka ovat hyvin ympäristöyhteensopivia, mutta kuitenkin palovaarallisia.

Suosittelimme seuraavien ohjeiden noudattamista oman turvallisuutesi takaamiseksi.

- Irrota virtajohto pistorasiasta ennen kaikenlaisten toimien tekemistä.**
- Laitteen takana ja sisällä sijaitseva jäähdytysjärjestelmä sisältää jäähdytysainetta. Varo vaurioittamasta putkia.**
- Jos havaitset vuotoa kylmäainepiirissä, älä koske pistorasiaan kytkettyyn virtajohtoon. Varmista, ettei tilassa ole avotulta. Avaa ikkuna ja tuuleta tila hyvin. Soita huoltoon ja tilaa laitteelle korjaus.**
- Älä poista huurretta tai jäätä raapimalla laitteen pintoja veitsellä tai muulla terävällä esineellä. Ne voivat vahingoittaa kylmäainepiiriä, joka voi vuotaessaan sytyttää tulipalon tai vahingoittaa silmiä.**
- Älä asenna laitetta kosteaan, öljyiseen tai pölyiseen tilaan. Älä sijoita laitetta suoraan auringonvaloon tai siten, että se voi kastua.**
- Älä asenna laitetta lämmityslaitteiden tai palovaarallisten materiaalien lähelle.**
- Älä käytä jatkojohtoja tai sovittimia.**
- Älä vedä tai väännä virtajohtoa liikaa äläkä koske pistokkeeseen märin käsin.**
- Älä vaurioita pistoketta tai virtajohtoa, sillä vaurioituneet osat voivat aiheuttaa sähköiskuja tai tulipaloja.**

- Pistoke on hyvä pitää puhtaana, sillä pistokkeeseen kertyvä pöly voi aiheuttaa tulipalon.
- Älä käytä mekaanisia laitteita tai muita apuvälineitä sulatuksen nopeuttamiseen.
- Älä missään tapauksessa nopeuta sulatusvaihetta avotulella tai sähkölaitteilla, kuten lämmittimillä, höyrypesureilla, kynttilöillä, öljylampuilla tai vastaavilla.
- Älä käytä tai säilytä syttyviä suihkeita, kuten spraymaaleja, laitteen lähellä, sillä niistä voi aiheutua räjähdys tai tulipalo.
- Älä käytä sähkölaitteita elintarvikkeiden säilytyslokeroiden sisällä, elleivät ne ole tyypiltään valmistajan suosittelemia.
- Älä sijoita tai säilytä jääkaapissa palovaarallisia ja herkästi haihtuvia aineita, kuten eetteriä, petroolia, nestekaasua, propaania, aerosolipurkkeja, liimoja, puhdasta alkoholia jne. Nämä aineet voivat aiheuttaa räjähdyksen.
- Älä säilytä laitteessa lääkkeitä tai tutkimusmateriaalia. Jos laitteessa säilytetään materiaaleja, jotka vaativat säilyäkseen erityisen tarkkaa ja vakaata lämpötilaa, niiden laatu saattaa heikentyä. Säilytys saattaa aiheuttaa myös odottamattoman ja mahdollisesti vaarallisen reaktion.
- Pidä laitteen kotelossa olevat tai sisäänrakennetut ilmanvaihtoaukot aina vapaina.
- Älä sijoita laitteen päälle vedellä täytettyjä esineitä tai säiliöitä.
- Älä tee laitteeseen korjauksia. Vain valtuutetut henkilöt saavat korjata laitetta.
- Tätä laitetta voivat käyttää vähintään 8-vuotiaat lapset sekä henkilöt, joiden fyysiset tai henkiset valmiudet eivät riitä laitteen turvallisen käsittelyyn tai joilla ei ole laitteen käytön edellyttämää kokemusta tai tietoa, jos he toimivat toisen henkilön valvonnassa tai ovat saaneet riittävän ohjeistuksen laitteen käyttöön ja käyttö tapahtuu turvallisella tavalla ja he ymmärtävät laitteen käyttöön liittyvät vaarat.
- Älä anna lasten leikkiä laitteella. Lapset eivät saa puhdistaa ja huoltaa laitetta ilman valvontaa.

VANHOJEN LAITTEIDEN HÄVITTÄMINEN



Tämä laite on merkitty eurooppalaisen sähkö- ja elektroniikkalaiteromudirektiivin (WEEE) 2012/19/EU mukaisesti. Sähkö- ja elektroniikkalaiteromu sisältää saastuttavia aineita (jotka voivat aiheuttaa haittaa ympäristölle) ja peruskomponentteja (jotka voidaan käyttää uudelleen). On tärkeää, että sähkö- ja elektroniikkalaiteromu toimitetaan erikoiskäsittelyyn, jotta siitä voidaan poistaa kaikki saastuttavat aineet ja ne voidaan käsitellä asianmukaisesti ja jotta kaikki materiaalit voidaan kerätä ja kierrättää. Yksityishenkilöillä on tärkeä tehtävä varmistaa, että sähkö- ja elektroniikkalaiteromusta ei tule ympäristöongelmaa. Seuraavien perussääntöjen noudattaminen on tärkeää:

- Sähkö- ja elektroniikkalaiteromua ei saa käsitellä kotitalousjätteenä.
- Sähkö- ja elektroniikkalaiteromu on toimitettava jätehuolto-organisaation tai rekisteröityjen yhtiöiden ylläpitämiin asianmukaisiin keräyspisteisiin. Monissa maissa on suurikokoisen sähkö- ja elektroniikkalaiteromun kotikeräyspalveluja.

Monissa maissa voit uuden laitteen oston yhteydessä palauttaa vanhan laitteesi jälleenmyyjälle, jonka on vastaanotettava veloituksetta yksi vanha laite yhtä uutta laitetta kohden, mikäli laite on vastaavaa lajia ja vastaa toiminnoiltaan toimitettua laitetta.

Vaatimustenmukaisuus

Tuotteessa oleva **CE** -merkinä vahvistaa, että tuote on kaikkien oleellisten, sovellettavien lakeja noudattavien eurooppalaisten turvallisuus-, terveys- ja ympäristövaatimusten mukainen.

Energiansäästö

Energian säästämiseksi suosittelemme seuraavaa:

Asenna laite etäälle lämmönlähteistä ja suorasta auringonvalosta hyvin ilmastoituun huoneeseen.

Älä laita jääkaappiin kuumaa ruokaa, jotta sisälämpötila ei nouse ja kompressorin ei tarvitse olla jatkuvasti päällä.

Älä pidä jääkaapissa liikaa ruokaa, jotta ilma pääsee kiertämään hyvin.

Sulata laite, mikäli siinä on jäätä, jotta kylmyys siirtyy tehokkaammin.

Mikäli sähkövirta on katkennut, jääkaapin ovi kannattaa pitää suljettuna.

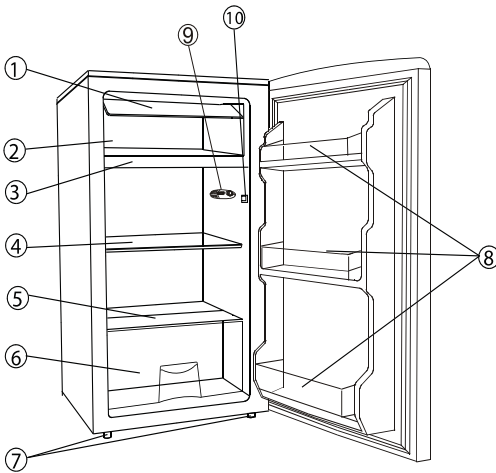
Pidä laitteen ovia avattuina mahdollisimman vähän.

Älä säädä lämpötilaa liian kylmäksi.

Poista laitteen taakse kertynyt pöly.

1. Jääkaapin osat

OSAT JA TOIMINNOT



1. Pakasteosaston ovi
2. Pakasteosasto
3. Tippa-astia
4. Lasihella
5. Lasikansi
6. Vihanneslaatikko
7. Säädettävät jalat
8. Pullo Parvekkeet
9. Lämpötilan säädin
10. Ovikatkaisija

2. Oikea sijoituspaikka

Riittävä ilmankierto

Hyvä ilmankierto laitteen ympärillä on lämmön haihtumisen kannalta oleellinen seikka, koska tällöin laite toimii paremmin ja kuluttaa vähemmän. Tästä syystä on jääkaapin neljälle sivulle aina jätettävä riittävästi tilaa. Laitteen taka- ja sivukuorien on oltava vähintään 100 mm:n etäisyydellä seinästä ja yläkuoren suhteen on noudatettava vähintään 200 mm:n turvavälisyyttä. Ota myös huomioon, että oven avautuva avautuu 160°.

Virta

Laitetta voidaan käyttää ainoastaan yksivaiheisella vaihtovirralla (220 - 240) V~/50Hz; 230V~/60Hz. Mikäli asuinalueella esiintyy usein jännitevaihteluita tai jännite ylittää annetut arvot, on parasta hankkia automaattinen vaihtovirran suojalaite itse laitteen suojaksi. Kytke laite omaan erityiseen pistorasiaansa, joka on erillainen kuin muille sähkölaitteille tarkoitettu. Tarkasta, että pistoke sopii maadoitettuun pistorasiaan.

Virtajohto

Älä taivuta virtajohtoa äläkä kytke sitä jatkojohtoihin silloin kun laite on käynnissä. Koska laitteen takaosassa sijaitsevan kompressorin pintalämpötila voi kohota erittäin korkeaksi käytön aikana, pidä myös huolta siitä, että virtajohto ei joudu kompressorin läheisyyteen. Mahdollinen kontakti tämän osan kanssa saattaa tehdä eristyksen hyödyttömäksi tai aiheuttaa vuotovirtaa.

Kosteudelta suojaaminen

Älä asenna laitetta erittäin kosteisiin tiloihin jo senkään vuoksi, että jääkaapin metalliosat saattavat ruostua. Älä myöskään ruiskuta vettä suoraan jääkaappiin, koska seurauksena saattaa olla eristyksen tuleminen hyödyttömäksi tai vuotovirran syntyminen.

Lämmöltä suojaaminen

Älä asenna laitetta lämmönlähteiden läheisyyteen tai suoraan auringonvaloon.

Vakaa alusta

Asenna laite aina kestäväälle ja vakaalle alustalle. Älä aseta jääkaappia pehmeiden materiaalien kuten vaahtojen, muovin tai vastaavien varaan.

Jos laite ei ole tasapainossa, säädä ruuveista. Älä aseta laitetta lähelle esineitä, jotka tuottavat ääniaaltoja.

Vaaran aiheuttajia

Älä asenna laitetta herkästi lentävien tai syttyvien aineiden, kuten kaasujen, paloöljyn, sprin, lakkojen, kasviöljyjen jne. läheisyyteen. Älä käytä laitetta koskaan näiden aineiden säilytykseen.

Siirtäminen

Älä koskaan aseta jääkaappia vaaka-asentoon sen asennuksen tai siirtämisen aikana. Kallista sitä 45° tai käännä se ylösalaisin.

3. Vaarallisia tilanteita

Joidenkin elintarvikkeiden sisältämä vesi tai oven auetessa ilman mukana tuleva kosteus voi aiheuttaa huurrekerroksen syntymistä jääkaapin sisälle. Paksu huurrekerros puolestaan alentaa jääkaapin tehokkuutta. Jos siis huurrekerros on paksumpi kuin 2 mm, on jääkaapin sulattaminen aiheellista.

Pakasteosaston sulattaminen on tehtävä manuaalisesti. Ennen toimenpiteen suorittamista on pakasteosasta poistettava elintarvikkeet, jääkuutioastia sekä hyllyt. Voit laittaa ne väliaikaisesti jääkaappiosaan. Käännä tämän jälkeen lämpötilan säädin asentoon "0" (kompresori sammuu) ja jätä ovi auki kunnes jää sulaa kokonaan ja valuu pakasteosan pohjalle. Nyt voit kuivata veden pehmeällä liinalla pyyhkien. Sulattaminen sujuu nopeammin jos laitat lämmintä vettä (noin 50 °C) sisältävän astian pakasteosan sisälle. Muista kääntää lämpötilan säädin takaisin alkuperäiseen asentoon sulatuksen lopuksi.

Älä yritä nopeuttaa sulamista lämmittämällä pakasteosaa suoraan lämpimällä vedellä tai hiustenkuivaajalla, koska vaarana saattaa olla pakasteosan sisävaipan vioittuminen.

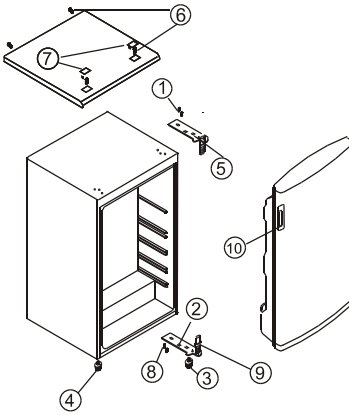
Älä myöskään yritä poistaa jäätä tai huurretta tai elintarvikkeita jäätyneistä astioista teräväkärkisillä välineillä tai puulastoilla raaputtamalla, koska vaarana saattaa olla sisäkuoren tai haihduttimen pinnan vioittuminen.

Jos virtajohto on vaurioitunut, käänny valmistajan valtuuttaman paikallisen huoltopalvelupisteen puoleen sen vaihtamiseksi. Virtajohdon vähdossa tarvitaan erityistyökaluja.

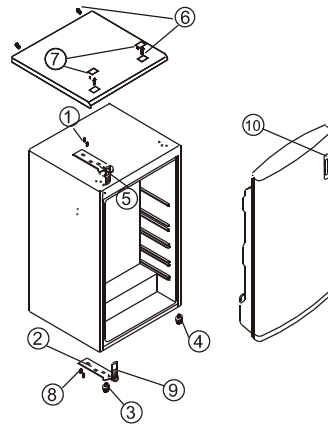
4. Oven avautumissuunnan vaihtaminen

Tämä jääkaappi on varustettu saranoilla oikeanpuoleista ovea varten. Oven avautumissuunnan vaihtamiseksi on suoritettava seuraavat yksinkertaiset toimenpiteet:

1. Irrota pieni muovikansi (7) ja ruuvit (6), jotka kiinnittävät paikalleen työtason, joka nyt poistetaan.
2. Irrota kaksi ruuvia (1), jotka kiinnittävät yläsaranan (5) (oikealla puolella) paikalleen runkoon. Irrota yläsarana (5).
3. Nosta ovi pois paikaltaan ja aseta se pehmustetulle pinnalle, jotta se ei naarmuuntuisi.
4. Irrota kaksi ruuvia (8), jotka kiinnittävät alasaranan (2) paikalleen ja irrota se.
5. Irrota vasemmalla puolella edessä sijaitseva tukijalka (4) ja asenna se oikealle puolelle.
6. Irrota kiinnitystappi (9) ennen alasaranan (2) asennusta ja vaihda alasaranan (2) suunta. Asenna nyt alasarana (2) alarakenteen vasemmalle puolelle ja kiinnitä se paikalleen kahdella ruuvilla (8).
7. Laita kiinnitystappi (9) alasaranaan (2).
8. Laita ovi paikalleen ja varmista, että se asettuu asianmukaisesti alasaranaan (2).
9. Pidä ovea kiinni, kiinnitä yläsarana (5) ylärakenteen vasemmalle puolelle ja kiinnitä se paikalleen kahdella ruuvilla (1). Kiristä kaksi ruuvia (1) loppuun asti vasta kun olet asettanut oven tasan vastalevyn kanssa.
10. Asenna työtaso paikalleen laitteen päälle ja kiinnitä se paikalleen ruuveilla (6). Aseta sitten pieni muovikansi (7) takaisin paikalleen.
11. Irrota ovenkahva (10) vasemmalta puolelta ja asenna se oikealle puolelle.



Kuva 1



KUVA "2"

KUVA 1 – OSIEN SIJAINTI ENNEN OVEN AVAUSSUUNNAN KÄÄNTÄMISTÄ

KUVA 2 – OSIEN SIJAINTI OVEN AVAUSSUUNNAN KÄÄNTÄMISEN JÄLKEEN

5. Huolto

Puhdista ulkopinnat pehmeällä liinalla.

Jos et käytä jääkaappia pitkään aikaan:

1. Tyhjennä jääkaappi.
 2. Kytke jääkaapista virta pois.
 3. Sulata jääkaappi ja puhdista se.
 4. Jos et käytä jääkaappia pitkään aikaan, jätä sen ovi auki homeen, hajujen ja ruostumisen ehkäisemiseksi.
 5. Puhdista laite.
 - Puhdista kylmäosan sisäpuoli (mikäli sellainen laitteessa on).
 - Puhdista jääkaappiosan sisäosa säännöllisesti lämpimään veteen ja/tai neutraaliin pesuaineeseen kastetulla sienellä. Huuhtele ja kuivaa pehmeällä liinalla.
- Älä käytä hankaavia tuotteita, klooripitoisia pesuaineita, tahranpoistoaineita (kuten asetonia tai trikloorietyleenii) tai etikkaa.

Lamppujen vaihto

Kytke jääkaapista virta pois ennen kuin vaihdat lampun. Toimi sitten seuraavalla tavalla.
Paina lampun kuoren sivuilla olevista painikkeista ja ota kuori pois.
Vaihda lampun tilalle uusi, korkeintaan 10 W:n tehoinen lamppu.
Aseta lampun kuori takaisin paikalleen ja odota 5 minuuttia ennen kuin kytket virran uudestaan.

6. Vianhaku

1. Jos jääkaappi ei toimi:

Tarkasta että sähkönjakelussa ei ole katkoksia.
Tarkasta että pistoke on kytketty pistorasiaan.
Tarkasta että sulake ei ole palanut.

2. Jos pakastuslämpötila on liian korkea:

Tarkasta että lämpötilan säätönappula on asetettu oikeaan arvoon.
Jos erittäin vesipitoiset elintarvikkeet asetetaan välittömästi ilmanottoaukkojen alle, ne saattavat jäätyä nopeasti. Tämä ei tarkoita, että laitteessa olisi vikaa.

3. Jos pakastuslämpötila on liian matala:

Elintarvikkeet ovat liian lähellä toisiaan ja estävät ilmankiertoa.
Jääkaappiin on laitettu liian lämpimiä elintarvikkeita tai niiden määrä on liian suuri.
Ovi on jäänyt auki.
Oven tiivisteet eivät ole kunnossa.
Tuuletus on riittämätön.
Jääkaappi on asennettu liian lähelle seinää tai muita esineitä (yläpuolella tai sivuilla).
Lämpötilan säätönappulaa ei ole asetettu oikeaan asentoon.

4. Jos sulatuksen aikana syntyvä vesi valuu jääkaappiin ja lattialle:

Tarkasta että poistoputki ja –aukko ovat kunnossa.
Tarkasta että vedenkeruustia on asetettu asianmukaisesti.

5. Jos jääkaapin ulkopinnoille tiivistyy kosteutta:

Kosteutta saattaa toisinaan tiivistyä jääkaapin ulkopinnoille jos ympäristön ilmankosteus on erittäin korkea. Samanlaista kosteutta syntyy kylmää vettä sisältävän juomalasin pinnalle eikä tämä tarkoita, että jääkaapissa olisi vikaa. Pyyhi kosteus pois kuivalla liinalla.

6. Jos kuuluu juoksevaa vettä muistuttavaa ääntä:

Ääni syntyy tavallisesti jäähdytysaineen kierrosta eikä se tarkoita, että jääkaapissa olisi vikaa.

7. Jos jääkaappitilan sivupaneeli lämpiää:

Jääkaappitilan sivupaneeli lämpiää silloin kun ovea avataan ja suljetaan usein, silloin kun laite käynnistetään tai silloin kun jääkaappi on sijoitettu erittäin lämpimään paikkaan. Tässä tapauksessa on parasta olla koskematta paneeliin. Paneelin lämpiäminen johtuu tilan sisäisestä lämmön haihtumisesta eikä se tarkoita, että jääkaapissa olisi vikaa.

7. Teknisiä tietoja

*Tekniset yksityiskohdat on merkitty jääkaapin takapuolelle kiinnitettyyn arvokilpeen.

*Tekniset tiedot saattavat muuttua ilman ennakoilmoitusta.

Σας ευχαριστούμε για την αγορά αυτού του προϊόντος.

Πριν χρησιμοποιήσετε το ψυγείο σας, σας παρακαλούμε να διαβάσετε προσεκτικά αυτό το εγχειρίδιο οδηγιών χρήσης έτσι ώστε να μεγιστοποιήσετε την απόδοσή του. Φυλάξτε όλα τα έγγραφα για μελλοντική χρήση ή άλλους ιδιοκτήτες. Αυτό το προϊόν προορίζεται αποκλειστικά για οικιακή χρήση ή παρόμοιες εφαρμογές όπως:

- την περιοχή της κουζίνας για προσωπικό καταστημάτων, γραφείων και άλλα περιβάλλοντα εργασίας
- σε φάρμες, από πελάτες σε ξενοδοχεία, πανδοχεία και άλλα περιβάλλοντα οικιακού τύπου
- σε bed και breakfasts (B & B)
- Για υπηρεσίες επισιτισμού και παρόμοιες εφαρμογές που δεν προορίζονται για λιανική πώληση.

Αυτή η συσκευή πρέπει να χρησιμοποιείται μόνο για σκοπούς αποθήκευσης τροφίμων, οποιαδήποτε άλλη χρήση θεωρείται επικίνδυνη και ο κατασκευαστής δεν θα είναι υπεύθυνος για οιοσδήποτε παραλείψεις. Επίσης, συνιστάται να διαβάσετε προσεκτικά τους όρους της εγγύησης.

ΠΛΗΡΟΦΟΡΙΕΣ ΓΙΑ ΤΗΝ ΑΣΦΑΛΕΙΑ

Το ψυγείο περιέχει ένα ψυκτικό αέριο (R600a: ισοβουτένιο) και μονωτικό αέριο (κυκλοπεντάνιο), με υψηλή συμβατότητα με το περιβάλλον, τα οποία ωστόσο, είναι εύφλεκτα.

Σας συνιστούμε να ακολουθείτε τους κανονισμούς ασφαλείας έτσι ώστε να αποφύγετε επικίνδυνες για εσάς καταστάσεις:

Πριν κάνετε οποιαδήποτε εργασία, αποσυνδέστε το καλώδιο τροφοδοσίας από την πρίζα.

- Το σύστημα ψύξης που βρίσκεται στο οπίσθιο μέρος και στο εσωτερικό της συσκευής περιέχει ψυκτικό αέριο. Επομένως, αποφύγετε την πρόκληση ζημιάς στους σωλήνες.
- Εάν παρατηρηθεί μία διαρροή στο σύστημα ψύξης, μην ακουμπάτε την πρίζα του τοίχου και μην χρησιμοποιείτε γυμνή φλόγα. Ανοίξτε το παράθυρο και αφήστε να μπει αέρας μέσα στο δωμάτιο. Μετά καλέστε ένα κέντρο τεχνικής εξυπηρέτησης για να ζητήσετε την επισκευή.
- Μην ξύνετε με ένα μαχαίρι ή με ένα αιχμηρό αντικείμενο για να αφαιρέσετε πάχνη ή πάγο που έχει συγκεντρωθεί. Με αυτά, μπορεί να προκληθεί ζημιά στο κύκλωμα του ψυκτικού αερίου, και η έκχυση από αυτό μπορεί να προκαλέσει φωτιά ή ζημιά στα μάτια σας.
- Μην τοποθετείτε την συσκευή σε υγρά, λιπαρά ή σκονισμένα μέρη, ούτε να την εκθέτετε σε απευθείας ηλιακή ακτινοβολία και σε νερό.
- Μην τοποθετείτε την συσκευή κοντά σε καλοριφέρ ή εύφλεκτα υλικά.
- Μην χρησιμοποιείτε καλώδια προέκτασης ή αντάπτορες.
- Μην τραβάτε με δύναμη ή τσακίζετε το καλώδιο τροφοδοσίας ή ακουμπάτε την πρίζα με βρεγμένα χέρια.
- Μην προκαλείτε ζημιά στην πρίζα και/ή στο καλώδιο τροφοδοσίας, αυτό μπορεί να έχει σαν αποτέλεσμα ηλεκτροπληξία ή φωτιά.
- Συνιστάται να διατηρείτε καθαρή την πρίζα, οποιαδήποτε υπολείμματα υπερβολικής σκόνης επάνω στην πρίζα μπορεί να προκαλέσουν φωτιά.

- Μην χρησιμοποιείτε μηχανικές συσκευές ή άλλο εξοπλισμό για να επιταχύνετε την διαδικασία απόψυξης.
- Αποφύγετε με κάθε τρόπο την χρήση γυμνής φλόγας ή ηλεκτρικού εξοπλισμού, όπως καλοριφέρ, ατμοκαθαριστές, κεριά, λάμπες λαδιού και παρόμοια έτσι ώστε να επιταχύνετε την φάση απόψυξης.
- Μην χρησιμοποιείτε ή αποθηκεύετε εύφλεκτα σπρέι, όπως σπρέι βαφής, κοντά στην συσκευή, μπορεί να προκληθεί έκρηξη ή φωτιά.
- Μην χρησιμοποιείτε ηλεκτρικές συσκευές μέσα στους χώρους αποθήκευσης των τροφίμων, εκτός εάν είναι του συνιστώμενου τύπου από τον κατασκευαστή.
- Μην τοποθετείτε ή αποθηκεύετε εύφλεκτα και εξαιρετικά πτητικά υλικά όπως αιθέρα, βενζίνη, LPG, αέριο προπάνιο, φιάλες με αεροζόλ, κόλες, καθαρή αλκοόλη κλπ. Αυτά τα υλικά μπορεί να προκαλέσουν μία έκρηξη.
- Μην αποθηκεύετε ιατρικά ή ερευνητικά υλικά μέσα στην συσκευή. Όταν πρέπει να αποθηκευτεί ένα υλικό το οποίο απαιτεί αυστηρό έλεγχο της θερμοκρασίας αποθήκευσης του, είναι πιθανό να αλλοιωθεί ή να εμφανιστεί μία ανεξέλεγκτη αντίδραση η οποία μπορεί να αποβεί επικίνδυνη.
- Διατηρήστε ελεύθερα και χωρίς εμπόδια τα ανοίγματα εξαερισμού που υπάρχουν στον χώρο της συσκευής ή στην κατασκευή εντοιχισμού.
- Μην τοποθετείτε αντικείμενα και/ή δοχεία γεμάτα με νερό στο επάνω μέρος της συσκευής.
- Μην κάνετε επισκευές σε αυτή την συσκευή. Όλες οι επεμβάσεις πρέπει να εκτελούνται αποκλειστικά από εξειδικευμένο προσωπικό.
- Αυτή η συσκευή μπορεί να χρησιμοποιηθεί από παιδιά ηλικίας από 8 ετών ή μεγαλύτερα και από άτομα με μειωμένες σωματικές, αισθητηριακές ή διανοητικές ικανότητες ή με έλλειψη εμπειρίας και γνώσης εφόσον είναι κάτω από επίβλεψη ή του έχουν δοθεί οδηγίες αναφορικά με τον τρόπο χρήσης της συσκευής με ασφαλή τρόπο και έχουν κατανοήσει τους κινδύνους στους οποίους εμπλέκονται.
- Τα παιδιά δεν θα πρέπει να παίζουν με την συσκευή. Ο καθαρισμός και η συντήρηση από τον χρήστη δεν θα πρέπει να γίνεται από παιδιά χωρίς επίβλεψη.

ΑΠΟΡΡΙΨΗ ΠΑΛΙΑΣ ΣΥΣΚΕΥΗΣ



Αυτή η συσκευή έχει σχεδιαστεί σύμφωνα με την Ευρωπαϊκή οδηγία 2012/19/ΕΥ σχετικά με τα απόβλητα ειδών ηλεκτρικού και ηλεκτρονικού εξοπλισμού (WEEE). Τα WEEE περιλαμβάνουν ρυπαρές συσκευές (οι οποίες μπορούν να έχουν αρνητικές επιπτώσεις στο περιβάλλον) και βασικά εξαρτήματα (τα οποία μπορούν να χρησιμοποιηθούν και πάλι). Είναι σημαντικό να υποβάλλονται τα WEEE σε συγκεκριμένες επεξεργασίες, έτσι ώστε να αφαιρούνται και να απορρίπτονται σωστά όλα τα ρυπαρόνια στοιχεία και να ανακυκλώνονται και να ανακινούνται όλα τα υλικά. Τα όπλα μπορούν να διαδραματίσουν σημαντικό ρόλο στη εξασφάλιση ότι τα WEEE δεν θα αποτελέσουν ένα ζήτημα για το περιβάλλον, είναι απαραίτητο να ακολουθείτε ορισμένους βασικούς κανόνες:

- Τα WEEE δεν θα πρέπει να αντιμετωπίζονται σαν οικιακά απορρίμματα.
- Τα WEEE θα πρέπει να παραδίδονται στα αρμόδια σημεία συλλογής που διαχειρίζονται από τις δημοτικές αρχές ή από έδρου ισοδομημένες εταιρείες. Σε πολλές χώρες, για μεγάλα WEEE, μπορεί να υπάρχει συλλογή από το σπίτι.

Σε πολλές χώρες, όταν αγοράζετε μία καινούργια συσκευή, η παλιά μπορεί να επιστραφεί στον πωλητή ο οποίος ο οποίος πρέπει να την παραλάβει χωρίς χρέωση σε μία αναλογία μία προς μία, εφόσον ο εξοπλισμός αυτός είναι ισοδύναμου τύπου και έχει τις ίδιες λειτουργίες με τον παρεχόμενο εξοπλισμό.

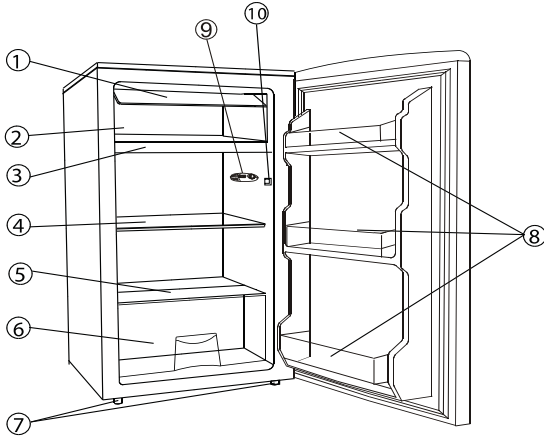
Συμβατότητα CE

Τοποθετώντας το αναγνωριστικό **CE** επάνω σε αυτό το προϊόν, επιβεβαιώνουμε την συμβατότητα με όλες τις σχετικές Ευρωπαϊκές προϋποθέσεις ασφάλειας, υγείας και προστασίας του περιβάλλοντος που εφαρμόζονται για αυτό το προϊόν σύμφωνα με την ισχύουσα νομοθεσία.

ΕΞΟΙΚΟΝΟΜΗΣΗ ΕΝΕΡΓΕΙΑΣ

- Για καλύτερη εξοικονόμηση ενέργειας, σας συνιστούμε να:
- Τοποθετήσετε την συσκευή μακριά από πηγές θερμότητας και μην την εκθέτετε σε απευθείας ηλιακή ακτινοβολία και μέσα σε ένα καλά αεριζόμενο δωμάτιο.
- Αποφύγετε να βάζετε ζεστές τροφές μέσα στο ψυγείο έτσι ώστε να αποφύγετε την αύξηση της εσωτερικής θερμοκρασίας και επομένως την πρόκληση της συνεχούς λειτουργίας του συμπιεστή.
- Μην στριμώχνετε υπερβολικά τις τροφές έτσι ώστε να είναι εξασφαλισμένη η σωστή ανακίνηση του αέρα.
- Κάντε απόψυξη της συσκευής σε περίπτωση που υπάρχει πάχος (δείτε το ΑΠΟΨΥΞΗ) έτσι ώστε να διευκολύνετε της μεταφορά της ψύξης.
- Σε περίπτωση διακοπής του ηλεκτρικού ρεύματος, καλό είναι να διατηρείτε κλειστή την πόρτα του ψυγείου.
- Ανοίξτε ή κρατήστε ανοιχτές τις πόρτες της συσκευής για όσο το δυνατόν μικρότερο χρονικό διάστημα
- Αποφύγετε να ρυθμίζετε τον θερμοστάτη σε πολύ ψυχρές θερμοκρασίες.
- Αφαιρέστε την σκόνη που υπάρχει επάνω ή κοντά στην συσκευή (δείτε το ΚΑΘΑΡΙΣΜΟΣ).
- Ολική απόψυξη Auto (με σόνη επάνω στην πόρτα): αφαιρέστε όλα τα καλάρια από τον χώρο κατάψυξης.
- Ολική απόψυξη (με εσωτερικό πίνακα ελέγχου για την κατάψυξη και περιστρεφόμενο καμπί για την συντήρηση): αφαιρέστε όλα τα καλάρια από τον χώρο κατάψυξης αλλά αφήστε το κάτω συρτάρι στην θέση του.
- Μοντέλο frost free: αφαιρέστε όλα τα καλάρια από τον χώρο κατάψυξης αλλά αφήστε το κάτω συρτάρι στην θέση του.
- Όλα τα κανονικά σταπακμόντια: αφαιρέστε όλα τα συρτάρια από τον χώρο κατάψυξης.

1. Όνομα εξαρτημάτων



- 1.- Πόρτα του χώρου ψύξης
- 2.- Θάλαμος ψύξης
- 3.- Λεκάνη συγκέντρωσης υγρασίας
- 4.- Γυάλινο ράφι
- 5.- Κάλυμα από γυαλί
- 6.- Συρτάρι χορταρικών
- 7.- Ποδαράκια στήριξης και ευθυγράμμισης
- 8.- Μπαλκόνια μπουκαλιών
- 9.- Επιλογέας θερμοκρασίας
- 10.- Διακόπτης πόρτας

2. ΣΩΣΤΗ ΕΓΚΑΤΑΣΤΑΣΗ

Επαρκής εξαερισμός

Ο καλός αερισμός από όλες τις πλευρές της συσκευής είναι απαραίτητος για την εξασφάλιση της διάχυσης της θερμότητας ώστε να εξασφαλίζεται η σωστή λειτουργία της συσκευής και μείωση στην κατανάλωση ενέργειας. Για αυτό το λόγο είναι απαραίτητο γύρω από τις πλευρές της συσκευής να υπάρχει επαρκές κενό (100mm) ενώ η οροφή πρέπει να απέχει από το υπεριστάμενο έπιπλο τουλάχιστον (200mm). Λάβετε υπόψη ότι η πόρτα πρέπει να ανοίγει στις 160°.

Τροφοδοσία

Η συσκευή πρέπει να συνδέεται αποκλειστικά με εναλλασσόμενο μονοφασικό ρεύμα (220-240)V 50Hz, 230V/60Hz. Εάν στην περιοχή που θα εγκατασταθεί η συσκευή υφίστανται αυξομειώσεις στην τάση του ρεύματος ή η τάση είναι μεγαλύτερη από την προβλεπόμενη είναι σκόπιμο να συνδέσετε την συσκευή με ένα αυτόματο μηχανισμό ρύθμισης της τάσης CA προκειμένου να προστατέψετε την συσκευή. Συνδέστε την συσκευή σε μια πρίζα διαφορετική από εκείνη την οποία θα χρησιμοποιήσετε για τις άλλες συσκευές. Βεβαιωθείτε ότι τα χαρακτηριστικά της πρίζας ανταποκρίνονται σε εκείνα του φρι με γείωση.

Καλώδιο τροφοδοσίας

Μην τσακίζετε το καλώδιο τροφοδοσίας και μην το συνδέετε με παλιντέζες ενόσω η συσκευή βρίσκεται σε λειτουργία, προσέξτε ώστε το καλώδιο να μην ακουμπά επάνω στον συμπιεστή που βρίσκεται στην πλάτη της συσκευής γιατί στην επιφάνειά του μπορεί να αναπτυχθούν πολύ υψηλές θερμοκρασίες ενόσω η συσκευή βρίσκεται σε λειτουργία. Τυχόν επαφή του καλωδίου με τον συμπιεστή μπορεί να προκαλέσει ζημιά στην μόνωση ή να προκαλέσει διαφυγή ρεύματος.

Προστασία από την υγρασία

Μην τοποθετείτε την συσκευή σε χώρους με υψηλή υγρασία έτσι απομακρύνεται η πιθανότητα οξείδωσης των μεταλλικών τμημάτων της συσκευής. Μην ψεκάζετε νερό στην συσκευή γιατί έτσι καταστρέφεται η μόνωση και υπάρχει κίνδυνος διαρροής του ρεύματος.

Προστασία από την ζέστη

Μην τοποθετείτε την συσκευή κοντά σε πηγές θερμότητας ή απευθείας στο φως του ήλιου

Σταθερότητα

Τοποθετείτε την συσκευή επάνω σε ανθεκτική και σταθερή επιφάνεια. Μην ακουμπάτε το ψυγείο επάνω σε μαλακές επιφάνειες όπως αφρώδεις επιφάνειες, πλαστικό ή άλλο υλικό παρόμοιας υφής. Ευθυγραμμίστε την συσκευή. Μην τοποθετείτε την συσκευή κοντά σε αντικείμενα που αντηχούν.

Πηγές κινδύνου

Μην τοποθετείτε την συσκευή κοντά σε πηκτικά ή εύφλεκτα υλικά όπως υγραέριο, πετρέλαιο, αλκοόλ, λάκα, λάδι φυτικό. Μην χρησιμοποιήσετε ποτέ την συσκευή για την φύλαξη τους.

Μεταφορά

Μην τοποθετείτε την συσκευή οριζόντια, μην την αναποδογυρίζετε, μην την γέρνετε 45° .

3.-Συνθήκες προς αποφυγή

Το νερό που περιέχεται σε μερικά τρόφιμα ή στον περιβάλλοντα χώρο εισέρχεται στο εσωτερικό της συσκευής και διαμορφώνει ένα λεπτό στρώμα πάγου. Όταν το λεπτό αυτό στρώμα ξεπεράσει τα 2mm ,πρέπει να αποψύξετε την συσκευή ,διαφορετικά μειώνεται η αποτελεσματικότητα της λειτουργίας της συσκευής.

Η απόψυξη του χώρου ψύξης πρέπει να γίνει με το χέρι. Πριν κάνετε αυτή την εργασία πρέπει να αφαιρέσετε τα τρόφιμα ,το δίσκο για τον πάγο, τα ράφια και να τα τοποθετήσετε προσωρινά μέσα στο χώρο συντήρησης. Περιστρέψτε τον επιλογέα θερμοκρασίας στην θέση Ο και αφήστε την πόρτα ανοικτή έως ότου να λειώσει εντελώς ο πάγος και να πέσει στην βάση της κατάψυξης. Μετά την διαδικασία απόψυξης πρέπει να επαναφέρετε τον θερμοστάτη στην θέση που επιθυμείτε .

Μην δοκιμάσετε να θερμάνετε το χώρο απόψυξης με ζεστό νερό ή με το πιστολάκι των μαλλιών για να επιταχύνετε την διαδικασία απόψυξης γιατί έτσι υπάρχει κίνδυνος να καταστρέψετε την εσωτερική επένδυση.

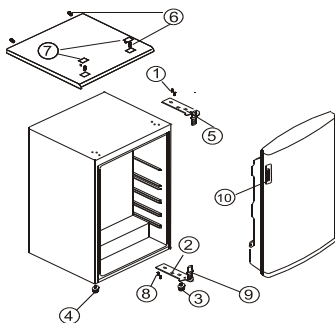
Μην δοκιμάστε να απομακρύνετε τον πάγο ή τα παγωμένα τρόφιμα με την βοήθεια αιχμηρού αντικείμενου ή ξύλινης σπάτουλας γιατί μπορεί να προκαλέσετε ζημιά στην εσωτερική επιφάνεια της συσκευής.

Εάν το καλώδιο παροχής έχει φθαρεί και πρέπει να αντικατασταθεί απευθυνθείτε αποκλειστικά στα κέντρα τεχνικής υποστήριξης GIAS SERVICE. Η αντικατάσταση του καλωδίου απαιτεί ειδικά εργαλεία.

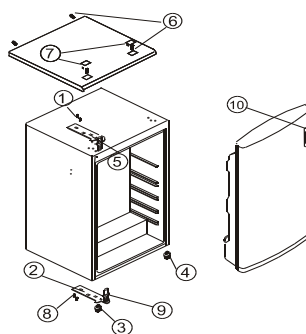
4.-Μετάθεση της πόρτας από την μία πλευρά στην άλλη

Αυτό το ψυγείο είναι εφοδιασμένο με μεντεσέδες τοποθετημένους στην δεξιά πλευρά της συσκευής. Για να αλλάξετε την φορά στο άνοιγμα της πόρτας πρέπει:

- 1.- Να αφαιρέσετε το πλαστικό κάλυμμα (7) και τις βίδες (6) που στερεώνουν την επιφάνεια στήριξης έτσι ώστε να την αφαιρέσετε.
- 2.-Να αφαιρέσετε τις δύο βίδες (1) που στερεώνουν τον επάνω μεντεσέ (5) στην δεξιά πλευρά. Αφαιρέστε τον μεντεσέ(5)
- 3.-Ανασηκώστε την πόρτα και τοποθετήστε την σε μια μαλακή επιφάνεια ώστε να μην γδαρθεί.
- 4.-Αφαιρέστε τις δύο βίδες (8) που στερεώνουν τον κάτω μεντεσέ (2) και αφαιρέστε τον μεντεσέ.
- 5.-Αφαιρέστε το αριστερό εμπρόσθιο ποδαράκι (4) και τοποθετήστε το στην δεξιά πλευρά.
- 6.- Πριν τοποθετήσετε τον κάτω μεντεσέ (2) αφαιρέστε τον πύρο στήριξης (9) και αντιστρέψτε την κατεύθυνση του κάτω μεντεσέ(2) Τοποθετήστε τον κάτω μεντεσέ (2) στην αριστερή πλευρά και στερεώστε τον με τις δύο βίδες(8)
- 7.- Τοποθετήστε τον πύρο στήριξης (9) στον κάτω μεντεσέ (2)
- 8.-Τοποθετήστε την πόρτα στην θέση του ελέγχοντας ότι έχει θηλυκώσει στον κάτω μεντεσέ (2)
- 9.-Κρατώντας την πόρτα κλειστή, στερεώστε τον επάνω μεντεσέ (5) στο αριστερό μέρος και στερεώστε με δύο βίδες (1).Βιδώστε καλά τις δύο βίδες (1) μόνο αφού ευθυγραμμίσετε την πόρτα με την επιφάνεια στήριξης.
- 10.-Τοποθετήστε την επιφάνεια στην οροφή της συσκευής και στηρίξτε το με τις βίδες (6) σκεπάστε το με το πλαστικό κάλυμμα (7)
- 11.-Αφαιρέστε την χειρολαβή της πόρτας (10) από την αριστερή πλευρά και τοποθετήστε την στην δεξιά.



Εικόνα 1



Εικόνα 2

ΕΙΚΟΝΑ 1- ΘΕΣΗ ΤΩΝ ΤΜΗΜΑΤΩΝ ΠΡΙΝ ΤΗΝ ΑΝΑΣΤΡΟΦΗ ΤΗΣ ΠΟΡΤΑΣ

ΕΙΚΟΝΑ 2.- ΘΕΣΗ ΤΩΝ ΤΜΗΜΑΤΩΝ ΜΕΤΑ ΤΗΝ ΕΠΕΜΒΑΣΗ ΑΝΑΣΤΡΟΦΗΣ

Καθαρίστε τις εξωτερικές επιφάνειες με ένα μαλακό πανί

Μακροχρόνια απουσία

- 1.-Αδειάστε το ψυγείο.
- 2.-Αποσυνδέστε το ψυγείο από το δίκτυο ηλεκτρικής ενέργειας.
- 3.-Αποψύξτε το ψυγείο και καθαρίστε το εσωτερικό της συσκευής.
- 4.-Εάν η συσκευή πρόκειται να μείνει για μεγάλο χρονικό διάστημα εκτός λειτουργίας αφήστε την πόρτα ανοικτή ώστε να μην μουχλιάσει, μυρίσει ή οξειδωθεί το εσωτερικό της.
- 5.-Καθαρίστε καλά

Το εσωτερικό του χώρου χαμηλής θερμοκρασίας (όπου υφίσταται)

Καθαρίστε τακτικά τον θάλαμο της συντήρησης με ένα βρεγμένο σφουγκάρι και ουδέτερο απορρυπαντικό. Ξεβγάλτε και στεγνώστε με ένα μαλακό πανί.

Μην χρησιμοποιείτε λειαντικές σκόνες, χλωρίνη ή ξύδι ασετόν ή άλλες ουσίες αφαίρεσης λεκέδων.

Αντικατάσταση των λαμπτήρων

Πριν ξεκινήσετε τις εργασίες αντικατάστασης των λαμπτήρων αποσυνδέστε την συσκευή από το δίκτυο ηλεκτρικής ενέργειας.

Πιέστε τα γλωσσάκια που βρίσκονται στο πλάι του καλύμματος του λαμπτήρα και αφαιρέστε τον λαμπτήρα.

Αντικαταστήστε τον λαμπτήρα με ένα άλλο μέγιστης ισχύος 10W

Τοποθετήστε το κάλυμμα στην θέση του και περιμένετε 5 λεπτά πριν συνδέσετε την συσκευή με το δίκτυο.

1.-Εάν το ψυγείο δεν λειτουργεί :

Βεβαιωθείτε ότι δεν έχετε διακοπή ρεύματος

Βεβαιωθείτε ότι η πρίζα παροχής είναι σωστά τοποθετημένη στο φως στον τοίχο.

Βεβαιωθείτε ότι δεν έχει καεί η ασφάλεια

2.- Εάν η θερμοκρασία ψύξης είναι πολύ ψιλή

Ελέγξτε ότι ο επιλογέας θερμοκρασίας είναι σωστά ρυθμισμένος

Εάν τα τρόφιμα που περιέχουν πολύ υγρασία τοποθετηθούν πολύ κοντά στους αγωγούς κρύου αέρα είναι πιθανόν να παγώσουν. Αυτή η κατάσταση δεν υποδηλώνει βλάβη.

3.- Εάν η θερμοκρασία ψύξης είναι πολύ χαμηλή

Τα τρόφιμα είναι πολύ κοντά το ένα στο άλλο και παρεμποδίζουν την κυκλοφορία του αέρα

Έχετε τοποθετήσει πολύ ζεστά τρόφιμα ή μεγάλη ποσότητα μέσα στο ψυγείο

Δεν έχετε κλείσει σωστά την πόρτα

Οι τσιμούχες της πόρτας έχουν φθαρεί

Ο αερισμός της συσκευής είναι ανεπαρκής

Η συσκευή έχει τοποθετηθεί πολύ κοντά στο τοίχο -δεν υπάρχει επαρκές κενό μεταξύ των πλευρών της συσκευής και των επίπλων που βρίσκονται τριγύρω της (κακός αερισμός)

Λάθος ρύθμιση του επιλογέα θερμοκρασίας

4.- Εάν κατά την διαδικασία απόψυξης το νερό από τους πάγους κυλά στο πάτωμα

Ελέγξτε τον αγωγό και την οπή αποχέτευσης της συσκευής. Βεβαιωθείτε ότι η λεκάνη συλλογής νερού είναι σωστά τοποθετημένη.

5.- Εάν στις εξωτερικές επιφάνειες της συσκευής συγκεντρώνεται υγρασία:

Αυτό μπορεί να συμβεί είτε γιατί υπάρχει πολύ υγρασία είτε γιατί το περιβάλλον είναι υγρό.

Αυτή η υγρασία είναι όμοια με εκείνη που σχηματίζεται σε ένα ποτήρι στο οποίο βάζουμε κρύο νερό. Στεγνώστε τις επιφάνειες με ένα στεγνό πανί.

6.-Εάν ακούτε ένα θόρυβο όμοιο με το νερό που τρέχει.

Αυτός ο θόρυβος παράγεται από το ψυκτικό υγρό ,δεν πρόκειται για βλάβη

7.-Εάν οι πλευρικές επιφάνειες θερμαίνονται.

Αυτό συμβαίνει όταν ανοιγοκλείνουμε συχνά την πόρτα, όταν η θερμοκρασία περιβάλλοντος είναι υψηλή. Δεν πρόκειται για βλάβη μην πειράξετε την επιφάνεια.

Λεπτομερής απεικόνιση των τεχνικών χαρακτηριστικών της συσκευής αναγράφεται στην ετικέτα του κατασκευαστή που βρίσκεται τοποθετημένη στην πλάτη του ψυγείου. Τα τεχνικά χαρακτηριστικά της συσκευής μπορεί να διαφοροποιηθούν.

Vielen Dank für den Kauf dieses Produkts.

Bevor Sie den Kühlschrank benutzen, lesen Sie bitte aufmerksam diese Bedienungsanleitung, um das Gerät optimal zu nutzen. Bewahren Sie alle Unterlagen für spätere Zwecke oder Nachbesitzer auf. Dieses Produkt ist nur für Privathaushalte oder ähnliche Anwendungszwecke vorgesehen:

- Personalküche in Geschäften, Büros und anderen Arbeitsumgebungen
 - landwirtschaftliche Betriebe, Hotels, Motels und andere Wohnumgebungen
 - Frühstückspensionen
 - Party-Servicedienste und ähnliche nicht dem Einzelverkauf dienende Anwendungen.
- Dieses Gerät darf nur zur Lagerung von Lebensmitteln benutzt werden. Jede andere Benutzung gilt als gefährlich und führt zum Haftungsausschluss des Herstellers. Darüber hinaus sollten Sie die Garantiebedingungen beachten.

SICHERHEITSHINWEISE

Der Kühlschrank enthält ein Kältemittelgas (R600a: Isobuten) und ein Isoliergas (Cyclopentan). Diese sind zwar Umweltverträglich, aber auch entzündlich.

Beachten Sie daher die folgenden Vorschriften, um Gefahrensituationen für Sie zu vermeiden:

Ziehen Sie den Netzstecker, bevor Sie am Gerät hantieren.

- **Das hinter und im Gerät installierte Kühlsystem enthält ein Kältemittel. Vermeiden Sie daher jegliche Beschädigung der Leitungen.**
- **Sollten Sie eine Undichtigkeit im Kühlsystem feststellen, dürfen Sie weder die Steckdose berühren noch offenes Feuer benutzen. Öffnen Sie das Fenster und lassen Sie frische Luft ins Zimmer. Wenden Sie sich dann zwecks Reparatur an einen Kundendienst.**
- **Sollten sich Eisablagerungen gebildet haben, dürfen diese keinesfalls mit einem Messer oder einem anderen scharfen Gegenstand entfernt werden. Sollte dadurch der Kühlkreislauf beschädigt werden, könnte austretendes Kältemittel einen Brand auslösen oder Ihre Augen schädigen.**
- **Das Gerät darf weder an feuchten, öligen oder staubigen Orten installiert noch direkter Sonneneinstrahlung und Wasser ausgesetzt werden.**
- **Installieren Sie das Gerät nicht in der Nähe von Heizungen oder brennbaren Materialien.**
- **Verwenden Sie keine Verlängerungskabel oder Adapter.**
- **Ziehen Sie nicht übermäßig stark am Stromkabel und fassen Sie den Stecker nicht mit feuchten Händen an.**
- **Der Stecker und/oder das Stromkabel dürfen nicht beschädigt werden, weil dies zu einem Stromschlag oder Brand führen kann.**
- **Der Stecker sollte saubergehalten werden, weil übermäßige Staubablagerungen auf dem Stecker zu einem Brand führen können.**

- Benutzen Sie keine mechanischen Geräte oder andere Ausrüstungen, um den Abtauvorgang zu beschleunigen.
- Vermeiden Sie unter allen Umständen die Benutzung von offenem Feuer oder elektrischen Geräte wie Heizungen, Dampfreinigern, Kerzen, Öllampen und dergleichen, um den Abtauvorgang zu beschleunigen.
- Benutzen oder lagern Sie keine brennbaren Sprays wie Sprühfarbe in der Nähe des Geräts, weil dies zu einer Explosion oder einem Brand führen könnte.
- Benutzen Sie keine elektrischen Vorrichtungen in den Lebensmittel-Lagerfächern, sofern diese nicht ausdrücklich vom Hersteller empfohlen wurden.
- Halten Sie brennbare und hochflüchtige Stoffe wie Äther, Benzin, Flüssiggas, Propangas, Spraydosen, Klebemittel, reinen Alkohol usw. fern, weil diese zu einer Explosion führen können.
- Lagern Sie weder Medizin noch Forschungsmaterialien im Gerät. Falls Stoffe gelagert werden, die eine strenge Kontrolle der Lagertemperatur erfordern, kann es sein, dass diese verderben oder eine unkontrollierte Reaktion auftritt, die Risiken nach sich ziehen kann.
- Halten Sie die Lüftungsöffnungen im Gehäuse des Geräts oder der Einbaustruktur frei von Verstopfungen.
- Stellen Sie keine mit Wasser gefüllten Gegenstände und/oder Behältnisse oben auf dem Gerät ab.
- Führen Sie keine Reparaturen an diesem Gerät durch. Alle Maßnahmen dürfen nur von qualifiziertem Personal vorgenommen werden.
- Dieses Gerät darf von Kindern ab 8 Jahren und Personen mit eingeschränkten körperlichen, sensorischen oder geistigen Fähigkeiten oder ohne Erfahrung und Wissen benutzt werden, wenn sie beaufsichtigt werden oder Anweisungen für den sicheren Gebrauch des Geräts erhalten und die damit verbundenen Gefahren verstanden haben.
- Kinder dürfen keinesfalls mit dem Gerät spielen. Kinder dürfen das Gerät nur unter Beaufsichtigung reinigen und instandhalten

GERÄTEENTSORGUNG



Dieses Gerät ist entsprechend der EU-Richtlinie 2012/19/EC für Elektro- und Elektronik-Altgeräte (WEEE) gekennzeichnet. Elektro- und Elektronik-Altgeräte enthalten sowohl umweltschädliche Stoffe (die negativen Folgen für die Umwelt verursachen) und grundlegenden Komponenten (die wiederverwendet werden können). Es ist wichtig, Elektro- und Elektronik-Altgeräte spezifischen Behandlungen zu unterziehen, um alle Schadstoffe zu entfernen und ordnungsgemäß zu entsorgen sowie alle Materialien zu recyceln. Jeder kann dazu beitragen, dass Altteilegeräte nicht zu einem Umweltproblem werden. Daher sollten unbedingt einige Grundregeln beachtet werden:

- Elektro- und Elektronik-Altgeräte dürfen nicht als Hausmüll entsorgt werden;
- Elektro- und Elektronik-Altgeräte müssen den entsprechenden Sammelstellen der Gemeinde oder davon registrierten Unternehmen übergeben. Viele Länder bieten möglicherweise die Abholung zu Hause für große Elektro- und Elektronik-Altgeräte.

In vielen Ländern können beim Kauf eines neuen Geräts Altgeräte an Händler, die einen kostenlosen 1-zu-1-Umtausch vornehmen müssen, zurückgegeben werden, solange das Gerät demselben Typ entspricht und über die gleichen Funktionen wie das bereitgestellte Gerät verfügt.

CE-Konformität



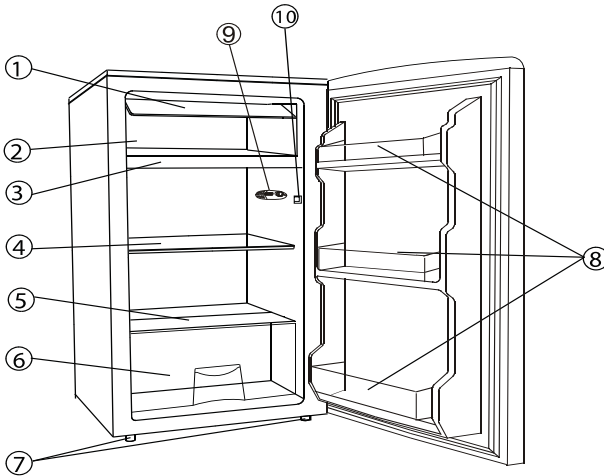
Mit der Verwendung des CE-Kennzeichens auf diesem Produkt bestätigen wir, dass sämtliche relevanten Sicherheits-, Gesundheits- und Umweltschriften eingehalten werden, die für dieses Produkt in Europa gesetzlich festgelegt sind.

ENERGIEEINSPARUNGEN

- Empfehlungen für eine optimale Energieeinsparung:
- Installieren Sie das Gerät nicht in der Nähe von Wärmequellen, setzen Sie es nicht direkter Sonneneinstrahlung aus, und sorgen Sie für ausreichende Luftzirkulation.
- Legen Sie keine heißen Lebensmittel in den Kühlschrank, um einen Anstieg der Innentemperatur und den andauernden Betrieb des Kompressors zu vermeiden.
- Lagern Sie nicht zu viele Lebensmittel, um eine ausreichende Luftzirkulation zu gewährleisten.
- Tauen Sie das Gerät ab, falls sich Eis gebildet hat (siehe ABTAUEN), um die Kühlung zu erleichtern.
- Bei einem Stromausfall sollte die Kühlschranktür geschlossengehalten werden.
- Die Tür sollte nur möglichst kurz geöffnet werden oder offenstehen.
- Stellen Sie den Thermostat nicht auf zu niedrige Temperaturen ein.
- Beseitigen Sie Staubablagerungen auf der Geräterückseite (siehe REINIGEN).
- Vollständiges Abtauen (mit Tür-Display): Nehmen Sie alle Körbe aus dem Gefrierfach.
- Vollständiges Abtauen (mit internem Bedienteil für Kühlschrank und Knopf für Gefrierfach): Nehmen Sie die übrigen Körbe aus dem Gefrierfach und lassen Sie die untere Schublade an ihrem Platz.
- Abtaufreies Modell: Nehmen Sie die übrigen Körbe aus dem Gefrierfach und lassen Sie die untere Schublade an ihrem Platz.
- Alle normalen statischen Modelle: Nehmen Sie alle Schubladen aus dem Gefrierfach.

1. Benennung der Einzelteile

EINZELTEILE UND EINRICHTUNG



1. Klappe für Gefrierfach
2. Gefrierfach
3. Abtropffach
4. Ablagefläche
5. Glas Abdeckung
6. Gemüsefach
7. höhenverstellbare Füße
8. Türfächer
9. Temperaturreglernopf
10. Türschalter

AUFSTELLUNG

Belüftung

Damit die warme Luft gut abgeleitet werden kann und das Gerät effizient und Energie sparend arbeitet, ist eine ausreichende Belüftung unerlässlich. Sehen Sie daher einen ausreichenden Abstand von den Wänden oder den angrenzenden Möbeln um das Gerät vor. So ist hinten ein Abstand von mindestens 100 mm zur Wand freizulassen, an den Seiten von jeweils mindestens 100 mm und oberhalb des Gerätes von nicht weniger als 200 mm. Für das hindernisfreie Öffnen der Tür um 160° sollte ebenfalls ein entsprechender Freiraum berücksichtigt werden.

Stromanschluss

Das Gerät ist für den Betrieb mit einer Stromversorgung über Einzelphase im Wechselstrom von 220-240V und 50Hz bzw. 230 V bei 60 Hz Frequenz vorgesehen. Sollte die Stromversorgung so stark schwanken, dass die Spannung die angegebenen Werte übersteigt, ist aus Sicherheitsgründen ein automatischer Wechselstromspannungsregler am Gerät anzuschließen. Das Gerät ist an eine einzelne Steckdose anzuschließen, die nicht von anderen Geräten gemeinsam genutzt wird. Der Stecker muss für eine geerdete Steckdose geeignet sein.

Netzkabel

Verwenden Sie keine Verlängerungskabel und vermeiden Sie es auch, das Netzkabel zusammenzurollen, wenn das Gerät in Betrieb ist. Auch darf das Netzkabel an der Rückseite des Gerätes nicht dicht am Kompressor liegen, da sich dieser während des Betriebs stark erhitzt. Durch die hohe Temperatur würde die Isolierung beschädigt werden und Stromverlust wäre die Folge.

Schutz vor Feuchtigkeit

Vermeiden Sie es, das Gerät an einen Ort aufzustellen, an dem Feuchtigkeit sich niederschlagen kann, um die Metallteile des Kühlschranks vor Rostbildung zu schützen. Der Kühlschrank darf auch nicht direkt mit Wasser besprüht werden, um dem Risiko von Isolations- und Stromverlust vorzubeugen.

Schutz vor Wärme

Halten Sie das Gerät fern von Wärmequellen und von direkter Sonneneinstrahlung.

Waagerechte Ausrichtung

Stellen Sie das Gerät auf einen ebenen und stabilen Boden. Der Boden darf nicht mit weichem Material wie Schaumgummi o.Ä. ausgelegt sein. Richten Sie das Gerät über die entsprechenden Schrauben waagerecht aus, falls es nicht eben steht. Stellen Sie das Gerät nicht in die Nähe von Gegenständen, die Resonanzgeräusche produzieren könnten.

Fernhalten von Gefahrenquellen

Es ist dringend davon abzuraten, den Kühlschrank in die Nähe von brennbaren oder leicht entzündlichen Stoffen wie Gas, Benzin, Alkohol, Lack oder Öl usw. aufzustellen. Diese Stoffe dürfen auch nicht im Kühlschrank aufbewahrt werden.

Transport

Beim Transport oder an seiner endgültigen Stelle darf das Gerät weder waagerecht hingelegt noch mit mehr als 45

VORSICHTSMAßNAHMEN

- Das Wasser, das in den Lebensmitteln enthalten ist, oder die Luftfeuchtigkeit, die durch Öffnen der Tür in das Gerät gelangt, können im Gefrierschrank zu einer Frostschrift gefrieren, welche die Kühlung beeinträchtigen kann. Tauen Sie den Gefrierschrank ab, wenn diese Frostschrift dicker als 2 mm ist.
- Das Abtauen erfolgt im Gefrierbereich manuell. Vor dem Abtauen entnehmen Sie das Gefriergut, den Eiswürfelbehälter und die Ablage aus der Gefrierzelle. Stellen Sie dann den Temperaturknopf vorübergehend auf „0“, so dass der Kompressor aufhört zu arbeiten, und lassen Sie die Tür offen, bis die Frostschrift vollständig aufgetaut ist. Wischen Sie das Wasser ab und trocknen Sie sorgfältig mit einem weichen Tuch. Um das Abtauen zu beschleunigen, können Sie einen Behälter mit warmem Wasser (ca. 50°C) in die Gefrierzelle stellen. Nach dem Abtauen stellen Sie sicher, dass der Temperaturknopf wieder auf die ursprüngliche Position gestellt wird.
- Es ist dringend davon abzuraten, die Gefrierzelle direkt mit heißem Wasser zu begießen oder mit einem Haartrockner aufzuheizen, da sonst das Innengehäuse dadurch deformiert werden könnte.
- Benutzen Sie niemals scharfe Gegenstände wie Messer, Schaber o. Ä., um die Eisfläche oder die Frostschrift abzukratzen oder die am Gefrierschrankboden haftenden Behältnisse mit Gefriergut zu trennen. Das könnte das Innengehäuse oder gar die Oberfläche des Verdampfers unwiederbringlich beschädigen.
- Sollte das Netzkabel des Gerätes beschädigt werden, ist dieses durch einen gleichen Typs zu ersetzen. Die Arbeiten dürfen nur von einem autorisierten Werkskundendienst durchgeführt werden, da hierfür spezielles Werkzeug notwendig ist.

Wechseln des Türanschlages

Um die Türöffnung von rechts nach links zu wechseln, folgen Sie bitte den untenstehenden Anweisungen:

1. Entfernen Sie die kleinen Plastikabdeckungen (7) und die Schrauben (6), welche die Arbeitsplatte fixieren und nehmen Sie diese vom Gerät.
2. Lösen Sie die 2 Schrauben (8), welche das obere Scharnier im Rahmen halten (5) (rechts), und entfernen Sie das obere Scharnier.
3. Heben Sie die Tür ab und legen Sie sie auf eine weiche Unterlage, um Kratzer zu vermeiden.
4. Lösen Sie die 2 Schrauben (8), welche das untere Scharnier halten (2) und entfernen Sie dieses.
5. Lösen Sie das linke Füßchen (4) und bringen Sie es auf der rechten Seite an.
6. Vor Einsetzen des unteren Scharniers (2), entfernen Sie den Bolzen (9) and ändern Sie die Richtung des unteren Scharniers (2). Dann installieren Sie dieses (2) auf der linken Seite des unteren Rahmens mit zwei Schrauben (8).
7. Setzen Sie den Bolzen (9) ins untere Scharnier (2).
8. Setzen Sie die Tür im unteren Scharnier ein (2).
9. Halten Sie die Tür in geschlossener Position, sichern Sie das obere Scharnier (5) im Rahmen auf der linken Seite mit zwei Schrauben (1). Bitte beachten Sie, dass Sie diese zwei Schrauben (1) nicht allzu fest anziehen bis der obere Teil der Tür mit dem oberen Kante des Kühlschranks gleich hoch ist.
10. Montieren Sie die Arbeitsplatte oben mit den Schrauben (6) und setzen Sie die Plastikabdeckungen (7) ein.
11. Wechseln Sie den Türgriff (10) von der linken auf die rechte Seite.

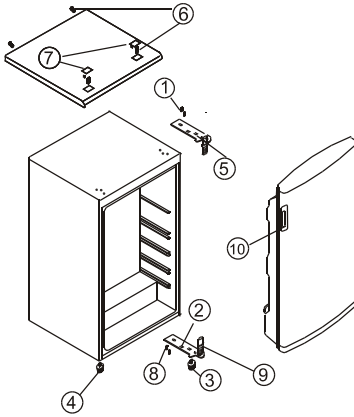


ABBILDUNG 1

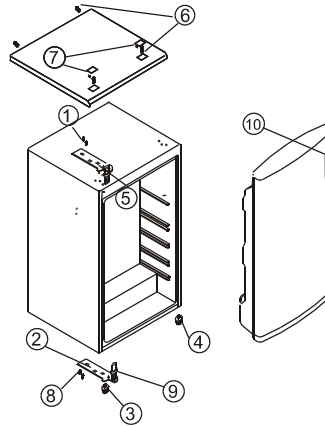


ABBILDUNG 2

ABBILDUNG 1 - Zeigt die Positionen der Einzelteile vor Wechseln des Türanschlages

ABBILDUNG 2 - Zeigt die Positionen der Einzelteile nach Wechseln des Türanschlages

PROBLEMLÖSUNG

Sollten Ihnen beim Betrieb des Gerätes einmal Unregelmäßigkeiten auffallen, lesen Sie bitte zunächst die nachfolgenden Anweisungen durch, bevor Sie den Kundendienst anrufen. Viele Symptome lassen sich selbst beheben.

1. Das Gerät funktioniert nicht

- Der Stecker ist nicht in der Steckdose
- Die Sicherung hat ausgelöst
- Der Strom ist ausgefallen

2. Das Gerät kühlt zu stark

- Der Temperaturregler ist zu hoch eingestellt
- Wenn Lebensmittel mit hohem Feuchtigkeitsgehalt direkt unter die Auslassöffnungen der Kaltluft gestellt werden, können sie leicht gefrieren. Das ist kein Hinweis auf eine Fehlfunktion des Gerätes.

3. Das Gerät kühlt nicht ausreichend

- Das Kühlgut liegt zu dicht beieinander, und verhindert so die Zirkulation der Kaltluft.
- Eine große Menge von frischen oder warmen Lebensmitteln wurde in den Kühlschrank gestellt.
- Die Tür schließt nicht richtig
- Die Türdichtung ist beschädigt
- Das Gerät ist nicht ausreichend belüftet
- Das Gerät hat nicht die erforderlichen Abstände zu den Seitenwänden und zur Decke hin

4. Das Abtauwasser tropft ins Innere des Gerätes und auf den Boden

- Prüfen Sie, dass die Abflusssrinne nicht verstopft ist und der Abflussschlauch nicht eingeklemmt ist
- Prüfen Sie, dass die Abtauschale richtig sitzt

5. Kondenswasser bildet sich außen am Gerät

- Kondenswasser kann sich an der Außenseite des Gerätes bilden, wenn die Luftfeuchtigkeit sehr hoch ist, besonders während der feuchten Jahreszeiten. Das ist das gleiche Phänomen wie das, wenn kaltes Wasser in ein Glas gegeben wird, und stellt keinen Fehler dar, sondern ist völlig normal. Wischen Sie das Wasser einfach mit einem trockenen Tuch ab.

6. Gurgelgeräusche sind zu hören

- Rassel- oder Gurgelgeräusche werden durch das Fließen der Kühlflüssigkeit erzeugt. Das ist völlig normal und kein Indiz einer Fehlfunktion.

7. Die Seitenwände des Gehäuses heizen sich auf

- Die Seitenwand des Gehäuses heizt sich auf, wenn das Gerät in Betrieb genommen wird, wenn die Tür häufig geöffnet und wieder geschlossen wird, oder auch wenn das Gerät bei sehr hoher Umgebungstemperatur arbeiten muss, z.B. im Sommer oder in schlecht belüfteten Räumen. Die Wärme aus dem Inneren des Gehäuses wird so nach außen abgeleitet, das ist kein Zeichen einer Fehlfunktion des Kühlschranks.

Дякуємо за те, що придбали цей прилад.

Перед використанням холодильника уважно прочитайте цю інструкцію з експлуатації, щоб максимально підвищити його продуктивність. Збережіть усю документацію для подальшого використання або для майбутніх власників. Цей прилад призначений лише для домашнього використання або для аналогічного застосування, наприклад:

- в кухонній зоні для персоналу в магазинах, офісах та інших робочих приміщеннях
- на фермах, для клієнтів готелів, мотелів та інших установ житлового типу
- в готелях типу "ліжко і сніданок"
- для закладів громадського харчування та аналогічних установ, що не призначені для роздрібної торгівлі.

Цей прилад слід використовувати лише для зберігання продуктів харчування, будь-яке інше застосування вважається небезпечним і виробник не несе відповідальності за будь-яку недбалість. Ми також рекомендуємо взяти до уваги гарантійні умови.

ІНФОРМАЦІЯ ЩОДО БЕЗПЕКИ

Холодильник містить газоподібний холодоагент (R600a: ізобутан) та ізоляційний газ (циклопентан), які не мають шкідливого впливу на навколишнє середовище, проте є легкозаймистими.

Ми рекомендуємо вам дотримуватись наступних правил, щоб уникнути небезпечних ситуацій:

Перед виконанням будь-яких дій витягніть шнур живлення з розетки.

- **Холодильна система, що розташована позаду та всередині приладу, містить холодоагент. Тому, будьте обережними, щоб не пошкодити трубки.**
- **Якщо в холодильній системі виявлено витік, не торкайтесь розетки та не використовуйте відкрите полум'я. Відчиніть вікно та провітріть кімнату. Після цього зателефонуйте в сервісний центр та подайте запит на ремонт.**
- **Не використовуйте ніж або гострі предмети для того, щоб позбутися інею чи льоду. Таким чином можна пошкодити контур холодоагенту, розлив якого може спричинити пожежу або пошкодити очі.**
- **Не встановлюйте прилад у вологих, жирних або забруднених місцях, а також не піддавайте його впливу прямих сонячних променів і води.**
- **Не встановлюйте прилад поблизу обігрівачів або легкозаймистих матеріалів.**
- **Не використовуйте подовжувачі чи адаптери.**
- **Не застосовуйте надмірну силу при витягуванні чи складанні шнура живлення, а також не торкайтесь вилки мокрими руками.**
- **Не пошкодьте вилку та/або шнур живлення, оскільки це може призвести до ураження електричним струмом або спричинити пожежу.**

- Рекомендується тримати вилку в чистоті, оскільки надмірний бруд на ній може спричинити пожежу.
- Не використовуйте механічні пристрої чи інше обладнання, щоб пришвидшити процес розморожування.
- У жодному разі не використовуйте відкритого полум'я або електрообладнання, такого як обігрівачі, парові очисники, свічки, масляні лампи тощо, щоб пришвидшити процес розморожування.
- Не використовуйте та не зберігайте легкозаймисті аерозолі, такі як аерозольна фарба, біла прилада, оскільки це може спричинити вибух чи пожежу.
- Не використовуйте електрообладнання всередині відсіків для зберігання їжі, якщо воно не відповідає типу, рекомендованому виробником.
- Не розмішуйте та не зберігайте легкозаймисті та надзвичайно леткі речовини, такі як ефір, бензин, ЗНГ, пропан, аерозольні баночки, клеї, чистий спирт тощо. Ці матеріали можуть спричинити вибух.
- Не зберігайте ліки чи матеріали для досліджень у цьому приладі. У разі зберігання матеріалу, який вимагає жорсткого контролю температури зберігання, він може зіпсуватися або призвести до неконтрольованої реакції, яка може спричинити певні ризики.
- Не прикривайте вентиляційні отвори в корпусі приладу або у вбудованій конструкції.
- Не розмішуйте предмети та/або контейнери, наповнені водою, зверху приладу.
- Не намагайтеся самостійно полагодити прилад. Усі дії повинні виконуватися лише кваліфікованим персоналом.
- Даний пристрій може використовуватися дітьми віком від 8 років та особами з обмеженими фізичними, сенсорними або розумовими здібностями, а також особами без необхідного досвіду та знань, якщо вони перебувають під наглядом або отримали інструкції щодо безпечного використання пристрою і розуміють можливу небезпеку.
- Не дозволяйте дітям гратися з приладом. Дітям забороняється виконувати очищення та обслуговування приладу без нагляду дорослих.

УТИЛІЗ ЦІЯ СТАРИХ ПРИЛАДІВ



Даний прилад має маркування відповідно до директиви ЄС 2012/19/EU щодо відходів електричного та електронного обладнання (ВЕЕО).

ВЕЕО містять як забруднюючі речовини (які можуть викликати негативні наслідки для навколишнього середовища), так і основні компоненти (які можуть бути повторно використані). Важливо підкорятися певним процедурам, щоб усунути та утилізувати належним чином усі забруднюючі речовини, а також дістати та переробити всі матеріали. Фізичні об'єкти можуть відігравати в життєво важливу роль у забезпеченні того, щоб ВЕЕО не стали проблемою для навколишнього середовища; необхідно дотримуватися певних основних правил:

- ВЕЕО не слід поміщати разом з побутовими відходами.
- ВЕЕО повинні бути передані відповідні пункти збору під управлінням міської влади або зареєстрованих компаній. У багатьох країнах, для великих ВЕЕО, можливі збірні пункти.

У багатьох країнах, коли ви купуєте новий прилад, старий може бути подарований або проданий за символічну ціну. Якщо ви не можете знайти покупця, ви можете подарувати його на збірні пункти. Якщо це аналогове обладнання, яке має певні функції, що й новий прилад.

Європейська відповідність (CE)

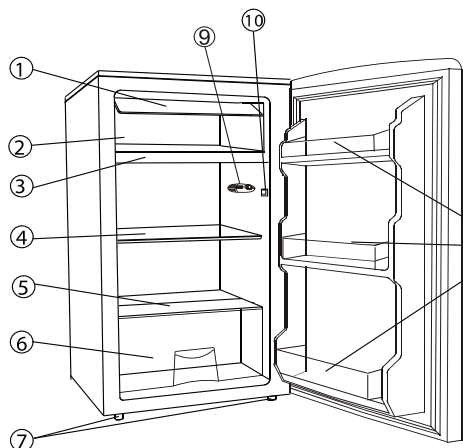
Розміщення позначки на цьому продукті, ми підтверджуємо відповідність усім європейським нормам безпеки, охорони здоров'я та екологічним вимогам, які передбачені законодавством для цього продукту.

ЕНЕРГІЙНЕ ЗБЕРЕЖЕННЯ

Для ефективного енергозбереження ми рекомендуємо:

- Встановити прилад на відстані від джерел тепла, в добре провітрюваному приміщенні, яке не піддається впливу прямих сонячних променів.
- Не ставте гарячі їжі в холодильник, оскільки це може призвести до підвищення внутрішньої температури, а отже спричинити безперервне функціонування компресора.
- Не переміщайте надмірну кількість їжі, щоб забезпечити належну циркуляцію повітря.
- Розморозуйте прилад при наявності льоду (див. РОЗМОРОЖЕННЯ), щоб полегшити поширення холоду.
- За відсутності електроенергії рекомендується не відчиняти двері холодильника.
- Відчиняйте двері холодильника як можна рідше та залишайте їх відчиненими впродовж тривалого часу.
- Не ставте надто низьких температур на термостаті.
- Витягуйте пил із задньої частини приладу (див. ОЧИЩЕННЯ).
- Total no frost Audy (і дисплеєм на верцях): витягніть усі ящики з морозильної камери.
- Total no frost (із внутрішнім інтерфейсом користувача для холодильника та регулятором для морозильної камери): витягніть інші ящики з морозильної камери, але залиште нижній ящик на своєму місці.
- Модель Frost free: витягніть інші ящики з морозильної камери, але залиште нижній ящик на своєму місці.
- Усі з'явлені статичні моделі: витягніть усі ящики з морозильної камери.

ОПИС ПРОДУКТУ



1. Дверцята морозильної камери.
2. Морозильна камера
3. Резервуар для стоку води
4. Полиці холодильного відділення
5. Скляна полиця над ящиком для овочів
6. Ящик для овочів
7. Ніжки, що регулюються
8. Дверні полиці
9. Ручка регулювання температури
10. Дверний вимикач

ПРАВИЛЬНЕ ВСТАНОВЛЕННЯ

Належна вентиляція

При встановленні приладу слід забезпечити хорошу вентиляцію повітря, це забезпечить вищу продуктивність роботи та знизить споживання електроенергії. Відстань між стіною та холодильником має бути не менша ніж 100 мм, бокова відстань між іншими предметами також має перевищувати 100мм, зверху відстань має бути не менше ніж 200 мм. Також слід залишити простір для відкриття дверцят 160°.

Електричне під'єднання

Під'єднайте прилад до мережі з напругою 220-240Вт і частотою 50Гц. або 230Вт і частотою 60Гц.

Перш ніж під'єднати прилад до мережі електроживлення слід упевнитися, що значення напруги на щитку відповідає напрузі електричної мережі у Вашому помешканні.

Шнур живлення

Не використовуйте адаптери та подовжувачі, які можуть зумовити перегрівання і навіть займання приладу. Прослідкуйте, щоб шнур не торкався до компресора, температура якого є досить високою. Це може спричинити пошкодження ізоляції .

Захист від вологи

Задля запобіганні появи корозії, не ставте прилад в приміщенні з високим рівнем вологи. Забороняється виливати воду на прилад, щоб не було короткого замикання.

Захист від перегрівання

Слід уникати високої температури та прямого сонячного світла. Рекомендуємо встановлення пристрою в холодному, сухому, добре провітрюваному приміщенні. Установка близько до джерела тепла (обігрівачів, плит і т.д.) є категорично неправильною (оскільки це призведе до перенавантаження компресора, а відповідно до значного підвищення споживання електроенергії).

Належна фіксація

Встановіть прилад на горизонтальній поверхні у стабільне та рівне положення. З цією метою слід використати дві передні ніжки, які допомагають знівелювати нерівності підлоги.

Подалі від небезпеки

Не рекомендовано встановлювати прилад біля таких легкозаймистих речовин, як газовий балон, канистра з бензином, резервуар з пальмовою олією і т.д.

Транспортування

При транспортуванні холодильник не можна нести в горизонтальному положенні або під нахилом більше ніж 45°, або дотори низом.

УВАГА!

❖ Волога, яка міститься всередині продуктів чи яка потрапляє в середину при відкриванні дверцят, може утворювати іній на стінках холодильника. Товстий шар льоду може зменшити ефективність роботи приладу. Коли наліт буде більше 2 мм, холодильник слід розморозити.

❖ Рекомендується розморозувати холодильник кожен раз, коли утворюється товстий шар інею. Для прискорення процесу розморозування залиште дверцята холодильника відкритими, а саму техніку вимкніть. Для видалення льоду з внутрішньої частини не використовуйте гострі або механічні предмети (ножі, ножиці або будь-які інші предмети, крім рекомендованих заводом-виробником). Це допоможе запобігти пошкодженню контуру циркуляції хладагенту.

ПРИМІТКА: невелика кількість льоду на задній панелі холодильника є нормальним явищем.

❖ Не рекомендовано при розмороженні морозильної камери використовувати гарячу воду чи фен, це може призвести до деформації внутрішніх частин камери.

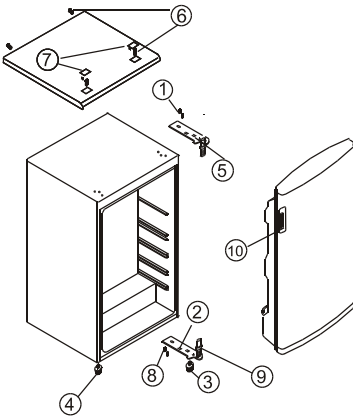
❖ Завжди витягуйте мережевий штепсель з розетки, перед тим як почати чистити/розморозувати холодильник, або перед тим як змінити лампочку і т.д.

❖ У разі пошкодження мережевого шнуру, його необхідно замінити, звернувшись до виробника, сервісного агента або персоналу аналогічної кваліфікації. Це забезпечить уникнення негативних наслідків.

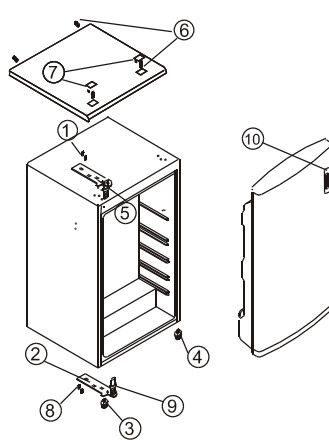
ПЕРЕНАВІШУВАННЯ ДВЕРЦЯТ

На заводі дверні петлі встановлюються з правої сторони, для того що змінити напрямок відкривання дверцят виконайте наступні дії:

1. Вийміть пластикові заглушки (7) та гвинти (6), які фіксують верхню кришку.
2. Відгвинтіть два гвинта (1), що фіксують верхню петлю (5). Зніміть петлю.
1. Припідніміть дверцята та підтримуйте, щоб вони не подряпалися.
2. Відгвинтіть два гвинта (8), які тримають нижню петлю (2). Зніміть петлю.
3. Зніміть ліву передню ніжку (4) і перемістіть її на праву сторону.
4. Перед встановленням нижньої петлі (2) зніміть фіксуючий гвинт (9) і змініть напрямок петлі. Потім встановіть нижню петлю (2) з іншої сторони на пригвинтіть гвинтом (8).
5. Вставте фіксуючий гвинт (9) в нижню петлю (2).
6. Встановіть дверцята, переконавшись, що вони зафіксовані ні нижній петлі.
7. Підтримуючи дверцята та встановіть верхню петлю (5), зафіксуйте петлю гвинтами (1).
8. Встановіть верхню кришку за допомогою гвинтів (6). Та вставте заглушки (7).
9. Перевісьте дверну ручку (10).



Мал. 1



Мал. 2

На малюнку 1 зображено початковий етап.

На малюнку 2 зображено завершальний етап.

ЧИЩЕННЯ ТА ДОГЛЯД

- **Перед очищенням прилад необхідно від'єднати від мережі електроживлення.**
- Не очищуйте прилад, поливаючи його водою.
- Морозильну камеру приладу слід періодично очищувати розчином двовуглекислої соди та теплої води.
- Аксесуари слід мити окремо, використовуючи мильну воду. Не мийте аксесуари у посудомийній машині.
- Не використовуйте для миття абразивні миючі засоби, детергенти або мило. Після очищення сполосніть чистою водою і витріть насухо. Після завершення миття під'єднайте штепсель приладу до розетки. Зверніть особливу увагу на те, що робити це необхідно сухими руками.
- Для економії енергії та більшої продуктивності роботи приладу конденсатор, розміщений позаду приладу, потрібно очищати віничком один раз на рік.

Заміна лампочки в холодильнику

Для заміни лампочки, вимкніть прилад з розетки. За допомогою пласкої викрутки підніміть решітку і зніміть прозору кришку. Викрутіть лампочку і замініть її лампочкою того ж типу і тієї ж напруги (макс. 10 вт). Встановіть кришку назад і через 5 хвилин увімкніть прилад.

Усунення несправностей

Якщо у Вас виникли будь-які труднощі, будь ласка, зв'яжіться з нашою сервісною службою. Проте невеликі або очевидні несправності часто можна вирішити самостійно. Насправді, несправності можуть бути викликані неправильним використанням або установкою або непридатними зовнішніми умовами, і в цих випадках відповідальність за усунення несправностей залишається за Вами.

ХОЛОДИЛЬНИК НЕ ПРАЦЮЄ

- Переконайтеся, що мережевий штепсель вставлений в розетку до кінця.
- Переконайтеся, що терморегулятор не встановлений в положенні «0» або Стоп.
- Переконайтеся, що є електроживлення.

ТЕМПЕРАТУРА В ХОЛОДИЛЬНИКУ НЕДОСТАТНЬО НИЗЬКА

- Переконайтеся, що терморегулятор встановлений правильно. Встановіть більш низьку температуру.
- Переконайтеся, що двері холодильника не були залишені відкритими надто довго.
- Переконайтеся, що Ви не зберігаєте занадто багато продуктів у холодильнику.
- Переконайтеся, що Ви не поклали гарячі продукти в холодильник.

ЗНАДТО БАГАТО ІНЕЮ

- Переконайтеся, що двері холодильника не були залишені відкритими надто довго. Вимкніть холодильник, розморозьте, а потім увімкніть його знову.
- Переконайтеся, що терморегулятор не встановлений на занадто низькій температурі. Встановіть більш високу температуру.

ЗНАДТО БАГАТО КОНДЕНСАЦІЇ

- Переконайтеся, що двері холодильника не були залишені відкритими надто довго.
- Переконайтеся, що Ви не зберігаєте занадто багато продуктів у холодильнику.
- Переконайтеся, що Ви не поклали гарячі продукти в холодильник.

ВОДА В МОРОЗИЛЬНІЙ КАМЕРІ

- Кілька крапель води на стінках холодильника є нормальним явищем, особливо якщо в кімнаті підвищена вологість.
- Переконайтеся, що відливний отвір не заблоковано.

ОСВІТЛЕННЯ НЕ ПРАЦЮЄ

- Переконайтеся, що мережевий штепсель вставлений в розетку до кінця.
- Переконайтеся, що є електроживлення.
- Щоб зняти лампочку, дотримуйтесь інструкцій, що містяться в технічному описі приладу або в даному керівництві.

Якщо проблема не була усунена, зверніться в нашу сервісну службу, вказавши номер приладу і серійний номер з таблички технічних даних.

ТЕХНІЧНІ ДАНІ

*Деталі щодо технічних особливостей приладу, можна знайти на табличці на задній стінці холодильника.

* Виробник має право вдосконалювати технічні особливості не попереджаючи про це.

Zahvaljujemo se vam za nakup tega izdelka.

Preden boste hladilnik začeli uporabljati, prosimo, da pazljivo preberete ta uporabniška navodila in tako zagotovite, da boste izdelek najbolj učinkovito uporabljali. Dokumentacijo shranite, ker je koristna tudi za kasnejšo uporabo. Ta izdelek je namenjen izključno za domačo uporabo ter za naslednje namene:

- čajne kuhinje za osebje v trgovinah, pisarnah in podobnih poslovnih objektih
- na kmetijah, hotelskih sobah, motelih in ostalih nastanitvenih objektih, ki nudijo
- nočitev zajtrkom (B & B)
- za namene nudenja hrane izven obratov ter podobne namene, kjer ne gre za običajno prodajo.

Napravo morate uporabljati le za shranjevanje živil, kajti vsaka drugačna uporaba je lahko nevarna, zato proizvajalec ne prevzema odgovornosti za morebitne neželene posledice. Priporočamo tudi, da se seznanite z garancijskimi pogoji.

VARNOSTNE INFORMACIJE

Hladilnik vsebuje hladilni (R600a: izobuten) ter izolacijski plin (ciklopentan), ki sta možno združljiva z zrakom, zato pa tudi izjemno vnetljiva.

Zaradi preprečevanja nevarnih situacij, priporočamo, da natančno sledite naslednjim določilom:

Pred vsakim posegom na napravi, odklopite napajalni kabel iz vtičnice.

- **V napeljavi hladilnega sistema, ki je na zadnji strani naprave in v njeni notranjosti, je hladilno sredstvo. Zato pazite, da ne boste poškodovali napeljave.**
- **Če opazite puščanje hladilnega sredstva, se nikakor ne dotikajte tega mesta in v nobenem primeru ne uporabljajte odprtega ognja. Odprite okno in prezračite prostor. Nato se s serviserjem posvetujte glede popravila.**
- **Ledu ali ivja, ki se nakopiči nikoli ne odstranjujte z nožem. Pri tem bi namreč lahko poškodovali napeljavo in uhajajoče hladilno sredstvo bi se lahko vnelo ali poškodovalo vaše oči.**
- **Naprave ne nameščajte v vlažne, zamaščene ali prašne predele, niti j ene izpostavljajte neposredni sončni svetlobi ali tekoči vodi.**
- **Naprave ne nameščajte blizu grelnikov ali vnetljivih snovi.**
- **Za priklop naprave ne uporabljajte podaljškov ali adapterjev.**
- **Napajalnega kabla ne raztegujte prekomerno, niti ga pretirano ne upogibajte, vtička pa s ene dotikajte z mokrimi rokami.**
- **Pazite, da vtička ali napajalnega kabla ne boste poškodovali; to bi lahko privedlo do električnega udara ali požara.**
- **Poskrbite, da bo vtičak vedno čist, kajti preveč prahu na njem lahko povzroči požar.**
- **Za pospešitev odmrzovanja nikoli ne uporabljajte mehanskih naprav ali ostale opreme.**
- **V nobenem primeru pa za pospešitev odmrzovanja ne uporabljajte odprtega ognja, električne opreme kot so grelniki, parni čistilniki, sveče, oljne svetilke in podobni pripomočki.**

- V bližini naprave ne uporabljajte ali shranjujte vnetljivih razpršil kot so barve v razpršilu, kajti obstaja nevarnost eksplozije ali požara.
- V predelih za shranjevanje živil ne uporabljajte električnih naprav, razen tistih, ki jih priporoča proizvajalec.
- Na napravo ne postavljajte, niti v njej ne shranjujte vnetljivih in možno hlapljivih snovi kot je eter, bencin, LPG plin, propan, aerosoli v razpršilu, adhezivi, čisti alkohol itd. Te snovi lahko povzročijo eksplozijo.
- V napravi ne shranjujte medicinskih ali raziskovalnih snovi. Snov, ki zahteva natančen nadzor temperature shranjevanja bi se pri shranjevanju v tej napravi lahko začela kvariti ali nekontrolirano reagirati kar bi privedlo do nevarne situacije.
- Prezračevalne odprtine, v ohišju naprave ali vgrajene v napravo, naj bodo vedno čiste in pretočne.
- Na napravo ne postavljajte predmetov in posod napolnjenih z vodo.
- Naprave, ki je v okvari, ne popravljajte sami. Vsak poseg v napravo lahko opravi le ustrezno usposobljeni serviser.
- Otroci, ki so starejši od 8 let in osebe z zmanjšanimi telesnimi, s čutnimi ali z razumskimi sposobnostmi oziroma osebe s pomanjkanjem izkušenj ter znanja, lahko uporabljajo to napravo le pod nadzorom ali če so bili ustrezno podučeni glede varne uporabe naprave in se tudi zavedajo nevarnosti, ki jih njena uporaba prinaša.
- Otroci se z napravo ne smejo igrati. Čiščenja in vzdrževanja otroci ne smejo izvajati brez nadzora

ODLAGANJE STARE NAPRAVE



Ta naprava je označena skladno z določili Evropske direktive 2012/19/EU o odpadni električni in elektronski opremi (WEEE). Ta oprema vsebuje tako strupene snovi (ki imajo lahko negativne vplive na okolje) kot tudi osnovne komponente (ki jih je možno ponovno uporabiti). Tovrstno odpadno opremo je obvezno potrebno specifično obravnavati in ustrezno odstraniti strupene, hkrati pa obnoviti in ponovno uporabiti določene še uporabne materiale. Posamezniki lahko pri tem odigrajo pomembno vlogo, kajti tovrstna odpadna oprema ne postane breme okolja; zato je pomembno upoštevati določena osnovna pravila:

- Odpadne električne in elektronske opreme ne smemo obravnavati kot gospodinjne odpadke;
- Odpadno električno in elektronsko opremo je obvezno dostaviti na predpisana mesta za zbiranje tovrstnih odpadkov. V veliko državah je organizirano prevzemanje odpadne električne in elektronske opreme na domu.

V veliko državah lahko ob nakupu nove naprave staro lahko brezplačno dostavite trgovcu, če je le ta oprema iste vrste, kot tista, ki ste jo kupili.

Skladnost CE

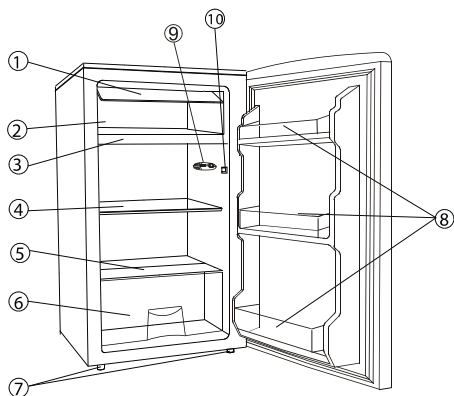


Oznaka na izdelku potrjuje, da je oprema skladna z Evropskimi predpisi o varnosti, zdravju in okoljskimi določili, ki se nanašajo na uporabo tovrstnih izdelkov.

VARČEVANJE Z ENERGIJO

- Za boljše varčevanje z energijo priporočamo:
- Napravo montirajte proč od virov toplote v sobi z dobrim prežračevanjem, tako da ni izpostavljena neposredni sončni svetlobi.
- V hladilnik ne dajte vroče hrane, da preprečite porast notranje temperature in, zaradi tega, nenehno delovanje kompresorja.
- V hladilnik ne zložite prevelike količine hrane, da zagotovite dobro prežračevanje.
- Če opazite, da se kopiči led, napravo odmrznite (glejte ODMRZOVANJE) in omogočite prenos hlajenja.
- V primeru izpada električnega napajanja priporočamo, da vrata hladilnika pustite zaprta.
- Vrata odpirajte le toliko kot je potrebno in takrat, ko je to nujno
- Termostata ne nastavljajte na prenizko temperaturo.
- Z zadnje strani naprave odstranite prah.
- Tehnologija Total no frost Audy (s prikazovalnikom na vratih): odstranite vse košare iz zamrzovalnika;
- Tehnologija Total no frost (z notranjim uporabniškim vmesnikom za hladilnik in gumbom za zamrzovalnik): odstranite druge košare iz zamrzovalnika, vendar pustite spodnji predač.
- Model Frost free: odstranite druge košare iz zamrzovalnika, vendar pustite spodnji predač.
- Vsi običajni statični modeli: odstranite vse predače iz zamrzovalnika.

DELI HLADILNIKA



1. Pokrov zamrzovalnega predelka
2. Zamrzovalni predelek
3. Pladenj za odcejanje
4. Steklena polica
5. Steklena polica
6. Predal za zelenjavo
7. Nastavljive noge
8. Stekleni balkoni
9. Gumb za nastavljanje temperature
10. Stikalo za luč na vratih

PRAVILNA POSTAVITEV

Ustrezno zračenje

Za brezhibno delovanje hladilnega aparata, njegovo učinkovitost in nizko porabo energije je ključnega pomena neovirano zračenje. Zato mora biti okoli hladilnega aparata dovolj prostora. Na hrbtni strani mora biti od zida odmaknjen vsaj 100 mm, ob straneh prav tako 100 mm, nad njim pa vsaj 200 mm. Tudi za odpiranje vrat (za 160 stopinj) mora biti na voljo dovolj prostora.

Napajanje

Hladilnik je namenjen priključitvi na enofazni izmenični tok (220-240)V~/50Hz;230V~/60Hz. Če vrednosti v omrežju zaradi velikih nihanj odstopajo od navedenih, zaradi varnosti uporabite regulator napetosti. Hladilnik mora biti priključen na samostojno vtičnico. Ne uporabljajte razdelilcev. Vtičač se mora prilegati vtičnici z ozemljitvenim vodom.

Priključni kabel

Priključnega kabla ne smete podaljševati ali zvijati. Pazite, da kabel ni napeljan tik ob kompresorju na hrbtni strani aparata, ki se med delovanjem zelo segreje. Vročina bi lahko poškodovala izolacijo ali povzročila uhajanje toka.

Zaščita pred vlago

Hladilnika ne postavljajte v zelo vlažen prostor, da se izognete nevarnosti za rjavenje kovinskih delov. Hladilnika ne smete polivati z vodo, saj bi to lahko pokvarilo izolacijo in povzročilo uhajanje elektrinega toka.

Zaščita pred vročino

Hladilnik ne sme stati v bližini virov toplote ali biti izpostavljen neposredni sončni svetlobi.

Stabilnost

Hladilnik postavite na trdna, ravna tla.

Ne postavljajte ga na mehko talon oblogo ipd. Če hladilnik ne stoji ravno, ga uravnajte s pomočjo nožic. Hladilnik ne postavljajte ob predmet, ki bi lahko povzročil odmev.

Upoštevajte navodila o varnosti

Odsvetujemo postavljanje hladilnika v prostor, v katerem so prisotni vnetljivi plini, bencin, alkohol, lak, vnetljiva olja ipd. Takih snovi ne smete hraniti v hladilniku.

Selitev

Hladilnik prenašajte v pokončnem položaju. Ne polagajte ga v vodoravni položaj oziroma ne nagibajte za več kot 45°, ali celo z zgornjim delom navzdol.

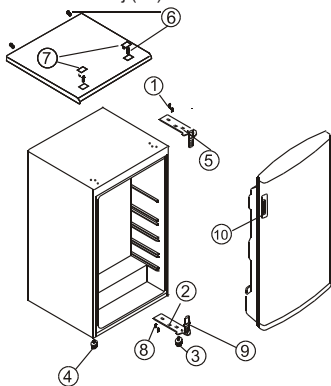
Opozorila

- Voda, ki jo vsebujejo živila, ali ki je prisotna v zraku in vstopa v hladilnik medtem, ko so vrata odprta, se v notranjosti nabira v obliki plasti sreža in ledu. Debelejša ledena obloga zmanjša učinkovitost hladilnika. Ko preseže debelino 2 mm morate hladilnik odtaliti.
- Odtaljevanje zamrzovalnega dela morate opraviti ročno. Najprej odstranite zamrznjena živila, modelček za ledene kocke in polico ter obrnite gumb termostata na "0" (kompresor preneha delovati). Vrata pustite odprta, dokler se led na stali. Vodo, ki se nabere na dnu zamrzovalnika, obrišite z gobo ali mehko krpo. Odtaljevanje lahko pospešite tako, da v zamrzovalnik postavite posodo s toplo vodo (približno 50°C). Na koncu očistite zamrzovalnik. Ne pozabite obrniti gumba termostata nazaj na srednjo vrednost!
- Nikoli ne pospešujte odtaljevanja z vročo vodo ali npr. sušilnikom za lase, saj bi lahko na ta način deformirali stranice!
- Odsvetujemo uporabo ostrih ali konicastih predmetov, saj bi lahko poškodovali aparat.
- Če je priključni električni kabel poškodovan, ga mora zamenjati strokovnjak pooblaščenega servisa, saj so za to potrebna posebna orodja.

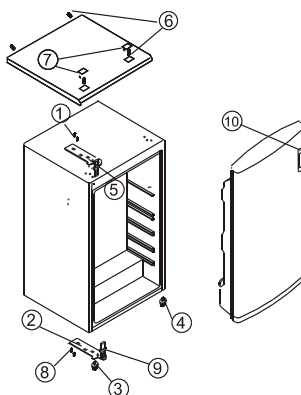
Spreminjanje strani odpiranja vrat

Hladilnik je tovarniško izdelan s tečaji za vrata na desni. Če želite spremeniti smer odpiranja vrat, upoštevajte spodnja navodila:

1. Odstranite plastični pokrovček (7) in vijake (6), s katerimi je zgornji pokrov pritrjen na ohišje, ter snemite pokrov.
2. Odvijte vijaka (1), s katerima je zgornji tečaj (5) na desni pritrjen na ohišje. Odstranite zgornji tečaj (5).
3. Dvignite vrata in jih položite na mehko površino, da se ne bi opraskala.
4. Odvijte vijaka (8), s katerima je pritrjen spodnji tečaj (2). Odstranite spodnji tečaj (2).
5. Odstranite nogo spredaj levo (4) in jo premestite na drugo stran.
6. Preden ponovno pritrдите spodnji tečaj (2), odstranite zatič (9) in obrnite spodnji tečaj (2). Nato spodnji tečaj (2) z vijakoma (8) pritrдите na levo stran ohišja spodaj.
7. Vstavite zatič (9) v spodnji tečaj (2).
8. Namestite vrata trdno na spodnji tečaj (2).
9. Pridržite vrata v zaprtem položaju in z vijakoma (1) pritrдите tudi zgornji tečaj (5) na levo stran ohišja. Vijakov (1) ne zategnite preveč, dokler vrat ne poravnate z robom ohišja.
10. Pritrdite zgornjo ploščo na ohišje z vijaki (6) in namestite tudi plastične čepke (7).
11. Premestite ročaj (10) z leve na desno stran.



SLIKA 1



SLIKA 2

Na sliki 1 so prikazani sestavni deli pred spreminjanjem strani odpiranja vrat.

Na sliki 2 so prikazani sestavni deli po spreminjanju strani odpiranja vrat.

Čiščenje in vzdrževanje

Zunanje površine čistite z mehko krpo.

Če aparata dlje časa ne boste uporabljali

1. Izpraznite ga.
 2. Potegnite vtičač iz vtičnice.
 3. Temeljito ga očistite, kot je to opisano v teh navodilih, in odtalite.
 4. Vrata pustite odprta, da preprečite nastanek neprijetnega vonja.
 5. Aparat očistite.
- Notranjost nizkotemperaturnega predelka (nekateri modeli) očistite med odtaljevanjem.
 - Občasno očistite notranjost hladilnega dela z vlažno gobo ter vodo in nevtralnimi čistilom. Nato izperite površine in jih obrišite z mehko krpo.
 - Ne uporabljajte jedkih čistil in grobih propomočkov (npr. sredstev za odstranjevanje madežev, acetona, trikloretilena ipd.).

Zamenjava žarnic

Pred zamenjavo žarnice izključite aparat iz električnega omrežja.

Stisnite jezička ob strani pokrovčka nad žarnico in ga odstranite.

Nadomestite žarnico z novo enakovredno, maksimalna moč je 10 W.

Namestite pokrovček nazaj in počakajte 5 minut, nato pa ponovno priključite aparat na električno omrežje.

Odpravljanje nepravilnosti v delovanju

1. ČE HLADILNI APARAT NE DELUJE

Prepričajte se, da morda ni prišlo do izpada električnega toka.

Preverite, da je vtičač v vtičnici.

Preverite, da ni pregorela varovalka.

2. HLADILNI APARAT PREVEČ HLADI

Morda ni nastavljena ustrezna stopnja.

Če postavite živilo z visoko vsebnostjo vlage tik pod odprtino za pritekkanje hladnega zraka, lahko zamrzne.

To ne kaže na okvaro.

3. HLADILNIK NE HLADI DOVOLJ

Morda ste zavojčke zložili preblizu skupaj in onemogočajo kroženje hladnega zraka.

Morda ste v hladilnik postavili večjo količino svežih živil, ali vroče živilo.

Morda vrata niso bila dobro zaprta.

Morda je poškodovano tesnilo na vratih.

Morda je ovirano kroženje zraka okoli hladilnika.

Morda okoli hladilnika (ob straneh in nad njim) ni dovolj prostega prostora.

Morda gumb termostata ni v pravilnem položaju.

4. VODA PRI ODTALJEVANJU TEČE V HLADILNIK IN NA TLA.

Preverite, da ni zamašena cevka za odtekanje vode pri odtaljevanju.
Preverite, da je posoda za odcejanje vode pravilno nameščena.

5. NA ZUNANJIH POVRŠINAH HLADILNIKA SE NABIRA KONDENZ

To se lahko zgodi v vlažnem vremenu, ko je v zraku visoka vsebnost vlage – podobno kot se na kozarcu naberejo kapljice vode, ko vanj vlijete hladno vodo. To ne kaže na okvaro. Obrišite površine s suho krpo.

6. SLIŠI SE, KOT BI SE PRETAKALA VODA.

Ta zvok je posledica pretakanja hladiva. Ne kaže na okvaro.

7. STRANICA HLADILNIKA SE SEGREVA

Če pogosto odprete in zaprete vrata, se stranica segreje, segreje pa se tudi, ko zaženete aparat ali ko hladilnik deluje poleti pri visoki temperaturi v prostoru. Ne dotikajte se stranice, ki se segreva zaradi razprševanja toplote iz notranjosti aparata. To ni okvara!

Tehnični podatki

*Tehnični podatki so navedeni na tablici s podatki na hrbtni strani hladilnika.

*Pridržujemo si pravico do spreminjanja tehničnih specifikacij brez predhodnega obvestila.

Благодарим Вас за приобретение данного товара.

Перед началом эксплуатации Вашего холодильника, пожалуйста, внимательно прочитайте данную инструкцию по эксплуатации, чтобы полностью воспользоваться преимуществами холодильника. Сохраняйте всю документацию для использования в будущем или для передачи последующим пользователям. Данное изделие предназначено исключительно для пользования в бытовых и аналогичных условиях, а именно:

- на кухнях для персонала магазинов, офисов и в других рабочих остановках;
- в агроусадьбах, постояльцами отелей, мотелей и других комплексов гостиничного типа;
- в отелях типа «bed & breakfasts» (B & B).
- службами организации банкетов или аналогичными фирмами, но не для розничной торговли.

Данный прибор должен использоваться только для хранения продуктов питания, любое другое использование считается опасным и освобождает производителя от ответственности в случае любых инцидентов. Также рекомендуется ознакомиться с гарантийными условиями.

В системе холодильника содержится охлаждающий газ, он же хладагент (R600a: изобутен), и изолирующий газ (циклопентан), которые обладают высокой совместимостью с окружающей средой, но, несмотря на это, они легко воспламеняются. Рекомендуется соблюдать следующие меры предосторожности, чтобы предотвратить возникновение опасных для Вас ситуаций:

Перед началом проведения любых работ, извлеките шнур питания из сетевой розетки.

- Система охлаждения, расположенная сзади и внутри прибора, содержит хладагент. Поэтому, избегайте повреждений труб системы.
- В случае обнаружения утечки в системе охлаждения, не прикасайтесь к настенной розетке и не пользуйтесь источниками открытого пламени. Откройте окно и проветрите комнату. Затем позвоните в сервисный центр с запросом о ремонте.
- Не соскабливайте ножом или острыми предметами наледь или лед, которые могут образовываться на стенках. Таким образом можно повредить контур хладагента, утечка из которого может стать причиной возникновения пожара или повреждения глаз.
- Не устанавливайте прибор в помещениях с высокой влажностью, значительным пылевым или масляным загрязнением; избегайте непосредственного попадания на прибор воды и прямых солнечных лучей.
- Не устанавливайте прибор вблизи нагревателей или легко воспламеняемых материалов.
- Не пользуйтесь удлинителями и адаптерами.
- Не тяните и не сворачивайте чрезмерно шнур питания; не касайтесь вилки мокрыми руками.
- Не повреждайте вилку и/или шнур питания; это может стать причиной поражения электрическим током или пожара.
- Рекомендуется сохранять вилку чистой, чрезмерные пылевые наслоения на вилке могут стать причиной пожара.

- Не используйте механические инструменты или оборудование для ускорения процесса размораживания.
- Категорически запрещается использовать открытое пламя или электрическое оборудование, например, нагреватели, паровые очистители, свечи, масляные лампы и т.п., для ускорения процесса размораживания.
- Не используйте и не храните воспламеняемые аэрозоли вблизи прибора, они могут стать причиной взрыва или пожара.
- Не используйте электрические приборы внутри отсеков для хранения продуктов, если только речь не идет о приборах, рекомендованных производителем холодильника.
- Не ставьте и не храните в холодильнике воспламеняемые и легколетучие материалы, например, эфир, бензин, СНГ, пропан, аэрозольные баллончик, клеящие материалы, чистый спирт и т.п. Эти материалы могут стать причиной взрыва.
- Не храните медицинские препараты или исследовательские материалы в приборе. Хранение в холодильнике материалов, требующих строгого контроля за температурой хранения, может привести к их порче или спровоцировать неконтролируемую реакцию, которая может стать источником рисков.
- Следите, чтобы вентиляционные отверстия на корпусе прибора или в структуре, в которую осуществляется встраивание, были свободными и не загроможденными.
- Не ставьте предметы и/или емкости, наполненные водой, верху на прибор.
- Не предпринимайте попыток самостоятельного ремонта прибора. Все ремонтные работы должны выполняться только квалифицированным персоналом.
- Данным прибором могут пользоваться дети в возрасте 8 лет и старше, лица с ограниченными физическими, сенсорными и умственными способностями, а также с недостаточным опытом и знаниями, если они находятся под внимательным присмотром, получили надлежащий инструктаж по безопасному пользованию прибором и осознают связанные с ним риски.
- Детям запрещено играть с прибором. Детям без надлежащего присмотра запрещается выполнять отведенные пользователю операции очистки и обслуживания.

УТИЛИЗАЦИЯ СТАРЫХ ПРИБОРОВ



На данный прибор нанесена маркировка в соответствии с Директивой ЕС 2012/19/ЕС об отходах электрического и электронного оборудования (WEEE). Отходы электрического и электронного оборудования содержат как загрязняющие вещества (которые могут стать причиной негативных последствий для окружающей среды), так и основные компоненты (которые могут быть использованы повторно). Важно, чтобы отходы электрического и электронного оборудования подвергались специальным способам обработки, нацеленным на извлечение и правильную утилизацию всех загрязняющих веществ, а также извлечение всех материалов, пригодных для повторного использования. Каждый из нас может сделать свой вклад в защиту окружающей среды от загрязнения отходами электрического и электронного оборудования; для этого необходимо следовать некоторым общим правилам:

- отходы электрического и электронного оборудования не должны утилизироваться, как бытовые отходы;
- отходы электрического и электронного оборудования должны передаваться в соответствующие пункты сбора, находящиеся под управлением муниципальных властей или официально зарегистрированных компаний. В некоторых странах практикуется сбор габаритных отходов электрического и электронного оборудования на дому.

Во многих странах при покупке нового прибора старый можно вернуть розничному продавцу на условиях один к одному, если возвращаемое оборудование эквивалентного типа и обладает таким же функционалом, как и поставляемое оборудование.

Соответствие стандартам ЕС



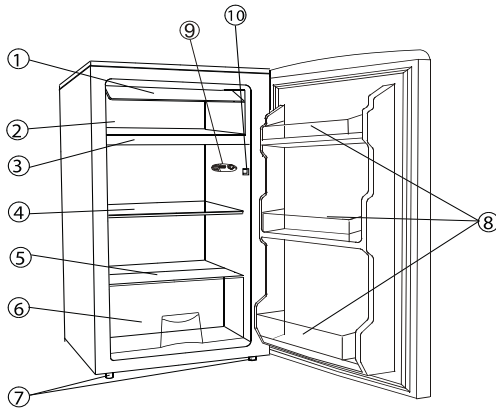
Маркировка CE, нанесенная на данное изделие, удостоверяет соответствие всем требованиям стандартов ЕС к безопасности, охране человеческого здоровья и окружающей среды, применяемых законодательством к данному изделию.

ЭНЕРГОСБЕРЕЖЕНИЕ

- Для более эффективного энергосбережения рекомендуется придерживаться некоторых приведенных далее правил.
- Устанавливать прибор в помещении с хорошей вентиляцией, вдали от источников тепла и прямых солнечных лучей.
- Не ставить горячую еду в холодильник во избежание повышения внутренней температуры, которое влечет за собой непрерывную работу компрессора.
- Не загромождать чрезмерно холодильник продуктами, чтобы обеспечивать надлежащую циркуляцию воздуха.
- Провести размораживание прибора в случае образования льда (см. РАЗМОРАЖИВАНИЕ), чтобы облегчить передачу холода.
- В случае отсутствия электроэнергии, рекомендуется держать дверцу холодильника закрытой.
- Как можно меньше открывать или держать открытой дверцу холодильника.
- Не регулировать термостат, устанавливая его на очень низкие температуры.
- Удалять пыль, имеющуюся за прибором (см. ОЧИСТКА).
- Total no frost Aduy (с дисплеем на дверце): достаньте все корзины из морозильной камеры;
- Total no frost (с внутренним интерфейсом пользователя и ручкой для морозильной камеры): достаньте другие корзины из морозильной камеры, оставив на месте нижний ящик.
- Модель не образующая наледь: достаньте другие корзины из морозильной камеры, оставив на месте нижний ящик.
- Все обычные статические модели: достаньте все ящики из морозильной камеры.

1. Общо устройство

ЧАСТИ И ХАРАКТЕРИСТИКИ



- ① Врата на фризерната част
- ② Фризерна част
- ③ Тава за отцеждане
- ④ Стъклен шелф
- ⑤ Стъклен капак
- ⑥ Кутия за съхранение на свежа храна
- ⑦ Нивелиращи крачета
- ⑧ Балкони за бутилки
- ⑨ Копче за контрол на температурата
- ⑩ Прекъсвач

2. Правилно позициониране

Вентилация

Необходимо е достатъчно пространство за вентилиране около хладилника и лесно разсейване на топлината, висока ефективност на хладилника и ниска консумация на енергия. За тази цел е необходимо да се остави определено свободно пространство около хладилника. Задната част трябва да е на 100 мм от стената, страниците също на 100 мм, а над горната част трябва да се предвидят поне 200 мм. пространство. Хладилника трябва да се монтира така, че вратата да се отваря поне на 160°.

Захранване

Хладилникът работи само с еднофазно променливотоково захранване (220~240) V / 50 Hz, ~230V / 60Hz. Ако в района на потребителя, има колебания на напрежението надхвърлящи горния обхват, за безопасност се прилага автоматичен регулатор на напрежението. Хладилникът не трябва да бъде включван заедно с други електро уреди, а да бъде на самостоятелен контакт.

Захранващ кабел

Кабелът трябва да не е удължаван или прегънат в намотка по време на работа. Нещо повече, забранено е съхранение на кабела в близост до компресора на хладилника, защото температурата му е висока по време на работа. Докосването му ще доведе до повреда на изолацията или доведе до утечка на електроенергия.

Защита от влага

Трябва да се избягва използването на хладилника във влажни помещения, за да се предотврати ръждясването на металните детайли. Забранено е пръскането на хладилника с вода, поради опасност от късо съединение.

Защита от топлина

Хладилникът трябва да е далеч от пряк източник на топлина и от пряка слънчева светлина

Стабилно фиксиране

Подът върху който ще се поставя хладилника трябва да бъде равен и твърд. Не бива да го поставяте върху меки настилки, като дунапрен и др. Нивото може да се регулира чрез крачетата. Трябва също така да се избягва поставянето му до елементи създаващи ехо.

Да се пази от опасности

Не е желателно хладилника да се намира до изпаряващи се и запалими течности и газове, като газ, бензин, спирт, лак и др. Те не бива да бъдат съхранявани и във вътрешността му.

Преместване

При преместване, хладилника не трябва да бъде наклонян на повече от 45°

3. Предупреждения

- ★ Съдържанието на вода в продуктите и навлизания въздух при отварянето на вратата на хладилника, могат да доведат до образуването на слой лед. Ако този слой е повече от 2 мм, хладилника трябва да се размрази,

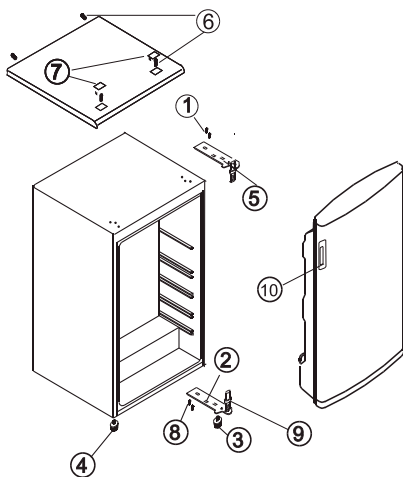
- ★ Размразяването на камерата трябва да се прави ръчно. Преди размразяването, извадете всички продукти и ги поставете върху охлаждащата табла и задайте регулатора на позиция „0“ (компресора ще спре работа). Оставете вратата отворена за да се разтопи леда и след това подсушете с кърпа. За да ускорите размразяването, може да поставите купа с топла вода (около 50°C). След размразяването, настройте регулатора на желаната позиция.
- ★ Никога не нагривайте фризерното отделение с гореща вода или сешоар, защото може да деформирате вътрешните части.
- ★ Не е препоръчително да стържете леда или да отделяте замръзналата храна с остри предмети или дървени стъргалки, защото може да нараните вътрешността и изпарителя.
- ★ Ако хранящия кабел е повреден и е необходимо да бъде сменен, то е желателно да се извика оторизиран техник

4. Смяна на посоката на отваряне на вратата

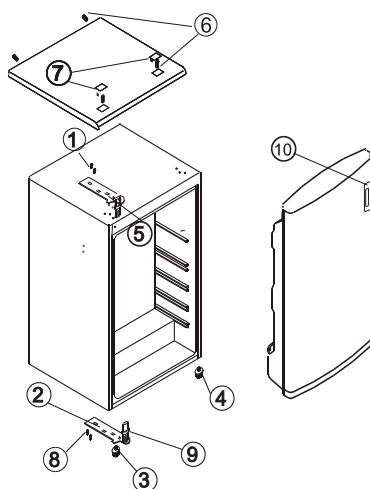
Хладилника е сглобен с поставени панти за вратата от дясно. Ако искате да смените посоката на отваряне на вратата, изпълнете следното:

1. Свалете малката пластмасова капачка (7) и развийте винта (6) който фиксира плота за да го разглобите.
2. Развийте двата винта (1), които закрепват горната панта (5) (дясната страна) към рамката. Свалете горната пантата (5).
3. Вдигнете вратата и я поставете на гладка повърхност за да избегнете надраскването и.
4. Развийте двата винта (8), които закрепват долната панта (2) и внимателно свалете долната панта (2)
5. Свалете предния ляв крак (4) и го преместете от дясната страна.
6. Преди да монтирате долната панта (2) отстранете щифта (9) и обърнете отварянето на долната панта (2). Тогава монтирайте долната панта (2) върху лява страна на долната рамка с два винта (8).
7. Поставете щифта (9) в долната панта (2).
8. Поставете вратата на мястото и като се обедините че ляга правилно върху долната панта (2).
9. Докато придържате врата в затворено положение захванете горната пантата (5) в горната рамка от лявата страна с двата винта (1). Моля запомнете, че не трябва да затягате двата винта (1) докато не нивелирате горната част на вратата.

10. Монтирайте обратно плота върху хладилника и го закрепете с винтове (6) и ги покрийте с малките пластмасови капачки (7).
11. Преместете дръжката (10) от лявата на дясната страна на вратата.



ФИГУРА 1



ФИГУРА 2

ФИГУРА 1 - показва компонентите на хладилника преди смяна на посоката на отваряне на вратата.

ФИГУРА 2 - показва компонентите на хладилника след смяна на посоката на отваряне на вратата.

5. Поддръжка

Почиствайте външната страна на хладилника като използвате мека кърпа.

При продължително бездействие на уреда

1. Изпразнете хладилника.
2. Изключете уреда от контакта.
3. Размразете и почистете вътрешната част.
4. В случай на продължително бездействие, оставете врата на уреда отворена за да предотвратите образуването на мухъл, миризми и окисление.
5. Почистване на уреда
 - След размразяване почиствайте фризерното отделение (където е монтирано).
 - Периодично почиствайте вътрешността на хладилната част с гъба почистват с топла вода и/или неутрален препарат. Изплакнете и подсушете с мека кърпа.Не използвайте абразивни продукти, стъргалки, препарати за петна (като ацетон, трихлороетилен) или оцет.

Смяна на крушката :

Когато сменяте крушката, Изключете уреда от мрежата и следвайте процедурата :
Стиснете от двете страни капака на крушката и го извадете.

Смете крушката с нова максимално 10 W.

Сложете капака отново и изчакайте 5 минути преди да включите уреда отново в контакта.

6. Разрешаване на проблеми

1. Хладилника не работи

Проверете дали има прекъсване на ел.захранването

Проверете дали щепсела е включен в контакта

Проверете дали бушона не е повреден

2. Когато хладилника се охлажда прекомерно

Повреден е циферблатът за температура

Ако поставите хранна, съдържаща влага, директно под студен въздух, тя веднага ще замръзне. Това не показва неизправност

3. Когато хладилника не охлажда

Когато храната е опакована много плътно, студения въздух не може да проникне правилно.

Може да сте поставили нещо горещо или много хранителни продукти

Вратата може да не е затворена добре

Уплътнителят на вратата може да е увреден

Хладилникът не може да се вентилира

Може да няма достатъчно пространство от горната страна и от двете страни.

Регулаторът на температурата не работи правилно

4. Когато размразената вода попада в хладилника или се разлива на пода:

Проверете дали изходящата тръба или маркуча не са запушени

Проверете дали съдът в който се събира размразената вода е поставен правилно.

5. Когато има конденз върху хладилника

Когато влажността е висока, може да се образува конденз от външната страна на уреда. Това не е причина за притеснение. избършете със суха кърпа.

6. Чува се звук като от падаща вода

Това не е повреда. Звъкът се получава при движението на хладилния агент

7. Когато външната страна на уреда се нагрива

Страничния панел на хладилника се загрива когато често се отваря и затваря врата, когато работи през горещи летни дни и т.н.т. В този случай не пипайте страничния панел, затоплянето е в резултат на стремежа за поддържане на постоянна температура в хладилника, това не е повреда.

7. Технически спецификации

Не инсталирайте уреда навън.

Уредът работи правилно в рамките на отбелязаните температури на околната среда :

+10 +32°C за климатичен клас SN

+16 +32°C за климатичен клас N

+16 +38°C за климатичен клас ST

+16 +43°C за климатичен клас T

(Виж табелката на продукта)

*за подробна техническа информация прочетете табелата на гърба на хладилника

*Спецификациите могат да бъдат променени без допълнително известяване

Ďakujeme vám, že ste si kúpili náš výrobok.

Pred používaním svojej chladničky si pozorne prečítajte návod na použitie, aby ste maximálne využili všetky jej vlastnosti. Všetky dokumenty si odložte pre ďalšie použitie alebo pre ďalších používateľov. Tento spotrebič je určený iba na použitie v domácnosti alebo na podobné využitie, napríklad:

- v kuchynkách pre pracovníkov v obchodoch, v kanceláriách alebo na iných pracoviskách
- v podnikoch, pre hostov v hoteloch, motelloch a v iných prostrediach rezidenčného typu
- v ubytovniach a v prenajímaných izbách (B & B)
- Pre kateringové služby a podobné použitie mimo maloobchodného predaja.

Tento spotrebič sa smie používať iba na skladovanie potravín, každé iné použitie sa považuje za nebezpečné a výrobca v prípade porušenia pokynov nepreberá žiadnu zodpovednosť. Okrem toho sa odporúča nezabúdať na podmienky záruky.

BEZPEČNOSTÉ PREDPISY

Chladnička obsahuje chladiaci plyn (R600a: izobutén) a izolačný plyn (cyklopentán), ktorý nie je škodlivý pre životné prostredie, ale je horľavý. Odporúčame vám dodržiavať nasledujúce predpisy, čím zabránite nebezpečným situáciám:

Pred vykonaním akéhokoľvek úkonu vytiahnite elektrickú zástrčku z elektrickej zásuvky.

- Chladiaci systém na zadnej stene spotrebiča a v jeho vnútri obsahuje chladivo. Preto nedovoľte, aby sa poškodili rúrky.
- Ak by ste spozorovali úniky z chladiaceho systému, nedotýkajte sa výstupu na stene a nepoužívajte otvorené plamene. Otvorte okno a miestnosť vyvetrajte. Potom zavolajte servisné stredisko a objednajre opravu.
- Námrazu ani ľad nezoškrabujte nožom ani žiadnym iným ostrým predmetom. Mohli by ste nimi poškodiť chladiaci okruh, úniky z ktorého by mohli spôsobiť požiar alebo by vám mohli poškodiť zrak.
- Spotrebič neinštalujte vo vlhkom, masťnom ani prašnom prostredí a nevystavujte ho priamemu slnečnému svetlu ani vode.
- Spotrebič neinštalujte v blízkosti ohrievačov ani horľavých materiálov.
- Nepoužívajte predlžovacie káble ani adaptéry.
- Elektrický napájací kábel príliš neťahajte a neohýbajte, ani sa ho nedotýkajte mokrymi rukami.
- Nepoškodzujte zástrčku elektrického napájacieho kábla ani samotný kábel, mohlo by to spôsobiť zásah elektrickým prúdom alebo požiar.
- Odporúča sa udržiavať zástrčku kábla čistú. Zvyšky prachu na zástrčke by mohli spôsobiť požiar.
- Na urýchlenie odmrazovania spotrebiča nepoužívajte mechanické nástroje ani iné metódy.
- Na urýchlenie odmrazovania je absolútne zakázané používať otvorený plameň alebo elektrické zariadenia ako ohrievače, naparovače, sviečky, olejové lampy a podobne.

- V blízkosti spotrebiča nepoužívajte ani neskladujte horľavé spreje, ako sú sprejové farby, pretože by mohli spôsobiť výbuch alebo požiar.
- Vnútri oddelenia na skladovanie potravín nepoužívajte elektrické spotrebiče, s výnimkou typov spotrebičov povolených zo strany výrobcu.
- Do spotrebiča nevkladajte ani v ňom neskladujte horľavé ani prchavé látky, ako éter, benzín, LPG, propán, aerosólové tlakové nádoby, lepidlá, čistý alkohol a pod. Tieto materiály môžu spôsobiť výbuch.
- Vnútri spotrebiča neskladujte lieky ani výskumný materiál. Pri skladovaní materiálu, ktorý si vyžaduje prísnu kontrolu teplôt skladovania sa môže stať, že sa materiál znehodnotí alebo môže dôjsť k nekontrolovanej reakcii, ktorá spôsobí ohrozenie.
- Vetracie otvory na kryte spotrebiča alebo na štruktúre zabudovania udržiavajte nezakryté, bez prekážok.
- Na vrchnú stranu spotrebiča nekladte žiadne predmety a/alebo nádoby s vodou.
- Spotrebič neopravujte sami. Akýkoľvek zásah smie urobiť iba vyškolený personál.
- Toto zariadenie smú používať deti staršie než 8 rokov a osoby so zníženými telesnými, zmyslovými alebo duševnými schopnosťami alebo s nedostatkom skúseností a znalostí, len ak sú pod dozorom alebo dostali pokyny o používaní zariadenia bezpečným spôsobom a ak chápu nebezpečenstvá s ním súvisiace.
- Deti sa nesmú hrať so spotrebičom. Čistenie a údržbu nesmú vykonávať deti bez dozoru.

LIKVIDÁCIA STARÉHO SPOTREBIČA



Toto zariadenie je označené podľa európskej smernice 2012/19/EÚ o odpade z elektrických a elektronických zariadení (OEEZ). OEEZ obsahuje znečisťujúce látky znečisťujúce látky (ktoré môžu mať negatívny dopad na životné prostredie) a základné komponenty (ktoré sa dajú zhodnotiť). Je dôležité, aby sa s OEEZ manipulovalo ako so špeciálnym odpadom, aby sa odstránili a správne zlikvidovali všetky znečisťujúce látky a aby sa z hodnotili a recyklovali všetky materiály. Pri zabezpečovaní, že sa OEEZ nedostane voľne do prostredia, zohrávajú dôležitú úlohu jednotlivci. Preto je nevyhnutné dodržiavať niekoľko základných pravidiel:

- S OEEZ sa nesmie manipulovať ako s domovým odpadom;
- OEEZ je potrebné odovzdať v príslušných zberných strediskách spravovaných obcou alebo registrovanými spoločnosťami. V mnohých krajinách sa vykonáva vyzdvihnutie veľkého OEEZ v domácnostiach.

V mnohých krajinách môžete pri kúpe nového spotrebiča vrátiť starý predajcovi, ktorý je povinný vyzdvihnúť ho bezplatne systémom jedného starého zariadenia za jedno nové zariadenie ekvivalentného typu a s rovnakými funkciami ako má odovzdávané zariadenie.

ES zhoda



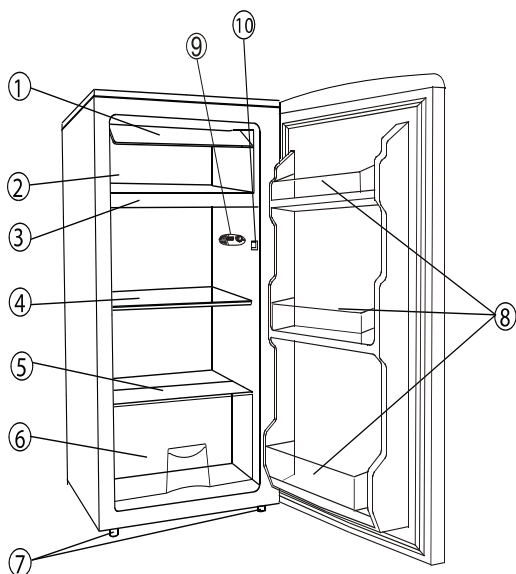
Označením tohto výrobku značkou **CE** potvrdzujeme zhodu so všetkými relevantnými európskymi bezpečnostnými, zdravotnými a environmentálnymi požiadavkami v predpisoch platných pre tento spotrebič.

ÚSPORA ENERGIE

- Ak chcete zvýšiť úsporu energie, odporúčame vám:
- Spotrebič nainštalujte ďaleko od zdrojov tepla a nevystavujte ho priamemu slnečnému žiareniu. Umiestnite ho v dobre vetranej miestnosti.
- Do spotrebiča nekladajte teplé jedlá, aby ste zabránili zvýšeniu teploty vnútri, čo by zase spôsobilo nepretržitú činnosť kompresora.
- Potraviny nekladte tesne blízko seba a okolo stien, aby sa zaistila cirkulácia vzduchu.
- Ak je vnútri spotrebiča ľad a námraza, odmrázte ho (pozrite časť ODMRAZOVANIE), uľahčí sa tým vstup tepla.
- V prípade výpadku elektrického napájania sa odporúča nechávať dvere chladničky zatvorené.
- Dvere otvárajte a nechávajte ich otvorené čo najkratšie.
- Nenastavujte termostat na príliš nízke teploty.
- Odstráňte prach zo zadnej mriežky spotrebiča (pozrite ČISTENIE).
- Model s automatickým odmrázaním Audy (s displejom na dverách): vyberte všetky koše z oddelenia mrazničky;
- Model s automatickým odmrázaním (s interným rozhraním pre používateľa pre chladničku a s gombíkom pre mrazničku): vyberte ostatné koše z oddelenia mrazničky, ale spodnú mrazničku, ale spodnú zásuvku nechajte na mieste.
- Model bez tvorenia námrazy: vyberte ostatné koše z oddelenia mrazničky, ale nechajte spodnú zásuvku na mieste.
- Všetky normálne statické modely: vyberte všetky zásuvky z oddelenia mrazničky.

1. Popis spotrebiča

Názvy a funkcie



- ① Dvierka mraziaceho priestoru
- ② Mraziaci priestor
- ③ Odkvapkávaci zásobník
- ④ Priehradky chladničky
- ⑤ Sklenený kryt
- ⑥ Box čerstvých potravín
- ⑦ Vyvažovacie nožičky
- ⑧ Priehradky dvierok
- ⑨ Ovládaci gombík teploty
- ⑩ Spínač osvetlenia

2. SPRÁVNE UMIESTNENIE

Dobré vetranie

Pre odvod tepla, vysokú účinnosť a nízku spotrebu energie je potrebné dobré vetranie. Preto nechajte okolo chladničky dostatočný voľný priestor. Zo zadnej strany najmenej 100 mm od steny, po stranách spotrebiča najmenej 100 mm a z hornej strany spotrebiča najmenej 200 mm. Voľný priestor potrebný na otvorenie dvierok by mal byť 160°.

Napájanie

Chladnička je vhodná na striedavý prúd (220-240)V~/50Hz; 230V~/60Hz. Ak je kolísanie prúdu v rôznych krajinách mimo uvedený rozsah, z dôvodu bezpečnosti aplikujte automatický napäťový regulátor. Chladnička musí obsahovať špeciálnu vidlicu prívodného kábla namiesto štandardného. Jej konektor musí zodpovedať zásuvke s uzemňovacím vodičom.

Prívodný kábel

Kábel nesmie byť počas prevádzky predlžovaný ani zmotaný do cievky. Dbajte na to, aby sa prívodný kábel nedotýkal kompresora na zadnej stene spotrebiča, pretože povrch môže byť počas prevádzky horúci a kontakt s káblom môže poškodiť izoláciu a spôsobiť skrat.

Ochrana voči vlhkosti

Neumiestňujte chladničku na miesta, kde je vysoký obsah vlhkosti, zabránite tým novej korózii kovových častí. Spotrebič nesmie byť vystavený vode, pretože to spôsobí nesprávnu izoláciu a skrat.

Ochrana pred teplom

Spotrebič by mal byť umiestnený mimo zdrojov tepla a priameho slnečného žiarenia.

Vyváženie

Povrch, na ktorom bude spotrebič stáť musí byť pevný a rovný. Neodporúčame žiadny mäkký povrch. Ak nie je spotrebič vyvážený, prispôbte ho pomocou nastaviteľných nožičiek.

Zabráňte nebezpečenstvu

Neumiestňujte spotrebič do blízkosti horľavých látok ako je plyn, benzín, alkohol, lak, amylacetát, atď. Tieto predmety nekladajte do spotrebiča.

Premiestňovanie

Pri premiestňovaní spotrebiča ho nenakláňajte horizontálne ani do uhla pod 45°.

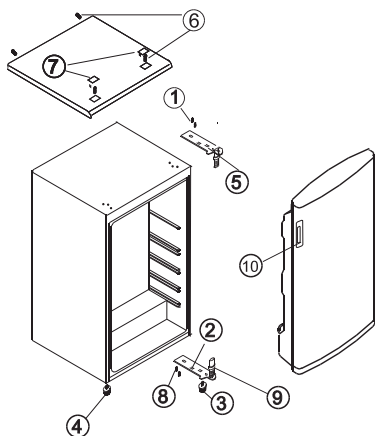
3. UPOZORNENIA

- ▶ Voda obsiahnutá v potravinách alebo vo vzduchu sa dostáva do chladničky pri otvorení dvierok a spôsobuje formovanie námrazy, ovplyvňuje správny chod chladničky v prípade hrubej vrstvy. Keď je hrubšia ako 2 mm, musíte chladničku odmraziť.
- ▶ Odmrazovanie chladničky sa vykonáva manuálne. Pred odmrazovaním vyberte potraviny, zásobník ľadu a dočasne uložte na chladné miesto, potom nastavte ovládač teploty do pozície „0“ a nechajte otvorené dvierka, pokým sa ľad a námraza nerozpustia na dno chladničky. Vodu utrite jemnou utierkou. V prípade urýchlenia odmrazovania môžete umiestniť nádobu s horúcou vodou (približne 50°C) do vnútorného priestoru chladničky. Po odmrazení nezabudnite nastaviť ovládač teploty do pôvodnej pozície.
- ▶ Nie je vhodné odmrazovať chladničku priamo horúcou vodou alebo fénom na vlasy, pretože môžete poškodiť vnútorný priestor.
- ▶ Neodstraňujte ľad a námrazu ani neoddeľujte potraviny, ktoré sú zmrazené spolu, ostrými predmetmi alebo drevenými paličkami, pretože môžete poškodiť vnútorný priestor chladničky alebo výparníka.
- ▶ Ak je poškodený prívodný kábel spotrebiča, musí ho vymeniť servisný technik.

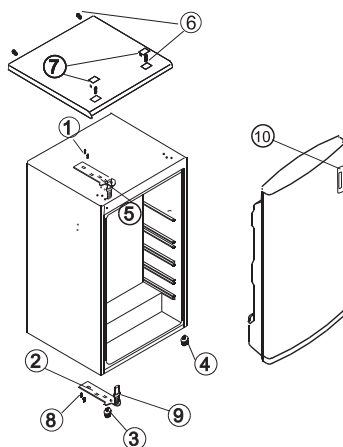
4. Zmena smeru otvárania dveriek

Tento spotrebič bol vo výrobe zostavený so závesmi dveriek na pravej strane. Ak chcete zmeniť smer otvárania dveriek, postupujte podľa pokynov uvedených nižšie:

1. Zložte malý plastový kryt (7) a skrutky (6) upevňujúce pracovnú dosku pre jej demontovanie.
2. Uvoľnite dve skrutky (1) upevňujúce horný záves (5) (pravá strana) k rámu. Zložte horný záves (5).
3. Zdvihnite dverka a postavte ich na mäkký podklad, aby ste ich nepoškriabali.
4. Uvoľnite dve skrutky (8) upevňujúce dolný záves (2) a zložte dolný záves (2).
5. Zložte ľavú prednú nožičku (4) a preneste ju na pravú stranu.
6. Pred naložením dolného závesu (2) vyberte kolík (9) a otočte smer dolného závesu (2). Potom inštalujte dolný záves (2) na ľavú stranu rámu pomocou dvoch skrutiek (8).
7. Vložte kolík (9) do dolného závesu (2).
8. Naložte dverka na miesto a uistite sa, že sedia na dolnom závесе (2).
9. So zatvorenými dverkami v správnej pozícii pripevnite horný záves (5) na ľavú stranu horného rámu dvomi skrutkami (1). Neutahujte skrutky (1), pokiaľ nie sú dverka správne zarovnané s hornou stranou spotrebiča.
10. Inštalujte hornú dosku spotrebiča pomocou skrutiek (6) a naložte malý plastový kryt (7).
11. Zložte rukoväť dveriek (10) z ľavej strany a pripevnite na pravú stranu.



OBRÁZOK 1



OBRÁZOK 2

OBRÁZOK 1 - PREDSTAVUJE POZÍCIU KOMPONENTOV PRED VÝMENOU.

OBRÁZOK 2 - PREDSTAVUJE POZÍCIU KOMPONENTOV PO VÝMENE DVERIEK.

5. Odstránenie možných problémov

1. AK CHLADNIČKA NEPRACUJE.
 - Skontrolujte, či nie je výpadok prúdu.
 - Skontrolujte, či je vidlice prírodného kábla pripojená k elektrickej zásuvke.
 - Skontrolujte, či nie je vypálená poistka.
2. AK CHLADNIČKA VEĽMI CHLADÍ.
 - Ovládač nastavenia teploty je nastavený na vysokú hodnotu.
 - Ak umiestnite potraviny s veľkým množstvom vlhkosti priamo pod výstup chladného vzduchu, rýchlo namrznú. Toto neznamená poruchu.
3. AK CHLADNIČKA DOSTATOČNE NECHLADÍ.
 - Potraviny sú balené veľmi tesne pri sebe, čo bráni prúdeniu chladného vzduchu.
 - Vložili ste niečo horúce alebo veľké množstvo do chladničky.
 - Dvere nie sú zatvorené správne.
 - Tesnenie dverí je poškodené.
 - Chladnička nie je vetraná.
 - Je nedostatočný priestor medzi chladničkou a stenami okolo spotrebiča a nad spotrebičom.
 - Nastavenie teploty je nesprávne.
4. PRI ROZMRAZOVANÍ VODA TEČIE PO VNÚTRI CHLADNIČKY A NA PODLAHU.
 - Skontrolujte, či nie je odtokový otvor upchatý.
 - Skontrolujte, či je odkvapkávaci zásobník umiestnený správne.
5. KEĎ SA TVORÍ KONDENZÁCIA NA VONKAJŠÍCH STENÁCH CHLADNIČKY.
 - Kondenzácia sa môže tvoriť na vonkajších stranách, keď je vysoká vlhkosť, napríklad počas vlhkého ročného obdobia. Toto je rovnaký výsledok, ako keď nalejete studenú vodu do pohára. Nejedná sa o poruchu, preto vlhkosť len utrite suchou utierkou.
6. KEĎ POČUJETE, AKO KEĎ TEČIE VODA.
 - Zvuk tečúcej vody predstavuje tok chladiacej náplne. Nejedná sa o poruchu.
7. KEĎ SA HREJÚ STENY CHLADNIČKY.
 - Bočný panel spotrebiča sa ohrieva, ak sa dvere otvárajú veľmi často, pri spustení spotrebiča a keď spotrebič pracuje v lete pri vysokej okolitej vlhkosti. V takom prípade sa nedotýkajte panela, je to výsledkom odvodu tepla zo spotrebiča a nejedná sa o poruchu chladničky.

6. Technické údaje

* Pre podrobnejšie technické informácie viď výrobný štítok na zadnom paneli chladničky.

* Právo na zmenu technických údajov vyhradené.

Благодарим Вас за приобретение данного товара.

Перед началом эксплуатации Вашего холодильника, пожалуйста, внимательно прочитайте данную инструкцию по эксплуатации, чтобы полностью воспользоваться преимуществами холодильника. Сохраняйте всю документацию для использования в будущем или для передачи последующим пользователям. Данное изделие предназначено исключительно для пользования в бытовых и аналогичных условиях, а именно:

- на кухнях для персонала магазинов, офисов и в других рабочих остановках;
- в агроусадьбах, постояльцами отелей, мотелей и других комплексов гостиничного типа;
- в отелях типа «bed & breakfasts» (B & B).
- службами организации банкетов или аналогичными фирмами, но не для розничной торговли.

Данный прибор должен использоваться только для хранения продуктов питания, любое другое использование считается опасным и освобождает производителя от ответственности в случае любых инцидентов. Также рекомендуется ознакомиться с гарантийными условиями.

ИНФОРМАЦИЯ ПО ТЕХНИКЕ БЕЗОПАСНОСТИ

В системе холодильника содержится охлаждающий газ, он же хладагент (R600a: изобутен), и изолирующий газ (циклопентан), которые обладают высокой совместимостью с окружающей средой, но, несмотря на это, они легко воспламеняются.

Рекомендуется соблюдать следующие меры предосторожности, чтобы предотвратить возникновение опасных для Вас ситуаций:

Перед началом проведения любых работ, извлеките шнур питания из сетевой розетки.

- Система охлаждения, расположенная сзади и внутри прибора , содержит хладагент. Поэтому, избегайте повреждений труб системы.
- В случае обнаружения утечки в системе охлаждения, не прикасайтесь к настенной розетке и не пользуйтесь источниками открытого пламени. Откройте окно и проветрите комнату. Затем позвоните в сервисный центр с запросом о ремонте.
- Не соскабливайте ножом или острыми предметами наледь или лед, которые могут образовываться на стенках. Таким образом можно повредить контур хладагента, утечка из которого может стать причиной возникновения пожара или повреждения глаз.
- Не устанавливайте прибор в помещениях с высокой влажностью, значительным пылевым или масляным загрязнением; избегайте непосредственного попадания на прибор воды и прямых солнечных лучей.
- Не устанавливайте прибор вблизи нагревателей или легко воспламеняемых материалов.
- Не пользуйтесь удлинителями и адаптерами.
- Не тяните и не сворачивайте чрезмерно шнур питания; не касайтесь вилки мокрыми руками.
- Не повреждайте вилку и/или шнур питания; это может стать причиной поражения электрическим током или пожара.
- Рекомендуется сохранять вилку чистой, чрезмерные пылевые наслоения на вилке могут стать причиной пожара.

- Не используйте механические инструменты или оборудование для ускорения процесса размораживания.
- Категорически запрещается использовать открытое пламя или электрическое оборудование, например, нагреватели, паровые очистители, свечи, масляные лампы и т.п., для ускорения процесса размораживания.
- Не используйте и не храните воспламеняемые аэрозоли вблизи прибора, они могут стать причиной взрыва или пожара.
- Не используйте электрические приборы внутри отсеков для хранения продуктов, если только речь не идет о приборах, рекомендованных производителем холодильника.
- Не ставьте и не храните в холодильнике воспламеняемые и легколетучие материалы, например, эфир, бензин, СНГ, пропан, аэрозольные баллончик, клеящие материалы, чистый спирт и т.п. Эти материалы могут стать причиной взрыва.
- Не храните медицинские препараты или исследовательские материалы в приборе. Хранение в холодильнике материалов, требующих строгого контроля за температурой хранения, может привести к их порче или спровоцировать неконтролируемую реакцию, которая может стать источником рисков.
- Следите, чтобы вентиляционные отверстия на корпусе прибора или в структуре, в которую осуществляется встраивание, были свободными и не загроможденными.
- Не ставьте предметы и/или емкости, наполненные водой, верху на прибор.
- Не предпринимайте попыток самостоятельного ремонта прибора. Все ремонтные работы должны выполняться только квалифицированным персоналом.
- Данным прибором могут пользоваться дети в возрасте 8 лет и старше, лица с ограниченными физическими, сенсорными и умственными способностями, а также с недостаточным опытом и знаниями, если они находятся под внимательным присмотром, получили надлежащий инструктаж по безопасному пользованию прибором и осознают связанные с ним риски.
- Детям запрещено играть с прибором. Детям без надлежащего присмотра запрещается выполнять отведенные пользователю операции очистки и обслуживания.

УТИЛИЗАЦИЯ СТАРЫХ ПРИБОРОВ



На данный прибор нанесена маркировка в соответствии с Директивой ЕС 2012/19/ЕС об отходах электрического и электронного оборудования (WEEE). Отходы электрического и электронного оборудования содержат как загрязняющие вещества (которые могут стать причиной негативных последствий для окружающей среды), так и основные компоненты (которые могут быть использованы повторно). Важно, чтобы отходы электрического и электронного оборудования подвергались специальным способам обработки, нацеленным на извлечение и правильную утилизацию всех загрязняющих веществ, а также извлечение всех материалов, пригодных для повторного использования. Каждый из нас может сделать свой вклад в защиту окружающей среды от загрязнения отходами электрического и электронного оборудования; для этого необходимо следовать некоторым общим правилам:

- отходы электрического и электронного оборудования не должны утилизироваться, как бытовые отходы;
- отходы электрического и электронного оборудования должны передаваться в соответствующие пункты сбора, находящиеся под управлением муниципальных властей или официально зарегистрированных компаний. В некоторых странах практикуется сбор габаритных отходов электрического и электронного оборудования на дому.

Во многих странах при покупке нового прибора старый можно вернуть розничному продавцу на условиях один к одному, если возвращаемое оборудование эквивалентного типа и обладает таким же функционалом, как и поставляемое оборудование.

Соответствие стандартам ЕС



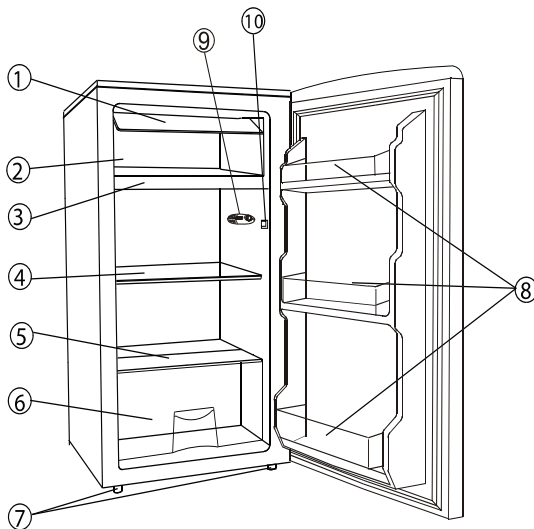
Маркировка CE, нанесенная на данное изделие, удостоверяет соответствие всем требованиям стандартов ЕС к безопасности, охране человеческого здоровья и окружающей среды, применяемых законодательством к данному изделию.

ЭНЕРГОСБЕРЕЖЕНИЕ

- Для более эффективного энергосбережения рекомендуется придерживаться некоторых приведенных далее правил.
- Устанавливать прибор в помещении с хорошей вентиляцией, вдали от источников тепла и прямых солнечных лучей.
- Не ставить горячую еду в холодильник во избежание повышения внутренней температуры, которое влечет за собой непрерывную работу компрессора.
- Не загромождать чрезмерно холодильник продуктами, чтобы обеспечивать надлежащую циркуляцию воздуха.
- Провести размораживание прибора в случае образования льда (см. РАЗМОРАЖИВАНИЕ), чтобы облегчить передачу холода.
- В случае отсутствия электроэнергии, рекомендуется держать дверцу холодильника закрытой.
- Как можно меньше открывать или держать открытой дверцу холодильника.
- Не регулировать термостат, устанавливая его на очень низкие температуры.
- Удалять пыль, имеющуюся за прибором (см. ОЧИСТКА).
- Total no frost Aduy (с дисплеем на дверце): достаньте все корзины из морозильной камеры;
- Total no frost (с внутренним интерфейсом пользователя и ручкой для морозильной камеры): достаньте другие корзины из морозильной камеры, оставив на месте нижний ящик.
- Модель не образующая наледь: достаньте другие корзины из морозильной камеры, оставив на месте нижний ящик.
- Все обычные статические модели: достаньте все ящики из морозильной камеры.

1. Перечень деталей

ДЕТАЛИ И КОМПОНЕНТЫ



- ① Дверца морозильной камеры
- ② Отделение морозильной камеры
- ③ Поддон для талой воды
- ④ Стеклаянная полка
- ⑤ Стеклаянная полка
- ⑥ Контейнер для овощей и фруктов
- ⑦ Ножки для выравнивания холодильника
- ⑧ Бутылочные балконы
- ⑨ Ручка регулятора температуры
- ⑩ Дверной выключатель

2. Правильное размещение

Хорошая вентиляция

Для обеспечения хорошего рассеивания тепла, высокой эффективности охлаждения и низкого потребления электроэнергии вокруг холодильника должна быть обеспечена хорошая вентиляция. Поэтому вокруг холодильника должно быть обеспечено достаточное свободное пространство. Задняя стенка холодильника должна располагаться на расстоянии не менее 100 мм от стены, вокруг его боковых стенок должны быть свободные промежутки не менее 100 мм, а над холодильником должно быть свободное пространство не менее 200 мм. Необходимо также обеспечить свободное пространство для того, чтобы двери холодильника могли открываться на 160°.

Электропитание

Холодильник должен подключаться только к однофазной электросети переменного тока (220-240) В/50 Гц; 230 В/60 Гц. Если скачки напряжения в электросети превышают указанные пределы, то в целях безопасности подключите электроприбор через автоматический регулятор напряжения. Для холодильника должна быть использована специальная розетка питания вместо обычной розетки, используемой для других электрических приборов. На вилке и розетке, предназначенных для подключения холодильника, должен иметься заземляющий контакт.

Шнур питания

Во время эксплуатации холодильника шнур питания не должен удлиняться или сворачиваться кольцами. Кроме этого, шнур питания не должен проходить рядом с компрессором, расположенным на задней стенке электроприбора, температура которого во время работы холодильника является достаточно высокой. Касание шнуром компрессора нарушит изоляцию шнура или приведет к утечке электрического тока.

Защита от влаги

Не устанавливайте холодильник в местах с повышенной влажностью, чтобы минимизировать вероятность образования ржавчины на металлических частях электроприбора. Более того, запрещается разбрызгивать на холодильник воду, так как это может привести к ухудшению изоляции и к утечке тока.

Защита от тепла

Холодильник должен располагаться на большом расстоянии от любого источника тепла и быть защищен от воздействия прямых солнечных лучей.

Устойчивое положение

Пол, на котором устанавливается холодильник, должен быть ровным и жестким. Холодильник не должен устанавливаться на мягком материале, таком как пенопласт. Если холодильник не установлен строго горизонтально, отрегулируйте его положение с помощью ножек для выравнивания. Холодильник не должен располагаться рядом с предметами, создающими эхо.

Размещение вдали от опасных веществ

Нежелательно, чтобы рядом с холодильником находились летучие или горючие вещества, такие как газ, бензин, спирт, лак, банановая эссенция и т.п. Все вышеперечисленные материалы не могут храниться в холодильнике.

Перемещение

Запрещается располагать или перемещать холодильник в горизонтальном положении или под уклоном более чем 45° от вертикали.

3.Предостережения

- ★ Вода, содержащаяся в продуктах или в воздухе, который попадает внутрь холодильника при открывании его двери, может привести к образованию слоя инея внутри холодильника. Это приводит к снижению эффективности работы холодильника. Если толщина слоя инея превышает 2 мм, его следует разморозить.

- ★ Размораживание морозильной камеры производится вручную. Перед выполнением размораживания временно поместите пищу, лоток для приготовления льда и полку в холодильную камеру, а затем установите ручку регулятора температуры в положение "0" (после этого компрессор отключается) и оставьте дверь камеры открытой до тех пор, пока лед или иней полностью не растают и образовавшаяся при этом вода не соберется на дне морозильной камеры. После этого удалите воду с помощью мягкой ткани. Для ускорения размораживания вы можете установить в морозильную камеру миску с теплой водой (около 50°C). После размораживания не забудьте установить ручку регулятора температуры в исходное положение.
- ★ При размораживании не рекомендуется отогревать морозильную камеру непосредственно горячей водой или феном для волос во избежание деформации внутреннего корпуса.
- ★ Также не рекомендуется соскребать лед и иней с контейнеров, заполненных замороженной пищей, с помощью острых предметов или деревянных лопаточек во избежание повреждения внутренней части корпуса или поверхности испарителя.
- ★ В случае повреждения сетевого шнура его замена должна выполняться сотрудником сервисного центра, назначенного производителем, так как для выполнения этой работы необходимы специальные инструменты.

4.Изменение направления открывания двери

Данный холодильник поставляется с дверными петлями, расположенными справа. Если вы хотите перевесить дверь на другую сторону, следуйте инструкциям приведенным ниже:

1. Удалите небольшие пластиковые заглушки (7) и винты (6), которые закрепляют верхнюю крышку, чтобы снять ее.
2. Выверните два винта (1), которые крепят верхнюю петлю (5) (правая сторона) к корпусу. Снимите верхнюю петлю (5).
3. Снимите дверь, приподняв ее, и положите ее на мягкую поверхность, чтобы не поцарапать.
4. Выверните два винта (8), которые крепят нижнюю петлю (2), и снимите ее.
5. Снимите левую переднюю ножку (4) и переместите ее в правую сторону.
6. Перед установкой этой нижней петли (2) снимите болт-фиксатор (9) и переверните нижнюю петлю (2). Затем установите нижнюю петлю (2) с левой стороны нижней части корпуса, используя 2 винта (8).
7. Вставьте болт-фиксатор (9) в нижнюю петлю (2).
8. Установите дверь на место, убедившись, что она фиксируется нижней петлей (2).
9. Удерживая дверь в закрытом положении, закрепите верхнюю петлю (5) на верхней части корпуса с левой стороны с помощью двух винтов (1). Пожалуйста, не затягивайте винты (1), пока дверь не будет выровнена относительно верхней крышки.
10. Закрепите верхнюю крышку на верхней части холодильника, используя винты (6), и установите небольшие пластиковые заглушки (7).
11. Переустановите дверную ручку (10) с левой стороны на правую.

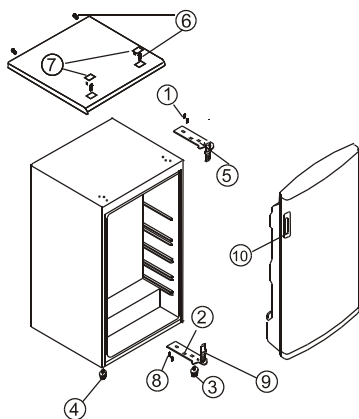


РИСУНОК 1

РИСУНОК 1
ПОКАЗЫВАЕТ ПОЛОЖЕНИЕ ДЕТАЛЕЙ ДО ПЕРЕНАВЕШИВАНИЯ ДВЕРИ.

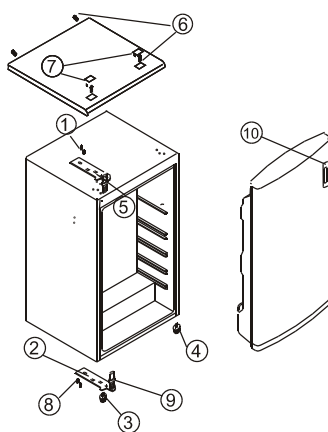


РИСУНОК 2

РИСУНОК 2
ПОКАЗЫВАЕТ ПОЛОЖЕНИЕ ДЕТАЛЕЙ ПОСЛЕ ПЕРЕНАВЕШИВАНИЯ ДВЕРИ.

5. Обслуживание и уход

Очищайте наружные поверхности с помощью мягкой ткани.

Длительное отсутствие

1. Выньте из холодильника все продукты.
 2. Отключите прибор от электросети.
 3. Разморозьте холодильник и вымойте его внутренние поверхности.
 4. Чтобы предотвратить образование плесени, неприятных запахов и окисления в случае длительного неиспользования электроприбора, оставьте его дверь открытой.
 5. Чистка электроприбора
 - Произведите уборку низкотемпературного отделения (если оно имеется) при размораживании.
 - Периодически очищайте внутреннюю часть холодильной камеры с помощью губки, смоченной в теплой воде или нейтральном моющем средстве. Вымойте камеру и просушите мягкой тряпкой.
- Не используйте абразивные чистящие средства. Не применяйте абразивные пасты и мочалки, пятновыводители (например, ацетон, трихлорэтилен) или уксус.

6. Поиск и устранение неисправностей


1. Если холодильник не работает
 - Проверьте наличие электропитания.
 - Проверьте, правильно ли вставлена вилка в розетку.
 - Убедитесь, что предохранитель не перегорел.
2. Если холодильник слишком сильно охлаждает
 - Возможно, на терморегуляторе установлен высокий уровень охлаждения.
 - Если вы помещаете продукты питания с большим содержанием влаги под поток холодного воздуха, они могут очень быстро заморозиться. Это не свидетельствует о неисправности.
3. Если холодильник охлаждает не достаточно
 - Продукты могут лежать слишком близко друг другу, что мешает свободному прохождению холодного воздуха.
 - В холодильник поместили горячие продукты или слишком большое их количество.
 - Возможно, дверь холодильника не была плотно закрыта.
 - Проверьте уплотнитель двери.
 - Проверьте, обеспечен ли достаточный уровень вентиляции холодильника.
 - Возможно, вокруг холодильника слишком мало свободного пространства.
 - Проверьте воздушный зазор по бокам холодильника и над ним.
 - Возможно, на терморегуляторе выставлен неправильный температурный режим.
4. Если талая вода течет внутри холодильника или выливается на пол
 - Убедитесь, что дренажный трубопровод и дренажный шланг не забиты.
 - Убедитесь, что поддон расположен правильно.
5. Если конденсат образуется на внешней поверхности холодильника
 - Конденсат может образоваться на внешней поверхности при высокой влажности, например, во время сезона дождей. Этот же эффект образования конденсата возникает, когда охлажденная вода наливается в стакан. Следовательно, это не свидетельствует о неисправности. Протрите поверхность сухой тряпкой.
6. Если слышно, как в холодильнике течет вода
 - Звук текущей воды - это шум от текущего хладагента. Это не свидетельствует о неисправности.
7. Если нагреваются боковые панели холодильника
 - Боковые панели нагреваются, если дверь холодильника слишком часто открывается и закрывается, при запуске компрессора и при работе в летнее время при высокой температуре окружающей среды. Это происходит в связи с выводом наружу тепла из холодильника. В этом случае не касайтесь панели руками. Это не свидетельствует о неисправности холодильника.

7. Технические характеристики

Модели	CCTOS502WRU, CCTOS502SHRU
Общий объем, литры	104
Объем холодильной камеры (полезный), литры	84
Объем морозильной камеры (полезный), литры	14
Рабочее напряжение, 50 Гц	~220-240 В
Максимальная потребляемая мощность	90 Вт
Номинальный ток, А	0,6
Потребление электроэнергии, кВтч/год	164
Климатический класс	ST
Класс энергопотребления	A+
Хладагент	R600a
Уровень шума дБА	40
Габариты изделия (ВхШхГ), см	850x550x580
Масса изделия, кг	26
Серийный номер

*Технические характеристики могут быть изменены без предварительного уведомления.
Технические характеристики указаны также на паспортной табличке на задней стенке прибора.

Дополнительная информация

Торговая марка	Candy
Тип продукции	Холодильник- морозильник компрессионный
Модели	ССТOS502WRU, ССТOS502SHRU
Производитель	"Канди Гувер Груп С.р.л. ", Виа Комолли 16, 20861 Бругерио (Монца-э-Брианца), Италия
Фабрика	"Хома Апплаинсес Ко., Лтд.", Промышленная зона Северный Шенгуй, Наньтоу, Чжуншань, провинция Гуандун, Китай
Поставщик на территории РФ	ООО«Канди СНГ»; 115419; Москва, 2-й Рощинский пр-д, д.8; Tel: +7 (499) 110-22-11; candymow@candy.ru; www.candy.ru
Импортер	ОАО «Веста» 610035, Россия, г. Киров, ул. Производственная 24
Сертификат соответствия	 <p>Это изделие соответствует техническим регламентам Таможенного Союза: - ТР ТС 004/2011 «О соответствии низковольтного оборудования» - ТР ТС 020/2011 «Электромагнитная совместимость технических средств» Изделие сертифицировано в органе по сертификации продукции и услуг «РОСТЕСТ-МОСКВА», г. Москва. Получить копию сертификата соответствия Вы можете в магазине, где приобретался товар или, написав запрос на электронную почту candymow@candy.ru</p>
Срок службы	7 лет
Срок гарантии	12 месяцев
Серийный номер (S/N)	Серийный номер продукта состоит из 16 цифр (пример 34002266XXXXXXX), где: 1. Первые 8 цифр составляют заводской код продукта. 2. Следующие 4 цифры обозначают дату производства. Например, 1249, где: 12 – год производства (2012 год), 49 – 49-ая неделя года 3. Последние четыре цифры – номер продукта в партии.
Серийный номер указан на этикетке, расположенной на корпусе вашего прибора за дверцей с правой стороны (необходимо приоткрыть дверцу).	

Утилизация!

- Упаковочные материалы: соблюдайте местные нормы по утилизации упаковочных материалов.
- Ваш прибор не должен выбрасываться вместе с бытовым мусором. Выведенный из строя прибор должен утилизироваться в соответствии с местными нормами
- Для уточнения правил утилизации просим Вас обратиться в специализированную государственную организацию или магазин.

Сервисное обслуживание

Обслуживанием бытовой техники занимаются авторизованные сервисные центры. Список сервисных центров можно найти на сайте www.candy.ru в разделе «поддержка» или уточнить по телефону +7 (499) 110-22-11

Жалпы мағлұматтар

Аталған бұйымды сатып алғаныңыз үшін, Сізге алғыс айтамыз.

Тоңазытқыш-мұздатқышты пайдаланудан алдын **(әрі мәтін бойынша тоңазытқыш деп аталатын болады)** пайдалану бойынша аталған нұсқаулықты мұқият оқып шығыңыз. Бұл Сізге оның оңтайлы жұмыс істеуіне қол жеткізуге мүмкіндік береді. Оны бұдан кейінгі пайдалану үшін немесе басқа бір иеленушіге берген жағдайда, барлық құжаттарды сақтап қойыңыз.

Аталған бұйым тек тұрмыстық және төмендегідей осыған ұқсас қолданыстарға арналған:

- дүкендегі, кеңседегі және басқа да асханалық ғимараттарда орнату;
- мейманхана, қонақ үй және басқа да тұрғындық ғимараттардың нөмірлеріне орнату;
- «жатақ, түнейтін жер және таңертенгі ас» түріндегі қонақ үйлерде орнату
- тамақтандыру қызметін көрсету, азық-түліктерді бөлшек сауда жасауға арналмаған.

Аталған бұйым, осы нұсқаулықтың талаптарына сәйкес, тек тұрмыстық жағдайда азық-түліктерді сақтау үшін пайдаланылуы тиіс. Аталған бұйымды кез келген басқа қолданыстар, қауіпті деп қарастырылады және болуы мүмкін ысырап үшін өндіруші жауапты бола алмайды.

Сонымен бірге кепілдік шарттарына назар аударыңыз.

Тоңазытқыш қоршаған ортаның температураның төменде көрсетілген өрісінде қалыпты істейді:

SN климаттық класы үшін +10 ден +32 ° C дейін (салыстырмалы түрде суық);

N климаттық класы үшін +16 ден +32 ° C дейін (қалыпты);

ST климаттық класы үшін +10 ден +38 ° C дейін (субтропикалық);

T климаттық класы үшін +10 ден +43 ° C дейін (тропикалық);

Тоңазытқыштың класы тоңазытқыштың зауыт кестесінде көрсетілген.

Басқа жағдайларда пайдаланған кезде тоңазытқыштың энергетикалық сипаттамалары өндірушінің көрсетілген нұсқауларына сәйкес келмеуі мүмкін.

Тоңазытқышты жатын бөлмелерде пайдалануға болмайды. Тоңазытқыш жұмыс істеп тұрған кезде, атқарымдық шулар мен дыбыстардың болатынын ескеру қажет.

НАЗАР АУДАРЫҢЫЗ! Оны сақтау немесе дүлей күш әрекеттердің (өрт, дүлей апаттар) кесірінен болған, оны пайдалану шарттарын бұзудың салдарынан пайда болған, бұйымның бүлінуі және ақау үшін (соның ішінде, кепілдік кезеңінде) өндіруші жауапты емес.

Тасымалдау кезінде тоңазытқыштың бүлінген жерлерінің болмауын тексеріңіз. Оларды тапқан кезде жақын маңдағы Өкілетті Қызмет көрсету Орталығына телефон шалыңыз.

ҚАУІПСІЗДІК ТЕХНИКАСЫ БОЙЫНША ТАЛАПТАР

Тоңазытқыш қоршаған ортамен жоғары сыйымдылықты газ тәрізді хладагенттен (R600a: изобутан) және жылу айырғыш көбіктендіргіштен (HCFC141b) тұрады, алайда олар жанғыш заттар болып табылады. Қауіпті жағдайлардың алдын алу үшін келесі ережелерді сақтауға кеңес беріледі:

- **Ақау белгілері бар тоңазытқышты ешқашан қоспаңыз;** егер бұйымның ақауы бар екендігіне сізде күмән пайда болса, қызмет көрсету орталығына жүгініңіз.
- Кез келген операцияларды орындаудың алдында желілік шнурды электр розеткасынан суырып тастау қажет.
- Тоңазытқыштың ішкі жағында және артқы қабырғасында орналасқан тоңазытқыш жүйесінде, хладагент бар. Олай болса, тоңазытқыштың тоңазыту жүйесінің трубаларына зиян келтірмеу үшін, абай болу қажет.
- Егер тоңазытқыштың тоңазыту жүйесінде ағып жатқан нәрсені байқасаңыз, электр розеткасына қолыңызды тигізбеңіз және жақын жерде ашық жалынды пайдаланбаңыз. Терезені ашып,

бөлменің ішін желдетіп алыңыз. Содан кейін қызмет көрсету орталығына көмек сұрап, жүгінііз.

- Тоңазытқышта қатып қалған қалың мұзды пышақпен немесе басқа да үшкір затпен алмаңыз. Мұндай жағдайда хладагенттың сұлбасына залал келуі мүмкін, оның жүйеден шығып кетуі өрттің пайда болуына әкелуі немесе сіздің көзіңізге зиян келтіруі мүмкін.
- Ылғалды, маймен ластанған және қоқыс тасталған жерлерде электр құралдары мен аспаптарын орнатпаңыз, сонымен бірге оған су мен күн сәулесінің тікелей түсуіне жол бермейді.
- Оны жылытқыш электр құралдары мен аспаптарына жақын жерге немесе жанғыш материалдардың қасына орнатпаңыз.
- Ұзартқыш шнурлар мен жалғастырғыш тегіктерді қолданбаңыз.
- Жүйелік шнурды тым қатты тартпаңыз және майыстырмаңыз және желілік шнурдың вилкасын дымқыл, сулы қолмен ұстамаңыз.
- Ақауы бар желілік шнурды және вилкасының ақауы бар желілік шнурды пайдаланбаңыз; бұл электр тогынан немесе өрттен зардап шегуге әкелуі мүмкін.
- Желілік шнурды вилкасы таза болуы қажет, вилкада шаң-тозаңның болуы өртке әкелуі мүмкін.
- Тоңазытқыштың еріту үдерісін үдету үшін механикалық құрылғылар мен басқа да жабдықтарды пайдаланбаңыз.
- Тоңазытқыштың еріткен кезде, ашық отты және электр жылытқыш, бу тазартқыш, балауыз шам, майлы жалын және осыған ұқсас құрылғылар сияқты, электр жабдықтарын пайдалануға тыйым салынады.
- Тоңазытқышқа жақын жерде жанғыш спрейлерді, мысалы, аэрозолды қорабы бар бояуды пайдаланбаңыз. Бұл өрттің шығуына немесе жарылысқа әкелуі мүмкін.
- Егер өндіруші мұндай пайдалануға кеңес бермеген болса, азық-түліктер мен тамақ өнімдерін сақтауға арналған бөлімшелерінде электр аспаптарын пайдаланбаңыз.
- Эфир, жанармай, сұйытылған мұнай газы, газ тәріздес пропан, аэрозолды спрейдің ыдысын, желім, таза ішімдік сияқты, жанғыш және оңай ұшатын заттарды тоңазытқышта сақтамаңыз. Бұл жарылысқа әкелуі мүмкін.

- Дәрі-дәрмектер мен ғылыми зерттеуге арналған материалдарды тоңазытқышта сақтамаңыз.
- Олардың температурасын қатаң сақтау талап етілетін, материалдарды сақтаған жағдайда, мұндай материалдардың химиялық ыдырау қауіпі бар және бақылау мүмкін емес химиялық реакция болуы мүмкін, бұл қауіп-қатер туғызуы мүмкін.
- Тоңазытқыштың корпусындағы және оның ішкі жағындағы желдеткіш саңылаулар қалқаланбауы тиіс.
- Тоңазытқыштың төбесіне контейнерлер мен суы бар ыдыстарды қоймаңыз.
- Өз бетіңізше аталған тоңазытқыштың жөндеу жұмыстарын орындауға тырыспаңыз. Барлық жөндеу жұмыстары қызмет көрсету қызметінің білікті қызметкерлері арқылы орындалуы тиіс.
- Аталған тұрмыстық электр аспаптары, ақыл-ой қабілет немесе тәндік кемістігі бар тұлғалардың (соның ішіне балалар да кіреді), сонымен бірге жеткілікті тәжірибе мен білімге ие емес тұлғалардың пайдалануына арналмаған. Тек электр аспаптарын пайдалану бойынша нұсқаулықты оқып-үйренген және олардың қауіпсіздігі үшін жауапкершілікті өз мойнына алатын, тұлғалардың бақылауымен ғана, мұндай тұлғалардың электр аспаптарын пайдалануына рұқсат етіледі.
- Олардың қауіпсіздігін қамтамасыз ету үшін, балалардың электр аспаптарына жақын жерде ойнуына рұқсат етпеңіз.
- Газ плитасын қосу үшін пайдаланатын, икемді газды металл қолғаппен тоңазытқыштың артқы қабырғасына (конденсатордың торлары) жанасуға тыйым салынады.
- Тоңазытқыш орнатылған ғимараттағы желдету жүйесі, жарамды болуы қажет.
- Тоңазытқыштың құрылымын өзгертуге тыйым салынады. Барлық жөндеу жұмыстары кепілдікті жөндеу жұмыстарына өкілетті өндіруші, білікті қызметкер арқылы орындалады.

ЭНЕРГИЯНЫ ҮНЕМДЕУ

Тоңазытқыш жұмыс істеп тұрған кезде, энергияны үнемеуді арттыру үшін келесі кеңестер беріледі:

- Электр аспаптарын жылу көздерінен алыстау орнатыңыз, оған тікелей күн сәулесінің түсуіне жол бермеңіз, сонымен бірге оны жақсы желдетілген, ауасы тазартылған бөлмеге орнату қажет.
- Тоңазытқыштың ішіндегі температураның артып кетуінің алдын алу үшін және компрессордың ұзақ уақыт жұмыс істеуі үшін, тоңазытқышқа ыстық тамақты салмаңыз.
- Тоңазытқыштың ішінде ауаның қалыпты алмасуын қамтамасыз ету үшін, оған тым көп азық-түліктерді салмаңыз.
- Егер оның ішінде қалың мұз қабаты пайда болса, тоңазытқышты ерітіңіз (Ерітуді қараңыз). Бұл салқын ауаның оңай алмасуы үшін қажет.
- Электрмен қамтамасыз ету бұзылған жағдайда, мүмкіндігінше, тоңазытқыштың есігін жабық ұстау қажет.
- Тоңазытқыштың есігін барынша азырақ ашу немесе ашық ұстау қажет.
- Термостатта тым төмен температураны белгілеуден аулақ болу.
- Тоңазытқыштың сыртқы жағындағы қабырғада жиналған шаң-тозаңды тазалау (Тазалау бөлімін қараңыз).
- Тоңазытқыштың есіктеріне қойылған резеңкенің таза болуын және есікті жапқан кезде корпусқа нығыздалып жабылуын қадағалаңыз, бұл суық ауаның шығып кетуінің алдын алуға мүмкіндік береді.
- Тоңазытылған азық-түліктерді тоңазытқыш камераларында еріту қажет, өйткені олардың салқындығы тоңазытқыштың электр қуатын тұтынуын төмендетеді.

КӘДЕГЕ ЖАРАТУ

Оның қызмет ету мерзімі аяқталған соң, аталған бұйымды дұрыс кәдеге жарату, қоршаған ортаға және адамдардың денсаулығына жағымсыз және теріс әсердің алдын алуға көмектеседі.

Аталған электр аспаптарын дұрыс кәдеге жаратқан жағдайда құнды шикізаттық материалдарды қайтадан қалпына келтіруге болады! Аталған бұйым қарапайым тұрмыстық қоқыс ретінде тасталынбауы қажет. Оның орнына ол материалдарды екінші қайтара пайдалану және кейінгі кәдеге жаратуды орындау үшін электр және электрондық жабдықтардың өзінің қызмет мерзімін өтеп болған соң, жинақтау бекетіне жіберілуі қажет.

Аталған бұйымды кәдеге жарату, қоршаған ортаны қорғау бойынша жергілікті заңның талаптарына сай орындалуы тиіс.

Аталған бұйымды кәдеге жаратуға қатысты егжей-тегжейлі ақпарат жинау және оның құрамындағы материалдарды екінші қайтара пайдалану үшін, жергілікті басқару органдарына, тұрмыстық қалдықтарды кәдеге жаратудың жергілікті қызметіне немесе аталған бұйымды сатып алған дүкенге жүгіну қажет болады.

Желілік шнурды кесіп, одан электр вилкасын кесіп тастаңыз.

Бұйымды кәдеге жаратуды орындау үшін трубаларға зиян келтірмеңіз, өйткені оларда газ тәріздес хладагент бар.

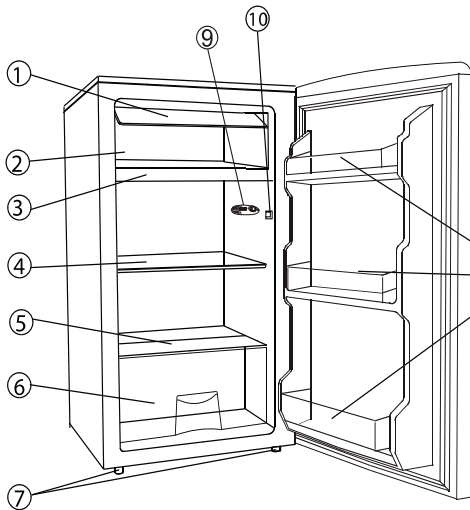
Орауыш материалдарын кәдеге жаратуда жергілікті ережелерді орындаңыз.

Сәйкестік

Осы өнімге **CE** белгі қойып, біз осы өнім үшін заңнамаға қолданылатын барлық еуропалық қауіпсіздік, денсаулық сақтау және экологиялық талаптарға сәйкестігін растаймыз.

1. Детальдердің тізбесі

ДЕТАЛЬДЕР ЖӘНЕ КОМПОНЕНТТЕР



- ① Мұздатқыш камераның есікшесі
- ② Мұздатқыш камераның бөлімшесі
- ③ Еріген суға арналған табандық
- ④ Шыны сөре
- ⑤ Шыны сөре
- ⑥ Көкөністер мен жемістерге арналған контейнер
- ⑦ Тоңазытқышты түзулеуге арналған аяқтар
- ⑧ Шыны бөшекелер
- ⑨ Температура реттеуіштің тұтқасы
- ⑩ Есік ажыратқышы

2. Дұрыс орнату

Жақсы желдету

Жылудың жақсы сөйілуін, салқындатудың жоғары тиімділігі мен электр энергиясын төмен тұтынысын қамтамасыз ету үшін, тоңазытқыштың айналасында жақсы желдету қамтамасыз етілуіне тиіс. Сондықтан, тоңазытқыштың айналасында жеткілікті бос кеңістік қамтамасыз етілген болуға тиіс. Тоңазытқыштың артқы қабырғасы қабырғадан кем дегенде 100 мм қашықтықта орналастырылуға тиіс, оның қапталдағы қабырғаларының айналасында кем дегенде 100 мм бос аралықтар болуға, ал тоңазытқыштың үстінде кем дегенде 200 мм бос кеңістік болуға тиіс. Сондай-ақ тоңазытқыштың есікшелері 160° ашыла алу үшін бос кеңістікті қамтамасыз ету қажет.

Электр қоректендіру

Тоңазытқыш тек (220-240) В/50 Гц; 230 В/60 Гц айнымалы тоқтың бір фазалық электр желісіне қосылуға тиіс. Егер электр желісіндегі кернеудің ауытқуы көрсетілген шектерден асатын болса, онда қауіпсіздік мақсаттарында электр аспапты автоматты кернеуді реттеуіш арқылы қосыңыз. Тоңазытқыш үшін басқа электр аспаптар үшін пайдаланылатын өдеттегі розетканың орнына арнайы қоректендіру розеткасы пайдаланылуға тиіс. Тоңазытқышты қосуға арналған аша мен розеткада жерге тұйықтағыш контакт болуға тиіс.

Қоректендіру бауы

Тоңазытқышты іске пайдалану уақытында қоректендіру бауы ұзартылмауға немесе орамдар бүктелмеуге тиіс. Сонымен қатар, қоректендіру бауы электр аспаптың артқы қабырғасында орналасқан, оның температурасы тоңазытқыш жұмыс істеп тұрған уақытта жетерліктей жоғары болып табылатын компрессордың қасынан өтпейтін болуға тиіс. Баудың компрессорға тигізілуін баудың оқшаулаамасын бұзады немесе электр тогының жылыстауына алып келеді.

Ылғалдан қорғау

Электр аспаптың металл бөліктерінде таттың түзілу мүмкіндігін барынша азайту үшін, тоңазытқышты ылғалдығы жоғары жерлерге орнатаңыз. Сондай-ақ, тоңазытқышқа су шашуға тыйым салынады, өйткені бұл оқшаулааманың нашарлауына және токтың жылыстауына әкеліп соғуы мүмкін.

2. Дұрыс орналастыру

Жылудан қорғау

Тоңазытқыш кез келген жылу көзінен үлкен қашықтықта орналастырылуға және тура күн сәулесінің әсерінен қорғалған болуға тиіс.

Орнықты қалпы

Тоңазытқыш оның үстіне орнатылатын еден тегіс және қатты болуға тиіс. Тоңазытқыш пенопласт секілді жұмсақ материалдың үстіне орнатылмауға тиіс. Егер тоңазытқыш қатаң горизонталды түрде орнатылмаған болса, оның қалпын түзеуге арналған аяқтардың көмегімен реттеңіз. Тоңазытқыш жаңғырық туғызатын заттардың қасында орнатылмауға тиіс.

Қауіпті заттерден алыс орналастыру

Тоңазытқыштың қасында газ, бензин, спирт, лак, банан эссенциясы және т.т. секілді ұшқыр немесе жанғыш заттардың болмағаны дұрыс. Жоғарыда аталған материалдар тоңазытқышта сақтала алмайды.

Орнын ауыстыру

Тоңазытқышты горизонталды қалпында жылжытуға немесе вертикалдан 45° астам бұрыш астында орнатуға тыйым салынады.

3. Ескертулер

- ★ Өнімдерде немесе тоңазытқыштың есікшесін ашқан кезде оның ішіне кіретін ауада бар су тоңазытқыштың ішінде қырау қабатының түзілуіне әкеліп соғуы мүмкін. Бұл тоңазытқыштың жұмысының тиімділігінің төмендеуіне алып келеді. Егер қырау қабатының қалыңдығы 2 мм-ден асса, оны жібіту керек.

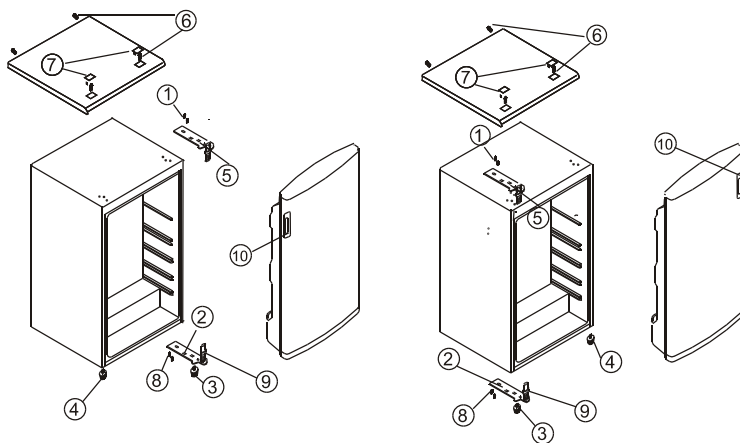
- ★ Мұздатқыш камераны жібіту қолдан жүргізіледі. Жібітуді орындаудың алдында тамақты, мұз дайындауға арналған астауша мен сөрені тоңазытқыш камераға көшіріңіз, ал содан кейін температураны реттеуіштің тұтқасын "0" қалпына орнатыңыз (содан кейін компрессор ажыратылады) және мұз немесе қырау толық ерігенге және бұл орайда түзілген су мұздатқыш камераның түбінде жиналғанға дейін камераның есікшесін ашық қалдырыңыз. Содан кейін жиналған суды жұмсақ шүберектің көмегімен жинап тастаңыз. Жібітуді тездету үшін, сізге мұздатқыш камераның ішіне жылы су (шамамен 50°C) құйылған тостағанды қоюыңызға болады. Жібіткеннен кейін температураны реттеуіштің тұтқасын бастапқы қалпына орнатуды ұмытпаңыз.
- ★ Жібіту кезінде, ішкі корпустың деформациясынан сақтану үшін, мұздатқыш камераны тікелей ыстық сумен немесе шашқа арналған фенмен жылытпауға кеңес беріледі.
- ★ Сондай-ақ, корпустың ішкі бетін немесе буландырғыштың бетін зақымдаудан сақтану үшін мұздатылған тамақ толтырылған контейнерлерден мұз бен қырауды үшкір заттардың немесе ағаш қалақшалардың көмегімен қырмауға кеңес беріледі.
- ★ Желілік бау зақымдалған жағдайда, оны ауыстыруды өндіруші тағайындаған сервистік орталықтың қызметкері орындауға тиіс, өйткені бұл жұмысты орындау үшін арнайы құрал-сайман қажет.

5.Есікшенің ашылу бағытын өзгерту

Бұл тоңазытқыш оң жақта орналасқан есік топсаларымен бірге жеткізіледі. Егер сіз есікшені басқа жаққа қайта ілгіңіз келсе, төменде келтірілген нұсқаулықтарды ұстаныңыз:

1. Үстіңгі қақпақты шешу үшін, оны бекітетін шағын пластик бұқтырмаларды (7) және винттерді (6) алып тастаңыз.
2. Үстіңгі топсаны (оң жақ) (5) корпусқа бекітетін екі винтті (1),бұрап алыңыз. Үстіңгі топсаны (5) шешіңіз.
3. Есікшені сәл көтеріп, шешіп алыңыз да, оған сызат түспеуі үшін жұмсақ бетке жатқызыңыз.
4. Астыңғы топсаны (2) бекітетін екі винтті (8),бұрап алыңыз да, оны шешіңіз.
5. Оң жақ алдыңғы аяқты у (4) шешіп алыңыз да, оны оң жаққа ауыстырыңыз.
6. Бұл астыңғы топсаны (2) орнатудың алдында орнықтырғыш бұранданы (9) шешіп алып, астыңғы топсаны (2) аударыңыз. Содан кейін 2 винтті (8) пайдалана отырып, астыңғы топсаны (2) корпустың төменгі бөлігінің сол жағынан орнатыңыз.
7. Орнықтырғыш бұранданы (9) астыңғы топсаға (2) орнатыңыз.
8. Есікшенің астыңғы топсамен (2) орнықтырылатынына көз жеткізіп, оны орнына орнатыңыз.
9. Есікшені жабық қалпында ұстап тұрып, екі винттің (1) көмегімен үстіңгі топсаны (5) корпустың үстіңгі бөлігінде оң жағынан бекітіңіз. Есікше үстіңгі қақпаққа қатысты түзетілгенге дейін винттерді (1) қатайтып тартпаңыз.
10. Винттерді (6) пайдаланып, үстіңгі қақпақты тоңазытқыштың үстіңгі бөлігінде бекітіңіз және шағын пластик бұқтырмаларды (7) орнатыңыз.
11. Есікшенің тұтқасын (10) сол жақтан оң жаққа қайта орнатыңыз.

4.Есікшенің ашылу бағытын өзгерту



1-ші СУРЕТ

2-ші СУРЕТ

1-ші СУРЕТ
ЕСІКШЕ ҚАЙТА ІЛІНГЕНГЕ ДЕЙІНГІ ДЕТАЛЬДЕРДІҢ ҚАЛПЫН КӨРСЕТЕДІ.

2-ші СУРЕТ
ЕСІКШЕ ҚАЙТА ІЛІНГЕННЕН КЕЙІНГІ ДЕТАЛЬДЕРДІҢ ҚАЛПЫН КӨРСЕТЕДІ

5.Қызмет көрсету және күтім жасау

Сыртқы беттерді жұмсақ шүберектің көмегімен тазалаңыз.

Ұзақ уақыт болмау

1. Тоңазытқыштан барлық өнімдерді шығарыңыз.
 2. Аспапты электр желісінен ажыратыңыз.
 3. Тоңазытқышты жібiтiңiз де, оның iшкi беттерiн жуыңыз.
 4. Электр аспап ұзақ уақыт пайдаланылмайтын жағдайда зеңнің, жағымсыз иiстердiң және тотығудың түзiлуiне жол бермеу үшiн, оның есiкшесiн ашық қалдырыңыз..
 5. Электр аспапты тазалау
 - Төмен температуралы бөлiмшенi (егер ол бар болса) жиыстыруды жiбiту кезiнде жүргiзiңiз.
 - Тоңазытқыш камераның iшкi бөлiгiн мезгiл-мезгiл жылы суға немесе бейтарап жуғыш құралға малынған жөкенең көмегiмен тазалап отырыңыз. Камераны жуыңыз да, жұмсақ шүберекпен құрғатыңыз.
- Абразивтiк тазартқыш құралдарды пайдаланбаңыз. Абразивтiк пасталар мен жөкелердi, дақ кетiргiштердi (мысалы, ацетон, трихлорэтилен) немесе сiркенi қолданбаңыз.

6. Ақаулықтарды іздеу және жою

1. Егер тоңазытқыш жұмыс істемесе
Электр қуатының бар екенін тексеріңіз.
Ашаның розеткаға дұрыс сұғылғанын тексеріңіз.
Сақтандырғыштың жанып кетпегеніне көз жеткізіңіз.
2. Егер тоңазытқыш тым қатты салқындататын болса
Бәлкім, термореттеуіше салқындатудың жоғары деңгейі орнатылға болар.
Егер сіз ылғал құрамы жоғары тағам өнімдерін салқын ауа ағынының астына салсаңыз, олар жылдам мұздауы мүмкін. Бұл ақаулық бар екенін білдірмейді.
3. Егер тоңазытқыш жеткіліксіз салқындататын болса
Өнімдер бір біріне тым жақын жатуы, оның салқын ауаның еркін аралауын бөгет болуы мүмкін.
Тоңазытқышқа ыстық өнімдер салынған немесе олардың саны тым көп.
Бәлкім, тоңазытқыштың есікшесі тығыз жабылмаған болар.
Есікшенің тығыздағышын тексеріңіз.
Тоңазытқыштың жеткілікті желдету деңгейінің қамтамасыз етілуін тексеріңіз.
Бәлкім, тоңазытқыштың айналасында бос кеңістік тым аз болар.
Тоңазытқыштың қапталдарындағы және оның үстіндегі ауа саңылауын тексеріңіз.
Бәлкім, термореттеуіште температуралық режим дұрыс қойылмаған болар.
4. Егер еріген су тоңазытқыштың ішіне ақса немесе еденге төгілсе
Дренаждық құбыржол мен дренаждық шлангінің бітеліп қалмағанына көз жеткізіңіз.
Табандықтың дұрыс орнатылғанына көз жеткізіңіз.
5. Егер тоңазытқыштың сыртқы бетінде конденсат түзілсе
Тоңазытқыштың сыртқы бетінде конденсат жоғары ылғалдылық жағдайында, мысалы, жаңбырлы маусым уақытында түзілуі мүмкін. Конденсат түзілетін мұндай әсер салқындатылған су стакаға құйылған уақытта да туындайды. Демек, бұл ақаулық бар дегенді білдірмейді. Бетті құрғақ шүберекпен сүртіп алыңыз.
6. Егер тоңазытқышта су аққаны естілетін болса
Аққан судың дыбысы – бұл аққан тоңазытқыш агенттің дыбысы. Бұл ақаулық бар дегенді білдірмейді.
7. Егер тоңазытқыштың қапталдық панельдері қызатын болса
Қапталдық панельдер, егер тоңазытқыштың есікшесі тым жиі ашылып-жабылатын болса, компрессорды іске қосқан кезде және жаз мезгілінде қоршаған ортаның температурасы тым жоғары болған кезде қызады. Бұл тоңазытқыштан жылудың сыртқа шығуына байланысты. Ондай жағдайда панельдерді қолмен ұстамаңыз. Бұл тоңазытқыштың ақаулығы бар дегенді білдірмейді.

7. Техникалық сипаттамалары

*Толық техникалық сипаттамаларды алу үшін, тоңазытқыштың артқы қабырғасындағы төлқұжаттық табличканы қараңыз.

*Техникалық сипаттамалар алдын ала құлақтандырусыз өзгертілуі мүмкін.

MANUAL DE INSTRUÇÕES

FRIGORÍFICO CKCD D01 N

Por favor leia estas instruções cuidadosamente antes de usar o seu frigorífico Candy pela primeira vez.

ANTES DE UTILIZAR O APARELHO

O seu novo eletrodoméstico foi concebido apenas para utilização doméstica. Para assegurar os melhores resultados, leia as instruções de utilização, que contêm uma descrição do aparelho e conselhos e dicas sobre como armazenar a comida nas melhores condições. Guarde este manual para futuras utilizações.

Depois de desembalar o aparelho, certifique-se de que este não está danificado e que as portas fecham corretamente. Qualquer estrago ou avaria deve ser comunicado ao local onde comprou num prazo de 24 horas de pois da entrega do aparelho.

Espere, pelo menos, 2 horas antes de ligar o frigorífico para que o circuito de refrigeração está a trabalhar perfeitamente.

Certifique-se de que a instalação e as ligações elétricas são feitas por um técnico qualificado de acordo com as instruções do fabricante.

Limpe o interior do frigorífico antes de o usar.

Este produto destina-se exclusivamente a uso doméstico ou aplicações semelhantes, tais como:

- a área da cozinha para o pessoal em lojas, escritórios e outros ambientes de trabalho
 - em quintas, por clientes de hotéis, motéis e outros ambientes tipo alojamento residencial
 - em alojamento B & B
 - em serviços de catering e aplicações semelhantes, desde que não seja para venda a retalho.
- Este aparelho deve ser usado apenas para fins de armazenamento de alimentos, qualquer outro uso é considerado perigoso e o fabricante não se responsabilizará por esse tipo de utilização. Deve guardar a garantia e todas as condições de utilização e manuais de utilizador.

INFORMAÇÕES DE SEGURANÇA

O frigorífico contém um gás refrigerante (R600a: isobuteno) e gás isolante (ciclopentano), com alta compatibilidade com o ambiente, que são, no entanto, inflamáveis.

Recomendamos que siga os seguintes procedimentos para evitar situações perigosas:

Antes de executar qualquer operação, desligue o cabo de alimentação da tomada.

O sistema de refrigeração posicionado atrás e dentro do aparelho contém gás refrigerante. Portanto, os tubos do respetivo sistema não devem ser danificados.

Se no sistema de refrigeração for observada alguma fuga, não toque na parede nem na tomada e não faça fogo perto do aparelho. Abra a janela e deixe a divisão arejar. De seguida, ligue para um centro de assistência técnica oficial para solicitar uma reparação.

Não raspe com uma faca ou objeto afiado para remover gelo que se possa formar. Com esses métodos corre o risco de danificar o circuito de refrigeração, o derramamento de gás pode causar um incêndio ou problemas oculares.

- Não instale o aparelho em locais húmidos, gordurosos ou com pó e sujidade, nem o exponha à luz solar direta e à água. Não instale o aparelho perto de aquecedores ou materiais inflamáveis. Não use cabos de extensão ou adaptadores.

- Não puxe ou dobre excessivamente o cabo de alimentação nem toque na ficha com as mãos molhadas.

Não danifique a ficha e / ou o cabo de alimentação; isso pode causar choques elétricos ou incêndios.

- Recomenda-se que mantenha a ficha limpa, qualquer excesso de pó ou resíduos na ficha podem ser causa de incêndios.

- Não use dispositivos mecânicos ou outros equipamentos para acelerar o processo de descongelação.

É absolutamente proibido o uso de chama, fogo ou equipamentos elétricos, tais como aquecedores, máquinas de limpeza a vapor, velas, lâmparas e similares para acelerar a fase de descongelação.

Não use ou armazene sprays inflamáveis dentro nem perto do aparelho, pois isso pode provocar uma explosão ou incêndio.

- Não use aparelhos elétricos dentro dos compartimentos de armazenamento de alimentos, a menos que sejam específicos e recomendados pelo fabricante.

Não coloque ou armazene materiais inflamáveis, como éter, gasolina, GLP, gás propano, aerossóis, adesivos, álcool puro, etc. Esses materiais podem causar explosão.

Não guarde medicamentos ou materiais e amostras de experiência no aparelho.

Quando armazenar materiais que requerem controlo rigoroso de temperaturas, é possível que se deteriorem de alguma forma, por mínima que seja, ou possa ocorrer alguma reação descontrolada que pode causar riscos (por exemplo para a saúde no caso de se tratarem de medicamentos).

- Mantenha a ventilação adequada no compartimento onde o aparelho está inserido ou na estrutura de encastre, a ventilação deve estar livre de obstruções.

Não coloque objetos e / ou recipientes cheios de água no topo do aparelho.

Não faça reparações neste aparelho. Todas as intervenções devem ser realizadas exclusivamente por pessoal qualificado.

- Este aparelho pode ser utilizado por crianças com idade a partir dos 8 e por pessoas com deficientes capacidades físicas, sensoriais ou mentais ou pessoas com falta de experiência e conhecimento desde que lhes seja fornecida toda a informação e formação sobre a utilização do equipamento e/ou que sejam supervisionadas devidamente por alguém responsável pela sua segurança.

As crianças não devem brincar com o aparelho. Limpeza e manutenção não devem ser feitas por crianças sem supervisão.

Eliminação/lixo

Este eletrodoméstico está referenciado como lixo e equipamento elétrico ou eletrónico, de acordo com a diretiva europeia 2012/19/UE acerca de lixo elétrico e eletrónico (WEEE). Ao assegurar a correta eliminação do aparelho, no seu fim de vida, está a ajudar a prevenir consequências negativas para o meio ambiente e para a saúde, dado que o aparelho tem alguns componentes poluentes.

O símbolo no aparelho ou na documentação que o acompanha indica que este não deve ser tratado como lixo doméstico comum. Deve ser recolhido por um centro de recolha e reciclagem/tratamento de material elétrico ou pelas autoridades municipais da forma adequada à recolha e tratamento deste tipo de equipamento. Quando deitar fora o aparelho, inutilize-o, cortando o cabo de alimentação e removendo as portas e prateleiras para que não haja o perigo de crianças entrarem para dentro do equipamento e se magoarem. Não deixe o aparelho abandonado durante dias na rua, pois pode constituir um perigo para crianças ou outras pessoas que lhe possam dar uma utilização indevida. Aconselhamos que contacte as autoridades municipais para se informar sobre a melhor forma e dias de recolher este tipo de material na sua área de residência.

Declaração de conformidade

Este aparelho foi concebido para armazenamento de comida e foi fabricado em conformidade com a regulação europeia e normas de segurança e requisitos ambientais, bem como legislação aplicável a este tipo de produto.

A segurança elétrica do aparelho é garantida apenas se este estiver ligado a uma ficha com ligação terra.

INSTRUÇÕES DE SEGURANÇA IMPORTANTES E POUPANÇA DE ENERGIA

Estas instruções são fornecidas no interesse da sua segurança. Certifique-se de que compreende as instruções antes de instalar e utilizar o aparelho. Se tiver dúvidas sobre algum aspeto, por favor contacte a assistência ao cliente.

Para maior poupança energética, sugerimos:

- instale-o numa divisão ventilada, longe de fontes de calor e sem estar exposto diretamente à luz solar
- evite colocar comida quente no frigorífico, pois isso vai alterar a temperatura definida para o interior do aparelho e isso faz com que o compressor trabalhe continuamente
- não exceda as quantidades de comida que o aparelho comporta, não o encha em demasia
- se existir formação de gelo, descongele o aparelho de acordo com as instruções dadas no capítulo respetivo
- no caso de falha de energia, deve manter a porta do frigorífico fechada para que a temperatura se conserve mais tempo
- evite ajustar o termóstato para temperaturas demasiado frias
- remova o pó que possa existir na parte de trás do equipamento

- Os componentes que podem aquecer não devem ficar expostos. A parte de trás do frigorífico não deve ficar encostada à parede, deve guardar-se uma margem de alguns centímetros para circulação do ar.
- Depois de colocar o frigorífico no lugar, deve esperar 2 horas antes de o ligar.

- Total No Frost Audy (com display na porta): remova os cestos do compartimento do congelador
- Total No Frost (com interface de utilização interno para o frigorífico e botão para o congelador)
- Modelos Frost Free: remova os outros cestos no compartimento do congelador, mas mantenha a gaveta de baixo no seu local
- Modelos estáticos comuns: remova todas as prateleiras e gavetas no compartimento do congelador

ATENÇÃO: o aparelho deve ficar instalado num local bem ventilado.

Manutenção e limpeza

- Desligue e retire o aparelho da tomada antes de qualquer tipo de trabalho de limpeza.



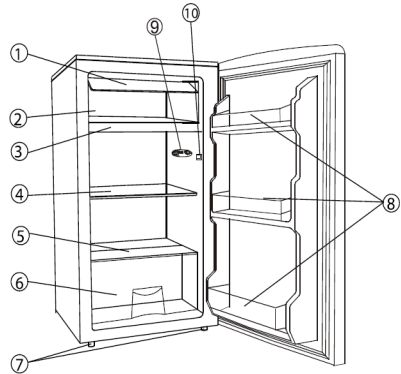
- Nunca use facas ou outros instrumentos cortantes e afiados para retirar o gelo que se forme (por favor leia a secção do manual sobre descongelação).

ATENÇÃO: NUNCA DEVE USAR NENHUM TIPO DE EQUIPAMENTO ELÉTRICO OU OUTROS QUE AQUEÇAM OU ACELEREM A DESCONGELAÇÃO. NÃO DEVE COLOCAR APARELHOS ELÉTRICOS DENTRO DO FRIGORÍFICO EM CIRCUNSTÂNCIA ALGUMA. Não danifique o circuito de refrigeração.

1 NOME DOS COMPONENTES

COMPONENTES E CARACTERÍSTICAS

- 1 – Porta do congelador
- 2 – Compartimento do congelador
- 3 – Tabuleiro de retenção
- 4 – Prateleiras de vidro
- 5 – Prateleira/tampa de vidro
- 6 - Caixa para frutas e legumes
- 7 – Pés de nivelamento
- 8 – Suporte para garrafas
- 9 – Botão de controlo da temperatura
- 10 – Interruptor da porta



2 INSTALAÇÃO CORRETA

BOA VENTILAÇÃO

O frigorífico deve ser instalado numa zona com boa ventilação e deve haver um espaço em seu redor para que o ar possa circular. Além das questões de segurança, isto vai garantir maior eficiência do aparelho e mais baixos consumos. Na zona traseira deve guardar um espaço mínimo de 100 mm, no topo do aparelho devem ser 200 mm e em redor deve haver um espaço suficiente para que a porta abra a 160º.

FORNECIMENTO DE ENERGIA

O aparelho deve ser ligado a fornecimento de energia de uma fase única de corrente alternada de 220-240V~/50Hz; 230V~/60Hz. Se as flutuações de energia na zona onde reside costumam ser muito grandes, aconselhamos a utilização de um estabilizador de corrente. O frigorífico deve

estar ligado a uma tomada própria, única para este aparelho, sem extensões, adaptadores ou fichas múltiplas. Deve ser uma tomada com ligação terra.

CABO ELÉTRICO

O cabo não deve ser dobrado nem esticado durante a instalação nem deve ficar dobrado ou preso depois do aparelho instalado. Não pode ficar encostado ao compressor na traseira do frigorífico, pois a temperatura sobe neste local quando o compressor está em funcionamento.

PROTEÇÃO CONTRA HUMIDADE

Evite instalar este eletrodoméstico numa divisão muito húmida, pois isso vai fazer com que as partes metálicas possam ganhar ferrugem. O aparelho não pode, de forma alguma, estar no exterior, exposto ao calor, humidade, chuva ou vento. Também não pode ser molhado, não deve nunca levar água, pois isso pode causar curto circuito.

PROTEÇÃO CONTRA CALOR

O frigorífico deve ser instalado longe de fontes de calor diretas ou da luz solar direta.

PISO ESTÁVEL

O chão onde o aparelho vai ser instalado deve ser plano, liso e estável. O frigorífico não deve ser colocado em cima de soalhos de plástico ou outros materiais pouco estáveis e seguros. Depois de instalado, se o aparelho não estiver nivelado, ajuste os pés reguláveis.

MANTER LONGE DE MATERIAIS PERIGOSOS

O frigorífico nunca deve estar perto de produtos combustíveis ou inflamáveis, tais como petróleo, gasolina, álcool, diluentes ou produtos venenosos. Produtos deste género também nunca devem ser armazenados no interior do frigorífico.

MOVER O APARELHO

Quando instalado ou quando for movido para outro local, o frigorífico nunca deve ser inclinado mais do que 45º.

3 CUIDADOS A TER

A água contida nos próprios alimentos ou resultante do ar que entra quando se abre a porta do frigorífico pode vir a ser a causa da formação de uma camada de gelo. Se essa camada atingir mais de 2mm de espessura, deve desligar o aparelho e descongelá-lo.

A descongelação no congelador é feita manualmente. Antes de o fazer, retire todos os alimentos e o tabuleiro do gelo, bem como as prateleiras. Depois regule o botão de temperatura para a posição “0” (o compressor vai parar de trabalhar) e deixe a porta aberta para que o gelo derreta e a água fique depositada no fundo do compartimento. Quando isso acontecer, retire-a e limpe com um pano macio.

No caso de querer acelerar um pouco a descongelação, pode colocar uma tigela com água quente (cerca de 50º) dentro do congelador, nada mais do que isso. Nunca coloque aparelhos elétricos para aquecer o compartimento, pois isso é muito perigoso e vai danificar o aparelho.

Não coloque água quente diretamente dentro do compartimento para que o gelo derreta mais depressa. Não utilize secadores de cabelo para aquecer ou ajudar a descongelar.

Nunca use facas ou outros objetos afiados ou pontiagudos para retirar gelo das paredes do congelador ou para separar a comida antes de a retirar de dentro do compartimento. A utilização de utensílios pode danificar de forma irremediável as paredes interiores do congelador.

Se o cabo de alimentação estiver danificado, deve ser substituído por um técnico qualificado para o fazer, pois isso requer ferramentas próprias para o efeito.

4 MUDAR A POSIÇÃO DA PORTA REVERSÍVEL

Este aparelho tem as dobradiças do lado direito. Se desejar alterar o lado de abertura da porta, por favor siga as instruções:

- 1 – Remova as pequenas peças de plástico (7) e os parafusos (6) que fixam o topo, a parte de cima do frigorífico.
- 2 – Remova os 2 parafusos (1) que seguram a dobradiça de cima (5) (lado direito) à moldura. Retire a dobradiça (5).
- 3 – Retire a porta e coloque-as numa superfície segura e macia para que não se risque.
- 4 – Remova os 2 parafusos (8) que fixam a dobradiça de baixo (2) e retire-a.
- 5 – Remova a perna esquerda da frente (4) e transfira-a para o lado direito.
- 6 – Antes de colocar a dobradiça inferior (2) remova o pin (9) e reverta a direção da dobradiça inferior (2). Depois instale a dobradiça inferior (2) no lado esquerdo da parte de baixo da moldura com os 2 parafusos (8).
- 7 – Insira o pin (9) na dobradiça inferior (2)
- 8 – Coloque a porta no seu lugar, certificando-se de que ela fica bem assente na dobradiça de baixo.
- 9 – Com a porta na posição fechada, fixe a dobradiça superior (5) na moldura do topo do lado esquerdo com 2 parafusos (1). Por favor lembre-se de não retirar nem aparafusar definitivamente os 2 parafusos (1) até o topo da porta estar nivelado com o topo do frigorífico.
- 10 – Volte a colocar a cobertura de topo com os parafusos (6) e coloque as pequenas peças de cobertura de plástico (7).
- 11 – Remova a pega da porta (10) do lado esquerdo para o lado direito.

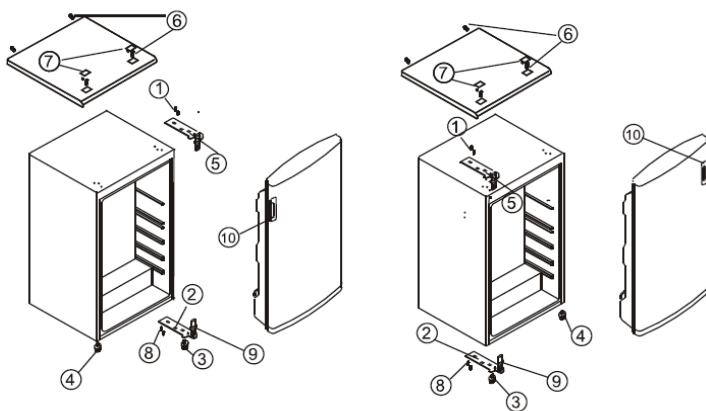


FIGURA 1: representa a posição dos vários componentes antes de ter sido trocada a posição da porta.

FIGURA 2: representa a posição de todas as partes depois da porta ter sido revertida.

5 MANUTENÇÃO

Limpe o exterior usando um pano suave.

Para uma limpeza mais profunda do espaço interior:

- 1 – Esvazie completamente o frigorífico
- 2 – Desligue o aparelho da tomada
- 3 – Descongele e limpe o interior
- 4 – No caso de estar um período longo sem usar o aparelho, deixe a porta aberta para prevenir a formação de maus odores e humidade.
- 5 – Limpe o frigorífico:
 - Limpe o interior do congelador apenas depois deste descongelar
 - Periodicamente limpe o interior com uma esponja embebida em água morna e/ou um detergente natural e não abrasivo. Enxague e seque com um pano macio.
 - Não utilize produtos abrasivos nem esfregões rijos, de arame, produtos com ácidos, acetonas, álcool ou vinagres.

Substituir lâmpadas:

Para substituir a lâmpada, desligue o aparelho e proceda da seguinte forma:

- Gire a cobertura/campânula e retire-a. Retire a lâmpada e substitua por outra igual (máximo 10W). Volte a colocar a tampa de cobertura da lâmpada e espere 5 minutos antes de voltar a ligar o frigorífico.

6 POSSÍVEIS AVARIAS

- 1 – Quando o frigorífico não trabalha: verifique se há falha no fornecimento de energia elétrica; verifique se a ficha está bem colocada na tomada; verifique se o fusível não está danificado.
- 2 – Quando o frigorífico faz demasiado frio: a temperatura no comando respetivo pode não estar bem definida e deve ser verificada. Se colocou embalagens de alimentos com muita humidade no frigorífico, estas caixas e alimentos podem refrigerar e mesmo congelar com maior rapidez. Isso não significa que exista uma avaria.
- 3 – Quando o frigorífico não está a arrefecer o suficiente: a comida pode ter sido armazenada muito junta e em muita quantidade, o que não permite a circulação do ar. Pode ter colocado algo quente ou demasiados alimentos de uma vez no frio, o que dificulta o arrefecimento. A porta pode estar mal fechada. As borrachas da porta podem não estar a vedar convenientemente, o que faz com que a temperatura dentro do frigorífico fique mais elevada. O frigorífico poderá não estar bem ventilado, pode existir falta de espaço entre o frigorífico e as paredes em redor, esse espaço para circulação do ar deve ser preservado, tanto nas laterais,

como na parte superior do aparelho. O controlo de temperatura pode não estar bem definido, verifique.

4 – Se acontecer a água da descongelação escorrer para dentro do frigorífico e para o chão verifique se o tubo de drenagem e o orifício não estão entupidos. Verifique se o local de drenagem está a funcionar em condições.

5 – Quando se forma condensação no exterior do frigorífico: pode acontecer se os níveis de humidade e calor no ambiente forem muito elevados. Isto não significa que exista uma avaria. Seque o frigorífico com um pano seco e macio.

6 – Quando ouve sons de líquido a correr: é o sistema de refrigeração em funcionamento, não é qualquer tipo de avaria nem problema.

7 – Quando uma das laterais do frigorífico aquece: os painéis laterais podem aquecer quando a porta estiver a ser aberta e fechada muito frequentemente, quando se inicia o funcionamento do frigorífico e quando este opera durante o verão ou períodos em que as temperaturas ambientes são muito elevadas. Nesses casos não toque nos painéis, a situação decorre da dissipação de calor do interior para a exterior e não significa que exista algum tipo de avaria.

7 CARACTERÍSTICAS TÉCNICAS

* Para especificações técnicas detalhadas, por favor verifique o autocolante identificativo colocado na parte traseira do frigorífico.

* As especificações técnicas podem sofrer alterações sem aviso prévio.

Bedankt voor de aankoop van dit product.

Lees deze instructiehandleiding zorgvuldig door voordat u uw koelkast gaat gebruiken, voor de beste prestaties van het apparaat. Bewaar alle documentatie voor toekomstig gebruik of voor andere eigenaren. Dit product is uitsluitend bedoeld voor huishoudelijk gebruik of voor soortgelijke toepassingen, zoals:

- de keukenruimte voor personeel in winkels, kantoren en andere werkomgevingen
- op boerderijen, door gasten van hotels, motels en andere woonomgevingen
- in bed and breakfasts (B & B)
- voor cateringservices en dergelijke toepassingen die niet voor de kleinhandel zijn.

Dit apparaat mag uitsluitend worden gebruikt voor het bewaren van voedsel. Elk ander gebruik moet als gevaarlijk worden beschouwd en de fabrikant is niet verantwoordelijk voor nalatigheid. Het is ook aan te raden om de garantievooraarden door te lezen. Voor de beste prestaties en probleemloze werking van uw apparaat, is het zeer belangrijk om deze instructies zorgvuldig te lezen. Als u deze instructies niet in acht neemt, kan uw recht op gratis onderhoud tijdens de garantieperiode vervallen.

VEILIGHEIDSINFORMATIE

In deze handleiding staat veel belangrijke veiligheidsinformatie. We raden u aan om deze instructies op een veilige plaats te bewaren om ze gemakkelijk te kunnen raadplegen en optimaal van uw apparaat gebruik te kunnen maken.

De koelkast bevat een koelgas (R600a: isobutaan) en een isolerend gas (cyclopentaan), die milieuvriendelijk, maar wel brandbaar zijn.



Voorzichtig: brandgevaar

Als het koelcircuit beschadigd raakt:

- Vermijd open vuur en ontstekingsbronnen.

Ventileer de ruimte waarin het apparaat staat zeer goed.

Percentage bedrijfstijd:

18°C : Bedrijfstijd 11 min, stoptijd 20 min

25°C : Bedrijfstijd 10 min, stoptijd 12 min

38°C : Bedrijfstijd 18 min, stoptijd 10 min

42°C : Bedrijfstijd 30 min, stoptijd 15 min

WAARSCHUWING!

- Wees bij het reinigen/verplaatsen van het apparaat voorzichtig om de metalen condensatordraden aan de achterkant van het apparaat niet aan te raken, omdat u daardoor uw vingers en handen kunt verwonden of uw product kunt beschadigen.
- Dit apparaat is niet ontworpen om op andere apparaten te stapelen. Probeer niet op uw apparaat te zitten of te staan, omdat het daar niet voor is ontworpen. U kunt uzelf verwonden of het apparaat beschadigen.
- Zorg ervoor dat het netsnoer niet beklemd zit onder het apparaat tijdens en na het vervoeren/verplaatsen van het apparaat, om te voorkomen dat het netsnoer doorgesneden of beschadigd raakt.
- Let bij het plaatsen van uw apparaat goed op uw vloer, leidingen, wandbekleding enz. niet te beschadigen. Verplaats het apparaat niet door het aan het deksel of de handgreep te trekken. Laat kinderen niet met het apparaat spelen of aan de bedieningselementen komen. Ons bedrijf wijst alle aansprakelijkheid van de hand als de instructies niet worden gevolgd.
- Installeer het apparaat niet in vochtige, olieachtige of stoffige plaatsen en stel het

- niet bloot aan direct zonlicht of water.
- Installeer het apparaat niet in de buurt van verwarmingsapparaten of ontvlambare materialen.
 - Open het deksel niet als er een stroomstoring is. Als de storing korter dan 20 uur duurt, zou deze geen effect moeten hebben op bevroren voedsel. Als de storing langer duurt, moet het voedsel worden gecontroleerd en onmiddellijk worden geconsumeerd of bereid en daarna opnieuw ingevroren.
 - Maakt u zich geen zorgen als het deksel van de diepvrieskist moeilijk te openen is meteen nadat u het heeft gesloten. Dit komt door het drukverschil, dat gewoonlijk na enkele minuten verdwijnt waardoor het deksel gewoon kan worden geopend.
 - Sluit het apparaat niet aan op de elektriciteitsvoorziening voordat alle verpakkingen en transportbeschermers zijn verwijderd.
 - Laat het apparaat minstens 4 uur staan voordat u het aanzet, om de compressorolie te laten stabiliseren na horizontaal transport.
 - Deze vriezer mag alleen worden gebruikt voor het beoogde doel (d.w.z. het bewaren en invriezen van eetbare voedingsmiddelen).
 - Bewaar geen medicijnen of onderzoeksmaterialen in de wijnkoelers. Als er materiaal moet worden opgeslagen waarvoor een strenge controle van de opslagtemperatuur vereist is, kan dit bederven of kan er een ongecontroleerde reactie optreden die risico's kan veroorzaken.
 - Haal de stekker uit het stopcontact voordat u handelingen uitvoert.
 - Controleer bij levering of het product niet beschadigd is en of alle onderdelen en accessoires in perfecte staat zijn.
 - Als in het koelsysteem een lek opgemerkt wordt, raak dan de wandcontactdoos niet aan en gebruik geen open vlammen. Open het venster en laat lucht de kamer binnenkomen. Bel vervolgens een servicecentrum en vraag om reparatie.
 - Gebruik geen verlengsnoeren of adapters.
 - Trek niet te hard aan het netsnoer, vouw het niet dubbel en raak de stekker niet met natte handen aan.
 - Beschadig de stekker en/of het netsnoer niet; dit kan elektrische schokken of brand veroorzaken.
 - Plaats geen brandbare en sterk vluchtige materialen zoals ether, benzine, LPG, propaangas, spuitbussen, lijm, pure alcohol, enz. op of in het apparaat. Deze materialen kunnen een explosie veroorzaken.
 - Als het netsnoer van het apparaat is beschadigd, moet het worden vervangen door de fabrikant, diens technische dienst of personen met vergelijkbare kwalificaties, om gevaarlijke situaties te voorkomen.
 - Gebruik of bewaar geen ontvlambare sprays, zoals verfbussen in de buurt van de wijnkoelers. Deze kunnen een explosie of brand veroorzaken.
 - Plaats geen voorwerpen en/of houders gevuld met water bovenop het apparaat.
 - We raden het gebruik van verlengsnoeren en multi-adapters niet aan.
 - Verbrand het apparaat niet als u het weg wilt doen. Wees voorzichtig dat u het koelcircuit/de koelleidingen van het apparaat niet beschadigt tijdens het transport en het gebruik. Stel in het geval van schade het apparaat niet bloot aan brand, mogelijke ontstekingsbronnen en ventileer onmiddellijk de ruimte waarin het apparaat staat.
 - Het koelsysteem dat zich achter en binnenin de wijnkoelers bevindt, bevat een koelmiddel. Zorg er daarom voor dat de buizen niet beschadigd raken.
 - Gebruik geen elektrische apparaten in de bewaarruimten voor levensmiddelen van

het apparaat, tenzij deze van het type zijn dat door de fabrikant wordt aanbevolen.

- Beschadig het koelcircuit niet.
- Gebruik geen mechanische apparaten of andere middelen om het ontdooien te versnellen, behalve als deze door de fabrikant worden aanbevolen.
- Gebruik geen elektrische apparaten in de bewaarruimten voor levensmiddelen, tenzij deze van het type zijn dat door de fabrikant wordt aanbevolen.
- Zorg ervoor dat de ventilatieopeningen in de behuizing van het apparaat of in de ingebouwde constructie open blijven.
- Raak geen interne koelelementen aan, met name met natte handen. Dit kan brandwonden of andere verwondingen veroorzaken.
- Gebruik geen puntige of scherpe voorwerpen zoals messen of vorken om ijs te verwijderen.
- Gebruik nooit haardrogers, elektrische verwarmers of dergelijke elektrische apparaten voor het ontdooien.
- Schraap de rijm en de ijsaanslag die optreedt niet af met een mes of scherp voorwerp. Deze kunnen het koelcircuit beschadigen en de lekkage uit het circuit kan brand veroorzaken of uw ogen beschadigen.
- Gebruik geen andere mechanische toestellen of apparaten om het ontdooiingsproces te versnellen.
- Gebruik absoluut geen open vuur of elektrische apparatuur, zoals verwarmers, stoomreinigers, kaarsen, olielampen en dergelijke om de ontdooiingsfase te versnellen.
- Gebruik nooit water om de compressor te reinigen. Veeg deze na het reinigen goed af met een droge doek om roest te voorkomen.
- Het wordt aanbevolen om de stekker schoon te houden, te veel stof op de stekker kan brand veroorzaken.
- Het product is alleen ontworpen en gebouwd voor huishoudelijk gebruik.
- De garantie vervalt als het product wordt geïnstalleerd of gebruikt in commerciële of niet-residentiële huishoudelijke omgevingen.
- Het product moet op de juiste manier worden geïnstalleerd, geplaatst en gebruikt, volgens de instructies in de bijgeleverde handleiding.
- De garantie geldt alleen op nieuwe producten en is niet overdraagbaar als het product wordt doorverkocht.
- Ons bedrijf wijst iedere aansprakelijkheid voor incidentele of gevolgschade van de hand.
- De garantie vermindert op geen enkele wijze uw statutaire of wettelijke rechten.
- Voer geen reparaties uit aan deze wijnkoelers. Alle ingrepen mogen uitsluitend door gekwalificeerd personeel worden uitgevoerd.

VEILIGHEID VOOR KINDEREN!

- Als u een oud product dat een slot of grendel op de deur heeft weggooit, zorg er dan voor dat het veilig wordt achtergelaten, zodat kinderen er niet in opgesloten kunnen raken.
- Dit apparaat mag worden gebruikt door kinderen vanaf 8 jaar en door personen met verminderde fysieke, zintuiglijke of geestelijke vermogens of met een gebrek aan ervaring en kennis, mits deze geschikt toezicht hebben of instructies hebben gekregen om het apparaat veilig te kunnen gebruiken en de gevaren die erbij betrokken zijn te kunnen begrijpen.
- Kinderen mogen niet spelen met het apparaat. Reiniging en gebruikersonderhoud mogen niet worden uitgevoerd door kinderen zonder toezicht.

OUDE APPARATEN SLOPEN



Dit apparaat is gemarkeerd conform de Europese Richtlijn 2012/19/EU betreffende afgedankte elektrische en elektronische apparatuur (WEEE).

WEEE bevat beide vervuilende stoffen (die negatieve gevolgen voor het milieu kunnen hebben) en basiscomponenten (die hergebruikt kunnen worden). Het is belangrijk om WEEE te onderwerpen aan specifieke behandelingen ten einde alle vervuilende stoffen juist te verwijderen en af te voeren en alle

materialen te recupereren en te recycleren.

Individuele personen kunnen een belangrijke rol spelen om ervoor te zorgen dat WEEE geen milieuprobleem wordt. Het is van essentieel belang om enkele basisregels te volgen:

- WEEE mag niet worden behandeld als huishoudafval.
- WEEE moet ingeleverd worden bij relevante inzamelpunten die worden beheerd door de gemeente of door geregistreerde bedrijven. In vele landen kan thuisophaling beschikbaar zijn voor grote WEEE.

In landen kan, wanneer u een nieuw apparaat koopt, het oude teruggegeven worden aan de detailhandelaar die het gratis moet verzamelen met dien verstande dat de apparatuur van een gelijkwaardig type is en dezelfde functies had als de geleverde apparatuur.

Conformiteit

Door het **CE**-merk op dit product te plaatsen, bevestigen we dat het voldoet aan alle relevante Europese veiligheids-, gezondheids- en milieueisen die van toepassing zijn in de wetgeving voor dit product.

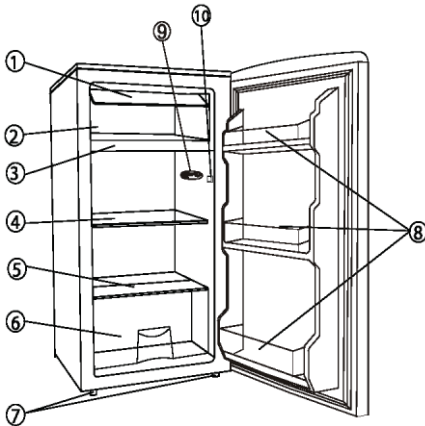
ENERGIEBESPARING

Voor meer energiebesparing raden we het volgende aan:

- Het apparaat uit de buurt van warmtebronnen te installeren, niet bloot te stellen aan direct zonlicht en in een goed geventileerde ruimte te plaatsen.
- Te vermijden om warm voedsel in de koelkast te zetten om te voorkomen dat de interne temperatuur stijgt waardoor de compressor doorlopend blijft werken.
- Niet teveel voedsel te plaatsen om een goede luchtcirculatie te garanderen.
- Het apparaat te ontdooien als er ijsvorming is om de koude-overdracht te vergemakkelijken.
- De koelkastdeur gesloten te houden als er stroomuitval is.
- De koelkastdeur gesloten te houden als er stroomuitval is.
- De deuren van het apparaat zo weinig mogelijk te openen en ze zo kort mogelijk open te houden.
- De thermostaat niet op een te lage temperatuur in te stellen.
- Stof van de achterkant van de koelkast te verwijderen.

1. Naam van de onderdelen

ONDERDELEN EN FUNCTIES



- ① Deur vriesvak
- ② Vriesvak
- ③ Lekbak
- ④ Glazen plank
- ⑤ Glazen deksel
- ⑥ Verslade
- ⑦ Stelpootjes
- ⑧ Flessenrekken
- ⑨ Temperatuurcontroleknop
- ⑩ Deurschakelaar

2. Goed neerzetten

Goed ventileren

Er is goede ventilatie nodig rondom de koelkast om gemakkelijk warmte af te voeren, efficiënt te koelen en voor een laag energieverbruik. Daarom is er voldoende vrije ruimte nodig rondom de koelkast. De achterkant moet minstens 100 mm van de muur af zijn, de zijkanten moeten beide minstens een ruimte van 100 mm hebben en de hoogte boven de koelkast mag niet minder zijn dan 200 mm. Er moet een vrije ruimte zijn om de deuren 160° te kunnen openen

Voeding

De koelkast wordt alleen gevoed met enkelfasige wisselstroom van (220-240)V~/50Hz;230V~760Hz. Als er in de zone van de gebruiker spanningsschommelingen zijn van meer dan het bovengenoemde bereik, moet u voor de veiligheid een automatische AC spanningsregelaar op de koelkast aanbrengen. De koelkast moet een speciaal stopcontact gebruiken dat niet wordt gedeeld met andere elektrische apparaten. De stekker moet overeenkomen met het stopcontact met aardingsdraad.

Netsnoer

Het snoer mag niet verlengd worden en ook niet worden opgerold als het wordt gebruikt. Bovendien is het verboden om het snoer dicht bij de compressor op de achterkant van de koelkast te houden, omdat de oppervlaktetemperatuur daarvan vrij hoog wordt tijdens het gebruik. Als het snoer de compressor raakt, wordt de isolatie uitgeschakeld of kan er elektriciteit weglekken.

Bescherming tegen vocht

Zet de koelkast niet neer op een plaats met veel vocht, om het roesten van de metalen delen te voorkomen. U mag ook niet direct water op de koelkast spuiten anders kan er slechte isolatie en stroomlekkage ontstaan.

Bescherming tegen hitte

De koelkast moet uit de buurt staan van warmtebronnen of direct zonlicht.

Stabiel neerzetten

De vloer waarop de koelkast wordt geplaatst moet plat en stevig zijn. Er mag geen zacht materiaal, zoals schuimplastic enz. op liggen. Als de koelkast niet waterpas staat, stel hem dan af met de schroeven. De koelkast mag niet in de buurt worden geplaatst van alles wat een echo kan veroorzaken.

Uit de buurt van gevaar houden

Het wordt afgeraden om de koelkast in de buurt van vluchtige of brandbare stoffen te plaatsen, zoals gas, benzine, alcohol, verf en bananenolie, enz. De bovengenoemde stoffen mogen niet in de koelkast worden opgeslagen.

Verplaatsen

Bij het bevestigen of verplaatsen mag de koelkast niet horizontaal, meer dan 45° gekanteld of ondersteboven worden geplaatst.

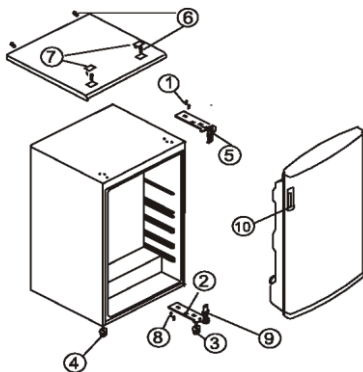
3. Voorzorgsmaatregelen

- ★ Water dat in voedsel zit of dat in de lucht binnen de koelkast komt door het openen van de deuren, kan een laagje ijs vormen in de binnenkant. Als dat laagje meer dan 2 mm dik is, verzwakt het de werking van de koelkast en moet u ontdooien.
- ★ Het vriesvak moet handmatig worden ontdooid. Haal voor het ontdooien het voedsel, de ijsbak en de plank tijdelijk naar buiten in de koude opslagkamer en zet de knop van de temperatuurregelaar dan op "0" (zodat de compressor stopt met werken) en laat de deur openstaan totdat al het ijs is opgelost en op de bodem van het vriesvak ligt. Veeg het water op met een zachte doek. Om het ontdooien te versnellen, kunt u een schaal met warm water (ongeveer 50°C) in het vriesvak zetten. Vergeet niet om de knop van de temperatuurregeling weer in de beginstand te zetten na het ontdooien.
- ★ Het wordt afgeraden om het vriesvak direct te verwarmen met heet water of een haardroger tijdens het ontdooien, om vervorming van de binnenkant te voorkomen.
- ★ Het wordt ook niet aangeraden om ijs of voedsel dat is vastgevroren weg te schrapen met een scherp voorwerp of een houten staaf, om de binnenkant of het oppervlak van de verdampers niet te beschadigen.
- ★ Als het netsnoer van dit apparaat is beschadigd, mag het alleen worden vervangen in een door de fabrikant aangewezen reparatiewerkplaats, omdat er speciale gereedschappen voor nodig zijn.

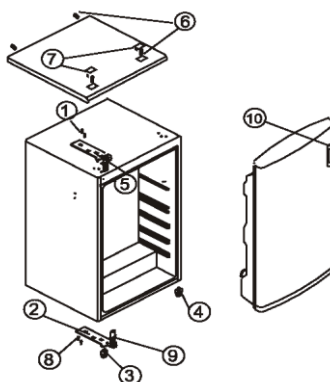
4. De deur omkeren

Deze koelkast is gebouwd met de scharnieren van de deur aan de rechterkant. Als u de openingsrichting wilt veranderen, volg dan de onderstaande instructies:

1. Verwijder de kleine plastic kap (7) en de schroeven (6) waarmee het aanrecht is bevestigd en demonteer het aanrecht.
2. Verwijder de twee schroeven (1) waarmee het bovenste scharnier (5) (rechterkant) vastzit aan het frame. Verwijder het bovenste scharnier (5).
3. Til de deur op en leg hem op een zachte ondergrond om krassen te voorkomen.
4. Verwijder de twee schroeven (8) waarmee het onderste scharnier (2) vastzit en verwijder het onderste scharnier (2).
5. Verwijder het linker voorpootje (4) en verplaats het naar rechts.
6. Voordat u dit onderste scharnier (2) aanbrengt, verwijdert u de bout-pen (9) en keert u de richting van het onderste scharnier (2) om. Installeer dan het onderste scharnier (2) op de linkerkant van het onderste frame met twee schroeven (8).
7. Breng de bout-pin (9) aan in het onderste scharnier (2).
8. Breng de deur aan op zijn plaats en zorg ervoor dat de deur goed aan het onderste scharnier (2) is bevestigd.
9. Houd de deur in gesloten positie en bevestig het bovenste scharnier (5) in het bovenste frame van de linkerkant met twee schroeven (1). Vergeet niet dat u de twee schroeven (1) pas mag aandraaien als de bovenkant van de deur is uitgelijnd met het aanrecht.
10. Plaats het aanrecht op de koelkast met schroeven (6) en breng de kleine plastic kap (7) aan.
11. Verplaats de deurhandgreep (10) van links naar rechts.



AFBEELDING 1



AFBEELDING 2

AFBEELDING 1 - DE POSITIE VAN DE COMPONENTEN VOOR HET
OMKEREN VAN DE DEUR

AFBEELDING 2 - DE POSITIE VAN DE COMPONENTEN NA HET
OMKEREN VAN DE DEUR

5. Onderhoud

Reinig de buitenkant met een zachte doek.

Als de koelkast lang niet wordt gebruikt

1. Maak de koelkast leeg.
2. Haal de stekker van het apparaat uit het stopcontact.
3. Ontdooi en reinig de binnenkant.
4. Laat als de koelkast lang niet wordt gebruikt de deur openstaan om te voorkomen dat er schimmel, geuren en roest ontstaan.
5. Reinig het apparaat.
 - . Reinig de binnenkant van het vriesvak (indien aanwezig) als u het ontdooit.
 - . Reinig regelmatig de binnenkant van het koelkastgedeelte met een met warm water en/of een neutraal reinigingsmiddel bevochtigde spons. Spoel af en maak droog met een zachte doek.
 Gebruik geen schurende producten. Gebruik geen schurende producten, schuursponsjes, ontvlekkingsmiddelen (zoals aceton, trichloorethyleen) of azijn.

Lampen vervangen

Haal de stekker uit het stopcontact als u de lamp vervangt. Ga als volgt te werk: Knijp de lipjes aan de zijkanten van de lampafdekking in en verwijder de lamp. Vervang de lamp door een nieuwe van maximaal 10 W.

Plaats de lampafdekking terug en wacht 5 minuten voordat u de stekker weer in het stopcontact steekt.

6. Problemen oplossen

1. Als de koelkast niet werkt
Controleer of er een stroomstoring is.
Controleer of de stekker in het stopcontact zit.
Controleer of de zekering niet is doorgeslagen.
2. Als de koelkast te veel koelt
De temperatuurcontroleknop kan te hoog zijn gezet.
Als u voedsel dat veel vocht bevat direct onder de koudeluchtroosters plaatst, kan het gemakkelijk bevroren. Dit betekent niet dat er een storing is.
3. Als de koelkast niet voldoende koelt
Het voedsel kan te dicht op elkaar staan, zodat de koude lucht niet goed kan stromen. U heeft misschien iets heets of een grote hoeveelheid voedsel in de koelkast gezet.
De deur is mogelijk niet goed gesloten.
De deurafdichtingen kunnen beschadigd zijn.
De koelkast is mogelijk niet goed geventileerd.
Er kan onvoldoende ruimte zijn tussen de koelkast en de oppervlakken naast de beide zijanten en de bovenkant.
De temperatuurcontroleknop kan verkeerd zijn ingesteld.
4. Als het dooiwater overloopt in de koelkast en op de vloer. Controleer of de afvoerleiding en de afvoerslang niet verstopt zitten.
Controleer of de afvoerbak goed staat.
5. Als er condens wordt gevormd op de buitenkant van de koelkast.
Er kan condens ontstaan op de buitenkant als er veel vocht is, zoals in een tijd met veel regen. Dit is hetzelfde als de condens die wordt gevormd als er koud water in een glas wordt gegoten. Dit betekent dus niet dat er een storing is.
Veeg het weg met een droge doek.
6. Als u een geluid hoort als van stromend water.
Een geluid als van stromend water is het koudemiddel dat stroomt. Dit betekent niet dat er een storing is.
7. Als het zijpaneel van de koelkast heet wordt.
Het zijpaneel van de koelkast wordt heet wanneer de deur vaak wordt geopend of gesloten, bij het starten van de koelkast en als de koelkast in de zomer werkt bij een hoge buitentemperatuur. Raak in dat geval het paneel niet aan. Het wordt warm doordat er warmte uit de koelkast wordt afgevoerd en dit betekent niet dat er iets mis is met de koelkast.

7. Technische specificaties

- * Raadpleeg het serieplaatje op de achterkant van de koelkast voor de gedetailleerde technische specificaties.
- * De specificaties kunnen worden gewijzigd zonder kennisgeving vooraf.

