



Refrigerator / Freezer
Chłodziarko / Zamrażarki
Chladnička / Mrazák
Chladnička / Mraznička

CNA400E30ZDX

Please read this user manual first!

Dear Customer,

We hope that your product, which has been produced in modern plants and checked under the most meticulous quality control procedures, will provide you an effective service.

Therefore, read this entire user manual carefully before using the product and keep it as a reference. If you handover the product to someone else, give the user manual as well.

The user manual will help you use the product in a fast and safe way.


- Read the manual before installing and operating the product.
- Make sure you read the safety instructions.
- Keep the manual in an easily accessible place as you may need it later.
- Read the other documents given with the product.

Remember that this user manual is also applicable for several other models. Differences between models will be identified in the manual.

Explanation of symbols

Throughout this user manual the following symbols are used:

 Important information or useful tips.

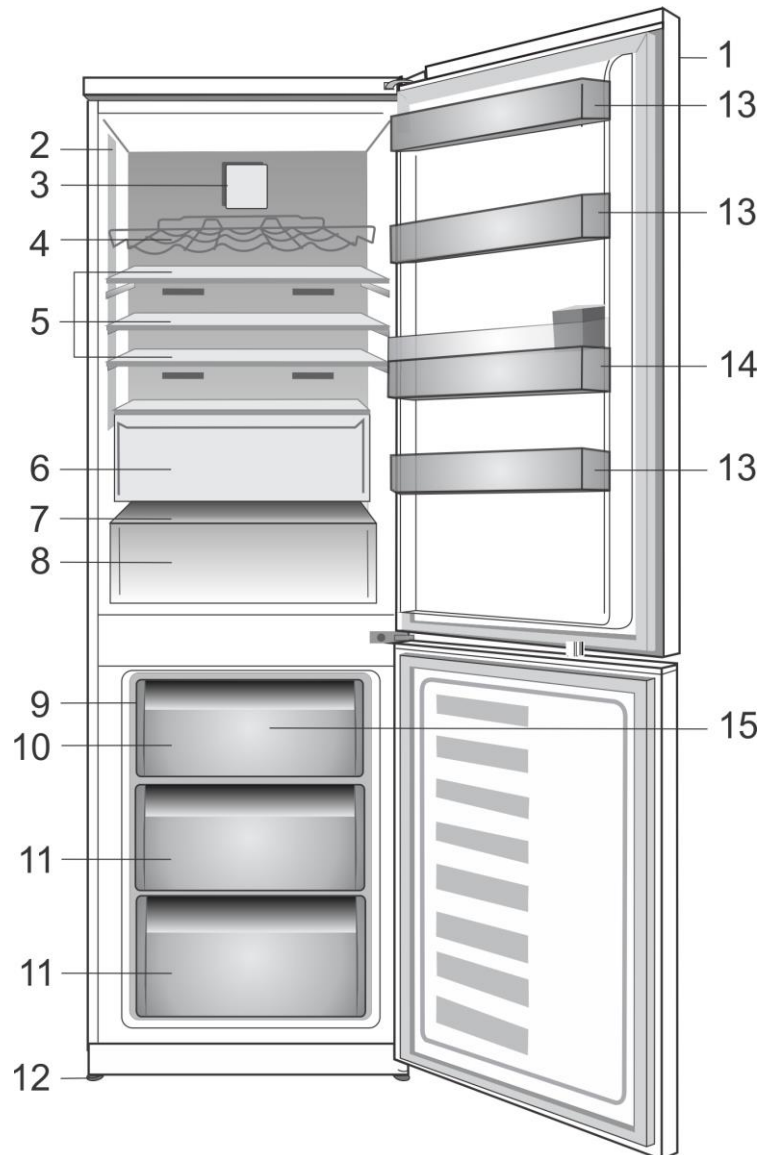
 Warning against dangerous conditions for life and property.

 Warning against electric voltage.

CONTENTS

<u>1 Your refrigerator</u>	<u>3</u>	<u>4 Preparation</u>	<u>11</u>
<u>2 Important Safety Warnings</u>	<u>4</u>	<u>5 Using your refrigerator</u>	<u>12</u>
Intended use.....	4	Indicator Panel.....	12
General safety.....	4	Using the water dispenser:.....	15
For products with a water dispenser.....	6	Moisture controlled vegetable bin.....	17
Child safety.....	6	Compartment for keeping perishable food	17
Compliance with the WEEE Regulation and Disposing of the Waste Product.....	6	Freezing fresh food.....	19
Package information.....	7	Recommendations for preservation of frozen food.....	19
HCA warning.....	7	Defrosting.....	19
Things to be done for energy saving.....	7	Placing the food.....	19
<u>3 Installation</u>	<u>8</u>	Deep-freeze information.....	20
Points to be paid attention to when the relocation of the refrigerator.....	8	Recommendations for the fresh food compartment.....	20
Before you start the refrigerator,.....	8	<u>6 Maintenance and cleaning</u>	<u>21</u>
Electrical connection.....	9	Protection of plastic surfaces	21
Disposing of the packaging.....	9	<u>7 Troubleshooting</u>	<u>22</u>
Disposing of your old refrigerator.....	9		
Placing and Installation.....	9		
Changing the illumination lamp	10		
Changing the door opening direction... ..	10		
Adjusting the legs.....	10		

1 Your refrigerator



- | | |
|-----------------------------------|---|
| 1. Control panel | 10. Compartment for quickly freezing |
| 2. Interior light | 11. Compartments for frozen foods keeping |
| 3. Fresh Food fan | 12. Adjustable front feet |
| 4. Wine bottles support | 13. Shelf for jars |
| 5. Adjustable Cabinet shelves | 14. Water dispenser reservoir |
| 6. Zero degree compartment | 15. Freezer fan |
| 7. Controlled vegetable bin cover | |
| 8. Controlled vegetable bin | |
| 9. Ice tray support & ice tray | |

i Figures that take place in this instruction manual are schematic and may not correspond exactly with your product. If the subject parts are not included in the product you have purchased, then it is valid for other models.

2 Important Safety Warnings

Please review the following information. Failure to observe this information may cause injuries or material damage.

Otherwise, all warranty and reliability commitments will become invalid.

Original Spare parts will be provided for 10 years, following the product purchasing date.

Intended use

This product is intended to be used

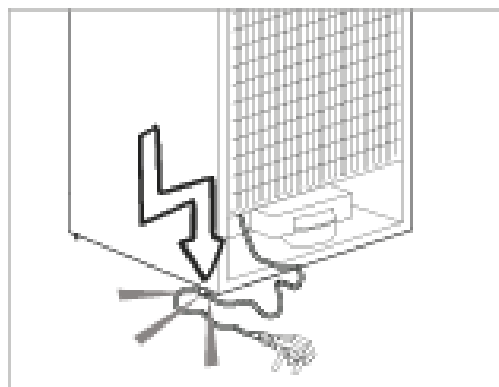
- indoors and in closed areas such as homes;
- in closed working environments such as stores and offices;
- in closed accommodation areas such as farm houses, hotels, pensions.
- It should not be used outdoors.

General safety

- When you want to dispose/scrap the product, we recommend you to consult the authorized service in order to learn the required information and authorized bodies.
- Consult your authorized service for all your questions and problems related to the refrigerator. Do not intervene or let someone intervene to the refrigerator without notifying the authorised services.
- For products with a freezer compartment; Do not eat cone ice cream and ice cubes immediately after you take them out of the freezer compartment! (This may cause frostbite in your mouth.)
- For products with a freezer compartment; Do not put bottled and canned liquid beverages in the freezer compartment. Otherwise, these may burst.
- Do not touch frozen food by hand; they may stick to your hand.
- Unplug your refrigerator before cleaning or defrosting.
- Vapor and vaporized cleaning materials should never be used in cleaning and defrosting processes of your refrigerator. In such cases, the vapor may get in contact with the electrical parts and cause short circuit or electric shock.
- Never use the parts on your refrigerator such as the door as a means of support or step.
- Do not use electrical devices inside the refrigerator.
- Do not damage the parts, where the refrigerant is circulating, with drilling or cutting tools. The refrigerant that might blow out when the gas channels of the evaporator, pipe extensions or surface coatings are punctured causes skin irritations and eye injuries.
- Do not cover or block the ventilation holes on your refrigerator with any material.
- Electrical devices must be repaired by only authorised persons. Repairs performed by incompetent persons create a risk for the user.

- In case of any failure or during a maintenance or repair work, disconnect your refrigerator's mains supply by either turning off the relevant fuse or unplugging your appliance.
- Do not pull by the cable when pulling off the plug.
- Place the beverage with higher proofs tightly closed and vertically.
- Never store spray cans containing flammable and explosive substances in the refrigerator.
- Do not use mechanical devices or other means to accelerate the defrosting process, other than those recommended by the manufacturer.
- This product is not intended to be used by persons with physical, sensory or mental disorders or unlearned or inexperienced people (including children) unless they are attended by a person who will be responsible for their safety or who will instruct them accordingly for use of the product.
- Do not operate a damaged refrigerator. Consult with the service agent if you have any concerns.
- Electrical safety of your refrigerator shall be guaranteed only if the earth system in your house complies with standards.
- Exposing the product to rain, snow, sun and wind is dangerous with respect to electrical safety.
- Contact authorized service when there is a power cable damage to avoid danger.
- Never plug the refrigerator into the wall outlet during installation. Otherwise, risk of death or serious injury may arise.

- This refrigerator is intended for only storing food items. It must not be used for any other purpose.
- Label of technical specifications is located on the left wall inside the refrigerator.
- Never connect your refrigerator to electricity-saving systems; they may damage the refrigerator.
- If there is a blue light on the refrigerator, do not look at the blue light with optical tools.
- For manually controlled refrigerators, wait for at least 5 minutes to start the refrigerator after power failure.
- This operation manual should be handed in to the new owner of the product when it is given to others.
- Avoid causing damage on power cable when transporting the refrigerator. Bending cable may cause fire. Never place heavy objects on power cable.
- Do not touch the plug with wet hands when plugging the product.



- Do not plug the refrigerator if the wall outlet is loose.
- Water should not be sprayed on inner or outer parts of the product for safety purposes.

- Do not spray substances containing inflammable gases such as propane gas near the refrigerator to avoid fire and explosion risk.
- Never place containers filled with water on top of the refrigerator; in the event of spillages, this may cause electric shock or fire.
- Do not overload the refrigerator with food. If overloaded, the food items may fall down and hurt you and damage refrigerator when you open the door.
- Never place objects on top of the refrigerator; otherwise, these objects may fall down when you open or close the refrigerator's door.
- As they require a precise temperature, vaccines, heat-sensitive medicine and scientific materials and etc. should not be kept in the refrigerator.
- If not to be used for a long time, refrigerator should be unplugged. A possible problem in power cable may cause fire.
- The plug's tip should be cleaned regularly with a dry cloth; otherwise, it may cause fire.
- Refrigerator may move if adjustable legs are not properly secured on the floor. Properly securing adjustable legs on the floor can prevent the refrigerator to move.
- When carrying the refrigerator, do not hold it from door handle. Otherwise, it may be snapped.
- When you have to place your product next to another refrigerator or freezer, the distance between devices should be at least 8cm. Otherwise, adjacent side walls may be humidified.

For products with a water dispenser;

Pressure of water mains should be minimum 1 bar. Pressure of water mains should be maximum 8 bars.


- Use only potable water.

Child safety

- If the door has a lock, the key should be kept away from reach of children.
- Children must be supervised to prevent them from tampering with the product.

Compliance with the WEEE Regulation and Disposing of the Waste Product



The symbol  on the product or on packaging indicates that this product may not be treated as household waste. Instead it shall be handed over to the applicable collection point for the recycling of electrical and electronic equipment. By ensuring this product is disposed of correctly, you will help prevent potential negative consequences for the environment and human health, which could otherwise be caused by inappropriate waste handling of this product. For more detailed information about recycling of this product, please contact your local city office, your household waste disposal service or the shop where you purchased the product.

Package information

Packaging materials of the product are manufactured from recyclable materials in accordance with our National Environment Regulations. Do not dispose of the packaging materials together with the domestic or other wastes. Take them to the packaging material collection points designated by the local authorities.

Do not forget...

Any recycled substance is an indispensable matter for nature and our national asset wealth.

If you want to contribute to the reevaluation of the packaging materials, you can consult to your environmentalist organizations or the municipalities where you are located.

HCA warning

If your product's cooling system contains R600a:

This gas is flammable. Therefore, pay attention to not damaging the cooling system and piping during usage and transportation. In the event of damage, keep your product away from potential fire sources that can cause the product catch a fire and ventilate the room in which the unit is placed.

Type of gas used in the product is stated in the type label which is on the left wall inside the refrigerator.

Never throw the product in fire for disposal.

Things to be done for energy Saving

- Do not leave the doors of your refrigerator open for a long time.
- Do not put hot food or drinks in your refrigerator.
- Do not overload your refrigerator so that the air circulation inside of it is not prevented.
- Do not install your refrigerator under direct sunlight or near heat emitting appliances such as ovens, dishwashers or radiators. Keep your refrigerator at least 30cm away from heat emitting sources and at least 5cm from electrical ovens.
- Pay attention to keep your food in closed containers.
- For products with a freezer compartment; You can store maximum amount of food items in the freezer when you remove the shelf or drawer of the freezer. Energy consumption value stated for your refrigerator has been determined by removing freezer shelf or drawer and under maximum load. There is no harm to use a shelf or drawer according to the shapes and size of food to be frozen.
- Thawing frozen food in fridge compartment will both provide energy saving and preserve the food quality.

3 Installation

⚠ In case the information which are given in the user manual are not taken into account, manufacturer will not assume any liability for this.

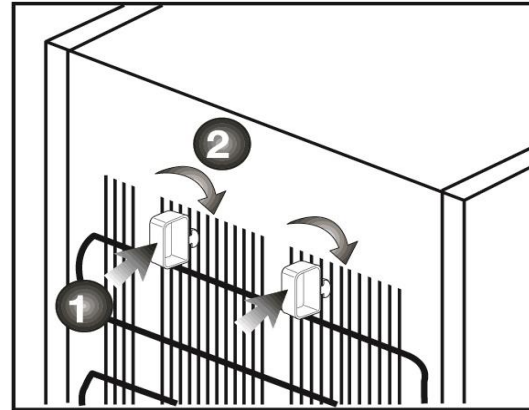
Points to be paid attention to when the relocation of the refrigerator

1. Your refrigerator should be unplugged. Before transportation of your refrigerator, it should be emptied and cleaned.
2. Before it is re-packaged, shelves, accessories, crisper, etc. inside your refrigerator should be fixed with adhesive tape and secured against impacts. Package should be bound with a thick tape or sound ropes and the transportation rules on the package should be strictly observed.
3. Original packaging and foam materials should be kept for future transportations or moving.

Before you start the refrigerator,

Check the following before you start to use your refrigerator:

1. Attach 2 plastic wedges as illustrated below. Plastic wedges are intended to keep the distance which will ensure the air circulation between your refrigerator and the wall. (The picture is drawn up as a representation and it is not identical with your product.)




2. Clean the interior of the refrigerator as recommended in the “Maintenance and cleaning” section.
3. Connect the plug of the refrigerator to the wall socket. When the fridge door is opened, fridge internal lamp will turn on.
4. When the compressor starts to operate, a sound will be heard. The liquid and gases sealed within the refrigeration system may also give rise to noise, even if the compressor is not running and this is quite normal.
5. Front edges of the refrigerator may feel warm. This is normal. These areas are designed to be warm to avoid condensation.


Electrical connection

Connect your product to a grounded socket which is being protected by a fuse with the appropriate capacity. Important:

The connection must be in compliance with national regulations.

- The power plug must be easily accessible after installation.
- Electrical safety of your refrigerator shall be guaranteed only if the earth system in your house complies with standards.
- The voltage stated on the label located at left inner side of your product should be equal to your network voltage.
- **Extension cables and multi plugs must not be used for connection.**

 A damaged power cable must be replaced by a qualified electrician.

 Product must not be operated before it is repaired! There is the risk of electric shock!

Disposing of the packaging

The packing materials may be dangerous for children. Keep the packing materials out of the reach of children or dispose of them by classifying them in accordance with the waste instructions stated by your local authorities. Do not throw away with regular house waste, throw away on packaging pick up spots designated by the local authorities.

The packing of your refrigerator is produced from recyclable materials.


Disposing of your old Refrigerator

Dispose of your old refrigerator without giving any harm to the environment.

- You may consult your authorized dealer or waste collection center of your municipality about the disposal of your refrigerator.

Before disposing of your refrigerator, cut out the electric plug and, if there are any locks on the door, make them inoperable in order to protect children against any danger.

Placing and Installation

 If the entrance door of the room where the refrigerator will be installed is not wide enough for the refrigerator to pass through, then call the authorized service to have them remove the doors of your refrigerator and pass it sideways through the door.

1. Install your refrigerator to a place that allows ease of use.
2. Keep your refrigerator away from heat sources, humid places and direct sunlight.
3. There must be appropriate air ventilation around your refrigerator in order to achieve an efficient operation. If the refrigerator is to be placed in a recess in the wall, there must be at least 5 cm distance with the ceiling and at least 5 cm with the wall. Do not place your product on the materials such as rug or carpet.
4. Place your refrigerator on an even floor surface to prevent jolts.

Changing the illumination Lamp

To change the Bulb/LED used for illumination of your refrigerator, call your Authorized Service.

The lamp(s) used in this appliance is not suitable for household room illumination. The intended purpose of this lamp is to assist the user to place foodstuffs in the refrigerator/freezer in a safe and comfortable way.

The lamps used in this appliance have to withstand extreme physical conditions such as temperatures below -20°C .

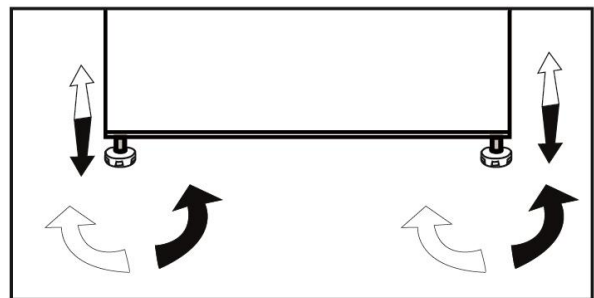
Changing the door opening Direction

Door opening direction of your refrigerator can be changed according to the place you are using it. If this is necessary, please call your nearest Authorized Service.

Adjusting the legs

If your refrigerator is unbalanced;

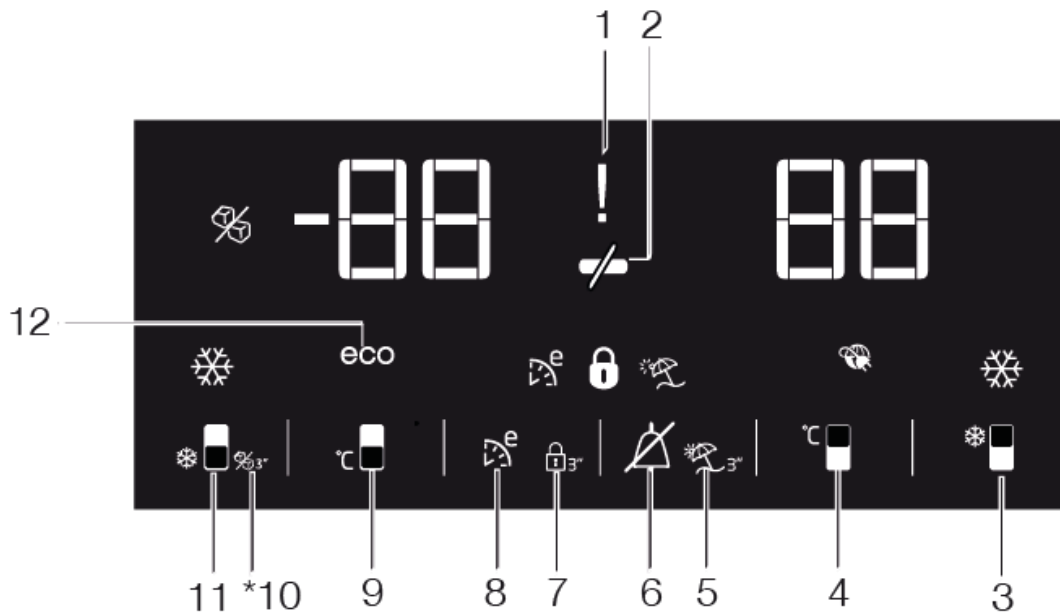
You can balance your refrigerator by turning its front legs as illustrated in the figure. The corner where the leg exists is lowered when you turn in the direction of black arrow and raised when you turn in the opposite direction. Taking help from someone to slightly lift the refrigerator will facilitate this process.



4 Preparation

- Your refrigerator should be installed at least 30 cm away from heat sources such as hobs, ovens, central heater and stoves and at least 5 cm away from electrical ovens and should not be located under direct sunlight.
- The ambient temperature of the room where you install your refrigerator should at least be 10°C. Operating your refrigerator under cooler conditions is not recommended with regard to its efficiency.
- Please make sure that the interior of your refrigerator is cleaned thoroughly.
- If two refrigerators are to be installed side by side, there should be at least 2 cm distance between them.
- When you operate your refrigerator for the first time, please observe the following instructions during the initial six hours.
- The door should not be opened frequently.
- It must be operated empty without any food in it.
- Do not unplug your refrigerator. If a power failure occurs out of your control, please see the warnings in the “Recommended solutions for the problems” section.
- Original packaging and foam materials should be kept for future transportations or moving.

5 Using your refrigerator



Indicator Panel

Indicator panel allows you to set the temperature and control the other functions related to the product without opening the door of the product. Just press the inscriptions on relevant buttons for function settings.

1. Power failure/High temperature / error warning indicator

This indicator (!) illuminates during power failure, high temperature failures and error warnings.

During sustained power failures, the highest temperature that the freezer compartment reaches will flash on the digital display. After checking the food located in the freezer compartment (🚫) press the alarm off button to clear the warning.

Please refer to "remedies advised for troubleshooting" section on your manual if you observe that this indicator is illuminated.

2. Energy saving function (display off):


If the product doors are kept closed for a long time energy saving function is automatically activated after 1 minute and energy saving symbol is illuminated. (🚫)


When energy saving function is activated, all symbols on the display other than energy saving symbol will turn off. When the Energy Saving function is activated, if any button is pressed or the door is opened, energy saving function will be canceled and the symbols on display will return to normal.


Energy saving function is activated during delivery from factory and cannot be canceled.


i *Optional: The figures in this user guide are intended as drafts and may not perfectly match your product. If your product does not comprise the relevant parts, the information pertains to other models.

3. Quick fridge function

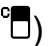
Press this button to activate or deactivate the quick cool function ()

 Use quick cooling function when you want to quickly cool the food placed in the fridge compartment. If you want to cool large amounts of fresh food, activate this function before putting the food into the product.



 If you do not cancel it, quick cooling will cancel itself automatically after 8 hours or when the fridge compartment reaches to the required temperature.

 This function is not recalled when power restores after a power failure.

4. Fridge compartment temperature setting button

Press this button to set the temperature of the fridge compartment to 8, 7, 6, 5, 4, 3, 2, 1, 8... respectively. Press this button to set the fridge compartment temperature to the desired value. ()


5. Vacation Function

In order to activate vacation function, press the this button () for 3 seconds, and the vacation mode indicator () will be activated.


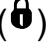
When the vacation function is activated, “- -” is displayed on the fridge compartment temperature indicator and no active cooling is performed on the fridge compartment. It is not suitable to keep the food in the fridge compartment when this function is activated. Other compartments shall be continued to be cooled as per their set temperature.


To cancel this function press **Vacation function** button again.

6. Alarm off warning:


In case of power failure/high temperature alarm, after checking the food located in the freezer compartment press the alarm off button () to clear the warning.

7. Key lock

Press key lock button ( 3”) simultaneously for 3 seconds. Key lock symbol () will light up and key lock mode will be activated. Buttons will not function if the Key lock mode is active. Press key lock button simultaneously for 3 seconds again. Key lock symbol will turn off and the key lock mode will be exited.


Press the **key lock** button if you want to prevent changing of the temperature setting of the refrigerator ( 3”).

8. Eco fuzzy

Press and hold eco fuzzy button one times to activate eco fuzzy function. Refrigerator will start operating in the most economic mode at least 6 hours later and the economic usage indicator will turn on when the function is active (). Press and hold eco fuzzy function button for 3 seconds to deactivate eco fuzzy function.

This indicator is illuminated after 6 hours when eco fuzzy is activated.

9. Freezer compartment temperature setting button

Press this button to set the temperature of the freezer compartment to -18, -19, -20, -21, -22, -23, -24, -18... respectively. Press this button to set the freezer compartment temperature to the desired value. ()

10. Icematic off indicator

Indicates whether the icematic is on or off. (0/3) If On, then the icematic is not operating. To operate the icematic again press and hold the On-Off button for 3 seconds.

i Water flow from water tank will stop when this function is selected. However, ice made previously can be taken from the icematic.

11. Icematic off indicator (only on products with icematic machine)

Press this button to activate or deactivate the quick freezing function. When you activate the function, the freezer compartment will be cooled to a temperature lower than the set value.

()

i To turn on and off the icematic press and hold it for 3 seconds (only on products with icematic machine). Use the quick freeze function when you want to quickly freeze the food placed in fridge compartment. If you want to freeze large amounts of fresh food, activate this function before putting the food into the product.

i If you do not cancel it, Quick Freeze will cancel itself automatically after 25 hours or when the fridge compartment reaches to the required temperature.

i This function is not recalled when power restores after a power failure.

12. Economic usage indicator

Indicates that the product is running in energy-efficient mode. (**eco**) This indicator will be active if the Freezer Compartment temperature is set to -18 or the energy efficient cooling is being performed due to Eco-Extra function.

i Economic usage indicator is turned off when quick cooling or quick freeze functions are selected.

Dual cooling system:

Your refrigerator is equipped with two separate cooling systems to cool the fresh food compartment and freezer compartment. Thus, air in the fresh food compartment and freezer compartment do not get mixed.

Thanks to these two separate cooling systems, cooling speed is much higher than other refrigerators. Odors in the compartments do not get mixed. Also additional power saving is provided since the defrosting is performed individually.

Using the water dispenser

*optional

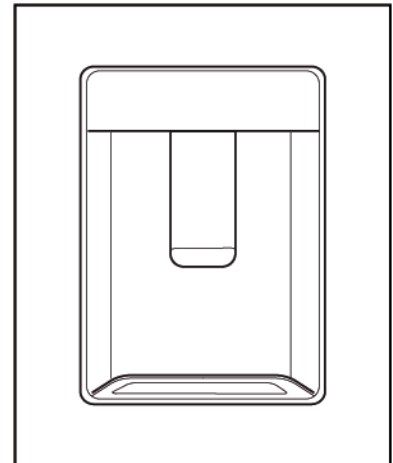
i It is normal for the first few glasses of water taken from the dispenser to be warm.

i If the water dispenser is not used for a long period of time, dispose of first few glasses of water to obtain fresh water.

1. Push in the lever of the water dispenser with your glass. If you are using a soft plastic cup, pushing the lever with your hand will be easier.
2. After filling the cup up to the level you want, release the lever.

i Please note, how much water flows from the dispenser depends on how far you depress the lever. As the level of water in your cup / glass rises, gently reduce the amount of pressure on the lever to avoid overflow.

If you slightly press the arm, the water will drip; this is quite normal and not a failure.



Filling the water dispenser's tank

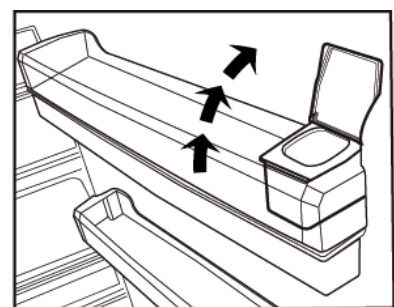
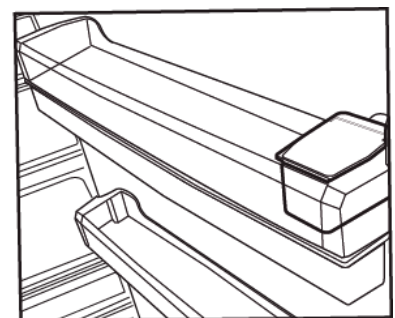
Water tank filling reservoir is located inside the door rack.

1. Open the cover of the tank.
2. Fill the tank with fresh drinking water.
3. Close the cover.

i Do not fill the water tank with any other liquid except for water such as fruit juices, carbonated beverages or alcoholic drinks which are not suitable to use in the water dispenser. Water dispenser will be irreparably damaged if these kinds of liquids are used. Warranty does not cover such usages.

Some chemical substances and additives contained in these kinds of drinks/liquids may damage the water tank.

i Use clean drinking water only.

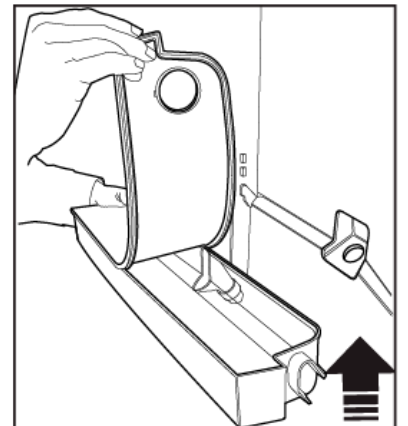
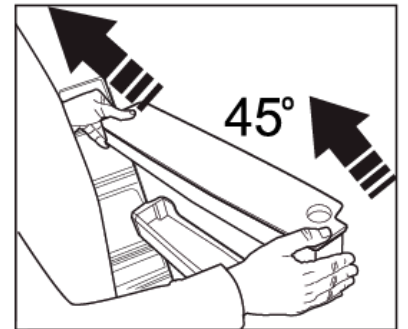
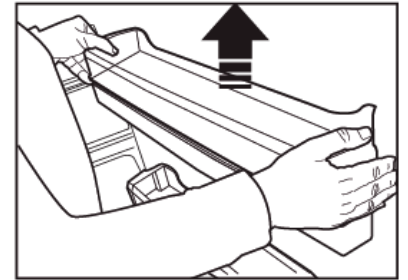
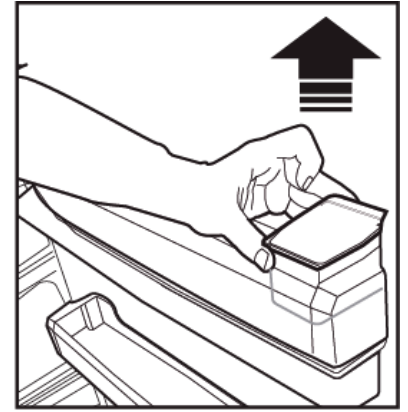


i Capacity of the water tank is 3 liters; do not overfill.

Cleaning the water tank

1. Remove the water filling reservoir inside the door rack.
2. Remove the door rack by holding from both sides.
3. Grab the water tank from both sides and remove it with an angle of 45°C.
4. Remove the cover of the water tank and clean the tank.

i Components of the water tank and water dispenser should not be washed in dishwasher.

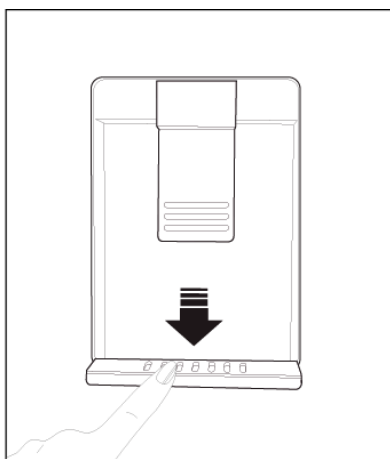


Drip tray

Water that dripped while using the water dispenser accumulates in the spillage tray.

Remove the plastic filter as shown in the figure.

With a clean and dry cloth, remove the water that has accumulated.



Moisture controlled vegetable bin

*optional

With moisture control feature, moisture rates of vegetables and fruits are kept under control and ensures a longer freshness period for foods.

It is recommended to store leafed vegetables such as lettuce and spinach and similar vegetables prone to moisture loss not on their roots but in horizontal position into the vegetable bin as much as possible.

When placing the vegetables, place heavy and hard vegetables at the bottom and light and soft ones on the top, taking into account the specific weights of vegetables.

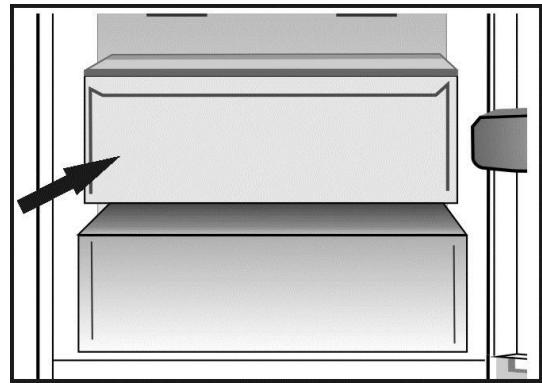
Do not leave vegetables in the vegetable bin in plastic bags. Leaving them in plastic bags causes vegetables to rot in a short time. In situations where contact with other vegetables is not preferred, use packaging materials such as paper that has a certain porosity in terms of hygiene.

Do not put fruits that have a high ethylene gas production such as pear, apricot, peach and particularly apple in the same vegetable bin with other vegetables and fruits. The ethylene gas coming out of these fruits might cause other vegetables and fruits to mature faster and rot in a shorter period of time.

Compartment for keeping perishable food (low temperature -2°C - $+3^{\circ}\text{C}$).

This compartment was designed to store frozen food, which can be defrosted slowly (meat, fish, chicken, etc) as needed. Low temperature compartment is the coldest place in refrigerator where dairy products (cheese, butter), meat, fish or chicken can be kept in ideal conditions storage.

Vegetables and/or fruits should not be placed in this compartment.



Freezing fresh food

- Wrap or cover the food before placing them in the refrigerator.
- Hot food must cool down to the room temperature before putting them in the refrigerator.
- The foodstuff that you want to freeze must be fresh and in good quality.
- Foodstuff must be divided into portions according to the family's daily or meal based consumption needs.
- Foodstuff must be packaged in an airtight manner to prevent them from drying even if they are going to be kept for a short time.
- Materials to be used for packagings must be resistant to cold and humidity and they must be airtight. The packaging material of the food must be at a sufficient thickness and durability. Otherwise the food hardened due to freezing may puncture the packaging. It is important for the packaging to be closed securely for safe storage of the food.
- Frozen food must be used immediately after they are thawed and they should never be re-frozen.
- Placing warm food into the freezer compartment causes the cooling system to operate continuously until the food is frozen solid.

- Please observe the following instructions to obtain the best results.
 1. Do not freeze too large quantities of food at one time. The quality of the food is best preserved when it is frozen right through to the core as quickly as possible.
 2. Take special care not to mix already frozen food and fresh food.
 3. Make sure raw foods are not in contact with cooked foods in the fridge.
 4. Maximum frozen food storage volume is achieved without using the drawers provided in the freezer compartment. Energy consumption of your appliance is declared while the freezer compartment is fully loaded on shelves without the use of the drawers.
 5. It is recommended that you place foodstuffs on top shelf of freezer for initial freezing.

Freezer Compartment Setting	Fridge Compartment Setting	Explanations
-18°C	4°C	This is the normal recommended setting.
-20, -22 or -24°C	4°C	These settings are recommended when the ambient temperature exceeds 30°C.
Quick Freeze	4°C	Use when you wish to freeze your food in a short time. It is recommended to be used to maintain the quality of meat and fish products.
-18°C or colder	2°C	If you think that your fridge compartment is not cold enough because of the hot conditions or frequent opening and closing of the door.
-18°C or colder	Quick Fridge	You can use it when your fridge compartment is overloaded or if you wish to cool down your food rapidly. It is recommended that you activate quick fridge function 4-8 hours before placing the food.

Recommendations for preservation of frozen food

- Pre-packed commercially frozen food should be stored in accordance with the frozen food manufacturer's instructions in a frozen food storage compartment.
- To ensure that the high quality supplied by the frozen food manufacturer and the food retailer is maintained, following points should be noted:
 1. Put packages in the freezer as quickly as possible after purchase.
 2. Ensure that contents of the package are labeled and dated.
 3. Do not exceed "Use By", "Best Before" dates on the packaging.

Defrosting

The freezer compartment defrosts automatically.

Placing the food

Freezer compartment shelves	Various frozen food such as meat, fish, ice cream, vegetables and etc.
Egg holder	Egg
Fridge compartment shelves	Food in pans, covered plates and closed containers
Fridge compartment door shelves	Small and packaged food or drinks (such as milk, fruit juice and beer)
Crisper	Vegetables and fruits
Fresh zone compartment	Delicatessen products (cheese, butter, salami and etc.)

Deep-freeze information

Food must be frozen as rapidly as possible when they are put in the freezer in order to keep them in good quality.

The TSE norm requires (according to certain measurement conditions) the refrigerator to freeze at least 4.5 kg of foodstuff at 32°C ambient temperature to -18°C or lower within 24 hours for every 100-liters of freezer volume.

It is possible to preserve the food for a long time only at -18°C or lower temperatures.

You can keep the freshness of food for many months (at -18°C or lower temperatures in the deep freeze).

WARNING! ⚠

- Foodstuff must be divided into portions according to the family's daily or meal based consumption needs.
- Foodstuff must be packaged in an airtight manner to prevent them from drying even if they are going to be kept for a short time.

Materials necessary for packaging:

- Cold resistant adhesive tape
- Self-adhesive label
- Rubber rings
- Pen

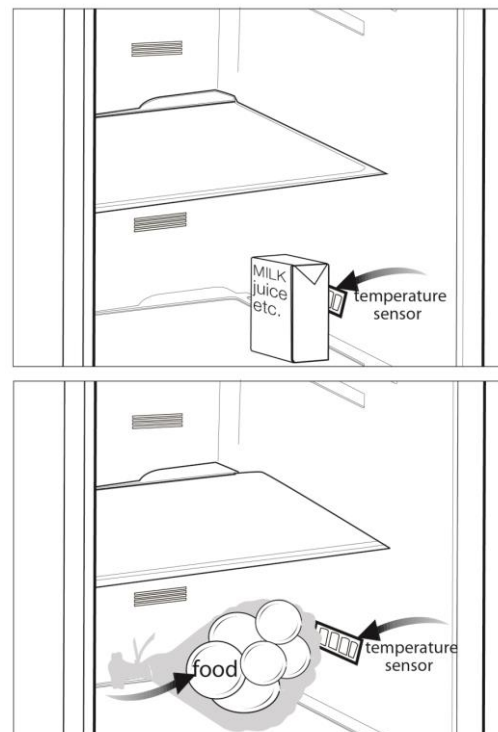
Materials to be used for packaging the foodstuff must be tear-proof and resistant to cold, humidity, dour, oils and acids.

Foodstuff to be frozen should not be allowed to come in contact with the previously frozen items to prevent their partial thawing. Thawed out food must be consumed and must not be frozen again.

Recommendations for the fresh food compartment

*optional

- Do not allow the food to touch the temperature sensor in fresh food compartment. To allow the fresh food compartment keep its ideal storage temperature, sensor must not be hindered by food.
- Do not place hot foods in the product.



6 Maintenance and cleaning

- ⚠ Never use gasoline, benzene or similar substances for cleaning purposes.
- ⚠ We recommend that you unplug the appliance before cleaning.
- ⚠ Never use any sharp abrasive instrument, soap, household cleaner, detergent and wax polish for cleaning.
- ℹ Use lukewarm water to clean the cabinet of your refrigerator and wipe it dry.
- ℹ Use a damp cloth wrung out in a solution of one teaspoon of bicarbonate of soda to one pint of water to clean the interior and wipe it dry.
- ⚠ Make sure that no water enters the lamp housing and other electrical items.
- ⚠ If your refrigerator is not going to be used for a long period of time, unplug the power cable, remove all food, clean it and leave the door ajar.
- ℹ Check door seals regularly to ensure they are clean and free from food particles.
- ⚠ To remove door racks, remove all the contents and then simply push the door rack upwards from the base.

- ⚠ Never use cleaning agents or water that contain chlorine to clean the outer surfaces and chromium coated parts of the product. Chlorine causes corrosion on such metal surfaces.

Protection of plastic surfaces

- ℹ Do not put the liquid oils or oil-cooked meals in your refrigerator in unsealed containers as they damage the plastic surfaces of your refrigerator. In case of spilling or smearing oil on the plastic surfaces, clean and rinse the relevant part of the surface at once with warm water.

7 Troubleshooting

Please review this list before calling the service. It will save your time and money. This list includes frequent complaints that are not arising from defective workmanship or material usage. Some of the features described here may not exist in your product.

The refrigerator does not operate.

- The plug is not inserted into the socket correctly. >>>Insert the plug into the socket securely.
- The fuse of the socket which your refrigerator is connected to or the main fuse have blown out. >>>Check the fuse.

Condensation on the side wall of the fridge compartment (MULTIZONE, COOL CONTROL and FLEXI ZONE).

- Ambient is very cold. >>>Do not install the refrigerator in places where the temperature falls below 10 °C.
- Door has been opened frequently. >>>Do not open and close the door of refrigerator frequently.
- Ambient is very humid. >>>Do not install your refrigerator into highly humid places.
- Food containing liquid is stored in open containers. >>>Do not store food with liquid content in open containers.
- Door of the refrigerator is left ajar. >>>Close the door of the refrigerator.
- Thermostat is set to a very cold level. >>>Set the thermostat to a suitable level.

Compressor is not running

- Protective thermic of the compressor will blow out during sudden power failures or plug-out plug-ins as the refrigerant pressure in the cooling system of the refrigerator has not been balanced yet. The refrigerator will start running approximately after 6 minutes. Please call the service if the refrigerator does not startup at the end of this period.
- The fridge is in defrost cycle. >>>This is normal for a full-automatically defrosting refrigerator. Defrosting cycle occurs periodically.
- The refrigerator is not plugged into the socket. >>>Make sure that the plug is fit into the socket.
- Temperature settings are not made correctly. >>>Select the suitable temperature value.
- There is a power outage. >>>Refrigerator returns to normal operation when the power restores.

The operation noise increases when the refrigerator is running.

- The operating performance of the refrigerator may change due to the changes in the ambient temperature. It is normal and not a fault.

The refrigerator is running frequently or for a long time.

- New product may be wider than the previous one. Larger refrigerators operate for a longer period of time.
- The room temperature may be high. >>>It is normal that the product operates for longer periods in hot ambient.
- The refrigerator might be plugged in recently or might be loaded with food. >>>When the refrigerator is plugged in or loaded with food recently, it will take longer for it to attain the set temperature. This is normal.
- Large amounts of hot food might be put in the refrigerator recently. >>>Do not put hot food into the refrigerator.
- Doors might be opened frequently or left ajar for a long time. >>>The warm air that has entered into the refrigerator causes the refrigerator to run for longer periods. Do not open the doors frequently.
- Freezer or fridge compartment door might be left ajar. >>>Check if the doors are closed completely.
- The refrigerator is adjusted to a very low temperature. >>>Adjust the refrigerator temperature to a warmer degree and wait until the temperature is achieved.
- Door seal of the fridge or freezer may be soiled, worn out, broken or not properly seated. >>>Clean or replace the seal. Damaged/broken seal causes the refrigerator to run for a longer period of time in order to maintain the current temperature.

Freezer temperature is very low while the fridge temperature is sufficient.

- The freezer temperature is adjusted to a very low value. >>>Adjust the freezer temperature to a warmer degree and check.

Fridge temperature is very low while the freezer temperature is sufficient.

- The fridge temperature is adjusted to a very low value. >>>Adjust the fridge temperature to a warmer degree and check.

Food kept in the fridge compartment drawers is frozen.

- The fridge temperature is adjusted to a very high value. >>>Adjust the fridge temperature to a lower value and check.

Temperature in the fridge or freezer is very high.

- The fridge temperature is adjusted to a very high value. >>>Fridge compartment temperature setting has an effect on the temperature of the freezer. Change the temperatures of the fridge or freezer and wait until the relevant compartments attain a sufficient temperature.
- Doors are opened frequently or left ajar for a long time. >>>Do not open the doors frequently.
- Door is ajar. >>>Close the door completely.
- The refrigerator is plugged in or loaded with food recently. >>>This is normal. When the refrigerator is plugged in or loaded with food recently, it will take longer for it to attain the set temperature.
- Large amounts of hot food might be put in the refrigerator recently. >>>Do not put hot food into the refrigerator.

Vibrations or noise.
<ul style="list-style-type: none"> • The floor is not level or stable. >>> If the refrigerator rocks when moved slowly, balance it by adjusting its feet. Also make sure that the floor is strong enough to carry the refrigerator, and level. • The items put onto the refrigerator may cause noise. >>>Remove the items on top of the refrigerator.
There are noises coming from the refrigerator like liquid flowing, spraying, etc.
<ul style="list-style-type: none"> • Liquid and gas flows occur in accordance with the operating principles of your refrigerator. It is normal and not a fault.
Whistle comes from the refrigerator.
<ul style="list-style-type: none"> • Fans are used in order to cool the refrigerator. It is normal and not a fault.
Condensation on the inner walls of refrigerator.
<ul style="list-style-type: none"> • Hot and humid weather increases icing and condensation. It is normal and not a fault. • Doors are opened frequently or left ajar for a long time. >>>Do not open the doors frequently. Close them if they are open. • Door is ajar. >>>Close the door completely.
Humidity occurs on the outside of the refrigerator or between the doors.
<ul style="list-style-type: none"> • There might be humidity in the air; this is quite normal in humid weather. When the humidity is less, condensation will disappear.
Bad odour inside the refrigerator.
<ul style="list-style-type: none"> • No regular cleaning is performed. >>>Clean the inside of the refrigerator regularly with a sponge, lukewarm water or carbonate dissolved in water. • Some containers or package materials may cause the smell. >>>Use a different container or different brand packaging material. • Food is put into the refrigerator in uncovered containers. >>>Keep the food in closed containers. Microorganisms spreading out from uncovered containers can cause unpleasant odours. • Remove the foods that have expired best before dates and spoiled from the refrigerator.
The door is not closing.
<ul style="list-style-type: none"> • Food packages are preventing the door from closing. >>>Replace the packages that are obstructing the door. • The refrigerator is not completely even on the floor. >>>Adjust the feet to balance the refrigerator. • The floor is not level or strong. >>>Make sure that the floor is level and capable to carry the refrigerator.
Crispers are stuck.
<ul style="list-style-type: none"> • The food is touching the ceiling of the drawer. >>>Rearrange food in the drawer.

Prosimy najpierw przeczytać tę instrukcję obsługi!

Droży Klienci,

Mamy nadzieję, że nasz wyrób, wyprodukowany w nowoczesnym zakładzie i sprawdzony według najbardziej drobiazgowych procedur kontroli jakości, będzie Wam dobrze służył.

Dlatego prosimy uważnie przeczytać całą instrukcję obsługi chłodziarki przed jej użyciem i zachować ją do późniejszego wglądu. Przy przekazaniu tej chłodziarki komuś innemu, prosimy także przekazać tę instrukcję.

Niniejsza instrukcja obsługi pomoże korzystać z tej chłodziarki sprawnie i bezpiecznie.

- Proszę przeczytać tę instrukcję przed zainstalowaniem i uruchomieniem chłodziarki.
- Prosimy na pewno przeczytać wskazówki na temat bezpieczeństwa.
- Prosimy przechowywać tę instrukcję w łatwo dostępnym miejscu, bo może się przydać później.
- Prosimy przeczytać również inne dokumenty dostarczone wraz z chłodziarką.

Zwracamy uwagę, że instrukcja ta odnosi się także do kilku innych modeli. Różnice pomiędzy modelami zostaną wskazane w instrukcji.

Objaśnienie symboli

W niniejszej instrukcji obsługi używa się następujących symboli:

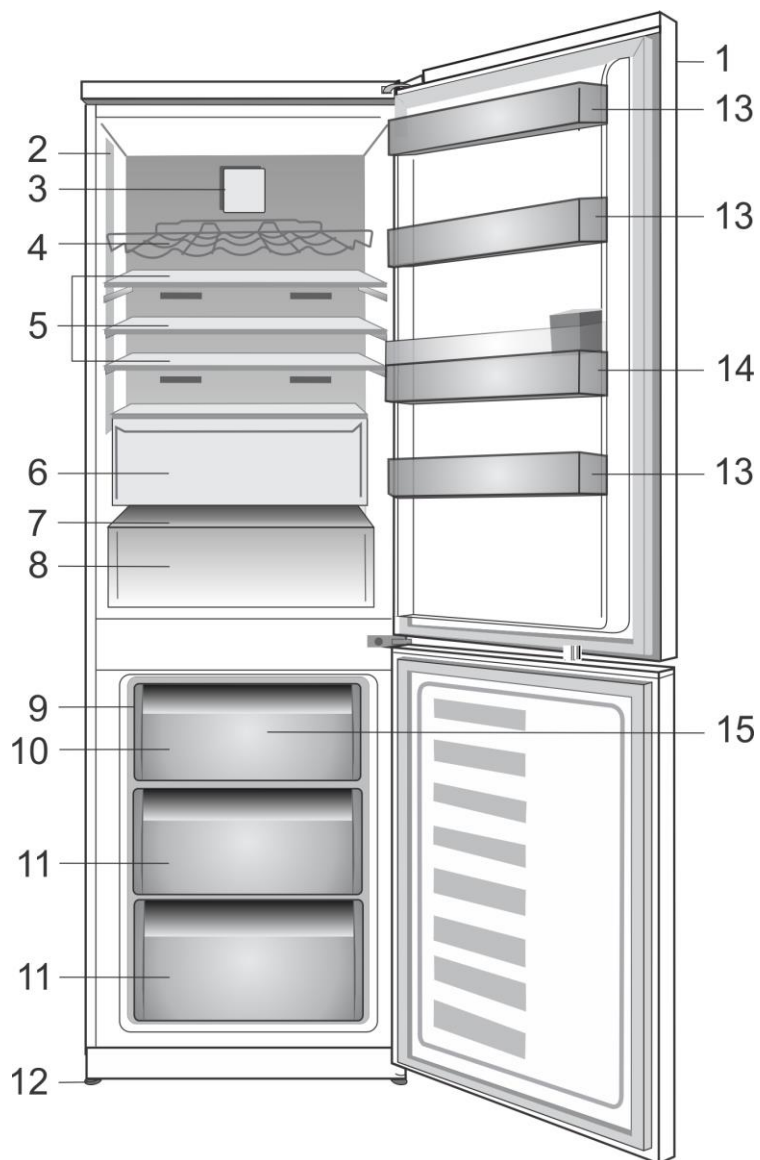
 Ważne informacje i przydatne wskazówki.

 Ostrzeżenie przed zagrożeniem życia i mienia.

 Ostrzeżenie przed porażeniem elektrycznym.

1 Oto Wasza chłodziarka	3	4 Przygotowanie	11
2 Ważne zasady bezpieczeństwa	4	5 Obsługa chłodziarki	12
Zamierzone przeznaczenie.....	4	Panel wskaźników.....	12
Ogólne zasady bezpieczeństwa.....	4	Korzystanie z dozownika wody.....	15
Dotyczy modeli z dozownikiem wody.....	6	Pojemnik na warzywa z kontrolą wilgotności	17
Bezpieczeństwo dzieci.....	6	Komora do przechowywania żywności łatwo psującej się	17
Zgodność z przepisami WEEE i utylizacja zużytej chłodziarki.....	6	Zamrażanie żywności świeżej	18
Informacje na opakowaniu.....	7	Zalecenia co do przechowywania mrożonek.....	19
Ostrzeżenie HCA.....	7	Rozmrażanie.....	19
Co robić, aby oszczędzać energię.....	7	Zalecenia co do komory na żywność świeżą.....	19
3 Instalacja	8	6 Konserwacja i czyszczenie	20
Na co należy zwrócić uwagę przy przenoszeniu chłodziarki.....	8	Jak unikać nieprzyjemnych zapachów.....	20
Przed uruchomieniem chłodziarki.....	8	Zabezpieczenia powierzchni plastikowych.....	20
Połączenia elektryczne.....	9	7 Rozwiązywanie problemów	21
Utylizacja opakowania.....	9	Gwarancja jakości	24
Utylizacja starej chłodziarki.....	9		
Ustawienie i instalacja.....	9		
Wymiana lampki oświetlenia.....	9		
Nastawianie nóżek.....	9		

1 Oto chłodziarka



- | | |
|---|--|
| 1. Panel wskaźników | 10. Komora szybkiego zamrażania |
| 2. Oświetlenie wewnętrzne | 11. Komory do przechowywania żywności mrożonej |
| 3. Wentylator komory chłodzenia | 12. Nastawiane nóżki przednie |
| 4. Podpěra na láchve wína | 13. Półka na stoiki |
| 5. Nastawialne półki komory chłodziarki | 14. Zbiornik dozownik wody |
| 6. Komora schładzania | 15. Wentylator komory zamrażania |
| 7. Pokrywa bin kontrolowany warzyw | |
| 8. Kontrolowane bin warzyw | |
| 9. Podpory tacki na lód i tacka na lód | |

i Rysunki w niniejszej instrukcji to tylko schematy i nie muszą ściśle odpowiadać Waszemu modelowi chłodziarki. Jeśli pewnych części nie ma w Waszej chłodziarce, to znaczy, że odnoszą się do innych modeli.

2 Ważne ostrzeżenia dot. bezpieczeństwa

Prosimy przeczytać następujące ostrzeżenia. Niestosowanie się do tej informacji może spowodować obrażenia lub szkody materialne.

W takim przypadku tracą ważność wszelkie gwarancje i zapewnienia niezawodności.

Oryginalne części zamienne będą dostępne przez 10 lat od daty zakupu produktu.

Zamierzone przeznaczenie

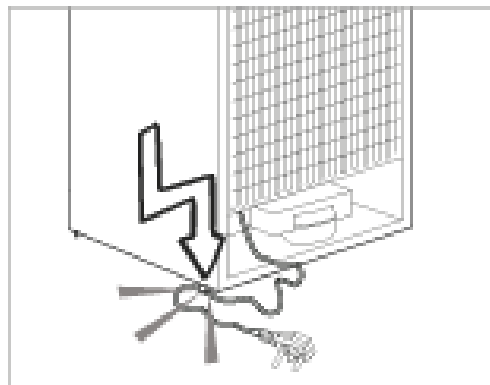
- Chłodziarka jest przeznaczona do używania we wnętrzach i obszarach zamkniętych, takich jak domy;
- w zamkniętych pomieszczeniach roboczych, takich jak sklepy i biura;
- w zamkniętych pomieszczeniach mieszkalnych, takich jak domy w gospodarstwach wiejskich, hotele i pensjonaty.
- Nie należy używać jej na dworze.

Ogólne zasady bezpieczeństwa

- Gdy zechcecie pozbyć się tego urządzenia/zestłomować je, zalecamy skonsultowanie się z autoryzowanym serwisem, aby uzyskać potrzebne informacje i poznać kompetentne podmioty.
- W sprawach wszelkich pytań i problemów związanych z tą chłodziarką konsultujcie się z Waszym autoryzowanym serwisem. Bez powiadomienia autoryzowanego serwisu nie interweniujcie sami i nie pozwalajcie interweniować innym w funkcjonowanie chłodziarki.
- Dotyczy modeli z zamrażalnikiem: Nie jedzcie lodów ani kostek lodu bezpośrednio po wyjęciu ich z zamrażalnika! (Może to spowodować odmrożenia w ustach).

- Dotyczy modeli z zamrażalnikiem: Nie wkładajcie do zamrażalnika napojów w butelkach ani w puszkach. Mogą wybuchnąć.
- Nie dotykajcie palcami mrożonej żywności, bo może do nich przylgnąć.
- Przed czyszczeniem lub rozmrażaniem chłodziarki wyjmujcie jej wtyczkę z gniazdka.
- Do czyszczenia i rozmrażania chłodziarki nie wolno stosować pary ani środków czyszczących w tej postaci. W takich przypadkach para może zetknąć się z częściami urządzeń elektrycznych i spowodować zwarcie albo porażenie elektryczne.
- Nie wolno używać żadnych części chłodziarki, takich jak drzwiczki, jako podpory ani stopnia.
- Wewnątrz chłodziarki nie wolno używać urządzeń elektrycznych.
- Nie wolno uszkadzać obwodu chłodzącego, w którym krąży środek chłodzący, narzędziami do wiercenia i cięcia. Środek chłodzący, który może wybuchnąć skutkiem przedziurawienia przewodów gazowych parownika, przedłużeń rur lub powłok powierzchni, powoduje podrażnienia skóry lub obrażenia oczu.
- Nie przykrywajcie żadnym materiałem ani nie blokujcie otworów wentylacyjnych w chłodziarce.
- Urządzenia elektryczne mogą naprawiać tylko osoby z uprawnieniami. Naprawy wykonywane przez osoby niekompetentne stwarzają zagrożenie dla użytkowników.

- W razie jakiegokolwiek awarii, a także w trakcie prac konserwacyjnych lub napraw, odłączcie chłodziarkę od zasilania z sieci, wyłączając odnośny bezpiecznik albo wyjmując wtyczkę z gniazdka.
- Wyjmując przewód zasilający z gniazdka, należy ciągnąć za wtyczkę, nie za przewód.
- Napoje o wyższej zawartości alkoholu wkładajcie do chłodziarki w dokładnie zamkniętych naczyniach i w pozycji pionowej.
- Nie wolno przechowywać w chłodziarce puszek do rozpylania substancji łatwopalnych lub wybuchowych.
- W celu przyspieszenia procesu rozmrażania chłodziarki nie należy używać żadnych urządzeń mechanicznych ani innych środków poza zalecanymi przez jej producenta.
- Wyrób ten nie jest przeznaczony do użytku osób o ograniczonej sprawności fizycznej, zmysłowej lub umysłowej oraz osoby bez odpowiedniego doświadczenia i umiejętności (w tym dzieci), o ile nie zapewni się im nadzoru lub instrukcji jego użytkownika ze strony osoby odpowiedzialnej za ich bezpieczeństwo.
- Nie uruchamiajcie chłodziarki, jeśli jest uszkodzona. W razie jakichkolwiek obaw skontaktujcie się z pracownikiem serwisu.
- Bezpieczeństwo elektryczne tej chłodziarki gwarantuje się tylko wówczas, jeśli system uziemienia Waszej instalacji domowej spełnia wymogi norm.
- Wystawianie tego urządzenia na działanie deszczu, śniegu, słońca i wiatru zagraża jego bezpieczeństwu elektrycznemu.
- W razie uszkodzenia przewodu zasilającego skontaktujcie się z autoryzowanym punktem serwisowym aby uniknąć zagrożenia.
- W trakcie instalowania chłodziarki nigdy nie wolno włączać wtyczki w gniazdko w ścianie. Może to zagrażać śmiercią lub poważnym urazem.
- Chłodziarka ta przeznaczona jest wyłącznie do przechowywania żywności. Nie wolno jej używać w żadnym innym celu.
- Tabliczka z danymi technicznymi umieszczona jest na lewej ścianie wewnątrz chłodziarki.
- Chłodziarki nie wolno przyłączać do systemów oszczędzających energię elektryczną, może to ją uszkodzić.
- Jeśli na chłodziarce pali się niebieskie światło, nie należy patrzeć na nie przez przyrządy optyczne.
- Jeśli chłodziarka obsługiwana jest ręcznie, po awarii zasilania należy odczekać przynajmniej 5 minut przed jej ponownym załączeniem.
- Przy przekazaniu chłodziarki nowemu posiadaczowi wraz z nią należy przekazać niniejszą instrukcję.
- Przy transporcie chłodziarki należy unikać uszkodzenia jej przewodu zasilającego. Zagięcie przewodu może spowodować pożar. Na przewodzie zasilającym nie wolno ustawiać żadnych ciężkich przedmiotów.
- Nie wolno wkładać wtyczki do gniazdka mokrymi dłońmi.



- Nie wolno wkładać wtyczki chłodziarki do obłuzowanego gniazdka.
- Ze względów bezpieczeństwa nie wolno przyskać wodą bezpośrednio na żadne wewnętrzne i zewnętrzne części chłodziarki.

- Nie wolno rozpylać substancji zawierających łatwopalny gaz, np. propan, w pobliżu chłodziarki, ponieważ grozi to pożarem i wybuchem.
- Nie wolno stawiać na chłodziarce pojemników napełnionych wodą, ponieważ może to spowodować porażenie prądem elektrycznym lub pożar.
- Nie przeciążajcie chłodziarki nadmierną zawartością. W przeładowanej chłodziarce po otwarciu drzwiczek żywność może spadać z półek, powodując urazy użytkowników i uszkodzenia chłodziarki.
- Nie wolno stawiać żadnych przedmiotów na chłodziarce, ponieważ mogą spaść przy otwieraniu lub zamykaniu drzwiczek.
- Ponieważ szczepionki, lekarstwa wrażliwe na ciepło, materiały naukowe, itp. wymagają ściśle regulowanej temperatury, nie należy ich przechowywać w chłodziarce.
- Jeśli chłodziarka nie będzie używana przez dłuższy czas, należy wyjąć jej wtyczkę z gniazdka. Ewentualny problem z przewodem zasilającym może spowodować pożar.
- Czubki wtyczki należy regularnie czyścić suchą ściereczką, w przeciwnym razie mogą spowodować pożar.
- Jeśli nastawiane nóżki nie są bezpiecznie ustawione na podłodze, chłodziarka może się przemieszczać. Właściwe zabezpieczenie nastawianych nóżek na podłodze może temu zapobiec.
- Przy przenoszeniu chłodziarki nie chwytajcie za klamkę w drzwiczkach. W ten sposób można ją urwać.
- Gdy chłodziarkę trzeba ustawić obok innej chłodziarki lub zamrażarki, należy zachować przynajmniej 8 cm odstępu pomiędzy nimi. W przeciwnym razie przylegające do siebie ścianki mogą pokrywać się wilgocią.

Dotyczy modeli z dozownikiem wody:

Ciśnienie wody w kranie powinno wynosić przynajmniej 1 bar. Ciśnienie wody w kranie nie powinno przekraczać 8 bar.


- Należy używać wyłącznie wody pitnej.

Bezpieczeństwo dzieci

- Jeśli drzwiczki zamykane są na klucz, należy go chronić przed dostępem dzieci.
- Należy zwracać uwagę, aby dzieci nie bawiły się, manipulując chłodziarką.

Zgodność z przepisami WEEE i utylizacja zużytej chłodziarki



Symbol  na wyrobie lub opakowaniu oznacza, że wyrób ten nie może być traktowany jako odpadki domowe. Zamiast tego należy je dostarczyć do właściwego punktu zbierania surowców wtórnych z urządzeń elektrycznych i elektronicznych. Zapewniając odpowiednie złomowanie tego wyrobu przyczyniamy się do zapobiegania potencjalnie szkodliwym konsekwencjom dla środowiska naturalnego oraz zdrowia ludzi, które w przeciwnym razie mogłyby być spowodowane nieprawidłowym jego nieodpowiednim złomowaniem. Aby uzyskać bardziej szczegółowe informacje o odzyskiwaniu surowców wtórnych z tego wyrobu, prosimy skontaktować się ze swym organem administracji lokalnej, służbą oczyszczania miasta lub ze sklepem, gdzie wyrób ten został zakupiony.

Informacje opakowaniu

Materiały opakowania tego wyrobu są wykonane z surowców wtórnych, zgodnie z naszymi krajowymi przepisami dotyczącymi ochrony środowiska.

Materiałów opakunkowych nie wolno wyrzucać z odpadami z gospodarstwa domowego lub innymi. Należy przekazać je do punktu zbiórki surowców wtórnych.

Nie zapomnijcie...

Wszelkie substancje recyklingowane mają ogromne znaczenie dla środowiska i bogactwa naszego kraju.

Jeśli chcecie wziąć udział w ocenie materiałów do pakowania, skontaktujcie się z organizacjami ekologicznymi w swojej okolicy lub władzami lokalnymi.

Ostrzeżenie HCA

Jeśli system chłodniczy Waszej chłodziarki zawiera R600a:

Gaz ten jest łatwopalny. Należy zatem uważać, aby w trakcie jego użytkowania i transportu nie uszkodzić systemu i przewodów chłodzenia. W razie uszkodzenia, należy trzymać chłodziarkę z dala od potencjalnych źródeł ognia, które mogą spowodować jej pożar i należy wietrzyć pomieszczenie, w którym jest umieszczona.

Rodzaj zastosowanego gazu podano na tabliczce umieszczonej na lewej ścianie wewnątrz chłodziarki.

Nie wolno pozbywać się tego wyrobu poprzez jego spalanie.

Co robić, aby oszczędzać energię

- Nie zostawiajcie drzwiczek chłodziarki otwartych na dłużej.
 - Nie wkładajcie do chłodziarki gorących potraw ani napojów.
 - Nie przeladowujcie chłodziarki, ponieważ będzie to utrudniać krążenie powietrza w jej wnętrzu.
 - Nie instalujcie chłodziarki tam, gdzie narażona będzie na bezpośrednie działanie słońca, ani w pobliżu urządzeń wydzielających ciepło, takich jak piecyki, zmywarki do naczyń lub grzejniki. Chłodziarkę instaluje się co najmniej 30 cm od źródeł ciepła oraz co najmniej 5 cm od kuchenek elektrycznych.
 - Pamiętajcie, aby żywność przechowywać w zamkniętych pojemnikach.
 - W zamrażalniku chłodziarki zmieścić można najwięcej żywności, jeśli wyjmie się z niego półkę z szufladą. Deklarowane zużycie energii przez chłodziarkę określono przy szufladach wyjętych z komory zamrażalnika. Używanie półki lub szuflady odpowiednio do kształtów i rozmiarów zamrażanej żywności jest bezpieczne.
 - Rozmrażanie mrożonek w komorze zamrażalnika pozwala zarówno oszczędzać energię, jak i zachować jakość żywności.
- i** Temperatura otoczenia w pomieszczeniu, gdzie instaluje się chłodziarkę, powinna wynosić co najmniej -15°C. Ze względu na wydajność chłodziarki nie zaleca się użytkowania jej w niższych temperaturach.
- i** Trzeba dokładnie oczyścić wnętrze chłodziarki.

3 Instalacja

⚠ W przypadku zignorowania podanych w tej instrukcji obsługi informacji, producent nie ponosi za to żadnej odpowiedzialności.

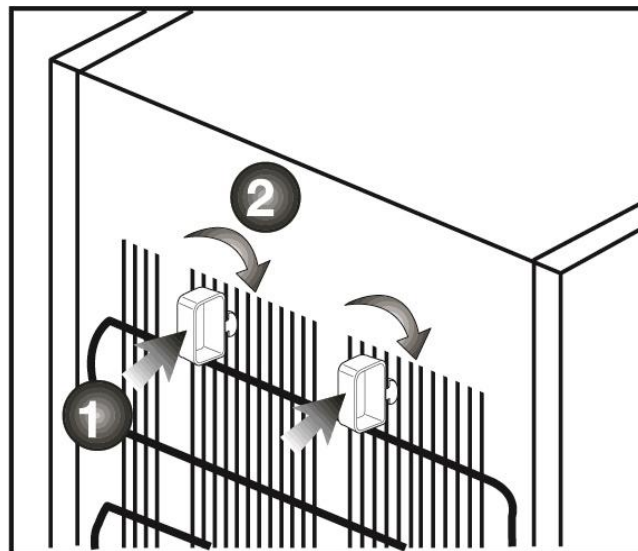
Na co należy zwrócić uwagę przy przenoszeniu chłodziarki

1. Należy wyjąć wtyczkę chłodziarki z kontaktu. Przed transportem należy chłodziarkę opróżnić i oczyścić.
2. Przed ponownym opakowaniem chłodziarki, półki, akcesoria, pojemnik na świeże warzywa itp. w jej wnętrzu należy przymocować za pomocą taśmy klejącej i zabezpieczyć przed uszkodzeniem. Opakowanie należy obwiązać grubą taśmą lub solidnym sznurem i ściśle przestrzegać zasad transportowania takich pakunków.
3. Oryginalne opakowanie i elementy z pianki należy zachować do przyszłego transportu lub przeprowadzek.

Przed uruchomieniem chłodziarki

Zanim zaczniecie korzystać z chłodziarki, sprawdźcie, co następuje:

1. Załóżcie 2 kliny z tworzywa sztucznego, jak na rysunku poniżej. Kliny z tworzywa sztucznego zapewniają odstęp dla cyrkulacji powietrza pomiędzy chłodziarką a ścianą. (Rysunek ten służy celom poglądowym i nie musi być identyczny z Waszą chłodziarką.)



2. Oczyścić wnętrze chłodziarki, zgodnie z zaleceniami podanymi w rozdziale „Konserwacja i czyszczenie”.
3. Wsadź wtyczkę chłodziarki w gniazdko w ścianie. Po otwarciu drzwiczek chłodziarki, zapali się światło w jej wnętrzu.
4. Gdy zaczyna działać sprężarka, słychać będzie jej odgłos. Płyny i gazy zawarte w systemie chłodzenia także mogą powodować szumy, nawet jeśli nie działa sprężarka i jest to zupełnie normalne.
5. Przednie krawędzie chłodziarki mogą się nagrzewać. Jest to całkiem normalne. Te obszary powinny się nagrzewać, co zapobiega skraplaniu się pary.

Połączenia elektryczne

Chłodziarkę przyłącza się do gniazdka z uziemieniem, zabezpieczonego bezpiecznikiem o odpowiedniej wydajności.

Ważne:

Przyłączenie chłodziarki musi być zgodne z przepisami krajowymi.

- Po instalacji wtyczka zasilania musi być łatwo dostępna.
- Bezpieczeństwo elektryczne tej chłodziarki gwarantuje się tylko wówczas, jeśli system uziemienia Waszej instalacji domowej spełnia wymogi norm.
- Napięcie podane na etykiecie wewnątrz chłodziarki po lewej powinno być równe napięciu w sieci.
- **Do przyłączenia nie można używać przedłużaczy ani przewodów z wieloma wtyczkami.**

⚠ Uszkodzony przewód zasilający musi wymienić upoważniony i wykwalifikowany elektryk.

⚠ Nie można ponownie uruchamiać produktu przed jego naprawieniem! Grozi to porażeniem elektrycznym!

Usuwanie opakowania

Materiały opakunkowe mogą być niebezpieczne dla dzieci. Należy chronić materiały opakunkowe przed dostępem dzieci, albo usunąć je zgodnie z podaną przez miejscowe władze instrukcją odpowiednią dla odpadków ich kategorii. Nie należy wyrzucać ich wraz ze zwykłymi odpadkami domowymi, ale na wyznaczony przez lokalne władze śmietnik opakowań.

Opakowanie tej chłodziarki wyprodukowano z surowców wtórnych.

Utylizacja starej chłodziarki

Starej chłodziarki należy pozbyć się tak, aby nie zaszkodzić środowisku naturalnemu.

- W sprawie utylizacji chłodziarki możecie skonsultować się z autoryzowanym sprzedawcą lub punktem zbiórki surowców wtórnych w swojej miejscowości.

Przed utylizacją chłodziarki należy odciąć wtyczkę zasilania elektrycznego, a jeśli w drzwiczkach są jakieś zamki, należy je trwale uszkodzić, aby zapobiec zagrożeniu dzieci.

Ustawienie i instalacja

⚠ Jeśli drzwi wejściowe do pomieszczenia, w którym ma być zainstalowana chłodziarka, są zbyt wąskie, aby mogła przez nie przejść, należy wezwać autoryzowany serwis, który zdemontuje z niej drzwiczki i przeniesie ją bokiem przez drzwi.

1. Chłodziarkę należy zainstalować w miejscu, w którym łatwo będzie ją używać.
2. Chłodziarka musi stać z dala od źródeł ciepła, miejsc wilgotnych i bezpośrednio nasłonecznionych.
3. Aby uzyskać wydajną pracę chłodziarki, należy zapewnić odpowiednią wentylację wokół niej. Jeśli chłodziarka ma stanąć we wnęce w ścianie, należy zachować co najmniej 5 cm odstęp od sufitu i ściany. Nie stawiaj chłodziarki na dywanie, wykładzinie dywanowej, ani żadnym podobnym podłożu.
4. Aby uniknąć wstrząsów, chłodziarkę należy ustawić na równej powierzchni podłogi.

Wymiana lampki oświetlenia

Aby wymienić żarówkę/diodę LED używaną do oświetlenia chłodziarki, należy wezwać autoryzowany serwis.

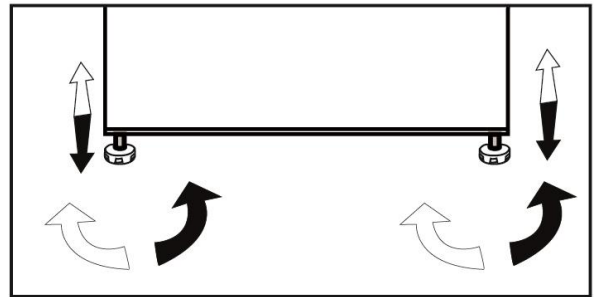
Lampa (lampy) wykorzystywane w tym urządzeniu nie są przeznaczone do oświetlania pomieszczeń. Lampa ta ma pomagać użytkownikowi wygodnie i bezpiecznie umieszczać pożywienie w lodówce/zamrażarce.

Żarówki używane w urządzeniu muszą wytrzymywać ekstremalne warunki fizyczne, jak np. temperatury poniżej -20°C .

Nastawianie nóżek

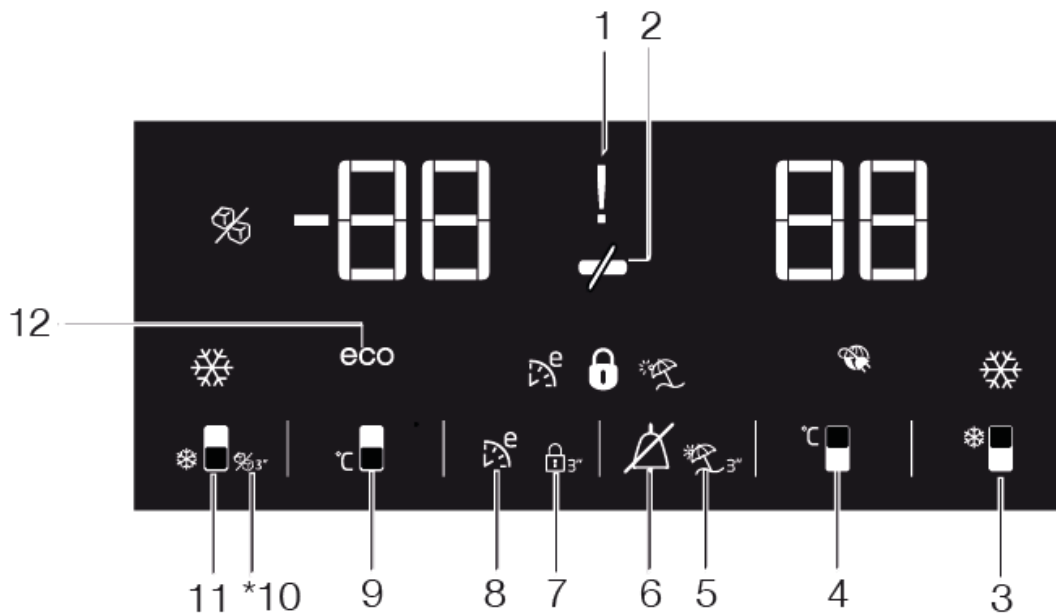
Jeśli chłodziarka nie stoi równo:

Można wyrównać jej ustawienie, obracając przednie nóżki, tak jak pokazano na rysunku. Narożnik lodówki obniża się obracając nóżkę w tym narożniku w kierunku czarnej strzałki, lub podnosi obracając nóżkę w przeciwnym kierunku. Takie działanie ułatwi lekkie uniesienie chłodziarki z pomocą innej osoby.



4 Przygotowanie

- Chłodziarkę należy zainstalować przynajmniej 30 cm od źródeł ciepła takich jak kuchenka, kaloryfer lub piec, i przynajmniej 5 cm od piecyka elektrycznego, a także należy chronić ją przed bezpośrednim działaniem słońca.
- Należy upewnić się, że wnętrze chłodziarki zostało dokładnie oczyszczone.
- Jeśli zainstalowane mają być dwie chłodziarki obok siebie, należy zachować co najmniej 2 cm odstępu między nimi.
- Przy pierwszym uruchomieniu chłodziarki należy przez pierwsze sześć godzin przestrzegać następujących instrukcji.
- Nie należy zbyt często otwierać drzwiczek.
- Należy uruchomić ją pustą, bez żadnej żywności we wnętrzu.
- Nie należy wyjmować wtyczki chłodziarki z gniazdka. W przypadku awarii zasilania, której nie można samemu naprawić, należy zastosować się do ostrzeżenia z rozdziału „Zalecane rozwiązania problemów”.
- Produkt jest przeznaczony do pracy w temperaturze nieprzekraczającej 43°C. Nawet jeśli temperatura otoczenia spadnie do -15 °C, mrożona żywność w zamrażalniku nie rozmrozi się dzięki zaawansowanemu elektronicznemu systemowi sterowania temperaturą. W przypadku pierwszej instalacji NIE należy ustawiać produktu w miejscach o niskiej temperaturze otoczenia. Uniemożliwia to bowiem ustawienie w zamrażarce standardowej temperatury pracy. Po uzyskaniu ciągłego działania chłodziarkę można przenieść w inne miejsce. A zatem później można umieścić chłodziarkę w garażu lub nieogrzewanym pomieszczeniu bez obaw o zepsucie zamrożonej żywności. Jednakże istnieje prawdopodobieństwo, że powyżej wymienionych niskich temperatur żywność w komorze chłodniczej może ulec zamrożeniu, z tego względu zaleca się wykorzystanie żywności z chłodziarki w kontrolowany sposób. Gdy temperatura otoczenia wróci do normalnego poziomu, można zmienić ustawienie przycisku odpowiednio do potrzeb.
- Jeśli temperatura otoczenia spadła poniżej 0°C, zawartość komory chłodniczej zamarza. Zaleca się więc aby przy tak niskich temperaturach otoczenia nie używać komory chłodzenia. Natomiast z komory zamrażalnika można nadal korzystać jak zwykle.



Panel wskaźników

Panel wskaźników umożliwia nastawianie temperatury i sterowanie innymi funkcjami produktu bez otwierania drzwi. Po prostu naciśnij napisy na odpowiednich przyciskach, aby ustawić funkcje.

1. Wskaźnik ostrzegawczy o awarii zasilania/ wysokiej temperaturze

Wskaźnik ten (!) zapala się w razie awarii zasilania, zbyt wysokiej temperatury lub ostrzeżeń o błędach.

Podczas długotrwałych przerw w zasilaniu, najwyższa temperatura w zamrażarce będzie migać na wyświetlaczu cyfrowym. Po sprawdzeniu produktów w komorze zamrażalnika naciśnij przycisk wyłączenia alarmu (⚡) aby skasować to ostrzeżenie.

Jeśli wskaźnik ten zapali się, proszę poszukać środków zaradczych w rozdziale tej instrukcji dotyczącym „Zalecanych środków rozwiązywania problemów”.


2. Funkcji oszczędzania energii (wyświetlacz wyłączony)


Jeśli drzwi są stale zamknięte produktu przez długi czas jest aktywowany energooszczędny symbol świeci funkcji oszczędzania energii. (⚡) Gdy czynna jest funkcja oszczędzania energii, gasną wszystkie inne symbole na wyświetlaczu. Funkcja oszczędzania energii wyłącza się za naciśnięciem dowolnego przycisku lub za otwarciem drzwiczek, a symbole na wyświetlaczu powracają do stanu normalnego.


Funkcja oszczędzania energii jest uruchamiana w czasie dostawy z fabryki i nie można jej skasować.


i *Opcjonalne: Podane w tej instrukcji liczby mają wartości orientacyjne i nie muszą dokładnie odnosić się do tej konkretnej chłodziarki. Jeśli ta konkretna chłodziarka nie zawiera jakichś części, o których mowa w tej instrukcji, oznacza to, że informacje te odnoszą się do jej innych modeli.

3. Funkcja szybkiego chłodzenia

Naciśnij ten przycisk, aby włączyć lub wyłączyć funkcję szybkiego gotowania ()

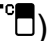
 Korzystaj z funkcji szybkiego chłodzenia, kiedy chcesz szybko schłodzić żywność umieszczoną w komorze chłodzenia. Jeśli schłodzona ma być znaczna ilość świeżej żywności, zaleca się uruchomienie tej funkcji przed włożeniem żywności do chłodziarki.

 Jeśli nie wyłączysz szybkiego chłodzenia, funkcja ta wyłączy się automatycznie po 1 godzinach lub gdy temperatura w komorze chłodzenia osiągnie żadaną wartość.



 Funkcja ta nie zostanie wywołana przy przywróceniu zasilania po jego awaryjnym wyłączeniu.

4. Przycisk nastawienia temperatury w komorze chłodzenia

Naciśnij ten przycisk, aby nastawić temperaturę w komorze chłodzenia odpowiednio na 8, 7,6, 5,4,3, 2,1, 8...

Naciśnij ten przycisk, aby nastawić żadaną temperaturę w komorze chłodzenia. ()

5. Funkcja Vacation (Wakacje)

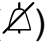
Aby wyłączyć funkcję Vacation naciśnij i przez 3 sekundy przytrzymaj ten przycisk () , a włączy się wskaźnik trybu Vacation () .

Gdy czynna jest funkcja opróżniania, na wskaźniku temperatury w komorze chłodzenia wyświetla się " -- ", i komora ta nie jest aktywnie chłodzona.



Gdy ta funkcja ta jest załączona, nie należy trzymać żywności w komorze chłodzenia. Inne komory będą nadal chłodzone odpowiednio do nastawionych w nich temperaturach.


Aby wyłączyć tę funkcję, ponownie naciśnij przycisk **funkcji Vacation**.

6. Wyłączanie alarmu:

W przypadku alarmu awarii zasilania / wysokiej temperatury, po sprawdzeniu produktów w komorze zamrażarki naciśnij przycisk wyłączania alarmu () aby skasować to ostrzeżenie.


7. Blokada przycisków

Naciśnij przycisk blokady przycisków () na 3 sekundy. Zapali się ikonka blokady przycisków () i załączy się blokada. Przy załączonej blokadzie przyciski nie działają. Ponownie naciśnij przycisk Key Lock [Blokada przycisków] na 3 sekundy. Ikonka blokady przycisków zgaśnie i blokada wyłączy się.


Naciśnij przycisk **blokady przycisków**, jeśli chcesz uniemożliwić zmianę ustawień temperatury w chłodziarce () .

8. Eco fuzzy

Wciśnij i przytrzymaj przycisk Eco Fuzzy jeden raz, aby aktywować funkcję rozmytej eko.

Chłodziarka zostanie uruchomiona w najbardziej oszczędnym trybie co najmniej 6 godzin później, a gdy funkcja ta jest aktywna zapali się wskaźnik oszczędnego użytkowania () . Naciśnij i przez 3 sekundy przytrzymaj przycisk funkcji eco fuzzy, aby wyłączyć funkcję oszczędnego użytkowania eco fuzzy. Wskaźnik ten zapala się po 6 godzinach, gdy jest włączona jest funkcja eco fuzzy.

9. Przycisk nastawienia temperatury w komorze zamrażalnika.

Naciśnij ten przycisk, aby nastawić temperaturę w komorze zamrażalnika odpowiednio na -18, -19, -20, -21, -22, -23, -24 oraz -18. Naciśnij ten przycisk, aby nastawić żadaną temperaturę w komorze zamrażalnika. ()

10. Wskaźnik wyłączenia Icematic (tylko na produktach z Icematic maszynie)

Wskazuje, czy kostkarka Icematic jest włączona czy wyłączona. (0/03") Jeśli jest aktywny, Icematic nie działa. Aby ponownie włączyć Icematic, naciśnij i przytrzymaj przez 3 sekundy przycisk wł.-wył.

i Kiedy wybrana jest ta funkcja, woda przestaje wypływać ze zbiornika. Jednak już zrobiony lód można wybrać z kostkarki Icematic.

11. Przycisk funkcji szybkiego zamrażania / włączania wyłączenia Icematic

Aby włączyć lub wyłączyć funkcję szybkiego zamrażania, naciśnij ten przycisk. Kiedy włączysz tę funkcję, komora zamrażalnika zostanie schłodzona do temperatury niższej niż ustawiona wartość. (•□)

i Aby włączyć lub wyłączyć kostkarkę Icematic, naciśnij ten przycisk i przytrzymaj go przez 3 sekundy (tylko na produktach z Icematic maszynie). Korzystaj z funkcji szybkiego chłodzenia, kiedy chcesz szybko schłodzić żywność umieszczoną w komorze chłodzenia. Jeśli schłodzona ma być znaczna ilość świeżej żywności, zaleca się uruchomienie tej funkcji przed włożeniem żywności do chłodziarki.

i Jeśli nie wyłączysz szybkiego zamrażania, funkcja ta wyłączy się automatycznie po 25 godzinach lub gdy temperatura w komorze chłodzenia osiągnie żądaną wartość.

i Funkcja ta nie zostanie wywołana przy przywróceniu zasilania po jego awaryjnym wyłączeniu.

12. Wskaźnik oszczędnego użytkownika

Pokazuje, że chłodziarka pracuje w trybie energooszczędnym.

(eco) Wskaźnik ten będzie aktywny, jeśli temperaturę komory zamrażania nastawiono na -18 stopni lub zgodnie z funkcją Eco-Extra chłodzenie przebiega w trybie energooszczędnym.

i Wskaźnik użytkownika oszczędnego gaśnie, gdy zostanie wybrana funkcja szybkiego chłodzenia lub szybkiego zamrażania.

Podwójny system chłodzący:

Chłodziarka ta wyposażona jest w dwa odrębne systemy chłodzące do chłodzenia komory na żywność świeżą oraz komory zamrażalnika. A więc powietrze w komorze na żywność świeżą nie miesza się z powietrzem w zamrażalniku.

Dzięki tym dwóm odrębnym systemom chłodzącym chłodzenie zachodzi szybciej niż w innych chłodziarkach. Nie mieszają się zapachy w tych komorach. Ponadto dodatkowo oszczędza się energię, ponieważ odszranianie wykonywane jest indywidualnie.

Korzystanie z dozownika wody

* opcja

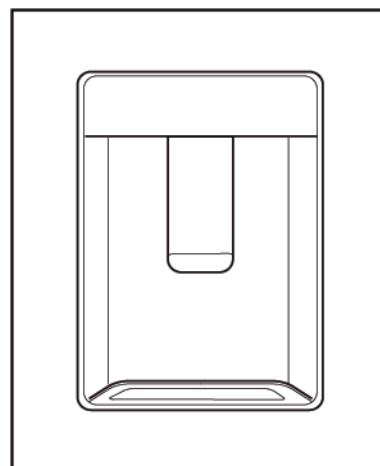
i Pierwsze kilka szklanek wody z dozownika mogą być ciepłe i jest to całkiem normalne.

i Jeżeli dozownika wody nie używa się przez dłuższy czas, wylewa się pierwsze kilka szklanek wody, aby uzyskać wodę świeżą.

1. Naciśnij szklanką na dźwignię dozownika wody. Jeśli korzystasz z miękkiego plastikowego kubka, naciśnięcie dźwigni ręką będzie łatwiejsze.

2. Po napełnieniu kubka dożądanego poziomu, zwolnij dźwignię.

i Prosimy zwrócić uwagę, że ilość wody wypływającej z dozownika zależy od tego, jak bardzo wciśnięto dźwignię. W miarę jak podnosi się poziom wody w kubku lub szklance delikatnie zmniejszaj nacisk na dźwignię, aby uniknąć przelania się wody. Jeśli lekko naciśnąc ramię, woda kapie, co jest całkiem normalne i nie świadczy o awarii.



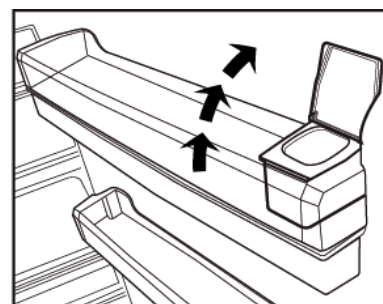
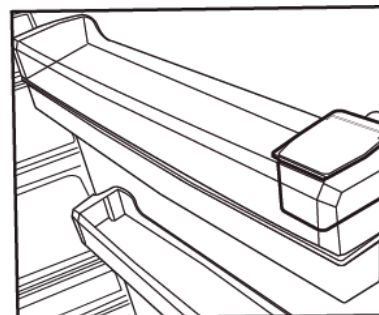
Napełnianie zbiornika dozownika wodą

Zbiornik wody mieści się w stelażu na drzwiach.

1. Otwórz pokrywę zbiornika.
2. Napełnij zbiornik świeżą wodą pitną.
3. Zamknij pokrywę.

i Nie napełniaj zbiornika na wodę innym płynem niż woda, np. sokiem owocowym, napojem gazowanym, czy napojem alkoholowym, które nie nadają się do stosowania w zbiorniku na wodę. Użycie płynu tego rodzaju spowoduje trwałe uszkodzenie dozownika. Użytkowania takiego nie obejmuje gwarancja. Pewne zawarte w takich płynach substancje chemiczne i dodatki mogą uszkodzić zbiornik na wodę.

i Używaj wyłącznie czystej wody pitnej.

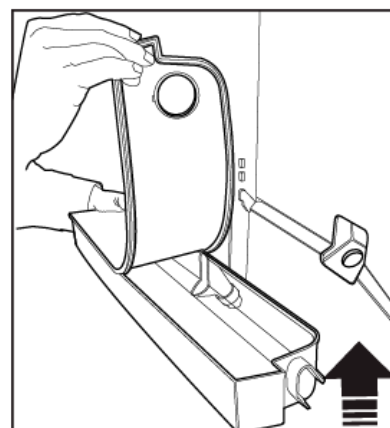
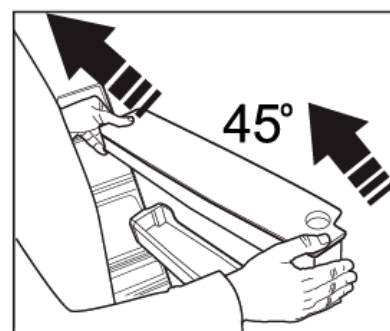
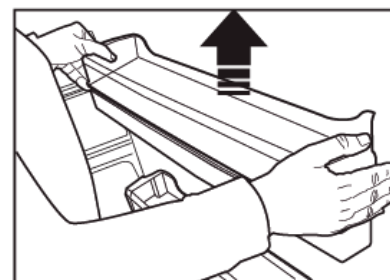
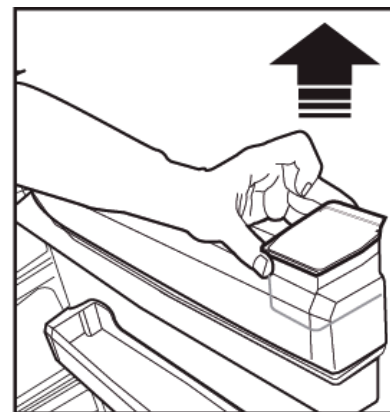


i Pojemność zbiornika wynosi 3 litery; nie wolno jej przekraczać.

Czyszczenie zbiornika na wodę

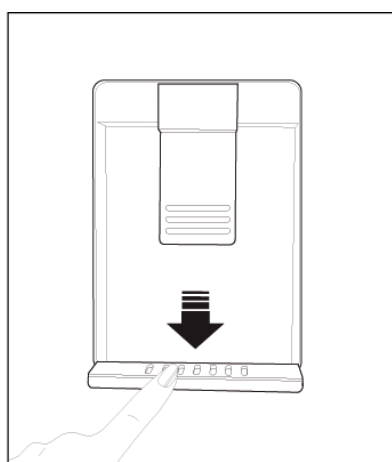
1. Wyjmij zbiornik na wodę ze stelaża na drzwiach.
2. Wyjmij stelaż na drzwiach, trzymając go z obu stron.
3. Chwyć zbiornik na wodę z obu stron i wyjmij go pod kątem 45°.
4. Zdejmij pokrywę zbiornika na wodę i wyczyść go.

i Elementów zbiornika i dozownika nie należy myć w zmywarkach do naczyń.



Tacka na krople

Woda, która kapie przy korzystaniu z dozownika zbiera się w tacce na krople. Wyjmij plastikowy filtr tak jak pokazano na rysunku. Wytrzyj zebraną wodę za pomocą czystej i suchej ściereczki.



Pojemnik na warzywa z kontrolą wilgotności

*opcja

Funkcja kontroli wilgotności umożliwia zachowanie odpowiedniej wilgotności warzyw i owoców oraz zapewnia dłuższą świeżość żywności.

Zaleca się w miarę możliwości przechowywanie w pojemniku warzyw liściastych, jak sałata, szpinak itp. w pozycji poziomej, a nie opartych o korzeń, ze względu na utratę wilgotności.

Układając warzywa, ciężkie i twarde należy układać na dole, a lekkie i miękkie na górze, biorąc pod uwagę konkretną wagę warzyw.

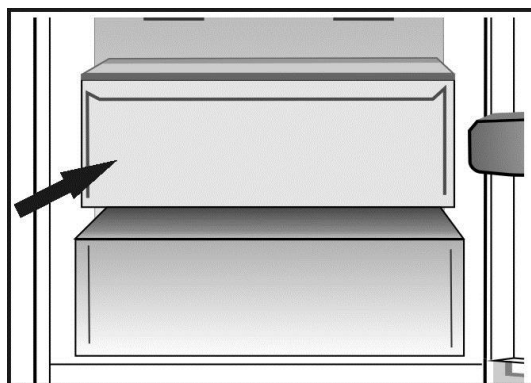
Nie zostawiać w pojemniku warzyw w plastikowych torebkach. Zostawienie ich w plastikowej torebce spowoduje, że szybko zgniją. W sytuacjach, kiedy styczność z innymi warzywami jest niezalecana, używaj materiałów opakowaniowych takich jak papier, które mają pewną porowatość pozwalającą zachować higienę.

Nie wkładaj owoców, które wydzielają dużo gazowego etylenu, jak gruszki, morele, brzoskwinie, a przede wszystkim jabłka, do tego samego pojemnika na warzywa, co inne warzywa i owoce. Gazowy etylen wydobywający się z tych owoców może spowodować szybsze dojrzewanie i gnicie pozostałych warzyw i owoców.

Komora do przechowywania żywności łatwo psującej się (niska temperatura -2°C - $+3^{\circ}\text{C}$).

Komora ta służy do przechowywania mrozonek, które w razie potrzeby można rozmrażać powoli (mięso, ryby, drób, itp.), Komora niskotemperaturowa to najzimniejsze miejsce w chłodziarce, gdzie w idealnych warunkach można przechowywać nabiał (ser, masło), mięso, ryby lub drób.

W tej komorze nie należy przechowywać warzyw ani owoców.



Zamrażanie żywności

świeżej

- Przed włożeniem do lodówki żywność świeżą należy opakować lub przykryć.
 - Przed włożeniem do lodówki gorące potrawy trzeba najpierw ostudzić do temperatury pokojowej.
 - Żywność przeznaczona do zamrożenia musi być świeża i dobrej jakości.
 - Żywność należy podzielić na porcje, stosownie do dziennych potrzeb konsumpcyjnych rodziny.
 - Żywność musi być hermetycznie zapakowana aby zapobiec jej wysychaniu, nawet jeśli ma być przechowywana przez krótki czas.
 - Materiały użyte do opakowania muszą być mocne i odporna na zimno, wilgotność, zapachy, olej i kwas, a także muszą być hermetyczne. Ponadto muszą być dobrze zamknięte i muszą być zrobione z łatwych do użycia i nadających się do zastosowania przy głębokim zamrażaniu materiałów.
 - Przeznaczoną do zamrażania żywność wkłada się do komory zamrażalnika. (Nie należy dopuścić, aby stykała się z uprzednio zamrożoną żywnością, co grozi ich częściowym rozmarzeniem. Wydajność zamrażania tej lodówki podano wśród danych technicznych).
 - Należy przestrzegać czasów przechowywania podanych w odniesieniu do głębokiego zamrażania.
 - Zamrożoną żywność należy spożywać bezpośrednio po odmrożeniu i nie wolno jej ponownie zamrażać.
- Aby uzyskać najlepsze rezultaty prosimy przestrzegać następujących instrukcji:
 1. Nie należy zamrażać zbyt dużych ilości żywności na raz. Jakość żywności zachowuje się najlepiej zamrażając ją na wskroś najszybciej, jak to możliwe.
 2. Umieszczenie w komorze zamrażalnika żywności ciepłej powoduje ciągłą pracę systemu chłodzącego aż do całkowitego jej zamrożenia.
 3. Należy specjalnie zadbać, aby nie mieszać żywności już zamrożonej ze świeżą.
 4. Maksymalna pojemność przechowywania zamrożonej żywności osiąga się bez korzystania z szuflady przewidzianych w zamrażalniku. Zużycie energii w Twoim urządzeniu jest zadeklarowane podczas zamrażalnika jest w pełni załadowany na półkach bez użycia drawers.
 5. Zaleca się umieszczenie środków spożywczych na górnej półce zamrażarki do początkowego zera.

Zalecenia co do przechowywania mrożonek

Pakowane mrożonki ze sklepu należy przechowywać zgodnie z instrukcjami ich producentów dla ******** (4-gwiazdkowych) komór do przechowywania mrożonek.

- Aby utrzymać wysoką jakość mrożonek, którą zapewnili im producenci i sprzedawcy detaliczni należy pamiętać, co następuje:

1. Paczki z mrożonkami należy wkładać do zamrażalnika możliwie szybko po ich zakupie.
2. Sprawdzić, czy paczki zaopatrzone są w etykiety oznaczające zawartość oraz datę.
3. Nie przekraczajcie terminów podanych na opakowaniu jako terminy przydatności do spożycia.

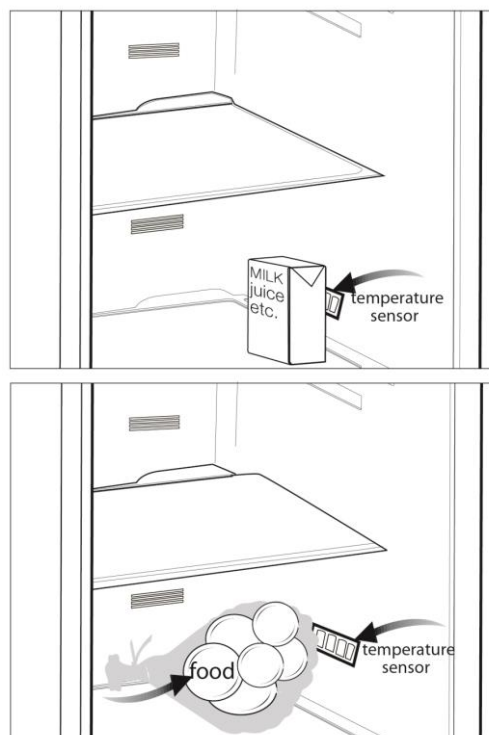
Rozmrażanie

Zamrażalnikiem rozmraża się automatycznie.

Zalecenia co do komory na żywność świeżą

*opcja

- Nie należy dopuszczać do tego, aby żywność dotykała czujnika temperatury w komorze na żywność świeżą. Aby można było utrzymać idealną temperaturę w komorze na żywność świeżą, żywność nie może zasłaniać tego czujnika.
- Do chłodziarki nie wolno wkładać gorącej żywności.



6 Konserwacja i czyszczenie

- ⚠** Do czyszczenia chłodziarki nie wolno używać benzyny, benzenu ani podobnych substancji.
- ⚠** Zaleca się wyjęcie wtyczki chłodziarki z gniazdka przed jej czyszczeniem.
- ⚠** Do czyszczenia nie wolno stosować żadnych szorstkich narzędzi, mydła, domowych środków czystości, detergentów ani wosku do polerowania.
- i** Należy umyć obudowę chłodziarki letnią wodą i wytrzeć ją do sucha.
- i** Wnętrze należy czyścić wyżętą ściereczką zamoczoną w roztworze jednej łyżeczki do herbaty sody oczyszczonej w 0,5 litra wody, a następnie wytrzeć do sucha.
- ⚠** Należy zadbać, aby do obudowy lampki i innych urządzeń elektrycznych nie dostała się woda.
- ⚠** Jeśli chłodziarka ma być nieużywana przez dłuższy okres czasu, należy ją wyłączyć i całkowicie opróżnić z żywności, oczyścić i pozostawić z uchylonymi drzwiczkami.
- i** Należy regularnie sprawdzać, czy uszczelki w drzwiczkach są czyste i nie osadzają się na nich cząstki żywności.
- ⚠** Aby wyjąć półki z drzwiczek, należy opróżnić je z zawartości, a potem po prostu nacisnąć od podstawy ku górze.
- ⚠** Do czyszczenia powierzchni zewnętrznych i chromowanych części produktu nie należy używać środków czyszczących ani wody z zawartością chloru. Chlor powoduje korozję takich powierzchni metalowych.

Jak unikać nieprzyjemnych zapachów

Do wyrobu chłodziarek nie są używane materiały powodujące nieprzyjemne zapachy.

Jednak w wyniku niewłaściwego przechowywania żywności i nieczyszczenia wnętrza chłodziarki mogą powstawać nieprzyjemne zapachy. Aby uniknąć tego problemu, zwracaj uwagę na następujące sprawy:

- Ważne jest utrzymywanie chłodziarki w czystości.
- Nieprzyjemne zapachy mogą być powodowane przez resztki żywności, plamy itd. A zatem co 15 dni czyść chłodziarkę roztworem węgla w wodzie. Nie używaj detergentów ani mydła.
- Żywność przechowuj w zamkniętych pojemnikach. Wydostające się z odkrytych pojemników mikroorganizmy mogą powodować nieprzyjemne zapachy.
 - W chłodziarce nie wolno przechowywać żywności zepsutej ani takiej, której termin przydatności do spożycia upłynął.

Zabezpieczenia powierzchni plastikowych

- i** Nie należy wkładać do chłodziarki oleju ani potraw smażonych na oleju w nieszczelnych pojemnikach, ponieważ może to uszkodzić jej plastikowe powierzchnie. W razie rozlania się lub rozsmarowania oleju na plastikowej powierzchni, od razu oczyścić i opłukać ciepłą wodą jej zabrudzoną część.

7 Usuwanie usterek

Prosimy zapoznać się z tym wykazem przed wezwaniem serwisu. Może to oszczędzić Wasz czas i pieniądze. Wykaz ten zawiera częste kłopoty, które nie wynikają z wadliwego wykonania ani zastosowania wadliwych materiałów. Niektóre z opisanych tu funkcji mogą nie występować w tym modelu urządzenia.

Chłodziarka nie działa.

- Wtyczka nie jest prawidłowo włożona do gniazdka. >>>Włóż wtyczkę do gniazdka prawidłowo.
- Zadziałał bezpiecznik gniazdka, do którego chłodziarka jest przyłączona, albo bezpiecznik główny. >>>Sprawdź bezpiecznik.

Skropliny na bocznej ścianie komory chłodzenia (MULTIZONE, COOL CONTROL oraz FLEXI ZONE).

- Bardzo zimne otoczenie. >>>Nie instaluje się chłodziarki w miejscu, gdzie temperatura spada poniżej 10°C.
- Zbyt często otwierano drzwiczki. >>>Rzadziej otwieraj i zamykaj drzwiczki chłodziarki.
- Bardzo wilgotne otoczenie. >>>Nie instaluje się chłodziarki w miejscach bardzo wilgotnych.
- Żywność o zawartości płynu przechowywana jest w otwartych pojemnikach. >>>Nie przechowuj żywności w płynie w otwartych pojemnikach.
- Drzwiczki chłodziarki pozostawiono uchylone. >>>Zamknij drzwiczki chłodziarki.
- Termostat ustawiony na bardzo niską temperaturę. >>>Nastaw termostat na odpowiednią temperaturę.

Sprężarka nie działa

- Zabezpieczenie termiczne sprężarki zadziała w trakcie nagłego zaniku zasilania lub załącza się i wyłącza, ponieważ nie wyrównało się jeszcze ciśnienie w systemie chłodzącym chłodziarki. Chłodziarka zacznie działać po ok. 6 minutach. Jeśli po upływie tego czasu chłodziarka nie zacznie działać, prosimy wezwać serwis.
- Chłodziarka jest w cyklu rozmrażania. >>>To normalne dla chłodziarki z całkowicie automatycznym rozmrażaniem. Cykl rozmrażania następuje okresowo.
- Chłodziarka nie jest włączona do gniazdka. >>>Upewnij się, że wtyczka jest włożona do gniazdka.
- Nieprawidłowo nastawiono temperaturę. >>>Wybierz odpowiednią temperaturę.
- Przerwa w zasilaniu elektrycznym. >>>Chłodziarka powróci do normalnej pracy po przywróceniu zasilania.

Gdy chłodziarka pracuje, poziom hałasu wrasta.

- Z powodu zmian temperatury otoczenia zmieniły się charakterystyki eksploatacyjne chłodziarki. Jest to stan normalny, nie awaria.

Chłodziarka pracuje często lub przez zbyt długi czas.

- Nowa chłodziarka może być szersza od poprzedniej. Większe chłodziarki działają przez dłuższy czas.
- Zbyt wysoka temperatura pokojowa. >>>To normalne, że w gorącym otoczeniu chłodziarka pracuje dłużej.
- Chłodziarka została niedawno załączona lub jest przeładowana żywnością. >>>Gdy chłodziarka została niedawno włączona do gniazdka lub naładowana żywnością, osiągnięcie nastawionej temperatury potrwa dłużej. Jest to całkiem normalne.
- Ostatnio włożono do chłodziarki znaczne ilości gorącej żywności. >>>Nie wkłada się gorącej żywności do chłodziarki.
- Zbyt często otwierano drzwiczki lub na dłużej pozostawiano je uchylone. >>>Ciepłe powietrze, które dostało się do chłodziarki, powoduje, że działa ona dłużej. Nie otwierajcie drzwiczek zbyt często.
- Pozostawiono uchylone drzwiczki komory chłodzenia lub zamrażania. >>>Sprawdź, czy drzwiczki są całkowicie zamknięte.
- Chłodziarka jest nastawiona na bardzo niską temperaturę. >>>Nastaw chłodziarkę na wyższą temperaturę i odczekaj, aż zostanie ona osiągnięta.
- Uszczelka w drzwiczkach chłodziarki lub zamrażalnika jest zabrudzona, uszkodzona, pęknięta lub nieprawidłowo włożona. >>>Oczyść lub wymień uszczelkę. Uszkodzona/pęknięta uszczelka powoduje, że lodówka pracuje przez dłuższy czas, aby utrzymać bieżącą temperaturę.

Temperatura zamrażalnika jest bardzo niska, a temperatura chłodzenia jest wystarczająca.

- Chłodziarka jest nastawiona na bardzo niską temperaturę zamrażania. >>>Nastaw chłodziarkę na wyższą temperaturę zamrażania i sprawdź.

Temperatura chłodzenia jest bardzo niska, a temperatura zamrażania jest wystarczająca.

- Chłodziarka jest nastawiona na bardzo niską temperaturę chłodzenia >>>Nastaw chłodziarkę na wyższą temperaturę chłodzenia i sprawdź.

Żywność przechowywana w szufladach komory chłodzenia zamarza.

- Chłodziarka jest nastawiona na bardzo wysoką temperaturę chłodzenia >>>Nastaw chłodziarkę na niższą temperaturę chłodzenia i sprawdź.

Bardzo wysoka temperatura w chłodziarce lub zamrażalniku.

- Chłodziarka jest nastawiona na bardzo wysoką temperaturę chłodzenia. >>>Nastawienia komory chłodzenia wpływają na temperaturę w zamrażalniku. Zmień temperaturę zamrażalnika lub chłodziarki i odczekaj, aż temperatura w odnośnej komorze osiągnie odpowiedni poziom.
- Zbyt często otwierano drzwiczki lub na dłużej pozostawiano je uchylone. >>>Nie otwieraj drzwiczek zbyt często.
- Pozostawiono uchylone drzwiczki. >>>Szczelnie zamknij drzwiczki..
- Chłodziarkę załączono lub załadowano niedawno żywnością. >>>Jest to całkiem normalne. Gdy chłodziarka została niedawno włączona do gniazdka lub naładowana żywnością, osiągnięcie nastawionej temperatury potrwa dłużej.
- Ostatnio włożono do chłodziarki znaczne ilości gorącej żywności. >>>Nie wkłada się gorącej żywności do chłodziarki.

Drgania lub hałas.
<ul style="list-style-type: none"> • Podłoga nie jest równa lub dość stabilna. >>> Jeśli chłodziarka kołysze się przy powolnym poruszeniu, wyrównaj jej położenie, odpowiednio nastawiając nóżki. Sprawdź także, czy podłoga jest równa i wytrzymuje ciężar chłodziarki. • Przedmioty postawione na chłodziarce mogą powodować hałas. >>>Zdejmij wszystko z chłodziarki.
Z chłodziarki dochodzą odgłosy przelewania się i syczenia płynu.
<ul style="list-style-type: none"> • Zgodnie z zasadą funkcjonowania chłodziarki następują przepływy płynu lub gazu. Jest to stan normalny, nie awaria.
Z chłodziarki dochodzi świst.
<ul style="list-style-type: none"> • Do ochłodzenia chłodziarki użyto wentylatorów. Jest to stan normalny, nie awaria.
Skropliny na wewnętrznych ściankach chłodziarki.
<ul style="list-style-type: none"> • Ciepła i wilgotna pogoda sprzyja oblodzeniu i skraplaniu. Jest to stan normalny, nie awaria. • Zbyt często otwierano drzwiczki lub na dłużej pozostawiano je uchylone. >>>Nie otwieraj drzwiczek zbyt często. Jeśli są otwarte, zamknij je. • Pozostawiono uchylone drzwiczki. >>>Szczelnie zamknij drzwiczki..
Na zewnątrz chłodziarki, lub pomiędzy drzwiczkami pojawia się wilgoć.
<ul style="list-style-type: none"> • Być może w powietrzu jest wilgoć; to całkiem normalne przy wilgotnej pogodzie. Gdy wilgoć w powietrzu ustąpi, skropliny znikną.
Nieprzyjemna woń wewnątrz chłodziarki.
<ul style="list-style-type: none"> • Nie wykonuje się regularnego czyszczenia. >>>Regularnie czyść wnętrze chłodziarki gąbką namoczoną w ciepłej wodzie lub roztworze sody oczyszczonej. • Nieprzyjemny zapach powodują jakieś pojemniki lub materiały opakowaniowe. >>>Używaj innych pojemników lub materiałów opakowaniowych innej marki. • Do chłodziarki wstawiono żywność w niezamkniętych pojemnikach. >>>Żywność przechowuje się w zamkniętych pojemnikach. Wydostające się z odkrytych pojemników mikroorganizmy mogą powodować nieprzyjemne zapachy. • Wyjmuj z chłodziarki produkty, które przekroczyły termin przydatności do spożycia.
Nie można zamknąć drzwiczek.
<ul style="list-style-type: none"> • Opakowania z żywnością uniemożliwiają zamknięcie drzwiczek. >>>Przełóż na inne miejsce żywność, która przeszkadza w zamknięciu drzwiczek. • Chłodziarka nie stoi całkiem równo na podłodze. >>>Nastaw nóżki chłodziarki, aby wyrównać jej położenie. • Podłoga nie jest równa lub dość wytrzymała. >>>Sprawdź, czy podłoga jest równa i wytrzymuje ciężar chłodziarki.
Szuflady do przechowywania świeżych warzyw się zablokowały.
<ul style="list-style-type: none"> • Żywność dotyka sufitu szuflady. >>>Zmień ułożenie żywności w szufladzie.

Gwarancja jakości

Twój produkt marki BEKO posiada gwarancję jakości udzieloną przez Beko S.A z siedzibą w Warszawie ul. Puławska 366, 02-819 Warszawa (dalej Gwarant).

Gwarancja jakości udzielana jest wyłącznie na produkty marki BEKO wprowadzane do obrotu na terytorium Rzeczypospolitej Polskiej przez Gwaranta. Termin gwarancji wynosi 24 miesiące od daty zakupu produktu. Oświadczenie gwarancyjne określające warunki gwarancji znajdziesz na stronie internetowej www.beko.pl w sekcji serwis.

Warunkiem wykonywania uprawnień z gwarancji jest przedstawienie dowodu zakupu produktu lub zarejestrowanie produktu na stronie www.beko.pl w sekcji serwis .

Zarejestruj swój produkt.

Załącz konto oraz zarejestruj teraz swój produkt marki BEKO objęty gwarancją na naszej stronie internetowej www.beko.pl w sekcji serwis. Dzięki temu nie będziesz musiał się martwić w sytuacji gdy zgubisz dowód zakupu. Ponadto będziesz miał możliwość otrzymania oświadczenia gwarancyjnego w postaci „cyfrowej karty gwarancyjnej”.

Obsługa klienta – infolinia 22 250 14 14

W celu zgłoszenia reklamacji lub usterki produktu marki BEKO prosimy o kontakt telefoniczny z infolinią . Nasi konsultanci pomogą ci rozwiązać problem lub skierują do właściwego serwisu BEKO.

Infolinia czynna jest 7 dni w tygodniu od 8.00 do 20:00.

* Koszt połączenia jak za połączenie lokalne (z telefonu stacjonarnego) lub według stawek operatora sieci komórkowej.



Podpis i pieczęć instalatora (z numerem uprawnienia) w przypadku montażu urządzeń gazowych lub płyt i piekarników elektrycznych

Aby otrzymać więcej informacji dotyczących serwisu BEKO np. gdzie kupić części zamienne lub akcesoria należy odwiedzić stronę internetową www.beko.pl i wybrać zakładkę serwis.

Nejdříve si prosím přečtete tento návod k použití!

Vážený zákazníku,

Doufáme, že výrobek, který byl vyroben v moderních závodech a kontrolován v souladu s nejpřísnějšími postupy kontroly kvality, vám zajistí účinný provoz.

Z tohoto důvodu vám doporučujeme pozorně si přečíst celý návod k výrobku, než jej použijete, a uskladněte je v dosahu pro budoucí použití.

Tento manuál Vám pomůže s použitím spotřebiče rychle a bezpečně.

- Přečtete si manuál před instalací a provozováním produktu.
- Ujistěte se, že jste přečetl bezpečnostní pokyny.
- Návod uschovejte na snadno přístupném místě, možná jej budete později potřebovat.
- Přečtete si další dokumenty dodané s výrobkem.

Nezapomínejte, že tento manuál platí pro několik dalších modelů. Rozdíly mezi modely budou uvedeny v manuálu.

Vysvětlení symbolů

V celém manuálu se používají následující symboly:

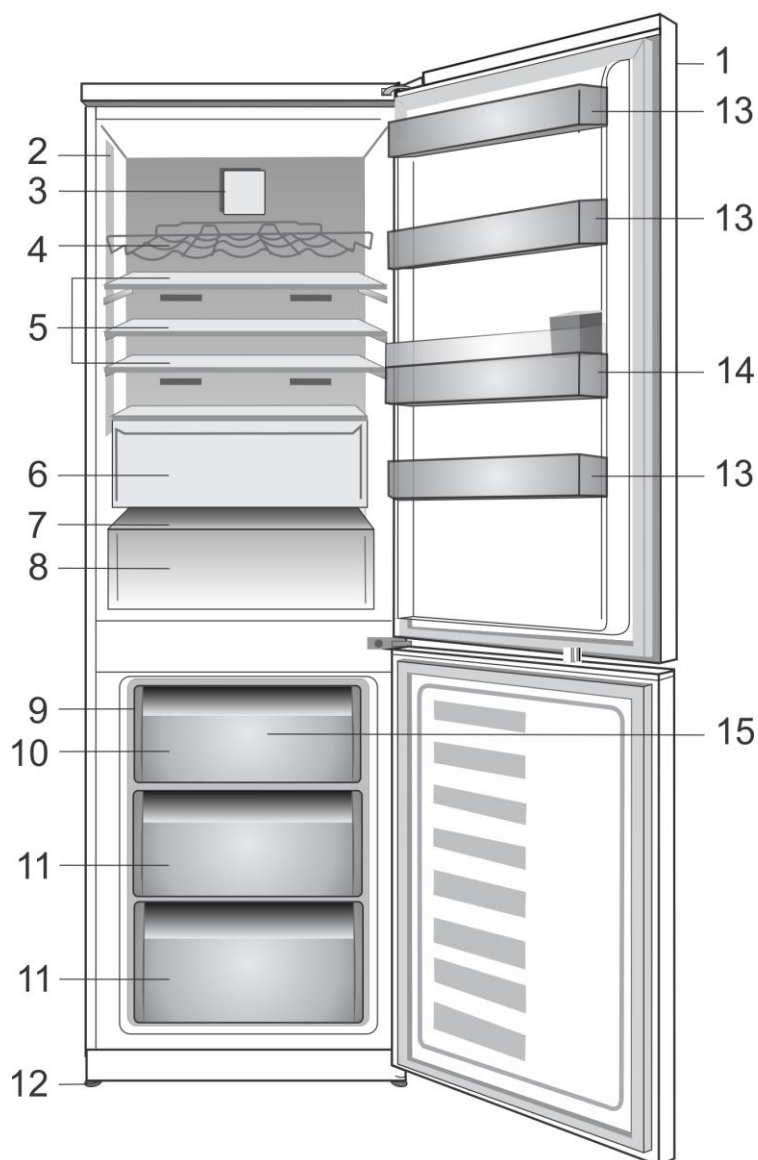
 Důležité informace nebo užitečné tipy.

 Varování před nebezpečnými situacemi pro život a majetek.

 Varování na elektrické napětí.

<u>1 Vaše chladnička</u>	<u>4</u>	<u>4 Příprava</u>	<u>12</u>
<u>2 Důležité bezpečnostní informace</u>	<u>5</u>	<u>5 Použití Vaší chladničky</u>	<u>13</u>
Určené použití	5	Ovládací panel.....	13
Všeobecná bezpečnost	5	Dvojité chlazení systém.....	15
Výrobky s dávkovačem vody.....	7	Používání nádržky na vodu	16
Bezpečnost dětí	7	Zásuvka na zeleninu s	
Soulad s nařízením WEEE o likvidaci		kontrolovanou vlhkostí.....	18
elektronických produktů.....	7	Prostor pro skladování.....	18
Informace o obalu.....	8	Mrazování čerstvých potravin	19
Upozornění HCA	8	Doporučení pro uchovávání	
Postup pro úsporu energie.....	8	mražených potravin.....	20
<u>3 Instalace</u>	<u>9</u>	Odmrazování chladničky	20
Body ke zvážení při přepravě		Vkládání potravin.....	20
chladničky	9	Informace o hloubkovém mražení.....	21
Před spuštěním chladničky	9	Doporučení pro přihrádku pro čerstvé	
Elektrické připojení	10	potraviny	21
Likvidace obalu	10	<u>6 Údržba a čištění</u>	<u>22</u>
Likvidace staré chladničky	10	Ochrana plastových ploch... ..	22
Umístění a instalace	10	<u>7 Doporučená řešení problémů</u>	<u>23</u>
Výměna žárovky	11		
Změna směru otevírání dveří.....	11		
Nastavení nožiček.....	11		

1 Vaše chladnička



- | | |
|--|--|
| 1. Ovládací panel | 10. Příhrádka na rychlé mražení |
| 2. Vnitřní světlo | 11. Příhrádky na uchování mrazených potravin |
| 3. Ventilátor Čerstvé Potraviny | 12. Nastavitelné přední nožky |
| 4. Podpěra na láhve vína | 13. Polička na sklenice |
| 5. Nastavitelné poličky | 14. Používání nádržky na vodu |
| 6. Zero Stupeň příhrádka | 15. Ventilátor mrazničky |
| 7. Kryt prostoru pro cerstvé potraviny | |
| 8. Prostor pro cerstvé potraviny | |
| 9. Nádoza a příhrádka na led | |

i Sestava uvedená v tomto manuálu k použití je pouze schematická a nemusí přesně odpovídat Vašemu produktu. Pokud produkt, který jste nakoupil nezahrnuje určité součásti, ty platí pro jiné modely.

2 Důležité bezpečnostní informace

Přečtěte prosím následující pokyny. Nedodržení těchto pokynů může způsobit zranění nebo materiální škody.

V případě nedodržení těchto pokynů, všechny záruky a povinnost spolehlivosti zanikne.

Výrobek má životnost 10 let. Během tohoto období originální náhradní díly budou k dispozici k správnému provozování produktu.

Určené použití

Tento produkt je určen k použití

- uvnitř a v uzavřených prostorech jako jsou domy;
- v uzavřených pracovních prostorech jako jsou prodejny a kanceláře;
- v uzavřených obytných oblastech, jako jsou farmy, hotely, penziony.
- Nepoužívejte spotřebič venku.

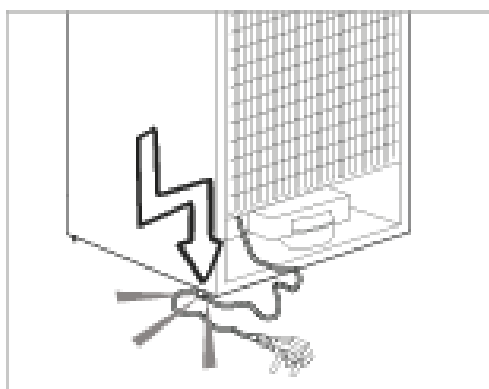
Všeobecná bezpečnost

- Když chcete výrobek zlikvidovat/ sešrotovat, doporučujeme kontaktovat autorizovaný servis, kde zjistíte nezbytné informace a autorizované úřady.
- Poradte se s autorizovaným servisem ohledně všech otázek týkajících se ledničky. Nezasahujte a nenechávejte druhou osobu zasáhnout do chladničky bez oznámení autorizovaného servisu.
- U výrobků s prostorem mrazničky; Nejezte zmrzlinu a kostky ledu bezprostředně poté, co je vyjmete z prostoru mrazničky! (Může dojít k omrznutí úst.)

- U výrobků s prostorem mrazničky; Nevkládejte do prostoru mrazničky nápoje v lahvích a plechovkách. Jinak by mohlo dojít k jejich explozi.
- Nedotýkejte se mrazených potravin rukou, mohou se nalepit do ruky.
- Před čišťením a odmrazením odpojte chladničku od sítě.
- Nikdy nepoužívejte páry nebo práškové čisticí prostředky k čištění a odmražení chladniče. Páry se mohou dostat do kontaktu s elektrickými součástmi a způsobit zkrat nebo úraz elektrickým proudem.
- Nikdy nepoužívejte součásti na chladniče, jako je ochranná deska, jako dvířka nebo podprěru nebo schůdek.
- Nedávejte elektrická zařízení do chladničky.
- Nepoškozujte součásti, kde obíhá chladicí médium, vrtáním nebo řezáním. Chladicí médium by mohlo vytéct v místech porušení plynových kanálů výparníku, prodloužených trubek nebo povrchových vrstev a způsobit podráždění kůže a zranění očí .
- Nezakrývejte a neblokuje větrací otvory na chladniče žádným materiálem.
- Elektrické spotřebiče musejí opravovat jen autorizované osoby. Opravy provedeny neoprávněnými osobami mohou být nebezpečné pro uživatele.

- V případě poruchy nebo při provádění údržby nebo odpojte hlavní napájení chladničky buď vypnutím příslušné pojistky nebo odpojením spotřebiče.
- Při odpojení spotřebiče netahejte za kabel.
- Nápoje s vyšší stupňovitostí těsně uzavřete a umístěte je ve svisle poloze.
- Nikdy neskladujte spreje obsahující hořlavé a výbušné látky v chladničce.
- Nepoužívejte k urychlení procesu odmrazení, jiné mechanické nástroje nebo jiné prostředky než ty doporučené výrobcem.
- Tento výrobek by neměly používat osoby s tělesnými, smyslovými nebo duševními poruchami či nezkušené nebo nepoučené osoby (včetně dětí), pokud jsou bez dohledu osoby, která bude odpovídat za jejich bezpečnost nebo která jim poskytne náležité školení k používání výrobku.
- Nepoužívejte poškozenou chladničku. V případě obav, obraťte se na servisního zástupce.
- Elektrická bezpečnost Vaší chladničky je zaručena pouze v případě, že system uzemnění ve Vašem domě odpovídá standardům.
- Vystavení výrobku dešti, sněhu, slunci a větru je nebezpečné z hlediska elektrické bezpečnosti.
- V případě poškození napájecího kabelu, obraťte se na oprávněný servis aby nedošlo k nebezpečné situaci.
- Nikdy nezapojujte chladničku k zásuvce během instalace. V opačném případě může vzniknout riziko úmrtí nebo vážného zranění.

- Tato chladnička je určena pro uchovávání potravin. Nesmí být použity pro žádný jiný účel.
- Štítek s technickými údaji se nachází na levé stěně, ve vnitřním prostoru chladničky.
- Nikdy nezapojujte chladničku na systémy úspory energie, mohou poškodit chladničku.
- Existuje-li na chladničce modré světlo, nedívejte se na ni optickými nástroji.
- U ručně ovládaných chladniček počkejte nejméně 5 minut než znovu spustíte chladničku po výpadku proudu.
- Tento návod k použití předejte novému majiteli v případě prodeje výrobku.
- Ochraňte napájecí kabel před poškozením při přepravě. Ohýbaní kabelu může způsobit požár. Nikdy nepokládejte těžké předměty na napájecím kabelu.
- Nedoťkejte se zásuvky mokřými rukama při napájení produktu.



- Nezapojujte chladničku, pokud je zásuvka uvolněna.
- Nenastříkejte vodu dovnitř na vnitřní ani na vnější součásti produktu z bezpečnostních důvodů.

- Nenastříkejte látky obsahující hořlavé plyny jako propan v blízkosti chladničky, může dojít k výbuchu a požáru.
- Nikdy nepokládejte nádoby s vodou na horní části chladničky, v případě rozlití může dojít k úrazu elektrickým proudem a k požáru.
- Nepřetěžujte chladničku jídlem. V případě přetížení, při otevření dveří potraviny mohou spadnout a může dojít ke zranění nebo k poškození chladničky.
- Nikdy nepokládejte věci na horní části chladničky, při otevření a zavření dveří můžou spadnout.
- Vakcíny, léky citlivě na teplotu a vědecké materiály by neměly být uchovávány v chladničce protože vyžadují přesné teploty.
- Pokud se chladnička nebude delší dobu používat, odpojte ji od sítě. Případné poškození kabelu může způsobit požár.
- Tip zástrčky čistěte pravidelně suchým hadříkem, jinak může dojít k požáru.
- Nejsou-li nastavené nožičky řádně upevněny na podlaze, chladnička se může pohybovat. Správně upevnění nastavitelných nožiček zabrání pohyb chladničky.
- Při přepravě chladničky, nesmíte ji držet za kliku dveří, klika může prasknout.
- Musíte-li dát spotřebič vedle další chladničky nebo mrazničky, nechte mezi nimi aspon 8 cm. V opačném případě může dojít ke zvlhčení přilehlých bočních stěn.

Výrobky s dávkovačem vody;

Tlak vody by měl být max. 1 bar. Tlak vodovodního řadu by měl být max. 8 barů.


- Používejte pouze pitnou vodu.

Bezpečnost dětí

- Pokud mají dvířka zámek, měli byste skladovat klíč mimo dosah dětí.
- Děti musí být pod dohledem, aby nezasahovaly do spotřebiče.

Soulad s nařízením WEEE o likvidaci elektronických produktů



Symbol  na výrobku nebo jeho balení udává, že tento výrobek nepatří do domácího odpadu. Je nutné odvézt ho do sběrného místa pro recyklaci elektrického a elektronického zařízení. Zajištěním správné likvidace tohoto výrobku pomůžete zabránit negativním důsledkům pro životní prostředí a lidské zdraví, které by jinak byly způsobeny nevhodnou likvidací tohoto výrobku. Podrobnější informace o recyklaci tohoto výrobku zjistíte u příslušného místního úřadu, služby pro likvidaci domovního odpadu nebo v obchodě, kde jste výrobek zakoupili.

Informace o obalu

Obal je vyroben z recyklovaných materiálů v souladu s národními předpisy o ochraně životního prostředí. Obaly nevyházejte spolu s domácím odpadem, odevzdejte je do oprávněného střediska pro sběr odpadu.

Nezapomínejte...

Jakákoliv recyklována látka je pro přírodu a pro náš národní majetek nepostradatelná.

Chcete-li přispět k přehodnocení obalových materiálů, můžete se poradit s místními ekologickými organizacemi a úřady ve Vaši lokaci.

Upozornění HCA

Obsahuje-li Váš chladicí systém Vašho spotřebiče R600a:

Tento plyn je hořlavý, dávejte pozor nepoškodit chladicí systém a systém trubek při použití a přepravě. Pokud dojde k poškození, ochraňte spotřebič před ohněm a větrejte místnost, jde se nachází spotřebič.

Druh plynu používaný ve spotřebiči je uvedený na štítku umístěném na levé stěně uvnitř chladničky.

Nikdy nevyházejte spotřebič do ohně.

Postup pro úsporu energie

- Nenechávejte dveře chladničky otevřené dlouhou dobu.
- Nedávejte do chladničky horké jídlo nebo horké nápoje.
- Nebraňte oběhu vzduchu v chladničce přetížením chladničky.
- Chladnička nesmí být vystavena přímému slunečnímu záření ani nesmí stát poblíž zařízení vyzařujících teplo jako trub, myček a radiátorů. Dávejte chladničku aspoň 30 cm od zdrojů tepla a aspoň 5 cm od elektrických trub.
- Dávejte pozor udržovat jídlo v uzavřených krabicích.
- U výrobků s prostorem mrazničky; Maximální množství potravin v mrazničce můžete uskladnit, pokud vyjmete polici nebo zásuvku mrazničky. Hodnota spotřeby energie udaná pro vaši chladničku byla stanovena při vyjmuté polici nebo zásuvce mrazničky a při maximální náplni. Nehrozí riziko při používání police nebo zásuvky podle tvarů a rozměrů potravin, které chcete mrazit.
- Rozmrazováním zmražených potravin v chladničce ušetříte energii a zachováte kvalitu potravin.

3 Installation

⚠ Výrobce neodpovídá za případné nedodržení pokynů v tomto manuálu.

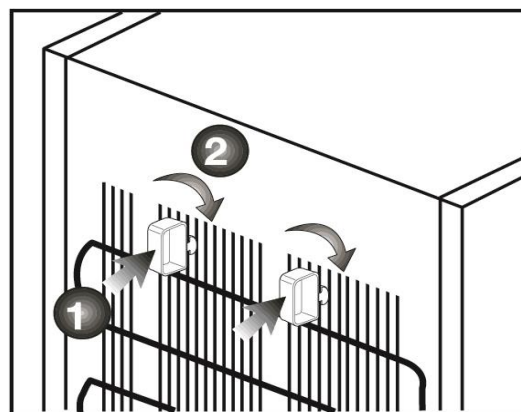
Body ke zvážení při přepravě Chladničky

1. Zástrčka chladničky nesmí být v zásuvce. Před přemístěním musíte chladničku vyprázdnit a vyčistit.
2. Než zabalíte chladničku znova zajišťujte poličky, doplňky, příhrádky atd. uvnitř chladničky lepicí páskou a ochraňte je před nárazy. Obaly je nutno upevnit silnými páskami a lany a je nutno dodržovat pravidla pro přepravu vytištěná na obalu.
3. Uchovávejte originální obal a pěnu pro případné přemístění.

Před spuštěním chladničky,

Před prvním spuštěním chladničky:

1. Připevněte 2 plastové klíny, dle ilustrace dole. Plastové klíny zajišťují vzdálenost nutnou k cirkulaci vzduchu mezi chladničkou a stěnou. (Ilustrace je pouze orientační a neodpovídá úplně Vašemu výrobku)



2. Očistěte vnitřní část chladničky dle pokynů v kapitole “Údržba a čištění” .
3. Připojte zástrčku do zásuvky. Při otevření dveří se zapíná i vnitřní světlo chladničky.
4. Při zapnutí kompresoru budete slyšet zvuk. Zvuk vydávají normálně i kapaliny a plyny uzavřené v chladicím systému a to i když kompresor není spuštěn.
5. Přední hrany chladničky mohou být teplé. To je normální. Tyto části bývají teplé aby nedošlo ke kondenzaci.

Elektrické připojení

Připojujte spotřebič do zásuvky s uzemněním ochráněné pojistkou příslušné kapacity.

Důležité:

Připojení musí vyhovovat platným normám a předpisům.

- Zásuvka musí být snadno přístupná po instalaci.
- Elektrická bezpečnost Vaší chladničky bude zajištěna pouze v případě, že systém uzemnění ve vašem domě odpovídá standardům.
- Napětí uvedené na štítku na levé vnitřní straně výrobku by měla být stejná jako síťové napětí.
- **Prodlužovací kabely a multi-zásuvky nesmí být použity pro připojení.**

⚠ Poškozený kabel vymění pouze kvalifikovaný elektrikář.

⚠ Výroben nesmí být provozován před opravou. Hrozí nebezpečí úrazu elektrickým proudem!

Likvidace obalu

Obalové materiály mohou být nebezpečné pro děti. Uchovejte obalové materiály mimo dosah dětí. Likvidace probíhá dle pokynů místních úřadů.

Obaly nevyházejte spolu s domácím odpadem, odevzdejte je do míst sběru určených místních úřadů.

Obal chladničky e vyroben z recyklovaného materiálu.

Likvidace staré chladničky

Likvidujte starou chladničku aniž byste uškodil životnímu prostředí.

- Více informací o likvidaci chladničky lze získat u autorizovaného prodejce nebo u sběrného střediska ve Vaší lokalitě.

Před likvidací chladničky odřízněte elektrickou zástrčku. Jsou-li na dveřích zámky, ujišťujte si, že nejsou funkční, aby nedošlo k ohrožení dětí.

Umístění a instalace

⚠ Jsou-li dveře místnosti, kde bude chladnička instalována, nedostatečně široké a chladnička neprojde, zavolejte oprávněnému servisu, aby odstranily dveře chladničky. To umožní chladničce projít dveřmi bokem.

1. Instalujte chladničku na dostupném místě.
2. Uchovávejte chladničku daleko od zdrojů tepla, vlhkých míst a přímého záření.
3. K dosažení efektivního provozu, prostor kolem chladničky musí být dobře větrán. Pokud chladnička bude umístěna ve výklenku ve zdi, musí být min. 5 cm daleko od stropu a 5 cm daleko od stěny. Nepokládejte výrobek na koberec.
4. Pokládejte chladničku ve vzpřímené poloze na pevném a rovném podkladě.

Výměna žárovky

K výměně žárovky/LEDu osvětlení chladničky kontaktujte autorizovaný servis.

Lampa (y) použité v tomto přístroji nejsou vhodné pro osvětlení místnosti domácnosti. Zamýšlený účel tohoto svítidla je pomoci uživateli umístit potraviny do chladničky / mrazničky bezpečně a pohodlně.

Žárovky použité v tomto spotřebiči musí vydržet extrémní fyzické podmínky, např. teploty pod -20°C .

Změna směru otevírání dveří

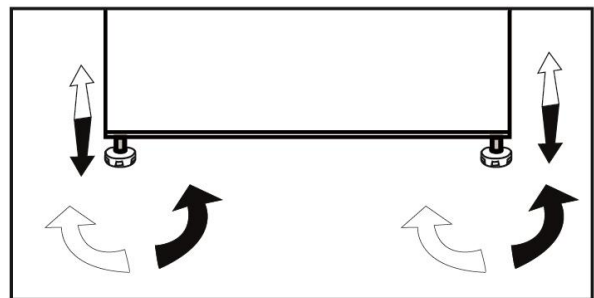
Směr otevírání dveří je možno upravit dle potřeby. Pokud nutné, zavolejte nejbližší autorizovaný servis.

Adjusting the legs

Nastavení nožek

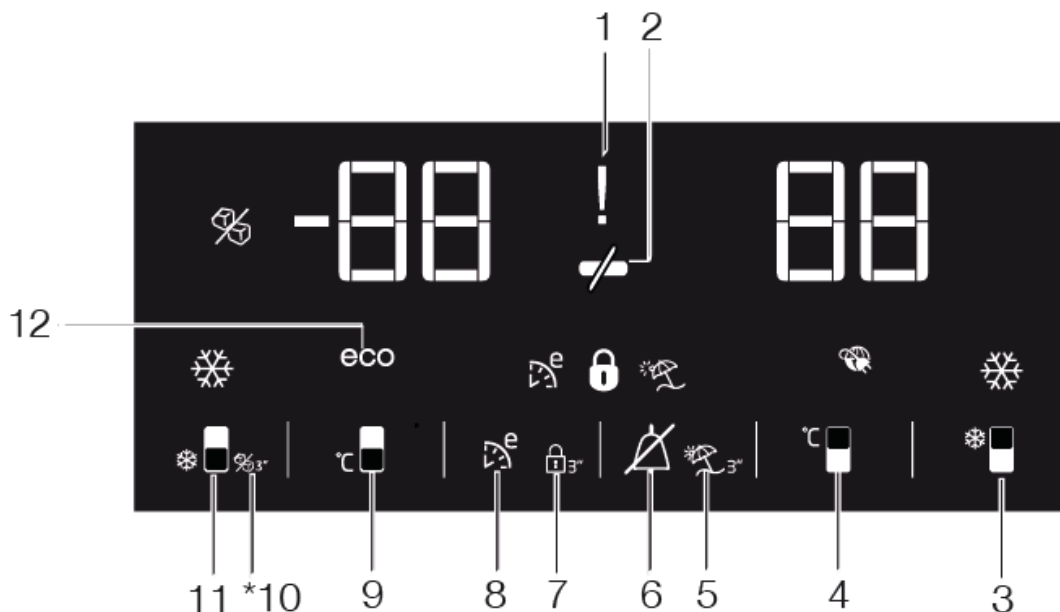
Pokud chladnička není stabilní;

Chladničku lze vyrovnat otočením nožek jako na obraze. Otočením směrem ukazovaným černou šípkou klesá roh, kde se nachází nožka. Otočením opačným směrem se roh zvedá. Proces lze usnadnit zvedáním chladničky.



4 Příprava

- Chladničku instalujte nejméně 30 cm od zdrojů tepla, jako jsou varné desky, trouby, ústřední topení a sporáky a nejméně 5 cm od elektrických trub, neumísťujte ji na přímé sluneční světlo.
- Zajistěte, aby byl vnitřek vaší chladničky důkladně vyčištěn.
- Pokud vedle sebe instalujete dvě chladničky, měl by mezi nimi být rozstup nejméně 2 cm.
- Při prvním spuštění chladničky dodržujte během prvních šesti hodin následující pokyny.
- Dveře nesmí být často otevírány.
- Musí být spuštěná prázdná, bez jakýchkoli potravin.
- Chladničku neodpojujte. Pokud dojde k výpadku energie, prostudujte si varování v kapitole „Doporučená řešení problémů“.



Panel ukazatelů

Na panelu s kontrolkami lze nastavit teplotu a ovládat ostatní funkce související s produktem, aniž by bylo třeba dveře produktu otevřít. Pro nastavení funkce stačí stisknout relevantní tlačítka.

1. Kontrolka Výpadek napájení/Vysoká teplota/Chyba

Tato kontrolka (!) se rozsvítí během výpadku napájení, při selhání při vysokých teplotách a upozornění na chybu.

Během setrvalých výpadků napájení se nejvyšší teplota, které mraznička dosáhne, rozblíká na digitálním displeji. Po kontrole potravin v mrazničce (☒) stiskněte tlačítko vypnutí a upozornění vymažte.

V případě, že se tato kontrolka rozsvítí, přečtěte si část "doporučené postupy při řešení problémů".

2. Funkce Úspora energie (vypnutý displej):


Při dodržení dveře zavřené produkt pro funkci úspory energie dlouhou dobu se automaticky aktivuje po 1 minutě a úspory energie symbol svítí. (☒)


Když je funkce úspory energie aktivní, všechny ostatní symboly na displeji zhasnou. Když je aktivována funkce úspory energie, pokud stisknete jakékoli tlačítko nebo otevřete dvířka, režim úspory energie se ukončí a ikony na displeji se vrátí do normálu.


Funkce úspory energie se aktivuje během doručení z továrny a nelze ji zrušit.


i ***Volitelné:** Obrázky v tomto návodu jsou zamýšleny jako návrhy a nemusejí se dokonale shodovat s vaším výrobkem. Pokud váš produkt neobsahuje relevantní části, informace se týká jiných modelů.

3. Funkce Rychlé chlazení


Stisknutím tohoto tlačítka aktivovat nebo deaktivovat funkci rychlého pečení ().

 Funkci rychlého chlazení použijte kdykoli chcete rychle zchladit potraviny vložené do chladničky. Pokud chcete zchladit velké množství čerstvých potravin, doporučujeme aktivovat tuto funkci, než vložíte potraviny do chladničky.



 Pokud funkci rychlého chlazení nezrušíte, vypne se sama automaticky po 1 hodinách nebo jakmile prostor chladničky dosáhne požadované teploty.

 Tato funkce se nevyvolá po selhání napájení.

4. Tlačítko nastavení teploty v chladničce

Stiskem tohoto tlačítka nastavíte teplotu prostoru chladničky na 8, 7, 6, 5, 4, 3, 2, 1, 8... Stiskněte toto tlačítko a nastavte teplotu v chladničce na požadovanou hodnotu. ()

5. Funkce Dovolená

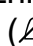
Abyste aktivovali funkci dovolené, na 3 sekundy stiskněte toto tlačítko (), aktivuje se kontrolka režimu dovolené ().

Když se kontrolka funkce dovolené aktivuje, na panelu kontrolek chladničky se zobrazí “- -”, a v chladničce nedochází k žádnému aktivnímu chlazení.



Když je tato funkce aktivovaná, nehodí se uchovávat potraviny v chladničce. Ostatní prostory se budou chladit na nastavenou teplotu.


Chcete-li tuto funkci zrušit, znovu stiskněte tlačítko funkce **Dovolená**.

6. Vypnutí alarmu:


V případě upozornění na výpadek napájení, vysokou teplotu, po kontrole potravin v mrazničce stiskněte tlačítko vypnutí alarmu () a varování vymažte.

7. Zámek kláves,

Stiskněte tlačítko zámku kláves ( 3"), držte ho po dobu 3 sekund. Symbol zámku tlačítek () se rozsvítí a aktivuje se režim zámku tlačítek. Tlačítka nebudou v režimu zámku tlačítek funkční. Tlačítko zámku kláves znovu stiskněte na 3 sekundy. Symbol zámku tlačítek zhasne a režim zámku tlačítek se ukončí.


Chcete-li předejít změně nastavení teploty chladničky, stiskněte tlačítko zámku tlačítek ( 3").

8. Eco fuzzy

Stiskněte a podržte tlačítko Eco Fuzzy jeden krát aktivovat eko rozmazaný funkci. Chladnička se spustí v nejúspornějším režimu nejméně o 6 hodin později a ukazatel úsporného provozu se rozsvítí, když je funkce aktivní (). Stiskněte a přidržte tlačítko Eco fuzzy na 3 sekundy a tato funkce se vypne.

Tato kontrolka se po 6 hodinách rozsvítí, jakmile se funkce Eco fuzzy aktivuje.

9. Tlačítko nastavení teploty v mrazničce

Stiskem tohoto tlačítka nastavíte teplotu prostoru mrazničky na -18, -19, -20, -21, -22, -23, -24 a -18. Stiskněte toto tlačítko a nastavte teplotu v mrazničce na požadovanou hodnotu. ().

10. Ukazatel vypnutí výroby (pouze na výrobky s icematic stroje) Značí, zda je výrobník ledu aktivovaný nebo deaktivovaný. (0/3) Pokud svítí, výrobník ledu nefunguje. Chcete-li výrobník ledu znovu spustit, tlačítko Zap. a Vyp. stiskněte a přidržte na 3 sekundy.

i Je-li vybrána tato funkce, průtok vody z nádrže na vodu se zastaví. Nicméně, z výrobníku lze vybrat dříve vyrobený led.

11. Tlačítko funkce Rychlé mrazení/Výroba ledu

Stisknutím tohoto tlačítka aktivujete nebo deaktivujete funkci rychlého mrazení. Když tuto funkci aktivujete, mraznička se vychladí na teplotu nižší než je nastavená hodnota. (•)

i Chcete-li výrobník ledu zapnout a vypnout, stiskněte a přidržte po dobu 3 sekund (pouze na výrobky s icematic stroje). Funkci rychlého mrazení použijte kdykoli chcete rychle zchladit potraviny vložené do chladničky. Pokud chcete zmrazit velké množství čerstvých potravin, doporučujeme aktivovat tuto funkci, než vložíte potraviny do chladničky.

i Pokud funkci rychlého mrazení nezrušíte, vypne se sama automaticky po 25 hodinách nebo jakmile prostor chladničky dosáhne požadované teploty

i Tato funkce se nevyvolá po selhání napájení.

12. Kontrolka úsporného provozu

Označuje, že chladnička běží v energeticky úsporném režimu.

(eco) Tento ukazatel bude aktivní, pokud nastavíte teplotu prostoru mrazničky na -18 nebo probíhá energeticky úsporné chlazení v rámci funkce Eco-Extra.

i Kontrolka ekonomického využití zhasne, zvolíte-li funkci rychlého chlazení či rychlého mrazení.

System dvojího chlazení:

Vaše chladnička je vybavena dvěma samostatnými chladicími systémy k chlazení prostoru pro čerstvé potraviny a mrazicího prostoru. Vzduch v prostoru pro čerstvé potraviny a v mrazicím prostoru se tedy nemísí.

Díky těmto dvěma chladicím systémům je rychlost chlazení mnohem vyšší než u jiných chladniček. Pachy v obou prostorech se nemísí. Při jednotlivém odmrazování dochází k další úspoře energie.

Používání nádržky na vodu

*volitelné

i Je normální, že několik prvních sklenic natočených ze zásobníku vody bude teplých.

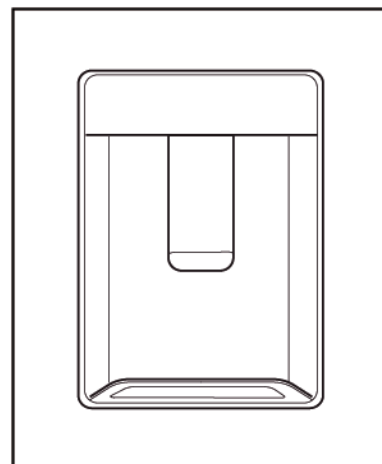
i Není-li zásobník na vodu dlouhou dobu používán, několik prvních sklenic vody vylijte, abyste získali čerstvou vodu.

1. Zatlačte skleničkou na páčku nádržky. Pokud používáte měkký plastový pohárek, páčku stlačte rukou, bude to snazší.

2. Páčku volněte po naplnění skleničky na požadovanou úroveň.

i Upozorňujeme, že to, kolik vody z chladiče pitné vody vyteče, závisí na tom, jak silně páčku stlačíte. Jak se hladina vody v pohárku/skleničce zvyšuje, jemně snižujte tlak na páčku, abyste předešli přetečení.

Pokud páčku stisknete jemně, voda začne odkapávat, což je zcela normální a nejde o selhání.



Plnění zásobníku chladiče vody

Zásobník se nachází uvnitř dveří.

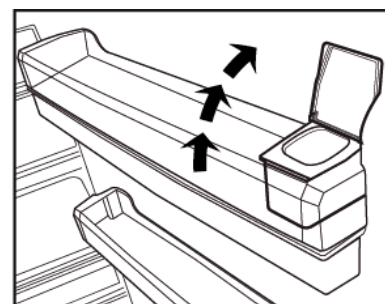
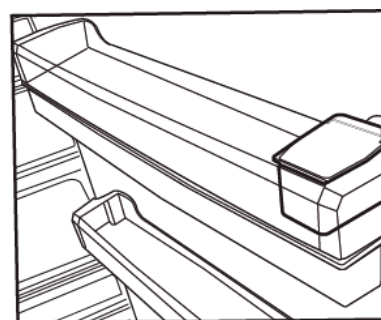
1. Otevření krytu nádrže.

2. Zásobník naplňte čerstvou pitnou vodou.

3. Zavřete víčko.

i Do zásobníku na vodu nedávejte žádnou jinou kapalinu než vodu, např. ovocné šťávy, sycené nápoje nebo alkoholické nápoje, které nejsou vhodné k použití v chladiči na vodu s dávkováním. Nádržka na vodu se při použití těchto druhů kapalin nevratně poškodí. Taková použití nekryje záruka. Některé chemické látky a přísady obsažené v těchto typech nápojů/kapalinách mohou nádržku poškodit.

i Použijte pouze čistou pitnou vodu.

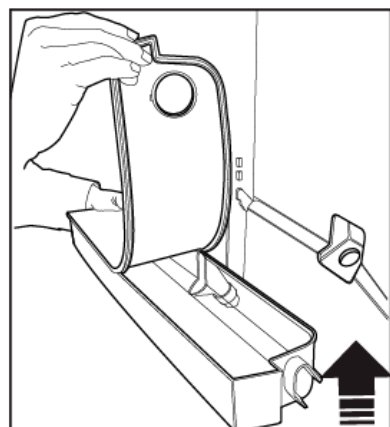
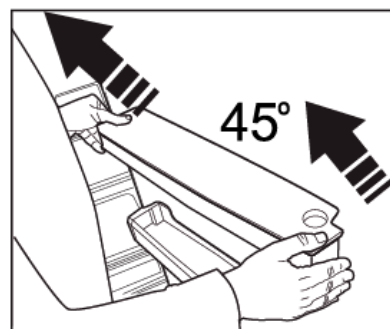
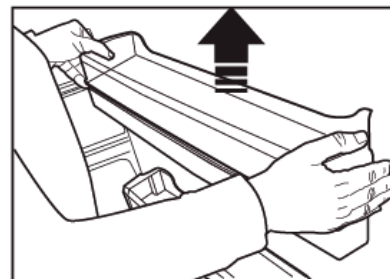
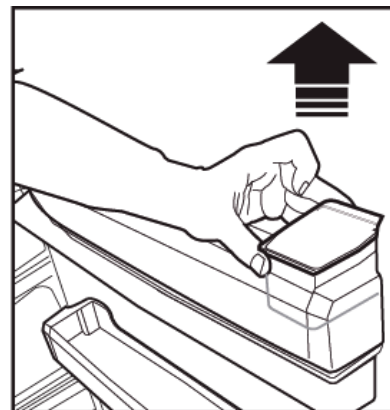


i Kapacita zásobníku na vodu je 3 litry, nepřepĺňte ho.

Čištění zásobníku na vodu

1. Vyjměte zásobník vody z vnitřní části dveří.
2. Držák vyjměte tak, že ho podržíte po obou stranách.
3. Uchopte zásobník na vodu a vyndejte ho v úhlu 45°C.
4. Sejměte kryt zásobníku a zásobník vyčistěte.

i Komponenty zásobníku na vodu se nesmí mýt v myčce na nádobí.

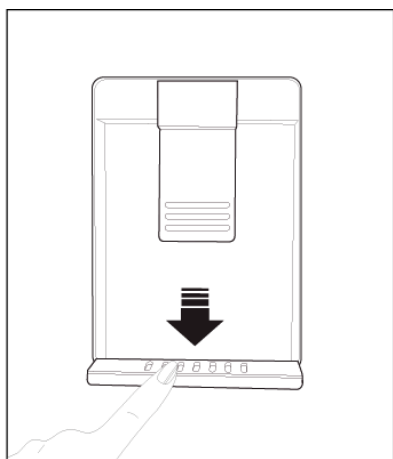


Odkapávací miska

Voda, která odkapává při používání vodní nádržky, se hromadí na tomto tácu.

Plastový filtr sejměte tak, jak je zobrazeno na obrázku.

Nahromaděnou vodu vytřete čistým a suchým hadříkem.



Zásuvka na zeleninu s kontrolovanou vlhkostí *volitelné

Díky funkci kontroly Vlhkosti je míra vlhkosti zeleniny a ovoce pod kontrolou a zajistí delší čerstvost potravin.

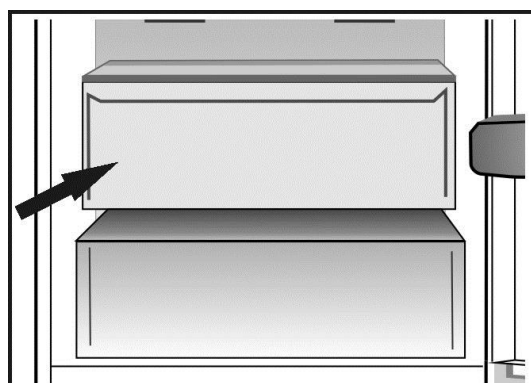
Listovou zeleninu, např. salát a špenát a podobnou zeleninu se doporučuje skladovat v horizontální pozici, v přihrádce na zeleniny.

Když vkládáte zeleninu, do spodní části dejte těžkou a tvrdou zeleninu a nahoru měkkou, v úvahu vezměte konkrétní hmotnost zeleniny.

Zeleninu v přihrádce na zeleninu neskladujte v plastových sáčcích. Když zeleninu necháte v plastových sáčcích, začne se kazit rychleji. V případech, kdy nechcete, aby došlo ke kontaktu s jinou zeleninou, použijte takové obaly jako je papír, který má vysokou poréznost. Ovoce s vysokou produkcí etylénu, např. hrušky, meruňky, broskve a zejména jablka, nedávejte do zásuvky na zeleninu společně s jinou zeleninou a ovocem. Etylén vycházející z takového ovoce může způsobit, že ostatní zelenina a ovoce zrají rychleji a rychleji se zkaží.

Prostor pro skladování rychle se kazících potravin (nízká teplota \ -2°C - +3°C).

Tento prostor byl navržen ke skladování mražených potravin, které lze pomalu rozmrazit (maso, ryby, kuře, atd.). Prostor s nízkou teplotou je nestudenější místo v chladničce, kde lze v ideálních podmínkách skladovat mléčné produkty (sýr, máslo), maso nebo kuře. Do tohoto prostoru nepatří zelenina ani ovoce.



Mražení čerstvých potravin

- Je nutno zabalit nebo zakrýt potraviny, než je umístíte do chladničky.
- Horké potraviny je nutno zchladit na pokojovou teplotu, než je vložíte do chladničky.
- Potraviny, které chcete zmrazit, musejí být čerstvé a kvalitní.
- Potraviny je nutno rozdělit na části podle potřeb rodiny na den či jednotlivé jídlo.
- Potraviny je nutno vzduchotěsně zabalit, aby nevyschly, i když je chcete skladovat krátce.
- Materiály, které použijete na balení, musejí být pevné a odolné vůči chladu, vlhkosti, zápachu, oleji a kyselinám, měly by být i vzduchotěsné. Navíc mají být uzavřené a vyrobeny z materiálů, které
 - Mražené potraviny je nutno použít rychle poté, co rozmrznou, neměly by se znovu mrazit.
 - Umístěním teplých potravin do mrazničky uvedete chladicí kompresor do nepřetržitého chodu, dokud nejsou potraviny zcela zmrzlé.
 - Pro dosažení nejlepších výsledků prosím dodržujte následující pokyny.

1. Nezmrazujte příliš velké množství najednou. Množství potravin se nejlépe uchovává, pokud se zmrazí hloubkově a co nejrychleji.
2. Dávejte zvýšený pozor, abyste nesmísili již zmrzlé a čerstvé potraviny.
3. Dávejte pozor, abyste nesmísili čerstvé potraviny a vařené jídlo.
4. Maximální množství potravin v mrazničce můžete uskladnit, pokud vyjmete police nebo zásuvky mrazničky. Hodnota spotřeby energie udaná pro vaši chladničku byla stanovena při vyjmuté polici nebo zásuvce mrazničky a při maximální náplni.
5. Doporučuje se, abyste vkládal jídlo na nejvyšší polici pro počáteční mražení.

Nastavení mrazničky	Nastavení chladničky	Vysvětlivky
-18°C	4°C	Toto je normální doporučené nastavení.
-20, -22 or -24°C	4°C	Tato nastavení jsou doporučena, pokud teplota prostředí přesáhne 30°C.
Rychlé mrazení	4°C	Toto nastavení použijte, pokud chcete rychle zmrazit potraviny. Doporučuje se pro uchovávání kvality masa a ryby.
-18°C nebo chladněji	2°C	Pokud se domníváte, že v chladničce není dostatečně chladno kvůli vysoké teplotě nebo častému otevírání a zavírání dveří.
-18°C nebo chladněji	Rychlé chlazení	Můžete je použít, když je prostor chladničky přeplněný nebo chcete rychle ochladit potraviny. Doporučujeme aktivovat funkci rychlého mrazení 4-8 hodin před vložením potravin.

Doporučení pro uschování mražených potravin

- Předbalené jídlo skládejte podle pokynů na obalu v mrazničce.
- Pro zajištění vysoké kvality podle výrobce a prodejce mražených potravin nezapomeňte dodržovat následující body:

1. Balení vkládejte do mrazničky co nejrychleji po zakoupení.
2. Ověřte, zda je na obsahu uvedeno označení a datum.
3. Nepřekračujte data spotřeby na Obalu.

Odmrazování chladničky

Prostor mrazničky se odmrazuje automaticky.

Vkládání potravin

Police prostoru mrazničky	Různé mražené potraviny, jako je maso, ryby, zmrzlina, zelenina atd.
Tácek na vejce	Vejce
Police chladničního prostoru	Potraviny v pánvích, přikrytých talířích, uzavřených nádobách
Police dveří prostoru chladničky	Malé a balené potraviny či nápoje (např. mléko, ovodný džus a pivo)
Přhrádky	Ovoce a zelenina
Přihradka pro čerstvé potraviny	Lahůdky (syry, máslo, salám atd.)

Informace o hloubkovém mražení

Potraviny je nutno zmrazit co nejrychleji, když je vložíte do chladničky, aby zůstaly v dobré kvalitě.

Norma TSE vyžaduje (podle určitých podmínek měření), aby chladnička zmrazila nejméně 4,5 kg potravin při teplotě 32°C na -18°C nebo nižší teplotu během 24 hodin na každých 100 litrů objemu.

Je možné udržet potraviny dlouhodobě jen při -18°C nebo nižších teplotách. Čerstvé potraviny můžete uchovat mnoho měsíců (při -18°C nebo nižších teplotách při hloubkovém mražení).

VAROVÁNÍ! ⚠

- Potraviny je nutno rozdělit na části podle potřeb rodiny na den či jednotlivé jídlo.
- Potraviny je nutno vzduchotěsně zabalit, aby nevyschly, i když je chcete skladovat krátce.

Materiály nezbytné pro balení:

- Lepicí páska odolná vůči chladu
- Samolepicí páska
- Gumičky
- Pero

Materiály, které použijete na balení potravin, musejí být pevné a odolné vůči chladu, vlhkosti, zápachu, oleji a kyselinám.

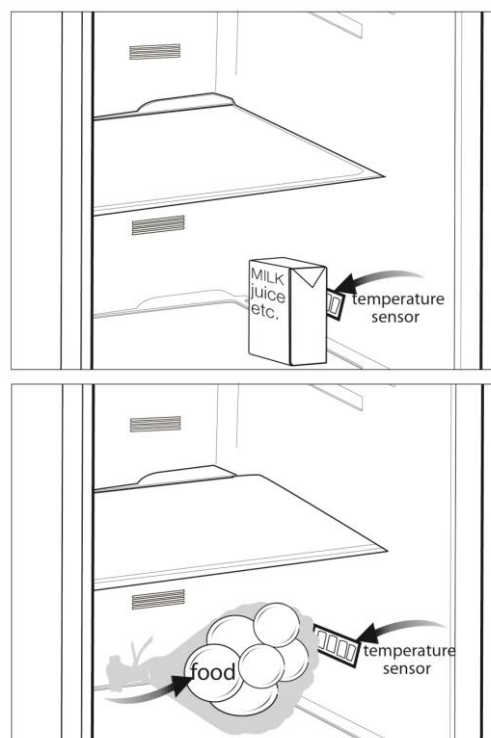
Potraviny by neměly být v kontaktu s předtím zmraženými potravinami, aby nedošlo k částečnému rozmražení.

Mražené potraviny je nutno použít rychle poté, co rozmrznou, neměly by se znovu mrazit.

Doporučení pro přihradku pro čerstvé potraviny

*opce

- Zamezte jakémukoli kontaktu potravin se senzorem teploty v prostoru pro čerstvé potraviny. Z důvodu zajištění ideální skladovací teploty v prostoru pro čerstvé potraviny nesmí být senzor blokován potravinami.
- Nevkládejte do spotřebiče horké potraviny.



- ⚠ Nikdy na čištění nepoužívejte benzín, technický benzín a podobné materiály.
- ⚠ Doporučujeme odpojit přístroj od sítě, než jej začnete čistit.
- ⚠ Nikdy nepoužívejte brusné nástroje, mýdlo, domovní čistič, odmašťovač či voskové čisticí prostředky.
- ℹ Používejte vlažnou vodu pro vyčištění skříně a otřete ji pak dosucha.
- ℹ Používejte vlhký hadřík namočený do roztoku jedné čajové lžičky sody bikarbony na půl litru vody na vyčištění vnitřku, pak jej dosucha otřete.
- ⚠ Zajistěte, aby do krytu světla a jiných elektrických prvků nepronikla voda.
- ⚠ Pokud chladničku delší dobu nebudete používat, odpojte napájecí kabel, vyjměte všechny potraviny, vyčistěte jej a nechte dveře otevřené.
- ℹ Pravidelně kontrolujte těsnění dvířek, abyste zajistili jejich čistotu a nezanesení částicemi potravin.
- ⚠ Pro odstranění polic ve dveřích odstraňte všechnen obsah a pak jen zvedněte dveřní polici vzhůru ze základny.

- ⚠ Nikdy na čištění vnějších a pochromovaných ploch a nepoužívejte prostředky obsahující chlór. Chlór působí korozi takových kovových ploch.

Ochrana plastových ploch

- ℹ Nevkládejte tekuté oleje nebo pokrmy s obsahem oleje do chladničky v neuzavřených nádobách, jelikož poškodí plastovou plochu vaší chladničky. V případě rozlití nebo rozetření oleje na plastové ploše vyčistěte a opláchněte příslušnou část plochy teplou vodou.

7 Doporučená řešení problémů

Než zavoláte do servisu, projděte si tento seznam. Možná vám ušetří čas a peníze. Tento seznam obsahuje časté stížnosti, které nejsou způsobeny vadným zpracováním či použitými materiály. Některé zde uvedené funkce nemusejí být přítomny na vašem výrobku.

Chladnička nefunguje.

- Je chladnička řádně zapojena? Zasuňte zástrčku do sítě.
- Není vypálena pojistka zástrčky, do níž je chladnička zapojena, nebo hlavní pojistka? Zkontrolujte pojistku

Kondenzace na boční stěně prostoru chladničky (MULTIZONE, COOL CONTROL a FLEXI ZONE)

- Velmi nízká teplota prostředí. >>> Neinstalujte chladničku v prostředí, kde teplota klesá pod 10 °C.
- Časté otevírání a zavírání dveří. >>>Otevírejte dveře méně často.
- Vysoká vlhkost v prostředí. >>>Neinstalujte chladničku v prostředí s vysokou vlhkostí.
- Skladování potravin s obsahem kapalin v otevřených nádobách. >>>Nevkládejte potravin s obsahem kapalin v otevřených nádobách.
- Dveře jsou dokořán. >>>Zavřete dveře.
- Termostat je nastaven na velmi chladné úrovni. >>>Nastavte termostat na vhodnou úroveň.

Kompresor neběží

- Tepelná pojistka kompresoru se zapne během náhlého výpadku energie nebo odpojení a zapojení, jelikož tlak chladicího média v chladicí soustavě chladničky není dosud vyvážen. Vaše chladnička začne fungovat asi po 6 minutách. Kontaktujte servis, pokud se chladnička nespustí na konci této doby.
- Chladnička je v režimu odmrazování. >>>Toto je normální pro chladničku s plně automatickým odmrazováním. Cyklus odmražení probíhá pravidelně
- Chladnička není zapojena do zásuvky. >>>Ověřte, zda je zástrčka řádně zasunuta do zásuvky.
- Teplota není správně nastavená. >>>Vyberte správnou teplotu.
- Vypadl proud. >>>Až se problém vyřeší chladnička se vrátí k normálnímu provozu.

Provozní hluk se zvyšuje, když je chladnička zapnutá.

- Provozní vlastnosti chladničky se mohou změnit podle výkyvů okolní teploty. Je to normální, nejde o poruchu.

Chladnička často běží nebo běží dlouhodobě.

- Nový výrobek může být širší než předchozí. Je to zcela normální. Četší chladničky fungují delší dobu.
- Okolní teplota v místnosti je možná vysoká. >>>Je to zcela normální.
- Chladnička možná byla nedávno zapojena nebo byla naplněna potravinami. >>>Kdy chladnička byla nedávno zapojena nebo byla naplněna potravinami ochlazování chladničky může trvat o pár hodin déle. Je to zcela normální.
- V nedávné době jste do chladničky vložili velké množství horkých pokrmů. >>>Nevkládejte horké jídlo do chladničky.
- Dveře se mohly otevřít častěji nebo byly ponechány dlouhou dobu otevřené. >>> Teplý vzduch, který pronikl do chladničky, způsobil dlouhodobější chod chladničky. Otevírejte dveře méně často.
- Mraznička nebo dveře chladničky zůstaly dokořán. >>>Zkontrolujte, zda jsou dveře pevně zavřeny.
- Chladnička je nastavena na velmi nízkou teplotu. >>>Upravte teplotu chladničky na vyšší hodnotu a počkejte na dosažení této teploty.
- Těsnění dveří chladničky nebo mrazničky může být ušpiněno, opotřebené, prasklé nebo nesprávně usazené. >>> Vyčistěte nebo vyměňte těsnění. Poškození/prasklé těsnění způsobuje dlouhodobý chod chladničky pro udržení správné teploty.

Teplota mrazničky je velmi nízká, zatímco teplota v chladničce je dostatečná.

- Teplota mrazničky je nastavena na velmi nízkou teplotu. Upravte teplotu mrazničky na vyšší hodnotu a zkontrolujte ji.

Teplota chladničky je velmi nízká, zatímco teplota v mrazničce je dostatečná.

- Teplota chladničky může být nastavena na velmi nízkou teplotu. Upravte teplotu chladničky na vyšší hodnotu a zkontrolujte ji.

Jídlo v chladničce začíná mrznout.

- Teplota chladničky může být nastavena na velmi nízkou teplotu. Upravte teplotu chladničky na vyšší hodnotu a zkontrolujte ji.

Teplota v mrazničce nebo chladničce je velmi vysoká.

- Teplota chladničky může být nastavena na velmi vysokou teplotu. >>>Nastavení chladničky má vliv na teplotu v mrazničce. Změňte teplotu chladničky nebo mrazničky, dokud teplota v chladničce nebo mrazničce nedosáhne dostatečnou hodnotu.
- Dveře se mohly otevřít častěji nebo byly ponechány dlouhou dobu otevřené; >>>otevírejte je méně často.
- Dveře jsou dokořán. >>>Zavřete dveře.
- Chladnička možná byla nedávno zapojena nebo byla naplněna potravinami. >>>Kdy chladnička byla nedávno zapojena nebo byla naplněna potravinami ochlazování chladničky může trvat o pár hodin déle. Je to zcela normální.
- V nedávné době jste do chladničky vložili velké množství horkých pokrmů.>>>Nevkládejte horké jídlo do chladničky.

Vibrace nebo hluk.
<ul style="list-style-type: none"> • Podlaha není rovná nebo je slabá. >>>Chladnička se při pohybu kymácí. Ověřte, zda je podlaha dostatečně pevná pro chladničku a zda je rovná. • Hluk mohou způsobovat předměty vkládané na chladničku. >>> Předměty na horní straně chladničky sejměte.
Ozývá se zvuk z chladničky jako rozlévání kapaliny nebo stříkání
<ul style="list-style-type: none"> • Proudění kapalin a plynu se může objevit v souladu s provozními zásadami vaší chladničky. Je to normální, nejde o poruchu.
Ozývá se hluk jako kvílení větru.
<ul style="list-style-type: none"> • Jsou v provozu ventilátory pro ochlazení chladničky. Je to normální, nejde o poruchu.
Kondenzace na vnitřních stěnách chladničky.
<ul style="list-style-type: none"> • Horké a vlhké počasí zvyšuje tvorbu ledu a kondenzace. Je to normální, nejde o poruchu. • Dveře se mohly otevřít častěji nebo byly ponechány dlouhou dobu otevřené; >>>otevírejte je méně často. Zavřete dveře jestli jsou otevřené. • Dveře jsou dokořán. >>>Zavřete dveře.
Vlhkost na vnější straně chladničky nebo mezi dveřmi.
<ul style="list-style-type: none"> • Ve vzduchu může být vlhkost; toto je ve vlhkém počasí poměrně normální. Po poklesu vlhkosti kondenzace zmizí.
Nepříjemný zápach v chladničce.
<ul style="list-style-type: none"> • Chladničku je nutno vyčistit uvnitř. >>>Vyčistěte vnitřek chladničky houbičkou, vlažnou vodou nebo karbonovou vodou • Některé nádoby či obalové materiály mohou způsobit zápach. >>>Použijte odlišnou nádobu nebo obalový materiál jiné značky. • Jídlo je v nezakrytých krabicích. >>>Uchovejte jídlo v uzavřených krabicích. Mikroorganismy v otevřených krabicích se rozšíří a způsobí nepříjemné pachy. • Vyndejte špatné jídlo z chladničky.
Dvířka se nezavírají.
<ul style="list-style-type: none"> • Zabalené potraviny mohou bránit v zavírání dveří. >>>Vyměňte obaly, které brání v chodu dveří. <ul style="list-style-type: none"> • Chladnička nestojí zcela svisle na podlaze a při pohybu se mírně pohupuje. >>>Upravte nastavitelné nožičky. • Podlaha není rovná či silná. >>>Ověřte, zda je podlaha rovná a unese chladničku.
Přihrádky na čerstvé potraviny jsou zaseklé.
<ul style="list-style-type: none"> • Potraviny se možná dotýkají horní strany zásuvek. >>>Upravte rozložení potravin v zásuvce.

Prosím, prečítajte si najskôr túto príručku!

Vážený zákazník, Dúfame, že váš produkt, ktorý bol vyrobený v moderných továrňach a skontrolovaný v rámci prepracovaných postupov riadenia kvality, vám bude úspešne a efektívne slúžiť. Preto vám odporúčame, aby ste si pozorne prečítali celú túto príručku k vášmu produktu predtým, ako ho začnete používať, a ponechajte si ju poruke, aby ste si ju v prípade potreby mohli prezerať. Please read this user manual first!

Tento manual vám pomôže používať váš prístroj rýchlo a bezpečne.




- Manuál si prečítajte pred inštaláciou a prevádzkou vášho produktu
- Dodržiavajte pokyny, obzvlášť tie, ktoré sa týkajú bezpečnosti
- Manuál si uschovajte na ľahko prístupnom mieste, pretože ho môžete neskôr potrebovať.
- Okrem toho si prečítajte aj ostatné dokumenty dodané s vaším produktom. Majte na pamäti, že tento manuál platí aj pre iné modely

Explanation of symbols

Throughout this user manual the following symbols are used:

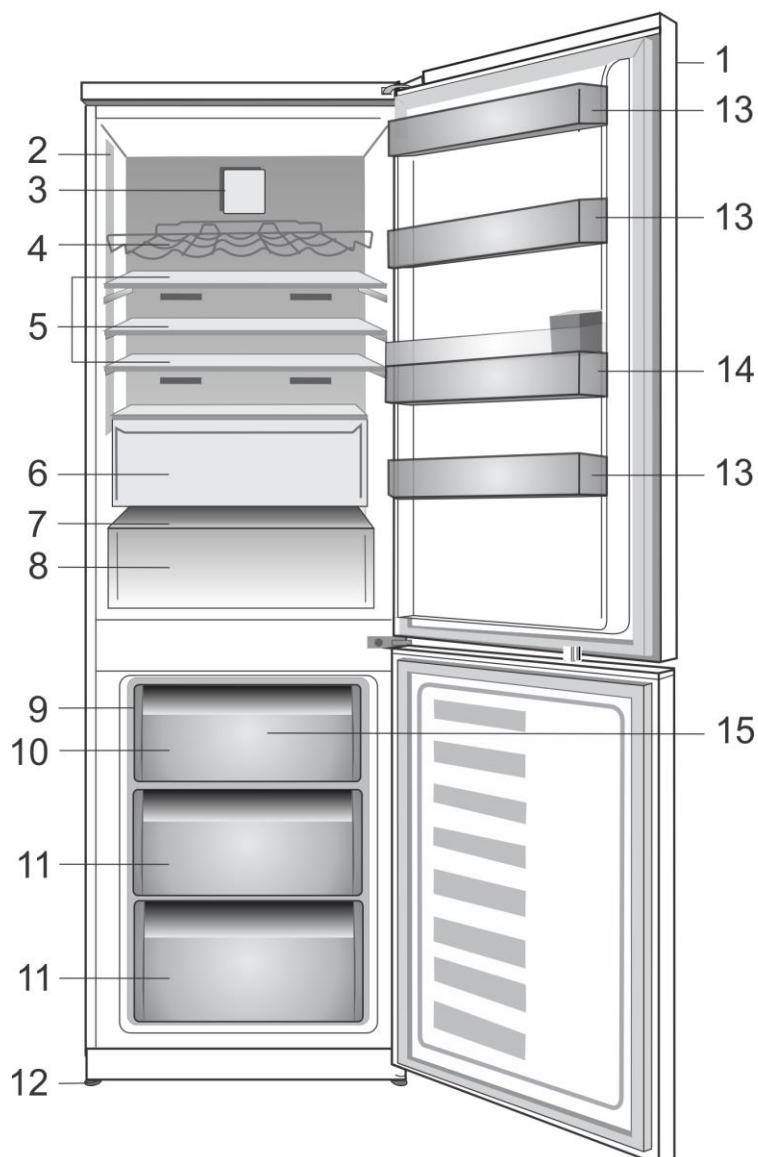
Symbols a ich popis

Tento návod na obsluhu obsahuje nasledovné symboly:

-  Dôležité informácie alebo užitočné tipy.
-  Výstraha pred ohrozením života a majetku.
-  Výstraha pred elektrickým napätím.

<u>1 Vaša chladnička</u>	4	<u>4 Príprava</u>	12
<u>2 Dôležité bezpečnostné výstrahy</u>	5	<u>5 Používanie chladničky</u>	13
Určené použitie.....	5	Indikačný panel.....	13
Všeobecná bezpečnosť.....	5	Duálny systém chladenia:.....	15
Pri výrobkoch s dávkovačom vody	7	Používanie dávkovača vody.....	16
Bezpečnosť detí	7	Zásuvka na zeleninu s	
Dodržiavanie smernice WEEE pre		kontrolovanou vlhkosťou	18
likvidáciu odpadov	7	Priestor pre skladovanie	18
Informácie o balení.....	8	Mrazenie čerstvých potravín.....	19
Upozornenie HCA.....	8	Odporúčania pre uchovávanie	
Veci, ktoré treba urobiť pre úsporu		mrazeného jedla.....	20
energie	8	Rozmrazovanie.....	20
<u>3 Inštalácia</u>	9	Umiestnenie jedla.....	20
Body, ktoré je potrebné zvažovať pri		Informácie pre hlboké mrazenie.....	21
opakovanej preprave chladničky	9	Odporúčania pre uchovávanie	
Pred uvedením chladničky do		čerstvých potravín.....	21
prevádzky	9	<u>6 Údržba a čistenie</u>	22
Elektrické pripojenie.....	10	Ochrana plastových povrchov.....	22
Likvidácia obalu	10	<u>7 Odporúčané riešenia problémov</u>	23
Likvidácia vašej starej chladničky	10		
Umiestnenie a inštalácia	10		
Výmena lampy osvetlenia	11		
Zmena smeru otvárania dverí	11		
Nastavenie nôh	11		

1 Vaša chladnička



- | | |
|------------------------------|--|
| 1. Ovládací panel | 10. Priečinko pre rýchle mrazenie |
| 2. Vnútorné osvetlenie | 11. Priestory pre uchovávanie mrazených potravín |
| 3. Ventilátor | 12. Nastaviteľná predná nôžka |
| 4. Priehradka na víno | 13. Poličky vo dverách v priečinku chladničky |
| 5. Nastaviteľné police | 14. Používanie dávkovača vody |
| 6. Zero stupeň priehradka | 15. Ventilátor mrazničky |
| 7. Kryt priehradky na ovocie | |
| 8. Priehradky na ovocie | |
| 9. Zásobník priestoru na ľad | |

i Obrázky v tejto príručke k obsluhu sú schematické a nemusia sa presne zhodovať s vaším produktom. Ak produkt, ktorý ste si zakúpili, nedisponuje uvádzanými časťami, potom sa to týka iných modelov.

2 Dôležité bezpečnostné výstrahy

Prečítajte si nasledujúce informácie. Nedodržiavanie týchto informácií môže mať za následok zranenia alebo vecné škody. Všetky záručné záväzky tým strácajú platnosť.

Originálne náhradné súčiastky budú dodávané po dobu 10 rokov od kúpy výrobku.

Určené použitie

Tento výrobok je určený na použitie

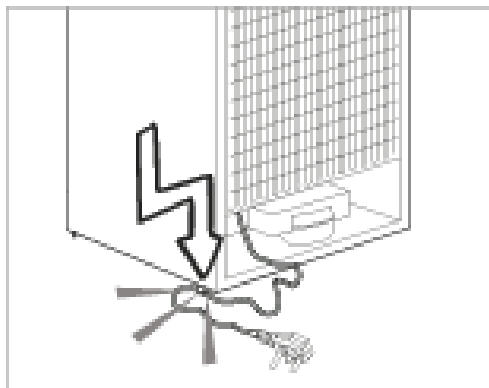
- interiéroch a v uzatvorených oblastiach, ako napríklad v domoch;
- v uzatvorených pracovných prostrediach, ako napríklad obchody a kancelárie;
- v uzatvorených ubytovacích oblastiach, ako napríklad chalupy, hotely, penzióny;
- Tento výrobok sa nesmie používať v exteriéroch

Všeobecná bezpečnosť

- Ak chcete vyradiť/zlikvidovať tento produkt, odporúčame vám poradiť sa s autorizovaným servisom, aby ste získali potrebné informácie o autorizovaných orgánoch zriadených na tento účel.
- Obráťte sa na autorizovaný servis so všetkými otázkami a problémami s vašou chladničkou. Nezasahujte ani nenechajte iných zasahovať do chladničky bez upozornenia autorizovaného servisu
- Pri výrobkoch s mraziacim priečinkom nejedzte zmrzlinu v kornútoch a kocky ľadu ihneď po ich vybratí z mraziaceho priečinka! (Môžete si tým spôsobiť nepríjemný mrazivý pocit v ústach.)

- Pri výrobkoch s mraziacim priečinkom nedávajte do mraziaceho priečinka tekuté nápoje vo fľašiach a plechovkách. V opačnom prípade by mohli prasknúť.
- Mrazeného jedla sa nedotýkajte rukami; mohlo by sa k ruke prílepiť.
- Pred čistením alebo rozmrazovaním chladničku odpojte.
- Para a parové čistiace prostriedky by sa nikdy nemali používať pri čistení a odmrazovaní vašej chladničky. V takýchto prípadoch by sa para mohla dostať do kontaktu s elektrickými dielmi a spôsobiť skrat alebo zásah elektrickým prúdom.
- Nikdy nepoužívajte rôzne časti, ako napr. dvere, ako podpery alebo schodíky.
- Vo vnútri vašej chladničky nepoužívajte elektrické zariadenia.
- Časti, v ktorých cirkuluje chladivo, nepoškodzuje nástrojmi na vŕtanie alebo rezanie. V prípade perforácie plynových kanálov výparníka, trubkových rozšírení alebo povrchových úprav, spôsobuje rozliaty chladiaci prostriedok podráždenie pokožky a zranenia očí.
- Neprekrývajte ani neblokujte ventilačné otvory na chladničke žiadnymi materiálmi.
- Elektrické spotrebiče musia opravovať len oprávnené osoby. Opravy vykonávané nekompetentnými osobami predstavujú riziko pre používateľa

- V prípade zlyhania alebo počas údržby alebo opráv odpojte chladničku od elektrického rozvodu buď vypnutím príslušnej poistky alebo odpojením spotrebiča od siete.
- Pri odpájaní zásuvky neťahajte za kábel, ale potiahnite zásuvku.
- Nápoje s vysokým obsahom alkoholu umiestnite tesne vedľa seba a vertikálne.
- V chladničke neskladujte spreje s rozprašovačom, ktoré obsahujú horľavé alebo výbušné látky.
- Nepoužívajte mechanické prístroje alebo iné prostriedky na urýchľovanie rozmrazovacieho procesu iné ako tie, ktoré odporúča výrobca.
- Tento produkt nie je určený na používanie osobami s fyzickými, zmyslovými alebo duševnými poruchami alebo nepoučenými alebo neskúsenými osobami (vrátane detí), pokiaľ pri nich nie je osoba, ktorá je zodpovedná za ich bezpečnosť, alebo ktorá ich riadne poučí o používaní produktu
- Neuvádzajte do prevádzky poškodenú chladničku. Ak máte akékoľvek pochybnosti, obráťte sa na servisného zástupcu.
- Elektrická bezpečnosť vašej chladničky je zaručená len vtedy, keď je váš uzemňovací systém v zhode s týmito štandardmi.
- Vystavenie produktu pôsobeniu dažďa, snehu, slnka a vetra je nebezpečné z pohľadu elektrickej bezpečnosti.
- Pri poškodení elektrického kábla kontaktujte autorizovaný servis, aby ste zabránili ohrozeniu.
- Počas inštalácie nikdy chladničku nepripájajte do elektrickej zásuvky. V opačnom prípade vznikne riziko usmrtenia alebo vážneho zranenia.
- Táto chladnička je určená len na skladovanie potravín. Nepoužívajte ju na žiadne iné účely.
- Štítok s technickými údajmi sa nachádza na ľavej stene vo vnútri chladničky.
- Chladničku nezapájajte do elektronických systémov na úsporu energie, pretože ju môžu poškodiť.
- Ak je v chladničke modré svetlo, nepozerajte sa naň cez optické zariadenia.
- Manuálne riadené chladničky zapínajte po výpadku prúdu s odstupom najmenej 5 minút.
- Pri odovzdaní produktu inej osobe odovzdajte túto príručku k obsluhu novému vlastníkovi.
- Zabráňte poškodeniu elektrického kábla pri preprave chladničky. Prehýbanie kábla môže spôsobiť požiar. Na napájací kábel nedávajte ťažké predmety.
- Pri zapájaní produktu sa zástrčky nedotýkajte mokrými rukami.



- Chladničku nezapájajte, ak je zásuvka na stene uvoľnená.
- Z bezpečnostných dôvodov nestriekajte vodu priamo na vnútorné alebo vonkajšie časti produktu.

- Z dôvodu rizika požiaru a výbuchu nerozstrekujte v blízkosti chladničky horľavé materiály, ako napríklad propánový plyn a pod.
- Na chladničku neumiestňujte nádoby naplnené vodou, pretože môžu spôsobiť zásah elektrickým prúdom alebo požiar
- Nepreťažujte chladničku nadmernými množstvami potravín. Ak je preťažená, potraviny môžu spadnúť a spôsobiť vám zranenie a poškodiť chladničku, keď otvoríte dvere.
- Na chladničku nikdy nedávajte predmety, pretože môžu spadnúť, keď otvoríte alebo zatvoríte dvere chladničky.
- V chladničke neuchovávajte vakcíny, lieky citlivé na teplo, vedecké materiály a pod., ktoré si vyžadujú presnú teplotu.
- Ak sa chladnička nebude dlhší čas používať, treba ju odpojiť zo siete. Možný problém s napájacím káblom môže spôsobiť požiar.
- Výbežky zástrčky by sa mali pravidelne čistiť suchou handričkou, pretože v opačnom prípade môže dôjsť k požiaru.
- Keď nastaviteľné nožičky nie sú umiestnené pevne na podlahe, môže dôjsť k posunu chladničky. Správnym upevnením nastaviteľných nožičiek na podlahe možno zabrániť posúvaniu chladničky.
- Pri prenášaní chladničky ju nedržte za rukoväť na dverách. V opačnom prípade môže prasknúť.
- Ak musíte umiestniť produkt vedľa inej chladničky alebo mrazničky, vzdialenosť medzi nimi musí byť najmenej 8 cm. Inak môžu priľahlé steny strán navlhnúť.

Pri výrobkoch s dávkovačom vody;

musí byť tlak prívodu vody najmenej 1 bar. Tlak prívodu vody musí byť najviac 8 barov.


- Používajte len pitnú vodu.

Bezpečnosť detí

- Ak dvere obsahujú zámku, kľúč uchovávajte mimo dosah detí.
- Deti musia byť pod dohľadom, aby sa zabránilo ich zasahovaniu do produktu.

Dodržiavanie smernice WEEE pre likvidáciu odpadov



Tento symbol  na výrobku alebo obale znamená, že s výrobkom nemôže byť nakladané ako s domovým odpadom. Miesto toho je potrebné ho doručiť do vyhradeného zberného miesta na recykláciu elektrozariadení. Tým, že zaistíte správne zneškodnenie, pomôžete zabrániť potencionálnemu negatívnemu vplyvu na životné prostredie a ľudské zdravie, ktoré by v opačnom prípade hrozilo pri nesprávnom nakladaní s týmto výrobkom. Pre získanie ďalších podrobných informácií o recyklácii tohoto výrobku kontaktujte prosím váš miestny alebo obecný úrad, miestnu službu pre zber domového odpadu alebo predajňu, kde ste výrobok zakúpili.

Informácie o balení

Obalové materiály výrobku sú vyrobené z recyklovateľných materiálov v súlade s našimi Národnými predpismi na ochranu životného prostredia. Obalové materiály nelikvidujte spoločne s komunálnym alebo iným odpadom. Zaneste ich do zberného miesta obalových materiálov, ktoré je na to určené miestnymi úradmi.

Nezabudnite...

Každý recyklovaný materiál je nepostrádateľným zdrojom pre prírodu a národné zdroje.

Ak by ste chceli prispieť k recyklácii obalových materiálov, informácie môžete získať u ekologických organizácií alebo na miestnych úradoch

Upozornenie HCA

Chladiaci systém vášho výrobku obsahuje R600a:

Tento plyn je horľavý. Preto dajte pozor na to, aby ste nepoškodili chladiaci systém a potrubné vedenia pri používaní a preprave. V prípade poškodenia udržiavajte produkt mimo potenciálnych zdrojov plameňa, ktoré by mohli spôsobiť vznietenie produktu, a miestnosť, kde je zariadenie umiestnené, dostatočne vetrajte.

Typ plynu použitý vo výrobku je uvedený na typovom štítku, ktorý sa nachádza na ľavej stene vnútri chladničky.

Produkt nelikvidujte hodením do ohňa.

Veci, ktoré treba urobiť pre úsporu

- Dvere vašej chladničky nenechávajte otvorené dlhý čas.
- Do chladničky nevkladajte horúce jedlá alebo nápoje.
- Chladničku neprepĺňajte, aby ste neblokovali prúdenie vzduchu v interiéri.
- Vašu chladničku neumiestňujte na priame slnečné svetlo alebo do blízkosti spotrebičov, ktoré produkujú teplo, ako napr. rúry na pečenie, umývačky riadu alebo radiátory. Vaša chladnička by mala byť umiestnená v najmenej 30 cm vzdialenosti od zdrojov tepla, a najmenej v 5 cm vzdialenosti od elektrických rúr na pečenie
- Dbajte na to, aby ste jedlo uchovávali v uzavretých nádobách.
- Pri výrobkoch s mraziacim priečinkom môžete v mrazničke skladovať maximálny objem potravín vtedy, keď odstránite poličku alebo priečink mrazničky. Hodnota spotreby energie stanovená pre vašu chladničku bola stanovená tak, že sa odstránila polička alebo priečink mrazničky a pri maximálnom vyťažení. So zreteľom na tvary a veľkosť potravín určených na zamrazenie neexistuje pri používaní police alebo zásuvky žiadne riziko.
- Rozmrazovanie mrazených potravín v priečinku chladničky zabezpečuje úsporu energie a taktiež zachováva kvalitu potravín.

3 Inštalácia

⚠ Zapamätajte si, že výrobca nie je zodpovedný za škody v prípade, ak nedodržíte pokyny v návode na použitie.

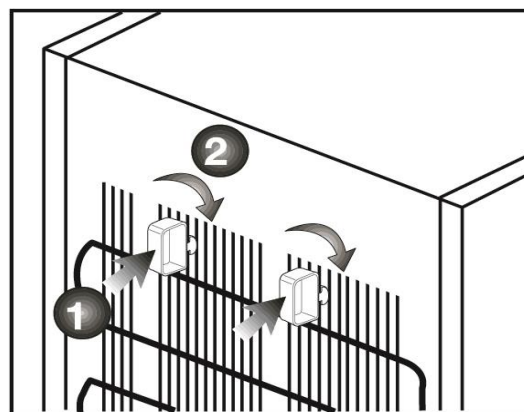
Body, ktoré je potrebné zvažovať pri opakovanej preprave chladničky

1. Vaša chladnička musí byť pred Presunom odpojena. prázdna a očistená.
2. Police, príslušenstvo, priehradky atď. vo vašej chladničke musia byť pred opätovným zabalením chladničky zalepené a zaistené voči otrasom. Balenie musíte zaistiť hrubými páskami alebo silnými lanami a musíte dodržiavať bezpečnostné pokyny na balení.
3. Originálny obal a penové materiály by ste si mali odložiť za účelom budúceho transportu alebo prenášania

Pred uvedením chladničky do prevádzky,

Pred začatím používania vašej chladničky skontrolujte nasledovné:

1. 2 plastové kliny môžete namontovať tak, ako je to znázornené na obrázku. Plastové klince zaistia požadovanú vzdialenosť medzi chladničkou a stenou kvôli dostatočnej cirkulácii vzduchu. (Znázornený obrázok predstavuje len príklad a nezhoduje sa presne s vaším produktom.)



2. Vyčistite interiér chladničky podľa odporúčania v odseku „Údržba a čistenie“.
3. Chladničku pripojte do elektrickej zásuvky. Keď sa otvoria dvere chladničky, zapne sa vnútorné svetlo.
4. Budete počuť zvuk pri zapnutí kompresora. Kvapalina a plyny utesnené v chladiacom systéme môžu vydávať nejaký zvuk, bez ohľadu na to, či kompresor je alebo nie je v prevádzke. Toto je celkom normálne.
5. Predné hrany chladničky môžu byť zohriate. To je normálne. Tieto časti sú vytvorené tak, aby boli zohriate, aby sa predišlo kondenzácii.

Elektrické pripojenie

Pripojte výrobok k uzemnenej zástrčke, ktorá je chránená poistkou príslušnej kapacity.

Dôležité:

- Pripojenie musí byť v zhode s národnými predpismi.
- Elektrická zásuvka musí byť po inštalácii ľahko prístupná.
- Určené napätie musí byť rovnaké ako napätie vo vašej elektrickej sieti.
- Predlžovacie káble a rozbočky sa nesmú používať na pripojenie zariadenia

⚠ Poškodený elektrický kábel musí vymeniť kvalifikovaný elektrikár.

⚠ Zariadenie sa nesmie prevádzkovať dovtedy, pokiaľ nebude opravené! Hrozí nebezpečenstvo zásahu elektrickým prúdom!

Likvidácia obalu

Obalový materiál môže byť nebezpečný pre deti. Obalový materiál držte mimo dosahu detí alebo ho vyhodte podľa pokynov pre likvidáciu odpadu určené miestnymi úradmi. Obalové materiály neodhadzujte spoločne s domovým odpadom. Zaneste ich do zberného miesta obalových materiálov, ktoré je na to určené miestnymi úradmi.

Balenie chladničky je vyrobené z recyklovateľných materiálov.

Likvidácia vašej starej chladničky

Vašu starú chladničku zlikvidujte ekologicky.

- O likvidácii vašej starej chladničky sa môžete poradiť s vašim autorizovaným predajcom alebo zberným miestom.

Pred likvidáciou vašej chladničky odrežte elektrickú zásuvku a ak sa na dverách nachádzajú nejaké zámky, znefunkčnite ich, aby ste nevystavili deti žiadnemu nebezpečenstvu.

Umiestnenie a inštalácia

⚠ Ak vstupné dvere v miestnosti, kde bude chladnička nainštalovaná, nie sú dostatočne široké na to, aby cez ne chladnička prešla, zavolajte do autorizovaného servisu, aby odmontovali dvere vašej chladničky a bokom ju preniesli cez dvere.

1. Chladničku nainštalujte na miesto, ktoré umožňuje ľahké použitie.
2. Chladničku udržiavajte mimo dosah zdrojov tepla, vlhkých miest a priameho slnečného svetla.
3. Kvôli dosiahnutiu účinnej prevádzky musí byť v okolí chladničky dostatočné vetranie. Ak bude chladnička umiestnená vo výklenku v stene, minimálna vzdialenosť od stropu musí byť 5 cm a od steny 5 cm. Zariadenie neinštalujte na mäkké povrchy, ako napríklad na koberec alebo prikrývku.
4. Kvôli zabráneniu hádzaniu dajte chladničku na rovnú podlahu

Výmena lampy osvetlenia

Ak chcete vymeniť lampu použitú na osvetlenie vašej chladničky, zavolajte do autorizovaného servisu.

Lampa(y) použité v tomto prístroji nie sú vhodné pre osvetlenie miestnosti domácnosti. Zamýšľaný účel tohto svietidla je pomôcť užívateľovi umiestniť potraviny do chladničky/mrazničky bezpečne a pohodlne.

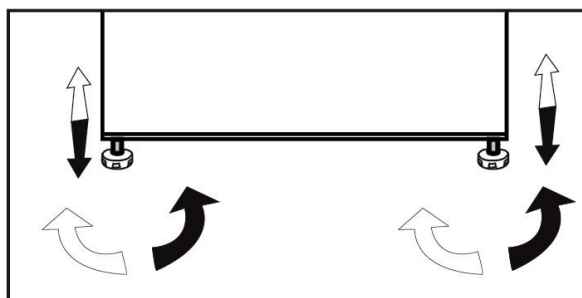
Žiarovky použité v tomto spotrebiči musí vydržať extrémne fyzické podmienky, napr. teploty pod -20°C .

Zmena smeru otvárania dverí

Smer otvárania dverí chladničky je možné zmeniť podľa miesta, na ktorom ju používate. Ak je to potrebné, zavolajte do najbližšieho autorizovaného servisu.

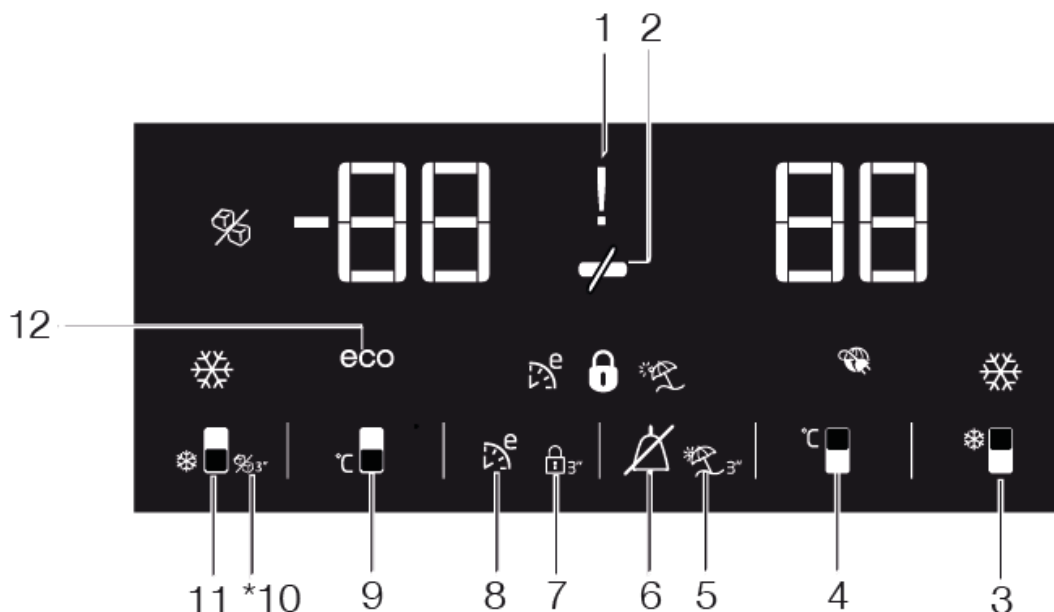
Nastavenie nôh

Ak je vaša chladnička nestabilná; Chladničku môžete vyvážiť otáčaním predných nôh tak, ako je to znázornené na obrázku. Keď nohu otáčate v smere čiernej šípky, roh s príslušnou nohou sa znižuje; keď nohu otáčate v opačnom smere, poloha sa zvyšuje. Pomoc inej osoby miernym pridvihnutím chladničky celý proces uľahčí.



4 Preparation

- Vaša chladnička by mala byť umiestnená v najmenej 30 cm vzdialenosti od zdrojov tepla, ako sú horáky, rúry na pečenie, radiátory a kachle a najmenej v 5 cm vzdialenosti od elektrických rúr na pečenie a nemala by byť umiestnená na priamom slnku.
- Teplota prostredia v miestnosti, kde chladničku inštalujete, by mala byť aspoň 10 °C. Prevádzka chladničky v chladnejšom prostredí sa neodporúča s ohľadom na jej účinnosť.
- Uistite sa, že je interiér vašej chladničky dôkladne vyčistený.
- Ak sa budú vedľa seba inštalovať dve chladničky, mala by byť medzi nimi vzdialenosť minimálne 2 cm.
- Pri prvom spustení vašej chladničky počas šiestich hodín dodržujte nasledujúce pokyny.
- Dvere by ste nemali otvárať príliš často.
- Chladnička musí byť počas tohto času prázdna.
- Chladničku neodpájajte od siete. Ak dôjde k výpadku napájania, ktoré nemôžete ovplyvniť, pozrite si upozornenia v časti „Odporúčané riešenia problémov“.
- Originálny obal a penové materiály by ste si mali odložiť za účelom budúceho transportu alebo prenášania.



Indikačný panel

Na paneli s kontrolkami možno nastaviť teplotu a ovládať ostatné funkcie súvisiace s produktom, bez toho, aby bolo treba dvere produktu otvoriť. Pre nastavenie funkcie stačí stlačiť relevantná tlačidlá.

1. Kontrolka výpadku napájania / vysokej teploty / výstrahy na vysokú teplotu / chybu:

Táto kontrolka ! sa rozsvieti pri poruchách spôsobených výpadkom napájania, vysokými teplotami a pri chybových hláseniach.

Počas pretrvávajúcej výpadkov napájania sa najvyššia teplota, ktoré mraznička dosiahne, rozblíkajú na digitálnom displeji. Po kontrole potravín v mrazničke (☒) stlačte tlačidlo vypnutia a upozornenie vymažte.

V prípade, že sa táto kontrolka rozsvieti, prečítajte si časť "odporúčané postupy pri riešení problémov".


2. Funkcia Úspora energie (vypnutý displej):

Funkcia Úspora energie (vypnutý displej):

Pri dodržaní dvere zatvorené produkt pre funkciu úspory energie dlhú dobu sa automaticky aktivuje po 1 minúte a úspory energie symbol svieti. (☒) Keď je funkcia úspory energie aktívna, všetky ostatné symboly na displeji zhasnú. Keď je aktivovaná funkcia úspory energie, ak stlačíte akékoľvek tlačidlo alebo otvorte dvierka, režim úspory energie sa ukončí a ikony na displeji sa vrátia do normálu. Funkcia úspory energie sa aktivuje počas doručenia z továrne a nemožno ju zrušiť.

i ***Voliteľné:** Obrázky v tomto návode sú zamýšľané ako návrhy a nemusia sa dokonale zhodovať s vaším výrobkom. Ak váš produkt neobsahuje relevantné časti, informácie sa týka iných modelov.

3. Funkcia Rýchle chladenie


Tlačidlo má dve funkcie. Krátko ho stlačte ak chcete funkciu rýchleho chladenia aktivovať alebo deaktivovať. Indikátor rýchleho chladenia sa vypne a produkt sa prepne na svoje normálne nastavenie. ()

☐ Funkciu rýchleho chladenia použite kedykoľvek chcete rýchlo schladiť potraviny vložené do chladničky. Ak chcete schladiť veľké množstvo čerstvých potravín, odporúčame aktivovať túto funkciu, než vložíte potraviny do chladničky.



☐ Ak funkciu rýchleho chladenia nezrušíte, vypne sa sama automaticky po 1 hodine alebo ako náhle priestor chladničky dosiahne požadovanú teplotu.

☐ Táto funkcia sa opätovne nevyvolá, keď sa obnoví napájanie po výpadku elektriny.

4. Tlačidlo na nastavenie teploty v priestore chladničky

Stlačením tohto tlačidla nastavíte teplotu priechniku chladničky jednotlivito na 8, 7, 6, 5, 4,3, 2,1, 8... Stlačením tohto tlačidla nastavíte želanú teplotu pre priechinok chladničky na požadovanú hodnotu. ()

5. Funkcia Dovoľenka


Aby ste aktivovali funkciu dovolenky, na 3 sekundy stlačte toto tlačidlo (), aktivuje sa kontrolka režimu dovolenky ().

Keď je aktivovaná funkcia dovolenky, na indikátore teploty priechinka chladničky sa zobrazí “- -” a priechinok chladničky sa nebude aktívne chladiť.


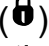
Keď je aktivovaná táto funkcia, nie je vhodné uchovávať potraviny v priechniku chladničky. Ostatné priechinky sa budú ďalej chladiť podľa príslušne nastavených teplôt.

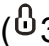
Ak chcete túto funkciu zrušiť, znova stlačte tlačidlo funkcie **Dovoľenka**.

6. Vypnutie alarmu:


V prípade upozornenia na výpadok napájania, vysokú teplotu, po kontrole potravín v mrazničke stlačte tlačidlo vypnutia alarmu () a varovanie vymažte.

7. Tlačidlo zamknutia

Stlačte tlačidlo uzamknutia tlačidiel ( 3”) súčasne na 3 sekundy. Ikona zámku tlačidiel () sa rozsvieti a aktivuje sa režim zámku tlačidiel. Pri aktívnom režime uzamknutia tlačidiel nebudú fungovať tlačidlá. Znova stlačte tlačidlo uzamknutia tlačidiel súčasne na 3 sekundy. Tlačidlá nebudú v režime zámku tlačidiel funkčné.

Ak chcete predísť zmene nastavenia teploty chladničky, stlačte tlačidlo zámku ( 3”).


8. Eco fuzzy

Stlačte a podržte tlačidlo Eco Fuzzy jeden krát aktivovať eko rozmazaný funkciu. Chladnička sa spustí v najúspornejšom režime najmenej o 6 hodín neskôr a ukazovateľ úspornej prevádzky sa rozsvieti, keď je funkcia aktívna (). Ak chcete deaktivovať funkciu eco fuzzy, 3 sekundy podržte stlačené tlačidlo eco fuzzy.

Tento indikátor sa rozsvieti po 6 hodinách, keď je aktivovaná funkcia eco fuzzy.

9. Tlačidlo nastavenia teploty priechinka mrazničky

Stlačením tohto tlačidla nastavíte teplotu priechniku mrazničky na úroveň -18, -19, -20, -21, -22, -23, -24 resp. -18...

Stlačením tohto tlačidla nastavíte želanú teplotu pre priechinok mrazničky na požadovanú hodnotu. ()

10. Indikátor vypnutia zásobníku na ľad (iba na výrobky s icematic stroje)

Značí, či je výrobník ľadu aktivovaný alebo deaktivovaný. (0/03'') (0/03'') Pokud svítí, výrobník ľadu nefunguje. Ak chcete výrobník ľadu znovu spustiť, tlačidlo Zap. a Off. stlačte a pridrżte na 3 sekundy.

i Ak je vybratá táto funkcia, prietok vody z nádrże na vodu sa zastaví. Avşak, z výrobníka možné vybrať skôr vyrobený ľad.

11. Tlačidlo funkcie Rýchle mrazenie / Výroba ľadu

Stlačením tohto tlačidla aktivujete alebo deaktivujete funkciu rýchleho mrazenia. Keď túto funkciu aktivujete, mraznička sa vychladí na teplotu nižşiu ako je nastavená hodnota. (•□)

i Ak chcete výrobník ľadu zapnúť a vypnúť, stlačte a pridrżte po dobu 3 sekúnd (iba na výrobky s icematic stroje).

Funkciu rýchleho mrazenia použite kedykoľvek chcete rýchlo schladiť potraviny vložené do chladničky. Ak chcete zmraziť veľké množstvo čerstvých potravín, odporúčame aktivovať túto funkciu, než vložíte potraviny do chladničky.

i Ak funkciu rýchleho mrazenia nezrušíte, vypne sa sama automaticky po 25 hodine alebo ako náhle priestor chladničky dosiahne požadovanú teplotu.

i Táto funkcia sa opätovne nevyvolá, keď sa obnoví napájanie po výpadku elektriny.

12. Indikátor ekonomického používania

Označuje, že produkt beží v energeticky účinnom režime. (**eco**) Tento indikátor je aktívny v prípade, že teplota priečinka mrazničky je nastavená na -18 alebo ak sa kvôli funkcii Extra ekologicky vykonáva energeticky účinné chladenie.

i Indikátor ekonomického používania nesvieti, keď sa zvolí funkcia rýchleho chladenia alebo rýchleho mrazenia.

Duálny systém chladenia:

Vaša chladnička je vybavená dvomi samostatnými chladiacimi systémami určenými na chladenie priečinka čerstvých potravín a priečinka mrazničky. To znamená, že vzduch z priečinka čerstvých potravín sa nemieša so vzduchom z priečinka mrazničky. Vďaka týmto dvom oddeleným chladiacim systémom je rýchlosť chladenia oveľa vyšşia, ako pri iných chladničkách. Puchy v priečinkoch sa nezmiešavajú. Vďaka samostatnému rozmrazovaniu dochádza k ďalşej úspore energie.

Používanie dávkovača vody

*voliteľné

i Je normálne, že niekoľko prvých pohárov natočených zo zásobníka vody bude teplých.

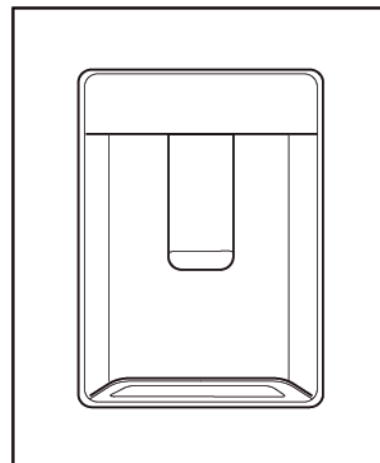
i Ak nie je zásobník na vodu dlhú dobu používaný, niekoľko prvých pohárov vody vylejte, aby ste získali čerstvú vodu.

1. Pohárom zatlačte páčku dávkovača vody. Ak používate mäkký plastový pohárik, páčku stlačte rúk, bude to jednoduchšie.

2. Páčku voľno po naplnení poháre na požadovanú úroveň.

i Upozorňujeme, že to, koľko vody z chladiča pitnej vody vytečie, závisí na tom, ako silno páčku stlačíte. Ako sa hladina vody v pohárika / pohárikú zvyšuje, jemne znižujte tlak na páčku, aby ste predišli pretečeniu.

Po jemnom stlačení ramena bude voda kvapkať. Je to celkom normálne a nie je to porucha.



Plnenie zásobníka chladiča vody

Zásobník sa nachádza vo vnútri dverí.

1. Otvorenie krytku nádrže.

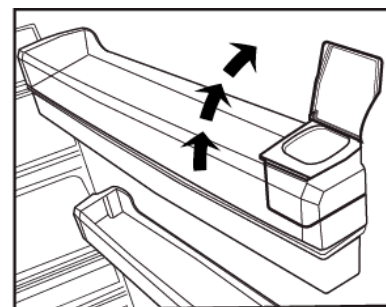
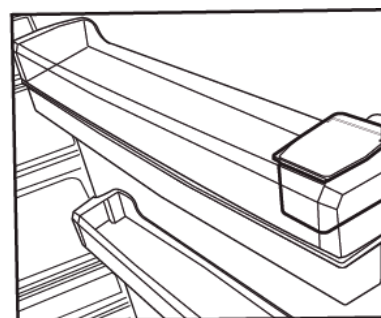
2. Zásobník naplňte čerstvou pitnou vodou.

3. Zatvorte kryt.

i Do zásobníka na vodu nedávajte žiadnu inú kvapalinu než vodu, napr. ovocné šťavy, sýtené nápoje alebo alkoholické nápoje, ktoré nie sú vhodné na použitie v chladiči na vodu s dávkovaním. V prípade použitia takýchto druhov kvapalín dôjde k nenapraviteľnému poškodeniu dávkovača vody. Takáto použitia nekryje záruka.

Vodnú nádrž môžu poškodiť niektoré chemické látky a prísady obsiahnuté v takýchto druhoch nápojov/kvapalín.

i Použite iba čistú pitnú vodu.

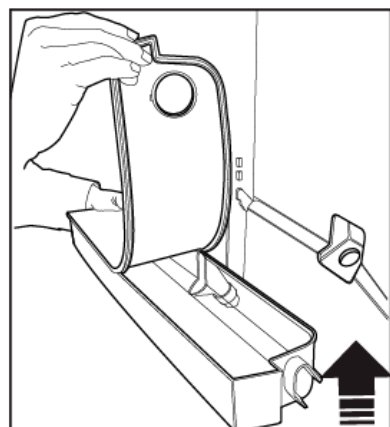
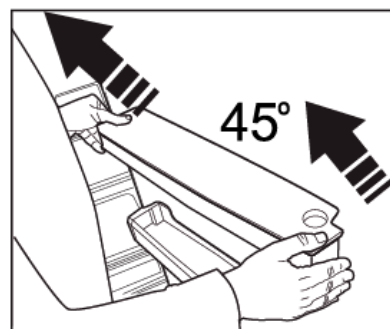
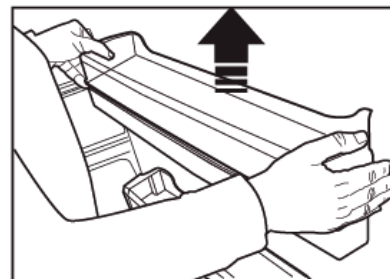
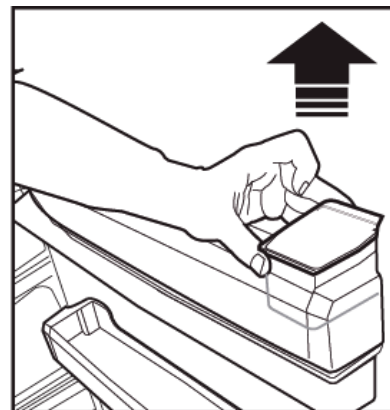


i Kapacita zásobníka na vodu je 3 litre, nepreplňte ho.

Čistenie zásobníka na vodu

1. Vyberte zásobník vody z vnútornej časti dverí.
2. Držiak vyberte tak, že ho podržíte po oboch stranách.
3. Uchopte zásobník na vodu a vyberte ho v uhle 45 °C.
4. Odstráňte kryt zásobníka a zásobník vyčistite.

i Komponenty zásobníka na vodu sa nesmú umývať v umývačke riadu.

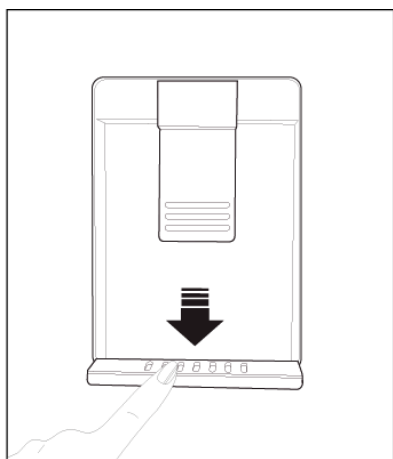


Odkvapkávacia lišta

Voda, ktorá kvapká počas používania dávkovača vody sa nahromadí v zbernej vaničke.

Plastový filter zložte tak, ako je zobrazené na obrázku.

Nahromadenú vodu vytrite čistou a suchou handričkou.



Zásuvka na zeleninu s kontrolovanou vlhkosťou *voliteľné

Vďaka funkcii kontroly vlhkosti je miera vlhkosti zeleniny a ovocia pod kontrolou a zaisť dlhšiu čerstvosť potravín.

Listovú zeleninu, napr. šalát a špenát a podobnú zeleninu sa odporúča skladovať v horizontálnej pozícii, v priehradke na zeleniny.

Keď vkladáte zeleninu, do spodnej časti dajte ťažkú a tvrdú zeleninu a hore mäkkou, do úvahy zoberte konkrétnej hmotnosť zeleniny.

Zeleninu v priehradke na zeleninu neskladujte v plastových vreckách. Keď zeleninu necháte v plastových vreckách, začne sa kaziť rýchlejšie. V prípadoch, keď nechcete, aby došlo ku kontaktu s inou zeleninou, použite také obaly ako je papier, ktorý má vysokú poréznosť.

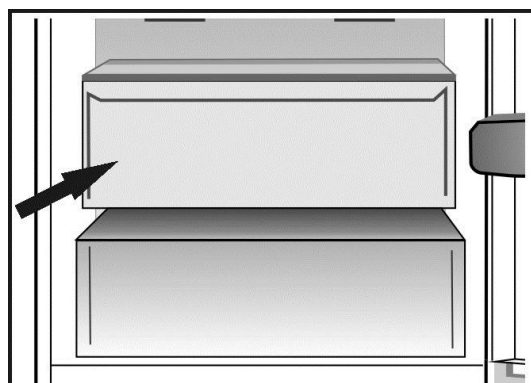
Ovocie s vysokou produkciou etylénu, napr. hrušky, marhule, broskyne a najmä jablká, nedávajte do zásuvky na zeleninu spoločne s inou zeleninou a ovocím.

Etylén vychádzajúci z takéhoto ovocia môže spôsobiť, že ostatná zelenina a ovocie zrejú rýchlejšie a rýchlejšie sa pokazí.

Priestor pre skladovanie rýchlo sa kaziacich potravín (nízka teplota \ -2°C - + 3°C).

Tento priestor bol navrhnutý na skladovanie mrazených potravín, ktoré možno pomaly rozmraziť (mäso, ryby, kura, atď.). Priestor s nízkou teplotou je najchladnejšie miesto v chladničke, kde možno v ideálnych podmienkach skladovať mliečne produkty (syr, maslo), mäso alebo kura.

Do tohto priestoru nepatria zelenina ani ovocie.



Mrazenie čerstvých potravín

- Pred uložením potravín do chladničky ich zabaľte alebo prikryte.
- Horúce jedlo sa musí pred umiestnením do chladničky ochladiť na izbovú teplotu.
- Potraviny, ktoré chcete zamraziť, musia byť čerstvé a v dobrej kvalite.
- Potraviny musíte rozdeliť na porcie podľa denných rodinných alebo na jedle založených potrebách konzumácie.
- Potraviny musia byť zabalené vzduchotesným spôsobom, aby sa zabránilo ich vysušeniu aj v prípade, že ich plánujete uchovať len krátku dobu.
- Materiály použité na balenie musia byť odolné voči roztrhnutiu, chladu, vlhkosti a musia byť vzduchotesné. Okrem toho musia byť dobre zatvorené a musia byť vyrobené z ľahko použiteľných materiálov, ktoré sú vhodné na použitie pri hlbokom zmrazení. Inak mrazené potraviny môžu prepichnúť obal. Je dôležité, aby obal bol bezpečne uzavretý pre bezpečné skladovanie potravín.
- Zmrazené potraviny musíte použiť okamžite po rozmrazení a nikdy ich opätovne nezmrazujte.
- Vloženie teplých potravín do priestoru mrazničky spôsobuje, že chladiaci systém funguje neustále, až kým potraviny nie sú pevne zmrazené.
- Dodržiavajte nasledujúce pokyny, aby ste dosiahli najlepšie výsledky.

1. Naraz nemrazte príliš veľké množstvá jedla. Kvalita potravín sa najlepšie zachová, keď sa mrazia správne až do vnútra, čo možno najrýchlejšie.
2. Buďte obzvlášť opatrní, aby ste nezmiešali mrazené a čerstvé potraviny.
3. Zabráňte kontaktu čerstvých potravín s varenými potravinami
4. Maximálny úložný objem mrazených potravín dosiahnete bez použitia priečinkov mrazničky. Spotreba energie vášho spotrebiča sa deklaruje pri úplnom naplnení priečinka mrazničky bez použitia zasuviek.
5. Je odporúčané umiestniť potraviny na hornú policu mrazničky pre počiatočne zmrazenie.

Nastavenie priechinka mrazničky	Nastavenie priestoru chladničky	Vysvetlivky
-18°C	4°C	Toto je normálne, odporúčané nastavenie..
-20, -22 or -24°C	4°C	Tieto nastavenia sa odporúčajú použiť vtedy, keď okolitá teplota prekročí 30 °C..
Rýchle mrazenie	4°C	Použite, keď budete chcieť zmraziť jedlo v krátkom čase. Vaša chladnička sa vráti do svojho predchádzajúceho režimu, keď sa proces dokončí.
-18°C alebo chladnejšie	2°C	Ak si myslíte, že priestor vašej chladničky nie je dostatočne chladný, kvôli teplému stavu alebo častému otváraniu a zatváraniu dvierok.
-18°C alebo chladnejšie	Rýchle chladenie	Môžete ho použiť, keď je priestor vašej chladničky preplnený alebo ak si želáte rýchle vychladenie potravín. Odporúčame vám, aby ste funkciu rýchleho chladenia zapli 4 až 8 hodín pred umiestnením potravín.

Odporúčania pre uchovávanie mrazeného jedla

- Balené komerčne predávané mrazené jedlo by sa malo skladovať v súlade s pokynmi výrobcu pre uchovávanie mrazeného jedla..
- V záujme zachovania vysokej kvality dodávanej výrobcom a predajcom mrazených potravín je potrebné dodržiavať nasledovné pravidlá:
 1. Po zakúpení, balenie, čo najskôr vkladajte do mrazničky.
 2. Zabezpečte, aby bol obsah označený a datovaný.
 3. Neprekračujte dátumy spotreby a použiteľnosti uvedené na obaloch.

Rozmrazovanie

Priestor mrazničky rozmrazuje automaticky.

Umiestnenie jedla

Poličky priechinka mrazničky	Rôzne zmrazené potraviny, ako napríklad mäso, ryby, zmrzlina, zelenina a pod.
Držiak na vajička	Vajička
Poličky priechinka chladničky	Jedlo v hrncoch, zakrytých tanieroch a zatvorených nádobách
Poličky vo dverách v priechinku chladničky	Malé a balené potraviny alebo nápoje (ako napríklad mlieko, ovocné šťavy a pivo)
Priečinok na zeleninu a ovocie	Zelenina a ovocie
Priečinok zóny čerstvosti	Lahôdkové produkty (syr, mlieko, saláma a pod.)

Informácie pre hlboké mrazenie

Keď potraviny vkladáte do chladničky kvôli ich uchovaniu v dobrej kvalite, musia sa zmraziť čo možno najrýchlejšie.

Norma TSE vyžaduje (podľa určitých meracích podmienok), aby chladnička mrazila najmenej 4,5 kg potravín pri teplote prostredia 32 °C na teplotu -18 °C alebo menej do 24 hodín na každých 100 litrov objemu mrazničky.

Dlhodobé uchovanie potravín je možné len pri teplote -18 °C alebo menej.

Čerstvosť potravín môžete uchovať mnoho mesiacov (pri teplote -18 °C alebo menej v hlbokom zmrazení).

VÝSTRAHA! ⚠

- Potraviny musíte rozdeliť na porcie podľa denných rodinných alebo na jedle založených potrebách konzumácie.

- Potraviny musia byť zabalené vzduchotesným spôsobom, aby sa zabránilo ich vysušeniu aj v prípade, že ich plánujete uchovať len krátku dobu.

Materiály potrebné na balenie:

- Lepiaca páska odolná voči chladu
- Samolepiaci štítky
- Gumené krúžky
- Pero

Materiály použité na balenie potravín musia byť odolné voči roztrhnutiu, chladu, vlhkosti, pachom, olejom a kyselinám.

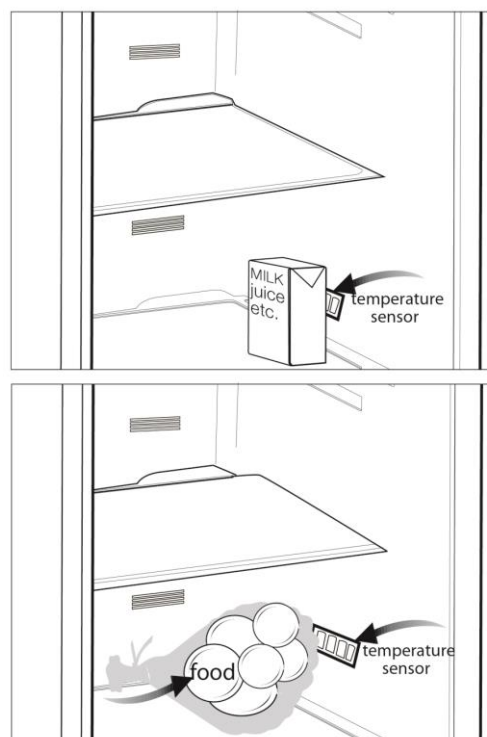
Kvôli zabráneniu ich čiastočnému rozmrazeniu nesmiete dovoliť, aby sa potraviny určené na zmrazenie dostali do kontaktu s predtým zmrazenými potravinami. Zmrazené potraviny musíte použiť okamžite po rozmrazení a nikdy ich opätovne nezmrazujte.

Odporúčania pre priestor na čerstvé potraviny

* voliteľné

- Nedovoľte, aby sa akékoľvek potraviny dostali do kontaktu s teplotným snímačom v priestore na čerstvé potraviny. Z dôvodu zachovania ideálnej skladovacej teploty priestoru na čerstvé potraviny, nemôžu potraviny blokovat' snímač.

- Do spotrebiča nekladajte horúce potraviny.



- ⚠ Na čistenie nikdy nepoužívajte benzín, benzén alebo obdobné prostriedky.
- ⚠ Odporúčame vám, aby ste zariadenie pred čistením odpojili od siete.
- ⚠ Na čistenie nikdy nepoužívajte žiadne ostré a drsné predmety, mydlo, domáce čističlá, saponáty a voskové leštidlá.
- ℹ Na čistenie skrine chladničky použite vlažnú vodu a vytrite ju do sucha.
- ℹ Pomocou vlhkej handry namočenej do roztoku jednej lyžičky sódy bikarbóny v pol litri vody očistite vnútrajšok a vytrite ho do sucha.
- ⚠ Uistite sa, že do puzdra lampy, prípadne iných elektrických súčiastok, neprenikne voda.
- ⚠ Ak sa chladničku nechystáte používať dlhšie obdobie, odpojte napájací kábel, vyberte všetky potraviny, vyčistite ju a dvere nechajte pootvorené.
- ℹ Pravidelne kontrolujte, či je tesnenie dverí čisté a zbavené odrobiniek z potravín.
- ⚠ Ak chcete odstrániť priečinky vo dverách, vyberte ich obsah a potom jednoducho potlačte priečinok nahor zo základne.

- ⚠ Na čistenie vonkajších povrchov a chrómovaných dielov produktu nikdy nepoužívajte čistiace prostriedky ani vodu s obsahom chlóru. Chlór spôsobuje koróziu takýchto kovových povrchov.

Ochrana plastových povrchov

- ℹ Kvapalné oleje a vyprážené jedlá nedávajte do chladničky v otvorených nádobách, pretože poškadzujú plastové povrchy vašej chladničky. V prípade rozliatia alebo roztretia oleja na plastové povrchy okamžite vyčistite a opláchnite príslušnú časť povrchu teplou vodou.

7 Troubleshooting

Pred zavolaním servisu si pozrite tento zoznam. Môže vám to ušetriť čas aj peniaze. Tento zoznam obsahuje bežné sťažnosti, ktoré sa nevzťahujú na chybné spracovanie alebo využitie materiálu. Niektoré z tu popísaných funkcií nemusí váš produkt

Chladnička nefunguje
<ul style="list-style-type: none">• Je chladnička správne pripojená do siete? >>>Zasuňte zásuvku do stenovej zástrčky.• Nie je prepálená poistka, ku ktorej je pripojená chladnička, alebo hlavná poistka? >>>Skontrolujte poistku
Kondenzácia na bočnej stene priestoru chladničky (MULTIZÓNA, OVLÁDANIE CHLADU a FLEXI ZÓNA).
<ul style="list-style-type: none">• Veľmi studené podmienky prostredia. >>>Neinštalujte chladničku na miestach, kde teplota klesne pod 10 ° C• Časté otváranie a zatváranie dverí . >>> Neotvárajte dvere príliš často• Veľmi vlhké podmienky prostredia. >>>Neinštalujte chladničku na veľmi vlhkých miestach• V chladničke sa nachádzajú potraviny s tekutým obsahom v otvorených nádobách. >>> Neskladujte potraviny s tekutým obsahom v otvorených nádobách• Ponechanie pootvorených dverí. >>> Zatvorte dvere chladničky• Prepnutie termostatu do chladnejšej polohy. >>>Nastavte termostat na vhodnú úroveň
Kompresor nie je v prevádzke
<ul style="list-style-type: none">• Ochranná teplotná poistka kompresora sa vypáli počas náhleho výpadku napájania alebo pri vytiahnutí a opätovnom zastrčení zásuvky, pretože tlak chladiva v chladničke ešte nie je vyvážený. Vaša chladnička začne pracovať po približne šiestich minútach. Ak po tomto čase chladnička nezačne fungovať, zavolajte servis.• Chladnička je v rozmrazovacom cykle. >>> Pre plne automatickú rozmrazovaciu chladničku je to normálne. Cyklus odmrazovania sa vykonáva pravidelne.• Chladnička nie je pripojená do siete. >>> Ubezpečte sa, že ste zástrčku správne vložili do zásuvky.• Nie sú správne vykonané nastavenia teploty >>> Zvoľte vhodnú teplotu• Napájanie je možno prerušené >>> Chladnička sa vráti do normálnej prevádzky, pri obnove napájania .
Prevádzkový hluk sa zvyšuje, keď chladnička pracuje.
<ul style="list-style-type: none">• Prevádzkový výkon chladničky sa môže meniť podľa zmeny teploty okolia. Je to úplne normálne a neznamená to poruchu.

Chladnička pracuje príliš často alebo príliš dlhý čas

- Váš nový produkt môže byť širší ako predchádzajúci. To je úplne normálne. Veľké chladničky pracujú dlhší čas.
- Okolité teplota môže byť vysoká. >>>To je úplne normálne, chladničky pracujú dlhší čas pri vysokej teplote okolitého prostredia
- Chladnička mohla byť zapnutá len nedávno alebo mohlo byť do nej vložené jedlo. >>> Kompletné vychladenie chladničky môže trvať o niekoľko hodín dlhšie.
- Do chladničky mohlo byť len nedávno vložené väčšie množstvo teplého jedla. >>>Teplé jedlo spôsobuje dlhší chod chladničky, kým sa nedosiahne bezpečná teplota skladovania.
- Dvere mohli byť často otvárané alebo ponechané po dlhý čas v pootvorenom stave. >>> Teplý vzduch, ktorý prenikol do chladničky, spôsobuje, že chladnička pracuje dlhší čas. Neotvárajte dvere.
- Dvere mrazničky alebo chladničky mohlo byť ponechané pootvorené. >>> Skontrolujte, či sú dvere tesne zatvorené.
- Teplota v chladničke je nastavená na veľmi nízku hodnotu. >>> Nastavte teplotu v chladničke na vyššiu a vyčkajte, kým je táto teplota dosiahnutá.
- Tesnenie dverí chladničky alebo mrazničky môže byť zanesené špinou, opotrebované, poškodené alebo nesprávne nasadené. >>>Vyčistite alebo vymeňte tesnenie. Poškodené tesnenie spôsobuje, že chladnička pracuje dlhšiu dobu, aby udržala požadovanú teplotu

Teplota mrazničky je veľmi nízka, zatiaľ čo teplota chladničky je dostatočná

- Teplota v mrazničke je nastavená na veľmi nízku hodnotu. >>>Nastavte teplotu v mrazničke na vyššiu a skontrolujte

Teplota chladničky je veľmi nízka, zatiaľ čo teplota mrazničky je dostatočná

- Teplota v chladničke je možno nastavená na veľmi nízku teplotu. >>> Nastavte teplotu v chladničke na vyššiu a skontrolujte..

Jedlo uložené v spodných zásuvkách chladničky je zmrazené

- Teplota v chladničke je možno nastavená na veľmi nízku teplotu. >>> Nastavte teplotu v chladničke na vyššiu a skontrolujte..

Teplota v chladničke alebo mrazničke je príliš vysoká

- Teplota v chladničke je možno nastavená na veľmi vysokú hodnotu. >>> Nastavenia chladničky vplyvajú na teplotu v mrazničke. Zmeňte teplotu chladničky alebo mrazničky, pokým sa tieto teploty nedostanú na adekvátnu úroveň.
- Dvere mohli byť často otvárané alebo ponechané po dlhý čas v pootvorenom stave >>> Dvere otvárajte zriedkavejšie.
- Dvere ste možno nechali pootvorené >>> dvere úplne zatvorte.
- Do chladničky ste možno nedávno vložili väčšie množstvo teplého jedla. >>>Počkajte, kým mraznička alebo chladnička dosiahne požadovanú teplotu.
- Chladnička mohla byť pripojená do siete len nedávno. >>> Úplné ochladenie chladničky trvá

Otrasy alebo hluk
<ul style="list-style-type: none"> • Podlaha nie je rovná alebo nie je pevná. >>> Ak sa chladnička trasie pri pomalom Pohybe, skontrolujte, či podlaha dokáže uniesť hmotnosť chladničky a či je rovná. • Hluk môže byť spôsobený predmetmi položenými na chladničke. >>> Odstráňte predmety z vrchu chladničky
Z chladničky vychádzajú zvuky ako rozliatie alebo rozstrekovanie tekutiny
<ul style="list-style-type: none"> • Tok kvapaliny a plynu sa uskutočňuje podľa prevádzkových princípov. Je to úplne normálne a neznamena to poruchu.
Mraznička vydáva zvuky ako fúkanie vetra
<ul style="list-style-type: none"> • Na ochladenie chladničky sa používajú ventilátory. Je to úplne normálne a neznamena to poruchu.
Kondenzácia na vnútorných stenách chladničky
<ul style="list-style-type: none"> • Horúce a vlhké počasie zvyšuje namrazovanie a kondenzáciu. >>> Je to úplne normálne a neznamena to poruchu. • Dvere mohli byť často otvárané alebo ponechané po dlhý čas v pootvorenom stave >>> Dvere otvárajte zriedkavejšie. • Dvere ste možno nechali pootvorené >>> ubezpečte sa, že ste dvere úplne zatvorili.
Na vonkajšej strane chladničky alebo medzi dverami sa tvorí vlhkosť
<ul style="list-style-type: none"> • Vo vzduchu sa môže nachádzať vlhkosť - je to celkom bežné pri vlhkom počasí. Pri nižšej vlhkosti sa kondenzácia stratí.
Vo vnútri chladničky je nepríjemný zápach
<ul style="list-style-type: none"> • Musíte vyčistiť interiér chladničky. >>> Interiér chladničky vyčistíte špongiou, vlažnou vodou, perlivou vodou alebo sódy bikarbóny rozpustenej v dostatočnom množstve vody • Zápach môžu spôsobovať niektoré nádoby alebo obalové materiály. >>> Použite odlišnú nádobu alebo odlišnú značku baliaceho materiálu • V chladničke sa nachádzajú potraviny v otvorených nádobách. >>> Neskladujte potraviny otvorených nádobách. Mikroorganizmy z otvorených nádobách môžu spôsobiť nepríjemný zápach v chladničke <ul style="list-style-type: none"> • Dodržujte dátumy minimálnej trvanlivosti vyznačené na obale a po uplynutí dátumu minimálnej trvanlivosti vyberte z chladničky
Dvere sa nezatvárajú
<ul style="list-style-type: none"> • Obaly potravín môžu brániť zatvoreniu dverí. >>>Odstráňte obaly, ktoré bránia v ceste dverám. • Chladnička nie je na podlahe v úplne zvislej polohe a pri miernom pohybe sa kolíše. >>>Nastavte elevačné skrutky. • Podlaha nie je rovná alebo dostatočne pevná. >>>Skontrolujte, či je podlaha rovná a či dokáže uniesť hmotnosť chladničky.
Špeciálne priehradky sú zaseknuté
<ul style="list-style-type: none"> • Jedlo sa môže dotýkať vrchnej strany zásuvky. >>>Znovu usporiadajte jedlo v zásuvke..

4578336167/AD
EN-PL-CZ-SK