

KNG 610-53 FTL
KNG 610-73 FTL

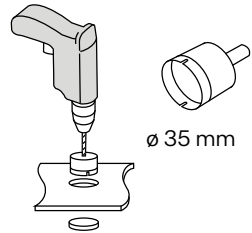
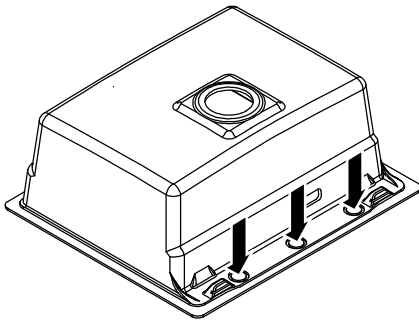
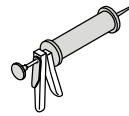
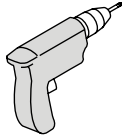
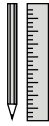
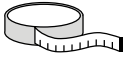
KNG 210-53 FTL 15 DGR
KNG 210-53 15 DGR

KNG 110-37
KNG 110-52

KNG 110-62
KNG 120-47-22

EN Installation manual
DE Installationshandbuch
FR Manuel d'installation
NL Installatiehandleiding
IT Manuale d'installazione
ES Manual de instalación
PT Manual de instalação
EL Εγχειρίδιο εγκατάστασης
DA Installationsvejledning
NO Installasjonshåndbok
SV Installationsmanual
FI Asennusopas
LT Montavimo vadovas
LV Uzstādīšanas rokasgrāmata
ET Paigaldusjuhend

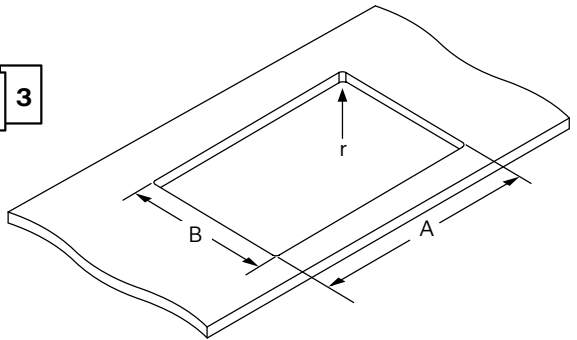
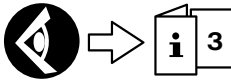
CS Návod k instalaci
PL Instrukcja instalacji
SK Návod na inštaláciu
SL Priročnik za nameščanje
SR Упутство за инсталацију
HU Telepítési kézikönyv
HR Priručnik za ugradnju
RO Manual de instalare
UK Посібник з монтажу
BG Ръководство за инсталация
TR Kurulum kılavuzu
RU Руководство по установке
ZH 安装手册
TH คู่มือการติดตั้ง
AR دليل التركيب



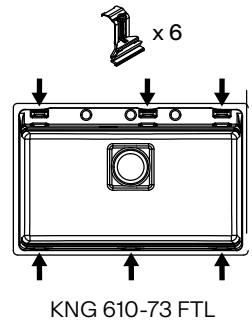
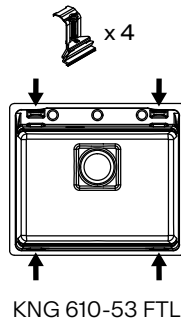
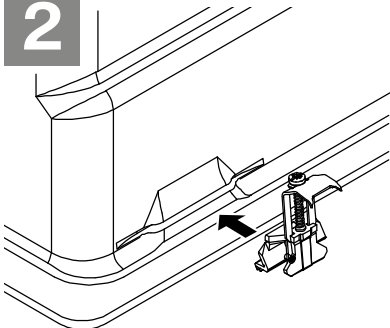
1



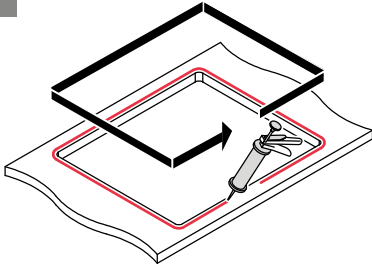
Inset



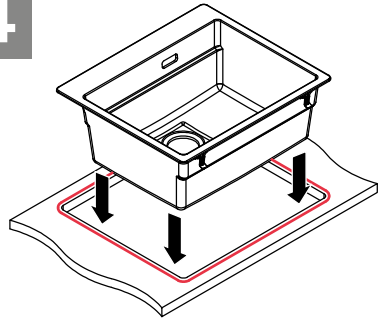
2



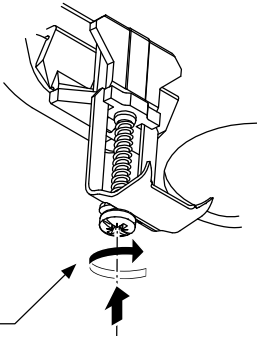
3



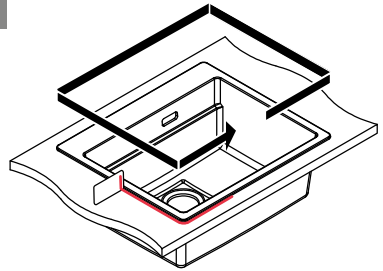
4



5

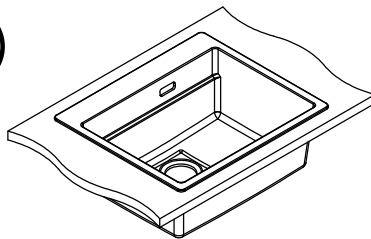


6

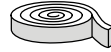
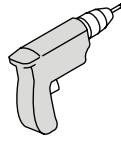
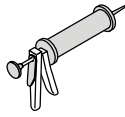
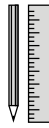
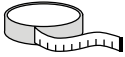


7

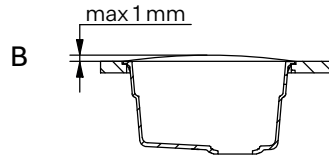
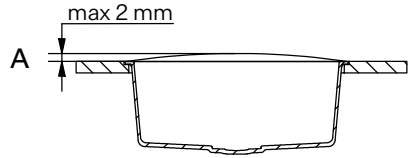
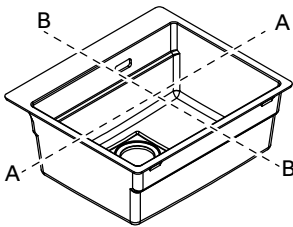
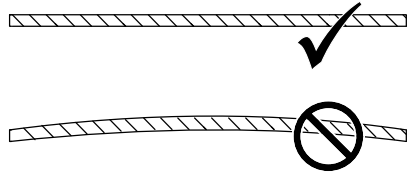
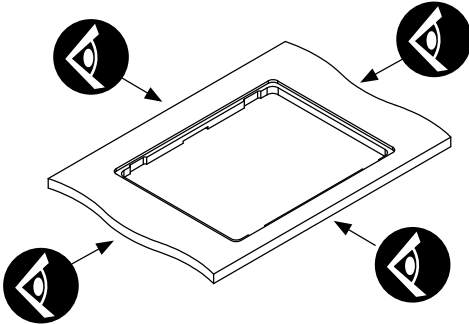
24h



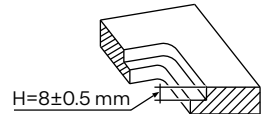
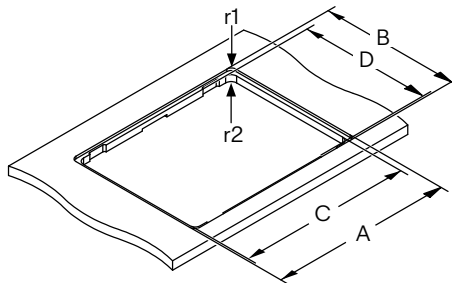
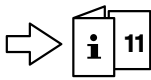
Model		A	B	r1	minimum cabinet
KNG 610-53 FTL		572 ⁰ ₋₂	492 ⁰ ₋₂	20	600
KNG 610-73 FTL		772 ⁰ ₋₂	492 ⁰ ₋₂	20	800



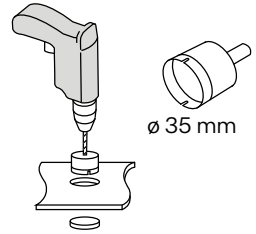
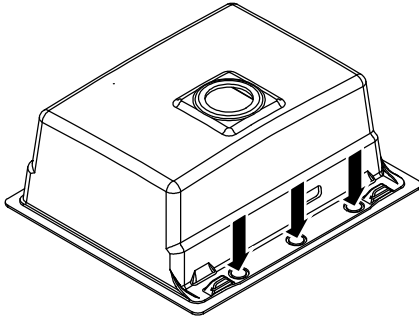
lushmount



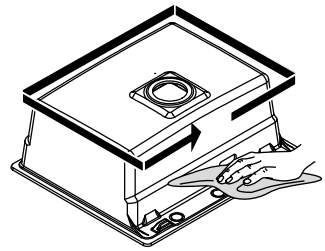
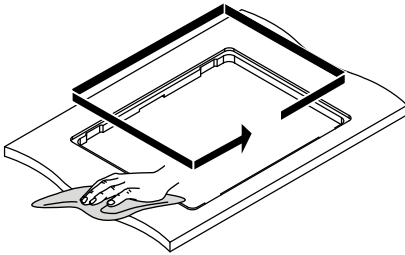
1



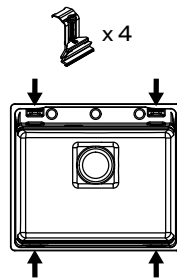
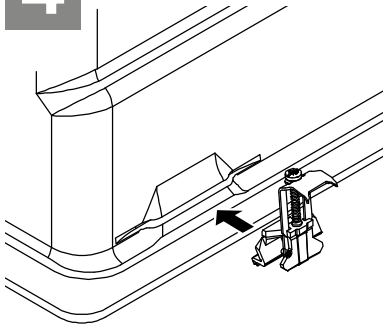
2



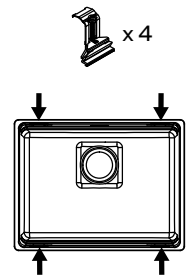
3



4

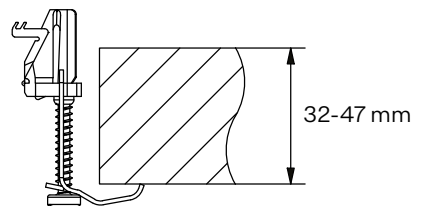
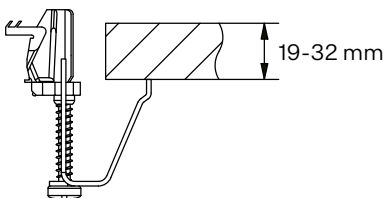


KNG 210-53 FTL 15DGR

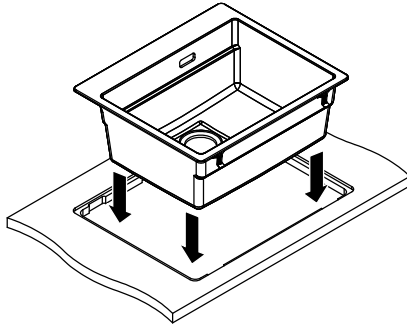


KNG 210-53 15DGR

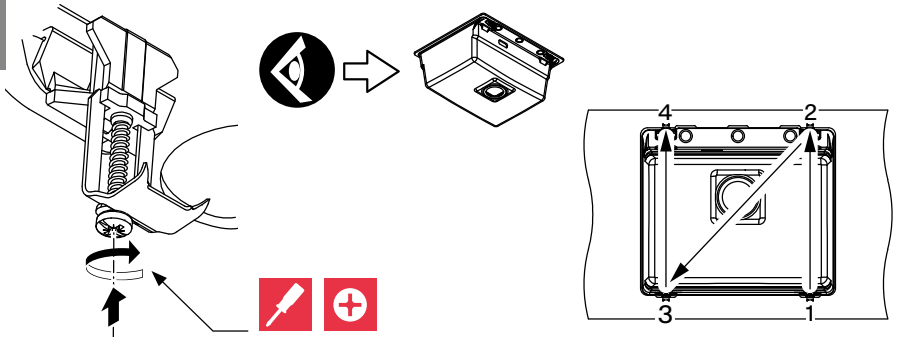
i



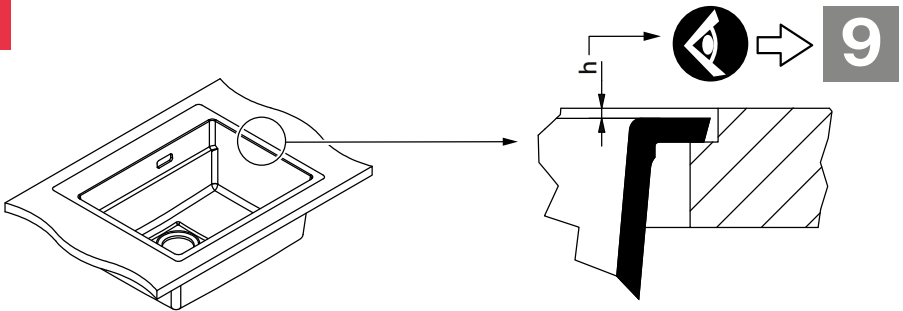
5



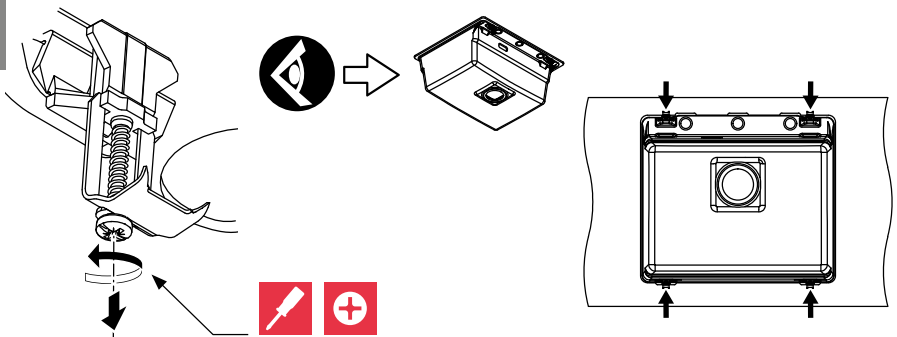
6



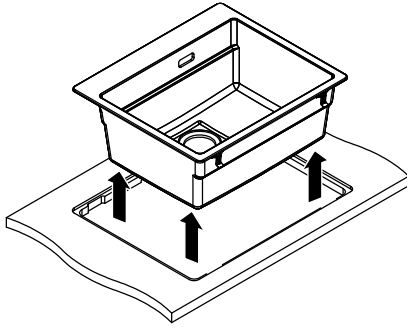
i



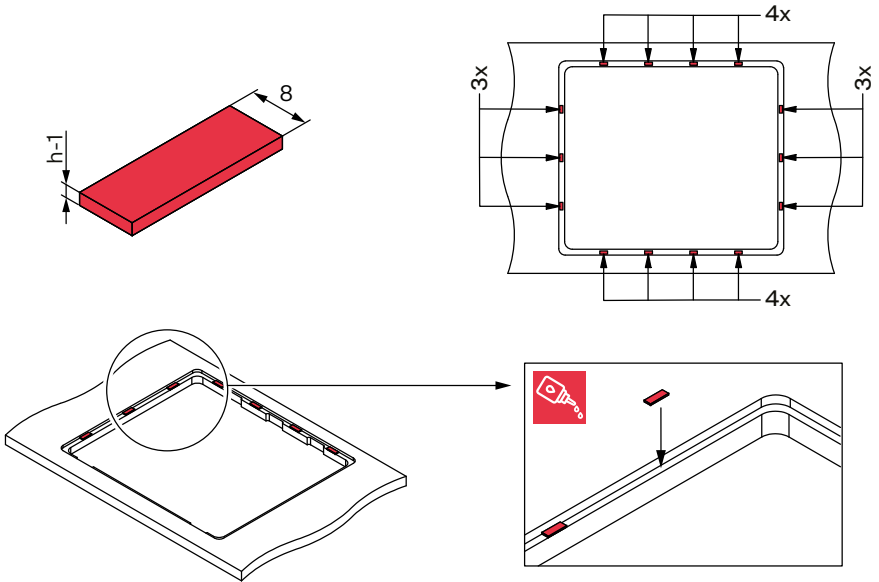
7



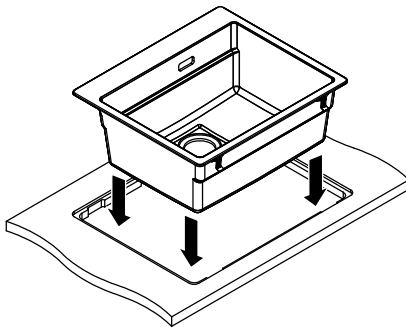
8



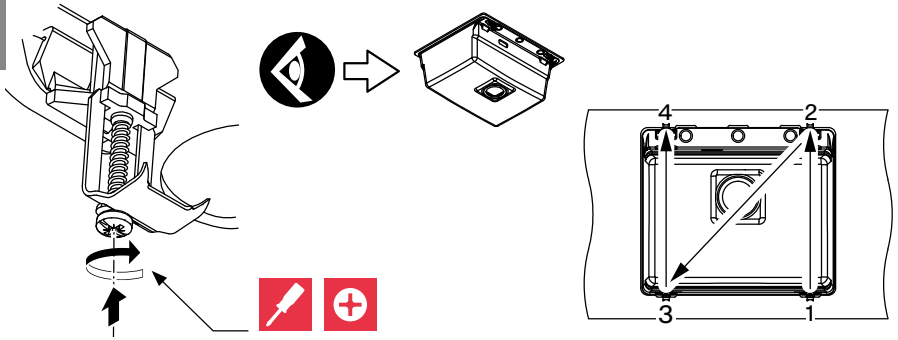
9



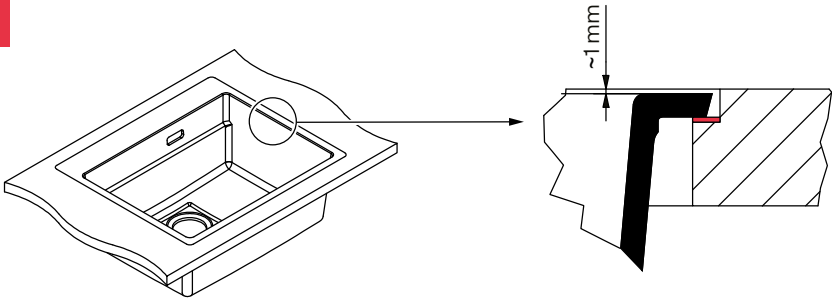
10



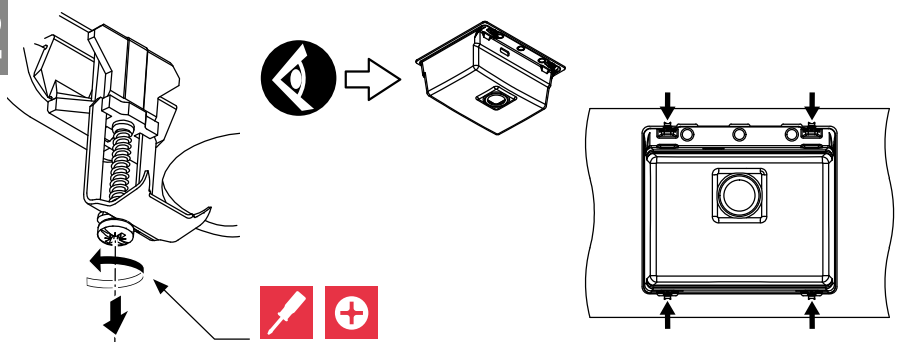
11



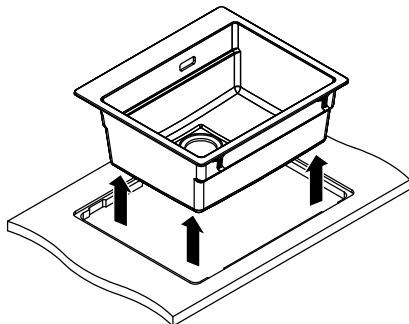
i



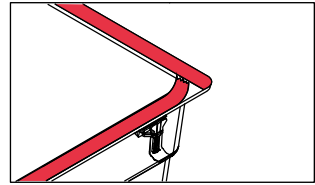
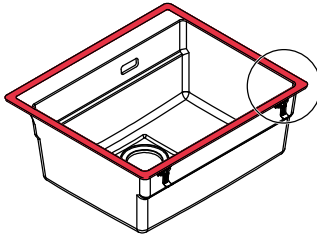
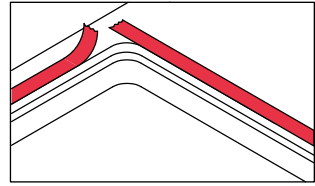
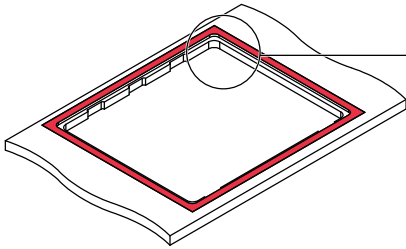
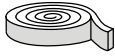
12



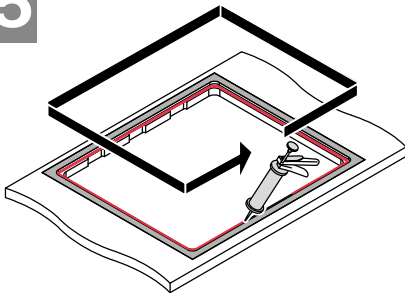
13



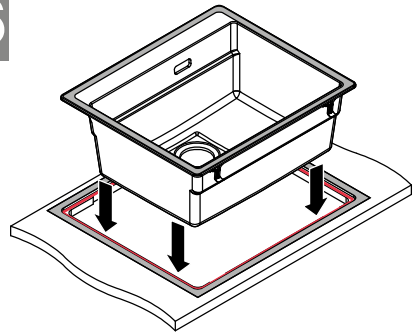
14



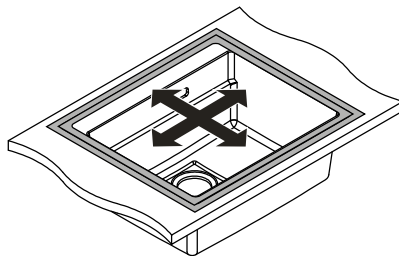
15



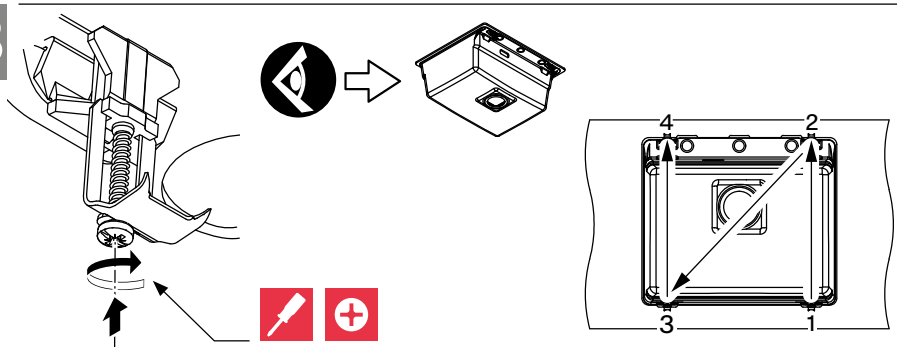
16



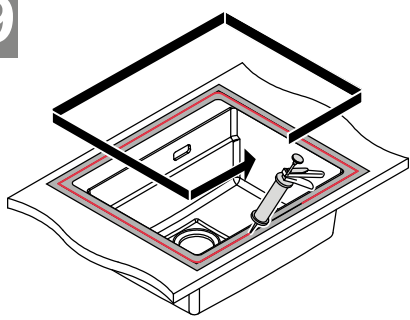
17



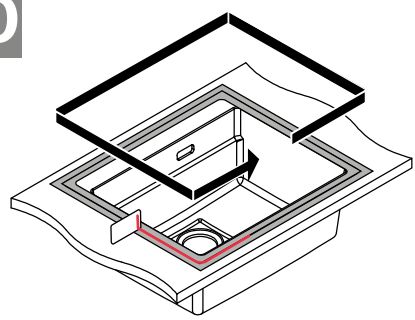
18



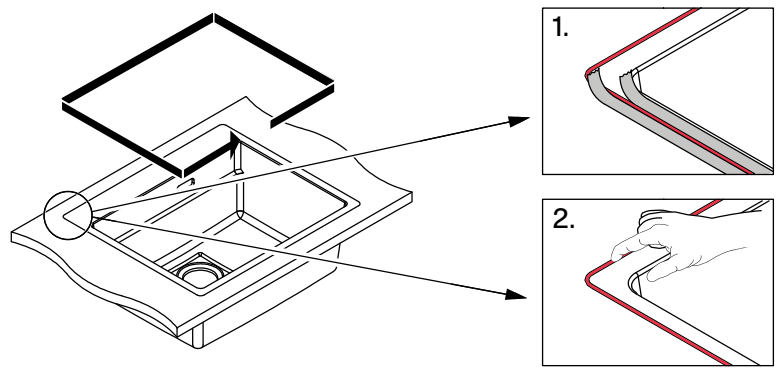
19



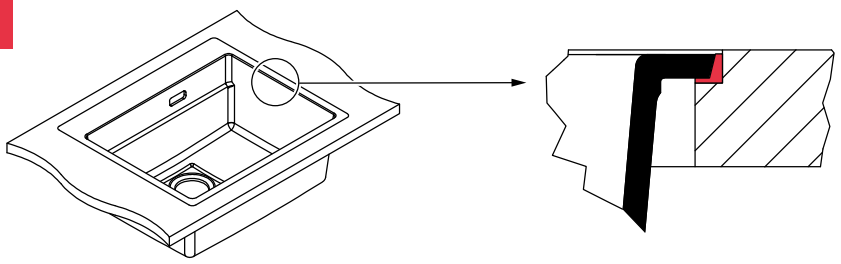
20



21

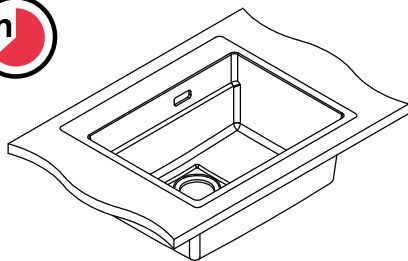


i

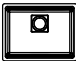



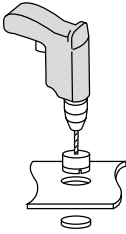
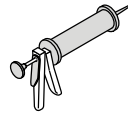
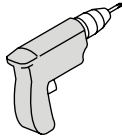
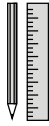
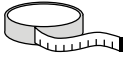
22

24h

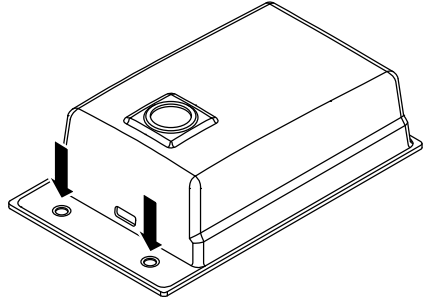



lushmount

Model		A	B	C	D	r1	r2	minimum cabinet
KNG 210-53 15DGR		585.5 ± 0.5	451.5 ± 0.5	560 $\begin{smallmatrix} 0 \\ -2 \end{smallmatrix}$	428 $\begin{smallmatrix} 0 \\ -2 \end{smallmatrix}$	17 ± 0.5	20	600
KNG 210-53 FTL 15DGR		585.5 ± 0.5	505.5 ± 0.5	560 $\begin{smallmatrix} 0 \\ -2 \end{smallmatrix}$	481.2 $\begin{smallmatrix} 0 \\ -2 \end{smallmatrix}$	17 ± 0.5	20	600



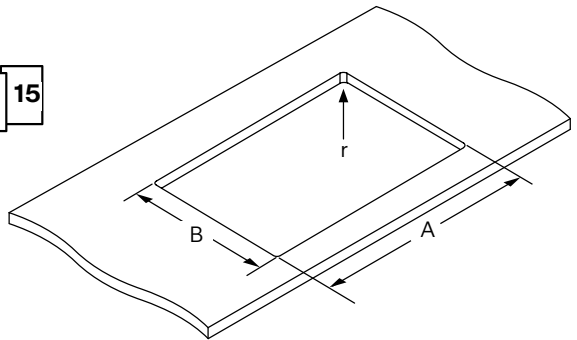
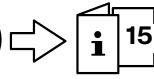
Ø 35 mm



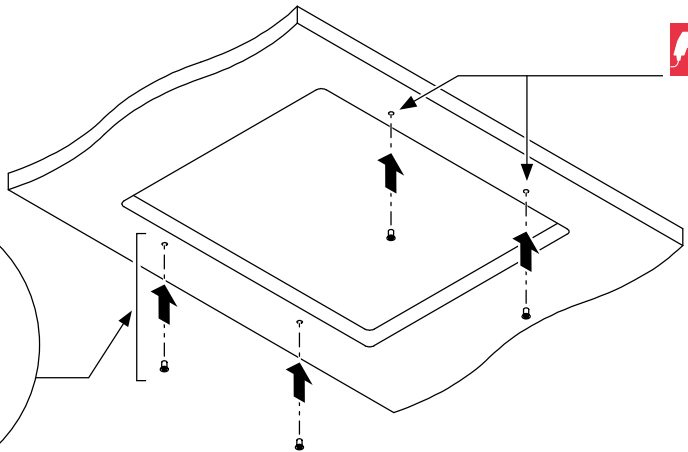
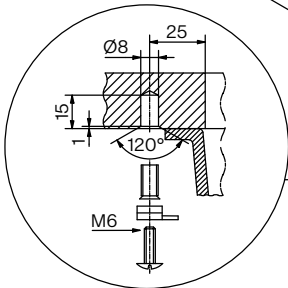
1



Undermount

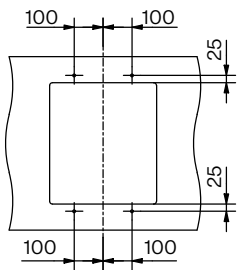


2

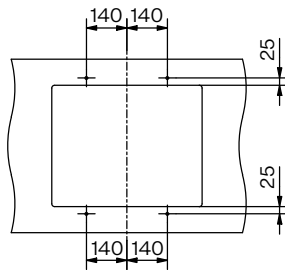




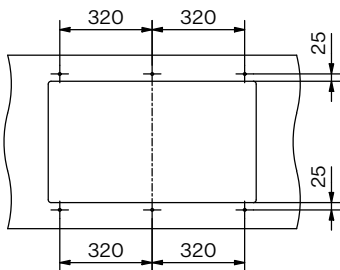
KNG 110-37



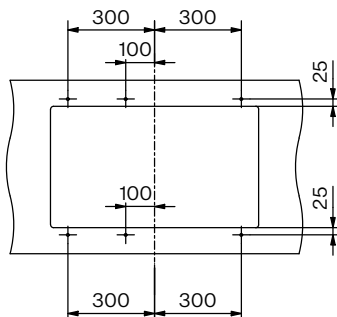
KNG 110-52



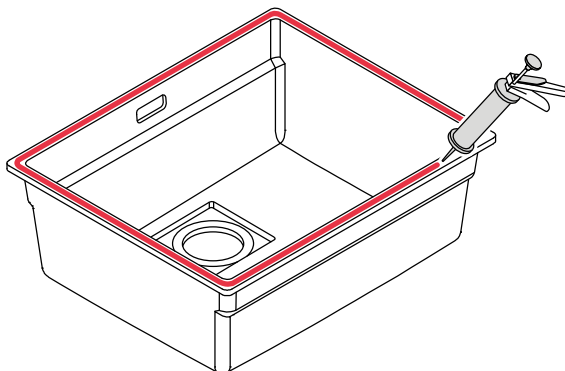
KNG 110-62



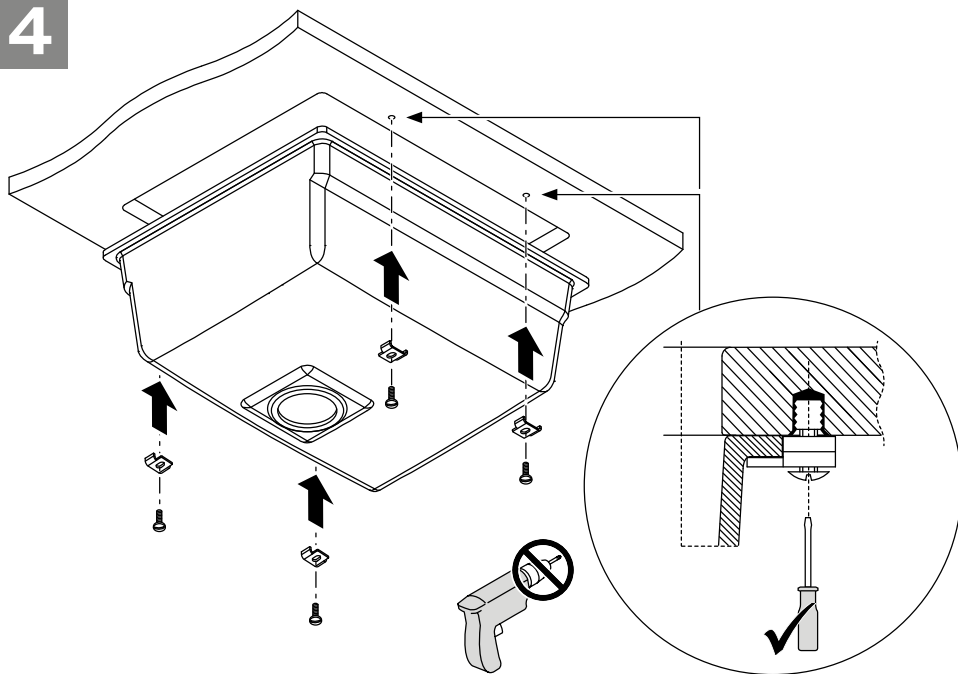
KNG 120-47-22



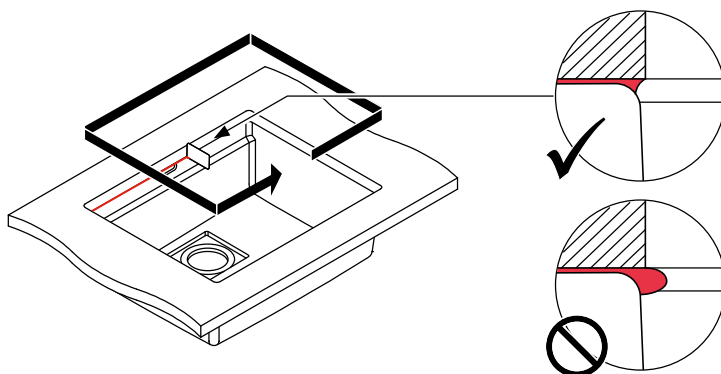
3



4

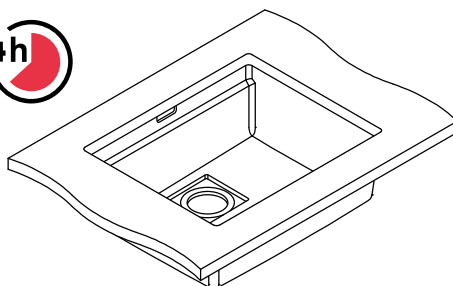


5



6

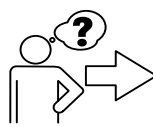
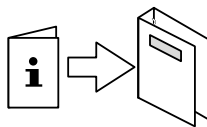
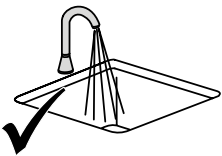
24h





Undermount

Model		A	B	r	minimum cabinet
KNG 110-37		370 ⁰ / _{.4}	420 ⁰ / _{.4}	10	450
KNG 110-52		520 ⁰ / _{.4}	420 ⁰ / _{.4}	10	600
KNG 110-62		720 ⁰ / _{.4}	420 ⁰ / _{.4}	10	800
KNG 120-47-22		720 ⁰ / _{.4}	420 ⁰ / _{.4}	10	800



franke.com

Argentina

Industrias Spar
San Luis S.A.
Buenos Aires 1008
Phone +54 11 4311 7655

Australia

Franke Australia
Dandenong South VIC 3175
Phone: +61 3 9700 9100

Belgium

Franke N.V.
9400 Ninove
Phone +32 54 310 111

Brazil

Franke Sistemas de
Cozinhas Ltda
89.219-600 Joinville-SC
Phone 0800-4773000

Canada

Franke Kindred Canada Ltd.
Midland, ON L4R 4K9
Phone +1 866 687 7465

China

Franke (China) Kitchen
Systems Co., Ltd.
Heshan, Guangdong,
529700
Phone 400 882 9898

Czech Republic

Franke s.r.o.
190 00 Praha 9
Phone +420 281 090 445

Denmark

Franke KS Denmark
8520 Lystrup
Phone +45 8624 9024

Finland

Franke Finland Oy
76850 Naarajärvi
Phone +358 15 341 11

France

Franke France S.A.S.
60230 Chambly
Phone +33 130 289 400

Germany

Franke GmbH
79713 Bad Säckingen
Phone +49 7761 52 199

Greece

Franke Hellas S.A.
19003 Markopoulo Attikis
(Athens)
Phone +30 22991 500 00

Hong Kong SAR

Franke Asia Hong Kong
Quarry Bay
Phone +852 3184 1900

India

Franke Faber India Private
Limited
Pune 412208
Phone 1800 209 3484

Italy

Franke S.p.A.
37019 Peschiera del Garda
Toll-free number
800 359 359

Kazakhstan

Franke Kazakhstan Ltd.
040918 Almaty City
Phone +7 727 297 3812

New Zealand

Franke Australia
Dandenong South VIC 3175
Phone: +64 9 964 0400

Norway

Franke KS Norway
8520 Lystrup, Denmark
Phone +47 35 566 450

Poland

Franke Polska Sp. z o.o.
05-090 Raszyn
Phone +48 22 711 6700

Portugal

Franke Portugal S.A.
2735-531 Cacém
Phone +351 21 426 9670

Romania

Franke Romania SRL
Pantelimon 077145
Phone +40 21 350 1550

Russia

Franke Russia GmbH
248033 Kaluga
Phone +7 800 555 1255

Singapore

Franke Singapore Pte Ltd
6 Raffles Boulevard
#02-274/274A Marina
Square
Singapore 039594

Slovak Republic

Franke Slovakia s.r.o.
013 24 Strečno
Phone +420 281 090 445

South Africa

Franke South Africa
Durban 4052
Phone +27 31 450 6300

Spain

Franke España S.A.U.
08174 Sant Cugat del Vallès
Phone +34 934 456 768

Sweden

Franke Futurum AB
930 47 Byske
Phone +46 912 405 00

Switzerland

Franke Küchentechnik AG
4663 Aarburg
Phone +41 800 583 243

Thailand

Franke (Thailand) Co., Ltd.
Bangkok 10110
Phone +66 2 013 7900

The Netherlands

Franke Nederland BV
5611 ZX Eindhoven
Phone +31 85 0261 15 11

Turkey

Franke Mutfak ve Banyo
Sistemleri Sanayi
ve Ticaret A.S.
41480 Gebze Kocaeli/
Turkey
Phone +90 262 644 6595

Ukraine

Franke Ukraina LLC
01042 Kyiv
Phone 0 800 301 801

United Kingdom

Franke UK Ltd.
Manchester M22 5WB
Phone +44 161 436 6280

USA

Franke Home Solutions
North America, LLC
Smyrna, TN 37167
Phone 1 800 626 5771

